

TABLE OF CONTENTS

SECTION I BAMBI

A through C

APPLIANCES

| | |
|---------------------------------------|-----|
| Air Conditioner | I-1 |
| Furnace | I-1 |
| Range | I-1 |
| Refrigerator | I-1 |
| Water Heater | I-1 |

BODY

| | |
|--|------|
| End shell, aft | I-3 |
| End shell, front | I-5 |
| Roof | I-7 |
| RS wall | I-9 |
| CS wall | I-11 |
| Body interior | I-12 |

CHASSIS

| | |
|--|------|
| Axles | I-13 |
| Shocks | I-13 |
| Tire & wheel | I-13 |
| Jacks | I-13 |
| Step | I-13 |
| Rear bumper/hose carrier | I-13 |
| Under belly metal | I-14 |
| Coupler, hitch | I-14 |
| Brakes, 12" | I-14 |

TABLE OF CONTENTS

SECTION II BAMBI

D through E

[DECALS/EXTERIOR TRIM](#).....II-1

DOORS/WINDOWS/AWNING

[Doors](#)II-2

[Windows](#)II-3

[Awning](#)II-3

[DRAPES/BLINDS/VALANCES](#)II-4

ELECTRICAL

[110 volt](#)II-5

[12 volt](#)II-6

[Interior lights](#)II-6

[Exterior lights](#)II-7

ENTERTAINMENT

[Radio/antenna](#)II-8

TABLE OF CONTENTS

SECTION III BAMBI

F through H

FASTENERS

(Common fasteners available locally are not listed)

| | |
|------------------------------|-------|
| Rivets | III-1 |
|------------------------------|-------|

FLOOR COVERING

| | |
|------------------------------|-------|
| Carpet | III-3 |
| Mats | III-3 |

FURNITURE

| | |
|--------------------------------------|-------|
| Interior doors | III-4 |
| Mirrors | III-4 |
| Drawer | III-4 |
| Rear bedroom | III-5 |
| Bath | III-5 |
| Galley | III-6 |
| Lounge | III-6 |

HARDWARE

| | |
|---|--------|
| Exterior locks/hinges | III-7 |
| Interior drawer slides/hinges latches | III-11 |
| Bath, wardrobe, misc. | III-14 |
| Awning hardware | III-26 |

TABLE OF CONTENTS

SECTION IV BAMBI

L through Z

| | |
|---------------------------------------|------|
| LABELS and TAGS | IV-1 |
|---------------------------------------|------|

PLUMBING

| | |
|---------------------------|------|
| LPG | IV-2 |
|---------------------------|------|

| | |
|-----------------------------------|------|
| Fresh water | IV-3 |
|-----------------------------------|------|

| | |
|-------------------------------|------|
| Faucets | IV-5 |
|-------------------------------|------|

| | |
|---|------|
| Drain water, sinks, tanks | IV-8 |
|---|------|

| | |
|------------------------------|-------|
| Toilet | IV-11 |
|------------------------------|-------|

| | |
|--|-------|
| SAFETY EQUIPMENT | IV-12 |
|--|-------|

| | |
|--|-------|
| SEALER/GASKETS/PAINT | IV-13 |
|--|-------|

| | |
|--|-------|
| UPHOLSTERY/FOAM/MATTRESS | IV-14 |
|--|-------|

| | |
|----------------------------------|-------|
| VENTS/FANS | IV-15 |
|----------------------------------|-------|

| | |
|---|-------|
| WOOD/LAMINATES/TRIM | IV-16 |
|---|-------|

TABLE OF CONTENTS

SECTION I BAMBI

A through C

APPLIANCES

| | |
|----------------------|-----|
| Air Conditioner..... | I-1 |
| Furnace | I-1 |
| Microwave..... | I-1 |
| Range | I-1 |
| Refrigerator..... | I-1 |
| Water Heater..... | I-1 |

BODY

| | |
|------------------------|------|
| End shell, aft..... | I-3 |
| End shell, front | I-5 |
| Roof | I-7 |
| RS wall | I-9 |
| CS wall..... | I-11 |
| Body interior | I-12 |

CHASSIS

| | |
|-------------------------------|------|
| Axles..... | I-13 |
| Shocks | I-13 |
| Tire & wheel..... | I-13 |
| Jacks..... | I-13 |
| Step | I-13 |
| Rear bumper/hose carrier..... | I-13 |
| Under belly metal..... | I-14 |
| Coupler, hitch..... | I-14 |
| Brakes, 12" | I-14 |

1999 BAMBI

APPLIANCES

| | |
|------------|--|
| 195329-143 | Air conditioner, 11, 000 Dometic |
| 201809 | Pan, drain, air conditioner |
| 690323-03 | Heat strip, Dometic air conditioner |
| 690323-104 | Shroud, exterior, Penquin, Shell White |
| 690323-05 | Air box/return grill |
| 690395 | Furnace, Hydroflame, 7916-II |
| 600193 | Hose, 2", flex heat duct |
| 511228 | Thermostat, furnace, off white |
| 690396-01 | Range/oven, 22" Maytag |
| 690396-03 | Bi-fold cover |
| 690393-01 | Refrigerator, Dometic, RM2452RH |
| 690394 | Power ventilator, refrigerator |
| 690199 | Water heater, electronic ignition |
| 690209 | Access door, brushed aluminum |

1999 BAMBI

BODY-AFT END

964513 End shell complete, rear, Bambi

- 1) 114371 End bow
- 2) 104463 Floor bow
- 3) 104351 Upper window bow
- 4) 104343 Lower window bow
- 5) 114505-01 Support, lower end, LH
- 6) 114505-02 Support, lower end, RH
- 7) 101315 Brace, vertical rear
- 8) 104408 Extrusion, Z rib

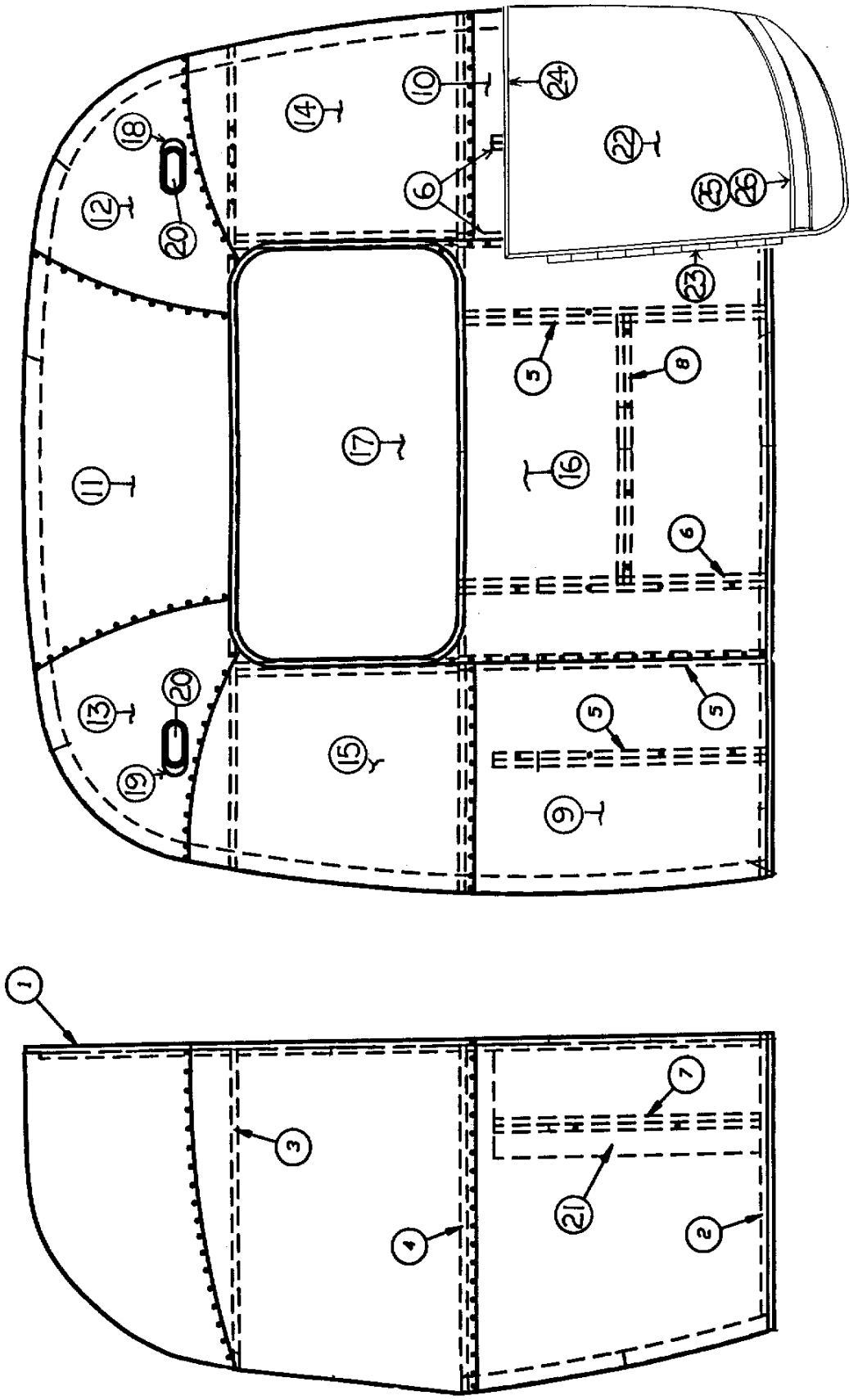
* **Airstream
finish**

**Alcoa
finish**

- | | | | |
|-----|---|------------------------------------|--------|
| 9) | 114407 | Segment #29 | 114895 |
| 10) | 114406 | Segment #28 | 114894 |
| 11) | 114403 | Segment #25 | 114892 |
| 12) | 114404 | Segment #26 | 114890 |
| 13) | 114405 | Segment #27 | 114891 |
| 14) | 104443 | Segment, center right | 114889 |
| 15) | 104442 | Segment, center left | 114888 |
| 16) | NPN Alum. sheet, .050 x 41 x 45.25 x 51.0 (cut from 114488) | | |
| 17) | 371362 | Window, rear egress, 43.94 x 24.19 | |
| 18) | 500500 | Taillight complete | |
| 19) | 510111 | Clearance light, red | |
| 20) | NPN Alum. sheet, .040 x 12.0 x 29.0 (cut from 114488) | | |
| 21) | 100679 | Door assembly, access | |
| 22) | 201462 | Pocket, ABS taillight | |
| 23) | 500053 | Light and license plate holder | |

*All trailers built after serial #512612 will have Alcoa finish

1999 BAMBI



1999 BAMBI

BODY-FRONT END

964512 End shell complete, front, Bambi

- 1) 114371 End bow
- 2) 104463 Floor bow
- 3) 104351 Upper window bow
- 4) 104343 Lower window bow
- 5) 114505-01 Support, lower end, LH
- 6) 114505-02 Support, lower end, RH
- 7) 101315 Brace, vertical rear
- 8) 104408 Extrusion, Z rib

* **Airstream**
finish

Alcoa
finish

- | | | | |
|-----|--|---------------------------------------|--------|
| 9) | 114407 | Segment #29 | 114895 |
| 10) | 114406 | Segment #28 | 114894 |
| 11) | 114403 | Segment #25 | 114892 |
| 12) | 114404 | Segment #26 | 114890 |
| 13) | 114405 | Segment #27 | 114891 |
| 14) | 104443 | Segment, center right | 114889 |
| 15) | 104442 | Segment, center left | 114888 |
| 16) | NPN Alum. sheet, .050 x 41.0 x 45.25 (cut from 114360-318) | | |
| 17) | 371362-10 | Window, 43.94 x 24.19, Bambi | |
| 18) | 101177 | Base , lamp, cast polished, RS | |
| 19) | 101178 | Base, lamp, cast polished, CS | |
| 20) | 510112 | Clearance light, amber | |
| 21) |) NPN Alum. sheet, .040 x 12.0 x 29.0 (cut from 114488) | | |
| 22) | 685366-100 | Wrap protector, RS, Safari/Bambi | |
| | 22a) 685365-100 | Wrap protector, CS, Safari/Bambi | |
| 23) | 381605-01 | Hinge, stainless, wrap protector | |
| 24) | 100742-01 | Extrusion, mirror/wrap protector trim | |
| 25) | 114460 | Extrusion, rub rail | |
| 26) | 201763-01 | Insert, rub rail | |

*All trailers built after serial #512612 will have Alcoa finish

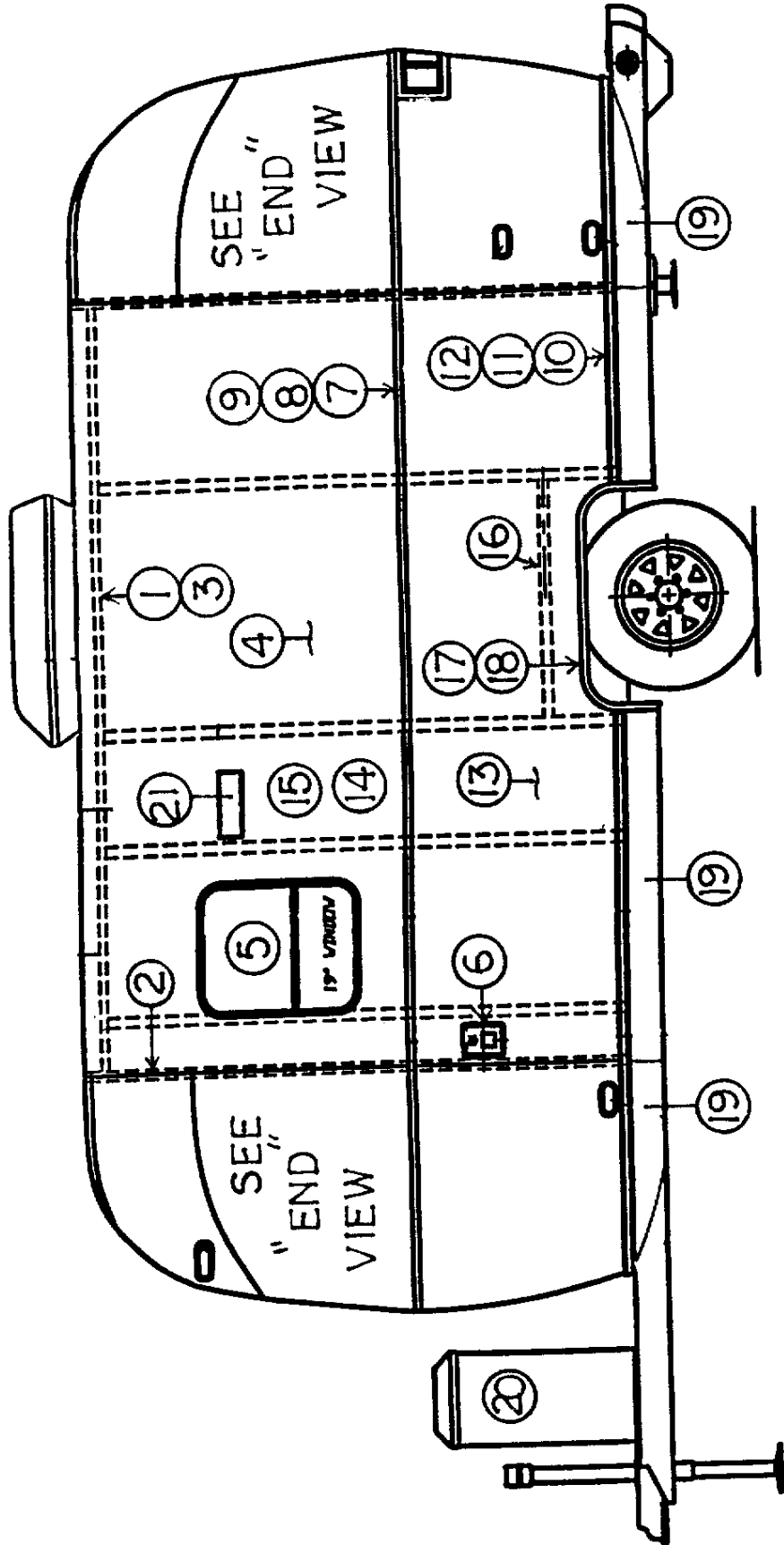
1999 BAMBI

BODY

ROOF-END VIEW

- | | |
|---------------|---------------------------------------|
| 1) 114362-318 | Alum. sheet, white, .050 x 7.0 x 318" |
| 2) 114489-259 | Alum. sheet, white, .032x60x259" |
| . | |
| 3) 114290 | Extrusion, awning/drip rail |
| 4) 340123-02 | Rivet, Huck, 3/16 x 1/2" |
| 5) 104707-05 | Extrusion. "I" beam |
| 6) 114338 | Extrusion, roof corner |
| 7) 114381-03 | Roof bow |
| 8) 104408 | Extrusion, Z bar, horizontal |

1999 BAMBI



1999 BAMBI

BODY, RS, 19FT. BAMBI

(Hardware such as hinges, locks and latches are located in the **hardware** section of this book)

- 1) 114290 Extrusion, awning/drip rail
- 2) 114371 Rib, end bow
- 3) 104707-05 Extrusion, "I" beam
- 4) 114357-262 Aluminum sheet, upper, .040 x 51 x 262"
- 5) 371362-02 Window, 19.25 x 22.75"
- 6) 601194 Water fill w/lock, gray
- 7) 114328 Extrusion, belt line
- 8) 201912 Molding, chrome, belt line
- 9) 114414 "Z" bar, 1x1x1.5"
- 10) 114460 Extrusion, rub rail
- 11) 201763-01 Insert, rub rail, chrome, 1"
- 12) 100986 Floor channel
- 13) 114356-262 Aluminum sheet, lower, .040 x 33 x 262"
- 14) 114387-02 Bow, Z rib, LH
- 15) 114387-02 Bow, Z rib, LH
- 16) 100986 Wheel well stiffener (floor channel)
- 17) 114003-03 Wheel well trim, inner, single axle
- 18) 114004-03 Wheel well trim, outer, single axle
- 19) 101131-01 Underbelly wrap, .024 x 22.5, pewter
- 20) 104264 Cover, 30# LPG bottles w/o decal
- 21) 511017-11 Vent cover, range exhaust

1999 BAMBI

BODY, CS, 19FT. BAMBI

(Hardware such as hinges, locks and latches are located in the **hardware** section of this book)

- 1) 114290 Extrusion, awning/drip rail
- 2) 114371 Rib, end bow
- 3) 104707-05 Extrusion, "I" beam
- 4) 114357-262 Aluminum sheet, upper, .040 x 51 x 262"
- 5) 371362-02 Window, 19.25 x 22.75"
- 6) 690259-03 Cover and mounting flange, Atwood
- 7) 114328 Extrusion, belt line
- 8) 201912 Molding, chrome, belt line
- 9) 114414 "Z" bar, 1x1x1.5"
- 10) 114460 Extrusion, rub rail
- 11) 201763-01 Insert, rub rail, chrome, 1"
- 12) 100986 Floor channel
- 13) 114356-262 Aluminum sheet, lower, .040 x 33 x 262"
- 14) 114387-02 Bow, Z rib, LH
- 15) 114387-02 Bow, Z rib, LH
- 16) 100986 Wheel well stiffener (floor channel)
- 17) 114003-03 Wheel well trim, inner, single axle
- 18) 114004-03 Wheel well trim, outer, single axle
- 19) 101131-01 Underbelly wrap, .024 x 22.5, pewter
- 20) 104264 Cover, 30# LPG bottles w/o decal
- 21) 922243 Door assembly, refrigerator assess
- 22) 371362-01 Window, main door
- 23) 110067-01 Main door assembly
- 24) 114654 Screen door assembly
- 25) 114652 Jamb, main door, preformed

1999 BAMBI

BODY INTERIOR

| | |
|------------|---|
| 964480 | Roof locker & aft end liner |
| 964471 | Roof locker & forward end liner |
| 114445 | Aluminum sheet, .032 x 34" x coil |
| 114853-01 | Aluminum sheet, .032 x 57" x coil |
| 702482-03* | Wall liner, Geometric Pearl, 96" |
| 702481* | Wall liner, Geometric Pearl |
| 114157-01 | Extrusion, end liner, upper, white |
| 201728-01 | Extrusion, ceiling trim retainer |
| 201728-03 | Extrusion, ceiling trim |
| 201391 | Trim, flexible, "U", white |
| 203138-01 | Extrusion, plastic, wall, white |
| 203138-02 | Extrusion, plastic, wall, brown |
| 101077 | Extrusion, main doorjamb trim, interior |
| 110460-01 | Trim ring, window, 17.75 X 21.25" |
| 110460-02 | Trim ring, window, 19.25 x 22.75" |
| 110460-08 | Trim ring, window, 44.0x 24.19" |
| 110521-01 | Trim ring, window, rear egress, 43.94x24.19 |

*For repairs purchase vinyl glues locally.

1999 BAMBI

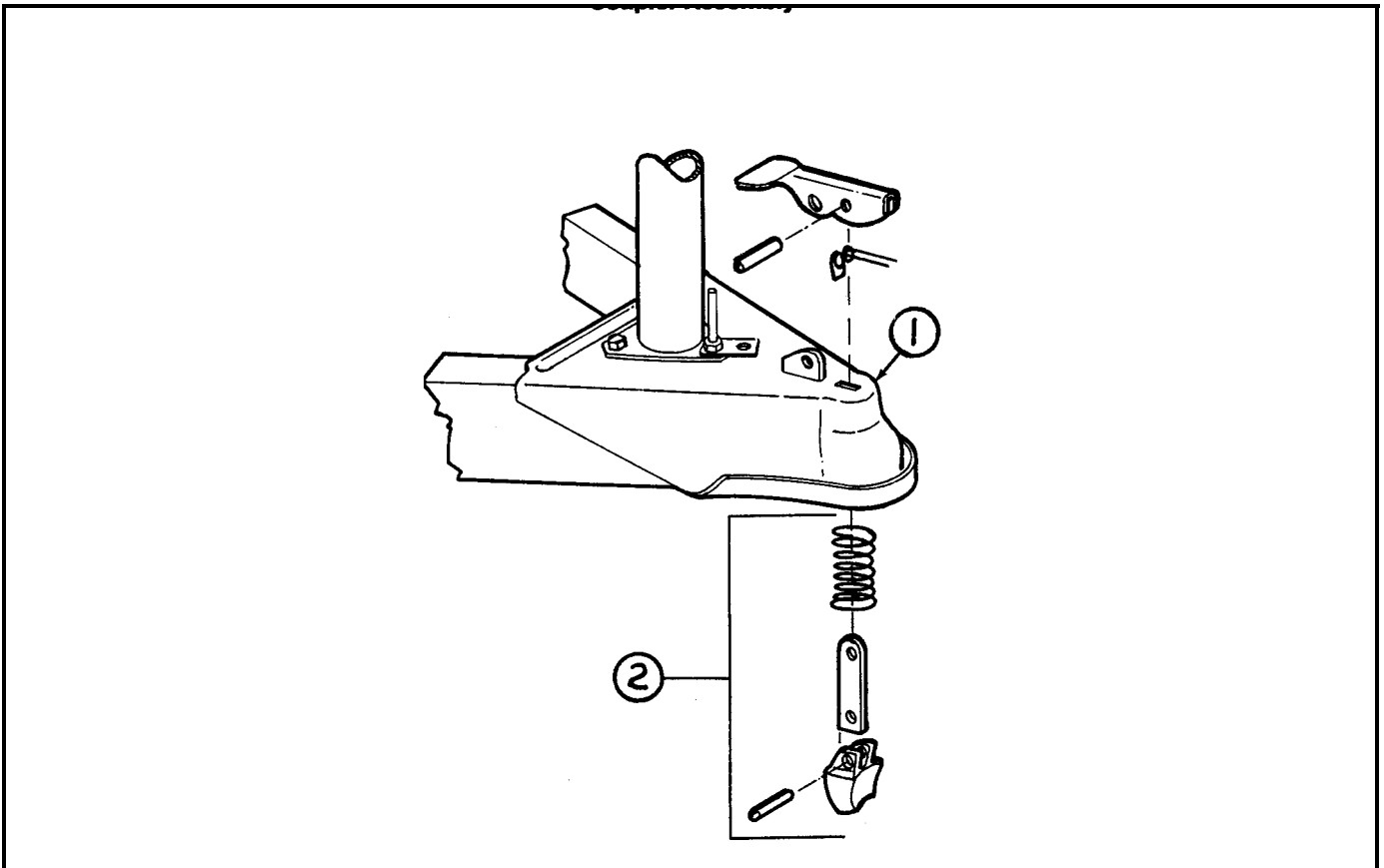
CHASSIS

| | |
|-------------|---|
| 7430001H | Axle, 4, 000 lb. |
| 0220003 | Shock absorber |
| 0250173-15 | Bolt, grade 5-- 5/8-18x1.5", shock mount |
| 0130068-818 | Nut, hex head flanged, 5/8-18, shock mount |
| 410822-15 | Tire and wheel assembly, 15", BSW, ST225 |
| 400643 | Trim ring, 15", SS |
| 203144 | Dust cover, center hub, SS |
| 0190012 | Acorn lug nut |
| 200844 | Wheel well box, Bambi |
| 201565 | Tufcote noise barrier, for wheel well |
| 3320028 | Jack, front, Atwood |
| 453570 | Stabilizer plate, front jack |
| 410598 | Foot pad |
| 381416 | Step, single, Elkhart#124 |
| 453618 | Rear bumper, 3" x 78" |
| 453497 | Lid, rear hose carrier |
| 453627 | Bottom, rear hose carrier |
| 380024 | Support arm, hose carrier lid |
| 380067 | Hose carrier lid latch (Cam-o-lock) |
| 381435 | Hatch, access cover, 4", white (power cord) |
| 400914-01 | Stabilizer jack, rear |
| 400914-02 | Handle, rear stabilizer jack |

(continued)

1999 BAMBI CHASSIS

| | |
|-----------|--|
| 0300027 | Break away switch, Bargman |
| 0360254H | Bracket, breakaway switch |
| 450414 | "A" frame spare tire carrier |
| 114679 | Aluminum underbelly, .019 x 65.75 x coil |
| 101131-01 | Aluminum, underbelly wrap, .024 x 22.5, gray |



- 1) 680343 Coupler assembly, 2 5/16"
- 2) 680345 Repair kit, 2 5/16" coupler

(continued)

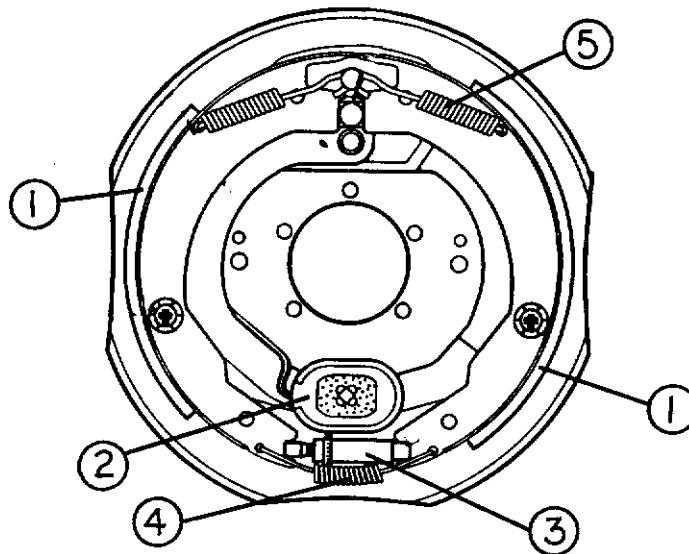
1999 BAMBI

CHASSIS

12" BRAKES, Bambi

| | |
|------------|-------------------------|
| 3160121 | Brake drum, 12", 6 lug |
| 450659 | Inner bearing, #25580 |
| 680364 | Inner race, #25520 |
| 450658 | Outer bearing, #LM67048 |
| 680365 | Outer race, #LM67010 |
| 680370-100 | Grease seal |

| | |
|---------|--------------------------------|
| 3160347 | Brake assembly, RH, 12" Dexter |
| 3160348 | Brake assembly, LH, 12" Dexter |



- 1) 3160348-62 Shoe and lining kit (includes hold down spring and pin)
- 2) 3160348-65 Magnet kit
- 3) 3160348-63 Adjuster assembly
- 4) 3160348-64 Adjusting screw spring
- 5) 3160348-61 Retractor spring

1999 BAMBI

SECTION II

D through E

DECALS/EXTERIOR TRIM.....II-1

DOORS/WINDOWS/AWNING

DoorsII-2

Windows.....II-3

AwningII-3

DRAPES/BLINDS/VALANCESII-4

ELECTRICAL

110 volt.....II-5

12 voltII-6

ENTERTAINMENT

Radio/antennaII-8

1999 BAMBI

DECALS/EXTERIOR TRIM

| | |
|-----------|---|
| 385964-01 | Decal, stripe, 2 3/4" x 150', Safari |
| 385964-02 | "Airstream" decal 1 5/16 x 32" |
| 385986-01 | "Bambi by Airstream" legend |
| 385985-01 | "Bambi" logo, 10.5" |
| 114460 | Extrusion, rub rail, 16' |
| 201763-01 | Insert, rub rail, chrome, 1" |
| 114466-01 | Close out, casting, rub rail, angled RH |
| 114466-02 | Close out, casting, rub rail, angled LH |
| 114465-01 | Close out, casting, rub rail RH |
| 114465-02 | Close out, casting, rub rail LH |
| 114328 | Extrusion, beltline |
| 201912 | Molding, chrome, beltline insert |
| 114417 | Casting close out, belt line |

1999 BAMBI

DOORS/WINDOWS/AWNING

(Hardware such as hinges, locks and latches are located in the **hardware** section of this book.)

DOORS

| | |
|-----------|--|
| 110067-01 | Main door assembly |
| 114652 | Jamb, main door, preformed |
| 114653 | Frame, main door, preformed |
| 114448-02 | Skin, exterior, upper main door |
| 114449-02 | Skin, exterior, lower main door |
| 114475 | Skin, inner, vinyl clad |
| 114363 | Drip cap, main door |
| 365232 | Seal, main door |
| 114654 | Screen door assembly |
| 114561 | Panel, slider, screen door |
| 203000-01 | Close out, plastic, screen door |
| 380079 | Screen, gray |
| 200518 | Spline, gray, screen insert |
| 365013 | Gasket, screen door, foam tape |
| 922243 | Door, refrigerator access |
| 104417 | Jamb, refrigerator access door |
| 104439 | Louvered panel, refrigerator access door |
| 201391 | Trim, flexible |
| 100679 | Side access door assembly |
| 365035 | Seal, side access door |

(continued)

1999 BAMBI

DOORS/WINDOWS/AWNINGS

(Hardware such as hinges, locks and latches are located in the **hardware** section of this book.)

WINDOWS

| | |
|-----------|---------------------------------------|
| 371362-01 | Window, 17.75 x 21.25" |
| 371362-02 | Window, 19.25 x 22.75" |
| 371362-10 | Window, 43.94 x 24.19" |
| 371362-11 | Window, egress, Bambi, 43.94 x 24.19" |

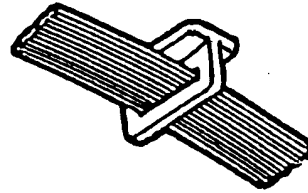
AWNINGS

| | |
|-----------|---|
| 110102-02 | Rock guard, Bambi |
| 685351 | Rubber frame, black |
| 683960 | Arm support |
| 683959 | Arm support bracket |
| 685354 | Front window key |
| 702880-04 | Awning, patio, 9' 8", Blue Shadow-23ft. |
| 702880 | Hardware package, A&E awning |

1999 BAMBI

DRAPES/BLINDS/VALANCES

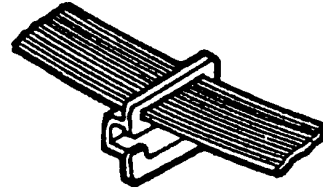
- 110554 Curtain set, Bambi
- 702355-01 Shade, roller type, 20 1/8 x 36" galley
- 964515-02 Valance assembly, RS, front, 64"
- 964515-01 Valance assembly, CS, front
- 964518 Valance assembly, CS bedroom



101220
Bracket, curtain
stand off

101217
Track, curtain

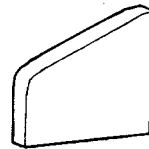
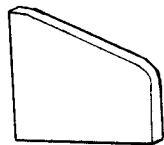
700044
Glides, w/elastic
"T" type



114021
Bracket, curtain
stand off

101225
Bracket, curtain
stand off

700045
Glides, w/elastic
"G" type



200785
End, curtain track, LH

200784
End, curtain track, RH

1999 BAMBI

ELECTRICAL

110 VOLT

| | |
|------------|-----------------------------|
| 510634 | Power cord, 36ft. |
| 511041 | Breaker box, Westinghouse |
| 510564-05 | Breaker 30-20, Bryant |
| 510564-04 | Breaker 20-20, Bryant |
| 510564-20 | Breaker, 20 GFI |
| 510564-07 | Breaker 15 GFI, Bryant |
| 500563-101 | Receptacle, 15 amp, white |
| 511287 | Receptacle, 15 amp, single |
| 510676-01 | Outlet, exterior, gray |
| 511023 | Circuit tester (loose item) |
| 511426 | Converter, 55 amp |

1999 BAMBI

ELECTRICAL

12 VOLT

| | |
|-----------|--|
| 511132 | Battery, deep cycle, lead acid |
| 511386 | Battery box |
| 340023 | Latch, Corbin, battery box |
| 453603 | Strap, battery box |
| 500886 | 7-Way cable w/plug |
| 0300027 | Break away switch, Bargman |
| 511426 | Converter, 55 amp |
| 510626 | Switch, master disconnect |
| 510627 | Face plate, disconnect switch |
| 511337 | Fuse block, 12 volt, 6 position-ATC type |
| 511248 | Light, 12 volt, incandescent, single, interior |
| 511249 | Light, 12 volt, incandescent, double, interior |
| 510781 | Detector, smoke |
| 511309 | Detector, LPG |
| 511341-02 | Monitor panel, wall mount |
| 502056 | Mounting plate, 12 volt switch |
| 511327 | Switch body w/rocker, single, white |
| 510868-03 | Switch panel, 4 gang, white, by door |
| 511100-01 | Switch body w/rocker, white |
| 511077-03 | Cover, switch, white w/gold print |
| 510807 | Outlet, 12 volt |
| 511121 | Mounting plate, 12 volt receptacle |

(continued)

1999 BAMBI

ELECTRICAL

12 VOLT

| | |
|-----------|--|
| 500996 | Jack, TV/phone, gray |
| 510654-01 | TV jack/12 volt w/splitter, white |
| 510624-01 | Modular phone quick jack, white |
| 104619 | Mounting plate, exterior telephone/TV jack |

EXTERIOR LIGHTS/REFLECTORS

| | |
|--------|--|
| 510732 | Utility light (by door) |
| 500500 | Tail light assembly |
| 510161 | Can, #1156 bulb and socket |
| 510160 | Can, #1157 bulb and socket |
| 510162 | Tail light lens |
| 510163 | Back-up light lens |
| 380226 | Gasket, tail light lens |
| 201462 | Pocket , plastic, taillight |
| 109172 | Bezel, chrome, tail light |
| 510111 | Clearance light, red, Signal Stat |
| 510112 | Clearance light, amber, Signal Stat |
| 500095 | Reflector, red, rectangular |
| 500096 | Reflector, amber, rectangular |
| 510446 | Reflector, red, stick-on w/chrome edge |
| 500053 | License plate light w/plate mounting bracket |

1999 BAMBI

ENTERTAINMENT

| | |
|-----------|---------------------------------|
| 511338 | Radio, AM/FM/Cassette, Audiovox |
| 511339-01 | Speaker, 5.25", Audiovox |
| 511339-02 | Grill, speaker cover, 6" |
| 510610 | Antenna, radio, side mount |
| 510788-01 | TV antenna, Wineguard #RV-7004 |
| 510788-03 | Amplifier, TV antenna |
| 510612 | Coax, 75 ohm, standard |
| 510613 | Coax, 75-ohm w/three conductors |
| 510623 | Connector, coax, male to male |
| 114396 | Trough, TV antenna |

1999 BAMBI

SECTION III

F through H

FASTENERS

(Common fasteners available locally are not listed)

Rivets..... III-1

FLOOR COVERING

Carpet..... III-3

Mats III-3

FURNITURE

Interior doors III-4

Mirrors III-4

Drawer III-4

Rear bedroom..... III-5

Bath III-5

Galley III-6

Lounge III-6

HARDWARE

Exterior locks/hinges III-7

Interior drawer slides/hinges latches III-11

Bath accessories III-14

Awning hardware III-26

1999 BAMBI

*FASTENERS



325043
Rivet, buck type
dia. 1/8"
length 1/4"
(hard)



325000-01
Rivet, buck type
dia. 1/8"
length 1/4"
anodized clear



325000-03
Rivet, buck type
dia. 1/8"
length 1/4"
anodized white



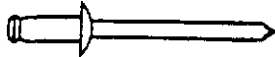
325001-01
Rivet, buck type
dia. 1/8
length 5/16"
anodized clear



325002-01
Rivet, buck type
"dia. 1/8"
length 3/8"
anodized clear



325004-01
Rivet, buck type
dia. 1/8"
length 1/2"
anodized clear



330127-03
dia. 1/8"
grip range .063-.125
aluminum body
aluminum mandrel

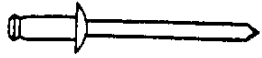


300101
1/8" I.D.
washer, aluminum

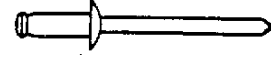
*Common bolts and screws readily available at local hardware outlets have not been listed.

1999 BAMBI

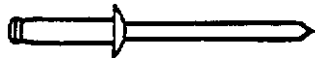
*FASTENERS



330126-02
rivet, pop
dia. 1/8
grip range .126-.187
stainless steel body
stainless steel mandrel



330126-03
rivet, pop
"dia. 1/8 "
grip range .126-.250
stainless steel body
stainless steel mandrel



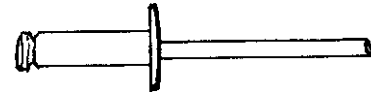
330127-050
rivet, pop
dia. 1/8"
grip range .251-.312
aluminum body
aluminum mandrel



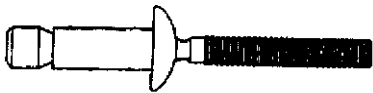
330128-05
rivet, pop
dia. 1/8"
grip range .251-.312
aluminum body, white
aluminum mandrel



330127-08
rivet, pop
dia. 1/8"
grip range .325-.565
aluminum body
aluminum mandrel



0330038
rivet, pop
dia. .150 (#20 bit)
grip range .126-.250
aluminum body
aluminum mandrel
(used-screen door hinge)



325103
dia. 1/4"
grip range .080-.325
SS body
steel mandrel

*Common bolts and
screws not listed.

1999 BAMBI

FLOOR COVERING

702794-01 Carpet, Spectrum, Pike Green

700173 Pad, carpet, 3/8" thick

381346 Floor mats

1999 BAMBI
FURNITURE
WARDROBE/CABINET DOORS

| | | width x height (inches) |
|-----------|-------------------------|-------------------------|
| 964385-17 | Door | 9.13 x 24.0" |
| 964385-18 | Door | 13.25 x 62.0" |
| 964385-21 | Door | 15.63 x 11.88" |
| 964385-06 | Door | 17.75 x 13.75" |
| 964385-28 | Door | 19.62 x 30.50" |
| 964385-04 | Door | 23.00 x 8.00" |
| 964385-03 | Door | 23.50 x 4.5" |
| 964385-19 | Door | 24.88 x 10.5" |
| 964385-16 | Door, breaker box cover | 7.5 x 13.75" |

ROOF LOCKER DOORS

| | |
|-----------|--|
| 964386-01 | Door, roof locker, front and rear-RH & LH, |
| 964386-02 | Face panel, locker end filler, spec., RH or LH |
| 964386-06 | Door, roof locker, 32.5" |
| 964503-02 | Door, bedroom roof locker, 14 x 41.0" |
| 964386-03 | Door, galley roof locker, 28.38" |
| 964386-07 | Door, galley roof locker, 15.5x 24.88" |

MISCELLANEOUS DOORS

| | |
|-----------|---|
| 702937-03 | Shower door, roll away 36 x 62" |
| 964539 | Bath door assembly, 25.5 x 72 |
| 372203-04 | Mirror, safety glass, medicine cab.19.5x20" |
| 372203-05 | Mirror, safety glass, medicine cabinet, 19 x 14 |
| 702681-04 | Door, foldette, 56 x 73" |
| 381563-01 | Track formed, foldette door |

DRAWERS

| | |
|-----------|----------------------------------|
| 201016 | Drawer, plastic, 16 x 22" |
| 962821-61 | Drawer box , 2.88 x 16.0 x 20.0" |
| 962821-27 | Drawer box, 5.00 x 18.0 x 17.50 |

1999 BAMBI

FURNITURE

BEDROOM

| | |
|-----------|----------------------------------|
| 108433 | Header , foldette door |
| 200003 | End cap, header mounting, brown |
| 702681-04 | Door, foldette, 56 x 73" |
| 452258 | Bracket, mounting, foldette door |
| 701342-01 | Strap, vinyl, foldette door |
| 964481 | Bed assembly |
| 964250-01 | Wardrobe assembly, RS, Bambi |
| 964505 | Roof locker, bedroom |

BATHROOM

(see hardware section for fixtures-if connected to water,
see plumbing)

| | |
|-----------|----------------------------------|
| 203114 | Shower, two piece fiberglass |
| 203138-01 | Extrusion, wall, plastic. white |
| 702937-03 | Shower door, roll away, 36 x 62" |
| 801192-12 | Divider panel, bath |
| 801209 | Doorjamb, bath |
| 964312 | Header, bath door |
| 964249-02 | Lavatory cabinet assembly |
| 964315 | Top, lavatory cabinet |
| 964318 | Medicine cabinet, upper |
| 964319 | Medicine cabinet, lower |

1999 BAMBI

FURNITURE GALLEY

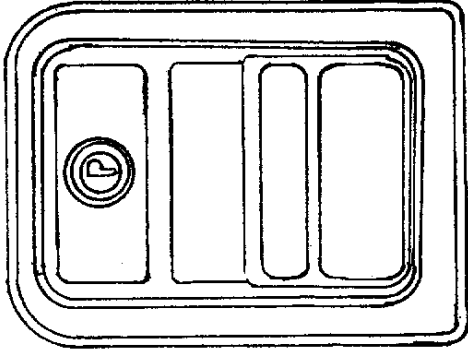
| | |
|-----------|------------------------------------|
| 964482 | Galley assembly |
| 964483 | Top, galley assembly |
| 964335 | Flip-up shelf, galley |
| 963990 | Magazine rack |
| 961982-01 | Sink cover |
| 964514 | Spice cabinet assembly |
| 964490 | Galley roof locker assembly |
| 964460 | Refrigerator cabinet assembly |
| 964461 | Top, refrigerator cabinet assembly |
| 511341-01 | Range hood |

LOUNGE AREA

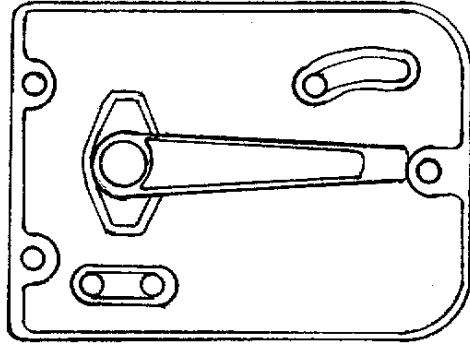
| | |
|--------|---------------------------|
| 964484 | Dinette seat assembly, RS |
| 964485 | Dinette seat assembly, CS |
| 964486 | Dinette table assembly |

1999 BAMBI
HARDWARE

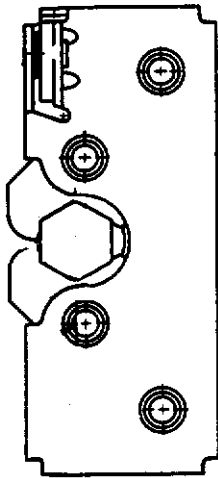
MAIN DOOR LOCK



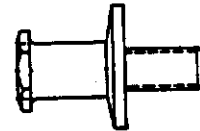
381547-01
Main door lock, outside
Housing



381547-02
Main door lock, inside
plate



381547-03
Double rotary latch,
main door lock

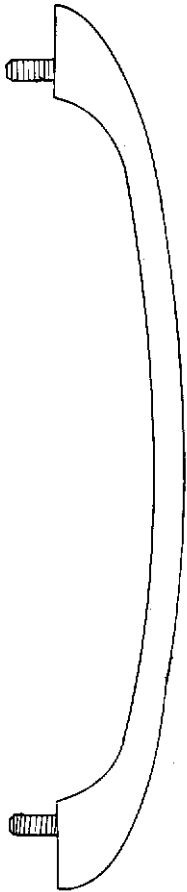


381547-04
Striker bolt w/washer
main door lock

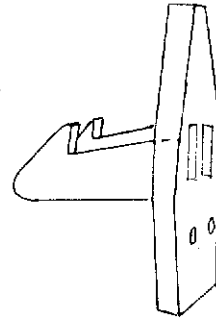
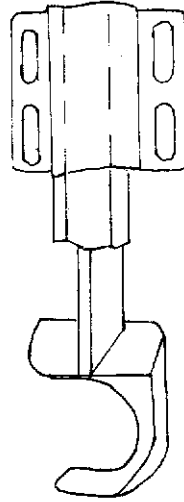
Not shown:

381547-05 Screw package, main door lock

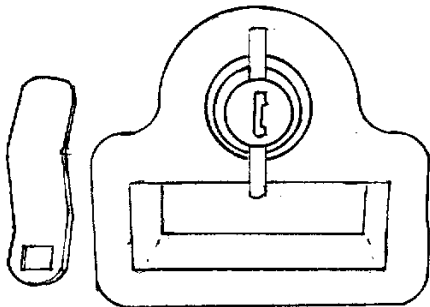
1999 BAMBI
HARDWARE
EXTERIOR LATCHES/LOCKS



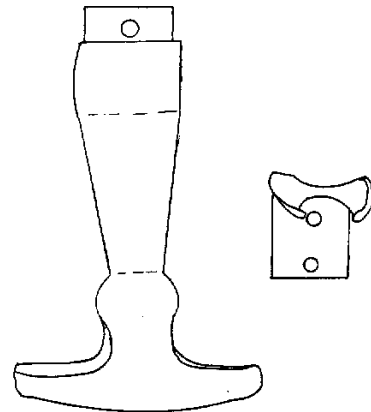
101171
Grab handle, main door



381454
Latch, screen door, Bullet



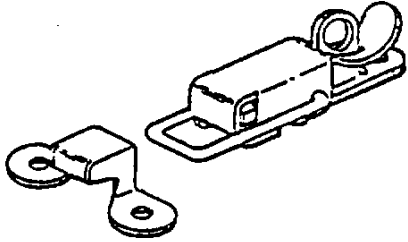
380770-101 Twist lock, chrome
380770-102 Twist lock, black



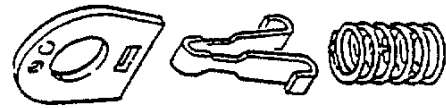
381021 Rubber T handle

1999 BAMBI HARDWARE

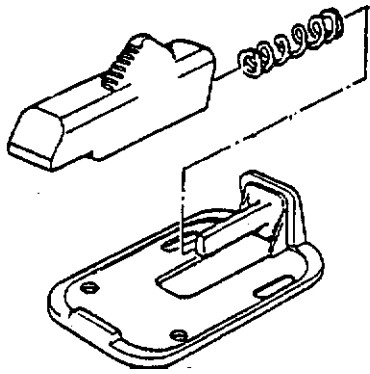
EXTERIOR LATCHES/LOCKS



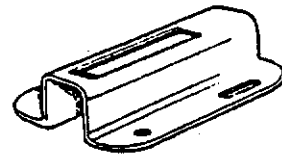
340023 Corbin catch
w/strike, battery box



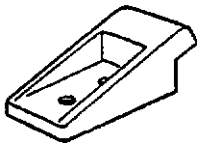
380067 Lock cam,
bumper lid



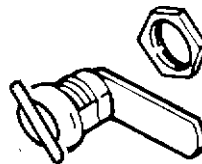
380291 Main door holdback,
(use w/housing #380290)



380290 Latch housing,
main door holdback



201056 Catch, main door
hold-back

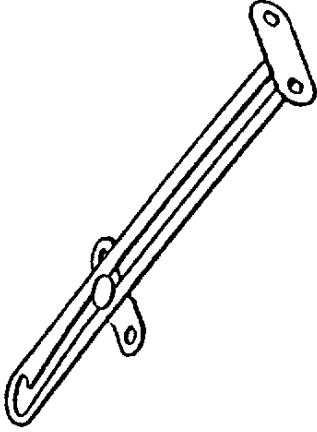


381513 Twist lock
refer, access door

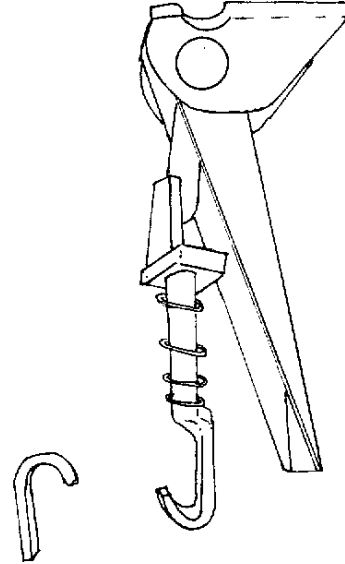
1999 BAMBI

HARDWARE

EXTERIOR LATCHES/LOCKS



380024 Support arm,
bumper lid



380903 Latch w/strike,
chrome, gas bottle cover

EXTERIOR HINGES

381552-03 Hinge assembly, main door, upper
381552-04 Hinge assembly, main door, lower

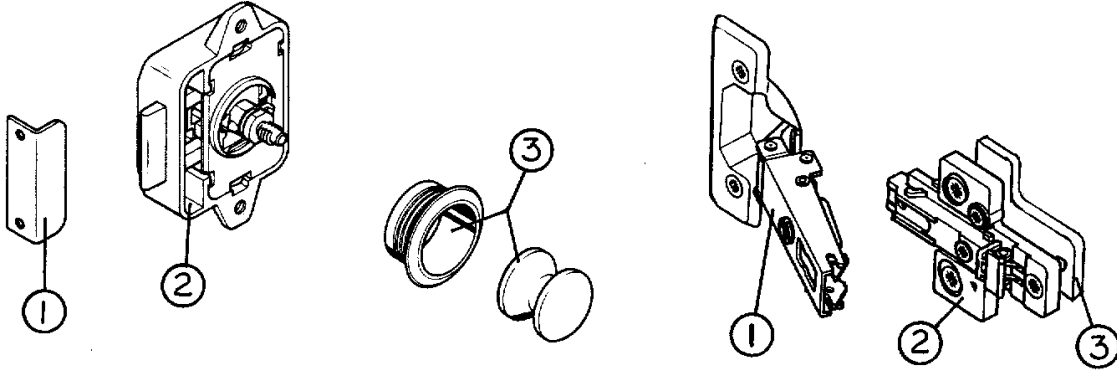
381531-01 Hinge, screen door, upper
381531-02 Hinge, screen door, lower

380773 Hinge, access door, 13 1/4"
385935-01 Hinge, pivot, trunk door, rear

380203-01 Piano hinge, 1/8" pin, clear anodized, hose carrier lid

1999 BAMBI HARDWARE

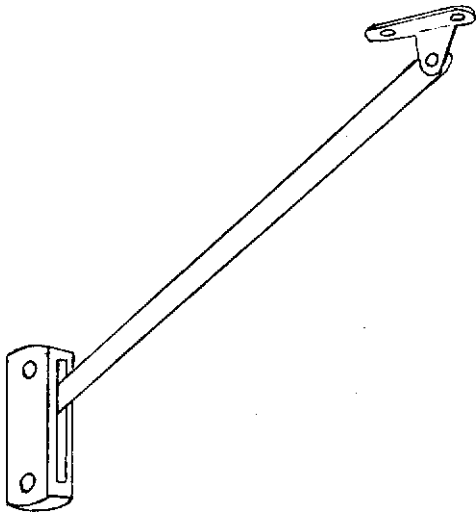
INTERIOR LATCHES/HINGES



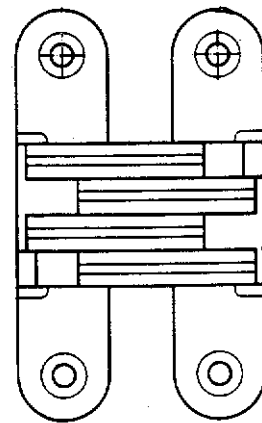
- 1) 381608-07 Strike plate, rim lock
- 2) 381608-02 Latch, cabinet, rim lock
- 3) 381608-03 Push button w/rosette

- 1) 381607-01 Hinge, cabinet
- 2) 381607-02 Base, metal
- 3) *381607-03 Base, plastic

*Not used in all applications



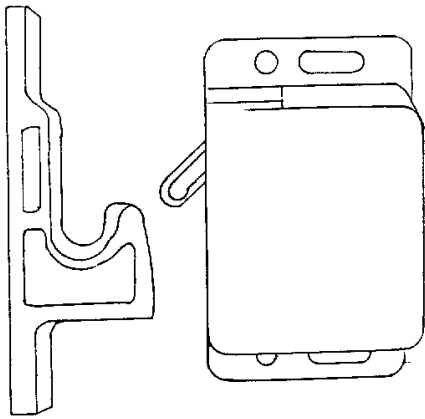
- 381608-04 Support arm, roof locker, RH
- 381608-05 Support arm, roof locker, LH



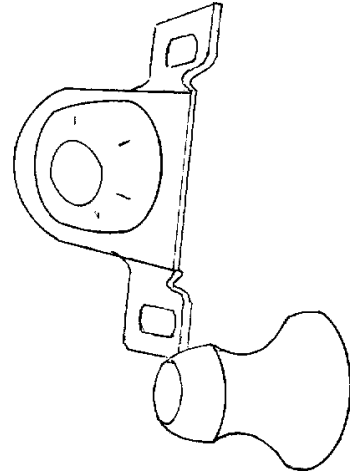
- 380040 Soss hinge, lift up table

1999 BAMBI
HARDWARE

INTERIOR LATCHES/HINGES



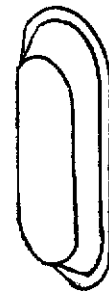
381228 Grabber door catch



381074 Bull Dog door catch



201427 Finger pull,
light brown



381603 Pull, three finger
Antique brass

1999 BAMBI

HARDWARE

INTERIOR LATCHES/HINGES



36012 Bumper, rubber
white, stick-on, cylindrical

360012-01 Bumper, rubber
brown, stick-on, cylindrical



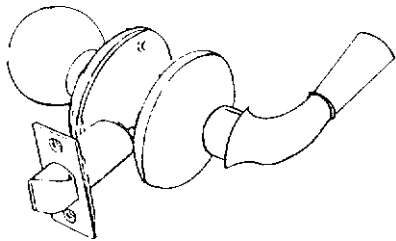
360016 Bumper rubber
gray, square 3/8x3/8



195329-220 Bumper, rubber
clear, stick-on oval



385587 Cap, rubber
hood bumper, black



381022 Latch, swinging bath door

1999 BAMBI

HARDWARE BATHROOM ACCESSORIES

| | |
|-----------|--------------------------------|
| 380034 | Toilet paper holder, chrome |
| 381259-01 | Towel bar, 18", chrome |
| 380259-03 | Brackets, chrome towel bar |
| 380248 | Soap dish |
| 380017 | Holder, tumbler and toothbrush |

HINGES

| | |
|-----------|--|
| 381607 | Hinge assembly, Euro style, Grass |
| 380458 | Hinge, piano, 3/32 pin, 5/8" leaf, brown |
| 380210 | Hinge, 2" metal, bed top |
| 385935-01 | Hinge, pivot, plated, medicine chest |
| 381614 | Folding shelf bracket, galley |
| 381072 | Hinge, 3in. x1 7/8in. open, gold |

WARDROBE

| | |
|-----------|---|
| 380045 | Clothes rod |
| 200975-04 | Conduit, flexible, black (covers clothes rod) |
| 380046 | Bracket, clothes rod |

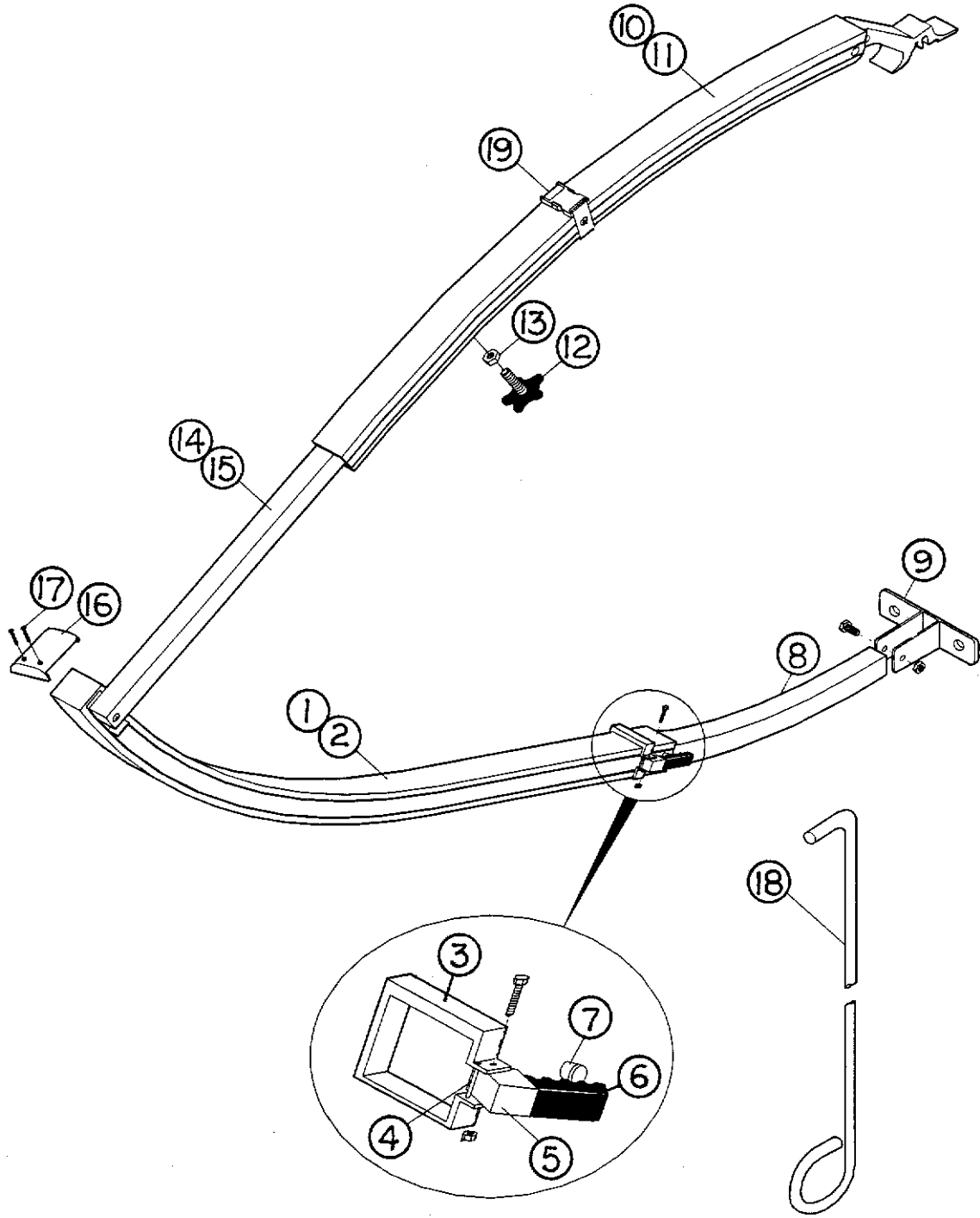
MICELLANEOUS

| | |
|-----------|---|
| 701342-01 | Vinyl strap, sliding door hold back (female snap on both ends) |
| 381526-01 | Drawer slide -950-RV, 14" |
| 701624 | Velcro loop, 5/8" wide |
| 701625 | Velcro hook, 5/8" wide |

1999 BAMBI

NOTES:

1999 BAMBI



1999 BAMBI

HARDWARE

AWNING HARDWARE

- 1) 702880-001 Arm assembly, main, curved, RH
- 2) 702880-002 Arm assembly, main, curved, LH
- 3) 702880-003 Bracket, arm latch
- 4) 702880-004 Pin, spring, 3/16" x 1"
- 5) 702880-005 Handle, lift, painted
- 6) 702880-006 Cap, vinyl, black
- 7) 702880-007 Plunger, spring loaded
- 8) 702880-008 Arm assembly, inner
- 9) 702880-009 Foot, square
- 10) 702880-010 Rafter assembly, curved, RH
- 11) 702880-011 Rafter assembly, curved, LH
- 12) 702880-012 Knob, five point w/threaded stud
- 13) 702880-013 Nut, special, hex, 1/4-20 x 11/16
- 14) 702880-014 Rafter assembly, inner, secondary, RH
- 15) 702880-015 Rafter assembly, inner, secondary, LH
- 16) 702880-016 Cap, main arm
- 17) 702880-017 Screw, 6-19 x .38
- 18) 702880-018 Rod, EZ pull, gray
- 19) 702880-019 Travel strap

1999 BAMBI

SECTION IV

L through Z

LABELS and TAGS IV-1

PLUMBING

LPG IV-2

Fresh water IV-3

Drain water IV-8

Toilet IV-11

SAFETY EQUIPMENT IV-12

SEALER/GASKETS/PAINT IV-13

UPHOLSTERY/FOAM/MATTRESS IV-14

VENTS/FANS IV-15

WOOD/LAMINATES/TRIM IV-16

1999 BAMBI

LABELS AND TAGS

| | |
|-----------|--|
| 385193 | Label, "12V distribution panel inside" |
| 385048 | Label, approval with shield |
| 385269 | Label, "DON'T USE AREA FOR STORAGE" |
| 385068 | Tag, cooking appliance warning |
| 385067 | Label, EXIT |
| 385547 | Label, LP gas warning/fill |
| 385517 | Label, kill switch warning |
| 385521 | Label, emergency egress window |
| 385463 | Warning label/cooking appliance |
| 385464 | Label, LP gas warning label(odor) |
| 385465 | Exit label, English |
| 385560 | Label, air conditioner rating |
| 385512 | Label, Calif. hazardous substance |
| 385609 | Label, smoke detector |
| 385359 | Label, microwave or air conditioner |
| 385837 | Label, refrigeration ignition |
| 385103 | Plate, RVIA |
| 385418-01 | Label, Federal registration |
| 385062 | Decal, 110-125 voltage AC |
| 385565 | Label, holding tank flushing |
| 385972 | Label, fuse 12volt |

1999 BAMBI

PLUMBING

LPG SYSTEM

| | |
|-------------|--|
| 601710 | LP gas bottle, 30lb., steel, POL |
| *601710-01 | LP gas bottle, 30lb. steel, TYPE I |
| 601686 | Base plate, LP tank mounting |
| 601687 | Hold down kit, LP tank |
| 601684 | LP regulator, Marshall Brass w/pigtails, mounting bracket & cover, POL |
| 601684-100 | LP pigtails, 11in., POL |
| *601731 | LP regulator, Marshall Brass w/pigtails, mounting bracket & cover, TYPE I |
| *601731-100 | LP pigtails, 15in., TYPE I |
| 601684-101 | Bracket, mounting, LP regulator |
| 601684-102 | Cover, Marshall Brass regulator |
| 601675 | Union, 3/8 flare, brass |
| 601412-12 | Connector, 1/2P x 5/8 copper |
| 601685-01 | LP hose, 1/2FPT x 3/8 flare |
| 600468 | Union flare, 5/8 x 5/8 |
| 600238 | Union flare, 3/8 x 3/8 |
| 600004 | Copper tubing, 5/8 |
| 600008 | Copper tubing, 3/8 |
| 600436 | Flare nut, forged, 5/8 |
| 600435 | Flare nut , forged, 3/8 |
| 600000 | Tee, brass, 5/8 x 5/8 x 3/8 |
| 600003 | Tee, brass, 5/8 x 3/8 x 3/8 |
| 104264 | Gas bottle cover w/o decal |
| 380903 | Latch and strike |
| 200841 | Lid, plastic, bottle cover |
| 380773 | Hinge, access door |

*TYPE I fittings started on serial number 512554

1999 BAMBI

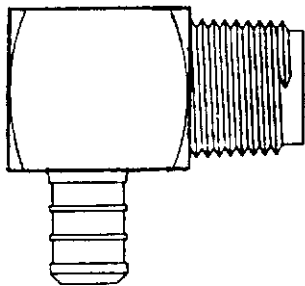
PLUMBING FRESH WATER

| | |
|-----------|---|
| 601194 | Water fill w/lock, gray |
| 601708-01 | Tank, fresh water |
| 601239 | Tubing, 1.375 I.D., flexible, water fill hose |
| 601061-01 | Water pump, Shurflo |
| 600668 | Filter, pre water pump |

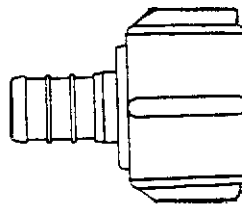
CITY WATER

| | |
|--------|--|
| 600139 | Check valve, brass |
| 600362 | Connector, 1/2FPT x water hose, swivel |
| 600336 | Plug with chain |
| 601690 | Nipple, 1/2 MPT x 2.50 |
| 601689 | Drop ell, 90 degree, 1/2 FPT |
| 600309 | Regulator, Watts, 1/2 FPT |
| 601469 | Vacuum breaker, 3/4in. garden hose |
| 601467 | Sill cock, 1/2in.female |

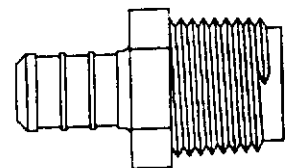
FITTINGS



601698-04
Elbow, 1/2 barb
x 1/2 MPT

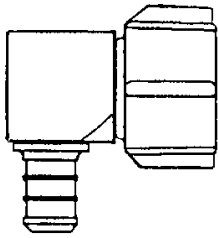


601698-03
Coupler, 1/2 barb
x 1/2 FPT

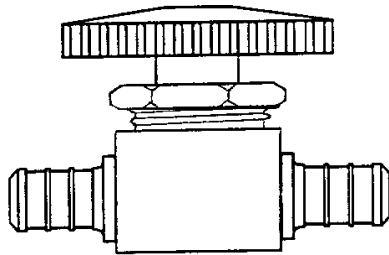


601698-02
Coupler, 1/2 barb
x 1/2 MPT

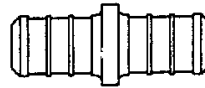
1999 BAMBI
PLUMBING
FRESH WATER-FITTINGS



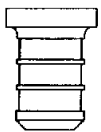
601698-05
Elbow 1/2 barb x
1/2 FPT



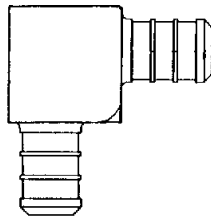
601698-07
Shut-off, 1/2 barb x
1/2 barb



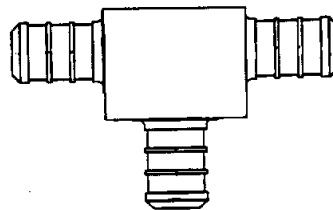
601698-08
Coupler 1/2 x 1/2 barb



601698-09
Plug, 1/2 barb
1/2 barb



601698-10
Elbow 1/2 barb x
1/2 barb



601698-11 Tee, 1/2 x 1/2 x

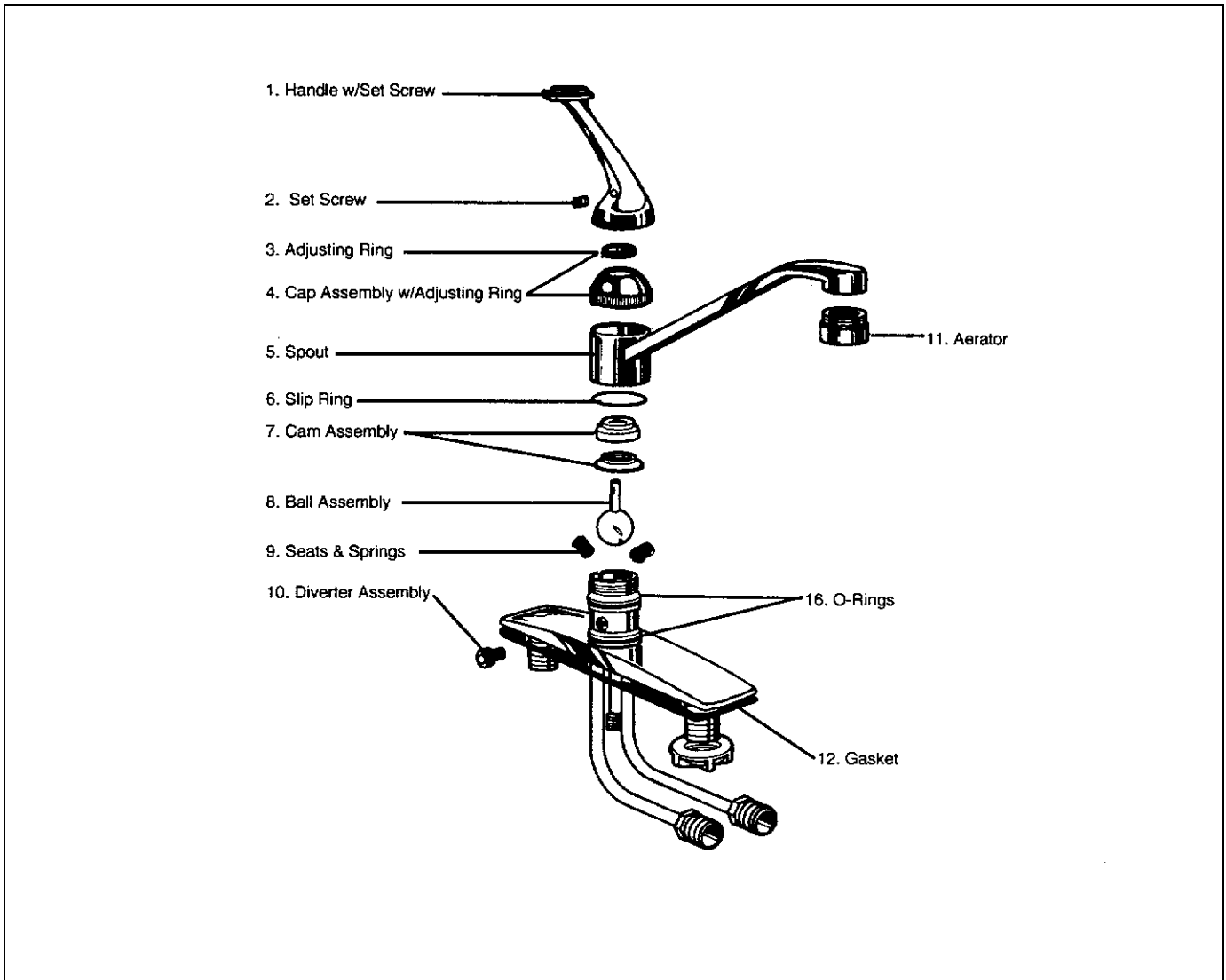


601698-15
Crimp ring, 1/2
E-Pex, 1/2 (black)



601698-01
E-Pex tube, 1/2"

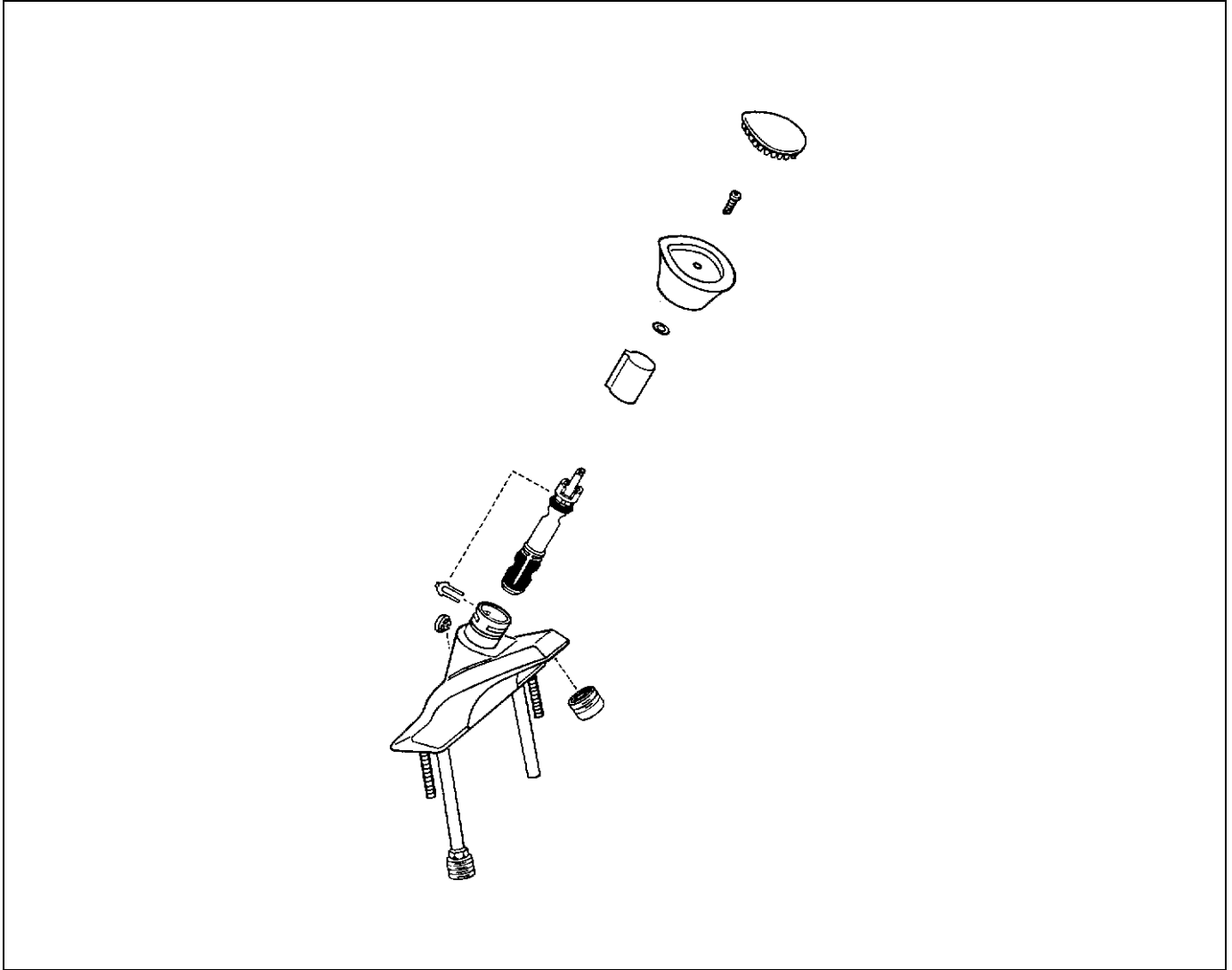
1999 BAMBI PLUMBING FRESH WATER FAUCETS



601528 Faucet, 8" kitchen w/spray, Peerless

Parts illustration is for your reference only. Please purchase your Peerless or Delta parts kits locally. They are interchangeable.

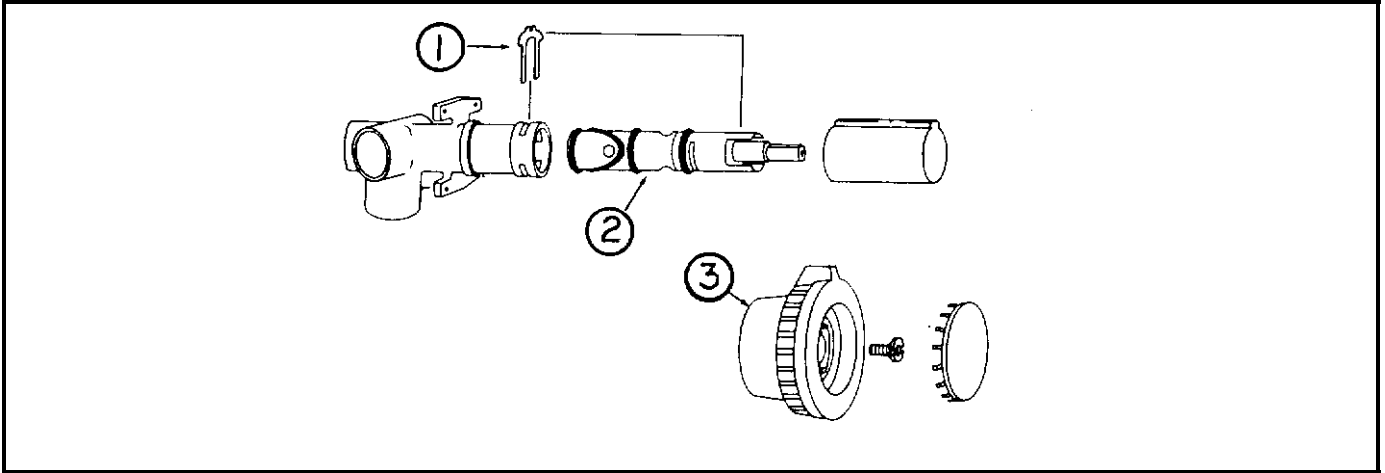
1999 BAMBI
PLUMBING
FRESH WATER FAUCETS



- | | |
|---------------|--------------------------------|
| 601419-01 | Faucet, lavatory, Moen, chrome |
| 1) 001245 | Knob |
| 2) 601579-105 | Cartridge |
| 3) 601579-104 | Retainer clip |

1999 BAMBI

PLUMBING FRESH WATER-FAUCETS



601420-01 Faucet, shower

- | | |
|---------------|---------------|
| 1) 000883 | Retainer clip |
| 2) 601420-100 | Cartridge |
| 3) 001041 | Handle |
-
- | | |
|------------|------------------------|
| 601358-100 | Shower head , chrome |
| 600330 | Shower hose, chrome |
| 600332 | Vacuum breaker, chrome |

1999 BAMBI

PLUMBING DRAIN SYSTEM

Grey tank

601707-01 Holding tank, gray, Bambi

Black Tank

601706-01 Holding tank, black, Bambi

Sink/showers

203114 Shower stall, two piece, Bambi

600594 Tub strainer w/rubber stopper

601497-01 Sink, porcelain, galley, Almond (all)

195362-39 Strainer, 2"

200406-06 Lavatory bowl, oval (includes stopper, basket and tail)

Drain Tank Valve

601482 Dump valve assembly, Bambi

1999 BAMBI

PLUMBING

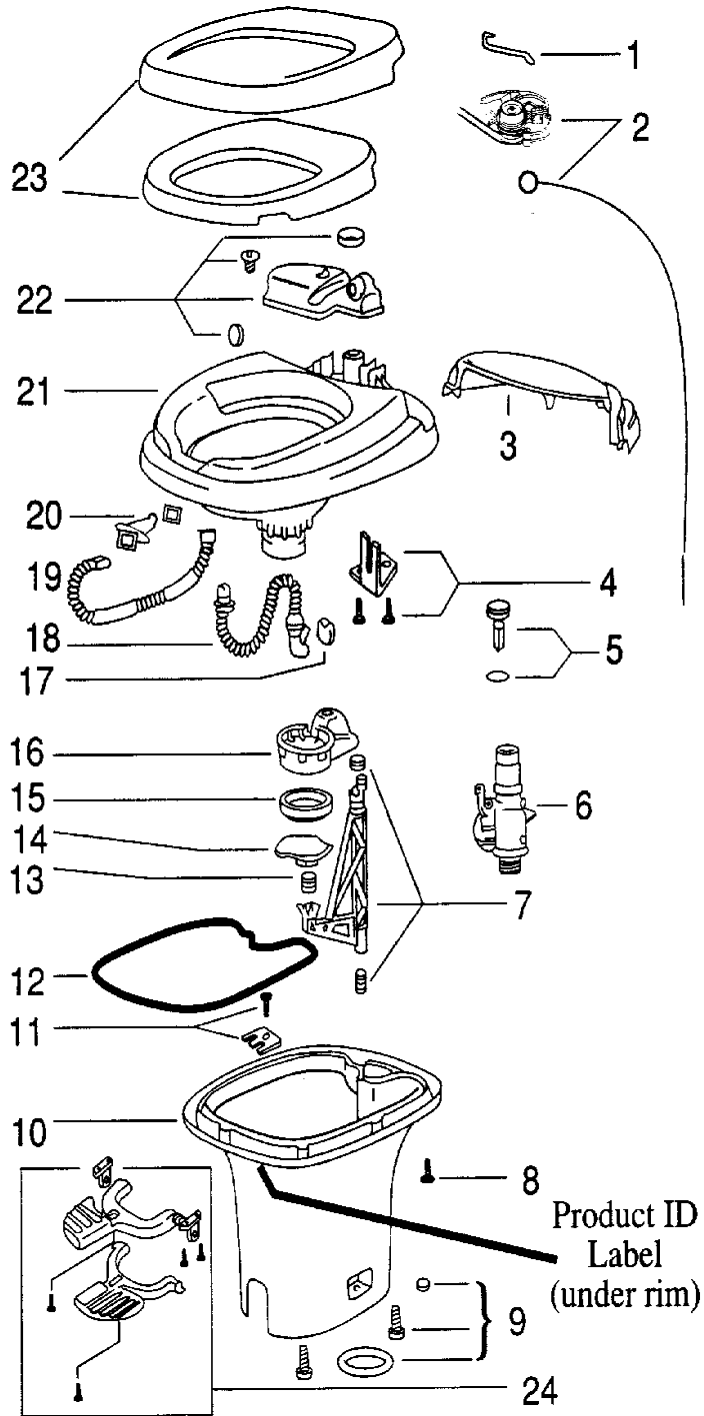
DRAIN FITTINGS

| | |
|-----------|--------------------------------------|
| 600378 | Continuous waste, 1.5" |
| 600144 | P trap, 1.5" |
| 601318 | Tee, bi-directional clean out, 1.5" |
| 600155 | Plug, clean out, 1.5" |
| 600538 | Vent, V-2000 automatic |
| 601200 | Adapter, auto vent w/extension |
| 600094 | Wye #2301 |
| 600371 | Ell, 45 degrees, 2in. |
| 600030 | Elbow, long turn, 45 degrees |
| 600625-01 | Plug, trap, 1.5" adapter, female |
| 600625-02 | Plug, trap, 1.5" adapter, male |
| 600035 | Elbow, long sweep, 1.5" |
| 600431 | Elbow 90 degrees, 1.5" |
| 600156 | Tee, sanitary |
| 601160-02 | Pipe ABS, 1.5" |
| 601267-04 | Nipple, 3", thread one end, 10" long |
| 601160-04 | Pipe, ABS, 3" |
| 601722 | Adapter, male hub x MIPT |
| 600183 | Ell, long sweep, 3in. |
| 600241-01 | Hose adapter, straight |
| 601250 | Termination cap, 3" bayonet w/strap |
| 601266 | Flange, closet, tank to toilet |

1999 BAMBI

PLUMBING

THETFORD, AQUA MAGIC IV, FOOT FLUSH, WHITE



1999 BAMBI

PLUMBING

THETFORD, AQUA MAGIC IV, FOOT FLUSH, WHITE

690387 Toilet complete, Aqua Magic IV, low

- | | |
|----------------|---------------------------------|
| 1) 690387-513 | Water valve link |
| 2) 690387-571 | Wire replacement package |
| 3) 690387-562 | Mechanism cover, white |
| 4) 690387-634 | Bracket assembly |
| 5) 690387-631 | Float assembly |
| 6) 690387-168 | Water valve replacement package |
| 7) 690387-632 | Actuator assembly |
| 8) 690387-659 | Screw base to bowl |
| 9) 690387-524 | Closet bolt package |
| 10) 690387-356 | Base, white, low |
| 11) 690387-636 | Retainer assembly |
| 12) 690387-387 | Sealant, base to bowl |
| 13) 690387-519 | Blade spring |
| 14) 690387-262 | Blade |
| 15) 690387-481 | Blade seal |
| 16) 690387-520 | Blade track |
| 17) 690387-512 | Flapper |
| 18) 690387-511 | Over flow tube |
| 19) 690387-509 | Flush tube |
| 20) 690387-637 | Nozzle assembly |
| 21) 690387-726 | Bowl |
| 22) 690387-630 | Reservoir tank assembly |
| 23) 690387-162 | Seat and cover assembly |
| 24) 690387-821 | Pedal package |

1999 BAMBI

SAFETY EQUIPMENT

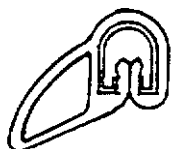
| | |
|-----------|-------------------|
| 510781 | Smoke detector |
| 511309 | LPG detector |
| 600162-01 | Fire extinguisher |

1999 BAMBI

SEALER/GASKETS/PAINT SEALER

| | |
|---------|-----------------------------------|
| 6000360 | Sealant, Butyl #884058 |
| 360074 | Sealant, white, 3 oz. tube |
| 360001 | Sealant, #884058 |
| 360002 | Sealant, Vulkem 11.5 oz. tube |
| 360209 | Sealant, seam |
| 360176 | Sealant, Almond, kitchen and bath |
| 360180 | Sealant, Sikaflex #221 |
| 360210 | Sealant, Paralastic 4334-014 |
| 360283 | Sealant, silicone, Corian Bone |

GASKETS



365035 Gasket
access doorjamb



365013-01 Gasket
screen door



365232 Gasket
main door



371593-711 Glazing
rubber, Creation
window



371593-713 Seal
plastic, sash
Creation window



371593-712
Foam seal, sash
Creation window

| | |
|-----------|--|
| 380226 | Gasket, taillight lens |
| 380114 | Gasket, vent pip |
| 365016 | Tape, foam, double face, 1/2" wide |
| 365001-02 | Tape, vinyl foam, double face, 3/4" wide |
| 380222 | Tape, acrylic foam, double face, 3/4" wide |
| 360057-03 | Plasticote |
| 360151 | Paint, gray metallic |

1999 BAMBI

UPHOLSTERY/FOAM/MATTRESS REAR BEDROOM

| | |
|-------------|---|
| 702905 | Mattress, double, 48 x 76", Bambi |
| 702704 | Mattress, double, 52 x 75", 23 & 25ft."C" |
| *702904-337 | Bedspread, Bambi, Cabin Creek |
| 701611 | Pillow, 21 x 31, all models |

FRONT DINETTE, BAMBI

| | |
|-----------|---------------------------|
| 998070-03 | Cover, seat, side dinette |
| 998071-03 | Cover, backside dinette |
| 702464-16 | Foam, dinette upper back |
| 702464-13 | Foam, dinette lower back |
| 702933-01 | Foam, dinette seat, LH |
| 702933-02 | Foam, dinette seat, RH |

*Changing the dash number changes the upholstery color:

-128 = Starlight,

-118 = Cypress Gardens

1999 BAMBI

VENTS/FANS

| | |
|-----------|---|
| 690394 | Power ventilator, refrigerator, Bambi |
| 109067 | Vent pipe cover, cast aluminum |
| 380114 | Gasket, vent pipe |
| 381606-01 | Vent, roof, 14" x 14", non-power, white |
| 381606-02 | Trim ring, interior, roof vent, white |
| 690266-01 | Ventilator, power, bath |
| 511341-01 | Range hood |
| 511017-11 | Vent cover, exterior, range hood, gray |

1999 BAMBI

WOOD/LAMINATES/TRIM

PLYWOOD

| | |
|-----------|---|
| 800506-04 | Plywood, 1/2" x 4' x 8' |
| 800976-01 | Plywood, tongue and groove, 19/32'(floor) |
| 800506-05 | Plywood, 5/8" x 4' x 8' |
| 800583 | Plywood, Birch Baltes(cutting boards) 5/8x5x5 |
| 801069-05 | Plywood, G1S, 5/8" x 4' x 8' |

PANELING

| | |
|-----------|---|
| 800507-03 | Panel, Lauan, 3/8' x 4' x 8', raw/raw |
| 801191 | Panel, G1S, 1/8" x 4' x 8', Oak/raw |
| 801176-03 | Panel, G1S, 1/8" x 4' x 7', Solitude/raw |
| 801176-04 | Panel, G1S, 1/8" x 4' x 8', Solitude/raw |
| 801233-01 | Panel, G1S, 1/4" x 4' x 8', Solitude/raw |
| 801181 | Panel, G1S, 5/32" x 4' x 8', Oak/raw |
| 801182 | Panel, G2S, 5/32" x 4' x 8', Oak/Oak |
| 801179 | Panel, G1S, 1/2" x 4' x 8', Oak/raw |
| 801185-01 | Panel, G1S, 1/2" x 4' x 8', Solitude/raw |
| 801180 | Panel, G2S, 1/2" x 4' x 8', Oak/Oak |
| 801203 | Panel, G2S, 1/2' x 4' x 8', Oak 6mil |
| 801183-01 | Panel, G2S, 1/2' x 4' x 8', Horz.Oak/Solitude |
| 801177-01 | Panel, G2S, 1/2" x 4' x 8', Solitude/Solitude |

(continued)

1999 BAMBI

WOOD/LAMINATES/TRIM

LAMINATES

| | |
|-----------|---|
| 801229 | Laminate, Oak, high pressure, .045-.050 |
| 801169 | Laminate, Beige Pampas, .042 (galley top color) |
| 801230 | Pre-laminated panel, Oak, 5/8"x4x8, lauan core |
| 801212-01 | Pre-laminated panel, Beige Pampas, 5/8"x4x8 |
| 801184-01 | Laminated lumber core, .75 x 1.5 x 8ft. |
| 801184-03 | Laminated lumber core, .75 x 2.0 x 8ft. |
| 801184-07 | Laminated lumber core, .75 x 3 square |
| 801184-04 | Laminated lumber core, .75 x 2 radius |

TRIM

| | |
|--------|---|
| 801195 | Corner trim, 1" radius |
| 800766 | Trim, hardwood, .50 groove x 8', panel edging |
| 800405 | Plug, hardwood button, screw cover |