

# TABLE OF CONTENTS

## SECTION I LY PUSHER

A through C

### APPLIANCES

<a href="#">Air conditioner</a> .....	I-1
<a href="#">Furnace</a> .....	I-1
<a href="#">Microwave</a> .....	I-1
<a href="#">Range</a> .....	I-2
<a href="#">Refrigerator</a> .....	I-2
<a href="#">Water heater</a> .....	I-3

### BODY

<a href="#">Roadside wall</a> .....	I-5
<a href="#">Curbside wall</a> .....	I-7
<a href="#">Aft end</a> .....	I-8
<a href="#">Front end</a> .....	I-11

### CHASSIS

<a href="#">Hitch</a> .....	I-12
<a href="#">Power jacks</a> .....	I-12
<a href="#">Step/Wheel simulator/hub cap/mud flaps</a> .....	I-12
<a href="#">Auxiliary heater</a> .....	I-12
<a href="#">Automotive air conditioner</a> .....	I-13

# TABLE OF CONTENTS

## SECTION II LY PUSHER

### D through E

#### DASH

<a href="#">Dash parts</a> .....	II-1
<a href="#">Glove box</a> .....	II-1
<a href="#">Trims</a> .....	II-1
<a href="#">Defrost nozzle</a> .....	II-1
<a href="#">Rear view mirror</a> .....	II-1
<a href="#">Sun visors</a> .....	II-1
<a href="#">Windshield wiper</a> .....	II-3

<a href="#">DECALS</a> .....	II-5
------------------------------	------

#### DOORS/WINDOWS/AWNINGS

<a href="#">Curbside</a> .....	II-9
<a href="#">Roadside</a> .....	II-11

<a href="#">DRAPES/BLINDS/VALANCES</a> .....	II-12
--	-------

#### ELECTRICAL

<a href="#">110 volt</a> .....	II-13
<a href="#">12 volt</a> .....	II-15
<a href="#">Dash switches/lens</a> .....	II-16
<a href="#">Interior/exterior lights-switches</a> .....	II-18

#### ENTERTAINMENT

<a href="#">Televisions</a> .....	II-21
<a href="#">Radios</a> .....	II-21
<a href="#">Monitor/Video</a> .....	II-21
<a href="#">Antenna</a> .....	II-22

# TABLE OF CONTENTS

## SECTION III LY PUSHER

F through H

FASTENERS (common fasteners available locally are not listed)

<a href="#">Rivets</a> .....	III-1
<a href="#">Screws</a> .....	III-3

### FLOOR COVERING

<a href="#">Carpet</a> .....	III-4
<a href="#">Hardwood flooring</a> .....	III-4
<a href="#">Mats</a> .....	III-4

### FURNITURE

<a href="#">Interior doors</a> .....	III-5
<a href="#">Mirrors</a> .....	III-5
<a href="#">Drawer face</a> .....	III-6
<a href="#">Drawer box</a> .....	III-6
<a href="#">Galley</a> .....	III-7
<a href="#">Lounge/cab</a> .....	III-9
<a href="#">Bedroom</a> .....	III-11
<a href="#">Bath</a> .....	III-13

### HARDWARE

<a href="#">Lower Compartment</a> .....	III-14
<a href="#">Exterior locks/hinges/catches</a> .....	III-15
<a href="#">Keyless entry</a> .....	III-16
<a href="#">Interior drawer slides/hinges/catches</a> .....	III-17
<a href="#">Bath accessories</a> .....	III-19
<a href="#">Awning hardware</a> .....	III-20

# TABLE OF CONTENTS

## SECTION IV LY PUSHER

L through Z

[LABELS and TAGS](#) ..... IV-1

[OPTIONS](#) ..... IV-3

### PLUMBING

[LPG](#) ..... IV-5

[Fresh water Tanks/Fittings](#) ..... IV-6

[Drain water tanks/Sinks/Shower](#) ..... IV-15

[Toilet](#) ..... IV-18

[SAFETY EQUIPMENT](#) ..... IV-19

### SEALS/SEALER/PAINT

[Gaskets](#) ..... IV-2019

[Sealer](#) ..... IV-22

[Adhesive](#) ..... IV-22

[Paint](#) ..... IV-22

### UPHOLSTERY/FOAM/MATTRESS

[Mattresses](#) ..... IV-23

[Bed spread/Pillow kits](#) ..... IV-23

[Swivel seat/Sofa](#) ..... IV-23

[Cab seat](#) ..... IV-23

[Dinette foam/upholstery](#) ..... IV-24

[Vents/Fans/Skylights](#) ..... IV-25

[WOOD](#), [LAMINATES](#) and [INTERIOR TRIM](#) ..... IV-26

# TABLE OF CONTENTS

## SECTION I

A through C

### APPLIANCES

Air conditioner .....	I-1
Furnace .....	I-1
Micro-wave .....	I-1
Range .....	I-2
Refrigerator.....	I-2
Water heater .....	I-3

### BODY

Roadside wall.....	I-5
Curbside wall.....	I-7
Aft end .....	I-8
Front end.....	I-11

### CHASSIS

Hitch .....	I-12
Power jacks.....	I-12
Step .....	I-12
Auxiliary heater .....	I-12
Automotive air conditioner.....	I-13



# 1999 LAND YACHT PUSHER 35FT

## APPLIANCES

### DUO THERM, AIR CONDITIONER-PENQUIN (800-366-3842)

690380-02	Duo Therm, Penquin air conditioner, 13, 500 BTU
690380-04	Thermostat
690380-06	Air box, polar white
690380-08	Sensor, Penquin dual air
511252	Plug, phone-4 conductor, dual air
385582-01	Decal, Airstream w/bar
690323-100	Shroud, exterior, Penquin air conditioner.

### FURNACE, HYDROFLAME (800-825-4328) dealer only

690274	Furnace, Hyroflame, #8535-34, 000BTU
690274-06	Mounting flange
690274-05	Door exterior, Hydroflame
601244-03	Register.rotaire, black
600969-01	Grille, 6" x 4", col. white
600678	Adapter, grill, heat duct, 10" x 2"
600247	4" duct hose, flexible

### MICROWAVE, SHARP R1850 (800-456-3340)

690368-01	Microwave, convection, Sharp Carousal
962723	Bracket assy. mounting

# 1999 LAND YACHT PUSHER 35FT

## APPLIANCES

### MAYTAG RANGE

690396-02	Range top, 3-burner
690396-04	Range, 3-burner w/oven
690396-103	Range cover, bi-fold
964383-01	Range covers, Corian, set

### DOMETIC REFRIGERATOR, RM3863R (800-366-3842)

690399-03	Refrigerator, RM3863R, 3-way w/ice maker
801225-01	Oak refrigerator door insert, 15.5" x 20.38"
801225-03	Oak refrigerator door insert, 38.38" x 20.38"
690340-03	Refrigerator door exterior
601698-07	Water shut-off valve, 1/2" barb, to ice maker
381207-02	Roof vent, refrigerator, w/screen

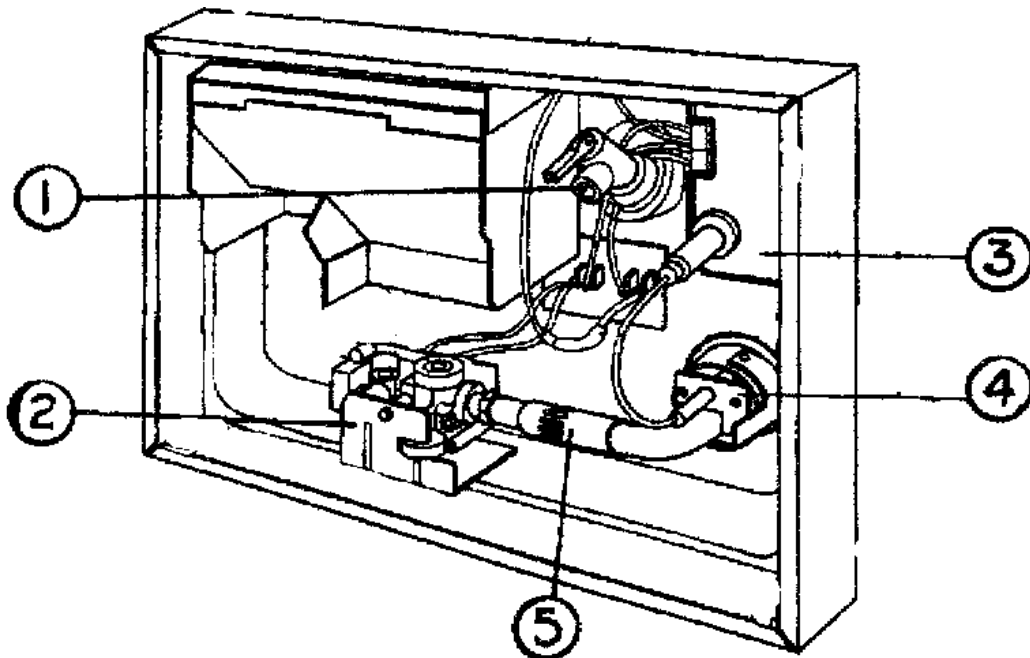
# 1999 LAND YACHT PUSHHER 35FT

## APPLIANCES

### ATWOOD WATER HEATER, GCH6A-9E

690406 Water heater, Atwood, DSI/110 volt w/motor aid

- 500933 Switch, water heater, electronic
- 690259 Access cover, white
- 690259-06 Mounting flange
- 510514 Switch, 110v, 3 way, priority (water heater/microwave)  
CSA only



Front of water heater

- 1) 091604 Relief valve, pressure/temperature
- 2) 093870 Solenoid valve
- 3) 093865 Circuit board
- 4) 093868 Spark probe
- 5) 092615 Main burner

Back of water heater

- 091160 heating element, 110volt
- 091873 ECO thermostat
- 091092 On/off switch, 110Volt

# 1999 LAND YACHT PUSHER 35FT

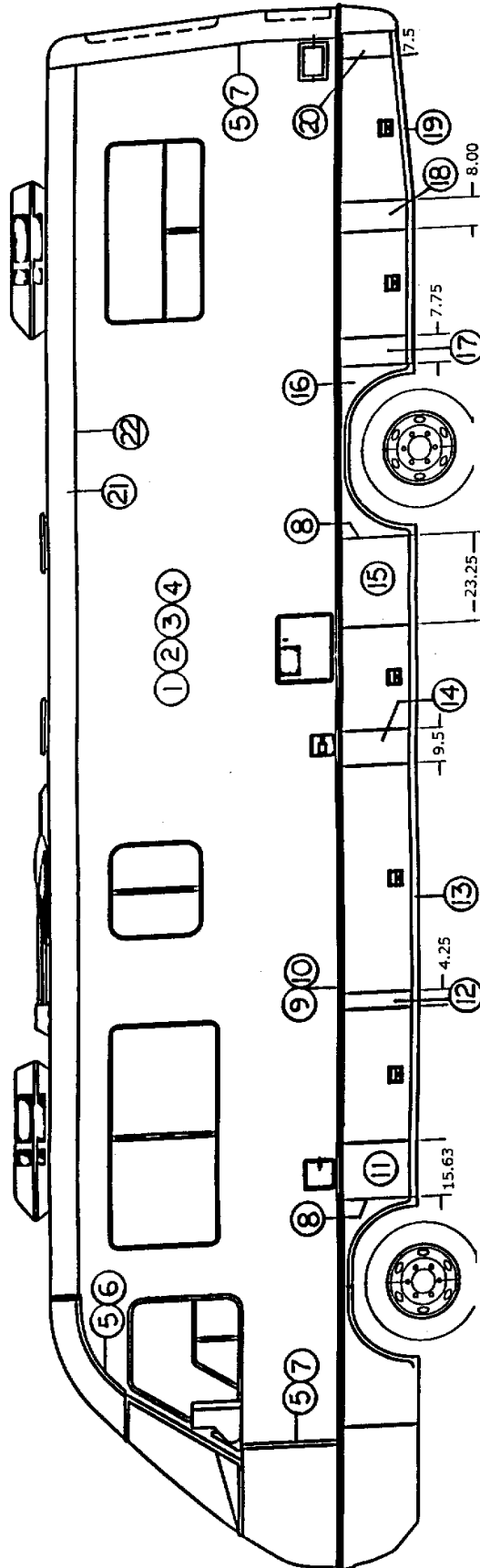
NOTES:

# 1999 LAND YACHT PUSHER 35FT BODY

This section shows the sidewalls and lower body panels most frequently damaged in minor accidents.

The lower compartment doors, access doors and windows are shown in the door section of this book.

# 1999 LAND YACHT PUSHER 35FT



# 1999 LAND YACHT PUSHER 35FT BODY

## \*ROADSIDE WALL

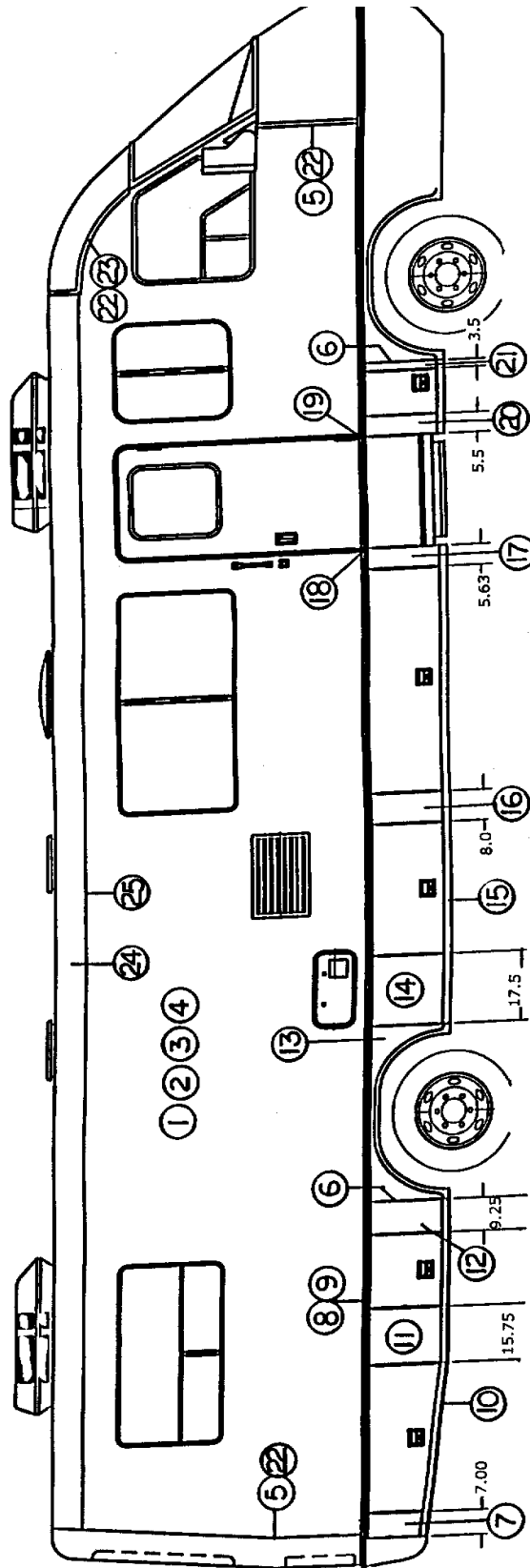
(See doors and windows in separate section)

- |               |  |
|---------------|--|
| 1) 801002-11  | Sheet, fiberglass 76"x 386"                |
| 2) 914112     | Weldment, roadside wall                    |
| 3) 203075     | Styrofoam sheet                            |
| 4) 801176-03  | Paneling, inside, G1S, 4'x7'               |
| 5) 320124-03  | Screw, #6x1 flathead, stainless            |
| 6) 114088-01  | Trim, extrusion, front cap to sidewall, RS |
| 7) 114005-02  | Trim, molding, ends to sidewall            |
| 8) 114070-02  | Extrusion, J-trim, pewter gray             |
| 9) 114584     | Extrusion, rub rail installation           |
| 10) 201709-02 | Rub rail molding, black                    |
| 11) 114585-13 | Filler panel, 15.63                        |
| 12) 114587-01 | Filler panel, 4.25                         |
| 13) 114583-01 | Extrusion, rocker panel, 158"              |
| 14) 114587-03 | Filler panel, 9.50"                        |
| 15) 114586-11 | Filler panel, 23.25"                       |
| 16) 201805    | Fender skirt, rear, RS                     |
| 17) 114585-11 | Filler panel, 7.75                         |
| 18) 114587-11 | Filler panel, 8.00"                        |
| 19) 114610-01 | Rocker panel Weldment, angle, RS           |
| 20) 114590-04 | Filler panel, 7.5"                         |
| 21) 114619    | Extrusion, roof corner cap                 |
| 22) 114570-12 | Extrusion, awning rail                     |

\*Note: each filler panel has a flange on one or both sides.  
These are: (not shown)

114618-01 Seal, flange LH  
114618-02 Seal, flange RH

# 1999 LAND YACHT PUSHER 35FT



# 1999 LAND YACHT PUSHER 35FT BODY

## \*CURBSIDE WALL

(See doors and windows in separate section)

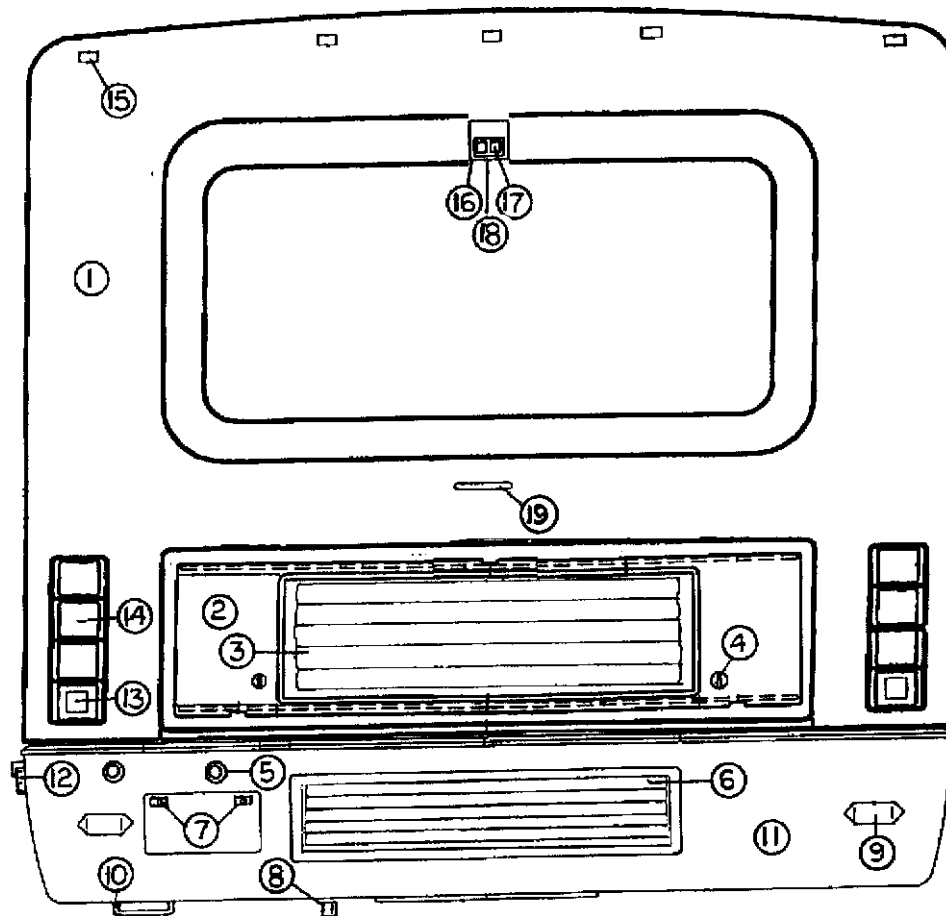
- |               |  |
|---------------|--|
| 1) 801002-11  | Sheet, fiberglass 76x386"                  |
| 2) 914113     | Weldment, C.S. wall                        |
| 3) 203075     | Styrofoam sheet                            |
| 4) 801176-03  | Paneling, inside, G1S, 4'x7' Solitude      |
| 5) 114005-02  | Trim molding, ends to sidewall             |
| 6) 114070-02  | Extrusion, J-trim, pewter gray             |
| 7) 114590-03  | Filler panel, 7.00"                        |
| 8) 114584     | Extrusion, rub rail installation           |
| 9) 201709-02  | Rub rail molding, black                    |
| 10) 114610-02 | Rocker panel Weldment, angle, c.s.         |
| 11) 114587-12 | Filler panel, 15.75                        |
| 12) 114586-12 | Filler panel, 9.25                         |
| 13) 201805    | Fender skirt, rear, C.S.                   |
| 14) 114585-12 | Filler panel, 17.50                        |
| 15) 114583-01 | Extrusion, rocker panel                    |
| 16) 114587-21 | Filler panel, 8.00                         |
| 17) 114586-13 | Filler panel, 5.63                         |
| 18) 385955-02 | End cap, rub rail, casting, L.H.           |
| 19) 385955-01 | End cap, rub rail, casting, R.H.           |
| 20) 114585-14 | Filler panel, 5.50                         |
| 21) 114586-14 | Filler panel, 3.50                         |
| 22) 320124-06 | Screw #6x1" flat head, stainless           |
| 23) 114077-02 | Trim, extrusion, front cap to sidewall, CS |
| 24) 114619    | Extrusion, roof corner cap                 |
| 25) 114570-02 | Extrusion, awning rail                     |

\*Note: each filler panel has a flange riveted on one or both sides. (not shown)

These are:

- |           |                 |
|-----------|-----------------|
| 114618-01 | Seal, flange LH |
| 114618-02 | Seal, flange RH |

# 1999 LAND YACHT PUSHER 35FT BODY, AFT



- |               |  |
|---------------|--|
| 1) 201978-01  | Cap, rear, Nu-white                            |
| 2) 961975-03  | Door assy, trunk                               |
| 3) 921121-01  | Door louver, trunk                             |
| 4) 381227-02  | Vise-action latch, straight pawl               |
| 5) 381148-01  | Socket, bottom support, ladder                 |
| 6) 921130     | Louver assy. rear bumper                       |
| 7) 381077     | Well nut, license plate                        |
| 8) 510863-01  | Plug, trailer                                  |
| 9) 511101     | Light, docking, halogen, black bezel           |
| 9a) 511101-01 | Light, docking, halogen, stainless steel bezel |

(continued)

# 1999 LAND YACHT PUSHER 35FT BODY, AFT

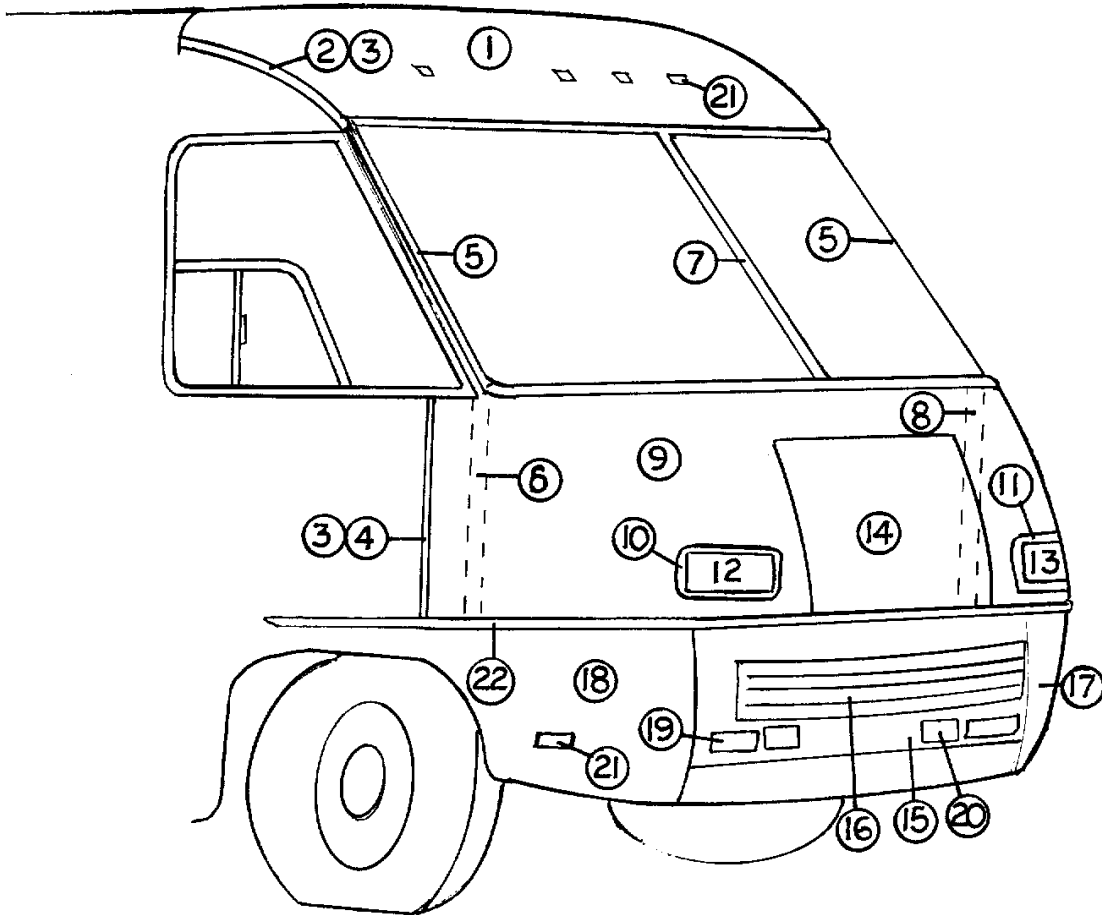
- |               |                                     |
|---------------|-------------------------------------|
| 10) 914120    | Step assy, bottom, roof ladder      |
| 11) 201988    | Bumper, rear                        |
| 12) 511149-02 | Power inlet w/strain relief, 50amp  |
| 13) 511003-03 | Tail light, clear, center, back up  |
| 14) 511003-02 | Tail light, stop, tail and turn     |
| 15) 510984-01 | Light, clearance, red               |
| 16) 203030    | Cover, outer, rear monitor          |
| 17) 510918-01 | Monitor, Sony Watchman              |
| 18) 511044-03 | Actuator, two position, rear camera |
| 19) 510809    | Lamp, red brake light               |

## NOT SHOWN:

- |        |                                 |
|--------|---------------------------------|
| 381578 | Ladder, roof                    |
| 114224 | Plunger, bottom support, ladder |
| 511294 | License plate light             |

# 1999 LAND YACHT PUSHER 35FT

## BODY, FRONT



# 1999 LAND YACHT PUSHER 35FT

## BODY, FRONT

- |   |   |
|---|---|
| 1) 201975-01  | Cap, front roof                             |
| 2) 114077-02  | Trim, extrusion, front cap to sidewall C.S. |
| 114077-01   | Trim, extrusion, front cap to sidewall R.S. |
| 3) 320115   | Screw, #6x1"flat head stainless steel       |
| 4) 114005-02  | Trim, extrusion, nose to sidewall           |
| 5) 453531-03  | "A" pillar, upper                           |
| 6) 453531-02  | "A" pillar lower C.S.                       |
| 7) 452022   | Channel, center windshield support          |
| 8) 453531-01  | "A" pillar, lower R.S.                      |
| 9) 201976-01  | Nose, LYWB                                  |
| 10) 201907-02   | Bezel, headlight, C.S.                      |
| 201938-02   | Housing, headlight, C.S.                    |
| 11) 201907-01   | Bezel, headlight R.S.                       |
| 201938-01   | Housing, headlight R.S.                     |
| 12) 511051-02   | Headlight, C.S.                             |
| 13) 511051-01   | Headlight, R.S.                             |
| 14) 201895-01   | Hood, LYWB                                  |
| 15) 201987  | Bumper, front center, LYWB                  |
| 16) 961473  | Grill assy. LYWB                            |
| 17) 201985-02   | Fender, front, R.S.                         |
| 18) 201985-01   | Fender, front, C.S.                         |
| 452238  | Brace, front fender                         |
| 19) Light, turn signal, amber GM #916558 (n/a from Airstream) |   |
| 20) 511094  | Driving light kit, halogen                  |
| 21) 510984-02   | Light, side/side marker, amber              |
| 22) 201909  | Molding, black bumper trim                  |

# 1999 LAND YACHT PUSHER 35FT

## CHASSIS

400870	Reese hitch, Freightliner
410796-08	Jack kit complete, Freightliner
452845	Bracket, L.P. tank
914120	Step assy., roof ladder
511022	Step, double, Kwikkee#4013
511078	Switch, rocker, 4-gang, by door
500982	Switch, magnetic, round, 3/8, in doorjamb
511022-100	Motor, double step
511022-101	Control box, main, Kwikkee
410816	Wheel simulator, Freightliner
400873-101	Hub cover, Alcoa wheel
400571	Mud flaps, Freightliner
690311	Heater, rear, auxiliary
510929-04	Switch, dash, rear heat
600678	Adaptor grill, heat duct 10x2
203070	Register, plastic, brown

# 1999 LAND YACHT PUSHER 35FT

## CHASSIS

690404-01 Dash air conditioner, Acme #4215030  
(800-552-2263)

690356 Kit heater/ac accessory, Freightliner  
601483 Hose, vacuum 7/64 I.D.  
381459-07 Hose, vacuum, rubber.109 I.D.  
511112 Pump, vacuum#4570568  
511113 Switch, vacuum pressure #4103028  
600214-03 Heater hose 5/8  
601556 Hose AC #65/16  
601557 Hose AC #813/32  
601558 Hose AC#125/8  
690404-02 Plenum/fan assy. kit w/rotary control  
690355 Condenser tri pak#410-3944  
452944-01 Bracket condenser mtg. LH  
452944-02 Bracket condenser mtg. RH  
453515 Angle, condenser mtg.



# 1999 LAND YACHT PUSHER 35FT

## SECTION II

### D through E

#### DASH

Dash parts .....	II-1
Glove box .....	II-1
Trims .....	II-1
Defrost nozzle .....	II-1
Rear view mirror .....	II-1
Sun visors.....	II-1
Windshield wiper.....	II-3

DECALS .....	II-5
--------------	------

#### DOORS/WINDOWS/AWNINGS

Curbside .....	II-9
Roadside.....	II-11

DRAPES/BLINDS/VALANCES .....	II-12
------------------------------	-------

#### ELECTRICAL

110 volt.....	II-13
12 volt .....	II-15
Dash switches/lens.....	II-16

#### ENTERTAINMENT

Televisions .....	II-21
Radios .....	II-21
Antenna.....	II-22



# 1999 LAND YACHT PUSHER 35FT

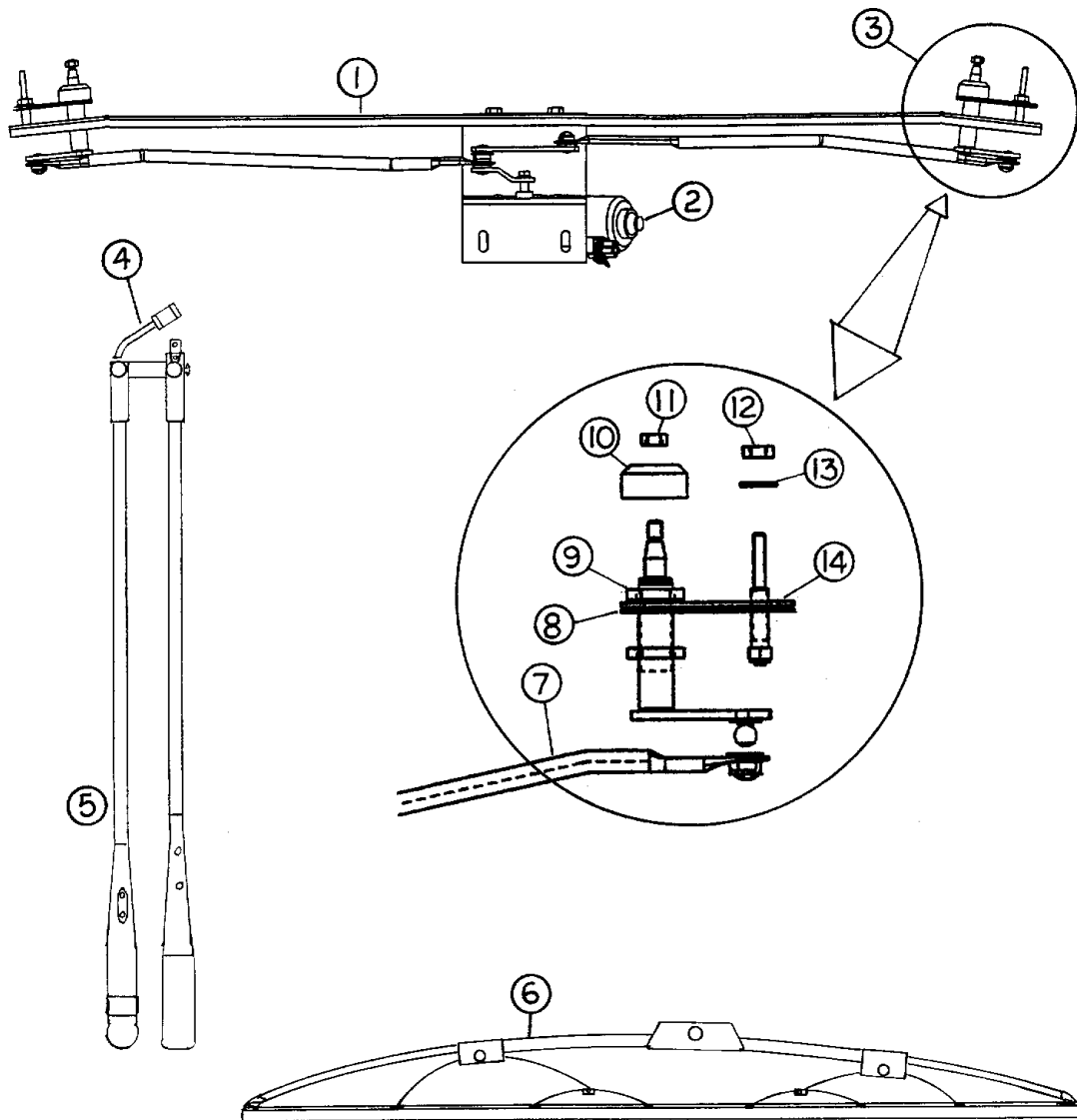
## DASH

961264-08	Dash assy. LY WB, Pusher
201994-01	Dash top
201993-01	Dash face
702502-03	Cover, vinyl, dash, sewn w/pad
201853	Glove box
201833-01	Door, glove box
201853	Close out, steering column
203168	Trim ring, TV
* 961259-01	Switch cluster, upper
* 961260	Switch cluster, lower
201845-01	Nozzle, defroster duct, outer
201845-02	Nozzle, defroster duct, inner
371243	Mirror, rear view, interior, GM911722
380990	Bracket, interior rear view mirror GM#9831062
511305	Mirror, exterior, Velvac w/remote
381321-03	Switch, remote, Velvac mirror
511305-10	Switch, heat, Velvac mirror
381515-04	Visor, front windshield

\*See electrical section for detail

# 1999 LAND YACHT PUSHER 35FT

## WIPER ASSEMBLY



# 1999 LAND YACHT PUSHER 35FT

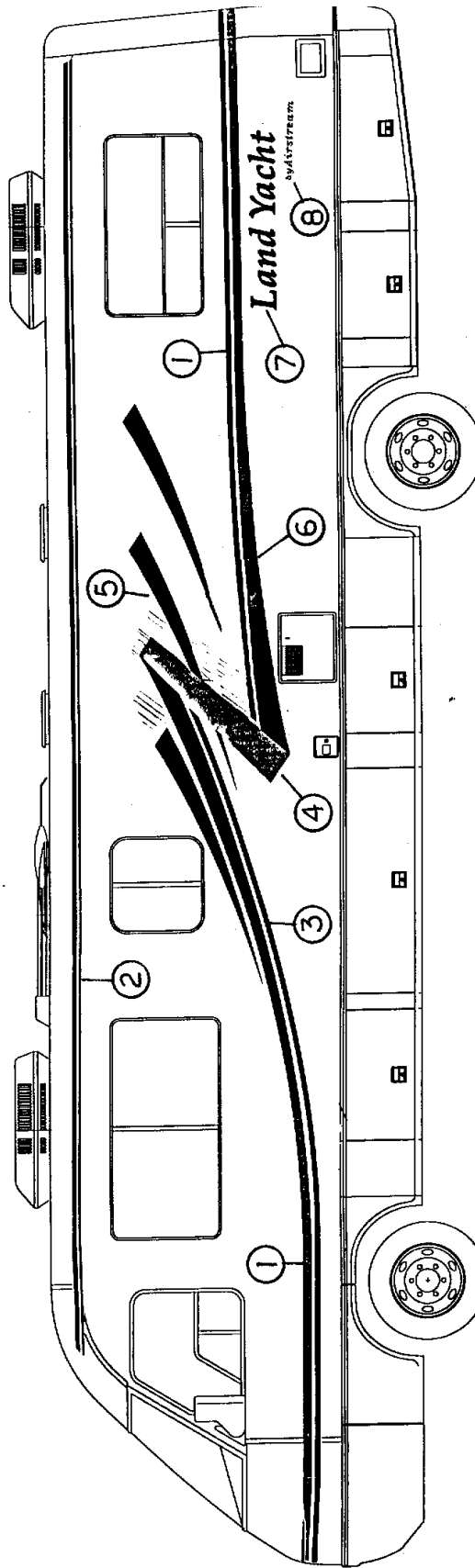
## DASH-WINDSHIELD WIPER

- 1) 511419-01 Windshield wiper assy. Ford/Freightliner
- 2) 511419-100 Wiper motor, Ford/Freightliner
- \*3) 511419-102 Pivot and link assembly, Trico
- 4) 511419-103 Washer jet and tubing, Trico
- 5) 511419-104 Pantograph arm assembly, Trico
- 6) 511419-105 Blade assembly, 28", Trico (does not inter-change with 1998 and prior)

\*The following parts make up the pivot and link assembly  
--for reference only--

- 7) Link
- 8) Oval rubber gasket
- 9) Nut, 1 1/8"
- 10) Rain shield
- 11) Nut, arm retainer -8mm
- 12) Nut, swivel retainer -10mm
- 13) Washer
- 14) Oval faceplate

# 1999 LAND YACHT PUSHER 35FT

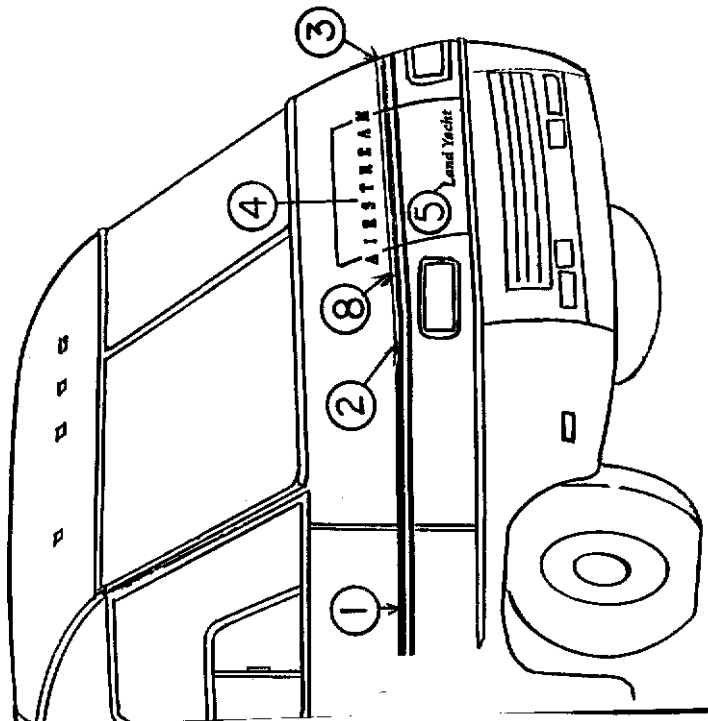
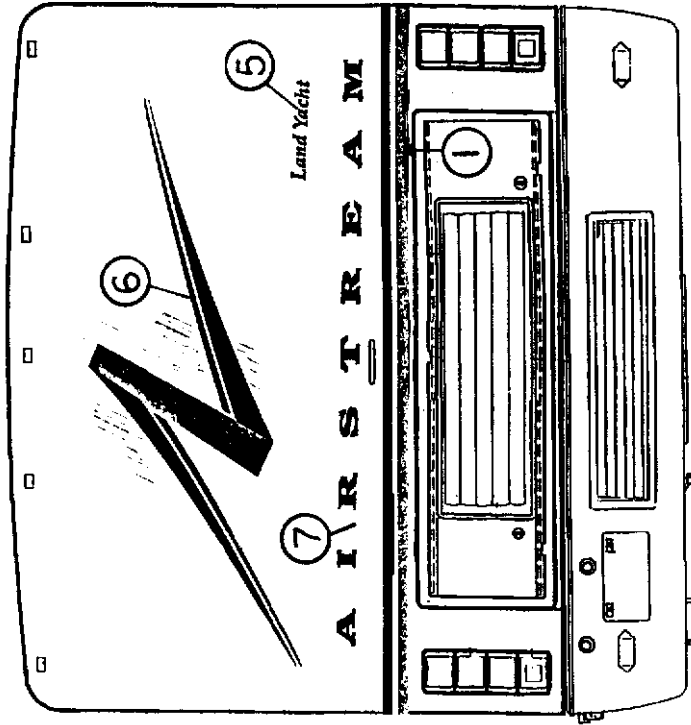


# 1999 LAND YACHT PUSHER 35FT

## DECAL- SIDE

- |               |                                    |
|---------------|------------------------------------|
| 1) 385992-01  | Decal, stripe, side, gold/burgundy |
| 2) 385991-01  | Decal, stripe, top, gold/burgundy  |
| 3) 386003-01  | Decal, main, forward, RS           |
| 3a) 386003-02 | Decal, main, forward, CS           |
| 4) 386006-01  | Decal, main graphic bar, RS        |
| 4a) 386006-02 | Decal, main graphic bar, CS        |
| 5) 386005-01  | Decal, main graphic, upper, RS     |
| 5a) 386005-02 | Decal, main graphic, upper, CS     |
| 6) 386004-01  | Decal main graphic, aft, RS        |
| 6a) 386004-02 | Decal, main graphic, aft, CS       |
| 7) 385995-01  | Decal, "LANDYACHT" large logo      |
| 8) 385999-01  | Decal, "by Airstream" small logo   |

# 1999 LAND YACHT PUSHER 35FT

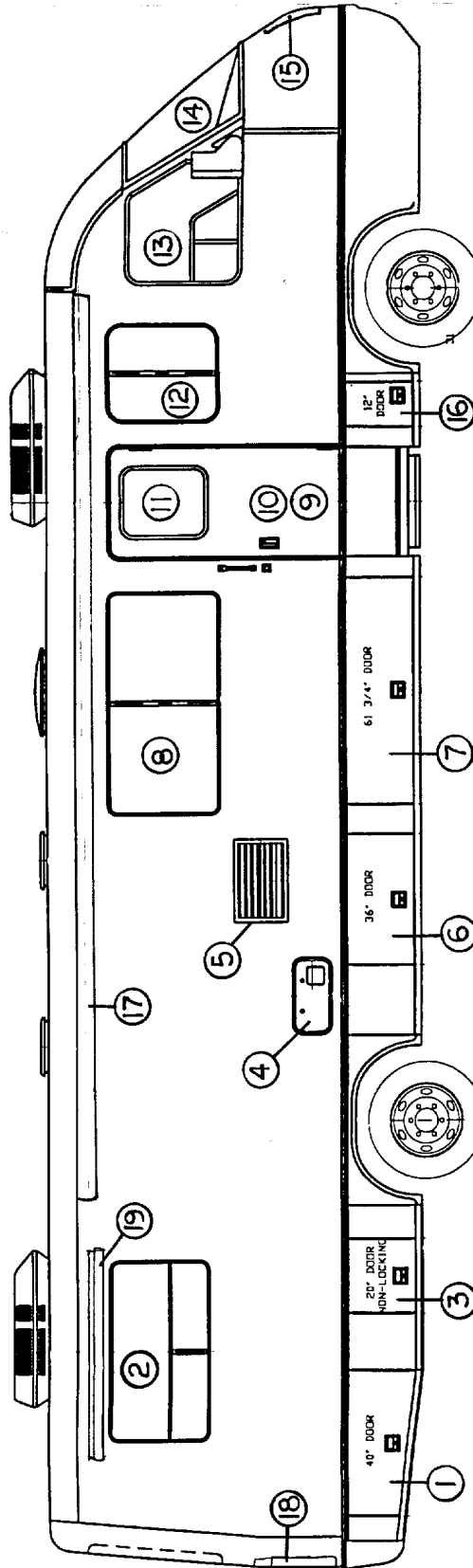


# 1999 LAND YACHT PUSHER 35FT

## DECAL-FRONT AND REAR

- |              |                                      |
|--------------|--------------------------------------|
| 1) 385992-01 | Decal, stripe, side, gold/burgundy   |
| 2) 386002-02 | Decal, front wrap, CS, burgundy/gold |
| 3) 386002-01 | Decal, front wrap, RS, burgundy/gold |
| 4) 386007-01 | Decal "AIRSTREAM", small logo, front |
| 5) 385997-01 | Decal "Land Yacht", small logo       |
| 6) 386000-01 | Decal, rear "Z" graphics             |
| 7) 385998-01 | Decal "AIRSTREAM" large logo, rear   |
| 8) 385993-01 | Decal, stripe, front, burgundy/gold  |

# 1999 LAND YACHT PUSHER 35FT



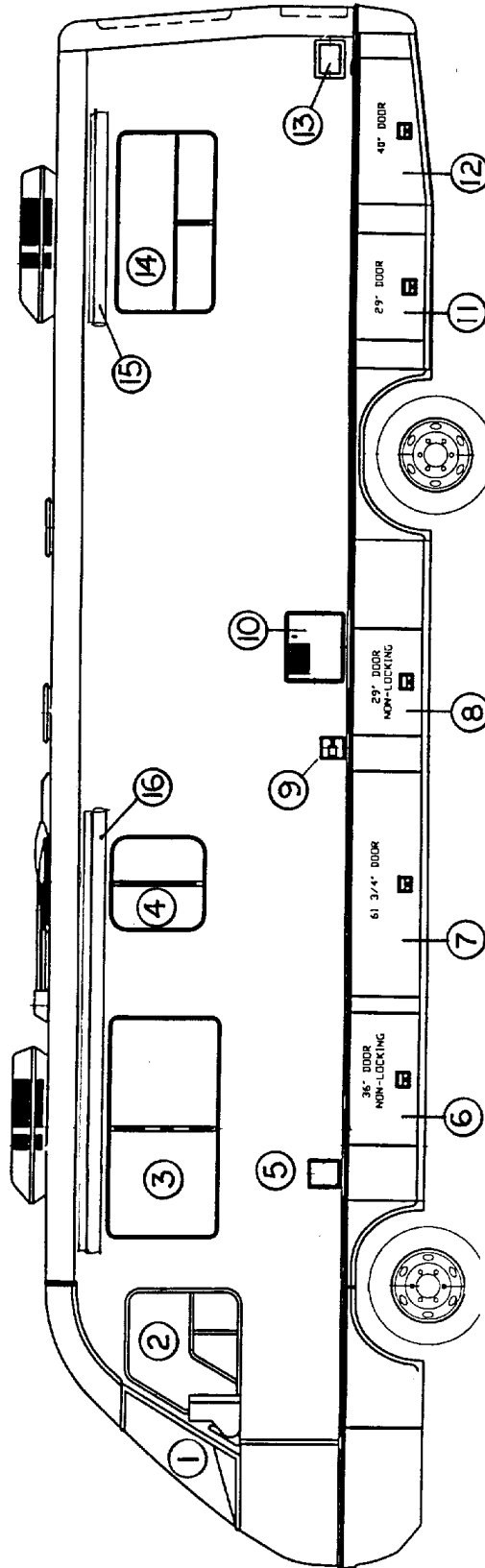
# 1999 LAND YACHT PUSHER 35FT

## DOORS/WINDOWS/AWNINGS

(Hardware such as hinges, locks and latches are located in the **hardware** section of this book)

- |               |  |
|---------------|--|
| 1) 921167-03  | Compartment door, 40", angled, CS                  |
| 2) 371366-21  | Window, horiz. slide dual pane, CS 30.3" x 48.88"  |
| 3) 921169-04  | Compartment door, 20" non-lock                     |
| 4) 690274-05  | Door, Hydroflame, exterior                         |
| 5) 690340-03  | Door, refrigerator, flush mount                    |
| 6) 921166-06  | Compartment door, 36"                              |
| 7) 921166-01  | Compartment door, 61 3/4                           |
| 8) 371366-06  | Window, CS, dual pane, horiz. slide 29.75" x 60.25 |
| 9) 109989-16  | Main door assembly                                 |
| 10) 922377    | Screen door assembly                               |
| 11) 371366-01 | Window, main door 19.25x23.25                      |
| 12) 371366-10 | Window, CS, dual pane, horiz. Slide 29.75" x 26.25 |
| 13) 371364-01 | Window, CS, cab, dual pane                         |
| 14) 371331    | Windshield, CS                                     |
| 15) 201895-01 | Hood   |
| 16) 921268    | Compartment door, 12", non-lock                    |
| 17) 702679-31 | Awning, patio 17' Burgundy Shadow                  |
| 18) 961975-03 | Door assembly, trunk                               |
| 19) 702679-28 | Awning, window, 5'Burgundy Shadow                  |

# 1999 LAND YACHT PUSHER 35FT



# 1999 LAND YACHT PUSHER 35FT

## DOORS/WINDOWS/AWNINGS

(hardware such as hinges, locks and latches are located in the **hardware** section of this book)

- |               |  |
|---------------|--|
| 1) 371330     | Windshield RS                                      |
| 2) 371368     | Cab window, RS, dual pane                          |
| 3) 371366-05  | Window, RS, dual pane 29.75" x 60.25"              |
| 4) 371366-04  | Window, RS, dual pane 25.25" x 25.75"              |
| 5) 201865-02  | Fuel fill housing                                  |
| 6) 921169-06  | Compartment door, 36" non locking                  |
| 7) 921166-01  | Compartment door, 61 <sup>3</sup> / <sub>4</sub> " |
| 8) 921169-03  | Compartment door, 29" non locking                  |
| 9) 601194-03  | Water fill with lock                               |
| 10) 690259-03 | Cover/mounting, flange, water heater               |
| 11) 921166-03 | Compartment door, 29"                              |
| 12) 921167-04 | Compartment door, angled, 40" RS                   |
| 13) 921177    | Grill assembly, air intake                         |
| 14) 371366-22 | Window, egress, dual pane 30.3" x 48.9"            |
| 15) 702679-28 | Awning, window, 5'Burgundy Shadow                  |
| 16) 702679-29 | Awning, window, 12'Burgundy Shadow                 |

# 1999 LAND YACHT PUSHER 35FT

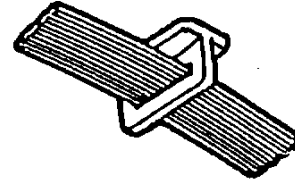
## DRAPES/BLINDS/VALANCES



100099  
track, stand off



101217  
track, curtain

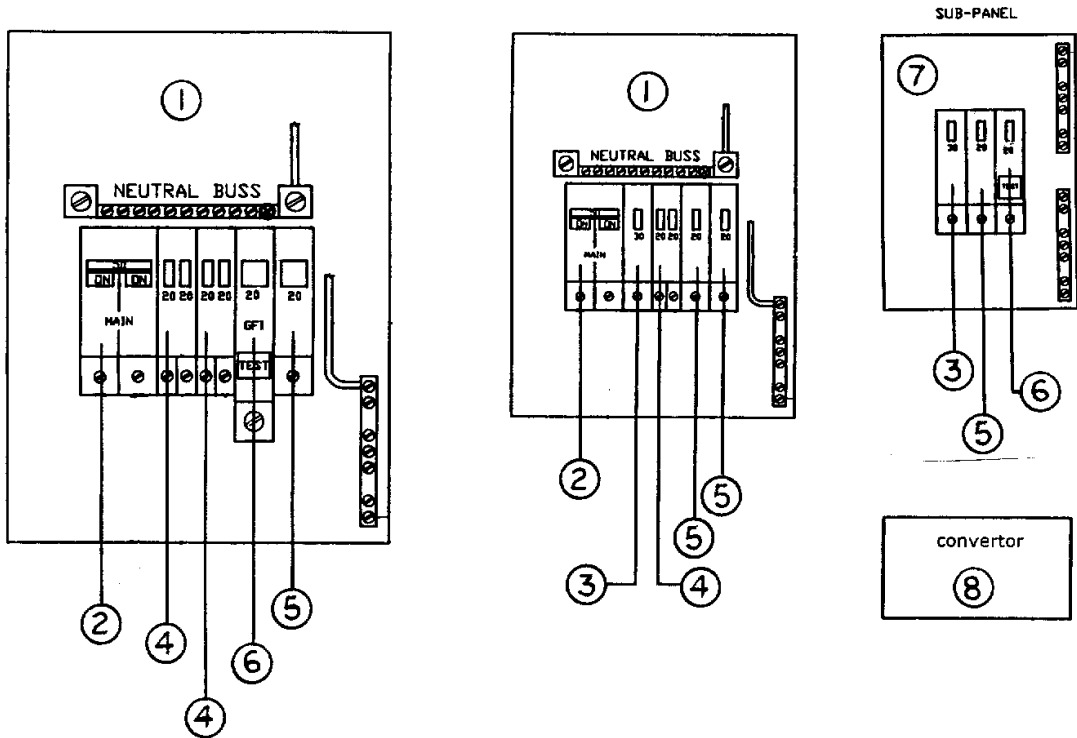


700044  
glides, w/elastic "T"

200784	End, curtain track, CS		
200785	End, curtain track, RS		
702878-02	Drapes, front windshield		
702355-06	Shade, pull, main door		
702804-02	Shade, pleated, skylight	20.25" x 21.0"	
702789-28	Shade, pleated, night	50.0" x 32.5"	E-Z Lift
702383-04	Shade, pleated, day/night	27.0" x 27.5"	E-Z Lift
702383-19	Shade, pleated, day/night	61.25" x 33.5"	E-Z Lift
702383-05	Shade, pleated, day/night	27.25" x 33.5"	E-Z Lift
702969-28	Shade, pleated, night	50.0" x 32.5"	Ascot
702968-04	Shade, pleated, day/night	27.0" x 27.5"	Ascot
702968-19	Shade, pleated, day/night	61.25" x 33.5"	Ascot
385963	Bracket, valance mounting, side		
964117-01	Valance, galley 29.0" wide x 26.25" high		
964464-01	Valance, bedroom CS 53"		
964464-02	Valance, bedroom RS 53"		
964126	Valance, rear center, 62.5"		
964121-01	Valance, lounge, RS 64.25"		
964120-03	Valance, cocktail chair CS 32.5"		
964588	Valance header, dinette		
964557-01	Valance leg, dinette		

# 1999 LAND YACHT PUSHER 35FT ELECTRICAL

110 VOLT



- 1) 510723      Breaker box, Square D
- 2) 510724      Breaker, double pole, 50 amp
- 3) 510633      Breaker, 30 amp, Square D 0130
- 4) 510662      Breaker, 20 amp, Square D 2020
- 5) 510678      Breaker, 20 amp, Square D 0120
- 6) 510661      Breaker, 20 amp, Square D GFI
- 7) 511336      Breaker box, Square D, 30 amp
  
- 8) 511426      Converter, electronic, 55 amp

\*See ENTERTAINMENT section for radio, VCR, TV, antennas etc.

# 1999 LAND YACHT PUSHER 35FT

## ELECTRICAL

### 110 VOLT

511020	Generator, 6.5 Onan Marquis LP
511289	Breaker kit , 30 amp, Onan
510103	Hour meter
511179-01	Generator, diesel, 7 KW, optional
511149-03	Power cord (city) 50 amp
510634-01	Power cord, Canadian specs., opt.50 amp
511149-02	Power inlet with strain relief
510562-03	Switch-over box, auto., city power-generator
500785	Outlet box, duplex brown
511340	Inverter, DC to AC , 130 watt (front TV)

# 1999 LAND YACHT PUSHER 35FT

## ELECTRICAL

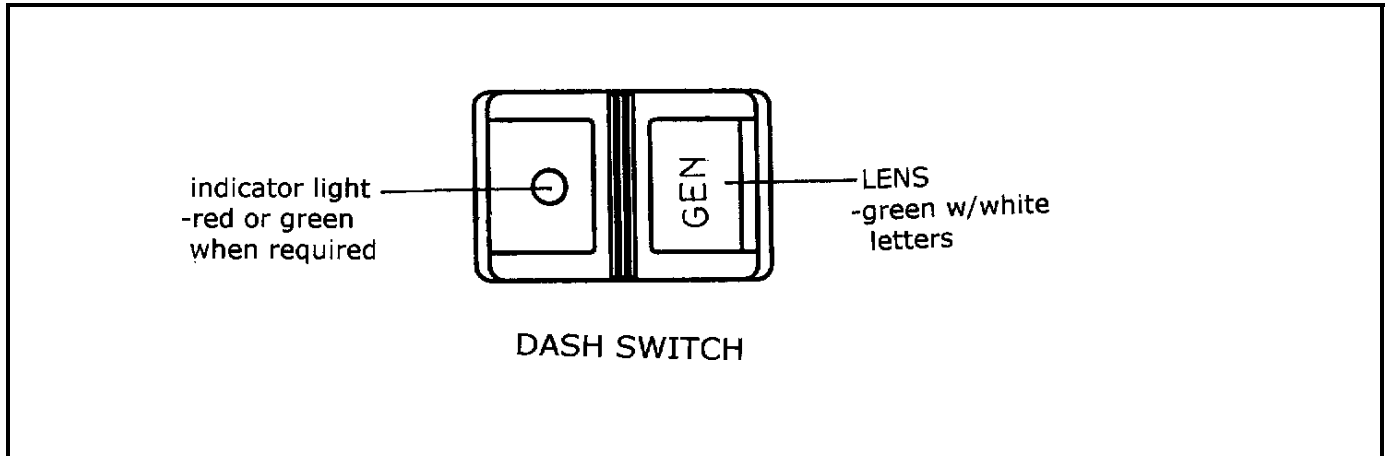
### 12 VOLT

511426	Converter, electronic, 55 amp
511132	Battery, deep cycle
511273	Tray, battery hold down
511199	Solenoid, continuous duty, 12 volt-aux. start
511351	Solenoid, latching, continuous duty-kill switch
510642-02	Isolator, 160 amp
510947-50	Breaker, 50app, 12 volt
500475-25	Breaker, circuit, 25 amp, 12 volt, w/ears
500475-05	Breaker, circuit, 5 amp, 12 volt, w/ears
500475-15	Breaker circuit, 15 amp, 12 volt
510720-06	Breaker, auto reset, ATC type, 25 amp (used in auto fuse block)
510843	Flasher, heavy duty
510696	Holder, fuse, in-line
510328	Fuse, AGC 10amp
500883-01	Fuse, CSA 1 amp, 12 volt (in line LP detector)
511016	Fuse block-12 volt-9 position-ATC
511452	Fuse holder, ATC, single, weather proof

# 1999 LAND YACHT PUSHHER 35FT

## ELECTRICAL

### 12 VOLT DASH SWITCHES



510929-02	Switch, auxiliary start, momentary, SPST
510929-03	Switch, door lock/generator momentary, SPST
510929-04	Switch, rear heat, on-off-on, SPST
510929-05	Switch, driving light/aisle light/galley light-TV speaker/defrost fan, on-off, SPST
510929-07	Switch, docking light/inverter, on-off with-indicator light, red, SPST
510929-08	Switch, rear camera, momentary, DPDT
381321-03	Switch, exterior mirror

\*NOTE: Engine check, Jake brake and headlight switches are provided by the chassis manufacturer.

# 1999 LAND YACHT PUSHER 35FT

## ELECTRICAL

12 VOLT

Lens with print for dash switches

510930-02	Lens, door lock
510930-03	Lens, generator
510930-04	Lens, rear heat
510930-06	Lens, aisle light
510930-07	Lens, docking light
510930-25	Lens , rear camera
510930-28	Lens, driving light
510930-31	Lens TV speaker
510930-32	Lens galley light
510930-33	Lens, auxiliary start
510930-34	Lens, inverter
510930-35	Lens, defrost fan
510930-18	Lens, blank
510931-01	Bezel, 4-gang, dash switches
510675-01	Switch, wiper with delay
510688	Switch, 4-gang, bathroom
500933	Switch, water heater
511078	Switch, 4-gang, at entrance door
511083-02	Cover, 4-gang switch at entrance door
511270	Air horn
510805	Tank, air horn

# 1999 LAND YACHT PUSHER 35FT

## ELECTRICAL

### 12 VOLT

381321-03 Switch , remote, exterior mirror  
511305-04 Cable extension, exterior mirror, 5.5 ft.  
511305-03 Cable extension, exterior mirror, 11.0 ft.  
511305 Mirrors exterior, Velvac, pr.

511051-01 Headlight, RS  
511051-02 Headlight, CS  
201938-01 Housing, headlight, RS  
201938-02 Housing, headlight, CS  
511070-1 Connector, headlight  
511070-2 Terminal, female, headlight  
511070-3 Lock, secondary, headlight  
511070-4 Seal, connector, headlight  
510976 Buzzer, headlight warning

Turn signal, front---GM part #916558 (not available from Airstream)

511094 Driving light kit  
511094-101 Lens only, driving light  
511094-100 Bulb only, halogen driving light  
510844-01 Relay, Bosch #86-136, driving light  
510844-02 Socket for driving light relay Bosch #86-136

511003-02 Tail light, red-stop, turn & tail  
511003-03 Tail light, clear center, back up  
510734 Alarm, back-up #GL12  
511294 Light, license plate

# 1999 LAND YACHT PUSHER 35FT

## ELECTRICAL

### 12 VOLT

510984-02	Light, side/side marker, amber
510984-01	Light, side/side marker, red
511101	Light, docking, halogen, black bezel
511101-01	Light, docking, halogen, stainless steel
201991	Housing, docking light
510732	Light, utility #1327 (by door)
510732-02	Light, porch(high on side of unit)
511163	Light, compartment
5111352	Module, locking, keyless entry
510802-01	Actuator, door lock, 5-wire
511044	Actuator, compartment door lock
511044-03	Actuator, two position, rear camera
511142-01	Solar panel 53-watt w/meter
511143	Controller/meter, volt, for solar panel
511290	Cluster, instrument panel, metric-Freightliner
511293-01	Module, daytime running light-Canadian
511293-02	Connector and harness for day time lights

# 1999 LAND YACHT PUSHER 35FT

## ELECTRICAL

### 12 VOLT

500996	Jack, TV/phone, gray
510624-01	Modular, telephone jack-bedroom
510807	Outlet, 12 volt (lighter socket)
510596	Cigarette lighter
500960-01	Light, fluorescent, recessed, 14.75"
680084	Bulb, fluorescent, #F8T5-CW
500960-02	Light, fluorescent, recessed, 20.63"
680085	Bulb, fluorescent, #F15T8-CW
511248	Light, incandescent, single
50085-02	Bulb, incandescent, #1141
511387	Light, decorative, dinette, starts 640609
511098-01	Light, decorative, fluted, over dinette
50085-02	Bulb, incandescent, #1141
511298	Wall lamp, 12 volt-over rear bed
510689	Bulb, incandescent, #1076
511298-02	Shade, wall lamp, rear
510973	Light, triple, map/dome/map, black, over dash
001003	Bulb, map light/closet light #1003
511031	Bulb, dome light #168
511361	Light, courtesy, black, under dash ledge (separate bulb not available)
500956	Light, wardrobe, w/switch
681924	Bulb, wardrobe light #581

# 1999 LAND YACHT PUSHER 35FT

## ENTERTAINMENT

690397	TV, RCA, 19"
203168	Trim ring, TV , front
511373-01	Theatre sound system, 2-18 watt amplifiers (puts TV through front speakers)
690398	TV, RCA, 13"
511464-01	Headphone control
500975	Headphones, lightweight
511464-02	Speaker, 4', 5watt
511464-03	Grill, speaker, black
511423	Plug-earphone
510918-01	Monitor, Sony Watchman
510929-08	Switch, momentary, rear camera
511044-03	Actuator, two position, rear camera
201888	Closeout, monitor camera, interior
203030	Closeout, monitor camera, exterior
201843	Lens, back-up monitor
690337	Video cassette player, Audiovox
511310	Video control center
511383-01	Radio, Sony XR-C6100
511048	Speaker set, Coustic-HS-402
511383-02	Sony wireless remote control
511385	Mobile theatre system
511191	Disc jockey, Sony
511279	Radio, CB, hand held, Cobra

# 1999 LAND YACHT PUSHER 35FT

## ENTERTAINMENT

### ANTENNAS

510788-01	Antenna, TV, Winegard
510788-03	Amplifier, antenna, Winegard
510788-107	Gear, elevating, plastic, Winegard
510788-118	Handle, directional, Winegard
510788-125	Handle, directional kit, Winegard
510616	Connector, "F", coax
510623	Connector, male-to-male, coax
511021	Antenna, cellular telephone
501000	Antenna, CB, model 500
500994	Antenna, radio

# 1999 LAND YACHT PUSHER 35FT

## SECTION III F through H

### FASTENERS (common fasteners available locally are not listed)

Rivets.....	III-1
Screws .....	III-3

### FLOOR COVERING

Carpet.....	III-4
Hardwood flooring.....	III-4
Mats .....	III-4

### FURNITURE

Interior doors .....	III-5
Mirrors .....	III-5
Drawer face .....	III-6
Drawer box .....	III-6
Galley .....	III-7
Lounge/cab .....	III-9
Bedroom.....	III-11
Bath .....	III-13

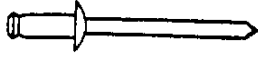
### HARDWARE

Props .....	III-14
Exterior locks/hinges .....	III-15
Interior drawer slides/hinges/catches.....	III-17
Bath accessories .....	III-19
Awning hardware .....	III-20

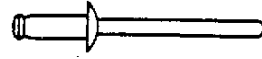


# 1999 LAND YACHT PUSHHER 35FT

## \*FASTENERS



330126-02  
rivet, pop  
dia. 1/8 "  
grip range .126-.187  
stainless steel body  
stainless steel mandrel



330126-03  
rivet, pop  
dia. 1/8 "  
grip range .126-.250  
stainless steel body  
stainless steel mandrel



330136-04  
rivet, pop  
dia. 1/8"  
grip range .313-.375  
stainless steel body  
stainless steel mandrel



330031-03  
rivet, pop  
dia. 3/16"  
grip range .125-.250  
stainless steel body  
stainless steel mandrel



330031-03  
rivet, pop  
dia. 3/16"  
grip range .126-.250  
stainless steel body  
steel mandrel

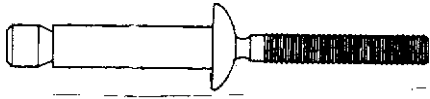


320108-01  
rivet, bulb tite, w/washer  
dia. 3/16"  
grip range .050-.187  
aluminum body  
aluminum mandrel

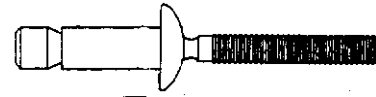
\*Common bolts and screws readily available at local hardware outlets have not been listed.

# 1999 LAND YACHT PUSHER 35FT

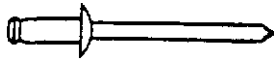
## \*FASTENERS



330139-02  
dia. 1/4"  
grip range .350-.625  
stainless steel body  
stainless steel mandrel



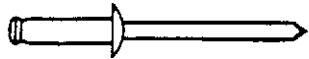
330139-01  
dia. 1/4"  
grip range .080-.375  
stainless steel body  
stainless steel mandrel



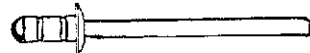
330127-03  
dia. 1/8"  
grip range .063-.125  
aluminum body  
aluminum mandrel



300101  
1/8" I.D.  
washer, aluminum



330127-05  
dia. 1/8"  
grip range .251-.312  
aluminum body  
aluminum mandrel



330137  
dia. 1/8"  
grip range .039-.189  
aluminum body  
steel mandrel

\*Common bolts and screws available at local hardware outlets have not been listed.

# 1999 LAND YACHT PUSHER 35FT

## \*FASTENERS



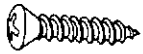
3201223

screw, pan head, Phillipsscrew wood  
black  
#4 x 1/8" (glove box tray)



20114-04

screw wood oval head, Phillips  
antique brass  
#5 x 1/2'



320114-05

screw wood, oval head, Phillips  
antique brass  
#5 x 5/8"



320115-06

screw wood, flathead, Phillips  
stainless steel  
#6x1.00"



320124-06

screw, flathead, Phillips  
stainless w/white head

\*Common bolts and screws readily available at local hardware outlets have not been listed.

# 1999 LAND YACHT PUSHER 35FT

## FLOOR COVERING

702793-01	Carpet, Peridot
702793-04	Carpet, Alexandria Julian
702793-02	Carpet, Blue Bayou
702793-05	Carpet, South Beach
702793-06	Carpet, Vintage Leaf
701538	Carpet, velour, black-exterior compartments
201709-02	Extruded trim molding, black, baggage compartment
700173	Pad, carpet, 3/8" thick
114724	Trim, carpet, Z-bar
381346	Floor mat, specify color
702549	Mat, entrance, w/Airstream logo, spec. color
801115	Floor, hardwood, quartered oak
800639-02	Adhesive, oak plank
360216	Caulk, brown, acrylic latex
090348-3	Vinyl tile floor, bathroom, option
702893	Flooring, smooth rubber, entrance step
702812-02	Flooring, step tread, entrance step

# 1999 LAND YACHT PUSHER 35FT

## FURNITURE

DOORS, INTERIOR                      Side to side, top to bottom  
(Inches)

800599-46	Door/drawer face, smooth	8.0 x 17.25
800597-12	Door, raised panel	10.5 x 26.25
800597-41	Door, raised panel	10.5 x 32.00
800557-23	Door frame, for mirrors	10.5 x 32.50
800597-17	Door, raised panel	11.0 x 15.25
800597-09	Door, raised panel	11.0 x 29.75
800597-62	Door, raised panel	11.5 x 15.25
800881-08	Door, louvered oak	12.0 x 24.25
800597-71	Door, raised panel	12.25 x 25.0
800597-10	Door, raised panel	12.25 x 34.0
800597-44	Door, raised panel	13.75 x 29.75
800599-07	Door/drawer face, smooth	14.0 x 4.5
800599-48	Door/drawer face, smooth	14.0 x 12.0
800881-02	Door, louvered oak	14.5 x 24.5
800557-32	Door frame, for mirrors	17.5 x 11.5
800597-59	Door, raised panel	18.5 x 11.5
800557-15	Door frame, for mirrors	19.0 x 60.0
800557-33	Door frame, for mirrors	19.5 x 11.5
801225-01	Insert, refrigerator door	20.38 x 15.5
801225-03	Insert, refrigerator door	20.38 x 38.38
800597-19	Door, raised panel	31.0 x 12.25
800597-20	Door, raised panel	32.0 x 10.5

### MIRRORS USED IN DOOR FRAMES

372206-01	Mirror only	7.62 x 29.62
372210-02	Mirror only, beveled	8.62 x 16.62
372206-04	Mirror only	8.62 x 16.62
372207-01	Mirror only	10.63 x 17.13
372206-03	Mirror only	14.62 x 8.62
371262-10	Mirror only	16.13 x 28.13

### MISCELLANEOUS DOORS

702416-02	Shower door, neo-angle
961413-10	Door, slider, forward bath
961413-11	Door, slider, aft bath
372203-13	Door, all mirror, bath cabinet

# 1999 LAND YACHT PUSHER 35FT

## FURNITURE

DRAWER FACES		side to side x top to bottom (Inches)
800599-02	Drawer face	11.75 x 7.50
800599-07	Drawer face	14.0 x 4.50
800599-22	Drawer face	14.0 x 7.0
800599-48	Drawer face	14.0 x 12.0
800599-06	Drawer face	15.0 x 7.0
800599-51	Drawer face	19.0 x 7.0
800599-05	Drawer face	20.625 x 11.75
800599-38	Drawer face	21.5 x 7.0
800599-58	Drawer face	21.5 x 4.75

DRAWER BOXES		deep x wide x length (Inches)
962821-01	Drawer box	2.88 x 8.25 x 18.0
962821-29	Drawer box	2.88 x 11.5 x 14.0
962821-25	Drawer box	2.88 x 19.5 x 18.0
962821-05	Drawer box	5.00 x 10.0 x 18.0
962821-28	Drawer box	5.00 x 11.5 x 14.0
962821-19	Drawer box	5.00 x 12.25 x 14.0
962821-16	Drawer box	5.00 x 13.25 x 14.0
962821-27	Drawer box	5.00 x 17.5 x 18.0
962821-07	Drawer box	5.00 x 19.5 x 18.0
962821-53	Drawer box	5.00 x 19.69 x 14.0
962821-13	Drawer box	9.0 x 13.25 x 20.0
962821-04	Drawer box	9.0 x 18.62 x 22.0

964009      Drawer box, side lounge Note: lounge drawer face comes with lounge

# 1999 LAND YACHT PUSHER 35FT FURNITURE

## GALLEY AREA-CABINETS/FACE FRAMES/TOPS

964568	Galley assembly, aft section
964571	Face frame, galley w/range
964572	Galley assembly, forward section
962931-01	Face frame, forward section
372211-03	Mirror, galley, beveled three sides, 12.5 x 17.5
372210-11	Mirror, galley, beveled, 7.75 x 19.50
964582-01	Galley top, Corian
964383-01	Range covers, Corian
964410-01	Sink cover, LH
964411-01	Sink cover, RH
962735-01	Roof locker, galley, aft
962650-01	Face frame, galley roof locker, aft
962735-02	Roof locker, galley, forward
962651-01	Face frame, galley roof locker, forward
964492	Dinette seat assembly, RH
964334-02	Flex spring seat
964495	Dinette seat, assembly, LH
964334-02	Flex spring seat

(continued)

1999 LAND YACHT PUSHER 35FT  
GALLEY AREA-CABINETS/FACE FRAMES/TOPS

963943-01	Roof locker, dinette, aft
962709-01	Face frame, dinette roof locker, aft
963943-02	Roof locker, dinette, forward
962708-01	Face frame, dinette roof locker, forward
963654-03	Back splash, dinette table
801054	Table leaf, fixed, Nomar finish, 24"wide
962177-03	Leg, table assembly
964615	Microwave cabinet assembly
964616	Face frame, microwave cabinet
963782-01	Refrigerator cabinet assembly
963783	Face frame, refrigerator cabinet

# 1999 LAND YACHT PUSHER 35FT FURNITURE

## LOUNGE AND CAB AREA

702908-318	Sofa, Villa, 74"
960668-01	Armrest, lounge
963882	Locker assembly, front
963883-01	Face frame, front roof locker
963873	Door header cabinet (over main door)
963874-01	Face frame , door header cabinet
702901-01	Chair, swivel, Villa
702897-01	Driver seat w/power pedestal
702897-02	Passenger seat w/power pedestal
963801-02	Roof locker assembly, CS front
963802-01	Face frame, roof locker, CS front
962668	End table assembly
962669	Face frame, end table
962670	Top, end table
963869	Roof locker, over lounge, RS
963870-01	Face frame, lounge roof locker, RS

(continued)

# 1999 LAND YACHT PUSHER 35FT FURNITURE

## LOUNGE AND CAB AREA

963946-01	Cab cabinet, front , center
963945-01	Face frame, front center cabinet
962741	Top, front center cabinet
964547	Cab armrest assembly, CS
203161	Armrest, plastic only, CS
200892	Cup holder, plastic, chrome
964546	Cab armrest assembly, RS
203160	Arm rest, plastic only
200892	Cup holder, plastic, chrome

# 1999 LAND YACHT PUSHER 35FT

## FURNITURE

### BEDROOM AREA

372203-19	Mirror, corner, 11.13" x 22.50"
372207-02	Mirror, rear wall, 28.0" x 60.0"
372212-01	Mirror, rear wall, 12.25" x 25.0"
801138-01	Cover trim, rear wall, lower, CS
801138-02	Cover trim, rear wall, lower, RS
962619	Engine compartment box assembly
962620	Top, engine compartment box
962622	Forward wall, engine compartment box
962621	CS wall, engine compartment box
962623	RS wall, engine compartment box
201565	Tufcote noise barrier
6000329	Tape, silver, 2"wide

# 1999 LAND YACHT PUSHER 35FT

## FURNITURE

### BEDROOM AREA

372203-19	Mirror, corner, 11.13" x 22.50"
372207-02	Mirror, rear wall, 28.0" x 60.0"
372212-01	Mirror, rear wall, 12.25" x 25.0"
801138-01	Cover trim, rear wall, lower, CS
801138-02	Cover trim, rear wall, lower, RS
962619	Engine compartment box assembly
962620	Top, engine compartment box
962622	Forward wall, engine compartment box
962621	CS wall, engine compartment box
962623	RS wall, engine compartment box
201565	Tufcote noise barrier
6000329	Tape, silver, 2"wide

# 1999 LAND YACHT PUSHER 35FT

## FURNITURE

### BATH AREA

962918	Lavatory cabinet assembly
962672-01	Face frame, lavatory cabinet
964366-01	Top, lavatory cabinet
963962	Medicine cabinet, forward
962674-01	Face frame, medicine cabinet, forward
963963	Medicine cabinet, RS
962728-01	Face frame, medicine cabinet RS
962662-01	Laundry cabinet assembly
962644-01	Face frame, laundry cabinet
201999	Shower stall, almond
201902	Shower ceiling liner
381631-01	Skylight 22" x 22", neo-angle
203154-01	Neo-angle inner dome

# 1999 LAND YACHT PUSHER 35FT HARDWARE

## HINGES, CATCHES, LOCKS, LATCHES, PROPS

381428-18	Prop, spring, push-button, front hood
381262	Bracket, prop, w/ball
381109	Bunk latch(slide bolt) , front hood
381481-03	Socket, door, ball prop
385587	Cap, rubber, hood bumper, black
195373-01	Striker only, paddle latch, hood
381484	Strike, compartment door
381327	Cable , hood release
381434	Hinge, stainless steel 3" x 3"
381227-02	Latch, rear engine access, pawl type
381565-05	Key TM 904
381565-01	Handle assembly, keyed alike, lower compartment
381565-04	Plunger, bolt assembly, lower compartment
381456	Cable, coated, handle to plunger
381529	Hinge, lower compartment
381565-02	Handle assembly, non-locking, lower compartment
381427	Hold back, main door
380004	Handle, screen door w/8-32 x 1" screw

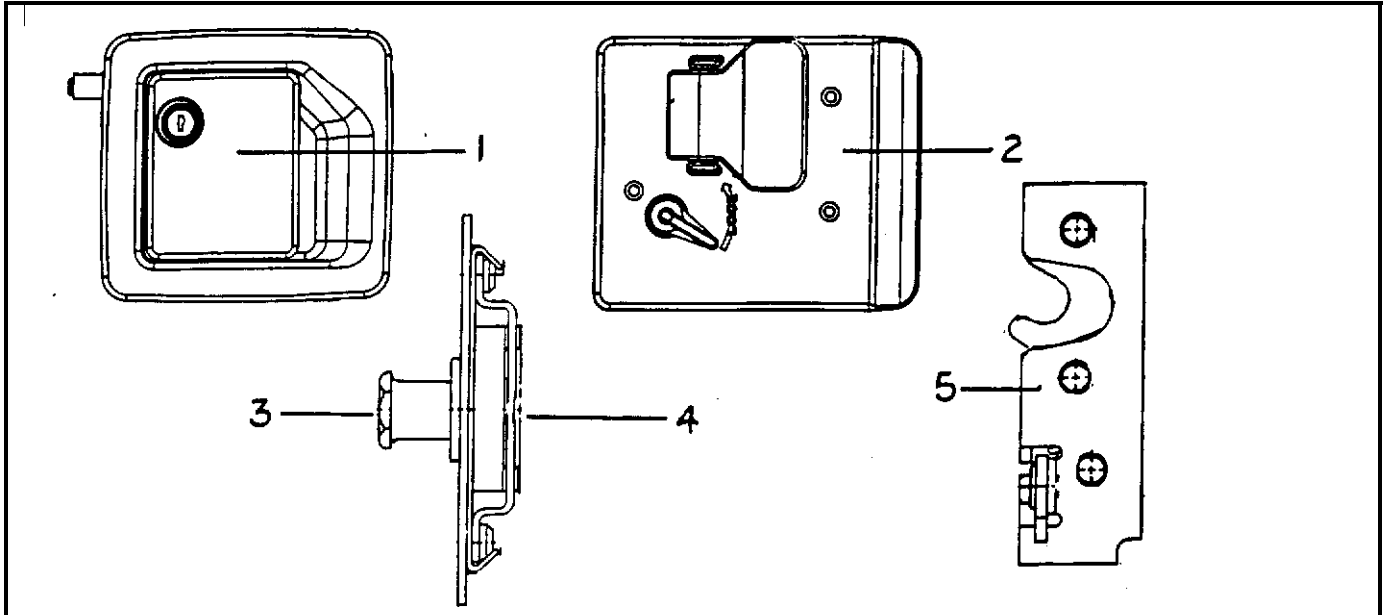
## Dead bolt-Trimark

510802-01	Actuator, door lock, 5-wire
381323-01	Dead bolt assembly
452030	Bolt, Trimark dead bolt
381326	Striker, 10007 w/Trimark dead bolt
3445321-12	Screw, #8-32 , flat head, black
200772	Pan, plastic, dead bolt, interior
511370-02	Grab handle-embossed Land Yacht

# 1999 LAND YACHT PUSHER 35FT HARDWARE

HINGES, CATCHES, LOCKS, LATCHES, PROPS

TRIMARK main door lock



- |              |                                |
|--------------|--------------------------------|
| 1) 381521-01 | Outside lock housing           |
| 2) 381521-02 | Inside lock plate              |
| 3) 381284    | Striker bolt                   |
| 4) 381521-04 | Caged nut                      |
| 5) 381521-03 | Rotary latch                   |
| 381521-05    | Screws inside lock plate       |
| 381334       | Hinge leaf, jamb, main door    |
| 381336       | Hinge leaf, door               |
| 381377       | Hinge leaf, screen door        |
| 385599-075   | Bearing, sleeve, hinge         |
| 310024       | Pin, hinge .250 x 6"           |
| 300118-01    | Washer, nylon, main door hinge |

# 1999 LAND YACHT PUSHER 35FT HARDWARE

## HINGES, CATCHES, LOCKS, LATCHES, PROPS

452358	Catch, glove box latch
381442	Retainer clip, glove box latch
381437	Hinge, glove box
381438	Latch, squeeze, glove box
381601	Hinge, antique brass
511162-01	Keyless entry with remote
511162-02	Transmitter, 4channel
114091	Mounting plate, keyless actuator
451486	Flat linkage, keyless entry
451485	Wire linkage, keyless entry
114757	Mounting plate, actuator, lower compartment, (opt.)
511044-01	Actuator-push/pull#act-020n
511044-02	Connector, 2 wire, actuator
381584	Rod, power compartment latch
381565-06	Handle assembly, keyed w/rod collar
381565-01	Handle assembly, keyed alike w/collar
371366-100	Weep hole cover, SE-GI window
371366-101	Sweep latch, SE-GI window

# 1999 LAND YACHT PUSHER 35FT HARDWARE

## HINGES, CATCHES, LOCKS, LATCHES, PROPS

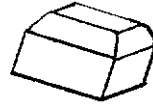
381526-03	Drawer slide, 18.0"
381526-01	Drawer slide, 14.0"
381526-05	Drawer slide, 22.0"
381526-06	Rear bracket, adjustable, drawer slide
381400	Drawer slide, lounge , 14", pr.
452235-01	Mounting bracket, lounge drawer slide, RH
452235-02	Mounting bracket, lounge drawer slide, LH
381601	Hinge, Antique Brass
380210	Hinge, plain steel
380284-02	Hinge bracket, dinette table
381599	Handles, drawer/doors
381604	Knob, door, satin
381074	Bulldog catch, set
381228	Grabber door latch, set
381228-100	Catch only, Grapper door latch
381147	Door support, spring-loaded, roof locker
385963	Bracket, mounting angle, lambrequin
381612	Mirror clip, wood framed doors
380046	Flange, chrome, clothes rod support
380045	Tubing, 3/4", metal, clothes rod
380045	Conduit, flexible, black-covers clothes rod
381449-04	Galley rail, decorative rod-center rear locker
381449-05	Post, decorative rail-center rear locker

# 1999 LAND YACHT PUSHER 35FT HARDWARE

## HINGES, CATCHES, LOCKS, LATCHES, PROPS



360012 Bumper, rubber  
white, stick-on, cylindrical



360016 Bumper, rubber  
gray, square 3/8 x 3/8

360012-01 Bumper, rubber  
brown, stick-on, cylindrical



195329-220 Bumper, rubber  
clear, stick-on, oval



385587 Cap, rubber  
hood bumper, black

381242-01 Bracket, shelf, vertical'30", rear wardrobe  
381243 Clip, shelf support, rear wardrobe

453453 Bracket, bedroom TV  
381220-02 Mirror clip, nickel-plated #318

381000-56 Hinge, .092, stainless, 2.0"open-56"long  
381595 Gas spring, rear bedSL29-180-1  
381596 Retainer clipSL85-1  
915396 Gas spring bracket, bed top  
381597 Ball stud SL64-BS-1  
381598 Bracket , 90 degreeSL61-BS-1  
381530 Draw latch, rubber, black T handle

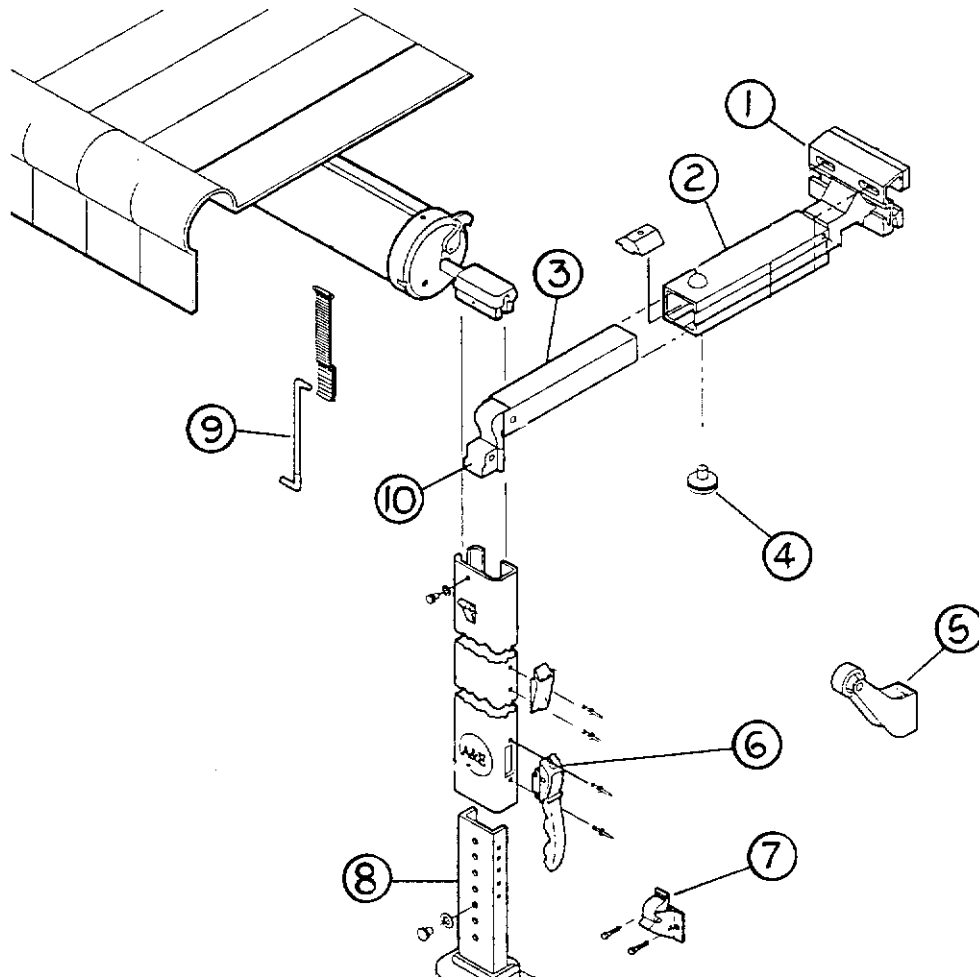
# 1999 LAND YACHT PUSHER 35FT HARDWARE

## HINGES, CATCHES, LOCKS, LATCHES, PROPS

381275	Toilet paper holder, brass w/hood
381257	Towel bar, brass, 18"
381254	Tooth brush/tumbler holder, brass
381256	Towel ring, brass
381255	Soap holder, brass
381444	Hatch pull, SST satin finish
381603	Pull, three finger, antique brass
381443-01	Sliding door set #71-222-5
381443-02	Bumper door stop #7014
381443-01	Angle stop #1018
385935	Brass pivot pin #1806a311
385940	Mirror pull, brass
380990	Bracket, interior rear view mirror, GM#9831062
114224	Plunger, for roof ladder
381148-01	Socket, for rear roof ladder
381306	Slides, table, freestanding dinette
381147	Door support, spring-loaded, roof locker doors
381525	Sash lock, contemporary, mini, free standing dinette
380203-01	Piano hinge, 1/8" pin, clear anodized

# 1999 LAND YACHT PUSHER 35FT

## HARDWARE, A&E AWNING



- |                |                                      |
|----------------|--------------------------------------|
| 1) 702679-104  | Bracket top, A&E awning              |
| 2) 702679-103  | Rafter, main, A&E awning             |
| 3) 702679-105  | Secondary rafter, A&E awning         |
| 4) 702679-106  | Knob , adjustment, 1 7/8" A&E awning |
| 5) 702679-109  | Door roller, A&E awning              |
| 6) 702679-111  | Lift handle, A&E awning              |
| 7) 702679-108  | Bracket, bottom mounting, A&E awning |
| 8) 702679-107  | Arm, adjustable, A&E awning          |
| 9) 702679-102  | E-Z pull rod, A&E awning             |
| 10) 702679-110 | Slider assembly, A&E awning          |

# 1999 LAND YACHT PUSHER 35FT

## SECTION IV

### L through Z

LABELS and TAGS ..... IV-1

OPTIONS ..... IV-3

### PLUMBING

LPG ..... IV-5

Fresh water ..... IV-6

Drain water ..... IV-15

Toilet ..... IV-18

SAFETY EQUIPMENT ..... IV-19

### SEALS/SEALER/PAINT

Gaskets ..... IV-2019

Sealer ..... IV-22

Adhesive ..... IV-22

Paint ..... IV-22

### UPHOLSTERY/FOAM/MATTRESS

Mattresses ..... IV-23

Bed spread ..... IV-23

Swivel seat ..... IV-23

Cab seat ..... IV-23

Dinette foam/upholstery ..... IV-24

VENTS and FANS ..... IV-25

WOOD, LAMINATES and INTERIOR TRIM ..... IV-26



# 1999 LAND YACHT PUSHER 35FT

## LABELS AND TAGS

385103	Plate, RVIA
385531	FMVSS certification label
385815	Name plate, motorhome hitch rating
385095	Tag registry#11999
385465	Label, exit warning (English)
385463	Label, warning label/cooking appliance
385464	Label, LP gas warning label (odor)
385788	Warning label, pilot light/refuel
385101	Tag, auxiliary tank dump valve handle
385099	Tag, black tank dump valve handle
385063	Label, drain cap
385062	Decal, 110-125 voltage AC
385309	Decal, fuel fill
385547	LP gas warning/fill label
385141	Tag, seat, clear w/black letters
385518	Label, dimension and clearance
385193	Label, 12Volt distribution inside
385560	Air conditioner rating label
385561	Generator rating label
385565	Label, holding tank flushing
385805-01	A/C priority switch label-front
385805-02	A/C priority switch label-rear
385812	Label, Calif. hazardous substance
385609	Label, smoke detector
385612	Label, parking brake warning
385829	Decal, fuse and relay
385828	Decal, fuse panel warning
385851	Label, cellular phone
385924	Label, galley light

(continued)

# 1999 LAND YACHT PUSHER 35FT

## LABELS AND TAGS

385933	Label, name set relay
385941	Label, waste water holding
385942	Label, sewage holding tank
385943	Label, "cap must be in place"
385947	Label, 10-amp fuse maximum
385098	Label, seat occupancy
385989	Decal, mirror heat
386012	Label, warning-water heater
385608	Label, sewer hose L/Y M/H
385615	Label, fuse block L/Y M/H
385832	Label, diesel fuel only
385917	Decal, oak table w/no mar finish
385949	Label, "potable water" CSA
385950	Label, "smoke detector" CSA
385951	Label, "range fresh air" CSA
385952	Label, "LP warning" CSA
385953	Label" If you smell gas" CSA
385954	Label" range warning" CSA
385466	Label, exit label(French)

# 1999 LAND YACHT PUSHER 35FT

## OPTIONS

### FREE STANDING DINETTE

964502	Chair, dinette, folding
962736	Dinette table cabinet, free standing
962681	Top, dinette cabinet
801081	Leg, dinette cabinet
962737	Table assembly, free standing
962680	Dinette top w/leaf
962177-03	Leg 30.5"
962682-01	Back, dinette table
381306	Slides, table, pair
381147	Door support, spring loaded
380210	Hinge, plain steel
381525	Sash lock, contemporary mini
380203-01	Piano hinge, 1/8" pin, clear anodized

### DIESEL GENERATOR

511179-01	Generator, 7KW, diesel
511179-02	Muffler bracket, 7KW
381388	Bracket, muffler hanger, 7KW

# 1999 LAND YACHT PUSHER 35FT

## OPTIONS

### 2000 WATT INVERTOR/CHARGER

511418-01	Charger/charger, 2000 watt, RV2012
511418-02	Switch-remote, on/off w/led
511418-03	Fuse w/holder, 300 amp
510663	Breaker, 30 amp

### LEATHER DINETTE

998070-02	Leather dinette seat
998071-02	Leather dinette back
998070	Cover only, seat, dinette, leather
998071	Cover only, back, dinette, leather

### LEATHER LOUNGE

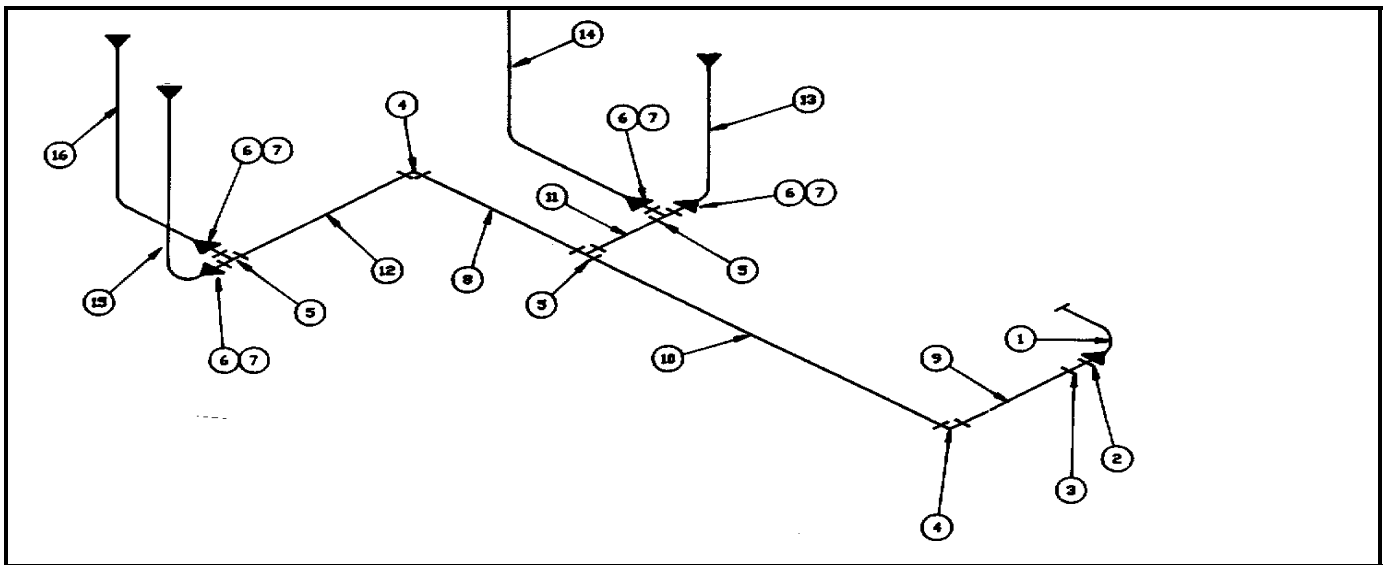
702908-01	Sofa w/arm, 74", leather (includes drawer face)
-----------	---

### APPLIANCE

690396-04	Range, 3-burner w/ oven, Maytag
381564	Vent, Fantastic, w/wall thermostat
690352-01	Washer/dryer, Kariba#WDS1043

# 1999 LAND YACHT PUSHER 35FT PLUMBING

LPG



- |              |                                    |
|--------------|------------------------------------|
| 1) 601335    | Hose, LP, tank to regulator, 10"   |
| 2) 601412-12 | Connector-M. .50 pipe to .62" tube |
| 3) 601410    | 1/2" coupling, black pipe          |
| 4) 601408    | 1/2" 90 degree elbow               |
| 5) 601409    | 1/2" Tees                          |
| 6) 601412-08 | Connector-m. .50 pipe to .38 tube  |
| 7) 600435    | Forged flare nuts 3/8"             |
| 8) 601407    | 1/2" SCH.#40 black pipe            |
| 9) 601407    | 1/2" SCH.#40 black pipe            |
| 10) 610407   | 1/2" SCH.#40 black pipe            |
| 11) 601407   | 1/2" SCH.340 black pipe            |
| 12) 601407   | 1/2" SCH. #40 black pipe           |
| 13) 600008   | Tubing, copper, 3/8 OD             |
| 14) 600008   | Tubing, copper, 3/8 OD             |
| 15) 600008   | Tubing, copper, 3/8 OD             |
| 16) 600008   | Tubing, copper, 3/8 OD             |

# 1999 LAND YACHT PUSHER 35FT

## PLUMBING

### LPG

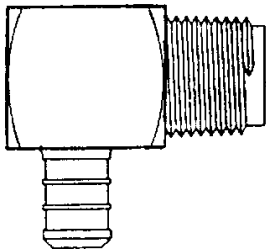
601678	LP tank, 105#, liquid/vapor
511229	Sending unit, 90 ohm, Snap On
601277	LP gas regulator
601515	Fitting, brass, 1/4" x 1/4" inverted flare
601279	Hose, LP, 18"
601527-02	Hose, high-pressure, liquid, 51.0"
601527-01	Hose, high-pressure, liquid, 56.0"

# 1999 LAND YACHT PUSHER 35FT

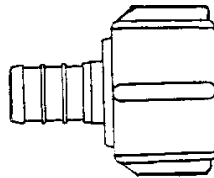
## PLUMBING

### FRESH WATER

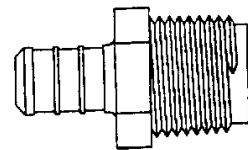
601562	Tank, fresh water
914097	Pan, fresh water tank
601194-03	Water fill w/lock, white
601239	Tubing, ribbed, fill hose
601240-01	Tubing, 1/2" I.D., tank vent
201866-02	City water connection, polar white
601061-01	Water pump, Shurflo
601668	Filter, pre-water pump



601698-04  
Elbow, 1/2 barb x  
1/2 MPT



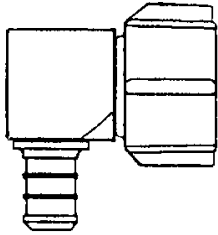
601698-03  
Coupler, 1/2 barb x  
1/2 FPT



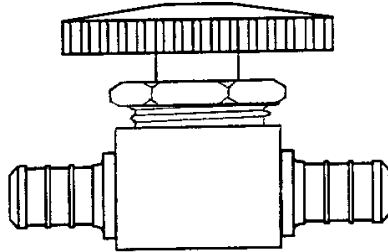
601698-02  
Coupler, 1/2"  
barb x 1/2 MPT

# 1999 LAND YACHT PUSHER 35FT PLUMBING

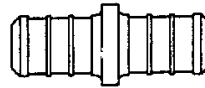
## FRESH WATER



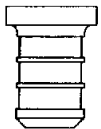
601698-05  
Elbow 1/2 barb x  
1/2 FPT



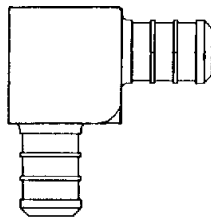
601698-07  
Shut-off, 1/2 barb x  
1/2 barb



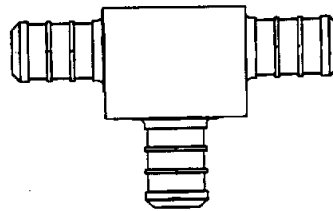
601698-08  
Coupler x 1/2 barb



601698-09  
Plug, 1/2 barb



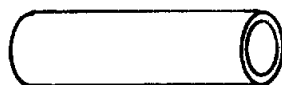
601698-10  
Elbow 1/2 barb x  
1/2 barb



601698-11  
Tee, 1/2 x 1/2 x  
1/2 barb



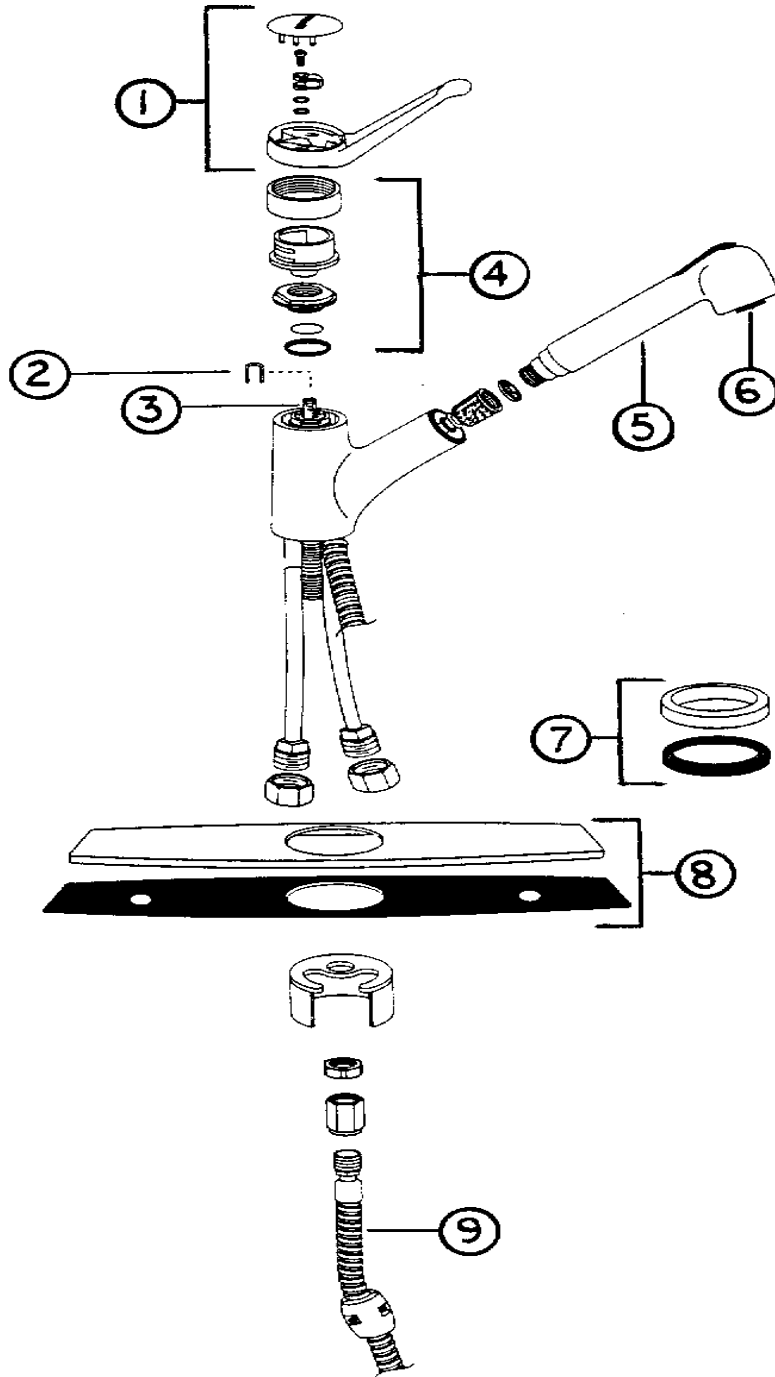
601698-15  
Crimp ring, 1/2  
E-Pex, 1/2 (black)



601698-01  
E-Pex tube, 1/2"

# 1999 LAND YACHT PUSHHER 35FT PLUMBING

FRESH WATER



# 1999 LAND YACHT PUSHER 35FT

## PLUMBING

### FRESH WATER

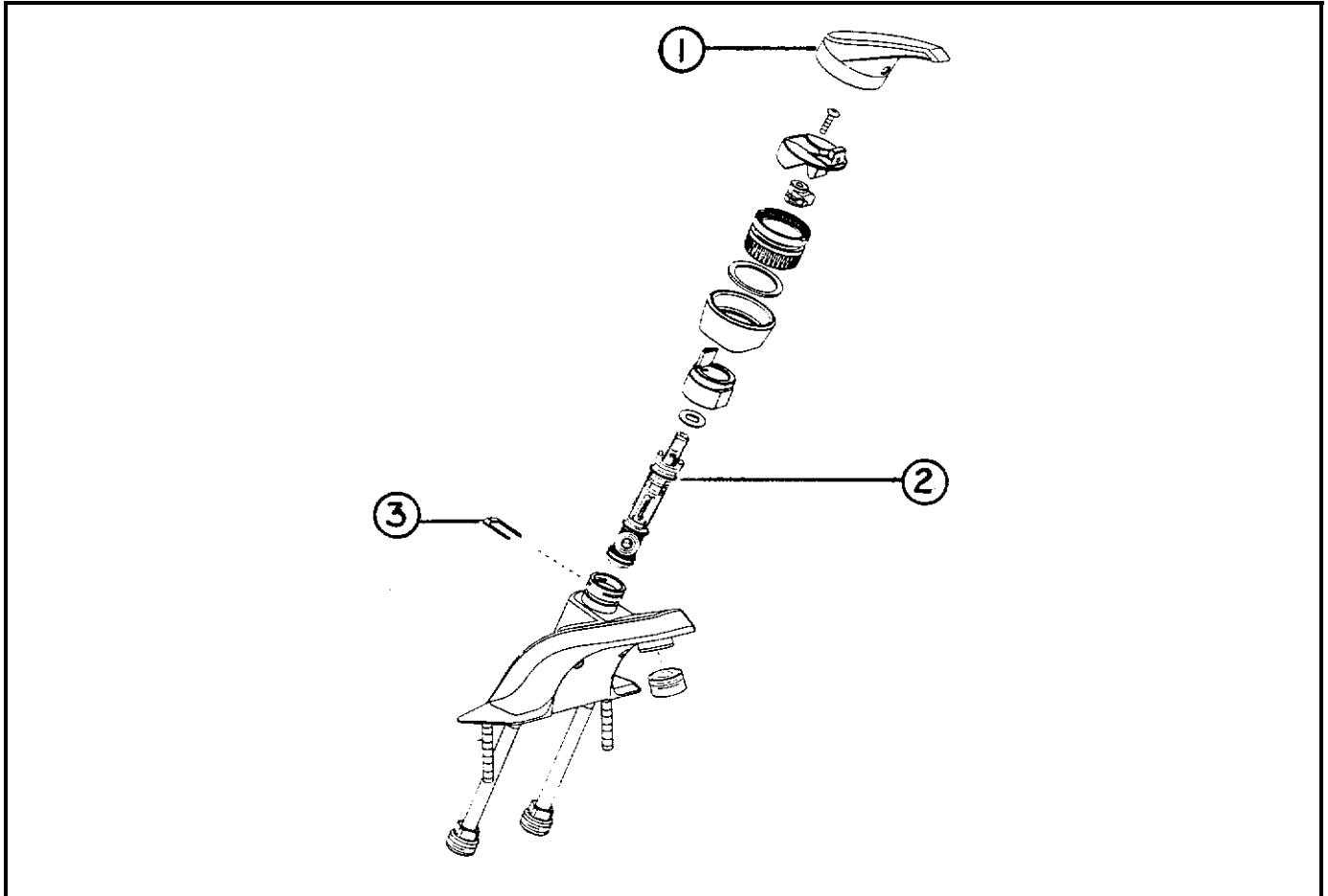
601579-01 Faucet, One Touch, Moen, sand

- |               |                           |
|---------------|---------------------------|
| 1) 601579-103 | Lever handle kit          |
| 2) 601579-105 | Retainer clip             |
| 3) 601579-106 | Cartridge                 |
| 4) 601579-104 | Collar and pivot retainer |
| 5) 601579-100 | Spout                     |
| 6) 601579-101 | Aerator                   |
| 7) 601579-107 | Escutcheon, small         |
| 8) 601579-108 | Escutcheon, large         |
| 9) 601579-109 | Hose                      |

# 1999 LAND YACHT PUSHHER 35FT

## PLUMBING

### FRESH WATER



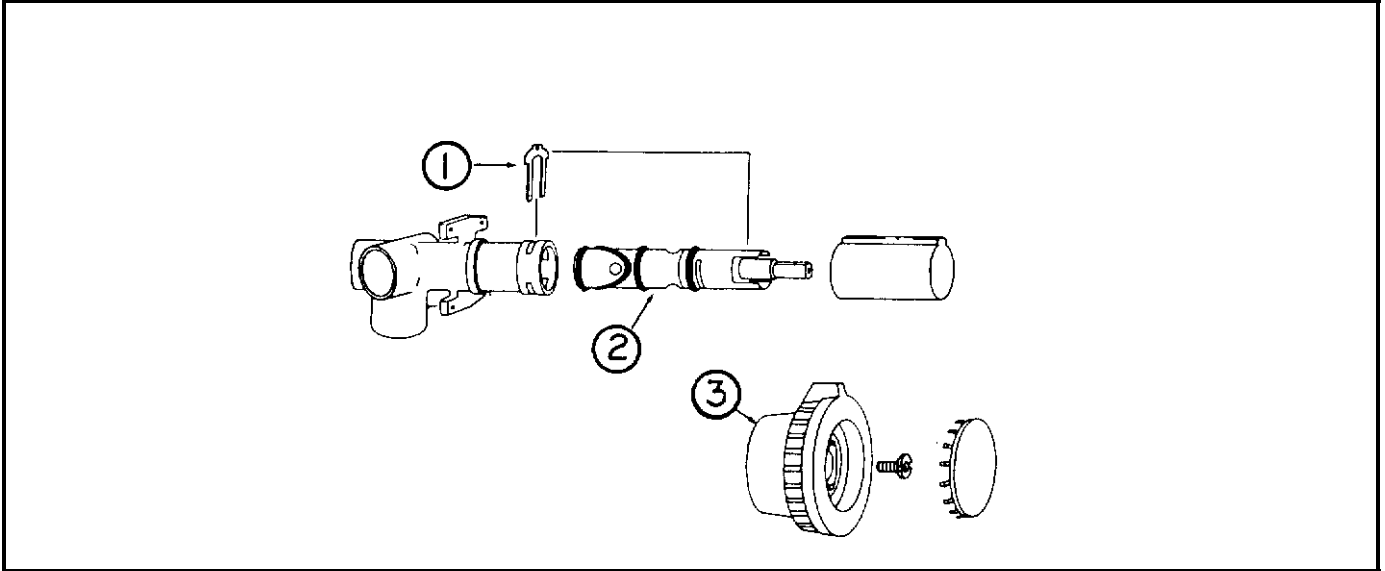
690390-01 Lavatory faucet, Moen, polished brass

- 1) 690390-100      Lever handle
- 2) 601579-105      Cartridge
- 3) 601579-104      Retainer clip

# 1999 LAND YACHT PUSHHER 35FT

## PLUMBING

### FRESH WATER



601420-02 Shower faucet, polished brass

- 1) 000883 Retainer clip
- 2) 601420-100 Cartridge#1200
- 3) 001041 Handle

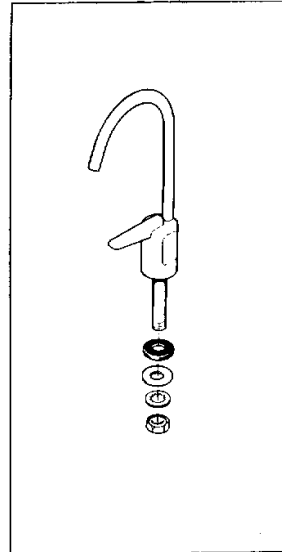
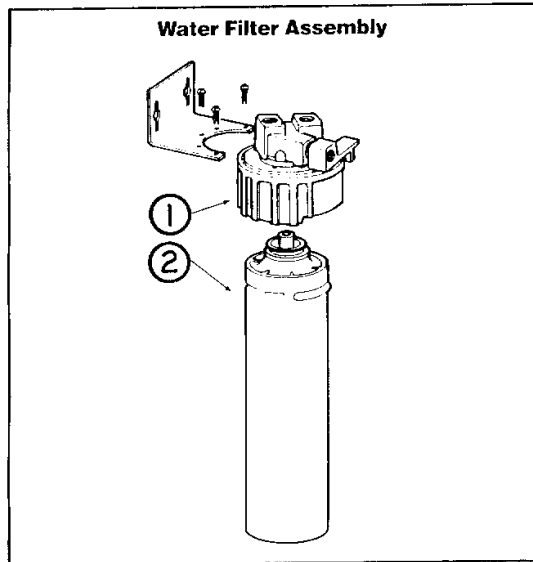
### Shower stall fittings

- 601359-101 Elbow with flange, brass
- 601173 Vacuum breaker, brass
- 601175-01 Shower hose, brass
- 601257 Shower head w/shut-off, brass
- 601359-100 Wall holder, showerhead, brass

# 1999 LAND YACHT PUSHHER 35FT

## PLUMBING

### FRESH WATER



- 1) 005273 Head, water filter
- 2) 960112 Cartridge, filter

601401 Faucet, water

# 1999 LAND YACHT PUSHER 35FT

## PLUMBING

### DRAIN SYSTEM

601563	Tank, gray, holding
914098	Pan, gray water tank
601564	Tank, black, holding
914099	Pan, black holding tank
601441	Tank flush, no-fuss (vacuum breaker & check valve)
601441-01	Nozzle, tank mounted, no-fuss flush
60032-01	Water inlet, garden hose thread, tank flush
601633-06	Sink, galley, porcelain
601968	Basket strainer, galley
200406-06	Lavatory bowl, oval, parchment (tail, basket and stopper comes w/bowl)
201999	Shower stall, almond
601362-01	Drain, tiptoe, shower, polished brass
601201	Adaptor, swivel strainer, 1¼"
601202	P-trap w/union , 1¼"
600378	Continuous waste, 1½"
601199	Elbow 90 degree, 1¼"
601268	Elbow, long sweep, 1¼" hub x hub
601305	WYE, 45 degree, 1¼"
601263	Bushing, 1½" x 1¼"
600035	Ell, long sweep, 1½"

(continued)

# 1999 LAND YACHT PUSHER 35FT

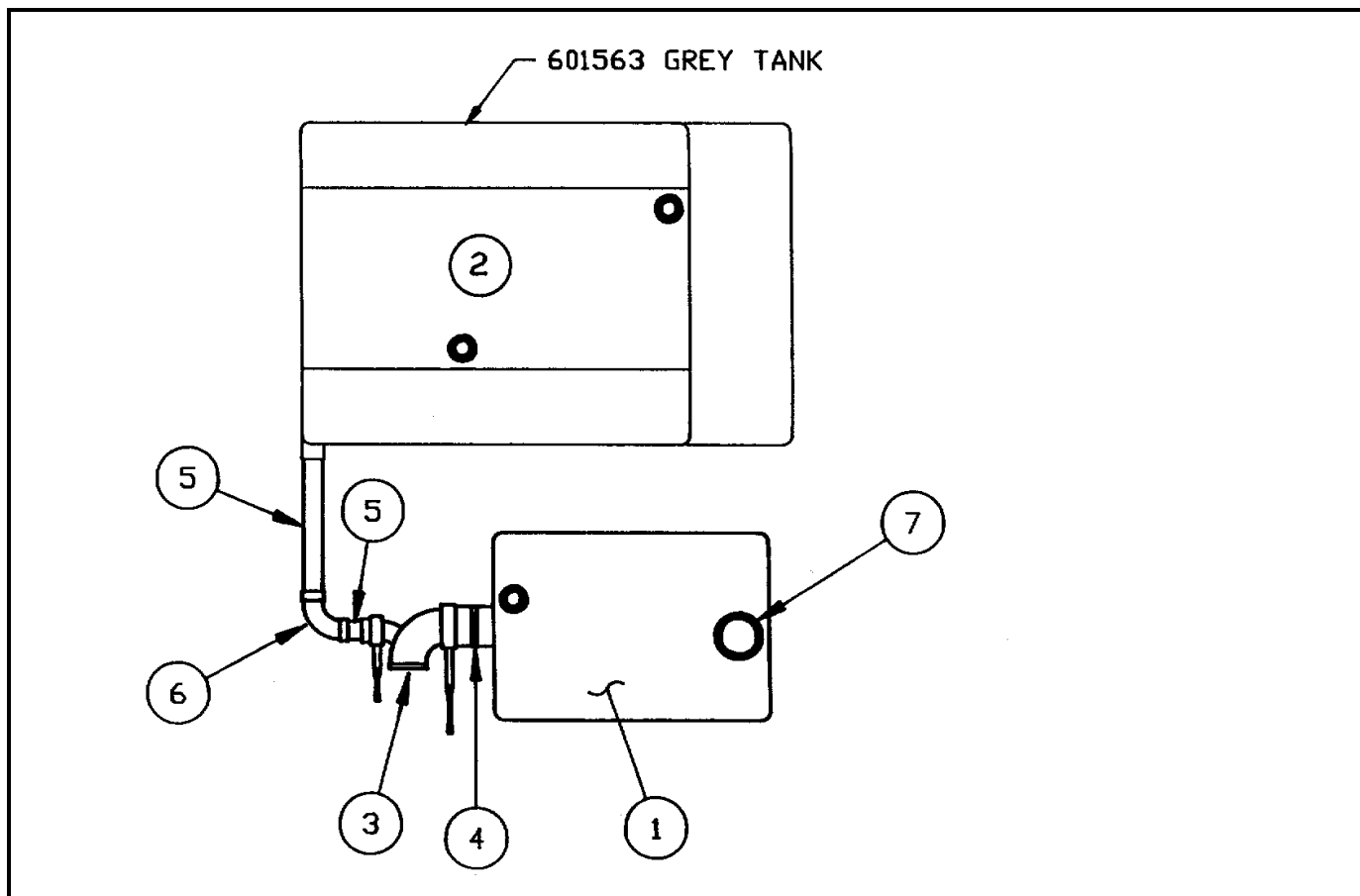
## PLUMBING

### DRAIN WATER

600183	Ell, long sweep, 3.0"
195329-229	Reducer adaptor, 3.0" to 1½"
600155	Plug clean-out, 1½"
600538	Vent V-200 automatic
601308	Elbow, vent, 90 degree, 1¼'
600156	Tee sanitary
601198	Tee, sanitary, 1¼', all hub
601160-01	Pipe, ABS, 1¼'
601160-02	Pipe, ABS, 1½"
600033	Elbow, vent, 90 degree, 1 1/5"

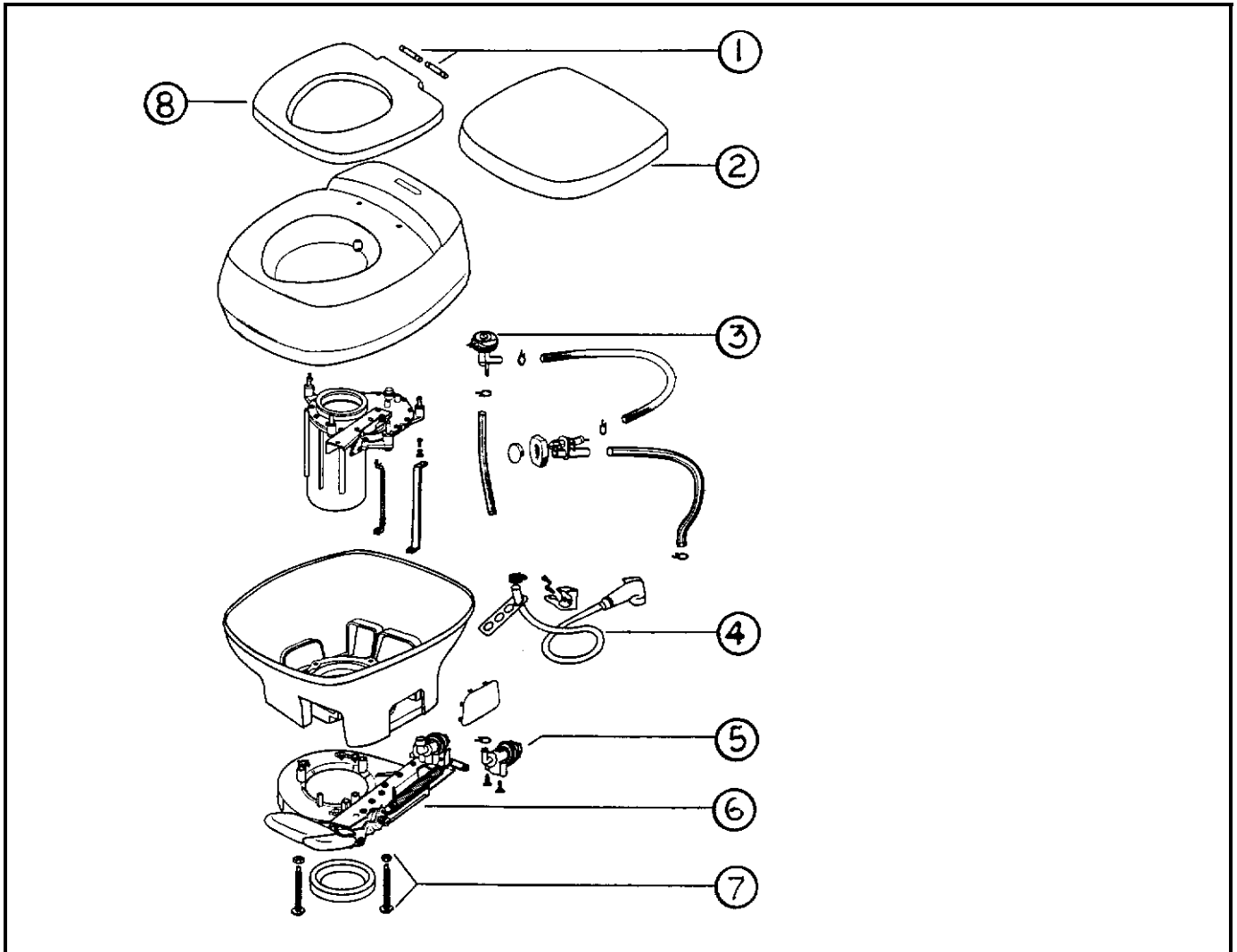
# 1999 LAND YACHT PUSHER 35FT PLUMBING

## DRAIN WATER



- |              |                              |
|--------------|------------------------------|
| 1) 601564    | Tank, black                  |
| 2) 601653    | Tank, gray                   |
| 3) 601482    | Dump valve rotating assembly |
| 4) 601160-04 | Pipe, ABS, 3.0"              |
| 5) 601160-02 | Pipe, ABS, 1½"               |
| 6) 600035    | Ell long sweep, 1½"          |
| 7) 600065    | Flange, floor, threaded      |

# 1999 LAND YACHT PUSHHER 35FT PLUMBING



690386 Toilet, Thetford China, Aurora, bone

- |               |  |
|---------------|--|
| 1) 690386-101 | Hinge pins, seat, Aurora               |
| 2) 690386-102 | Seat cover, bone, Aurora               |
| 3) 690386-103 | Vacuum breaker, Aurora                 |
| 4) 690386-104 | Hand spray kit, Aurora                 |
| 5) 690386-105 | Ball valve kit, Aurora                 |
| 6) 690386-106 | Lower mechanism assembly, bone, Aurora |
| 7) 690386-107 | Closet flange sea l& bolt kit          |
| 8) 690386-108 | Seat, bone, Aurora                     |

# 1999 LAND YACHT PUSHER 35FT

## SAFETY EQUIPMENT

- 510781 Detector, smoke #1056 w/silencer
- 511343 Detector, carbon monoxide-9 volt
- 511309 Detector, LPG
- 510734 Alarm, back-up
  
- 381069 Seat belt kit, cocktail chair
- 700349 Seat belt, lounge
  
- 690381-01 Fire extinguisher 10 B:CUL
- 690381-02 Fire extinguisher 10 B:CULC(Canadian)
  
- 380188 Emergency warning triangle, set of 3

# 1999 LAND YACHT PUSHER 35FT

## SEALS

Sealer, gaskets, paint, adhesives

## GASKETS



1) 365205



2) 365237-01



3) 365232



4) 365208



5) 201260



6) 381514



7) 365013-01

1) 365005

Gasket, weather strip, rear trunk door

2) 365237-01

Seal, dust, compartment door edge  
(replaced 365208 mid 98 model)

3) 365232

Seal, main door/compartment door jamb

4) 365208

Gasket, seal-compartment door hinge and  
window to body

5) 201260

Insert, windshield gasket, rubber

6) 381514

Gasket, windshield, includes center strip

7) 365013-01

Gasket, screen door, low-density foam

# 1999 LAND YACHT PUSHER 35FT

## SEALS

Sealer, gaskets, paint, adhesives

### GASKETS-SE-GI WINDOWS



1) 371366-103



2) 371366-102



3) 371366-104



4) 371366-105

- |               |                                |
|---------------|--------------------------------|
| 1) 371366-103 | Track, window screen, Se-Gi    |
| 2) 371366-102 | Track, sliding pane, Se-Gi     |
| 3) 371366-104 | Wiper seal, vertical, Se-Gi    |
| 4) 371366-105 | Screw cover, clamp ring, Se-Gi |

# 1999 LAND YACHT PUSHER 35FT

## SEALS

### SEALER, GASKETS, PAINT, ADHESIVES

#### SEALER

360209-01	Sealer, black, #5507
360281	Sealant, thermoplastic, clear
360268-01	Liqua Seal, roof, white
360216	Caulk, latex, brown
365001	Tape, double coated foam
360074	Sealant, GE RTV, white
360001	Butyl sealent#884058
360002	Vulkem sealant, gray
360176	Sealant, almond, bathroom
360210	Sealant, paralastic #4334-04 (refrigerator compartment sealer)

#### ADHESIVES

800639-02	Adhesive, oak plank flooring
360270	Adhesive spray, Sta-put, ceiling panels (Reference only, not available for shipment)

#### PAINT

360260	Paint, gal, Pewter lower-lower skirts, Centari
360262	Paint, gal, Nu-white-side walls, Centari
360208	Stain, gal, medium oak
365244	Lacquer, clear, used on wood

# 1999 LAND YACHT PUSHER 35FT

## UPHOLSTERY/FOAM/MATTRESS

702675	Mattress, 60 x80" w/45 degree corner
701611	Pillow 20 x 24"
702677-258	Bedsread, J model, South Beach
702677-318	Bedsread, J model, Blue Bayou
702677-098	Bedsread, J model, Alex. Julian
702677-418	Bedsread , J model, Peridot
702677-248	Bedsread, J model, Vintage Leaf
702926-04	Pillow kit, South Beach
702896-04	Pillow kit, Blue Bayou
702883-04	Pillow kit, Alexander Julian
702881-04	Pillow kit, Peridot
702932-04	Pillow kit, Vintage Leaf
962655	Head board, Keats/Bisque
998141	Closeout, rear wall mirrors, Keats/Bisque
702796-197	Swivel chair, Golden Berle
702796-098	Swivel chair, Alex. Julian
702796-418	Swivel chair, Peridot
702801-197	Sofa w/arm & drawer face, Golden Berle
702801-098	Sofa w/arm & drawer face, Alex. Julian
702801-418	Sofa w/arm & drawer face, Peridot
960669-01	Close out, RS, above driver left shoulder
960669-02	Close out CS, above passenger right shoulder
702897-01	Seat, driver, power w/belts
702897-02	Seat, passenger, power, w/belts

# 1999 LAND YACHT PUSHER 35FT

## UPHOLSTERY/FOAM/MATTRESS

964500	Upholstered back, RH dinette
702464-17	Foam, dinette, upper back, aft
702464-06	Foam, dinette, lower back
964516	Upholstered back, LH dinette
702464-18	Foam, dinette, upper back, forward
702464-06	Foam, dinette, lower back
998070	Cover, seat, side dinette
702464-08	Foam, dinette, aft seat
702464-10	Foam, dinette, forward seat
998071	Cover, back, side dinette

# 1999 LAND YACHT PUSHER 35FT

## VENTS/FANS

381207-02	Vent, refrigerator, roof, w/screen
381153-01	Vent, Jensen #757
381153-100	Screen, Jensen #757 vent
381450	Vent, roof, Fantastic #6000 RBT
381450-100	Screen, Fantastic roof vent
381450-101	Motor, elevator, Fantastic vent #6000 RBT
511376	Fan, defrost, oscillating
381631-03	Skylight, 22" x 22", neo-angle
203154-01	Inner dome, skylight, neo-angle
201897-01	Trim ring, skylight, neo-angle
381541-06	Roof vent w/power lift
381541-02	Switch, power roof vent

# 1999 LAND YACHT PUSHER 35FT

## WOOD/LAMINATES/INTERIOR TRIM

801176-03	Paneling, interior wall, 1/8"x 4'x7', Solitude
203147-0	Trim, divider bar, interior panels, Solitude
800507-01	Paneling, luan, 1/8"x4'x8'
800397-01	Cedar, planked, 5/32"x4'x8'
201728-01	Extrusion, ceiling trim retainer
201728-04	Extrusion, ceiling trim
800542-02	Structure wood 3/8"x4'x8'
800542-03	Structure wood 1/2"x4'x8'
800507-02	Paneling, luan 1/4"x4'x8'
800507-03	Paneling, luan 3/8"x4'x8'
801177-01	Paneling 1/2"x4'x8', G2S, solitude/solitude
801185-01	Paneling 1/2"x4'x8', G1S, solitude/raw
801233-01	Paneling 1/4"x4'x8', G1S, solitude/raw
801180	Paneling 1/2"x4'x8', G2S, oak/oak
801179	Paneling, 1/2"x4'x8', G1S, oak/raw
801182	Paneling 5/32"x4'x8', G2S, oak/oak
801181	Paneling 5/32"x4'x8', G1S, oak/raw
801230	Laminate, oak, 4'x8'
964280	Molding, top edge counter, oak (hot glue application)
800631	Handrail, oak, 23" (w/opt. stationary dinette)
963990	Magazine rack
801115	Flooring, oak quartered 3/8"

# 1999 LAND YACHT PUSHER 35FT

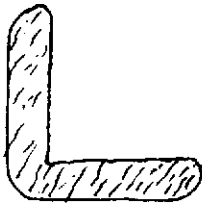
## WOOD/INTERIOR



1) 801206-01



2) 964152-01



3) 801175



4) 800571-01



5) 800617-01



6) 801172-01  
6a) 801172-03



7) 801173-03



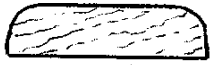
8) 801173-04

- |               |  |
|---------------|--|
| 1) 801206-01  | Molding, floor, oak, 43"               |
| 2) 964152-01  | Molding, chair rail, oak               |
| 3) 801175     | Molding, corner, Solitude              |
| 4) 800571-01  | Molding, oak, flat 1/4" x 33/64" x 80" |
| 5) 800617-01  | Molding, wainscoat, oak                |
| 6) 801172-01  | Molding, flexible corner, oak          |
| 6a) 801172-03 | Molding, flexible corner, Solitude     |
| 7) 801173-03  | Molding, flat radius, .88" oak         |
| 8) 801173-04  | Molding, flat radius, 1.13" oak        |

(continued)

# 1999 LAND YACHT PUSHER 35FT

## WOOD/INTERIOR TRIM



1) 800573-01



2) 800572-01



3) 201728-04



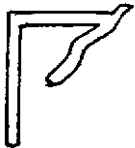
4) 201728-01



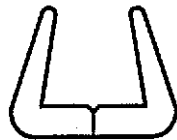
5) 203159-01



6) 201666



7) 201790-01



8) 203138-01

1) 800573-01

Molding, door edge 1 3/32 x 80"

2) 800572-01

Molding, panel edge, oak 23/32 x 80"

3) 201728-04

Extrusion, ceiling trim

4) 201728-01

Extrusion, ceiling trim retainer

5) 203159-01

Trim, divider bar, interior panels, Solitude

6) 201666

Molding, J 3/16", plastic

7) 201790-01

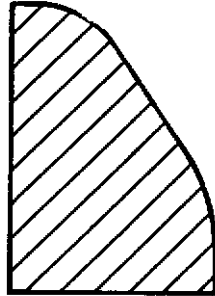
Molding, cove, white, ceiling to wall

8) 203138-01

Extrusion, wall, plastic, white (panel edging)

(continued)

1999 LAND YACHT PUSHER 35FT  
WOOD/INTERIOR TRIM



1) 800576-01



2) 801189

1) 800576-01

Molding, bath doorstop, oak

2) 801189

Trim, bath doorjamb, oak