

# TABLE OF CONTENTS

## SECTION I - SAFARI

### A through C

#### APPLIANCES

<a href="#">Air Conditioner</a> .....	I-1
<a href="#">Furnace</a> .....	I-1
<a href="#">Microwave</a> .....	I-1
<a href="#">Range</a> .....	I-1
<a href="#">Refrigerator</a> .....	I-1
<a href="#">Water Heater</a> .....	I-1

#### BODY

<a href="#">End shell, aft</a> .....	I-3
<a href="#">End shell, front</a> .....	I-5
<a href="#">Roof</a> .....	I-7
<a href="#">CS wall, 27ft.</a> .....	I-9
<a href="#">RS wall, 27ft.</a> .....	I-11
<a href="#">RS wall, 25 sleep six "C"</a> .....	I-13
<a href="#">CS wall, 25 sleep six "C"</a> .....	I-15
<a href="#">CS wall, 25 "A &amp; B"</a> .....	I-17
<a href="#">RS wall, 25 "A &amp; B"</a> .....	I-19
<a href="#">RS wall, 23 "C"</a> .....	I-21
<a href="#">CS wall, 23 "C"</a> .....	I-23
<a href="#">Body interior, window trim rings, end liners</a> .....	I-24

#### CHASSIS

<a href="#">Axles</a> .....	I-25
<a href="#">Shocks</a> .....	I-25
<a href="#">Tire &amp; wheel</a> .....	I-25
<a href="#">Jacks</a> .....	I-25
<a href="#">Step</a> .....	I-25
<a href="#">Rear bumper/hose carrier</a> .....	I-25
<a href="#">Under belly metal</a> .....	I-26
<a href="#">Coupler, hitch</a> .....	I-26
<a href="#">Brakes, 10"</a> .....	I-27
<a href="#">Brakes, 12"</a> .....	I-28

# 1999 SAFARI

## SECTION II

D through E

[DECALS/EXTERIOR TRIM](#)..... II-1

### DOORS/WINDOWS/AWNING

[Doors](#) ..... II-2

[Windows](#)..... II-3

[Awning](#)..... II-3

[DRAPES/BLINDS/VALANCES](#) ..... II-4

### ELECTRICAL

[110 volt](#)..... II-5

[12 volt](#) ..... II-6

[Interior light](#)..... II-6

[Exterior light](#) ..... II-7

### ENTERTAINMENT

[Radio/antenna](#)..... II-8

# TABLE OF CONTENTS

## SECTION III

F through H

### FASTENERS

(Common fasteners available locally are not listed)

<a href="#">Rivets</a> .....	III-1
------------------------------	-------

### FLOOR COVERING

<a href="#">Carpet</a> .....	III-3
<a href="#">Mats</a> .....	III-3

### FURNITURE

<a href="#">Interior doors</a> .....	III-4
<a href="#">Mirrors</a> .....	III-5
<a href="#">Drawer</a> .....	III-5
<a href="#">Rear bedroom</a> .....	III-6
<a href="#">Bath</a> .....	III-7
<a href="#">Galley</a> .....	III-10
<a href="#">Lounge</a> .....	III-14

### HARDWARE

<a href="#">Exterior locks/hinges</a> .....	III-17
<a href="#">Interior drawer slides/hinges latches</a> .....	III-21
<a href="#">Bath/Table</a> .....	III-23
<a href="#">Awning</a> .....	III-26

# 1999 SAFARI

## SECTION IV

L through Z

LABELS and TAGS ..... IV-1

### PLUMBING

LPG ..... IV-2

Fresh water ..... IV-3

Faucets, sinks ..... IV-5

Drain water ..... IV-8

Toilet ..... IV-11

SAFETY EQUIPMENT ..... IV-12

SEALER/GASKETS/PAINT ..... IV-13

UPHOLSTERY/FOAM/MATTRESS ..... IV-14

VENTS/FANS ..... IV-15

WOOD/LAMINATES/TRIM ..... IV-16

# TABLE OF CONTENTS

## SECTION I - SAFARI

### A through C

#### APPLIANCES

Air Conditioner .....	I-1
Furnace .....	I-1
Microwave.....	I-1
Range .....	I-1
Refrigerator.....	I-1
Water Heater.....	I-1

#### BODY

End shell, aft .....	I-3
End shell, front .....	I-5
Roof .....	I-7
CS wall, 27ft. ....	I-9
RS wall, 27ft. ....	I-11
RS wall, 25 sleep six "C" .....	I-13
CS wall, 25 sleep six "C" .....	I-15
CS wall, 25 "A & B" .....	I-17
RS wall, 25 "A & B" .....	I-19
RS wall, 23 "C" .....	I-21
CS wall, 23 "C" .....	I-23
Body interior .....	I-24

#### CHASSIS

Axles.....	I-25
Shocks .....	I-25
Tire & wheel.....	I-25
Jacks.....	I-25
Step .....	I-25
Rear bumper/hose carrier.....	I-25
Under belly metal.....	I-26
Coupler, hitch.....	I-26
Brakes, 10" .....	I-27
Brakes, 12" .....	I-28

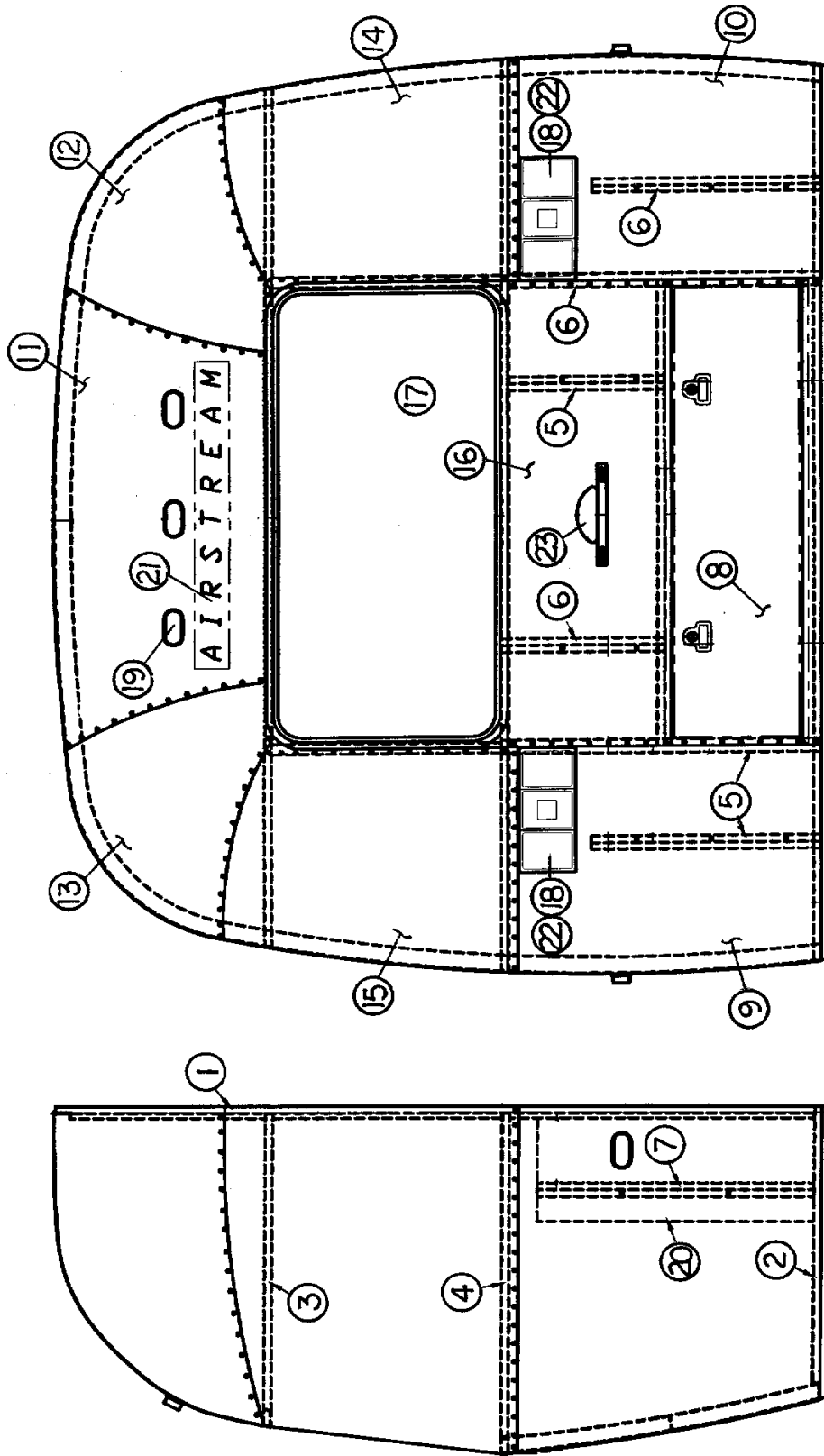


# 1999 SAFARI APPLIANCES

690323-02	Air conditioner, 13, 500 Dometic, 27ft.only
690323-103	Shroud, exterior, Briskair, 27ft.only
195329-143	Air conditioner, 11, 000 Penguin
690323-104	Shroud, exterior, Penguin, Shell White
690323-03	Heat strip, Dometic air conditioner
201809	Pan, drain, air conditioner
690323-03	Heat strip, Dometic air conditioner
690323-05	Air box/return grill
*690274-01	Furnace, Hydroflame, 8531-IV, 27ft. Safari
*690274-04	Furnace, Hydroflame, 8525-IV, 23 & 25 ft
600247	Hose, 4", flex heat duct
600193	Hose, 2", flex heat duct
511228	Thermostat, furnace, off white
690392	Microwave, Samsung, .9CF
690392-01	Trim kit, Samsung microwave
690345-01	Micro wave, convection, Sharp-opt.
690345-03	Trim ring, Sharp convection
690396-01	Range/oven, 22" Maytag
690396-03	Bi-fold cover
690388-01	Refrigerator, Dometic Americana, RM2852RH 27ft. Safari
690388	Refrigerator, Dometic, RM2652RH 23 & 25ft.Safari
690199	Water heater, electronic ignition
091959	Switch package, water heater

\*Hydroflame furnaces changed from series III to series IV  
The #8531-IV started on trailer 512446  
The #8525-IV started on trailer 512445

# 1999 SAFARI



# 1999 SAFARI

## BODY-AFT END

\*27 & 25 FT A & B MODELS SHOWN

921180 End shell complete, 25&27ft."B"  
921180-01 End shell complete, 25&27ft."A"

- 1) 114670 End bow
- 2) 114676 Floor bow
- 3) 114678 Upper window bow
- 4) 114677 Lower window bow
- 5) 114505-01 Support, lower end, LH
- 6) 114505-02 Support, lower end, RH
- 7) 101315 Brace, vertical rear
- 8) 921159 Trunk door assembly, twin bed only

**\*\* Airstream  
finish**

**Alcoa  
finish**

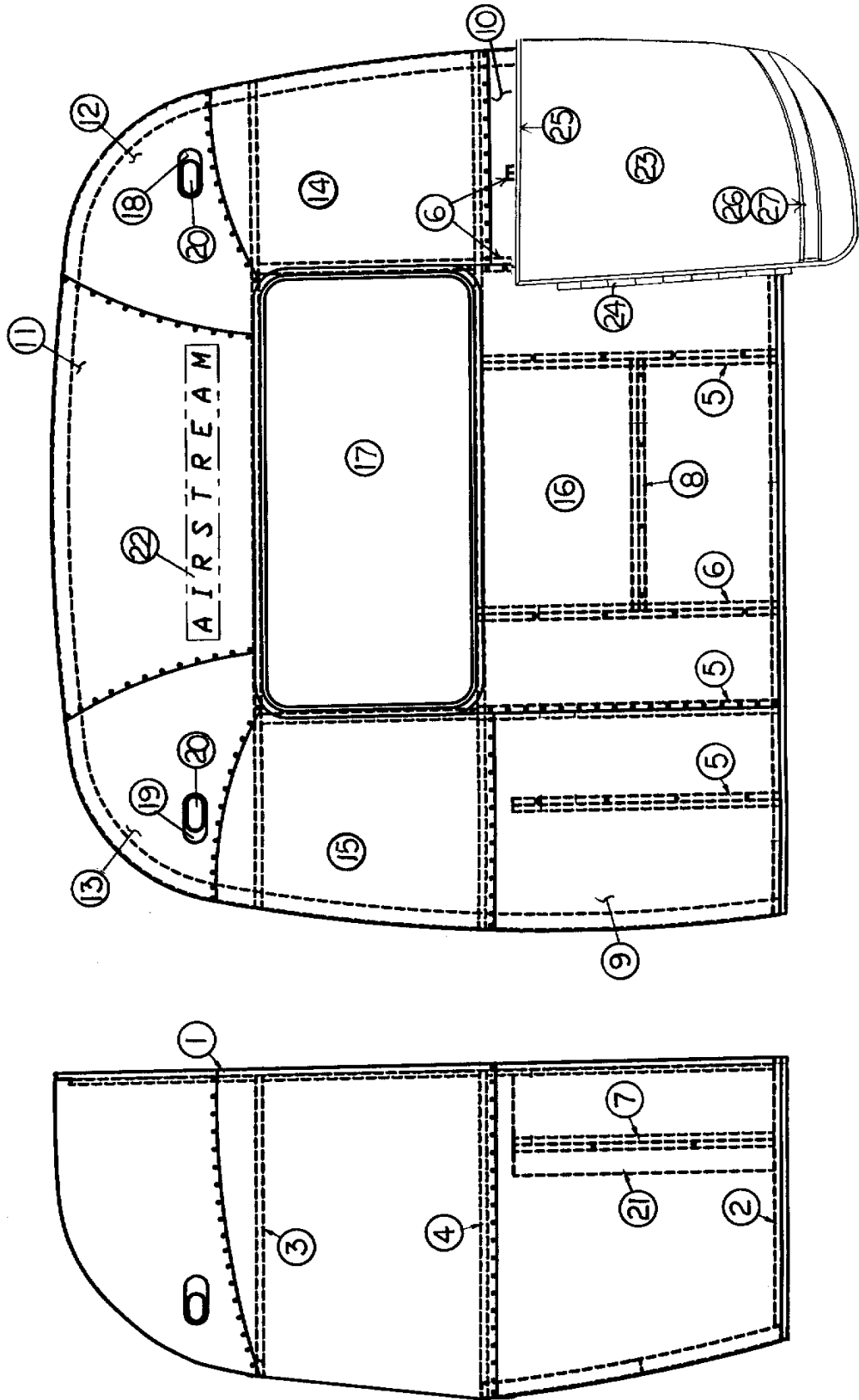
- 9) 114407 Segment #29 114895
- 10) 114406 Segment #28 114894
- 11) 114671 Segment #25 114893
- 12) 114404 Segment #26 114890
- 13) 114405 Segment #27 114891
- 14) 104443 Segment, center right 114889
- 15) 104442 Segment, center left 114888
- 16) NPN Alum. sheet, .050 x 19.0 x 51.0 (cut from 114360-318)
- 17) 371362-06 Window, rear egress, 49.63 x 24.19
- 18) 500500 Taillight complete
- 19) 510111 Clearance light, red
- 20) NPN Alum. sheet, .040 x 12.0 x 29.0 (cut from 114488)
- 21) 385964-02 "AIRSTREAM" legend
- 22) 201462 Pocket, ABS taillight
- 23) 500053 Light and license plate holder

\*The 25 & 23 ft. corner bed models have a different rear window and a smaller rear access door.

- 371362-09 Window, rear egress, Safari "C"
- 100679 Access door assembly, rear, Safari "C"

**\*\*All trailers built after serial #512612 will have Alcoa finish**

# 1999 SAFARI



**1999 SAFARI**  
**BODY-FRONT END**  
 921179 End shell complete

- 1) 114670 End bow
- 2) 114676 Floor bow
- 3) 114678 Upper window bow
- 4) 114677 Lower window bow
- 5) 114505-01 Support, lower end, LH
- 6) 114505-02 Support, lower end, RH
- 7) 101315 Brace, vertical rear
- 8) 104408 Extrusion, Z rib

**\* Airstream  
 finish**

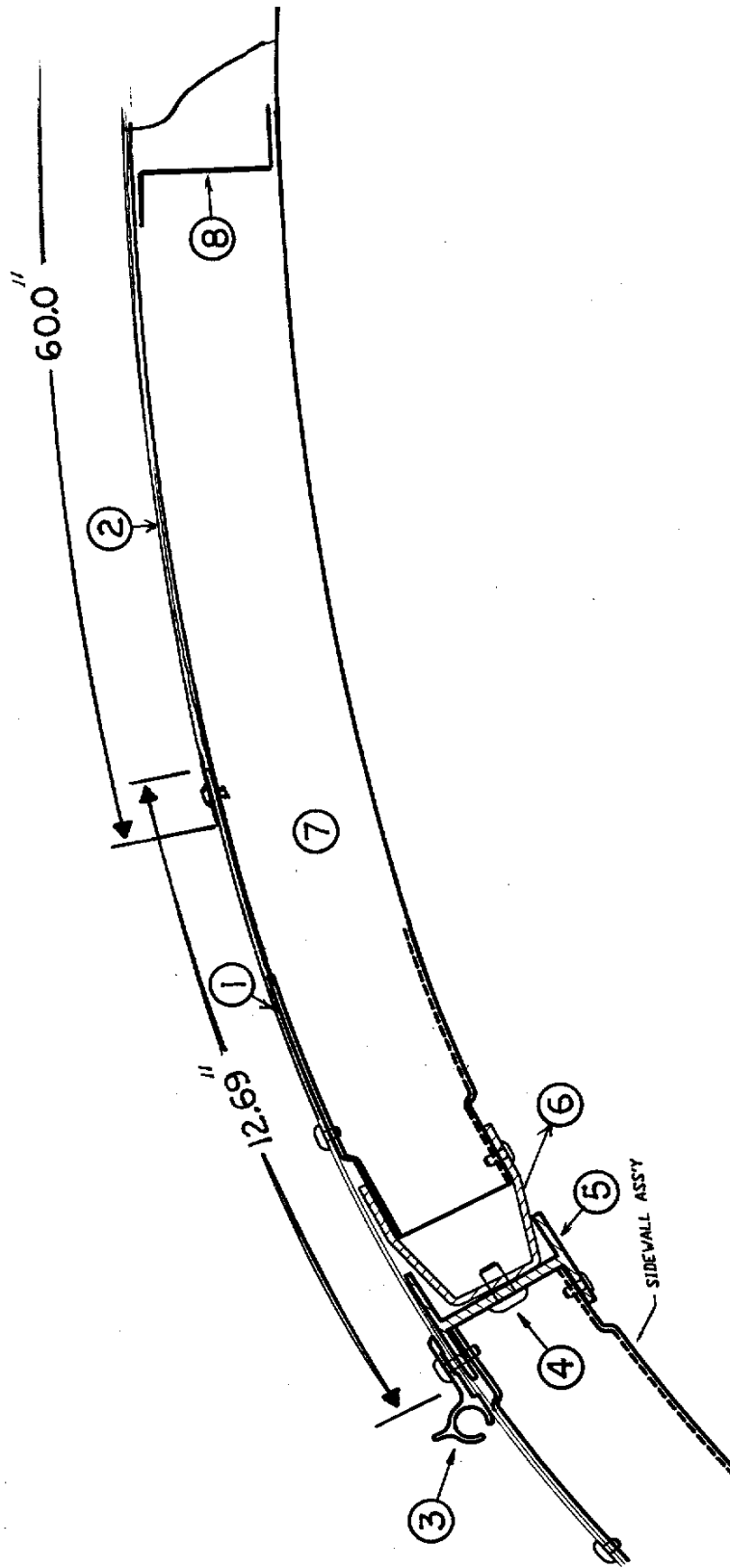
**Alcoa  
 finish**

- |            |                       |        |
|------------|-----------------------|--------|
| 9) 114407  | Segment #29           | 114895 |
| 10) 114406 | Segment #28           | 114894 |
| 11) 114671 | Segment #25           | 114893 |
| 12) 114404 | Segment #26           | 114890 |
| 13) 114405 | Segment #27           | 114891 |
| 14) 104443 | Segment, center right | 114889 |
| 15) 104442 | Segment, center left  | 114888 |

- 16) NPN Alum. sheet, .050x19.0x51.0 (cut from 114360-318)
- 17) 371362-05 Window, 49.63 x 24.19", Safari
- 18) 101177 Base , lamp, cast polished, RS
- 19) 101178 Base, lamp, cast polished, CS
- 20) 510112 Clearance light, amber
- 21) ) NPN Alum. sheet, .040x12.0x29.0 (cut from 114488)
- 22) 385964-02 "AIRSTREAM" legend
- 23) 685366-100 Wrap protector, RS, Safari/Bambi
- 23a) 685365-100 Wrap protector, CS, Safari/Bambi
- 24) 381605-01 Hinge, stainless, wrap protector
- 25) 100742-01 Extrusion, mirror/wrap protector trim
- 26) 114460 Extrusion, rub rail
- 27) 201763-01 Insert, rub rail

\*All trailers built after serial #512612 will have Alcoa finish

# 1999 SAFARI



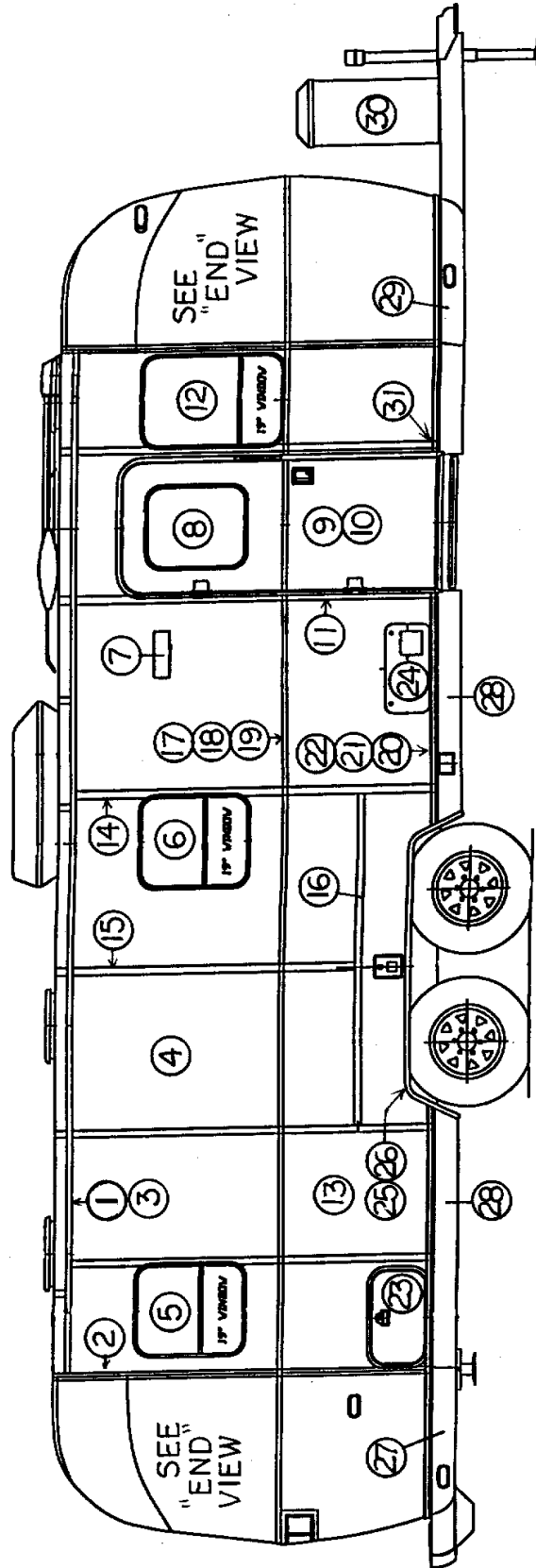
# 1999 SAFARI

## BODY

### ROOF-END VIEW

- |                |   |
|----------------|---|
| 1) 114669-307  | Alum. sheet, white, .032 x 12.69 x 307"       |
| 2) 114489-262  | Alum. sheet, white, .032 x 60.0 x 262", 27ft. |
| 2a) 114489-198 | Alum. sheet, white, .032x60x198", 23 & 25ft.  |
| 3) 114290      | Extrusion, awning/drip rail                   |
| 4) 340123-02   | Rivet, Huck, 3/16 x 1/2"                      |
| 5) 104707-05   | Extrusion, "I" beam                           |
| 6) 114338      | Extrusion, roof corner                        |
| 7) 114668      | Roof bow                                      |
| 8) 104408      | Extrusion, Z bar, horizontal                  |

# 1999 SAFARI



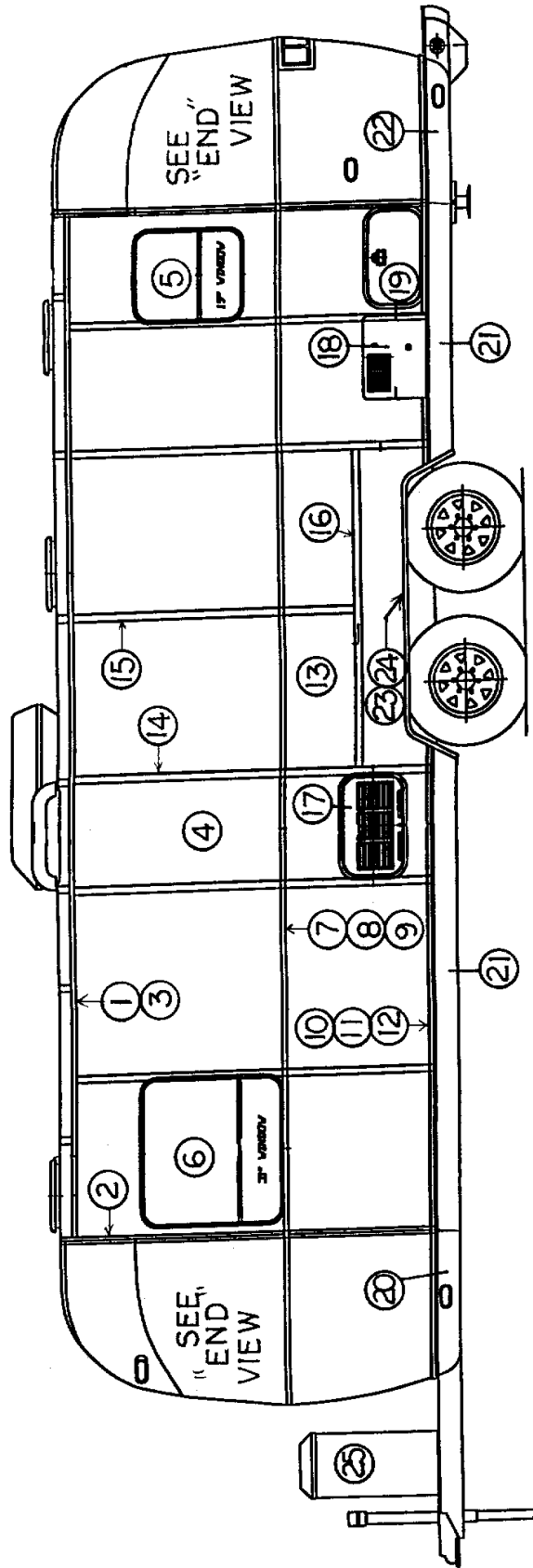
# 1999 SAFARI

## BODY-27FT SAFARI, CS

(Hardware such as hinges, locks and latches are located in the **hardware** section of this book)

- 1) 114290 Extrusion, awning/drip rail
- 2) 114670 Rib, end bow
- 3) 104707-05 Extrusion, "I" beam
- 4) 114357-262 Aluminum sheet, upper, .040 x 51 x 262"
- 5) 371362-02 Window, 19.25 x 22.75"
- 6) 371362-02 Window, 19.25 x 22.75"
- 7) 511017-11 Vent cover, range exhaust
- 8) 371362-01 Window, main door, 17.75 x 21.25"
- 9) 110067-01 Main door assembly
- 10) 114654 Screen door assembly
- 11) 114652 Jamb, main door
- 12) 371362-07 Window, 19.25 x 29.75"
- 13) 114356-262 Aluminum sheet, lower, .040 x 33 x 262"
- 14) 114387-01 Bow, Z rib, RH
- 15) 114387-02 Bow, Z rib, LH
- 16) 100986 Wheel well stiffener (floor channel)
- 17) 114328 Extrusion, belt line
- 18) 201912 Molding, chrome, belt line
- 19) 114414 "Z" bar, 1x1x1.5"
- 20) 114460 Extrusion, rub rail
- 21) 201763-01 Insert, rub rail, chrome, 1"
- 22) 100986 Floor channel
- 23) 100679 Access door w/jamb
- 24) 670274-06 Cover, Hydroflame furnace
- 25) 114003-02 Wheel well trim, inner, tandem axle
- 26) 114004-02 Wheel well trim, outer, tandem axle
- 27) 200545 Banana wrap, CS rear
- 28) 101131-01 Underbelly wrap, .024 x 22.5, pewter
- 29) 200543 Banana wrap, CS front
- 30) 104264 Cover, 30# LPG bottles w/o decal
- 31) 380237 Clip, rub rail end, blue

# 1999 SAFARI



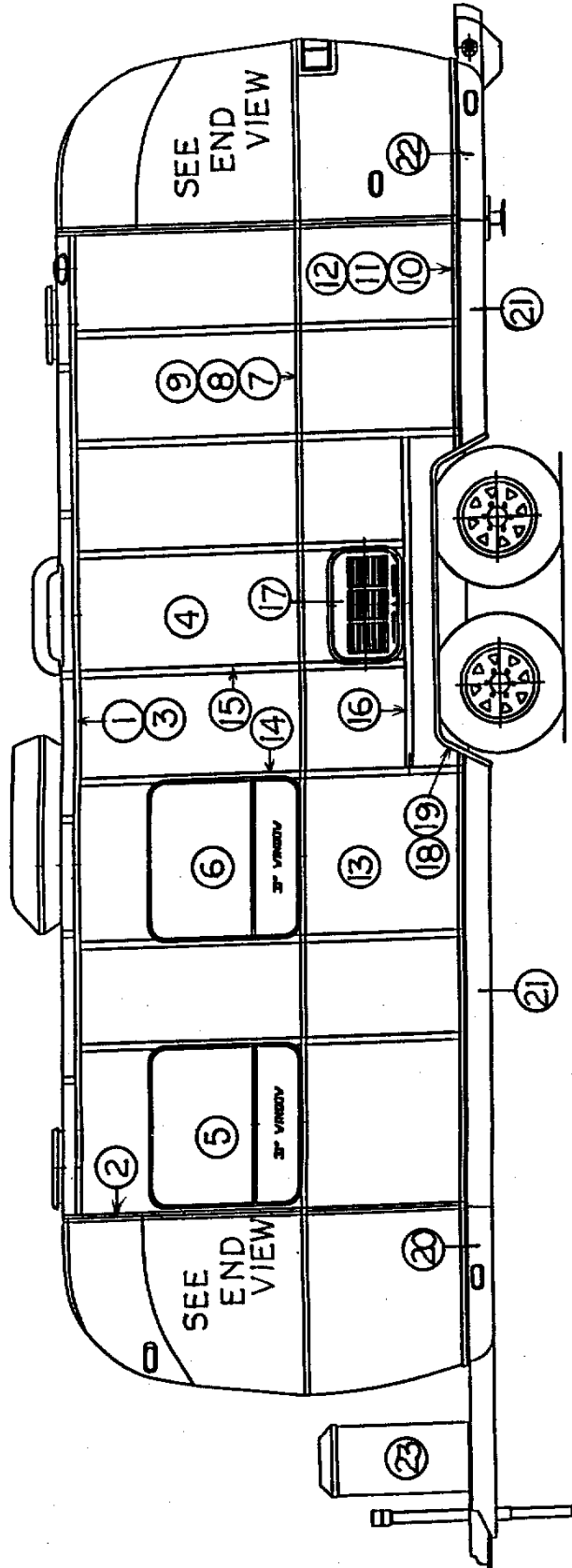
# 1999 SAFARI

## BODY-27FT SAFARI, RS

(Hardware such as hinges, locks and latches are located in the **hardware** section of this book)

- 1) 114290 Extrusion, awning/drip rail
- 2) 114670 Rib, end bow
- 3) 104707-05 Extrusion, "I" beam
- 4) 114357-262 Aluminum sheet, upper, .040 x 51 x 262"
- 5) 371362-02 Window, 19.25 x 22.75"
- 6) 371362-08 Window, 31.25 X 29.75"
- 7) 114328 Extrusion, belt line
- 8) 201912 Molding, chrome, belt line
- 9) 114414 "Z" bar, 1x1x1.5"
- 10) 114460 Extrusion, rub rail
- 11) 201763-01 Insert, rub rail, chrome, 1"
- 12) 100986 Floor channel
- 13) 114356-262 Aluminum sheet, lower, .040 x 33 x 262"
- 14) 114387-01 Bow, Z rib, RH
- 15) 114387-02 Bow, Z rib, LH
- 16) 100986 Wheel well stiffener (floor channel)
- 17) 922156 Door, refrigerator access
- 18) 690259-03 Cover and mounting flange, Atwood
- 19) 100679 Access door w/jamb
- 20) 200542 Banana wrap, RS front
- 21) 101131-01 Underbelly wrap, .024 x 22.5, pewter
- 22) 200544 Banana wrap, RS rear
- 23) 114003-02 Wheel well trim, inner, tandem axle
- 24) 114004-02 Wheel well trim, outer, tandem axle
- 25) 104264 Cover, 30# LPG bottles w/o decal

# 1999 SAFARI



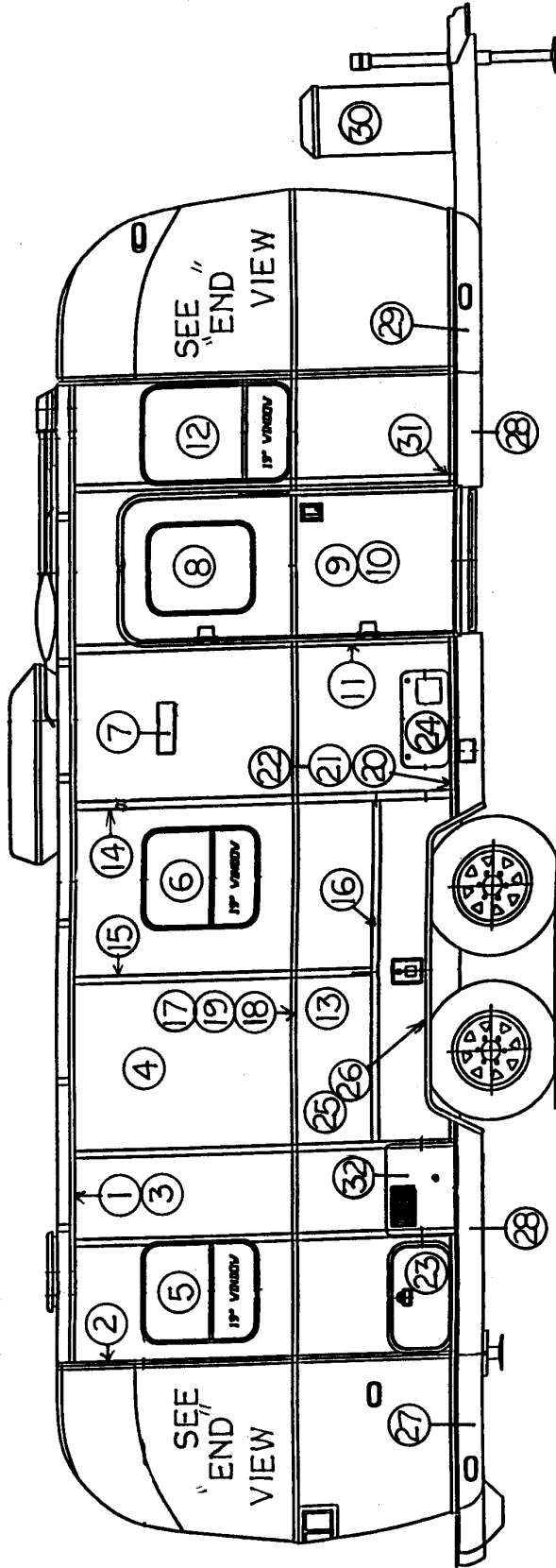
# 1999 SAFARI

## BODY-25FT, SLEEP 6 SAFARI, RS

(Hardware such as hinges, locks and latches are located in the **hardware** section of this book)

- |                |   |
|----------------|---|
| 1) 114290      | Extrusion, awning/drip rail             |
| 2) 114670      | Rib, end bow                            |
| 3) 104707-05   | Extrusion, "I" beam                     |
| 4) 114357-198  | Aluminum sheet, upper, .040 x 51 x 198" |
| 5) 371362-08   | Window, 31.25 x 29.75"                  |
| 6) 371362-08   | Window, 31.25 X 29.75"                  |
| 7) 114328      | Extrusion, belt line                    |
| 8) 201912      | Molding, chrome, belt line              |
| 9) 114414      | "Z" bar, 1x1x1.5"                       |
| 10) 114460     | Extrusion, rub rail                     |
| 11) 201763-01  | Insert, rub rail, chrome, 1"            |
| 12) 100986     | Floor channel                           |
| 13) 114356-198 | Aluminum sheet, lower, .040 x 33 x 198" |
| 14) 114387-01  | Bow, Z rib, RH                          |
| 15) 114387-02  | Bow, Z rib, LH                          |
| 16) 100986     | Wheel well stiffener (floor channel)    |
| 17) 922156     | Door, refrigerator access               |
| 18) 114003-02  | Wheel well trim, inner, tandem axle     |
| 19) 114004-02  | Wheel well trim, outer, tandem axle     |
| 20) 200542     | Banana wrap, RS front                   |
| 21) 101131-01  | Underbelly wrap, .024 x 22.5, pewter    |
| 22) 200544     | Banana wrap, RS rear                    |
| 23) 104264     | Cover, 30# LPG bottles w/o decal        |

# 1999 SAFARI



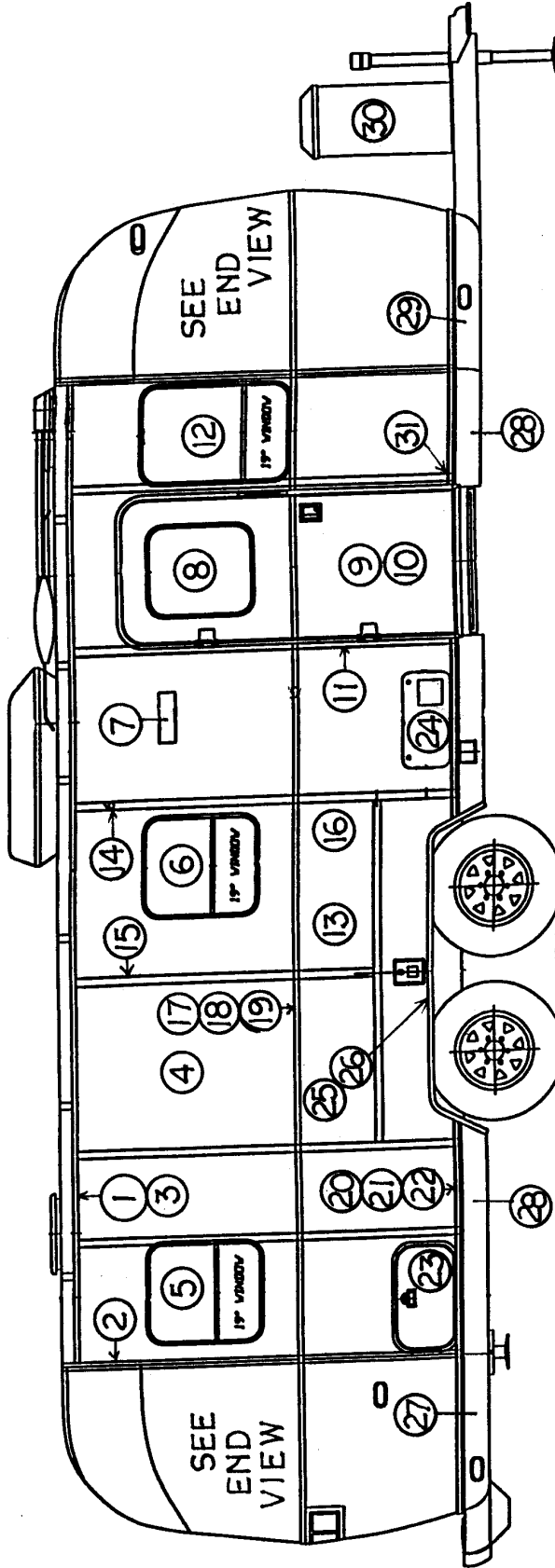
# 1999 SAFARI

## BODY-25FT, SLEEP 6 SAFARI, CS

(Hardware such as hinges, locks and latches are located in the **hardware** section of this book)

- 1) 114290 Extrusion, awning/drip rail
- 2) 114670 Rib, end bow
- 3) 104707-05 Extrusion, "I" beam
- 4) 114357-198 Aluminum sheet, upper, .040 x 51 x 198"
- 5) 371362-02 Window, 19.25 x 22.75"
- 6) 371362-02 Window, 19.25 x 22.75"
- 7) 511017-11 Vent cover, range exhaust
- 8) 371362-01 Window, main door, 17.75 x 21.25"
- 9) 110067-01 Main door assembly
- 10) 114654 Screen door assembly
- 11) 114652 Jamb, main door
- 12) 371362-07 Window, 19.25 x 29.75"
- 13) 114356-198 Aluminum sheet, lower, .040 x 33 x 198"
- 14) 114387-01 Bow, Z rib, RH
- 15) 114387-02 Bow, Z rib, LH
- 16) 100986 Wheel well stiffener (floor channel)
- 17) 114328 Extrusion, belt line
- 18) 201912 Molding, chrome, belt line
- 19) 114414 "Z" bar, 1x1x1.5"
- 20) 114460 Extrusion, rub rail
- 21) 201763-01 Insert, rub rail, chrome, 1"
- 22) 100986 Floor channel
- 23) 100679 Access door w/jamb
- 24) 670274-06 Cover, Hydroflame furnace
- 25) 114003-02 Wheel well trim, inner, tandem axle
- 26) 114004-02 Wheel well trim, outer, tandem axle
- 27) 200545 Banana wrap, CS rear
- 28) 101131-01 Underbelly wrap, .024 x 22.5, pewter
- 29) 200543 Banana wrap, CS front
- 30) 104264 Cover, 30# LPG bottles w/o decal
- 31) 380237 Clip, rub rail end, blue
- 32) 690259-03 Cover and mounting flange, Atwood

# 1999 SAFARI



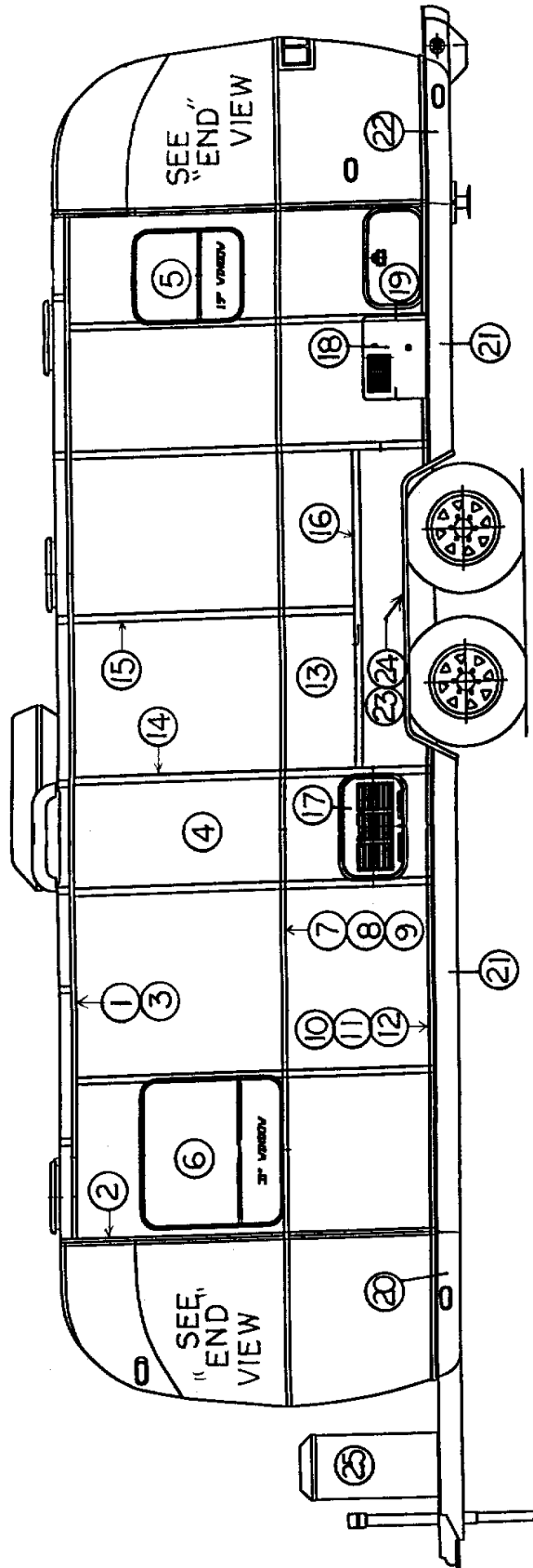
# 1999 SAFARI

## BODY-25FT, SAFARI, CS

(Hardware such as hinges, locks and latches are located in the **hardware** section of this book)

- 1) 114290 Extrusion, awning/drip rail
- 2) 114670 Rib, end bow
- 3) 104707-05 Extrusion, "I" beam
- 4) 114357-198 Aluminum sheet, upper, .040 x 51 x 198"
- 5) 371362-02 Window, 19.25 x 22.75"
- 6) 371362-02 Window, 19.25 x 22.75"
- 7) 511017-11 Vent cover, range exhaust
- 8) 371362-01 Window, main door, 17.75 x 21.25"
- 9) 110067-01 Main door assembly
- 10) 114654 Screen door assembly
- 11) 114652 Jamb, main door
- 12) 371362-07 Window, 19.25 x 29.75"
- 13) 114356-198 Aluminum sheet, lower, .040 x 33 x 198"
- 14) 114387-01 Bow, Z rib, RH
- 15) 114387-02 Bow, Z rib, LH
- 16) 100986 Wheel well stiffener (floor channel)
- 17) 114328 Extrusion, belt line
- 18) 201912 Molding, chrome, belt line
- 19) 114414 "Z" bar, 1x1x1.5"
- 20) 114460 Extrusion, rub rail
- 21) 201763-01 Insert, rub rail, chrome, 1"
- 22) 100986 Floor channel
- 23) 100679 Access door w/jamb
- 24) 670274-06 Cover, Hydroflame furnace
- 25) 114003-02 Wheel well trim, inner, tandem axle
- 26) 114004-02 Wheel well trim, outer, tandem axle
- 27) 200545 Banana wrap, CS rear
- 28) 101131-01 Underbelly wrap, .024 x 22.5, pewter
- 29) 200543 Banana wrap, CS front
- 30) 104264 Cover, 30# LPG bottles w/o decal
- 31) 380237 Clip, rub rail end, blue

# 1999 SAFARI



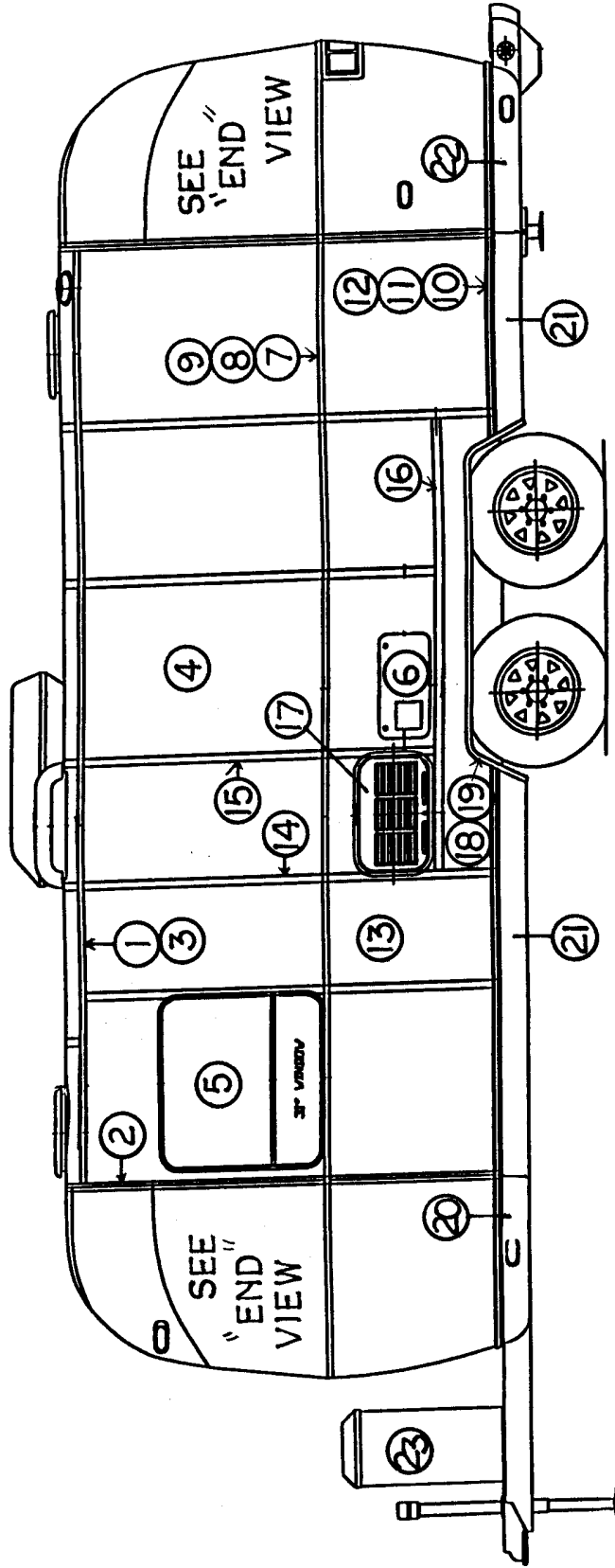
# 1999 SAFARI

## BODY-25FT SAFARI, RS

(Hardware such as hinges, locks and latches are located in the **hardware** section of this book)

- 1) 11429            0Extrusion, awning/drip rail
- 2) 114670           Rib, end bow
- 3) 104707-05       Extrusion, "I" beam
- 4) 114357-198      Aluminum sheet, upper, .040 x 51 x 198"
- 5) 371362-02       Window, 19.25 x 22.75"
- 6) 371362-08       Window, 31.25 X 29.75"
- 7) 114328           Extrusion, belt line
- 8) 201912           Molding, chrome, belt line
- 9) 114414           "Z" bar, 1x1x1.5"
- 10) 114460           Extrusion, rub rail
- 11) 201763-01       Insert, rub rail, chrome, 1"
- 12) 100986           Floor channel
- 13) 114356-198      Aluminum sheet, lower, .040 x 33 x 198"
- 14) 114387-01       Bow, Z rib, RH
- 15) 114387-02       Bow, Z rib, LH
- 16) 100986           Wheel well stiffener (floor channel)
- 17) 922156           Door, refrigerator access
- 18) 690259-03       Cover and mounting flange, Atwood
- 19) 100679           Access door w/jamb
- 20) 200542           Banana wrap, RS front
- 21) 101131-01       Underbelly wrap, .024 x 22.5, pewter
- 22) 200544           Banana wrap, RS rear
- 23) 114003-02       Wheel well trim, inner, tandem axle
- 24) 114004-02       Wheel well trim, outer, tandem axle
- 25) 104264           Cover, 30# LPG bottles w/o decal

# 1999 SAFARI



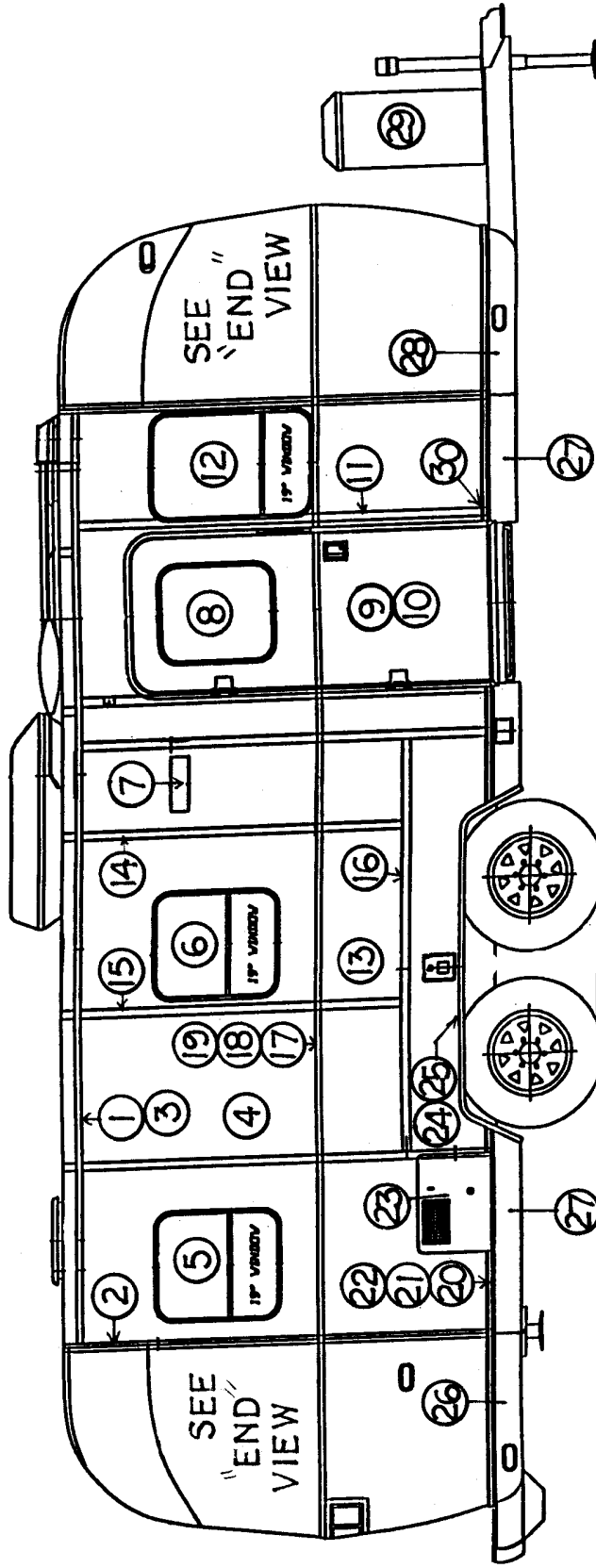
# 1999 SAFARI

## BODY-23FT, SAFARI, RS

(Hardware such as hinges, locks and latches are located in the **hardware** section of this book)

- |                |   |
|----------------|---|
| 1) 114290      | Extrusion, awning/drip rail             |
| 2) 114670      | Rib, end bow                            |
| 3) 104707-05   | Extrusion, "I" beam                     |
| 4) 114357-198  | Aluminum sheet, upper, .040 x 51 x 198" |
| 5) 371362-08   | Window, 31.25 x 29.75"                  |
| 6) 670274-06   | Cover, Hydroflame furnace               |
| 7) 114328      | Extrusion, belt line                    |
| 8) 201912      | Molding, chrome, belt line              |
| 9) 114414      | "Z" bar, 1x1x1.5"                       |
| 10) 114460     | Extrusion, rub rail                     |
| 11) 201763-01  | Insert, rub rail, chrome, 1"            |
| 12) 100986     | Floor channel                           |
| 13) 114356-198 | Aluminum sheet, lower, .040 x 33 x 198" |
| 14) 114387-01  | Bow, Z rib, RH                          |
| 15) 114387-02  | Bow, Z rib, LH                          |
| 16) 100986     | Wheel well stiffener (floor channel)    |
| 17) 922156     | Door, refrigerator access               |
| 18) 114003-02  | Wheel well trim, inner, tandem axle     |
| 19) 114004-02  | Wheel well trim, outer, tandem axle     |
| 20) 200542     | Banana wrap, RS front                   |
| 21) 101131-01  | Underbelly wrap, .024 x 22.5, pewter    |
| 22) 200544     | Banana wrap, RS rear                    |
| 23) 104264     | Cover, 30# LPG bottles w/o decal        |

# 1999 SAFARI



# 1999 SAFARI

## BODY-23FT, SAFARI, CS

(Hardware such as hinges, locks and latches are located in the **hardware** section of this book)

- |                |   |
|----------------|---|
| 1) 114290      | Extrusion, awning/drip rail             |
| 2) 114670      | Rib, end bow                            |
| 3) 104707-05   | Extrusion, "I" beam                     |
| 4) 114357-198  | Aluminum sheet, upper, .040 x 51 x 198" |
| 5) 371362-02   | Window, 19.25 x 22.75"                  |
| 6) 371362-02   | Window, 19.25 x 22.75"                  |
| 7) 511017-11   | Vent cover, range exhaust               |
| 8) 371362-01   | Window, main door, 17.75 x 21.25"       |
| 9) 110067-01   | Main door assembly                      |
| 10) 114654     | Screen door assembly                    |
| 11) 114652     | Jamb, main door                         |
| 12) 371362-07  | Window, 19.25 x 29.75"                  |
| 13) 114356-198 | Aluminum sheet, lower, .040 x 33 x 198" |
| 14) 114387-01  | Bow, Z rib, RH                          |
| 15) 114387-02  | Bow, Z rib, LH                          |
| 16) 100986     | Wheel well stiffener (floor channel)    |
| 17) 114328     | Extrusion, belt line                    |
| 18) 201912     | Molding, chrome, belt line              |
| 19) 114414     | "Z" bar, 1x1x1.5"                       |
| 20) 114460     | Extrusion, rub rail                     |
| 21) 201763-01  | Insert, rub rail, chrome, 1"            |
| 22) 100986     | Floor channel                           |
| 23) 690259-03  | Cover and mounting flange, Atwood       |
| 24) 114003-02  | Wheel well trim, inner, tandem axle     |
| 25) 114004-02  | Wheel well trim, outer, tandem axle     |
| 26) 200545     | Banana wrap, CS rear                    |
| 27) 101131-01  | Underbelly wrap, .024 x 22.5, pewter    |
| 28) 200543     | Banana wrap, CS front                   |
| 29) 104264     | Cover, 30# LPG bottles w/o decal        |
| 30) 380237     | Clip, rub rail end, blue                |

# 1999 SAFARI

## BODY INTERIOR

964137-02	Roof locker & aft end liner, 25 & 27ft.-A & B
964523	Roof locker & aft end liner, 23 & 25ft.-"C"
964137-01	Roof locker & forward end liner, all Safari
114445	Aluminum sheet, .032 x 34" x coil
114853-01	Aluminum sheet, .032 x 57" x coil
702482-03*	Head liner, Spectra Opal
702481*	Wall liner, Geometric Pearl
114157-01	Extrusion, end liner, upper, white
201728-01	Extrusion, ceiling trim retainer
201728-03	Extrusion, ceiling trim
201391	Trim, flexible, "U", white
203138-01	Extrusion, plastic, wall, white
203138-02	Extrusion, plastic, wall, brown
101077	Extrusion, main doorjamb trim, interior
110460-01	Trim ring, window, 17.75 X 21.25"
110460-02	Trim ring, window, 19.25 x 22.75"
110460-06	Trim ring, window, 19.25 x 29.75"
110460-07	Trim ring, window, 31.25 x 29.75
110460-05	Trim ring, window, 49.63 x 24.19
110521	Trim ring, window, rear egress, 23&25ft."C"
200514	Wheel well insulator, tandem

\*For repairs purchase vinyl glues locally.

# 1999 SAFARI

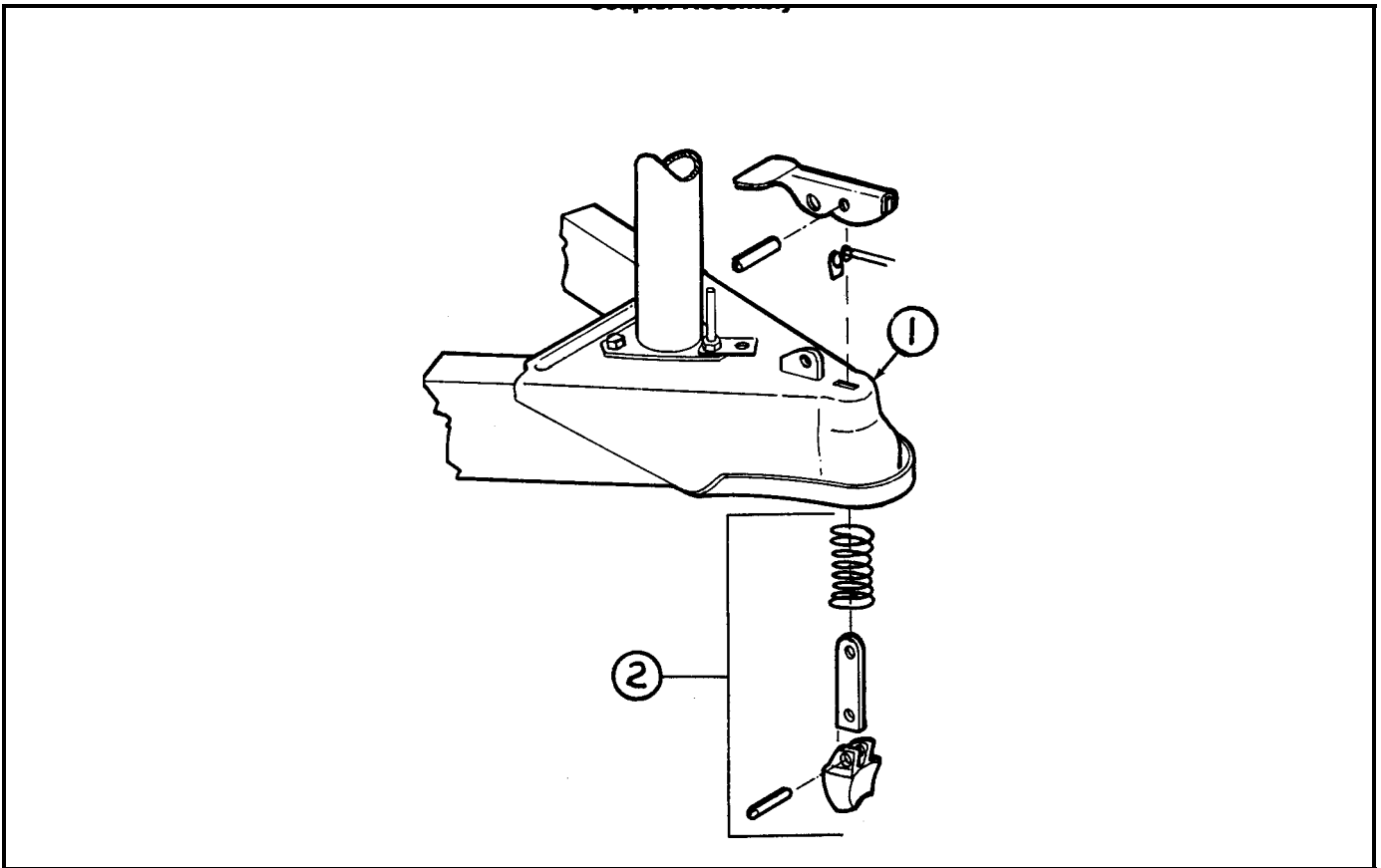
## CHASSIS

7350475H	Axle, 3, 500#-27ft.
7300207H	Axle, 3, 000#-23&25ft.
0220003	Shock absorber
0250173-15	Bolt, grade 5-- 5/8-18x1.5", shock mount
0130068-818	Nut, hex head flanged, 5/8-18, shock mount
410822-15	Tire and wheel assembly, 15", BSW, 27ft.
410822-14	Tire and wheel assembly, 14", BSW, 23&25ft.
400643	Trim ring, 15", SS, 27ft.
400643-01	Trim ring, 14", SS, 23&25ft.
203144	Dust cover, center hub, SS
0190012	Acorn lug nut
200844	Wheel well, tandem
3320028	Jack, front, Atwood
453570	Stabilizer plate, front jack
410598	Foot pad
381416	Step, single, Elkhart#124
410795	Rear bumper, Safari
453497	Lid, rear hose carrier
453538	Bottom, rear hose carrier
380024	Support arm, hose carrier lid
380067	Hose carrier lid latch (Cam-o-lock)
381435	Hatch, access cover, 4", white(power cord)
400914-01	Stabilizer jack, rear
400914-02	Handle, rear stabilizer jack

(continued)

# 1999 SAFARI CHASSIS

0300027	Break away switch, Bargman
0360254H	Bracket, breakaway switch
601642	Pan, tank support, Roto cast
453493	Hanger strap, tank pan
114679	Aluminum underbelly, .019x65.75xcoil
101131	Aluminum, underbelly wrap, .024 x22.5, gray



- 1) 680343 Coupler assembly, 2 5/16"
- 2) 680345 Repair kit, 2 5/16" coupler

(continued)

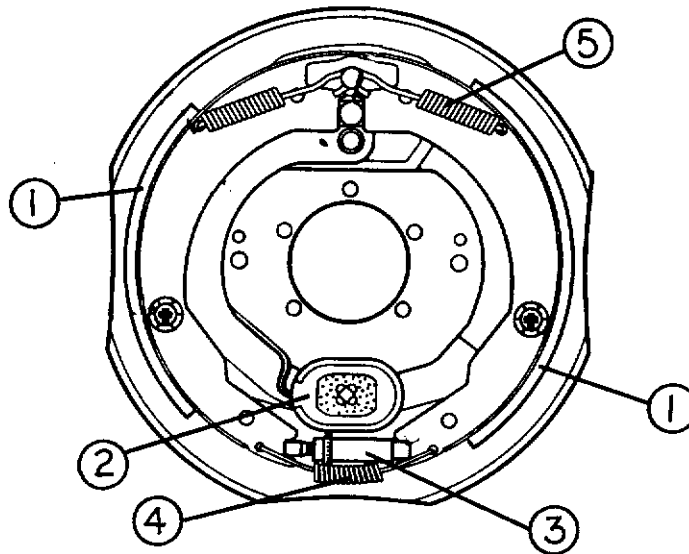
# 1999 SAFARI

## CHASSIS

10" BRAKES, 23 & 25FT.

3160255 Brake drum 10", 5 lug  
685016 Inner bearing, #L68149  
685017 Inner race, #L68111  
680380 Outer bearing, #L44649  
680387 Outer race, #L44610  
680377 Grease seal

3160096 Brake assembly, RH, 10" Dexter  
3160097 Brake assembly, LH, 10" Dexter



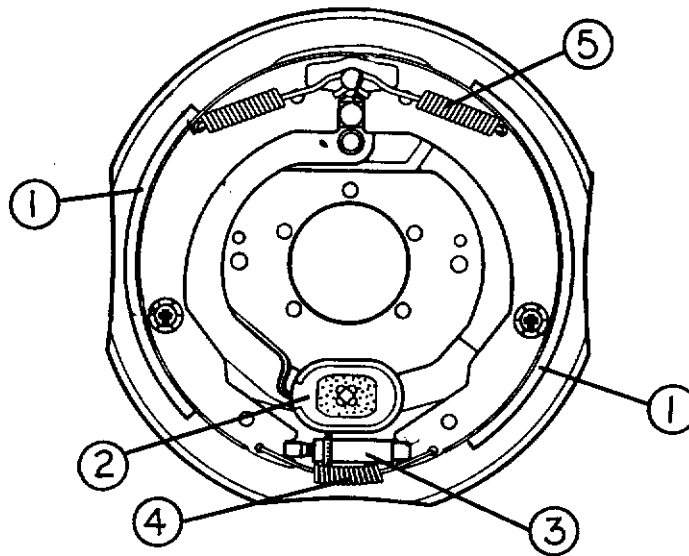
1) 3160097-62 Shoe and lining kit (includes hold down spring and pin)  
2) 3160097-65 Magnet kit  
3) 3160097-63 Adjuster assembly  
4) 3160097-64 Adjusting screw spring  
5) 3160097-61 Retractor spring

# 1999 SAFARI

## CHASSIS

12" BRAKES, 27FT.

3160121	Brake drum, 12", 6 lug
450659	Inner bearing, #25580
680364	Inner race, #25520
450658	Outer bearing, #LM67048
680365	Outer race, #LM67010
680370-100	Grease seal
3160347	Brake assembly, RH, 12" Dexter
3160348	Brake assembly, LH, 12" Dexter



1) 3160348-62	Shoe and lining kit (includes hold down spring and pin)
2) 3160348-65	Magnet kit
3) 3160348-63	Adjuster assembly
4) 3160348-64	Adjusting screw spring
5) 3160348-61	Retractor spring

# 1999 SAFARI

## SECTION II

### D through E

DECALS/EXTERIOR TRIM..... II-1

#### DOORS/WINDOWS/AWNING

Doors ..... II-2

Windows..... II-3

Awning ..... II-3

DRAPES/BLINDS/VALANCES ..... II-4

#### ELECTRICAL

110 volt..... II-5

12 volt ..... II-6

#### ENTERTAINMENT

Radio/antenna ..... II-8



# 1999 SAFARI

## DECALS/EXTERIOR TRIM

385964-01	Decal, stripe, 2 3/4" x 150', Safari
385964-02	"AIRSTREAM" legend, 1-15/16 x 32"
385964-03	"Safari" legend, 1 1/2" x 10 5/8"
385964-04	"Safari by Airstream" legend
114460	Extrusion, rub rail, 16'
201763-01	Insert, rub rail, chrome, 1"
114466-01	Close out, casting, rub rail, angled RH
114466-02	Close out, casting, rub rail, angled LH
114465-01	Close out, casting, rub rail RH
114465-02	Close out, casting, rub rail LH
114328	Extrusion, beltline
201912	Molding, chrome, beltline insert

# 1999 SAFARI

## DOORS/WINDOWS/AWNING

(Hardware such as hinges, locks and latches are located in the **hardware** section of this book.)

### DOORS

110067-01	Main door assembly
114652	Jamb, main door, preformed
114653	Frame, main door, preformed
114448-02	Skin, exterior, upper main door
114449-02	Skin, exterior, lower main door
114475	Skin, inner, vinyl clad
114363	Drip cap, main door
365232	Seal, main door
114654	Screen door assembly
114561	Panel, slider, screen door
203000-01	Close out, plastic, screen door
380079	Screen, gray
200518	Spline, gray, screen insert
365013	Gasket, screen door, foam tape
922243	Door, refrigerator access
104417	Jamb, refrigerator access door
104439	Louvered panel, refrigerator access door
201391	Trim, flexible
100679	Side access door assembly
365035	Seal, side access door
921159	Trunk door assembly, rear, 27 twin
365035	Seal, access door

(continued)

# 1999 SAFARI

## DOORS/WINDOWS/AWNINGS

(Hardware such as hinges, locks and latches are located in the **hardware** section of this book.)

### WINDOWS

371362-01	Window, 17.75 x 21.25"
371362-02	Window, 19.25 x 22.75"
371362-07	Window, 19.25 x 29.75"
371362-08	Window, 31.25 x 29.75"
371362-06	Window, 49.63 x 24.19"

### AWNINGS

110102-01	Rock guard
685351	Rubber frame, black
683960	Arm support
683959	Arm support bracket
685354	Front window key
702880-02	Awning, patio, 14' 4 1/2", Blue Shadow-23ft.
702880-01	Awning, patio, 16' 4 1/2", Blue Shadow-25ft.
702880-03	Awning, patio, 18' 4 1/2", Blue Shadow-27ft.
702880	Hardware package, A&E awning

# 1999 SAFARI

## DRAPES/BLINDS/VALANCES

- 110525 Curtain set-23ft.
- 110485 Curtain set-25ft.
- 110505 Curtain set-25ft. sleep six
- 110552 Curtain set-27ft.

702355-01 Shade, roller type, 20 1/8 x 36" galley

- 964104-25S Valance, lounge, RS 64"
- 964105-25S Valance, lounge, CS 35"
- 964106-25S Valance, rear twin 43" (both sides)



101220  
Bracket, curtain  
stand off



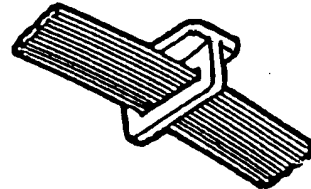
114021  
Bracket, curtain  
stand off



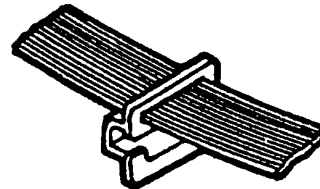
101217  
Track, curtain



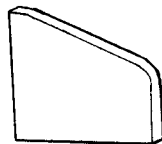
101225  
Bracket, curtain  
stand off



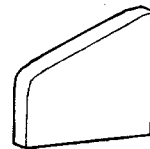
700044  
Glides, w/elastic  
"T" type



700045  
Glides, w/elastic  
"G" type



200785  
End, curtain track, LH



200784  
End, curtain track, RH

# 1999 SAFARI

## ELECTRICAL

### 110 VOLT

510634	Power cord, 36ft.
511041	Breaker box, Westinghouse
510564-05	Breaker 30-20, Bryant
510564-04	Breaker 20-20, Bryant
510564-20	Breaker, 20 GFI
510564-07	Breaker 15 GFI, Bryant
500563-101	Receptacle, 15 amp, white
511287	Receptacle, 15 amp, single
510676-01	Outlet, exterior, gray
511023	Circuit tester (loose item)
510803	Converter, 50 amp

# 1999 SAFARI

## ELECTRICAL

### 12 VOLT

511132	Battery, deep cycle, lead acid
511386	Battery box
340023	Latch, Corbin, battery box
453603	Strap, battery box
500886	7-Way cable w/plug
030002	7Break away switch, Bargman
510803	Converter, 50 amp
510626	Switch, master disconnect
510627	Face plate, disconnect switch
511337	Fuse block, 12 volt, 6 position-ATC type
511248	Light, 12 volt, incandescent, single, interior
511249	Light, 12 volt, incandescent, double, interior
510781	Detector, smoke
511309	Detector, LPG
511341-02	Monitor panel, wall mount
502056	Mounting plate, 12 volt switch
511327	Switch body w/rocker, single, white
510868-03	Switch panel, 4 gang, white, by door
511100-01	Switch body w/rocker, white
511077-03	Cover, switch, white w/gold print
510807	Outlet, 12 volt
511121	Mounting plate, 12 volt receptacle

(continued)

# 1999 SAFARI

## ELECTRICAL

### 12 VOLT

500996	Jack, TV/phone, gray
510654-01	TV jack/12 volt w/splitter, white
510624-01	Modular phone quick jack, white
104619	Mounting plate, exterior telephone/TV jack

### EXTERIOR LIGHTS/REFLECTORS

510732	Utility light (by door)
500500	Tail light assembly
510161	Can, #1156 bulb and socket
510160	Can, #1157 bulb and socket
510162	Tail light lens
510163	Back-up light lens
380226	Gasket, tail light lens
201462	Pocket , plastic, taillight
109172	Bezel, chrome, tail light
510111	Clearance light, red, Signal Stat
510112	Clearance light, amber, Signal Stat
500095	Reflector, red, rectangular
500096	Reflector, amber, rectangular
510446	Reflector, red, stick-on w/chrome edge
500053	License plate light w/plate mounting bracket

# 1999 SAFARI

## ENTERTAINMENT

511338	Radio, AM/FM/Cassette, Audiovox
511339-01	Speaker, 5.25", Audiovox
511339-02	Grill, speaker cover, 6"
510610	Antenna, radio, side mount
510788-01	TV antenna, Wineguard #RV-7004
510788-03	Amplifier, TV antenna
510612	Coax, 75 ohm, standard
510613	Coax, 75-ohm w/three conductors
510623	Connector, coax, male to male
114396	Trough, TV antenna

# 1999 SAFARI

## SECTION III

F through H

### FASTENERS

(Common fasteners available locally are not listed)

Rivets..... III-1

### FLOOR COVERING

Carpet..... III-3

Mats ..... III-3

### FURNITURE

Interior doors ..... III-4

Mirrors ..... III-5

Drawer ..... III-5

Rear bedroom..... III-6

Bath ..... III-7

Galley ..... III-10

Lounge ..... III-14

### HARDWARE

Exterior locks/hinges ..... III-17

Interior drawer slides/hinges latches..... III-21

Bath accessories ..... III-23

Awning hardware ..... III-26



# 1999 SAFARI

## \*FASTENERS



325043  
Rivet, buck type  
dia. 1/8"  
length 1/4"  
(hard)



325000-01  
Rivet, buck type  
dia. 1/8"  
length 1/4"  
anodized clear



325000-03  
Rivet, buck type  
dia. 1/8"  
length 1/4"  
anodized white



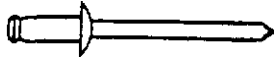
325001-01  
Rivet, buck type  
dia. 1/8  
length 5/16"  
anodized clear



325002-01  
Rivet, buck type  
"dia. 1/8"  
length 3/8"  
anodized clear



325004-01  
Rivet, buck type  
dia. 1/8"  
length 1/2"  
anodized clear



330127-03  
dia. 1/8"  
grip range .063-.125  
aluminum body  
aluminum mandrel

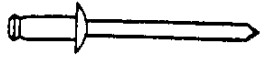


300101  
1/8" I.D.  
washer, aluminum

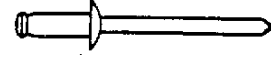
\*Common bolts and screws readily available at local hardware outlets have not been listed.

# 1999 SAFARI

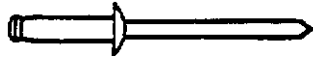
## \*FASTENERS



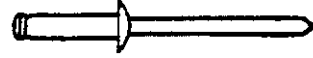
330126-02  
rivet, pop  
dia. 1/8  
grip range .126-.187  
stainless steel body  
stainless steel mandrel



330126-03  
rivet, pop  
"dia. 1/8 "  
grip range .126-.250  
stainless steel body  
stainless steel mandrel



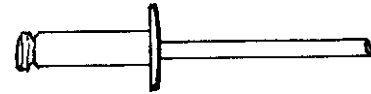
330127-050  
rivet, pop  
dia. 1/8"  
grip range .251-.312  
aluminum body  
aluminum mandrel



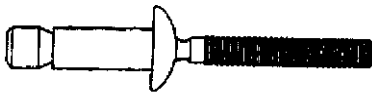
330128-05  
rivet, pop  
dia. 1/8"  
grip range .251-.312  
aluminum body, white  
aluminum mandrel



330127-08  
rivet, pop  
dia. 1/8"  
grip range .325-.565  
aluminum body  
aluminum mandrel



0330038  
rivet, pop  
dia. .150 (#20 bit)  
grip range .126-.250  
aluminum body  
aluminum mandrel  
(used-screen door hinge)



325103  
dia. 1/4"  
grip range .080-.325  
SS body  
steel mandrel

\*Common bolts and  
screws not listed

# 1999 SAFARI

## FLOOR COVERING

702794-01	Carpet, Spectrum, Pike Green
701538	Carpet, Velour-compartment liner
700173	Pad, carpet, 3/8" thick
381346	Floor mats

1999 SAFARI  
FURNITURE  
WARDROBE/CABINET DOORS

		Width x height(Inches)
964385-25	Door	8.75 x 38.0"
964385-14	Door	8.75 x 62.0"
964385-17	Door	9.13 x 24.0"
964385-26	Door	12.0x 38.0"
964385-27	Door	13.19 x 31.25"
964385-18	Door	13.25 x 62.0"
964385-12	Door	13.63 x 38.0"
964385-10	Door	14.00 x 21.0"
964385-02	Door	14.25 x 31.25"
964385-21	Door	15.63 x 11.88"
964385-20	Door	15.75 x 13.75"
964385-23	Door	17.38 x 22.0"
964385-06	Door	17.75 x 13.75"
964385-01	Door	18.63 x 31.25"
964385-09	Door	18.75 x 8.5"
964385-22	Door	21.00 x 62.0"
964385-15	Door	22.25 x 62.0"
964385-04	Door	23.00 x 8.00"
964385-19	Door	24.88 x 10.5"
964385-24	Door	25.13 x 15.25"
964385-13	Door	25.13 x 17.50"
964385-07	Door	32.50 x 13.75
964385-08	Door	45.00 x 13.75
964385-16	Door, breaker box cover	7.5 x 13.75"

**1999 SAFARI**  
**FURNITURE**  
**ROOF LOCKER DOORS**

964386-01	Door, roof locker, front and rear-RH & LH, 31.25
964386-02	Face panel, locker end filler, spec. RH or LH
964386-06	Door, roof locker, 32.5"
964386-04	Face panel, 6.19", rear locker, "C" model
964386-03	Door, galley roof locker, 28.38"
964386-05	Door, galley roof locker, 35.5"

**MISCELLANEOUS DOORS**

702937-03	Shower door, roll away 36 x 62"
961413-16	Door slider assembly, 20.5 x 74"
964539	Bath door assembly, 25.5 x 72", "C" model
986265	Sliding door assembly, 25ft., "A&B" model
372203-04	Mirror, safety glass, medicine cabinet, 36 x 14
372203-05	Mirror, safety glass, medicine cabinet, 19 x 14
702681-04	Door, foldette, 56 x 73"
702681-03	Door, foldette, 46 x 73"
381563-01	Track, formed, foldette door

**DRAWERS/DRAWER BOX**

201016	Drawer, plastic, 16 x 22"
201051	Drawer, plastic, 10 x 22"
962821-29	Drawer box      2.88 x 14.0 x 11.50"
962821-03	Drawer box      2.88 x 18.0 x 10.00"
962821-27	Drawer box      5.00 x 18.0 x 17.50"

# 1999 SAFARI

## FURNITURE

### REAR BEDROOM, TWIN-25 & 27FT.

964113	Night stand assembly
964337	Top, twin nightstand
964173	Twin bed assembly, CS
964114-01	Twin bed assembly, RS
964115-01	Hanging wardrobe assembly, RS
964155	Hanging linen closet, CS

### REAR BEDROOM, DOUBLE-25&27FT.

964188	Double bed assembly, "B" model
964115-01	Hanging wardrobe. RS

### REAR BEDROOM, CORNER DOUBLE-23 & 25S

108433	Header, foldette door
200003	End cap mounting, brown
964252	Bed assembly, corner double, Safari
964397	Wardrobe assembly, RS 23ft.
964250	Wardrobe assembly, RS 25ft.

# 1999 SAFARI

## FURNITURE

BATHROOM, CORNER DOUBLE-23&25S  
(see hardware section for fixtures-if connected  
to water, see plumbing)

203114	Shower, two piece fiberglass
203138-01	Plastic wall extrusion, white
964325	Toilet stand assembly
964249	Lavatory cabinet
964315	Lavatory top
964319	Medicine cabinet, lower
964318	Medicine cabinet, upper

# 1999 SAFARI

## FURNITURE

BATHROOM 25FT. A & B MODELS  
(see hardware section for fixtures-if connected  
to water, see plumbing)

201980	Shower stall, two piece, fiberglass
964226	Shower stand assembly
964132	Toilet stand assembly
801195	Corner, trim-1" radius
964618	Jamb, shower door
964130-01	Lavatory cabinet assembly
964340	Lavatory top
200963-01	Track, lavy sliding door, upper
200963	Track, lavy sliding door, lower
104606	Close out, alabaster, vent pipe
114040-01	Close out, toilet line
381611	Cosmetic cabinet 36" x 9"
964129	Medicine cabinet
702791	Border, adhesive back, above lavy

# 1999 SAFARI

## FURNITURE

BATHROOM, 27FT. A & B MODELS  
(see hardware section for fixtures-if connected  
to water, see plumbing)

203046-03 964055	Shower stall, angled, two piece Close out, lavy/shower
964473 964491	Lavatory cabinet assembly Lavatory top assembly
200963-01 200963-02	Track, lavy sliding door, upper Track, lavy sliding door, lower
381611 964729	Cosmetic cabinet 36 x 9" Medicine cabinet assembly
104606 114040-01 800727-01	Close out, vent pipe, alabaster Close out, toilet line Close out, foldette door, oak
964466	Ward robe assembly CS-27ft.

# 1999 SAFARI

## FURNITURE

### GALLEY AREA, 23FT.

964523	Galley assembly
964524	Galley top assembly
964335	Galley flip-up shelf
963990	Magazine rack
961982-01	Sink cover, RH
961982-02	Sink cover, LH
964151	Galley roof locker assembly
964251	Refrigerator cabinet assembly
964532	Spice rack
372203-05	Mirror, safety glass 19 x 14"
964396	Pantry assembly
381400	Drawer slide, pantry, 14", pr.

# 1999 SAFARI

## FURNITURE

### GALLEY AREA, 25FT. "C"

964523	Galley assembly
964524	Galley top assembly
964335	Galley flip-up shelf
963990	Magazine rack
961982-01	Sink cover, RH
961982-02	Sink cover, LH
964151	Galley roof locker assembly
964251	Refrigerator cabinet assembly
964532	Spice rack
372203-05	Mirror, safety glass 19 x 14"
964359	Dinette seat assembly, aft.
801224-02	Cap, dinette seat back, aft.
964256	Dinette seat assembly, forward
801224-01	Cap, dinette seat back, forward
964255	Dinette table assembly, Safari
962177-02	Leg, dinette table, hardwood, 28.5"
964254	Dinette roof locker assembly
964116	Pantry/wardrobe assembly
964162	Pantry assembly
381400	Slides, 14", pantry, pr.

# 1999 SAFARI

## FURNITURE

### GALLEY AREA, 25FT. A&B

964523	Galley assembly
964524	Galley top assembly
964335	Galley flip-up shelf
963990	Magazine rack
961982-01	Sink cover, RH
961982-02	Sink cover, LH
964151	Galley roof locker assembly
964116	Pantry/wardrobe assembly
964162	Pantry assembly
381400	Slides, 14", pantry, pr.
964149-01	Refrigerator cabinet assembly
964172	Close out, refrigerator cabinet
964532	Spice rack
372203-05	Mirror, safety glass 19 x 14"

# 1999 SAFARI

## GALLEY AREA, 27FT. A & B

964467	Galley assembly
964468	Galley top assembly
964335	Galley flip-up shelf
963990	Magazine rack
961982-01	Sink cover, RH
961982-02	Sink cover, LH
964469	Galley roof locker assembly
964471	Pantry/microwave cabinet assy.
964507	Pantry assembly
381400	Slides, 14", pantry, pr.
964508	Top, pantry cabinet
964471	Refrigerator cabinet assembly
964532	Spice rack
372203-05	Mirror, safety glass 19 x 14"

# 1999 SAFARI

## FURNITURE

### LOUNGE AREA, 23 & 25FT. "C" MODEL

964150	Credenza assembly(23ft. only)
964338-01	Top, credenza assembly
960420-07	Table, lift up assembly
960416-06	Leaf, table, lower 24 x 25.88"
960417-07	Leaf, table, upper 24 x 25"
962117-03	Table leg, hardwood, 30.50"
960419-01	Facer board, lift up table
702798-337	*Sofa, jackknife, 74", Cabin Creek
963400-01	Arm rest support, RS
963400-02	Arm rest support, CS
962563	Close out, lounge, rear
964174	Close out lounge

\*Changing the -(dash) number to:

118= Cypress Gardens

128= Starlight

# 1999 SAFARI

## FURNITURE

### LOUNGE AREA, 25FT. A&B MODELS

964150	Credenza assembly
964338-01	Top, credenza assembly
960420-07	Table, lift up assembly
960416-06	Leaf, table, lower 24 x 25.88"
960417-07	Leaf, table, upper 24 x 25"
962117-03	Table leg, hardwood, 30.50"
960419-01	Facer board, lift up table
702798-337	*Sofa, jackknife, 74", Cabin Creek
963400-01	Arm rest support, RS
963400-02	Arm rest support, CS
962563	Close out, lounge, rear
964174	Close out lounge

\*Changing the-(dash) number to: 118=Cypress Gardens  
128=Starlight

# 1999 SAFARI

## FURNITURE

### LOUNGE AREA, 27FT. A&B MODELS

964470	Credenza assembly
964509	Top, credenza assembly
960420-02	Table, lift up assembly
960416-02	Leaf, table, lower 24 x 25.88"
960417-02	Leaf, table, upper 24 x 25"
962117-03	Table leg, hardwood, 30.50"
960419-01	Facer board, lift up table
702798-337*	Sofa, jackknife, 74", Cabin Creek
963400-01	Arm rest support, RS
963400-02	Arm rest support, CS
962563	Close out, lounge, rear
964174	Close out lounge

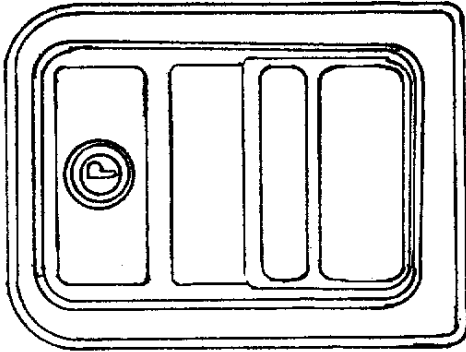
\*Changing the-(dash) number to:

118=Cypress Gardens

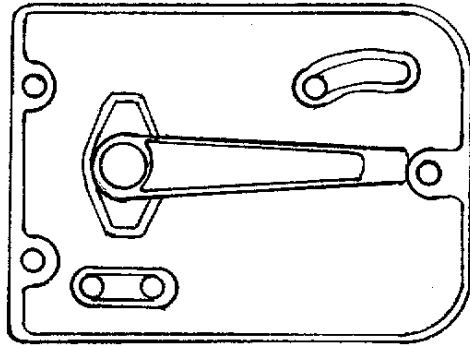
128=Starlight

1999 SAFARI  
HARDWARE

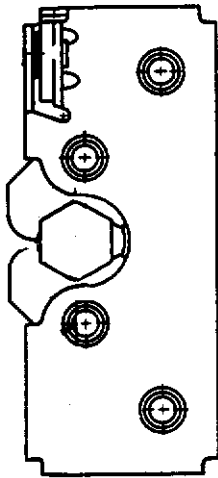
MAIN DOOR LOCK



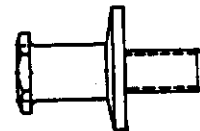
381547-01  
Main door lock, outside  
Housing



381547-02  
Main door lock, inside  
plate



381547-03  
Double rotary latch,  
main door lock

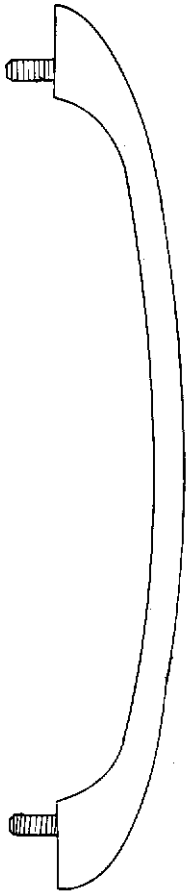


381547-04  
Striker bolt w/washer  
main door lock

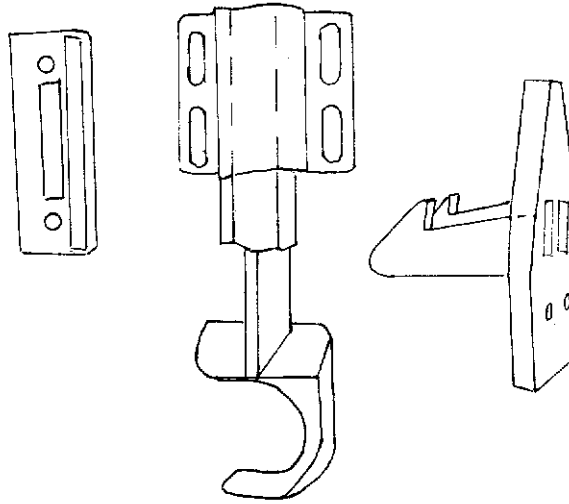
Not shown:

381547-05      Screw package, main door lock

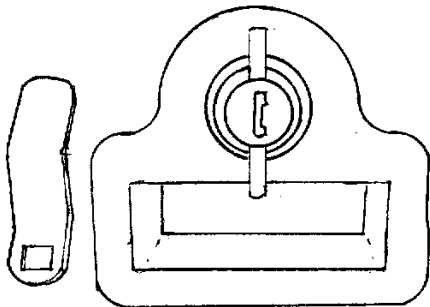
1999 SAFARI  
HARDWARE  
EXTERIOR LATCHES/LOCKS



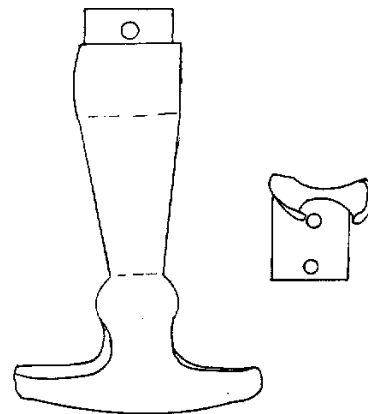
101171  
Grab handle, main door



381454  
Latch, screen door, Bullet



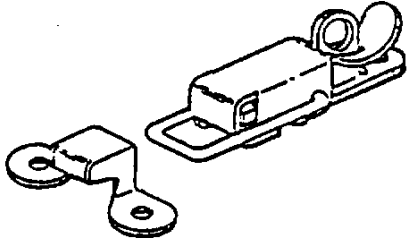
380770-101 Twist lock, chrome  
380770-102 Twist lock, black



381021 Rubber T handle

# 1999 SAFARI HARDWARE

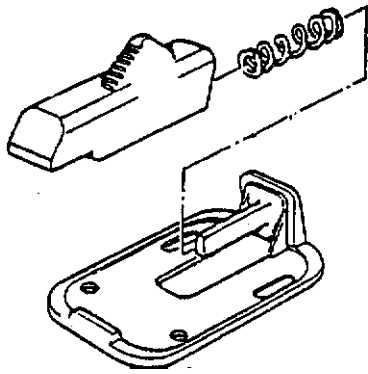
## EXTERIOR LATCHES/LOCKS



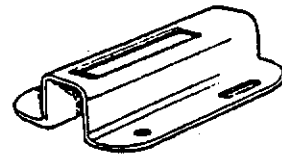
340023 Corbin catch  
w/strike, battery box



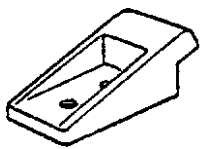
380067 Lock cam,  
bumper lid



380291 Main door holdback,  
(use w/housing #380290)



380290 Latch housing,  
main door holdback

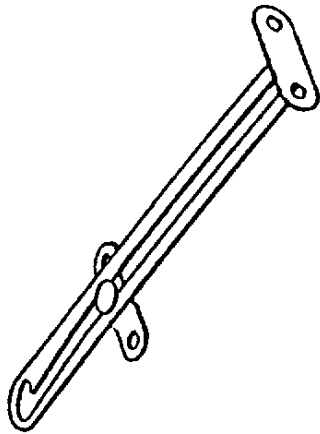


201056 Catch, main door  
holdback

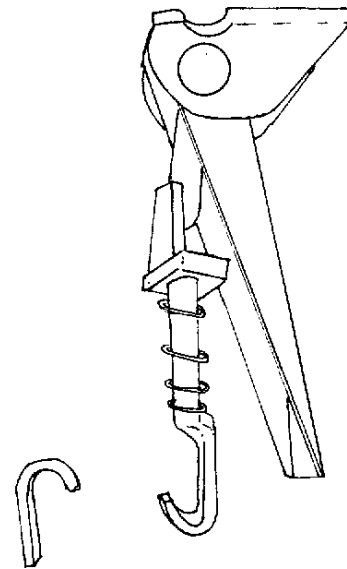
# 1999 SAFARI

## HARDWARE

### EXTERIOR LATCHES/LOCKS



380024 Support arm,  
bumper lid



380903 Latch w/strike,  
chrome, gas bottle cover

### EXTERIOR HINGES

381552-03 Hinge assembly, main door, upper  
381552-04 Hinge assembly, main door, lower

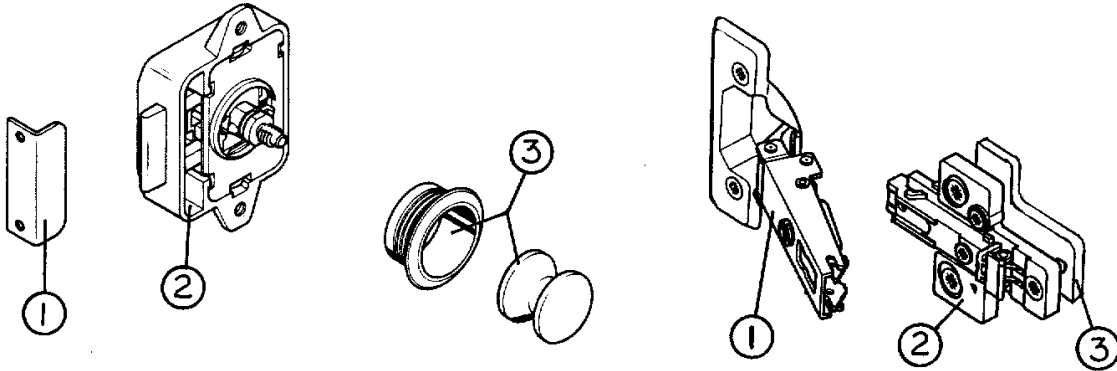
381531-01 Hinge, screen door, upper  
381531-02 Hinge, screen door, lower

380773 Hinge, access door, 13 1/4"  
385935-01 Hinge, pivot, trunk door, rear

380203-01 Piano hinge, 1/8" pin, clear anodized, hose carrier lid

# 1999 SAFARI HARDWARE

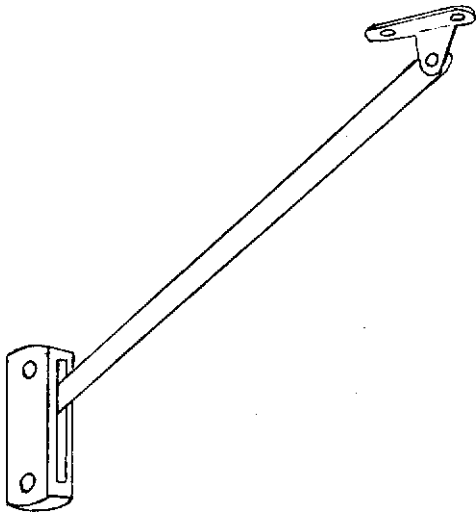
## INTERIOR LATCHES/HINGES



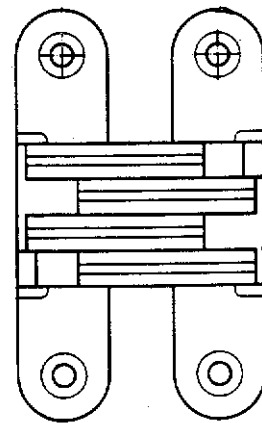
- 1) 381608-07 Strike plate, rim lock
- 2) 381608-02 Latch, cabinet, rim lock
- 3) 381608-03 Push button w/rosette

- 1) 381607-01 Hinge, cabinet
- 2) 381607-02 Base, metal
- 3) \*381607-03 Base, plastic

\*Not used in all applications



- 381608-04 Support arm, roof locker, RH
- 381608-05 Support arm, roof locker, LH

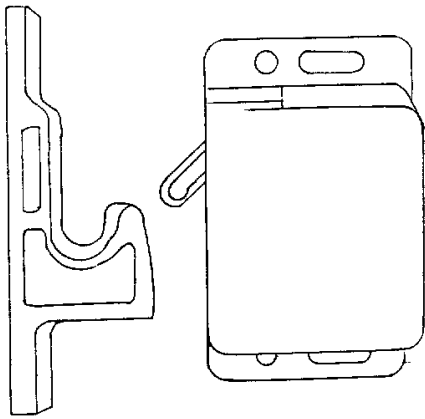


- 380040 Soss hinge, lift up table

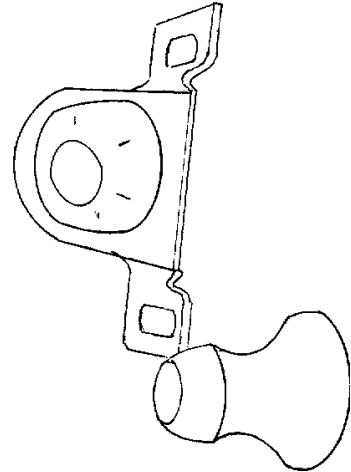
# 1999 SAFARI

## HARDWARE

### INTERIOR LATCHES/HINGES



381228 Grabber door catch



381074 Bull Dog door catch



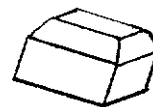
201427 Finger pull,  
light brown



381603 Pull, three finger  
Antique brass



360012 Bumper, rubber  
white, stick-on, cylindrical  
360012-01 Bumper, rubber  
brown, stick-on, cylindrical



360016 Bumper, rubber  
gray, square 3/8 x 3/8

# 1999 SAFARI

## HARDWARE

### DRAWER SLIDES

381526-01	Drawer slide-950-RV, 14"
381526-03	Drawer slide-950-RV, 18"
381414-144	Slide, drawer-Delta, 14.5"
381400	Slide, drawer, 14", 2900-14

### BATHROOM ACCESSORIES

380034	Toilet paper holder, chrome
381259-01	Towel bar, 18", chrome
380259-03	Brackets, chrome towel bar
380248	Soap dish

### HINGES

380458	Hinge, piano, 3/32 pin, 5/8" leaf, brown
380210	Hinge, 2" metal, bed top
380040	Soss hinge, #204, lift up table
381614	Folding shelf bracket, galley

### TABLE HARDWARE

381306	Lift up table slides, one right & one left
201155	Table sliding guide, plastic
380037	Latch, nail & spring, table
380038	Eyelet, lock, brass

### WARDROBE

380045	Clothes rod
200975-04	Conduit, flexible, black (covers clothes rod)
380046	Bracket, clothes rod

# 1999 SAFARI

## HARDWARE

### MISCELLANEOUS

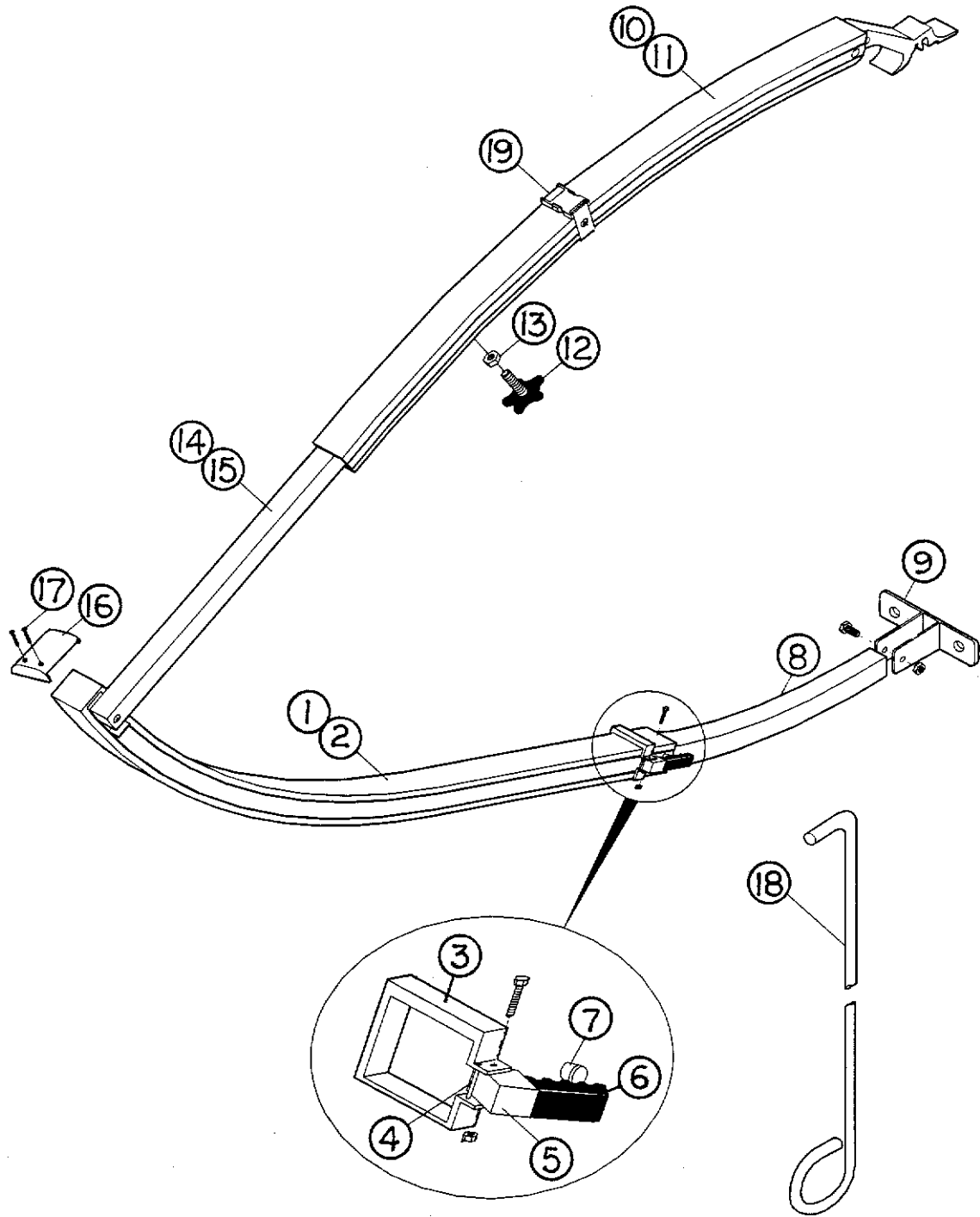
701342-01	Vinyl strap, sliding door hold back (female snap on both ends)
381100	Sliding door guide
701624	Velcro loop, 5/8" wide
701625	Velcro hook, 5/8" wide
*381385	Dual lock #400-1" strips
*381386	Dual lock #170-1" strips

\*These two parts work similar to Velcro but have interlocking knobs rather than hooks and loops.

# 1999 SAFARI

NOTES:

# 1999 SAFARI



# 1999 SAFARI

## HARDWARE

### AWNING HARDWARE

- 1) 702880-001 Arm assembly, main, curved, RH
- 2) 702880-002 Arm assembly, main, curved, LH
- 3) 702880-003 Bracket, arm latch
- 4) 702880-004 Pin, spring, 3/16" x 1"
- 5) 702880-005 Handle, lift, painted
- 6) 702880-006 Cap, vinyl, black
- 7) 702880-007 Plunger, spring loaded
- 8) 702880-008 Arm assembly, inner
- 9) 702880-009 Foot, square
- 10) 702880-010 Rafter assembly, curved, RH
- 11) 702880-011 Rafter assembly, curved, LH
- 12) 702880-012 Knob, five point w/threaded stud
- 13) 702880-013 Nut, special, hex, 1/4-20 x 11/16
- 14) 702880-014 Rafter assembly, inner, secondary, RH
- 15) 702880-015 Rafter assembly, inner, secondary, LH
- 16) 702880-016 Cap, main arm
- 17) 702880-017 Screw, 6-19 x .38
- 18) 702880-018 Rod, EZ pull, gray
- 19) 702880-019 Travel strap



# 1999 SAFARI

## SECTION IV

L through Z

LABELS and TAGS ..... IV-1

### PLUMBING

LPG ..... IV-2

Fresh water ..... IV-3

Drain water ..... IV-8

Toilet ..... IV-11

SAFETY EQUIPMENT ..... IV-12

SEALER/GASKETS/PAINT ..... IV-13

UPHOLSTERY/FOAM/MATTRESS ..... IV-14

VENTS/FANS ..... IV-15

WOOD/LAMINATES/TRIM ..... IV-16



# 1999 SAFARI

## LABELS AND TAGS

385193 Label, "12V distribution panel inside"  
385048 Label, approval with shield  
385269 Label, "DON'T USE AREA FOR STORAGE"  
385068 Tag, cooking appliance warning  
385067 Label, EXIT  
385547 Label, LP gas warning/fill  
385517 Label, kill switch warning  
385521 Label, emergency egress window  
385463 Warning label/cooking appliance  
385464 Label, LP gas warning label (odor)  
385465 Exit label, English  
385560 Label, air conditioner rating  
385512 Label, Calif. hazardous substance  
385609 Label, smoke detector  
385359 Label, microwave or air conditioner  
385837 Label, refrigeration ignition  
385103 Plate, RVIA  
385418-01 Label, Federal registration  
385062 Decal, 110-125 voltage AC  
385565 Label, holding tank flushing  
385834 Label, converter, on/off  
385972 Label, fuse 12volt

# 1999 SAFARI

## PLUMBING LPG SYSTEM

601710	LP gas bottle, 30lb., steel, POL
*601710-01	LP gas bottle, 30lb. steel, TYPE I
601686	Base plate, LP tank mounting
601687	Hold down kit, LP tank
601684	LP regulator, Marshall Brass w/pigtails, mounting bracket & cover, POL
601684-100	LP pigtails, 11in., POL
*601731	LP regulator, Marshall Brass w/pigtails, mounting bracket & cover, TYPE I
*601731-100	LP pigtails, 15in., TYPE I
601684-101	Bracket, mounting, LP regulator
601684-102	Cover, Marshall Brass regulator
601675	Union, 3/8 flare, brass
601412-12	Connector, 1/2P x 5/8 copper
601685-01	LP hose, 1/2FPT x 3/8 flare
600468	Union flare, 5/8 x 5/8
600238	Union flare, 3/8 x 3/8
600004	Copper tubing, 5/8
600008	Copper tubing, 3/8
600436	Flare nut, forged, 5/8
600435	Flare nut, forged, 3/8
600000	Tee, brass, 5/8 x 5/8 x 3/8
600003	Tee, brass, 5/8 x 3/8 x 3/8
104264	Gas bottle cover w/o decal
380903	Latch and strike
200841	Lid, plastic, bottle cover
380773	Hinge, access door

\*TYPE I fittings started on serial number 512554

# 1999 SAFARI

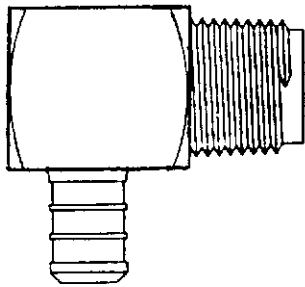
## PLUMBING FRESH WATER

601194	Water fill w/lock, gray
601643	Tank, fresh water
601243	Drain cock, fresh water tank
600155	Plug, water tank, 1.5"
600836	Elbow, 1/2 barb x 3/8 MPT
601237	Plastic elbow, 90 degree, 1.25MPT x 1.25barb
601239	Tubing, 1.375 I.D., flexible, water fill hose
601061-01	Water pump, Shurflo
600668	Filter, pre water pump

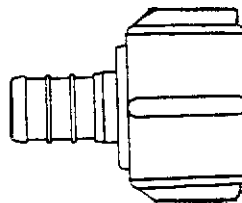
## CITY WATER

600362	Connector, 1/2FPT x water hose, swivel
600336	Plug with chain
601690	Nipple, 1/2 MPT x 2.50
601689	Drop ell, 90 degree, 1/2 FPT
600309	Regulator, Watts, 1/2 FPT

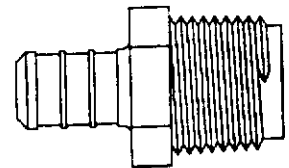
## FITTINGS



601698-04  
Elbow, 1/2 barb  
x 1/2 MPT



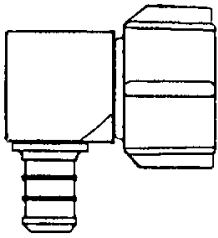
601698-03  
Coupler, 1/2 barb  
x 1/2 FPT



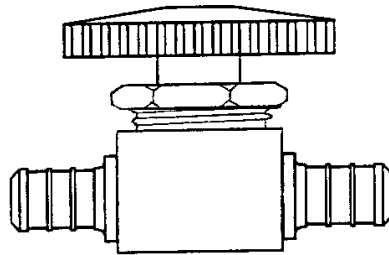
601698-02  
Coupler, 1/2 barb  
x 1/2 MPT

(continued)

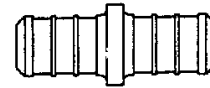
1999 SAFARI  
PLUMBING  
FRESH WATER-FITTINGS



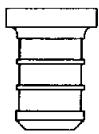
601698-05  
Elbow 1/2 barb x  
1/2 FPT



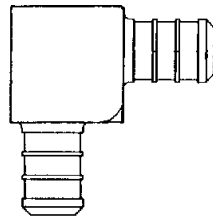
601698-07  
Shut-off, 1/2 barb x  
1/2 'barb



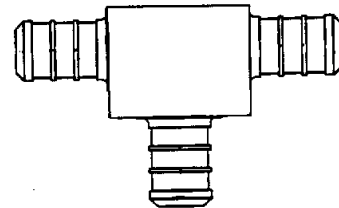
601698-08  
Coupler  
1/2 x 1/2 barb



601698-09  
Plug, 1/2 barb



601698-10  
Elbow 1/2 barb x  
1/2 barb



601698-11  
Tee, 1/2 x 1/2 x  
1/2 barb

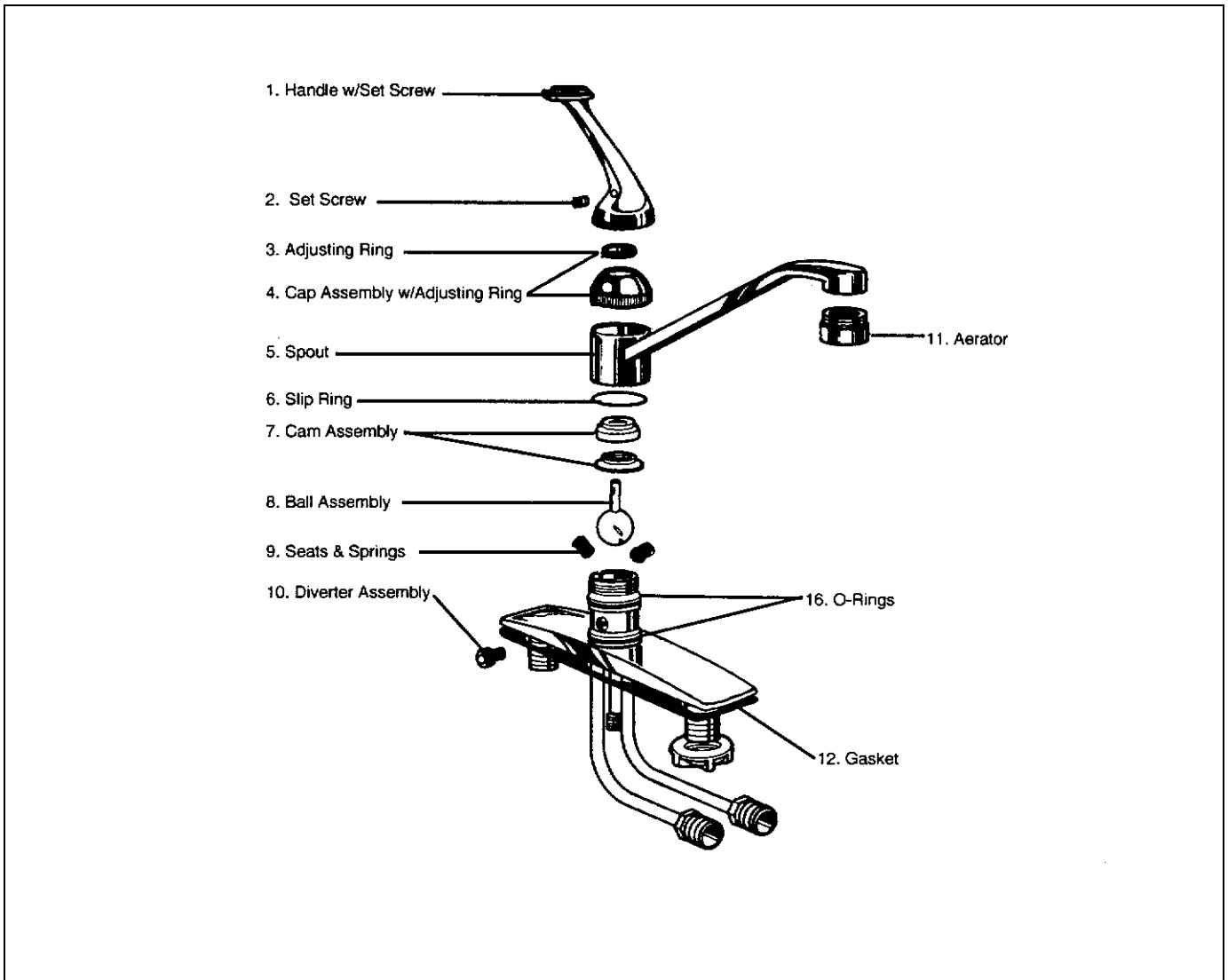


601698-15  
Crimp ring, 1/2



601698-01  
E-Pex tube, 1/2"  
E-Pex, 1/2 (black)

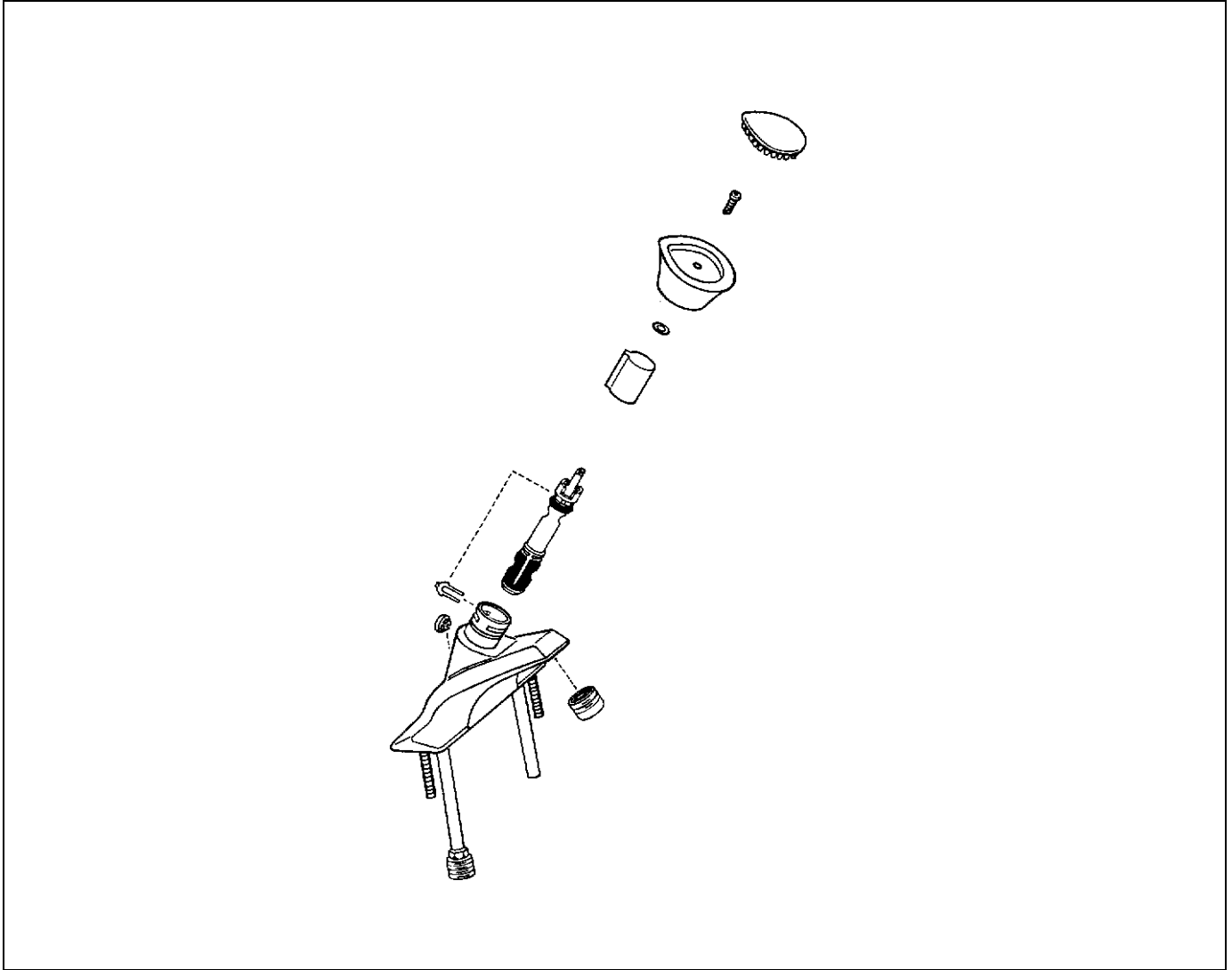
# 1999 SAFARI PLUMBING FRESH WATER FAUCETS



601528 Faucet, 8" kitchen w/spray, Peerless

Parts illustration is for your reference only. Please purchase your Peerless or Delta parts kits locally. They are inter-changeable.

1999 SAFARI  
PLUMBING  
FRESH WATER FAUCETS

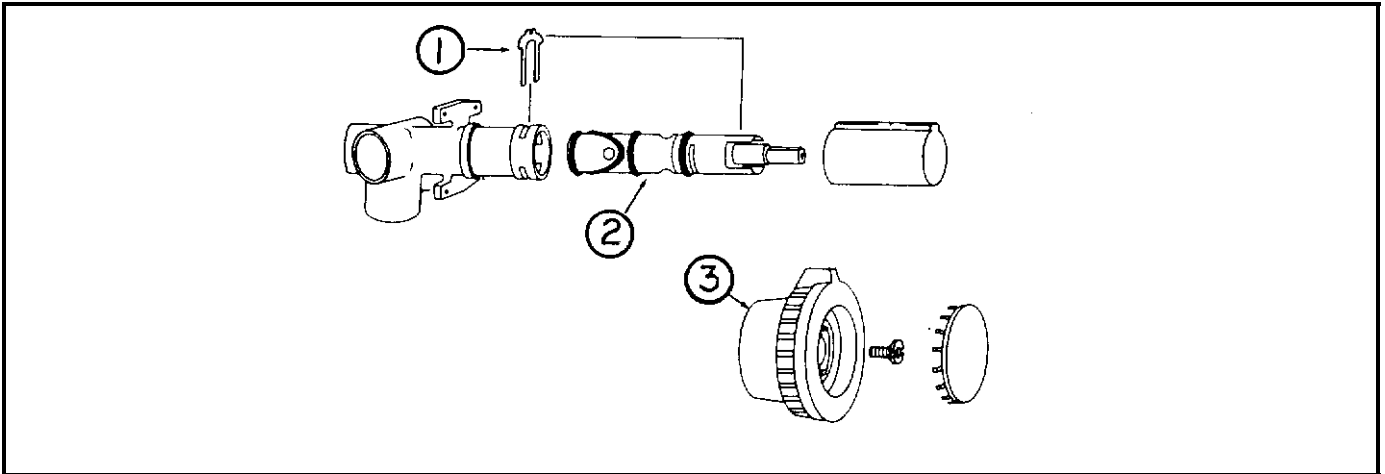


601419-01 Faucet, lavatory, Moen, chrome

- 1) 001245 Knob
- 2) 601579-105 Cartridge
- 3) 601579-104 Retainer clip

# 1999 SAFARI

## PLUMBING FRESH WATER-FAUCETS



601420-01      Faucet, shower

- 1) 000883      Retainer clip
- 2) 601420-100      Cartridge
- 3) 001041      Handle

- 601358-100      Shower head , chrome
- 600330      Shower hose, chrome
- 600332      Vacuum breaker, chrome

# 1999 SAFARI

## PLUMBING DRAIN SYSTEM

### Grey tanks

601622-04	Holding tank, grey-27ft.
601623-08	Holding tank, grey-23 & 25ft."C"
601623-07	Holding tank, grey-25ft."A & B"

### Black Tanks

601623-09	Holding tank, black-27ft.
601458	Holding tank, black-23 & 25ft."C"
601542	Holding tank, black-25ft. "A&B"

### Sink/showers

203046-03	Shower stall, two-piece, angled-27ft.
201980	Shower stall, two piece, 25ft. "A & B"
203114	Shower stall, two piece, 23 & 25ft. "C"
600594	Tub strainer w/rubber stopper
601497-01	Sink, porcelain, galley, Almond (all)
195362-39	Strainer, 2"
601498	Sink, lavatory, rectangular, 27ft.
200406-06	Lavatory bowl, oval(includes stopper, basket and tail) 23 & 25ft.

### Drain Tank Valves

601607-02	Valve assembly, 3" hub x 3" spigot
901470	Dump valve, Valterra, T-68, heel in.
601607-12	Valve assembly, 1.5" hub x 1.5" spigot
601607-03	Extension rod, 12" threaded
114086	Bracket, dump valve handle

# 1999 SAFARI

## PLUMBING

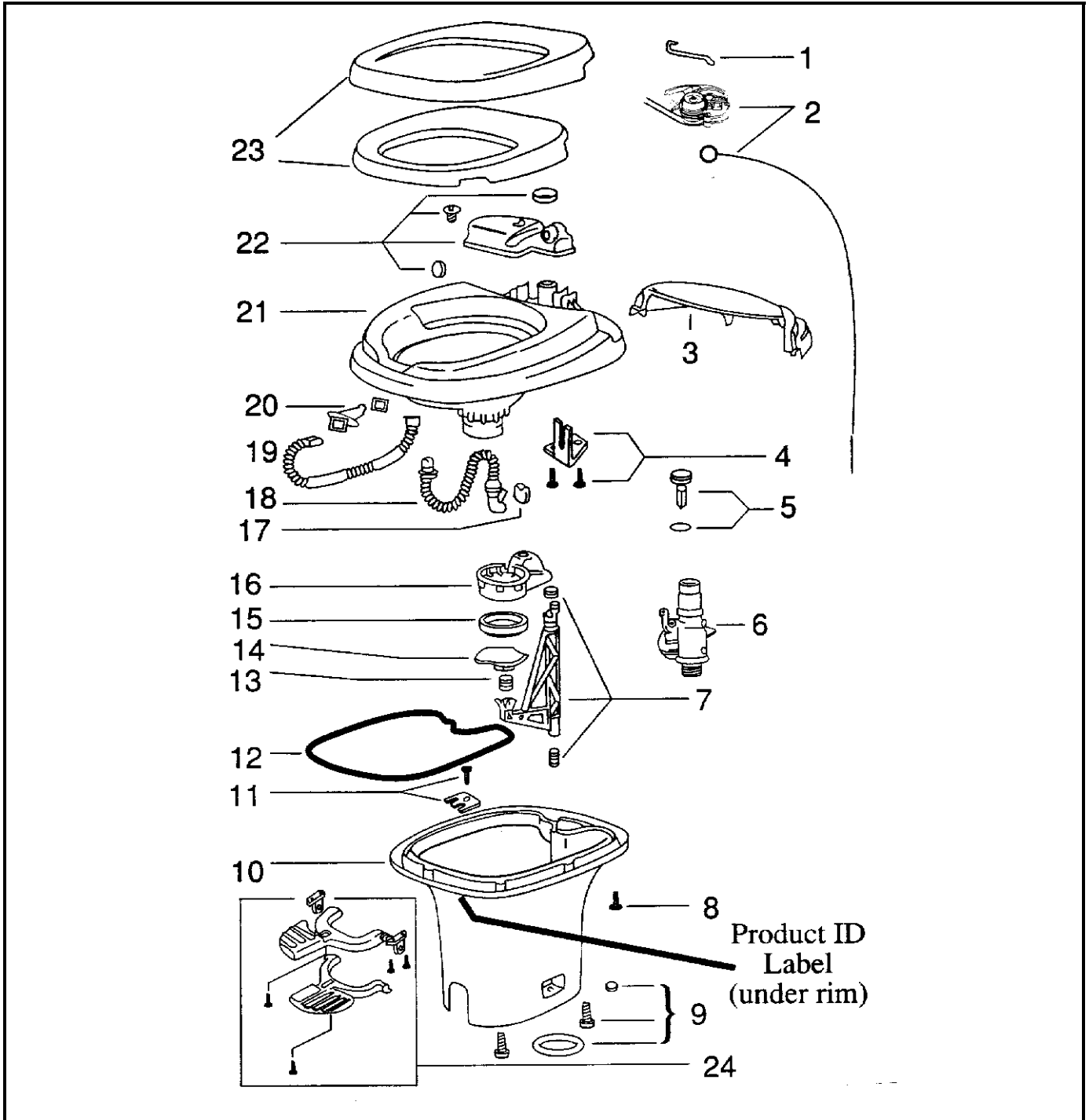
### DRAIN FITTINGS

600378	Continues waste, 1.5"
600144	P trap, 1.5"
601318	Tee, bi-directional clean out, 1.5"
600155	Plug, clean out, 1.5"
600182	Wye, 1.5 x 1.5 x 1.5", 1/8 bend
600538	Vent, V-2000 automatic
601200	Adapter, auto vent w/extension
600094	Wye #2301
600027	Elbow, long street, 45 degrees
600030	Elbow, long turn, 45 degrees
600625-01	Plug, trap, 1.5" adapter, female
600625-02	Plug, trap, 1.5" adapter, male
600035	Elbow, long sweep, 1.5"
600431	Elbow 90 degrees, 1.5"
600227	Coupling, 1.5"
601201	Adapter, swivel strainer, 1.25"
600156	Tee, sanitary
601160-02	Pipe ABS, 1.5"
601267-04	Nipple, 3", thread one end, 10" long
601160-04	Pipe, ABS, 3"
380481	Boot, rubber, 3"
195329-229	Adapter reducer, 3" to 1.5"
601716	Ell 90 w/low heel 3" x 3" 1.5"
600820	Street elbow, short 3", 90degree
601607-06	Termination adapter, 3"hub x3" bayonet
601607-07	Termination cap, 3" bayonet
601266	Flange, closet, tank to toilet

# 1999 SAFARI

## PLUMBING

THETFORD, AQUA MAGIC IV, FOOT FLUSH, WHITE



# 1999 SAFARI

## PLUMBING

THETFORD, AQUA MAGIC IV, FOOT FLUSH, WHITE

690387 Toilet complete, Aqua Magic IV, low, 23 & 25  
690387-01 Toilet complete, Aqua Magic IV, high, 27ft.

- |                 |                                 |
|-----------------|---------------------------------|
| 1) 690387-513   | Water valve link                |
| 2) 690387-571   | Wire replacement package        |
| 3) 690387-562   | Mechanism cover, white          |
| 4) 690387-634   | Bracket assembly                |
| 5) 690387-631   | Float assembly                  |
| 6) 690387-168   | Water valve replacement package |
| 7) 690387-632   | Actuator assembly               |
| 8) 690387-659   | Screw base to bowl              |
| 9) 690387-524   | Closet bolt package             |
| 10) 690387-356  | Base, white, low                |
| 10a) 690387-062 | Base, white, high               |
| 11) 690387-636  | Retainer assembly               |
| 12) 690387-387  | Sealant, base to bowl           |
| 13) 690387-519  | Blade spring                    |
| 14) 690387-262  | Blade                           |
| 15) 690387-481  | Blade seal                      |
| 16) 690387-520  | Blade track                     |
| 17) 690387-512  | Flapper                         |
| 18) 690387-511  | Over flow tube                  |
| 19) 690387-509  | Flush tube                      |
| 20) 690387-637  | Nozzle assembly                 |
| 21) 690387-726  | Bowl                            |
| 22) 690387-630  | Reservoir tank assembly         |
| 23) 690387-162  | Seat and cover assembly         |
| 24) 690387-821  | Pedal package                   |

# 1999 SAFARI

## SAFETY EQUIPMENT

510781	Smoke detector
511309	LPG detector
600162-01	Fire extinguisher

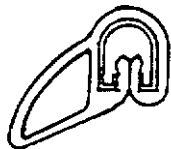
# 1999 SAFARI

## SEALER/GASKETS/PAINT

### SEALER

6000360	Sealant, Butyl #884058
360074	Sealant, white, 3 oz. tube
360001	Sealant, #884058
360002	Sealant, Vulkem 11.5 oz. tube
360209	Sealant, seam
360176	Sealant, Almond, kitchen and bath
360180	Sealant, Sikaflex #221
360210	Sealant, Paralastic 4334-014
360283	Sealant, silicone, Corian Bone

### GASKETS



365035 Gasket  
access doorjamb



365013-01 Gasket  
screen door



365232 Gasket  
main door



371593-711 Glazing  
rubber, Creation  
window



371593-713 Seal  
plastic, sash  
Creation window



371593-712  
Foam seal, sash  
Creation window

380226	Gasket, taillight lens
380114	Gasket, vent pip
365016	Tape, foam, double face, 1/2" wide
365001-02	Tape, vinyl foam, double face, 3/4" wide
380222	Tape, acrylic foam, double face, 3/4" wide
360057-03	Plasticote
360151	Paint, gray metallic

# 1999 SAFARI

## UPHOLSTERY/FOAM/MATTRESS REAR BEDROOM

702819	Mattress, twin, 32 x 78", 25 & 27ft."A"
702705	Mattress, double, 60 x 75", 25 & 27ft."B"
702704	Mattress, double, 52 x 75", 23 & 25ft."C"
*702820-337	Bedsread, twin, Cabin Creek, 25 & 27ft."A"
702676-337	Bedsread, double, 75", Cabin Creek 25 & 27ft."B"
702541-337	Bedsread, corner double, Cabin Creek 23 & 25ft. "C"
701611	Pillow, 21 x 31, all models

## FRONT LOUNGE

*702798-337	Sofa, jackknife, 74", Cabin Creek, all models
453368-03	Sofa legs, Flex steel
963400-01	Arm rest support, RS
963398-01	Arm rest cushion, RS
963400-02	Arm rest support, CS
963398-02	Arm rest cushion, CS

## SIDE DINETTE, 25ft."C" (only)

998070-03	Cover, seat, side dinette
998071-03	Cover, backside dinette
702464-16	Foam, dinette upper back
702464-13	Foam, dinette lower back
702464-14	Foam, dinette aft seat
702464-15	Foam, dinette forward seat

\*Changing the dash number changes the upholstery color:

- 128 = Starlight,
- 118 = Cypress Gardens

# 1999 SAFARI

## VENTS/FANS

100341	Refrigerator, vent collar, large
101394	Cover, refrigerator vent, large
109067	Vent pipe cover, cast aluminum
380114	Gasket, vent pipe
381606-01	Vent, roof, 14 x 14", non-power, white
381606-02	Trim ring, interior, roof vent, white
381153-01	Vent, Jensen#757, square
511341-01	Range hood
511017-11	Vent cover, exterior, range hood, gray

# 1999 SAFARI

## WOOD/LAMINATES/TRIM

### PLYWOOD

800506-04	Plywood, 1/2" x 4' x 8'
800976-01	Plywood, tongue and groove, 19/32'(floor)
800506-05	Plywood, 5/8" x 4' x 8'
800583	Plywood, Birch Baltes (cutting boards) 5/8x5x5
801068-06	Plywood, G2S, 3/4" x 4' x 8'

### PANELING

800507-02	Panel, Lauan, 1/4" x 4' x 8', raw/raw
800507-03	Panel, Lauan, 3/8' x 4' x 8', raw/raw
801176-03	Panel, G1S, 1/8" x 4' x 7', Solitude/raw
801181	Panel, G1S, 5/32" x 4' x 8', Oak/raw
801182	Panel, G2S, 5/32" x 4' x 8', Oak/Oak
801179	Panel, G1S, 1/2" x 4' x 8', Oak/raw
801185-01	Panel, G1S, 1/2" x 4' x 8', Solitude/raw
801180	Panel, G2S, 1/2" x 4' x 8', Oak/Oak
801203	Panel, G2S, 1/2' x 4' x 8', Oak 6mil
801183-01	Panel, G2S, 1/2' x 4' x 8', Horz.Oak/Solitude

(continued)

# 1999 SAFARI

## WOOD/LAMINATES/TRIM

### LAMINATES

801229	Laminate, Oak, high pressure, .045-.050
801169	Laminate, Beige Pampas, .042 (galley top color)
801230	Pre-laminated panel, Oak, 5/8"x4x8, lauan core
801212-01	Pre-laminated panel, Beige Pampas, 5/8"x4x8
801184-01	Laminated lumber core, .75 x 1.5 x 8ft.
801184-03	Laminated lumber core, .75 x 2.0 x 8ft.

### TRIM

801195	Corner trim, 1" radius
800766	Trim, hardwood, .50 groove x 8', panel edging
800405	Plug, hardwood button, screw cover