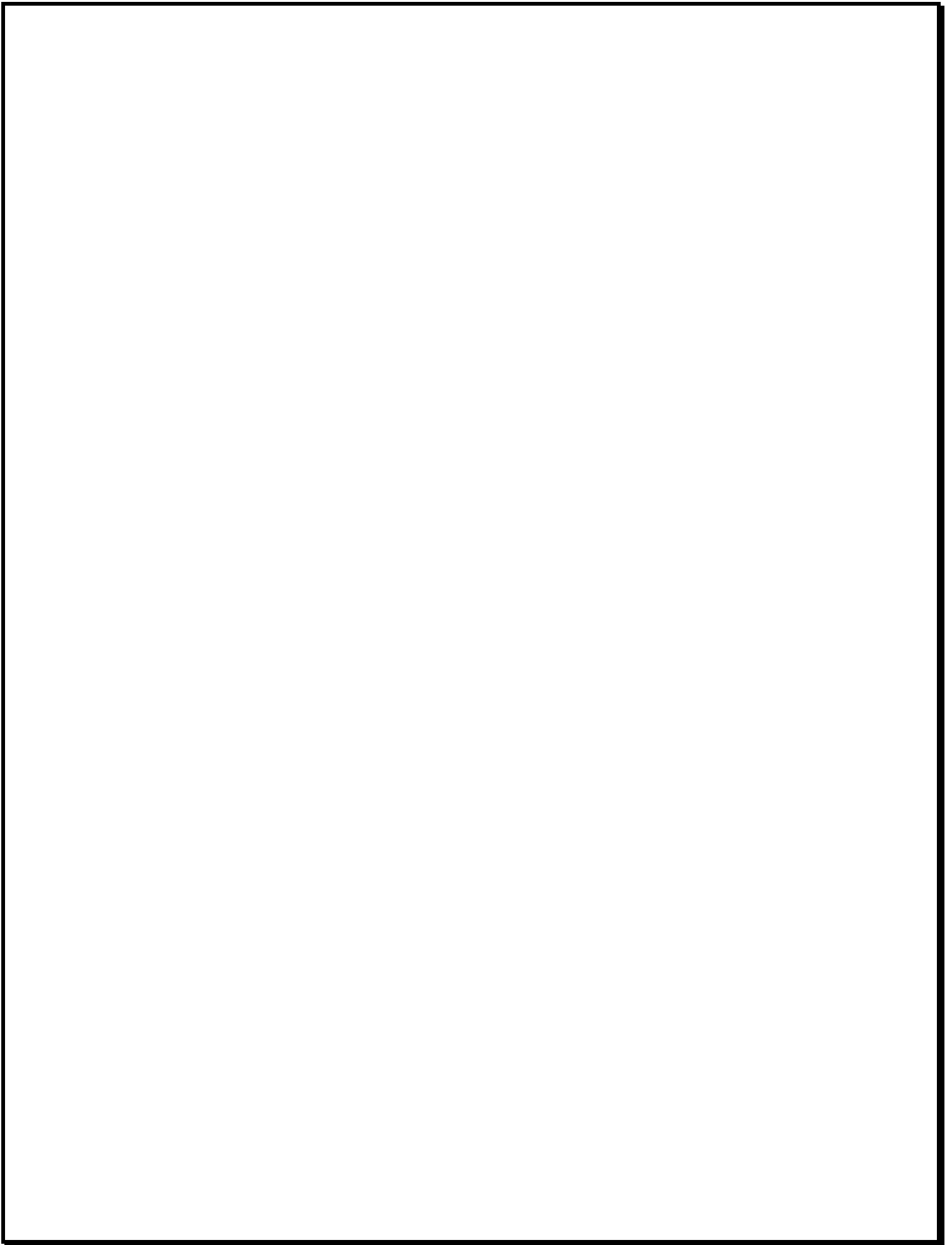


AIRSTREAM

**30' & 34'
CUTTER GAS**

Parts Book

1998



1998 CUTTER 30;' & 34' GAS

TABLE OF CONTENTS

SECTION-I

A through C

APPLIANCES

Air conditioner	I-1
Furnace	I-1
Microwave	I-1
Range	I-2
Refrigerator	I-2
Water heater	I-3

BODY

RS wall, 30ft.	I-5
CS wall, 30ft.	I-7
RS wall, 34 ft., slide out	I-9
RS wall, 34ft., non-slide	I-11
CS wall, 34ft., both slide and non-slide	I-13
Slide out extrusions	I-14
Slide out gaskets	I-15
Aft end	I-17
Front end	I-19
Roof	I-20

CHASSIS

Hitch	I-21
Auxiliary heater	I-21
Step/Mud flaps/Wheel simulators	I-21
Spare tire bracket/Exhaust extension	I-22
Automotive air conditioner	I-22
Tag axle/Brake	I-23

1998 CUTTER 30;' & 34' GAS

TABLE OF CONTENTS

SECTION II

D through E

DASH

Dash parts	II-2
----------------------------------	------

DECALS

Front and rear	II-4
Side	II-6

DOORS/WINDOWS/AWNINGS

RS, 30FT.	II-8
CS, 30FT.	II-10
RS, 34FT.non slide	II-12
CS, 34FT.non slide	II-14
RS, 34FT.slide out	II-16
CS, 34FT.slide out	II-18

DRAPES/BLINDS/VALANCES	II-19
--	-------

ELECTRICAL

110-volt	II-20
12-volt, chassis	II-22
Dash/Armrest Switches/lens	II-23
12-volt interior switches	II-24
12-volt interior, lights	II-25
12-volt exterior lights	II-26
12-volt misc.	II-27
Windshield wiper assy.	II-28

ENTERTAINMENT

Televisions	II-30
Radios	II-30
Antenna	II-30

1998 CUTTER 30;' & 34' GAS

TABLE OF CONTENTS

SECTION III

F through H

FASTENERS (common fasteners available locally are not listed)

Rivets	III-1
Screws	III-3

FLOOR COVERING

Carpet	III-4
Hardwood flooring	III-4
Mats	III-4

FURNITURE

Interior doors	III-5
Mirrors	III-6
Drawer face	III-7
Drawer box	III-7
Bedroom furniture, twin	III-8
Bedroom furniture, double	III-9
Bath, 30ft.	III-10
Bath, 34ft.	III-11
Galley, slide out	III-12
Galley, non slide	III-13
Lounge and cab	III-14

HARDWARE

Main door/screen door	III-16
Exterior access doors	III-18
Slide out room	III-20
Awning hardware	III-22
Interior hardware	III-23

1998 CUTTER 30;' & 34' GAS

SECTION IV L through Z

[LABELS and TAGS](#) IV-1

[OPTIONS](#) IV-3

PLUMBING

[LPG](#) IV-5

[Utility compartment](#)..... IV-6

[Fresh water](#)..... IV-7

[Faucets](#) IV-10

[Drain water/Tanks/Valves/Fittings](#) IV-14

[Toilet](#) IV-19

[SAFETY EQUIPMENT](#) IV-20

SEALS/SEALER/PAINT

[Gaskets](#)..... IV-21

[Sealer](#) IV-24

[Adhesive](#)..... IV-25

[Paint](#) IV-25

UPHOLSTERY/FOAM/MATTRESS

[Mattress/Bedspread/Pillow Kit](#)..... IV-27

[Cab seat](#)..... IV-27

[Swivel seats/Sofa](#)..... IV-27

[Dinette foam](#) IV-28

[Skylights/Vents/Fans](#) IV-29

WOOD/INTERIOR TRIM

[Paneling/Wood accessories](#) IV-30

[Wood molding/trim](#) IV-31

[Ceiling trim/retainer](#) IV-32

[Slide out room interior trim](#) IV-33

1998 CUTTER 30;' & 34' GAS

TABLE OF CONTENTS

SECTION-I A through C

APPLIANCES

Air conditioner	I-1
Furnace	I-1
Microwave	I-1
Range	I-2
Refrigerator	I-2
Water heater	I-3

BODY

RS wall, 30ft.	I-5
CS wall, 30ft.	I-7
RS wall, 34 ft. , slide out	I-9
RS wall, 34ft. , non-slide	I-11
CS wall, 34ft. , both slide and non-slide	I-13
Slide out extrusions.....	I-14
Slide out gaskets	I-15
Aft end	I-17
Front end.....	I-19
Roof	I-20

CHASSIS

Hitch	I-21
Auxiliary heater	I-21
Step	I-21
Exhaust extension.....	I-22
Automotive air conditioner.....	I-22
Tag axle/Brake	I-23

1998 CUTTER 30;' & 34' GAS

APPLIANCES

DUO THERM AIR CONDITIONER-BRISKAIR

690323-07	Air conditioner, Briskair 13, 500 BTU
690323-06	Air conditioner, Briskair 11, 000 BTU
690323-20	Thermostat, analog
690323-12	Cover, return grill
690323-103	Shroud, exterior, Briskair
203069	Register, white, 4" x 8"

FURNACE, HYDROFLAME (800-825-4328) -dealer only

690274	Furnace, Hyroflame, #8535-35, 000BTU
690244-06	Mounting flange
690274-06	Door exterior, Hydroflame
601244-03	Register.rotaire, black
600969-01	Grille, 6x4, col. white
600678	Adapter, grill, heat duct10x2
600247	4" duct hose, flexible

MICROWAVE, SHARP (800-456-3340)

690345-01	Microwave oven, Sharp
690345-03	Trim kit, Microwave oven

(continued)

1998 CUTTER 30;' & 34' GAS
APPLIANCES

MAGIC CHEF RANGE
(800-544-5513)

690348 Range top, 3 burner
690347 Range, 3-burner w/oven
690012-01 Range cover, bi-fold
964383-01 Range covers, Corian, set

DOMETIC REFRIGERATOR, RM3862R
(800-366-3842

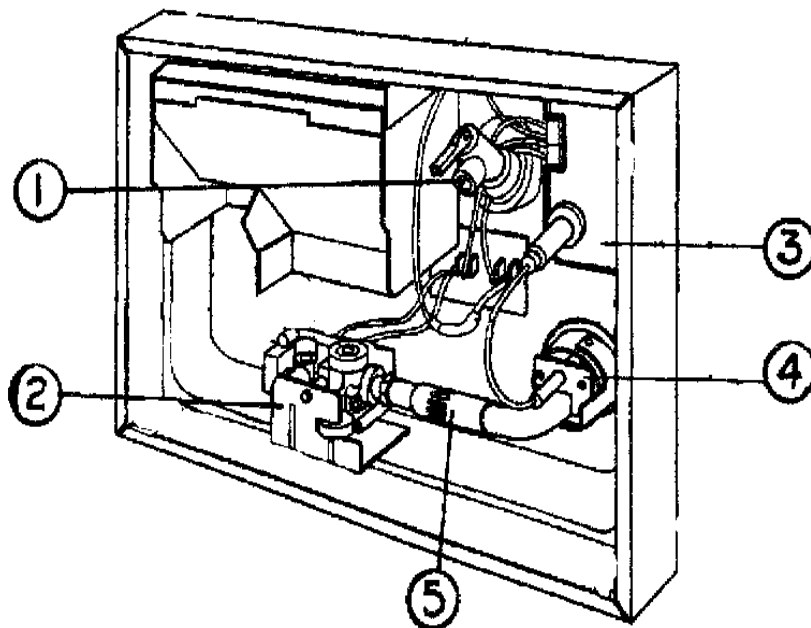
690370-01 Refrigerator, 2-way, RH, RM3862R
690370-02 Refrigerator, 2-way, LH, RM3862L
801225-01 Door panel, upper, oak, 15.5 x 20.31"
801225-03 Door panel, lower, oak, 38.38 x 20.31
690370-100 Cooling unit, RM3862
381207-03 Vent, roof, Dometic, polar white

(continued)

1998 CUTTER 30;' & 34' GAS APPLIANCES

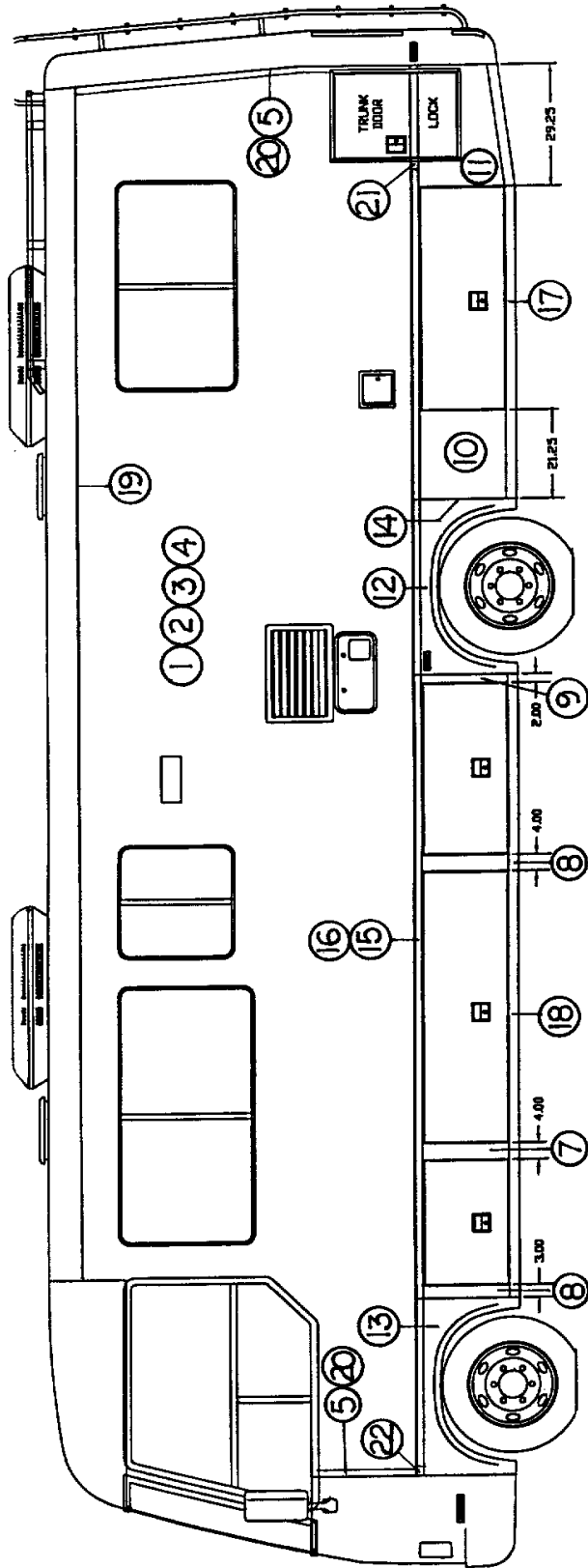
ATWOOD WATER HEATER, GH6-8E
(800-825-4328) Dealer only

690225	Water heater, Atwood, elec. ignition w/motor aid
500933	Switch, water heater, electronic
690259-03	Cover/mounting flange, Atwood



1) 091604	Relief valve, pressure/temperature
2) 093870	Solenoid valve
3) 093865	Circuit board
4) 093868	Spark probe
5) 092615	Main burner

1998 CUTTER 30;' & 34' GAS



1998 CUTTER 30;' & 34' GAS

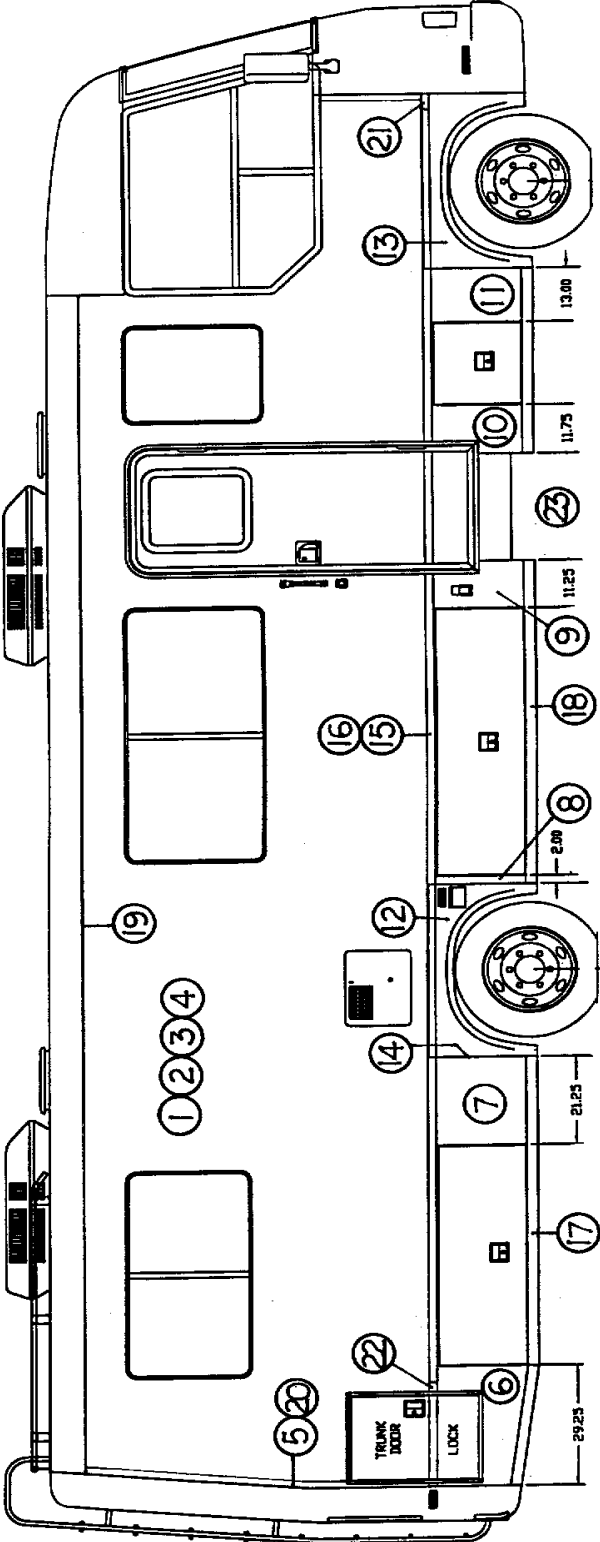
BODY

*RS WALL-30ft.

- | | |
|---------------|--|
| 1) 801002-09 | Fiberglass sheet, white, 77.5 x 341" |
| 2) 915354 | Weldment, RS wall |
| 3) 203075 | Styrofoam sheet, 1.5" thick |
| 4) 801176-03 | Paneling, interior, 1/8 x 4' x 7', G!S, Solitude |
| 5) 114005-02 | Extrusion, trim molding, end to sidewall |
| 6) 114740-02 | Filler panel, 3.00" |
| 7) 114695-01 | Filler panel, 4.00" |
| 8) 114695-01 | Filler panel, 4.00" |
| 9) 114741-01 | Filler panel, 2.00" |
| 10) 114740-04 | Filler panel, 21.25" |
| 11) 114698-01 | Filler panel, angled, RS rear, 29.25 |
| 12) 203096-01 | Fender, rear single |
| 13) 203098-03 | Fender, RS front |
| 14) 114070-02 | Extrusion, J trim, Pewter Gray |
| 15) 203080-01 | Rub rail molding, white |
| 16) 114831 | Extrusion, rub rail carrier |
| 17) 114717-04 | Weldment, rocker panel, angled, RS |
| 18) 114708-01 | Extrusion, rocker panel |
| 19) 114570 | Extrusion, awning rail |
| 20) 320124-06 | Screw, #6 x 1", CS, Phillips, stainless, white |
| 21) 114754-02 | Casting, belt line end cap, RH |
| 22) 114754-01 | Casting, belt line end cap, LH |

*THE LOWER COMPARTMENT DOORS, ACCESS DOORS AND WINDOWS ARE SHOWN IN THE **DOOR** SECTION OF THIS BOOK.

1998 CUTTER 30;' & 34' GAS



1998 CUTTER 30;' & 34' GAS

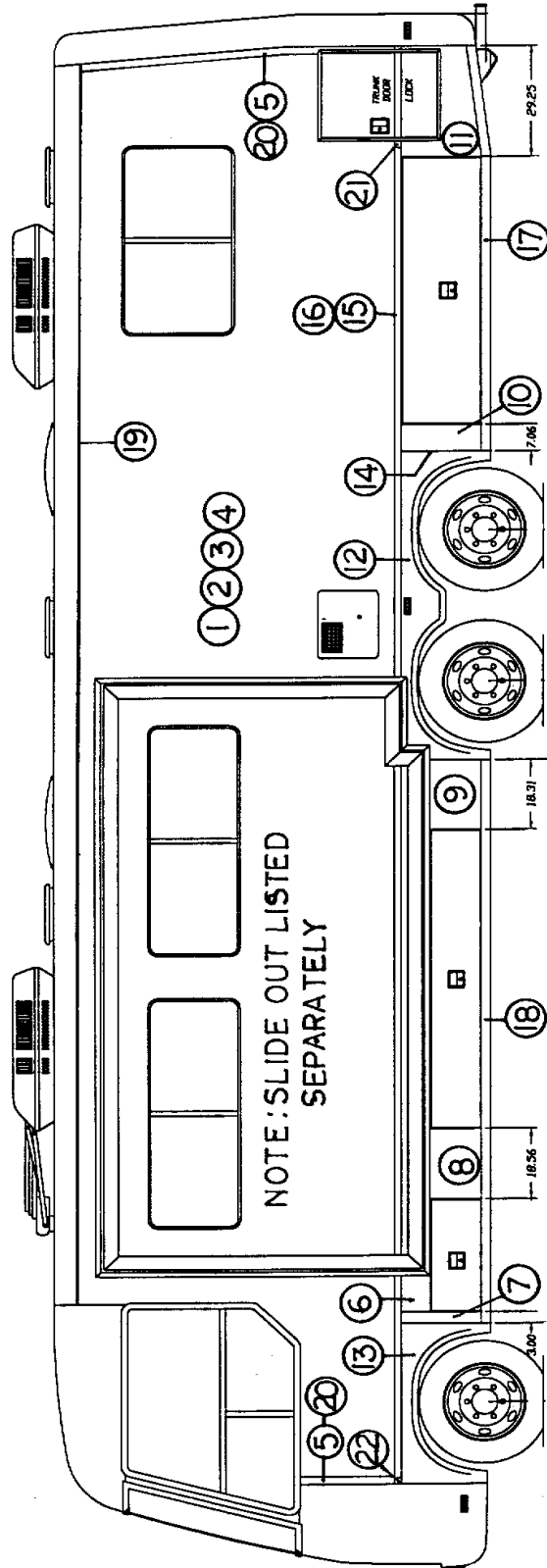
BODY

*CS WALL-30ft.

- | | |
|---------------|--|
| 1) 801002-09 | Fiberglass sheet, white, 77.5 x 341" |
| 2) 915353 | Weldment, CS wall |
| 3) 203075 | Styrofoam sheet, 1.5" thick |
| 4) 801176-03 | Paneling, interior, 1/8 x 4' x 7', G!S, Solitude |
| 5) 114005-02 | Extrusion, trim molding, end to sidewall |
| 6) 114698-02 | Filler panel, angled, CS rear, 29.25" |
| 7) 114741-04 | Filler panel, 21.25" |
| 8) 114740-01 | Filler panel, 2.00" |
| 9) 114699 | Filler panel, 11.25" |
| 10) 114701 | Filler panel, 11.75" |
| 11) 114741-05 | Filler panel, 13.00" |
| 12) 203096-01 | Fender, rear single |
| 13) 203098-04 | Fender, CS front |
| 14) 114070-02 | Extrusion, J trim, Pewter Gray |
| 15) 203080-01 | Rub rail molding, white |
| 16) 114831 | Extrusion, rub rail carrier |
| 17) 114717-03 | Weldment, rocker panel, angled, CS |
| 18) 114708-01 | Extrusion, rocker panel |
| 19) 114570 | Extrusion, awning rail |
| 20) 320124-06 | Screw, #6 x 1", CS Phillips, stainless, white |
| 21) 114754-02 | Casting, belt line end cap, RH |
| 22) 114754-01 | Casting, belt line end cap, LH |
| 23) 114700 | Panel, step |

*THE LOWER COMPARTMENT DOORS, ACCESS DOORS AND WINDOWS ARE SHOWN IN THE **DOOR** SECTION OF THIS BOOK

1998 CUTTER 30;' & 34' GAS



1998 CUTTER 30;' & 34' GAS

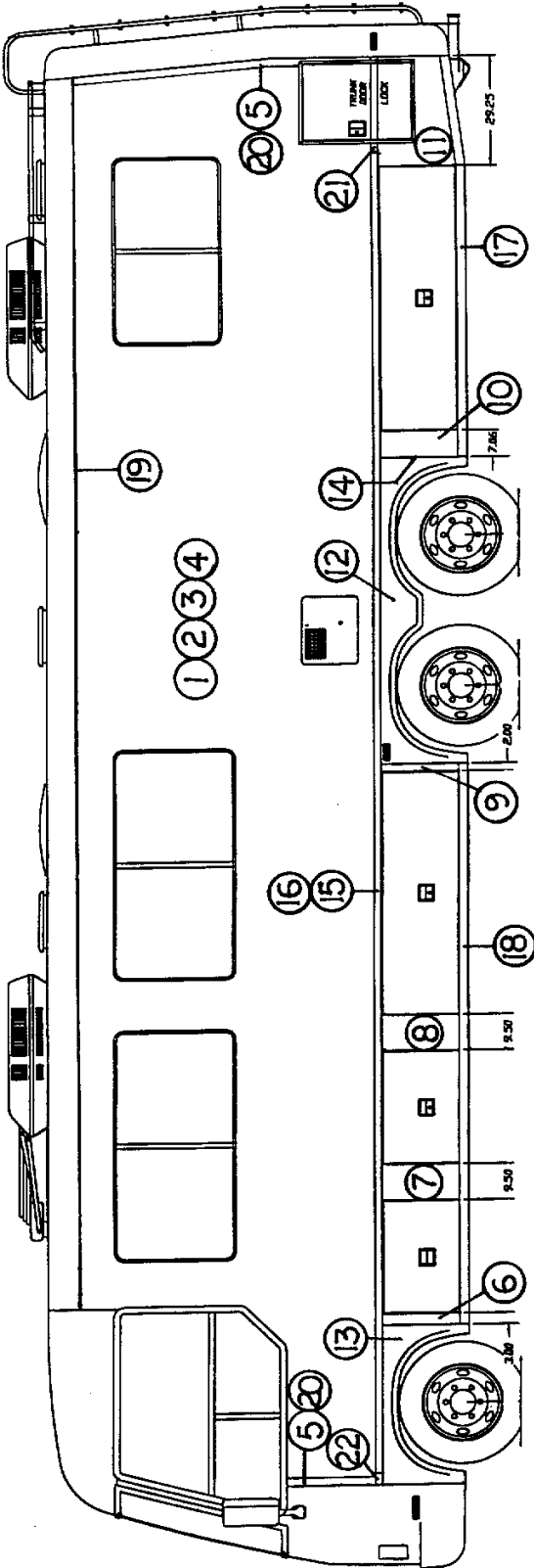
BODY

*RS WALL-SLIDE OUT-34ft.

- | | |
|---------------|--|
| 1) 801002-08 | Fiberglass sheet, white, 77.5 x 384" |
| 2) 915479 | Weldment, RS wall |
| 3) 203075 | Styrofoam sheet, 1.5" thick |
| 4) 801176-03 | Paneling, interior, 1/8 x 4' x 7', G!S, Solitude |
| 5) 114005-02 | Extrusion, trim molding, end to sidewall |
| 6) 114873-02 | Panel, skirt close out, RS |
| 7) 114740-02 | Filler panel, 3.00" |
| 8) 114872 | Filler panel, 18.56" |
| 9) 114799-01 | Filler panel, 18.31" |
| 10) 114740-03 | Filler panel, 7.06" |
| 11) 114698-01 | Filler panel, angled, RS rear, 29.25 |
| 12) 203097-01 | Fender, rear tandem |
| 13) 203098-03 | Fender, RS front |
| 14) 114070-02 | Extrusion, J trim, Pewter Gray |
| 15) 203080-01 | Rub rail molding, white |
| 16) 114831 | Extrusion, rub rail carrier |
| 17) 114717-08 | Weldment, rocker panel, angled, RS |
| 18) 114708-01 | Extrusion, rocker panel |
| 19) 114570 | Extrusion, awning rail |
| 20) 320124-06 | Screw, #6 x 1", CS Phillips, stainless, white |
| 21) 114754-02 | Casting, belt line end cap, RH |
| 22) 114754-01 | Casting, belt line end cap, LH |

*THE LOWER COMPARTMENT DOORS, ACCESS DOORS AND WINDOWS ARE SHOWN IN THE **DOOR** SECTION OF THIS BOOK.

1998 CUTTER 30;' & 34' GAS



1998 CUTTER 30;' & 34' GAS

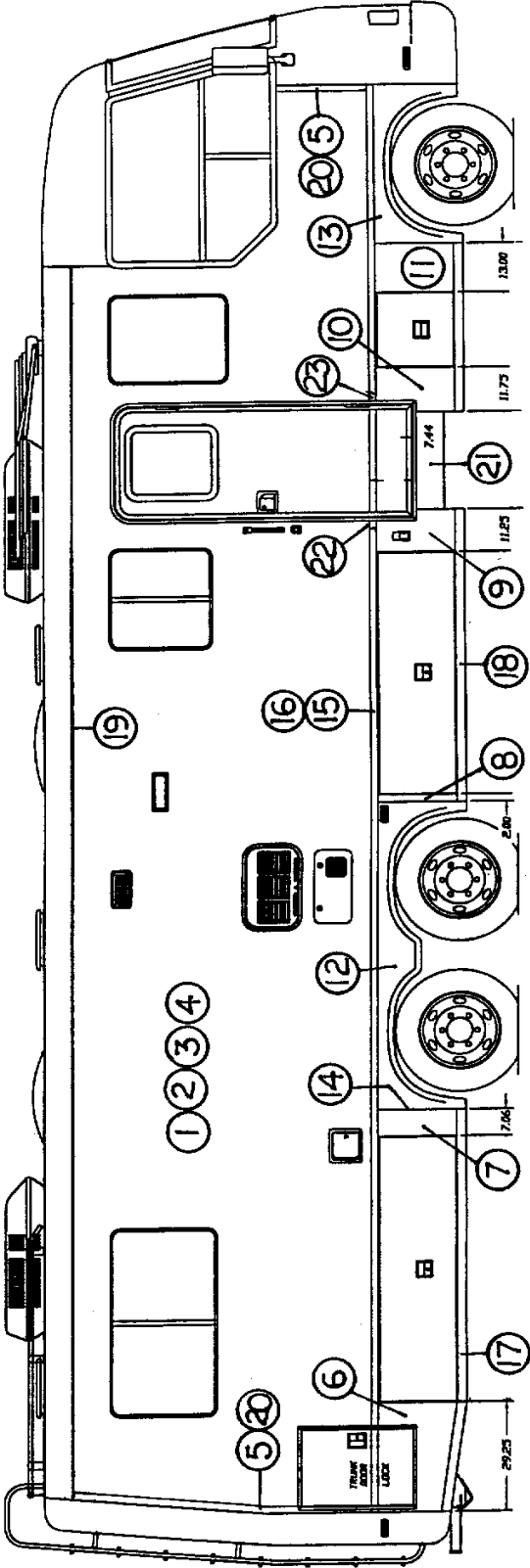
BODY

*RS WALL- NON SLIDE-34ft.

- | | |
|---------------|--|
| 1) 801002-08 | Fiberglass sheet, white, 77.5 x 384" |
| 2) 915373 | Weldment, RS wall |
| 3) 203075 | Styrofoam sheet, 1.5" thick |
| 4) 801176-03 | Paneling, interior, 1/8 x 4' x 7', G!S, Solitude |
| 5) 114005-02 | Extrusion, trim molding, end to sidewall |
| 6) 114740-02 | Filler panel, 3.00" |
| 7) 114695-07 | Filler panel, 9.50" |
| 8) 114695-07 | Filler panel, 9.50" |
| 9) 114741-01 | Filler panel, 2.00" |
| 10) 114740-03 | Filler panel, 7.06" |
| 11) 114698-01 | Filler panel, angled, RS rear, 29.25 |
| 12) 203097-01 | Fender, rear tandem |
| 13) 203098-03 | Fender, RS front |
| 14) 114070-02 | Extrusion, J trim, Pewter Gray |
| 15) 203080-01 | Rub rail molding, white |
| 16) 114831 | Extrusion, rub rail carrier |
| 17) 114717-08 | Weldment, rocker panel, angled, RS |
| 18) 114708-01 | Extrusion, rocker panel |
| 19) 114570 | Extrusion, awning rail |
| 20) 320124-06 | Screw, #6 x 1", CS Phillips, stainless, white |
| 21) 114754-02 | Casting, belt line end cap, RH |
| 23) 114754-01 | Casting, belt line end cap, LH |

*THE LOWER COMPARTMENT DOORS, ACCESS DOORS AND WINDOWS ARE SHOWN IN THE **DOOR** SECTION OF THIS BOOK.

1998 CUTTER 30;' & 34' GAS



1998 CUTTER 30;' & 34' GAS

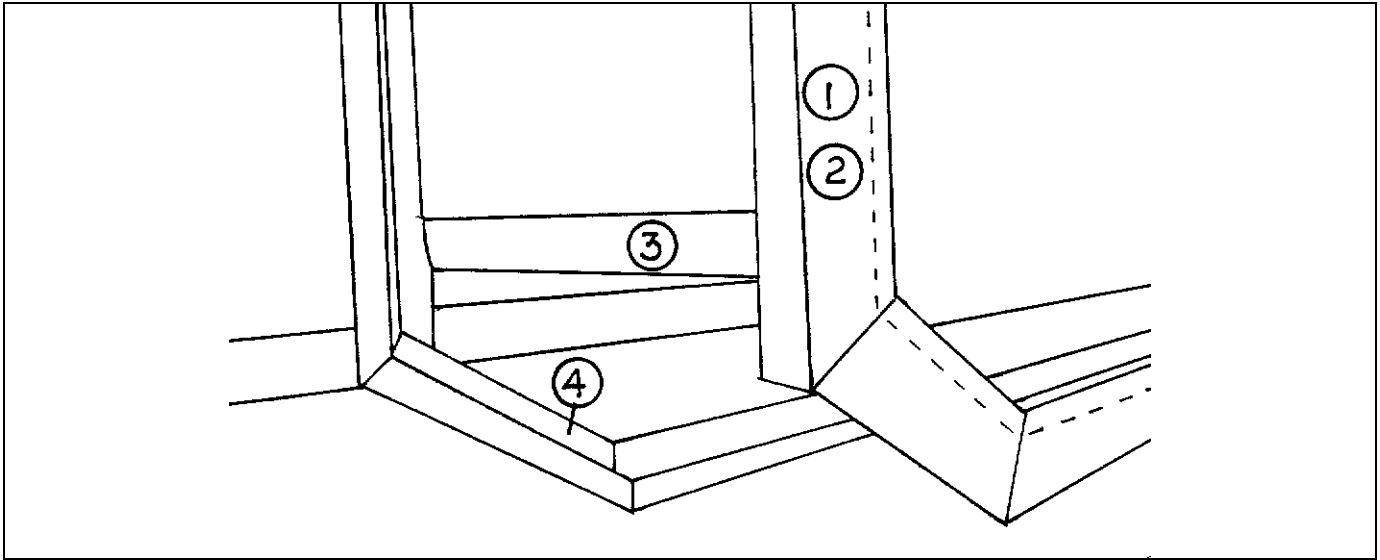
BODY

*CS WALL-SLIDE OUT & NON SLIDE-34ft.

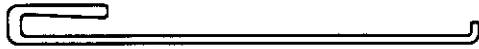
- | | |
|---------------|--|
| 1) 801002-08 | Fiberglass sheet, white, 77.5 x 384" |
| 2) 915340 | Weldment, CS wall |
| 3) 203075 | Styrofoam sheet, 1.5" thick |
| 4) 801176-03 | Paneling, interior, 1/8 x 4' x 7', G!S, Solitude |
| 5) 114005-02 | Extrusion, trim molding, end to sidewall |
| 6) 114698-02 | Filler panel, angled, CS rear, 29.25" |
| 7) 114741-03 | Filler panel, 7.06" |
| 8) 114740-01 | Filler panel, 2.00" |
| 9) 114699-02 | Filler panel, 11.25" |
| 10) 114701-01 | Filler panel, 11.75" |
| 11) 114741-05 | Filler panel, 13.0" |
| 12) 203097-01 | Fender, rear tandem |
| 13) 203098-04 | Fender, CS front |
| 14) 114070-02 | Extrusion, J trim, Pewter Gray |
| 15) 203080-01 | Rub rail molding, white |
| 16) 114831 | Extrusion, rub rail carrier |
| 17) 114717-07 | Weldment, rocker panel, angled, CS |
| 18) 114708-01 | Extrusion, rocker panel |
| 19) 114570 | Extrusion, awning rail |
| 20) 320124-06 | Screw, #6 x 1", CS Phillips, stainless, white |
| 21) 114700 | Panel, step |
| 22) 114754-01 | Casting, belt line end cap, LH |
| 23) 114754-02 | Casting, belt line end cap, RH |

*THE LOWER COMPARTMENT DOORS, ACCESS DOORS AND WINDOWS ARE SHOWN IN THE **DOOR** SECTION OF THIS BOOK.

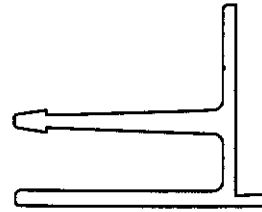
1998 CUTTER 30;' & 34' GAS SLIDE OUT EXTRUSION



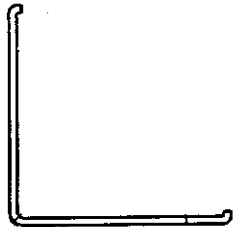
Lower front corner, extended



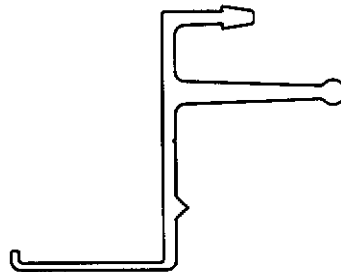
*1) 114771 Extrusion, slide out trim



2) 114770 Extrusion, slide out box (fits behind 1)



3) 114768 Extrusion, slide out corner trim

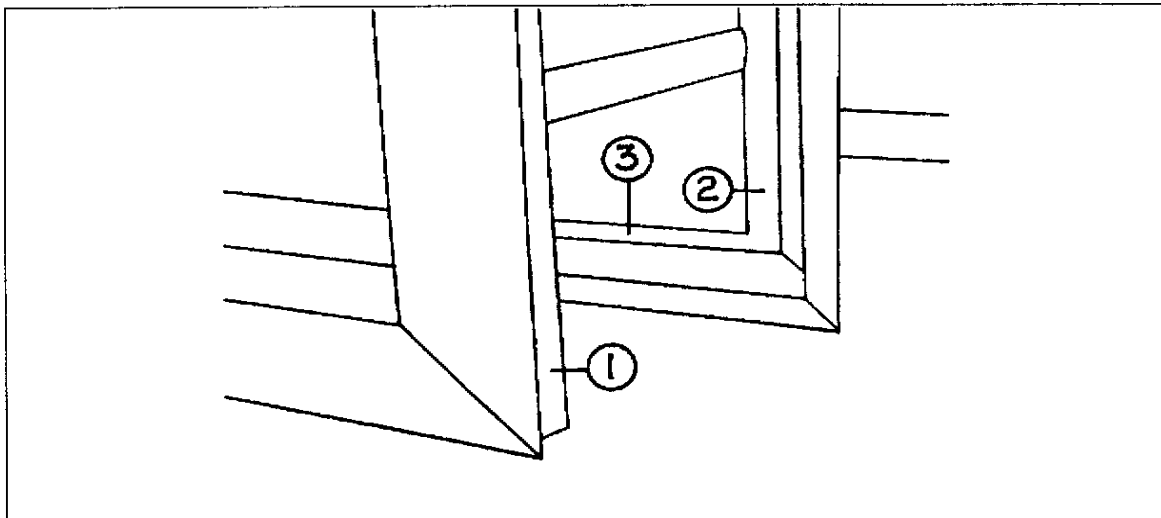


4) 114726 Extrusion, slide out frame

*This trim is slotted to allow adjustment to the sidewall cutout. Fitting will be required.

1998 CUTTER 30;' & 34' GAS

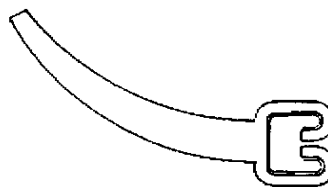
* SLIDE OUT GASKETS



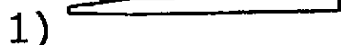
lower rear coner,extended



1)381594 Rubber extrusion
bulb type,black



2)381587 Rubber extrusion,
wiper



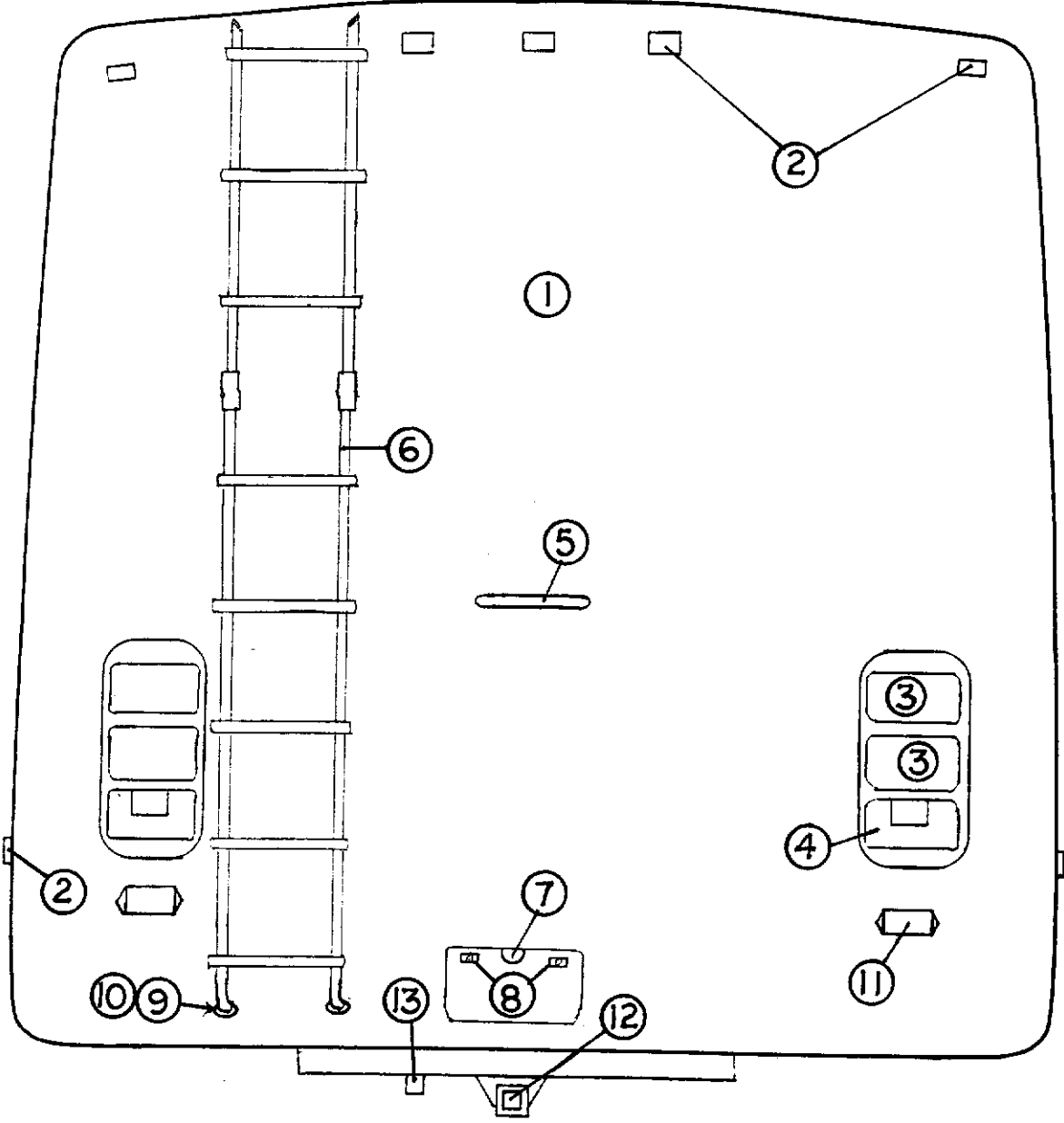
1)
3)381589 Rubber extrusion
floor wiper



381588 Not shown
Rubber extrusion,bulb
w/tape-used on inside wall

*Note:Mounting brackets can be found in the hardware section of this book.

1998 CUTTER 30;' & 34' GAS

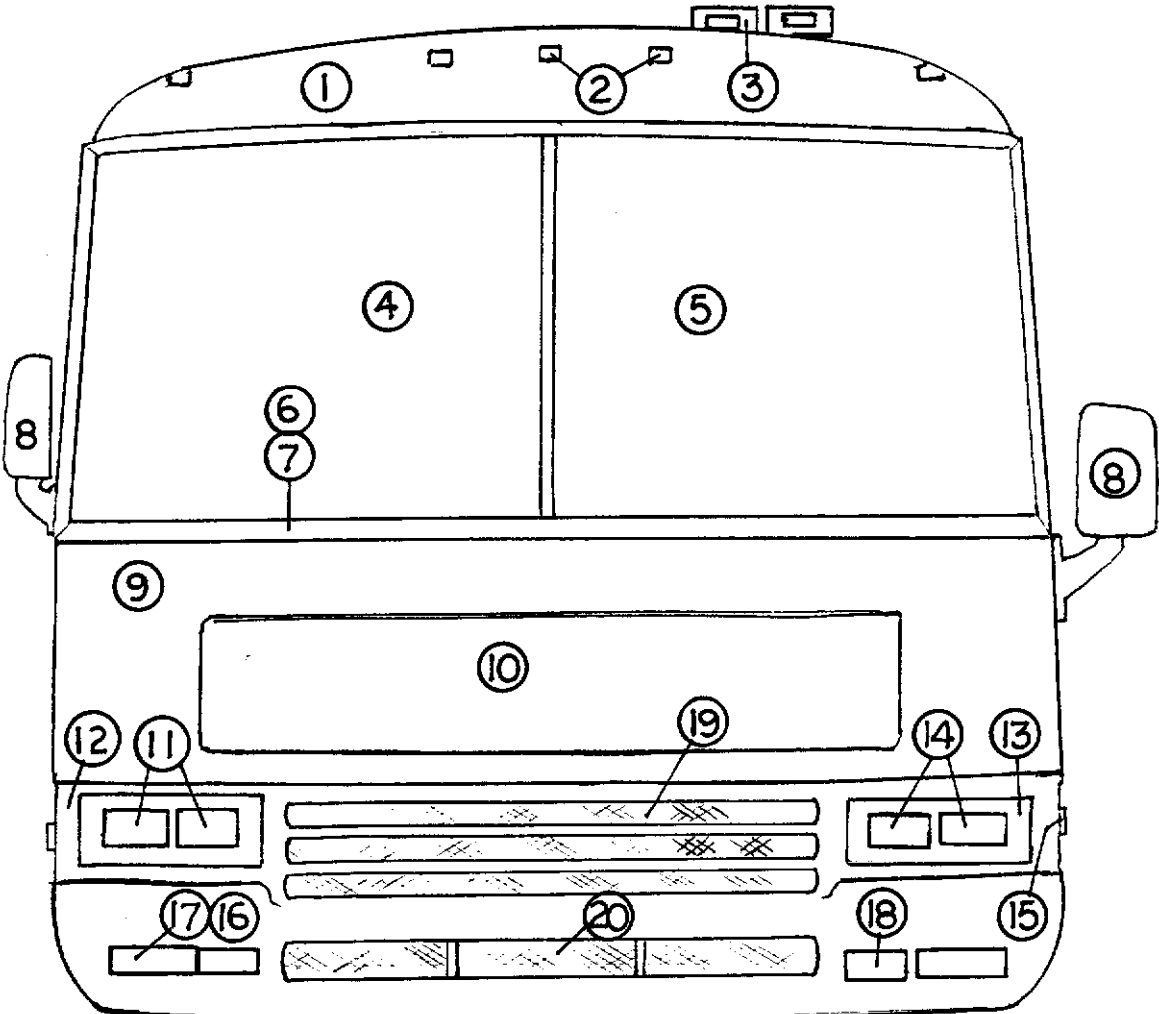


1998 CUTTER 30;' & 34' GAS

AFT END

- 1) 203051-03 Rear cap, two tone, Cutter gas
- 2) 510984-01 Light, clearance, red
- 3) 511239 Light, stop tail and turn
- 4) 511240 Light, stop, tail, turn and back up
- 5) 511154-02 Light strip, 3rd brake light, 1" x 10"
- 6) 381559 Ladder, rear, Cutter gas
- 7) 511294 Light, license plate
- 8) 381077 Well nut, license plate attachment
- 9) 38148-01 Socket, bottom support, ladder
- 10) 114224 Plunger, bottom support, ladder
- 11) 511101-01 Light, docking, halogen, chrome bezel
- 12) 400868 Reese hitch for Cutter gas
- 13) 510863-01 Plug, trailer

1998 CUTTER 30;' & 34' GAS



1998 CUTTER 30;' & 34' GAS

FRONT END

- 1) 203013-02 Front cap, Cutter
- 2) 510984-02 Light clearance, amber
- 3) 510804 Horn, air, chrome, #981-D(optional)
- 4) 371339 Windshield, CS
- 5) 371338 Windshield, RS
- 6) 381524 Gasket, windshields (surrounds both sides)
- 7) 201260 Insert rubber, windshield gaskets
- 8) 511305 Mirror, Velvac#2025 w/remote, pair
- 9) 203089-02 Nose w/bumper, 2-tone, Cutter gas
- 10) 203094 Hood, fiberglass, white
- 11) 511246-02 Head light, dual, RH
- 12) 203100-03 Bezel, headlight, RH
- 13) 203100-04 Bezel, headlight, LH
- 14) 511246-01 Head light, dual, LH
- 15) 511250-02 Light, side marker amber
- 16) 511251-01 Lamp, front turn and parking, w/clear lens
- 17) 511251-02 Socket, front turn and parking light
- 18) 511269 Aux. headlight kit
- 19) 453375 Nose screen, top
- 20) 453324 Nose screen, middle & bottom

Not shown:

- | | |
|-----------|-------------------------------|
| 114725-01 | Cover, A pillar, exterior, RS |
| 114725-02 | Cover, A pillar, exterior, CS |

1998 CUTTER 30;' & 34' GAS

ROOF

203024	Fiberglass sheet, roof exterior, 106"wide
114568	Extrusion, roof corner cap
114570	Extrusion, awning rail
702482	Ceiling liner, Spectra Opal
800507-01	Paneling, luan, ceiling liner backing
201728-01	Extrusion, ceiling trim retainer
201728-03	Extrusion, ceiling trim
203609	Registers, ceiling vents

1998 CUTTER 30;' & 34' GAS

CHASSIS

400868	Reese hitch, model 38502
452455	Step, steel loop, roof ladder
511215	Step, double, Kwikkee#3200 series
511078	Switch, rocker, 4-gang
500982	Switch, magnetic, round, 3/8
685031-01	Control box, main, Kwikkee
511215-100	Motor, assy., w/actuator arm
410818	Wheel simulator
410818-09	Wheel simulator w/liner, tag axle
400571	Mud flaps, pair
690311	Heater, rear, auxiliary
510929-04	Switch, dash, rear heat
600678	Adapter grill, heat duct 10 x 2
601398	Grill, faceplate, 2 ¼ x 10, brown
453295	Hanger, spare tire
410631	Winch, spare tire
381379-01	Wrench, speed, 3/8 drive
381379-03	Socket, speed wrench, 3/4"
6000326	Vent hose, fuel fill
6000358	Hose, fuel fill, 1.75 I.D.
400918	Extension, tailpipe

1998 CUTTER 30;' & 34' GAS

CHASSIS

*690382-02	Kit heater/evaporator, Acme
690382-02	Plenum kit bi-level, short
690315-05	Grille, defroster duct
601599	Hose , duct2"
600465	Hose, air duct 2 1/2" dia.
203121	Duct , defroster trans
6000283	Vacuum hose,3/16 dia.
690382-05	Suction hose kit, Chevy L29
690315-03	Cable, temperature control, 106"
600214-03	Heater hose, 5/8"

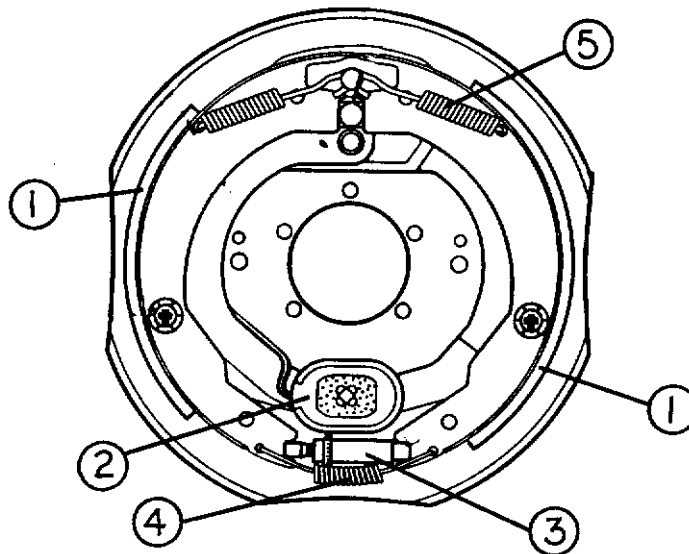
*Chevrolet installs the compressor, condenser and associated parts on their RV chassis.

1998 CUTTER 30;' & 34' GAS

CHASSIS-TAG AXLE

7400094H Tag axle, 72.95"
3160705 Hub and drum, 10 x 7.25 bolt pattern
0170012C Bearing w/cup, inner
0170048 Bearing w/cup, outer
0270028 Grease seal

3160347 Brake assembly, RH, tag axle
3160348 Brake assembly. LH, tag axle



1) 3160348-62 Shoe and lining kit (includes hold down spring and pin)
2) 3160348-65 Magnet kit
3) 3160348-63 Adjuster assembly
4) 3160348-64 Adjusting screw spring
5) 3160348-61 Retractor spring

400217 Wheel, 19.5, motorhome
511058 Brake controller, for tag axle

1998 CUTTER 30;' & 34' GAS

TABLE OF CONTENTS

SECTION II

D through E

DASH

Dash parts	II-2
------------------	------

DECALS

Front and rear	II-4
Side	II-6

DOORS/WINDOWS/AWNINGS

RS, 30FT	II-8
CS, 30FT	II-10
RS, 34FT .non slide	II-12
CS, 34FT .non slide	II-14
RS, 34FT .slide out	II-16
CS, 34FT .slide out	II-18

DRAPES/BLINDS/VALANCES	II-19
------------------------------	-------

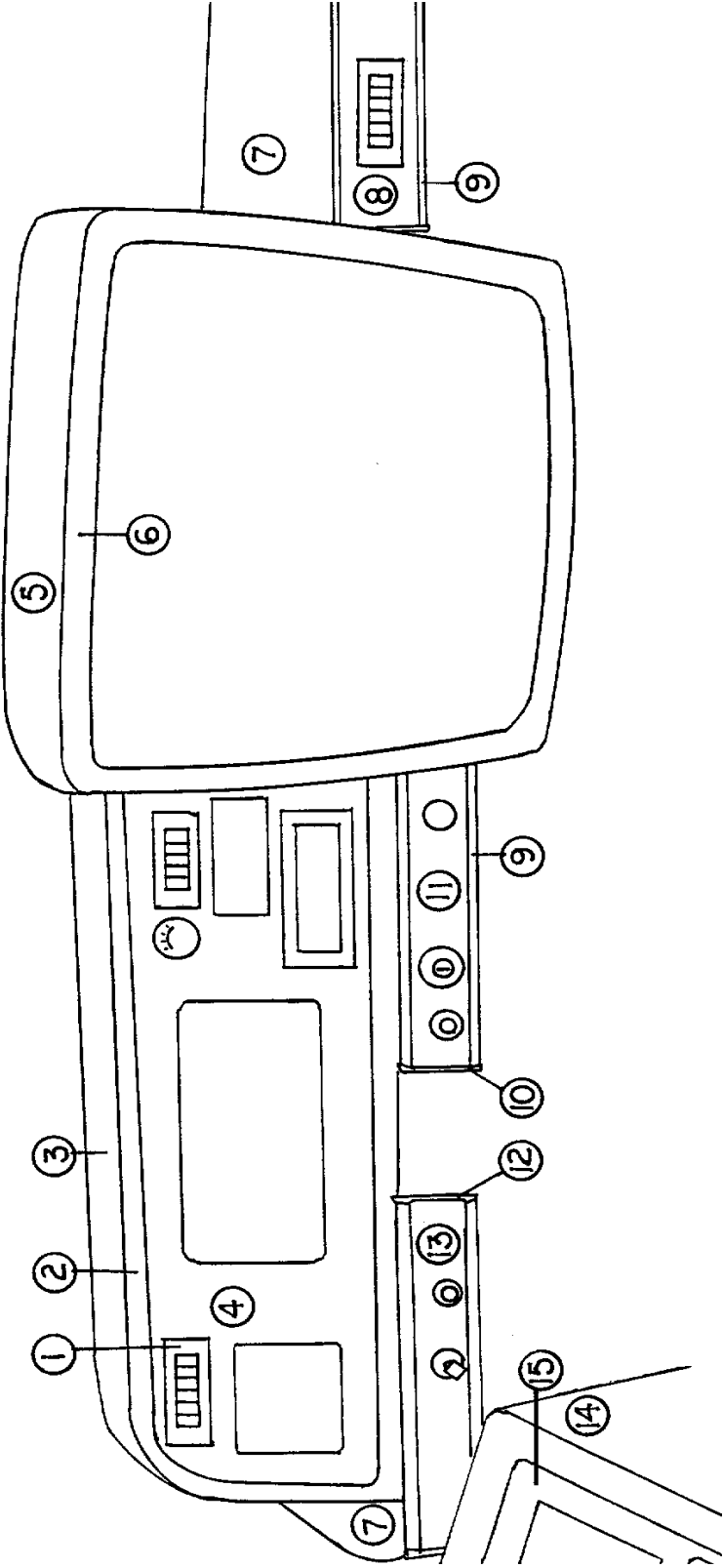
ELECTRICAL

110 volt.....	II-20
12 volt, chassis.....	II-22
Dash switches/lens.....	II-23
12-volt interior switches.....	II-24
12-volt interior, lights	II-25
12-volt exterior lights	II-26
12-volt misc.....	II-27
Windshield wiper assy.....	II-28

ENTERTAINMENT

Rear view monitor.....	II-28
Televisions.....	II-30
Radios.....	II-30

1998 CUTTER 30;' & 34' GAS



1998 CUTTER 30;' & 34' GAS

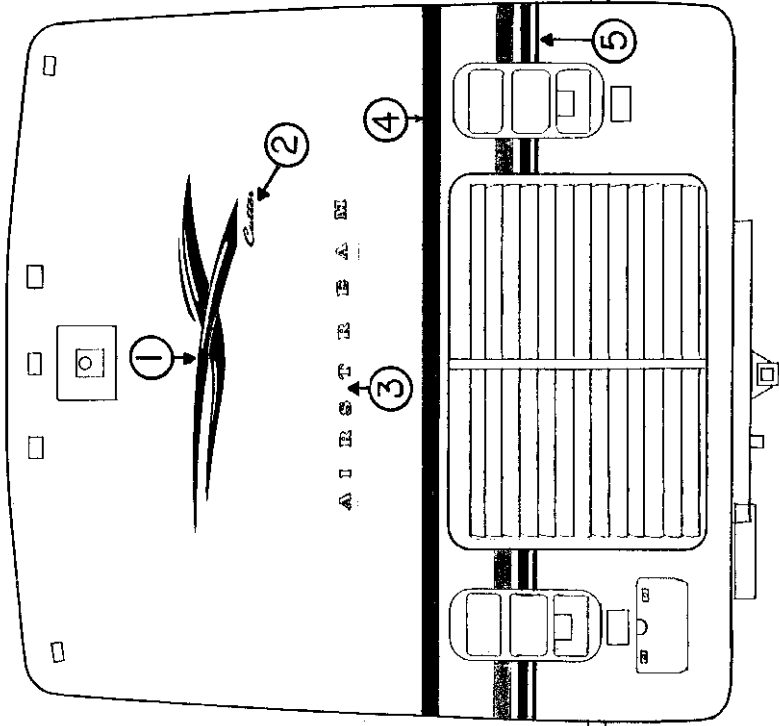
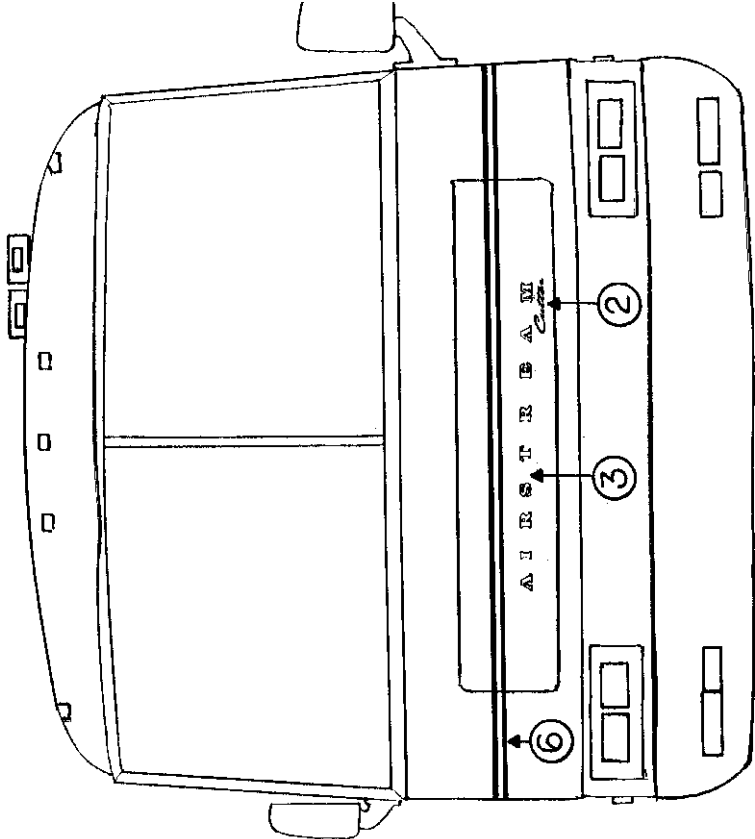
DASH

- | | |
|---------------|---|
| 1) 690325-03 | Dash louver, A/C-heater, Acme |
| 2) 203117 | Trim ring, dash instrument panel |
| 3) 203092 | Instrument pod |
| 3a) 702750 | Vinyl cover, instrument pod |
| 4) 203151 | Instrument panel, Chevy Cutter |
| 5) 203093 | TV housing |
| 5a) 702751 | Vinyl cover, TV housing |
| 6) 203129 | Trim ring, dash TV |
| 7) 203091 | Dash panel, main |
| 7a) 702749 | Vinyl cover, main dash |
| 8) 203137 | Panel, dash insert, CS, wood grain |
| 9) 114737 | Extrusion, dash face(holds wood grain insert) |
| 10) 114753-01 | Casting, end cap, dash extrusion, LH |
| 11) 203109-07 | Panel, dash insert, right of steering column |
| 12) 114753-02 | Casting, end cap, dash extrusion, RH |
| 13) 203109-07 | Panel, dash insert, left of steering column |
| 14) 963985-02 | Armrest assy. roadside |
| 15) 203111-03 | Armrest panel, wood grain, Chevy Cutter |

Not shown:

- | | |
|-----------|--|
| 690315-05 | Defroster duct, black, windshield |
| 500972-03 | Defroster duct, gray, small, side window |
| 385920-23 | Decal dash, "Cutter", light gold |

1998 CUTTER 30;' & 34' GAS



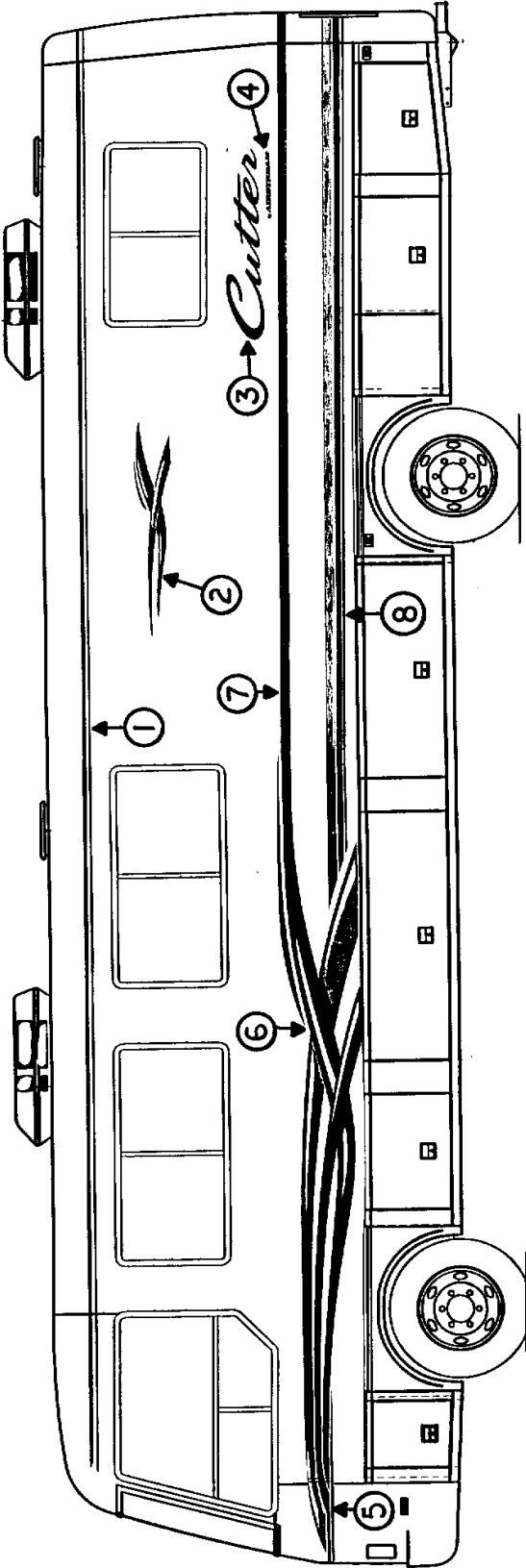
1998 CUTTER 30;' & 34' GAS

DECALS

FRONT AND REAR

- 1) 385978-01 Decal, rear graphic/upper side graphic, RS
- 2) 385981-01 Decal, Cutter logo, small, blue metallic
- 3) 385957-14 Decal, Airstream logo, 2.25 x 50.5"
- 4) 385976-01 Decal, rear upper stripe
- 5) 385975-01 Decal, rear lower stripes
- 6) 385974-01 Decal, front stripes

1998 CUTTER 30;' & 34' GAS

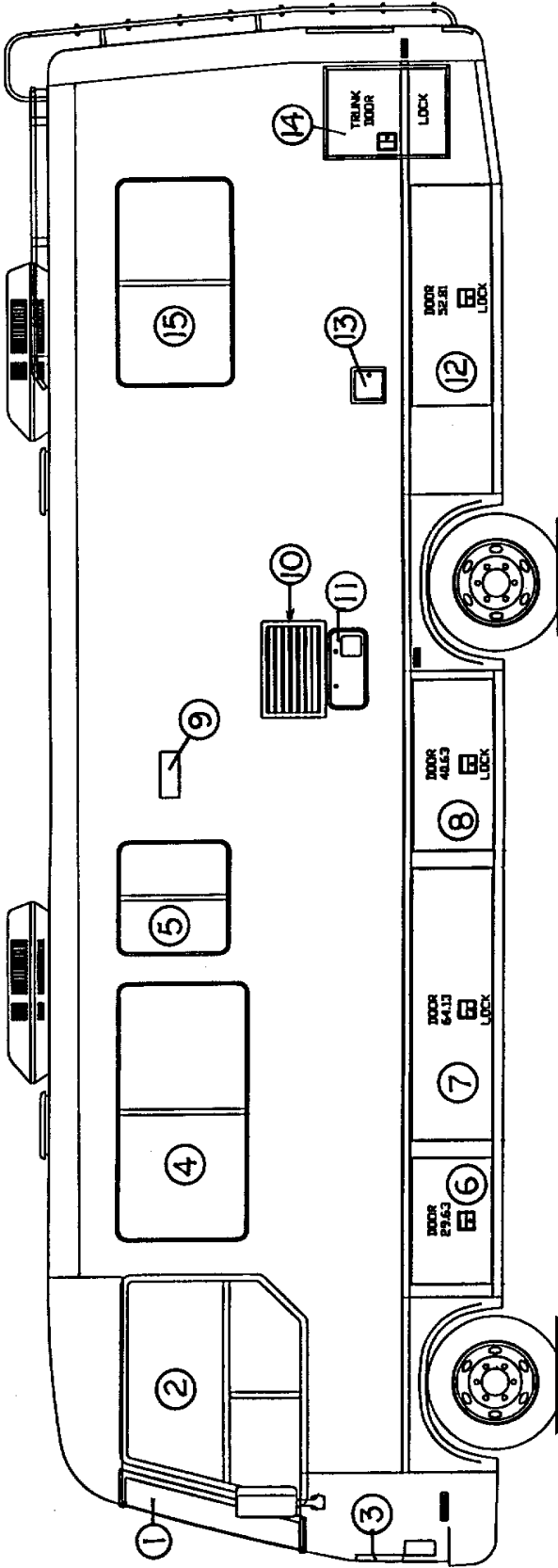


1998 CUTTER 30;' & 34' GAS

DECALS

- | | |
|---------------|-------------------------------------|
| 1) 385957-01 | Decal, top stripe, 2" |
| 2) 385978-01 | Decal, upper side graphic, RS |
| 2a) 385978-02 | Decal, upper side graphic, CS |
| 3) 385980-01 | Decal, Cutter logo, large |
| 4) 385957-15 | Decal, by Airstream |
| 5) 385979-01 | Decal, graphic, front-end cap, RS |
| 5a) 385979-02 | Decal, graphic, front end cap, CS |
| 6) 385977-01 | Decal, main body graphic, RS |
| 6a) 385977-02 | Decal, main body graphic, CS |
| 7) 385976-01 | Decal, main body, upper rear stripe |
| 8) 385975-01 | Decal, main body, lower rear stripe |

1998 CUTTER 30;' & 34' GAS



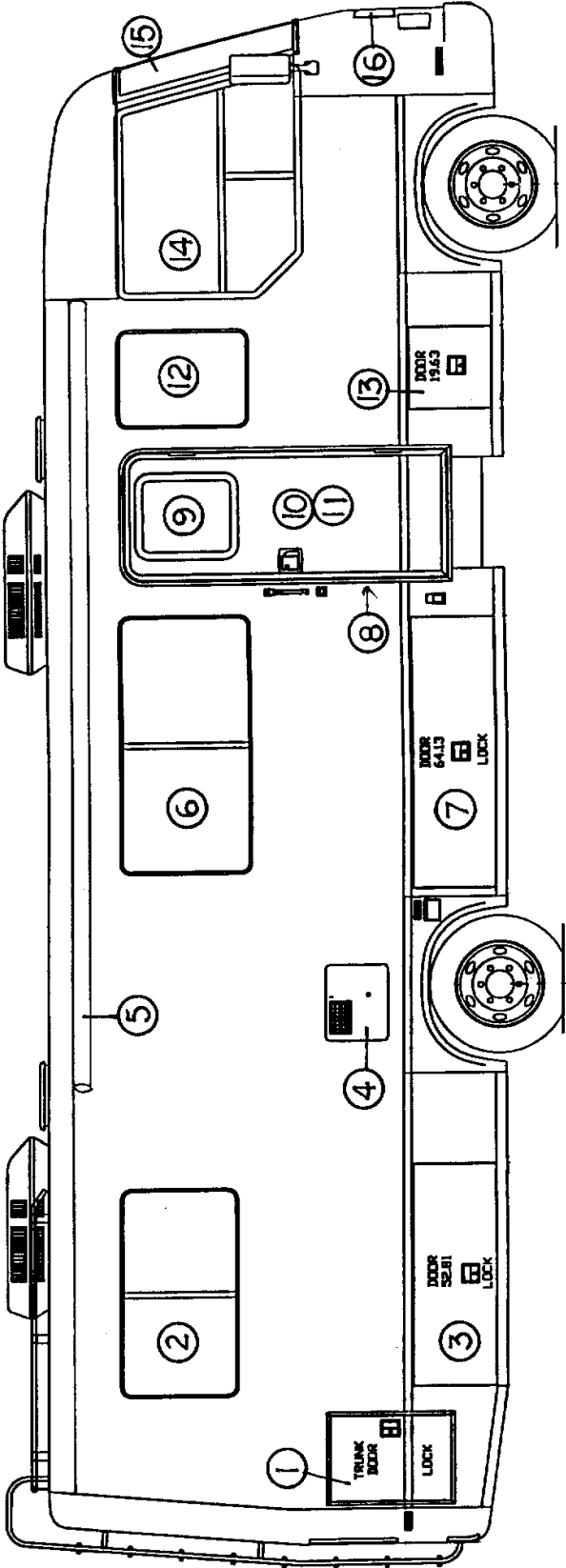
1998 CUTTER 30;' & 34' GAS

DOORS/WINDOW/AWNINGS,**RS 30'** GAS

(Hardware such as hinges, locks and latches are located in the **hardware** section of this book.)

- | | |
|---------------|---|
| 1) 311338 | Windshield, RS |
| 2) 371592-01 | Cab window, RS |
| 3) 203094 | Hood, Cutter |
| 4) 371593-05 | Window, horiz., slide |
| 5) 371593-04 | Window, horiz, slide |
| 6) 921171-01 | Door, compartment, 29.63", non locking |
| 7) 921170-03 | Door, compartment, 64.13", locking |
| 8) 921170-02 | Door, compartment, 40.63", locking |
| 9) 511152-01 | Vent cover. range hood |
| 10) 690340-03 | Refrigerator door, flush mount |
| 11) 690274-05 | Door. Hydroflame |
| 12) 921170-04 | Door, compartment, 52.81",locking |
| 13) 201865-02 | Fuel fill housing |
| 14) 921161 | Trunk door assembly |
| 15) 371593-22 | Window, horiz .slide, egress,30.25 x 48.88" |

1998 CUTTER 30;' & 34' GAS



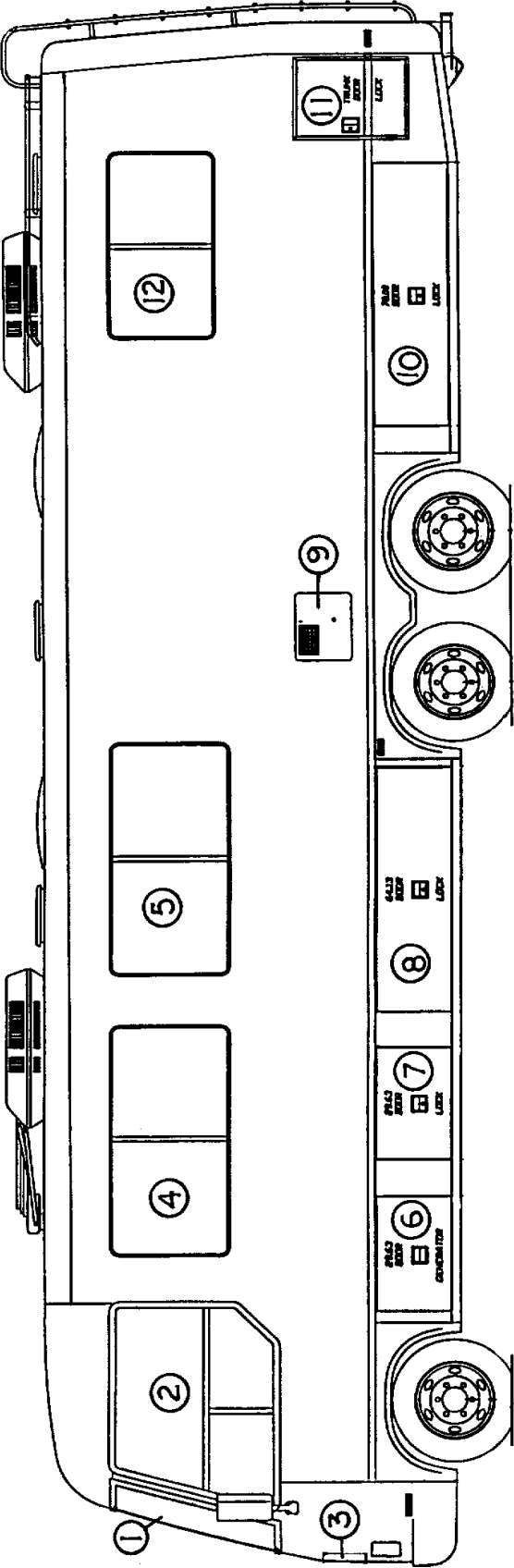
1998 CUTTER 30;' & 34' GAS

DOORS/WINDOWS/AWNINGS, **CS 30'** GAS

(Hardware such as hinges, locks and latches are located in the **hardware** section of this book)

- | | |
|----------------|---|
| 1) 921164 | Trunk door |
| 2) 371593-21 | Window, horiz. slide, CS, 30.25 x 48.88 |
| 3) 921170-04 | Door, compartment, 52.81, locking |
| 4) 690259-05 | Access door, water heater |
| 5) 702679-15 | Awning, patio, 16', Blue Shadows |
| 6) 371593-06 | Window, horiz. slide, CS, 29.75 x 60.25 |
| 7) 921170-03 | Door, compartment, 64.13, locking |
| 8) 922392-02 | Jamb, main door |
| 9) 371593-01 | Window, main door |
| 10) 109988-100 | Main door assembly, Cutter gas |
| 11) 922394 | Screen door assembly |
| 12) 371593-08 | Window, stationary, CS, 29.75 x 23.25 |
| 13) 921171-10 | Door, compartment, 19.63, non locking |
| 14) 371592-02 | Window, CS cab |
| 15) 371339 | Windshield, CS |
| 16) 203094 | Hood |

1998 CUTTER 30;' & 34' GAS

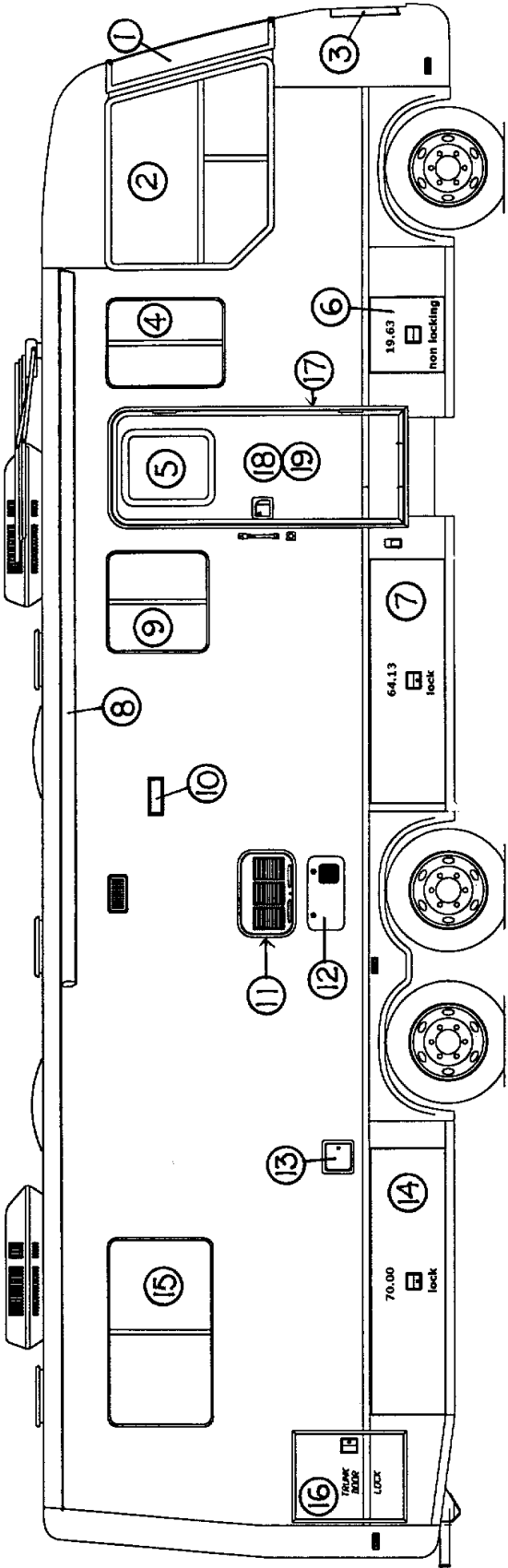


1998 CUTTER 30;' & 34' GAS

DOORS/WINDOWS/AWNINGS, NON SLIDE, 34', RS
(Hardware such as hinges, locks and latches are located
in the **hardware** section of this book)

- | | |
|---------------|---|
| 1) 371338 | Windshield, RS |
| 2) 371592-01 | Cab window, RS |
| 3) 203094 | Hood, Cutter |
| 4) 371593-05 | Window, horiz. slide, 29.75 x 60.25, RS |
| 5) 371593-05 | Window, horiz. slide, 29.75 x 60.25, RS |
| 6) 921171-01 | Door, compartment, 29.63, non lock |
| 7) 921170-01 | Door, compartment, 29.63, locking |
| 8) 921170-03 | Door, compartment, 64.13, locking |
| 9) 690259-05 | Access door, water heater |
| 10) 921170-09 | Door, compartment, 70.0, locking |
| 11) 921164 | Trunk door assembly |
| 12) 371593-22 | Window, horiz. slide, egress, 30.25 x 48.88 |

1998 CUTTER 30;' & 34' GAS

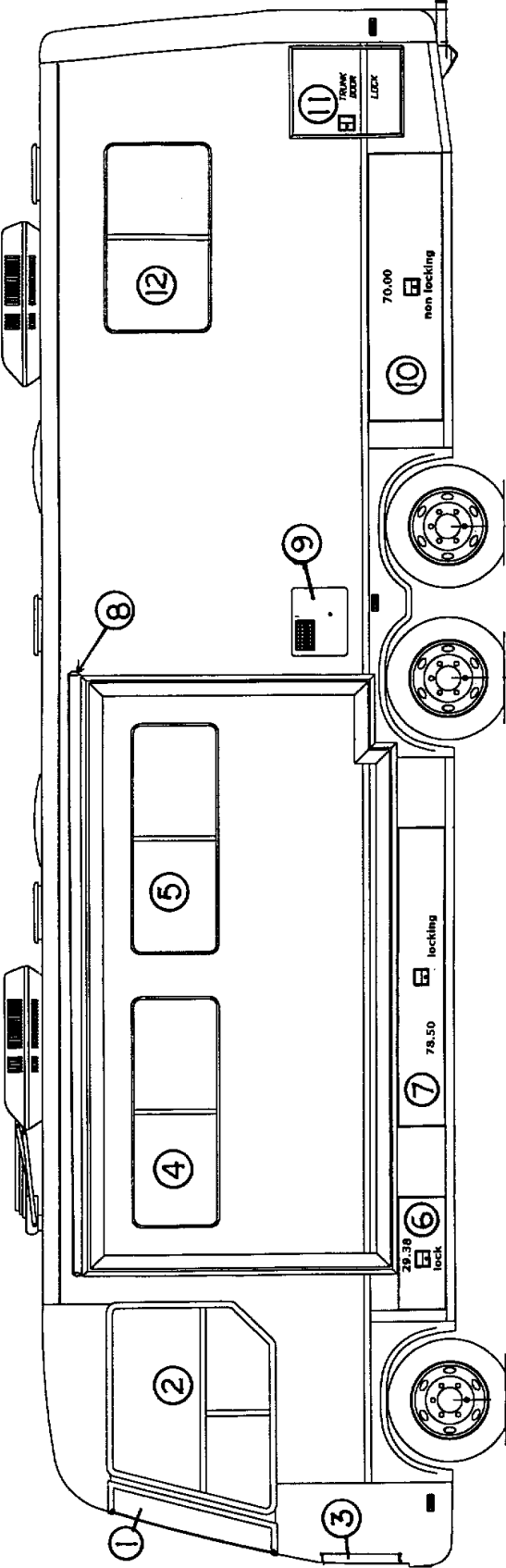


1998 CUTTER 30;' & 34' GAS

DOORS/WINDOWS/AWNINGS, NON SLIDE, 34', CS
(Hardware such as hinges, locks and latches are located in the
hardware section of this book)

- | | |
|----------------|---|
| 1) 371339 | Windshield, CS |
| 2) 371592-02 | Cab window, CS |
| 3) 203094 | Hood, Cutter |
| 4) 371593-03 | Window, stationary, 21.5 x 29.75 |
| 5) 371593-01 | Window, main door, 19.25 x 23.25 |
| 6) 921171-10 | Door, compartment, 19.63, non locking |
| 7) 921170-03 | Door, compartment, 64.13, locking |
| 8) 702679-16 | Awning, patio, 17', Blue Shadows |
| 9) 371593-09 | Window, horiz. slide, CS, 25.25 x 25.75 |
| 10) 511152-01 | Vent cover, range hood |
| 11) 690340-03 | Refrigerator door, flush mount |
| 12) 690274-05 | Door Hydroflame, exterior |
| 13) 201865-02 | Fuel fill housing |
| 14) 921170-09 | Door, compartment, 70.0, locking |
| 15) 371593-21 | Window, horiz. slide, CS, 30.25 x 48.88 |
| 16) 921164 | Trunk door assembly |
| 17) 922392-02 | Doorjamb assembly |
| 18) 109988-100 | Main door assembly |
| 19) 922394 | Screen door assembly |

1998 CUTTER 30;' & 34' GAS



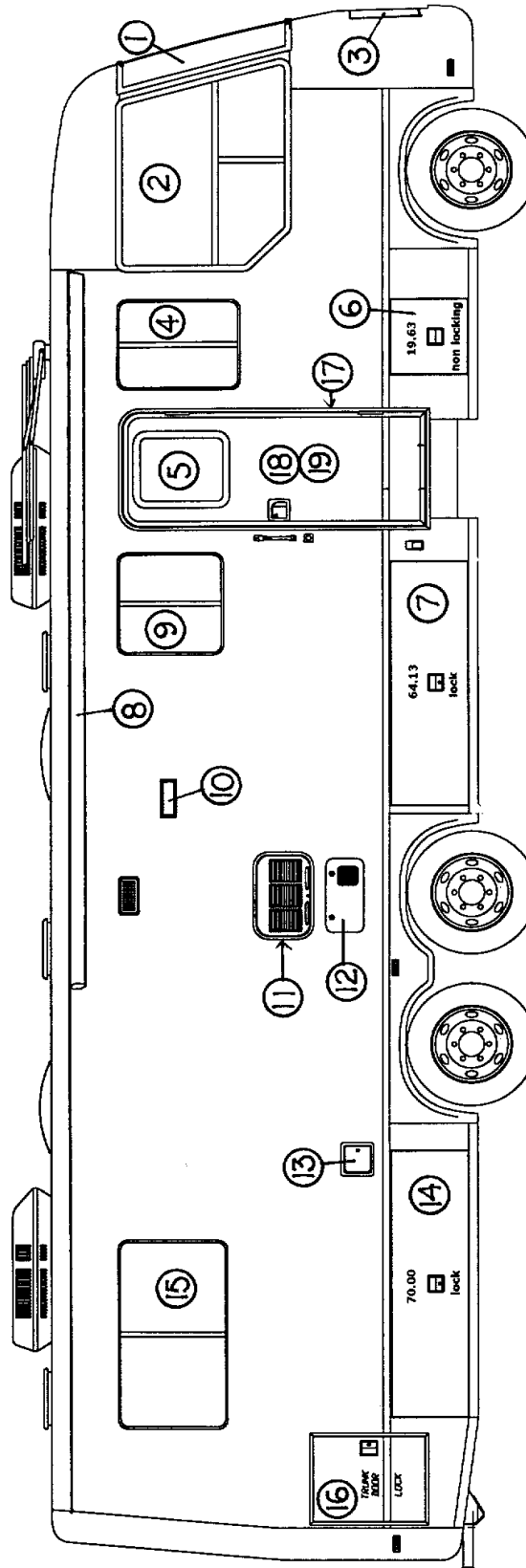
1998 CUTTER 30;' & 34' GAS

DOORS/WINDOWS/AWNINGS **SLIDE-OUT RS**

(Hardware such as hinges, locks, and latches are located in the hardware section of this book.

- | | |
|---------------|---|
| 1) 371338 | Windshield, RS |
| 2) 371592-01 | Cab window, RS |
| 3) 203094 | Hood, Cutter |
| 4) 371593-19 | Window, horiz. slide,22.75 x 60.25,RS |
| 5) 371593-19 | Window, horiz. slide,22.75 x 60.25,RS |
| 6) 921175-03 | Door, compartment, 29.38,locking |
| 7) 921175-01 | Door compartment, 78.50,locking |
| 8) 702753-01 | Slide-out cover, Carefree |
| 9) 690259-05 | Access door, water heater |
| 10) 921171-09 | Door, compartment, 70.00,locking |
| 11) 921164 | Trunk door assembly |
| 12) 371593-22 | Window, horiz. Slide, egress, 30.25 x 48.88 |

1998 CUTTER 30;' & 34' GAS



1998 CUTTER 30;' & 34' GAS

DOORS/WINDOWS/AWNINGS, **SLIDE OUT**, CS
(Hardware such as hinges, locks and latches are located
in the **hardware** section of this book)

- | | |
|----------------|---|
| 1) 371339 | Windshield, CS |
| 2) 371592-02 | Cab window, CS |
| 3) 203094 | Hood, Cutter |
| 4) 371593-03 | Window, stationary, 21.5 x 29.75 |
| 5) 371593-01 | Window, main door, 19.25 x 23.25 |
| 6) 921171-10 | Door, compartment, 19.63, non locking |
| 7) 921170-03 | Door, compartment, 64.13, locking |
| 8) 702679-16 | Awning, patio, 17', Blue Shadows |
| 9) 371593-09 | Window, horiz. slide, CS, 25.25 x 25.75 |
| 10) 511152-01 | Vent cover, range hood |
| 11) 690340-03 | Refrigerator door, flush mount |
| 12) 690274-05 | Door Hydroflame, exterior |
| 13) 201865-02 | Fuel fill housing |
| 14) 921170-09 | Door, compartment, 70.0, locking |
| 15) 371593-21 | Window, horiz. slide, CS, 30.25 x 48.88 |
| 16) 921164 | Trunk door assembly |
| 17) 922392-02 | Doorjamb assembly |
| 18) 109988-100 | Main door assembly |
| 19) 922394 | Screen door assembly |

1998 CUTTER 30;' & 34' GAS

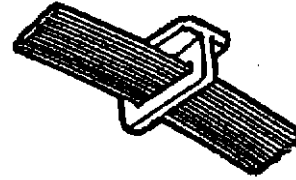
DRAPES/BLINDS/VALANCES



101220
track, stand off



101217
track, curtain



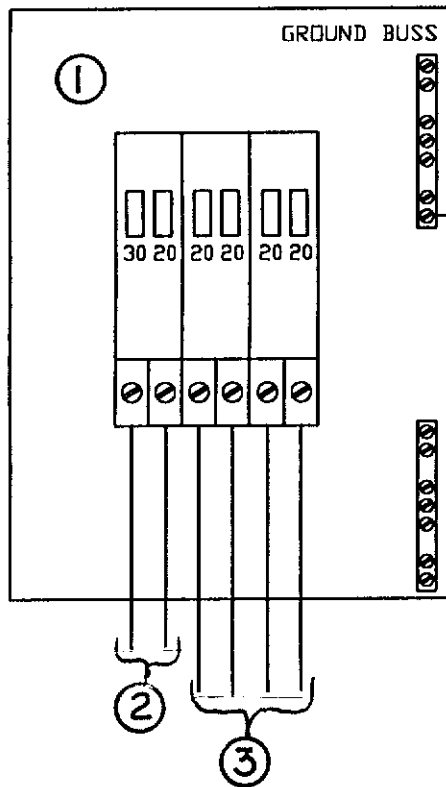
700044
glides, w/elastic "T"

200784	End, curtain track, CS	
200785	End, curtain track, RS	
702878-01	Drapes, front windshield	
702355-06	Shade, pull type, 24.75 x 36	
702789-28	Shade, pleated, night	50.0x32.5"
702383-04	Shade, pleated, day/night	27.0x27.5"
702383-19	Shade, pleated, day/night	61.25x33.5"
702383-05	Shade, pleated, day/night	27.25x33.5"
702383-26	Shade, pleated, day/night	61.25x27
702383-03	Shade, pleated, day/night	22.5x33.5
702383-13	Shade, pleated, day/night	36.87x33.5
385963	Bracket, valance mounting, side	
964117-01	Valance, galley	29.0 wide x 26.25 high
964121-04	Valance, dinette CS	64.25" wide
964464-01	Valance, bedroom CS	53"
964464-02	Valance, bedroom RS	53"
964120-01	Valance, CS lounge	26.25
964121-01	Valance, lounge/dinette, RS	64.25"(34 non slide)
964121-02	Valance, CS lounge/dinette,	64.25(34 non slide)
964121-03	Valance, CS lounge, 6	
4.25 (30ft.)		

1998 CUTTER 30;' & 34' GAS

ELECTRICAL

110 VOLT



- 1) 511041
- 2) 510564-05
- 3) 510564-04

Breaker box, Westinghouse
Breaker, Bryant, double 30-20
Breaker, Bryant, double 20-20

510634
510803

Power cord, 36 ft.
Converter, 50amp

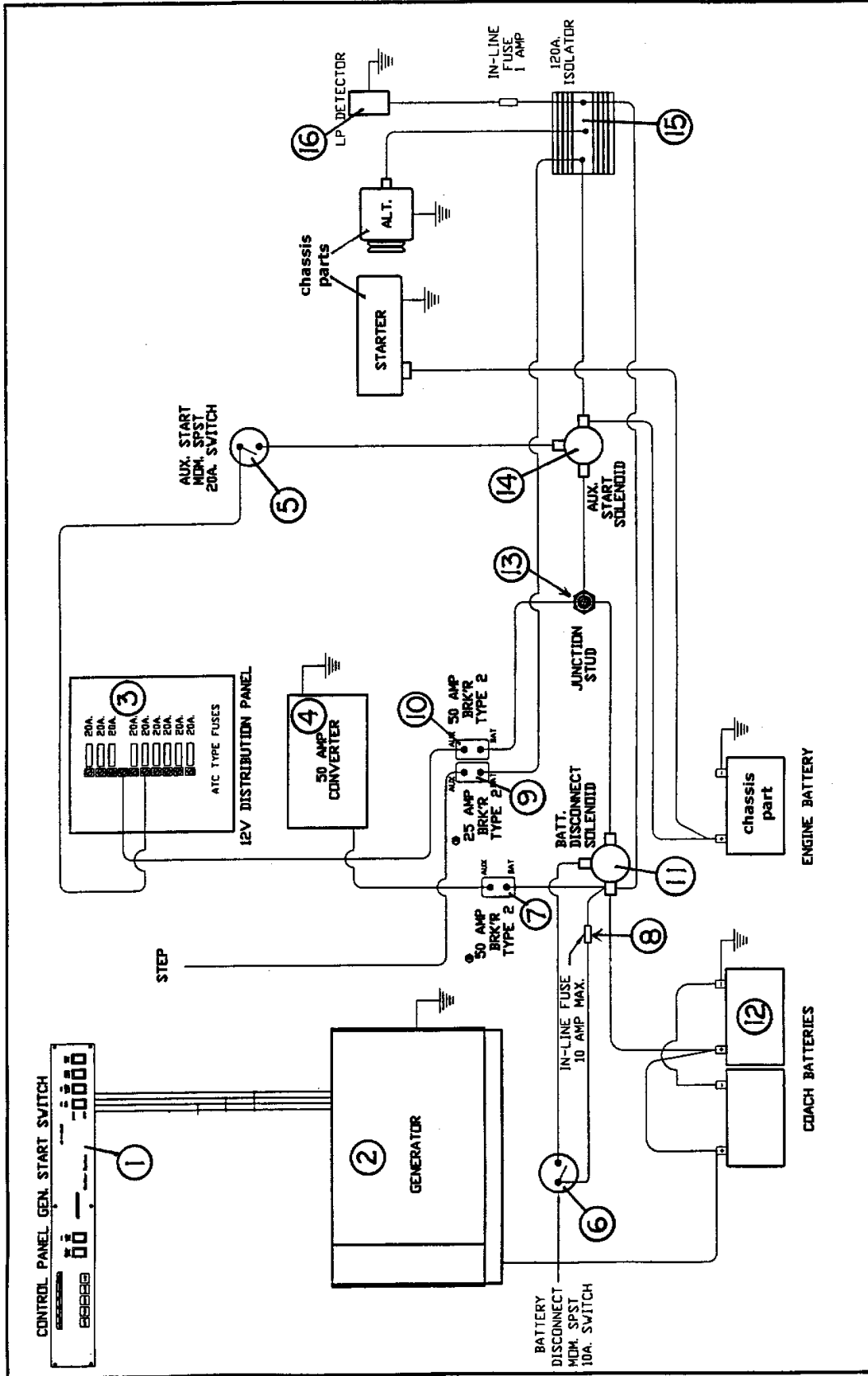
500785
510676-01
510888-05

Outlet, duplex, brown
Outlet, exterior, 120 volt, gray
Receptacle with cover, GFI white

510606
511278
511023

Switch and receptacle box, Raco #590
Lock out, 110 volt disconnect, front TV
Circuit tester(loose item)

1998 CUTTER 30;' & 34' GAS



1998 CUTTER 30;' & 34' GAS

*ELECTRICAL

12VOLT-CHASSIS

- 1) 511152-102 Control panel
- 2) 511038 Generator, Onan 5.0 Marquis
- 3) 511016 Fuse block, 12 volt, 9 position
- 4) 510803 Converter, 50 amp
- 5) 510929-02 Switch, auxiliary start, momentary, SPS
- 6) 962203 Battery disconnect switch(part of four gang switch at door)
- 7) 510947-50 Breaker, 12 volt, 50 amp, type two
- 8) 510696 Fuse holder, in-line
- 9) 510475-25 Breaker, 12 volt, 25 amp, w/ears
- 10) 510947-50 Breaker, 12 volt, 50 amp, type two
- 11) 511351 Solenoid, latching, continuous duty, kill switch
- 12) 511132 Battery, coach, deep cycle
- 13) 511090 Junction block, stud type
- 14) 511199 Solenoid, continuous duty, aux. start
- 15) 510642 Isolator, 120 amp
- 16) 511309 Detector, LPG

- 511132 Battery, deep cycle
511016 Fuse block, 12 volt, 9 position, ATC type
511351 Solenoid, latching, cont. duty, kill switch
500475-25 Breaker, 12 volt DC, 25 amp, w/ears
510947-50 Breaker, 12 volt DC, 50amp

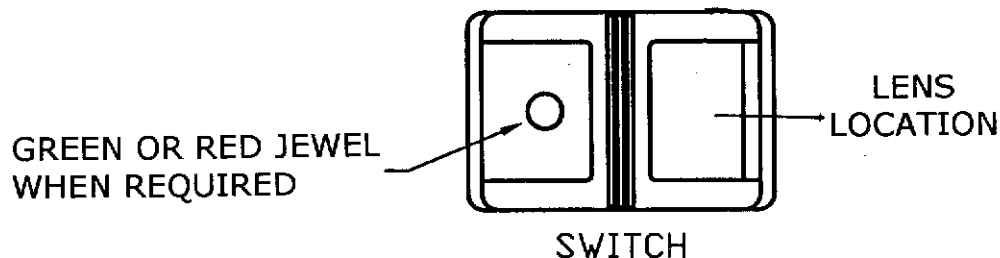
*See ENTERTAINMENT section for radio, VCR, TV, antennas, etc

1998 CUTTER 30;' & 34' GAS

ELECTRICAL

12 VOLT-*DASH & ARM REST

- 510596 Cigarette lighter
- 510807 Outlet, 12-volt, lighter receptacle
- 511276 Cover, 12-volt outlet, black



- 510929-06 Switch, TV speaker, SPST
- 510929-02 Switch, auxiliary start, momentary, SPST
- 510929-08 Switch, rear camera, momentary, DPDT
- 510929-05 Switch, driving light, aisle light, galley light, defrost fan, on-off, SPST
- 510929-07 Switch, docking light, inverter, on-off with red indicator light, SPST
- 381321-03 Switch, remote exterior mirror

*Note:the chassis manufacturer provides Engine check and head light switches.

1998 CUTTER 30;' & 34' GAS

12-VOLT-DASH SWITCH LENS

510930-02	Lens, door lock
510930-06	Lens, aisle light
510930-32	Lens, galley light
510930-33	Lens, auxiliary start
510930-03	Lens, generator
510930-37	Lens, auxiliary headlight
510930-04	Lens, rear heater
510930-25	Lens, rear camera
510930-07	Lens, docking light
510930-31	Lens, TV speaker
510930-35	Lens, defrost fan

12 VOLT-INTERIOR SWITCHES

511078	Switch body with rocker switches, 4-gang by main door
511083	Switch cover, 4 gang , at door
511327	Switch body w/rocker, single, rear ceiling light
511328	Switch cover, printed white, rear ceiling light
511040	Switch, door, momentary, normally "on"
381541-02	Switch, roof vent, bathroom
510868-03	Switch, 4 gang, bathroom
500933	Switch , water heater

1998 CUTTER 30;' & 34' GAS

ELECTRICAL

12 VOLT-INTERIOR LIGHTS

500960-02 680085	Light, flourescent, recessed, 20.63" Bulb, flourescent, #F8T5-CW
500960-01 680084	Light, flourescent, recessed, 14.75" Bulb, flourescent, #F8T5-CW
511298 511298-02 510689	Wall lamp, 12 volt Shade, wall lamp, round Bulb, incadescent, #1076
511248 50085-02	Light, incandescent single, square Bulb incandescent, #1141
500842 680084	Light, flourescent, 12 x 5.5 x 1" Bulb, flourescent, F8T5-CW
511361	Light, courtesy, flush mount, walkway, black (no separate bulb)
500956 681924	Light, wardrobe w/switch Bulb, wardrobe light, #581

1998 CUTTER 30;' & 34' GAS

ELECTRICAL

12 VOLT-EXTERIOR LIGHTS

511163	Light, compartment
510672-02	Porch light, white (high on side of unit)
510732	Utility light#1327 (by door)
511101-01	Light, docking, halogen, chrome bezel
201991	Housing, docking light
511239	Light, stop, tail and turn
511240	Light, stop, tail, turn and back up
511154-02	Light strip, 3rd brake light, 1"x10"
510984-01	Light, clearance, red
511294	Light, license plate
511246-02	Head light, dual, RH
203100-03	Bezel, headlight, RH
203100-04	Bezel, headlight, LH
511246-01	Head light, dual, LH
511250-02	Light, side marker, amber
510984-02	Light, side/side marker, amber
511251-01	Lamp, front turn and parking, w/clear lens
511251-02	Socket, front turn and parking light
510984-02	Light, clearance, amber
511269	Driving light kit.#C1050K
510844-01	Relay, Bosch, driving light

1998 CUTTER 30;' & 34' GAS

ELECTRICAL

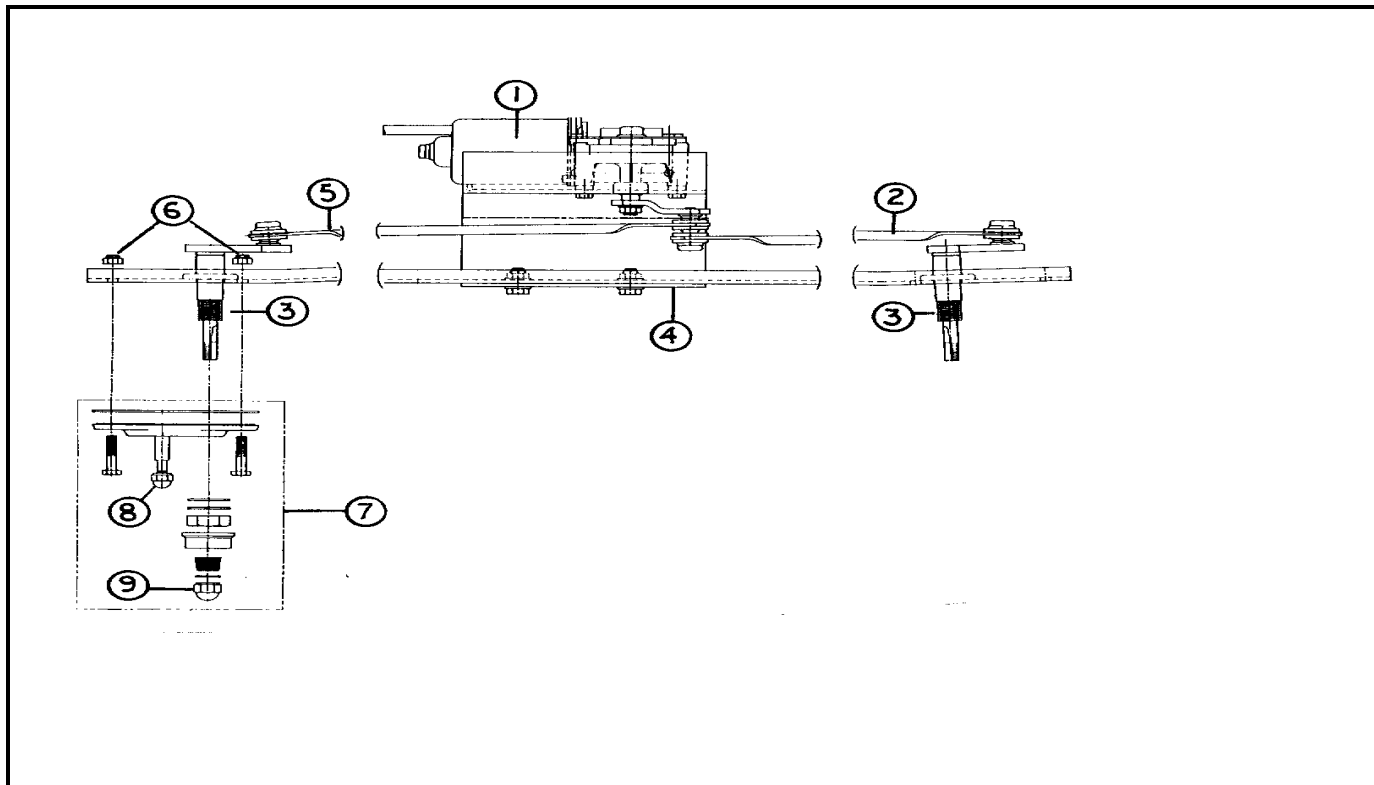
12 VOLT-MISC. EQUIPMENT

511305	Mirrors, exterior, Velvac w/remote, pr.
381321-03	Switch, remote, exterior mirrors
511324	Contact, wireless, 4 piston, doorjamb
511152-102	Monitor panel
511162-01	Keyless entry w/remote
511162-02	Transmitter, 4 channel
510802-01	Actuator, door lock, 5 wire
511141	Solar panel, 5 watt
511140	Volt meter, solar panel
510781	Detector, smoke
511309	Detector, LPG
511343	Detector, carbon monoxide
511058	Controller, tag axle electric brake

(continued)

1998 CUTTER 30;' & 34' GAS

ELECTRICAL 12 VOLT-MISC. EQUIPMENT WIPER ASSEMBLY



- | | |
|---------------|---|
| 1) 510795-118 | Motor assy.E-005-308 |
| 2) 510795-119 | Conlink assy., R.S.L1/3B4/3/22.00 |
| 3) 510795-105 | Idler/HSG assy. (pivot shaft) GS-2967 |
| 4) 510795-120 | Mounting bracketS-547 |
| 5) 510795-121 | Conlink assy..C.S.L1/3d3/3/22.00 |
| 6) 510795-122 | Lock nut1/4-28 |
| 7) 510795-123 | Outer hardwareG-S-2656 |
| 8) 510795-115 | Acorn nut, small, pantograph arm to pivot plate |
| 9) 510795-114 | Acorn nut, large, pantograph arm to pivot plate |

(continued)

1998 CUTTER 30;' & 34' GAS

ELECTRICAL

WIPER ASSEMBLY

Parts not illustrated

510795-107	Wiper blade refill
510795-101	Wiper blade and bridge
510795-104	Pantograph arm assembly
510675-01	Switch, wiper w/delay
511233-01	Module, wiper delay

1998 CUTTER 30;' & 34' GAS

ENTERTAINMENT

510788-01	Antenna, TV, Winegard
510788-03	Amplifier, TV antenna
500976	Outlet, TV jack
500996	Jack, TV/phone, gray
500994	Antenna, radio
690330-02	TV, Panasonic 13", rear bedroom
453517	Clip, TV retainer
801232	Close out, rear TV, oak, 16.25wx15.25h
690385	TV, Audiovox, 19" , dash
203129	Trim ring, dash TV
511371	Radio, Sony XR C5100
511048	Speaker, Coustic, #HS-402
511385	Mobile theater sound system, Sony
511383-02	Remote control, Sony, wireless
511385-02	Amplifier module, Theater sound system
511385-03	Cube speakers w/bracket, black
511385-04	Speaker, 6"x9", Theater sound
511385-05	Grill, for 6"x9" speaker

1998 CUTTER 30;' & 34' GAS

TABLE OF CONTENTS

SECTION III

F through H

FASTENERS (common fasteners available locally are not listed)

Rivets	III-1
Screws	III-3

FLOOR COVERING

Carpet.....	III-4
Hardwood flooring.....	III-4
Mats	III-4

FURNITURE

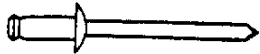
Interior doors	III-5
Mirrors	III-6
Drawer face	III-7
Drawer box	III-7
Bedroom furniture, twin	III-8
Bedroom furniture, double.....	III-9
Bath, 30ft.	III-10
Bath, 34ft.	III-11
Galley, slide out.....	III-12
Galley, non slide	III-13
Lounge and cab	III-14

HARDWARE

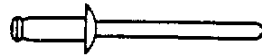
Exterior locks	III-16
Main door/screen door.....	III-17
Exterior access doors.....	III-18
Slide out room.....	III-20
Awning hardware	III-22
Interior hardware.....	III-23

1998 CUTTER 30;' & 34' GAS

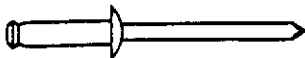
*FASTENERS



330126-02
rivet, pop
dia. 1/8 "
grip range .126-.187
stainless steel body
stainless steel mandrel



330126-03
rivet, pop
dia. 1/8 "
grip range .126-.250
stainless steel body
stainless steel mandrel



330136-04
rivet, pop
dia. 1/8"
grip range .313-.375
stainless steel body
stainless steel mandrel



330031-03
rivet, pop
dia. 3/16"
grip range .125-.250
stainless steel body
stainless steel mandrel



330031-03
rivet, pop
dia. 3/16"
grip range .126-.250
stainless steel body
steel mandrel

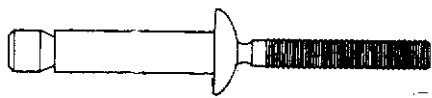


320108-01
rivet, bulb tite, w/washer
dia. 3/16"
grip range .050-.187
aluminum body
aluminum mandrel

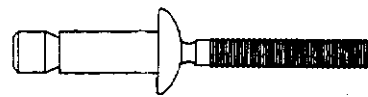
*Common bolts and screws readily available at local hardware outlets have not been listed.

1998 CUTTER 30;' & 34' GAS

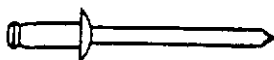
*FASTENERS



330139-02
dia. 1/4"
grip range .350-.625
stainless steel body
stainless steel mandrel



330139-01
dia.1/4"
grip range .080-.375
stainless steel body
stainless steel mandrel



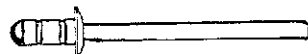
330127-03
dia. 1/8"
grip range .063-.125
aluminum body
aluminum mandrel



300101
1/8" I.D.
washer, aluminum



330127-05
dia. 1/8"
grip range .251-.312
aluminum body
aluminum mandrel



330137
dia. 1/8"
grip range .039-.189
aluminum body
steel mandrel

*Common bolts and screws available at local hardware outlets have not been listed.

1998 CUTTER 30;' & 34' GAS

*FASTENERS



3201223
screw, pan head, Phillips
black
#4 x 1/8" (glove box tray)



20114-04
screw wood oval head, Phillips
antique brass
#5 x 1/2'



320114-05
screw wood, oval head, Phillips
antique brass
#5 x 5/8"



320115-06
screw wood, flathead, Phillips
stainless steel
#6x1.00"



320124-06
screw, flathead, Phillips
stainless w/white head

*Common bolts and screws readily available at local hardware outlets have not been listed.

1998 CUTTER 30;' & 34' GAS

FLOOR COVERING

702793-02*	Carpet, Regal/Nautical Blue 96" wide
700173	Carpet padding
701538	Carpet, Velour gray, storage compartments
201763	Rub strip, baggage compartment
702893	Flooring, smooth rubber, step well
702812-02	Flooring, step tread, round black, step well
702550	Matt, entrance step
381346	Floor mats
801115	Floor, hardwood, quartered oak
800639-02	Adhesive, oak plank
360216	Caulk, brown, acrylic latex

1998 CUTTER 30;' & 34' GAS

FURNITURE DOORS-INTERIOR

801158-08	Door frame, smooth	10.5 x 32.5
801158-16	Door frame, smooth	11.5 x 17.5
801158-15	Door frame, smooth	11.5 x 19.5
801158-13	Door frame, smooth	11.75 x 42.0
801158-14	Door frame, smooth	16.0 x 60.12
801158-01	Door frame, smooth	19.0 x 60.12
801157-11	Door, raised panel	9.75 x 33.0
801157-22	Door, raised panel	10.0 x 13.75
801157-12	Door, raised panel	11.25 x 31.0
801157-27	Door, raised panel	11.5 x 13.5
801157-09	Door, raised panel	11.5 x 15.75
801157-19	Door, raised panel	11.5 x 18.0
801157-14	Door, raised panel	11.5 x 19.0
801157-18	Door, raised panel	17.0 x 10.0
801157-23	Door, raised panel	18.5 x 11.5

MISCELLANEOUS DOORS

962782	Door assembly, bath, swinger	
702416-02	Shower door, neo-angle, 34FT.	
961413-03	Door slider assembly	
961413-12	Door slider assembly	25.25 x 71.25
702681-01	Foldette door, beige	34ft.36 x 73
702681	Foldette door	30ft.46 x 76
702306-02	Shower door,	30ft.
800881-13	Door, louvered oak	24.5 x 12.5
801225-01	Insert, refrigerator door,	15.50 x 20.38
801225-03	Insert, refrigerator door,	38.38 x 20.38

1998 CUTTER 30;' & 34' GAS

FURNITURE

MIRRORS

371262-05	Mirror, safety	13.0 x 28.13
371262-10	Mirror, safety	16.13 x 28.13
371262	Mirror, safety	17.18 x 28.12
372203-19	Glass, safety mirror	11.13 x 22.50
372203-06	Glass, safety mirror	15.25 x 24.5
372203-12	Glass, safety mirror	19.5 x 30.0
372206-01	Mirror, bronze, grooved	7.62 x 29.62
372206-03	Mirror, bronze, grooved	8.62 x 14.62
372206-04	Mirror, bronze, grooved	8.62 x 16.62
382206-06	Mirror, bronze, grooved	8.88 x 39.12
372207-01	Mirror, bronze, flat	10.63 x 17.13
372207-02	Mirror, bronze, flat	28.0 x 60.0
371294-06	Mirror, grooved	7.62 x 29.62
964071	Mirror assembly, corner, 30ft.	

1998 CUTTER 30;' & 34' GAS

FURNITURE DRAWER FACES

801156-93	Drawer face, smooth oak	4.5 x 16.0
801156-74	Drawer face, smooth oak	4.75 x 15.25
801156-85	Drawer face, smooth oak	4.75 x 21.0
801156-99	Drawer face, smooth oak	4.75 x 21.5
801156-23	Drawer face, smooth oak	7.0 x 10.25
801156-13	Drawer face, smooth oak	7.0 x 11.75
801156-94	Drawer face, smooth oak	7.0 x 16.0
801156-87	Drawer face, , smooth oak	7.0 x 16.75
801156-48	Drawer face, smooth oak	7.0 x 21.0
801156-100	Drawer face, smooth oak	7.0 x 21.5
801156-91	Drawer face, smooth oak	8.25 x 34.0
801156-46	Drawer face, smooth oak	10.0 x 29.5
801156-77	Drawer face, smooth oak	10.5 x 36.75
801156-64	Drawer face, smooth oak	11.75 x 29.5
801156-96	Drawer face, smooth oak	13.75 x 29.5
801156-81	Drawer face, smooth oak	14.0 x 20.0
801156-06	Drawer face, smooth oak	16.50 x 20.0

DRAWER BOXES

962821-17	Drawer box	2.88 x 13.25 x 14.0
962821-52	Drawer box	2.88 x 14.00 x 18.0
962821-25	Drawer box	2.88 x 19.50 x 18.0
962821-05	Drawer box	5.00 x 10.00 x 18.0
962821-51	Drawer box	5.00 x 13.50 x 14.0
962821-31	Drawer box	5.00 x 15.00 x 20.0
962821-07	Drawer box	5.00 x 19.50 x 18.0
963574	Drawer box	8.00 x 22 x 36.0
962821-13	Drawer box	9.00 x 13.25 x 20.0
962821-44	Drawer box	9.00 x 18.12 x 22.0
962821-04	Drawer box	9.00 x 18.62 x 22.0
964008	Drawer box, lounge	

1998 CUTTER 30;' & 34' GAS

FURNITURE BEDROOM-TWIN

963600-01	Twin bed, RS
960765	Headboard, twin bed
963599-01	Twin bed, CS
960765	Head board, twin bed
963877	Rear roof locker
963878-01	Face frame, rear roof locker
381449-04	Galley rail, decorative rod, 30"
381449-05	Post, decorative rod
963578	Night stand assembly
963573-01	Face frame, rear night stand
961780	Top, rear night stand
963922-01	Roof locker, CS
963923-01	Face frame, CS rear roof locker
963922-02	Roof locker, RS
963923-01	Face frame, RS rear roof locker
963984	Wardrobe, hanging, RS
963611-01	Face frame, RS hanging wardrobe
963572	Cover, breaker box
963894-01	Wardrobe, hanging, CS
963611-02	Face frame, CS hanging wardrobe
964073	Base assembly-13" TV
453517	Clip, TV retainer
801232	TV close out, oak

1998 CUTTER 30;' & 34' GAS

FURNITURE

BEDROOM-DOUBLE

963431-01	Wardrobe assembly, RS
963428	Face frame, RS rear wardrobe
962818-01	Shelf frame, oak, rear wardrobe
381527	Speedy shelf strips
963431-02	Wardrobe assembly, CS
963429	Face frame, CS rear wardrobe
962818-01	Shelf frame, oak, rear wardrobe
381527	Speedy shelf strips
963861	Rear roof locker
964430-01	Face frame, rear roof locker
381449-04	Rail, decorative rod
381449-05	Post, decorative rod
963425-02	Bed assembly, 75", 30ft.
963434-02	Bed assembly, 80", 34ft.
963096	Headboard
964073	Base assembly, 13"TV, 34ft.
453517	Clip, TV retainer
801232	TV close out, oak
964010-01	TV cabinet, bedroom, 30ft.
964071	Corner mirror assembly, 30ft.
964072	Shelf/facer assembly, 30ft.
962666	Top, make-up cabinet
964070-02	Facer, make-up shelf

1998 CUTTER 30;' & 34' GAS

FURNITURE

***BATH AREA-30FT. ONLY**

203001	Shower stall, almond, 30 Cutter
963366	Face frame shower
203004	Shower cap, formed plastic
963383	Wardrobe, CS
963368	Face frame, bath wardrobe
961410-01	Jamb, bath door
963426-01	Header, bath door
964024	Close out, vent pipe
964023	Corner close out, bath
963930-02	Medicine cabinet assembly
964433	Face frame, medicine cabinet
963390-03	Lavatory assembly
964372-01	Lavatory top, Corian
702681	Foldette door
381563	Track formed, foldette door

*Bath fixtures may be found in hardware--if connected to drains or water, look in plumbing.

1998 CUTTER 30;' & 34' GAS

FURNITURE

***BATH AREA-34FT. ONLY**

963850	Wardrobe assembly, CS
963848-01	Face frame, CS bath wardrobe
963849	Wardrobe/TV cabinet assembly
963886-01	Face frame, wardrobe/TV cabinet
963426-01	Header, bath door
961410-01	Jamb, bath door
201999	Shower stall, almond
201902	Ceiling liner, shower, stall
963842	Linen cabinet assembly
963847-01	Face frame, linen cabinet
963504-04	Lavatory assembly
963453-01	Face frame, lavatory cabinet
964373-01	Lavatory top, Corian
963929-01	Medicine cabinet assembly

*Bath fixtures may be found in hardware--if connected to drains or water, look in plumbing.

1998 CUTTER 30;' & 34' GAS

FURNITURE

GALLEY AREA-DINETTES

34FT W/SLIDE OUT

964492-01 Dinette seat base, RH
964496 Dinette back, RH
964498 Dinette cushion support, RH, 37.63
964334-02 Flex spring seat, 21.63 x 38.0

964493-05 Dinette seat base, LH
964497 Dinette back, LH
964499 Dinette cushion support, LH 37.63
964334-02 Flex spring seat, 21.63 x 38.0

34FT NON SLIDE

963898-04 Dinette seat base, RH
961712-01 Face frame, RH dinette seat
961773 Dinette back, RH
964334-02 Flex spring seat, 20.25 x 38.0

963545-03 Dinette seat base, LH
961711-01 Face frame, LH dinette seat
964334-02 Flex spring seat, 20.25 x 38.0

30 FOOT

963402-0 1Dinette seat base, RH
964446-01 Face frame, RH dinette seat
963404 Dinette back, RH
964334-04 Flex spring seat, 20.25 x 38.0

963401-01 Dinette seat base, LH
963370-01 Face frame, LH dinette seat
964334-04 Flex spring seat, 20.25 x 38.0

9621660 Dinette table--all gas Cutters
922177-03 Table leg, 30.5"--all

1998 CUTTER 30;' & 34' GAS

FURNITURE

GALLEY AREA-ALL MODELS

963374-01	Roof locker, dinette aft
962709-01	Face frame, dinette roof locker, aft
963374-02	Roof locker, dinette, forward
962708-01	Face frame, dinette roof locker, forward
963855	Roof locker, dinette, center
963872-01	Face frame, dinette roof locker, center
963619-02	Microwave cabinet
961039-01	Face frame, micro wave cabinet
963851	Refrigerator cabinet w/pantry
963854-01	Face frame, refrigerator cabinet w/pantry
381491	Trash can, roll out
963852-01	Galley assembly
964434	Face frame, galley assembly
964389-01	Galley top, Corian
601497-01	Sink, porcelain, almond
964348-01	Sink cover, Corian
963555	Roof locker, galley
964431	Face frame, galley roof locker
963990	Magazine rack
381577-01	Print, framed
963991	Spice rack
963623	Pull out pantry assembly, 34ft. slide out
963624	Face frame, pull out pantry, 34ft. w/slide out
964160	Pantry assembly, 34ft. non slide
964161	Face frame, pantry, 34ft. non slide

1998 CUTTER 30;' & 34' GAS

FURNITURE

LOUNGE AND CAB AREA

702897-01	Drivers seat w/belt, power
702898-01	Passenger seat w/belt, non power
702796-318	*Swivel chair, Blue Bayou
452277-01	Pedestal, swivel chair
452277-02	Top plate with release, swivel chair
963496-02	Front roof locker assembly
963486-01	Face frame, front roof locker
801109	Bottom cover, front roof locker
964034	Kick panel
964045-02	Beverage tray assembly
963992-02	Beverage tray
203011-01	Cup holder, beverage tray, LH
203011-02	Cup holder, beverage tray, RH
963507-01	Cab side close out, CS
963507-02	Cab side close out, RS
963808	Door header assembly(main door)
963809-01	Face frame, door header cabinet
800577-13	Decorative trim
702800-318*	Sofa, jackknife, 68" Blue Bayou-30ft. & 34 w/slide
702801-318*	Sofa, jackknife, 74", Blue Bayou-34ft. non slide

*See sample swatches in your sales department for other part numbers referencing colors.

(continued)

1998 CUTTER 30;' & 34' GAS

FURNITURE

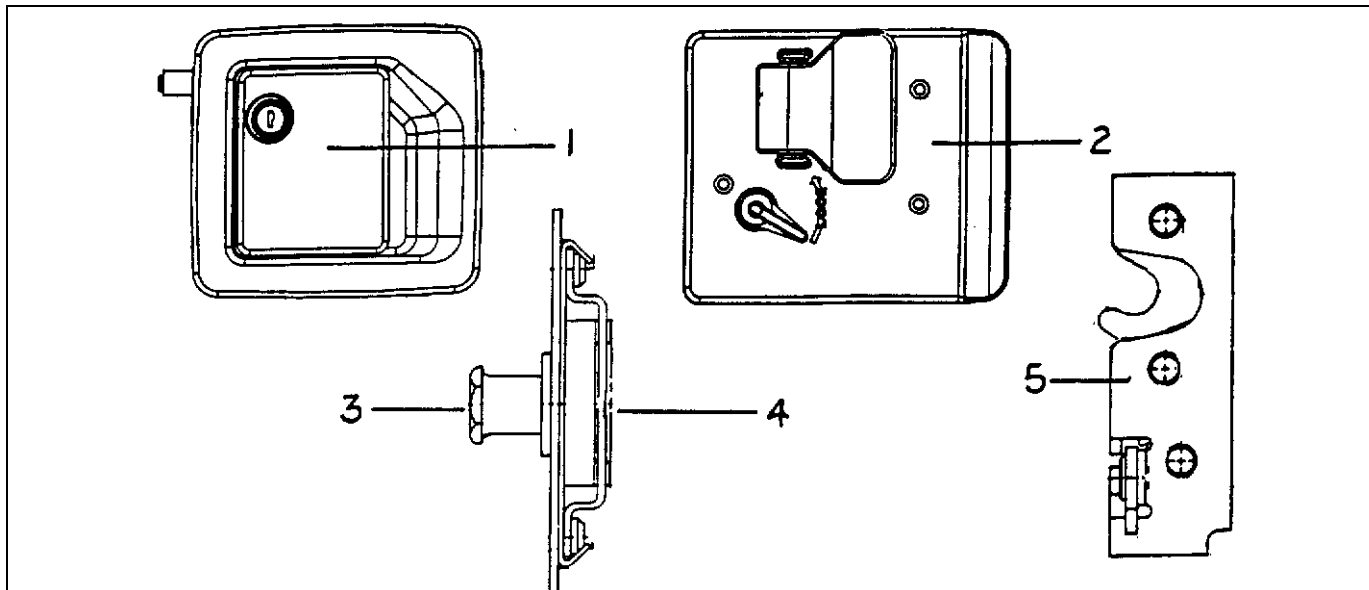
LOUNGE AND CAB AREA

963857	Roof locker, CS lounge
963858-01	Face frame, CS roof locker
964196	Lounge locker assembly, 68.5", RS, 34ft. slide out
964423	Face frame, 68.5", RS locker
964451-01	End cap assembly, LH
964451-02	End cap assembly, RH
964413	Lounge cabinet assembly
964414	Top, lounge cabinet
963867-01	Roof locker , RS lounge-34ft. non slide
963868-01	Face frame, RS lounge locker, 76"
963381	End cap assembly, RH, 16"
963859	Roof locker lounge, RS-30ft.
963860-01	Face frame, RS lounge roof locker
203112-01	A-Post cover, RS
203112-02	A-Post cover, CS
203040	Center windshield post cover

1998 CUTTER 30;' & 34' GAS

HARDWARE EXTERIOR-MAIN/SCREEN DOOR

TRIMARK main door lock



- | | |
|--------------|---------------------------|
| 1) 381521-01 | Outside lock housing |
| 2) 381521-02 | Inside lock plate |
| 3) 381284 | Striker bolt |
| 4) 381521-04 | Caged nut |
| 5) 381521-03 | Rotary latch |
| 381521-05 | Screws, inside lock plate |

Dead bolt-Trimark

- | | |
|-----------|------------------------------------|
| 510802-01 | Actuator, door lock, 5-wire |
| 381323-01 | Dead bolt assembly |
| 452030 | Bolt, Trimark dead bolt |
| 381326 | Striker, 10007 w/Trimark dead bolt |
| 345321-12 | Screw, #8-32, flat head, black |
| 200772 | Pan, plastic, dead bolt, interior |

(continued)

1998 CUTTER 30;' & 34' GAS

HARDWARE

EXTERIOR-MAIN/SCREEN DOOR

381334	Hinge leaf, jamb, main door
381336	Hinge leaf, door, main
381377	Hinge leaf, screen door
385599-07	5 Bearing, sleeve, main door hinge
300118-01	Washer, nylon, main door hinge
310024	Hinge pin, .250 x 6.0"
203127	Cover, inner door lock
511370-01	Grab handle-embossed "Cutter"
381632	Prop, gas spring, 30#(bottom of main door)
381634	Bracket, prop, LH curve
381633	Bracket, prop, 2"
381632-01	Safety clip, end fitting
203156	Cover, black, bottom main door prop
380291	Latch assembly set
381454	Latch, bullet, black
380290	Housing, latch
380004	Handle, with screw, screen door
203000	Close-out, screen door, plastic slide
380079	Screen, gray
200518	Spline, gray, screen door

1998 CUTTER 30;' & 34' GAS

HARDWARE

EXTERIOR-BAGGAGE COMPARTMENT

381569-01	Prop, spring, gas.50#
381569-02	Prop, spring, gas, 60#
381569-03	Prop, spring, gas, 40#
381262	Bracket, prop w/ball, mounts on jamb
914163	Bracket, door prop, mounts on door
381565-01	Handle assembly, locking w/collar
381565-02	Handle assembly, non locking
381565-04	Plunger bolt assembly
381484	Strike, compartment door
381456	Cable, coated
381455	Loop sleeve, crimp on cable clamp
381523-01	Hinge, baggage door
365232	Seal, baggage door
203122	Cover, compartment latch, inside

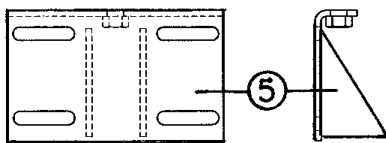
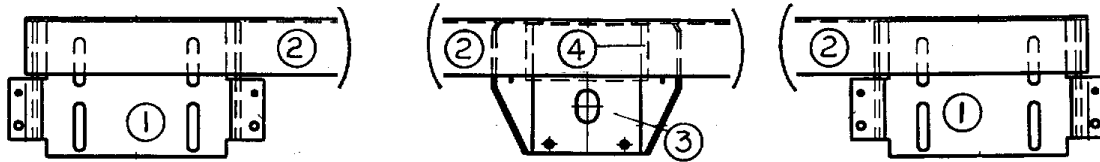
1998 CUTTER 30;' & 34' GAS

HARDWARE EXTERIOR-FRONT HOOD

400890	Hinge arm, hood
400895	Brace, hinge arm
453377	Hood hinge stop
400889	Bracket, hood latch
381580	Compression spring
385587	Cap, hood bumper
453374	Clip, alignment, hood
381579-02	Paddle latch
385945	Grommet, hood stop
453405	Extension, hood release
203108	Cap, vinyl, hood release, white

1998 CUTTER 30;' & 34' GAS

HARDWARE EXTERIOR-SLIDE OUT ROOM



- 1) 915470 Mounting bracket, slide out room
- 2) 915390 Mounting angle
- 3) 915334 Mounting bracket, rod/room
- 4) 915391 Mounting angle, 6.50 x 3.25 x 6.50
- *5) 915471 Bracket, slide out arm

*Note: Item 5 acts as the connector between the slide out arms and the angle, item 2, that runs across the bottom of the room.

(continued)

1998 CUTTER 30;' & 34' GAS

HARDWARE EXTERIOR-SLIDE OUT ROOM

FOR REFERENCE ONLY - Airstream does not stock DeWald parts.



DEWALD MANUFACTURING INCORPORATED

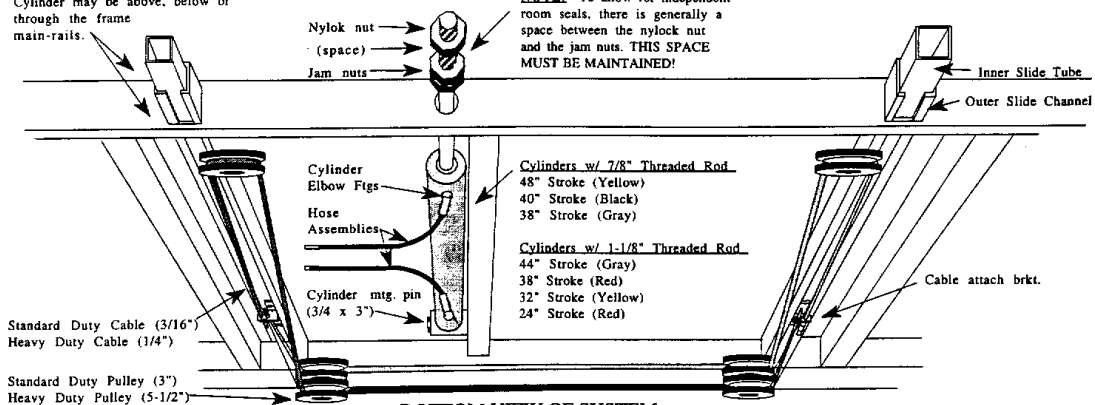
1823 WEST EIGHTH STREET • MISHAWAKA, INDIANA 46544-8783
 FAX: (219) 255-5829 • TOLL FREE: 800-332-7343 • PHONE: (219) 255-4776

DEWALD HYDRA-SYNC SYSTEM

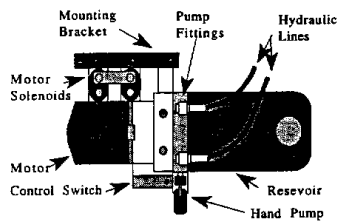
Patented System
(Additional Patents Pending)

NOTE: Slide Tube Assemblies and Cylinder may be above, below or through the frame main-rails.

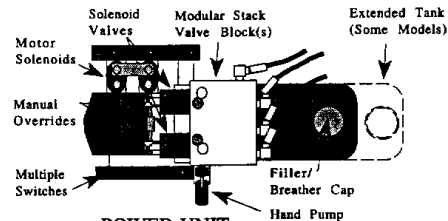
NOTE: To allow for independent room seals, there is generally a space between the nylock nut and the jam nuts. THIS SPACE MUST BE MAINTAINED!



**BOTTOM VIEW OF SYSTEM
ON VEHICLE FRAME**

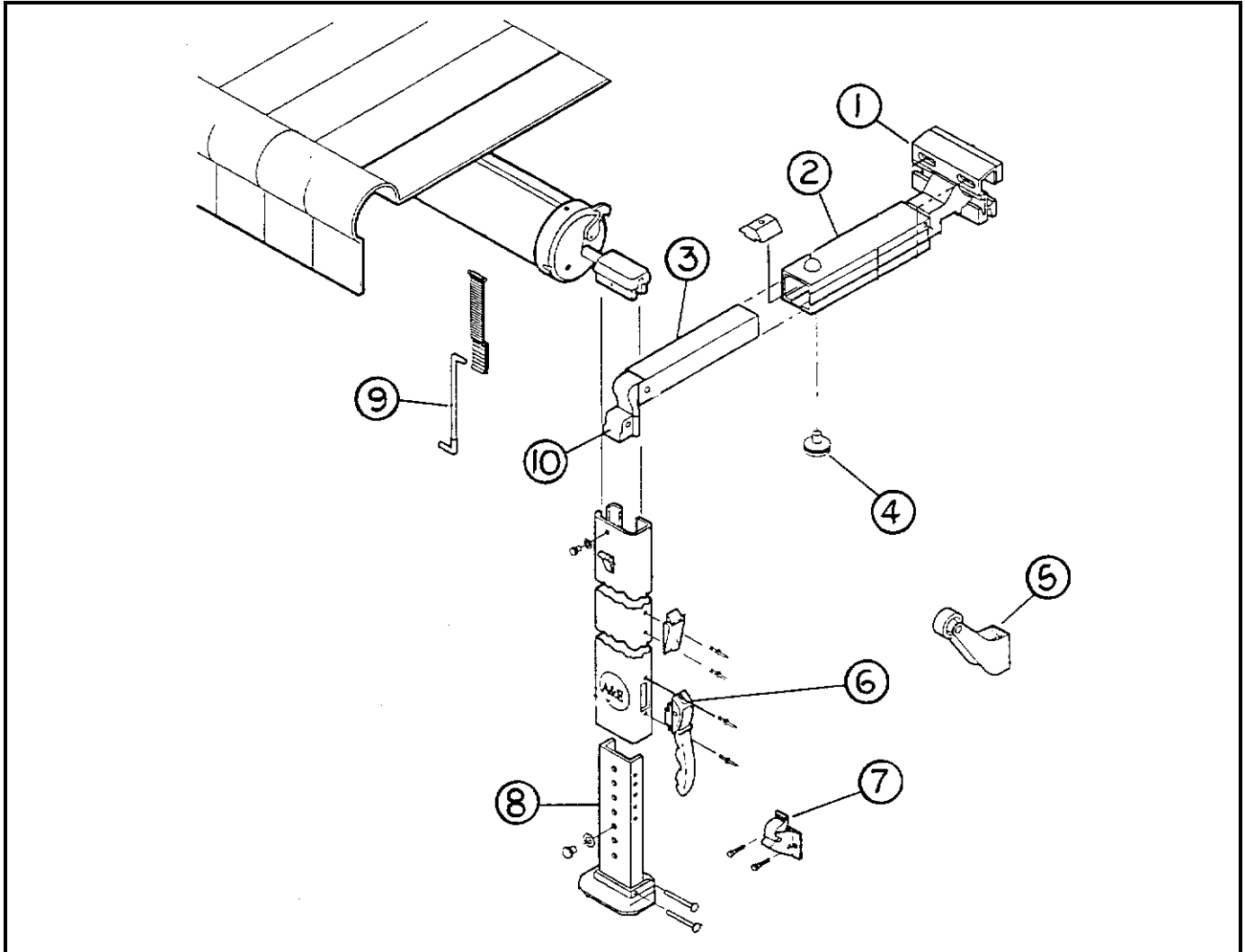


POWER UNIT
For Single Room System
(No Modular Valve Blocks)



POWER UNIT
(With Valve Block
for Multiple Functions)

1998 CUTTER 30;' & 34' GAS AWNING HARDWARE



- | | |
|----------------|--------------------------------------|
| 1) 702679-104 | Bracket top, A&E awning |
| 2) 702679-103 | Rafter, main, A&E awning |
| 3) 702679-105 | Secondary rafter, A&E awning |
| 4) 702679-106 | Knob , adjustment, 1 7/8" A&E awning |
| 5) 702679-109 | Door roller, A&E awning |
| 6) 702679-111 | Lift handle, A&E awning |
| 7) 702679-108 | Bracket, bottom mounting, A&E awning |
| 8) 702679-107 | Arm, adjustable, A&E awning |
| 9) 702679-102 | E-Z pull rod, A&E awning |
| 10) 702679-110 | Slider assembly, A&E awning |

1998 CUTTER 30;' & 34' GAS

HARDWARE INTERIOR

- 381604 Door knob, satin
- 381603 Pull, three finger, antique brass, sliding door
- 381599 Handle, door/drawer
- 381576 Pull handle, brass
- 201427 Finger pull, light brown
- 381022 Latch, bathroom, lockable
- 381074 Door catch, cabinet, "bull dog"
- 381228 Door catch, wardrobe, "grabber"
- 381408 Lock, push button style, black, galley drawer

- 381526-01 Drawer slide, 950RV, 14"
- 381526-03 Drawer slide, 950RV, 18"
- 381526-05 Drawer slide, 700RV, 22"
- 381526-06 Rear bracket, adjustable, drawer slide

- 380203-01 Piano hinge, 1/8" pin, clear anodized
- 381000-06 Hinge, .092 stainless, 2.0" open, 56"long
- 381601 Hinge, antique brass
- 380210 Hinge, 2", bed top
- 385935 Brass pivot hinge, medicine cabinet mirror

- 381147 Door support, spring loaded, roof locker & table leg

- 381443-01 Sliding door set, includes carriers, top plate and track
- 200009 Sliding door guide

- *381385 Dual lock #400
- *381386 Dual lock #170

*These two parts work similar to Velcro but have interlocking knobs rather than hooks and loops.

(continued)

1998 CUTTER 30;' & 34' GAS

HARDWARE INTERIOR

381527	Speedy shelf strips
380045	Clothes rod
200975-04	Conduit, flexible, black plastic(covers rod)
380046	Clothes rod mounting bracket
340088	Retainer clip, medicine cabinet door mirrors
381612	Mirror clip, holds mirror in wood frame doors
381263	Bracket, prop w/ball, straight(rear bed top)
381262	Bracket, prop w/ball, angled
381549	Gas spring, SPD-GS-2300-150
381158	Lift handle, rear bed top
381530	Drawer latch, flexible black T handle
381626-02	Towel bar, chrome and brass
380248	Soap holder, chrome and brass
380034	Toilet paper holder, chrome
380017	Holder, tooth brush and tumbler

1998 CUTTER 30;' & 34' GAS

TABLE OF CONTENTS

SECTION IV

L through Z

LABELS and TAGS IV-1

OPTIONS IV-3

PLUMBING

LPG IV-5

Utility compartment..... IV-6

Fresh water..... IV-7

Faucets IV-10

Drain water..... IV-14

Toilet IV-19

SAFETY EQUIPMENT IV-20

SEALS/SEALER/PAINT

Gaskets..... IV-21

Sealer IV-24

Adhesive..... IV-25

Paint..... IV-25

UPHOLSTERY/FOAM/MATTRESS..... IV-26

VENTS/FANS IV-28

WOOD/INTERIOR TRIM IV-29

Skylights/Vents/Fans..... IV-29

WOOD/INTERIOR TRIM

Paneling/Wood accessories IV-30

Wood molding/trim IV-31

Ceiling trim/retainer IV-32

Slide out room interior trim IV-33

1998 CUTTER 30;' & 34' GAS

LABELS AND TAGS

385103 Plate, RVIA
385531 FMVSS certification label
385815 Name plate, motorhome hitch rating
385095 Tag registry#11999
385465 Label, exit warning (English)
385463 Label, warning label/cooking appliance
385464 Label, LP gas warning label (odor)
385788 Warning label, pilot light/refuel
385101 Tag, auxiliary tank dump valve handle
385099 Tag, black tank dump valve handle
385063 Label, drain cap
385062 Decal, 110-125 voltage AC
385309 Decal, fuel fill
385547 LP gas warning/fill label
385141 Tag, seat, clear w/black letters
385518 Label, dimension and clearance
385193 Label, 12Volt distribution inside
385560 Air conditioner rating label
385561 Generator rating label
385565 Label, holding tank flushing
385805-01 A/C priority switch label-front
385805-02 A/C priority switch label-rear
385812 Label, Calif. hazardous substance
385609 Label, smoke detector
385612 Label, parking brake warning
385620 Label, unleaded fuel only
385829 Decal, fuse and relay
385828 Decal, fuse panel warning
385835 Label, carburetor warning
385851 Label, cellular phone
385924 Label, galley light

1998 CUTTER 30;' & 34' GAS

LABELS AND TAGS

- 385933 Label, name set relay
- 385941 Label, waste water holding
- 385942 Label, sewage holding tank
- 385943 Label, "cap must be in place"
- 385947 Label, 10 amp fuse maximum
- 385098 Label, seat occupancy
- 385608 Label, sewer hose
- 385829 Decal, fuse and relay
- 385828 Decal, fuse panel
- 385931 Decal sheet, utility compartment

1998 CUTTER 30;' & 34' GAS

OPTIONS

511005	Generator, Onan, Marquis 7KW
511149-03	Power cord, 50 amp, 36ft.
511149-02	Power inlet w/strain relief, 50 amp
510724	Breaker, double pole, 50 amp, Square D
690337	Video cassette player-Audiovox
511310	Video control center
381564	Vent w/wall thermostat, Fantastic 2000TRS
203153-01	Skylight , 22 x 22 , clear
203152-03	Skylight trim out, 22 x 22 x 4
702804-02	Shade pleated, skylight
964502	Chair, dinette, folding, oak
962737-01	Table assembly, free standing dinette, oak-30ft.and 34ft. non slide
962737-02	Table assembly, free standing-34ft. w/slide out
801054	Table, fixed dinette w/NoMar finish
690347	Range, 3-burner w/oven
511162-01	Keyless entry w/remote
511162-02	Transmitter, 4 channel
451486	Flat linkage, electric door lock
451485	Wire linkage, electric door lock
511352	Locking module, centralized

(continued)

1998 CUTTER 30;' & 34' GAS

OPTIONS

690386	Toilet, Thetford China
410820	Leveling jack system, 3106S9
702897-02	Passenger cab seat w/power adjustment
510918-01	Rear monitor, Sony Watchman
510930-25	Lens, dash switch, rear camera
453031	Brass bracket spring
511044-03	Actuator, push/pull
453032	Bracket, camera
203032	Cover, outer, rear monitor

1998 CUTTER 30;' & 34' GAS

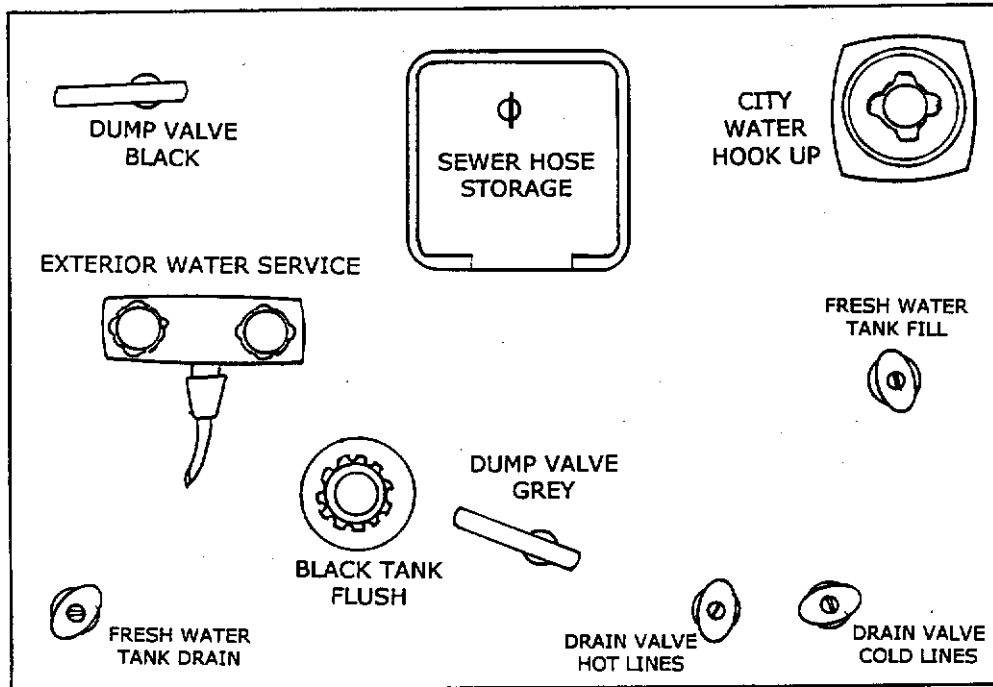
PLUMBING

LPG

601447	LP tank, 90#
511229	Sending unit, 90 ohm, Snap-on
601674	Regulator, LP gas, 2 stage
203135	Access cover, LP regulator
601335	LP hose, tank to regulator, 35 in.
601279	LP hose, low pressure, 18in.
601673-01	LP hose, low pressure, 48"
601412-08	Connector, 1/2 pipe to 3/8 flare
601412-12	Connector, 1/2 pipe to 5/8 flare
601675	Union, 3/8 M FL x 3/8 MPT
600008	Tubing, copper, 3/8in.
600435	Flare nuts, forged, 3/8in.

1998 CUTTER 30;' & 34' GAS

PLUMBING FRESH WATER-UTILITY COMPARTMENT



- 1) 601698-07 Shut-off, 1/2 barb x1/2 barb
- *2) Dump valve rods
- *3) 601197-01 Water hook up, black tank flush
- 4) 601592-03 Shower valve
- 5) 601592-02 Shower hose, white, 59in.
- 6) 601392 City water hook-up w/regulator
- 7) 601592-01 Shower head, white
- 8) 601229-01 Compartment, sewer hose(no metal hose)
- 601610 Metal conduit, 4" x 10'-hose carrier
- 601610-03 Ell, 45 degree-4"
- 601610-04 Cap w/stop-4"

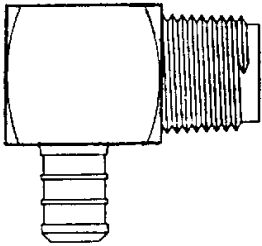
*See drainage for more detail

1998 CUTTER 30;' & 34' GAS

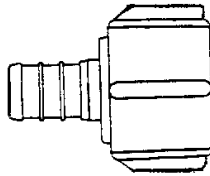
PLUMBING FRESH WATER

601612	Tank, fresh water, 30ft.
601632	Tank, fresh water, 34ft.
601238	Adaptor, 1.25 MPT x 1.25 barb (tank fill)
601709	Check valve, w/rubber flap(over flow)
600139	Check valve, brass
601061-01	Water pump, Shurflo
600593	Filter, pre water pump

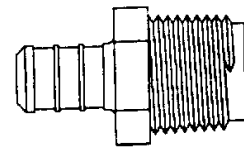
FITTINGS



601698-04
Elbow, 1/2 barb
x 1/2 MPT



601698-03
Coupler, 1/2 barb
x 1/2 FPT

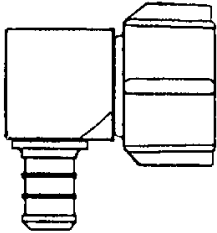


601698-02
Coupler, 1/2 barb
x 1/2 MPT

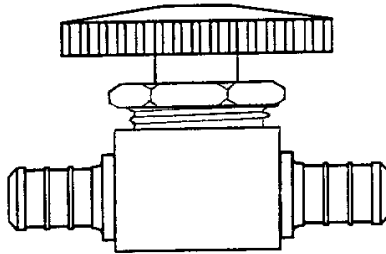
(continued)

1998 CUTTER 30;' & 34' GAS

PLUMBING FRESH WATER-FITTINGS



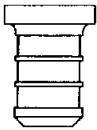
601698-05
Elbow 1/2 barb x
1/2 FPT



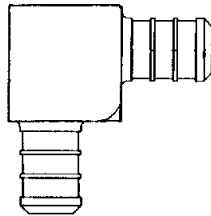
601698-07
Shut-off, 1/2 barb x
1/2 barb



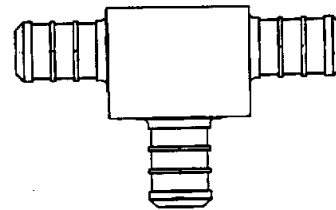
601698-08
Coupler
1/2 x 1/2 barb



601698-09
Plug, 1/2 barb



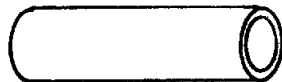
601698-10
Elbow 1/2 barb x
1/2 barb



601698-11
Tee, 1/2 x 1/2 x
1/2 barb



601698-15
Crimp ring, 1/2
E-Pex, 1/2 (black)



601698-01
E-Pex tube, 1/2"

(continued)

1998 CUTTER 30;' & 34' GAS

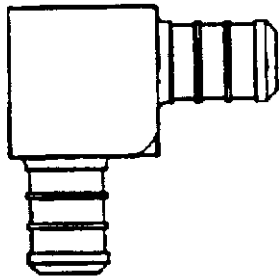
PLUMBING FRESH WATER-FITTINGS



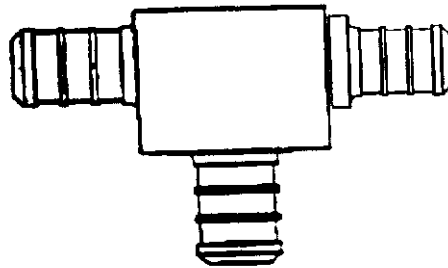
601698-16
Crimp ring, $\frac{3}{4}$ "
E-Pex, black



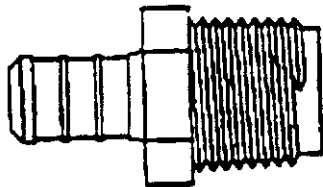
601698-12
E-Pex tube, $\frac{3}{4}$ "



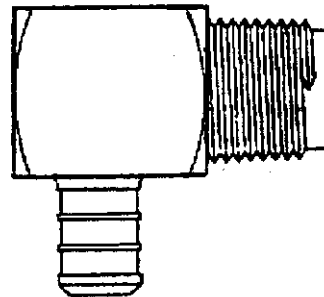
601698-13
Elbow, $\frac{3}{4}$ x $\frac{3}{4}$ barb



601698-18
Tee, $\frac{3}{4}$ x $\frac{1}{2}$ x $\frac{3}{4}$ barb



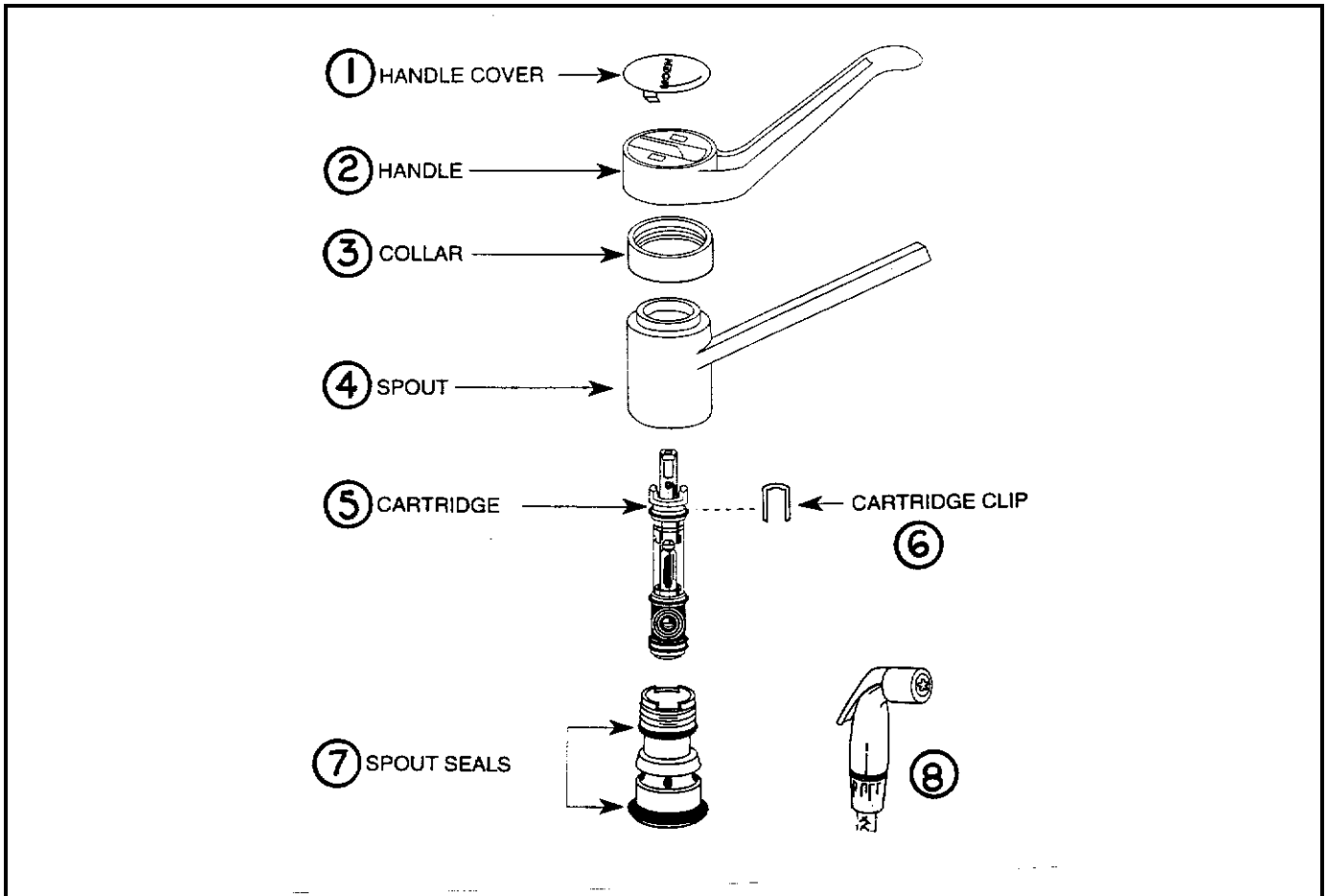
601698-19 Coupler
 $\frac{3}{4}$ barb x $\frac{3}{4}$ MPT



601709 Elbow
 $\frac{3}{4}$ barb x $\frac{3}{4}$ MPT

1998 CUTTER 30;' & 34' GAS

PLUMBING FRESH WATER-FAUCETS

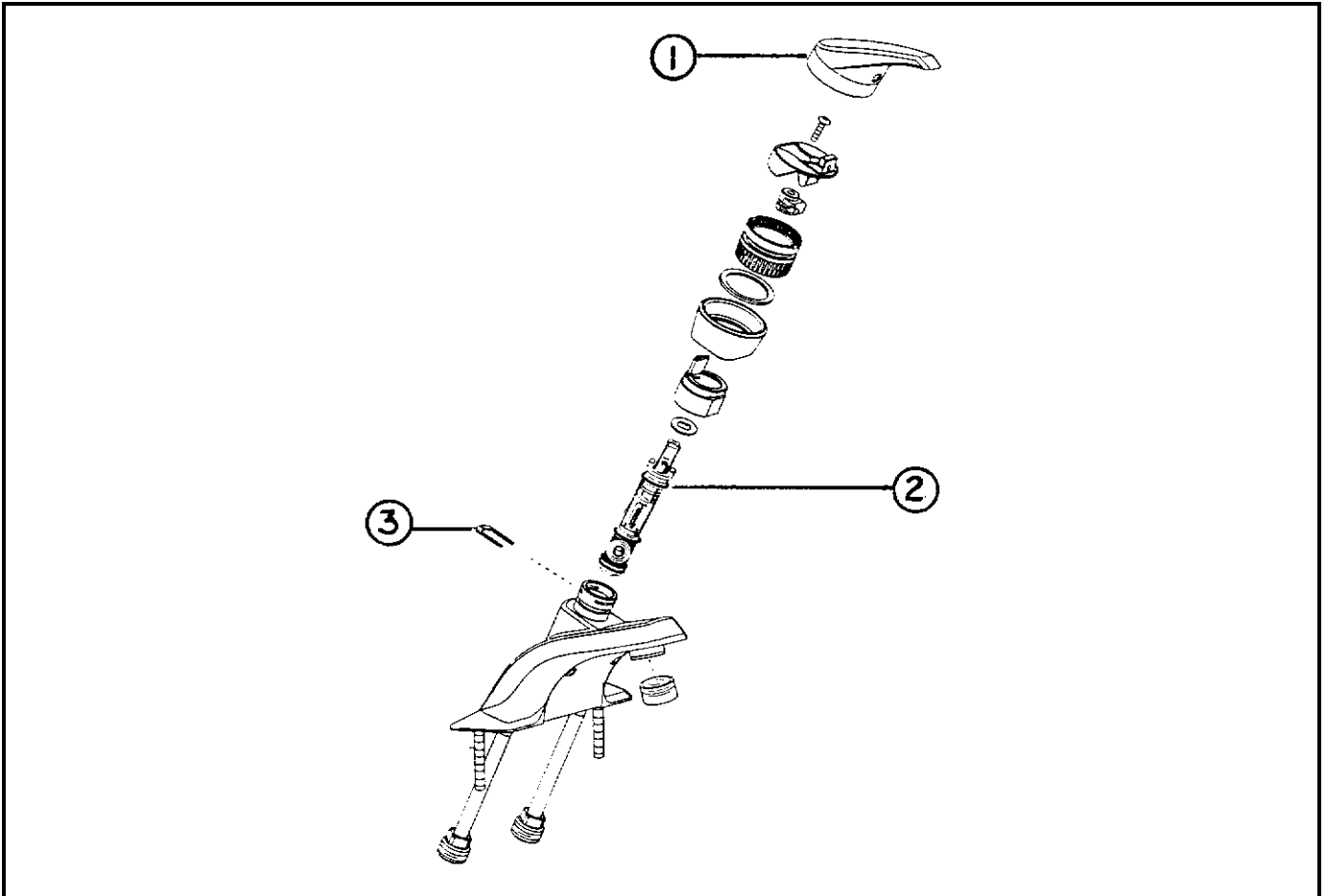


601705 FAUCET, GALLEY, MOEN #7215S

- | | |
|---------------|--------------------------------|
| 1) 601705-972 | Handle cover, sand |
| 2) 601705-444 | Handle, sand |
| 3) 601705-694 | Collar, sand |
| 4) 601705-915 | Spout, sand |
| 5) 601579-106 | Cartridge, Moen |
| 6) 601579-105 | Clip, cartridge retainer |
| 7) 601705-117 | Spout seals, Moen 7215S |
| 8) 601705-873 | Spray head/hose assembly, sand |

1998 CUTTER 30;' & 34' GAS

PLUMBING FRESH WATER-FAUCETS

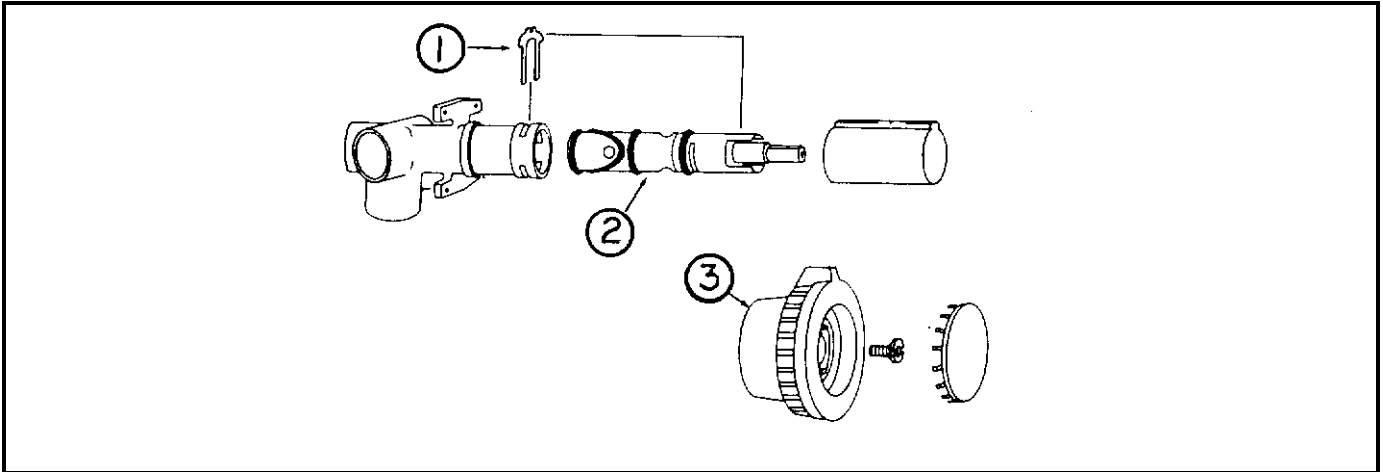


690390-02 Faucet, lavatory, Moen, brass/chrome

- 1) 690390-100 Lever handle
- 2) 601579-105 Cartridge
- 3) 601579-104 Retainer clip

1998 CUTTER 30;' & 34' GAS

PLUMBING FRESH WATER-FAUCETS



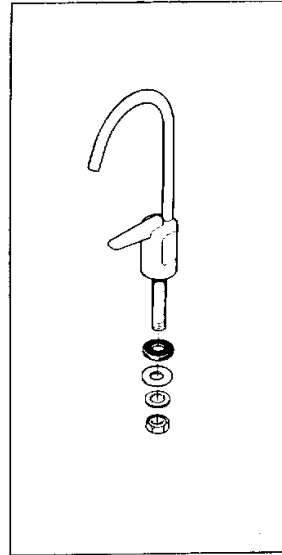
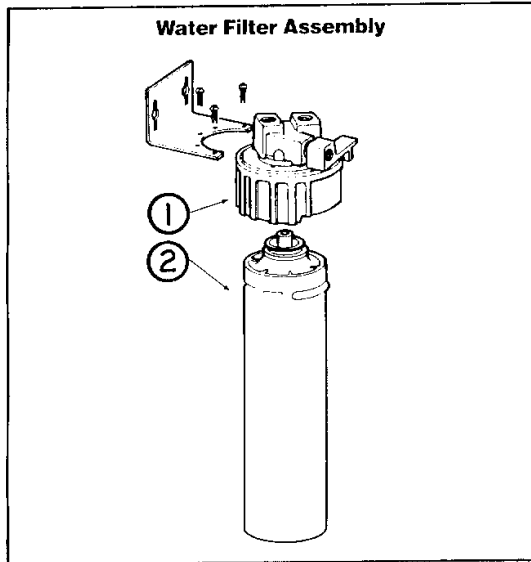
601420-02 Faucet, shower

- 1) 000883 Retainer clip
- 2) 601420-100 Cartridge
- 3) 001041 Handle

- 601358-100 Shower head , chrome
- 600330 Shower hose, chrome
- 600332 Vacuum breaker, chrome

1998 CUTTER 30;' & 34' GAS

PLUMBING FRESH WATER-FAUCETS



- 1) 005273 Head, water filter
- 2) 960112 Cartridge, filter

601401 Faucet, water

1998 CUTTER 30;' & 34' GAS

PLUMBING DRAIN SYSTEM

601630-01	Holding tank, gray
601631-01	Holding tank, black, 34ft.
601604-01	Holding tank, black, 30ft.
601441	Tank flush, no-fuss(vacuum breaker and check valve)
601441-01	Nozzle, tank mounted, no-fuss flush
601197-01	Water hook-up, chrome, black tank flush
601607-08	Sewer hose, 20', w/hose adaptor
601229-01	Compartment, sewer hose storage(less metal housing)
601610	Metal conduit, 4" x 10'-hose carrier
601610-03	Ell, 45 degree-4"
601610-04	Cap with stop-4"
601607-02	Valve assembly, 3"
601607-10	Dump valve rod extension, 19"
601607-03	Extension rod, threaded, 12"

FITTING-BELOW FLOOR

195329-229	Reducer adapter, 3" to 1.5"
600636	Elbow, 90 degree, 1.5
600035	Ell, long sweep, 1.5
601607-02	Valve assembly, 3"
601251	Adapter.3" termination
0310107	Waste valve adapter
600820	3" Single socket, 90 degree

(continued)

1998 CUTTER 30;' & 34' GAS

FITTING-BELOW FLOOR

601160-02	Pipe, ABS, 1.5"
601160-04	Pipe, ABS, 3.0"
601607-06	Bayonet ring, glue on, 3"
601607-07	Bayonet cap, 3"
601638	Elbow, 90 degree, 3"
60163	7"Tee" 3" x 3" x 3"

DRAIN SYSTEMS-ABOVE FLOOR

601266	Closet flange, 3 x 4, slip fit, tank to toilet adp.
203001	Shower stall, 30ft.
201999	Shower stall, almond-34ft.
601362-02	Drain, polished chrome
600594	Strainer w/rubber stopper
200406-06	Lavy bowl, oval-includes tail, basket and stopper
601497-01	Sink, galley, porcelain, almond
195362-39	Sink strainer w/stopper, 2"

FITTINGS-ABOVE FLOOR

601200	Adapter, auto vent w/extension
600156	Tee, sanitary
600538	Vent V-200, automatic
600431	Elbow, 90degree 1.5"
600378	Continuous waste, 1.5
600622	P-trap, 1.5" w/slip nut and washer

(continued)

1998 CUTTER 30;' & 34' GAS

PLUMBING DRAIN SYSTEM-FITTINGS ABOVE FLOOR

600144	P-trap, 1.5"
601201	Adapter, swivel strainer, 1.25"
601318	Tee, bi-directional clean out 1.5
600155	Plug, clean out, 1.5
600182	Wye, 1.5 x 1.5 x 1.5, 1/8 bend
600094	Wye #2301
600035	Ell, long sweep, 1.5
600625-01	Plug, trap, 1.5 female
600625-02	Plug, tray, 1.5 male
600866	Elbow, 3 way
600224	Street ell, 3", 45 degree, long turn
600030	Ell, 45 degree, long turn
600027	Street ell, 45 degrees, long turn
600033	Elbow, vent, 90 degree, 1.5"

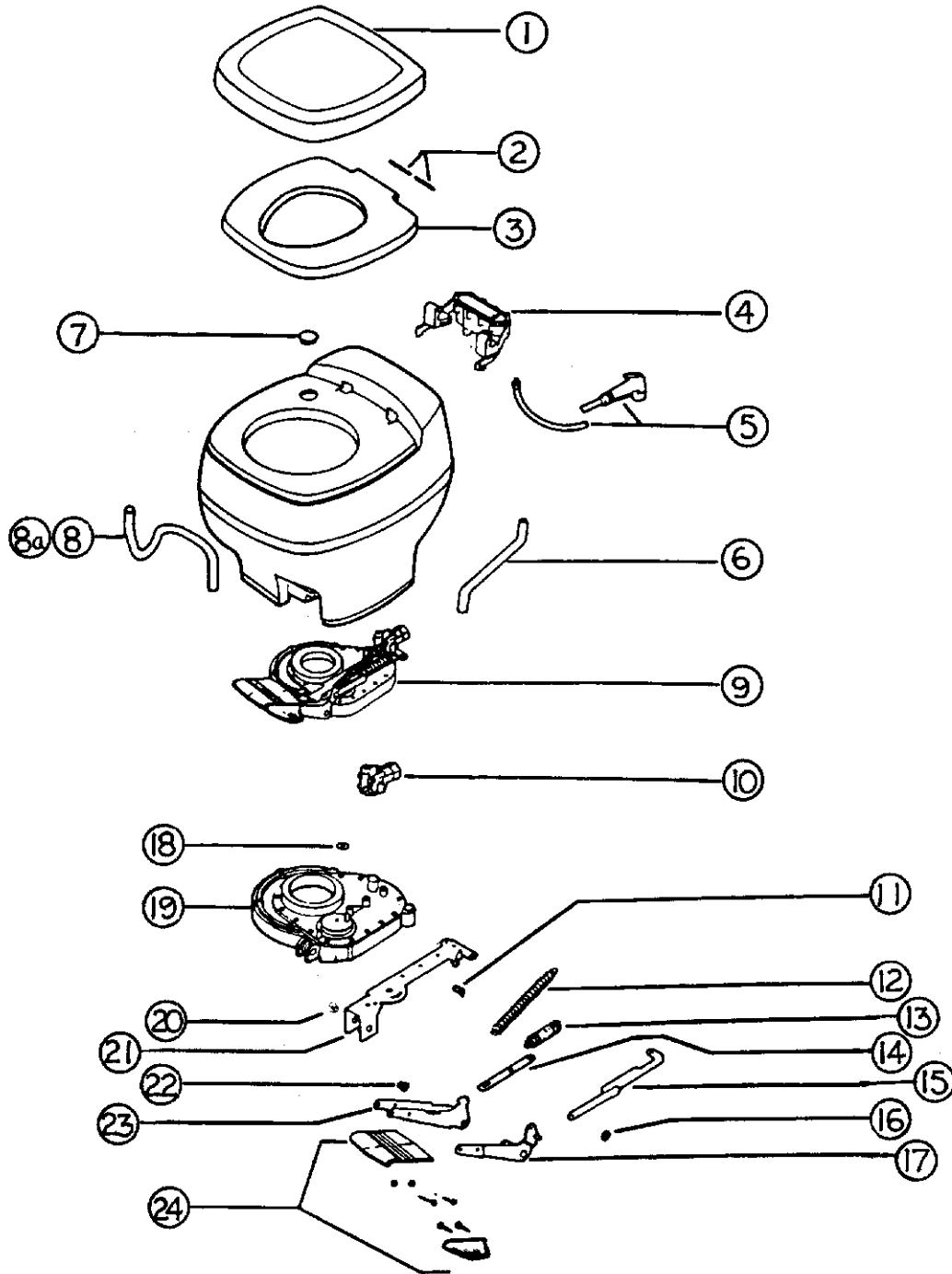
1998 CUTTER 30;' & 34' GAS

NOTES

1998 CUTTER 30;' & 34' GAS

PLUMBING

THETFORD, AQUA MAGIC GALAXY , FOOT FLUSH, PARCHMENT



1998 CUTTER 30;' & 34' GAS

PLUMBING

THETFORD, AQUA MAGIC GALAXY, PARCHMENT

690327-02 Toilet complete, Aqua Magic Galaxy, high

- 1) 020925 Padded seat cover, parchment
- 2) 012986 Hinge pin
- 3) 690327-162 Seat, parchment
- 4) 008217 Vacuum breaker w/water saver, parchment
- 5) 008993 Water saver package
- 6) 003728 Water supply tube
- 7) 003895 Hole plug, parchment
- 8) 003729 Trap tube, 20", low style
- 8a) 003727 Trap tube, 27", high style
- 9) 024203 Mechanism, parchment
- 10) 009868 Ball valve replacement package
- 11) 002391 Drive arm assembly
- 12) 002802 Spring, ball valve return
- 13) 002801 Spring
- 14) 008986 Push link
- 15) 002796 Drive arm
- 16) 002394 Ring, retainer
- 17) 009421 Pedal arm assembly
- 18) 008034 Retainer ring, 1/4"
- 19) 020929 Base and cover assembly
- 20) 003749 Bushing, mechanism
- 21) 012593 Lever plate
- 22) 003749 Bushing, mechanism
- 23) 019266 Pedal arm
- 24) 020930 Double pedal package

1998 CUTTER 30;' & 34' GAS

SAFETY EQUIPMENT

510781	Detector, smoke #1056 w/silencer
511343	Detector, carbon monoxide-9 volt
511309	Detector, LPG
700349	Seatbelt, mini buckle, black web
381069	Seat belt kit, cocktail chair
690381-01	Fire extinguisher 10 B:CUL
690381-02	Fire extinguisher 10 B:CULC(Canadian)
380188	Emergency warning triangle, set of 3

1998 CUTTER 30;' & 34' GAS

SEALER, GASKETS, PAINT, ADHESIVES GASKETS



1) 365205



2) 365237-01



3) 365232



4) 365208



5) 201260



6) 381524



7) 365013-01

1) 365005

Gasket, weather strip, rear trunk door

2) 365237-01

Seal, dust, compartment door edge
(replaced 365208 mid 98 model)

3) 365232

Seal, main door/compartment door jamb

4) 365208

Gasket, seal-compartment door hinge and
window to body

5) 201260

Insert, windshield gasket, rubber

6) 381524

Gasket, windshield, includes center strip

7) 365013-01

Gasket, screen door, low density foam

1998 CUTTER 30;' & 34' GAS

SEAL-CREATION WINDOW GASKETS



1) 371593-711



2) 371593-337



3) 371593-324



4) 371593-331



5) 371593-315



6) 371593-633

- 1) 371593-711
- 2) 371593-337
- 3) 371593-324
- 4) 371593-331
- 5) 371593-315
- 6) 371593-633

- Glazing rubber, Creative
- Stationary rubber, Creative
- Post wiper seal, Creative
- "U" channel, Creative
- Bottom seal, Creative
- Slider rubber, Creative

(continued)

1998 CUTTER 30;' & 34' GAS

SEAL-CREATION WINDOW GASKETS



1) 371593-316



2) 371593-714



3) 371593-346



4) 371593-325



5) 371593-004



6) 371593-312

- 1) 371593-316
- 2) 371593-714
- 3) 371593-346
- 4) 371593-325
- 5) 371593-004
- 6) 371593-312

- Pocket cover, Creative
- Top vent seal, Creative
- Vent seal, Creative
- Sliding glass track, Creative
- T-Spline for screen, Creative
- Vent head/post seal, Creative

(continued)

1998 CUTTER 30;' & 34' GAS

SEAL- CREATION WINDOW GASKETS



1) 371593-302



2) 371593-074



3) 371593-121



4) 371593-348

1) 371593-302

Sliding screen stop, Creative

2) 371593-074

Post glazing vinyl, Creative

3) 371593-121

Bug flap, Creative

4) 371593-348

Channel dress, Creative

1998 CUTTER 30;' & 34' GAS

SEALER, GASKETS, PAINT, ADHESIVES

SEALER

360052	Vulkem sealer, black,
360180	Sika flex #221
360268-01	Liqua Seal, roof, white
360216	Caulk, latex, brown
365001	Tape, double coated foam
360074	Sealant, GE RTV, white
360002	Vulkem sealant, gray
360176	Sealant, almond, bathroom
360210	Sealant, paralastic #4334-04 (refrigerator compartment sealer)
360283	Silicone sealer, Corian bone

1998 CUTTER 30;' & 34' GAS

SEALER, GASKETS, PAINT, ADHESIVES

ADHESIVES

702791	Border adhesive
800639-02	Adhesive, oak plank flooring
360270	Adhesive spray, Sta-put, ceiling panels (reference only, not available for shipment)
360261	Glue, urethane

PAINT

360234	Paint, gray smoke, Delstar
360260	Paint, gal, Pewter gray-lower skirts, Centari
360262	Paint, gal, Nu-white-side walls, Centari
360208	Stain, gal, medium oak
365244	Lacquer, clear, used on wood

MISCELLANEOUS

360179	Undercoat, Pennzoil II
6000329	Tape, silver, 2" wide
200518	Spline, gray, screen insert
380079	Screen, gray

1998 CUTTER 30;' & 34' GAS

UPHOLSTERY/FOAM/MATTRESS

701768	Mattress, 34 x 79.5", twin
702675	Mattress, 60 x 80", w/45 degree corner-34ft.
702674	Mattress, 60 x 75" w/45 degree corner-30ft.
701611	Pillow 21 x 31"
702489-318	Bedsread, "A" Blue Bayou
702677-318	Bedsread, J model, Blue bayou-34ft.
702677-098	Bedsread, J model, Alex. Julian-34ft.
702677-418	Bedsread, J model, Peridot-34ft.
702676-318	Bedsread model, Blue Bayou-30ft.
702676-098	Bedsread model, Alex. Julian-30ft.
702676-418	Bedsread , J model, Peridot-30ft.
963096	Head board, 62"wide
960765	Head board, twin
702896-04	Pillow kit, Blue Bayou
702883-04	Pillow kit, Alex. Julian
702881-05	Pillow kit, Peridot
702796-318	Swivel chair, Blue Bayou
702800-318	Sofa, jackknife, 68", Blue Bayou-slide out & 30
702801-318	Sofa, jackknife, 74", Blue Bayou-34 non-slide
702897-01	Seat, driver, power w/belts
702898-01	Seat, passenger, non power, w/belts

1998 CUTTER 30;' & 34' GAS

UPHOLSTERY/FOAM/MATTRESS

702464-03	Foam, dinette, upper back, RH
702464-07	Foam, dinette, lower back
702464-04	Foam, dinette, upper back, LH
702464-07	Foam, dinette, lower back
702464-09	Foam, dinette, aft seat
702464-11	Foam, dinette, forward seat
998071	Cover, back, side dinette
998070	Cover, seat, side dinette
961773	Back, upholstered, dinette seat, RH

1998 CUTTER 30;' & 34' GAS

VENTS/FANS

381207-03	Vent w/screen, refrigerator, roof
511152-11	Range exhaust, w/monitor
511152-01	Vent cover, exterior, range exhaust
381450	Vent, roof, Fantastic#6000RBT
511376	Fan, defrost, oscillating
510929-05	Switch, dash, defrost fan
381631-01	Skylight, plastic, neo-angle 22 x 22
203154-01	Inner dome, neo-angle-22 x 22 skylight
690266-01	Ventilator, power, bath
381153-01	Vent, Jensen #757

1998 CUTTER 30;' & 34' GAS

WOOD/INTERIOR TRIM

801176-03	Paneling, interior wall, 1/8" x 4' x 7', Solitude
203147-01	Trim, divider bar, interior panels, Solitude
800507-01	Paneling, luan, 1/8" x 4' x 8'
800397-01	Cedar, planked, 5/32" x 4' x 8'
201728-01	Extrusion, ceiling trim retainer
201728-04	Extrusion, ceiling trim
801177-01	Paneling 1/2" x 4' x 8', G2S, solitude/solitude
801185-01	Paneling 1/2" x 4' x 8', G1S, solitude/raw
801233-01	Paneling 1/4" x 4' x 8', G1S, solitude/raw
801180	Paneling 1/2" x 4' x 8', G2S, oak/oak
801179	Paneling, 1/2" x 4' x 8', G1S, oak/raw
801182	Paneling 5/32" x 4' x 8', G2S, oak/oak
801181	Paneling 5/32" x 4' x 8', G1S, oak/raw
801229	Laminate, oak, 4' x 8'
800631	Handrail, oak, 23"
963990	Magazine rack
801115	Flooring, oak quartered 3/8"

1998 CUTTER 30;' & 34' GAS

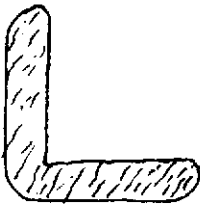
WOOD/INTERIOR



1) 801206-01



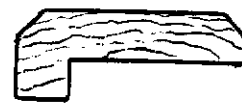
2) 964152-01



3) 801175



4) 800571-01



5) 800617-01



6) 801172-01
6a) 801172-03



7) 801173-03



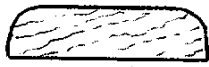
8) 801173-04

- | | |
|---------------|------------------------------------|
| 1) 801206-01 | Molding, floor, oak, 43" |
| 2) 964152-01 | Molding, chair rail, oak |
| 3) 801175 | Molding, corner, Solitude |
| 4) 800571-01 | Molding, oak, flat 1/4"x33/64"x80" |
| 5) 800617-01 | Molding, wainscoat, oak |
| 6) 801172-01 | Molding, flexible corner, oak |
| 6a) 801172-03 | Molding, flexible corner, Solitude |
| 7) 801173-03 | Molding, flat radius, .88" oak |
| 8) 801173-04 | Molding, flat radius, 1.13" oak |

(continued)

1998 CUTTER 30;' & 34' GAS

WOOD/INTERIOR TRIM



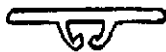
1) 800573-01



2) 800572-01



3) 201728-04



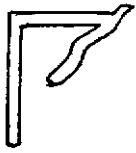
4) 201728-01



5) 203159-01



6) 201666



7) 201790-01



8) 203138-01

1) 800573-01

Molding, door edge 1 3/32 x 80"

2) 800572-01

Molding, panel edge, oak 23/32 x 80"

3) 201728-04

Extrusion, ceiling trim

4) 201728-01

Extrusion, ceiling trim retainer

5) 203159-01

Trim, divider bar, interior panels, Solitude

6) 201666

Molding, J 3/16, plastic

7) 201790-01

Molding, cove, white, ceiling to wall

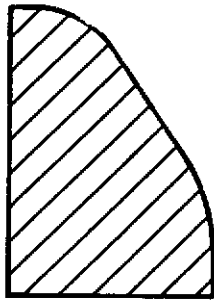
8) 203138-01

Extrusion, wall, plastic, white (panel edging)

(continued)

1998 CUTTER 30;' & 34' GAS

WOOD/INTERIOR TRIM



1) 800576-01



2) 801189

1) 800576-01

Molding, bath door stop, oak

2) 801189

Trim, bath door jamb, oak

SLIDE OUT ROOM INTERIOR TRIM

964267

Molding, decorative oak, slide out trim, 84"

964267-01

Molding, decorative oak, slide out trim, 120"

964101-02

Facia, decorative oak, corner block, slide out

