

AIRSTREAM

**35'
LAND YACHT
WIDE BODY PUSHER**

Parts Book

1998

TABLE OF CONTENTS

SECTION I

A through C

APPLIANCES

Air conditioner	I-1
Coffee Maker	I-1
Furnace	I-1
Microwave	I-1
Range	I-2
Refrigerator	I-2
Water heater	I-3

BODY

RS wall	I-12
CS wall	I-14
Front end	I-16
Aft end	I-18

CHASSIS

Hitch	I-20
Power jacks	I-20
Step	I-20
Automotive air conditioner	I-22

TABLE OF CONTENTS

SECTION II

D through E

DASH

Dash parts	II-1
Glove box	II-1
Trims	II-1
Defrost nozzle	II-1
Rear view mirror	II-1
Sun visor	II-1
Wind shield wiper	II-2

DECALS	II-7
------------------------------	------

DOORS/WINDOWS/AWNINGS

Road side	II-11
Curb side	II-13

DRAPES/BLINDS/VALANCES	II-15
--	-------

ELECTRICAL

110 volt	II-17
12 volt	II-19
Dash switches/lens	II-20

ENTERTAINMENT

Televisions	II-25
Radios	II-25
Rear view monitor	II-25

TABLE OF CONTENTS

SECTION III

F through H

FASTENERS (common fasteners available locally are not listed)

Rivets	III-1
Screws	III-3

FLOOR COVERING

Carpet	III-5
Hardwood flooring	III-5
Mats	III-5

FURNITURE

Interior doors	III-7
Mirrors	III-7
Drawer face	III-8
Drawer box	III-8
Galley	III-9
Lounge/cab	III-11
Bedroom	III-13
Bath	III-15

HARDWARE

Exterior locks/hinges/props	III-17
Interior drawer slides/hinges/catches	III-20
Bath accessories	III-20
Awning hardware	III-23

TABLE OF CONTENTS

SECTION IV

L through Z

LABELS and TAGS IV-1

OPTIONS IV-3

PLUMBING

LPG IV-5

Fresh water IV-7

Drain water IV-14

Toilet IV-17

SAFETY EQUIPMENT IV-19

SEALS/SEALER/PAINT

Gaskets IV-21

Sealer IV-25

Adhesive IV-26

Paint IV-26

UPHOLSTERY/FOAM/MATTRESS

Mattresses IV-27

Bed spread IV-27

Swivel seat IV-27

Cab seat IV-27

Dinette foam/upholstery IV-28

VENTS/FANS

Skylights IV-29

Vents/Fans IV-29

WOOD/INTERIOR TRIM

Paneling IV-31

Wood accessories IV-31

Wood molding/trim IV-32

Ceiling trim/retainer IV-33

1998 LAND YACHT 35 PUSHER

APPLIANCES

DUO THERM, AIR CONDITIONER-PENQUIN (800-366-3842)

690380-02	Duo Therm, Penquin air conditioner, 13, 500 BTU
690380-04	Thermostat
690380-06	Air box, polar white
690380-08	Sensor, Penquin dual air
511252	Plug, phone-4 conductor, dual air
385582-01	Decal, Airstream w/bar
690323-100	Shroud, exterior, Penquin air conditioner.

COFFEE MAKER

690374 Coffee maker

FURNACE, HYDROFLAME (800-825-4328) -Dealer only

690274	Furnace, Hydroflame, #8535-35, 000BTU
690244-06	Mounting flange
690274-06	Door exterior, Hydroflame
601244-03	Register.rotaire, black
600969-01	Grille, 6x4, col. white
600678	Adapter, grill, heat duct10x2
600247	4" duct hose, flexible

MICROWAVE, SHARP R1850 (800-456-3340)

690368-01	Microwave, convection, Sharp Carousal
962723	Bracket assy. mounting

1998 LAND YACHT 35 PUSHER

APPLIANCES

MAGIC CHEF RANGE (800-544-5513)

690348	Range top, 3 burner
690347	Range, 3 burner w/oven
690012-01	Range cover, bi-fold
964383-01	Range covers, Corian, set

DOMETIC REFRIGERATOR, RM4837R (800-366-3842)

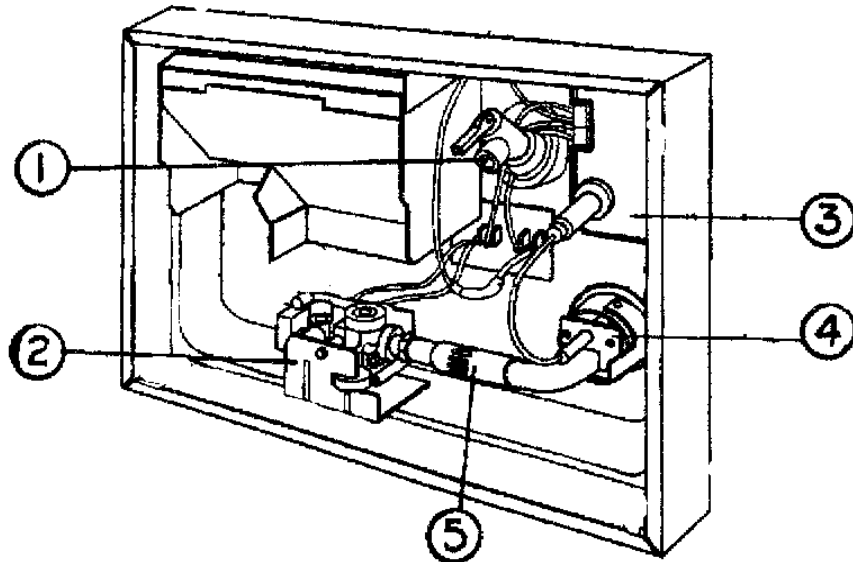
690372-03	Refrigerator, RM4873R, 3-way w/ice maker
801228-01	Oak refrigerator door insert 15.0x20.31
801225-03	Oak refrigerator door insert 38.38x20.31
690340-03	Refrigerator door exterior
601698-07	Water shut-off valve, 1/2 barb, to ice maker
381207-02	Roof vent, refrigerator, w/screen
690372-030	Cooling unit, #805

1998 LAND YACHT 35 PUSHER

APPLIANCES

ATWOOD WATER HEATER, GH6-8E
(800-825-4328) Dealer only

690225	Water heater, Atwood, elec. ignition w/motor aid
500933	Switch, water heater, electronic
690259-03	Cover/mounting flange, Atwood



1) 091604	Relief valve, pressure/temperature
2) 093870	Solenoid valve
3) 093865	Circuit board
4) 093868	Spark probe
5) 092615	Main burner

1998 LAND YACHT 35 PUSHER

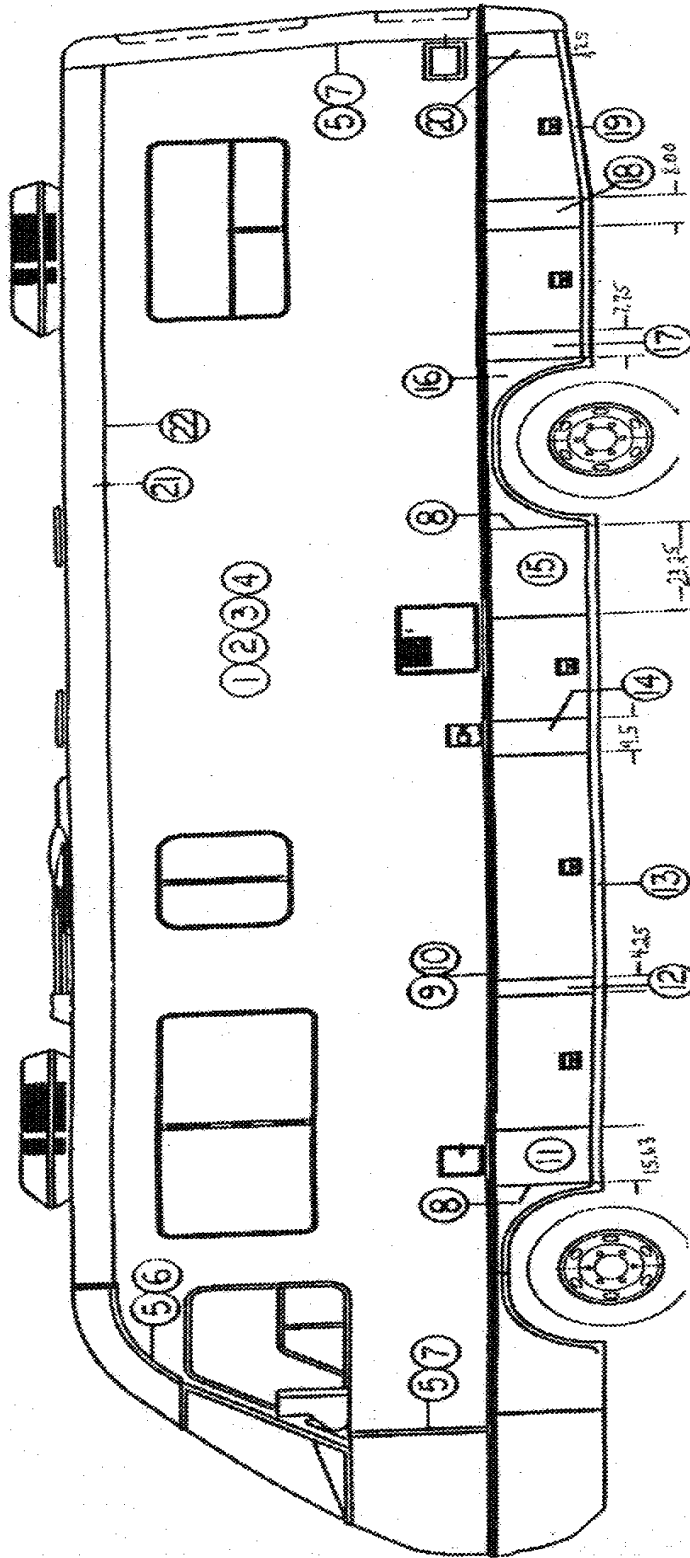
NOTES:

1998 LAND YACHT 35 PUSHER BODY

THIS SECTION SHOWS THE SIDE WALLS AND
LOWER BODY PANELS MOST FREQUENTLY DAMAGED
IN MINER ACCIDENTS.

THE LOWER COMPARTMENT DOORS, ACCESS DOORS
AND WINDOWS ARE SHOWN IN THE **DOOR** SECTION OF
THIS BOOK.

1998 LAND YACHT 35 PUSHER



page bo-1

1998 LAND YACHT 35 PUSHER

BODY

*ROADSIDE WALL

(see doors and windows in separate section)

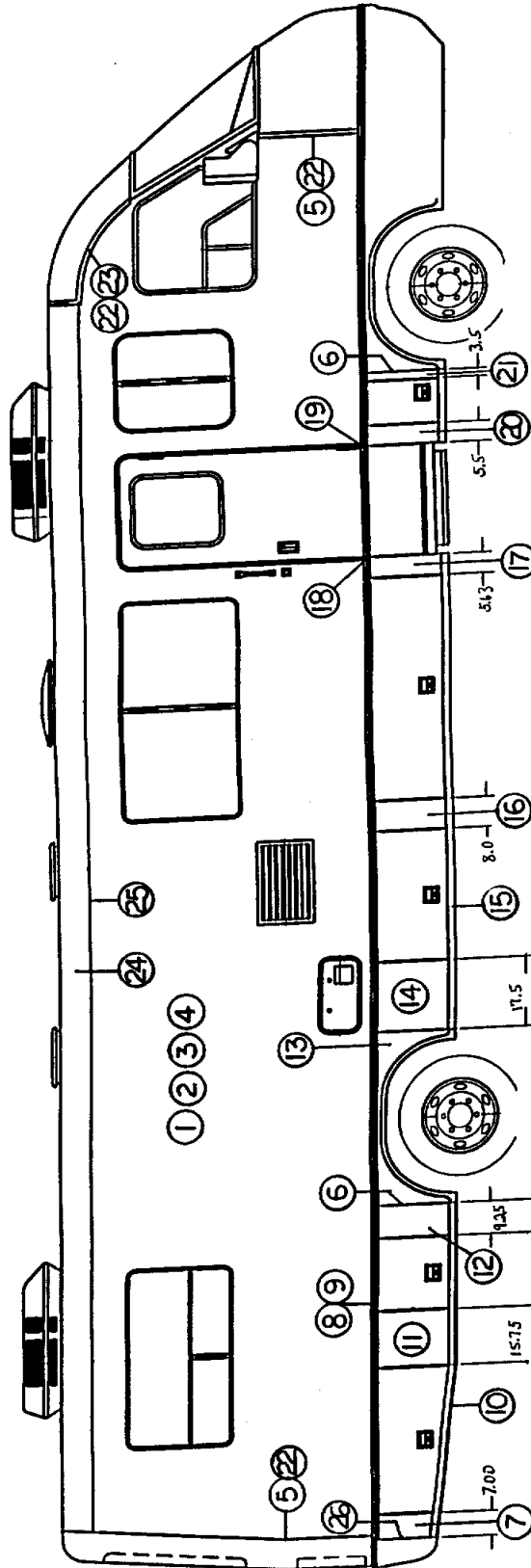
- | | |
|---------------|--|
| 1) 801002-11 | Sheet, fiberglass 76"x 386" |
| 2) 914112 | Weldment, roadside wall |
| 3) 203075 | Styrofoam sheet |
| 4) 801176-03 | Paneling, inside, G1S, 4'x7' |
| 5) 320124-03 | Screw, #6x1 flathead, stainless |
| 6) 114088-01 | Trim, extrusion, front cap to sidewall, RS |
| 7) 114005-02 | Trim, molding, ends to sidewall |
| 8) 114070-02 | Extrusion, J-trim, pewter gray |
| 9) 114584 | Extrusion, rub rail installation |
| 10) 201709-02 | Rub rail molding, black |
| 11) 114585-13 | Filler panel, 15.63 |
| 12) 114587-01 | Filler panel, 4.25 |
| 13) 114583-01 | Extrusion, rocker panel, 158" |
| 14) 114587-03 | Filler panel, 9.50" |
| 15) 114586-11 | Filler panel, 23.25" |
| 16) 201285 | Fender skirt, rear, RS |
| 17) 114585-11 | Filler panel, 7.75 |
| 18) 114587-11 | Filler panel, 8.00" |
| 19) 114610-01 | Rocker panel weldment, angle, RS |
| 20) 114590-04 | Filler panel, 7.5" |
| 21) 114619 | Extrusion, roof corner cap |
| 22) 114570-12 | Extrusion, awning rail |
| 23) 114005-03 | Extrusion lower cap to filler panel, gray |

*Note: each filler panel has a flange on one or both sides.(not shown)

These are:

- | | |
|-----------|-----------------|
| 114618-01 | Seal, flange LH |
| 114618-02 | Seal, flange RH |

1998 LAND YACHT 35 PUSHER



1998 LAND YACHT 35 PUSHER

BODY

*CURBSIDE WALL

(see doors and windows in separate section)

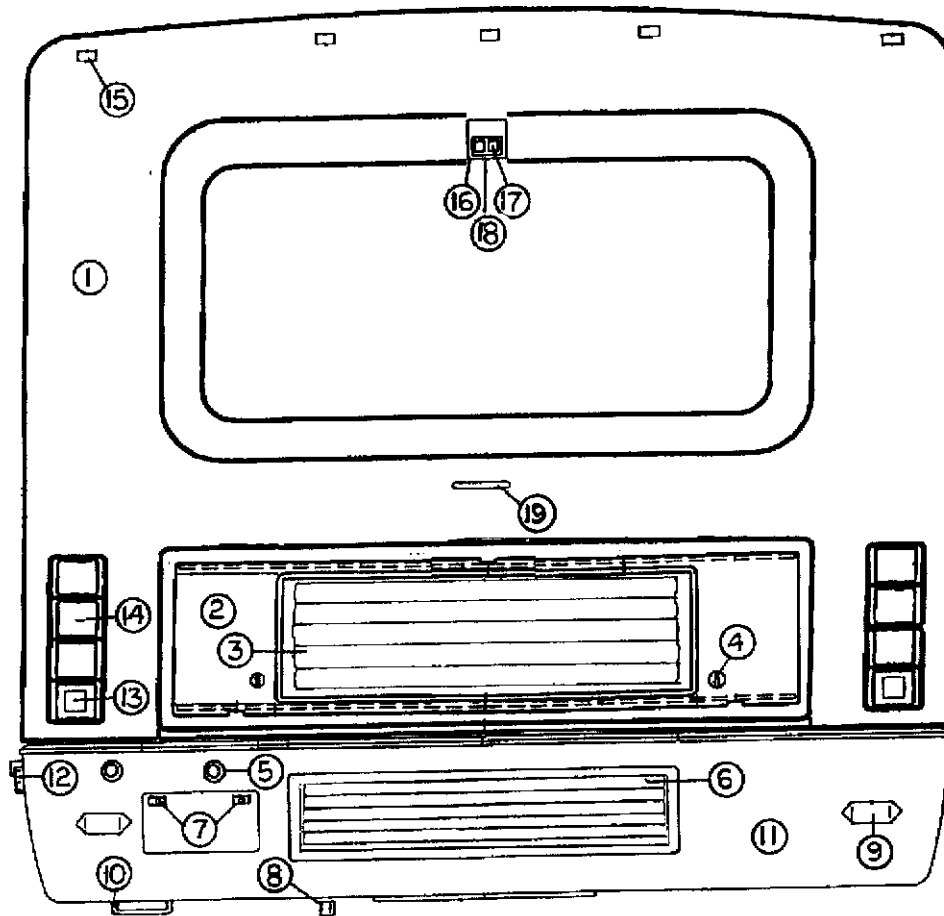
- | | |
|---------------|--|
| 1) 801002-11 | Sheet, fiberglass 76x386" |
| 2) 914113 | Weldment, C.S. wall |
| 3) 203075 | Styrofoam sheet |
| 4) 801176-03 | Paneling, inside, G1S, 4'x7' Solitude |
| 5) 114005-02 | Trim molding, ends to sidewall |
| 6) 114070-02 | Extrusion, J-trim, pewter gray |
| 7) 114590-03 | Filler panel, 7.00" |
| 8) 114584 | Extrusion, rub rail installation |
| 9) 201709-02 | Rub rail molding, black |
| 10) 114610-02 | Rocker panel weldment, angle, c.s. |
| 11) 114587-12 | Filler panel, 15.75 |
| 12) 114586-12 | Filler panel, 9.25 |
| 13) 201805 | Fender skirt, rear, C.S. |
| 14) 114585-12 | Filler panel, 17.50 |
| 15) 114583-01 | Extrusion, rocker panel |
| 16) 11487-21 | Filler panel, 8.00 |
| 17) 114586-13 | Filler panel, 5.63 |
| 18) 385955-02 | End cap, rub rail, casting, L.H. |
| 19) 385955-01 | End cap, rub rail, casting, R.H. |
| 20) 114585-14 | Filler panel, 5.50 |
| 21) 114586-14 | Filler panel, 3.50 |
| 22) 320124-06 | Screw #6x1" flat head, stainless |
| 23) 114077-02 | Trim, extrusion, front cap to sidewall, CS |
| 24) 114619 | Extrusion, roof corner cap |
| 25) 114570-02 | Extrusion, awning rail |
| 26) 114005-03 | Extrusion, lower cap to filler panel, |

*Note: each filler panel has a flange riveted on one or both sides.(not shown) These are:

- | | |
|-----------|-----------------|
| 114618-01 | Seal, flange LH |
| 114618-02 | Seal, flange RH |

1998 LAND YACHT 35 PUSHER

BODY, AFT



- | | |
|---------------|---------------------------------------|
| 1) 201978-01 | Cap, rear. Nu-white |
| 2) 961975-03 | Door assy. trunk |
| 3) 921121-01 | Door louver, trunk |
| 4) 381227-02 | Vise-action latch, straight pawl |
| 5) 381148-01 | Socket, bottom support, ladder |
| 6) 921130 | Louver assy. rear bumper |
| 7) 381077 | Well nut, license plate |
| 8) 510863-01 | Plug, trailer |
| 9) 511101 | Light, docking, halogen, black bezel |
| 9a) 511101-01 | Light, docking, halogen, chrome bezel |

(continued)

1998 LAND YACHT 35 PUSHER

BODY, AFT

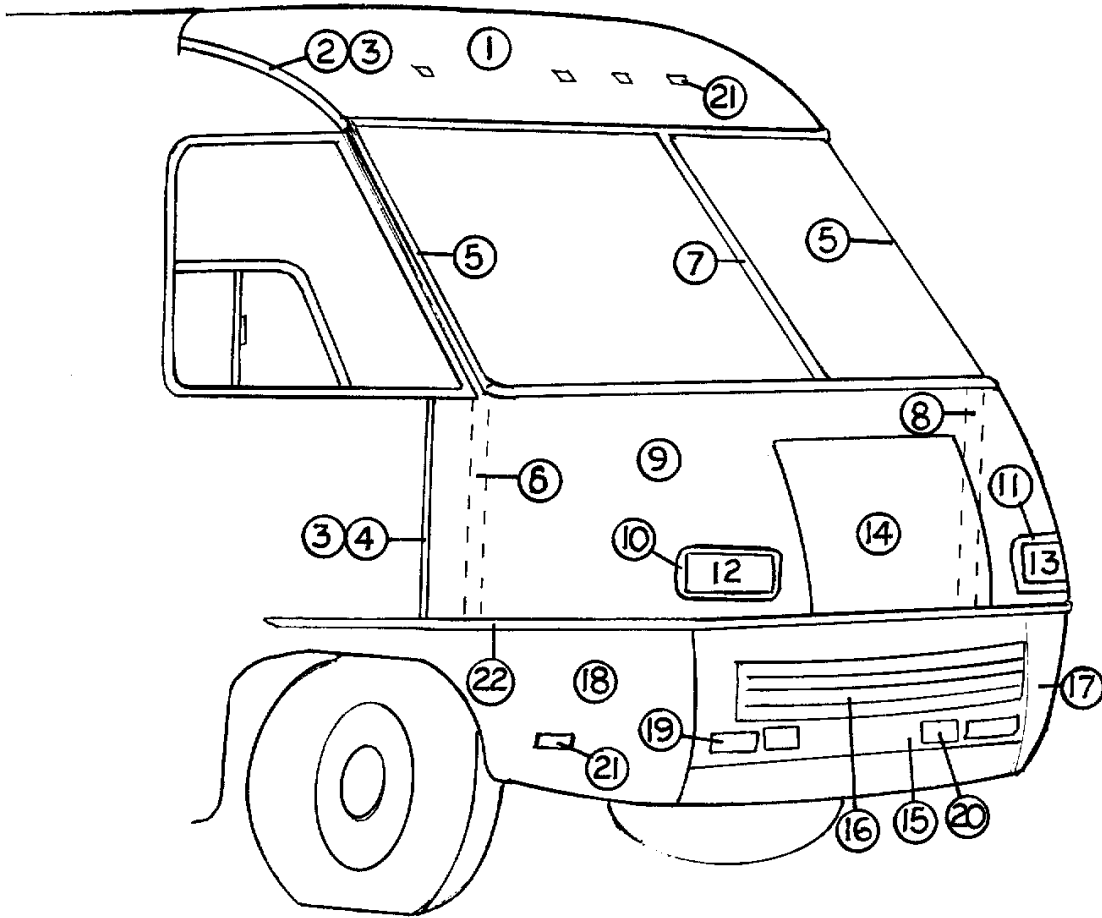
- 10) 914120 Step assy, bottom, roof ladder
- 11) 201988 Bumper, rear
- 12) 511149-02 Power inlet w/strain relief, 50amp
- 13) 511003-03 Tail light, clear, center, back up
- 14) 511003-02 Tail light, stop, tail and turn
- 15) 510984-01 Light, clearance, red
- 16) 203030 Cover, outer, rear monitor
- 17) 510918-01 Monitor, Sony Watchman
- 18) 511044-03 Actuator, two position, rear camera
- 19) 510809 Lamp, red brake light

NOT SHOWN;

- 381578 Ladder, roof
- 114224 Plunger, bottom support, ladder
- 511294 License plate light

1998 LAND YACHT 35 PUSHER

BODY, FRONT



1998 LAND YACHT 35 PUSHER

BODY, FRONT

- 1) 201975-01 Cap, front roof
- 2) 114077-02 Trim, extrusion, front cap to sidewall C.S.
- 114077-01 Trim, extrusion, front cap to sidewall R.S.
- 3) 320115 Screw, #6x1"flat head stainless steel
- 4) 114005-02 Trim, extrusion, nose to sidewall
- 5) 453531-03 "A" pillar, upper
- 6) 453531-02 "A" pillar lower C.S.
- 7) 452022 Channel, center windshield support
- 8) 453531-01 "A" pillar, lower R.S.
- 9) 201976-01 Nose, LYWB
- 10) 201907-02 Bezel, headlight, C.S.
- 201938-02 Housing, headlight, C.S.
- 11) 201907-01 Bezel, headlight R.S.
- 201938-01 Housing, headlight R.S.
- 12) 511051-02 Headlight, C.S.
- 13) 511051-01 Headlight, R.S.
- 14) 201895-01 Hood, LYWB
- 15) 201987 Bumper, front center, LYWB
- 16) 961473 Grill assy. LYWB
- 17) 201985-02 Fender, front, R.S.
- 18) 201985-01 Fender, front, C.S.
- 452597Brace, front fender
- 19) Light, turn signal, amber GM#916558 (n/a from Airstream)
- 20) 511094 Driving light kit, halogen
- 21) 510984-02 Light, side/side marker, amber
- 22) 201909 Molding, black bumper trim

1998 LAND YACHT 35 PUSHER
NOTES

1998 LAND YACHT 35 PUSHER

CHASSIS

400870	Reese hitch, Freightliner
410796-08	Jack kit complete, Freightliner
452845	Bracket, L.P. tank
914120	Step assy., roof ladder
511022	Step, double, Kwikkee#4013
511078	Switch, rocker, 4-gang
500982	Switch, magnetic, round, 3/8
511022-101	Control box, main, Kwikkee
511022-100	Motor, double step
410816	Wheel simulator, Freightliner
400571	Mud flaps, Freightliner
690311	Heater, rear, auxiliary
510929-04	Switch, dash, rear heat
600678	Adapter grill, heat duct 10x2
203070	Register, plastic, brown

1998 LAND YACHT 35 PUSHER

CHASSIS

690351-03	Dash air conditioner, Acme #4215000
690356	Kit heater/ac accessory, Freightliner
601483	Hose, vacuum 7/64 I.D.
381459-07	Hose, vacuum, rubber.109 I.D.
511112	Pump, vacuum#4570568
511113	Switch, vacuum pressure #4103028
600214-03	Heater hose 5/8
601556	Hose AC #65/16
601557	Hose AC #813/32
601558	Hose AC#125/8
690315-02	Plenum/fan assy. #4213144
690355	Condenser tri pak#410-3944
452944-01	Bracket condenser mtg. LH
452944-02	Bracket condenser mtg. RH
453515	Angle, c condenser mtg.

1998 LAND YACHT 35 PUSHER

SECTION II

D through E

DASH

Dash parts	II-2
------------------	------

DECALS

Front and rear	II-4
Side	II-6

DOORS/WINDOWS/AWNINGS

RS, slide out	II-8
CS, slide out	II-10
RS, non-slide.....	II-12
CS, non slide.....	II-14

DRAPES/BLINDS/VALANCES	II-15
------------------------------	-------

ELECTRICAL

110 volt.....	II-16
12 volt, chassis.....	II-20
Dash switches/lens.....	II-21
12-volt interior switches.....	II-22
12-volt interior lights.....	II-23
12-volt exterior lights	II-24
12 volt misc.	II-25
Windshield wiper assy.....	II-26

ENTERTAINMENT

Televisions.....	II-28
Radios.....	II-28
Rear view monitor.....	II-28

1998 LAND YACHT 35 PUSHER

DASH

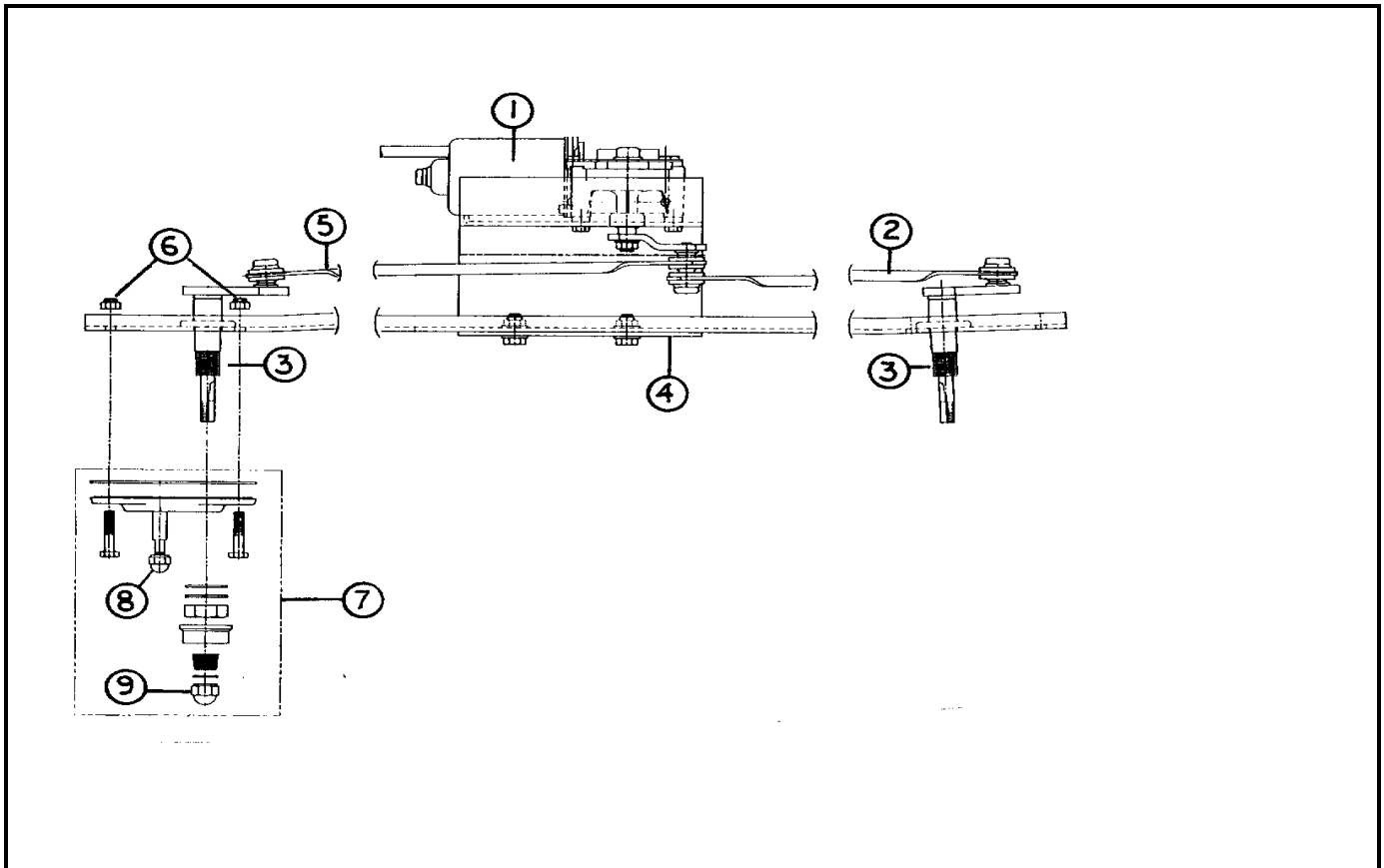
961264-08	Dash assy., LY WB, Pusher
201994-01	Dash top
201993-01	Dash face
702502-03	Cover, vinyl, dash, sewn w/pad
201853	Glove box
201833-01	Door, glove box
201853	Close out, steering column
203130-01	Trim ring , TV
* 961259-01	Switch cluster, upper
* 961260	Switch cluster, lower
201845-01	Nozzle, defroster duct, outer
201845-02	Nozzle, defroster duct, inner
371243	Mirror, rear view, interior, GM911722
380990	Bracket, interior rear view mirror GM#9831062
511305	Mirror, exterior, Velvac w/remote
381321-03	Switch, remote, Velvac mirror
381515-04	Visor. front windshield

*See electrical section for detail

1998 LAND YACHT 35 PUSHER

DASH

WIPER ASSEMBLY



- | | |
|---------------|---|
| 1) 510795-118 | Motor assy. E-005-308 |
| 2) 510795-119 | Connector-link assy., R.S. L1/3B4/3/22.00 |
| 3) 510795-105 | Idler/HSG assy. (pivot shaft) GS-2967 |
| 4) 510795-120 | Mounting bracket S-547 |
| 5) 510795-121 | Connector link assy. C.S. L1/3d3/3/22.00 |
| 6) 510795-122 | Lock nut 1/4-28 |
| 7) 510795-123 | Outer hardware G-S-2656 |
| 8) 510795-115 | Acorn nut, small, pantograph arm to pivot plate |
| 9) 510795-114 | Acorn nut, large, pantograph arm to pivot plate |

1998 LAND YACHT 35 PUSHER

DASH

WIPER ASSEMBLY

Parts not illustrated

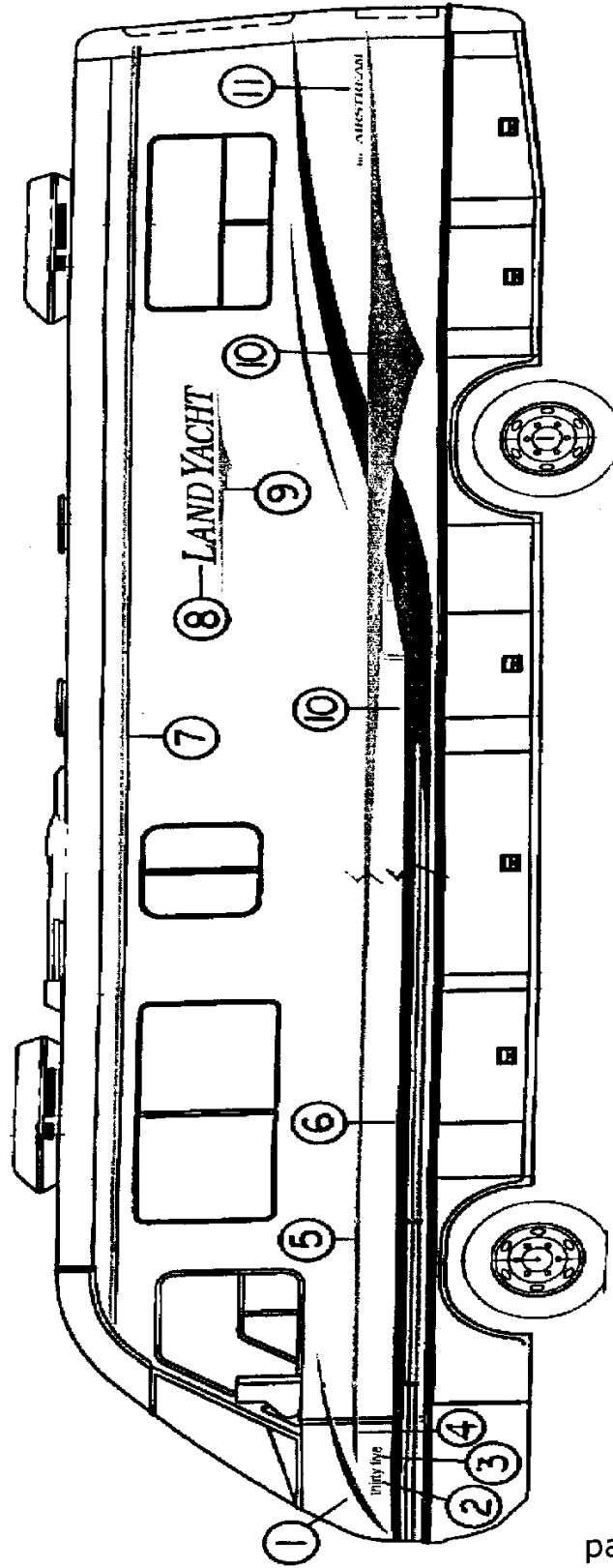
510795-107	Wiper blade refill
510795-101	Wiper blade and bridge
510795-104	Pantograph arm assembly
510675-01	Switch, wiper w/delay
511233-01	Module, wiper delay

1998 LAND YACHT 35 PUSHER
NOTES

1998 LAND YACHT 35 PUSHER DECALS

WITHOUT THE BENEFIT OF COLOR, THE DRAWING ON THE FOLLOWING PAGE MAY BE DIFFICULT TO MAKE OUT. IT WILL BE MUCH EASIER FOR YOU IF YOU REMOVE THE DRAWING FROM THE NOTEBOOK AND TAKE IT WITH YOU TO THE VEHICLE.

1998 LAND YACHT 35 PUSHER



pag

1998 LAND YACHT 35 PUSHER

DECALS

- 1)385957-05 Sweep,front end,RS
- 385957-04 Sweep,front end,CS
- 2)385960-01 Decal "thirty"
- 3)385960-05 Decal "five"
- 4)385957-10 Decal,end cap(continuation of #5)
- 5)385957-03 Decal stripe,1"
- 6)385957-02 Decal stripe,main body,4 3/4"
- 7)385957-01 Decal stripe,top,2"
- 8)385957-08 Decal,Land Yacht logo,large,52"
- 9)385957-09 Decal graphic,upper side
- 10)385957-07 Decal,graphic,main body,RS
- 385957-06 Decal,graphic,main body,CS
- 11)385957-15 Decal"by Airstream"

decals not shown

- 385957-14 *Decal,Airstream logo-rear end,2.25x50.5
- 385957-12 Decal,Land Yacht logo,medium 20" rear
- 385957-16 Decal,Airstream logo-front 1.62x36"
- 385957-13 Decal Land Yacht logo-small 7",front

- 385582-01 Decal,Airstream w/bar-air cond. shroud

*on some units#385957-16,the slightly smaller Airstream logo was used.

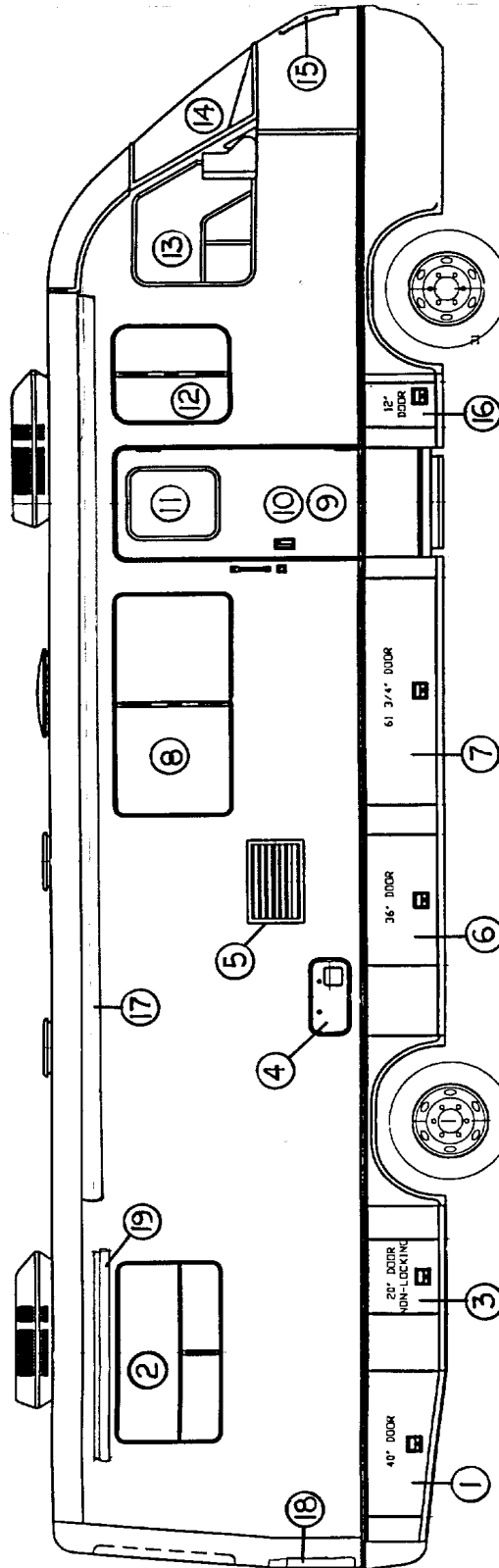
1998 LAND YACHT 35 PUSHER
NOTES

1998 LAND YACHT 35 PUSHER

DOORS/WINDOWS/AWNINGS

PLEASE NOTE THAT TWO DIFFERENT SIDE
WINDOWS ARE SHOWN IN EACH LOCATION. THE
WINDOWS IN BOLD TYPE WILL BE USED ON PUSHER
MOTORHOME 640609 AND ALL LAND YACHT PUSHER
MOTORHOMES THEREAFTER.

1998 LAND YACHT 35 PUSHER



1998 LAND YACHT 35 PUSHER

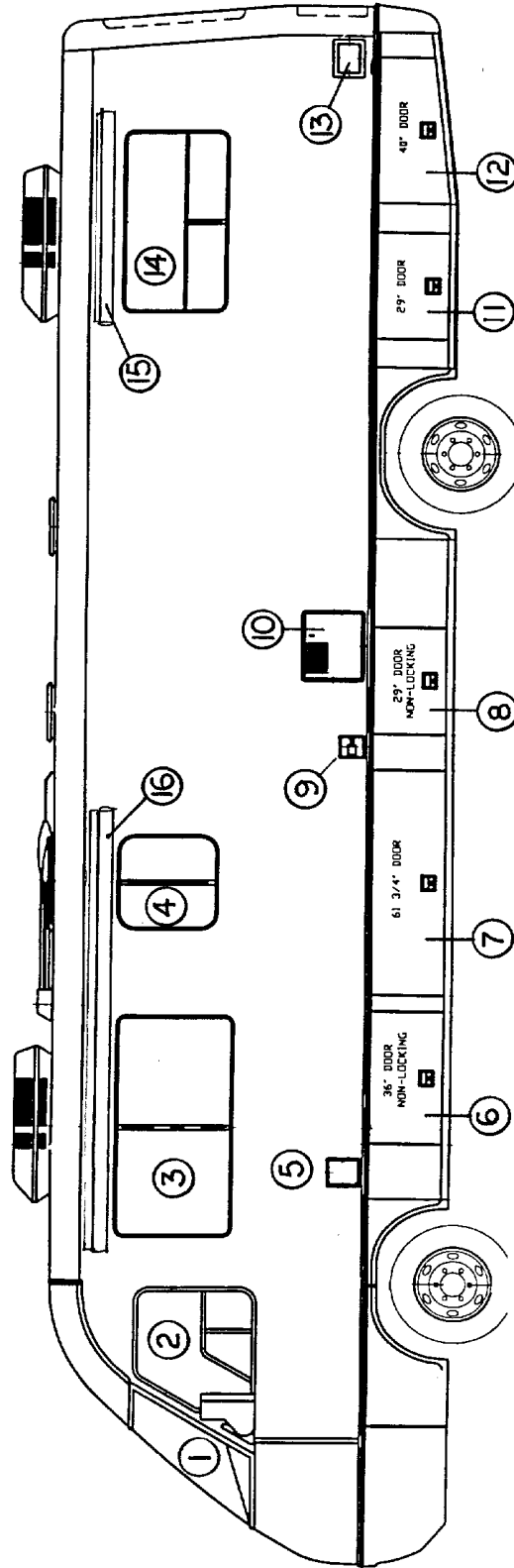
DOORS/WINDOWS/AWNINGS

(Hardware such as hinges, locks and latches are located in the **hardware** section of this book)

- | | |
|----------------|--|
| 1) 921167-03 | Compartment door, 40", angled, CS |
| 2) 371593-13 | Window, CS std. jalousie. 26.25 x 48.88 |
| 2a) 371366-21 | Window, horiz. slide dual pane, CS
38.25 x 48.88 |
| 3) 921169-04 | Compartment door, 20" non-lock |
| 4) 690274-05 | Door, Hydroflame, exterior |
| 5) 690390-03 | Door. refrigerator, flush mount |
| 6) 921166-06 | Compartment door, 36" |
| 7) 921166-01 | Compartment door, 61 3/4 |
| 8) 371593-06 | Window CS, single horiz. slide 29.75 x 60.25" |
| 8a) 371366-06 | Window, CS, dual pane, horiz. slide
29.75 x 60.25 |
| 9) 109989 | Main door assembly |
| 10) 922377 | Screen door assembly |
| 11) 371593-01 | Window, main door, 19.25 x 23.25" |
| 11a) 371366-01 | Window, main door 19.25 x 23.25 |
| 12) 371593-10 | Window, CS, single. horiz. slide 29.75 x 26.25 |
| 12a) 371366-10 | Window, CS, dual pane, horiz. slide
29.75 x 26.25 |
| 13) 3711359-01 | Window, CS, cab |
| 13a) 371364-01 | Window, CS, cab, dual pane |
| 14) 371331 | Windshield, CS |
| 15) 201895-01 | Hood |
| 16) 921268 | Compartment door, 12", non-lock |
| 17) 702679-16 | Awning, patio 17' Blue Shadow |
| 18) 961975-03 | Door assembly, trunk |
| 19) 702679-13 | Awning, window, 5'Blue Shadow |

NOTE: The new windows shown in bold print are all dual pane and start with serial number 640609

1998 LAND YACHT 35 PUSHER



1998 LAND YACHT 35 PUSHER

DOORS/WINDOWS/AWNINGS

(Hardware such as hinges, locks and latches are located in the hardware section of this book)

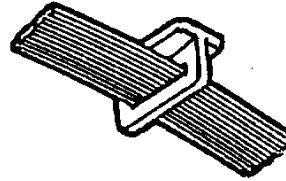
- | | |
|----------------|---|
| 1) 371330 | Windshield RS |
| 2) 371367 | Cab window, RS |
| a2) 371368 | Cab window, RS, dual pane |
| 3) 371593-05 | Window, RS, single horiz. slide 29.75 x 60.25 |
| a3) 371366-05 | Window, RS, dual pane 29.75 x 60.25 |
| 4) 371593-04 | Window, RS single horiz. slide 25.52 x 25.75 |
| a4) 371366-04 | Window, RS, dual pane 25.25 x 25.75 |
| | |
| 5) 201865-02 | Fuel fill housing |
| 6) 921169-06 | Compartment door, 36" non locking |
| 7) 921166-01 | Compartment door, 61 3/4 |
| 8) 921169-03 | Compartment door, 29" non locking |
| 9) 601194-03 | Water fill with lock |
| 10) 690259-03 | Cover/mounting , flange, water heater |
| 11) 921166-03 | Compartment door, 29" |
| 12) 921167-04 | Compartment door, angled, 40" RS |
| 13) 921177 | Grill assembly, air intake |
| 14) 371593-14 | Window RS, emergency egress, 26.25 x 48.88 |
| a14) 371366-22 | Window, egress, dual pane 30.25 x 48.88 |
| 15) 702679-13 | Awning, window, 5'Blue Shadow |
| 16) 702679-14 | Awning, window, 12'Blue Shadow |

NOTE: The new windows shown in bold print are all dual pane and start with serial number 640609

1998 LAND YACHT 35 PUSHER
NOTES

1998 LAND YACHT 35 PUSHER

DRAPES/BLINDS/VALANCES



100099
track, stand off

101217
track, curtain

700044
glides, w/elastic "T"

200784	End, curtain track, CS
200785	End, curtain track, RS
702878-02	Drapes, front windshield
702355-06	Shade, pull, main door
702804-02	Shade, pleated, skylight 20.25 x 21.0"
702789-24	Shade, pleated, night 50.0 x 28.5"
702383-04	Shade, pleated, day/night 27.0 x 27.5"
702383-19	Shade, pleated, day/night 61.25 x 33.5"
702383-05	Shade, pleated, day/night 27.25 x 33.5"
385963	Bracket, valance mounting, side
964117-01	Valance, galley 29.0 wide x 26.25 high
964121-04	Valance, dinette CS 64.25" wide
964122-01	Valance, bedroom CS 53"
964122-02	Valance, bedroom RS 53"
964126	Valance, rear center, 62.5"
964121-04	Valance, lounge, RS 64.25"
964120-03	Valance, cocktail chair CS 32.5"

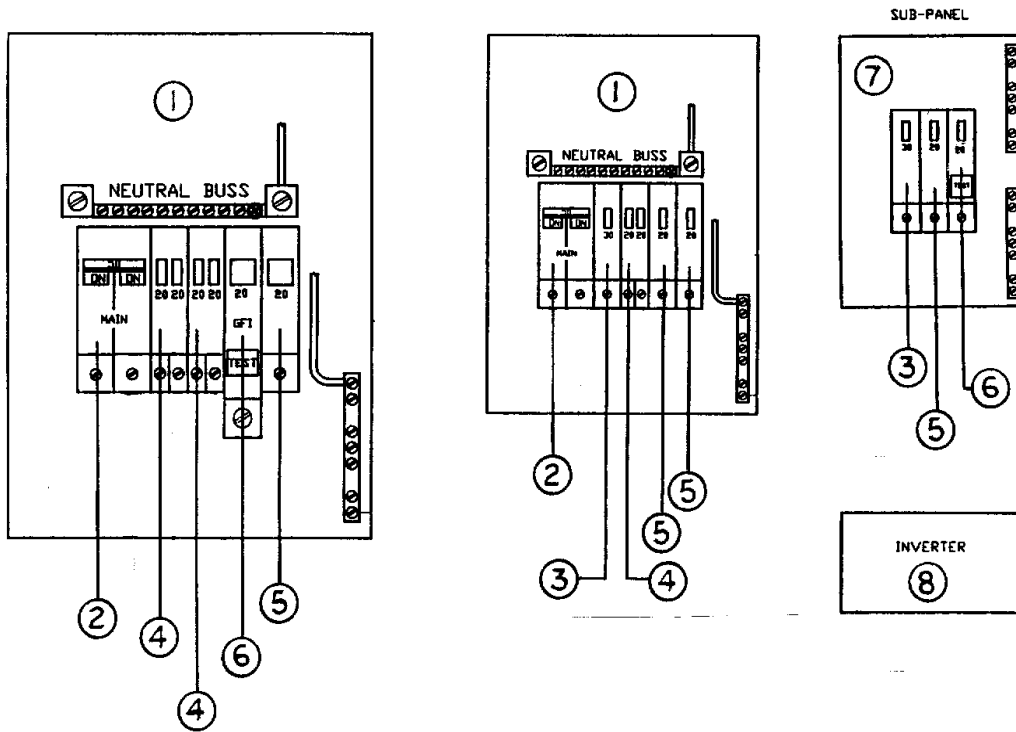
1998 LAND YACHT 35 PUSHER

NOTES

1998 LAND YACHT 35 PUSHER

ELECTRICAL

110 VOLT



- 1) 510723 Breaker box, Square D
- 2) 510724 Breaker, double pole, 50 amp
- 3) 510633 Breaker, 30 amp, Square D 0130
- 4) 510662 Breaker, 20 amp, Square D 2020
- 5) 510678 Breaker, 20 amp, Square D 0120
- 6) 510661 Breaker, 20 amp, Square D GFI
- 7) 511336 Breaker box, Square D, 30 amp

- 8) 511332-01 Inverter/charger 1500 watt, Trace
- 511332-02 Switch, remote, on/off w/cable, Trace
- 511332-03 Fuse, w/holder, 200 amp, Trace

*See ENTERTAINMENT section for radio, VCR, TV, antennas etc.

1998 LAND YACHT 35 PUSHER

ELECTRICAL

110 VOLT

5110201	Generator, 6.5 Onan Marquis LP
511289	Breaker kit , 30 amp, Onan
510103	Hour meter
511179-01	Generator, diesel 7KW
511149-03	Power cord (city) 50 amp
510634-01	Power cord, Canadian specs., opt.50 amp
511149-02	Power inlet with strain relief
510562-03	Switch-over box, auto., city power-generator
500785	Outlet box, duplex brown
511340	Inverter, DC to AC , 130 watt (front TV)

1998 LAND YACHT 35 PUSHER

ELECTRICAL

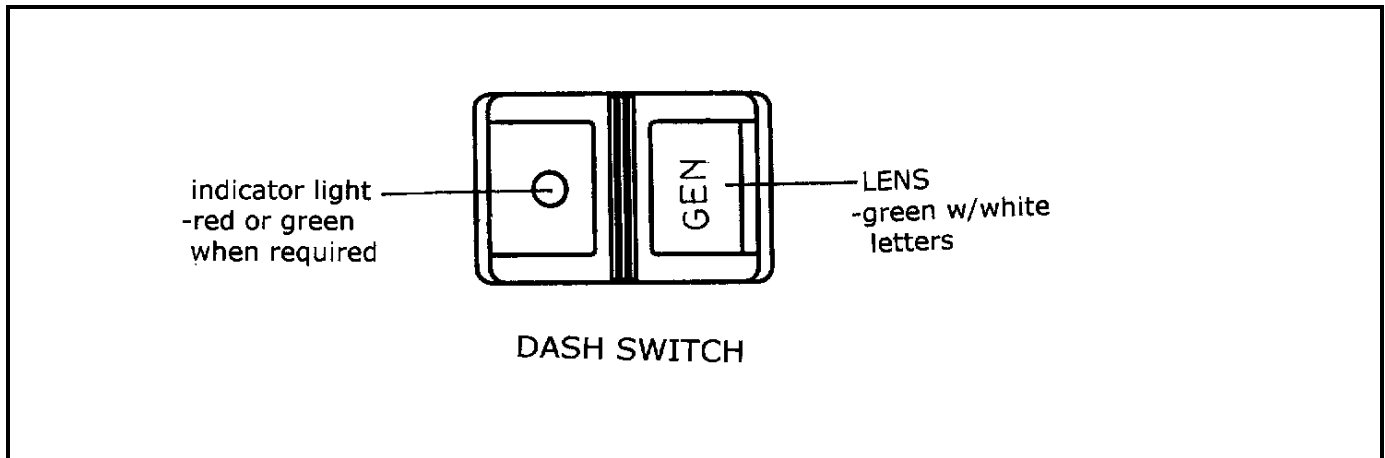
12 VOLT

500984-04	Converter #PC-50, 13.8 volt charge
511132	Battery, deep cycle
511273	Tray, battery hold down
511199	Solenoid, continuous duty, 12 volt-aux. start
511351	Solenoid, latching, continuous duty-kill switch
510642	Isolator, 120 amp
510947-50	Breaker, 50app, 12 volt
500475-25	Breaker, circuit, 25 amp, 12 volt, w/ears
500475-05	Breaker, circuit, 5 amp, 12 volt, w/ears
500475-15	Breaker circuit, 15 amp, 12 volt
510720-06	Breaker, auto reset, ATC type, 25 amp (used in auto fuse block)
510843	Flasher, heavy duty
510692	Holder, fuse, in-line
510328	Fuse, AGC 10amp
500883-01	Fuse, CSA 1 amp, 12 volt (in line LP detector)
511016	Fuse block-12 volt-9 position-ATC

1998 LAND YACHT 35 PUSHER

ELECTRICAL

12 VOLT DASH SWITCHES



510929-02	Switch, auxiliary start, momentary, SPST
510929-03	Switch, door lock/generator momentary, SPST
510929-04	Switch, rear heat, on-off-on, SPST
510929-05	Switch, driving light/aisle light/galley light- -TV speaker/defrost fan, on-off, SPST
510929-07	Switch, docking light/inverter, on-off with- -indicator light, red, SPST
510929-08	Switch, rear camera, momentary, DPDT
381321-03	Switch, exterior mirror

*NOTE: The chassis manufacturer provides switches, engine check, Jake brake, and head light

1998 LAND YACHT 35 PUSHER

ELECTRICAL

12 VOLT

Lens with print for dash switches

510930-02	Lens, door lock
510930-03	Lens, generator
510930-04	Lens. rear heat
510930-06	Lens, aisle light
510930-07	Lens, docking light
510930-25	Lens , rear camera
510930-28	Lens, driving light
510930-31	Lens TV speaker
510930-32	Lens galley light
510930-33	Lens, auxiliary start
510930-34	Lens, inverter
510930-35	Lens, defrost fan
510930-18	Lens, blank
510931-01	Bezel, 4-gang, dash switches
510675-01	Switch, wiper with delay
195285-05	Power window regulator, Rockwell
195386	Switch, cab door window
510688	Switch, 4-gang, bathroom
500933	Switch, water heater
511078	Switch, 4-gang, at entrance door
511083-02	Cover, 4-gang switch at entrance door
511270	Air horn
510805	Tank, air horn

1998 LAND YACHT 35 PUSHER

ELECTRICAL

12 VOLT

381321-03 Switch , remote, exterior mirror
511305-04 Cable extension, exterior mirror, 5.5 ft.
511305-03 Cable extension, exterior mirror, 11.0 ft.
511305 Mirrors exterior, Velvac, pr.

511051-01 Headlight, RS
511051-02 Headlight, CS
201938-01 Housing, headlight, RS
201938-02 Housing, headlight, CS
511070-1 Connector, headlight
511070-2 Terminal, female, headlight
511070-3 Lock, secondary, headlight
511070-4 Seal, connector, headlight
510976 Buzzer, headlight warning

Turn signal, front---GM part #916558 (not available from Airstream)

511094 Driving light kit
511094-101 Lens only, driving light
511094-100 Bulb only, halogen driving light
510844-01 Relay, Bosch #86-136, driving light
510844-02 Socket for driving light relay Bosch #86-136

511003-02 Tail light, red-stop, turn & tail
511003-03 Tail light, clear center, back-up
510734 Alarm, back-up #GL12
511294 Light, license plate

1998 LAND YACHT 35 PUSHER

ELECTRICAL

12 VOLT

510984-02	Light, side/side marker, amber
510984-01	Light, side/side marker, red
511101	Light, docking, halogen, black bezel
511101-01	Light, docking, halogen, stainless steel
201991	Housing, docking light
510732	Light, utility #1327 (by door)
510732-02	Light, porch (high on side of unit)
511163	Light, compartment
5111352	Module, locking, keyless entry
510802-01	Actuator, door lock, 5-wire
511044	Actuator, compartment door lock
511044-03	Actuator, two position, rear camera
511141	Solar panel 5 watt w/meter
511140	Meter, volt, for solar panel
511290	Cluster, instrument panel, metric-Freightliner
511293-01	Module, daytime running light-Canadian
511293-02	Connector and harness for day time lights

1998 LAND YACHT 35 PUSHER

ELECTRICAL

12 VOLT

500996 510624-01	Jack, TV/phone, gray Modular, telephone jack-bedroom
510807 510596	Outlet, 12 volt--lighter socket Cigarette lighter
500960-01 680084	Light, fluorescent, recessed, 14.75" Bulb, fluorescent, #F8T5-CW
500960-02 680085	Light, fluorescent, recessed, 20.63" Bulb, fluorescent, #F15T8-CW
511248 50085-02 511387 511098-01 50085-02	Light, incandescent, single Bulb, incandescent, #1141 Light, decorative, dinette, starts 640609 Light, decorative, fluted, over dinette Bulb, incandescent, #1141
511298 510689 511298-02	Wall lamp, 12 volt-over rear bed Bulb, incandescent, #1076 Shade, wall lamp, rear
510973 001003 511031	Light, triple, map/dome/map, black, over dash Bulb, map light/closet light #1003 Bulb, dome light #168
511361	Light, courtesy, black, under dash ledge (separate bulb not available)
500956 681924	Light, wardrobe, w/switch Bulb, wardrobe light #581

1998 LAND YACHT 35 PUSHER

ENTERTAINMENT

690385	TV, Audiovox, 19"
203130	Trim ring, TV , front
511373-01	Theatre sound system, 2-18 watt amplifiers (puts TV through front speakers)
690330-02	TV, Panasonic 13"
510918-01	Monitor, Sony Watchman
510929-08	Switch, momentary, rear camera
511044-03	Actuator, two position, rear camera
201888	Closeout, monitor camera, interior
203030	Closeout, monitor camera, exterior
201843	Lens, back-up monitor
690337	Video cassette player, Audiovox
511310	Video control center
511371	Radio, Sony XR-C5100
511048	Speaker set, Coustic-HS-402
511279	Radio, CB, hand held, Cobra
511383-01	Radio, Sony, XR-C5100
510788-01	Antenna, TV, Winegard
510788-03	Amplifier, antenna, Winegard
510788-107	Gear, elevating, plastic, Winegard
510788-118	Handle, directional, Winegard
510788-125	Handle, directional kit, Winegard
510616	Connector, "F", coax
510623	Connector, male to male, coax
511021	Antenna, cellular telephone
501000	Antenna, CB, model 500
500994	Antenna, radio

1998 LAND YACHT 35 PUSHER

ENTERTAINMENT

511383-02	Sony wireless remote control
511385	Mobile theatre system
511191	Disc jockey, Sony

All new system starting with serial number 640609

1998 LAND YACHT 35 PUSHER

SECTION III

F through H

FASTENERS (common fasteners available locally are not listed)

Rivets	III-1
Screws	III-3

FLOOR COVERING

Carpet.....	III-4
Hardwood flooring.....	III-4
Tile	III-4
Mats	III-4

FURNITURE

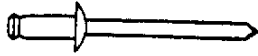
Interior doors	III-5
Mirrors	III-6
Drawer face	III-7
Drawer box	III-7
Bedroom furniture.....	III-8
Bath, non slide	III-9
Bath, slide out.....	III-10
Galley, slide out.....	III-11
Galley, non slide	III-13
Lounge, slide out	III-15
Lounge, non slide.....	III-16
Cab	III-17

HARDWARE

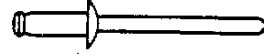
Exterior locks	III-18
Main door/screen door	III-19
Exterior access doors.....	III-20
Slide out room.....	III-22
Awning hardware	III-24
Interior hardware.....	III-25

1998 LAND YACHT 35 PUSHER

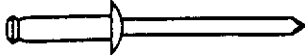
*FASTENERS



330126-02
rivet, pop
dia. 1/8 "
grip range .126-.187
stainless steel body
stainless steel mandrel



330126-03
rivet, pop
dia. 1/8 "
grip range .126-.250
stainless steel body
stainless steel mandrel



330136-04
rivet, pop
dia. 1/8 "
grip range .313-.375
stainless steel body
stainless steel mandrel



330031-03
rivet, pop
dia. 3/16 "
grip range .125-.250
stainless steel body
stainless steel mandrel



330031-03
rivet, pop
dia. 3/16 "
grip range .126-.250
stainless steel body
steel mandrel

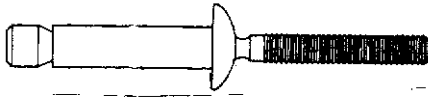


320108-01
rivet, bulb tite, w/washer
dia. 3/16 "
grip range .050-.187
aluminum body
aluminum mandrel

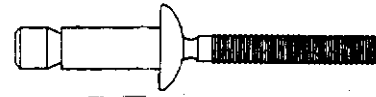
*Common bolts and screws readily available at local hardware outlets have not been listed.

1998 LAND YACHT 35 PUSHER

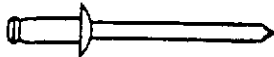
*FASTENERS



330139-02
dia. 1/4"
grip range .350-.625
stainless steel body
stainless steel mandrel



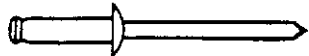
330139-01
dia. 1/4"
grip range .080-.375
stainless steel body
stainless steel mandrel



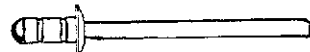
330127-03
dia. 1/8"
grip range .063-.125
aluminum body
aluminum mandrel



300101
1/8" I.D.
washer, aluminum



330127-05
dia. 1/8"
grip range .251-.312
aluminum body
aluminum mandrel



330137
dia. 1/8"
grip range .039-.189
aluminum body
steel mandrel

*Common bolts and screws available at local hardware outlets have not been listed.

1998 LAND YACHT 35 PUSHER

*FASTENERS



3201223

screw, pan head, Phillipsscrew
black
#4 x 1/8" (glove box tray)



20114-04

screw wood oval head, Phillips
antique brass
#5 x 1/2'



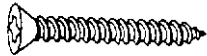
320114-05

screw wood, oval head, Phillips
antique brass
#5 x 5/8"



320115-06

screw wood, flathead, Phillips
stainless steel
#6x1.00"



320124-06

screw, flathead, Phillips
stainless w/white head

*Common bolts and screws readily available at local hardware outlets have not been listed.

1998 LAND YACHT 35 PUSHER

NOTES

1998 LAND YACHT 35 PUSHER

FLOOR COVERING

702793-01	Carpet, Golden Berle, Peridot
702793-04	Carpet, Alexandria Julian
702793-02	Carpet, Blue Bayou
114724	Trim, carpet, Z-bar
381346	Floor mat, specify color
702549	Mat, entrance, w/Airstream logo, spec. color
701538	Carpet, velour, black-exterior compartments
201763	Rub strip-baggage compartment
801115	Floor, hardwood, quartered oak
800639-02	Adhesive, oak plank
360216	Caulk, brown, acrylic latex
090348-3	Vinyl tile floor, bathroom, option

1998 LAND YACHT 35 PUSHER

NOTES

1998 LAND YACHT 35 PUSHER

FURNITURE

DOORS, INTERIOR

side to side x top to bottom

Inches

800599-46	Door/drawer face, smooth	8.0 x 17.25
800597-12	Door, raised panel	10.5 x 26.25
800557-23	Door frame, for mirrors	10.5 x 32.50
800597-09	Door, raised panel	11.0 x 29.75
800597-62	Door, raised panel	11.5 x 15.25
800881-08	Door, louvered oak	12.0 x 24.25
800597-71	Door, raised panel	12.25 x 25.0
800597-10	Door, raised panel	12.25 x 34.0
800597-44	Door, raised panel	13.75 x 29.75
800599-07	Door/drawer face, smooth	14.0 x 4.5
800599-48	Door/drawer face, smooth	14.0 x 12.0
800881-02	Door, louvered oak	14.5 x 24.5
800557-32	Door frame, for mirrors	17.5 x 11.5
800597-59	Door, raised panel	18.5 x 11.5
800557-15	Door frame, for mirrors	19.0 x 60.0
800557-33	Door frame, for mirrors	19.5 x 11.5
801225-01	Insert, refrigerator door	20.31 x 15.5
801225-03	Insert, refrigerator door	20.31 x 38.38
800597-19	Door, raised panel	31.0 x 12.25
800597-20	Door, raised panel	32.0 x 10.5

MIRRORS USED IN DOOR FRAMES

372206-01	Mirror only	7.62 x 29.62
372206-04	Mirror only	8.62 x 16.62
372207-01	Mirror only	10.63 x 17.13
372206-03	Mirror only	14.62 x 8.62
371262-10	Mirror only	16.13 x 28.13

MISCELLANEOUS DOORS

702416-02	Shower door, neo-angle
961413-10	Door, slider, forward bath
961413-11	Door, slider, aft bath
372203-13	Door, all mirror, bath cabinet

1998 LAND YACHT 35 PUSHER

FURNITURE

DRAWER FACES

side to side x top to bottom
Inches

800599-02	Drawer face	11.75 x 7.50
800599-07	Drawer face	14.0 x 4.50
800599-22	Drawer face	14.0 x 7.0
800599-06	Drawer face	15.0 x 7.0
800599-51	Drawer face	19.0 x 7.0
800599-05	Drawer face	20.625 x 11.75
800599-38	Drawer face	21.5 x 7.0
800599-58	Drawer face	21.5 x 4.75

DRAWER BOXES

deep x wide x length
Inches

962821-01	Drawer box	2.88 x 8.25 x 18.0
962821-29	Drawer box	2.88 x 11.5 x 14.0
962821-25	Drawer box	2.88 x 19.5 x 18.0
962821-05	Drawer box	5.00 x 10.0 x 18.0
962821-28	Drawer box	5.00 x 11.5 x 14.0
962821-16	Drawer box	5.00 x 13.25 x 14.0
962821-27	Drawer box	5.00 x 17.5 x 18.0
962821-07	Drawer box	5.00 x 19.5 x 18.0
962821-53	Drawer box	5.00 x 19.69 x 14.0
962821-04	Drawer box	9.0 x 18.62 x 22.0
964009	Drawer box, side lounge	

Note: lounge drawer face comes with lounge

1998 LAND YACHT 35 PUSHER

FURNITURE

GALLEY AREA-CABINETS/FACE FRAMES/TOPS

962927	Galley assembly, aft section
962647-01	Face frame, galley w/range
962929	Galley assembly, forward section
962931-01	Face frame, forward section
372203-01	Mirror, galley 12.5x18.0
372203-02	Mirror, galley 25.0x18.0
372203-03	Mirror, galley 37.5x18.0
964382-01	Galley top, Corian
964383-01	Range covers, Corian
964410-01	Sink cover
962735-01	Roof locker, galley, aft
962650-01	Face frame, galley roof locker, aft
962735-02	Roof locker, galley, forward
962651-01	Face frame, galley roof locker, forward
963560	Mounting base, coffee maker
962921-01	Dinette seat assembly, aft
961712-01	Face frame dinette seat, aft
964334-02	Flex spring seat
962718	Upholstered back, aft seat
962920-01	Dinette seat, forward assembly
961711-01	Face frame, dinette seat, forward
962719	Upholstered back, forward dinette seat

(continued)

1998 LAND YACHT 35 PUSHER

GALLEY AREA-CABINETS/FACE FRAMES/TOPS

963943-01	Roof locker, dinette, aft
962709-01	Face frame, dinette roof locker, aft
963943-02	Roof locker, dinette, forward
962708-01	Face frame, dinette roof locker, forward
963654-03	Back splash, dinette table
801054	Table leaf, fixed, Nomar finish, 24"wide
962177-03	Leg, table assembly
962686	Microwave cabinet assembly
962652-01	Face frame, microwave cabinet

1998 LAND YACHT 35 PUSHER

FURNITURE

LOUNGE AND CAB AREA

702801-197	Sofa w/arm, J-knife, 74", Golden Berle
702801-098	Sofa w/arm, J-knife, 74", Alex. Julian
702801-418	Sofa w/arm, J-knife, 74", Peridot
963882	Locker assembly, front
963883-01	Face frame, front roof locker
963873	Door header cabinet (over main door)
963874-01	Face frame , door header cabinet
702901-01	Chair, swivel, Villa starts 640609
702796-197	Chair, swivel-spec. color
452277-01	Pedestal, swivel chair
452277-02	Plate, top, w/remote, swivel chair
702849-01	Driver seat w/power pedestal
702849-03	Passenger seat w/power pedestal
963801-02	Roof locker assembly, CS front
963802-01	Face frame, roof locker, CS front
962668	End table assembly
962669	Face frame, end table
962670	Top, end table
963869	Roof locker, over lounge, RS
963870-01	Face frame, lounge roof locker, RS

(continued)

1998 LAND YACHT 35 PUSHER

FURNITURE

LOUNGE AND CAB AREA

963946-01	Cab cabinet, front , center
963945-01	Face frame, front center cabinet
962741	Top, front center cabinet
962726	Cab side cabinet, CS
962730-01	Face frame, cab side cabinet, CS
962729-01	Top, cab side cabinet, CS
964005	Cab side cabinet, RS
962730-01	Face frame, cab side cabinet, RS
962729-01	Top, cab side cabinet, RS

1998 LAND YACHT 35 PUSHER

FURNITURE

BEDROOM AREA

962917	Wardrobe assembly, CS
962645-01	Face frame, CS wardrobe assembly
964156	Double bed assembly
962916	Night stand assembly, CS
962640-01	Face frame, CS night stand
962646-02	Top, CS night stand
962639	Night stand assembly, RS
962641-01	Face frame, RS night stand
962646-01	Top, RS night stand
963841-01	Hanging wardrobe assembly, RS
963889-01	Face frame, RS hanging wardrobe
963841-02	Hanging wardrobe assembly, CS
963889-02	Face frame, CS hanging wardrobe
381242-01	Bracket, shelf, vertical, 30"
381243	Clip, shelf support
962664	Make-up cabinet assembly
962665	Face frame, make-up cabinet

(continued)

1998 LAND YACHT 35 PUSHER

FURNITURE

BEDROOM AREA

372203-19	Mirror, corner, 11.13 x 22.50"
372207-02	Mirror, rear wall, 28.0 x 60.0"
801138-01	Cover trim, rear wall, lower, CS
801138-02	Cover trim, rear wall, lower, RS
962619	Engine compartment box assembly
962620	Top, engine compartment box
962622	Forward wall, engine compartment box
962621	CS wall, engine compartment box
962623	RS wall, engine compartment box
201565	Tufcote noise barrier
6000329	Tape, silver, 2"wide

1998 LAND YACHT 35 PUSHER

FURNITURE

BATH AREA

962918	Lavatory cabinet assembly
962677-01	Face frame, lavatory cabinet
964366-01	Top, lavatory cabinet
963962	Medicine cabinet, forward
962674-01	Face frame, medicine cabinet, forward
963963	Medicine cabinet, RS
962728-01	Face frame, medicine cabinet RS
962662-01	Laundry cabinet assembly
962644-01	Face frame, laundry cabinet
201999	Shower stall, almond
201902	Shower ceiling liner
203153-01	Skylight 22 x 22"
203154-01	Neo-angle inner dome

1998 LAND YACHT 35 PUSHER
NOTES

1998 LAND YACHT 35 PUSHER

HARDWARE

HINGES, CATCHES, LOCKS, LATCHES, PROPS

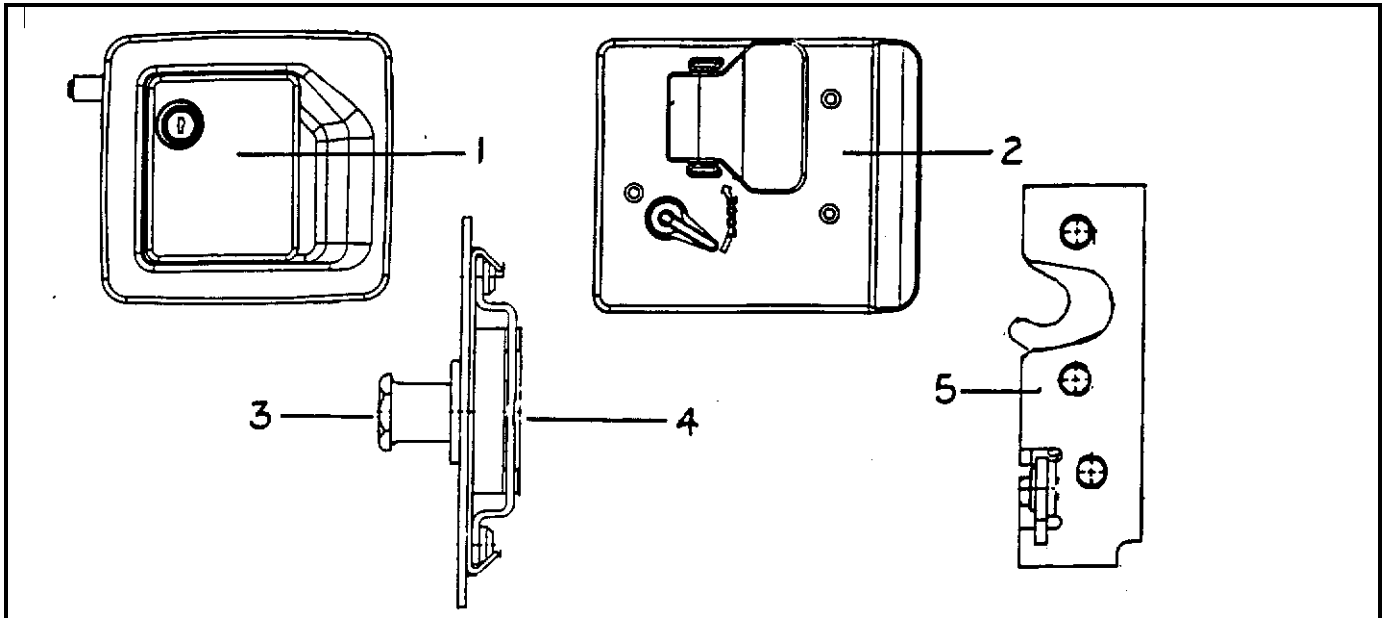
381428-18	Prop, spring, push-button, front hood
381262	Bracket, prop, w/ball
381109	Bunk latch(slide bolt) , front hood
381481-03	Socket, door, ball prop
385587	Cap, rubber, hood bumper, black
195373-01	Striker only, paddle latch, hood
381484	Strike, compartment door
381327	Cable , hood release
381434	Hinge, stainless steel 3 x 3"
381227-02	Latch, rear engine access, pawl type
381565-05	Key TM 904
381565-01	Handle assembly, keyed alike-lower compartment.
381565-04	Plunger, bolt assy., lower compartment
381456	Cable, coated, handle to plunger
381529	Hinge, lower compartment
381565-02	Handle assembly, non-locking, lower compartment.
381427	Hold back, main door
380004	Handle, screen door w/8-32 x 1"screw
	Dead bolt-Trimark
510802-01	Actuator, door lock, 5-wire
381323-01	Dead bolt assembly
452030	Bolt, Trimark dead bolt
381326	Striker, 10007 w/Trimark dead bolt
3445321-12	Screw, #8-32 , flat head, black
200772	Pan, plastic, dead bolt, interior
511370-02	Grab handle-embossed Land Yacht

1998 LAND YACHT 35 PUSHER

HARDWARE

HINGES, CATCHES, LOCKS, LATCHES, PROPS

TRIMARK main door lock



- 1) 381521-01 Outside lock housing
- 2) 381521-02 Inside lock plate
- 3) 381284 Striker bolt
- 4) 381521-04 Caged nut
- 5) 381521-03 Rotary latch
- 381521-05 Screws inside lock plate

- 381334 Hinge leaf, jamb, main door
- 381336 Hinge leaf, door
- 381377 Hinge leaf, screen door
- 385599-075 Bearing, sleeve, hinge
- 310024 Pin, hinge .250 x 6"
- 300118-01 Washer, nylon, main door hinge

1998 LAND YACHT 35 PUSHER

HARDWARE

HINGES, CATCHES, LOCKS, LATCHES, PROPS

511162-01	Keyless entry with remote
511162-02	Transmitter, 4channel
114091	Mounting plate, keyless actuator
451486	Flat linkage, keyless entry
451485	Wire linkage, keyless entry
114757	Mounting plate, actuator, lower compartment.(opt.)
511044-01	Actuator-push/pull#act-020n
511044-02	Connector, 2 wire, actuator
381584	Rod, power compartment latch
381565-06	Handle assembly, keyed w/rod collar
381565-01	Handle assembly, keyed alike w/collar

1998 LAND YACHT 35 PUSHER

HARDWARE

HINGES, CATCHES, LOCKS, LATCHES, PROPS

381526-03	Drawer slide 18.0"
381526-01	Drawer slide 14.0"
381526-05	Drawer slide 22.0"
381526-06	Rear bracket, adjustable, drawer slide
381400	Drawer slide, lounge , 14", pr.
452235-01	Mounting bracket, lounge drawer slide, RH
452235-02	Mounting bracket, lounge drawer slide, LH
381601	Hinge, Antique Brass
380210	Hinge, plain steel
380284-02	Hinge bracket, dinette table
381599	Handles, drawer/doors
381604	Knob, door, satin
381074	Bulldog catch, set
381228	Grabber door catch, set
381147	Door support, spring loaded, roof locker
385963	Bracket, mounting angle, lambrequin
381612	Mirror clip, wood framed doors
380046	Flange, chrome, clothes rod support
380045	Tubing, 3/4", metal, clothes rod
380045	Conduit, flexible, black-covers clothes rod
381449-04	Galley rail, decorative rod-center rear locker
381449-05	Post, decorative rail-center rear locker

1998 LAND YACHT 35 PUSHER

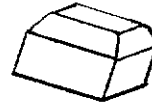
HARDWARE

HINGES, CATCHES, LOCKS, LATCHES, PROPS



360012 Bumper, rubber
white, stick-on, cylindrical

360012-01 Bumper, rubber
brown, stick-on, cylindrical



360016 Bumper, rubber
gray, square 3/8 x 3/8



195329-220 Bumper, rubber
clear, stick-on, oval



385587 Cap, rubber
hood bumper, black

381242-01 Bracket, shelf, vertical'30", rear wardrobe
381243 Clip, shelf support, rear wardrobe

453453 Bracket, bedroom TV
381220-02 Mirror clip, nickel plated #318

381000-56 Hinge, .092, stainless, 2.0"open-56"long
381595 Gas spring, rear bedSL29-180-1
381596 Retainer clipSL85-1
915396 Gas spring bracket, bed top
381597 Ball stud SL64-BS-1
381598 Bracket , 90 degreeSL61-BS-1
381530 Draw latch, rubber, black T handle

1998 LAND YACHT 35 PUSHER

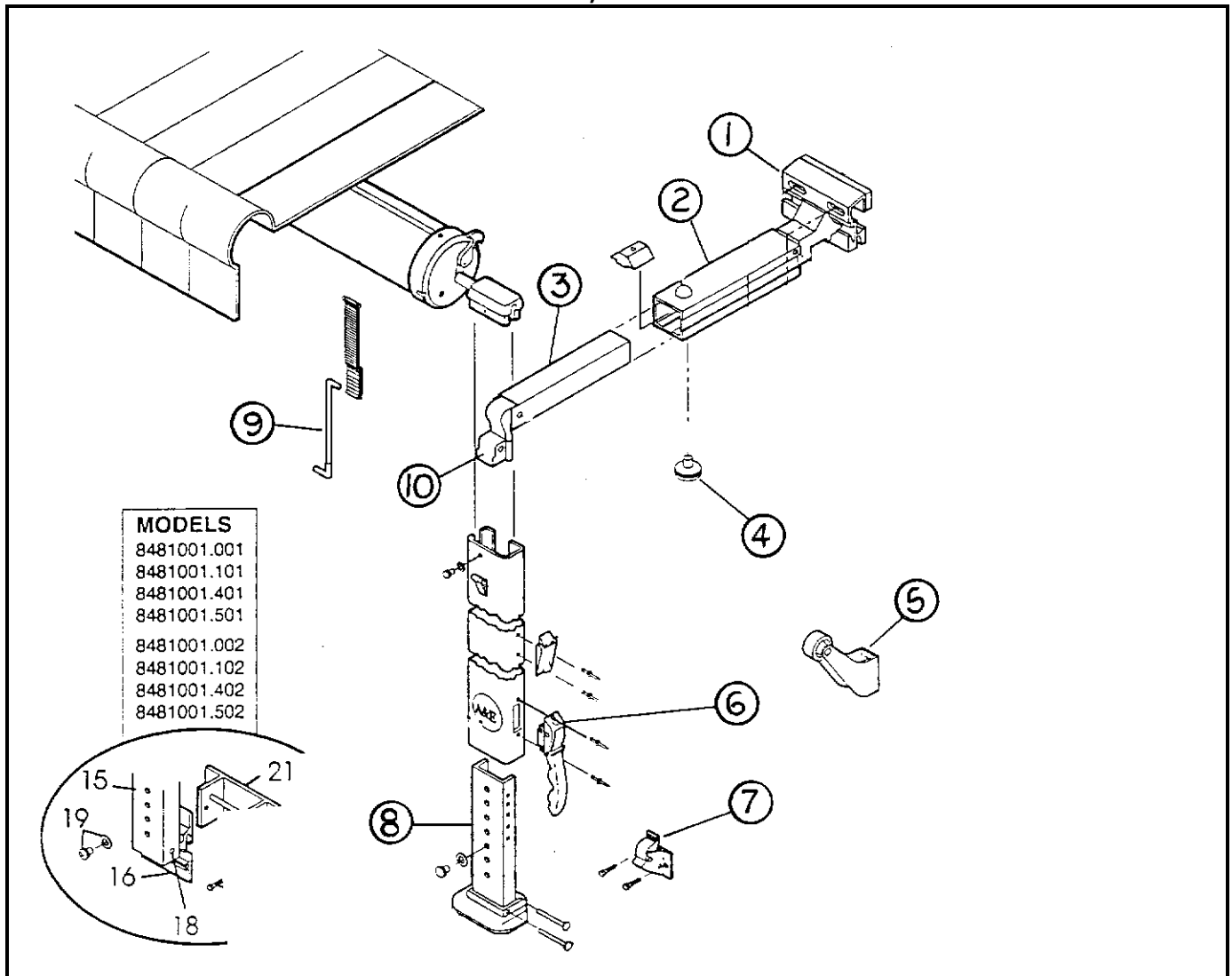
HARDWARE

HINGES, CATCHES, LOCKS, LATCHES, PROPS

381275	Toilet paper holder, brass w/hood
381257	Towel bar, brass, 18"
381254	Tooth brush/tumbler holder, brass
381256	Towel ring, brass
381255	Soap holder, brass
381444	Hatch pull, SST satin finish
381603	Pull, three finger, antique brass
381443-01	Sliding door set #71-222-5
381443-02	Bumper door stop #7014
381443-01	Angle stop #1018
385935	Brass pivot pin #1806a311
385940	Mirror pull, brass
380990	Bracket, interior rear view mirror, GM#9831062
114224	Plunger, for roof ladder
381148-01	Socket, for rear roof ladder
381306	Slides, table, free standing dinette
381147	Door support, spring loaded, roof locker doors
381525	Sash lock, contemporary, mini, free standing dinette
380203-01	Piano hinge, 1/8"pin, clear anodized
452358	Catch, glove box latch
381442	Retainer clip, glove box latch
381437	Hinge, glove box
381438	Latch, squeeze, glove box
381601	Hinge, antique brass

1998 LAND YACHT 35 PUSHER

HARDWARE, A&E AWNING



- | | |
|----------------|--------------------------------------|
| 1) 702679-104 | Bracket top, A&E awning |
| 2) 702679-103 | Rafter, main, A&E awning |
| 3) 702679-105 | Secondary rafter, A&E awning |
| 4) 702679-106 | Knob , adjustment, 1 7/8" A&E awning |
| 5) 702679-109 | Door roller, A&E awning |
| 6) 702679-111 | Lift handle, A&E awning |
| 7) 702679-108 | Bracket, bottom mounting, A&E awning |
| 8) 702679-107 | Arm, adjustable, A&E awning |
| 9) 702679-102 | E-Z pull rod, A&E awning |
| 10) 702679-110 | Slider assembly, A&E awning |

1998 LAND YACHT 35 PUSHER
NOTES

1998 LAND YACHT 35 PUSHER

SECTION IV

L through Z

LABELS and TAGS IV-1

OPTIONS IV-3

PLUMBING

LPG IV-5

Fresh water..... IV-6

Drain water..... IV-12

Toilet IV-15

SAFETY EQUIPMENT IV-17

SEALS/SEALER/PAINT

Gaskets..... IV-19

Sealer IV-23

Adhesive..... IV-24

Paint..... IV-24

UPHOLSTERY/FOAM/MATTRESS

Mattresses IV-25

Bed spread IV-25

Swivel seat IV-25

Cab seat..... IV-25

Dinette foam/upholstery, 30ft. IV-26

Dinette foam/upholstery, 33ft. IV-26

VENTS/FANS

Skylights IV-27

Vents/Fans..... IV-27

WOOD/INTERIOR TRIM

Paneling IV-29

Wood accessories..... IV-29

Wood molding/trim IV-30

Ceiling trim/retainer IV-31

1998 LAND YACHT 35 PUSHER

LABELS AND TAGS

385103	Plate, RVIA
385531	FMVSS certification label
385815	Name plate, motorhome hitch rating
385095	Tag registry# 11999
385465	Label, exit warning (English)
385463	Label, warning label/cooking appliance
385464	Label, LP gas warning label (odor)
385788	Warning label, pilot light/refuel
385101	Tag, auxiliary tank dump valve handle
385099	Tag, black tank dump valve handle
385063	Label, drain cap
385062	Decal, 110-125 voltage AC
385309	Decal, fuel fill
385547	LP gas warning/fill label
385141	Tag, seat, clear w/black letters
385518	Label, dimension and clearance
385193	Label, 12Volt distribution inside
385560	Air conditioner rating label
385561	Generator rating label
385565	Label, holding tank flushing
385805-01	A/C priority switch label-front
385805-02	A/C priority switch label-rear
385812	Label, Calif. hazardous substance
385609	Label, smoke detector
385612	Label, parking brake warning
385829	Decal, fuse and relay
385828	Decal, fuse panel warning
385851	Label, cellular phone
385924	Label, galley light

(continued)

1998 LAND YACHT 35 PUSHER

LABELS AND TAGS

385933 Label, name set relay
385941 Label, waste water holding
385942 Label, sewage holding tank
385943 Label, "cap must be in place"
385947 Label, 10 amp fuse maximum
385608 Label, sewer hose L/Y M/H
385615 Label, fuse block L/Y M/H
385832 Label, diesel fuel only
385917 Decal, oak table w/no mar finish
385949 Label, "potable water" CSA
385950 Label, "smoke detector" CSA
385951 Label, "range fresh air" CSA
385952 Label, "LP warning" CSA
385953 Label " If you smell gas" CSA
385954 Label " range warning" CSA
385466 Label, exit label(French)

1998 LAND YACHT 35 PUSHER

OPTIONS

FREE STANDING DINETTE

702467	Chair, dinette, folding
962736	Dinette table cabinet, free standing
962681	Top, dinette cabinet
801081	Leg, dinette cabinet
962737	Table assembly, free standing
962680	Dinette top w/leaf
962177-03	Leg 30.5"
962682-01	Back, dinette table
381306	Slides, table, pair
381147	Door support, spring loaded
380210	Hinge, plain steel
381525	Sash lock, contemporary mini
380203-01	Piano hinge, 1/8"pin, clear anodized

BATH FLOOR

090348-c	Vinyl tile floor
4114724	Trim, carpet, Z-bar

DIESEL GENERATOR

511179-01	Generator, 7KW, diesel
511179-02	Muffler bracket, 7KW
381388	Bracket, muffler hanger, 7KW

1998 LAND YACHT 35 PUSHER

OPTIONS

1500 WATT INVERTOR

511332-01	Charger/charger, 1500 watt, Trace
511332-02	Switch-remote, on/off w/cable
511332-03	Fuse w/holder, 200 amp
511336	Breaker box, Square D, 30 amp

LEATHER DINETTE

998070-02	Leather dinette seat
998071-02	Leather dinette back
9998070	Cover only, seat, dinette, leather
998701	Cover only, back, dinette, leather

LEATHER SWIVEL CHAIR

702796-176	Chair, swivel, leather
------------	------------------------

LEATHER LOUNGE

702801-176	Sofa w/arm, 74", leather (includes drawer face)
------------	---

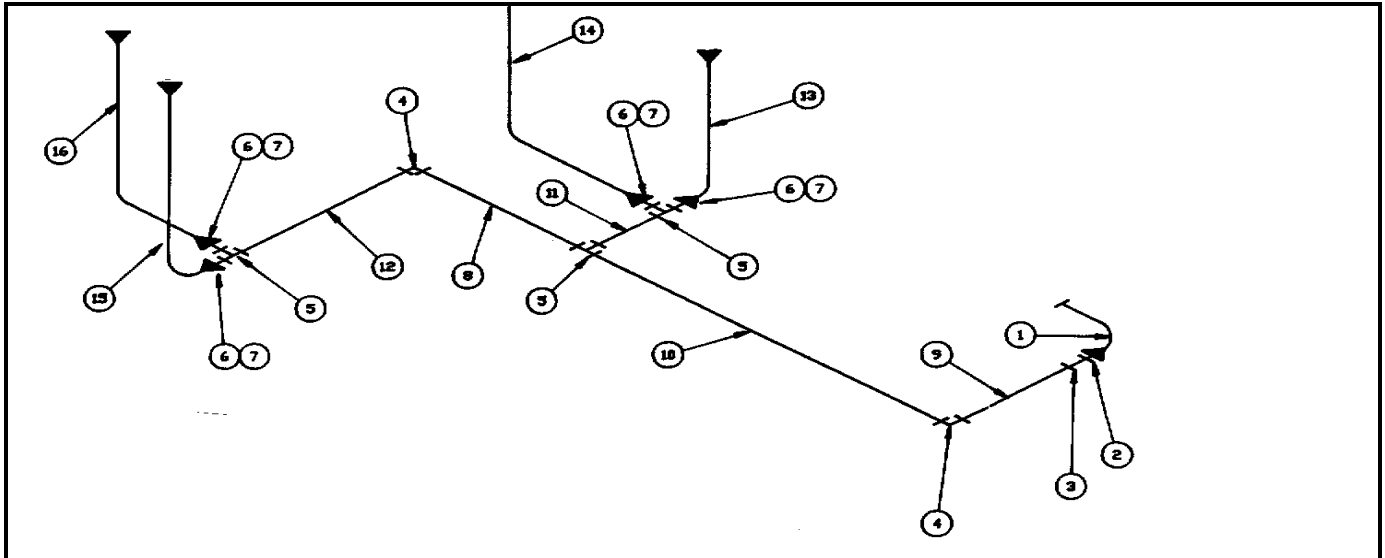
APPLIANCE

690347	Range, 3-burner w/ oven
381564	Vent, Fantastic, w/wall thermostat
690352-01	Washer/dryer, Kariba#WDS1043

1998 LAND YACHT 35 PUSHER

PLUMBING

LPG



- | | |
|--------------|-----------------------------------|
| 1) 601335 | Hose, LP, tank to regulator, 10" |
| 2) 601412-12 | Connector-M. .50 pipe to .62 tube |
| 3) 601410 | 1/2" coupling, black pipe |
| 4) 601408 | 1/2" 90 degree elbow |
| 5) 601409 | 1/2" Tees |
| 6) 601412-08 | Connector-m. .50 pipe to .38 tube |
| 7) 600435 | Forged flare nuts 3/8" |
| 8) 601407 | 1/2" SCH.#40 black pipe |
| 9) 601407 | 1/2" SCH.#40 black pipe |
| 10) 610407 | 1/2" SCH.#40 black pipe |
| 11) 601407 | 1/2" SCH.340 black pipe |
| 12) 601407 | 1/2" SCH. #40 black pipe |
| 13) 600008 | Tubing, copper, 3/8 OD |
| 14) 600008 | Tubing, copper, 3/8 OD |
| 15) 600008 | Tubing, copper, 3/8 OD |
| 16) 600008 | Tubing, copper, 3/8 OD |

1998 LAND YACHT 35 PUSHER

PLUMBING

LPG

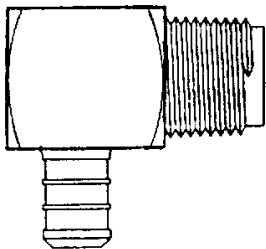
601514	LP tank, 105#, liquid/vapor
511229	Sending unit, 90 ohm, Snap On
601277	LP gas regulator
601515	Fitting, brass, 1/4" x 1/4" inverted flare
601279	Hose, LP, 18"
601527-02	Hose, high pressure, liquid, 51.0"
601527-01	Hose, high pressure, liquid, 56.0"

1998 LAND YACHT 35 PUSHER

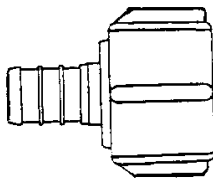
PLUMBING

FRESH WATER

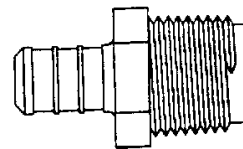
601562	Tank, fresh water
914097	Pan, fresh water tank
601194-03	Water fill w/lock, white
601239	Tubing, ribbed, fill hose
601240-01	Tubing, 1/2" I.D., tank vent
201866-02	City water connection, polar white
601061-01	Water pump, Shurflo
601668	Filter, pre-water pump



601698-04
Elbow, 1/2" barb x
1/2" MPT



601698-03
Coupler, 1/2" barb x
1/2" FPT



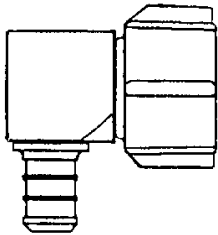
601698-02
Coupler, 1/2"
barb x 1/2 MPT

(continued)

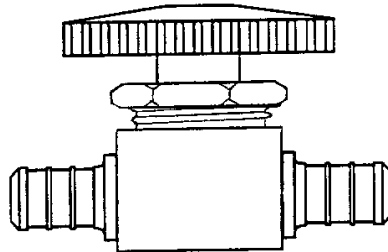
1998 LAND YACHT 35 PUSHER

PLUMBING

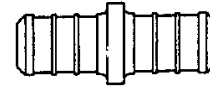
FRESH WATER



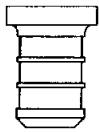
601698-05
Elbow 1/2 barb x
1/2 FPT



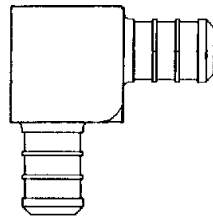
601698-07
Shut-off, 1/2 barb x
1/2 barb



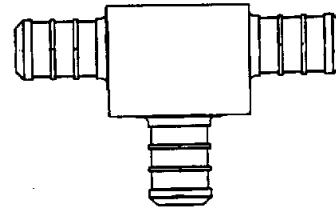
601698-08
Coupler
1/2 x 1/2 barb



601698-09
Plug, 1/2" barb



601698-10
Elbow 1/2" barb x
1/2" barb



601698-11
Tee, 1/2" x 1/2" x
1/2" barb



601698-15
Crimp ring, 1/2
E-Pex, 1/2" (black)

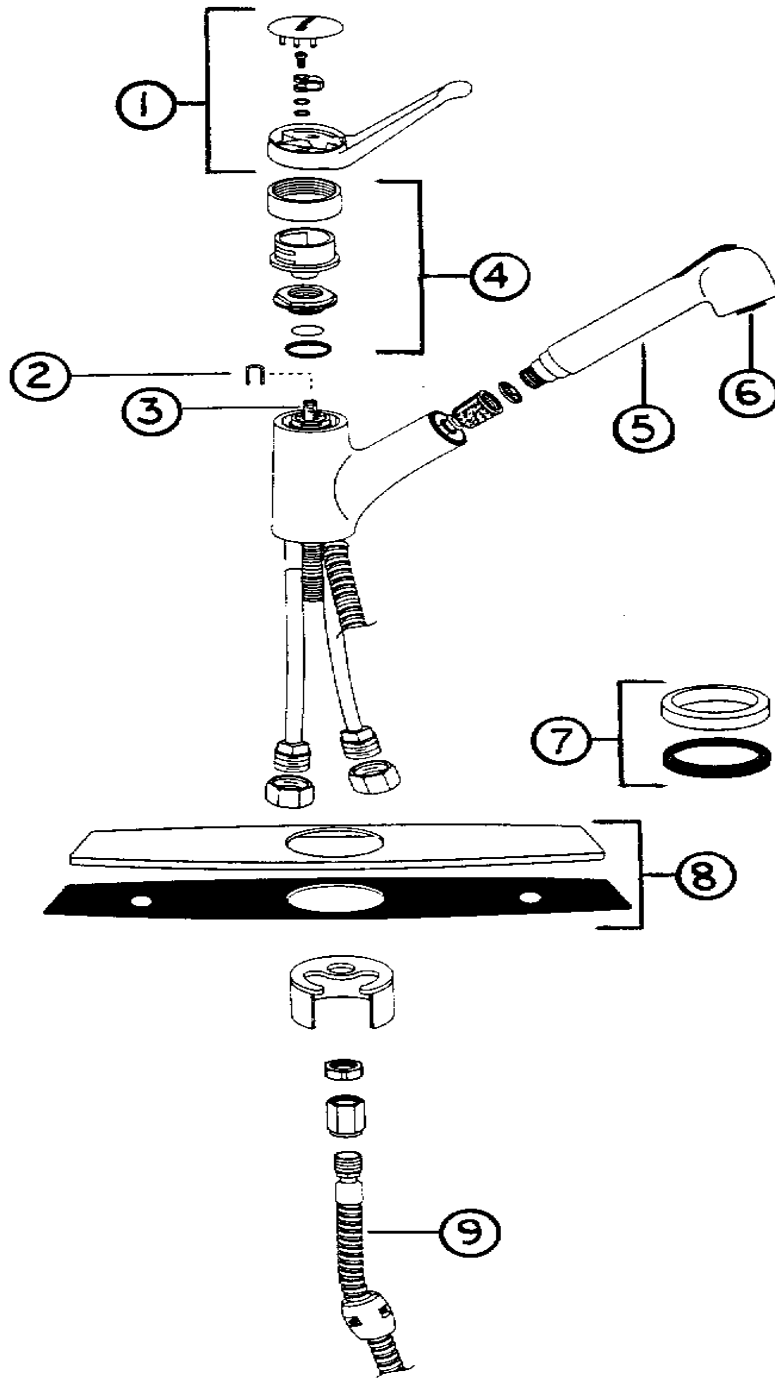


601698-01
E-Pex tube, 1/2"

1998 LAND YACHT 35 PUSHER

PLUMBING

FRESH WATER



1998 LAND YACHT 35 PUSHER

PLUMBING

FRESH WATER

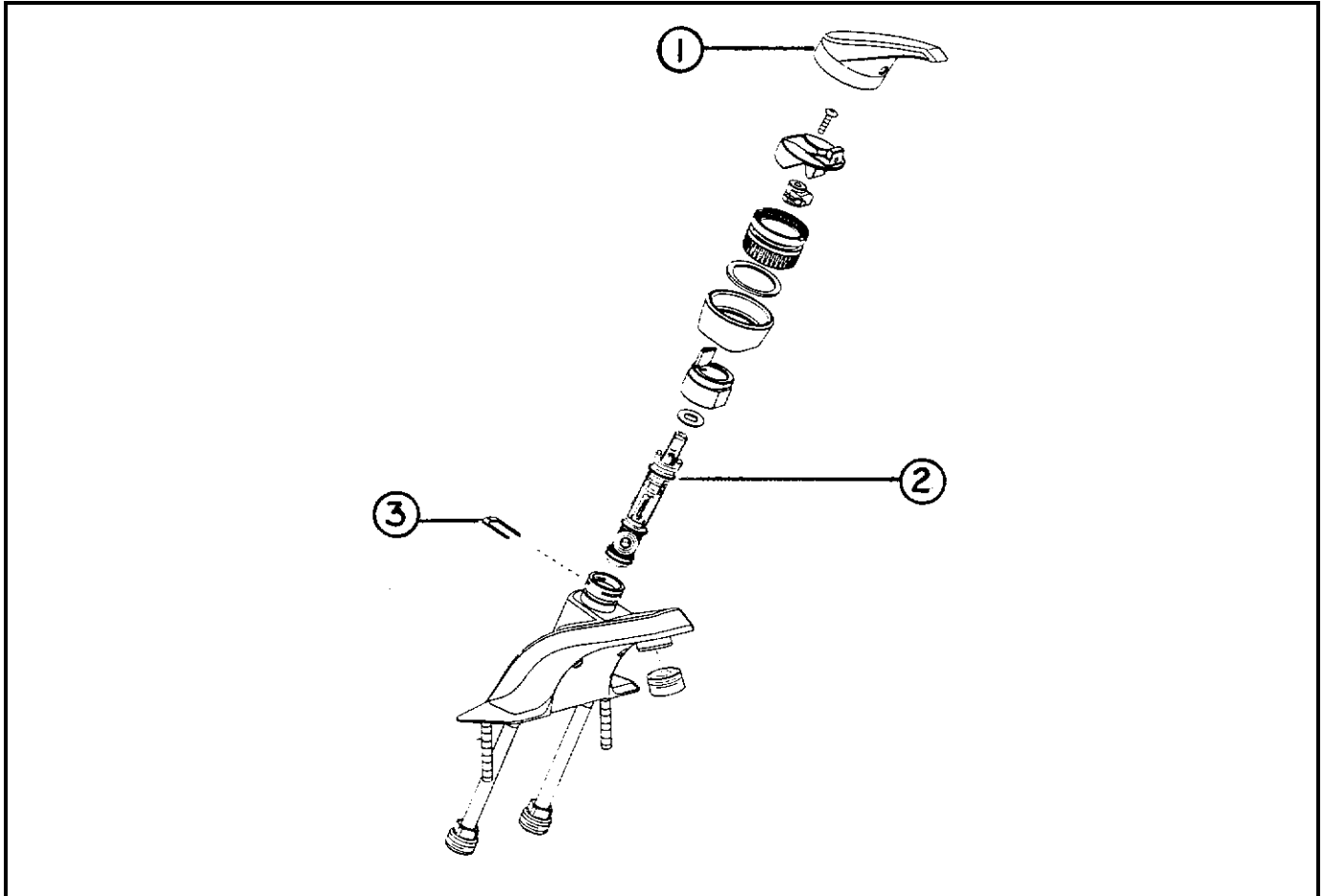
601579-01 Faucet, One Touch, Moen, sand

- 1) 601579-103 Lever handle kit
- 2) 601579-105 Retainer clip
- 3) 601579-106 Cartridge
- 4) 601579-104 Collar and pivot retainer
- 5) 601579-100 Spout
- 6) 601579-101 Aerator
- 7) 601579-107 Escutcheon, small
- 8) 601579-108 Escutcheon, large
- 9) 601579-109 Hose

1998 LAND YACHT 35 PUSHER

PLUMBING

FRESH WATER



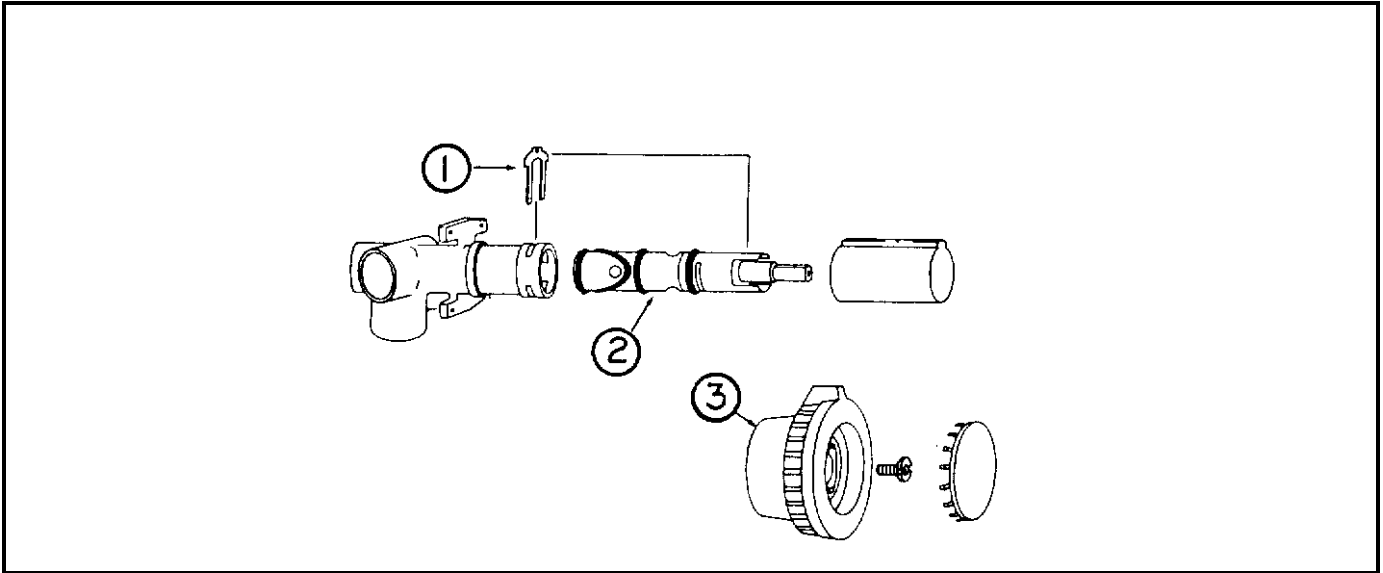
690390-01 Lavatory faucet, Moen, polished brass

- | | |
|---------------|---------------|
| 1) 690390-100 | Lever handle |
| 2) 601579-105 | Cartridge |
| 3) 601579-104 | Retainer clip |

1998 LAND YACHT 35 PUSHER

PLUMBING

FRESH WATER



601420-02 Shower faucet, polished brass

- | | |
|---------------|----------------|
| 1) 000883 | Retainer clip |
| 2) 601420-100 | Cartridge#1200 |
| 3) 001041 | Handle |

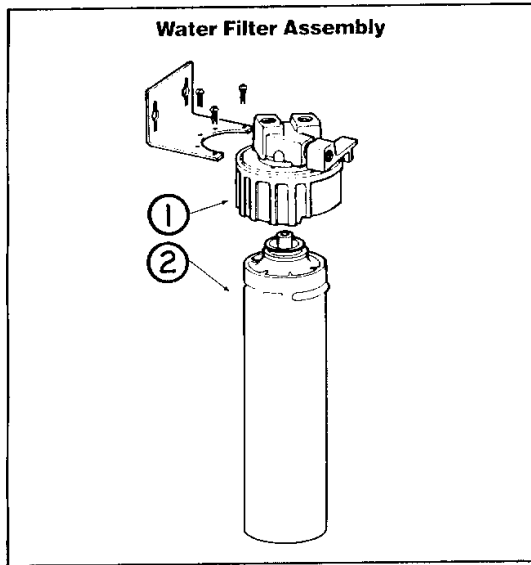
Shower stall fittings

- | | |
|------------|---------------------------------|
| 601359-101 | Elbow with flange, brass |
| 601173 | Vacuum breaker, brass |
| 601175-01 | Shower hose, brass |
| 601257 | Shower head w/shut-off, brass |
| 601359-100 | Wall holder, shower head, brass |

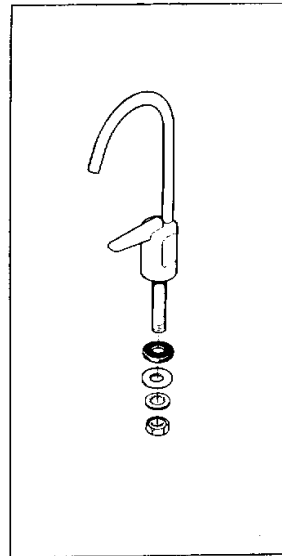
1998 LAND YACHT 35 PUSHER

PLUMBING

FRESH WATER



- 1) 005273 Head, water filter
- 2) 960112 Cartridge, filter



- 601401 Faucet, water

1998 LAND YACHT 35 PUSHER

PLUMBING

DRAIN SYSTEM

601563	Tank, gray, holding
914098	Pan, gray water tank
601564	Tank, black, holding
914099	Pan, black holding tank
601441	Tank flush, no-fuss (vacuum breaker & check valve)
601441-01	Nozzle, tank mounted, no-fuss flush
60032-01	Water inlet, garden hose thread, tank flush
601633-06	Sink, galley, porcelain
600968	Basket strainer, galley
200406-05	Lavatory bowl, oval, parchment (tail, basket and stopper comes w/bowl)
201999	Shower stall, almond
601362-01	Drain, tip-toe, shower, polished brass
601201	Adaptor, swivel strainer, 1 1/4"
601202	P-trap w/union , 1 1/4"
600378	Continuous waste, 1 1/2"
601199	Elbow 90 degree, 1 1/4"
601268	Elbow, long sweep, 1 1/4" hub x hub
601305	WYE, 45 degree, 1 1/4"
601263	Bushing, 1 1/2 x 1 1/4"
600035	Ell, long sweep, 1 1/2"

(continued)

1998 LAND YACHT 35 PUSHER

PLUMBING

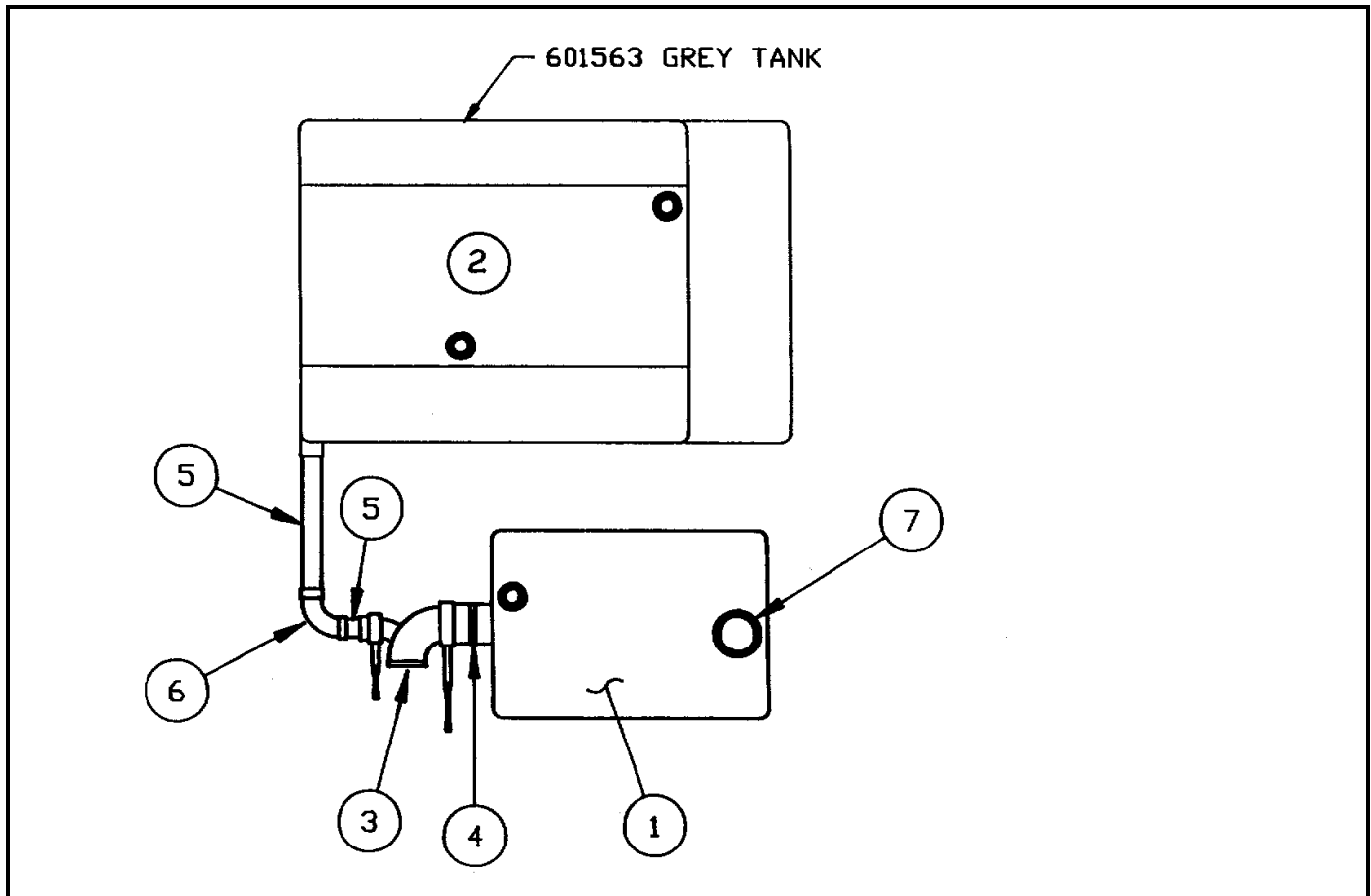
DRAIN WATER

600183	Ell, long sweep, 3.0"
195329-229	Reducer adaptor 3.0" to 1 1/2"
600155	Plug clean-out, 1 1/2"
600538	Vent V-200 automatic
601308	Elbow, vent, 90 degree, 1 1/4"
600156	Tee sanitary
601198	Tee, sanitary, 1 1/4", all hub
601160-01	Pipe, ABS, 1 1/4"
601160-02	Pipe, ABS, 1 1/2"
600033	Elbow, vent, 90 degree, 1 1/5"

1998 LAND YACHT 35 PUSHER

PLUMBING

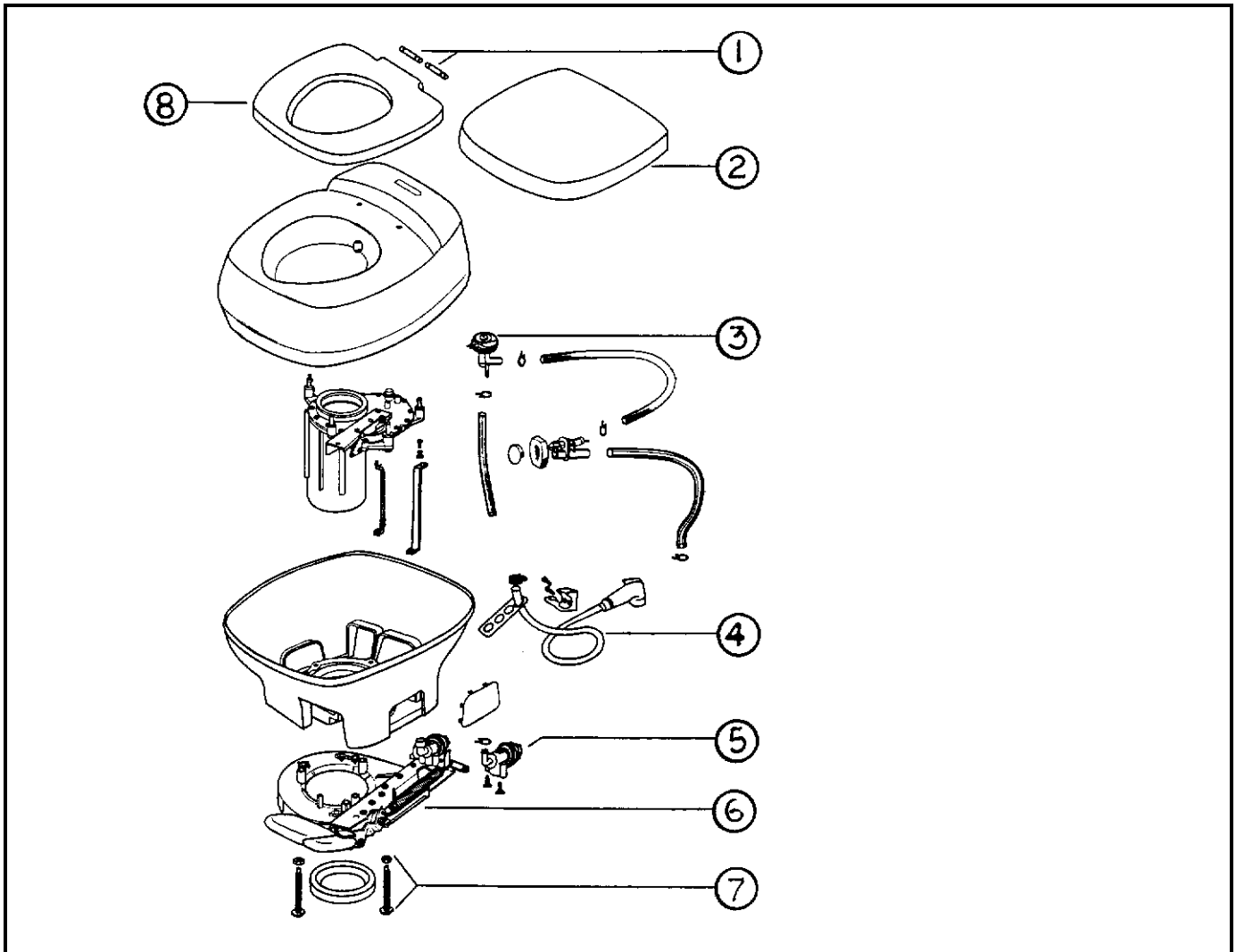
DRAIN WATER



- | | |
|--------------|------------------------------|
| 1) 601564 | Tank, black |
| 2) 601653 | Tank, gray |
| 3) 601482 | Dump valve rotating assembly |
| 4) 601160-04 | Pipe, ABS, 3.0" |
| 5) 601160-02 | Pipe, ABS, 1 1/2" |
| 6) 600035 | Ell long sweep, 1 1/2" |
| 7) 600065 | Flange, floor, threaded |

1998 LAND YACHT 35 PUSHER

PLUMBING



690386 Toilet, Thetford China, Aurora, bone

- | | |
|---------------|--|
| 1) 690386-101 | Hinge pins, seat, Aurora |
| 2) 690386-102 | Seat cover, bone, Aurora |
| 3) 690386-103 | Vacuum breaker, Aurora |
| 4) 690386-104 | Hand spray kit, Aurora |
| 5) 690386-105 | Ball valve kit, Aurora |
| 6) 690386-106 | Lower mechanism assembly, bone, Aurora |
| 7) 690386-107 | Closet flange seal & bolt kit |
| 8) 690386-108 | Seat, bone, Aurora |

1998 LAND YACHT 35 PUSHER
NOTES

1998 LAND YACHT 35 PUSHER

SAFETY EQUIPMENT

510781	Detector, smoke #1056 w/silencer
511343	Detector, carbon monoxide-9 volt
511309	Detector, LPG
510734	Alarm, back-up
381069	Seat belt kit, cocktail chair
700349	Seat belt, lounge
690381-01	Fire extinguisher 10 B: CUL
690381-02	Fire extinguisher 10 B: CULC (Canadian)
380188	Emergency warning triangle, set of 3

1998 LAND YACHT 35 PUSHER
NOTES

1998 LAND YACHT 35 PUSHER

SEALS

Sealer, gaskets, paint, adhesives

GASKETS



1) 365205



2) 365237-01



3) 365232



4) 365208



5) 201260



6) 381514



7) 365013-01

1) 365005

Gasket, weather strip, rear trunk door

2) 365237-01

Seal, dust, compartment door edge (replaced 365208 mid 98 model)

3) 365232

Seal, main door/compartment door jamb

4) 365208

Gasket, seal-compartment door hinge and window to body

5) 201260

Insert, windshield gasket, rubber

6) 381514

Gasket, windshield, includes center strip

7) 365013-01

Gasket, screen door, low density foam

1998 LAND YACHT 35 PUSHER

SEALS

Sealer, gaskets, paint, adhesives

GASKETS-CREATION



1) 371593-711



2) 371593-337



3) 371593-324



4) 371593-331



5) 371593-315



6) 371593-633

1) 371593-711

Glazing rubber, Creation

2) 371593-337

Stationary rubber, Creation

3) 371593-324

Post wipe seal, Creation

4) 371593-331

"U" channel, Creation

5) 371593-315

Bottom seal, Creation

6) 371593-633

Slider rubber, Creation

1998 LAND YACHT 35 PUSHER

SEALS

SEALER, GASKETS, PAINT, ADHESIVES

GASKETS-CREATION



1) 371593-316



2) 371593-714



3) 371593-346



4) 371593-325



5) 371593-004



6) 371593-312

- 1) 371593-316
- 2) 371593-714
- 3) 371593-346
- 4) 371593-325
- 5) 371593-004
- 6) 371593-312

- Pocket cover, Creation
- Top vent seal, Creation
- Vent seal, Creation
- Sliding glass track, Creation
- T-Spline for screen, Creation
- Vent head/post seal, Creation

1998 LAND YACHT 35 PUSHER

SEALS

SEALER, GASKETS, PAINT, ADHESIVES

GASKETS



1) 371593-302



2) 371593-074



3) 371593-121



4) 371593-348

1) 371593-302

Sliding screen stop, Creation

2) 371593-074

Post glazing vinyl, Creation

3) 371593-121

Bug flap, Creation

4) 371593-348

Channel dress, Creation

1998 LAND YACHT 35 PUSHER

SEALS

SEALER, GASKETS, PAINT, ADHESIVES

SEALER

360290-01	Sealer, Black, #5507
360281	Sealant, thermoplastic, clear
360268-01	Liqua Seal, roof, white
360216	Caulk, latex, brown
365001	Tape, double-coated foam
360074	Sealant, GE RTV, white
360001	Butyl, sealant, #884058
360002	Vulkem sealant, gray
360176	Sealant, almond, bathroom
360210	Sealant, paralastic, #4334-04, (refrigerator compartment sealer)

1998 LAND YACHT 35 PUSHER

SEALS

SEALER, GASKETS, PAINT, ADHESIVES

ADHESIVES

800639-02 Adhesive, oak plank flooring
360270 Adhesive spray, Sta-put, ceiling panels
(reference only, not available for shipment)

PAINT

360260 Paint, gal, Pewter lower-lower skirts, Centari
360262 Paint, gal, Nu-white-side walls, Centari

360208 Stain, gal, medium oak
365244 Lacquer, clear, used on wood

MISCELLANEOUS

360179 Undercoat, Pennzoil II

6000329 Tape, silver, 2" wide

200518 Spline, gray, screen insert
380079 Screen, gray

1998 LAND YACHT 35 PUSHER

UPHOLSTERY/FOAM/MATTRESS

702675	Mattress, 60 x80" w/45 degree corner
701611	Pillow 20 x 24"
702677-197	Bedsread, 79" J model, Golden Berle
702677-098	Bedsread, 79" J model, Alex. Julian
702677-418	Bedsread, 79"J model, Peridot
962655	Head board, Keats/Bisque
998141	Closeout, rear wall mirrors, Keats/Bisque
702887-04	Pillow kit, long bed, Golden Berle
702883-04	Pillow kit, long bed, Alex. Julian
702881-05	Pillow kit, long bed, Peridot
702796-197	Swivel chair, Golden Berle
702796-098	Swivel chair, Alex. Julian
702796-418	Swivel chair, Peridot
702801-197	Sofa w/arm & drawer face, Golden Berle
702801-098	Sofa w/arm & drawer face, Alex. Julian
702801-418	Sofa w/arm & drawer face, Peridot
960669-01	Close out, RS, above driver left shoulder
960669-02	Close out CS, above passenger right shoulder
702897-01	Seat, driver, power w/belts
702897-02	Seat, passenger, power, w/belts

1998 LAND YACHT 35 PUSHER

UPHOLSTERY/FOAM/MATTRESS

962718	Upholstered back, aft dinette
702464-01	Foam, dinette, upper back, aft
702464-06	Foam, dinette, lower back
962719	Upholstered back, forward dinette
702464-02	Foam, dinette, upper back, forward
702464-06	Foam, dinette, lower back
998070	Cover, seat, side dinette
702464-08	Foam, dinette, aft seat
702464-10	Foam, dinette, forward seat
998071	Cover, back, side dinette

1998 LAND YACHT 35 PUSHER

VENTS/FANS

381207-02	Vent, refrigerator, roof, w/screen
381153-01	Vent, Jensen #757
381153-100	Screen, Jensen #757 vent
381450	Vent, roof, Fantastic #6000 RBT
381450-100	Screen, Fantastic roof vent
381450-101	Motor, elevator, Fantastic vent #6000 RBT
511376	Fan, defrost, oscillating
203153-01	Skylight, 22 x 22", clear
203154-01	Inner dome, skylight, neo-angle
201897-01	Trim ring, skylight, neo-angle

1998 LAND YACHT 35 PUSHER
NOTES

1998 LAND YACHT 35 PUSHER

WOOD/LAMINATES/INTERIOR TRIM

801176-03	Paneling, interior wall, 1/8"x 4'x7', Solitude
203147-01	Trim, divider bar, interior panels, Solitude
800507-01	Paneling, luan, 1/8"x4'x8'
800397-01	Cedar, planked, 5/32"x4'x8'
201728-01	Extrusion, ceiling trim retainer
201728-04	Extrusion, ceiling trim
800542-02	Structure wood 3/8" x 4'x8'
800542-03	Structure wood 1/2" x 4' x 8'
800507-02	Paneling, luan 1/4" x 4' x 8'
800507-03	Paneling, luan 3/8"x4'x8'
801177-01	Paneling 1/2"x4'x8', G2S, solitude/solitude
801185-01	Paneling 1/2"x4'x8', G1S, solitude/raw
801233-01	Paneling 1/4"x4'x8', G1S, solitude/raw
801180	Paneling 1/2"x4'x8', G2S, oak/oak
801179	Paneling, 1/2"x4'x8', G1S, oak/raw
801182	Paneling 5/32"x4'x8', G2S, oak/oak
801181	Paneling 5/32"x4'x8', G1S, oak/raw
801230	Laminate, oak, 4'x8'
964280	Molding, top edge counter, oak (hot glue application.)
800631	Handrail, oak, 23" (w/opt. stationary dinette)
963990	Magazine rack
801115	Flooring, oak quartered 3/8"

1998 LAND YACHT 35 PUSHER

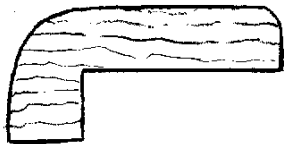
WOOD/LAMINATES/INTERIOR TRIM



1) 801206-01



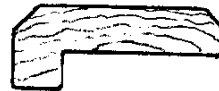
2) 964152-01



3) 964280



4) 800571-01



5) 800617-01

1) 801206-01

Molding, floor, oak, 43"

2) 964152-01

Molding, chair rail, oak

3) 964280

Molding, top edge counter (hot glue application.)

4) 800571-01

Molding, oak, flat 1/4"x33/64"x80"

5) 800617-01

Molding, wainscoat, oak

(Not shown)

801172-01

Molding, corner, oak

801173-03

Molding, flat radius, .88 oak

(Trim continued)

1998 LAND YACHT 35 PUSHER

WOOD/LAMINATES/INTERIOR TRIM



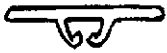
1) 800573-01



2) 800572-01



3) 201728-04



4) 201728-01



5) 203159-01



6) 201666

1) 800573-01

Molding, door edge 1 3/32x80"

2) 800572-01

Molding, panel edge, oak 23/32x80"

3) 201728-04

Extrusion, ceiling trim

4) 201728-01

Extrusion, ceiling trim retainer

5) 203159-01

Trim, divider bar, interior panels, Solitude

6) 201666

Molding, J 3/16, plastic

