

AIRSTREAM

BAMBI TRAILER

Parts Book

1999

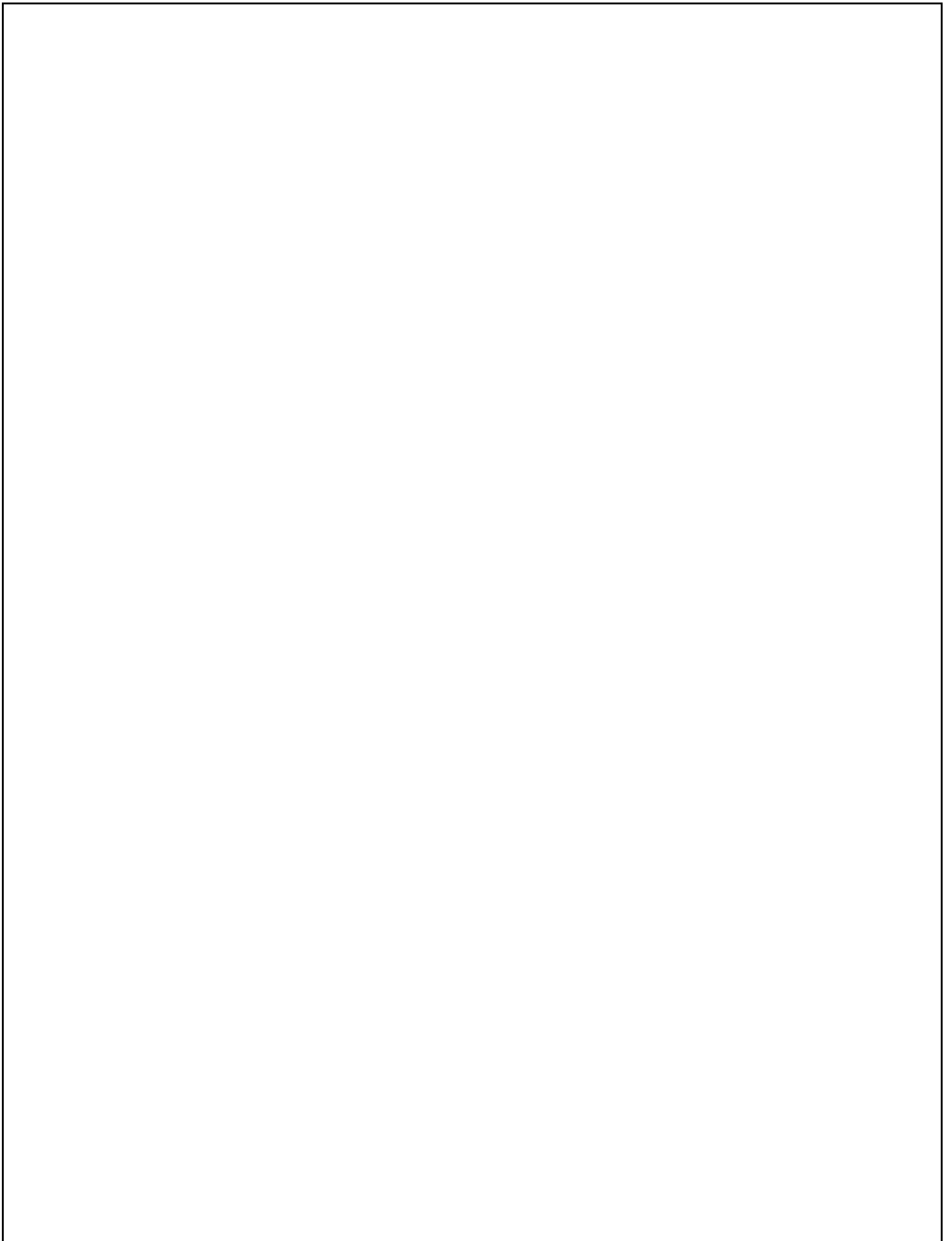


TABLE OF CONTENTS

SECTION I BAMBI

A through C

APPLIANCES

Air Conditioner	I-1
Furnace	I-1
Range	I-1
Refrigerator	I-1
Water Heater	I-1

BODY

End shell, aft	I-3
End shell, front	I-5
Roof	I-7
RS wall	I-9
CS wall	I-11
Body interior	I-12

CHASSIS

Axles	I-13
Shocks	I-13
Tire & wheel	I-13
Jacks	I-13
Step	I-13
Rear bumper/hose carrier	I-13
Under belly metal	I-14
Coupler, hitch	I-14
Brakes, 12"	I-14

TABLE OF CONTENTS

SECTION II BAMBI

D through E

[DECALS/EXTERIOR TRIM](#)..... II-1

DOORS/WINDOWS/AWNING

[Doors](#)..... II-2

[Windows](#)..... II-3

[Awning](#)..... II-3

[DRAPES/BLINDS/VALANCES](#) II-4

ELECTRICAL

[110 volt](#)..... II-5

[12 volt](#) II-6

[Interior lights](#) II-6

[Exterior lights](#)..... II-7

ENTERTAINMENT

[Radio/antenna](#)..... II-8

TABLE OF CONTENTS

SECTION III BAMBI

F through H

FASTENERS

(Common fasteners available locally are not listed)

Rivets	III-1
------------------------------	-------

FLOOR COVERING

Carpet	III-3
Mats	III-3

FURNITURE

Interior doors	III-4
Mirrors	III-4
Drawer	III-4
Rear bedroom	III-5
Bath	III-5
Galley	III-6
Lounge	III-6

HARDWARE

Exterior locks/hinges	III-7
Interior drawer slides/hinges latches	III-11
Bath, wardrobe, misc.	III-14
Awning hardware	III-26

TABLE OF CONTENTS

SECTION IV BAMBI

L through Z

LABELS and TAGS	IV-1
---------------------------------------	------

PLUMBING

LPG	IV-2
---------------------------	------

Fresh water	IV-3
-----------------------------------	------

Faucets	IV-5
-------------------------------	------

Drain water, sinks, tanks	IV-8
---	------

Toilet	IV-11
------------------------------	-------

SAFETY EQUIPMENT	IV-12
--	-------

SEALER/GASKETS/PAINT	IV-13
--	-------

UPHOLSTERY/FOAM/MATTRESS	IV-14
--	-------

VENTS/FANS	IV-15
----------------------------------	-------

WOOD/LAMINATES/TRIM	IV-16
---	-------

TABLE OF CONTENTS

SECTION I BAMBI

A through C

APPLIANCES

Air Conditioner	I-1
Furnace	I-1
Microwave	I-1
Range	I-1
Refrigerator	I-1
Water Heater.....	I-1

BODY

End shell, aft.....	I-3
End shell, front.....	I-5
Roof	I-7
RS wall.....	I-9
CS wall.....	I-11
Body interior	I-12

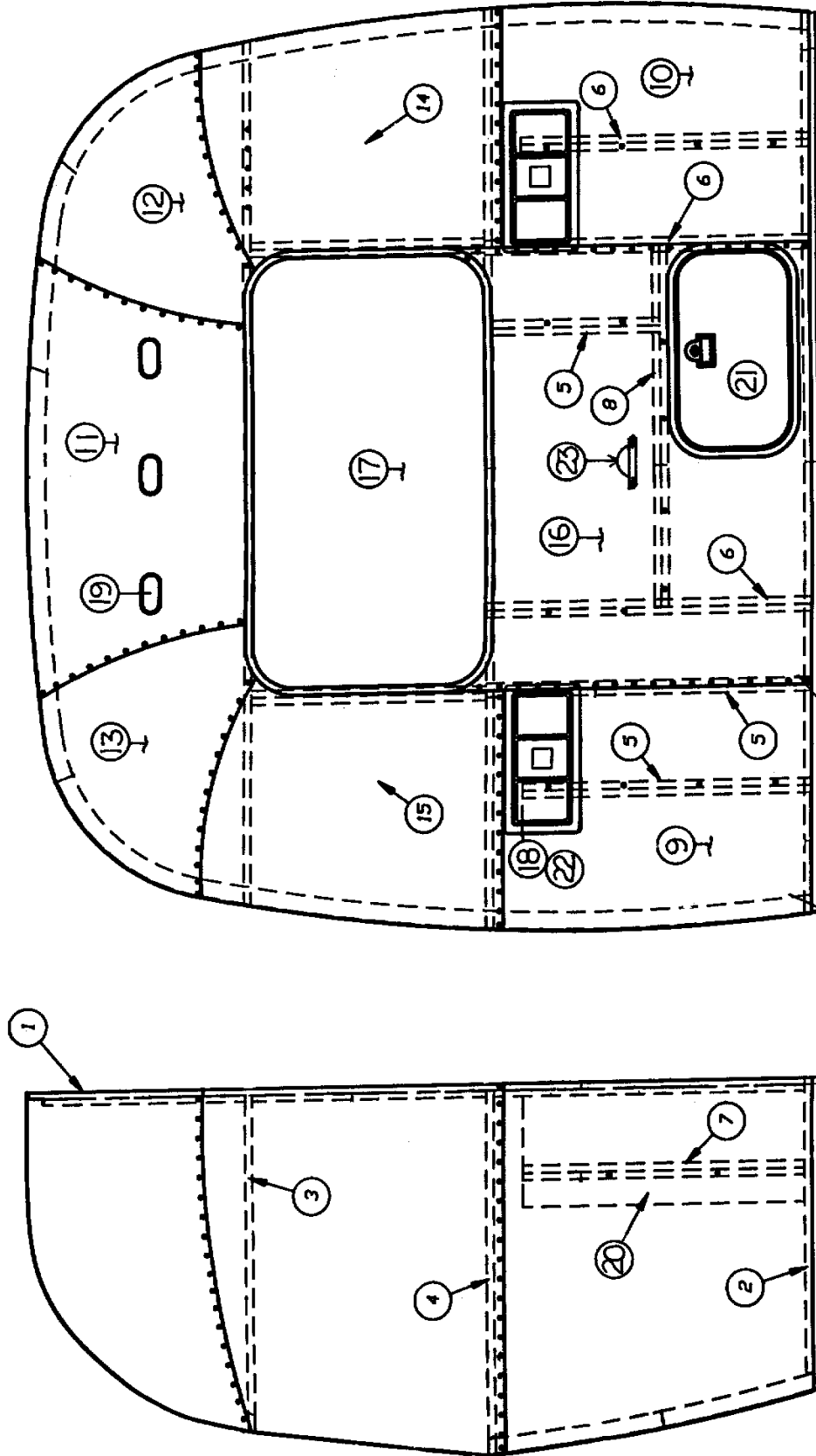
CHASSIS

Axles.....	I-13
Shocks	I-13
Tire & wheel.....	I-13
Jacks	I-13
Step	I-13
Rear bumper/hose carrier.....	I-13
Under belly metal.....	I-14
Coupler, hitch.....	I-14
Brakes, 12"	I-14

1999 BAMBI APPLIANCES

195329-143	Air conditioner, 11, 000 Dometic
961270	Pan Assembly, drain, air conditioner
690323-03	Heat strip, Dometic air conditioner
690323-104	Shroud, exterior, Penguin, Shell White
690323-05	Air box/return grill
690395	Furnace, Hydroflame, 7916-II
600193	Hose, 2", flex heat duct
511228	Thermostat, furnace, off white
690396-01	Range/oven, 22" Maytag
690396-03	Bi-fold cover
690393-01	Refrigerator, Dometic, RM2452RH
690394	Power ventilator, refrigerator
690199	Water heater, electronic ignition
690209	Access door, brushed aluminum

1999 BAMBI



1999 BAMBI

BODY-AFT END

964513 End shell complete, rear, Bambi

- 1) 114371 End bow
- 2) 104463 Floor bow
- 3) 104351 Upper window bow
- 4) 104343 Lower window bow
- 5) 114505-01 Support, lower end, LH
- 6) 114505-02 Support, lower end, RH
- 7) 101315 Brace, vertical rear
- 8) 104408 Extrusion, Z rib

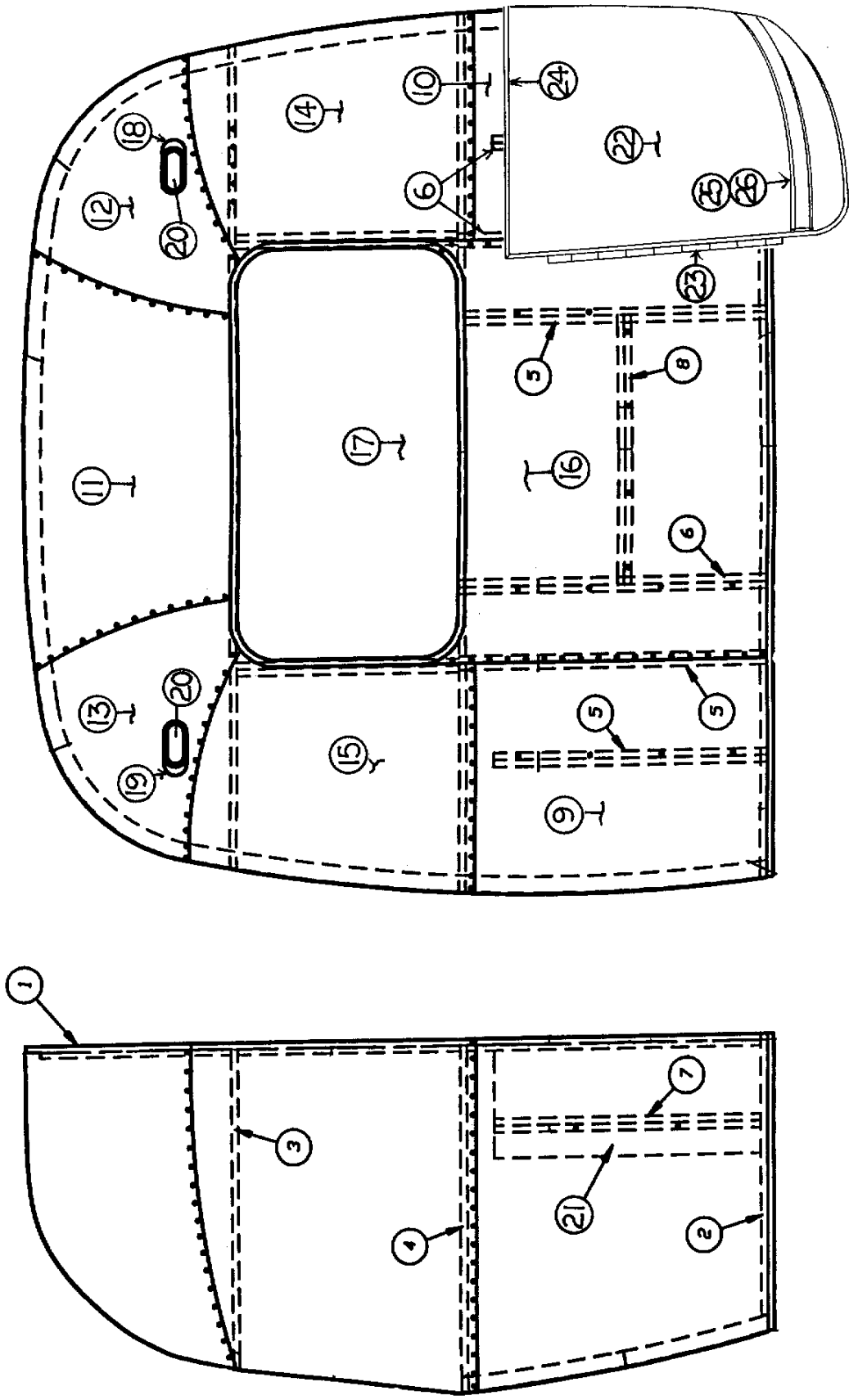
*** Airstream
finish**

**Alcoa
finish**

- | | | | |
|-----|---|------------------------------------|--------|
| 9) | 114407 | Segment #29 | 114895 |
| 10) | 114406 | Segment #28 | 114894 |
| 11) | 114403 | Segment #25 | 114892 |
| 12) | 114404 | Segment #26 | 114890 |
| 13) | 114405 | Segment #27 | 114891 |
| 14) | 104443 | Segment, center right | 114889 |
| 15) | 104442 | Segment, center left | 114888 |
| 16) | NPN Alum. sheet, .050 x 41 x 45.25 x 51.0 (cut from 114488) | | |
| 17) | 371362 | Window, rear egress, 43.94 x 24.19 | |
| 18) | 500500 | Taillight complete | |
| 19) | 510111 | Clearance light, red | |
| 20) | NPN Alum. sheet, .040 x 12.0 x 29.0 (cut from 114488) | | |
| 21) | 100679 | Door assembly, access | |
| 22) | 201462 | Pocket, ABS taillight | |
| 23) | 500053 | Light and license plate holder | |

*All trailers built after serial #512612 will have Alcoa finish

1999 BAMBI



1999 BAMBI

BODY-FRONT END

964512 End shell complete, front, Bambi

- 1) 114371 End bow
- 2) 104463 Floor bow
- 3) 104351 Upper window bow
- 4) 104343 Lower window bow
- 5) 114505-01 Support, lower end, LH
- 6) 114505-02 Support, lower end, RH
- 7) 101315 Brace, vertical rear
- 8) 104408 Extrusion, Z rib

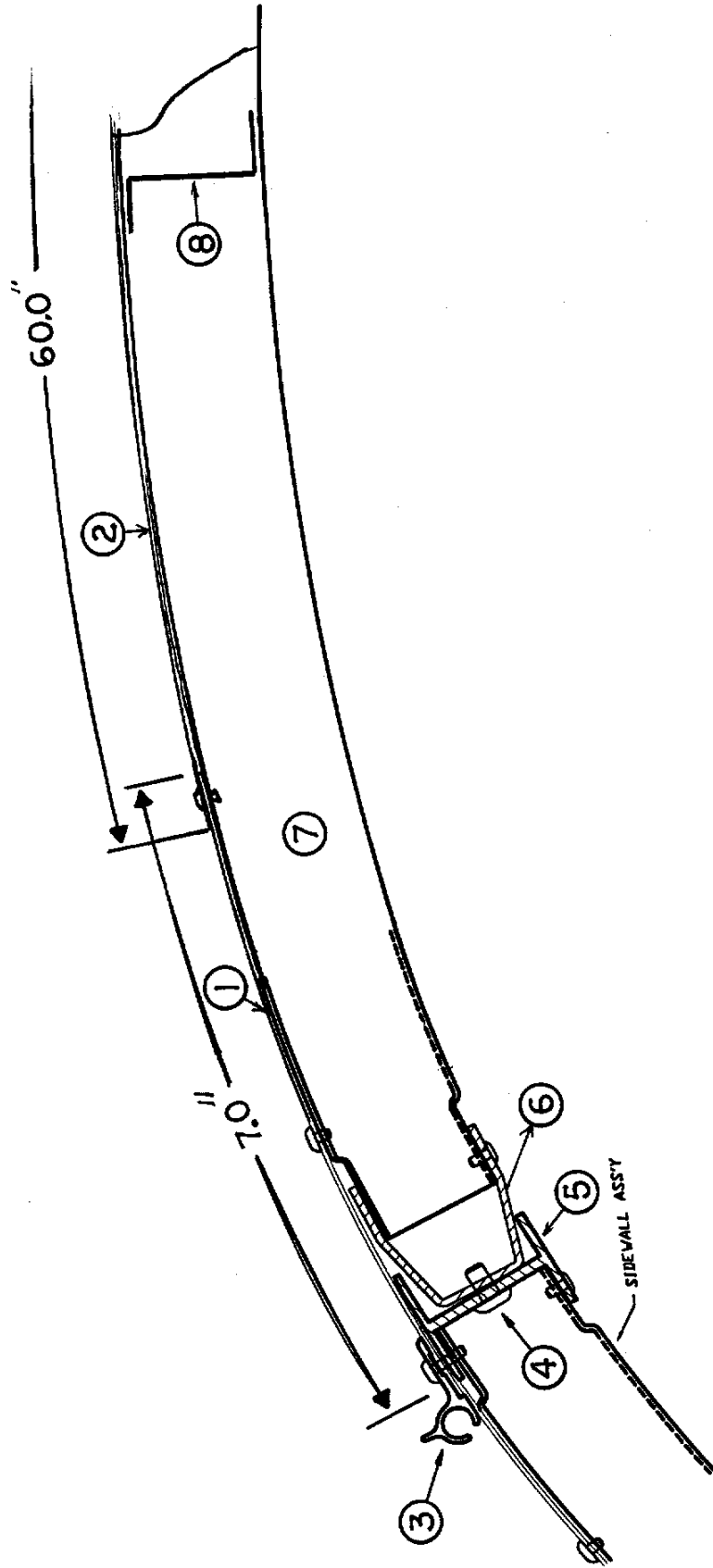
*** Airstream
finish**

**Alcoa
finish**

- | | | | |
|-----|--|---------------------------------------|--------|
| 9) | 114407 | Segment #29 | 114895 |
| 10) | 114406 | Segment #28 | 114894 |
| 11) | 114403 | Segment #25 | 114892 |
| 12) | 114404 | Segment #26 | 114890 |
| 13) | 114405 | Segment #27 | 114891 |
| 14) | 104443 | Segment, center right | 114889 |
| 15) | 104442 | Segment, center left | 114888 |
| 16) | NPN Alum. sheet, .050 x 41.0 x 45.25 (cut from 114360-318) | | |
| 17) | 371362-10 | Window, 43.94 x 24.19, Bambi | |
| 18) | 101177 | Base , lamp, cast polished, RS | |
| 19) | 101178 | Base, lamp, cast polished, CS | |
| 20) | 510112 | Clearance light, amber | |
| 21) |) NPN Alum. sheet, .040 x 12.0 x 29.0 (cut from 114488) | | |
| 22) | 685366-100 | Wrap protector, RS, Safari/Bambi | |
| | 22a) 685365-100 | Wrap protector, CS, Safari/Bambi | |
| 23) | 381605-01 | Hinge, stainless, wrap protector | |
| 24) | 100742-01 | Extrusion, mirror/wrap protector trim | |
| 25) | 114460 | Extrusion, rub rail | |
| 26) | 201763-01 | Insert, rub rail | |

*All trailers built after serial #512612 will have Alcoa finish

1999 BAMBI



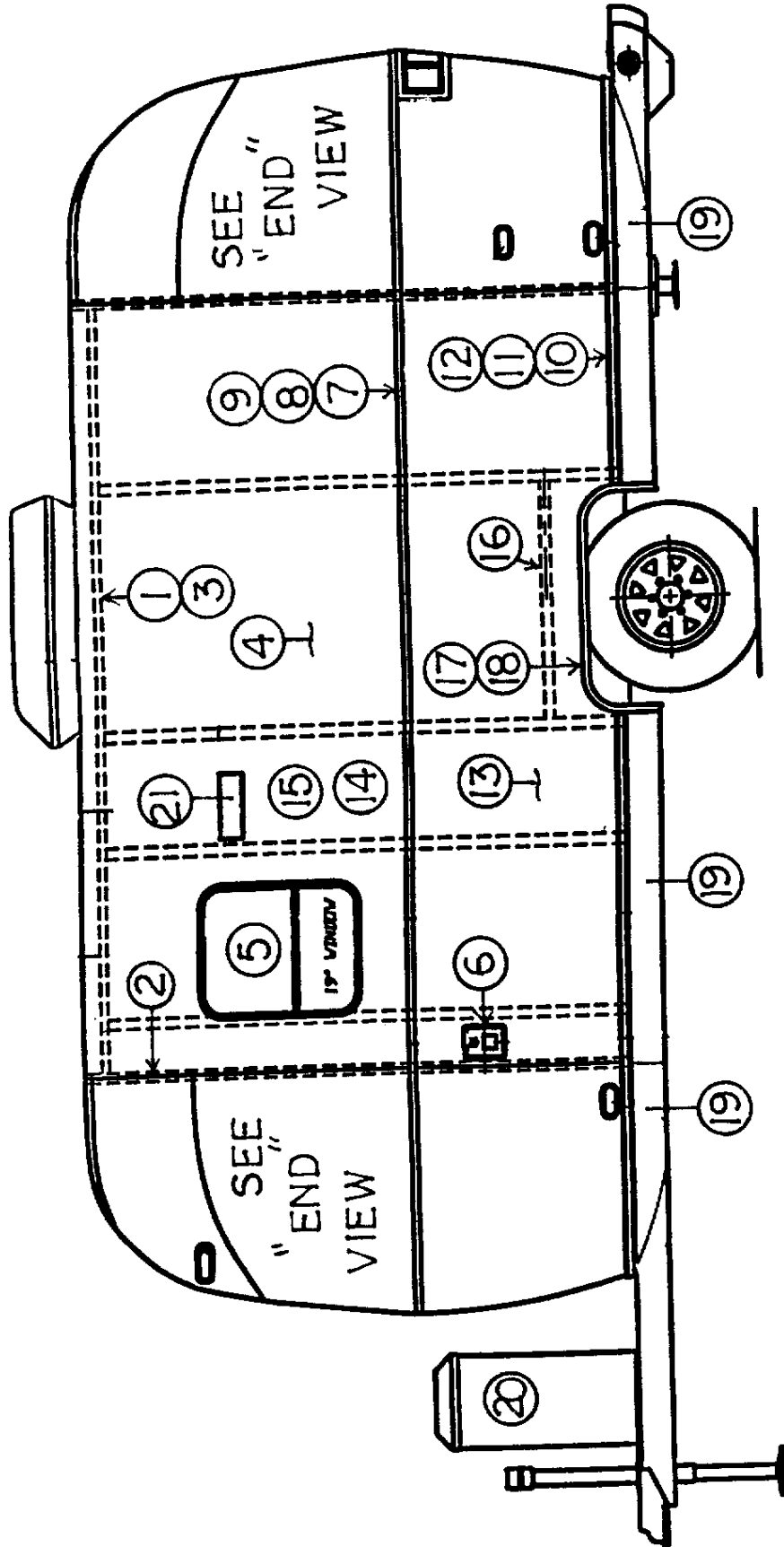
1999 BAMBI

BODY

ROOF-END VIEW

- | | |
|---------------|---------------------------------------|
| 1) 114362-318 | Alum. sheet, white, .050 x 7.0 x 318" |
| 2) 114489-259 | Alum. sheet, white, .032x60x259" |
| . | |
| 3) 114290 | Extrusion, awning/drip rail |
| 4) 340123-02 | Rivet, Huck, 3/16 x 1/2" |
| 5) 104707-05 | Extrusion. "I" beam |
| 6) 114338 | Extrusion, roof corner |
| 7) 114381-03 | Roof bow |
| 8) 104408 | Extrusion, Z bar, horizontal |

1999 BAMBI



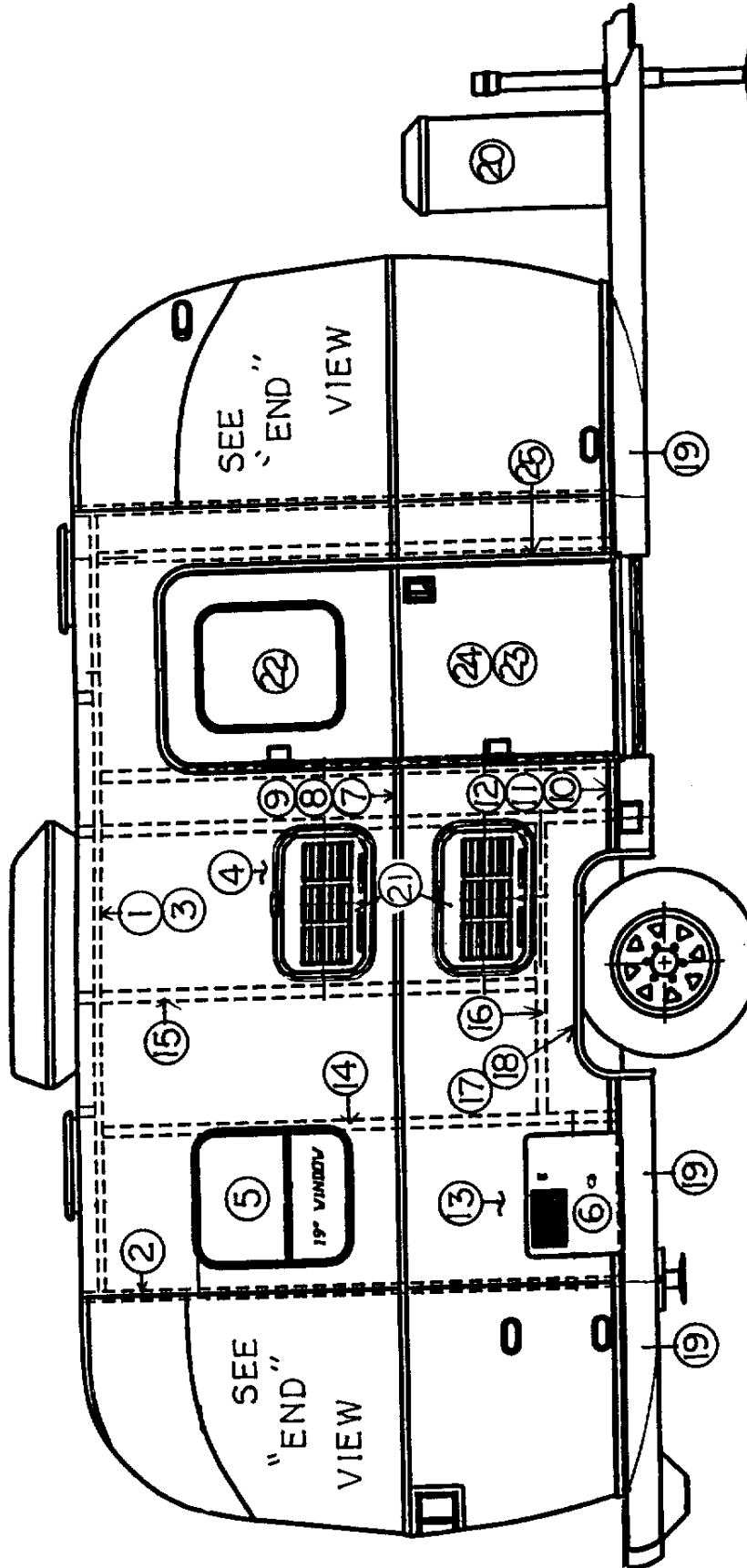
1999 BAMBI

BODY, RS, 19FT. BAMBI

(Hardware such as hinges, locks and latches are located in the **hardware** section of this book)

- | | |
|----------------|---|
| 1) 114290 | Extrusion, awning/drip rail |
| 2) 114371 | Rib, end bow |
| 3) 104707-05 | Extrusion, "I" beam |
| 4) 114880-262 | Aluminum sheet, upper, .040 x 51 x 262" |
| 5) 371362-02 | Window, 19.25 x 22.75" |
| 6) 601194 | Water fill w/lock, gray |
| 7) 114328 | Extrusion, belt line |
| 8) 201912 | Molding, chrome, belt line |
| 9) 114414 | "Z" bar, 1x1x1.5" |
| 10) 114460 | Extrusion, rub rail |
| 11) 201763-01 | Insert, rub rail, chrome, 1" |
| 12) 100986 | Floor channel |
| 13) 114879-262 | Aluminum sheet, lower, .040 x 33 x 262" |
| 14) 114387-02 | Bow, Z rib, LH |
| 15) 114387-02 | Bow, Z rib, LH |
| 16) 100986 | Wheel well stiffener (floor channel) |
| 17) 114003-03 | Wheel well trim, inner, single axle |
| 18) 114004-03 | Wheel well trim, outer, single axle |
| 19) 101131-01 | Underbelly wrap, .024 x 22.5, pewter |
| 20) 104264 | Cover, 30# LPG bottles w/o decal |
| 21) 511017-11 | Vent cover, range exhaust |

1999 BAMBI



1999 BAMBI

BODY, CS, 19FT. BAMBI

(Hardware such as hinges, locks and latches are located in the **hardware** section of this book)

- 1) 114290 Extrusion, awning/drip rail
- 2) 114371 Rib, end bow
- 3) 104707-05 Extrusion, "I" beam
- 4) 114880-262 Aluminum sheet, upper, .040 x 51 x 262"
- 5) 371362-02 Window, 19.25 x 22.75"
- 6) 690259-03 Cover and mounting flange, Atwood
- 7) 114328 Extrusion, belt line
- 8) 201912 Molding, chrome, belt line
- 9) 114414 "Z" bar, 1x1x1.5"
- 10) 114460 Extrusion, rub rail
- 11) 201763-01 Insert, rub rail, chrome, 1"
- 12) 100986 Floor channel
- 13) 114879-262 Aluminum sheet, lower, .040 x 33 x 262"
- 14) 114387-02 Bow, Z rib, LH
- 15) 114387-02 Bow, Z rib, LH
- 16) 100986 Wheel well stiffener (floor channel)
- 17) 114003-03 Wheel well trim, inner, single axle
- 18) 114004-03 Wheel well trim, outer, single axle
- 19) 101131-01 Underbelly wrap, .024 x 22.5, pewter
- 20) 104264 Cover, 30# LPG bottles w/o decal
- 21) 922243 Door assembly, refrigerator assess
- 22) 371362-01 Window, main door
- 23) 110067-01 Main door assembly
- 24) 114654 Screen door assembly
- 25) 114652 Jamb, main door, preformed

1999 BAMBI

BODY INTERIOR

964480	Roof locker & aft end liner
964471	Roof locker & forward end liner
114445	Aluminum sheet, .032 x 34" x coil
114853-01	Aluminum sheet, .032 x 57" x coil
702482-03*	Wall liner, Geometric Pearl, 96"
702481*	Wall liner, Geometric Pearl
114157-01	Extrusion, end liner, upper, white
201728-01	Extrusion, ceiling trim retainer
201728-03	Extrusion, ceiling trim
201391	Trim, flexible, "U", white
203138-01	Extrusion, plastic, wall, white
203138-02	Extrusion, plastic, wall, brown
101077	Extrusion, main doorjamb trim, interior
110460-01	Trim ring, window, 17.75 X 21.25"
110460-02	Trim ring, window, 19.25 x 22.75"
110460-08	Trim ring, window, 44.0x 24.19"
110521-01	Trim ring, window, rear egress, 43.94x24.19

*For repairs purchase vinyl glues locally.

1999 BAMBI

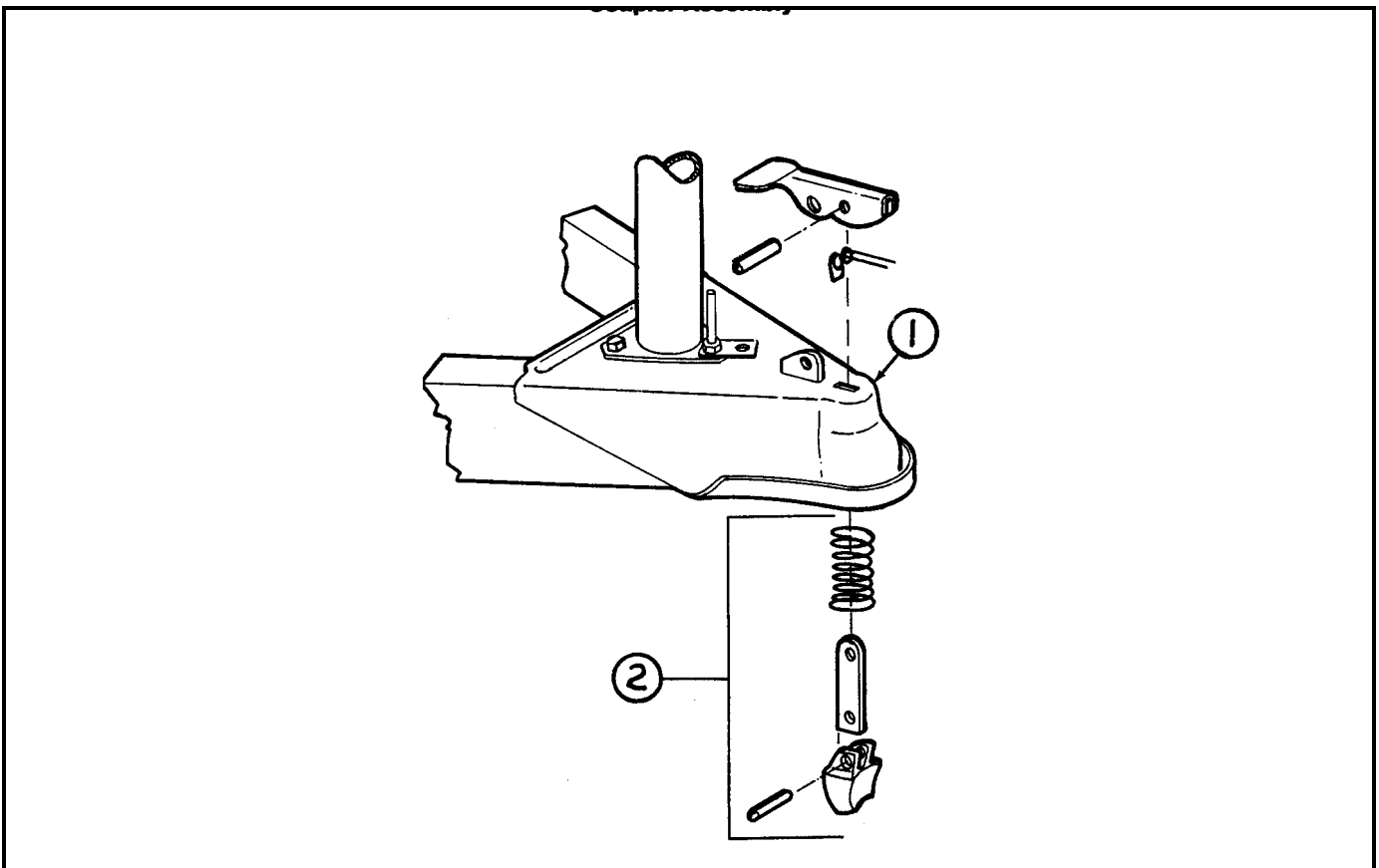
CHASSIS

7430001H	Axle, 4, 000 lb.
0220003	Shock absorber
0250173-15	Bolt, grade 5-- 5/8-18x1.5", shock mount
0130068-818	Nut, hex head flanged, 5/8-18, shock mount
410822-15	Tire and wheel assembly, 15", BSW, ST225
400643	Trim ring, 15", SS
203144	Dust cover, center hub, SS
0190012	Acorn lug nut
200844	Wheel well box, Bambi
201565	Tufcote noise barrier, for wheel well
3320028	Jack, front, Atwood
453570	Stabilizer plate, front jack
410598	Foot pad
381416	Step, single, Elkhart#124
410932	Rear bumper, 3" x 78"
453497	Lid, rear hose carrier
453627	Bottom, rear hose carrier
380024	Support arm, hose carrier lid
380067	Hose carrier lid latch (Cam-o-lock)
381435	Hatch, access cover, 4", white (power cord)
400914-01	Stabilizer jack, rear
400914-02	Handle, rear stabilizer jack

(continued)

1999 BAMBI CHASSIS

0300027	Break away switch, Bargman
0360254H	Bracket, breakaway switch
450414	"A" frame spare tire carrier
114679	Aluminum underbelly, .019 x 65.75 x coil
101131-01	Aluminum, underbelly wrap, .024 x 22.5, gray



- 1) 680343 Coupler assembly, 2 5/16"
- 2) 680345 Repair kit, 2 5/16" coupler

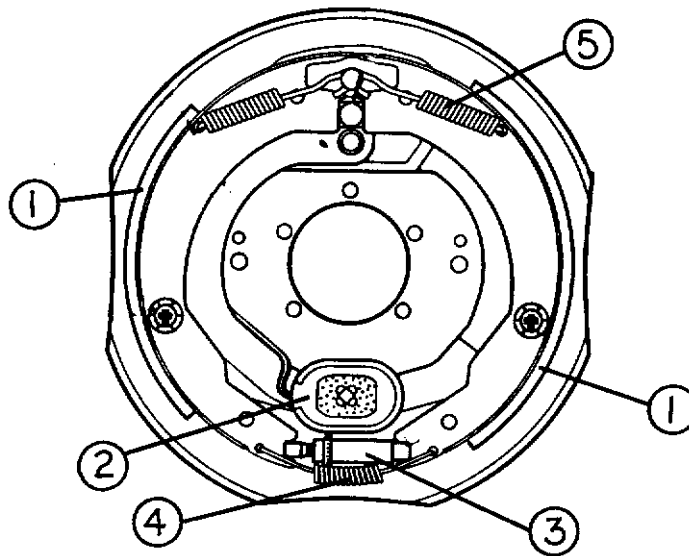
(continued)

1999 BAMBI CHASSIS

12" BRAKES, Bambi

3160121	Brake drum, 12", 6 lug
450659	Inner bearing, #25580
680364	Inner race, #25520
450658	Outer bearing, #LM67048
680365	Outer race, #LM67010
680370-100	Grease seal

3160347	Brake assembly, RH, 12" Dexter
3160348	Brake assembly, LH, 12" Dexter



1) 3160348-62	Shoe and lining kit (includes hold down spring and pin)
2) 3160348-65	Magnet kit
3) 3160348-63	Adjuster assembly
4) 3160348-64	Adjusting screw spring
5) 3160348-61	Retractor spring

1999 BAMBI

SECTION II

D through E

DECALS/EXTERIOR TRIM.....II-1

DOORS/WINDOWS/AWNING

Doors.....II-2

Windows.....II-3

Awning.....II-3

DRAPES/BLINDS/VALANCESII-4

ELECTRICAL

110 volt.....II-5

12 voltII-6

ENTERTAINMENT

Radio/antenna.....II-8

1999 BAMBI

DECALS/EXTERIOR TRIM

385964-01	Decal, stripe, 2 3/4"x 150', Safari
385964-02	"Airstream" decal 1 5/16 x 32"
385986-01	"Bambi by Airstream" legend
385985-01	"Bambi" logo, 10.5"
114460	Extrusion, rub rail, 16'
201763-01	Insert, rub rail, chrome, 1"
114466-01	Close out, casting, rub rail, angled RH
114466-02	Close out, casting, rub rail, angled LH
114465-01	Close out, casting, rub rail RH
114465-02	Close out, casting, rub rail LH
114328	Extrusion, beltline
201912	Molding, chrome, beltline insert
114417	Casting close out, belt line

1999 BAMBI

DOORS/WINDOWS/AWNING

(Hardware such as hinges, locks and latches are located in the **hardware** section of this book.)

DOORS

115207-01	Main door assembly
114652	Jamb, main door, preformed
114653	Frame, main door, preformed
114448-02	Skin, exterior, upper main door
114449-02	Skin, exterior, lower main door
114475	Skin, inner, vinyl clad
114363	Drip cap, main door
365232	Seal, main door
114654	Screen door assembly
114561	Panel, slider, screen door
203000-01	Close out, plastic, screen door
380079	Screen, gray
200518	Spline, gray, screen insert
365013	Gasket, screen door, foam tape
922243	Door, refrigerator access
104417	Jamb, refrigerator access door
104439	Louvered panel, refrigerator access door
201391	Trim, flexible
100679	Side access door assembly
365035	Seal, side access door

(continued)

1999 BAMBI

DOORS/WINDOWS/AWNINGS

(Hardware such as hinges, locks and latches are located in the **hardware** section of this book.)

WINDOWS

371362-01	Window, 17.75 x 21.25"
371362-02	Window, 19.25 x 22.75"
371362-10	Window, 43.94 x 24.19"
371362-11	Window, egress, Bambi, 43.94 x 24.19"

AWNINGS

110102-02	Rock guard, Bambi
685351	Rubber frame, black
683960	Arm support
683959	Arm support bracket
685354	Front window key
702880-04	Awning, patio, 9' 8", Blue Shadow-23ft.
702880	Hardware package, A&E awning

1999 BAMBI

DRAPES/BLINDS/VALANCES

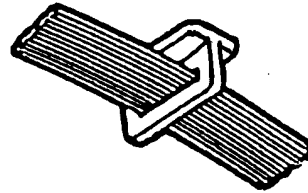
- 110554 Curtain set, Bambi
- 702355-01 Shade, roller type, 20 1/8 x 36" galley
- 964515-02 Valance assembly, RS, front, 64"
- 964515-01 Valance assembly, CS, front
- 964518 Valance assembly, CS bedroom



101220
Bracket, curtain
stand off



101217
Track, curtain



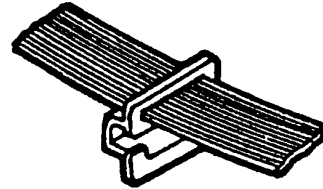
700044
Glides, w/elastic
"T" type



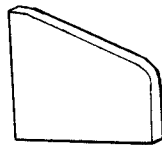
114021
Bracket, curtain
stand off



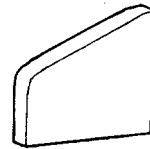
101225
Bracket, curtain
stand off



700045
Glides, w/elastic
"G" type



200785
End, curtain track, LH



200784
End, curtain track, RH

1999 BAMBI

ELECTRICAL

110 VOLT

510634	Power cord, 36ft.
511041	Breaker box, Westinghouse
510564-05	Breaker 30-20, Bryant
510564-04	Breaker 20-20, Bryant
510564-20	Breaker, 20 GFI
510564-07	Breaker 15 GFI, Bryant
500563-101	Receptacle, 15 amp, white
511287	Receptacle, 15 amp, single
510676-01	Outlet, exterior, gray
511023	Circuit tester (loose item)
511426	Converter, 55 amp

1999 BAMBI

ELECTRICAL

12 VOLT

511132	Battery, deep cycle, lead acid
511386	Battery box
340023	Latch, Corbin, battery box
453603	Strap, battery box
500886	7-Way cable w/plug
0300027	Break away switch, Bargman
511426	Converter, 55 amp
510626	Switch, master disconnect
510627	Face plate, disconnect switch
511337	Fuse block, 12 volt, 6 position-ATC type
511248	Light, 12 volt, incandescent, single, interior
511249	Light, 12 volt, incandescent, double, interior
510781	Detector, smoke
511309	Detector, LPG
511341-02	Monitor panel, wall mount
502056	Mounting plate, 12 volt switch
511327	Switch body w/rocker, single, white
510868-03	Switch panel, 4 gang, white, by door
511100-01	Switch body w/rocker, white
511077-03	Cover, switch, white w/gold print
510807	Outlet, 12 volt
511121	Mounting plate, 12 volt receptacle

(continued)

1999 BAMBI

ELECTRICAL

12 VOLT

500996	Jack, TV/phone, gray
510654-01	TV jack/12 volt w/splitter, white
510624-01	Modular phone quick jack, white
104619	Mounting plate, exterior telephone/TV jack

EXTERIOR LIGHTS/REFLECTORS

510732	Utility light (by door)
500500	Tail light assembly
510161	Can, #1156 bulb and socket
510160	Can, #1157 bulb and socket
510162	Tail light lens
510163	Back-up light lens
380226	Gasket, tail light lens
201462	Pocket , plastic, taillight
109172	Bezel, chrome, tail light
510111	Clearance light, red, Signal Stat
510112	Clearance light, amber, Signal Stat
500095	Reflector, red, rectangular
500096	Reflector, amber, rectangular
510446	Reflector, red, stick-on w/chrome edge
500053	License plate light w/plate mounting bracket

1999 BAMBI

ENTERTAINMENT

511338	Radio, AM/FM/Cassette, Audiovox
511339-01	Speaker, 5.25", Audiovox
511339-02	Grill, speaker cover, 6"
510610	Antenna, radio, side mount
510788-01	TV antenna, Wineguard #RV-7004
510788-03	Amplifier, TV antenna
510612	Coax, 75 ohm, standard
510613	Coax, 75-ohm w/three conductors
510623	Connector, coax, male to male
114396	Trough, TV antenna

1999 BAMBI

SECTION III

F through H

FASTENERS

(Common fasteners available locally are not listed)

RivetsIII-1

FLOOR COVERING

Carpet.....III-3

MatsIII-3

FURNITURE

Interior doorsIII-4

MirrorsIII-4

DrawerIII-4

Rear bedroomIII-5

BathIII-5

GalleyIII-6

LoungeIII-6

HARDWARE

Exterior locks/hingesIII-7

Interior drawer slides/hinges latchesIII-11

Bath accessoriesIII-14

Awning hardwareIII-26

1999 BAMBI

*FASTENERS



325043
Rivet, buck type
dia. 1/8"
length 1/4"
(hard)



325000-01
Rivet, buck type
dia. 1/8"
length 1/4"
anodized clear



325000-03
Rivet, buck type
dia. 1/8"
length 1/4"
anodized white



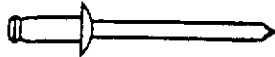
325001-01
Rivet, buck type
dia. 1/8
length 5/16"
anodized clear



325002-01
Rivet, buck type
"dia. 1/8"
length 3/8"
anodized clear



325004-01
Rivet, buck type
dia. 1/8"
length 1/2"
anodized clear



330127-03
dia. 1/8"
grip range .063-.125
aluminum body
aluminum mandrel

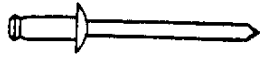


300101
1/8" I.D.
washer, aluminum

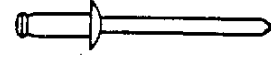
*Common bolts and screws readily available at local hardware outlets have not been listed.

1999 BAMBI

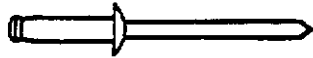
*FASTENERS



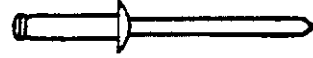
330126-02
rivet, pop
dia. 1/8
grip range .126-.187
stainless steel body
stainless steel mandrel



330126-03
rivet, pop
"dia. 1/8 "
grip range .126-.250
stainless steel body
stainless steel mandrel



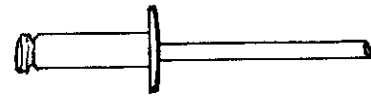
330127-050
rivet, pop
dia.1/8"
grip range .251-.312
aluminum body
aluminum mandrel



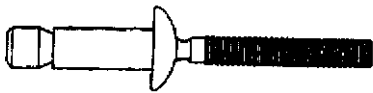
330128-05
rivet, pop
dia. 1/8"
grip range .251-.312
aluminum body, white
aluminum mandrel



330127-08
rivet, pop
dia.1/8"
grip range .325-.565
aluminum body
aluminum mandrel



0330038
rivet, pop
dia..150 (#20 bit)
grip range .126-.250
aluminum body
aluminum mandrel
(used-screen door hinge)



325103
dia. 1/4"
grip range .080-.325
SS body
steel mandrel

*Common bolts and
screws not listed.

1999 BAMBI

FLOOR COVERING

702794-01 Carpet, Spectrum, Pike Green

700173 Pad, carpet, 3/8" thick

381346 Floor mats

1999 BAMBI
FURNITURE
WARDROBE/CABINET DOORS

		width x height (inches)
964385-17	Door	9.13 x 24.0"
964385-18	Door	13.25 x 62.0"
964385-21	Door	15.63 x 11.88"
964385-06	Door	17.75 x 13.75"
964385-28	Door	19.62 x 30.50"
964385-04	Door	23.00 x 8.00"
964385-03	Door	23.50 x 4.5"
964385-19	Door	24.88 x 10.5"
964385-16	Door, breaker box cover	7.5 x 13.75"

ROOF LOCKER DOORS

964386-02	Door, roof locker, front and rear-RH & LH, 12.5"
964386-02	Face panel, locker end filler, spec., RH or LH
964386-06	Door, roof locker, 32.5"
964503-02	Door, bedroom roof locker, 14 x 41.0"
964386-03	Door, galley roof locker, 28.38"
964386-07	Door, galley roof locker, 15.5x 24.88"

MISCELLANEOUS DOORS

702937-03	Shower door, roll away 36 x 62"
964539	Bath door assembly, 25.5 x 72
372203-04	Mirror, safety glass, medicine cab.19.5x20"
372203-05	Mirror, safety glass, medicine cabinet, 19 x 14
702681-04	Door, foldette, 56 x 73"
381563-01	Track formed, foldette door

DRAWERS

201016	Drawer, plastic, 16 x 22"
962821-61	Drawer box , 2.88 x 16.0 x 20.0"
962821-27	Drawer box, 5.00 x 18.0 x 17.50

1999 BAMBI

FURNITURE

BEDROOM

108433	Header , foldette door
200003	End cap, header mounting, brown
702681-04	Door, foldette, 56 x 73"
452258	Bracket, mounting, foldette door
701342-01	Strap, vinyl, foldette door
964481	Bed assembly
964250-01	Wardrobe assembly, RS, Bambi
964505	Roof locker, bedroom

BATHROOM

(see hardware section for fixtures-if connected to water,
see plumbing)

203114	Shower, two piece fiberglass
203138-01	Extrusion, wall, plastic. white
702937-03	Shower door, roll away, 36 x 62"
801192-12	Divider panel, bath
801209	Doorjamb, bath
964312	Header, bath door
964249-02	Lavatory cabinet assembly
964315	Top, lavatory cabinet
964318	Medicine cabinet, upper
964319	Medicine cabinet, lower

1999 BAMBI

FURNITURE GALLEY

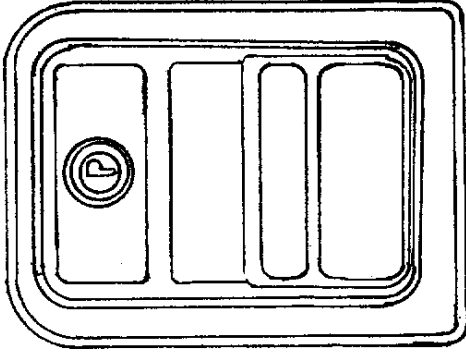
964482	Galley assembly
964483	Top, galley assembly
964335	Flip-up shelf, galley
963990	Magazine rack
961982-01	Sink cover
964514	Spice cabinet assembly
964490	Galley roof locker assembly
964460	Refrigerator cabinet assembly
964461	Top, refrigerator cabinet assembly
511341-01	Range hood

LOUNGE AREA

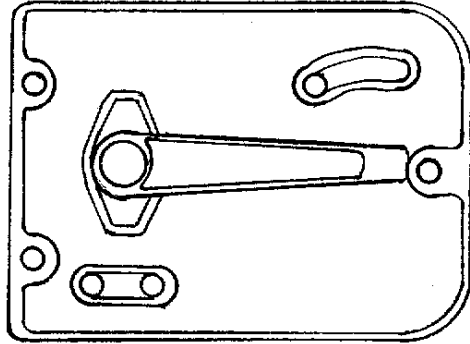
964484	Dinette seat assembly, RS
964485	Dinette seat assembly, CS
964486	Dinette table assembly

1999 BAMBI
HARDWARE

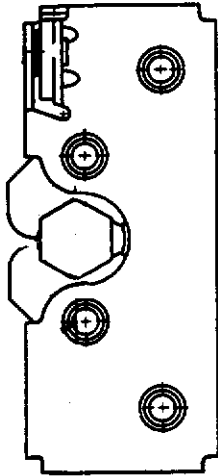
MAIN DOOR LOCK



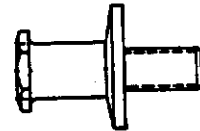
381547-01
Main door lock, outside
Housing



381547-02
Main door lock, inside
plate



381547-03
Double rotary latch,
main door lock

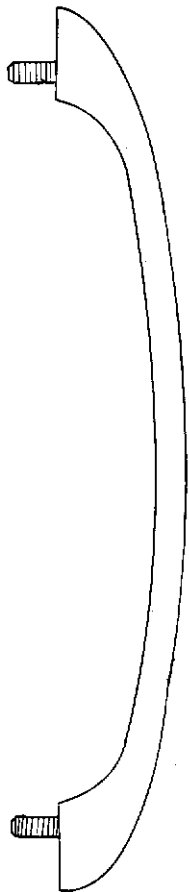


381547-04
Striker bolt w/washer
main door lock

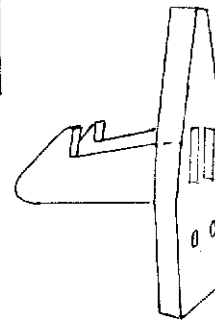
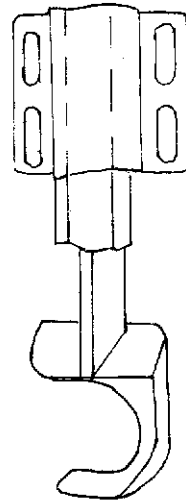
Not shown:

381547-05 Screw package, main door lock

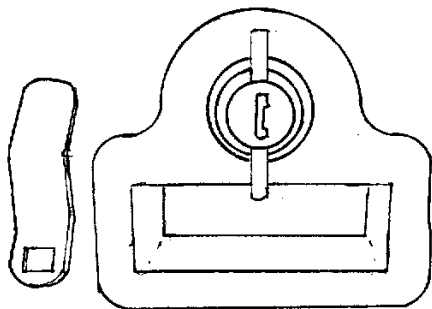
1999 BAMBI
HARDWARE
EXTERIOR LATCHES/LOCKS



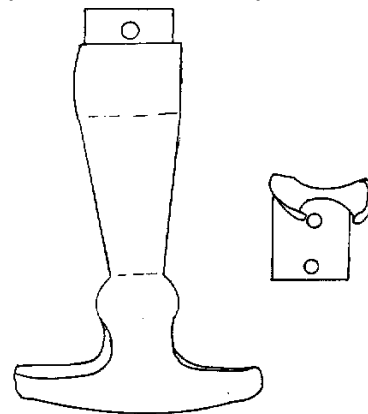
101171
Grab handle, main door



381454
Latch, screen door, Bullet



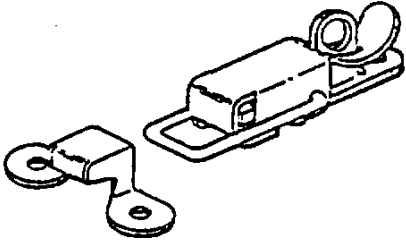
380770-101 Twist lock, chrome
380770-102 Twist lock, black



381021 Rubber T handle

1999 BAMBI HARDWARE

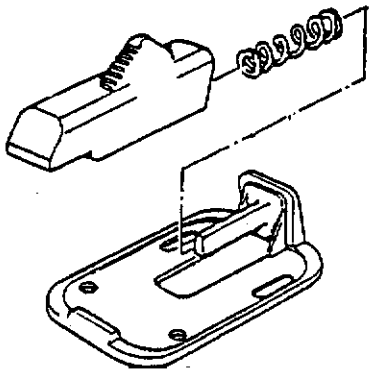
EXTERIOR LATCHES/LOCKS



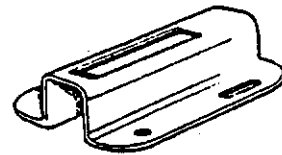
340023 Corbin catch
w/strike, battery box



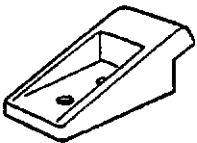
380067 Lock cam,
bumper lid



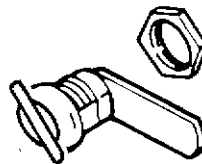
380291 Main door holdback,
(use w/housing #380290)



380290 Latch housing,
main door holdback



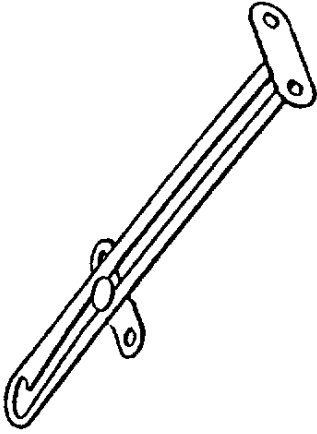
201056 Catch, main door
hold-back



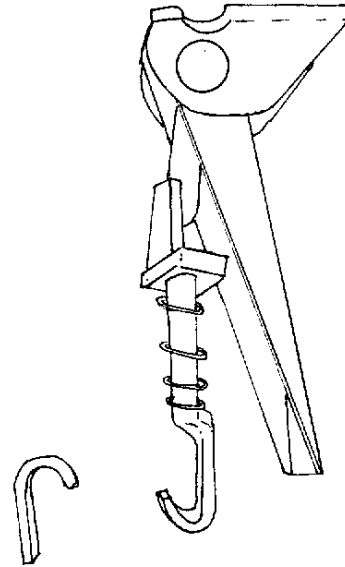
381513 Twist lock
refer, access door

1999 BAMBI HARDWARE

EXTERIOR LATCHES/LOCKS



380024 Support arm,
bumper lid



380903 Latch w/strike,
chrome, gas bottle cover

EXTERIOR HINGES

381552-03 Hinge assembly, main door, upper
381552-04 Hinge assembly, main door, lower

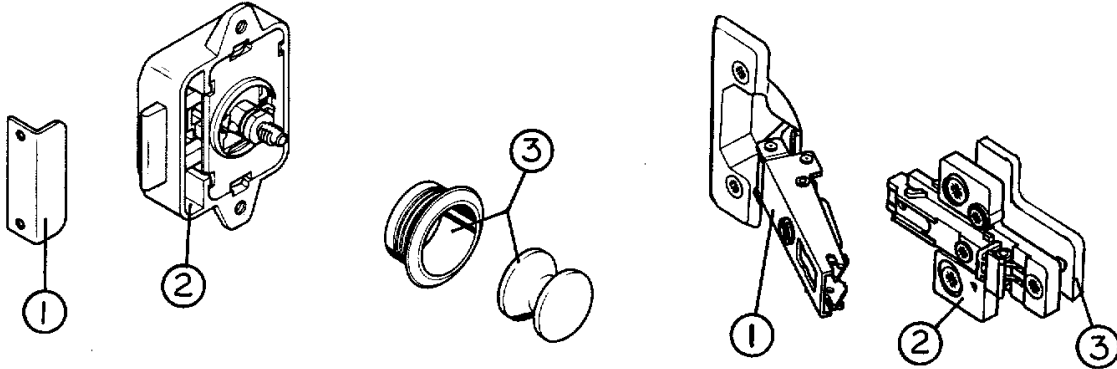
381531-01 Hinge, screen door, upper
381531-02 Hinge, screen door, lower

380773 Hinge, access door, 13 1/4"
385935-01 Hinge, pivot, trunk door, rear

380203-01 Piano hinge, 1/8" pin, clear anodized, hose carrier lid

1999 BAMBI HARDWARE

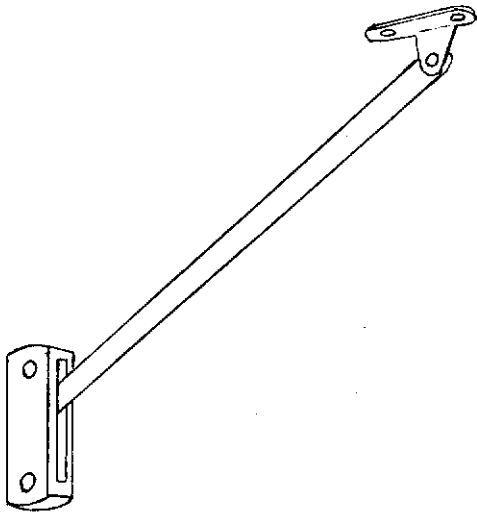
INTERIOR LATCHES/HINGES



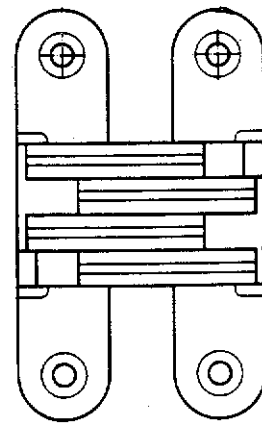
- 1) 381608-07 Strike plate, rim lock
- 2) 381608-02 Latch, cabinet, rim lock
- 3) 381608-03 Push button w/rosette

- 1) 381607-01 Hinge, cabinet
- 2) 381607-02 Base, metal
- 3) *381607-03 Base, plastic

*Not used in all applications



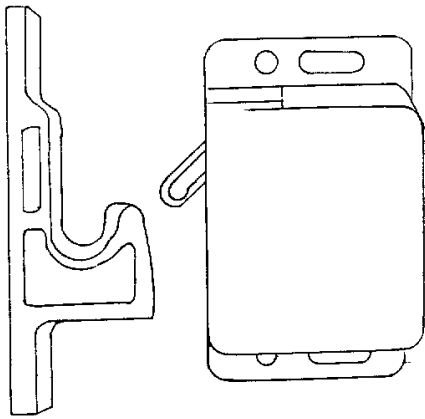
- 381608-04 Support arm, roof locker, RH
- 381608-05 Support arm, roof locker, LH



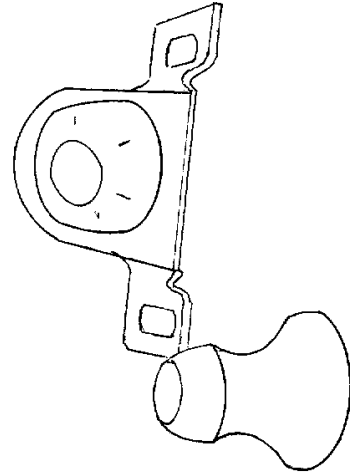
- 380040 Soss hinge, lift up table

1999 BAMBI HARDWARE

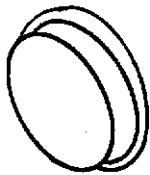
INTERIOR LATCHES/HINGES



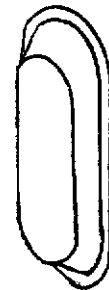
381228 Grabber door catch



381074 Bull Dog door catch



201427 Finger pull,
light brown



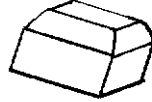
381603 Pull, three finger
Antique brass

1999 BAMBI HARDWARE

INTERIOR LATCHES/HINGES



36012 Bumper, rubber
white, stick-on, cylindrical



360016 Bumper rubber
gray, square 3/8x3/8

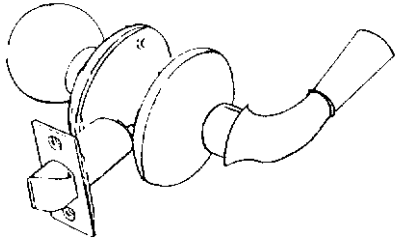
360012-01 Bumper, rubber
brown, stick-on, cylindrical



195329-220 Bumper, rubber
clear, stick-on oval



385587 Cap, rubber
hood bumper, black



381022 Latch, swinging bath door

1999 BAMBI

HARDWARE BATHROOM ACCESSORIES

380034 Toilet paper holder, chrome
381259-01 Towel bar, 18", chrome
380259-03 Brackets, chrome towel bar
380248 Soap dish
380017 Holder, tumbler and toothbrush

HINGES

381607 Hinge assembly, Euro style, Brass
380458 Hinge, piano, 3/32 pin, 5/8" leaf, brown
380210 Hinge, 2" metal, bed top
385935-01 Hinge, pivot, plated, medicine chest
381614 Folding shelf bracket, galley
381072 Hinge, 3in. x1 7/8in. open, gold

WARDROBE

380045 Clothes rod
200975-04 Conduit, flexible, black (covers clothes rod)
380046 Bracket, clothes rod

MICELLANEOUS

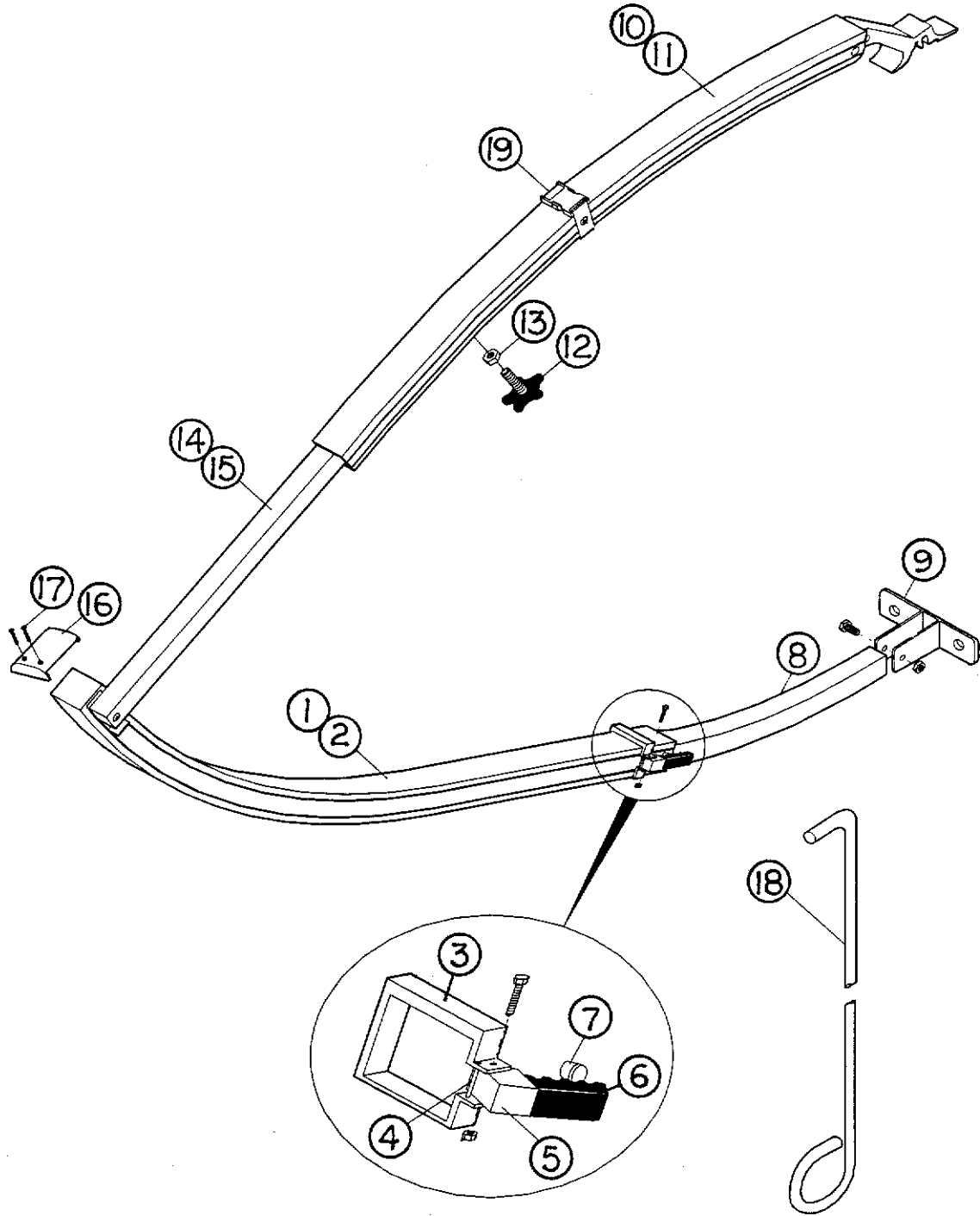
701342-01 Vinyl strap, sliding door hold back
(female snap on both ends)
381526-01 Drawer slide -950-RV, 14"

701624 Velcro loop, 5/8" wide
701625 Velcro hook, 5/8" wide

1999 BAMBI

NOTES:

1999 BAMBI



1999 BAMBI

HARDWARE

AWNING HARDWARE

- 1) 702880-001 Arm assembly, main, curved, RH
- 2) 702880-002 Arm assembly, main, curved, LH
- 3) 702880-003 Bracket, arm latch
- 4) 702880-004 Pin, spring, 3/16" x 1"
- 5) 702880-005 Handle, lift, painted
- 6) 702880-006 Cap, vinyl, black
- 7) 702880-007 Plunger, spring loaded
- 8) 702880-008 Arm assembly, inner
- 9) 702880-009 Foot, square
- 10) 702880-010 Rafter assembly, curved, RH
- 11) 702880-011 Rafter assembly, curved, LH
- 12) 702880-012 Knob, five point w/threaded stud
- 13) 702880-013 Nut, special, hex, 1/4-20 x 11/16
- 14) 702880-014 Rafter assembly, inner, secondary, RH
- 15) 702880-015 Rafter assembly, inner, secondary, LH
- 16) 702880-016 Cap, main arm
- 17) 702880-017 Screw, 6-19 x .38
- 18) 702880-018 Rod, EZ pull, gray
- 19) 702880-019 Travel strap

1999 BAMBI

SECTION IV

L through Z

LABELS and TAGS IV-1

PLUMBING

LPG IV-2

Fresh water..... IV-3

Drain water..... IV-8

Toilet IV-11

SAFETY EQUIPMENT IV-12

SEALER/GASKETS/PAINT IV-13

UPHOLSTERY/FOAM/MATTRESS..... IV-14

VENTS/FANS IV-15

WOOD/LAMINATES/TRIM IV-16

1999 BAMBI

LABELS AND TAGS

385193	Label, "12V distribution panel inside"
385048	Label, approval with shield
385269	Label, "DON'T USE AREA FOR STORAGE"
385068	Tag, cooking appliance warning
385067	Label, EXIT
385547	Label, LP gas warning/fill
385517	Label, kill switch warning
385521	Label, emergency egress window
385463	Warning label/cooking appliance
385464	Label, LP gas warning label(odor)
385465	Exit label, English
385560	Label, air conditioner rating
385512	Label, Calif. hazardous substance
385609	Label, smoke detector
385359	Label, microwave or air conditioner
385837	Label, refrigeration ignition
385103	Plate, RVIA
385418-01	Label, Federal registration
385062	Decal, 110-125 voltage AC
385565	Label, holding tank flushing
385972	Label, fuse 12volt

1999 BAMBI

PLUMBING

LPG SYSTEM

601710	LP gas bottle, 30lb., steel, POL
*601710-01	LP gas bottle, 30lb. steel, TYPE I
601686	Base plate, LP tank mounting
601687	Hold down kit, LP tank
601684	LP regulator, Marshall Brass w/pigtails, mounting bracket & cover, POL
601684-100	LP pigtails, 11in., POL
*601731	LP regulator, Marshall Brass w/pigtails, mounting bracket & cover, TYPE I
*601731-100	LP pigtails, 15in., TYPE I
601684-101	Bracket, mounting, LP regulator
601684-102	Cover, Marshall Brass regulator
601675	Union, 3/8 flare, brass
601412-12	Connector, 1/2P x 5/8 copper
601685-01	LP hose, 1/2FPT x 3/8 flare
600468	Union flare, 5/8 x 5/8
600238	Union flare, 3/8 x 3/8
600004	Copper tubing, 5/8
600008	Copper tubing, 3/8
600436	Flare nut, forged, 5/8
600435	Flare nut , forged, 3/8
600000	Tee, brass, 5/8 x 5/8 x 3/8
600003	Tee, brass, 5/8 x 3/8 x 3/8
104264	Gas bottle cover w/o decal
380903	Latch and strike
200841	Lid, plastic, bottle cover
380773	Hinge, access door

*TYPE I fittings started on serial number 512554

1999 BAMBI

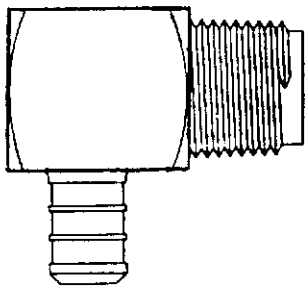
PLUMBING FRESH WATER

601194	Water fill w/lock, gray
601708-01	Tank, fresh water
601239	Tubing, 1.375 I.D., flexible, water fill hose
601061-01	Water pump, Shurflo
600668	Filter, pre water pump

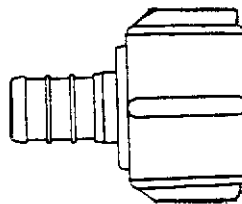
CITY WATER

600139	Check valve, brass
600362	Connector, 1/2FPT x water hose, swivel
600336	Plug with chain
601690	Nipple, 1/2 MPT x 2.50
601689	Drop ell, 90 degree, 1/2 FPT
600309	Regulator, Watts, 1/2 FPT
601469	Vacuum breaker, 3/4in. garden hose
601467	Sill cock, 1/2in.female

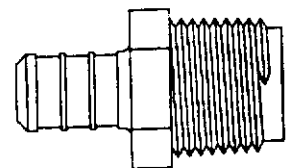
FITTINGS



601698-04
Elbow, 1/2 barb
x 1/2 MPT

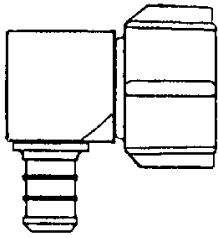


601698-03
Coupler, 1/2 barb
x 1/2 FPT

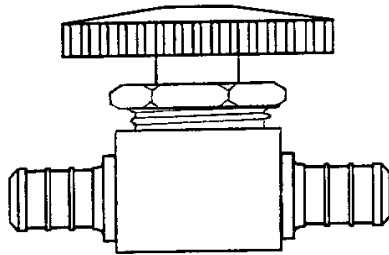


601698-02
Coupler, 1/2 barb
x 1/2 MPT

1999 BAMBI
PLUMBING
FRESH WATER-FITTINGS



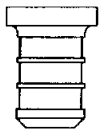
601698-05
Elbow 1/2 barb x
1/2 FPT



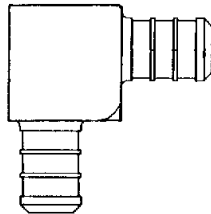
601698-07
Shut-off, 1/2 barb x
1/2 barb



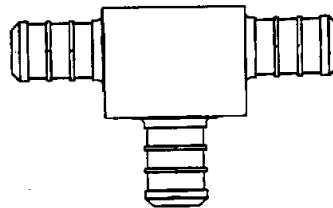
601698-08
Coupler 1/2 x 1/2 barb



601698-09
Plug, 1/2 barb
1/2 barb



601698-10
Elbow 1/2 barb x
1/2 barb



601698-11 Tee, 1/2 x 1/2 x

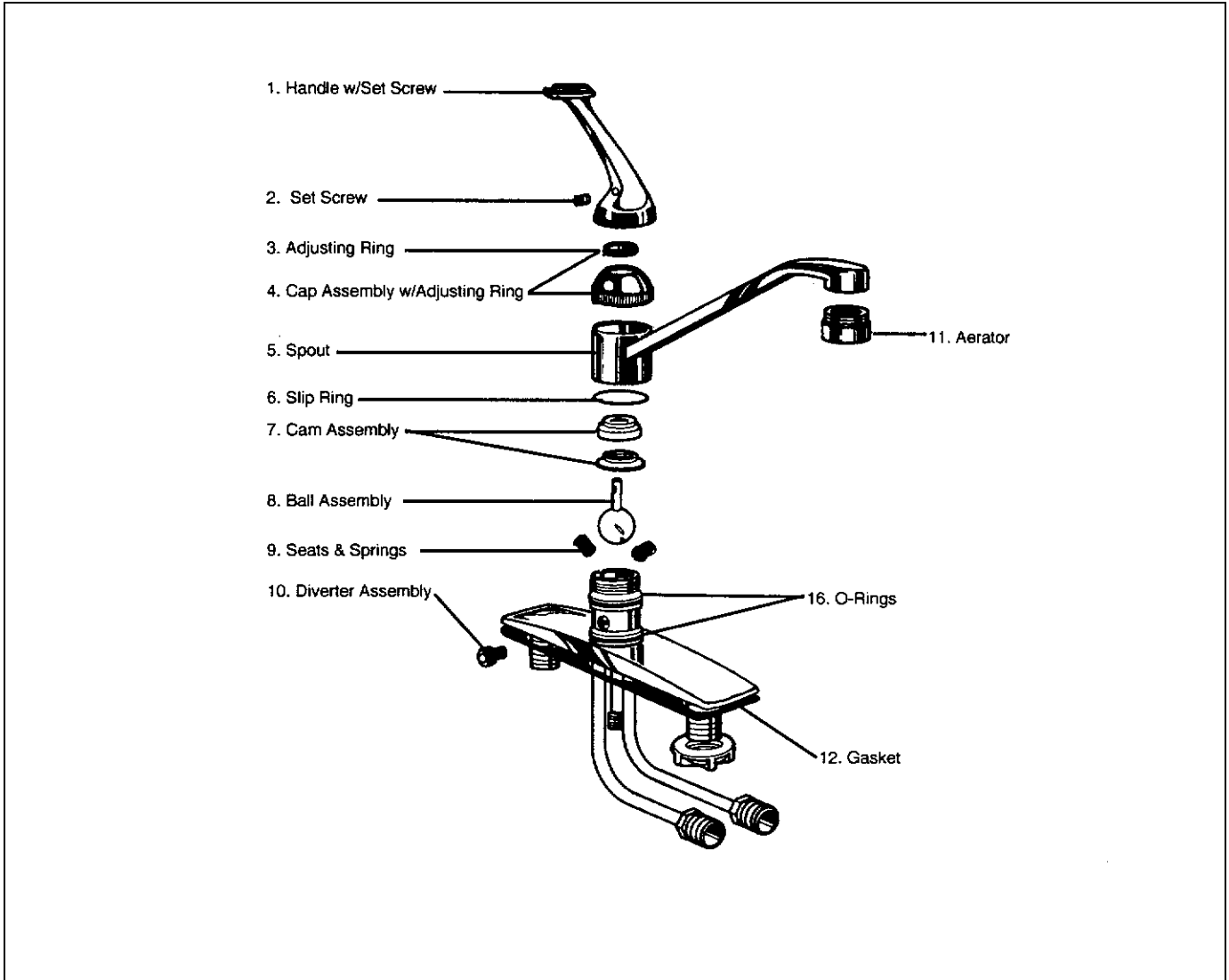


601698-15
Crimp ring, 1/2
E-Pex, 1/2 (black)



601698-01
E-Pex tube, 1/2"

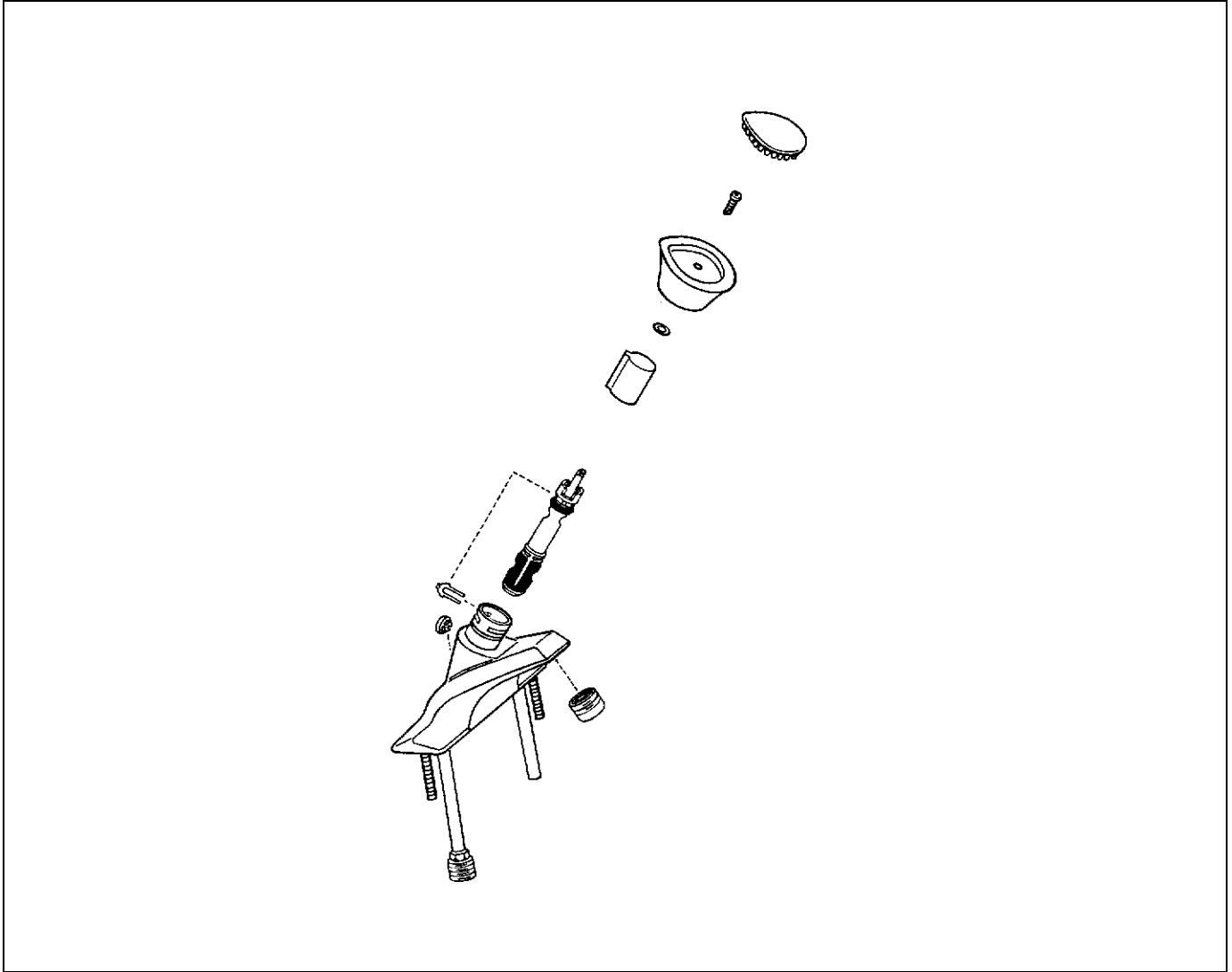
1999 BAMBI PLUMBING FRESH WATER FAUCETS



601528 Faucet, 8" kitchen w/spray, Peerless

Parts illustration is for your reference only. Please purchase your Peerless or Delta parts kits locally. They are interchangeable.

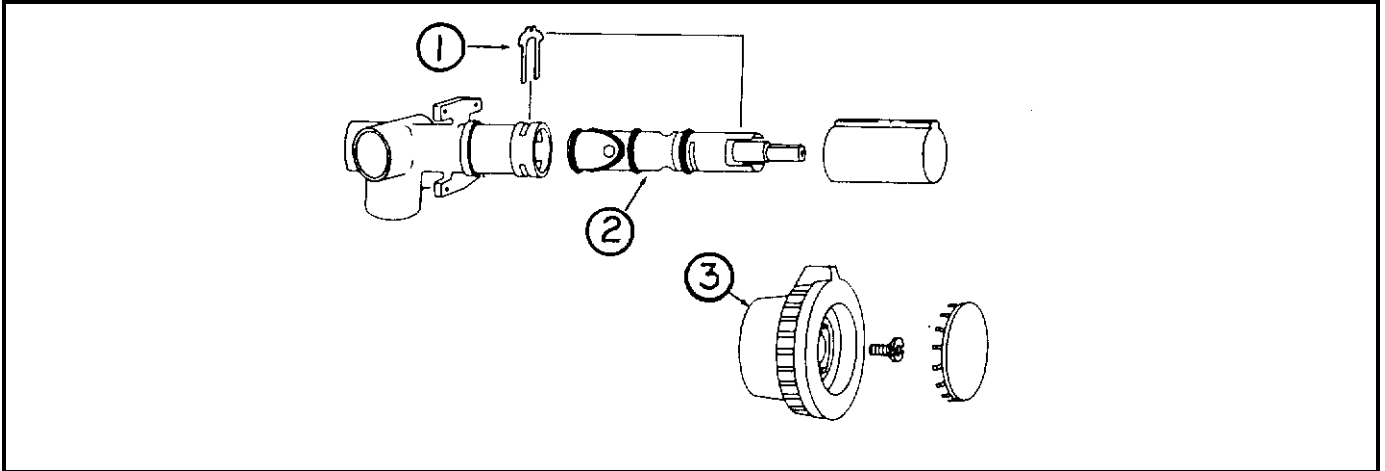
1999 BAMBI
PLUMBING
FRESH WATER FAUCETS



- | | |
|---------------|--------------------------------|
| 601419-01 | Faucet, lavatory, Moen, chrome |
| 1) 001245 | Knob |
| 2) 601579-105 | Cartridge |
| 3) 601579-104 | Retainer clip |

1999 BAMBI

PLUMBING FRESH WATER-FAUCETS



601420-01 Faucet, shower

- | | |
|---------------|------------------------|
| 1) 000883 | Retainer clip |
| 2) 601420-100 | Cartridge |
| 3) 001041 | Handle |
| 601358-100 | Shower head , chrome |
| 600330 | Shower hose, chrome |
| 600332 | Vacuum breaker, chrome |

1999 BAMBI

PLUMBING DRAIN SYSTEM

Grey tank

601707-01 Holding tank, gray, Bambi

Black Tank

601706-01 Holding tank, black, Bambi

Sink/showers

203114 Shower stall, two piece, Bambi

600594 Tub strainer w/rubber stopper

601497-01 Sink, porcelain, galley, Almond (all)

195362-39 Strainer, 2"

200406-06 Lavatory bowl, oval (includes stopper, basket and tail)

Drain Tank Valve

601482 Dump valve assembly, Bambi

1999 BAMBI

PLUMBING

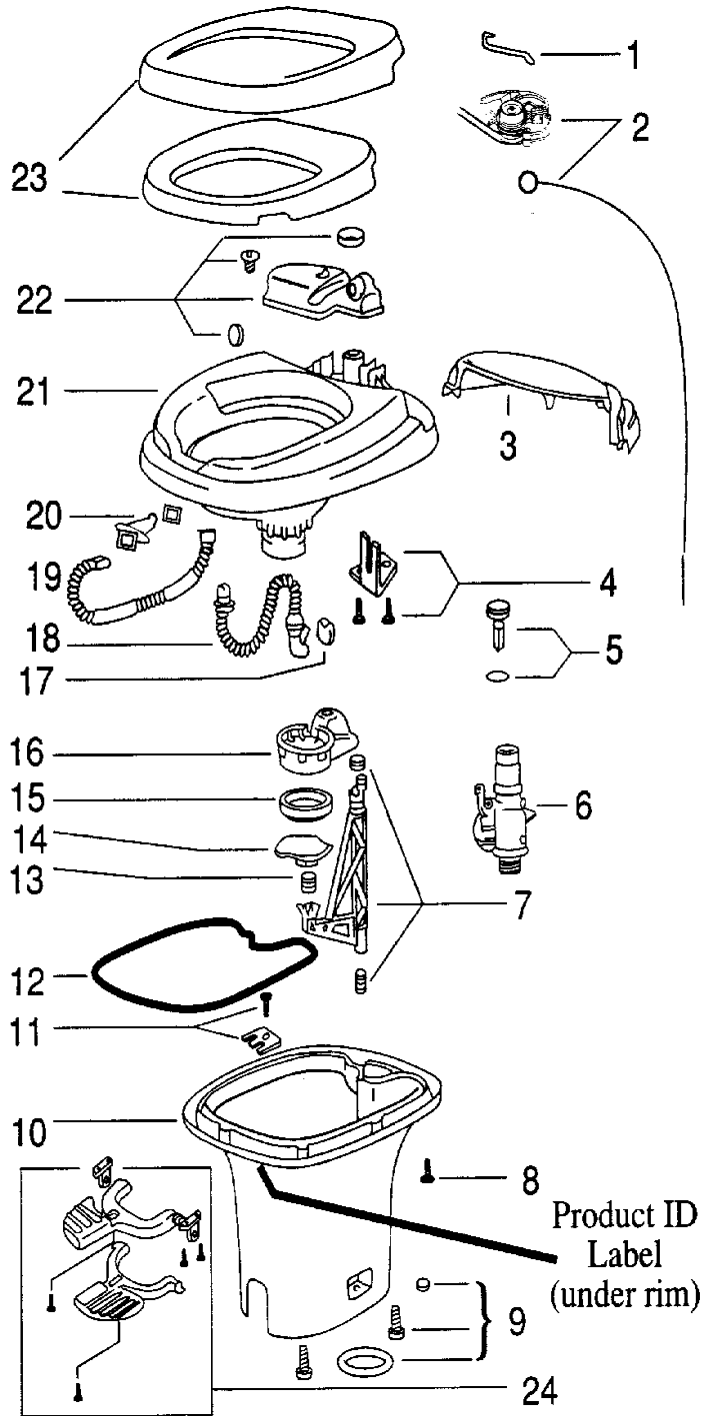
DRAIN FITTINGS

600378	Continuous waste, 1.5"
600144	P trap, 1.5"
601318	Tee, bi-directional clean out, 1.5"
600155	Plug, clean out, 1.5"
600538	Vent, V-2000 automatic
601200	Adapter, auto vent w/extension
600094	Wye #2301
600371	Ell, 45 degrees, 2in.
600030	Elbow, long turn, 45 degrees
600625-01	Plug, trap, 1.5" adapter, female
600625-02	Plug, trap, 1.5" adapter, male
600035	Elbow, long sweep, 1.5"
600431	Elbow 90 degrees, 1.5"
600156	Tee, sanitary
601160-02	Pipe ABS, 1.5"
601267-04	Nipple, 3", thread one end, 10" long
601160-04	Pipe, ABS, 3"
601722	Adapter, male hub x MIPT
600183	Ell, long sweep, 3in.
600241-01	Hose adapter, straight
601250	Termination cap, 3" bayonet w/strap
601266	Flange, closet, tank to toilet

1999 BAMBI

PLUMBING

THETFORD, AQUA MAGIC IV, FOOT FLUSH, WHITE



1999 BAMBI

PLUMBING

THETFORD, AQUA MAGIC IV, FOOT FLUSH, WHITE

690387 Toilet complete, Aqua Magic IV, low

- | | |
|----------------|---------------------------------|
| 1) 690387-513 | Water valve link |
| 2) 690387-571 | Wire replacement package |
| 3) 690387-562 | Mechanism cover, white |
| 4) 690387-634 | Bracket assembly |
| 5) 690387-631 | Float assembly |
| 6) 690387-168 | Water valve replacement package |
| 7) 690387-632 | Actuator assembly |
| 8) 690387-659 | Screw base to bowl |
| 9) 690387-524 | Closet bolt package |
| 10) 690387-356 | Base, white, low |
| 11) 690387-636 | Retainer assembly |
| 12) 690387-387 | Sealant, base to bowl |
| 13) 690387-519 | Blade spring |
| 14) 690387-262 | Blade |
| 15) 690387-481 | Blade seal |
| 16) 690387-520 | Blade track |
| 17) 690387-512 | Flapper |
| 18) 690387-511 | Over flow tube |
| 19) 690387-509 | Flush tube |
| 20) 690387-637 | Nozzle assembly |
| 21) 690387-726 | Bowl |
| 22) 690387-630 | Reservoir tank assembly |
| 23) 690387-162 | Seat and cover assembly |
| 24) 690387-821 | Pedal package |

1999 BAMBI SAFETY EQUIPMENT

510781	Smoke detector
511309	LPG detector
600162-01	Fire extinguisher

1999 BAMBI

SEALER/GASKETS/PAINT SEALER

6000360	Sealant, Butyl #884058
360074	Sealant, white, 3 oz. tube
360001	Sealant, #884058
360002	Sealant, Vulkem 11.5 oz. tube
360209	Sealant, seam
360176	Sealant, Almond, kitchen and bath
360180	Sealant, Sikaflex #221
360210	Sealant, Paralastic 4334-014
360283	Sealant, silicone, Corian Bone

GASKETS



365035 Gasket
access doorjamb



365013-01 Gasket
screen door



365232 Gasket
main door



371593-711 Glazing
rubber, Creation
window



371593-713 Seal
plastic, sash
Creation window



371593-712
Foam seal, sash
Creation window

380226	Gasket, taillight lens
380114	Gasket, vent pip
365016	Tape, foam, double face, 1/2" wide
365001-02	Tape, vinyl foam, double face, 3/4" wide
380222	Tape, acrylic foam, double face, 3/4" wide
360057-03	Plasticote
360151	Paint, gray metallic

1999 BAMBI

UPHOLSTERY/FOAM/MATTRESS REAR BEDROOM

702905	Mattress, double, 48 x 76", Bambi
702704	Mattress, double, 52 x 75", 23 & 25ft."C"
*702904-337	Bedspread, Bambi, Cabin Creek
701611	Pillow, 21 x 31, all models

FRONT DINETTE, BAMBI

998070-03	Cover, seat, side dinette
998071-03	Cover, backside dinette
702464-16	Foam, dinette upper back
702464-13	Foam, dinette lower back
702933-01	Foam, dinette seat, LH
702933-02	Foam, dinette seat, RH

*Changing the dash number changes the upholstery color:

-128 = Starlight,

-118 = Cypress Gardens

1999 BAMBI

VENTS/FANS

690394	Power ventilator, refrigerator, Bambi
101158	Vent pipe cover, cast aluminum
380114	Gasket, vent pipe
381606-01	Vent, roof, 14" x 14", non-power, white
381606-02	Trim ring, interior, roof vent, white
690266-01	Ventilator, power, bath
511341-01	Range hood
511017-11	Vent cover, exterior, range hood, gray

1999 BAMBI

WOOD/LAMINATES/TRIM

PLYWOOD

800506-04	Plywood, 1/2" x 4' x 8'
800976-01	Plywood, tongue and groove, 19/32'(floor)
800506-05	Plywood, 5/8" x 4' x 8'
800583	Plywood, Birch Baltes(cutting boards) 5/8x5x5
801069-05	Plywood, G1S, 5/8" x 4' x 8'

PANELING

800507-03	Panel, Lauan, 3/8' x 4' x 8', raw/raw
801191	Panel, G1S, 1/8" x 4' x 8', Oak/raw
801176-03	Panel, G1S, 1/8" x 4' x 7', Solitude/raw
801176-04	Panel, G1S, 1/8" x 4' x 8', Solitude/raw
801233-01	Panel, G1S, 1/4" x 4' x 8', Solitude/raw
801181	Panel, G1S, 5/32" x 4' x 8', Oak/raw
801182	Panel, G2S, 5/32" x 4' x 8', Oak/Oak
801179	Panel, G1S, 1/2" x 4' x 8', Oak/raw
801185-01	Panel, G1S, 1/2" x 4' x 8', Solitude/raw
801180	Panel, G2S, 1/2" x 4' x 8', Oak/Oak
801203	Panel, G2S, 1/2' x 4' x 8', Oak 6mil
801183-01	Panel, G2S, 1/2' x 4' x 8', Horz.Oak/Solitude
801177-01	Panel, G2S, 1/2" x 4' x 8', Solitude/Solitude

(continued)

1999 BAMBI

WOOD/LAMINATES/TRIM

LAMINATES

801229	Laminate, Oak, high pressure, .045-.050
801169	Laminate, Beige Pampas, .042 (galley top color)
801230	Pre-laminated panel, Oak, 5/8"x4x8, lauan core
801212-01	Pre-laminated panel, Beige Pampas, 5/8"x4x8
801184-01	Laminated lumber core, .75 x 1.5 x 8ft.
801184-03	Laminated lumber core, .75 x 2.0 x 8ft.
801184-07	Laminated lumber core, .75 x 3 square
801184-04	Laminated lumber core, .75 x 2 radius

TRIM

801195	Corner trim, 1" radius
800766	Trim, hardwood, .50 groove x 8', panel edging
800405	Plug, hardwood button, screw cover

1999 BAMBI

NOTES

