

***AIRSTREAM***

**LIMITED TRAILER**

Parts Book

**2000**



# TABLE OF CONTENTS

## SECTION I LIMITED TRAILER A through C

### APPLIANCES

<a href="#">Air Conditioner</a> .....	I-1
<a href="#">Furnace</a> .....	I-1
<a href="#">Microwave</a> .....	I-1
<a href="#">Range</a> .....	I-2
<a href="#">Refrigerator</a> .....	I-2
<a href="#">Water Heater</a> .....	I-3

### BODY

<a href="#">End shell, aft</a> .....	I-5
<a href="#">End shell, front</a> .....	I-7
<a href="#">Roof</a> .....	I-9
<a href="#">Slide out room</a> .....	I-11
<a href="#">RS wall, 34ft</a> .....	I-13
<a href="#">CS wall, 34ft</a> .....	I-15
<a href="#">RS wall, 31 ND</a> .....	I-17
<a href="#">CS wall, 31 ND</a> .....	I-19
<a href="#">RS wall, 30FT</a> .....	I-21
<a href="#">CS wall, 30ft</a> .....	I-23
<a href="#">Body interior</a> .....	I-24

### CHASSIS

<a href="#">A-frame</a> .....	I-25
<a href="#">Power jack</a> .....	I-27
<a href="#">Gas bottle rack</a> .....	I-28
<a href="#">Step</a> .....	I-31
<a href="#">Outrigger/underbelly</a> .....	I-33
<a href="#">Jacks/Below floor storage</a> .....	I-34
<a href="#">Axles/shocks/wheels</a> .....	I-35
<a href="#">Brakes, 12"</a> .....	I-36

# TABLE OF CONTENTS

## SECTION II- LIMITED

D through E

<a href="#">DECALS</a> .....	II-1
<a href="#">EXTERIOR TRIM</a> .....	II-3
DOORS/WINDOWS/AWNING	
<a href="#">Doors</a> .....	II-4
<a href="#">Windows</a> .....	II-6
<a href="#">Awning</a> .....	II-9
<a href="#">DRAPES/BLINDS/VALANCES</a> .....	II-10
ELECTRICAL	
<a href="#">110 volt</a> .....	II-14
<a href="#">12 volt, Interior</a> .....	II-15
<a href="#">12 Volt Exterior</a> .....	II-17
ENTERTAINMENT	
<a href="#">Radio</a> .....	II-18
<a href="#">Antenna</a> .....	II-18
<a href="#">Television</a> .....	II-18

# TABLE OF CONTENTS

## SECTION III-LIMITED

### F through H

#### FASTENERS (common fasteners available locally are not listed)

<a href="#">Rivets</a> .....	III-1
------------------------------	-------

#### FLOOR COVERING

<a href="#">Carpet</a> .....	III-3
<a href="#">Mats</a> .....	III-3
<a href="#">Hardwood floor</a> .....	III-3

#### FURNITURE

<a href="#">Interior doors</a> .....	III-4
<a href="#">Mirrors</a> .....	III-5
<a href="#">Miscellaneous doors</a> .....	III-6
<a href="#">Drawer</a> .....	III-7
<a href="#">Rear bedroom</a> .....	III-9
<a href="#">Bath</a> .....	III-11
<a href="#">Galley</a> .....	III-15
<a href="#">Lounge</a> .....	III-19

#### HARDWARE

<a href="#">Exterior locks/hinges</a> .....	III-22
<a href="#">Window hardware</a> .....	III-26
<a href="#">Interior drawer slides/hinges latches</a> .....	III-28
<a href="#">Bath accessories</a> .....	III- 32
<a href="#">Awning hardware</a> .....	III-35

# TABLE OF CONTENTS

## SECTION IV LIMITED

L through Z

[LABELS and TAGS](#) .....IV-1

[OPTIONS](#) .....IV-2

### PLUMBING

[LPG](#) .....IV-3

[Fresh water](#) .....IV-5

[Faucets](#) .....IV-7

[Drain water](#) .....IV-11

[Toilet](#) .....IV-17

[SAFETY EQUIPMENT](#) .....IV-18

[SEALER/GASKETS/PAINT](#) .....IV-19

[UPHOLSTERY/FOAM/MATTRESS](#) .....IV-20

[VENTS/FANS](#) .....IV-21

[WOOD/LAMINATES/TRIM](#) .....IV-22

# 2000 LIMITED TRAILER

## APPLIANCES

### AIR CONDITIONER, DUO THERM

690380-01	Air conditioner, Duo Therm w/heat pump
690380-04	Thermostat
690380-03	Air box, polar white
385582-01	Decal, Airstream w/bar
690323-100	Shroud, exterior, Penquin air conditioner
961270	Pan Assembly, drain, air conditioner

### FURNACE, HYDROFLAME

690274	Furnace, Hydroflame, #8535-IV, 34, 000BTU
690274-06	Mounting flange
690274-09	Door, exterior, Hydroflame
601244-03	Register, Rotaire, black
600247 4"	duct hose, flexible
690274-102	Module board, furnace
511228	Thermostat, off white

### MICROWAVE

690345-01	Microwave, convection, Sharp
690345-03	Trim ring, convection microwave
690407-01	Microwave oven, Dometic
690407-02	Trim kit, Dometic microwave

# 2000 LIMITED TRAILER

## APPLIANCES

### MAYTAG RANGE

690396-02	Range top, 3-burner
690396-01	Range, 3-burner w/oven
690396-03	Range cover, bi-fold
964383-01	Range covers, Corian, set

### DOMETIC REFRIGERATOR

690425-01	Refrigerator, NDR 1062, 2-way, RH, 34ft.
690425-02	Refrigerator, NDR 1062, 2-way, LH, 31 & 30 ft.
801225-014	Oak refrigerator door insert 15.5" x 20.38"
801225-034	Oak refrigerator door insert 38.38" x 20.38"
104439	Louvered panel, exterior access door
101394	Cover, refrigerator roof vent, large
100341	Vent collar w/screen, refrigerator, large

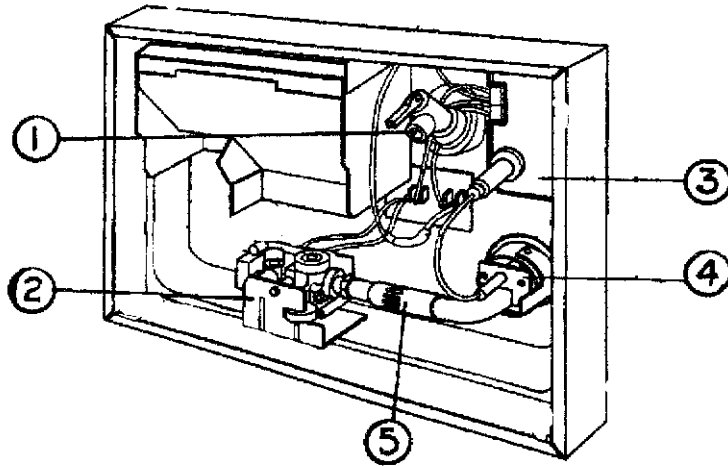


# 2000 LIMITED TRAILER

## APPLIANCES

### ATWOOD WATER HEATER, GC6AA-9E

690405	Water heater, Atwood, elec. ignition, 110 volt/gas
500933	Switch, water heater, electronic
690209	Access cover, brushed aluminum
510514	Switch, 110v, 3-way, priority (water heater/micro-wave) CSA only



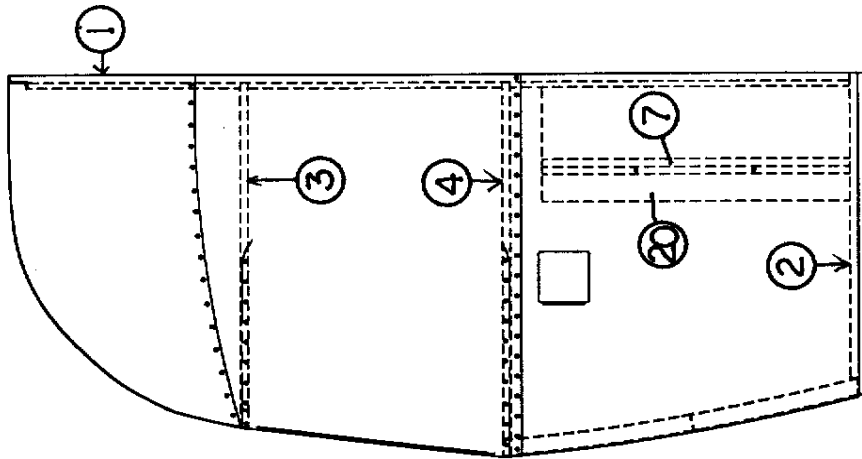
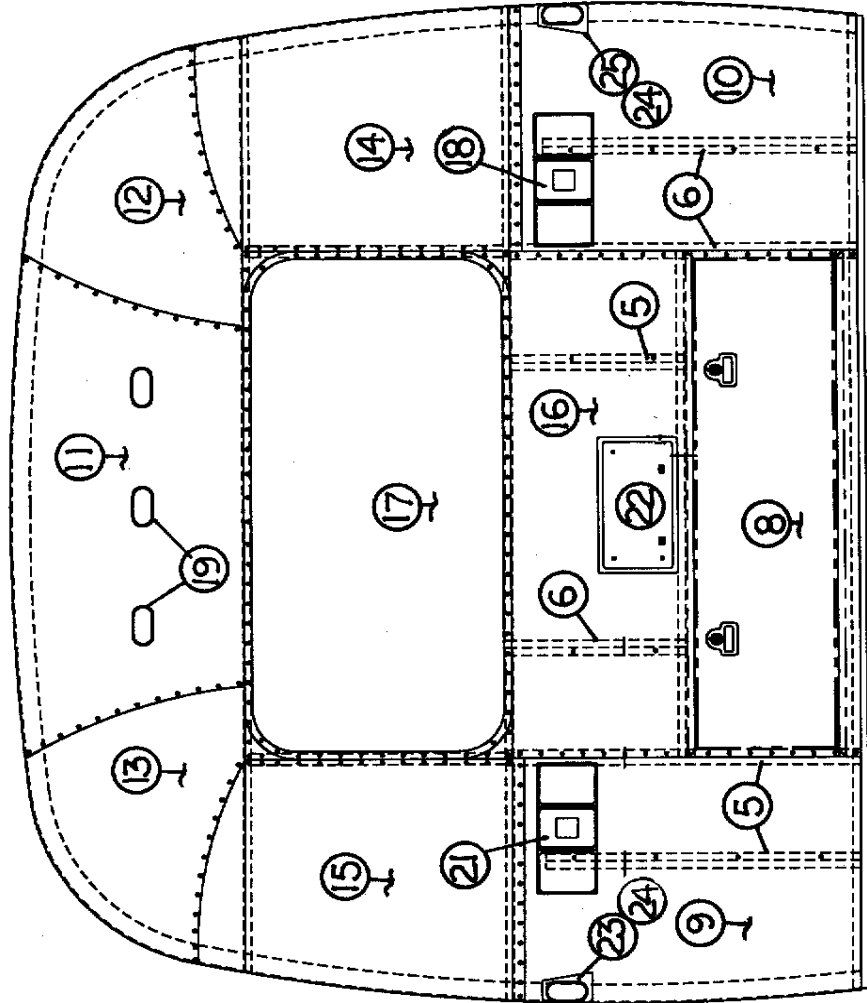
Front of water heater

1) 091604	Relief valve, pressure/temperature
2) 093870	Solenoid valve
3) 093865	Circuit board
4) 093868	Spark probe
5) 092615	Main burner

Back of water heater

091160	Heating element, 110volt
091873	ECO thermostat
091092	On/off switch, 110Volt

# 2000 LIMITED TRAILER



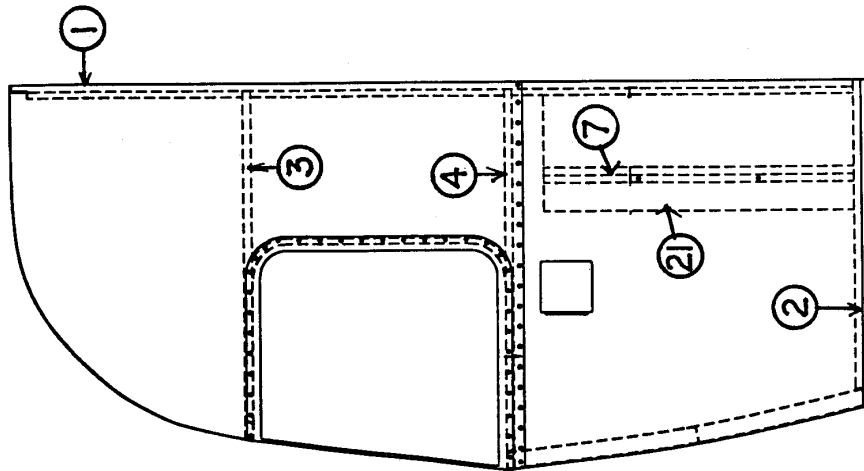
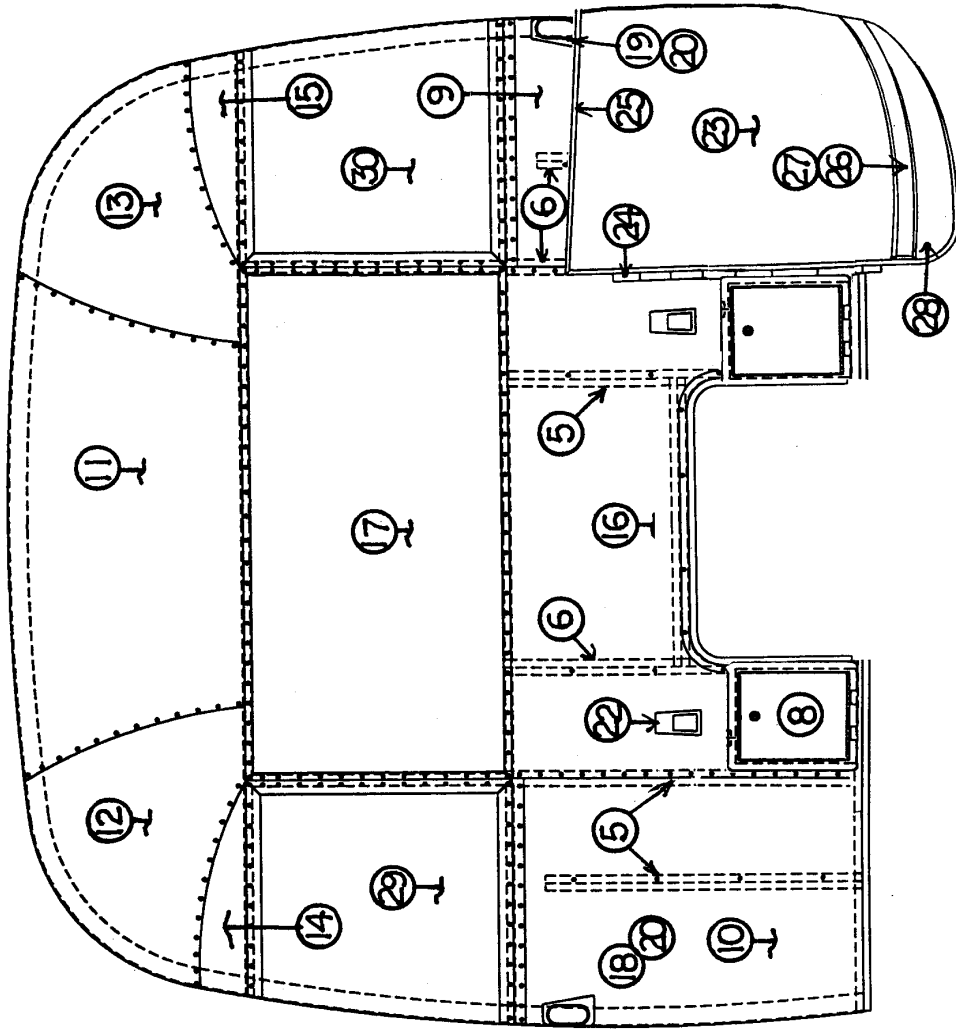
# 2000 LIMITED TRAILER

## BODY-AFT END

921161-10 End shell complete, rear

- |                                     |  |
|-------------------------------------|--|
| 1) 114993                           | End bow                                |
| 2) 114676                           | Floor bow                              |
| 3) 114678                           | Upper window bow                       |
| 4) 114677                           | Lower window bow                       |
| 5) 114505-01                        | Support, lower end, LH                 |
| 6) 114505-02                        | Support, lower end, RH                 |
| 7) 101315                           | Brace, vertical rear                   |
| 8) 921159                           | Trunk door assembly, twin bed only     |
| 9) 114895                           | Segment #29                            |
| 10) 114894                          | Segment #28                            |
| 11) 114893                          | Segment #25                            |
| 12) 114890                          | Segment #26                            |
| 13) 114891                          | Segment #27                            |
| 14) 114889                          | Segment, center right                  |
| 15) 114888                          | Segment, center left                   |
| 16) NPN Alum. sheet, .050x19.0x51.0 | (cut from 114880)                      |
| 17) 371348-02                       | Window, rear escape                    |
| 18) 962169-02                       | Taillight complete, CS                 |
| 19) 510111                          | Clearance light, red                   |
| 20) NPN Alum. sheet, .040x12.0x29.0 | (cut from 114880)                      |
| 21) 962169-01                       | Taillight complete, RS                 |
| 22) 201954                          | License plate housing, black           |
| 23) 101178                          | Base, clearance light casting, RS rear |
| 24) 510111                          | Clearance light, red                   |
| 25) 101177                          | Base, clearance light casting, CS rear |

# 2000 LIMITED TRAILER



# 2000 LIMITED TRAILER

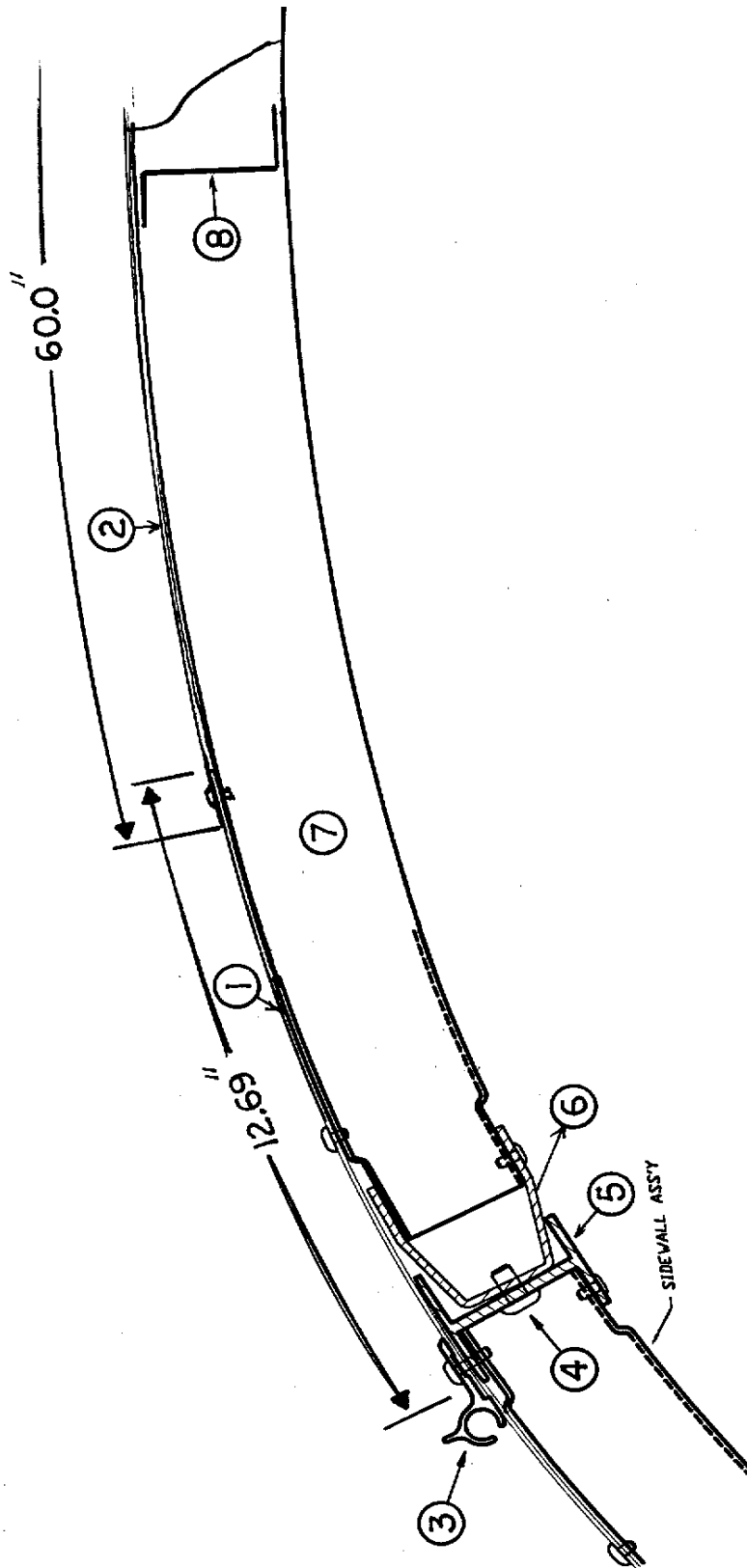
## BODY-FRONT END

921160-03 End shell complete

921162-11 End shell complete, trailer w/slide out(not shown)

- 1) 114993 End bow
- 2) 114676 Floor bow
- 3) 114678 Upper window bow
- 4) 114677 Lower window bow
- 5) 114505-01 Support, lower end, LH
- 6) 114505-02 Support, lower end, RH
- 7) 101315 Brace, vertical rear
- 8) 109852-01 Battery box assembly
- 9) 114895 Segment #29
- 10) 114894 Segment #28
- 11) 114893 Segment #25
- 12) 114890 Segment #26
- 13) 114891 Segment #27
- 14) 114889 Segment, center right
- 15) 114888 Segment, center left
- 16) NPN Alum. sheet, .050x34.75x51.(cut from 114880)
- 17) 371346-02 Window, front, dark glass
- 18) 101178 Base , lamp, cast polished, RS
- 19) 101177 Base, lamp, cast polished, CS
- 20) 510112 Clearance light, amber
- 21) NPN Alum. sheet, .040x12.0x29.0 (cut from 114880)
- 22) 510732 Utility light #1327
- 23) 685276-100 Wrap protector, SS, specify side
- 23a) 203242-01 Wrap protector, acrylic, RS trailer w/slide out
- 23b) 203242-02 Wrap protector, acrylic, CS trailer w/slide out
- 24) 381605-01 Hinge, stainless, wrap protector
- 25) 100742-01 Extrusion, mirror/wrap protector trim
- 26) 114460 Extrusion, rub rail
- 27) 201763-01 Insert, rub rail
- 28) 200542 Underbelly wrap, RS wrap protector
- 28a) 200543 Underbelly wrap, CS wrap protector
- 29) 372089 Panoramic window, CS front
- 30) 372088 Panoramic window, RS front

# 2000 LIMITED TRAILER



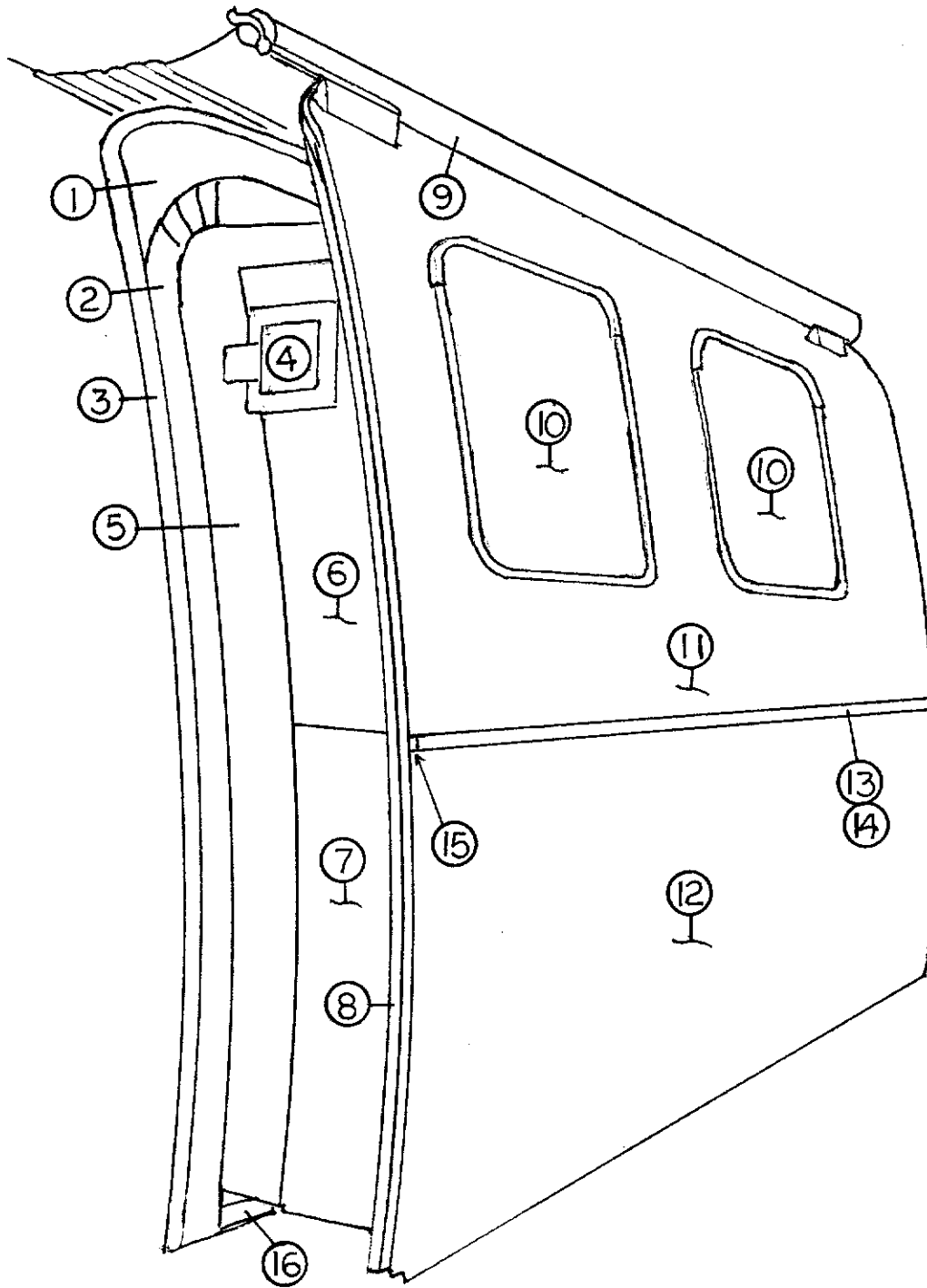
# 2000 LIMITED TRAILER

## BODY

### ROOF-END VIEW

- |               |  |
|---------------|--|
| 1) 114669-307 | Alum. sheet, white, .032 x 12.69 x 307"      |
| 2) 114489-307 | Alum. sheet, white, .032 x 60.0 x 307", 34ft |
| 3) 114290-03  | Extrusion, awning/drip rail                  |
| 4) 340123-02  | Rivet, Huck, 3/16 x 1/2"                     |
| 5) 104707-05  | Extrusion, "I" beam                          |
| 6) 114338     | Extrusion, roof corner                       |
| 7) 114668     | Roof bow                                     |
| 8) 104408     | Extrusion, Z bar, horizontal                 |

# 2000 LIMITED TRAILER





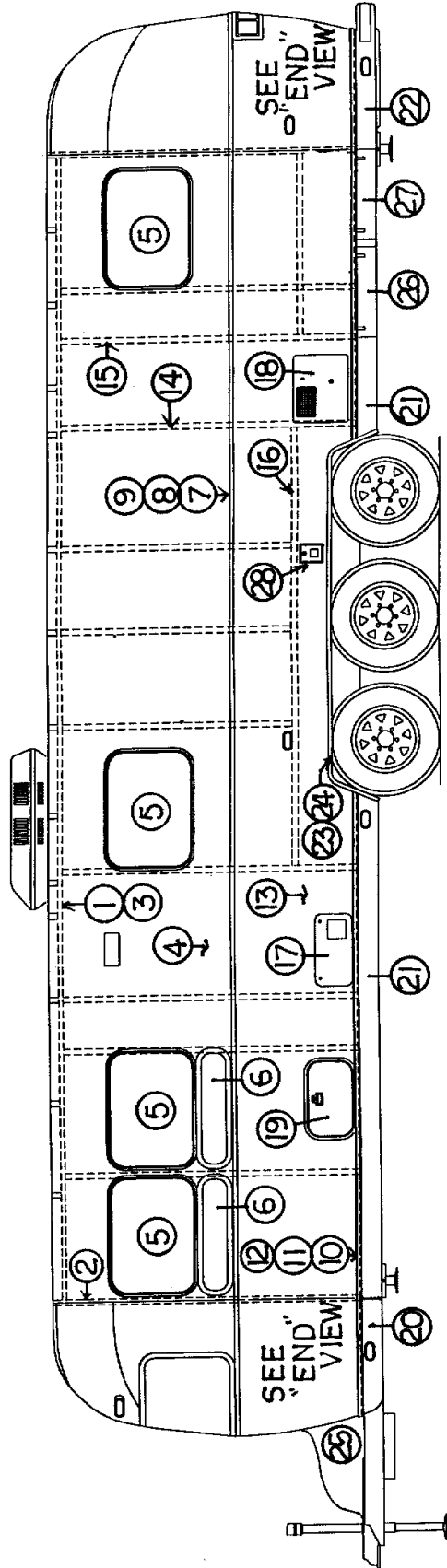
# 2000 LIMITED TRAILER

## SLIDE OUT ROOM

- |               |   |
|---------------|---|
| 1) 964751     | Jamb assembly, fiberglass                           |
| 2) 381669-01  | Gasket, wiper seal assembly (corner pre-formed)     |
| 3)            | Trim, exterior jamb, slide out room                 |
| 4)            | Travel lock, forward                                |
| 4a)           | Travel lock, aft                                    |
| 5) 964752     | Room insert, fiberglass                             |
| 6) 114936-02  | End skin, upper forward                             |
| 6a) 114936-01 | End skin, upper aft                                 |
| 7) 114935-02  | End skin, lower forward                             |
| 7a) 114935-01 | End skin, lower aft                                 |
| 8) 381588     | Gasket, seal, room to exterior and room to interior |
| 9) 703052-01  | Cover, roll out awning                              |
| 10) 371324-02 | Window, 30"opening                                  |
| 11) 114934-02 | Outer skin, formed, upper slide out                 |
| 12) 114933-02 | Outer skin, formed, lower slide out                 |
| 13) 114328    | Extrusion, belt line trim                           |
| 14) 201912    | Molding, chrome, belt line insert                   |
| 15) 114417    | Casting, closeout, belt line end                    |
| 16) 381589    | Gasket, floor wiper                                 |

\*NOTE: The slide out room had not been finalized at the time of this printing. It will be updated as information becomes available.

# 2000 LIMITED TRAILER



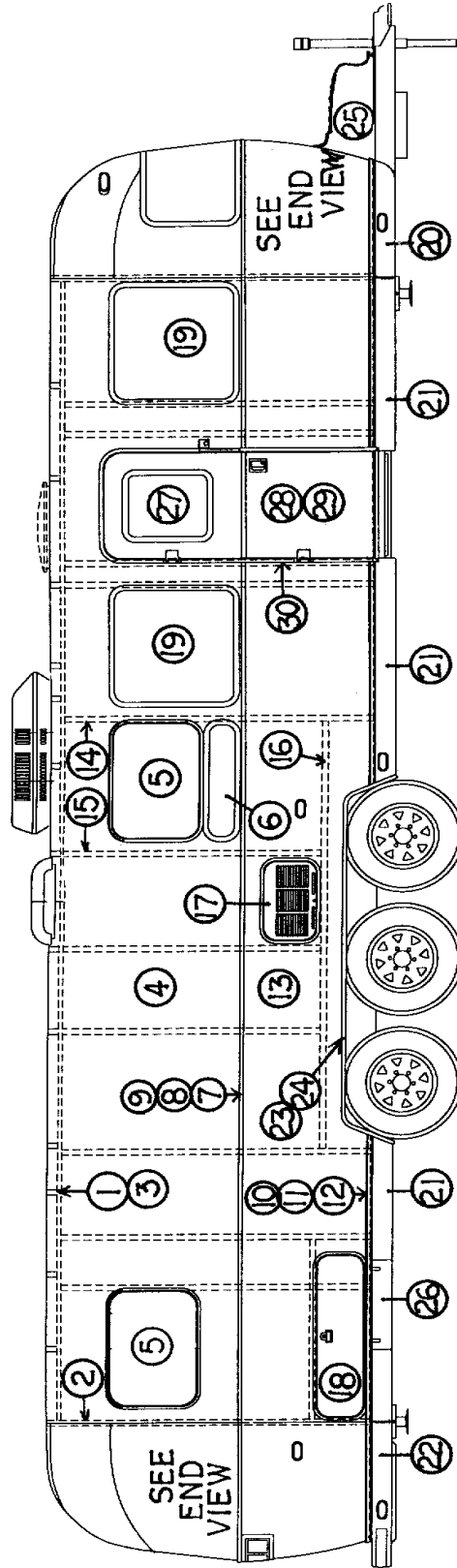
# 2000 LIMITED TRAILER

## BODY-34FT LIMITED, RS

(Hardware such as hinges, locks and latches are located in the **hardware** section of this book)

- |                |   |
|----------------|---|
| 1) 114290-03   | Extrusion, awning/drip rail             |
| 2) 114993      | Rib, end bow                            |
| 3) 104707-01   | Extrusion, "I" beam                     |
| 4) 114880-307  | Aluminum sheet, upper, .040 x 51 x 307" |
| 5) 371324-02   | Window, 30in. opening                   |
| 6) 371270-01   | Window, 30in., stack, stationary        |
| 7) 114328      | Extrusion, belt line                    |
| 8) 201912      | Molding, chrome, belt line              |
| 9) 100034      | "Z" bar, 48"                            |
| 10) 114460     | Extrusion, rub rail                     |
| 11) 201763-01  | Insert, rub rail, chrome, 1"            |
| 12) 100986     | Floor channel                           |
| 13) 114879-307 | Aluminum sheet, lower, .040 x 33 x 307" |
| 14) 114387-01  | Bow, Z rib, RH                          |
| 15) 114387-02  | Bow, Z rib, LH                          |
| 16) 100986     | Wheel well stiffener(floor channel)     |
| 17) 690274-09  | Cover, Hydroflame furnace               |
| 18) 690209     | Cover, brushed aluminum, Atwood         |
| 19) 100679     | Access door w/jamb                      |
| 20) 200542     | Banana wrap, RS front                   |
| 21) 101131-01  | Underbelly wrap, .024 x 22.5, pewter    |
| 22) 201974-01  | Bumper, rear corner, RS                 |
| 23) 685257     | Wheel well trim, inner, tri-axle        |
| 24) 685258     | Wheel well trim, outer, tri-axle        |
| 25) 201981     | Bottle cover, LP, Limited               |
| 26) 114496-02  | Door, utility compartment               |
| 27) 114496-01  | Door, power cord compartment            |
| 28) 601194     | Water fill w/lock                       |

# 2000 LIMITED TRAILER



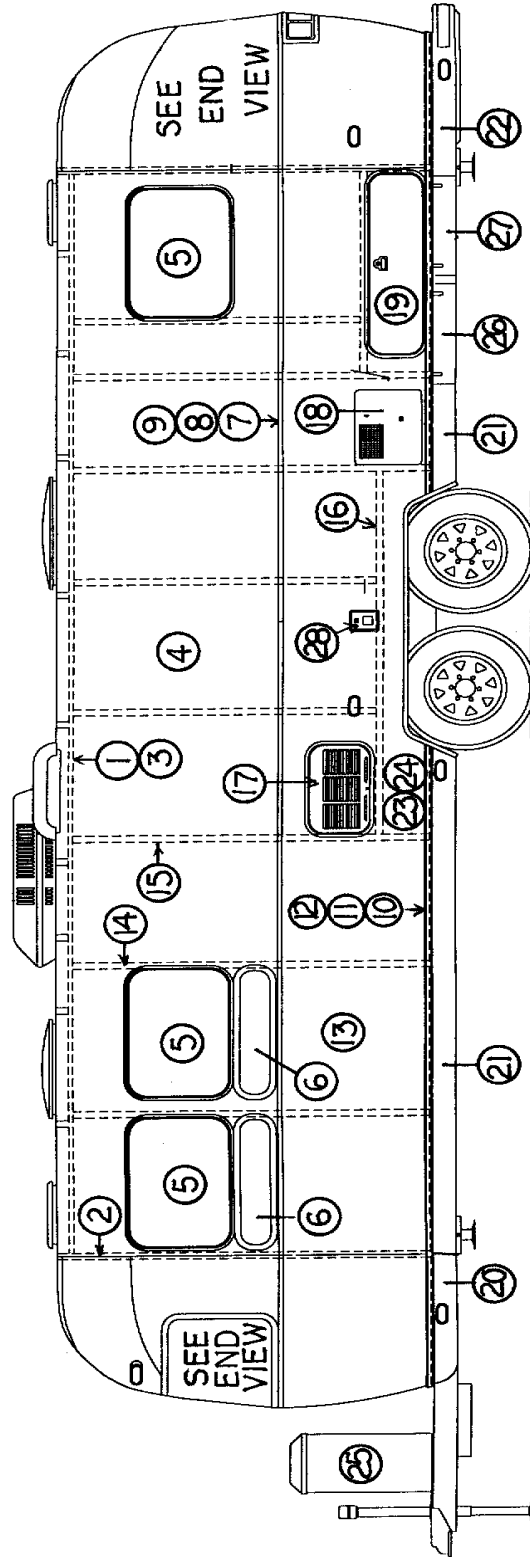
# 2000 LIMITED TRAILER

## BODY-34FT LIMITED, CS

(Hardware such as hinges, locks and latches are located in the **hardware** section of this book)

1) 114290-03	Extrusion, awning/drip rail
2) 114993	Rib, end bow
3) 104707-01	Extrusion, "I" beam
4) 114880-307	Aluminum sheet, upper, .040 x 51 x 307"
5) 371324-02	Window, 30in. opening
6) 371270-01	Window, 30in., stack, stationary
7) 114328	Extrusion, belt line
8) 201912	Molding, chrome, belt line
9) 100034	"Z" bar, 48"
10) 114460	Extrusion, rub rail
11) 201763-01	Insert, rub rail, chrome, 1"
12) 100986	Floor channel
13) 114879-307	Aluminum sheet, lower, .040 x 33 x 307"
14) 114387-01	Bow, Z rib, RH
15) 114387-02	Bow, Z rib, LH
16) 100986	Wheel well stiffener(floor channel)
17) 104439	Louvered panel, refrigerator access door
18) 922288-01	Door, side access, long, twin only
19) 371285-01	Window, stationary, 30in.
19a) 371323-02	Window, stationary, 18in.(used only w/slide puts)
20) 200543	Banana wrap, CS front
21) 101131-01	Underbelly wrap, .024 x 22.5, pewter
22) 201974-02	Bumper, rear corner, CS
23) 685257	Wheel well trim, inner, tri-axle
24) 685258	Wheel well trim, outer, tri-axle
25) 201981	Bottle cover, LP, Limited
26) 114496-02	Door, utility compartment
27) 371319-05	Window, main door
28) 110067-04	Main door assembly, Limited
29) 114654	Screen door assembly
30) 114652	Main door jamb, formed

# 2000 LIMITED TRAILER



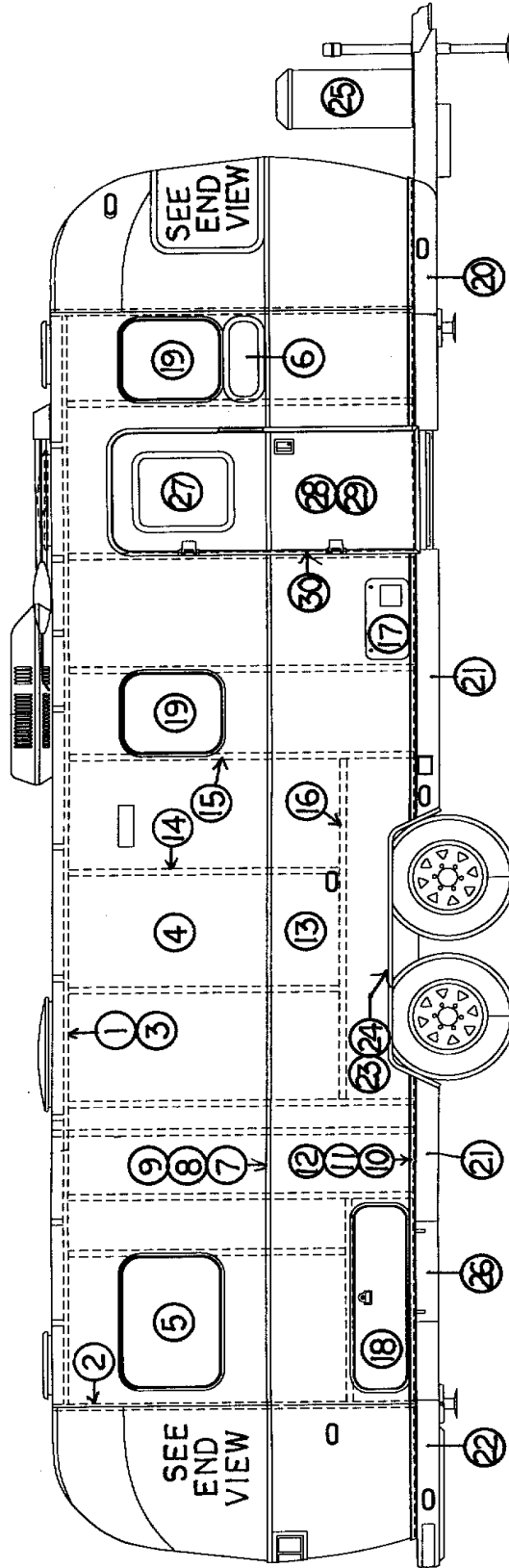
# 2000 LIMITED TRAILER

## BODY-31FT LIMITED, RS, ND

(Hardware such as hinges, locks and latches are located in the **hardware** section of this book)

- |                |  |
|----------------|--|
| 1) 114290-03   | Extrusion, awning/drip rail              |
| 2) 114993      | Rib, end bow                             |
| 3) 104707-01   | Extrusion, "I" beam                      |
| 4) 114880-262  | Aluminum sheet, upper, .040 x 51 x 262"  |
| 5) 371324-02   | Window, 30in. opening                    |
| 6) 371270-01   | Window, 30in., stack, stationary         |
| 7) 114328      | Extrusion, belt line                     |
| 8) 201912      | Molding, chrome, belt line               |
| 9) 100034      | "Z" bar, 48"                             |
| 10) 114460     | Extrusion, rub rail                      |
| 11) 201763-01  | Insert, rub rail, chrome, 1"             |
| 12) 100986     | Floor channel                            |
| 13) 114879-262 | Aluminum sheet, lower, .040 x 33 x 262"  |
| 14) 114387-01  | Bow, Z rib, RH                           |
| 15) 114387-02  | Bow, Z rib, LH                           |
| 16) 100986     | Wheel well stiffener(floor channel)      |
| 17) 104439     | Louvered panel, refrigerator access door |
| 18) 690209     | Cover, brushed aluminum, Atwood          |
| 19) 922288-01  | Door, side access, long, twin only       |
| 20) 200542     | Banana wrap, RS front                    |
| 21) 101131-01  | Underbelly wrap, .024 x 22.5, pewter     |
| 22) 201974-01  | Bumper, rear corner, RS                  |
| 23) 684936     | Wheel well trim, inner, tandem axle      |
| 24) 684937     | Wheel well trim, outer, tandem axle      |
| 25) 104265     | Bottle cover, LP, w/o decals             |
| 26) 114496-02  | Door, utility compartment                |
| 27) 114496-01  | Door, power cord compartment             |
| 28) 601194     | Water fill w/lock                        |

# 2000 LIMITED TRAILER





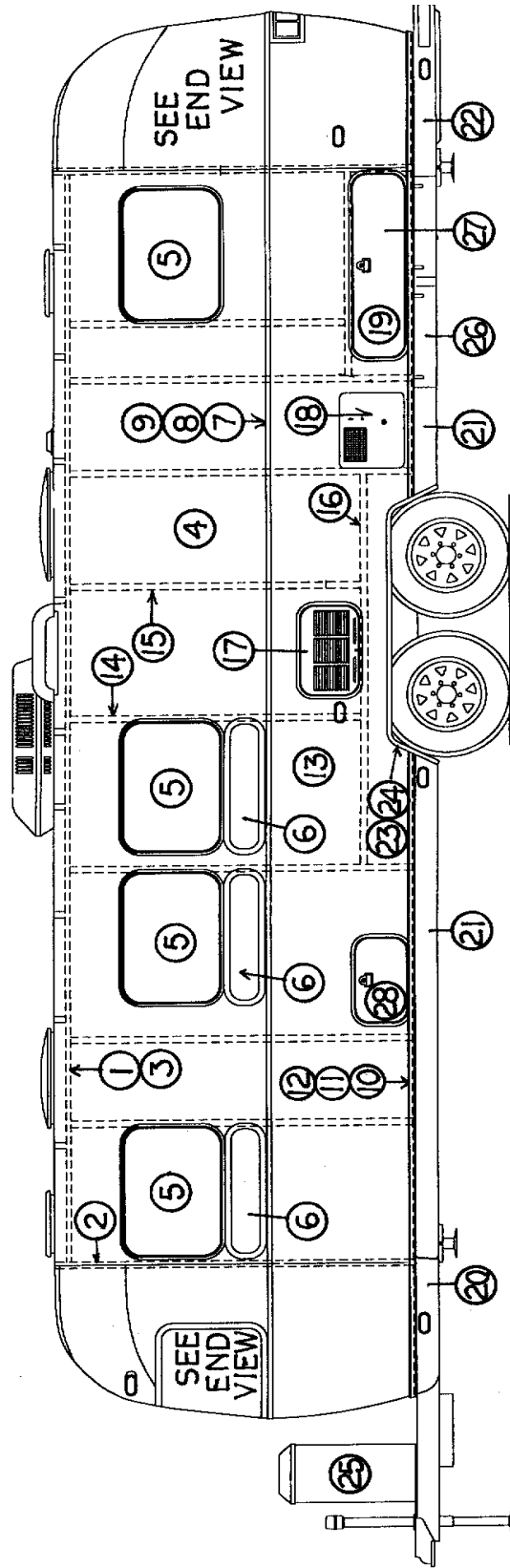
# 2000 LIMITED TRAILER

## BODY-31FT LIMITED, CS, ND

(Hardware such as hinges, locks and latches are located in the **hardware** section of this book)

- |                |   |
|----------------|---|
| 1) 114290-03   | Extrusion, awning/drip rail             |
| 2) 114993      | Rib, end bow                            |
| 3) 104707-01   | Extrusion, "I" beam                     |
| 4) 114880-262  | Aluminum sheet, upper, .040 x 51 x 262" |
| 5) 371324-02   | Window, 30in. opening                   |
| 6) 371269      | Window, 18in., stack, stationary        |
| 7) 114328      | Extrusion, belt line                    |
| 8) 201912      | Molding, chrome, belt line              |
| 9) 100034      | "Z" bar, 48"                            |
| 10) 114460     | Extrusion, rub rail                     |
| 11) 201763-01  | Insert, rub rail, chrome, 1"            |
| 12) 100986     | Floor channel                           |
| 13) 114879-262 | Aluminum sheet, lower, .040 x 33 x 262" |
| 14) 114387-01  | Bow, Z rib, RH                          |
| 15) 114387-02  | Bow, Z rib, LH                          |
| 16) 100986     | Wheel well stiffener (floor channel)    |
| 17) 690274-09  | Cover Hydroflame furnace                |
| 18) 922288-01  | Door, side access, long, twin only      |
| 19) 371323     | Window, 18in. opening                   |
| 20) 200543     | Banana wrap, CS front                   |
| 21) 101131-01  | Underbelly wrap, .024 x 22.5, pewter    |
| 22) 201974-02  | Bumper, rear corner, CS                 |
| 23) 684936     | Wheel well trim, inner, tri-axle        |
| 24) 684937     | Wheel well trim, outer, tri-axle        |
| 25) 104265     | Bottle cover, LP, w/o decal             |
| 26) 114496-02  | Door, utility compartment               |
| 27) 371319-05  | Window, main door                       |
| 28) 110067-04  | Main door assembly, Limited             |
| 29) 114654     | Screen door assembly                    |
| 30) 114652     | Main door jamb, formed                  |

# 2000 LIMITED TRAILER



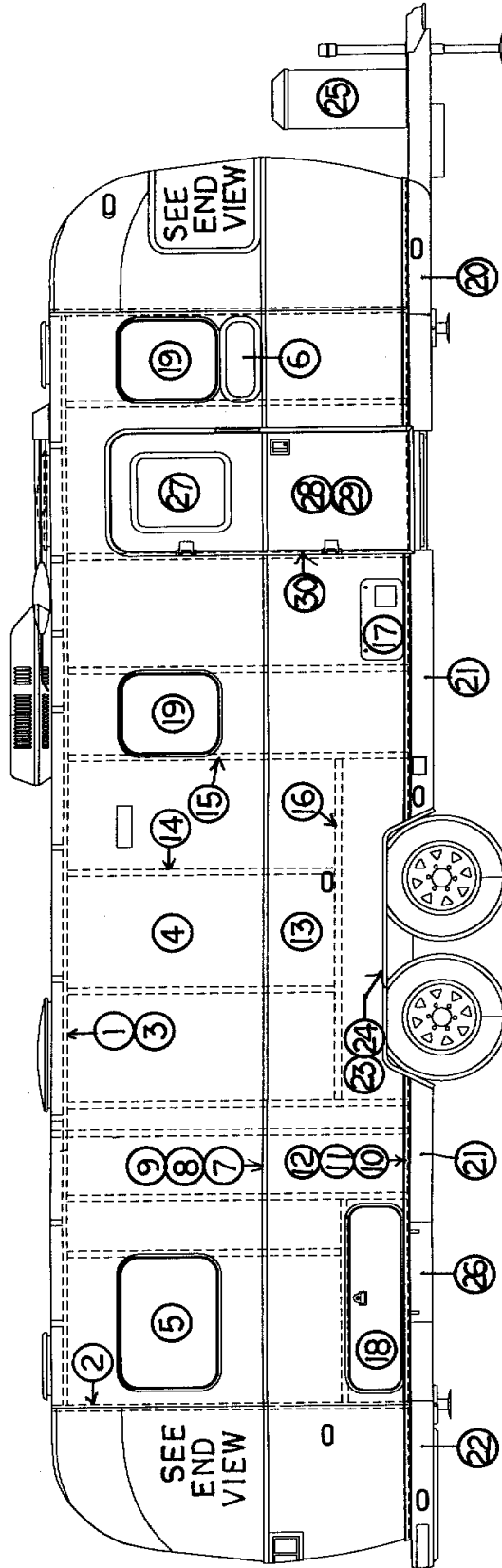
# 2000 LIMITED TRAILER

## BODY-30FT LIMITED, RS

(Hardware such as hinges, locks and latches are located in the **hardware** section of this book)

- |                |  |
|----------------|--|
| 1) 114290-03   | Extrusion, awning/drip rail              |
| 2) 114993      | Rib, end bow                             |
| 3) 104707-01   | Extrusion, "I" beam                      |
| 4) 114880-262  | Aluminum sheet, upper, .040 x 51 x 262"  |
| 5) 371324-02   | Window, 30in. opening                    |
| 6) 371270-01   | Window, 30in., stack, stationary         |
| 7) 114328      | Extrusion, belt line                     |
| 8) 201912      | Molding, chrome, belt line               |
| 9) 100034      | "Z" bar, 48"                             |
| 10) 114460     | Extrusion, rub rail                      |
| 11) 201763-01  | Insert, rub rail, chrome, 1"             |
| 12) 100986     | Floor channel                            |
| 13) 114879-262 | Aluminum sheet, lower, .040 x 33 x 262"  |
| 14) 114387-01  | Bow, Z rib, RH                           |
| 15) 114387-02  | Bow, Z rib, LH                           |
| 16) 100986     | Wheel well stiffener (floor channel)     |
| 17) 104439     | Louvered panel, refrigerator access door |
| 18) 690209     | Cover, brushed aluminum, Atwood          |
| 19) 922288-01  | Door, side access, long, twin only       |
| 20) 200542     | Banana wrap, RS front                    |
| 21) 101131-01  | Underbelly wrap, .024 x 22.5, pewter     |
| 22) 201974-01  | Bumper, rear corner, RS                  |
| 23) 684936     | Wheel well trim, inner, tandem axle      |
| 24) 684937     | Wheel well trim, outer, tandem axle      |
| 25) 104265     | Bottle cover, LP, w/o decals             |
| 26) 114496-02  | Door, utility compartment                |
| 27) 114496-01  | Door, power cord compartment             |
| 28) 100679     | Access door w/jamb                       |

# 2000 LIMITED TRAILER



# 2000 LIMITED TRAILER

## BODY-30FT LIMITED, CS

(Hardware such as hinges, locks and latches are located  
in the **hardware** section of this book)

- |                |   |
|----------------|---|
| 1) 114290-03   | Extrusion, awning/drip rail             |
| 2) 114993      | Rib, end bow                            |
| 3) 104707-01   | Extrusion, "I" beam                     |
| 4) 114880-262  | Aluminum sheet, upper, .040 x 51 x 262" |
| 5) 371324-02   | Window, 30in. opening                   |
| 6) 371269      | Window, 18in., stack, stationary        |
| 7) 114328      | Extrusion, belt line                    |
| 8) 201912      | Molding, chrome, belt line              |
| 9) 100034      | "Z" bar, 48"                            |
| 10) 114460     | Extrusion, rub rail                     |
| 11) 201763-01  | Insert, rub rail, chrome, 1"            |
| 12) 100986     | Floor channel                           |
| 13) 114879-262 | Aluminum sheet, lower, .040 x 33 x 262" |
| 14) 114387-01  | Bow, Z rib, RH                          |
| 15) 114387-02  | Bow, Z rib, LH                          |
| 16) 100986     | Wheel well stiffener (floor channel)    |
| 17) 690274-09  | Cover Hydroflame furnace                |
| 18) 922288-01  | Door, side access, long, twin only      |
| 19) 371323     | Window, 18in. opening                   |
| 20) 200543     | Banana wrap, CS front                   |
| 21) 101131-01  | Underbelly wrap, .024 x 22.5, pewter    |
| 22) 201974-02  | Bumper, rear corner, CS                 |
| 23) 684936     | Wheel well trim, inner, tri-axle        |
| 24) 684937     | Wheel well trim, outer, tri-axle        |
| 25) 104265     | Bottle cover, LP, w/o decal             |
| 26) 114496-02  | Door, utility compartment               |
| 27) 371319-05  | Window, main door                       |
| 28) 110067-04  | Main door assembly, Limited             |
| 29) 114654     | Screen door assembly                    |
| 30) 114652     | Main door jamb, formed                  |

# 2000 LIMITED TRAILER

## BODY-INTERIOR

(Hardware such as hinges, locks and latches are located  
in the **hardware** section of this book)

114445	Aluminum inside skin .032 x 34" x coil
114853-01	Aluminum inside skin .032 x 57" x coil
702481	Wall liner, Geometric Pearl *Adhesive, Fastbond 2000
702482-03	Headliner, Spectra Opal, textured
201728-01	Extrusion, plastic, ceiling trim retainer
201728-03	Extrusion, plastic, ceiling trim
203138-01	Extrusion, plastic, "U" panel edging, white
101077	Extrusion, inside main door trim
200968-01	Trim ring, plastic 30 x 30 stationary window
201675-01	Trim ring, inside, 30" stack window
201578-01	End cap trim ring, panoramic window (goes next to end bow)
201579-01	Trim, panoramic window, bottom, RS
201580-01	Trim panoramic window, bottom, CS
201581-03	Trim, panoramic window, upper, RS
201581-04	Trim, panoramic window upper, CS
203225	"U" trim, flexible, panoramic window/access door jamb
200514	Wheel well cover, interior, tandem (splice two for tri-axle)

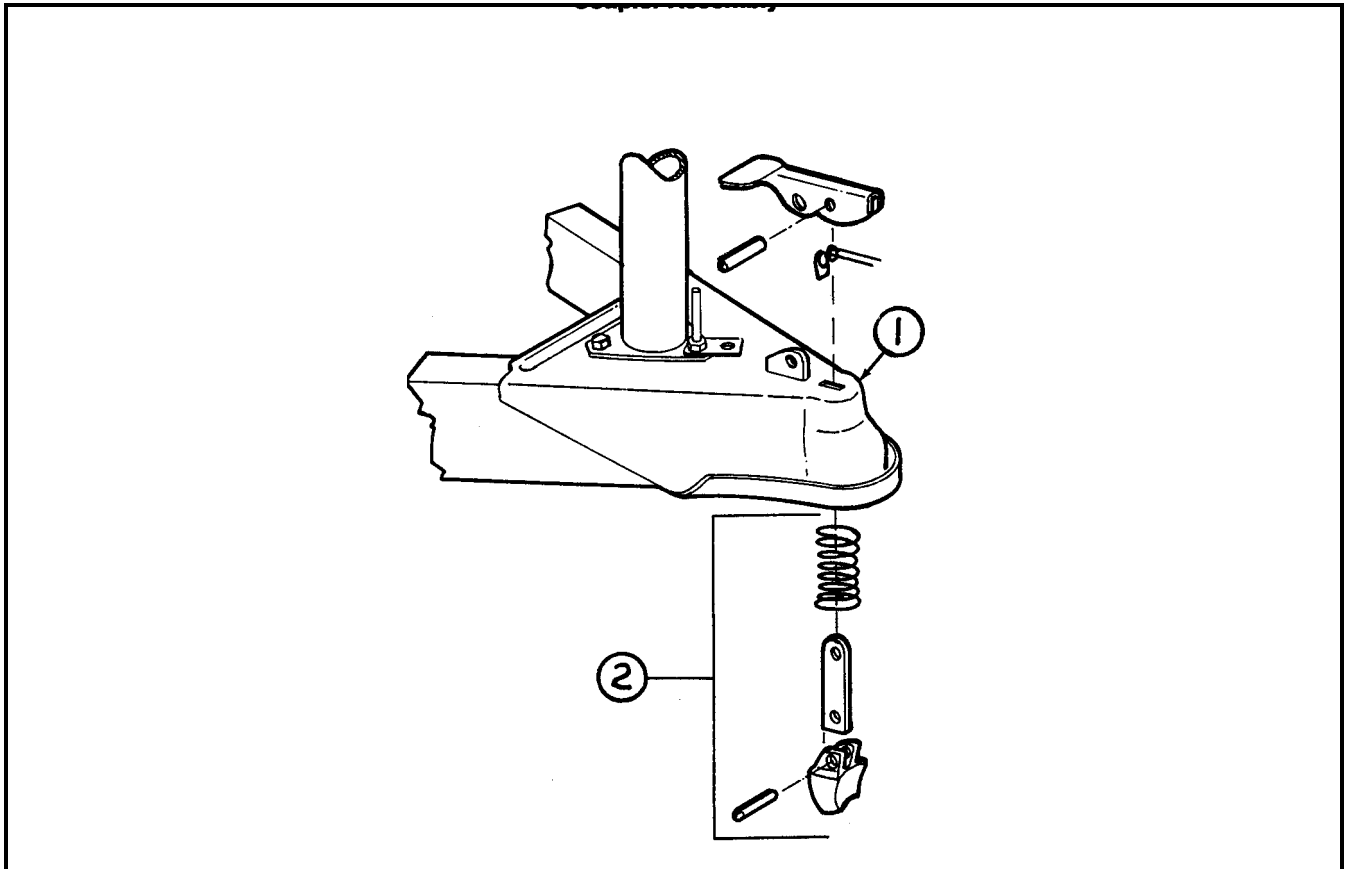
\*For reference only: Please purchase adhesives locally

# 2000 LIMITED TRAILER

## CHASSIS

### A-FRAME

- 915249 A-frame complete for lay down LP bottles
- 915256 A-frame complete for stand up LP bottles
  
- 400042 Coupler



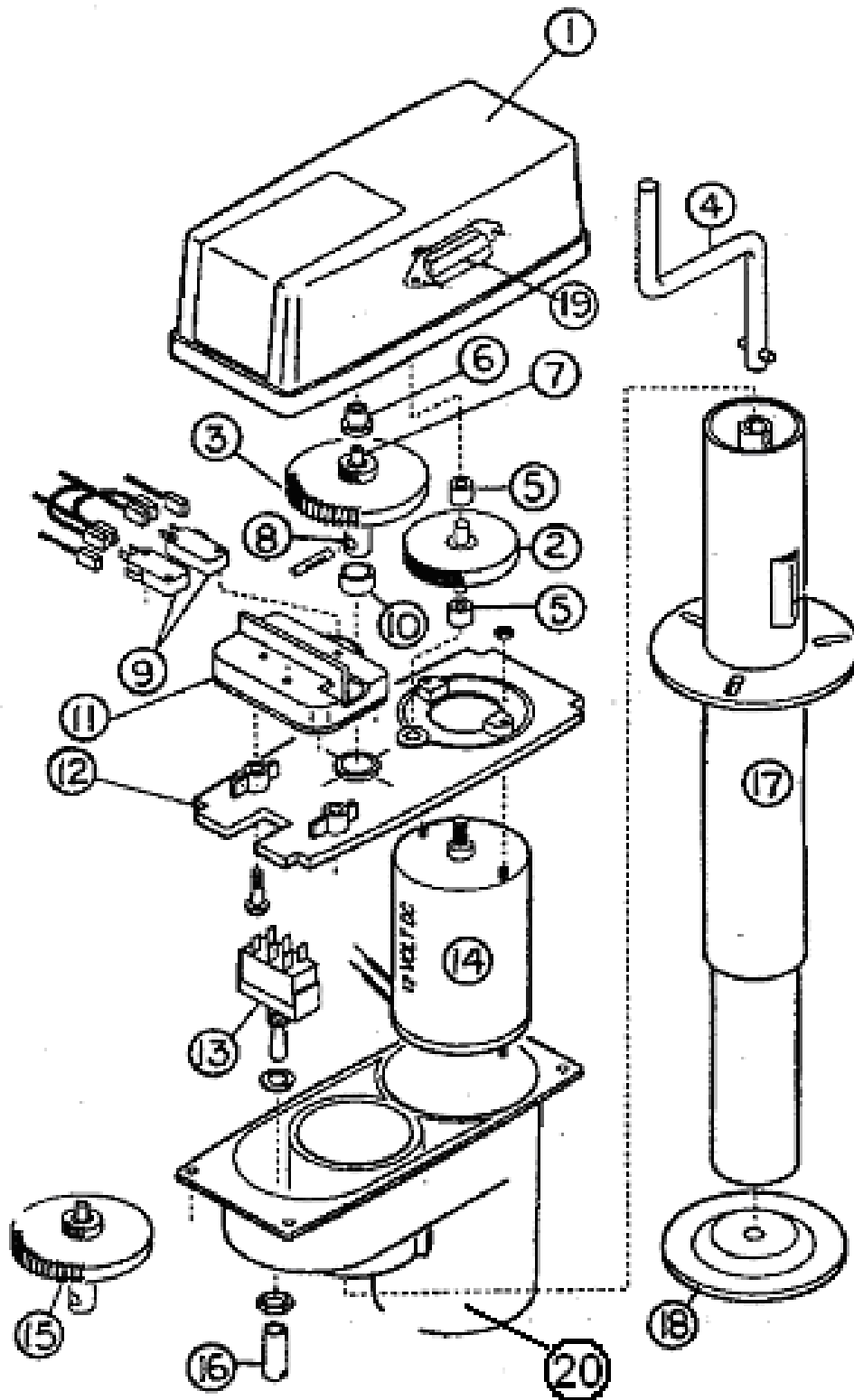
- 1) 680343 Coupler assembly, 2 5/16"
- 2) 680345 Repair kit, 2 5/16" coupler
  
- 0300027 Break away switch, Bargman
- 400407 Bracket, breakaway switch

(continued)

# 2000 LIMITED TRAILER

## CHASSIS

Power Jack



Part Numbers are on the next page



# 2000 LIMITED TRAILER

## CHASSIS

### Power Hitch Jack

511544	Power jack w/flag holder & light
012251	Power head less post
1. 012198	Cover, Super Jack
2. 010051	Gear, fiber, Super Jack
3. 015551	Drive gear, Super Jack
4. 016199	Crank handle, manual, Super Jack
5. 080501	Bushing, bronze, Super Jack
6. 010055	Bushing, flange, Super Jack
7. 015552	Gear, pot/reed, Super Jack
8. 015553	Shaft, Super Jack
9. 081703	Micro switch, Super Jack
10. 080520	Bushing/bronze,7/16,Super Jack
11. 012252	Limit switch assembly, Super Jack
12. 012200	Center plate, Super Jack
13. 081704	Switch, toggle, Super Jack
14. 016263	Motor, 12V, Super Jack
15. 011675	Drive gear assembly, Super Jack
16. 010069	Switch cover, Super Jack
17. 011631	Jack post, Super Jack
18. 410598	Foot pad #12231
19. 026503	Light, Jack
20. 012199	Housing for Motor and Switch

# 2000 LIMITED TRAILER

## CHASSIS

### LP BOTTLE RACK, LAY-DOWN

0360456	Bottle ring, lay-down bottle
452834	Strap, latch end
452834	Strap w/pin
381149	Draw latch, adjustable, lay-down LP bottles
381154	Roller, rubber, LP bottle
451823-01	Slide, LP bottle, RS
452823-02	Slide, LP bottle, CS

### LP BOTTLE RACK, STAND-UP

0360307	LP bottle ring, lower
601731-103	LP regulator mounting bracket
410410	Hold down rod, threaded, for 40lbs bottle
100949	Bracket, bottle hold, cast aluminum
410238	"T" handle, threaded, cast aluminum

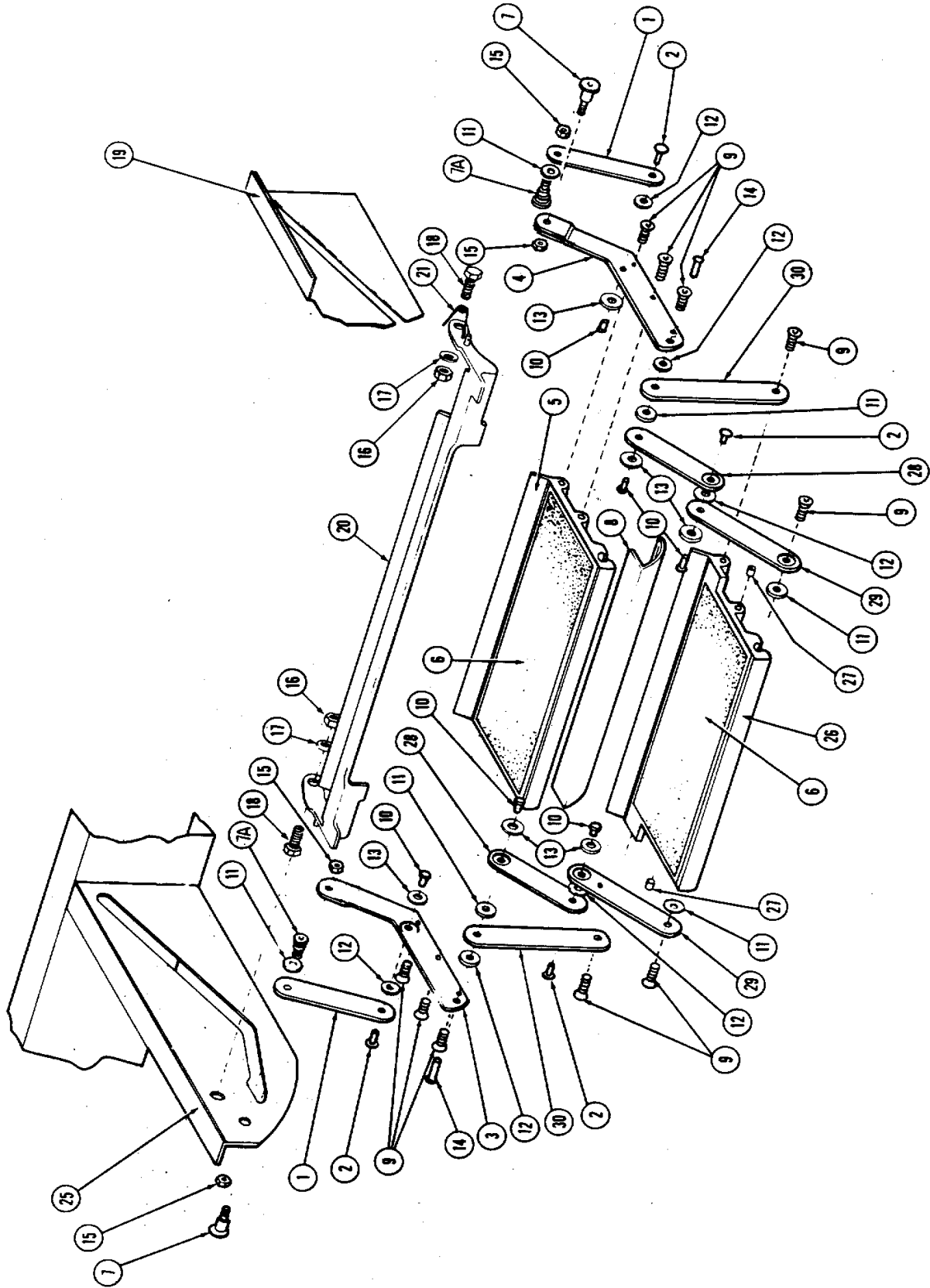
# 2000 LIMITED TRAILER

## CHASSIS

### A-FRAME MISCELLANEOUS

913619	Tool box assembly, "A" frame
410551	Lid, toolbox
381430	Twist lock, straight cam, toolbox
410631	Winch, spare tire, used w/lay-down bottles
451682	Bracket, spare tire, used w/crank up winch
450414	"A" frame tire carrier, used w/stand up bottles
453620	Covers, A-frame, stainless steel

# 2000 LIMITED TRAILER



# 2000 LIMITED TRAILER

## CHASSIS

### Step

3440006 .....

#### Double step assembly

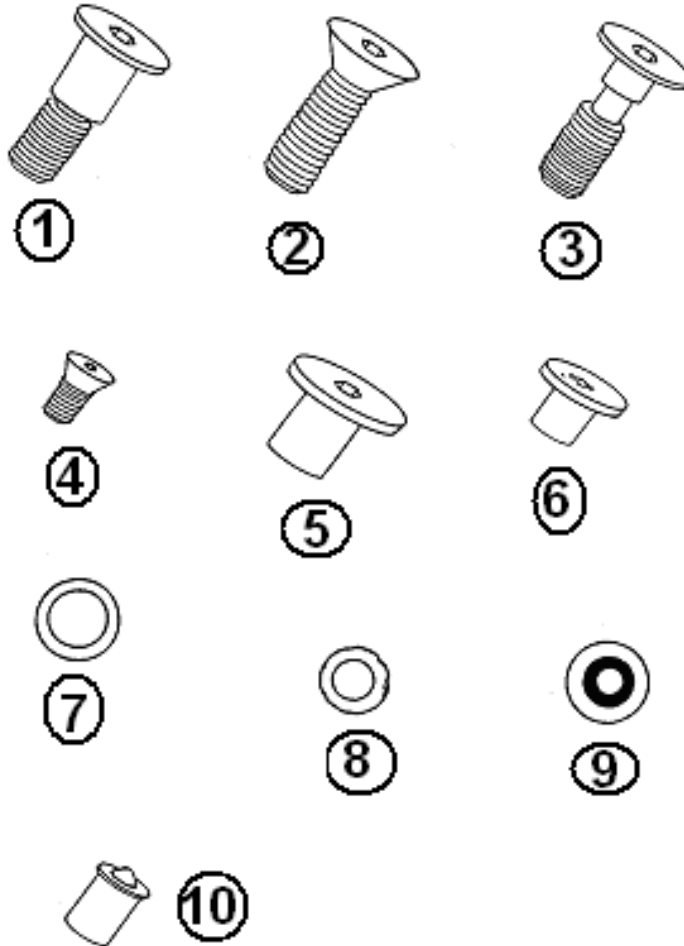
- |               |  |
|---------------|--|
| 1. 680213     | Arm, upper support                               |
| 2. 680214     | *Pin, hinge                                      |
| 3. 680215     | Step bracket, left                               |
| 4. 680216     | Step bracket, right                              |
| 5. 680217     | Extrusion, step 20.5"                            |
| 6. 380069     | Safety tread                                     |
| 7. 001152     | Bolt, shoulder                                   |
| 7a. 001145    | Bolt, shoulder, 3/8" thread                      |
| 8. 680220     | Panel  |
| 9. 680221     | Screw, flat head                                 |
| 10. 680222    | Bolt, socket head                                |
| 11. 680223    | Washer, bronze                                   |
| 12. 680224    | Washer, wave                                     |
| 13. 680225    | Washer, aluminum                                 |
| 14. 680226    | Pin, pivot                                       |
| 15. 350005    | Nut, hex   |
| 16. 350147-25 | Nut, Nylock                                      |
| 17. 300005    | Washer, flat                                     |
| 18. 345016    | Screw, machine                                   |
| 19. 400454    | Outrigger, RH (Not included with step assembly.) |
| 20. 100298    | Casting, step release                            |
| 21. 0440032   | Step spring                                      |
| 25. 400455    | Outrigger, LH (Not included with step assembly.) |
| 26. 410200    | Extrusion, step, 20.0"                           |
| 27. 380075    | *Bullet catch                                    |
| 28. 400004    | Hinge arm, upper                                 |
| 29. 400003    | Hinge arm, lower                                 |
| 30. 400005    | Arm, lower support                               |

\*Larger illustration on next page

# 2000 LIMITED TRAILER

## CHASSIS

### Step Bolts/Washers/Screws/Catches Illustrated

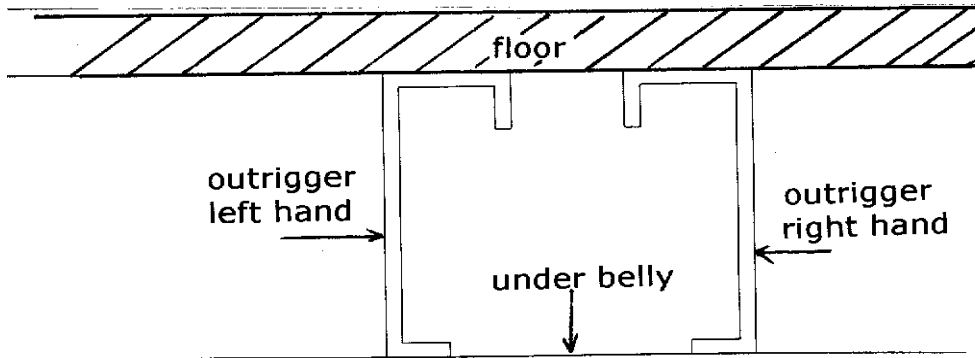


- |            |                                    |
|------------|------------------------------------|
| 1. 001152  | 1/2" Shoulder w/3/8" shoulder bolt |
| 2. 680221  | 3/8-16 x 1, flat head Allen, screw |
| 3. 001145  | 3/8-16 thread, shoulder bolt       |
| 4. 680222  | Flat head Allen socket screw       |
| 5. 680226  | Pivot pin                          |
| 6. 680214  | Hinge pin                          |
| 7. 680223  | Brass washer                       |
| 8. 680224  | Wave washer                        |
| 9. 680225  | Aluminum Washer                    |
| 10. 380075 | Bullet catch                       |

# 2000 LIMITED TRAILER

## CHASSIS OUTRIGGERS

410524	Step outrigger assembly, forward
410523	Step outrigger assembly, aft
410497	Outrigger, pierced, RH
410498	Outrigger, pierced, LH
410500	Outrigger, standard, LH
410499	Outrigger, standard, RH
410501	Outrigger, solid, RH, notched
410502	Outrigger, solid, LH, notched
410706	Outrigger, power cord compartment, RH
410758	Outrigger, power cord compartment, LH



## CHASSIS COVERING

114679	Aluminum under belly .019" x 65.75" x coil
101131	Aluminum under belly .024" x 22.50 "x coil
101131-01	Aluminum under belly .024" x 22.5" x coil, Pewter (covers from under belly to floor line)
200543	Banana wrap, CS front
200542	Banana wrap, RS front
203142	Bumper, rear center
201974-01	Bumper, rear corner, RS
201974-02	Bumper, rear corner, CS (note: the rear roll out tray makes up part of the center section of the bumper)

# 2000 LIMITED TRAILER

## CHASSIS

### STABILIZING JACKS

510628 Stabilizing jacks, electric, A&E systems  
510731 Control, leveler, A&E

### BELOW FLOOR STORAGE

962828-01 Roll out tray assembly, rear  
453144 Roll out tray  
381556 Overhead door track, 2"  
453159 Enclosure assembly, rear roll out tray  
453156 "U" bar, roller support  
381555 Ten ball roller w/stem  
310028 Lynch pin, 1/4"  
201909 Molding, black bumper trim

915145-01 Utility compartment assembly

914022 Power cord storage plate

601544 E-Z hose carrier, 46"

961251 Box, flag storage compartment



# 2000 LIMITED TRAILER

## CHASSIS

### RUNNING GEAR

7320036H	Axle, 3200#, 34ft. Limited
7400068H	Axle, 4000#, 30 & 31ft. Limited
0220003	Shock absorber
410832-100	Tire and wheel assembly, Limited
400935	Wheel, aluminum 7 x 15"
400936	Cover, center hub
400923	Lug nut, acorn type
410009	Valve stem
200844	Wheel well, tandem (tri-axle wheel wells are made from two tandems)

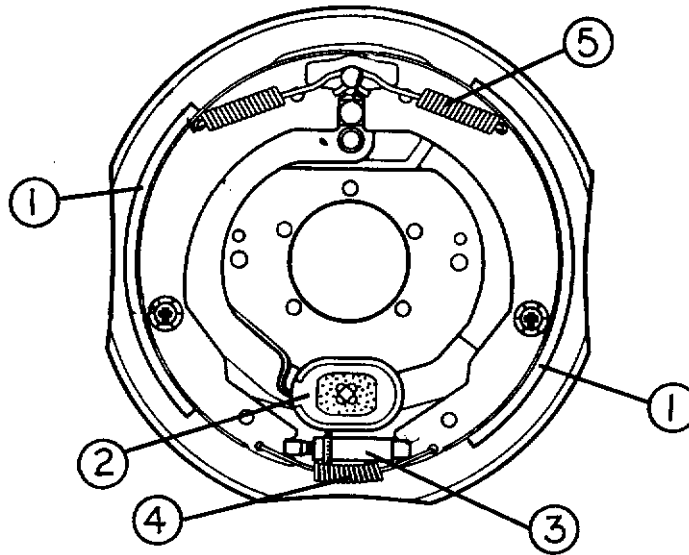
# 2000 LIMITED TRAILER

## CHASSIS

### 12" BRAKES

3160121 Brake drum, 12", 6 lug  
450659 Inner bearing, #25580  
680364 Inner race, #25520  
450658 Outer bearing, #LM67048  
680365 Outer race, #LM67010  
680370-100 Grease seal

3160347 Brake assembly, RH, 12" Dexter  
3160348 Brake assembly, LH, 12" Dexter



1) 3160348-62 Shoe and lining kit (includes hold down spring and pin)  
2) 3160348-65 Magnet kit  
3) 3160348-63 Adjuster assembly  
4) 3160348-64 Adjusting screw spring  
5) 3160348-61 Retractor spring

# 2000 LIMITED TRAILER

## SECTION II- LIMITED

### D through E

DECALS ..... II-1

EXTERIOR TRIM ..... II-3

### DOORS/WINDOWS/AWNING

Doors ..... II-4

Windows ..... II-6

Awning ..... II-7

DRAPES/BLINDS/VALANCES..... II-8

### ELECTRICAL

110 volt ..... II-12

12 volt..... II-13

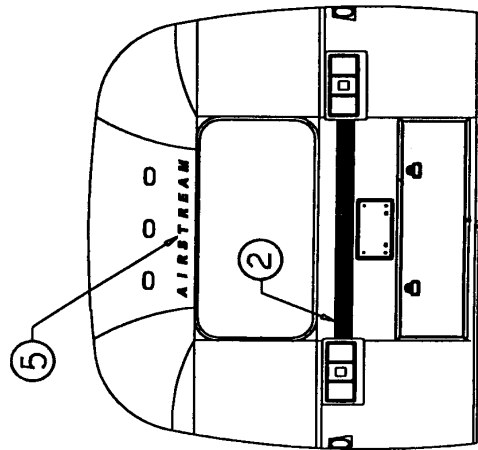
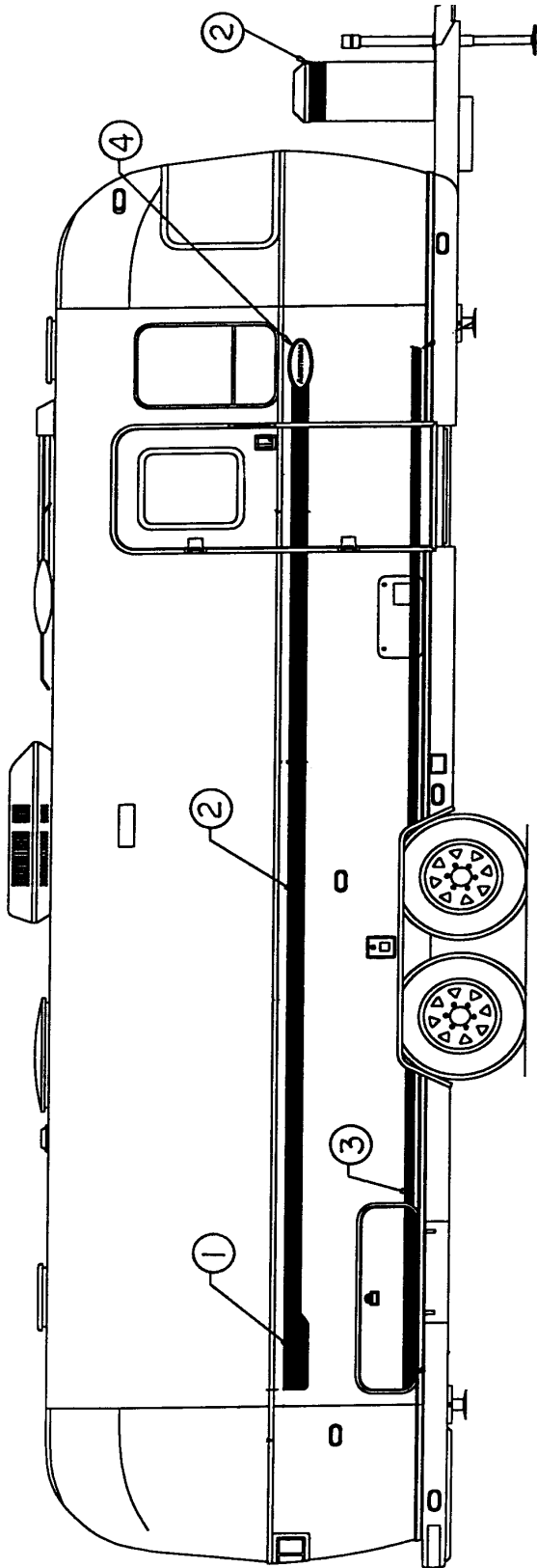
### ENTERTAINMENT

Radio..... II-16

Antenna ..... II-16



# 2000 LIMITED TRAILER



# 2000 LIMITED TRAILER

## DECALS/EXTERIOR TRIM

### DECALS ILLUSTRATED

- |               |                                      |
|---------------|--------------------------------------|
| 1) 386048-02  | Decal, Limited, RS rear              |
| 1a) 386048-01 | Decal, Limited, CS rear              |
| 2) 386048-07  | Decal, Limited, main stripe          |
| 3) 386048-05  | Decal, Limited, lower side stripe    |
| 4) 386043-01  | Medallion, Airstream, Burgundy       |
| 5) 386051     | Decal, "AIRSTREAM" 32", front & rear |

Not shown:

386052 Decal, "LIMITED" CS & RS

### DECAL, LAY DOWN BOTTLE COVER

- |           |  |
|-----------|--|
| 385604-01 | Decal, die cut, bottle cover, LH       |
| 385604-02 | Decal, die cut, bottle cover, RH       |
| 385605-01 | Decal, die cut, upper bottle cover, LH |
| 385605-02 | Decal, die cut, upper bottle cover, RH |
| 385606-01 | Decal, die cut, bottle cover curve, LH |
| 385606-02 | Decal, die cut, bottle cover curve, RH |

(continued)

# 2000 LIMITED TRAILER

## DECAL/EXTERIOR TRIM

### EXTERIOR TRIM

114328	Extrusion, belt line molding
201912	Molding, belt line insert, chrome
114417	Casting, belt line close out
114460	Extrusion, rub rail
201763-01	Molding, rub rail insert, chrome
114466-01	Casting, close out, rub rail, angled, RH
114466-02	Casting, close out, rub rail, angled, LH
114465-01	Casting, close out, rub rail, RH
114465-02	Casting, close out, rub rail, LH
381753-02	End clip, rub rail, gray
685257	Inner wheel well trim, tri-axle
685258	Outer wheel well trim, tri-axle
684936	Inner wheel well trim, tandem axle
684937	Outer wheel well trim, tandem axle

# 2000 LIMITED TRAILER

## DOORS/WINDOWS/AWNING

(Hardware such as hinges, locks and latches are located in the **hardware** section of this book.)

### DOORS

115207-04	Main door assembly
114652	Jamb, main door, preformed
114653	Frame, main door, preformed
114880-307	Skin, exterior, upper main door
114879-307	Skin, exterior, lower main door
114475	Skin, inner, vinyl clad
114363	Drip cap, main door
365232	Seal, main door
114654	Screen door assembly
114561	Panel, slider, screen door
203000-01	Close out, plastic screen door
32226w	Guard, screen door
380079	Screen, gray
200518	Spline, gray, screen insert
365013	Gasket, screen door, foam tape
922243	Door, refrigerator access
104417	Jamb, refrigerator access door
104439	Louvered panel, refrigerator access door
203225	Trim, flexible, white
100679	Side access door assembly
365035	Seal, side access door
921159-01	Trunk door assembly, rear, twin only
114675	Jamb, rear trunk door
365035	Seal, access door

(continued)



# 2000 LIMITED TRAILER

## DOORS/WINDOWS/AWNING

(Hardware such as hinges, locks and latches are located in the **hardware** section of this book.)

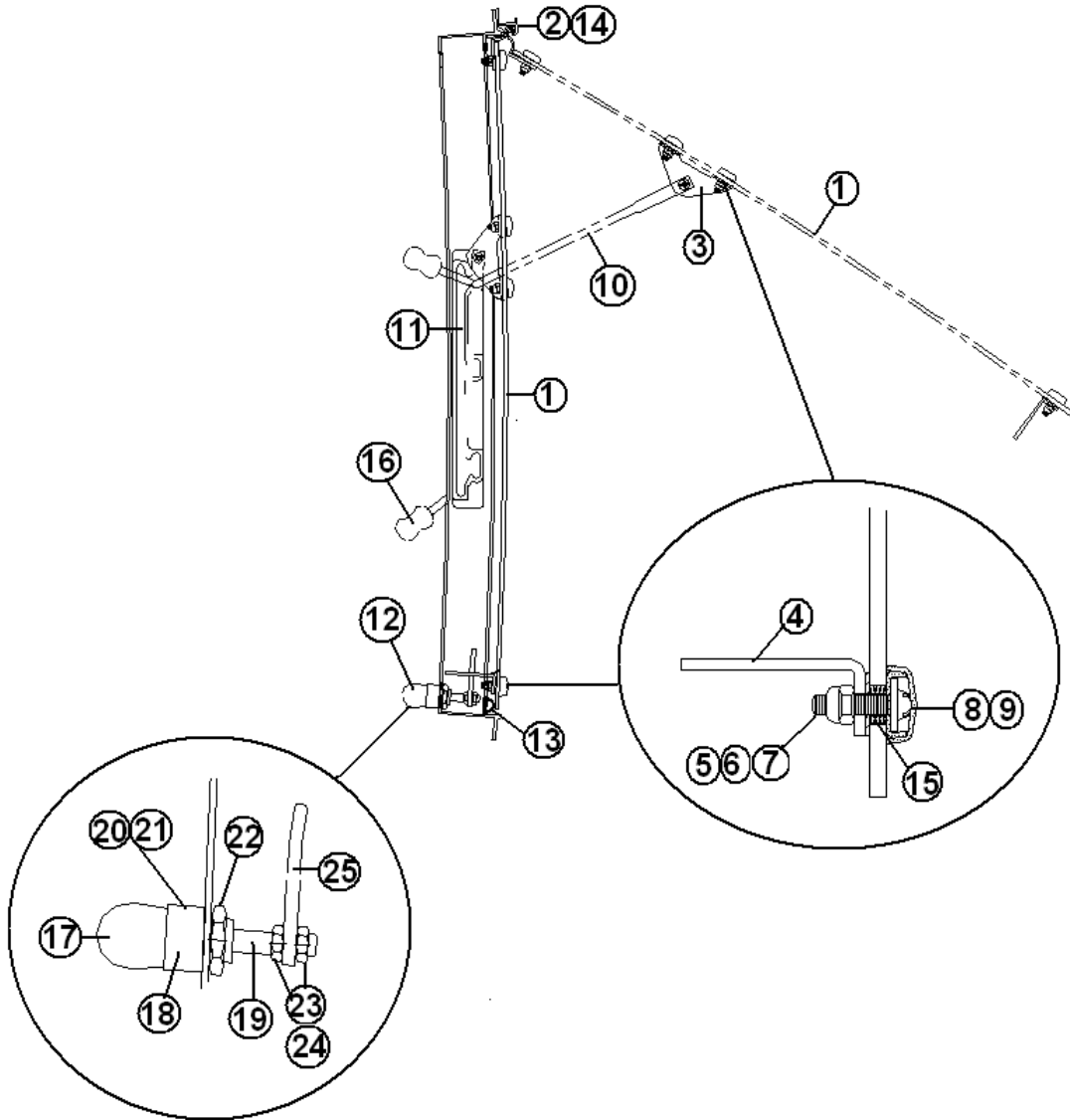
### DOORS

922288-01	Door, side access, long, twin only
104833	Jamb, long side access door, twin only
114467-01	Door panel, outer, battery box door
114468	Door panel, inner, battery box door
114464	Casting, battery box door jamb
380238	Support cable, battery box door
114496-02	Door, utility compartment
114496-01	Door, power cord compartment
690209	Cover, brushed aluminum, Atwood water heater
690274-09	Cover, Hydroflame furnace
601194	Water fill door w/pocket & lock
114219	Door, flag storage compartment

# 2000 LIMITED TRAILER

## DOORS/WINDOWS/AWNINGS

### WINDOWS



Part numbers on next page

# 2000 LIMITED TRAILER

## DOORS/WINDOWS/AWNINGS

### WINDOWS

1. 371323-100	Glass w/hardware, 18" window
1. 371324-100	Glass w/hardware, 30" window
2. 371323-101	Hinge, 18" window
2. 371324-101	Hinge, 30" window
3. 1101-0010	Bracket, window prop
4. 685124	Striker plate, window latch
5. 0706-0004	Flat washer
6. 0703-0001	Screw, #8-32 x .625", black, SS
7. 0702-0010	Nut, Nylox, #8-32, black SS
8. 0802-0004	Screw cover, 12-12 #100, black
9. 0802-0005	Washer, 12-12 screw cover bottom
10. 100903	Operating arm, RH
10. 100903-01	Operating arm, LH
11. 0802-0001	Guide, operating arm, RH
11. 0802-0002	Guide, operating arm, LH
12. 010020	Latch assembly, chrome
13. 381665	Gasket seal
14. 0101-0017	Male hinge extrusion, 1/2" pc.
15. 0706-0003	Bushing, window, acrylic
16. 380230-03	Window arm knob, silver
16. 380230-04	Window arm knob, red
17. 1101-0005	Latch handle, chrome
17. 195467-05	Latch handle, red
18. 1101-0007	Latch body
19. 1101-0008	Latch shaft
20. 1101-0009	Latch spring
21. 0707-0002	Pin, drive lock, 5/32" x 5/8", zinc
22. 0702-0001	Nut, hex panel, 5/8"-24, zinc
23. 0702-0002	Nut, jam, hex, 5/16-24
24. 385123	Washer, flat, .53" OD x .328" ID
25. 685123	Latch paw

# 2000 LIMITED TRAILER

## DOORS/WINDOWS/AWNINGS

(Hardware such as hinges, locks and latches are located in the **hardware** section of this book.)

### WINDOWS

- 371346-02 Window, flat, front center
- 372088 Window, panoramic, front RS
- 372089 Window, panoramic, front, CS
  
- 371348-02 Window, flat, rear w/red handles
  
- 371285-01 Window, curved 30 x 30 fixed
- 371324-02 Window, curved 30" opening
- 371270-01 Window, curved, 30" stacked
  
- 371323-01 Window, curved 18" opening
- 371269-01 Window, curved 18" stacked
  
- 371319-05 Window, main door

### WINDOW SCREENS

- 371349-01 Screen, rear escape
- 371347-01 Screen, front window
- 372175-02 Screen, 30" opening window
- 372174-01 Screen, 18" opening window
- 372175-03 Screen, 30", alternate egress

# 2000 LIMITED TRAILER

## DOORS/WINDOWS/AWNINGS

(Hardware such as hinges, locks and latches are located in the **hardware** section of this book.)

### AWNINGS

702663-10	Awning, patio, 21' 7" red, all Limited
381532-01	Hardware, patio, satin
702662-05	Center support CS-05
702663-07	Awning, CS rear window, 3' red
702663-08	Awning, rear window, red, 52 5/8"
702663-03	Awning, RS window, 14'10" red, 34ft.
702663-05	Awning, RS windows, 13'4" red, 30 & 31ft.
703052-01	S/O Cover, roll out awning
385577	Wear tape, clear, 3.5" wide
110102	Rock guard, center only
381021	Latch, draw type, flexible
685275-101	Rock guard, CS front
685275-102	Rock guard, RS front

# 2000 LIMITED TRAILER

## DRAPES/BLINDS/VALANCES

### DRAPES

998056-01	Drape, rear, 4-16 pleat, 34, 31D, 30D
998134-01	Drape, rear bedroom, side, 2-9 pleat, 34, 31D & 30D
998134-04	Drape, 30"bedroom, 2-9 pleat, 31T & 30T
998057	Drape, bedroom, 2-7 pleat, 31T & 30T
998053-01	Drape, dinette, 2-8 pleat&1-5 pleat, 34ft, 31ft & 30ft.
998053	Drape, galley, 2-2pleat, 34ft, 31ft & 30ft.
998050-01	Drape, front, 4-16 pleat, 34ft, 31ft & 30ft.
998135	Drape, lounge, CS, 2-6 pleat, 34ft, 31ft & 30ft.
998134-02	Drape, lounge, RS, 30", 2-9 pleat, 34ft.
998134-05	Drape, lounge, RS, 30", 2-9 pleat, 31ft & 30ft.
998135	Drape, lounge, CS, 30", 2-6 pleat, 31ft & 30ft.

# 2000 LIMITED TRAILER

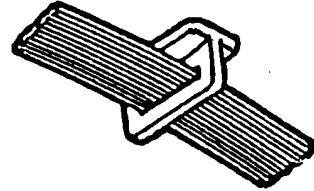
## DRAPERY TRACK AND BRACKETS



101220  
Bracket, curtain  
stand off



101217  
Track, curtain



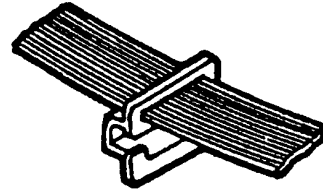
700044  
Glides, w/elastic  
"T" type



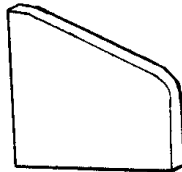
114021  
Bracket, curtain  
stand off



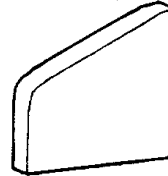
101225  
Bracket, curtain  
stand off



700045  
Glides, w/elastic  
"G" type



200785  
End, curtain track, LH



200784  
End, curtain track, RH



101005  
Bracket, curtain standoff

# 2000 LIMITED TRAILER

## DRAPES/BLINDS/VALANCES

964107-01	Valance, rear bedroom, 34ft, 31ft, and 30ft.double
964106-02	Valance, bedroom, 52", CS, 34ft, 31ft and 30ft.double
964106-03	Valance, bedroom, 52", RS, 34ft, 31ft and 30ft.double
964106-06	Valance, bedroom, 38.5"CS, 34ft.twins
964106-07	Valance, bedroom, 38.5"RS, 34ft.twins
964106-04	Valance, bedroom, 38", CS, 30ft & 31ft.twins
964106-05	Valance, bedroom, 38", RS, 30ft & 31ft.twins
964105-01	Valance, galley, 24" 30 & 31ft., twin & double
964105-03	Valance, galley, 37" 34ft., twin & double
964108-01	Valance, dinette 30&34FT. twin & double
964104-03	Valance, lounge, 58" 30ft. twin & double
964104-05	Valance, lounge, 91" 31ft. twin & double
964104-01	Valance, lounge, 42" 30ft & 31ft. twin & double
964104-02	Valance, lounge, 56" 34ft.
964104-06	Valance, lounge, 100" 34ft.



# 2000 LIMITED TRAILER

## DRAPES/BLINDS/VALANCES

### BLINDS

702968-01	Shade, pleated, day/night 17.125" x 22.5", Ascot
702968-08	Shade, pleated, day/night 28.87" x 33.0" Ascot
702968-16	Shade, pleated, day/night 47.05" x 25.0" Ascot
702968-02	Shade, pleated, day/night 17.125" x 33.0", Ascot
702968-10	Shade, pleated, day/night 31.0" x 33.0", Ascot
702968-07	Shade, pleated, day/night 28.875" x 22.5", Ascot
702969-16	Shade, pleated, night 47.50" x 25.0", Ascot
702969-07	Shade, pleated, night 28.87" x 22.5", Ascot

# 2000 LIMITED TRAILER

## ELECTRICAL

### 110 VOLT

510634	Power cord, 120 volt, 36ft.
510723	Breaker Box, Square D
511336	Breaker box, Square D, 30amp
510662	Breaker, 20 amp, double, Square D 2020
510666	Breaker, 15/20 amp double
510663	Breaker, 30amp, Square D, 0130
510661	Breaker, 20 amp. Square D GFI
511020-01	Breaker, 20 amp
510724	Breaker, double pole, 50 amp
500563-01	Receptacle, 15 amp, T&B type
500903	Duplex receptacle, ivory
500169	Housing, weatherproof receptacle
510122	Cover plate, weatherproof receptacle
510676-01	Outlet, exterior, gray
500903	Receptacle, duplex
510514	Switch, priority, microwave to water heater (CSA)
510606	Receptacle box, priority switch
500385	Switch cover, ivory
511426	Converter, electronic, 55 amp
511023	Tester, circuit analyzer(loose item)

# 2000 LIMITED TRAILER

## ELECTRICAL 12 VOLT

511132	Battery, deep cycle, lead acid
500886	7-Way cable w/plug
511411	Junction box, 7-way cable
0300027	Break away switch, Bargman
511426	Converter, electronic, 55 amp
510626	Switch, master disconnect
510627	Face plate, disconnect switch
510655	Breaker panel, 12 volt
510781	Detector, smoke
511309	Detector, LPG
511152-103	Monitor panel
510807	Outlet, 12 volt
511121	Mounting plate, 12 volt receptacle
500842	Light, fluorescent, 16 Watt, 12 x 5.5"
680085	Bulb, fluorescent, #F15T8-CW
500960-01	Light, fluorescent, recessed, 14.75"
680084	Bulb, fluorescent, #F8T5-CW
511249	Light incandescent, double
50085-02	Bulb, incandescent, #1141
511515	Light, decorative, over dinette
511495-100	Bulb, wedge base, #921
511474-02	Dimmer switch, 12 volt

# 2000 LIMITED TRAILER

## ELECTRICAL 12 VOLT

511298	Wall lamp, 12 volt-over rear bed
510689	Bulb, incadescent, #1076
511298-02	Shade, wall lamp, round
511298-01	Shade, wall lamp, rectangular
108876	Light, fluorescent, dual bulb (square, over vent)
500841	Dual fluorescent bulb w/ballast
201538	Lens, ceiling, square, front ceiling light
511297	Light, reading, halogen w/switch
511137-100	Bulb, halogen wedge base, reading light
500956	Light, wardrobe, w/switch
681924	Bulb, wardrobe light #581
511410	Light, shower, incadescent
50085-02	Bulb, incadescent, #1141
510868-03	Switch panel, 4-gang, white
381541-05	Switch, bath ceiling vent
511447	Cover, double switch, brown
511327	Switch body w/rocker, 1 gang, white
511328	Switch cover, 1 gang
511077-01	Cover, switch, 2 gang
511100	Switch body w/switches
500435	Switch, DPDT, Hi-Lo
500432	Switch, SPST, flood light
500431	Switch, SPST, step light
510614-01	Jack, TV w/12 volt outlet
104619	Mounting plate, exterior telephone/TV jack
511375	Jack, modular telephone

# 2000 LIMITED TRAILER

## ELECTRICAL

### EXTERIOR LIGHT AND REFLECTORS

500564	Step light, #8142 w/hail shade
510732	Utility light, by door and on front
109090	Hitch light assembly, trailer
511163	Light, compartment
200926	Housing, plastic, jack light
510658	Switch w/weather proof boot
114346-01	Bezel, tail light casting, RS
114346-02	Bezel, tail light casting, CS
201929-01	Close out, tail light, RS
201929-02	Close out, tail light, CS
511003-02	Light, red stop, tail and turn
511003-03	Light, red w/clear center (back-up)
510111	Clearance light, red, Signal Stat
510112	Clearance light, amber, Signal Stat
511294	Light, license plate
500095	Reflector, red, rectangular
500096	Reflector, amber, rectangular

# 2000 LIMITED TRAILER

## ENTERTAINMENT

511383-01	Radio, AM/FM/Cassette w/CD control, Sony XR-6120
511048	Speaker set, Coustic-HS-402
690419	TV-Sony, 20", stereo
510788-01	Antenna, TV, Winegard
510788-03	Amplifier, antenna, Winegard
510788-04	Hardware, interior, Winegard
510788-107	Gear, elevating, plastic, Winegard
510788-118	Handle, directional, Winegard
510788-125	Handle, directional kit, Winegard
510616	Connector, "F", coax
510623	Connector, male-to-male, coax
510610	Antenna, radio, side mount

# 2000 LIMITED TRAILER

## SECTION III-LIMITED

### F through H

#### FASTENERS (common fasteners available locally are not listed)

Rivets .....	III-1
--------------	-------

#### FLOOR COVERING

Carpet .....	III-3
Mats .....	III-3

#### FURNITURE

Interior doors.....	III-4
Mirrors.....	III-5
Miscellaneous doors .....	III-6
Drawer .....	III-7
Rear bedroom .....	III-9
Bath .....	III-11
Galley .....	III-15
Lounge .....	III-19

#### HARDWARE

Exterior locks/hinges.....	III-22
Window hardware.....	III-26
Interior drawer slides/hinges latches .....	III-28
Bath accessories.....	III- 32
Awing hardware .....	III-35





# 2000 LIMITED TRAILER

## \*FASTENERS



325043  
Rivet, buck type  
dia. 1/8"  
length 1/4"  
(hard)



325000-01  
Rivet, buck type  
dia. 1/8"  
length 1/4"  
anodized clear



325000-03  
Rivet, buck type  
dia. 1/8"  
length 1/4"  
anodized white



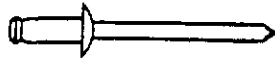
325001-01  
Rivet, buck type  
dia. 1/8"  
length 5/16"  
anodized clear



325002-01  
Rivet, buck type  
dia. 1/8"  
length 3/8"  
anodized clear



325004-01  
Rivet, buck type  
dia. 1/8"  
length 1/2"  
anodized clear



330127-03  
dia. 1/8"  
grip range .063"-.125"  
aluminum body  
aluminum mandrel

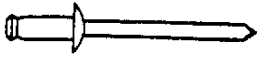


300101  
1/8" I.D.  
washer, aluminum

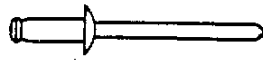
\*Common bolts and screws readily available at local hardware outlets have not been listed.

# 2000 LIMITED TRAILER

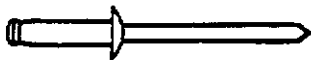
## \*FASTENERS



330126-02  
rivet, pop' dia. 1/8"  
grip range .126-.187  
stainless steel body  
stainless steel mandrel



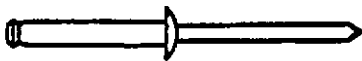
330126-03  
rivet, pop, dia. 1/8 "  
grip range .126-.250  
stainless steel body  
stainless steel mandrel



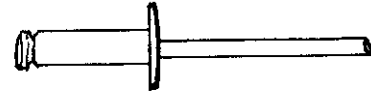
330127-050  
rivet, pop, dia., 1/8"  
grip range .251"-.312"  
aluminum body  
aluminum mandrel



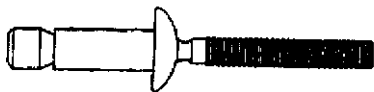
330128-05  
rivet, pop, dia 1/8"  
grip range .251"-.312"  
aluminum body, white  
aluminum mandrel



330127-080  
rivet, pop, dia 1/8"  
grip range .325"-.565"  
aluminum body  
aluminum mandrel



330038  
rivet, pop dia 1/8",  
grip range .126"-.250"  
aluminum body (#20 bit)  
aluminum mandrel  
used-screen door hinge



325103  
dia. 1/4"  
grip range .080"-.325"  
SS body steel mandrel

\*Common bolts and screws not listed.

# 2000 LIMITED TRAILER

## FLOOR COVERING

702793-02	Carpet, Regal/Nautical Blue
701538	Carpet, Velour-compartment liner
702979	Flooring, vinyl, roll out tray
700173	Pad, carpet, 3/8" thick (slide out model only)
700173-01	Pad, carpet, 1/2" thick
114724	Trim, carpet, edging, Z-bar, aluminum
801115	Flooring, white oak, quartered
800639-02	Adhesive, oak plank
360216	Caulk, brown acrylic latex
703037	Flooring laminate, 15.5" x 15.5" , Capisto Sand
801291	Trim, laminate floor, Capisto Sand
365252	Adhesive, laminate floor
702549	Matt, entrance, w/Airstream logo

# 2000 LIMITED TRAILER

## FURNITURE

### CABINET DOORS, RAISED PANEL

	width x height, (inches)
800597-564	Raised panel door 7.75 x 17.50
800597-014	Raised panel door 10.50 x 22.00
800597-124	Raised panel door 10.50 x 26.25
800597-414	Raised panel door 10.50 x 32.00
800597-094	Raised panel door 11.00 x 29.75
800597-274	Raised panel door 11.50 x 25.00
800597-504	Raised panel door 12.00 x 29.50
800597-074	Raised panel door 12.25 x 21.00
800597-104	Raised panel door 12.25 x 34.00
800597-154	Raised panel door 13.00 x 25.75
800597-024	Raised panel door 14.00 x 20.00
800597-054	Raised panel door 14.75 x 29.75
800597-494	Raised panel door 15.50 x 13.00
800597-514	Raised panel door 15.75 x 23.00
800597-084	Raised panel door 16.00 x 29.50

# 2000 LIMITED TRAILER

## FURNITURE

### CABINET DOOR FRAMES FOR MIRRORS

		width x height (inches)
800557-234	Door frame	10.50 x 32.50
800557-304	Door frame	11.75 x 42.00
800557-174	Door frame	12.25 x 34.00
800557-034	Door frame	14.50 x 25.00
800557-044	Door frame	15.00 x 14.50
800557-104	Door frame	22.00 x 60.00

## MIRRORS

		width x height (inches)
372206-01	Mirror, bronze w/grooves	7.62 x 29.62
372206-07	Mirror, bronze w/grooves	11.62 x 22.12
372206-08	Mirror, bronze w/grooves	12.12 x 11.62
371262-44	Mirror, safety glass	6.50 x 12.75
371262-60	Mirror, safety glass	8.88 x 39.12
371262-13	Mirror, safety glass	9.38 x 31.12
371262-08	Mirror, safety glass	11.38 x 28.12
371262-43	Mirror, safety glass	11.50 x 12.75
371262-04	Mirror, safety glass	19.12 x 28.12
371262-10	Mirror, safety glass	16.12 x 28.12
372210-11	Mirror, beveled edges	7.75 x 19.50
372210-19	Mirror, beveled edges	8.00 x 41.50
372210-18	Mirror, beveled edges	9.00 x 28.50
372210-10	Mirror, beveled edges	11.00 x 29.00
372203-17	Mirror, safety w/polished edges	14.0 x 33.13
372203-04	Mirror, safety	14.0 x 36.00
372213	Trim, mirror, bright chrome	
365239	<i>Foam pad, non-skid, 1/16 x 1/4 x 1"</i> <i>(used between mirror and door frame)</i>	

# 2000 LIMITED TRAILER

## FURNITURE

### MISCELLANEOUS DOORS

986265	Sliding bath door assembly, 34 LTD
963179-02	Slider door assembly, 29" x 72", 34 LTD
381100	Guide, sliding door
961413-10	Door, slider, fwd bath, 31 LTD
962066	Door, slider, aft, 30 LTD
961413-03	Door, slider, 30 LTD
702306-02	Shower door gold, 26" opening
702681-01	Door, foldette, 36" x 73", beige
800881-05	Door, louvered, oak, 19" x 12.5"
800881-09	Door, louvered oak, 9" x 20"
964952	Door, dinette drop down
961957-01	Door, oak (chair storage) 30, 31 & 34 LTD
800474	Door, tambour, appliance garage
801225-014	Door insert, refrigerator 15.50" x 20.38"
801225-034	Door insert, refrigerator 38.38" x 20.38"

# 2000 LIMITED TRAILER

## FURNITURE

### DRAWER FACE

		width x length (inches)
800559-34	Drawer face	3.00 x 26.00
800599-074	Drawer face	4.50 x 14.00
800599-434	Drawer face	4.50 x 16.00
800599-584	Drawer face	4.75 x 21.50
800599-024	Drawer face	7.00 x 11.75
800599-404	Drawer face	7.00 x 10.25
800599-514	Drawer face	7.00 x 19.00
800599-384	Drawer face	7.00 x 21.50
800599-214	Drawer face	7.00 x 23.00
800599-234	Drawer face	8.00 x 21.50
800599-594	Drawer face	9.75 x 12.00
800599-444	Drawer face	10.25 x 13.50
800599-574	Drawer face	17.25 x 13.00

# 2000 LIMITED TRAILER

## FURNITURE

### DRAWER BOX

height x width x length (inches)

964906-09	Drawer box	2.75 x 8.75 x 18.00
964906-10	Drawer box	2.75 x 12.25 x 14.00
964906-05	Drawer box	2.75 x 13.25 x 14.00
964906-02	Drawer box	2.75 x 19.50 x 18.00
964910-02	Drawer box	5.00 x 10.00 x 18.00
964910-14	Drawer box	5.00 x 13.75 x 13.00
964910-12	Drawer box	5.00 x 17.00 x 20.00
964910-13	Drawer box	5.00 x 19.50 x 14.00
964910-03	Drawer box	5.00 x 19.50 x 18.00
964910-01	Drawer box	5.00 x 20.88 x 18.00
964908-01	Drawer box	8.00 x 17.50 x 26.00
963338-01	Drawer box, angled, RS rear wardrobe	
963338-02	Drawer box, angled, CS rear wardrobe	
963749	Drawer box assembly, "W" rear bed	
963759	Drawer box assembly, "J" rear bed	
201016	Drawer , plastic 16" x 22"	



# 2000 LIMITED TRAILER

## FURNITURE REAR BEDROOM-TWIN

963506-03	Roof locker, rear center
963498	Face frame, rear center roof locker
963329-02	Twin bed assembly, RS, 34LTD
962227-03	Twin bed assembly, RS, 30&31ft.
962227-04	Twin bed assembly, CS, all
998101-01	Bed end, fabric covered, twin
963348-03	Nightstand assembly, RS
963351-01	Face frame, nightstand, RS
964452	Top, RS nightstand
963330-01	Night stand assembly, center rear
963345-01	Face frame, rear center nightstand
963346	Top , rear center nightstand
963671-01	Roof locker, rear, CS or RS
963670	Face frame, rear side roof locker
963827-01	End cap, roof locker, right hand
963827-02	End cap, roof locker, left hand
962355-03	Hanging wardrobe assembly, CS
986180-01	Face frame, hanging wardrobe
962355-04	Hanging wardrobe assembly, RS
986180-01	Face frame, hanging wardrobe
963297-01	Header, slider door, short

# 2000 LIMITED TRAILER

## FURNITURE REAR BEDROOM-DOUBLE

963340-03	Wardrobe assembly, RS rear, 34ft LTD
963340-05	Wardrobe assembly, RS rear, 30ft & 31ft.
962207-01	Face frame, RS rear wardrobe
963340-04	Wardrobe assembly, CS rear, 34ft LTD
963340-06	Wardrobe assembly, CS rear, 30ft & 31ft.
962208-01	Face frame, CS rear wardrobe
963337-03	Rear roof locker, center, 34ft LTD
963337-04	Rear roof locker, center, 30ft & 31ft.
96336-01	Face frame, rear roof locker
963747	Bed assembly, double
986681	Head board assembly, double bed
381241	TV shelf w/mirror
963296-01	Header, slider door long
963297-01	Header, slider door short

# 2000 LIMITED TRAILER

## FURNITURE

### BATHROOM, 34 LTD FRONT LOUNGE MODEL

(see hardware section for fixtures-  
if connected to water, see plumbing)

986265	Sliding bath door
963786-01	Jamb, bath door
963787-01	Jamb, bath door/shower trim
963788-01	Header, bath door
203046-03	Shower stall, angled, two piece
963179-02	Slider door, 29 x 72in., vinyl
963296-01	Header, slider door, long
963297-01	Header, slider door, short
381563-01	Track, formed, foldette door
381581	Strap only, foldette door
963298-04	Lavatory assembly
963306-01	Face frame, lavatory
964393-01	Top, lavatory, Corian
702791	Decorative border, wallpaper, self-adhesive
963302-03	Medicine cabinet assembly, lower
963266-01	Face frame, lower medicine cabinet
964026-02	Medicine cabinet assembly, upper
964025	Face frame, upper medicine cabinet
964053	Wardrobe assembly, CS
964019	Face frame, wardrobe, forward
964020	Face frame, wardrobe, aft
964947	Lift-up shelf assembly, wardrobe

# 2000 LIMITED TRAILER

## FURNITURE

BATHROOM, 31 LTD ND  
(see hardware section for fixtures  
if connected to water, see plumbing)

964307-02	Wardrobe assembly, CS
964305-01	Face frame, CS wardrobe, forward
964020	Face frame, CS wardrobe, aft
964946	Lift up shelf assembly, wardrobe
961413-10	Slider door, forward
963786-01	Jamb, bath door
963787-01	Jamb, bath door/shower
203046-03	Shower stall, angled, two piece
964297-02	Lavatory cabinet assembly
964296-01	Face frame, lavatory cabinet
964395-01	Top, lavatory cabinet
702791	Decorative border, wallpaper, self-adhesive
964302-02	Medicine cabinet assembly, lower
964300-01	Face frame, lower medicine cabinet
964301-03	Medicine cabinet assembly, upper
964299-01	Face frame, upper medicine cabinet

# 2000 LIMITED TRAILER

## FURNITURE

### BATHROOM, 30 LTD

(see hardware section for fixtures  
if connected to water, see plumbing)

962175-02	Wardrobe assembly, CS
962162-01	Face frame, CS wardrobe, aft
962163-01	Face frame, CS wardrobe, forward
964945	Lift up shelf assembly, wardrobe
203081	Shower stall, two-piece
962161-01	Face frame, shower
962066	Slider door , aft
963656	Header, slider door, aft
961413-03	Slider door assembly
963657	Header, slider door, forward
961921-03	Lavatory cabinet assembly
961890-01	Face frame, lavatory cabinet
964392-01	Top, lavatory cabinet
702791	Decorative border, wallpaper, self-adhesive
961899-02	Medicine cabinet, lower
961897-01	Face frame, lower medicine cabinet
963753-01	Medicine cabinet, upper
962170-01	Face frame, upper medicine cabinet

# 2000 LIMITED TRAILER

## FURNITURE

### GALLEY, 34 LTD-FRONT LOUNGE MODEL

964953-01	Seat assembly, dinette LH
964499-01	Cushion support, LH
964950	Back, upholstered, LH
964334-01	Flex spring seat
964954-01	Seat assembly, dinette RH
964498-01	Cushion support, RH
964529-02	Back, upholstered, RH
964334-01	Flex spring seat
963674-004	Top, dinette table, NO MAR
962177-03	Table leg, hardwood
963763	Roof locker, dinette
963764-01	Face frame, dinette roof locker
963305-01	Refrigerator cabinet assembly
963724-02	Face frame, refrigerator cabinet
963757	Roof locker, galley
963354-01	Face frame, galley roof locker
964606-01	Galley cabinet, forward
964605	Face frame, galley cabinet forward
964586-02	Top, galley cabinet, Corian
964383-01	Range covers, Corian (pr.)
964411-01	Sink cover, RH, Corian
964410-01	Sink cover, LH, Corian
200980-01	Tray, silverware, almond

# 2000 LIMITED TRAILER

## FURNITURE

### GALLEY, 34 LTD-FRONT LOUNGE MODEL

964610	Galley cabinet, aft section
964328-01	Face frame, galley cabinet, aft
961247-02	Galley cabinet, pantry section
961072-01	Face frame, pantry
963358-01	Appliance garage
800734-01	End, RH, appliance garage
800734-02	End, LH, appliance garage
800474-12	Door, tambour, appliance garage
963357-02	Microwave cabinet
963355-01	Face frame, Microwave cabinet
963688-01	Microwave cabinet, 34ft w/SO
964628	Face frame, microwave cabinet, 34ft w/SO
962537	Top, microwave cabinet
963991	Spice rack
963990	Magazine rack
381491	Trashcan, roll out

# 2000 LIMITED TRAILER

## FURNITURE GALLEY, 31 LTD ND

964965-02	Galley cabinet, forward section
964344-01	Face frame, forward galley cabinet
964961-02	Top, galley cabinet
964600-01	Galley cabinet, oven section
964599	Face frame, oven section, galley
964973-01	Sink covers
964383-01	Range covers, Corian
963761-01	Roof locker, galley
962167-01	Galley roof locker
962198-01	End cap, galley, LH
962225-02	Spice cabinet assembly
962224-01	Face frame, spice cabinet
964310-01	Refrigerator cabinet assembly
963724-01	Face frame, refrigerator cabinet
963688-03	Microwave cabinet, assembly
964628	Face frame, microwave cabinet
961072-01	Face frame, pantry
962537	Top, microwave cabinet
963991	Spice rack
964335	Galley lift-up shelf
963990	Magazine rack
381133	Rack sack, 6.5 liter, white
800631-004	Hand rail, 23"
200980-01	Tray, silverware, almond



# 2000 LIMITED TRAILER

## FURNITURE GALLEY, 30 LTD

964966-02	Galley cabinet assembly, forward
964629	Face frame, galley cabinet forward
964961-02	Top, galley, Corian
964973-01	Sink cover
964600-01	Galley cabinet assembly, oven section
964599	Face frame, galley oven section
964383-01	Range covers, Corian
963761-01	Galley roof locker assembly
962167-01	Face frame, galley roof locker
962198-01	End cap, galley roof locker, LH
963763-01	Dinette roof locker
9963764-01	Face frame, dinette roof locker
962225-02	Spice cabinet assembly
962224-01	Face frame, spice cabinet
963680-01	Refrigerator cabinet assembly
963724-01	Face frame, refrigerator cabinet
964953-02	Dinette seat assembly, LH
964499-01	Cushion support, dinette, LH
964529-01	Back, dinette, upholstered, LH
964334-01	Flex spring seat

(continued)

# 2000 LIMITED TRAILER

## FURNITURE GALLEY, 30 LTD

964954-02	Dinette seat assembly, RH
964498-01	Cushion support, dinette, RH
964529-04	Dinette back, upholstered, RH
964334-01	Flex spring seat
963674-004	Top, dinette table, NO MAR
962177-03	Table leg, hardwood
963991	Spice rack
964335	Galley lift-up shelf

# 2000 LIMITED TRAILER

## FURNITURE LOUNGE, 34 LTD

\*702891-399 Sofa, jackknife, 74 in., Roman Sands

963400-01	Armrest support assembly, RS
963400-03	Armrest support assembly, CS
961959-02	Writing table/chair storage cabinet
961955-01	Face frame, chair storage
962875-004	Top, lift-up/writing table, oak
963353-02	Credenza assembly
963289-01	Face frame, forward credenza
963313	Face frame, aft credenza
963324	Top, credenza
986226-01	Leg, forward credenza
960420-06	Credenza table assembly
962878-014	Table leaf, lower
962879-014	Table leaf, upper
962177-03	Leg, hardwood
963598-01	Table, hi-lo, free standing
702889-418	Chair, swivel
963506-04	Front roof locker
963498	Face frame, front roof locker
381616-01	Chair, folding, Zip Dee, w/logo

\*Changing the -(dash) number to:

318	= Blue Bayou
258	= South Beach
248	= Vintage Leaf
379	= Mosaic Blue
389	= Tropical Isle

# 2000 LIMITED TRAILER

## FURNITURE LOUNGE, 31 LTD ND

\*702888-399 Sofa, jackknife, 74in., Roman Sands

963400-01 Armrest support assembly, RS

963400-03 Armrest support assembly, CS

961959-04 Writing table/chair storage cabinet

961956-01 Face frame, chair storage

962875-004 Top, lift-up/writing table, oak

964408-03 Credenza assembly

963729-01 Face frame, credenza

964409-01 Face frame, forward credenza

964510-004 Top, credenza

986226-01 Leg, forward credenza

960420-06 Credenza table assembly

962878-014 Table leaf, lower

962879-014 Table leaf, upper

962177-03 Leg, hardwood

963506-04 Front roof locker

963498 Face frame, front roof locker

381616-01 Chair, folding, Zip Dee, w/logo

381507 Clock, quartz, w/gold trim

\*Changing the-(dash) number to:            318 = Blue Bayou  
   258 = South Beach  
   248 = Vintage Leaf  
   379 = Mosaic Blue  
   389 = Tropical Isle

# 2000 LIMITED TRAILER

## FURNITURE LOUNGE, 30 LTD

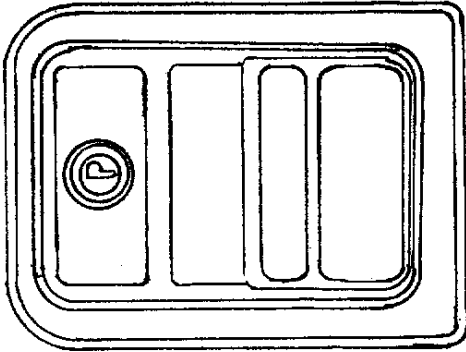
702888-399	Sofa, jackknife, 74in., Roman Sands
963400-01	Armrest support assembly, RS
963400-03	Armrest support assembly, CS
961959-04	Writing table/chair storage cabinet
961955-01	Face frame, chair storage
962875-004	Top, lift-up/writing table, cabinet
962880-004	Writing table assembly
962015-02	Lift-up table cabinet
986226-01	Leg, forward credenza
960420-06	Credenza table assembly
962878-014	Table leaf, lower
962879-014	Table leaf, upper
962177-03	Leg, hardwood
963219-03	End table assembly
962291-01	Face frame, end table cabinet
962876-004	Top, end table
962202-04	TV cabinet assembly
922200-01	Face frame, TV cabinet
963506-04	Front roof locker
963498	Face frame, front roof locker
381616-01	Chair, folding, Zip Dee, w/logo

\*Changing the-(dash) number to:

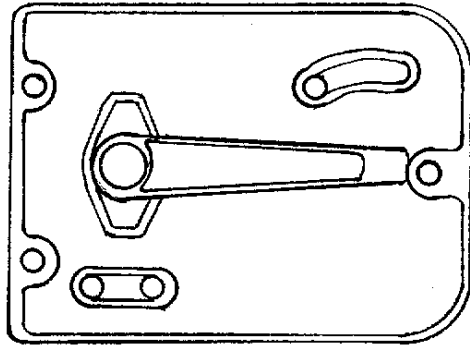
318	= Blue Bayou
258	= South Beach
248	= Vintage Leaf
379	= Mosaic Blue
389	= Tropical Isle

# 2000 LIMITED TRAILER

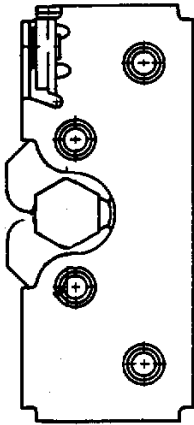
## HARDWARE MAIN DOOR LOCK



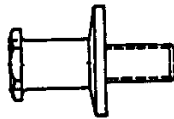
381547-01  
Main door lock, outside  
Housing



381547-02  
Main door lock, inside  
plate



381547-03  
Double rotary  
latch, main door lock



381547-04  
Striker bolt w/washer  
main door lock

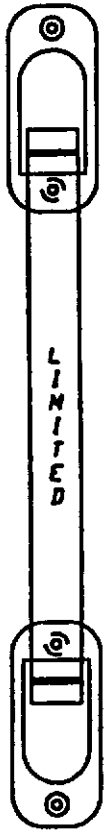


381550  
Plate, striker bolt  
mounting

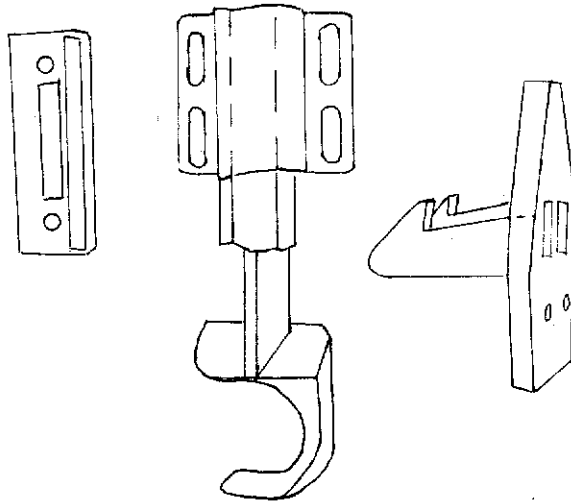
Not shown: 381547-05 Screw package, main door lock

# 2000 LIMITED TRAILER

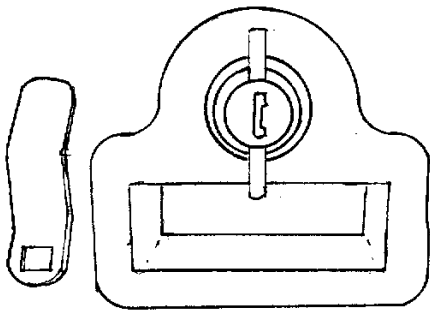
## HARDWARE EXTERIOR LATCHES/LOCKS



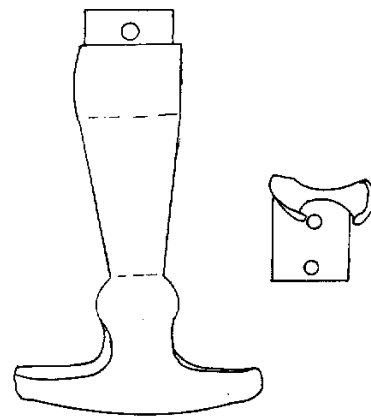
511344-01  
Grab handle, embossed,  
"LIMITED", Bullet



381454  
Latch, screen door,



380770-101 Twist lock, chrome  
380770-102 Twist lock, black

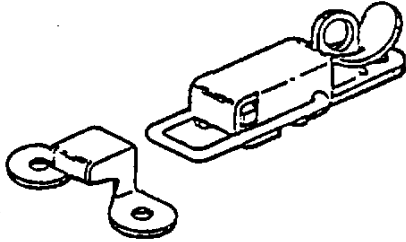


381021 Rubber T handle

# 2000 LIMITED TRAILER

## HARDWARE

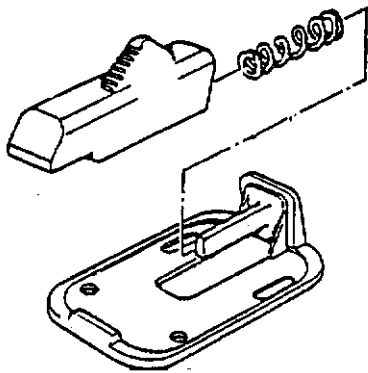
### EXTERIOR LATCHES/LOCKS



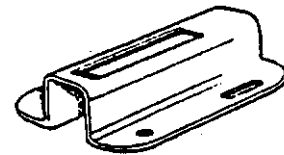
340023 Corbin catch  
W/strike, battery box



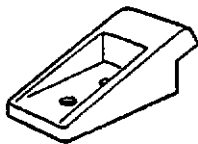
380067 Lock cam,  
bumper lid



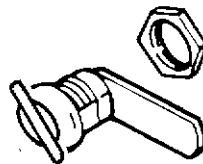
380291 Main door holdback,  
(Use w/housing #380290)



380290 Latch housing,  
main door holdback



201056 Catch, main door  
Holdback



381430 Twist lock,  
straight cam



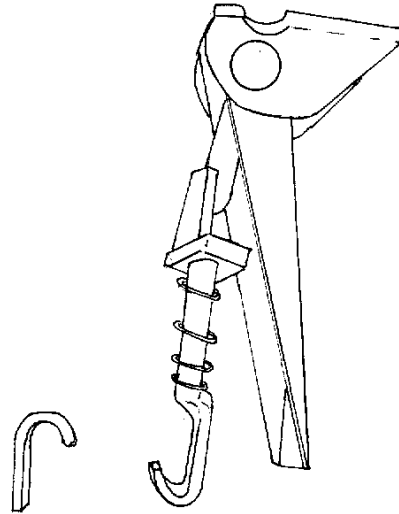
# 2000 LIMITED TRAILER

## HARDWARE

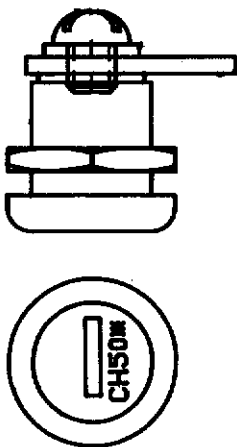
### EXTERIOR LATCHES/LOCKS



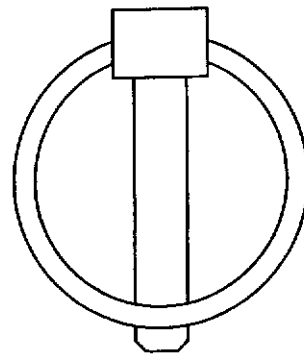
380004  
Handle, screen door



380903 Latch w/strike  
chrome, gas bottle cover



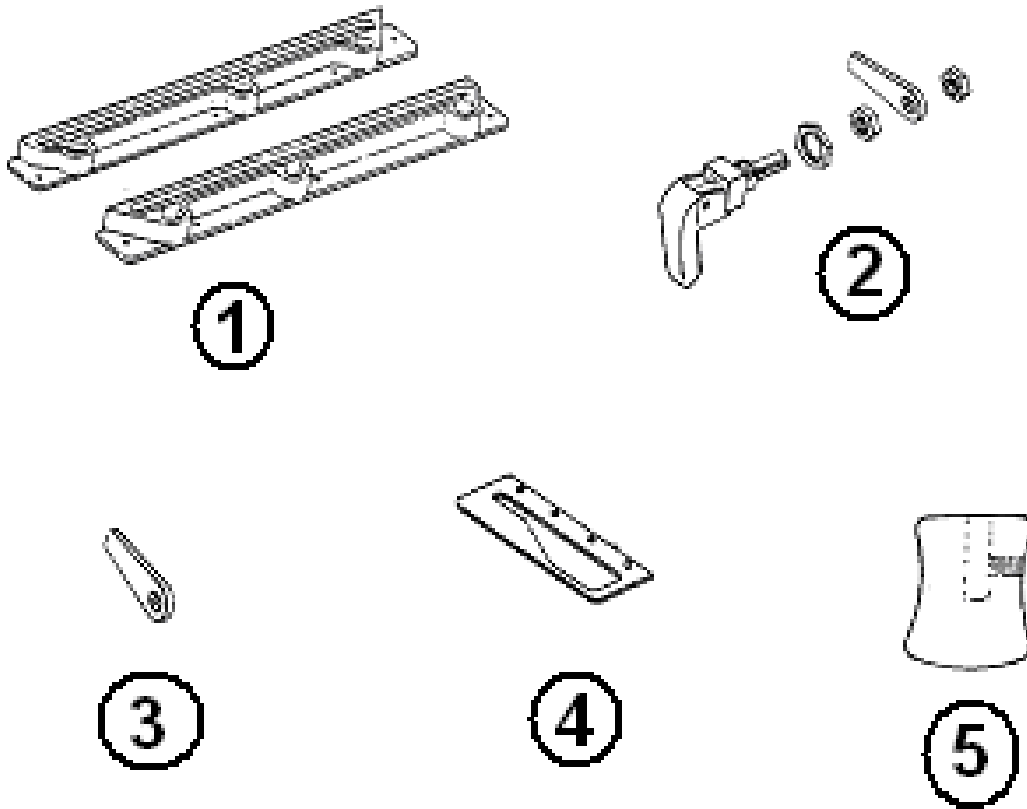
381397 Key cylinder  
W/cam



310028 Lynchpin  
roll out storage tray

# 2000 LIMITED TRAILER

## HARDWARE WINDOW HARDWARE

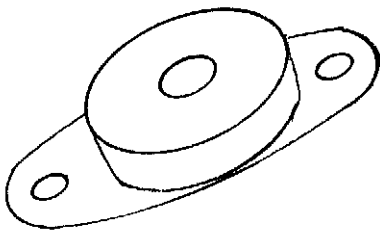


- |              |                                  |
|--------------|----------------------------------|
| 1. 0802-0001 | Window guide, RH                 |
| 1. 0802-0002 | Window guide, LH                 |
| 2. 010020    | Lower window latch, chrome       |
| 2. 195467-05 | Lower window latch, w/red handle |
| 3. 685123    | Pawl, window latch, straight     |
| 4. 685124    | Striker plate, window latch      |
| 5. 380230-03 | Knob window arm, silver          |
| 5. 380230-04 | Knob, window arm, red            |

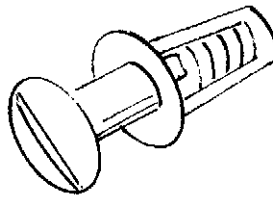
# 2000 LIMITED TRAILER

## HARDWARE ROCK GUARD

- 685363 Slip joint hinge
- 683960 Support arm, rock guard
- 683959 Bracket, arm support
- 114749 Hinge "Y" assembly
- 114750 Hinge "J" rock guard
- 381021 Draw latch, black rubber



685359  
Rubber receptacle  
1/4" latch, Southco



685342  
Stud, 1/4" turn latch  
Southco



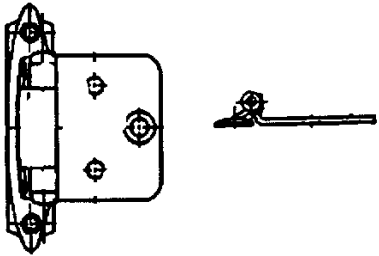
685362  
Retaining ring  
1/4" turn stud

Used on stone guard and wrap protector

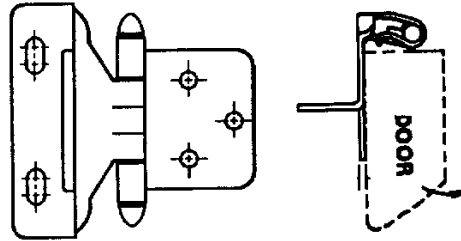
# 2000 LIMITED TRAILER

## HARDWARE

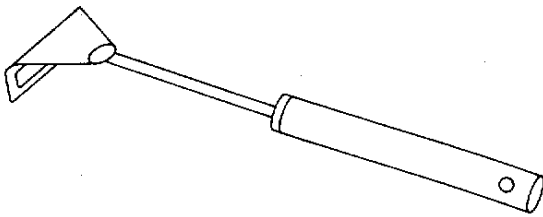
### INTERIOR LATCHES/HINGES



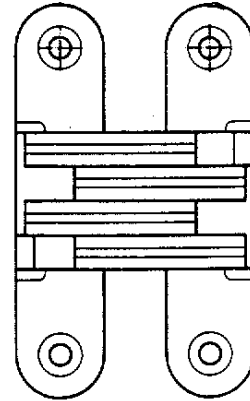
381601 Hinge,  
antique brass



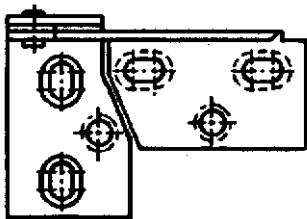
381602 Hinge,  
semi-concealed, antique brass  
(used on front & rear roof lockers)



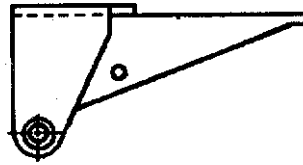
381147 Door support  
spring loaded



380040 Soss hinge  
credenza table



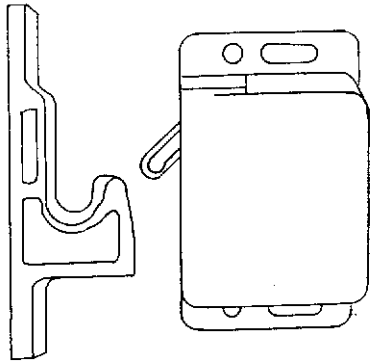
385935 Hinge, pivot, brass  
for bath mirror



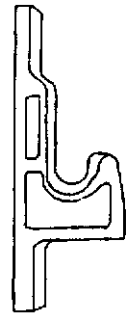
# 2000 LIMITED TRAILER

## HARDWARE

### INTERIOR LATCHES/HINGES



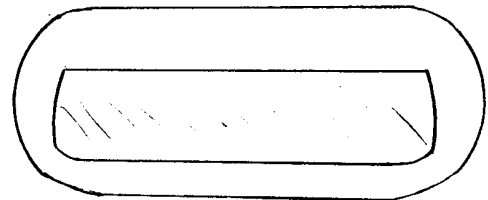
381228 Grabber door latch  
w/catch, 10 lb. Rating  
381228-01 Grabber door latch  
w/catch, 3lb. rating



381228-100  
Catch only,  
grabber door latch



381681 Door handle,  
brass/acrylic



381576 Pull handle,  
brass

# 2000 LIMITED TRAILER

## HARDWARE

### INTERIOR LATCHES/HINGES



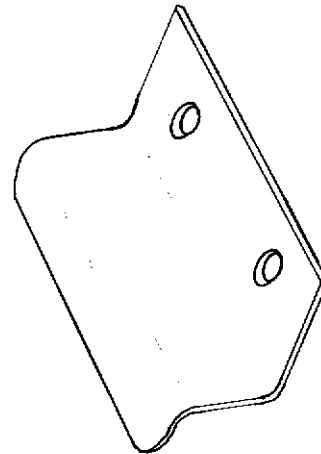
201427 Finger pull,  
light brown



381603 Pull, three finger  
Antique brass



381444 Hatch pull



385940-02 Mirror pull, chrome

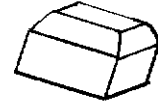
# 2000 LIMITED TRAILER

## HARDWARE

### INTERIOR LATCHES/HINGES



360012 Bumper, rubber  
white, stick-on, cylindrical  
360012-01 Bumper, rubber  
brown, stick-on, cylindrical



360016 Bumper rubber  
gray, square 3/8x3/8



195329-220 Bumper, rubber  
stick on, oval



381612 Clip, mirror, brown,  
retainer, clear

# 2000 LIMITED TRAILER

## HARDWARE

### DRAWER SLIDES

381526-01	Drawer slide-950-RV, 14"
381526-03	Drawer slide-950-RV, 18"
381526-04	Drawer slide-950-RV, 20"
381526-06	Rear bracket, drawer, adjustable
381414-144	Slide, drawer-Delta, 14.5"
381400	Slide, drawer, 14", 2900-14
381400-01	Slide drawer, 12", 2900-12
381415	Slide, drawer, Delta 105
381192	Slide, drawer, 18"
381090	Slide, drawer, 22", dinette

### BATHROOM ACCESSORIES

381275	Toilet paper holder w/ hood, brass
381254	Tooth brush/tumbler holder, brass
381626-01	Towel bar, 18", brass
381255	Soap dish, brass

### CREDENZA TABLE HARDWARE

381306	Lift up table slides, one right & one left
201155	Table sliding guide, plastic
380037	Latch, nail & spring, table
380038	Eyelet, lock, brass

### WRITING TABLE HARDWARE

381284-02	Bracket, table hinge
101253	Extrusion, hinge, movable
380492	Bracket, table, writing
340018	Plate, catch



# 2000 LIMITED TRAILER

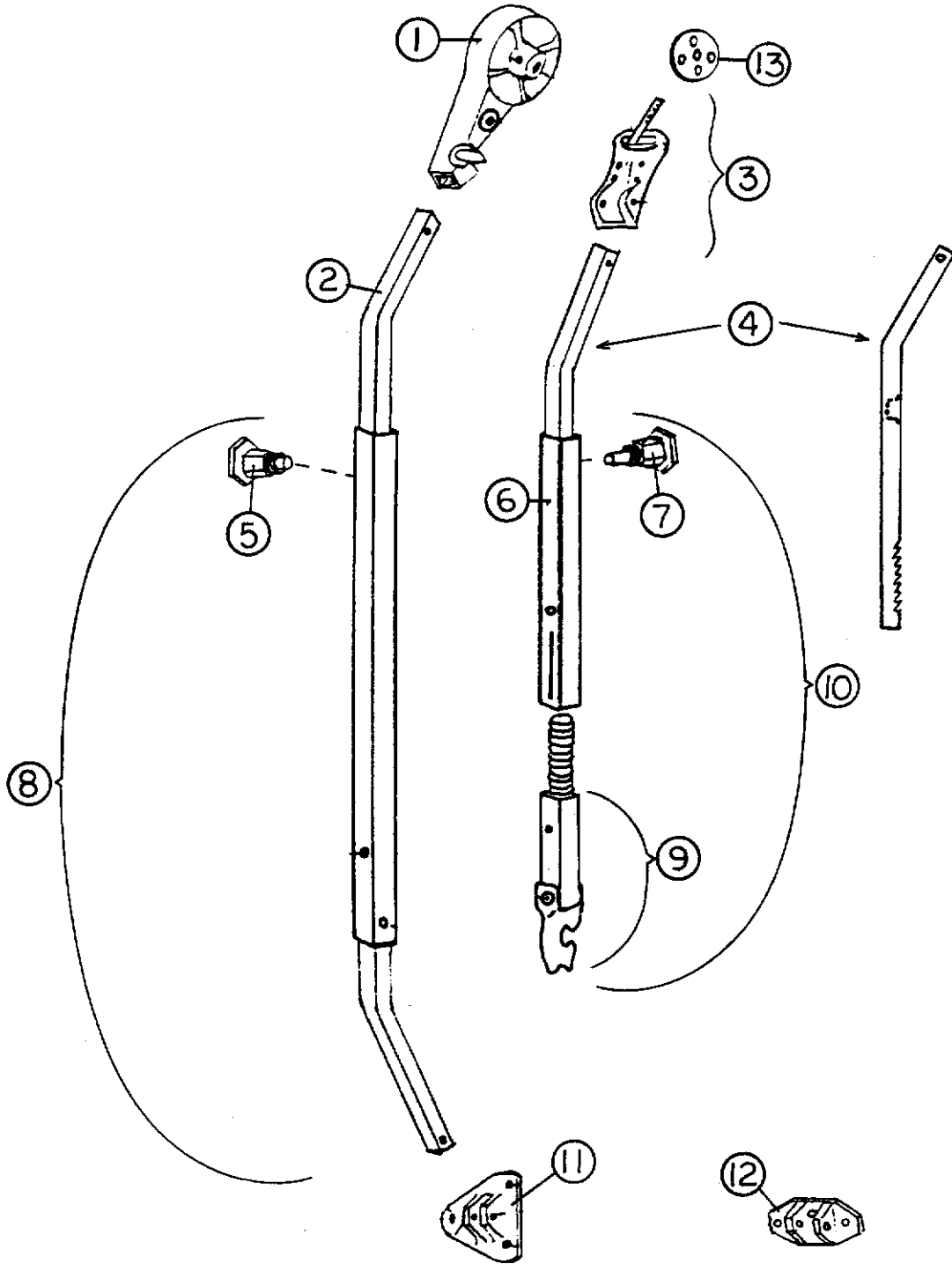
## HARDWARE

### MISCELLANEOUS

701342-01	Vinyl strap, sliding door hold back (female snap on both ends)
381443-01	Sliding door set (includes, carriers, top plate and track)
200009	Guide, sliding door
*381385	Dual lock #400-1" strips
*381386	Dual lock #170-1" strips
380045	Clothes rod
200975-04	Conduit, flexible, black (covers clothes rod)
380046	Bracket, clothes rod
381298	"J" bracket, center clothes rod support
381067-09	Gas prop, bed 90 lbs.
381262	Bracket w/ball stud, gas prop
381084	Ball stud
381133	Rack pack, 6.5 liter, white
381164	Shelf bracket, folding, galley lift-up shelf

\*These two parts work similar to Velcro but have interlocking knobs rather than hooks and loops.

# 2000 LIMITED TRAILER



# 2000 LIMITED TRAILER

## AWNING HARDWARE

- |                |                               |
|----------------|-------------------------------|
| 1) 74043W-04   | Head assembly, front          |
| 1A) 74043W-05  | Head assembly, Rear           |
| 2) 74047W-09   | Main arm bar, front           |
| 2A) 74047W-10  | Main arm bar, rear            |
| 3) 74056W      | Clamp assembly, front, curved |
| 3a) 74056W-01  | Clamp assembly, rear, curved  |
| 4) 74061WS-07  | Rafter arm bar, satin         |
| 5) 74054W      | Snap stud assembly            |
| 6) 74063W-04   | Rafter arm tube, satin        |
| 7) 74072W      | Ratchet stud                  |
| 8) 74048WS-12  | Main arm tube assembly, front |
| 8a) 74048WS-13 | Main arm tube assembly, rear  |
| 9) 74068W-03   | Claw bar assembly             |
| 10) 74048WS-14 | Rafter arm assembly           |
| 11) 74055W     | Base hinge, rib mount         |
| 12) 74055W-01  | Base hinge, floor mount       |
| 13) 74060W     | Clamp wheel                   |



# 2000 LIMITED TRAILER

## SECTION IV LIMITED

L through Z

LABELS and TAGS..... IV-1

OPTIONS ..... IV-2

### PLUMBING

LPG ..... IV-3

Fresh water ..... IV-5

Drain water ..... IV-11

Toilet..... IV-17

SAFETY EQUIPMENT..... IV-18

SEALER/GASKETS/PAINT ..... IV-19

UPHOLSTERY/FOAM/MATTRESS ..... IV-20

VENTS/FANS..... IV-21

WOOD/LAMINATES/TRIM ..... IV-22



# 2000 LIMITED TRAILER

## LABELS AND TAGS

385193	Label, "12V distribution panel inside"
385048	Label, approval with shield
385269	Label, "DON'T USE AREA FOR STORAGE"
385068	Tag, cooking appliance warning
385067	Label, EXIT
385547	Label, LP gas warning/fill
385517	Label, kill switch warning
385521	Label, emergency egress window
385463	Warning label/cooking appliance
385464	Label, LP gas warning label(odor)
385465	Exit label, English
385560	Label, air conditioner rating
385512	Label, Calif. hazardous substance
385609	Label, smoke detector
385359	Label, microwave or air conditioner
385837	Label, refrigeration ignition
385103	Plate, RVIA
385418-01	Label, Federal registration
385062	Decal, 110-125 voltage AC
385565	Label, holding tank flushing
386012	Label, warning-water heater

# 2000 LIMITED TRAILER

## OPTIONS

3210059	Spare tire and wheel, steel, BSW, 6ply, 15"
381318-05	Skylight 19.5 x 19.5 , galley/lounge
114485	Mounting frame, skylight
201962	Trim ring, skylight
702804-03	Shade, pleated, skylight, 19.25 x 20.00"
381318-06	Skylight 14.5 x 22.5" bath
114486	Mounting frame, skylight, bath
201963	Trim ring 14 x 22 , skylight, white
702804-04	Shade, pleated, skylight, 14.5 x 22.75"
690396-01	Range w/oven, Maytag
114876	Trim ring, range recess
690407-01	Microwave, Dometic, black
690407-02	Trim kit, Dometic microwave
690345-01	Microwave/convection, Sharp
690345-03	Trim ring, convection microwave
511190	CD changer, 10 unit Sony, CDX-606
511383-02	Remote control, Sony, RM-X41
601747	Faucet, Moen galley w/filter
703049	Bar stool, 24" Ashley Arrow
963598-02	Table, Hi-Lo, free standing, Oak



# 2000 LIMITED TRAILER

## PLUMBING

### LPG SYSTEM

#### LP BOTTLE RACK, LAY-DOWN

0360456	Bottle ring, lay-down bottle
452834	Strap, latch end
452834	Strap w/pin
381149	Draw latch, adjustable, lay-down LP bottles
381154	Roller, rubber, LP bottle
451823-01	Slide, LP bottle, RS
452823-02	Slide, LP bottle, CS
203185	Wear strip, rubber

#### LP BOTTLE RACK, STAND-UP

0360307	GAS BOTTLE RING, 1977 TO PRESENT
601731	LP REGULATOR W/MTG. BRACKET
601731-103	BRACKET ONLY FOR LP REGULATOR
410410	Hold down rod, threaded, for 40lbs bottle
100949	Bracket, bottle hold, cast aluminum
410238	"T" handle, threaded, cast aluminum

#### LP BOTTLES AND FITTINGS

601712	Bottle, LP, aluminum, vertical w/gauge
601730	Bottle, LP, aluminum, horizontal
601377-01	Regulator, Fisher
601335	LP hose, tank to regulator, 35"
601732	LP hose, tank to regulator, 36"
601279	LP hose, 18"
410705	Bracket, mounting LP regulator

# 2000 LIMITED TRAILER

## PLUMBING

### FITTINGS

		(inches)
600468	Union flare,	5/8 x 5/8
600238	Union flare,	3/8 x 3/8
600004	Copper tubing,	5/8
600008	Copper tubing,	3/8
600436	Flare nut, forged,	5/8
600435	Flare nut , forged,	3/8
600000	Tee, brass,	5/8 x 5/8 x 3/8
600003	Tee, brass,	5/8 x 3/8 x 3/8

### BOTTLE COVERS

104265	Gas bottle cover w/o decal, 40lbs, vertical
380903	Latch and strike
200845	Lid, plastic, bottle cover
380773	Hinge, access door
201981	Bottle cover, horizontal w/out decal
381320	Door catch, chrome
452279	Hold down bracket, black
381277	Knob, hold down, w/1/4-20 stud
381413	Hinge, slip joint, LP cover
381170	Vent, round, colonial white
452946	Bracket, LP cover hold up

# 2000 LIMITED TRAILER

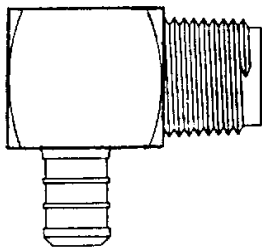
## PLUMBING FRESH WATER

- 601194 Water fill w/lock, gray
- 601621-01 Tank, fresh water
- 601243 Drain cock, fresh water tank
- 600155 Plug, water tank, 1.5"
- 600836 Elbow, 1/2 barb x 3/8 MPT
- 601237 Plastic elbow, 90 degree, 1.25MPT x 1.25barb
- 601239 Tubing, 1.375 I.D., flexible, water fill hose
- 601061-03 Water pump, Shurflo
- 601668 Filter, pre water pump
- 601464 Tank, accumulator, Shurflo
- 381435 Hatch, water hose exit

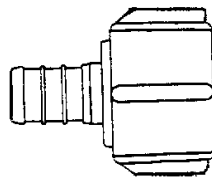
## CITY WATER

- 601467 Sillcock, 1/2"FP w/wheel handle
- 601469 Vacuum breaker, 3/4 garden hose
- 601197-01 Water hook-up, chrome
- 601392 Water fill, chrome
- 600139 Check valve, brass
- 601565 Hose, water, 12" w/fittings

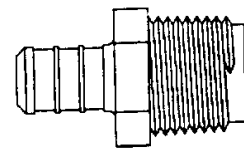
## FITTINGS



601698-04  
Elbow, 1/2" barb  
x 1/2" MPT



601698-03  
Coupler, 1/2" barb  
x 1/2" FPT

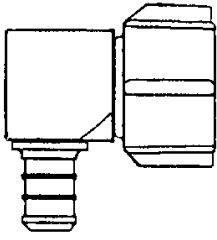


601698-02  
Coupler, 1/2" barb  
x 1/2" MPT

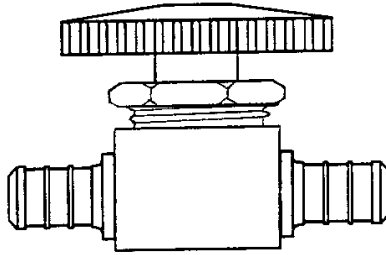
(continued)

# 2000 LIMITED TRAILER

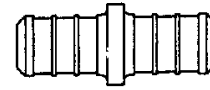
## FRESH WATER-FITTINGS



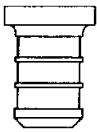
601698-05  
Elbow 1/2" barb x  
1/2" FPT



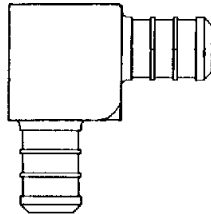
601698-07  
Shut-off, 1/2" barb  
1/2" barb



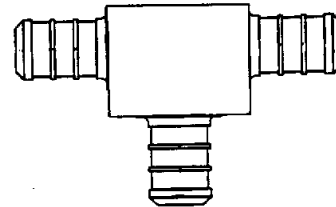
601698-08  
x Coupler  
1/2" x 1/2" barb



601698-09  
Plug, 1/2" barb



601698-10  
Elbow 1/2" barb x  
1/2" barb



601698-11  
Tee, 1/2" x 1/2" x  
1/2" barb



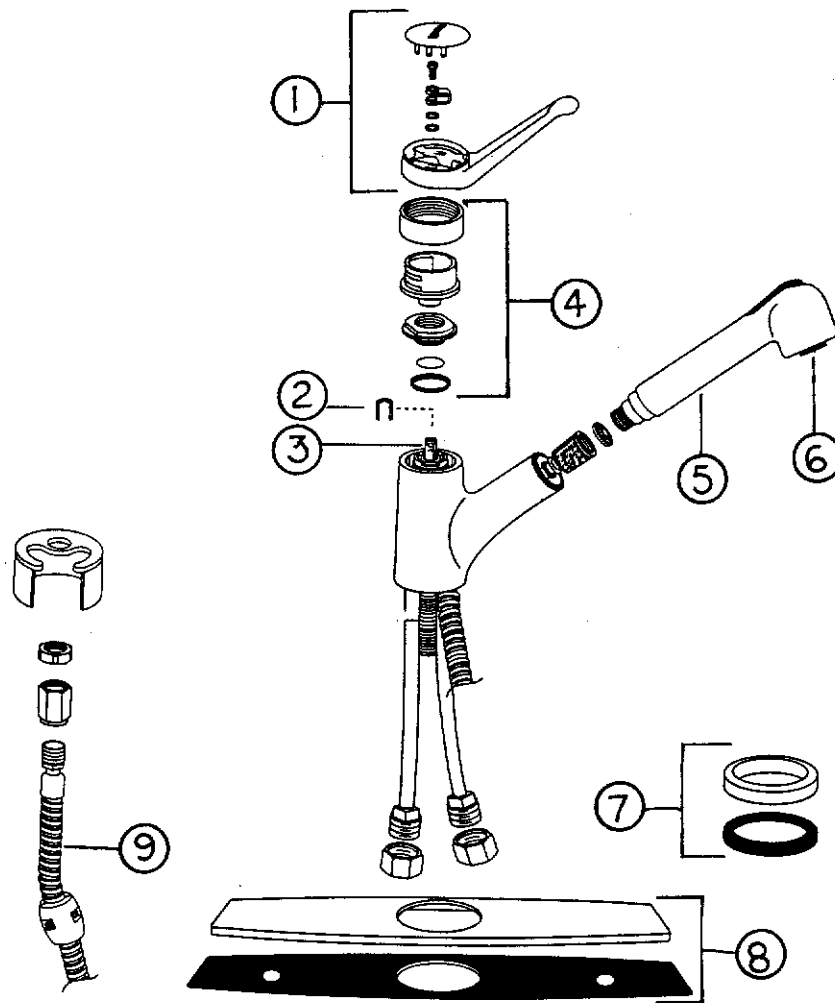
601698-15  
Crimp ring, 1/2"  
E-Pex, 1/2" (black)



601698-01  
E-Pex tube, 1/2"

# 2000 LIMITED TRAILER

## PLUMBING FRESH WATER



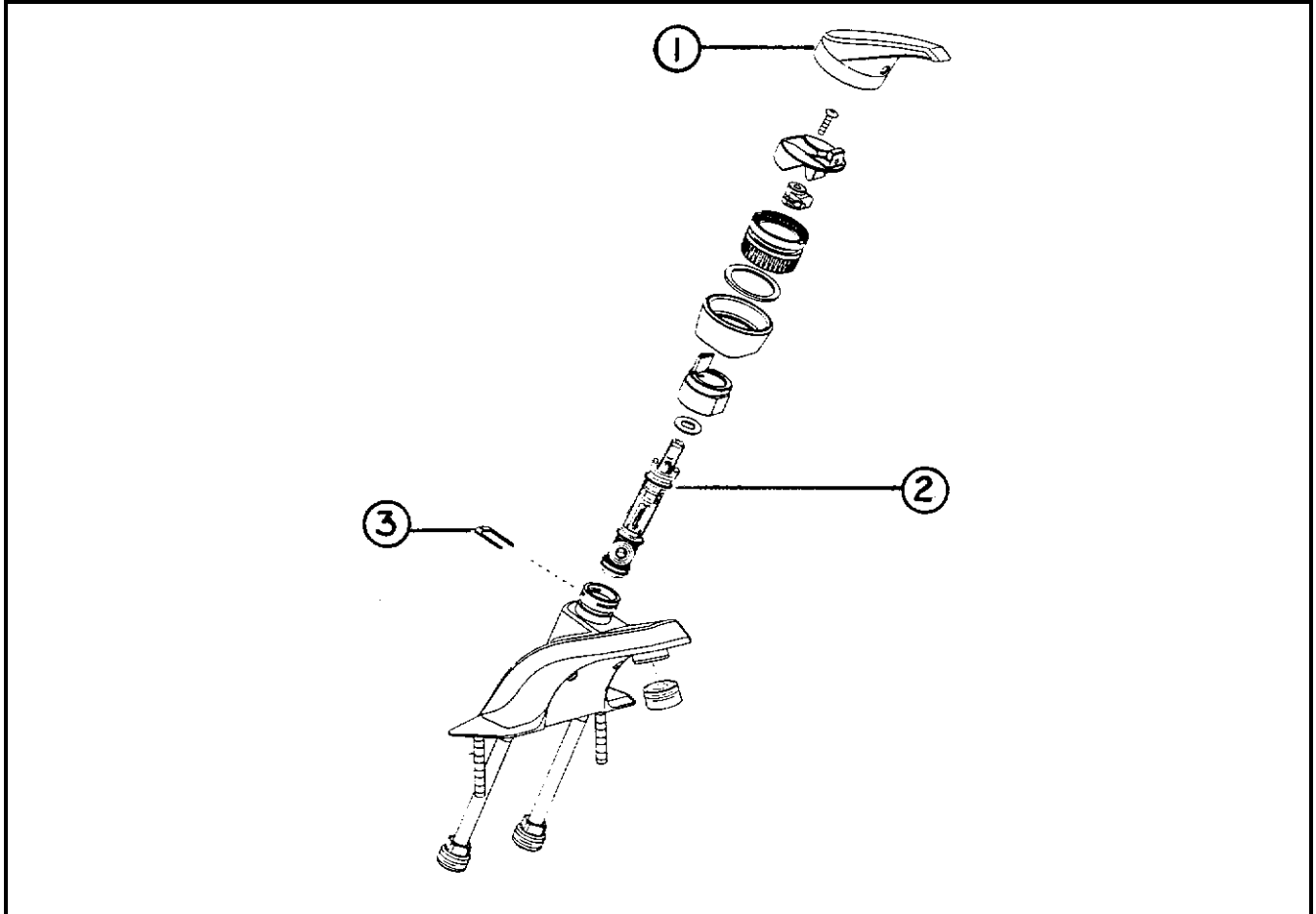
601579-01 Faucet, One Touch, Moen, Sand

- |               |                           |
|---------------|---------------------------|
| 1) 601579-103 | Lever handle kit          |
| 2) 601579-105 | Retainer clip             |
| 3) 601579-106 | Cartridge                 |
| 4) 601579-104 | Collar and pivot retainer |
| 5) 601579-100 | Spout                     |
| 6) 601579-101 | Aerator                   |
| 7) 601579-107 | Escutcheon, small         |
| 8) 601579-108 | Escutcheon, large         |
| 9) 601579-109 | Hose                      |

# 2000 LIMITED TRAILER

## PLUMBING

### FRESH WATER



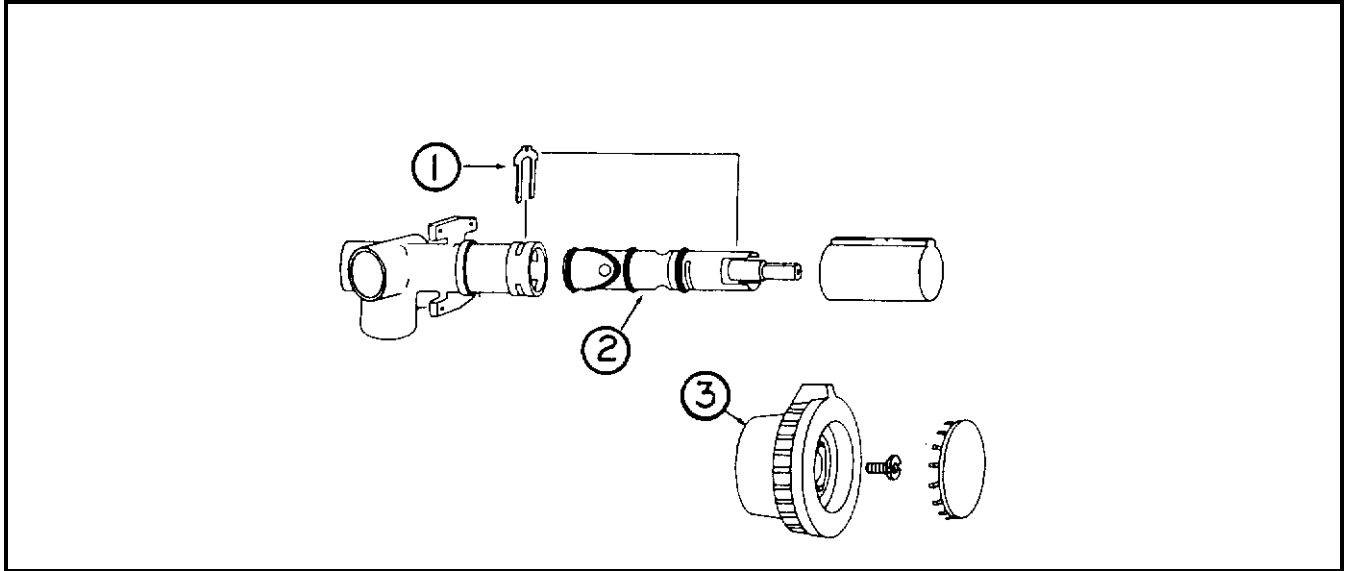
690390-01 Lavatory faucet, Moen, polished brass

- |               |               |
|---------------|---------------|
| 1) 690390-100 | Lever handle  |
| 2) 601579-105 | Cartridge     |
| 3) 601579-104 | Retainer clip |

# 2000 LIMITED TRAILER

## PLUMBING

### FRESH WATER



601420-02 Shower faucet, polished brass

- |               |                 |
|---------------|-----------------|
| 1) 000883     | Retainer clip   |
| 2) 601420-100 | Cartridge #1200 |
| 3) 001041     | Handle          |

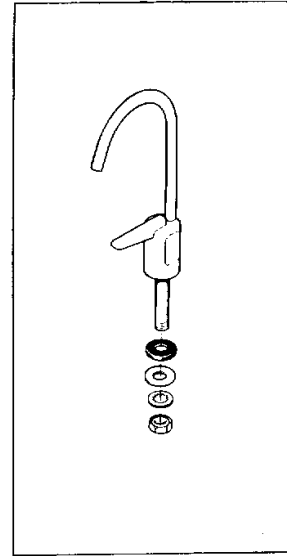
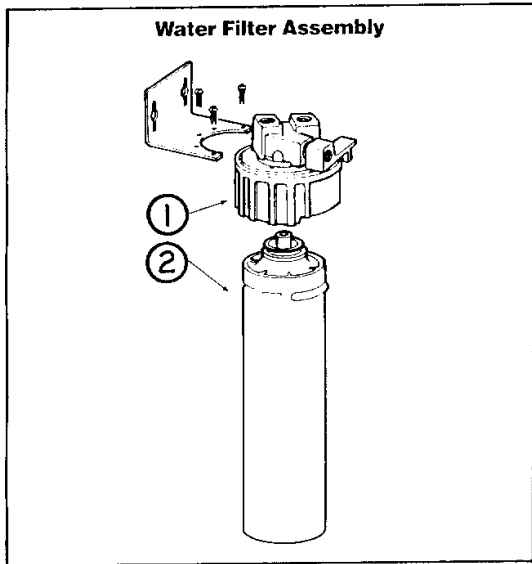
#### Shower stall fittings

- |            |                                |
|------------|--------------------------------|
| 601359-101 | Elbow with flange, brass       |
| 601173     | Vacuum breaker, brass          |
| 601175-01  | Shower hose, brass             |
| 601226     | Shower head w/shut-off, brass  |
| 601359-100 | Wall holder, showerhead, brass |

# 2000 LIMITED TRAILER

## PLUMBING

### FRESH WATER



- 1) 005273 Head, water filter
- 2) 960112 Cartridge, filter

601401 Faucet, water filter



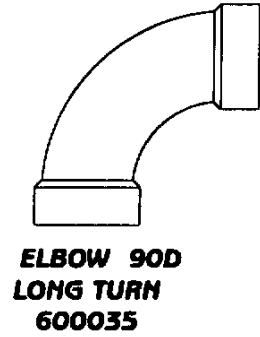
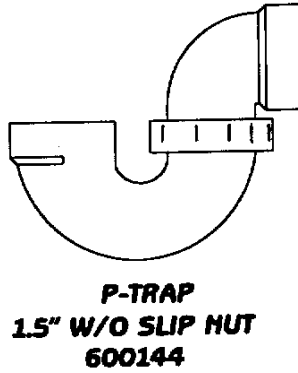
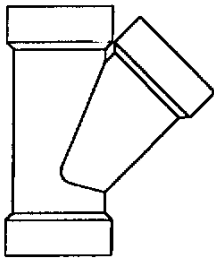
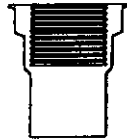
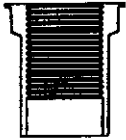
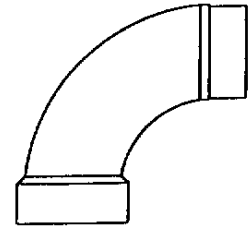
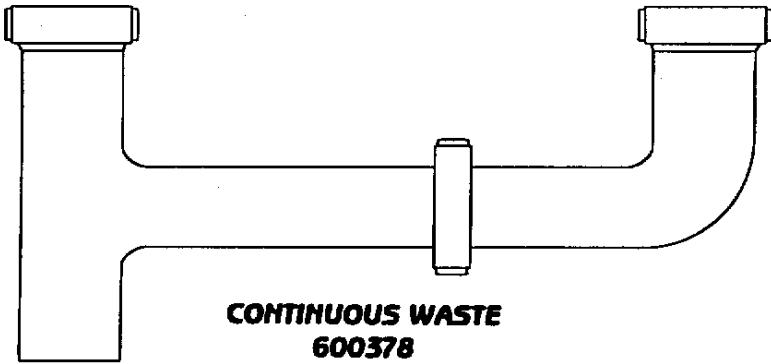
# 2000 LIMITED TRAILER

## PLUMBING-DRAIN SYSTEM

601633-06	Sink, galley, porcelain
600968	Basket strainer, galley
200406-06	Lavatory bowl, oval, parchment(tail, basket and stopper comes with bowl)
203046-03	Shower stall, angled, 2 piece
601362-01	Drain, tiptoe, shower, polished brass
601623-01	Tank, black, holding, 30ft.
601622-01	Tank, gray, holding, 30ft.
601622-03	Tank, gray, holding, 31ft & 34ft.
601623-06	Tank, black, holding, 31ft & 34ft.
601619	Pan, waste tank
601431	Dump valve, w/o handle
04190	Handle extension, dump valve
114086	Bracket, dump valve extension
600187	Wye, 3", comb.& 1/8" bend
600820	Single socket, 3", 90 degree
601323	Female fit & "O" ring, dump valve
600289	Calder coupling, 3", rubber
380481	Boot, rubber, 3" drain line
0310107	Waste valve adapter
601160-04	Pipe, 3" ABS
601160-02	Pipe, 1.5" ABS
01639	Bayonet ring, 3" Thetford
01664	Cap, 3"sewer outlet, Thetford
600065	Flange, floor, threaded
601441	Tank flush, no-fuss (vacuum breaker & check valve)
601441-01	Nozzle, tank mounted, no-fuss flush
60032-01	Water inlet, garden hose thread, tank flush

# 2000 LIMITED TRAILER

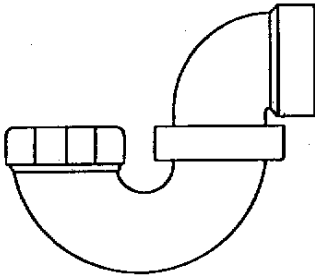
## PLUMBING-1.5" FITTINGS



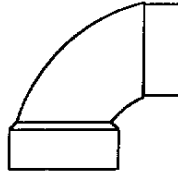
(continued)

# 2000 LIMITED TRAILER

## 1.5" DRAIN FITTINGS



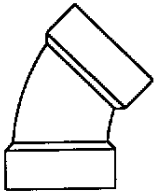
**P-TRAP  
1.5" WITH SLIP NUT  
600622**



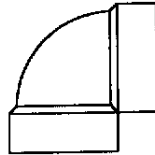
**ELBOW 90D  
SHORT ST  
600662**



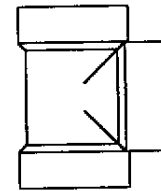
**ELBOW 45D  
LONG ST  
600027**



**ELBOW 45D  
LONG TURN  
600030**



**ELBOW VENT  
90D  
600033**



**TEE-BI DIRECTIONAL  
CLEAN-OUT 1.5"  
601318**



**PLUG 1.5"  
600155**



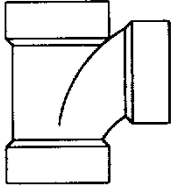
**VENT 1.5"  
600538**



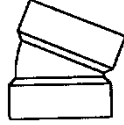
**CAP 1.5"  
601677**

# 2000 LIMITED TRAILER

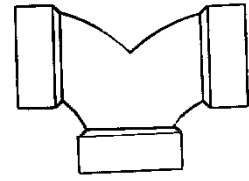
## 1.5" DRAIN FITTINGS



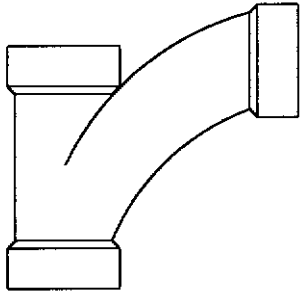
**TEE-SANITARY  
1.5"  
600156**



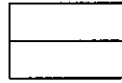
**ELBOW 22.5D  
SHORT TURN  
600116**



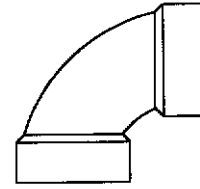
**ELL DOUBLE 1.5  
195329-486**



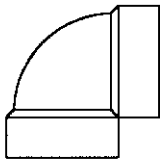
**WYE 1.5"  
1/8" BEND  
600182**



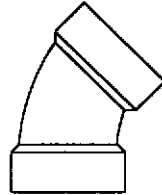
**COUPLING  
1.5"  
600227**



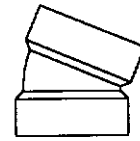
**ELBOW 90D  
SHORT SWEEP  
601636**



**ELBOW VENT  
90D  
600033**



**ELBOW 45D  
LONG TURN  
600030**



**ELBOW 22.5D  
SHORT TURN  
600116**

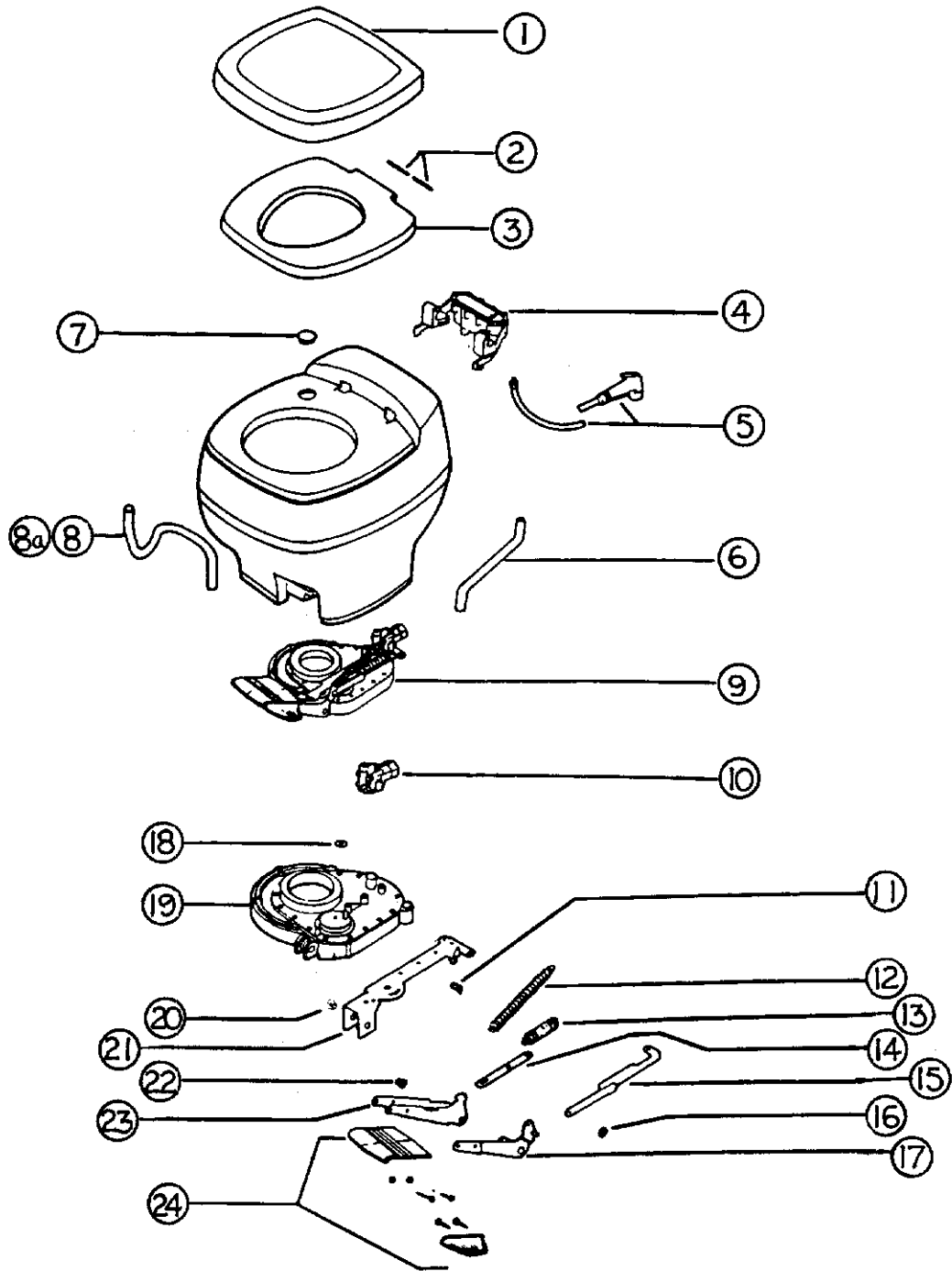
# 2000 LIMITED TRAILER

NOTES:

# 2000 LIMITED TRAILER

## PLUMBING

THETFORD, AQUA MAGIC GALAXY, PARCHMENT



# 2000 LIMITED TRAILER

## PLUMBING

THETFORD, AQUA MAGIC GALAXY, PARCHMENT

690327-02 Toilet complete, Aqua Magic Galaxy, high

- 1) 020925 Padded seat cover, parchment
- 2) 012986 Hinge pin
- 3) 1626457 Seat, parchment
- 4) 008217 Vacuum breaker w/water saver, parchment
- 5) 008993 Water saver package
- 6) 003728 Water supply tube
- 7) 003895 Hole plug, parchment
- 8) 003729 Trap tube, 20", low style
- 8a) 003727 Trap tube, 27", high style
- 9) 024203 Mechanism, parchment
- 10) 009868 Ball valve replacement package
- 11) 002391 Drive arm assembly
- 12) 002802 Spring, ball valve return
- 13) 002801 Spring
- 14) 008986 Push link
- 15) 002796 Drive arm
- 16) 002394 Ring, retainer
- 17) 009421 Pedal arm assembly
- 18) 008034 Retainer ring, 1/4"
- 19) 020929 Base and cover assembly
- 20) 003749 Bushing, mechanism
- 21) 012593 Lever plate
- 22) 003749 Bushing, mechanism
- 23) 019266 Pedal arm
- 24) 020930 Double pedal package

# 2000 LIMITED TRAILER

## SAFETY EQUIPMENT

510781	Smoke detector
511309	LPG detector
600162-01	Fire extinguisher
0300027	Break-away switch
510661	Breaker, 110 volt, 20 amp, GFI
371348-02	Window, rear w/red handles
371349-01	Screen, rear escape
372175-03	Screen, 30", alternate escape
380230-04	Knob, window arm, red
381088	Handle, lower window latch, red



# 2000 LIMITED TRAILER

## SEALER/GASKETS/PAINT SEALER

360074	Sealant, white, 3 oz. tube
360001	Sealant, #884058
360002	Sealant, Vulkem 11.5 oz. tube
360209	Sealant, seam
360176	Sealant, Almond, kitchen and bath
360180	Sealant, Sikaflex #221
360210	Sealant, Paralastic 4334-014
360283	Sealant, silicone, Corian Bone
360216	Caulk, latex acrylic, brown(hardwood floor)

## GASKETS

365232	Gasket, main/baggage door
365013-01	Gasket, screen door
0401-0002	Gasket, window frame to glass
365009	Gasket, foam, 1 x 1"-lay down bottle cover
365035	Gasket, access doorjamb
380114	Gasket, vent pipe, roof
365222	Tape, double coated, .08 x 3/4"
365016	Tape, foam, double face, 1/2" wide
365001	Tape, double coated foam

## PAINT

360213	Paint, aluminum metallic, Centari #6575
360151	Paint, gray metallic, Centari #44146A
360027	Paint, silver metallic
360214	Paint "Tapestry Red", Centari, #45117
360292	Stain, Saratoga oak(new for year 2000)

# 2000 LIMITED TRAILER

## UPHOLSTERY/FOAM/MATTRESS REAR BEDROOM

- \*702485-399 Bedspread, twin, Roman Sands
- \*702676-399 Bedspread, double, Roman Sands
  
- 701770 Mattress, 34" x 78", contoured, twin
- 702674 Mattress, 60" x 75", w/45 degree corners
  
- 701611 Pillow 21 x 31
- 702953-03 Pillow kit, twin, Roman Sands
- 702953-04 Pillow kit, double, Roman Sands

## UPHOLSTERY COVERS

- 998070 Cover, seat, side dinette
- 998071 Cover, back, side dinette
  
- 963398-01 Arm rest cushion, front lounge, RS
- 963398-03 Arm rest cushion, front lounge, CS

## FOAM

- 702464-21 Foam, upper back, dinette
- 702464-13 Foam, lower back, dinette
- 702464-14 Foam, aft seat, dinette
- 702464-15 Foam, forward seat, dinette
  
- 702673-01 Foam, armrest, RS
- 702673-03 Foam, armrest, CS

- \*Changing the- (dash) number to:
- 318 = Blue Bayou
  - 258 = South Beach
  - 248 = Vintage Leaf
  - 379 = Mosaic Blue
  - 389 = Tropical Isle

# 2000 LIMITED TRAILER

## VENTS/FANS

108801-01	Ceiling vent w/light and fan
921105	Cap, ceiling vent, solar dome
510233	Nylon vent crank handle w/screw
381406-02	Extension, crank operator, 2in.
345322-18	Screw, extended vent crank, 2 1/4 in.
381564	Vent, automatic, w/wall thermostat, Fantastic
381450	Vent, automatic, internal thermostat, Fantastic
381450-100	Screen, Fantastic roof vent
381450-101	Motor, elevator, Fantastic vent
690266-01	Ventilator, power, bathroom
690266-03	Extension, garnish, 4", roof
381541-06	Roof vent w/power lift
381541-05	Switch, white, ceiling vent
381541-04	Trim ring, inside garnish, Ventline
511152-04	Range hood w/monitor
114462	Duct, range transition, formed
453000	Bracket, range hood support
511017-11	Vent cover, exterior, range hood, gray
100341	Refrigerator, vent collar, large
101394	Cover, refrigerator vent, large
101158	Vent pipe cover, cast aluminum
380114	Gasket, vent pipe

## 2000 LIMITED TRAILER

### WOOD/LAMINATES/INTERIOR TRIM

800397-01	Cedar, planked, 5/32" x 4' x 8'
800542-02	Structure wood 3/8" x 4' x 8'
800542-03	Structure wood 1/2" x 4' x 8'
800542-05	Structure wood .700" x 4' x 8', sanded
800507-01	Paneling, luan, 1/8" x 4' x 8'
800507-02	Paneling, luan 1/4" x 4' x 8'
800507-03	Paneling, luan 3/8" x 4' x 8'
801261-01	Paneling, 1/8" x 4' x 8', G1S, Antiquity Buff/raw
801183-004	Paneling 1/2" x 4' x 8', G2S, oak/Antiquity Buff
801283	Paneling 1/2" x 4' x 8', G2S, Antiquity Buff/Antiquity Buff
801274	Paneling 1/2" x 4' x 8', G1S, Antiquity Buff
801284-004	Paneling 1/2" x 4' x 8', G2S, Antiquity Buff/Oak
801180-004	Paneling 1/2" x 4' x 8', G2S, oak/oak
801179-004	Paneling, 1/2" x 4' x 8', G1S, oak/raw
801182-004	Paneling 5/32" x 4' x 8', G2S, oak/oak
801181-004	Paneling 5/32" x 4' x 8', G1S, oak/raw
801230	Laminate, oak, 4'x8'
801229	Laminate oak, .045"-.050"
365251-01	Tape, seam, Antiquity Buff, 1 1/8" wide
365251-02	Tape, seam, Antiquity Buff, 8" wide
365251-03	Tape, seam, Antiquity Buff, 12" wide

# 2000 LIMITED TRAILER

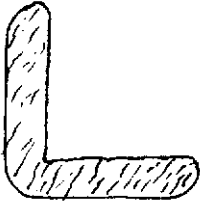
## WOOD/INTERIOR



1) 801206-014



2) 964152-014



3) 800575-014



4) 800571-014



5) 800638-024



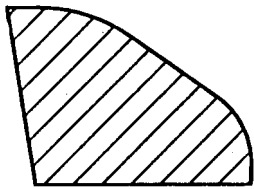
6) 801172-014  
6a) 801172-04



7) 800572-014



8) 800573-014

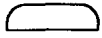


9) 801242-004

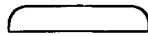
- |               |  |
|---------------|--|
| 1) 801206-014 | Molding, floor, oak, 43"                 |
| 2) 964152-014 | Molding, chair rail, oak                 |
| 3) 800575-014 | Molding, corner, oak                     |
| 4) 800571-014 | Molding, oak, flat 1/4" x 33/64" x 80"   |
| 5) 800638-024 | Molding, quarter round, oak              |
| 6) 801172-014 | Molding, flexible corner, oak            |
| 6a) 801172-04 | Molding, flexible corner, Antiquity Buff |
| 7) 800572-014 | Molding, flat radius, .72" oak           |
| 8) 800573-014 | Molding, flat radius, 1.09" oak          |
| 9) 801242-004 | Molding, threshold, main door            |

# 2000 LIMITED TRAILER

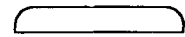
## WOOD/INTERIOR



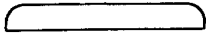
1) 801173-014



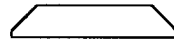
2) 801173-024



3) 801173-034



4) 801173-044



5) 801178-03

- |               |  |
|---------------|--|
| 1) 801173-014 | Flat molding, vinyl wrapped, oak, .50" wide  |
| 2) 801173-024 | Flat molding, vinyl wrapped, oak, .75" wide  |
| 3) 801173-034 | Flat molding, vinyl wrapped, oak, .88" wide  |
| 4) 801173-044 | Flat molding, vinyl wrapped, oak, 1.13" wide |
| 5) 801178-03  | Flat molding, vinyl wrapped, Antiquity Buff  |



