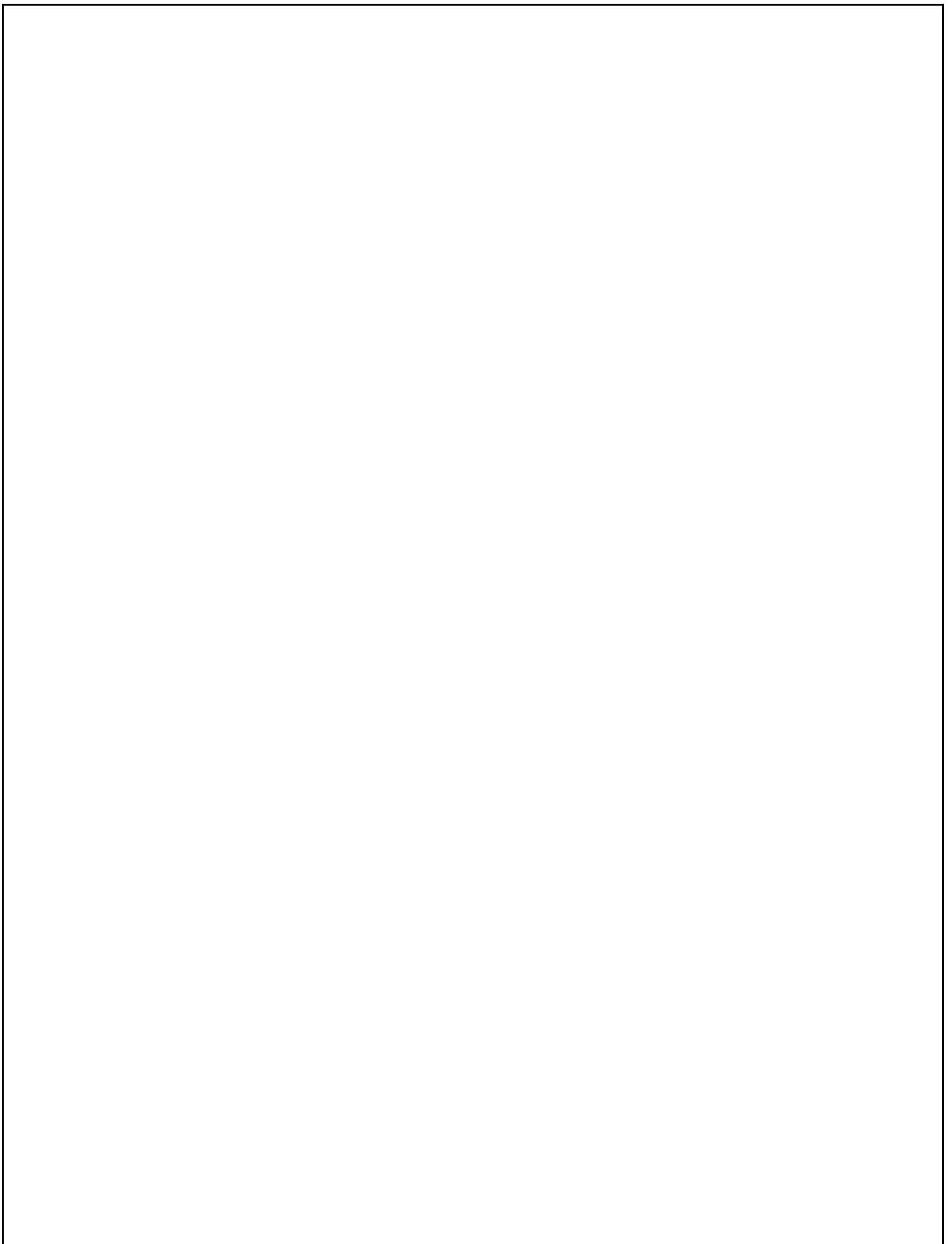


AIRSTREAM

Safari/Bambi

2004
Parts Book



2004 SAFARI- BAMBI
TABLE OF CONTENTS
SECTION I
A through C

APPLIANCES

[Air Conditioner, Furnace, Microwave, Range](#) I-1
[Refrigerator, Water Heater](#) I-2

BODY

[End shell, aft](#) I-3
[End shell, front](#) I-7
[Roof](#) I-11
[RS wall, 28 "W"](#) I-14
[CS wall, 28 "W"](#) I-16
[RS wall, 28 Slide out](#) I-18
[CS wall, 28 Slide out](#) I-20
[RS wall, 25 sleep six "C"](#) I-22
[CS wall, 25 sleep six "C"](#) I-24
[CS wall, 25 "A & B"](#) I-26
[RS wall, 25 "A & B"](#) I-28
[RS Wall, 19ft.](#) I-30
[CS Wall, 19ft.](#) I-32
[Body interior](#) I-33
[Slide Mechanism](#) I-35
[Slide out Room](#) I-37
[Slide out Shell](#) I-38

CHASSIS

[Axles, Shocks, Tires, Wheels](#) I-39
[Stabilizing jacks, Step](#) I-40
[Rear bumper/hose carrier](#) I-40
[Under belly metal, Coupler, hitch](#) I-41
[Brakes](#) I-42
[Front jacks](#) I-44

2004 SAFARI- BAMBI TABLE OF CONTENTS

SECTION II

D through E

DECALS/EXTERIOR TRIM	II-1
--	------

DOORS/WINDOWS/AWNING

Doors	II-2
Windows	II-5
Awning/rock guard	II-6

DRAPES/BLINDS/VALANCES	II-7
--	------

ELECTRICAL

110 volt	II-14
12 volt	II-15
Exterior light/reflectors	II-17

ENTERTAINMENT

Radio/antenna	II-18
-------------------------------------	-------

2004 SAFARI- BAMBI
TABLE OF CONTENTS
SECTION III
F through H

FASTENERS (common fasteners available locally are not listed)

[Rivets](#)..... III-1

FLOOR COVERING

[Carpet](#)..... III-3

[Mats](#)..... III-3

[Vinyl Flooring](#) III-3

FURNITURE

[Interior doors](#) III-4

[Mirrors](#) III-6

[Drawer](#) III-6

[Front Lounge](#) III-7

[Galley](#)..... III-22

[Lavatory](#) III-53

[Bedroom](#)..... III-75

HARDWARE

[Exterior locks/hinges](#) III-95

[Interior drawer slides/hinges latches](#) III-99

[Bath, Table, Hinges](#) III-102

[Wardrobe, Drapes, Misc.](#) III-103

[Awning hardware](#) III-104

2004 SAFARI- BAMBI TABLE OF CONTENTS

SECTION IV

L through Z

LABELS and TAGS	IV-1
Options/Upgrades	IV-2
PLUMBING	
LPG	IV-4
Fresh water	IV-5
Faucets	IV-9
Drain water	IV-13
Toilet	IV-24
SAFETY EQUIPMENT	IV-26
SEALER	IV-27
PAINT/GASKETS	IV-28
UPHOLSTERY/FOAM/MATTRESS	IV-29
VENTS/FANS	IV-32
PLYWOOD/PANELING	IV-33
SEAM TAPE/LAMINATES	IV-34
TRIM	IV-35

2004 SAFARI- BAMBI

APPLIANCES

195329-143	Air conditioner, 11, 000 Dometic
690323-02	Air Conditioner, 13,500 Manual
690323-31	COMFORT CONTROL CENTER
961270	Pan Assembly, drain, air conditioner
690323-03	Heat strip, Dometic air conditioner
511252	PLUG PHONE 4 CONDUCTOR
690323-100	Shroud, exterior, Penquin
690323-05	Air box/return grill
600118	Black drain tubing, 1/2" ID
690274-04	Furnace, Hydroflame, 8525-IV, 25 ft
690395	Furnace, Hydroflame, 7916-II, 19 Ft Safari
690274-01	Furnace, Hydroflame, 8531, 28 Ft Safari
600247	Hose, 4", flex heat duct
600193	Hose, 2", flex heat duct
690341	Adapter, 4-2 furnace reducer
600526	Flange, 4"
601244-03	REGISTER-ROTAIRE #3840-96 4", BLACK
601244-01	REGISTER-ROTAIRE #3840-96 4"BROWN
601429	Louver, 2" Black, round
203070	REGISTER PLASTIC BROWN 2" X 10"
511228	Thermostat, furnace, off white
601348	TEE, HEAT DUCT, 4 X 4 X 2
690476-01	MICROWAVE-SAMSUNG W/KIT UL
690476-02	MICROWAVE-SAMSUNG W/KIT UL/CSA APPROVED
690396-09	RANGE 22", W/OVEN S.S. TOP/DOOR
690396-03	Bi-fold cover

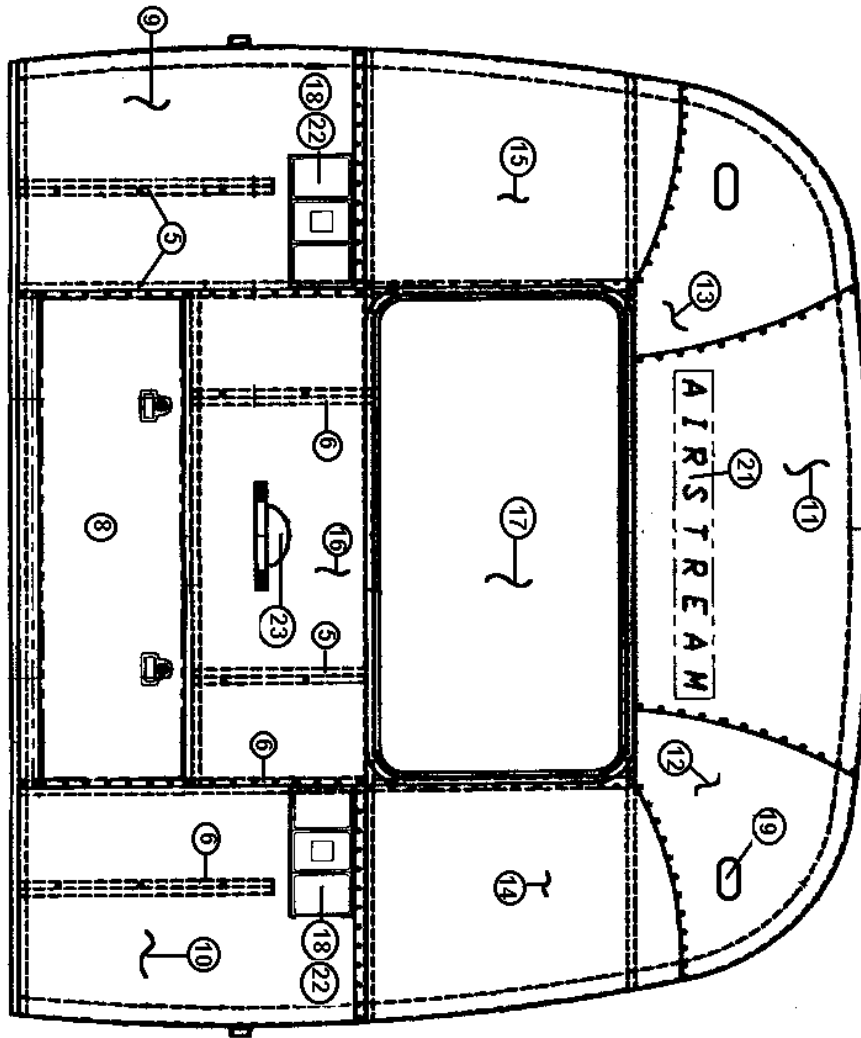
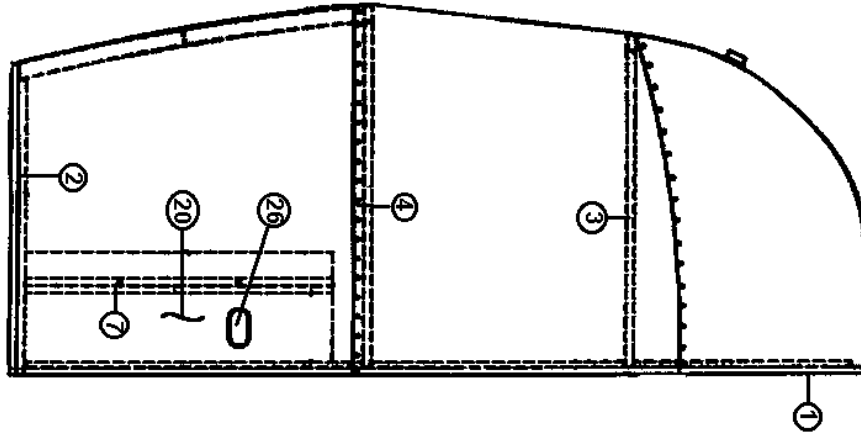
2004 SAFARI- BAMBI

APPLIANCES

690393-05	REFER-4CF RH DR 2-WAY RM2452RB, 19 Ft Safari
690492-01	Refrigerator, 6CF LH DOOR, RM2662LB, 28' W, 25 SS
690492-02	Refrigerator, 6CF RH DOOR, RM2662RB, 25' A & B
690492-04	Refrigerator, 8CF RH DR, RM2862LB, 28' S/O
965934-01	INSERT ASSY, REFER 20.62" X 15.75"
965934-02	INSERT ASSY, REFER 20.62" X 32.62"
965934-03	INSERT ASSY-REFER 20.62" X 38.62"
690394	Power ventilator, refrigerator
690199	Water heater, electronic ignition
500933	Switch package, water heater
690209	Access cover, brushed aluminum
381648	COVER LATCH HOLE, WATER HEATER

2004 SAFARI- BAMBI

BODY-AFT END
25 FT A B, & C, 28' MODELS SHOWN



See next page for P/N

2004 SAFARI- BAMBI

BODY-AFT END

25 FT B & 28 FT MODELS SHOWN

921180-04, End shell, 25 "B", delete rear door

921180-01, End shell, 25 "A", 28' add rear trunk door

*921180-02, End shell complete, 25' SS

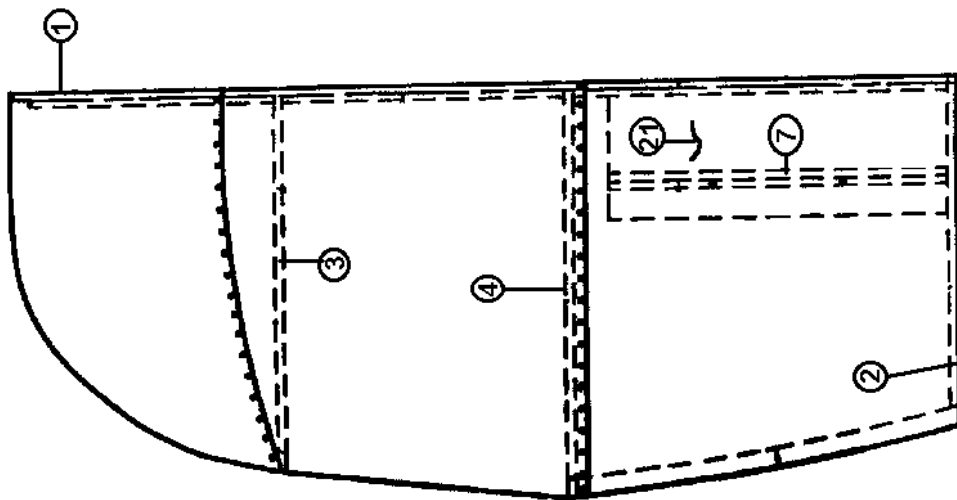
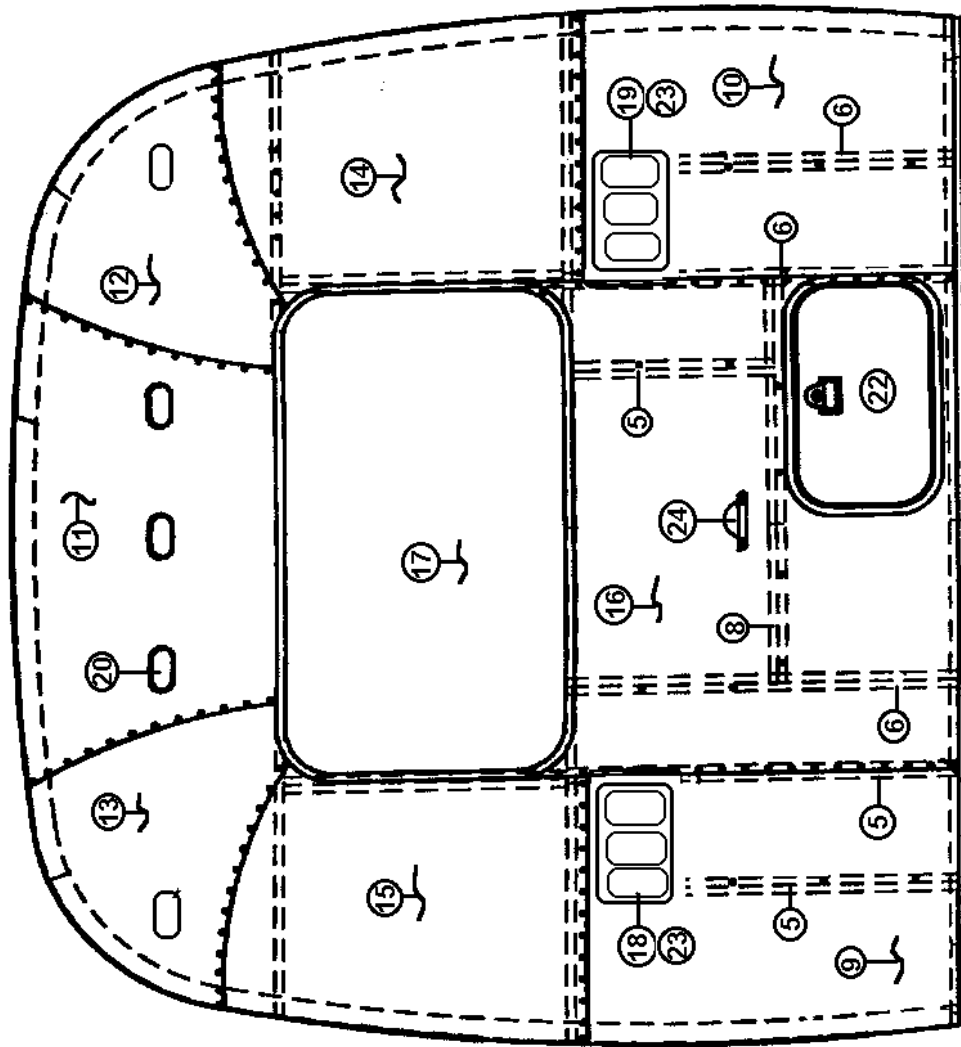
- 1) 114993 End bow
- 2) 114676 Floor bow
- 3) 114678 Upper window bow
- 4) 114677 Lower window bow
- 5) 114505-01 Support, lower end, LH
- 6) 114505-02 Support, lower end, RH
- 7) 101315 Brace, vertical rear
- 8) 921159-01 Trunk door assembly, double bed only
- 9) 114895 Segment, #29
- 10) 114894 Segment, #28
- 11) 114893 Segment #25
- 12) 114890 Segment #26
- 13) 114891 Segment #27
- 14) 114889 Segment, center right
- 15) 114888 Segment, center left
- 16) 114880-307 Alum. sheet, .050" x 19" x 51"
- 17) 371381-12 Window, rear egress, 49.63" x 24.19"
- 18) 500500-01 Taillight complete
- 19) 511751 Teardrop light, red
- 20) 114880-307 Alum. sheet, .040"x 12.0" x29.0")
- 21) 386091 LOGO AIRSTREAM BLACK RAISED LETTERS
- 22) 201462 Pocket, ABS taillight
- 23) 500053 Light and license plate holder

*The 25' Sleep Six corner bed models have a different rear window and a smaller rear access door.

- 371381-15 Window, rear egress, Safari "SS"
100679-01 Access door assembly, rear, Safari "SS"

2004 SAFARI- BAMBI

964513 End shell complete, Aft, Bambi 19 FT



2004 SAFARI- BAMBI

BODY-AFT END

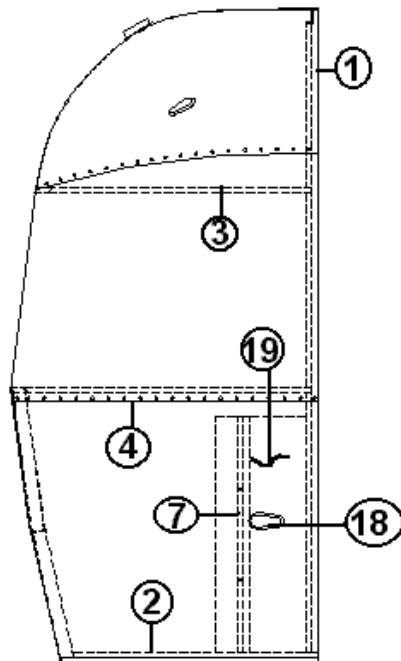
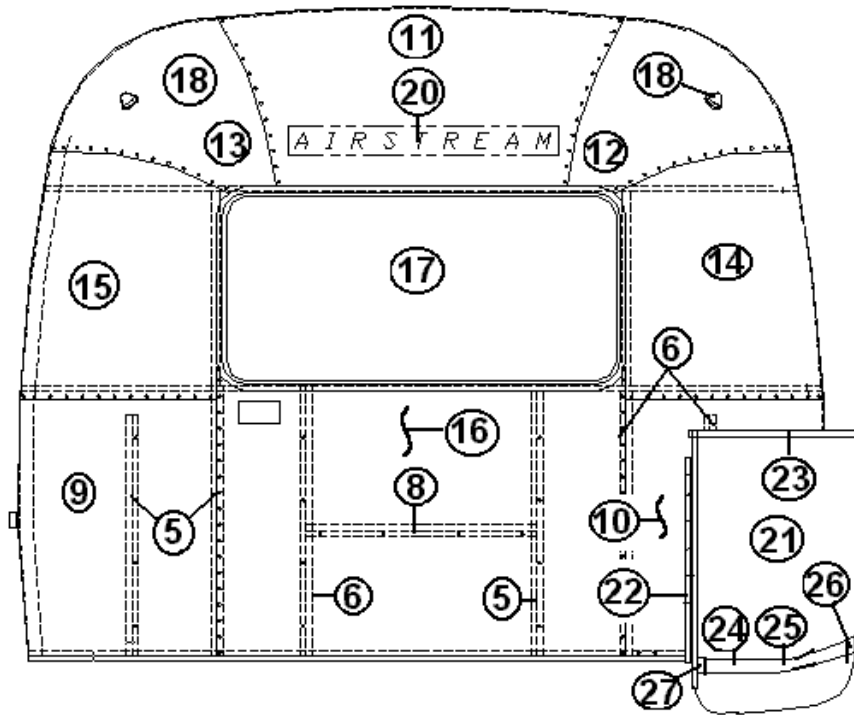
964513 End shell complete, Aft, Bambi 19 FT

- | | |
|----------------|------------------------------------|
| 1) 114994 | End bow |
| 2) 104463 | Floor bow |
| 3) 104351 | Upper window bow |
| 4) 104343 | Lower window bow |
| 5) 114505-01 | Support, lower end, LH |
| 6) 114505-02 | Support, lower end, RH |
| 7) 101315 | Brace, vertical rear |
| 8) 104408 | Extrusion rib |
| 9) 114895 | Segment #29 |
| 10) 114894 | Segment #28 |
| 11) 114892 | Segment #25(narrow) |
| 12) 114890 | Segment #26 |
| 13) 114891 | Segment #27 |
| 14) 114889 | Segment, center right |
| 15) 114888 | Segment, center left |
| 16) NPN | Alum. sheet, 050x41x45.25x51.0 |
| 17) 371381-15 | Window, rear egress, 43.94 x 24.19 |
| 18) 500500-01 | Taillight complete |
| 380226 | Gasket, taillight lens |
| 510163 | 3 in. Red reflector |
| 510162 | Taillight lens |
| 510161 | Lamp, assy., Single filament bulb |
| 510160 | Lamp assy., DBL. Filament bulb |
| 203418 | Chrome, taillight bezel |
| 19) 500500-01 | Taillight complete |
| 20) 511751 | Teardrop light, red |
| 21) 114880-307 | Alum. Sheet, 040 x 12.0" x 29.0" |
| 22) 100679-01 | Door assembly, access |
| 23) 201462 | Pocket, ABS taillight |
| 24) 500053 | Light and license plate holder |

2004 SAFARI- BAMBI

BODY-FRONT END, 25', 28' SO, 28' "W"

921179 End shell complete, front



See next page for P/N

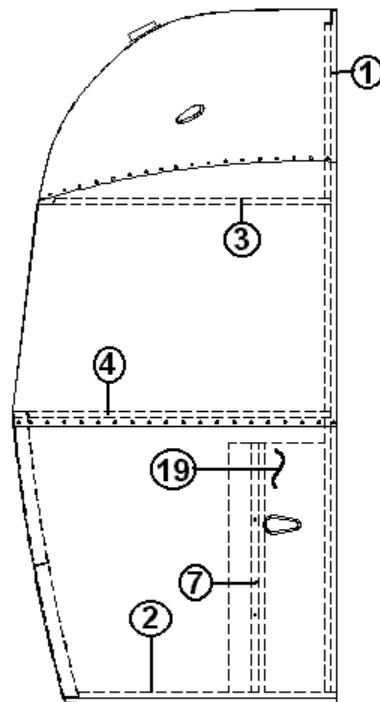
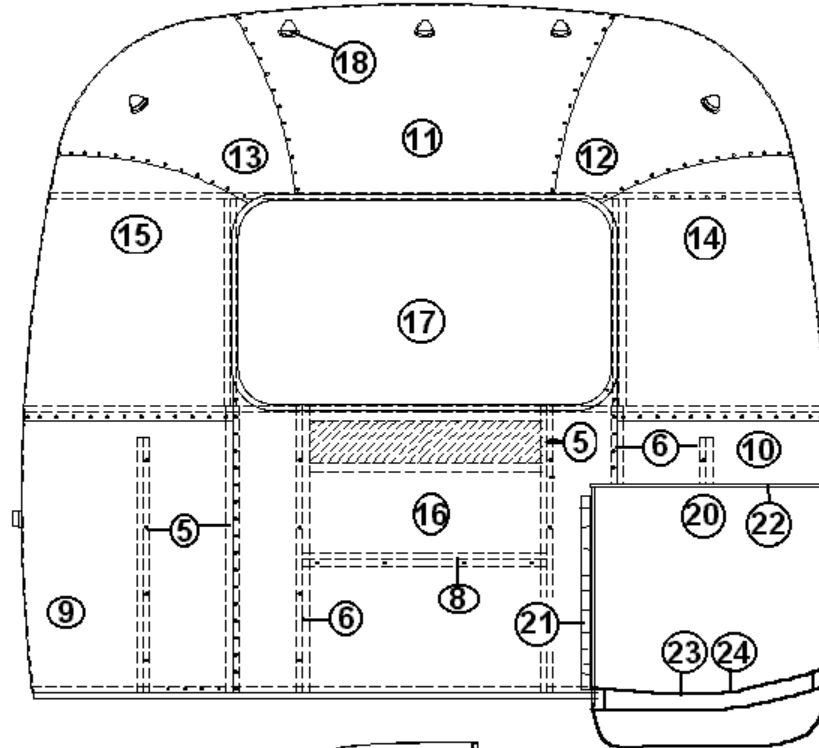
2004 SAFARI- BAMBI

BODY-FRONT END, 25', 28' SO, 28' "W"
921179-01 End shell complete, front

- | | |
|-----------------|---------------------------------------|
| 1) 114993 | End bow |
| 2) 114676 | Floor bow |
| 3) 114678 | Upper window bow |
| 4) 114677 | Lower window bow |
| 5) 114505-01 | Support, lower end, LH |
| 6) 114505-02 | Support, lower end, RH |
| 7) 101315 | Brace, vertical rear |
| 8) 104408 | Extrusion rib |
| 9) 114895 | Segment #29 |
| 10) 114894 | Segment #28 |
| 11) 114893 | Segment #25 |
| 12) 114890 | Segment #26 |
| 13) 114891 | Segment #27 |
| 14) 114889 | Segment, center right |
| 15) 114888 | Segment, center left |
| 16) 114880-307 | Alum. sheet, .050 x 19.0 x 51.0 |
| 17) 371381-05 | Window, 49.63 x 24.19", Safari |
| 18) 511750 | Light, teardrop, amber |
| 19) 114880-307 | Alum. sheet, .040 x 12.0 x 29.0 |
| 20) 386091 | LOGO AIRSTREAM BLACK RAISED LETTERS |
| 21) 685366-100 | Wrap protector, RS, Safari/Bambi |
| 21a) 685365-100 | Wrap protector, CS, Safari/Bambi |
| 22) 381605-01 | Hinge, stainless, wrap protector |
| 23) 100742-01 | Extrusion, mirror/wrap trim protector |
| 24) 114460 | Extrusion, rub rail |
| 25) 201763-01 | Insert, rub rail, chrome |
| 26) 114465-01 | CASTING CLOSEOUT RUB RAIL RH |
| 27) 114465-02 | CASTING CLOSE-OUT RUB RAIL LH |

2004 SAFARI- BAMBI

BODY-FRONT END 19 FT
964512 Front End shell



See next page for P/N.

2004 SAFARI- BAMBI

BODY-FRONT END 19 FT
964512 Front End Shell

- | | |
|-----------------|--|
| 1) 114994 | End bow |
| 2) 104463 | Floor bow |
| 3) 104351 | Upper window bow |
| 4) 104343 | Lower window bow |
| 5) 114505-01 | Support, lower end, LH |
| 6) 114505-02 | Support, lower end, RH |
| 7) 101315 | Brace, vertical rear |
| 8) 104408 | Extrusion, Z rib |
| 9) 114895 | Segment #29 |
| 10) 114894 | Segment #28 |
| 11) 114892 | Segment #25(narrow) |
| 12) 114890 | Segment #26 |
| 13) 114891 | Segment #27 |
| 14) 114889 | Segment, center right |
| 15) 114888 | Segment, center left |
| 16) NPN | Alum.sheet,.060x41.0x45.25(cut from 114849-03) |
| 17) 371381-10 | Window, 43.94 x 24.19,Bambi |
| 18) 511750 | Light, teardrop, amber |
| 19) NPN | Alum. sheet,.040x12.0x29.0(cut from 114880) |
| 20) 685366-100 | Wrap protector, RS, Safari/Bambi |
| 20a) 685365-100 | Wrap protector, CS, Safari/Bambi |
| 21) 381605-01 | Hinge, stainless, wrap protector |
| 22) 100742-01 | Extrusion, mirror/wrap trim protector |
| 23) 114460 | Extrusion, rub rail |
| 24) 201763-02 | Insert, rub rail, black |

Not shown

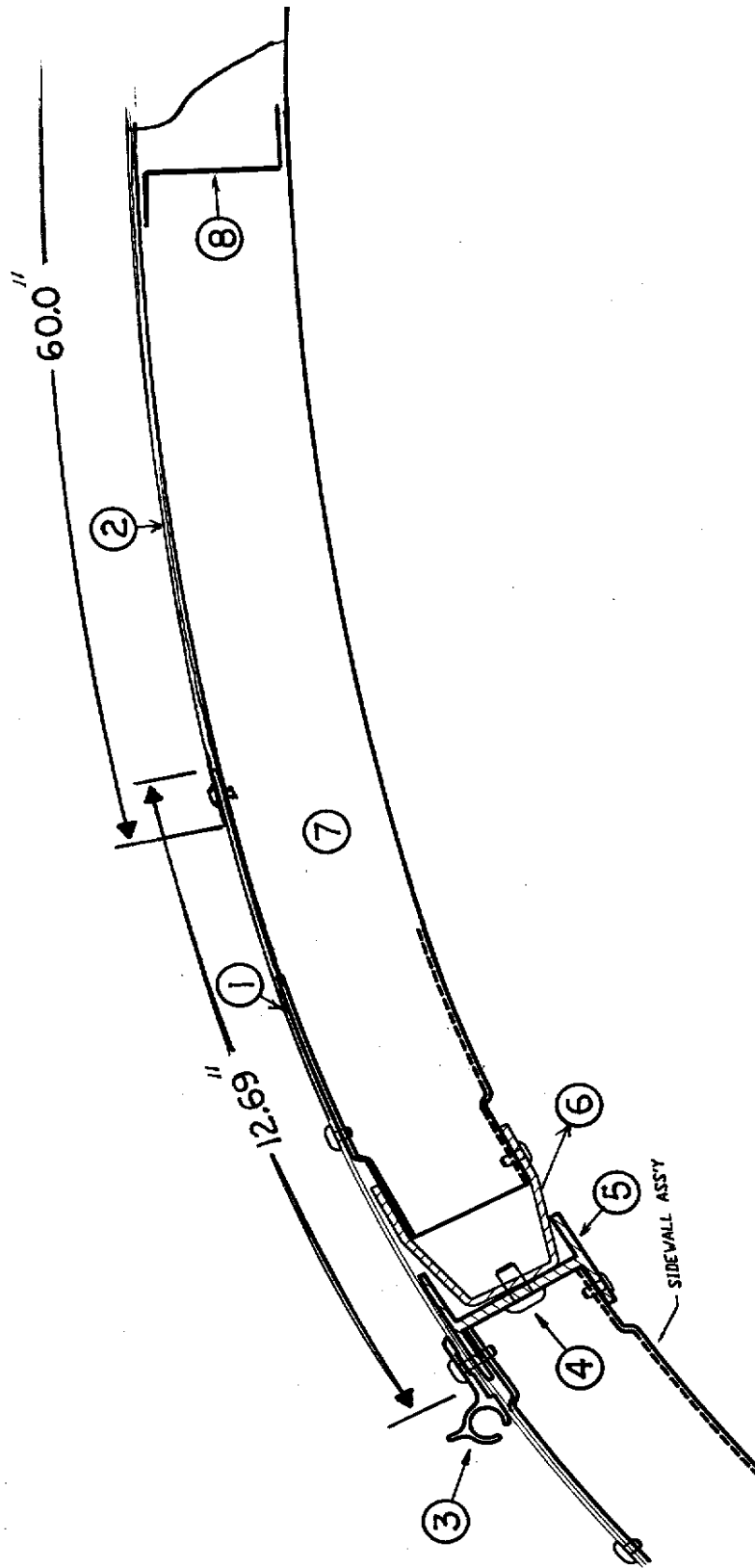
500096

REFLECTOR, AMBER

114819-03

WRAP PROTECTOR HOLDBACK ASSEMBLY

2004 SAFARI- BAMBI



See next page for P/N

2004 SAFARI- BAMBI

BODY ROOF-END VIEW 25 ft, 28' Safari

- | | |
|----------------|--|
| 1) 114669-307 | Alum. sheet, white, .032" x 12.69" x 307" |
| 2) 114489-262 | Alum. sheet, white, .032" x 60.0" x 262", 28 ft. |
| 2a) 114489-201 | Alum. sheet, white, .032" x 60" x 201", 25 ft. |
| 3) 114290-01 | Extrusion, awning/drip rail, 197.25" |
| 3a) 114290-03 | Extrusion, awning/drip rail, 261" |
| 4) 340123-02 | Rivet, Huck, 3/16" x 1/2" |
| 5) 104707-05 | Extrusion, "I" beam |
| 6) 114987-01 | Extrusion, roof corner, 194" |
| 6a) 114987-02 | Extrusion, roof corner, 258" |
| 7) 114668 | Roof bow |
| 8) 104408 | Extrusion, Z-bar, horizontal |

Not shown:

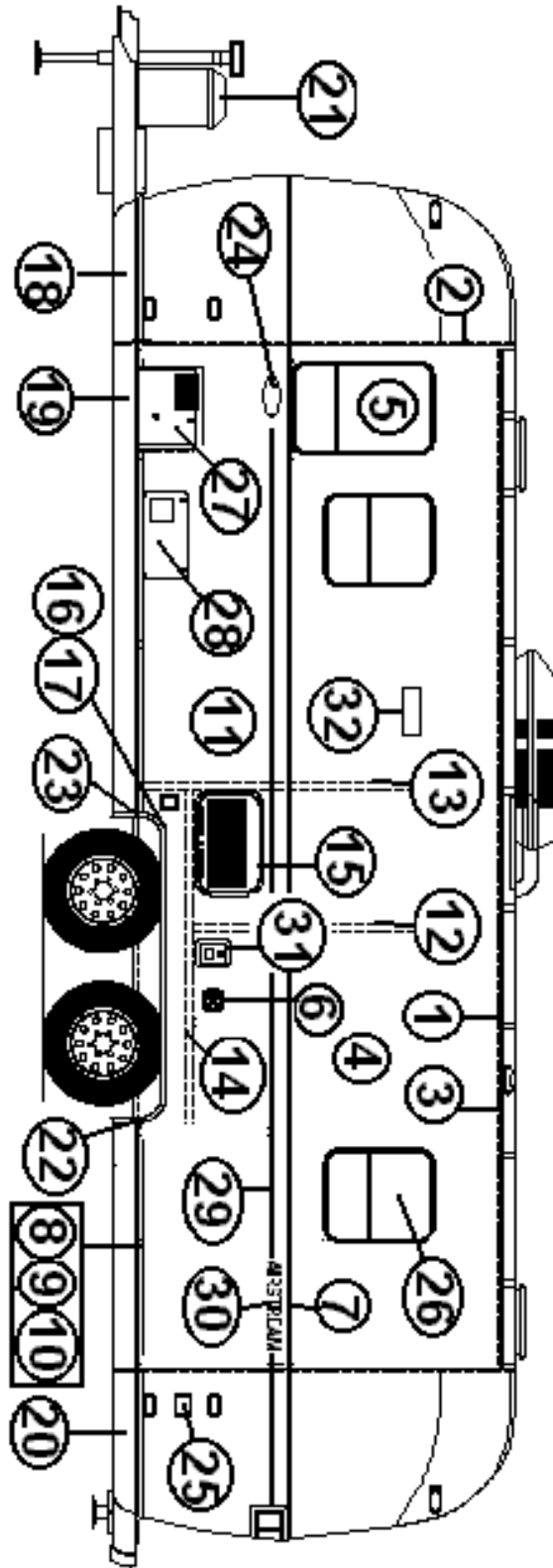
104948 Air deflector, between roof A/C. and refrigerator

19 Ft Safari

- | | |
|---------------|---------------------------------------|
| 1) 114362-318 | Alum. sheet, white, .050 x 7.0 x 318" |
| 2) 114489-259 | Alum. sheet, white, .032 x 60" x 259" |
| 3) 114290-01 | Extrusion, awning/drip rail |
| 4) 340123-02 | Rivet, Huck, 3/16 x 1/2" |
| 5) 104707-05 | Extrusion, "I" beam |
| 6) 114987-02 | Extrusion, roof corner |
| 7) 114387-03 | Roof bow |
| 8) 104408 | Extrusion, Z bar, horizontal |

2004 SAFARI- BAMBI

BODY
RS 28 FT W



2004 SAFARI- BAMBI

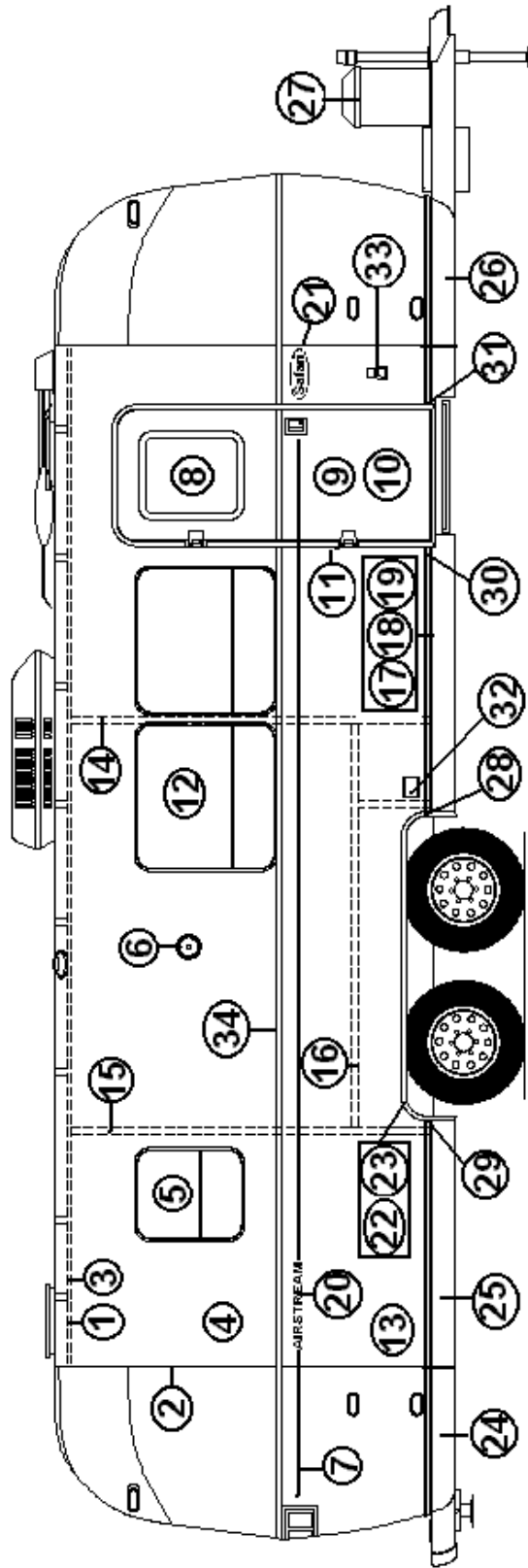
BODY

28 FT W, RS

- 1) 114290-01 Extrusion, awning/drip rail
- 2) 114993 Rib, end bow
- 3) 104707-05 Extrusion, "I" beam
- 4) 114880-262 Alum. sheet, upper, .040" x 51" x 262"
- 5) 371381-07 Window, 19.25 X 29.75, 8" Vent
- 6) 601392-05 City water hook-up
- 7) 100034 "Z" bar, 48"
- 8) 114460 Extrusion, rub rail
- 9) 201763-01 Insert, rub rail, chrome, 1"
- 10) 100986 Floor channel
- 11) 114879-262 Alum. sheet, lower, .040" x 33" x 262"
- 12) 114387-01 Bow, Z rib, RH
- 13) 114387-02 Bow, Z rib, LH
- 14) 100986 Wheel well stiffener (floor channel)
- 15) 922243 Door, refrigerator access
- 16) 684936 Wheel well trim, inner, tandem axle
- 17) 684937 Wheel well trim, outer, tandem axle
- 18) 200542-01 Banana wrap, RS front
- 19) 101131-01 Underbelly wrap, .024" x 22.5", Pewter
- 20) 200544 Banana wrap, RS rear
- 21) 104264 Cover, 30# LPG bottles
- 22) 114466-01 Casting, rub rail end, wheel well, RH
- 23) 114466-02 Casting, rub rail end, wheel well, LH
- 24) 386127 Safari Name plate
- 25) 104619 MTG. PLATE, TELEPHONE & TV JACK
- 452981 PHONE JACK PROTECTIVE PLATE
- 510624-01 MODULAR PHONE QUICK JACK WHITE
- 26) 371381-02 Window, 19.24" x 22.75"
- 27) 690209 Access cover, Atwood
- 28) 100679-01 Access door w/jamb
- 29) 386088 Decal, black reflective
- 30) 386131 Airstream decal
- 31) 601194 Water fill w/lock, gray w/label
- 32) 511017-11 Vent cover, range exhaust
- 33) 511416-02 POWER INLET, 30A, 125V, MALE - GRAY

2004 SAFARI- BAMBI

BODY
28 FT W, CS



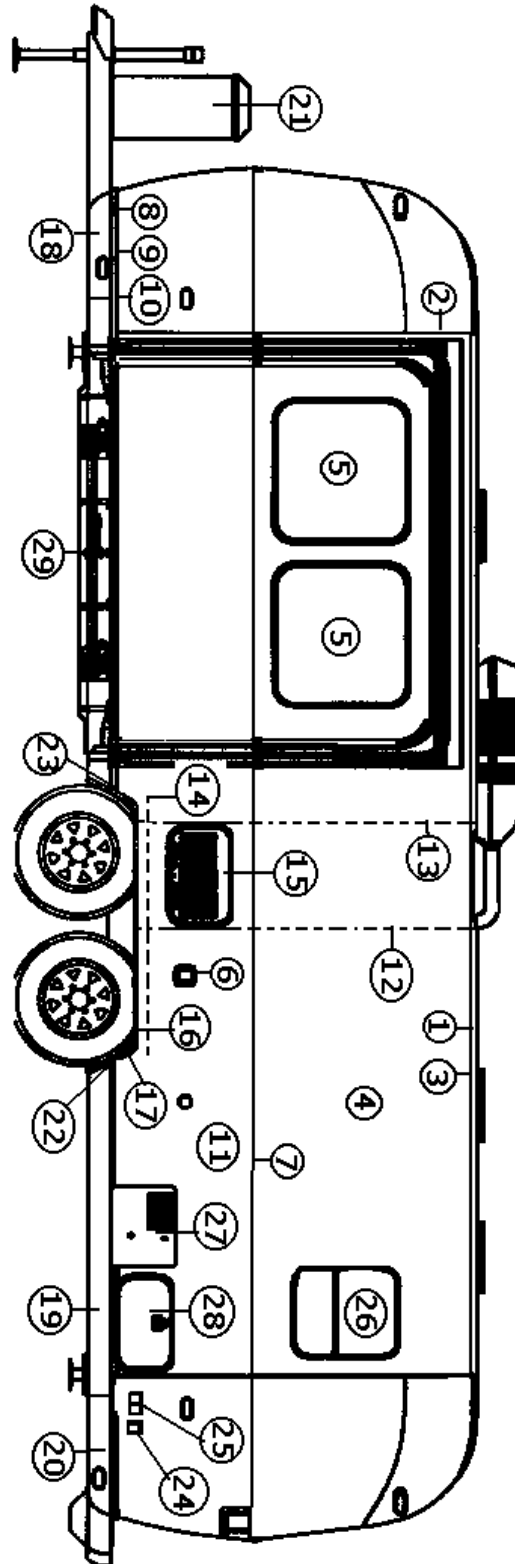
2004 SAFARI- BAMBI

BODY 28 FT W, CS

- | | |
|----------------|--|
| 1) 114290-01 | Extrusion, awning/drip rail |
| 2) 114993 | Rib, end bow |
| 3) 104707-05 | Extrusion, "I" beam |
| 4) 114880-262 | Alum. sheet, upper, .040" x 51" x 262" |
| 5) 371381-02 | Window, 19.25" x 22.75" |
| 6) 500092 | Flood light and lens |
| 7) 386088 | Decal, black reflective |
| 8) 371381-01 | Window, main door, 17.75" x 21.25" |
| 9) 110067-07 | Main door assembly |
| 10) 114654 | Screen door assembly |
| 11) 114652 | Jamb, main door |
| 12) 371381-08 | Window, 31.25" x 22.75" |
| 13) 114879-262 | Alum. sheet, lower, .040" x 33 x 262" |
| 14) 114387-01 | Bow, Z rib, RH |
| 15) 114387-02 | Bow, Z rib, LH |
| 16) 100986 | Wheel well stiffener (floor channel) |
| 17) 114460 | Extrusion, rub rail |
| 18) 201763-01 | Insert, rub rail, chrome, 1" |
| 19) 100986 | Floor channel |
| 20) 386131 | Decal, "AIRSTREAM" |
| 21) 386127 | Nameplate, Safari |
| 22) 684936 | Wheel well trim, inner, tandem axle |
| 23) 684937 | Wheel well trim, outer, tandem axle |
| 24) 200545 | Banana wrap, CS rear |
| 25) 101131-01 | Underbelly wrap, .024" x 22.5, Pewter |
| 26) 200543-01 | Banana wrap, CS front |
| 27) 104264 | Cover, 30# LPG bottles |
| 28) 114466-01 | Casting, rub rail end, wheel well, RH |
| 29) 114466-02 | Casting, rub rail end, wheel well, LH |
| 30) 114465-02 | CASTING CLOSEOUT, RUB RAIL LH |
| 31) 114465-01 | CASTING CLOSEOUT, RUB RAIL RH |
| 32) 510676-01 | OUTLET, EXTERIOR, 120 VOLT, GRAY |
| 33) 510732 | UTILITY LIGHT #1327 |
| 34) 100034 | "Z" bar, 48" |

2004 SAFARI- BAMBI

BODY
28 FT Side out, RS



See P/N on next page

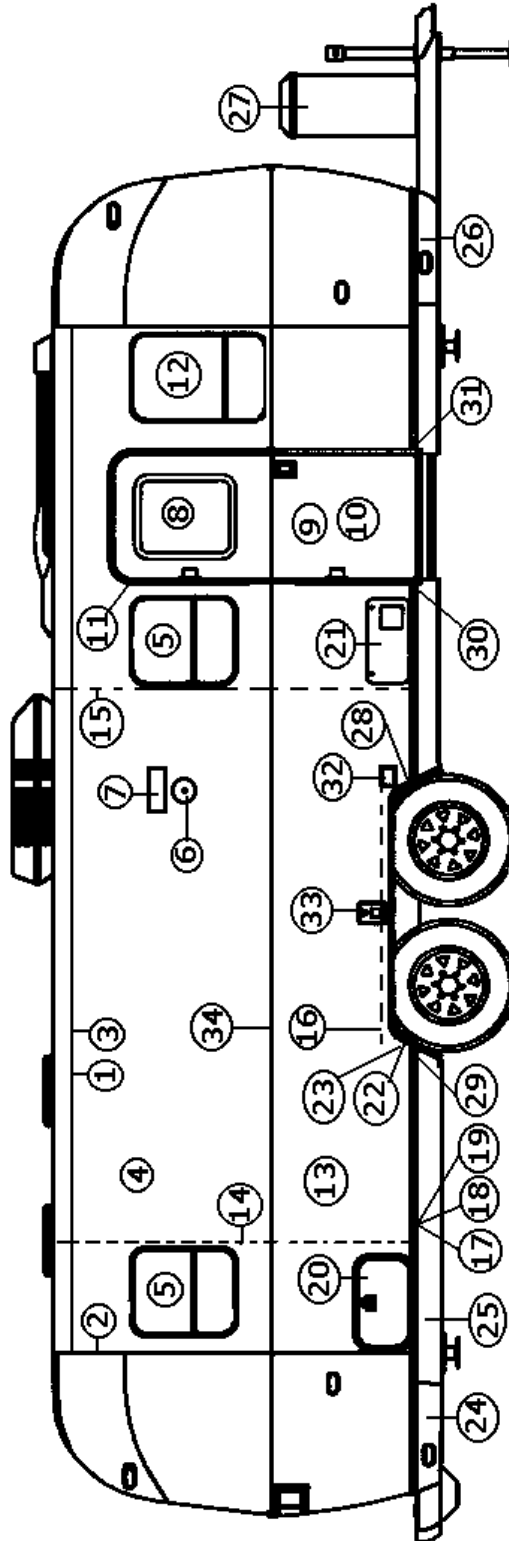
2004 SAFARI- BAMBI

BODY 28 FT Side out, RS

- 1) 114290-01 Extrusion, awning/drip rail
- 2) 114993 Rib, end bow
- 3) 104707-05 Extrusion, "I" beam
- 4) 114880-262 Alum. sheet, upper, .040" x 51" x 262"
- 5) 371381-08 Window, 31.25" x 29.75"
- 6) 601392-05 City water hook-up
- 7) 100034 "Z" bar, 48"
- 8) 114460 Extrusion, rub rail
- 9) 201763-01 Insert, rub rail, chrome, 1"
- 10) 100986 Floor channel
- 11) 114879-262 Alum. sheet, lower, .040" x 33" x 262"
- 12) 114387-01 Bow, Z rib, RH
- 13) 114387-02 Bow, Z rib, LH
- 14) 100986 Wheel well stiffener(floor channel)
- 15) 922243 Door, refrigerator access
- 16) 684936 Wheel well trim, inner, tandem axle
- 17) 684937 Wheel well trim, outer, tandem axle
- 18) 200542-01 Banana wrap, RS front
- 19) 101131-01 Underbelly wrap, .024" x 22.5", Pewter
- 20) 200544 Banana wrap, RS rear
- 21) 104264 Cover, 30# LPG bottles
- 22) 114466-01 Casting, rub rail end, wheel well, RH
- 23) 114466-02 Casting, rub rail end, wheel well, LH
- 24) 511416-02 POWER INLET, 30A, 125V, MALE - GRAY
- 25) 104619 MTG. PLATE, TELEPHONE & TV JACK
- 452981 PHONE JACK PROTECTIVE PLATE
- 510624-01 MODULAR PHONE QUICK JACK WHITE
- 26) 371381-02 Window, 19.24" x 22.75"
- 27) 690209 Access cover, Atwood
- 28) 100679-01 Access door w/jamb
- 29) 400947 S/O MECHANISM - P. G. #511174

2004 SAFARI- BAMBI

BODY
CS 28 FT Slide out



See P/N on next page

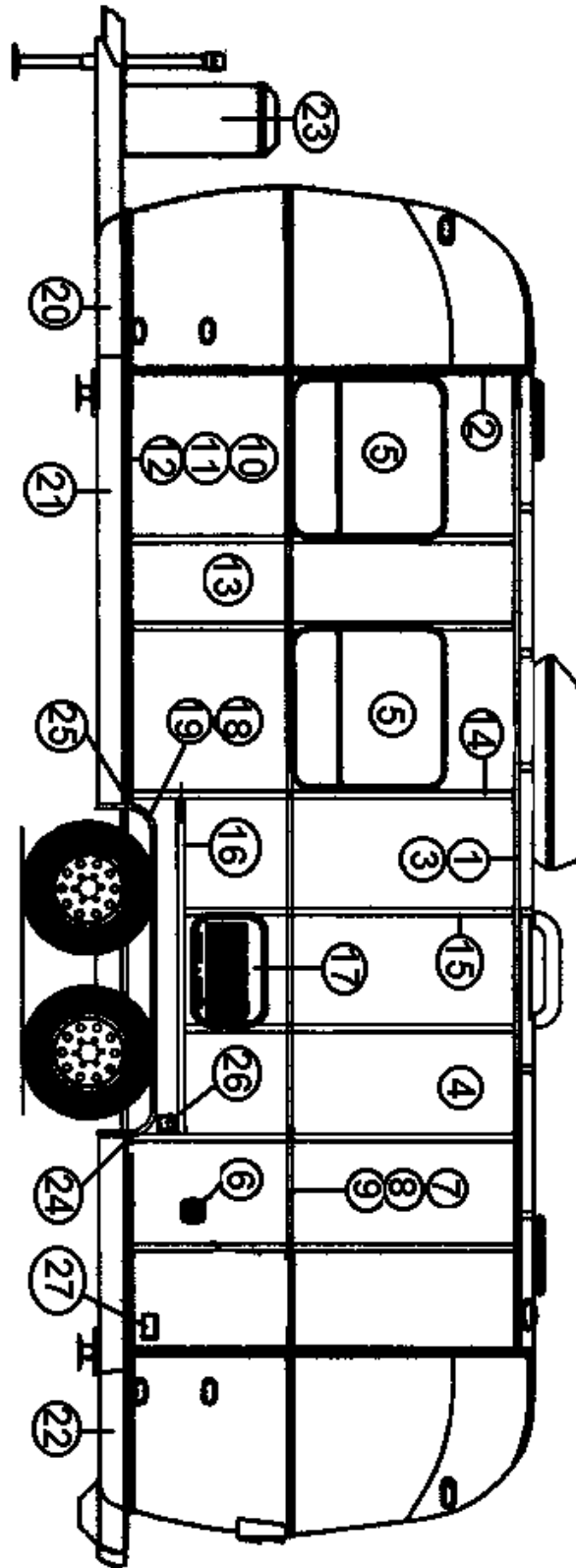
2004 SAFARI- BAMBI

BODY-28 FT Slide out, CS

- 1) 114290-01 Extrusion, awning/drip rail
- 2) 114993 Rib, end bow
- 3) 104707-05 Extrusion, "I" beam
- 4) 114880-262 Alum. sheet, upper, .040" x 51" x 262"
- 5) 371381-02 Window, 19.25" x 22.75"
- 6) 500092 Flood light and lens
- 7) 511017-11 Vent cover, range exhaust
- 8) 371381-01 Window, main door, 17.75" x 21.25"
- 9) 110067-07 Main door assembly
- 10) 114654 Screen door assembly
- 11) 114652 Jamb, main door
- 12) 371381-07 Window, 19.25" x 29.75"
- 13) 114879-262 Alum. sheet, lower, .040" x 33 x 262"
- 14) 114387-01 Bow, Z rib, RH
- 15) 114387-02 Bow, Z rib, LH
- 16) 100986 Wheel well stiffener(floor channel)
- 17) 114460 Extrusion, rub rail
- 18) 201763-01 Insert, rub rail, chrome, 1"
- 19) 100986 Floor channel
- 20) 100679-01 Access door w/jamb
- 21) 690274-09 Cover, Hydroflame furnace
- 22) 684936 Wheel well trim, inner, tandem axle
- 23) 684937 Wheel well trim, outer, tandem axle
- 24) 200545 Banana wrap, CS rear
- 25) 101131-01 Underbelly wrap, .024" x 22.5, Pewter
- 26) 200543-01 Banana wrap, CS front
- 27) 104264 Cover, 30# LPG bottles
- 28) 114466-01 Casting, rub rail end, wheel well, RH
- 29) 114466-02 Casting, rub rail end, wheel well, LH
- 30) 114465-02 CASTING CLOSEOUT, RUB RAIL LH
- 31) 114465-01 CASTING CLOSEOUT, RUB RAIL RH
- 32) 510676-01 OUTLET, EXTERIOR, 120 VOLT, GRAY
- 33) 601194 Water fill w/lock, gray w/label
- 34) 100034 "Z" bar, 48"

2004 SAFARI- BAMBI

25' SS RS



See next page for P/N

2004 SAFARI- BAMBI

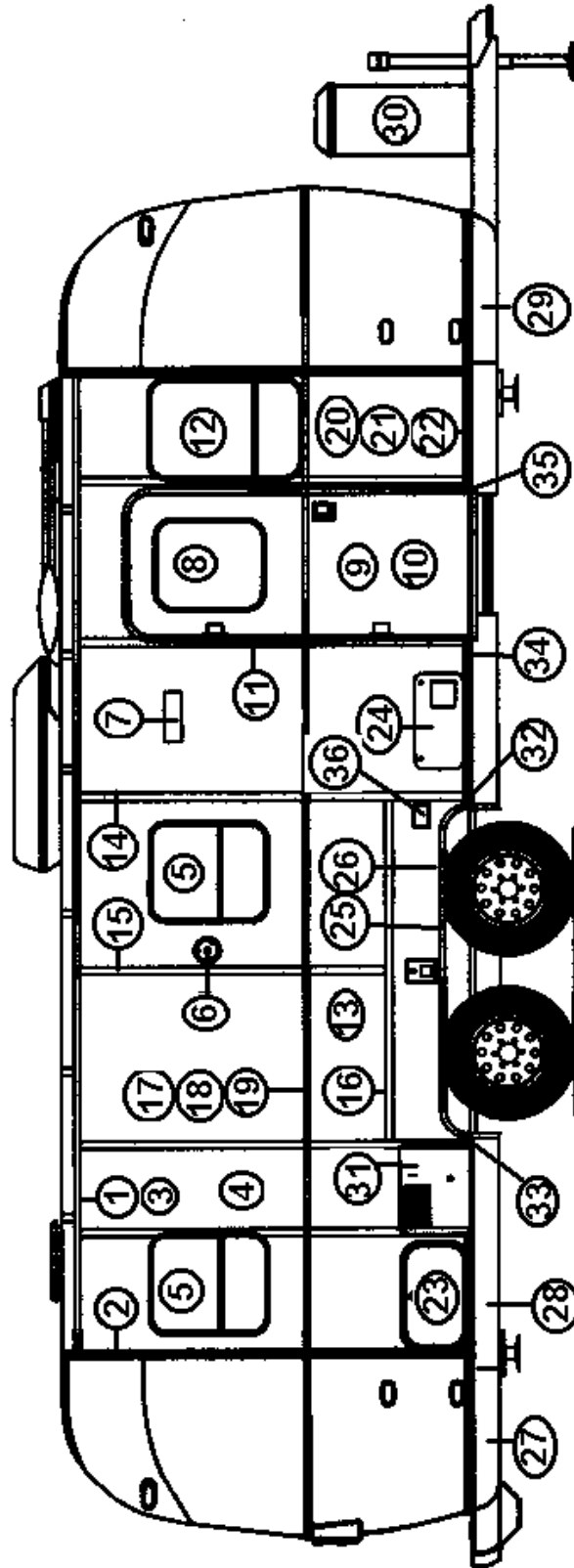
BODY-25FT, SLEEP 6 SAFARI, RS

(Hardware such as hinges, locks and latches are located
in the **hardware** section of this book)

- | | |
|----------------|---|
| 1) 114290-01 | Extrusion, awning/drip rail |
| 2) 114993 | Rib, end bow |
| 3) 104707-05 | Extrusion, "I" beam |
| 4) 114880-201 | Aluminum sheet, upper, .040" x 51" x 201" |
| 5) 371381-08 | Window, 31.25" x 29.75" |
| 6) 601392-05 | City water hook-up |
| 7) 325002 | RIVET SHANK DIA 1/8" X3/8" PLAIN |
| 8) 365016 | Tape, double stick 1/2" |
| 9) 100034 | "Z" bar, 48" |
| 10) 114460 | Extrusion, rub rail |
| 11) 201763-01 | Insert, rub rail, chrome, 1" |
| 12) 100986 | Floor channel |
| 13) 114879-201 | Aluminum sheet, lower, .040" x 33" x 201" |
| 14) 114387-01 | Bow, Z rib, RH |
| 15) 114387-02 | Bow, Z rib, LH |
| 16) 100986 | Wheel well stiffener(floor channel) |
| 17) 922243 | Door, refrigerator access |
| 18) 684936 | Wheel well trim, inner, tandem axle |
| 19) 684937 | Wheel well trim, outer, tandem axle |
| 20) 200542-01 | Banana wrap, RS front |
| 21) 101131-01 | Underbelly wrap, .024" x 22.5", Pewter |
| 22) 200544 | Banana wrap, RS rear |
| 23) 104264 | Cover, 30# LPG bottles |
| 24) 114466-01 | Casting, rub rail end, wheel well, RH |
| 25) 114466-02 | Casting, rub rail end, wheel well, LH |
| 26) 511416-02 | POWER INLET, 30A, 125V, MALE - GRAY |
| 27) 104619 | MTG. PLATE, EXTERIOR TELEPHONE & TV JACK |
| 452981 | PHONE JACK PROTECTIVE PLATE |
| 510624-01 | MODULAR PHONE QUICK JACK WHITE |

2004 SAFARI- BAMBI

25' SS, CS



See next page for P/N

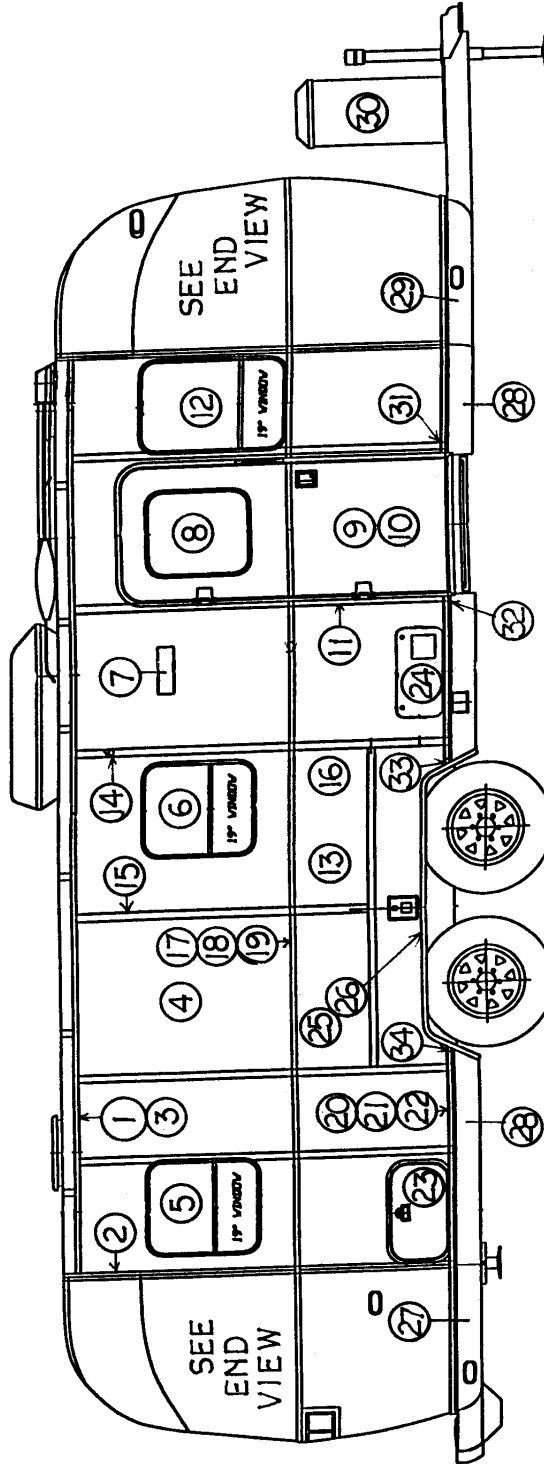
2004 SAFARI- BAMBI

BODY-25FT, SLEEP 6 SAFARI, CS

- 1) 114290-01 Extrusion, awning/drip rail
- 2) 114993 Rib, end bow
- 3) 104707-05 Extrusion, "I" beam
- 4) 114880-201 Aluminum sheet, upper, .040" x 51" x 201"
- 5) 371381-02 Window, 19.25" x 22.75"
- 6) 500092 Flood light and lens
- 7) 511017-11 Vent cover, range exhaust
- 8) 371381-01 Window, main door, 17.75" x 21.25"
- 9) 110067-07 Main door assembly
- 10) 114654 Screen door assembly
- 11) 114652 Jamb, main door
- 12) 371381-07 Window, 19.25" x 29.75"
- 13) 114879-201 Aluminum sheet, lower, .040" x 33 x 201"
- 14) 114387-01 Bow, Z rib, RH
- 15) 114387-02 Bow, Z rib, LH
- 16) 100986 Wheel well stiffener(floor channel)
- 17) 325002 RIVET SHANK DIA 1/8" X3/8" PLAIN
- 18) 365016 Tape, double stick 1/2"
- 19) 100034 "Z" bar, 48"
- 20) 114460 Extrusion, rub rail
- 21) 201763-01 Insert, rub rail, chrome, 1"
- 22) 100986 Floor channel
- 23) 100679-01 Access door w/jamb
- 24) 690274-09 Cover, Hydroflame furnace
- 25) 684936 Wheel well trim, inner, tandem axle
- 26) 684937 Wheel well trim, outer, tandem axle
- 27) 200545 Banana wrap, CS rear
- 28) 101131-01 Underbelly wrap, .024" x 22.5, Pewter
- 29) 200543-01 Banana wrap, CS front
- 30) 104264 Cover, 30# LPG bottles
- 31) 690209 Access cover, Atwood
- 32) 114466-01 Casting, rub rail end, wheel well, RH
- 33) 114466-02 Casting, rub rail end, wheel well, LH
- 34) 114465-02 CASTING CLOSEOUT, RUB RAIL LH
- 35) 114465-01 CASTING CLOSEOUT, RUB RAIL RH
- 36) 510676-01 OUTLET, EXTERIOR, 120 VOLT, GRAY

2004 SAFARI- BAMBI

25' CS



See next page for P/N

2004 SAFARI- BAMBI

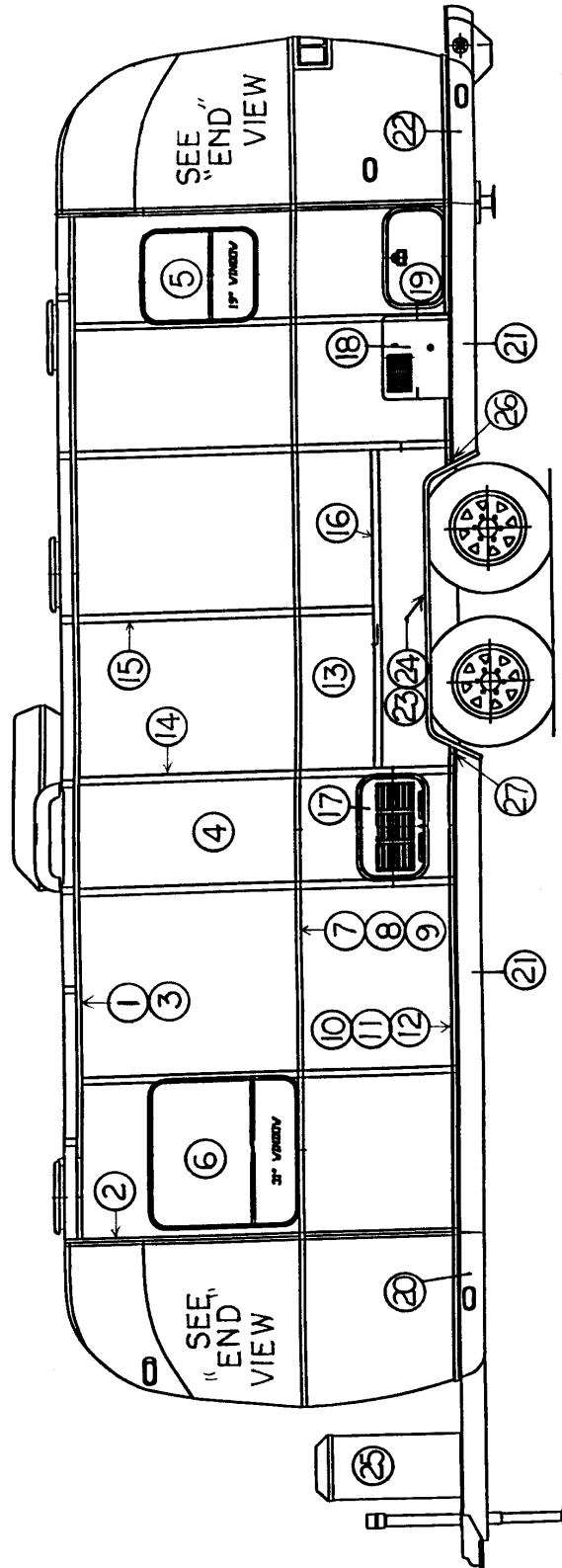
BODY-25FT, SAFARI, CS

(Hardware such as hinges, locks and latches are located
in the **hardware** section of this book)

- 1) 114290-01 Extrusion, awning/drip rail
- 2) 114993 Rib, end bow
- 3) 104707-05 Extrusion, "I" beam
- 4) 114880-201 Aluminum sheet, upper, .040" x 51" x 201"
- 5) 371381-02 Window, 19.25" x 22.75"
- 6) 371381-02 Window, 19.25" x 22.75"
- 7) 511017-11 Vent cover, range exhaust
- 8) 371381-01 Window, main door, 17.75" x 21.25"
- 9) 110067-07 Main door assembly
- 10) 114654 Screen door assembly
- 11) 114652 Jamb, main door
- 12) 371381-07 Window, 19.25" x 29.75"
- 13) 114879-201 Aluminum sheet, lower, .040" x 33" x 201"
- 14) 114387-01 Bow, Z rib, RH
- 15) 114387-02 Bow, Z rib, LH
- 16) 100986 Wheel well stiffener(floor channel)
- 17) 325002 RIVET SHANK DIA 1/8" X3/8" PLAIN
- 18) 365016 Tape, double stick 1/2"
- 19) 100034 "Z" bar, 48"
- 20) 114460 Extrusion, rub rail
- 21) 201763-01 Insert, rub rail, chrome, 1"
- 22) 100986 Floor channel
- 23) 100679-01 Access door w/jamb
- 24) 690274-09 Cover, Hydroflame furnace
- 25) 684936 Wheel well trim, inner, tandem axle
- 26) 684937 Wheel well trim, outer, tandem axle
- 27) 200545 Banana wrap, CS rear
- 28) 101131-01 Underbelly wrap, .024" x 22.5", Pewter
- 29) 200543-01 Banana wrap, CS front
- 30) 104264 Cover, 30# LPG bottles
- 31) 114465-01 Casting, rub rail end, door, RH
- 32) 114465-02 Casting, rub rail end, door, LH
- 33) 114466-01 Casting, rub rail end, wheel well, RH
- 34) 114466-02 Casting rub rail end, wheel well, LH

2004 SAFARI- BAMBI

BODY-25FT SAFARI, RS



See next page for P/N 25' RS

2004 SAFARI- BAMBI

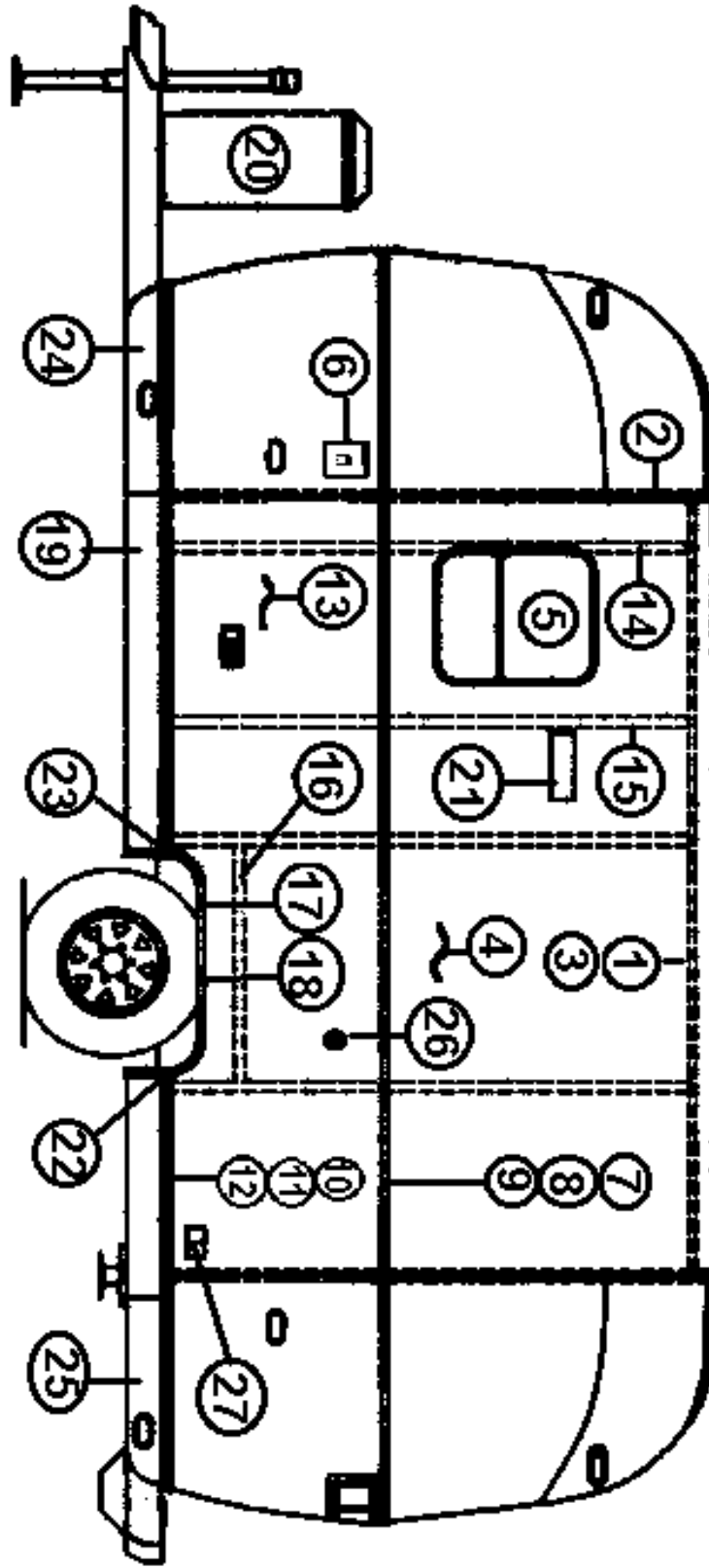
BODY-25FT SAFARI, RS

(Hardware such as hinges, locks and latches are located in the **hardware** section of this book)

- | | |
|----------------|---|
| 1) 114290-01 | Extrusion, awning/drip rail |
| 2) 114993 | Rib, end bow |
| 3) 104707-05 | Extrusion, "I" beam |
| 4) 114880-201 | Aluminum sheet, upper, .040" x 51" x 201" |
| 5) 371381-02 | Window, 19.25" x 22.75" |
| 6) 371381-08 | Window, 31.25" X 29.75" |
| 7) 325002 | RIVET SHANK DIA 1/8" X3/8" PLAIN |
| 8) 365016 | Tape, double stick 1/2" |
| 9) 100034 | "Z" bar, 48" |
| 10) 114460 | Extrusion, rub rail |
| 11) 201763-01 | Insert, rub rail, chrome, 1" |
| 12) 100986 | Floor channel |
| 13) 114879-201 | Aluminum sheet, lower, .040" x 33" x 201" |
| 14) 114387-01 | Bow, Z rib, RH |
| 15) 114387-02 | Bow, Z rib, LH |
| 16) 100986 | Wheel well stiffener(floor channel) |
| 17) 922243 | Door, refrigerator access |
| 18) 690209 | Access door, Atwood |
| 19) 100679 | Access door w/jamb |
| 20) 200542-01 | Banana wrap, RS front |
| 21) 101131-01 | Underbelly wrap, .024 x 22.5, Pewter |
| 22) 200544 | Banana wrap, RS rear |
| 23) 684936 | Wheel well trim, inner, tandem axle |
| 24) 684937 | Wheel well trim, outer, tandem axle |
| 25) 104264 | Cover, 30# LPG bottles |
| 26) 114466-01 | Casting, rub rail end, wheel well, RH |
| 27) 114466-02 | Casting, rub rail end, wheel well, LH |

2004 SAFARI- BAMBI

BODY, RS, 19FT. SAFARI



2004 SAFARI- BAMBI

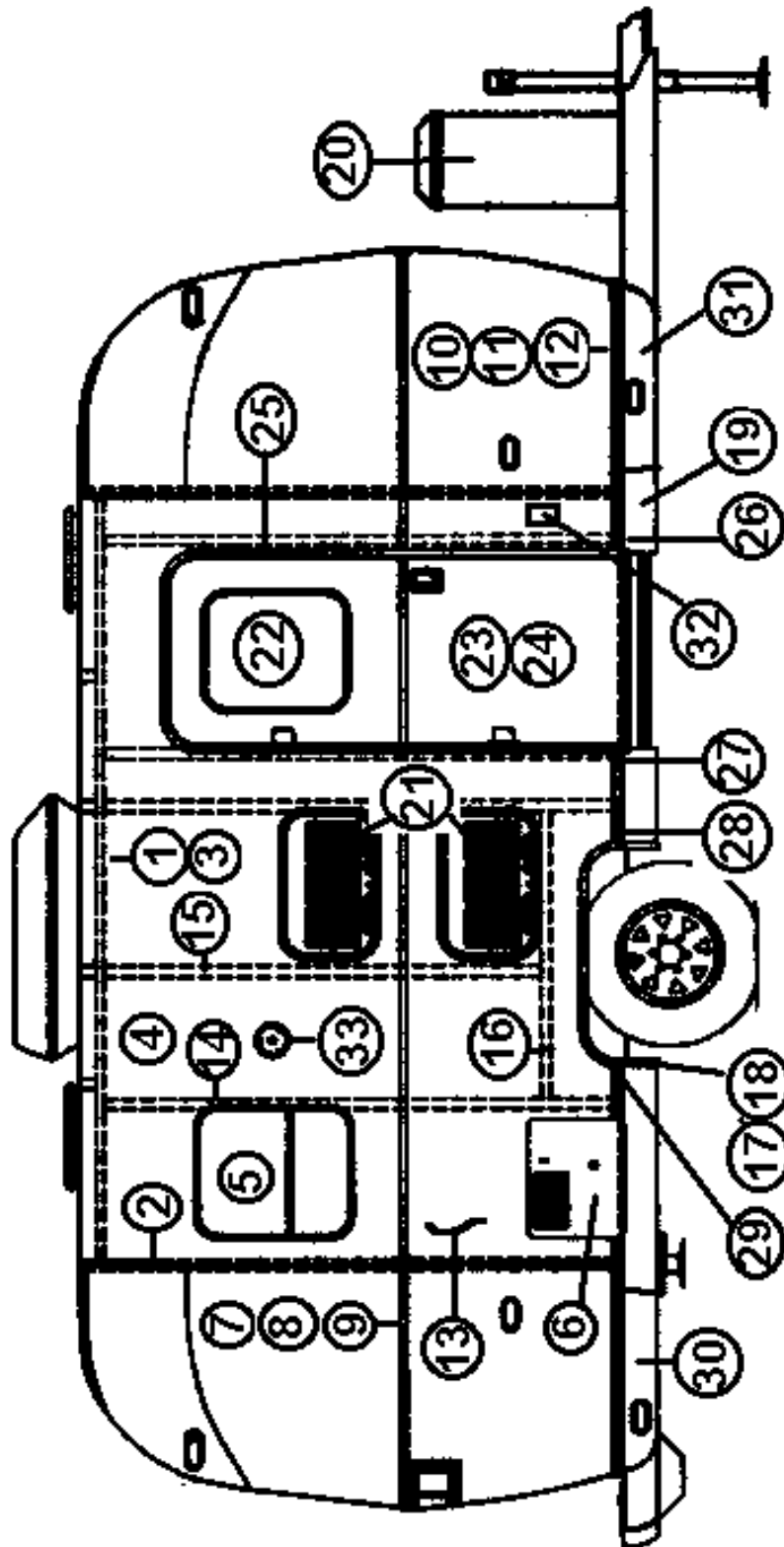
BODY, RS, 19FT. SAFARI

(Hardware such as hinges, locks and latches are located in the **hardware** section of this book)

- | | |
|----------------|--|
| 1) 114290-01 | Extrusion, awning/drip rail |
| 2) 114994 | Rib, end bow |
| 3) 104707-05 | Extrusion, "I" beam |
| 4) 114880-262 | Aluminum sheet, upper, .040 x 51 x 262" |
| 5) 371381-02 | Window, 19.25" x 22.75" |
| 6) 601194 | Water fill w/lock, gray |
| 381647 | CH 751 Key only |
| 7) 325002 | RIVET SHANK DIA 1/8" X3/8" PLAIN |
| 8) 365016 | Tape, double stick 1/2" |
| 9) 100034 | "Z" bar, 48" |
| 10) 114460 | Extrusion, rub rail |
| 11) 201763-01 | Insert, rub rail, chrome, 1" |
| 12) 100986 | Floor channel |
| 13) 114880-262 | Aluminum sheet, lower, .040 x 33 x 262" |
| 14) 114387-02 | Bow, Z rib, LH |
| 15) 114387-01 | Bow, Z rib, RH |
| 16) 100986 | Wheel well stiffener (floor channel) |
| 17) 114003-04 | Wheel well trim, inner, single axle |
| 18) 114004-04 | Wheel well trim, outer, single axle |
| 19) 101131-01 | Underbelly wrap, .024 x 22.5, pewter |
| 20) 104264 | Cover, 30# LPG bottles |
| 21) 511017-11 | Vent cover, range exhaust |
| 22) 114466-01 | Casting, rub rail end, wheel well, RH |
| 23) 114466-02 | Casting, rub rail end, wheel well, LH |
| 24) 203251-01 | Banana wrap, RS front |
| 25) 203251-03 | Banana wrap, RS rear |
| 26) 601392-05 | City water hook-up |
| 27). 104619 | Mounting plate, exterior telephone & TV jack |
| 510624-01 | Modular phone quick jack, white |
| 452981 | Phone jack protective plate |

2004 SAFARI- BAMBI

BODY, CS, 19FT.



2004 SAFARI- BAMBI

BODY, CS 19FT SAFARI

(Hardware such as hinges, locks and latches are located in the **hardware** section of this book)

- | | |
|----------------|---|
| 1) 114290-01 | Extrusion, awning/drip rail |
| 2) 114994 | Rib, end bow |
| 3) 104707-05 | Extrusion, "I" beam |
| 4) 114880-262 | Aluminum sheet, upper, .040 x 51 x 262" |
| 5) 371381-02 | Window, 19.25 x 22.75" |
| 6) 690259-03 | Cover and mounting flange, Atwood |
| 7) 325002 | RIVET SHANK DIA 1/8" X3/8" PLAIN |
| 8) 365016 | Tape, double stick 1/2" |
| 9) 100034 | "Z" bar, 48" |
| 10) 114460 | Extrusion, rub rail |
| 11) 201763-01 | Insert, rub rail, chrome, 1" |
| 12) 100986 | Floor channel |
| 13) 114879-262 | Aluminum sheet, lower, .040 x 33 x 262" |
| 14) 114387-02 | Bow, Z rib, LH |
| 15) 114387-01 | Bow, Z rib, RH |
| 16) 100986 | Wheel well stiffener (floor channel) |
| 17) 114003-04 | Wheel well trim, inner, single axle |
| 18) 114004-04 | Wheel well trim, outer, single axle |
| 19) 101131-01 | Underbelly wrap, .024 x 22.5,pewter |
| 20) 104264 | Cover, 30# LPG bottles |
| 21) 922243 | Door assembly, refrigerator assess |
| 22) 371381-01 | Window, main door |
| 23) 110067-01 | Main door assembly |
| 24) 114654 | Screen door assembly |
| 25) 114652 | Jamb, main door, pre-formed |
| 26) 114465-01 | Casting, rub rail end, door, RH |
| 27) 114465-02 | Casting, rub rail end, door, LH |
| 28) 114466-01 | Casting, rub rail end, wheel well, RH |
| 29) 114466-02 | Casting, rub rail end, wheel well, LH |
| 30) 203251-04 | Banana wrap, CS rear |
| 31) 203251-02 | Banana wrap, CS front |

2004 SAFARI- BAMBI

BODY INTERIOR

965589 END LINER ASSY. REAR, 25' SLEEP 6
965590-02 END LINER ASSY. REAR, 25 A & B, 28' SO
965590-01 END LINER ASSY. FRONT, 25' SS, A & B, 28' SO
965625 Roof locker & aft end liner, 19 FT.
965626 Roof locker & forward end liner, 19Ft.

114445 Aluminum sheet, .032" x 34" x coil
114853-01 Aluminum sheet, .032" x 57" x coil

702482-03* Head liner, end liner, Spectra Opal
702481 * Wall liner, Geometric Pearl
702481-01 * Wall liner, Geometric Pearl, 96"

114157-01 Extrusion, end liner, upper, white
201728-01 Extrusion, ceiling trim retainer
201728-03 Extrusion, ceiling trim
203225 Trim, flexible, "U", white
203138-01 Extrusion, plastic, wall, white
203138-02 Extrusion, plastic, wall, brown
203138-03 Extrusion, plastic, wall, beige
203138-04 EXTRUSION - PLASTIC WALL OAK
101077 Extrusion, main doorjamb trim, interior

SLIDE OUT ROOM 28 FT

454154-03 BACKER UPPER S/O FASCIA BOARD
454154-04 BACKER UPPER S/O FASCIA BOARD
453817 BACKER-FWD/AFT FASCIA BOARD
801303-01 FASCIA BOARD-AFT
801303-02 FASCIA BOARD- FWD
801440 FASCIA BOARD-UPPER 90.5"
114931-01 RING-TRIM INTERIOR RH
114931-02 RING-TRIM INTERIOR LH
114507-01 TRIM WHITE 16' PC. STRAIGHT UPPER

*Purchase vinyl glues locally for repairs.

(Continued)

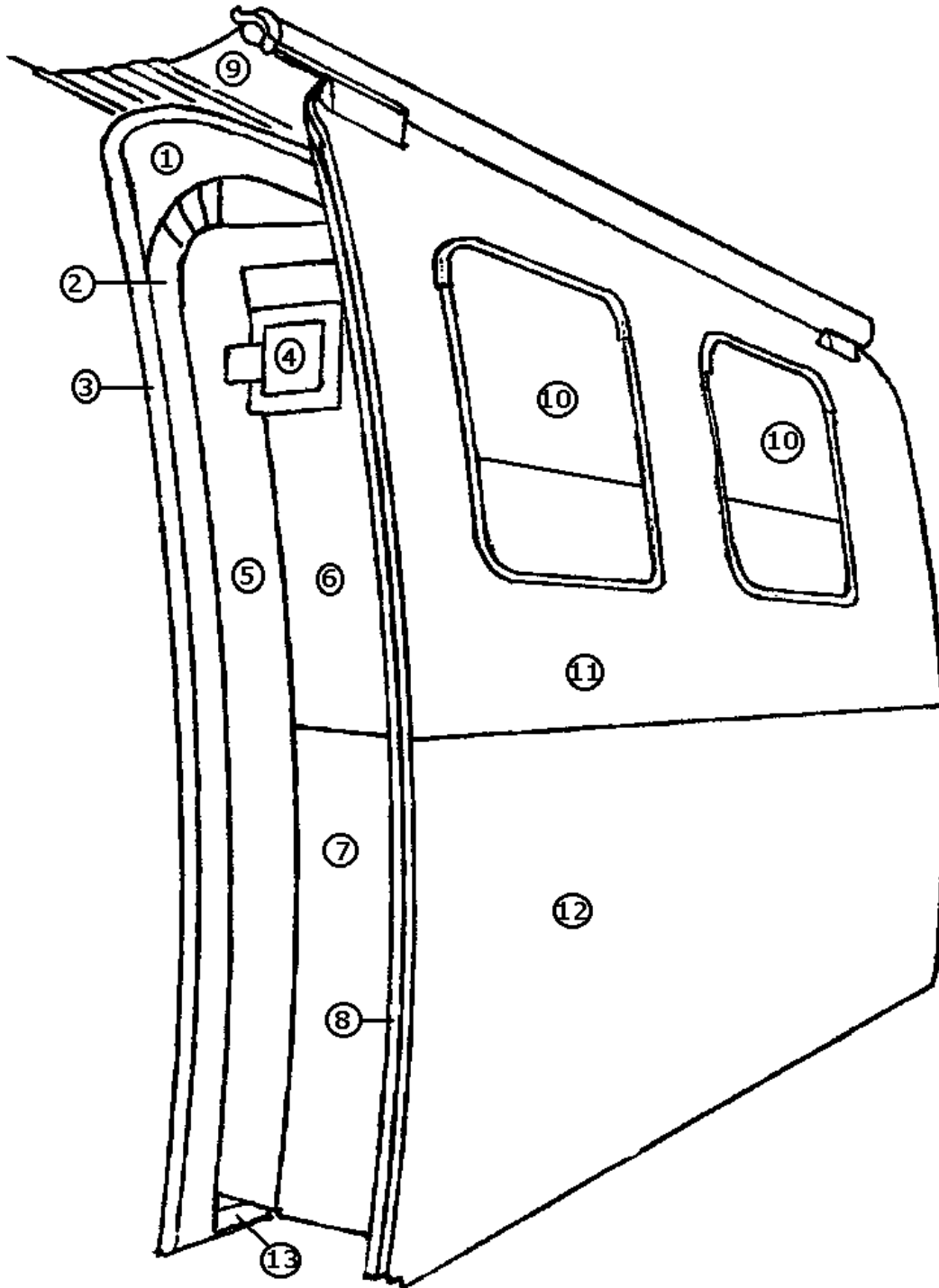
2004 SAFARI- BAMBI

BODY INTERIOR

110460-01	Trim ring, window, 17.75" X 21.25"
110460-02	Trim ring, window, 19.25" x 22.75"
110460-06	Trim ring, window, 19.25" x 29.75"
110460-07	Trim ring, window, 31.25" x 29.75"
110460-05	Trim ring, window, 49.63" x 24.19"
110460-10	Trim ring, window, 26.25" X 19.25"
110460-08	Trim ring, window, 44.0" x 24.19"
110460-11	TRIM RING ALUMINUM, 19.25" X 22.75"
201666-01	MOLDING-J 3/16" ALMOND PLASTIC
203225	TRIM LOK, WHITE, edge trim
200514	Wheel well insulator, tandem
453617	WHEEL WELL BOX, 19 ft.

2004 SAFARI- BAMBI

Body
SLIDE-OUT ROOM 28 FT



P/N Next Page

2004 SAFARI- BAMBI

965296-01 SLIDE OUT ROOM ASSEMBLY 28' S/O

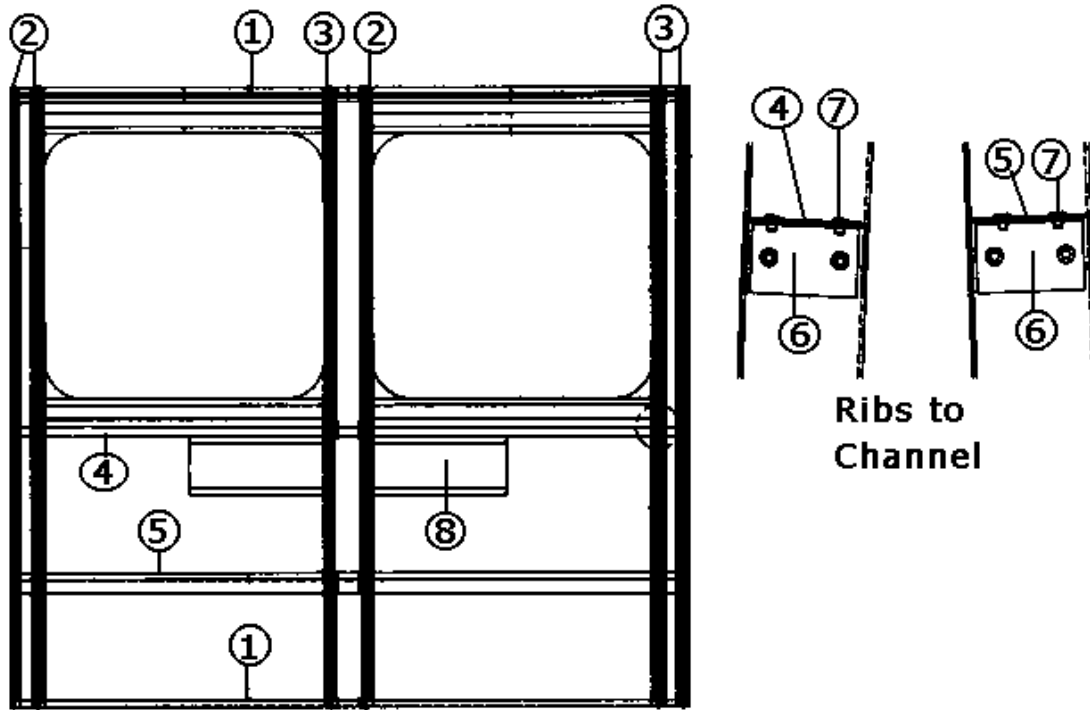
1) 965248	S/O JAMB-FIBERGLASS
2) 381669-02	WIPER SEAL ASSY
3) 114974-01	RING-TRIM EXTERIOR S/O RH
3a) 114974-02	RING-TRIM EXTERIOR S/O LH
3b) 114930	EXTRUSION- "L" SECTION
4) 952648-01	Travel lock, forward
4a) 952648-02	Travel lock, aft
5) 965247	ROOM SHELL-FIBERGLASS
6) 114990-07	END SKIN-FWD FORMED
7) 114990-08	END SKIN-AFT FORMED
8) 381663	Gasket, seal, room to exterior to room
9) 703122-02	Cover, roll out awning
9A) 702949-01	Mounting hardware, cover awning
10) 371381-08	Window, 49.63" x 24.19", 24" egress
11) 115025-02	OUTER S/O UPPER SKIN ASSY
12) 115024-02	OUTER S/O SKIN LOWER ASSY
13) 381587	Gasket, floor wiper

Not shown

965155	Spacer block w/ magnet
381728	Rubber wiper seal, 2.5" wide
114939-01	Rib, slide out insert, R.H.
114938-02	Rib, slide out insert, L.H.
115000	EXTR. -ROCKER PANEL ALUM.
115001	ANGLE-ROCKER MOUNTING
114977	ANGLE-GREY FORMED FLOOR EDGE
915621	MOUNTING PLATE, SLIDE-OUT ARM
114941	CLOSEOUT-UNDER FLOOR CENTER S/O
801304	SHIM-SLIDE OUT ROLLER
381705	ROLLER BLOCK ASSY.
203226-01	DRAIN PLASTIC RH
203226-02	DRAIN PLASTIC LH
203243	GUIDE BLOCKS NYLON
114980-02	COVER-TRAVEL LOCK LH
114980-01	COVER-TRAVEL LOCK RH

2004 SAFARI- BAMBI

965297-01 Slide Out Insert Shell 28' S/O



- | | |
|--------------|------------------------------------|
| 1. 114938 | Aluminum Extrusion |
| 2. 114939-01 | Rib, RH |
| 3. 114939-02 | Rib, LH |
| 4. 114415 | C-channel, formed |
| 5. 100034 | Z-bar, horizontal frame |
| 6. 114414 | Angle, formed, 1" x 1" x 1.5" |
| 7. 330126-03 | Pop rivet, SSD44SSBS |
| 8. 453629 | Hat section, dinette table support |
| 381753 | RUBBER, COVE MOLDING, 1.98"WIDE |
| 511531 | SWITCH TRAVEL LOCK |

2004 SAFARI- BAMBI

CHASSIS

7430001H	Axle, 4,000#-19 FT
7300253H	Axle, 3000#, 25ft.
7440003	AXLE 4400#, 28 SO
7350475H	Axle, 3500#, 28 "W"
0220003	Shock absorber, all Safari & Bambi
0250173-15	Bolt, grade 5, 5/8"-18 x 1.5", shock mount
0130068-818	Nut, hex head flanged, 5/8"-18, shock mount
400923	lug nut, Acorn
0140053-62	WASHER DISC SPRING, SP, 5/8 I.D.

All Safari & 19 Ft. Bambi

410840-01	Tire and wheel assembly, 15", BSW
400844	Dust cover, center hub
410843-01	Spare Tire/wheel assembly, steel 15"
450414	"A" frame spare tire carrier
300023-02	Washer, offset, shell attachment
400949	*Tire wheel assembly, 14", w/rivets
400948	*Center cap, for, 400949

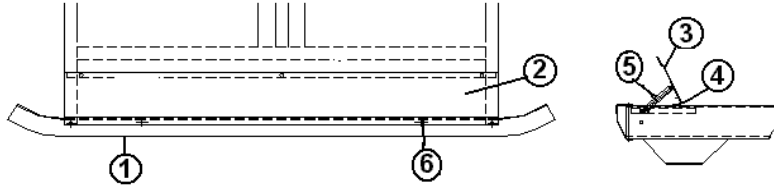
*400949 & 400948 replaced during model year by:

400984	Tire/Wheel assembly, 14", no rivets
400985	Center cap, for 400984

2004 SAFARI- BAMBI

CHASSIS

200844 Wheel well, tandem
 201565 Tufcote noise barrier, for wheel well
 381416 Step, single, Elkhart #124



1. 410847 BUMPER, 16', 22'.
 1a. 410932 BUMPER, 19 FT.
 1b. 410831 BUMPER, 25', 28'
 2. 453946 BOTTOM-STORAGE COMPARTMENT, 22'
 2a. 453627 BOTTOM-STORAGE COMPARTMENT, 19'
 2b. 453538 BOTTOM-STORAGE COMPARTMENT, 25', 28'
 3. 453948 LID REAR BUMPER COMPARTMENT, 22'
 3a. 454214 LID REAR BUMPER COMPARTMENT, 19'
 3b. 453497 LID REAR BUMPER COMPARTMENT , 25', 28'
 4. 380203 HINGE PIANO 1/8 PIN
 5. 380024 ARMS SUPPORT RIGHT HAND
 6. 380067 LOCK CAM BUMPER LID LATCH

400914-03 STABILIZER JACK 20", LIGHTWEIGHT, 16', 22'
 400914-02 HANDLE, 15" (STABILIZER JACK)

400093 Stabilizing jacks, BAL w/handle, (4 ea.), 19', 25', 28'
 400093-02 CRANK, STABILIZER JACK (BAL)
 400093-01 BAL jack, each
 400093-04 Foot pad, BAL jack
 601544 E-Z Hose carrier, 46in., 19', 25', 28'

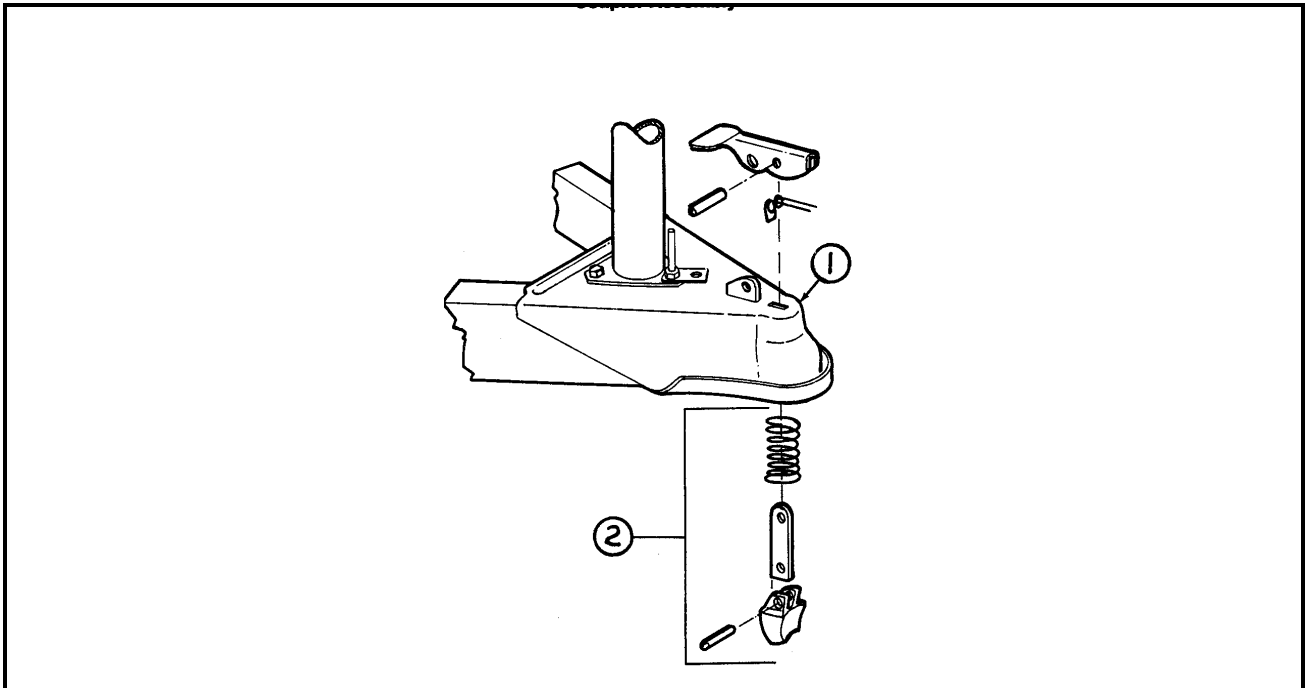
410551-100 Dual battery box
 410551-02 LID BATTERY BOX
 381430 LOCK, TWIST, STRAIGHT CAM
 381205-01 HINGE, ALUM. CONTINUOUS 14"
 381814 Wing nut, battery hold down
 381613 Black plastic cover, COVER-LP WING HANDLE

2004 SAFARI- BAMBI

CHASSIS

0300027 Break away switch, Bargman
0360254H Bracket, breakaway switch

114679 Aluminum underbelly, .019" x 65.75 x coil
101131-01 Aluminum, underbelly wrap, .024" x 22.5, gray
400945 5/16" clevis, safety slip hook



1) 680343 Coupler assembly, 2 5/16"
2) 680345 Repair kit, 2 5/16" coupler

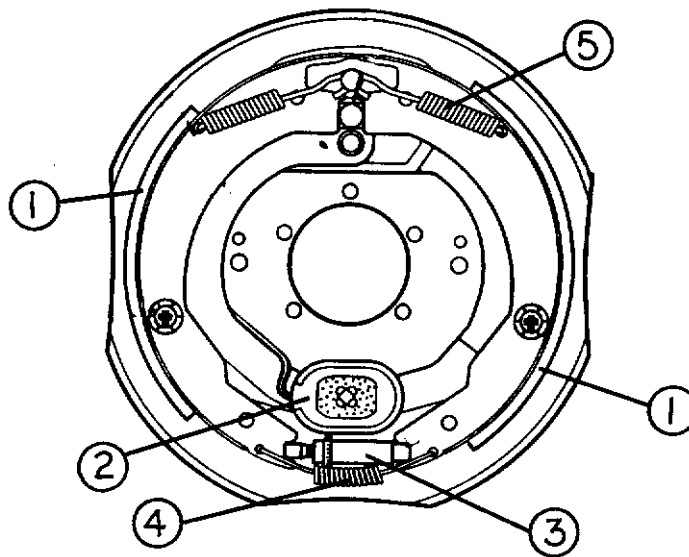
(continued)

2004 SAFARI- BAMBI

CHASSIS

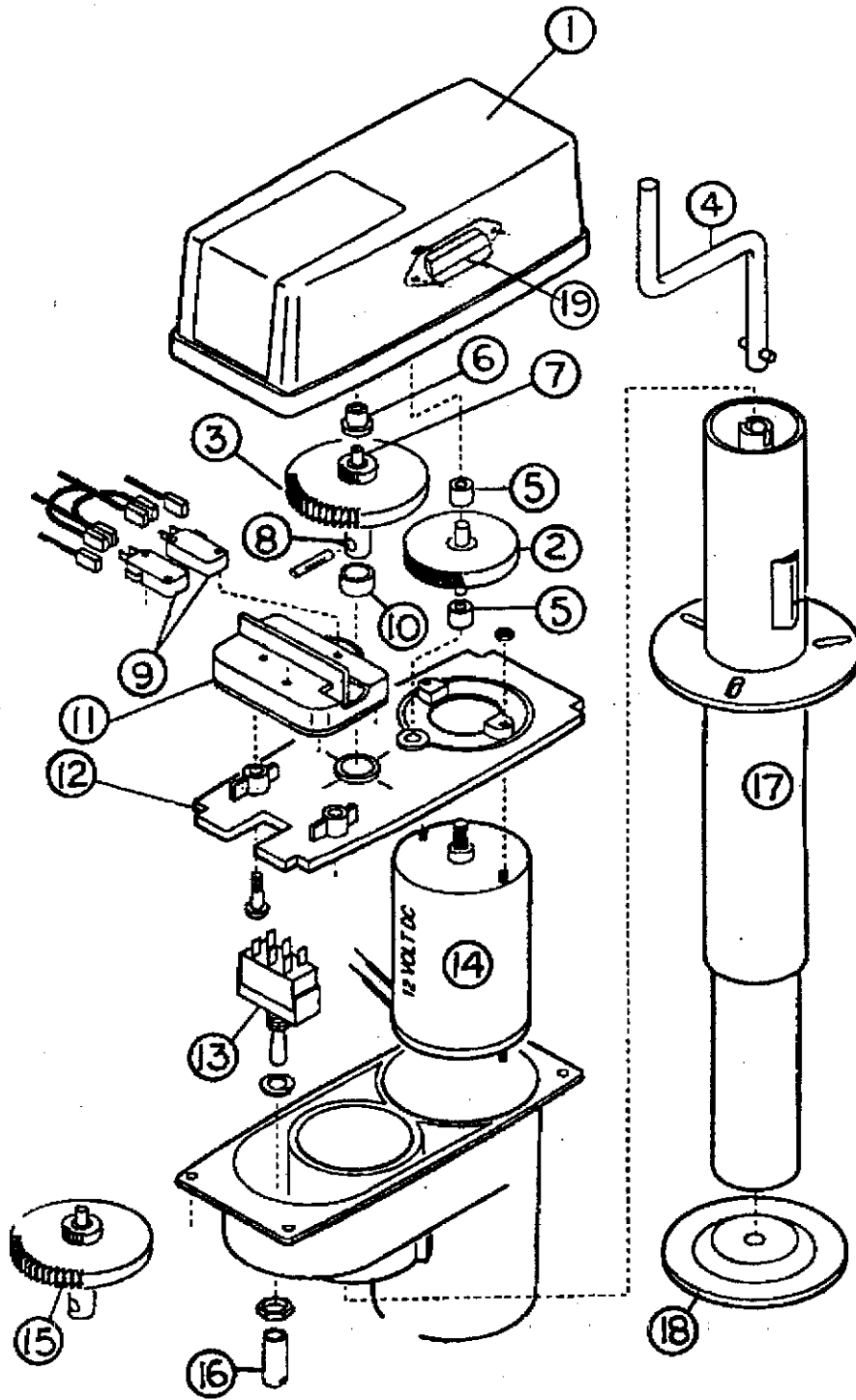
12" BRAKES

3160121	Brake drum, 12", 6 lug
450659	Inner bearing, #25580
680364	Inner race, #25520
450658	Outer bearing, #LM67048
680365	Outer race, #LM67010
680370-100	Grease seal
3160347	Brake assembly, RH, 12" Dexter
3160348	Brake assembly, LH, 12" Dexter



1) 3160348-62	Shoe and lining kit (includes hold down spring and pin)
2) 3160348-65	Magnet kit
3) 3160348-63	Adjuster assembly
4) 3160348-64	Adjusting screw spring
5) 3160348-61	Retractor spring

2004 SAFARI- BAMBI



2004 SAFARI- BAMBI

CHASSIS

POWER JACK (Option on some models)

511544	Power jack w/light
012251	Power head less post
1) 012198	Cover, Super Jack
2) 010051	Gear, fiber, Super Jack
3) 015551	Drive gear, Super Jack
4) 016199	Crank handle, manual, Super Jack
5) 080501	Bushing, bronze, Super Jack
6) 010055	Bushing, flange, Super Jack
7) 015552	Gear, pot/reed, Super Jack
8) 015553	Shaft, Super Jack
9) 081703	Micro switch, Super Jack
10) 080520	Bushing/bronze,7/16,Super Jack
11) 012252	Limit switch assembly, Super Jack
12) 012200	Center plate, Super Jack
13) 081704	Switch, toggle, Super Jack
14) 016263	Motor, 12V, Super Jack
15) 011675	Drive gear assembly, Super Jack
16) 010069	Switch cover, Super Jack
17) 011631	Jack post, Super Jack
18) 410598	Foot pad #12231
19) 026503	Light, Jack

Standard

3320028	Jack, front, Atwood
453570	Stabilizer plate, front jack
410598	Foot pad
345272-05	BOLT HEX HD. 3/8-16" X 1.25"

SECTION II

D through E

[DECALS/EXTERIOR TRIM](#)II-1

DOORS/WINDOWS/AWNING

[Doors](#)II-2

[Windows](#)II-5

[Awning/rock guard](#)II-6

[DRAPES/BLINDS/VALANCES](#)II-7

ELECTRICAL

[110 volt](#)II-14

[12 volt](#).....II-15

[Exterior light/reflectors](#)II-17

ENTERTAINMENT

[Radio/antenna](#)II-18

2004 SAFARI- BAMBI

DECALS/EXTERIOR TRIM

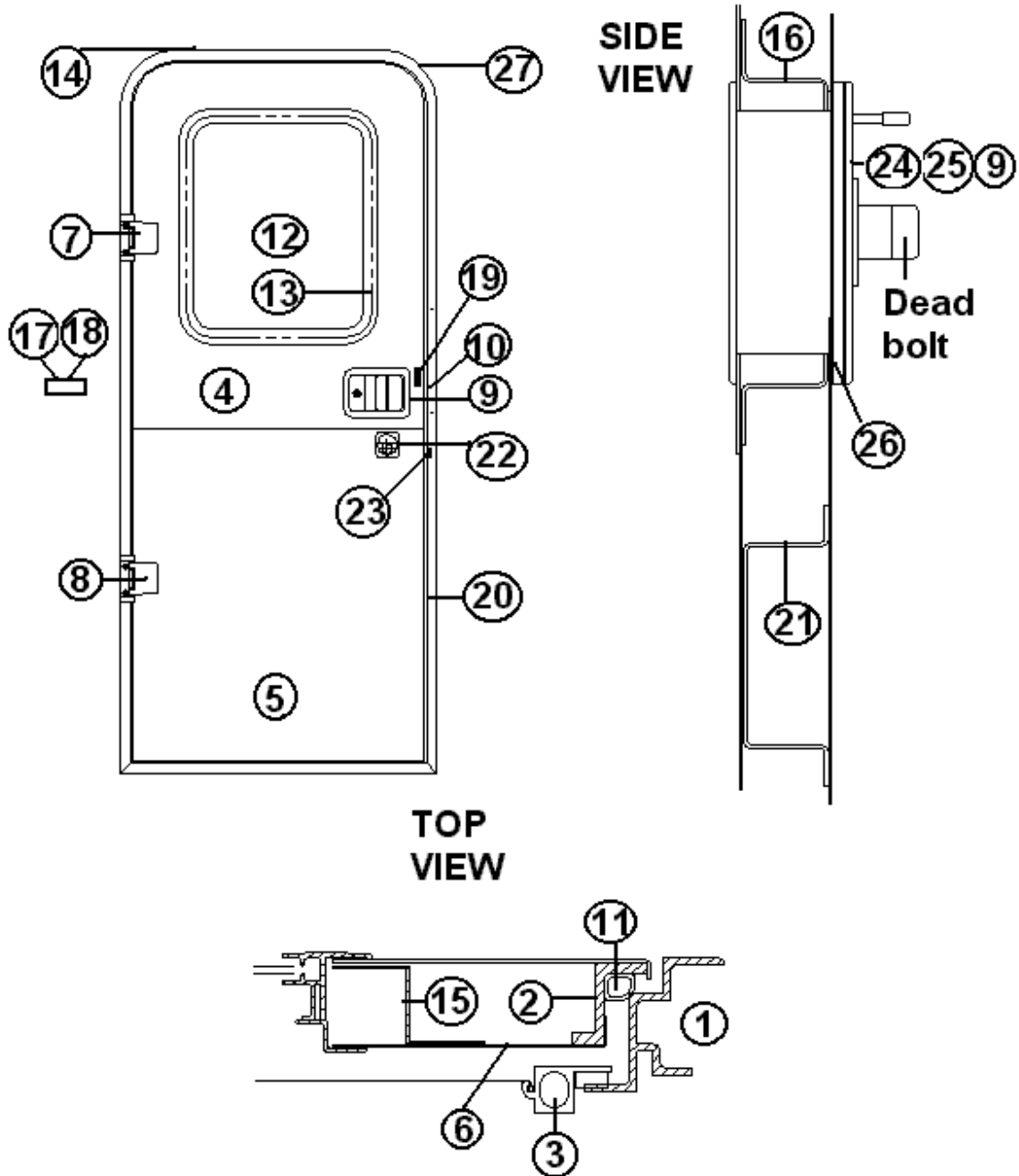
386091	LOGO AIRSTREAM BLACK RAISED LETTERS front and rear
386088	DECAL, STRIPE, CENTER BLACK REFLECTIVE 5/16"
386127	NAMEPLATE SAFARI BLK REFLECTIVE D. LENZ
386131	Decal, side sheet, "AIRSTREAM"
386126	NAMEPLATE-BAMBI BLACK/GRAY
386068	Medallion, screen door, 3", black
385582-01	DECAL, AIRSTREAM W/BAR, roof A/C shroud
386099	Logo, Bambi LS
114460	Extrusion, rub rail
201763-01	Insert, rub rail, chrome, 1"
114466-01	Close out, casting, rub rail, angled RH
114466-02	Close out, casting, rub rail, angled LH
114465-01	Close out, casting, rub rail RH
114465-02	Close out, casting, rub rail LH
500095	REFLECTOR RED RECTANGULAR
500096	REFLECTOR, AMBER
510446	REFLECTOR, RED, STICK-ON

2004 SAFARI- BAMBI

DOORS/WINDOWS/AWNING

(Hardware such as hinges, locks and latches are located in the **hardware** section of this book.)

EXTERIOR DOORS



- 115207-01 Main door assembly, LH hinge
 1. 114653 Frame, main door, pre-formed
 2. 114652 Jamb, main door, pre-formed

Continued on the next page.

2004 SAFARI- BAMBI

DOORS/WINDOWS/AWNING

Main Door

- 3. 114654 Screen door assembly
 - 114561-01 Panel, slider, screen door
 - 114648-01 Kick panel screen door
 - 203287-02 Close out, plastic, screen door w/dead
 - 683946 BUG SEAL, edge of screen door close out
 - 32226W Guard, screen door
 - 380079 Screen, gray
 - 200518 Spline, gray, screen insert
 - 701624 VELCRO LOOP 5/8" WIDE
 - 701625 VELCRO HOOK, 5/8" WIDE
 - 365013-01 Gasket, screen door, foam tape
 - 381454 Screen door hold back latch, Bullet
- 4. 114448-03 Skin, exterior, upper main door
- 5. 114449-03 Skin, exterior, lower main door
- 6. 114475 Skin, inner
- 7. 381552-03 HINGE ASSY. MAIN DOOR UPPER
- 8. 381552-04 HINGE ASSY. MAIN DOOR LOWER
- 9. Trimark latch assembly parts shown in hardware section
- 10. 385595 Pocket strike, main door
- 11. 365232 Seal, main door
- 12. 371319-05 Window main door
- 13. 371319-03 Window trim, main door
- 14. 114363 Drip cap, main door
- 15. 114658 Inner door, "Z" bar, upper & lower
- 16. 114657 Hat section, formed, main door
- 17. 380290 Housing. Latch, mounted on side sheet
- 18. 380291 Latch assembly, mounted on side sheet
- 19. 201056 Striker, main door, black plastic
- 20. 114655 Trim ring formed, main door
- 21. 115004 Hat section assembly, dead bolt
- 22. 381323-01 Dead bolt, complete assembly
- 23. 381326 Striker w/ Trimark deadbolt
- 24. 345321-12 Screw, flat head, black
- 25. 453851 Bolt, Trimark, deadbolt
- 26. 203370 Spacer, deadbolt assembly
- 27. 381704 Seal, upper main door, (above 365232)

2004 SAFARI- BAMBI

DOORS/WINDOWS/AWNING

(Hardware such as hinges, locks and latches are located in the **hardware** section of this book.)

EXTERIOR DOORS

922243	Door, refrigerator access, assembly
922156	Refer access door only
104417	Jamb, refrigerator access door
381812	Door latch, short paw
104439	Louvered panel, refrigerator access door
380988	HINGE, CONTINUOUS .5IN LEAF 16IN
203225	Trim, flexible
100679-01	Side access door assembly
100679	Side access door assembly
365035	Seal, side access door
380770	LOCK & CASTING ASSEMBLY
380773	HINGE, ACCESS DOOR
921159	Trunk door assembly, rear, 25' A
365035	Seal, access door
114675	Jamb, rear trunk door
380774-02	HINGE, COMPT DOOR 61.50"
380770	LOCK & CASTING ASSEMBLY
360016	BUMP-ON RUBBER
701538	CARPET, ECONOLIER VELOUR BLACK 48"

(Continued)

2004 SAFARI- BAMBI

DOORS/WINDOWS/AWNING

(Hardware such as hinges, locks and latches are located in the **hardware** section of this book.)

WINDOWS

371381-01	Window, 17.75" x 21.25"
371381-02	Window, 19.25" x 22.75"
371381-07	Window, 19.25" x 29.75"
371381-08	Window, 31.25" x 29.75"
371381-12	Window, 49.63" x 24.19", egress rear
371381-05	Window, 49.63 "x 24.19", front
371381-10	Window, 43.94" x 24.19"
371381-15	Window-rear, 26.25" x 19.25"

381665 GASKET "D" SEAL .50W X .36H BLACK

110460-08	Trim ring, window, 44.0" x 24.19"
110460-01	Trim ring, window, 17.75" X 21.25"
110460-02	Trim ring, window, 19.25' x 22.75"
110460-06	Trim ring, window, 19.25" x 29.75"
110460-07	Trim ring, window, 31.25" x 29.75"
110460-05	Trim ring, window, 49.63" x 24.19"
110460-10	Trim ring, window, 26.25 "X 19.25"

2004 SAFARI- BAMBI

DOORS/WINDOWS/AWNING

(Hardware such as hinges, locks and latches are located in the **hardware** section of this book.)

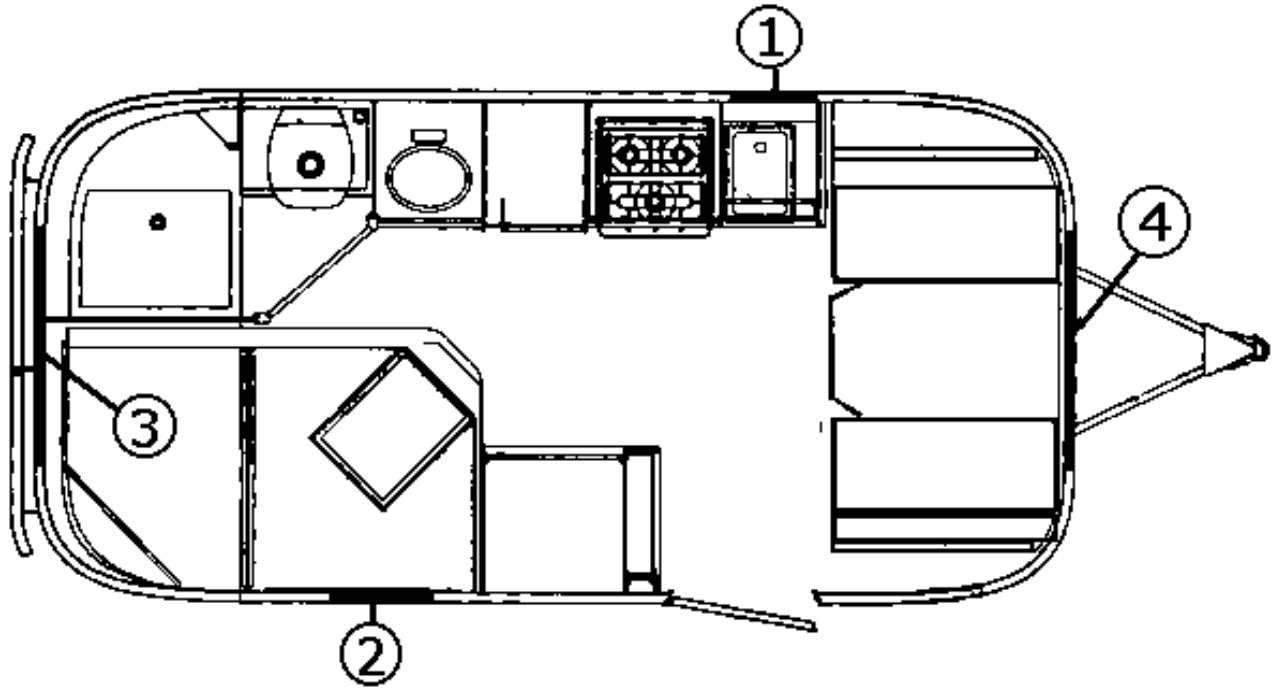
110102-01	Rock guard, Safari
110102-02	Rock guard, 19 FT Bambi.
685351	Rubber frame, black
683960	Arm support
683959	Arm support bracket
685354	Front window key
685378	¼" rubber spline
114749	HINGE "Y" ASSY. (ROCKGUARD ASSY.)
114750	HINGE "J" (ROCKGUARD ASSY.)
685364	BRKT, UPPER HINGE-45.375-STONEGUAR
290812-02	PLEXI-GLASS, 1/8" X 28" X 108"
381021	LATCH, DRAW, FLEXIBLE
101401	EXTRUSION, DOOR LATCH HOUSING

AWNINGS

702993-09	Awning, patio, 9' 8", Zip Dee, 19 FT
702993-16	Awning, patio, 6' 8.75", 16 ft.
702993-06	Awning, patio, 16' 4½", 25ft.
702993-12	Awning, patio, 19'6", 28' SO
702993-08	Awning, patio, 18' 4", 28' W
702993	Hardware package, Zip Dee

2004 SAFARI- BAMBI

DRAPES/BLINDS/VALANCES Bambi 19 FT

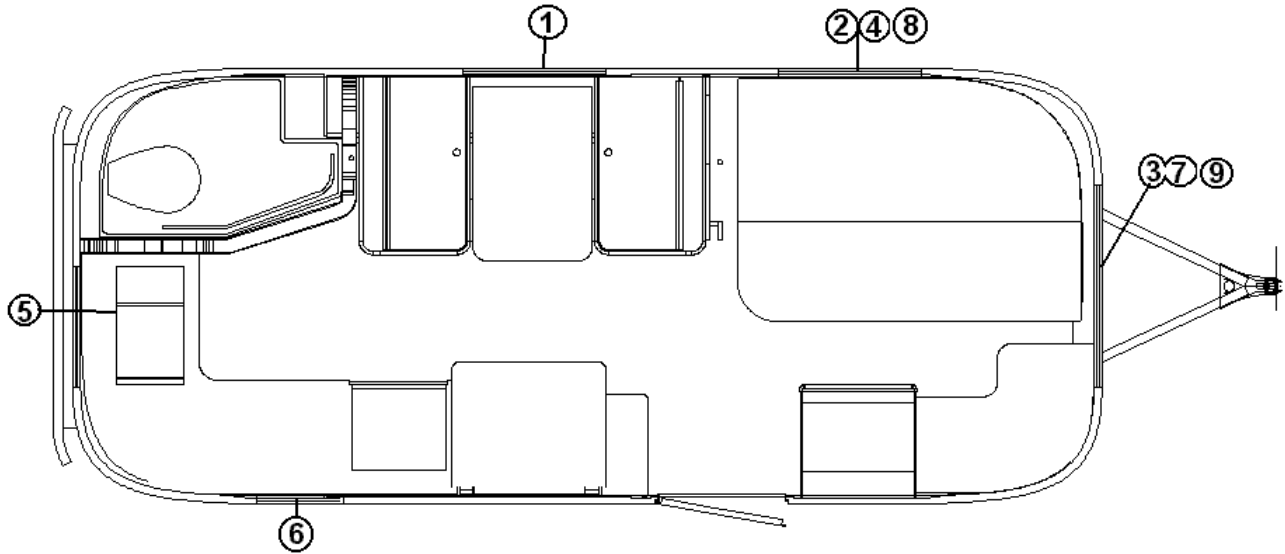


- | | |
|--------------|-------------------------------|
| 1. 703191-04 | Blind, Mini, brushed aluminum |
| 2. 998147-01 | Panel, 3-pleat, 26" |
| 3. 998147-01 | Panel, 3-pleat, 26" |
| 4. 998147-02 | Panel, 6-pleat, 26" |

2004 SAFARI- BAMBI

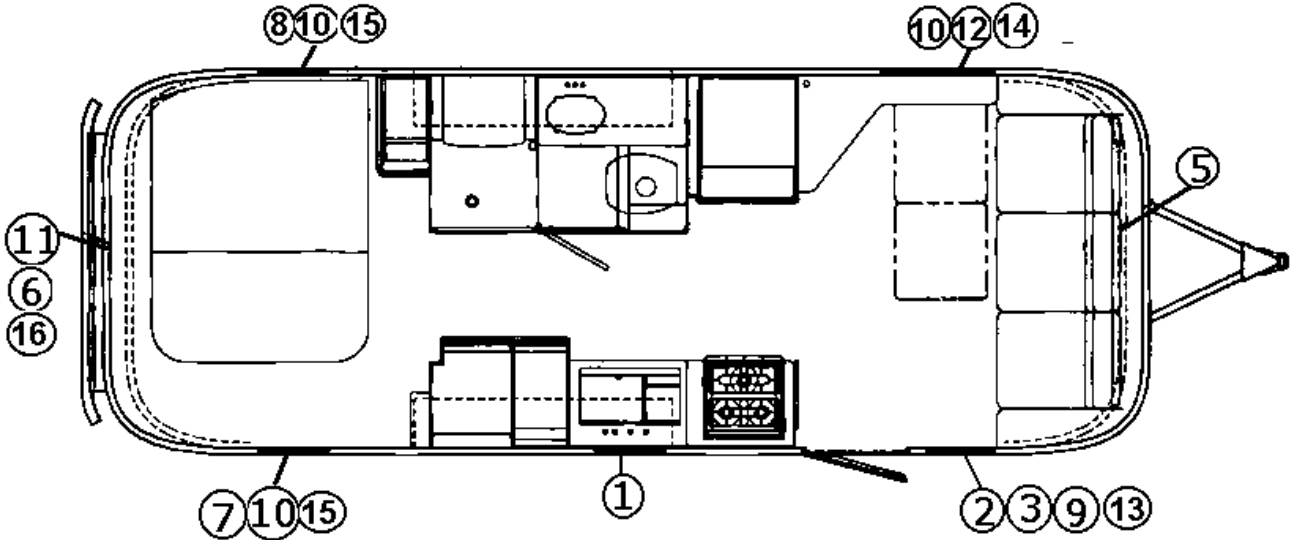
DRAPES/BLINDS/VALANCES

Safari 22 FT



- | | |
|---------------|-------------------------------|
| 1. 998147-05 | Panel, 5-pleat, 27" |
| 2. 998147-10 | Panel, 5-pleat, 35.5" |
| 3. 998147-02 | Panel, 7-pleat, 26.5" |
| 4. 965763-02 | Valance, 26.50" x 6.00" |
| 5. 703191-01 | Blind, Mini, brushed aluminum |
| 6. 703191-02 | Blind, Mini, brushed aluminum |
| 7. 965763-04 | Valance, 18.25" x 24.38" |
| 8. 965933-03 | Valance insert, 34" x 4.00" |
| 9. 965933-03b | Valance insert, 34" x 4.00" |
| 10. 703191-04 | Blind, Mini, brushed aluminum |

2004 SAFARI- BAMBI
 DRAPES/BLINDS/VALANCES
 25 ft. Safari A & B



- 1. 703191-04 Blind, Mini, brushed aluminum
- 2. 998147-08 Panel, 3-pleat, 35.5"
- 3. 998147-09 Panel, 4-pleat, 35.5"
- 4. 998147-09 Panel, 4-pleat, 35.5"
- 5. 998147-15 Panel, 7-pleat, 26.5"
- 6. 998147-15 Panel, 7-pleat, 26.5"
- 7. 998147-03 Panel, 4-pleat, 26"
- 8. 998147-03 Panel, 4-pleat, 26"
- 9. 965763-02 Valance, 26.50" x 6.00"
- 10. 965763-03 Valance, 36" x 6.00"
- 11. 965763-04 Valance, 54" x 6.00"
- 12. 998147-10 Panel, 5-pleat, 35 1/2"

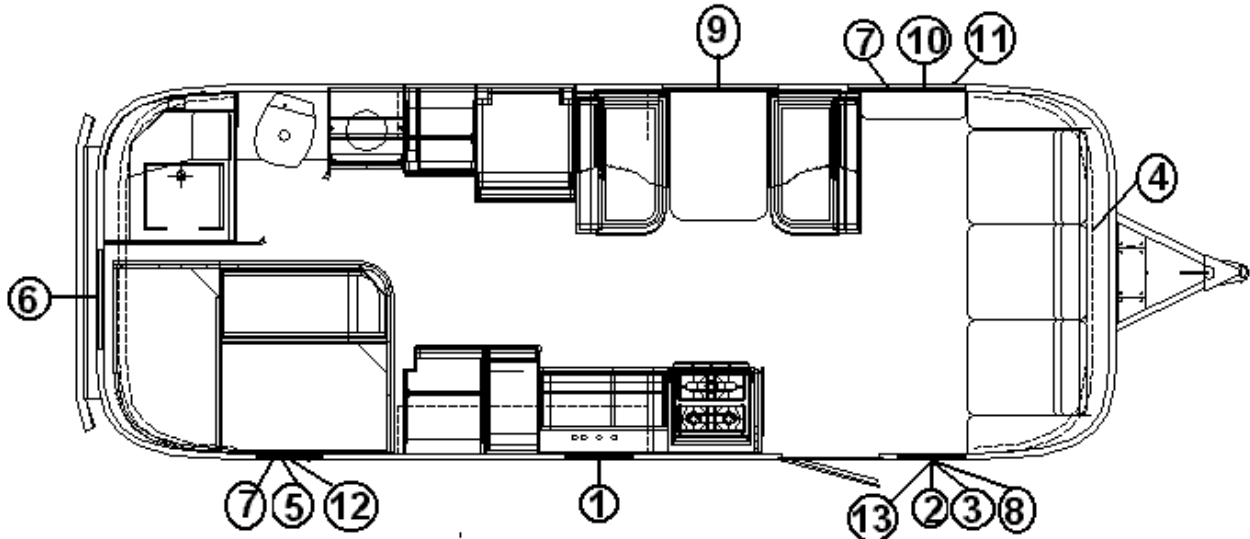
Add for Interior Upgrade option

- 13. 965933-02 Valance insert, 34" x 4.00"
- 14. 965933-03 Valance insert, 34" x 4.00"
- 15. 965933-03b Valance insert, 34" x 4.00"
- 16. 965933-04 Valance insert, 55" x 4.00"

2004 SAFARI- BAMBI

DRAPES/BLINDS/VALANCES

25' Safari Sleep Six



- | | |
|---------------|-------------------------------|
| 1. 703191-04 | Blind, Mini, brushed aluminum |
| 2. 998148-08 | Panel, 3-pleat, 35.5" |
| 3. 998147-09 | Panel, 4-pleat, 35.5" |
| 4. 998147-15 | Panel, 7-pleat, 26.5" |
| 5. 998147-03 | Panel, 4-pleat, 26.5" |
| 6. 998147-03 | Panel, 4-pleat, 26.5" |
| 7. 965763-03 | Valance, 36" x 6.00" |
| 8. 965763-02 | Valance, 26.50" x 6.00" |
| 9. 998147-06 | Panel, 5-pleat, 29.5" |
| 10. 998147-14 | Panel, 5-pleat 35 1/2" |
| 11. 998147-10 | Panel 5-pleat 27 1/2" |

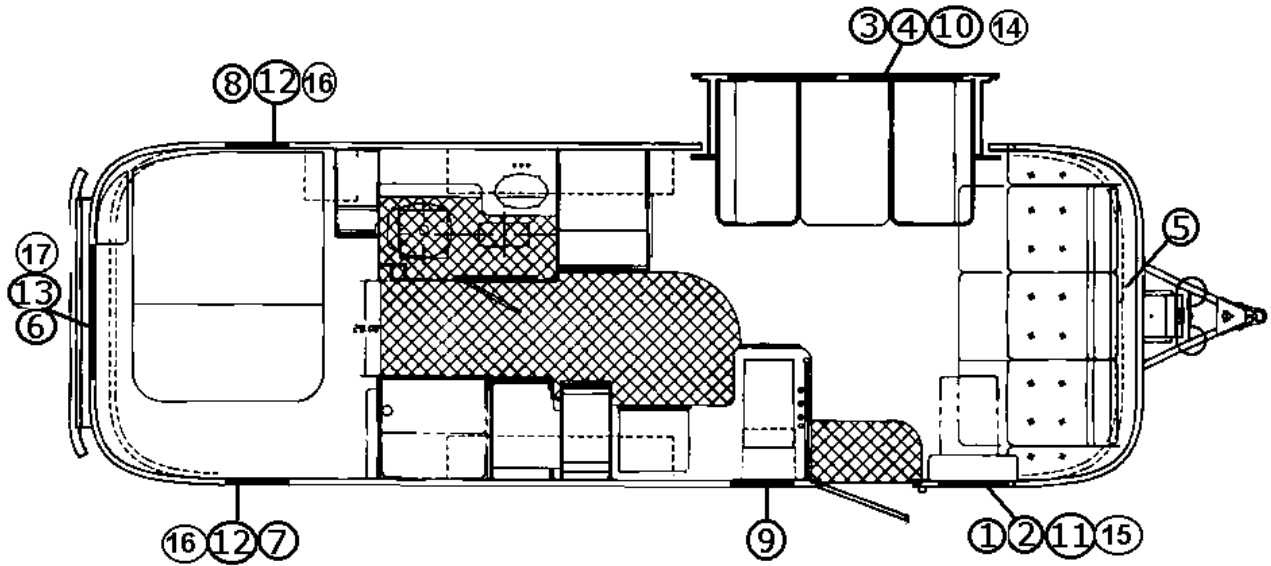
Add for Interior Upgrade option

- | | |
|----------------|-------------------------------|
| 11. 965933-03 | Valance insert, 34" x 4.00" |
| 12. 965933-03B | Valance insert, 34" x 4.00" |
| 13. 965933-02 | Valance insert, 24.5" x 4.00" |

2004 SAFARI- BAMBI

DRAPES/BLINDS/VALANCES

Safari 28 ft. Slide out



- | | |
|---------------|-------------------------------|
| 1. 998147-08 | Panel, 3-pleat, 35.5" |
| 2. 998147-09 | Panel, 4-pleat, 35.5" |
| 3. 998147-07 | Panel, 8-pleat, 29.5" |
| 4. 998147-06 | Panel, 5-pleat, 29.5" |
| 5. 998147-15 | Panel, 7-pleat, 25.5" |
| 6. 998147-15 | Panel, 7-pleat, 25.5" |
| 7. 998147-03 | Panel, 4-pleat, 26.5" |
| 8. 998147-03 | Panel, 4-pleat, 26.5" |
| 9. 703191-04 | Blind, Mini, brushed aluminum |
| 10. 965763-01 | Valance, 69.00" x 6.00" |
| 11. 965763-02 | Valance, 69.00" x 6.00" |
| 11.965763-03 | Valance, 36" x 6.00" |
| 12.965763-04 | Valance, 54.00" x 6.00" |

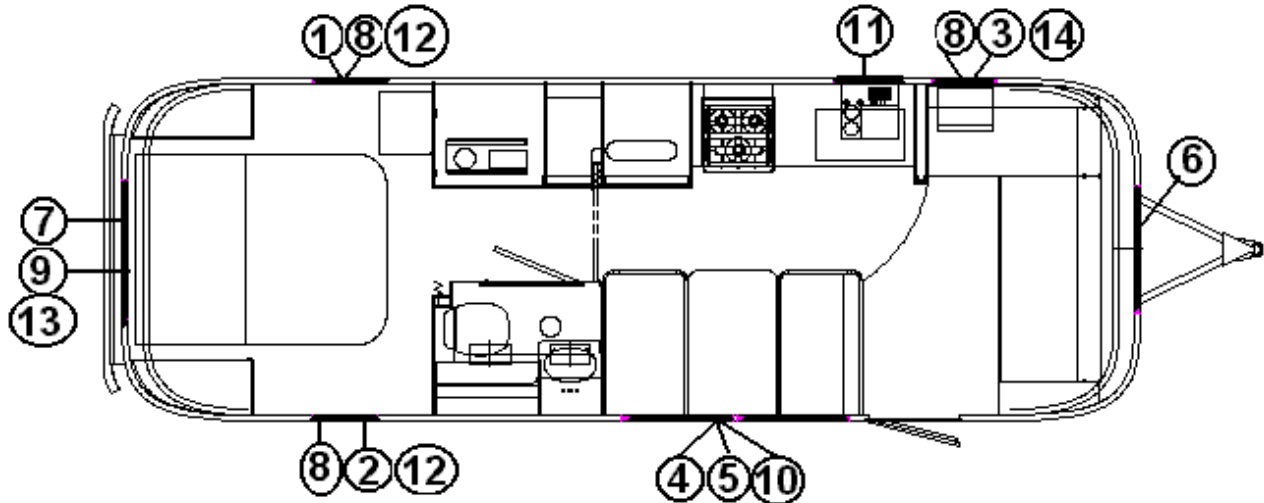
Add for Interior Upgrade option

- | | |
|---------------|-------------------------------|
| 14. 965933-01 | Valance insert, 67" x 4.00" |
| 15. 965933-02 | Valance insert, 24.5" x 4.00" |
| 16. 965933-03 | Valance insert, 34" x 4.00" |
| 17. 965933-04 | Valance insert, 55" x 4.00" |

2004 SAFARI- BAMBI

DRAPES/BLINDS/VALANCES

Safari 28 ft. "W"



- | | |
|---------------|---|
| 1. 998147-03 | DRAPERY PANEL, 4 PLEATS |
| 2. 998147-03 | DRAPERY PANEL, 4 PLEATS |
| 3. 998147-09 | DRAPERY PANEL, 4 PLEATS |
| 4. 998147-06 | DRAPERY PANEL, 5 PLEATS |
| 5. 998147-07 | DRAPERY PANEL, 8 PLEATS |
| 6. 998147-04 | DRAPERY PANEL, 7 PLEATS |
| 7. 998147-04 | DRAPERY PANEL, 7 PLEATS |
| 8. 965763-02 | VALANCE ASSY, CS FRONT, 26.5" |
| 9. 965763-04 | VALANCE ASSY, BEDROOM, 57" |
| 10. 965763-05 | VALANCE ASSY, 69" W/ENDS |
| 11. 703191-04 | BLIND MINI METAL, 21" X 23", BRUSHED ALUMINUM |

Add for Interior Upgrade option

- | | |
|----------------|-------------------------------|
| 12. 965933-02b | Valance insert, 24.5" x 4.00" |
| 13. 965933-05 | Valance insert, 55" x 4.00" |
| 14. 965933-02 | Valance insert, 24.5" x 4.00" |

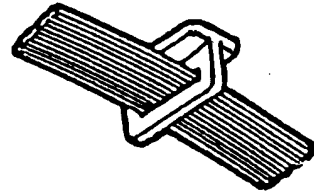
2004 SAFARI- BAMBI
DRAPES/BLINDS/VALANCES



101220
Bracket, curtain
stand off



101217
Track, curtain



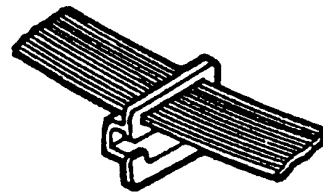
700044
Glides, w/elastic
"T" type



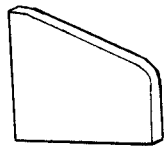
114021
Bracket, curtain
stand off



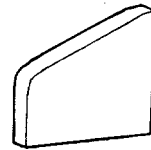
101225
Bracket, curtain
stand off



700045
Glides, w/elastic
"G" type



200785
End, curtain track, LH



200784
End, curtain track, RH

2004 SAFARI- BAMBI

ELECTRICAL

110 VOLT

511416-02	30-amp, male power inlet
511416-03	POWER CORD 30A 30' W/CONN UL/CSA
511654	POWER CENTER-110V/12V MAGNATEK, BROWN
511654-01	POWER CENTER-110V/12V MAGNATEK, BLACK
510564-05	BREAKER BRYANT 30-20
510564-04	BREAKER BRYANT 20-20
510564-20	GFI BREAKER, TYPE BR, 20GFI, #GFCB-120
510564-07	BREAKER BRYANT 15 GFI
500913-03	SWITCH T & B WHITE
511814-01	Receptacle, 15 amp, gray
511814-02	Decorator plate, gray
511815-01	Receptacle, 15 amp, black
511815-02	Decorator plate, black
511287	Receptacle, 15 amp, single
510676-01	Outlet, exterior, gray
511023	Circuit tester (loose item)
500933	Switch package, water heater
510014	BOX JUNCTION OCTAGON #54151-C
510015	BOX COVER #54C-1
510475	CLIP, GROUND
	Covers for wiring in cabinets.
511227-01	RACEWAY TYPE L WIT BROWN
511227-02	END CAP FITTING FOR BROWN RACEWAY
CSA	
511336	BREAKER BOX SQ. D Q03-5FM30TTS, CSA
511041	BREAKER BOX #TT120SLGNM
510663	BREAKER, 30 AMP QO130
510666	BREAKER 15/20 AMP QOT1520
510717	BREAKER, SQUARE "D", QOT1515
510664	BREAKER, SQUARE D #QO115GFI, 15

2004 SAFARI- BAMBI

ELECTRICAL

12 VOLT

511386	Battery box, 16 ft.
511596	Battery, deep cycle, 19 ft, 25 ft.
340023	Latch, Corbin, battery box
453603	Strap, battery box
511132	Battery, deep cycle, lead acid, all except 16'
203415	Battery tray
381814	Wing nut, battery hold down
381613	Cover, black plastic for hold down wing nut
500836	Positive battery cable
500837	Negative Battery cable
500836-01	Positive battery cable, 72"
500886	7-Way cable w/plug
0300027	Break away switch, Bargman
0360254H	BREAK-AWAY SWITCH BRACKET
510947-20	20 amp BREAKER, 12V DC, TYPE II, #12V20
510948-04	BAR BUSS CIRCUIT BREAKER
510743	GROUND BAR, 3 ½" LONG
511248	Light, 12 volt, incandescent, single, interior
511249	Light, 12 volt, incandescent, double, interior
511248	LIGHT COMPARTMENT #PD771WW
511694	Halogen reading light, brass/nickel
511816	Light, oval ceiling fixture
510781	Detector, smoke
511309	Detector, LPG

Battery Disconnect

511655-01	BDO BEZEL ASSY-BLACK/SILVER
511655-02	BD RELAY 100 AMP 12VOLT
511655-03	CABLE, BDO/1, 20 FT

2004 SAFARI- BAMBI

ELECTRICAL

12 VOLT

511788-01	Monitor panel, CATCON Micropulse
511789	SENSOR, TANK MONITOR
502056	Mounting plate, 12 volt switch
511327	Switch body w/rocker, single, white
510868-03	Switch panel, 4 gang, white, by door
511567-01	SWITCH BODY W/ROCKER, 2 GANG BLACK
511567-02	Switch body w/Rocker switches, two gang white
511566-02	Cover, switch, Printed, Two Gang, White
511566-01	SWITCH COVER-2 GANG BLACK
511665	SWITCH ASSY, CEILING WHITE
452412	BRACKET FUSE BLOCK 12V
510807	Outlet, 12 volt
511121	Mounting plate, 12 volt receptacle
500996	Jack, TV/phone, gray
510741	BOX/ELECTRICAL, 1 1/2" X 2" X 3"
510654-01	TV jack/12 volt w/splitter, white
510624-01	Modular phone quick jack, white
452981	PHONE JACK PROTECTIVE PLATE
104619	Mounting plate, exterior telephone/TV jack
511411	Junction box, 7 terminals
511534	Dual coax plate, Satellite TV, hook up
511375	JACK MODULAR TELEPHONE TA-1020
340093-03	CLIP, "J" - VINYL COATED, 1/2"
511682	SWITCH ASSY-3 GANG WHITE
511669	SWITCH ASSY-SHOWER WHITE
511658	SWITCH BODY W/COVER 3-GANG
511665	SWITCH ASSY-CEILING WHITE
511731	SWITCH-WATER HEATER
511531	SWITCH TRAVEL LOCK, S/O TT
511451-01	RECEPTACLE 20A SINGLE WHITE
510888-05	RECEPTACLE W/COVER GFI WHITE, CSA

2004 SAFARI- BAMBI

ELECTRICAL

12 VOLT

EXTERIOR LIGHTS/REFLECTORS

500092	Patio light, round, Signal Stat
510160	Bulb, patio light #1156
510732	Utility light (by main door)
510651	Light, front access compartment
500500-01	Complete taillight assy.
201462	Pocket, ABS taillight
380226	Gasket, taillight lens
510163	3 in. Red reflector
510162	Taillight lens
510161	Lamp, assy., Single filament bulb
510160	Lamp assy., DBL. Filament bulb
203418	Bright chrome plated, taillight bezel
511750	Light, teardrop, amber
511751	Teardrop light, red
500095	Reflector, red, rectangular
500096	Reflector, amber, rectangular
510446	Reflector, red, stick-on w/chrome edge
510163	Reflector, red, 3"
500053	License plate light w/plate mounting bracket

CSA

385971	LABEL FUSE EXTERIOR LIGHT
511016	BLOCK FUSE 12V 9 POSITION ATC
511313	FLOCK FUSE ATC 12V 6 POSITION
511314	BUSHING UNIVERSAL 1" I.D. BLACK
511345	FUSE 30A AGU GLASS TUBE BUSS
452412	BRACKET, FUSE BLOCK, 12V
510655-01	DOOR/FRAME ONLY W/LATCH 12V PA

2004 SAFARI- BAMBI

ENTERTAINMENT

511732	Radio, AM/FM/CD, CDX-CA710X
511617	Speaker, 4.5", SP4CO
511048-01	Grille, Speaker, white
511617-01	SPEAKER GRILL - BLACK
510610	Antenna, radio, side mount
511807	Antenna, AM/FM rubber, 13"
510788-01	TV antenna, Winegard #RV-7004
510788-03	Amplifier, TV antenna
500484-05	Antenna lead & extension, 72"
510788-04	Hardware package, interior, Winegard
114396	TV antenna roof trough
510612	Coax, 75 ohm, standard
510613	Coax, 75-ohm w/three conductors
510623	Connector, coax, male to male
510616	CONNECTOR, COAX, 75 OHM

Audio Upgrade package:

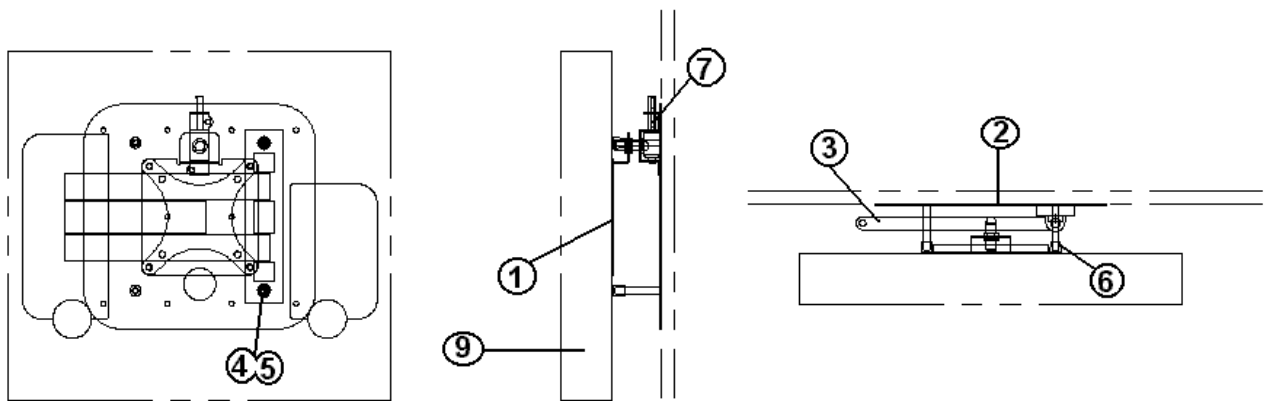
511732	Radio, AM/FM/CD, CDX-CA710X
511761	Speaker, Sony, 6.5"
511825	Subwoofer, Active, 120 watt, Sony
511191	CD changer, 10 unit, Sony CDX-434RF
966059	Base, sub woofer mounting
203465	Speaker spacer, plastic, Sony

2004 SAFARI- BAMBI

Entertainment Package:

511824	Radio, AM/FM/CD/DVD, JVC
511825	Subwoofer, Active, 120 watt, Sony
511827	Wall plate, flush mount, coax, white
511829	"F" connector, male/male, adaptor
203465	Speaker spacer, plastic, Sony

TV Bracket Installation



1. 454209	Bracket, TV mount, TV
2. 454210	Bracket, TV mount Wall
3. 511774	Bracket, articulating arm, flat TV
4. 350147-25	Nut, nylon lack, 1/4" x 20
5. 300111	Washer flat
6. 385587	Cap, hood, rubber
7. 381850	Latch, hidden panel
8. 345425-03	Screw, 4mm x 10 pan head, black
9. 690490	TV, flat screen, 15'

2004 SAFARI- BAMBI

SECTION III

F through H

FASTENERS (common fasteners available locally are not listed)

[Rivets](#)..... III-1

FLOOR COVERING

[Carpet](#)..... III-3

[Mats](#)..... III-3

[Vinyl Flooring](#) III-3

*FURNITURE

[Interior doors](#) III-4

[Mirrors](#) III-6

[Drawer](#) III-6

[Front Lounge](#) III-7

[Galley](#)..... III-22

[Lavatory](#) III-53

[Bedroom](#)..... III-75

HARDWARE

[Exterior locks/hinges](#) III-95

[Interior drawer slides/hinges latches](#) III-99

[Bath, Table, Hinges](#) III-102

[Wardrobe, Drapes, Misc.](#) III-103

[Awning hardware](#) III-104

2004 SAFARI- BAMBI

*FASTENERS

Use anodized for exterior shell repairs.



325043
Rivet, buck type
dia. 1/8"
length 1/4"
(hard)



325000-01
Rivet, buck type
dia. 1/8"
length 1/4"
anodized clear



325000-03
Rivet, buck type
dia. 1/8"
length 1/4"
anodized white



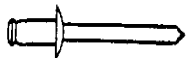
325001-01
Rivet, buck type
dia. 1/8"
length 5/16"
anodized clear



325002-01
Rivet, buck type
dia. 1/8"
length 3/8"
anodized clear



325004-01
Rivet, buck type
dia. 1/8"
length 1/2"
anodized clear



330127-03 AD43ABS
short, dia. 1/8"
grip range .063-.125
aluminum body,
aluminum mandrel



300101
1/8" I.D.
washer,
aluminum

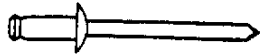


325000
Rivet, buck type
dia. 1/8"
solid brazier
Aluminum

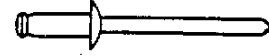
*Common bolts and screws readily available at local hardware outlets have not been listed.

2004 SAFARI- BAMBI

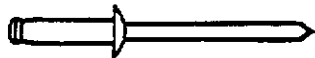
*FASTENERS



330126-02
rivet, pop
dia. 1/8 "
grip range .126-.187
stainless steel
stainless steel mandrel



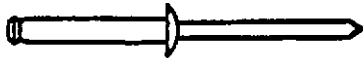
330126-03
rivet, pop
dia. 1/8 "
grip range .126-.250
body stainless steel
stainless steel mandrel



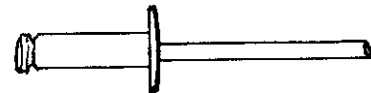
330127-050
rivet, pop
dia. 1/8 "
grip range .251-.312
aluminum body
aluminum mandrel



330128-05
rivet, pop
dia. 1/8 "
grip range .251-.312
aluminum body, white
aluminum mandrel



330127-080
rivet, pop
dia. 1/8 "
grip range .325-.565
aluminum body
aluminum mandrel



330038
rivet, pop
dia. .150 (#20 bit)
grip range .126-.250
aluminum body
aluminum mandrel
(used-screen door hinge)



325103
dia. 1/4 "
grip range .080-.325
SS body, steel mandrel



330136-05
RIVET, #48
STAINLESS
STEEL 1/8"

*Common bolts and screws not listed.

2004 SAFARI- BAMBI

FLOOR COVERING

702794-07 Carpet, Stratus, Spellbound, Amarillo
703313-03 Carpet, Spice Trader, Green
703313-02 Carpet, Spice Trader, Tan

701538 Carpet, Velour-compartment liner

700173 Pad, carpet, 3/8" thick

381346-01 Floor mats

703357 Vinyl flooring, tan w/brown flecks
28 SO

28' W, 25' A & B

381183-01 EDGING, CARPET RIPPLE ALUMINUM 12'
703204 FLOORING, VINYL OAK RIVER #6286

2004 SAFARI- BAMBI

FURNITURE ROOF LOCKER DOORS

965551-01	DOOR-RADIUS FOAM 15.25" X 35.5"
965551-02	DOOR-RADIUS FOAM 15.25" X 31.63"
965551-03	DOOR-RADIUS FOAM 15.25" X 28.38"
965551-04	Door, radius foam, 15" x 23.13"
965551-05	DOOR-RADIUS FOAM 15.25" X 12.5" RH
965551-06	DOOR-RADIUS FOAM 15.25" X 12.5 LH
965551-07	Door, radius foam, 15" x 14.25"
965551-08	Door, radius foam, 15" x 16", LH
965551-09	Door, radius foam, 15" x 4.06"
965551-10	DOOR-RADIUS FOAM 15.25" X 6.19"
965552-01	Door, radius foam, 13.75" x 41.00"

WARDROBE/CABINET DOORS

801341-18	DOOR, 9.50"X 28.38"
801341-19	DOOR, 14.25"X 63.38"
801341-20	DOOR, 10.19" X 25.19"
801341-21	DOOR, 8.38" X 25.19"
801341-22	DOOR, 17.50" X 61.25"
801341-23	DOOR, 14.00" X 23.00" L
801341-24	DOOR, 14.00" W X 38.13" L
801341-25	DOOR, 14.63" X 23.63"
801341-26	DOOR, 18.63" X 23.63"
801341-37	Door, 24.44" x 10.19"
801341-38	Door, 19.81" x 31.31"
801341-39	Door, 21.63" x 4.81"
801341-40	Door, 21.63" x 8.00"
801341-41	Door, 21.63" X 4.81"
801341-42	Door, 25.06" x 16.13"
801341-43	Door, 13.81" X 25.38"
801341-44	Door, 11.38" X 23.63"
801341-47	Door, 8.88" X 19.13"
801341-45	Door, 11.38" X 38.13"
801341-46	Door, 17.81" X 14.25"
964385-16	Door, breaker box cover 7.5 x 13.75", 19 ft.

2004 SAFARI- BAMBI
FURNITURE
WARDROBE/CABINET DOORS

965567	DOOR ASSEMBLY-"C" BATH, 25.50" X 72.00"
381581	STRAP CLEAR PLASTIC .75"W
700811	BUTTON CAP, HANDY #36
700812	BUTTON BOTTOM, HANDY #36 OAK
702937-03	SHOWER DOOR-ROLL AWAY, 62" X 36"
702681-04	FOLDETTE IRVINE 56" X 73", 19 ft., 25 SS
702681-03	DOOR FOLDETTE 46" X 73" BEIGE, 28' SO & W
800727-01	CLOSEOUT, FOLDETTE DOOR, OAK
701342-01	Strap, foldette door, retainer
101038	EXTRUSION, HEADER, 110 IN -BROWN, 25 SS
381563-01	Track, formed, foldette door
452258	BRACKET, MTG. FOLDETTE DOOR
701342-01	Strap, holdback, 7"

2004 SAFARI- BAMBI

FURNITURE

MIRRORS

372203-04	Mirror, safety glass, medicine cabinet, 36" x 14"
372203-05	Mirror, safety glass, medicine cabinet, 19" x 14"
372203-24	Mirror, safety glass, 9.5" x 20.0"
372203-30	Mirror, safety glass, medicine cabinet, 30" x 14"
372203-01	Mirror, safety glass, medicine cabinet, 12.50" x 18"
372210-11	MIRROR- BEVELED, 7.75" X 19.50"
372213	TRIM-BRIGHT CHROME 1/8"

DRAWERS/DRAWER BOX

201016	Drawer, plastic, 16" x 22", lounge
963574	DRAWER BOX 22.00 X 36.00 X 8.00
965584-01	DRAWER BOX ASSEMBLY 13.00", galley, 25' SS
801399-01	DRAWER HIDDEN 13.00W X 3.38 H, galley, 25' SS
203447	STORAGE BOX-23.5" X 16.25" X 6.38", LOUNGE

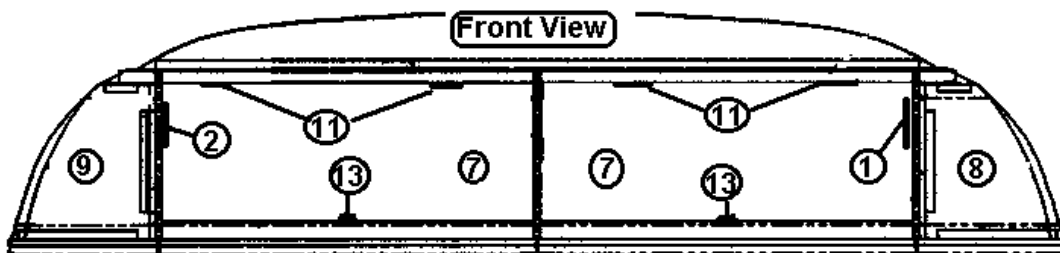
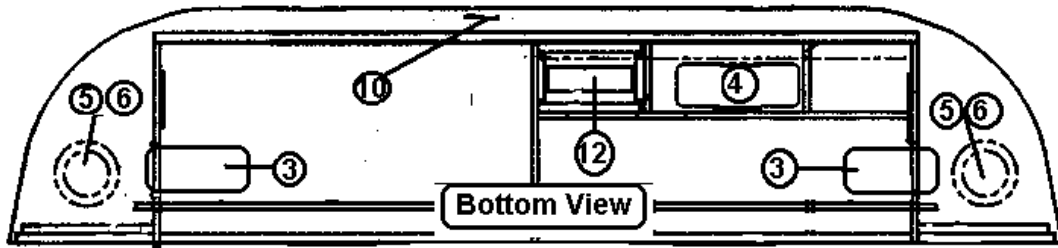
2004 SAFARI- BAMBI

FURNITURE

Front Lounge

965590-01 Front End Liner Assembly, 25' SS, A & B, 28' S/O & W

965590-02 Rear End Liner Assembly, 25' A & B, 28 S/O



- | | |
|---------------|-----------------------------------|
| 1. 381608-04 | LID STAY-RIGHT HAFELE |
| 2. 381608-05 | LID STAY-LEFT HAFELE |
| 3. 511249 | LIGHT, INCANDESCENT DOUBLE |
| 4. 511498 | RADIO, AM/FM/CASSETTE |
| 5. 511617 | SPEAKER COUSTIC |
| 6. 511617-01 | Speaker grille, black |
| 7. 965551-02 | DOOR-RADIUS FOAM 15.25"X 31.63" |
| 8. 965551-05 | DOOR-RADIUS FOAM 15.25"X 12.5" RH |
| 9. 965551-06 | DOOR-RADIUS FOAM 15.25"X 12.5 LH |
| 10. 702482-03 | HEADLINER, TEXTURED |
| 11. *381607 | HINGE ASSY-GRASS EURO |
| 381607-01 | HINGE-GRASS EURO PLASTIC |
| 381607-02 | BASE PLATE-GRASS HINGE |
| 381607-03 | BASE PLATE-GRASS |
| 381607-04 | HINGE SCREW-GRASS #6 X 5/8" |
| 12. 511191 | 10 UNIT CD CHANGER, (OPTIONAL) |

*Selected models may have:

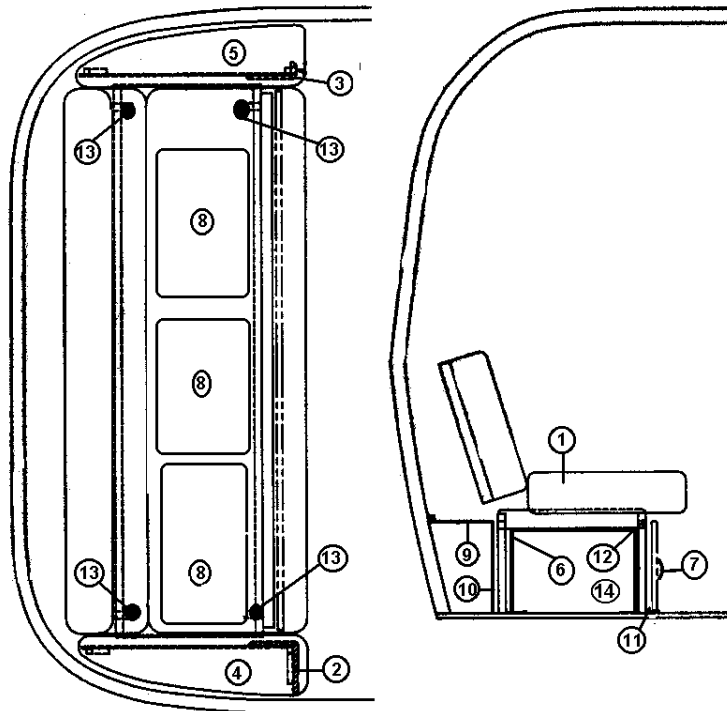
381840-01 HINGE, OVERHEAD SPRING, LH

381840-02 HINGE, OVERHEAD SPRING, RH

2004 SAFARI- BAMBI

FURNITURE

Front Lounge 25' SS



- | | |
|---------------|------------------------------------|
| 1. 702798-* | Sofa |
| 1A. 702798-02 | Sofa, Ultra Leather, option |
| 2. 963400-01 | SUPPORT ASSY.-ARMREST RS |
| 3. 963400-02 | SUPPORT ASSY. ARMREST CS |
| 4. 963399-01 | SUB-ASSY. FACE ARMREST SUPPORT RS |
| 5. 963399-02 | SUB ASSY. FACE ARMREST SUPPORT CS |
| 6. 453368-03 | FLEXSTEEL SOFA LEGS |
| 7. 381576 | PULL HANDLE BRASS |
| 8. 201016 | DRAWER 16" X 22" |
| 9. 965592 | CLOSEOUT LOUNGE |
| 10. 965593 | CLOSEOUT PANEL BOTTOM SOFA |
| 11. 381072 | HINGE 3" X 1 7/8" OPEN GOLD |
| 12. 381228-01 | CATCH GRABBER DOOR |
| 13. 345084 | SCREW-1/4"-14 X 1" THREAD CUTTING |
| 14. 203447 | STORAGE BOX-23.5" X 16.25" X 6.38" |

See upholstery for cushion assemblies and foam.

*Add the -(dash) number to designate color:

012 = Stratus

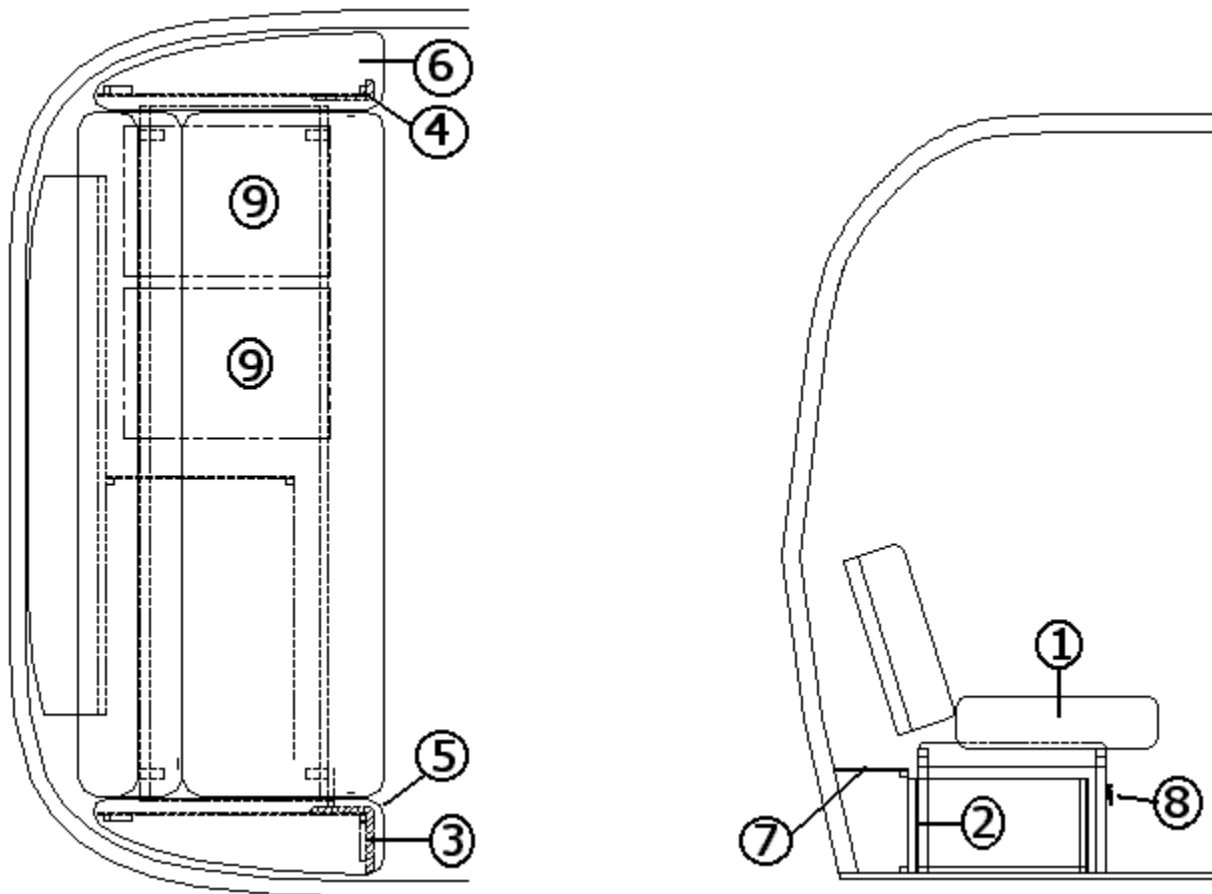
022 = Spellbound

010 = Amarillo

-442 = Spice trader

2004 SAFARI- BAMBI

FURNITURE Front Lounge 19'



- | | |
|---------------|-----------------------------------|
| 1. 702798-* | Sofa |
| 1A. 702798-02 | Sofa, Ultra Leather, option |
| 2. 965592 | CLOSEOUT LOUNGE |
| 3. 965808-01 | SUPPORT ASSY.-ARMREST RS |
| 4. 965808-02 | SUPPORT ASSY. ARMREST CS |
| 5. 963399-01 | SUB-ASSY. FACE ARMREST SUPPORT RS |
| 6. 963399-02 | SUB ASSY. FACE ARMREST SUPPORT CS |
| 7. 965805 | Rear close-out assembly |
| 8. 381175 | PULL HANDLE. Oak |
| 9. 201016 | DRAWER 16" X 22" |

*Add the -(dash) number to designate color:

012 = Stratus

022 = Spellbound

010 = Amarillo

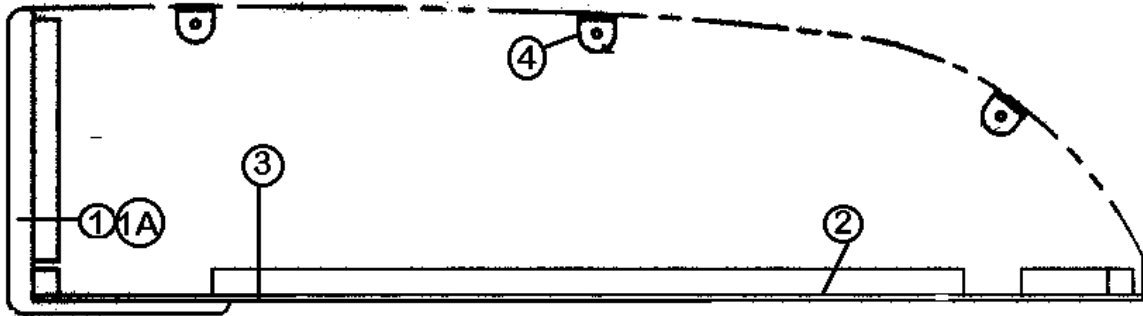
-442 = Spice trader

2004 SAFARI- BAMBI

FURNITURE

Front Lounge, 25' SS

965591-01 Sofa Armrest Support, RS, 25' SS, Shown
965591-02 Sofa Armrest Support, CS, 25' SS, Opposite



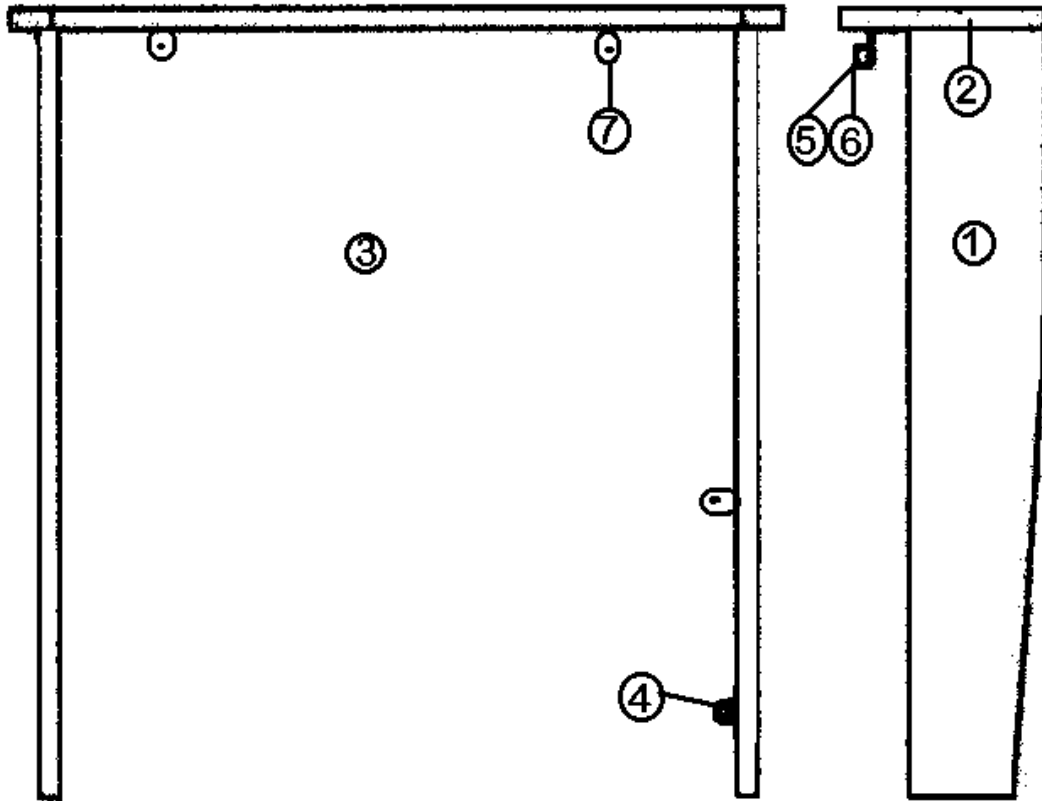
- 1. 963399-01 Face, armrest support, RS
- 1A. 963399-02 Face, armrest support, CS
- 2. 800507-01 Luan, 1/8"
- 2a. 801355-01 Laminate, frost white
- 3. 203225 Trim Lock, flexible trim, white
- 4. 386141 Mounting bracket, angled

963990-00Z Magazine Rack, 25 A & B, 25' Sleep Six

2004 SAFARI- BAMBI

FURNITURE Front Lounge

965608 Cabinet Assembly, Lift up Table, 25' SS



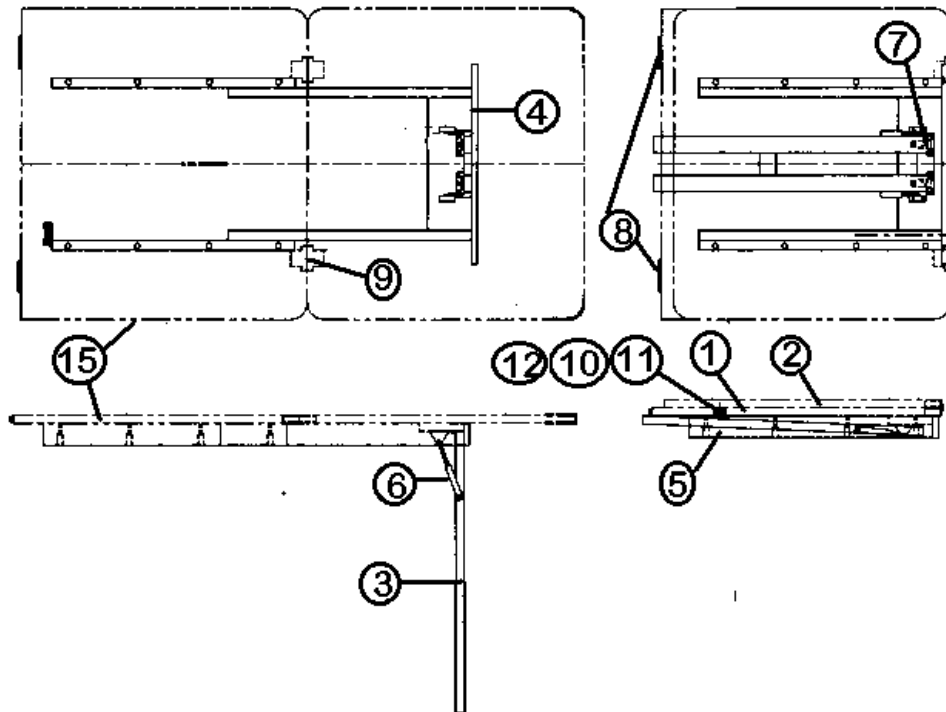
- | | |
|--------------|---|
| 1. 801406 | Credenza leg, Tropical oak |
| 2. 801407 | Credenza top |
| 3. 960420-08 | Lift up table assembly, 24" See next page |
| 4. 381074 | Bull dog catch |
| 5. 380203 | Hinge, piano, 1/8 pin |
| 6. 101253 | Hinge extrusion, moveable |
| 7. 386141 | Mounting angle |

2004 SAFARI- BAMBI

FURNITURE

Front Lounge

960420-08 TABLE, LIFT-UP, ASSEMBLY, 24", 25' SS, 25' A & B



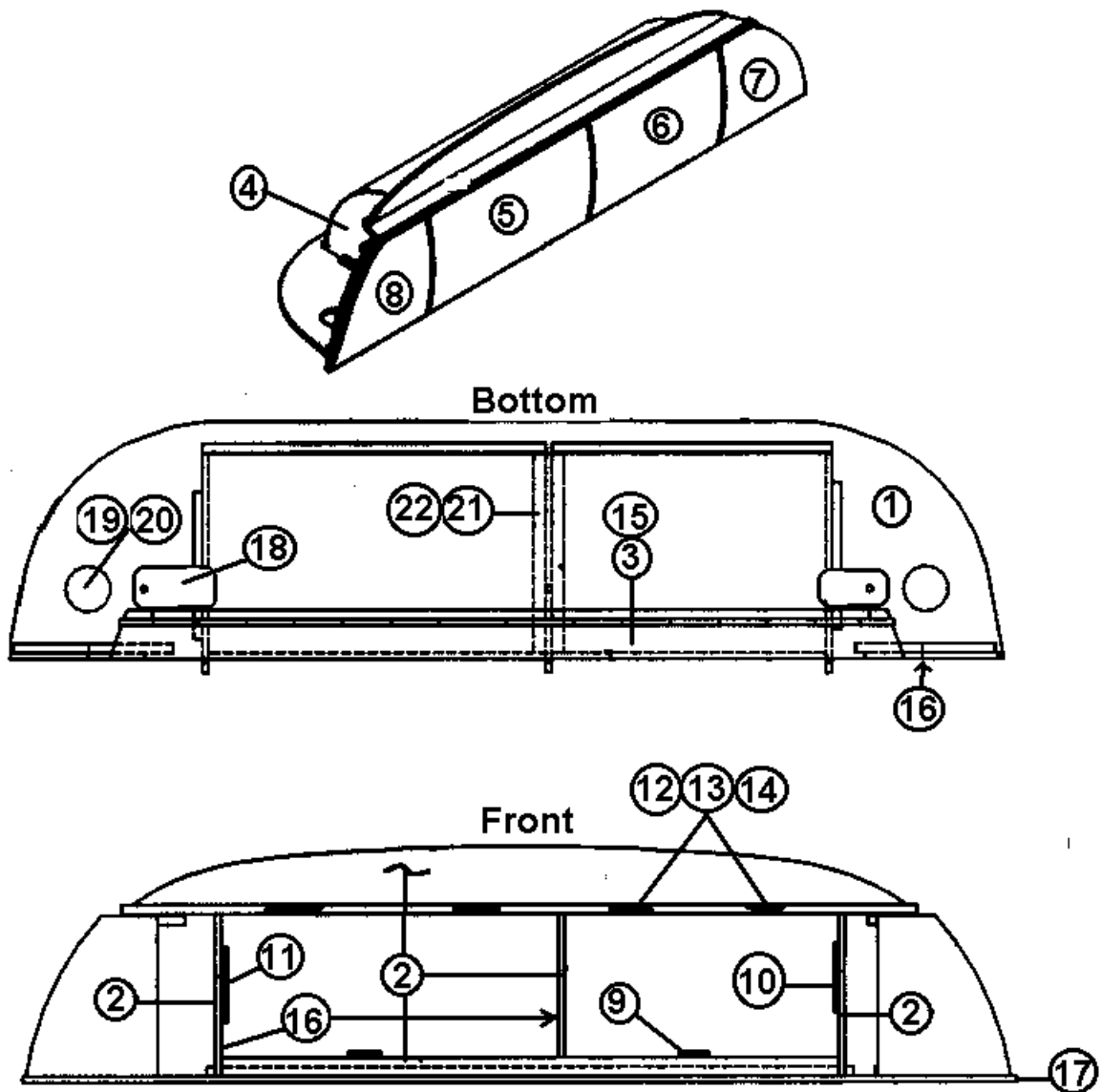
- | | |
|----------------|---------------------------------------|
| 1. 965596-01 | LEAF, TABLE, LOWER, TROPICAL OAK |
| 2. 965597-01 | LEAF, TABLE, UPPER, TROPICAL OAK |
| 3. 962177-036 | LEG HARDWOOD 30.50" |
| 4. 965595 | FACER BOARD, LIFT-UP TABLE, T. OAK |
| 5. 381306 | SLIDES, TABLE, LIFT-UP, RH & LH #20 |
| 6. 381147 | DOOR SUPPORT - SPRING LOADED |
| 7. 380210 | HINGE PLAIN STEEL |
| 8. 201155 | SLIDING GUIDE, PLASTIC -TABLE |
| 9. 380040 | HINGE SOSS INVISIBLE L & R HAND |
| 10. 380037 | RETAINER SPRING LOCK |
| 11. 380038 | EYELET LOCK GS 5 10 BRASS |
| 12. 381074 | CATCH BULL DOG #65S (COPPER) |
| 13. 800405-00z | PLUG-BUTTON HARDWOOD |
| 14. 365268-03 | EDGEBANDING-.024" X .63" TROPICAL OAK |
| 15. 365268-01 | Edge tape, Tropical Oak, 1.13" |

800405 PLUG, BUTTON, HARDWOOD, OAK

2004 SAFARI- BAMBI

FURNITURE Front Lounge

965626 Front End Liner Assembly, 19 ft.



Part Numbers are on the next page.

2004 SAFARI- BAMBI

FURNITURE Front Lounge

965626 Front End Liner Assembly, 19 ft.

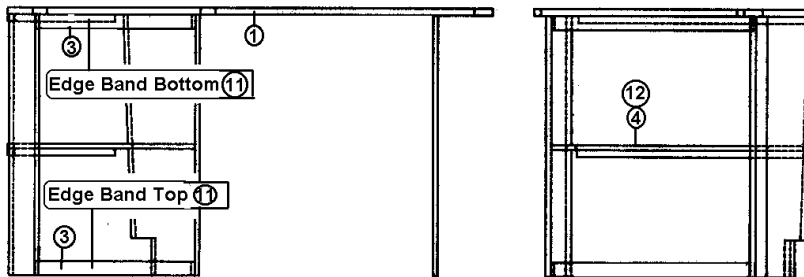
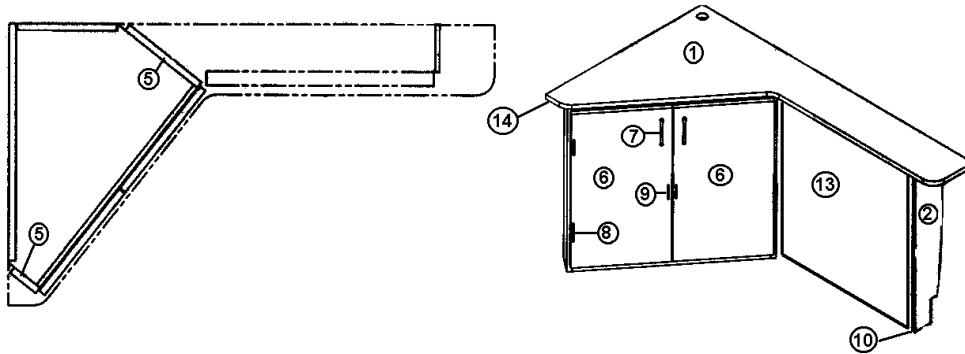
1. 801383-01 Paneling, Tropical Oak/White
2. 801392 Paneling, White/White 12 MM
3. 801376-01 Paneling, Tropical Oak/White, 4' x 8'
4. 801355-01 Laminate, Frost White/Raw
801353 Lite, ply, 3MM, 4' x 8'
5. 965551-03 Door, radius, 15.25" x 12.50"
6. 965551-03 Door, radius, 15.25" x 12.50"
7. 965551-05 DOOR-RADIUS FOAM 15.25" X 12.50"
8. 965551-06 DOOR-RADIUS FOAM 15.25" X 12.50"
9. 381228-01 Door/drawer grabber catch
10. 381608-04 Lid stay, right Hafele
11. 381608-05 Lid stay, left Hafele
12. 381840-02 HINGE-OVERHEAD SPRING RH #372
13. 511227-01 RACEWAY TYPE L BROWN
14. 381840-01 HINGE-OVERHEAD SPRING LH #372
15. 365268-01 Edge tape, Tropical Oak, 1.13 wide
16. 365268-03 Edge tape, Tropical Oak, .625"
17. 365238-04 Edge tape, White, 5/8" wide
18. 511248 FIXTURE LIGHT INCANDESCENT, SINGLE
19. 511617 Speaker, Coustic
20. 511617-01 Speaker grille, black
21. 801368 Laminate, White/White
22. 365240-01 Edge tape, white, 1 5/16"

2004 SAFARI- BAMBI

FURNITURE

Front Lounge

965666 Credenza Cabinet Assembly, 25' A & B -01 Amarillo



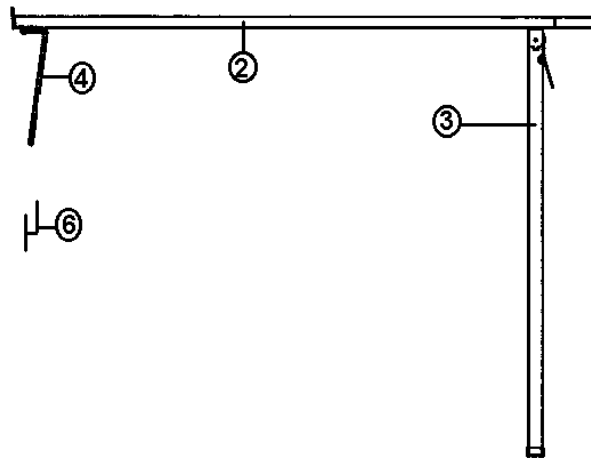
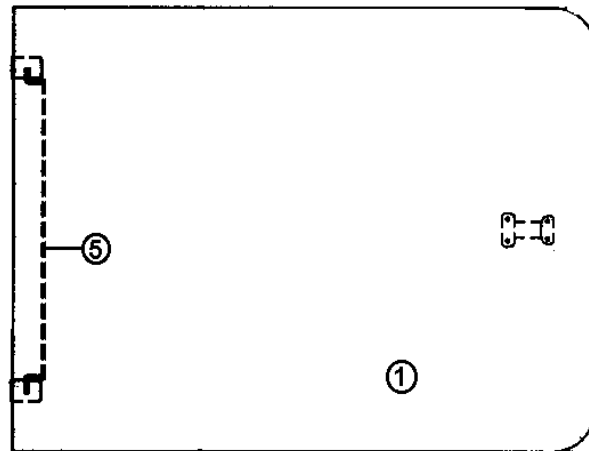
- | | |
|---------------|---|
| 1. 965665 | Credenza top assembly, -01 = Amarillo |
| 2. 801381-01 | Paneling, Tropical Oak/Tropical Oak, 12MM |
| 3. 801383-01 | Paneling, Tropical Oak/White liner, 12mm |
| 4. 801392 | Paneling, White/White 12 MM |
| 5. 801376-01 | Paneling, Tropical Oak/White, 4' x 8' |
| 6. 801341-43 | Door, 13.81" x 25.38" |
| 7. 381774 | Door handle |
| 8. 381607 | Hinge assembly, Grass European |
| 381607-01 | HINGE-GRASS EURO PLASTIC |
| 381607-02 | BASE PLATE-GRASS HINGE |
| 381607-03 | BASE PLATE-GRASS PLASTIC |
| 381607-04 | HINGE SCREW-GRASS #6X 5/8" |
| 9. 381228-01 | Door/drawer grabber catch, 3 lb. |
| 10. 365268-01 | Edge tape, Tropical Oak, 1.13 wide |
| 11. 365268-03 | Edge tape, Tropical Oak, .625" |
| 12. 365238-04 | Edge tape, White, 5/8" wide |
| 13. 960420-08 | Table, lift up, Tropical Oak, 24" |
| 14. 365271 | Edge tape, PVC, 5/8" white |

2004 SAFARI- BAMBI

FURNITURE

Lounge, 25 SS

965689 Dinette table Assembly, White Suede/Gator
-01 Amarillo



- | | |
|--------------|-----------------------------------|
| 1. 801382 | Laminate, White Suede/Shelf liner |
| 1A. 801377 | Laminate, Graphite/White Liner |
| 2. 365271 | Edge tape, PVC Silicon, 1.125" |
| 2a. 365273 | Edge tape, Graphite, 1.125" |
| 3. 700065-01 | Snapo folding leg |
| 4. 380284-02 | Table, hinge bracket |
| 5. 340015 | Center hinge |
| 6. 340018 | Catch plate |

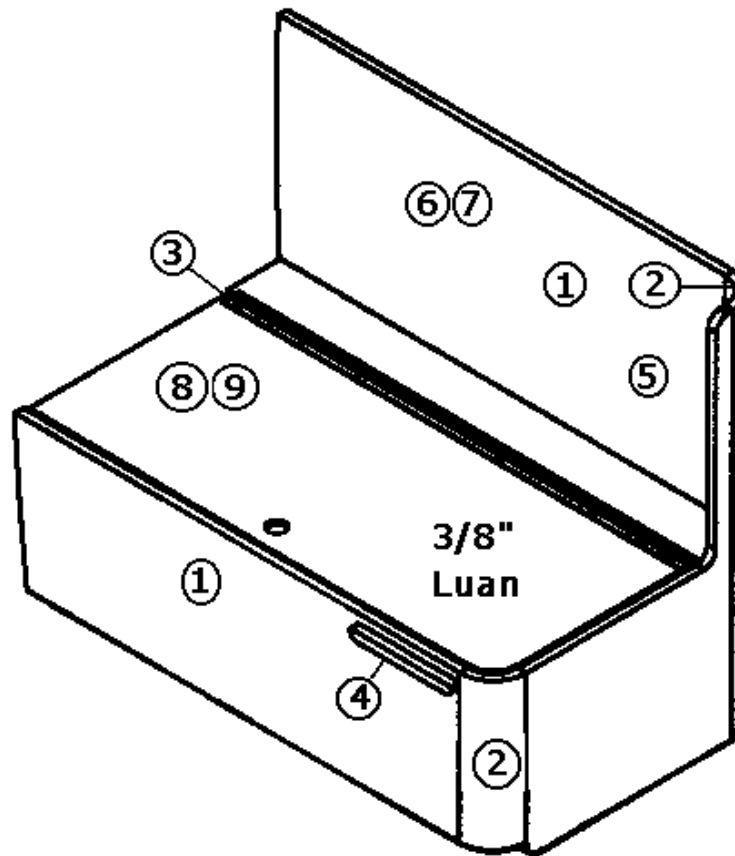
2004 SAFARI- BAMBI

FURNITURE

Front Lounge

965717-01 Dinette Seat, RH (shown), 28' S/O

965717-02 Dinette Seat, LH (opposite)



- | | |
|--------------|------------------------------------|
| 1. 801351 | Lite ply-18mm, 4' x 8' |
| 2. 801345 | Radius plywood, .75" x 3" x 8' |
| 3. 380458 | Hinge, piano, brown anodized |
| 4. 800470 | Stop, hardwood, 3/4" dinette cleat |
| 5. 700414 | Foam, 3/8" x 72" x 52' |
| 6. 703309-01 | Foam-left side back |
| 7. 703309-02 | Foam-right side back |
| 8. 703309-03 | Foam-seat bottom LH/RH |
| 9. 703309-03 | Foam-seat bottom LH/RH |
| 10. 700022 | Zipper |
| 11. 700023 | Head, slide zipper |

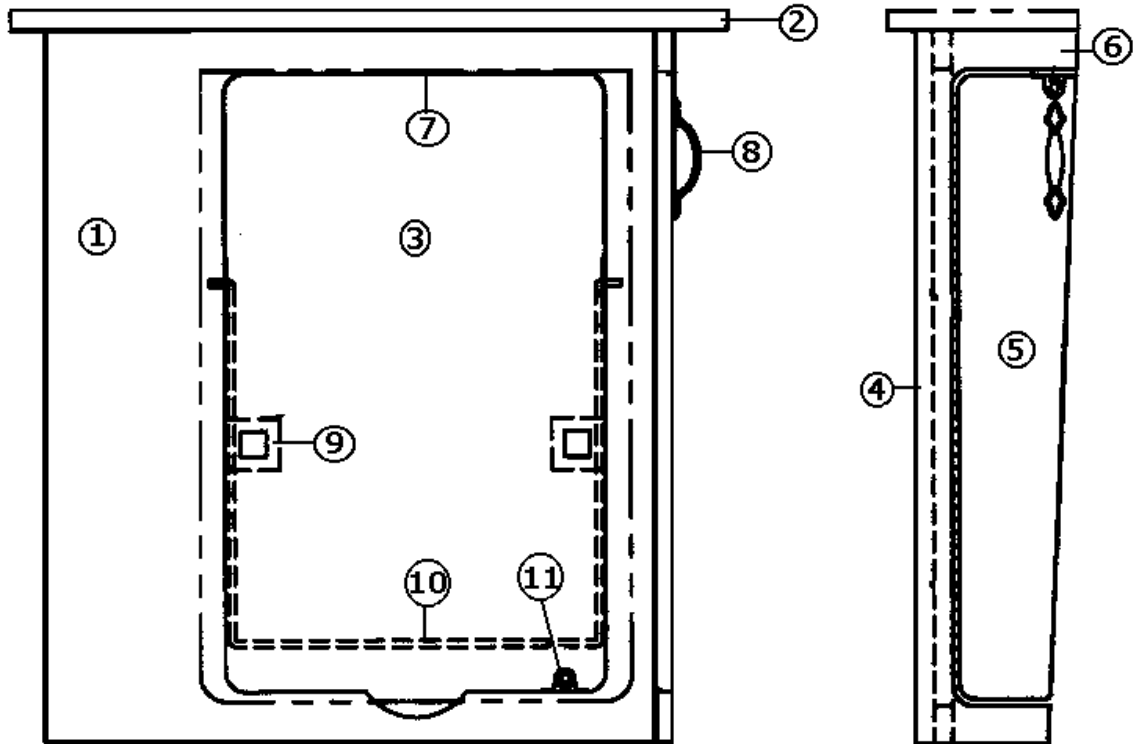
800405-00Z PLUG BUTTON HARDWOOD

2004 SAFARI- BAMBI

FURNITURE

Lounge

965962 Writing Table Cabinet Assembly, 28' SO

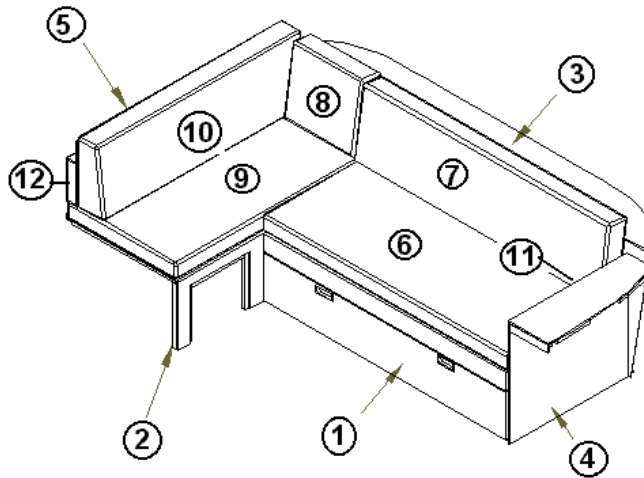


- | | |
|--------------|---------------------------------------|
| 1. 965963 | Face, writing table |
| 2. 965966 | Top, writing table |
| 3. 965967 | Table top assembly, writing |
| 4. 965965 | Face, end, writing table cabinet |
| 5. 965964 | Door writing table cabinet |
| 6. 801383-01 | Panel, Tropical Oak/White liner, 12mm |
| 7. 380458 | Hinge, piano, brown |
| 8. 381774 | Handle, door |
| 9. 340018 | Catch plate, J-1 |
| 10. 380492 | Bracket, table |
| 11. 381074 | Bull dog catch |

203440 T MOLDING-BLACK EMBOSSED, .8125

2004 SAFARI- BAMBI

FURNITURE Lounge, 28' W



- | | |
|---------------|---|
| 1. 965827 | Sofa Assembly |
| 2. 965828 | Sofa "L" section assembly |
| 3. 965830 | Sofa back |
| 4. 965831 | Sofa arm rest assembly |
| 5. 998149-Tab | L-Lounge cushions assemblies |
| 6. 998149-01 | Bottom main cushion assembly |
| 703340-01 | Bottom main cushion foam only |
| 7. 998149-02 | Back main cushion/fabric assembly |
| 703340-02 | Back main cushion foam only |
| 8. 998149-03 | Small back cushion/fabric assembly |
| 703340-08 | Small back cushion foam only |
| 9. 998149-04 | Base side cushion/fabric assembly |
| 703340-04 | Base side cushion foam only |
| 10. 998149-05 | Back side front cushion/fabric assembly |
| 703340-07 | Back side front cushion foam only |
| 11. 998149-06 | Wedge cushion/fabric assembly |
| 703340-06 | Wedge cushion foam only |
| 12. 998149-07 | Back cushion support assembly |

Not shown:

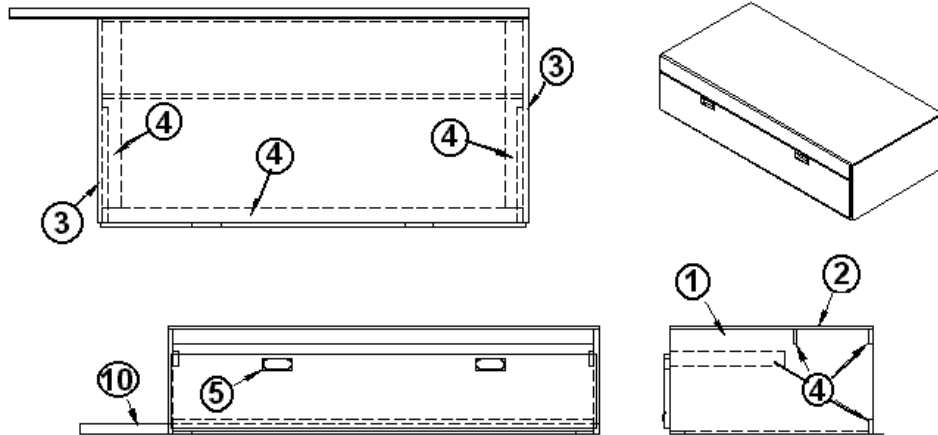
- | | |
|-----------|--|
| 320059-01 | Screw, 1/4" x 14 washer hex head, cad plated |
| 345004 | Screw #8 x 1.25", white Philips |
| 381609-01 | Screw, Haffle European, #9 x 1" |
| 381802-02 | Tap cap, #2, black |

2004 SAFARI- BAMBI

FURNITURE

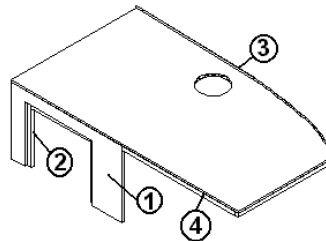
Lounge

965827 Sofa Assembly, 28' W



- | | |
|---------------|--|
| 1. 965829 | Sofa bed assembly |
| 2. 800507-04 | Luan, raw/raw, 1/2" |
| 3. 801351 | Lite ply, .75", 4' x 8' |
| 4. 850082 | Poplar, .75: x 2.00" |
| 5. 381774 | Handle, drawer/door |
| 6. 381072 | Hinge, 3" x 1 7/8", Open, Gold |
| 7. 365268-01 | Edgebanding, .024" x 1.13", Tropical Oak |
| 8. 381228-01 | Grabber door catch |
| 9. 114809 | Aluminum angle, 1.5" x 1.5" |
| 10. 365268-03 | Edgebanding, .024" x .63". Tropical Oak |

965828 Sofa, L-section, 28 W



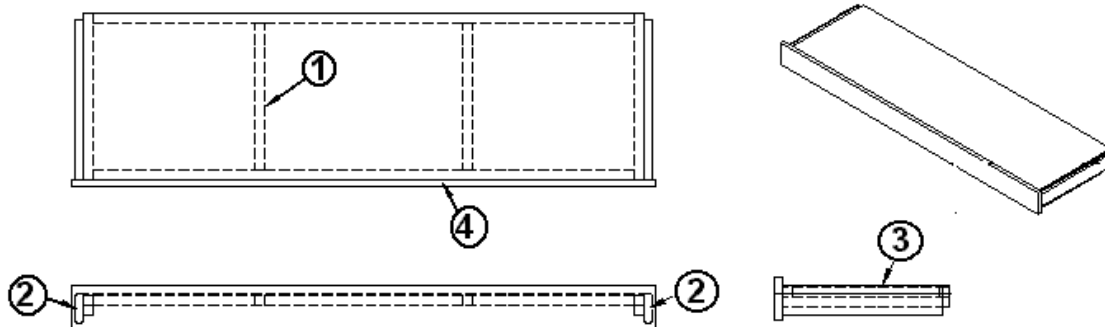
- | | |
|--------------|--|
| 1. 800507-04 | Luan, raw/raw, 1/2" |
| 2. 850082 | Poplar, .75: x 2.00" |
| 3. 114812 | Aluminum angle, 1" x 1" |
| 4. 365268-01 | Edgebanding, .024" x 1.13", Tropical Oak |

2004 SAFARI- BAMBI

FURNITURE

Lounge

965829, Sofa Bed, 28 W



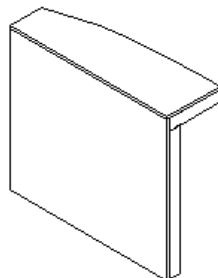
- | | |
|--------------|-----------------------------------|
| 1. 915708 | Weldment, sofa bed |
| 2. 381826 | Slide, ball bearing |
| 3. 800507-02 | Luan, 1/4" x 4' x 8' |
| 4. 801351 | Lite ply, 18MM, .75" x 4' x 8' |
| 5. 330031-03 | Rivet, dome head, SSS64SSBS |
| 6. 320117-03 | Screw, Steel, Drywall, #6 x 1.625 |

965830 Sofa Back



- | | |
|-----------|----------------------|
| 701764 | 1/4" Foam |
| 800507-03 | Luan, 3/8" x 4' x 8' |

965831 Sofa Armrest Assembly

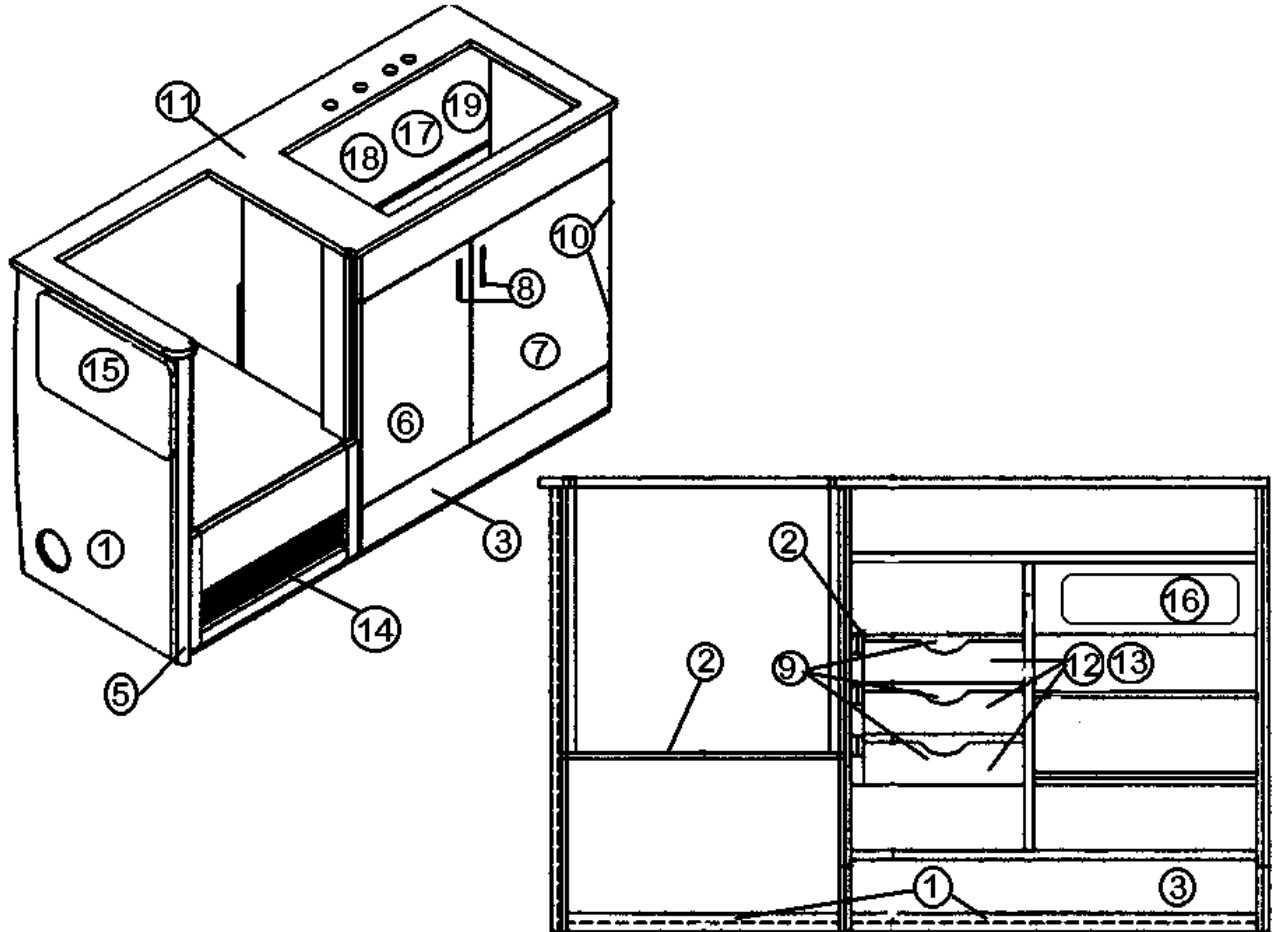


2004 SAFARI- BAMBI

FURNITURE

Galley

965582 Galley Assembly, Full Oven, 25' SS, 25' A & B



Part numbers on the next page

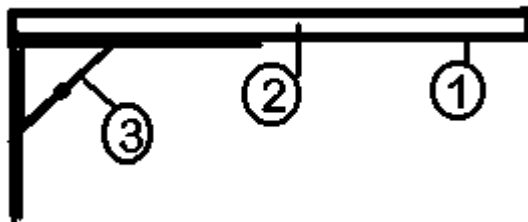
2004 SAFARI- BAMBI

FURNITURE

Galley

- 965582 Galley Assembly, Full Oven, 25' SS, 25' A & B
1. 801383-01 Paneling, Tropical Oak/White
 2. 801392 Paneling, White/White 12 MM
 3. 801376-01 Paneling, Tropical Oak/White, 4' x 8'
 4. 801368 Paneling, White/White, Rexel
 5. 801393-01Z Corner trim, 90 °, 1" radius
 6. 801341-25 Door, 14.63" x 23.63"
 7. 801341-26 Door, 18.63" x 23.63"
 8. 381774 Door handle
 9. 381228-01 Door/drawer grabber catch
 10. 381607 Hinge assembly, Grass European
 11. 965583 Galley top assembly
 12. 965584-01 Drawer box assembly
 - 381773-02 SLIDE DRAWER 3-3/8"H X 13-3/4"L
 13. 801399-01 Drawer hidden, 13.00" x 3.38"
 14. 453783-02 Grill screen, sheared and painted
 15. 965581 Flip up shelf, galley
 16. 381615 Tray, 11", Plastic molded
 17. 601799 Sink, Stainless Steel, 16" x 27"
 18. 601744-01 Mounting clip, sink
 19. 203424 Sink covers, laminated
 20. 600968 Basket strainer
 21. 365268-01 Edge tape, Tropical Oak, 1.13 wide
 22. 365238-04 Edge tape, White, 5/8" wide

965581 Galley Flip up Shelf Assembly, 25' SS, 25' A & B



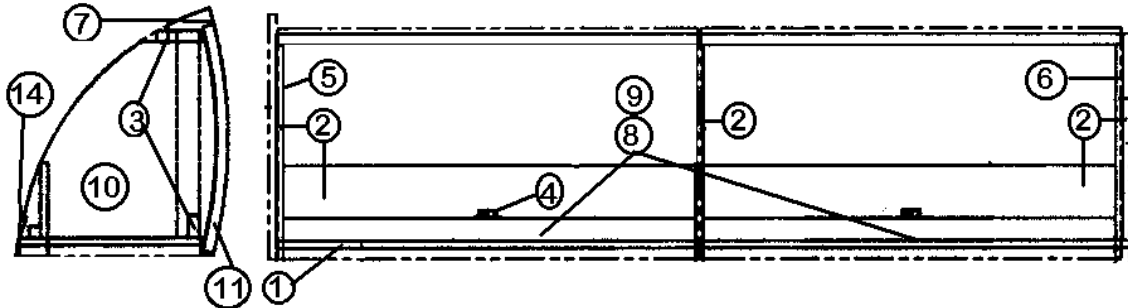
1. 801382 Paneling, White suede/shelf liner
2. 365271 Edge tape, 1.125
3. 381614 Folding Shelf Bracket

2004 SAFARI- BAMBI

FURNITURE

Galley

965586 Galley Roof Locker Assembly 25' SS, 25' A & B, 28' SO



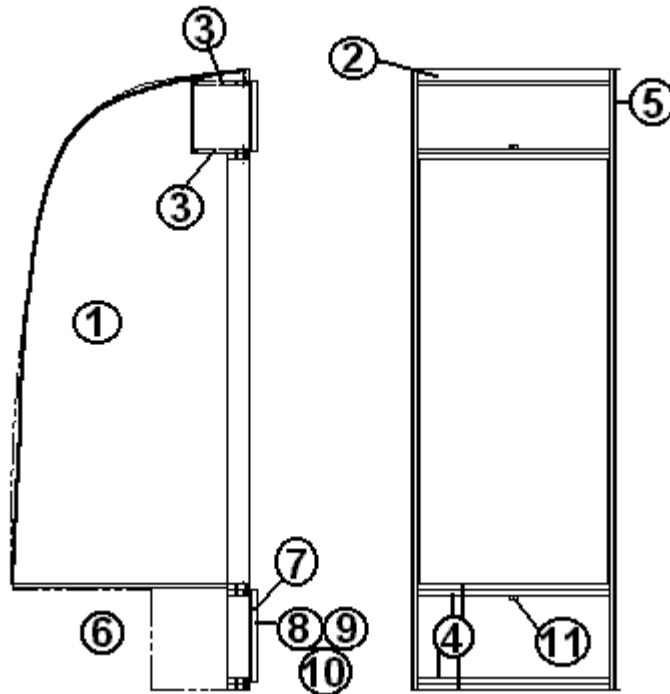
- | | |
|---------------|--|
| 1. 801383-01 | Paneling, Tropical Oak/White |
| 2. 801392 | Paneling, White/White 12 MM |
| 3. 801368 | Paneling, White liner/White Liner, 18 MM |
| 4. 381228 | Door/drawer grabber catch |
| 5. 381608-04 | Lid, stay-right Hafele |
| 6. 381608-05 | Lid, stay-left Hafele |
| 7. 381840-01 | HINGE-OVERHEAD SPRING LH #372 |
| 381840-02 | HINGE-OVERHEAD SPRING RH #372 |
| 8. 511227-01 | Raceway, electrical, brown |
| 9. 511227-02 | End cap fitting, raceway, brown |
| 10. 965587 | End cap assembly |
| 11. 965551-03 | Door, radius, 15.25" x 28.38" |
| 12. 365268-03 | Edge tape, Tropical Oak, .625 |
| 13. 365238-04 | Edge tape, White, 5/8" wide |
| 14. 115085 | Aluminum angle, roof lockers |
| 115064 | Trim, aluminum, countertop |

2004 SAFARI- BAMBI

FURNITURE

Galley

965907 Refrigerator Cabinet Assembly, 25' SS



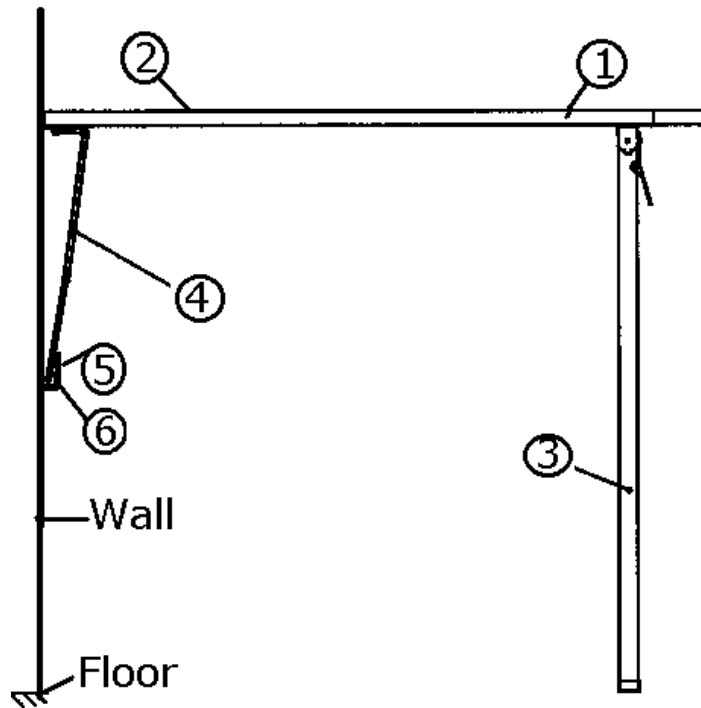
- | | |
|---------------|---|
| 1. 801380-06 | PANEL-FWD REFER |
| 2. 801383-01 | PANEL, TROPICAL OAK/WHITELINER |
| 3. 801392 | PANEL, WHITELINER/WHITELINER |
| 4. 801368 | PANEL, WHITELINER/WHITELINER |
| 5. 801393-01Z | CORNER TRIM, 90 DEGREE, 1" RADIUS |
| 6. 965573 | STAND-REFER |
| 7. 801341-57 | DOOR-REFER CABINET, 24.81" X 11.29" |
| 8. 801341-69 | DOOR-REFER CABINET, 24.81" X 8.88" |
| 9. 381774 | HANDLE-DRAWER/DOOR |
| 10. 381607 | HINGE ASSY-GRASS EURO-SAFARI |
| 11. 381228-01 | CATCH GRABBER DOOR |
| 12. 365268-01 | EDGE BANDING-.024" X 1.13" TROPICAL OAK |

2004 SAFARI- BAMBI

FURNITURE

Galley

965575 Dinette Table Assembly, 25' SS, 19 Ft.



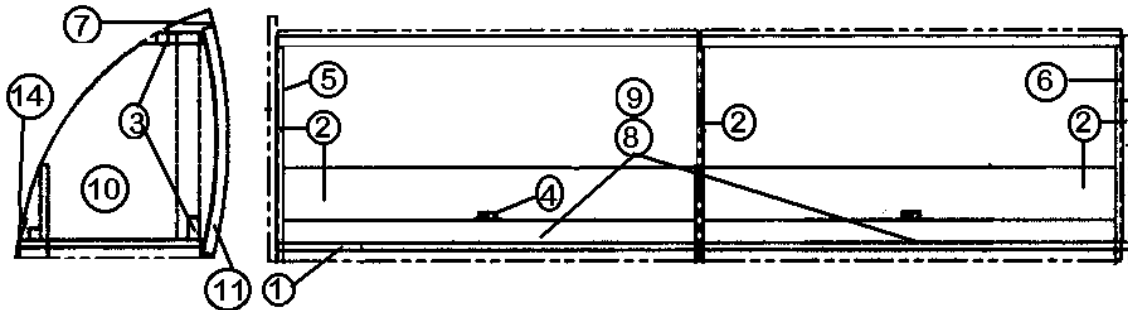
- | | |
|--------------|---------------------|
| 1. 801382 | Paneling |
| 2. 365271 | Edge tape, 1.125" |
| 3. 700065-01 | Snapo folding leg |
| 4. 380284-02 | Table hinge bracket |
| 5. 340015 | Center Hinge |
| 6. 340018 | Catch Plate |

2004 SAFARI- BAMBI

FURNITURE

Galley

965588 Dinette Roof Locker Assembly, 25' SS



- | | |
|---------------|--|
| 1. 801383-01 | Paneling, Tropical Oak/White |
| 2. 801392 | Paneling, White/White 12 MM |
| 3. 801368 | Paneling, White liner/White Liner, 18 MM |
| 4. 381228-01 | Door/drawer grabber catch |
| 5. 381608-04 | Lid, stay-right Hafele |
| 6. 381608-05 | Lid, stay-left Hafele |
| 7. *381607 | Hinge assembly, Grass European |
| 8. 511227-01 | Raceway, electrical, brown, wire cover |
| 9. 511227-02 | End cap fitting, raceway, brown |
| 10. 965587 | End cap assembly |
| 11. 965551-01 | Door, radius, 15.25" x 35.50" |
| 12. 365268-03 | Edge tape, Tropical Oak, .625 |
| 13. 365238-04 | Edge tape, White, 5/8" wide |
| 14. 115085 | Aluminum angle, roof lockers |

*RLC on selected models:

- | | |
|-----------|--------------------------|
| 381840-01 | HINGE-OVERHEAD SPRING LH |
| 381840-02 | HINGE-OVERHEAD SPRING RH |

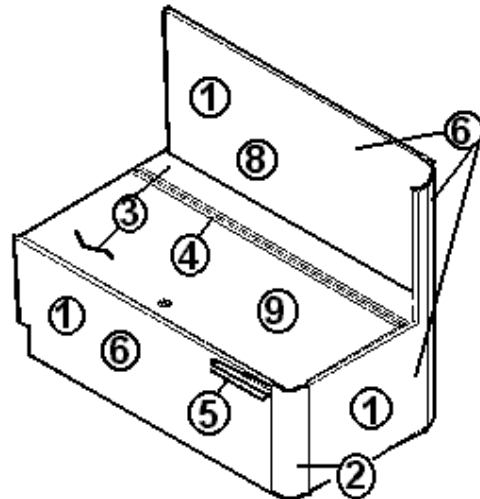
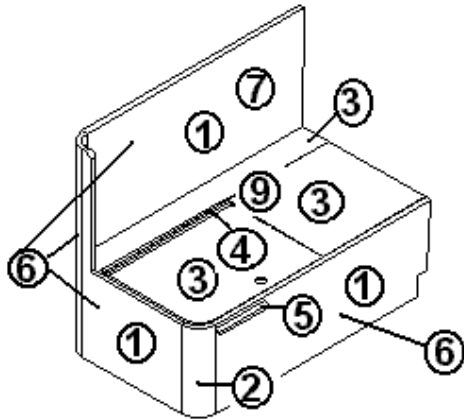
2004 SAFARI- BAMBI

FURNITURE

Galley

965930 SEAT ASSEMBLY- RH DINETTE 25' SS

965931 SEAT ASSEMBLY- LH DINETTE 25' SS



- | | |
|---------------|--------------------------------|
| 1. 801351 | LITE PLY-18MM (.75") 4'X 8' |
| 2. 801345 | RADIUS PLYWOOD .75"X 3"X 8' |
| 3. 800507-03 | LAUAN, 3/8"X 4'X 8' |
| 4. 380458 | HINGE PIANO BROWN ANODIZED |
| 5. 800470-00Z | STOP-HARDWOOD |
| 6. 700414 | FOAM 3/8 X 86"X 52' |
| 7. 703309-01 | FOAM-DINETTE LEFT SIDE BACK |
| 8. 703309-02 | FOAM-DINETTE RIGHT SIDE BACK |
| 9. 703309-03 | FOAM-DINETTE SEAT BOTTOM LH/RH |

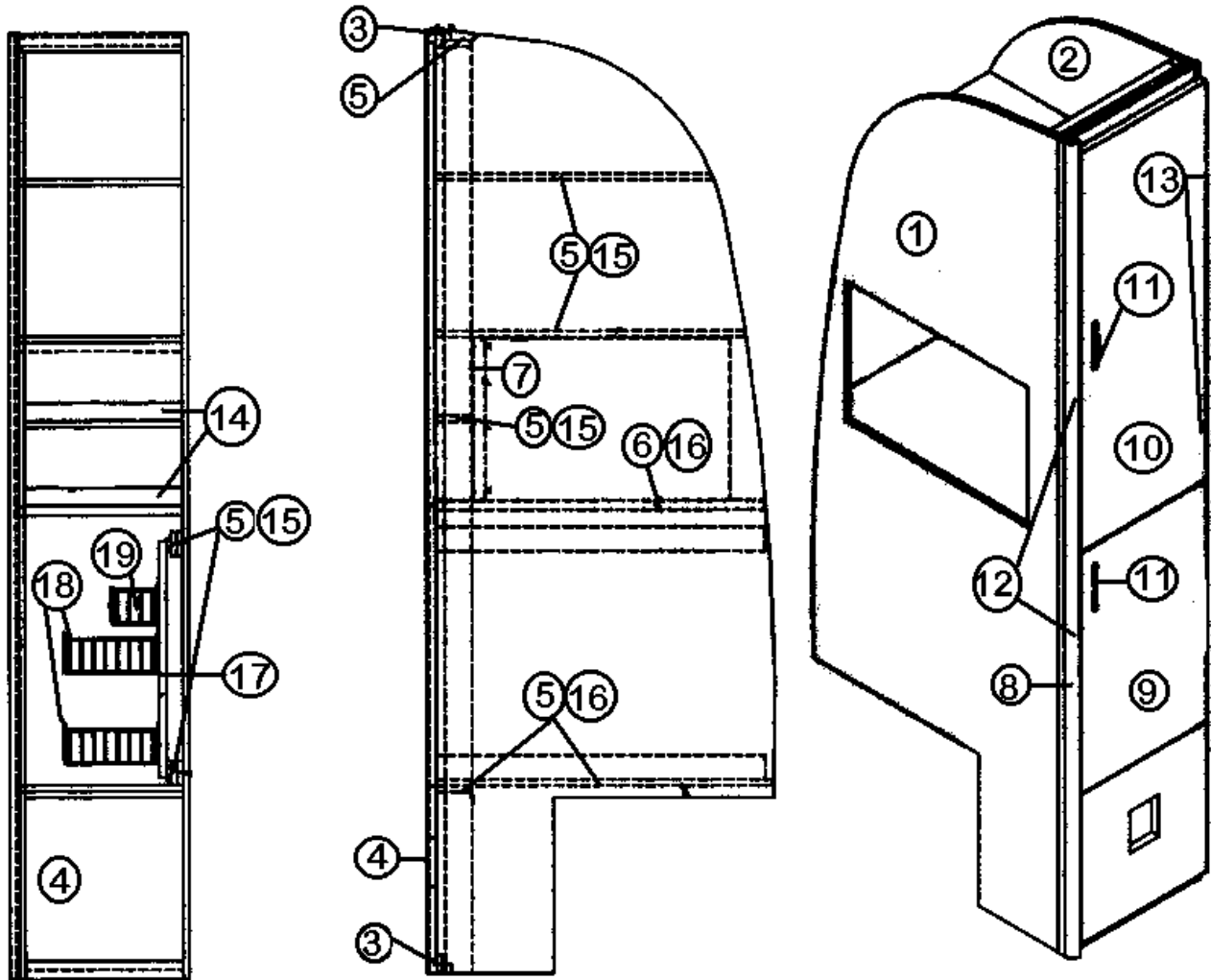
- | | |
|------------|-----------------------|
| 700022 | ZIPPER |
| 700023 | HEAD SLIDE, ZIPPER |
| 800405-00Z | PLUG BUTTON, HARDWOOD |

2004 SAFARI- BAMBI

FURNITURE

Galley

965580 Pantry Assembly, 25' SS, 28 SO, 25' A & B



Part numbers are on the next page.

2004 SAFARI- BAMBI

FURNITURE

Galley

965580 Pantry Assembly, 25' SS, 28' SO, 25' A & B

1. 801380-09 Panel, Forward, Pantry
2. 801380-10 Panel, Aft, Pantry
3. 801383-01 Paneling, Tropical Oak/White
4. 801376-01 Paneling, Tropical Oak/White, 4' x 8'
5. 801392 Paneling, White/White 12 MM
6. 801368 Paneling, White liner/White Liner
7. 801355-01 Laminate, frost, 4' x 8'
8. 801393-01Z Corner trim, 90°, 1" Radius
9. 801341-23 Door, 14.00" x 23.00"
10. 801341-24 Door, 14.00" x 38.13"
11. 381774 Door handle
12. 381228-01 Door/drawer grabber catch
13. 381607 Hinge assembly, Grass European
 - 381607-01 HINGE-GRASS EURO PLASTIC
 - 381607-02 BASE PLATE-GRASS HINGE
 - 381607-03 BASE PLATE-GRASS PLASTIC
 - 381607-04 HINGE SCREW-GRASS #6 X 5/8"
14. 115083 Shelf edge, formed
15. 365238-04 Edge tape, White, 5/8" wide
16. 365268-01 Edge tape, Tropical Oak, 1.13 wide
17. 381551-03 White base cabinet organizer
18. 381551-04 Wire basket, 8" wide
19. 381551-02 Wire basket, 4" wide

Not shown:

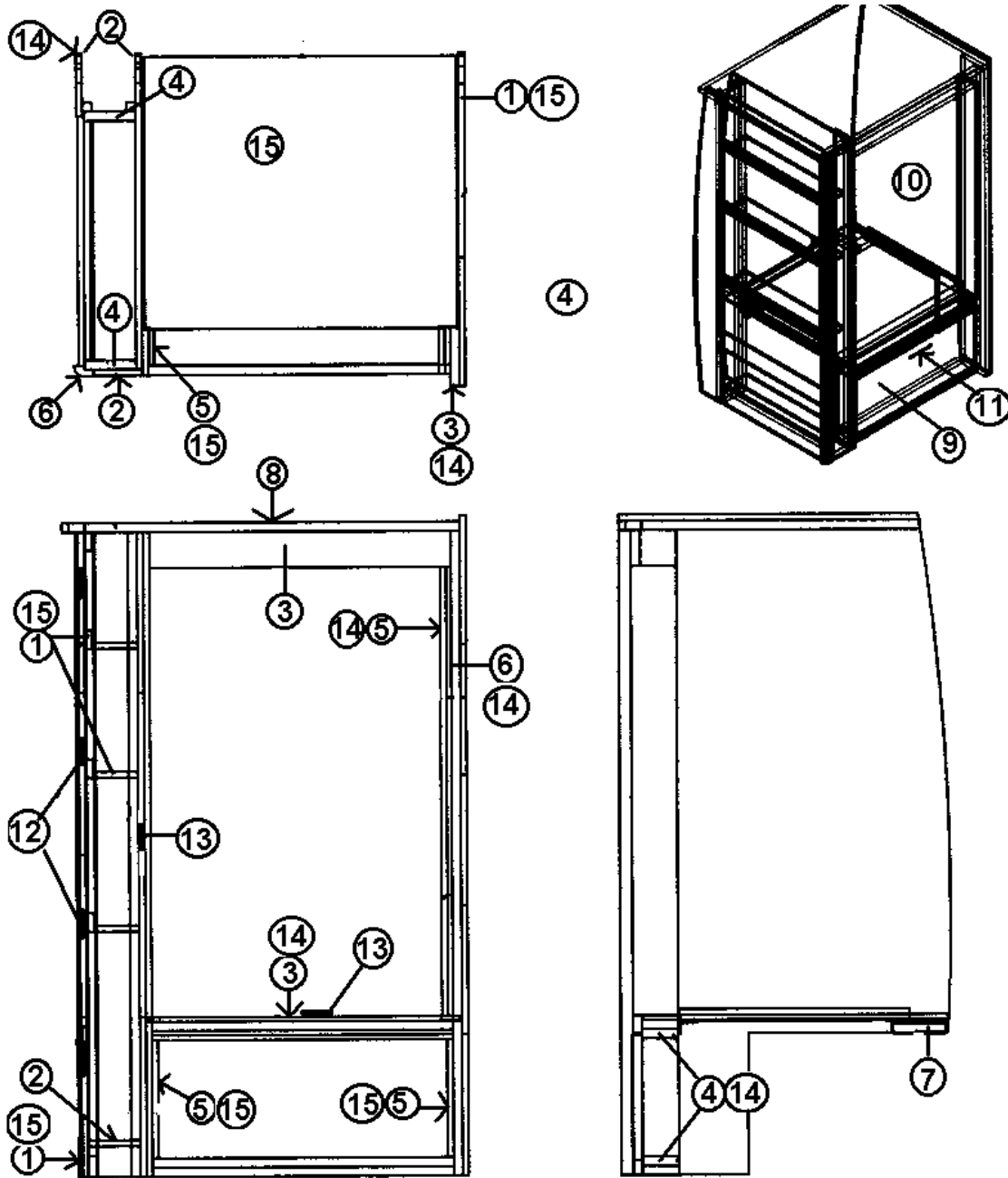
- 104965-01 RETAINER CLIP-GALLEY SINK-.88"
- 381805 BOLT, SLIDE, 3" ALUMINUM

2004 SAFARI- BAMBI

FURNITURE

Galley

965629 Refrigerator Cabinet Assembly, 19 ft.



Part numbers are on the next page.

2004 SAFARI- BAMBI

FURNITURE

Galley

965629 Refrigerator Cabinet Assembly, 19 ft.

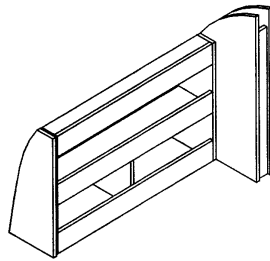
1. 801381-01 Paneling, Tropical Oak/Tropical Oak, 12MM
2. 801383-01 Paneling, Tropical Oak/White
3. 801376-01 Paneling, Tropical Oak/White, 4' x 8'
4. 801368 Paneling, White liner/White Liner, 18 MM
5. 801392 Paneling, White/White 12 MM
6. 801393-01Z Corner trim, 90°, 1" Radius
7. 965630 Refer stand assembly
8. 965628 Refer cabinet top assembly
- 965628-01 Refer cabinet top assembly, Amarillo
9. 801341-37 Door, 24.44" x 10.19"
10. 801341-38 Door, 19.81" x 31.31"
11. 381774 Door handle
12. 381607 Hinge assembly, Grass European
- 381607-01 HINGE-GRASS EURO W/80307 PLASTIC
- 381607-02 BASE PLATE-GRASS HINGE
- 381607-03 BASE PLATE-GRASS PLASTIC
- 381607-04 HINGE SCREW-GRASS #6 X 5/8"
13. 381228-01 Door/drawer grabber catch
14. 365268-01 Edge tape, Tropical Oak, 1.13 wide
15. 365268-03 Edge tape, Tropical Oak, .625"
16. 365271 Edge tape, 1.125", silicon

2004 SAFARI- BAMBI

FURNITURE

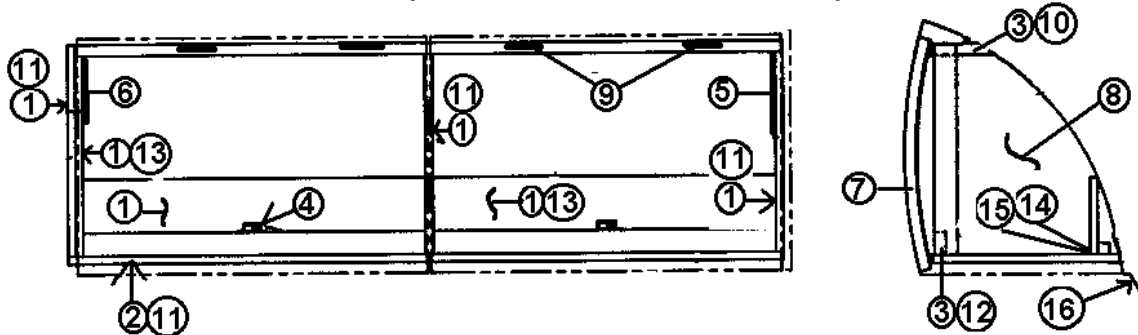
Galley

965631 Spice Cabinet Assembly, 19 ft.



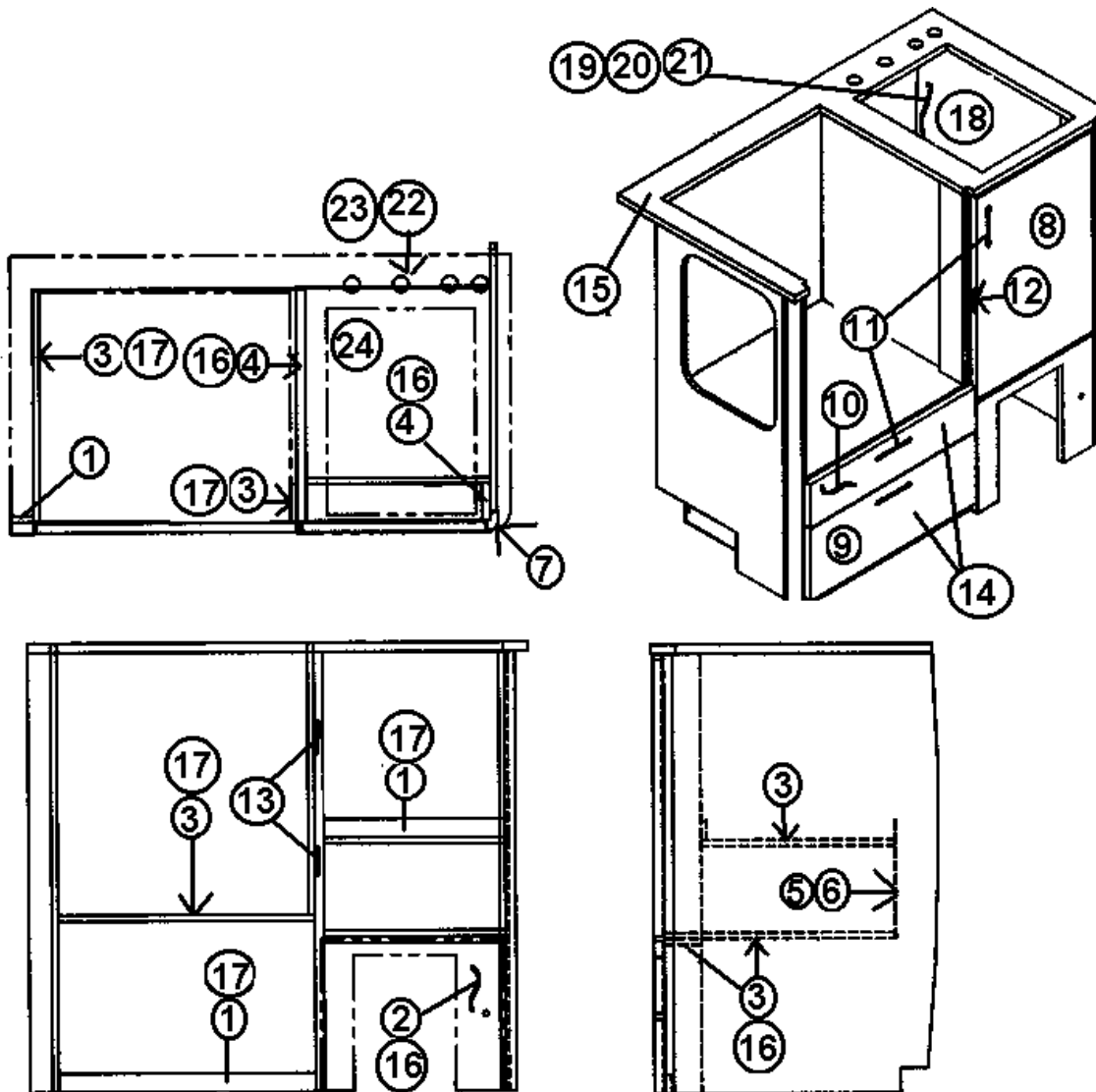
- 381479 HINGE, BRASS-CABINET, 2" X 1-3/8"
- 365268-03 Edge tape, Tropical Oak, .625"
- 386141 Bracket, mounting angle, lambrequin

965645 Galley Roof Locker Assembly, 19 ft.



- 1. 801392 Paneling, White/White 12 MM
- 2. 801383-01 Paneling, Tropical Oak/White liner
- 3. 801368 Paneling, White liner/White Liner, 18 MM
- 4. 381228 Grabber door catch, 10 lb.
- 5. 381608-04 Lid stay, right Hafele
- 6. 381608-05 Lid stay, left Hafele
- 7. 965551-04 Door, radius foam, 15.25" x 23.13"
- 8. 965587 End cap assembly
- 9. 381840-01 HINGE-OVERHEAD SPRING LH
- 9A. 381840-02 HINGE-OVERHEAD SPRING RH
- 10. 365268-01 Edge tape, Tropical Oak, 1.13 wide
- 11. 365268-03 Edge tape, Tropical Oak, .625"
- 12. 365240-01 Edge tape, white, 1 5/16"
- 13. 365238-04 Edge tape, White, 5/8" wide
- 14. 511227-01 Wiring cover, raceway, brown
- 15. 511227-02 Wiring cover end cap, brown
- 16. 115085 Roof locker, mounting angle

2004 SAFARI- BAMBI
 FURNITURE
 Galley
 965641 Galley Assembly, 19 ft.



Part numbers are on the next page.

2004 SAFARI- BAMBI

FURNITURE

Galley

965641 Galley Assembly, 19 ft.

1. 801383-01 Paneling, Tropical Oak/White liner, 12mm
2. 801376-01 Paneling, Tropical Oak/White, 4' x 8'
3. 801392 Paneling, White/White 12 MM
4. 801368 Paneling, White liner/White Liner, 18 MM
5. 801353 Lite ply, 3mm
6. 81355-01 Laminate, Frost white, 4' x 8'
7. 801393-01Z Corner trim, 90°, 1" Radius
8. 801341-41 Door, 21.63" x 4.81"
9. 801341-40 Door, 21.63" x 8.00"
10. 801341-39 Door, 15.00" x 22.38"
11. 381774 Door handle
12. 381228-01 Door/drawer grabber catch, 3 lb.
13. 381607 Hinge assembly, Grass European
14. 965642-01 Drawer box assembly, 19.75"
- 381773-03 DRAWER SLIDE, 15.75"
15. 965640 Galley top assembly
- 965640-01 Galley top assembly, Amarillo
16. 365268-01 Edge tape, Tropical Oak, 1.13 wide
17. 365268-03 Edge tape, Tropical Oak, .625"
18. 601835 SINK, STAINLESS STEEL, 17" X 13"
19. 601714-01 Tail piece, 1 1/2" x 4"
20. 601714-02 Slip nut w/wings
21. 601174-03 Black rubber washer
22. 601746 Faucet, Moen, 8" S/L manor kit w/spy
23. 195362-39 2" strainer
24. 203425 Sink cover

115064

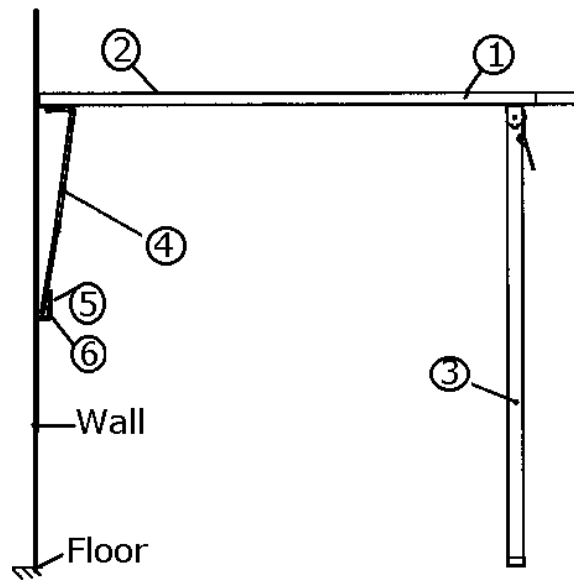
ALUMINUM COUNTER TOP TRIM

2004 SAFARI- BAMBI

FURNITURE

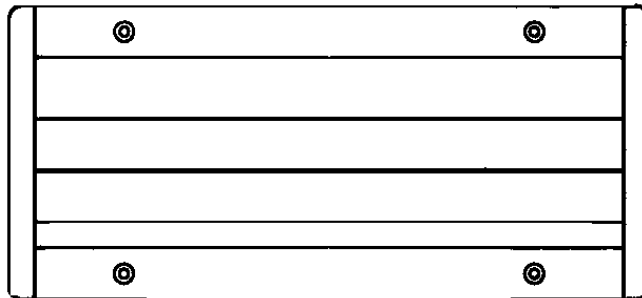
Galley

965646 Dinette Table Assembly, 25', 28 SO
-01 Amarillo



- | | |
|--------------|---------------------------------|
| 1. 801382 | Panel, white/shelf liner, 18mm |
| 801377 | Panel, Graphite/Rexal, Amarillo |
| 2. 365271 | Edge tape |
| 3. 700065-01 | Snapo folding table leg |
| 4. 380284-02 | Table hinge bracket |
| 5. 340015 | Center hinge |
| 6. 340018 | Catch plate |

964532-00Z Spice Rack, 25' A & B, 28 S/O



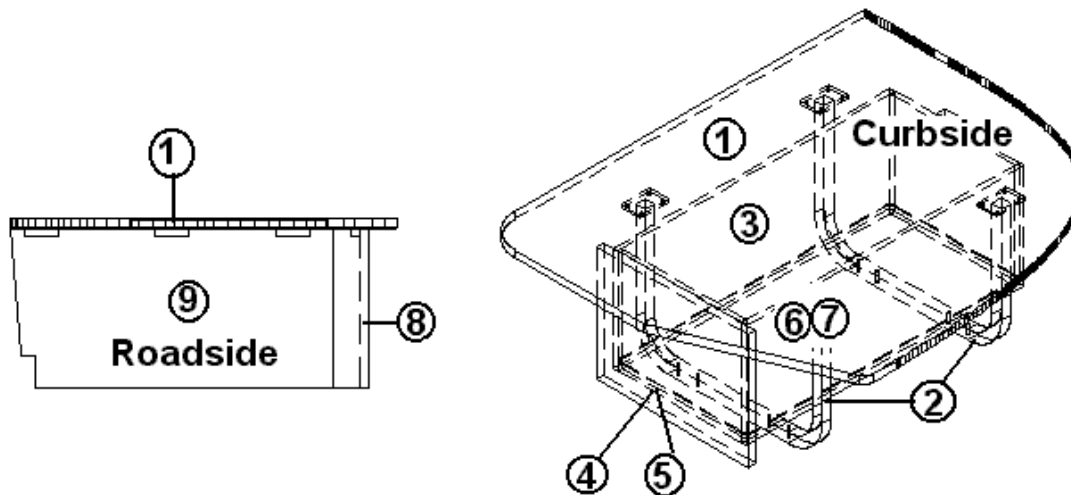
2004 SAFARI- BAMBI

FURNITURE

Galley

965866 Roadside Dinette Seat Assembly, 19'

965865 Curbside Dinette Seat Assembly, 19'



- | | | |
|----|-----------|--------------------------------------|
| 1. | 801368 | Panel, Whiteliner/Whiteliner, 18mm |
| 2. | 454177 | Seat legs |
| 3. | 964909-11 | Drawer box assembly |
| 4. | 801375-28 | Drawer front |
| 5. | 801833 | 24" drawer slide w/mounting hardware |
| 6. | 800581-01 | Oak block |
| 7. | 381704 | Bulldog catch |
| 8. | 965932-01 | RS dinette seat support |
| 9. | 701538-01 | Trunk liner |

- | | |
|-----------|---------------------------------------|
| 365267 | EDGEBANDING-1.13" .024 PLY |
| 365268-01 | EDGEBANDING-.024"X 1.13" TROPICAL OAK |

- | | |
|-----------|----------------------|
| 703368-01 | FOAM-SEAT CS DINETTE |
| 703368-02 | FOAM-CS BACK FILLER |
| 703368-04 | FOAM-RS DINETTE SEAT |
| 703368-05 | FOAM-RS BACK FILLER |
| 703368-06 | FOAM-RS BACK REST |

- | | |
|--------|--------------------|
| 965575 | TABLE ASSY-DINETTE |
|--------|--------------------|

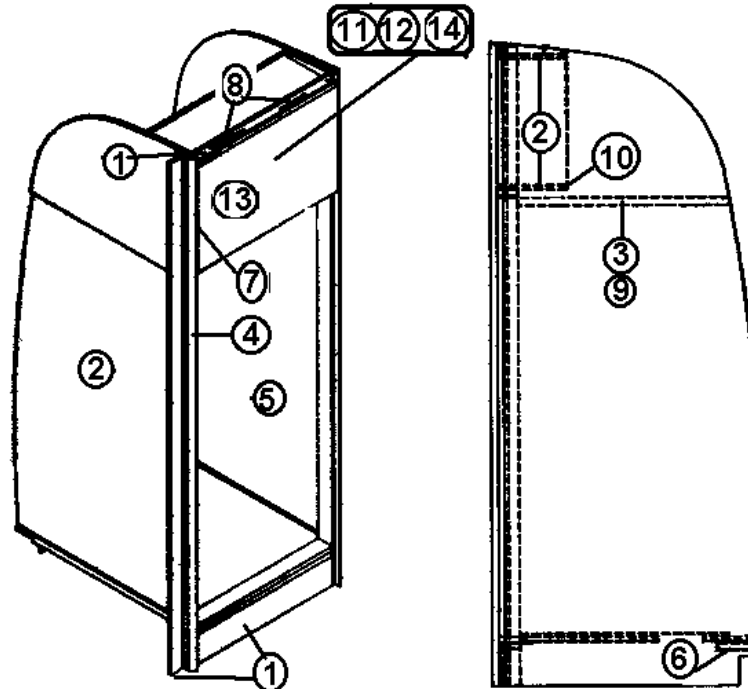
2004 SAFARI- BAMBI

FURNITURE

Galley

965664 Refrigerator Cabinet Assembly, 25' A & B

-01 28' S/O



- | | |
|---------------|--|
| 1. 801383-01 | Paneling, Tropical Oak/White liner, 12mm |
| 2. 801392 | Paneling, White/White 12 MM |
| 3. 801368 | Laminate, White/White |
| 4. 801393-01 | Corner trim, 1" radius |
| 5. 801380-12 | Panel, forward refrigerator |
| 6. 965663 | Refrigerator stand |
| 7. 381608-05 | Lid stay, left Hafele |
| 8. 381607 | Hinge assembly, Grass European |
| 381607-01 | HINGE-GRASS EURO W/80307 PLASTIC |
| 381607-02 | BASE PLATE-GRASS HINGE |
| 381607-03 | BASE PLATE-GRASS PLASTIC |
| 381607-04 | HINGE SCREW-GRASS #6 X 5/8" |
| 9. 365268-01 | Edge tape, Tropical Oak, 1.13 wide |
| 10. 365268-03 | Edge tape, Tropical Oak, .625" |
| 11. 381774 | Door handle |
| 12. 381228-01 | Door/drawer grabber catch, 3 lb. |
| 13. 801341-42 | Door, 25.06" x 16.13" |
| 14. 801355-01 | Laminate, Frost White, 4' x 8', vertical |

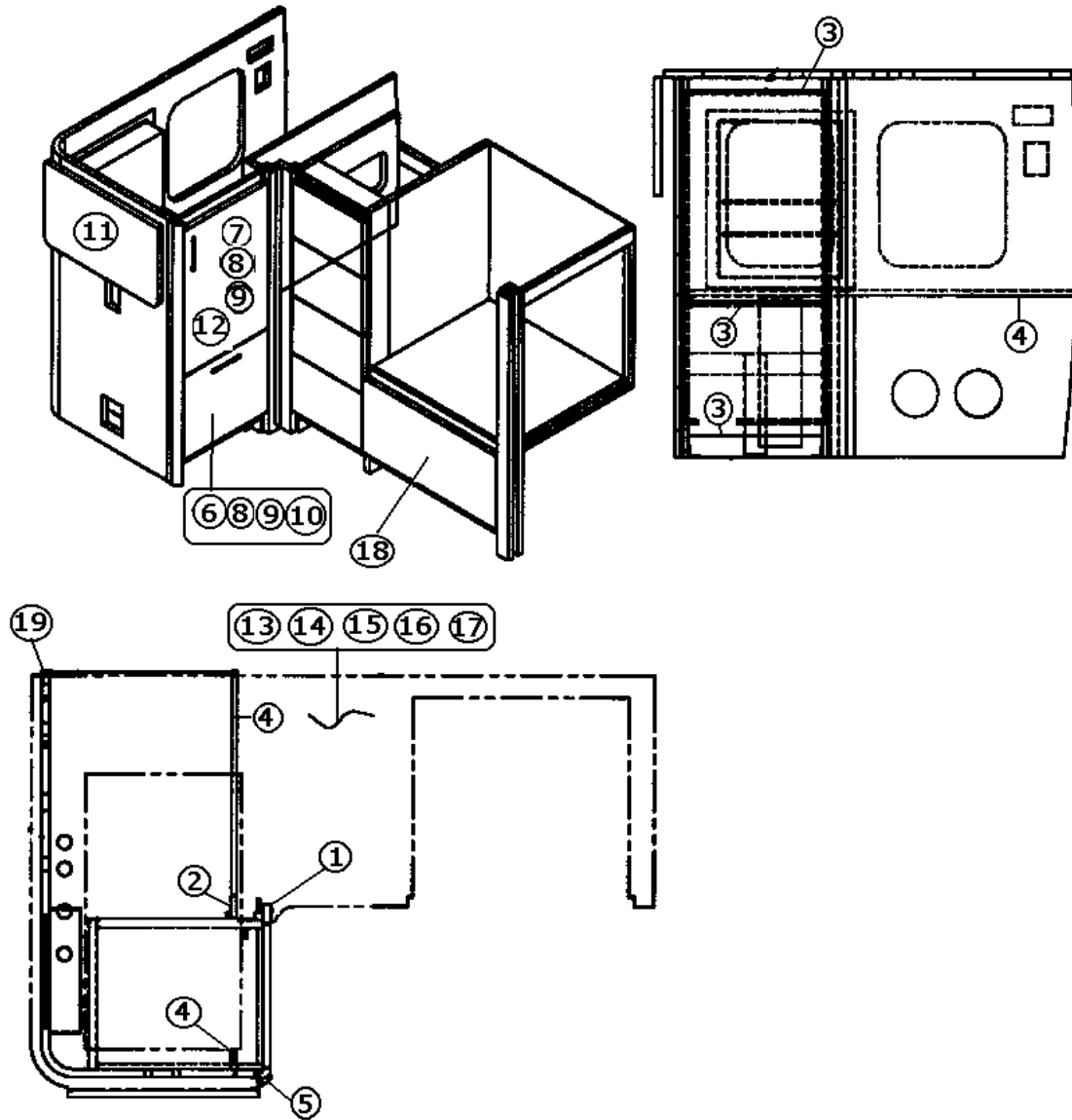
2004 SAFARI- BAMBI

FURNITURE

Galley

965695 Galley Assembly, 28' S/O

965695-01 Amarillo



P/N on next page

2004 SAFARI- BAMBI

FURNITURE

Galley

965695 Galley Assembly, 28' S/O

965695-01 Amarillo

- | | |
|----------------|--|
| 1. 801376-01 | Panel, Tropical Oak/white liner, 18 mm |
| 2. 801368 | Panel, white Rexel/white Rexel |
| 3. 801383-01 | Panel, Tropical Oak/White liner |
| 4. 801392 | Panel, Tropical Oak/white liner, 12 mm |
| 5. 801393-01 | Corner trim, 90 degree radius |
| 6. 801341-53 | Door, 13.38" x 11.25" |
| 7. 801341-54 | Door, 13.38" x 19.25" |
| 8. 381774 | Door handle |
| 9. 381228-01 | Grabber catch, door |
| 10. 965558-02 | Drawer box assembly |
| 11. 965581 | Flip up shelf |
| 381614 | FOLDING SHELF BRACKET |
| 11a. 965581-01 | Flip up shelf, Amarillo |
| 12. 381607 | Hinge assembly |
| 13. 965693 | Galley top assembly |
| 13a. 965693-01 | Galley top assembly, Amarillo |
| 14. 601799 | Sink, stainless steel, 16" x 27" |
| 15. 601744-01 | Sink mounting clips |
| 16. 600968 | Basket strainer |
| 17. 203424 | Sink covers |
| 18. 965694 | Galley oven section assembly |
| 19. 965708 | Forward galley panel assembly |

965715 Galley backsplash

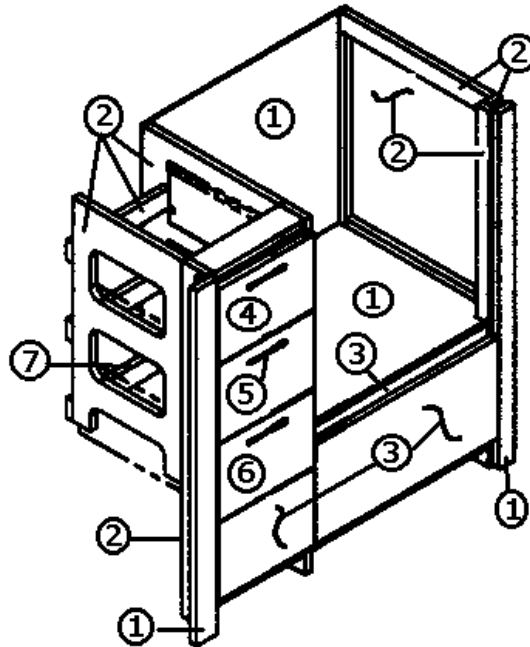


2004 SAFARI- BAMBI

FURNITURE

Galley

965694 Galley Assembly, Oven Section, 28' S/O
965694-01 Amarillo



- | | |
|--------------|--|
| 1. 801376-01 | Paneling, Tropical Oak/White liner, 18mm |
| 2. 801368 | Paneling, White Rexel/White Rexel |
| 3. 801381 | Paneling, Tropical Oak/Tropical Oak,
12mm |
| 4. 801341-52 | Door, cabinet, 11.13" x 7.50" |
| 5. 381774 | Handle, door |
| 6. 381228-01 | Catch, grabber door |
| 7. 965560-02 | Drawer box |

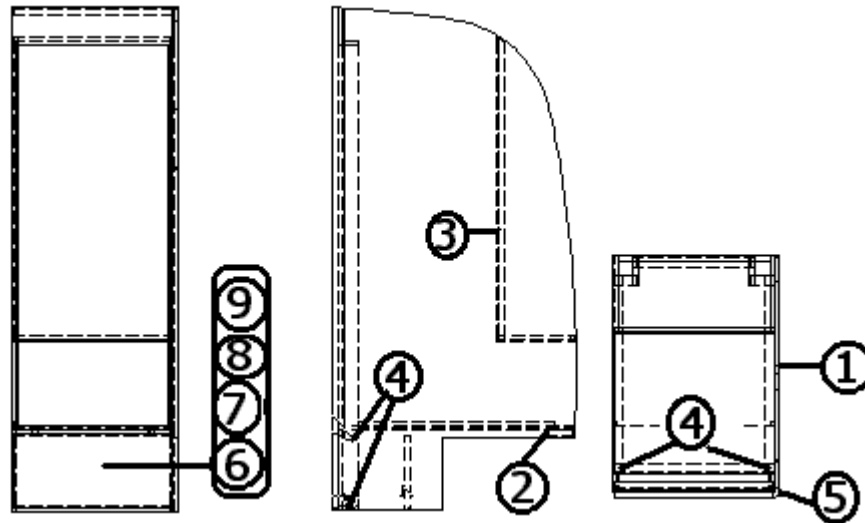
- 965708 Forward galley panel assembly
- 801345 RADIUS PLYWOOD .75" X 3" X 8'
- 203383 RACK-MAGAZINE, ABS
- 115042 ROD-.25" ALUMINUM
- 203387 POCKET-RECESSED FIRE EXTINGUISHER BRACKET
- 381653 LATCH-SINGLE TOUCH BLACK
- 381654 HINGE-NON BORE GLASS DOOR BLACK
- 381707 STRIKE W/PULL-GLASS DOOR BLACK
- 371391 DOOR-GLASS 11.56" X 13.06"
- 203340 Black T-Molding

2004 SAFARI- BAMBI

FURNITURE

Galley

965798 Refrigerator Cabinet, 28' S/O
8 cu. ft. refrigerator



- | | |
|-------------------------|---------------------------------|
| 1. 801424-07 | Panel, forward refer |
| 2. 965736 | Refer stand assembly |
| 3. Install refer baffle | |
| 4. 801368 | Panel, white Rexel/white Rexel |
| 5. 801383-01 | Panel, Tropical Oak/White liner |
| 6. 801393-01 | Corner trim, 90 degree radius |
| 7. 801341-21 | Door, 24.81" x 9.31" |
| 8. 801341-57 | Door, 24.81" x 11.93" |
| 9. 381774 | Door handle |
| 10. 381607 | Hinge assembly |
| 11. 381228-01 | Grabber catch, door |

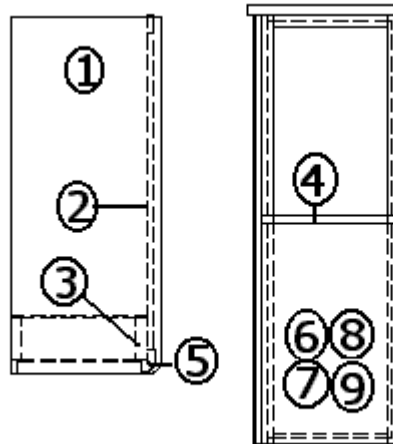
- | | |
|-----------|--|
| 381832 | SHELF-TV RECESSED |
| 381830 | WIPER-RUBBER 1.125" X 2" L |
| 365268-01 | Edge tape, .024" x 1.13", Tropical Oak |

2004 SAFARI- BAMBI

FURNITURE

Galley

965799 Assembly, End Stand Cabinet, White Suede, 28' SO
-01 galaxy Graphite



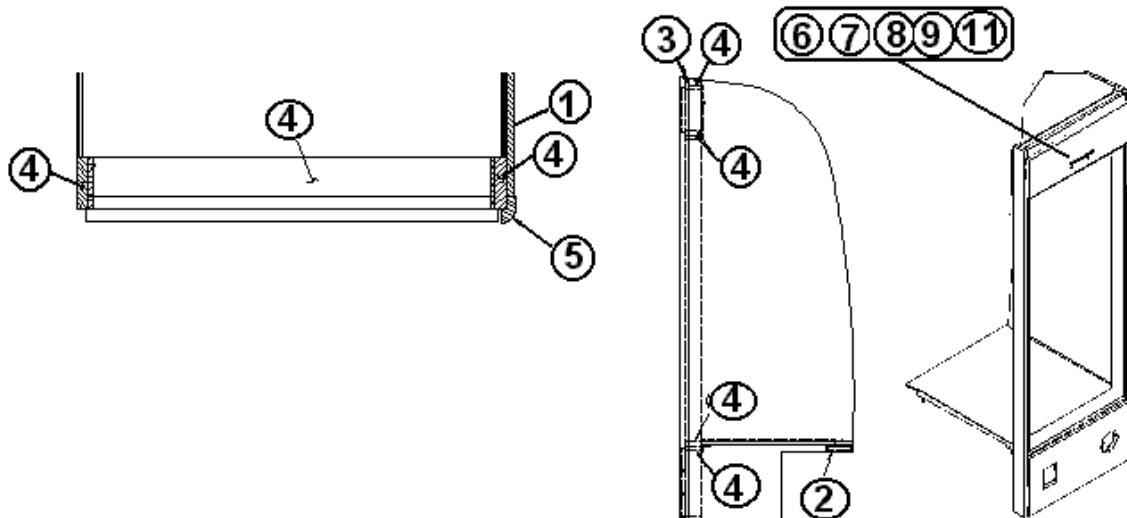
- | | |
|---------------|--|
| 1. 965801 | Top assembly, end stand, white suede |
| 1a. 965801-01 | Top assembly, end stand, galaxy graphite |
| 2. 801383-01 | Panel, Tropical Oak/White liner |
| 3. 801368 | Panel, white Rexel/white Rexel |
| 4. 801392 | Panel, Tropical Oak/white liner, 12 mm |
| 5. 801393-01 | Corner trim, 90 degree radius |
| 6. 801341-57 | Door, 24.81" x 11.93" |
| 7. 381774 | Door handle |
| 8. 381607 | Hinge assembly |
| 9. 381228-01 | Grabber catch, door |

2004 SAFARI- BAMBI

FURNITURE

Galley

965837 Refrigerator Cabinet, 28' W



- | | |
|---------------|--|
| 1. 801454-03 | Forward refer panel |
| 2. 965835 | Refer stand assembly |
| 3. 801376-01 | Paneling, Trop. Oak/Trop. Oak, 18 MM |
| 4. 801368 | Paneling, Whiteliner/Whiteliner, 18MM |
| 5. 801393-01Z | Corner trim, 90 degree 1" radius |
| 6. 801341-65 | Door, 8.13" x 24.75" |
| 7. 381774 | Handle, door |
| 8. 381607 | Hinge assembly |
| 9. 381228-01 | Door grabber catch |
| 10. 365268-01 | Edgebanding, .024" x 1.13", Tropical Oak |
| 11. 381608-05 | Lid stay, left |

2004 SAFARI- BAMBI

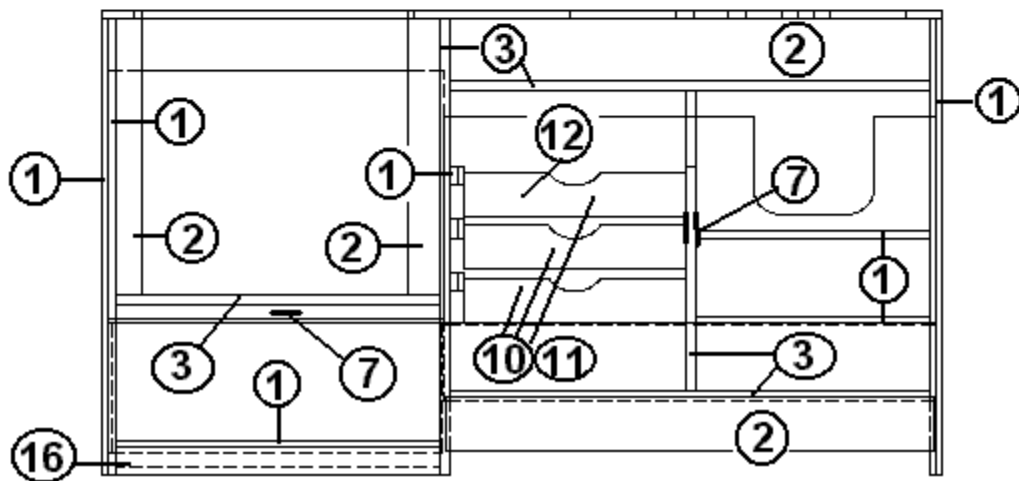
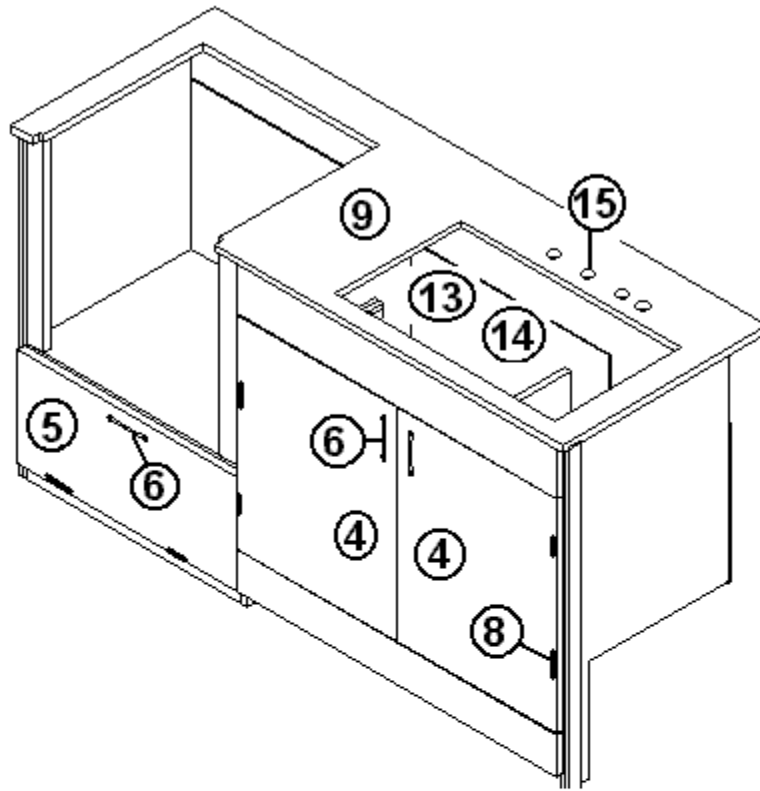
FURNITURE

Galley

965899 Full Oven Galley Assembly, 28' W

Tropical Oak

-01 Galaxy Graphite



Part Numbers on next page

2004 SAFARI- BAMBI

FURNITURE

Galley

965899 Full Oven Galley Assembly, 28' W

Tropical Oak

-01 Galaxy Graphite

- | | |
|----------------|--|
| 1. 801392 | Paneling, Whiteliner/Whiteliner |
| 2. 801376-01 | Paneling, Tropical Oak/Whiteliner, 18MM |
| 3. 801368 | Paneling, Whiteliner/Whiteliner, 18MM |
| 4. 801341-26 | Door, 18.63" x 23.63" |
| 5. 801341-68 | Door, 11.50" x 25.63" |
| 6. 381774 | Handle, Drawer/door |
| 7. 381228-01 | Door grabber catch |
| 8. 381607 | Hinge assembly |
| 9. 965902 | Galley top, Tropical Oak |
| 9a. 965902-01 | Galley top, Galaxy Graphite |
| 10. 965584-02 | Drawer box assembly |
| 11. 801399-03 | Drawer, 17.00" x 3.38" |
| 12. 381615 | Tray, silverware |
| 13. 601799 | Sink, SS, 16" x 27", Porcelain |
| 13a. 601744-01 | Mounting clip, sink |
| 13b. 203425 | Sink cover |
| 14. 600968 | Basket strainer |
| 15. 601746 | Faucet, Moen, 8" Manor w/spray |
| 16. 801383-01 | Paneling, Tropical Oak/Whiteliner, 12MM |
| 365268-01 | Edgebanding, .024" x 1.13", Tropical Oak |
| 365273 | EDGEBANDING GALAXY GRAPHITE, AMARILLO |

2004 SAFARI- BAMBI

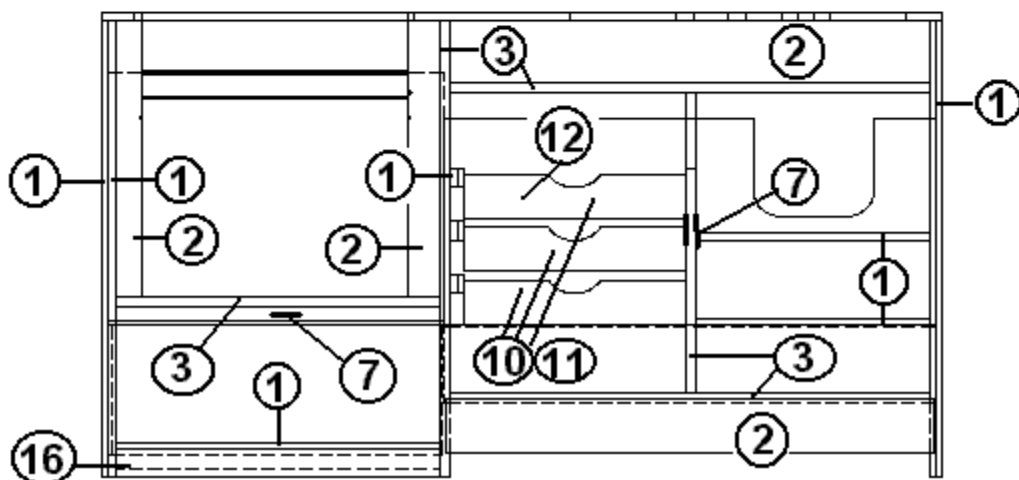
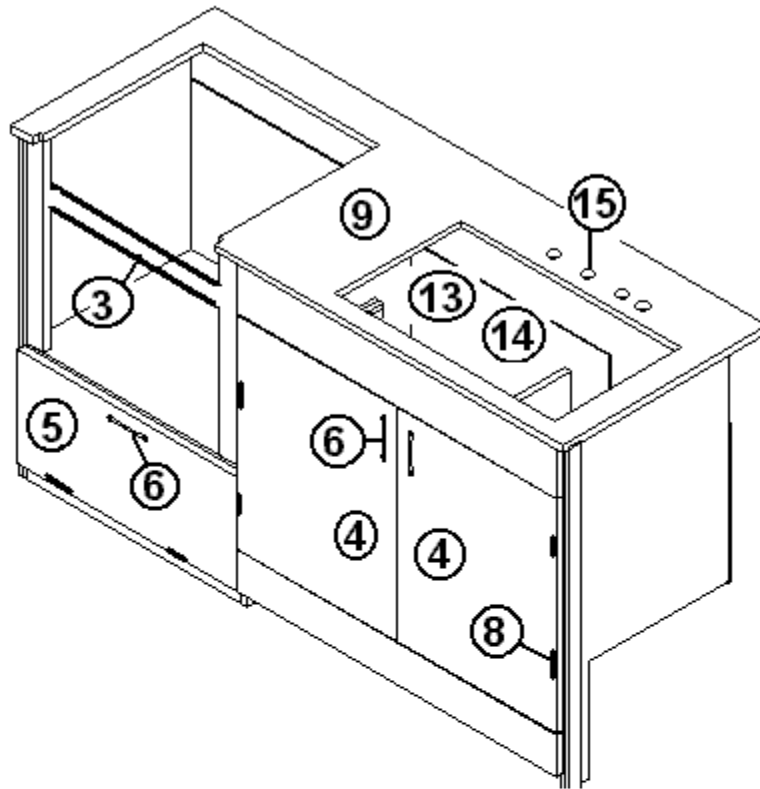
FURNITURE

Galley

965900 Full Oven Galley Assembly, 28' W

Tropical Oak

-01 Galaxy Graphite



Part numbers on next page.

2004 SAFARI- BAMBI

FURNITURE

Galley

965900 Full Oven Galley Assembly, 28' W

Tropical Oak

-01 Galaxy Graphite

- | | |
|----------------|--|
| 1. 801392 | Paneling, Whiteliner/Whiteliner |
| 2. 801376-01 | Paneling, Tropical Oak/Whiteliner, 18MM |
| 3. 801368 | Paneling, Whiteliner/Whiteliner, 18MM |
| 4. 801341-26 | Door, 18.63" x 23.63" |
| 5. 801341-68 | Door, 11.50" x 25.63" |
| 6. 381774 | Handle, Drawer/door |
| 7. 381228-01 | Door grabber catch |
| 8. 381607 | Hinge assembly |
| 9. 965902 | Galley top, Tropical Oak |
| 9a. 965902-01 | Galley top, Galaxy Graphite |
| 10. 965584-02 | Drawer box assembly |
| 11. 801399-03 | Drawer, 17.00" x 3.38" |
| 12. 381615 | Tray, silverware |
| 13. 601799 | Sink, SS, 16" x 27", Porcelain |
| 13a. 601744-01 | Mounting clip, sink |
| 13b. 203425 | Sink cover |
| 14. 600968 | Basket strainer |
| 15. 601746 | Faucet, Moen, 8" Manor w/spray |
| 16. 801383-01 | Paneling, Tropical Oak/Whiteliner, 12MM |
| 365268-01 | Edgebanding, .024" x 1.13", Tropical Oak |

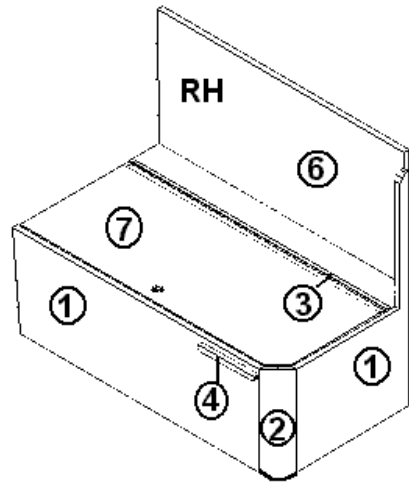
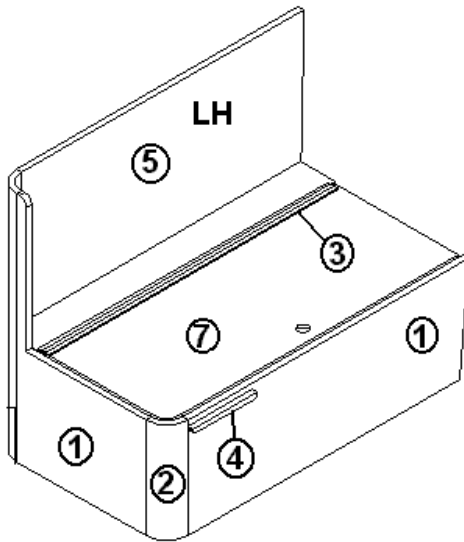
2004 SAFARI- BAMBI

FURNITURE

Galley

965894 RH Dinette Seat, 28' W

965895 LH Dinette Seat, 28' W



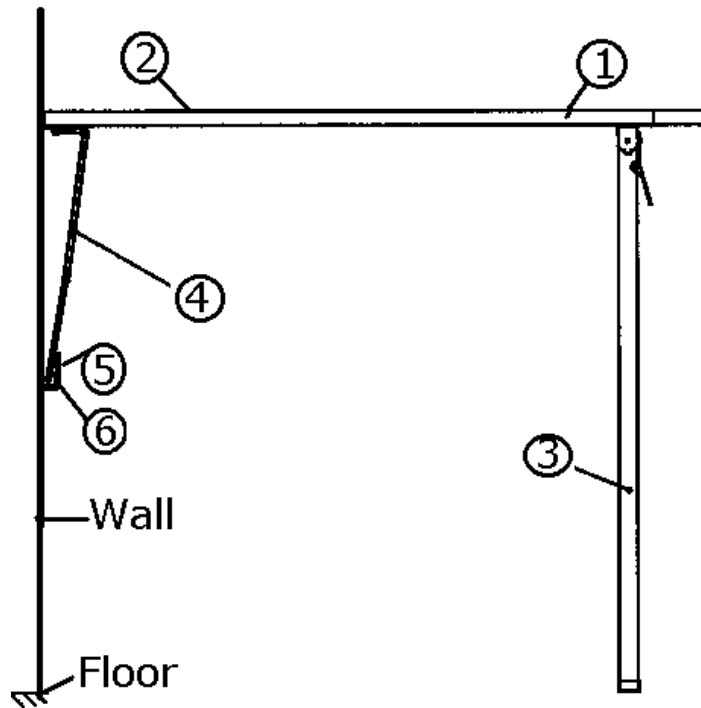
- | | |
|---------------|--------------------------------|
| 1. 801351 | Lite ply, .75" x 4' x 8" |
| 1a.700414 | Foam, 3/8" x 4' x 8'3. |
| 2. 801345 | Radius plywood, .75" x 3" x 8' |
| 3. 380458 | Hinge, piano, brown |
| 4. 800470-00Z | Stop, hardwood, 3/4" dinette |
| 5. 703309-01 | Foam, left side back |
| 6. 703309-02 | Foam, right side back |
| 7. 703309-03 | Foam, seat bottom |
| 800405-00Z | PLUG BUTTON HARDWOOD |

2004 SAFARI- BAMBI

FURNITURE

Galley

965646 Dinette Table Assembly, White, 28' W, 25 SS
-01 Graphite



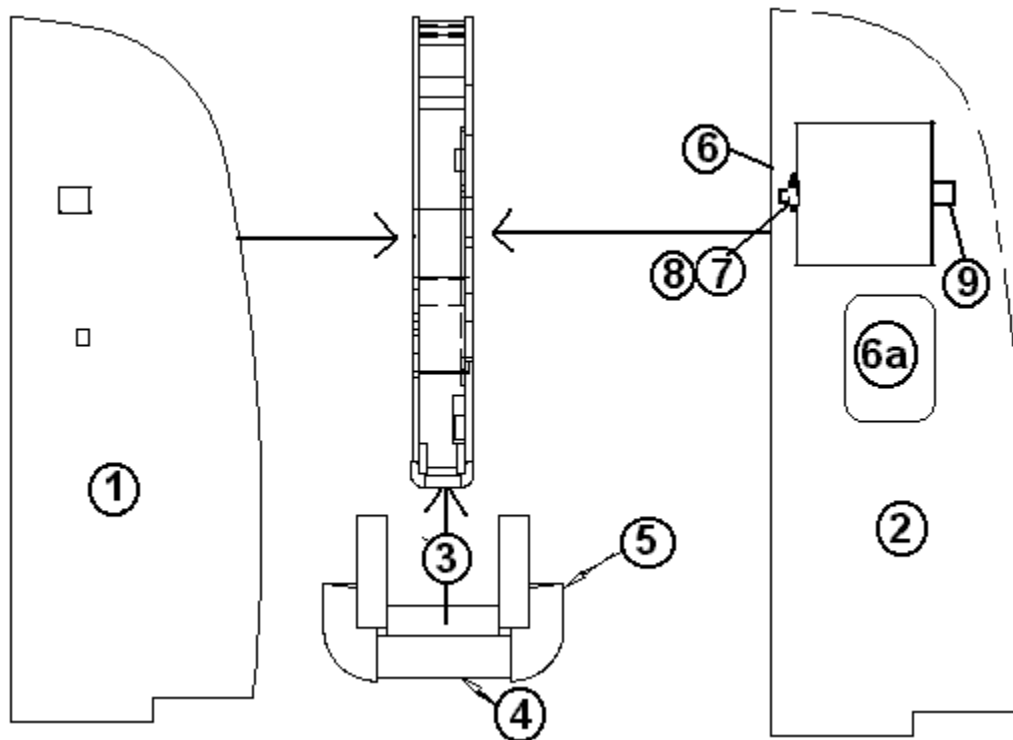
- | | |
|--------------|--------------------------------|
| 1. 801382 | Panel, white/shelf liner, 18mm |
| 2. 365271 | Edge tape |
| 3. 700065-01 | Snapo folding table leg |
| 4. 380284-02 | Table hinge bracket |
| 5. 340015 | Center hinge |
| 6. 340018 | Catch plate |

2004 SAFARI- BAMBI

FURNITURE

Galley

965832 Wall Assembly Forward Galley, 28' W



- | | |
|----------------|--------------------------------------|
| 1. 801454-01 | Panel forward L-sofa |
| 2. 801454-02 | Panel forward galley base |
| 3. 965833 | Nose, galley wall sub assembly |
| 4. 801376-01 | Paneling, Trop. Oak/Trop. Oak, 18 MM |
| 5. 801393-01Z | Corner trim, 1" radius |
| 6. *381241-00Z | TV shelf, Oak w/mirrors |
| 6a. 203383 | Magazine rack |
| 115042 | Aluminum rod |

Optional Flat Screen TV and DVD Player deletes item six ADD:

- | | |
|-----------|------------------------------------|
| 7. 511774 | Bracket, articulating arm, flat TV |
| 8. 690486 | Monitor, color, LCD 17" |
| 9. 511773 | DVD player, Dinette mounted |

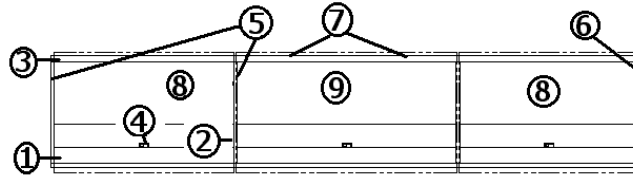
*Running line change to 381832, Recessed Tv shelf during model year

2004 SAFARI- BAMBI

FURNITURE

Galley

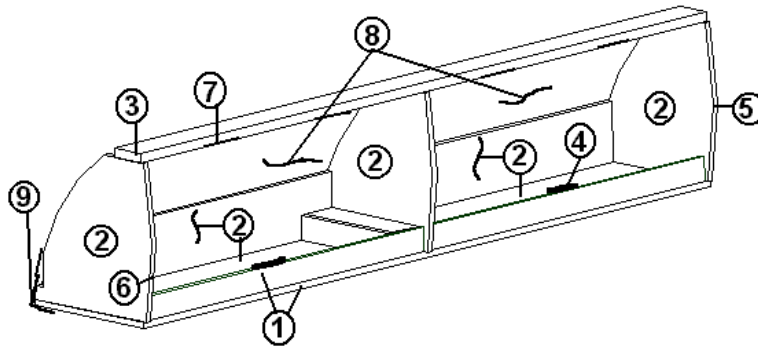
965969 Dinette Locker Assembly, 28" W Model



- | | |
|--------------|--------------------------------------|
| 1. 801383-01 | Panel, Tropical Oak/White liner |
| 2. 801392 | Panel, white liner/white liner, 12MM |
| 3. 801368 | Panel, white liner/white liner, 18MM |
| 4. 381228-01 | Grabber catch |
| 5. 381840-01 | HINGE OVERHEAD SPRING LH #372. |
| 6. 381840-02 | HINGE, OVERHEAD SPRING RH #372. |
| 7. 381607-08 | Hinge assembly |
| 8. 965551-04 | Door, radius, 15.25" |
| 9. 965551-03 | Door, radius, 15.25" |

965896

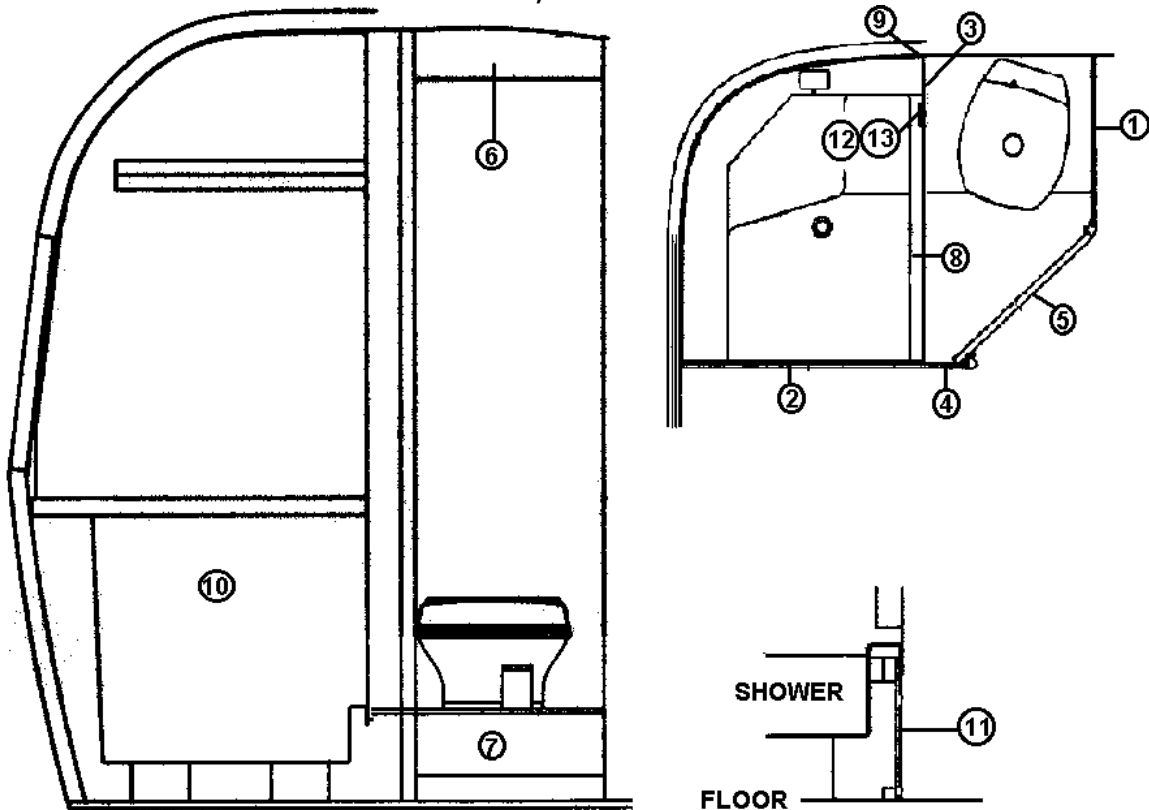
Galley Roof Locker



- | | |
|--------------|---|
| 1. 801383-01 | Paneling, Tropical Oak/Whiteliner, 12MM |
| 2. 801392 | Paneling, Whiteliner/Whiteliner |
| 3. 801368 | Paneling, Whiteliner/Whiteliner, 18MM |
| 4. 381228-01 | Door grabber catch |
| 5. 381840-02 | HINGE, OVERHEAD SPRING RH #372. |
| 6. 381840-01 | HINGE OVERHEAD SPRING LH #372. |
| 7. 381607-08 | Hinge assembly |
| 8. 965551-02 | Door, radius foam, 15.25" |
| 9. 115085 | Aluminum angle |

2004 SAFARI- BAMBI

FURNITURE Bath Bath Module 19', 25' SS



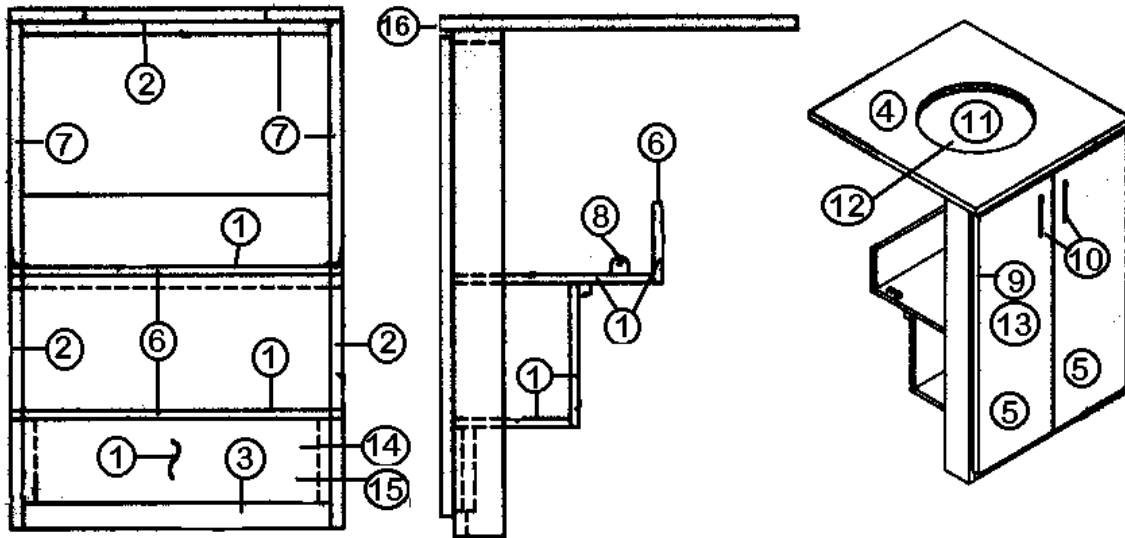
- | | |
|---------------|-------------------------------------|
| 1. 801380-01 | Panel, forward bath |
| 2. 801380-02 | Panel, aft bath |
| 3. 801380-03 | Panel, bath divider |
| 4. 801394-01Z | Jamb, bath door, RS-CS |
| 5. 965567 | Door assembly, 25.50" X 72.00" |
| 6. 965564 | Header, bath door |
| 7. 965566 | Toilet stand assembly |
| 8. 702937-03 | Shower door, roll away, 62" x 36" |
| 9. 203138-02 | Extrusion, plastic, wall |
| 10. 203114 | Shower, 2 piece, fiberglass |
| 11. 965565 | Closeout, toe kick, shower |
| 12. 801388 | PANEL- .5" SPRING FOREST/RAW, G1S |
| 13. 365270-04 | TAPE-VINYL SPRING FOREST 48" X 150' |

2004 SAFARI- BAMBI

FURNITURE

Bath

965568 Lavatory Cabinet Assembly
19', 25' SS

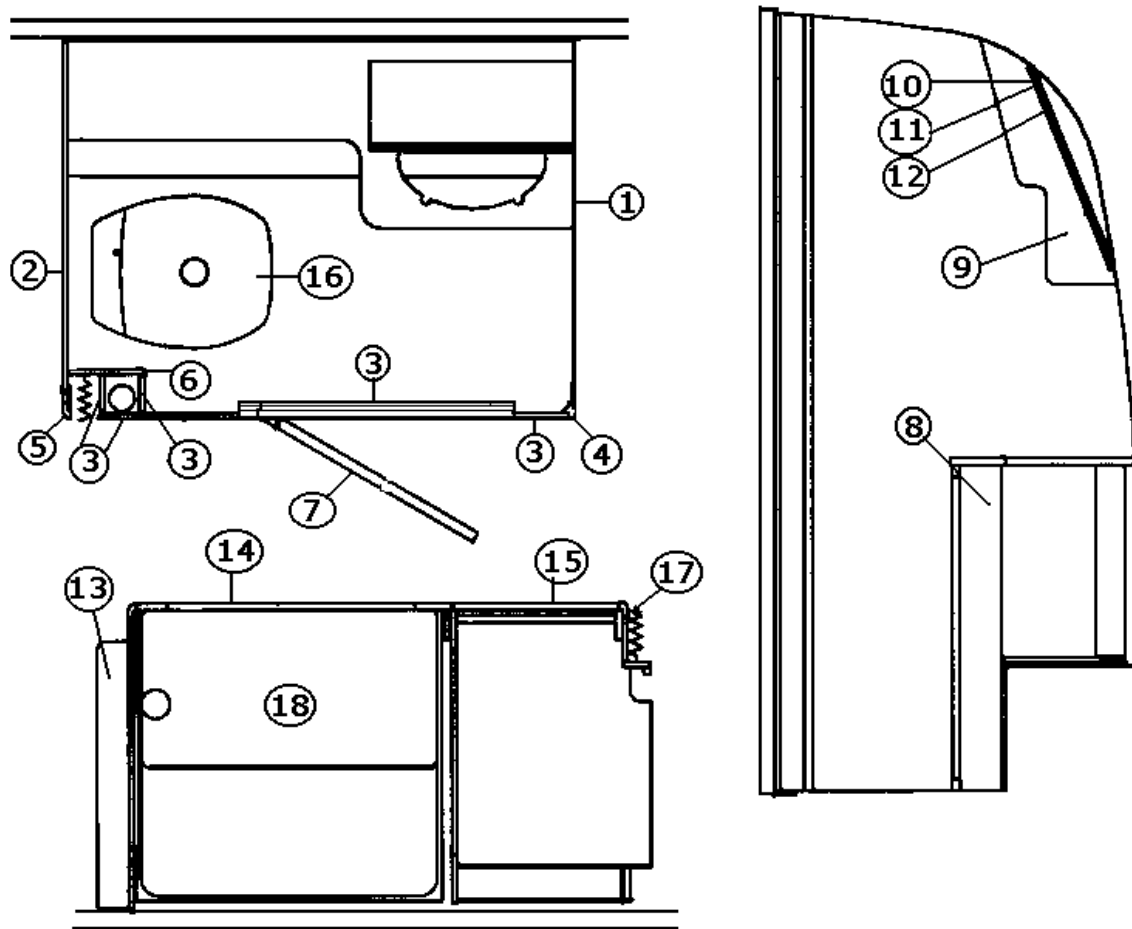


- | | |
|---------------|---------------------------------------|
| 1. 801392 | Paneling, White/White 12 MM |
| 2. 801378 | Paneling, White/Raw, 18 MM, 4' x 8' |
| 3. 801376-01 | Paneling, Tropical Oak/White, 4' x 8' |
| 4. 801385 | Lavy top |
| 4a. 801385-01 | Lavy top, Amarillo color scheme |
| 5. 801341-18 | Door, 9.50" x 28.38" |
| 6. 365238-04 | Edge tape, PVC, 5/8" Colonial White |
| 7. 365271 | Edge tape, PVC Silicon, 1.125" |
| 8. 381607 | Hinge assembly, Grass European |
| 10. 381774 | Handle, drawer/door |
| 11. 601804 | SINK-LAVY YUKON ROUND |
| 12. 601813 | Tail piece, lift/turn drain |
| 13. 381609-02 | Screw, Hafele European, #9-1" |
| 14. 381610-01 | Cover cap, plastic, European White |
| 15. 381228-01 | Door/drawer grabber catch |
| 16. 395271 | Edge tape, 1.125", PVC |

- | | |
|-----------|---|
| 381074 | CATCH BULL DOG |
| 365268-01 | EDGE BANDING .024" X 1.13" TROPICAL OAK |
| 365238-04 | EDGE BANDING TAPE PVC 5/8" COLONIAL WHITE |

2004 SAFARI- BAMBI

FURNITURE Bath Module 28' SO



PN on the next page.

2004 SAFARI- BAMBI

FURNITURE

Bath Module 28' SO

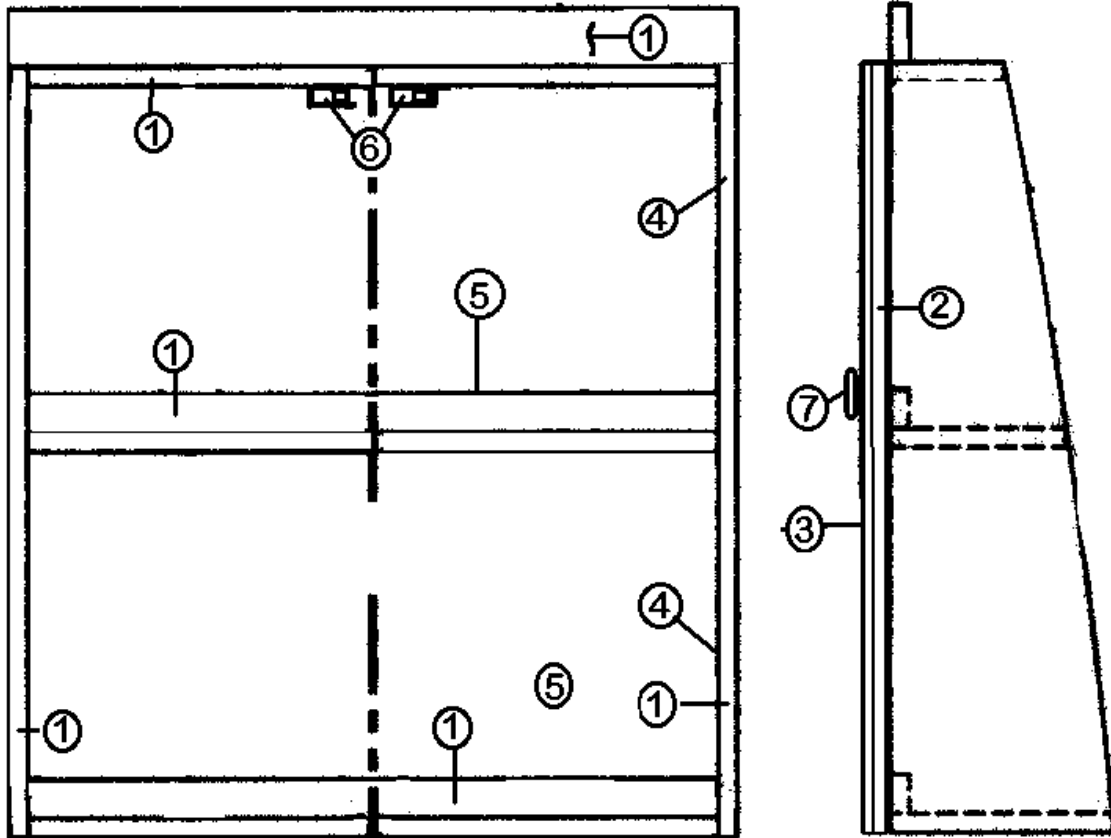
1. 801424-04 PANEL-FORWARD STOOL ROOM
2. 801424-05 PANEL-AFT STOOL ROOM
3. 801409 PANEL-TROP. OAK LAM/ARTIC VINYL 12MM
4. 801415-00Z CORNER TRIM 1" RADIUS
5. 801393-01Z CORNER TRIM 90DEG. 1" RADIUS
6. 801172-06 MOLDING-CORNER ARTIC 1.88"
7. 965567 DOOR ASSY-"C" BATH 25.50" X 72.00"
8. 965652 CABINET ASSY-LAVY
9. 965714 CABINET-MEDICINE ASSY
10. 372203-30 MIRROR-SAFETY 14"H X 30"W
11. 381220-01 MIRROR CLIP,#309NP NICKEL PLATED
12. 381220-02 MIRROR CLIP,#318NP NICKEL PLATED
13. 965761 CLOSEOUT ASSY-AFT SHOWER
14. 965649 COMP. ASSY-SHOWER
15. 965650 WARDROBE ASSY-CS
16. 690387-01 TOILET-THETFORD .AQUA IV HIGH #24840
17. 702681-03 DOOR FOLDETTE 46" X 73" BEIGE
18. 203081-01 SHOWER STALL-2 PC FIBERGLASS

Not shown:

- 365268-03 EDGE BANDING-.024"X .63" TROP. OAK
- 365238-04 EDGE BANDING TAPE PVC 5/8" C. WHITE
- 703338 Wall border, Spellbound
- 703339 Wall border, Status & Amarillo
- 702306-03 SHOWER DOOR SILVER

2004 SAFARI- BAMBI

965570 Medicine Cabinet Assembly, Lower, 25' SS, 19'



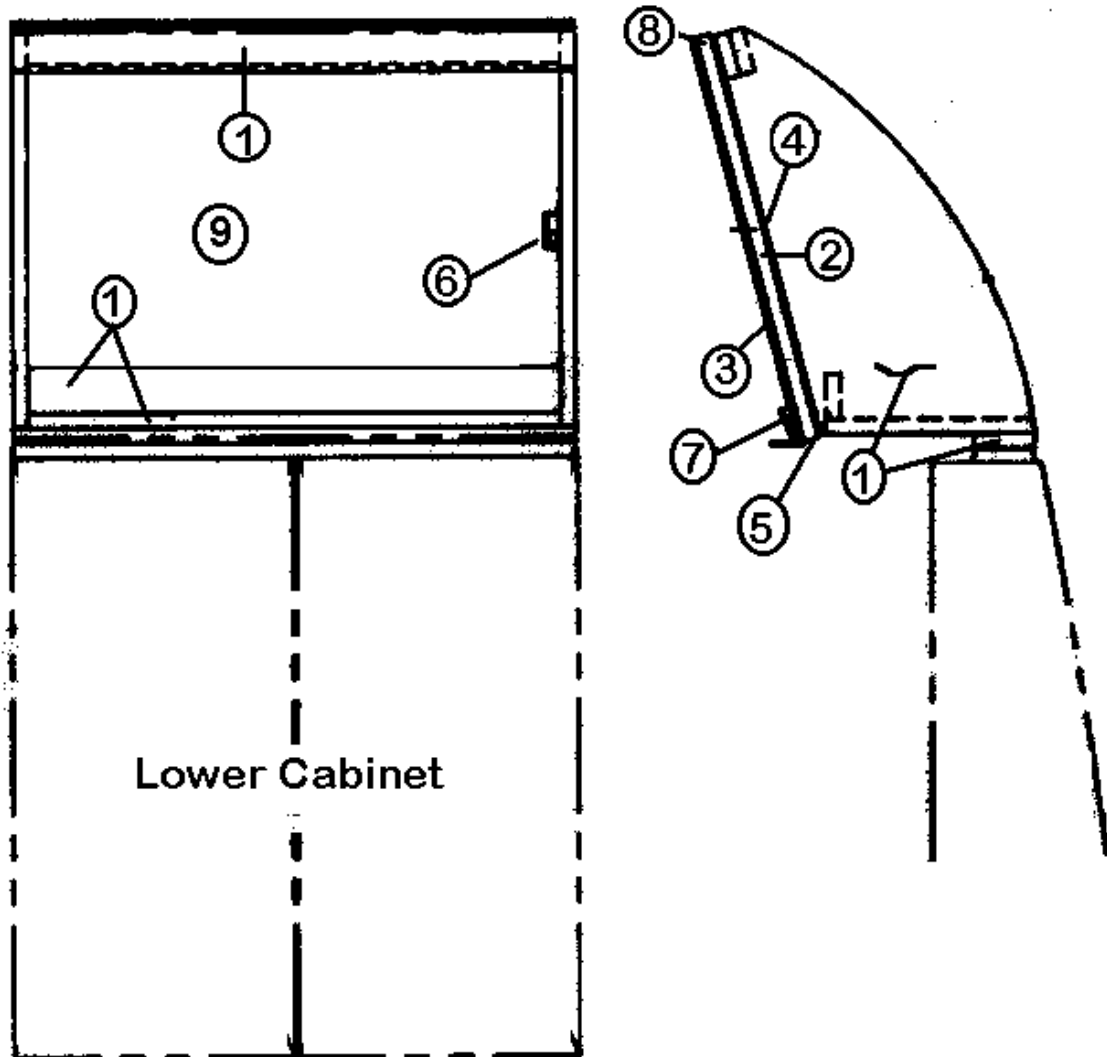
1. 801381-01 Paneling, Tropical Oak/Tropical Oak, 12MM
2. 801383-01 Paneling, Tropical Oak/White
3. 372203-24 Glass, safety mirrored, 9.50" x 20"
4. 385935-01 Hinge, pivot, zinc plated
5. 365268-03 Edge tape, Tropical Oak, .625"
6. 381228 Door/drawer grabber catch
7. 381835 Handle, chrome/brass, door/drawer

2004 SAFARI- BAMBI

FURNITURE

Bath

965569 Medicine Cabinet Assembly, Upper, 25' SS, 19'



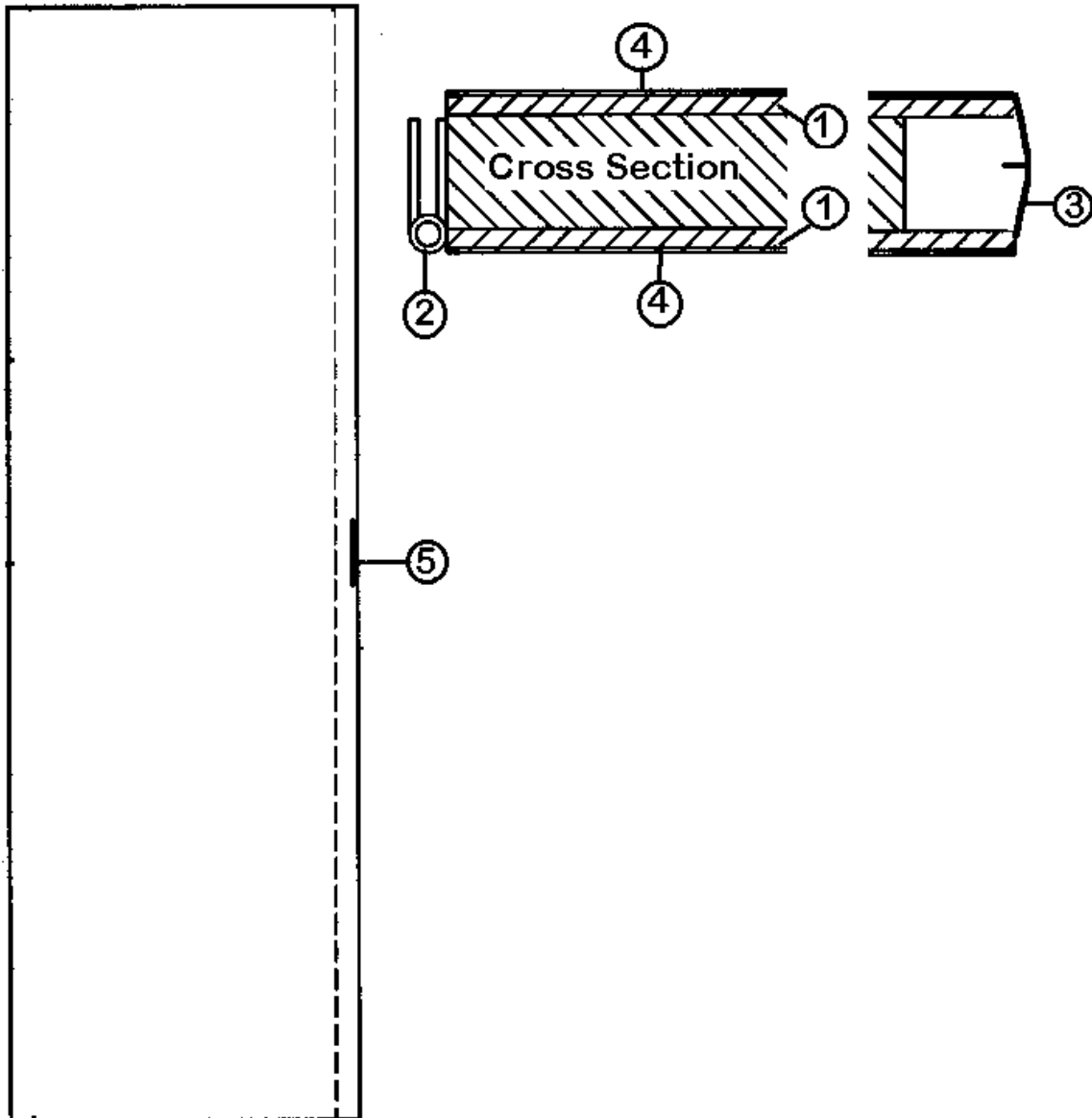
- | | |
|--------------|---|
| 1. 801381-01 | Paneling, Tropical Oak/Tropical Oak, 12MM |
| 2. 801383-01 | Paneling, Tropical Oak/White |
| 3. 372203-05 | Glass, safety mirrored, 19" x 14" |
| 4. 385935-01 | Hinge, pivot, zinc plated |
| 5. 365268-03 | Edge tape, Tropical Oak, .625" |
| 6. 381228 | Door/drawer grabber catch |
| 7. 381835 | Handle, chrome/brass, door/drawer |
| 8. 365234 | QUICK TACK EVER SEAL TAPE |

2004 SAFARI- BAMBI

FURNITURE

Bath

965567 Door Assembly, "C" bath, 25' A & B, 25' SS, 28' SO & W
25.50" X 72.00"



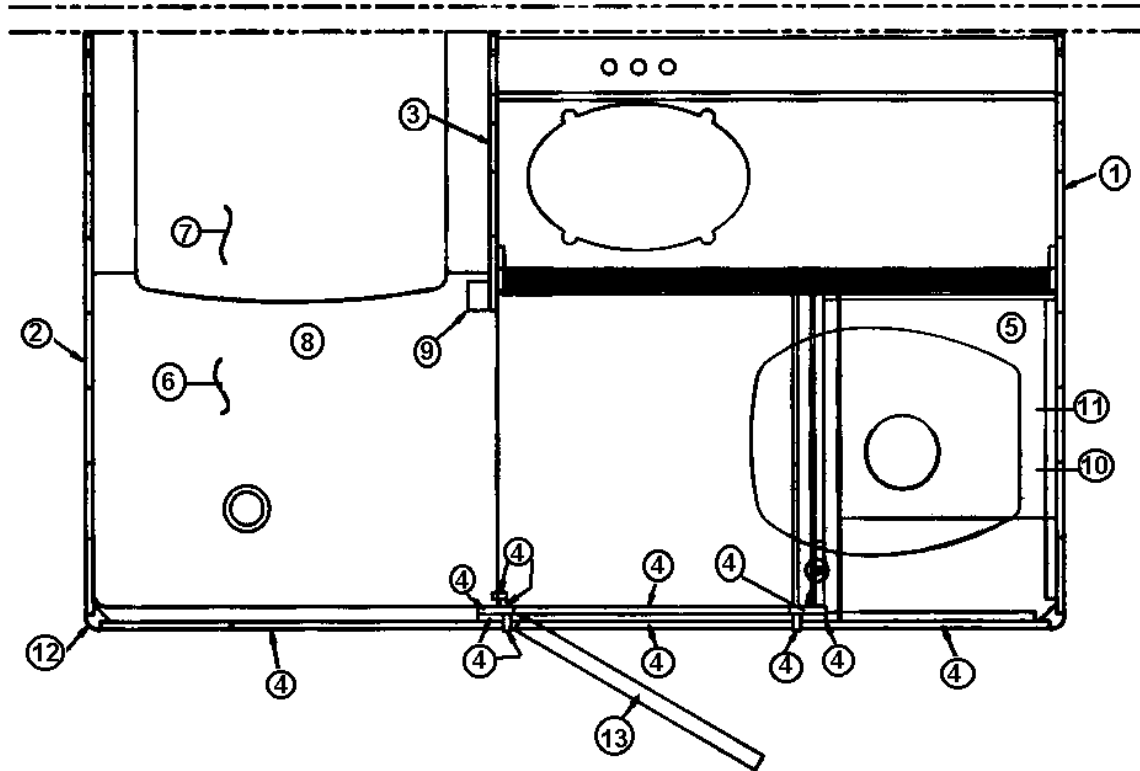
1. 800507-01 Luan
2. 380458 Hinge, piano, brown anodized
3. 365268-02 Edge tape, .024" x 1.63", Tropical Oak
4. 801343-01 Laminate, Tropical Oak
5. 381771 Latch, privacy, lever lock set

2004 SAFARI- BAMBI

FURNITURE

Bath

Bath Module 25' A & B



- | | |
|----------------|------------------------------------|
| 1. 801380-13 | Panel, Fwd, bath |
| 2. 801380-14 | Panel, Aft, bath |
| 3. 801380-15 | Panel, Middle, bath |
| 4. 801409 | Paneling, Tropical Oak/Artic Vinyl |
| 5. 965901 | Toilet stand |
| 6. 964226 | Shower stand assembly |
| 7. 970028 | Shower seat support |
| 8. 201980 | Shower stall, fiberglass, 2 pc. |
| 9. 702937-03 | Shower door, Mylar roll-up |
| 10. 365268-03 | Edge tape, Tropical Oak, .625" |
| 11. 365238-04 | Edge tape, White, 5/8" wide |
| 12. 801415-00Z | Corner trim, 1" radius |
| 13. 965567 | Bath door assembly, see next page |

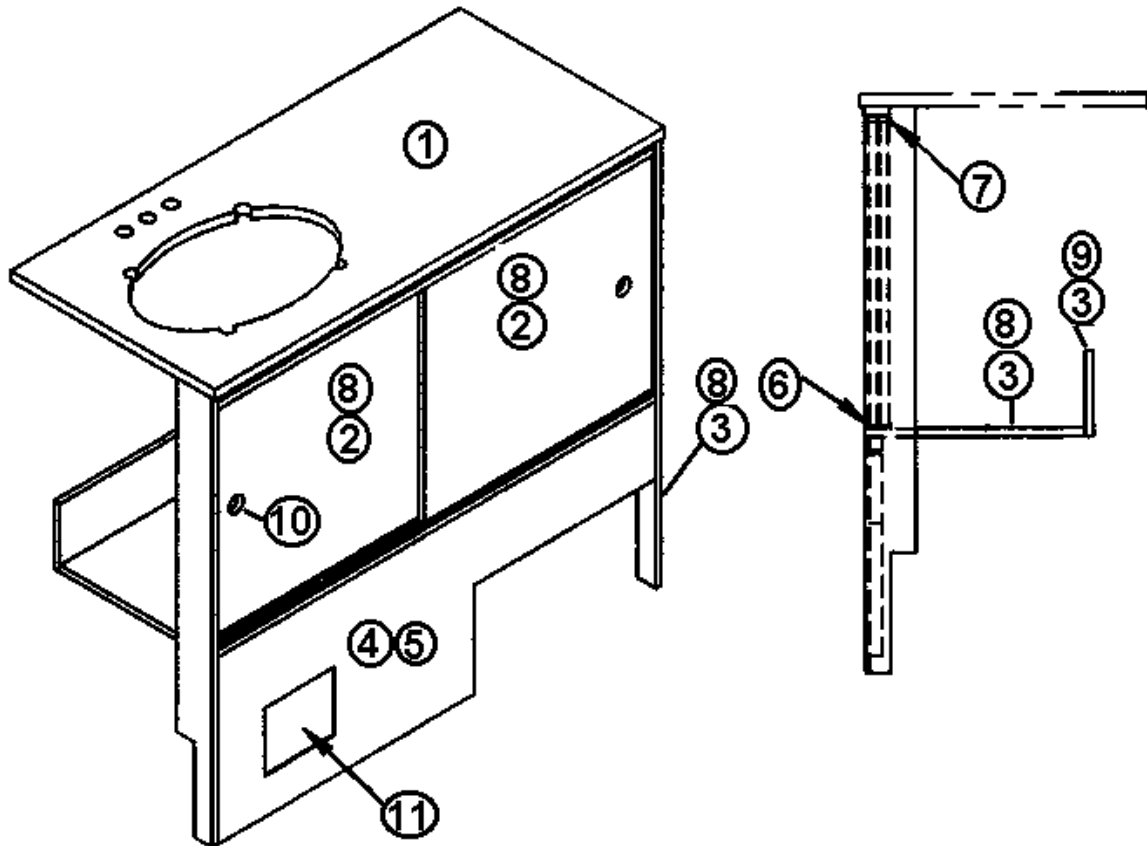
2004 SAFARI- BAMBI

FURNITURE

Bath

965671 Lavatory Assembly, 25' A & B

965671-01 Lavatory Assembly, 25' A & B, Amarillo



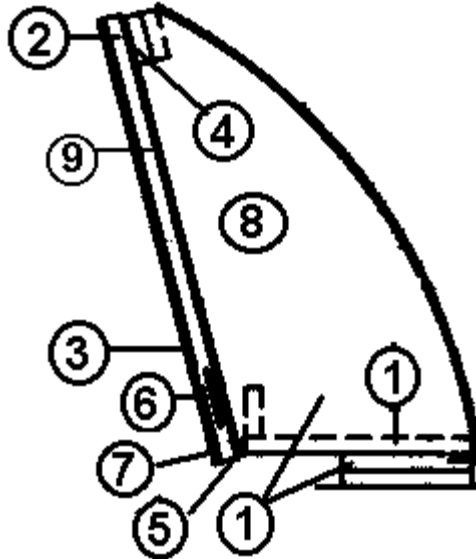
- | | |
|---------------|---|
| 1. 801414 | Lavatory cabinet assembly |
| 2. 801383-01 | Paneling, Tropical Oak/White liner, 12mm |
| 801377 | PANEL, GRAPHITE/REX 4' X 8' 18", AMARILLO |
| 3. 801392 | Paneling, White/White 12 MM |
| 4. 800507-01 | Luan, 1/8" x 4' x 8' |
| 5. 801383-01 | Paneling, Tropical Oak/White liner, 12mm |
| 6. 200963-01 | Track, sliding door, vanity, upper |
| 7. 200963-02 | Track, sliding door, vanity, lower |
| 8. 365268-03 | Edge tape, Tropical Oak, .625" |
| 365273 | EDGEBANDING GALAXY GRAPHITE, AMARILLO |
| 9. 365238-04 | Edge tape, White, 5/8" wide |
| 10. 381796 | Knob, hollow brass, nickel |
| 11. 600969-01 | Register, 4" x 6", sand |
| 203410 | SINK-STAINLESS STEEL LAVY 10" X 15", OVAL |

2004 SAFARI- BAMBI

FURNITURE

Bath

965676 Medicine Cabinet Assembly, 25' A & B



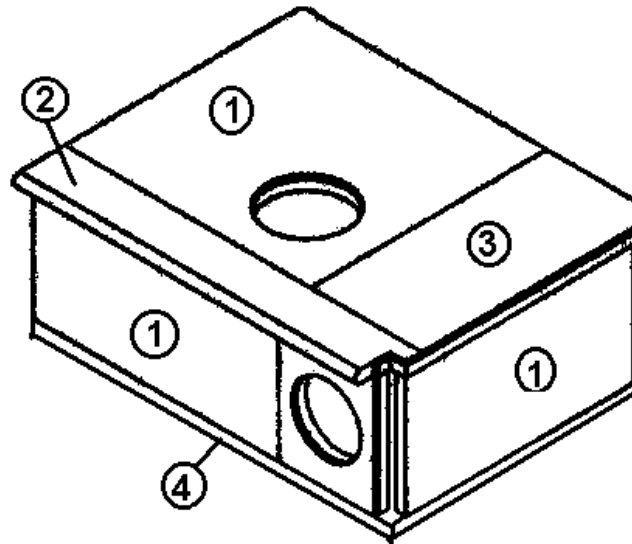
- | | |
|--------------|--|
| 1. 801389 | Paneling, 1/2" G2S, Artic/Artic, 4" x 8' |
| 2. 801388 | Paneling, 1/2" G1S, Artic/Raw, 4' x 8' |
| 3. 372203-04 | Mirror, 36" x 14" |
| 4. 385935-01 | Hinge, pivot |
| 5. 365238-04 | Edge Tape, 5/8", colonial white |
| 6. 381228 | Grabber door catch |
| 7. 381835 | Handle, chrome/brass, door/drawer |
| 8. 801355-01 | Laminate, Frost White, 4' x 8', vertical |
| 9. 380024 | ARMS SUPPORT RIGHT HAND |

2004 SAFARI- BAMBI

FURNITURE

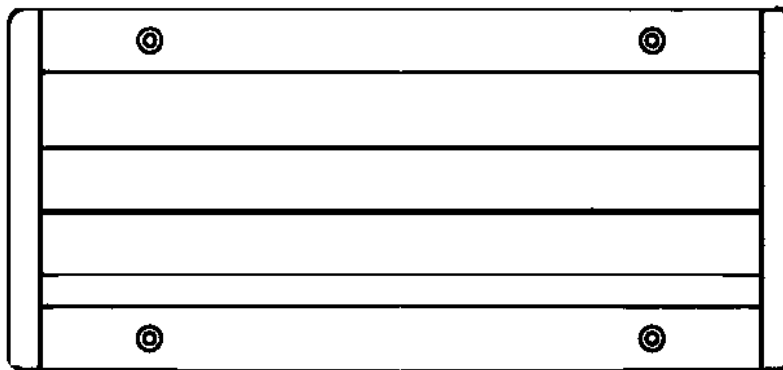
Bath

965673 Toilet Stand Assembly, 25' A & B



1. 800506-05 Ply wood, 5/8" x 4' x 8'
2. 801384-02 Wood trim, stair nose, Ecrú Fossil
3. 703237 Flooring, laminate, Ecrú Fossil
4. 801384-03 Wood trim, quarter round, Ecrú Fossil

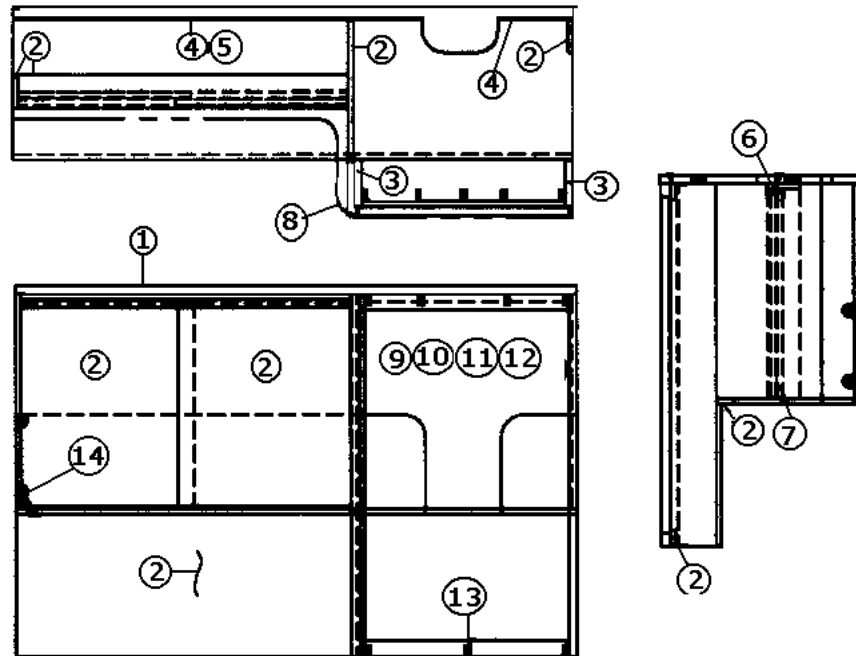
964532-00Z Spice Rack, 28' SO



2004 SAFARI- BAMBI

Bath

965652 Lavy Cabinet, 28' S/O

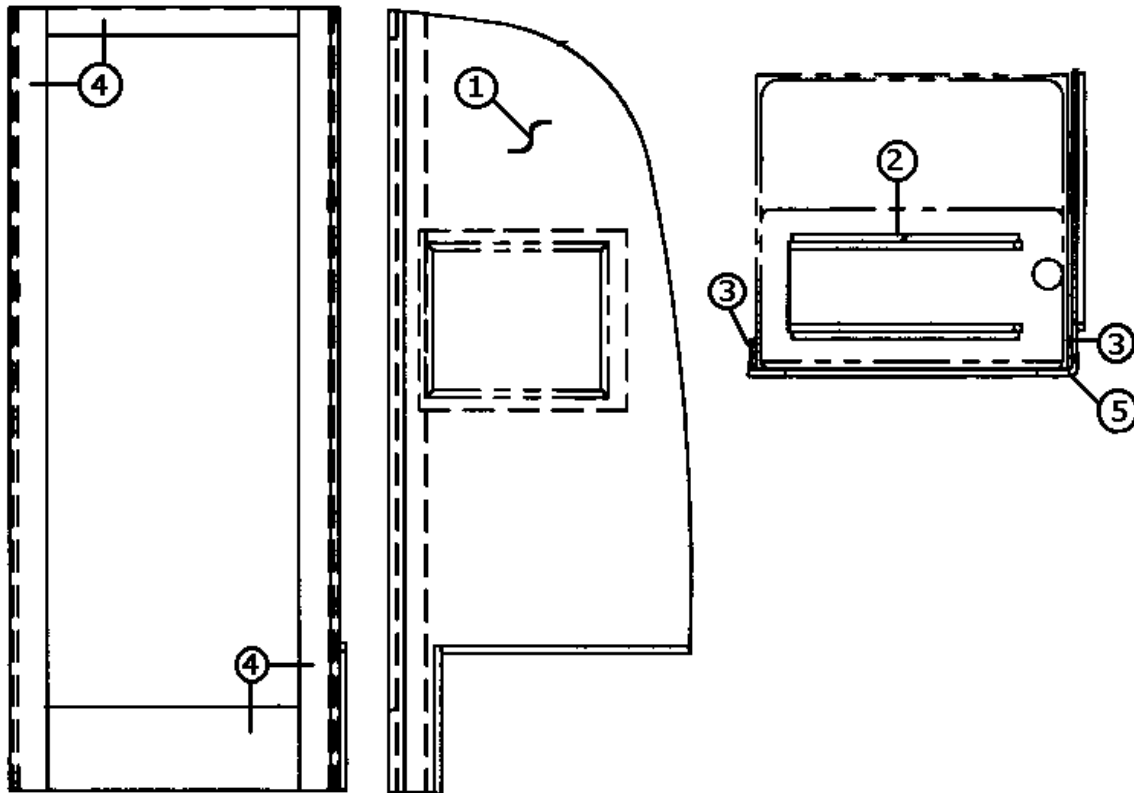


- | | |
|---------------|---|
| 1. 965651 | Lavy top assembly, oak |
| 1a. 965651-01 | Lavy top assembly, Amarillo |
| 2. 801383-01 | Panel, Tropical Oak/White liner |
| 3. 801368 | Panel, white Rexel/white Rexel |
| 4. 800507-01 | Luan, 1/8" x 4' x 8' |
| 5. 801355-01 | Laminate, frost white, 4' x 8', vertical |
| 6. 200963-01 | Track, sliding door, upper |
| 7. 200963-02 | Track, sliding door, lower |
| 8. 801393-01Z | Corner trim, 90 degree radius |
| 9. 801341-56 | Door |
| 10. 381774 | Door handle |
| 11. 381228-01 | Grabber catch, door |
| 12. 381607 | Hinge assembly |
| 13. 380041 | Brace, corner |
| 14. 386141 | Mounting angle |
| 15. 365268-01 | Edge tape, Tropical Oak, .024" x 1.13" |
| 16. 365268-03 | Edge tape, Tropical Oak, .024" x .63" |
| 17. 365238-04 | Edge tape, PVC, 5/8" white |
| 18. 381796 | Knob, hollow brass, nickel |
| 203410 | Sink, Stainless steel, lavy, 10" x 15" oval |

2004 SAFARI- BAMBI

Bath

965649 Shower Compartment Assembly, 28' SO



- | | |
|---------------|--|
| 1. 801424-03 | Panel, aft shower |
| 2. 961916-01 | Shower stand assembly |
| 3. 801392 | Panel, Tropical Oak/white liner, 12 mm |
| 4. 801376-01 | Panel, Tropical Oak/white liner, 18 mm |
| 5. 801393-01z | Corner trim, 90 degree, 1" radius |
| 6. 203081-01 | Shower stall, Pc. |
| 7. 702306-03 | Shower door, silver |
| 8. 365268-01 | Edge tape, .024" x 1.13", Tropical Oak |

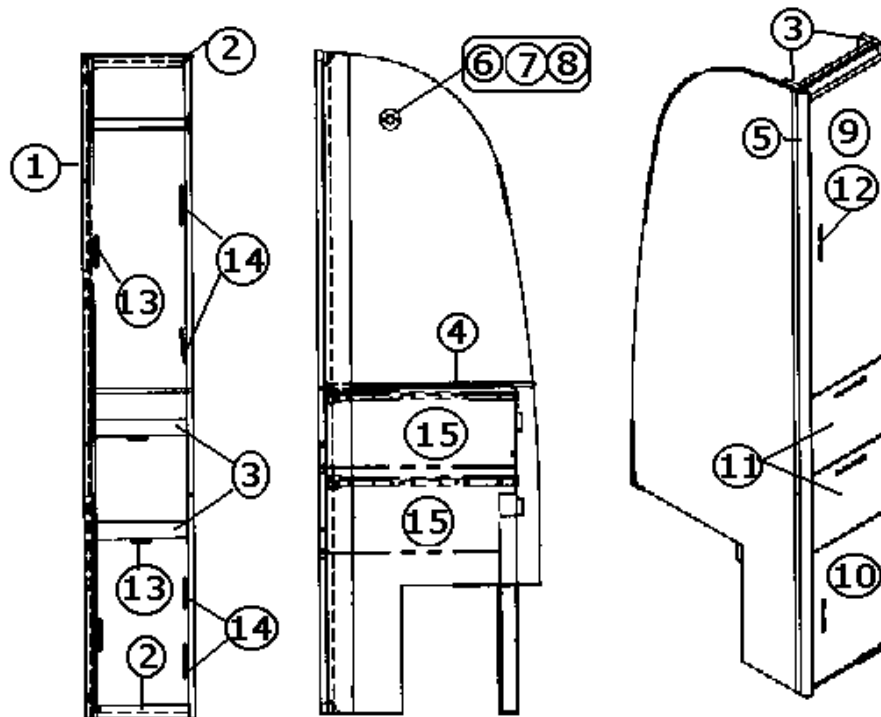
381832 SHELF-TV RECESSED

2004 SAFARI- BAMBI

FURNITURE

Bath

965692 Wardrobe Assembly, w/Drawers, 28' S/O



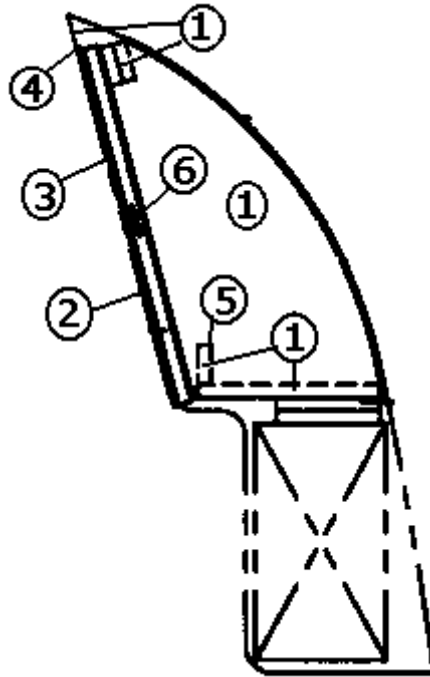
- | | |
|---------------|--|
| 1. 801424-01 | Panel, Aft RS wardrobe |
| 2. 801383-01 | Panel, Tropical Oak/White liner |
| 3. 801368 | Panel, white Rexel/white Rexel |
| 4. 801392 | Panel, Tropical Oak/white liner, 12 mm |
| 5. 801393-01 | Corner trim, 90 degree radius |
| 6. 380046 | Chrome flange |
| 7. 380045 | Tubing, 3/4" metal |
| 8. 200975-04 | Conduit, black plastic |
| 9. 801341-45 | Door, 11.38" x 38.13" |
| 10. 801341-50 | Door, 11.38" x 17.00" |
| 11. 801341-51 | Door, 11.38" x 9.88" |
| 12. 381774 | Door handle |
| 13. 381228-01 | Grabber catch, door |
| 14. 381607 | Hinge assembly |
| 15. 965555-02 | Drawer box assembly |
| 16. 365268-01 | Edge tape, .024" x 1.13", Trop. Oak |
| 17. 365268-03 | Edge tape, Tropical Oak, .024" x .63" |
| 18. 203434 | Spacer plastic door slide |

2004 SAFARI- BAMBI

FURNITURE

Bath

965714 Medicine Cabinet Assembly, 28' SO



- | | |
|--------------|------------------------------------|
| 1. 801389 | Panel, .5" Artic/Artic |
| 2. 801388 | Panel, .5" Artic/Raw |
| 3. 372203-30 | MIRROR-SAFETY 14" H X 30" W |
| 4. 385935-01 | HINGE PIVOT ZINC PLATED |
| 5. 365238-04 | EDGE BANDING TAPE PVC 5/8" C.WHITE |
| 6. 381228-01 | CATCH GRABBER DOOR C3-810 |

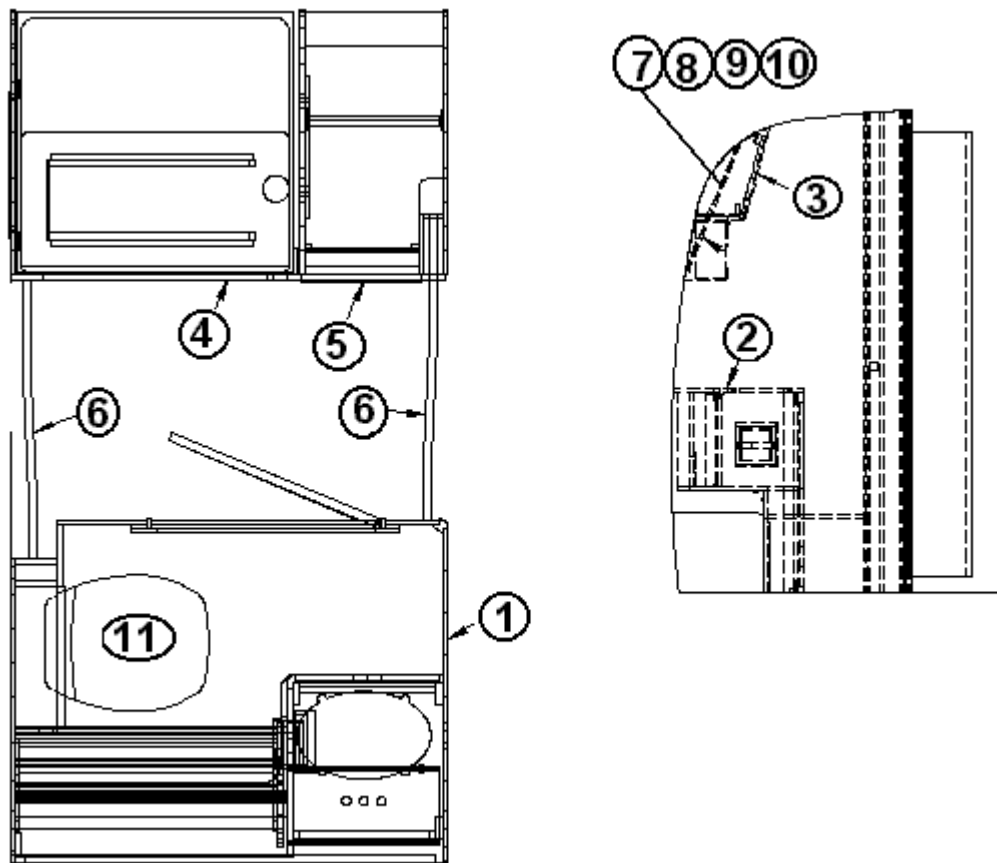
- | | |
|-----------|-------------------------------------|
| 381835 | Handle, chrome/brass, door/drawer |
| 801353 | LITE PLY-3MM, 4' X 8' |
| 801355-01 | LAMINATE-FROST WHT 4' X 8' |
| 381611-01 | COSMETIC CABINET-30" REGAL |
| 372203-14 | MIRROR- POL EDGES- 21.00" X 22.00" |
| 381220-01 | MIRROR CLIP, NICKEL PLATE |
| 381220-02 | MIRROR CLIP, NICKEL PLATE |
| 365268-03 | EDGE BANDING-.024"X .63" TROP. OAK |
| 365238-04 | EDGE BANDING TAPE PVC 5/8" C. WHITE |

2004 SAFARI- BAMBI

FURNITURE

Lavatory

Bath Module, 28' W



- | | |
|---------------|--------------------------------------|
| 1. 965874 | Bath module assembly |
| 2. 965875 | Lavy cabinet assembly |
| 3. 965714 | Medicine cabinet assembly |
| 4. 965856 | Shower compartment assembly |
| 5. 965848 | Wardrobe assembly |
| 6. 702681-03 | DOOR FOLDETTE 46" X 73" BEIGE |
| 7. 372203-15 | Mirror, polished edges, 17" x 25.25" |
| 8. 800507-02 | Luan, 1/4" |
| 9. 381220-01 | Mirror clip |
| 10. 381220-02 | Mirror clip |
| 11. 690387-01 | TOILET-THETFORD, AQUA IV HIGH |

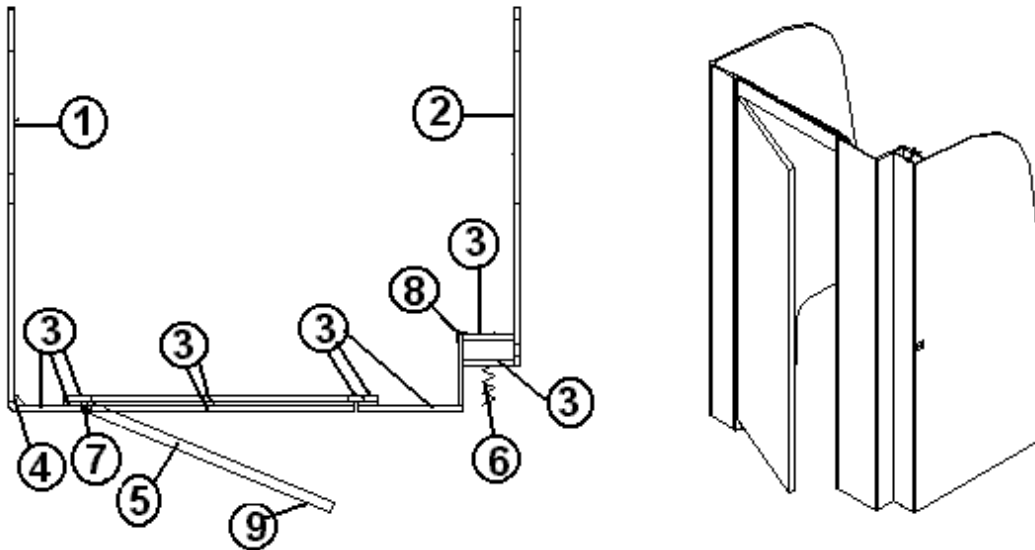
- | | |
|--------|--------------------------------|
| 703338 | Wall border, Spellbound |
| 703339 | Wall border, Status & Amarillo |

2004 SAFARI- BAMBI

FURNITURE

Lavatory

965874 Bath Module Assembly, 28' W



- | | |
|---------------|--|
| 1. 801454-07 | Panel, forward latrine |
| 2. 801454-08 | Panel, aft latrine |
| 3. 801409 | Paneling, Tropical Oak, Artic vinyl, 12 MM |
| 4. 801415-00Z | Corner trim, 1" radius |
| 5. 965567 | Door assembly, 25.50" x 72.00" |
| 6. 702681-03 | DOOR FOLDETTE 46" X 73" BEIGE |
| 7. 380458 | Hinge, piano, brown anodized |
| 8. 801172-06 | Corner molding, Artic, 1.88" |
| 9. 381771 | Latch, privacy, lever lock set |

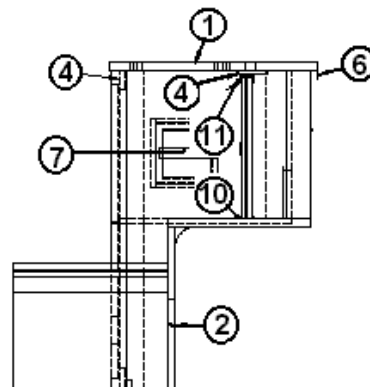
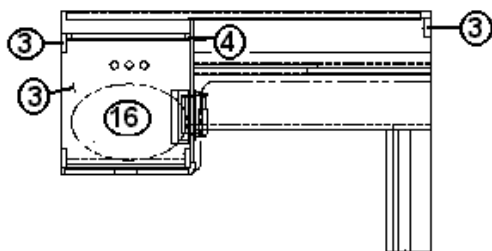
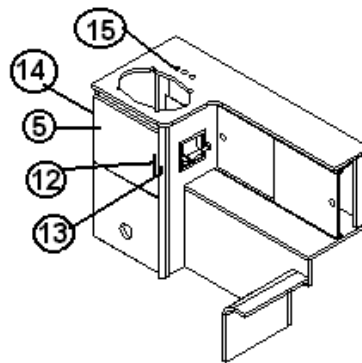
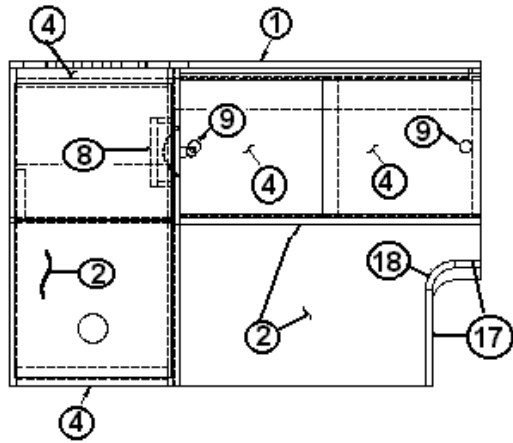
- | | |
|-----------|--|
| 365268-03 | Edgebanding, PVC, Tropical Oak, 5/8" |
| 365238-04 | Edgebanding, Tape, PVC, 5/8", Colonial White |

2004 SAFARI- BAMBI

FURNITURE

Lavatory

965875 Lavy Cabinet Assembly, White, 28' W
-01, Graphite



Part numbers on the next page.

2004 SAFARI- BAMBI

FURNITURE

Lavatory

965875 Lavy Cabinet Assembly, White, 28' W
-01, Graphite

- | | |
|---------------|---|
| 1. 965876 | Lavy top assembly, white |
| 1a. 965876-01 | Lavy top assembly, graphite (965875-01) |
| 2. 801382 | PANEL, WHITE SUEDE/WHITE 18MM |
| 3. 801383-01 | Panel, Tropical Oak/Whiteline, 12MM |
| 3a. 801377 | PANEL, GRAPHITE 4' X 8' 18", AMARILLO |
| 4. 801393-01Z | Corner trim, 90 degree, 1" radius |
| 5. 801341-67 | Door/drawer, 16.31" x 14.13" |
| 6. 114812 | Aluminum angle, 1" x 1" |
| 7. 381299 | Toilet holder, recessed |
| 8. 965572 | Paper holder closeout |
| 9. 381796 | Knob, hollow brass, nickel |
| 10. 200963-02 | Track, sliding door, vanity lower |
| 11. 200963-01 | Track, sliding door, vanity upper |
| 12. 381774 | Handle, drawer/door |
| 13. 381228-01 | Door grabber catch |
| 14. 381607 | Hinge assembly |
| 15. 601825 | Faucet, lavy chrome |
| 16. 203410 | Sink, SS, 10" x 15", oval |
| 17. 801345 | Radius, plywood, .75" x 3" x 8' |

Not shown:

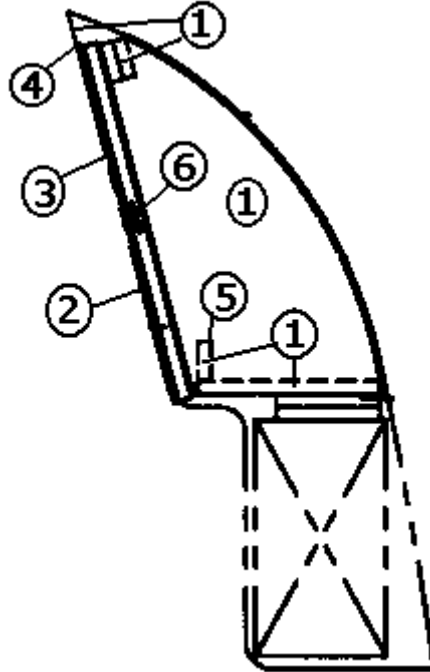
- | | |
|-----------|--|
| 365271 | EDGEBANDING, 1.125" PVC SILICON |
| 365268-01 | EDGEBANDING, .024"X 1.13" TROPICAL OAK |
| 365268-03 | EDGEBANDING, .024"X .63" TROPICAL OAK |
| 365273 | EDGEBANDING GALAXY GRAPHITE, AMARILLO |

2004 SAFARI- BAMBI

FURNITURE

Bath

965714 Medicine Cabinet Assembly, 28' W



- | | |
|--------------|--|
| 1. 801389 | Panel, .5" Artic/Artic |
| 2. 801388 | Panel, .5" Artic/Raw |
| 3. 372203-30 | MIRROR-SAFETY 14" H X 30" W |
| 4. 385935-01 | HINGE PIVOT ZINC PLATED |
| 5. 365238-04 | EDGE BANDING TAPE PVC 5/8" COLONIAL
WHITE |
| 6. 381228-01 | CATCH GRABBER DOOR C3-810 |

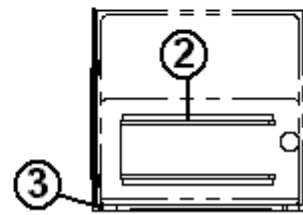
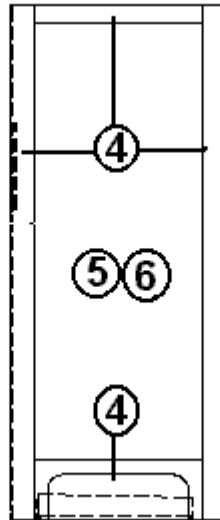
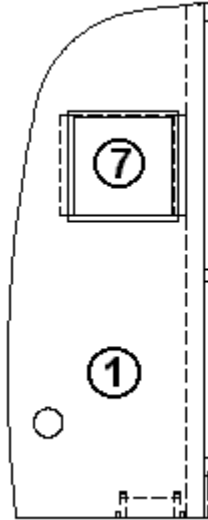
- | | |
|-----------|-------------------------------------|
| 381835 | Handle, chrome/brass, door/drawer |
| 801353 | LITE PLY-3MM, 4' X 8' |
| 801355-01 | LAMINATE-FROST WHT 4' X 8' |
| 381611-02 | COSMETIC CABINET-48" REGAL |
| 372203-01 | MIRROR- POL EDGES- 12.50 X 18.00 |
| 365268-03 | EDGE BANDING-.024"X .63" TROP. OAK |
| 365238-04 | EDGE BANDING TAPE PVC 5/8" C. WHITE |

2004 SAFARI- BAMBI

FURNITURE

Bath

965856 Shower Compartment Assembly, 28' W



1. 801454-06
2. 965816
3. 801392
4. 801376-01
5. 203081-01
6. 702306-03
7. 381832

- Panel, aft shower
Shower stand assembly
Panel, Whiteliner/Whiteliner, 12MM
Panel, Tropical Oak/Tropical Oak, 18MM
Shower stall. 2 piece
Shower door, silver, 27"
TV shelf, recessed

- 365268-01
801383-01

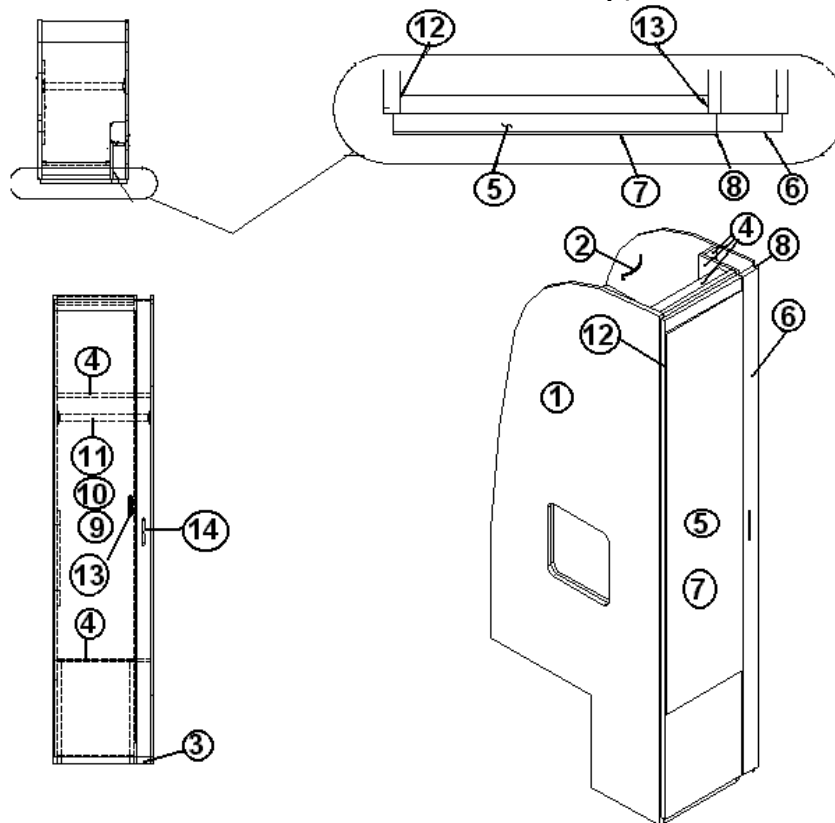
- Edgebanding, T Oak/Whiteliner, 12MM
Paneling, Tropical Oak/Whiteliner, 12MM

2004 SAFARI- BAMBI

FURNITURE

Lavatory

965848 Wardrobe Assembly, 28' W



- | | |
|---------------|---|
| 1. 801454-05 | Panel, forward wardrobe |
| 2. 801454-04 | Panel, aft wardrobe |
| 3. 801376-01 | Panel, Trop. Oak/Trop. Oak, 18 MM |
| 4. 801392 | Paneling, Whiteliner/Whiteliner |
| 5. 801341-64 | Door, 13.63" x 76.76" |
| 6. 801341-63 | Door, 2.75" x 75.56" |
| 7. 372203-26 | Mirror, polished edges, 13.62" x 58.50" |
| 8. 380203-01 | Hinge, piano |
| 9. 380046 | Flange, chrome |
| 10. 380045 | Tubing, metal, 3/4" |
| 11. 200975-04 | Conduit, black flexible |
| 12. 381607 | Hinge assy. European |
| 13. 381228-01 | Door grabber catch |
| 14. 381774 | Handle, door |

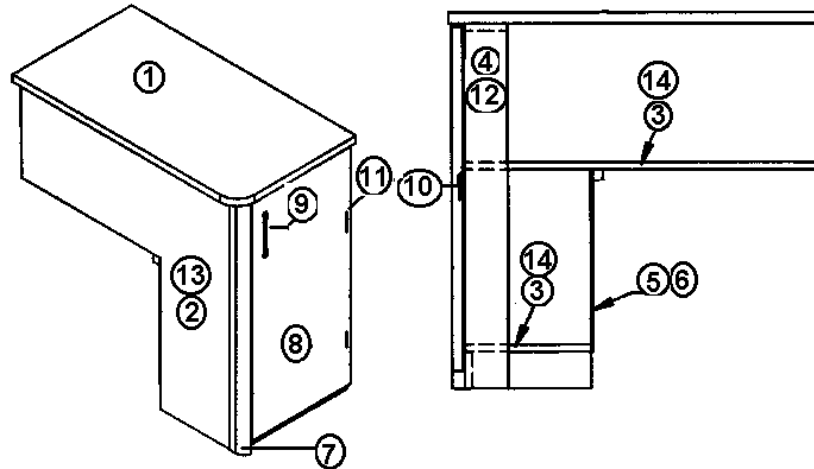
365268-01 Edgebanding, T Oak/Whiteliner, 12MM

2004 SAFARI- BAMBI

FURNITURE

Bedroom

965668 Nightstand Assembly, 25' B (Double Bed) -01, Amarillo

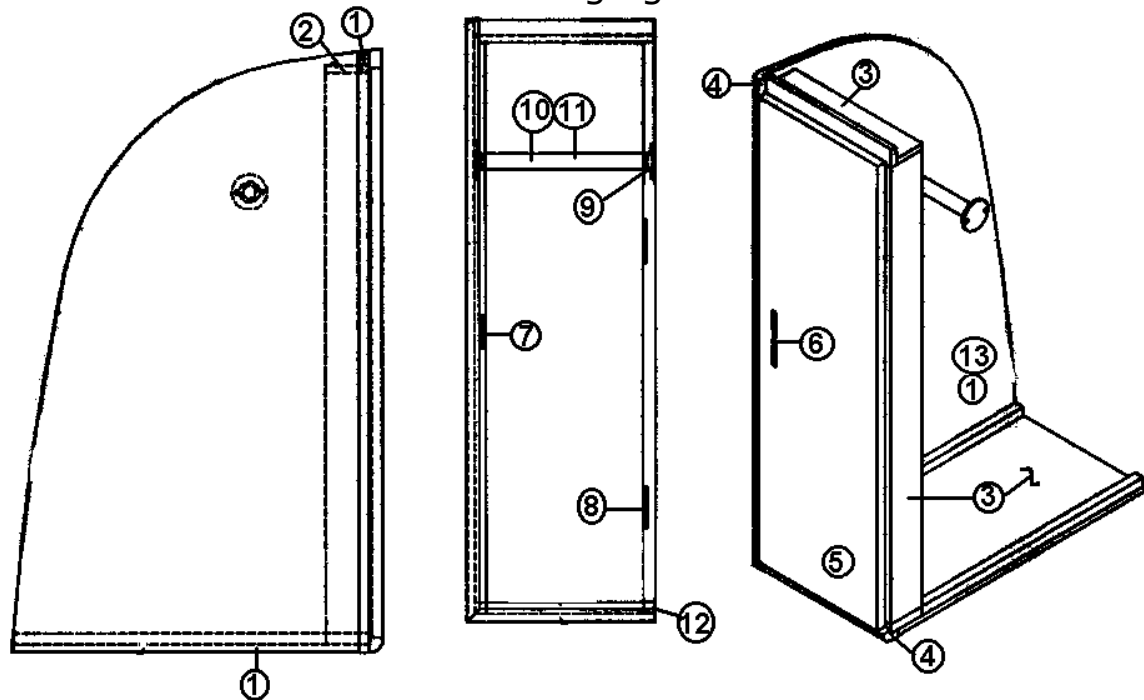


- | | | |
|--------|---------------------------------------|--|
| 1. | 965667 | Nightstand top assembly |
| | -01 | Amarillo |
| 2. | 801383-01 | Paneling, Tropical Oak/White Liner, 12mm |
| | 801377 | PANEL, GRAPHITE 4' X 8' 18", AMARILLO |
| 3. | 801392 | Paneling, White/White 12 MM |
| 4. | 801376-01 | Paneling, Tropical Oak/White, 4' x 8' |
| 5. | 800507-01 | Luan, 1/8" x 4' x 8' |
| 6. | 801355-01 | Laminate, Frost White, 4' x 8' |
| 7. | 801393-01Z | Corner trim. 90 degree, 1" radius |
| 8. | 801341-44 | Door, 11.38" x 23.63" |
| 9. | 381774 | Door handle |
| 10. | 381228-01 | Door/drawer grabber catch, 3 lb. |
| 11. | 381607 | Hinge assembly, Grass European |
| | 381607-01 | HINGE-GRASS EURO W/80307 PLASTIC |
| | 381607-02 | BASE PLATE-GRASS HINGE |
| | 381607-03 | BASE PLATE-GRASS PLASTIC |
| | 381607-04 | HINGE SCREW-GRASS #6X 5/8" |
| 12. | 365268-01 | Edge tape, Tropical Oak, 1.13 wide |
| 13. | 365268-03 | Edge tape, Tropical Oak, .625" |
| 14. | 365238-04 | Edge tape, White, 5/8" wide |
| 453571 | WIRE CLOSEOUT, DOUBLE BED | |
| 365273 | EDGEBANDING GALAXY GRAPHITE, AMARILLO | |

2004 SAFARI- BAMBI

FURNITURE

Bedroom, 25' A & B, 28' S/O
965669 RS Hanging Wardrobe

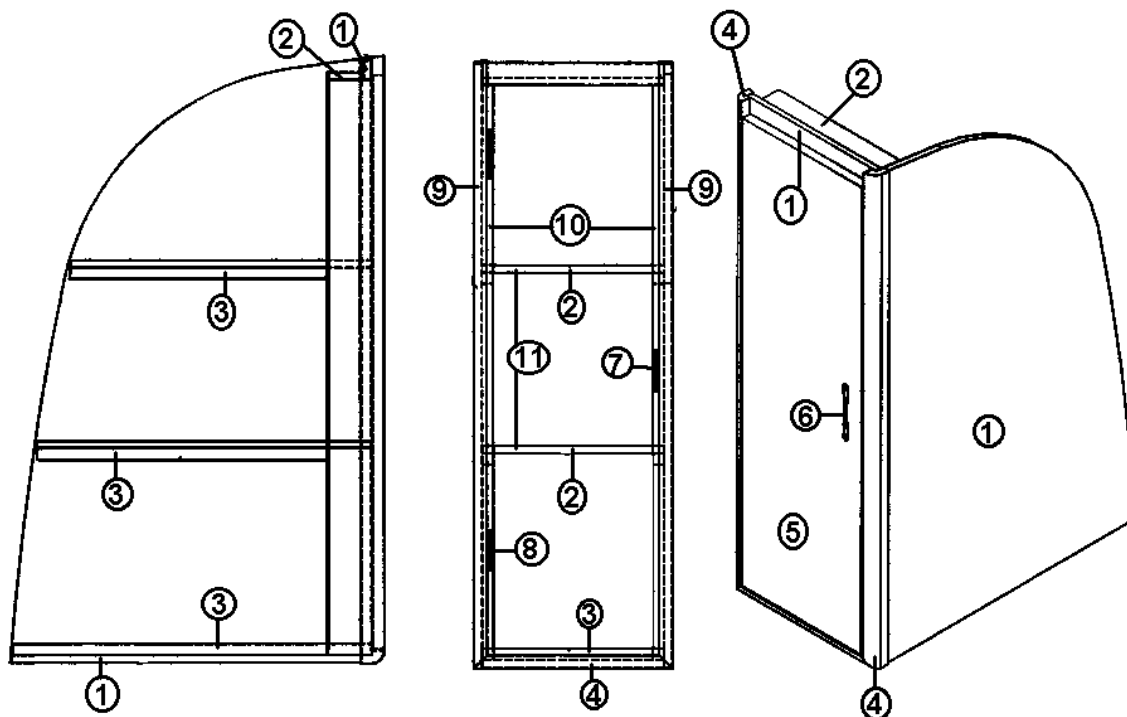


- | | |
|---------------|-------------------------------------|
| 1. 801381-01 | Paneling, Tropical Oak/Tropical Oak |
| 2. 801392 | Paneling, White/White 12 MM |
| 3. 801368 | Laminate, White/White |
| 4. 801393-01Z | Corner trim, 1" radius |
| 5. 801341-45 | Door, 13.81" x 38.13" |
| 6. 381774 | Door handle |
| 7. 381228-01 | Door/drawer grabber catch, 3 lb. |
| 8. 381607 | Hinge assembly, Grass European |
| 381607-01 | HINGE-GRASS EURO W/80307 PLASTIC |
| 381607-02 | BASE PLATE-GRASS HINGE |
| 381607-03 | BASE PLATE-GRASS PLASTIC |
| 381607-04 | HINGE SCREW-GRASS #6X 5/8" |
| 9. 380046 | Flange, chrome |
| 10. 380045 | Tubing, 3/4" metallic |
| 11. 200975-04 | Conduit, flexible, black plastic |
| 12. 365268-01 | Edge tape, Tropical Oak, 1.13 wide |
| 13. 365240-01 | Edge tape, white, 1 5/16" |

2004 SAFARI- BAMBI

FURNITURE Bedroom

965682 CS Hanging Linen Cabinet Assembly, 25' A & B, 28 S/O

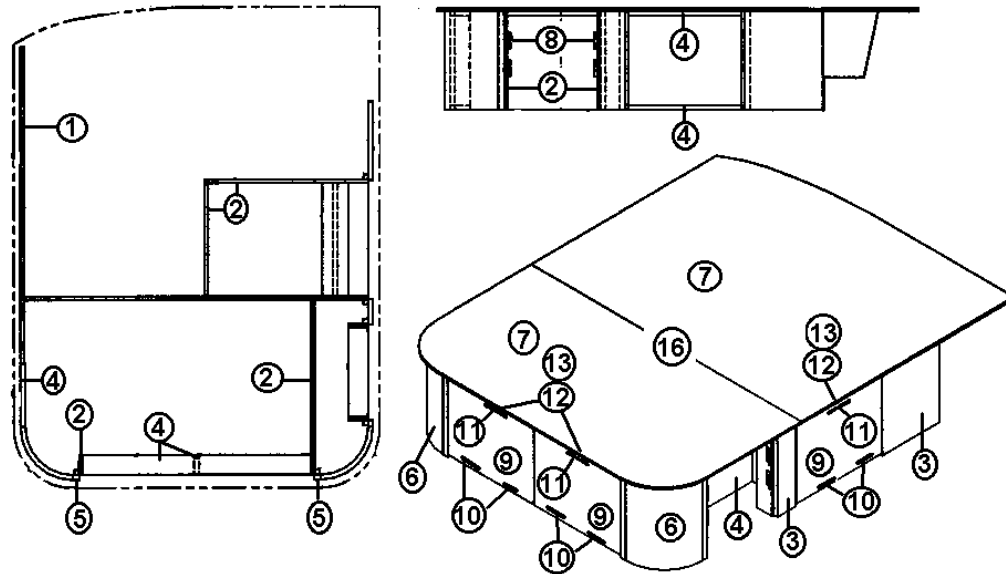


- | | |
|---------------|------------------------------------|
| 1. 801383-01 | Paneling, Tropical Oak/White Liner |
| 2. 801392 | Paneling, White/White 12 MM |
| 3. 801368 | Laminate, White/White |
| 4. 801393-01Z | Corner trim, 1" radius |
| 5. 801341-45 | Door, 11.38" x 38.13" |
| 6. 381774 | Door handle |
| 7. 381228-01 | Door/drawer grabber catch, 3 lb. |
| 8. 381607 | Hinge assembly, Grass European |
| 381607-01 | HINGE-GRASS EURO W/80307 PLASTIC |
| 381607-02 | BASE PLATE-GRASS HINGE |
| 381607-03 | BASE PLATE-GRASS PLASTIC |
| 381607-04 | HINGE SCREW-GRASS #6X 5/8" |
| 9. 365268-01 | Edge tape, Tropical Oak, 1.13 wide |
| 10. 365240-01 | Edge tape, white, 1 5/16" |
| 11. 365238-04 | Edge tape, White, 5/8" wide |

2004 SAFARI- BAMBI

FURNITURE

Bedroom, 25' B, 28' SO
965675 Bed base Assembly



- | | |
|---------------|--|
| 1. 801383-01 | Paneling, Tropical Oak/White liner, 12mm |
| 2. 801392 | Paneling, White/White 12 MM |
| 3. 801376-01 | Paneling, Tropical Oak/White, 4' x 8' |
| 4. 801368 | Laminate, White/White |
| 5. 801351 | Lite plywood, .75" x4' x 8' |
| 6. 801348 | Radius plywood, .75" x 8" x 6' |
| 7. 800507-03 | Luan, 3/8" x 4' x 8' |
| 8. 100067 | Aluminum angle, 1/16" x 1/2" x 1/2" |
| 9. 801341-49 | Door, 17.38" x 14.25" |
| 10. 381607 | Hinge assembly, Grass European |
| 381607-01 | HINGE-GRASS EURO W/80307 PLASTIC |
| 381607-02 | BASE PLATE-GRASS HINGE |
| 381607-03 | BASE PLATE-GRASS PLASTIC |
| 381607-04 | HINGE SCREW-GRASS #6X 5/8" |
| 11. 381774 | Door handle |
| 12. 381228-01 | Door/drawer grabber catch, 3 lb. |
| 13. 203419 | Storage box, 23"L x 16.75"W x 11.88"H |

Not Shown:

- | | |
|-----------|--|
| 365268-01 | Edge tape, Tropical Oak, 1.13 wide |
| 365268-03 | Edge tape, Tropical Oak, .625" |
| 703291 | Mattress, 60" x 75" w/11" radius corners |
| 201016 | 16" x 22" drawer |

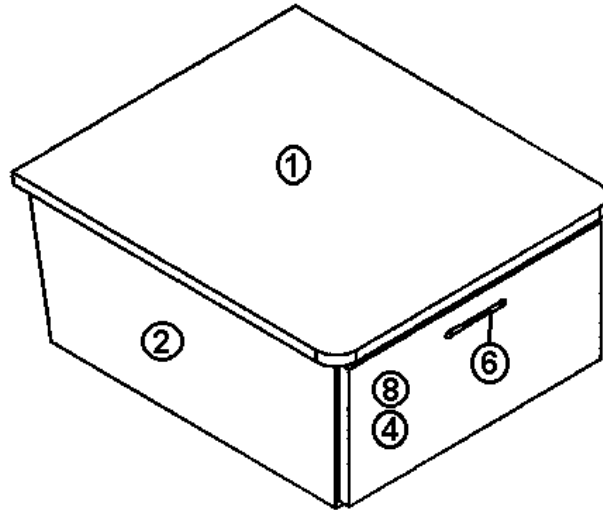
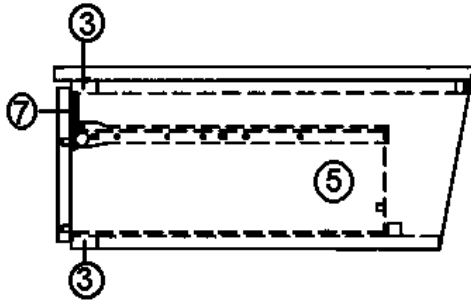
2004 SAFARI- BAMBI

FURNITURE

Bedroom, 25' B, 28' S/O

965685 Nightstand Assembly

965685-01 Nightstand Assembly, Amarillo



- | | |
|---------------|------------------------------------|
| 1. 965684 | Nightstand top assembly, white |
| 1A. 965984-01 | Nightstand top assembly, Amarillo |
| 2. 801383-01 | Paneling, Tropical Oak/White liner |
| 3. 801378 | Laminate, Tropical Oak/White liner |
| 4. 801341-47 | Door, 8.88" x 19.13" |
| 5. 965554-03 | Drawer box assembly |
| 6. 381774 | Door handle |
| 7. 381228-01 | Door/drawer grabber catch, 3 lb. |
| 8. 365268-03 | Edge tape, Tropical Oak, .625" |

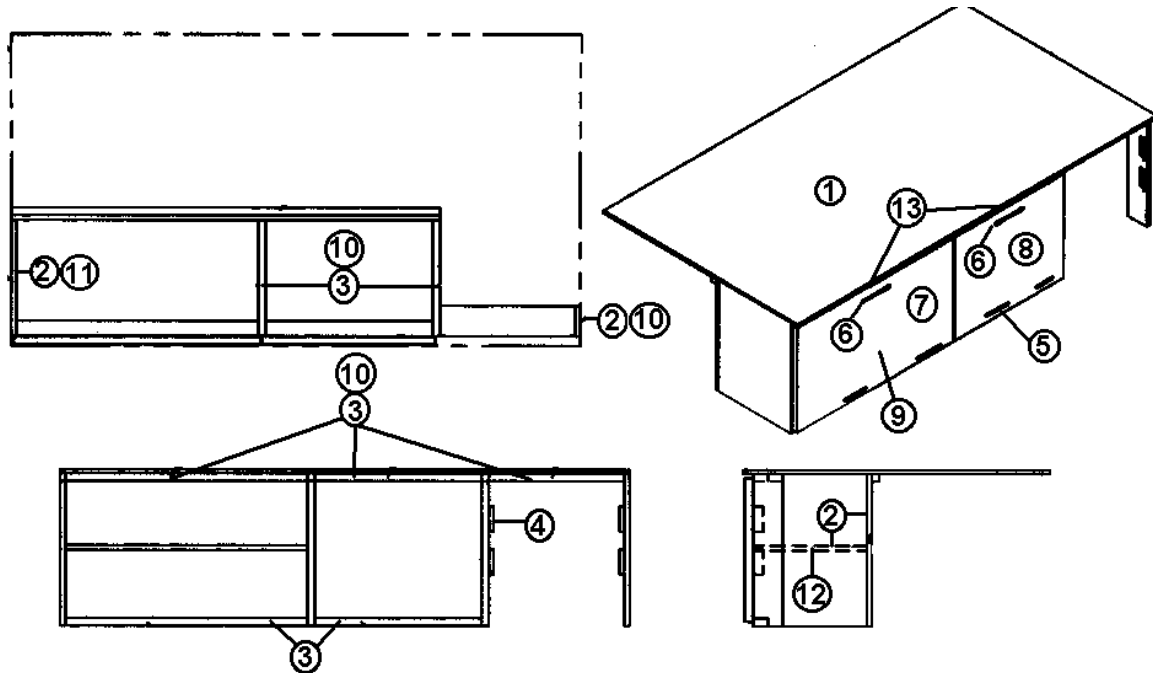
- | | |
|-----------|--------------------------------------|
| 801382 | Paneling, White Suede/White |
| 365271 | Edge Tape-1.125" PVC Silicon |
| 801376-01 | Paneling, Tropical Oak, /White Liner |
| 365268-01 | Edge tape-.024" X 1.13" Tropical Oak |
| 801368 | Paneling, White liner/White Liner |
| 365267 | Edge tape, 1.13" .024, ply |

- | | |
|--------|--------------------------------------|
| 801377 | PANELING, GRAPHITE/REX 4' X 8' x 18" |
| 365273 | EDGE BANDING GALAXY GRAPHITE |

2004 SAFARI- BAMBI

FURNITURE Bedroom

965686 RS Bed Base Assembly, 25' A, 28' S/O



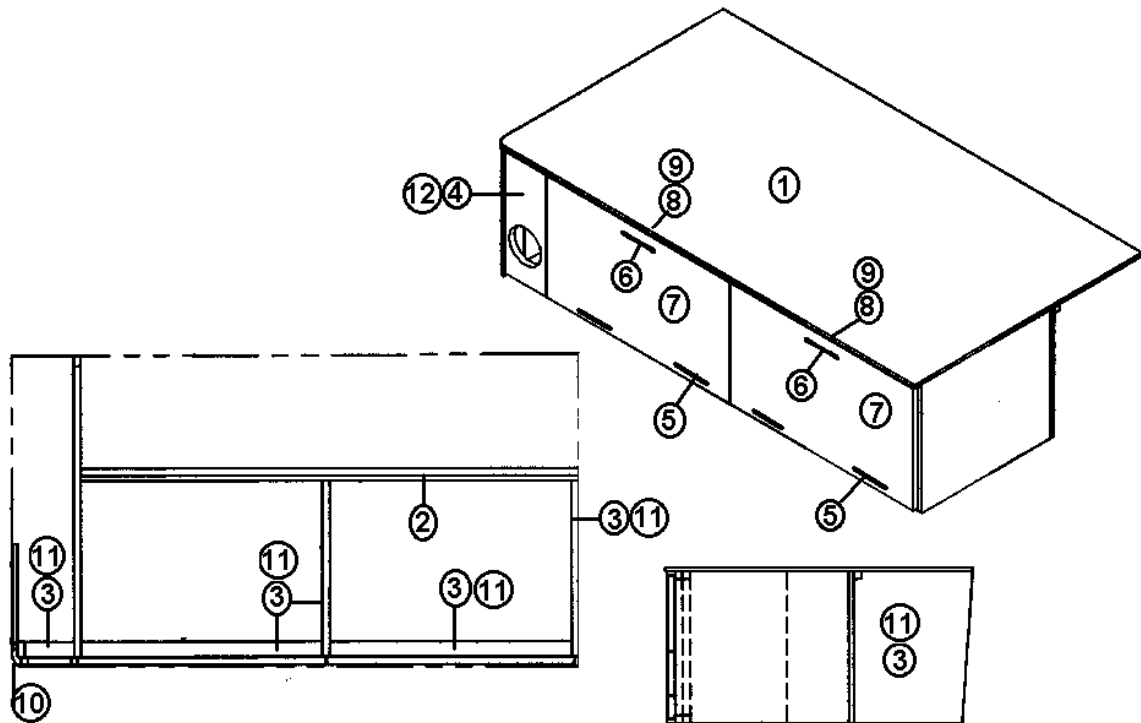
- | | | |
|-----|-----------|-------------------------------------|
| 1. | 800507-03 | Luan, 3/8" x 4" x 8' |
| 2. | 801392 | Paneling, White/White 12 MM |
| 3. | 801368 | Laminate, White/White |
| 4. | 100067 | Aluminum angle, 1/16" x 1/2" x 1/2" |
| 5. | 385935-01 | Hinge, pivot |
| 6. | 381774 | Door handle |
| 7. | 801341-48 | Door, 25.00" x 14.25" |
| 8. | 801341-49 | Door, 17.38" x 14.25" |
| 9. | 201051 | Drawer, 10" x 22" |
| 10. | 365268-01 | Edge tape, Tropical Oak, 1.13 wide |
| 11. | 365268-03 | Edge tape, Tropical Oak, .625" |
| 12. | 365238-04 | Edge tape, White, 5/8" wide |
| 13. | 381228-01 | Door/drawer grabber catch, 3 lb. |

2004 SAFARI- BAMBI

FURNITURE

Bedroom

965687 CS Bed Assembly, 25' A, 28 S/O

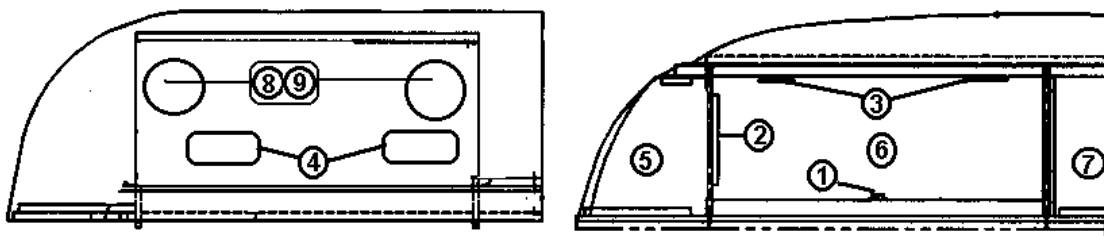


- | | |
|----------------|---|
| 1. 800507-03 | Luan, 3/8" x 4" x 8' |
| 2. 801392 | Paneling, White/White 12 MM |
| 3. 801368 | Laminate, White/White |
| 4. 801376-01 | Laminate, Tropical Oak/White Liner |
| 5. 385935-01 | Hinge, pivot |
| 6. 381774 | Door handle |
| 7. 801341-48 | Door, 25.00" x 14.25" |
| 8. 381228-01 | Door/drawer grabber catch, 3 lb. |
| 9. 203419 | Storage box, 23"L x 16.75"W x 11.88"H |
| 10. 801393-01Z | Corner trim, 1" radius |
| 11. 365268-01 | Edge tape, Tropical Oak, 1.13 wide |
| 12. 801381-01 | Paneling, Tropical Oak/Tropical Oak, 12MM |

2004 SAFARI- BAMBI

FURNITURE
Bedroom

965589 Rear End Liner Assembly, 25' SS



- | | |
|--------------|----------------------------------|
| 1. 381228 | CATCH GRABBER DOOR |
| 2. 381608-05 | LID STAY-LEFT HAFELE |
| 3. *381607 | HINGE ASSY-GRASS EURO-SAFARI |
| 381610-03 | COVER CAP-PLASTIC EUROPEAN PINE |
| 381609-02 | SCREW HAFELE EUROPEAN #9 1" |
| 4. 511249 | LIGHT, INCANDESCENT DOUBLE |
| 5. 965551-06 | DOOR-RADIUS FOAM 15.25"X 12.5 LH |
| 6. 965551-02 | DOOR-RADIUS FOAM 15.25"X 31.63" |
| 7. 965551-10 | DOOR-RADIUS FOAM 15.25"X 6.19" |
| 8. 511617 | SPEAKER COUSTIC |
| 9. 511617-01 | Speaker grille, black |

*Selected units may use:

- | | |
|-----------|--------------------------|
| 381840-01 | HINGE-OVERHEAD SPRING LH |
| 381840-02 | HINGE-OVERHEAD SPRING RH |

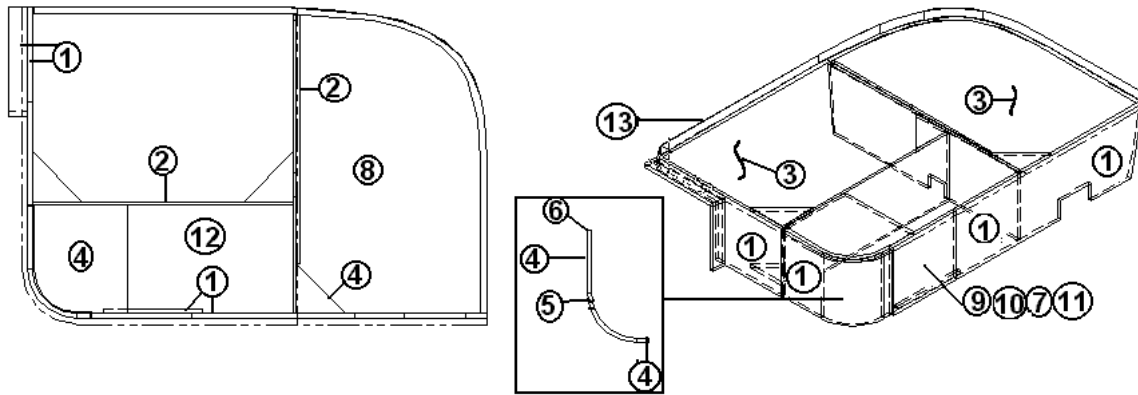
2004 SAFARI- BAMBI

FURNITURE

Bedroom

965980

BASE ASSEMBLY, 25 SS BED



- | | |
|---------------|-------------------------------------|
| 1. 801376-01 | PANEL, TROPICAL OAK/WHITELINER 18M |
| 2. 801392 | PANEL, WHITELINER/WHITELINER |
| 3. 800507-03 | LAUAN, 3/8" X 4' X 8' |
| 4. 801351 | LITE PLY-18MM (.75") 4' X 8' |
| 5. 801348 | RADIUS PLYWOOD-.75" X 8" X 6' |
| 6. 801343 | LAMINATE, TROPICAL OAK 4' X 8' |
| 7. 380458 | HINGE PIANO BROWN ANODIZED |
| 8. *703182 | MATTRESS-52"X 76"W/10"RADIUS CORNER |
| 9. 381774 | HANDLE-DRAWER/DOOR |
| 10. 381773-26 | LOCKING CLIP, DRAWER SLIDE |
| 11. 381228-01 | CATCH GRABBER DOOR |
| 12. 203426 | STORAGE BOX 35L" X 16.75"W X 12.50" |
| 13. 115150 | ANGLE-BED SUPPORT 80" |

**381241-004 TV SHELF W/MIRROR, OAK

*702182, 52" will change to 703182-01, 54" after unit 515820.

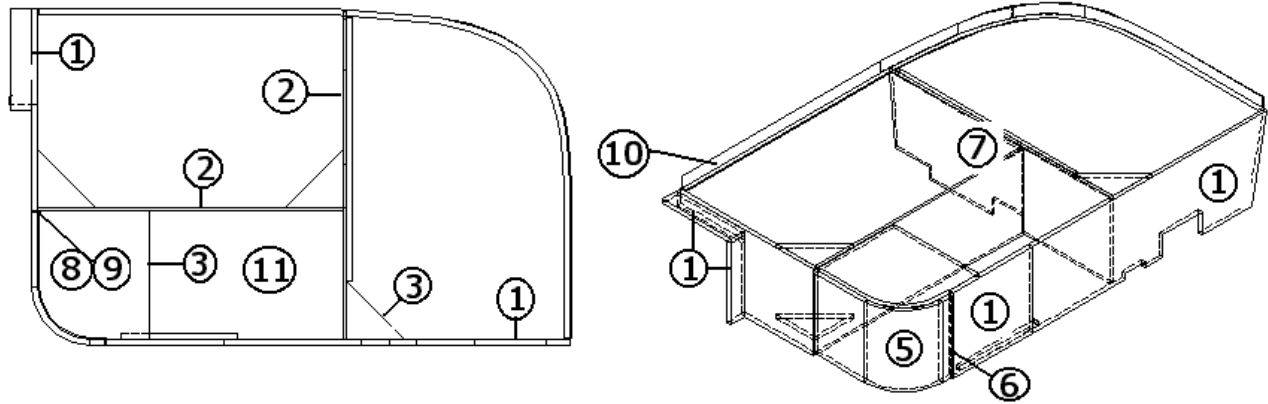
**Running line change to 381832, Recessed Tv shelf during model year

2004 SAFARI- BAMBI

FURNITURE

Bedroom

965753 Bed Base Assembly, 19Ft.



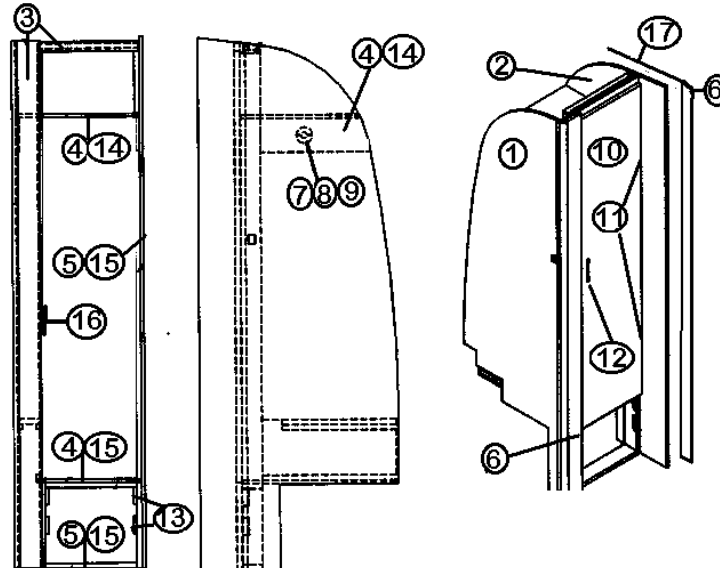
- | | |
|--------------|--|
| 1. 801376-01 | Paneling, Tropical Oak/White, 4' x 8' |
| 2. 801392 | Paneling, White/White 12 MM |
| 3. 801351 | LITE PLY-18MM (.75") 4' X 8' |
| 4. 801348 | Radius plywood, .75" x 8" x 6' |
| 5. 801343-01 | Laminate, Tropical oak, 4' x 8' vertical |
| 6. 380458 | Hinge, piano, bath door, dinette seat, brown |
| 7. 703286 | MATTRESS-48" X 76" W/10" RADIUS CORNER |
| 8. 381774 | Door handle |
| 9. 381773-26 | Locking clip |
| 10. 114813 | Aluminum angle |
| 11. 203426 | Storage tub |

2004 SAFARI- BAMBI

FURNITURE

Bedroom

965571 RS Wardrobe Assembly, 19', 25' SS



- | | |
|---------------|-------------------------------------|
| 1. 801380-04 | Panel, RS Wardrobe, aft |
| 2. 801380-05 | Panel, aft Refer |
| 3. 801383-01 | Paneling, Tropical Oak/White |
| 4. 801392 | Paneling, White/White 12 MM |
| 5. 801368 | Paneling, White liner/White Liner |
| 6. 801393-01Z | Corner trim, 90°, 1" Radius |
| 7. 380046 | Flange Chrome |
| 8. 380045 | Tubing, 3/4" Metallic |
| 9. 200975-04 | Conduit, black, flexible, plastic |
| 10. 801341-19 | Door, 14.25" x 63.38" |
| 11. 381607 | Hinge assembly, Grass European |
| 12. 381774 | Door handle |
| 13. 100067 | Aluminum angle, 1/16" x 1/2" x 1/2" |
| 14. 365238-04 | Edge tape, White, 5/8" wide |
| 15. 365268-01 | Edge tape, Tropical Oak, 1.13 wide |
| 16. 381228-01 | Door/drawer grabber catch |
| 965644 | SHELF ASSY. RADIO |

19' Bambi

Delete Item 2, Add:

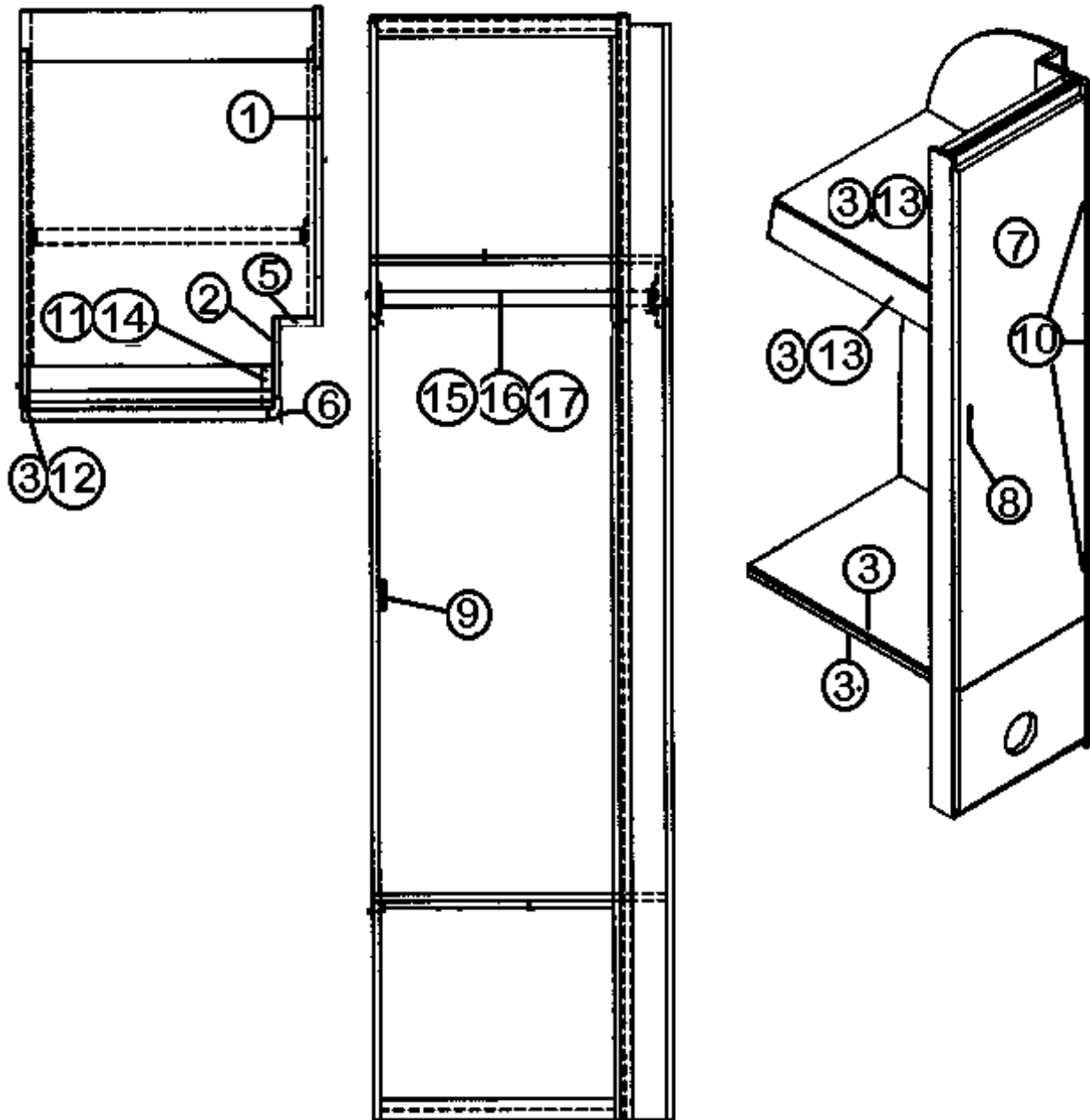
- | | |
|-----------|----------------------------|
| 801380-11 | Panel, forward RS wardrobe |
| 195503-07 | 1" wire way, white |

III-85

2004 SAFARI- BAMBI

FURNITURE Bedroom

965579 CS Wardrobe Assembly, 25' A & B, Sleep Six



Parts numbers are on the next page.

2004 SAFARI- BAMBI

FURNITURE

Bedroom

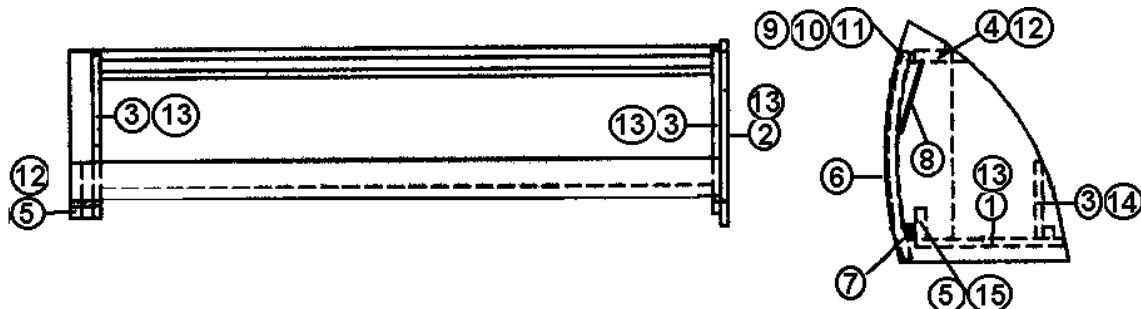
965579 CS Wardrobe Assembly, 25' A & B, Sleep Six

1. 801380-07 Panel, CS wardrobe, aft
2. 801380-08 Panel, Forward foldette door
3. 801392 Paneling, White/White 12 MM
4. 801383-01 Paneling, Tropical Oak/White
5. 801376-01 Paneling, Tropical Oak/White, 4' x 8'
6. 801393-01Z Corner trim, 90°, 1" Radius, Tropical Oak
7. 801341-22 Door, 17.50" x 61.25"
8. 381774 Door handle
9. 381228-01 Door/drawer grabber catch
10. 381607 Hinge assembly, Grass European
11. 801368 Paneling, White liner/White Liner
12. 365268-03 Edge tape, Tropical Oak, .625"
13. 365238-04 Edge tape, White, 5/8" wide
14. 365268-01 Edge tape, Tropical Oak, 1.13
15. 380046 Flange Chrome
16. 380045 Tubing, 3/4" Metallic
17. 200975-04 Conduit, black, flexible, plastic

2004 SAFARI- BAMBI

FURNITURE Bedroom

966076 Bedroom Locker Assembly, 19 ft.



- | | |
|---------------|---|
| 1. 801383-01 | Paneling, Tropical Oak/White |
| 2. 801381-01 | Paneling, Tropical Oak/Tropical Oak, 12MM |
| 3. 801392 | Paneling, White/White 12 MM |
| 4. 801376-01 | Paneling, Tropical Oak/White, 4' x 8' |
| 5. 801368 | Paneling, White liner/White Liner, 18 MM |
| 6. 965552-01 | Door, radius foam, 13.75" x 41.00" |
| 7. 381228-01 | Door/drawer grabber catch |
| 8. 381608-05 | Lid stay, left Hafele |
| 9. 381607-01 | *Hinge, Grass-Euro, plastic |
| 10. 381607-04 | *Hinge screw, #6 x 5/8" |
| 11. 381607-01 | *HINGE-GRASS EURO W/80307 PLASTIC |
| 381607-04 | *HINGE SCREW-GRASS #6 X 5/8" |
| 381607-06 | *BASEPLATE-1.3/5.2/37 G3/RZ |
| 12. 365268-01 | Edge tape, Tropical Oak, 1.13 wide |
| 13. 365268-03 | Edge tape, Tropical Oak, .625" |
| 14. 365238-04 | Edge tape, White, 5/8" wide |
| 15. 365240-01 | Edge tape, white, 1 5/16" |

* Replaced by:

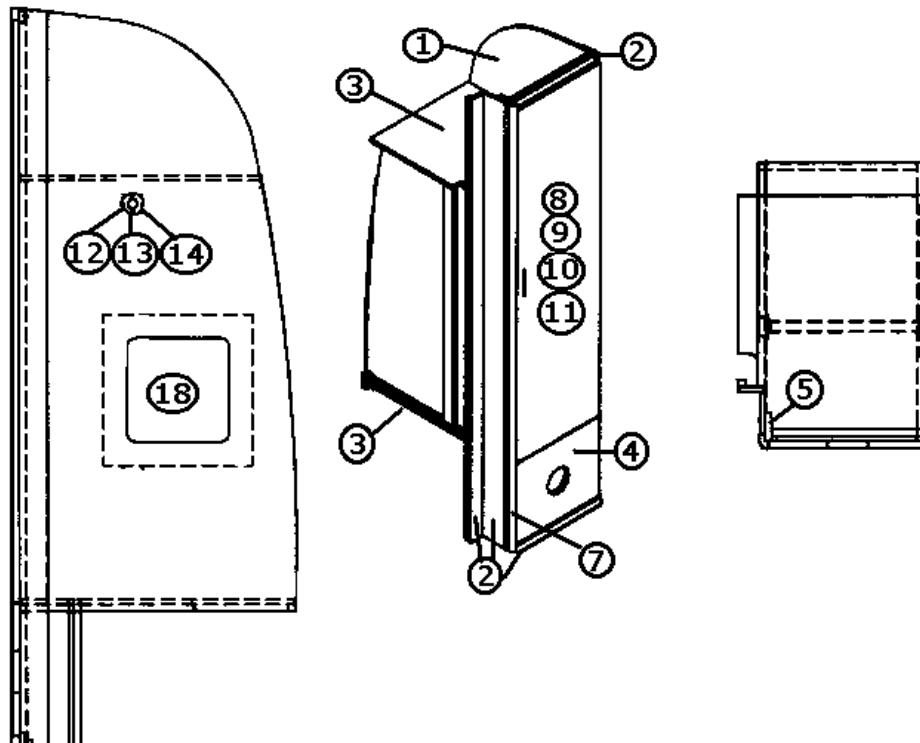
- | | |
|-----------|----------------------------------|
| 381840-01 | Hinge, overhead spring, RH |
| 381840-02 | Hinge, overhead spring, LH |
| 350147-25 | Nut, Nylon lock, 1/4" x 20 |
| 345275-04 | Screw, Flat head, 1/4" x 20 x 1" |

2004 SAFARI- BAMBI

FURNITURE

Bedroom

965650 CS Wardrobe Assembly 28 S/O



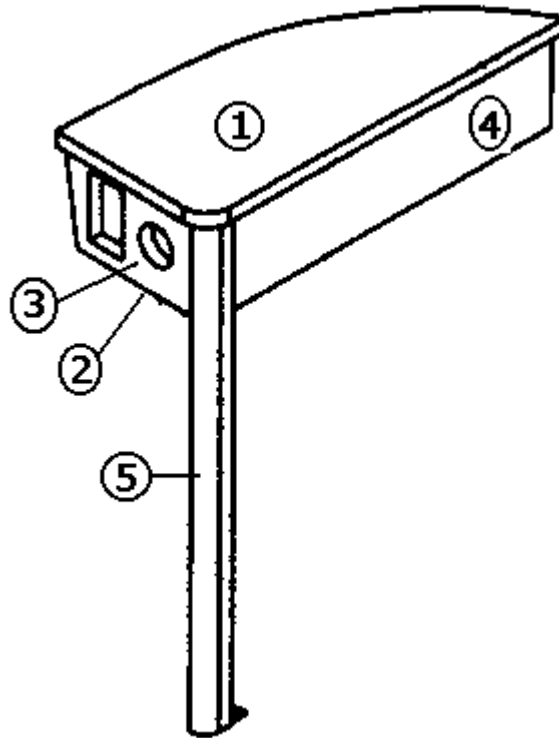
- | | |
|---------------|--|
| 1. 801424-02 | Panel, aft CS wardrobe |
| 2. 801383-01 | Panel, Tropical Oak/White liner |
| 3. 801392 | Panel, Tropical Oak/white liner, 12 mm |
| 4. 801376-01 | Panel, Tropical Oak/white liner, 18 mm |
| 5. 801368 | Panel, white Rexel/white Rexel |
| 6. 801355-01 | Laminate, frost white, 4' x 8', vertical |
| 7. 801393-01 | Corner trim, 90 degree radius |
| 8. 801341-55 | Door, 17.00" x 61.88" |
| 8. 381774 | Door handle |
| 10. 381228-01 | Grabber catch, door |
| 11. 381607 | Hinge assembly |
| 12. 380046 | Chrome flange |
| 13. 380045 | Tubing, 3/4" metal |
| 14. 200975-04 | Conduit, black plastic |
| 15. 365268-01 | Edge tape, .024" x 1.13", Tropical Oak |
| 16. 365268-03 | Edge tape, Tropical Oak, .024" x .63" |
| 17. 365238-04 | Edge tape, Colonial White, 5/8" |
| 18. 965762 | Wardrobe closeout assembly |

2004 SAFARI- BAMBI

FURNITURE

Bedroom

965711 Nightstand Assembly 28' S/O



1. 801382

1a.801377

2. 365271

2a.365273

3. 801376-01

4. 801383-01

5. 801393-01

6. 965268-01

Paneling, white suede/gator

Paneling, Graphite/Rexel, Amarillo

Edge tape, PVC, silicon

Edge tape, PVC, Graphite, Amarillo

Paneling, Trop. Oak/White liner, 18 mm

Paneling, Trop. Oak/White liner, 12 mm

Corner trim, 90 degree 1" radius

Edge tape, .024" x 1.13", Trop. Oak

*381241-00Z

TV SHELF W/ MIRROR, 28' S/O

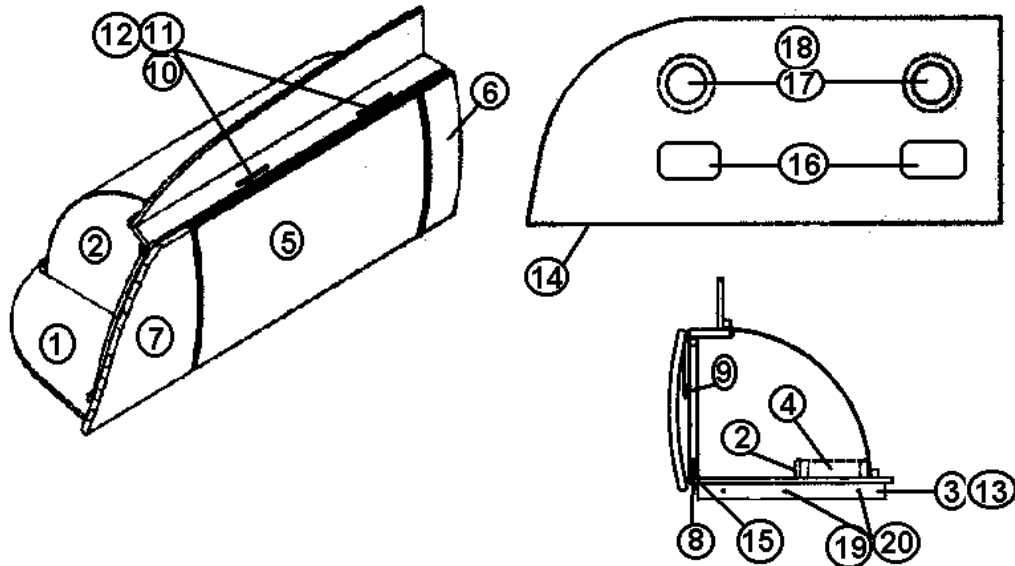
*Running line change to 381832, Recessed Tv shelf during model year

2004 SAFARI- BAMBI

FURNITURE

Bedroom

965625 Rear End Liner, 19 ft.



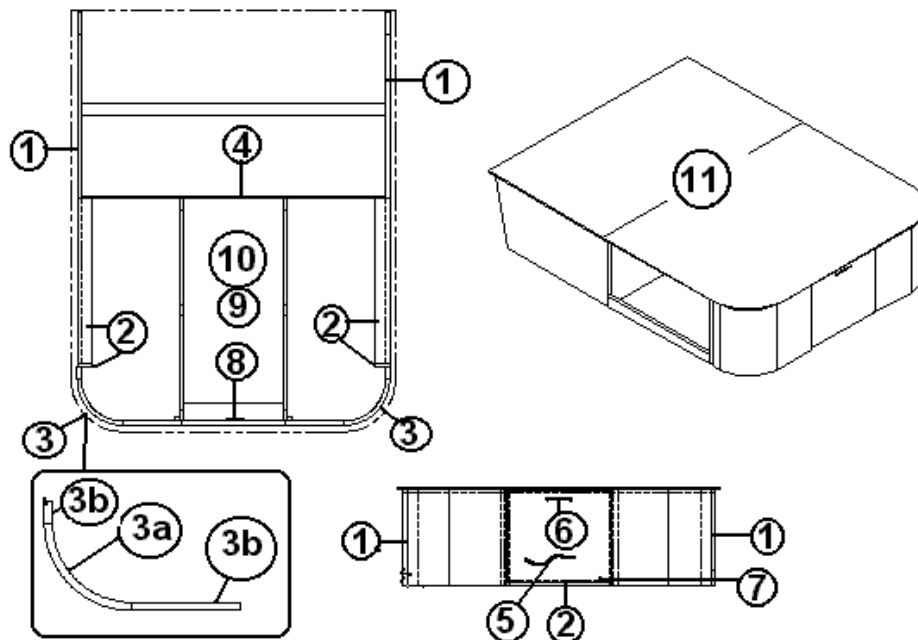
- | | |
|---------------|---------------------------------------|
| 1. 801383-01 | Paneling, Tropical Oak/White |
| 2. 801392 | Paneling, White/White 12 MM |
| 3. 801376-01 | Paneling, Tropical Oak/White, 4' x 8' |
| 4. 801355-01 | Laminate, Frost White, 4' x 8' |
| 801353 | Lite ply, 3MM, 4' x 8' |
| 5. 965551-03 | Door, radius foam, 15" x 12.50", LH |
| 6. 965551-09 | Door, radius foam, 15" x 4.06" |
| 7. 965551-06 | Door, radius foam, 15" x 28.38" |
| 8. 381228-01 | Door/drawer grabber catch |
| 9. 381608-05 | Lid stay, left Hafele |
| 10. 381840-01 | HINGE-OVERHEAD SPRING LH #372 |
| 11. 381840-02 | HINGE-OVERHEAD SPRING RH #372 |
| 12. | |
| 13. 365268-01 | Edge tape, Tropical Oak, 1.13 wide |
| 14. 365268-03 | Edge tape, Tropical Oak, .625" |
| 15. 365238-04 | Edge tape, White, 5/8" wide |
| 16. 511249 | Light, incandescent, double |
| 17. 511617 | Speaker, Coustic |
| 18. 511617-01 | Speaker grille, black |
| 19. 381609-02 | Screw, Hafele-European, #9 x 1" |
| 20. 381610-03 | Cover cap, screw, European pine |

2004 SAFARI- BAMBI

FURNITURE

Bedroom

965857 Bed base Assembly



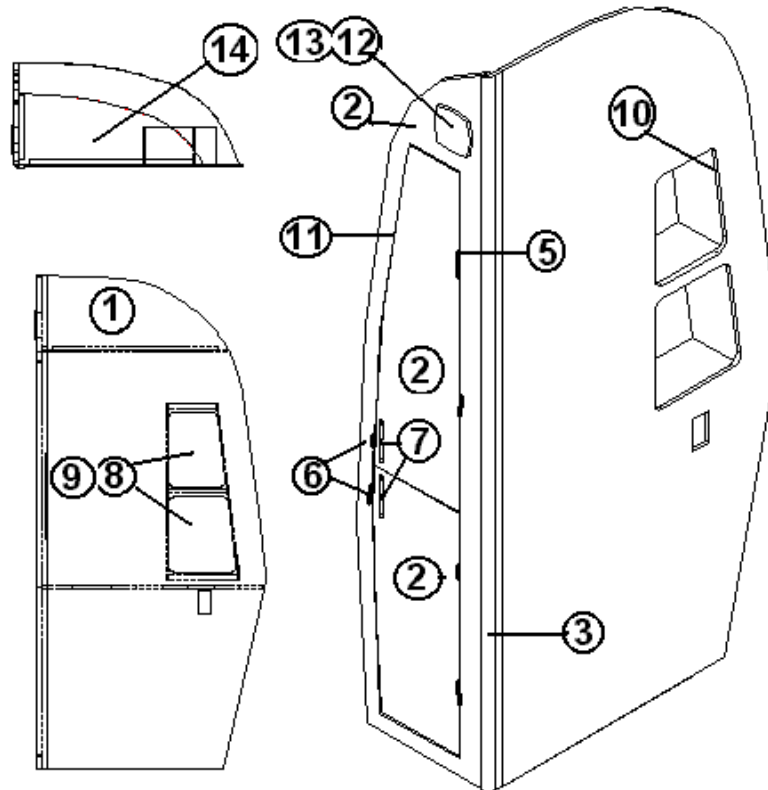
- | | |
|--------------|---|
| 1. 801376-01 | Panel, Tropical Oak/Whiteline, 18MM |
| 2. 801368 | Panel, Whiteline/Whiteline, 18MM |
| 3. 965858 | Bed corner sub assembly |
| 3a. 801348 | Radius plywood, .75" x 8" x 3' |
| 3b. 801351 | Lite ply, .75" |
| 4. 801392 | Panel, Whiteline/Whiteline, 12MM |
| 5. 801341-66 | Door, bed base, 15.75" x 17.88" |
| 6. 381774 | Handle, door |
| 7. 381607 | Hinge assembly |
| 8. 381228-01 | Door grabber catch |
| 9. 203419 | Storage box, 23"L x 16.75"W x 11.88"H |
| 10. 203426 | Storage box, 35"L x 16.75"W x 12.50"H |
| 11. 703336 | Mattress, 60" x 75"H, w/11" radius corner |
| 801343-01 | Edgebanding, .024" x 1.13" T. Oak around item 3 |
| 365268-01 | EDGEBANDING-.024"X 1.13" TROPICAL OAK |

2004 SAFARI- BAMBI

FURNITURE

Bedroom

965862-01 Curbside Rear Closet Assembly, shown, 28' W
965862-02 Roadside Rear Closet Assembly, opposite, 28' W



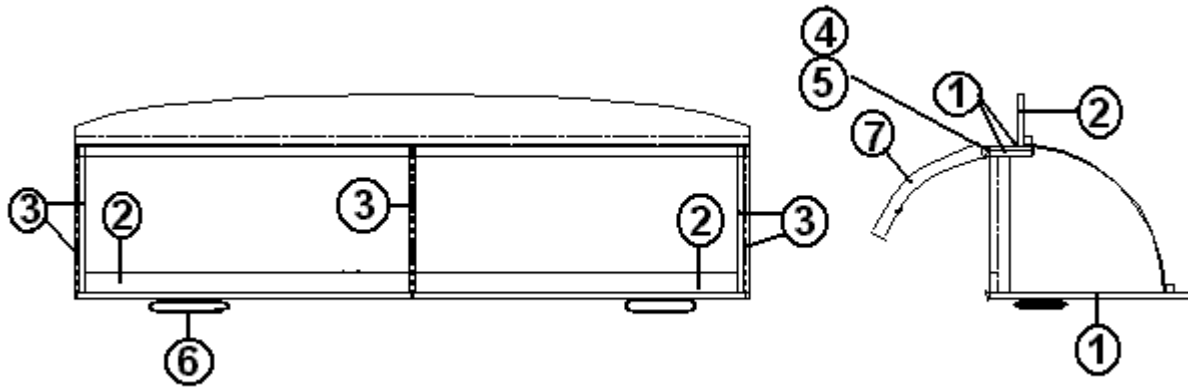
- | | |
|---------------|--|
| 1. 801383-01 | Paneling, Tropical Oak/Whiteline, 12MM |
| 2. 801376-01 | Paneling, Trop. Oak/Trop. Oak, 18 MM |
| 3. 801393-01Z | Corner trim, 90 degree 1" radius |
| 4. 801368 | Paneling, Whiteline/Whiteline, 18MM |
| 5. 381607 | Hinge assembly |
| 6. 381228-01 | Door grabber catch |
| 7. 381774 | Handle, door |
| 8. 965768-01 | Rear closet bookshelf, CS |
| 9. 965768-02 | Rear closet bookshelf, RS |
| 10. 203445 | T-Molding, black embossed |
| 11. 365268-01 | Edgebanding, .024" x 1.13", Tropical Oak |
| 12. 511617 | Speaker, coustic |
| 13. 511617-01 | Speaker grille, black |
| 14. 801348 | Radius plywood, .75" x 8" x 6' |

2004 SAFARI- BAMBI

FURNITURE

Bedroom

965864 Rear End Liner, 28' W



- | | |
|--------------|------------------------------------|
| 1. 801383-01 | PANEL TROPICAL OAK/WHITE LINER |
| 2. 801376-01 | PANEL TROPICAL OAK/WHITE LINER 18M |
| 3. 801392 | PANEL, WHITE LINER/WHITE LINER |
| 4. 381840-01 | HINGE-OVERHEAD SPRING LH |
| 5. 381840-02 | HINGE-OVERHEAD SPRING RH |
| 6. 511249 | FIXTURE LIGHT INCANDESCENT DOUBLE |
| 7. 965551-02 | DOOR-RADIUS FOAM 15.25"X 31.63 |

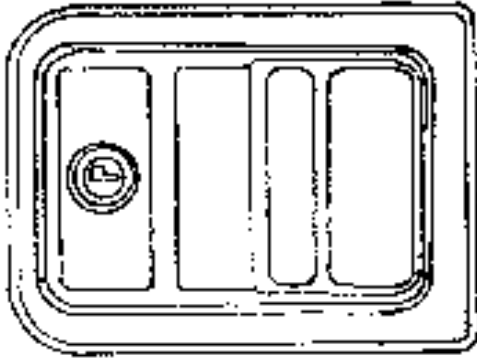
All units use:

*381241-00Z TV shelf, Oak w/mirrors

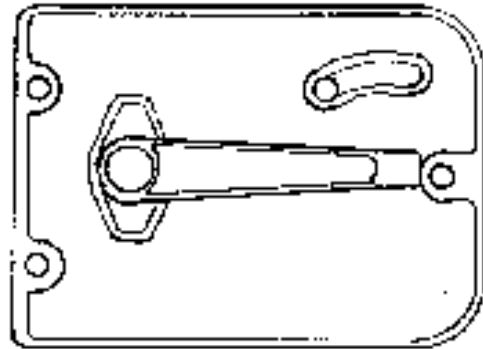
*Running line change to 381832, Recessed Tv shelf during model year

2004 SAFARI- BAMBI

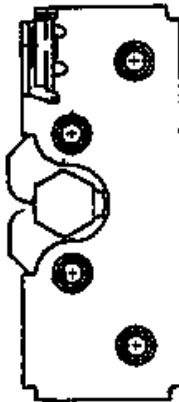
HARDWARE MAIN DOOR LOCK



381547-01
Main door lock, outside
Housing



381547-07
Main door lock, inside
plate



381547-03
Double rotary latch,
main door lock



381547-04
Striker bolt w/washer
main door lock

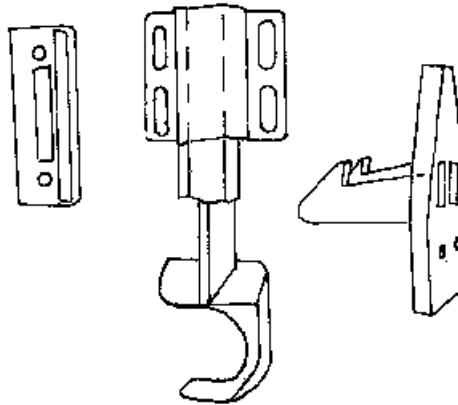
Not shown:

- | | |
|-----------|--------------------------------|
| 381547-05 | Screw package, main door lock |
| 453851 | Dead bolt, main door, Tri-mark |
| 381550 | PLATE STRIKER BOLT |
| 385595 | POCKET-STRIKE |
| 381547-08 | Screw package, main door lock |

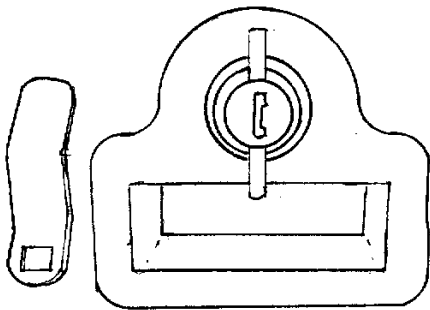
2004 SAFARI- BAMBI
HARDWARE
EXTERIOR LATCHES/LOCKS



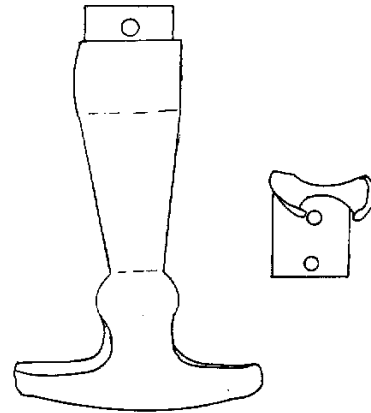
101171
Grab handle, main door



381454
Latch, screen door, Bullet



380770-101 Twist lock, chrome
380770-102 Twist lock, black

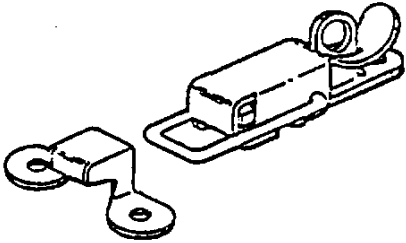


381021 Rubber T handle

2004 SAFARI- BAMBI

HARDWARE

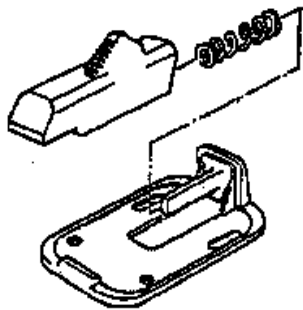
EXTERIOR LATCHES/LOCKS



340023 Corbin catch
w/strike, battery box



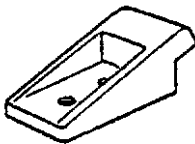
380067 Lock cam,
bumper lid



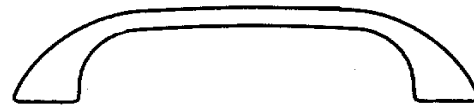
380291 Main door holdback,
(use w/housing #380290)



380290 Latch housing,



201056 Catch, main door
holdback

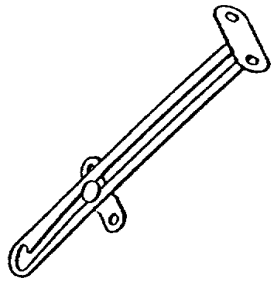


380004 Handle, screen door

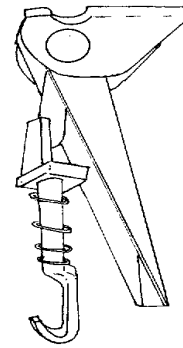
- 381323-01 DEADBOLT COMPLETE ASSY. #11840-12
- 381326 STRIKER #10007 W/TRIMARK DEADBOLT
- 453851 BOLT, TRI/MARK
- 203370 SPACER-TRI/MARK DOOR LATCH

2004 SAFARI- BAMBI

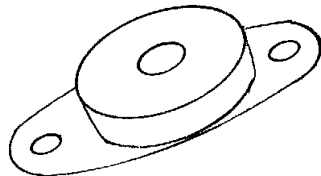
HARDWARE EXTERIOR LATCHES/LOCKS



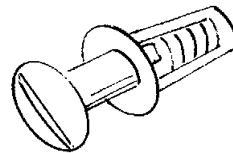
380024 Support arm,
bumper lid



380903 Latch w/strike,
chrome, gas bottle cover



685359
Rubber receptacle
1/4 latch, Southco



685342
Stud, 1/4 turn latch
Southco



685362
Retaining ring
1/4 turn stud

- 114819-01 Wrap protector hold back, 1.62"
- 114819-02 Wrap protector hold back, 2.50"
- 114819-03 Wrap protector hold back, 5.00"

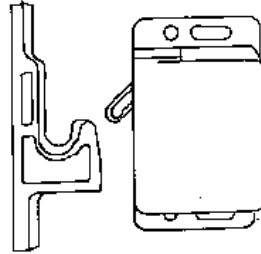
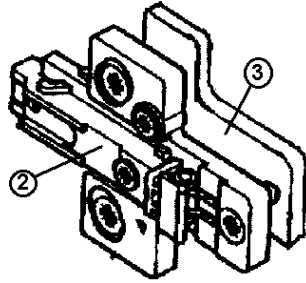
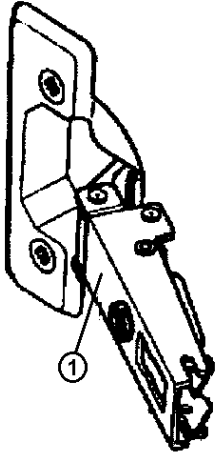
EXTERIOR HINGES

- 381552-03 Hinge assembly, main door, upper
- 381552-04 Hinge assembly, main door, lower
- 381531-01 Hinge, screen door, upper
- 381531-02 Hinge, screen door, lower
- 380773 Hinge, access door, LP cover
- 380203 Piano hinge, 1/8" pin, bed base, lift up table
- 380203-01 Piano hinge, 1/8" pin, clear anodized, hose carrier lid
- 385395 Hinge, pivot, zinc plated, refer cabinet
- 381513 Twist lock, refer access door

2004 SAFARI- BAMBI

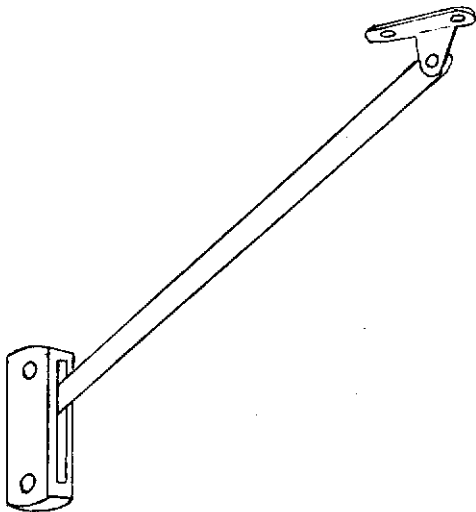
HARDWARE

INTERIOR LATCHES/HINGES

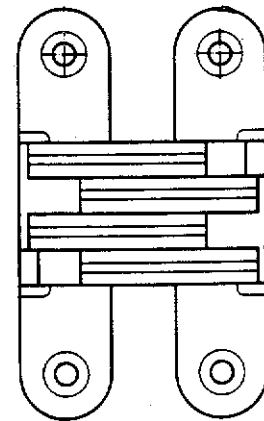


- 1) 381607-01 Hinge, cabinet
 - 2) 381607-02 Base, metal
 - 3)*381607-03 Base, plastic
 - 4) 381607-04, HINGE SCREW
- *Not used in all applications

- 381228 Grabber door latch w/catch, 10lb.rating
- 381228-01 Grabber door latch w/catch, 3lb. rating



- 381608-04 Support arm, roof locker, RH
- 381608-05 Support arm, roof locker, LH



- 380040 Soss hinge, lift up table

2004 SAFARI- BAMBI

HARDWARE

INTERIOR LATCHES/HINGES

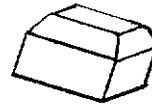


381772 Head knocker, white
mounts on interior doorjamb



360012 Bumper, rubber
white, stick-on, cylindrical

360012-01
Bumper, rubber
brown, stick-on, cylindrical



360016 Bump on, rubber
gray, square 3/8" x 3/8"

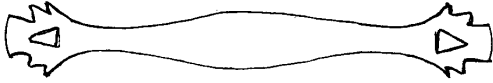
Front Lounge

381576	PULL HANDLE BRASS
381072	HINGE 3" X 1 7/8" OPEN GOLD
381228-01	CATCH GRABBER DOOR
203447	STORAGE BOX-23.5" X 16.25" X 6.38"

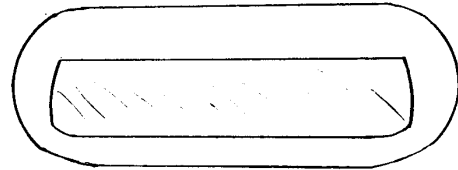
2004 SAFARI- BAMBI

HARDWARE

INTERIOR LATCHES/HINGES



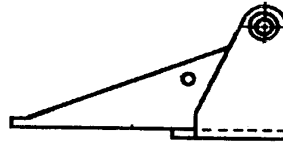
381599 Handle drawer/door, brass
381835



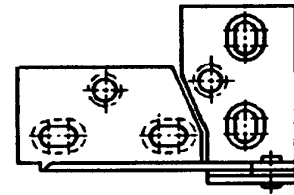
381576 Pull handle, brass
Handle, chrome/brass, door/drawer



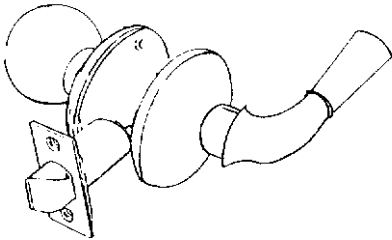
381444 Hatch pull, SST
satin finish



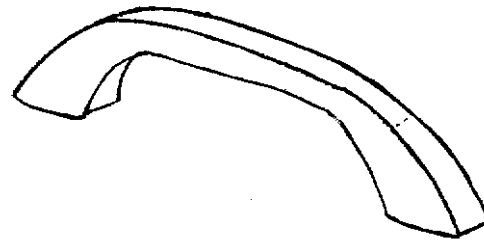
385935-01



Hinge pivot,
zinc plated



381022 Latch Swinging
bath door



381737 Grab bar, interior,
mounts on interior doorjamb

381608-09 Rosette Hafele, used on galley

2004 SAFARI- BAMBI

HARDWARE

BATHROOM ACCESSORIES

380034	Toilet paper holder, chrome
381822	18' towel bar, Brushed Nickel
381823	Soap Dish, Brushed Nickel
381824	Towel Ring, Brushed Nickel
380017	Holder, tumbler and toothbrush
381299	HOLDER RECESSED TOILET PAPER
381259-01	TOWEL BAR, CHROME, 18"
381259-03	ENDS, TOWEL BAR, CHROME
380248	HOLDER SOAP

HINGES

380458	Hinge, piano, bath door, dinette seat, brown
380210	Hinge, 2" metal, lift up table
380040	Soss hinge, #204, lift up table
381614	Folding shelf bracket, galley
381607	Hinge assembly, Grass Euro style
381607-01	HINGE-GRASS EURO, PLASTIC
381607-02	GRASS-GRASS HINGE
381607-03	GRASS-GRASS PLASTIC
381607-04	HINGE SCREW-GRASS
385935-01	Hinge, pivot, plated, medicine cabinet

TABLE HARDWARE

25 ft. SS, 25' A & B

381306	Lift up table slides, one right & one left
201155	Table sliding guide, plastic
380037	Latch, nail & spring, table
380038	Eyelet, lock, brass
380040	Hinge, flush mount, Soss
381147	Support, spring loaded
380210	HINGE PLAIN STEEL

19 ft.

380284-02	TABLE HINGE BRACKET
381147	SUPPORT - SPRING LOADED DOOR
380210	HINGE PLAIN STEEL

2004 SAFARI- BAMBI

HARDWARE WARDROBE

380045 Clothes rod
200975-04 Conduit, flexible, black (covers clothes rod)
380046 Bracket, clothes rod

Drapes

700005 FASTENER, CAP
700006 FASTENER SOCKET
700020 PILE VELCRO
700021 HOOK, VELCRO, WHITE

MISCELLANEOUS

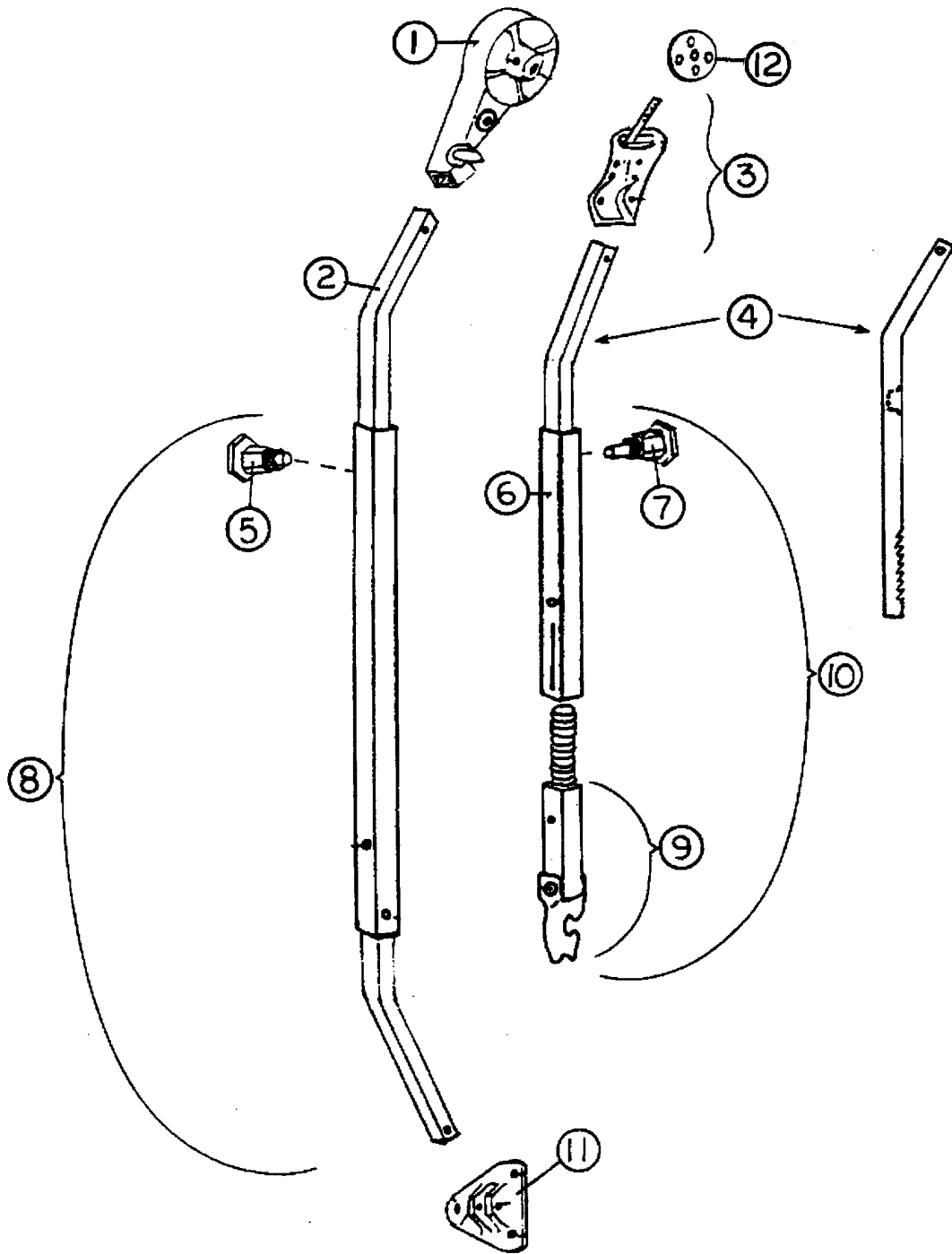
701342-01 Vinyl strap, sliding door hold back
(female snap on both ends)

701624 Velcro loop, 5/8" wide, screen door
701625 Velcro hook, 5/8" wide, screen door

Loose Parts Box

340084-52 CLAMP, HOSE SAE #52
381647 KEY WATER FILL CH 751
600241-01 HOSE ADAPTOR, STRAIGHT #02593
381269 Wheel Master trailer level

2004 SAFARI- BAMBI



See next page for P/N

2004 SAFARI- BAMBI

HARDWARE

AWNING HARDWARE

- | | |
|----------------|---------------------------------------|
| 1) 702662-100 | Head assembly, front or rear |
| 2) 702662-101 | Main arm bar, front or rear |
| 3) 702622-103 | Clamp assembly, front, curved |
| 3a) 702662-104 | Clamp assembly, rear, curved |
| 4) 702662-105 | Rafter arm bar, satin |
| 5) 702662-106 | Snap stud assembly |
| 6) 702662-107 | Rafter arm tube, satin |
| 7) 74072W | Ratchet stud |
| 8) 74048W | Main arm tube assembly, front or rear |
| 9) 702662-110 | Claw bar assembly |
| 10) 702662-111 | Rafter arm assembly |
| 11) 702662-112 | Base hinge, rib mount |
| 12) 702662-114 | Clamp wheel |

2004 SAFARI- BAMBI

SECTION IV

L through Z

[LABELS and TAGS](#) IV-1

[Options/Upgrades](#) IV-2

PLUMBING

[LPG](#) IV-4

[Fresh water](#) IV-5

[Faucets](#) IV-9

[Drain water](#) IV-13

[Toilet](#) IV-24

[SAFETY EQUIPMENT](#) IV-26

[SEALER](#) IV-27

[PAINT/GASKETS](#) IV-28

[UPHOLSTERY/FOAM/MATTRESS](#) IV-29

[VENTS/FANS](#) IV-31

[PLYWOOD/PANELING](#) IV-32

[SEAM TAPE/LAMINATES](#) IV-33

[TRIM](#) IV-30

2004 SAFARI- BAMBI

LABELS AND TAGS

386111	LABEL 30 AMP FUSE MAX.
385193	Label, "12V distribution panel inside"
385048	Label, approval with shield
386119	Label, "DON'T USE AREA FOR STORAGE"
385068	Tag, cooking appliance warning
385067	Label, EXIT
386118	Label, LP gas warning/fill
385517	Label, kill switch warning
385521	Label, emergency egress window
386122	Warning label/cooking appliance
386121	Label, LP gas warning label (odor)
385465	Exit label, English
385560	Label, air conditioner rating
385812	Label, Calif. hazardous substance
386120	Label, smoke detector
385359	Label, microwave or air conditioner
385837	Label, refrigeration ignition
386114	LABEL-RVIA SILVER
385418-01	Label, Federal registration
385062	Decal, 110-125 voltage AC
385565	Label, holding tank flushing
386097	Label, fuse 12volt
386019	1 Amp Fuse Max
386012	Label warning, water heater
386082	LABEL THOR, 5.25" X .75'
385101	TAG AUX TANK DUMP VALVE HANDLE
385099	TAG MAIN TANK DUMP VALVE HANDLE
386038	LABEL, CSA HOLDING TANKS, FRESH WATER
386123	LABEL "POTABLE WATER" CSA
385950	LABEL "SMOKE DETECTOR CSA
385951	LABEL "RANGE FRESH AIR" CSA
385952	LABEL "LP WARNING" CSA
385953	LABEL "IF YOU SMELL GAS" CSA
385954	LABEL "RANGE WARNING" CSA
385466	LABEL, EXIT LABEL (FRENCH)
952583	CHART, 12 VOLT LOCATION 25' SAFARI
952582	CHART 120-V LOCATION

2004 SAFARI- BAMBI

Options

Safari Upgrade Package (Partial Listing)

601791-03	Aquatec, water pump
601791-02	Fittings, slip in (Aquatec pump)

TAIL LIGHTS ASSEMBLY RS & CS SAME

511661	TAILLIGHT-LED OVAL 6"
201462	POCKET, ABS TAILLIGHT
511664-01	CASTING-TAILLIGHT R.S.
511664-02	CASTING-TAILLIGHT C.S.
511662	TRIM RING-TAILLIGHT W/VISOR
500095	RED RECTANGULAR REFLECTOR
115073-01	BRACKET-R.S. TAILLIGHT
115073-02	BRACKET-C.S. TAILLIGHT
115074	BRACKET-CENTER TAILLIGHT

511544	Super power jack w/light
410598	Foot pad

601441	Tank flush system
601197-02	Water hook-up for blank tank flush

381553	Folding chair, Zip Dee, w/o Logo
--------	----------------------------------

(Continued)

2004 SAFARI- BAMBI

Options

601827-01 Faucet Pure Touch Classic (See page IV-10)

32226W Screen door guard

690323-32 AC roof, 13,500 BTU w/Heat pump ducted

961270 Drip pan assembly

690380-03 Air box-Penguin heat pump, polar white

690323-31 Comfort control center

601830 Brass shower faucet trim kit, Moen Valetta MDL TL2391CP
Contact Moen at 1-800-BUY-MOEN for warranty and local parts distributor.

Includes:

1. Lever handle
2. Set screw
3. Handle screw
4. Handle adaptor
5. Brake
6. Key stop
7. Escutcheon

601767-02 TAILPIECE-CHROME LAVY

601823 Lavy faucet, Moen, Chrome & Brass

381626-02 Towel bar, 18" Chrome & Brass

2004 SAFARI- BAMBI

PLUMBING LPG SYSTEM

601710-01	LP gas bottle, 30lb. steel
601710-02	LP gas bottle, 30lb. steel, CSA
601686	Base plate, LP tank mounting
601687	Hold down kit, LP tank
601731	LP regulator, Marshall Brass w/pigtails, mounting Bracket & cover
381613	Plastisol cover-LP wing handle, 25 SS, 19'
601685-01	LP hose, 1/2" FPT x 3/8" flare
601685-02	LP hose, 1/2" FPT x 3/8" flare, CSA only
600468	Union flare, 5/8" x 5/8"
600238	Union flare, 3/8" x 3/8"
600004	Copper tubing, 5/8"
600008	Copper tubing, 3/8"
600436	Flare nut, forged, 5"/8
600435	Flare nut, forged, 3/8"
600000	Tee, brass, 5/8" x 5/8" x 3/8"
600003	Tee, brass, 5/8" x 3/8" x 3/8"
601159-02	Tubing, .50 inch, Poly CSA approved
600661	GROUNDING CLAMP 1/2 TO 1 SIZE
104264	Gas bottle cover, Safari
380903	Latch and strike
200841	Lid, plastic, bottle cover
380773	Hinge, access door
114070	EXTRUDED J-TRIM, ALUMINUM GRAY
386088	TAPE DECAL-SIDE CENTER

2004 SAFARI- BAMBI

PLUMBING FRESH WATER

601861-01	Tank, fresh water, 19 ft Bambi
964478	SLOPE PAD-Fresh tank, Bambi
454065	Strap fresh water tank, 19 FT
601723	FILTER SCREEN, WATER
601862-01	Fresh water tank, 22'
601863-01	TANK, FRESH WATER 39 GAL, 28' "W", all 25'
601642	PAN, TANK ROTOCAST
453493	HANGER STRAP, TANK PAN
453615	TANK SUPPORT STRIP-62"
453616	TANK SUPPORT STRIP-22"
601864-01	Fresh water tank, 28' S/O
601620	PAN FRESH TANK
601194	Water fill w/lock, gray
601243	DRAIN COCK, FRESH WATER
600155	PLUG, CLEANOUT 1-1/2
601237	Plastic elbow, 90 degree, 1.25" MPT x 1.25" barb
601239	Tubing, 1.375" I.D., flexible, water fill hose
601061-03	Water pump, Shurflo
601668	Filter, pre water pump
601588	Drain cock, brass, water line drain
600139	CHECK VALVE, BRASS
601531	FITTING-90 DEGREE 3" H X ST
203085	PLUG WATER LINE 1/2" PLASTIC BLK
601658	VALVE 1/2" STOP CPVC
601659	RISER 1/2" FPT X 12" CPVC
601392-05	CITY WATER FILL W/REGULATOR CHROME

2004 SAFARI- BAMBI

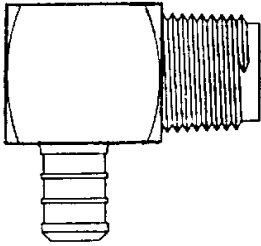
PLUMBING FRESH WATER

CITY WATER

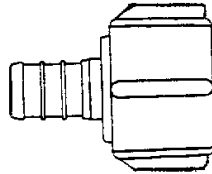
600362	Connector, 1/2" FPT x water hose, swivel
600336	Plug with chain
601690	Nipple, 1/2" MPT x 2.50"
601689	Drop ell, 90 degree, 1/2" FPT
600309	Regulator, Watts, 1/2" FPT
600315	PUMP GUARD FILTER

2004 SAFARI- BAMBI

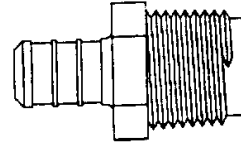
PLUMBING FRESH WATER-FITTINGS



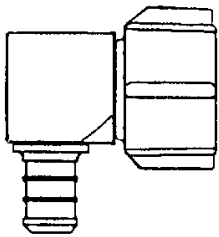
601698-04
Elbow, 1/2" barb
x 1/2" MPT



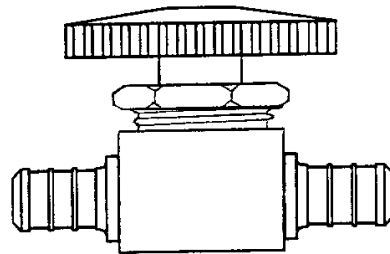
601698-03
Coupler, 1/2" barb
x 1/2" FPT



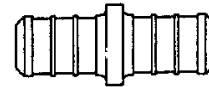
601698-02
Coupler, 1/2" barb
x 1/2" MPT



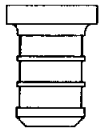
601698-05
Elbow 1/2" barb x
1/2" FPT



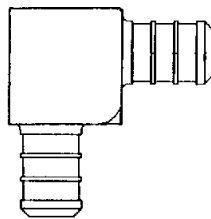
601698-22
Shut-off, 1/2" barb x
1/2" barb



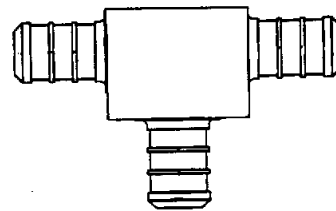
601698-08
Coupler
1/2" x 1/2" barb



601698-09
Plug, 1/2" barb



601698-10
Elbow 1/2" barb x
1/2" barb



601698-11
Tee, 1/2" x 1/2" x
1/2" barb

2004 SAFARI- BAMBI

PLUMBING FRESH WATER-FITTINGS



601698-15
Crimp ring, 1/2
E-Pex, 1/2" (black)
-21 Red

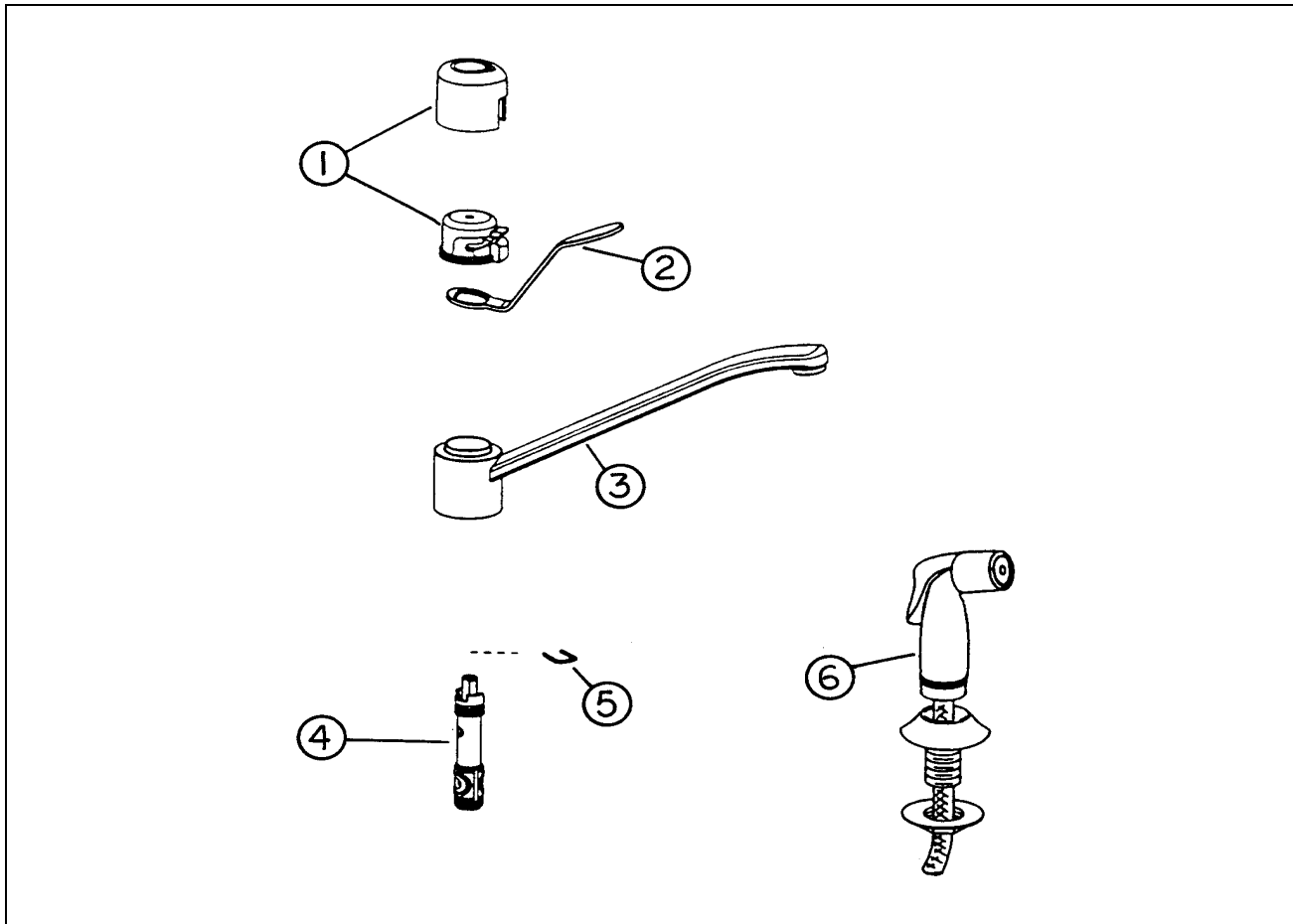


601698-01
E-Pex tube, 1/2"

2004 SAFARI- BAMBI

PLUMBING FRESH WATER FAUCETS

601746 Moen 8" S/L Manor Kit w/Spray



- | | |
|---------------|------------------------------------|
| 1) 013098 | Galley lever handle set, Moen |
| 2) 601746-100 | Lever handle, Moen |
| 3) 601746-101 | Spout assembly, 9" Moen |
| 4) 601579-106 | Cartridge, Moen #1225 |
| 5) 601579-105 | Horseshoe clip, cartridge retainer |
| 6) 601418-100 | Spray head and hose, Moen |

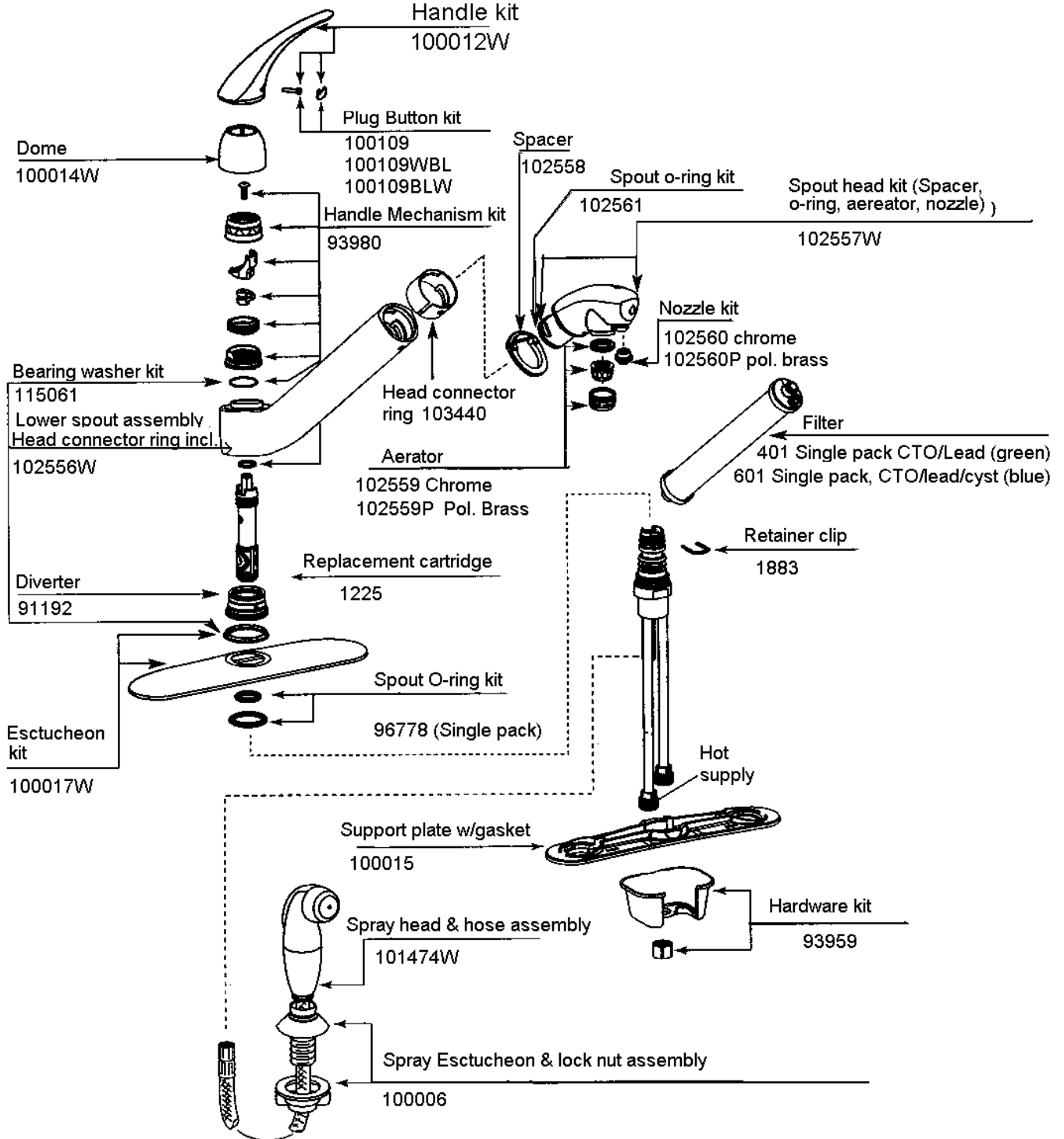
600968 Basket strainer

2004 SAFARI- BAMBI

PLUMBING-FAUCETS

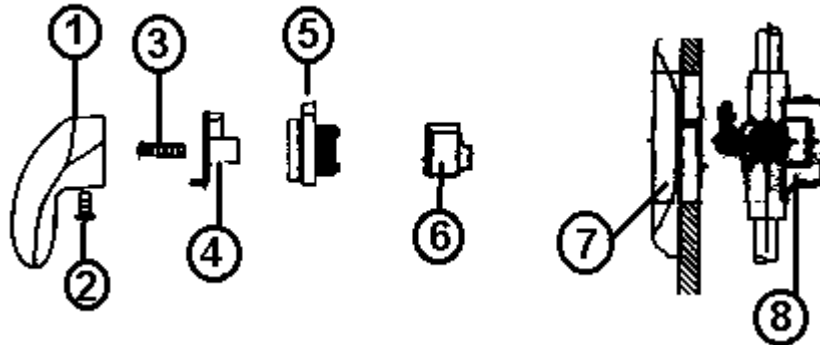
601827-01, MDL 7030W, Glacier, Moen Pure Touch Classic
Contact direct Moen at 1-800-BUY-MOEN for warranty and your
local parts outlet.

Safari Upgrade



2004 SAFARI- BAMBI

PLUMBING FRESH WATER-FAUCETS



601829 Chrome shower faucet trim kit, Moen Valetta MDL TL2391
Contact Moen at 1-800-BUY-MOEN for warranty and local parts distributor.

Includes:

1. Lever handle
2. Set screw
3. Handle screw
4. Handle adaptor
5. Brake
6. Key stop
7. Escutcheon

Item 8, 601831, sold separately, 4-port posi-temp valve

Not shown:

600594 Strainer w/white rubber stopper

601358 Shower kit, includes:

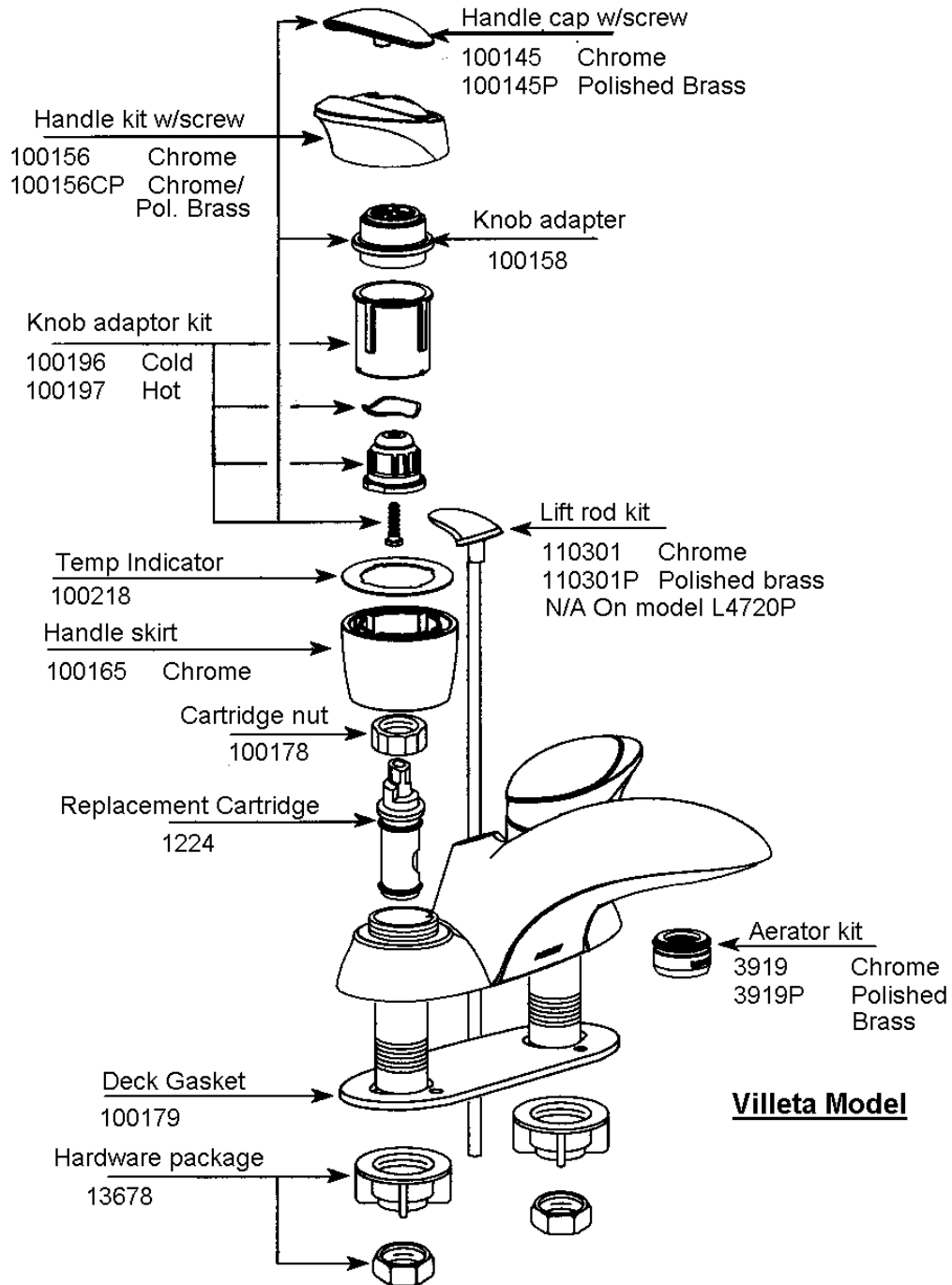
Shower hose, shower head,
Vacuum breaker, wall mounts

2004 SAFARI- BAMBI

PLUMBING

FRESH WATER-FAUCETS

601825 Lavatory, Moen L4720P, chrome,
601823 Lavatory, Moen 4720P, brass/chrome, (Safari Upgrade)
Contact 1-800-Buy Moen for parts and warranty



2004 SAFARI- BAMBI

PLUMBING DRAIN SYSTEM

Auxiliary (Gray) tanks

601844-01	Gray tank, 19' Bambi
601844-03	Gray tank, 22' Safari
601848-01	Gray tank, 25' Safari
601848-02	Gray tank, 25' Sleep Six Safari
601850-01	Gray tank, 28' S/O Safari
601717	Pan, gray tank, 19 Ft.
453622	Gray tank pan closeout, 19 ft.
200152	STYROFOAM, tank pan insulation 1/2 X 6 X 42
203149	Slope pad, holding tanks, 25', 28' "W"
601642	Pan, tank, 25'
601441	SYSTEM, TANK FLUSH (NO-FUSS)
0360499	SLOPE PAD, STYROFOAM
601619	PAN WASTE TANK

Main (Black) Tanks

601844-01	Black tank, 19 ft. Bambi
601844-04	Black tank, 22 ft. Bambi
601856-01	Black tank, 25 ft. Bambi
601854-01	Black tank, 25' Sleep Six Safari
601848-04	Black tank, 28' S/O Safari
964478	Slope pad-Black tank, 19 ft.
601228	Close-out septic pan, 25 ft, 19 ft.
601642	Pan, tank, 25'
601849-01	TANK BLACK/GRAY COMBO 70 GAL, 28' "W"
601866	PAN, BLACK/GRAY TANK, 28' "W"
601588	DRAIN COCK RADIATOR BRASS
601266	FLANGE, CLOSET, 3 X 4, SLIP FIT, toilet mounting to floor

Sink/showers

203081-01	SHOWER STALL, 2 PC FIBER 28' W
201980	Shower stall, two-piece, 25 ft. "A & B"
203114	Shower stall, two-piece, 25ft. "C", 19 FT.
600594	Tub strainer w/rubber stopper

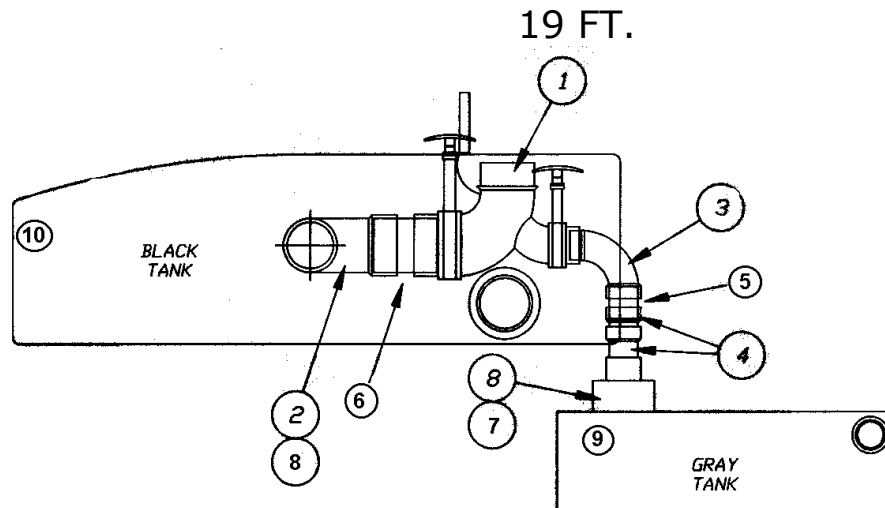
2004 SAFARI- BAMBI

PLUMBING DRAIN SYSTEM

601835	SINK, STAINLESS STEEL, 17" X 13", 19'
195362-39	Strainer, 2"
601714-01	TAIL PIECE 1-1/2X4"(GALLEY DRAIN)
601714-02	1½" SLIP NUT W/WINGS
601714-03	1½" BLACK RUBBER WASHER
203425	Sink cover
601799	SINK, galley, STAINLESS STEEL 16" X 27", 25 SS, 25' A & B, 28' SO
601744-01	MOUNTING CLIPS
203424	Sink cover
203410	SINK-LAVY, oval, Stainless steel
601813	TAIL PIECE-LIFT/TURN DRAIN
601700-01	Drain hose, 1 ½", Slide out galley sink
511018	Harness, Tank, Ventline L745
453712	SHIELD FRESH WATER TANK DRAIN
600968	Basket strainer

2004 SAFARI- BAMBI

PLUMBING DRAIN SYSTEM

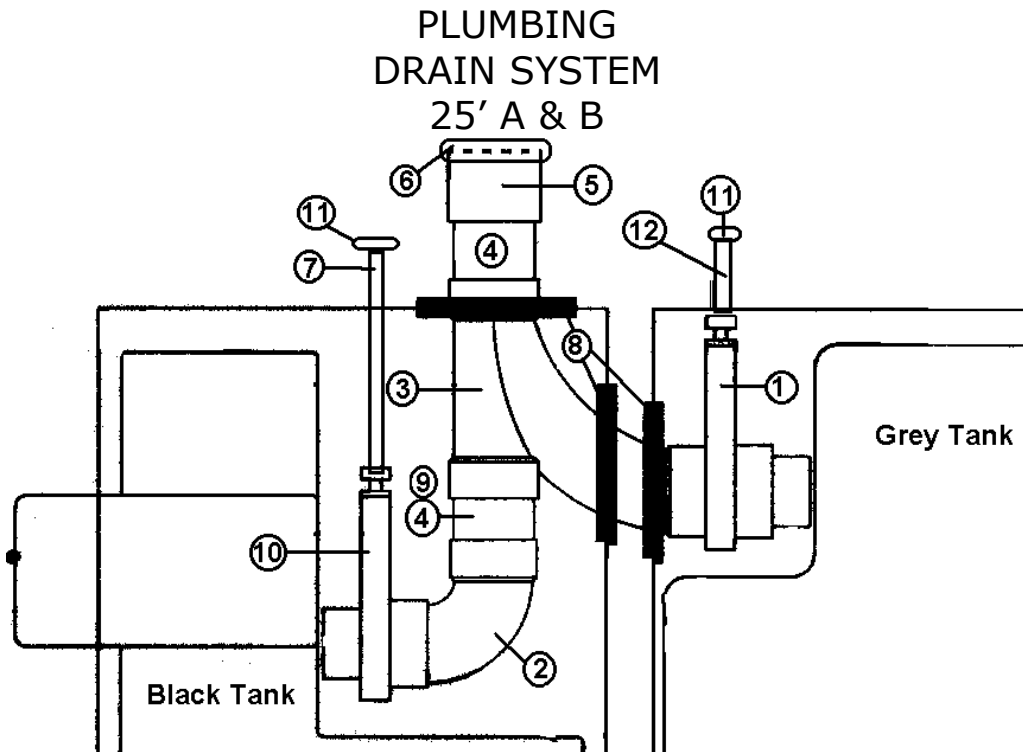


- | | |
|---------------|---------------------------------|
| 1. 601482 | Dump Valve Rotating assembly |
| 2. 600820 | Ell long sweep ABS 3" |
| 3. 600431 | Elbow, 90, 1½" |
| 4. 601160-02 | Pipe, ABS DVW, 1½"-2.00" Long |
| 5. 601160-04 | Pipe, ABS DVW, 3"- 4" Long |
| 6. 114916 | Bracket, dump valve |
| 7. 195329-229 | Reducer adaptor, 3" to 1.5" |
| 8. 340092 | Clamp, worm type T40C-75-388-SB |
| 9. 601844-01 | Holding tank, gray, 19 Ft. |
| 10. 601854-01 | Black tank, 19' Bambi |

Not shown:

- | | |
|--------|--|
| 453977 | Strap, black tank FWD. |
| 453978 | Strap, black tank AFT. |
| 01664 | Bayonet Cap |
| 01639 | 3" Termination Ring |
| 601482 | Dump valve assembly, 19 ft & 16 ft Bambi |
| 600183 | 3" Ell, long sweep, 19', 25 SS |
| 114916 | BRACKET DUMP VALVE 19' |

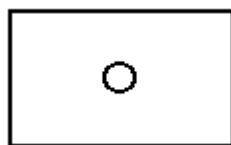
2004 SAFARI- BAMBI



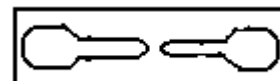
- | | |
|-------------------------|--------------------------------------|
| 1. 601607-02 | Valve assembly, 3" hub x 3" spigot |
| 2. 601531 | Fitting, 90 degree, 3" H x ST |
| 3. 601187 | 3" Wye, comb and 1/8 bend |
| 4. 601160-04 | Pipe, ABS, 3" |
| 5. 601607-06 | TERMINATION ADAPTOR, 3" HUB X 3" BAY |
| 6. 601607-07 | TERMINATION CAP, 3" BAY |
| 7. Rod comes with valve | |
| 8. 380481 | BOOT RUBBER 3" DRAIN LINE |
| 9. 600289 | CALDER COUPLING 3IN (RUBBER) |
| 10. 601607-11 | VALVE ASSY. 3" SPIGOT X 3" SPIGOT |
| 11. 601607-10 | DUMP VALVE ROD EXTENSION 19" |



601228
Close out
Septic pan



0360494
4" x 6", Rubber
stick pad

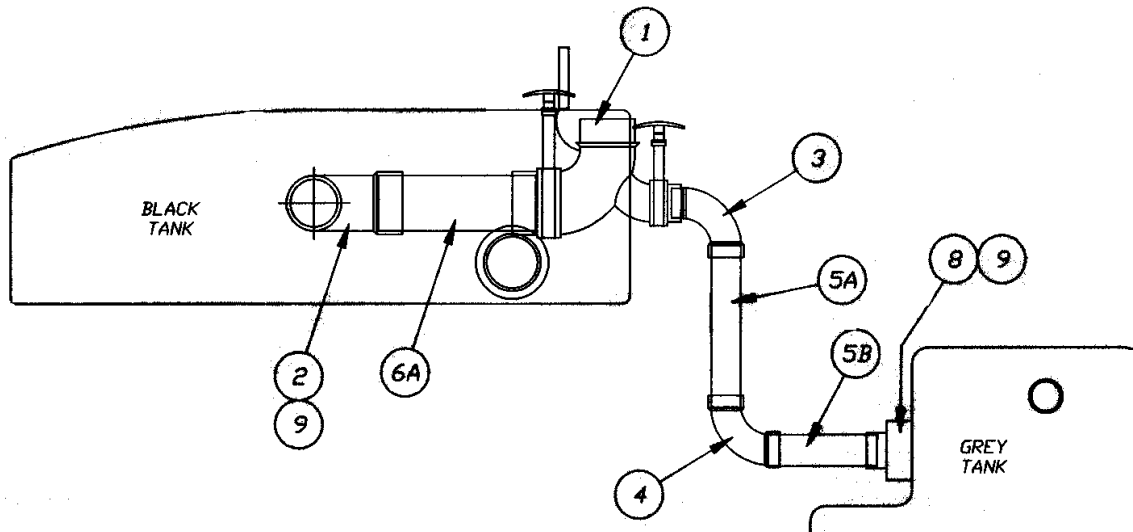


114086
Bracket, dump
valve handle

2004 SAFARI- BAMBI

PLUMBING DRAIN SYSTEM

25' C



- | | |
|---------------|---------------------------------|
| 1. 601482 | Dump Valve Rotating assembly |
| 2. 600820 | Ell long sweep ABS 3" |
| 3. 600431 | Elbow, 90, 1½" |
| 4. 600035 | Ell ABS street, 1½" |
| 5A. 601160-02 | Pipe, ABS DVW, 1½"-10.00" Long |
| 5B. 601160-02 | Pipe, 1½"-ABS DVW, 7.00" Long |
| 6A. 601160-04 | Pipe, 3"-ABS DVW, 4" Long |
| 7. 114916 | Bracket, dump valve |
| 8. 195329-229 | Reducer adaptor, 3" to 1.5" |
| 9. 340092 | Clamp, worm type T40C-75-388-SB |
| 10. 601848-02 | Holding tank, gray |
| 11. 601854-01 | Black tank |

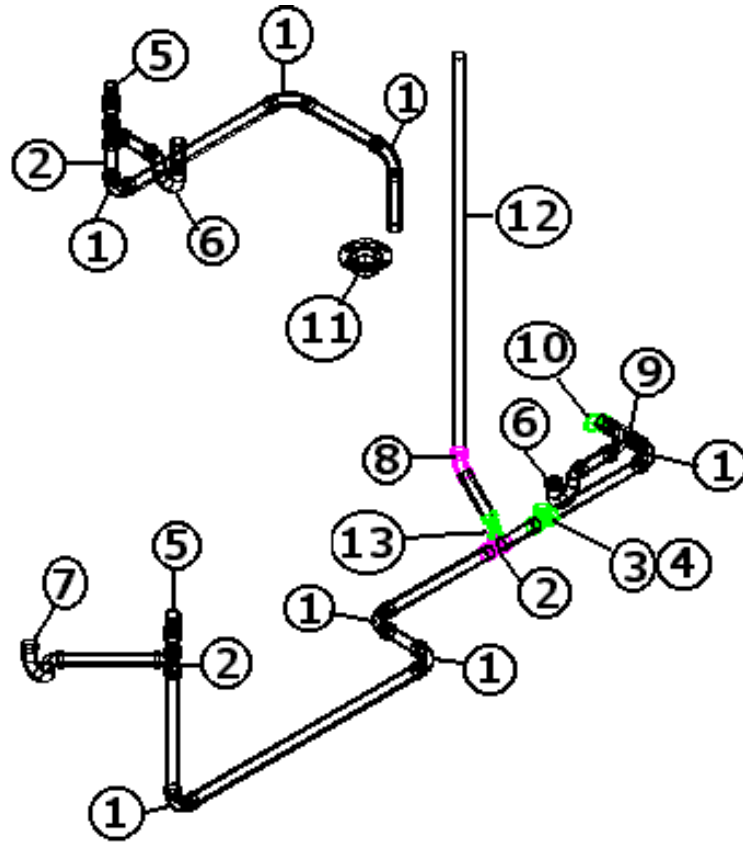
Not shown:

- | | |
|--------|------------------------|
| 453615 | TANK SUPPORT STRIP-62" |
| 453616 | TANK SUPPORT STRIP-22" |
| 453963 | Strap, black tank FWD. |
| 453964 | Strap, black tank AFT. |
| 01664 | Bayonet Cap |
| 01639 | 3" Termination Ring |

2004 SAFARI- BAMBI

PLUMBING DRAIN SYSTEM

28 Ft "W" Drain System

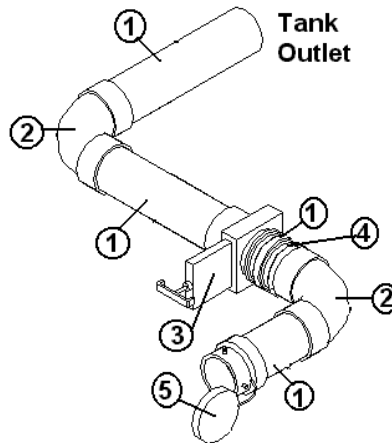


- | | |
|---------------|---|
| 1. 600035 | Ell ABS Extra long Sweep, 1.5" |
| 2. 600156 | Tee sanitary |
| 3. 601318 | Tee Bi-directional, clean out, 1.5" |
| 4. 600155 | Plug, clean out, 1.5" |
| 5. 600538 | Vent, V-200 automatic |
| 6. 600144 | P-trap, ABS, 1.5" |
| 7. 600622 | P-trap, 1.5" w/slip nut and washer |
| 8. 600030 | ELL ABS, 45 degrees, long turn |
| 9. 600182 | Wye, 1.5' x 1.5" x 1/8" bend, ABS |
| 10. 600431 | Elbow, 90, 1.5" turn |
| 11. 601424 | Flange, closet, 4" x 3" threaded |
| 12. 601160-02 | Pipe, ABS DVW, 1.5" (all straight pipe) |
| 14. 600027 | Elbow, ABS long street 45 degrees |

2004 SAFARI- BAMBI

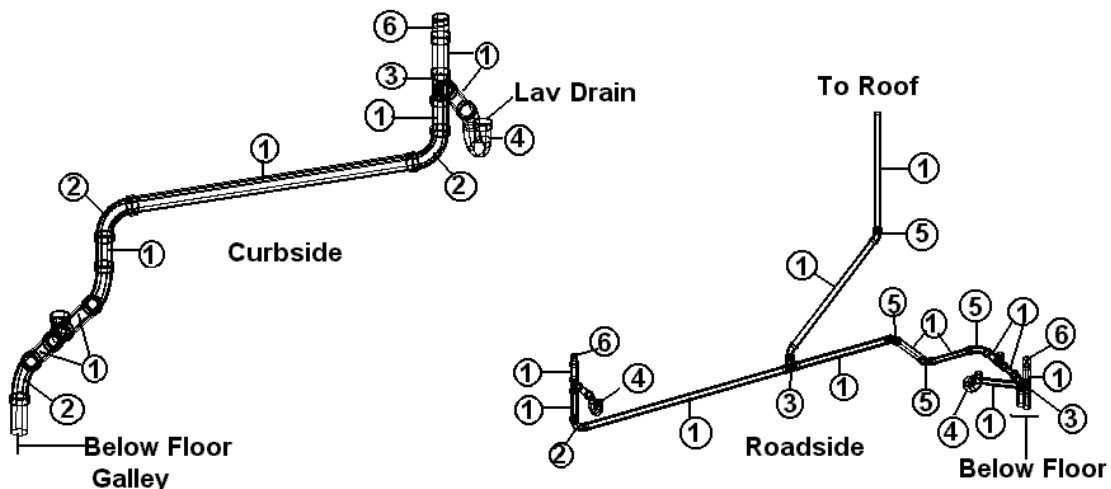
PLUMBING DRAIN SYSTEM

28 Ft "W" Dump Valve Assembly



- | | |
|--------------|---|
| 1. 601160-04 | Pipe, ABS DVW, 3" |
| 2. 600183 | ELL long sweep, ABS 3" |
| 3. 601607-13 | Valve assembly, 3"HB x 3" Spigot, drilled |
| 4. 600289 | Calder coupling, 3" rubber |
| 5. 601607-07 | Termination cap, 3" Bay |

28 Ft S/O Drain System

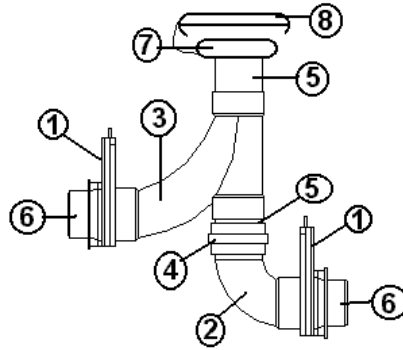


- | | |
|--------------|-----------------------------------|
| 1. 601160-02 | PIPE, ABS DVW, 1 1/2" |
| 2. 600035 | ELL, ABS, LONG SWEEP, 1 1/2" |
| 3. 600156 | TEE SANITARY |
| 4. 600622 | P-TRAP, 1 1/2", W/SLIP NUT & WASH |
| 5. 600030 | ELL, ABS, 45 DEGREES, LONG TURN |
| 6. 600538 | VENT, V200, AUTOMATIC |

2004 SAFARI- BAMBI

PLUMBING DRAIN SYSTEM

28 Ft S/O Drain System

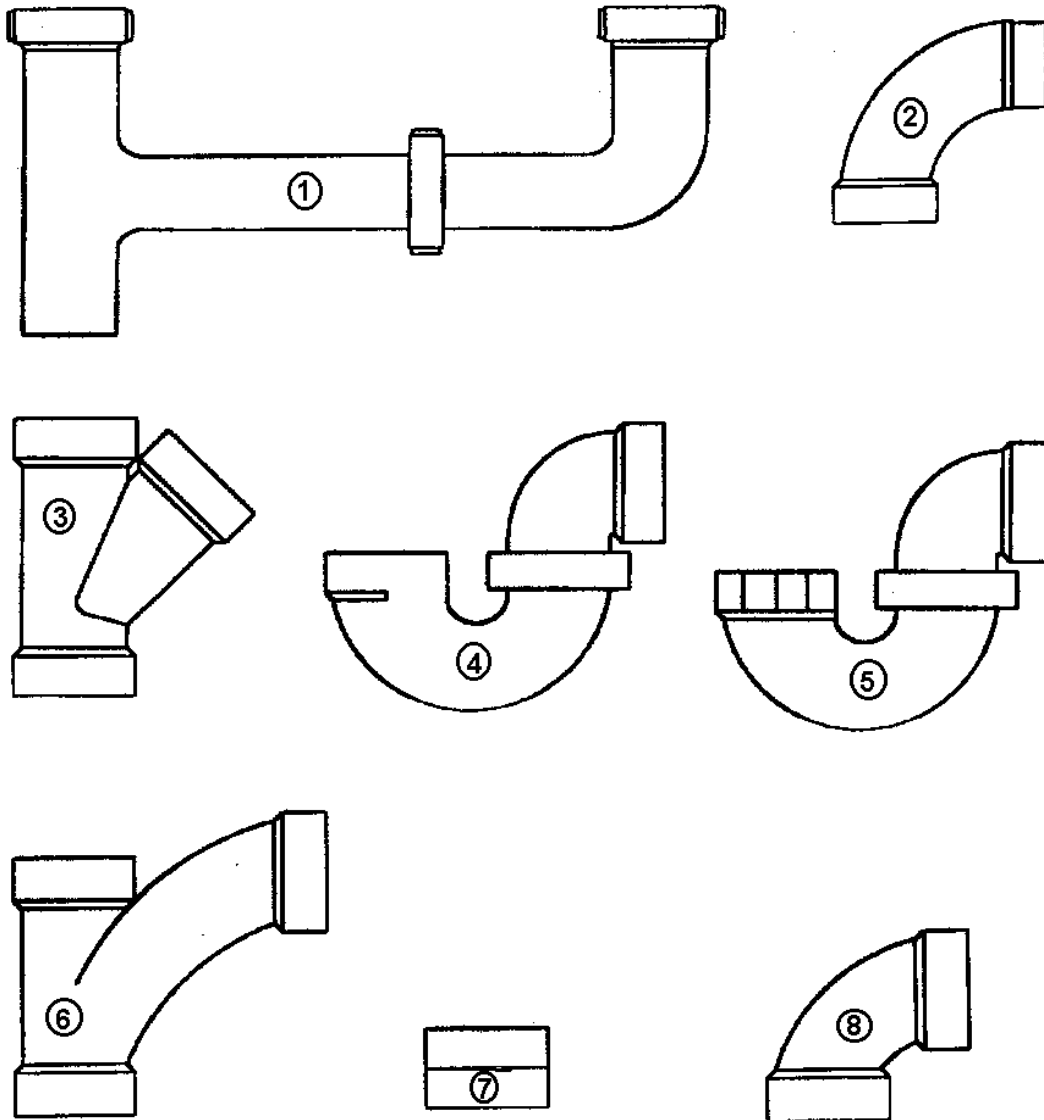


- | | |
|--------------|---------------------------------|
| 1. 601431 | Dump valve w/o handle |
| 2. 600820 | 3" single socket, 90 Degree |
| 3. 600187 | 3" Wye, combination & 1/8" bend |
| 4. 600289 | Calder coupler, 3" |
| 5. 601160-04 | 3" ABS pipe |
| 6. 601432 | Adaptor, 3" tank valve |
| 7. 01639 | Bayonet ring |
| 8. 01664 | Cap. Positive seal, Thetford |

- | | |
|--------|-----------------------------------|
| 04190 | DUMP VALVE HANDLE 19 EXT THETFORD |
| 380481 | BOOT RUBBER 3" DRAIN LINE |
| 385101 | TAG AUX TANK DUMP VALVE HANDLE |
| 385099 | TAG MAIN TANK DUMP VALVE HANDLE |
| 114086 | BRACKET DUMP VALVE HANDLE |
| 601441 | SYSTEM, TANK FLUSH (NO-FUSS) |
| 200954 | SLOPE PAD, 22.75" X 55" |
| 200152 | STYROFOAM 1/2" X 6" X 42" |
| 601626 | PAN WASTE HOLDING TANKS |

2004 SAFARI- BAMBI

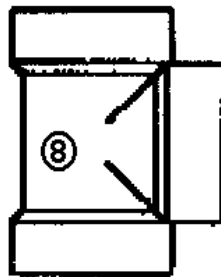
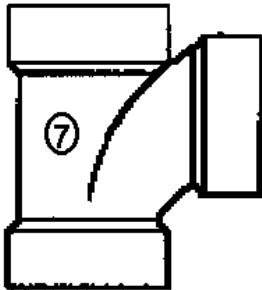
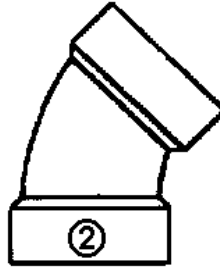
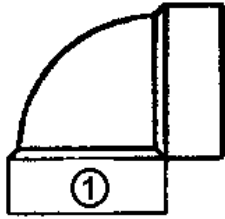
PLUMBING DRAIN FITTINGS, 1.5"



1. 600378 Continuous waste
2. 600431 Elbow, 90 degree, long street
3. 600094 Wye, #2301
4. 600144 P-trap, 1.5" w/o slip nut
5. 600622 P-trap, 1.5" w/slip nut
6. 600182 Wye, 1.5", 1/8" bend
7. 600227 1.5" coupling
8. 601636 Elbow, 90 degree short sweep
(continued)

2004 SAFARI- BAMBI

PLUMBING FITTINGS, 1.5" PLASTIC

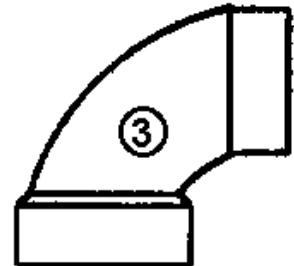
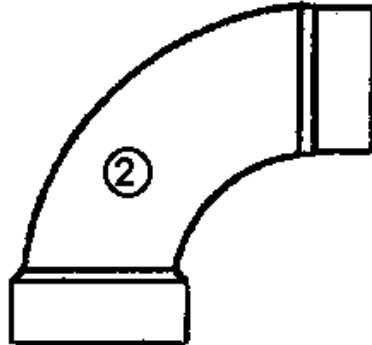
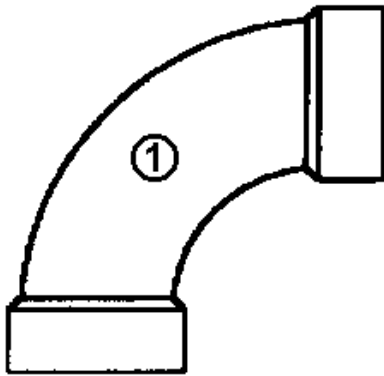


1. 600033 Elbow vent, 90 degree
2. 600030 Elbow, 45 degree, long degree
3. 600116 Elbow, 22.5 degree, short turn
4. 600538 Vent, 1.5"
5. 600155 Plug, 1.5"
6. 601677 Cap, 1.5"
7. 600156 Tee, sanitary, 1.5"
8. 601318 Tee, bi-directional, clean out, 1.5"
9. 600027 Elbow, 45 degree, long street

(continued)

2004 SAFARI- BAMBI

PLUMBING DRAIN FITTINGS, 1.5"



1. 600035 Elbow, 90 degree, long turn
2. 600431 Elbow, 90 degree, long street
3. 600662 Elbow, 90 degree, short street
4. 601263 Reducer, 1.5" to 1.25"
5. 601676 Adaptor
6. 600308 Adaptor, w/female threads

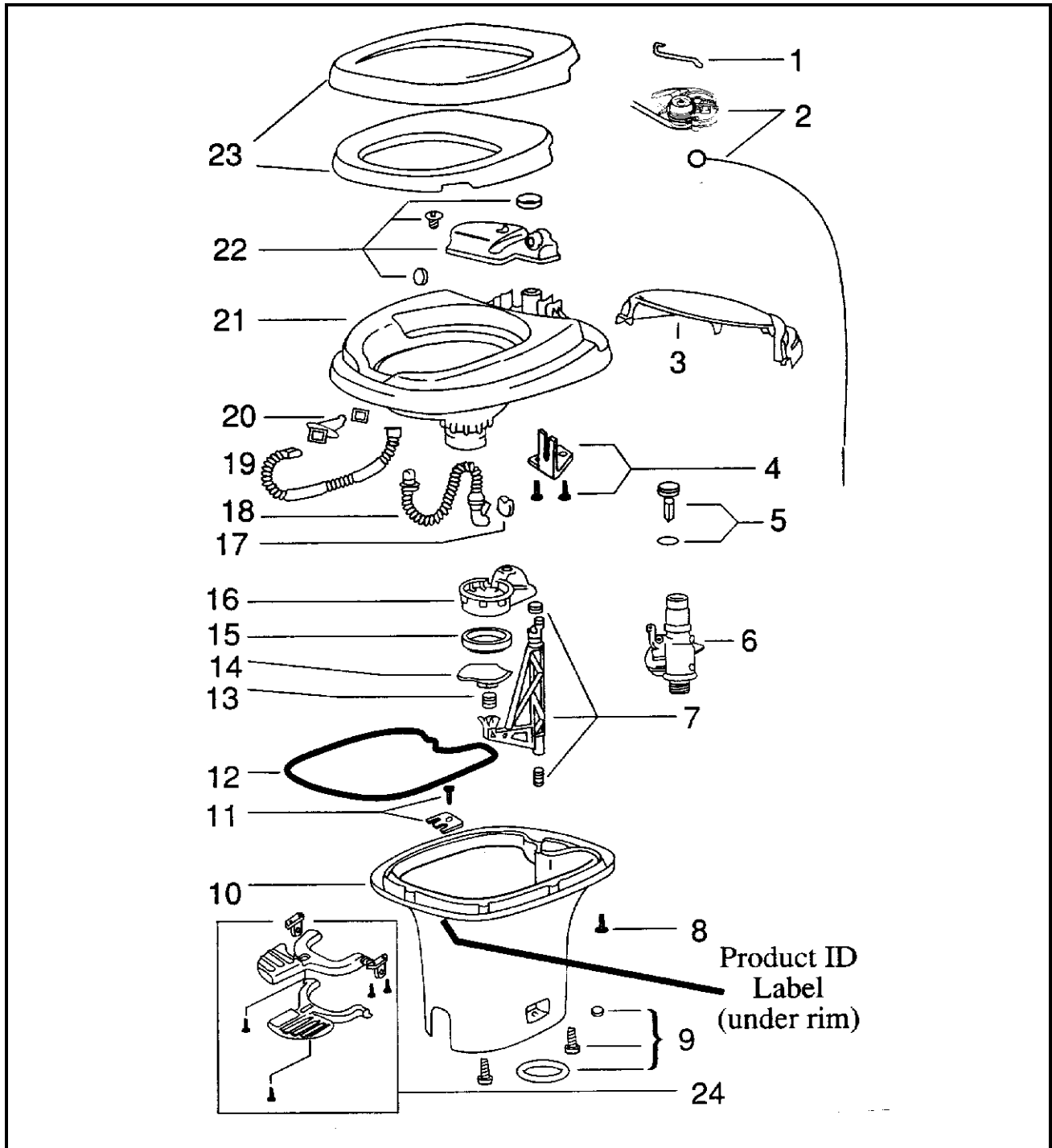
Not shown:

- | | |
|-----------|-------------------------------------|
| 600538 | VENT V-200 AUTOMATIC |
| 601200 | ADAPTOR AUTO VENT W/EXT. |
| 600625-01 | PLUG, TRAP, 1-1/2" ADAPTER, FEMALE |
| 600625-02 | PLUG, TRAY 1-1/2" ADAPTER, MALE |
| 601201 | ADAPTOR SWIVEL STRAINER, 1.25" |
| 601295 | PLUG 1 1/4" ABS DWV, tank clean out |
| 601240-01 | TUBING 1/2" I.D. X 3/32" WALL THICK |

2004 SAFARI- BAMBI

PLUMBING

THETFORD, AQUA MAGIC IV, FOOT FLUSH, WHITE



2004 SAFARI- BAMBI

PLUMBING

THETFORD, AQUA MAGIC IV, FOOT FLUSH, WHITE

*690387 Toilet Low profile, Aqua Magic IV
*Replaced by 690495 Aqua Magic V during model year

*690387-01 Toilet, high profile, Aqua Magic IV
*Replaced by 690495-01 Aqua Magic V during model year

- 1) 690387-513 Water valve link
- 2) 690387-571 Wire replacement package
- 3) 690387-562 Mechanism cover, white
- 4) 690387-634 Bracket assembly
- 5) 690387-631 Float assembly
- 6) 690387-168 Water valve replacement package
- 7) 690387-632 Actuator assembly
- 8) 690387-659 Screw base to bowl
- 9) 690387-524 Closet bolt package
- 10) 690387-356 Base, white, low
- 10a) 690387-062 Base, white, high
- 11) 690387-636 Retainer assembly
- 12) 690387-387 Sealant, base to bowl
- 13) 690387-519 Blade spring
- 14) 690387-262 Blade
- 15) 690387-481 Blade seal
- 16) 690387-520 Blade track
- 17) 690387-512 Flapper
- 18) 690387-511 Overflow tube
- 19) 690387-509 Flush tube
- 20) 690387-637 Nozzle assembly
- 21) 690387-726 Bowl
- 22) 690387-630 Reservoir tank assembly
- 23) 690387-162 Seat and cover assembly
- 24) 690387-821 Pedal package

2004 SAFARI- BAMBI

SAFETY EQUIPMENT

510781	Smoke detector
510891	Smoke Detector CSA only
511309	LPG detector
511393	COUPLER-MODULAR EXTENSION
511411	JUNCTION BOX-7 TERMINAL 50-10-170
600162-01	Fire extinguisher
600162-02	Fire extinguisher, CSA

2004 SAFARI- BAMBI

SEALER/GASKETS/PAINT SEALER

6000360	Sealant, Butyl #884058
360001	Sealant, #884058
360002	Sealant, Vulkem 11.5 oz. tube
360209	Sealant, seam
360176	Sealant, Almond, kitchen and bath
360180-04	Sealant, Sikaflex #221, black
360180	Sealant, Sika-flex, gray
360210	Sealant, Paralastic 4334-014
360259	Silicone glazing sealant, range
360283-01	SEALANT SILICONE CORIAN G. WHITE
360074	SEALANT GE RTV 102 WHITE 3 OZ TUBE
360180-04	SIKAFLEX 221 ADHESIVE BLACK

2004 SAFARI- BAMBI

GASKETS



365035, Gasket
Access doorjamb



365013-01, Gasket
screen door



365232, Gasket
main, baggage door



371593-711, Glazing
Rubber, Creation
Window



371593-713, Seal
plastic, sash
Creation window



371593-712
Foam seal, sash
Creation window

381704 Seal, upper main door (goes over main seal around top of door)

381665 Gasket, D seal, window frame to shell

380114 Gasket, vent pipe

365016 Tape, foam, double face, 1/2" wide

365235 TAPE DBL COATED .12 X 1.00

365013 TAPE CHARCOAL LOW DENSITY FOAM

365001-02 Tape, vinyl foam, double face, 3/4" wide

685510 SEAM TAPE, BLACK, RUBBER 1/32" X 7/8" X 200

381830 Gasket, wiper seal around refer compartment

381589 Rubber, floor wiper around refer compartment

683946 BUG SEAL, edge of screen door close out

Paint

*360213 Paint, aluminum metallic

*360151 Paint, gray metallic, Centari

*360260 Paint, Pewter

*16 oz. Spray can -100

360200-01 Hardener, Centari

2004 SAFARI- BAMBI

UPHOLSTERY/FOAM/MATTRESS

REAR BEDROOM

- *703182 MATTRESS-52" X 76", W/10 "RADIUS CORNER, 25SS
- 703286 MATTRESS-48" X 76" W/10" RADIUS CORNER 19 ft.
- 703289 Mattress, 34" x 78", twin, 25' A
- 703301 Mattress, double, 60" x 75" w/45 degree corner, 25' B, 28' SO
- 703336 MATTRESS-60" X 75" W/11"RADIUS CORNER
- 703287- Bedsread, 50" x 78", 19', 25ft. "SS" will change to *703182 after unit 515820
- 702820- Bedsread, twin, 25 "A"
- 703227 Bedsread, Spice trader upgrade

FRONT LOUNGE

- *702798- Sofa, jack knife, 74"
- 702798-02 Sofa, 74", Leather option
- 453368-03 Sofa legs, Flex steel
- 963400-05 Arm rest support, RS, 25'
- 963400-01 ARMREST SUPPORT ASSY. RS, 28 S/O
- 963399-04 Arm rest cushion, RS
- 963400-02 Arm rest support, CS, 25'
- 963400-02 ARMREST SUPPORT ASSY. CS, 28 S/O
- 963399-02 Arm rest cushion, CS
- 965624-01 CUSHION ASSY. ARMREST RS
- 965624-02 CUSHION ASSY. ARMREST CS
- 703281-01 FOAM ARMREST LOUNGE RS
- 703281-02 FOAM ARMREST LOUNGE CS

*Add the -(dash) number to designate color:

012 = Stratus

022 = Spellbound

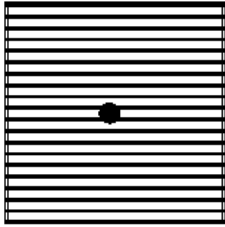
010 = Amarillo

-442 = Spice trader

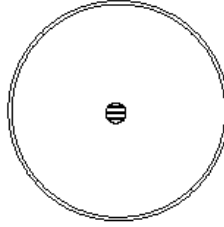
**702182, 52" will change to 703182-01, 54" after unit 515820.

2004 SAFARI- BAMBI
UPHOLSTERY/FOAM/MATTRESS
Pillow Kits

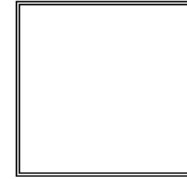
Stratus Pillow Kit



703342-01

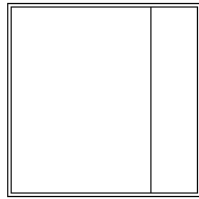


703342-02

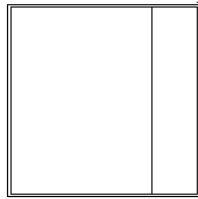


703342-03

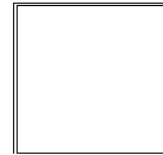
Spell Bound Pillow Kit



703343-01

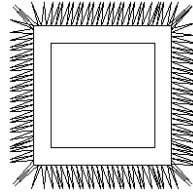


703343-02



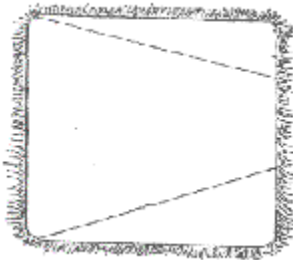
703343-03

Amarillo Pillow Kit



702882-18 Designate, Lounge or Bedroom

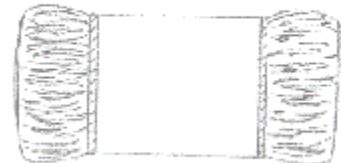
Spice Trader (Interior Upgrade Package)



703370-01



703370-02



703370-03

2004 SAFARI- BAMBI

SIDE DINETTE, 25ft."C"(only)

998070-03 Cover, seat, side dinette
998071-03 Cover, backside dinette

703309-01 FOAM-DINETTE LEFT SIDE BACK
703309-02 FOAM-DINETTE RIGHT SIDE BACK
703309-03 FOAM-DINETTE SEAT BOTTOM LH/RH

19 Ft.

998070-03 Cover, seat, side dinette
998071-03 Cover, backside dinette

703368-01 FOAM-SEAT CS DINETTE
703368-02 FOAM-CS BACK FILLER
703368-04 FOAM-RS DINETTE SEAT
703368-05 FOAM-RS BACK FILLER
703368-06 FOAM-RS BACK REST

28' SO

703309-01 Foam-left side back
703309-02 Foam-right side back
703309-03 Foam-seat bottom right
703309-04 Foam-seat bottom left

Wall boarder

703337 Golden Touch
703338 Spellbound
703339 Stratus

2004 SAFARI- BAMBI

VENTS/FANS

100341	Refrigerator, vent collar, roof, large
101394	Cover, refrigerator vent, roof, large
381042	MESH- GALVANIZED. .017 X 36
690264-03	Vent pipe cover, white
380114	Gasket, vent pipe
380228	Wire, hardware cloth
381606-01	Vent, roof, 14" x 14", non-power, white
381606-02	Trim ring, interior, roof vent, white
511791-01	Range hood, silver
511791-02	Range hood, silver, CSA
511017-11	Vent cover, exterior, range hood, gray
690266-01	Ventilator, power, bath
690266-02	Ventilator, power, bath, CSA
690266-03	EXTENSION GARNISH 4" ROOF
690394	Power ventilator, refrigerator, 19'
381450	Vent, Fantastic roof, #6000RBT DBL, upgrade option
381318-05	Skylight, 19.5" x 19.5"
201962	Trim, skylight
702804-03	Shade, skylight, pleated, 19.25" x 20"

2004 SAFARI- BAMBI

WOOD/LAMINATES/TRIM

PLYWOOD

800506-04	Plywood, 1/2" x 4' x 8'
800976-01	Plywood, tongue and groove, 19/32'(floor)
800506-05	Plywood, 5/8" x 4' x 8'
801353	LITE PLY-3MM, 4' X 8'
801351	LITE PLY-18MM (.75") 4' X 8'

PANELING

801381-01	PANEL, TROPICAL OAK/TROPICAL OAK, 12MM
801383-01	PANEL, TROPICAL OAK/WHT LINER, 12MM
801392	PANEL, WHITE LINER/WHITE LINER, 12MM
801376-01	PANEL, WHITE/WHITE LINER, 18MM
801368	PANEL, WHITE LINER/WHITE LINER, 18MM
801382	PANEL, WHITE SUEDE/SHELF LINER, 18MM
801395	PANEL, TROPICAL OAK/TROPICAL OAK, 18MM
801180-004	PANEL, 1/2", G2S S.OAK/S.OAK 4 X 7
801389	PANEL, 1/2", SPRING FOREST/S. FOREST, G2S
801387	Panel, Tropical Oak/Gator, 12mm
801386	PANEL-.125" SPRING FOREST/RAW, G1S
801388	PANEL- .5" SPRING FOREST/RAW, G1S
801377	PANELING, GRAPHITE/REX 4' X 8' x 18"
801409	PANEL, TROPICAL OAK LAM/ARTIC VINYL
801438	PANEL, WHITE VINYL/RAW
801369	PANEL, FROST WHITE/WHITELINER
801445-01	PANEL, BLACK MAPLE/GATOR
801436-01	BLACK MAPLE/WHITE 18MM

800507-01	Panel, lauan, 1/8 x 4' x 8'
800507-02	Panel, Lauan, 1/4" x 4' x 8', raw/raw
800507-03	Panel, Lauan, 3/8" x 4' x 8', raw/raw
800507-04	Panel, Lauan, 1/2" x 4' x 8', raw/raw

2004 SAFARI- BAMBI

WOOD/LAMINATES/TRIM

Interior Seam Tape

365270-03	TAPE, SEAM SPRING FOREST 12" X 150'
365270-04	TAPE-Seam SPRING FOREST, 48" X 150'
365270-02	TAPE-SEAM SPRING FOREST, 8" X 150'
365268-03	EDGE BANDING-.024" X .63" TROPICAL OAK
365238-04	EDGE BANDING TAPE PVC 5/8" COLONIAL
365268-02	EDGE BANDING-.024"X 1.63" TROPICAL OAK
365268-01	EDGE BANDING-.024" X 1.13" TROPICAL OAK
365271	EDGE BANDING-1.125" PVC SILICON
365267	EDGE BANDING-1.13" .024 PLY
365240-01	EDGE BANDING-PVC, 1-5/16" WHITE
365266-01	EDGE BANDING-1.25"X .055", OAK
365273	EDGE BANDING GALAXY GRAPHITE
365278-01	EDGE BANDING, BLACK MAPLE 1.13"

LAMINATES

801355-01	LAMINATE FROST WHT 4'X8' VERT #1573-07
801343-01	LAMINATE TROPICAL OAK, 4' X 8' VERTICAL
800604-004	LAMINATE .050 X 60X 120", OAK,
801439	LAMINATE-BLACK MAPLE 4'X 8'

2004 SAFARI- BAMBI

WOOD/LAMINATES/TRIM

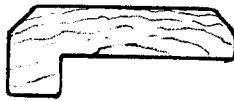
TRIM



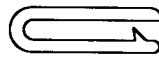
801393-01Z CORNER
TRIM 90 DEG. 1" RADIUS



800405-00Z Plug
hardwood button, screw cover
hardwood button, screw cover



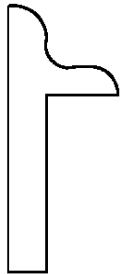
801617-01Z Molding
Wainscot, Oak



203225 Trim
lock, white



201728-03 Extrusion
plastic, ceiling trim,
White



115064 Trim, Aluminum
Counter top



800617-01Z
MOLDING WAINSCOT 84"

801492-00Z THRESHOLD MAIN DOOR, unit w/linoleum

801242-006 THRESHOLD MAIN DOOR, unit w/carpet

201673 Cove molding, Ivory, plastic, galley

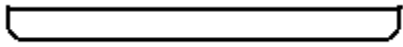
201440 LOCK TRIM, 1/4 IN. BROWN, armrest

201339 LOCK TRIM, 1/4 IN. WHITE, armrest

2004 SAFARI- BAMBI

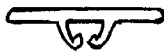
WOOD/LAMINATES/TRIM

Z= 2-walnut, 3-hickory, 4-oak, 5-maple



801173-01Z

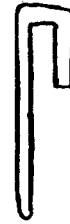
Molding, flat radius, 1.13" Oak



201728-01 Extrusion
Ceiling trim retainer



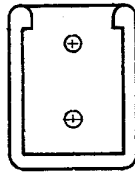
203159-03 Trim,
divider bar
Spring Forest
-02 Antiquity



201666-01
Molding, "J"
trim, plastic
Almond



203138-02
Extrusion, plastic
Panel edging, brown
-03 Beige



200003
End cap, header
support, brown

2004 SAFARI- BAMBI

NOTES

