

# ***PARKWAY MOTORHOME***

***PARTS  
BOOK***

**2006**



# 2006 PARKWAY MOTORHOME TABLE OF CONTENTS

## SECTION I A through C

### APPLIANCES

<a href="#">Air Conditioner</a> .....	I-1
<a href="#">Furnace</a> .....	I-1
<a href="#">Microwave/<a href="#">Cook Top</a></a> .....	I-1
<a href="#">Refrigerator</a> .....	I-1
<a href="#">Water Heater</a> .....	I-1
<a href="#">Generator</a> .....	I-2

### EXTERIOR SHELL

<a href="#">Curbside Wall, Rear Bath</a> .....	I-3
<a href="#">Roadside Wall, Rear Bath</a> .....	I-4
<a href="#">Curbside wall, Mid bath</a> .....	I-5
<a href="#">Roadside Wall. Mid bath</a> .....	I-6
<a href="#">Decal/Exterior Trim</a> .....	I-7

### INTERIOR BODY

<a href="#">Trim Rings</a> .....	I-8
<a href="#">Interior Trim/Skin</a> .....	I-9

### CHASSIS

<a href="#">Wheels</a> .....	I-10
<a href="#">Spare Tire Cover</a> .....	I-10
<a href="#">Hitch</a> .....	I-10
<a href="#">Exhaust System</a> .....	I-11

# 2006 PARKWAY MOTORHOME TABLE OF CONTENTS

## SECTION II D through E

### DOORS/WINDOWS/AWNING

<a href="#">Exterior Doors</a> .....	II-1
<a href="#">Windows</a> .....	II-1
<a href="#">Awning</a> .....	II-1

<a href="#">DRAPES/BLINDS</a> .....	II-2
-------------------------------------	------

### ELECTRICAL

<a href="#">110 volt</a> .....	II-4
<a href="#">12 volt</a> .....	II-5

### ENTERTAINMENT

<a href="#">Radio</a> .....	II-7
<a href="#">Television Antenna</a> .....	II-7
<a href="#">Television</a> .....	II-8

# 2006 PARKWAY MOTORHOME TABLE OF CONTENTS

## SECTION III F through H

FASTENERS (common fasteners available locally are not listed)

[Rivets](#)..... III-1

[FLOOR COVERING](#) ..... III-2

### FURNITURE

[Lavatory](#) ..... III-3

[Galley](#)..... III-9

[Lounge](#) ..... III-27

[Interior Doors](#) ..... III-40

[Trim/Panels](#)..... III-41

### HARDWARE

[Seats](#) ..... III-42

[Handles/Latches](#)..... III-42

[Hinges](#)..... III-42

[Towel bar, Mid Bath](#) ..... III-42

[Labels and Tags](#) ..... III-43

[Safety Equipment](#)..... III-43

# 2006 PARKWAY MOTORHOME TABLE OF CONTENTS

## SECTION IV L through Z

### PLUMBING

<a href="#">LPG</a> .....	IV-1
<a href="#">Fresh water</a> .....	IV-3
<a href="#">Freshwater Fittings</a> .....	IV-5
<a href="#">Faucets</a> .....	IV-7
<a href="#">Drain water</a> .....	IV-9
<a href="#">Toilet</a> .....	IV-13
<a href="#">SEALER</a> .....	IV-15
<a href="#">GASKETS</a> .....	IV-15
UPHOLSTERY/FOAM/MATTRESS	
<a href="#">Arm Rest Cushions</a> .....	IV-16
<a href="#">Cab Seats</a> .....	IV-17
<a href="#">Sofa</a> .....	IV-17
<a href="#">Dinette Cushions</a> .....	IV-17
<a href="#">Rear Screen/Vinyl Close Outs</a> .....	IV-18
<a href="#">VENTS/FANS</a> .....	IV-20

# 2006 PARKWAY MOTORHOME

## APPLIANCES

### Air Conditioner

454204 ROOF AIR FLOW DIFFUSER A/C-REFER  
690537 Carrier AC, 13,500 BTU  
690537-01 Carrier AC, 13,500 BTU, ceiling package

### Furnace

690439 FURNACE, 12,000 BTU, DIRECT PUMP

### Cook Top/Microwave

690498 MICROWAVE, 0.7 CF, 17.94" W X 11.0"  
454206 BRACKET, FORMED ANGLE MICROWAVE  
690536 COOKTOP-2 BURNER SUBURBAN

### Refrigerator

690470-02 REFER-3CF 2-WAY RH DR RM2352RB  
965934-04 INSERT ASSEMBLY, REFER 19..5" x 26"  
690394 Power ventilator, refrigerator  
381589 RUBBER EXTRUSION - FLOOR WIPER

### Water Heater

690199 ELECTRONIC IGNITION WATER HEATER  
690209 BRUSHED ALUM ACCESS COVER  
381648 COVER LATCH HOLE WATER HEATER  
966096 STAND-WATER HEATER

# 2006 PARKWAY MOTORHOME

## APPLIANCES

### Generator

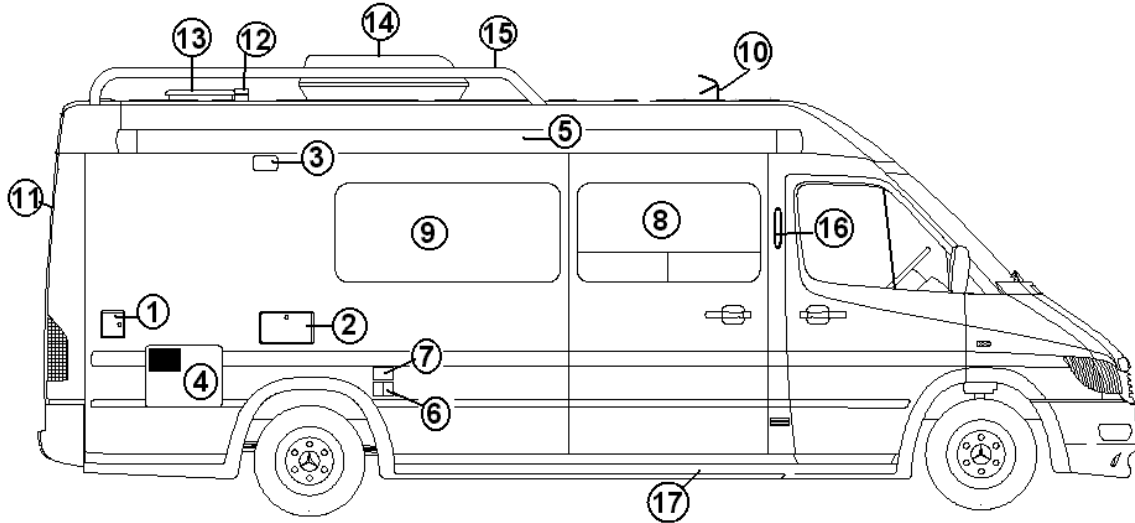
511811-01	GENERATOR, 2.5KV-FA LP VAPOR
511811-02	SWITCH-REMOTE W/HR METER ONAN
511811-04	MOUNTING, KIT-UNDER FLOOR ONAN 2.5KV
511811-05	PIPE, GENERATOR EXHAUST
510562	SWITCH, GENERATOR SWITCH OVER AUTO TS
454216	BRACKET, AFT GENERATOR MOUNTING
454217	BRACKET, FWD-AFT GEN MOUNTING
601874	HOSE-LP REGULATOR TO GENERATOR
966067-01	CONTROL PANEL ASSEMBLY W/GENERATOR



# 2006 PARKWAY MOTORHOME

## EXTERIOR SHELL

### Curbside Wall, Rear Bath

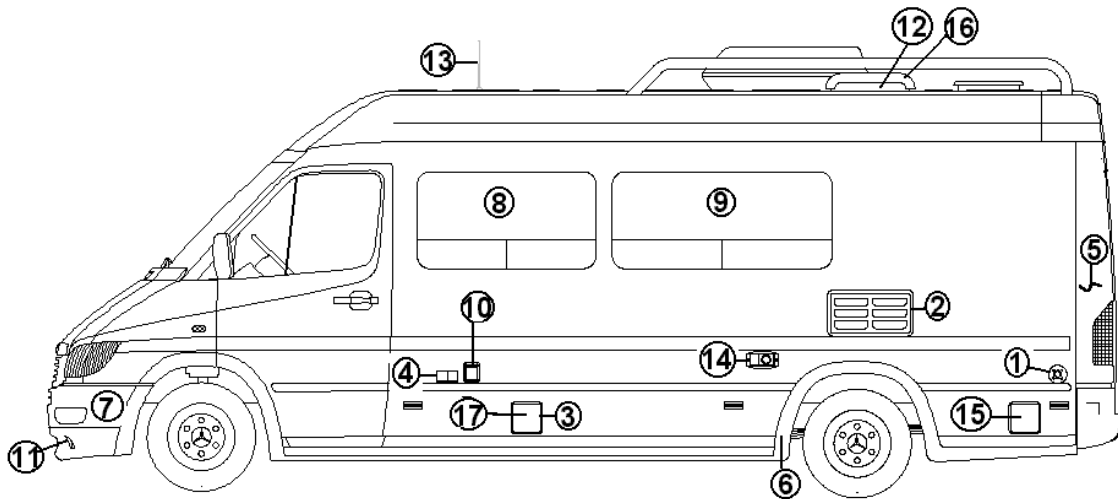


- |               |  |
|---------------|--|
| 1. 601194     | Water fill w/lock, gray, w/ label      |
| 2. 601876     | Exterior shower door and frame         |
| 3. 510672-02  | Porch light, white                     |
| 4. 690199     | Water heater, electronic ignition      |
| 5. 690497-02  | Patio awning, 13 foot, Black/Gray      |
| 6. 511796     | Exterior cable TV/12-volt power        |
| 7. 510676-01  | Outlet, exterior, 110-volt, gray       |
| 8. 371392-03  | Window, double vent, 39.50" x 23.38"   |
| 9. 371392-05  | Window, solid, 51.13" x 23.38"         |
| 10. 511864    | Antenna, TV, Boomarang                 |
| 11. 371392-02 | Window, CS solid rear, 23.31" x 23.31" |
| 12. 690264-03 | Plumbing cover, white                  |
| 13. 381841    | Fantastic roof vent                    |
| 14. 690537    | Carrier AC, 13,500 BTU                 |
| 15. 922722    | Roof rack                              |
| 16. 381737-02 | Assist handle                          |
| 17. 454437    | Running board                          |

# 2006 PARKWAY MOTORHOME

## EXTERIOR SHELL

### Roadside Wall, Rear Bath

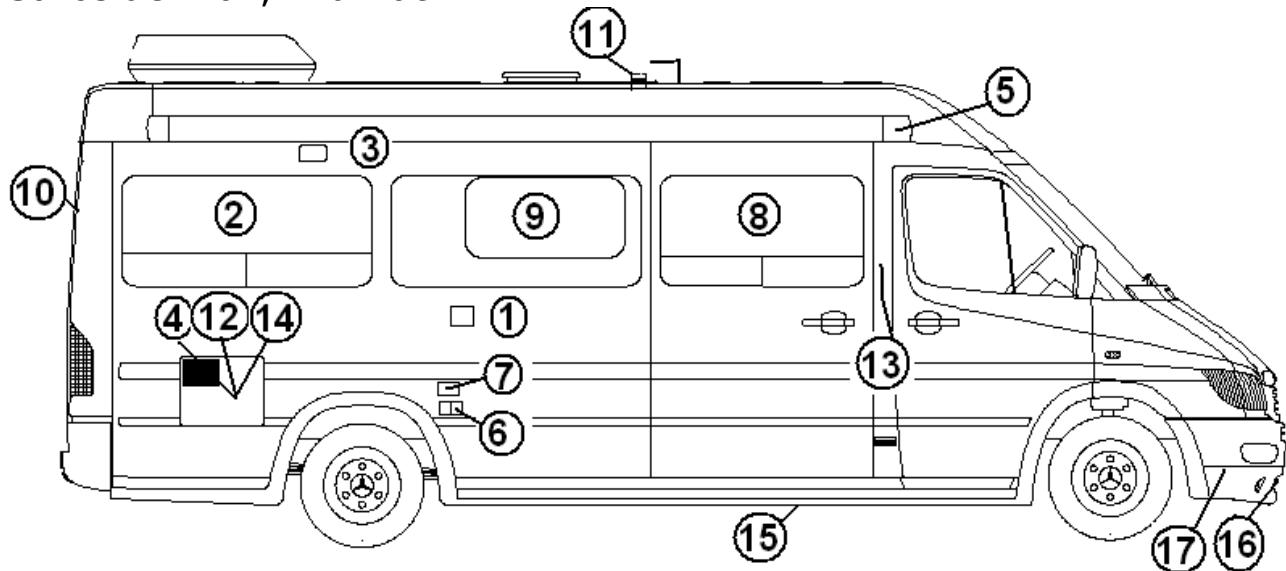


- |               |  |
|---------------|--|
| 1. 601392-05  | City water fill w/regulator                |
| 2. 690470-01  | Vent, refer                                |
| 3. 601873     | LP Remote fill W/48" hoses                 |
| 3. 111432-01  | Closeout, LP access, upper                 |
| 3. 111432-02  | Closeout, LP access, lower                 |
| 4. 500996     | Jack TV/phone, gray                        |
| 5. 511813-02  | Valve, electric waste                      |
| 6. 454437     | Running boards                             |
| 7. 203456-02  | Front bumper                               |
| 8. 371392-04  | Window, 41.13" X 23.38"                    |
| 9. 371392-05  | Window, double lower vent, 51.13" x 23.38" |
| 10. 511416-02 | Power inlet, 30Amp, 125-volt, male, gray   |
| 11. 203456-03 | Driving lights                             |
| 12. 100341    | Refer vent collar, large                   |
| 13. 511807    | Radio antenna                              |
| 14. 690439    | Furnace, 12,000 BTU, direct pump           |
| 15. 601229    | Sewer hose storage                         |
| 16. 101394    | Cover, refer vent, large                   |
| 17. 203463    | Access door, LP remote fill                |

# 2006 PARKWAY MOTORHOME

## EXTERIOR SHELL

### Curbside Wall, Mid Bath

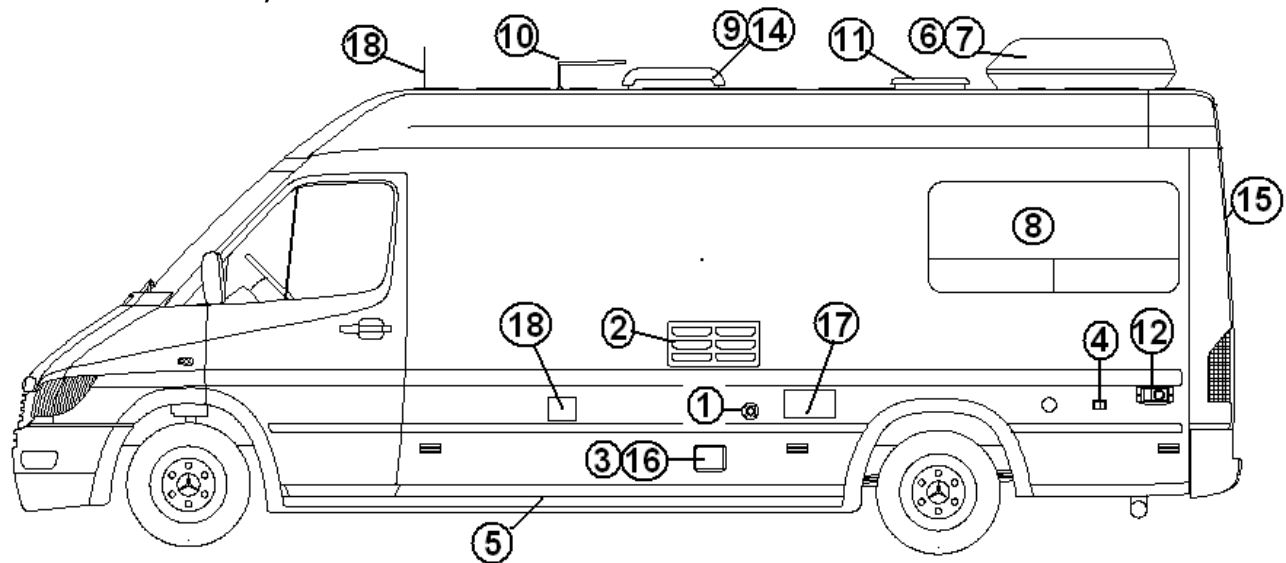


- |               |                                      |
|---------------|--------------------------------------|
| 1. 601194     | WATER FILL W/LOCK, GRAY, W/LABEL     |
| 2. 371392-06  | WINDOW, 51.13" X 23.38", DOUBLE VENT |
| 3. 510672-02  | PORCH LIGHT, #30-78-515, WHITE       |
| 4. 690199     | ELECTRONIC IGNITION WATER HEATER     |
| 5. 690497-02  | PATIO AWNING, 13', Black/Gray        |
| 6. 511796     | CABLE, EXTERIOR TV/12V POWER PORT    |
| 7. 510676-01  | OUTLET, EXTERIOR, 120 VOLT           |
| 8. 371392-03  | WINDOW, 39.5" X 23.38"               |
| 9. 371405     | WINDOW, CS GALLEY MB                 |
| 10. 371392-02 | WINDOW, 23.31" X 23.31"RH CREATION   |
| 11. 690264-03 | PLUMBING FLASHING, V-2049-1, WHITE   |
| 12. 454328    | Water heater bracket                 |
| 13. 381737-02 | ASSIST HANDLE, BLACK. MOLDED         |
| 14. 454212-01 | Water heater closeout                |
| 15. 454437    | Running board                        |
| 16. 203456-03 | Driving lights                       |
| 17. 203456-02 | FRONT BUMPER                         |

# 2006 PARKWAY MOTORHOME

## EXTERIOR SHELL

### Roadside Wall, Mid Bath



- |               |                                   |
|---------------|-----------------------------------|
| 1. 601392-05  | CITY WATER FILL W/REGULATOR       |
| 2. 690470-01  | VENT-SIDE WALL MTG.REFER          |
| 3. 601873     | REMOTE FILL & KIT-SPRINTER        |
| 4. 500996     | JACK, TV/PHONE, GREY              |
| 5. 454437     | RUNNING BOARD, ROADSIDE           |
| 6. 690537     | Carrier AC, 13,500 BTU            |
| 7. 690537-01  | Ceiling package, Carrier A/C      |
| 8. 371392-06  | WINDOW, 51.13" X 23.38"DLB VENT   |
| 9. 100341     | REFER, VENT COLLAR LARGE          |
| 10. 511864    | Antenna, TV, Boomarang            |
| 11. 381841    | VENT, ROOF FANTASTIC EXHAUST ONLY |
| 12. 690439    | FURNACE, 12,000 BTU, DIRECT PUMP  |
| 13. 601229    | SEWER HOSE STORAGE                |
| 14. 101394    | COVER, REFER VENT, ROOF, LARGE    |
| 15. 371392-01 | WINDOW, 23.31" X 23.31", RH       |
| 16. 203463    | Access door, LP remote fill       |
| 16. 111373-01 | Closeout, LP access, upper        |
| 16. 111373-02 | Closeout, LP access, lower        |
| 17. 601876    | Exterior shower door and frame    |
| 18. 511807    | ANTENNA, AM/FM RUBBER 14" #RV71   |
| 19. 922722    | ROOF RACK, Option (Not Shown)     |

# 2006 PARKWAY MOTORHOME

## EXTERIOR SHELL

### Decals/Exterior Trim

386151	DECAL-AIRSTREAM, 1.3",X 16", BLACK
386152	DECAL-AIRSTREAM, 2.4" X 28", ALUMINUM
386150	DECAL- AIRSTREAM 2.4"X 28" BLACK
386175	NAMEPLATE-75th ANNIVERSARY
386171	BADGE-PARKWAY 3" X 10"

# 2006 PARKWAY MOTORHOME

## INTERIOR SHELL

### Trim Rings, Rear Bath

203451 TRIM RING, WINDOW, CS 23.38" X 32.33"  
203450 TRIM RING, WINDOW, RS 23.38" X32.38"  
203453 TRIM RING, WINDOW, CS 54.13" X 26.25"  
203454 TRIM RING, WINDOW, RS 44" X 26.25"  
203455 TRIM RING, WINDOW, RS 47.5" X 26.25"  
203452 TRIM RING, SLIDING DOOR WINDOW  
454201 TRIM RING ASSEMBLY-REFER VENT SUPPORT  
454200 TRIM RING-REFER VENT  
203462 CAP COVER-SCREW CHERRY PVC  
381842 TRIM-LOK, 1/16" BLACK W/PEBBLE FINISH

### Trim Rings, Mid Bath

203451 TRIM RING, WINDOW, CS 23.38" X 32.33"  
203450 TRIM RING, WINDOW, RS 23.38" X32.38"  
203514 TRIM RING-CS WINDOW  
454356 TRIM RING-GALLEY  
203454 TRIM RING, WINDOW, RS 44" X 26.25"  
203455 TRIM RING, WINDOW, RS 47.5" X 26.25"  
203452 TRIM RING, SLIDING DOOR WINDOW  
372231 TRIM RING, MILL 22.25" X 18"  
454201 TRIM RING ASSEMBLY-REFER VENT SUPPORT  
454200 TRIM RING-REFER VENT  
203462 CAP COVER-SCREW CHERRY PVC  
381842 TRIM-LOK, 1/16" BLACK W/PEBBLE FINISH

# 2006 PARKWAY MOTORHOME

## INTERIOR SHELL

### Interior Skin/Trim, Rear Mid Bath

114853-01	ALUMINUM SHEET .032" X 57", INTERIOR SKIN
114880-198	ALUMINUM. SHEET .040" X 51" INTERIOR SKIN
800507-01	LAUAN, 1/8" X 4' X 8'
703552-01	WALL LINER GEO SILVER 72" 14OZ
922753-01	PANEL-INTERIOR SLIDING DOOR
922753-02	PANEL-SLIDING DOOR INTERIOR UPPER
922753-03	HEADER, SLIDING DOOR, INTERIOR SKIN
203468	PILLAR, CS FORMED ABS
203469	PILLAR, RS FORMED ABS
203470	HEADER, CAB ABS
203467	HEADER, FORMED ABS
203471	POCKET, ABS REAR DOOR STORAGE
203473	CAP-SCREW COVER PVC WHITE
381081-05	SNAP CAP-GRAY #173

### Pillar/Panel Assemblies, Mid Bath

998174	PILLAR ASSY, CS REAR
998175	PILLAR ASSY, RS REAR
998176	PANEL ASSY-CS REAR DOOR
998178	HEADER, REAR

# 2006 PARKWAY MOTORHOME

## CHASSIS

### Wheel/Spare Covers

400982	EXTENSION-VALVE STEM 3.5"
703389	COVER-SPARE TIRE
703448	STRAP ASSY-SPARE TIRE

### Hitch

400983	Hitch, Interstate
--------	-------------------

### Running Boards, Standard

454437	Running board, Parkway RS & CS
--------	--------------------------------

### Running Boards, Option

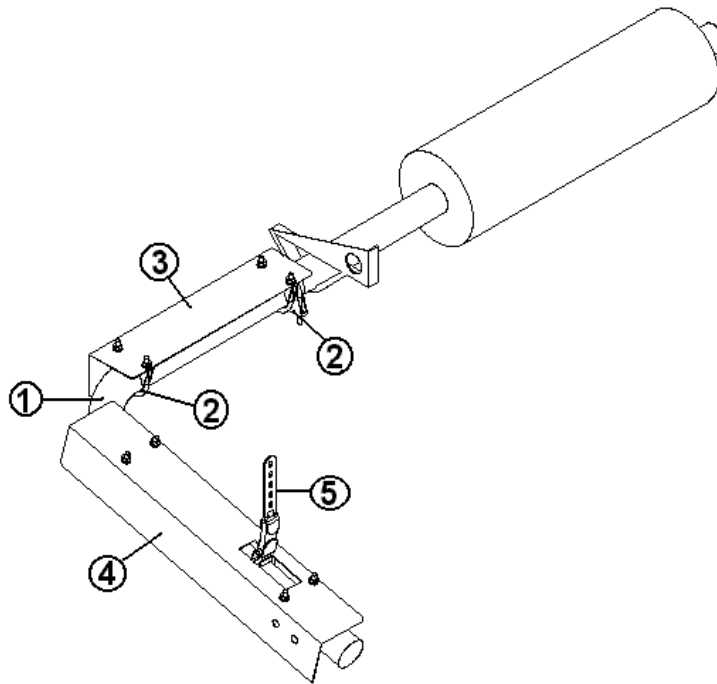
203456-00	Running board, roadside
203456-01	Running board, curbside



# 2006 PARKWAY MOTORHOME

## CHASSIS

### Exhaust System



- |              |                               |
|--------------|-------------------------------|
| 1. 454222    | PIPE, EXHAUST                 |
| 2. 340073-10 | CLAMP- MUFFLER 2.5"           |
| 3. 454218    | SHIELD-FWD EXHAUST, REAR BATH |
| 3. 454336    | SHIELD-EXHAUST FWD MIB BATH   |
| 4. 454219    | SHIELD-AFT EXHAUST, REAR BATH |
| 4. 454337    | SHIELD-EXHAUST AFT MIB BATH   |
| 5. 381509    | Hanger, Tailpipe              |



# 2006 PARKWAY MOTORHOME

## DOORS/WINDOWS/AWNING

### Exterior Doors

203463	DOOR-ACCESS LP REMOTE FILL
601194	Water fill w/lock, gray, w/ label
601876	Exterior shower door and frame
690209	BRUSHED ALUMINUM ACCESS COVER
601229	Sewer hose storage
690470-01	VENT-REFER-PLASTIC RADIUS CORNER

### WINDOWS, SIDEWALLS

371392-01	WINDOW-23.31"X23.31"RH CREATION
371392-02	WINDOW-23.31"X23.31"LH CREATION
371392-03	WINDOW-39.5"X23.38"CREATION
371392-04	WINDOW-41.13"X23.38"CREATION
371392-05	WINDOW-51.13"X23.38"SOLID CREATION
371392-06	WINDOW-51.13"X23.38"DLB VENT C
371404	WINDOW, RS, MIB BATH
371405	WINDOW, CS GALLEY MIB BATH

### WINDOWS, REAR END

371395	GLASS, RS 52.63" X 24.88", FULL TINT
371396	GLASS, CS 52.63" X 24.88", HALF TINT
195467-02	WASHER NYLON .125" X 5/16" OD
320111	SCREW, #8 X 3/4", SD, PPH, SS
0802-0004	SNAP CAP COVER BLK 2-PIECE HINGE

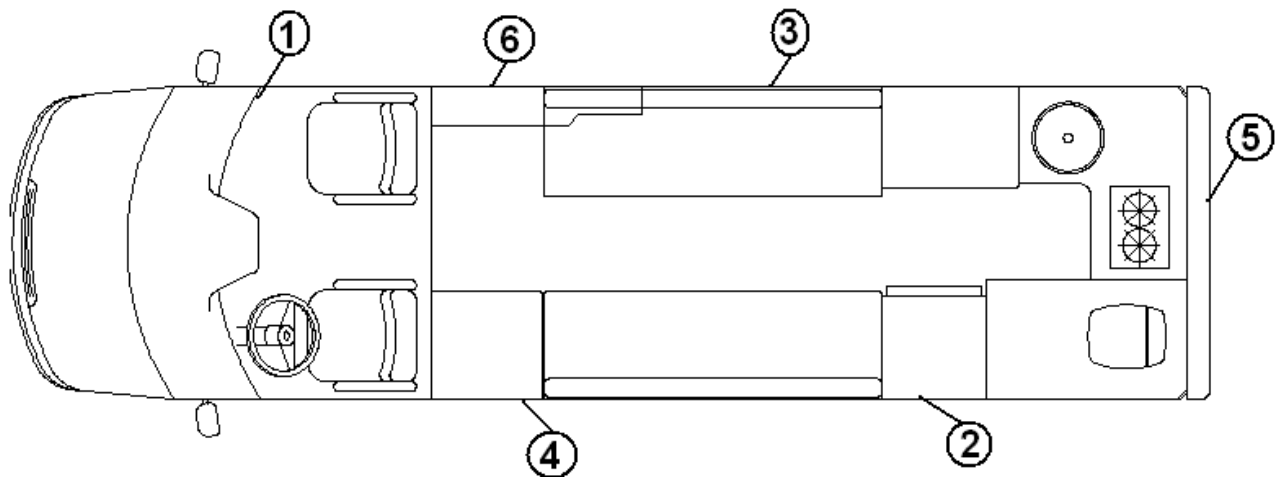
### AWNINGS

690497-02	Patio awning, 13 foot, Black/Gray
-----------	-----------------------------------

# 2006 PARKWAY MOTORHOME

## DRAPES/BLINDS/VALANCES

### Drapes/Shades, Rear



- |              |  |
|--------------|--|
| 1. 998153    | DRAPЕ CLOSEOUT ASSEMBLY, WINDSHIELD    |
| 2. 703381-01 | SHADE, NIGHT ONLY 39.00" W X 21.00" L  |
| 3. 703381-02 | SHADE NIGHT ONLY 39.00" W X 21.00" L   |
| 4. 703381-03 | SHADE NIGHT ONLY 35.50"W X 21.00"L     |
| 5. 703543-02 | SHADE ANGLED-C/S AFT DOOR, 19.5" x 21" |
| 6. 998162    | CURTAIN ASSEMBLY-SLIDING DOOR          |

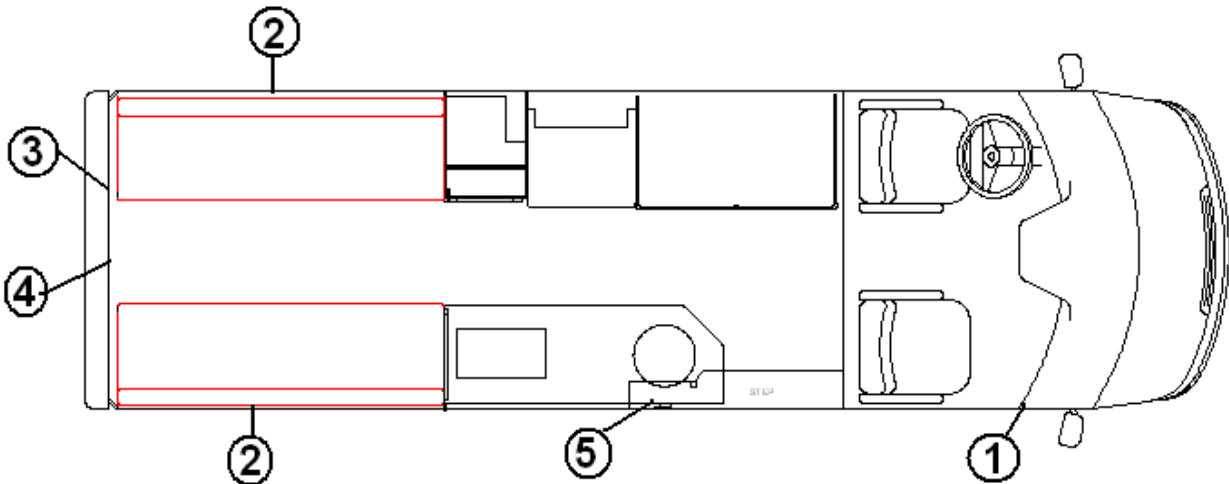
### Curtain/Drape Material

- |        |                                 |
|--------|---------------------------------|
| 702954 | FABRIC DRAPERY GALAXY/BONE      |
| 700273 | LINING, THERMA-FOAM 25006 WHITE |
| 700044 | Glides, w/elastic "T" type      |

# 2006 PARKWAY MOTORHOME

## DRAPES/BLINDS/VALANCES

### Drapes/Shades, Mid Bath



1. 998153 DRAPE CLOSEOUT ASSY-WINDSHIELD
2. 703542-03 SHADE-DAY/NGT 48.75" X 21.25" PEWTER
3. 703543-01 SHADE-NIGHT 20.5" X 21" ANGLED, RS DOOR
4. 703543-02 SHADE-NIGHT 20.50" X 21.00", ANGLED, RS DOOR
5. 703191-16 BLIND-MINI 26" X 23" ALUMINUM

### Curtain/Drape Material

- 702954 FABRIC DRAPERY GALAXY/BONE
- 700273 LINING, THERMA-FOAM 25006 WHITE
- 700044 Glides, w/elastic "T" type

## 2006 PARKWAY MOTORHOME

### ELECTRICAL, 110 VOLT

#### Power Cord/Outlets/Switches/Converter

511416-02	30-amp, male power inlet for power cord
511416-03	POWER CORD 30A, 30' W/CONN UL/C
510676-01	Outlet, 10 Volt, exterior, gray
511654	POWER CENTER-110V/12V MAGNATEK
511637	SWITCH-SELECTOR AUTO ENERGY
510562	SWITCH, GENERATOR SWITCH OVER AUTO TS
511260	COVER WEATHER PROOF SINGLE GANG
500563-01	RECEPTACLE, 15A 125V T&B TYPE
511100	SWITCH BODY WITH SWITCHES
500385	Cover, 110-volt switch, single

#### Priority Switch

512153	COVER, SWITCH PLATE, PRINTED, Micro/Air Conditioner
510514	SWITCH-3-WAY, IVORY, PRIORITY
511330	BOX, SWITCH 3" X 2" X 3.5"

## 2006 PARKWAY MOTORHOME

### ELECTRICAL, 12 VOLT

#### Battery

511828 Battery, 12-VOLT, DEEP CYCLE, AGM  
511595 Battery box

#### Battery Disconnect Switch

510626 SWITCH, MASTER DISCONNECT  
510627 FACE PLATE, DISCONNECT SWITCH

#### LP Remote Switch

511805 SWITCH-ROTARY ON/OFF LP VALVE  
511833 SWITCH ASSY-SGL ROCKER LIGHTED

#### Interior Lights

511694 Reading light, halogen, Nickel  
511695 SPOTLIGHT-BRUSHED NICKEL  
511410 LIGHT-SHOWER INCANDESCENT SINGLE  
511850 LIGHT, FLUORESCENT, SURFACE MOUNT  
511361 LIGHT COURTESY FLUSH MOUNT BLACK  
511970 LIGHT-12V SINGLE W/SWITCH  
511970 LIGHT-12V SINGLE W/SWITCH  
511971 LIGHT-12V DLB W/SWITCH

#### Monitor Panel

511788-02 Monitor panel, CATCON Micropulse  
511252 PLUG PHONE 4 CONDUCTOR  
511789 SENSOR-TANK MONITOR #500-10050  
511789-01 BOOT-SENSOR #500-20010-05  
511393 COUPLER-MODULAR EXTENSION 4 CONDUCTOR

## 2006 PARKWAY MOTORHOME

### ELECTRICAL, 12 VOLT

#### Tank Heating Pad/Remote Dump Valve

511812	PAD-HEATING HOLD TANK #TH-718
511813-01	VALVE-ELECTRIC, WASTE
511813-02	SWITCH-ELECTRIC WASTE VALVE

#### Porch Light/Cable TV Hook Up

510672-02	PORCH LIGHT, #30-78-515, WHITE
511796	CABLE-EXT. TV/12V POWER PORT

#### Driving Lights

203456-03	DRIVING LIGHTS
454207-01	BRACKET, RS DRIVING LIGHT
454207-02	BRACKET, CS DRIVING LIGHT



# 2006 PARKWAY MOTORHOME

## ENTERTAINMENT

### Radio

512047	AUX. MP3- IPOD
512051	RADIO, AM/FM/CD
511874	SPEAKER- 4", 2-WAY JVC
511807	ANTENNA, AM/FM RUBBER RADIO

### Television Antenna

511864	ANTENNA-TV BOOMARANG
500484-05	Antenna lead & extension, 72"
510788-03	Amplifier, TV antenna
510612	Coax, 75 ohm, standard
510623	Connector, coax, male to male
510616	F CONNECTOR, COAX, 75 OHM
511534	DUAL COAX PLATE WHITE
510614-01	JACK TV 12V WHITE
510654-01	TV jack/12 volt w/splitter, white
511375	JACK MODULAR TELEPHONE
511287	RECEPTACLE SINGLE 15 AMP

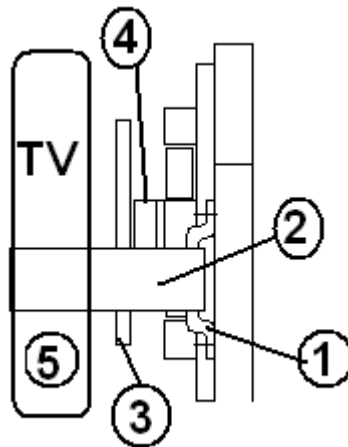
# 2006 PARKWAY MOTORHOME

## ENTERTAINMENT

### Television, Rear Bath

690542	TV w/DVD player, 15"LCD, Axion
690542-01	DC POWER CORD #ACN-DC
690542-02	FUSE- 5 AMP DC POWER CORD #ACN
500996	Jack, TV/phone, gray, Exterior
510654-01	TV jack/12 volt w/splitter, white
510624-01	Modular phone quick jack, white
452981	PHONE JACK PROTECTIVE PLATE
104619	Mounting plate, exterior telephone/TV jack
510174	TELEPHONE WIRE

### Television, Mid Bath



1. 381566	LOOP FOOTMAN STEEL 1.625"X .56
2. 703455-01	STRAP 15" FLAT SCREEN TV
3. 511774	BRACKET, ARTICULATING ARM
4. 966159	SPACER ASSY-TV BRACKET
5. 690542	TV W/DVD 15"LCD AXION
690542-01	DC POWER CORD #ACN-DC
690542-02	FUSE- 5 AMP DC POWER CORD #ACN

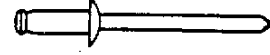
# 2006 PARKWAY MOTORHOME

## FASTENERS

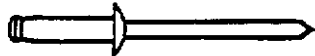
### Rivets



330126-02  
rivet, pop  
dia. 1/8 "  
grip range .126-.187  
stainless steel  
stainless steel mandrel



330126-03  
rivet, pop  
dia. 1/8 "  
grip range .126-.250  
body stainless steel body  
stainless steel mandrel



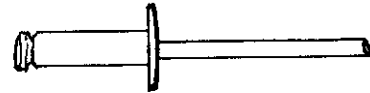
330127-05  
rivet, pop  
dia. 1/8 "  
grip range .251-.312  
aluminum body  
aluminum mandrel



330128-05  
rivet, pop  
dia. 1/8 "  
grip range .251-.312  
aluminum body, white  
aluminum mandrel



330127-08  
rivet, pop  
dia. 1/8 "  
grip range .325-.565  
aluminum body  
aluminum mandrel



330038  
rivet, pop  
dia. .150 (#20 bit)  
grip range .126-.250  
aluminum body  
aluminum mandrel  
(used-screen door hinge)



325103  
dia. 1/4 "  
grip range .080-.325  
SS body, steel mandrel

# 2006 PARKWAY MOTORHOME

## FURNITURE

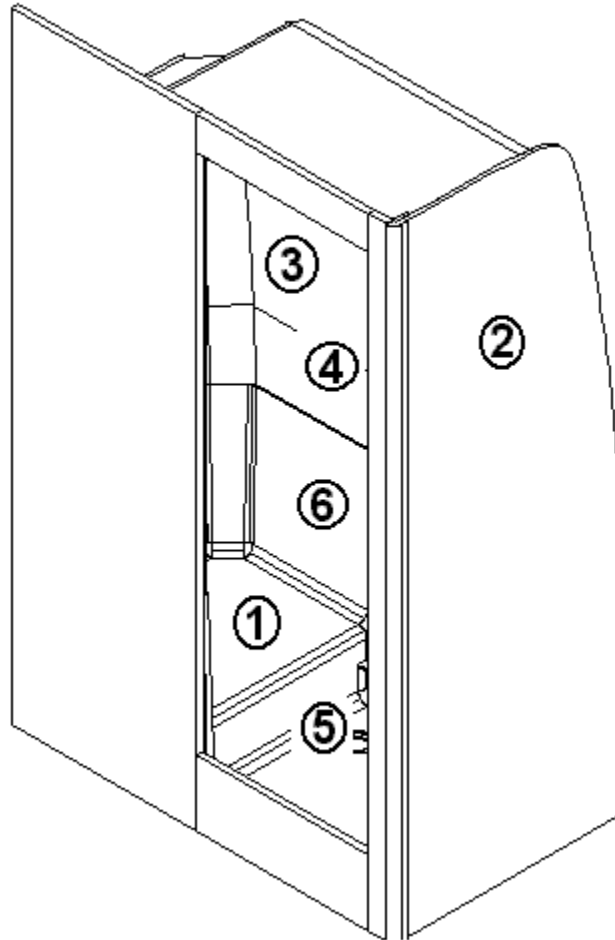
### Linoleum/Mats/Carpet

703530	FLOORING VINYL-URBAN SETTINGS
115179	ANGLE-ALUM .06"X.75"X.75"
800639-02	ADHESIVE, OAK PLANK
702893	FLOORING-SMOOTH RUBBER .13"X31

# 2006 PARKWAY MOTORHOME

## FURNITURE, LAVATORY

### Lavatory Module, Rear Bath

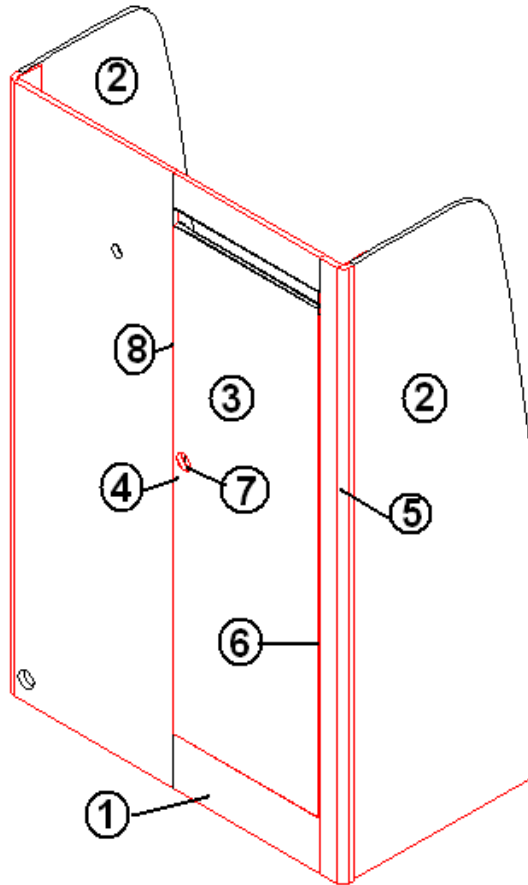


- |              |                                   |
|--------------|-----------------------------------|
| 1. 203448    | BASE/ CAP-SHOWER STALL FIBERGLASS |
| 2. 966002-01 | PANEL, SHOWER                     |
| 3. 998154    | SHOWER CURTAIN-28" X 67"          |
| 4. 601592-01 | SHOWER HEAD WHITE                 |
| 5. 690495-02 | TOILET THETFORD AQUA-MAGIC V-LO   |
| 6. 380034    | TOILET PAPER HOLDER, CHROME       |

# 2006 PARKWAY MOTORHOME

## FURNITURE, LAVATORY

### Lavatory Module, Mid Bath

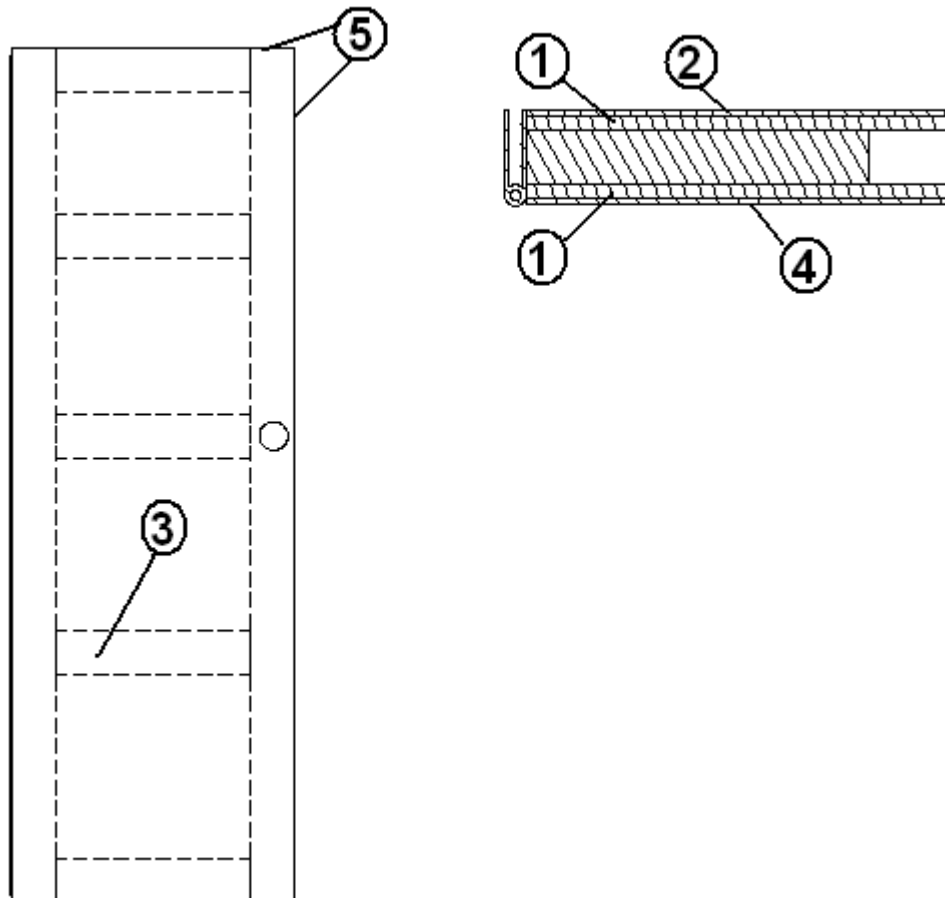


- |               |                                   |
|---------------|-----------------------------------|
| 1. 801376-01  | PANEL, OAK/WHITE 18MM             |
| 2. 801383-01  | PANEL, OAK/WHITE 12MM             |
| 3. 966351     | Door Assembly, Parkway            |
| 4. 380772-01  | SLIDE BOLT, SCREEN DOOR           |
| 5. 801383-007 | Corner trim                       |
| 6. 380458     | HINGE PIANO BROWN ANODIZED        |
| 7. 381861     | LATCH- PUSH CLOSE/PULL OPEN       |
| 8. 114070     | EXTRUSION, J-TRIM, MILL FINISH    |
| 203448        | BASE/ CAP-SHOWER STALL FIBERGLASS |

# 2006 PARKWAY MOTORHOME

## FURNITURE, LAVATORY

### Shower Door, Rear & Mid Bath

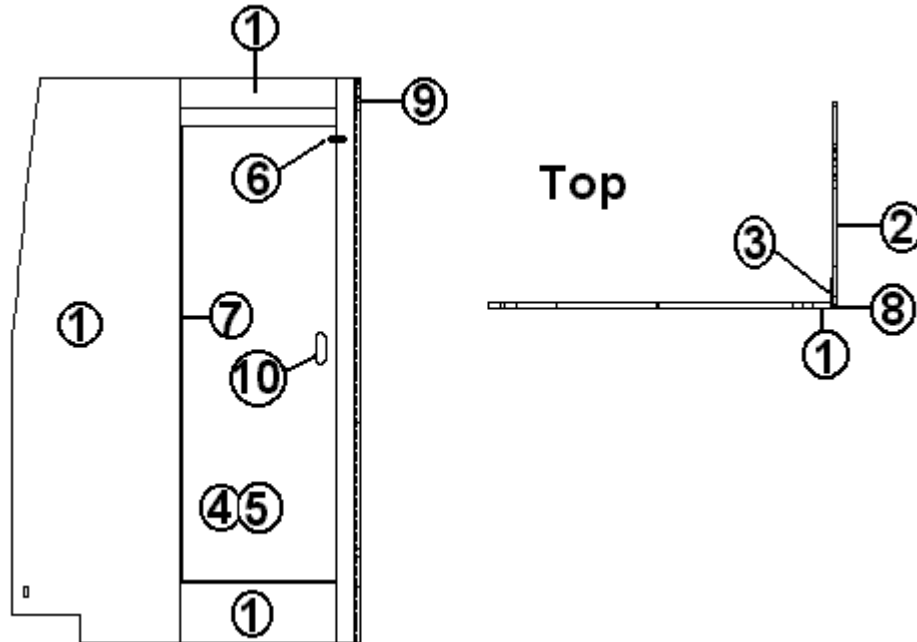


966124-01	DOOR ASSY, REAR BATH
966351	DOOR ASSY, MID BATH
1. 800507-01	LAUAN, 1/8" X 4' X 8'
2. 801355-01	LAMINATE, FROST WHITE 4' X 8'
3. 800507-04	LAUAN, RAW/RAW 1/2"
4. 801343-01	LAMINATE OAK 4' X 8', VERTICAL
5. 365268-01	EDGE BANDING. 0.024" X 1.13", OAK
380772-01	SLIDE BOLT, SCREEN DOOR #40-B2
380458	HINGE PIANO BROWN ANODIZED
801393-017	CORNER TRIM-90D 1", RADIUS, OAK
381861	LATCH PUSH CLOSE/PULL OPEN

# 2006 PARKWAY MOTORHOME

## FURNITURE, LAVATORY

### Shower Panels, Rear Bath



- |               |                                    |
|---------------|------------------------------------|
| 1. 801376-01  | PANEL, OAK/WHITE 18MM              |
| 2. 801383-01  | PANEL, OAK/WHITE 12MM              |
| 3. 800507-02  | LAUAN, 1/4" X 4' X 8'              |
| 4. 801438     | PANEL, WHITE/WHITE                 |
| 5. 801342     | LAMINATE, ALUMINUM BRUSHED 4' X 8' |
| 6. 380772-01  | SLIDE BOLT, SCREEN DOOR #40-B2     |
| 7. 380458     | HINGE PIANO BROWN ANODIZED         |
| 8. 801393-017 | CORNER TRIM, 90D RADIUS OAK        |
| 9. 365268-01  | EDGE BANDING- .94" OAK             |
| 10. 381865    | PULL-BAR BRUSH NICKEL              |



# 2006 PARKWAY MOTORHOME

## FURNITURE, LAVATORY

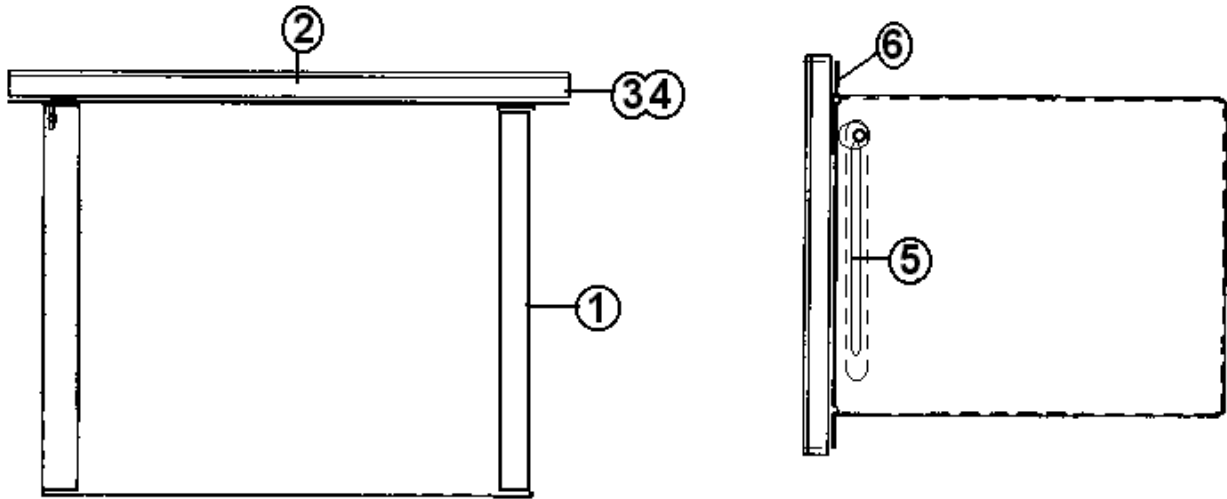
### Shower Curtain, Rear & Mid Bath

998154	SHOWER CURTAIN, 28" X 67"
703236	FABRIC PENNE OFF WHITE SHOWER
700021	HOOK, VELCRO, WHITE
700020	PILE VELCRO
700044	GLIDES CURTAIN W/ELASTIC T-2
381581	STRAP CLEAR PLASTIC .75"
700811	BUTTON CAP, HANDY
700812	BUTTON BOTTOM, HANDY #36 NOAK

# 2006 PARKWAY MOTORHOME

## FURNITURE, LAVATORY

### Medicine Cabinet, Rear & Mid Bath

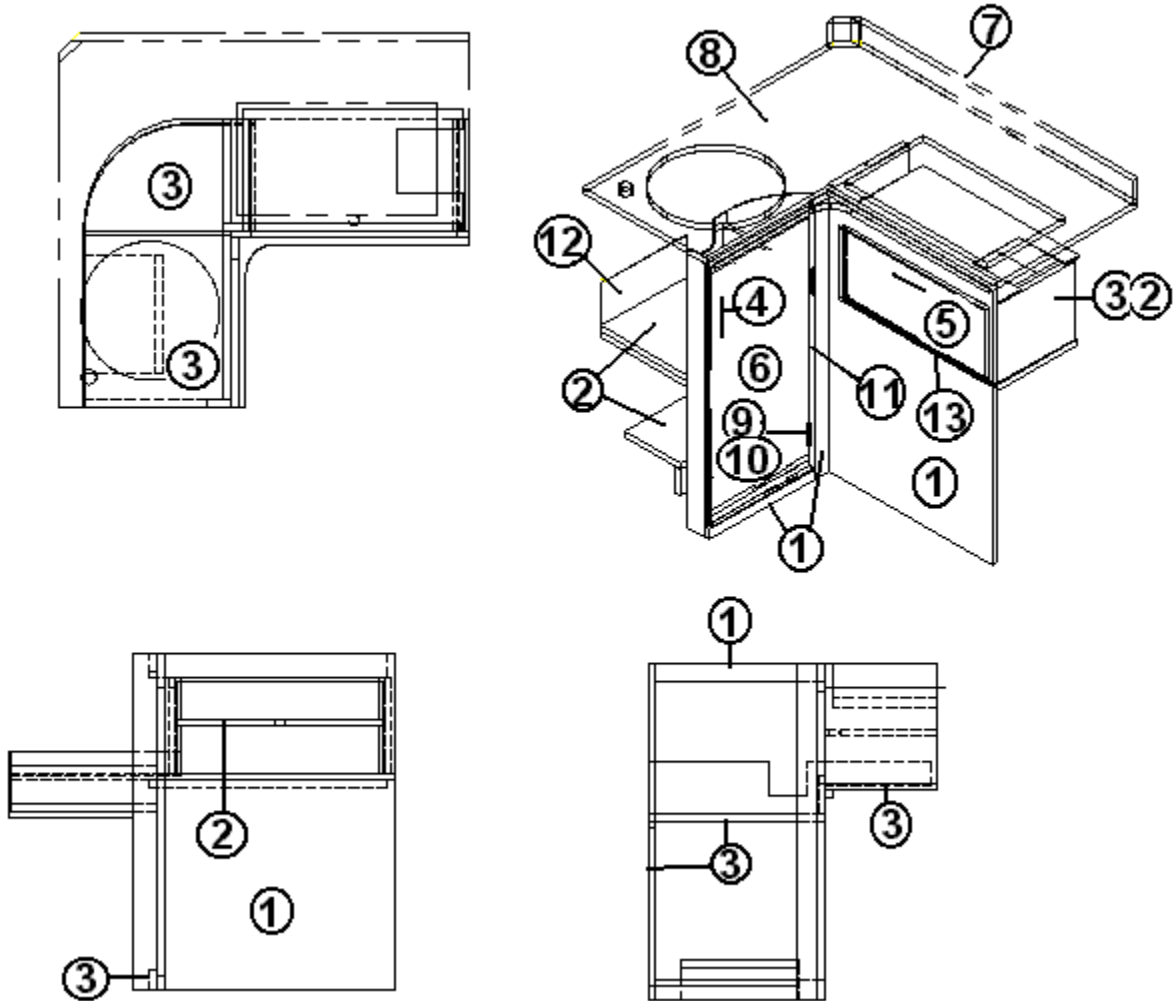


- |              |                                  |
|--------------|----------------------------------|
| 966052-01    | Medicine Cabinet                 |
| 1. 454198    | BOX ASSEMBLY, MEDICINE CABINET   |
| 2. 372203-31 | MIRROR-SAFETY GLASS 14" X 10"    |
| 3. 801392    | PANEL, WHITELINER/WHITELINER     |
| 4. 365238-04 | EDGE BANDING TAPE PVC 5/8" WHITE |
| 5. 380024    | ARMS SUPPORT RIGHT HAND          |
| 6. 385935-01 | HINGE PIVOT ZINC PLATED          |
| 7. 381228-01 | CATCH GRABBER DOOR C3-803        |

# 2006 PARKWAY MOTORHOME

## FURNITURE, GALLEY

### Galley, Rear Bath



Parts numbers are on the next page

# 2006 PARKWAY MOTORHOME

## FURNITURE, GALLEY

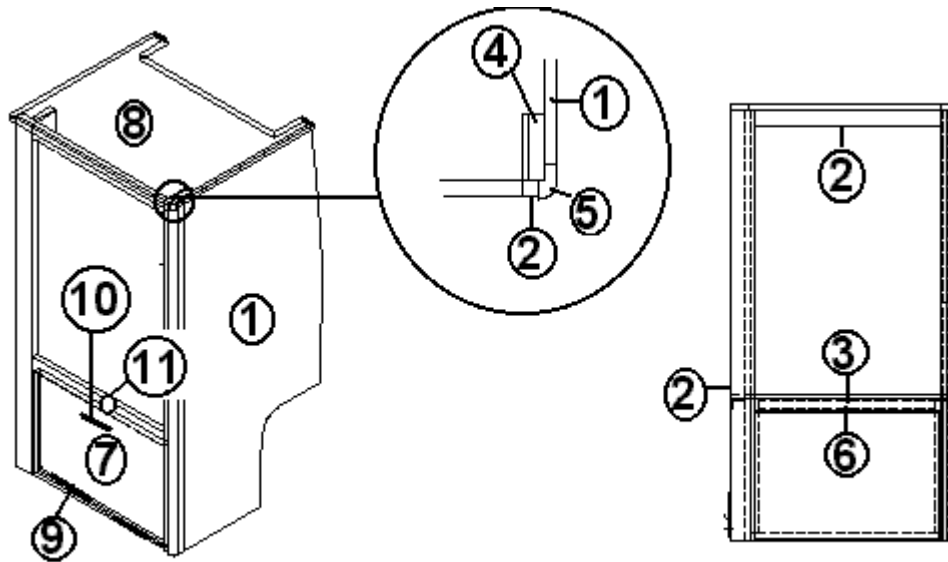
### Galley, Rear Bath

966165-01	Galley Assembly
1. 801383-01	PANEL, OAK/WHITE, 12MM
2. 801392	PANEL, WHITELINER/WHITELINER
3. 801438	PANEL, WHITELINER/RAW
4. 381865	PULL-BAR BRUSH NICKEL
5. 801625-077	DOOR-GALLEY 21.88" X 9.88"
6. 801625-067	DOOR-GALLEY 15.88"X 26.88"
7. 365268-01	EDGEBANDING- .94" OAK
8. 966463	TOP ASSEMBLY, GALLEY
9. 381607-01	HINGE-GRASS EURO
10. 381607-06	BASEPLATE-1.3/5.2/37 G3/RZ
11. 381607-07	BRACKET-BLIND CORNER 90D #2222
12. 801392	PANEL, WHITELINER/WHITELINER
13. 380458	HINGE PIANO BROWN ANODIZED
381228-01	CATCH GRABBER DOOR C3-803
380024	ARMS SUPPORT RIGHT HAND
801377	PANEL, GRAPHITE/REXAL 4 X 8, 18MM
365273	EDGEBANDING GALAXY GRAPHITE

# 2006 PARKWAY MOTORHOME

## FURNITURE, GALLEY

### Refrigerator Cabinet, Rear Bath

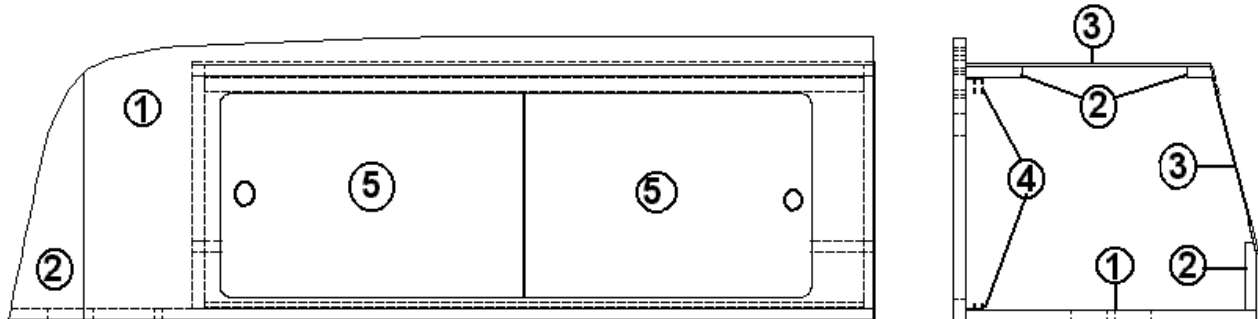


- |               |                                    |
|---------------|------------------------------------|
| 966003-01     | Refrigerator Cabinet Assembly      |
| 1. 801383-01  | PANEL, OAK/WHITE 12MM              |
| 2. 801383-01  | PANEL, OAK/WHITE 12MM              |
| 3. 801392     | PANEL, WHITELINER/WHITELINER       |
| 4. 801368     | PANEL, WHITELINER/WHITELINER       |
| 5. 801393-017 | CORNER TRIM, 90D RADIUS OAK        |
| 6. 101134     | ANGLE ALUM, 1/8 X 1 X 1 1/2"       |
| 7. 801625-017 | DOOR, REFRIGERATOR 21.63" X 15.13" |
| 8. 966024     | TOP ASSEMBLY-REFRIGERATOR          |
| 9. 381607-01  | HINGE-GRASS EURO                   |
| 10. 381228-01 | CATCH GRABBER DOOR C3-803          |
| 11. 381865    | PULL-BAR BRUSH NICKEL              |
| 365268-01     | EDGE BANDING, .94" OAK             |
| 801377        | PANEL, GRAPHITE/REXAL 4' X 8' 18MM |
| 966054        | STAND-REFER                        |

# 2006 PARKWAY MOTORHOME

## FURNITURE, GALLEY

### Roof Locker, Galley, Rear Bath

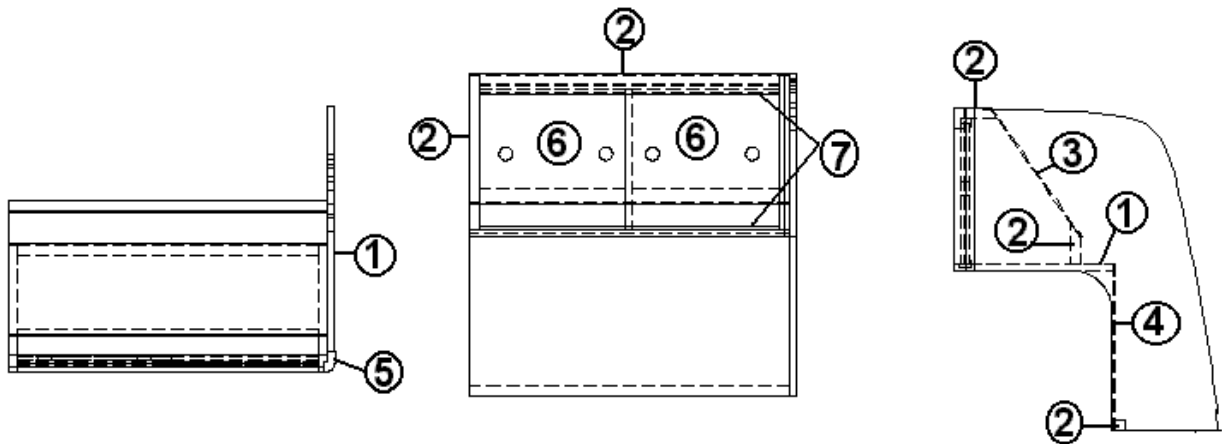


- |              |                                  |
|--------------|----------------------------------|
| 966005-01    | Galley roof Locker Assembly      |
| 1. 801383-01 | PANEL, OAK/WHITE 12MM            |
| 2. 801392    | PANEL, WHITELINER/WHITELINER     |
| 3. 801392    | PANEL, WHITELINER/WHITELINER     |
| 4. 203480    | TRACK-SLIDING DOOR               |
| 5. 966028    | DOOR, PLEXI-GLASS 9.75" X 13.68" |
| 203445       | T-MOLDING BLK FLEXIBLE POLY .5   |
| 365268-01    | EDGE BANDING-94" OAK             |
| 365238-04    | EDGE BANDING TAPE PVC 5/8" WHITE |

# 2006 PARKWAY MOTORHOME

## FURNITURE, GALLEY

### Cabinet Over Refrigerator, Rear Bath

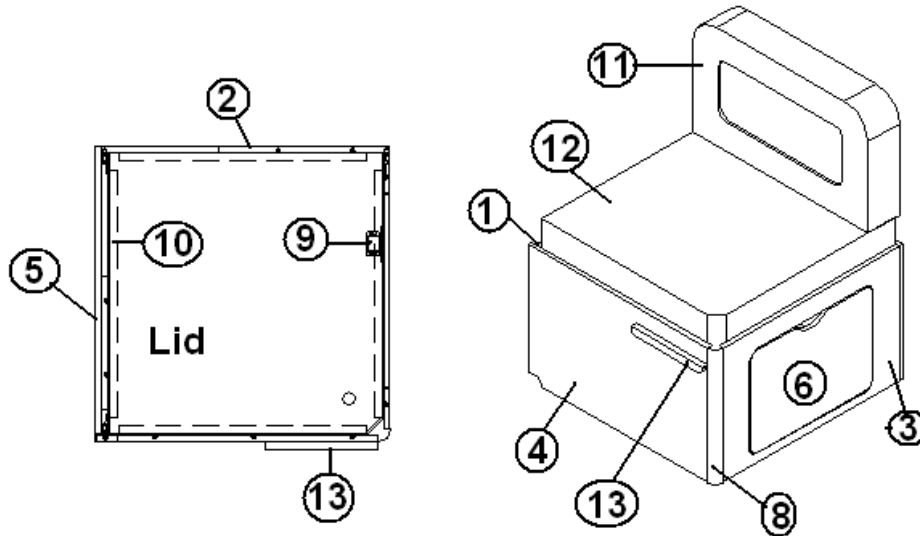


966010-01	Cabinet Assembly, Refrigerator
1. 801381-01	PANEL, OAK/OAK 12MM
2. 801376-01	PANEL, OAK/WHITE 18MM
3. 801374	PANEL, FROSTY WHITE/GATOR
4. 801627	PANEL, OAK/RAW .125"
5. 801393-017	CORNER TRIM, 90D RADIUS OAK
6. 966028-01	SLIDING DOORS, 11.50" X 10.69"
7. 203480	TRACK, SLIDING DOOR
365268-01	EDGE BANDING- .94" OAK
703386	VINYL, ASTRO, MAGNUM STEEL

# 2006 PARKWAY MOTORHOME

## FURNITURE, GALLEY

### Dinette Seat, Rear, Rear Bath



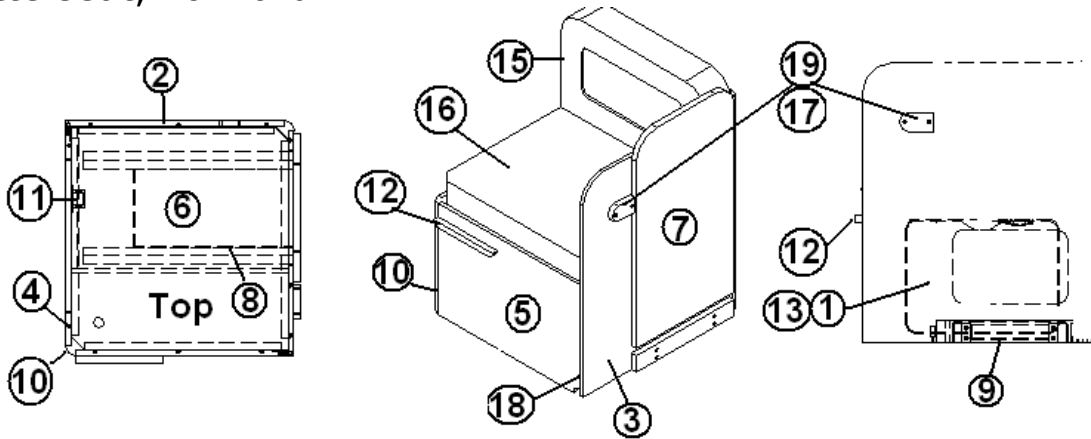
966167	SEAT ASSY-REAR DINETTE
1. 801518-007	LID-REAR DINETTE SEAT
2. 801519-007	PNL-AFT DINETTE BACK
3. 801520-007	PNL-ISLE AFT DINETTE
4. 801521-007	PNL-FRT AFT DINETTE
5. 801522-007	PNL-WALL AFT DINETTE
6. 801523-007	DOOR-DINETTE SEATS
7. 801480-01	PANEL, Cherry/Cherry, 12MM
8. 801415-007	CORNER TRIM 1" RADIUS
9. 381228-01	CATCH GRABBER DOOR
10. 380458	HINGE PIANO BROWN ANODIZED
11. 703537-296	Dinette Seat Back Cushion, Earl Grey
11. 703537-485	Dinette Seat Back Cushion, Carmel Mocha
12. 703538-296	Dinette Seat Cushion, Earl Grey
12. 703538-485	Dinette Seat Cushion, Carmel Mocha
13. 800470-007	STOP-HARDWOOD
703388	WASHER-VELCRO HOOK .75"
365268-01	EDGE BANDING- .94" OAK
203445	T-MOLDING BLK FLEXIBLE POLY .5
200773	CLOSEOUT, READING LIGHT ABS
114506-01	WIRE CLOSEOUT DINETTE



# 2006 PARKWAY MOTORHOME

## FURNITURE, GALLEY

### Dinette seat, Forward

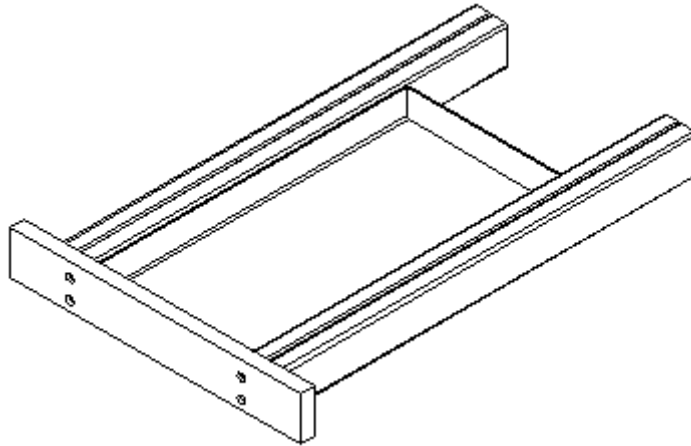


966168-01	SEAT ASSY-FWD DINETTE
1. 801523-007	DOOR-DINETTE SEATS
2. 801524-007	PNL-AFT FWD DINETTE SEAT
3. 801525-007	PNL-WALL FWD DINETTE
4. 801526-007	PNL-ISLE FWD DINETTE
5. 801527-007	PNL-FRT FWD DINETTE SEAT
6. 801528-007	LID-FWD DINETTE SEAT
7. 801532	TABLE-DINETTE
8. 966179	CLOSEOUT ASSY-FWD DINETTE
9. 966180	SUPPORT ASSY- DINETTE TABLE
10. 801415-007	CORNER TRIM 1" RADIUS
11. 381228-01	CATCH GRABBER DOOR
12. 800470-007	STOP-HARDWOOD
13. 380458	HINGE PIANO BROWN ANODIZED
14. 703537-296	Dinette Seat Back Cushion, Earl Grey
15. 703537-485	Dinette Seat Back Cushion, Carmel Mocha
16. 703538-296	Dinette Seat Cushion, Earl Grey
16. 703538-485	Dinette Seat Cushion, Carmel Mocha
17. 801383-01	PNL-PRELAM. OAK /WHITE 12MM
18. 365268-01	EDGE BANDING, .94" OAK
19. 381805	BOLT-SLIDE 3" ALUMINUM
703388	WASHER-VELCRO HOOK .75"

# 2006 PARKWAY MOTORHOME

## FURNITURE, GALLEY

Dinette Table Support, Rear Bath



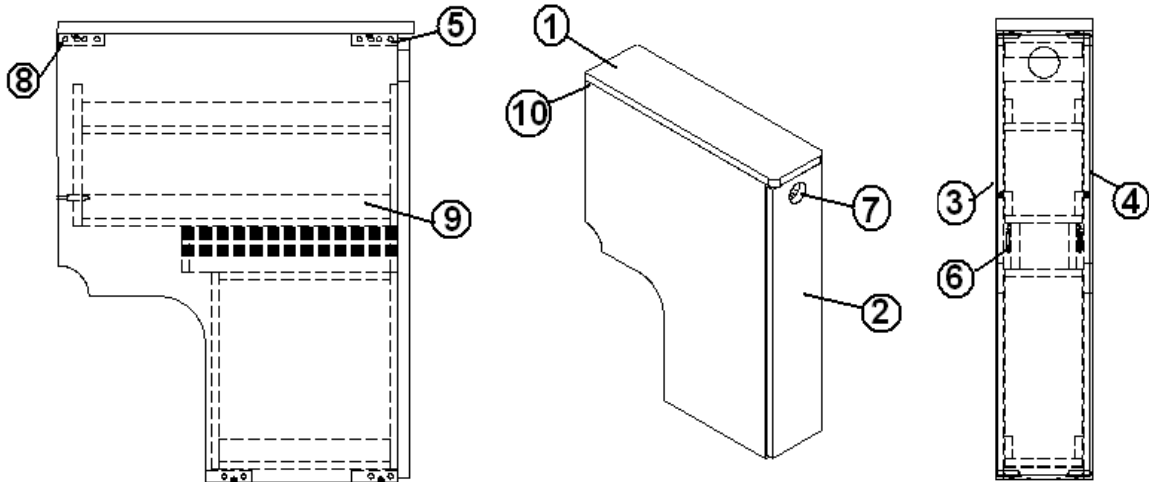
966180

Dinette Table Support

# 2006 PARKWAY MOTORHOME

## FURNITURE, GALLEY

### Pantry, Dinette Unit, Rear Bath

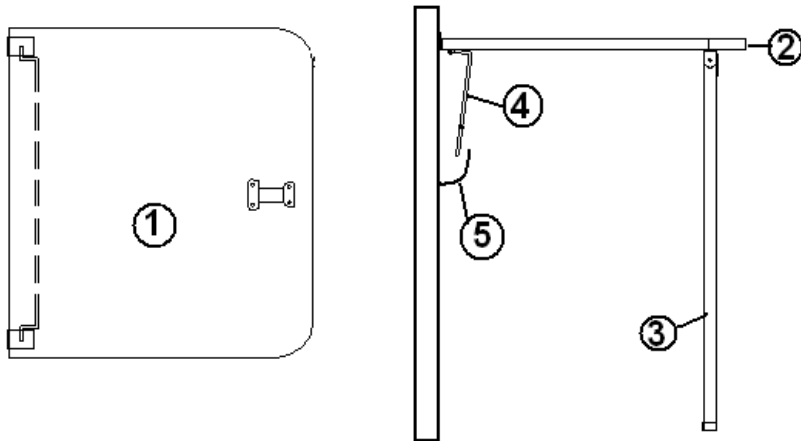


- |               |                                |
|---------------|--------------------------------|
| 966166-01     | PANTRY ASSY, W/DINETTE         |
| 1. 801515     | TOP ASSY-PANTRY                |
| 2. 801516-007 | DOOR ASSY-PANTRY               |
| 3. 801517-01  | PNL-FWD PANTRY                 |
| 4. 801517-02  | PNL-AFT PANTRY                 |
| 5. 801368     | PNL-PRELAM WHITE/WHITE         |
| 6. 381400     | SLIDE DRAWER                   |
| 7. 381861     | LATCH PUSH CLOSE/PULL OPEN     |
| 8. 114812     | ALUM. ANGLE 1.00 X 1.00        |
| 9. 966174     | DRAWER SUB ASSY-PANTRY         |
| 10. 801392    | PNL-PRELAM WHITE/WHITE 12MM    |
| 365238-04     | EDGEBANDING TAPE PVC 5/8" C.WH |
| 801377        | PNL-PRELAM GRAPHITE/WHITE LINE |
| 365273        | EDGEBANDING GALAXY GRAPHITE    |
| 801376-01     | PNL-PRELAM. OAK /WHITE 18MM    |
| 365268-01     | EDGEBANDING- .94" OAK          |
| 801383-01     | PNL-PRELAM. OAK /WHT 12MM      |
| 381877        | ROD-PANTRY CAB.TOPPER          |

# 2006 PARKWAY MOTORHOME

## FURNITURE, GALLEY

### Dinette Table, Rear Bath

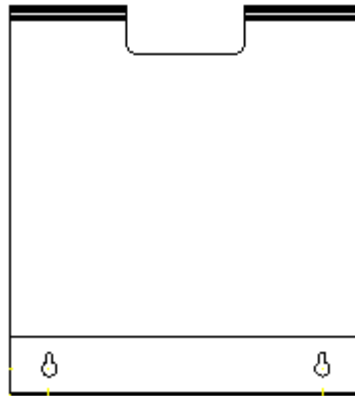


- |              |                                |
|--------------|--------------------------------|
| 966178       | TABLE ASSY-DINETTE             |
| 1. 801377    | PNL-PRELAM GRAPHITE/WHITE LINE |
| 2. 365273    | EDGEBANDING GALAXY GRAPHITE    |
| 3. 381876    | TABLE LEG-ADJUSTABLE 21"TO30"  |
| 4. 380284-02 | TABLE HINGE BRACKET            |
| 5. 380284-03 | TABLE HINGE BRACKETS           |
| 6. 340018    | CATCH PLATE J-1                |

# 2006 PARKWAY MOTORHOME

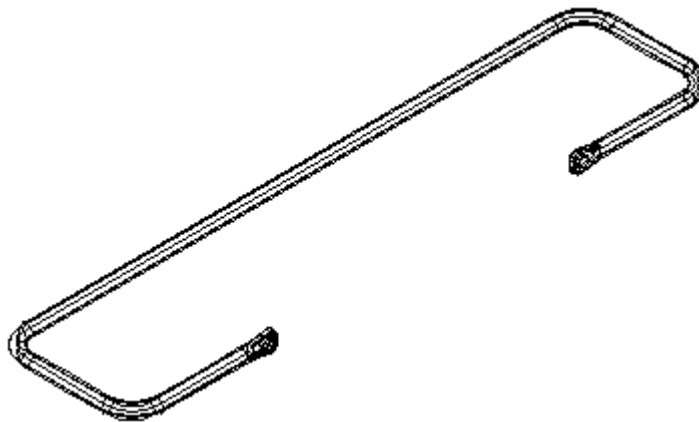
## FURNITURE, GALLEY

Magazine Rack, Rear Bath



386106-02 Magazine Rack

Magazine Rack Rod, Rear Bath

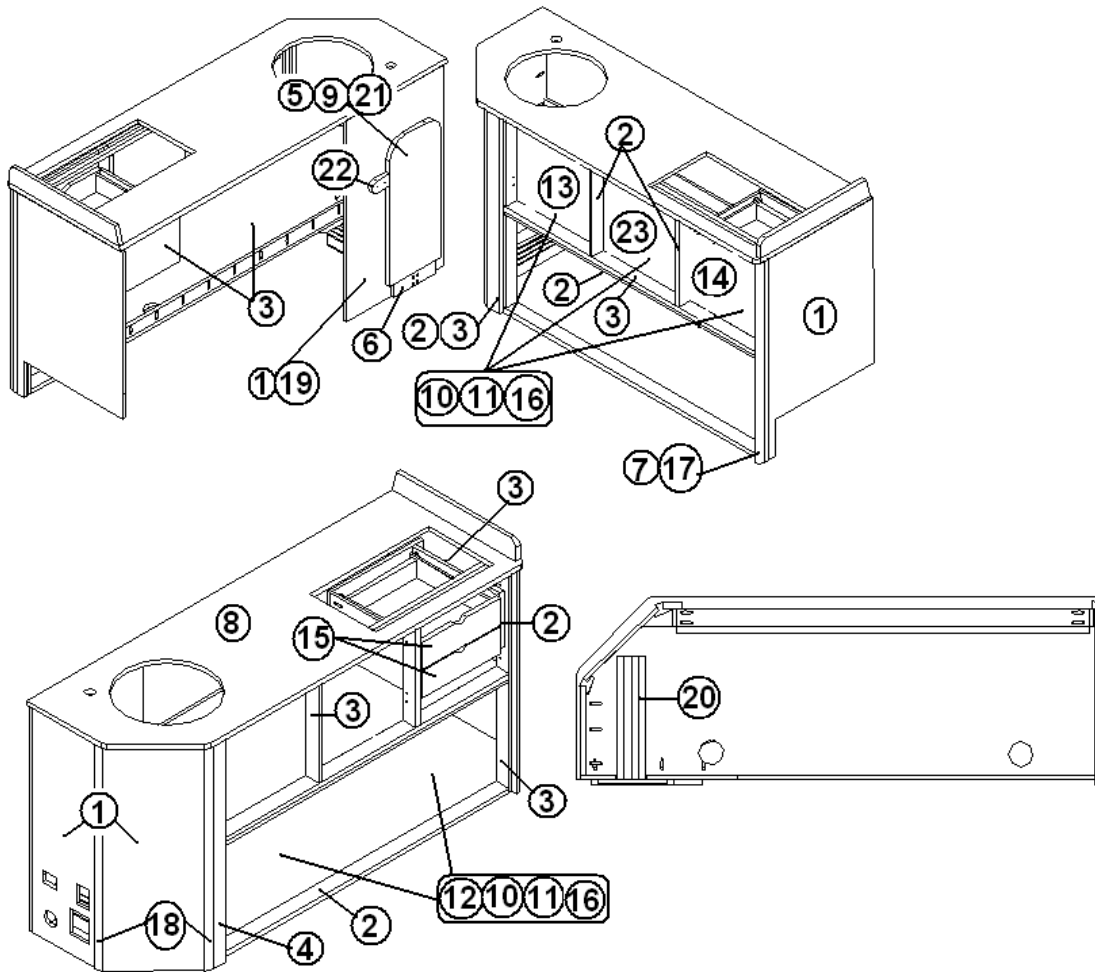


386107 Magazine Rack Rod

# 2006 PARKWAY MOTORHOME

## FURNITURE, GALLEY

### Galley, Mid Bath, Parkway



# 2006 PARKWAY MOTORHOME

## FURNITURE, GALLEY

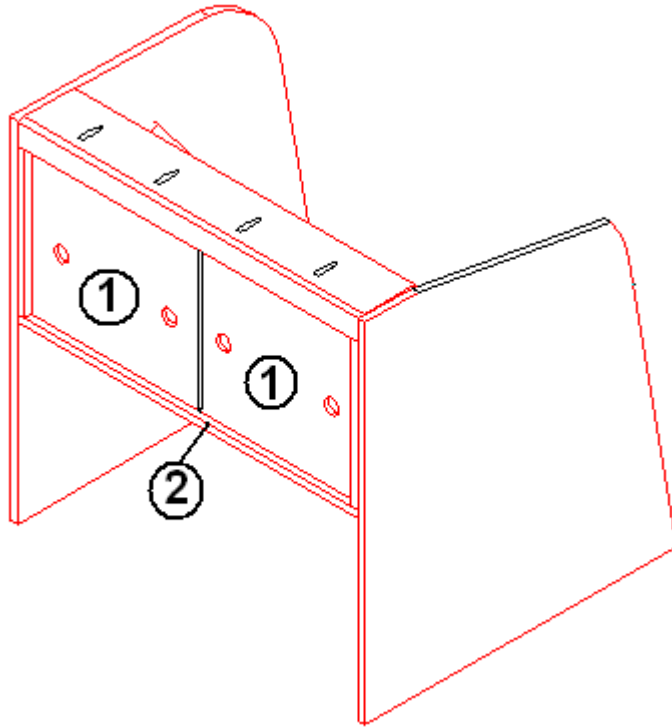
### Galley, Mid Bath

966244-01	GALLEY, MID BATH
1. 801383-01	PANEL, OAK/WHITE, 12MM
2. 801368	PANEL, WHITELINER/WHITELINER
3. 801392	PANEL, WHITELINER/WHITELINER
4. 801376-01	PANEL, OAK/WHT 18MM
5. 801377	PANEL, GAPHITE/WHITELINER
6. 801381-01	PANEL, OAK/OAK, 12MM
7. 800025	PINE, 3/4" X 3/4", STAINED
8. 966238	TOP ASSY-GALLEY
9. 380458	HINGE PIANO BROWN ANODIZED
10. 381228-01	CATCH GRABBER DOOR C3-810
11. 381607-01	HINGE-GRASS EURO W/80307 PLASTIC
12. 801625-087	DOOR, GALLEY, 16.63" X 24.44"
13. 801625-097	DOOR, RH, 16.5" X 16.38"
14. 801625-117	DOOR, LH, 15.75" X 16.38"
15. 966269	DRAWER SUB ASSY-HIDDEN
16. 381774	HANDLE-DRAWER/DOOR
17. 801393-017	CORNER TRIM 90DEG. 1" RADIUS
18. 801561-007	MOLDING-CORNER ANGLED
19. 203383	RACK, MAGAZINE
20. 801306	SLIDES, LH, RH, LIFT UP TABLE
21. 380772-01	SLIDE BOLT
22. 966357-007	BLOCK, FOLD OUT TABLE
23. 801625-007	DOOR, LH, 16.50" X 16.38"

# 2006 PARKWAY MOTORHOME

## FURNITURE, GALLEY

### Refrigerator Cabinet, Top Storage, Mid Bath



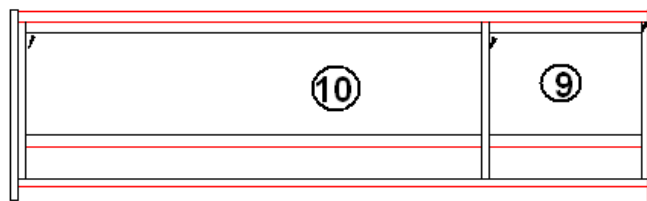
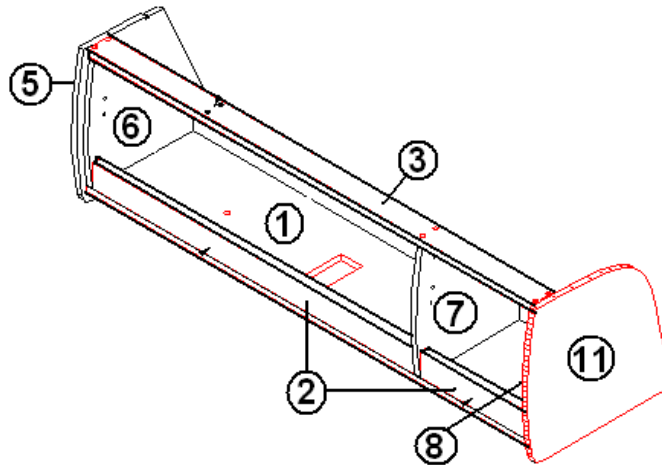
966200	Refrigerator cabinet, top storage
1. 966028-01	Door, plexiglass, 11.5" x 10.5"
2. 203480	Track, sliding door



# 2006 PARKWAY MOTORHOME

## FURNITURE, GALLEY

### Roof Locker, Galley, Mid Bath

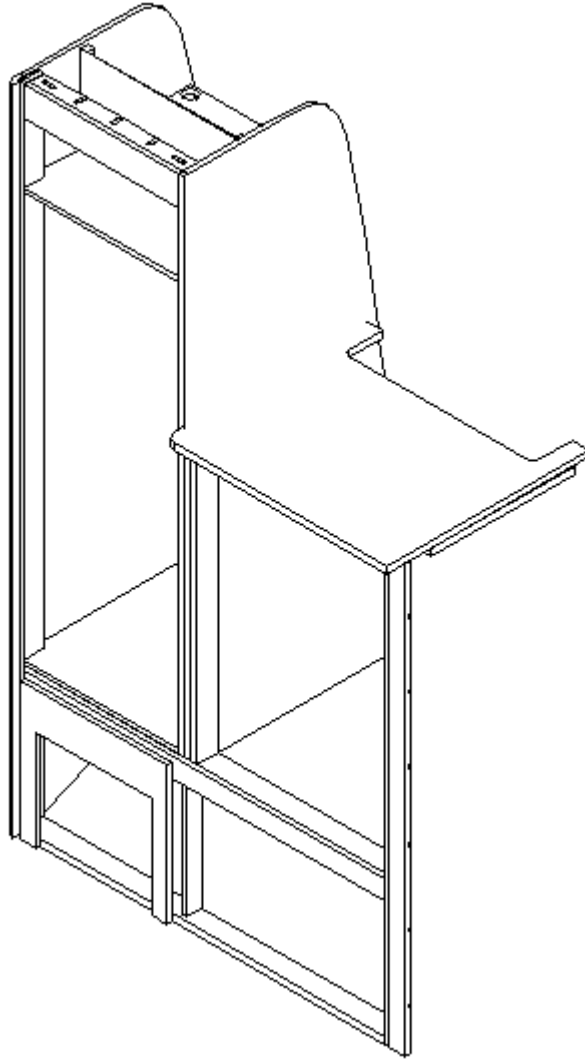


- |                |                                |
|----------------|--------------------------------|
| 966279-01      | Galley Roof Locker             |
| 1. 801383-01   | PANEL, OAK/WHITE, 12MM         |
| 2. 801376-01   | PANEL, OAK/WHT 18MM            |
| 3. 801368      | PANEL, WHITELINER/WHITELINER   |
| 4. 801438      | PANEL, WHITE/RAW               |
| 5. 801381-01   | PANEL, OAK/ OAK, 12MM          |
| 6. 966009-2A7  | DIVIDER CS LOCKER ASSY         |
| 7. 966009-2C7  | DIVIDER CS LOCKER ASSY         |
| 8. 966009-2D7  | DIVIDER CS LOCKER ASSY         |
| 9. 801493-037  | DOOR RAD 12.38X11 OAK GALLE    |
| 10. 801493-017 | DOOR RAD.12.38X31.50 RS LOCKER |
| 11. 966007-3A7 | END CAP RS LOCKER ASSY         |
| 381840-01      | HINGE-OVERHEAD SPRING LH       |
| 381840-02      | HINGE-OVERHEAD SPRING RH       |
| 345276-04      | SCREW HEX HD. CAP 1/4-20 X 1"  |
| 345275-04      | 1/4"-20 X 1 FLAT PHIL M/S ZN   |
| 350147-25      | NUT, NYLON LOCK,1/4-20         |

# 2006 PARKWAY MOTORHOME

## FURNITURE, GALLEY

Refrigerator Cabinet/Wardrobe, Mid Bath



# 2006 PARKWAY MOTORHOME

## FURNITURE, GALLEY

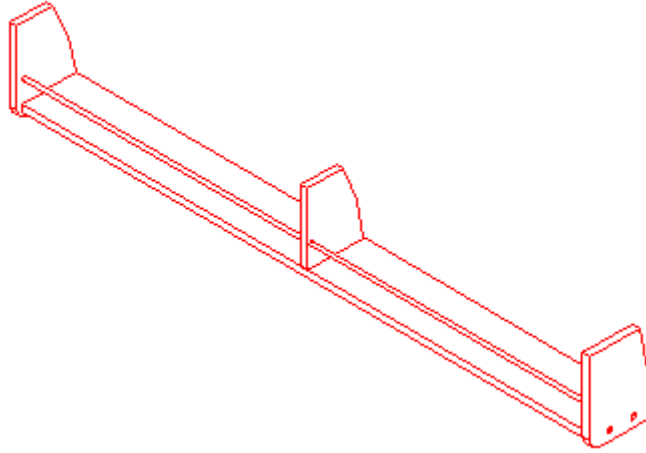
### Refrigerator Cabinet/Wardrobe, Mid Bath

966209-01	CAB.ASSY-WARDROBE/REFER
381845	ROD-TELESCOPING CLOTHES 15.5"
801393-017	CORNER TRIM 90DEG 1" RADIUS
381607-01	HINGE-GRASS EURO W/80307 PLASTIC
381228-01	CATCH GRABBER DOOR
381774	HANDLE-DRAWER/DOOR
801625-117	DOOR-W/REFER 17.25" X 53.13"
365268-01	EDGE BANDING- .94" OAK
801625-127	DOOR, W/REFER 15.25" X 24.81"
801477-01	PANEL, OAK/WHITE 18MM
966241	STAND ASSY-REFER

# 2006 PARKWAY MOTORHOME

## FURNITURE, GALLEY

Spice Rack, Mid Bath



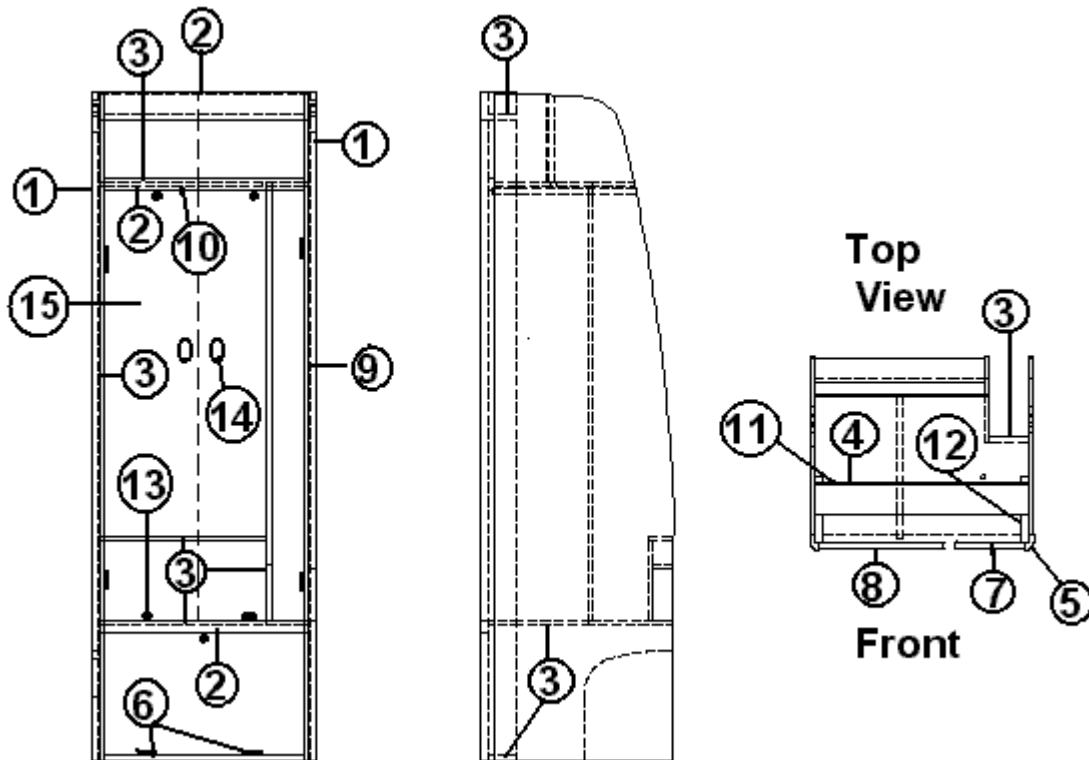
966338-01  
115042

SPICE RACK  
ROD-.25" ALUMINUM, 6' LENGTH

# 2006 PARKWAY MOTORHOME

## FURNITURE, LOUNGE

### Wardrobe, Rear Bath

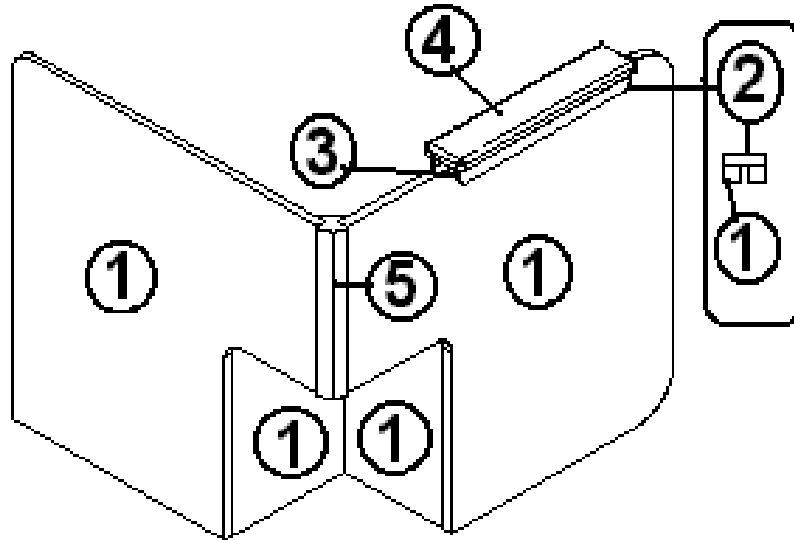


- |               |                                      |
|---------------|--------------------------------------|
| 966004-01     | Wardrobe Assembly                    |
| 1. 801376-01  | PANEL, LAMINATED, OAK/WHT LINER 18MM |
| 2. 801376-01  | PANEL, LAMINATED, OAK/WHT LINER 18MM |
| 3. 801438     | PANEL, LAMINATED, WHITE/RAW          |
| 4. 801392     | PANEL-WHITELINER/WHITELINER 12MM     |
| 5. 801393-017 | CORNER TRIM, 90D RADIUS, OAK         |
| 6. 381607-01  | HINGE-GRASS EURO                     |
| 7. 801625-037 | DOOR, 22.13" X 14.13"                |
| 8. 801625-027 | DOOR, 11" X 54.25"                   |
| 9. 365268-01  | EDGE BANDING.024" X 1.13", OAK       |
| 10. 381845    | TELESCOPING CLOTHES HANGER 15.5"     |
| 11. 365268-01 | EDGE BANDING.024" X 1.13", OAK       |
| 12. 801376-01 | PANEL, LAMINATED, OAK/WHT LINER 18MM |
| 13. 381228-01 | CATCH GRABBER DOOR C3-803            |
| 14. 381865    | PULL-BAR BRUSH NICKEL                |
| 14. 380772-01 | SLIDE BOLT, SCREEN DOOR #40-B2       |
| 15. 372203-34 | Mirror, Safety, 7.50" x 34.00"       |

# 2006 PARKWAY MOTORHOME

## FURNITURE, LOUNGE

### Armrest Assembly, Rear Bath

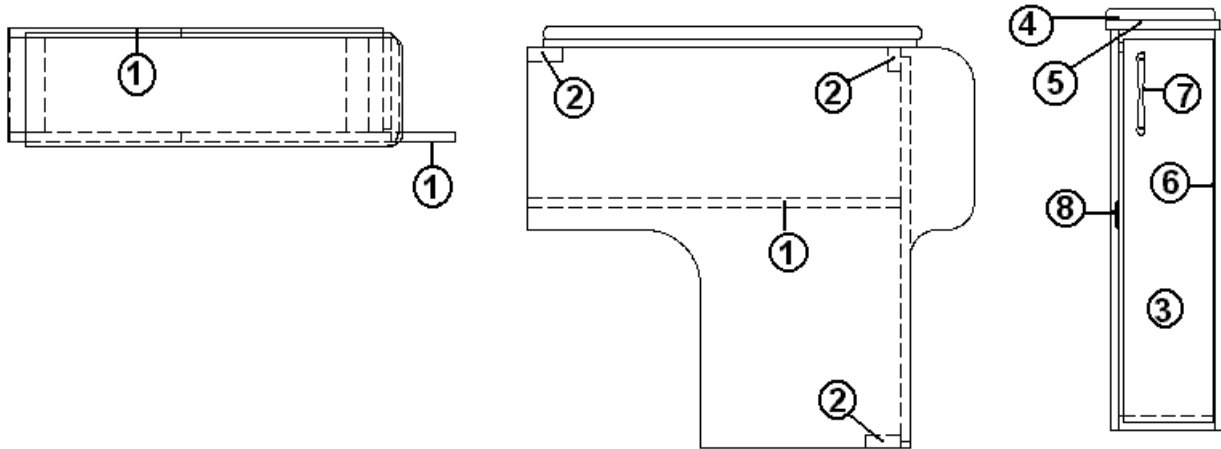


- |               |                              |
|---------------|------------------------------|
| 966008-01     | Armrest Assembly             |
| 1. 801383-01  | PANEL, OAK/OAK 12MM          |
| 2. 801376-01  | PANEL, OAK/WHITE 18MM        |
| 3. 365268-01  | EDGEBANDING-94" OAK          |
| 4. 998151     | CUSHION ASSEMBLY, CS ARMREST |
| 5. 801415-007 | CORNER TRIM-1" RADIUS OAK    |
| 966108        | SUPPORT ASSY-ARMREST         |

# 2006 PARKWAY MOTORHOME

## FURNITURE, LOUNGE

### Armrest, Forward Curbside Wardrobe, Rear Bath

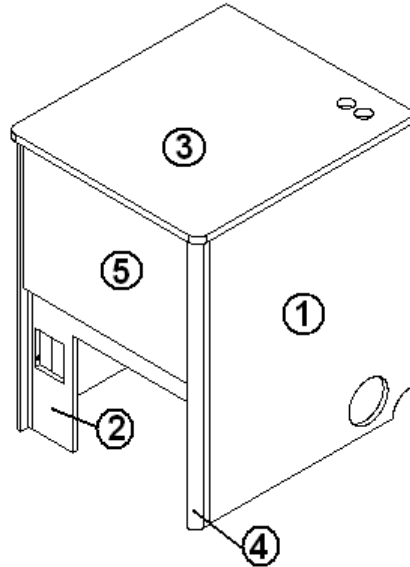


- |               |                              |
|---------------|------------------------------|
| 966083-01     | Armrest, Forward Wardrobe    |
| 1. 801381-01  | PANEL, OAK/ OAK 12MM         |
| 2. 801376-01  | PANEL, OAK /WHITE 18MM       |
| 3. 801625-057 | DOOR-ARMREST, 5.44" X 21.63" |
| 4. 966084     | DOOR TOP ASSEMBLY, PADDED    |
| 5. 381607-01  | HINGE-GRASS EURO             |
| 6. 380458     | HINGE, PIANO, BROWN          |
| 7. 381865     | PULL-BAR BRUSH NICKEL        |
| 8. 381228-01  | GRABBER CATCH, DOOR          |
| 703386        | VINYL-ASTRO SS MAGUM STEEL   |
| 365268-01     | EDGE BANDING- .94" OAK       |
| 381688        | BUMP ON                      |

# 2006 PARKWAY MOTORHOME

## FURNITURE, LOUNGE

### Entertainment Center, Rear Bath



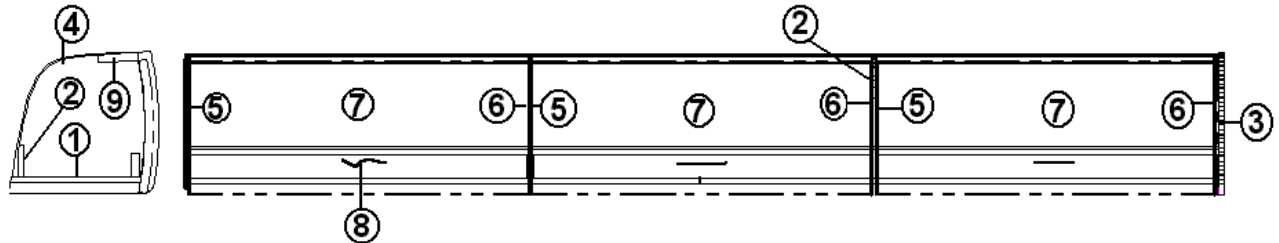
966462	Entertainment Center
1. 801381-01	PANEL, OAK/ OAK 12MM
2. 801383-01	PANEL, OAK /WHITE 18MM
3. 966027	TOP ASSEMBLY, ENTERTAINMENT CENTER
4. 801393-017	CORNER TRIM, 90D RADIUS OAK
5. 801625-147	DOOR, 14.00" X 18.62"
381865	PULL-BAR BRUSH NICKEL
381228-01	DOOR RABBER CATCH



# 2006 PARKWAY MOTORHOME

## FURNITURE, LOUNGE

### Roof Locker, Roadside, Rear Bath

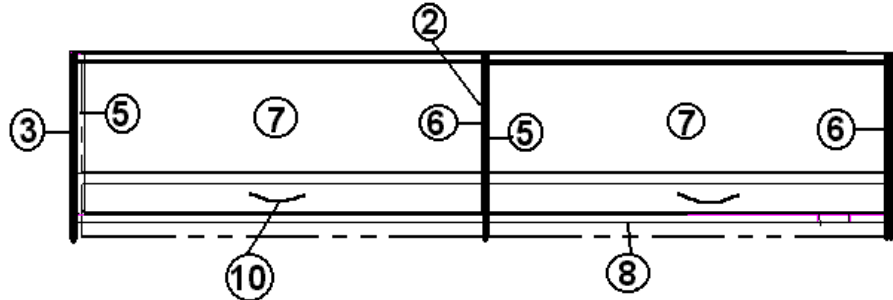
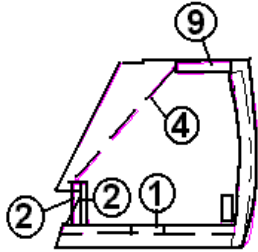


- |               |                                |
|---------------|--------------------------------|
| 966007-01     | ROOFLOCKER ASSEMBLY, R.S.      |
| 1. 801383-01  | PANEL, OAK/WHITE 12MM          |
| 2. 801392     | PANEL, WHITELINER/WHITELINER   |
| 3. 801381-01  | PANEL, OAK / OAK 12MM          |
| 4. 801438     | PANEL-FROSTY WHITE/RAW         |
| 5. 381840-01  | HINGE, OVERHEAD SPRING LH #372 |
| 6. 381840-02  | HINGE, OVERHEAD SPRING RH #372 |
| 7. 801493-017 | DOOR-RADIUS 12.38" X 31.5"     |
| 8. 801376-01  | PANEL, OAK /WHITE 18MM         |
| 9. 801368     | PANEL, WHITELINER/WHITELINER   |
| 365268-01     | EDGE BANDING- .94" OAK         |
| 381865        | PULL-BAR BRUSH NICKEL          |

# 2006 PARKWAY MOTORHOME

## FURNITURE, LOUNGE

### Roof Locker, Curbside, Rear Bath

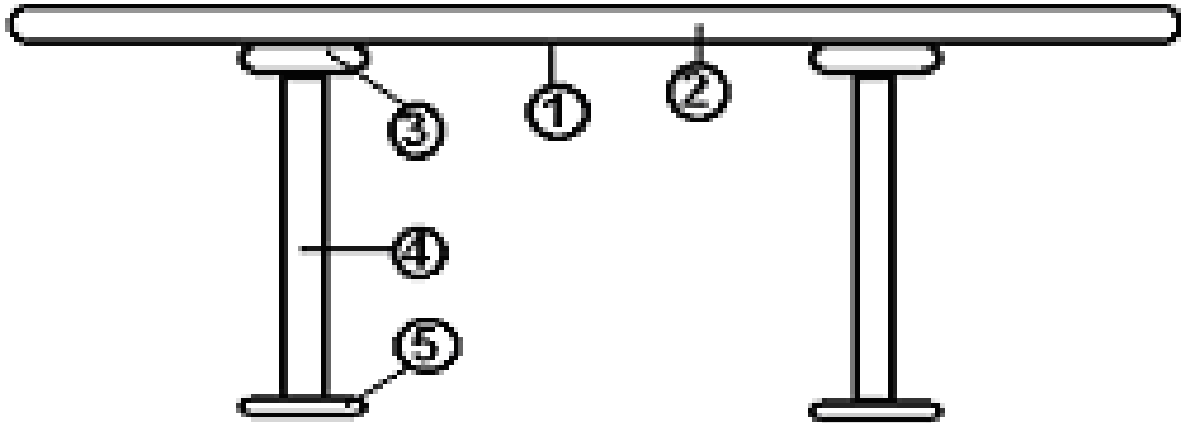


- |               |                                |
|---------------|--------------------------------|
| 966009-01     | ROOFLOCKER ASSEMBLY, C.S.      |
| 1. 801383-01  | PANEL, OAK /WHITE 12MM         |
| 2. 801392     | PANEL, WHITELINER/WHITELINER   |
| 3. 801381-01  | PANEL, OAK/ OAK 12MM           |
| 4. 801438     | PANEL, FROSTY WHITE./GATOR     |
| 5. 381840-01  | HINGE, OVERHEAD SPRING LH #372 |
| 6. 381840-02  | HINGE, OVERHEAD SPRING RH #372 |
| 7. 801493-027 | DOOR-RADIUS 12.38" X 28.13"    |
| 8. 801376-01  | PANEL, OAK /WHITE 18MM         |
| 9. 801368     | PANEL, WHITELINER/WHITELINER   |
| 10. 381865    | PULL-BAR BRUSH NICKEL          |
| 365268-01     | EDGE BANDING- .94" OAK         |

# 2006 PARKWAY MOTORHOME

## FURNITURE, LOUNGE

### Pedestal Table, Rear & Mid Bath

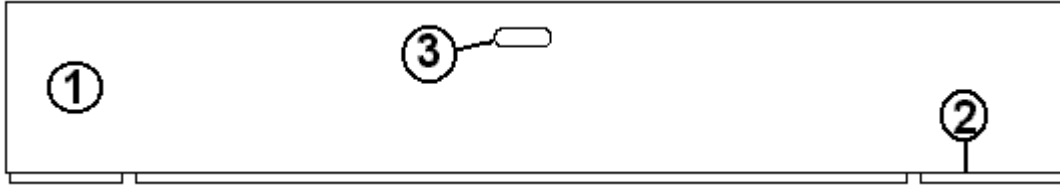


- |           |                                |
|-----------|--------------------------------|
| 966094    | Pedestal Table                 |
| 1. 966099 | PEDESTAL TABLE TOP             |
| 2. 365273 | EDGEBANDING GALAXY GRAPHITE    |
| 3. 380338 | SOCKET, PEDESTAL, TABLE        |
| 4. 380337 | POST, PEDESTAL                 |
| 5. 380339 | SOCKET, PEDESTAL, FLOOR        |
| 381688    | BUMP ON                        |
| 700020    | PILE VELCRO                    |
| 700021    | HOOK, VELCRO, WHITE            |
| 381081-04 | SNAP CAP WHITE (SCREW SIZE #6, |

# 2006 PARKWAY MOTORHOME

## FURNITURE, LOUNGE

Kick Panel Curbside Lounge, Rear Bath

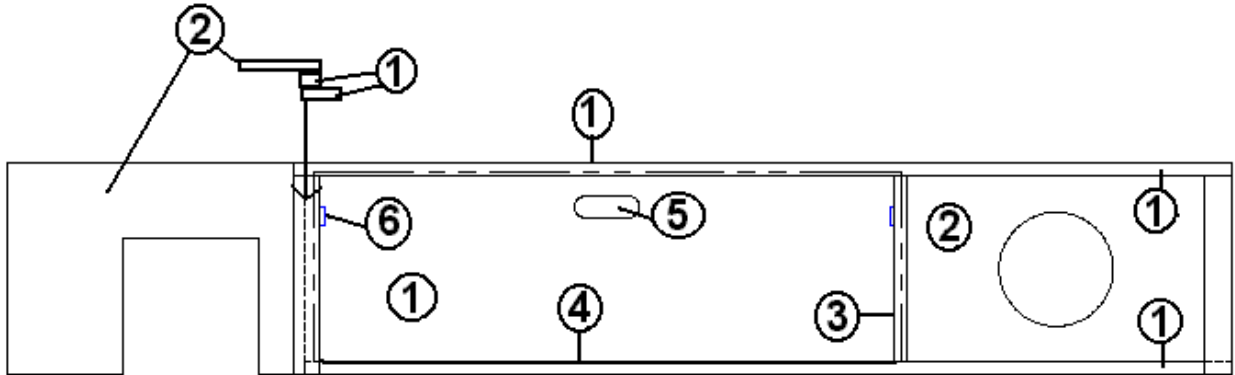


- |              |                                |
|--------------|--------------------------------|
| 966046-01    | KICK PANEL ASSEMBLY, CS LOUNGE |
| 1. 801376-01 | PANEL, OAK/WHITE 18MM          |
| 2. 380458    | HINGE PIANO BROWN ANODIZED     |
| 3. 381865    | PULL-BAR BRUSH NICKEL          |
| 801625-087   | DOOR-CS SOFA 12.44" X 73.75"   |
| 381228-01    | CATCH GRABBER DOOR C3-803      |

# 2006 PARKWAY MOTORHOME

## FURNITURE, LOUNGE

Kick Panel, Roadside, Lounge, Rear Bath

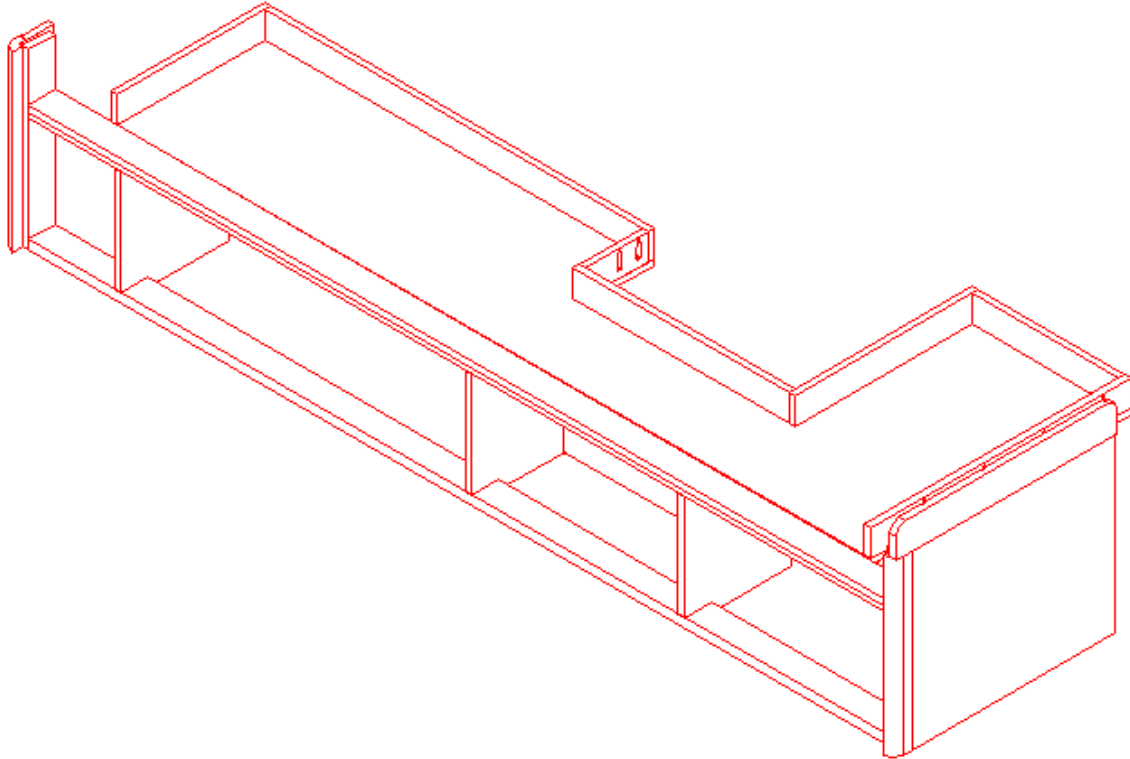


- |              |                                     |
|--------------|-------------------------------------|
| 966048-01    | KICK PANEL ASSEMBLY, RS LOUNGE      |
| 1. 801376-01 | PANEL, OAK/WHITE 18MM               |
| 2. 801383-01 | PANEL, OAK/WHITE 12MM               |
| 3. 801368    | PANEL, WHITELINER/WHITELINER        |
| 4. 380458    | HINGE PIANO BROWN ANODIZED          |
| 5. 381775    | DRAWER PULL-FLUSH SATIN #UT-10      |
| 6. 381228    | CATCH GRABBER DOOR C3-810           |
| 381865       | PULL-BAR BRUSH NICKEL               |
| 801625-047   | DOOR-RS SOFA 11.88" X 54.25"        |
| 365268-01    | EDGE BANDING- .94" OAK              |
| 203439       | STORAGE BOX, 17"L X 11.13"W X 6.38" |

# 2006 PARKWAY MOTORHOME

## FURNITURE, LOUNGE

Lounge, Curbside, Mid Bath

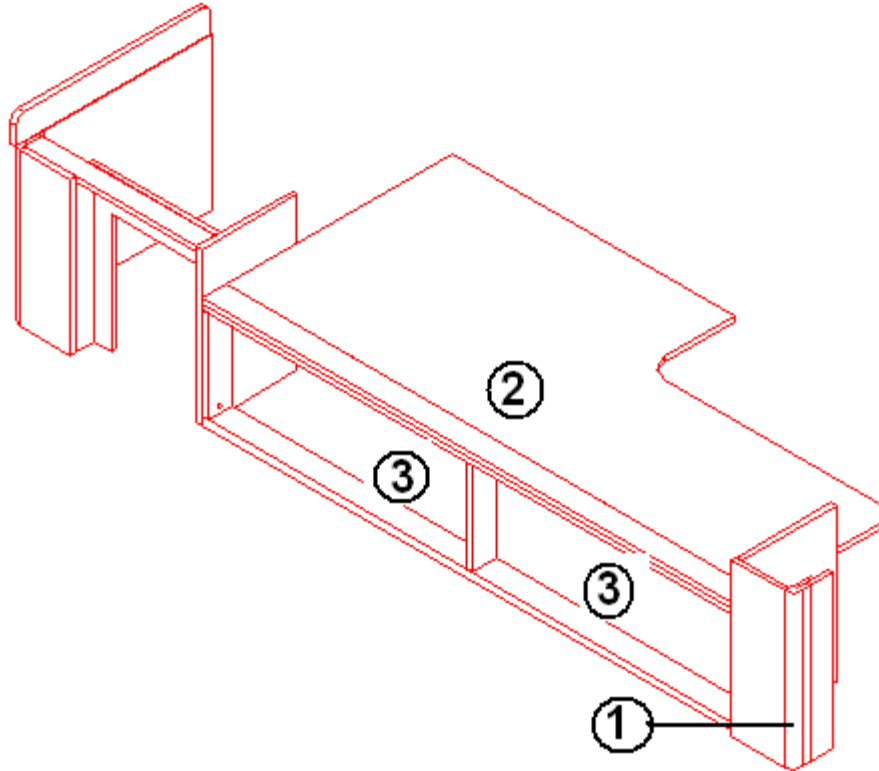


966291-01	LOUNGE ASSY-CS
801393-017	CORNER TRIM 90DEG. 1" RADIUS
801565-037	DOOR/DRW 72.12" X 4.00"
801565-047	DOOR/DWR 37.12" X 9.06"
801565-057	DOOR/DRW 17.62" X 9.06"
380458	HINGE PIANO BROWN ANODIZED
998179	CUSHION-LOUNGE ARMREST
381228-01	CATCH GRABBER DOOR

# 2006 PARKWAY MOTORHOME

## FURNITURE, LOUNGE

Lounge, Roadside, Mid Bath

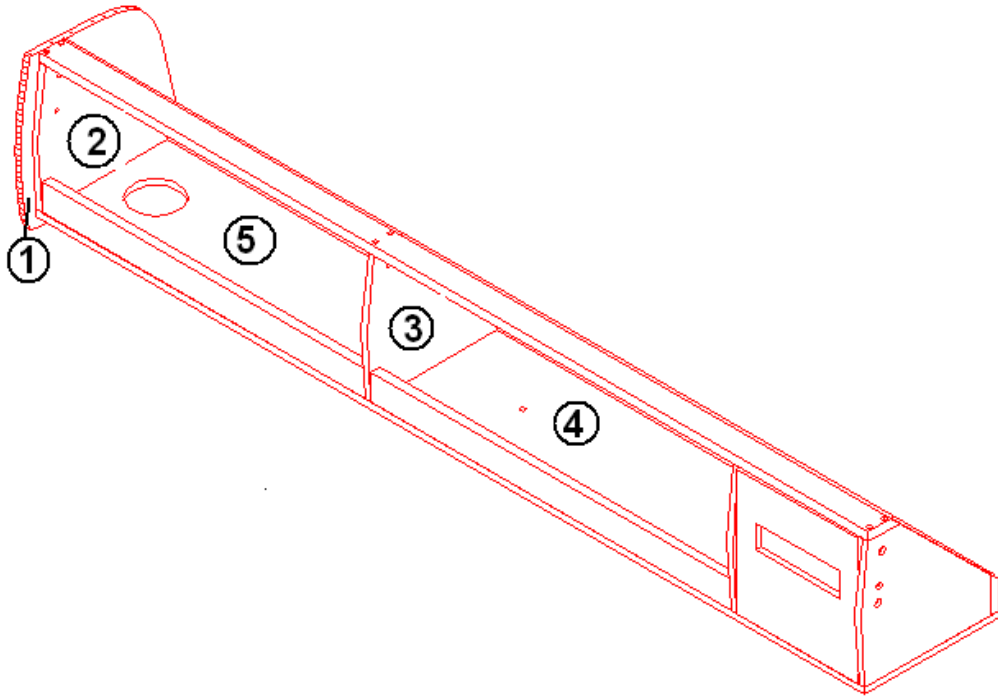


966292-01	LOUNGE ASSY-RS
1. 801393-017	CORNER TRIM 90DEG. 1" RADIUS
2. 801565-067	DOOR/DWR 51.37" X 4.00"
3. 801565-077	DOOR/DWR 25.13" X 9.13"
380458	HINGE PIANO BROWN ANODIZED
998179	CUSHION, LOUNGE ARMREST
381228-01	CATCH GRABBER, DOOR
700349	SEATBELT, MINI BUCKLE BLACK WEB

# 2006 PARKWAY MOTORHOME

## FURNITURE, LOUNGE

Roof Locker, Roadside Mid Bath



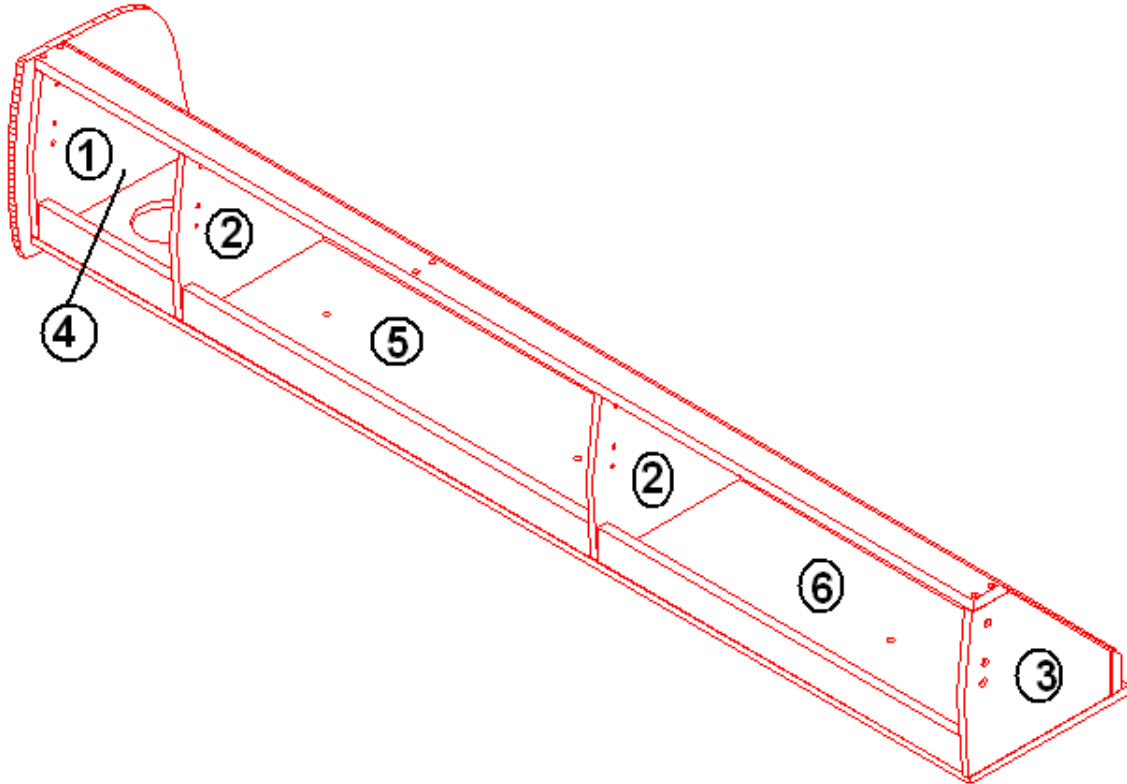
- |               |                              |
|---------------|------------------------------|
| 966268-01     | ROOFLOCKER                   |
| 1. 966007-3A7 | END CAP RS LOCKER            |
| 2. 966007-2A7 | DIVIDER RS LOCKER            |
| 3. 966007-2C7 | DIVIDER RS LOCKER            |
| 4. 801493-017 | DOOR RADIUS, 12.38" X 31.50" |
| 5. 801493-027 | DOOR RADIUS, 12.38" X 28.13" |
| 381840-01     | HINGE-OVERHEAD SPRING LH     |
| 381840-02     | HINGE-OVERHEAD SPRING RH     |
| 345276-04     | SCREW HEX HD. CAP 1/4-20 X 1 |
| 345275-04     | 1/4-20X1 FLAT PHIL M/S       |
| 350147-25     | NUT, NYLON LOCK, 1/4-20      |



# 2006 PARKWAY MOTORHOME

## FURNITURE, LOUNGE

Roof Locker, Curbside, Mid Bath



966278-01	R/L ASSY- CS
1. 966007-3A7	END CAP RS LOCKER
2. 966007-2A7	DIVIDER RS LOCKER
3. 966007-2C7	DIVIDER RS LOCKER
4. 966007-2D7	DIVIDER RS LOCKER
5. 801493-037	DOOR, RADIUS, 12.38" X 11"
6. 801493-017	DOOR, RADIUS, 12.38" X 31.50"
7. 801493-027	DOOR, RADIUS, 12.38" X 28.13"
381840-01	HINGE-OVERHEAD SPRING LH
381840-02	HINGE-OVERHEAD SPRING RH
345276-04	SCREW HEX HD. CAP 1/4-20 X 1"
345275-04	1/4-20X1 FLAT PHIL M/S ZN
350147-25	NUT, NYLON LOCK, 1/4-20

**2006 PARKWAY MOTORHOME**  
**FURNITURE, PANELING/INTERIOR DOORS**

Interior Doors

998161	INTERIOR DOOR PANEL, RS REAR DOOR
998163	INTERIOR DOOR PANEL, CS REAR DOOR
922753-01	SLIDING DOOR, INTERIOR SKIN, LOWER
922753-02	SLIDING DOOR, INTERIOR SKIN, UPPER
801625-017	DOOR, 21.63" X 15.13"
801625-027	DOOR, 11" X 54.25"
801625-037	DOOR, 22.13" X 14.13"
801625-047	DOOR, 54.25" X 11.88"
801625-057	DOOR, 5.43" X 21.63"
801625-067	DOOR, 26.88" X 15.88"
801625-077	DOOR, 21.88" X 15.88"
801625-087	DOOR, 16.63" X 24.44"
801625-097	DOOR, 16.38" X 16.50", RH
801625-107	DOOR, 16.38" X 16.50", LH
801625-117	DOOR, 15.75" X 24.81"
801625-127	DOOR, 17.75" X 53.13"
801625-137	DOOR, 12.44" X 73.75"
801625-147	DOOR, 14.00" X 18.62"
801523-007	DOOR-DINETTE SEATS
801516-007	DOOR ASSY-PANTRY
801493-017	DOOR RADIUS, 12.38" X 31.50"
801493-027	DOOR RADIUS, 12.38" X 28.13"
801493-037	DOOR RADIUS 12.38" X 11"
801565-017	DOOR/DRAWER, 4.19" X 4.00"
801565-037	DOOR/DRAWER, 72.12" X 4.00"
801565-047	DOOR/DRAWER, 37.12" X 9.06"
801565-057	DOOR/DRAWER, 17.62" X 9.06"
801565-067	DOOR/DRAWER, 51.37" X 4.00"
801565-077	DOOR/DRAWER, 25.13" X 9.13"
966028-01	Door, plexiglass, 11.5" x 10.5"

**2006 PARKWAY MOTORHOME**  
**FURNITURE, PANELING/INTERIOR DOORS**

**Furniture Trim**

801393-017	CORNER TRIM, 90D RADIUS OAK
801393-017	CORNER TRIM, 90D RADIUS OAK, 1"
365238-04	EDGE BANDING TAPE PVC 5/8" C. WHITE
365268-01	EDGE BANDING, 1.13, OAK
365273	EDGE BANDING GALAXY GRAPHITE
365240-01	EDGE BANDING-PVC 3M 1-5/16" WHI

**Wood Panels**

800507-01	LAUAN, 1/8" X4' X 8'
800507-02	LAUAN, 1/4" X 4' X 8'
800507-03	LAUAN, 3/8" X4' X 8'
800507-04	LAUAN, RAW/RAW 1/2"
801355-01	LAMINATE, FROST WHITE 4' X 8'
801376-01	PANEL, LAMINATED, OAK/WHITE 18MM
801383-01	PANEL, LAMINATED, OAK/WHITE 12MM
801342-01	LAMINATE, ALUMINUM BRUSHED 4' X 8'
801392	PANEL, LAMINATED, WHITELINER/WHITELINER
801377	PANEL, GRAPHITE/REX 4' X 8' 18MM
801381-01	PANEL, OAK/OAK 12MM
801368	PANEL, WHITELINER/WHITELINER
801505	PNL-ASCOT SAND/RAW .125"X4'X8'

# 2006 PARKWAY MOTORHOME

## HARDWARE

### Seat

700349	SEAT BELT, MINI BUCKLE, BLACK WEB
454254	BRACKET, SEAT BELT
381069	Seat belt, mini buckle
998158	SKIRT ASSY-PASS SEAT
998159	SKIRT ASSY-DRIVER SEAT

### Handles/Latches

381865	PULL-BAR BRUSH NICKEL
381228-01	Grabber door latch
380772-01	SLIDE BOLT, SHOWER DOOR
381737-02	ASSIST HANDLE
381861	LATCH PUSH CLOSE/PULL OPEN

### Hinges

380458	HINGE PIANO BROWN, GALLEY, SHOWER DOOR
381051	ALUMINUM, HINGE, CONTINUOUS, FORMED
381607-01	HINGE-GRASS EURO W/80307 PLASTIC, CABINETS
385935-01	HINGE PIVOT ZINC PLATED, MEDICINE CABINET
381840-01	HINGE, ROOFLOCKER, SPRING LH #372.
381840-02	HINGE, ROOFLOCKER, SPRING RH #372.

### Towel Bar

381923	HANDLE-PULL 14.25"SS SATIN
345418	SCREW-#6 X 1/2" S.S.
300140	WASHER-1.25"OD TOWEL BAR

# 2006 PARKWAY MOTORHOME

## HARDWARE

### Labels and Tags

386118	Label, LP gas warning/fill
386122	Warning label/cooking appliance
386121	Label, LP gas warning label (odor)
385465	Exit label, English
386120	Label, smoke detector
385062	Decal, 110-125 voltage AC
386082	LABEL THOR, 5.25" X .75'
386123	LABEL "POTABLE WATER ONLY"
385812	LABEL CALIF. HAZARDOUS SUBSTANCE
386119	LABEL "DO NOT STORE COMBUSTIBLE
386124	LABEL REFUELING WARNING
386113	LABEL-RVIA GOLD
385608	LABEL SEWER HOSE
385942	LABEL SEWAGE HOLDING TANK
385943	LABEL CAP MUST BE IN PLACE
385832	DIESEL FUEL ONLY LABEL
386147	DECAL-ON/OFF LP REMOTE FILL
385261	CLEANING INSTRUCTION LABEL

### Detectors/Fire Extinguishers

510781	Smoke detector
511343	DETECTOR CARBON MONOXIDE 9 VOLT
511309	LPG detector
690381-02	Fire extinguisher
381889	KEY CHAIN- AIRSTREAM CORIAN
381761-02	SAFETY NOTEBOOK/VIDEO
381932	75th ANNIVERSARY BOOK, 2006



# 2006 PARKWAY MOTORHOME

## PLUMBING, LPG

### Tank/Hoses/Regulator

601875	TANK-LP 38 LB, SPRINTER
601875-01	SENDING UNIT- 90 OHM
601875-02	VALVE-REMOTE FILL
601875-03	VALVE-REMOTE SPLITTER
601875-04	REGULATOR-TWO STAGE W/POL ADAP
601875-05	COVER-REGULATOR
601875-06	VALVE-SOLENOID
602104	LP HOSE ½" ID X 5/8" FEMALE FLARE
601874	HOSE, LP REGULATOR TO GENERATOR

### Remote Switch, Rear Bath

381852	KNOB LP REMOTE SWITCH
601873	LP REMOTE FILL/KIT 48" HOSE
511805	SWITCH-ROTARY ON/OFF LP VALVE
203463	DOOR-ACCESS LP REMOTE FILL
386147	DECAL-ON/OFF LP REMOTE FILL

### Remote Switch, Mid Bath

601958	LP REMOTE FILL/KIT 60" HOSE
203463	DOOR-ACCESS LP REMOTE FILL
511805	SWITCH-ROTARY ON/OFF LP VALVE
381852	KNOB- LP REMOTE SWITCH INTERSTATE
386147	DECAL-ON/OFF LP REMOTE FILL

# 2006 PARKWAY MOTORHOME

## PLUMBING, LPG

### LP Line Fittings

600008	TUBING COPPER 3/8OD
600468	UNION FLARE 5/8 X 5/8
600435	FORGED FLARE NUTS 3/8"
340085-05	CLAMP #COY 1109 5/8"
600436	FORGED FLARE NUTS 5/8"
500038	LUG GROUND
600004	TUBING COPPER 5/8"
601883	FITTING-TEE 5/8" MF X 3/8 MF X 5
601281	TEE BRASS UNION 5/8 X 5/8 X 5/
600003	TEE 5/8 X 3/8" X 3/8"
600661	GROUND FITTING .5" TO 1"
601881	FITTING-REDUCER 3/8" M FLARE
601882	ELBOW- 90D 3/8"M FLR X 1/4"
601671	ELBOW STREET, 90DEG 1/2", Water heater, gas line
600000	TEE BRASS 5/8" X 5/8" X 3/8"

### Auto Vent assembly, LP tank, Mid bath

381916-01	CAP-END POLY 5/8"ID
601988-01	ADAPTER-RELIEF VALVE LP



## 2006 PARKWAY MOTORHOME

### PLUMBING, FRESHWATER

#### Tank/Sink, Rear Bath

601939 TANK, FRESH WATER 30GALLON  
601392-05 City water fill w/regulator  
601239 TUBING 1.375 I.D. RIBBED #705  
601240-01 TUBING 1/2 I.D. X 3/32 WALL  
340084-20 CLAMP, HOSE, .81"  
601938 SINK, S/S, SINGLE BOWL

#### Tank/Sink, Mid-Bath

601957 TANK-WATER  
601879 SINK-SS 15.5" ROUND  
601392-05 City water fill w/regulator  
601239 TUBING 1.375 I.D. RIBBED #705  
601240-01 TUBING 1/2 I.D. X 3/32 WALL  
340084-20 CLAMP, HOSE, .81 - 1.75 SAE #2

#### Shower, Exterior

601876 SHOWER-EXTERIOR, WHITE #742009  
601592-01 SHOWER HEAD WHITE  
601592-02 SHOWER HOSE 59.00" WHITE  
601592-03 SHOWER VALVE 4.00" WHITE  
381647 Key, CH 751

#### Shower, Interior

601592-01 SHOWER HEAD WHITE  
601592-02 SHOWER HOSE 59.00" WHITE  
601592-03 SHOWER VALVE 4.00" WHITE  
601727 SHOWER DRAIN 2"W/GRID TOP XL G  
600625-01 PLUG, TRAP, 1 1/2" ADAPTER, FEMALE  
600144 P TRAP ABS 1 1/2"  
600182 WYE, 1.5"X 1.5" X 1.5"

# 2006 PARKWAY MOTORHOME

## PLUMBING, FRESHWATER

### Water Fill, Exterior

601194            WATER FILL W/LOCK, GRAY, W/LABEL  
381647            KEY WATER FILL CH751

### Water Pump

601061-03        Water pump, Shurflo 2088-404-144  
601668-01        Strainer, fresh water pump

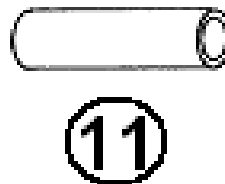
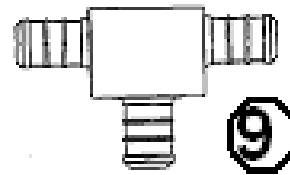
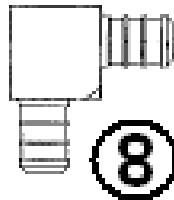
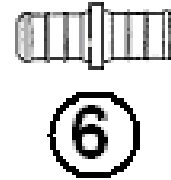
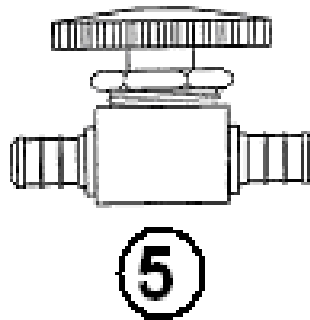
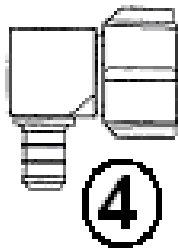
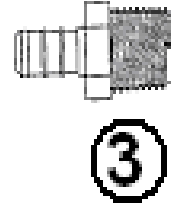
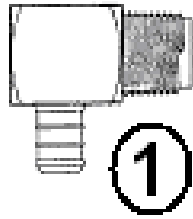
### City Water Hook Up

201866-02        FILL-CITY WATER-POLAR WHITE  
601565            HOSE WATER W/FITTINGS 12" LONG  
600227            PLASTIC COUPLINGS

# 2006 PARKWAY MOTORHOME

## PLUMBING, FRESHWATER

### Fresh Water Fittings



Part Numbers Are On The Next page

# 2006 PARKWAY MOTORHOME

## PLUMBING, FRESHWATER

### Fresh Water Fittings

- |               |                                      |
|---------------|--------------------------------------|
| 1. 601698-04  | Elbow, 1/2" barb x 1/2" MPT          |
| 2. 601698-03  | Coupler, 1/2" barb x 1/2" FPT        |
| 3. 601698-02  | Coupler, 1/2" barb x 1/2" MPT        |
| 4. 601698-05  | Elbow 1/2" barb x 1/2" FPT           |
| 5. 601698-22  | Shut-off, 1/2" barb x 1/2" barb      |
| 6. 601698-08  | Coupler, 1/2" x 1/2" barb            |
| 7. 601698-09  | Plug, 1/2" barb                      |
| 8. 601698-10  | Elbow 1/2" barb x 1/2" barb          |
| 9. 601698-11  | Tee, 1/2" x 1/2" x 1/2"              |
| 10. 601698-15 | Crimp ring, 1/2" E-Pex, 1/2" (black) |
| 11. 601698-01 | E-Pex tube, 1/2"                     |
| 11. 601698-21 | TUBING E-PEX 1/2" RED                |
| 203085        | PLUG WATER LINE 1/2" PLASTIC B       |
| 601238        | ADAPTOR 1.25 MPT X 1.25 BARB         |

# 2006 PARKWAY MOTORHOME

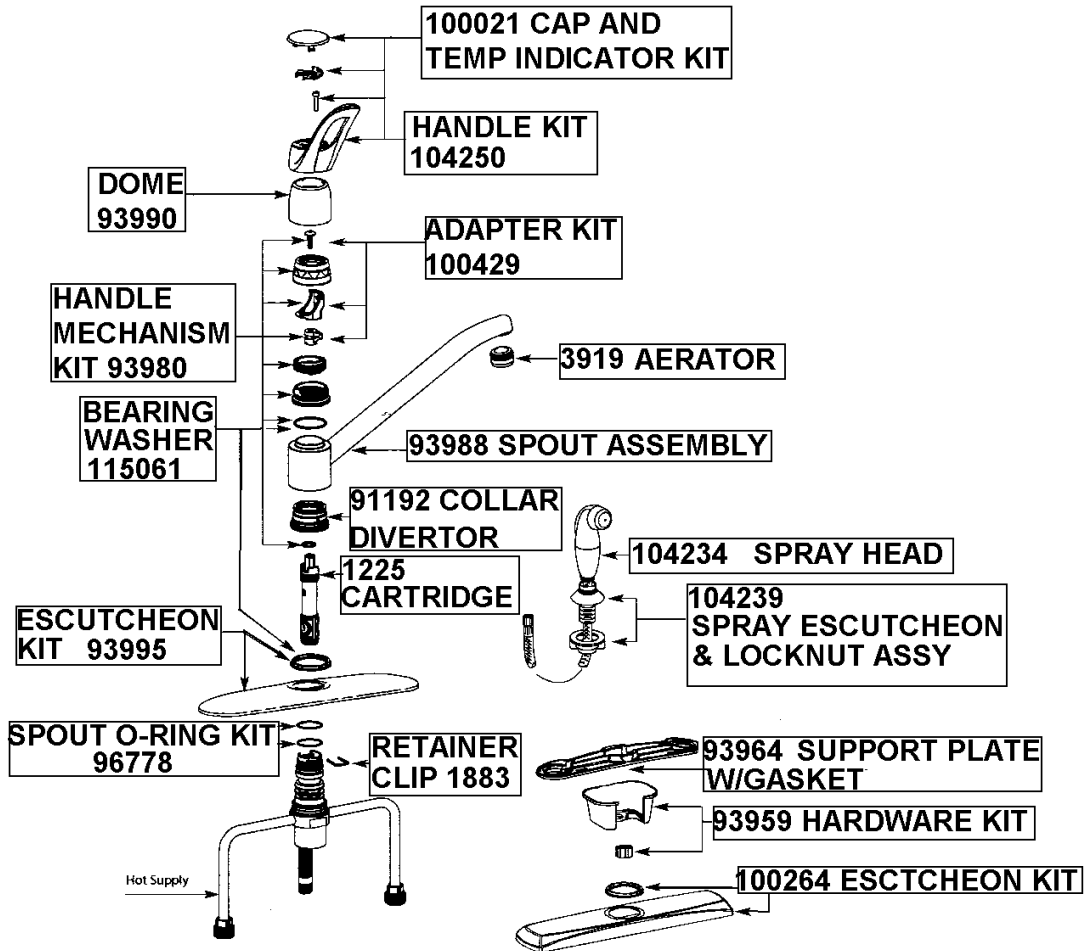
## PLUMBING, FRESHWATER

Faucet, Galley

601894-01 Single handle faucet, Moen 7460

Moen, Chateau, Single Handle Faucet  
model 7460

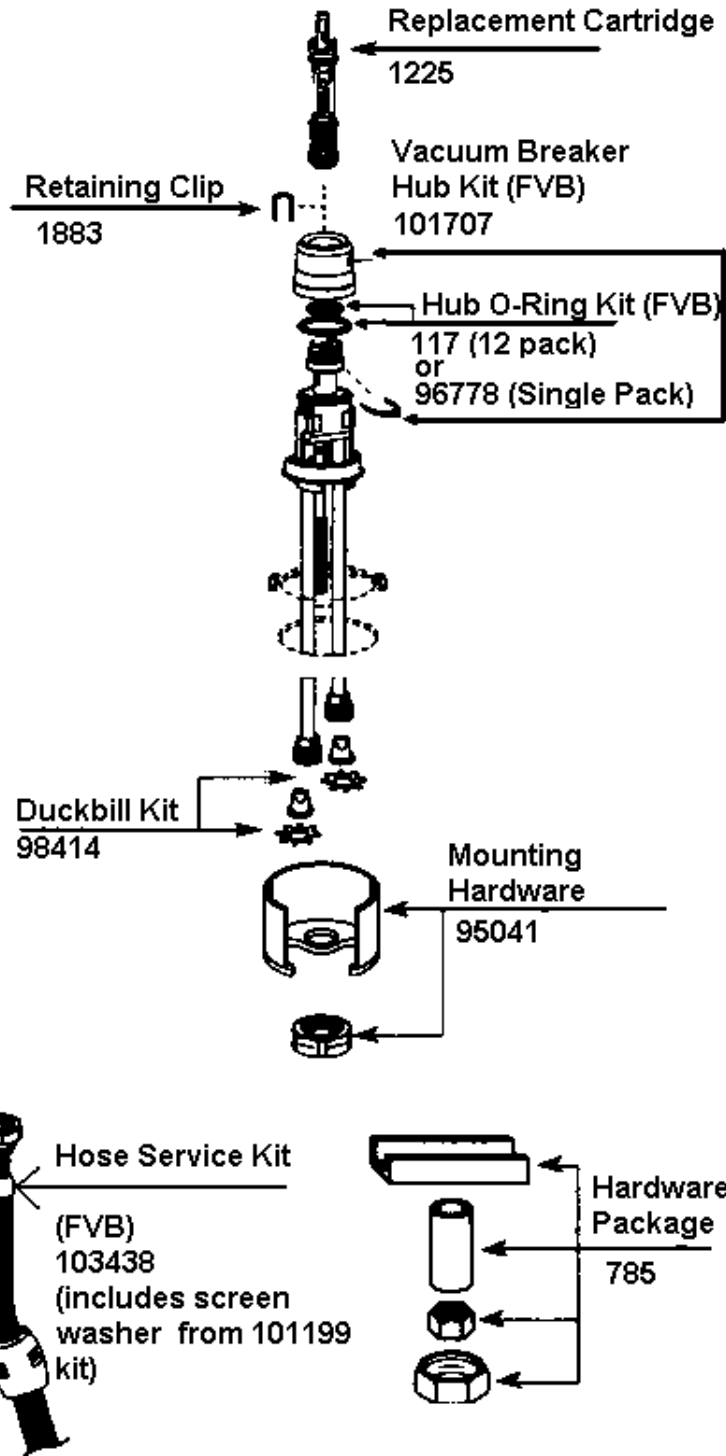
TO ORDER PARTS CALL 1-800-BUY MOEN



# 2006 PARKWAY MOTORHOME

## PLUMBING, FRESHWATER

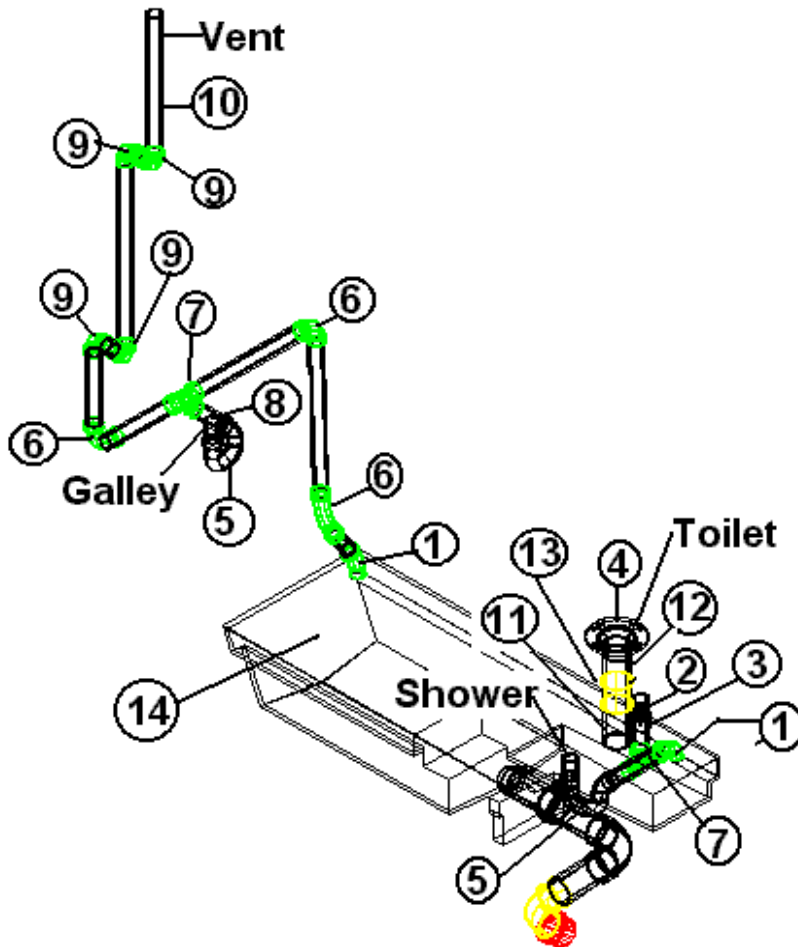
### Faucet Cartridge, Galley



# 2006 PARKWAY MOTORHOME

## PLUMBING, DRAIN

### Drain System, Rear Bath

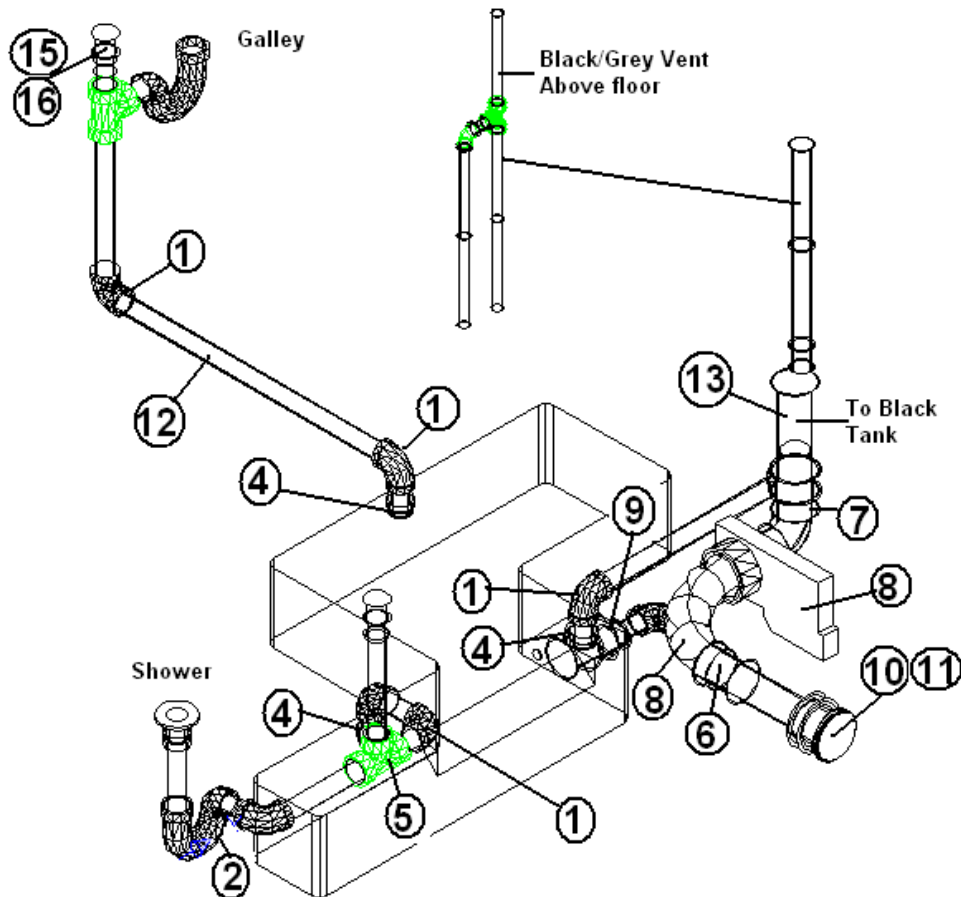


- |               |   |
|---------------|---|
| 1. 600431     | 1.5" Elbow, short radius                  |
| 2. 600538     | Vent, V-200 automatic                     |
| 3. 600308     | Adaptor ABS female, sloan                 |
| 4. 601266     | Flange, closet, 3" x 4", slip fit         |
| 5. 600622     | P-trap, 1.5", w/slip nut and washer       |
| 6. 600035     | Ell ABS, long sweep, 1.5"                 |
| 7. 600318     | Tee                                       |
| 8. 600822     | Adaptor, P-trap                           |
| 9. 600033     | Elbow, vent, 1.5", 90 degree              |
| 10. 601160-02 | Pipe, ABS, DVW, 1.5"                      |
| 11. 601267-04 | Nipple, 3" diameter, Thread one, 10' long |
| 12. 601160-04 | Pipe, ABS DVW, 3"                         |
| 13. 600253    | Coupling, 3"                              |
| 14. 601872    | Black/Gray combination tank               |

# 2006 PARKWAY MOTORHOME

## PLUMBING, DRAIN

### Drain System, Mid Bath



- |                |                                     |
|----------------|-------------------------------------|
| 1. 600033      | ELBOW, VENT, 1.50 90 DEGREE         |
| 2. 600144      | P TRAP ABS 1 1/2"                   |
| 3. 600625-01   | PLUG, TRAP, 1-1/2" ADAPTER, FEMALE  |
| 4. 601676      | ADAPTER THREADED 1 1/2" MALE        |
| 5. 600156      | TEE SANITARY                        |
| 6. 600253      | COUPLING 3"                         |
| 7. 601531      | FITTING, 90 DEGREE 3"               |
| 8. 601482      | DUMP VALVE ROTATING ASSY.           |
| 9. 195329-229  | REDUCER ADAPTOR 3" TO 1.5" 407      |
| 10. 601607-07  | TERMINATION CAP - 3" BAY            |
| 11. 601607-06  | TERM. ADAPTOR - 3" HUB X 3" BAYONET |
| 12. 601160-02  | PIPE, ABS DVW, 1 1/2"               |
| 13. 601160-04  | PIPE, ABS DVW, 3"                   |
| 14. 600308     | ADAPTER ABS FEMALE SLOAN #2891      |
| 15. 600622     | P-TRAP 1 1/2" W/SLIP NUT & WASH     |
| 16. 601579-110 | VACUUM BREAKER                      |



## 2006 PARKWAY MOTORHOME

### PLUMBING, DRAIN

#### Sewer Hose

340084-52 CLAMP, HOSE SAE #52, for sewer hose  
601607-15 SEWER HOSE W/ADAPTOR

#### Tank Heating System

511812 PAD-HEATING HOLD TANK #TH-718  
511813-01 VALVE-ELECTRIC, WASTE  
511813-02 SWITCH-ELECTRIC WASTE VALVE

#### Tank Pan/Mounting System, Rear Bath

454195 AFT MOUNTING BRACKET, BLACK/GRAY TANK  
454196 MOUNTING BRACKETS, BLACK/GRAY TANK  
454197 TANK PAN, BLACK/GRAY TANK  
454329 STRAP- GRAY TANK 15.5" MB  
454330 BRKT- GRAY TANK MTG. MB  
454331 BRKT- FRT MOUNT GRAY TANK MB  
454332 STRAP-GRAY FRT. TANK MB

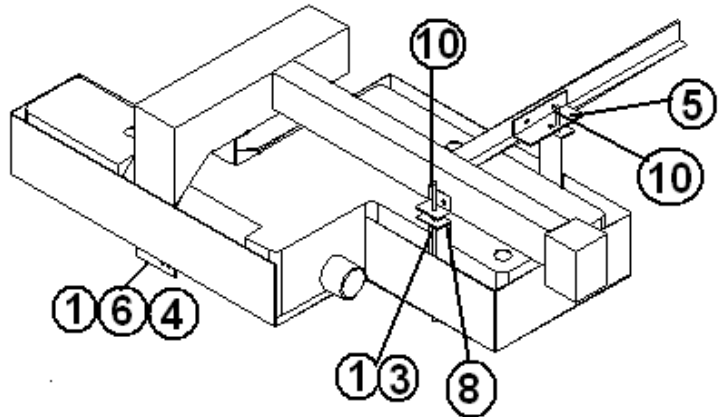
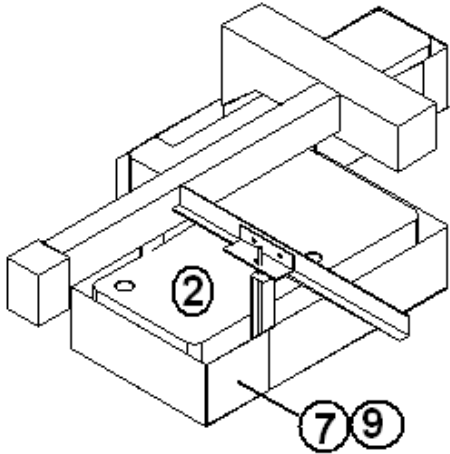
#### Hose Carrier

601946 EZ hose carrier, 24"

# 2006 PARKWAY MOTORHOME

## PLUMBING, DRAIN

### Tank, Gray/Black Mounting System, Mid bath

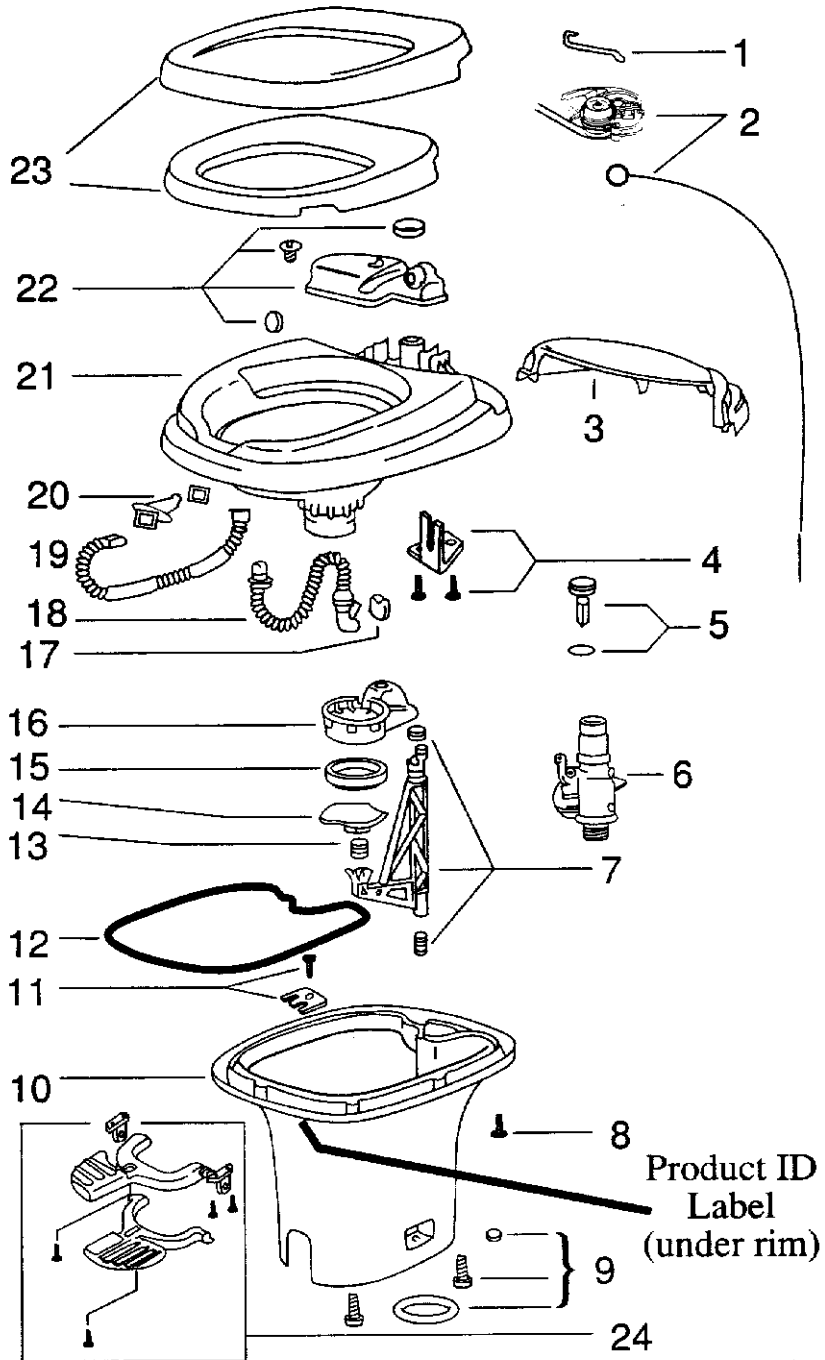


- |              |   |
|--------------|---|
| 1. 365185-20 | 2" GASKET TAPE                            |
| 2. 601948    | TANK-GRAY                                 |
| 3. 454329    | STRAP- GRAY TANK 15.5"                    |
| 4. 454330    | BRACKET, GRAY TANK MTG.                   |
| 5. 454331    | BRACKET, FRT MOUNT GRAY TANK              |
| 6. 454332    | STRAP-GRAY FRT. TANK                      |
| 7. 454335    | PAN-GRAY/BLACK TANK M                     |
| 8. 454397    | BRACKET, GRAY TANK MTG.1.5" X 1.5" X 2.5" |
| 9. 966408    | TANK WEDGE ASSY.                          |
| 10. 345151   | ROD, THREADED 3/8"-16 X 10 FT.            |
| 601947       | TANK-BLACK                                |

# 2006 PARKWAY MOTORHOME

## PLUMBING, DRAIN

Toilet



P/N Next Page

# 2006 PARKWAY MOTORHOME

## PLUMBING, DRAIN

### Toilet

690495-02	Toilet complete, Aqua Magic IV
1. 690387-513	Water valve link
2. 690387-571	Wire replacement package
3. 690387-562	Mechanism cover, white
4. 690387-634	Bracket assembly
5. 690387-631	Float assembly
6. 690387-168	Water valve replacement package
7. 690387-632	Actuator assembly
8. 690387-659	Screw base to bowl
9. 690387-524	Closet bolt package
10. 690387-356	Base, white, low
10. 690387-062	Base, white, high
11. 690387-636	Retainer assembly
12. 690387-387	Sealant, base to bowl
13. 690387-519	Blade spring
14. 690387-262	Blade
15. 690387-481	Blade seal
16. 690387-520	Blade track
17. 690387-512	Flapper
18. 690387-511	Overflow tube
19. 690387-509	Flush tube
20. 690387-637	Nozzle assembly
21. 690387-726	Bowl
22. 690387-630	Reservoir tank assembly
23. 690387-162	Seat and cover assembly
24. 690387-821	Pedal package
601266	TOILET, FLANGE, CLOSET, 3" X 4", SLIP FIT

## 2006 PARKWAY MOTORHOME

### SEALER/GASKETS/PAINT

#### SEALER

360001	Sealant, #884058
360209	Sealant, seam
360176	Sealant, Almond, kitchen and bath
360180	Sealant, Sika-flex, gray
360210	Sealant, Paralastic 4334-014
360283	Sealant, silicone, Corian Bone
360074	SEALANT GE RTV 102 WHITE 3OZ TUBE
360052	SEALANT BLACK VULKEM
365293-01	SEALANT URETHANE SIKAFLEX 721U
360286	SEALANT GREY SU6000-40-386/1 C
365285	SEAMFILL STAIN STICK-OAK

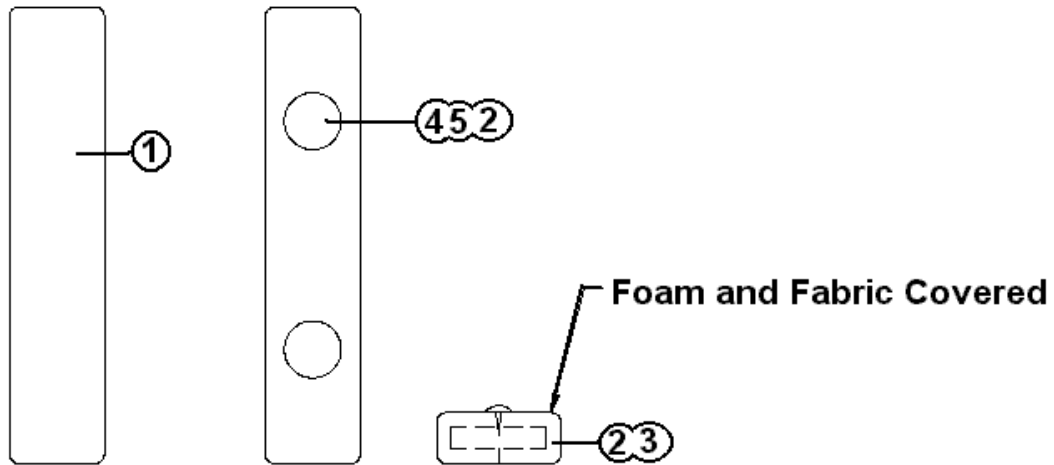
#### GASKETS

365190	SEAL, RUBBER, ADHESIVE, 3/4" X 3/4", Refer
365001	TAPE DOUBLE COATED FOAM

# 2006 PARKWAY MOTORHOME

## UPHOLSTERY/FOAM/MATTRESS

### Arm Rest Cushion, Rear Bath



998151

1. 800506-05

2. 700414

3. 703330

3. 703474

4. 700813

5. 700811

Arm Rest Cushion

5/8" PLYWOOD

FOAM 3/8 X 86"X 52"

FABRIC, SANDSTONE

FABRIC, MIDNIGHT SUN

BUTTON, NAIL BOTTOM

BUTTON CAP, HANDY

# 2006 PARKWAY MOTORHOME

## UPHOLSTERY/FOAM/MATTRESS

### Cab Seats/Seat Skirts



998158 SKIRT ASSEMBLY, PASSENGER SEAT

998159 SKIRT ASSEMBLY, DRIVER SEAT

### Cab Seats, Parkway, Cloth

703540-286 SEAT-DRIVER/PASSENGER, SANDSTONE

703540-195 SEAT-DRIVER/PASSENGER, MIDNIGHT SUN

### Sofa, Parkway

703536-286 SOFA-74", ULTRA LEATHER, SANDSTONE

703536-195 SOFA-74", ULTRA LEATHER, MIDNIGHT SUN

454322 LEG-FRONT BED INTERSTATE

454323 LEG-REAR BED

### Dinette Seat Cushions, Parkway

703537-286 Dinette Seat Back Cushion, Sandstone

703537-195 Dinette Seat Back Cushion, Midnight Sun

703538-286 Dinette Seat Cushion, Sandstone

703538-195 Dinette Seat Cushion, Midnight Sun

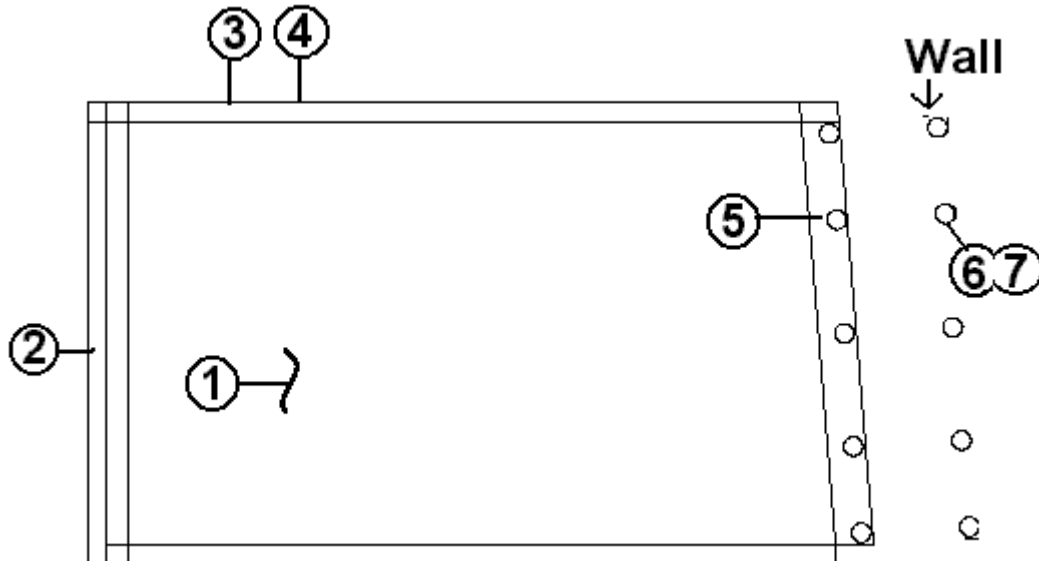
### Storage Net

703380 NET STORAGE COMPARTMENT STORAGE

# 2006 PARKWAY MOTORHOME

## UPHOLSTERY/FOAM/MATTRESS

Screen, Galley Closeout, Rear & Mid Bath



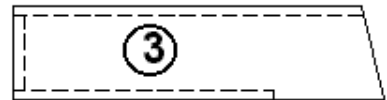
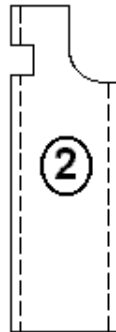
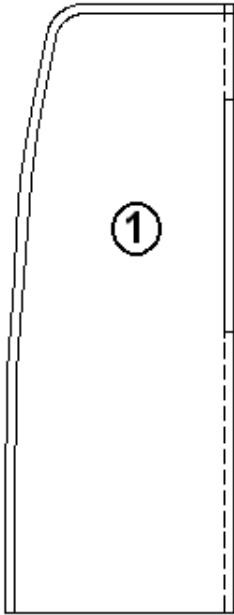
- |           |                                 |
|-----------|---------------------------------|
| 998155    | CLOSEOUT, GALLEY, SCREEN SPRING |
| 1. 380079 | SCREEN, GRAY                    |
| 2. 703386 | VINYL-ASTRO SS MAGNUM STEEL     |
| 3. 700021 | HOOK, VELCRO, WHITE             |
| 4. 700020 | PILE VELCRO                     |
| 5. 700005 | EACH FASTENER, CAP              |
| 6. 700006 | FASTENER SOCKET                 |
| 7. 381519 | SCREW STUD                      |



# 2006 PARKWAY MOTORHOME

## UPHOLSTERY/FOAM/MATTRESS

### Vinyl Close-out Assemblies, Rear Bath



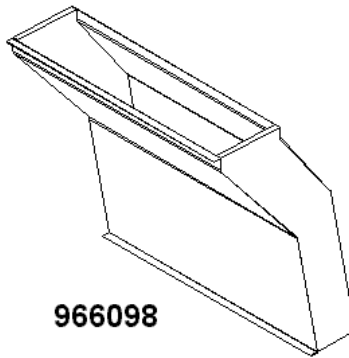
1. 998157-01
  2. 998157-02
  3. 998157-03
- 703386  
700020  
700021  
381081-05  
703388

CLOSEOUT ASSEMBLY, VINYL SHOWER  
CLOSEOUT ASSEMBLY, VINYL PLUMBING  
CLOSEOUT ASSEMBLY, VINYL AFT UPPER  
VINYL-ASTRO SS MAGUM STEEL  
PILE VELCRO  
HOOK, VELCRO, WHITE  
SNAP CAP, GRAY  
VELCRO HOOK WASHER

# 2006 PARKWAY MOTORHOME

## VENTS/FANS

### Refrigerator Vent/Fan



966098

- 966098 Refrigerator duct assembly
- 100341 Refrigerator, vent collar, roof, large
- 101394 Cover, refrigerator vent, roof, large
- 381042 MESH, galvanized for refer vent. .017 X 36"
- 690394 Power ventilator, refrigerator

### Roof Vent, Drain Plumbing

- 690264-03 Vent pipe cover
- 380228 Wire, hardware cloth

### Roof Power Vents

- 381841 VENT, ROOF FANTASTIC EXHAUST ONLY



