

INTERSTATE MOTORHOME

***PARTS
BOOK***

2007



2007 INTERSTATE MOTORHOME TABLE OF CONTENTS

SECTION I A through C

APPLIANCES

Air Conditioner	I-1
Furnace	I-1
Microwave/Cook Top	I-1
Refrigerator	I-1
Water Heater	I-2
Generator	I-2

EXTERIOR SHELL

Curbside Wall, Rear Bath	I-3
Roadside Wall, Rear Bath	I-4
Curbside Wall, Mid Bath	I-5
Roadside Wall, Mid Bath	I-6
Decal/Exterior Trim	I-7

INTERIOR BODY

Trim Rings	I-8
Interior Trim/Skin	I-9
Dash Trim	I-10

CHASSIS

Wheels/Spare Tire Cover	I-11
Running Boards/Front Bumper	I-13
Hitch	I-15
Skid Plate	I-15
Valve Extension	I-15
Exhaust System	I-16

2007 INTERSTATE MOTORHOME TABLE OF CONTENTS

SECTION II D through E

DOORS/WINDOWS/AWNING

Exterior Doors	II-1
Windows	II-1
Awning	II-1
 DRAPES/BLINDS	 II-2

ELECTRICAL

110 volt	II-4
12 volt	II-5

ENTERTAINMENT

Radio	II-7
Television Antenna	II-8
Television	II-8

2007 INTERSTATE MOTORHOME TABLE OF CONTENTS

SECTION III F through H

FASTENERS (common fasteners available locally are not listed)

[Rivets](#)..... III-1

[FLOOR COVERING](#) III-2

FURNITURE

[Lavatory](#) III-3

[Galley](#).....III-13

[Lounge](#)III-55

[Interior Doors](#).....III-96

[Trim/Panels](#).....III-99

HARDWARE

[Seats](#) III-100

[Handles/Latches](#)..... III-100

[Hinges](#)..... III-100

[Towel Bar](#) III-100

[Labels and Tags](#) III-101

[Safety Equipment](#)..... III-101

[Book/Video](#) III-101

2007 INTERSTATE MOTORHOME TABLE OF CONTENTS

SECTION IV L through Z

PLUMBING

LPG	IV-1
Fresh water	IV-3
Freshwater Fittings	IV-5
Faucets	IV-7
Drain water	IV-9
Toilet	IV-14
SEALER	IV-16
GASKETS	IV-16
PAINT	IV-16
UPHOLSTERY/FOAM/MATTRESS	
Arm Rest Cushions	IV-17
Cab Seats	IV-18
Sofa	IV-18
Rear Screen/Vinyl Close Outs	IV-19
VENTS/FANS	IV-21

2007 INTERSTATE MOTORHOME

APPLIANCES

Air Conditioner

195329-143 AIR CONDITIONER 11,000 BTU
511252 PLUG PHONE 4 CONDUCTOR
690323-05 AIR BOX/RETURN GRILL MANUAL
690323-03 AIR CONDITIONER, DOMETIC HEAT STRIP
454204 ROOF AIR FLOW DIFFUSER A/C-REFER
350047 3/8", LOCK FOR CORD GRIP

Furnace

690439 FURNACE, 12,000 BTU, DIRECT PUMP

Cook Top/Microwave

690498 MICROWAVE, 0.7 CF, 17.94" W X 11.0"
454206 BRACKET, FORMED ANGLE MICROWAVE
690471 Cook-top, 2-burner, black glass top
454403 SHIELD, RANGE MID BATH
454634 SHIELD, RANGE REAR BATH

Refrigerator

690470-02 REFER-3CF 2-WAY RH DR RM2352RB
690470-03 REFER-3CF 2-WAY LH DR RM2352LB
965934-04 INSERT ASSEMBLY, REFER 19.5" x 26", Flat Door
965934-07 INSERT ASSEMBLY, REFER 19.5" x 26", Round Door

690394 Power ventilator, refrigerator
381589 RUBBER EXTRUSION - FLOOR WIPER

2007 INTERSTATE MOTORHOME

APPLIANCES

Water Heater

690583	WATER HEATER, 6 GALLON, GAS
690259-05	BRUSHED ALUM ACCESS COVER
381648	COVER LATCH HOLE WATER HEATER
454202	PLATE, MTG. WATER HEATER
454212-01	CLOSEOUT-LH WATER HEATER
454212-02	CLOSEOUT-RH WATER HEATER
966096	STAND-WATER HEATER
091959	SWITCH-WATER HEATER ELECTRONIC
454328	BRACKET-WATER HEATER MIB BATH

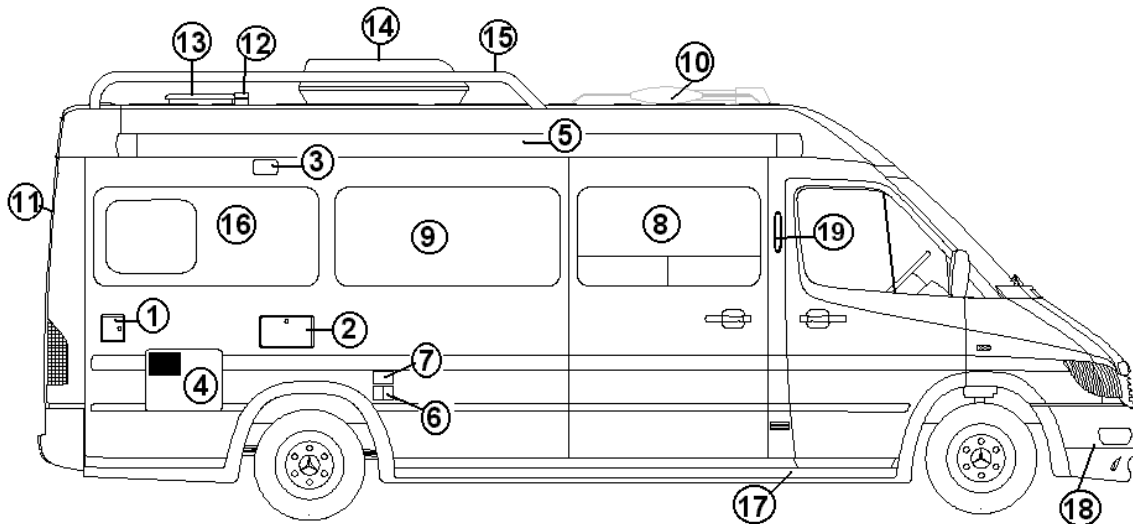
Generator

511811-01	GENERATOR, 2.5KV-FA LP VAPOR
511811-02	SWITCH-REMOTE W/HR METER ONAN
511811-04	MOUNTING, KIT-UNDER FLOOR ONAN 2.5KV
511811-05	PIPE, GENERATOR EXHAUST
510562	SWITCH, GENERATOR SWITCH OVER AUTO TS
454216	BRACKET, AFT GENERATOR MOUNTING
454217	BRACKET, FWD-AFT GEN MOUNTING
601874	HOSE-LP REGULATOR TO GENERATOR

2007 INTERSTATE MOTORHOME

EXTERIOR SHELL

Curbside Wall, Rear Bath

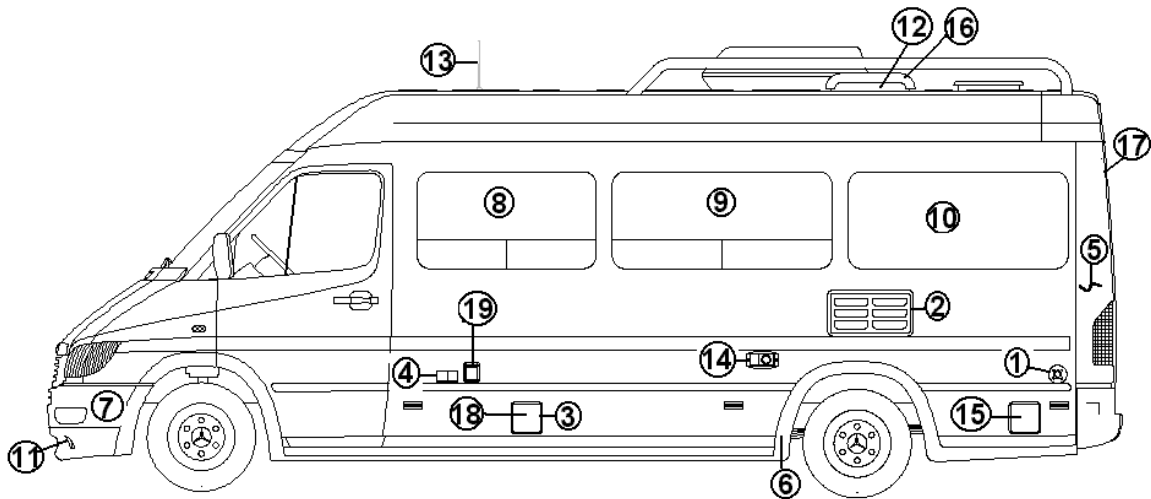


- | | |
|----------------|--|
| 1. 601194 | Water fill w/lock, gray, w/ label |
| 2. 601876 | Exterior shower door and frame |
| 3. 510672-02 | Porch light, white |
| 4. 690199 | Water heater, electronic ignition |
| 5. 690497-01 | Patio awning, 13 foot |
| 5. *690497-02 | Patio awning, 13 foot, Carefree |
| 6. 511796 | Exterior cable TV/12-volt power |
| 7. 510676-01 | Outlet, exterior, 110-volt, gray |
| 8. 371392-03 | Window, double vent, 39.50" x 23.38" |
| 9. 371392-05 | Window, solid, 51.13" x 23.38" |
| 10. 510788-05 | Antenna, TV, Wineguard |
| 11. 371392-02 | Window, CS solid rear, 23.31" x 23.31" |
| 12. 690264-03 | Plumbing cover, white |
| 13. 381841 | Fantastic roof vent |
| 14. 195329-143 | Air conditioner, 11,000 BTU |
| 15. **922722 | Roof rack, Chrome |
| 16. 371396 | Window, solid, 52.63" x 24.88" |
| 17. 203572-01 | CURBSIDE FORWARD RUNNING BOARD |
| 17. 203572-03 | CURBSIDE AFT RUNNING BOARD |
| 18. 203572-04 | Front bumper |
| 19. 381737-02 | Assist handle |
- * Carefree replaced Dometic during model year.
** Replaced by 922722-01 Roof rack, painted during model year

2007 INTERSTATE MOTORHOME

EXTERIOR SHELL

Roadside Wall, Rear Bath

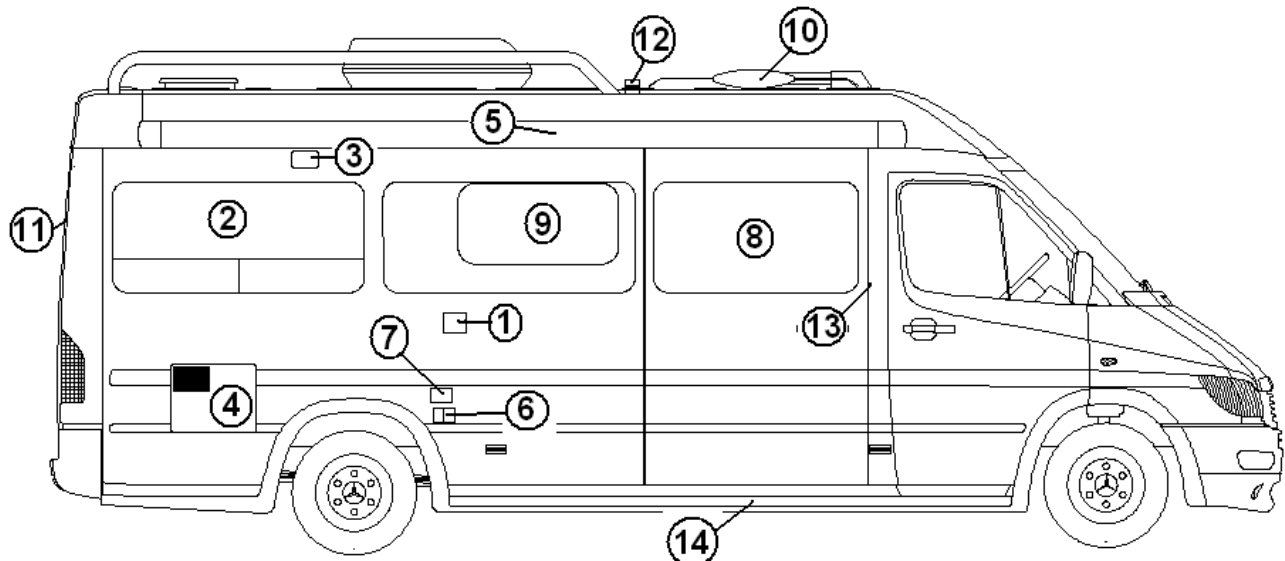


- | | |
|---------------|--|
| 1. 601392-05 | City water fill w/regulator |
| 2. 690470-01 | Vent, refer |
| 3. 601873 | LP Remote fill W/48" hoses |
| 3. 111432-01 | Closeout, LP access, upper |
| 3. 111432-02 | Closeout, LP access, lower |
| 4. 500996 | Jack TV/phone, gray |
| 5. 511813-01 | Valve, electric waste |
| 6. 203572-00 | RS forward running board |
| 6. 203572-02 | RS aft running board |
| 7. 203572-04 | Front bumper |
| 8. 371392-04 | Window, 41.13" X 23.38" |
| 9. 371392-06 | Window, double lower vent, 51.13" x 23.38" |
| 10. 371395 | Window, solid panel, 52.63" x 24.88" |
| 11. 512182 | Driving lights |
| 12. 100341 | Refer vent collar, large |
| 13. 511807 | Radio antenna |
| 14. 690439 | Furnace, 12,000 BTU, direct pump |
| 15. 601229 | Sewer hose storage |
| 16. 101394 | Cover, refer vent, large |
| 17. 371392-01 | Window, solid rear, RS, 23.31" x 23.31" |
| 18. 203463 | Access door, LP remote fill |
| 19. 511416-02 | Power inlet, 30Amp, 125-volt, male, gray |

2007 INTERSTATE MOTORHOME

EXTERIOR SHELL

Curbside Wall, Mid Bath



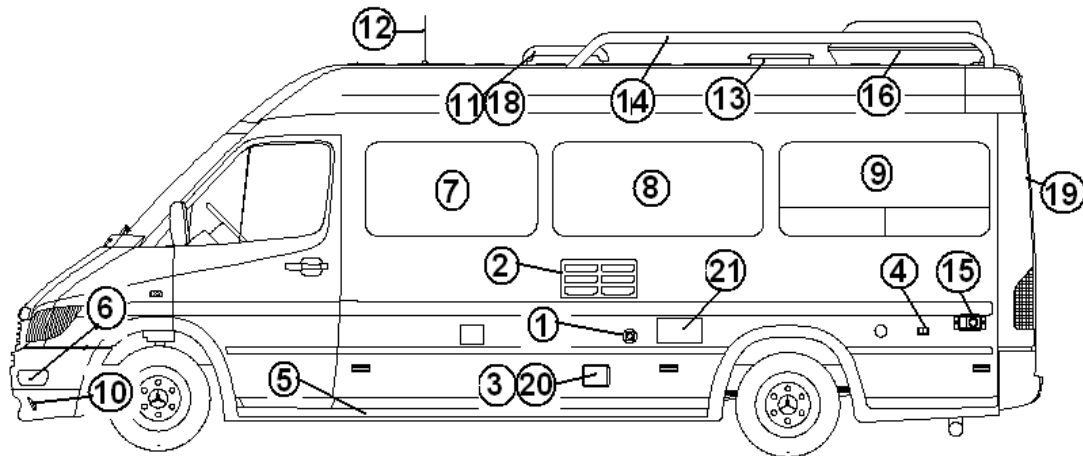
- | | |
|---------------|-------------------------------------|
| 1. 601194 | WATER FILL W/LOCK, GRAY, W/LABEL |
| 2. 371392-06 | WINDOW, 51.13" X 23.38", DOUBL VENT |
| 3. 510672-02 | PORCH LIGHT, #30-78-515, WHITE |
| 4. 690199 | ELECTRONIC IGNITION WATER HEATER |
| 5. 690497-01 | PATIO AWNING, 13 FT., DOMETIC |
| 5. *690497-02 | Patio awning, 13 foot, Carefree |
| 6. 511796 | CABLE, EXTERIOR TV/12V POWER PORT |
| 7. 510676-01 | OUTLET, EXTERIOR, 120 VOLT |
| 8. 371392-03 | WINDOW, 39.5" X 23.38" |
| 9. 371405 | WINDOW, CS GALLEY MB |
| 10. 510788-05 | ANTENNA, TV WINEGARD SHORT BOOM |
| 11. 371392-02 | WINDOW, 23.31" X 23.31"RH CREATION |
| 12.690264-03 | PLUMBING FLASHING, V-2049-1, WHITE |
| 13.381737-02 | ASSIST HANDLE, BLACK. MOLDED |
| 14. 203572-01 | CURBSIDE FORWARD RUNNING BOARD |
| 14. 203572-03 | CURBSIDE AFT RUNNING BOARD |

* Carefree replaced Dometic during model year.

2007 INTERSTATE MOTORHOME

EXTERIOR SHELL

Roadside Wall, Mid Bath



- | | |
|---------------|-----------------------------------|
| 1. 601392-05 | CITY WATER FILL W/REGULATOR |
| 2. 690470-01 | VENT-SIDE WALL MTG.REFER |
| 3. 601873 | REMOTE FILL & KIT-SPRINTER |
| 4. 500996 | JACK, TV/PHONE, GREY |
| 5. 203572-00 | RS forward running board |
| 5. 203572-02 | RS aft running board |
| 6. 203572-04 | Front bumper |
| 7. 371392-04 | WINDOW, 41.13" X 23.38" |
| 8. 371404 | WINDOW, RS |
| 9. 371392-06 | WINDOW, 51.13" X 23.38"DLB VENT |
| 10. 512182 | Driving lights |
| 11. 100341 | REFER, VENT COLLAR LARGE |
| 12. 511807 | ANTENNA, AM/FM RUBBER 14" #RV71 |
| 13. 381841 | VENT, ROOF FANTASTIC EXHAUST ONLY |
| 14. *922722 | ROOF RACK |
| 15. 690439 | FURNACE, 12,000 BTU, DIRECT PUMP |
| 16.195329-143 | AIR CONDITIONER 11,000 BTU |
| 17.601229 | SEWER HOSE STORAGE |
| 18.101394 | COVER, REFER VENT, ROOF, LARGE |
| 19.371392-01 | WINDOW, 23.31" X 23.31", RH |
| 20.203463 | DOOR-ACCESS LP REMOTE FILL |
| 20. 111373-01 | Closeout, LP access, upper |
| 20. 111373-02 | Closeout, LP access, lower |
| 21. 601876 | EXTERIOR SHOWER DOOR FRAME |
- * Replaced by 922722-01 Roof rack, painted during model year

2007 INTERSTATE MOTORHOME

EXTERIOR SHELL

Decals/Exterior Trim

386146	NAMEPLATE-INTERSTATE 3" X 10"
386151	DECAL-AIRSTREAM, 1.3",X 16", BLACK
386152	DECAL-AIRSTREAM, 2.4" X 28", ALUMINUM
386150	DECAL- AIRSTREAM, 2.4"X 28" BLACK
386175	NAMEPLATE-75th ANNIVERSARY
201763-01	INSERT RUB RAIL CHROME 1"

2007 INTERSTATE MOTORHOME

INTERIOR SHELL

Trim Rings, Rear Bath

203451 TRIM RING, WINDOW, CS 23.38" X 32.33"
203450 TRIM RING, WINDOW, RS 23.38" X32.38"
203453 TRIM RING, WINDOW, CS 54.13" X 26.25"
203454 TRIM RING, WINDOW, RS 44" X 26.25"
203455 TRIM RING, WINDOW, RS 47.5" X 26.25"
203452 TRIM RING, SLIDING DOOR WINDOW
372231 TRIM RING, MILL 22.25" X 18"
454201 TRIM RING ASSEMBLY-REFER VENT SUPPORT
454200 TRIM RING-REFER VENT
203462 CAP COVER-SCREW CHERRY PVC
381842 TRIM-LOK, 1/16" BLACK W/PEBBLE FINISH

Trim Rings, Mid Bath

203451 TRIM RING, WINDOW, CS 23.38" X 32.33"
203450 TRIM RING, WINDOW, RS 23.38" X32.38"
203514 TRIM RING-CS WINDOW
454356 TRIM RING-GALLEY
203454 TRIM RING, WINDOW, RS 44" X 26.25"
203455 TRIM RING, WINDOW, RS 47.5" X 26.25"
203452 TRIM RING, SLIDING DOOR WINDOW
372231 TRIM RING, MILL 22.25" X 18"
454201 TRIM RING ASSEMBLY-REFER VENT SUPPORT
454200 TRIM RING-REFER VENT
203462-01 CAP COVER-SCREW CHERRY PVC
381842 TRIM-LOK, 1/16" BLACK W/PEBBLE FINISH

2007 INTERSTATE MOTORHOME

INTERIOR SHELL

Interior Skin/Trim, Rear, Mid Bath

114853-01	ALUMINUM SHEET .032" X 57", INTERIOR SKIN
114880-238	ALUMINUM. SHEET .040" X 51" INTERIOR SKIN
800507-01	LAUAN, 1/8" X 4' X 8'
922753-01	PANEL-INTERIOR SLIDING DOOR
922753-02	PANEL-SLIDING DOOR INTERIOR UPPER
922753-03	HEADER, SLIDING DOOR, INTERIOR SKIN
703649-01	DOOR, HEADER, SLIDING
703649-02	PILLAR CS, MAGNUM GREY
703649-03	RS PILLAR, MAGNUM STEEL GREY
703649-04	HEADER, CAB, MAGNUM STEEL
203471	POCKET, ABS REAR DOOR STORAGE
203479	POCKET. CURBSIDE REAR DOOR
203473	CAP-SCREW COVER PVC WHITE
381081-05	SNAP CAP-GRAY #173

Pillar/Panel Assemblies, Mid Bath

998174	PILLAR ASSY, CS REAR
998175	PILLAR ASSY, RS REAR
998176	PANEL ASSY-CS REAR DOOR
998178	HEADER, REAR
703386	VINYL, MAGUM STEEL

2007 INTERSTATE MOTORHOME

INTERIOR SHELL

Dash Trim, Standard

203496	DASH TRIM KIT, CHERRY WOOD, complete kit
203496-01	Center console storage
203496-02	Radio surround
203496-03	Plug
203496-04	Heater and A/C Surround
203496-05	Shifter
203496-06	Center console
203496-07	Right of shifter
203496-08	Drivers door
203496-09	Cup Holder
203496-10	Passenger Door

Dash Trim, Savannah

203607	Dash Trim, Savannah, Brushed Aluminum
203607-01	Drivers door
203607-03	Shifter
203607-04	Radio surround
203607-05	A/C Surround
203607-06	Center console
203607-07	Center console storage
203607-09	Right of shifter
203607-10	Plug
203607-11	Passenger Door

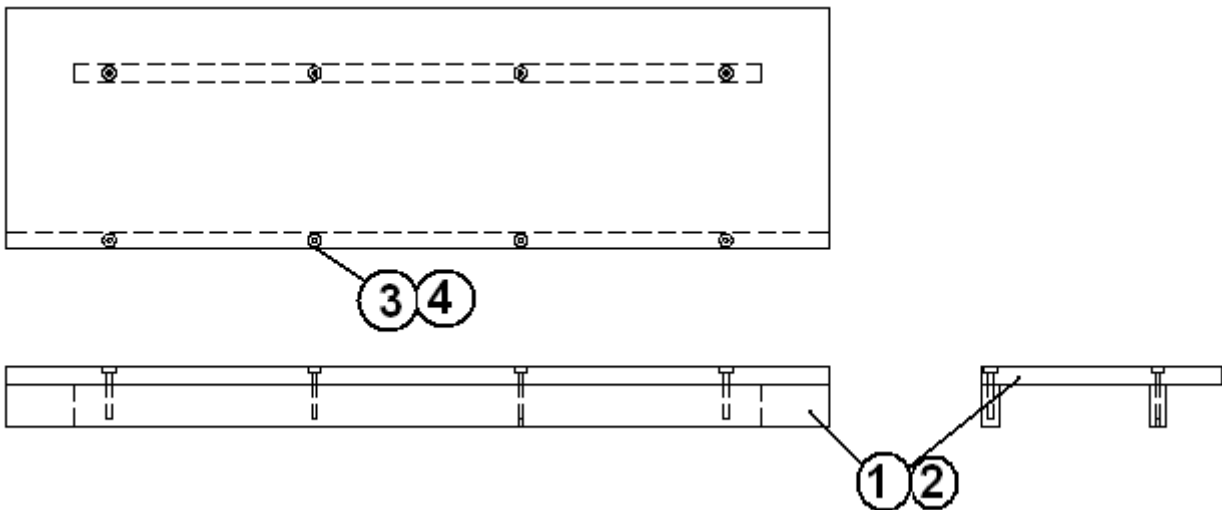
2007 INTERSTATE MOTORHOME

CHASSIS

Spare Tire Hold Down/Covers, Standard

703389	COVER-SPARE TIRE
703448	STRAP ASSY-SPARE TIRE
381566	LOOP FOOTMAN STEEL 1.625" X .56"
195345-01	1 1/2" BROWN NYLON WEBBING
700618	SCOTCHMATE-SJ 3527 LOOP
700617	SCOTCHMATE-SJ 3536 HOOK

Spare Tire Stand

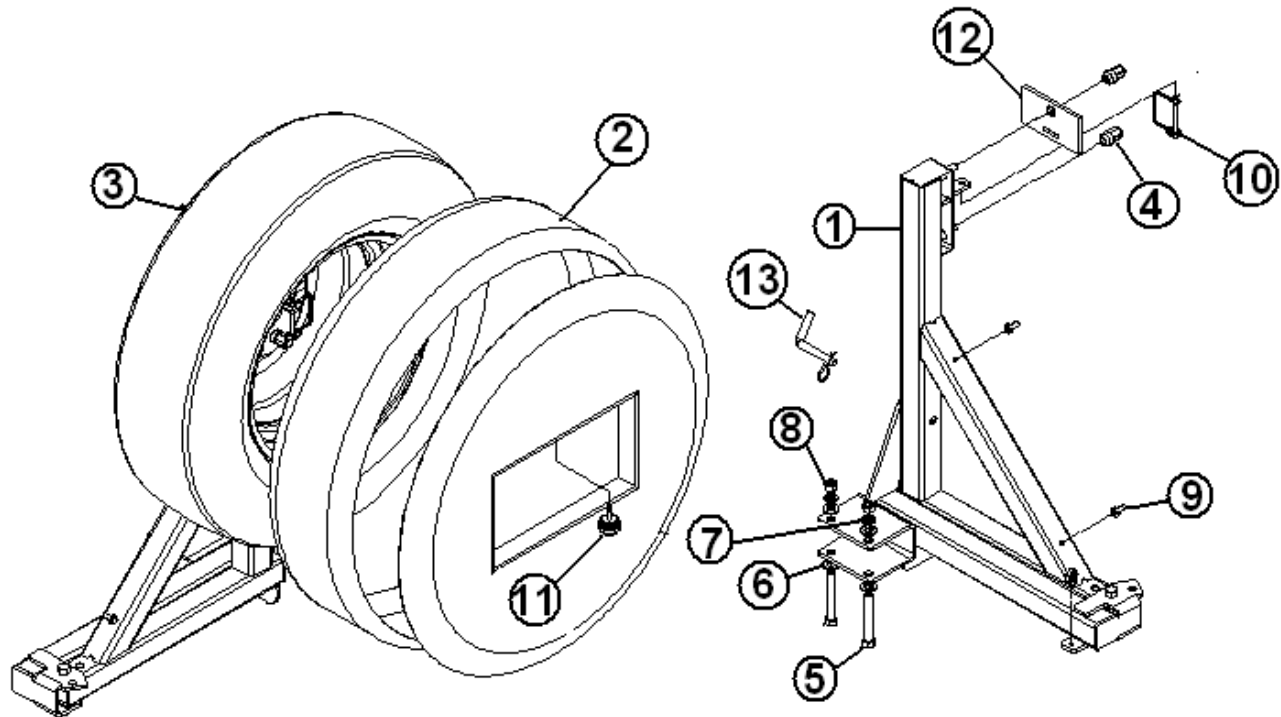


966102	STAND ASSY-SPARE TIRE STAND
1. 801392	PANEL, WHITELINER/WHITELINER, 12MM
2. 365240-01	EDGEBANDING-PVC 3M 1-5/16" WHITE
3. 320059-03	SCREW-#8 X 2.5" WHITE PHILLIPS
3. 203473	CAP-SCREW COVER PVC WHITE
454228	BRACE-SPARE TIRE

2007 INTERSTATE MOTORHOME

CHASSIS

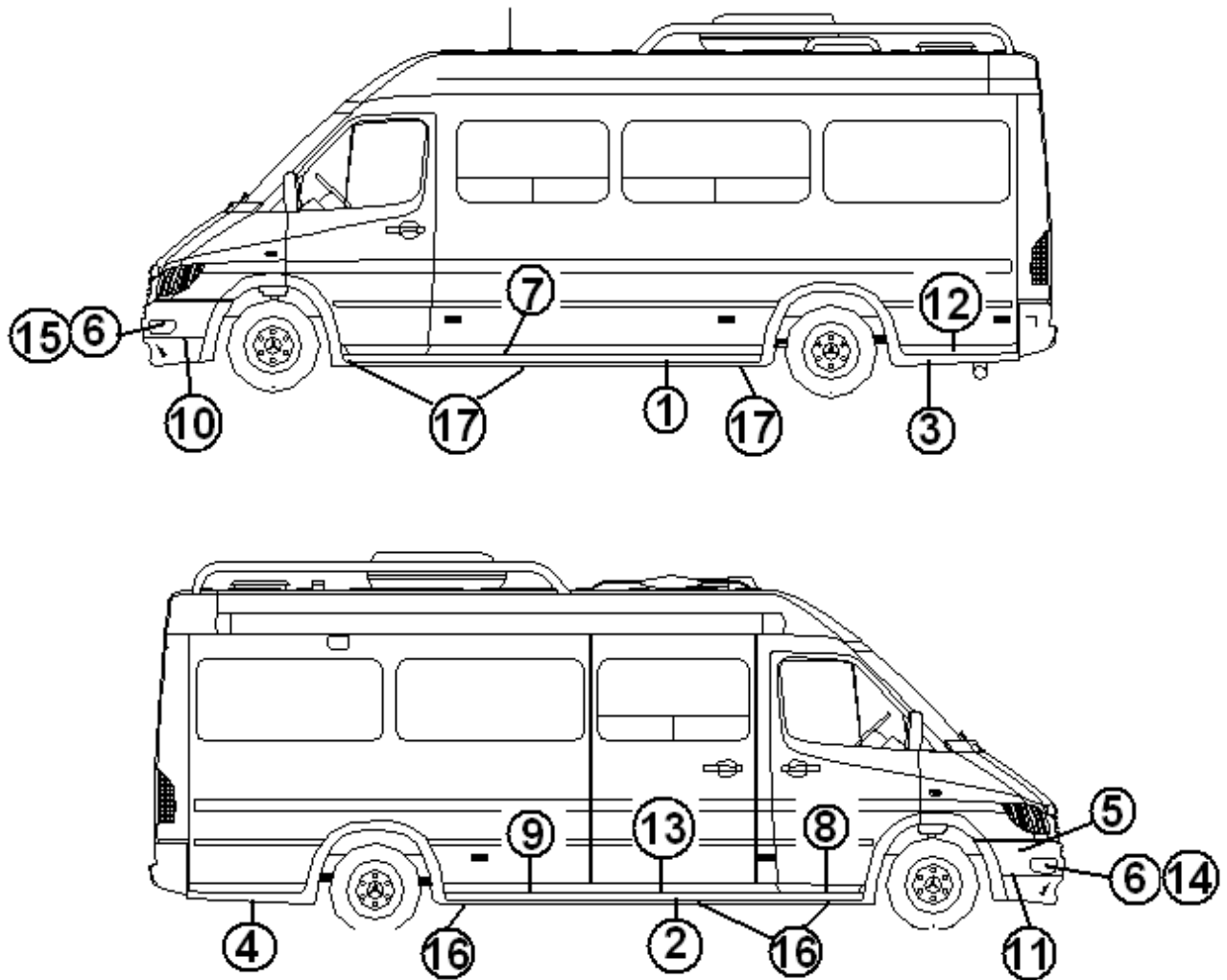
Spare Tire Cover Kit, Mid Bath Rear Dinette Option



- | | |
|-----------------------------------|-------------------------------------|
| 1. 915958 | Spare tire carrier assembly |
| 2. 381986 | KIT, CONTINENTAL SPARE TIRE COVER |
| 3. Spare Tire Supplied by chassis | |
| 4. 400923 | Lug nut, stainless steel |
| 5. 345269-14 | Bolt, hex head, .5" x 13 |
| 6. 300147 | Washer, flat, .53" ID x 1.06" OD |
| 7. 300128 | Washer, split lock, .56"ID x .88"OD |
| 8. 350166 | Nut, .5" x 3 HEX |
| 9. 345455 | Retainer, wiring |
| 10. 24142W | Safety hitch pin, 5/16" |
| 11. 512190 | Harness, license plate light |
| 12. 915958-03 | SPARE TIRE CARRIER SECURITY PLATE |
| 13. 345456 | HITCH PIN SPARE TIRE CARRIER |

2007 INTERSTATE MOTORHOME CHASSIS

Running Boards/Front Bumper



2007 INTERSTATE MOTORHOME

CHASSIS

Running Boards/Front Bumper

- | | |
|---------------|---|
| 1. 203572-00 | ROADSIDE FORWARD RUNNING BOARD |
| 2. 203572-01 | CURBSIDE FORWARD RUNNING BOARD |
| 3. 203572-02 | ROADSIDE AFT RUNNING BOARD |
| 4. 203572-03 | CURBSIDE AFT RUNNING BOARD |
| 5. 203572-04 | FRONT BUMPER |
| 6. 512182 | DRIVING LIGHT KIT |
| 7. 203585-01 | STEP TREAD, ROADSIDE RUNNING BOARD |
| 8. 203585-02 | STEP TREAD, RUNNING BOARD CURBSIDE
FRONT |
| 9. 203585-03 | STEP TREAD, RUNNING BOARD, CURBSIDE AFT |
| 10. 203585-04 | STEP TREAD, RUNNING BOARD, RS FRONT
BUMPER |
| 11. 203585-05 | STEP TREAD, CURBSIDE RUNNING BOARD
BUMPER |
| 12. 203585-06 | STEP TREAD, RUNNING BOARD. ROADSIDE
AFT |
| 13. 203585-07 | STEP TREAD, RUNNING BOARD CURBSIDE
MIDDLE |
| 14. 454559-01 | BRACKET, RH DRIVING LIGHT |
| 15. 454559-02 | BRACKET, LH DRIVING LIGHT |
| 16. 454560 | BRACKET, CURBSIDE RUNNING BOARD |
| 17. 454564 | BRACKET, ROADSIDE RUNNING BOARD |

2007 INTERSTATE MOTORHOME

CHASSIS

Hitch/License Plate Bracket

400983-01	Hitch, Interstate
400983-02	7-WAY, 4 WIRE COMBINAIONT OW WIRE
400983-03	TAIL LIGHT/TOWWIE HARNESS
104315	BRACKET-FRONT LICENSE PLATE

Skid Plate

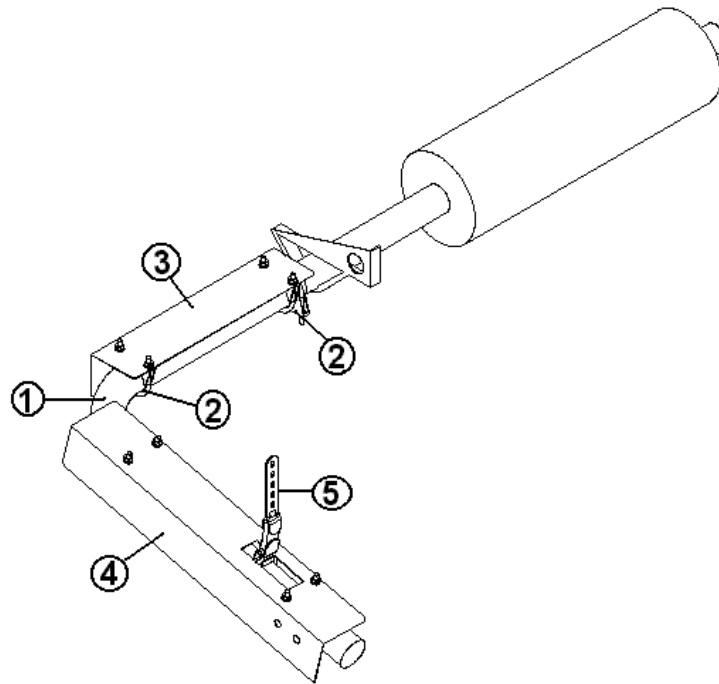
454203	WELDMENT-SKID RAIL INTERSTATE
345276-03	BOLT HEX. HD. 1/4-20 X 3/4 IN
350143-04	NUT, SELF-LOCKING, 1/4-20
300111-31	WASHER, FLAT 5/16 IN

Wheel Valve Extension

400982	EXTENSION-VALVE STEM 3.5"
--------	---------------------------

2007 INTERSTATE MOTORHOME CHASSIS

*Exhaust System, replaced during Model Year



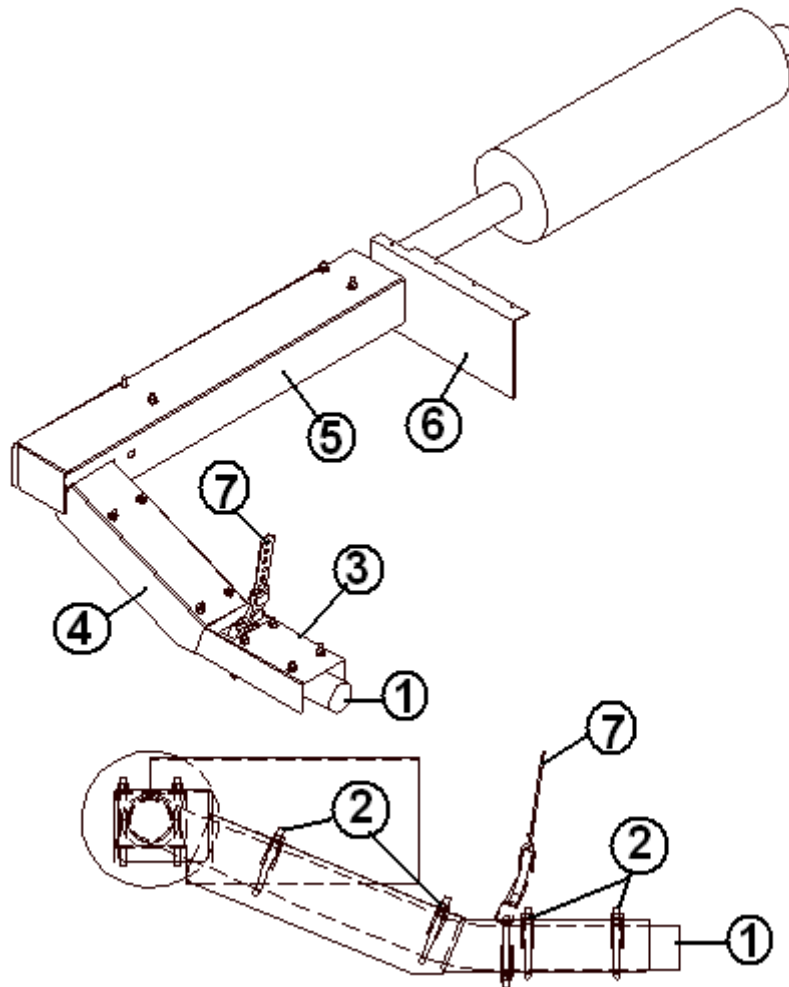
- | | |
|--------------|-------------------------------|
| 1. 454222 | PIPE, EXHAUST |
| 2. 340073-10 | CLAMP- MUFFLER 2.5" |
| 3. 454218 | SHIELD-FWD EXHAUST, REAR BATH |
| 3. 454336 | SHIELD-EXHAUST FWD MIB BATH |
| 4. 454219 | SHIELD-AFT EXHAUST, REAR BATH |
| 4. 454337 | SHIELD-EXHAUST AFT MIB BATH |
| 5. 381509 | Hanger, Tailpipe |

*Replaced during Model Year, see next page

2007 INTERSTATE MOTORHOME

CHASSIS

*Exhaust System,



- | | |
|--------------|----------------------------------|
| 1. 454604 | EXHAUST PIPE EXTENTION |
| 2. 340073-10 | CLAMP, MUFFLER 2.5" |
| 3. 454603 | SHEILD, EXHAUST, AFT OUTBOARD |
| 4. 454602 | SHEILD, EXHAUST, AFT INTBOARD |
| 5. 454601 | SHEILD, EXHAUST, AFT FORWARD |
| 6. 454610 | SHEILD, EXHAUST, LP TANK FORWARD |
| 7. 381509 | Hanger, Tailpipe |

*Added During Model Year, use on all models.

2007 INTERSTATE MOTORHOME

DOORS/WINDOWS/AWNING

Exterior Doors

203463	DOOR-ACCESS LP REMOTE FILL
601194	Water fill w/lock, gray, w/ label
601876	Exterior shower door and frame
690209	BRUSHED ALUMINUM ACCESS COVER
601229	Sewer hose storage
690470-01	VENT-REFER-PLASTIC RADIUS CORNER

WINDOWS, SIDEWALLS

371392-01	WINDOW-23.31"X23.31"RH CREATION
371392-02	WINDOW-23.31"X23.31"LH CREATION
371392-03	WINDOW-39.5"X23.38"CREATION
371392-04	WINDOW-41.13"X23.38"CREATION
371392-05	WINDOW-51.13"X23.38"SOLID CREATION
371392-06	WINDOW-51.13"X23.38"DLB VENT C
371404	WINDOW, RS, MIB BATH
371405	WINDOW, CS GALLEY MIB BATH

WINDOWS, REAR END

371395	GLASS, RS 52.63" X 24.88", FULL TINT
371396	GLASS, CS 52.63" X 24.88", HALF TINT
195467-02	WASHER NYLON .125" X 5/16" OD
320111	SCREW, #8 X 3/4", SD, PPH, SS
0802-0004	SNAP CAP COVER BLK 2-PIECE HINGE

AWNINGS

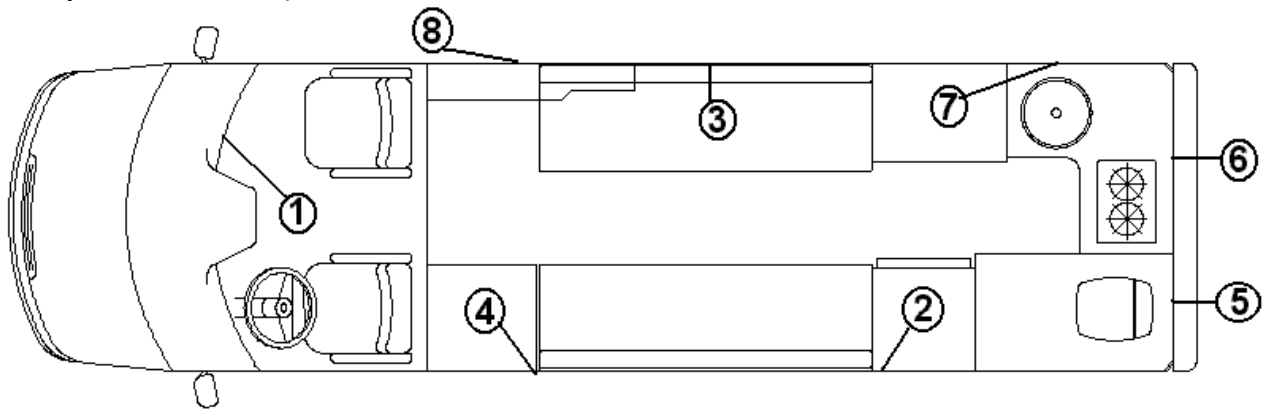
690497-01	Patio awning, 13 foot, DOMETIC
*690497-02	Patio awning, 13 foot, CARE FREE

* Carefree replaced Dometic during model year.

2007 INTERSTATE MOTORHOME

DRAPES/BLINDS/VALANCES

Drapes/Shades, Rear Bath



- | | |
|--------------|--|
| 1. 998153 | DRAPE CLOSEOUT ASSEMBLY, WINDSHIELD |
| 2. 703542-02 | SHADE, NIGHT ONLY 41" W X 21.25" L |
| 3. 703542-03 | SHADE NIGHT ONLY 48.75" W X 21.25" L |
| 4. 703542-01 | SHADE NIGHT ONLY 38"W X 21.25"L |
| 5. 703543-01 | SHADE ANGLED-R/S AFT DOOR, 19.5" x 21" |
| 6. 703543-02 | SHADE ANGLED-C/S AFT DOOR, 19.5" x 21" |
| 7. 703191-06 | BLIND-MINI 26" X 23" ALUMINUM |
| 8. 998162 | CURTAIN ASSEMBLY-SLIDING DOOR |

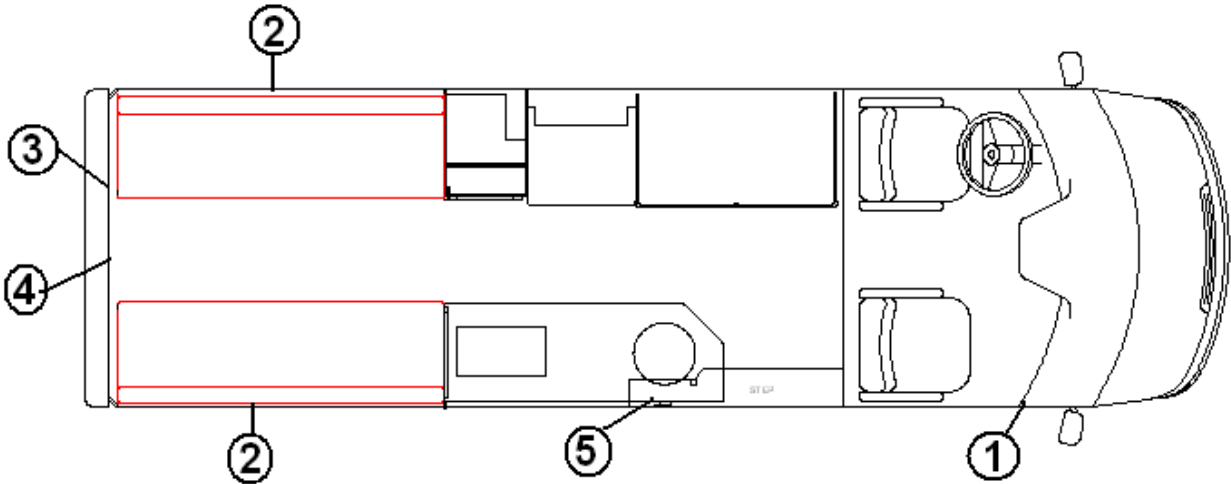
Curtain/Drape Material

- | | |
|--------|---------------------------------|
| 702954 | FABRIC DRAPERY GALAXY/BONE |
| 700273 | LINING, THERMA-FOAM 25006 WHITE |
| 700044 | Glides, w/elastic "T" type |

2007 INTERSTATE MOTORHOME

DRAPES/BLINDS/VALANCES

Drapes/Shades, Mid Bath



- | | |
|--------------|--|
| 1. 998153 | DRAPES CLOSEOUT ASSY-WINDSHIELD |
| 2. 703542-03 | SHADE-DAY/NGT 48.75" X 21.25" PEWTER |
| 3. 703543-01 | SHADE-NIGHT 20.5" X 21" ANGLED, RS DOOR |
| 4. 703543-02 | SHADE-NIGHT 20.50" X 21.00", ANGLED, RS DOOR |
| 5. 703191-16 | BLIND-MINI 36" X 18.25" ALUMINUM |

Curtain/Drape Material

- | | |
|--------|---------------------------------|
| 702954 | FABRIC DRAPERY GALAXY/BONE |
| 700273 | LINING, THERMA-FOAM 25006 WHITE |
| 700044 | Glides, w/elastic "T" type |

2007 INTERSTATE MOTORHOME

ELECTRICAL, 110 VOLT

Power Cord/Outlets/Switches/Converter

511416-02	30-amp, male power inlet for power cord
511416-03	POWER CORD 30A, 30' W/CONN UL/C
510676-01	Outlet, 10 Volt, exterior, gray
511654	POWER CENTER-110V/12V MAGNATEK
511637	SWITCH-SELECTOR AUTO ENERGY
510562	SWITCH, GENERATOR SWITCH OVER AUTO TS
511260	COVER WEATHER PROOF SINGLE GANG
500563-01	RECEPTACLE, 15A 125V T&B TYPE
511100	SWITCH BODY WITH SWITCHES
091959	SWITCH-WATER HEATER ELECTRONIC

2007 INTERSTATE MOTORHOME

ELECTRICAL, 12 VOLT

Battery

511828 Battery, 12-VOLT, DEEP CYCLE, AGM
511595 Battery box

Battery Disconnect Switch

511655-01 BATTERY DISCONNECT BEZEL ASSEMBLY,
BLACK/SILVER
511655-02 BATTERY DISCONNECT RELAY 100 AMP 12-VOLT
511655-03 BATTERY DISCONNECT CABLE, BDO/1, 20 FT

LP Remote Switch

511805 SWITCH-ROTARY ON/OFF LP VALVE
511833 SWITCH ASSY-SGL ROCKER LIGHTED

Interior Lights

511694 Reading light, halogen, Nickel
511695 SPOTLIGHT-BRUSHED NICKEL
511410 LIGHT-SHOWER INCANDESCENT SINGLE
511850 LIGHT, FLUORESCENT, SURFACE MOUNT
511361 LIGHT COURTESY FLUSH MOUNT BLACK

Monitor Panel

511788-02 Monitor panel, CATCON Micropulse
511252 PLUG PHONE 4 CONDUCTOR
511789 SENSOR-TANK MONITOR #500-10050
511789-01 BOOT-SENSOR #500-20010-05
511393 COUPLER-MODULAR EXTENSION 4 CONDUCTOR

2007 INTERSTATE MOTORHOME

ELECTRICAL, 12 VOLT

Tank Heating Pad/Remote Dump Valve

511812	PAD-HEATING HOLD TANK #TH-718
511813-01	VALVE-ELECTRIC, WASTE
511813-02	SWITCH-ELECTRIC WASTE VALVE

Porch Light/Cable TV Hook Up

510672-02	PORCH LIGHT, #30-78-515, WHITE
511796	CABLE-EXT. TV/12V POWER PORT

Driving Lights

512182	DRIVING LIGHTS
512166	Switch, driving lights
512183	Connector, Switch, driving lights
454559-01	BRACKET, RH DRIVING LIGHT
454559-02	BRACKET, LH DRIVING LIGHT

2007 INTERSTATE MOTORHOME

ENTERTAINMENT

*Radio

512051-01	RADIO, AM/FM/CD, MODEL JCD3050
511838	RADIO, AM/FM/CD
511822	SUB WOOFER-POWERED 6.5" WEDGE
511618	SPEAKERS, 4" 2-WAY BLACK JVC
511874	SPEAKER- 4", 2-WAY JVC
511807	ANTENNA, AM/FM RUBBER RADIO
512150	Adaptor, Antenna

*Obsolete during model year. Replaced by:

Standard Radio Package

512051-01	RADIO, AM/FM/CD, MODEL JCD3050
511339-01	SPEAKER, AUDIOVOX, 5.25"
511339-02	GRILLE, SPEAKER, WHITE, 6"

Audio Upgrade Option

512201	RADIO, AUTOMOTIVE, AM/FM/CD/HD, JVC
512198	SPEAKER, CAR STEREO, 4", BLACK, JVC
512197	SPEAKER, CAR STEREO, 6", BLACK, JVC
512199	INTERFACE ADAPTOR, IPOD, JVC
511822	SUBWOOFER, POWERED, 6.5", WEDGE
511703	PATCH CORD, MALE-MALE, 20'

Sirius/XM Satellite Upgrade

512202	RADIO TUNER, SIRIUS SATELLITE, JVC
512203	RADIO TUNER, XM DIRECT SATELLITE, JVC
511635	PLATE, DUAL CABLE ENTRY
203598	PANEL, RADIO MOUNTING, ABS

2007 INTERSTATE MOTORHOME

Television Antenna

510788-05	ANTENNA-TV WINEGARD SHORT BOOM
500484-05	Antenna lead & extension, 72"
510788-03	Amplifier, TV antenna
510788-04	Hardware package, interior, Winegard
510612	Coax, 75 ohm, standard
510623	Connector, coax, male to male
510616	F CONNECTOR, COAX, 75 OHM
511534	DUAL COAX PLATE WHITE
510614-01	JACK TV 12V WHITE
510654-01	TV jack/12 volt w/splitter, white
511375	JACK MODULAR TELEPHONE
511287	RECEPTACLE SINGLE 15 AMP

Television

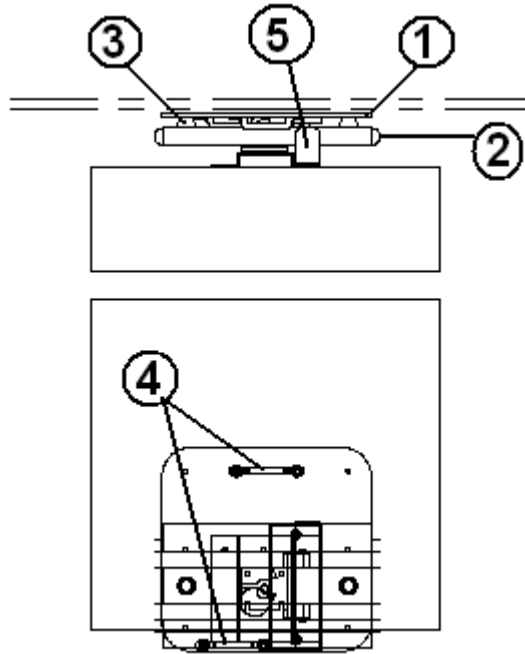
*690543	TV, 15"LCD FLAT SONY
690578	TV w/DVD, LCD, Toshiba
500996	Jack, TV/phone, gray, Exterior
510654-01	TV jack/12 volt w/splitter, white
510624-01	Modular phone quick jack, white
452981	PHONE JACK PROTECTIVE PLATE
511646	Patch cord 3-way, 20" RCA
511703	Patch Cord, male to male 2-way, 20"
104619	Mounting plate, exterior telephone/TV jack
114396	Trough, TV antenna, roof
386159	Label, Flat Screen TV
511645	"Y" adaptor, male to 2 female

*690543 was replaced by the 690578 during Model Year.

2007 INTERSTATE MOTORHOME

ENTERTAINMENT

Television, Mid Bath



- | | |
|-----------|----------------------------------|
| 1. 454441 | Bracket, 15" TV wall mount |
| 2. 512105 | Bracket, wall articulating arm |
| 3. 381136 | Rubber bumper |
| 4. 381566 | LOOP FOOTMAN STEEL 1.625"X .56 |
| 5. 454478 | BRACKET-STABILIZING 15" TV MOUNT |
| 703455-01 | STRAP 15" FLAT SCREEN TV |
| 690577 | V W/DVD COLOR STEREO LCD 15 |
| 690542-01 | DC POWER CORD #ACN-DC |
| 690542-02 | FUSE- 5 AMP DC POWER CORD #CAN |
| 512150 | ADAPTER-ANTENNA VEHICLE |

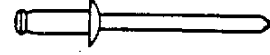
2007 INTERSTATE MOTORHOME

FASTENERS

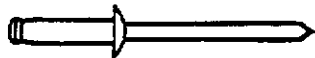
Rivets



330126-02
rivet, pop
dia. 1/8 "
grip range .126-.187
stainless steel
stainless steel mandrel



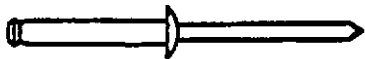
330126-03
rivet, pop
dia. 1/8 "
grip range .126-.250
body stainless steel body
stainless steel mandrel



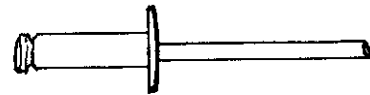
330127-05
rivet, pop
dia. 1/8 "
grip range .251-.312
aluminum body
aluminum mandrel



330128-05
rivet, pop
dia. 1/8 "
grip range .251-.312
aluminum body, white
aluminum mandrel



330127-08
rivet, pop
dia. 1/8 "
grip range .325-.565
aluminum body
aluminum mandrel



330038
rivet, pop
dia. .150 (#20 bit)
grip range .126-.250
aluminum body
aluminum mandrel
(used-screen door hinge)



325103
dia. 1/4 "
grip range .080-.325
SS body, steel mandrel

2007 INTERSTATE MOTORHOME

FURNITURE

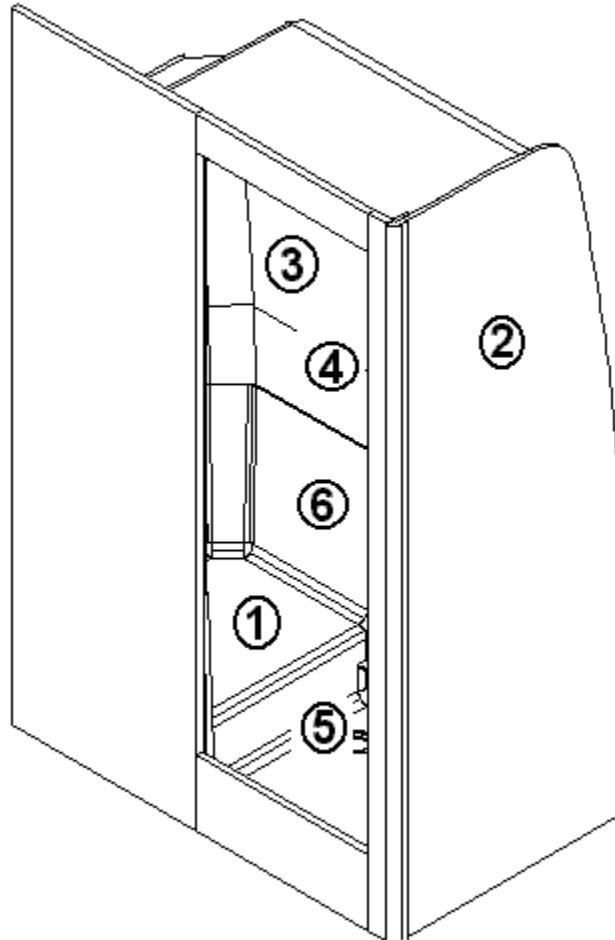
Linoleum/Mats/Carpet

703530	FLOORING VINYL-URBAN SETTINGS
703659	FLOORING, SAVANNAH
115179	ANGLE-ALUM .06"X.75"X.75"
800639-02	ADHESIVE, OAK PLANK
998156-01	FLOOR MAT, CAB UPPER
998156-02	FLOOR MAT, CAB LOWER
703384	CARPET, CHARCOAL

2007 INTERSTATE MOTORHOME

FURNITURE, BATH

Lavatory Module, Rear Bath, Cherry



1. 203448

2. 966002

3. 998154

4. 601592-01

5. 690495-02

6. 380034

BASE/ CAP-SHOWER STALL FIBERGLASS
PANEL, SHOWER

SHOWER CURTAIN-28" X 67"

SHOWER HEAD WHITE

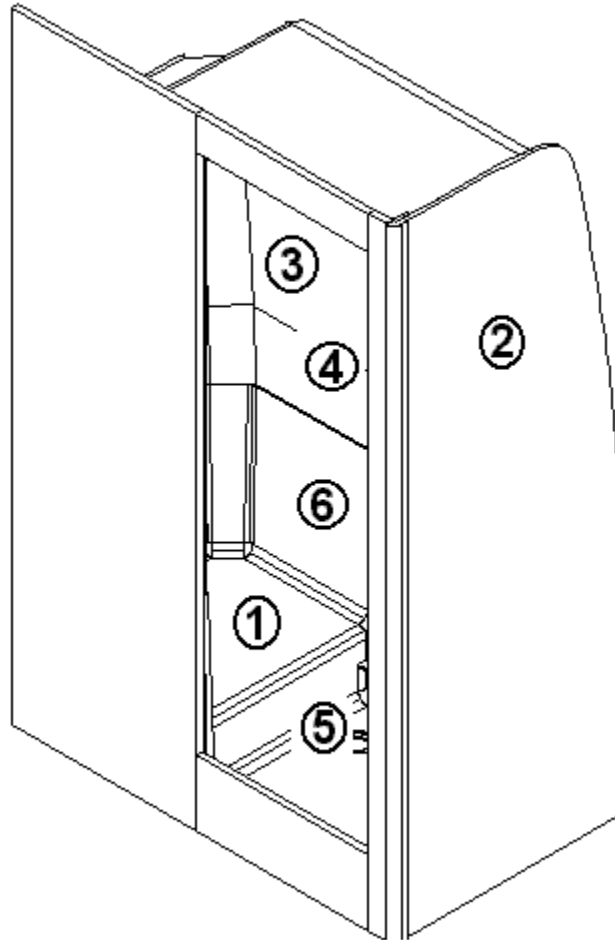
TOILET THETFORD AQUA-MAGIC V-LO

TOILET PAPER HOLDER, CHROME

2007 INTERSTATE MOTORHOME

FURNITURE, BATH

Lavatory Module, Rear Bath, Savannah



1. 203448

2. 966002-02

3. 998154

4. 601592-01

5. 690495-02

6. 380034

BASE/ CAP-SHOWER STALL FIBERGLASS
PANEL, SHOWER

SHOWER CURTAIN-28" X 67"

SHOWER HEAD WHITE

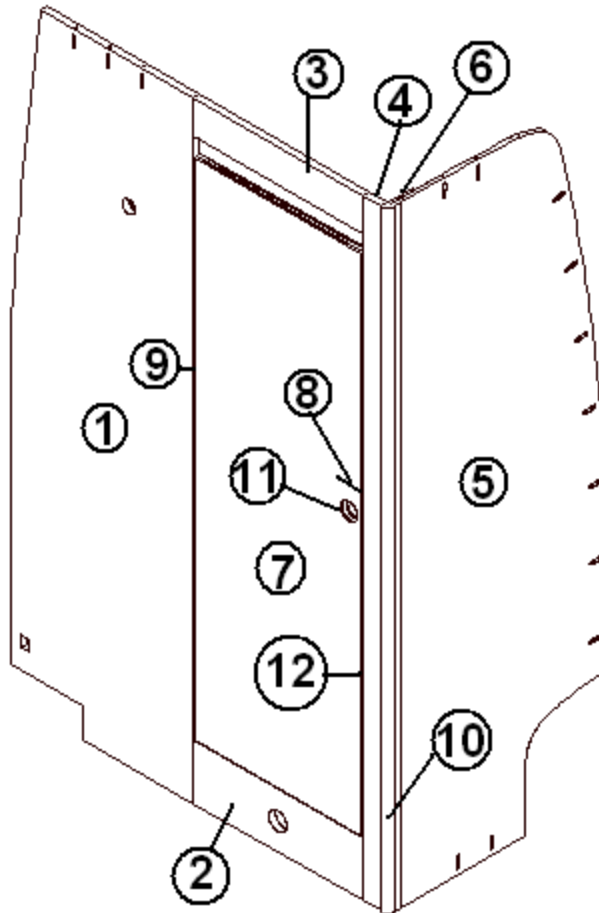
TOILET THETFORD AQUA-MAGIC V-LO

TOILET PAPER HOLDER, CHROME

2007 INTERSTATE MOTORHOME

FURNITURE, BATH

Shower Panels, Rear Bath, Cherry

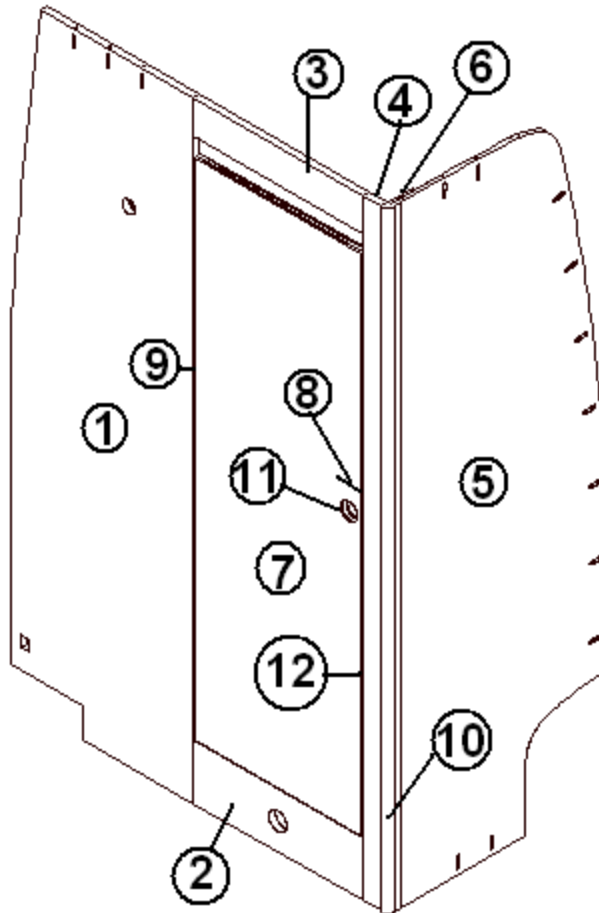


- | | |
|----------------|------------------------------|
| 1. 966002-1A8 | FRONT SHOWER PANEL, SHOWER |
| 2. 966002-1B8 | KICK PANEL, SHOWER |
| 3. 966002-1C8 | HEADER, SHOWER PANEL |
| 4. 966002-1D8 | STILE, SHOWER PANEL |
| 5. 966002-2A8 | PANEL, RH, SHOWER |
| 6. 800507-02 | LAUAN, 1/4" X 4' X 8' |
| 7. 966124 | DOOR, BATH |
| 8. 380772-01 | SLIDE BOLT, SCREEN DOOR |
| 9. 380458 | HINGE, PIANO, BROWN |
| 10. 801706-008 | CORNER TRIM 90DEG. 1" RADIUS |
| 11. 381861 | LATCH, PUSH CLOSE/PULL OPEN |
| 12. 114070 | EXTRUSION, J-TRIM |

2007 INTERSTATE MOTORHOME

FURNITURE, BATH

Shower Panels, Rear Bath, Savannah

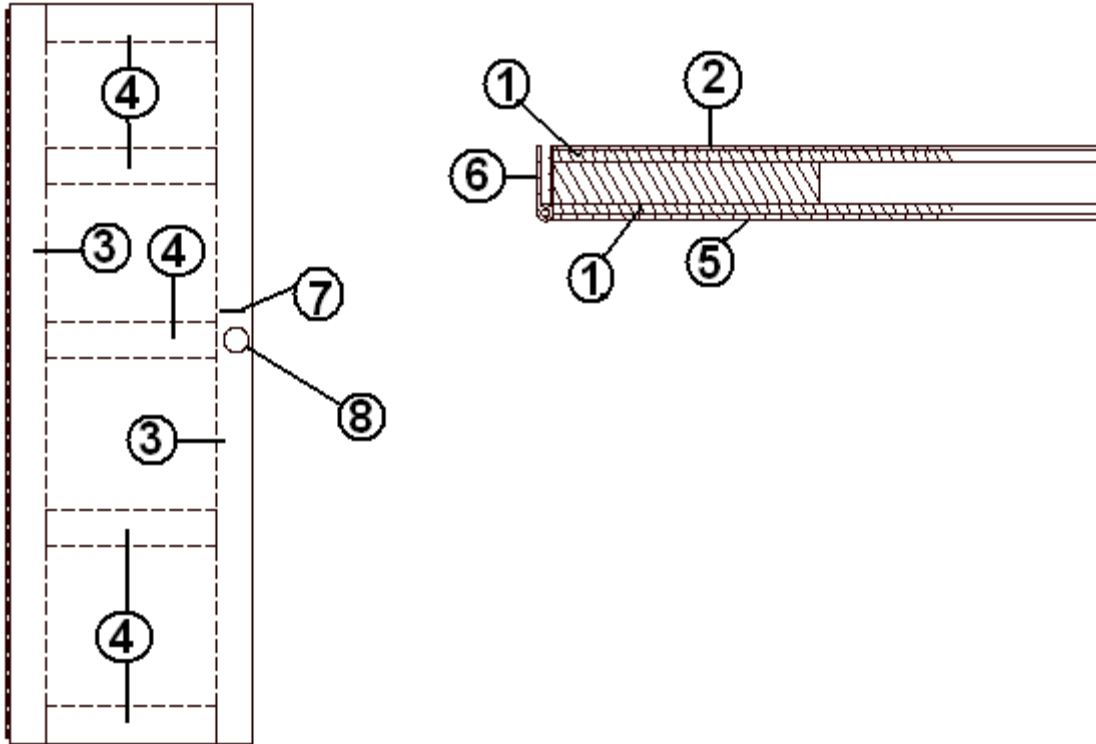


- | | |
|----------------|------------------------------|
| 1. 966002-1A7 | FRONT SHOWER PANEL, SHOWER |
| 2. 966002-1B7 | KICK PANEL, SHOWER |
| 3. 966002-1C7 | HEADER, SHOWER PANEL |
| 4. 966002-1D7 | STILE, SHOWER PANEL |
| 5. 966002-2A7 | PANEL, RH, SHOWER |
| 6. 800507-02 | LAUAN, 1/4" X 4' X 8' |
| 7. 966124-02 | DOOR, BATH |
| 8. 380772-01 | SLIDE BOLT, SCREEN DOOR |
| 9. 380458 | HINGE, PIANO, BROWN |
| 10. 801706-007 | CORNER TRIM 90DEG. 1" RADIUS |
| 11. 381861 | LATCH, PUSH CLOSE/PULL OPEN |
| 12. 114070 | EXTRUSION, J-TRIM |

2007 INTERSTATE MOTORHOME

FURNITURE, BATH

Shower Door, Rear & Mid Bath, Cherry

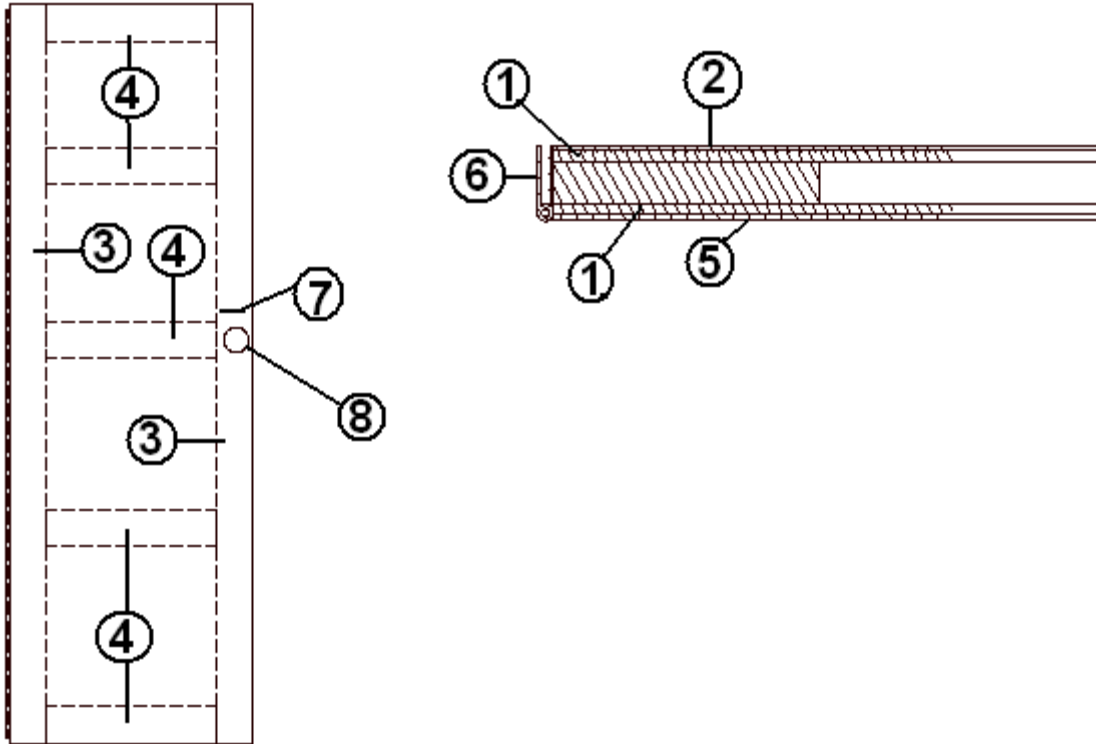


966124	DOOR, BATH, REAR BATH
966351	DOOR, BATH, INTERSTATE, MID BATH
1. 966124-1A	LAUAN PANEL, 1/8" x 21.63" x 61.56"
2. 966124-2A	PANEL, 21.63" x 61.56"
3. 966124-3A	LAUAN PANEL, 1/2" x 21.63" x 61.56"
4. 966124-3B	LAUAN PANEL, 1/2" x 3.00" x 16.63"
5. 966124-4A	PANEL, 31.63 X 61.56
6. 380458	HINGE PIANO BROWN ANODIZED
7. 380772-01	SLIDE BOLT, SCREEN DOOR #40-B2
8. 381861	LATCH PUSH CLOSE/PULL OPEN

2007 INTERSTATE MOTORHOME

FURNITURE, BATH

Shower Door, Rear & Mid Bath, Savannah

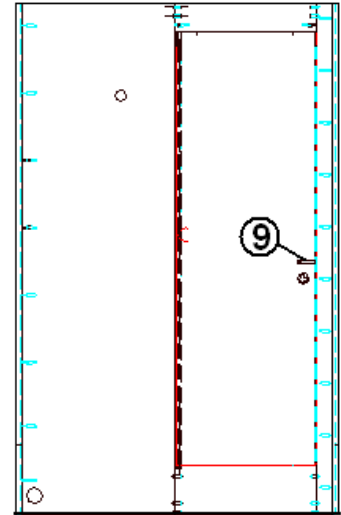
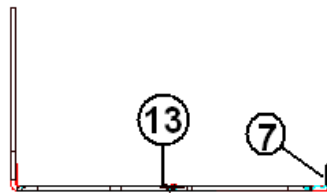
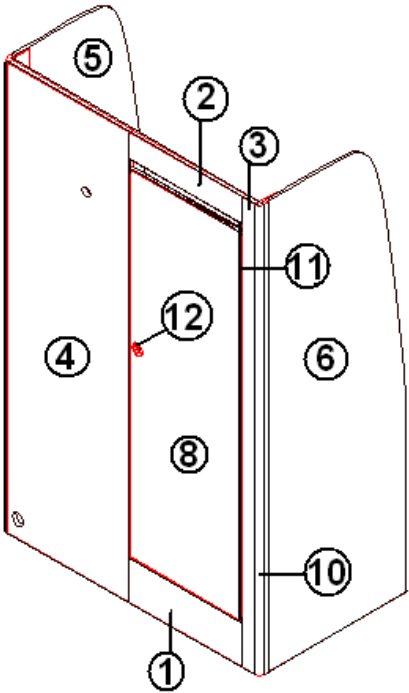


966124-02	DOOR, BATH, REAR BATH
966351-02	DOOR, BATH, INTERSTATE, MID BATH
1. 966124-1A	LAUAN PANEL, 1/8" x 21.63" x 61.56"
2. 966124-2A	PANEL, 21.63" x 61.56"
3. 966124-3A	LAUAN PANEL, 1/2" x 21.63" x 61.56"
4. 966124-3B	LAUAN PANEL, 1/2" x 3.00" x 16.63"
5. 966124-4A7	PANEL, 31.63 X 61.56
6. 380458	HINGE PIANO BROWN ANODIZED
7. 380772-01	SLIDE BOLT, SCREEN DOOR #40-B2
8. 381861	LATCH PUSH CLOSE/PULL OPEN

2007 INTERSTATE MOTORHOME

FURNITURE, LAVATORY

Shower Assembly, Mid Bath, Cherry

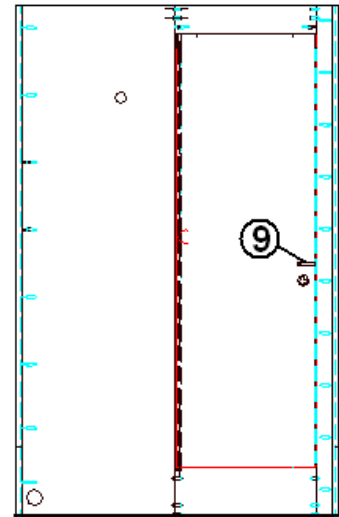
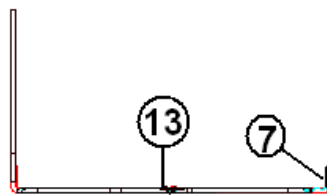
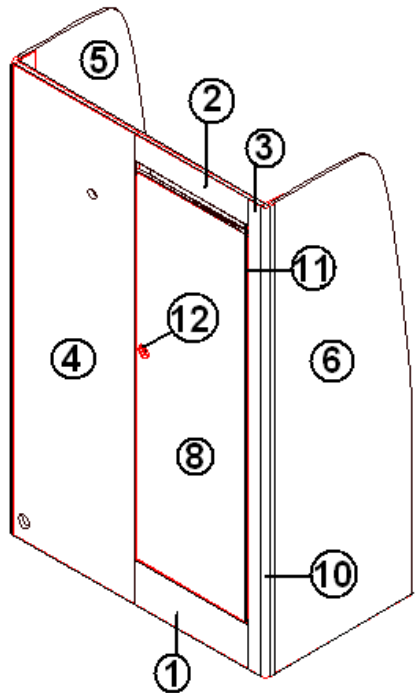


- | | |
|----------------|--------------------------------|
| 1. 966213-1A8 | Kick panel |
| 2. 966213-1B8 | Header |
| 3. 966213-1C8 | Style, shower |
| 4. 966213-1D8 | Shower panel, front |
| 5. 966213-2A8 | Shower panel, left hand |
| 6. 966213-2B8 | Shower panel, right hand |
| 7. 966213-3A | Luan, 1/4" x 4' x 8' |
| 8. 966351 | Shower door |
| 9. 380772-01 | Slide bolt |
| 10. 801706-008 | CORNER TRIM 90DEG. 1" RADIUS |
| 11. 380458 | Hinge, brown, anodized |
| 12. 381861 | Latch, push close/pull open |
| 13. 114070 | EXTRUSION, J-TRIM, MILL FINISH |
| 203448 | Shower stall |
| 998154 | Shower curtain |

2007 INTERSTATE MOTORHOME

FURNITURE, LAVATORY

Shower Assembly, Mid Bath, Savannah



- | | |
|----------------|------------------------------|
| 1. 966213-1A7 | Kick panel |
| 2. 966213-1B7 | Header |
| 3. 966213-1C7 | Style, shower |
| 4. 966213-1D7 | Shower panel, front |
| 5. 966213-2A7 | Shower panel, left hand |
| 6. 966213-2B7 | Shower panel, right hand |
| 7. 966213-3A | Luan, 1/4" x 4' x 8' |
| 8. 966351-02 | Shower door |
| 9. 380772-01 | Slide bolt |
| 10. 801706-007 | CORNER TRIM 90DEG. 1" RADIUS |
| 11. 380458 | Hinge, brown, anodized |
| 12. 381861 | Latch, push close/pull open |
| 203448 | Shower stall |
| 998154 | Shower curtain |

2007 INTERSTATE MOTORHOME

FURNITURE, LAVATORY

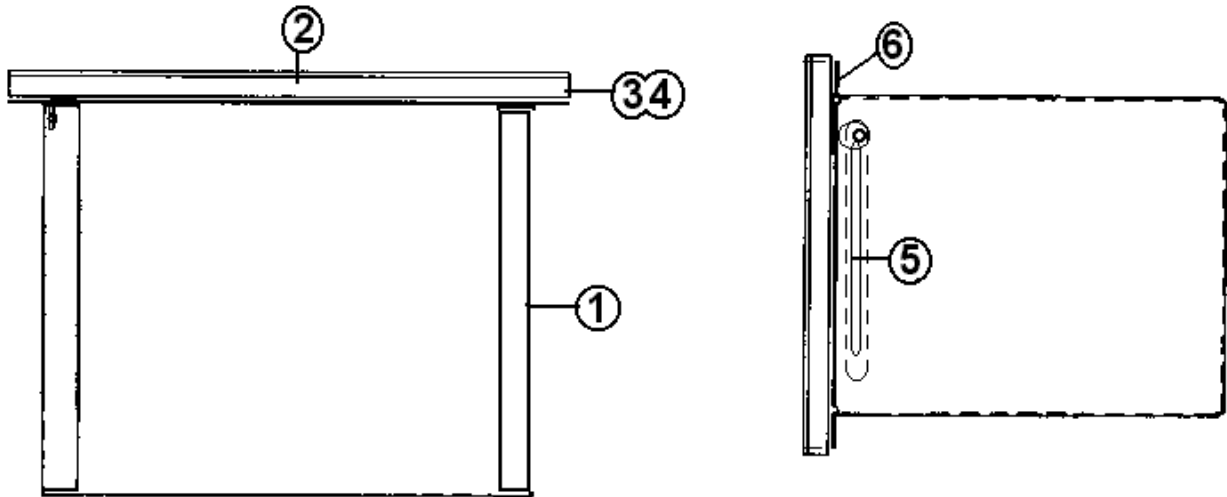
Shower Curtain, Rear & Mid Bath

998154	SHOWER CURTAIN, 28" X 67"
703652	FABRIC-MAD.SNOW SHOWER CURTAIN
700021	HOOK, VELCRO, WHITE
700020	PILE VELCRO
700044	GLIDES CURTAIN W/ELASTIC T-2
381581	STRAP CLEAR PLASTIC .75"
700811	BUTTON CAP, HANDY
700812	BUTTON BOTTOM, HANDY #36 NOAK

2007 INTERSTATE MOTORHOME

FURNITURE, LAVATORY

Medicine Cabinet, Rear & Mid Bath

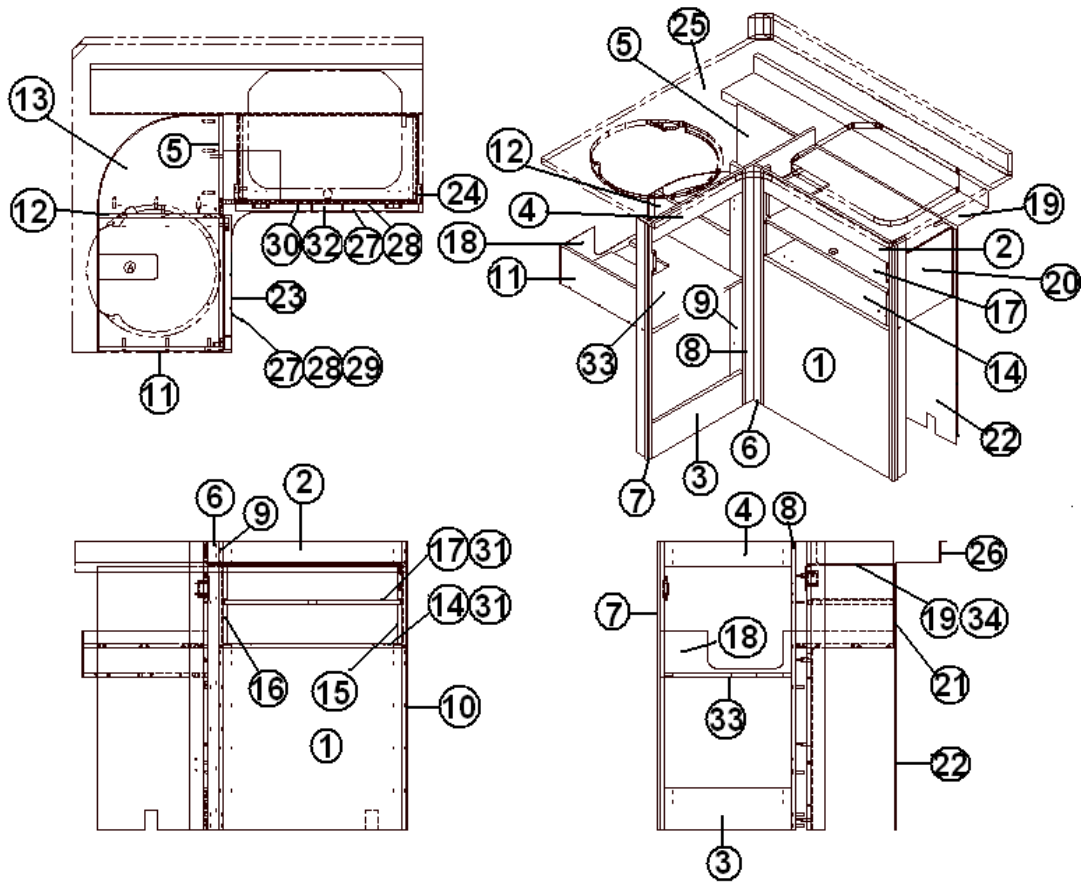


- | | |
|--------------|----------------------------------|
| 966052 | Medicine Cabinet |
| 1. 454198 | BOX ASSEMBLY, MEDICINE CABINET |
| 2. 372203-31 | MIRROR-SAFETY GLASS 14" X 10" |
| 3. 966052-3A | DOOR MEDICINE CABINET |
| 4. 365238-04 | EDGE BANDING TAPE PVC 5/8" WHITE |
| 5. 380024 | ARMS SUPPORT RIGHT HAND |
| 6. 385935-01 | HINGE PIVOT ZINC PLATED |
| 7. 381228-01 | CATCH GRABBER DOOR C3-803 |

2007 INTERSTATE MOTORHOME

FURNITURE, GALLEY

Galley, Rear Bath, Cherry



Parts numbers are on the next page

2007 INTERSTATE MOTORHOME

FURNITURE, GALLEY

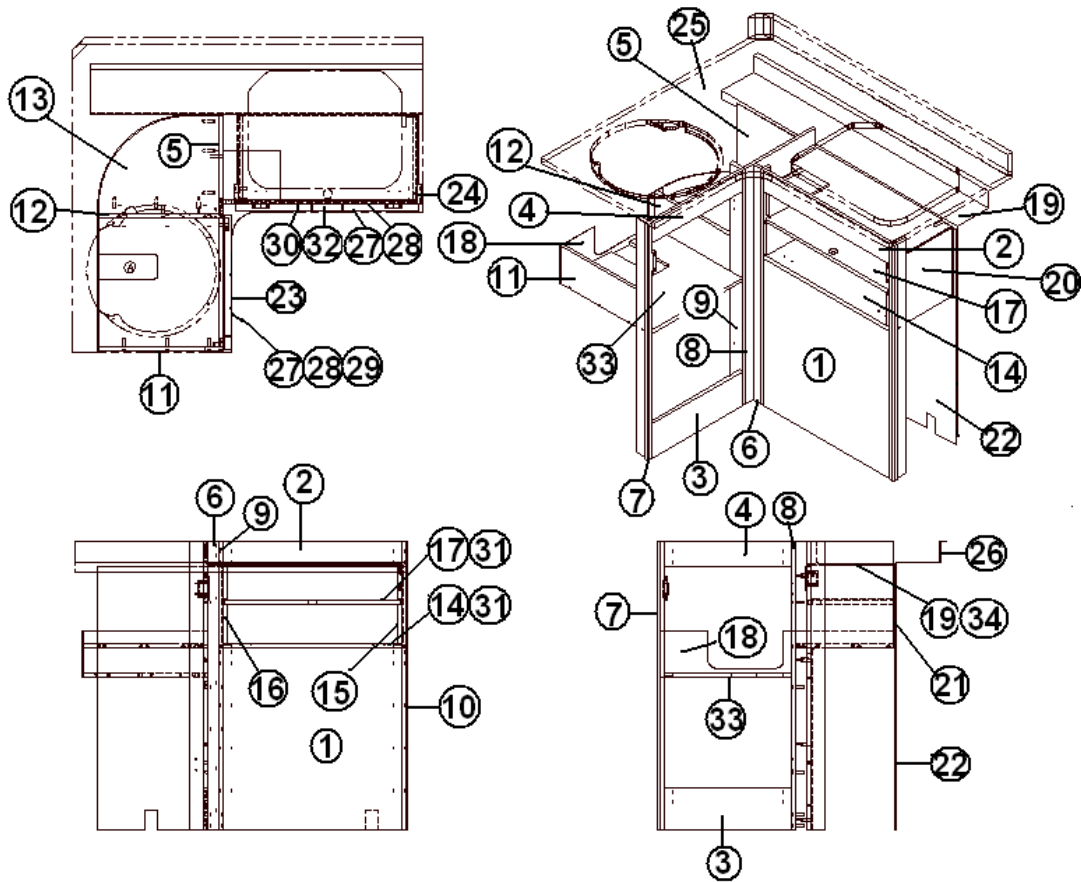
Galley, Rear Bath, Cherry

966786	GALLEY ASSEMBLY
1. 966786-1A8	BOTTOM PANEL, RH SECTION
2. 966786-1B8	TOP PANEL, RH SECTION
3. 966786-1C8	BOTTOM PANEL, LH SECTION
4. 966786-1D8	TOP PANEL, LH SECTION
5. 966786-1E8	LH CORNER PANEL
6. 966786-1F8	RH CORNER PANEL
7. 966786-2A8	LH STILE, SINK SECTION
8. 966786-2B8	RH STILE, SINK SECTION
9. 966786-2C8	LH STILE, COOKTOP SECTION
10. 966786-2D8	RH STILE, COOKTOP SECTION
11. 966786-2F8	LH SHELF, SIDE
12. 966786-2G8	LH SHELF, SIDE
13. 966786-2H	CORNER SHELF
14. 966786-2J8	RH SHELF
15. 966786-2K8	PULLOUT SHELF SUPPORT
16. 966786-2L8	SLIDEOUT SHELF SUPPORT
17. 966786-2M8	PULL OUT SHELF
18. 966786-3A	LH SHELF BACKER
19. 966786-3B	TOP-CLOSEOUT SINK SECTION
20. 966786-3C	SHELF-CLOSEOUT
21. 966786-3D	SHELF CLOSEOUT, REAR
22. 966786-3E	WATER TANK CLOSEOUT
23. 801625-068	DOOR, 26.88" X 15.88"
24. 800507-02	LAUAN, 1/4" X 4' X 8'
25. 966783	GALLEY TOP
26. 454558	CLOSEOUT, AFT GALLEY
27. 381774	HANDLE, DRAWER/DOOR
28. 381607-01	HINGE, GRASS EURO
29. 381228-01	CATCH GRABBER DOOR
30. 380024	ARMS SUPPORT RIGHT HAND
31. 203403	PIN, SHELF 5MM HOLE
32. 801625-078	DOOR, 21.88" X 9.87"
33. 966786-178	SHELF, LH GALLEY
34. 115356	CLOSEOUT, ALUMINUM COOKTOP

2007 INTERSTATE MOTORHOME

FURNITURE, GALLEY

Galley, Rear Bath, Savannah



Parts numbers are on the next page

2007 INTERSTATE MOTORHOME

FURNITURE, GALLEY

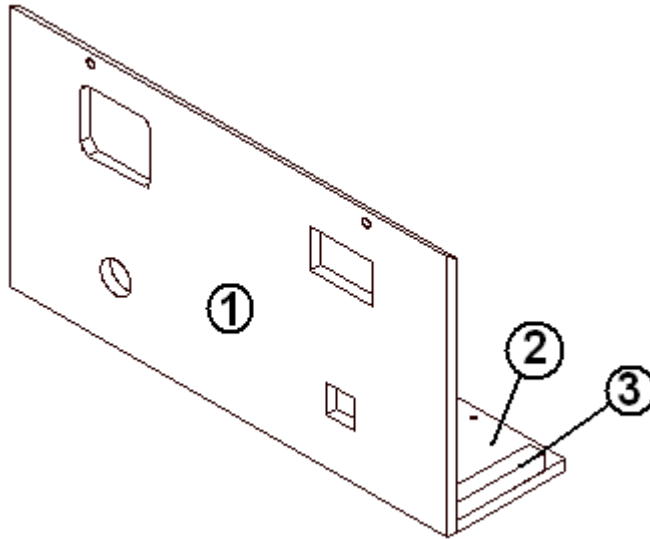
Galley, Rear Bath, Savannah

966786-01	GALLEY ASSEMBLY
1. 966786-1A7	BOTTOM PANEL, RH SECTION
2. 966786-1B7	TOP PANEL, RH SECTION
3. 966786-1C7	BOTTOM PANEL, LH SECTION
4. 966786-1D7	TOP PANEL, LH SECTION
5. 966786-1E7	LH CORNER PANEL
6. 966786-1F7	RH CORNER PANEL
7. 966786-2A7	LH STILE, SINK SECTION
8. 966786-2B7	RH STILE, SINK SECTION
9. 966786-2C7	LH STILE, COOKTOP SECTION
10. 966786-2D7	RH STILE, COOKTOP SECTION
11. 966786-2F7	LH SHELF, SIDE
12. 966786-2G7	LH SHELF, SIDE
13. 966786-2H	CORNER SHELF
14. 966786-2J7	RH SHELF
15. 966786-2K7	PULLOUT SHELF SUPPORT
16. 966786-2L7	SLIDEOUT SHELF SUPPORT
17. 966786-2M7	PULL OUT SHELF
18. 966786-3A	LH SHELF BACKER
19. 966786-3B	TOP-CLOSEOUT SINK SECTION
20. 966786-3C	SHELF-CLOSEOUT
21. 966786-3D	SHELF CLOSEOUT, REAR
22. 966786-3E	WATER TANK CLOSEOUT
23. 801625-067	DOOR, 26.88" X 15.88"
24. 800507-02	LAUAN, 1/4" X 4' X 8'
25. 966783-01	GALLEY TOP
26. 454558	CLOSEOUT, AFT GALLEY
27. 381774	HANDLE, DRAWER/DOOR
28. 381607-01	HINGE, GRASS EURO
29. 381228-01	CATCH GRABBER DOOR
30. 380024	ARMS SUPPORT RIGHT HAND
31. 203403	PIN, SHELF 5MM HOLE
32. 801625-077	DOOR, 21.88" X 9.87"
33. 966786-177	SHELF, LH GALLEY
34. 115356	CLOSEOUT, ALUMINUM COOKTOP

2007 INTERSTATE MOTORHOME

FURNITURE, GALLEY

Galley, Control Panel, No Generator, Galley, Rear Bath, Cherry

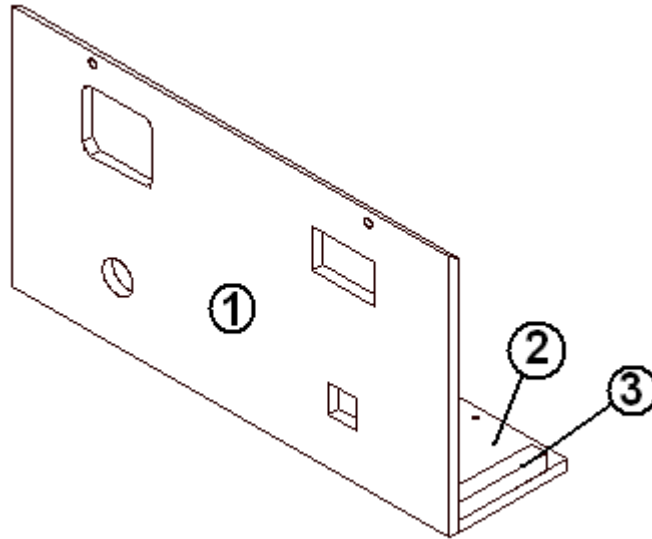


- | | |
|---------------|---|
| 966067 | Control Panel, no generator |
| 1. 966067-1A8 | FRONT PANEL |
| 2. 966067-1B8 | BOTTOM PANEL |
| 3. 800025-01 | STAINED PINE, $\frac{3}{4}$ " X $\frac{3}{4}$ " |

2007 INTERSTATE MOTORHOME

FURNITURE, GALLEY

Galley,Control Panel, No Generator, Galley, Rear Bath, Savannah

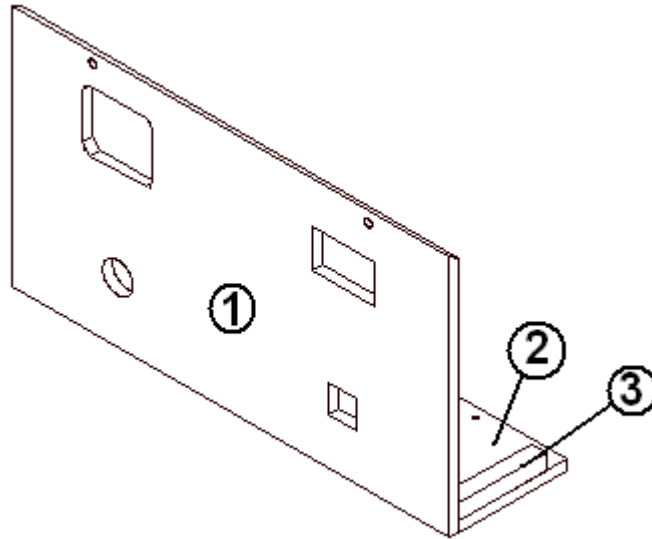


- | | |
|---------------|---|
| 966067-02 | Control Panel, no generator |
| 1. 966067-1A7 | FRONT PANEL |
| 2. 966067-1B7 | BOTTOM PANEL |
| 3. 800025-01 | STAINED PINE, $\frac{3}{4}$ " X $\frac{3}{4}$ " |

2007 INTERSTATE MOTORHOME

FURNITURE, GALLEY

Galley Control Panel, W/Generator, Rear Bath, Cherry

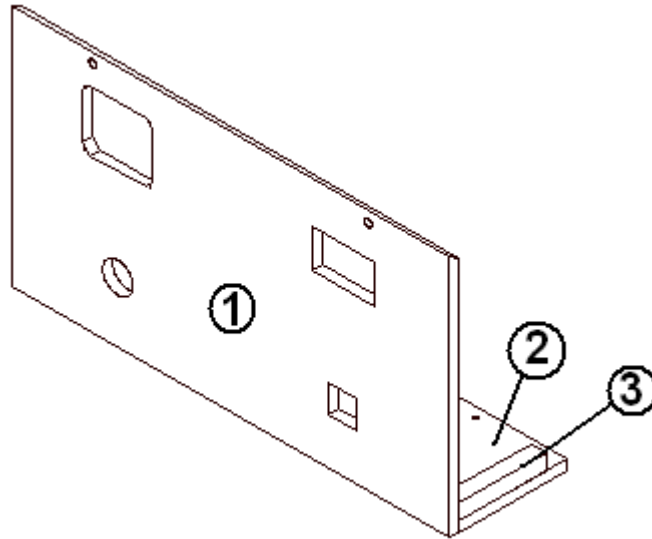


- | | |
|---------------|---|
| 966067-01 | Control Panel, Systems, w/Generator |
| 1. 966067-1C8 | FRONT PANEL |
| 2. 966067-1B8 | BOTTOM PANEL |
| 3. 800025-01 | STAINED PINE, $\frac{3}{4}$ " X $\frac{3}{4}$ " |

2007 INTERSTATE MOTORHOME

FURNITURE, GALLEY

Galley Control Panel W/Generator, Rear Bath, Savannah

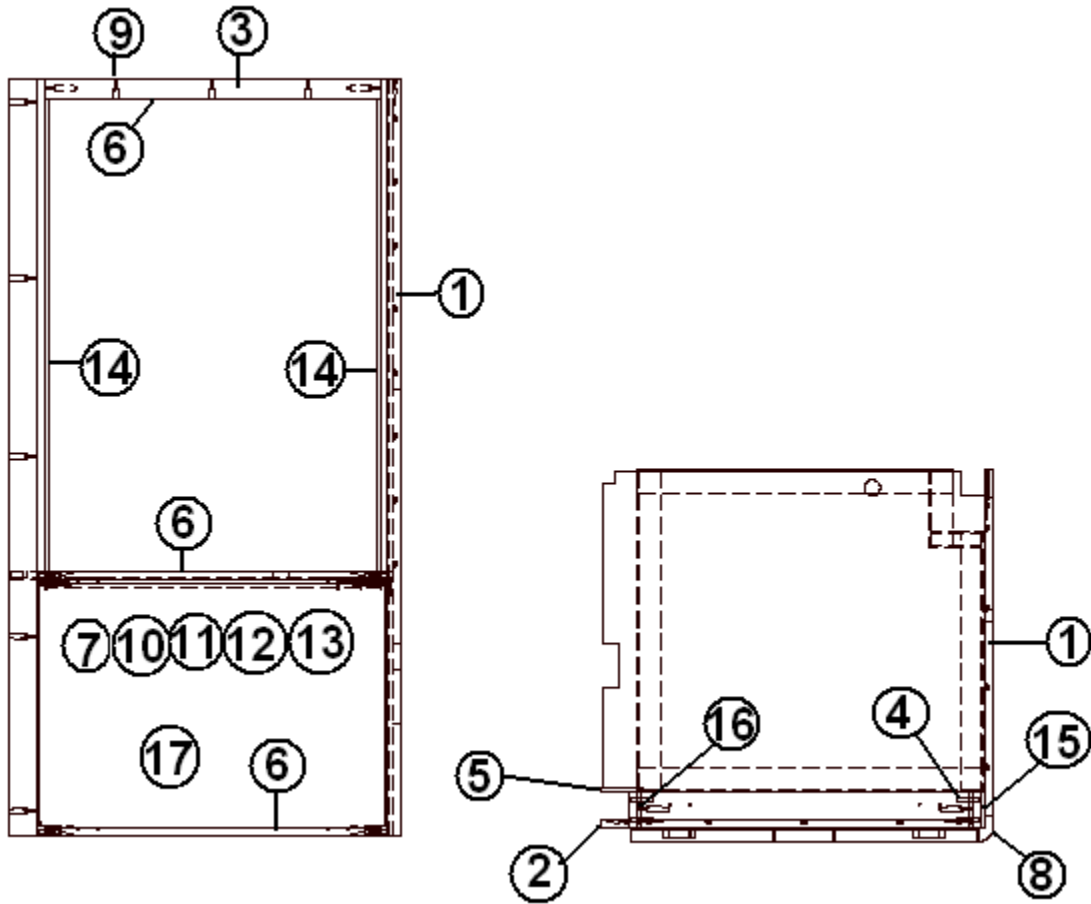


- | | |
|---------------|---|
| 966067-03 | Control Panel, Systems, w/Generator |
| 1. 966067-1C7 | FRONT PANEL |
| 2. 966067-1B7 | BOTTOM PANEL |
| 3. 800025-01 | STAINED PINE, $\frac{3}{4}$ " X $\frac{3}{4}$ " |

2007 INTERSTATE MOTORHOME

FURNITURE, GALLEY

Refrigerator Cabinet, Rear Bath, Cherry



Part numbers on the next page

2007 INTERSTATE MOTORHOME

FURNITURE, GALLEY

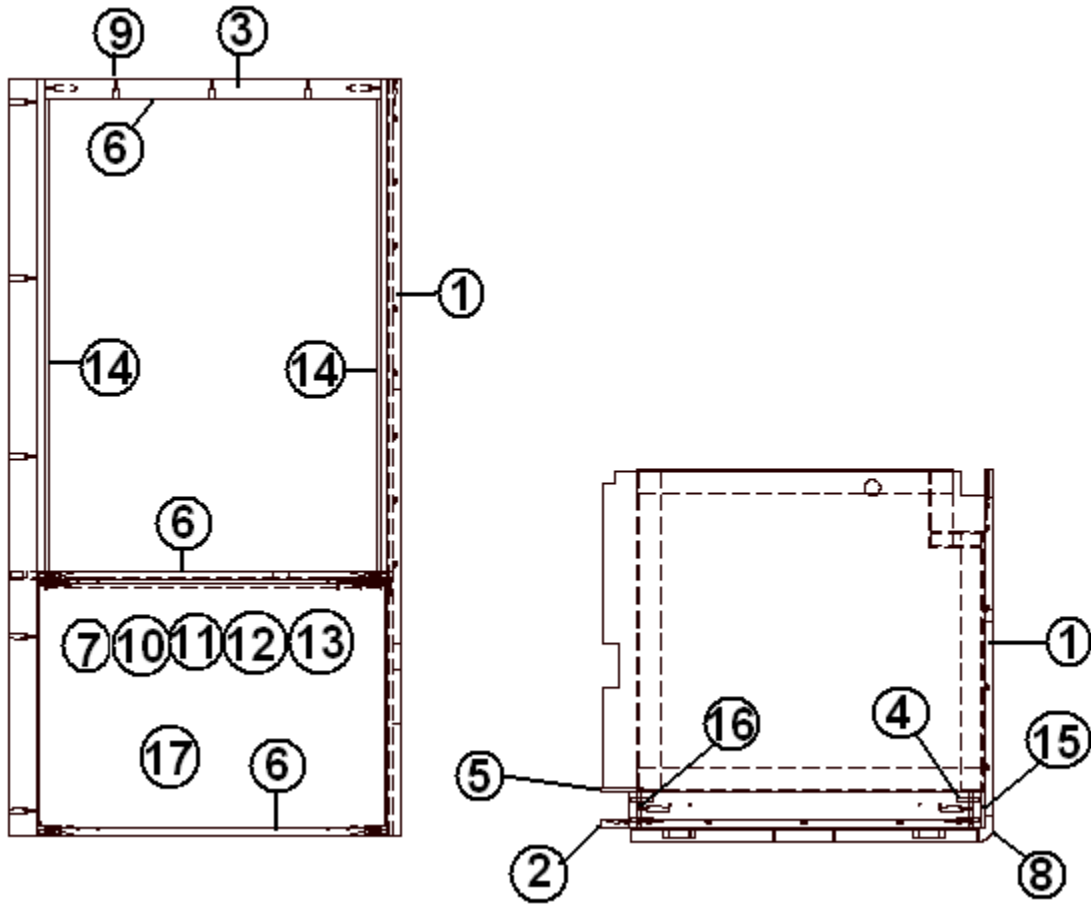
Refrigerator Cabinet, Rear Bath, Cherry

966003	Refrigerator Cabinet Assembly
1. 966003-1A8	PANEL, 21.63 x 47.38
2. 966003-1B8	PANEL, 1.75 x 47.38
3. 966003-1C8	PANEL, 1.25 x 21
4. 966003-2A8	PANEL, 2.25 x 47.38
5. 966003-2B8	PANEL, 2.25 x 47.38
6. 966003-2C8	PANEL, 1.25 x 21
7. 801625-018	DOOR, REFRIGERATOR 21.63" X 15.13"
8. 801706-008	CORNER TRIM 90DEG. 1" RADIUS
9. 966024	TOP ASSEMBLY-REFRIGERATOR
10. 381607-01	HINGE-GRASS EURO
11. 381607-06	BASEPLATE, HINGE-GRASS EURO
12. 381228-01	CATCH GRABBER DOOR C3-803
13. 381865	PULL-BAR BRUSH NICKEI
14. 966003-11A	CLOSE-OUT, REFER CABINET
15. 966003-11B	CLOSE-OUT, REFER CABINET
16. 966003-11C	CLOSE-OUT, REFER CABINET
17. 966054	STAND-REFER

2007 INTERSTATE MOTORHOME

FURNITURE, GALLEY

Refrigerator Cabinet, Rear Bath, Savannah



Part numbers on the next page

2007 INTERSTATE MOTORHOME

FURNITURE, GALLEY

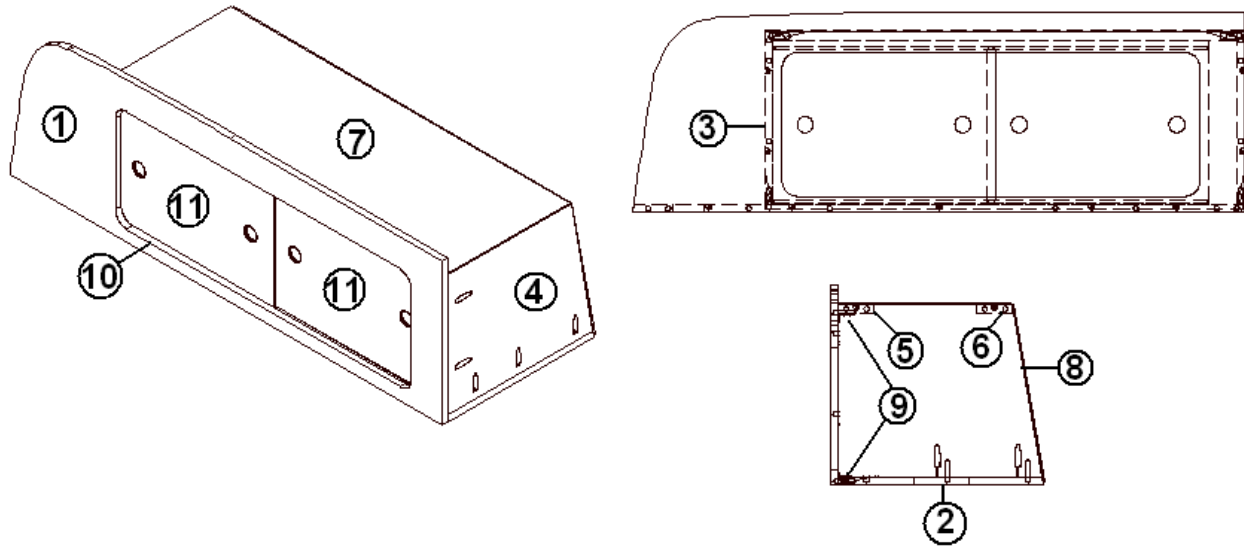
Refrigerator Cabinet, Rear Bath, Savannah

966003-02	Refrigerator Cabinet Assembly
1. 966003-1A7	PANEL, 21.63 x 47.38
2. 966003-1B7	PANEL, 1.75 x 47.38
3. 966003-1C7	PANEL, 1.25 x 21
4. 966003-2A7	PANEL, 2.25 x 47.38
5. 966003-2B7	PANEL, 2.25 x 47.38
6. 966003-2C7	PANEL, 1.25 x 21
7. 801625-017	DOOR, REFRIGERATOR 21.63" X 15.13"
8. 801706-007	CORNER TRIM 90DEG. 1" RADIUS
9. 966024-01	TOP ASSEMBLY-REFRIGERATOR
10. 381607-01	HINGE-GRASS EURO
11. 381607-06	BASEPLATE, HINGE-GRASS EURO
12. 381228-01	CATCH GRABBER DOOR C3-803
13. 381865	PULL-BAR BRUSH NICKEL
14. 966003-11A	CLOSE-OUT, REFER CABINET
15. 966003-11B	CLOSE-OUT, REFER CABINET
16. 966003-11C	CLOSE-OUT, REFER CABINET
17. 966054	STAND-REFER

2007 INTERSTATE MOTORHOME

FURNITURE, GALLEY

Roof Locker, Galley, Rear Bath, Savannah

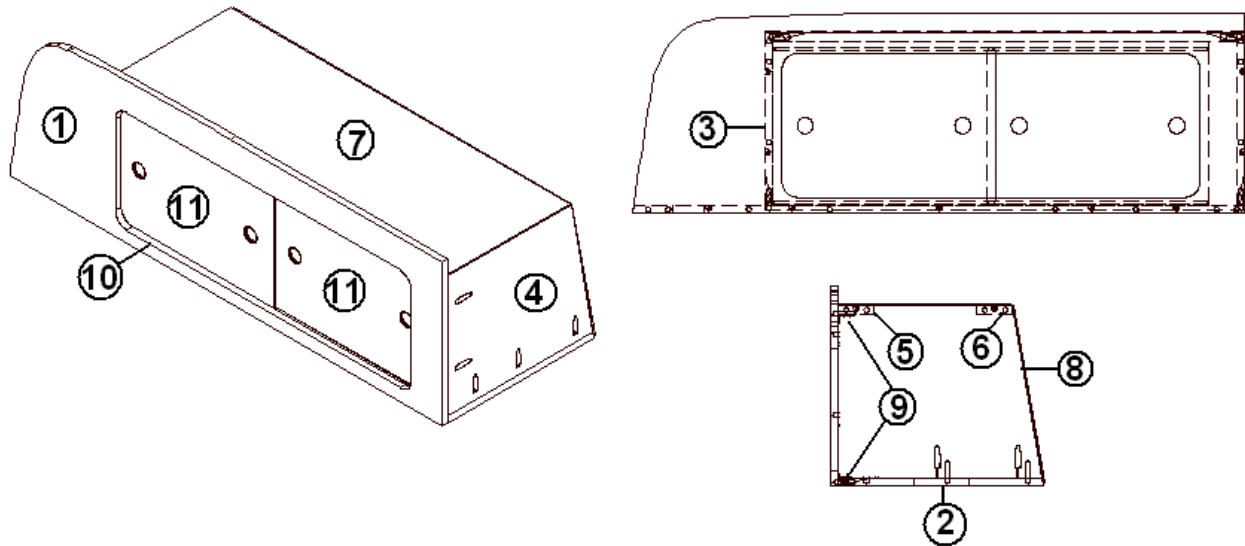


966005-01	Galley roof Locker Assembly
1. 966005-1A7	FACE FRAME GALLEY LOCKER
2. 966005-1B7	SHELF-GALLEY LOCKER
3. 966005-2A	LH END CAP GALLEY LOCKER
4. 966005-2B	RH END CAP - GALLEY LOCKER
5. 966005-2C	STILE, TOP FRONT, GALLEY LOCKER
6. 966005-2D	STILE, TOP REAR, GALLEY LOCKER
7. 966005-3A	CLOSEOUT, TOP GALLEY LOCKER
8. 966005-3B	CLOSEOUT BACK, GALLEY LOCKER
9. 203480	TRACK-SLIDING DOOR
10. 203445	T-MOLDING BLK FLEXIBLE POLY .5
11. 966028	DOOR, PLEXI-GLASS 9.75" X 13.68"

2007 INTERSTATE MOTORHOME

FURNITURE, GALLEY

Roof Locker, Galley, Rear Bath, Cherry

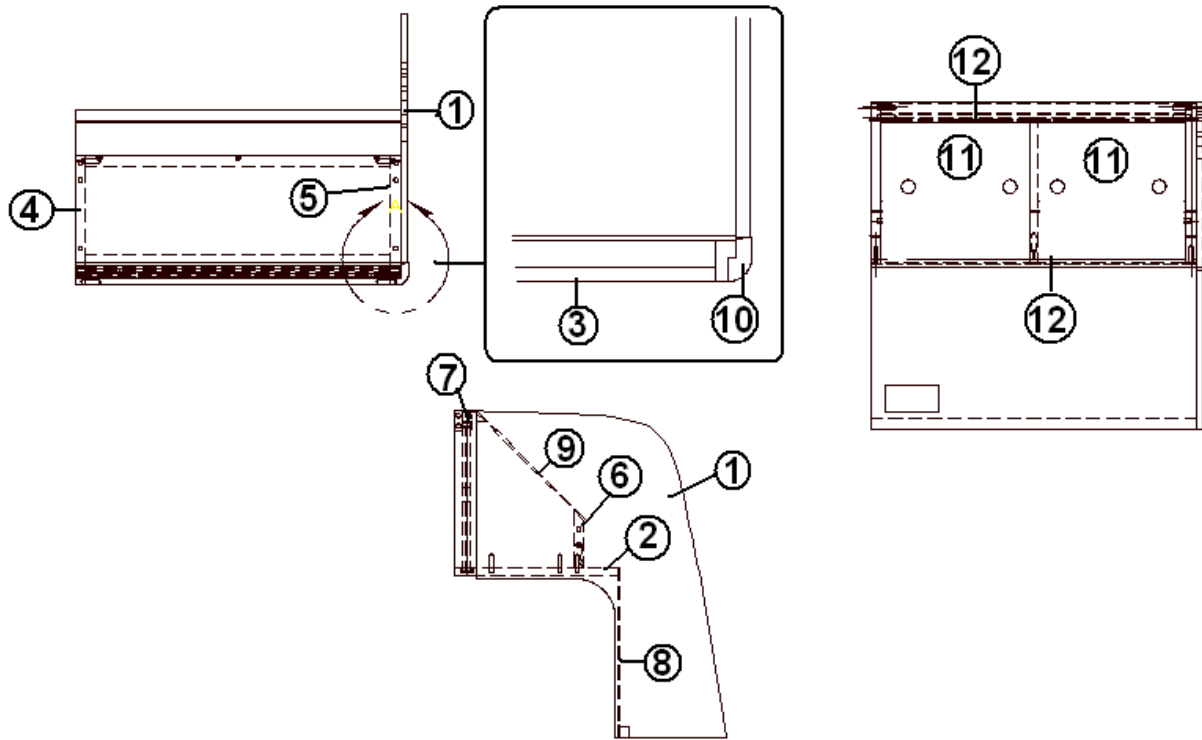


- | | |
|---------------|----------------------------------|
| 966005 | Galley roof Locker Assembly |
| 1. 966005-1A8 | FACE FRAME GALLEY LOCKER |
| 2. 966005-1B8 | SHELF-GALLEY LOCKER |
| 3. 966005-2A | LH END CAP GALLEY LOCKER |
| 4. 966005-2B | RH END CAP - GALLEY LOCKER |
| 5. 966005-2C | STILE, TOP FRONT, GALLEY LOCKER |
| 6. 966005-2D | STILE, TOP REAR, GALLEY LOCKER |
| 7. 966005-3A | CLOSEOUT, TOP GALLEY LOCKER |
| 8. 966005-3B | CLOSEOUT BACK, GALLEY LOCKER |
| 9. 203480 | TRACK-SLIDING DOOR |
| 10. 203445 | T-MOLDING BLK FLEXIBLE POLY .5 |
| 11. 966028 | DOOR, PLEXI-GLASS 9.75" X 13.68" |

2007 INTERSTATE MOTORHOME

FURNITURE, GALLEY

Refrigerator Cabinet, Top Storage, Rear Bath, Cherry

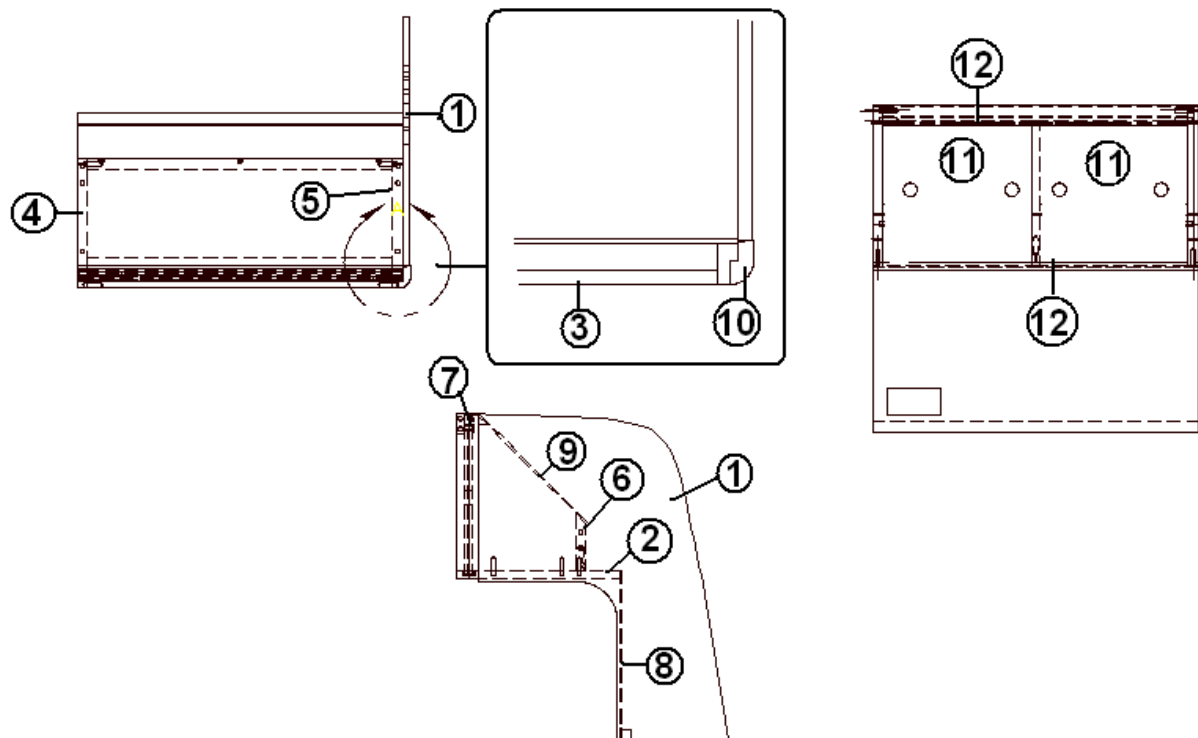


- | | |
|----------------|--|
| 966010 | Cabinet, Assembly, Refrigerator |
| 1. 966010-1A8 | RH SIDE PANEL |
| 2. 966010-1B8 | SHELF, REFRIGERATOR.CABINET |
| 3. 966010-1C8 | TOP RAIL, ABOVE REFRIGERATOR CABINET |
| 4. 966010-2A8 | RH INNER PANEL |
| 5. 966010-2B8 | LH INNER PANEL |
| 6. 966010-2C8 | SHELF BACK, ABOVE REFRIGERATOR CABINET |
| 7. 966010-2D8 | TOP SUPPORT |
| 8. 966010-4A8 | LOWER CLOSEOUT |
| 9. 966010-4B8 | UPPER CLOSEOUT |
| 10. 801706-008 | CORNER TRIM, 90D RADIUS CHERRY |
| 11. 966028-01 | SLIDING DOORS, 11.50" X 10.69" |
| 12. 203480 | TRACK, SLIDING DOOR |
| 703386 | VINYL, ASTRO, MAGNUM STEEL |

2007 INTERSTATE MOTORHOME

FURNITURE, GALLEY

Refrigerator Cabinet, Top Storage, Rear Bath, Savannah

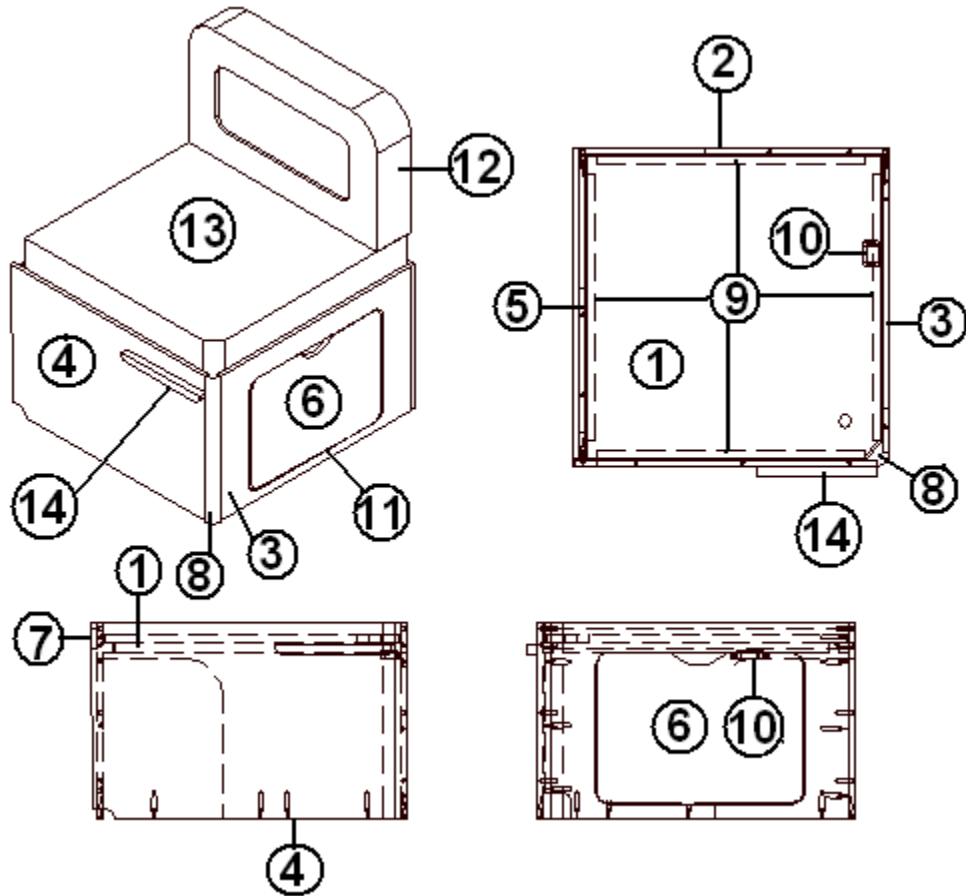


- | | |
|----------------|--|
| 966010-01 | Cabinet, Assembly, Refrigerator |
| 1. 966010-1A7 | RH SIDE PANEL |
| 2. 966010-1B7 | SHELF, REFRIGERATOR.CABINET |
| 3. 966010-1C7 | TOP RAIL, ABOVE REFRIGERATOR CABINET |
| 4. 966010-2A7 | RH INNER PANEL |
| 5. 966010-2B7 | LH INNER PANEL |
| 6. 966010-2C7 | SHELF BACK, ABOVE REFRIGERATOR CABINET |
| 7. 966010-2D7 | TOP SUPPORT |
| 8. 966010-4A7 | LOWER CLOSEOUT |
| 9. 966010-4B7 | UPPER CLOSEOUT |
| 10. 801706-007 | CORNER TRIM, 90D RADIUS CHERRY |
| 11. 966028-01 | SLIDING DOORS, 11.50" X 10.69" |
| 12. 203480 | TRACK, SLIDING DOOR |
| 703386 | VINYL, ASTRO, MAGNUM STEEL |

2007 INTERSTATE MOTORHOME

FURNITURE, GALLEY

Dinette Seat, Rear, Rear Bath, Cherry



Part numbers on the next page

2007 INTERSTATE MOTORHOME

FURNITURE, GALLEY

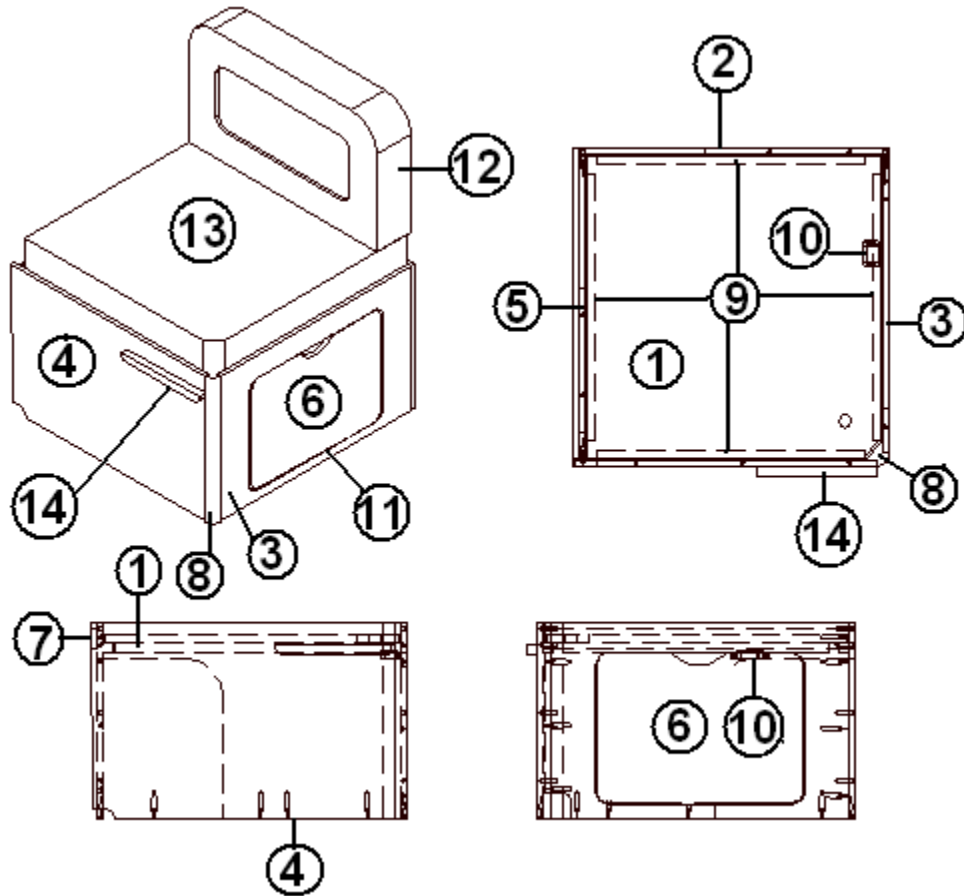
Dinette Seat, Rear, Rear Bath, Cherry

966167	SEAT ASSY, REAR DINETTE
1. 801518-008	LID, REAR DINETTE SEAT
2. 801519-008	PANEL, AFT, DINETTE BACK
3. 801520-008	PANEL, ISLE, AFT DINETTE
4. 801521-008	PANEL, FRONT, AFT DINETTE
5. 801522-008	PANEL, WALL AFT DINETTE
6. 801523-008	DOOR, DINETTE SEATS
7. 966167-7A8	PANEL, WALL SPACER
8. 801415-008	CORNER TRIM 1" RADIUS
9. 800025-01	PINE, 3/4" X 3/4", STAINED
10. 381228-01	CATCH GRABBER DOOR
11. 380458	HINGE PIANO BROWN ANODIZED
12. 703537-296	Dinette Seat Back Cushion, Earl Grey
12. 703537-485	Dinette Seat Back Cushion, Carmel Mocha
13. 703538-296	Dinette Seat Cushion, Earl Grey
13. 703538-485	Dinette Seat Cushion, Carmel Mocha
14. 800470-008	STOP, HARDWOOD

2007 INTERSTATE MOTORHOME

FURNITURE, GALLEY

Dinette Seat, Rear, Rear Bath, Savannah



Part numbers on the next page

2007 INTERSTATE MOTORHOME

FURNITURE, GALLEY

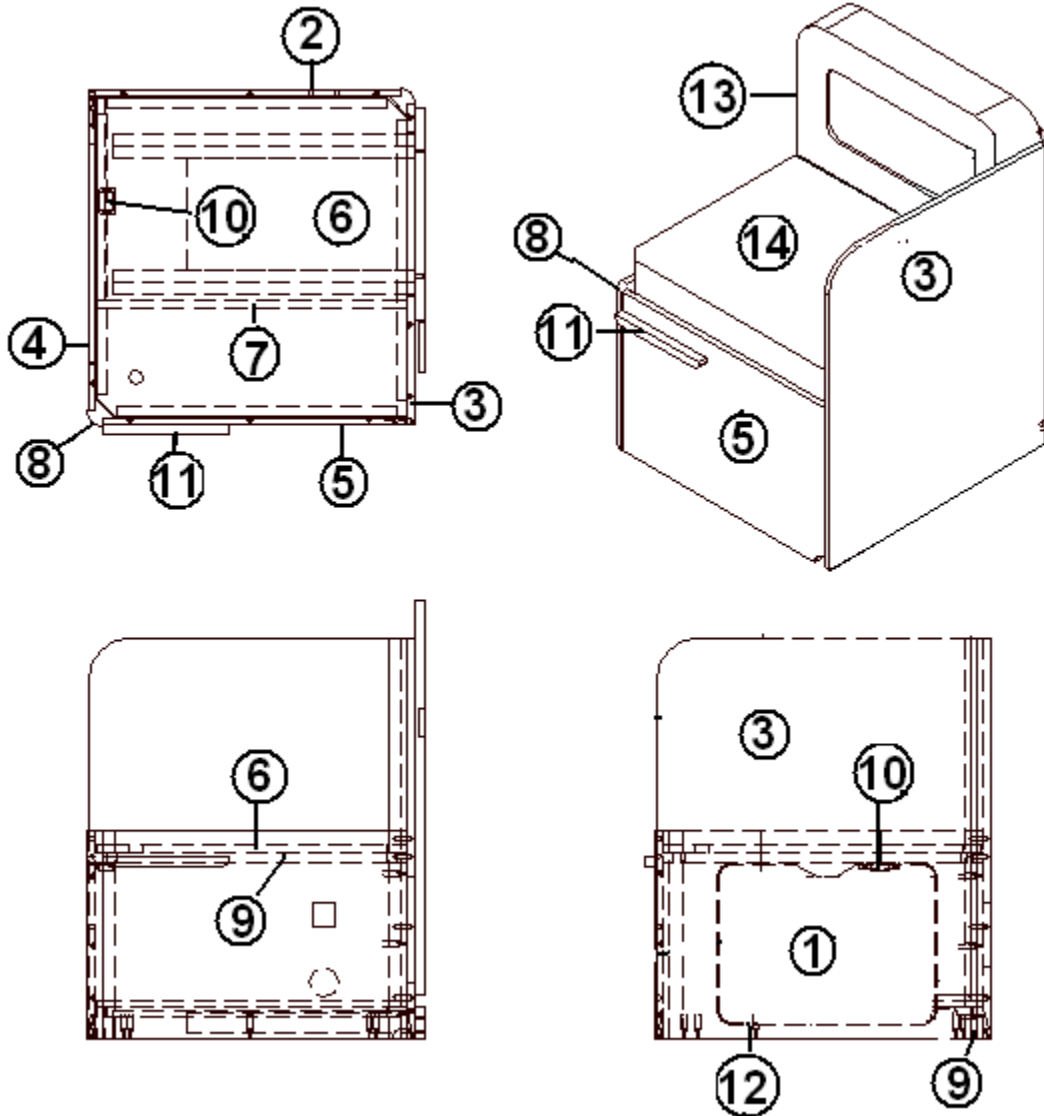
Dinette Seat, Rear, Rear Bath, Savannah

- | | |
|----------------|-------------------------------------|
| 966167-01 | SEAT ASSY, REAR DINETTE |
| 1. 801518-007 | LID, REAR DINETTE SEAT |
| 2. 801519-007 | PANEL, AFT, DINETTE BACK |
| 3. 801520-007 | PANEL, ISLE, AFT DINETTE |
| 4. 801521-007 | PANEL, FRONT, AFT DINETTE |
| 5. 801522-007 | PANEL, WALL AFT DINETTE |
| 6. 801523-007 | DOOR, DINETTE SEATS |
| 7. 966167-7A7 | PANEL, WALL SPACER |
| 8. 801415-007 | CORNER TRIM 1" RADIUS |
| 9. 800025-01 | PINE, 3/4" X 3/4", STAINED |
| 10. 381228-01 | CATCH GRABBER DOOR |
| 11. 380458 | HINGE PIANO BROWN ANODIZED |
| 12. 703537-01 | Dinette Seat Back Cushion, Savannah |
| 13. 703538-01 | Dinette Seat Cushion, Savannah |
| 14. 800470-007 | STOP, HARDWOOD |

2007 INTERSTATE MOTORHOME

FURNITURE, GALLEY

Dinette Seat, Forward, Rear Bath, Cherry



Part numbers on the next page

2007 INTERSTATE MOTORHOME

FURNITURE, GALLEY

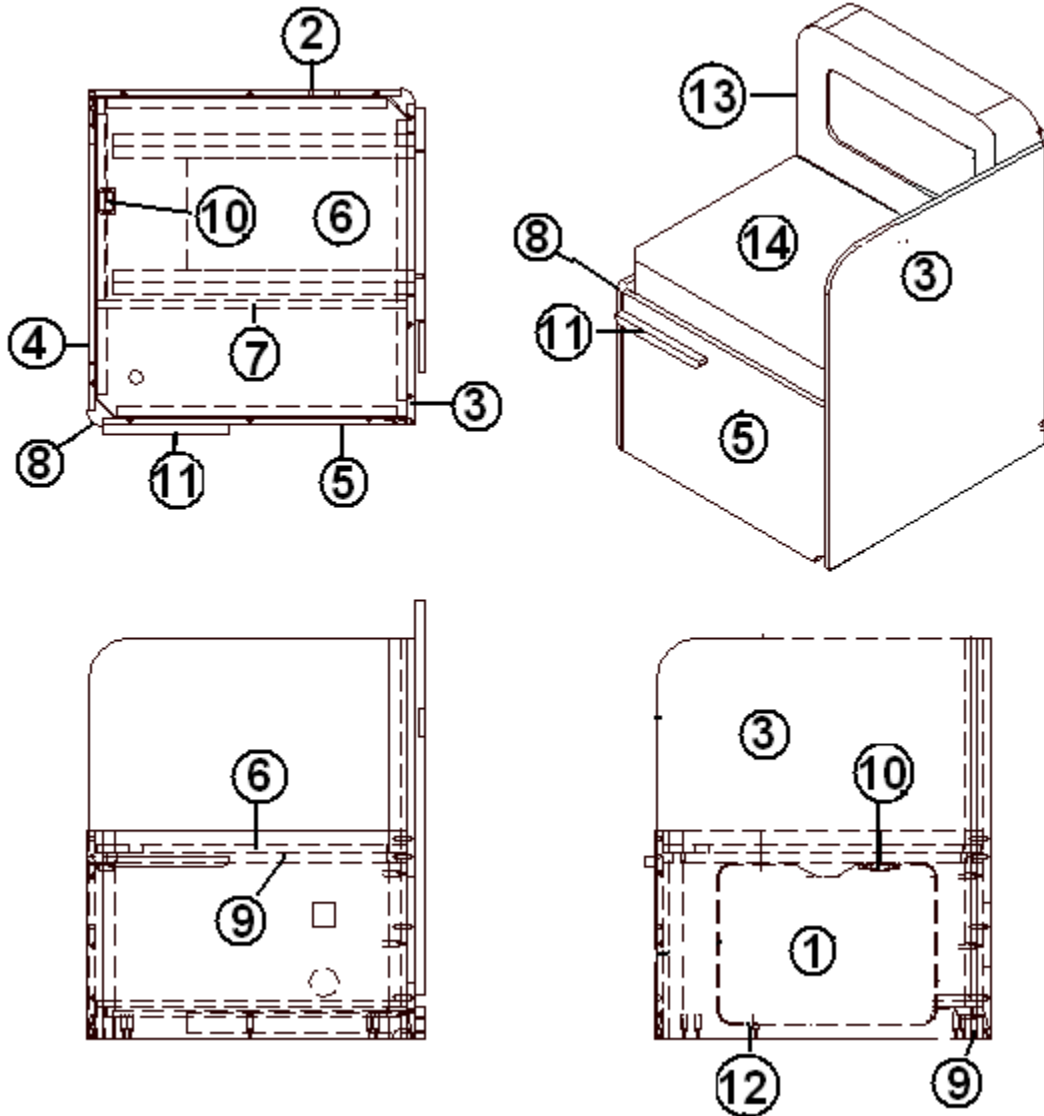
Dinette Seat, Forward, Rear Bath, Cherry

966168	SEAT ASSY, FORWARD DINETTE
1. 801523-008	DOOR, DINETTE SEATS
2. 801524-008	PANEL, AFT, FORWARD DINETTE SEAT
3. 801525-008	PANEL, WALL, FORWARD DINETTE
4. 801526-008	PANEL, ISLE, FORWARD DINETTE
5. 801527-008	PANEL, FRONT, FORWARD DINETTE SEAT
6. 801528-008	LID, FORWARD DINETTE SEAT
7. 966179	CLOSEOUT ASSY, FORWARD DINETTE
8. 801415-008	CORNER TRIM 1" RADIUS
9. 800025-01	PINE 3/4" X 3/4" STAINED
10. 381228-01	CATCH GRABBER DOOR
11. 800470-008	STOP-HARDWOOD
12. 380458	HINGE PIANO BROWN ANODIZED
13. 703537-296	Dinette Seat Back Cushion, Earl Grey
13. 703537-485	Dinette Seat Back Cushion, Carmel Mocha
14. 703538-296	Dinette Seat Cushion, Earl Grey
14. 703538-485	Dinette Seat Cushion, Carmel Mocha
700349	SEATBELT, MINI BUCKLE BLACK WEB
454254	SEATBELT BRACKET
114506-01	WIRE CLOSEOUT DINETTE

2007 INTERSTATE MOTORHOME

FURNITURE, GALLEY

Dinette Seat, Forward, Rear Bath, Savannah



Part numbers on the next page

2007 INTERSTATE MOTORHOME

FURNITURE, GALLEY

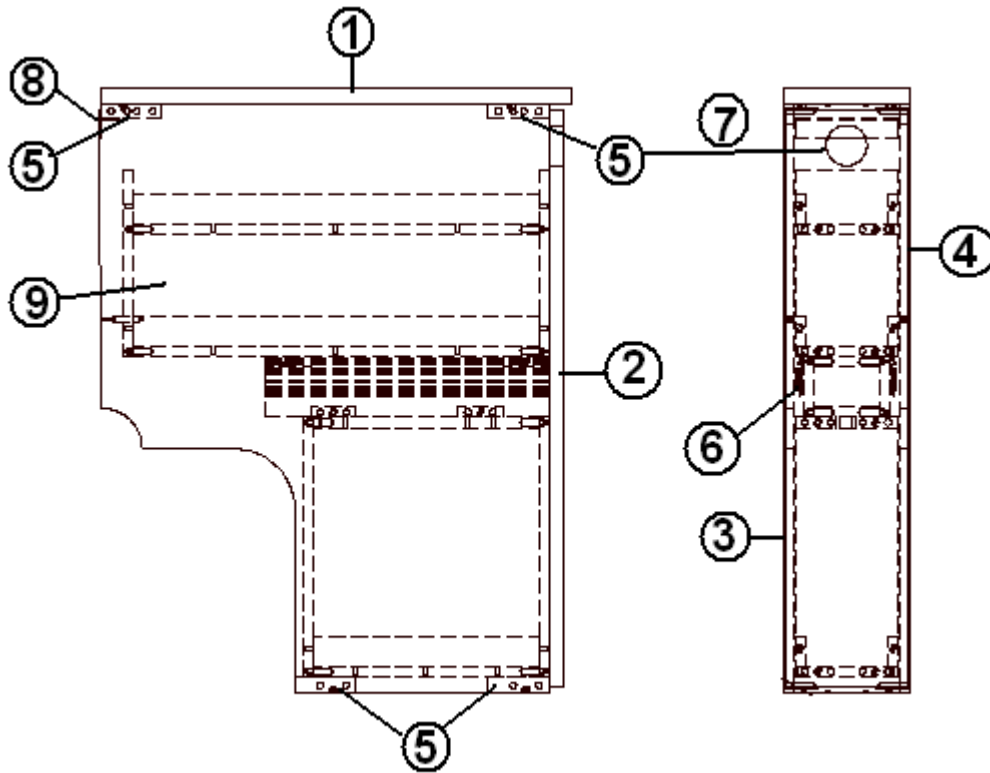
Dinette Seat, Forward, Rear Bath, Savannah

966168-02	SEAT ASSY, FORWARD DINETTE
1. 801523-007	DOOR, DINETTE SEATS
2. 801524-007	PANEL, AFT, FORWARD DINETTE SEAT
3. 801525-007	PANEL, WALL, FORWARD DINETTE
4. 801526-007	PANEL, ISLE, FORWARD DINETTE
5. 801527-007	PANEL, FRONT, FORWARD DINETTE SEAT
6. 801528-007	LID, FORWARD DINETTE SEAT
7. 966179-01	CLOSEOUT ASSY, FORWARD DINETTE
8. 801415-007	CORNER TRIM 1" RADIUS
9. 800025-01	PINE 3/4" X 3/4" STAINED
10. 381228-01	CATCH GRABBER DOOR
11. 800470-007	STOP-HARDWOOD
12.380458	HINGE PIANO BROWN ANODIZED
13.703537-01	Dinette Seat Back Cushion, Savannah
14.703538-01	Dinette Seat Cushion, Savannah
700349	SEATBELT, MINI BUCKLE BLACK WEB
454254	SEATBELT BRACKET
114506-01	WIRE CLOSEOUT DINETTE

2007 INTERSTATE MOTORHOME

FURNITURE, GALLEY

Pantry, Dinette Unit, Rear Bath, Cherry

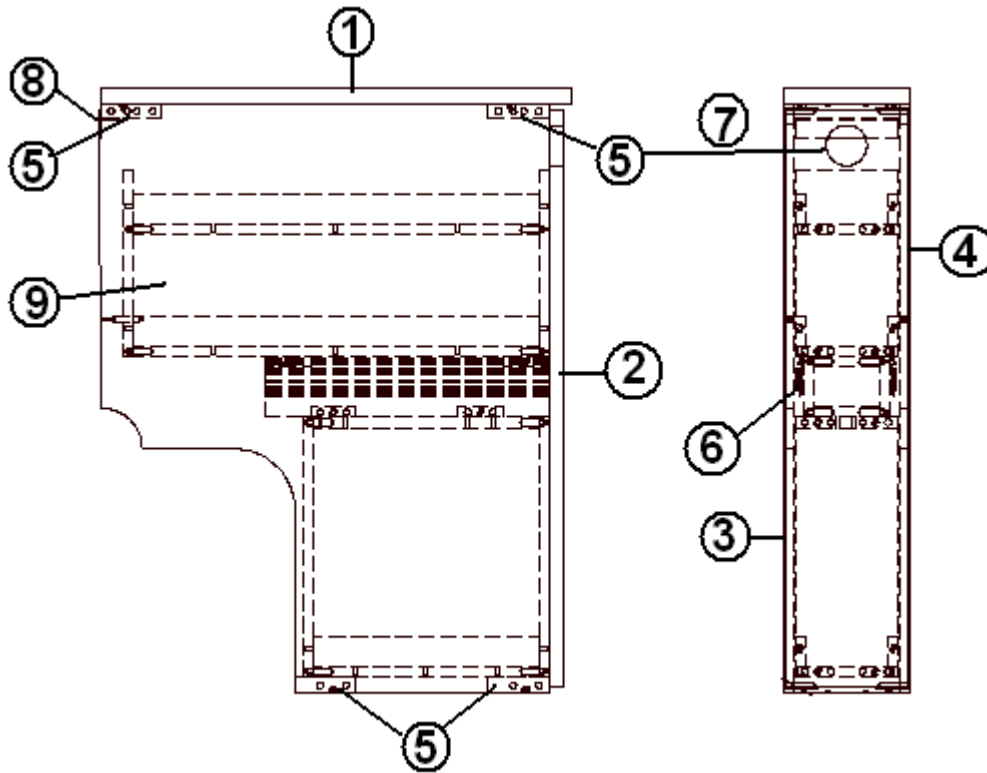


- | | |
|---------------|-----------------------------------|
| 966166 | PANTRY ASSY, INTERSTATE W/DINETTE |
| 1. 801515 | TOP, PANTRY |
| 2. 801516-008 | DOOR, PANTRY |
| 3. 801517-018 | PANEL, FORWARD PANTRY |
| 4. 801517-028 | PANEL. AFT PANTRY |
| 5. 966166-5A8 | SPACER, PANTRY CABINET |
| 6. 381400 | SLIDE DRAWER |
| 7. 381861 | LATCH, PUSH CLOSE/PULL OPEN |
| 8. 114812 | ALUMINUM ANGLE, 1.00 X 1.00 |
| 9. 966174 | DRAWER SUB ASSY, PANTRY |
| 381877 | ROD-PANTRY CAB.TOPPER |

2007 INTERSTATE MOTORHOME

FURNITURE, GALLEY

Pantry, Dinette Unit, Rear Bath, Savannah

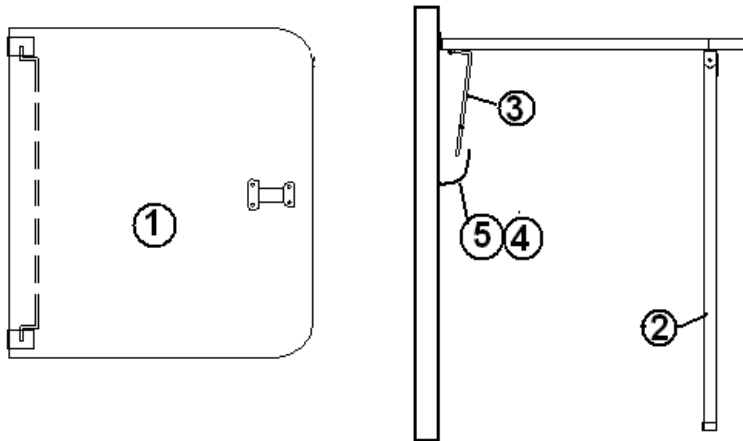


- | | |
|---------------|-----------------------------------|
| 966166-01 | PANTRY ASSY, INTERSTATE W/DINETTE |
| 1. 801515-01 | TOP, PANTRY |
| 2. 801516-007 | DOOR, PANTRY |
| 3. 801517-017 | PANEL, FORWARD PANTRY |
| 4. 801517-027 | PANEL. AFT PANTRY |
| 5. 966166-5A7 | SPACER, PANTRY CABINET |
| 6. 381400 | SLIDE DRAWER |
| 7. 381861 | LATCH, PUSH CLOSE/PULL OPEN |
| 8. 114812 | ALUMINUM ANGLE, 1.00 X 1.00 |
| 9. 966174 | DRAWER SUB ASSY, PANTRY |
| 381877 | ROD-PANTRY CAB.TOPPER |

2007 INTERSTATE MOTORHOME

FURNITURE, GALLEY

Dinette Table, Rear Bath, Cherry

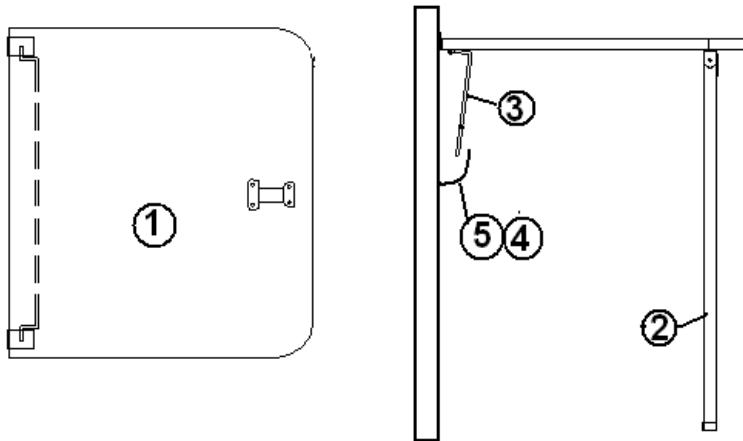


- | | |
|---------------|-------------------------------|
| 966178 | TABLE ASSY-DINETTE |
| 1. 966178-008 | DINETTE TABLE |
| 2. 381876 | TABLE LEG-ADJUSTABLE 21"TO30" |
| 3. 380284-02 | TABLE HINGE BRACKET |
| 4. 380284-03 | TABLE HINGE BRACKETS |
| 5. 340018 | CATCH PLATE J-1 |

2007 INTERSTATE MOTORHOME

FURNITURE, GALLEY

Dinette Table, Rear Bath, Savannah

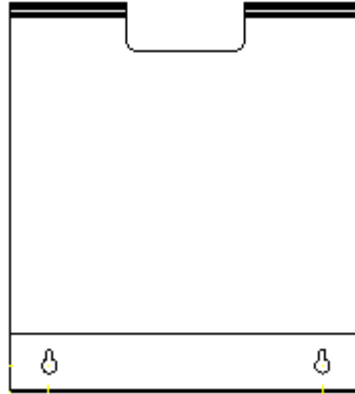


- | | |
|---------------|-------------------------------|
| 966178-01 | TABLE ASSY-DINETTE |
| 1. 966178-007 | DINETTE TABLE |
| 2. 381876 | TABLE LEG-ADJUSTABLE 21"TO30" |
| 3. 380284-02 | TABLE HINGE BRACKET |
| 4. 380284-03 | TABLE HINGE BRACKETS |
| 5. 340018 | CATCH PLATE J-1 |

2007 INTERSTATE MOTORHOME

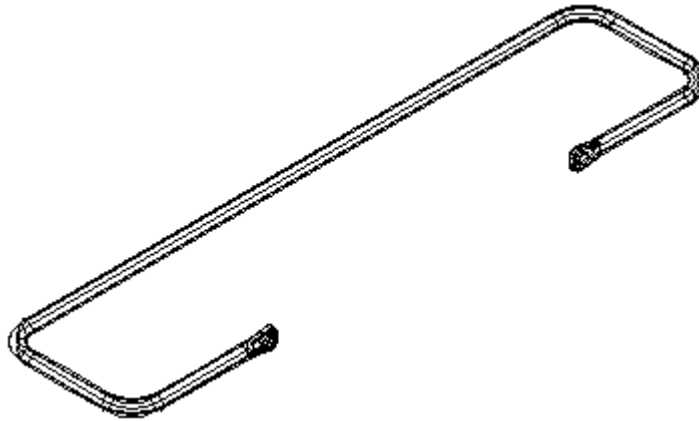
FURNITURE, GALLEY

Magazine Rack, Rear Bath



386106-02 Magazine Rack

Magazine Rack Rod, Rear Bath

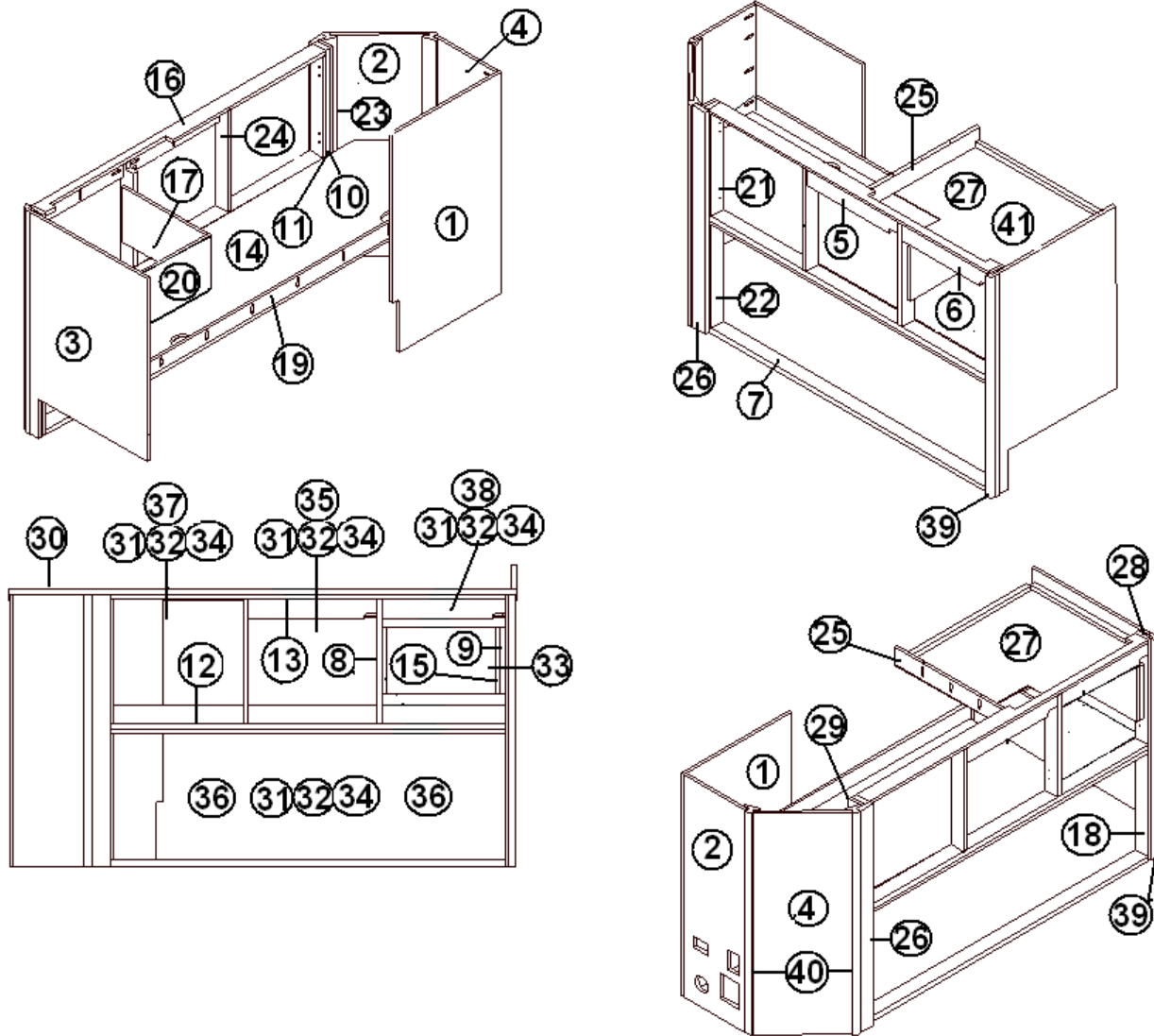


386107 Magazine Rack Rod

2007 INTERSTATE MOTORHOME

FURNITURE, GALLEY

Galley, Mid Bath, Cherry



Part numbers are on the next page

2007 INTERSTATE MOTORHOME

FURNITURE, GALLEY

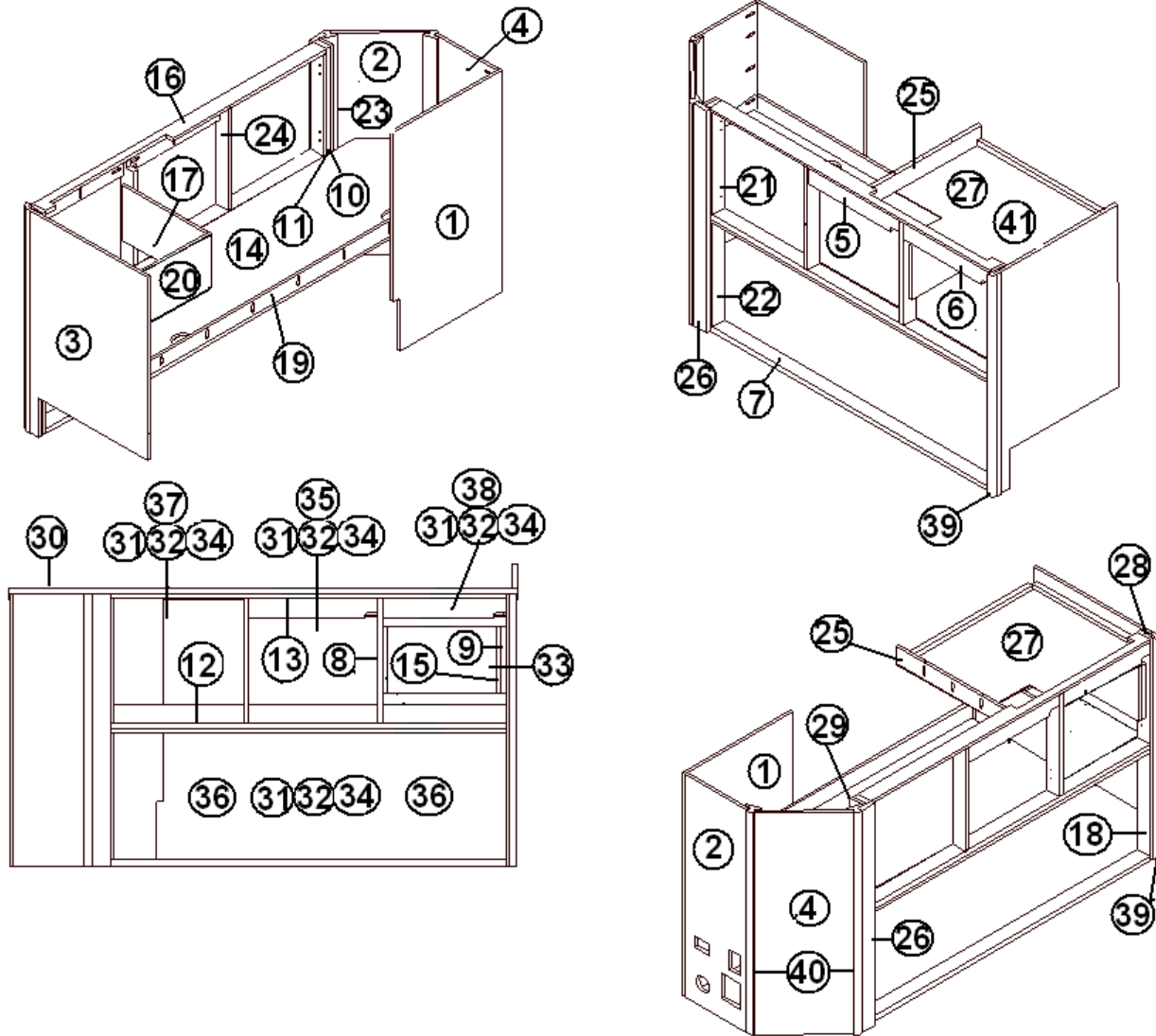
Galley, Mid Bath, Cherry

966787-01	GALLEY ASSY
1. 966787-1A8	PANEL, AFT
2. 966787-1B8	PANEL, LH
3. 966787-1C8	PANEL, RH
4. 966787-1D8	PANEL, LH ANGLE
5. 966787-1E8	FACE, CENTER CLOSEOUT
6. 966787-1F8	FACE, RH CLOSEOUT
7. 966787-2A8	RAIL BOTTOM
8. 966787-2B8	TOP RAIL
9. 966787-2C8	CENTER, STILE
10. 966787-2D	LH UPPER SPACER
11. 966787-2E	SPACER, LH UPPER
12. 966787-2F8	SHELF EDGE
13. 966787-2G8	SHELF EDGE
14. 966787-3A	SHELF
15. 966787-3B8	DRAWER SUPPORT, LH
16. 966787-3C8	SHELF RAIL
17. 966787-3D8	DRAWER, SUPPORT, RH
18. 966787-3E8	STILE, RH
19. 966787-3F	REAR RAIL
20. 966787-3G8	DRAWER, SUPPORT
21. 966787-3H8	UPPER STILE, LH
22. 966787-3J8	LOW STILE, LH
23. 966787-3K	INNER RAIL, LH
24. 966787-3L8	STILE, SUPPORT
25. 966787-3M	STILE, COOKTOP CLOSEOUT
26. 966787-4A8	FRONT STILE, LH
27. 966787-5A	CLOSEOUT, COOKTOP
28. 966787-6A	PANEL, 2.25" X 33.75", LAUAN
29. 966787-6B	PANEL .75" X 46.00, LAUAN
30. 966784	GALLEY TOP
31. 381228-01	CATCH, GRABBER DOOR
32. 381607-01	HINGE, GRASS EURO
33. 966269	SUB ASSY, HIDDEN DRAWER
34. 381774	HANDLE, DRAWER/DOOR
35. 801625-108	DOOR, 16.38X16.50
36. 801625-088	DOOR, 16.63 X 24.44
37. 801625-098	DOOR, RH 16.38X16.5
38. 801625-158	DOOR, 55.75" x 16.38"
39. 801706-008	CORNER TRIM 90 DEGREE, 1"RADIUS
40. 801561-008	COR.MOLDING ANG.5.84"
41. 115355	CLOSEOUT, ALUMINUM COOKTOP
203440	T MOLDING, BLACK EMBOSSED .8125
203383	RACK, MAGAZINE ABS
381526-01	DRAWER, SLIDE-950-RV 14" 350MM PER

2007 INTERSTATE MOTORHOME

FURNITURE, GALLEY

Galley, Mid Bath, Savannah



Part numbers are on the next page

2007 INTERSTATE MOTORHOME

FURNITURE, GALLEY

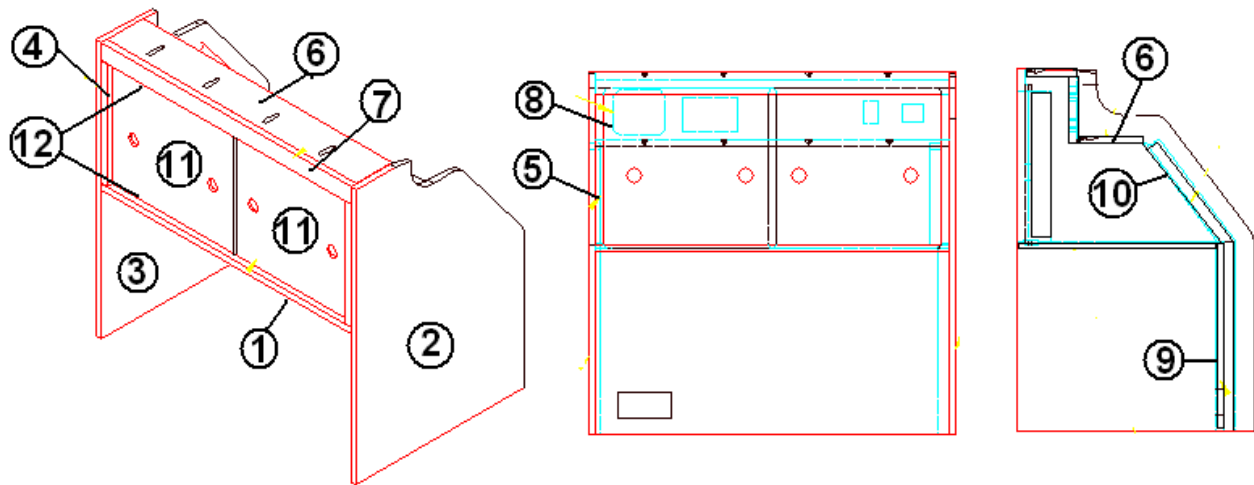
Galley, Mid Bath, Savannah

966787-03	GALLEY ASSY
1. 966787-1A7	PANEL, AFT
2. 966787-1B7	PANEL, LH
3. 966787-1C7	PANEL, RH
4. 966787-1D7	PANEL, LH ANGLE
5. 966787-1E7	FACE, CENTER CLOSEOUT
6. 966787-1F7	FACE, RH CLOSEOUT
7. 966787-2A7	RAIL BOTTOM
8. 966787-2B7	TOP RAIL
9. 966787-2C7	CENTER, STILE
10. 966787-2D	LH UPPER SPACER
11. 966787-2E	SPACER, LH UPPER
12. 966787-2F7	SHELF EDGE
13. 966787-2G7	SHELF EDGE
14. 966787-3A	SHELF
15. 966787-3B7	DRAWER SUPPORT, LH
16. 966787-3C7	SHELF RAIL
17. 966787-3D7	DRAWER, SUPPORT, RH
18. 966787-3E7	STILE, RH
19. 966787-3F	REAR RAIL
20. 966787-3G7	DRAWER, SUPPORT
21. 966787-3H7	UPPER STILE, LH
22. 966787-3J7	LOW STILE, LH
23. 966787-3K	INNER RAIL, LH
24. 966787-3L7	STILE, SUPPORT
25. 966787-3M	STILE, COOKTOP CLOSEOUT
26. 966787-4A7	FRONT STILE, LH
27. 966787-5A	CLOSEOUT, COOKTOP
28. 966787-6A	PANEL, 2.25" X 33.75", LAUAN
29. 966787-6B	PANEL .75" X 46.00, LAUAN
30. 966784-01	GALLEY TOP
31. 381228	CATCH, GRABBER DOOR
32. 381607-01	HINGE, GRASS EURO
33. 966269-02	SUB ASSY, HIDDEN DRAWER
34. 381774	HANDLE, DRAWER/DOOR
35. 801625-107	DOOR, 16.38X16.50
36. 801625-087	DOOR, 16.63 X 24.44
37. 801625-097	DOOR, RH 16.38X16.5
38. 801625-157	DOOR, 55.75" x 16.38"
39. 801706-007	CORNER TRIM 90 DEGREE, 1"RADIUS
40. 801561-007	COR.MOLDING ANG.5.84"
203440	T MOLDING, BLACK EMBOSSED .8125
115355	CLOSEOUT, ALUMINUM COOKTOP
203383	RACK, MAGAZINE ABS
381526-01	DRAWER, SLIDE-950-RV 14" 350MM PER

2007 INTERSTATE MOTORHOME

FURNITURE, GALLEY

Refrigerator Cabinet, Top Storage, Mid Bath, Cherry

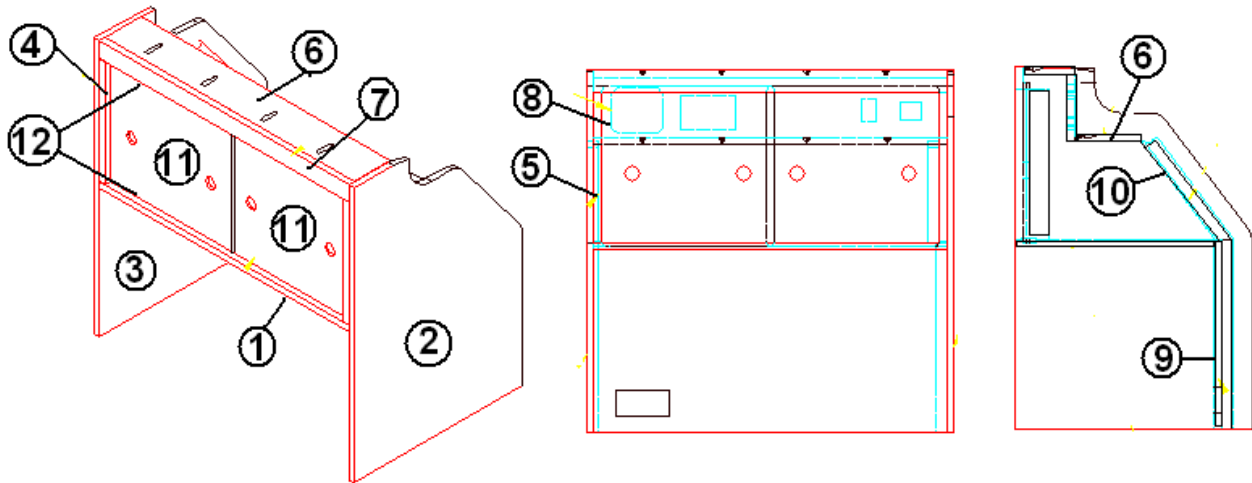


- | | |
|----------------|--------------------------------------|
| 966200 | CABINET, ABOVE REFRIGERATOR |
| 1. 966200-1A8 | SHELF, CABINET, ABOVE REFRIGERATOR |
| 2. 966200-1B8 | SIDE PANEL RH, ABOVE REFRIGERATOR |
| 3. 966200-1C8 | SIDE PANEL, LH ABOVE REFRIGERATOR |
| 4. 966200-1D8 | TOP RAIL FRONT, ABOVE REFRIGERATOR |
| 5. 966200-1E8 | PANEL, INSIDE, ABOVE REFRIGERATOR |
| 6. 966200-2A8 | BOTTOM PANEL, ABOVE REFRIGERATOR |
| 7. 966200-2B8 | TOP RAIL, ABOVE REFRIGERATOR |
| 8. 966200-2C8 | ELECTRICAL PANEL, ABOVE REFRIGERATOR |
| 9. 966200-3A8 | LOWER CLOSEOUT, ABOVE REFRIGERATOR |
| 10. 966200-3B8 | UPPER CLOSEOUT, ABOVE REFRIGERATOR |
| 11. 966028-01 | DOOR, PLEXIGLASS, 11.5" X 10.5" |
| 12. 203480 | TRACK, SLIDING DOOR, ANTI-RATTLE |

2007 INTERSTATE MOTORHOME

FURNITURE, GALLEY

Refrigerator Cabinet, Top Storage, Mid Bath, Savannah

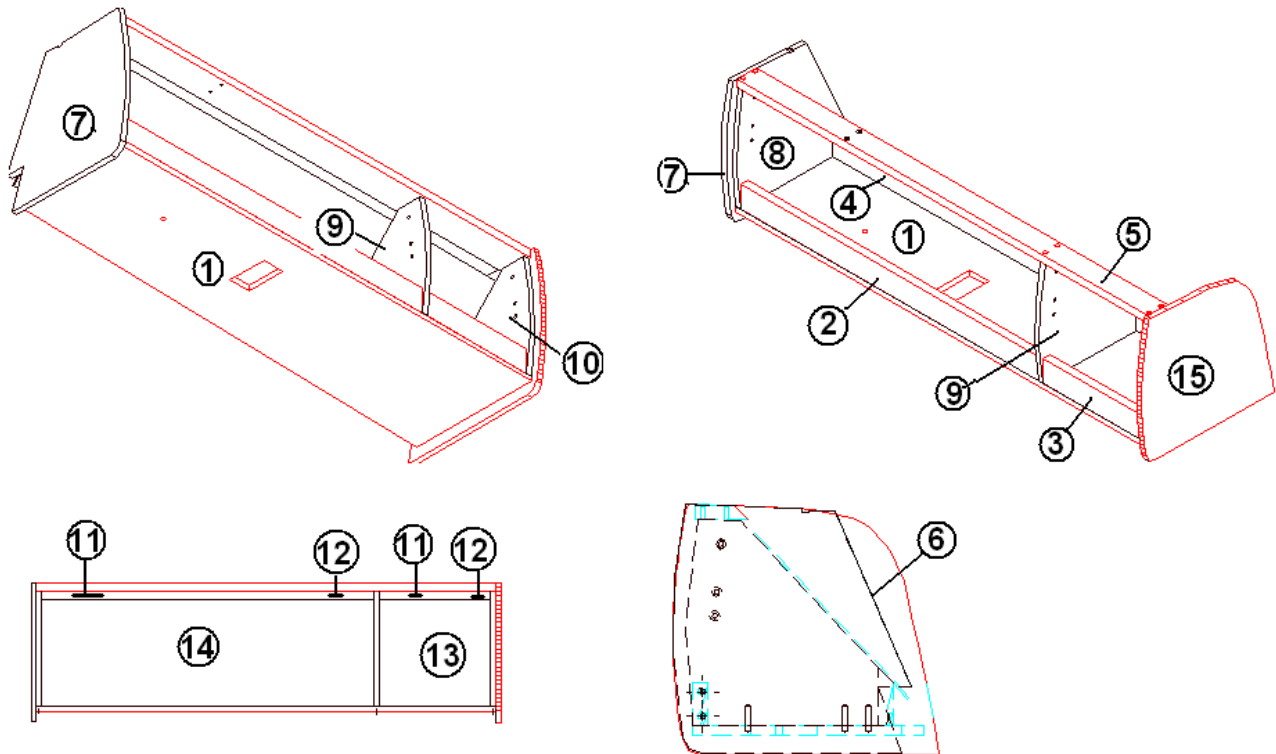


- | | |
|----------------|--------------------------------------|
| 966200-02 | CABINET, ABOVE REFRIGERATOR |
| 1. 966200-1A7 | SHELF, CABINET, ABOVE REFRIGERATOR |
| 2. 966200-1B7 | SIDE PANEL RH, ABOVE REFRIGERATOR |
| 3. 966200-1C7 | SIDE PANEL, LH ABOVE REFRIGERATOR |
| 4. 966200-1D7 | TOP RAIL FRONT, ABOVE REFRIGERATOR |
| 5. 966200-1E7 | PANEL, INSIDE, ABOVE REFRIGERATOR |
| 6. 966200-2A7 | BOTTOM PANEL, ABOVE REFRIGERATOR |
| 7. 966200-2B7 | TOP RAIL, ABOVE REFRIGERATOR |
| 8. 966200-2C7 | ELECTRICAL PANEL, ABOVE REFRIGERATOR |
| 9. 966200-3A7 | LOWER CLOSEOUT, ABOVE REFRIGERATOR |
| 10. 966200-3B7 | UPPER CLOSEOUT, ABOVE REFRIGERATOR |
| 11. 966028-01 | DOOR, PLEXIGLASS, 11.5" X 10.5" |
| 12. 203480 | TRACK, SLIDING DOOR, ANTI-RATTLE |

2007 INTERSTATE MOTORHOME

FURNITURE, GALLEY

Roof Locker, Galley, Mid Bath, Cherry

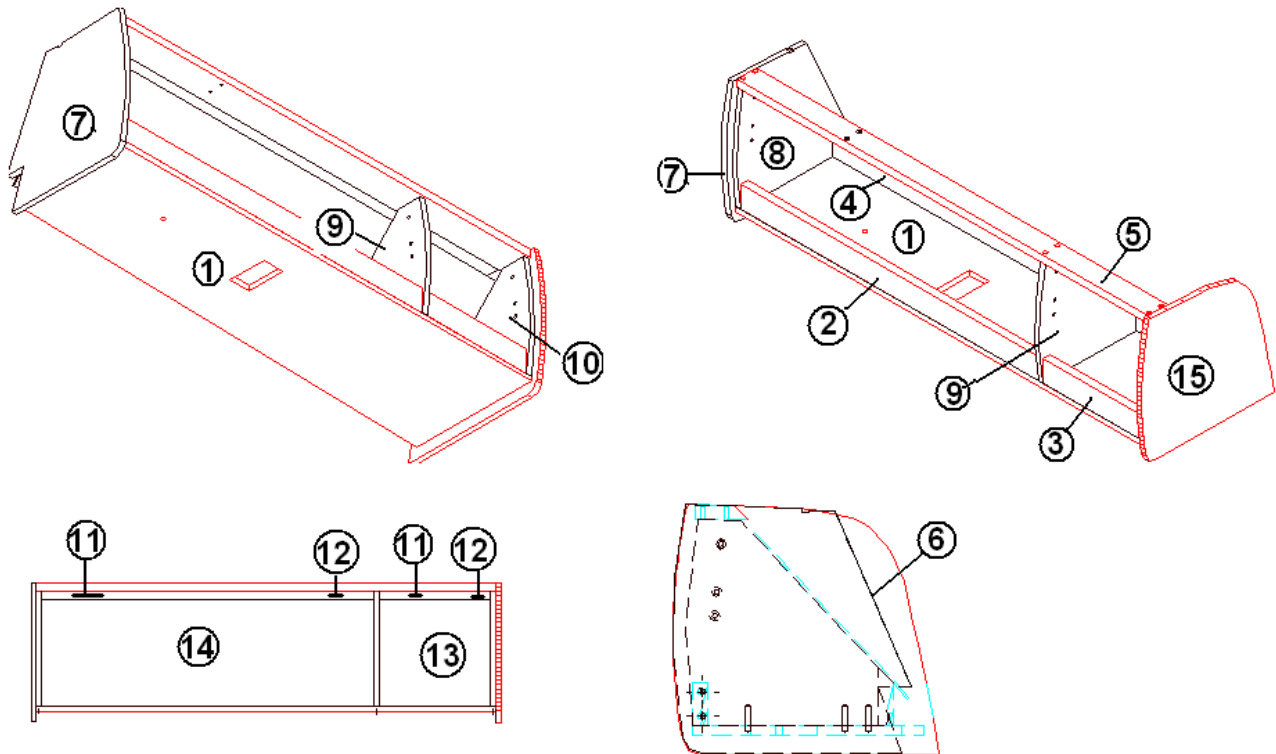


- | | |
|----------------|---------------------------|
| 966279 | LOCKER ASSY, GALLEY |
| 1. 966279-1A8 | SHELF, GALLEY LOCKER |
| 2. 966279-2A8 | LEDGE, LH GALLEY LOCKER |
| 3. 966279-2B8 | LEDGE, RH-GALLEY LOCKER |
| 4. 966279-3A | RAIL, BACK GAL.R/L ASSY |
| 5. 966279-3B8 | RAIL, TOP GALLEY LOCKER |
| 6. 966279-4A | CLOSEOUT, GALLEY R/L ASSY |
| 7. 966279-5A8 | END PANEL, GALLEY |
| 8. 966009-2A8 | DIVIDER, CS LOCKER ASSY |
| 9. 966009-2C8 | DIVIDER, CS LOCKER ASSY |
| 10. 966009-2D8 | DIVIDER CS LOCKER ASSY |
| 11. 381840-01 | HINGE, OVERHEAD SPRING LH |
| 12. 381840-02 | HINGE, OVERHEAD SPRING RH |
| 13. 801493-038 | DOOR, 12.38" X 11" |
| 14. 801493-018 | DOOR, 12.38" X 31.50" |
| 15. 966007-3A8 | END CAP RS LOCKER, CHERRY |

2007 INTERSTATE MOTORHOME

FURNITURE, GALLEY

Roof Locker, Galley, Mid Bath, Savannah

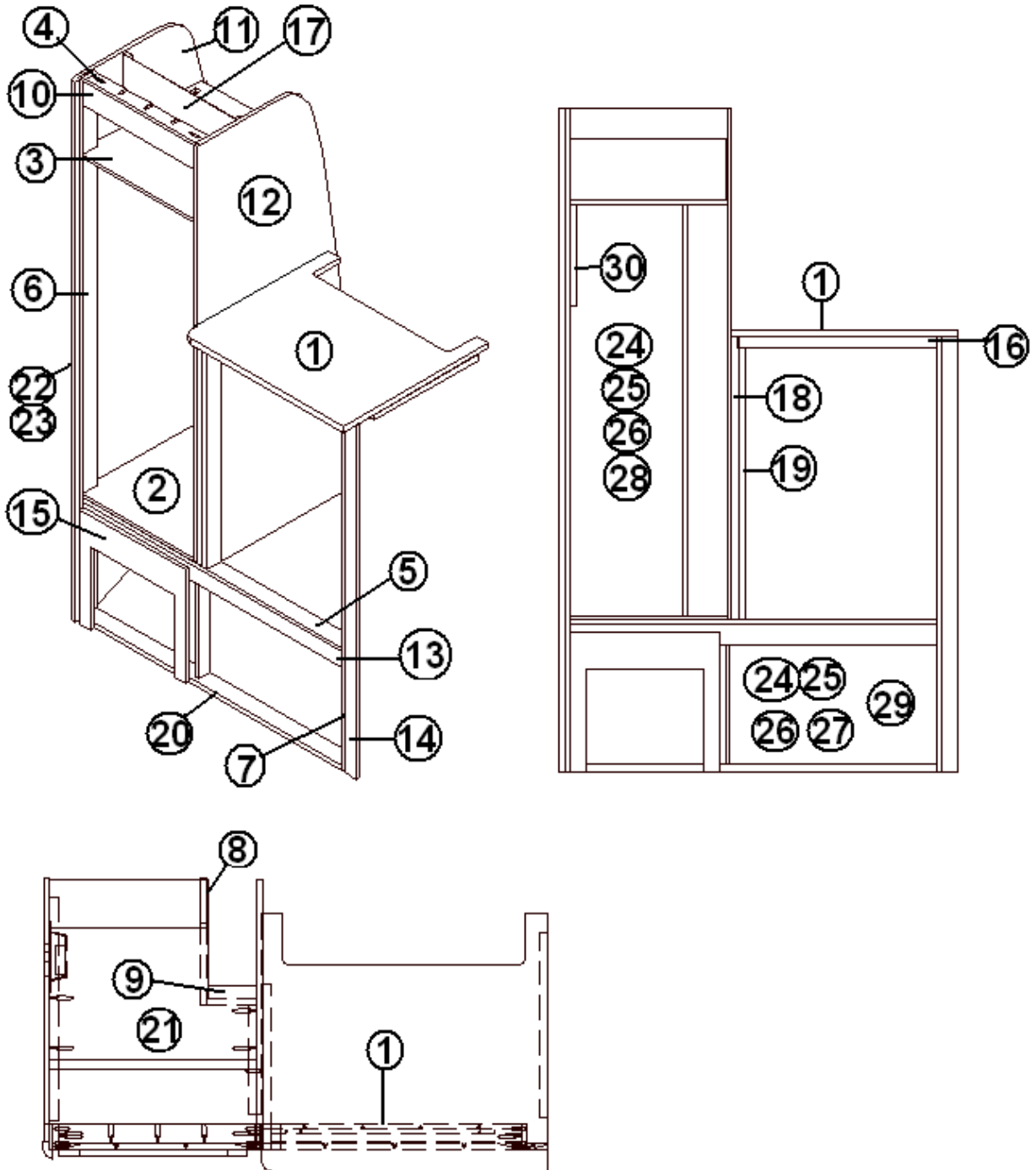


966279-02	LOCKER ASSY, GALLEY
1. 966279-1A7	SHELF, GALLEY LOCKER
2. 966279-2A7	LEDGE, LH GALLEY LOCKER
3. 966279-2B7	LEDGE, RH-GALLEY LOCKER
4. 966279-3A	RAIL, BACK GAL.R/L ASSY
5. 966279-3B7	RAIL, TOP GALLEY LOCKER
6. 966279-4A	CLOSEOUT, GALLEY R/L ASSY
7. 966279-5A7	END PANEL, GALLEY
8. 966009-2A7	DIVIDER, CS LOCKER ASSY
9. 966009-2C7	DIVIDER, CS LOCKER ASSY
10. 966009-2D7	DIVIDER CS LOCKER ASSY
11. 381840-01	HINGE, OVERHEAD SPRING LH
12. 381840-02	HINGE, OVERHEAD SPRING RH
13. 801493-037	DOOR, 12.38" X 11"
14. 801493-017	DOOR, 12.38" X 31.50"
15. 966007-3A7	END CAP RS LOCKER

2007 INTERSTATE MOTORHOME

FURNITURE, GALLEY

Refrigerator Cabinet/Wardrobe, Mid Bath, Cherry



Part numbers on the next page

2007 INTERSTATE MOTORHOME

FURNITURE, GALLEY

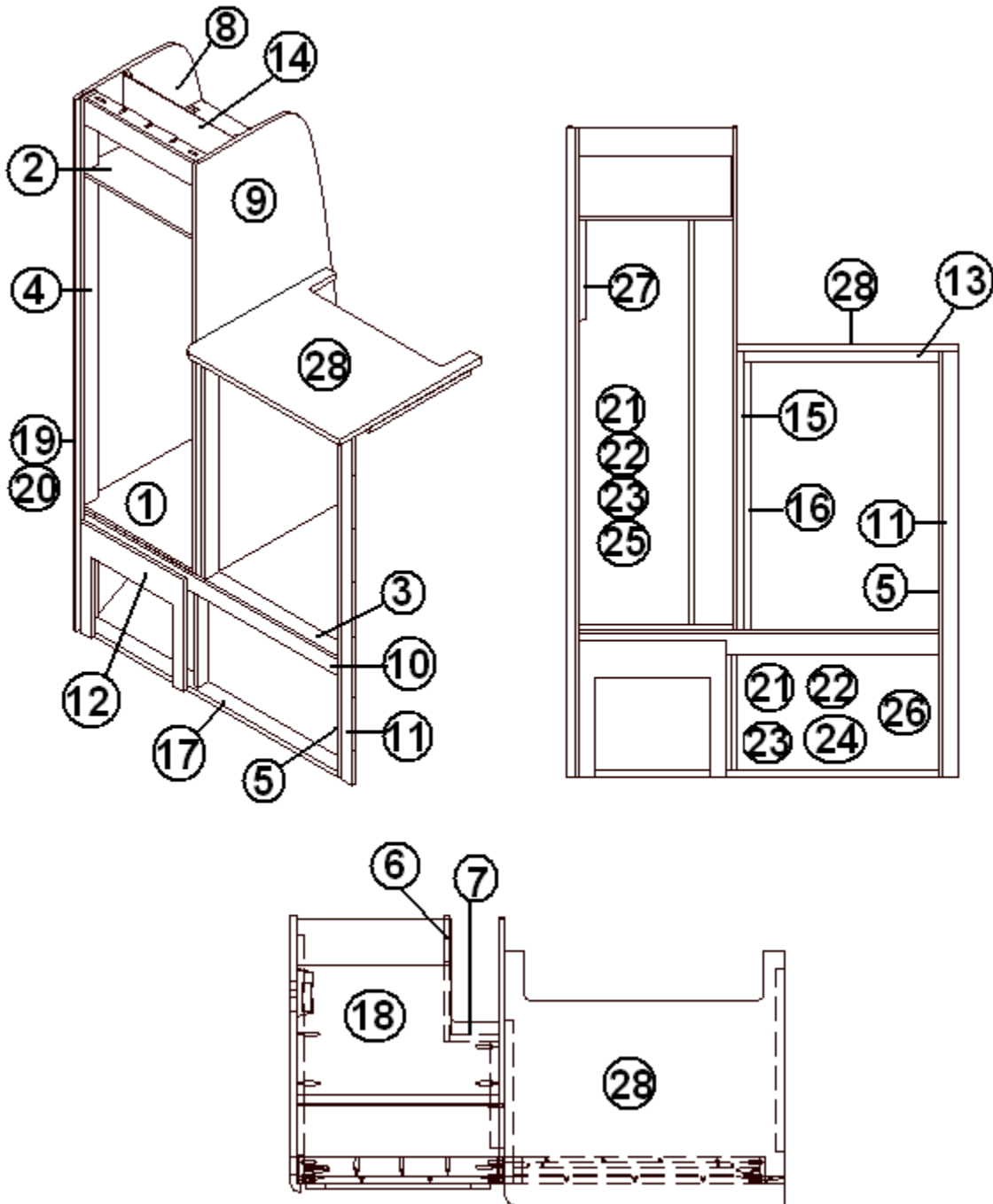
Refrigerator Cabinet/Wardrobe, Mid Bath, Cherry

966209	WARDROBE/REFER CABINET
1. 966209-1A8	REFER CABINET TOP
2. 966209-2A8	LOWER SHELF
3. 966209-2B8	UPPER SHELF
4. 966209-2C	TOP RAIL
5. 966209-2E8	LOWER SUPPORT
6. 966209-2F8	STILE, LH
7. 966209-2G8	STILE, RH
8. 966209-2H	CLOSEOUT
9. 966209-2J	CLOSEOUT, ELECICAL
10. 966209-3A8	HEADER
11. 966209-3B8	SIDE PANEL, LH
12. 966209-3C8	SIDE PANEL, RH
13. 966209-3D8	DRAWER RAIL
14. 966209-3E8	SPACER, RH
15. 966209-3F8	FRONT CUTOUT
16. 966209-3G8	STILE, REFER
17. 966209-4A	UPPER CLOSEOUT
18. 966209-5A8	SPACER, LH .75"
19. 966209-5B8	SPACER, .5", LH
20. 966209-5C8	RAIL, DRAWER BOTTOM
21. 381845	ROD, TELESCOPING CLOTHES 15.5"
22. 801393-008	CORNER TRIM 90 DEG 1" RADIUS
23. 966209-8A	SPACER, LAUAN
24. 381607-01	HINGE, GRASS EURO
25. 381228-01	CATCH, GRABBER DOOR
26. 381774	HANDLE-DRAWER/DOOR
27. 801625-178	DOOR, 14.88" X 23.75"
28. 801625-128	DOOR, W/R, 17.75" X 53.13"
29. 966241	STAND ASSY, REFER
30. 200773-01	CLOSEOUT, READING LIGHT, ABS WHITE
101134	ANGLE, ALUMINUM, 1/8" X 1" X 1.5"

2007 INTERSTATE MOTORHOME

FURNITURE, GALLEY

Refrigerator Cabinet/Wardrobe, Mid Bath, Savannah



Part numbers on the next page

2007 INTERSTATE MOTORHOME

FURNITURE, GALLEY

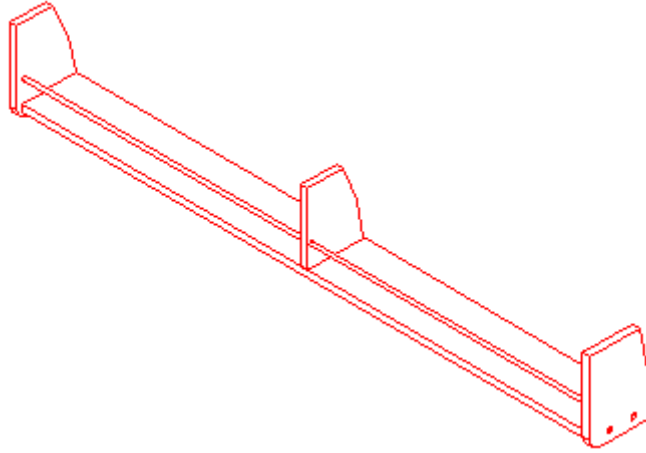
Refrigerator Cabinet/Wardrobe, Mid Bath, Savannah

966209-02	WARDROBE/REFER CABINET
1. 966209-2A7	LOWER SHELF
2. 966209-2B7	UPPER SHELF
3. 966209-2E7	LOWER SUPPORT
4. 966209-2F7	STILE, LH
5. 966209-2G7	STILE, RH
6. 966209-2H	CLOSEOUT
7. 966209-2J	CLOSEOUT, ELECICAL
8. 966209-3B7	SIDE PANEL, LH
9. 966209-3C7	SIDE PANEL, RH
10. 966209-3D7	DRAWER RAIL
11. 966209-3E7	SPACER, RH
12. 966209-3F7	FRONT CUTOUT
13. 966209-3G7	STILE, REFER
14. 966209-4A	UPPER CLOSEOUT
15. 966209-5A7	SPACER, LH .75"
16. 966209-5B7	SPACER, .5", LH
17. 966209-5C7	RAIL, DRAWER BTM
18. 381845	ROD, TELESCOPING CLOTHES 15.5"
19. 801393-007	CORNER TRIM 90 DEG 1" RADIUS
20. 966207-8A	SPACER, LAUAN
21. 381607-01	HINGE, GRASS EURO
22. 381228-01	CATCH, GRABBER DOOR
23. 381774	HANDLE-DRAWER/DOOR
24. 801625-177	DOOR, 14.88" X 23.75"
25. 801625-127	DOOR, W/R, 17.75" X 53.13"
26. 966241	STAND ASSY, REFER
27. 200773-01	CLOSEOUT, READING LIGHT, ABS WHITE
28. 966209-23A	REFER TOP
101134	ANGLE, ALUMINUM, 1/8" X 1" X 1.5"

2007 INTERSTATE MOTORHOME

FURNITURE, GALLEY

Spice Rack, Mid Bath

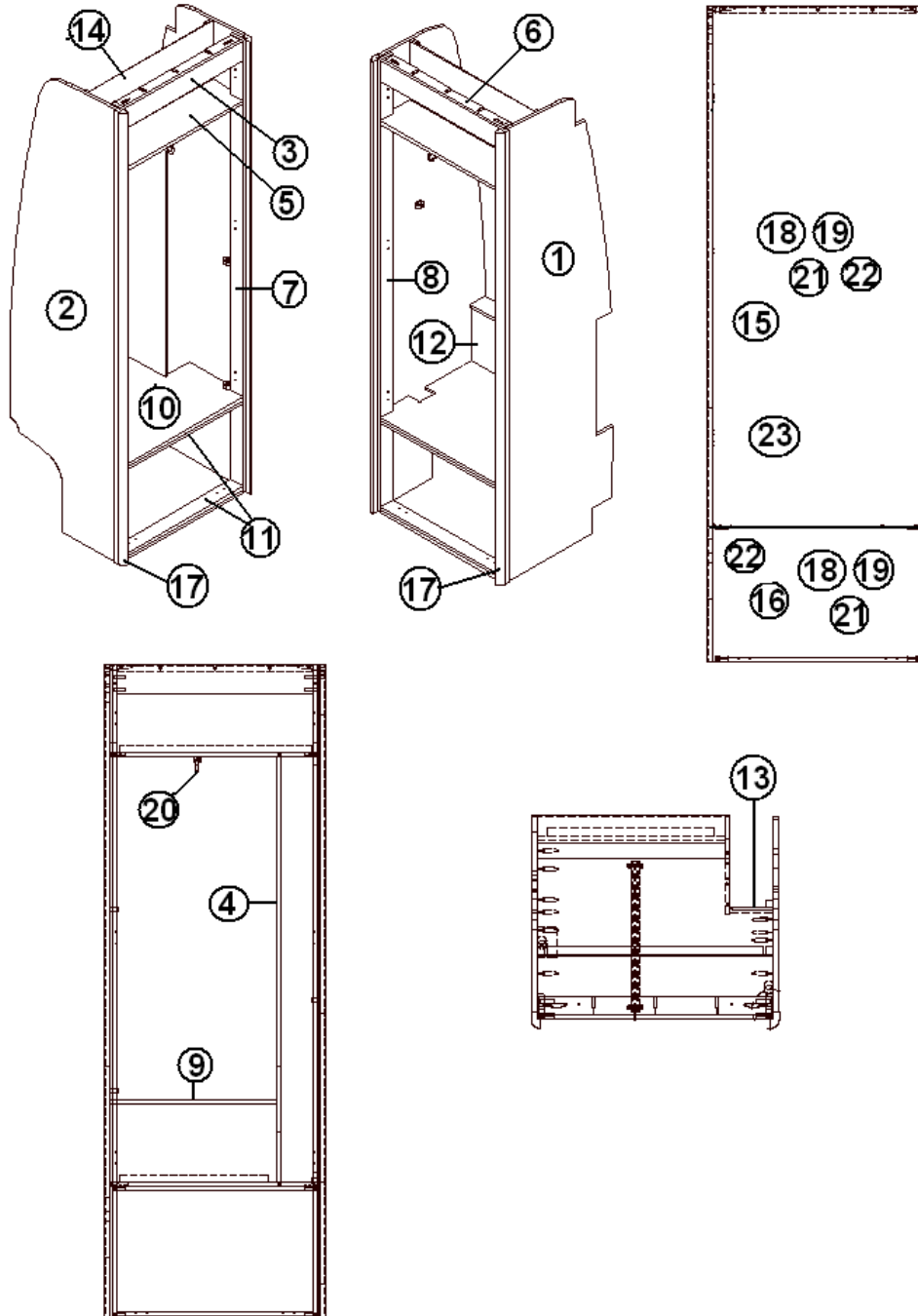


966338	SPICE RACK
966338-01	SPICE RACK, SAVANNAH
115042	ROD-.25" ALUMINUM, 6' LENGTH

2007 INTERSTATE MOTORHOME

FURNITURE, LOUNGE

Wardrobe, Rear Bath, Cherry



Part numbers are on the next page

2007 INTERSTATE MOTORHOME

FURNITURE, LOUNGE

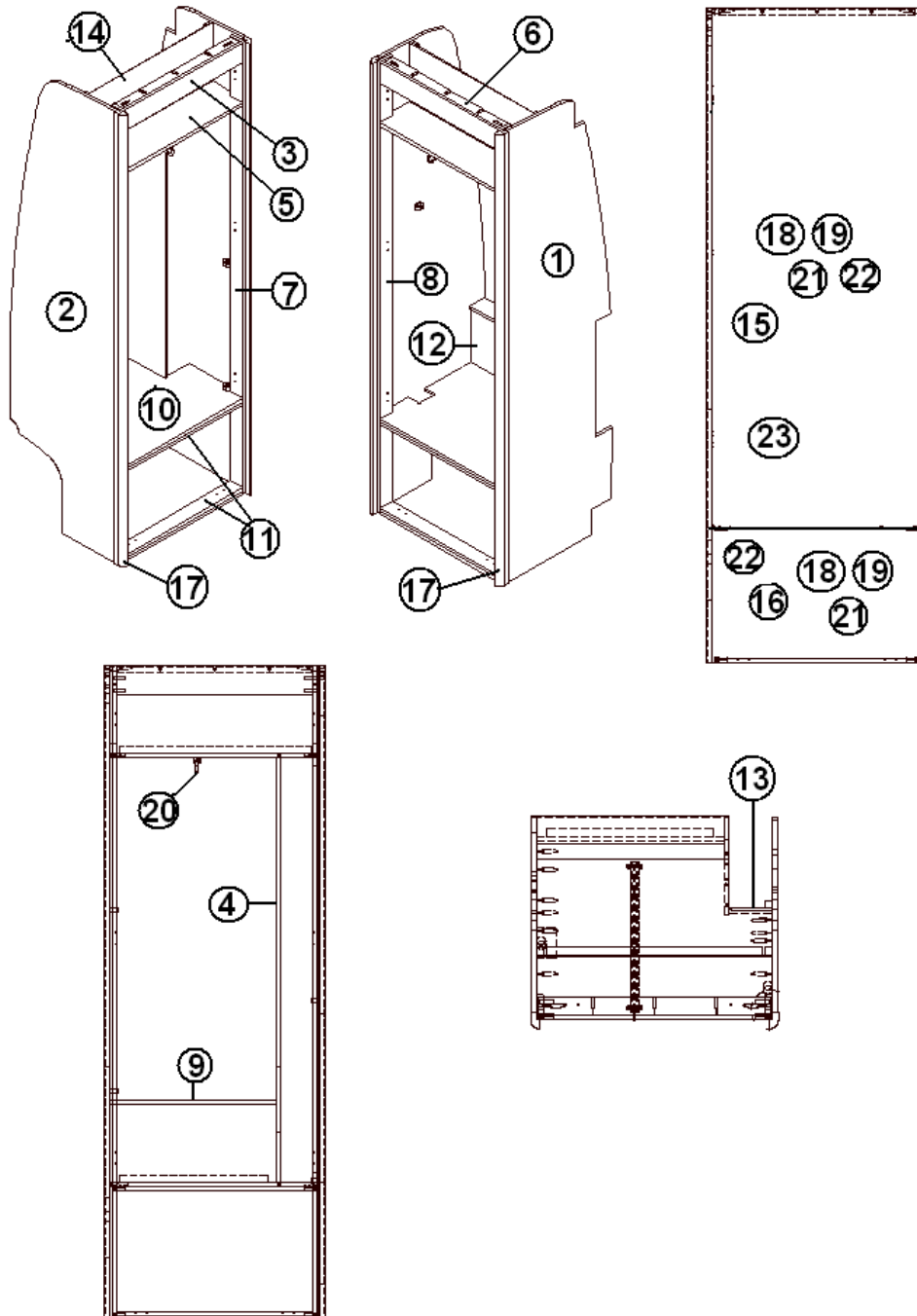
Wardrobe, Rear Bath, Cherry

966004	Wardrobe Assembly
1. 966004-1A8	SIDE PANEL, RH WARDROBE
2. 966004-1B8	SIDE PANEL, LH WARDROBE
3. 966004-1C8	HEADER, WARDROBE
4. 966004-2A	CLOSE OUT SIDE, WARDROBE
5. 966004-2B8	UPPER SHELF, WARDROBE
6. 966004-2C	TOP RAIL, WARDROBE
7. 966004-2D8	STILE, WARDROBE, RH
8. 966004-2E8	STILE, WARDROBE, LH
9. 966004-2F	CLOSE OUT, TOP WARDROBE
10. 966004-2G8	LOWER SHELF, WARDROBE
11. 966004-2H8	LOWER RAILS, WARDROBE
12. 966004-2J	CLOSEOUT, SIDE, WARDROBE
13. 966004-2K	CLOSEOUT, TOP, WARDROBE
14. 966004-4A	CLOSEOUT, TOP SHELF, WARDROBE
15. 801625-028	DOOR, 54.26W X 11L
16. 801625-038	DOOR, 22.13W X 14.13L
17. 801393-008	CORNER TRIM 90 DEG 1"
18. 381607-01	HINGE, GRASS
19. 381607-06	BASEPLATE
20. 381845	ROD, TELESCOPING CLOTHES, 15.5"
21. 381228-01	CATCH, GRABBER, DOOR
22. 381865	PULL, BAR BRUSH NICKEL
23. 372203-34	MIRROR, SAFETY, .13" X 7.5" X 36"

2007 INTERSTATE MOTORHOME

FURNITURE, LOUNGE

Wardrobe, Rear Bath, Savannah



Part numbers are on the next page

2007 INTERSTATE MOTORHOME

FURNITURE, LOUNGE

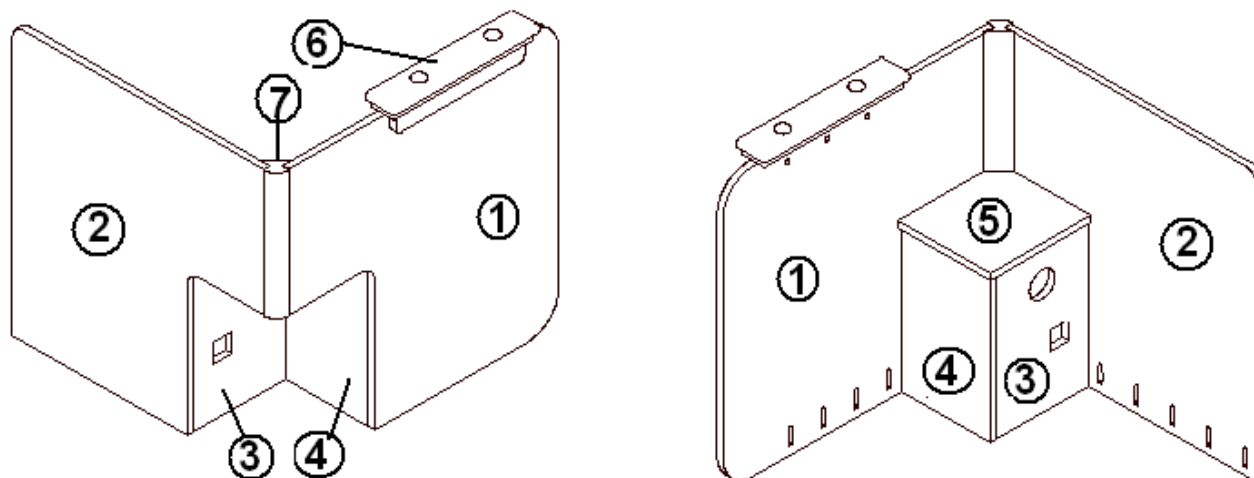
Wardrobe, Rear Bath, Savannah

966004-01	Wardrobe Assembly
1. 966004-1A7	SIDE PANEL, RH WARDROBE
2. 966004-1B7	SIDE PANEL, LH WARDROBE
3. 966004-1C7	HEADER, WARDROBE
4. 966004-2A	CLOSE OUT SIDE, WARDROBE
5. 966004-2B7	UPPER SHELF, WARDROBE
6. 966004-2C	TOP RAIL, WARDROBE
7. 966004-2D7	STILE, WARDROBE, RH
8. 966004-2E7	STILE, WARDROBE, LH
9. 966004-2F	CLOSE OUT, TOP WARDROBE
10. 966004-2G7	LOWER SHELF, WARDROBE
11. 966004-2H7	LOWER RAILS, WARDROBE
12. 966004-2J	CLOSEOUT, SIDE, WARDROBE
13. 966004-2K	CLOSEOUT, TOP, WARDROBE
14. 966004-4A	CLOSEOUT, TOP SHELF, WARDROBE
15. 801625-027	DOOR, 54.26W X 11L
16. 801625-037	DOOR, 22.13W X 14.13L
17. 801393-007	CORNER TRIM 90 DEG 1"
18. 381607-01	HINGE, GRASS
19. 381607-06	BASEPLATE
20. 381845	ROD, TELESCOPING CLOTHES, 15.5"
21. 381228-01	CATCH, GRABBER, DOOR
22. 381865	PULL, BAR BRUSH NICKEL
23. 372203-34	MIRROR, SAFETY, .13" X 7.5" X 36"

2007 INTERSTATE MOTORHOME

FURNITURE, LOUNGE

Armrest Assembly, Rear Bath, Cherry

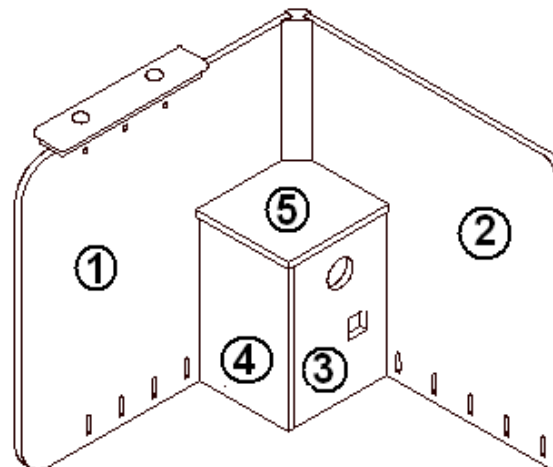
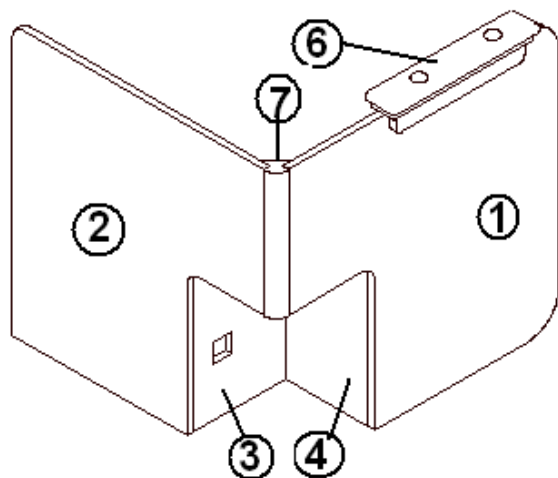


- | | |
|---------------|------------------------------|
| 966008 | ARMREST ASSEMBLY |
| 1. 966008-1A8 | SIDE PANEL, ARM REST |
| 2. 966008-1B8 | BACK PANEL, ARM REST |
| 3. 966008-1C8 | SWITCH PANEL, ARM REST |
| 4. 966008-1D8 | CLOSE OUT, SIDE, ARMREST |
| 5. 966008-1E8 | CLOSEOUT PANEL, TOP, ARMREST |
| 6. 966108 | SUPPORT ASSYEMBLY, ARMREST |
| 7. 801415-008 | CORNER TRIM, 1" RADIUS |

2007 INTERSTATE MOTORHOME

FURNITURE, LOUNGE

Armrest Assembly, Rear Bath, Savannah

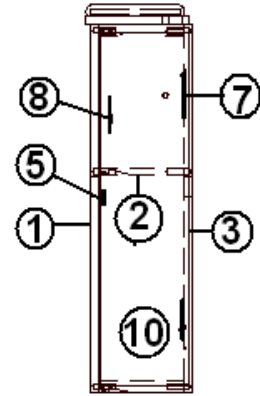
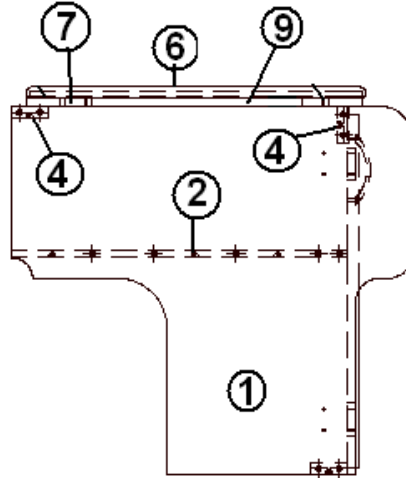
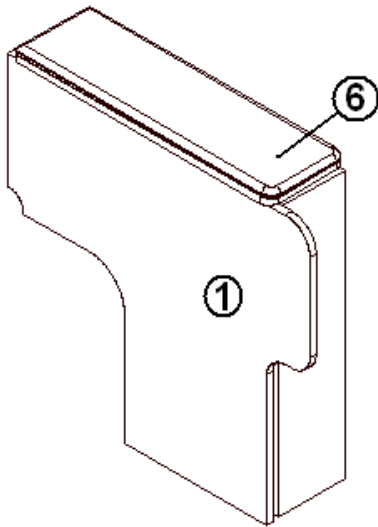


- | | |
|---------------|------------------------------|
| 966008-01 | ARMREST ASSY. |
| 1. 966008-1A7 | SIDE PANEL, ARM REST |
| 2. 966008-1B7 | BACK PANEL, ARM REST |
| 3. 966008-1C7 | SWITCH PANEL, ARM REST |
| 4. 966008-1D7 | CLOSE OUT, SIDE, ARMREST |
| 5. 966008-1E7 | CLOSEOUT PANEL, TOP, ARMREST |
| 6. 966108-01 | SUPPORT ASSYEMBLY, ARMREST |
| 7. 801415-007 | CORNER TRIM, 1" RADIUS |

2007 INTERSTATE MOTORHOME

FURNITURE, LOUNGE

Armrest, Forward Curbside Wardrobe, Rear Bath, Cherry

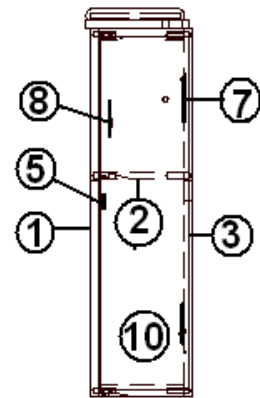
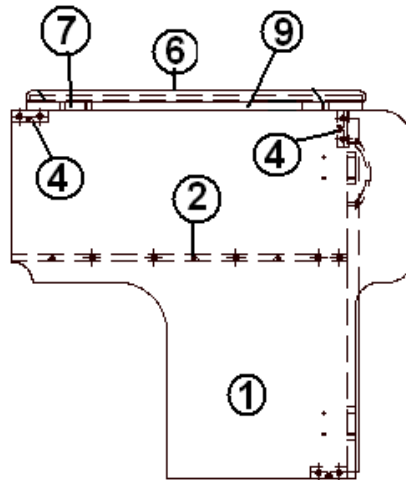
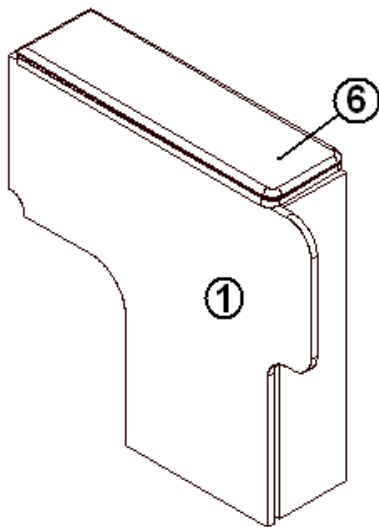


- | | |
|----------------|------------------------------|
| 966083 | Armrest, Forward Wardrobe |
| 1. 966083-1A8 | LH PANEL, ARMREST |
| 2. 966083-1B8 | SHELF, ARMEST |
| 3. 966083-1C8 | RH PANEL, ARMREST |
| 4. 966083-2A8 | SPACER BLOCK ARMREST |
| 5. 381228-01 | GRABBER CATCH, DOOR |
| 6. 966084 | DOOR TOP ASSEMBLY, PADDED |
| 7. 381607-01 | HINGE-GRASS EURO |
| 8. 381865 | PULL-BAR BRUSH NICKEL |
| 9. 381688 | BUMP ON |
| 10. 801625-058 | DOOR-ARMREST, 5.44" X 21.63" |
| 380458 | HINGE, PIANO, BROWN |
| 703386 | VINYL-ASTRO SS MAGUM STEEL |

2007 INTERSTATE MOTORHOME

FURNITURE, LOUNGE

Armrest, Forward Curbside Wardrobe, Rear Bath, Savannah

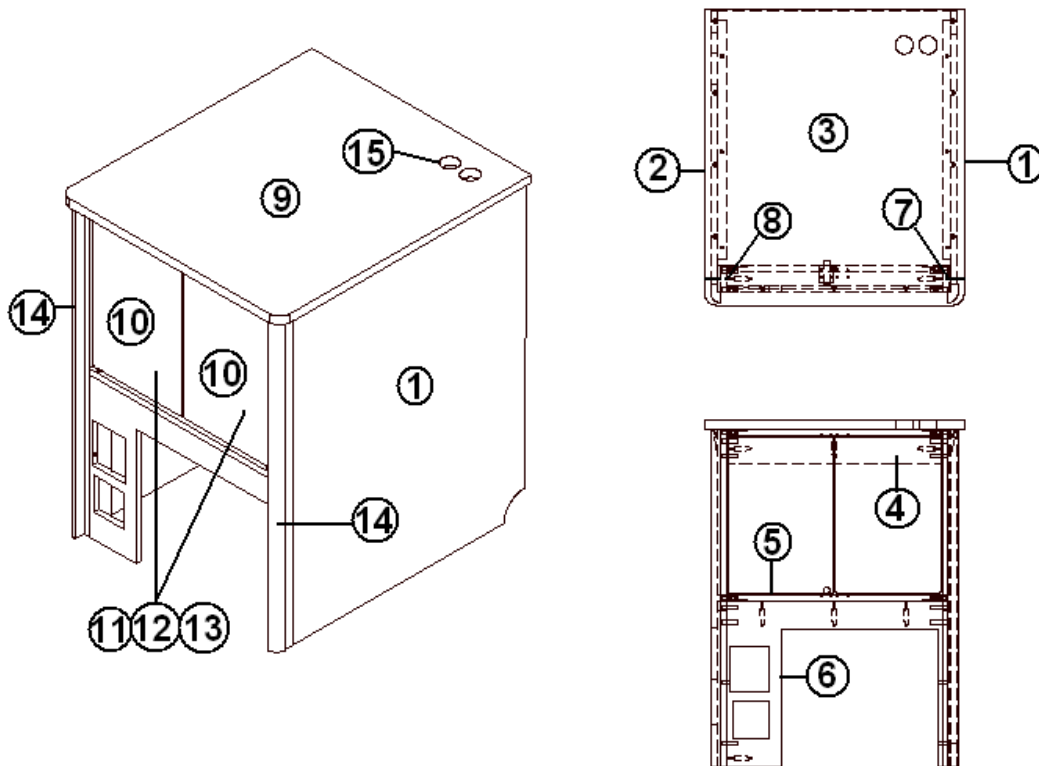


- | | |
|----------------|------------------------------|
| 966083-01 | Armrest, Forward Wardrobe |
| 1. 966083-1A7 | LH PANEL, ARMREST |
| 2. 966083-1B7 | SHELF, ARMEST |
| 3. 966083-1C7 | RH PANEL, ARMREST |
| 4. 966083-2A7 | SPACER BLOCK ARMREST |
| 5. 381228-01 | GRABBER CATCH, DOOR |
| 6. 966084-01 | DOOR TOP ASSEMBLY, PADDED |
| 7. 381607-01 | HINGE-GRASS EURO |
| 8. 381865 | PULL-BAR BRUSH NICKEL |
| 9. 381688 | BUMP ON |
| 10. 801625-057 | DOOR-ARMREST, 5.44" X 21.63" |
| 380458 | HINGE, PIANO, BROWN |
| 703386 | VINYL-ASTRO SS MAGUM STEEL |

2007 INTERSTATE MOTORHOME

FURNITURE, LOUNGE

Entertainment Center, Rear Bath, Cherry

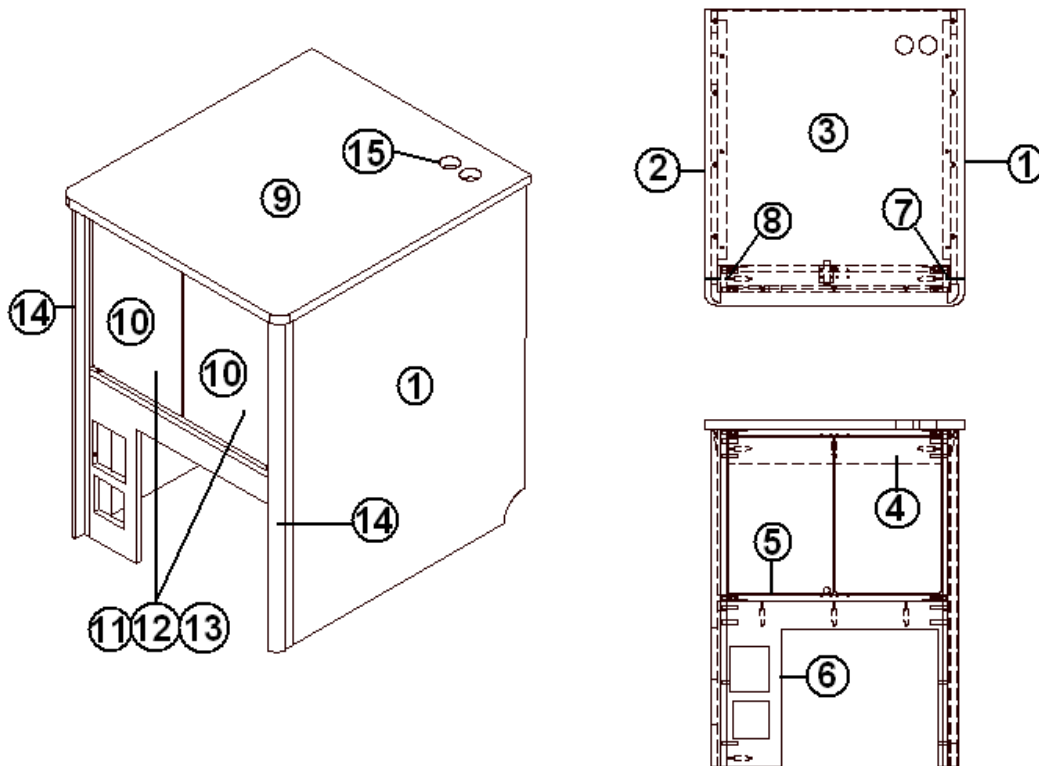


- | | |
|----------------|-------------------------------------|
| 966006 | Entertainment Center |
| 1. 966006-1A8 | SIDE, RH, ENTERTAINMENT CENTER |
| 2. 966006-1B8 | SIDE, LH, ENTERTAINMENT CENTER |
| 3. 966006-3A8 | SHELF, ENTERTAINMENT CENTER |
| 4. 966006-3B8 | RADIO FACE |
| 5. 966006-3C8 | RAILS, ENTERTAINMENT CENTER |
| 6. 966006-3D8 | FACE PANEL |
| 7. 966006-3E8 | STILE, RH SIDE ENTERTAINMENT CENTER |
| 8. 966006-3F8 | STILE, LH SIDE ENTERTAINMENT CENTER |
| 9. 966027 | TOP ASSEMBLY, ENTERTAINMENT CENTER |
| 10. 371398 | DOOR, ENTERTAINMENT CENTER |
| 11. 381654 | HINGE, NON BORE, GLASS DOOR, BLACK |
| 12. 381707 | STRIKE, GLASS DOOR, BLACK |
| 13. 381653 | LATCH, SINGLE TOUCH, BLACK |
| 14. 801706-008 | CORNER TRIM, 90D RADIUS CHERRY |
| 15. 381209-01 | GROMMET, W/CAP BLACK 1.5"HOLE |

2007 INTERSTATE MOTORHOME

FURNITURE, LOUNGE

Entertainment Center, Rear Bath, Savannah

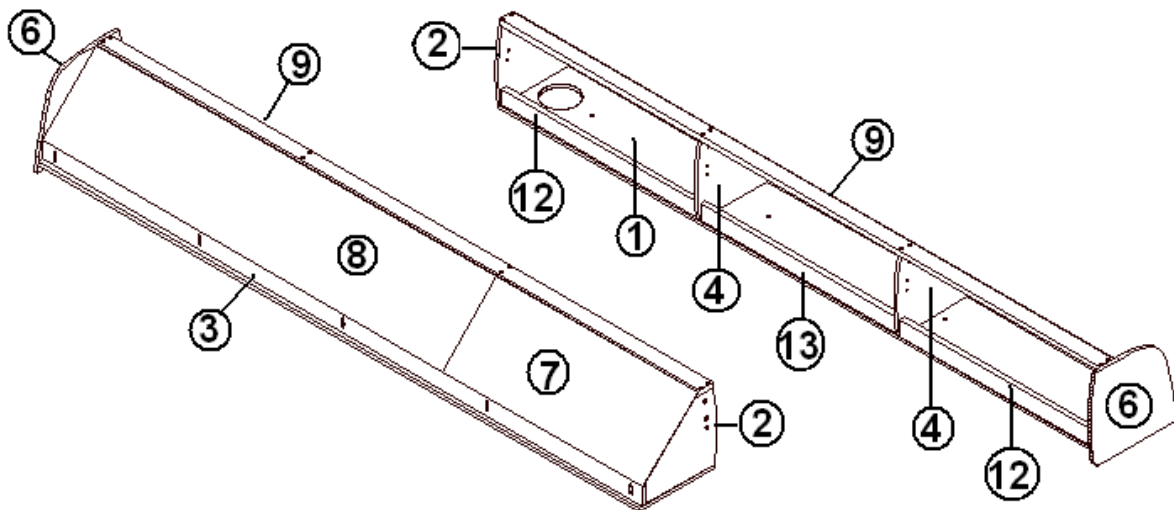
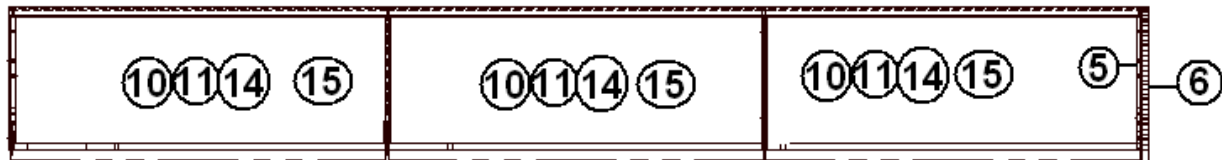


- | | |
|----------------|-------------------------------------|
| 966006-01 | Entertainment Center |
| 1. 966006-1A7 | SIDE, RH, ENTERTAINMENT CENTER |
| 2. 966006-1B7 | SIDE, LH, ENTERTAINMENT CENTER |
| 3. 966006-3A7 | SHELF, ENTERTAINMENT CENTER |
| 4. 966006-3B7 | RADIO FACE |
| 5. 966006-3C7 | RAILS, ENTERTAINMENT CENTER |
| 6. 966006-3D7 | FACE PANEL |
| 7. 966006-3E7 | STILE, RH SIDE ENTERTAINMENT CENTER |
| 8. 966006-3F7 | STILE, LH SIDE ENTERTAINMENT CENTER |
| 9. 966027-01 | TOP ASSEMBLY, ENTERTAINMENT CENTER |
| 10. 371398 | DOOR, ENTERTAINMENT CENTER |
| 11. 381654 | HINGE, NON BORE, GLASS DOOR, BLACK |
| 12. 381707 | STRIKE, GLASS DOOR, BLACK |
| 13. 381653 | LATCH, SINGLE TOUCH, BLACK |
| 14. 801706-007 | CORNER TRIM, 90D RADIUS CHERRY |
| 15. 381209-01 | GROMMET, W/CAP BLACK 1.5"HOLE |

2007 INTERSTATE MOTORHOME

FURNITURE, LOUNGE

Roof Locker, Roadside, Rear Bath, Cherry

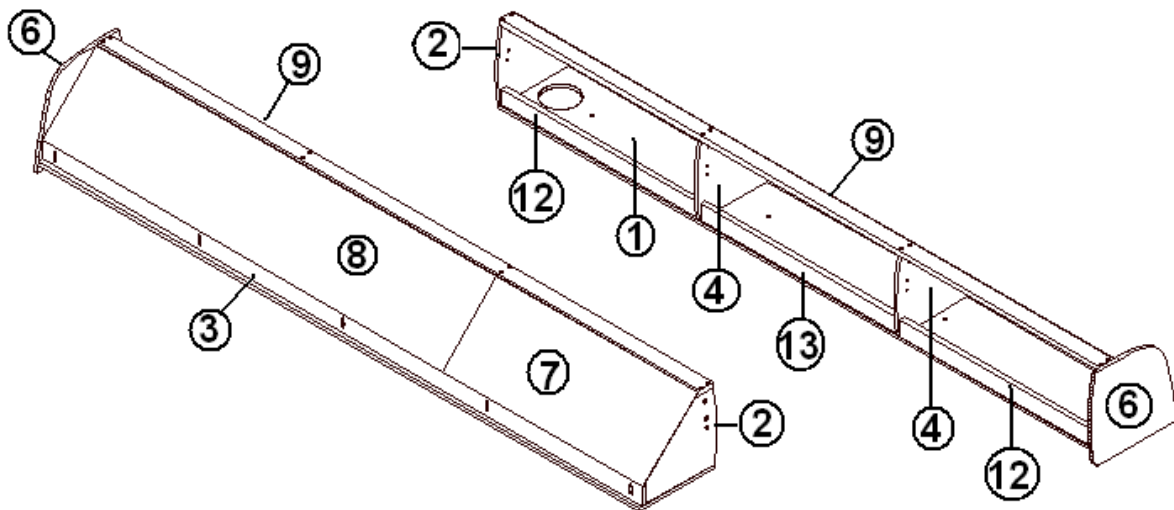
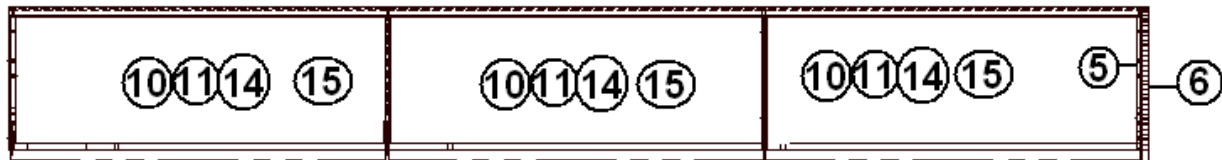


- | | |
|----------------|-------------------------------|
| 966007 | ROOFLOCKER ASSEMBLY, ROADSIDE |
| 1. 966007-1A8 | SHELF ROADSIDE LOCKER |
| 2. 966007-2A8 | DIVIDER ROADSIDE LOCKER |
| 3. 966007-2B | SHELF BACK, ROADSIDE LOCKER |
| 4. 966007-2C8 | DIVIDER, ROADSIDE LOCKER |
| 5. 966007-2D8 | DIVIDER, ROADSIDE LOCKER |
| 6. 966007-3A8 | END CAP, ROADSIDE LOCKER |
| 7. 966007-4A | LH CLOSEOUT, ROADSIDE LOCKER |
| 8. 966007-4B | RH CLOSEOUT, ROADSIDE LOCKER |
| 9. 966007-5A8 | TOP BRACE, ROADSIDE LOCKER |
| 10. 381840-02 | HINGE, OVERHEAD SPRING |
| 11. 801493-018 | DOOR, RADIUS 12.38 X 31.50 |
| 12. 966007-9A8 | FRONT OUTSIDE LEDGE |
| 13. 966007-9B8 | FRONT OUTSIDE LEDG |
| 14. 381840-01 | HINGE, OVERHEAD SPRING LH |
| 15. 381865 | PULL-BAR BRUSH NICKEL |

2007 INTERSTATE MOTORHOME

FURNITURE, LOUNGE

Roof Locker, Roadside, Rear Bath, Savannah

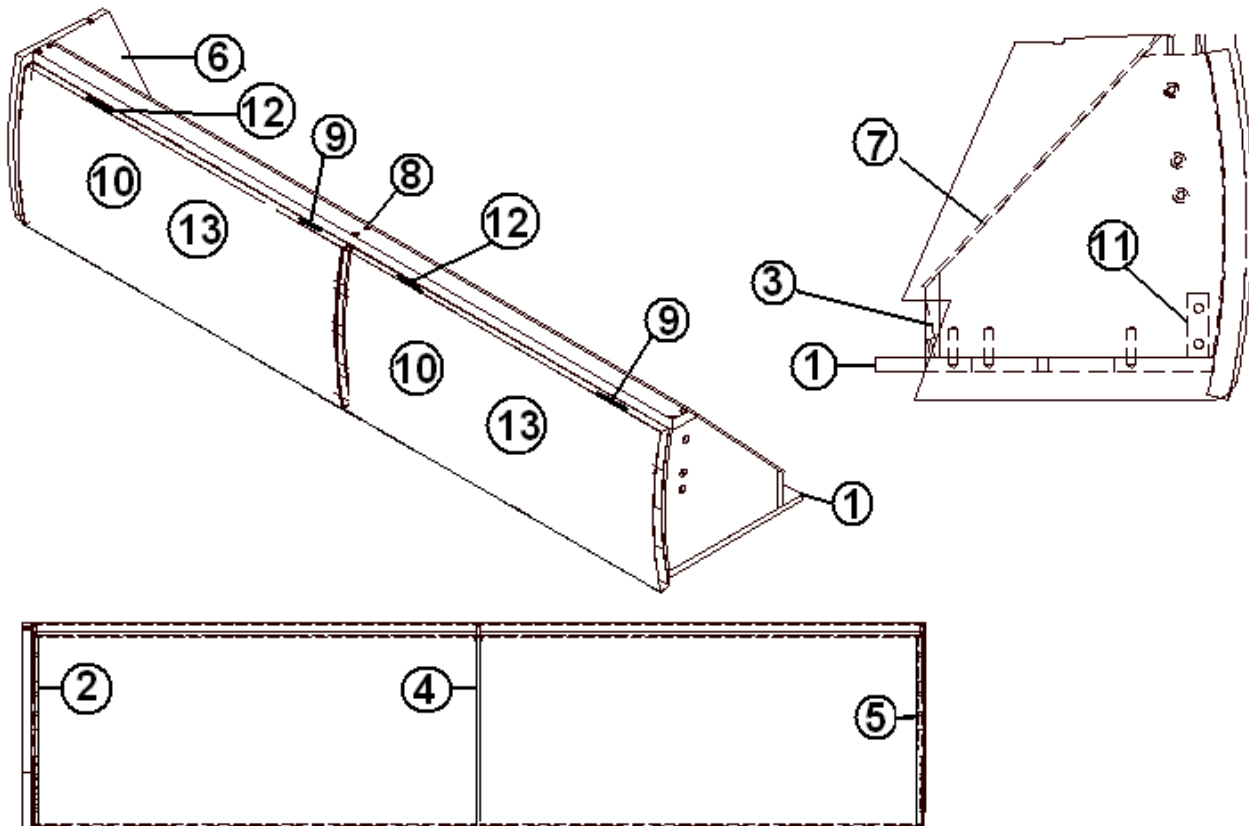


- | | |
|----------------|-------------------------------|
| 966007-01 | ROOFLOCKER ASSEMBLY, ROADSIDE |
| 1. 966007-1A7 | SHELF ROADSIDE LOCKER |
| 2. 966007-2A7 | DIVIDER ROADSIDE LOCKER |
| 3. 966007-2B | SHELF BACK, ROADSIDE LOCKER |
| 4. 966007-2C7 | DIVIDER, ROADSIDE LOCKER |
| 5. 966007-2D7 | DIVIDER, ROADSIDE LOCKER |
| 6. 966007-3A7 | END CAP, ROADSIDE LOCKER |
| 7. 966007-4A | LH CLOSEOUT, ROADSIDE LOCKER |
| 8. 966007-4B | RH CLOSEOUT, ROADSIDE LOCKER |
| 9. 966007-5A7 | TOP BRACE, ROADSIDE LOCKER |
| 10. 381840-02 | HINGE, OVERHEAD SPRING |
| 11. 801493-017 | DOOR, RADIUS 12.38 X 31.50 |
| 12. 966007-9A7 | FRONT OUTSIDE LEDGE |
| 13. 966007-9B7 | FRONT OUTSIDE LEDG |
| 14. 381840-01 | HINGE, OVERHEAD SPRING LH |
| 15. 381865 | PULL-BAR BRUSH NICKEL |

2007 INTERSTATE MOTORHOME

FURNITURE, LOUNGE

Roof Locker, Curbside, Rear Bath, Cherry

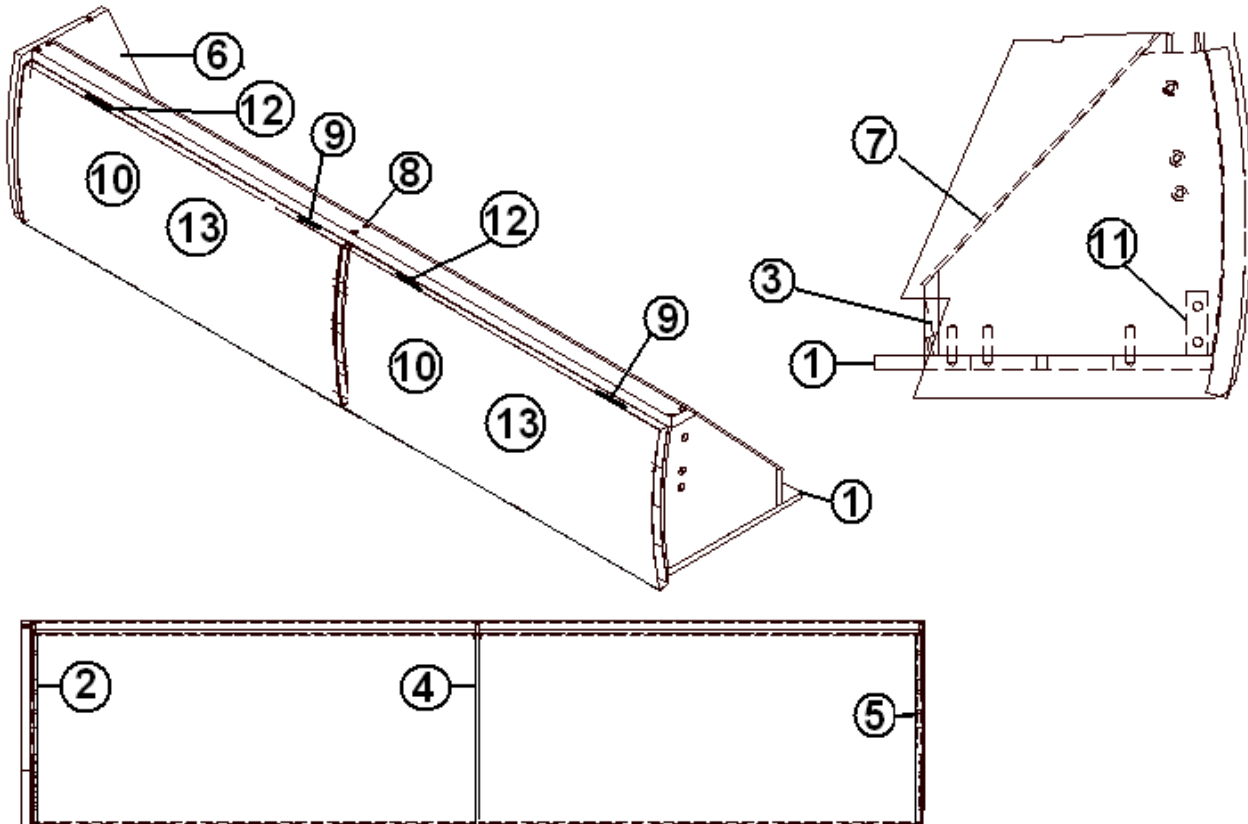


- | | |
|----------------|-------------------------------|
| 966009 | ROOFLOCKER ASSEMBLY, CURBSIDE |
| 1. 966009-1A8 | SHELF, CURBSIDE LOCKER |
| 2. 966009-2A8 | DIVIDER, CURBSIDE LOCKER |
| 3. 966009-2B | DIVIDER, CURBSIDE LOCKER |
| 4. 966009-2C8 | DIVIDER, CURBSIDE LOCKER |
| 5. 966009-2D8 | DIVIDER, CURBSIDE LOCKER |
| 6. 966009-3A8 | END CAP, CURBSIDE LOCKER |
| 7. 966009-4A | CLOSEOUT, CURBSIDE LOCKER |
| 8. 966009-5A8 | TOP BRACE, CURBSIDE LCKER |
| 9. 381840-02 | HINGE, OVERHEAD SPRING, RH |
| 10. 801493-028 | DOOR, RADIUS, 12.38" X 28.13" |
| 11. 966009-9A8 | FRONT LEDGE CURBSIDE LCKR |
| 12. 381840-01 | HINGE, OVERHEAD SPRING, LH |
| 13. 381865 | PULL, BAR, BRUSH NICKEL |

2007 INTERSTATE MOTORHOME

FURNITURE, LOUNGE

Roof Locker, Curbside, Rear Bath, Savannah



966009-01	ROOFLOCKER ASSEMBLY, CURBSIDE
1. 966009-1A7	SHELF, CURBSIDE LOCKER
2. 966009-2A7	DIVIDER, CURBSIDE LOCKER
3. 966009-2B	DIVIDER, CURBSIDE LOCKER
4. 966009-2C7	DIVIDER, CURBSIDE LOCKER
5. 966009-2D7	DIVIDER, CURBSIDE LOCKER
6. 966009-3A7	END CAP, CURBSIDE LOCKER
7. 966009-4A	CLOSEOUT, CURBSIDE LOCKER
8. 966009-5A7	TOP BRACE, CURBSIDE LCKER
9. 381840-02	HINGE, OVERHEAD SPRING, RH
10. 801493-027	DOOR, RADIUS, 12.38" X 28.13"
11. 966009-9A7	FRONT LEDGE CURBSIDE LCKR
12. 381840-01	HINGE, OVERHEAD SPRING, LH
13. 381865	PULL, BAR, BRUSH NICKEL

2007 INTERSTATE MOTORHOME

FURNITURE, LOUNGE

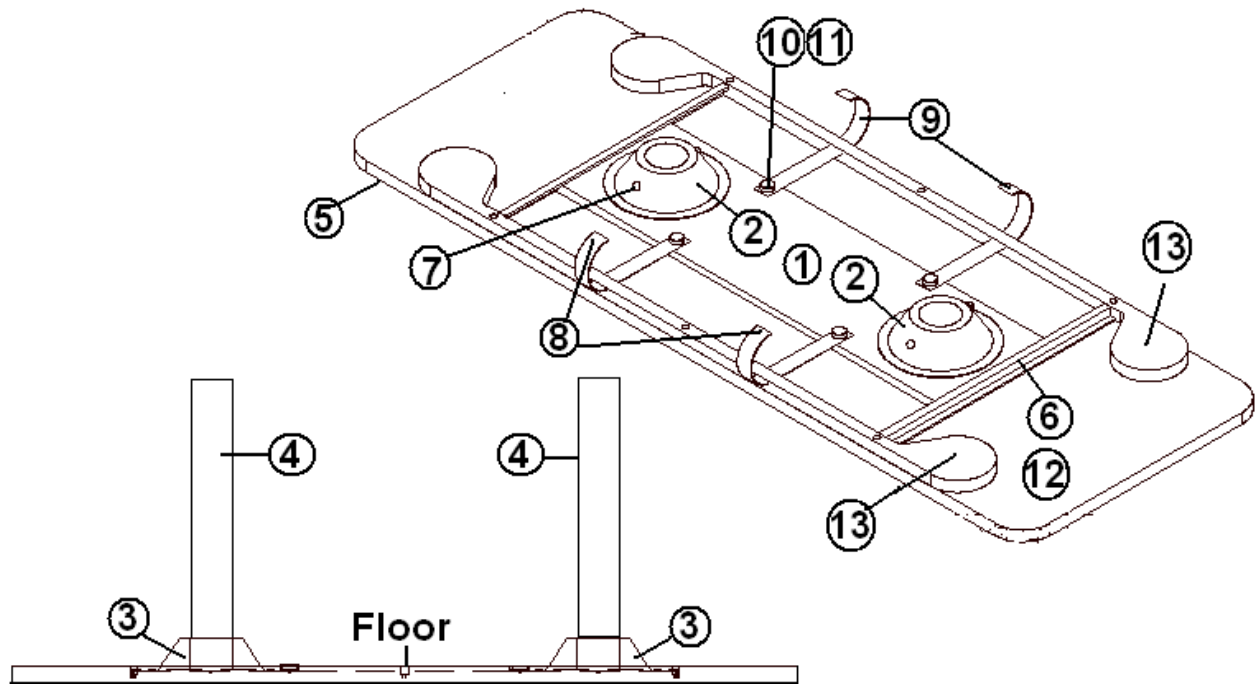
Pedestal Table Storage

602111	COVER-TABLE/STORAGE AFT DINETTE
380338	SOCKET, PEDESTAL, TABLE
998188	STRAP, PEDESTAL TABLE STORAGE
195345-01	1½ BROWN NYLON WEBBING
703456	VELCRO, LOOP BLACK 1.5"
703456-01	VELCRO, HOOK BLACK 1.5"
381566	LOOP FOOTMAN STEEL 1.625"X .56"
703632	BAG, PEDESTAL LEG 20"
381987	LEG, PORTABLE PEDESTAL AFT DINETTE

2007 INTERSTATE MOTORHOME

FURNITURE, LOUNGE

Pedestal Table, Rear & Mid Bath, Cherry

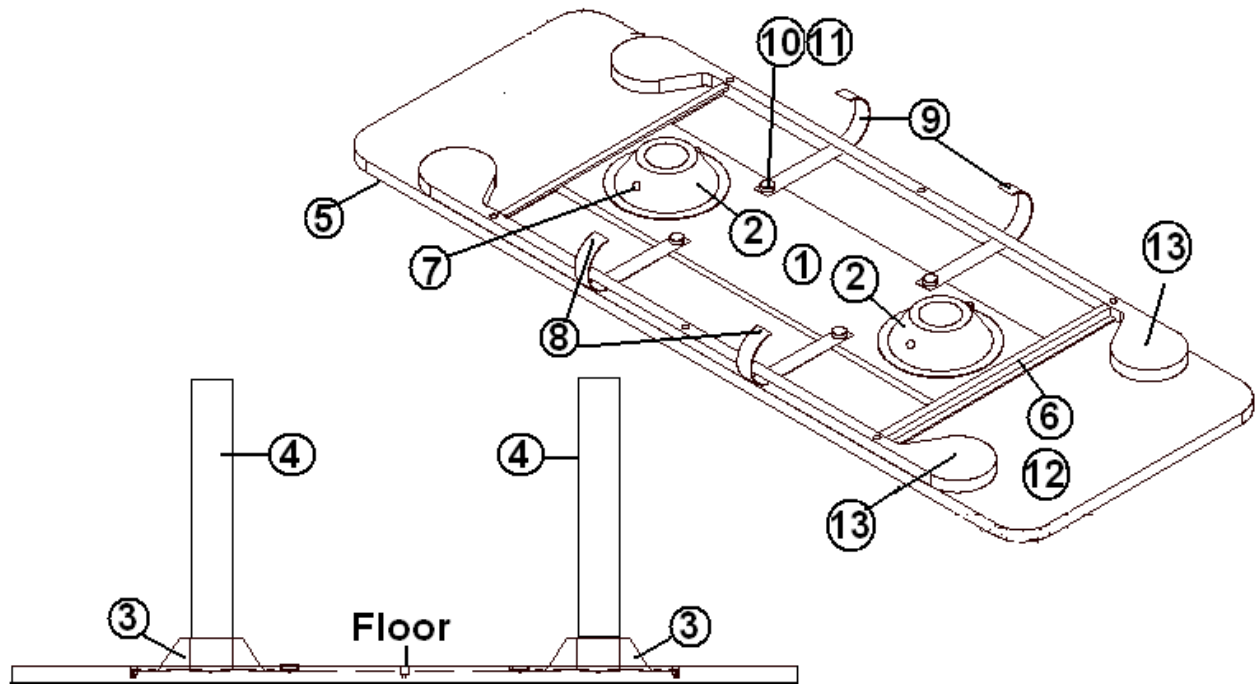


- | | |
|---------------|--|
| 966094 | Pedestal Table |
| 1. 966094-1A | PANEL, TABLE ASSEMBLY |
| 2. 380338 | SOCKET, PEDESTAL, TABLE |
| 3. 380339 | SOCKET, PEDESTAL, FLOOR |
| 4. 380337 | POST, PEDESTAL |
| 5. 966099 | PEDESTAL TABLE TOP |
| 6. 115198 | EXTRUSION, "Z", 13" X. 5" X .5" X .5" X 170" |
| 7. 381688 | BUMP ON |
| 8. 700020 | PILE VELCRO |
| 9. 700021 | HOOK, VELCRO, WHITE |
| 10. 381081-04 | SNAP CAP WHITE (SCREW SIZE #6) |
| 11. 320006 | SCREW SHEET METAL 8X3/4 BH PHI |
| 12. 966099-1A | TOP, PEDESTAL, TABLE |
| 13. 966099-1B | RUNNER, PEDESTAL, TABLE |

2007 INTERSTATE MOTORHOME

FURNITURE, LOUNGE

Pedestal Table, Rear & Mid Bath, Savannah

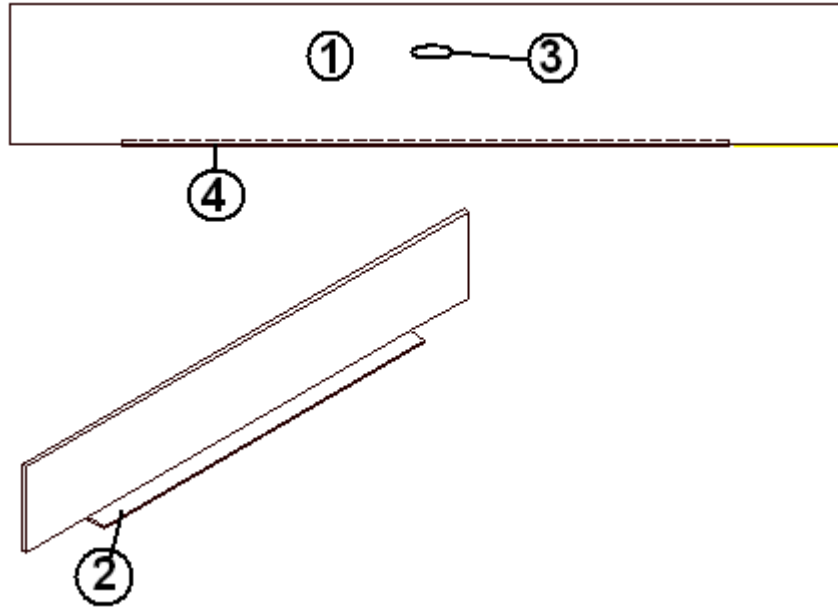


- | | |
|---------------|---|
| 966094-01 | Pedestal Table |
| 1. 966094-1A | PANEL, TABLE ASSEMBLY |
| 2. 380338 | SOCKET, PEDESTAL, TABLE |
| 3. 380339 | SOCKET, PEDESTAL, FLOOR |
| 4. 380337 | POST, PEDESTAL |
| 5. 966099-01 | PEDESTAL TABLE TOP |
| 6. 115198 | EXTRUSION, "Z", 13" X. 5" X .5" X .5"X 170" |
| 7. 381688 | BUMP ON |
| 8. 700020 | PILE VELCRO |
| 9. 700021 | HOOK, VELCRO, WHITE |
| 10. 381081-04 | SNAP CAP WHITE (SCREW SIZE #6) |
| 11. 320006 | SCREW SHEET METAL 8X3/4 BH PHI |
| 12. 966099-2A | TOP, PEDESTAL, TABLE |
| 13. 966099-2B | RUNNER, PEDESTAL, TABLE |

2007 INTERSTATE MOTORHOME

FURNITURE, LOUNGE

Kick Panel Curbside Lounge, Rear Bath, Cherry

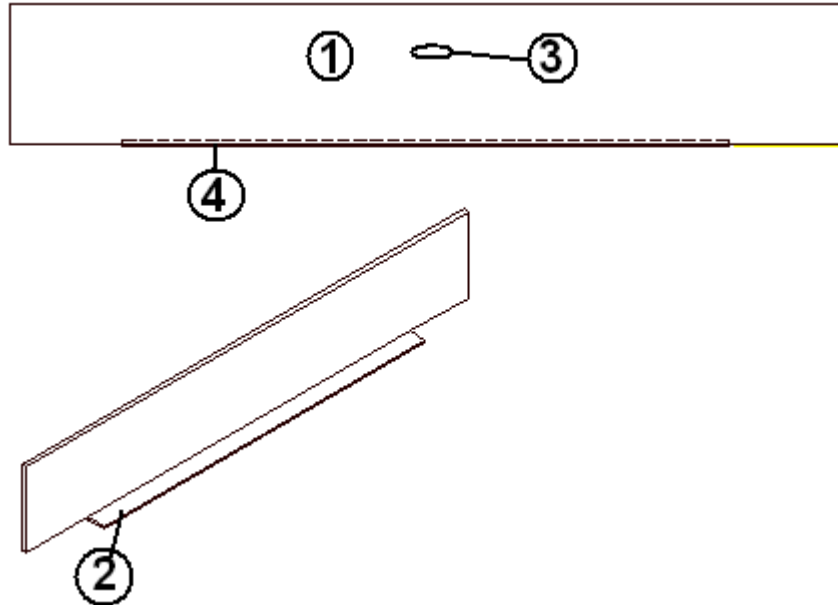


- | | |
|---------------|-------------------------------------|
| 966046 | KICK PANEL ASSEMBLY, CS LOUNGE |
| 1. 801265-138 | DOOR, CURBSIDE SOFA 12.44" X 73.75" |
| 2. 966046-2A8 | BASEBOARD, CURBSIDE KICK PANEL |
| 3. 381865 | PULL, BAR BRUSH NICKEL |
| 4. 380458 | HINGE PIANO BROWN ANODIZED |
| 381228-01 | CATCH GRABBER DOOR C3-803 |
| 703631 | Bag, Pedestal and port leg |

2007 INTERSTATE MOTORHOME

FURNITURE, LOUNGE

Kick Panel Curbside Lounge, Rear Bath, Savannah

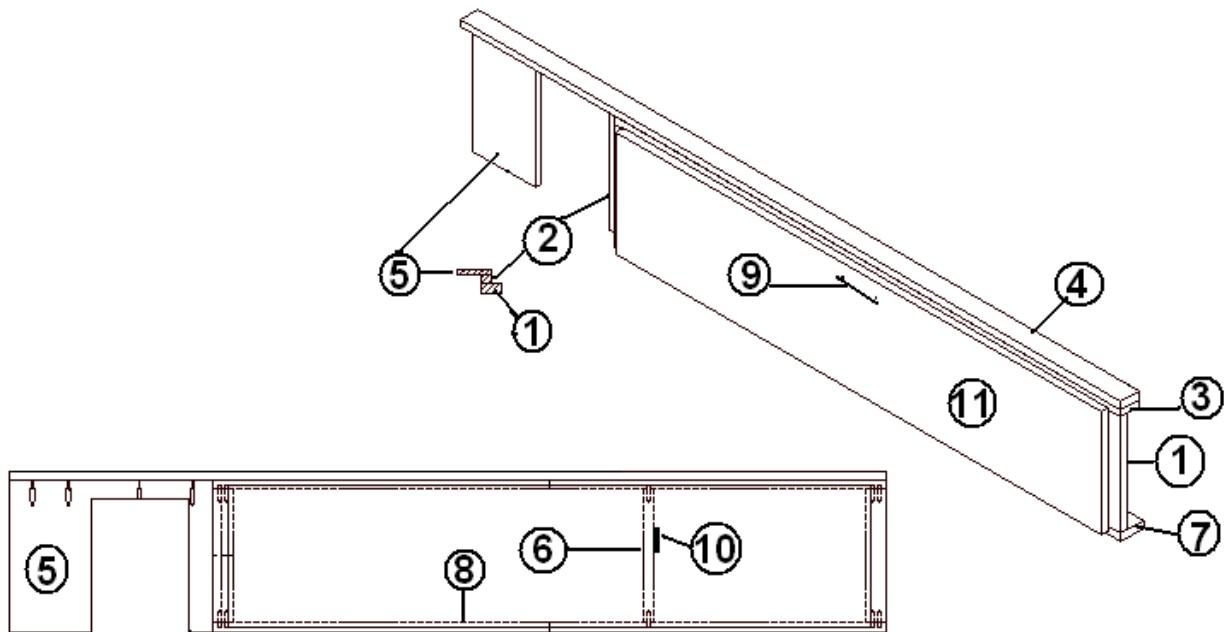


- | | |
|---------------|-------------------------------------|
| 966046-01 | KICK PANEL ASSEMBLY, CS LOUNGE |
| 1. 801265-137 | DOOR, CURBSIDE SOFA 12.44" X 73.75" |
| 2. 966046-2A7 | BASEBOARD, CURBSIDE KICK PANEL |
| 3. 381865 | PULL, BAR BRUSH NICKEL |
| 4. 380458 | HINGE PIANO BROWN ANODIZED |
| 381228-01 | CATCH GRABBER DOOR C3-803 |
| 703631 | Bag, Pedestal and port leg |

2007 INTERSTATE MOTORHOME

FURNITURE, LOUNGE

Kick Panel, Roadside, Lounge, Rear Bath, Cherry

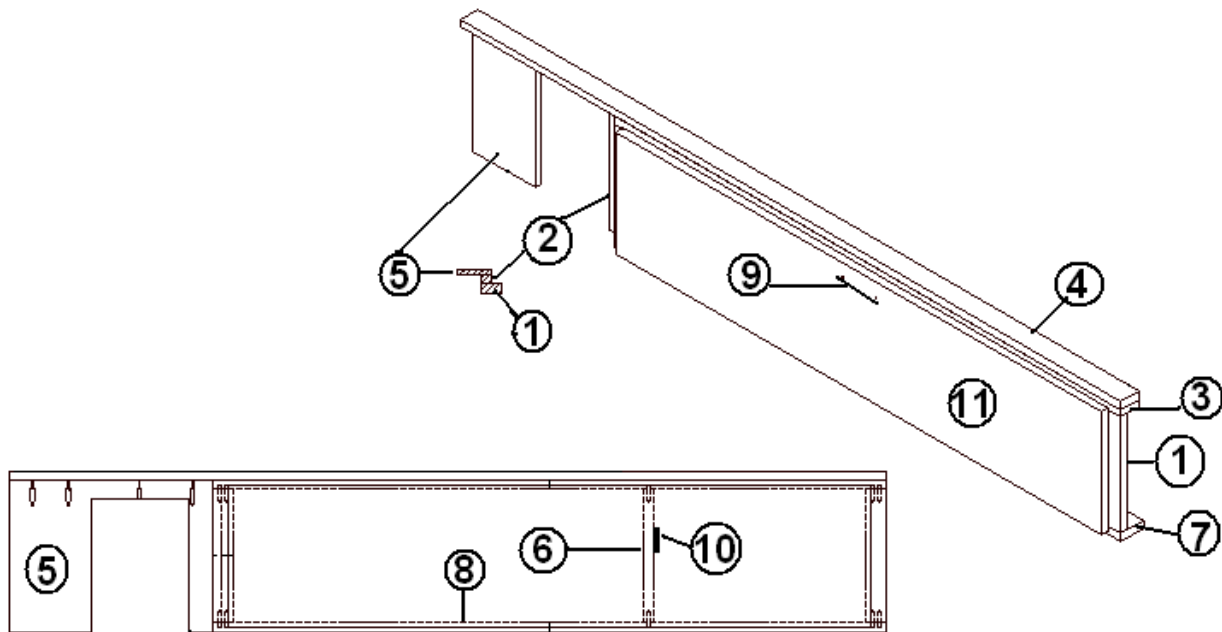


966048	KICK PANEL ASSEMBLY, RS LOUNGE
1. 966048-1B8	STILE, RS SOFA KICK PANEL
2. 966048-1C8	STILE .75 X 11.25
3. 966048-1D8	TOP RAIL, RS SOFA KICK PANEL
4. 966048-1E8	TOP MOUNT, RS SOFA KICK PANEL
5. 966048-2B8	STILE RS SOFA KICK PANEL
6. 966048-3A8	DIVIDER, RS SOFA KICK PANEL
7. 966048-3B8	LOWER RAIL, RS SOFA KICK PANEL
8. 380458	HINGE, PIANO, BROWN
9. 381775	DRAWER PULL, FLUSH SATIN
10. 381228-01	CATCH, GRABBER, DOOR
11. 801625-048	DOOR, RS SOFA, 11.88" X 54.25"
203439	STORAGE BOX, 17"L X 11.13"W X 6.38"

2007 INTERSTATE MOTORHOME

FURNITURE, LOUNGE

Kick Panel, Roadside, Lounge, Rear Bath, Savannah

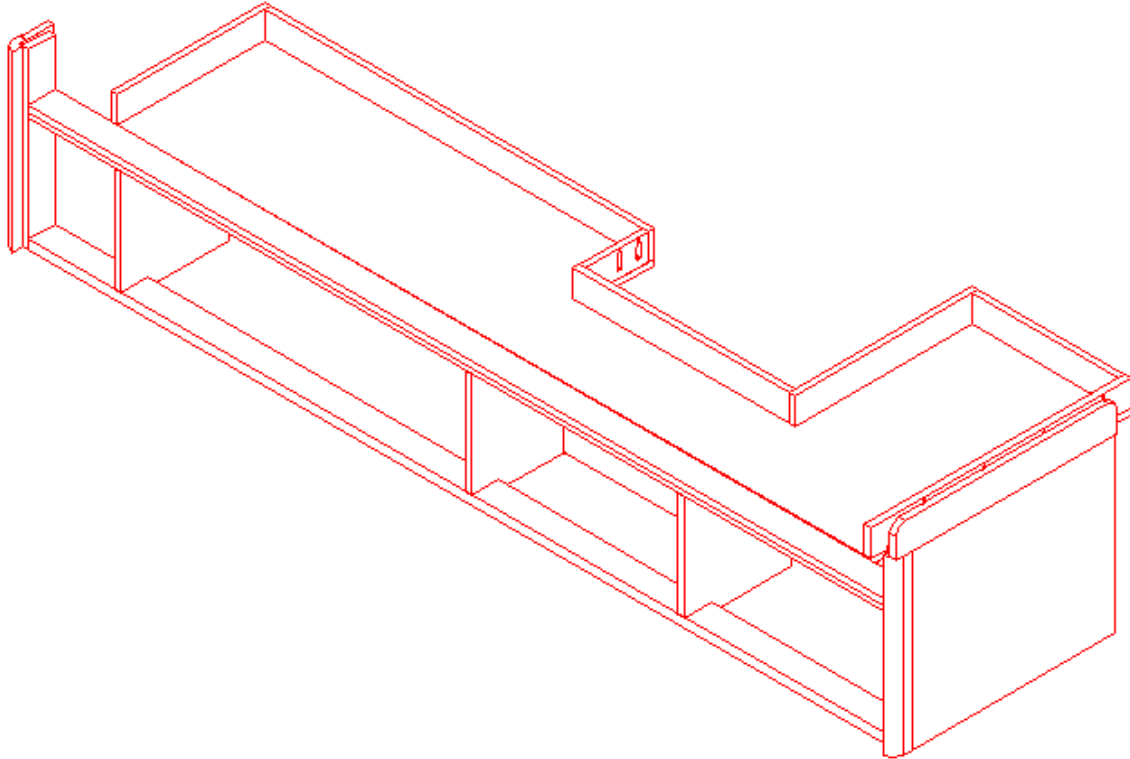


- | | |
|----------------|-------------------------------------|
| 966048-01 | KICK PANEL ASSEMBLY, RS LOUNGE |
| 1. 966048-1B7 | STILE, RS SOFA KICK PANEL |
| 2. 966048-1C7 | STILE .75 X 11.25 |
| 3. 966048-1D7 | TOP RAIL, RS SOFA KICK PANEL |
| 4. 966048-1E7 | TOP MOUNT, RS SOFA KICK PANEL |
| 5. 966048-2B7 | STILE RS SOFA KICK PANEL |
| 6. 966048-3A7 | DIVIDER, RS SOFA KICK PANEL |
| 7. 966048-3B7 | LOWER RAIL, RS SOFA KICK PANEL |
| 8. 380458 | HINGE, PIANO, BROWN |
| 9. 381775 | DRAWER PULL, FLUSH SATIN |
| 10. 381228-01 | CATCH, GRABBER, DOOR |
| 11. 801625-047 | DOOR, RS SOFA, 11.88" X 54.25" |
| 203439 | STORAGE BOX, 17"L X 11.13"W X 6.38" |

2007 INTERSTATE MOTORHOME

FURNITURE, LOUNGE

Lounge, Curbside, Mid Bath

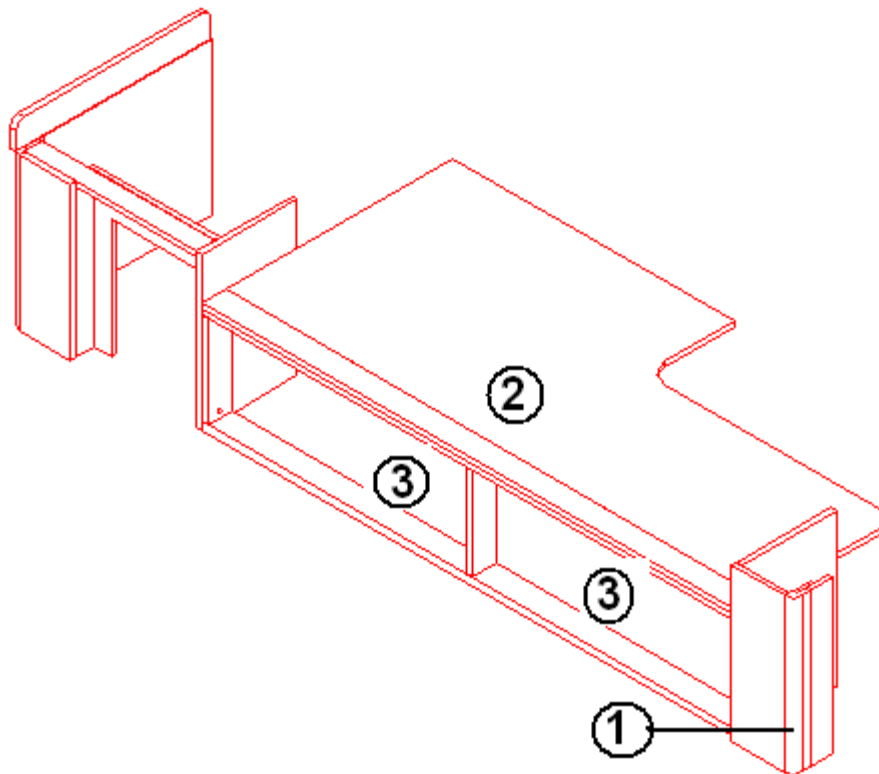


966291	LOUNGE ASSY-CS
801706-008	CORNER TRIM 90DEG. 1" RADIUS
801565-038	DOOR/DRW 72.12" X 4.00"
801565-048	DOOR/DWR 37.12" X 9.06"
801565-058	DOOR/DRW 17.62" X 9.06"
380458	HINGE PIANO BROWN ANODIZED
998179	CUSHION-LOUNGE ARMREST
381228-01	CATCH GRABBER DOOR

2007 INTERSTATE MOTORHOME

FURNITURE, LOUNGE

Lounge, Roadside, Mid Bath

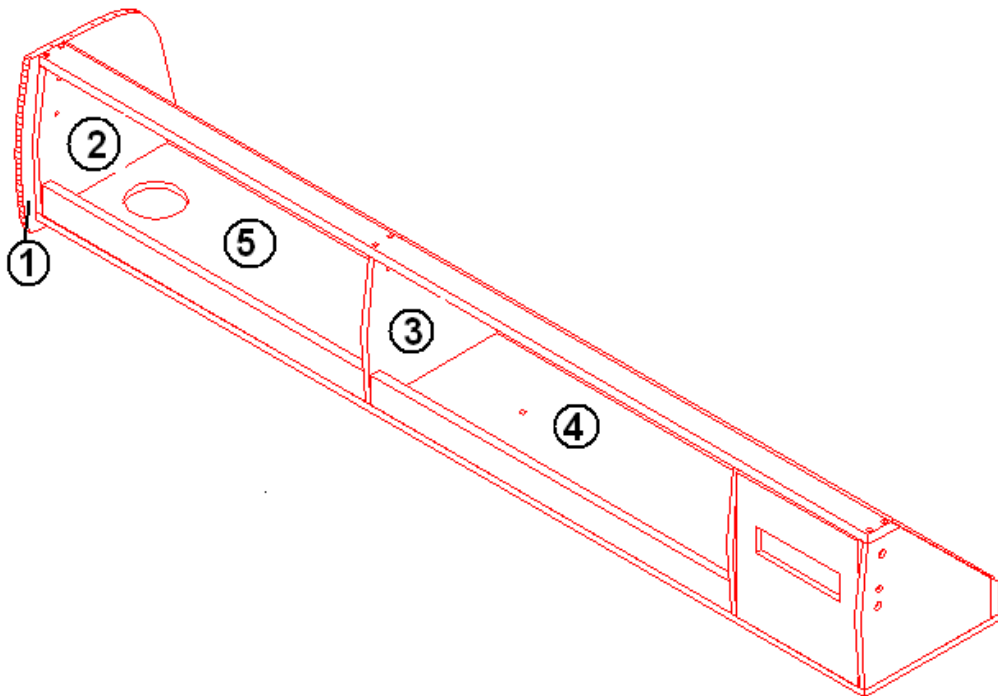


966292	LOUNGE ASSY-RS
1. 801706-008	CORNER TRIM 90DEG. 1" RADIUS
2. 801565-068	DOOR/DWR 51.37" X 4.00"
3. 801565-078	DOOR/DWR 25.13" X 9.13"
380458	HINGE PIANO BROWN ANODIZED
998179	CUSHION, LOUNGE ARMREST
381228-01	CATCH GRABBER, DOOR
700349	SEATBELT, MINI BUCKLE BLACK WEB

2007 INTERSTATE MOTORHOME

FURNITURE, LOUNGE

Roof Locker, Roadside, Mid Bath

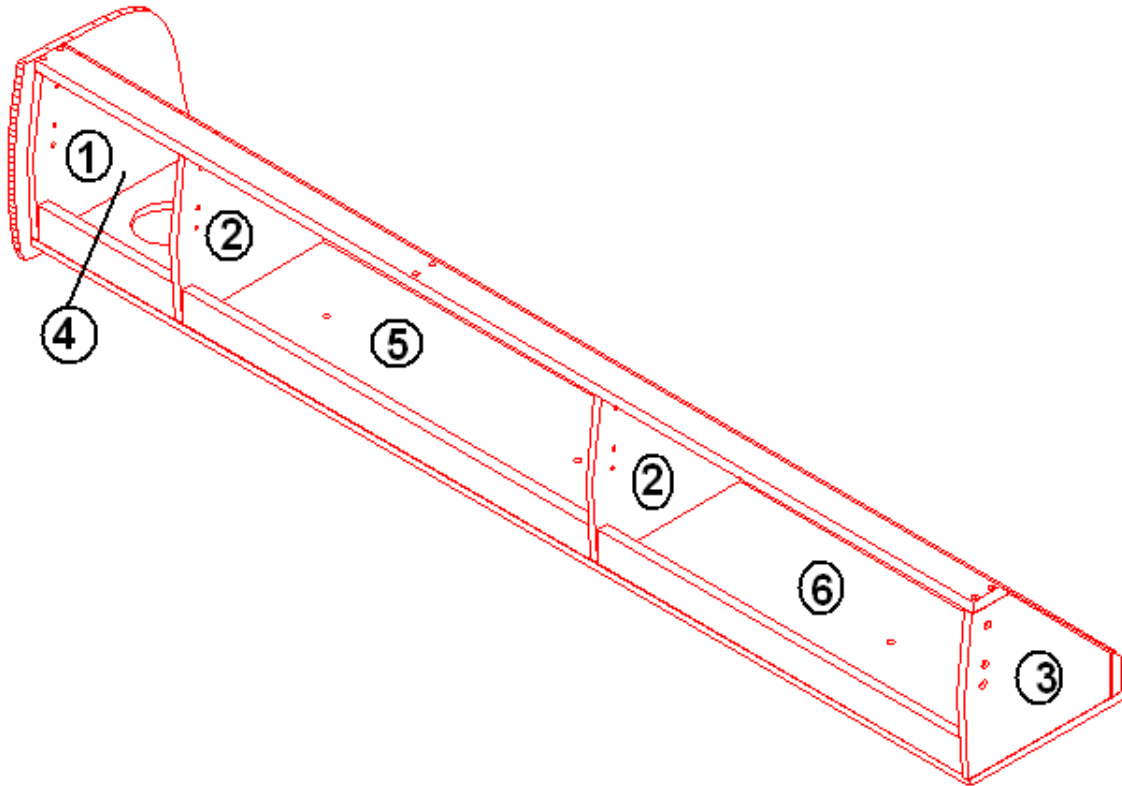


966268	ROOFLOCKER
1. 966007-3A8	END CAP RS LOCKER
2. 966007-2A8	DIVIDER RS LOCKER
3. 966007-2C8	DIVIDER RS LOCKER
4. 801493-018	DOOR RADIUS, 12.38" X 31.50"
5. 801493-028	DOOR RADIUS, 12.38" X 28.13"
381840-01	HINGE-OVERHEAD SPRING LH
381840-02	HINGE-OVERHEAD SPRING RH
345276-04	SCREW HEX HD. CAP 1/4-20 X 1
345275-04	1/4-20X1 FLAT PHIL M/S
350147-25	NUT, NYLON LOCK, 1/4-20

2007 INTERSTATE MOTORHOME

FURNITURE, LOUNGE

Roof Locker, Curbside, Mid Bath

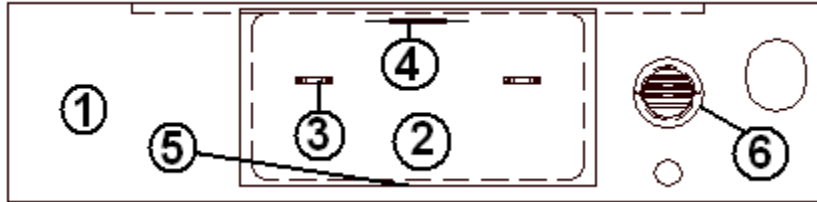


966278	R/L ASSY- CS
1. 966007-3A8	END CAP RS LOCKER
2. 966007-2A8	DIVIDER RS LOCKER
3. 966007-2C8	DIVIDER RS LOCKER
4. 966007-2D8	DIVIDER RS LOCKER
5. 801493-038	DOOR, RADIUS, 12.38" X 11"
6. 801493-018	DOOR, RADIUS, 12.38" X 31.50"
7. 801493-028	DOOR, RADIUS, 12.38" X 28.13"
381840-01	HINGE-OVERHEAD SPRING LH
381840-02	HINGE-OVERHEAD SPRING RH
345276-04	SCREW HEX HD. CAP 1/4-20 X 1"
345275-04	1/4-20X1 FLAT PHIL M/S ZN
350147-25	NUT, NYLON LOCK, 1/4-20

2007 INTERSTATE MOTORHOME

FURNITURE, LOUNGE

Lounge, Aft Dinette Option, Mid Bath, Cherry

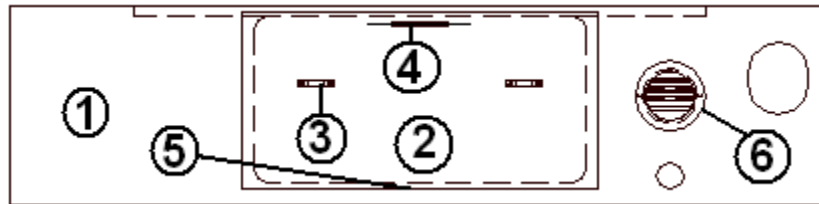


966604	FACE ASSY-LNG AFT
1. 966604-1A8	LOUNGE FACE
2. 801625-198	DOOR, LOUNGE, 13.75" x 28"
3. 381228-01	CATCH GRABBER DOOR
4. 381774	HANDLE-DRAWER/DOOR
5. 380458	HINGE-PIANO COPPER
6. 601244-03	REGISTER,ROTAIRE,BLACK
703621-485	SOFA, CAMEL MOCHA
703621-296	SOFA, ERAL GRAY
922970	LEG-SOFA

2007 INTERSTATE MOTORHOME

FURNITURE, LOUNGE

Lounge, Aft Dinette Option, Mid Bath, Savannah



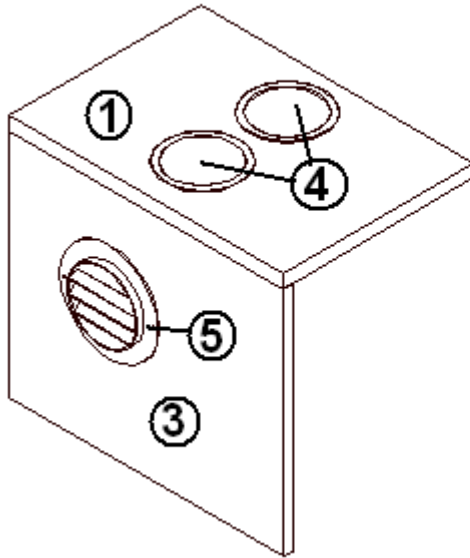
966604-02	FACE ASSY-LNG AFT
1. 966604-1A7	LOUNGE FACE
2. 801625-197	DOOR, LOUNGE, 13.75" x 28"
3. 381228-01	CATCH GRABBER DOOR
4. 381774	HANDLE-DRAWER/DOOR
5. 380458	HINGE-PIANO COPPER
6. 601244-03	REGISTER,ROTAIRE,BLACK
703621-01	SOFA, SAVANNAH
922970	LEG-SOFA

2007 INTERSTATE MOTORHOME

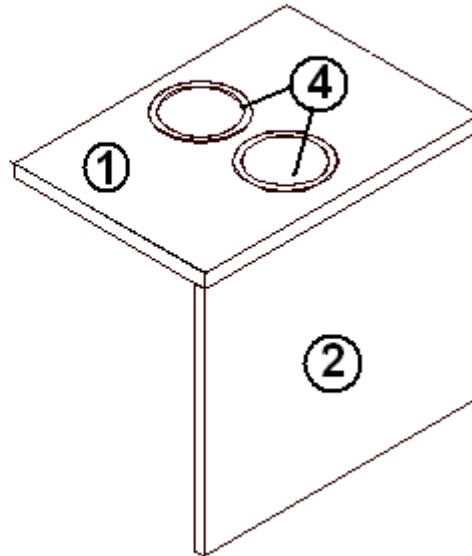
FURNITURE, LOUNGE

Lounge Close Out, Curbside, Aft Dinette Option, Mid Bath, Cherry

Roadside



Curbside

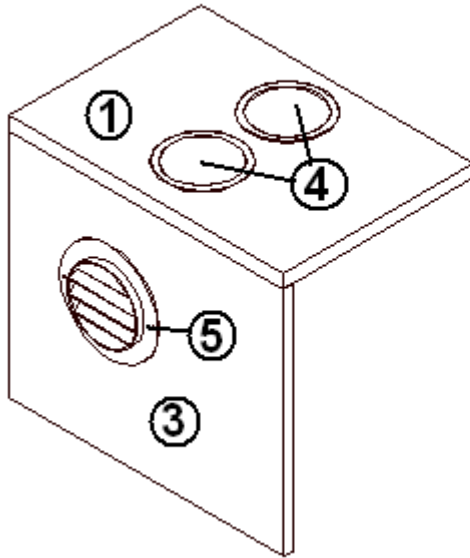


- | | |
|---------------|------------------------------|
| 966750 | CLOSEOUT ASSY, CURBSIDE |
| 966750-01 | CLOSEOUT ASSY, ROADSIDE |
| 1. 966750-1A8 | TOP, CLOSEOUT |
| 2. 966750-2A8 | PANEL, SIDE, CURBSIDE |
| 3. 966750-2B8 | PANEL, SIDE, ROADSIDE |
| 4. 601244-03 | REGISTER, ROTAIRE, BLACK |
| 5. 203223 | CUP HOLDER-3.13" BLACK JUMBO |

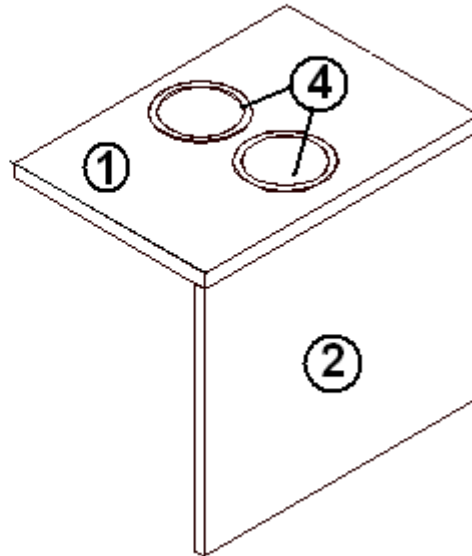
2007 INTERSTATE MOTORHOME

Lounge Close Out, Curbside, Aft Dinette Option, Mid Bath,
Savannah

Roadside



Curbside

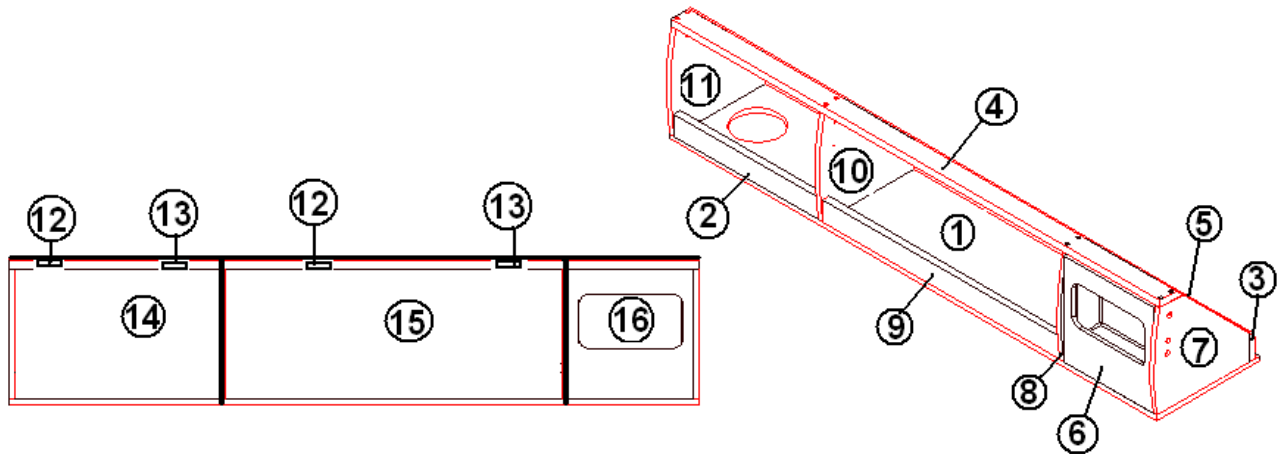


- | | |
|---------------|------------------------------|
| 966750-05 | CLOSEOUT ASSY, CURBSIDE |
| 966750-06 | CLOSEOUT ASSY, ROADSIDE |
| 1. 966750-2C7 | TOP, CLOSEOUT |
| 2. 966750-2A7 | PANEL, SIDE, CURBSIDE |
| 3. 966750-2B7 | PANEL, SIDE, ROADSIDE |
| 4. 601244-03 | REGISTER, ROTAIRE, BLACK |
| 5. 203223 | CUP HOLDER-3.13" BLACK JUMBO |

2007 INTERSTATE MOTORHOME

FURNITURE, LOUNGE

Roof Locker, Roadside, Optional Rear Dinette, Mid Bath, Cherry

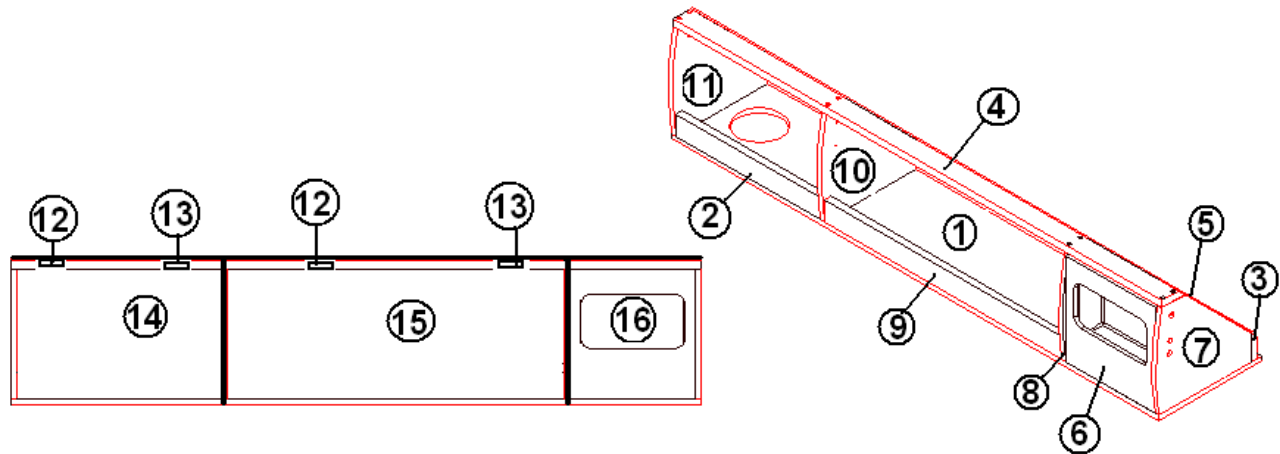


- | | |
|----------------|--|
| 966573 | Roof Locker, Optional Rear Dinette, Mid Bath |
| 1. 966573-1A8 | Shelf, 12.00" x 57.88" |
| 2. 966573-2A8 | Ledge. Left hand, 2.25" x 16.88" |
| 3. 966573-3A | Back support, 3" x 57" |
| 4. 966573-3B8 | Top rail, 2.75" x 57" |
| 5. 966573-4A | CLOSEOUT-R/L 57" |
| 6. 966268-1B8 | STAND-RADIO |
| 7. 966268-1C8 | RAIL-RADIO |
| 8. 966268-1D8 | DIVIDER-RADIO |
| 9. 966268-2A8 | LEDGE-LH FRT |
| 10. 966007-2A8 | DIVIDER, ROOF LOCKER |
| 11. 966007-2C8 | DIVIDER, RS R/L |
| 12. 381840-01 | HINGE-OVERHEAD SPRING LH |
| 13. 381840-02 | HINGE-OVERHEAD SPRING RH |
| 14. 801493-048 | DOOR-RADIUS 12.38" X 31.5" |
| 15. 801493-028 | DOOR-RADIUS 12.38" X 28.13" |
| 16. 201649 | ACCESS COVER LP REGULATOR |

2007 INTERSTATE MOTORHOME

FURNITURE, LOUNGE

Roof Locker, Roadside, Optional Rear Dinette, Mid Bath, Savannah

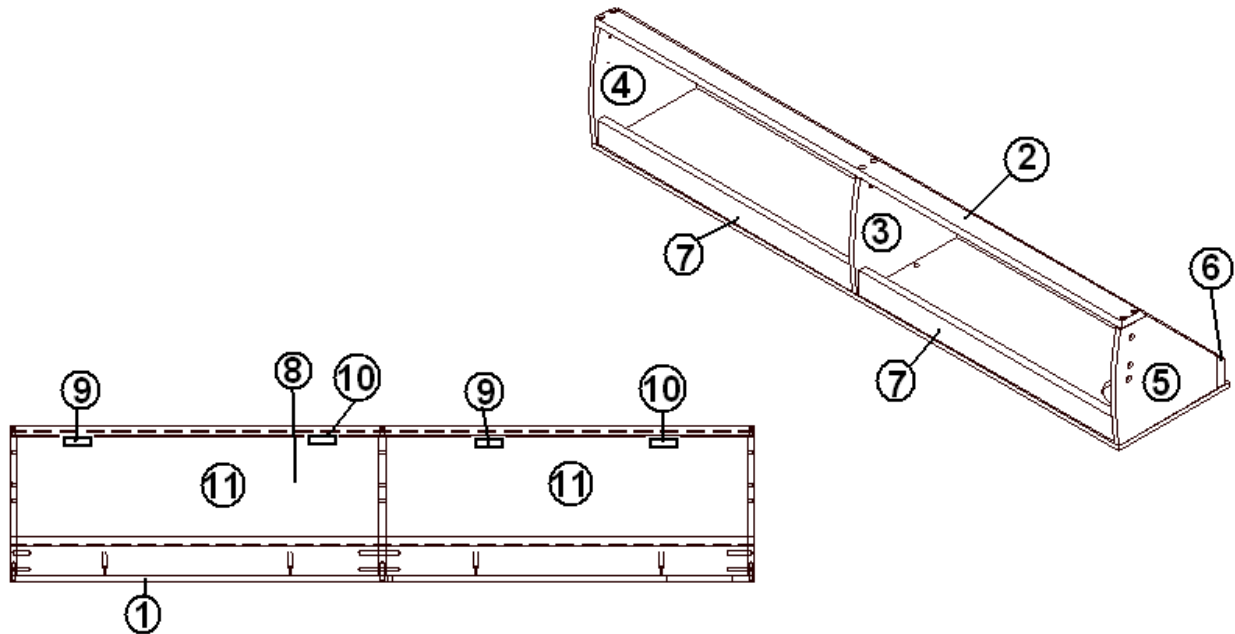


- | | |
|----------------|--|
| 966573-02 | Roof Locker, Optional Rear Dinette, Mid Bath |
| 1. 966573-1A7 | Shelf, 12.00" x 57.88" |
| 2. 966573-2A7 | Ledge. Left hand, 2.25" x 16.88" |
| 3. 966573-3A | Back support, 3" x 57" |
| 4. 966573-3B7 | Top rail, 2.75" x 57" |
| 5. 966573-4A | CLOSEOUT-R/L 57" |
| 6. 966268-1B7 | STAND-RADIO |
| 7. 966268-1C7 | RAIL-RADIO |
| 8. 966268-1D7 | DIVIDER-RADIO |
| 9. 966268-2A7 | LEDGE-LH FRT |
| 10. 966007-2A7 | DIVIDER, ROOF LOCKER |
| 11. 966007-2C7 | DIVIDER, RS R/L |
| 12. 381840-01 | HINGE-OVERHEAD SPRING LH |
| 13. 381840-02 | HINGE-OVERHEAD SPRING RH |
| 14. 801493-047 | DOOR-RADIUS 12.38" X 31.5" |
| 15. 801493-027 | DOOR-RADIUS 12.38" X 28.13" |
| 16. 201649 | ACCESS COVER LP REGULATOR |

2007 INTERSTATE MOTORHOME

FURNITURE, LOUNGE

Roof Locker, Curbside, Optional Rear Dinette, Mid Bath, Cherry

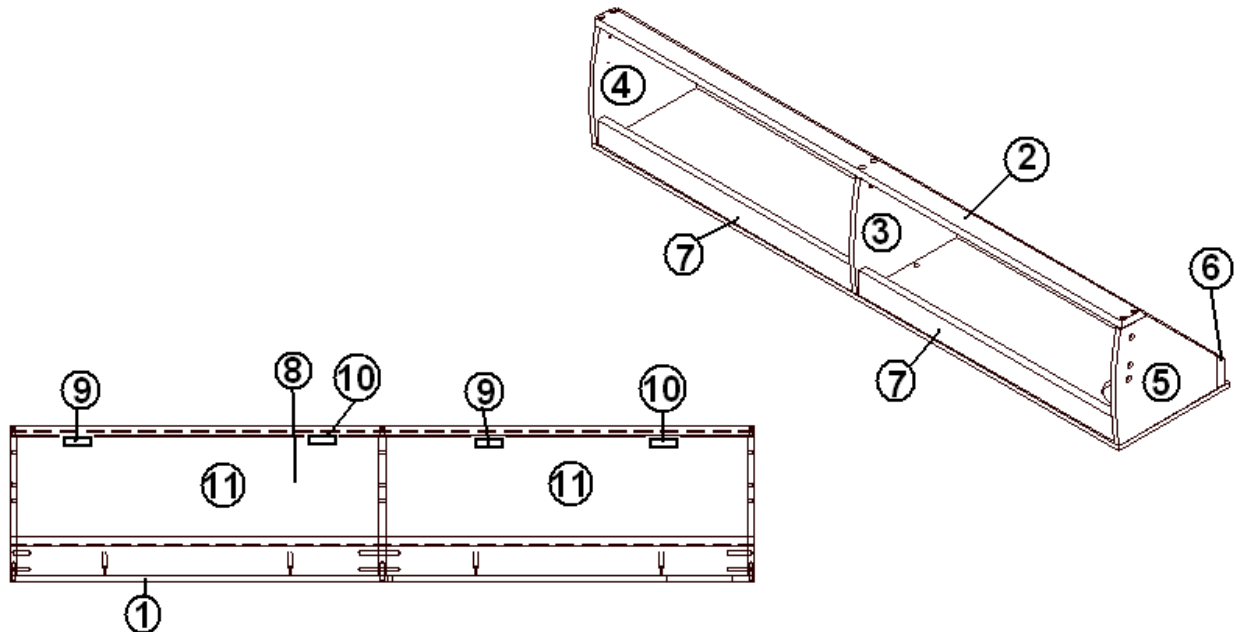


- | | |
|----------------|---------------------------|
| 966574 | LOCKER ASSY C/S |
| 1. 966574-1A8 | SHELF, CS R/L |
| 2. 966574-2A8 | RAIL, TOP CS R/L 58.75" |
| 3. 966268-1C8 | DIVIDER RH |
| 4. 966268-1D8 | DIVIDER-RADIO |
| 5. 966007-2A8 | DIVIDER RS LOCKER |
| 6. 966573-3A | BACK SUPPORT 3.00 X 57" |
| 7. 966268-2A8 | LEDGE |
| 8. 801438 | PANEL, FROSTY WHITE/RAW |
| 9. 381840-01 | HINGE, OVERHEAD SPRING LH |
| 10. 381840-02 | HINGE, OVERHEAD SPRING RH |
| 11. 801493-028 | DOOR, 12.38" X 28.13" |

2007 INTERSTATE MOTORHOME

FURNITURE, LOUNGE

Roof Locker, Curbside, Optional Rear Dinette, Mid Bath, Savannah

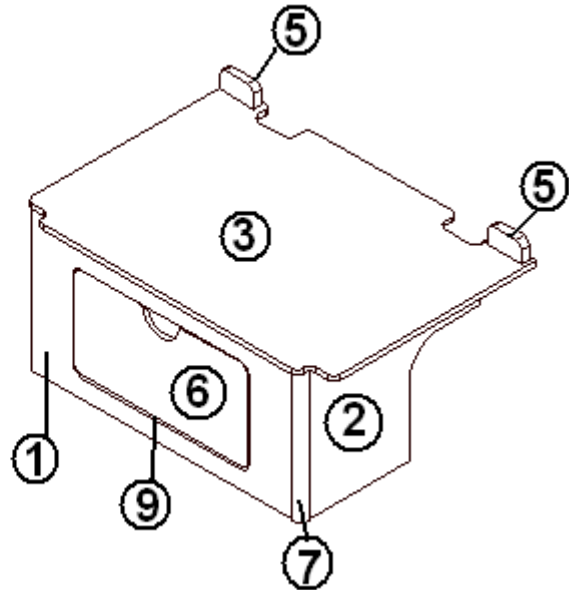
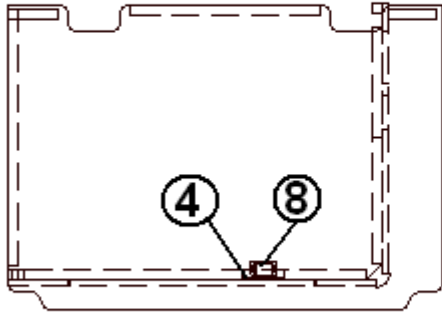


- | | |
|----------------|---------------------------|
| 966574-02 | LOCKER ASSY C/S |
| 1. 966574-1A7 | SHELF, CS R/L |
| 2. 966574-2A7 | RAIL, TOP CS R/L 58.75" |
| 3. 966268-1C7 | DIVIDER RH |
| 4. 966268-1D7 | DIVIDER-RADIO |
| 5. 966007-2A7 | DIVIDER RS LOCKER |
| 6. 966573-3A | BACK SUPPORT 3.00 X 57" |
| 7. 966268-2A7 | LEDGE |
| 8. 801438 | PANEL, FROSTY WHITE/RAW |
| 9. 381840-01 | HINGE, OVERHEAD SPRING LH |
| 10. 381840-02 | HINGE, OVERHEAD SPRING RH |
| 11. 801493-027 | DOOR, 12.38" X 28.13" |

2007 INTERSTATE MOTORHOME

FURNITURE, LOUNGE

Dinette Seat, Curbside, Optional Rear Dinette, Mid Bath, Cherry

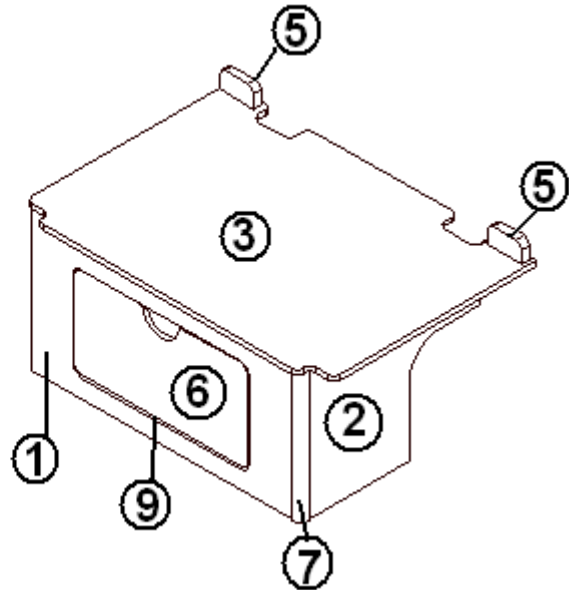
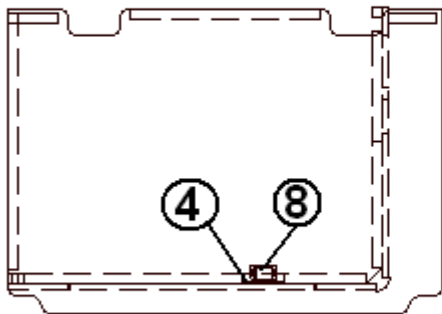


- | | |
|---------------|------------------------------------|
| 966734 | SEAT ASSY-CS AFT DINETTE |
| 1. 966735-1A8 | FRONT FACE |
| 2. 966735-1B8 | SIDE CUT OUT |
| 3. 966735-1C8 | LID |
| 4. 966735-1D8 | GRABBER CATCH MOUNT |
| 5. 966735-3A8 | Seat Belt spacer |
| 6. 801680-008 | Door, Dinette Seat, 9.69" x 18.69" |
| 7. 801415-008 | Trim, corner 1" radius |
| 8. 381228-01 | CATCH GRABBER, DOOR |
| 9. 380458 | HINGE-PIANO COPPER |
| 454254 | BRACKET-DIN.SEAT BELT |
| 700349 | SEATBELT, MINI BUCKLE BLACK WEB |
| 345354 | BOLT 7/16-20X1-1/2" HH GR5 ZINC |

2007 INTERSTATE MOTORHOME

FURNITURE, LOUNGE

Dinette Seat, Curbside, Optional Rear Dinette, Mid Bath, Savannah

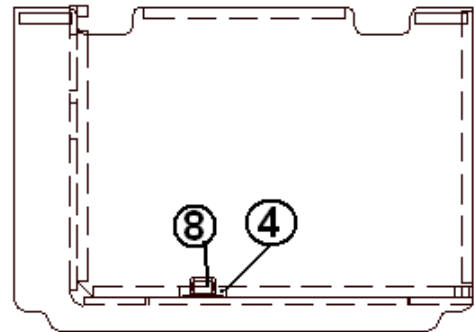
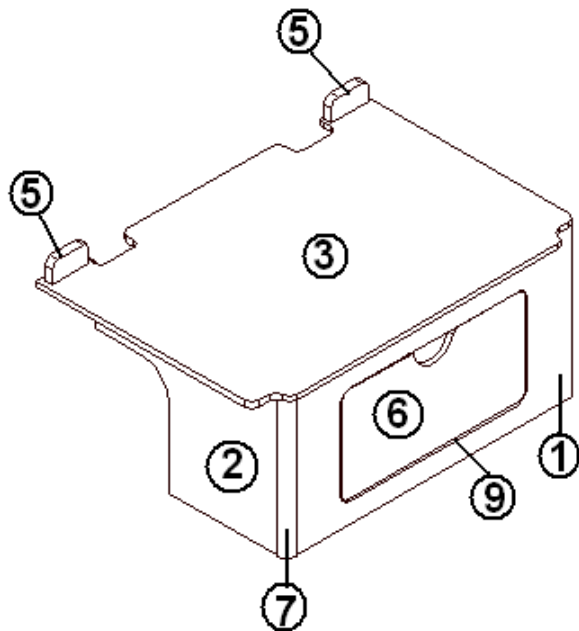


- | | |
|---------------|------------------------------------|
| 966734-02 | SEAT ASSY-CS AFT DINETTE |
| 1. 966735-1A7 | FRONT FACE |
| 2. 966735-1B7 | SIDE CUT OUT |
| 3. 966735-1C7 | LID |
| 4. 966735-1D7 | GRABBER CATCH MOUNT |
| 5. 966735-3A7 | Seat Belt spacer |
| 6. 801680-007 | Door, Dinette Seat, 9.69" x 18.69" |
| 7. 801415-007 | Trim, corner 1" radius |
| 8. 381228-01 | CATCH GRABBER, DOOR |
| 9. 380458 | HINGE-PIANO COPPER |
| 454254 | BRACKET-DIN.SEAT BELT |
| 700349 | SEATBELT, MINI BUCKLE BLACK WEB |
| 345354 | BOLT 7/16-20X1-1/2" HH GR5 ZINC |

2007 INTERSTATE MOTORHOME

FURNITURE, LOUNGE

Dinette Seat, Roadside, Optional Rear Dinette, Mid Bath, Cherry



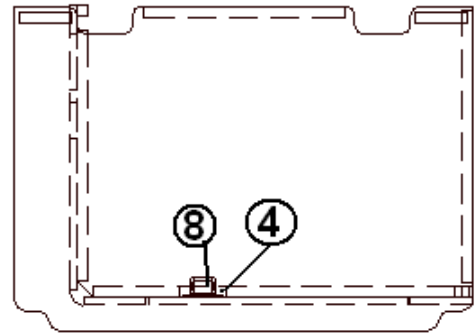
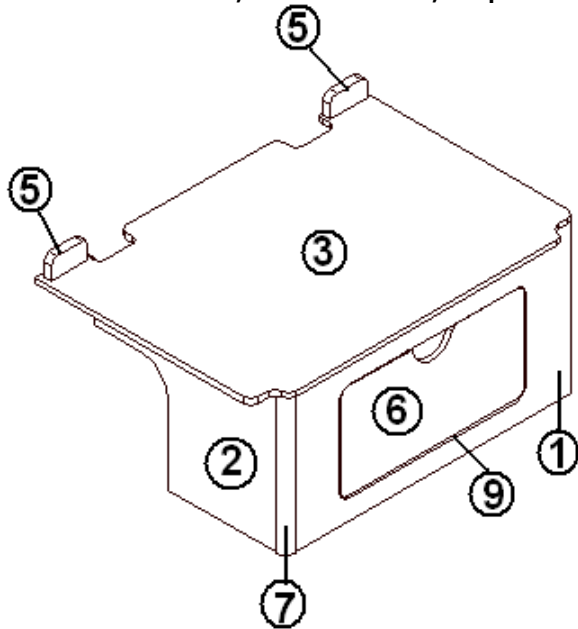
966735 SEAT ASSY-CS AFT DINETTE

- 1. 966735-1A8 FRONT FACE
- 2. 966735-1B8 SIDE CUT OUT
- 3. 966735-1C8 LID
- 4. 966735-1D8 GRABBER CATCH MOUNT
- 5. 966735-3A8 Seat Belt spacer
- 6. 801680-008 Door, 9.69" x 18.69"
- 7. 801415-008 Trim, corner 1" radius
- 8. 381228-01 CATCH GRABBER, DOOR
- 9. 380458 HINGE-PIANO COPPER
- 454254 BRACKET-DIN.SEAT BELT
- 700349 SEATBELT, MINI BUCKLE BLACK WEB
- 345354 BOLT 7/16-20X1-1/2" HH GR5 ZINC

2007 INTERSTATE MOTORHOME

FURNITURE, LOUNGE

Dinette Seat, Roadside, Optional Rear Dinette, Mid Bath, Savannah

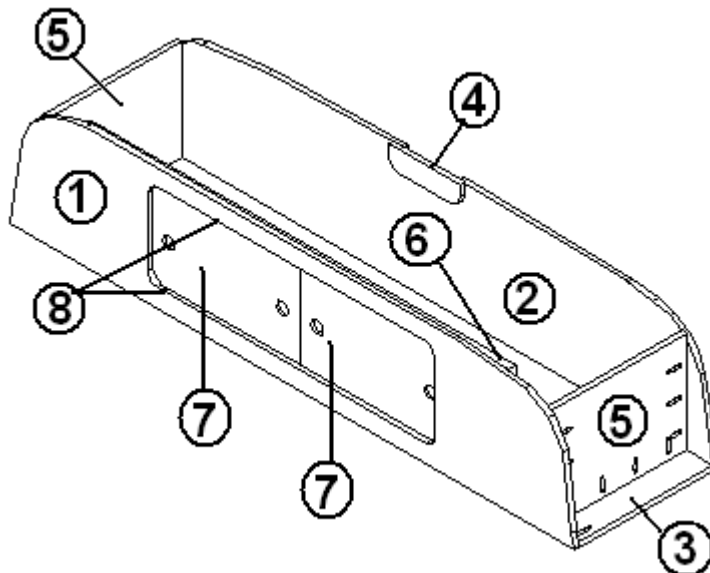


- | | |
|---------------|---------------------------------|
| 966735-02 | SEAT ASSY-CS AFT DINETTE |
| 1. 966735-1A7 | FRONT FACE |
| 2. 966735-1B7 | SIDE CUT OUT |
| 3. 966735-1C7 | LID |
| 4. 966735-1D7 | GRABBER CATCH MOUNT |
| 5. 966735-3A7 | Seat Belt spacer |
| 6. 801680-007 | Door, 9.69" x 18.69" |
| 7. 801415-007 | Trim, corner 1" radius |
| 8. 381228-01 | CATCH GRABBER, DOOR |
| 9. 380458 | HINGE-PIANO COPPER |
| 454254 | BRACKET-DIN.SEAT BELT |
| 700349 | SEATBELT, MINI BUCKLE BLACK WEB |
| 345354 | BOLT 7/16-20X1-1/2" HH GR5 ZINC |

2007 INTERSTATE MOTORHOME

FURNITURE, LOUNGE

Roof Locker, Rear, Mid Bath Optional Rear Dinette, Cherry

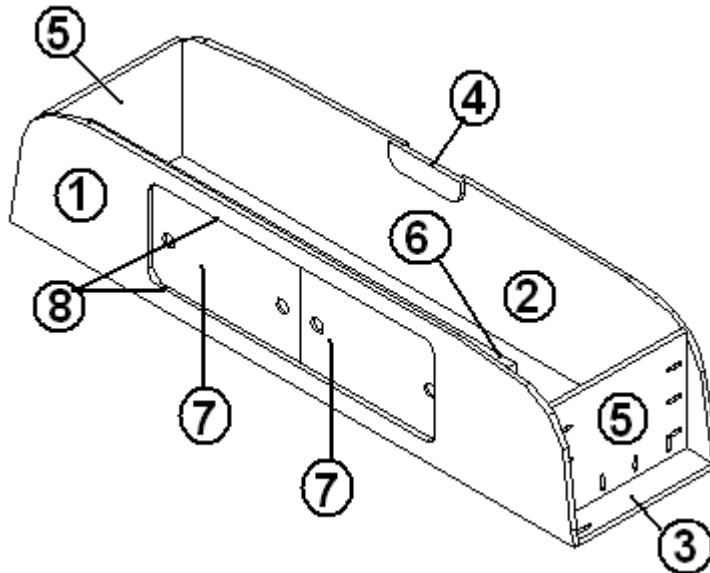


- | | |
|---------------|--|
| 966572 | Roof Locker, Rear, Optional Rear Dinette |
| 1. 966572-1A8 | Front panel |
| 2. 966572-1B8 | Back panel |
| 3. 966572-1C8 | Bottom panel |
| 4. 966572-1D8 | Cover, brake light opening |
| 5. 966572-2A | PANEL, SIDE |
| 6. 966572-3A8 | COVER-REAR R/L AFT DINETTE VAN |
| 7. 965563-10 | DOOR-SLD PLEXIGLASS 16.00" |
| 8. 381245 | SLIDING DOOR TRACK, 56-1/5" |
| 385098 | LABEL-SEAT OCCUPANCY |
| 203445 | T-MOLDING BLK FLEXIBLE POLY .5 |

2007 INTERSTATE MOTORHOME

FURNITURE, LOUNGE

Roof Locker, Rear, Mid Bath Optional Rear Dinette, Savannah

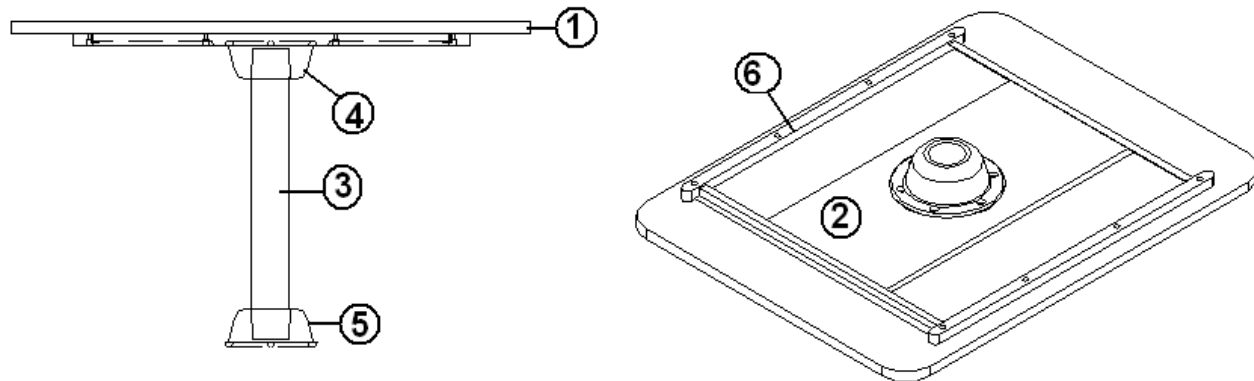


- | | |
|---------------|--|
| 966572-02 | Roof Locker, Rear, Optional Rear Dinette |
| 1. 966572-1A7 | Front panel |
| 2. 966572-1B7 | Back panel |
| 3. 966572-1C7 | Bottom panel |
| 4. 966572-1D7 | Cover, brake light opening |
| 5. 966572-2A | PANEL, SIDE |
| 6. 966572-3A7 | COVER-REAR R/L AFT DINETTE VAN |
| 7. 965563-10 | DOOR-SLD PLEXIGLASS 16.00" |
| 8. 381245 | SLIDING DOOR TRACK, 56-1/5" |
| 385098 | LABEL-SEAT OCCUPANCY |
| 203445 | T-MOLDING BLK FLEXIBLE POLY .5 |

2007 INTERSTATE MOTORHOME

FURNITURE, LOUNGE

Table, Pedestal, Optional Rear Dinette, Mid Bath, Cherry

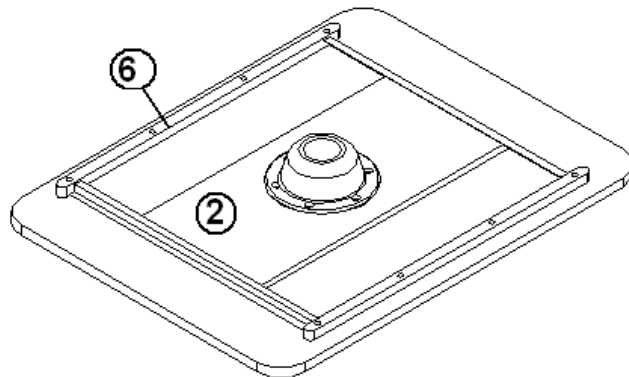
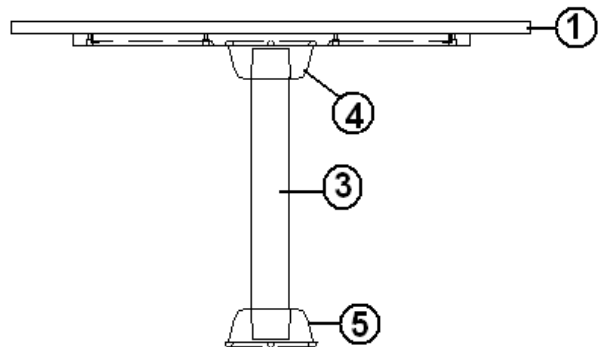


966733	TABLE ASSY
1. 966733-1A8	TABLE TOP-AFT DINETTE
2. 966733-2A8	SLIDER-TABLE
3. 381974	LEG-PEDESTAL 29"
4. 381975	SOCKET, TABLE
5. 381976	SOCKET, FLOOR
6. 966733-1B8	RUNNER, TABLE
454525	SUPPORT-PED TABLE SHELF
703627	STRAP-TABLE STOP
195345-01	1 1/2" BROWN NYLON WEBBING
703631	BAG-PEDESTAL & PORTA LEG 33.50
380337-01	LEG-PEDESTAL 25" SILVER

2007 INTERSTATE MOTORHOME

FURNITURE, LOUNGE

Table, Pedestal, Optional Rear Dinette, Mid Bath, Savannah



- | | |
|---------------|--------------------------------|
| 966733-02 | TABLE ASSY |
| 1. 966733-1A7 | TABLE TOP-AFT DINETTE |
| 2. 966733-2A7 | SLIDER-TABLE |
| 3. 381974 | LEG-PEDESTAL 29" |
| 4. 381975 | SOCKET, TABLE |
| 5. 381976 | SOCKET, FLOOR |
| 6. 966733-1B7 | RUNNER, TABLE |
| 454525 | SUPPORT-PED TABLE SHELF |
| 703627 | STRAP-TABLE STOP |
| 195345-01 | 1 1/2" BROWN NYLON WEBBING |
| 703631 | BAG-PEDESTAL & PORTA LEG 33.50 |
| 380337-01 | LEG-PEDESTAL 25" SILVER |

**2007 INTERSTATE MOTORHOME
FURNITURE, PANELING/INTERIOR DOORS**

Interior Doors, Cherry

801625-018	DOOR, REFRIGERATOR 21.63" X 15.13"
801625-028	DOOR-W/R 11" X 54.25"
801625-038	DOOR-W/R 22.13" X 14.13"
801625-048	DOOR-RS SOFA 11.88" X 54.25"
801625-058	DOOR-ARMREST 5.44" X 21.63"
801625-068	DOOR, LH, GALLEY 15.88"X 26.88"
801625-078	DOOR, RH, GALLEY 21.88" X 9.88"
801625-088	DOOR, GALLEY, 16.63" X 24.44"
801625-098	DOOR, RH, 16.5" X 16.38"
801625-108	DOOR, RH, 16.5" X 18.38"
801625-128	DOOR, 18.85" X 53.13"
801625-128	DOOR, W/REFER 15.25" X 24.81"
801625-138	DOOR-CS LOUNGE 12.44" X 83.85"
801625-158	DOOR, 15.85" X 16.38"
801625-178	DOOR, 14.88" X 23.85"
801625-198	DOOR, LOUNGE, 13.85" x 28"
801523-008	DOOR-DINETTE SEATS
801516-008	DOOR ASSY-PANTRY INTERSTATE
801493-018	DOOR RAD.12.38" X 31.50" RS LOCKER
801493-028	DOOR RADIUS, 12.38" X 28.13"
801493-038	DOOR RADIUS 12.38" X 11"
801493-048	DOOR-RADIUS, 12.38" X 31.5"
801565-058	DOOR/DRW 18.62" X 9.06"
801565-068	DOOR/DWR 51.38" X 4.00"
801565-078	DOOR/DWR 25.13" X 9.13"
801523-008	DOOR-DINETTE SEATS
801516-008	DOOR ASSY-PANTRY INTERSTATE
801493-018	DOOR RAD.12.38" X 31.50" RS LOCKER
801493-028	DOOR RADIUS, 12.38" X 28.13"
801493-038	DOOR RADIUS 12.38" X 11"
801493-048	DOOR-RADIUS, 12.38" X 31.5"
801680-008	Door, Dinette Seat, 9.69" x 18.69"

**2007 INTERSTATE MOTORHOME
FURNITURE, PANELING/INTERIOR DOORS**

Interior Doors, Tropical Oak, Savannah

801625-017	DOOR, REFRIGERATOR 21.63" X 15.13"
801625-027	DOOR-W/R 11" X 54.25"
801625-037	DOOR-W/R 22.13" X 14.13"
801625-047	DOOR-RS SOFA 11.88" X 54.25"
801625-057	DOOR-ARMREST 5.44" X 21.63"
801625-067	DOOR, LH, GALLEY 15.88"X 26.88"
801625-077	DOOR, RH, GALLEY 21.88" X 9.88"
801625-087	DOOR, GALLEY, 16.63" X 24.44"
801625-097	DOOR, RH, 16.5" X 16.38"
801625-107	DOOR, RH, 16.5" X 18.38"
801625-127	DOOR, 17.75" X 53.13"
801625-127	DOOR, W/REFER 15.25" X 24.81"
801625-137	DOOR-CS LOUNGE 12.44" X 73.75"
801625-157	DOOR, 15.75" X 16.38"
801625-177	DOOR, 14.88" X 23.75"
801625-197	DOOR, LOUNGE, 13.75" x 28"
801523-007	DOOR-DINETTE SEATS
801516-007	DOOR ASSY-PANTRY INTERSTATE
801493-017	DOOR RAD.12.38" X 31.50" RS LOCKER
801493-027	DOOR RADIUS, 12.38" X 28.13"
801493-037	DOOR RADIUS 12.38" X 11"
801493-047	DOOR-RADIUS, 12.38" X 31.5"
801565-057	DOOR/DRW 17.62" X 9.06"
801565-067	DOOR/DWR 51.37" X 4.00"
801565-077	DOOR/DWR 25.13" X 9.13"
801523-007	DOOR-DINETTE SEATS
801516-007	DOOR ASSY-PANTRY INTERSTATE
801493-017	DOOR RAD.12.38" X 31.50" RS LOCKER
801493-027	DOOR RADIUS, 12.38" X 28.13"
801493-037	DOOR RADIUS 12.38" X 11"
801493-047	DOOR-RADIUS, 12.38" X 31.5"
801680-007	Door, Dinette Seat, 9.69" x 18.69"

2007 INTERSTATE MOTORHOME
FURNITURE, PANELING/INTERIOR DOORS

Interior Doors, Sliding, Panels

371398	DOOR, ENTERTAINMENT CENTER
998161	INTERIOR DOOR PANEL, RS REAR DOOR
998163	INTERIOR DOOR PANEL, CS REAR DOOR
922753-01	SLIDING DOOR, INTERIOR SKIN, LOWER
922753-02	SLIDING DOOR, INTERIOR SKIN, UPPER
966028	Door, Plexi-glass, 9.75"X 13.88"
965563-10	Door, Plexi-glass ,16.00"
966028-01	Door, Plexi-glass, 11.5" x 10.5"

2007 INTERSTATE MOTORHOME
FURNITURE, PANELING/INTERIOR DOORS

Furniture Trim

801706-008 CORNER TRIM 90DEG. 1" RADIUS
365282 EDGEBANDING- .94" CHERRY
365273 EDGEBANDING GALAXY GRAPHITE
365240-01 EDGEBANDING-PVC 3M 1-5/16", WHITE

Wood Panels

800507-01 LAUAN, 1/8" X4' X 8'
800507-02 LAUAN, 1/4" X 4' X 8'
800507-03 LAUAN, 3/8" X4' X 8'
800507-04 LAUAN, RAW/RAW 1/2"
801355-01 LAMINATE, FROST WHITE 4' X 8'
801342-01 LAMINATE, ALUMINUM BRUSHED 4' X 8'
801392 PANEL, LAMINATED, WHITELINER/WHITELINER
801377 PANEL, GRAPHITE/REX 4' X 8' 18MM
801479-01 PANEL, CHERRY/RAW .125"
801505 PANEL, ASCOT SAND/RAW .125" X 4' X 8'
801376-01 PANEL, OAK/WHITE LINER 18MM
801369 PANEL, FROSTY WHITE/WHITELINER

2007 INTERSTATE MOTORHOME

HARDWARE

Seat Belt

700349 Seat belt, mini buckle
454254 BRACKET-DIN.SEAT BELT
345354 BOLT 7/16-20X1-1/2" HH GR5 ZINC

Handles/Latches

381865 PULL-BAR BRUSH NICKEL
381228-01 Grabber door latch
380772-01 SLIDE BOLT, SHOWER DOOR
381737-02 ASSIST HANDLE
381861 LATCH PUSH CLOSE/PULL OPEN
381653 LATCH-SINGLE TOUCH BLACK
381707 STRIKE W/PULL-GLASS DOOR BLACK
381923 HANDLE-PULL 14.25", SS SATIN BRASS
381775 DRAWER PULL-FLUSH SATIN #UT-10

Hinges

380458 HINGE PIANO BROWN, GALLEY, SHOWER DOOR
381051 ALUMINUM, HINGE, CONTINUOUS, FORMED
381607-01 HINGE-GRASS EURO W/80307 PLASTIC, CABINETS
381607-06 HINGE BASEPLATE
385935-01 HINGE PIVOT ZINC PLATED, MEDICINE CABINET
381840-01 HINGE, ROOFLOCKER, SPRING LH #372.
381840-02 HINGE, ROOFLOCKER, SPRING RH #372.
381654 HINGE-NON BORE GLASS DOOR BLACK
381051 HINGE, ALMINUM, CONTINVOUS, FORMED

Towel Bar

381923 HANDLE-PULL 14.25"SS SATIN
345418 SCREW-#6 X 1/2" S.S.
300140 WASHER-1.25"OD TOWEL BAR

2007 INTERSTATE MOTORHOME

HARDWARE

Labels and Tags

386118	Label, LP gas warning/fill
386122	Warning label/cooking appliance
386121	Label, LP gas warning label (odor)
385465	Exit label, English
386120	Label, smoke detector
385062	Decal, 110-125 voltage AC
386082	LABEL THOR, 5.25" X .75'
386123	LABEL "POTABLE WATER ONLY"
385812	LABEL CALIF. HAZARDOUS SUBSTANCE
386119	LABEL "DO NOT STORE COMBUSTIBLE
386124	LABEL REFUELING WARNING
386113	LABEL-RVIA GOLD
385608	LABEL SEWER HOSE
385942	LABEL SEWAGE HOLDING TANK
385943	LABEL CAP MUST BE IN PLACE
385832	DIESEL FUEL ONLY LABEL
386147	DECAL-ON/OFF LP REMOTE FILL
385261	CLEANING INSTRUCTION LABEL
386189	LABEL-WARNING NO SEATBELTS
386190	LABEL-CAUTION DOORSTEP
386192	HANG TAG: SMOKE/CO DETECTOR BATTERY
386195	LABEL, WARNING, WHEEL LUGS

Detectors/Fire Extinguishers

510781	Smoke detector
512178	DETECTOR CARBON MONOXIDE 9 VOLT
511309	LPG detector
690381-02	Fire extinguisher

Book/Video

381761-02	SAFETY NOTEBOOK/VIDEO
52431W-14	75th ANNIVERSARY BOOK, 2007

2007 INTERSTATE MOTORHOME

PLUMBING, LPG

Tank/Hoses/Regulator

601875	TANK-LP 38 LB, SPRINTER
601875-01	SENDING UNIT- 90 OHM
601875-02	VALVE-REMOTE FILL
601875-03	VALVE-REMOTE SPLITTER
601875-04	REGULATOR-TWO STAGE W/POL ADAP
601875-05	COVER-REGULATOR
601875-06	VALVE-SOLENOID
602104	LP HOSE ½" ID X 5/8" FEMALE FLARE
601874	HOSE, LP REGULATOR TO GENERATOR
601880	FITTING-SWIVEL FLARE 3/8"

Remote Switch, Rear Bath

381852	KNOB LP REMOTE SWITCH
601873	LP REMOTE FILL/KIT 48" HOSE
511805	SWITCH-ROTARY ON/OFF LP VALVE
203463	DOOR-ACCESS LP REMOTE FILL
386147	DECAL-ON/OFF LP REMOTE FILL
511833	SWITCH ASSY-SGL ROCKER LIGHTED

Remote Switch, Mid Bath

601958	LP REMOTE FILL/KIT 60" HOSE
203463	DOOR-ACCESS LP REMOTE FILL
511805	SWITCH-ROTARY ON/OFF LP VALVE
381852	KNOB- LP REMOTE SWITCH INTERSTATE
386147	DECAL-ON/OFF LP REMOTE FILL

2007 INTERSTATE MOTORHOME

PLUMBING, LPG

LP Line Fittings

600008	TUBING COPPER 3/8OD
600435	FORGED FLARE NUTS 3/8"
340085-05	CLAMP #COY 1109 5/8"
600436	FORGED FLARE NUTS 5/8"
500038	LUG GROUND
600004	TUBING COPPER 5/8"
601281	TEE BRASS UNION 5/8 X 5/8 X 5/8
600003	TEE 5/8 X 3/8" X 3/8"
600661	GROUND FITTING .5" TO 1"
601881	FITTING-REDUCER 3/8" M FLARE
601882	ELBOW- 90D 3/8"M FLR X 1/4"
601675	UNION 3/8 M FL X 3/8 M NPT #15
345426-02	CLAMP-STEEL LOOP .38" RUBBER
380887	GROMMET, FLOOR
380886	GROMMET, FLOOR

Auto Vent assembly, LP tank, Mid bath

381916-01	CAP-END POLY 5/8"ID
601988-01	ADAPTER-RELIEF VALVE LP

2007 INTERSTATE MOTORHOME

PLUMBING, FRESHWATER

Tank/Sink, Rear Bath

601939	TANK, FRESH WATER 30GALLON
601392-05	City water fill w/regulator
601239	TUBING 1.375 I.D. RIBBED #705
601240-01	TUBING 1/2 I.D. X 3/32 WALL
340084-20	CLAMP, HOSE, .81"
601879	SINK, S. S. ROUND GALLEY
602149	SINK FLUSH SMEV, SAVANNAH

Tank/Sink, Mid-Bath

601957	TANK-WATER
601879	SINK-SS 15.5" ROUND
601392-05	City water fill w/regulator
601239	TUBING 1.375 I.D. RIBBED #705
601240-01	TUBING 1/2 I.D. X 3/32 WALL
340084-20	CLAMP, HOSE, .81 - 1.75 SAE #2

Shower, Exterior

601876	SHOWER-EXTERIOR, WHITE #742009
601592-01	SHOWER HEAD WHITE
601592-02	SHOWER HOSE 59.00" WHITE
601592-03	SHOWER VALVE 4.00" WHITE
381647	KEY WATER FILL CH751

2007 INTERSTATE MOTORHOME

PLUMBING, FRESHWATER

Shower, Interior

601592-01	SHOWER HEAD WHITE
601592-02	SHOWER HOSE 59.00" WHITE
601592-03	SHOWER VALVE 4.00" WHITE
601727	SHOWER DRAIN 2"W/GRID TOP XL G
600625-01	PLUG, TRAP, 1 1/2" ADAPTER, FEMALE
600144	P TRAP ABS 1 1/2"

Water Fill, Exterior

601194	WATER FILL W/LOCK, GRAY, W/LABEL
381647	KEY WATER FILL CH751

Water Pump

601061-03	Water pump, Shurflo 2088-404-144
601668-01	Water pump, pre-filter, Shurflo

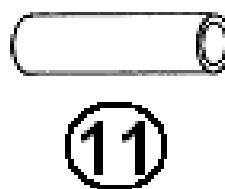
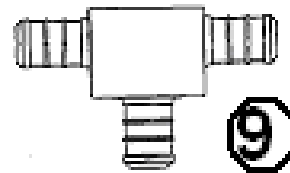
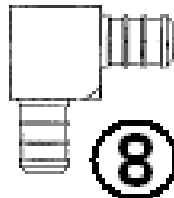
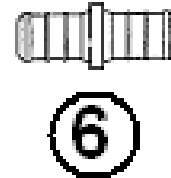
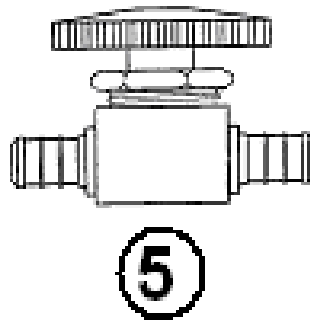
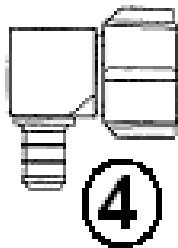
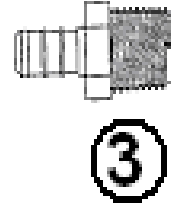
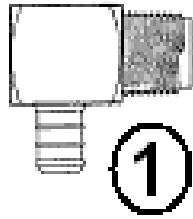
City Water Hook Up

201866-02	FILL-CITY WATER-POLAR WHITE
601565	HOSE WATER W/FITTINGS 12" LONG
600227	PLASTIC COUPLINGS

2007 INTERSTATE MOTORHOME

PLUMBING, FRESHWATER

Fresh Water Fittings



Part Numbers Are On The Next page

2007 INTERSTATE MOTORHOME

PLUMBING, FRESHWATER

Fresh Water Fittings

- | | |
|---------------|------------------------------------|
| 1. 601698-04 | Elbow, 1/2" barb x 1/2" MPT |
| 2. 601698-03 | Coupler, 1/2" barb x 1/2" FPT |
| 3. 601698-02 | Coupler, 1/2" barb x 1/2" MPT |
| 4. 601698-05 | Elbow 1/2 barb x 1/2" FPT |
| 5. 601698-22 | Shut-off, 1/2" barb x 1/2" barb |
| 6. 601698-08 | Coupler, 1/2" x 1/2" barb |
| 7. 601698-09 | Plug, 1/2" barb |
| 8. 601698-10 | Elbow 1/2" barb x 1/2" barb |
| 9. 601698-11 | Tee, 1/2" x 1/2" x 1/2" |
| 10. 601698-15 | Crimp ring, 1/2E-Pex, 1/2" (black) |
| 11.601698-01 | E-Pex tube, 1/2" |
| 11. 601698-21 | TUBING E-PEX 1/2" RED |
| 203085 | PLUG WATER LINE 1/2" PLASTIC B |
| 601238 | ADAPTOR 1.25 MPT X 1.25 BARB |

2007 INTERSTATE MOTORHOME

PLUMBING, FRESHWATER

Faucet, Galley, Standard

601867 GALLEY FAUCET

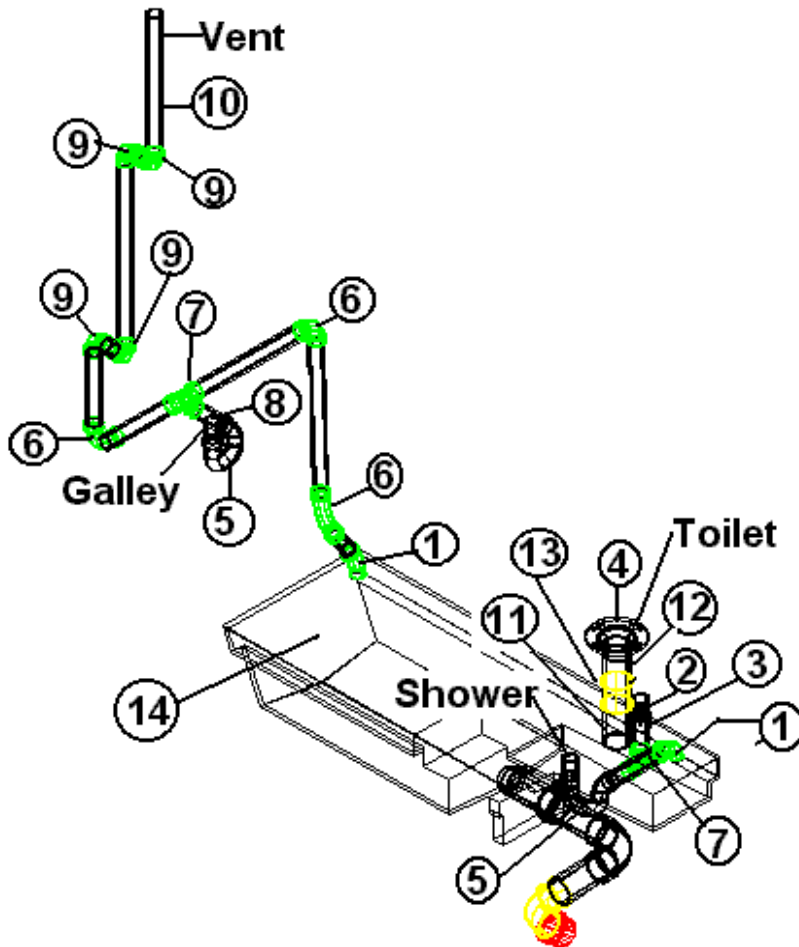
Faucet, Galley, Savannah

602153 FAUCET, WATER TAP STAINLESS STEEL

2007 INTERSTATE MOTORHOME

PLUMBING, DRAIN

Drain System, Rear Bath

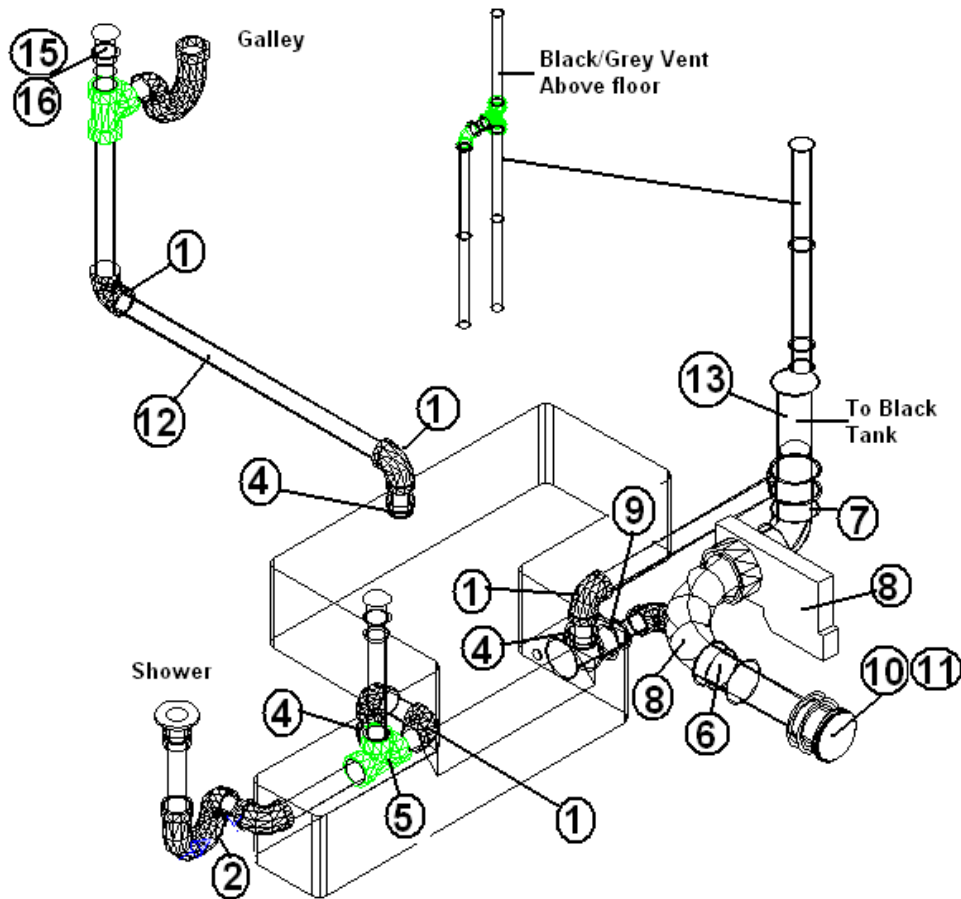


- | | |
|---------------|---|
| 1. 600431 | 1.5" Elbow, short radius |
| 2. 600538 | Vent, V-200 automatic |
| 3. 600308 | Adaptor ABS female, sloan |
| 4. 601266 | Flange, closet, 3" x 4", slip fit |
| 5. 600622 | P-trap, 1.5", w/slip nut and washer |
| 6. 600035 | Ell ABS, long sweep, 1.5" |
| 7. 600318 | Tee |
| 8. 600822 | Adaptor, P-trap |
| 9. 600033 | Elbow, vent, 1.5", 90 degree |
| 10. 601160-02 | Pipe, ABS, DVW, 1.5" |
| 11. 601267-04 | Nipple, 3" diameter, Thread one, 10' long |
| 12. 601160-04 | Pipe, ABS DVW, 3" |
| 13. 600253 | Coupling, 3" |
| 14. 601872 | Black/Gray combination tank |

2007 INTERSTATE MOTORHOME

PLUMBING, DRAIN

Drain System, Mid Bath



- | | |
|----------------|-------------------------------------|
| 1. 600033 | ELBOW, VENT, 1.50 90 DEGREE |
| 2. 600144 | P TRAP ABS 1 1/2" |
| 3. 600625-01 | PLUG, TRAP, 1-1/2" ADAPTER, FEMALE |
| 4. 601676 | ADAPTER THREADED 1 1/2" MALE |
| 5. 600156 | TEE SANITARY |
| 6. 600253 | COUPLING 3" |
| 7. 601531 | FITTING, 90 DEGREE 3" |
| 8. 601482 | DUMP VALVE ROTATING ASSY. |
| 9. 195329-229 | REDUCER ADAPTOR 3" TO 1.5" 407 |
| 10. 601607-07 | TERMINATION CAP - 3" BAY |
| 11. 601607-06 | TERM. ADAPTOR - 3" HUB X 3" BAYONET |
| 12. 601160-02 | PIPE, ABS DVW, 1 1/2" |
| 13. 601160-04 | PIPE, ABS DVW, 3" |
| 14. 600308 | ADAPTER ABS FEMALE SLOAN #2891 |
| 15. 600622 | P-TRAP 1 1/2" W/SLIP NUT & WASH |
| 16. 601579-110 | VACUUM BREAKER |

2007 INTERSTATE MOTORHOME

PLUMBING, DRAIN

Sewer Hose/Carrier

601946	EZ hose carrier, 24"
340084-52	CLAMP, HOSE SAE #52, for sewer hose
601607-15	SEWER HOSE W/ADAPTOR
454343	BRACKET, SEWER HOSE CARRIER AFT MB
454357	BRACKET, SEWER HOSE CARRIER FRONT MID BATH

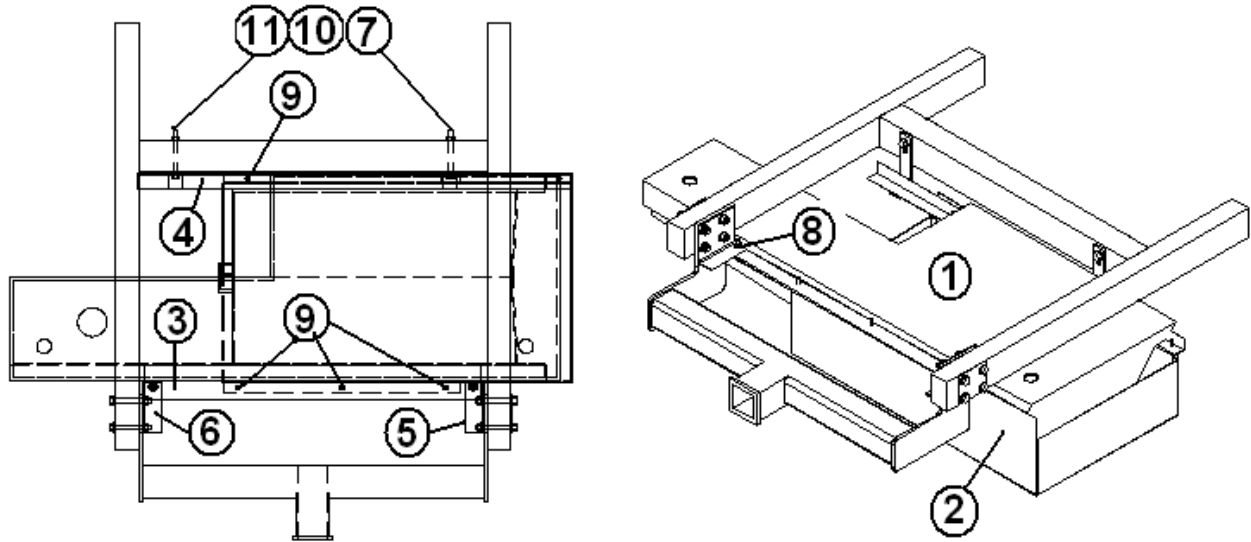
Tank Heating System

511812	PAD-HEATING HOLD TANK #TH-718
511813-01	VALVE-ELECTRIC, WASTE
511813-02	SWITCH-ELECTRIC WASTE VALVE

2007 INTERSTATE MOTORHOME

PLUMBING, DRAIN

Tank Pan/Mounting System, Rear Bath

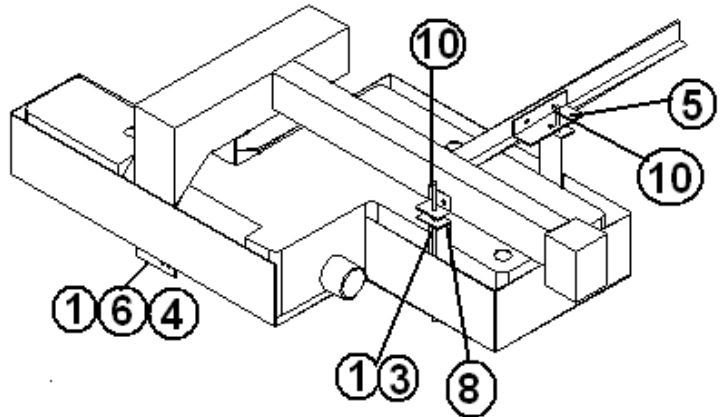
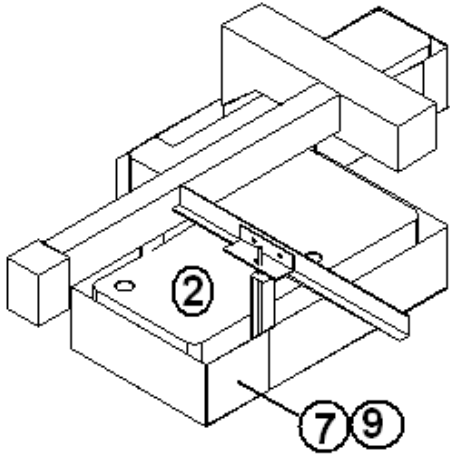


- | | |
|---------------|--|
| 1. 601872 | Tank, Black/Gray, 31 gallon |
| 2. 454197 | TANK PAN, BLACK/GRAY TANK |
| 3. 454195 | AFT MOUNTING BRACKET, BLACK/GRAY TANK |
| 4. 454196 | MOUNTING BRACKETS, BLACK/GRAY TANK |
| 5. 454208-01 | Plate, curbside mounting, holding tank |
| 6. 454208-02 | Plate, roadside mounting, holding tank |
| 7. 454329 | STRAP- GRAY TANK 15.5" MB |
| 8. 345272-05 | BOLT HEX. HD. 3/8-16 X 1.25 |
| 9. 345084 | SCREW-1/4-14X1 THD.CUTTING |
| 10. 350132 | NUT, FLANGED MAC-LOCK 1/2-13 |
| 11. 300112-50 | WASHER FLAT, 1/2IN TYPE B |
| 454329 | STRAP, GRAY TANK 15.5" MB |
| 454330 | BRACKET, GRAY TANK MTG. MB |
| 454331 | BRACKET, FRONT MOUNT GRAY TANK MB |
| 454332 | STRAP-GRAY FRT. TANK MB |

2007 INTERSTATE MOTORHOME

PLUMBING, DRAIN

Tank, Gray/Black Mounting System, Mid bath

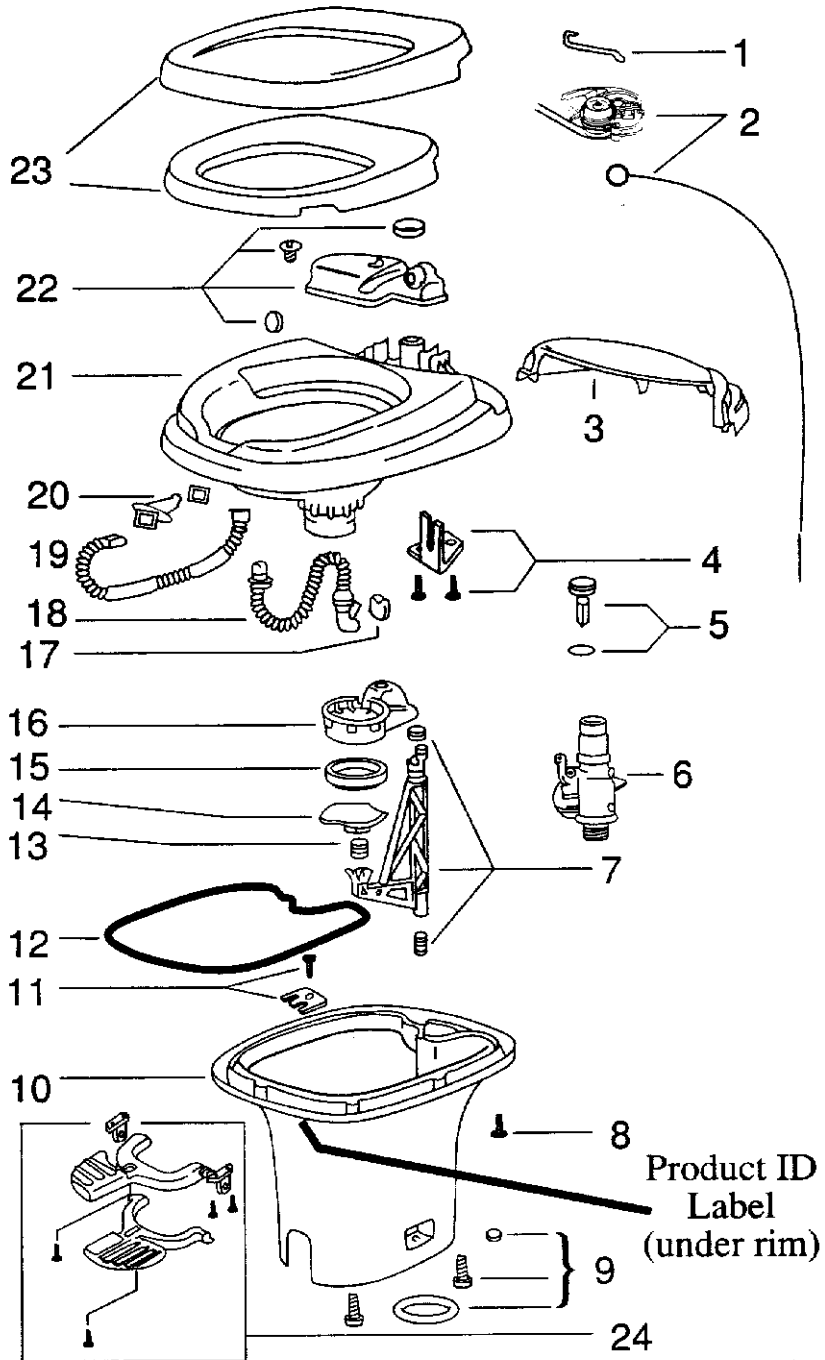


- | | |
|--------------|---|
| 1. 365185-20 | 2" GASKET TAPE |
| 2. 601948 | TANK-GRAY |
| 3. 454329 | STRAP- GRAY TANK 15.5" |
| 4. 454330 | BRACKET, GRAY TANK MTG. |
| 5. 454331 | BRACKET, FRT MOUNT GRAY TANK |
| 6. 454332 | STRAP-GRAY FRT. TANK |
| 7. 454335 | PAN-GRAY/BLACK TANK M |
| 8. 454397 | BRACKET, GRAY TANK MTG.1.5" X 1.5" X 2.5" |
| 9. 966408 | TANK WEDGE ASSY. |
| 10. 345151 | ROD, THREADED 3/8"-16 X 10 FT. |
| 601947 | TANK-BLACK |

2007 INTERSTATE MOTORHOME

PLUMBING, DRAIN

Toilet



P/N Next Page

2007 INTERSTATE MOTORHOME

PLUMBING, DRAIN

Toilet

690495-02	Toilet complete, Aqua Magic IV
1. 690387-513	Water valve link
2. 690387-571	Wire replacement package
3. 690387-562	Mechanism cover, white
4. 690387-634	Bracket assembly
5. 690387-631	Float assembly
6. 690387-168	Water valve replacement package
7. 690387-632	Actuator assembly
8. 690387-659	Screw base to bowl
9. 690387-524	Closet bolt package
10. 690387-356	Base, white, low
10. 690387-062	Base, white, high
11. 690387-636	Retainer assembly
12. 690387-387	Sealant, base to bowl
13. 690387-519	Blade spring
14. 690387-262	Blade
15. 690387-481	Blade seal
16. 690387-520	Blade track
17. 690387-512	Flapper
18. 690387-511	Overflow tube
19. 690387-509	Flush tube
20. 690387-637	Nozzle assembly
21. 690387-726	Bowl
22. 690387-630	Reservoir tank assembly
23. 690387-162	Seat and cover assembly
24. 690387-821	Pedal package
601266	TOILET, FLANGE, CLOSET, 3" X 4", SLIP FIT

2007 INTERSTATE MOTORHOME

SEALER/GASKETS/PAINT

SEALER

360001	Sealant, #884058
360209	Sealant, seam
360176	Sealant, Almond, kitchen and bath
360180-04	Sealant, Sikaflex #221, black
360180	Sealant, Sika-flex, gray
360210	Sealant, Paralastic 4334-014
360283-01	Sealant, silicone, Corian Bone
360074	SEALANT GE RTV 102 WHITE 3OZ TUBE
360052	SEALANT BLACK VULKEM
365293-01	SEALANT URETHANE SIKAFLEX 721U
360286	SEALANT GREY SU6000-40-386/1 C
365285	SEAMFILL STAIN STICK-CHERRY
360268-01	SEAL LIQUA ELASTOMIC ROOF WHITE

GASKETS

365190	SEAL, RUBBER, ADHESIVE, 3/4" X 3/4", Refer
365001	TAPE DOUBLE COATED FOAM
381728	RUBBER WIPER-TH250 W/TAPE
365016	TAPE FOAM DUBL-KOTE
381589	RUBBER EXTRUSION - FLOOR WIPER

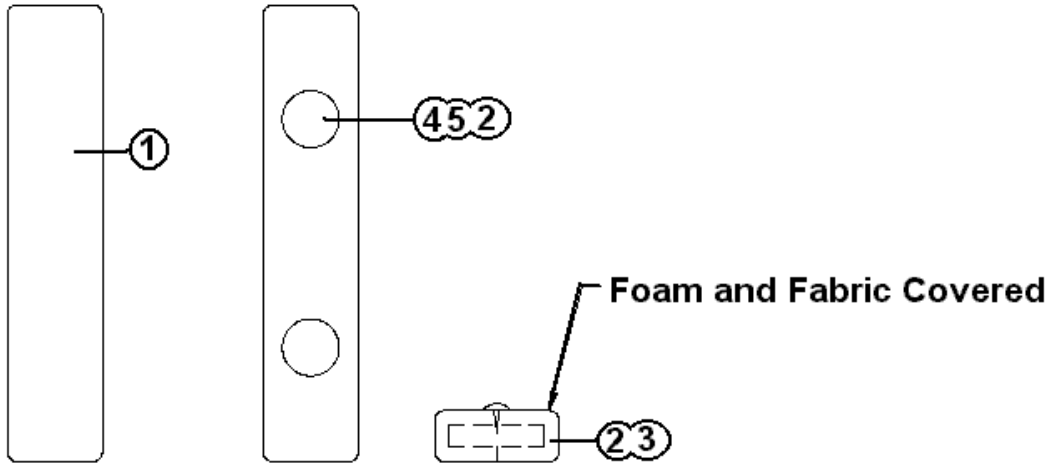
Paint

301806	Silver Paint
--------	--------------

2007 INTERSTATE MOTORHOME

UPHOLSTERY/FOAM/MATTRESS

Arm Rest Cushion, Rear Bath



- | | |
|--------------|--|
| 998151 | Arm Rest Cushion |
| 998151-01 | Arm Rest Cushion, Savannah |
| 1. 800506-05 | 5/8" PLYWOOD |
| 2. 700414 | FOAM 3/8 X 86"X 52' |
| 3. 703374 | FABRIC, LEATHER OPTION |
| 3A. 703330 | FABRIC, STRATUS CLOTH |
| 3C. 703527 | FABRIC, LEATHER BRISA-GOLDEN, SAVANNAH |
| 4. 700813 | BUTTON, NAIL BOTTOM |
| 5. 700811 | BUTTON CAP, HANDY |

2007 INTERSTATE MOTORHOME

UPHOLSTERY/FOAM/MATTRESS

Cab Seats/Seat Skirts



998158	SKIRT ASSEMBLY, PASSENGER SEAT
998159	SKIRT ASSEMBLY, DRIVER SEAT
703539-296	SEAT, DRIVER/PASSENGER, EARL GREY
703539-485	SEAT, DRIVER/ PASSENGER CARMEL MOCHA
998158-01	SKIRT ASSY, PASS SEAT, SAVANNAH
998159-01	SKIRT ASSY, DRIVER SEAT, SAVANNAH
703539-01	SEAT-DRIVER PASSENGER, LEATHER, SAVANNAH

2007 INTERSTATE MOTORHOME

UPHOLSTERY/FOAM/MATTRESS

Sofa, Rear Bath

703536-296	SOFA, 74", ULTRA LEATHER, EARL GREY
703536-485	SOFA, 74", ULTRA LEATHER, CARMEL MOCHA
703536-01	SOFA, 74" SAVANNAH
454322	LEG, FRONT, BED
454462	LEG, REAR, BED

Sofa, Mid Bath Rear Dinette Option

703621-485	SOFA, CARMEL MOCHA
703621-296	SOFA, EARL GRAY
703621-01	SOFA, LEATHER, SAVANNAH

Dinette Seat backs & Cushions, Standard

703537-296	Dinette Seat Back, Earl Grey
703537-485	Dinette Seat Back, Carmel Mocha
703537-01	Dinette Seat Back, Savannah
703538-296	Dinette Seat Cushion, Earl Grey
703538-485	Dinette Seat Cushion, Carmel Mocha
703538-01	Dinette Seat Cushion, Savannah

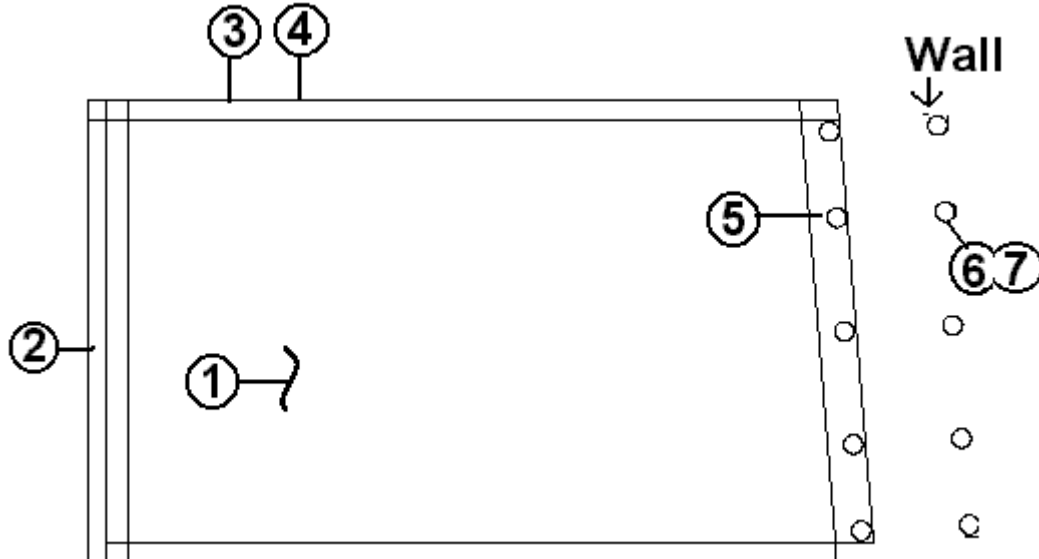
Dinette Seat Cushion Kit, Mid-Bath Option

703641-485	Cushion kit, Carmel Mocha
703641-296	Cushion kit, Earl Grey
703641-01	Cushion kit, Savannah

2007 INTERSTATE MOTORHOME

UPHOLSTERY/FOAM/MATTRESS

Screen, Galley Closeout, Rear & Mid Bath



- | | |
|-----------|---------------------------------|
| 998155 | CLOSEOUT, GALLEY, SCREEN SPRING |
| 1. 380079 | SCREEN, GRAY |
| 2. 703386 | VINYL-ASTRO SS MAGNUM STEEL |
| 3. 700021 | HOOK, VELCRO, WHITE |
| 4. 700020 | PILE VELCRO |
| 5. 700005 | EACH FASTENER, CAP |
| 6. 700006 | FASTENER SOCKET |
| 7. 381519 | SCREW STUD |

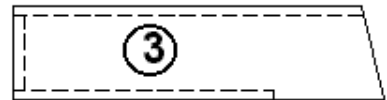
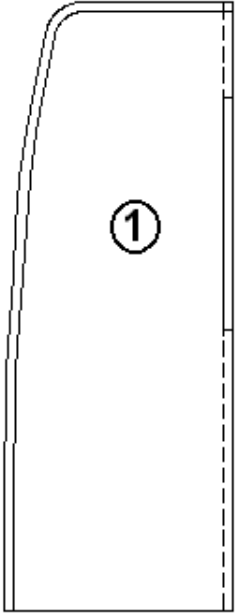
Storage Net

- | | |
|--------|---------------------------------|
| 703380 | NET STORAGE COMPARTMENT STORAGE |
|--------|---------------------------------|

2007 INTERSTATE MOTORHOME

UPHOLSTERY/FOAM/MATTRESS

Vinyl Close-out Assemblies, Rear Bath



1. 998157-01

2. 998157-02

3. 998157-03

703386

700020

700021

381081-05

703388

CLOSEOUT ASSEMBLY, VINYL SHOWER

CLOSEOUT ASSEMBLY, VINYL PLUMBING

CLOSEOUT ASSEMBLY, VINYL AFT UPPER

VINYL-ASTRO SS MAGUM STEEL

PILE VELCRO

HOOK, VELCRO, WHITE

SNAP CAP, GRAY

VELCRO HOOK WASHER

Storage Net

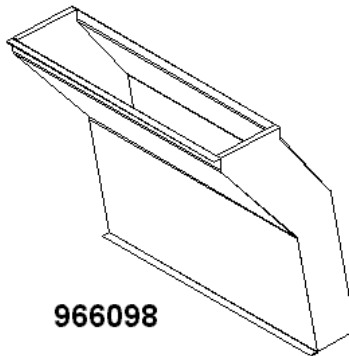
703380

NET STORAGE COMPARTMENT STORAGE

2007 INTERSTATE MOTORHOME

VENTS/FANS

Refrigerator Vent/Fan



- 966098 Refrigerator duct assembly
- 100341 Refrigerator, vent collar, roof, large
- 101394 Cover, refrigerator vent, roof, large
- 381042 MESH, galvanized for refer vent. .017 X 36"
- 690394 Power ventilator, refrigerator

Roof Vent, Drain Plumbing

- 690264-03 Vent pipe cover
- 380228 Wire, hardware cloth

Roof Power Vents

- 381841 VENT, ROOF FANTASTIC EXHAUST ONLY

