

# ***PARKWAY MOTORHOME***

***PARTS  
BOOK***

**2007**



# 2007 PARKWAY MOTORHOME TABLE OF CONTENTS

## SECTION I A through C

### APPLIANCES

<a href="#">Air Conditioner</a> .....	I-1
<a href="#">Furnace</a> .....	I-1
<a href="#">Microwave/Cook Top</a> .....	I-1
<a href="#">Refrigerator</a> .....	I-1
<a href="#">Water Heater</a> .....	I-2
<a href="#">Generator</a> .....	I-2

### EXTERIOR SHELL

<a href="#">Curbside Wall, Rear Bath</a> .....	I-3
<a href="#">Roadside Wall, Rear Bath</a> .....	I-4
<a href="#">Curbside wall, Mid bath</a> .....	I-5
<a href="#">Roadside Wall. Mid bath</a> .....	I-6
<a href="#">Decal/Exterior Trim</a> .....	I-7

### INTERIOR BODY

<a href="#">Trim Rings</a> .....	I-8
<a href="#">Interior Trim/Skin</a> .....	I-9

### CHASSIS

<a href="#">Wheels</a> .....	I-10
<a href="#">Spare Tire Cover</a> .....	I-10
<a href="#">Hitch</a> .....	I-10
<a href="#">Exhaust System</a> .....	I-11

# 2007 PARKWAY MOTORHOME TABLE OF CONTENTS

## SECTION II D through E

### DOORS/WINDOWS/AWNING

<a href="#">Exterior Doors</a> .....	II-1
<a href="#">Windows</a> .....	II-1
<a href="#">Awning</a> .....	II-1

<a href="#">DRAPES/BLINDS</a> .....	II-2
-------------------------------------	------

### ELECTRICAL

<a href="#">110 volt</a> .....	II-4
<a href="#">12 volt</a> .....	II-5

### ENTERTAINMENT

<a href="#">Radio</a> .....	II-7
<a href="#">Television Antenna</a> .....	II-7
<a href="#">Television</a> .....	II-7

# 2007 PARKWAY MOTORHOME TABLE OF CONTENTS

## SECTION III F through H

FASTENERS (common fasteners available locally are not listed)

[Rivets](#)..... III-1

[FLOOR COVERING](#) ..... III-2

### FURNITURE

[Lavatory](#) ..... III-3

[Galley](#)..... III-9

[Lounge](#) ..... III-27

[Interior Doors](#) ..... III-47

[Trim/Panels](#)..... III-48

### HARDWARE

[Seats](#) ..... III-49

[Handles/Latches](#)..... III-49

[Hinges](#)..... III-49

[Towel bar, Mid Bath](#) ..... III-49

[Labels and Tags](#) ..... III-50

[Safety Equipment](#)..... III-50

[Key Chain/Video/Book](#) ..... III\_50

# 2007 PARKWAY MOTORHOME TABLE OF CONTENTS

## SECTION IV L through Z

### PLUMBING

<a href="#">LPG</a> .....	IV-1
<a href="#">Fresh water</a> .....	IV-3
<a href="#">Freshwater Fittings</a> .....	IV-5
<a href="#">Faucets</a> .....	IV-7
<a href="#">Drain water</a> .....	IV-9
<a href="#">Toilet</a> .....	IV-13

<a href="#">SEALER</a> .....	IV-15
------------------------------	-------

<a href="#">GASKETS</a> .....	IV-15
-------------------------------	-------

### UPHOLSTERY/FOAM/MATTRESS

<a href="#">Arm Rest Cushions</a> .....	IV-16
<a href="#">Cab Seats</a> .....	IV-16
<a href="#">Sofa</a> .....	IV-17
<a href="#">Dinette Cushions</a> .....	IV-17
<a href="#">Rear Screen/Vinyl Close Outs</a> .....	IV-18

<a href="#">VENTS/FANS</a> .....	IV-20
----------------------------------	-------

# 2007 PARKWAY MOTORHOME

## APPLIANCES

### Air Conditioner

454204 ROOF AIR FLOW DIFFUSER A/C-REFER  
690537 Carrier AC, 13,500 BTU  
690537-01 Carrier AC, 13,500 BTU, ceiling package

### Furnace

690439 FURNACE, 12,000 BTU, DIRECT PUMP

### Cook Top/Microwave

690498 MICROWAVE, 0.7 CF, 17.94" W X 11.0"  
454206 BRACKET, FORMED ANGLE MICROWAVE  
690536 COOKTOP-2 BURNER SUBURBAN  
454403 SHIELD-RANGE MIB BATH

### Refrigerator

690470-02 REFER-3CF 2-WAY RH DR RM2352RB  
965934-04 INSERT ASSEMBLY, REFER 19..5" x 26"  
690394 Power ventilator, refrigerator  
381589 RUBBER EXTRUSION - FLOOR WIPER  
365190 SEAL, RUBBER, ADHESIVE, 3/4" X 3/4", Refer  
454204 Panel DIFFUSER A/C-REFER

# 2007 PARKWAY MOTORHOME

## APPLIANCES

### Water Heater

690199	ELECTRONIC IGNITION WATER HEATER
690209	BRUSHED ALUM ACCESS COVER
381648	COVER LATCH HOLE WATER HEATER
966096	STAND-WATER HEATER
091959	SWITCH-WATER HEATER ELECTRONIC

### Generator

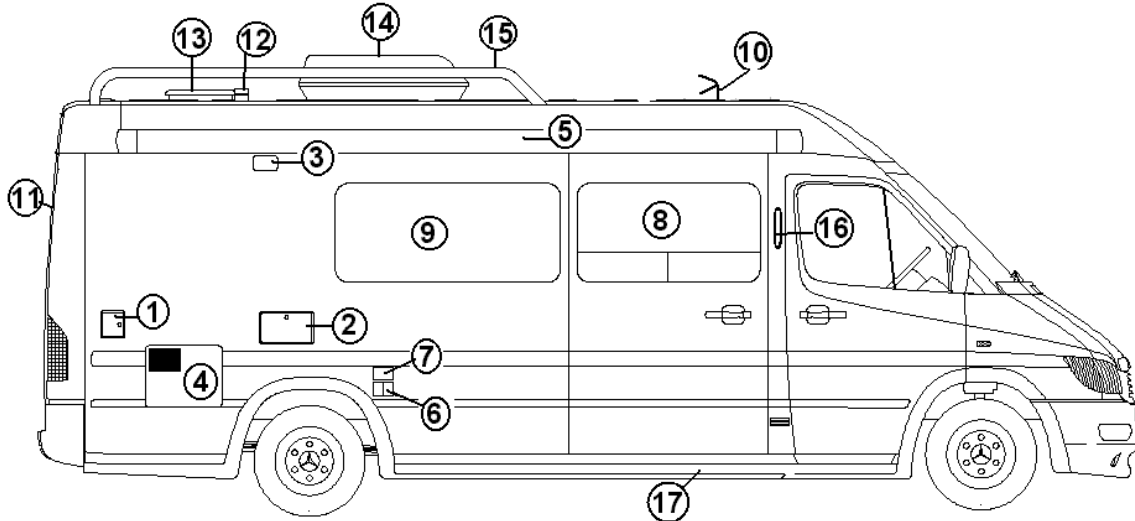
511811-01	GENERATOR, 2.5KV-FA LP VAPOR
511811-02	SWITCH-REMOTE W/HR METER ONAN
511811-04	MOUNTING, KIT-UNDER FLOOR ONAN 2.5KV
511811-05	PIPE, GENERATOR EXHAUST
510562	SWITCH, GENERATOR SWITCH OVER AUTO TS
454216	BRACKET, AFT GENERATOR MOUNTING
454217	BRACKET, FWD-AFT GEN MOUNTING
601874	HOSE-LP REGULATOR TO GENERATOR
966067-01	CONTROL PANEL ASSEMBLY W/GENERATOR



# 2007 PARKWAY MOTORHOME

## EXTERIOR SHELL

### Wall, Curbside Rear Bath

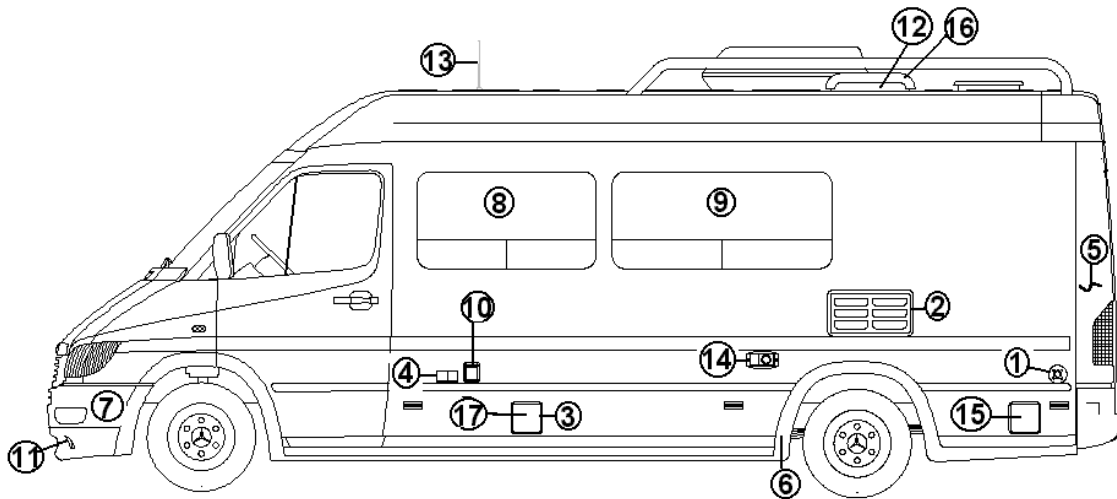


- |               |  |
|---------------|--|
| 1. 601194     | Water fill w/lock, gray, w/ label      |
| 2. 601876     | Exterior shower door and frame         |
| 3. 510672-02  | Porch light, white                     |
| 4. 690199     | Water heater, electronic ignition      |
| 5. 690497-02  | Patio awning, 13 foot, Black/Gray      |
| 6. 511796     | Exterior cable TV/12-volt power        |
| 7. 510676-01  | Outlet, exterior, 110-volt, gray       |
| 8. 371392-03  | Window, double vent, 39.50" x 23.38"   |
| 9. 371392-05  | Window, solid, 51.13" x 23.38"         |
| 10. 511864    | Antenna, TV, Boomarang                 |
| 11. 371392-02 | Window, CS solid rear, 23.31" x 23.31" |
| 12. 690264-03 | Plumbing cover, white                  |
| 13. 381841    | Fantastic roof vent                    |
| 14. 690537    | Carrier AC, 13,500 BTU                 |
| 15. 922722    | Roof rack                              |
| 16. 381737-02 | Assist handle                          |
| 17. 454437    | Running board                          |

# 2007 PARKWAY MOTORHOME

## EXTERIOR SHELL

### Roadside Wall, Rear Bath

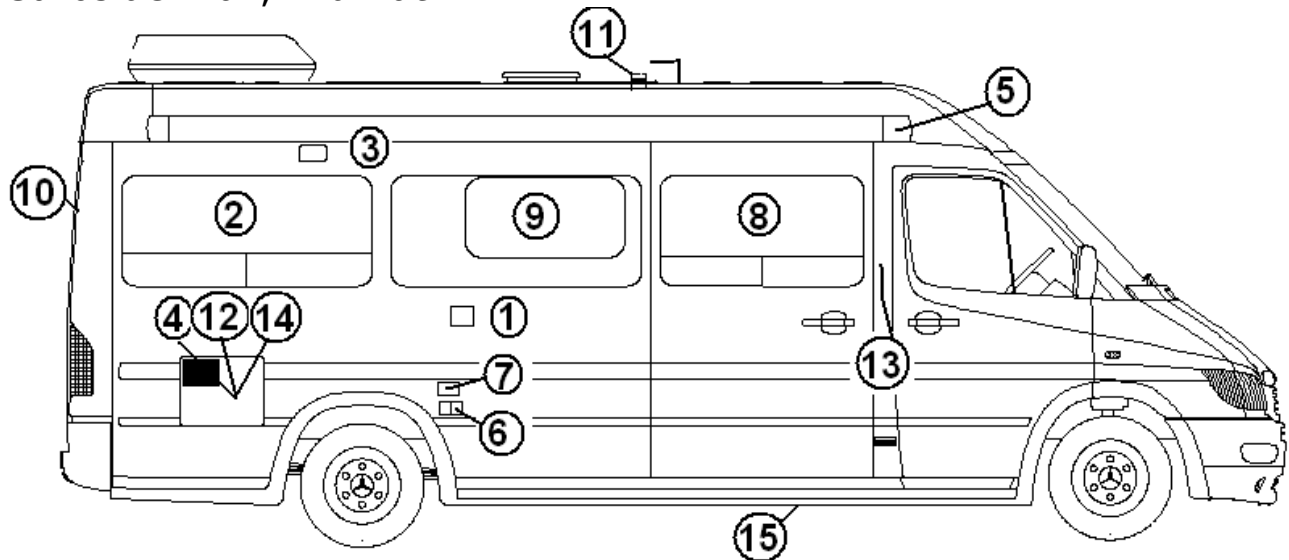


- |               |  |
|---------------|--|
| 1. 601392-05  | City water fill w/regulator                |
| 2. 690470-01  | Vent, refer                                |
| 3. 601873     | LP Remote fill W/48" hoses                 |
| 3. 111432-01  | Closeout, LP access, upper                 |
| 3. 111432-02  | Closeout, LP access, lower                 |
| 4. 500996     | Jack TV/phone, gray                        |
| 5. 511813-02  | Valve, electric waste                      |
| 6. 454437     | Running boards                             |
| 7. NLA        |  |
| 8. 371392-04  | Window, 41.13" X 23.38"                    |
| 9. 371392-05  | Window, double lower vent, 51.13" x 23.38" |
| 10. 511416-02 | Power inlet, 30Amp, 125-volt, male, gray   |
| 11. NLA       |  |
| 12. 100341    | Refer vent collar, large                   |
| 13. 511807    | Radio antenna                              |
| 14. 690439    | Furnace, 12,000 BTU, direct pump           |
| 15. 601229    | Sewer hose storage                         |
| 16. 101394    | Cover, refer vent, large                   |
| 17. 203463    | Access door, LP remote fill                |

# 2007 PARKWAY MOTORHOME

## EXTERIOR SHELL

### Curbside Wall, Mid Bath

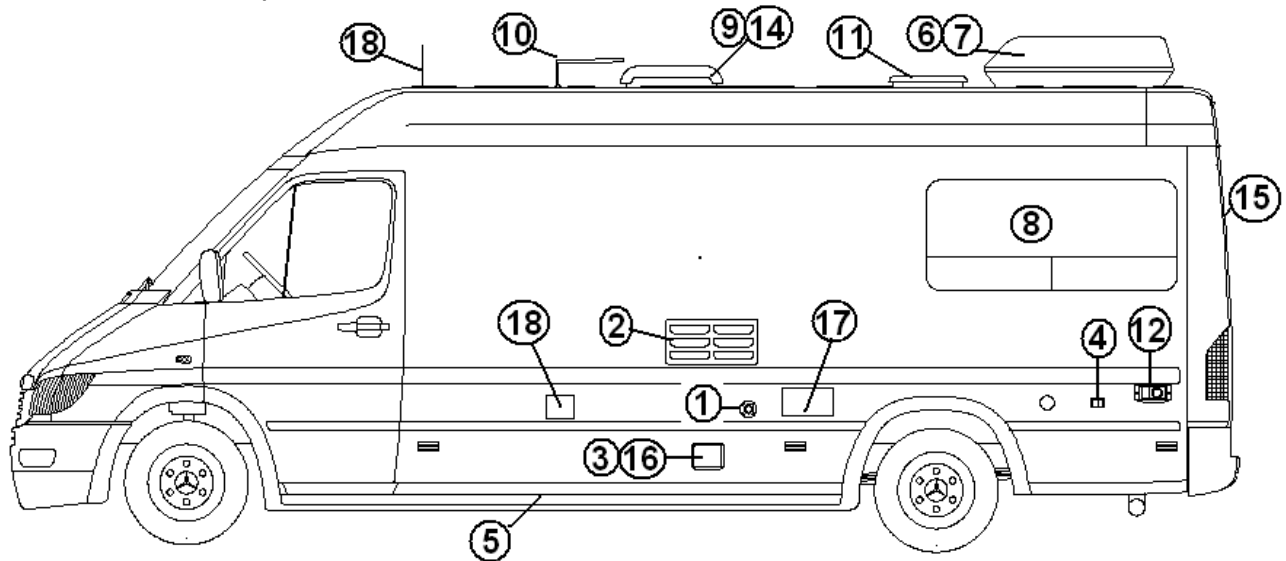


- |               |                                      |
|---------------|--------------------------------------|
| 1. 601194     | WATER FILL W/LOCK, GRAY, W/LABEL     |
| 2. 371392-06  | WINDOW, 51.13" X 23.38", DOUBLE VENT |
| 3. 510672-02  | PORCH LIGHT, #30-78-515, WHITE       |
| 4. 690199     | ELECTRONIC IGNITION WATER HEATER     |
| 5. 690497-02  | PATIO AWNING, 13', Black/Gray        |
| 6. 511796     | CABLE, EXTERIOR TV/12V POWER PORT    |
| 7. 510676-01  | OUTLET, EXTERIOR, 120 VOLT           |
| 8. 371392-03  | WINDOW, 39.5" X 23.38"               |
| 9. 371405     | WINDOW, CS GALLEY MB                 |
| 10. 371392-02 | WINDOW, 23.31" X 23.31"RH CREATION   |
| 11. 690264-03 | PLUMBING FLASHING, V-2049-1, WHITE   |
| 12. 454328    | Water heater bracket                 |
| 13. 381737-02 | ASSIST HANDLE, BLACK. MOLDED         |
| 14. 454212-01 | Water heater closeout, LH            |
| 14. 454212-02 | Water heater closeout, RH            |
| 15. 454437    | Running board                        |

# 2007 PARKWAY MOTORHOME

## EXTERIOR SHELL

### Roadside Wall, Mid Bath



- |               |                                   |
|---------------|-----------------------------------|
| 1. 601392-05  | CITY WATER FILL W/REGULATOR       |
| 2. 690470-01  | VENT-SIDE WALL MTG.REFER          |
| 3. 601873     | REMOTE FILL & KIT-SPRINTER        |
| 4. 500996     | JACK, TV/PHONE, GREY              |
| 5. 454437     | RUNNING BOARD, ROADSIDE           |
| 6. 690537     | Carrier AC, 13,500 BTU            |
| 7. 690537-01  | Ceiling package, Carrier A/C      |
| 8. 371392-06  | WINDOW, 51.13" X 23.38"DLB VENT   |
| 9. 100341     | REFER, VENT COLLAR LARGE          |
| 10. 511864    | Antenna, TV, Boomarang            |
| 11. 381841    | VENT, ROOF FANTASTIC EXHAUST ONLY |
| 12. 690439    | FURNACE, 12,000 BTU, DIRECT PUMP  |
| 13. 601229    | SEWER HOSE STORAGE                |
| 14. 101394    | COVER, REFER VENT, ROOF, LARGE    |
| 15. 371392-01 | WINDOW, 23.31" X 23.31", RH       |
| 16. 203463    | Access door, LP remote fill       |
| 16. 111373-01 | Closeout, LP access, upper        |
| 16. 111373-02 | Closeout, LP access, lower        |
| 17. 601876    | Exterior shower door and frame    |
| 18. 511807    | ANTENNA, AM/FM RUBBER 14" #RV71   |
| 19. 922722    | ROOF RACK, Option (Not Shown)     |

# 2007 PARKWAY MOTORHOME

## EXTERIOR SHELL

### Decals/Exterior Trim

386151	DECAL-AIRSTREAM, 1.3",X 16", BLACK
386152	DECAL-AIRSTREAM, 2.4" X 28", ALUMINUM
386150	DECAL- AIRSTREAM 2.4"X 28" BLACK
386175	NAMEPLATE-75th ANNIVERSARY
386171	BADGE-PARKWAY 3" X 10"

# 2007 PARKWAY MOTORHOME

## INTERIOR SHELL

### Trim Rings, Rear Bath

203451 TRIM RING, WINDOW, CS 23.38" X 32.33"  
203450 TRIM RING, WINDOW, RS 23.38" X32.38"  
203453 TRIM RING, WINDOW, CS 54.13" X 26.25"  
203454 TRIM RING, WINDOW, RS 44" X 26.25"  
203452 TRIM RING, SLIDING DOOR WINDOW  
372231 TRIM RING, MILL 22.25" X 18"  
454201 TRIM RING ASSEMBLY-REFER VENT SUPPORT  
454200 TRIM RING-REFER VENT  
203462-01CAP COVER-SCREW CHERRY PVC  
381842 TRIM-LOK, 1/16" BLACK W/PEBBLE FINISH

### Trim Rings, Mid Bath

203451 TRIM RING, WINDOW, CS 23.38" X 32.33"  
203450 TRIM RING, WINDOW, RS 23.38" X32.38"  
203514 TRIM RING-CS WINDOW  
454356 TRIM RING-GALLEY  
203455 TRIM RING, WINDOW, RS 47.5" X 26.25"  
203452 TRIM RING, SLIDING DOOR WINDOW  
372231 TRIM RING, MILL 22.25" X 18"  
454201 TRIM RING ASSEMBLY-REFER VENT SUPPORT  
454200 TRIM RING-REFER VENT  
381842 TRIM-LOK, 1/16" BLACK W/PEBBLE FINISH

# 2007 PARKWAY MOTORHOME

## INTERIOR SHELL

### Interior Skin/Trim, Rear Mid Bath

114853-01	ALUMINUM SHEET .032" X 57", INTERIOR SKIN
114880-198	ALUMINUM. SHEET .040" X 51" INTERIOR SKIN
800507-01	LAUAN, 1/8" X 4' X 8'
703552-01	WALL LINER GEO SILVER 72" 14OZ
922753-01	PANEL-INTERIOR SLIDING DOOR
922753-02	PANEL-SLIDING DOOR INTERIOR UPPER
922753-03	HEADER, SLIDING DOOR, INTERIOR SKIN
703649-01	DOOR HEADER, SLIDING
703649-02	PILLAR CURBSIDE
703649-03	ROADSIDE PILLAR
703649-04	HEADER, CAB
203471	POCKET, ABS REAR DOOR STORAGE
203473	CAP-SCREW COVER PVC WHITE
381081-05	SNAP CAP-GRAY #173
381081-06	SNAP CAP-TEAK
372213	TRIM-BRUSHED CHROME 1/8"

### Rear Pillar/Panel Assemblies, Mid Bath

998174	PILLAR ASSY, CS REAR
998175	PILLAR ASSY, RS REAR
998176	PANEL ASSY-CS REAR DOOR
998178	HEADER, REAR

# 2007 PARKWAY MOTORHOME

## CHASSIS

### Wheel/Spare Covers

400982	EXTENSION-VALVE STEM 3.5"
703389	COVER-SPARE TIRE
703448	STRAP ASSY-SPARE TIRE

### SPARE TIRE KIT, AFT DINETTE OPTION

381986	KIT-CONTINENTAL SPARE TIRE AFT
--------	--------------------------------

### Hitch

400983	Hitch, Interstate
--------	-------------------

### Running Boards, Option

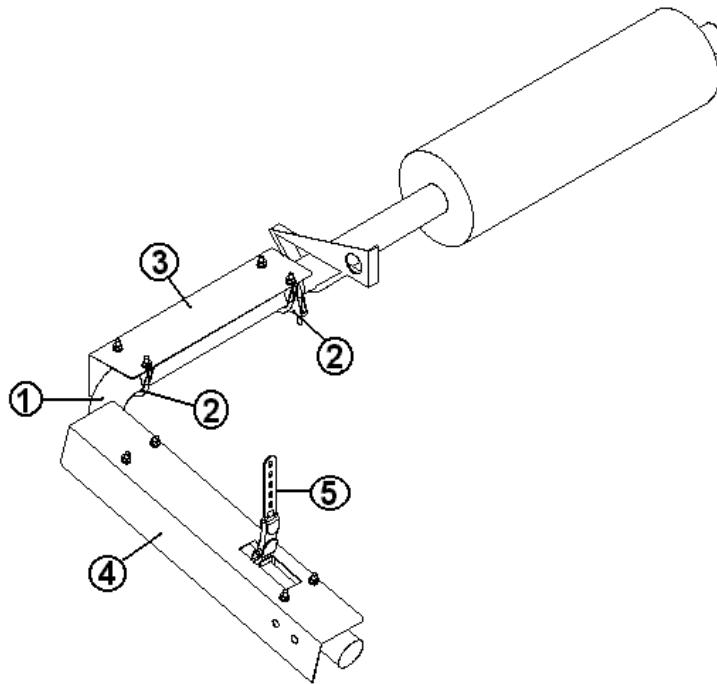
922917	RUNNING BOARD ASSEMBLY
454440	END CAP, LH, -RUNNING BOARD
454437	RUNNING BOARD, ROADSIDE & CURBSIDE
454449	END CAP, RH RUNNING BOARD
454436	BRACE, RUNNING BOARD
454438	BRACKET, RUNNING BOARD
453498	ANGLE, STEEL, 1/8 X 1.75 X 1.25
381943	BOLT PACKAGE, RUNNING BOARD



# 2007 PARKWAY MOTORHOME

## CHASSIS

### Exhaust System



- |              |                               |
|--------------|-------------------------------|
| 1. 454222    | PIPE, EXHAUST                 |
| 2. 340073-10 | CLAMP- MUFFLER 2.5"           |
| 3. 454218    | SHIELD-FWD EXHAUST, REAR BATH |
| 3. 454336    | SHIELD-EXHAUST FWD MIB BATH   |
| 4. 454219    | SHIELD-AFT EXHAUST, REAR BATH |
| 4. 454337    | SHIELD-EXHAUST AFT MIB BATH   |
| 5. 381509    | Hanger, Tailpipe              |



# 2007 PARKWAY MOTORHOME

## DOORS/WINDOWS/AWNING

### Exterior Doors

203463	DOOR-ACCESS LP REMOTE FILL
601194	Water fill w/lock, gray, w/ label
601876	Exterior shower door and frame
690209	BRUSHED ALUMINUM ACCESS COVER
601229	Sewer hose storage
690470-01	VENT-REFER-PLASTIC RADIUS CORNER

### WINDOWS, SIDEWALLS

371392-01	WINDOW-23.31"X23.31"RH CREATION
371392-02	WINDOW-23.31"X23.31"LH CREATION
371392-03	WINDOW-39.5"X23.38"CREATION
371392-04	WINDOW-41.13"X23.38"CREATION
371392-05	WINDOW-51.13"X23.38"SOLID CREATION
371392-06	WINDOW-51.13"X23.38"DLB VENT C
371405	WINDOW, CS GALLEY MIB BATH

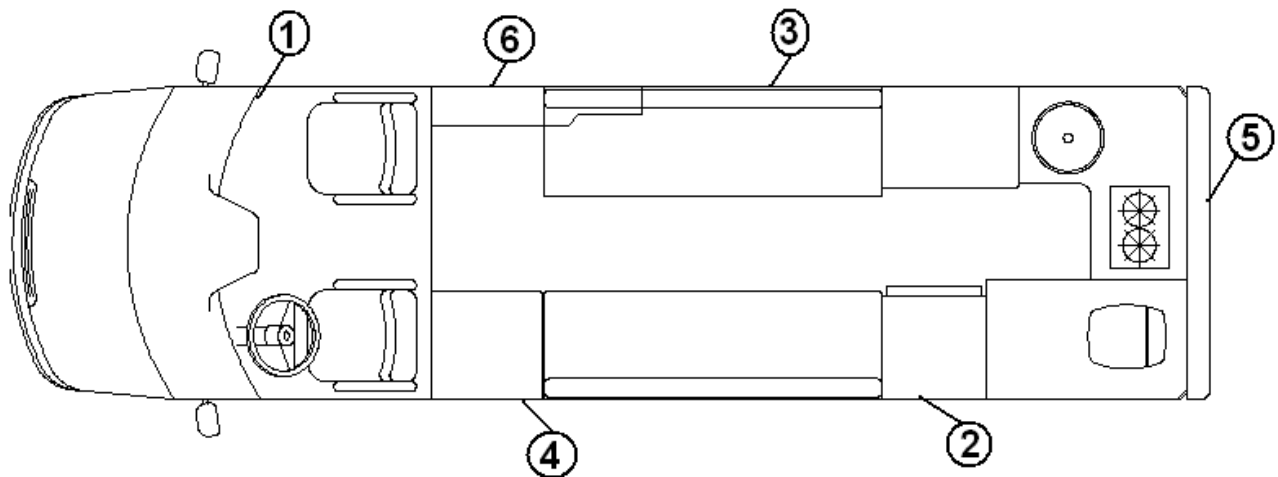
### AWNINGS

690497-02	Patio awning, 13 foot, Black/Gray
-----------	-----------------------------------

# 2007 PARKWAY MOTORHOME

## DRAPES/BLINDS/VALANCES

### Drapes/Shades, Rear Bath



- |              |  |
|--------------|--|
| 1. 998153    | DRAPe CLOSEOUT ASSEMBLY, WINDSHIELD    |
| 2. 703381-01 | SHADE, NIGHT ONLY 39.00" W X 21.00" L  |
| 3. 703381-02 | SHADE NIGHT ONLY 39.00" W X 21.00" L   |
| 4. 703381-03 | SHADE NIGHT ONLY 35.50"W X 21.00"L     |
| 5. 703382-02 | SHADE ANGLED-C/S AFT DOOR, 19.5" x 21" |
| 6. 998162    | CURTAIN ASSEMBLY-SLIDING DOOR          |

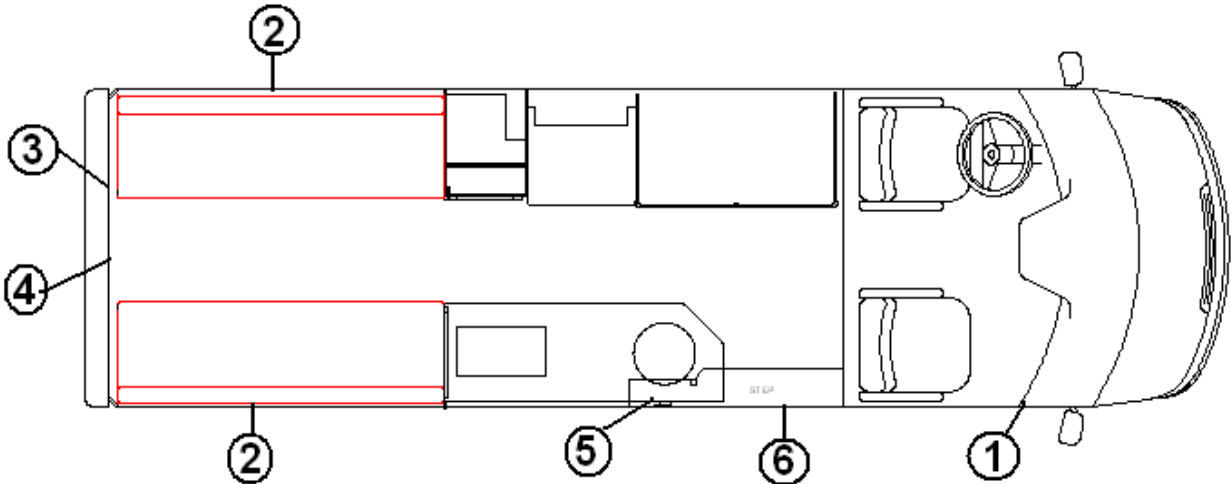
### Curtain/Drape Material

- |        |                                 |
|--------|---------------------------------|
| 702954 | FABRIC DRAPERY GALAXY/BONE      |
| 700273 | LINING, THERMA-FOAM 25006 WHITE |
| 700044 | Glides, w/elastic "T" type      |

# 2007 PARKWAY MOTORHOME

## DRAPES/BLINDS/VALANCES

### Drapes/Shades, Mid Bath



- 1. 998153      DRAPE CLOSEOUT ASSY-WINDSHIELD
- 2. 703381-02    SHADE-DAY/NGT 45" X 21" PEWTER
- 3. 703382-01    SHADE ANGLED, R/S AFT DOOR
- 4. 703382-02    SHADE ANGLED, C/S AFT DOOR
- 5. 703191-06    BLIND-MINI 26" X 23" ALUMINUM
- 6. 998162      CURTAIN ASSEMBLY-SLIDING DOOR

### Curtain/Drape Material

- 702954      FABRIC DRAPERY GALAXY/BONE
- 700273      LINING, THERMA-FOAM 25006 WHITE
- 700044      Glides, w/elastic "T" type

## 2007 PARKWAY MOTORHOME

### ELECTRICAL, 110 VOLT

#### Power Cord/Outlets/Switches/Converter

511416-02	30-amp, male power inlet for power cord
511416-03	POWER CORD 30A, 30' W/CONN UL/C
510676-01	Outlet, 10 Volt, exterior, gray
511654	POWER CENTER-110V/12V MAGNATEK
511637	SWITCH-SELECTOR AUTO ENERGY
510562	SWITCH, GENERATOR SWITCH OVER AUTO TS
511260	COVER WEATHER PROOF SINGLE GANG
500563-01	RECEPTACLE, 15A 125V T&B TYPE
511100	SWITCH BODY WITH SWITCHES

#### Priority Switch

512153	COVER, SWITCH PLATE, PRINTED, Micro/Air Conditioner
510514	SWITCH-3-WAY, IVORY, PRIORITY
511330	BOX, SWITCH 3" X 2" X 3.5"

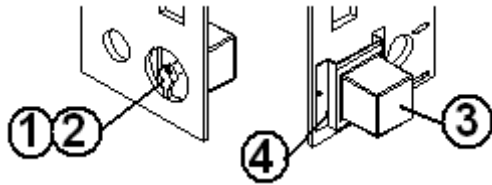
# 2007 PARKWAY MOTORHOME

## ELECTRICAL, 12 VOLT

### Battery

511828 Battery, 12-VOLT, DEEP CYCLE, AGM  
511595 Battery box

### Battery Disconnect Switch



1. 510626 SWITCH, MASTER DISCONNECT  
2. 510627 FACE PLATE, DISCONNECT SWITCH  
3. 203536 COVER, ELECTRICAL  
4. 454453 BRACKET, BATTERY DISCONNECT

### LP Remote Switch

511805 SWITCH-ROTARY ON/OFF LP VALVE  
511833 SWITCH ASSY-SGL ROCKER LIGHTED

### Interior Lights

511694 Reading light, halogen, Nickel  
511695 SPOTLIGHT-BRUSHED NICKEL  
511410 LIGHT-SHOWER INCANDESCENT SINGLE  
511850 LIGHT, FLUORESCENT, SURFACE MOUNT  
511361 LIGHT COURTESY FLUSH MOUNT BLACK  
511970 LIGHT-12V SINGLE W/SWITCH  
511971 LIGHT-12V DLB W/SWITCH

## 2007 PARKWAY MOTORHOME

### ELECTRICAL, 12 VOLT

#### Monitor Panel

511788-02	Monitor panel, CATCON Micropulse
511252	PLUG PHONE 4 CONDUCTOR
511789	SENSOR-TANK MONITOR #500-10050
511789-01	BOOT-SENSOR #500-20010-05
511393	COUPLER-MODULAR EXTENSION 4 CONDUCTOR

#### Tank Heating Pad/Remote Dump Valve

511812	PAD-HEATING HOLD TANK #TH-718
511813-01	VALVE-ELECTRIC, WASTE
511813-02	SWITCH-ELECTRIC WASTE VALVE

#### Porch Light/Cable TV Hook Up

510672-02	PORCH LIGHT, #30-78-515, WHITE
511796	CABLE-EXT. TV/12V POWER PORT



# 2007 PARKWAY MOTORHOME

## ENTERTAINMENT

### Radio

512051-01 RADIO, AM/FM/CD, MODEL JCD3050  
511807 ANTENNA, AM/FM RUBBER RADIO  
512150 ADAPTER-ANTENNA VEHICLE  
512047 AUX. MP3- IPOD  
511874 SPEAKER- 4", 2-WAY JVC

### Television Antenna

511864 ANTENNA-TV BOOMARANG  
500484-05 Antenna lead & extension, 72"  
510788-03 Amplifier, TV antenna  
510612 Coax, 75 ohm, standard  
510623 Connector, coax, male to male  
510616 F CONNECTOR, COAX, 75 OHM  
511534 DUAL COAX PLATE WHITE  
510614-01 JACK TV 12V WHITE  
510654-01 TV jack/12 volt w/splitter, white  
511375 JACK MODULAR TELEPHONE  
511287 RECEPTACLE SINGLE 15 AMP  
512150 ADAPTER-ANTENNA VEHICLE

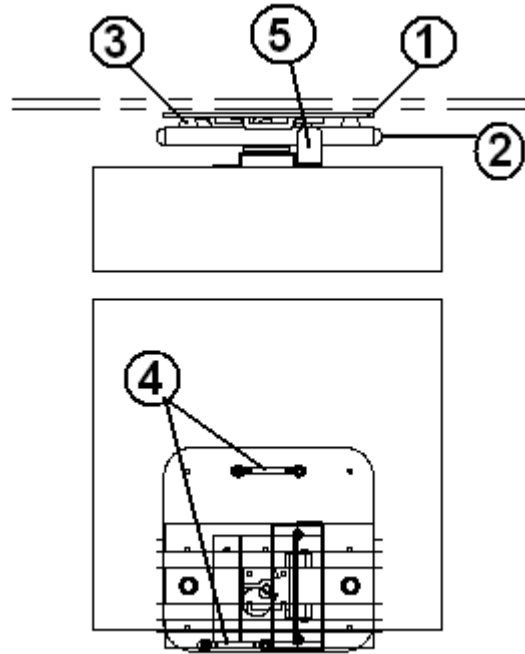
### Television, Rear Bath

690577 TV W/DVD COLOR STEREO LCD 15  
500996 Jack, TV/phone, gray, Exterior  
510654-01 TV jack/12 volt w/splitter, white  
510624-01 Modular phone quick jack, white  
452981 PHONE JACK PROTECTIVE PLATE  
104619 Mounting plate, exterior telephone/TV jack  
510174 TELEPHONE WIRE  
512150 ADAPTER-ANTENNA VEHICLE

# 2007 PARKWAY MOTORHOME

## ENTERTAINMENT

Television, Mid Bath



- |           |                                  |
|-----------|----------------------------------|
| 1. 454441 | Bracket, 15" TV wall mount       |
| 2. 512105 | Bracket, wall articulating arm   |
| 3. 381136 | Rubber bumper                    |
| 4. 381566 | LOOP FOOTMAN STEEL 1.625"X .56   |
| 5. 454478 | BRACKET-STABILIZING 15" TV MOUNT |
| 703455-01 | STRAP 15" FLAT SCREEN TV         |
| 690577    | V W/DVD COLOR STEREO LCD 15      |
| 690542-01 | DC POWER CORD #ACN-DC            |
| 690542-02 | FUSE- 5 AMP DC POWER CORD #CAN   |
| 512150    | ADAPTER-ANTENNA VEHICLE          |

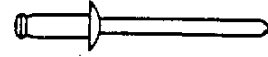
# 2007 PARKWAY MOTORHOME

## FASTENERS

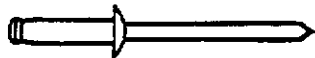
### Rivets



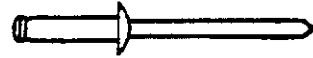
330126-02  
rivet, pop  
dia. 1/8 "  
grip range .126-.187  
stainless steel  
stainless steel mandrel



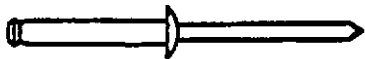
330126-03  
rivet, pop  
dia. 1/8 "  
grip range .126-.250  
body stainless steel body  
stainless steel mandrel



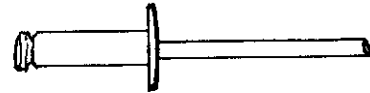
330127-05  
rivet, pop  
dia. 1/8 "  
grip range .251-.312  
aluminum body  
aluminum mandrel



330128-05  
rivet, pop  
dia. 1/8 "  
grip range .251-.312  
aluminum body, white  
aluminum mandrel



330127-08  
rivet, pop  
dia. 1/8 "  
grip range .325-.565  
aluminum body  
aluminum mandrel



330038  
rivet, pop  
dia. .150 (#20 bit)  
grip range .126-.250  
aluminum body  
aluminum mandrel  
(used-screen door hinge)



325103  
dia. 1/4 "  
grip range .080-.325  
SS body, steel mandrel

# 2007 PARKWAY MOTORHOME

## FURNITURE

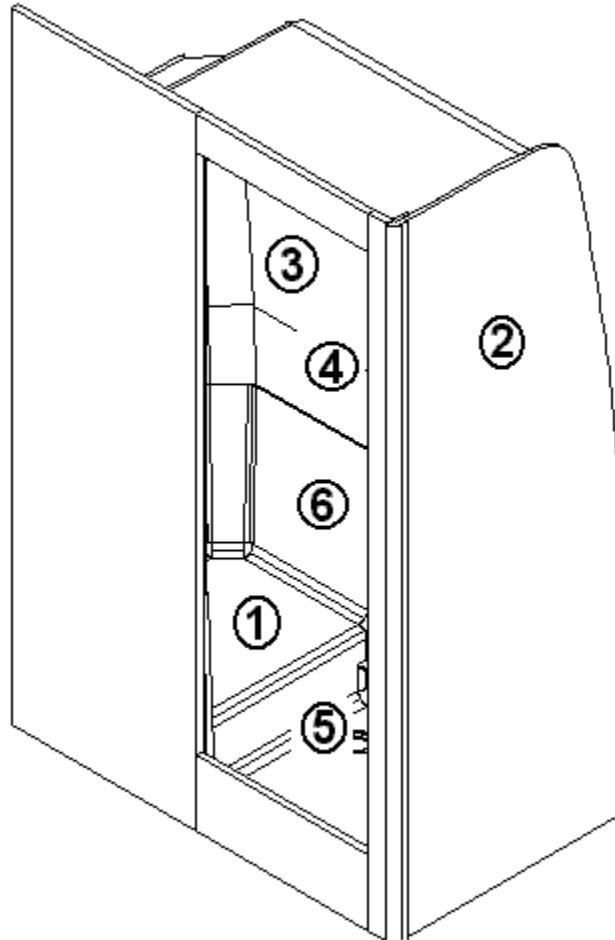
### Linoleum/Mats/Carpet

703659	FLOORING VINYL LEGACY LAGUNA
115179	ANGLE-ALUM .06"X.75"X.75"
800639-02	ADHESIVE, OAK PLANK

# 2007 PARKWAY MOTORHOME

## FURNITURE, LAVATORY

### Lavatory Module, Rear Bath



1. 203448

2. 966002-01

3. 998154

4. 601592-01

5. 690495-02

6. 380034

BASE/ CAP-SHOWER STALL FIBERGLASS  
PANEL, SHOWER

SHOWER CURTAIN-28" X 67"

SHOWER HEAD WHITE

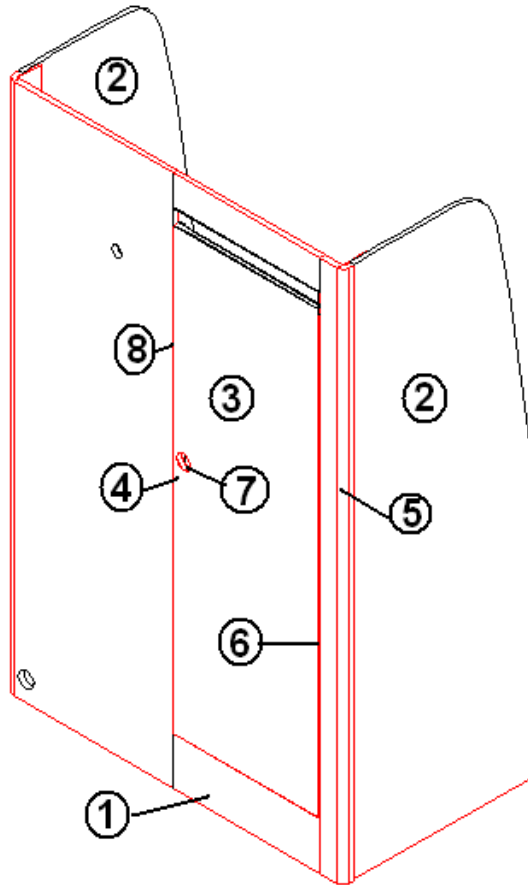
TOILET THETFORD AQUA-MAGIC V-LO

TOILET PAPER HOLDER, CHROME

# 2007 PARKWAY MOTORHOME

## FURNITURE, LAVATORY

### Lavatory Module, Mid Bath

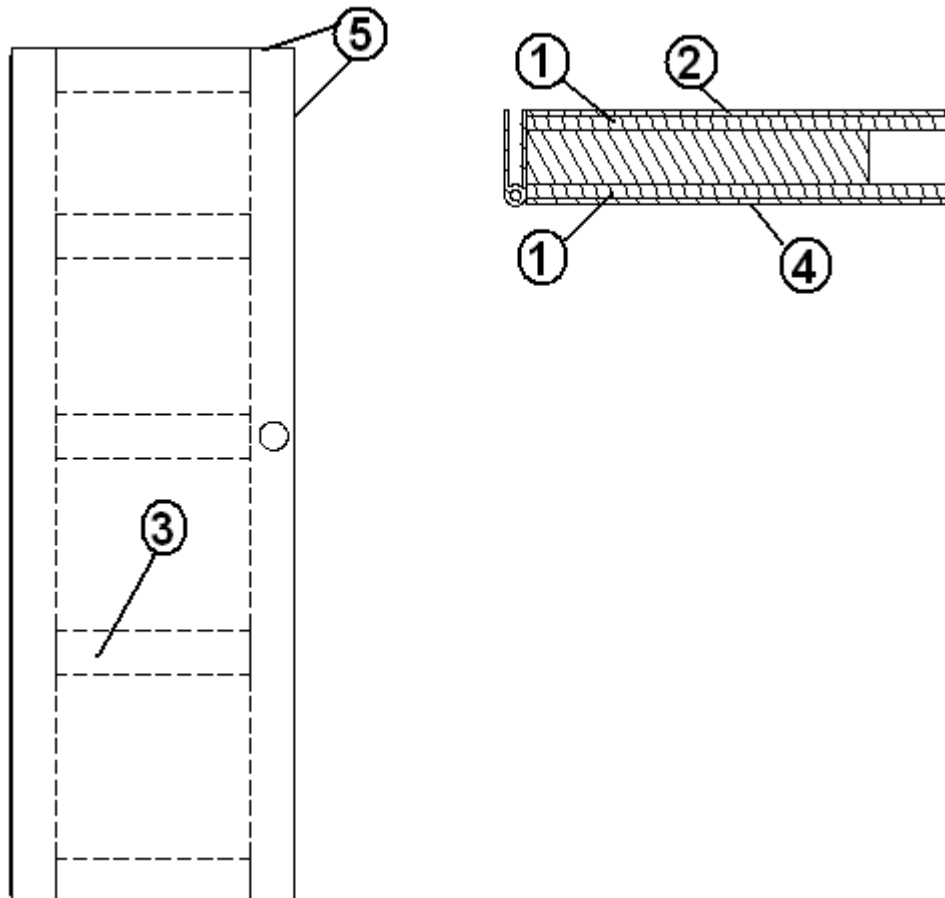


- |               |                                   |
|---------------|-----------------------------------|
| 1. 801376-01  | PANEL, OAK/WHITE 18MM             |
| 2. 801383-01  | PANEL, OAK/WHITE 12MM             |
| 3. 966351-01  | Door Assembly, Parkway            |
| 4. 380772-01  | SLIDE BOLT, SCREEN DOOR           |
| 5. 801383-007 | Corner trim                       |
| 6. 380458     | HINGE PIANO BROWN ANODIZED        |
| 7. 381861     | LATCH- PUSH CLOSE/PULL OPEN       |
| 8. 114070     | EXTRUSION, J-TRIM, MILL FINISH    |
| 203448        | BASE/ CAP-SHOWER STALL FIBERGLASS |
| 922836        | CLOSEOUT-SHOWER SKIN              |

# 2007 PARKWAY MOTORHOME

## FURNITURE, LAVATORY

### Shower Door, Rear & Mid Bath

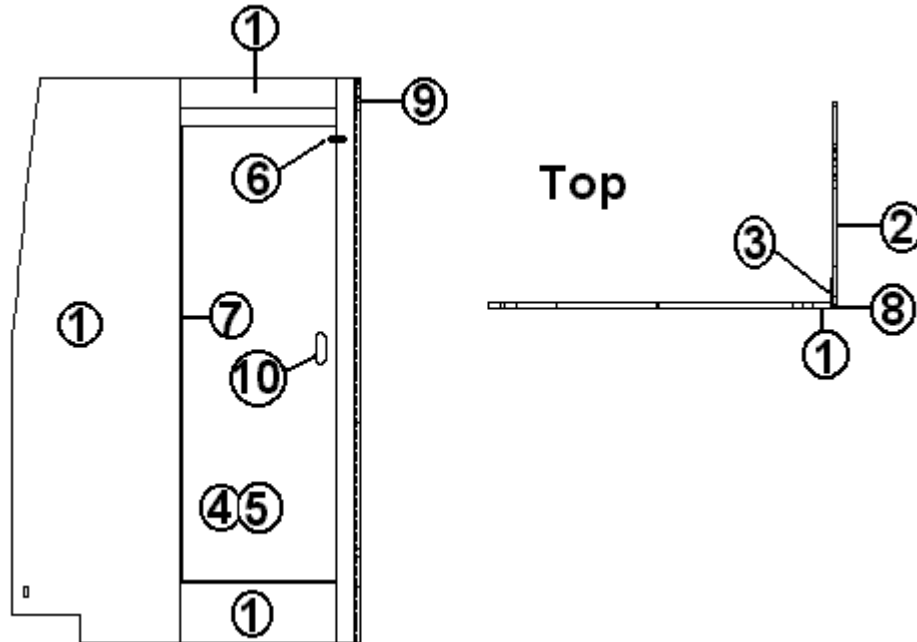


966124-01	DOOR ASSY, REAR BATH
966351-01	DOOR ASSY, MID BATH
1. 800507-01	LAUAN, 1/8" X 4' X 8'
2. 801355-01	LAMINATE, FROST WHITE 4' X 8'
3. 800507-04	LAUAN, RAW/RAW 1/2"
4. 801343-01	LAMINATE OAK 4' X 8', VERTICAL
5. 365268-05	EDGE BANDING. 024" X 1.13", OAK
380772-01	SLIDE BOLT, SCREEN DOOR #40-B2
380458	HINGE PIANO BROWN ANODIZED
801393-007	CORNER TRIM-90D 1", RADIUS, OAK
381861	LATCH PUSH CLOSE/PULL OPEN

# 2007 PARKWAY MOTORHOME

## FURNITURE, LAVATORY

### Shower Panels, Rear Bath



- |               |                                    |
|---------------|------------------------------------|
| 1. 801376-01  | PANEL, OAK/WHITE 18MM              |
| 2. 801383-01  | PANEL, OAK/WHITE 12MM              |
| 3. 800507-02  | LAUAN, 1/4" X 4'X 8'               |
| 4. 801438     | PANEL, WHITE/WHITE                 |
| 5. 801342     | LAMINATE, ALUMINUM BRUSHED 4' X 8' |
| 6. 380772-01  | SLIDE BOLT, SCREEN DOOR #40-B2     |
| 7. 380458     | HINGE PIANO BROWN ANODIZED         |
| 8. 801393-007 | CORNER TRIM, 90D RADIUS OAK        |
| 9. 365268-01  | EDGE BANDING- .94" OAK             |
| 10. 381865    | PULL-BAR BRUSH NICKEL              |



# 2007 PARKWAY MOTORHOME

## FURNITURE, LAVATORY

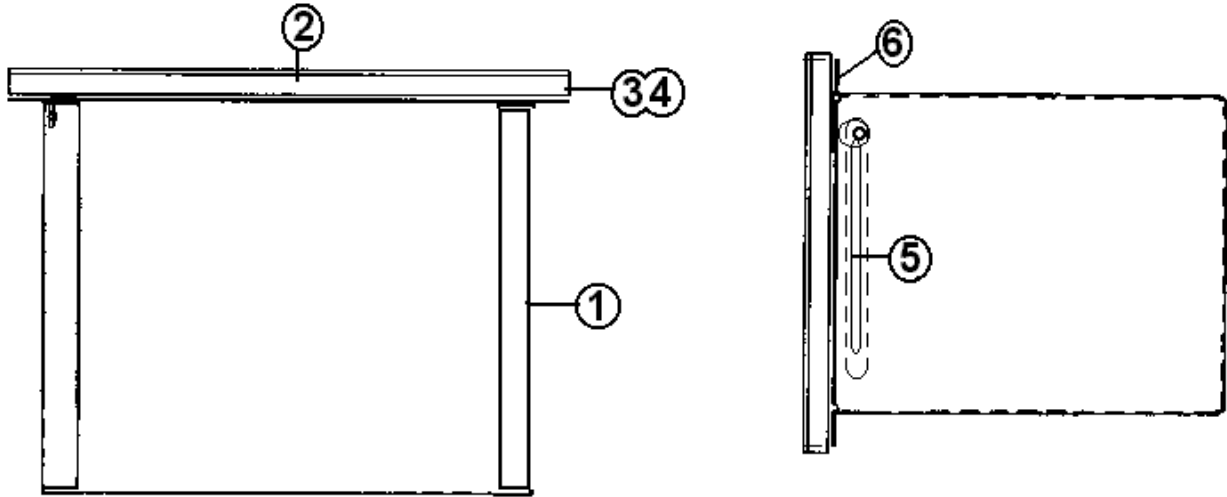
### Shower Curtain, Rear & Mid Bath

998154	SHOWER CURTAIN, 28" X 67"
703652	FABRIC, SNOW SHOWER CURTAIN
700021	HOOK, VELCRO, WHITE
700020	PILE VELCRO
700044	GLIDES CURTAIN W/ELASTIC T-2
381581	STRAP CLEAR PLASTIC .75"
700811	BUTTON CAP, HANDY
700812	BUTTON BOTTOM, HANDY #36 NOAK

# 2007 PARKWAY MOTORHOME

## FURNITURE, LAVATORY

### Medicine Cabinet, Rear & Mid Bath

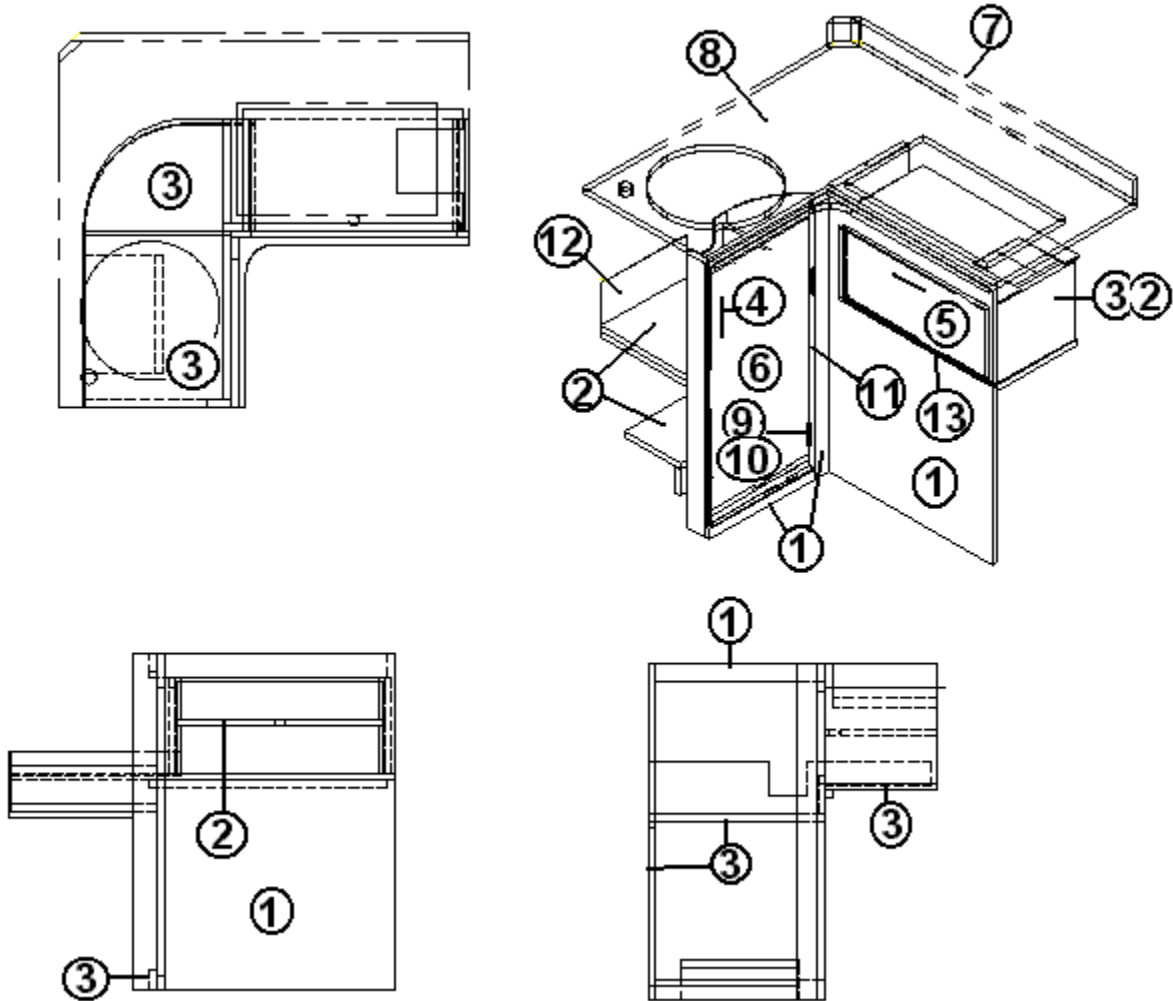


- |              |                                  |
|--------------|----------------------------------|
| 966052-01    | Medicine Cabinet                 |
| 1. 454198    | BOX ASSEMBLY, MEDICINE CABINET   |
| 2. 372203-31 | MIRROR-SAFETY GLASS 14" X 10"    |
| 3. 801392    | PANEL, WHITELINER/WHITELINER     |
| 4. 365238-04 | EDGE BANDING TAPE PVC 5/8" WHITE |
| 5. 380024    | ARMS SUPPORT RIGHT HAND          |
| 6. 385935-01 | HINGE PIVOT ZINC PLATED          |
| 7. 381228-01 | CATCH GRABBER DOOR C3-803        |
| 966052-3A7   | DOOR MEDICINE CABINET            |

# 2007 PARKWAY MOTORHOME

## FURNITURE, GALLEY

### Galley, Rear Bath



Parts numbers are on the next page

# 2007 PARKWAY MOTORHOME

## FURNITURE, GALLEY

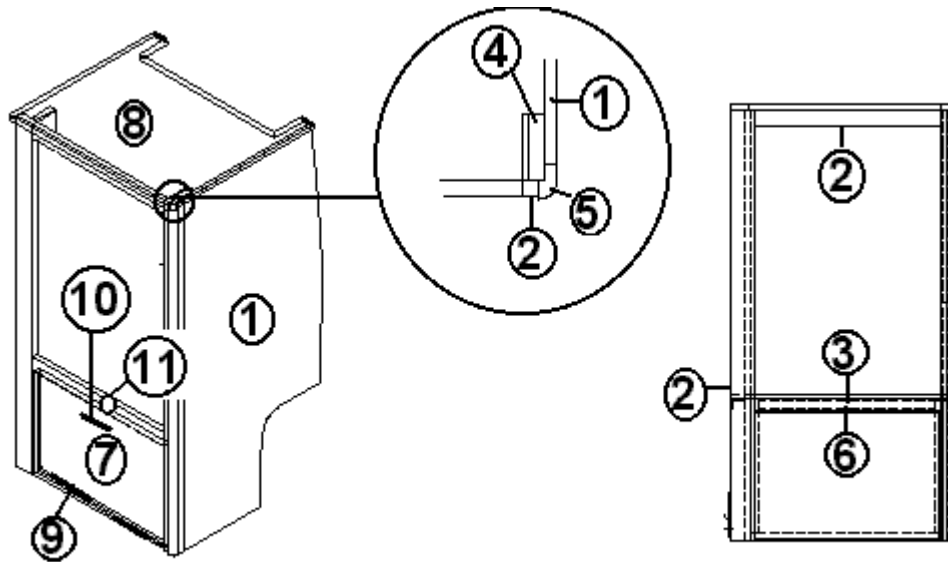
### Galley, Rear Bath

966165-01	Galley Assembly
1. 801383-01	PANEL, OAK/WHITE, 12MM
2. 801392	PANEL, WHITELINER/WHITELINER
3. 801438	PANEL, WHITELINER/RAW
4. 381865	PULL-BAR BRUSH NICKEL
5. 801625-077	DOOR-GALLEY 21.88" X 9.88"
6. 801625-067	DOOR-GALLEY 15.88"X 26.88"
7. 365268-05	EDGEBANDING
8. 966463	TOP ASSEMBLY, GALLEY
9. 381607-01	HINGE-GRASS EURO
10. 381607-06	BASEPLATE-1.3/5.2/37 G3/RZ
11. 381607-07	BRACKET-BLIND CORNER 90D #2222
12. 801392	PANEL, WHITELINER/WHITELINER
13. 380458	HINGE PIANO BROWN ANODIZED
381228-01	CATCH GRABBER DOOR C3-803
380024	ARMS SUPPORT RIGHT HAND

# 2007 PARKWAY MOTORHOME

## FURNITURE, GALLEY

### Refrigerator Cabinet, Rear Bath

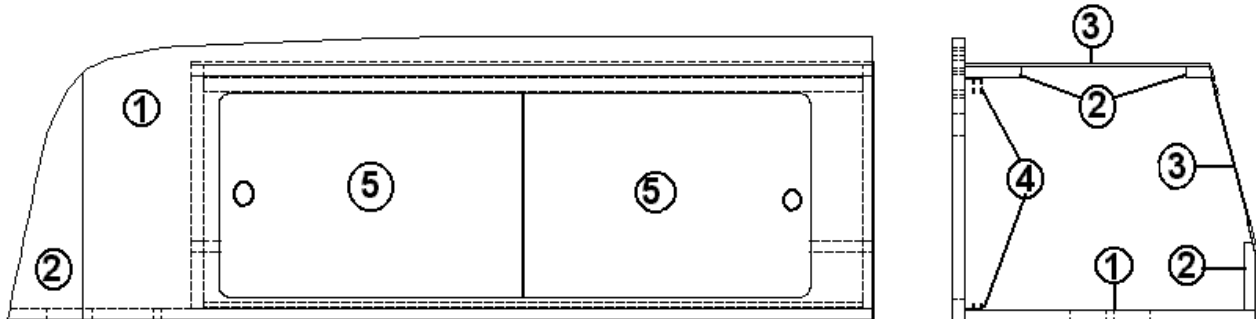


- |               |                                    |
|---------------|------------------------------------|
| 966003-01     | Refrigerator Cabinet Assembly      |
| 1. 801383-01  | PANEL, OAK/WHITE 12MM              |
| 2. 801383-01  | PANEL, OAK/WHITE 12MM              |
| 3. 801392     | PANEL, WHITELINER/WHITELINER       |
| 4. 801368     | PANEL, WHITELINER/WHITELINER       |
| 5. 801393-007 | CORNER TRIM, 90D RADIUS OAK        |
| 6. 101134     | ANGLE ALUM, 1/8 X 1 X 1 1/2"       |
| 7. 801625-017 | DOOR, REFRIGERATOR 21.63" X 15.13" |
| 8. 966024     | TOP ASSEMBLY-REFRIGERATOR          |
| 9. 381607-01  | HINGE-GRASS EURO                   |
| 10. 381228-01 | CATCH GRABBER DOOR C3-803          |
| 11. 381865    | PULL-BAR BRUSH NICKEL              |
| 365273        | EDGE BANDING GALAXY GRAPHITE       |
| 801377        | PANEL, GRAPHITE/REXAL 4' X 8' 18MM |
| 966054        | STAND-REFER                        |

# 2007 PARKWAY MOTORHOME

## FURNITURE, GALLEY

### Roof Locker, Galley, Rear Bath

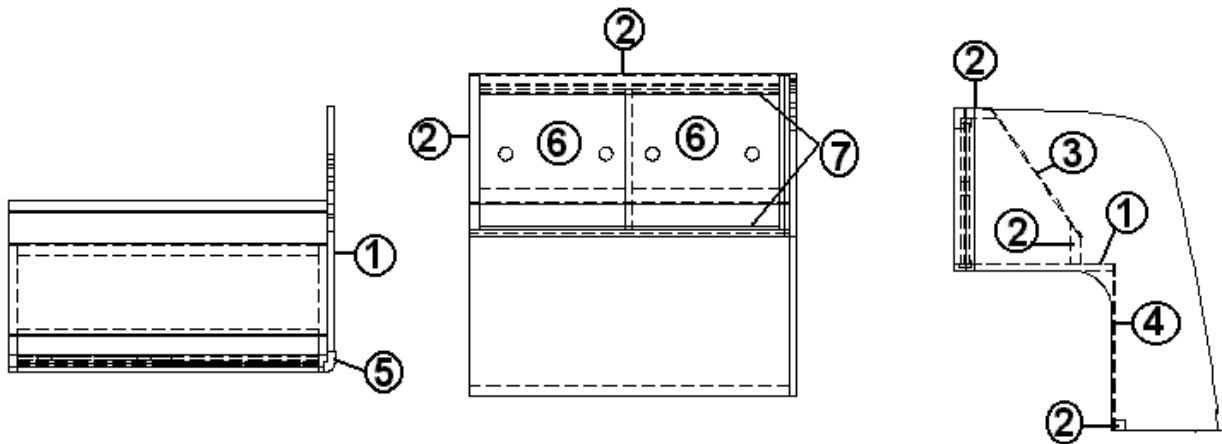


- |              |                                  |
|--------------|----------------------------------|
| 966005-01    | Galley roof Locker Assembly      |
| 1. 801383-01 | PANEL, OAK/WHITE 12MM            |
| 2. 801392    | PANEL, WHITELINER/WHITELINER     |
| 3. 801392    | PANEL, WHITELINER/WHITELINER     |
| 4. 203480    | TRACK-SLIDING DOOR               |
| 5. 966028    | DOOR, PLEXI-GLASS 9.75" X 13.68" |
| 203445       | T-MOLDING BLK FLEXIBLE POLY .5   |

# 2007 PARKWAY MOTORHOME

## FURNITURE, GALLEY

### Cabinet Over Refrigerator, Rear Bath

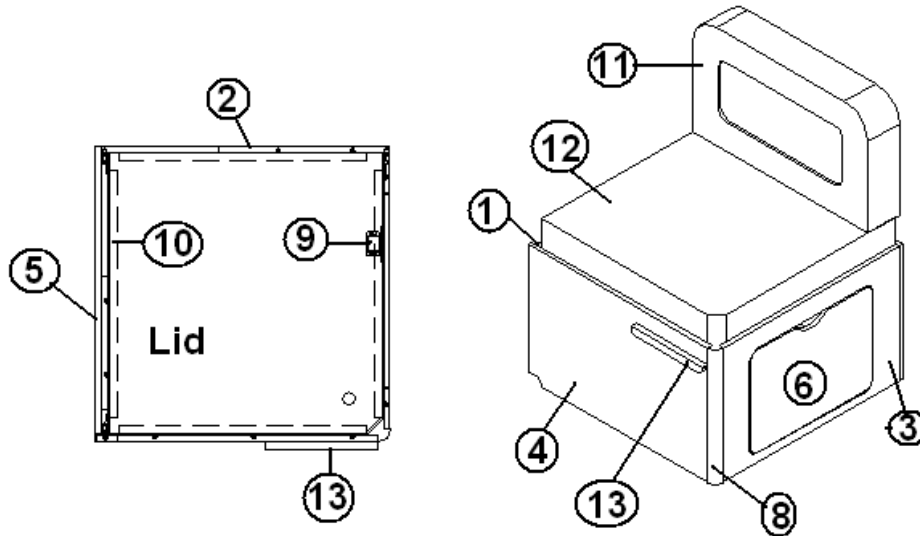


966010-01	Cabinet Assembly, Refrigerator
1. 801381-01	PANEL, OAK/OAK 12MM
2. 801376-01	PANEL, OAK/WHITE 18MM
3. 801374	PANEL, FROSTY WHITE/GATOR
4. 801627	PANEL, OAK/RAW .125"
5. 801393-007	CORNER TRIM, 90D RADIUS OAK
6. 966028-01	SLIDING DOORS, 11.50" X 10.69"
7. 203480	TRACK, SLIDING DOOR
365268-05	EDGE BANDING-PVC-LAMITECK T.OAK 15/16"
703386	VINYL, ASTRO, MAGNUM STEEL

# 2007 PARKWAY MOTORHOME

## FURNITURE, GALLEY

### Dinette Seat, Aft, Rear Bath



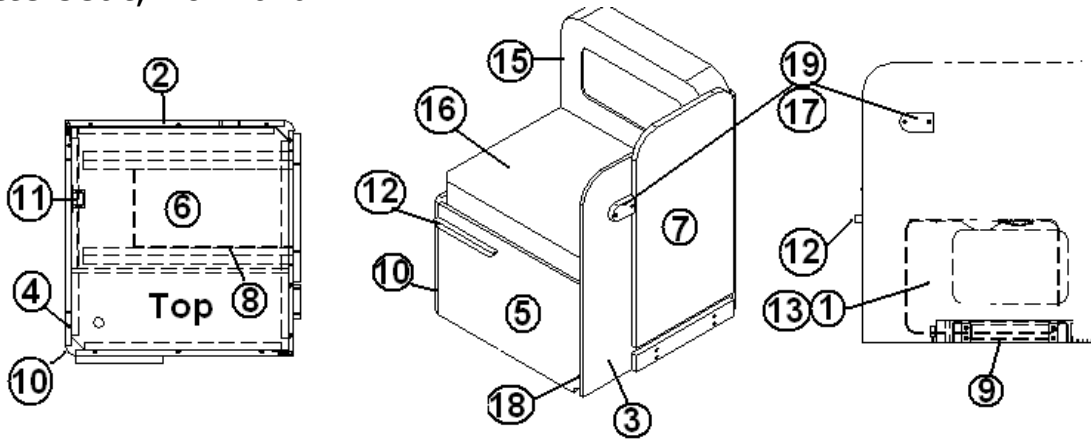
966167	SEAT ASSY-REAR DINETTE
1. 801518-007	LID-REAR DINETTE SEAT
2. 801519-007	PNL-AFT DINETTE BACK
3. 801520-007	PNL-ISLE AFT DINETTE
4. 801521-007	PNL-FRT AFT DINETTE
5. 801522-007	PNL-WALL AFT DINETTE
6. 801523-007	DOOR-DINETTE SEATS
7. 801480-01	PANEL, Cherry/Cherry, 12MM
8. 801415-007	CORNER TRIM 1" RADIUS
9. 381228-01	CATCH GRABBER DOOR
10. 380458	HINGE PIANO BROWN ANODIZED
11. 703537-296	Dinette Seat Back Cushion, Earl Grey
11. 703537-485	Dinette Seat Back Cushion, Carmel Mocha
12. 703538-296	Dinette Seat Cushion, Earl Grey
12. 703538-485	Dinette Seat Cushion, Carmel Mocha
13. 800470-007	STOP-HARDWOOD
703388	WASHER-VELCRO HOOK .75"
365268-01	EDGE BANDING- .94" OAK
203445	T-MOLDING BLK FLEXIBLE POLY .5
200773	CLOSEOUT, READING LIGHT ABS
114506-01	WIRE CLOSEOUT DINETTE



# 2007 PARKWAY MOTORHOME

## FURNITURE, GALLEY

### Dinette seat, Forward

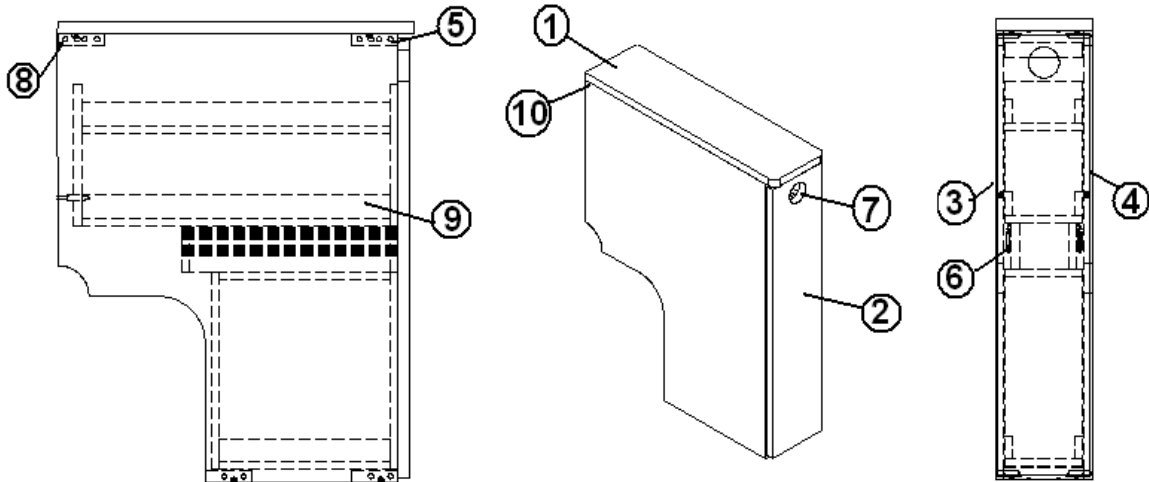


966168-01	SEAT ASSY-FWD DINETTE
1. 801523-007	DOOR-DINETTE SEATS
2. 801524-007	PNL-AFT FWD DINETTE SEAT
3. 801525-007	PNL-WALL FWD DINETTE
4. 801526-007	PNL-ISLE FWD DINETTE
5. 801527-007	PNL-FRT FWD DINETTE SEAT
6. 801528-007	LID-FWD DINETTE SEAT
7. 801532	TABLE-DINETTE
8. 966179	CLOSEOUT ASSY-FWD DINETTE
9. 966180	SUPPORT ASSY- DINETTE TABLE
10. 801415-007	CORNER TRIM 1" RADIUS
11. 381228-01	CATCH GRABBER DOOR
12. 800470-007	STOP-HARDWOOD
13. 380458	HINGE PIANO BROWN ANODIZED
15. 703537-296	Dinette Seat Back Cushion, Earl Grey
15. 703537-485	Dinette Seat Back Cushion, Carmel Mocha
16. 703538-296	Dinette Seat Cushion, Earl Grey
16. 703538-485	Dinette Seat Cushion, Carmel Mocha
17. 801383-01	PNL-PRELAM. OAK /WHITE 12MM
18. 365268-01	EDGE BANDING, .94" OAK
19. 381805	BOLT-SLIDE 3" ALUMINUM
703388	WASHER-VELCRO HOOK .75"

# 2007 PARKWAY MOTORHOME

## FURNITURE, GALLEY

### Pantry, Dinette Unit, Rear Bath

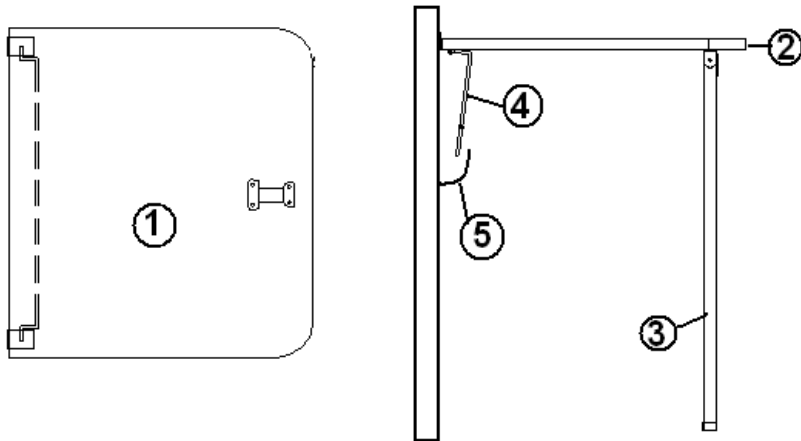


966166-01	PANTRY ASSY, W/DINETTE
1. 801515	TOP ASSY-PANTRY
2. 801516-007	DOOR ASSY-PANTRY
3. 801517-01	PNL-FWD PANTRY
4. 801517-02	PNL-AFT PANTRY
5. 801368	PNL-PRELAM WHITE/WHITE
6. 381400	SLIDE DRAWER
7. 381861	LATCH PUSH CLOSE/PULL OPEN
8. 114812	ALUM. ANGLE 1.00 X 1.00
9. 966174	DRAWER SUB ASSY-PANTRY
10. 801392	PNL-PRELAM WHITE/WHITE 12MM
365238-04	EDGEBANDING TAPE PVC 5/8" C.WH
801377	PNL-PRELAM GRAPHITE/WHITE LINE
365273	EDGEBANDING GALAXY GRAPHITE
801376-01	PNL-PRELAM. OAK /WHITE 18MM
365268-01	EDGEBANDING- .94" OAK
801383-01	PNL-PRELAM. OAK /WHT 12MM
381877	ROD-PANTRY CAB.TOPPER

# 2007 PARKWAY MOTORHOME

## FURNITURE, GALLEY

### Dinette Table, Rear Bath

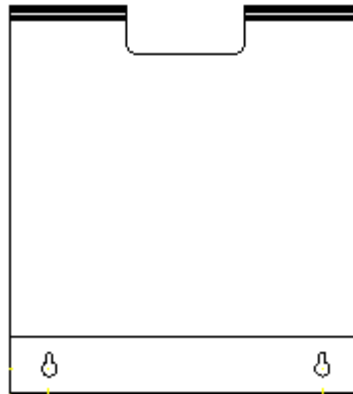


- |              |                                  |
|--------------|----------------------------------|
| 966178       | TABLE ASSY-DINETTE               |
| 1. 801377    | PNL-PRELAM GRAPHITE/WHITE LINE   |
| 2. 365273    | EDGE BANDING GALAXY GRAPHITE     |
| 3. 381876    | TABLE LEG-ADJUSTABLE 21" TO 30"  |
| 4. 380284-02 | TABLE HINGE BRACKET              |
| 5. 380284-03 | TABLE HINGE BRACKETS             |
| 6. 340018    | CATCH PLATE J-1                  |
| 703631       | BAG, PEDESTAL & PORTA LEG 33.50" |
| 380337-01    | LEG, PEDESTAL, 25" SILVER        |

# 2007 PARKWAY MOTORHOME

## FURNITURE, GALLEY

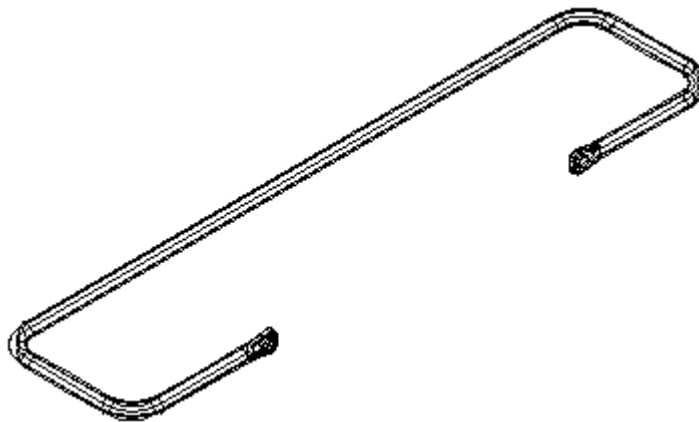
Magazine Rack, Rear Bath



386106-02

Magazine Rack

Magazine Rack Rod, Rear Bath



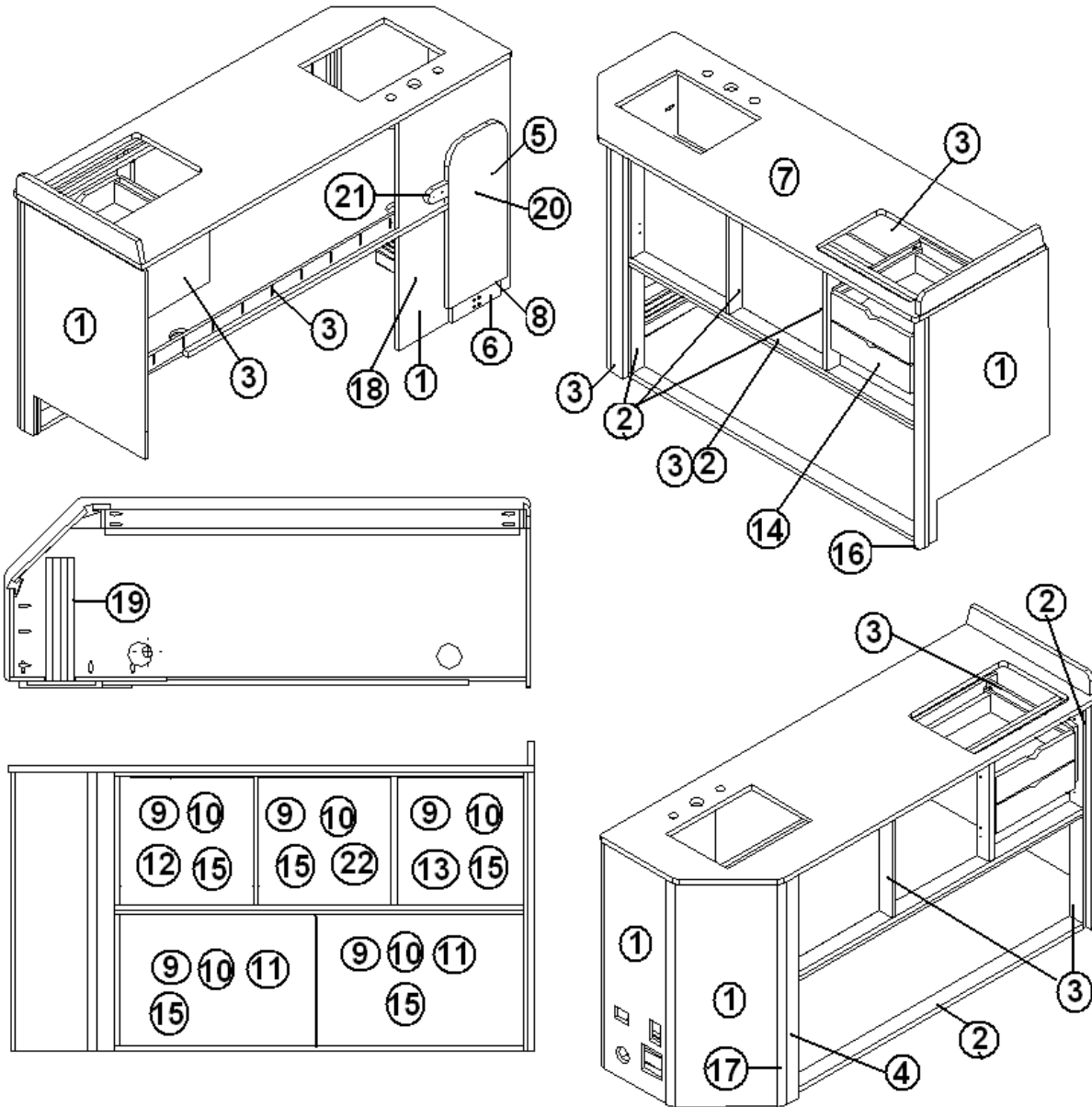
386107

Magazine Rack Rod

# 2007 PARKWAY MOTORHOME

## FURNITURE, GALLEY

### Galley, Mid Bath, Parkway



# 2007 PARKWAY MOTORHOME

## FURNITURE, GALLEY

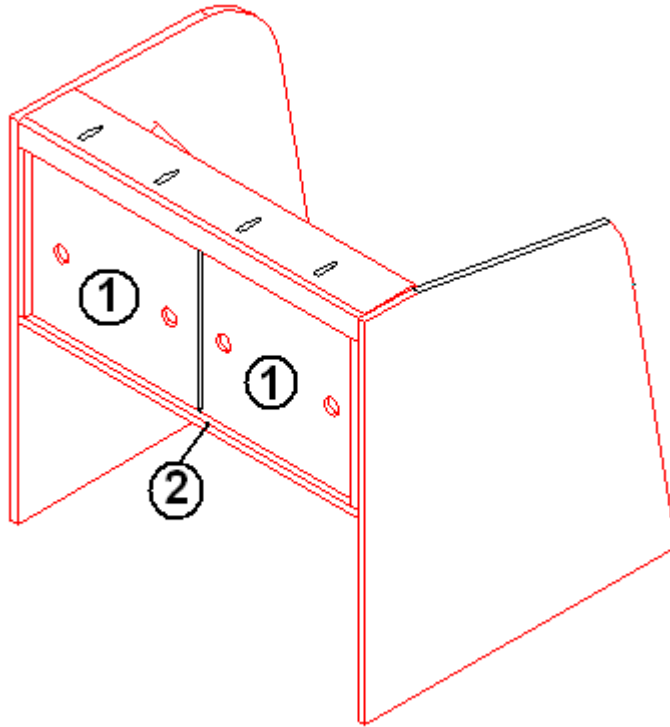
### Galley, Mid Bath

966244-01	GALLEY, MID BATH
1. 801383-01	PANEL, OAK/WHITE, 12MM
2. 801368	PANEL, WHITELINER/WHITELINER
3. 801392	PANEL, WHITELINER/WHITELINER
4. 801376-01	PANEL, OAK/WHT 18MM
5. 801377	PANEL, GAPHITE/WHITELINER
6. 801381-01	PANEL, OAK/OAK, 12MM
7. 966501	TOP ASSY-GALLEY
8. 380458	HINGE PIANO BROWN ANODIZED
9. 381228-01	CATCH GRABBER DOOR C3-810
10. 381607-01	HINGE-GRASS EURO W/80307 PLASTIC
11. 801625-087	DOOR, GALLEY, 16.63" X 24.44"
12. 801625-097	DOOR, RH, 16.5" X 16.38"
13. 801625-117	DOOR, LH, 15.75" X 16.38"
14. 966269	DRAWER SUB ASSY-HIDDEN
15. 381774	HANDLE-DRAWER/DOOR
16. 801393-007	CORNER TRIM 90DEG. 1" RADIUS
17. 801561-007	MOLDING-CORNER ANGLED
18. 203383	RACK, MAGAZINE
19. 801306	SLIDES, LH, RH, LIFT UP TABLE
20. 380772-01	SLIDE BOLT
21. 966357-007	BLOCK, FOLD OUT TABLE
22. 801625-007	DOOR, LH, 16.50" X 16.38"

# 2007 PARKWAY MOTORHOME

## FURNITURE, GALLEY

### Refrigerator Cabinet, Top Storage, Mid Bath

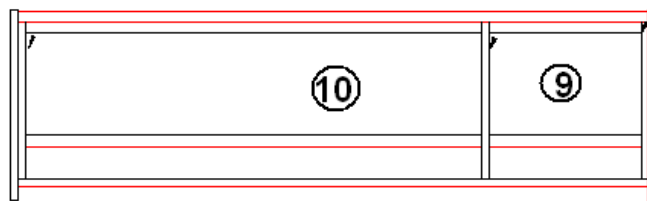
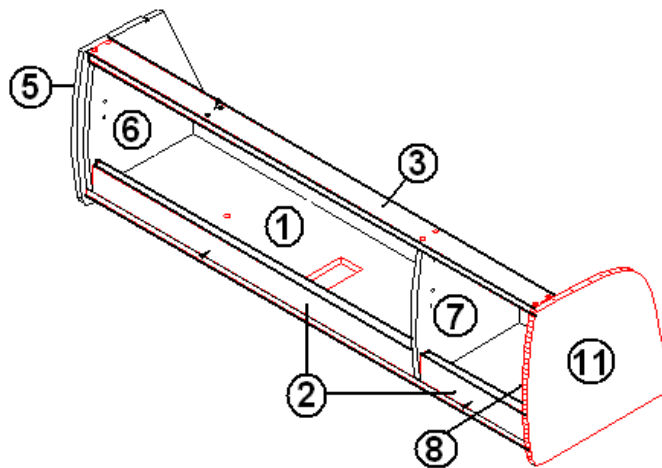


- |              |                                   |
|--------------|-----------------------------------|
| 966200-01    | Refrigerator cabinet, top storage |
| 1. 966028-01 | Door, plexiglass, 11.5" x 10.5"   |
| 2. 203480    | Track, sliding door               |

# 2007 PARKWAY MOTORHOME

## FURNITURE, GALLEY

### Roof Locker, Galley, Mid Bath



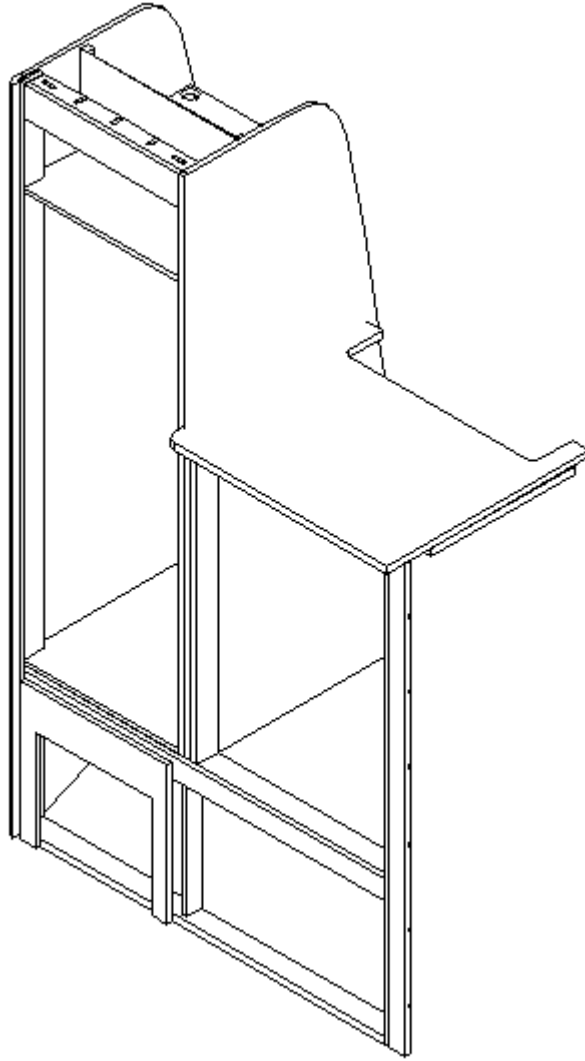
- |                |                                |
|----------------|--------------------------------|
| 966279-01      | Galley Roof Locker             |
| 1. 801383-01   | PANEL, OAK/WHITE, 12MM         |
| 2. 801376-01   | PANEL, OAK/WHT 18MM            |
| 3. 801368      | PANEL, WHITELINER/WHITELINER   |
| 4. 801438      | PANEL, WHITE/RAW               |
| 5. 801381-01   | PANEL, OAK/ OAK, 12MM          |
| 6. 966009-2A7  | DIVIDER CS LOCKER ASSY         |
| 7. 966009-2C7  | DIVIDER CS LOCKER ASSY         |
| 8. 966009-2D7  | DIVIDER CS LOCKER ASSY         |
| 9. 801493-037  | DOOR RAD 12.38X11 OAK GALLE    |
| 10. 801493-017 | DOOR RAD.12.38X31.50 RS LOCKER |
| 11. 966007-3A7 | END CAP RS LOCKER ASSY         |
| 381840-01      | HINGE-OVERHEAD SPRING LH       |
| 381840-02      | HINGE-OVERHEAD SPRING RH       |
| 345276-04      | SCREW HEX HD. CAP 1/4-20 X 1"  |
| 345275-04      | 1/4"-20 X 1 FLAT PHIL M/S ZN   |
| 350147-25      | NUT, NYLON LOCK,1/4-20         |



# 2007 PARKWAY MOTORHOME

## FURNITURE, GALLEY

### Refrigerator Cabinet/Wardrobe, Mid Bath



# 2007 PARKWAY MOTORHOME

## FURNITURE, GALLEY

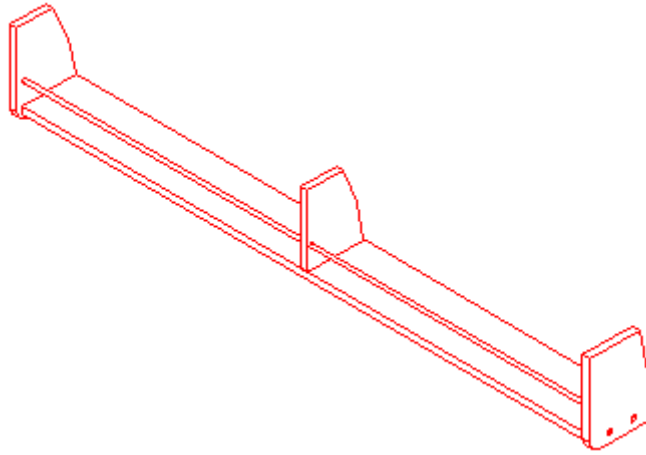
### Refrigerator Cabinet/Wardrobe, Mid Bath

966209-01	CAB.ASSY-WARDROBE/REFER
381845	ROD-TELESCOPING CLOTHES 15.5"
801393-007	CORNER TRIM 90DEG 1" RADIUS
381607-01	HINGE-GRASS EURO W/80307 PLASTIC
381228-01	CATCH GRABBER DOOR
381774	HANDLE-DRAWER/DOOR
801625-177	DOOR, 14.88" X 23.75"
801625-127	DOOR, 17.75" X 53.13"
966241	STAND ASSY-REFER

# 2007 PARKWAY MOTORHOME

## FURNITURE, GALLEY

Spice Rack, Mid Bath



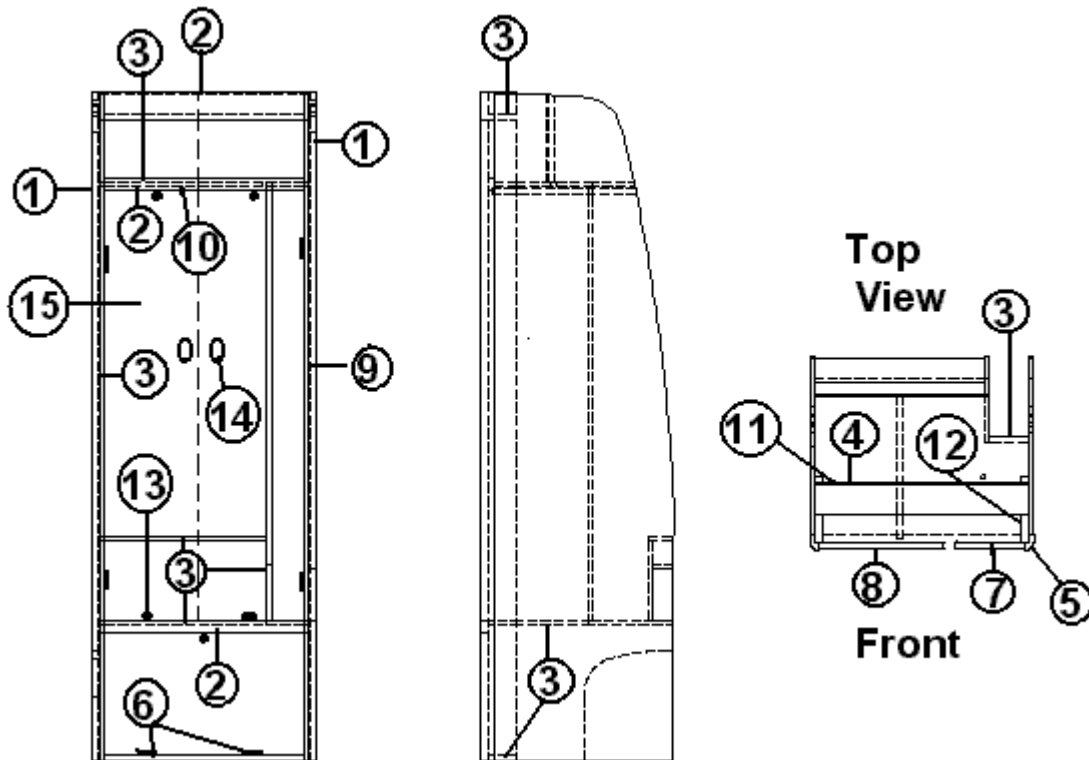
966338-01  
115042

SPICE RACK  
ROD-.25" ALUMINUM, 6' LENGTH

# 2007 PARKWAY MOTORHOME

## FURNITURE, LOUNGE

### Wardrobe, Rear Bath

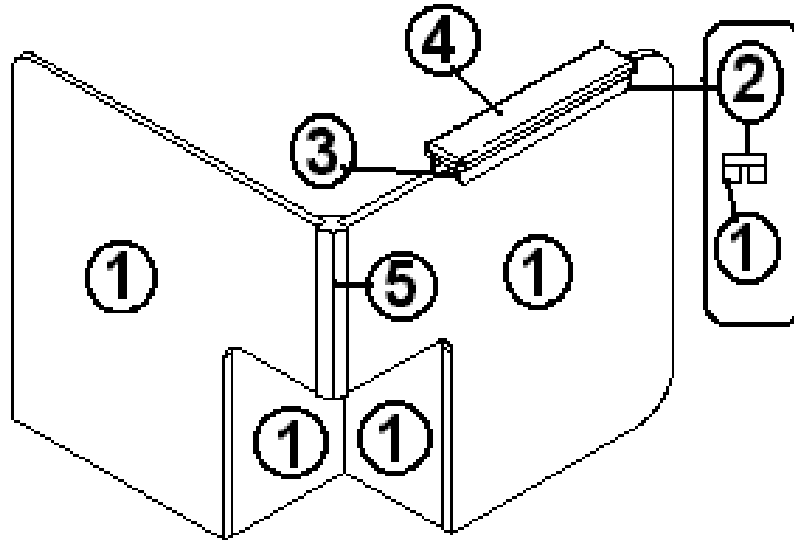


966004-01	Wardrobe Assembly
1. 801376-01	PANEL, LAMINATED, OAK/WHT LINER 18MM
2. 801376-01	PANEL, LAMINATED, OAK/WHT LINER 18MM
3. 801438	PANEL, LAMINATED, WHITE/RAW
4. 801392	PANEL-WHITELINER/WHITELINER 12MM
5. 801393-007	CORNER TRIM, 90D RADIUS, OAK
6. 381607-01	HINGE-GRASS EURO
7. 801625-037	DOOR, 22.13" X 14.13"
8. 801625-027	DOOR, 11" X 54.25"
9. 365268-01	EDGE BANDING.024" X 1.13", OAK
10. 381845	TELESCOPING CLOTHES HANGER 15.5"
11. 365268-01	EDGE BANDING.024" X 1.13", OAK
12. 801376-01	PANEL, LAMINATED, OAK/WHT LINER 18MM
13. 381228-01	CATCH GRABBER DOOR C3-803
14. 381865	PULL-BAR BRUSH NICKEL
14. 380772-01	SLIDE BOLT, SCREEN DOOR #40-B2
15. 372203-34	Mirror, Safety, 7.50" x 34.00"

# 2007 PARKWAY MOTORHOME

## FURNITURE, LOUNGE

### Armrest Assembly, Rear Bath

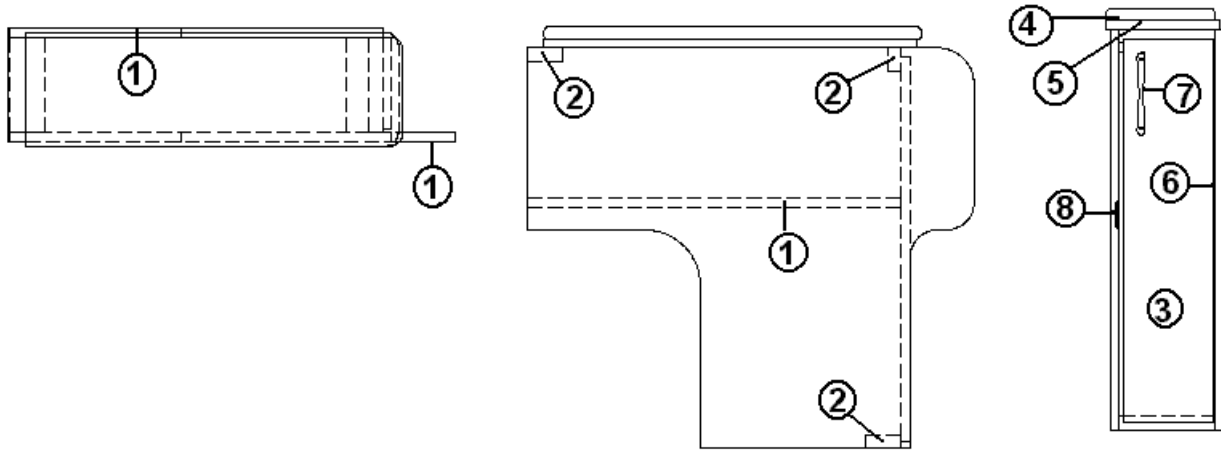


- |               |                              |
|---------------|------------------------------|
| 966008-01     | Armrest Assembly             |
| 1. 801383-01  | PANEL, OAK/OAK 12MM          |
| 2. 801376-01  | PANEL, OAK/WHITE 18MM        |
| 3. 365268-01  | EDGEBANDING-94" OAK          |
| 4. 998151     | CUSHION ASSEMBLY, CS ARMREST |
| 5. 801415-007 | CORNER TRIM-1" RADIUS OAK    |
| 966108        | SUPPORT ASSY-ARMREST         |

# 2007 PARKWAY MOTORHOME

## FURNITURE, LOUNGE

### Armrest, Forward Curbside Wardrobe, Rear Bath

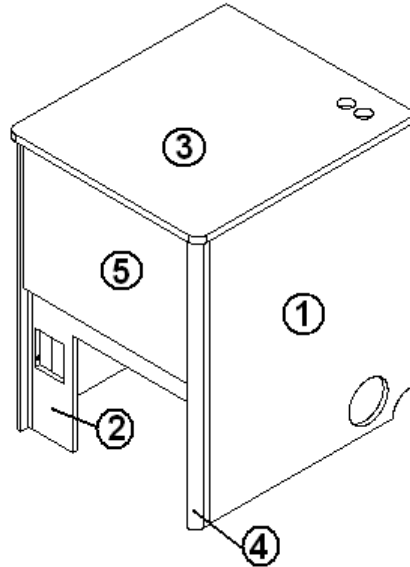


- |               |                              |
|---------------|------------------------------|
| 966083-01     | Armrest, Forward Wardrobe    |
| 1. 801381-01  | PANEL, OAK/ OAK 12MM         |
| 2. 801376-01  | PANEL, OAK /WHITE 18MM       |
| 3. 801625-057 | DOOR-ARMREST, 5.44" X 21.63" |
| 4. 966084     | DOOR TOP ASSEMBLY, PADDED    |
| 5. 381607-01  | HINGE-GRASS EURO             |
| 6. 380458     | HINGE, PIANO, BROWN          |
| 7. 381865     | PULL-BAR BRUSH NICKEL        |
| 8. 381228-01  | GRABBER CATCH, DOOR          |
| 703386        | VINYL-ASTRO SS MAGUM STEEL   |
| 381688        | BUMP ON                      |

# 2007 PARKWAY MOTORHOME

## FURNITURE, LOUNGE

### Entertainment Center, Rear Bath

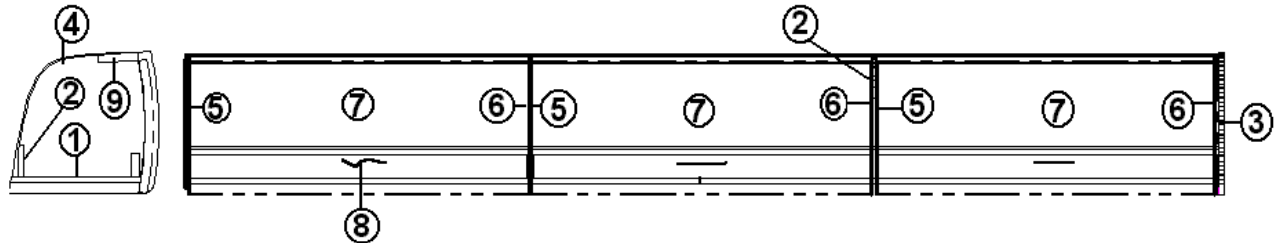


- |               |                                    |
|---------------|------------------------------------|
| 966462        | Entertainment Center               |
| 1. 801381-01  | PANEL, OAK/ OAK 12MM               |
| 2. 801383-01  | PANEL, OAK /WHITE 18MM             |
| 3. 966027     | TOP ASSEMBLY, ENTERTAINMENT CENTER |
| 4. 801393-007 | CORNER TRIM, 90D RADIUS OAK        |
| 5. 801625-147 | DOOR, 14.00" X 18.62"              |
| 381865        | PULL-BAR BRUSH NICKEL              |
| 381228-01     | DOOR RABBER CATCH                  |

# 2007 PARKWAY MOTORHOME

## FURNITURE, LOUNGE

### Roof Locker, Roadside, Rear Bath



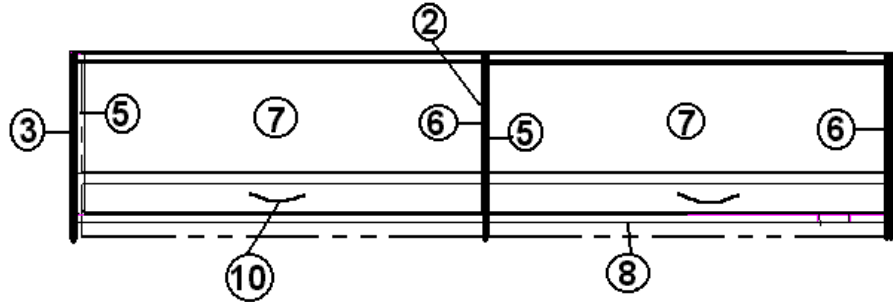
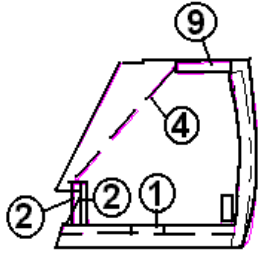
- |               |                                |
|---------------|--------------------------------|
| 966007-01     | ROOFLOCKER ASSEMBLY, R.S.      |
| 1. 801383-01  | PANEL, OAK/WHITE 12MM          |
| 2. 801392     | PANEL, WHITELINER/WHITELINER   |
| 3. 801381-01  | PANEL, OAK / OAK 12MM          |
| 4. 801438     | PANEL-FROSTY WHITE/RAW         |
| 5. 381840-01  | HINGE, OVERHEAD SPRING LH #372 |
| 6. 381840-02  | HINGE, OVERHEAD SPRING RH #372 |
| 7. 801493-017 | DOOR-RADIUS 12.38" X 31.5"     |
| 8. 801376-01  | PANEL, OAK /WHITE 18MM         |
| 9. 801368     | PANEL, WHITELINER/WHITELINER   |
| 365268-01     | EDGE BANDING- .94" OAK         |
| 381865        | PULL-BAR BRUSH NICKEL          |



# 2007 PARKWAY MOTORHOME

## FURNITURE, LOUNGE

### Roof Locker, Curbside, Rear Bath

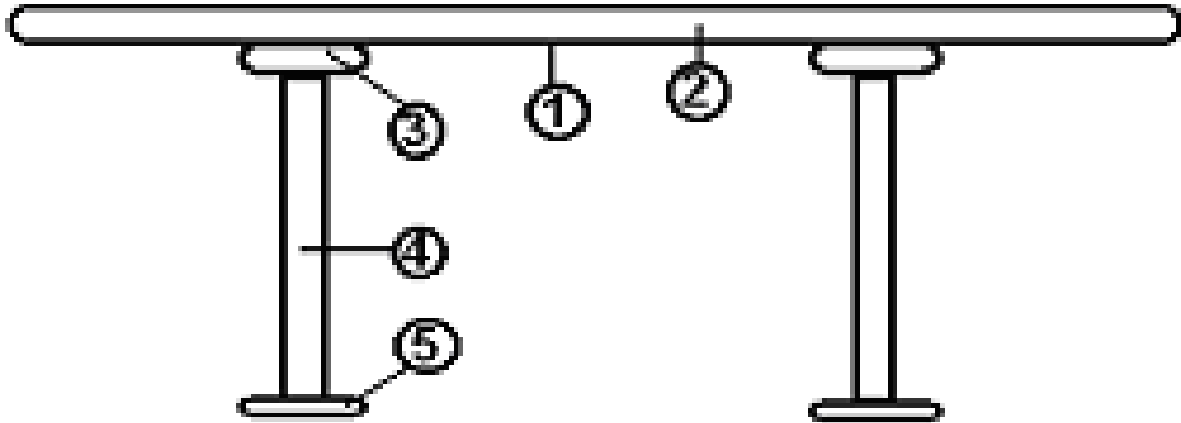


- |               |                                |
|---------------|--------------------------------|
| 966009-01     | ROOFLOCKER ASSEMBLY, C.S.      |
| 1. 801383-01  | PANEL, OAK /WHITE 12MM         |
| 2. 801392     | PANEL, WHITELINER/WHITELINER   |
| 3. 801381-01  | PANEL, OAK/ OAK 12MM           |
| 4. 801438     | PANEL, FROSTY WHITE./GATOR     |
| 5. 381840-01  | HINGE, OVERHEAD SPRING LH #372 |
| 6. 381840-02  | HINGE, OVERHEAD SPRING RH #372 |
| 7. 801493-027 | DOOR-RADIUS 12.38" X 28.13"    |
| 8. 801376-01  | PANEL, OAK /WHITE 18MM         |
| 9. 801368     | PANEL, WHITELINER/WHITELINER   |
| 10. 381865    | PULL-BAR BRUSH NICKEL          |

# 2007 PARKWAY MOTORHOME

## FURNITURE, LOUNGE

### Pedestal Table, Rear & Mid Bath



966094	Pedestal Table
1. 966099	PEDESTAL TABLE TOP
2. 365273	EDGEBANDING GALAXY GRAPHITE
3. 380338	SOCKET, PEDESTAL, TABLE
4. 380337	POST, PEDESTAL
5. 380339	SOCKET, PEDESTAL, FLOOR
381688	BUMP ON
700020	PILE VELCRO
700021	HOOK, VELCRO, WHITE
381081-04	SNAP CAP WHITE (SCREW SIZE #6,

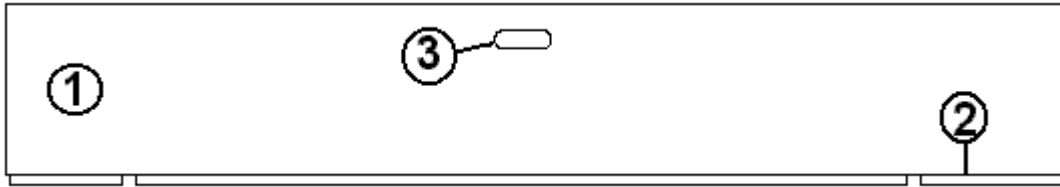
### Pedestal Table Storage

602111	COVER-TABLE/STORAGE
380338	SOCKET,PEDESTAL,TABLE
998188	STRAP-PED.TABLE STORAGE
195345-01	1 1/2" BROWN NYLON WEBBING
703456	VELCRO, LOOP BLACK 1.5"
703456-01	VELCRO, HOOK BLACK 1.5"
381566	LOOP FOOTMAN STEEL 1.625" X .56
703632	BAG-PEDESTAL LEG 20"
381987	LEG-PORTABLE PEDESTAL

# 2007 PARKWAY MOTORHOME

## FURNITURE, LOUNGE

Kick Panel Curbside Lounge, Rear Bath

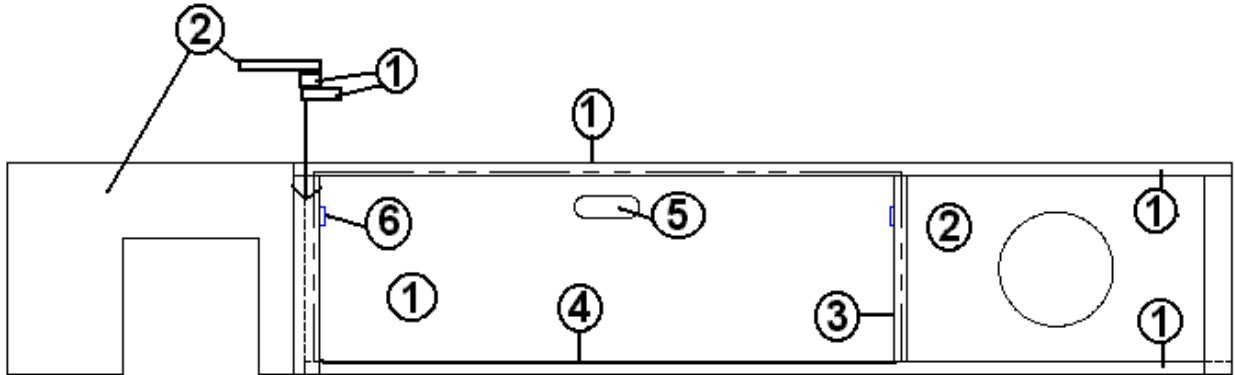


- |              |                                |
|--------------|--------------------------------|
| 966046-01    | KICK PANEL ASSEMBLY, CS LOUNGE |
| 1. 801376-01 | PANEL, OAK/WHITE 18MM          |
| 2. 380458    | HINGE PIANO BROWN ANODIZED     |
| 3. 381865    | PULL-BAR BRUSH NICKEL          |
| 801625-137   | DOOR, 12.44" X 73.75"          |
| 381228-01    | CATCH GRABBER DOOR C3-803      |

# 2007 PARKWAY MOTORHOME

## FURNITURE, LOUNGE

Kick Panel, Roadside, Lounge, Rear Bath

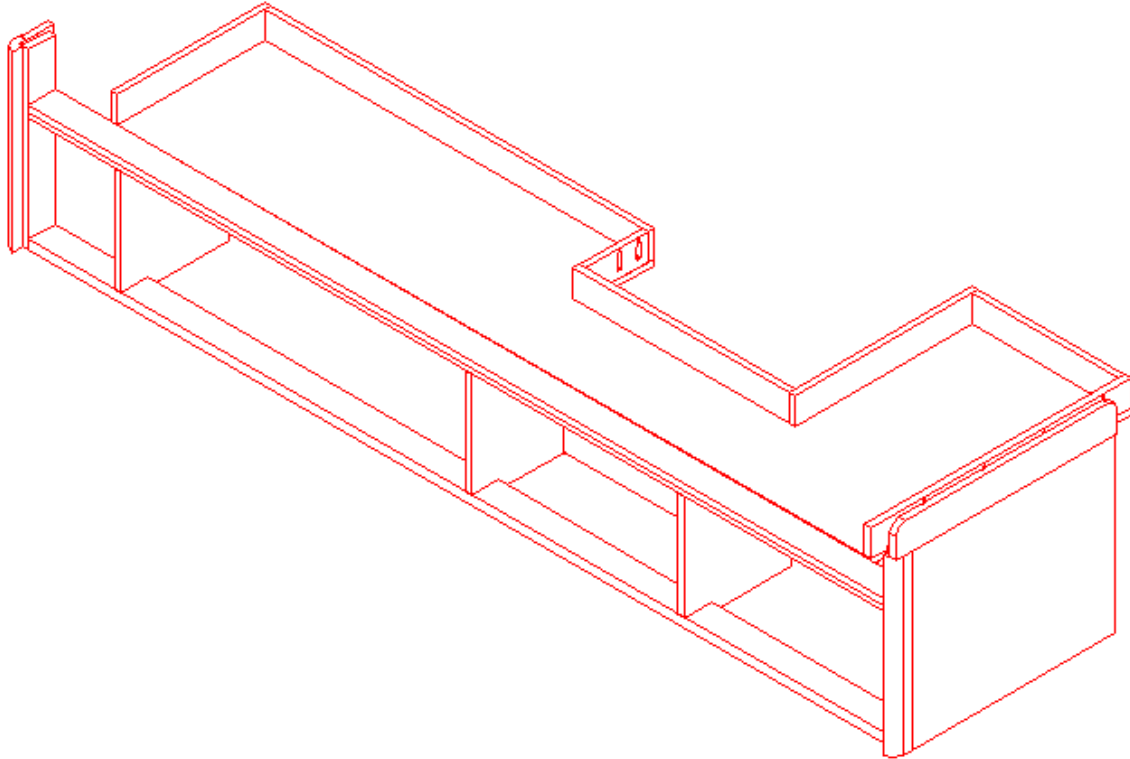


- |              |                                     |
|--------------|-------------------------------------|
| 966048-01    | KICK PANEL ASSEMBLY, RS LOUNGE      |
| 1. 801376-01 | PANEL, OAK/WHITE 18MM               |
| 2. 801383-01 | PANEL, OAK/WHITE 12MM               |
| 3. 801368    | PANEL, WHITELINER/WHITELINER        |
| 4. 380458    | HINGE PIANO BROWN ANODIZED          |
| 5. 381775    | DRAWER PULL-FLUSH SATIN #UT-10      |
| 6. 381228    | CATCH GRABBER DOOR C3-810           |
| 381865       | PULL-BAR BRUSH NICKEL               |
| 801625-047   | DOOR-RS SOFA 11.88" X 54.25"        |
| 203439       | STORAGE BOX, 17"L X 11.13"W X 6.38" |

# 2007 PARKWAY MOTORHOME

## FURNITURE, LOUNGE

Lounge, Curbside, Mid Bath

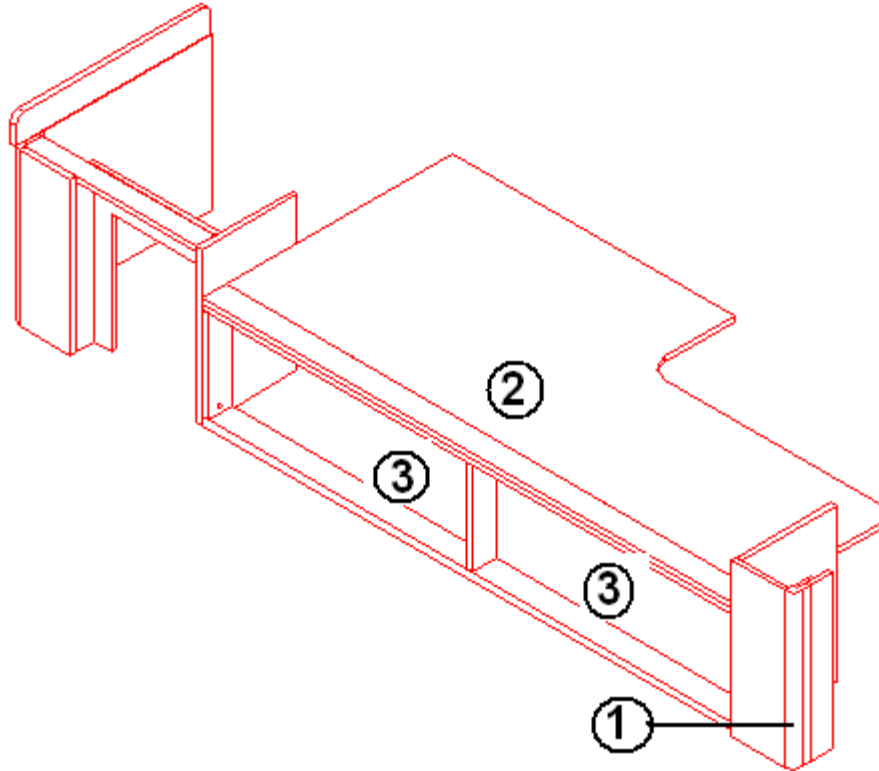


966291-01	LOUNGE ASSY-CS
801393-007	CORNER TRIM 90DEG. 1" RADIUS
801565-037	DOOR/DRW 72.12" X 4.00"
801565-047	DOOR/DWR 37.12" X 9.06"
801565-057	DOOR/DRW 17.62" X 9.06"
380458	HINGE PIANO BROWN ANODIZED
998179	CUSHION-LOUNGE ARMREST
381228-01	CATCH GRABBER DOOR

# 2007 PARKWAY MOTORHOME

## FURNITURE, LOUNGE

Lounge, Roadside, Mid Bath

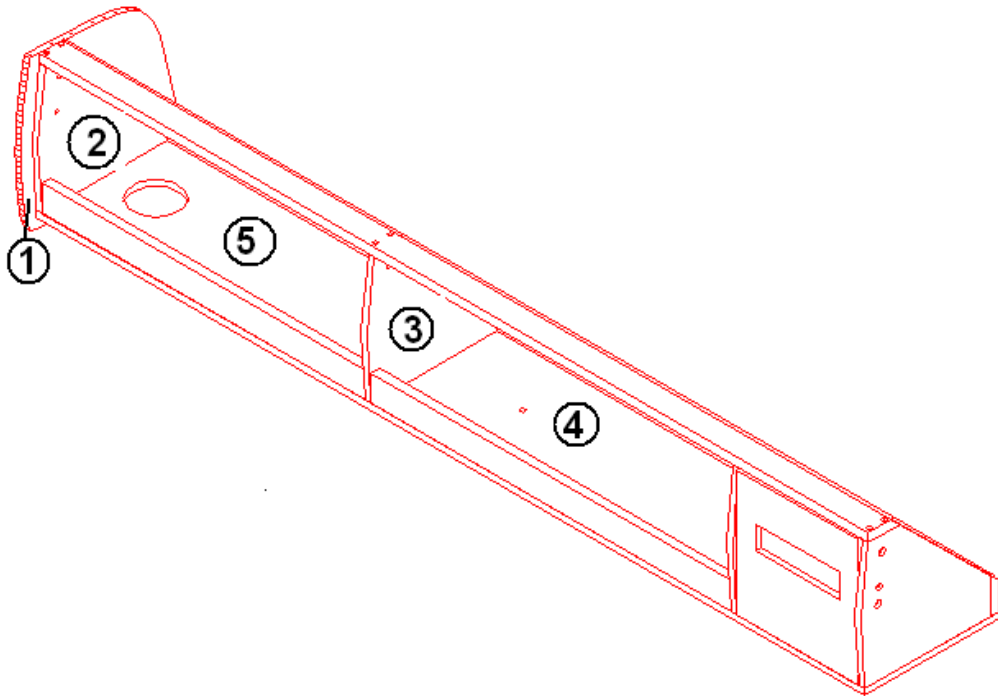


- |               |                                 |
|---------------|---------------------------------|
| 966292-01     | LOUNGE ASSY-RS                  |
| 1. 801706-007 | CORNER TRIM 90DEG. 1" RADIUS    |
| 2. 801565-067 | DOOR/DWR 51.37" X 4.00"         |
| 3. 801565-077 | DOOR/DWR 25.13" X 9.13"         |
| 380458        | HINGE PIANO BROWN ANODIZED      |
| 998179        | CUSHION, LOUNGE ARMREST         |
| 381228-01     | CATCH GRABBER, DOOR             |
| 700349        | SEATBELT, MINI BUCKLE BLACK WEB |

# 2007 PARKWAY MOTORHOME

## FURNITURE, LOUNGE

### Roof Locker, Roadside Mid Bath

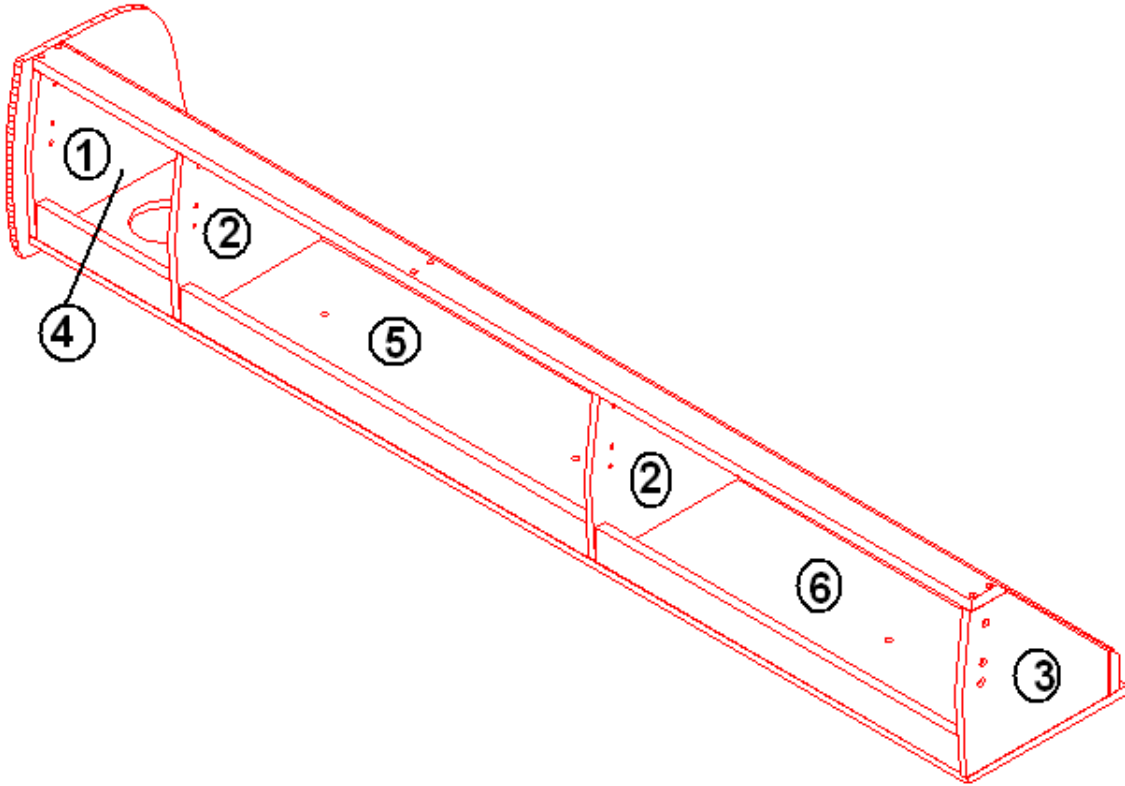


966268-01	ROOFLOCKER
1. 966007-3A7	END CAP RS LOCKER
2. 966007-2A7	DIVIDER RS LOCKER
3. 966007-2C7	DIVIDER RS LOCKER
4. 801493-017	DOOR RADIUS, 12.38" X 31.50"
5. 801493-027	DOOR RADIUS, 12.38" X 28.13"
381840-01	HINGE-OVERHEAD SPRING LH
381840-02	HINGE-OVERHEAD SPRING RH
345276-04	SCREW HEX HD. CAP 1/4-20 X 1
345275-04	1/4-20X1 FLAT PHIL M/S
350147-25	NUT, NYLON LOCK, 1/4-20

# 2007 PARKWAY MOTORHOME

## FURNITURE, LOUNGE

### Roof Locker, Curbside, Mid Bath



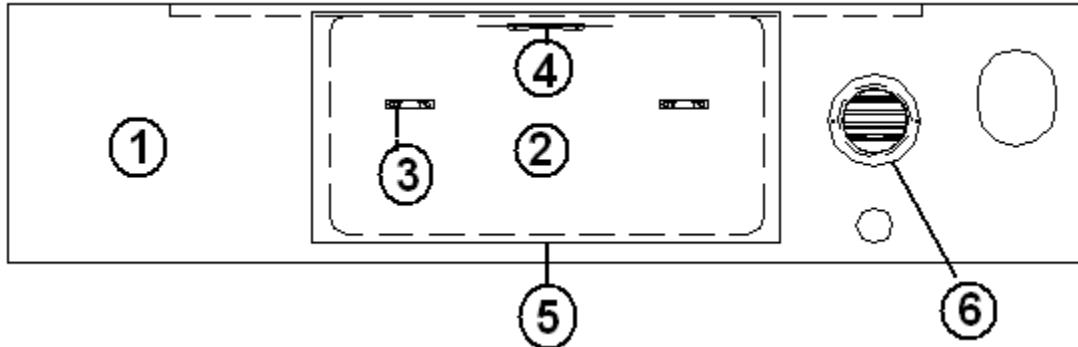
966278-01	R/L ASSY- CS
1. 966007-3A7	END CAP RS LOCKER
2. 966007-2A7	DIVIDER RS LOCKER
3. 966007-2C7	DIVIDER RS LOCKER
4. 966007-2D7	DIVIDER RS LOCKER
5. 801493-037	DOOR, RADIUS, 12.38" X 11"
6. 801493-017	DOOR, RADIUS, 12.38" X 31.50"
7. 801493-027	DOOR, RADIUS, 12.38" X 28.13"
381840-01	HINGE-OVERHEAD SPRING LH
381840-02	HINGE-OVERHEAD SPRING RH
345276-04	SCREW HEX HD. CAP 1/4-20 X 1"
345275-04	1/4-20X1 FLAT PHIL M/S ZN
350147-25	NUT, NYLON LOCK, 1/4-20



# 2007 PARKWAY MOTORHOME

## FURNITURE, LOUNGE

Lounge, Aft Dinette Option, Mid Bath

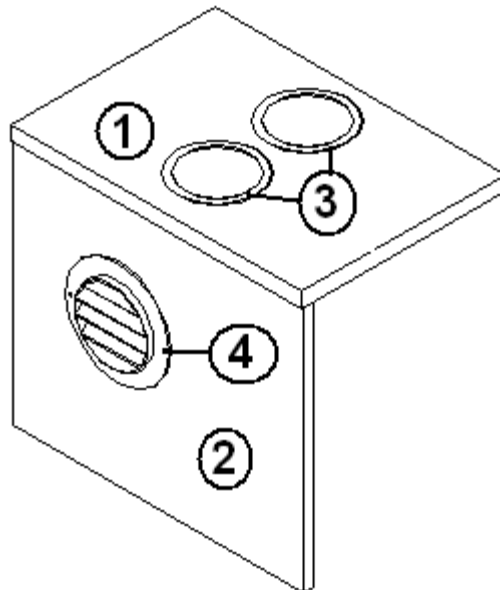


- |               |                            |
|---------------|----------------------------|
| 966604        | FACE ASSY-LNG AFT          |
| 1. 966604-1A7 | LOUNGE FACE                |
| 2. 801625-197 | DOOR, LOUNGE, 13.75" x 28" |
| 3. 381228-01  | CATCH GRABBER DOOR         |
| 4. 381774     | HANDLE-DRAWER/DOOR         |
| 5. 380458     | HINGE-PIANO COPPER         |
| 6. 601244-03  | REGISTER,ROTAIRE,BLACK     |
| 703621-485    | SOFA, CAMEL MOCHA          |
| 703621-296    | SOFA, ERAL GRAY            |
| 922970        | LEG-SOFA                   |

# 2007 PARKWAY MOTORHOME

## FURNITURE, LOUNGE

Lounge Close Outs, Aft Dinette Option, Mid Bath

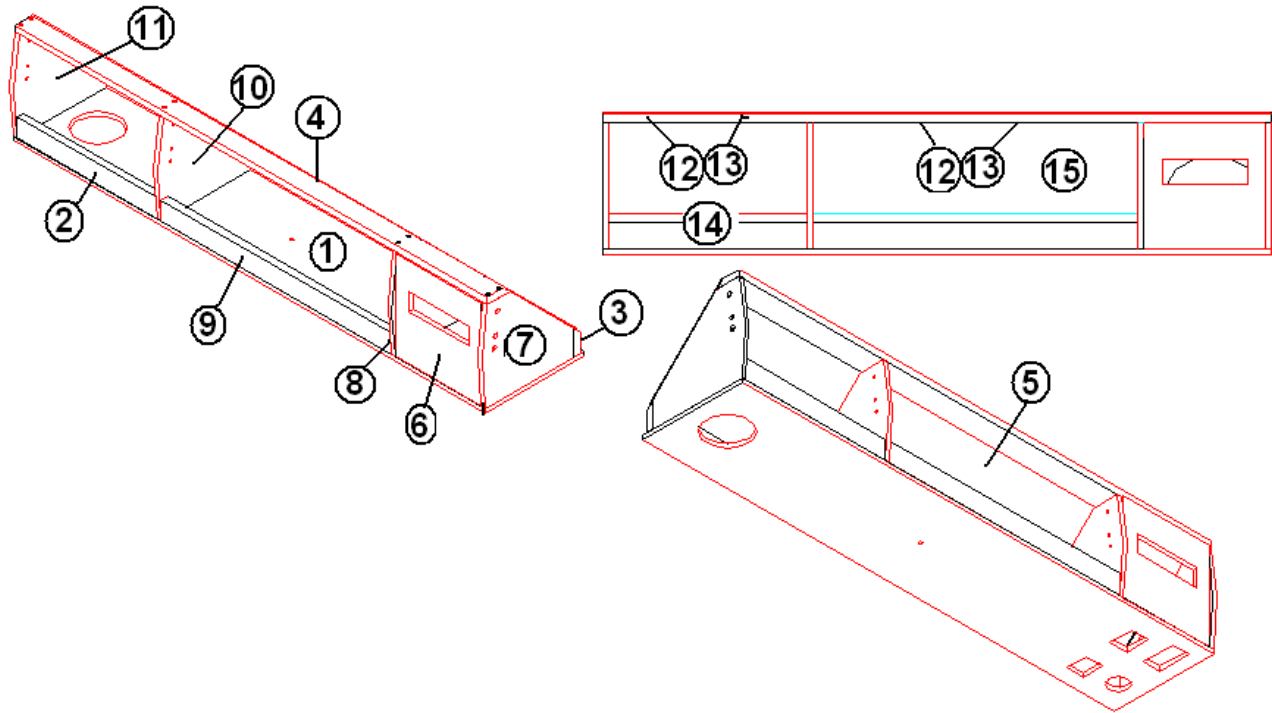


- |               |                              |
|---------------|------------------------------|
| 966750        | CLOSEOUT ASSY                |
| 1. 203223     | CUP HOLDER-3.13" BLACK JUMBO |
| 2. 966750-1A7 | TOP-CLOSEOUT                 |
| 3. 966750-2A7 | PANEL, SIDE PC CLOSEOUT      |
| 4. 203545-01  | POCKET-PLASTIC W/NETTING     |

# 2007 PARKWAY MOTORHOME

## FURNITURE, LOUNGE

Roof Locker, Roadside, Optional Rear Dinette, Mid Bath

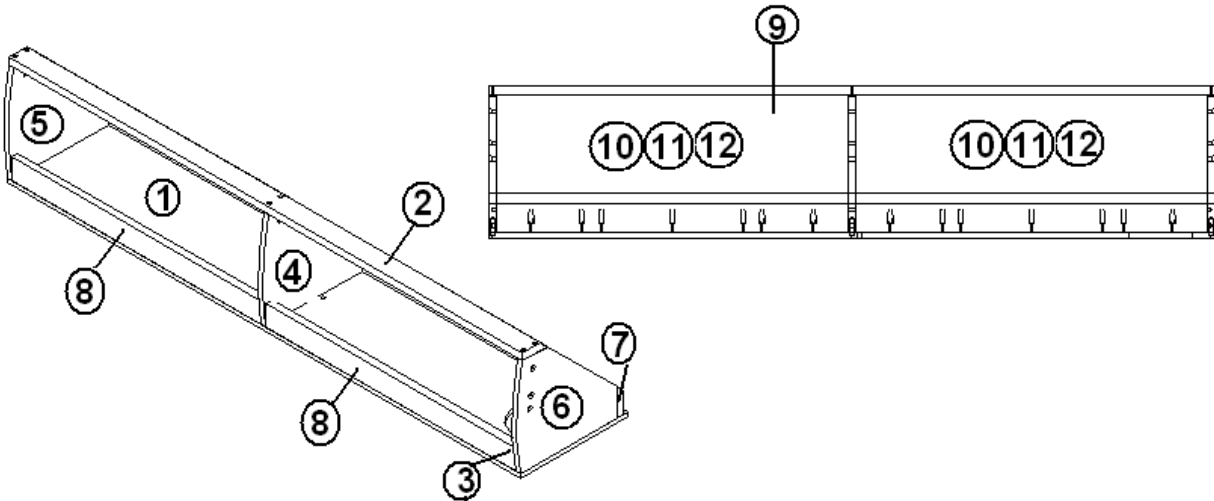


- |                |  |
|----------------|--|
| 966573         | Roof Locker, Optional Rear Dinette, Mid Bath |
| 1. 966573-1A7  | Shelf, 12.00" x 57.88"                       |
| 2. 966573-2A7  | Ledge. Left hand, 2.25" x 16.88"             |
| 3. 966573-3A   | Back support, 3" x 57"                       |
| 4. 966573-3B7  | Top rail, 2.75" x 57"                        |
| 5. 966573-4A7  | CLOSEOUT-R/L 57"                             |
| 6. 966268-1B7  | STAND-RADIO                                  |
| 7. 966268-1C7  | RAIL-RADIO                                   |
| 8. 966268-1D7  | DIVIDER-RADIO                                |
| 9. 966268-2A7  | LEDGE-LH FRT                                 |
| 10. 966007-2A7 | DIVIDER, ROOF LOCKER                         |
| 11. 966007-2C7 | DIVIDER, RS R/L                              |
| 12. 381840-01  | HINGE-OVERHEAD SPRING LH                     |
| 13. 381840-02  | HINGE-OVERHEAD SPRING RH                     |
| 14. 801493-047 | DOOR-RADIUS 12.38" X 31.5"                   |
| 15. 801493-027 | DOOR-RADIUS 12.38" X 28.13"                  |

# 2007 PARKWAY MOTORHOME

## FURNITURE, LOUNGE

Roof Locker, Curbside, Optional Rear Dinette, Mid Bath



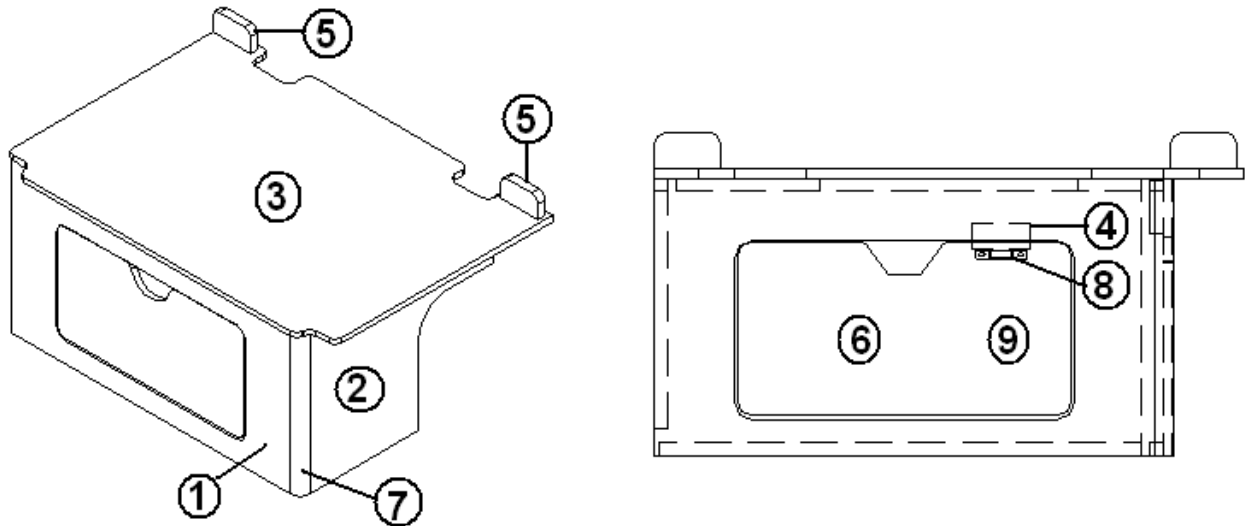
966574 Roof Locker, Curbside, Optional Rear Dinette, Mid Bath

1. 966574-1A7 Shelf, 12 x 58.75"
2. 966574-2A7 Top rail, 2.75" x 58.75"
3. 966574-1B7 Spacer, 1.75"x 10.75"
4. 966007-2A7 DIVIDER-RS LOCKER
5. 966007-2C7 DIVIDER- RS R/L
6. 966007-2D7 DIVIDER RS LOCKER
7. 966573-3A7 Back support, 3" x 57"
8. 966268-2A7 LEDGE
9. 801438 PANEL, FRONT, WHITE VINYL/RAW
10. 381840-01 HINGE-OVERHEAD SPRING LH
11. 381840-02 HINGE-OVERHEAD SPRING RH
12. 801493-027 DOOR-RADIUS 12.38" X 28.13"

# 2007 PARKWAY MOTORHOME

## FURNITURE, LOUNGE

Dinette Seat, Curbside, Optional Rear Dinette, Mid Bath

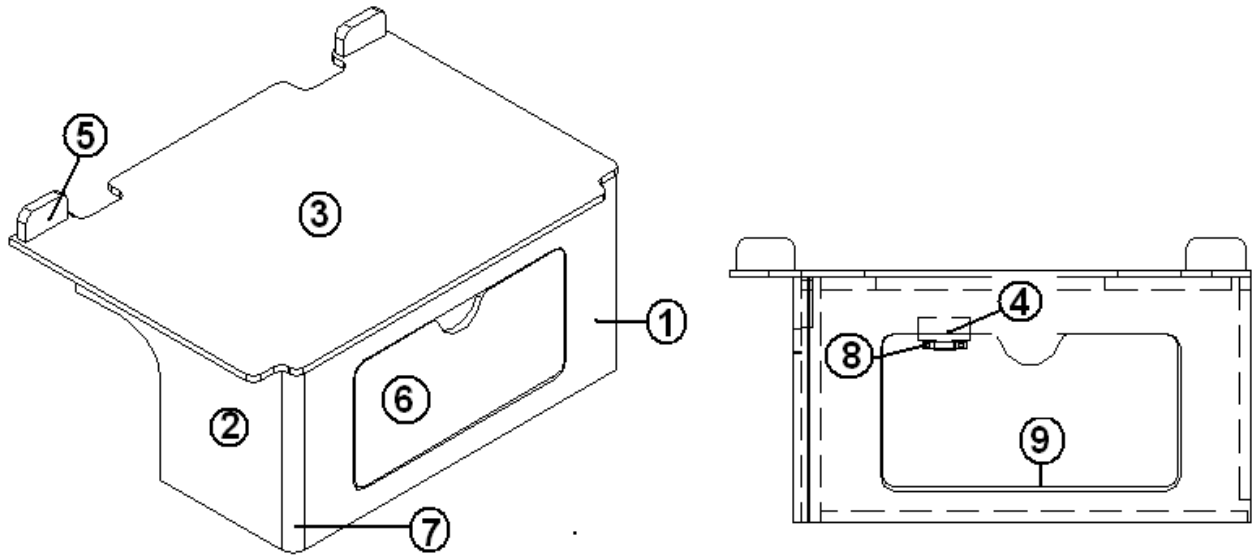


- |               |                                    |
|---------------|------------------------------------|
| 966734        | SEAT ASSY-CS AFT DINETTE           |
| 1. 966735-1A7 | FRONT FACE                         |
| 2. 966735-1B7 | SIDE CUT OUT                       |
| 3. 966735-1C7 | LID                                |
| 4. 966735-1D7 | GRABBER CATCH MOUNT                |
| 5. 966735-3A7 | Seat Belt spacer                   |
| 6. 801680-007 | Door, Dinette Seat, 9.69" x 18.69" |
| 7. 801415-007 | Trim, corner 1" radius             |
| 8. 381228-01  | CATCH GRABBER, DOOR                |
| 9. 380458     | HINGE-PIANO COPPER                 |
| 454254        | BRACKET-DIN.SEAT BELT              |
| 700349        | SEATBELT, MINI BUCKLE BLACK WEB    |
| 345354        | BOLT 7/16-20X1-1/2" HH GR5 ZINC    |

# 2007 PARKWAY MOTORHOME

## FURNITURE, LOUNGE

Dinette Seat, Roadside, Optional Rear Dinette, Mid Bath



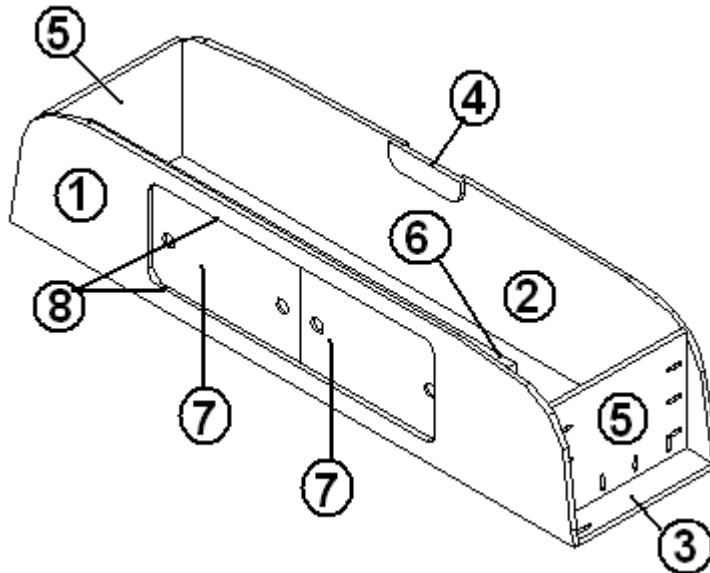
### 966735 SEAT ASSY-CS AFT DINETTE

- |               |                                 |
|---------------|---------------------------------|
| 1. 966735-1A7 | FRONT FACE                      |
| 2. 966735-1B7 | SIDE CUT OUT                    |
| 3. 966735-1C7 | LID                             |
| 4. 966735-1D7 | GRABBER CATCH MOUNT             |
| 5. 966735-3A7 | Seat Belt spacer                |
| 6. 801680-007 | Door, 9.69" x 18.69"            |
| 7. 801415-007 | Trim, corner 1" radius          |
| 8. 381228-01  | CATCH GRABBER, DOOR             |
| 9. 380458     | HINGE-PIANO COPPER              |
| 454254        | BRACKET-DIN.SEAT BELT           |
| 700349        | SEATBELT, MINI BUCKLE BLACK WEB |
| 345354        | BOLT 7/16-20X1-1/2" HH GR5 ZINC |

# 2007 PARKWAY MOTORHOME

## FURNITURE, LOUNGE

Roof Locker, Rear, Optional Rear Dinette, Mid Bath

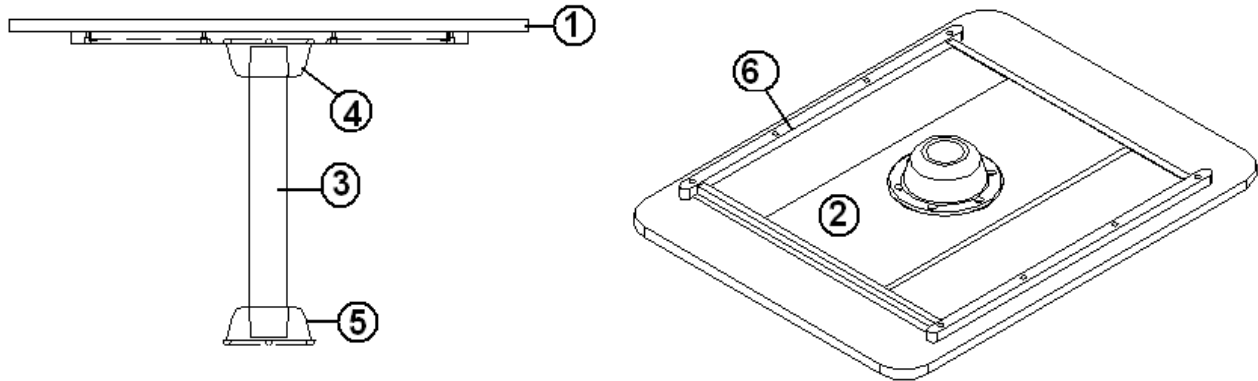


- |               |  |
|---------------|--|
| 966572        | Roof Locker, Rear, Optional Rear Dinette |
| 1. 966572-1A7 | Front panel                              |
| 2. 966572-1B7 | Back panel                               |
| 3. 966572-1C7 | Bottom panel                             |
| 4. 966572-1D7 | Cover, brake light opening               |
| 5. 966572-2A  | PANEL, SIDE                              |
| 6. 966572-3A7 | COVER-REAR R/L AFT DINETTE VAN           |
| 7. 965563-10  | DOOR-SLD PLEXIGLASS 16.00"               |
| 8. 381245     | SLIDING DOOR TRACK, 56-1/5"              |
| 385098        | LABEL-SEAT OCCUPANCY                     |

# 2007 PARKWAY MOTORHOME

## FURNITURE, LOUNGE

Table, Pedestal, Optional Rear Dinette, Mid Bath



966733	TABLE ASSY
1. 966733-1A7	TABLE TOP-AFT DINETTE
2. 966733-2A7	SLIDER-TABLE
3. 381974	LEG-PEDESTAL 29"
4. 381975	SOCKET, TABLE
5. 381976	SOCKET, FLOOR
6. 966733-1B	RUNNER, TABLE
454525	SUPPORT-PED TABLE SHELF
703627	STRAP-TABLE STOP
195345-01	1 1/2" BROWN NYLON WEBBING
703631	BAG-PEDESTAL & PORTA LEG 33.50
380337-01	LEG-PEDESTAL 25" SILVER

### Table Storage

203571	BOX, AFT MID BATH DINETTE ROTOCAST
381985	PLUG, QUICK SNAP
915954	FRAME, REAR DINETTE STORAGE
381842	TRIM LOK, 1/16" BLACK PEBBLE FINISH
915960	TABLE ASSY, REAR COVER AFT DINETTE
602111	COVER, TABLE/STORAGE AFT DINETTE
380338	SOCKET, PEDESTAL, TABLE
998187	STRAP, TABLE, AFT DINETTE



**2007 PARKWAY MOTORHOME**  
**FURNITURE, PANELING/INTERIOR DOORS**

Interior Doors

998161	INTERIOR DOOR PANEL, RS REAR DOOR
998163	INTERIOR DOOR PANEL, CS REAR DOOR
801625-017	DOOR, 21.63" X 15.13"
801625-027	DOOR, 11" X 54.25"
801625-037	DOOR, 22.13" X 14.13"
801625-047	DOOR, 54.25" X 11.88"
801625-057	DOOR, 5.43" X 21.63"
801625-067	DOOR, 26.88" X 15.88"
801625-077	DOOR, 21.88" X 15.88"
801625-087	DOOR, 16.63" X 24.44"
801625-097	DOOR, 16.38" X 16.50", RH
801625-107	DOOR, 16.38" X 16.50", LH
801625-117	DOOR, 15.75" X 24.81"
801625-127	DOOR, 17.75" X 53.13"
801625-137	DOOR, 12.44" X 73.75"
801625-147	DOOR, 14.00" X 18.62"
801625-177	DOOR, 14.88" X 23.75"
801625-197	DOOR, 13.75"X28"
801523-007	DOOR-DINETTE SEATS
801516-007	DOOR ASSY-PANTRY
801493-017	DOOR RADIUS, 12.38" X 31.50"
801493-027	DOOR RADIUS, 12.38" X 28.13"
801493-037	DOOR RADIUS 12.38" X 11"
801565-017	DOOR/DRAWER, 4.19" X 4.00"
801565-037	DOOR/DRAWER, 72.12" X 4.00"
801565-047	DOOR/DRAWER, 37.12" X 9.06"
801565-057	DOOR/DRAWER, 17.62" X 9.06"
801565-067	DOOR/DRAWER, 51.37" X 4.00"
801565-077	DOOR/DRAWER, 25.13" X 9.13"
966028-01	Door, Plexi glass, 11.5" x 10.5"
966028	Door, Plexi glass, 9.75" X 13.88"

**2007 PARKWAY MOTORHOME**  
**FURNITURE, PANELING/INTERIOR DOORS**

**Furniture Trim**

801393-007	CORNER TRIM, 90D RADIUS OAK
365238-04	EDGE BANDING TAPE PVC 5/8" C. WHITE
365268-01	EDGE BANDING, 1.13, OAK
365268-05	EDGE BANDING-PVC-LAMITECK T.OAK
365273	EDGE BANDING GALAXY GRAPHITE
365240-01	EDGE BANDING-PVC 3M 1-5/16" WHITE
365282	EDGE BANDING, .94", CHERRY

**Wood Panels**

800507-01	LAUAN, 1/8" X4' X 8'
800507-02	LAUAN, 1/4" X 4'X 8'
800507-03	LAUAN, 3/8" X4' X 8'
800507-04	LAUAN, RAW/RAW 1/2"
801355-01	LAMINATE, FROSTY WHITE 4' X 8'
801376-01	PANEL, LAMINATED, OAK/WHITE 18MM
801383-01	PANEL, LAMINATED, OAK/WHITE 12MM
801342-01	LAMINATE, ALUMINUM BRUSHED 4' X 8'
801392	PANEL, LAMINATED, WHITELINER/WHITELINER
801377	PANEL, GRAPHITE/REX 4' X 8' 18MM
801381-01	PANEL, OAK/OAK 12MM
801505	PNL-ASCOT SAND/RAW .125"X4'X8'
801369	PANEL, FROSTY WHITE /WHITELINER
801478-01	PANEL, CHERRY/WHITE 12MM

# 2007 PARKWAY MOTORHOME

## HARDWARE

### Seat

700349	SEAT BELT, MINI BUCKLE, BLACK WEB
454254	BRACKET, SEAT BELT
381069	Seat belt, mini buckle
998158	SKIRT ASSY-PASS SEAT
998159	SKIRT ASSY-DRIVER SEAT

### Handles/Latches

381865	PULL-BAR BRUSH NICKEL
381228-01	Grabber door latch
380772-01	SLIDE BOLT, SHOWER DOOR
381737-02	ASSIST HANDLE
381861	LATCH PUSH CLOSE/PULL OPEN

### Hinges

380458	HINGE PIANO BROWN, GALLEY, SHOWER DOOR
381051	ALUMINUM, HINGE, CONTINUOUS, FORMED
381607-01	HINGE-GRASS EURO W/80307 PLASTIC, CABINETS
385935-01	HINGE PIVOT ZINC PLATED, MEDICINE CABINET
381840-01	HINGE, ROOFLOCKER, SPRING LH #372.
381840-02	HINGE, ROOFLOCKER, SPRING RH #372.

### Towel Bar

381923	HANDLE-PULL 14.25"SS SATIN
345418	SCREW-#6 X 1/2" S.S.
300140	WASHER-1.25"OD TOWEL BAR

# 2007 PARKWAY MOTORHOME

## HARDWARE

### Labels and Tags

386118	Label, LP gas warning/fill
386122	Warning label/cooking appliance
386121	Label, LP gas warning label (odor)
385465	Exit label, English
386120	Label, smoke detector
385062	Decal, 110-125 voltage AC
386082	LABEL THOR, 5.25" X .75'
386123	LABEL "POTABLE WATER ONLY"
385812	LABEL CALIF. HAZARDOUS SUBSTANCE
386119	LABEL "DO NOT STORE COMBUSTIBLE
386124	LABEL REFUELING WARNING
386113	LABEL-RVIA GOLD
385608	LABEL SEWER HOSE
385942	LABEL SEWAGE HOLDING TANK
385943	LABEL CAP MUST BE IN PLACE
385832	DIESEL FUEL ONLY LABEL
386147	DECAL-ON/OFF LP REMOTE FILL
385261	CLEANING INSTRUCTION LABEL
386189	LABEL-WARNING NO SEATBELTS
386190	LABEL-CAUTION DOORSTEP
386192	HANG TAG: SMOKE/CO DETECTOR BATTERY
386195	LABEL, WARNING, WHEEL LUGS

### Detectors/Fire Extinguishers

510781	Smoke detector
512178	DETECTOR CARBON MONOXIDE 9 VOLT
511309	LPG detector
690381-02	Fire extinguisher

### Key Chain/Video/Book

381889	KEY CHAIN- AIRSTREAM CORIAN
381761-02	SAFETY NOTEBOOK/VIDEO
52431W-14	75th ANNIVERSARY BOOK, 2007

# 2007 PARKWAY MOTORHOME

## PLUMBING, LPG

### Tank/Hoses/Regulator

601875	TANK-LP 38 LB, SPRINTER
601875-01	SENDING UNIT- 90 OHM
601875-02	VALVE-REMOTE FILL
601875-03	VALVE-REMOTE SPLITTER
601875-04	REGULATOR-TWO STAGE W/POL ADAP
601875-05	COVER-REGULATOR
601875-06	VALVE-SOLENOID
602104	LP HOSE 1/2" ID X 5/8" FEMALE FLARE
601874	HOSE, LP REGULATOR TO GENERATOR
601880	FITTING-SWIVEL FLARE 3/8"

### Remote Switch, Rear Bath

381852	KNOB LP REMOTE SWITCH
601873	LP REMOTE FILL/KIT 48" HOSE
511805	SWITCH-ROTARY ON/OFF LP VALVE
203463	DOOR-ACCESS LP REMOTE FILL
386147	DECAL-ON/OFF LP REMOTE FILL

### Remote Switch, Mid Bath

601958	LP REMOTE FILL/KIT 60" HOSE
203463	DOOR-ACCESS LP REMOTE FILL
511805	SWITCH-ROTARY ON/OFF LP VALVE
381852	KNOB- LP REMOTE SWITCH INTERSTATE
386147	DECAL-ON/OFF LP REMOTE FILL

# 2007 PARKWAY MOTORHOME

## PLUMBING, LPG

### LP Line Fittings

600008	TUBING COPPER 3/8OD
600468	UNION FLARE 5/8 X 5/8
600435	FORGED FLARE NUTS 3/8"
340085-05	CLAMP #COY 1109 5/8"
600436	FORGED FLARE NUTS 5/8"
500038	LUG GROUND
600004	TUBING COPPER 5/8"
601883	FITTING-TEE 5/8" MF X 3/8 MF X 5
601281	TEE BRASS UNION 5/8 X 5/8 X 5/
600003	TEE 5/8 X 3/8" X 3/8"
600661	GROUND FITTING .5" TO 1"
601881	FITTING-REDUCER 3/8" M FLARE
601882	ELBOW- 90D 3/8"M FLR X 1/4"
601671	ELBOW STREET, 90DEG 1/2", Water heater, gas line
600000	TEE BRASS 5/8" X 5/8" X 3/8"

### Auto Vent assembly, LP tank, Mid bath

381916-01	CAP-END POLY 5/8"ID
601988-01	ADAPTER-RELIEF VALVE LP

# 2007 PARKWAY MOTORHOME

## PLUMBING, FRESHWATER

### Tank/Sink, Rear Bath

601939	TANK, FRESH WATER 30GALLON
601392-05	City water fill w/regulator
601239	TUBING 1.375 I.D. RIBBED #705
601240-01	TUBING 1/2 I.D. X 3/32 WALL
340084-20	CLAMP, HOSE, .81"
601938	SINK, S/S, SINGLE BOWL

### Tank/Sink, Mid-Bath

601957	TANK-WATER
601938	SINK, S/S, SINGLE BOWL
601392-05	City water fill w/regulator

### Shower, Exterior

601876	SHOWER-EXTERIOR, WHITE #742009
601592-01	SHOWER HEAD WHITE
601592-02	SHOWER HOSE 59.00" WHITE
601592-03	SHOWER VALVE 4.00" WHITE
381647	Key, CH 751

### Shower, Interior

601592-01	SHOWER HEAD WHITE
601592-02	SHOWER HOSE 59.00" WHITE
601592-03	SHOWER VALVE 4.00" WHITE
601727	SHOWER DRAIN 2"W/GRID TOP XL G
600625-01	PLUG, TRAP, 1 1/2" ADAPTER, FEMALE
600144	P TRAP ABS 1 1/2"
600182	WYE, 1.5"X 1.5" X 1.5"

## 2007 PARKWAY MOTORHOME

### PLUMBING, FRESHWATER

#### Water Fill, Exterior

601194	WATER FILL W/LOCK, GRAY, W/LABEL
381647	KEY WATER FILL CH751
601239-01	TUBING 1.375 I.D. RIBBED #705
601240-01	TUBING 1/2 I.D. X 3/32 WALL
340084-20	CLAMP, HOSE, .81 - 1.75 SAE #2

#### Water Pump

601061-03	Water pump, Shurflo 2088-404-144
601668-01	Strainer, fresh water pump

#### City Water Hook Up

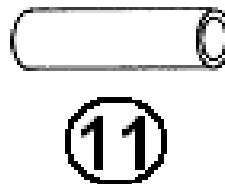
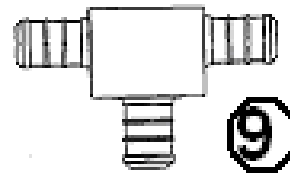
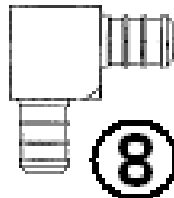
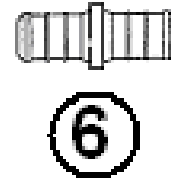
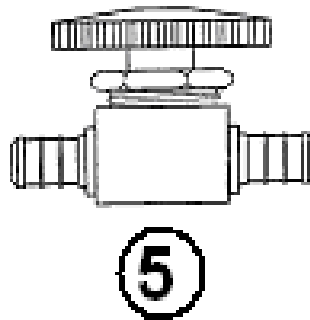
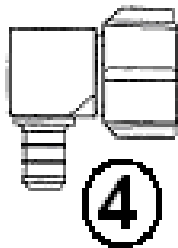
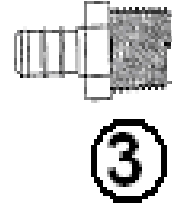
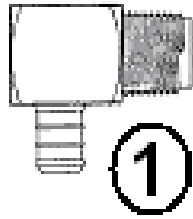
201866-02	FILL-CITY WATER-POLAR WHITE
601565	HOSE WATER W/FITTINGS 12" LONG
600227	PLASTIC COUPLINGS



# 2007 PARKWAY MOTORHOME

## PLUMBING, FRESHWATER

### Fresh Water Fittings



Part Numbers Are On The Next page

# 2007 PARKWAY MOTORHOME

## PLUMBING, FRESHWATER

### Fresh Water Fittings

- |               |                                      |
|---------------|--------------------------------------|
| 1. 601698-04  | Elbow, 1/2" barb x 1/2" MPT          |
| 2. 601698-03  | Coupler, 1/2" barb x 1/2" FPT        |
| 3. 601698-02  | Coupler, 1/2" barb x 1/2" MPT        |
| 4. 601698-05  | Elbow 1/2" barb x 1/2" FPT           |
| 5. 601698-22  | Shut-off, 1/2" barb x 1/2" barb      |
| 6. 601698-08  | Coupler, 1/2" x 1/2" barb            |
| 7. 601698-09  | Plug, 1/2" barb                      |
| 8. 601698-10  | Elbow 1/2" barb x 1/2" barb          |
| 9. 601698-11  | Tee, 1/2" x 1/2" x 1/2"              |
| 10. 601698-15 | Crimp ring, 1/2" E-Pex, 1/2" (black) |
| 11. 601698-01 | E-Pex tube, 1/2"                     |
| 11. 601698-21 | TUBING E-PEX 1/2" RED                |
| 203085        | PLUG WATER LINE 1/2" PLASTIC B       |
| 601238        | ADAPTOR 1.25 MPT X 1.25 BARB         |

# 2007 PARKWAY MOTORHOME

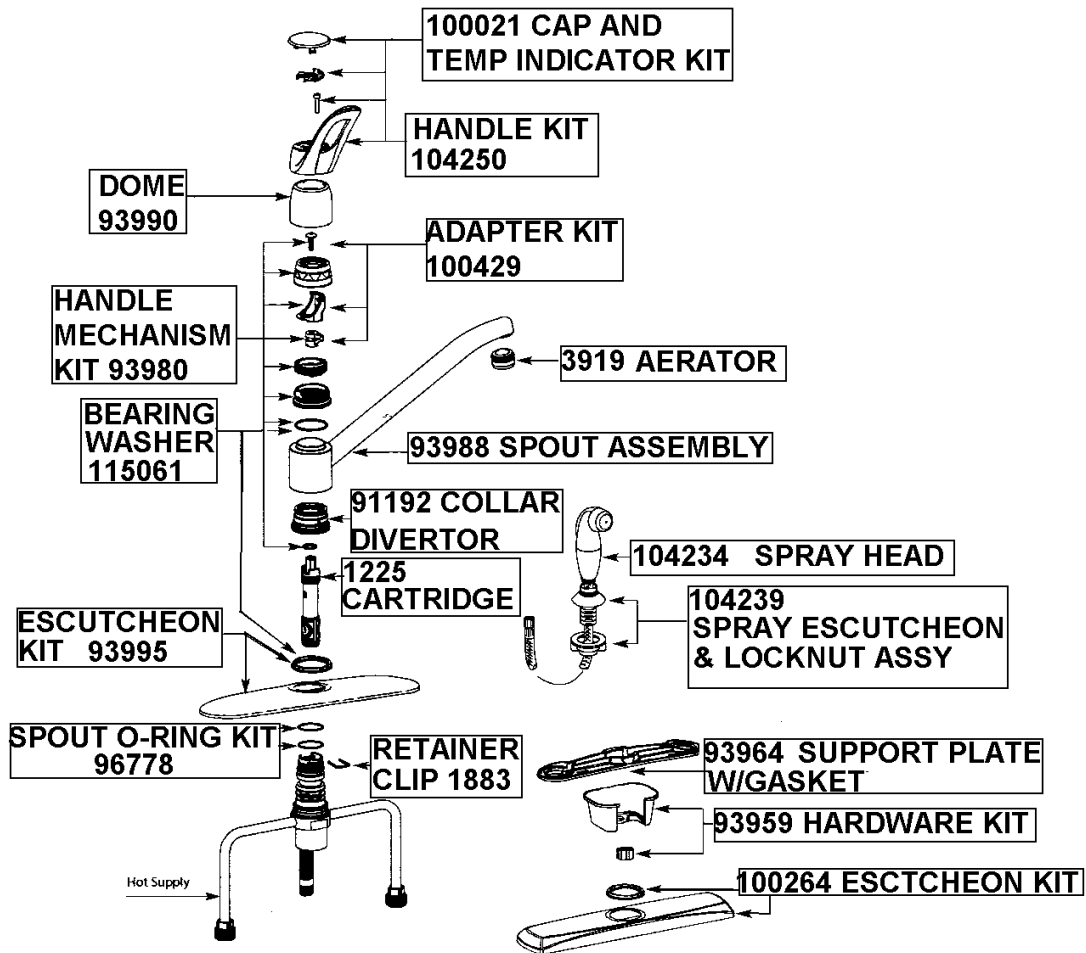
## PLUMBING, FRESHWATER

Faucet, Galley

601894-01 Single handle faucet, Moen 7460

Moen, Chateau, Single Handle Faucet  
model 7460

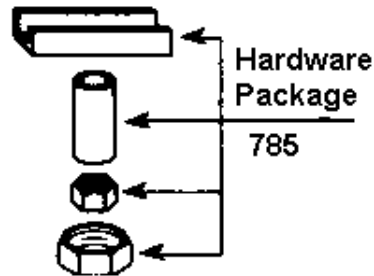
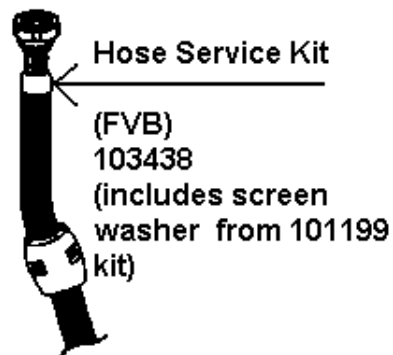
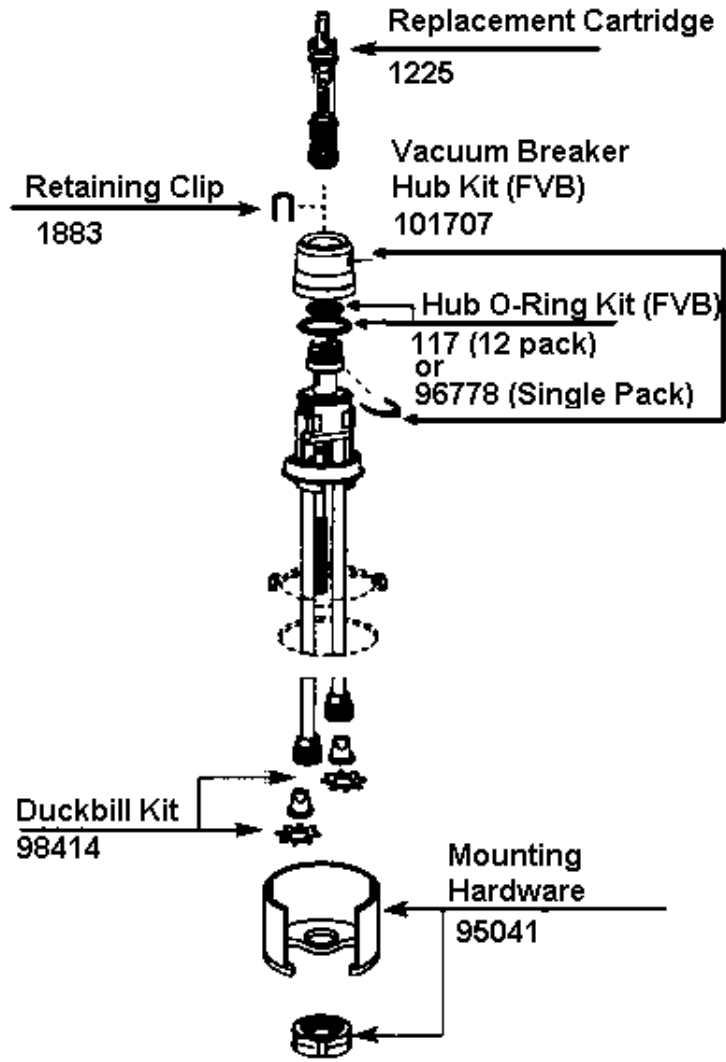
TO ORDER PARTS CALL 1-800-BUY MOEN



# 2007 PARKWAY MOTORHOME

## PLUMBING, FRESHWATER

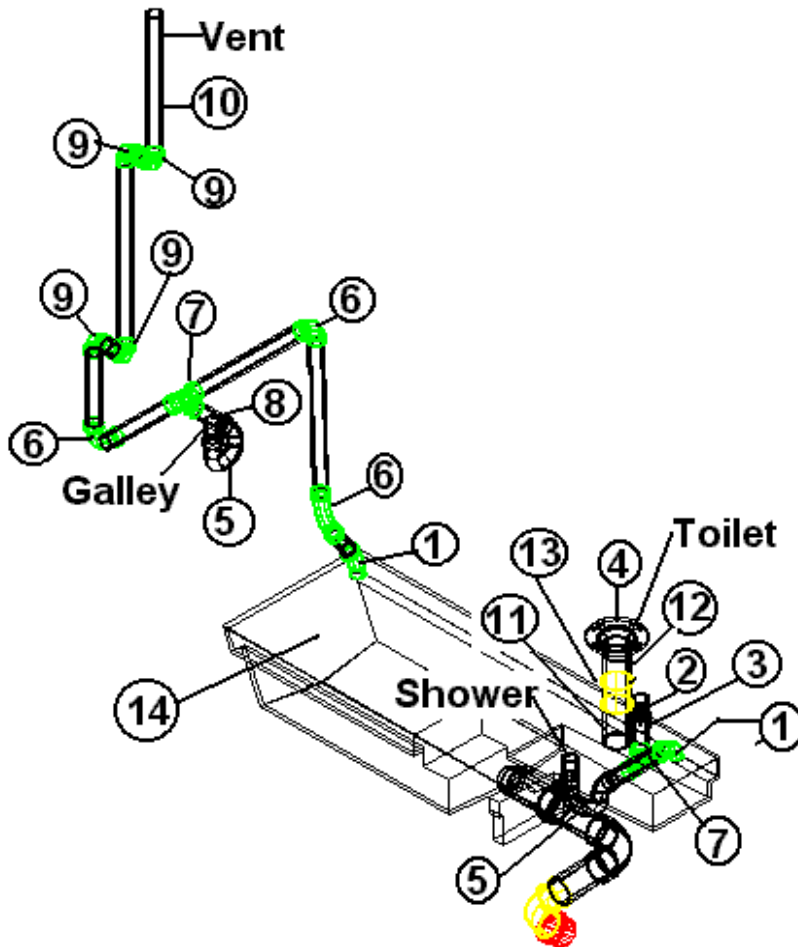
### Faucet Cartridge, Galley



# 2007 PARKWAY MOTORHOME

## PLUMBING, DRAIN

### Drain System, Rear Bath

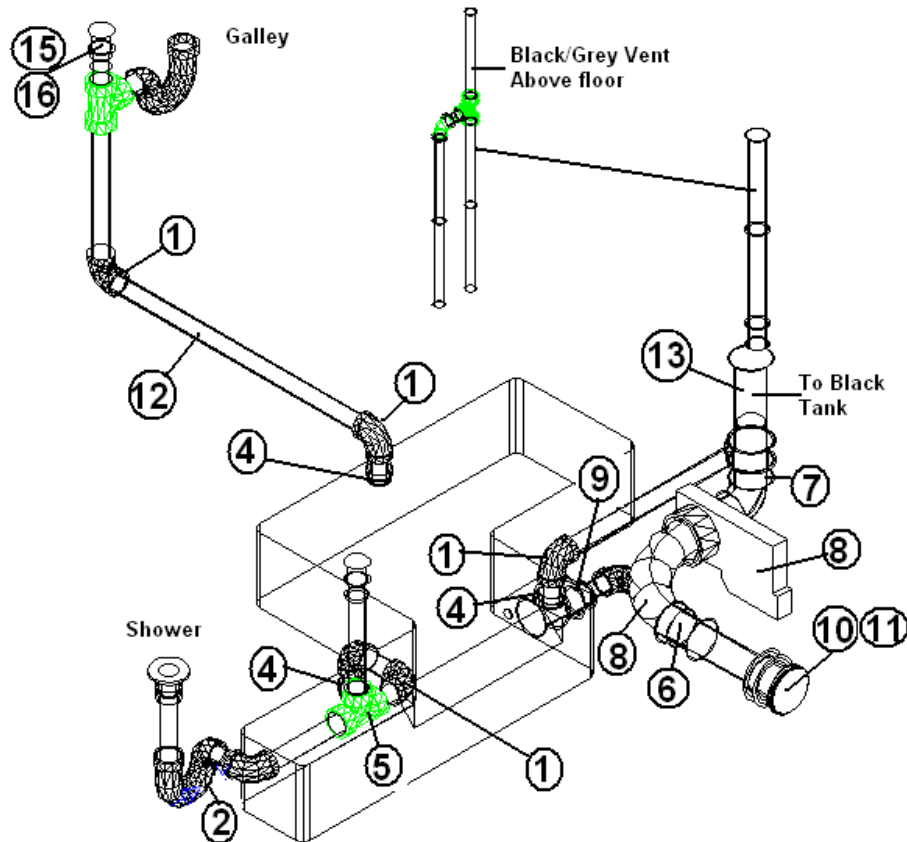


- |               |   |
|---------------|---|
| 1. 600431     | 1.5" Elbow, short radius                  |
| 2. 600538     | Vent, V-200 automatic                     |
| 3. 600308     | Adaptor ABS female, sloan                 |
| 4. 601266     | Flange, closet, 3" x 4", slip fit         |
| 5. 600622     | P-trap, 1.5", w/slip nut and washer       |
| 6. 600035     | Ell ABS, long sweep, 1.5"                 |
| 7. 600318     | Tee                                       |
| 8. 600822     | Adaptor, P-trap                           |
| 9. 600033     | Elbow, vent, 1.5", 90 degree              |
| 10. 601160-02 | Pipe, ABS, DVW, 1.5"                      |
| 11. 601267-04 | Nipple, 3" diameter, Thread one, 10' long |
| 12. 601160-04 | Pipe, ABS DVW, 3"                         |
| 13. 600253    | Coupling, 3"                              |
| 14. 601872    | Black/Gray combination tank               |

# 2007 PARKWAY MOTORHOME

## PLUMBING, DRAIN

### Drain System, Mid Bath



- |                |                                     |
|----------------|-------------------------------------|
| 1. 600033      | ELBOW, VENT, 1.50 90 DEGREE         |
| 2. 600144      | P TRAP ABS 1 1/2"                   |
| 3. 600625-01   | PLUG, TRAP, 1-1/2" ADAPTER, FEMALE  |
| 4. 601676      | ADAPTER THREADED 1 1/2" MALE        |
| 5. 600156      | TEE SANITARY                        |
| 6. 600253      | COUPLING 3"                         |
| 7. 601531      | FITTING, 90 DEGREE 3"               |
| 8. 601482      | DUMP VALVE ROTATING ASSY.           |
| 9. 195329-229  | REDUCER ADAPTOR 3" TO 1.5" 407      |
| 10. 601607-07  | TERMINATION CAP - 3" BAY            |
| 11. 601607-06  | TERM. ADAPTOR - 3" HUB X 3" BAYONET |
| 12. 601160-02  | PIPE, ABS DVW, 1 1/2"               |
| 13. 601160-04  | PIPE, ABS DVW, 3"                   |
| 14. 600308     | ADAPTER ABS FEMALE SLOAN #2891      |
| 15. 600622     | P-TRAP 1 1/2" W/SLIP NUT & WASH     |
| 16. 601579-110 | VACUUM BREAKER                      |
| 602152         | ADAPTER SWIVEL STRAINER 1 1/2"      |

# 2007 PARKWAY MOTORHOME

## PLUMBING, DRAIN

### Sewer Hose/Hose Carrier

601229	COMPARTMENT, STORAGE SEWER HOSE
601946	EZ hose carrier, 24"
601607-15	SEWER HOSE W/ADAPTOR
340084-52	CLAMP, HOSE SAE #52, for sewer hose

### Tank Heating System

511812	PAD-HEATING HOLD TANK #TH-718
511813-01	VALVE-ELECTRIC, WASTE
511813-02	SWITCH-ELECTRIC WASTE VALVE

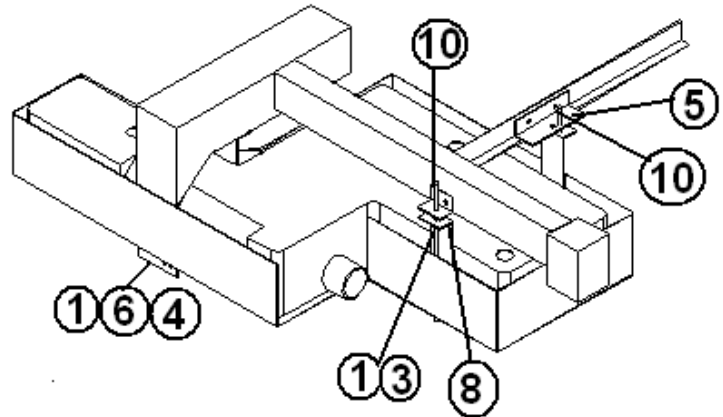
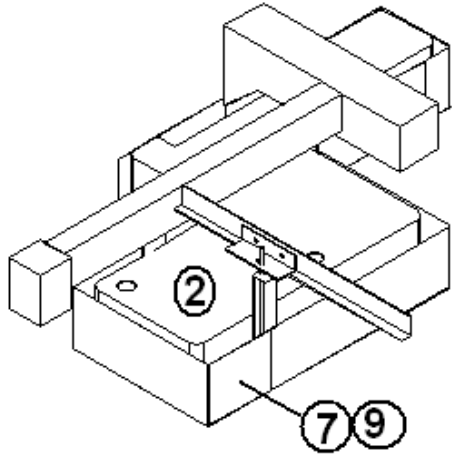
### Tank Pan/Mounting System, Rear Bath

454195	AFT MOUNTING BRACKET, BLACK/GRAY TANK
454196	MOUNTING BRACKETS, BLACK/GRAY TANK
454197	TANK PAN, BLACK/GRAY TANK
454329	STRAP- GRAY TANK 15.5" MB
454330	BRKT- GRAY TANK MTG. MB
454331	BRKT- FRT MOUNT GRAY TANK MB
454332	STRAP-GRAY FRT. TANK MB
454208-01	PLATE, CS MTG HOLDING TANK
454208-02	PLATE, RS MTG HOLDING TANK

# 2007 PARKWAY MOTORHOME

## PLUMBING, DRAIN

### Tank, Gray/Black Mounting System, Mid bath



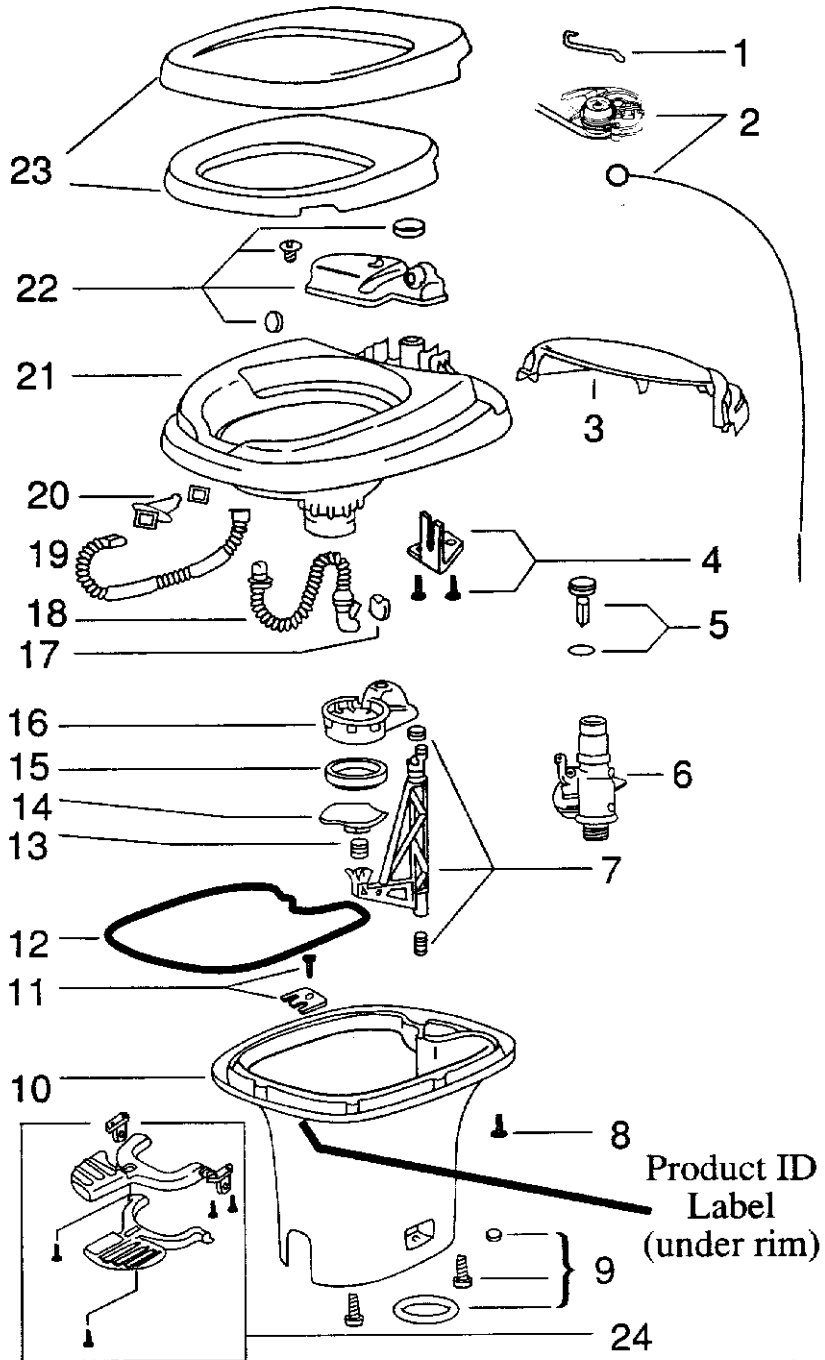
- |              |   |
|--------------|---|
| 1. 365185-20 | 2" GASKET TAPE                            |
| 2. 601948    | TANK-GRAY                                 |
| 3. 454329    | STRAP- GRAY TANK 15.5"                    |
| 4. 454330    | BRACKET, GRAY TANK MTG.                   |
| 5. 454331    | BRACKET, FRT MOUNT GRAY TANK              |
| 6. 454332    | STRAP-GRAY FRT. TANK                      |
| 7. 454335    | PAN-GRAY/BLACK TANK M                     |
| 8. 454397    | BRACKET, GRAY TANK MTG.1.5" X 1.5" X 2.5" |
| 9. 966408    | TANK WEDGE ASSY.                          |
| 10. 345151   | ROD, THREADED 3/8"-16 X 10 FT.            |
| 601947       | TANK-BLACK                                |
| 454454       | BRACKET TANK DRAIN SUPPORT                |



# 2007 PARKWAY MOTORHOME

## PLUMBING, DRAIN

Toilet



P/N Next Page

# 2007 PARKWAY MOTORHOME

## PLUMBING, DRAIN

### Toilet

690495-02	Toilet complete, Aqua Magic IV
1. 690387-513	Water valve link
2. 690387-571	Wire replacement package
3. 690387-562	Mechanism cover, white
4. 690387-634	Bracket assembly
5. 690387-631	Float assembly
6. 690387-168	Water valve replacement package
7. 690387-632	Actuator assembly
8. 690387-659	Screw base to bowl
9. 690387-524	Closet bolt package
10. 690387-356	Base, white, low
10. 690387-062	Base, white, high
11. 690387-636	Retainer assembly
12. 690387-387	Sealant, base to bowl
13. 690387-519	Blade spring
14. 690387-262	Blade
15. 690387-481	Blade seal
16. 690387-520	Blade track
17. 690387-512	Flapper
18. 690387-511	Overflow tube
19. 690387-509	Flush tube
20. 690387-637	Nozzle assembly
21. 690387-726	Bowl
22. 690387-630	Reservoir tank assembly
23. 690387-162	Seat and cover assembly
24. 690387-821	Pedal package
601266	TOILET, FLANGE, CLOSET, 3" X 4", SLIP FIT

# 2007 PARKWAY MOTORHOME

## SEALER/GASKETS/PAINT

### SEALER

360001	Sealant, #884058
360209	Sealant, seam
360176	Sealant, Almond, kitchen and bath
360180	Sealant, Sika-flex, gray
360210	Sealant, Paralastic 4334-014
360283	Sealant, silicone, Corian Bone
360074	SEALANT GE RTV 102 WHITE 3OZ TUBE
360052	SEALANT BLACK VULKEM
365293-01	SEALANT URETHANE SIKAFLEX 721U
360286	SEALANT GREY SU6000-40-386/1 C
365285	SEAMFILL STAIN STICK-OAK

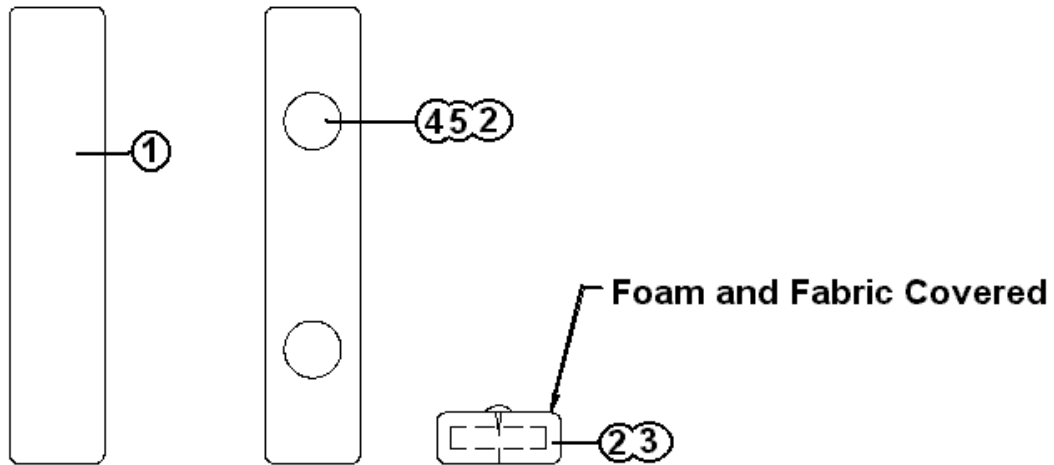
### GASKETS

365190	SEAL, RUBBER, ADHESIVE, 3/4" X 3/4", Refer
365001	TAPE DOUBLE COATED FOAM
381728	RUBBER WIPER-TH250 W/TAPE, WINDOW SEAL

# 2007 PARKWAY MOTORHOME

## UPHOLSTERY/FOAM/MATTRESS

### Arm Rest Cushion, Rear Bath



- |              |                      |
|--------------|----------------------|
| 998151       | Arm Rest Cushion     |
| 1. 800506-05 | 5/8" PLYWOOD         |
| 2. 700414    | FOAM 3/8 X 86"X 52'  |
| 3. 703330    | FABRIC, SANDSTONE    |
| 3. 703474    | FABRIC, MIDNIGHT SUN |
| 4. 700813    | BUTTON, NAIL BOTTOM  |
| 5. 700811    | BUTTON CAP, HANDY    |

### Cab Seats/Seat Skirts



- |            |                                     |
|------------|-------------------------------------|
| 998158     | SKIRT ASSEMBLY, PASSENGER SEAT      |
| 998159     | SKIRT ASSEMBLY, DRIVER SEAT         |
| 703540-286 | SEAT-DRIVER/PASSENGER, SANDSTONE    |
| 703540-195 | SEAT-DRIVER/PASSENGER, MIDNIGHT SUN |

## 2007 PARKWAY MOTORHOME

### UPHOLSTERY/FOAM/MATTRESS

#### Sofa, Parkway, Standard

703536-286	SOFA-74", ULTRA LEATHER, SANDSTONE
703536-195	SOFA-74", ULTRA LEATHER, MIDNIGHT SUN
454322	LEG-FRONT BED INTERSTATE
454323	LEG-REAR BED
454462	LOUNGE LEG

#### Sofa, Aft Dinette Option

703621-485	SOFA, CARAMEL MOCHA
703621-296	SOFA, ERAL GRAY
922970	LEG-SOFA

#### Dinette Seat Cushions, Standard

703537-286	Dinette Seat Back Cushion, Sandstone
703537-195	Dinette Seat Back Cushion, Midnight Sun
703538-286	Dinette Seat Cushion, Sandstone
703538-195	Dinette Seat Cushion, Midnight Sun

#### Dinette Seat Cushions, Optional Aft Dinette

703641-286	Dinette Seat Cushion Kit, Sandstone
703641-195	Dinette Seat Cushion, Kit Midnight Sun

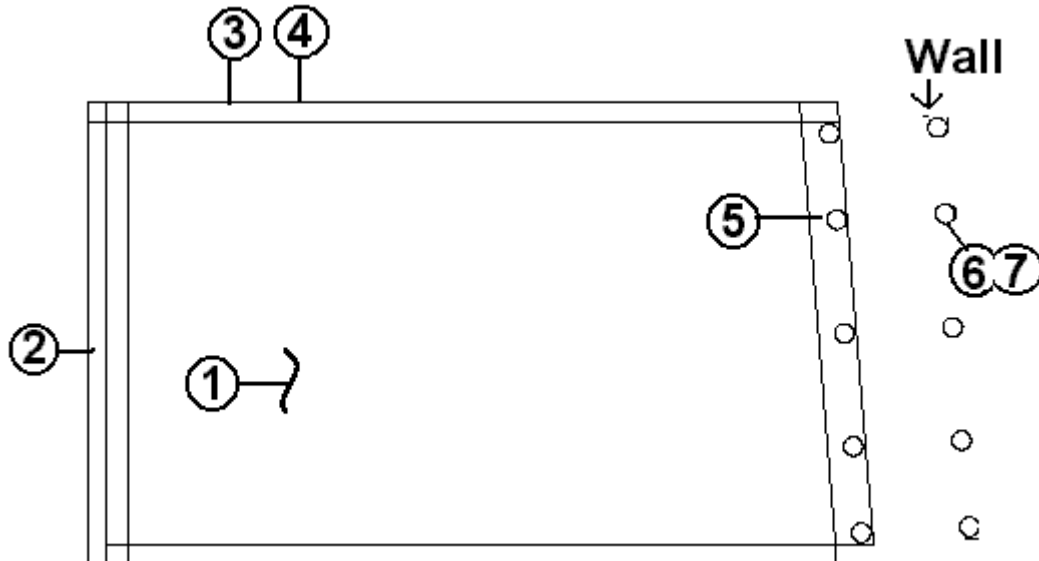
#### Storage Net

703380	NET STORAGE COMPARTMENT STORAGE
--------	---------------------------------

# 2007 PARKWAY MOTORHOME

## UPHOLSTERY/FOAM/MATTRESS

Screen, Galley Closeout, Rear & Mid Bath

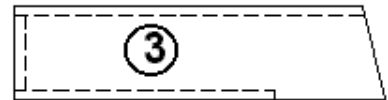
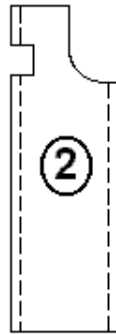
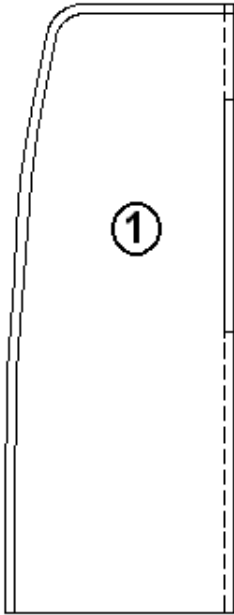


- |           |                                 |
|-----------|---------------------------------|
| 998155    | CLOSEOUT, GALLEY, SCREEN SPRING |
| 1. 380079 | SCREEN, GRAY                    |
| 2. 703386 | VINYL-ASTRO SS MAGNUM STEEL     |
| 3. 700021 | HOOK, VELCRO, WHITE             |
| 4. 700020 | PILE VELCRO                     |
| 5. 700005 | EACH FASTENER, CAP              |
| 6. 700006 | FASTENER SOCKET                 |
| 7. 381519 | SCREW STUD                      |

# 2007 PARKWAY MOTORHOME

## UPHOLSTERY/FOAM/MATTRESS

### Vinyl Close-out Assemblies, Rear Bath



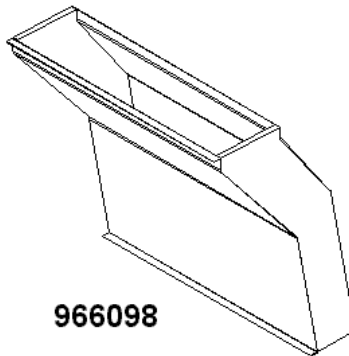
1. 998157-01
  2. 998157-02
  3. 998157-03
- 703386  
700020  
700021  
381081-05  
703388

CLOSEOUT ASSEMBLY, VINYL SHOWER  
CLOSEOUT ASSEMBLY, VINYL PLUMBING  
CLOSEOUT ASSEMBLY, VINYL AFT UPPER  
VINYL-ASTRO SS MAGUM STEEL  
PILE VELCRO  
HOOK, VELCRO, WHITE  
SNAP CAP, GRAY  
VELCRO HOOK WASHER

# 2007 PARKWAY MOTORHOME

## VENTS/FANS

### Refrigerator Vent/Fan



966098

- 966098 Refrigerator duct assembly
- 100341 Refrigerator, vent collar, roof, large
- 101394 Cover, refrigerator vent, roof, large
- 381042 MESH, galvanized for refer vent. .017 X 36"
- 690394 Power ventilator, refrigerator

### Roof Vent, Drain Plumbing

- 690264-03 Vent pipe cover
- 380228 Wire, hardware cloth

### Roof Power Vents

- 381841 VENT, ROOF FANTASTIC EXHAUST ONLY



# 2007 PARKWAY MOTORHOME

## NOTES





