

***AIRSTREAM
EUROPEAN
TRAVEL TRAILER***

***PARTS
BOOK***

2007

2007 EUROPEAN TRAVEL TRAILER
TABLE OF CONTENTS
SECTION I, A through C

APPLIANCES

[Heating System](#) I-1
[Refrigerator](#)..... I-4

BODY

[End shell, aft](#) I-5
[End shell, front](#) I-7
[Wall, Roadside, 532](#) I-9
[Wall, Curbside, 532](#) I-11
[Wrap Protector](#) I-13
[Grab Rails](#) I-14
[Floor](#) I-15
[Shell/Chassis Attachment](#) I-15
[Rear Reflector, Triangle](#) I-16
[Roof](#) I-16
[Body Interior](#) I-17

CHASSIS

[Chassis Diagram](#) I-19
[Bumper](#) I-20
[Underbelly Compartment](#)..... I-21
[Underbelly Outlet Access](#) I-22
[Coupling Covers](#) I-23
[Underbelly Cover](#)..... I-24

2007 EUROPEAN TRAVEL TRAILER TABLE OF CONTENTS

SECTION II, D through E

[DECAL/EXTERIOR TRIM](#).....II-1

DOORS/WINDOWS/AWNING

[Exterior Doors](#)II-2

[Windows, Window Trim & Screens](#)II-7

[Awnings](#).....II-11

DRAPES/BLINDS/VALANCES

[Drape trim and track](#)II-12

ELECTRICAL

[Harnesses/sockets](#)II-13

[Switches/Plates](#).....II-14

[Interior Lights](#).....II-14

[Exterior Lights](#)II-15

ENTERTAINMENT

[Radio Speakers/TV Antenna/GPS Antenna](#).....II-17

2007 EUROPEAN TRAVEL TRAILER TABLE OF CONTENTS

SECTION III F through H

FASTENERS

| | |
|------------------------------|-------|
| Rivets | III-1 |
|------------------------------|-------|

| | |
|--------------------------------------|-------|
| FLOOR COVERING | III-3 |
|--------------------------------------|-------|

FURNITURE DRAWINGS & CHARTS

| | |
|--------------------------------------|-------|
| Interior Doors | III-3 |
|--------------------------------------|-------|

| | |
|---|-------|
| Dinette Seating/Bedroom | III-4 |
|---|-------|

| | |
|--------------------------------|--------|
| Lavatory | III-14 |
|--------------------------------|--------|

| | |
|------------------------------|--------|
| Galley | III-25 |
|------------------------------|--------|

HARDWARE

| | |
|---------------------------------|--------|
| Main Door | III-32 |
|---------------------------------|--------|

| | |
|---------------------------------------|--------|
| Window Hardware | III-34 |
|---------------------------------------|--------|

| | |
|---|--------|
| Main Door Dead Bolt | III-35 |
|---|--------|

| | |
|---------------------------------|--------|
| Towel Bar | III-35 |
|---------------------------------|--------|

| | |
|---------------------------------------|--------|
| Interior Hinges | III-35 |
|---------------------------------------|--------|

| | |
|--|--------|
| Wardrobe Clothes Rod | III-35 |
|--|--------|

| | |
|---------------------------------------|--------|
| Awning Hardware | III-36 |
|---------------------------------------|--------|

2007 EUROPEAN TRAVEL TRAILER TABLE OF CONTENTS

SECTION IV P through Z

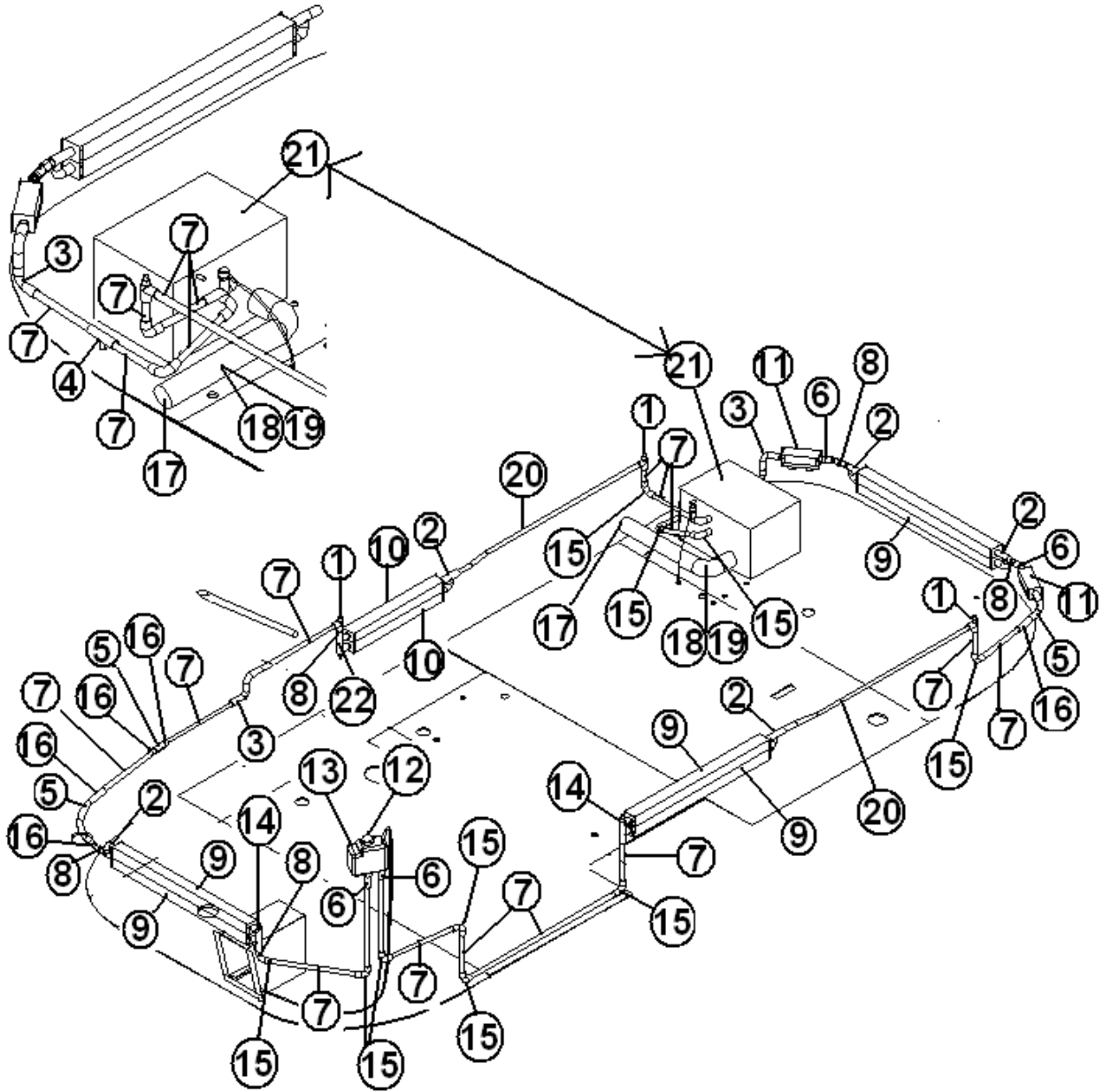
PLUMBING

| | |
|--|-------|
| LPG | IV-1 |
| Fresh water | IV-5 |
| Faucets | IV-13 |
| Drain water | IV-17 |
| Vacuum Cassette Plumbing | IV-19 |
| Sink, Bath | IV-19 |
| | |
| SEALER | IV-20 |
| | |
| PAINT | IV-20 |
| | |
| VENTS/FANS | IV-21 |

2007 EUROPEAN TRAVEL TRAILER

APPLIANCES

Heating System, 532 AEU



Part Numbers On The Next Page

2007 EUROPEAN TRAVEL TRAILER

APPLIANCES

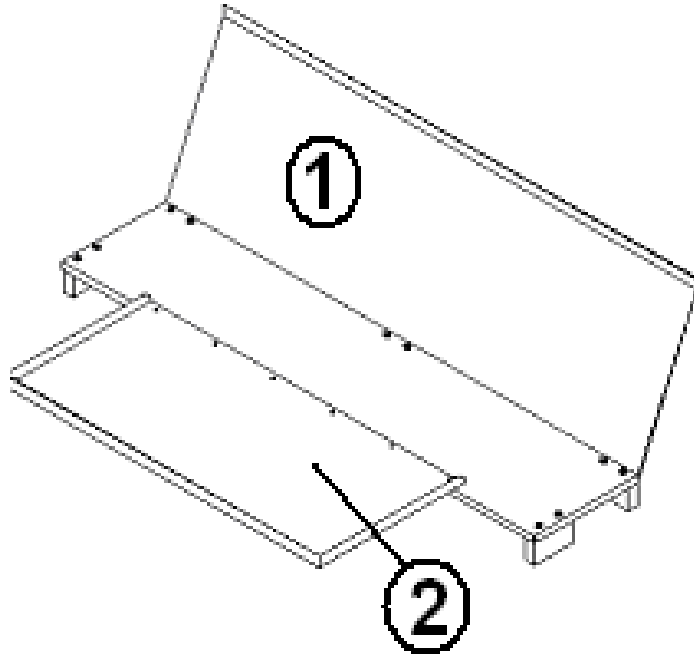
Heating System, 532 AEU

1. 99900P-069 T JOINT, RUBBER W/BLEEDER
2. 99900P-070 Y JOINT, RUBBER W/CLIPS
3. 99900P-071 S JOINT, RUBBER W/CLIPS
4. 99900P-072 T DRAIN, RUBBER W/CLIPS
5. 99900P-073 HOSE, RUBBER, EPDM 21,4X 4.25MM
6. 99900P-074 JOINT, RUBBER, EPDM 21 4X 4,25MM
7. 99900P-076 PIPE, ALUMINUM, 22 X 1MM
8. 99900P-077 CONNECTOR, PIPE 22X1MM
9. 99900P-078 CONVECTOR, 1000MM
10. 99900P-079 CONVECTOR, 700MM
11. 99900P-080 CONVECTOR FAN
12. 99900P-081 PUMP, 12V, CIRCULATION
13. 99900P-082 TANK-EXPANSION
14. 99900P-083 F JOINT, RUBBER W/CLIPS
15. 99900P-084 ELBOW, 90D RUBBER
16. 99900P-085 CLIP, DOUBLE FOR RUBBER
17. 99900P-075 FLUE, WALL W/CLIPS
18. 99900P-089 HOSE, EXHAUST 50MM
19. 99900P-090 HOSE, INLET 75MM
20. 99900P-091 PIPE, CONVECTOR PRE BENT
21. 99900P-092 HEATER, HOT WATER
22. 99900P-118 JOINT, RUBBER F W/O BLEEDER
- 340085-07 CLAMP, LOOP W/RUBBER, 1"
- 99900P-086 PANEL, CONTROL
- 99900P-087 CABLE, CONTROL PANEL CONNECTOR, .5MM
- 201890 COVER EXTERIOR 110 VOLT BELOW
- 365194 TAPE, ALUMINUM FOIL, 2"
- 99900P-112 VENT, FLOOR, 1.5" X 5.25"

2007 EUROPEAN TRAVEL TRAILER

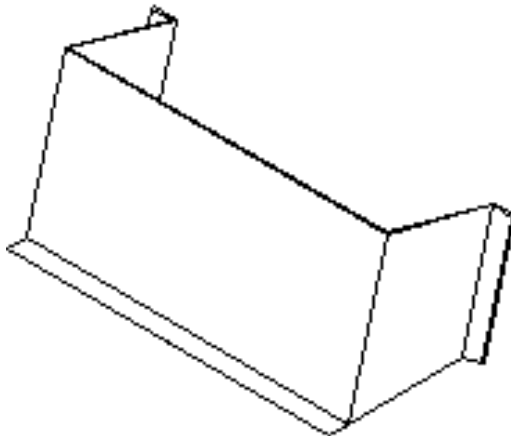
APPLIANCES

Heater Baffle, Forward, 532 AEU



- 1. 99900M-145 Heater baffle, forward
- 2. 99900M-146 Heater baffle, Aft

Heater Baffle, Floor to Radiator, 532 AEU

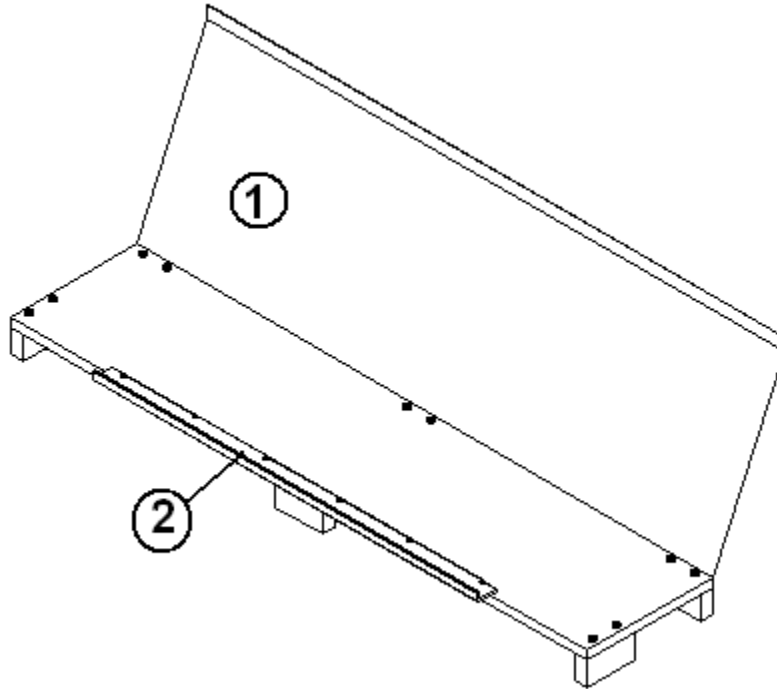


99900M-188 BAFFLE, FLOOR TO RADIATOR, AEU 532

2007 EUROPEAN TRAVEL TRAILER

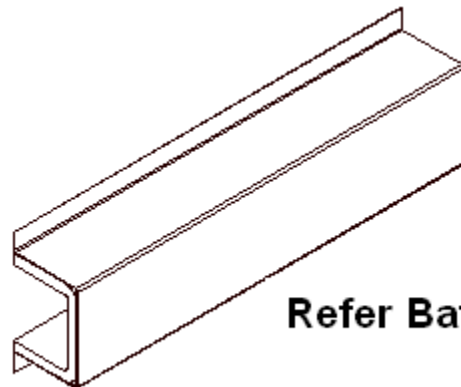
APPLIANCES

Heater Baffle System, Front Chest Option, 532 AEU



- 1. 99900M-145 Heater baffle system
- 2. 99900P-115 Aluminum angle, 1.5" x .5" x .125"

Refrigerator



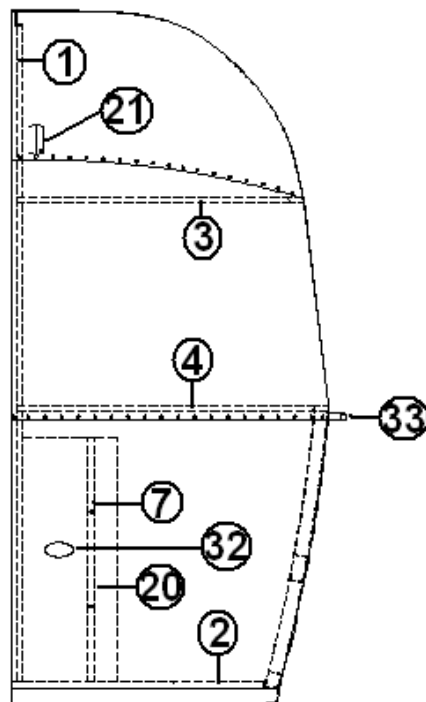
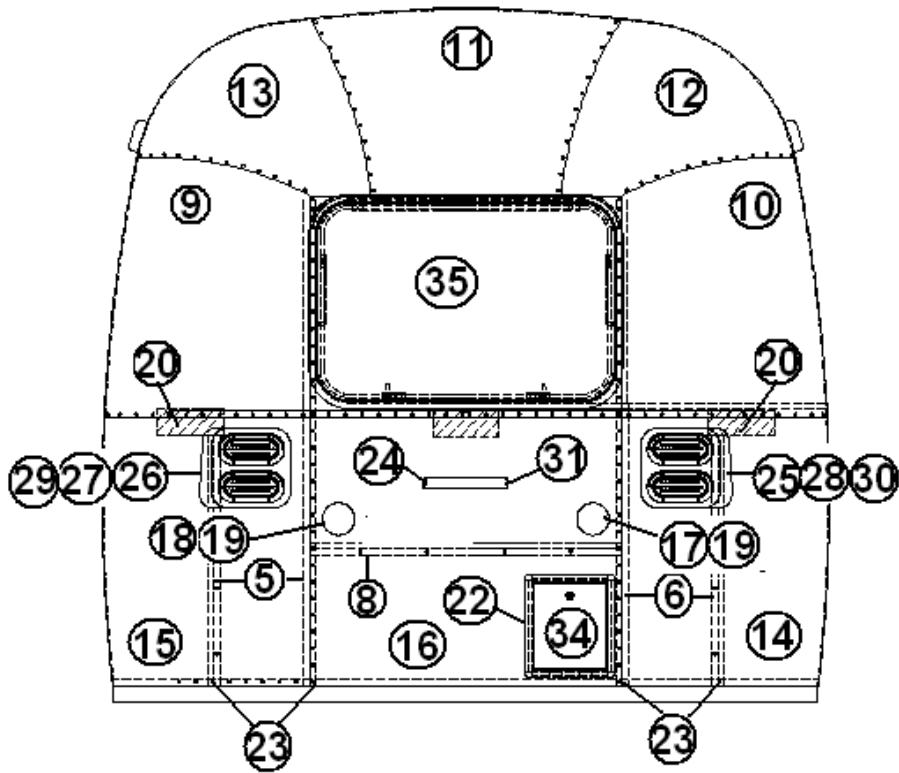
Refer Baffle

- 99900M-170 Refrigerator Door Insert
- 99900M-129 REFER BAFFLE ASSY
- 201568 FOAM, 3 TUFCOTE ACOUSTICAL

2007 EUROPEAN TRAVEL TRAILER

EXTERIOR SHELL

End Shell, Rear, 532



Part numbers are on the next page

2007 EUROPEAN TRAVEL TRAILER

EXTERIOR SHELL

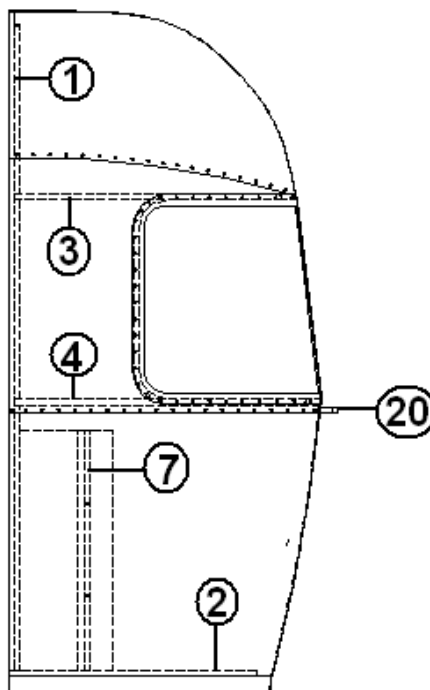
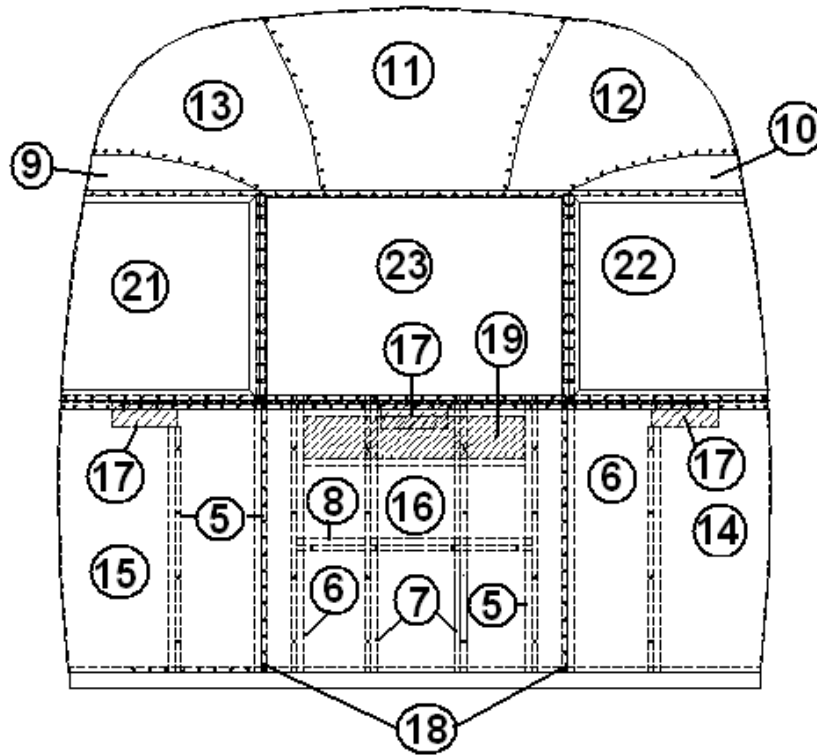
End Shell, Rear, 532

| | |
|----------------|-------------------------------------|
| 99900M-020 | END SHELL, REAR |
| 1. 99900M-015 | WELDLMENT-ZERO BOW |
| 2. 99900M-018 | BOW-FLOOR |
| 3. 99900M-016 | BOW-UPPER WINDOW |
| 4. 99900M-017 | BOW-LOWER WINDOW |
| 5. 114505-01 | SUPPORT LOWER END SHELL LH |
| 6. 114505-02 | SUPPORT LOWER END RH |
| 7. 101315 | BRACE VERTICAL REAR |
| 8. 104408 | EXTRUSION, Z RIB |
| 9. 114888 | SEGMENT, CENTER LEFT "BRIGHT" |
| 10. 114889 | SEGMENT, CENTER RIGHT "BRIGHT" |
| 11. 99900M-049 | SEGMENT, CENTER END SHELL |
| 12. 114890 | SEGMENT, #26 "BRIGHT" |
| 13. 114891 | SEGMENT, #27 "BRIGHT" |
| 14. 114894 | SEGMENT, #28 "BRIGHT" |
| 15. 114895 | SEGMENT, #29 "BRIGHT" |
| 16. 114880-307 | ALUMINUM SHEET .040"X51"X307" |
| 17. 99900P-011 | LIGHT, LED FOG .95"D |
| 18. 99900P-012 | LIGHT, LED REVERSE |
| 19. 99900P-013 | RING, CHROME LIGHT |
| 20. 101115 | SHEET, ALUMINUM, .060 X 48 X 120 |
| 21. 99900P-014 | LIGHT, END LINER MARKER |
| 22. 101828 | EXTRUSION, ALUMINUM STIFFENER |
| 23. 114813 | ALUMINUM ANGLE 1.00" X 1.50" |
| 24. 99900P-010 | LAMP, NUMBER PLATE |
| 25. 99900M-043 | TAILLIGHT ASSEMBLY, CURBSIDE |
| 26. 99900M-042 | TAILLIGHT ASSEMBLY, ROADSIDE |
| 27. 203386-01 | POCKET, INNER TAILLIGHT, LEFT HAND |
| 28. 203386-02 | POCKET, INNER TAILLIGHT, RIGHT HAND |
| 29. 115073-01 | BRACKET, ROADSIDE TAILLIGHT |
| 30. 115073-02 | BRACKET, CURBSIDE TAILLIGHT |
| 31. 115074 | BRACKET, CENTER TAILLIGHT |
| 32. 99900P-015 | LIGHT, LED SIDE MARKER |
| 33. 99900P-001 | RAIL, GRAB STAINLESS STEEL |
| 34. 99900M-063 | BATTERY BOX DOOR |
| 35. 99900P-051 | WINDOW-REAR W/ROUND CORNER |

2007 EUROPEAN TRAVEL TRAILER

EXTERIOR SHELL

End Shell, Front, 532



Part numbers are on the next page

2007 EUROPEAN TRAVEL TRAILER

EXTERIOR SHELL

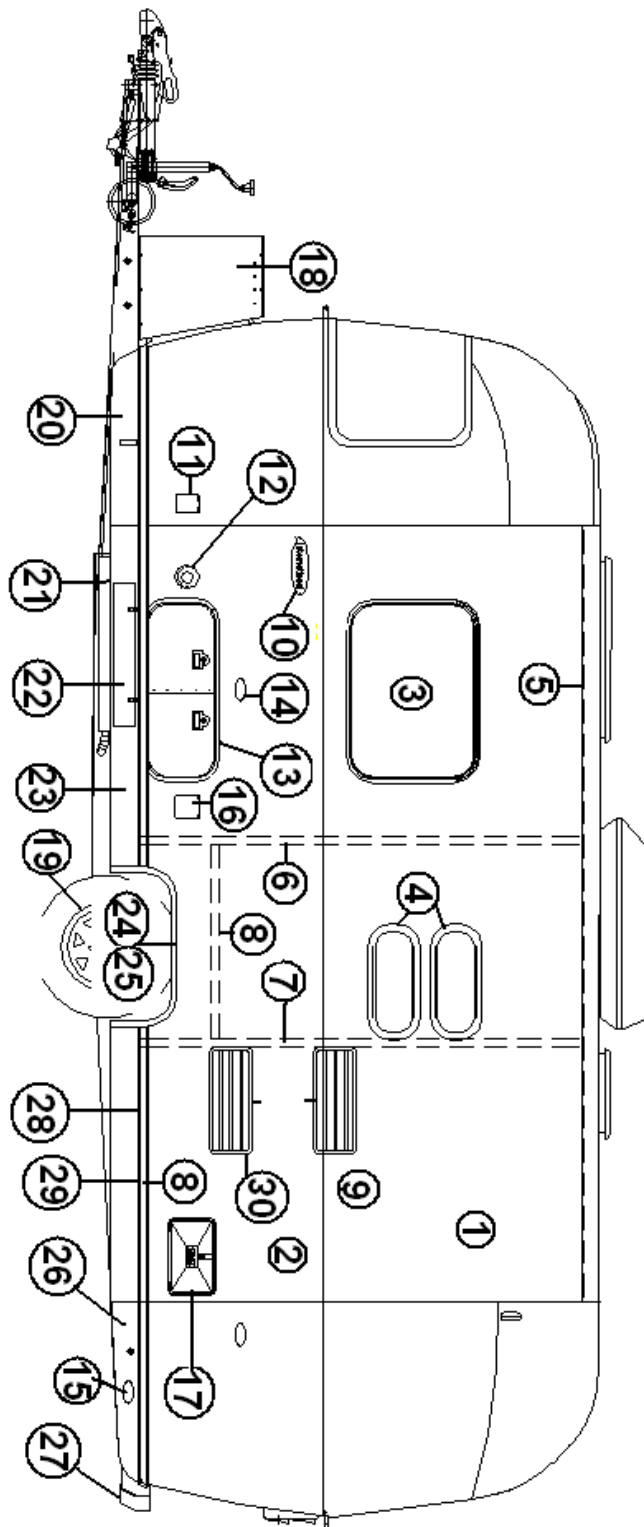
End Shell, Front, 532

| | |
|----------------|---------------------------------|
| 99900M-019 | END SHELL, FRONT |
| 1. 99900M-015 | WELDMENT-ZERO BOW |
| 2. 99900M-018 | BOW-FLOOR |
| 3. 99900M-016 | BOW-UPPER WINDOW |
| 4. 99900M-017 | BOW-LOWER WINDOW |
| 5. 114505-01 | SUPPORT LOWER END SHELL LH |
| 6. 114505-02 | SUPPORT LOWER END RH |
| 7. 101315 | BRACE VERTICAL REAR |
| 8. 104408 | EXTRUSION, Z RIB |
| 9. 114888 | SEGMENT-CENTER LEFT "BRIGHT" |
| 10. 114889 | SEGMENT-CENTER RIGHT "BRIGHT" |
| 11. 99900M-049 | SEGMENT-CENTER END SHELL |
| 12. 114890 | SEGMENT-#26 "BRIGHT" |
| 13. 114891 | SEGMENT-#27 "BRIGHT" |
| 14. 114894 | SEGMENT-#28 "BRIGHT" |
| 15. 114895 | SEGMENT-#29 "BRIGHT" |
| 16. 114880-307 | ALUMINUM, CUT TO X 41" X 37.55" |
| 17. 101115 | SHEET, ALUM .060" X 48" X 120" |
| 18. 114813 | ALUMINUM ANGLE 1.00" X 1.50" |
| 19. 453629 | HAT SECTION, TABLE SUPPORT |
| 20. 99900P-001 | RAIL, GRAB |
| 21. 372088-101 | WINDOW, WRAP RS FRONT, CS REAR |
| 22. 372089-101 | WINDOW, WRAP CS FRONT, RS REAR |
| 23. 99900P-049 | WINDOW, FRONT W/SQUARE CORNERS |

2007 EUROPEAN TRAVEL TRAILER

EXTERIOR SHELL

Wall, Roadside, 532



Part numbers are on the next page

2007 EUROPEAN TRAVEL TRAILER

EXTERIOR SHELL

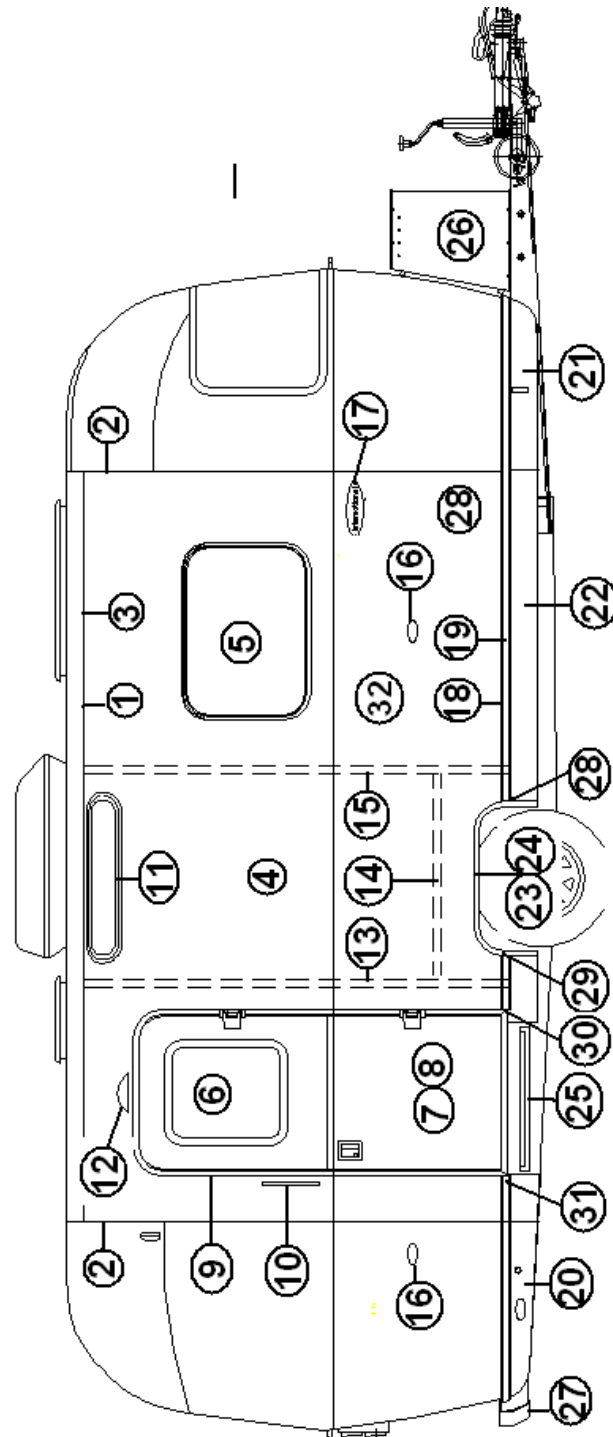
Wall, Roadside, 532

| | |
|----------------|-------------------------------------|
| 1. 114879-307 | ALUMINUM SHEET, .040" X 33" X 307" |
| 2. 114880-307 | ALUMINUM SHEET, .040" X 51" X 307" |
| 3. 371324-02 | WINDOW, 30" OPENING |
| 4. 371269-01 | WINDOW 18" STACK |
| 5. 114290-02 | EXTRUSION, AWNING/DRIP RAIL 261" |
| 6. 114387-02 | BOW RIB-Z L.H. |
| 7. 114387-01 | BOW Z-RIB R.H. |
| 8. 99900P-043 | EXTRUSION-FLOOR 16.5' |
| 9. 99900P-107 | REFIGERATOR VENT, UPPER |
| 10. 386108 | NAME PLATE, INTERNATIONAL |
| 11. 99900P-104 | AQUAMASTER WATER SYSTEM INLET |
| 12. 99900P-075 | HEATER WALL FLUE, W/CLIPS |
| 13. 99900M-030 | DOOR ASSY-30" COMPARTMENT |
| 14. 99900P-015 | LIGHT-LED SIDE MARKER |
| 15. 99900P-018 | LAMP-SIDE MARKER W/REFLECTOR |
| 16. 99900-153 | POWER INLET BOX |
| 17. 601876 | Exterior shower hatch |
| 18. 99900M-035 | COVER, LP BOTTLE |
| 19. 99900P-003 | TIRE/WHEEL ASSY |
| 20. 99900P-008 | BANANA, ROADSIDE FRONT/CS REAR |
| 21. 99900P-020 | COMPARTMENT PAN, UNDERBELLY |
| 22. 99900M-045 | COMPARTMENT ASSEMBLY |
| 23. 101131-01 | ALUMINUM UNDERBELLY |
| 24. 114003-03 | Wheel well trim, inner, single axle |
| 25. 99900M-121 | Wheel well trim, outer, single axle |
| 26. 200543 | BANANA, CS FRONT, RS REAR |
| 27. 99900M-002 | BUMPER-REAR |
| 28. 114460 | EXTRUSION, RUBRAIL, 16' |
| 29. 201763-01 | INSERT RUB RAIL CHROME 1" |
| 30. 99900P-106 | REFER VENT-LOWER |

2007 EUROPEAN TRAVEL TRAILER

EXTERIOR SHELL

Wall, Curbside, 532



Part numbers are on the next page

2007 EUROPEAN TRAVEL TRAILER

EXTERIOR SHELL

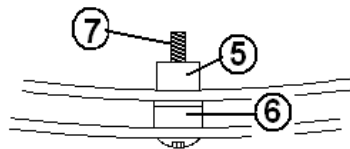
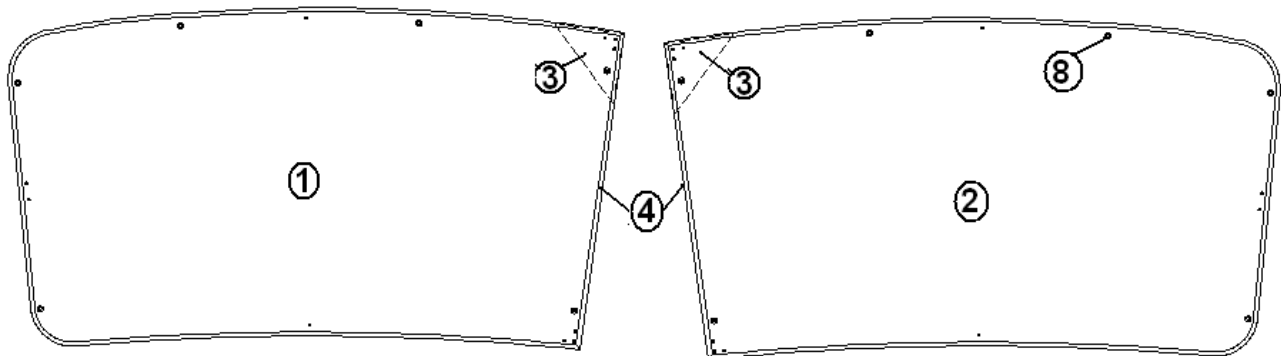
Wall, Curbside, 532

1. 114290-02 Extrusion, awning/drip rail
2. 99900M-015 WELDLMENT-ZERO BOW
3. 104707-05 Extrusion, "I" beam
4. 114880-307 ALUMINUM SHEET, .040" X 51" X 307"
5. 371324-02 WINDOW, 30" OPENING
6. 371400-01 WINDOW-MAIN DOOR
7. 115207-05 Main door assembly
8. 114654-01 Screen door assembly
9. 114652 Jamb, main door, pre-formed
10. 101171 HANDLE, CAST ALUMINUM
11. 922770-02 VISTA VIEW, 30"
12. 101323 CASTING, STEPLIGHT, POLISHED
13. 114387-02 BOW RIB-Z L.H.
14. 99900P-043 EXTRUSION, FLOOR 16.5'
15. 114387-01 BOW Z-RIB R.H.
16. 99900P-015 LIGHT, LED SIDE MARKER
17. 386108 NAMEPLATE, INTERNATIONAL
18. 114460 EXTRUSION RUBRAIL, 16'
19. 201763-01 INSERT RUB RAIL CHROME 1"
20. 99900P-009 BANANA, CURBSIDE, FRONT
21. 200542 BANANA, FRONT RS/REAR CS
22. 101131-01 ALUMINUM UNDERBELLY
23. 114003-03 Wheel well trim, inner, single axle
24. 99900M-121 Wheel well trim, outer, single axle
25. 400962 STEP, MAIN DOOR, STEEL, 24"
26. 99900M-035 COVER , LP BOTTLE
27. 99900M-002 BUMPER-REAR
28. 114466-01 Casting, rub rail end, wheel well, RH
29. 114466-02 Casting, rub rail end, wheel well, LH
30. 114465-01 Casting, rub rail end, door, RH
31. 114465-02 Casting, rub rail end, door, LH
32. 114879-307 ALUMINUM SHEET, .040" X 33" X 307"

2007 EUROPEAN TRAVEL TRAILER

EXTERIOR SHELL

Wrap Protector, Front End, 532

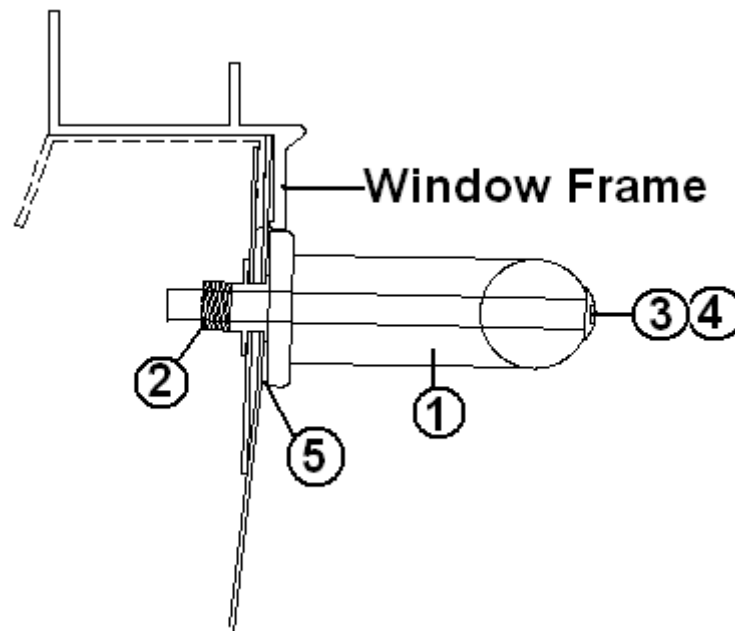


- | | |
|---------------|------------------------------------|
| 1. 99900M-028 | CURBSIDE WRAP PROTECTOR ASSEMBLY |
| 2. 99900M-029 | ROADSIDE WRAP PROTECTOR ASSEMBLY |
| 3. 685343 | GUSSET, CORNER SS WRAP PROTECTOR |
| 4. 100742-01 | EXTRUSION, ALUMINUM TRIM |
| 5. 345450 | WELLNUT, RUBBER 1/4-20 |
| 6. 99900P-006 | SCREW, 1/4-20 X 1.5" SOCKET HD |
| 7. 99900P-007 | SPACER, ALUMINUM, .63"OD .252"ID X |
| 8. 325002-01 | RIVET, ANODIZED CLEAR, 1/8 X 3/8 |

2007 EUROPEAN TRAVEL TRAILER

EXTERIOR SHELL

Grab Rails

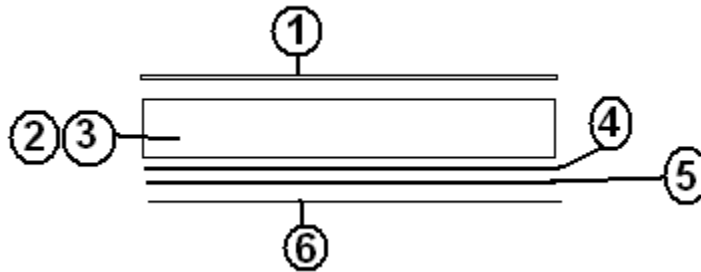


- | | |
|---------------|----------------------------------|
| 1. 99900P-001 | RAIL, GRAB STAINLESS STEEL |
| 2. 99900P-004 | NUT- 1/4-20 RIVET |
| 3. 99900P-006 | SCREW- 1/4-20 X 1.5" SOCKET HD |
| 4. 99900P-044 | SCREW- 1/4-20X3.5" SOCKET CAP |
| 5. 365222 | TAPE DOUBLE COATED .08 X 3/4" |
| 360180 | ADHESIVE SEAL SIKAFLEX 221, GRAY |

2007 EUROPEAN TRAVEL TRAILER

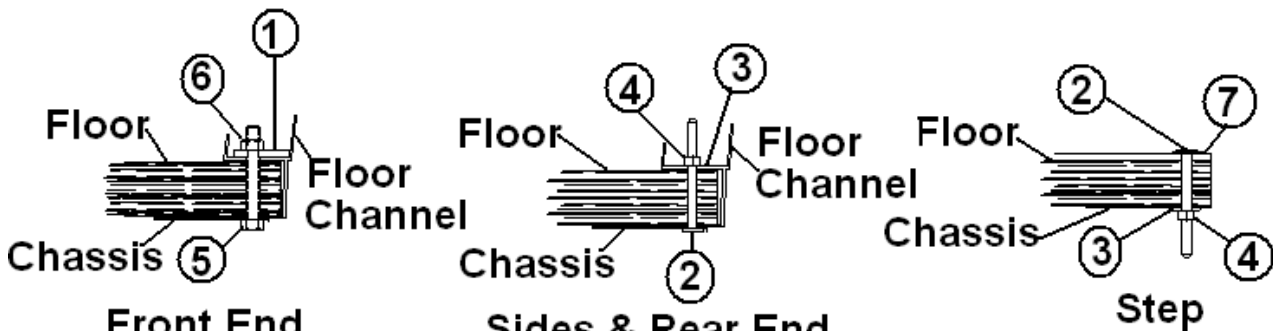
EXTERIOR SHELL

Flooring Sub Structure



- | | |
|---------------|--|
| 99900M-004 | FLOOR ASSEMBLY |
| 1. 801507-03 | Lauan, 3/8" |
| 2. 99900M-003 | WELDMENT, FLOOR |
| 3. 203075 | STYROFOAM SHEET 1½" |
| 4. 801507-01 | Lauan. 1/8" |
| 5. 114489-198 | ALUMINUM SHEET .032 X 60" X 198" WHITE |
| 6. 702754 | UNDERBELLY COVER, 105" WIDE BLACK |

Shell/Chassis Attachment

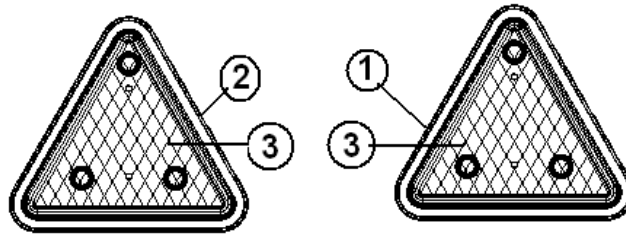


- | | | | |
|------------------|----------------------------------|-----------------------------|----------------------------------|
| Front End | | Sides & Rear End | |
| 1. 300023-02 | WASHER, HOLD DOWN, HOLE OFFSET | 1. 300023-02 | WASHER, HOLD DOWN, HOLE OFFSET |
| 2. 345142 | SCREW 1/4-20 X 3" | 2. 345142 | SCREW 1/4-20 X 3" |
| 3. 300111-31 | WASHER, FLAT, 5/16" | 3. 300111-31 | WASHER, FLAT, 5/16" |
| 4. 350004 | NUT, 1/4-20, STEEL SQUARE HEAD | 4. 350004 | NUT, 1/4-20, STEEL SQUARE HEAD |
| 5. 345272-13 | SCREW, CAP, HEX HD, 3/8-16 X 3¼" | 5. 345272-13 | SCREW, CAP, HEX HD, 3/8-16 X 3¼" |
| 6. 350147-37 | NUT, NYLON LOCK, 3/8-16 | 6. 350147-37 | NUT, NYLON LOCK, 3/8-16 |
| 7. 300052 | WASHER, 3/8"ID/5/8" OD FLAT | 7. 300052 | WASHER, 3/8"ID/5/8" OD FLAT |

2007 EUROPEAN TRAVEL TRAILER

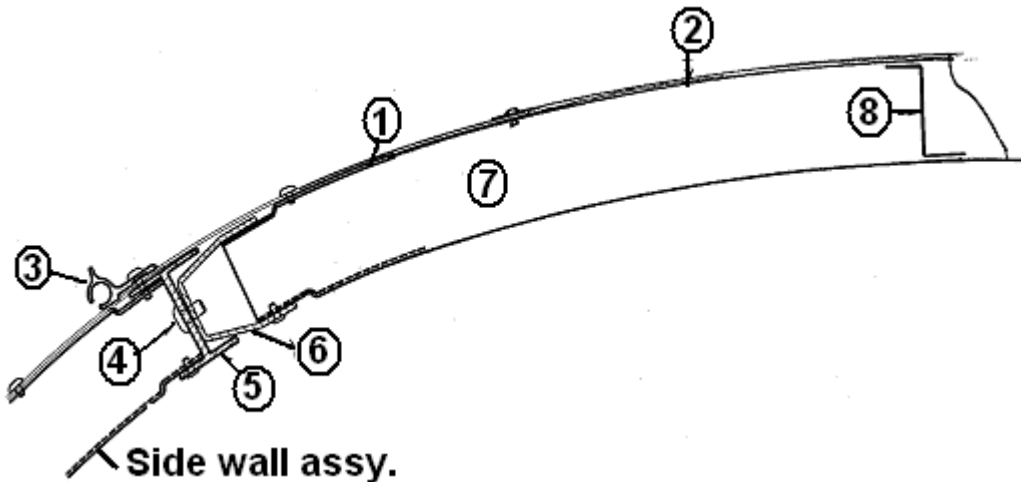
EXTERIOR SHELL

Rear Reflector



- | | |
|---------------|-------------------------------|
| 1. 99900P-030 | BASE, CURBSIDE REAR REFLECTOR |
| 2. 99900P-031 | BASE, ROADSIDE REAR REFLECTOR |
| 3. 99900P-019 | REFLECTOR, REAR TRIANGLE |

Roof End View



- | | |
|---------------|--|
| 1. 114489-198 | Alum. Sheet, white, .032" x 60" x 198" |
| 2. 114880-307 | |
| 3. 114290-02 | Extrusion, awning/drip rail |
| 4. 340123-02 | FASTENER, HUCK, BOM, 3/16" DIAMETER |
| 5. 104707-05 | Extrusion, "I" beam, 194" |
| 6. 114987-02 | Extrusion, roof corner |
| 7. 99900M-001 | Roof Bow |
| 8. 104408 | Extrusion, Z-bar, horizontal |
| 325000-03 | RIVET ANODIZED WHITE 1/8" X 1/4" |
| 330127-03 | RIVET 1/8" AD43ABS |
| 325003-01 | RIVET, ANODIZED CLEAR 1/8" X 7/16" |

2007 EUROPEAN TRAVEL TRAILER

INTERIOR SHELL

Interior Skin



- | | |
|---------------|-----------------------------------|
| 1. 114891-01 | INTERIOR SEGMENT |
| 2. 99900M-050 | INTERIOR SEGMENT |
| 3. 114890-01 | INTERIOR SEGMENT |
| 114879-262 | ALUMINUM SHEET .040" X 33" X 262" |
| 114880-262 | ALUMINUM SHEET .040" X 51" X 262" |
| 114879-307 | ALUMINUM SHEET .040" X 33" X 307" |
| 114880-307 | ALUMINUM SHEET .040" X 51" X 307" |
| 330128-05 | RIVET 1/8 IN (WHITE) AD45ABS |
| 99900P-386 | WALL LINER, HOBNAIL IVORY |

Interior Trim

- | | |
|------------|--------------------------------------|
| 114655-01 | TRIM RING FORMED MAIN DOOR |
| 381772 | HEAD KNOCKER-ENTRANCE DOOR |
| 110900-03 | TRIM FORMED INT. FRONT WRAP ALUM. |
| 110900-04 | TRIM FORMED INTERIOR FRONT WRAP ALUM |
| 201673 | Cove molding, Ivory, plastic |
| 371319-06 | TRIM RING-MAIN DOOR WINDOW |
| 99900P-116 | EDGE TRIM LOK, DINETTE, .38" WHITE |
| 203464-02 | Panel Trim, beige |
| 371319-06 | TRIM RING, MAIN DOOR |

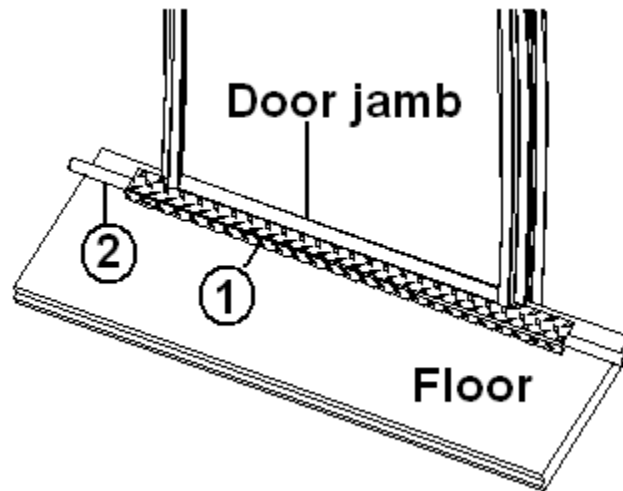
2007 EUROPEAN TRAVEL TRAILER

INTERIOR SHELL

Wheel Well, Interior

203289 LINER, WHEEL WELL, ABS
201568 FOAM, 3 TUFCOTE ACOUSTICAL, 1/2I
365194 TAPE, ALUMINUM FOIL 2"

Main Door Thresh Hold

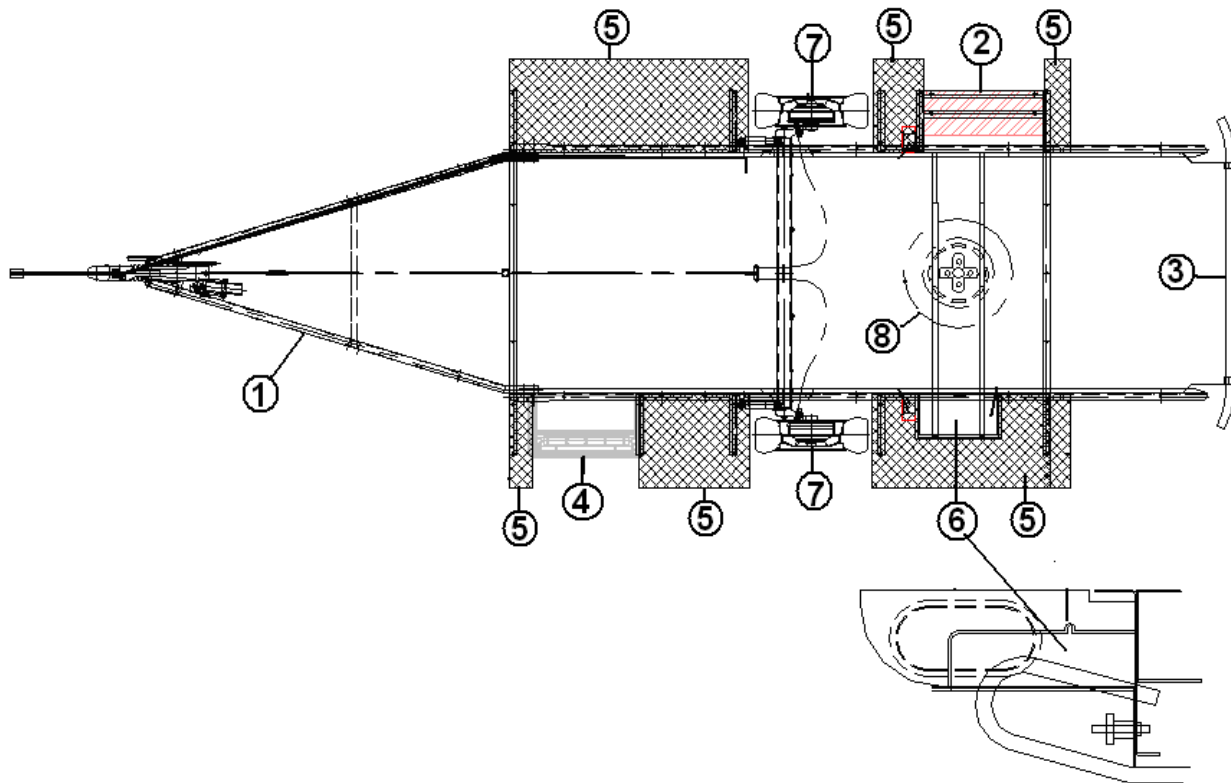


1. 99900M-066 COVER-MAIN DR.THRESHOLD
2. 114821 TUBE, .040 X 1.0 X 1.50X 21'1"

2007 EUROPEAN TRAVEL TRAILER

CHASSIS

Chassis Diagram

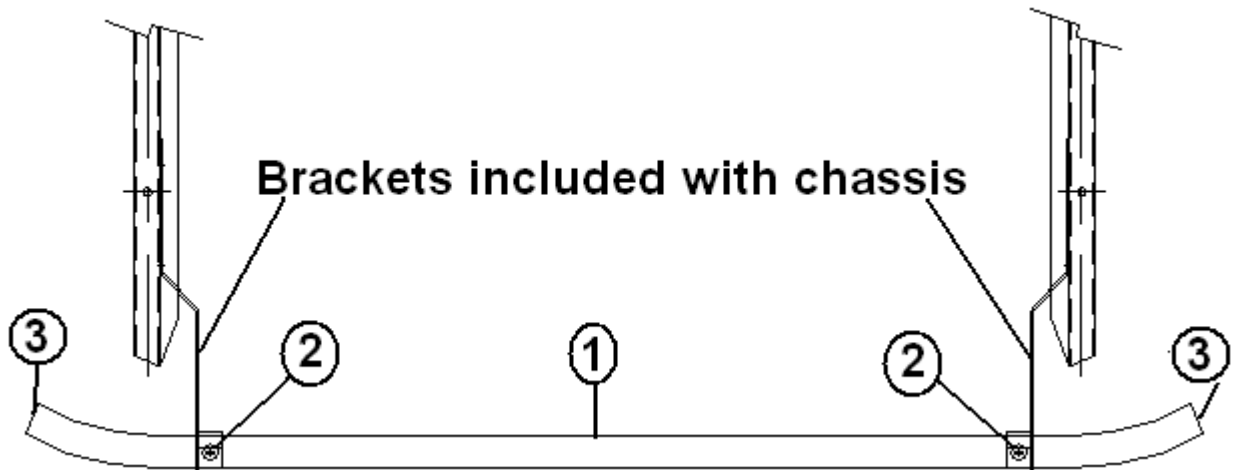


- | | |
|---------------|------------------------------------|
| 99900M-060 | CHASSIS ASSY |
| 1. 99900P-046 | WELDMENT, CHASSIS, AEU 532 |
| 2. 400962 | STEP, MAIN DOOR STEEL 24" |
| 3. 99900M-002 | BUMPER, REAR |
| 4. 99900M-045 | COMPTARTMENT ASSEMBLY UNDERBELLY |
| 5. 101131-01 | ALUMINUM UNDERBELLY .019" X 65.75" |
| 6. 203384 | RACK, SPICE , ABS (USED FOR COVER) |
| 7. 99900P-003 | TIRE/WHEEL ASSEMBLY |
| 8. 99900P-022 | TIRE/WHEEL ASSEMBLY, SPARE |
| 99900P-134 | LEAD, 13 PIN |

2007 EUROPEAN TRAVEL TRAILER

CHASSIS

Bumper



1. 99900M-002
2. 345073-08
3. 99900P-347

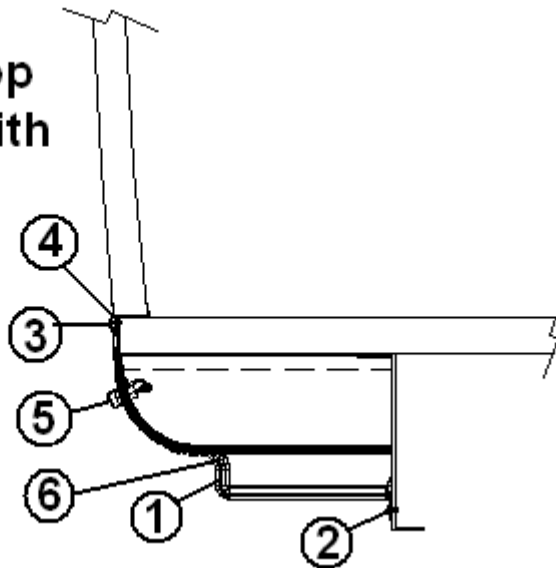
BUMPER, REAR
SCREW 1/4-20 X 1 3/8 WAFER HD
Bumper end caps

2007 EUROPEAN TRAVEL TRAILER

CHASSIS

Underbelly Compartment

**Seal across top
of belly pan with
item 4**

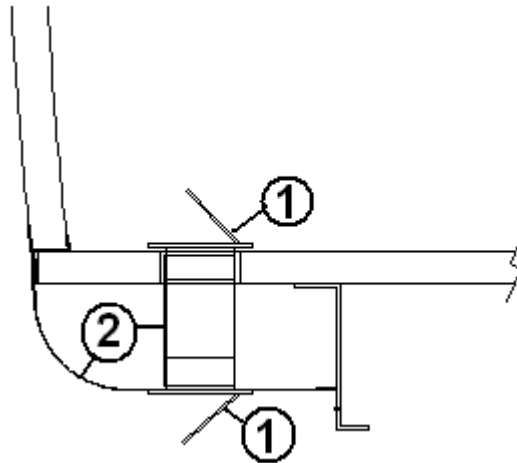


- | | |
|---------------|-----------------------------------|
| 99900M-045 | COMPARTMENT ASSEMBLY, UNDERBELLY |
| 1. 99900P-020 | COMPARTMENT, UNDERBELLY |
| 2. 330038 | RIVET BLIND AD 54 ABS-LF |
| 3. 330127-05 | RIVET 1/8" AD45ABS |
| 4. 360180 | ADHESIVE SEAL SIKAFLEX 221 GR |
| 5. 99900P-023 | KNOB, COMPRESSION LATCH |
| 6. 380203-01 | PIANO HINGE 1/8" PIN CLR ANODIZED |

2007 EUROPEAN TRAVEL TRAILER

CHASSIS

Underbelly Outlet Access

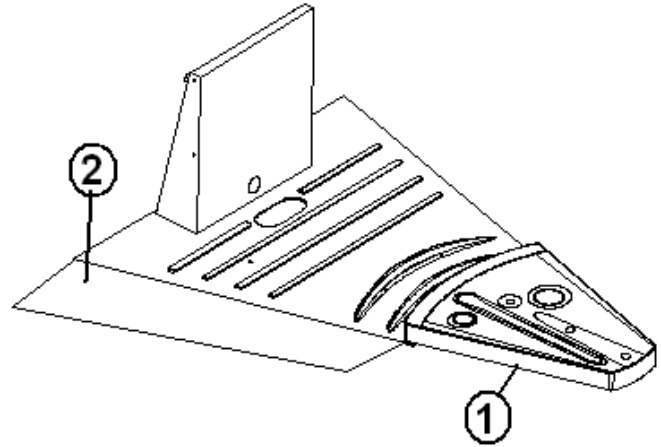
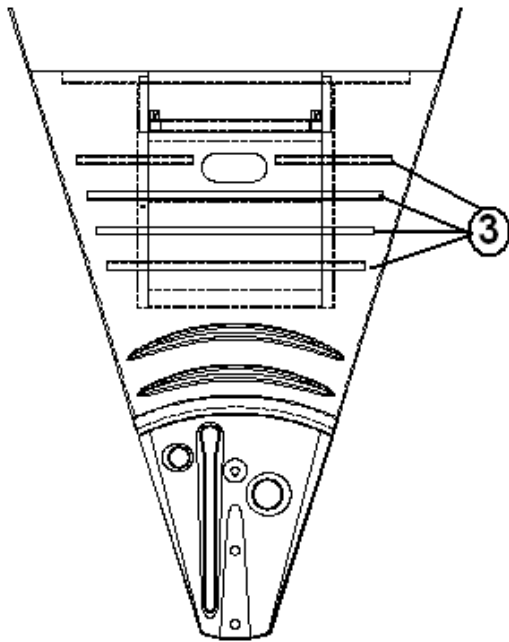


- | | |
|--------------|---------------------------------|
| 1. 381435-01 | HATCH, ACCESS COVER, GREY |
| 2. 101131 | ALUMINUM UNDERBELLY 22.50" WIDE |
| 330126-04 | RIVET, POP S.S. .125" #45 |
| 99900P-391 | GAS VALVE 4-WAY AEU 532 |

2007 EUROPEAN TRAVEL TRAILER

CHASSIS

Coupling Cover



- | | |
|---------------|---------------------------------------|
| 1. 99900P-026 | COVER, COUPLING |
| 2. 99900P-027 | COVER, DRAWBAR |
| 3. 201709-02 | EXTRUSION TRIM MOLDING, -0007 (BLACK) |

2007 EUROPEAN TRAVEL TRAILER

CHASSIS

Underbelly Skin/Cover

| | |
|-----------|---|
| 101131-01 | Aluminum, underbelly wrap, .024" x 22.5, gray |
| 114679 | ALUMINUM UNDERBELLY .019" X" 65.75" |
| 702754 | UNDERBELLY DARCO 105" WIDE BLACK |

2007 EUROPEAN TRAVEL TRAILER

EXTERIOR TRIM

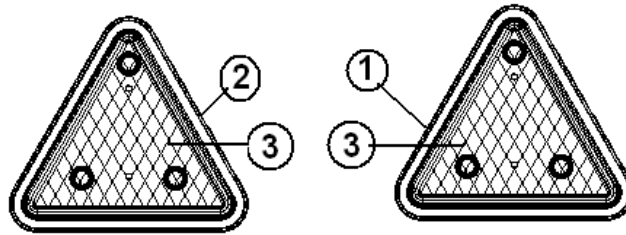
Decal/Medallions

| | |
|------------|---------------------------------|
| 386108 | NAMEPLATE-INTERNATIONAL |
| 386153 | DECAL, AIRSTREAM 1.3"X 16" ALUM |
| 99900P-349 | Vehicle Identification Plate |
| 99900P-369 | WEIGHT PLATE |

Rub Rail Trim

| | |
|-----------|---|
| 114460 | Extrusion, rub rail |
| 201763-01 | Insert, rub rail, chrome, 1" |
| 114466-01 | Close out, casting, rub rail, angled RH |
| 114466-02 | Close out, casting, rub rail, angled LH |
| 114465-01 | Close out, casting, rub rail RH |
| 114465-02 | Close out, casting, rub rail LH |

Reflectors

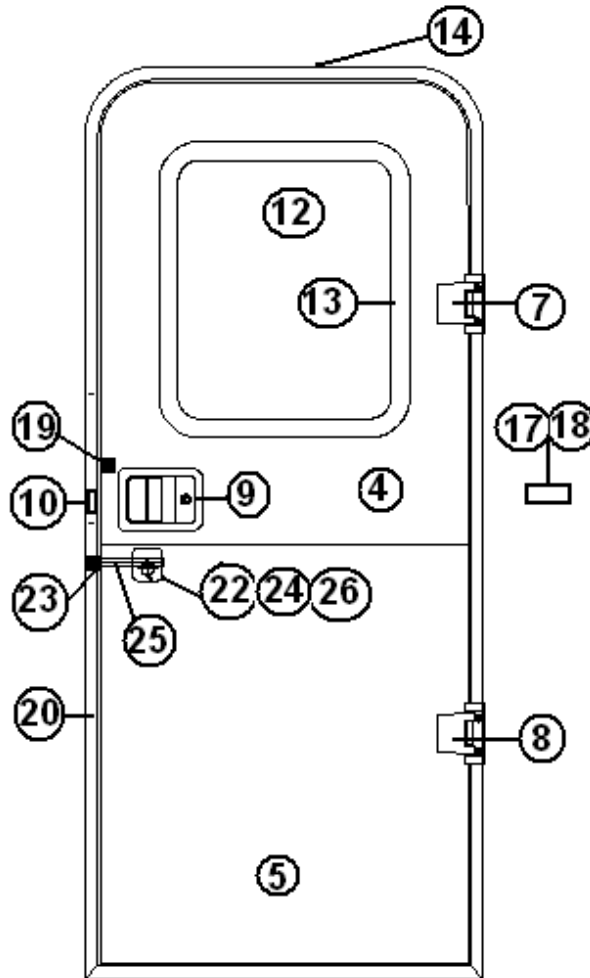


| | |
|---------------|-------------------------------|
| 1. 99900P-030 | BASE, CURBSIDE REAR REFLECTOR |
| 2. 99900P-031 | BASE, ROADSIDE REAR REFLECTOR |
| 3. 99900P-019 | REFLECTOR, REAR TRIANGLE |
| 99900P-346 | REFLECTOR, AMBER REFLEX |

2007 EUROPEAN TRAVEL TRAILER

DOORS, EXTERIOR

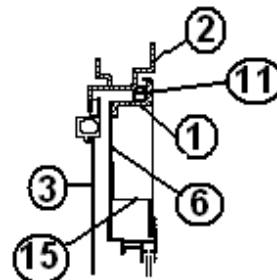
Main Door, RH Hinge, AEU



**Latch
Assembly**



**Top
View**



2007 EUROPEAN TRAVEL TRAILER

DOORS, EXTERIOR

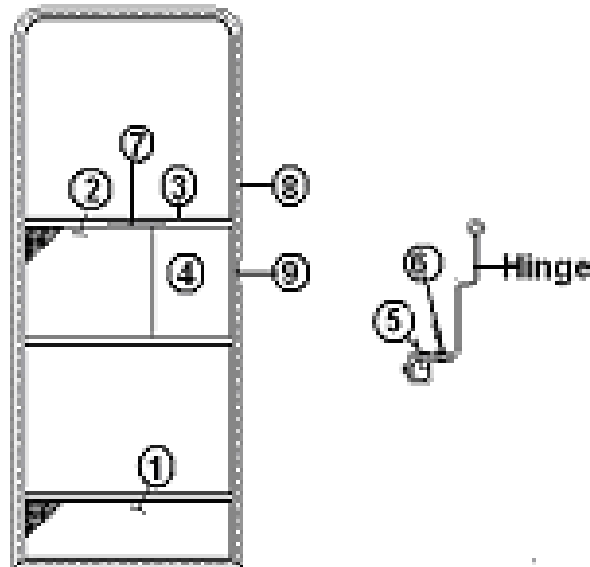
Main Door, RH Hinge, AEU

| | |
|---|---------------------------------------|
| 115207-05 | Main door assembly, RH hinge |
| 1. 114652-01 | Jamb, main door, pre-formed |
| 2. 114653-01 | Frame, main door, pre-formed |
| 3. 114654-01 | Screen door assembly, RH Hinge |
| 4. 114448-02 | Skin, exterior, upper main door |
| 5. 114449-02 | Skin, exterior, lower main door |
| 6. 114475 | MAIN DOOR SKIN INNER |
| 7. 381552-02 | HINGE ASSY. MAIN DOOR UPPER |
| 8. 381552-01 | HINGE ASSY. MAIN DOOR LOWER |
| 9. Trimark latch assembly parts shown in hardware section | |
| 10. 385595 | Pocket strike, main door |
| 11. 365232 | Seal, main door |
| 12. 371400-01 | Window, main door, etched |
| 13. 203370 | Spacer, Trimark door Latch |
| 14. 114363 | Drip cap, main door |
| 15. 114658 | Inner door, "Z" bar, upper & lower |
| 16. 114657 | Hat section, formed, main door |
| 17. 380290 | Housing. Latch, mounted on side sheet |
| 18. 380291 | Latch assembly, mounted on side sheet |
| 19. 201056 | Striker, main door, black plastic |
| 20. 114655 | Trim ring formed, main door |
| 21. 115004 | Hat section assembly, dead bolt |
| 22. 381323-01 | Dead bolt, complete assembly |
| 23. 381326 | Striker w/ Trimark deadbolt |
| 24. 345321-12 | Screw, flat head, black |
| 25. 453851 | Bolt, Trimark, deadbolt |
| 26. 203370 | Spacer, deadbolt assembly |
| 381548 | Latch reinforcement plate |

2007 EUROPEAN TRAVEL TRAILER

DOORS, EXTERIOR

Door, Screen, AEU



- | | |
|--------------|---|
| 114654-01 | SCREEN DOOR ASSY. RH HINGE |
| 1. 114648-01 | Kick panel screen door |
| 2. 114561-01 | Panel, slider, screen door |
| 3. 104784-78 | EXTR.SCREENDOOR STIFENER #VH-9 |
| 4. 203287-02 | Close out, plastic, screen door |
| 5. 330126-03 | RIVET POP SSD44SSBS |
| 6. 325122 | Rivet, hard, 5/32 |
| 7. 380004 | HANDLE WITH 8/32 X 1 SCREW |
| 8. 365013-01 | Gasket, screen door, foam tape |
| 9. 683946 | BUG SEAL, edge of screen door close out |
| 380079 | Screen, gray |
| 200518 | Spline, gray, screen insert |
| 701624 | VELCRO LOOP 5/8" WIDE |
| 701625 | VELCRO HOOK, 5/8" WIDE |
| 381454 | Screen door hold back latch, Bullet |
| 386068 | MEDALLION 3" LOGO, AIRSTREAM |

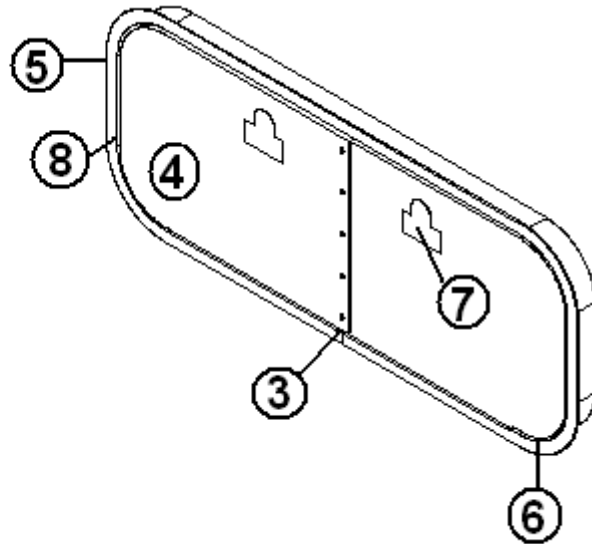
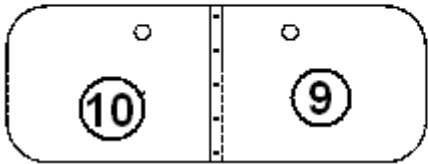
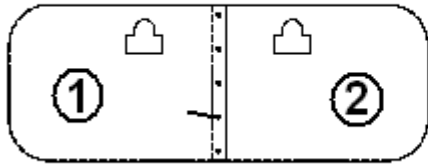
Screen Door Guard, AEU

- | | |
|-----------|--------------------------|
| 32226W | Guard, screen door |
| 115171-01 | SCREEN DOOR GUARD TOP |
| 115171-02 | SCREEN DOOR GUARD BOTTOM |

2007 EUROPEAN TRAVEL TRAILER

DOORS, EXTERIOR

Door, Compartment, 30"

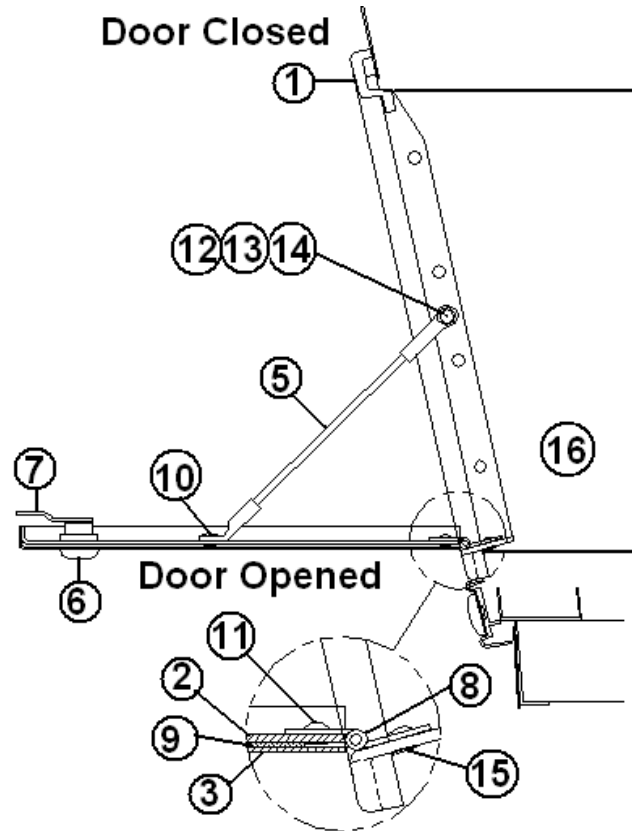
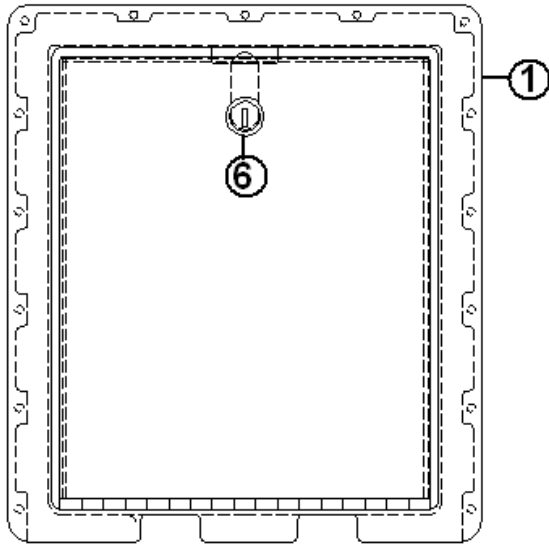


- | | |
|----------------|------------------------------------|
| 99900M-030 | DOOR ASSEMBLY, 30"COMPTARTMENT |
| 1. 99900M-095 | PANEL, LEFT FRT.30"ACCESS DOOR |
| 2. 99900M-096 | PANEL, RIGHT FRT.ACCESS DOOR |
| 3. 99900P-068 | HINGE, DOOR 24.75" |
| 4. 99900M-032 | SPACER, 30" COMPTARTMENT DOOR |
| 5. 99900M-031 | JAMB, 30" COMPTARTMENT.DOOR |
| 6. 365035 | RUBBER SEAL ACCESS DOOR |
| 7. 380770 | LOCK & CASTING ASSEMBLY, BLACK |
| 8. 381065-10 | 10" CABLE SUPPORT |
| 9. 99900M-097 | PANEL, LEFT REAR ACCESS DOOR |
| 10. 99900M-098 | PANEL, RIGHT REAR ACCESS DOOR, 30" |
| 325000-01 | RIVET, ANODIZED CLEAR 1/8 X 1/4 |
| 330126-03 | RIVET POP SSD44SSBS |

2007 EUROPEAN TRAVEL TRAILER

DOORS, EXTERIOR

Door/Box, Battery

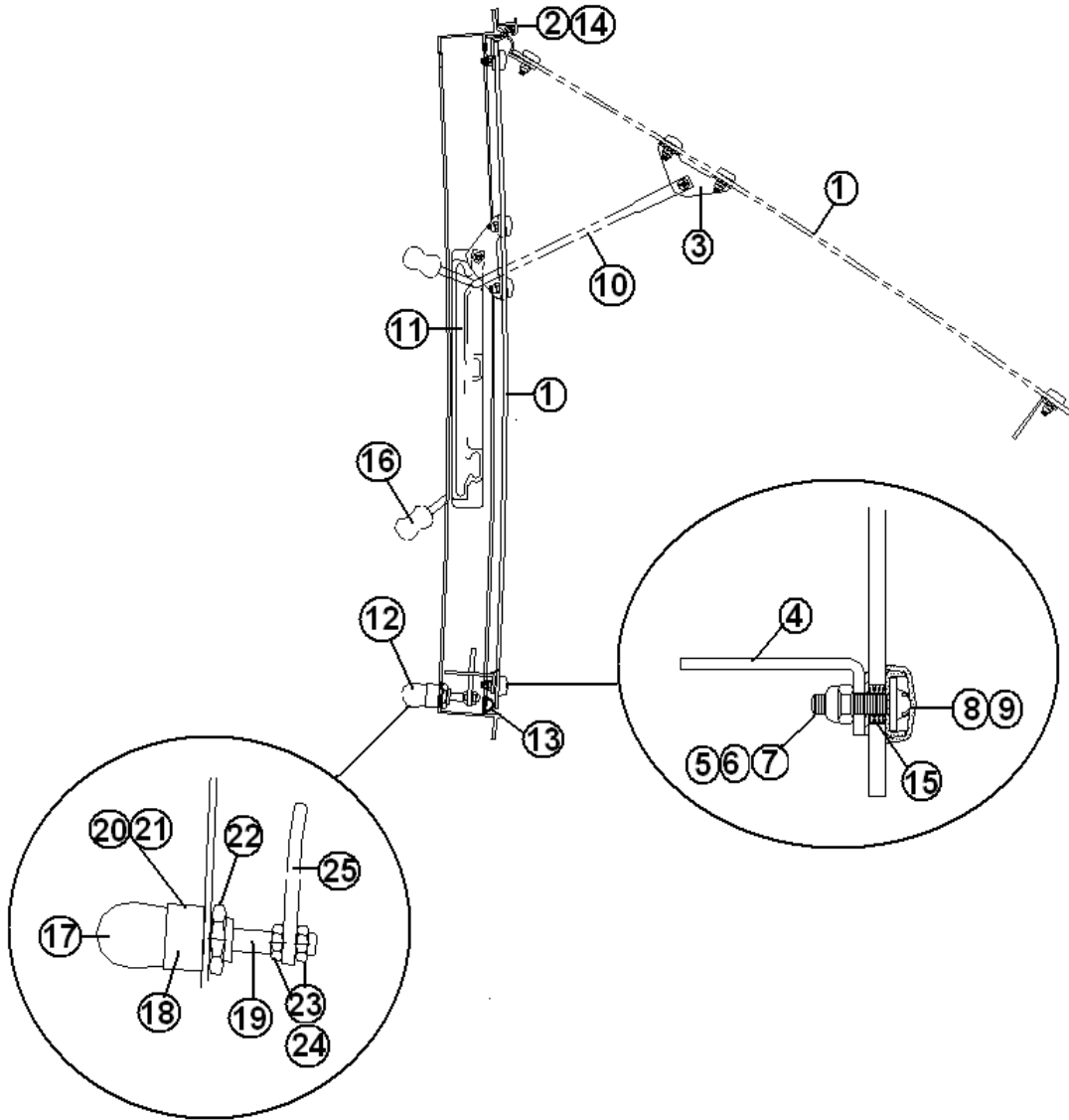


- | | |
|---------------|-----------------------------------|
| 1. 114464 | CASTING, BATTERY BOX JAMB |
| 2. 114467 | DOOR, BATTERY BOX, OUTER |
| 3. 114468 | DOOR, BATTERY BOX, INNER |
| 4. 350047 | NUT, 3/8 LOCK FOR CORD GRIP |
| 5. 380238 | CABLE SUPPORT |
| 6. 381397 | KEY CYLINDER W/CAM |
| 7. 381501 | CAM LOCK, OFF SET |
| 8. 381500 | HINGE,PIANO REVERSE, 1" X 8" LONG |
| 9. 365143 | TAPE #404 DOUBLE FACE |
| 10. 325119 | RIVET, ALUM INUM, 3/16" X 3/8" |
| 11. 325002-01 | RIVET, ANODIZED CLEAR 1/8" X 3/8 |
| 12.345275-03 | SCREW FLAT HD. MACH.1/4-20 X 3 |
| 13.350110 | NUT ACORN |
| 14.300111-25 | WASHER,FLAT 1/4" |
| 15.330126-02 | RIVET, POP, SSD43SSBS |
| 16.99900M-024 | BATTERY BOX ASSEMBLY |
| 380612 | CORD GRIP 3/8 REMKE-#RSR-005 |

2007 EUROPEAN TRAVEL TRAILER

WINDOWS/SCREENS

Window Parts Diagram



Part numbers on next page

2007 EUROPEAN TRAVEL TRAILER

WINDOWS/SCREENS

- | | |
|---------------|-------------------------------------|
| 1. 371324-100 | Glass w/hardware, 30" window |
| 2. 371324-101 | Hinge, 30" window |
| 3. 1101-0010 | Bracket, window prop |
| 4. 685124 | Striker plate, window latch |
| 5. 0706-0004 | Flat washer |
| 6. 0703-0001 | Screw, #8-32 x .625", black, SS |
| 7. 0702-0010 | Nut, Nylox, #8-32, black SS |
| 8. 0802-0004 | Screw cover, 12-12 #100, black |
| 9. 0802-0005 | Washer, 12-12 screw cover bottom |
| 10. 100903 | Operating arm, RH |
| 10. 100903-01 | Operating arm, LH |
| 11. 0802-0001 | Guide, operating arm, RH |
| 11. 0802-0002 | Guide, operating arm, LH |
| 12. 010020 | Latch assembly, chrome |
| 13. 381665 | Gasket seal |
| 14. 0101-0017 | Male hinge extrusion, 1/2" pc. |
| 15. 0706-0003 | Bushing, window, acrylic |
| 16. 380230-03 | Window arm knob, silver |
| 16. 380230-04 | Window arm knob, red |
| 17. 1101-0005 | Latch handle, chrome |
| 17. 195467-05 | Latch handle, red |
| 18. 1101-0007 | Latch body |
| 19. 1101-0008 | Latch shaft |
| 20. 1101-0009 | Latch spring |
| 21. 0707-0002 | Pin, drive lock, 5/32" x 5/8", zinc |
| 22. 0702-0001 | Nut, hex panel, 5/8"-24, zinc |
| 23. 0702-0002 | Nut, jam, hex, 5/16-24 |
| 24. 385123 | Washer, flat, .53" OD x .328" ID |
| 25. 685123 | Latch paw |

2007 EUROPEAN TRAVEL TRAILER

WINDOWS/SCREENS

Windows and Screens, 532 AEU

| | |
|------------|---------------------------------|
| 99900P-049 | WINDOW, FRONT W/SQUARE CORNERS |
| 99900P-039 | Glass, 35.64" flat window |
| 99900P-052 | SCREEN, FRONT WINDOW |
| 99900P-051 | WINDOW, REAR W/ROUND CORNER |
| 99900P-040 | Glass, rear window |
| 99900P-053 | SCREEN, REAR ESCAPE |
| 372088-101 | WINDOW, WRAP RS FRONT, CS REAR |
| 372089-101 | WINDOW, WRAP CS FRONT, RS REAR |
| 99900P-049 | WINDOW, FRONT W/SQUARE CORNERS |
| 371324-02 | 30", OPENING WINDOW |
| 372175-02 | SCREEN 30" OPENING WINDOW WHITE |
| 371269-01 | WINDOW, 18" STACKED, DARK/GRAY |
| 371400-01 | MAIN DOOR WINDOW |
| 115208 | TRIM RING, MAIN DOOR WINDOW |

Vista View Windows, 30"

| | |
|-----------|----------------------------------|
| 922770-02 | VISTA VIEW- 30" |
| 203490-02 | TRIM RING- 30" VISTA VIEW |
| 703462-02 | SHADE-PULL 31.25"X9.5"VISTA VIEW |
| 922772-02 | BACKER-VISTA VIEW BLIND 30" |
| 115222-01 | Z BAR-FORMED 31.5"VISTA VIEW |

2007 EUROPEAN TRAVEL TRAILER

WINDOWS/SCREENS

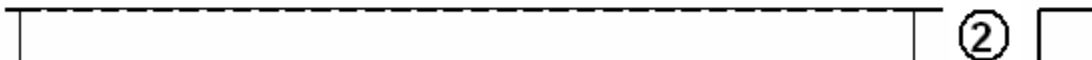
Panoramic Window Trim

| | |
|-----------|---------------------------|
| 201578-02 | END CAP-TRIM RING GRAY |
| 201579-02 | TRIM RING-LOWER R.S. GRAY |
| 201580-02 | TRIM RING-LOWER C.S. GRAY |
| 201581-05 | TRIM RING-UPPER R.S. GRAY |
| 201581-06 | TRIM RING-UPPER C.S. GRAY |
| 203225-01 | TRIM LOK-GRAY .75" |

Stacked Window Trim

| | |
|-----------|---|
| 372226 | TRIM RING INNER SUPPORT 18" |
| 372223 | TRIM RING, 18" STACK WINDOW CLEAR |
| 203225-01 | TRIM, gray flexible, goes around window rings |

Trim, Front Window



1. 110900-03 TRIM FORMED, FRONT WRAP
2. 110900-04 TRIM FORMED, FRONT WRAP

2007 EUROPEAN TRAVEL TRAILER

AWNINGS

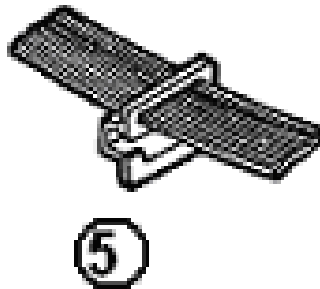
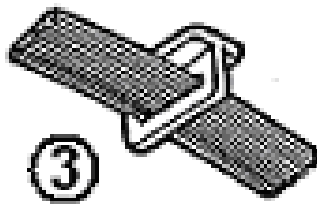
Patio Awnings

| | |
|-----------|------------------------------------|
| 702993-19 | AWNING, PATIO, 11' 5", AEU 532 |
| 702993 | HARDWARE MOUNTING ZIP DEE #HE-AS7 |
| 385577 | TAPE, CLEAR, WEAR STRIP, 3.5" WIDE |

2007 EUROPEAN TRAVEL TRAILER

DRAPES/BLINDS

Drape Hardware



- | | |
|-----------|-----------------------------|
| 1. 101220 | Bracket, curtain stand off |
| 2. 101217 | Track, curtain |
| 3. 700044 | Glides, w/elastic, T" type |
| 4. 101225 | Bracket, curtain, stand off |
| 5. 700045 | Glides, w/elastic, "G" type |
| 6. 200785 | End, curtain track, LH |
| 7. 200784 | End, curtain track, RH |
| 100099 | Extrusion, Curtain Track |

2007 EUROPEAN TRAVEL TRAILER

ELECTRICAL

Harnesses/Sockets/Panels

| | |
|------------|---|
| 99900P-121 | Battery harness |
| 99900P-122 | Water tank switch panel |
| 99900P-123 | Splitter TV male to 2xTV female |
| 99900P-124 | Splitter TV male to TV & FM female |
| 99900P-126 | Scart lead to 3 x Phono connectors (AV out) |
| 99900P-128 | 25m hook up lead |
| 99900P-360 | Polarity change over lead |
| 99900P-129 | EC325 control panel (DLX) 99900P-130 |
| 99900P-130 | External temperature sensor lead |
| 99900P-131 | EC325 PSU (Power Supply Unit) |
| 99900P-133 | Control panel connecting lead |
| 99900P-134 | 13pin connection lead |
| 99900P-136 | 7.5m co-ax lead |
| 99900P-137 | 9m co-ax lead |
| 99900P-138 | 2.5m radio co-ax lead |
| 99900P-139 | main 12v harness |
| 99900P-140 | Water level stud & screw, set of 5 |
| 99900P-132 | Float level switch (fresh tank) |
| 99900P-141 | Battery supply harness |
| 99900P-142 | Galley harness |
| 99900P-143 | Doorside harness |
| 99900P-144 | Front roof harness |
| 99900P-145 | Rear roof harness |
| 99900P-162 | Main 230v harness |
| 99900P-163 | Sub 230v harness |
| 99900P-164 | 10m DVD lead |
| 99900P-165 | single 240V socket surface box (In-Out) |
| 99900P-166 | Single CBE socket (1 wire) |
| 99900P-167 | Single CBE socket (2 wire) |
| 99900P-168 | Berker IP44 socket 2 wires black lid |
| 99900P-169 | DVD AV outlet panel |
| 99900P-362 | Fused Spur Assembly (Heat & Air) |

2007 EUROPEAN TRAVEL TRAILER

ELECTRICAL

Switches/Outlets

| | |
|------------|---|
| 99900P-132 | Float level switch (fresh tank) |
| 99900P-147 | double switch grey |
| 99900P-148 | Earth Clamp 2 X 16mm |
| 99900P-150 | 230v socket grey |
| 99900P-151 | Edison surface box single (desert sand) |
| 99900P-161 | Edison socket 240v single (2 wires - out of bottom) |
| 99900P-152 | 12V/ co-ax/Sat socket grey |
| 99900P-153 | Exterior grey 230 V inlet box |
| 99900P-154 | mod plate 1 gang grey |
| 99900P-159 | mod plate 2 gang grey |
| 99900P-157 | Surround 1 gang silver |
| 99900P-156 | Surround 2 gang silver |
| 99900P-155 | Surround 3 gang silver |
| 99900P-158 | LPG gas detector |
| 99900P-160 | 50*34 back box grey |
| 99900P-361 | round rocker switch for powered convectors |

Interior Lights

| | |
|-----------|---|
| 512014 | SPOTLIGHT, RECESSED SS 3.1" DIAMETER |
| 512014-01 | BULB HALOGEN FOR #512014, CLEAR |
| 511694 | LIGHT, READING, HALOGEN, BRUSHED NICKEL |
| 511695 | SPOTLIGHT, BRUSHED NICKEL |
| 511695-01 | SPOT LIGHT-SUR.MGT HALOGEN BR.NICK |
| 511297 | LIGHT, HALOGEN, READING, W/SWITCH |
| 511297-01 | LIGHT-HAL.READING W/SWITCH NICKEL |
| 511248 | FIXTURE LIGHT INCANDESCENT SINGLE |
| 511970 | LIGHT-12V SINGLE W/SWITCH |

2007 EUROPEAN TRAVEL TRAILER

ELECTRICAL

Exterior Lights

- | | |
|------------|------------------------------|
| 99900P-010 | LAMP, NUMBER PLATE |
| 115074 | BRACKET, NUMBER PLATE |
| 99900P-015 | LIGHT, LED SIDE MARKER |
| 99900P-018 | LAMP-SIDE MARKER W/REFLECTOR |
| 99900P-011 | LIGHT, LED FOG .95"D |
| 99900P-012 | LIGHT, LED REVERSE |
| 99900P-013 | RING, CHROME LIGHT |
| 99900P-014 | LIGHT, END LINER MARKER |

Entrance Light, Above Main Door

- | | |
|------------|------------------------------------|
| 99900M-119 | Entrance light assembly |
| 101323 | CASTING, ALUM STEP LIGHT, POLISHED |
| 99900M-117 | BRACKET, ENTRANCE LIGHT |
| 99900P-105 | LIGHT, ENTRANCE LED |

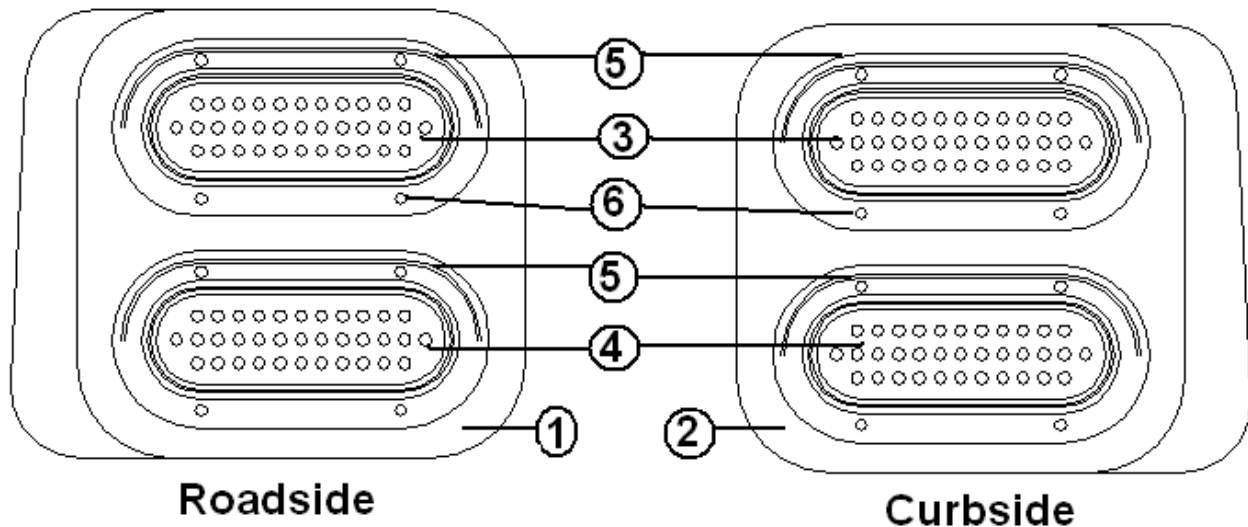
Temperature Sensor

- | | |
|------------|---------------------------------|
| 99900P-390 | SENSOR ADLE TEMP (2.5M) AEU 532 |
|------------|---------------------------------|

2007 EUROPEAN TRAVEL TRAILER

ELECTRICAL

Taillight Assembly



| | |
|---------------|-------------------------------------|
| 99900M-042 | TAILLIGHT ASSEMBLY, ROADSIDE |
| 99900M-043 | TAILLIGHT ASSEMBLY, CURBSIDE |
| 1. 511664-01 | CASTING, TAILLIGHT, ROADSIDE |
| 2. 511664-02 | CASTING, TAILLIGHT, CURBSIDE |
| 3. 99900P-387 | LIGHT, STOP/TAIL/TURN, RED, 6" OVAL |
| 4. 99900P-388 | LIGHT, LED TURN/AUXILIARY, AMBER |
| 5. 99900P-389 | BEZEL, 6" OVAL, CHROME |
| 6. 345419 | SCREW, #6 X 1" STAINLESS STEEL |
| 115073-01 | BRACKET, ROADSIDE. TAILLIGHT |
| 115073-02 | BRACKET, CURBSIDE TAILLIGHT |
| 203386-01 | POCKET, INNER TAILLIGHT, ROADSIDE |
| 203386-02 | POCKET, INNER TAILLIGHT, CURBSIDE |

2007 EUROPEAN TRAVEL TRAILER

ENTERTAINMENT

Radio Speakers

512215-01 SPEAKER, 6.5", SP65C0 (pair)

512215-02 GRILL, 6.5", WHITE (pair)

TV Antenna

99900P-067 ARIAL STATUS 530 DIRECTIONAL TV

GPS Antenna

99900P-335 GPS Antenna

2007 EUROPEAN TRAVEL TRAILER

FASTENERS

Rivets



325043(hard)
325000 (soft)
Rivet, buck type
dia. 1/8"
length 1/4"



325000-01
Rivet, buck type
dia. 1/8"
length 1/4"
anodized clear



325000-03
Rivet, buck type
dia. 1/8"
length 1/4"
anodized white



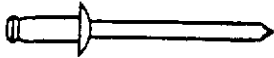
325001-01
Rivet, buck type
dia. 1/8"
length 5/16"
anodized clear



325002
Rivet, buck type
dia. 1/8"
length 3/8"
anodized clear



325004-01
Rivet, buck type
dia. 1/8"
length 1/2"
anodized clear



330129-08 Brown
dia. 1/8"
grip range .063-.125
aluminum body
aluminum mandrel



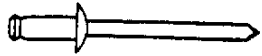
300101
1/8" I.D.
washer, aluminum

*Common bolts and screws readily available at local hardware outlets have not been listed.

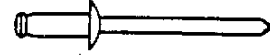
2007 EUROPEAN TRAVEL TRAILER

FASTENERS

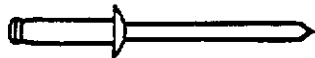
Rivets



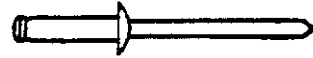
330126-02
rivet, pop
dia. 1/8 "
grip range .126-.187
stainless steel
stainless steel mandrel



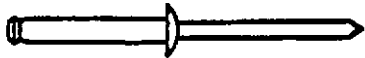
330126-03
rivet, pop
dia. 1/8 "
grip range .126-.250
body stainless steel body
stainless steel mandrel



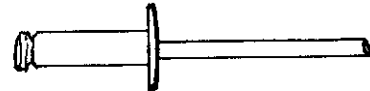
330127-05
rivet, pop
dia. 1/8 "
grip range .251-.312
aluminum body
aluminum mandrel



330128-05
rivet, pop
dia. 1/8 "
grip range .251-.312
aluminum body, white
aluminum mandrel



330127-08
rivet, pop
dia. 1/8 "
grip range .325-.565
aluminum body
aluminum mandrel



330038
rivet, pop
dia. .150 (#20 bit)
grip range .126-.250
aluminum body
aluminum mandrel
(used-screen door hinge)



325103
dia. 1/4 "
grip range .080-.325
SS body, steel mandrel

*Common bolts and screws not listed.

2007 EUROPEAN TRAVEL TRAILER

FURNITURE

Floor Covering

| | |
|-----------|---|
| 703659 | FLOORING VINYL LEGACY LAGUNA MAPLE |
| 702549 | MATT ENTRANCE W/AIRSTREAM LOGO |
| 115209-01 | Tread Plate, Diamond pattern, 48" x 90" |

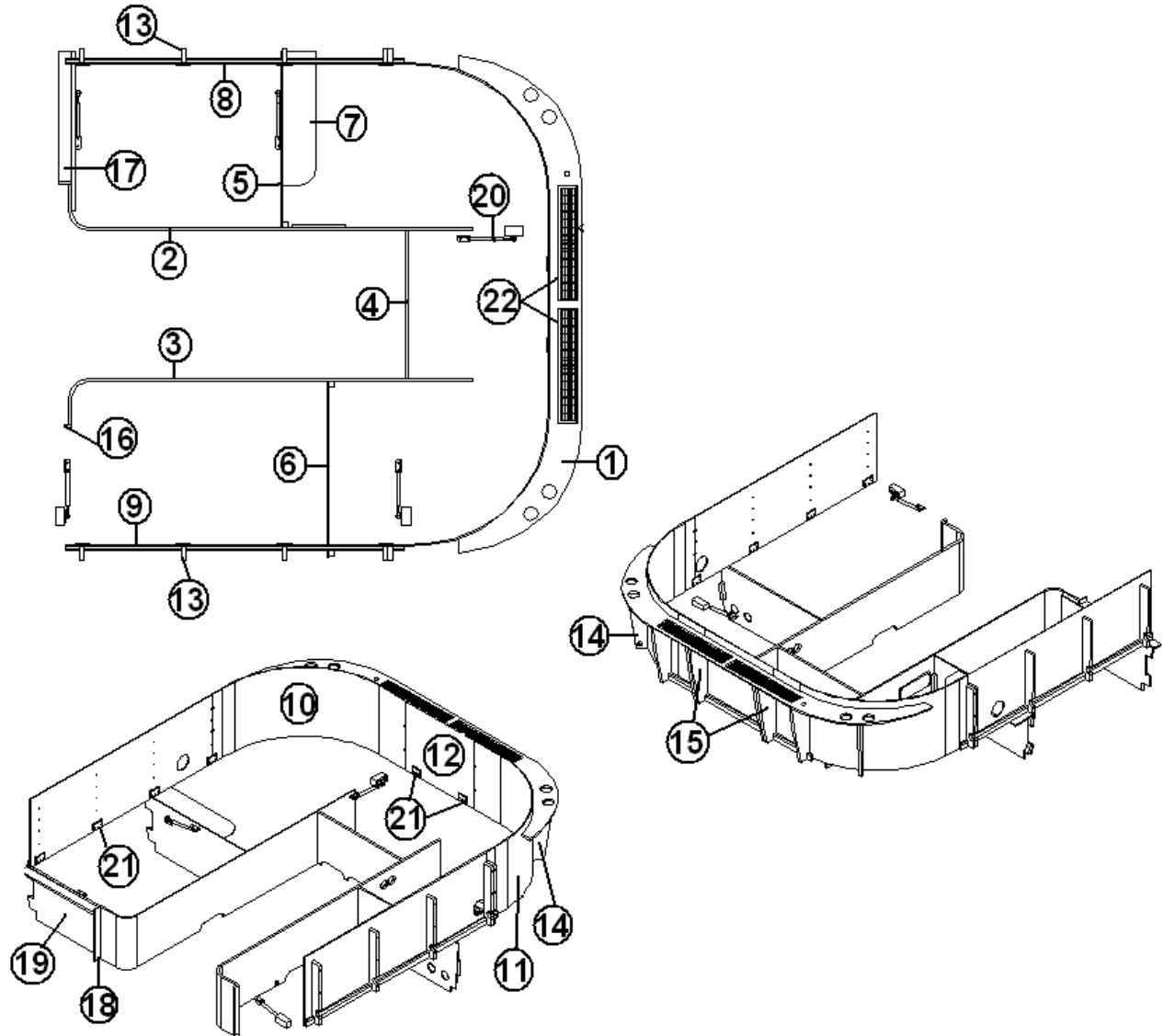
Doors, Roof locker

| | |
|-----------|---------------------------------------|
| 965563-03 | DOOR-SLIDING PLEXIGLASS, 11.31"X 15" |
| 965563-09 | DOOR-SLIDING PLEXIGLASS, 26" x 11.31" |
| 965563-11 | DOOR-SLIDING PLEXIGLASS, 22" x 11.31" |

2007 EUROPEAN TRAVEL TRAILER

FURNITURE, DINETTE SEATING/BEDROOM

Dinette Seats/Bed, AEU 532



Part numbers are on the next page

2007 EUROPEAN TRAVEL TRAILER

FURNITURE, DINETTE SEATING/BEDROOM

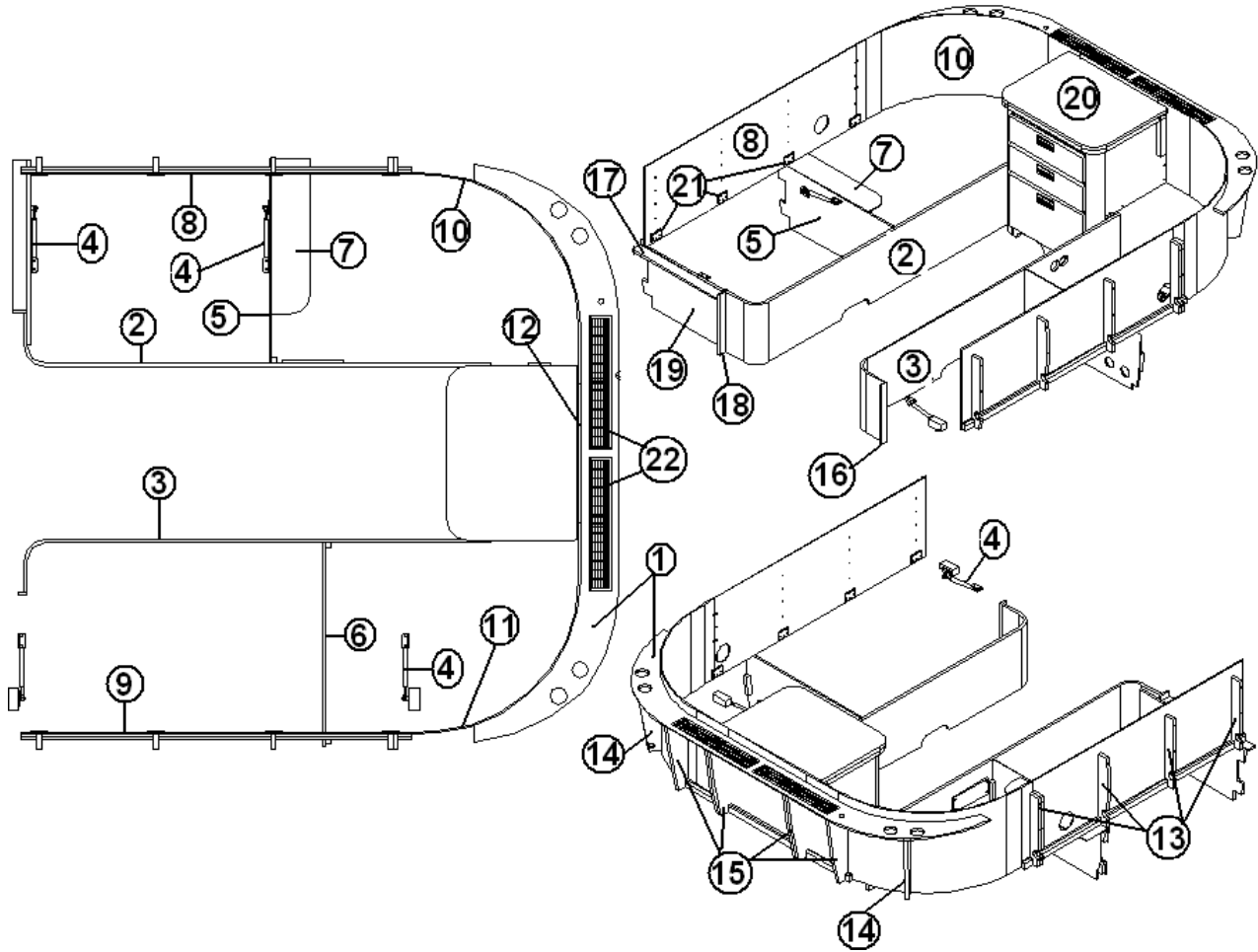
Dinette Seats/Bed, AEU 532

| | |
|----------------|--------------------------------|
| 99900P-258 | Seating group, AEU 532 |
| 1. 99900P-259 | Top front panel |
| 2. 99900P-260 | Plinth, offside |
| 3. 99900P-261 | Plinth, nearside |
| 4. 99900P-262 | Plinth, front |
| 5. 99900P-263 | Offside, divider panel |
| 6. 99900P-264 | Nearside, divider panel |
| 7. 99900P-265 | Panel above Alde exhaust |
| 8. 99900P-266 | Straight offside back panel |
| 9. 99900P-267 | Straight nearside back panel |
| 10. 99900P-268 | Curved offside back panel |
| 11. 99900P-269 | Curved nearside back panel |
| 12. 99900P-270 | Front back panel |
| 13. 99900P-271 | Side back panel support |
| 14. 99900P-272 | Curved back panel support |
| 15. 99900P-273 | Front back panel support |
| 16. 99900P-274 | Panel between storage center |
| 17. 99900P-275 | Top panel between galley |
| 18. 99900P-276 | Front panel between galley |
| 19. 99900P-277 | Panel between galley |
| 20. 01624140 | Gas piston |
| 21. 354.03.050 | Hinge |
| 22. 575.04.917 | Vent |
| 703498 | WALL LINER HOBNAIL IVORY 70"W |
| 99900P-116 | EDGE TRIM LOK -.38"WHITE 1000' |
| 99900P-357 | Plug, 3.5" dome, white |

2007 EUROPEAN TRAVEL TRAILER

FURNITURE, DINETTE SEATING/BEDROOM

Dinette Seats/Bed Front Chest Option, AEU 532



Part numbers are on the next page

2007 EUROPEAN TRAVEL TRAILER

FURNITURE, DINETTE SEATING/BEDROOM

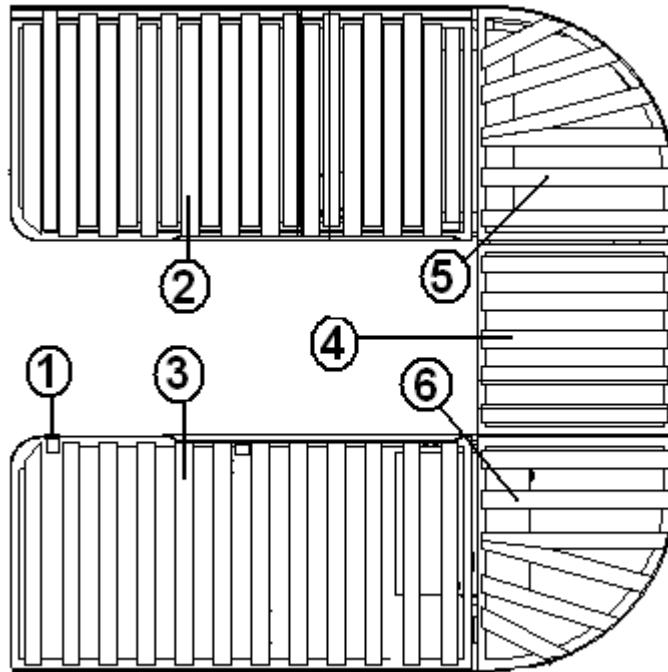
Dinette Seats/Bed Front Chest Option, AEU 532

| | |
|----------------|-----------------------------------|
| 99900P-316 | Seating Group, Front Chest Option |
| 1. 99900P-259 | Top front panel |
| 2. 99900P-260 | Plinth, offside |
| 3. 99900P-261 | Plinth, nearside |
| 4. 99900P-262 | 01624140Gas piston |
| 5. 99900P-263 | Offside, divider panel |
| 6. 99900P-264 | Nearside, divider panel |
| 7. 99900P-265 | Panel above Alde exhaust |
| 8. 99900P-266 | Straight offside back panel |
| 9. 99900P-267 | Straight nearside back panel |
| 10. 99900P-268 | Curved offside back panel |
| 11. 99900P-269 | Curved nearside back panel |
| 12. 99900P-270 | Front back panel |
| 13. 99900P-271 | Side back panel support |
| 14. 99900P-272 | Curved back panel support |
| 15. 99900P-273 | Front back panel support |
| 16. 99900P-274 | Panel between storage center |
| 17. 99900P-275 | Top panel between galley |
| 18. 99900P-276 | Front panel between galley |
| 19. 99900P-277 | Panel between galley |
| 20. 99900P-317 | Front Chest |
| 21. 354.03.050 | Hinge |
| 22. 575.04.917 | Vent |
| 703498 | WALL LINER HOBNAIL IVORY 70"W |
| 99900P-116 | EDGE TRIM LOK -.38"WHITE 1000' |

2007 EUROPEAN TRAVEL TRAILER

FURNITURE, DINETTE SEATING/BEDROOM

Dinette Seats/Bed Frames, AEU 532

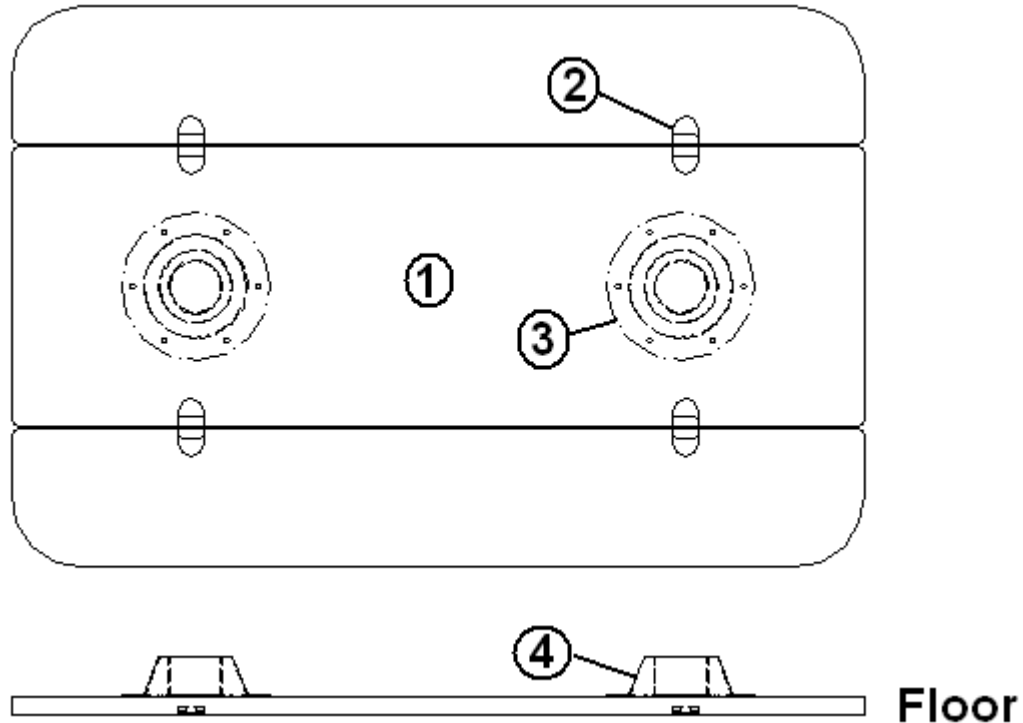


- | | |
|---------------|---|
| 1. 99900P-117 | Hinge, bed pull out |
| 2. 99900P-280 | Long seating frame, extendable, offside |
| 3. 99900P-281 | Long seating frame, nearside |
| 4. 99900P-282 | Short seating frame, front |
| 5. 99900P-283 | Corner seating frame, offside |
| 6. 99900P-284 | Corner seating frame, nearside |

2007 EUROPEAN TRAVEL TRAILER

FURNITURE, DINETTE SEATING/BEDROOM

Dinette Table, AEU 532

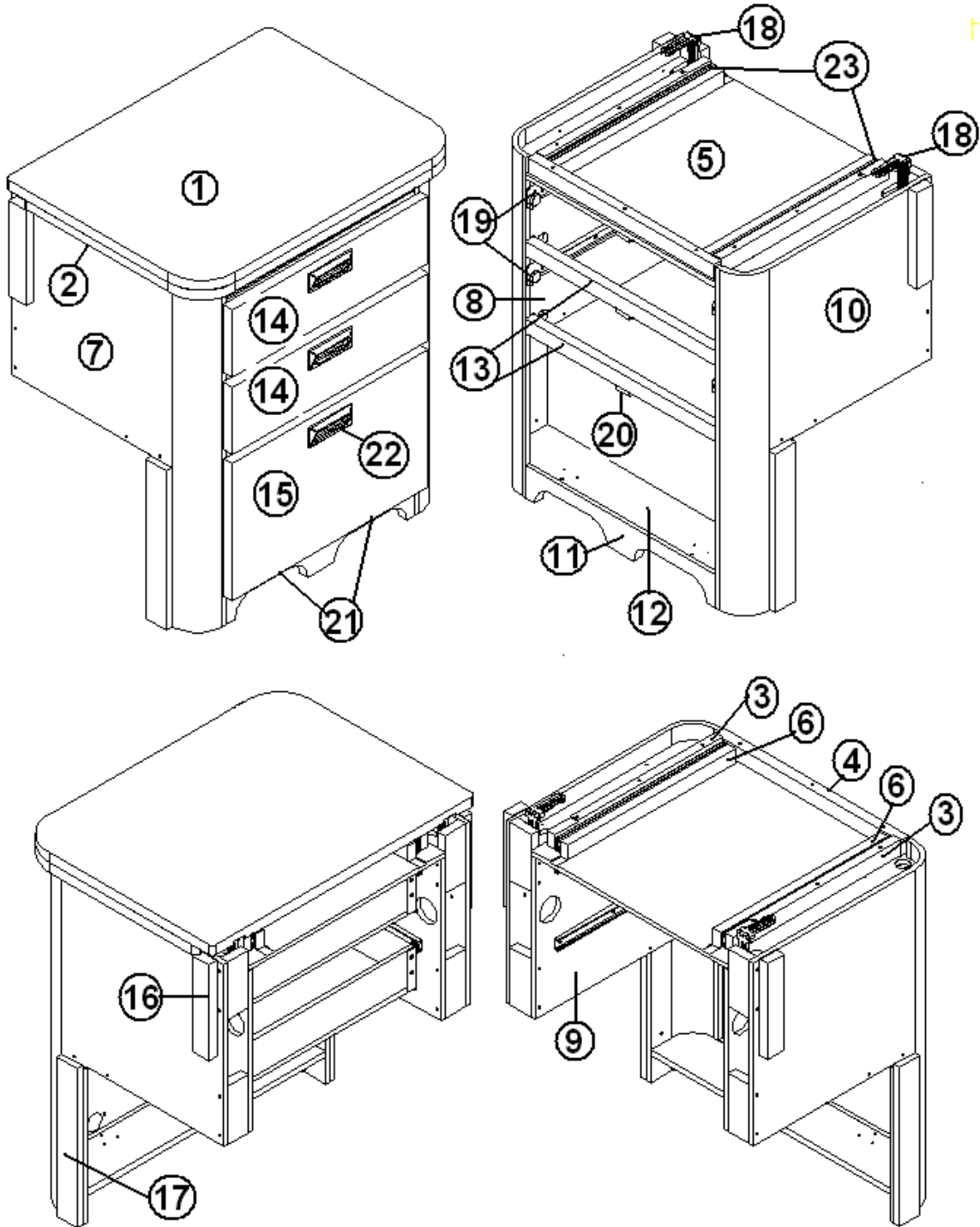


- | | |
|---------------|-------------------------|
| 1. 99900P-278 | Table top, Hinged |
| 2. 341.32.708 | Table hinge |
| 3. 380338 | Socket, pedestal, table |
| 4. 380339 | Socket, pedestal, floor |

2007 EUROPEAN TRAVEL TRAILER

FURNITURE, DINETTE SEATING/BEDROOM

Front Chest, Option, AEU 532



Part Numbers are on the next page.

2007 EUROPEAN TRAVEL TRAILER

FURNITURE, DINETTE SEATING/BEDROOM

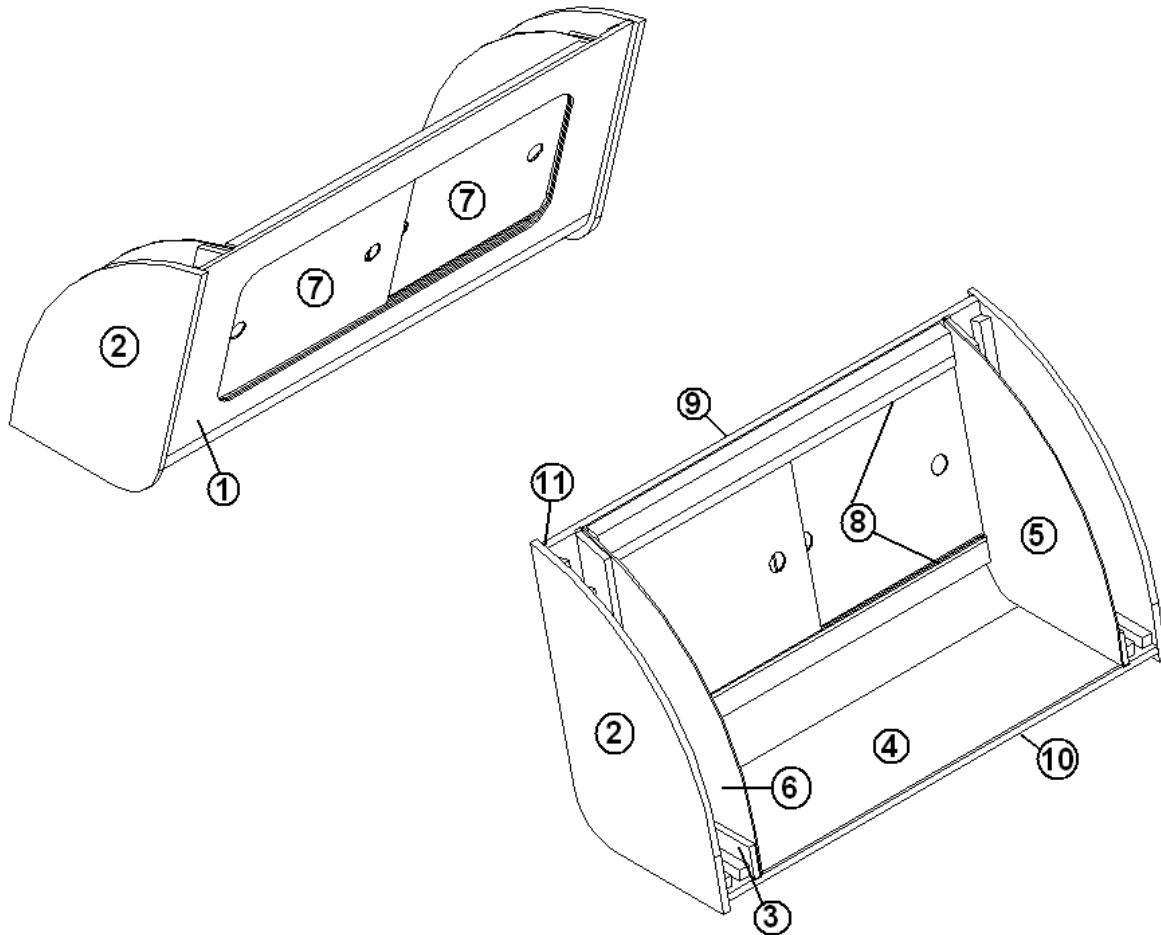
Front Chest, Option, AEU 532

| | |
|----------------|------------------------------------|
| 99900P-317 | Front chest |
| 1. 99900P-318 | Hinged top |
| 2. 99900P-319 | Extendable top |
| 3. 99900P-320 | Outer wood stripe for drawer slide |
| 4. 99900P-321 | Front panel |
| 5. 99900P-322 | Top panel |
| 6. 99900P-323 | Inner wood strip for drawer slide |
| 7. 99900P-324 | Left curved side panel |
| 8. 99900P-325 | Left side panel |
| 9. 99900P-326 | Right side panel |
| 10. 99900P-327 | Right curved panel |
| 11. 99900P-328 | Front plinth |
| 12. 99900P-329 | Bottom panel |
| 13. 99900P-330 | Style |
| 14. 99900P-331 | Drawer |
| 15. 99900P-332 | Lower door |
| 16. 99900P-333 | Panel between cushion |
| 17. 99900P-334 | Panel between plinth |
| 18. 264.00.715 | Table hinge |
| 19. 558.50.741 | Drawer slide |
| 20. 381228-01 | Catch, grabber |
| 21. 329.28.601 | Hinge, door |
| 21. 329.80.590 | Hinge base, door |
| 22. 382002 | Pull, drawer |
| 23. 422.26.715 | Drawer slide |

2007 EUROPEAN TRAVEL TRAILER

FURNITURE, DINETTE SEATING/BEDROOM

Roof Locker, Dinette, AEU 532

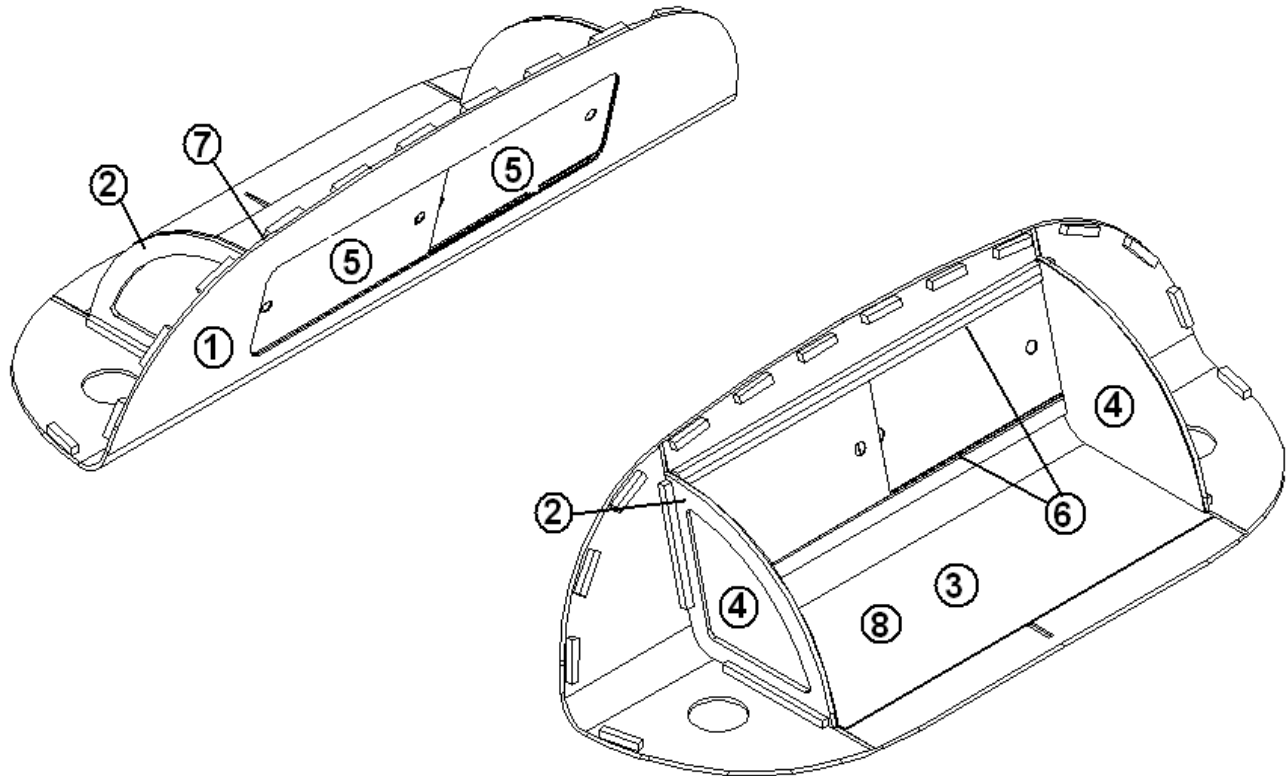


- | | |
|---------------|--------------------------------|
| 99900P-310 | DINETTE ROOFLOCKER |
| 1. 99900P-311 | DINETTE ROOFLOCKER FRONT FRAME |
| 2. 99900P-312 | LEFT AND RIGHT END PANEL |
| 3. 99900P-313 | LEFT AND RIGHT SIDE PANEL |
| 4. 801359-01 | LINER, ORANGE LAMINATE |
| 5. 99900M-149 | DIVIDER-LH LOCKER |
| 6. 99900M-150 | DIVIDER-RH LOCKER |
| 7. 965563-03 | DOOR-PLEX.SLIDING 11.31"X 15" |
| 8. 381245 | SLIDING DOOR TRACK |
| 9. 115227-02 | ANGLE, FORMED, 50.50" |
| 10. 104821 | SUPPORT, ROOFLOCKER, 74" |
| 11. 201673 | REVERSE COVE MOLDING, WHITE |

2007 EUROPEAN TRAVEL TRAILER

FURNITURE, DINETTE SEATING/BEDROOM

Roof Locker, Front End Liner, Dinette, AEU 532

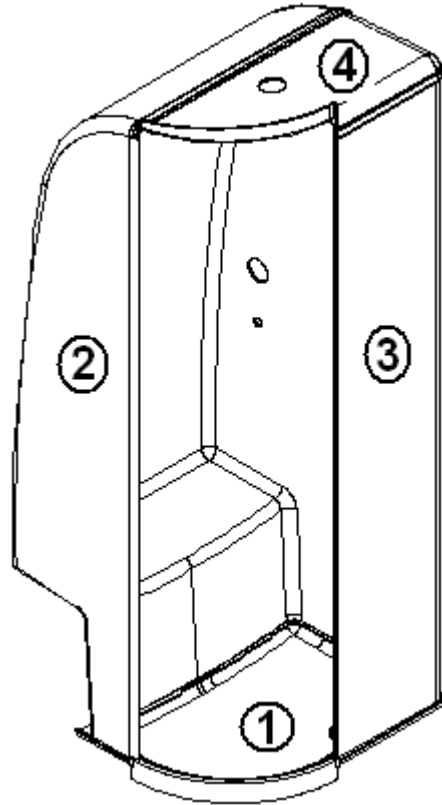


- | | |
|---------------|---------------------------------|
| 99900P-254 | Front roof locker |
| 1. 99900P-255 | Front frame, front roof locker |
| 2. 99900P-256 | Side panels |
| 3. 801359-01 | Liner, orange laminate |
| 4. 801595 | Divider, liner locker |
| 5. 965563-11 | Door, Plexi-glass, 11.31" x 22" |
| 6. 381245 | SLIDING DOOR TRACK |
| 7. 201673 | REVERSE COVE MOLDING, WHITE |
| 8. 99900M-052 | Pan, liner, locker |

2007 EUROPEAN TRAVEL TRAILER

FURNITURE, BATH

Shower Assembly, AEU 532



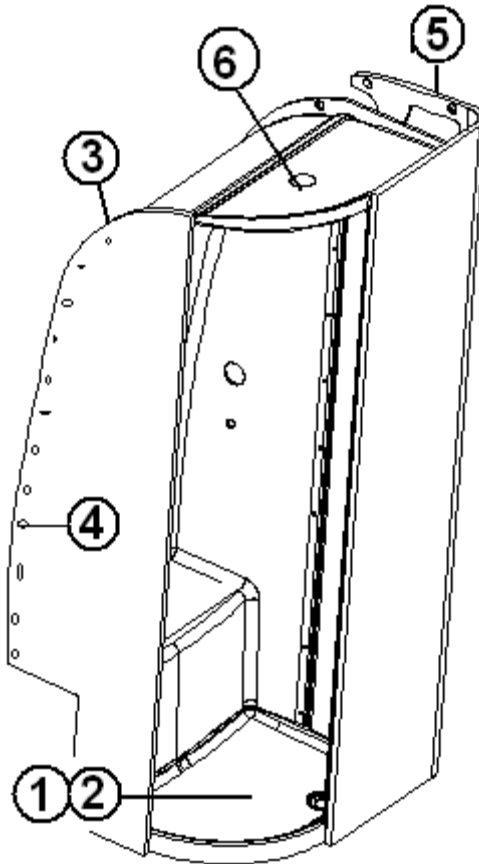
1. 999009-037 Base, shower
 2. 999009-038 Shower surround
 3. 999009-114 Shower seat
 4. 999009-244 Shower surround, top
- 601727 SHOWER DRAIN 2"W/GRID TOP

Note: Items 1, 2 & 4 are glued together by vendor. Item 3 is shipped loose

2007 EUROPEAN TRAVEL TRAILER

FURNITURE, BATH

Shower Trim, AEU 532



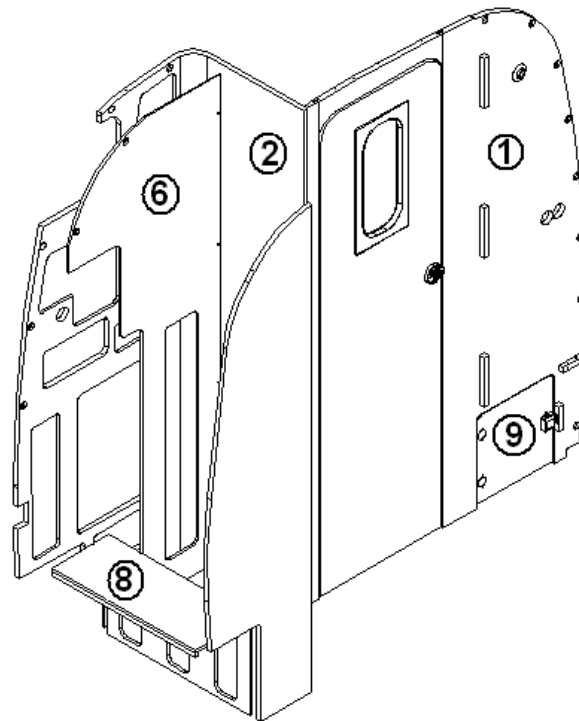
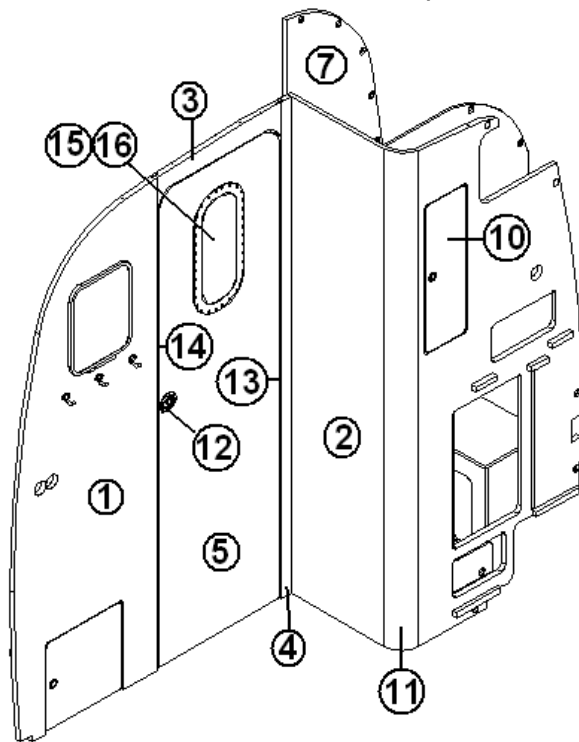
- 99900P-245
- 1. 99900P-037
- 2. 99900P-113
- 3. 201673
- 4. 99900P-315
- 5. 201763-01
- 6. 99900P-244

- ASSEMBLED SHOWER
- Shower base
- FOAM BASE, SHOWER
- REVERSE COVE MOLDING, WHITE
- SCREW .75" WHITE OVAL, HD SS
- INSERT RUB RAIL CHROME 1"
- Shower top surround

2007 EUROPEAN TRAVEL TRAILER

FURNITURE, BATH

Toilet and Shower Partitions and Doors, AEU 532



Part Number On the Next page

2007 EUROPEAN TRAVEL TRAILER

FURNITURE, BATH

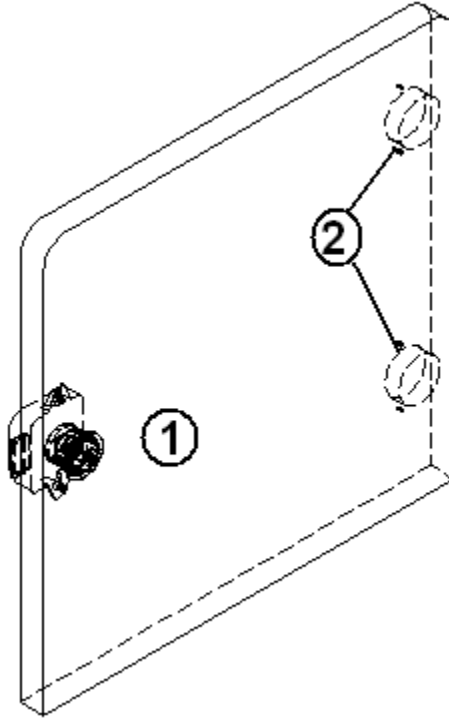
Toilet and Shower Partitions and Doors, AEU 532

- | | |
|----------------|---|
| 1. 99900P-172 | Wardrobe Panel |
| 2. 99900P-173 | Shower partition |
| 3. 99900P-174 | Panel above door |
| 4. 99900P-175 | Right side panel |
| 5. 99900P-176 | Toilet door |
| 6. 99900P-177 | Close out partition |
| 7. 99900P-178 | Aft shower partition |
| 8. 99900P-179 | Shower seat support |
| 9. 99900P-180 | Vacuum cassette access door |
| 10. 99900P-181 | TV antenna access door |
| 11. 99900P-182 | Panels between close out |
| 12. 99900P-048 | Latch, push-pull, stainless steel |
| 13. 99900P-376 | Bath door jamb, hinge side |
| 14. 99900P-377 | Bath door jamb, latch side |
| 15. 203475 | Trim ring, 18" stack window |
| 16. 371384 | Window bath door |
| 99900P-225 | SHELVES |
| 99900P-115 | ANGLE, ALUMINUM, .125" X .5" X 1.5" X 16' |

2007 EUROPEAN TRAVEL TRAILER

FURNITURE, BATH

Vacuum Cassette Access Door, AEU 532



99900P-180 Vacuum Cassette Access Door

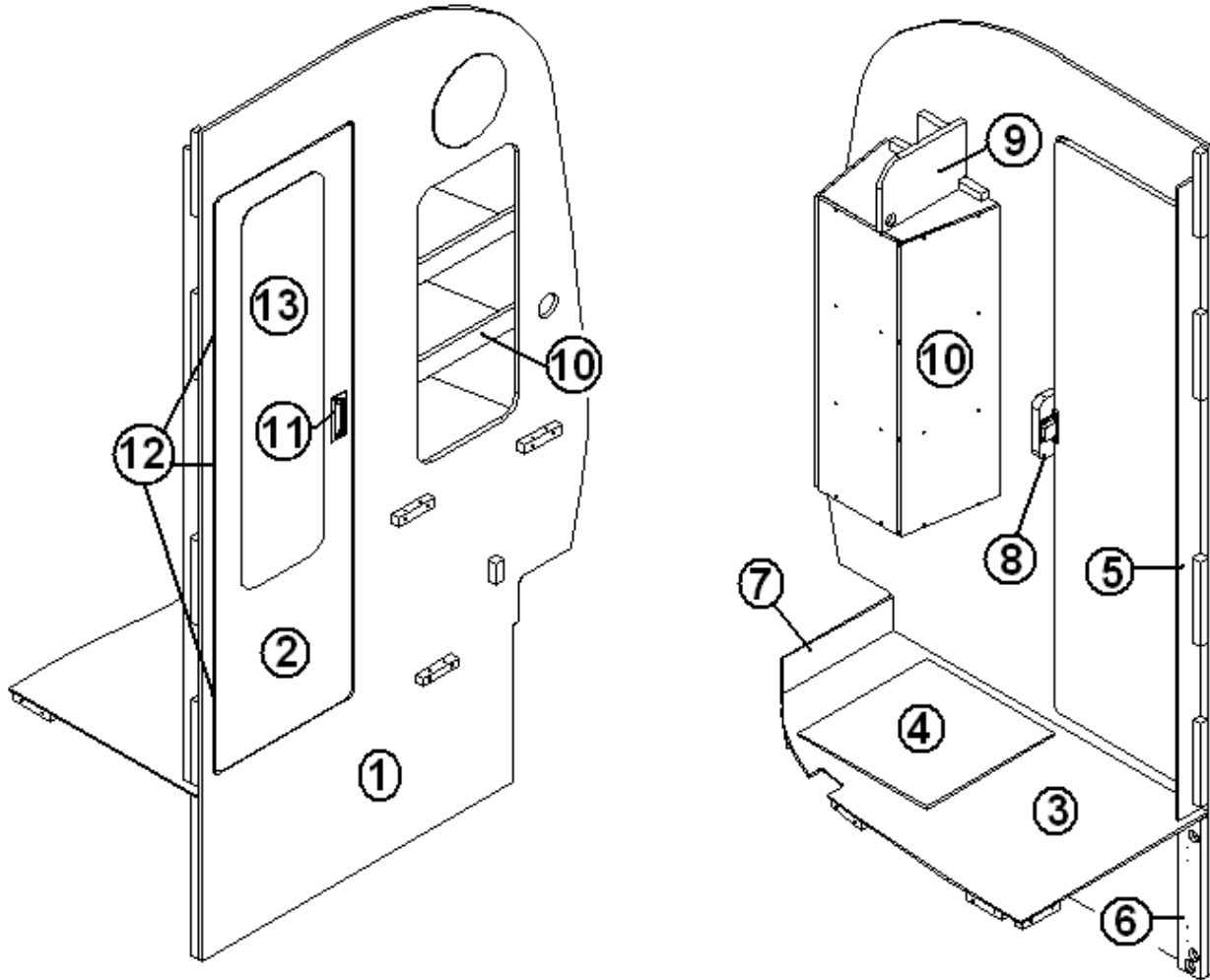
1. 229.03.420 Latch, push/pull

2. 329.01.613 Hinge, door

2007 EUROPEAN TRAVEL TRAILER

FURNITURE, BATH

Wardrobe Assembly, AEU 532



Part Number on the Next page

2007 EUROPEAN TRAVEL TRAILER

FURNITURE, BATH

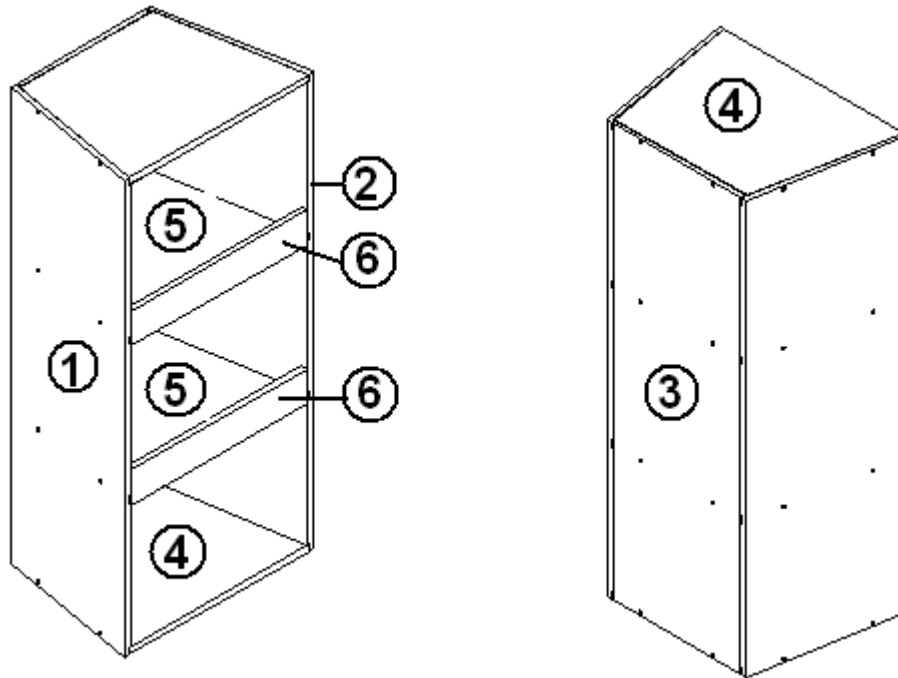
Wardrobe Assembly, AEU 532

| | |
|----------------|---------------------------------|
| 99900P-212 | Wardrobe Assembly |
| 1. 99900P-213 | Wardrobe, front frame |
| 2. 99900P-214 | Wardrobe, door |
| 3. 99900P-215 | Wardrobe, shelf |
| 4. 99900P-216 | Access panel |
| 5. 99900P-217 | Long panel for hinges |
| 6. 99900P-218 | Short panel for hinges |
| 7. 99900P-219 | Wardrobe shelf, back panel |
| 8. 381228-01 | Southco, Catch, grabber panel |
| 9. 99900P-356 | Hanging rail panel |
| 10. 99900P-220 | Assembly, open wardrobe shelves |
| 11. 382002 | Handle, wardrobe door |
| 12. 329.01.613 | Hinge |
| 12. 329.80.583 | Hinge base |
| 13. 99900P-108 | Mirror, 35.5" x 8.88" |
| 380046 | FLANGE CHROME |
| 380045 | TUBING 3/4", METAL |
| 200975-04 | CONDUIT, FLEXIBLE BLACK PLASTIC |

2007 EUROPEAN TRAVEL TRAILER

FURNITURE, BATH

Wardrobe Shelf Assembly, AEU 532



- 99900P-220 Open wardrobe shelves assembly
- 1. 99900P-221 Left side panel
- 2. 99900P-222 Right side panel
- 3. 99900P-223 Back panel
- 4. 99900P-224 Top and bottom shelf
- 5. 99900P-225 Shelves
- 6. 99900P-226 Front panel

2007 EUROPEAN TRAVEL TRAILER

FURNITURE, BATH

Dry Erase Board/Coat Hooks



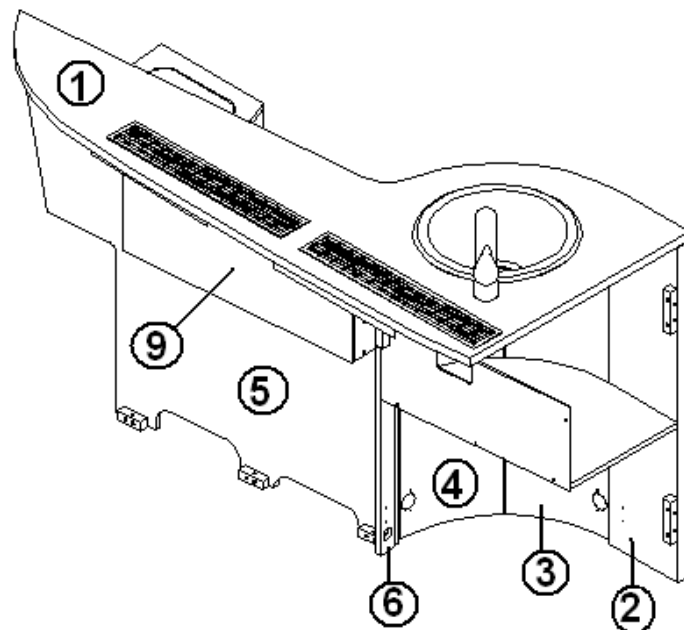
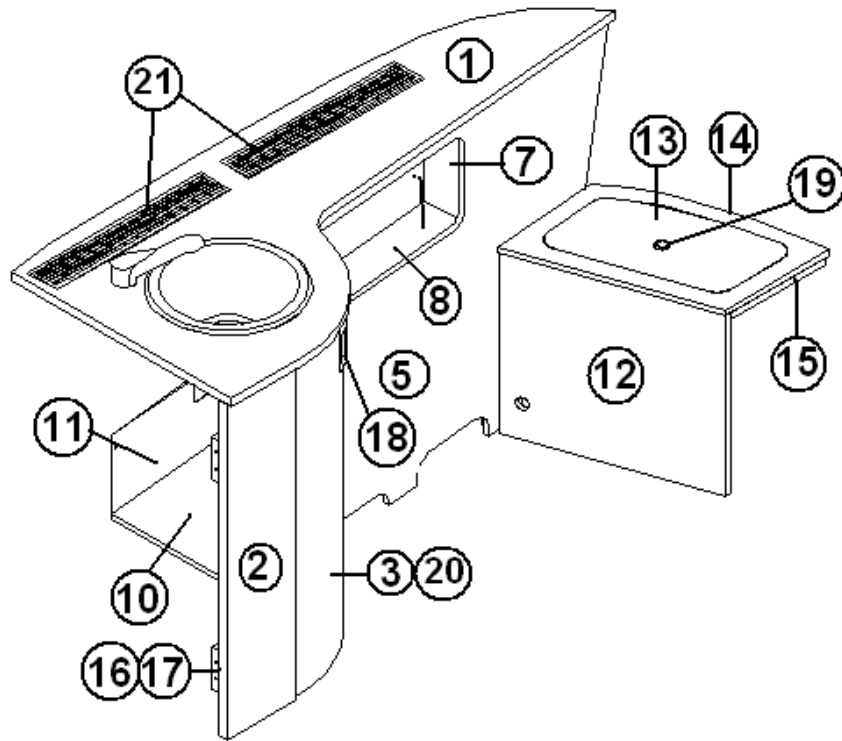
1. 381945
2. 381384

BOARD, DRY/ERASE 11" X 14", MAGNETIC
COAT HOOK, ALUMINUM, 1.68"

2007 EUROPEAN TRAVEL TRAILER

FURNITURE, BATH

Lavatory Assembly, AEU 532



Part Number on the Next Page

2007 EUROPEAN TRAVEL TRAILER

FURNITURE, BATH

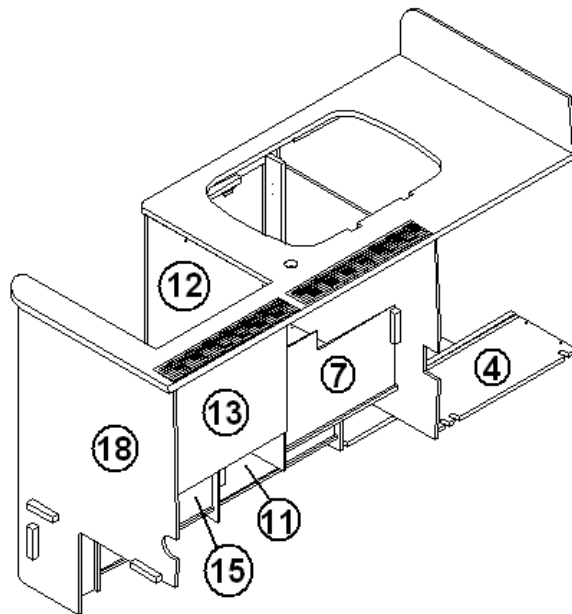
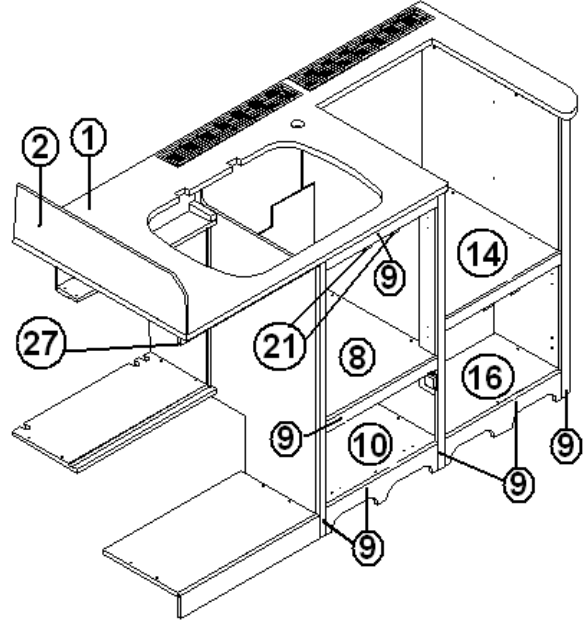
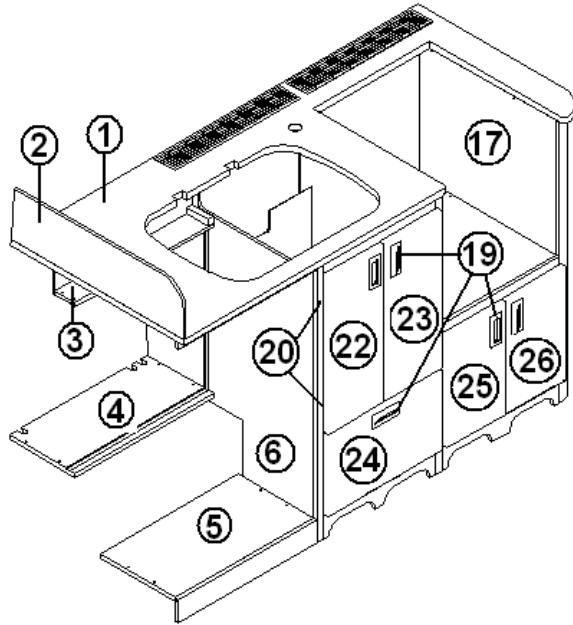
Lavatory Assembly, AEU 532

| | |
|-----------------|--------------------------------|
| 99900P-227 | Lavatory assembly, 532 AEU |
| 1. 99900P-228 | Lavatory top |
| 2. 99900P-229 | Left side panel |
| 3. 99900P-230 | Left door |
| 4. 99900P-231 | Right door |
| 5. 99900P-232 | Front panel |
| 6. 99900P-233 | Cabinet, left side panel |
| 7. 99900P-234 | Cabinet, right side panel |
| 8. 99900P-235 | Cabinet, bottom |
| 9. 99900P-236 | Cabinet, back panel |
| 10. 99900P-237 | Lavatory shelf |
| 11. 99900P-238 | Lavatory back panel |
| 12. 99900P-239 | Hamper, front panel |
| 13. 99900P-240 | Hamper, top |
| 14. 999900P-241 | Hamper, top frame |
| 15. 99900P-242 | Hamper, top frame inside |
| 16. 329.11.600 | Hinge, door |
| 17. 329.80.528 | Hinge base |
| 18. 382002 | Handle, door |
| 19. 229.03.420 | Push/Lock, Rosette |
| 20. 381856 | Catch, tension, 2-ball |
| 21. 575.04.420 | Vent |
| 601804-01 | SINK 12" SS ROUND WITH STUDS |
| 601842 | FAUCET-SMALL LEVER HANDLE BATH |
| 601813 | TAIL PIECE-LIFT/TURN DRAIN |

2007 EUROPEAN TRAVEL TRAILER

FURNITURE, GALLEY

Galley, AEU 532



Part Numbers are on the next page.

2007 EUROPEAN TRAVEL TRAILER

FURNITURE, GALLEY

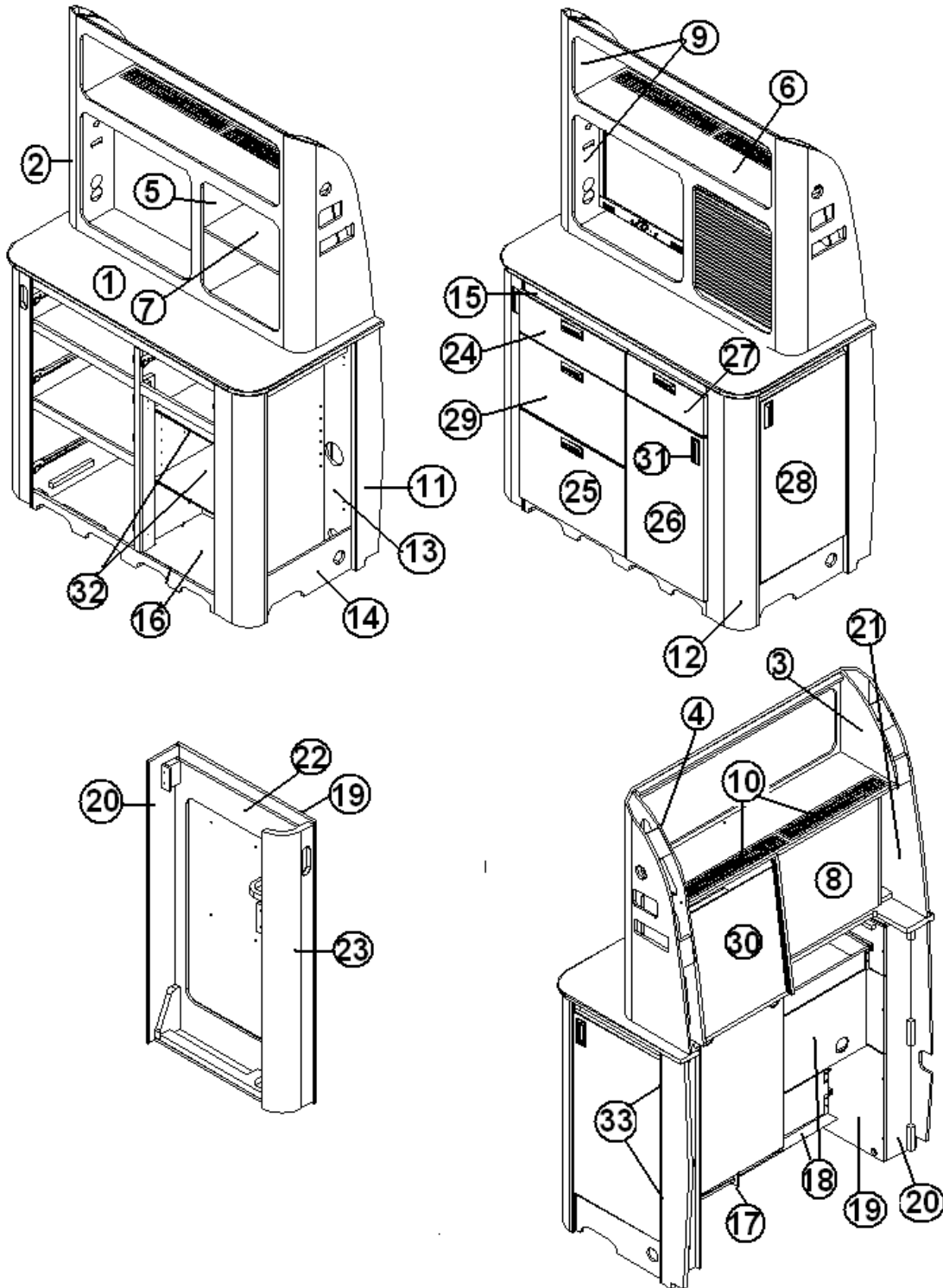
Galley, AEU 532

| | |
|----------------|----------------------------------|
| 99900P-285 | Galley Assembly |
| 1. 99900P-286 | Galley worktop |
| 2. 99900P-287 | Panel above worktop |
| 3. 99900P-288 | Top panel for fridge seal kit |
| 4. 99900P-289 | Lower panel for fridge seal kit |
| 5. 99900P-290 | Fridge support and plinth |
| 6. 99900P-291 | Sink, left side panel |
| 7. 99900P-292 | Sink, top back panel |
| 8. 99900P-293 | Sink, shelf |
| 9. 99900P-294 | Sink, front frame |
| 10. 99900P-295 | Sink, lower bottom |
| 11. 99900P-296 | Sink, lower back panel |
| 12. 99900P-297 | Sink, right side panel |
| 13. 99900P-298 | Oven top, back panel |
| 14. 99900P-299 | Oven shelf |
| 15. 99900P-300 | Oven, lower back panel |
| 16. 99900P-301 | Oven, lower bottom |
| 17. 99900P-302 | Oven, right side panel |
| 18. 99900P-303 | Galley, right curved side panel |
| 19. 382002 | Handle door |
| 20. 329.26.601 | Hinge, door |
| 20. 329.80.590 | Hinge base, door |
| 21. 381228-01 | Southco C3-810, Catch, grabber |
| 22. 99900P-304 | Sink, left door |
| 23. 99900P-305 | Sink, right door |
| 24. 99900P-306 | Sink, lower door |
| 25. 99900P-307 | Oven, left door |
| 26. 99900P-308 | Oven, right door |
| 27. 99900P-309 | Fridge, top panel |
| 115064 | COUNTER TOP TRIM, ALUMINUM |
| 203138-05 | PLASTIC WALL EXTRUSION, BLACK |
| 200980-01 | TRAY, SILVERWARE, ALMOND, 9 X 13 |

2007 EUROPEAN TRAVEL TRAILER

FURNITURE, GALLEY

Storage Center, AEU 532



Part Numbers are on the next page.

2007 EUROPEAN TRAVEL TRAILER

FURNITURE, GALLEY

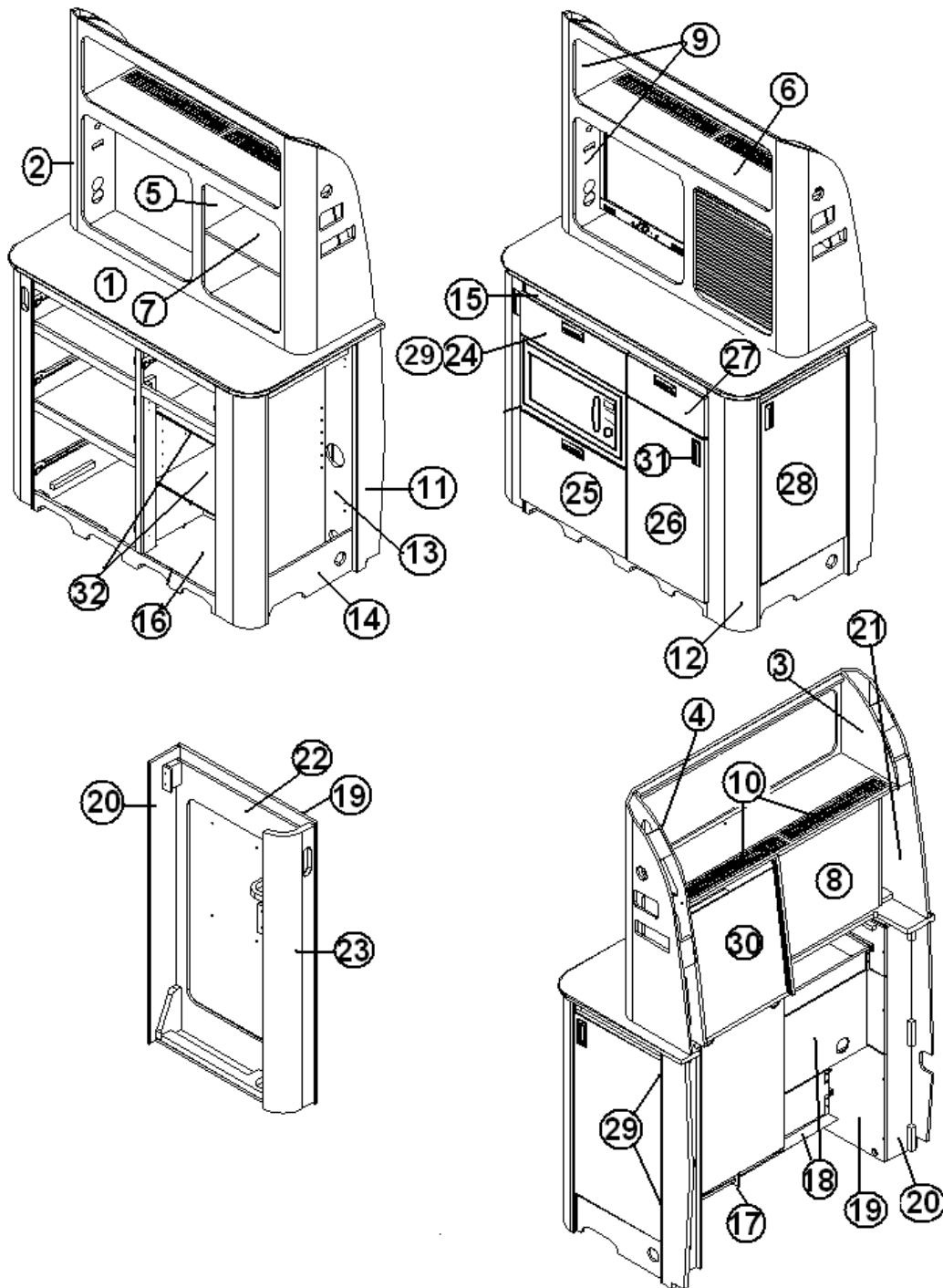
Storage Center, AEU 532

| | |
|----------------|---------------------------------|
| 99900P-183 | Storage Center |
| 1. 99900P-185 | Worktop |
| 2. 99900P-186 | Top front frame |
| 3. 99900P-187 | Top let side panel |
| 4. 99900P-188 | Top right side panel |
| 5. 99900P-189 | Top middle panel |
| 6. 99900P-190 | Top shelf, long |
| 7. 99900P-191 | Top shelf, short |
| 8. 99900P-192 | Top frame, back panel |
| 9. 99900M-128 | Storage center close-outs |
| 10. 575.04.917 | Vent |
| 11. 99900P-193 | Lower right front frame |
| 12. 99900P-194 | Lower right curved panel |
| 13. 99900P-195 | PSU cabinet back panel |
| 14. 99900P-196 | Right side panel |
| 15. 99900P-197 | Lower front frame |
| 16. 99900P-198 | Right cabinet shelves |
| 17. 99900P-199 | Lower middle side panel |
| 18. 99900P-200 | Microwave cabinet |
| 19. 99900P-201 | Left inside panel |
| 20. 99900P-202 | Table pocket, back panel |
| 21. 99900P-203 | Left side panel |
| 22. 99900P-204 | Table pocket, drawer slide |
| 23. 99900P-205 | Table pocket, curved door |
| 24. 99900P-206 | Top left drawer |
| 25. 99900P-207 | Lower left drawer |
| 26. 99900P-208 | Lower right drawer |
| 27. 99900P-209 | Top right drawer |
| 28. 99900P-210 | PSU cabinet door |
| 29. 99900P-211 | Middle left drawer |
| 30. 99900P-358 | Tambour door |
| 31. 382002 | Pull, door/drawer |
| 32. 99900P-359 | Lower right cabinet shelves |
| 33. 329.01.613 | Hinge |
| 33. 329.80.582 | Hinge base |
| 381773-02 | SLIDE, DRAWER, 3-3/8H X 13-3/4L |
| 381228-01 | Catch, grabber |

2007 EUROPEAN TRAVEL TRAILER

FURNITURE, GALLEY

Storage Center, Microwave option, AEU 532



Part Numbers are on the next page.

2007 EUROPEAN TRAVEL TRAILER

FURNITURE, GALLEY

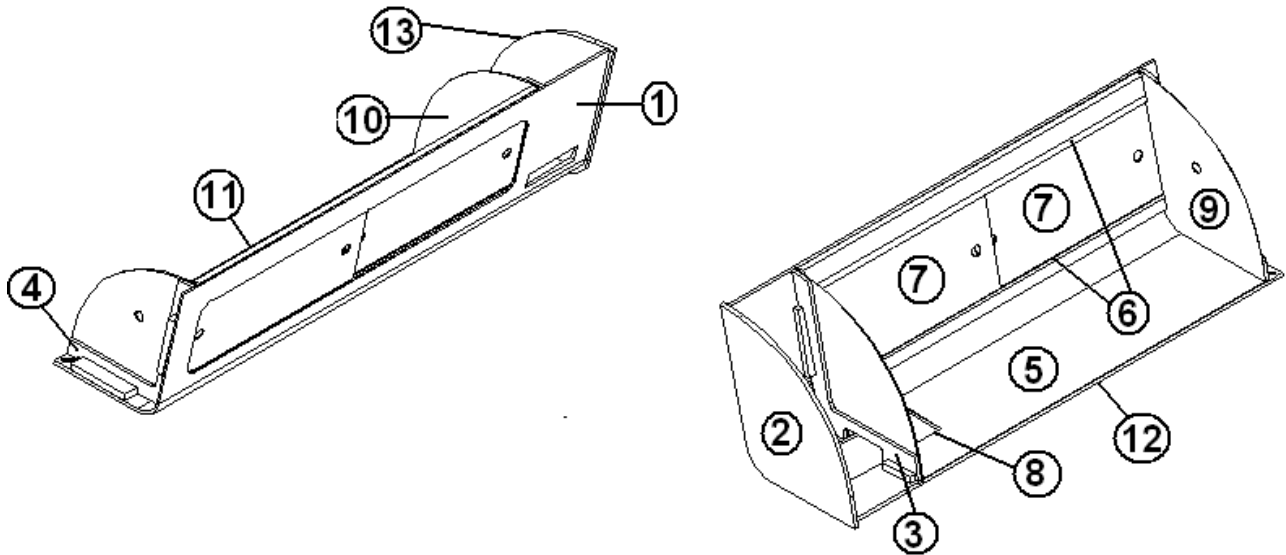
Storage Center, Microwave option, AEU 532

| | |
|----------------|----------------------------------|
| 99900P-184 | Storage Center, microwave option |
| 1. 99900P-185 | Worktop |
| 2. 99900P-186 | Top front frame |
| 3. 99900P-187 | Top let side panel |
| 4. 99900P-188 | Top right side panel |
| 5. 99900P-189 | Top middle panel |
| 6. 99900P-190 | Top shelf, long |
| 7. 99900P-191 | Top shelf, short |
| 8. 99900P-192 | Top frame, back panel |
| 9. 99900M-128 | Storage center close-outs |
| 10. 575.04.917 | Vent |
| 11. 99900P-193 | Lower right front frame |
| 12. 99900P-194 | Lower right curved panel |
| 13. 99900P-195 | PSU cabinet back panel |
| 14. 99900P-196 | Right side panel |
| 15. 99900P-197 | Lower front frame |
| 16. 99900P-198 | Right cabinet shelves |
| 17. 99900P-199 | Lower middle side panel |
| 18. 99900P-200 | Microwave cabinet |
| 19. 99900P-201 | Left inside panel |
| 20. 99900P-202 | Table pocket, back panel |
| 21. 99900P-203 | Left side panel |
| 22. 99900P-204 | Table pocket, drawer slide |
| 23. 99900P-205 | Table pocket, curved door |
| 24. 99900P-206 | Top left drawer |
| 25. 99900P-207 | Lower left drawer |
| 26. 99900P-208 | Lower right drawer |
| 27. 99900P-209 | Top right drawer |
| 28. 99900P-210 | PSU cabinet door |
| 29. 420.72.950 | Drawer slide |
| 30. 99900P-358 | Tambour door |
| 31. 382002 | Pull, door/drawer |
| 32. 99900P-359 | Lower right cabinet shelves |
| 33. 329.01.613 | Hinge |
| 33. 329.80.582 | Hinge base |
| 381228-01 | Catch, grabber |

2007 EUROPEAN TRAVEL TRAILER

FURNITURE, GALLEY

Roof Locker, Galley, AEU 532

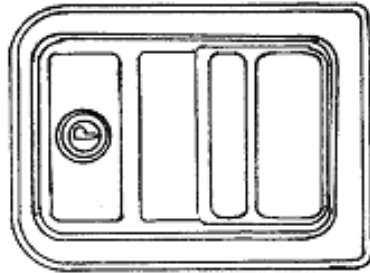


- | | |
|----------------|-------------------------------|
| 99900P-248 | GALLEY ROOFLOCKER |
| 1. 99900P-249 | GALLEY ROOFLOCKER FRONT FRAME |
| 2. 99900P-250 | RIGHT END PANEL |
| 3. 99900P-251 | RIGHT SIDE PANEL |
| 4. 99900P-252 | LEFT SIDE PANEL |
| 5. 801359-01 | LINER, ORANGE LAMINATE |
| 6. 381245 | SLIDING DOOR TRACK |
| 7. 965563-09 | DOOR-PLEX.SLIDING 11.31"X 26" |
| 8. 201649 | ACCESS COVER LP REGULATOR |
| 9. 99900M-147 | DIVIDER-LH LOCKER |
| 10. 99900M-148 | DIVIDER-RH LOCKER |
| 11. 115227-02 | ANGLE, FORMED, 50.50" |
| 12. 104821 | SUPPORT, ROOFLOCKER, 74" |
| 13. 201673 | REVERSE COVE MOLDING, WHITE |

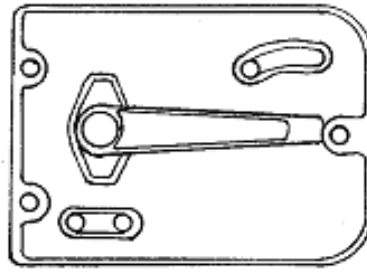
2007 EUROPEAN TRAVEL TRAILER

HARDWARE

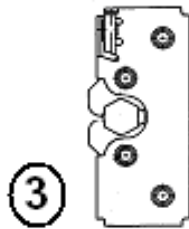
Main Door Latch/Lock



①



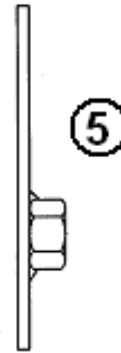
②



③

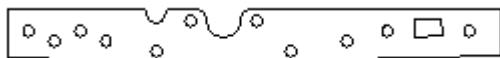


④

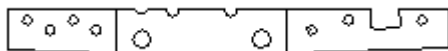


⑤

- 1. 381547-01 Main door lock, outside housing
- 2. 381547-07 Main door lock, inside plate
- 3. 381547-03 Double rotary latch, main door
- 4. 381547-04 Striker bolt w/washer, main door lock
- 5. 381550 Plate, striker bolt mounting
- 381547-08 Screw package, main door lock
- 385595 Pocket strike, #10-10-810



381548 INSIDE LATCH, REINFORCEMENT

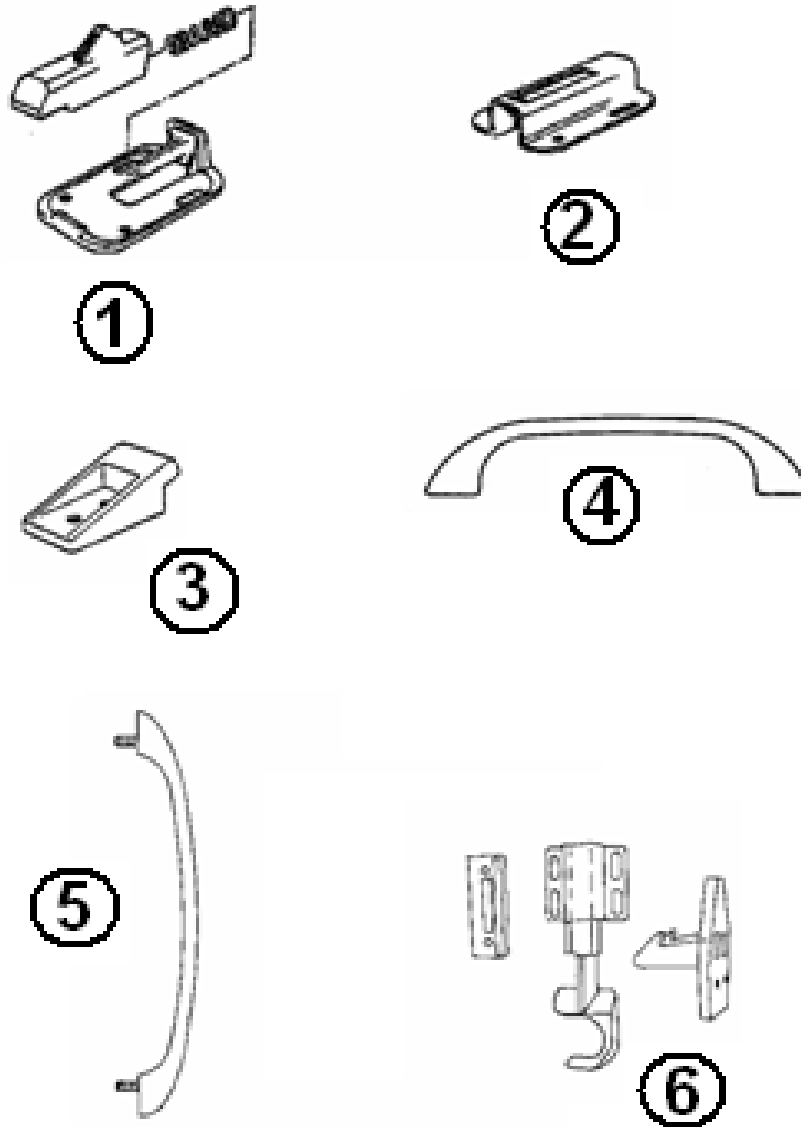


381557 OUTSIDE LATCH REINFORCEMENT

2007 EUROPEAN TRAVEL TRAILER

HARDWARE

Main Door Holdback/Screen Door Handle & Latch

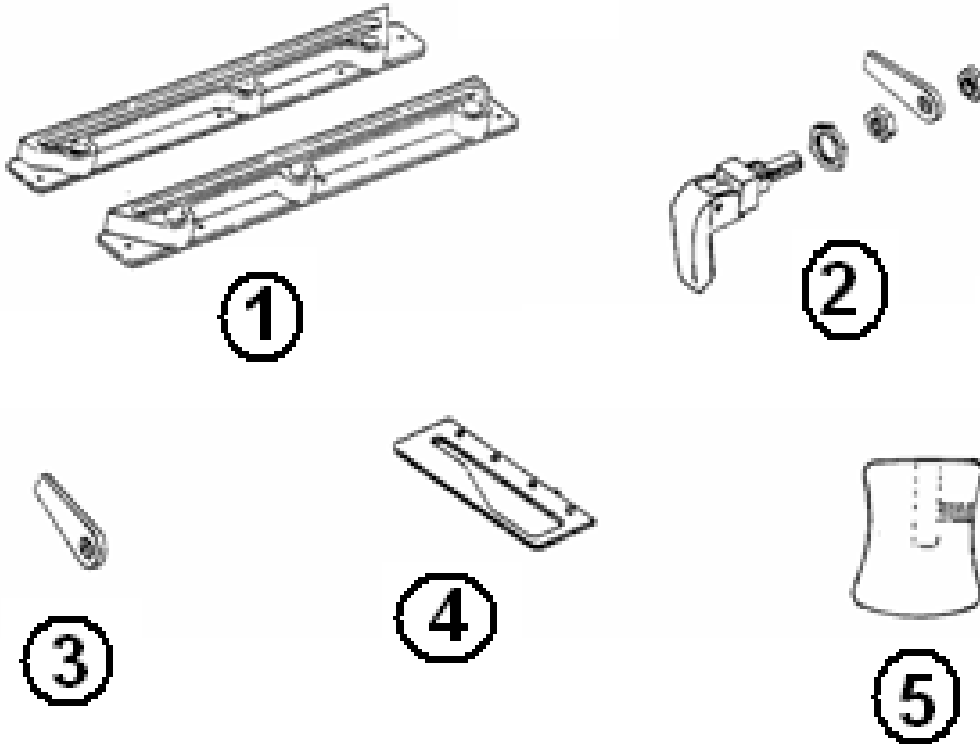


1. 380291 Main door holdback, (use w/housing #380290)
2. 380290 Latch housing,
3. 201056 Catch, main door holdback
4. 380004 Handle, screen door
5. 101171 Grab Handle, main door
6. 381454 Latch, screen door, Bullet

2007 EUROPEAN TRAVEL TRAILER

HARDWARE

Window Hardware



- 1. 0802-0001 Window guide, RH
- 1. 0802-0002 Window guide, LH
- 2. 010020 Lower window latch
- 2. 195467-05 Latch w/red handle
- 3. 685123 Pawl window latch, straight
- 4. 685124 Striker plate, window latch
- 5. 380230-03 Knob, window arm
- 5. 380230-04 Knob, window arm, red
- 0703-0001 Screw 8-32 x 1/2", black
- 0703-0010 Screw 8-32 x 1/2", stainless
- 0706-0003 Washer, flat, nylon, clear
- 0706-0004 Washer, flat, nylon, black
- 0802-0004 Screw cap, black
- 0802-0005 Snap cap washer, clear

2007 EUROPEAN TRAVEL TRAILER

HARDWARE

Main Door Dead Bolt

| | |
|-----------|------------------------------------|
| 381323-01 | DEADBOLT COMPLETE ASSY. #11840-12 |
| 381326 | STRIKER #10007 W/TRIMARK DEADBOLT |
| 345321-12 | SCREW, #8-32 FLAT HEAD, BLK, 1.625 |
| 453851 | BOLT - TRI/MARK |
| 203370 | SPACER-TRI/MARK DOOR LATCH |
| 203375 | HIGH DENSITY POLYETHYLENE .187"TH |

Towel Bar/Tooth Brush Holder

| | |
|--------|-------------------------------------|
| 382002 | PULL-CAB.DOOR 3"CTR ORB |
| 345418 | SCREW-#6 X .75" S.S. |
| 300140 | WASHER-1.25"OD TOWEL BAR |
| 380034 | TOILET PAPER HOLDER, CHROME |
| 380017 | TUMBLER & TOOTHBRUSH HOLDER, CHROME |

Wardrobe Clothes Rod

| | |
|-----------|----------------------------------|
| 380046 | FLANGE CHROME |
| 380045 | TUBING, 3/4", METAL |
| 200975-04 | CONDUIT, FLEXIBLE, BLACK PLASTIC |

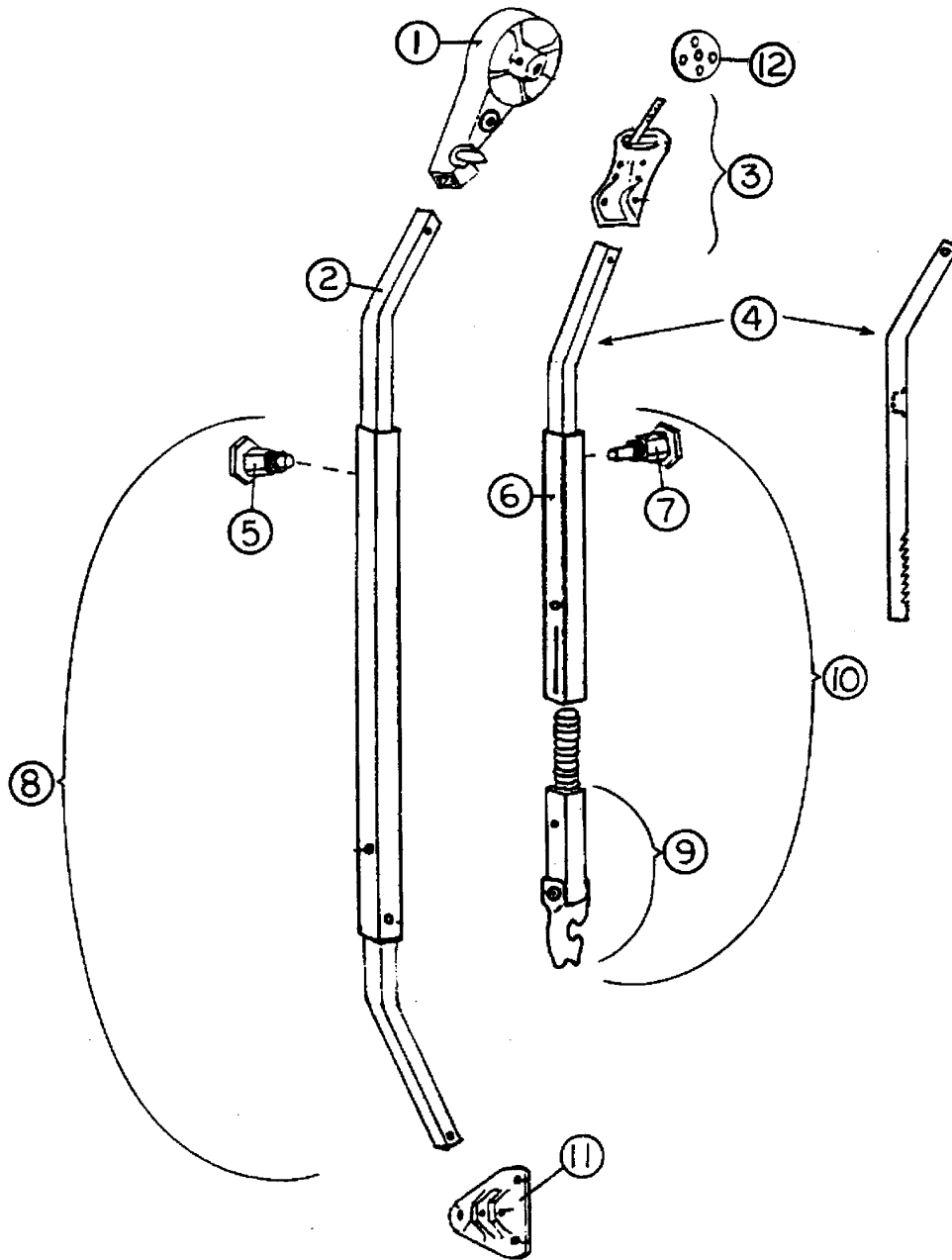
Storage Boxes/Wastebasket

| | |
|--------|-------------------------------------|
| 203447 | STORAGE BOX, 23.5" X 16.25" X 6.38" |
| 203419 | STORAGE BOX, 23"L X 16.75"W X 11.88 |
| 381708 | WASTEBASKET-11.38 X 8.25 X 12. |

2007 EUROPEAN TRAVEL TRAILER

HARDWARE

Awning Hardware



See next page for P/N

2007 EUROPEAN TRAVEL TRAILER

HARDWARE

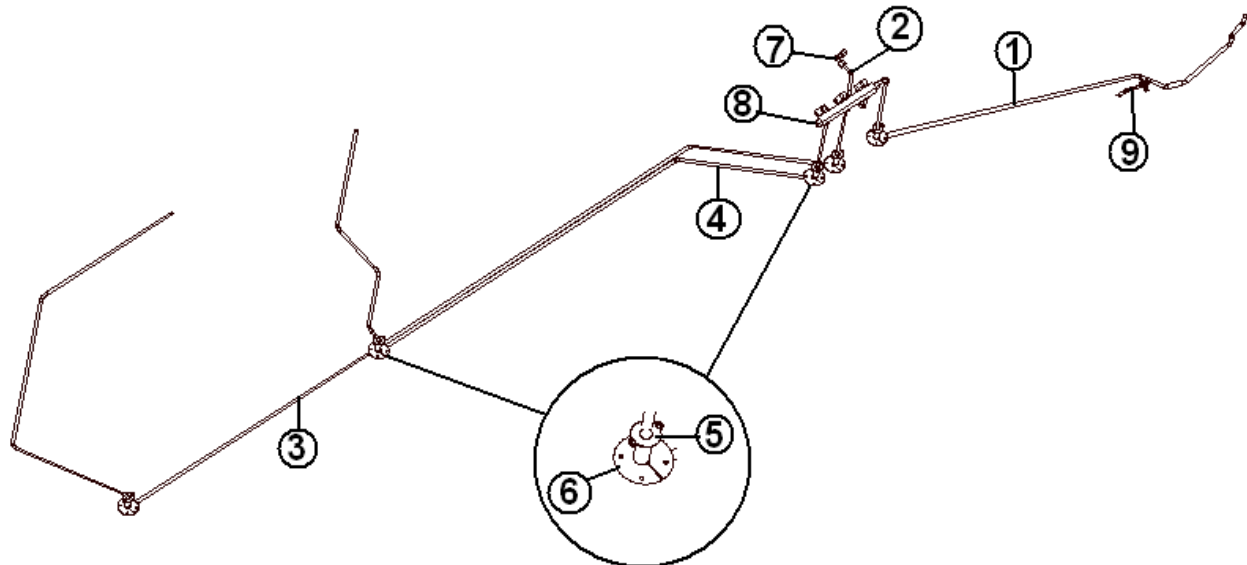
AWNING HARDWARE

| | |
|----------------|------------------------------------|
| 702993 | Awning Hardware, complete Assembly |
| 1. 74043W-06 | Front head assembly |
| 1. 74043W-07 | Rear head assembly |
| 2. 74047W-11 | Front main arm bar |
| 2. 74047W-12 | Rear main arm bar |
| 3. 74056W | Clamp assembly, front, curved |
| 3. 74056W-01 | Clamp assembly, rear, curved |
| 4. 74061WS-08 | Rafter arm bar, satin |
| 5. 74054W | Snap stud assembly |
| 6. 74063W-04 | Rafter arm tube, satin |
| 7. 74072W | Ratchet stud |
| 8. 74048WS-15 | Front main arm tube assembly |
| 8. 74048WS-16 | Rear main arm tube assembly |
| 9. 74068W-04 | Claw bar assembly |
| 10. 74048WS-17 | Rafter arm assembly |
| 11. 74055W | Base hinge, rib mount |
| 12. 74060W | Clamp wheel |

2007 EUROPEAN TRAVEL TRAILER

PLUMBING, LPG

LPG System, 532 AEU

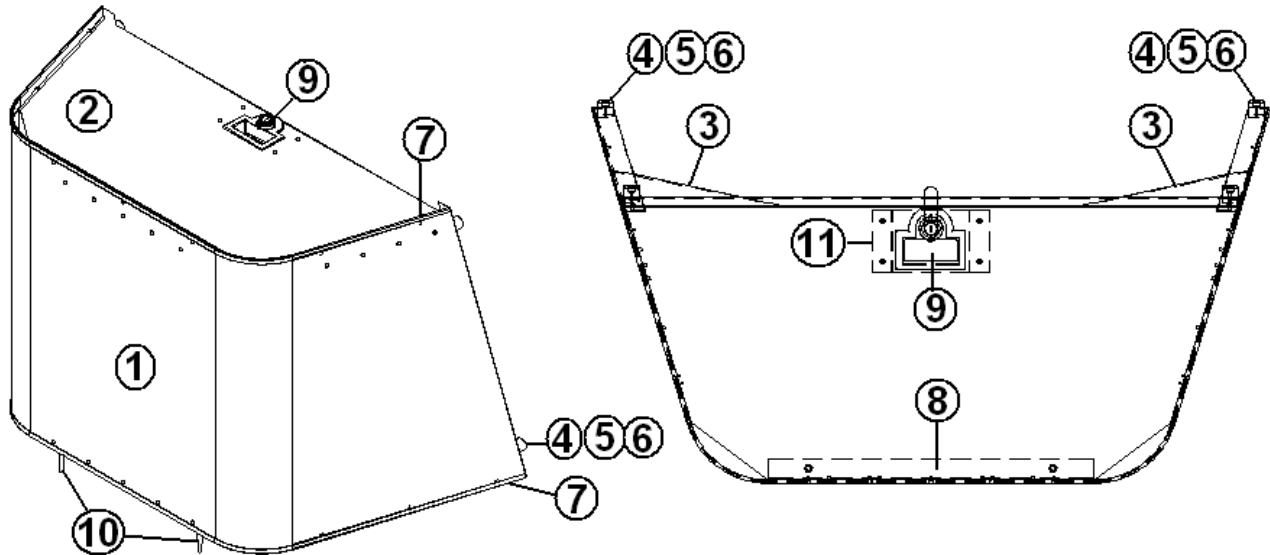


- | | |
|---------------|--|
| 1. 99900M-102 | LP LINE, 10MM, REGULATOR TO MANIFOLD |
| 2. 99900M-103 | LP LINE, 8MM, MANIFOLD TO BOILER |
| 3. 99900M-104 | LP LINE, 8MM, REFRIGERATOR BELOW FLOOR |
| 4. 99900M-106 | LP LINE, 8MM, OVEN BELOW FLOOR |
| 5. 380887 | GROMMET, FLOOR |
| 6. 380886 | GROMMET, FLOOR |
| 7. 99900P-062 | ELBOW, LP PIPE 8MM |
| 8. 99900P-061 | MANIFOLD, TRUMA #24152-02 |
| 9. 381973 | STRAP, GROUNDING 6" BC |
| 345426-02 | CLAMP, STEEL LOOP .38" RUBBER |
| 99900P-057 | COPPER TUBE, 8MM X 30M ROLL |
| 99900P-391 | GAS VALVE 4-WAY AEU 532 |

2007 EUROPEAN TRAVEL TRAILER

PLUMBING, LPG

LPG Bottle Cover

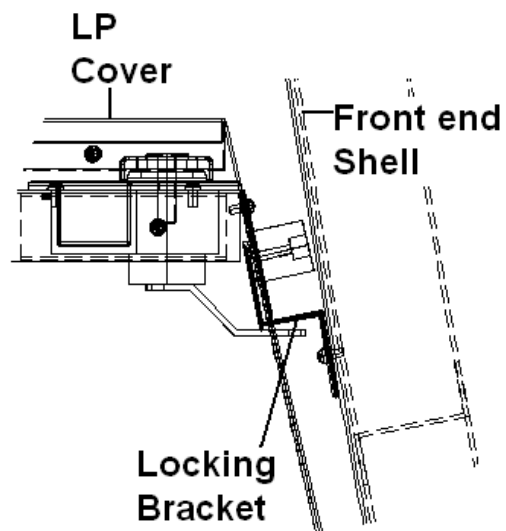


- | | |
|----------------|------------------------------------|
| 99900M-035 | COVER ASSEMBLY, LP BOTTLE |
| 1. 99900P-024 | COVER WRAP, LP BOTTLE |
| 2. 99900P-025 | LID, LP BOTTLE COVER |
| 3. 114880-201 | ALUMINUM SHEET, .040" X 51"X201" |
| 4. 381136 | RUBBER BUMPER |
| 5. 320029 | SCREW #8 X 3/4", PAN HEAD |
| 6. 350008 | NUT, BRASS NICKLE PLATED, 8/32" |
| 7. 114070 | J-TRIM EXTRUSION |
| 8. 114812 | ALUMINUM ANGLE, 1.00" X 1.00" |
| 9. 380770 | LOCK & CASTING ASSEMBLY, BLACK |
| 10. 99900P-021 | PIN, THREADED TAPER, W/NUT |
| 11. 99900M-054 | BRACKET, LATCH LP COVER |
| 325000-01 | RIVET, ANODIZED CLEAR 1/8" X 1/4" |
| 325002-01 | RIVET, ANODIZED CLEAR, 1/8" X 3/8" |

2007 EUROPEAN TRAVEL TRAILER

PLUMBING, LPG

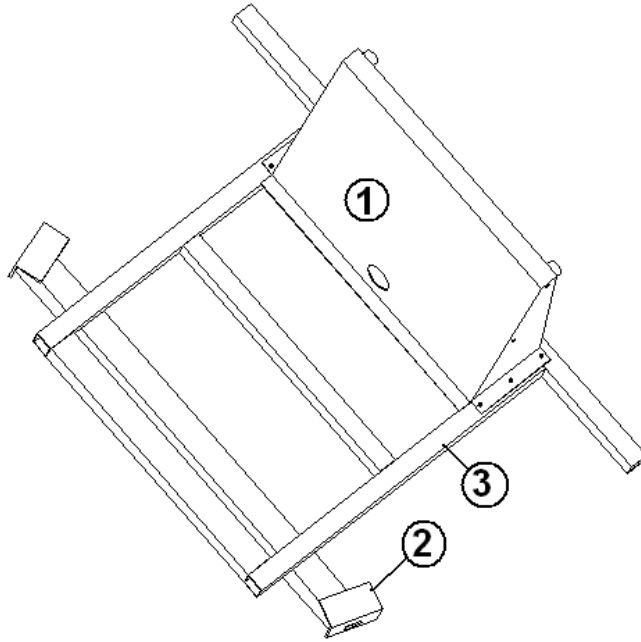
LPG Bottle Cover Locking Bracket



99900M-054 BRACKET, LP COVER LOCKING

2007 EUROPEAN TRAVEL TRAILER

LPG Bottle Support

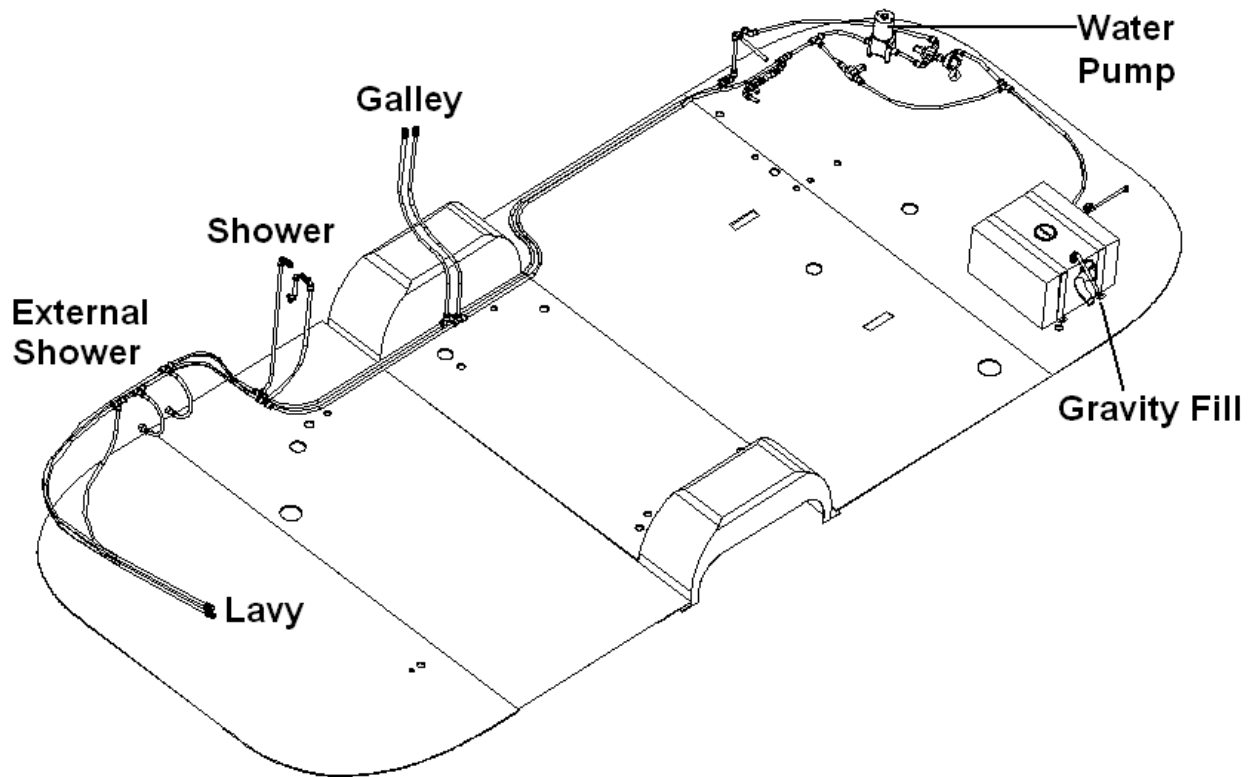


- | | |
|---------------|---------------------------------|
| 99900M-038 | LP SUPPORT ASSEMBLY |
| 1. 99900M-037 | COVER, LP SUPPORT |
| 2. 99900M-039 | CROSSMEMBER, LP SUPPORT |
| 3. 99900M-036 | WELDMENT-LP SUPPORT |
| 386018-01 | GROMMET RUBBER 1.25ID 1.75 OD |
| 381136 | RUBBER BUMPER |
| 330126-04 | RIVET, POP S.S. .125" #45 |
| 345181 | SCREW, 1/4"-14 X 2" SELF-TAPPIN |
| 345084 | SCREW, 1/4"-14X1 THD.CUTTING |
| 345269-05 | BOLT, 1/2"-13 HEX HD GR.5 |
| 350147-50 | NUT, NYLON LOCK, 1/2"-13 |

2007 EUROPEAN TRAVEL TRAILER

PLUMBING, FRESHWATER

532 AEU Fresh Water Lines Layout

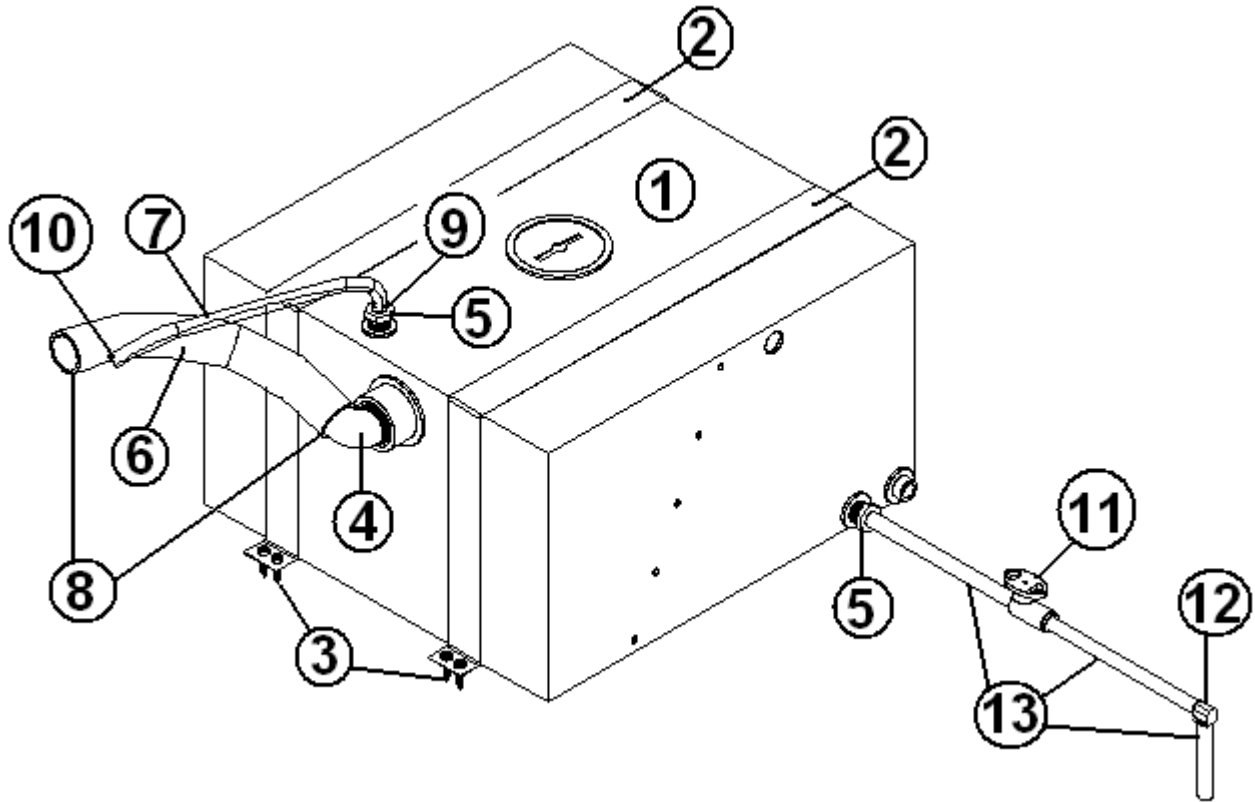


The individual sections follow in this section

2007 EUROPEAN TRAVEL TRAILER

PLUMBING, FRESHWATER

Fresh Water Tank, 532 AEU

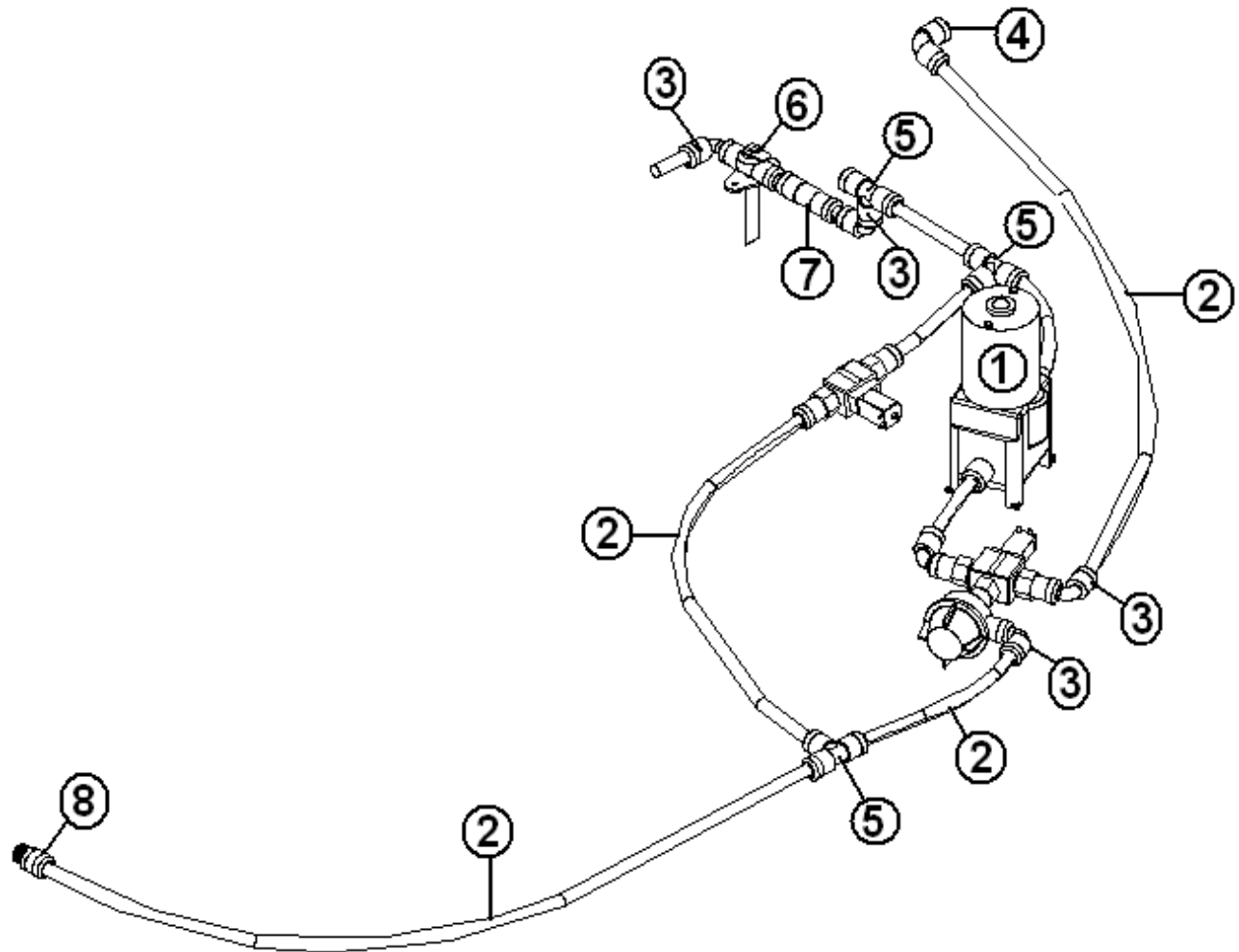


- | | |
|---------------|--|
| 1. 99900P-041 | TANK-FRESH WATER |
| 2. 99900M-051 | STRAP, FRESH WATER TANK |
| 3. 320006 | SCREW SHEET METAL, 8 X 3/4" BH PHILIPS |
| 4. 601237 | ELBOW 90 D 1.25 MPT X 1.25" BARBED |
| 5. 601698-02 | QQMC33X 1/2" B X 1/2" MPT ADAPTOR |
| 6. 601239-01 | TUBING, 1.375" ID RIBBED |
| 7. 601240-01 | TUBING, 1/2" I.D. X 3/32 WALL THREAD |
| 8. 0260043-20 | WORM CLAMP #20 |
| 9. 340086 | MINIATURE SCREW TYPE HOSE CLAMP |
| 10. 601698-15 | 1/2" CRIMP RING #14785 |
| 11. 601698-22 | BALL VALVE 1/4 TURN |
| 12. 601698-10 | QQE33X 1/2 BARB EL #1472 |
| 13. 601698-01 | E-PEX, 1/2" TUBING |

2007 EUROPEAN TRAVEL TRAILER

PLUMBING, FRESHWATER

Water Pump/Solenoid System, 532 AEU

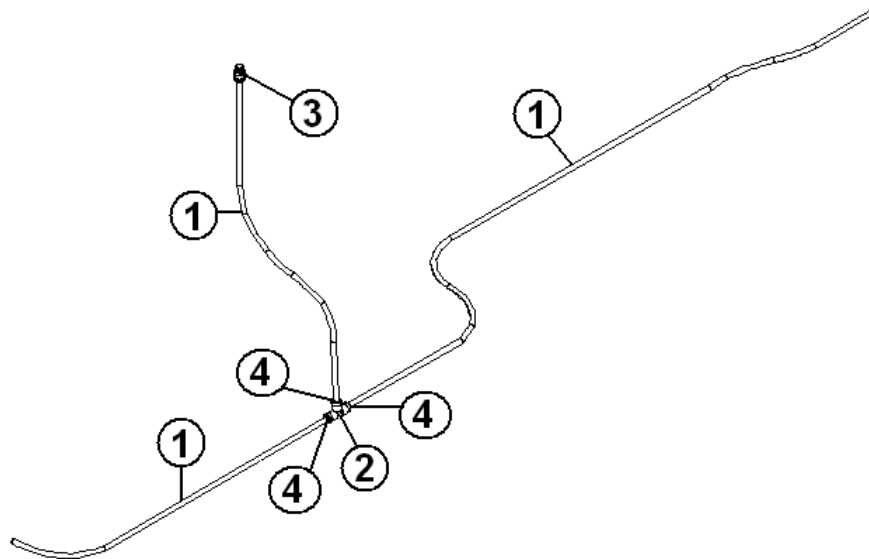


- | | |
|---------------|----------------------------------|
| 1. 99900P-104 | AQUASMART WATER DELIVERY SYSTEM |
| 2. 99900P-093 | PIPE, 12MM COLD WATER BLUE 100M |
| 3. 99900P-095 | ELBOW, 90D 12MM STEM |
| 4. 99900P-096 | ELBOW, 90D EQUAL 12MM |
| 5. 99900P-097 | TEE, 12MM EQUAL |
| 6. 99900P-098 | DRAIN DOWN, COLD PRESSURE RELIEF |
| 7. 99900P-099 | VALVE, NON RETURN |
| 8. 99900P-102 | QUICK CONNECT, .5"MPT X 12MM |
| 99900P-100 | COLLETS, BLUE |

2007 EUROPEAN TRAVEL TRAILER

PLUMBING, FRESHWATER

Galley Plumbing Layout, Cold, 532 AEU

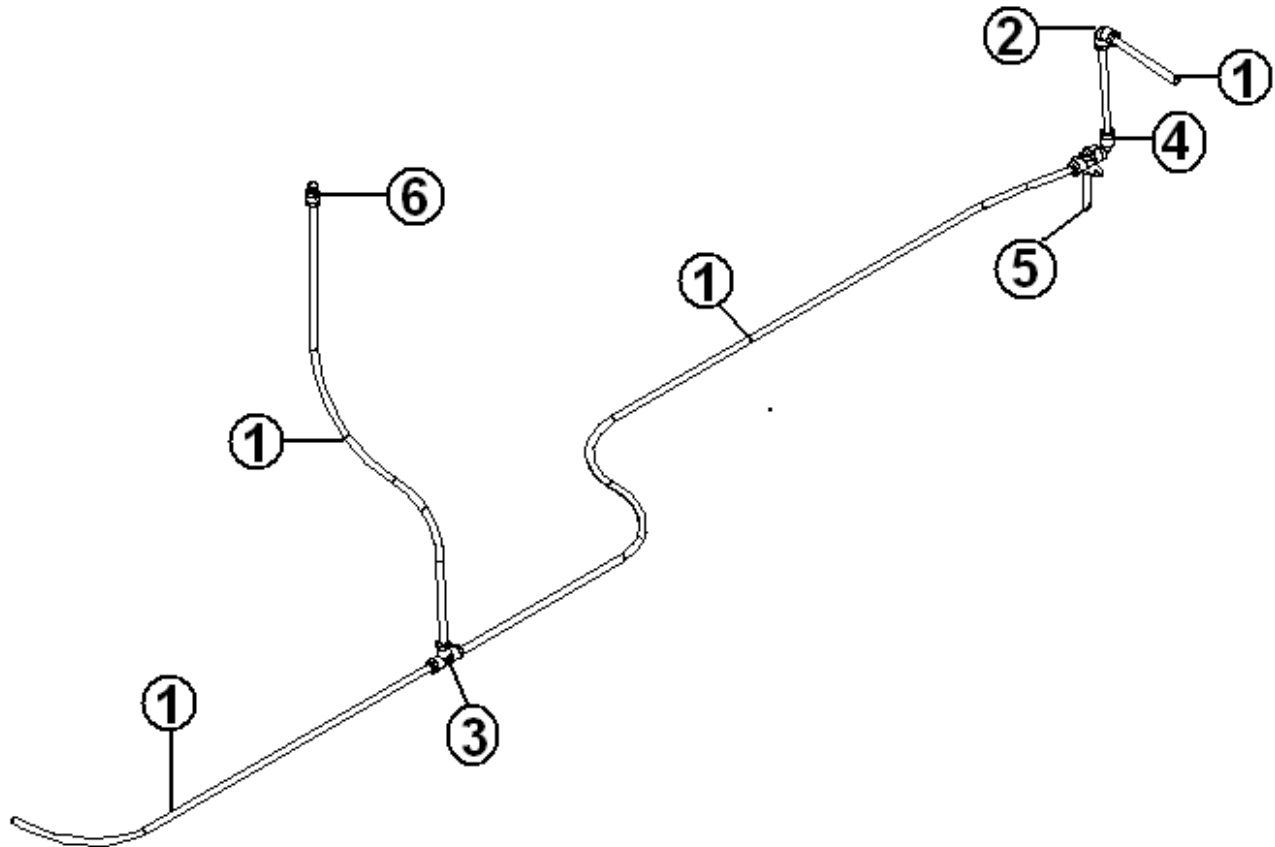


- | | |
|---------------|----------------------------------|
| 1. 99900P-093 | PIPE, 12MM COLD WATER, BLUE 100M |
| 2. 99900P-097 | TEE, 12MM EQUAL |
| 3. 99900P-102 | QUICK CONNECT-.5" MPT X 12MM |
| 4. 99900P-100 | COLLETS, BLUE |

2007 EUROPEAN TRAVEL TRAILER

PLUMBING, FRESHWATER

Galley Plumbing Layout, Hot, 532 AEU

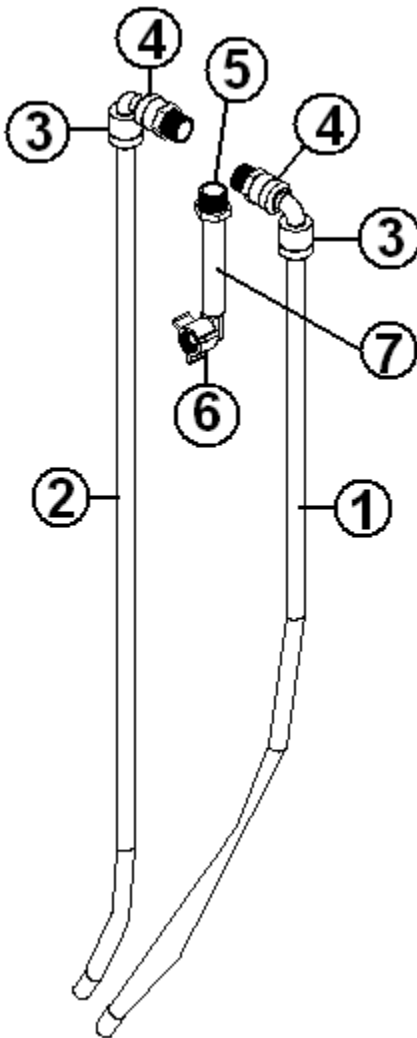


- | | |
|---------------|------------------------------------|
| 1. 99900P-094 | PIPE, 12MM HOT WATER RED 100MM RED |
| 2. 99900P-096 | ELBOW, 90D EQUAL 12MM |
| 3. 99900P-097 | TEE, 12MM EQUAL |
| 4. 99900P-095 | ELBOW, 90D 12MM STEM |
| 5. 99900P-098 | DRAIN DOWN, COLD PRESSURE RELIEF |
| 6. 99900P-103 | QUICK CONNECT, .5" MPT X 12MM |
| 99900P-101 | COLLETS, RED |

2007 EUROPEAN TRAVEL TRAILER

PLUMBING, FRESHWATER

Shower Plumbing Layout, Hot, 532 AEU

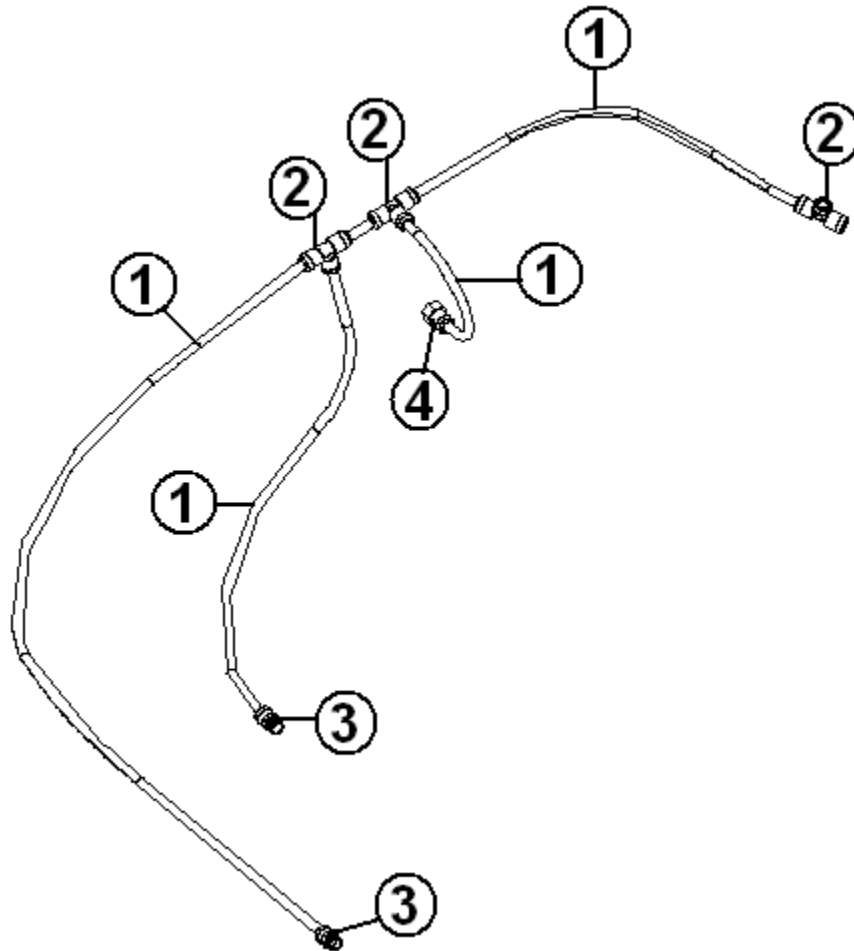


- | | |
|---------------|--------------------------------------|
| 1. 99900P-094 | PIPE, 12MM HOT WATER, RED, 100M |
| 2. 99900P-093 | PIPE, 12MM COLD WATER, BLUE, 100M |
| 3. 99900P-095 | ELBOW, 90D 12MM STEM |
| 4. 99900P-102 | QUICK CONNECT, .5" MPT X 12MM |
| 5. 601698-02 | QQMC33 X 1/2" B X 1/2" MPT ADAPTOR |
| 6. 601698-05 | QQE33BS X P 1/2" B X 1/2" FPT SWIVEL |
| 7. 601698-01 | E-PEX 1/2" TUBING |
| 601698-15 | 1/2" CRIMP RING |
| 99900P-101 | COLLETS, RED |
| 99900P-100 | COLLETS, BLUE |

2007 EUROPEAN TRAVEL TRAILER

PLUMBING, FRESHWATER

External Shower Layout, Cold, 532 AEU

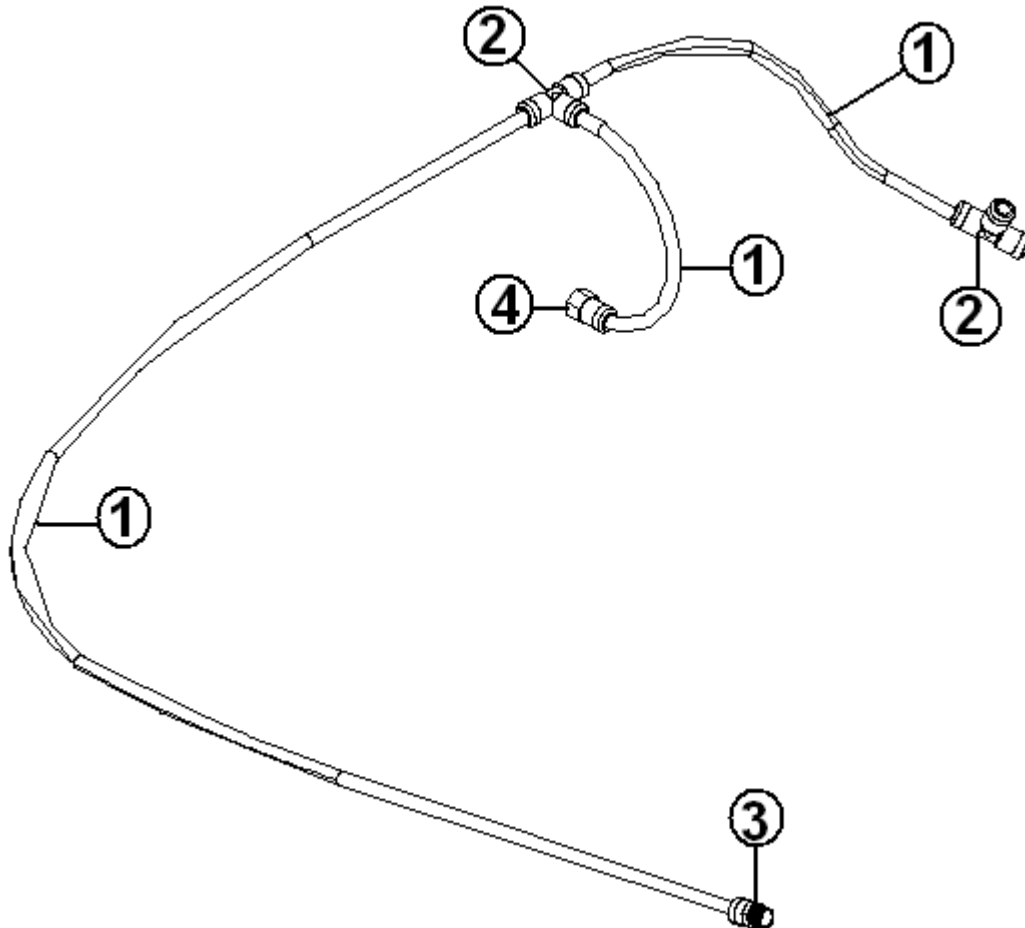


- | | |
|---------------|-----------------------------------|
| 1. 99900P-093 | PIPE, 12MM COLD WATER, BLUE 100MM |
| 2. 99900P-097 | TEE, 12MM EQUAL |
| 3. 99900P-102 | QUICK CONNECT, .5" MPT X 12MM |
| 4. 99900P-103 | QUICK CONNECT, .5" FPT X 12MM |
| 99900P-100 | COLLETS, BLUE |

2007 EUROPEAN TRAVEL TRAILER

PLUMBING, FRESHWATER

External Shower Layout, Hot, 532 AEU



- | | |
|---------------|---------------------------------|
| 1. 99900P-094 | PIPE, 12MM HOT WATER, RED 100MM |
| 2. 99900P-097 | TEE, 12MM EQUAL |
| 3. 99900P-102 | QUICK CONNECT, .5" MPT X 12MM |
| 4. 99900P-103 | QUICK CONNECT, .5" FPT X 12MM |
| 99900P-101 | COLLETS, RED |
| 340085-05 | CLAMP, #COY 1109, 5/8" DIAMETER |

Fresh Water Fill, Exterior

- | | |
|--------|----------------------------------|
| 601194 | WATER FILL W/LOCK, GRAY, W/LABEL |
| 601661 | NIPPLE 1/2" BRASS HEX |
| 381647 | KEY WATER FILL CH751 |

2007 EUROPEAN TRAVEL TRAILER

PLUMBING, FRESHWATER

Faucet, Galley, Moen, MODEL 67315C

MODEL 67315C

www.moen.com

PH. 1-800-BUY MOEN

United States

Moen Incorporated

25300 Al Moen Drive

North Olmstead, OH. 44070-8022

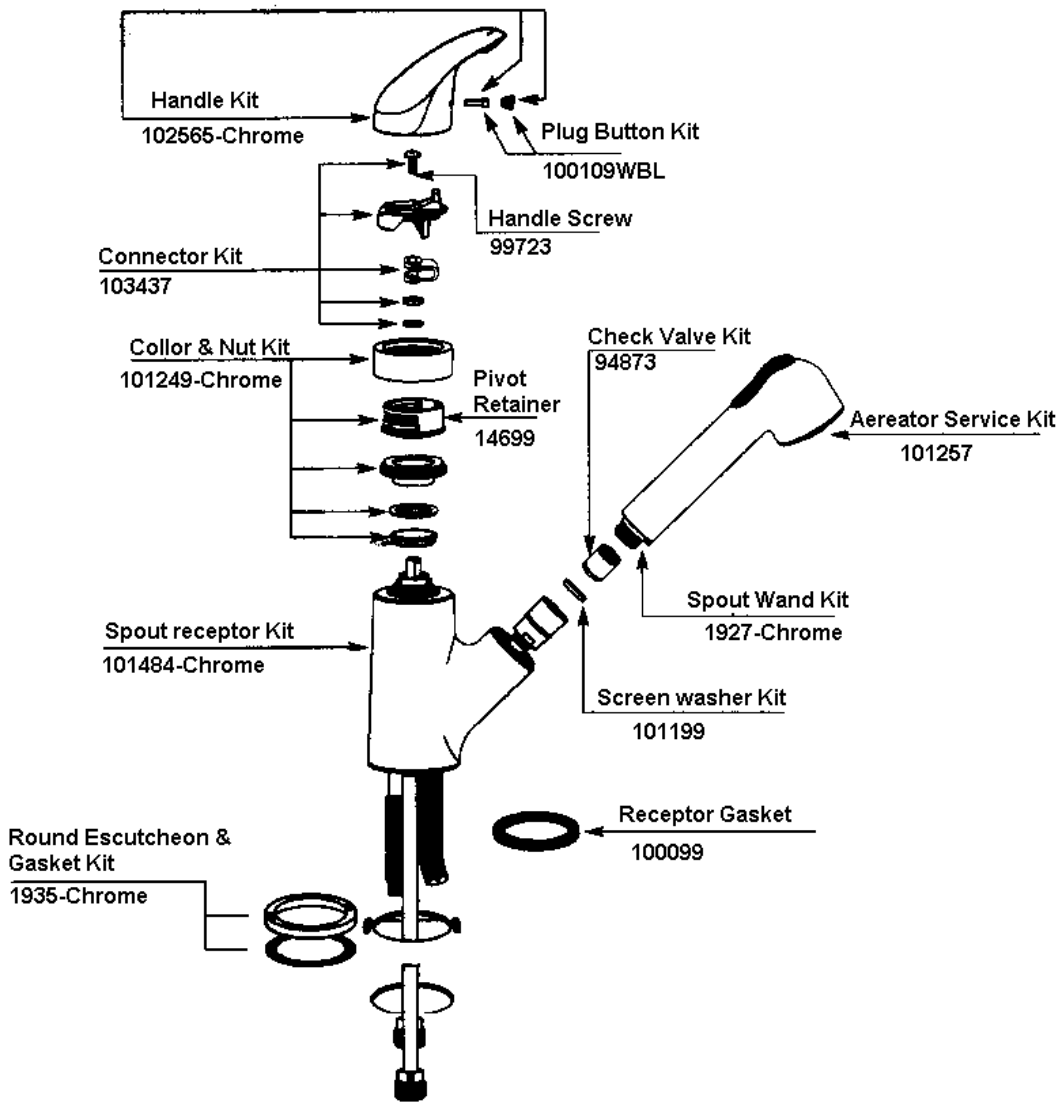
Contact local Moen dealer for all replacement parts.

Canada

Moen Inc.

2816 Bristol Circle

Oakville, Ontario L6H5s7



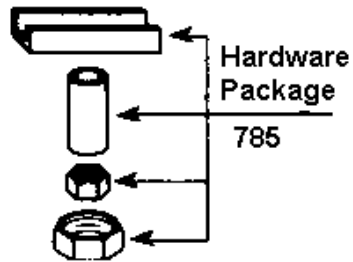
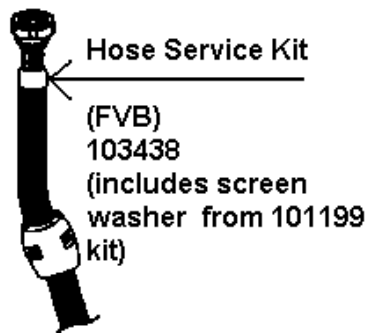
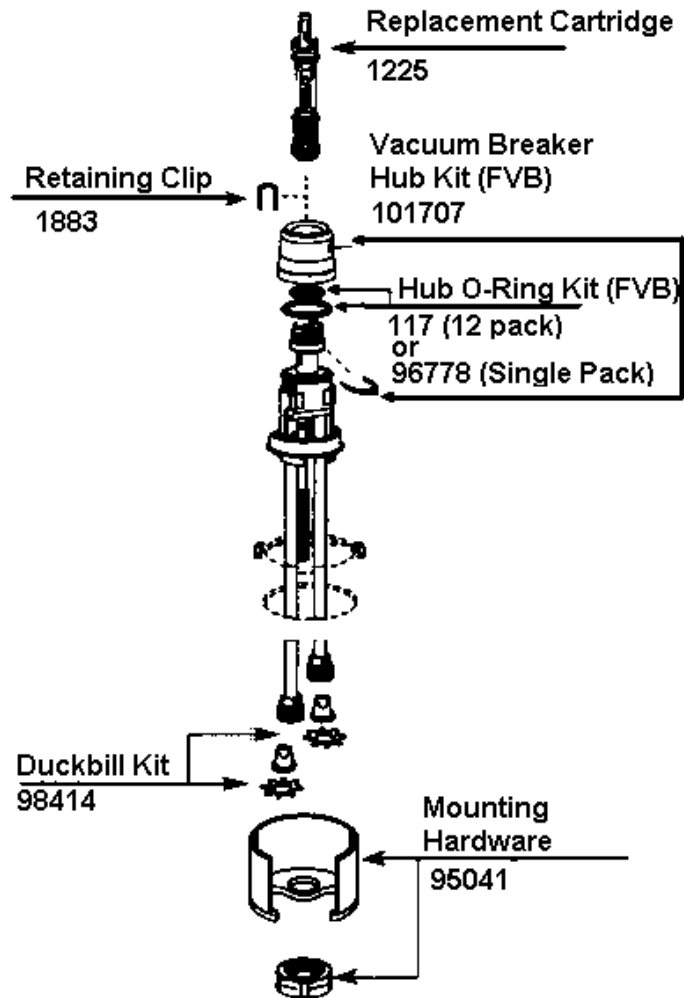
601867
600968

GALLEY FAUCET, Moen, MODEL 67315C
BASKET STRAINER

2007 EUROPEAN TRAVEL TRAILER

PLUMBING, FRESHWATER

GALLEY FAUCET, MOEN, MODEL 67315C



601867
600968

GALLEY FAUCET, Moen, MODEL 67315C
BASKET STRAINER

2007 EUROPEAN TRAVEL TRAILER

PLUMBING, FRESHWATER

Faucet, Lavatory

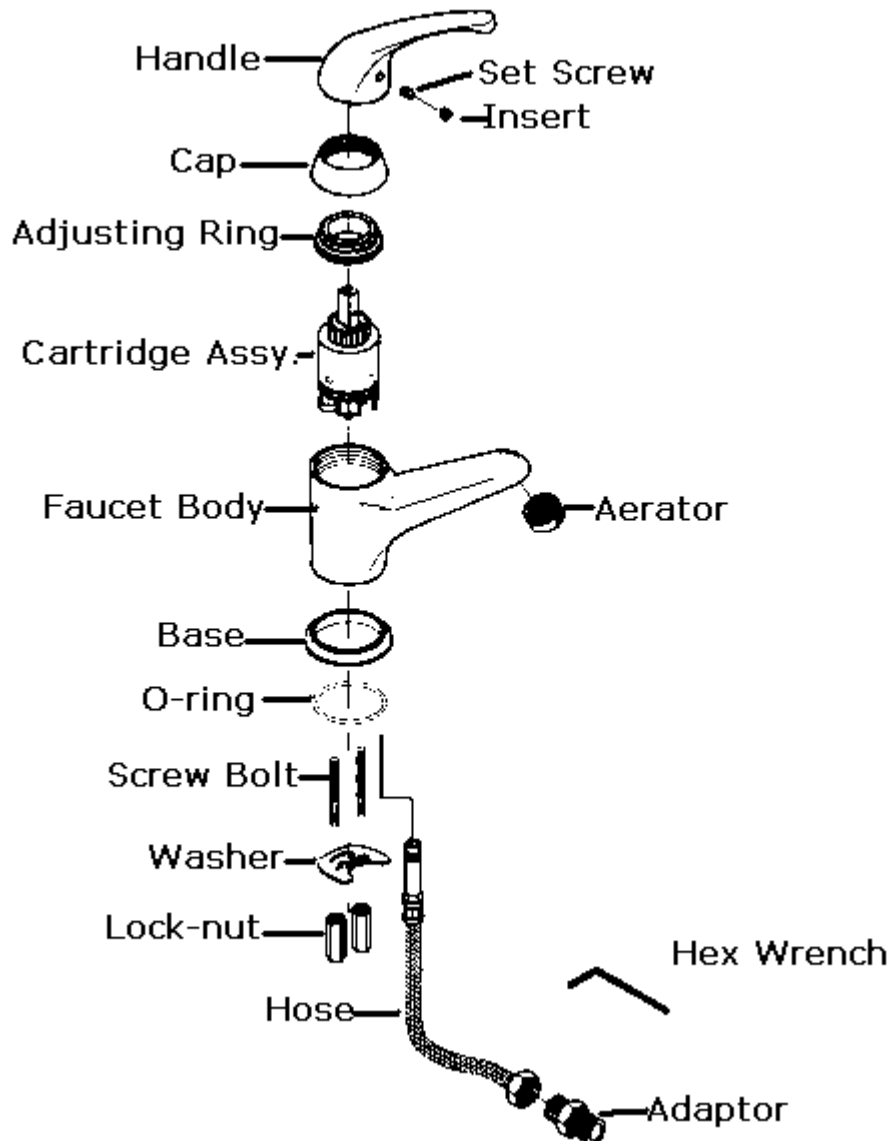
Model 97155BR

ITC Inc.

230 East Lakewood Blvd.

Holland, MI 49424

Tel. 616-396-1355

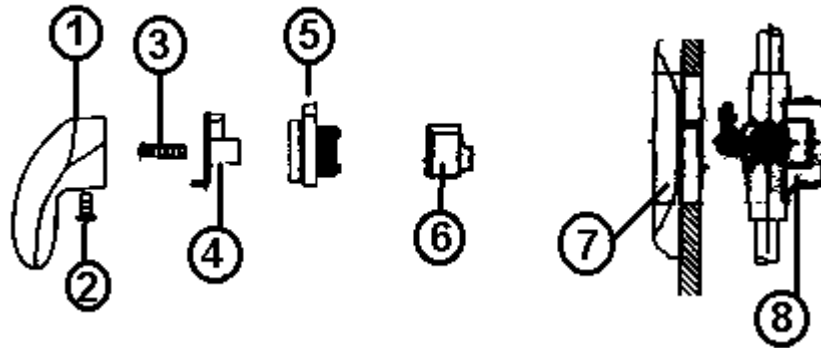


601842 FAUCET-SMALL LEVER HANDLE BATH

2007 EUROPEAN TRAVEL TRAILER

PLUMBING, FRESHWATER

Faucet/Trim Kit, Shower, AEU 532



601829 Faucet, Shower, Chrome, Moen MDL TL2391

1. Lever handle
2. Set screw
3. Handle screw
4. Handle adaptor
5. Brake
6. Key stop
7. Escutcheon
8. 601831 4-port posi-temp valve

601358 Shower kit, includes:

Shower hose, shower head,
Vacuum breaker, wall mounts

601185-08 PLUG, PIPE 1/2" MALE NPT, STEEL

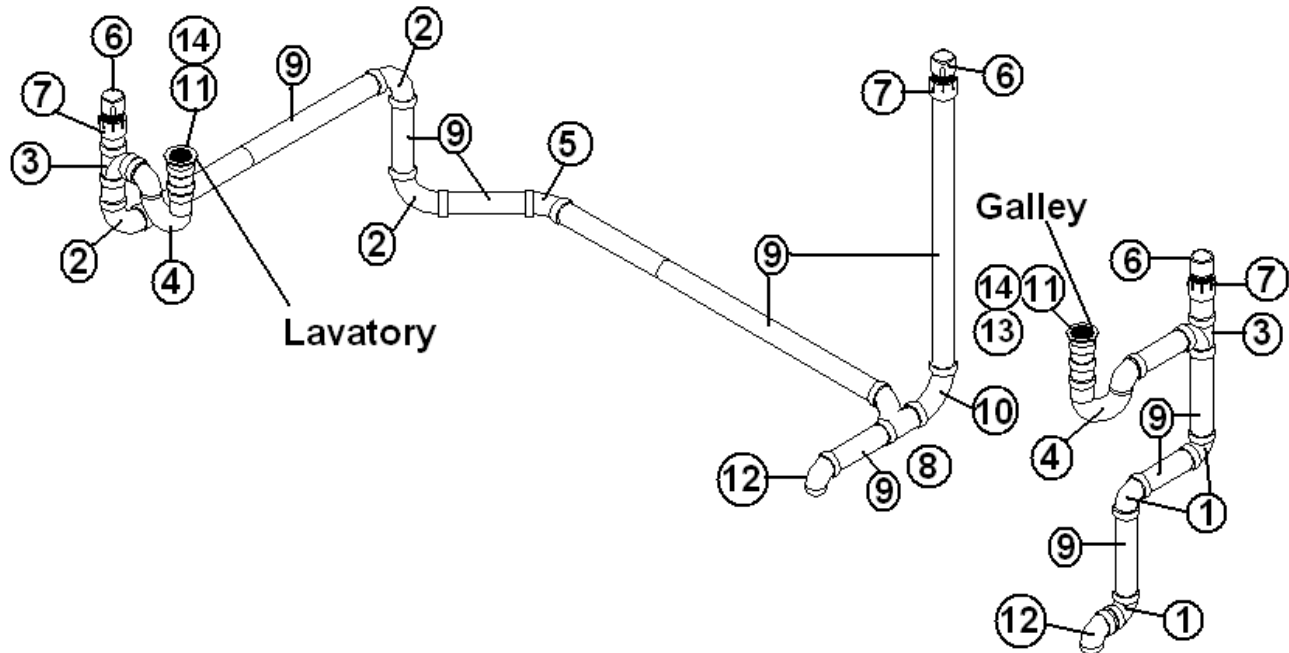
601727 SHOWER DRAIN, 2"W/GRID TOP

601661 NIPPLE 1/2" BRASS HEX

2007 EUROPEAN TRAVEL TRAILER

PLUMBING, DRAIN

Drain System, Above Floor, 532 AEU

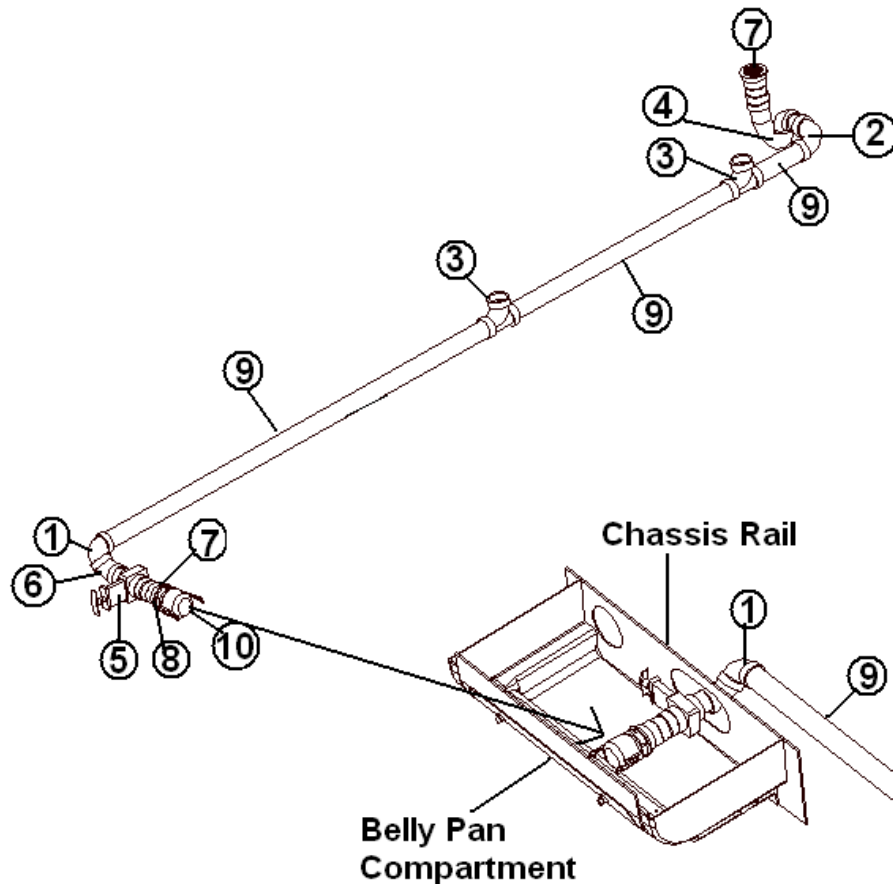


- | | |
|---------------|------------------------------------|
| 1. 601633 | ELBOW, 1 1/2", 90 DEGREES |
| 2. 600035 | ELL, ABS, LONG SWEEP 1 1/2" |
| 3. 600156 | TEE, SANITARY |
| 4. 600144 | P TRAP, ABS, 1 1/2" |
| 5. 600030 | ELL, ABS, 45 DEGREES, LONG TURN |
| 6. 600538 | VENT, V-200, AUTOMATIC |
| 7. 600308 | ADAPTER, ABS, FEMALE SLOAN, #2891 |
| 8. 600182 | WYE, 1.5" X 1.5" X 1.5", 1/8" BEND |
| 9. 601160-02 | PIPE, ABS, DVW, 1 1/2" |
| 10. 600431 | ELBOW, 90, 1 1/2" |
| 11. 600227 | PLASTIC COUPLINGS |
| 12. 600662 | 1 1/2", ELBOW, SHORT RADIUS |
| 13. 602152 | ADAPTER SWIVEL STRAINER 1 1/2" |
| 14. 195362-39 | 2" STRAINER |
| 99900P-119 | P-TRAP COVER |

2007 EUROPEAN TRAVEL TRAILER

PLUMBING, DRAIN

Drain System, Below Floor, 532 AEU

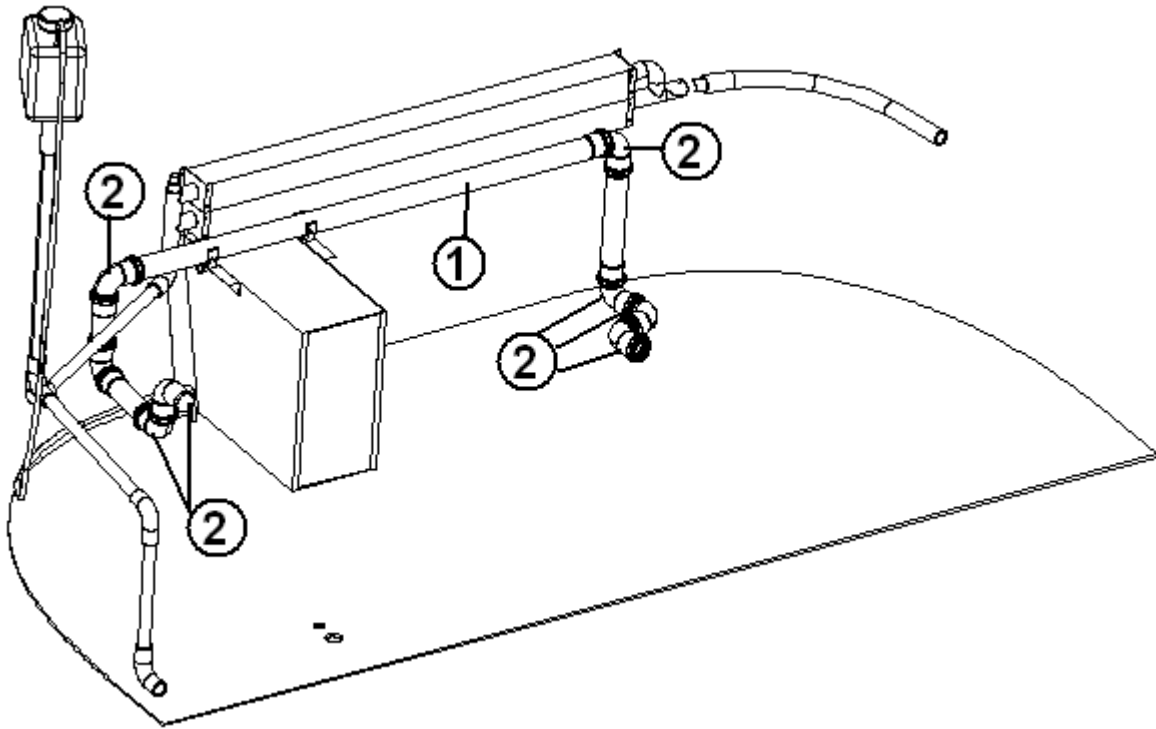


- | | |
|----------------|--|
| 1. 601633 | ELBOW, VENT, 1½" 90 DEGREES |
| 2. 600035 | ELL ABS LONG SWEEP 1½" |
| 3. 600156 | TEE SANITARY |
| 4. 600144 | P TRAP ABS 1½" |
| 5. 99900P-088 | DUMP VALVE, 1.5" SLIP X SLIP |
| 6. 600027 | ELBOW ABS LONG ST 45 DEGREES |
| 7. 600625-01 | PLUG, TRAP, 1½" ADAPTER, FEMALE |
| 8. 99900P-032 | PLUG, 1½", CAM & GROOVE HOSE X MALE PIPE |
| 9. 601160-02 | PIPE, ABS DVW, 1½" |
| 10. 99900P-034 | 1½" CAM & GROOVE HOSE CAP X SOCKET |

2007 EUROPEAN TRAVEL TRAILER

PLUMBING, DRAIN

Toilet Vacuum System Plumbing, 532 AEU



- 1. 99900P-109 PIPE, VACUUM WASTE 40MM
- 2. 99900P-110 ELBOW, VACUUM 40MM
- 99900P-111 CLIP, PIPE 40MM VACUUM PIPE

Sink, Bath, AEU, 532

- 601804-01 SINK, BATH, 12" SS ROUND

2007 EUROPEAN TRAVEL TRAILER

SEALER/PAINT

Sealer

| | |
|-----------|---|
| 360001 | Sealant, #884058 |
| 360209 | Sealant, seam |
| 360176 | Sealant, Almond, kitchen and bath |
| 360180-04 | Sealant, Sikaflex #221, black |
| 360180 | Sealant, Sika-flex, gray |
| 360210 | Sealant, Paralastic 4334-014 |
| 360283-01 | SEALANT SILICONE CORIAN G. WHITE |
| 685510 | SEAM TAPE, BLACK, RUBBER 1/32 X 7/8 X 2 |

Paint

| | |
|-----------|---|
| 360213 | Paint, aluminum metallic |
| 360151 | Paint, gray metallic, Centari |
| 360151-01 | Paint, gray metallic, Centari, 16 oz. can |

2007 EUROPEAN TRAVEL TRAILER

VENTS/FANS

Refer Side Vent

99900P-106 REFER VENT, LOWER

99900P-107 REFER VENT, UPPER

Vents, Power, Roof

99900P-002 VENT, FANTASTIC EXCH.ONLY

99900P-028 VENT, DOMETIC ,COOKER

99900P-029 HEKI, MIDI MANUAL W/FIXED VENTALATION

690266-01 VENTILATOR, POWER

2007 EUROPEAN TRAVEL TRAILER

NOTES

