

***BASE CAMP  
TRAVEL TRAILER***

***PARTS  
BOOK***

**2007**



# 2007 BASE CAMP TRAVEL TRAILER TABLE OF CONTENTS

## SECTION I, A through C

### APPLIANCES

<a href="#">Air Conditioner</a> .....	I-1
<a href="#">Cook Top</a> .....	I-1
<a href="#">Refrigerator</a> .....	I-1

### SHELL

<a href="#">Body, Fiberglass</a> .....	I-2
<a href="#">Decals/Medallions/Trim</a> .....	I-2
<a href="#">Exterior Skin</a> .....	I-3
<a href="#">Nerf Bar</a> .....	I-7
<a href="#">Reflectors</a> .....	I-7
<a href="#">Roof</a> .....	I-8
<a href="#">Tent</a> .....	I-8
<a href="#">Floor</a> .....	I-9
<a href="#">Interior Skin</a> .....	I-11
<a href="#">Console, Roadside</a> .....	I-17
<a href="#">Gear Poles</a> .....	I-18
<a href="#">Console, Curbside</a> .....	I-19
<a href="#">Interior Trim</a> .....	I-20
<a href="#">Headliners</a> .....	I-21

### CHASSIS

<a href="#">Axles, Tires, Wheels</a> .....	I-22
<a href="#">Battery Compartment</a> .....	I-22
<a href="#">Step</a> .....	I-23
<a href="#">Hitch Jack, Safety Chains</a> .....	I-27
<a href="#">Jacks, Stabilizing</a> .....	I-27
<a href="#">Shell Attachment</a> .....	I-27

# 2007 BASE CAMP TRAVEL TRAILER TABLE OF CONTENTS

## SECTION II, D through H

### DOORS/WINDOWS

<a href="#">Doors, Rear</a> .....	II-1
<a href="#">Windows</a> .....	II-8
<a href="#">Drapes</a> .....	II-11

### ELECTRICAL

<a href="#">110 volt</a> .....	II-12
<a href="#">12 volt</a> .....	II-13
<a href="#">Exterior Light/Reflectors</a> .....	II-14

### ENTERTAINMENT

<a href="#">Radio/Speakers/Antenna</a> .....	II-15
<a href="#">Television Antenna/Jacks</a> .....	II-15

### FASTENERS

<a href="#">Rivets</a> .....	II-16
------------------------------	-------

### FURNITURE DRAWINGS & CHARTS

<a href="#">Galley</a> .....	II-17
<a href="#">Lounge</a> .....	II-24

# 2007 BASE CAMP TRAVEL TRAILER TABLE OF CONTENTS

## SECTION III L through Z

LABELS and TAGS ..... III-1

### PLUMBING

LPG ..... III-2

Fresh Water ..... III-9

Drain Water ..... III-10

Toilet ..... III-10

SAFETY EQUIPMENT ..... III-11

SEALER/GASKETS/PAINT ..... III-12

UPHOLSTERY/FOAM/MATTRESS ..... III-13

VENTS/FANS/SKY LIGHT ..... III-14

# 2007 BASE CAMP TRAVEL TRAILER

## APPLIANCES

### Air Conditioner

690566	A/C- 5000 BTU WIRLPOOL
203548	TRIM RING AIR CONDITIONER
115335	BAFFLE, AC
203611	A/C PAN, ABS
454574-01	AC MOUNTING BRACKET, RH
454474-02	AC MOUNTING BRACKET, LH

### Cook Top

690570	COOKTOP, SINGLE BURNER BASECAMP
602109-02	HOSE, 48" .25", MPTX QD
512191	PLUG, 12 VDC

### Refrigerator Freezer

690569	REFER/FREEZER 1.1 CU FT.
--------	--------------------------

# 2007 BASE CAMP TRAVEL TRAILER

## EXTERIOR SHELL

### BODY, FIBERGLASS

203562	BODY-MAIN-FIBERGLASS
203563	STEP-FIBERGLASS W/FRAME
203564	DOOR-ROADSIDE-FIBERGLASS
203565	DOOR-CS-FIBERGLASS
203566	FOOT-ROOF TUBE-FIBERGLASS
203567-01	WHEEL WELL FIBERGLASS R/S
203567-02	WHEELWELL-FIBERGLASS C/S
454537	CLOSEOUT-FWD WHEELWELL

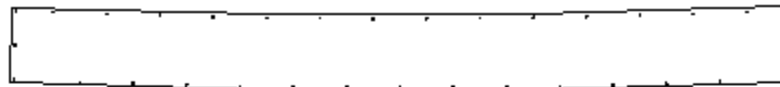
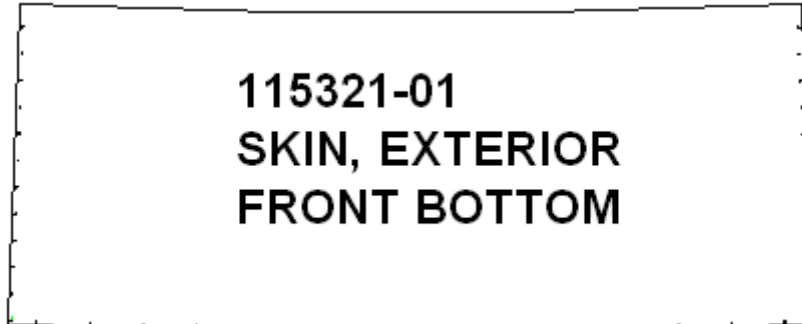
### Decal/Medallions/Trim

386185	DECAL, 1.25"x 84", SILVER BLACK
386186	NAMEPLATE BASECAMP LOGO, FLAT
386186-01	NAMEPLATE, BASECAMP LOGO RADIUS
203589	MOLDING, ROOF EDGE .5" CHROME
386151	DECAL, AIRSTREAM 1.3"X 16" BLK

# 2007 BASE CAMP TRAVEL TRAILER

## EXTERIOR SHELL

### Exterior Skin

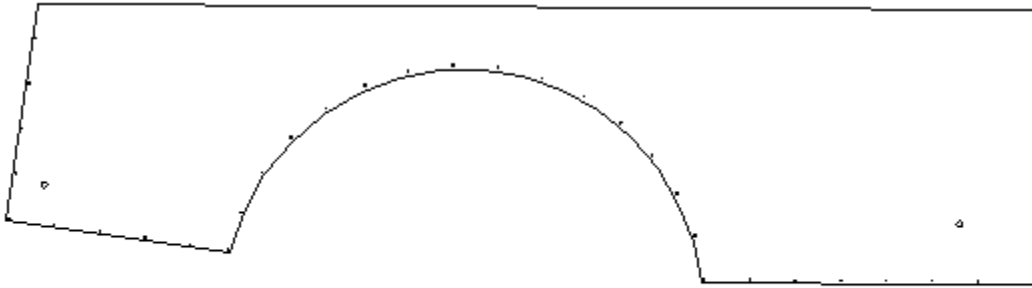


115321-03 SKIN, EXTERIOR FRONT TOP

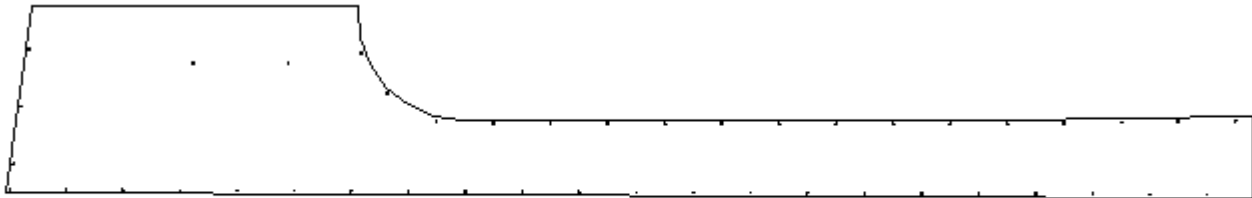


# 2007 BASE CAMP TRAVEL TRAILER

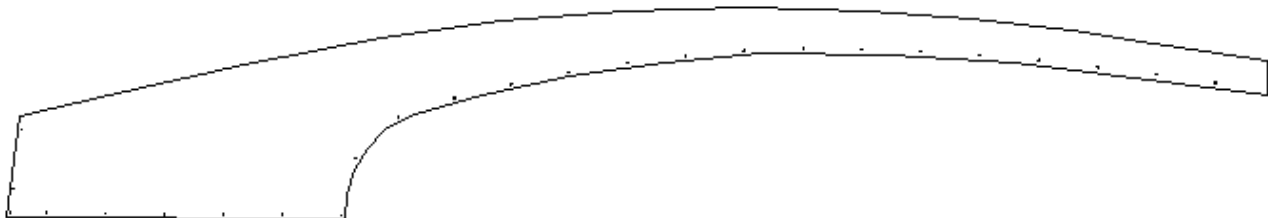
## EXTERIOR SHELL



**115321-04 SKIN, EXTERIOR,  
CURBSIDE MIDDLE BOTTOM**



**115321-05 SKIN, EXTERIOR, CURBSIDE, MIDDLE**

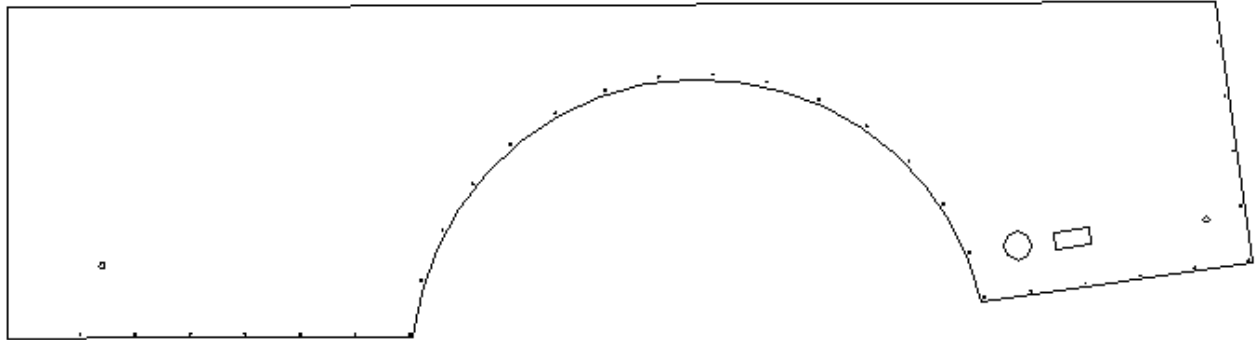


**115321-06 SKIN, EXTERIOR CURBSIDE TOP**

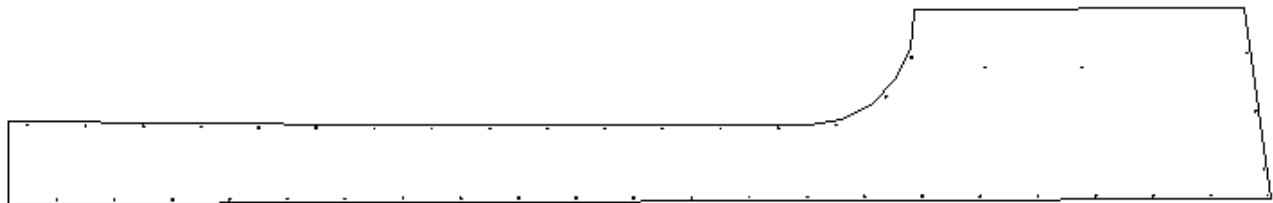
# 2007 BASE CAMP TRAVEL TRAILER

## EXTERIOR SHELL

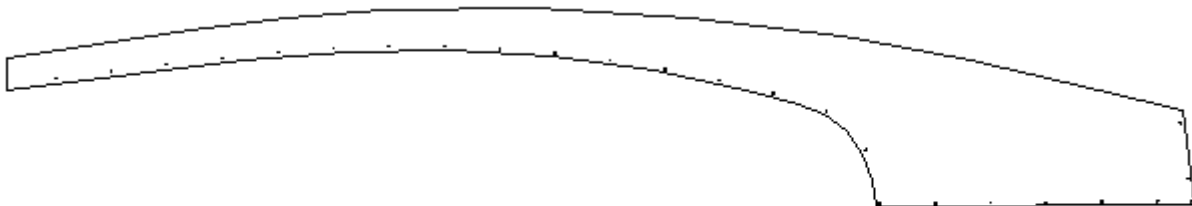
### Exterior Skin



**115321-07 SKIN, EXTERIOR ROADSIDE MIDDLE BOTTOM**



**115321-08 SKIN, EXTERIOR ROADSIDE MIDDLE**

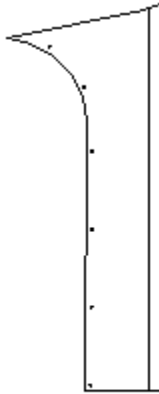


**115321-09 SKIN, EXTERIOR ROADSIDE TOP**

# 2007 BASE CAMP TRAVEL TRAILER

## EXTERIOR SHELL

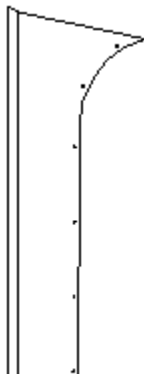
Exterior Skin



**115321-10 SKIN, EXTERIOR CURBSIDE REAR**



**115321-11 SKIN EXTERIOR CURBSIDE REAR BOTTOM**



**115321-12 SKIN, EXTERIOR, ROADSIDE REAR TOP**

# 2007 BASE CAMP TRAVEL TRAILER

## EXTERIOR SHELL

### Exterior Skin



### **115321-13 SKIN, EXTERIOR ROADSIDE REAR BOTTOM**

### Nerf bar

381972          CAP-4" NERF BAR BC

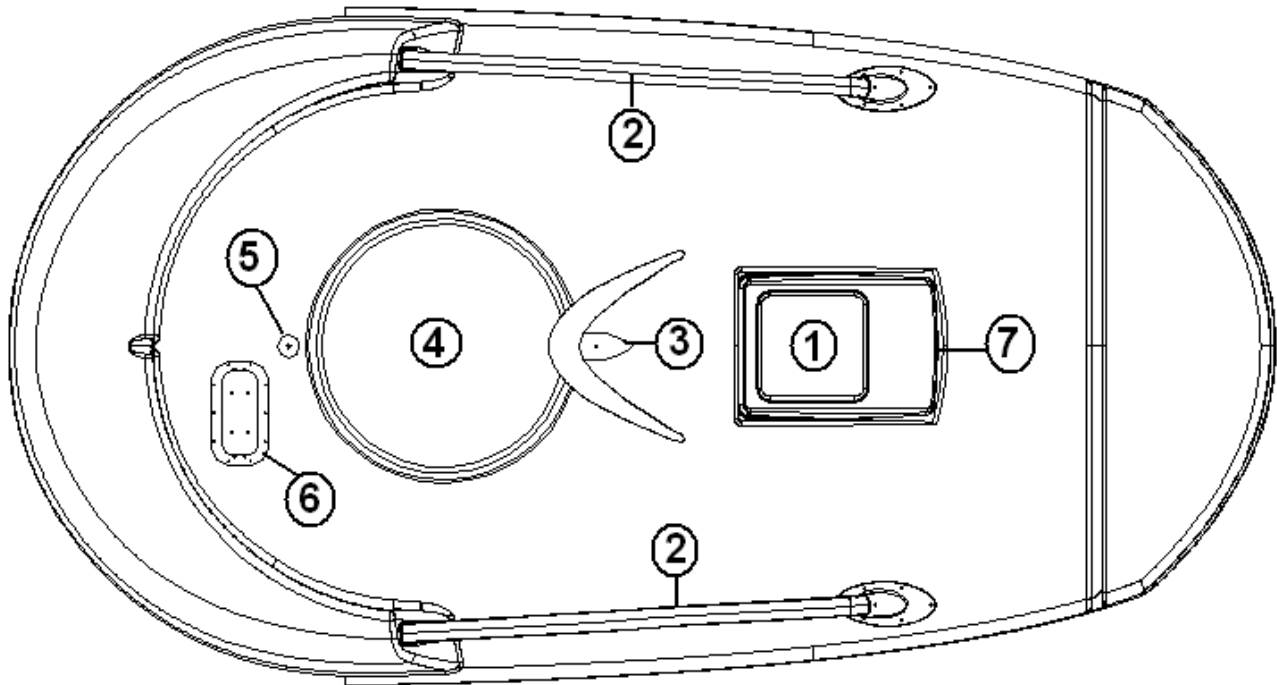
### Reflectors

511860-02      BEZEL- 4" ROUND CHROME W/VISOR  
510446          REFLECTOR, RED, STICK-ON  
510446-01      REFLECTOR-STICK-ON-AMBER

# 2007 BASE CAMP TRAVEL TRAILER

## EXTERIOR SHELL

### Roof



- |              |                                    |
|--------------|------------------------------------|
| 1. 381606-01 | VENT, ROOF 14"X14" NON POWER WHITE |
| 2. 454551    | Roof Bars                          |
| 2. 203566    | ROOF RACK TUBE MOUNTING BRACKET    |
| 3. 511864    | Antenna, TV                        |
| 4. 372251    | Skylight glass                     |
| 5. 511807    | Radio antenna                      |
| 6. 382020    | Vent, Low Profile, aluminum        |
| 7. 381953    | Maxx Air power fan                 |

### Kelty Tent

381967          TENT- KELTY

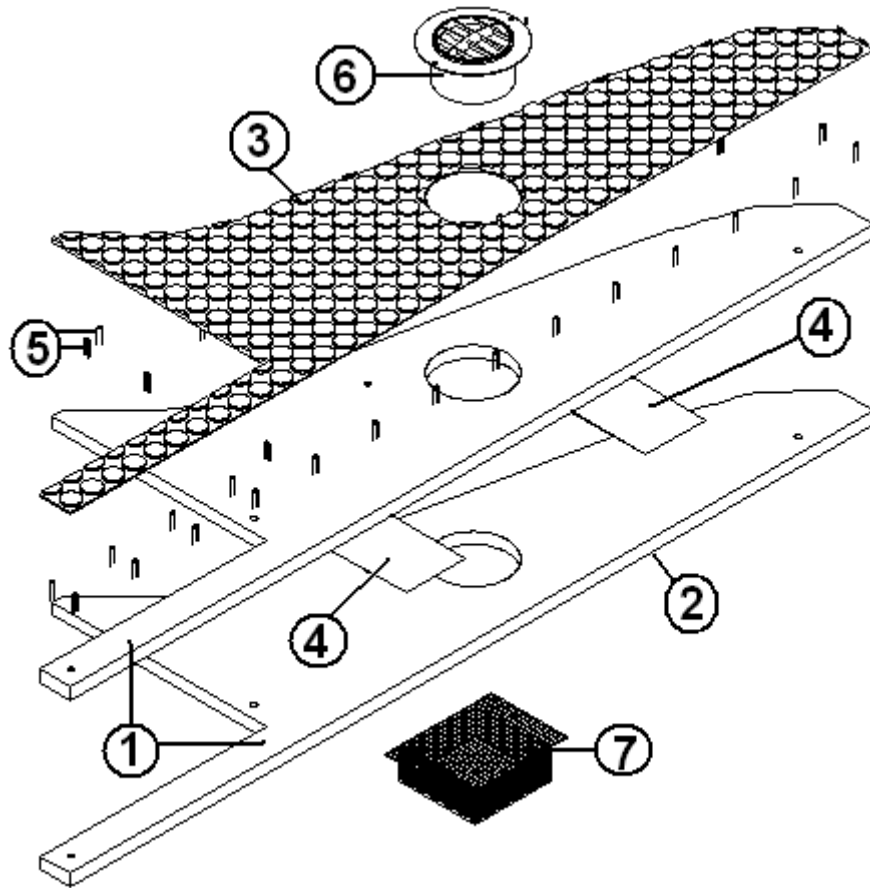
### Front lower body protector

365296          FILM-FRT.PROTECTANT

# 2007 BASE CAMP TRAVEL TRAILER

## INTERIOR SHELL

### FLOORING, WING ASSEMBLIES



- |              |                                  |
|--------------|----------------------------------|
| 1. 966643-01 | WING-RS CUTOUT                   |
| 1. 966643-02 | WING-CS CUTOUT, OPPOSITE         |
| 2. 702754    | UNDERBELLY DARCO 105" WIDE BLACK |
| 3. 703560    | FLOORING-RUBBER COIN BLACK       |
| 4. 452276    | STEEL 20 GA GALVANIZED           |
| 5. 340025-05 | 1/2" CRN, 1/4" LEG, GALV, PLAIN  |
| 5. 340025-15 | FASTENER 1/4" CRN, 1" LEG        |
| 6. 601337    | 4" ROTO VENT W/SHUT-OFF BLACK    |
| 7. 454576    | CLOSEOUT-RAM AIR VENT            |
| 380228       | WIRE HARDWARE CLOTH              |

# 2007 BASE CAMP TRAVEL TRAILER

## INTERIOR SHELL

### FLOORING, SUB STRUCTURE

915854	WELDMENT-FLOOR
801640-01	CUTOUT-FWD FLOOR TOP
801640-02	CUTOUT-FLOOR FWD BOTTOM
801640-03	CUTOUT-FLOOR BOTTOM MID
801640-04	CUTOUT-FLOOR BOTTOM AFT
801309-02	FLOORING, PARTICLE BOARD, 3/8"X 96"X 120"
800507-01	LAUAN, 1/8" X 4' X 8'
203075-03	STYROFOAM SHEET, 1"
702754	UNDERBELLY, DARCO 105", WIDE BLACK
345431	HUCK, FLOORTIGHT FASTENER

### FLOOR COVERING

350182	PLATE, WELD NUT FLOOR, TIE DOWN
381952	LOOP, TIE DOWN, SINGLE, BOLT
703560	FLOORING, RUBBER COIN, BLACK
300143	WASHER, LOCK 1/2", 9/16" ID
300144	WASHER, FLAT, 2.00"O.D., 9/16" I.D
345438	BOLT, 1/2", 13 X 4.0" BLACK
345437	BOLT, 1/2", 13 X 3.0"

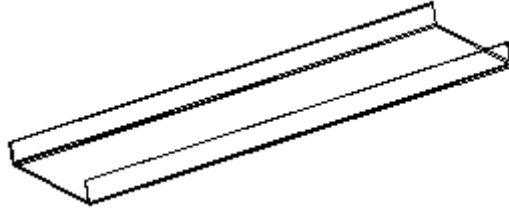
### Rapid Aero Tracks and Cover

382006-01	RAPID AERO TRACKER SYSTEM W/COVER
382006-02	24" TRACK W/CAPS & COVER

# 2007 BASE CAMP TRAVEL TRAILER

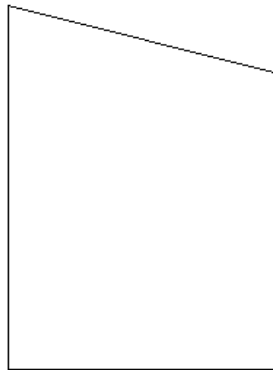
## INTERIOR SHELL

BACKER, FORWARD SOFA, 14.25"



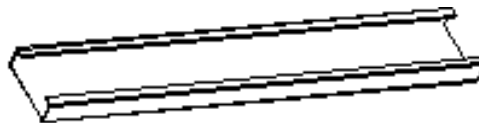
115340 BACKER, FORWARD SOFA, 14.25"

BACKER, TV MOUNTING



115351 BACKER, TV MOUNTING

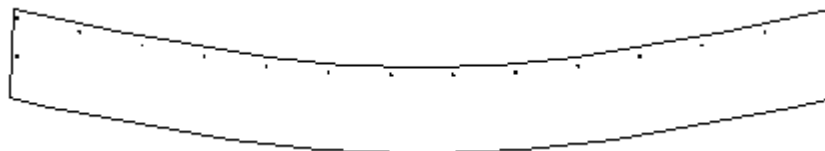
BACKERS, AFT SOFA



115339-01 BACKER, AFT SOFA 9"

115339-02 BACKER, SOFA 23"

INNER SKIN, FRONT TOP



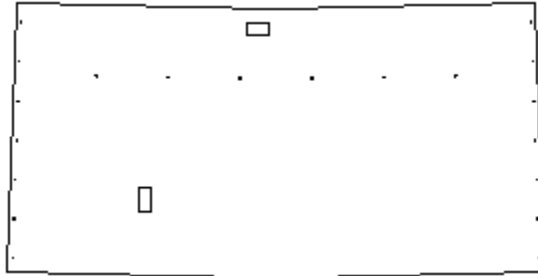
115352-01 INNER SKIN, FRONT TOP



# 2007 BASE CAMP TRAVEL TRAILER

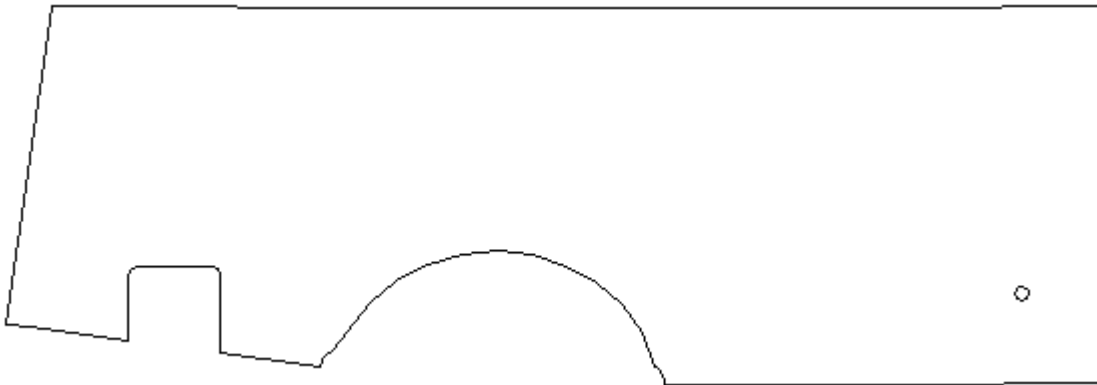
## INTERIOR SHELL

INNER SKIN, FRONT BOTTOM



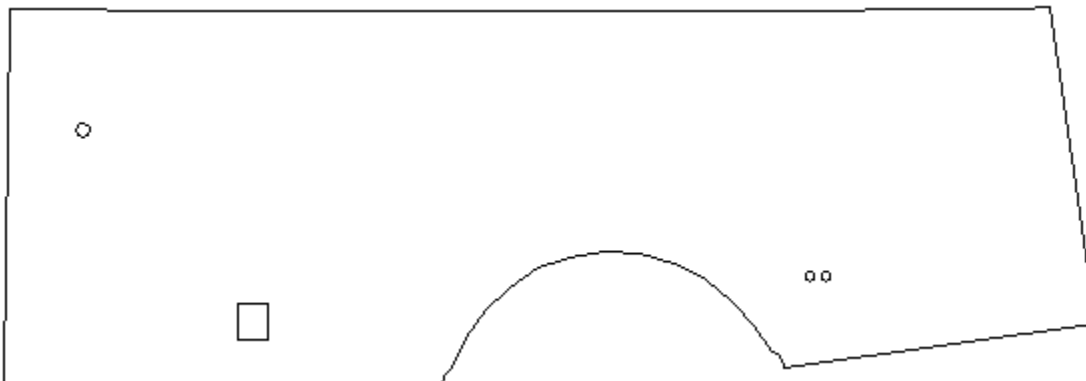
115352-02 INNER SKIN, FRONT BOTTOM

INNER SKIN, ROADSIDE BOTTOM



115352-03 INNER SKIN, ROADSIDE BOTTOM

INNER SKIN, CURBSIDE BOTTOM

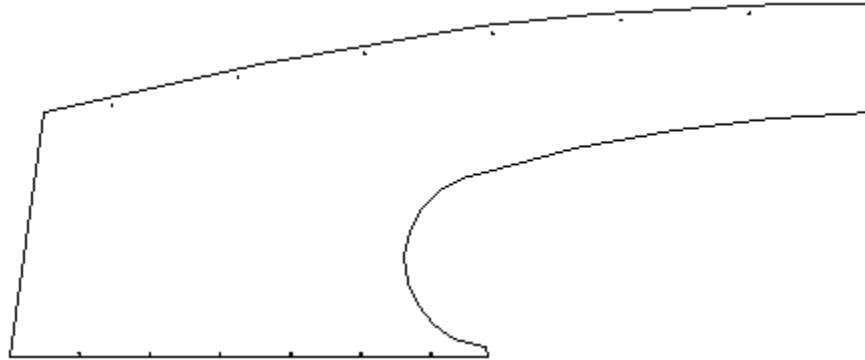


115352-04 INNER SKIN, CURBSIDE BOTTOM

# 2007 BASE CAMP TRAVEL TRAILER

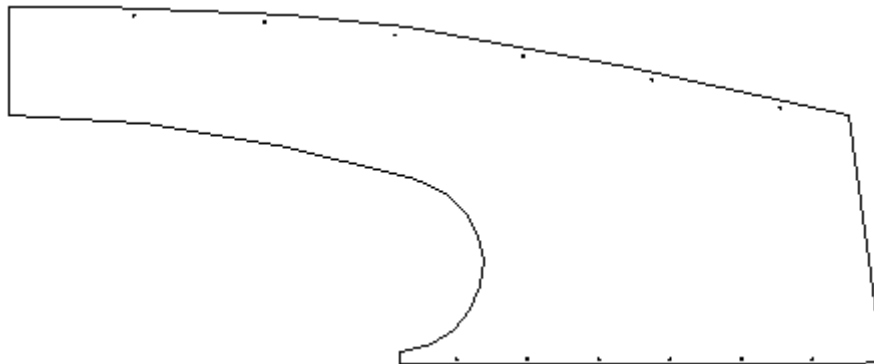
## INTERIOR SHELL

INNER SKIN, ROADSIDE REAR TOP



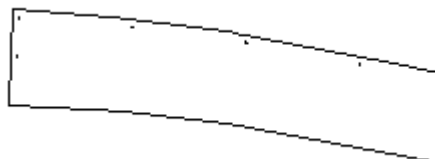
115352-05 INNER SKIN, ROADSIDE REAR TOP

INNER SKIN, CURBSIDE REAR TOP



115352-06 INNER SKIN, CURBSIDE REAR TOP

INNER SKIN, ROADSIDE MIDDLE TOP

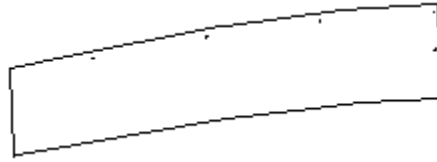


115352-07 INNER SKIN, ROADSIDE MIDDLE TOP

# 2007 BASE CAMP TRAVEL TRAILER

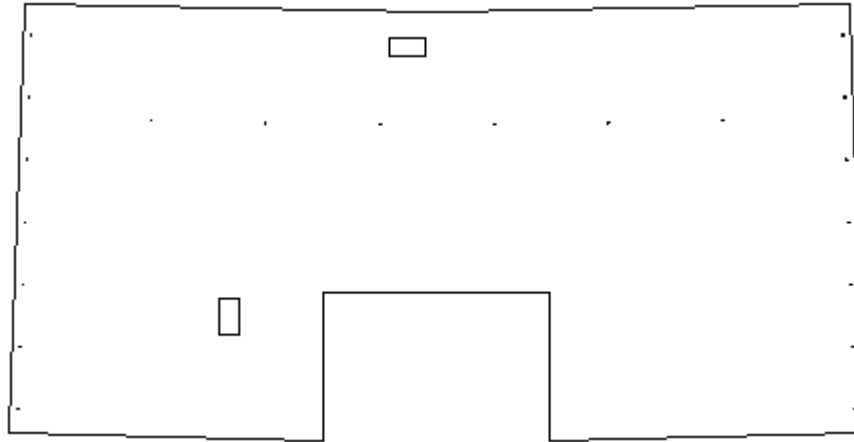
## INTERIOR SHELL

INNER SKIN, CURBSIDE MIDDLE TOP



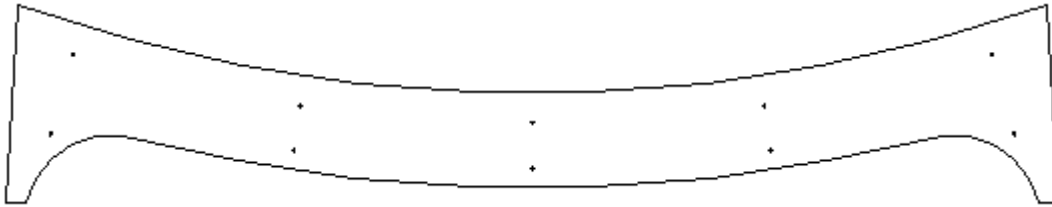
115352-08 INNER SKIN, CURBSIDE MIDDLE TOP

INNER SKIN, FRONT BOTOM W/OPTIONAL AC



115352-09 INNER SKIN, FRONT BOTOM W/OPTIONAL AC

INNER SKIN, REAR HEADKNOCKER



115352-10 INNER SKIN, REAR HEADKNOCKER

# 2007 BASE CAMP TRAVEL TRAILER

## INTERIOR SHELL

INNER SKIN, CURBSIDE AFT TOP



115352-11 INNER SKIN, CURBSIDE AFT TOP

INNER SKIN, CURBSIDE AFT BOTTOM



115352-12 INNER SKIN, CURBSIDE AFT BOTTOM

# 2007 BASE CAMP TRAVEL TRAILER

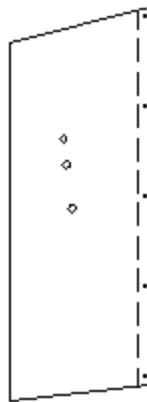
## INTERIOR SHELL

INNER SKIN, ROADSIDE AFT BOTTOM



115352-13 INNER SKIN, ROADSIDE AFT BOTTOM

INNER SKIN, ROADSIDE AFT TOP

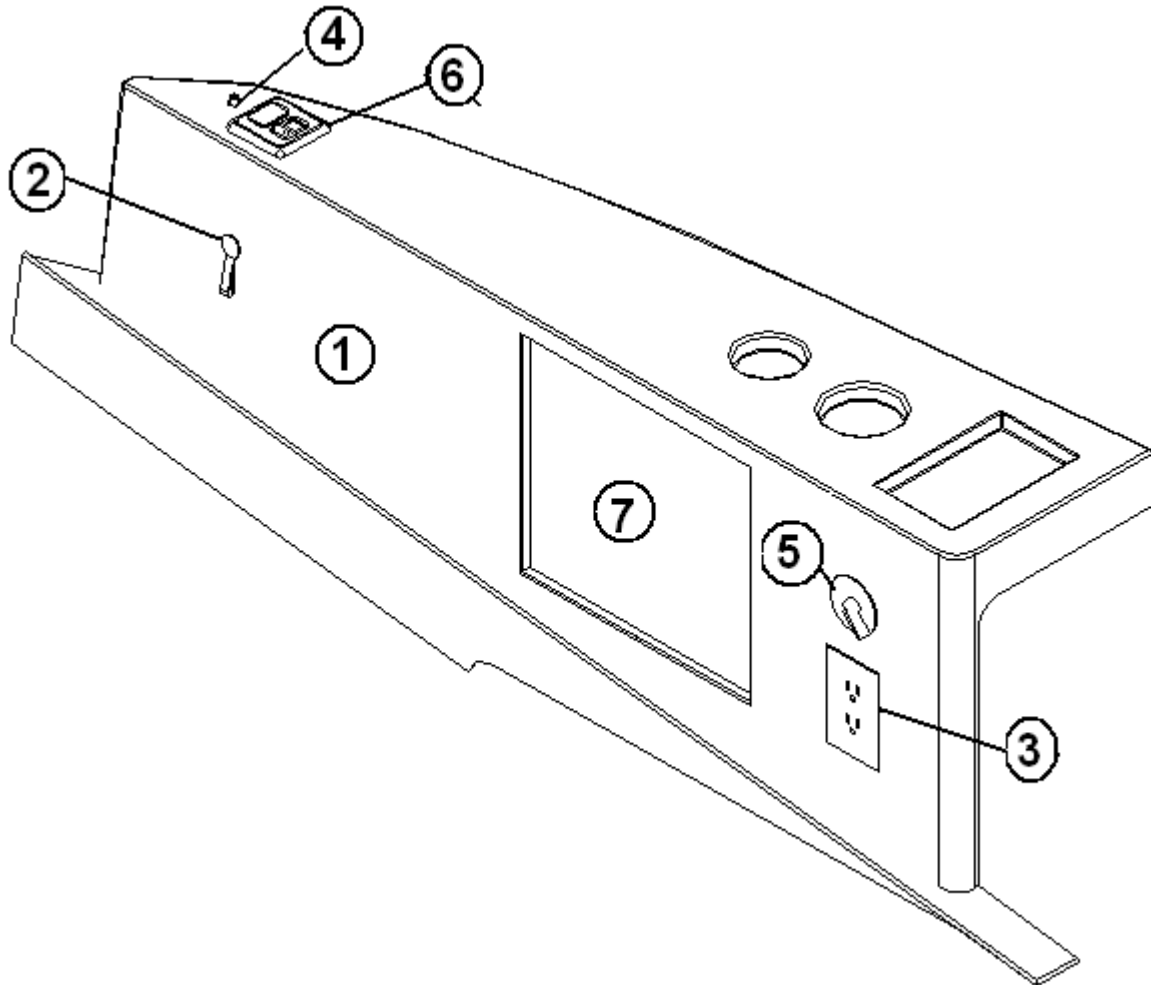


115352-14 INNER SKIN, ROADSIDE AFT TOP

# 2007 BASE CAMP TRAVEL TRAILER

## INTERIOR SHELL

### CONSOLE ASSEMBLY, ROADSIDE

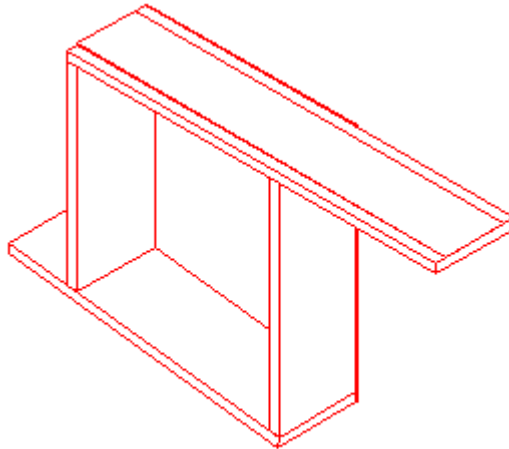


- |               |                               |
|---------------|-------------------------------|
| 1. 203552-02  | CONSOLE, RS AFT               |
| 2. 195466-250 | 12V RECEPTACLE SOCKET W/COVER |
| 3. 500785     | OUTLET, DUPLEX BROWN T & B    |
| 4. 510623     | CONNECTOR COAX, MALE TO MALE  |
| 5. 510626     | SWITCH, MASTER DISCONNECT     |
| 6. 511731-01  | SWITCH, WATER HEATER BLACK    |
| 7. 801675     | PANEL, BACKER RS CONSOLE      |
| 454554        | SUPPORT BASE, POWER CENTER    |

# 2007 BASE CAMP TRAVEL TRAILER

## INTERIOR SHELL

### GEAR POLE SUPPORT, ROADSIDE & CURBSIDE



966791 SUPPORT ASSY-GEAR POLE

### GEAR POLES

115338-03	POLE, ALUMINUM, 1.625" X 39.5"
115338-04	POLE, ALUMINUM, 1.625" X 44"
381980-01	STRIP, GEAR POLE 34"
381980-02	STRIP, GEAR POLE 38"
325126	RIVET-OLYMPIC 1/4" ALUMINUM, .13"-.38"
345084	SCREW-1/4-14X1 THD.CUTTING
320116-05	SCREW, #8 X 7/8 PAN HD PHILLIP
115337	FLANGE-CLOSED END 3.5" X 2.25" 1
454572	BRACE-CONSOLE SUPPORT
454554	SUPPORT BASE, POWER CENTER

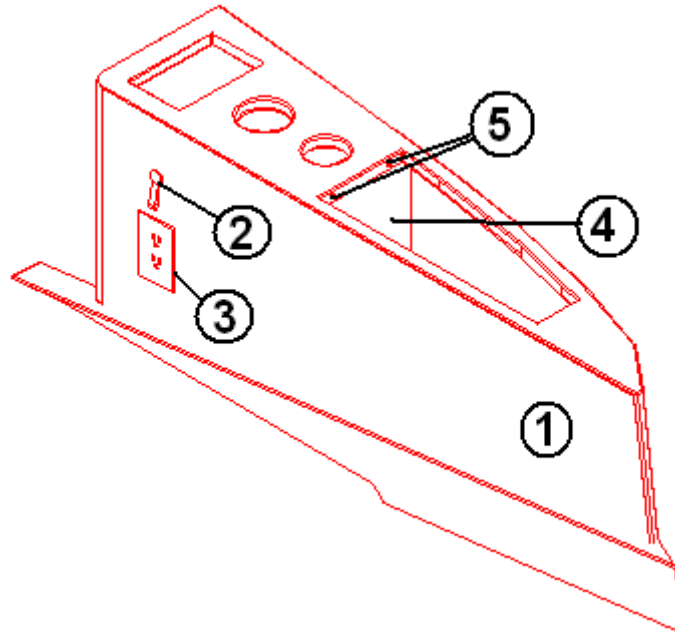
### Kelty Gear Pole Storage System

381961 SWEATER STORAGE, 38" KELTY

# 2007 BASE CAMP TRAVEL TRAILER

## INTERIOR SHELL

### CONSOLE ASSEMBLY, CURBSIDE



- |                 |                                    |
|-----------------|------------------------------------|
| 1. 203552-01    | CONSOLE-AFT, CURBSIDE              |
| 2. 195466-250   | 12V RECEPTACLE SOCKET W/COVER      |
| 3. 500785       | OUTLET, DUPLEX, BROWN T & B        |
| 4. 454553       | CLOSEOUT-CS CONSOLE                |
| 5. 101110       | SHEET ALUMINUM, .090" X 48" X 120" |
| 6. 5. 320116-05 | SCREW, #8 X 7/8 PAN HD PHILLIP     |
| 601337          | 4" ROTO VENT W/SHUT-OFF BLACK      |
| 454576          | CLOSEOUT, RAM AIR VENT             |
| 380228          | WIRE HARDWARE, CLOTH               |



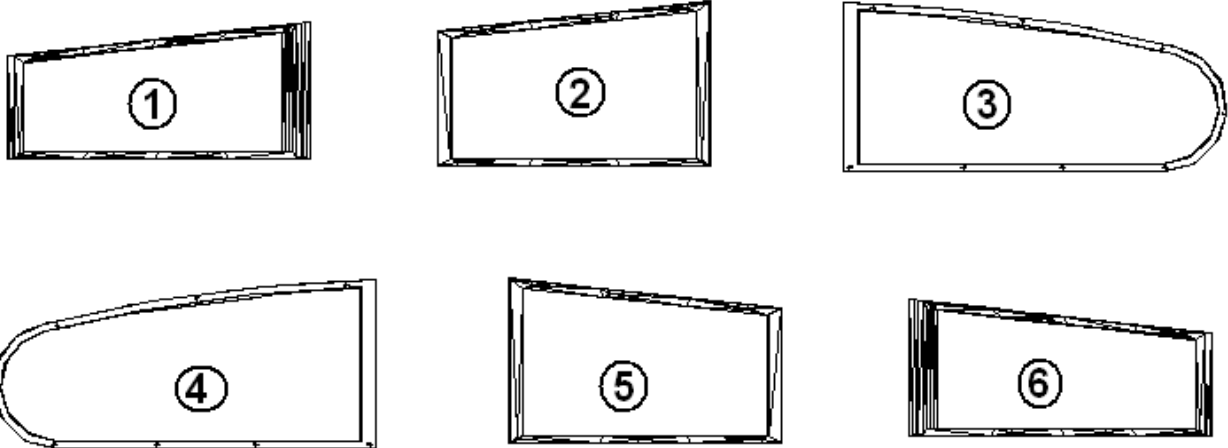
# 2007 BASE CAMP TRAVEL TRAILER

## INTERIOR SHELL

### INTERIOR TRIM

- 203590 TRIM RING, RAM AIR, 7.38" X 13"
- 201399 TRIM FLEXIBLE S-100-LG OFF WHITE
- 203548 TRIM RING AIR CONDITIONER

### INNER WINDOW TRIM



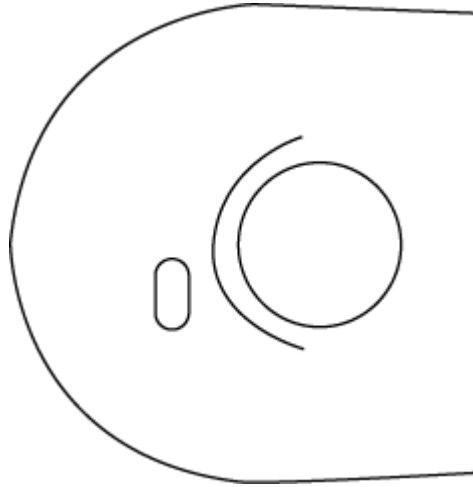
- 1. 203550-01 TRIM, CURBSIDE FRONT WINDOW
- 2. 203551-01 TRIM, CURBSIDE CENTER WINDOW
- 3. 203549-01 TRIM, CURBSIDE REAR WINDOW
- 4. 203550-02 TRIM, ROADSIDE FRONT WINDOW
- 5. 203551-02 TRIM, ROADSIDE CENTER WINDOW
- 6. 203549-02 TRIM, ROADSIDE REAR WINDOW
- 330128-08 RIVET 1/8 IN (WHITE) AD48ABS

### DOOR PANELS

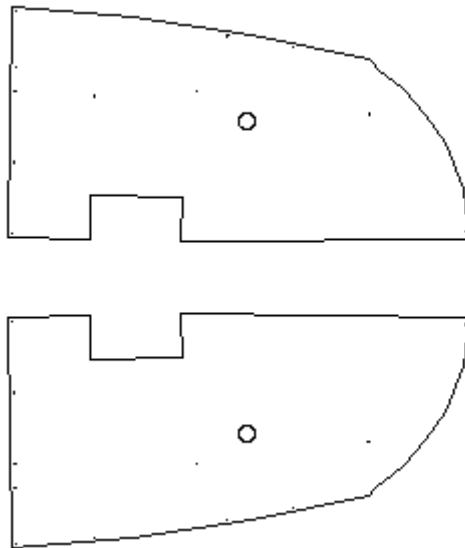
- 203553-01 PANEL, CS AFT INNER DOOR
- 203553-02 PANEL, RS AFT INNER DOOR

# 2007 BASE CAMP TRAVEL TRAILER

## HEADLINERS



203557 HEADLINER, FRONT



203558-01 HEADLINER, REAR, CURBSIDE  
203558-02 HEADLINER, REAR, ROADSIDE

201728-01 EXTRUSION, CEILING TRIM RETAINER  
201728-04 EXTRUSION, CEILING TRIM

# 2007 BASE CAMP TRAVEL TRAILER

## CHASSIS

### Axles

410883-01 AXLE-DEXTER #59498 STD BC  
\*410933-01 AXLE, 3000 LB., W/10" BRAKES  
345432 BOLT- 1/2-13 X 1.25" GR8 BLK  
350179 LOCKNUT - 1/2-13  
0250173-20 SCREW HHCS GR5 5/8-18X2.0 BLACK  
0140053-62 WASHER-DISC SPRING SP 5/8 I.D.  
0130068-818 NUT HEX FLGD SELF LKG 5/8-18 T

### Wheels, Standard

410913 TIRE/WHEEL ST225/75R15 LRC  
410920 CAP-SS CENTER 3.3"  
400923 LUG NUT-1/2" ACORN TYPE

### Wheels, Deluxe Style

410915 TIRE/WHEEL, P275/45R20, DELUXE  
400923 LUG NUT, 1/2" ACORN TYPE

### Wheels/Axle/Bumper, Off Road

410914 TIRE/WHEEL, 235/75R15, OFF ROAD  
410883-02 AXLE, DEXTER, OFF ROAD  
\*410933-01 AXLE, DEXTER, OFF ROAD  
454546 EXTENTION, BUMPER, OFF ROAD

### Battery Compartment

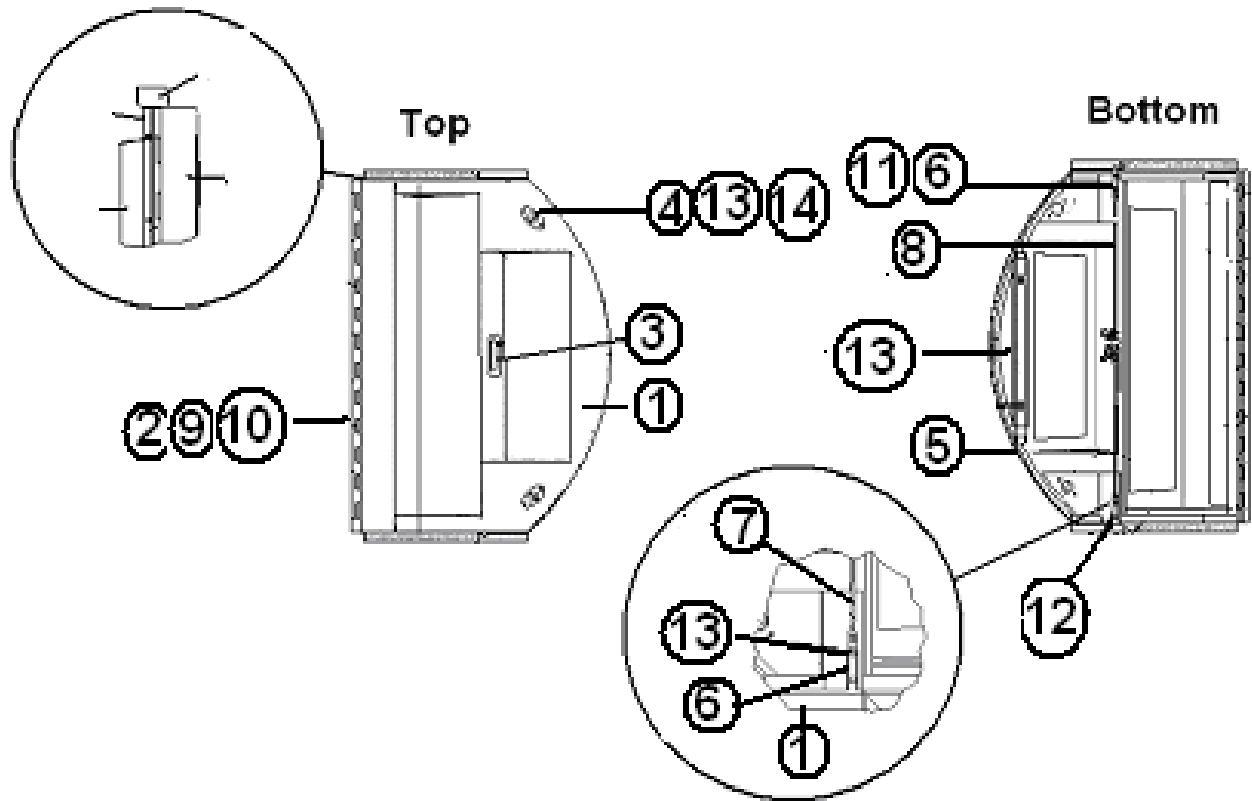
454503 CLOSEOUT-BATTERY BOX  
381893 BUMPER-RUBBER W/METAL CORE THD  
345276-03 BOLT HEX. HD. 1/4-20 X 3/4IN

\* 410933 AXLES REPLACED 410833 SERIES STARTING WITH UNIT 202047.

# 2007 BASE CAMP TRAVEL TRAILER

## CHASSIS

Step Assembly, Standard



Part numbers are on next page

# 2007 BASE CAMP TRAVEL TRAILER

## CHASSIS

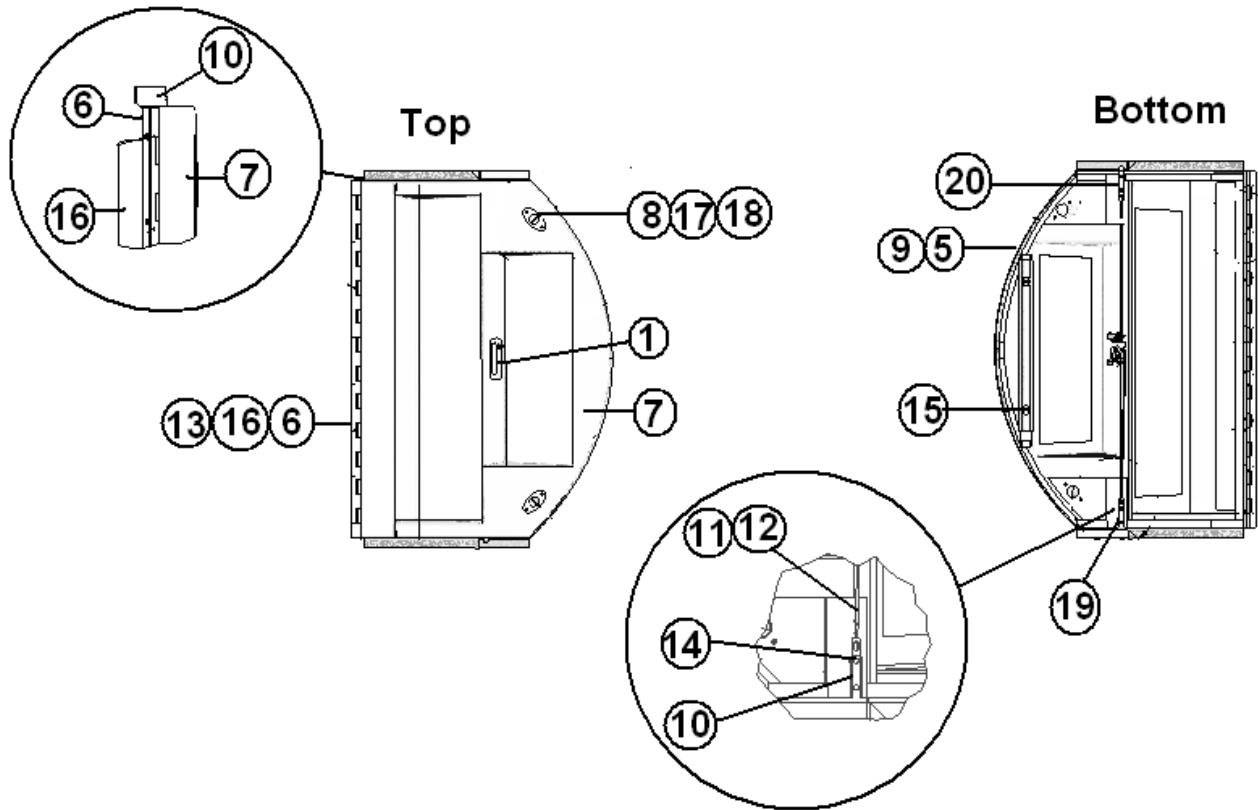
### Step Assembly, Standard

966651	STEP ASSY-REAR
1. 966732	SUB ASSY-REAR STEP
2. 381984-01	HINGE- 2.5" X 50" SS
3. 381992-06	HANDLE-NON LOCKING
4. 381991	ANCHOR POINT-RECESSED
5. 381977-01	BUMPER-REAR STEP 24"
6. 381993	STRIKER-SLAM LATCH
7. 454544	STRIKER ROD-RS REAR STEP
8. 454545	STRIKER ROD-CS REAR STEP
9. 350147-25	NUT, NYLON LOCK, 1/4-20
10. 345383	SCREW 1/4-20 X 2.25 PH, FH SS
11. 382022-02	END CLIP - RH ROD
12. 382022-01	END CLIP- LH ROD
13. 345004	SCREW 1/4-14 WASHER HEX/HEAD C
14. 345444	SCREW- 1/2-13 X 1" SELF TAPPER
380069	TREAD STEP 8 X 18-1/2"
702963	VINYL EMBOSSED 1.75W THRESHOLD
382017	GASKET-.60" BULB SEAL
454575	STRIKER-REAR STEP PLATE
703658	ASSIST STRAP-REAR STEP
381663	GASKET D-SEAL EPDM SPONGE SD-2
454539	BRKT-LH STRIKER MTG.REAR STEP
454539-01	BRKT-RH STRIKER MTG REAR STEP

# 2007 BASE CAMP TRAVEL TRAILER

## CHASSIS

Step Assembly, Off Road



Part numbers are on next page

# 2007 BASE CAMP TRAVEL TRAILER

## CHASSIS

### Step Assembly, Off Road

966693	REAR STEP ASSY, OFF ROAD
1. 381992-06	HANDLE, NON LOCKING
2. 966651-2A	SUPPORT, LOWER REAR STEP
3. 966651-2B	SUPPORT, UPPER REAR STEP
4. 966651-2C	SUPPORT, MIDDLE REAR STEP
5. 454546	EXTENTION, BUMPER OFF ROAD
6. 381984-01	HINGE, 2.5" X 50", SS
7. 203568	INSERT, FIBERGLASS, REAR STEP
8. 381991	ANCHOR POINT, RECESSED
9. 381977-01	BUMPER-REAR STEP 24"
10. 381993	STRIKER, SLAM LATCH
11.454544	STRIKER ROD, ROADSIDE, REAR STEP
12.454545	STRIKER ROD, CURBSIDE, REAR STEP
13.350147-25	NUT, NYLON LOCK, 1/4-20
14.345004	SCREW 1/4-14, WASHER HEX/HEAD
15.345444	SCREW, 1/2-13 X 1", SELF TAPPER
16.345383	SCREW 1/4-20 X 2.25 PH, FH SS
17.345334-02	MACHINE SCREW, #10-24 X 1"SST OVAL
18.350147	NUT, NYLOCK #10-24
19.382022-02	END CLIP, RH ROD
20.382022-01	END CLIP, LH ROD
702963	VINYL EMBOSSED 1.75W THRESHOLD
382017	GASKET-.60" BULB SEAL
454575	STRIKER-REAR STEP PLATE
703658	ASSIST STRAP-REAR STEP
381663	GASKET D-SEAL EPDM SPONGE SD-2

# 2007 BASE CAMP TRAVEL TRAILER

## CHASSIS

### Step Ramp

381971 RAMP, BI-FOLD, UTILITY

### Hitch Jack, Manual

381981 KIT-HITCH JACK AL-KO BASECAMP

### Safety Chains

400953 SAFETY CHAIN 1/4"X30

### Stabilizer Jacks

381957-01 STABILIZER JACKS HANDLE

381957-02 STABILIZER JACK

350132 NUT, FLANGED, MAC-LOCK 1/2-13

345251 BOLT, HEX HD 1/2-13X1-1/2 GR 5

### Shell Attachment

300125 FLAT WASHER 1/4 X 5/8 X.045 31"

350158-01 WASHER, LOCK TOOTH (INT-EXT)-1/

350004 NUT 1/4-20 BULK PLAIN STEEL SQ

345313-11 BOLT-1/4-20 X 3.5" CARRIAGE

115316-01 ANGLE, ALUMINUM, 13" X 1" X 1.5" X 3"

101134 ANGLE, ALUMINUM, 1/8 X 1 X 1 1/2"

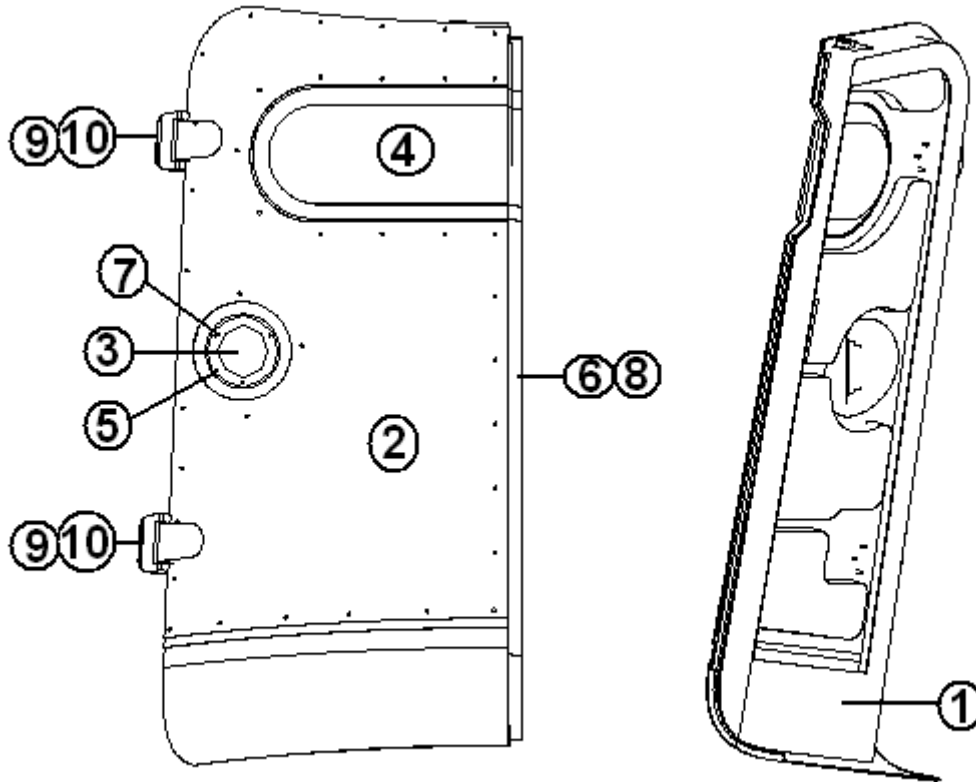
330031-03 RIVET, DOME HEAD SSD64SSBS



# 2007 BASE CAMP TRAVEL TRAILER

## DOORS/WINDOWS

### Rear Door, Roadside

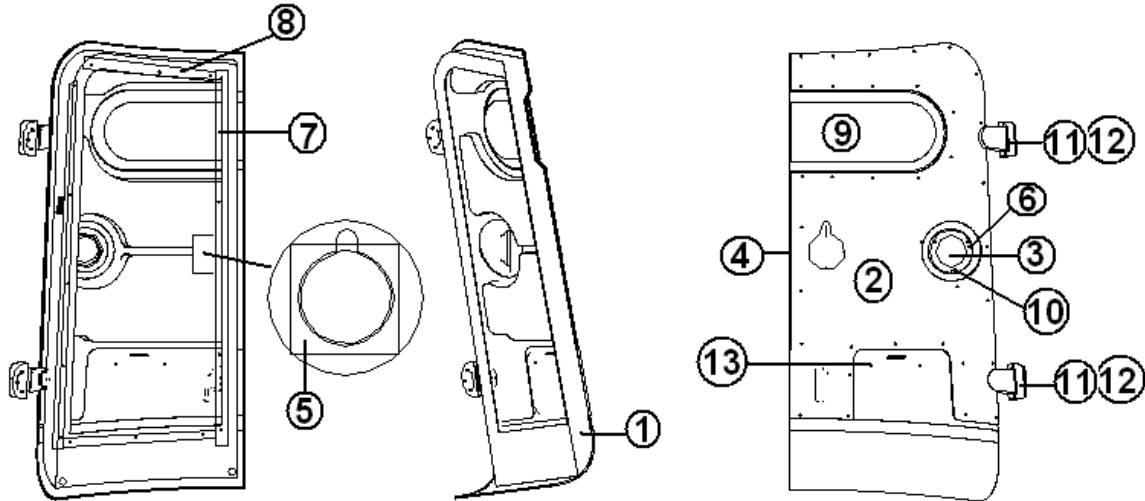


966918	Door assembly, roadside
1. 203564	Door fiberglass, roadside
2. 115321-15	Door skin, exterior, roadside
3. 511860-01	Light, 4" LED. Red
4. 372249	Window, roadside door
5. 454570	Tail light mounting bracket
6. 511324-02	Contact, wireless, 3-piston
7. 345419	Screw, #6 x 1", stainless
8. 345353-05	Screw, #6 x .75"
9. 966785-01	Hinge
10. 350147-25	¼ x 20 Nyloc nut
203605	Drip rail

# 2007 BASE CAMP TRAVEL TRAILER

## DOORS/WINDOWS

### Rear Door, Curbside

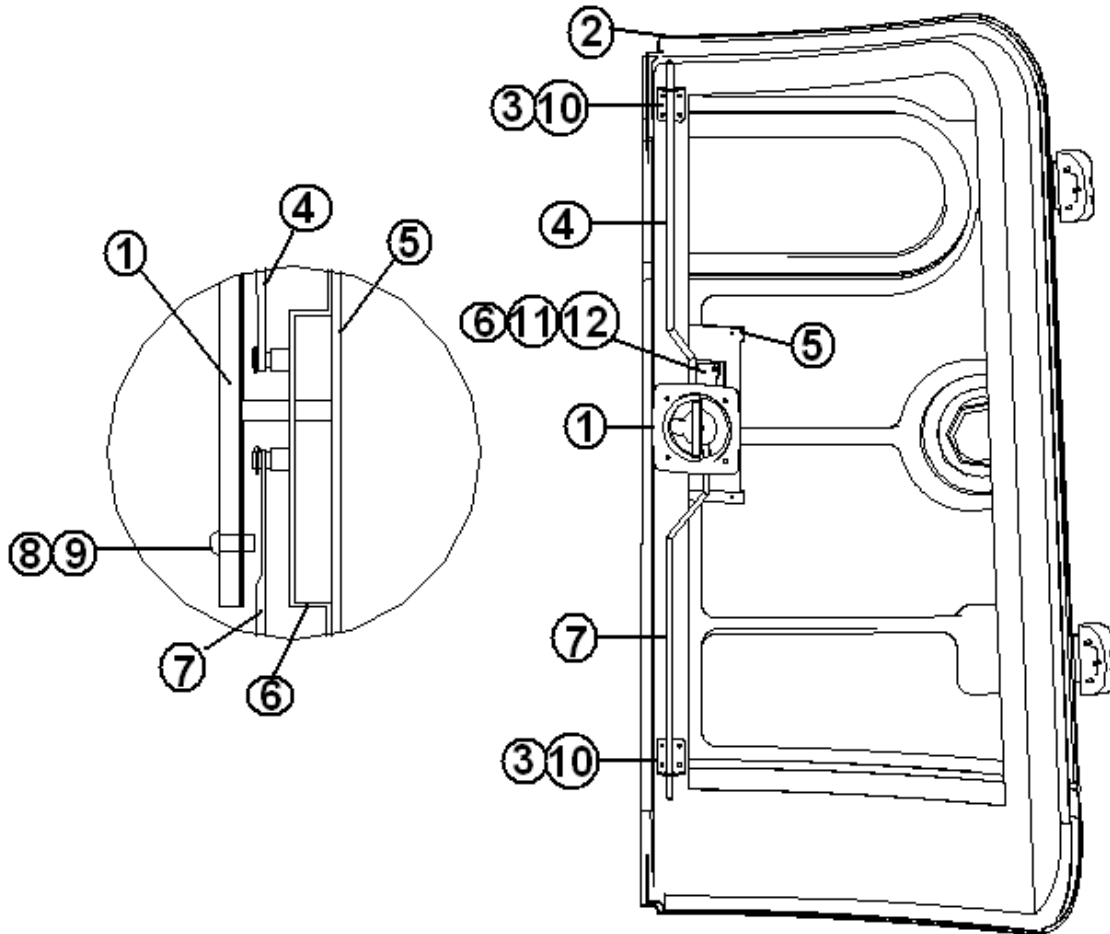


- |               |                               |
|---------------|-------------------------------|
| 966924        | Door assembly, curbside       |
| 1. 203565     | Door fiberglass, curbside     |
| 2. 115321-14  | Door skin, exterior, curbside |
| 3. 511860-01  | Light, 4" LED. Red            |
| 4. 511324-02  | Contact, wireless, 3-piston   |
| 5. 454569     | Handle mounting bracket       |
| 6. 454570     | Tail light mounting bracket   |
| 7. 454594     | Door backer, 2"x 48"          |
| 8. 454595     | Door backer, 2"x 23"          |
| 9. 372250     | Window, curbside door         |
| 10. 345419    | Screw, #6 x 1", stainless     |
| 11. 966785-02 | Hinge                         |
| 12. 350147-25 | ¼ x 20 Nyloc nut              |
| 13. 350153    | Nut plate, ¼ x 20             |
| 203605        | Drip rail                     |

# 2007 BASE CAMP TRAVEL TRAILER

## DOORS/WINDOWS

Hardware, Rear Door, Roadside



Part Number on the Next Page

# 2007 BASE CAMP TRAVEL TRAILER

## DOORS/WINDOWS

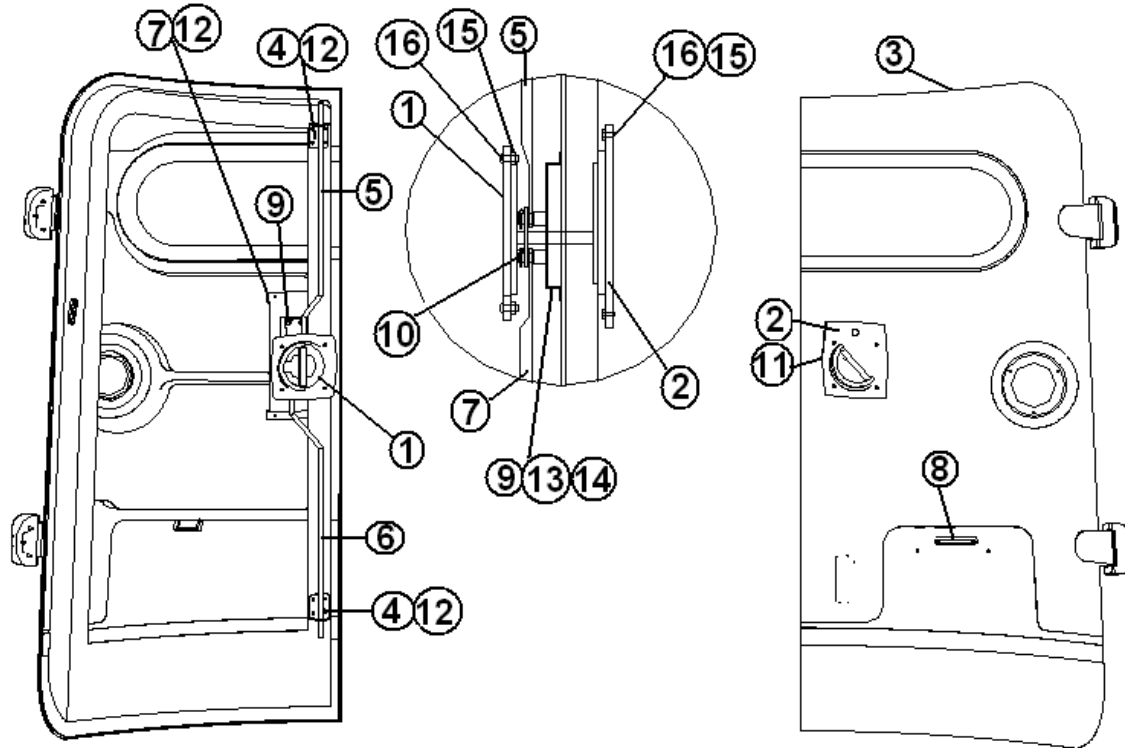
### Hardware, Rear Door, Roadside

- |               |                                   |
|---------------|-----------------------------------|
| 1. 382018-01  | Handle, Non-locking               |
| 2. 966915     | Curbside door assembly, exterior  |
| 3. 454578     | Bracket, rod guide                |
| 4. 454568-01  | Top rod, LH                       |
| 5. 454571     | Bracket, 4.50" x 14"              |
| 6. 382018-04  | Center case, w/override           |
| 7. 454567-01  | Top rod, 48"                      |
| 8. 345458     | Screw, #10-24 x 3/4"              |
| 9. 350147-19  | NYLOC, nut, #10-24                |
| 10. 320029    | Screw, #8 x 3/4"                  |
| 11. 345276-03 | 1/4-20 bolt                       |
| 12. 350222    | Nut, 1/4"x 20, Hex                |
| 203608        | Block, door stay                  |
| 203609        | Clip. Door stay                   |
| 320148        | Screw, Philips, #8 x 1.75", Black |
| 454615-02     | Rod, door position stay, LH       |

# 2007 BASE CAMP TRAVEL TRAILER

## DOORS/WINDOWS

### Hardware, Rear Door, Curbside



Part Number on the Next Page

# 2007 BASE CAMP TRAVEL TRAILER

## DOORS/WINDOWS

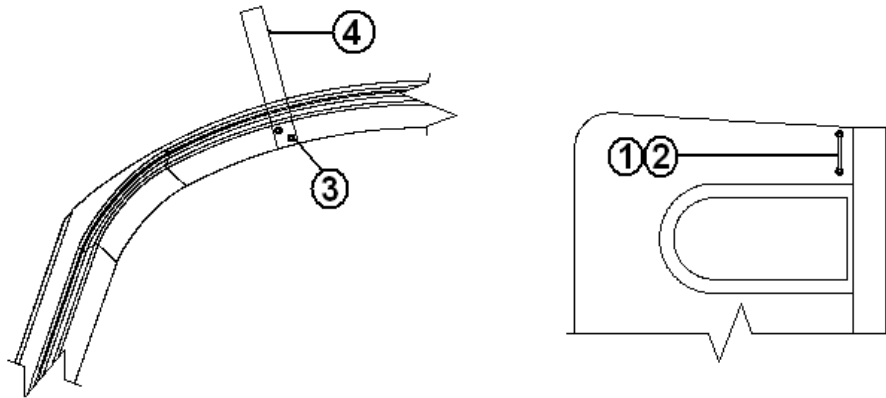
### Hardware, Rear Door, Curbside

- |               |                                   |
|---------------|-----------------------------------|
| 1. 382018-01  | Handle, Non-locking               |
| 2. 382018-02  | Handle, locking w/key             |
| 3. 966914     | Curbside door assembly, exterior  |
| 4. 454578     | Bracket, rod guide                |
| 5. 454568-02  | Top rod, RH                       |
| 6. 454567-02  | Bottom rod, RH                    |
| 7. 454571     | Bracket, 4.50" x 14"              |
| 8. 512086     | License plate light               |
| 9. 382018-05  | Center case, 2-point latch        |
| 10. 454577    | Adaptor release, 2.38" x .75"     |
| 11. 382018-03 | Gasket, locking square, D-ring    |
| 12. 320029    | Screw, #8 x 3/4"                  |
| 13. 345276-03 | Bolt, 1/4"x 20 x 3/4"             |
| 14. 350222    | Nut, 1/4"x 20, Hex                |
| 15. 350147-19 | NYLOC, nut, #10-24                |
| 16. 345458    | Screw, #10-24 x 3/4"              |
| 203608        | Block, door stay                  |
| 203609        | Clip. Door stay                   |
| 320148        | Screw, Philips, #8 x 1.75", Black |
| 454615-01     | Rod, door position stay, RH       |

# 2007 BASE CAMP TRAVEL TRAILER

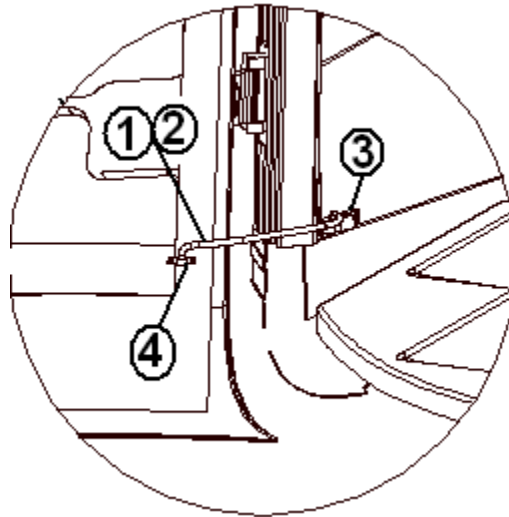
## DOORS/WINDOWS

### Door Stay, Strap Style



- |              |  |
|--------------|--|
| 1. 381566    | Loop, footman, steel                     |
| 2. 320116-05 | Screw, #8 x 7/8", pan head, Philips      |
| 3. 325126    | Rivet, Olympic, 1/4" aluminum, .13"-.38" |
| 4. 703687    | Strap, door stay                         |

### Door Stay, Rod Style

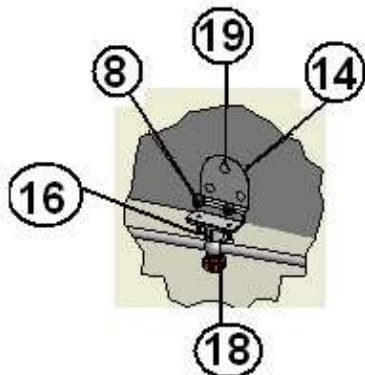
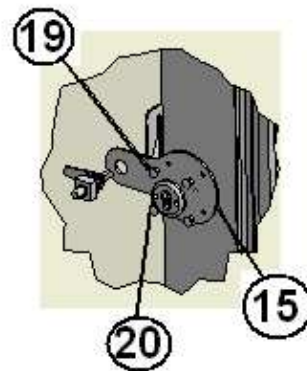
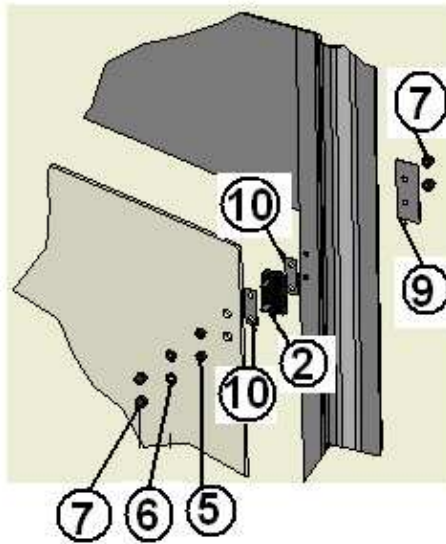
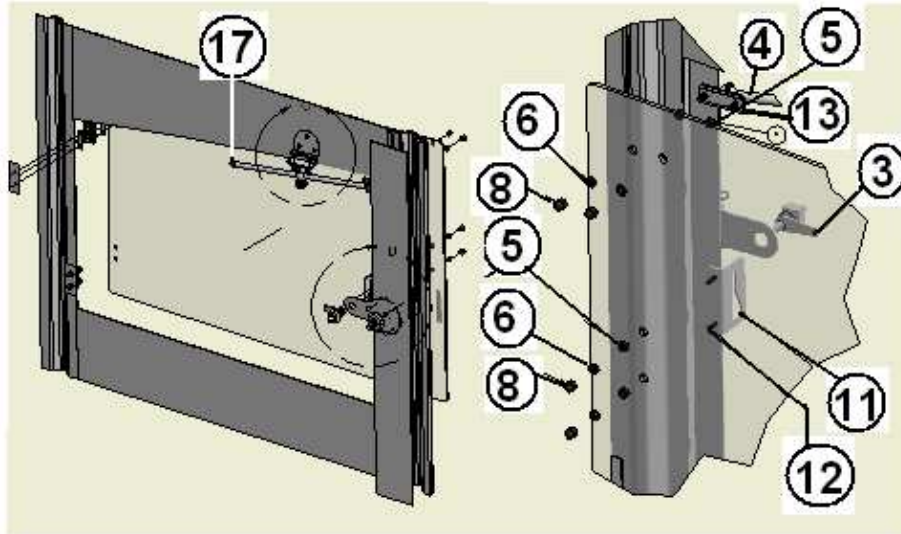


- |              |                                     |
|--------------|-------------------------------------|
| 1. 454615-01 | Rod, door position stay, right hand |
| 2. 454615-02 | Rod, door position stay, left hand  |
| 3. 203608    | Block, door stay                    |
| 4. 203609    | Clip, round                         |
| 320148       | Screw, Philips, #8 x 1.75", black   |

# 2007 BASE CAMP TRAVEL TRAILER

## DOORS/WINDOWS

Windows, Opening



Part Numbers On The next Page



# 2007 BASE CAMP TRAVEL TRAILER

## DOORS/WINDOWS

### Windows, Opening

1. 372247	GLASS-RS OPENING WINDOW
1. 372248	GLASS-CS OPENING WINDOW
2. 381995	HINGE-SCREW ON BLACK
3. 195510-28	LOCK ASSY FOR REAR
4. 381988	ARM-WINDOW ADJUSTER
5. 381983	BUSHING-WINDOW 5MM ACRYLIC
6. 300146	WASHER-BLK PLASTIC .45"OD
7. 350184	NUT-ACORN M5 X 8MM BLACK
8. 350183	NUT-ACORN #10-32 BLACK
9. 454550	WASHER WINDOW HINGE
10. 365299	TAPE-, HINGE DLB SIDED.5" X 1.5"
11.114479-01	BRACKET, WINDOW CLOSER RH
11. 114479-02	BRACKET, WINDOW CLOSER LH
12.345448	SCREW- #10-32 X 5/8" PH BLACK
13.345449	SCREW-#10-32 X 5/8" FH BLACK
14.454552	BRACKET, WINDOW ADJUSTER ARM
15.454556	BRACKET, WINDOW LATCH
16.345452	SCREW-#10-32 X 5/16" FHP SS
17.381990	CAP-BLACK. RUBBER BUMPER .225
18.381994	KNOB-ROSETTE 1.5"
19.330031-03	RIVET DOME HEAD SSD64SSBS
20.382013	BRACKET, SOFA TIE DOWN
195467-05	LATCH HANDLE RED
1101-0007	LATCH BODY
1101-0008	LATCH SHAFT
1101-0009	LATCH SPRING
0707-0002	PIN, DRIVE LOK 5/32 X 5/8 ZN
0702-0001	NUT, HEX PANEL 5/8-24 ZN D-CAST
0702-0002	NUT, JAM HEX 5/16-24
0706-0001	WASHER FLAT .53 OD X .328 ID
0304-0003	WINDOW LOCK PAW (ARM)
0304-0001	STEEL, STRIP 14GA X 2 1/2 X 10'
195509-01	LOCK PAWS TO BE PLATED
454577	ADAPTOR-LATCH RELEASE

# 2007 BASE CAMP TRAVEL TRAILER

## DOORS/WINDOWS

### Gasket, Opening Window

386198-01 GASKET, OPENING WINDOW, CURBSIDE  
386198-02 GASKET, OPENING WINDOW, ROADSIDE

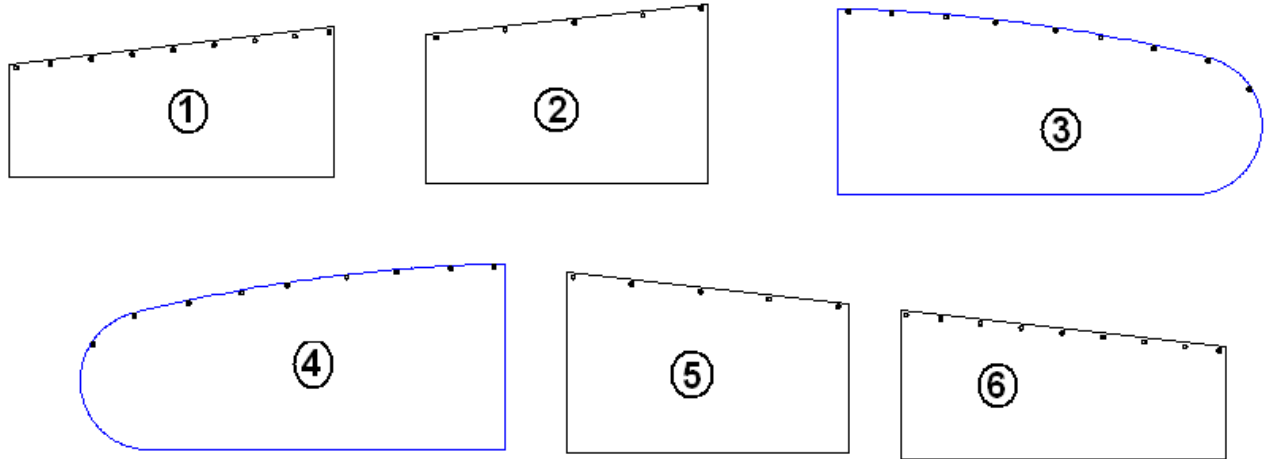
### Windows, Glass

372244 GLASS, FIXED WINDOW, RS REAR  
372245 GLASS, FIXED WINDOW, CS REAR  
372246 GLASS, FIXEDWINDOW, RS FRONT  
372252 GLASS, FIXED WINDOW, CS FRONT  
372249 GLASS, FIXEDWINDOW, RS DOOR  
372250 GLASS, FIXED WINDOW, CS DOOR  
372247 GLASS, RS OPENING WINDOW  
372248 GLASS, CS OPENING WINDOW  
372251 GLASS, SKYLIGHT, 30" D

# 2007 BASE CAMP TRAVEL TRAILER

## DOORS/WINDOWS

### Drapes



- |                  |                                 |
|------------------|---------------------------------|
| 1. 703624-227-04 | Curtain, curbside rear, Red     |
| 1. 703624-237-04 | Curtain, curbside rear, Green   |
| 1. 703624-247-04 | Curtain, curbside rear, Blue    |
| 2. 703624-227-05 | Curtain, curbside middle, Red   |
| 2. 703624-237-05 | Curtain, curbside middle, Green |
| 2. 703624-247-05 | Curtain, curbside middle, Blue  |
| 3. 703624-227-06 | Curtain, curbside front, Red    |
| 3. 703624-237-06 | Curtain, curbside front, Green  |
| 3. 703624-247-06 | Curtain, curbside front, Blue   |
| 4. 703624-227-01 | Curtain, roadside rear, Red     |
| 4. 703624-237-01 | Curtain, roadside rear, Green   |
| 4. 703624-247-01 | Curtain, roadside rear, Blue    |
| 5. 703624-227-02 | Curtain, roadside middle, Red   |
| 5. 703624-237-02 | Curtain, roadside middle, Green |
| 5. 703624-247-02 | Curtain, roadside middle, Blue  |
| 6. 703624-227-03 | Curtain, roadside front, Red    |
| 6. 703624-237-03 | Curtain, roadside front, Green  |
| 6. 703624-247-03 | Curtain, roadside front, Blue   |

700006

FASTENER SOCKET

## 2007 BASE CAMP TRAVEL TRAILER

### ELECTRICAL, 110 VOLT

#### Power Cord

- 511416-02 POWER INLET, 30A, 125V, MALE
- 511416-03 POWER CORD, 30A, 30' W/CONNECTION, UL/C

#### Power Center

- 512084 POWER CENTER-AC/DC BLACK  
Specify Model when ordering:  
35 Amp: WF8935ANPB or  
55 Amp: WF8955ANPB
- 512147 CIRCUIT BREAKER, POWER CENTER  
Specify Model when ordering:  
40 Amp: 181040F-011  
50 Amp: 181040F

#### Outlet

- 500967-03 COVER, WHITE BLANK
- 510741 BOX/ELECTRICAL, 1-1/2" X 2" X 3
- 512181 BOX, SHALLOW SWITCH & OUTLET
- 511815-01 RECEPTACLE, DUPLEX BLACK, SELF-CONNECTING
- 511815-02 PLATE, DECORATOR 1 GANG BLACK
- 511912 PLATE, RECEPT STAINLESS STEEL

#### Breakers/Fuses

- 510564-02 BREAKER BRYANT 30 AMP
- 510564-03 BREAKER BRYANT 15-15 amp
- 510564-07 BREAKER- BRYANT 15 GFI
- 512186 EXTENSION RING, GFCI
- 500773-15 FUSE, ATC, 12VDC, 15 AMP

## 2007 BASE CAMP TRAVEL TRAILER

### ELECTRICAL, 12 VOLT

#### Battery

512144 Battery, deep cycle, lead acid  
511828 BATTERY-12V DEEP CYCLE AGM

512151 CABLE-BATTERY POSITIVE  
512152 CABLE-BATTERY NEGATIVE

#### 7- way Cable/Breakaway Switch

512146-01 CORD ASSY- 7 WAY BASECAMP  
0300027 Break away switch, Bargman  
454526 Bracket, breakaway switch  
454524 Bracket, 7-way box

#### Interior Lights

511695-02 SPOT LIGHT-SURFACE MOUNT HALOGEN BRIGHT

#### Fuse Holder

510696 In line fuse holder

#### Switches

511276 COVER, 12 VOLT OUTLET, BLACK  
511977 SWITCH ASSY-SPDT BLACK

# 2007 BASE CAMP TRAVEL TRAILER

## ELECTRICAL, 12 VOLT

### 12 Volt Outlet

512101	PLATE- W/12V OUTLET WHITE
510807	Outlet, 12 volt
602113-06	Plug, 12-volt inlet, faucet
512191	PLUG, 12 VDC, Cook Top

### Exterior Lights

511324-02	CONTACT, WIRELESS 3-PISTON
512086	LIGHT- LICENSE PLATE
511860-01	LIGHT-4" LED, RED
512134-01	LAMP, RED MARKER
512134-02	LIGHT, AMBER MARKER
512134-03	LAMP, MARKER, CHROME BEZEL
512134-04	LAMP, MARKER, MOUNTING GASKET

### Reflectors

511860-02	BEZEL- 4" ROUND CHROME W/VISOR
510446	REFLECTOR, RED, STICK-ON
510446-01	REFLECTOR-STICK-ON-AMBER

# 2007 BASE CAMP TRAVEL TRAILER

## ENTERTAINMENT

### Radio

512051-01 RADIO, AM/FM/CD-JENSEN  
203582 COVER, RADIO, 3.09" X 8.21"

### Speakers

203584 COVER, SPEAKER 4.5" D  
511722 MOUNT, SPEAKER BLACK  
203554 HOUSING, SPEAKER  
512062 SPEAKER- W/GRILL 2-WAY 4" BLACK

### Radio Antenna

511807 ANTENNA-AM/FM RUBBER 14"  
300145 WASHER, RUBBER ID.29" OD.69"

### TV/DVD w/Articulating Arm

690565 TV/DVD, LCD 10.4" AXION  
690567 ARM, ARTICULATING 10.4" TV  
512157 BRACKET, ARTICULATING ARM TV  
512187 SWITCH, TV AMP.  
703653 STRAP, TV 20.75" HOOK/LOOP  
195345-01 1 1/2" BROWN NYLON WEBBING  
703456 VELCRO, LOOP BLACK 1.5"  
703456-01 VELCRO, HOOK BLACK 1.5"

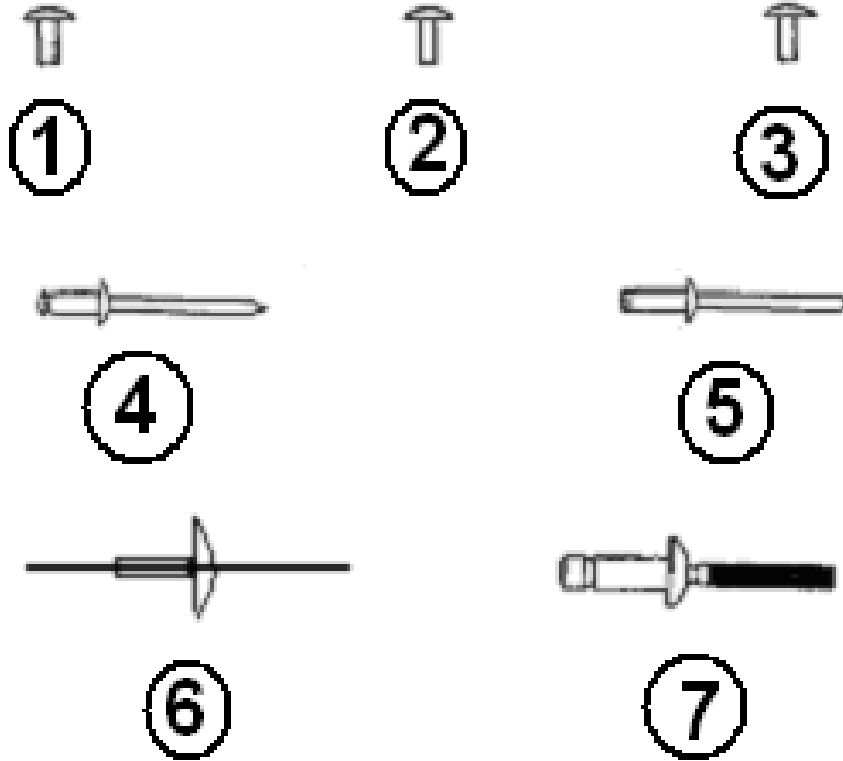
### TV Antenna w/Jack

511864 ANTENNA, TV BOOMARANG  
511864-01 BOOSTER, ANTENNA

# 2007 BASE CAMP TRAVEL TRAILER

## FASTENERS

### Rivets



1. 325004-01 RIVET, ANODIZED CLEAR 1/8 X 1/2
2. 325125 RIVET- ALUM. 5/32" .020-.312
3. 325003-01 RIVET, ANODIZED CLEAR 1/8 X 7/16
3. 325002-01 RIVET, ANODIZED CLEAR 1/8 X 3/8
4. 330126-03 Pop Rivet, 1/8" grip range .126-.250, S.S. body and mandrel
4. 330128-08 RIVET 1/8 IN (WHITE) AD48ABS
5. 330127-05 Rivet, pop dia.1/8" grip range .251-.312 aluminum body aluminum mandrel
6. 325126 RIVET-OLYMPIC, 1/4"ALUM .13"-.38"
7. 330130-02 RIVET POP SSD44SSBS
7. 330031-03 RIVET DOME HEAD SSD64SSBS
- 195380-01 POP RIVET AD41-43BSMG MULTI-GRIP

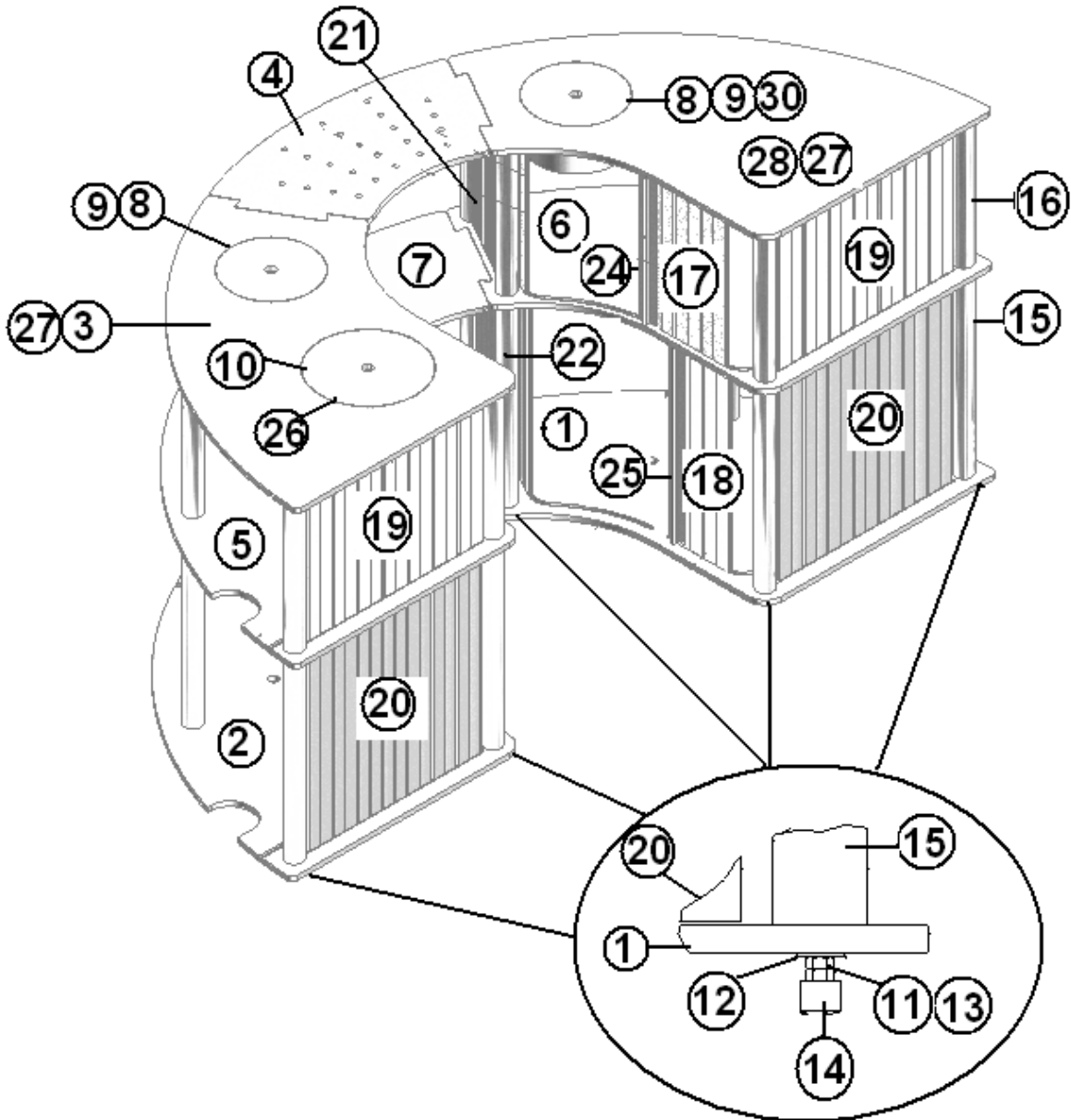
\*Common bolts and screws not listed.



# 2007 BASE CAMP TRAVEL TRAILER

## FURNITURE, GALLEY

Galley, W/O Cook Top



# 2007 BASE CAMP TRAVEL TRAILER

## FURNITURE, GALLEY

### Galley, W/O Cook Top

966650-01	Galley Assembly w/o Cook Top, Red
966650-02	Galley Assembly w/o Cook Top, Blue
966650-03	Galley Assembly w/o Cook Top, Green
1. 203574	PANEL, CURBSIDE, LOWER GALLEY
2. 203573	PANEL, ROADSIDE, LOWER GALLEY
3. 203577	PANEL, ROADSIDE, UPPER GALLEY
4. 203575	PANEL, MIDDLE UPPER GALLEY
5. 203579	PANEL, ROADSIDE, MIDDLE GALLEY
6. 203580	PANEL, CURBSIDE, MIDDLE GALLEY
7. 203576	PANEL, MID 60 GALLEY
8. 203581	RING, PAN SUPPORT GALLEY
9. 203569-01	PAN COVER, RED
9. 203569-02	PAN COVER, BLUE
9. 203569-03	PAN COVER, GREEN
10. 203570-01	SINK COVER, RED
10. 203570-02	SINK COVER, BLUE
10. 203570-03	SINK COVER, GREEN
11. 345391	ROD-THREADED 1/4-20 X 10'-0"
12. 195466-155	1/4" FLAT WASHER
13. 350004	NUT 1/4-20 BULK PLAIN STEEL SQ
14. 381893	BUMPER-RUBBER W/METAL CORE THD
15. 115338-06	POLE, ALUMINUM, 1.625"X 19.5"
16. 115338-05	POLE, ALUMINUM, 1.625"X 14.25"
17. 801689-01	UPPER DOOR, RED, 14.375"
17. 801690-01	UPPER DOOR, BLUE, 14.375"
17. 801691-01	UPPER DOOR, GREEN, 14.375"
18. 801689-02	LOWER DOOR, RED, 19.63"
18. 801690-02	LOWER DOOR, BLUE, 19.63"
18. 801691-02	LOWER DOOR, GREEN, 19.63"
19. 801689-01	UPPER CLOSEOUT, RED, 14.375"
19. 801690-01	UPPER CLOSEOUT, BLUE, 14.375"
19. 801691-01	UPPER CLOSEOUT, GREEN, 14.375"

Continued on next page

# 2007 BASE CAMP TRAVEL TRAILER

## FURNITURE, GALLEY

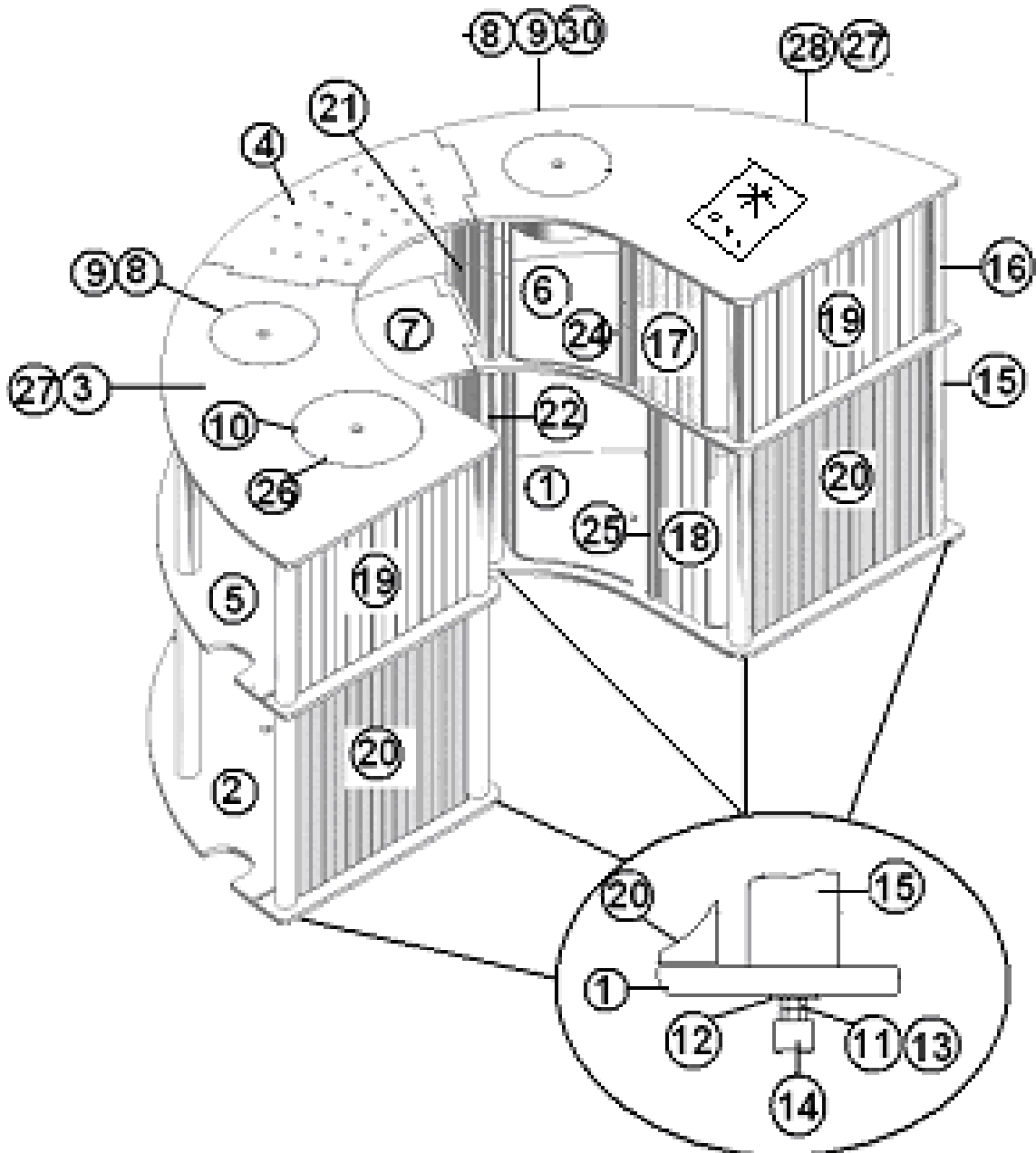
### Galley, W/O Cook Top (continued)

20. 801689-02	LOWER SHELF DOOR, RED, 19.63"
20. 801690-02	LOWER SHELF DOOR, BLUE, 19.63"
20. 801691-02	LOWER SHELF DOOR, GREEN, 19.63"
21. 801689-01	UPPER CLOSEOUT, RED, 14.375"
21. 801690-01	UPPER CLOSEOUT, BLUE, 14.375"
21. 801691-01	UPPER CLOSEOUT, GREEN, 14.375"
22. 801689-02	LOWER CLOSEOUT, RED, 19.63"
22. 801690-02	LOWER CLOSEOUT, BLUE, 19.63"
22. 801691-02	LOWER CLOSEOUT, GREEN, 19.63"
23. 345447	SCREW, #8 X 32
24. 801692-01	HANDLE, ALUMINUM, 13.75" SHUTTER
25. 801692-02	HANDLE, ALUMINUM, 19"
26. 602110	SINK, SS ROUND, 4.5" X 11.5"
27. 382014	BUTTON, PANEL, RETAINING BEIGE
28. 203578-01	PANEL, CURBSIDE, GALLEY, W/O COOKTOP
29. 195380-01	POP RIVET AD41-43BSMG
30. 602070	PAN, STORAGE 8" X 3"
381996	MOLDING, F TRIM 12'
381996-01	TRIM, F MOLDING 19"
381996-02	TRIM, F MOLDING 8.25"
350008	NUT BRASS NICKLE PLATED 8/32"
454555	BRACKET, GALLEY, MOUNTING ANGLE
345450	WELLNUT, RUBBER 1/4-20
320035	SCREW 8 X 1/2 PH TYPE A PHIL WD
345276-04	SCREW HEX HD. CAP 1/4-20 X 1 ID
203586-01	SPACER, GALLEY 1.63" BC

# 2007 BASE CAMP TRAVEL TRAILER

## FURNITURE, BATH

Galley, W/Cook Top



# 2007 BASE CAMP TRAVEL TRAILER

## FURNITURE, BATH

### Galley, W/Cook Top

966692-01	Galley, W/Cook Top, Red
966692-02	Galley, W/Cook Top, Blue
966692-03	Galley, W/Cook Top, Green
1. 203574	PANEL, CURBSIDE, LOWER GALLEY
2. 203573	PANEL, ROADSIDE, LOWER GALLEY
3. 203577	PANEL, ROADSIDE, UPPER GALLEY
4. 203575	PANEL, MIDDLE UPPER GALLEY
5. 203579	PANEL, ROADSIDE, MIDDLE GALLEY
6. 203580	PANEL, CURBSIDE, MIDDLE GALLEY
7. 203576	PANEL, MID 60 GALLEY
8. 203581	RING, PAN SUPPORT GALLEY
9. 203569-01	PAN COVER, RED
9. 203569-02	PAN COVER, BLUE
9. 203569-03	PAN COVER, GREEN
10. 203570-01	SINK COVER, RED
10. 203570-02	SINK COVER, BLUE
10. 203570-03	SINK COVER, GREEN
11. 345391	ROD-THREADED 1/4-20 X 10'-0"
12. 195466-155	1/4" FLAT WASHER
13. 350004	NUT 1/4-20 BULK PLAIN STEEL SQ
14. 381893	BUMPER-RUBBER W/METAL CORE THD
15. 115338-06	POLE, ALUMINUM, 1.625"X 19.5"
16. 115338-05	POLE, ALUMINUM, 1.625"X 14.25"
17. 801689-01	UPPER DOOR, RED, 14.375"
17. 801690-01	UPPER DOOR, BLUE, 14.375"
17. 801691-01	UPPER DOOR, GREEN, 14.375"
18. 801689-02	LOWER DOOR, RED, 19.63"
18. 801690-02	LOWER DOOR, BLUE, 19.63"
18. 801691-02	LOWER DOOR, GREEN, 19.63"
19. 801689-01	UPPER CLOSEOUT, RED, 14.375"
19. 801690-01	UPPER CLOSEOUT, BLUE, 14.375"
19. 801691-01	UPPER CLOSEOUT, GREEN, 14.375"

Continued on next page

# 2007 BASE CAMP TRAVEL TRAILER

## FURNITURE, GALLEY

### Galley, W/Cook Top (continued)

20. 801689-02	LOWER SHELF DOOR, RED, 19.63"
20. 801690-02	LOWER SHELF DOOR, BLUE, 19.63"
20. 801691-02	LOWER SHELF DOOR, GREEN, 19.63"
21. 801689-01	UPPER CLOSEOUT, RED, 14.375"
21. 801690-01	UPPER CLOSEOUT, BLUE, 14.375"
21. 801691-01	UPPER CLOSEOUT, GREEN, 14.375"
22. 801689-02	LOWER CLOSEOUT, RED, 19.63"
22. 801690-02	LOWER CLOSEOUT, BLUE, 19.63"
22. 801691-02	LOWER CLOSEOUT, GREEN, 19.63"
23. 345447	SCREW, #8 X 32
24. 801692-01	HANDLE, ALUMINUM, 13.75" SHUTTER
25. 801692-02	HANDLE, ALUMINUM, 19"
26. 602110	SINK, SS ROUND, 4.5" X 11.5"
27. 382014	BUTTON, PANEL, RETAINING BEIGE
28. 203578	PANEL, CURBSIDE, GALLEY, W/COOKTOP
29. 195380-01	POP RIVET AD41-43BSMG
30. 602070	PAN, STORAGE 8" X 3"
381996	MOLDING, F TRIM 12'
381996-01	TRIM, F MOLDING 19"
381996-02	TRIM, F MOLDING 8.25"
350008	NUT BRASS NICKLE PLATED 8/32"
454555	BRACKET, GALLEY, MOUNTING ANGLE
345450	WELLNUT, RUBBER 1/4-20
320035	SCREW 8 X 1/2 PH TYPE A PHIL WD
345276-04	SCREW HEX HD. CAP 1/4-20 X 1 ID
203586-01	SPACER, GALLEY 1.63" BC

# 2007 BASE CAMP TRAVEL TRAILER

## FURNITURE, GALLEY

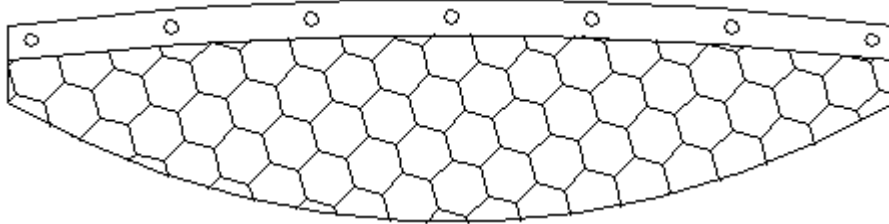
### Galley Shelf Storage, Kelty

381962	SHELF, 8" FINISHED KELTY
381963	SHELF, 4" USABLE G1 KELTY
381964	SHELF, 4" USABLE G2 KELTY
381965	SHELF, 4" USABLE H1 KELTY
381966	SHELF, 4" USABLE H2 KELTY

# 2007 BASE CAMP TRAVEL TRAILER

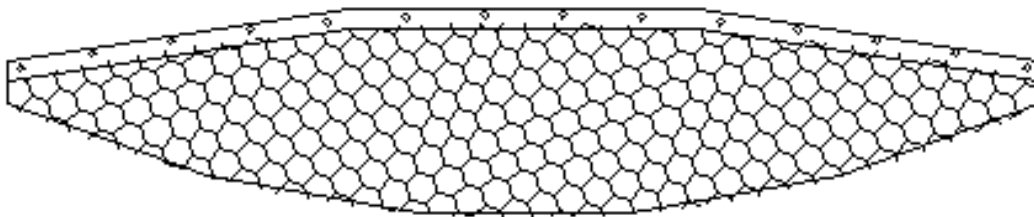
## FURNITURE, LOUNGE

### Net, Overhead Front Storage



- 115334 POLE, O/H LOCKER, FRONT 1"
- 703619 NETTING, O/H STORAGE, FRONT
- 115336 FLANGE, CLOSED END 2.5"X1.56"18
- 320005 SCREW SHEET METAL 8 X 1BH
- 325126 RIVET, OLYMPIC, 1/4"ALUM .13"-.38"
- 703645 STRAP, CURBSIDE/ROADSIDE, OVERHEAD
- 195345-01 1 1/2" BROWN NYLON WEBBING
- 300052 WASHER, 3/8 ID 5/8 OD FLAT
- 300111-25 WASHER, FLAT 1/4 INCH

### Net, Overhead Side Storage



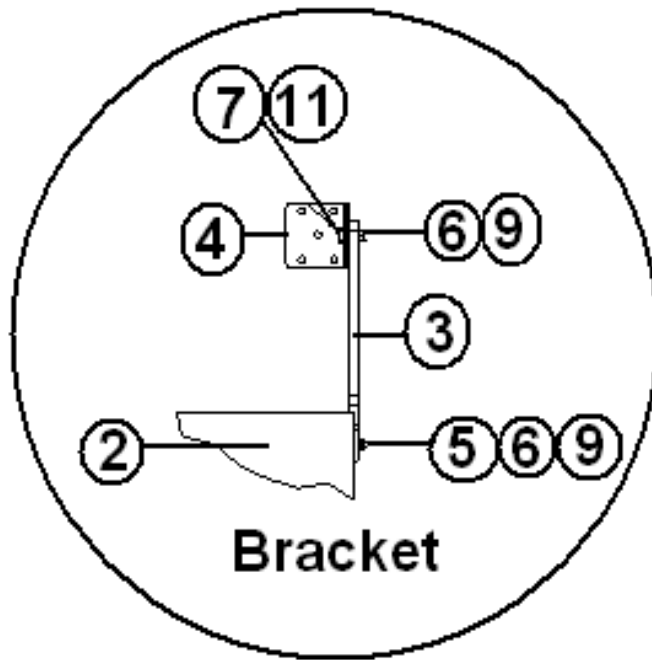
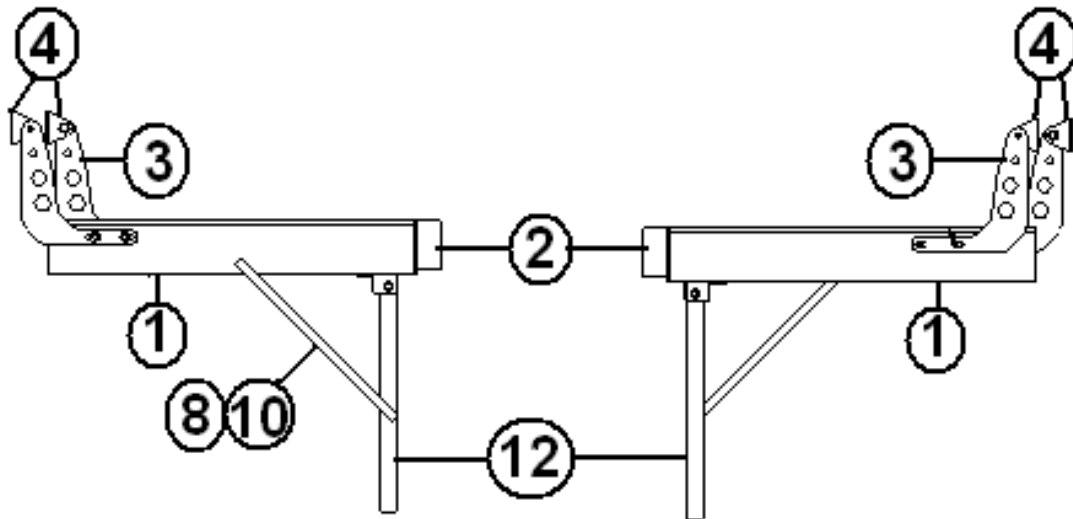
- 115333 POLE, O/H LOCKER CURBSIDE/ROADSIDE
- 703620 NETTING, STORAGE O/H, SIDES
- 115336 FLANGE, CLOSED END 2.5"X1.56"18
- 320005 SCREW SHEET METAL 8 X 1BH
- 325126 RIVET, OLYMPIC, 1/4"ALUM .13"-.38"
- 703645 STRAP, CURBSIDE/ROADSIDE, OVERHEAD
- 195345-01 1 1/2" BROWN NYLON WEBBING
- 300052 WASHER, 3/8 ID 5/8 OD FLAT
- 300111-25 WASHER, FLAT 1/4 INCH



# 2007 BASE CAMP TRAVEL TRAILER

## FURNITURE, LOUNGE

### Bed/Sofa Assembly, Complete



Part numbers are on the next page

# 2007 BASE CAMP TRAVEL TRAILER

## FURNITURE, LOUNGE

### Bed/Sofa Assembly, Complete

966642	BED/SOFA ASSEMBLY
1. 966641	UPPER BED ASSEMBLY
2. 966640-01	BED SLIDEOUT ASSEMBLY, BLUE
2. 966640-02	BED SLIDEOUT ASSEMBLY, RED
2. 966640-03	BED SLIDEOUT ASSEMBLY, GREEN
3. 454493	BRACKET, BED
4. 454501	BRACKET, WALL
5. 345435-03	BOLT, SHOULDER 1/4-20 X 1.75"
6. 300111-25	WASHER, FLAT 1/4 INCH
7. 345435-01	BOLT, SHOULDER 14-20 X .75"
8. 381229-01	SUPPORT HINGE-LEAF TABLE
9. 350045	1/4-20 NUT
10. 330031-03	RIVET DOME HEAD SSD64SSBS
11. 300111-31	WASHER, FLAT 5/16" SERIES N
12. 454496	WELDMENT, BED LEG

### Bed/Sofa Tie back

703656	TIE BACK, SOFA BED BC
381566	LOOP FOOTMAN STEEL 1.625" X .56"
703655	WEBBING, .5"

### Bed/Sofa Travel Bar

115364	Travel bar, sofa
114224	PLUNGER, 1"DIA. (LADDER) BC
381148-01	SOCKET, LADDER PLUNGER 114224 B
115363	TUBING, ALUMINUM, 16GA X 1" X 144"
195380-01	POP RIVET, AD41-43BSMG

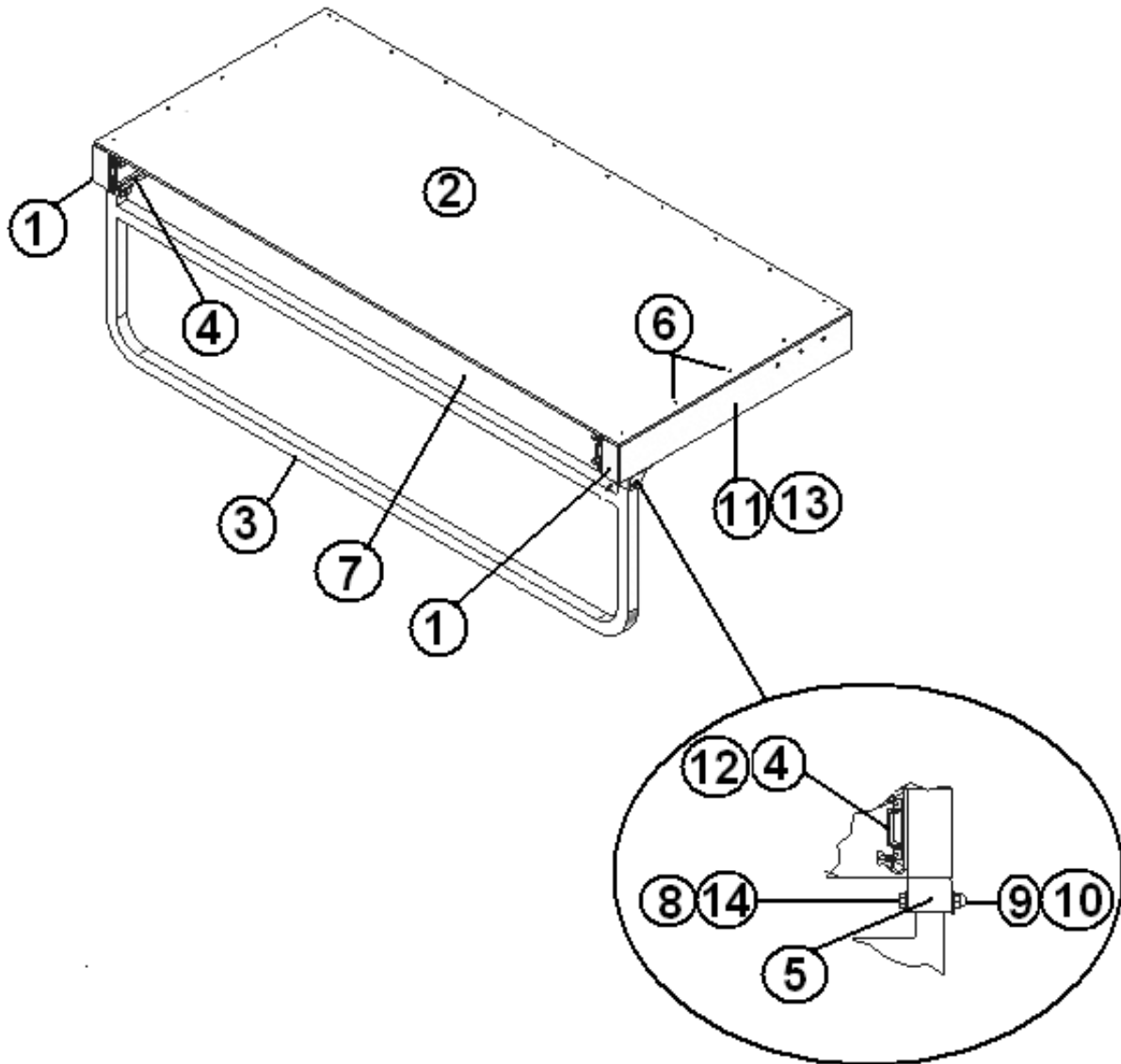
### Bed/Sofa Under Base Storage

381959	UNDER BED UNIT, A THIN KELTY
381960	UNDER BED UNIT, B LARGE KELTY

# 2007 BASE CAMP TRAVEL TRAILER

## FURNITURE, LOUNGE

### Bed/Sofa Assembly, Upper, Lower



Part numbers are on the next page

# 2007 BASE CAMP TRAVEL TRAILER

## FURNITURE, LOUNGE

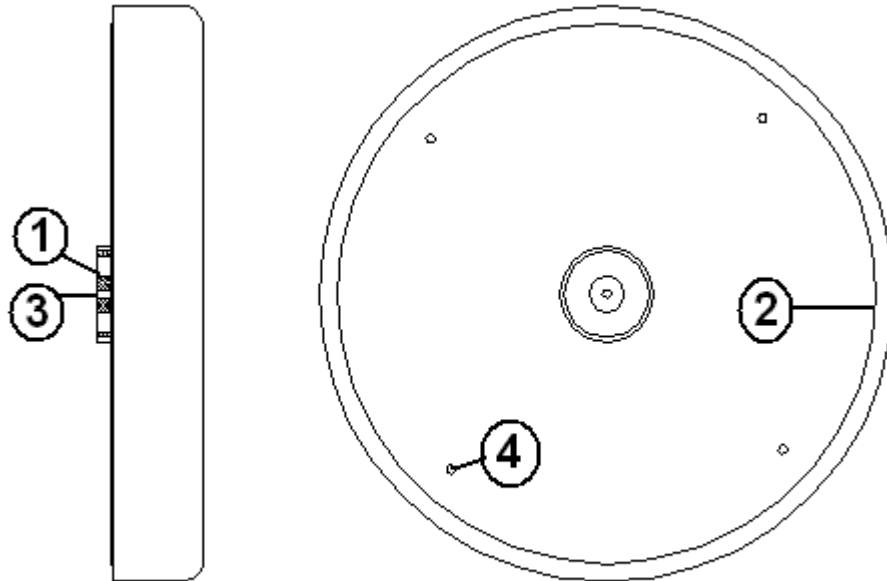
### Bed Assembly, Upper, Lower

966641	UPPER BED
1. 203547-01	END CAP, PLASTIC, BLUE
1. 203547-02	END CAP, PLASTIC, RED
1. 203547-03	END CAP, PLASTIC, GREEN
2. 966641-2A	TOP, BED 23.5"X 50"
3. 454496	WELDMENT, BED LEG
4. 382021	SLIDE, DRAWER, 14"BALL BEARING
5. 454502	BRACKET, LEG HINGE
6. 345353-03	SCREW, #6 X 0.75 FLAT HD- PHIL
7. 454494	WELDMENT-BED SLIDEOUT
8. 345435-02	BOLT, SHOULDER 1/4-20 X 2"
9. 300111-25	WASHER, FLAT 1/4"
10. 350045	1/4-20 NUT
11. 454495	WELDMENT, UPPER BED
12.330031-03	RIVET DOME HEAD SSD64SSBS
13.330126-03	RIVET POP SSD44SSBS
14.300111-31	WASHER, FLAT 5/16IN SERIES N
701538-01	CARPET-ECONOLIER W/PSA BACK

# 2007 BASE CAMP TRAVEL TRAILER

## FURNITURE, LOUNGE

### Sofa Back



- |               |                                 |
|---------------|---------------------------------|
| 966731        | SEAT BACK ASSY                  |
| 1. 381731     | MAGNET, ROUND BASE 2.65" D.     |
| 2. 115353     | BASE, SEAT BACK ROUND           |
| 3. 345326-03  | SCREW, TAPPING #10 X .63" SS PH |
| 4. 195329-202 | HEMISPHERE CLEAR BUMP-ON        |
| 381998        | BRACKET, WALL SEATBACK          |
| 365001        | TAPE DOUBLE COATED FOAM         |
| 330031-03     | RIVET DOME HEAD SSD64SSBS       |

# 2007 BASE CAMP TRAVEL TRAILER

## LABELS AND TAGS

### Labels and Tags

386187	LABEL-15 AMP FUSE MAX
386193	LABEL WHEEL TORQUE WARNING
386192	HANG TAG: SMOKE/CO DETECTOR BATTER
386194	LABEL, STORAGE PWR EQUIPMENT
386118	Label, LP gas warning/fill
385517	Label, kill switch warning
385521	Label, emergency egress window
386122	Warning label/cooking appliance
386121	Label, LP gas warning label (odor)
385465	Exit label, English
385560	Label, air conditioner rating
385812	Label, Calif. hazardous substance
386114	LABEL-RVIA SILVER
386142	CHECK WHEEL LUG LABEL
386082	LABEL THOR, 5.25" X .75'
386019	LABEL 1 AMP FUSE MAX
386111	LABEL 30 AMP FUSE MAX
385950	LABEL "SMOKE DETECTOR CSA
500883-01	LABEL, 1 AMP, FUSE



# 2007 BASE CAMP TRAVEL TRAILER

## PLUMBING, LPG

### LPG System, Above Floor

- |              |                                 |
|--------------|---------------------------------|
| 1. 602105    | TANK-LP 20# HORIZONTAL          |
| 2. 115330    | LP COVER ASSY                   |
| 3. 602106    | REGULATOR-LP                    |
| 4. 454491    | WELDMENT, LP BOTTLE FRAME       |
| 5. 115332    | PLATE, LP BOTTLE FASTENING      |
| 6. 203555    | SHROUD-LOWER LP COVER           |
| 7. 345276-03 | BOLT HEX. HD. 1/4-20 X 3/4IN    |
| 8. 345236    | LOCKNUT, 1/4-20 NYLON #25CNU-AZ |
| 9. 345436    | KNOB-FIVE LOBED                 |
| 10. 345439   | NUT, 1/4-20 STEEL HEX THIN JAM  |
| 381973       | STRAP-GROUNDING 6"              |
| 454542       | STRAP, LP BOTTLE                |

### LPG Regulator Assembly (Item 3)

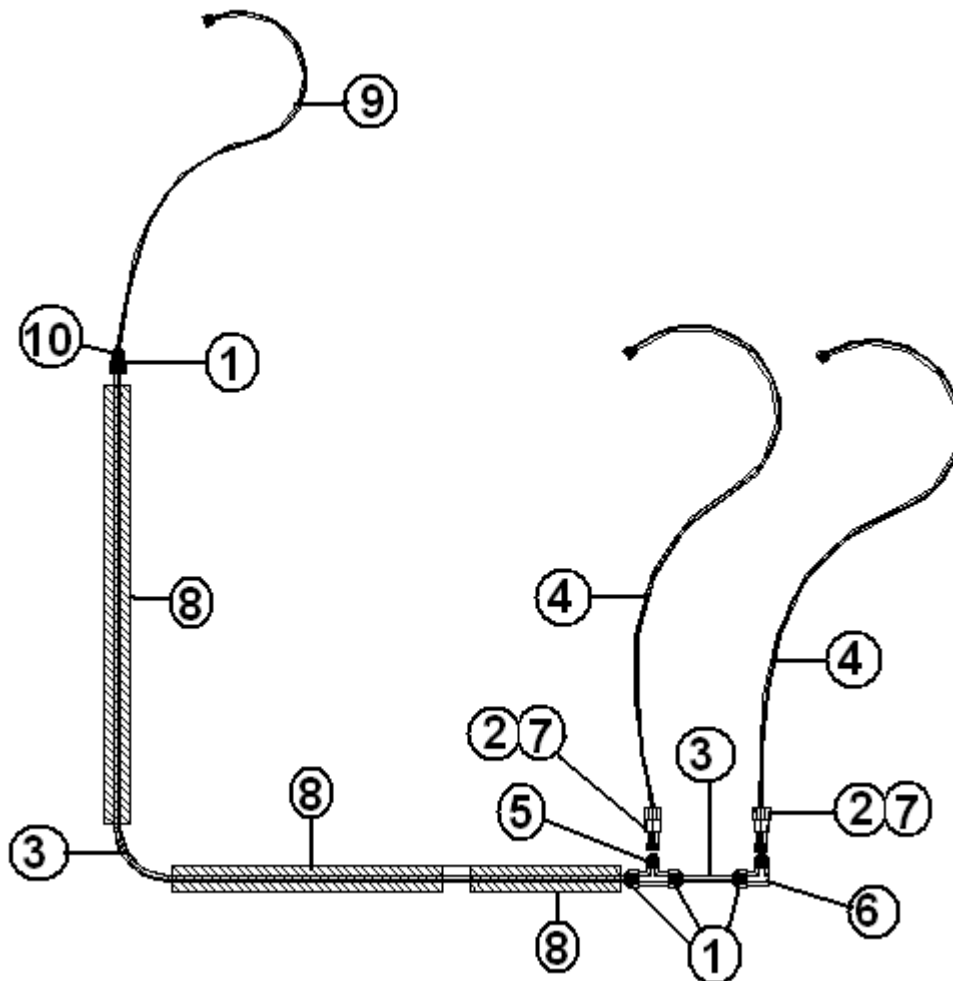
- |           |                                    |
|-----------|------------------------------------|
| 602106    | REGULATOR, COMPLETE ASSEMBLY       |
| 602106-01 | REGULATOR, TWO STAGE               |
| 602106-02 | BRACKET, "Z" LP REGULATOR          |
| 602106-03 | PIGTAIL, 30" LP REGULATOR          |
| 602106-04 | ELBOW, BRASS .38" NPT X .38" FLR   |
| 602106-05 | COVER, LP REGULATOR BC             |
| 602106-06 | ELBOW, CONN .25" FLARE X .25" MALE |



# 2007 BASE CAMP TRAVEL TRAILER

## PLUMBING, LPG

### LPG Layout, Below Floor

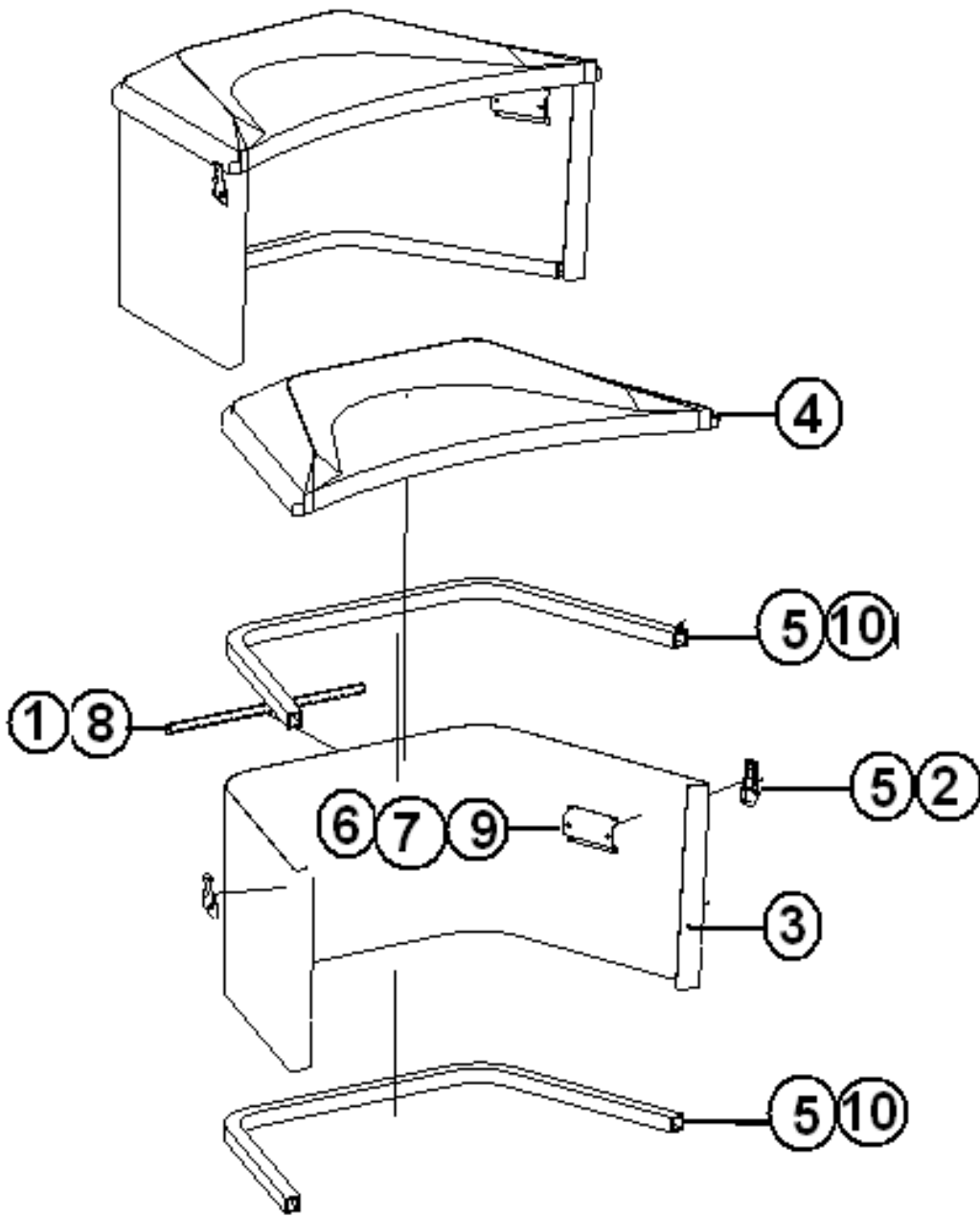


- |              |                                |
|--------------|--------------------------------|
| 1. 600435    | FORGED FLARE NUTS 3/8IN        |
| 2. 602109-01 | COUPLER-DISCONNECT.25"FPT X QD |
| 3. 600008    | TUBING COPPER 3/8" OD          |
| 4. 602109-02 | HOSE-48" .25"MPTX QD           |
| 5. 602107    | TEE-BRASS.38"FLX.38"FLX.25"MPT |
| 6. 602108    | ELBOW-BRASS .38"FLX.25"MPT     |
| 7. 602109-03 | DUST PLUG - BASECAMP           |
| 8. 601698-01 | E-PEX 1/2" TUBING              |
| 9. 602104    | HOSE 3/8" X 48"                |
| 10. 600238   | 3/8 IN FLARE UNION             |
| 345426-02    | CLAMP-STEEL LOOP .38" RUBBER   |

# 2007 BASE CAMP TRAVEL TRAILER

## PLUMBING, LPG

### LPG Bottle Cover, No Air Conditioner



Part numbers are the next page.

# 2007 BASE CAMP TRAVEL TRAILER

## PLUMBING, LPG

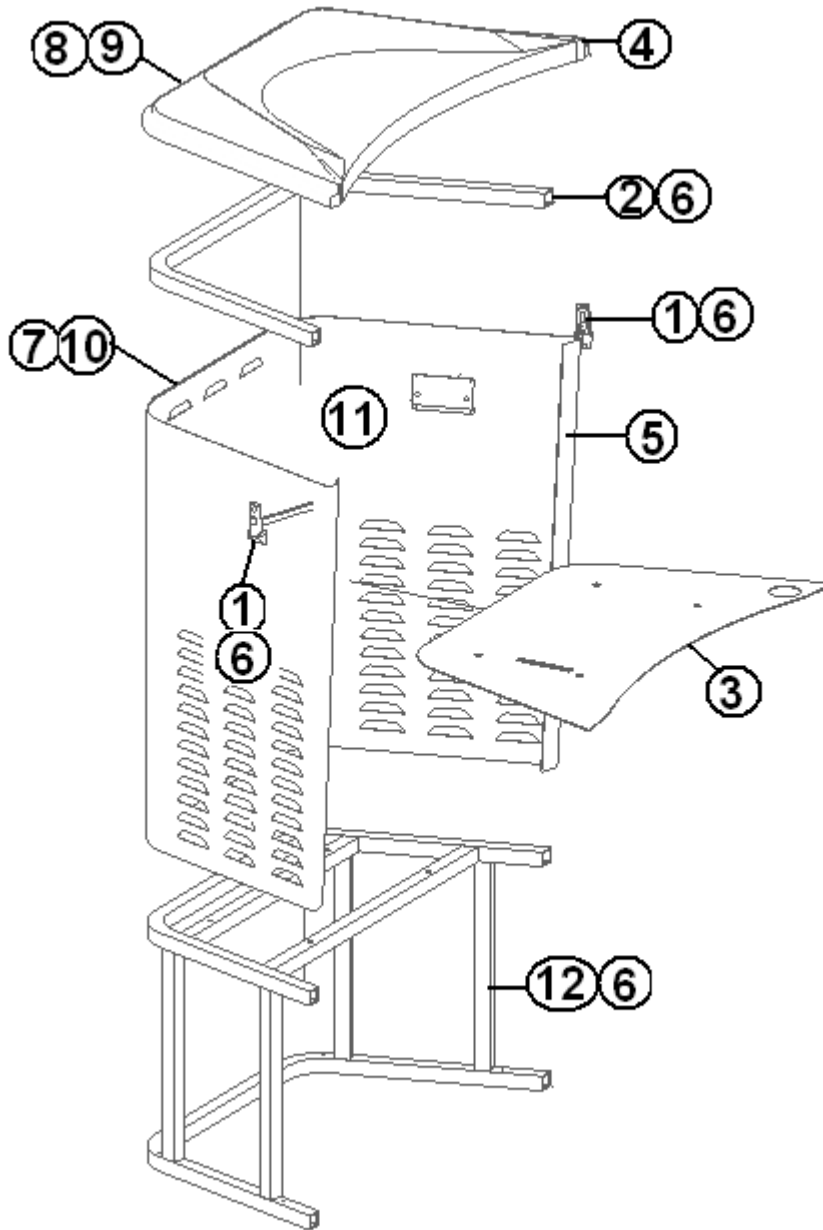
### LPG Bottle Cover, No Air Conditioner

115330	LPG Bottle Cover, no air conditioner
1. 380988	HINGE, CONTINUOUS .5IN LEAF 16
2. 380903-01	LATCH, 51L1-1XAB FOR BOTTLE COVER
2. 380903-02	STRIKE, 51L-71AB FOR BOTTLE COVER
3. 115330-01	LP WRAP, BOTTLE COVER
4. 203556	LID, LP BOTTLE COVER
5. 330126-03	RIVET, POP, SSD44SSBS
6. 300101	WASHER, 1/8IN POP RIVET
7. 325003-01	RIVET, ANODIZED CLEAR, 1/8 X 7/16
8. 330130-02	RIVET 5/32 IN (MILL) AD52ABS
9. 115349	BRACKET, REGULATOR MOUNTING
10. 115330-02	FRAME, LP COVER
365045	SEAL MAIN DOOR

# 2007 BASE CAMP TRAVEL TRAILER

## PLUMBING, LPG

### LPG Bottle Cover, W/ Optional Air Conditioner



Part numbers are the next page.

# 2007 BASE CAMP TRAVEL TRAILER

## PLUMBING, LPG

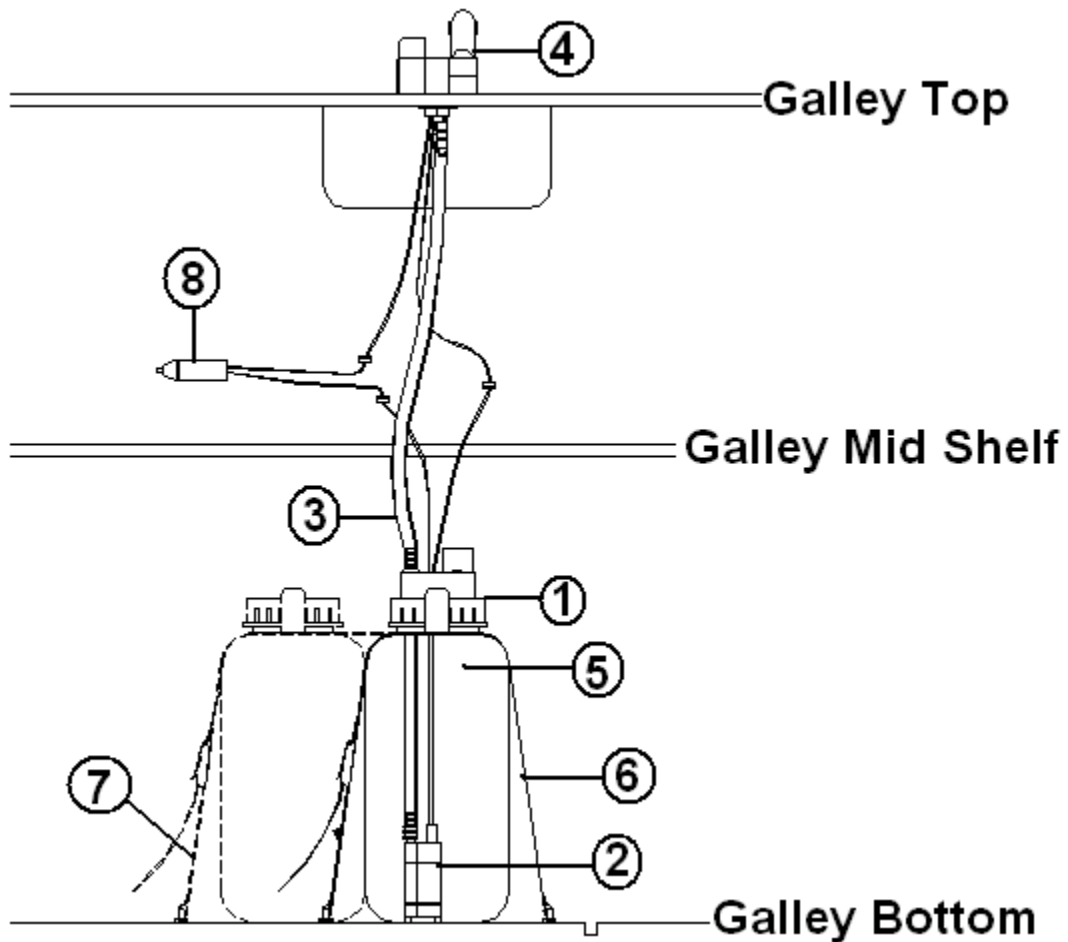
### LPG Bottle Cover, W/ Optional Air Conditioner

115331	LPG Bottle Cover, no air conditioner
1. 380903-01	LATCH, 51L1-1XAB FOR BOTTLE COVER
1. 380903-02	STRIKE, 51L-71AB FOR BOTTLE COVER
2. 115330-02	FRAME-LP COVER
3. 115350	LP/AC DIVIDER PANEL
4. 203556	LID, LP BOTTLE COVER
5. 115331-01	UPPER FRAME, LP WRAP BOTTLE COVER
6. 330126-03	RIVET, POP, SSD44SSBS
7. 330130-02	RIVET, 5/32 IN (MILL) AD52ABS
8. 325003-01	RIVET, ANODIZED CLEAR, 1/8 X 7/16"
9. 300101	WASHER, 1/8IN POP RIVET
10. 380988	HINGE, CONTINUOUS
11. 115349	BRACKET, REGULATOR MOUNTING
12. 115366	LP, LOWER FRAME
365045	SEAL MAIN DOOR

# 2007 BASE CAMP TRAVEL TRAILER

## PLUMBING, FRESHWATER

### Freshwater System



602113	KIT-FRESH WATER SYSTEM
1. 602113-01	CAP-BUCKET INSERT
2. 602113-02	PUMP, SUBMERSIBLE
3. 602113-03	HOSE, PVC 8.5'LENGTH
4. 602113-04	FAUCET, WATER TAP
5. 602113-05	TANK, 13 LITER
6. 703646-01	STRAP, 24" FRESH WATER TANK
7. 703646-02	STRAP, 19" FRESH WATER TANK
8. 601113-06	Plug, 12-volt inlet
195345-01	1½" BROWN NYLON WEBBING
382016	BUCKLE, CAM STYLE, 1.5"WEBBING
381566	LOOP FOOTMAN STEEL 1.625" X .56"

# 2007 BASE CAMP TRAVEL TRAILER

## PLUMBING, DRAIN

### Drain System

602140 TRAP, DRUM  
602141 HOSE, GRAY DRAIN ID, .75" X 42"  
602142 FITTING-, 75" BARBED  
602143 CLAMP-WIDE BAND 1.06" OD #7329  
602145 NIPPLE-.5" X 6.5"  
602146 CONNECTOR, .5" SWIVEL  
602110 SINK, SS ROUND, 4.5" X 11.5"  
\*601786 City water fill  
\*Mounted in floor to drain sink

### Portable Toilet

690568 TOILET-PORTABLE BASECAMP

# 2007 BASE CAMP TRAVEL TRAILER

## SAFETY EQUIPMENT

### Detectors/Fire Extinguishers

510781	Smoke detector
512178	DETECTOR, CARBON MONOXIDE
511309	LPG detector
386019	LABEL 1 AMP FUSE MAX
600162-01	Fire extinguisher
600162-02	Fire extinguisher, CSA



# 2007 BASE CAMP TRAVEL TRAILER

## SEALER/GASKETS/PAINT

### SEALER

360001	Sealant, #884058
360002	Sealant, Vulkem 11.5 oz. tube
360209	Sealant, seam
360176	Sealant, Almond, kitchen and bath
360180-04	Sealant, Sikaflex #221, black
360180	Sealant, Sika-flex, gray
360210	Sealant, Paralastic 4334-014
360283	Sealant, silicone, Corian Bone
360283-01	SEALANT SILICONE CORIAN G. WHITE
360313	SIKAFLEX 252 WHITE 10.5 OZ.
365287	SEALANT URETHANE-1100 FAST SET
360268-01	SEAL LIQUA ELASTOMIC ROOF WHITE

### GASKETS/TAPE

381589	RUBBER EXTRUSION - FLOOR WIPER
382007	SEAL, WINDOWS, D .75"H X .813" W, DOOR
382017	GASKET-.60" BULB SEAL, WINDOWS
365298	TAPE, FOAM SPACER, .38" X .25" X 18'
381663	GASKET D-SEAL, REARSTEP
365045	SEAL, AIR CONDITIONER
685510	SEAM TAPE, BLACK, RUBBER, 1/32 X 7/8 X 2
386198-01	GASKET, OPENING WINDOW, CURBSIDE
386198-02	GASKET, OPENING WINDOW, ROADSIDE
365299	TAPE, WINDOW HINGE DOULBE SIDED.5" X 1.5"
365001	TAPE DOUBLE COATED FOAM
365298	TAPE-FOAM SPACER .38" X .25" X 18'

### PAINT

360317-03	PAINT-DUPONT NASON LOW VOC BLACK
360078	DUPONT 80225 ACRYLIC ENAMEL REDUCER

# 2007 BASE CAMP TRAVEL TRAILER

## UPHOLSTERY/FOAM/MATTRESS

### Sofa Cushions

- 703616-227 Cushions, complete kit, Red/Grey
- 703616-237 Cushions, complete kit, Light Green/Dark Green
- 703616-247 Cushions, complete kit, Blue/Grey

# 2007 BASE CAMP TRAVEL TRAILER

## VENTS/FANS/ SKY LIGHTS

### Ram Air Vent System

601337            4" ROTO VENT W/SHUT-OFF BLACK  
382020            Vent, Low Profile, aluminum

### Vent, Roof, Non-Power

381606-01        VENT-ROOF 14"X14" NON POWER WHITE  
381606-02        TRIM RING-VENT WHITE

### Sky Light w/Solar Shade

203557-01        HEADLINER-W/SKYLIGHT HOLE  
381982            SHADE, SOLAR SKYLIGHT, 27.75"  
203544            TRIM RING, SKYLIGHT, 30" DIAMETER  
365298            TAPE, FOAM SPACER, .38" X .25" X 18'

### Roof Vent, Maxx Fan

381953            FAN-MAXX AIR VENT (SMOKE)

# 2007 BASE CAMP TRAVEL TRAILER

## NOTES



