

INTERSTATE MOTORHOME

***PARTS
BOOK***

2008



2008 INTERSTATE MOTORHOME TABLE OF CONTENTS

SECTION I A through C

APPLIANCES

Air Conditioner	I-1
Furnace	I-1
Microwave/Cook Top	I-1
Coffee Maker	I-1
Refrigerator	I-1
Water Heater	I-2
Generator	I-2

EXTERIOR SHELL

Curbside Wall	I-3
Roadside Wall	I-4
Decal/Body Kit, Medallions	I-5
Window Blackouts	I-5

INTERIOR BODY

Interior Panels, Rear Doors	I-6
Interior Trim/Skin	I-6
Dash Trim	I-7
Floor Assembly	I-9
Ceiling Panels	I-10

CHASSIS

Spare Tire Carrier	I-11
Wheel Simulators	I-12
Step	I-13
Step Well	I-13
Exhaust System	I-14
Skid Bar	I-14

2008 INTERSTATE MOTORHOME TABLE OF CONTENTS

SECTION II D through E

DOORS/WINDOWS/AWNING

Exterior Doors	II-1
Windows	II-1
Awning	II-2

DRAPES/SHADES/VALANCES	II-3
--	------

ELECTRICAL, 110 VOLT

Energy Management System	II-4
Shoreline Hookup	II-4
Inverter	II-4
Receptacles	II-5
Breakers	II-5

Electrical, 12 volt

Battery Box/Vent	II-6
Battery System	II-7
Lights	II-7
Switches	II-7
Distribution Panel, 12 Volt	II-9
Dump Valve for Holding Tanks	II-9
Heating Pad, Tanks	II-9
Monitor Panel	II-9
Rear View Monitor	II-9

ENTERTAINMENT

Radio Wiring	II-10
Television Reception System	II-10
Television Systems	II-11

2008 INTERSTATE MOTORHOME TABLE OF CONTENTS

SECTION III F through H

FASTENERS (common fasteners available locally are not listed)

[Rivets](#)..... III-1

[FLOOR COVERING](#) III-2

FURNITURE

[Lavatory](#) III-3

[Galley](#)..... III-8

[Lounge](#) III-18

[Interior Doors/Mirrors](#) III-28

[Edge Banding](#) III-28

[Trim, Wood/Plastic](#) III-29

[Panels, Wood/Laminated](#) III-29

HARDWARE

[Captains Chairs, 2nd Row](#) III-30

[Lounge](#) III-31

[Clothes Line](#) III-31

[Interior Handles, Fasteners, Latches](#) III-32

[Hinges](#)..... III-33

[Bath Accessories](#) III-33

[Labels and Tags](#) III-34

[Safety Equipment](#)..... III-34

2008 INTERSTATE MOTORHOME TABLE OF CONTENTS

SECTION IV L through Z

PLUMBING

LPG Tank/Mounting Hardware/Heat Shield	IV-1
LPG System	IV-2
Fresh Water Tank/Gravity Fill	IV-4
Fresh Water Pump/Lines	IV-5
Faucet & Sink, Galley	IV-6
Faucet, Wet Bath	IV-6
Shower, Exterior	IV-6
City Water Hookup	IV-6
Freshwater Fittings	IV-7
Tanks, Gray/Black	IV-9
Macerator Pump	IV-11
Drain Plumbing Fittings	IV-12
Toilet	IV-13
SEALER/GASKETS/UNDERCOATING	IV-15

UPHOLSTERY/FOAM/MATTRESS

Cab Seats	IV-16
Chairs, Captains, 2nd Row	IV-16
Lounge Sofa	IV-17
Shower Curtain	IV-17
VENTS/FANS	IV-18

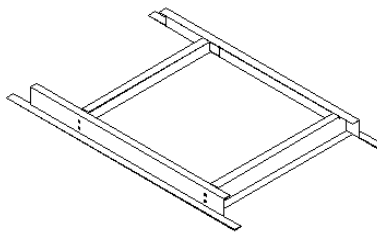
2008 INTERSTATE MOTORHOME

APPLIANCES

Air Conditioner

690586-01 AIR CONDITIONER, 13,500, LO-PROFILE
690586-03 AIR CONDITIONER, CEILING PACKAGE, FREE BLOW
690586-04 WALL THERMOSTAT, AIR CONDITIONER
340086 MINIATURE SCREW TYPE HOSE CLAM
601240-01 TUBING 1/2 I.D.

Roof Air Conditioner Frame



115397 Roof AC frame, Interstate NCV3

Furnace

690395-02 FURNACE, 16,000 BTU, w/BLACK DOOR
511228 WALL THERMOSTAT, ATWOOD
454674 VENT BACKER PLATE, FURNACE, NCV3

Microwave/Cook Top

690597 MICROWAVE, 1.2 CONVECTION, APOLLO
690576 COOK TOP, 2-BURNER, SMEV

Coffee Maker

690598 COFFEE MAKER, CONTOUR

Refrigerator

690599 REFRIGERATOR, NOVAKOOL, 3.1

2008 INTERSTATE MOTORHOME

APPLIANCES

Water Heater

690602	WATER HEATER, 6 GALLON, GAS
690209	Water heater exterior door, brushed aluminum
381648	COVER, LATCH HOLE, WATER HEATER
690417-05	SWITCH, WATER HEATER, DUAL
967295	STAND-WATER HEATER
452652	FRAME ASSEMBLY, EXTERIOR
454653	CLOSEOUT, INSIDE LOWER WATER HEATER FRAME
454654	CLOSEOUT-UPPER WATER HEATER

Generator, LP

511811-01	GENERATOR, ONAN, 2.5KV-FA LP VAPOR
511811-02	SWITCH, REMOTE, W/HR METER ONAN
511811-04	MOUNTING, KIT, UNDER FLOOR, ONAN, 2.5KV
511811-09	PIPE-GEN.EXHAUST
511811-08	HARNESS, MATING PIGTAIL
510562	SWITCH, GENERATOR SWITCH OVER AUTO T
454670	Support, generator switchover box
510817-01	JUNCTION BOX
510817-02	RECEPTACLE, SINGLE GANG, WEATHERPROOF
510857-04	CONDUIT, FLEX, WATER TIGHT, 1/2"
511468-01	CONDUIT PRESSURE FITTING
511535	ADAPTOR, JUNCTION BOX COUPLING
454663	Mounting bracket, generator, complete set
454663-01	BRACKET, ROADSIDE GENERATOR MOUNTING
454663-02	BRACKET, CURBSIDE-AFT GEN MOUNTING

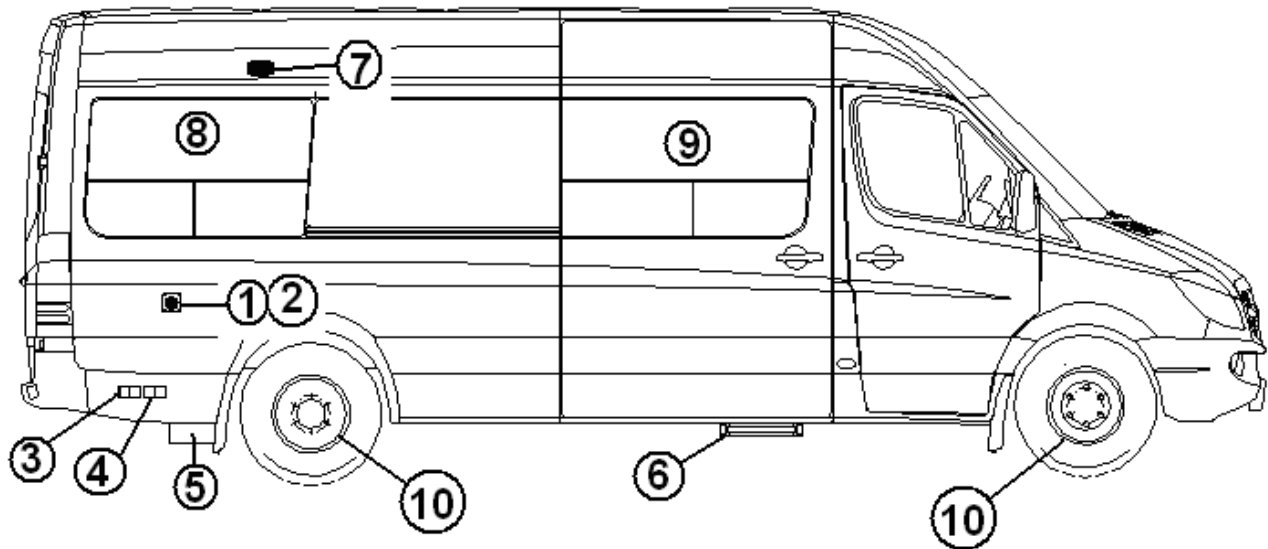
Generator, Diesel

512286-01	GENERATOR, DIESEL, 2.8 KW
512286-02	SWITCH, REMOTE

2008 INTERSTATE MOTORHOME

EXTERIOR SHELL

Curbside Wall

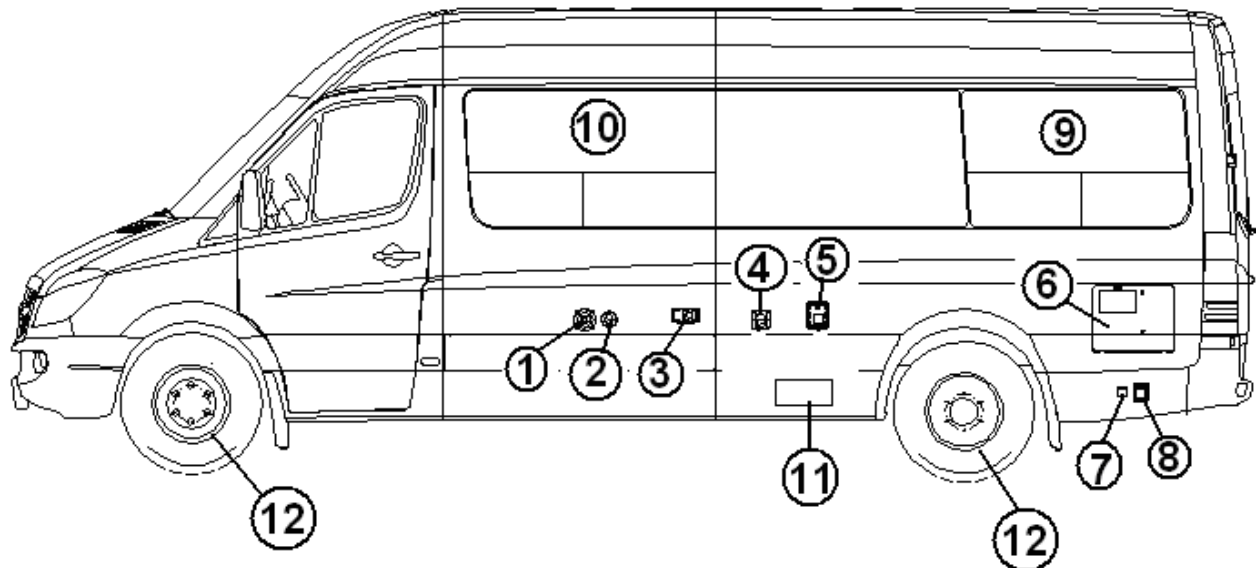


1. 203638-01 Cone vent, white
2. 203628-02 Grille, white
3. 510676-01 Outlet, 10 Volt, exterior, gray
4. 511796 CABLE-EXT. TV/12V POWER PORT
5. 386147 DECAL-ON/OFF LP REMOTE FILL
5. 602207 LP hose, 1/2" x 120" long
5. 602206 LP hose, 1/4" x 120" long
5. 454676 Bracket, LPG remote fill
5. 203650 Cover, remote fill
6. 512289-01 Step, slide out
7. 512288 Light, patio, black
8. 372258-02 Window, curbside double vent, 48.75" x 30.00"
9. 372258-04 Window, curbside double vent, 51.50" x 30.00"
10. 401000 Wheel simulators, set of 4

2008 INTERSTATE MOTORHOME

EXTERIOR SHELL

Roadside Wall



1. 601392-05 City water fill w/regulator, chrome
2. 602190 Water fill, gravity
3. 690395-02 Furnace 16,000 BTU
4. 602189-01 Outlet, exterior shower
5. 382072 Hatch, electrical switches
6. 690602 Water heater
7. 512249 Cover, Cable TV Inlet
8. 511416-02 Power inlet, 30 amp
9. 372258-01 Window, roadside double vent, 48.75" x 30.00"
10. 372258-03 Window, roadside double vent, 51.50" x 30.00"
11. 381766 Access hatch, 7.75" X 12.63"
12. 401000 Wheel simulators

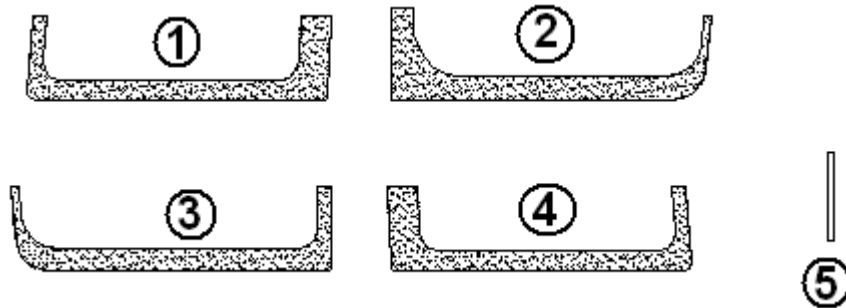
2008 INTERSTATE MOTORHOME

EXTERIOR SHELL

Decals/Exterior Trim

203624	Body kit, White
203624-01	Body kit, Silver
386213	NAMEPLATE-INTERSTATE 3" X 10"
386211	MEDALLION, "AIRSTREAM", 1.69" X 12.69" BLACK INLAY

Window Blackouts, Exterior

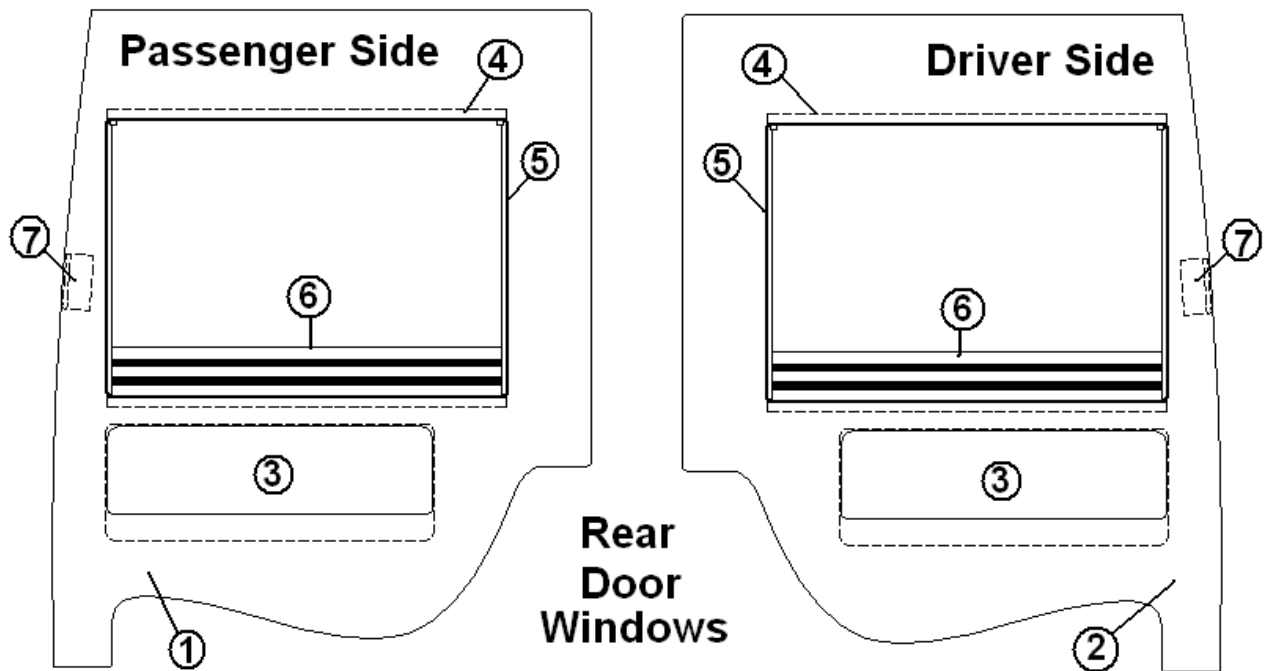


386215	KIT, WINDOW BLACKOUT
1. 386215-01	Curbside rear blackout
2. 386215-02	Curbside front blackout
3. 386215-03	Roadside front blackout
4. 386215-04	Roadside rear blackout
5. 386215-05	Filler strip, 1.5"x 17"

2008 INTERSTATE MOTORHOME

INTERIOR SHELL

Interior Panels, Rear Door



- | | |
|--------------|---------------------------------|
| 1. 203626-01 | Close off, rear curbside window |
| 2. 203626-02 | Close off, rear roadside window |
| 3. 203627 | Bucket, rear window |
| 4. 800506-04 | Plywood |
| 5. 203225-01 | Trim lok, gray |
| 6. 703762-01 | Shade, 21.38" x 14.88" |
| 7. 115421 | Angle bracket, rear door panel |

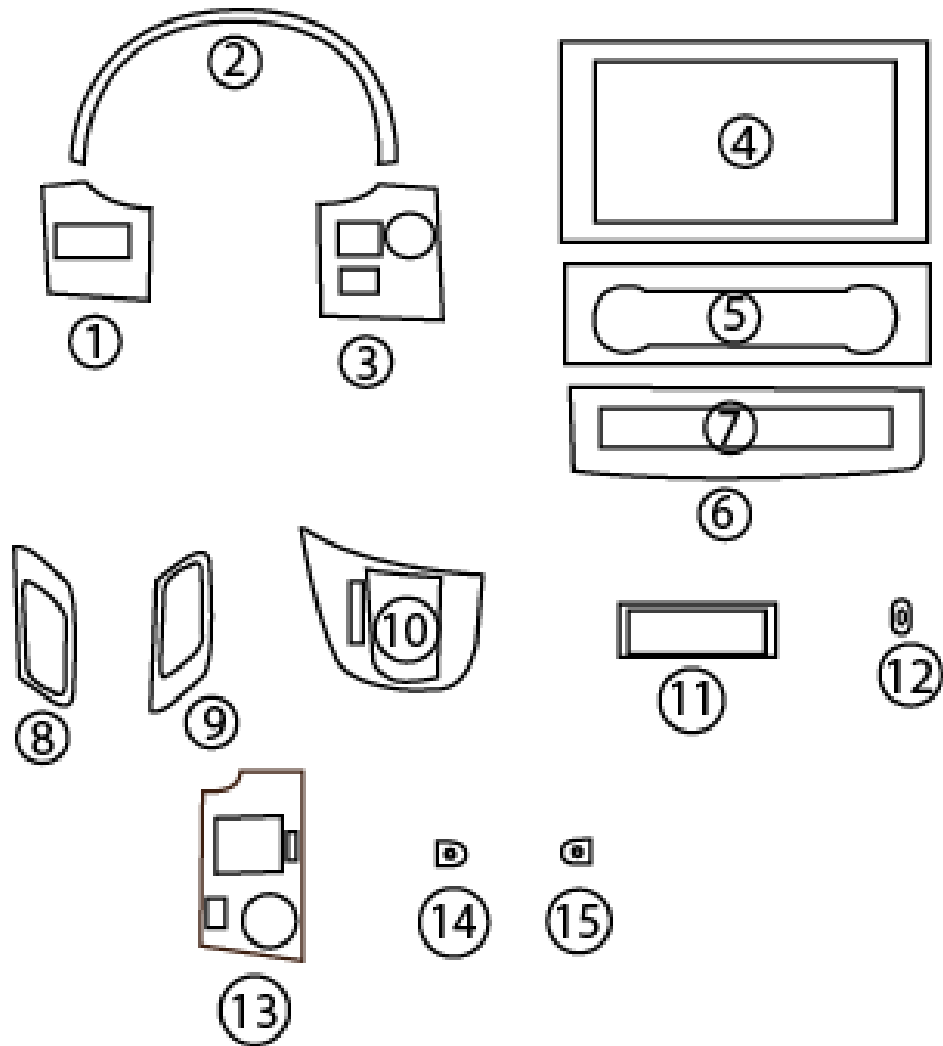
Interior Skin/Trim

- | | |
|-----------|--|
| 203628 | Closeout, Roadside "B" pillar, bottom |
| 203629 | Close out, sliding door header |
| 203621-01 | Close off, roadside wheel well |
| 203621-02 | Close off, curbside wheel well |
| 203637 | Pads, sound dampener, rear wheel wells |
| 203632 | Close off, step |

2008 INTERSTATE MOTORHOME

INTERIOR SHELL

Dash Trim



Part numbers on the next page.

2008 INTERSTATE MOTORHOME

INTERIOR SHELL

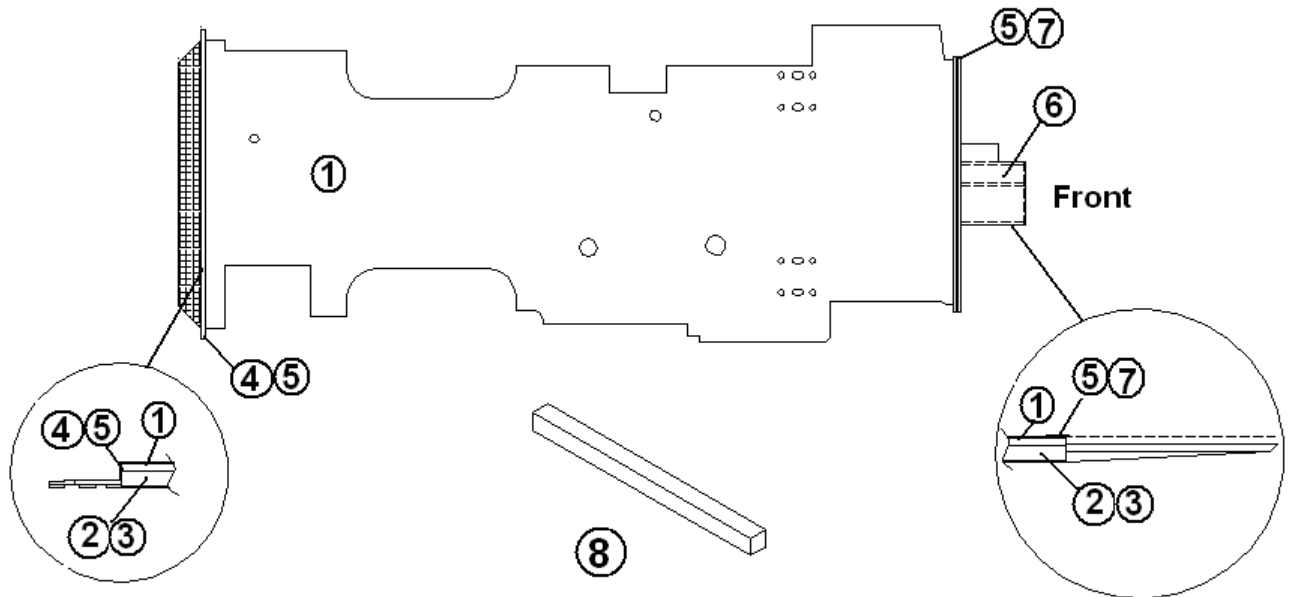
Dash Trim

365312	Dash trim kit, Burlwood
1. 365312-105	Speedometer, left trim
2. 365312-104	Speedometer trim
3. 365312-106	Speedometer, right trim
4. 365312-115	Radio, AC surround trim
5. 365312-113	AS surround trim
6. 365312-114	Hazard light surround trim
7. 365312-107	Hazard lights chrome trim
8. 365312-101	Driver door pull trim
9. 365312-111	Passenger door pull trim
10. 365312-108	Shifter, automatic, trim
11. 365312-109	Storage trim
12. 365312-103	Plug trim
13. 365312-102	Driver vent trim
14. 365312-100	Driver door lock trim
15. 365312-112	Passenger door lock trim

2008 INTERSTATE MOTORHOME

INTERIOR SHELL

Floor Assembly

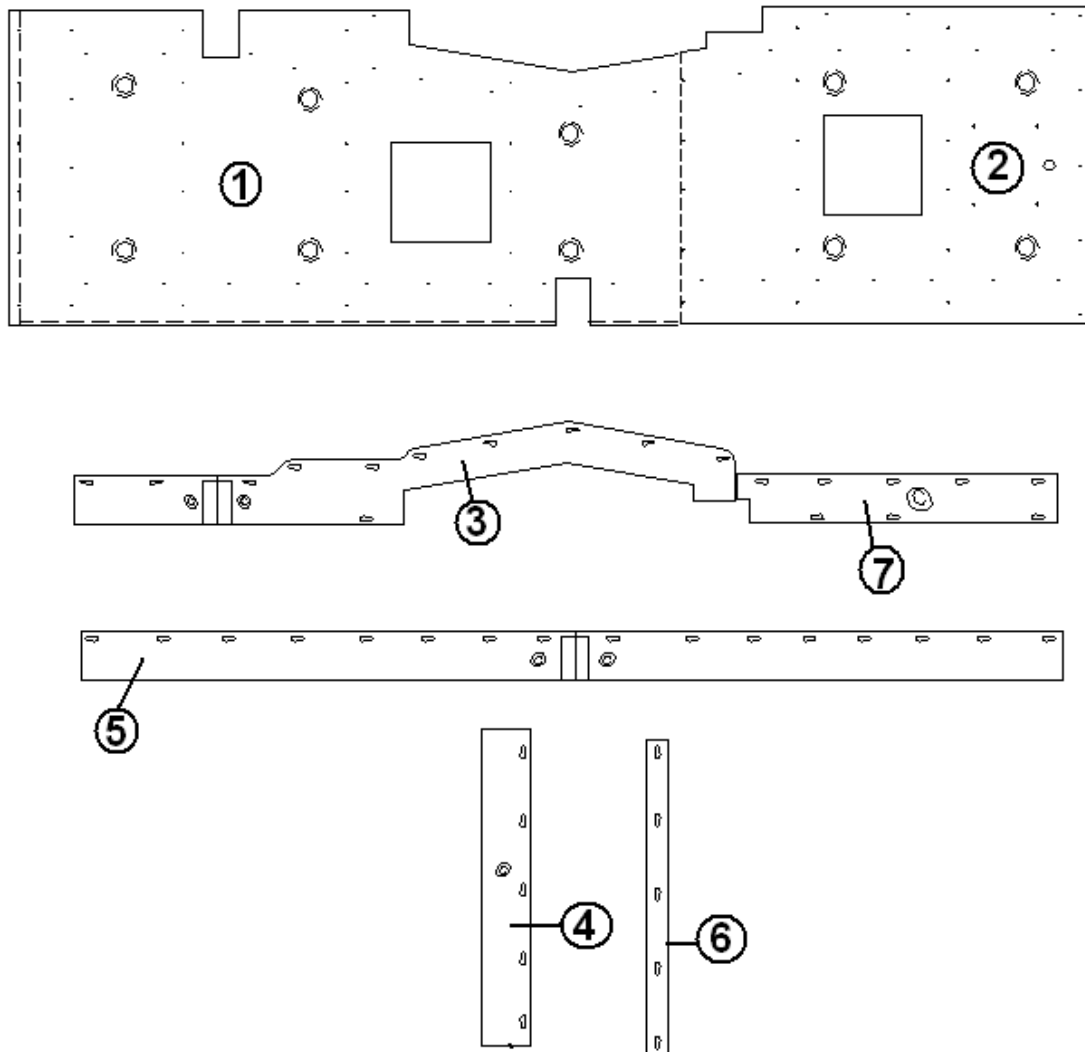


- | | |
|--------------|---------------------------------------|
| 1. 703659 | Vinyl flooring, legacy, Laguna maple |
| 2. 932009 | Floor assembly |
| 3. 345330-09 | Screw, 1/4 x 20 x 3", self tapping |
| 4. 454678 | Angle rear transition cap |
| 5. 345353-03 | Screw, #6 flat head |
| 6. 923012 | Cab to main floor transition assembly |
| 7. 114869 | Extrusion, threshold compartment |
| 8. 801807 | FILLER-FLOOR TRANSITION |

2008 INTERSTATE MOTORHOME

INTERIOR SHELL

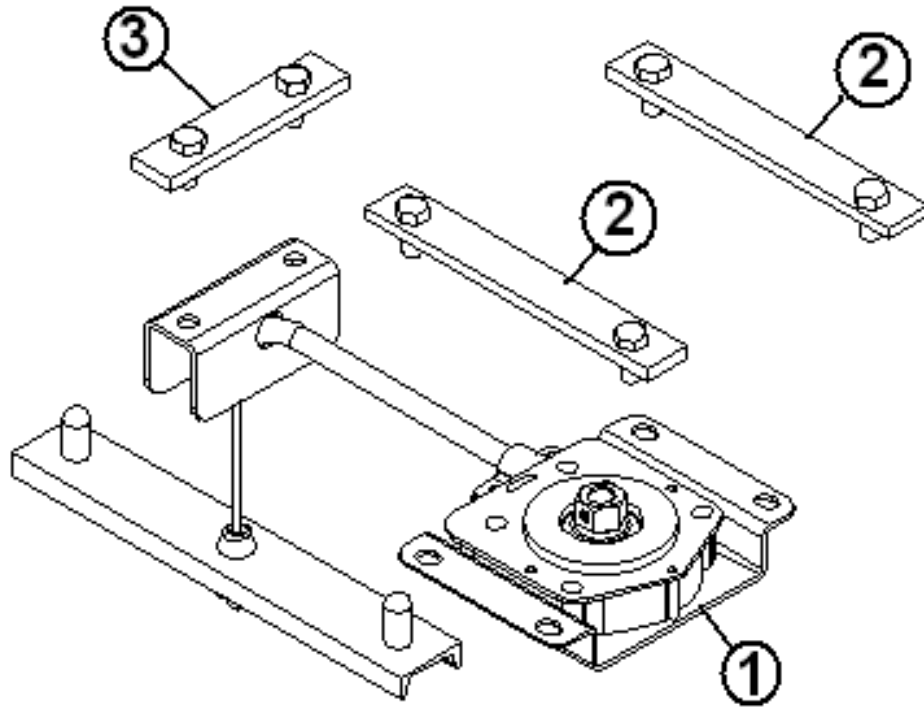
Ceiling Panels



1. 923004-01 Aluminum ceiling panel, rear
 2. 923004-02 Aluminum ceiling panel, front
 3. 923004-03 Aluminum ceiling panel, curbside, padded
 4. 923004-04 Luan ceiling panel, rear, padded
 5. 923004-05 Luan ceiling panel, roadside, padded
 6. 923004-06 Luan ceiling panel, front, padded
 7. 923004-07 Luan ceiling panel, door, padded
- 701764 FOAM, 1/4"
703750 SUEDE, D'ORO-DOVE GREY
382062 FASTENER, FINNED, .25"

2008 INTERSTATE MOTORHOME CHASSIS

Spare Tire Carrier



- | | |
|-----------|--|
| 1. 454665 | Spare tire carrier |
| 2. 454669 | Bracket, spare tire carrier |
| 3. 454667 | Bracket, spare tire carrier |
| 381666 | Socket, $\frac{3}{4}$ " deep well, $\frac{3}{8}$ " drive |
| 381667 | Ratchet, $\frac{3}{8}$ " drive |
| 203646 | Closeout, spare tire winch |

2008 INTERSTATE MOTORHOME

CHASSIS

Wheel Simulators

401000 WHEEL SIMULATOR KIT, 16" (SET OF 4)

Front Wheels

401000-101 Front wheel liner
401000-102 Front simulator hook
401000-103 Screw, front liner, 5/16-18 x 1.25", Philips
401000-104 Front hook compression spring
401000-105 Lock washer, split, SS, 5/16"

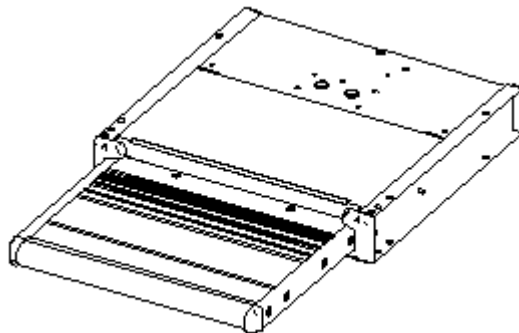
Rear Wheels

401000-106 Rear wheel liner
401000-107 Hat, rear wheel liner
401000-108 Bolt, carriage, 1/4"-20 x 1/2", SS
401000-109 Nut, KEPS, SS, 1/4"-20, zinc
401000-110 Rear bracket
401000-111 Screw, rear liner, 5/16-18 x .75", Philips
401000-112 Washer, internal tooth lock, 5/16"

2008 INTERSTATE MOTORHOME

CHASSIS

Step, Electric



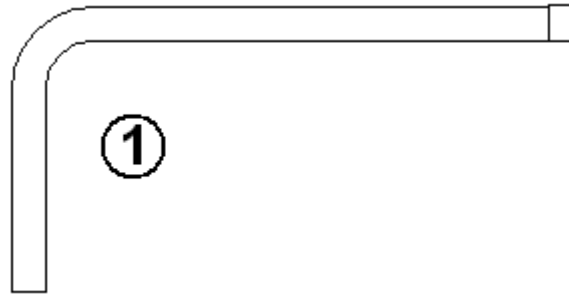
- | | |
|-----------|--|
| 512289-01 | STEP, ELECTRIC SLIDEOUT, W/LED LIGHT & WARNING BUZZER. |
| 512289-02 | CONTROL BOX, STEP |
| 512289-03 | SWITCH, STEP, DOOR CLOSED, PUSH BUTTON |
| 512289-04 | STEP MOUNTING KIT |
| 386207 | LABEL, CAUTION, DOOR STEP |
| 512301 | Buzzer, warning, two tone, step & awning |
| 345429 | Bolt, 1/2" x 13 x 4.5", hex head |
| 350132 | Nut, flanged, mac-lock, 1/2" x 13 |
| 300112-50 | Washer, flat, 1/2" type B |

Step Well

- | | |
|--------|---------------------------|
| 203440 | T-molding black, embossed |
| 203632 | Step close out, plastic |

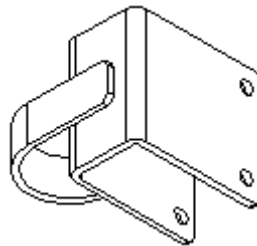
2008 INTERSTATE MOTORHOME CHASSIS

Exhaust System



- 1. 454656 EXHAUST TAILPIPE
- 454696-01 Wrap, exhaust, 34" long
- 454696-02 Wrap, exhaust, 14" long
- 454696-03 Clamp
- 340073-10 CLAMP, MUFFLER, 2.5"
- 340073-15 CLAMP, MUFFLER, 2.75"
- 381509 Hanger, Tailpipe

Skid Bar Assembly



- 454685 Skid bar assembly

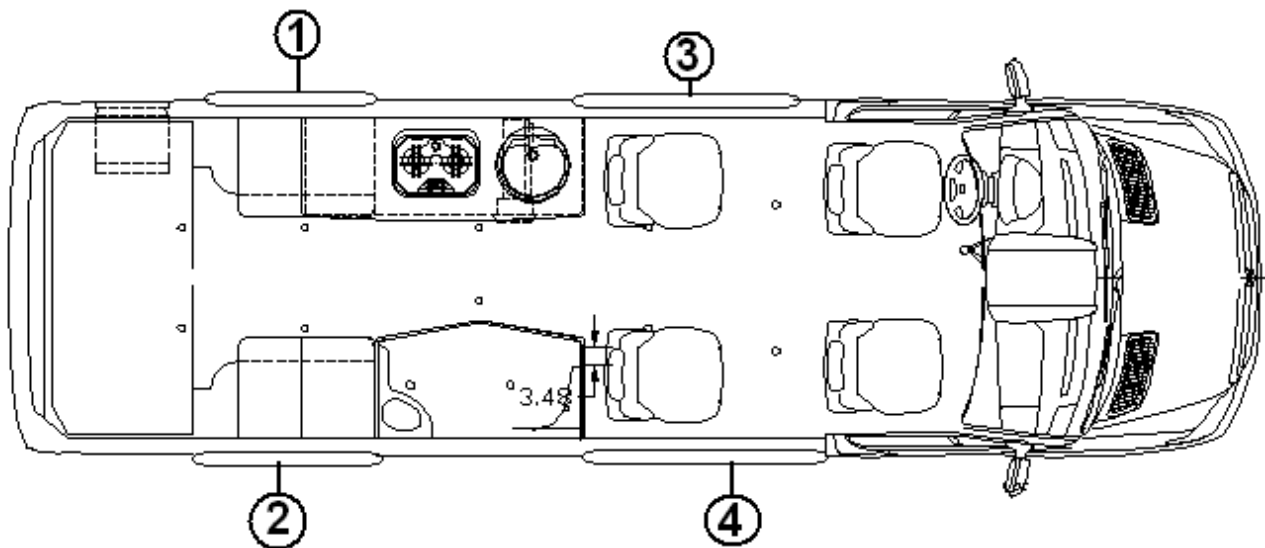
2008 INTERSTATE MOTORHOME

DOORS/WINDOWS/AWNING

Exterior Doors

381766	Access hatch, exterior switches, 7.75" X 12.63"
601392-05	City water fill w/regulator, chrome
602190	Water fill, gravity
602189-01	Outlet, exterior shower
382072	Hatch, LP remote compartment
512249	Cover, Cable TV Inlet

Windows



- | | |
|--------------|-------------------------------|
| 1. 372258-01 | Rear window awning, roadside |
| 2. 372258-02 | Rear window awning, curbside |
| 3. 372258-03 | Front window awning, roadside |
| 4. 372258-04 | Siding door awning |

2008 INTERSTATE MOTORHOME

DOORS/WINDOWS/AWNING

Awning, Patio

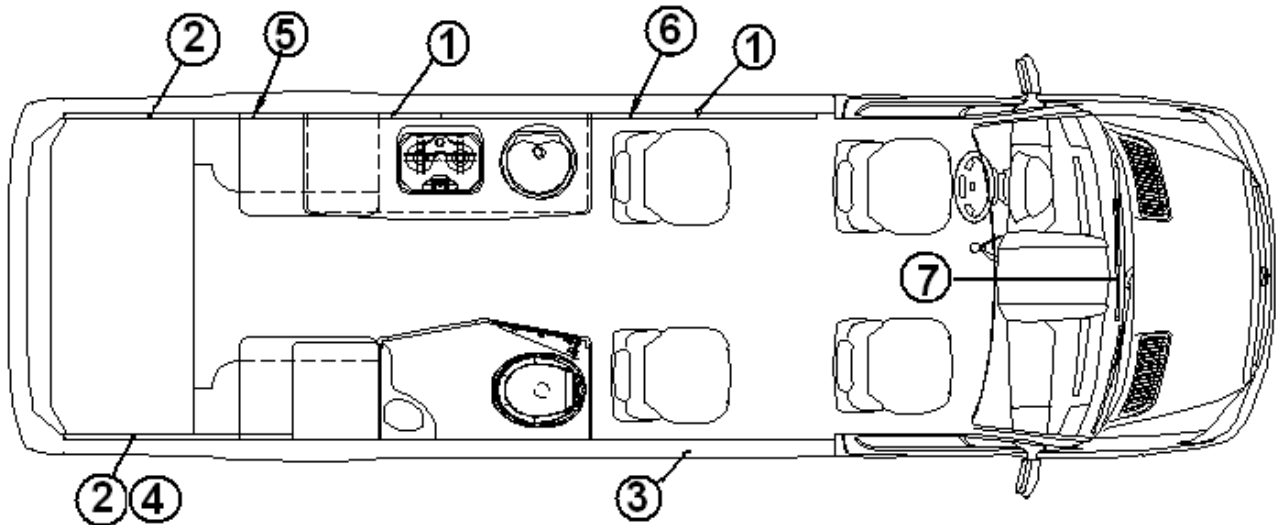
*703746-03	AWNING, PATIO, NCV3, WHITE
*703746-04	AWNING, PATIO, NCV3, TITANIUM
703746-05	AWNING MOUNTING BRACKET, NCV3
703746-01	MOTOR, WHITE, NCV3
703746-02	MOTOR, TITANIUM, NCV3
512301	Buzzer, warning, two tone, step & awning
510844-01	Relay, Bosch
510844-02	Relay socket, Bosch
703467-03	Strap, awning leg storage

All mounting and operational hardware included. Same awning used for electric option, add motor w/water proof connector.

2008 INTERSTATE MOTORHOME

DRAPES/BLINDS/VALANCES

Drapes/Shades/Valances



- | | |
|--------------|--|
| 1. 703762-02 | Shade, day/night, 54" x 29", silver/pewter |
| 2. 703762-03 | Shade, day/night, 48" x 29", silver/pewter |
| 3. 998201 | Curtain assembly, sliding door |
| 4. 967399 | Valance, curbside rear |
| 5. 967400 | Valance, roadside rear |
| 6. 967401 | Valance, roadside front |
| 7. 703761 | Curtain, privacy, Windshield, 119" X 33.5" |
| 967402 | Galley blind, close out. |

Drape Parts/Material

- | | |
|--------|---|
| 703771 | FABRIC WHITE, KRISTI STEEL |
| 700473 | DRAPERY LINING, MARLINE WHITE, 48", WENGE |
| 700021 | HOOK, VELCRO, WHITE |
| 700020 | PILE VELCRO |
| 700045 | GLIDES, CURTAIN, G3 W/ELASTIC |
| 700005 | FASTENER, CAP |
| 700006 | FASTENER SOCKET |
| 340030 | FASTENER STUD NICKEL PLATED |
| 100097 | Curtain track extrusion, sliding door curtain |

2008 INTERSTATE MOTORHOME

ELECTRICAL, 110 VOLT

Energy Management System

- 512290-01 30A Energy Management Module
- 512290-02 Display panel, 30A Energy Management System
- 512290-03 Main control board, Energy Management Module

Shoreline Hookup

- 511416-02 30-amp, male power inlet for power cord
- 512297 30 amp power cord, 25', super flex

Inverter

- 512279-01 Inverter/Charger, 750 watt
- 512279-02 Remote display panel, Inverter/Charger
- 512277 Fuse holder, inline
- 512278-125 Fuse, BF1-32, 125 amp

2008 INTERSTATE MOTORHOME

ELECTRICAL, 110 VOLT

Receptacles

511451-02	Receptacle, 20 amp, single, brown
512096	Receptacle, GFI 15 amp w/black cover
512094-06	Wall plate, single gang, snap on, black
511815-01	Receptacle, duplex, black
500785	Receptacle, duplex, brown
510817-02	RECEPTACLE, SINGLE GANG, WEATHERPROOF
512052	Receptacle, self contained, clamp type
512052-01	Back cap, for 512052, self contained receptacle
510676-01	Outlet, 10 Volt, exterior, gray

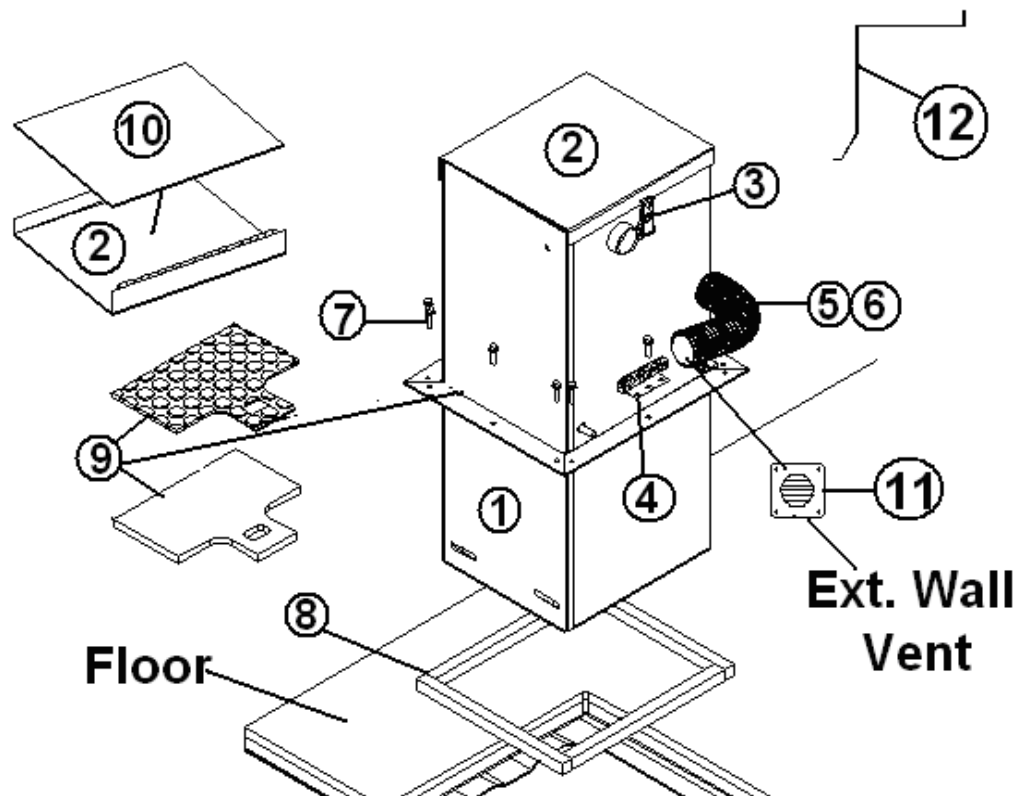
Breakers

510564-02	Breaker, Bryant, 30 AMP
510564-04	Breaker, Bryant, 20-20 AMP dual
510564-05	Breaker, Bryant, 30-20 AMP, dual
510564-06	Breaker, Bryant, 20 AMP, GFCI
510564-08	Breaker, Bryant, 20-15 AMP dual
510564-20	Breaker, Bryant, 20 AMP

2008 INTERSTATE MOTORHOME

ELECTRICAL, 12 VOLT

Battery Box/Vent



- | | |
|---------------|--|
| 1. 916007 | Battery Box |
| 2. 410962 | Lid, battery box |
| 3. 380903-01 | Latch |
| 3. 380903-02 | Latch striker |
| 4. 510743 | Grounding Bar |
| 5. 602192 | Hose, black ribbed, 1.75 ID |
| 6. 340084-40 | Clamp, hose |
| 7. 345084 | Screw |
| 8. 365314 | Seal, closed cell foam, .75" x .75" |
| 9. 967334 | Shelf assembly, battery box, w/rubber flooring |
| 9. 703560 | Rubber flooring, black |
| 10. 365315 | Sheet, neoprene foam rubber |
| 11. 203638-01 | Cone vent, white, exterior |
| 11. 203628-02 | Grille, white, exterior |
| 12. 454679 | Battery hold down strap |
| 380203-02 | PIANO HINGE, BLACK ANODIZED 72" |

2008 INTERSTATE MOTORHOME

ELECTRICAL, 12 VOLT

Battery System, Coach

512283	Battery, 12 volt, deep cycle, GRP 24, AGM
512280	Battery Separator, 12VDC, 200 amps
512327-04	CABLE, 2 GA BLACK, 20"
512327-03	CABLE, 2 GA RED, 10"
512281-01	Stud, pass through, w/black base
512281-02	Stud, pass through, w/red base
512278-150	Battery cutoff fuse, 150 amp, Attached to engine battery.
512313	BATTERY DISCONNECT, MAIN, REMOVABLE HANDLE
510947-30	BREAKER, 12V DC, TYPE II, #12V30
510947-50	BREAKER, 12V DC, TYPE II, #12V50, use

Exterior Lights/Outlet

512288	Light, Patio, exterior waterproof
511294	Light, sewer hookup
512101	Plate w/12 volt outlet, galley

Lights, Interior

512298	Light, eyeball, reading
512310	Rope Light, white
512310-01	End cap, rope light, .375"
512311	Terminal, .176" bullet, rope light
512300	Light, shower, halogen, white, waterproof
115422	Aluminum backer, shower
511695	SPOTLIGHT-BRUSHED NICKEL
511361	LIGHT COURTESY FLUSH MOUNT BLACK

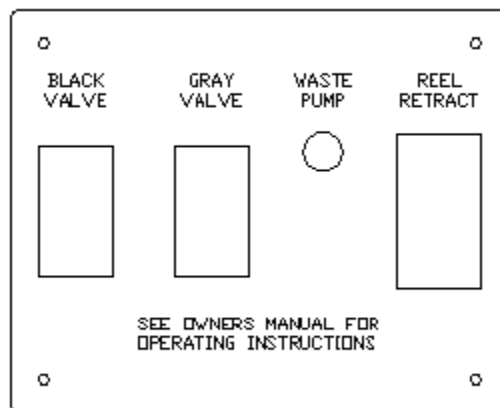
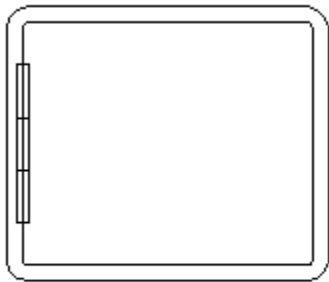
2008 INTERSTATE MOTORHOME

ELECTRICAL, 12 VOLT

Switches, Interior

512287	SWITCH ASSEMBLY, 3-GANG, 2-BLACK, 1-RED
512312	SWITCH ASSEMBLY, BLACK MOMENTARY
511979	SWITCH ASSEMBLY, 3-GANG, BLACK
690417-05	SWITCH, WATER HEATER, DUAL
511977	SWITCH ASSEMBLY, 1-GANG, BLACK
511975	SWITCH ASSEMBLY, 4-GANG, BLACK

Switch Panel, Exterior Utility Compartment



382072	Hatch, sidewall switches
512328	Switch panel, exterior
511813-03	SWITCH, ELECTRIC DUMP VALVES
510658	Switch w/weather proof boot, sewer light

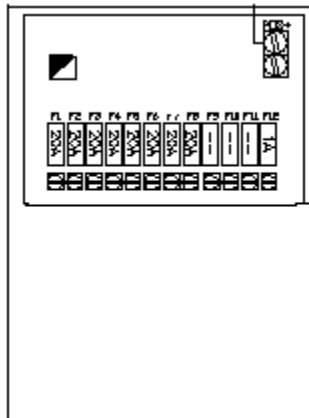
Solar Panel

511846	KIT, CHARGE CONTROLLER DISPLAY
511142-01	PANEL, SOLAR 50 WATT
510947-10	BREAKER, 12V DC, TYPE II
500773-10	FUSE, ATC, 12 VDC, 10 AMP
195466-25	30 AMP FUSE HOLDER W/COVER

2008 INTERSTATE MOTORHOME

ELECTRICAL, 12 VOLT

Distribution/Breaker panel, 12VDC



512282 Distribution/Breaker panel, 12VDC

Tank Heating Pad/Remote Dump Valve

511812 PAD, HEATING HOLD TANK #TH-718
511813-01 VALVE, ELECTRIC, WASTE
511813-04 SWITCH CABLE W/CONNECTORS
511813-03 SWITCH, ELECTRIC DUMP VALVE

Monitor Panel

512284-01 Display, monitor panel
512284-02 Tank sensor harness
512284-03 Tank sensor, (no hoods)

Monitor, Rear View

512299 Monitor, rear view camera
511948 Camera, rear view
511645 "Y" adaptor, male to 2-female, RCA
512056 Coupler, barrel, RCS gold, F/F

2008 INTERSTATE MOTORHOME

ENTERTAINMENT

Radio Wiring

512309	Terminal, Sprinter radio
512311	Terminal, tube heat shrink, bullet
512317	Speaker, 5 ¼" 50 watt, black
510844-01	Relay, Bosch
510844-02	Relay socket, Bosch

Television Reception System

511735-01	Antenna, TV, Omni-directional
511635	PLATE, DUAL CABLE ENTRY
510788-06	Amplifier, TV antenna
512291	Audio/Video splitter, 3-postion
510612	Coax, 75 ohm, standard
510623	Connector, coax, male to male
510623-01	Nut, locking, coax, male to male connector
511534	DUAL COAX PLATE WHITE
512249	Cover, exterior Cable TV Inlet
511796	CABLE TV OUTLET/12V POWER PORT, EXTERIOR
510621-02	SPLITTER, COAX, 2-WAY
511287	RECEPTACLE SINGLE 15 AMP

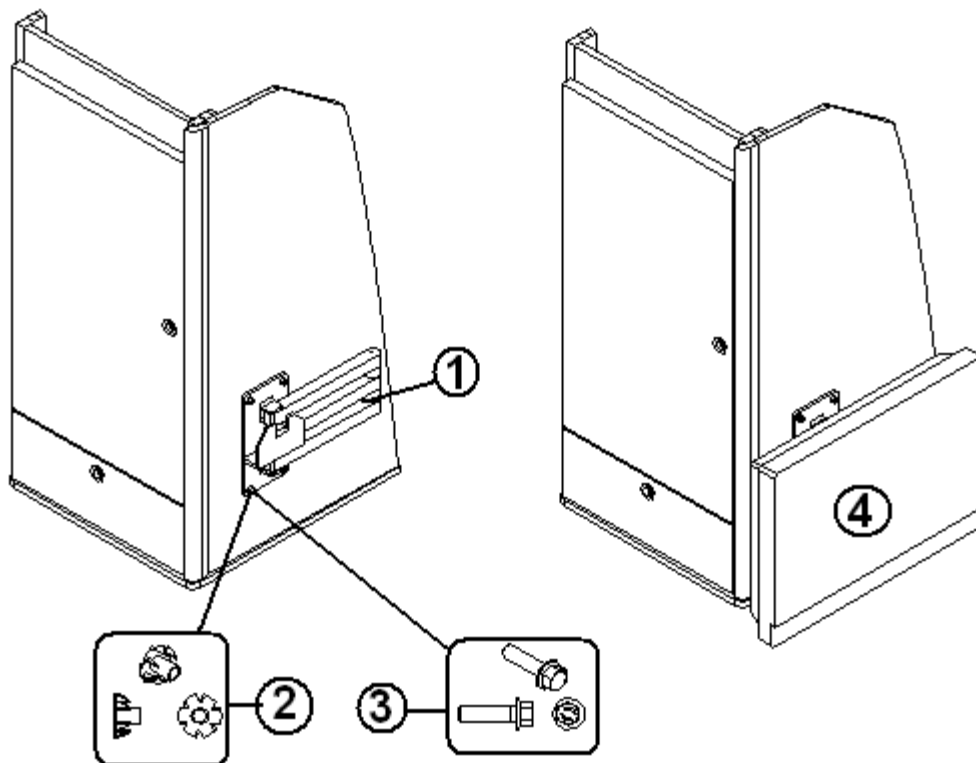
2008 INTERSTATE MOTORHOME ENTERTAINMENT

Television, Flip Down

512302 TV, flip down, 17" LCD

512303 Headphones, IR

Television, Rear TV Option



- | | |
|-----------|--|
| 1. 512293 | Mount, wall w/articulating arm |
| 2. 350189 | Tee nut, 1/4" x 20 |
| 3. 345461 | Screw, hex head cap, 1/4" x 20 |
| 4. 690600 | TV, LCD, 19" w/DVD player, Toshiba |
| 510623 | Connector, coax, male to male |
| 510623-01 | Nut, locking, coax, male to male connector |

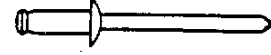
2008 INTERSTATE MOTORHOME

FASTENERS

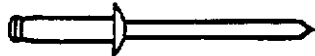
Rivets



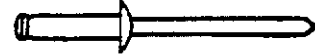
330126-02
rivet, pop
dia. 1/8 "
grip range .126-.187
stainless steel
stainless steel mandrel



330126-03
rivet, pop
dia. 1/8 "
grip range .126-.250
body stainless steel body
stainless steel mandrel



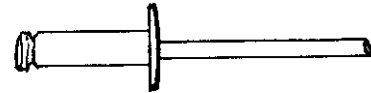
330127-05
rivet, pop
dia. 1/8 "
grip range .251-.312
aluminum body
aluminum mandrel



330128-05
rivet, pop
dia. 1/8 "
grip range .251-.312
aluminum body, white
aluminum mandrel



330127-08
rivet, pop
dia. 1/8 "
grip range .325-.565
aluminum body
aluminum mandrel



330038
rivet, pop
dia. .150 (#20 bit)
grip range .126-.250
aluminum body
aluminum mandrel
(used-screen door hinge)



325103
dia. 1/4 "
grip range .080-.325
SS body, steel mandrel

2008 INTERSTATE MOTORHOME

FURNITURE

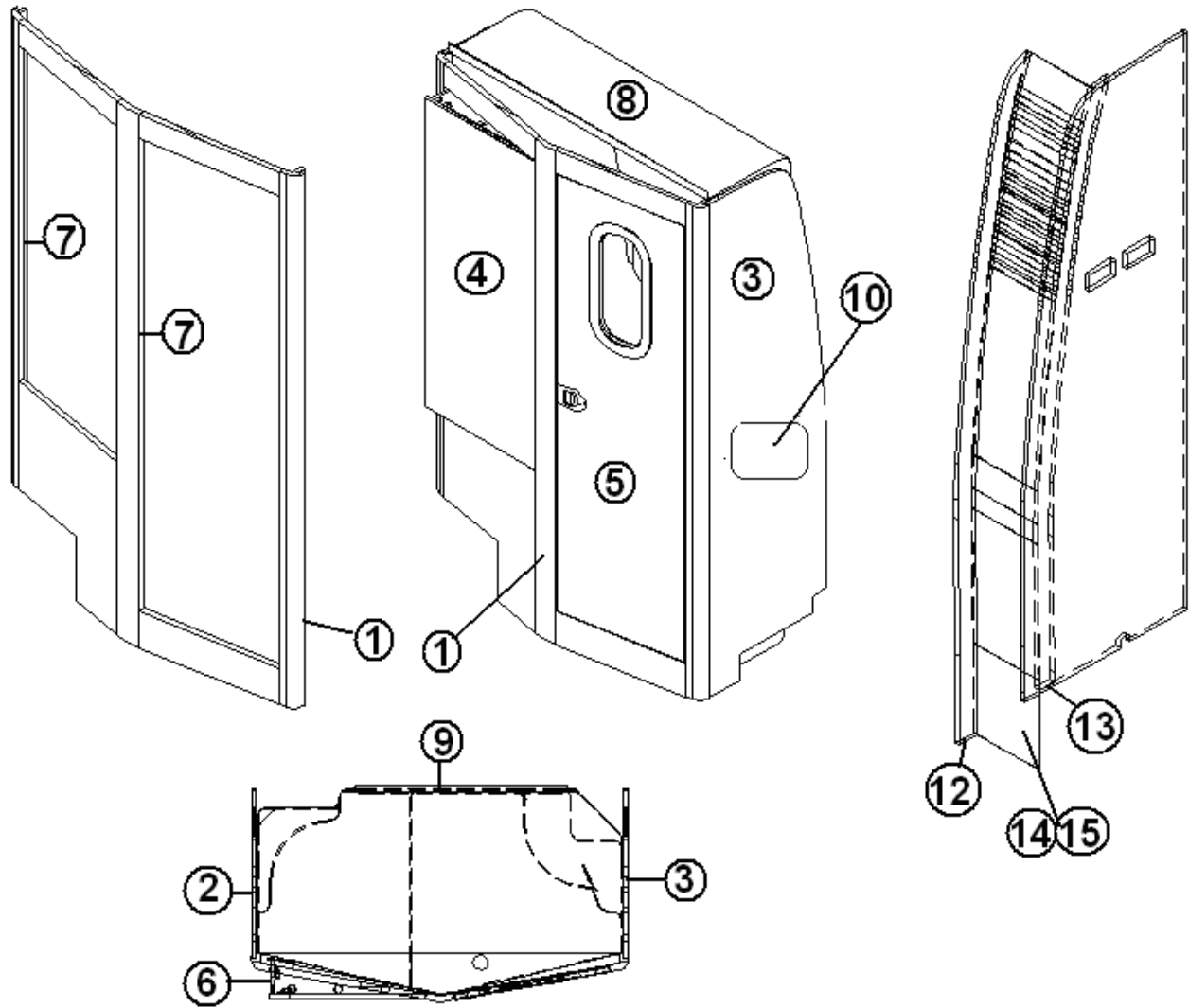
Linoleum/Mats/Carpet

703659	FLOORING, SAVANNAH
801782	Plywood mat overlay, flooring
703759-16	Floor mat, Cab, Beige, used on Tan color scheme
703759-18	Floor mat, Cab, Gray, used on Grey color scheme
703763	Mat, shower

2008 INTERSTATE MOTORHOME

FURNITURE, BATH

Wet Bath Module



Part numbers on the next page

2008 INTERSTATE MOTORHOME

FURNITURE, BATH

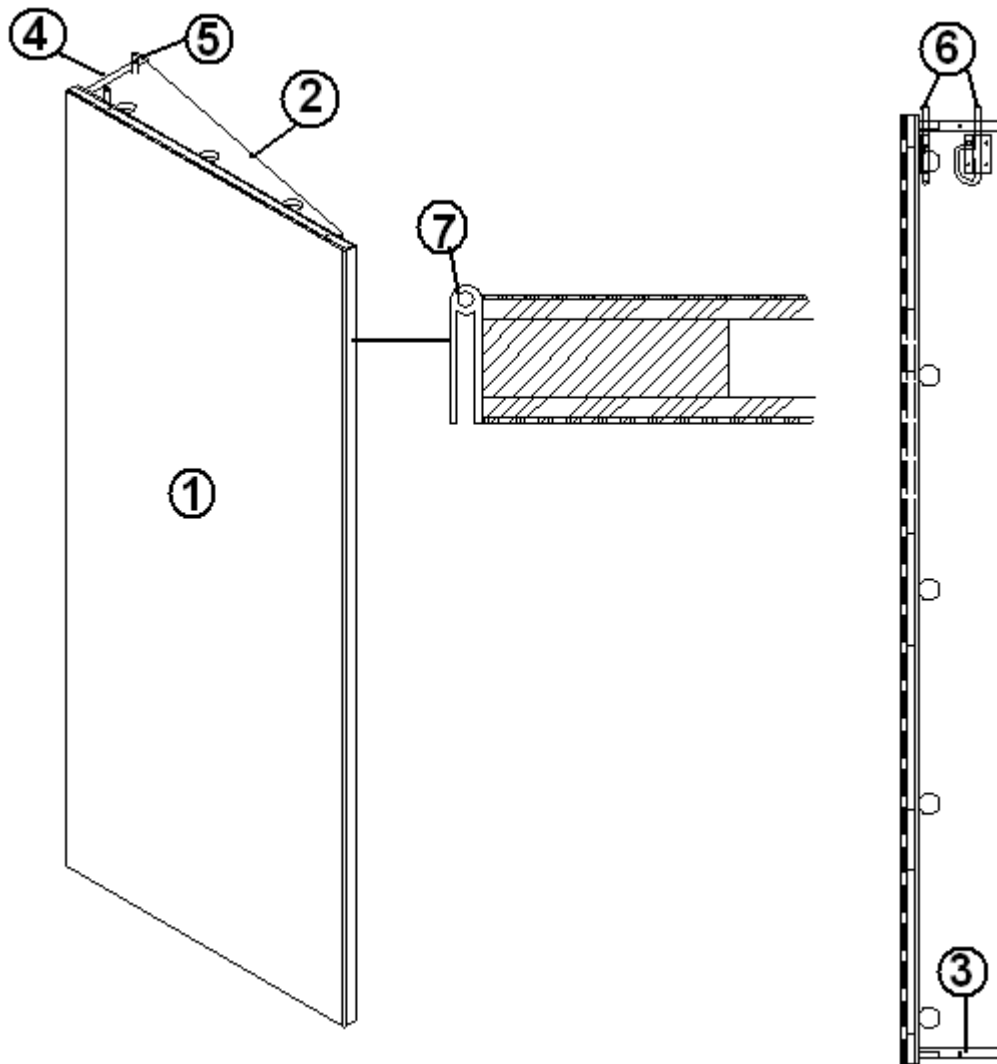
Wet Bath Module

1. 967217-007	WET BATH FACE ASSEMBLY, OAK
2. 111684-052	PANEL, 20.68 X 73.90
3. 111684-053	PANEL, 20.68 X 64.90
4. 967219-05	DOOR, FORWARD, WET BATH
5. 967218-05	DOOR, AFT, WET BATH
6. 967231-05	CLOSEOUT, FORWARD BATH DOOR
7. 115064	TRIM, ALUMINUM, COUNTER TOP
8. 203265	SHOWER STALL
9. 203637	PADS, SOUND DAMPENER
10. 111684-0510	Panel, 11.88 x 13.88
12. 111684-0512	Panel, 2.25 x 73.14
13. 111684-0513	Panel, 2.00 x 64.40
14. 101131-01	Aluminum, underbelly, 8" x 72.50"
15. 701538-01	Carpet, w/backing
115427	Backer outside panel
115426	Backer, shower panel, front
115428	Backer, shower panel, rear
100097	Curtain track extrusion, aluminum
203641	Shower trim, upper
203642	Shower trim, lower

2008 INTERSTATE MOTORHOME

FURNITURE, BATH

Lavatory Door, Forward

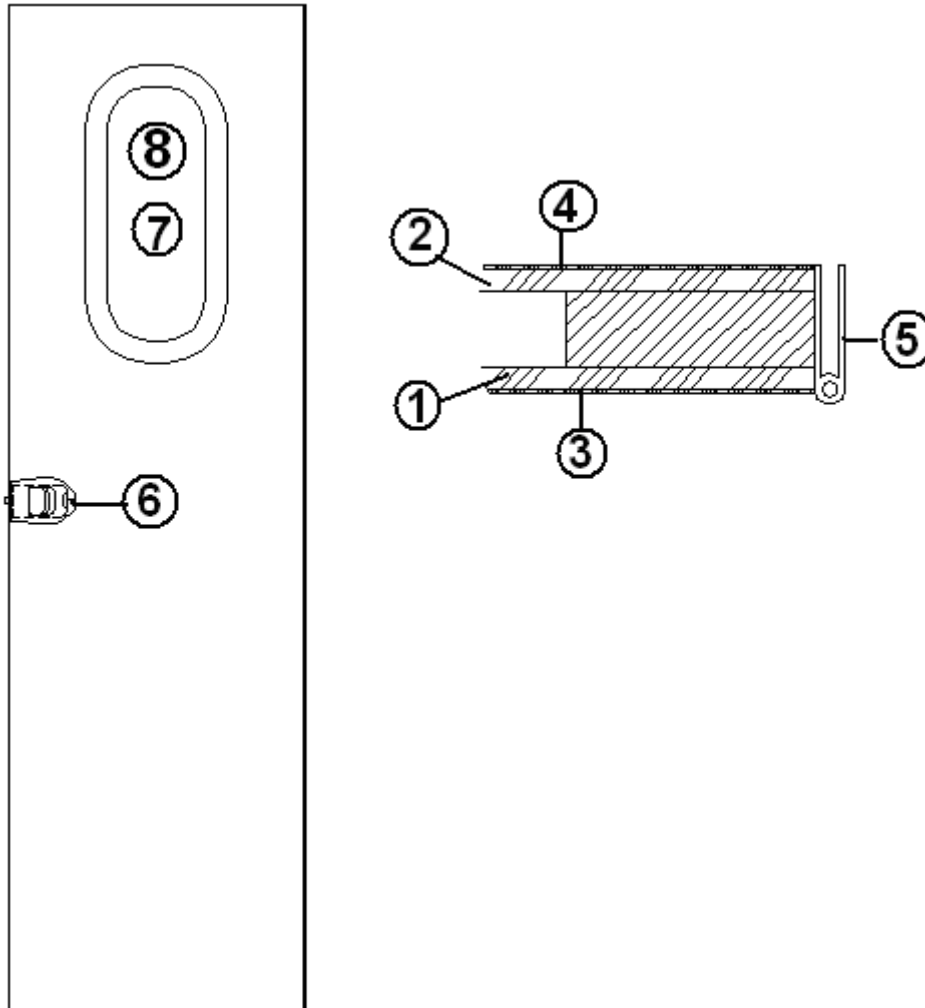


- | | |
|---------------|---------------------------------|
| 1. 967219-05 | DOOR, FORWARD, WET BATH |
| 2. 967231-052 | PANEL, 4 x 17 |
| 3. 967231-053 | PANEL, 4 x 17 |
| 4. 967231-054 | PANEL, 4 x 45.63 |
| 5. 800573-017 | MOLDING, DOOR EDGE, 1.09" X 80" |
| 6. 381856 | CATCH, TENSION, 2-BALL |
| 7. 380458 | PIANO HINGE, 1/8" PIN |
| 385940-02 | MIRROR PULL, CHROME |

2008 INTERSTATE MOTORHOME

FURNITURE, BATH

Lavatory Door, Aft

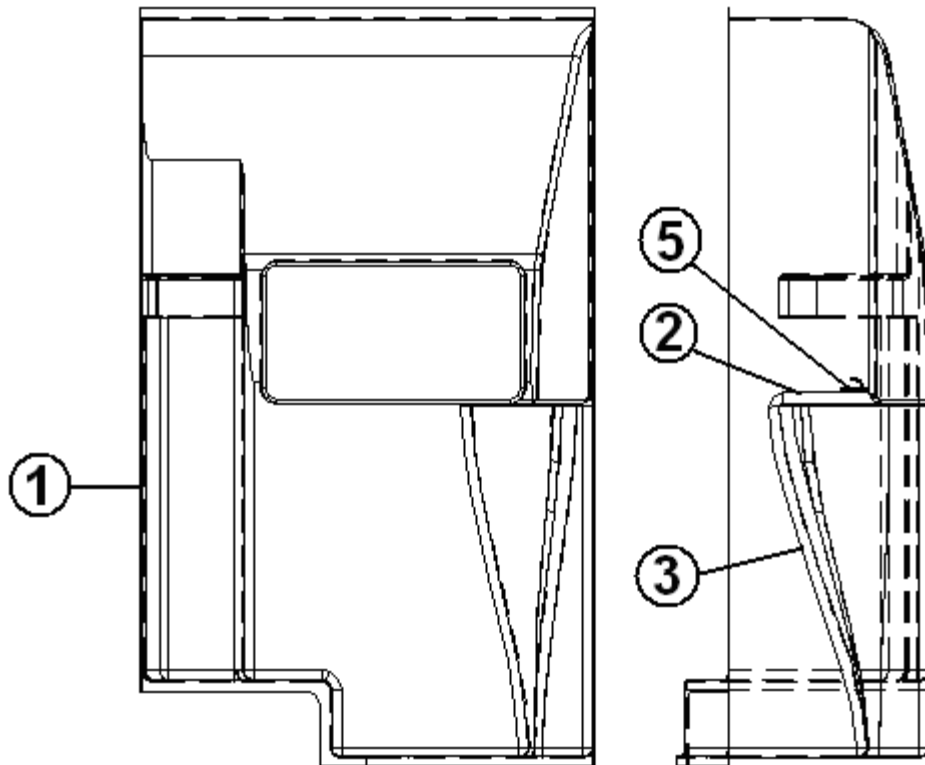


- | | |
|---------------|-------------------------------------|
| 967218-05 | Lavatory, Aft Door |
| 1. 967218-051 | PANEL, 20 x 67 |
| 2. 967218-052 | PANEL, 20 x 67 |
| 3. 967218-053 | LAMINATE, VERTICAL, 20" X 67" |
| 4. 967218-054 | LAMINATE,, VERTICAL, 20" X 67" |
| 5. 380458 | PIANO HINGE, 1/8" PIN |
| 6. 382055 | LATCH, PRIVACY, OMNI, LAVATORY DOOR |
| 6. 382061 | STRIKER, OMNI FLAT LATCH |
| 7. 371384 | WINDOW, BATH DOOR |
| 8. 203653 | WINDOW CLOSEOFF |

2008 INTERSTATE MOTORHOME

FURNITURE, BATH

Shower Module

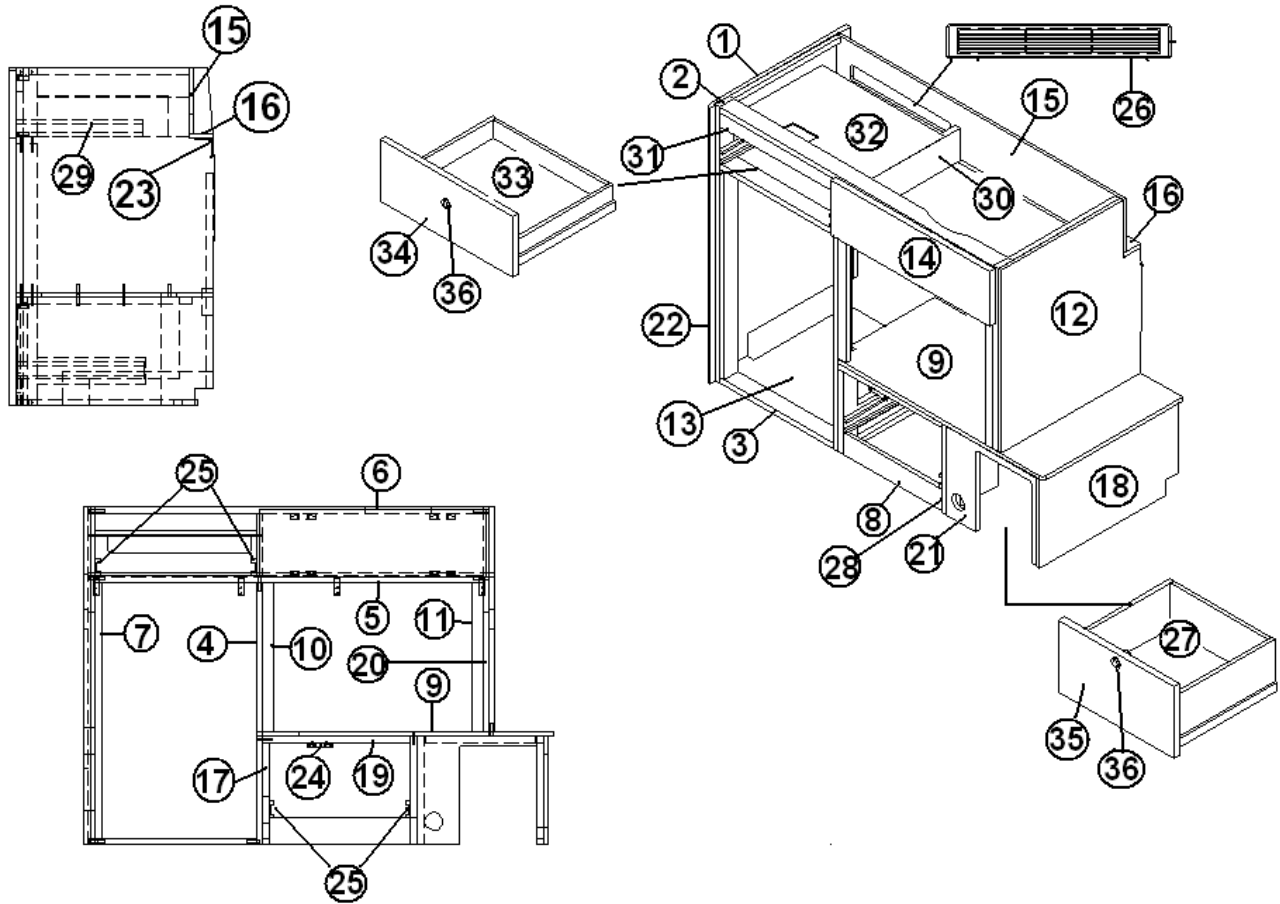


- 1. 203625 Wet bath shower module (includes sink, under sink access panel, and shower)
- 2. 203625-01 Sink, lavatory
- 3. 203625-02 Panel, access, under sink
- 4. 602175 Dry roll toilet paper holder
- 4. 115423 Aluminum backer, toilet paper holder
- 5. 602193 Faucet, pullout wet bath
- 381923 HANDLE-PULL 14.25", SS SATIN BRASS (USED FOR TOWEL BAR)
- 600594 Strainer, shower drain
- 195362-39 Strainer, sink drain

2008 INTERSTATE MOTORHOME

FURNITURE, GALLEY

Galley, NCV3



Parts numbers are on the next page

2008 INTERSTATE MOTORHOME

FURNITURE, GALLEY

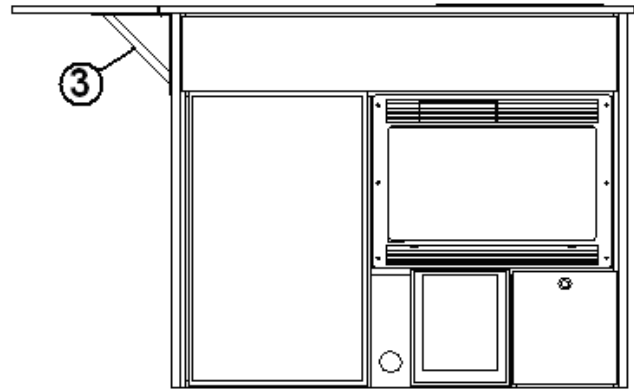
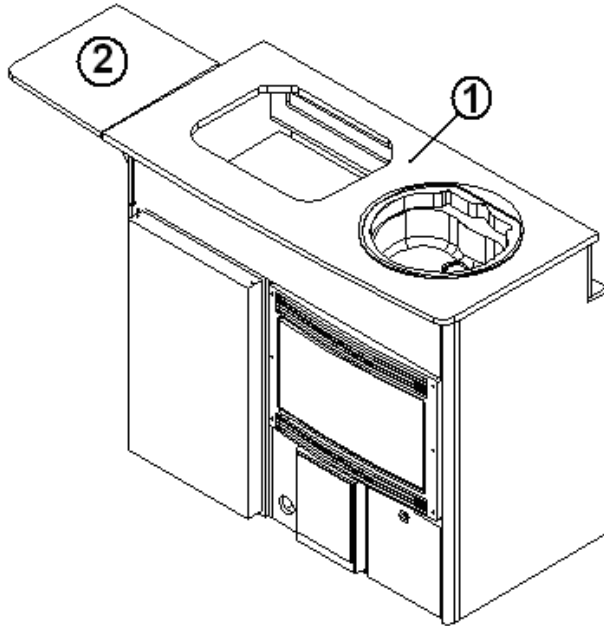
Galley, NCV3

967150-05	GALLEY ASSEMBLY
1. 967150-051	PANEL, 21.12 X 37.25
2. 967150-052	PANEL, 2.25 X 37.25
3. 967150-053	PANEL, 2.25 X 17.75
4. 967150-054	PANEL, 16.00 X 29.00
5. 967150-055	PANEL, 2.25 X 42.75
6. 967150-056	PANEL, 2.25 X 42.75
7. 967150-057	PANEL, 2.25 X 28.25
8. 967150-058	PANEL, 15.50 X 3
9. 967150-059	PANEL, 21.72 X 32.75
10. 967150-0510	PANEL, 1.25 X 16.50
11. 967150-0511	PANEL, 1.25 X 16.50
12. 967150-0512	PANEL, 21.72 X 24.75
13. 967150-0513	PANEL, 18.50 X 17.75
14. 967150-0514	PANEL, 7.37 X 24.87
15. 967150-0515	PANEL, 7.25 X 44.75
16. 967150-0516	PANEL, 2.72 X 45.75
17. 967150-0517	PANEL, 14.25 X 11.25
18. 967150-0518	PANEL, 21.7 X 12.00
19. 967150-0519	PANEL, 2.25 X 16.25
20. 967150-0520	PANEL, 2.25 X 24.75
21. 967150-0521	PANEL, 14.00 X 12.00
22. 801706-SL	CORNER TRIM, 90 DEG, SILVER
23. 380264	CORNER BRACKET
24. 381228-01	CATCH GRABBER DOOR
25. 381400	DRAWER SLIDE, 14", PAIR
26. 386206	LOUVERED VENT
27. 967229-05	DRAWER BOX ASSEMBLY, GALLEY
28. 967150-0531	PANEL, 18.00 X 12.00
29. 967150-0532	PANEL, 14.00 X 4.38
30. 967150-0533	PANEL, 18.00 X 6.75
31. 967150-0534	PANEL, 17.75 X 1.75
32. 801507-01	PANEL, 19.25 x 14.50
33. 967314-05	DRAWER BOX, GALLEY, UPPER
34. 967314-051	PANEL, UPPER GALLEY DRAWER FRONT
35. 967229-051	PANEL, LOWER GALLEY DRAWER FRONT
36. 382059-01	KNOB, PUSH/PULL
200980-01	Tray, silverware, 9" x 13.25" x 1.75"

2008 INTERSTATE MOTORHOME

FURNITURE, GALLEY

Galley Top

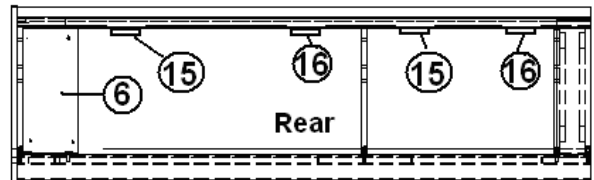
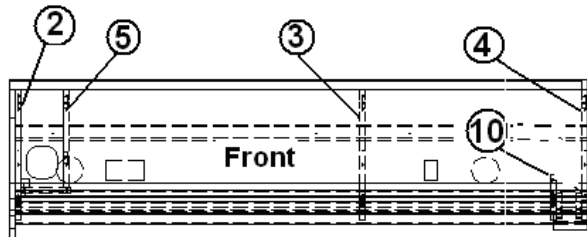
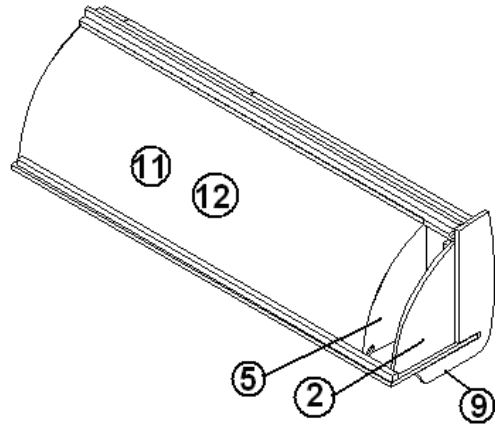
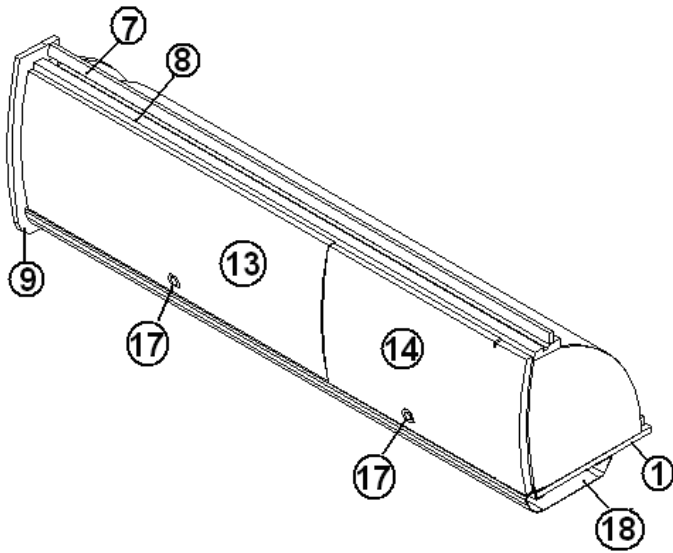


- | | |
|--------------|--|
| 1. 967232-05 | GALLEY TOP, LAMINATE |
| 1. 967243-01 | GALLEY TOP, SOLID SURFACE, BEECH |
| 1. 967243-02 | GALLEY TOP, SOLID SURFACE, PEWTER |
| 2. 967233-05 | GALLEY FLIP SHELF, LAMINATE |
| 2. 967244-01 | GALLEY FLIP SHELF, SOLID SURFACE, BEECH |
| 2. 967244-02 | GALLEY FLIP SHELF, SOLID SURFACE, PEWTER |
| 3. 381614 | BRACKET, FOLDING SHELF |

2008 INTERSTATE MOTORHOME

FURNITURE, GALLEY

Roof Locker, Roadside, 53"



2008 INTERSTATE MOTORHOME

FURNITURE, GALLEY

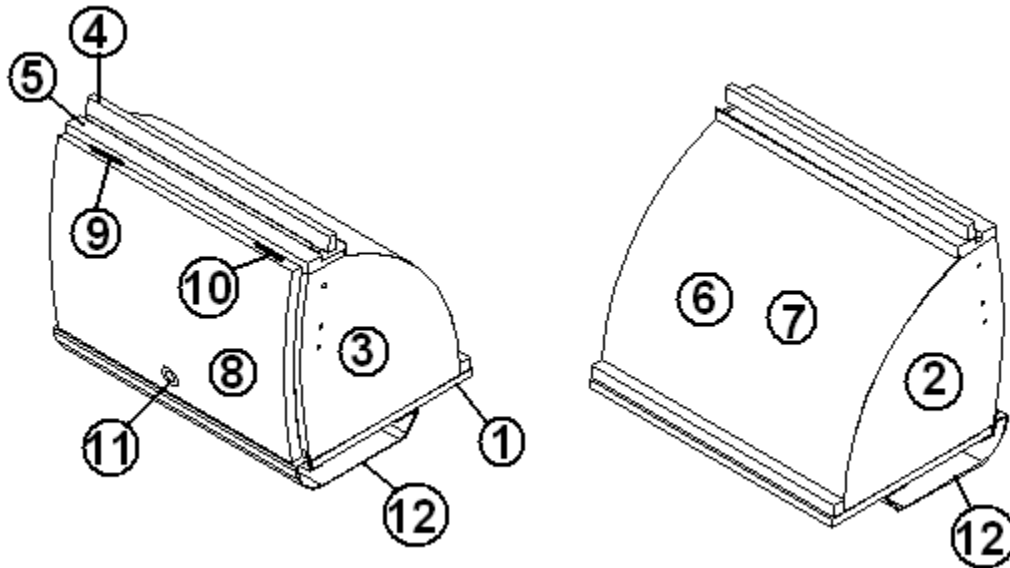
Roof Locker, Roadside, 53"

967222-05	Roof locker, roadside, 53"
1. 967222-051	Panel, 12.00 x 53.02
2. 967222-052	Panel, 11.83 x 12.12
3. 967222-053	Panel, 11.83 x 12.12
4. 967222-054	Panel, 11.83 x 12.12
5. 967222-055	Panel, 8.88 x 12.00
6. 967222-056	Panel, 4.50 x 12.00
7. 967222-057	Panel, 1.00 x 52.50
8. 967222-058	Panel, 2.75 x 52.50
9. 967222-059	Panel, 10.15 x 16.46
10. 967222-0510	Panel, 2.41 x 10.07
11. 115405-03	Roof locker back, aluminum, 48"
12. 701538-01	Carpet, Econoliner, PSA
13. 801785-017	Door, radius, 12.38" x 31.50"
14. 801785-077	Door, radius, 12.38" x 20.50"
15. 381840-01	Hinge, LH
16. 381840-02	Hinge, RH
17. 382059-01	Knob, push/pull
18. 115406	Roof locker extrusion, 37.63"

2008 INTERSTATE MOTORHOME

FURNITURE, GALLEY

Roof Locker, Roadside, 18"

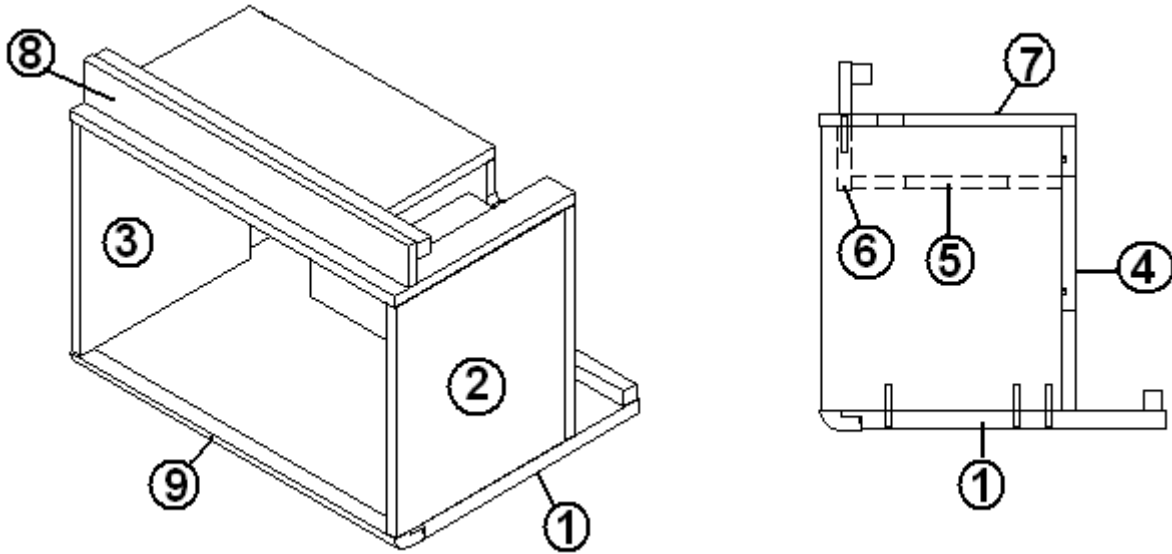


967235-05	Roof locker, Roadside, 18"
1. 967235-051	Panel, 12.00 x 18.00
2. 967235-052	Panel, 11.83 x 12.12
3. 967235-053	Panel, 11.83 x 12.12
4. 967235-054	Panel, 1.00 x 18.00
5. 967235-055	Panel, 2.75 x 18.00
6. 115405-04	Roof locker back, aluminum, 18"
7. 701538-01	Carpet, Econoliner, PSA
8. 801785-047	Door, radius, 12.38" x 17.38"
9. 381840-01	Hinge, LH
10. 381840-02	Hinge, RH
11. 382059-01	Knob, push/pull
12. 115406	Roof locker extrusion, 18"

2008 INTERSTATE MOTORHOME

FURNITURE, GALLEY

Coffee Maker Cabinet

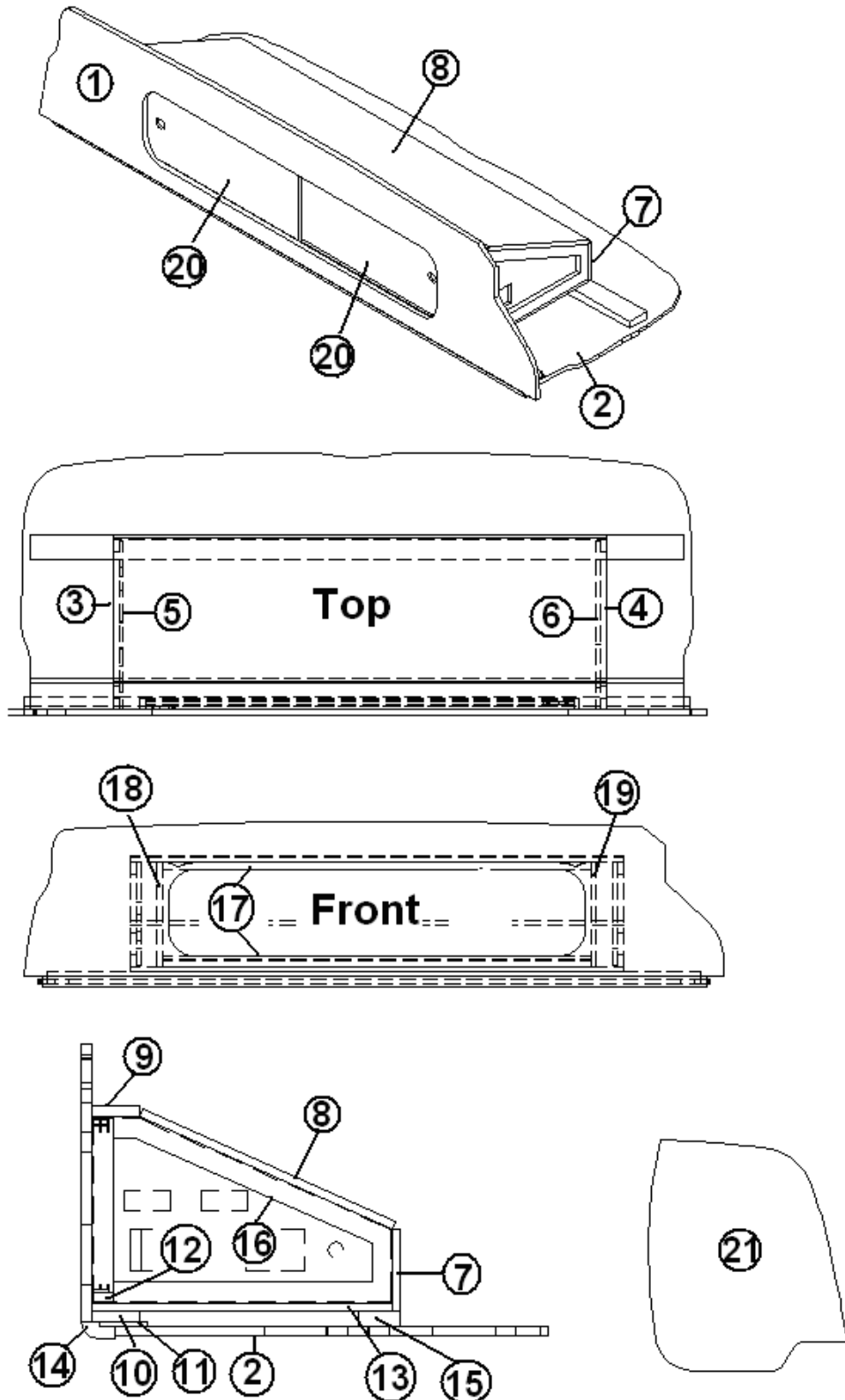


967237-05	Coffee Maker Cabinet
1. 967237-051	Panel, 12.71 x 18.00
2. 967237-052	Panel, 9.43 x 11.13
3. 967237-053	Panel, 9.43 x 11.13
4. 967237-054	Panel, 18.00 x 11.13
5. 967237-055	Panel, 8.25 x 4.88
6. 967237-056	Panel, 4.88 x 2.5
7. 967237-057	Panel, 10.01 x 18.00
8. 967237-058	Panel, 2.00 x 18.00
9. 801706-SL	CORNER TRIM 90 DEG 1" RADIUS, SILVER

2008 INTERSTATE MOTORHOME

FURNITURE, GALLEY

Roof Locker, Front End



III-15

2008 INTERSTATE MOTORHOME

FURNITURE, GALLEY

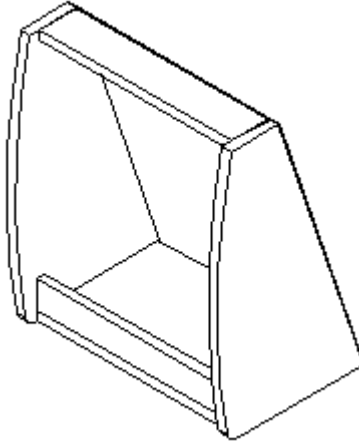
Roof Locker, Front End

967238-05	Roof Locker, Front End
1. 967238-051	Panel, 13.12 x 58.94
2. 967238-052	Panel, 20.50 x 56.50
3. 967238-053	Panel, 8.79 x 14.25
4. 967238-054	Panel, 8.79 x 14.25
5. 967238-055	Panel, 8.67 x 14.13
6. 967238-056	Panel, 8.67 x 14.13
7. 967238-057	Panel, 3.88 x 41.50
8. 967238-058	Panel, 13.12 x 41.50
9. 967238-059	Panel, 2.25 x 41.50
10. 967238-0510	Panel, 2.25 x 55.00
11. 967238-0511	Panel, 2.25 x 55.00
12. 967238-0512	Panel, 1.00 x 36.00
13. 967238-0513	Panel, 14.25 x 41.50
14. 801706-SL	Corner trim, 90 degree, silver
15. 850082	Poplar, 2"
16. 701538-01	Carpet, Econoliner, PSA
17. 203480	Sliding door track
18. 967238-0522	Panel, 1.00 x 8.00
19. 967238-0523	Panel, 1.00 x 8.00
20. 203633-01	Door, Plexiglas, 7.88" x 18.50"
21. 967228-05	End cap, roof locker 14.58" X 16.46"

2008 INTERSTATE MOTORHOME

FURNITURE, GALLEY

Front Shelf Closeout Assembly

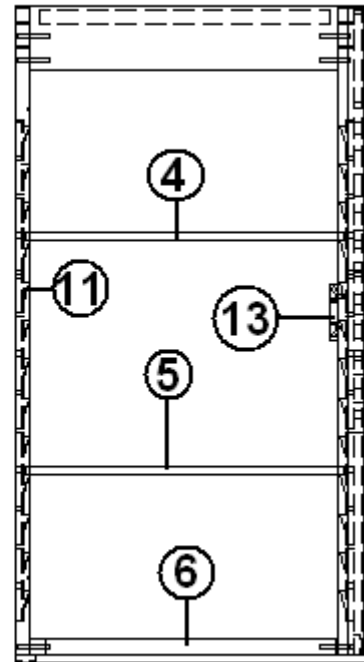
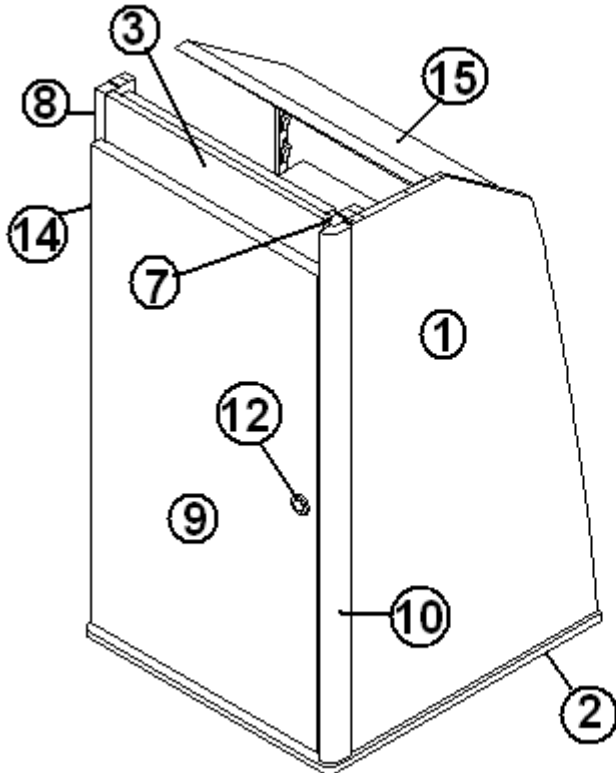


967328 Front Shelf Closeout Assembly

2008 INTERSTATE MOTORHOME

FURNITURE, LOUNGE

Wardrobe, Hanging

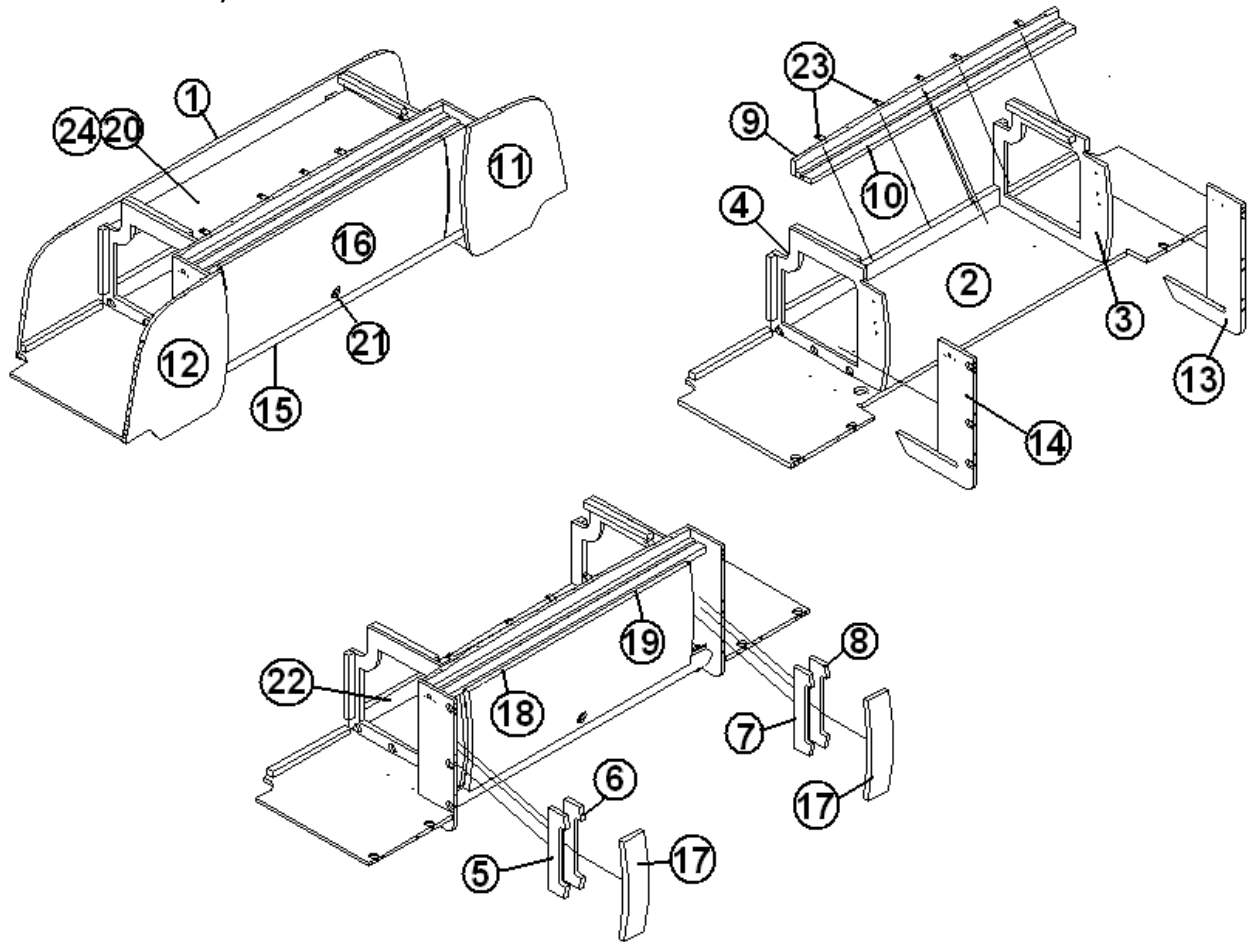


967204-05	Wardrobe, Hanging
1. 967204-051	PANEL, 18.07 X 33.50
2. 967204-052	PANEL, 18.25 X 19.88
3. 967204-053	PANEL, 16.00 X 3.25
4. 967204-055	PANEL, 14.75 X 16.50
5. 967204-056	PANEL, 17.25 X 16.50
6. 967204-057	PANEL, 2.25 X 16.00
7. 967204-058	PANEL, 2.25 X 33.50
8. 967204-059	PANEL, 2.25 X 33.50
9. 967204-0510	PANEL, 16.63 X 30.25
10. 801706-SL	CORNER TRIM, 90 DEG, SILVER
11. 381527	SPEEDY SHELF STRIPS
12. 382059-01	KNOB, PUSH/PULL
13. 381228-01	DOOR, GRABBER CATCH
14. 381607	HINGE, DOOR
15. 967234	WIRE COVER ASSEMBLY
115420	Wardrobe close off

2008 INTERSTATE MOTORHOME

FURNITURE, LOUNGE

Roof Locker, Center Rear



2008 INTERSTATE MOTORHOME

FURNITURE, LOUNGE

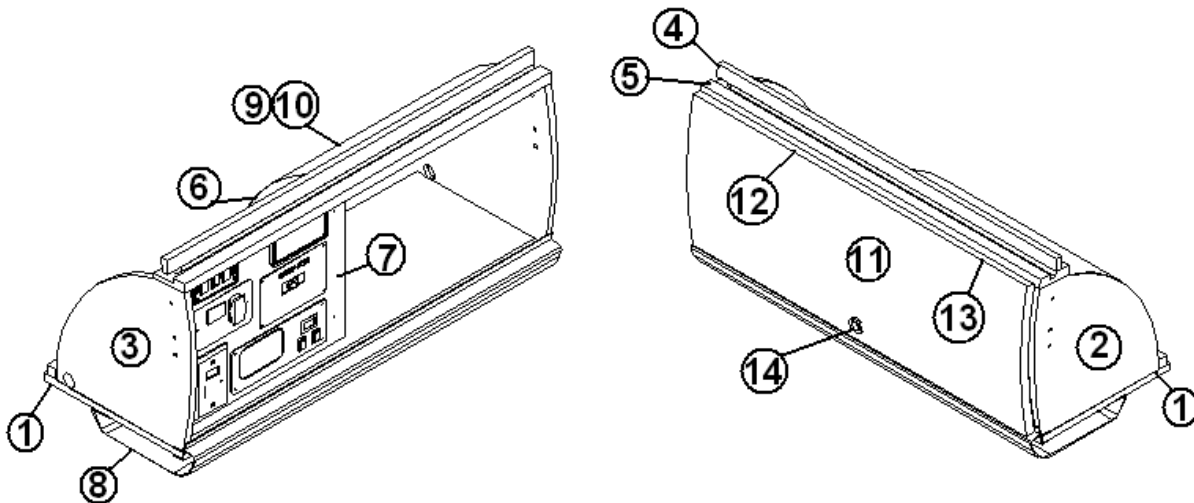
Roof Locker, Center Rear

967220-05	Roof locker, rear center
1. 967220-051	Panel, 12.56 x 56.02
2. 967220-052	Panel, 18 x 62.63
3. 967220-053	Panel, 16.36 x 14.04
4. 967220-054	Panel, 16.36 x 14.04
5. 967220-055	Panel, 2.19 x 10.02
6. 967220-056	Panel, 2.19 x 10.02
7. 967220-057	Panel, 2.19 x 10.02
8. 967220-058	Panel, 2.19 x 10.02
9. 967220-059	Panel, 2.21 x 37.63
10. 967220-0510	Panel, 2.25 x 37.63
11. 967220-0511	Panel, 13.76 x 16.46
12. 967220-0512	Panel, 13.76 x 16.46
13. 967220-0513	Panel, 10.96 x 16.46
14. 967220-0514	Panel, 10.96 x 16.46
15. 115406	Roof locker extrusion, 37.63"
16. 801785-017	Door, radius, 12.38" x 31.50"
17. 801785-057	Door, radius, 12.38" x 2.88"
18. 381840-01	Hinge, LH
19. 381840-02	Hinge, RH
20. 115412	Rear locker closeout, aluminum
21. 382059-01	Knob, push/pull
22. 850082	Poplar, 2"
23. 380041	"L" bracket
24. 701538-01	Carpet, econoliner

2008 INTERSTATE MOTORHOME

FURNITURE, LOUNGE

Roof Locker, Curbside Rear

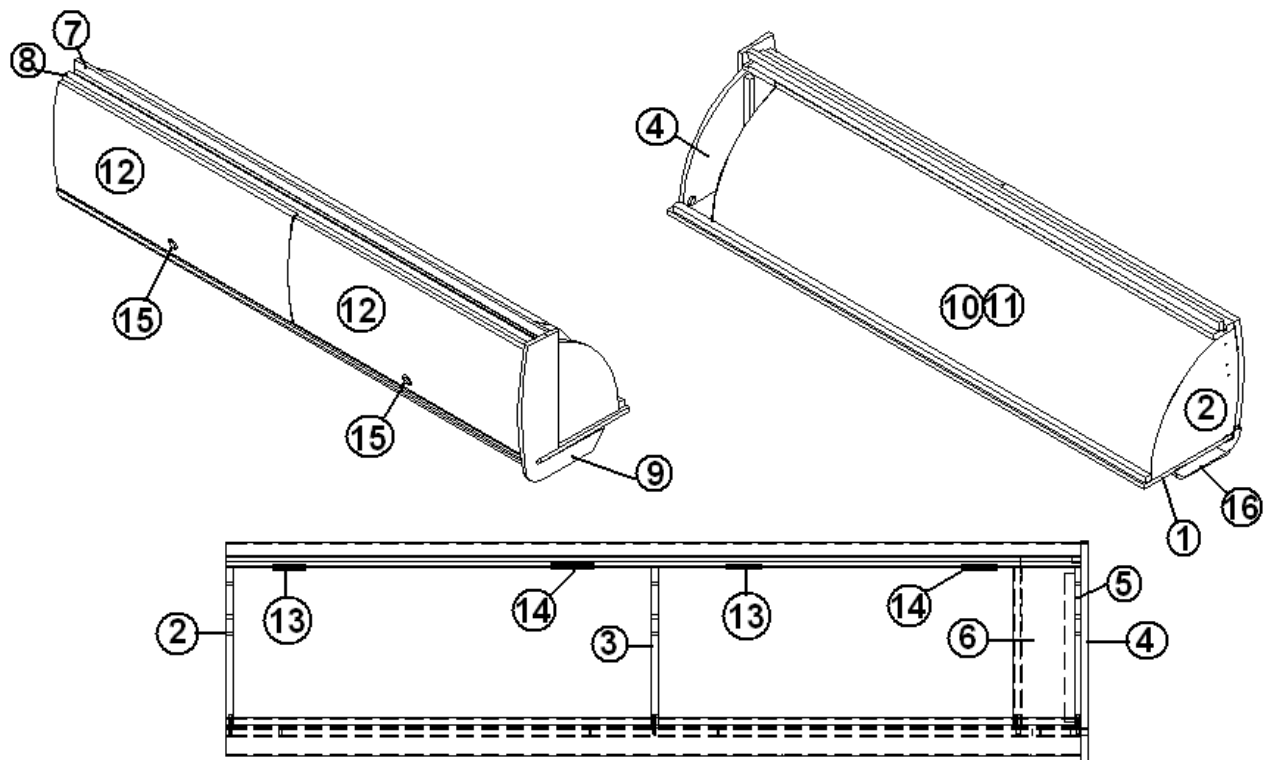


967221-05	Roof locker, curbside rear
1. 967221-051	Panel, 12.00 x 32.00
2. 967221-052	Panel, 11.83 x 12.12
3. 967221-053	Panel, 11.83 x 12.12
4. 967221-054	Panel, 1.00 x 32.00
5. 967221-055	Panel, 2.75 x 32.00
6. 967221-057	Panel, 8.88 x 12.00
7. 967221-058	Panel, 15.38 x 12.00
8. 115406	Roof locker extrusion, 37.63"
9. 115405-01	Aluminum roof locker back
10. 701538-01	Carpet, econoliner
11. 801785-017	Door, radius, 12.38" x 31.50"
12. 381840-01	Hinge, LH
13. 381840-02	Hinge, RH
14. 382059-01	Knob, push/pull

2008 INTERSTATE MOTORHOME

FURNITURE, LOUNGE

Roof Locker, Roadside Rear

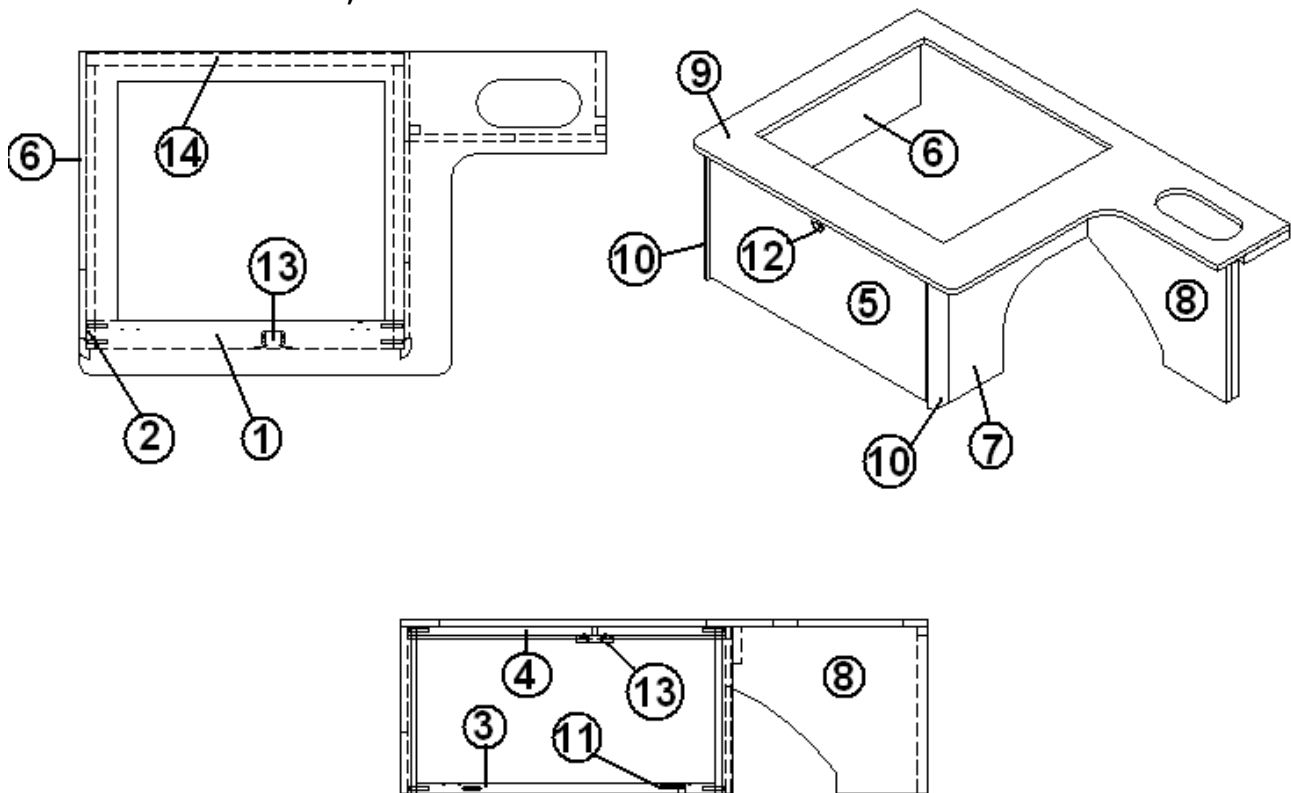


967223-05	Roof locker, roadside rear
1. 967223-051	Panel, 12.00 x 64.02
2. 967223-052	Panel, 11.83 x 12.12
3. 967223-053	Panel, 11.83 x 12.12
4. 967223-054	Panel, 11.83 x 12.12
5. 967223-055	Panel, 8.88 x 12.00
6. 967223-056	Panel, 4.50 x 12.00
7. 967223-057	Panel, 1.00 x 63.50
8. 967223-058	Panel, 2.75 x 63.50
9. 967223-0510	Panel, 10.15 x 16.46
10. 115405-02	Aluminum roof locker back, 59"
11. 701538-01	Carpet, econoliner
12. 801785-017	Door, radius, 12.38" x 31.50"
13. 381840-01	Hinge, LH
14. 381840-02	Hinge, RH
15. 382059-01	Knob, push/pull
16. 115406	Roof locker extrusion, 63.50"

2008 INTERSTATE MOTORHOME

FURNITURE, LOUNGE

Dinette Seat Base, Curbside

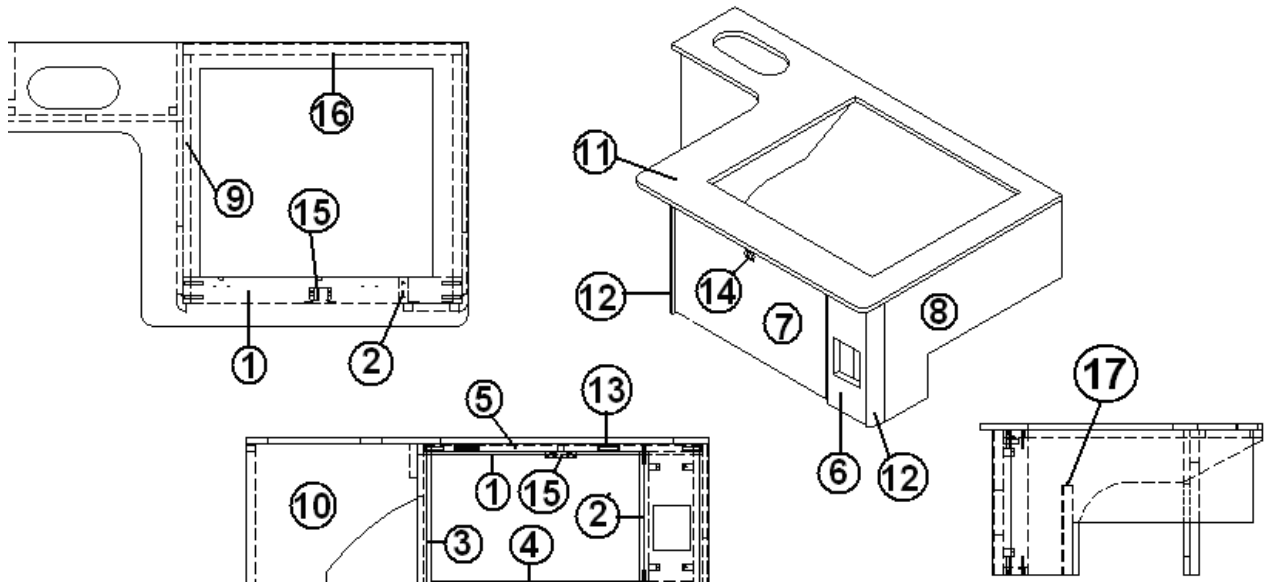


- | | |
|---------------|--------------------------------|
| 967239-05 | Dinette Seat base, Curbside |
| 1. 967239-051 | Panel, 2.25 x 13.12 |
| 2. 967239-052 | Panel, 2.25 x 13.12 |
| 3. 967239-053 | Panel, 2.25 x 23.50 |
| 4. 967239-054 | Panel, 2.25 x 23.50 |
| 5. 967239-055 | Panel, 24.13 x 12.24 |
| 6. 967239-056 | Panel, 22.50 x 13.12 |
| 7. 967239-057 | Panel, 22.50 x 13.12 |
| 8. 967239-058 | Panel, 15.36 x 13.12 |
| 9. 967239-059 | Panel, 25.31 x 41.42 |
| 10. 801706-SL | Corner trim, 90 degree, silver |
| 11. 381607 | Hinge |
| 12. 382059-01 | Knob, push/pull |
| 13. 381228-01 | Grabber catch, door |
| 14. 114812 | Angle, aluminum, 1" x 1" |
| 967239-0518 | Closeout, 8 x 25 |

2008 INTERSTATE MOTORHOME

FURNITURE, LOUNGE

Dinette Seat Base, Roadside

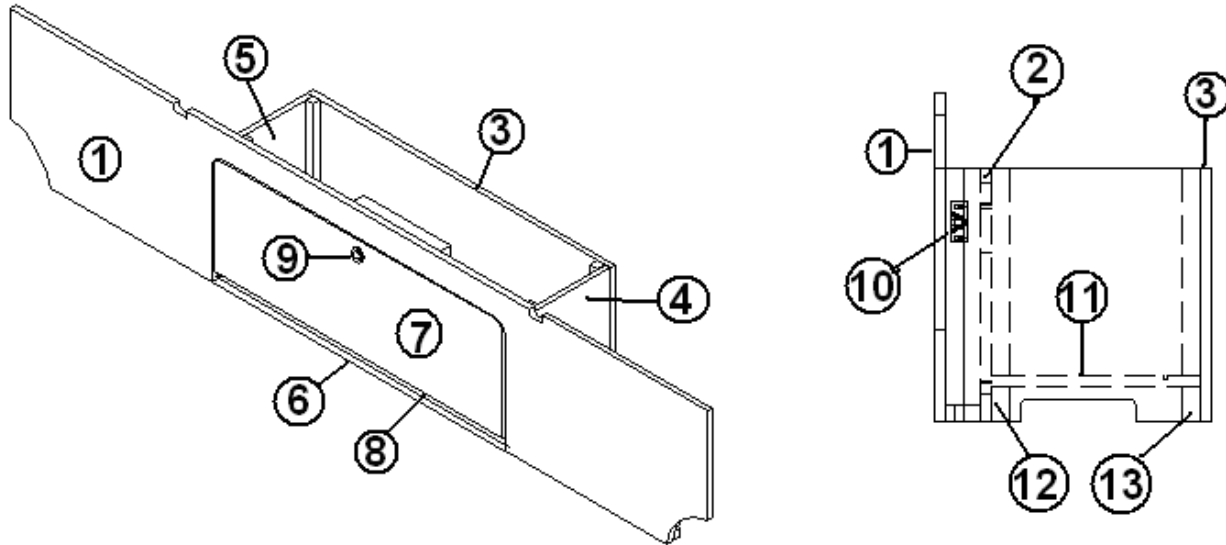


967240-05	Dinette Seat base, roadside
1. 967240-051	Panel, 2.25 x 13.12
2. 967240-052	Panel, 2.25 x 11.62
3. 967240-053	Panel, 2.25 x 13.12
4. 967240-054	Panel, 2.25 x 23.50
5. 967240-055	Panel, 2.25 x 23.50
6. 967240-056	Panel, 4.94 x 13.12
7. 967240-057	Panel, 19.25 x 12.24
8. 967240-058	Panel, 22.75 x 13.12
9. 967240-059	Panel, 22.5 x 13.12
10. 967240-0510	Panel, 10.36 x 13.12
11. 967240-0511	Panel, 25.31 x 41.42
12. 801706-SL	Corner trim, 90 degree, silver
13. 381607	Hinge
14. 382059-01	Knob, push/pull
15. 381228-01	Grabber catch, door
16. 114812	Angle, aluminum, 1" x 1"
17. 967240-0521	Panel, closeout, 8 x 25

2008 INTERSTATE MOTORHOME

FURNITURE, LOUNGE

Sofa, Rear, Seat Base

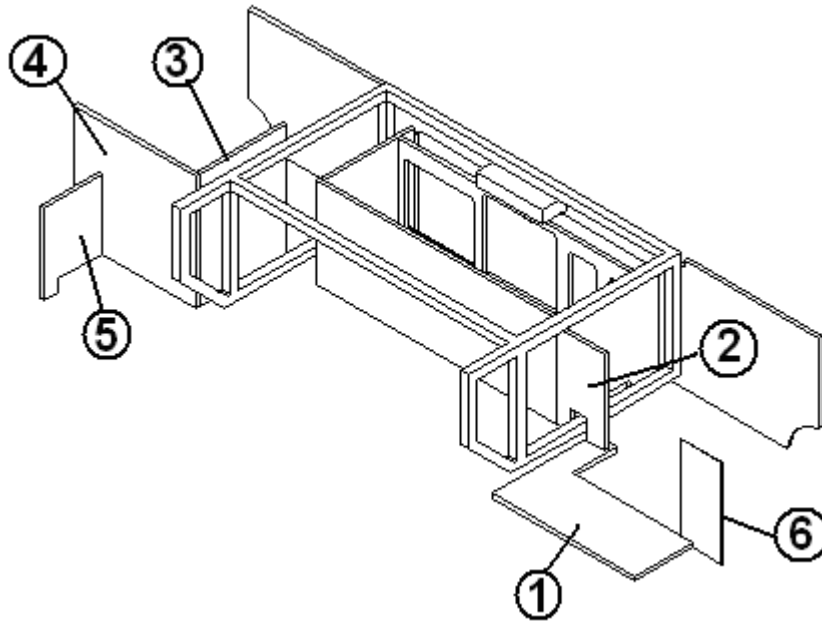


967241-05	Dinette Seat base, roadside
1. 967241-051	Panel, 13.50 x 69.59
2. 967241-052	Panel, 29.13 x 11.00
3. 967241-053	Panel, 30.25 x 11.00
4. 967241-054	Panel, 9.50 x 11.00
5. 967241-055	Panel, 9.50 x 11.00
6. 967241-056	Panel, 1.13 x 29.50
7. 967241-057	Panel, 28.88 x 10.00
8. 380458	Hinge, piano, copper
9. 382059-01	Knob, push/pull
10. 381228-01	Grabber catch, door
11. 967241-0514	Panel, 9.00 x 8.00
12. 967241-0515	Panel, 1.5 x 8.00
13. 967241-0516	Panel, 1.5 x 8.00
345474	Cap screw, hex head, 1/2" x 1.75"
345476	Cap screw, hex head, 1/2" x 3.5"
345477	Cap screw, hex head, 1/2" x 5"

2008 INTERSTATE MOTORHOME

FURNITURE, LOUNGE

Sofa, Rear, Seat Base Close Outs

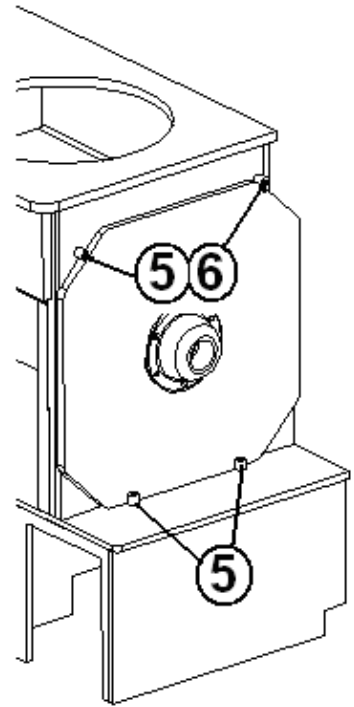
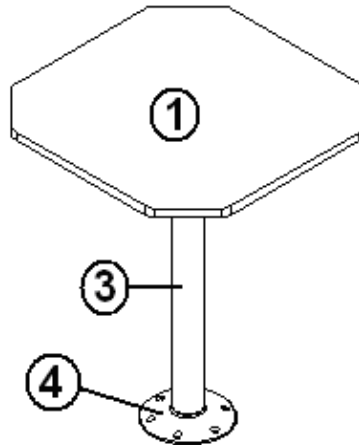
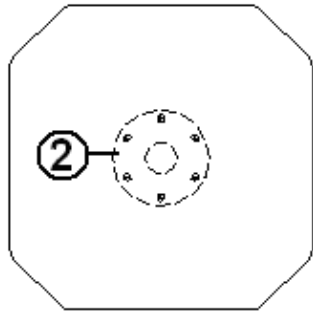


- | | |
|---------------|----------------------------------|
| 1. 967324-051 | Sofa bed close out, 17.5 x 12.5 |
| 2. 967324-052 | Sofa bed close out, 10.25 x 5.75 |
| 3. 967324-053 | Sofa bed close out, 14 x 10.5 |
| 4. 967324-054 | Sofa bed close out, 14 x 15 |
| 5. 967324-055 | Sofa bed close out, 9.75 x 7 |
| 6. 115424 | Closeout, aluminum, 5" x 10.75" |

2008 INTERSTATE MOTORHOME

FURNITURE, LOUNGE

Table, Pedestal



- 967242-05 Table assembly
- 1. 967242-51 Table top
- 2. 381975 Pedestal socket, table top
- 3. 381974 Pedestal leg, thread lock
- 4. 381976 Pedestal socket, floor, thread lock
- 5. 381136 Rubber bumper
- 6. 382078 Screen clip
- 382077 Post storage clip, pedestal table

2008 INTERSTATE MOTORHOME FURNITURE, PANELING/INTERIOR DOORS

Interior Doors/Mirrors

203633-01	Door, sliding glass, 7.88" X 18.50"
801785-017	Door, roof locker, radius, 12.38" x 31.50"
801785-047	Door, roof locker, radius, 12.38" x 17.38"
801785-057	Door, roof locker, radius, 12.38" x 25.00"
801785-077	Door, radius, 12.38" x 20.50"
967218-05	Door assembly, aft bath
967219-05	Door assembly, forward bath
371423-03	Mirror, wall mount, bronze finish.

Edge Banding

365238-04	EDGE BAND, WHITE, .50
365238-05	EDGE BAND, CHALK WHITE, .88
365267	EDGE BAND, PLYWOOD, 1.125"
365267-01	EDGE BAND, PLYWOOD, .63"
365268-01	EDGE BAND, TROPICAL OAK, 1.125"
365268-02	EDGE BAND, TROPICAL OAK, 1.63"
365268-03	EDGE BAND, TROPICAL OAK, .63"
365268-05	EDGE BAND, TROPICAL OAK, 15/16
365304-01	EDGE BAND, SAND CRYSTAL .88"
365305-01	EDGE BAND, BRUSHED ALUMINUM, 15/16"
365305-02	EDGE BAND, BRUSHED ALUMINUM, .63"

2008 INTERSTATE MOTORHOME FURNITURE, PANELING/INTERIOR DOORS

Trim, Wood/Plastic

203445	T-MOLDING, BLACK 9/16"
203445-01	T-MOLDING, WHITE, 9/16"
201673	COVE MOLDING, PLASTIC, WHITE
201673-01	COVER MOLDING, PLASTIC, OAK
203138-01	PLASTIC WALL EXTRUSION, 1/2', WHITE
203138-04	PLASTIC WALL EXTRUSION, 1/2", OAK
203464-01	PLASTIC WALL EXTRUSION, 3/4", OAK
203597	T-MOLDING, WHITE EMBOSSED, 13/16"
203440	T-MOLDING, BLACK EMBOSSED 13/16"
801706-SL	CORNER TRIM -90 DEG, SILVER
203462-017	SCREW CAP COVER PVC, TROPICAL OAK
800573-017	MOLDING, DOOR EDGE, TROPICAL OAK, 1.09" X 80"
115064	TRIM, ALUMINUM, COUNTER TOP

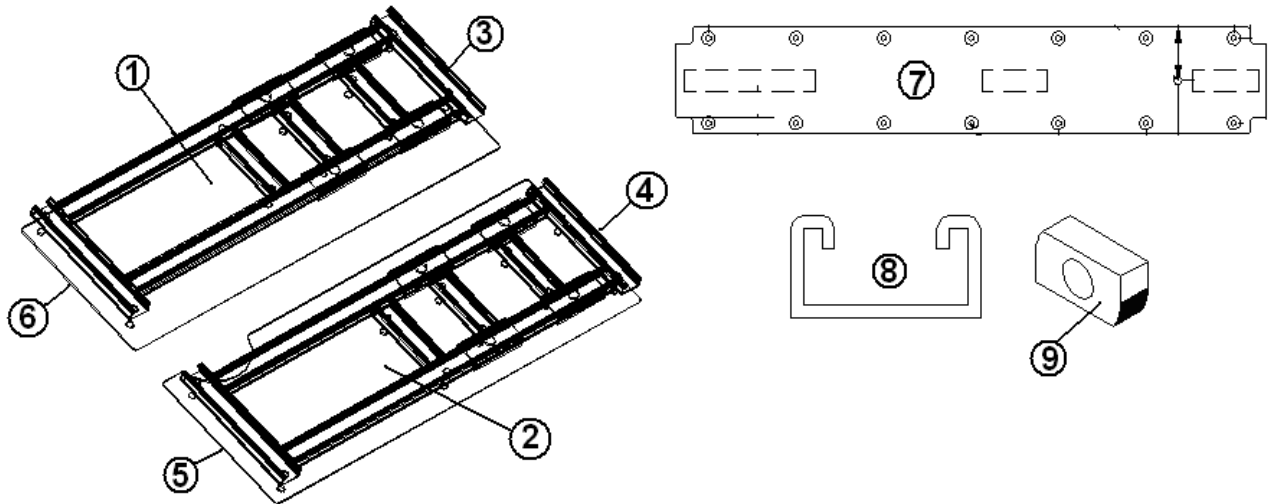
Wood Panels/Laminate

801438	PANEL, WHITELINER/RAW, 3MM
801355-01	LAMINATE, FROSTY WHITE, VERTICAL
801369	PANEL, FROSTY WHITE/ WHITE LINER, 18MM
801368	PANEL, WHITELINER/ WHITE LINER, 18MM
801697	PANEL, FROSTY WHITE/FROSTY WHITE, 12MM
801698	PANEL, WHITE LINER/RAW, 12MM
801378	PANEL, WHITE LINER BACKER, 18MM
801392	PANEL, WHITE LINER/WHITE LINER, 12MM
801703	PANEL, FROSTY WHITE/WHITE LINER, 12MM
801719	PANEL, SAND CRYSTAL/ WHITE LINER, 18MM
801725	PANEL, BRUSHED STAINLESS STEEL/RAW, 3MM
801776-01	PANEL, NEW AGE OAK/NEW AGE OAK, 12MM
801777-01	PANEL, NEW AGE OAK/NEW AGE OAK, 18MM
801778-01	PANEL, NEW AGE OAK/WHITE LINER, 18MM
801779-01	LAMINATE, NEW AGE OAK, VERTICAL
801781-01	PANEL, NEW AGE OAK/ WHITE LINER, 12MM

2008 INTERSTATE MOTORHOME

HARDWARE

Captains Chairs Pedestal Assemblies, 2nd Row

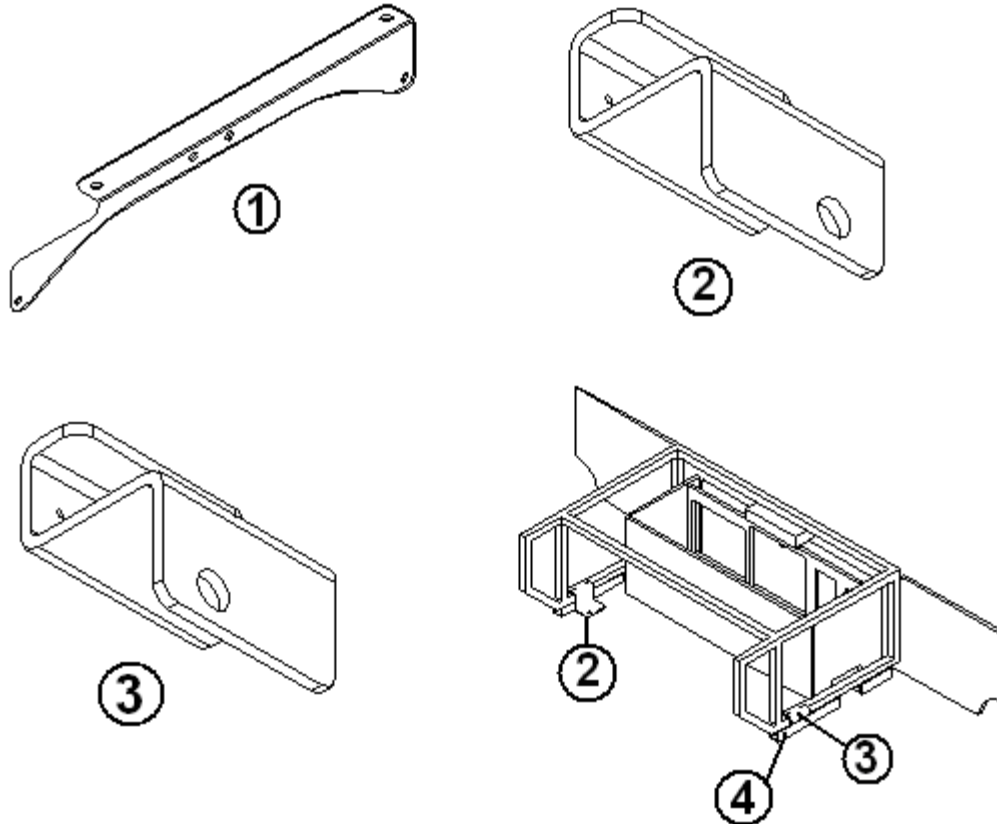


- | | |
|--------------|----------------------------------|
| 1. 916009-01 | Seat pedestal assembly, roadside |
| 2. 916009-02 | Seat pedestal assembly, curbside |
| 3. 454677-01 | Weldment, roadside seat pedestal |
| 4. 454677-02 | Weldment, curbside seat pedestal |
| 5. 454673-01 | Plate, seat pedestal, w/notch |
| 6. 454673-02 | Plate, seat pedestal |
| 7. 454671 | Plate, seat anchor |
| 8. 454655 | Rail, uni-strut |
| 9. 401001 | Nut, 1.37, cam |
| 386214 | Seat swivel, driver side |
| 386214-01 | Seat swivel, passenger side |
| 386214-02 | Seat swivel hand brake adaptor |
| 325127 | RIVET, MAGNA LOK .38" |
| 325128 | RIVET, BULB TITE .25" |

2008 INTERSTATE MOTORHOME

HARDWARE

Lounge Seat Belts /Cup Holder



- 454675 Seat belt bracket
- 454682-01 Bracket, LH sofa
- 454682-02 Bracket, RH sofa
- 454684 Tubing, steel, 1.25" x 1.25"
- 382075-01 Seat belt, 60" belt w/10" buckle, black
- 382075-02 Seat belt, 74" belt w/24" buckle, black
- 203610 Cup holder, double

Clothesline, Retractable

- 382063 Clothesline, Retractable

2008 INTERSTATE MOTORHOME

HARDWARE

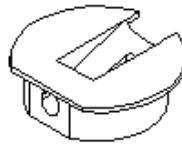
Handles/Latches/Fasteners, Interior



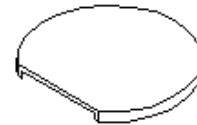
①



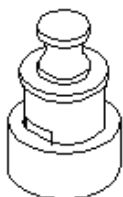
②



③



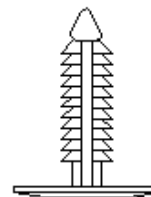
④



⑤



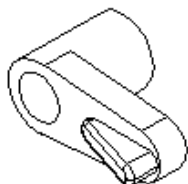
⑥



⑦



⑧



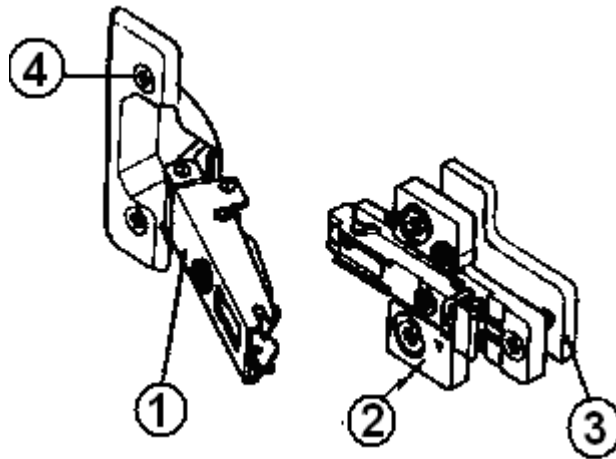
⑨

- | | |
|--------------|--|
| 1. 382055 | LATCH, PRIVACY, LAVATORY DOOR |
| 2. 382061 | STRIKER, LATCH, PRIVACY, LAVATORY DOOR |
| 3. 382057 | KNOCK DOWN FASTENER |
| 4. 382057-01 | FASTENER COVER CAP, LIGHT BROWN |
| 4. 382057-02 | FASTENER COVER CAP, GRAY |
| 4. 382057-03 | FASTENER COVER CAP, DARK BROWN |
| 4. 382057-04 | FASTENER COVER CAP, OFF WHITE |
| 5. 382059-01 | KNOB, PUSH/PULL, CHROME |
| 6. 386206 | VENT, LOUVERED, BLACK |
| 7. 382062 | Fastener, finned, .25" |
| 8. 382077 | Post storage clip, pedestal table |
| 9. 382078 | Screen clip |

2008 INTERSTATE MOTORHOME

HARDWARE

Hinges



- 381607 HINGE ASSY-GRASS EURO
1. 381607-01 HINGE-GRASS EURO W/80307 PLASTIC,
CABINETS
2. 381607-02 BASEPLATE, GRASS HINGE
3. 381607-03 BASEPLATE, GRASS PLASTIC
4. 381607-04 HINGE SCREW, GRASS
380458 HINGE PIANO BROWN, SHOWER DOOR
381840-01 HINGE, ROOFLOCKER, SPRING LH #372.
381840-02 HINGE, ROOFLOCKER, SPRING RH #372.
380203-02 PIANO HINGE, BLACK ANODIZED 72"

Bath Accessories

- 602175 TOILET ROLL HOLDER, DRYROLL
382076 SOAP DISPENSER, 3- BOTTLE, CHROME
381923 HANDLE, PULL, 14.25" (USED FOR TOWEL BAR)

2008 INTERSTATE MOTORHOME

HARDWARE

Labels and Tags

386113	LABEL-RVIA GOLD
386082	LABEL THOR, 5.25" X .75'
386123	LABEL "POTABLE WATER ONLY"
386118	Label, LP gas warning/fill
385608	LABEL, SEWER HOSE
385942	LABEL SEWAGE HOLDING TANK
385943	LABEL CAP MUST BE IN PLACE
385062	Decal, 110-125 voltage AC
386147	DECAL-ON/OFF LP REMOTE FILL
386195	Label, warning, wheel lugs
386222	Sticker, curbside rear door handle
386123	LABEL ""POTABLE WATER ONLY""
386122	Warning label/cooking appliance
386121	Label, LP gas warning label (odor)
385465	Exit label, English
386120	Label, smoke detector
385812	LABEL CALIF. HAZARDOUS SUBSTANCE
386119	LABEL "DO NOT STORE COMBUSTIBLE"
386124	LABEL, REFUELING WARNING
385261	CLEANING INSTRUCTION LABEL
386207	LABEL, CAUTION, DOOR STEP
386224	HITCH RATING STICKER

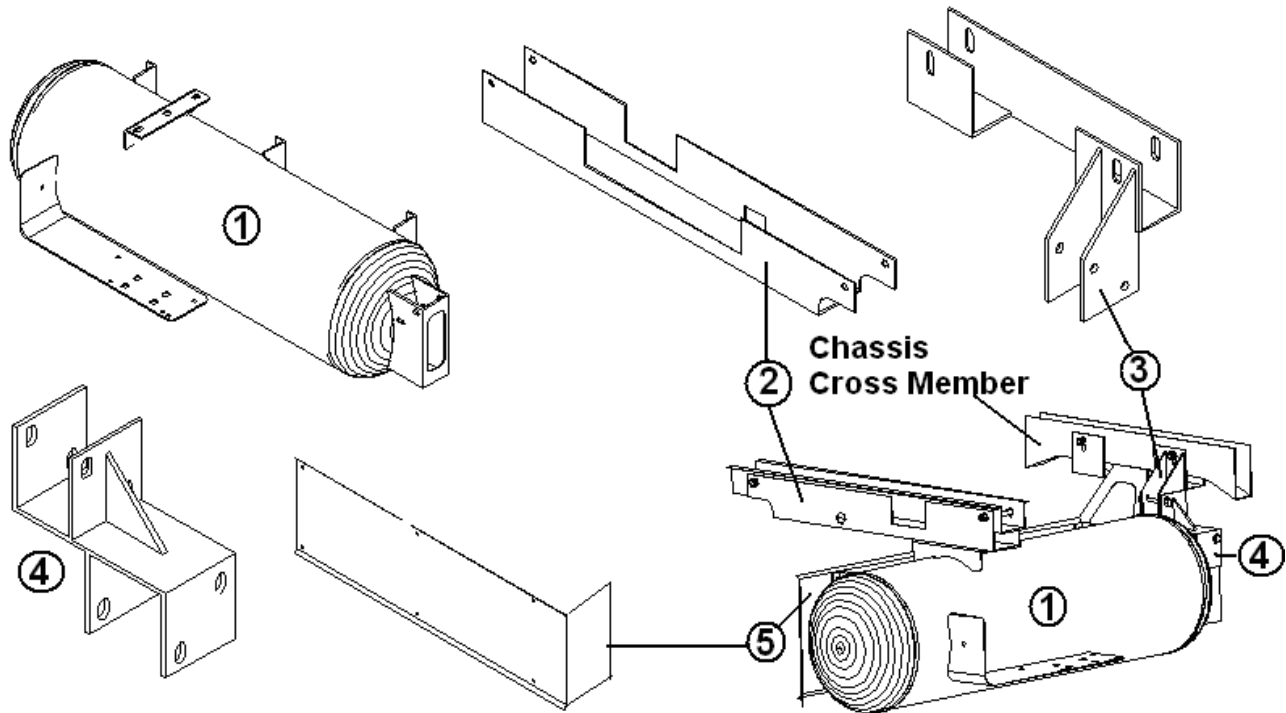
Detectors/Fire Extinguishers

512260	Smoke/Carbon dioxide detector
511309	LPG detector
690381-02	Fire extinguisher

2008 INTERSTATE MOTORHOME

PLUMBING, LPG

LPG Tank/Mounting Brackets/Heat Shield

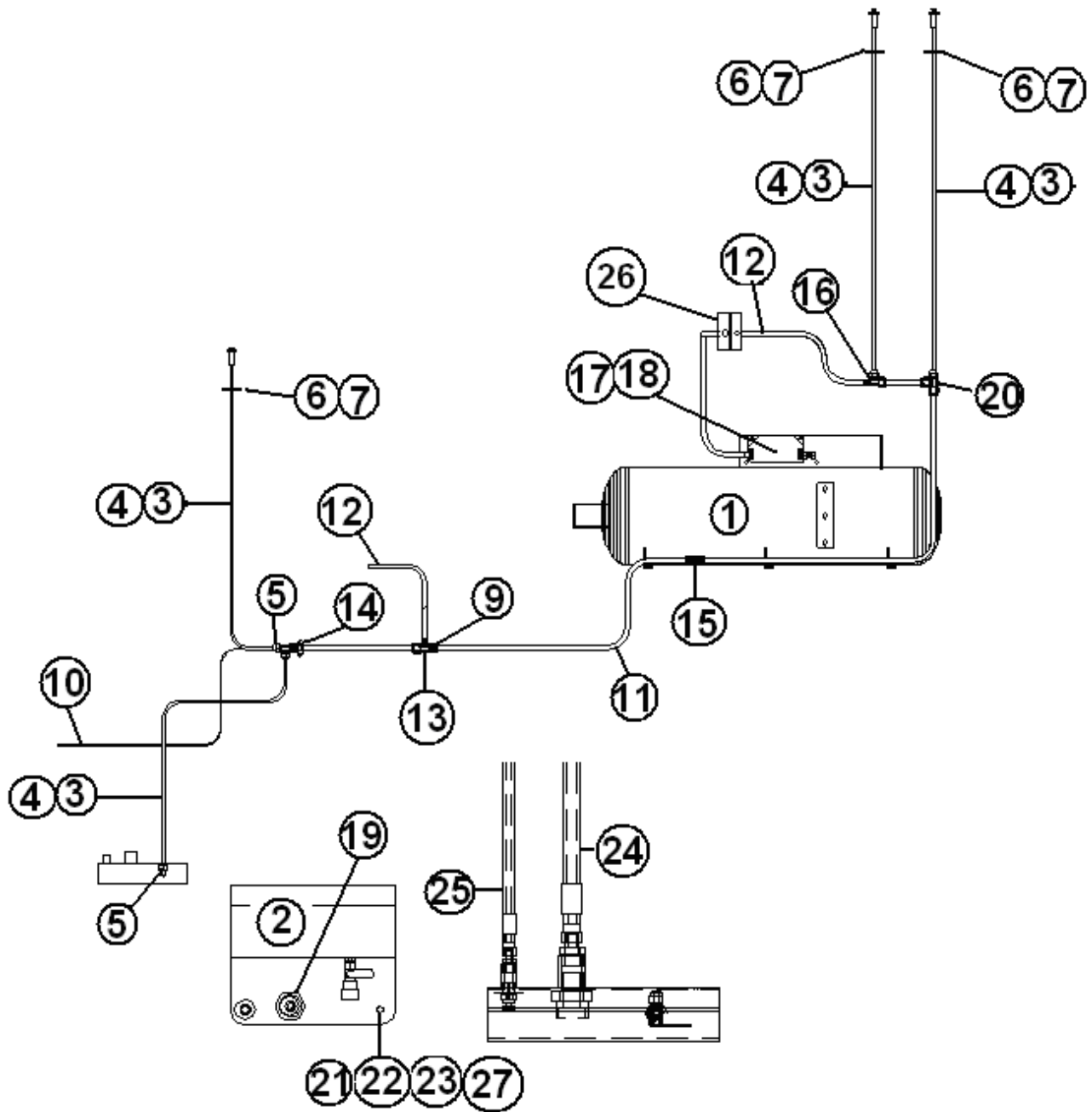


- | | |
|-----------|--------------------------------------|
| 1. 602188 | LP tank |
| 2. 454657 | Mounting bracket, front, LP tank |
| 3. 454658 | Mounting bracket, rear, LP tank |
| 4. 454659 | Mounting bracket, LP tank to chassis |
| 5. 454662 | Heat shield, LP tank |
| 345272-19 | 3/8" x 16 x 3" bolt, GRD 5 |
| 345272-20 | 3/8" x 16 x 4" bolt, GRD 5 |
| 350147-37 | Nut, nylox, 3/8" x 16 |
| 300072-06 | Washer, lock |
| 345084 | Screw, thread cutting, 1/4 x 14 x 1" |

2008 INTERSTATE MOTORHOME

PLUMBING, LPG

LPG System



Part numbers are on the next page.

2008 INTERSTATE MOTORHOME

PLUMBING, LPG

LPG System

1. 602188 LP tank
2. 454680 LPG remote fill assembly, (includes bracket, switch, HOSE 602109-02, and valves)
- 2.454676 Bracket only, LPG remote fill
3. 600008 Tubing, copper, .38" ID
4. 601698-01 Tubing, E-Pex, .5"
5. 600435 Nuts, forged, .38"
6. 380887 Grommet, floor
7. 380886 Grommet, floor
8. 340085-05 Clamp, coy
9. 600436 Nuts, forged, .63"
10. 500839 Wire, copper, ground
11. 600004 Tubing, copper, .63"
12. 602104 Hose, .38" x 48"
13. 600000 Tee, brass, 5/8 x 5/8 x 3/8
14. 600661 Ground fittings,
15. 601661 Nipple, 1/2" brass
16. 600003 Tee, 5/8 x 3/8 x 3/8
17. 601875-05 Cover, regulator
18. 601875-04 Regulator, two stage
19. 602109-03 Dust cap
20. 601472 Tee, 5/8 x 3/8 x 3/8
21. 511805 SWITCH-ROTARY ON/OFF LP VALVE
22. 381852 KNOB LP REMOTE SWITCH
23. 386147 DECAL-ON/OFF LP REMOTE FILL
24. 602207 LP hose, 1/2" x 120" long
25. 602206 LP hose, 1/4" x 120" long
26. 454686 LP Regulator hose stand off bracket
27. 602109-02 Hose quick disconnect, grille port
- 602208 Fitting, 1.5" MPT x 1.5" barb
- 602210 Fitting, barb x male pipe

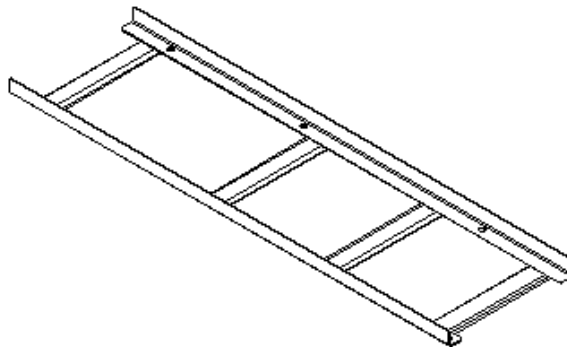
2008 INTERSTATE MOTORHOME

PLUMBING, FRESHWATER

Freshwater Tank/Gravity Water Fill System

602184	TANK, FRESH WATER 27GALLON
602187	Water pickup tube, elbow w/15" tube
454664-01	Rod, freshwater tank, 14"
454664-02	Rod, freshwater tank, 12.75"
454664-03	Rod, freshwater tank, 13.5"
602208	Fitting, 1.5" MPT x 1.5" barb
602210	Fitting, brass, .625" barb x .75" MPT
602209-01	Hose, Garden type, white, 5/8" ID
602209-02	Hose, Garden type, white, 3/4" ID
602198	Hose, water fill, 1.5"
602198-01	Hose, vent, potable water, 2" ID
511812	Pad, heating
203634	Styrofoam, 1" x 48" x 96"
602190	Water fill, gravity
203648	Close off, water tank, plastic

Fresh Water Tank Support Assembly

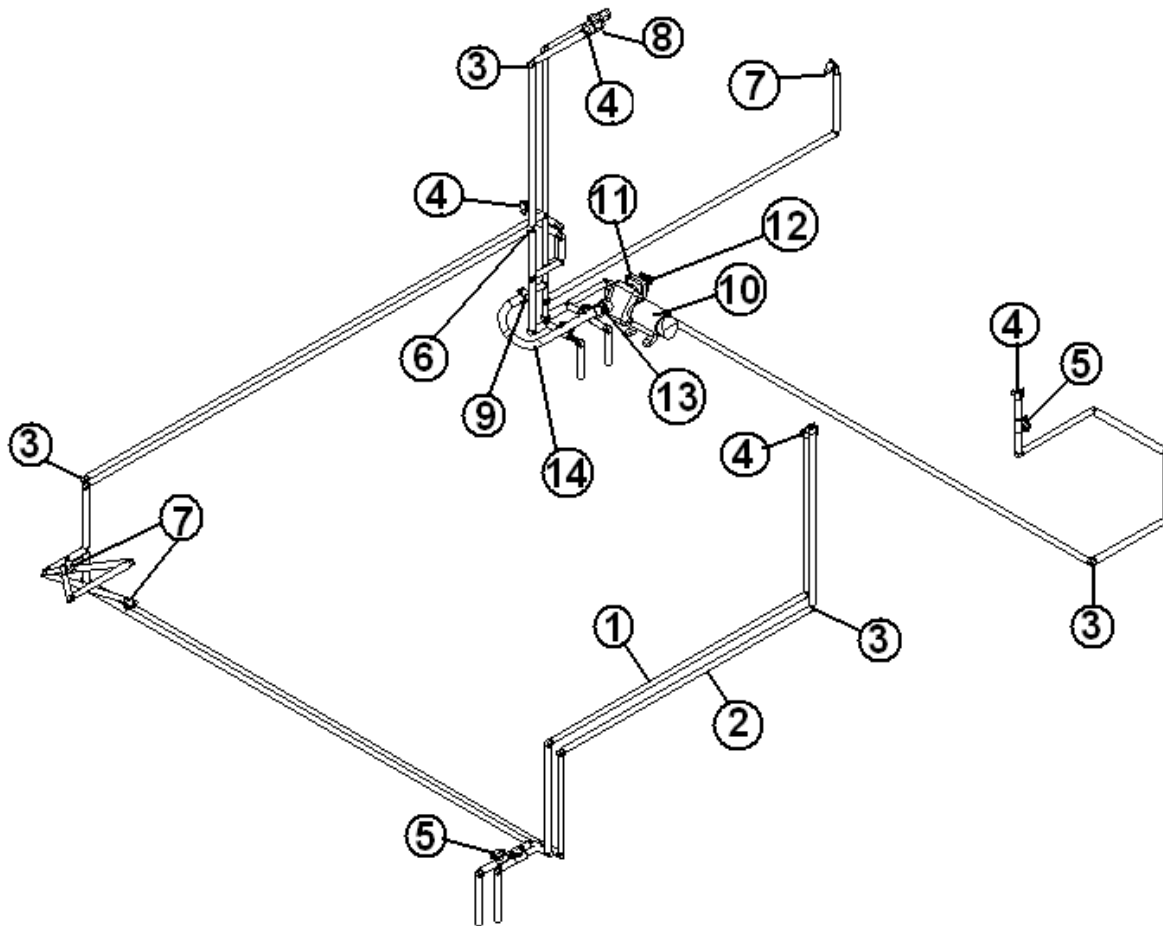


454661	Fresh water tank support assembly
--------	-----------------------------------

2008 INTERSTATE MOTORHOME

PLUMBING, FRESHWATER

Freshwater System/Tank/Gravity Water Fill

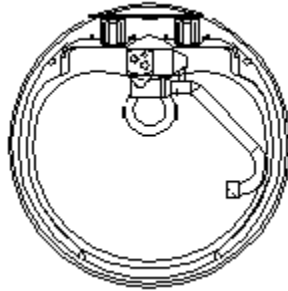


- | | |
|---------------|-------------------------------------|
| 1. 601698-01 | E-Pex tube, 1/2" |
| 2. 601698-21 | TUBING E-PEX 1/2" RED |
| 3. 601698-10 | Elbow 1/2" barb x 1/2" barb |
| 4. 601698-03 | Coupler, 1/2" barb x 1/2" FPT |
| 4. 602217 | Rubber washer, exterior shower |
| 5. 601698-22 | Shut-off, 1/2" barb x 1/2" barb |
| 6. 601698-11 | Tee, 1/2" x 1/2" x 1/2" |
| 7. 601698-05 | Elbow 1/2" barb x 1/2" FPT |
| 8. 600139 | Check valve |
| 9. 601698-02 | Coupler, 1/2" barb x 1/2" MPT |
| 10. 602177-01 | Water pump, Flojet |
| 11. 602177-02 | Strainer assembly, mini |
| 12. 602177-03 | Pump port, quick connect, 3/4" barb |
| 13. 602177-04 | Pump port, quick connect, 1/2" barb |
| 14. 602186 | Flex hose, 20" w/swivel connection |

2008 INTERSTATE MOTORHOME

PLUMBING, FRESHWATER

Faucet & Sink Assembly, Galley

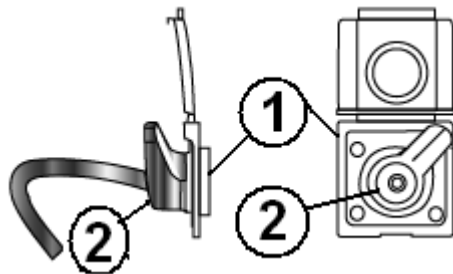


- 602197 SINK & FAUCET ASSEMBLY, GALLEY
- 602149 SINK ONLY, GALLEY
- 602153 FAUCET ONLY, WATER TAP, STAINLESS STEEL
- 195362-39 Strainer, 2"

Faucet, Wet Bath

- 602193 Faucet, pullout, wet bath
- 602193-01 Bracket, shower head
- 801806 Backer, faucet (installed under faucet for support)

Shower, Exterior



- 1. 602189-01 SHOWER BASE OUTLET
- 2. 602189-02 SHOWER HOSE/VALVE
- 3. 602189-03 SHOWER DECAL

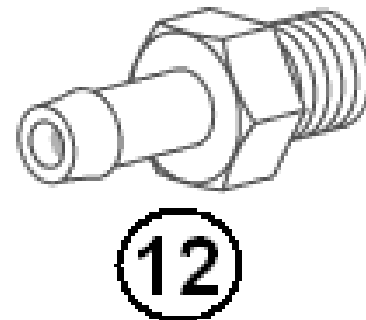
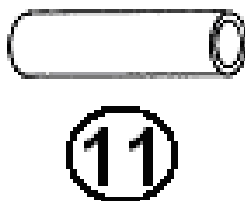
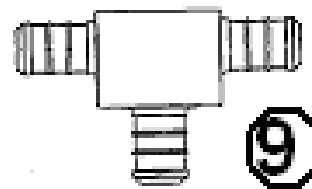
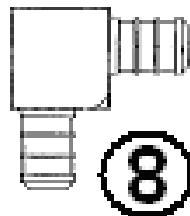
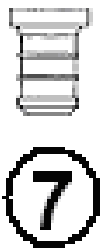
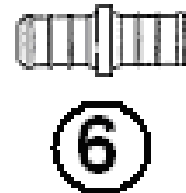
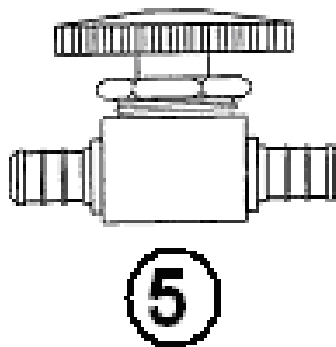
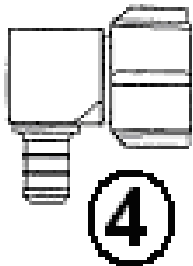
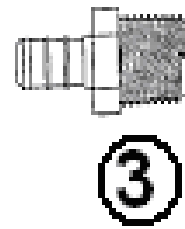
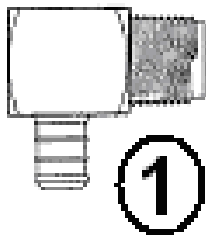
City Water Hook Up

- 601392-05 City water hookup w/regulator
- 602198 Hose, potable water

2008 INTERSTATE MOTORHOME

PLUMBING, FRESHWATER

Fresh Water Fittings



Part Numbers Are On The Next page

2008 INTERSTATE MOTORHOME

PLUMBING, FRESHWATER

Fresh Water Fittings

- | | |
|---------------|--------------------------------------|
| 1. 601698-04 | Elbow, 1/2" barb x 1/2" MPT |
| 2. 601698-03 | Coupler, 1/2" barb x 1/2" FPT |
| 3. 601698-02 | Coupler, 1/2" barb x 1/2" MPT |
| 4. 601698-05 | Elbow 1/2" barb x 1/2" FPT |
| 5. 601698-22 | Shut-off, 1/2" barb x 1/2" barb |
| 6. 601698-08 | Coupler, 1/2" x 1/2" barb |
| 7. 601698-09 | Plug, 1/2" barb |
| 8. 601698-10 | Elbow 1/2" barb x 1/2" barb |
| 9. 601698-11 | Tee, 1/2" x 1/2" x 1/2" |
| 10. 601698-15 | Crimp ring, 1/2" E-Pex, 1/2" (black) |
| 11. 601698-01 | E-Pex tube, 1/2" |
| 11. 601698-21 | TUBING E-PEX 1/2" RED |
| 12. 602199 | Adaptor, 3/8" barb x 1/2" MIP |
| 203085 | PLUG WATER LINE 1/2" PLASTIC B |
| 601238 | ADAPTOR 1.25 MPT X 1.25 BARB |

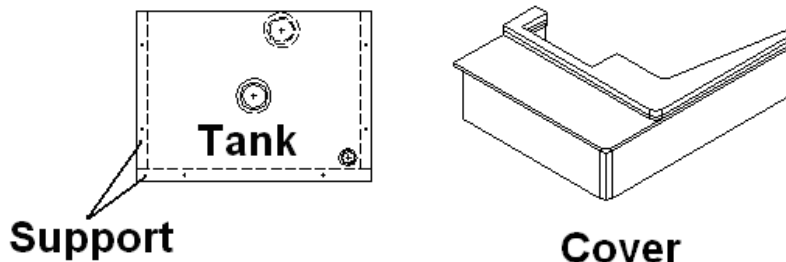
2008 INTERSTATE MOTORHOME

PLUMBING, DRAIN

Tanks/Valves/Heating Pad

602182	Black water tank
602191	Grey water tank
511813-01	VALVE, ELECTRIC, WASTE
511813-03	SWITCH, VALVE, ELECTRIC WASTE
511812	PAD-HEATING HOLDING TANK #TH-718
511813-04	SWITCH CABLE W/CONNECTORS, HEATING PAD

Support & Cover, Black Tank

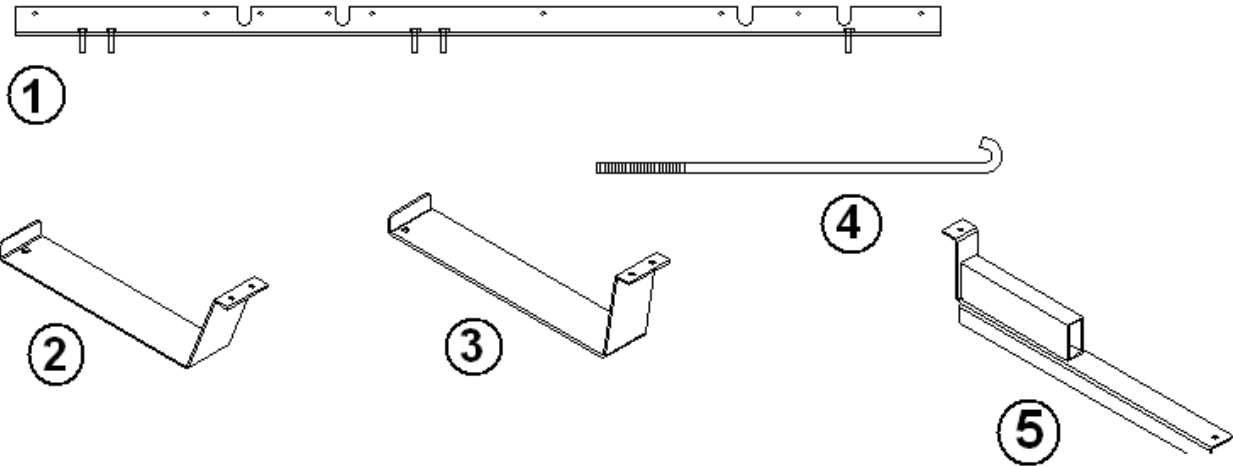


967316	Cover assembly, black tank
203643	Cover, black tank, upper
203644	Pocket, black tank vent
203645	Cover, black tank lower
801415	Corner trim, 1" radius

2008 INTERSTATE MOTORHOME

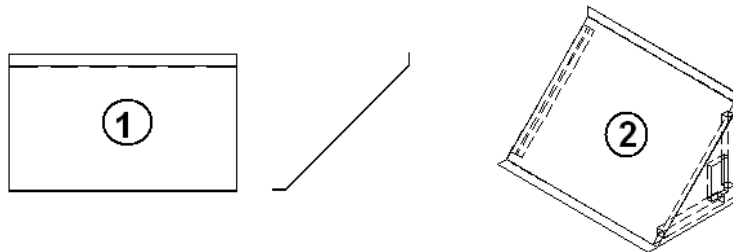
PLUMBING, DRAIN

Support Rod/Brackets, Gray Tank



- | | |
|-----------|----------------------------|
| 1. 454688 | Bracket, gray tank |
| 2. 454689 | Bracket, gray tank, front |
| 3. 454690 | Bracket, gray tank, middle |
| 4. 454687 | Rod, gray tank |
| 5. 454691 | Bracket, gray tank, rear |
| 386223 | Rubber isolator material |

Plumbing Close Outs

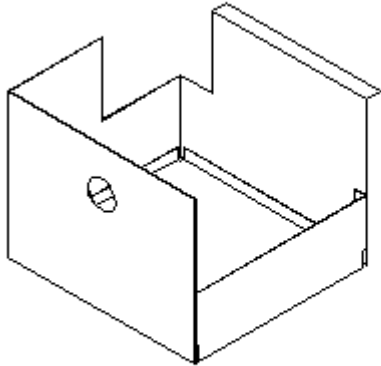


- | | |
|-----------|------------------------------|
| 1. 115424 | Plumbing close out, roadside |
| 2. 967320 | Plumbing close out, curbside |

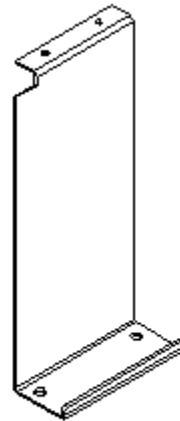
2008 INTERSTATE MOTORHOME

PLUMBING, DRAIN

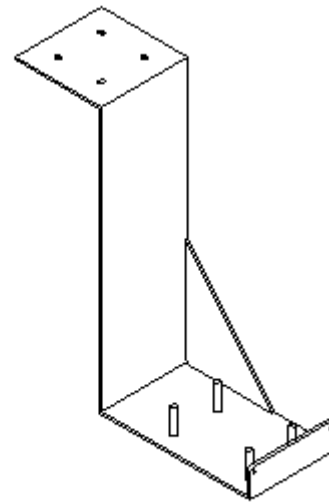
Macerator Pump System



454693



454692



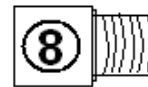
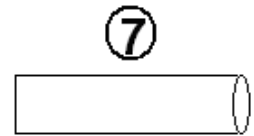
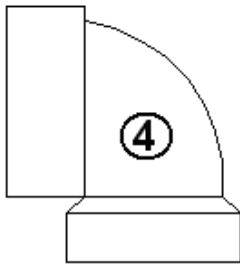
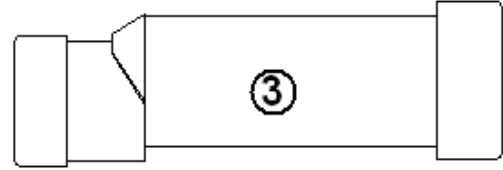
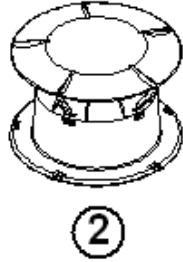
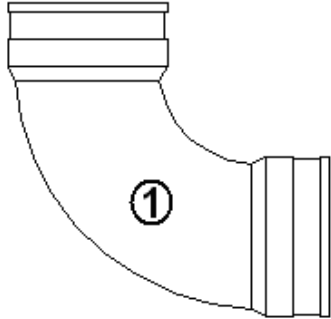
602205-02

454693	Box, macerator pump hose reel
454692	Bracket, drain plumbing
602205-02	Mounting bracket
602176	Macerator pump
602186	Hose, 20" flex
512323	Hose reel w/hose, macerator pump
454683	Hose reel mounting bracket
602205-01	20 amp switch
602205-03	1/4" self tapping screws
602205-04	Adaptor for 3" connection hose
602205-05	3" flexible connection hose, 3' long, w/2 clamps
602205-07	3/4" barb adaptor
602205-08	3/4" transparent hose, 12" long
602205-09	Valve adaptor, 1" to 3/4"
602205-10	Valve, drip proof, w/2 adaptors for reel hose
602205-11	Hose clamp, stainless steel, 1"
602205-12	Instruction sticker

2008 INTERSTATE MOTORHOME

PLUMBING, DRAIN

Plumbing Fittings

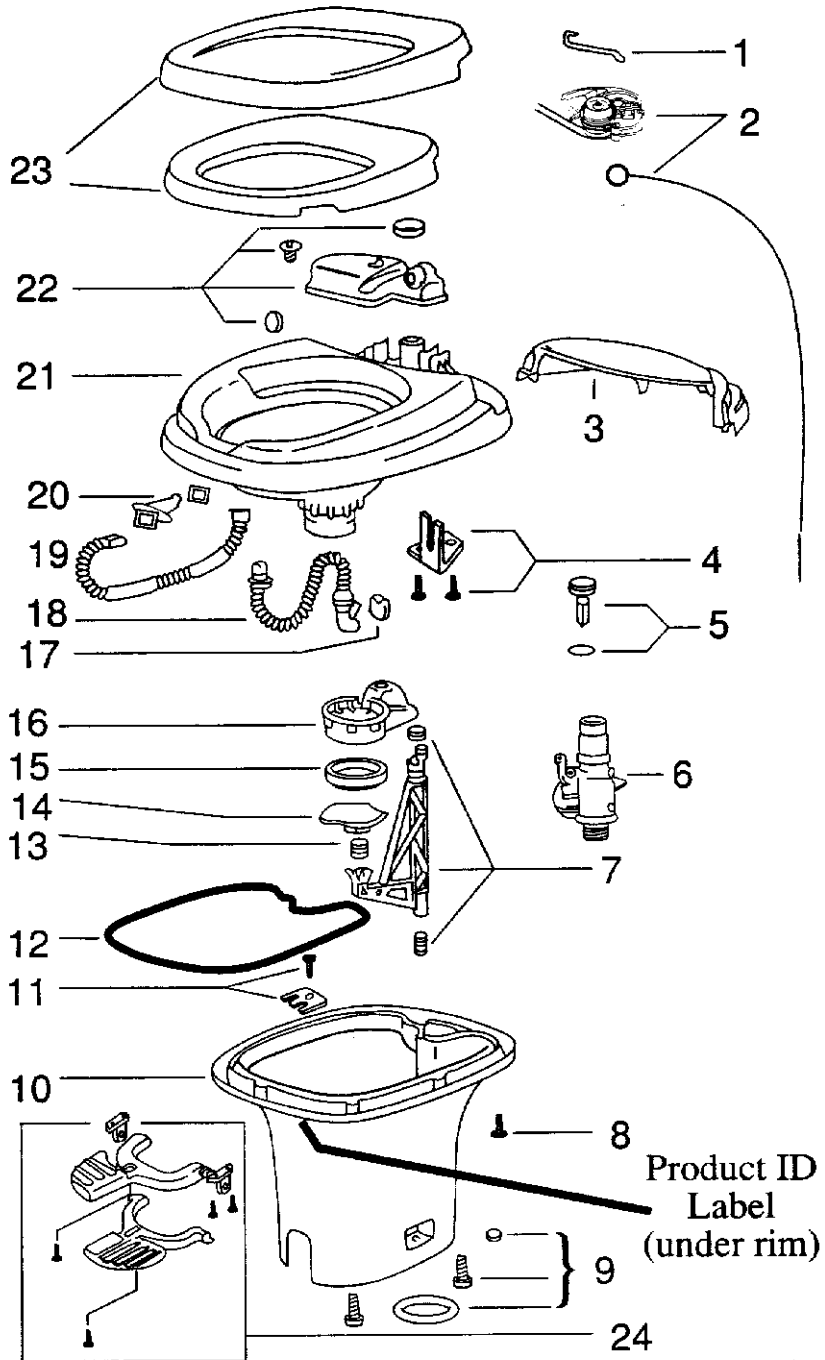


- | | |
|--------------|--|
| 1. 602181 | ELBOW, 3" FLEXIBLE |
| 2. 690601 | COVER, TANK VENT, BLACK |
| 3. 690603-01 | Valve, HEPVO, waste |
| 4. 690603-02 | Adaptor, angle |
| 5. 601267-04 | NIPPLE, 3", THREADED ONE END, 10" LONG |
| 6. 602196 | Elbow, Slip x slip, 1.25", PVC |
| 7. 602195 | Pipe, 1.25" white PVC |
| 8. 602194 | Adaptor, PVC, 1.125 hub x MPT |
| 602200 | Coupling, 1.25", flexible |
| 602201 | Coupling, 1.5", flexible |
| 602211 | PLUG, .75" MPT PLASTIC |
| 602212 | ADAPTER, 1.5" FPT X 1.5", SLIP, PVC |
| 602213 | ADAPTER, 1.5" SPIG. X 1.5" MPT PVC |
| 602214 | ADAPTER, 1.5" MPT X 1.5", SLIP PVC |
| 602215 | BUSHING, 1.5" X 1.25", PVC |

2008 INTERSTATE MOTORHOME

PLUMBING, DRAIN

Toilet



P/N Next Page

2008 INTERSTATE MOTORHOME

PLUMBING, DRAIN

Toilet w/o Water Saver

690495-02	Toilet complete, Aqua Magic IV
1. 690387-513	Water valve link
2. 690387-571	Wire replacement package
3. 690387-562	Mechanism cover, white
4. 690387-634	Bracket assembly
5. 690387-631	Float assembly
6. 690387-168	Water valve replacement package
7. 690387-632	Actuator assembly
8. 690387-659	Screw base to bowl
9. 690387-524	Closet bolt package
10. 690387-356	Base, white, low
10. 690387-062	Base, white, high
11. 690387-636	Retainer assembly
12. 690387-387	Sealant, base to bowl
13. 690387-519	Blade spring
14. 690387-262	Blade
15. 690387-481	Blade seal
16. 690387-520	Blade track
17. 690387-512	Flapper
18. 690387-511	Overflow tube
19. 690387-509	Flush tube
20. 690387-637	Nozzle assembly
21. 690387-726	Bowl
22. 690387-630	Reservoir tank assembly
23. 690387-162	Seat and cover assembly
24. 690387-821	Pedal package

2008 INTERSTATE MOTORHOME

SEALER/GASKETS/UNDERCOATING

SEALER

360001	Sealant, #884058
360268-01	SEAL LIQUA ELASTOMIC ROOF WHITE
360323	Sealant, Sikaflex #227, white
360324	Sika Lick, spray bottle
360323-01	Sealant, Sikaflex #227, black, tube
360180	ADHESIVE SEAL, SIKAFLEX 221
365190	SEAL RUBBER ADHESIVE, ¾" X 3
360074	SEALANT, GE RTV 102, WHITE, 3 OZ.

Under Coating

360327	Undercoating, 17 Oz. Aerosol can
--------	----------------------------------

GASKETS

365314	SEAL, CLOSED CELL FOAM.75"X.75", battery box
365315	SEAL, FOAM SHEET, .13" X 57"W, battery box
365185-20	2" GASKET TAPE, Black tank

2008 INTERSTATE MOTORHOME

UPHOLSTERY/SOFA/SEATS

Driver/Passenger Seat/Skirt

- 703764-379 Skirt, driver's seat pedestal, tan, 2-tone
- 703764-389 Skirt, driver's seat pedestal, grey, 2-tone
- 703765-379 Skirt, passenger's seat pedestal, tan, 2-tone
- 703765-389 Skirt, passenger's seat pedestal, grey, 2-tone
- *703758-379 Front cab chair, Tan 2-tone
- *703758-389 Front cab chair, Gray 2-tone

*Cab captain chairs come with chassis. Airstream sends the chairs out to be recovered to the motorhome color scheme.

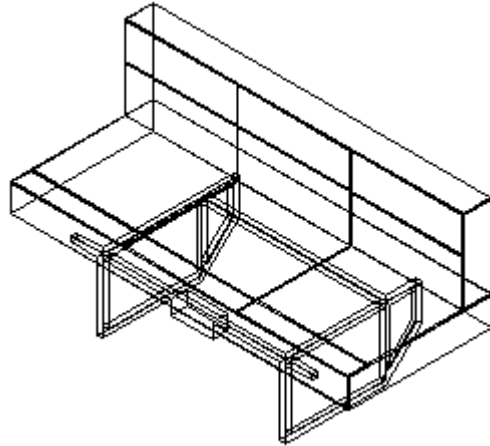
Chairs, Captains, 2nd Row

- 703756-379 Chair w/seat belt, Tan
- 703756-389 Chair w/seat belt, Gray

2008 INTERSTATE MOTORHOME

UPHOLSTERY/FOAM/MATTRESS

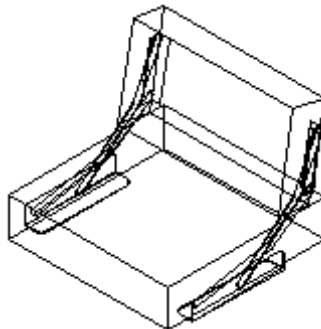
Sofa, Power



703755-379L Sofa, power w/2 armrests, Tan leather

703755-389L Sofa, power w/2 armrests, Gray leather

Sofa, Manual 29" Jackknife



703757-379L Sofa, jackknife, 29", Tan leather

703757-389L Sofa, jackknife, 29", Gray leather

Shower Curtain

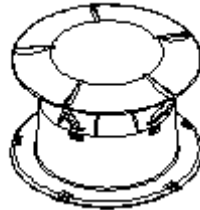
998202 Shower curtain assembly

100097 Curtain track

2008 INTERSTATE MOTORHOME

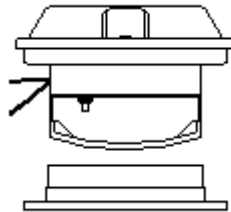
VENTS/FANS

Roof Vent, Holding Tanks



690601 COVER, TANK VENT, BLACK
203640 CEILING SPACER, TANK VENT

Bath Power Vent



690266-04 VENT W/2" WHITE GARNISH
203639 CEILING SPACER, BATH VENT

Power Vent, Ceiling

382058 Maxx Vent, exhaust only
115403 Vent frame assembly, roof

