

***BASE CAMP
TRAVEL TRAILER***

***PARTS
BOOK***

2008

2008 BASE CAMP TRAVEL TRAILER TABLE OF CONTENTS

SECTION I, A through C

APPLIANCES

Air Conditioner	I-1
Cook Top	I-1
Refrigerator	I-1

SHELL

Body, Fiberglass	I-2
Decals/Medallions/Trim	I-2
Exterior Skin	I-3
Nerf Bar	I-7
Reflectors	I-7
Roof	I-8
Tent	I-8
Floor	I-9
Interior Skin	I-11
Console, Roadside	I-17
Gear Poles	I-18
Console, Curbside	I-19
Interior Trim	I-20
Headliners	I-21
Tent Closeout Assemblies	I-22

CHASSIS

Axles, Tires, Wheels	I-23
Battery Compartment	I-23
Step	I-24
Step Ramp	I-28
Hitch Jack, Safety Chains	I-28
Jacks, Stabilizing	I-28
Shell Attachment	I-28

2008 BASE CAMP TRAVEL TRAILER TABLE OF CONTENTS

SECTION II, D through H

DOORS/WINDOWS

Doors, Rear	II-1
Windows	II-13
Drapes	II-16

ELECTRICAL

110 volt	II-17
12 volt	II-18
Exterior Lights	II-19
Tail Lights	II-19

ENTERTAINMENT

Radio/Speakers/Antenna	II-20
Television Antenna/Jacks	II-20

FASTENERS

Rivets	II-21
------------------------------	-------

FURNITURE DRAWINGS & CHARTS

Galley	II-22
Lounge	II-29

2008 BASE CAMP TRAVEL TRAILER TABLE OF CONTENTS

SECTION III L through Z

LABELS and TAGS III-1

PLUMBING

LPG III-2

Fresh Water III-9

Drain Water III-10

Toilet III-10

SAFETY EQUIPMENT III-11

SEALER/GASKETS/PAINT III-12

UPHOLSTERY/FOAM/MATTRESS III-13

VENTS/FANS/SKY LIGHT III-14

2008 BASE CAMP TRAVEL TRAILER

APPLIANCES

Air Conditioner

690566	A/C- 5000 BTU WIRLPOOL
203548	TRIM RING AIR CONDITIONER
115335	BAFFLE, AC
203611	A/C PAN, ABS
454574-01	AC MOUNTING BRACKET, RH
454574-02	AC MOUNTING BRACKET, LH

Cook Top

690576	COOKTOP, SINGLE BURNER, SMEV
602109-02	HOSE, 48" .25", MPTX QD

Refrigerator Freezer

690569	REFER/FREEZER 1.1 CU FT.
--------	--------------------------

2008 BASE CAMP TRAVEL TRAILER

EXTERIOR SHELL

BODY, FIBERGLASS

203562	BODY-MAIN-FIBERGLASS
203563	STEP-FIBERGLASS W/FRAME
203564	DOOR-ROADSIDE-FIBERGLASS
203565	DOOR-CS-FIBERGLASS
203566	FOOT-ROOF TUBE-FIBERGLASS
203567-01	WHEEL WELL FIBERGLASS R/S
203567-02	WHEELWELL-FIBERGLASS C/S
454537	CLOSEOUT-FWD WHEELWELL
801694	SPACER, SIDEWALL/FLOOR, 1" X 12"
801695-01	SPACER, SKELETON/FLOOR, .75" X 1" X 3"
801695-02	SPACER, SKELETON/FLOOR, .5" X 1" X 3"
801695-03	SPACER, SKELETON/FLOOR, .25" X 1" X 3"

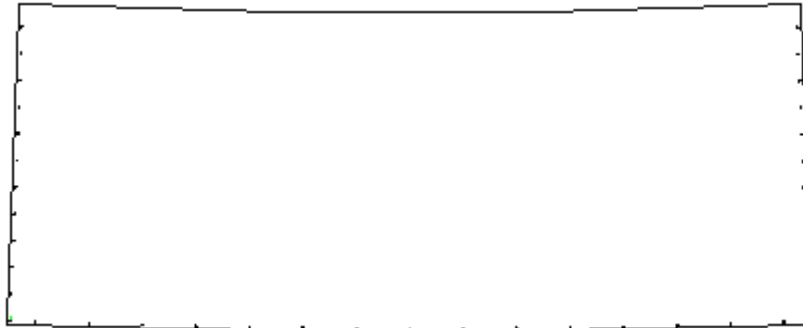
Decal/Medallions/Trim

386185	DECAL, 1.25"x 84", SILVER BLACK
386186	NAMEPLATE BASECAMP LOGO, FLAT
386186-01	NAMEPLATE, BASECAMP LOGO RADIUS
203589	MOLDING, ROOF EDGE .5" CHROME
386151	DECAL, AIRSTREAM 1.3"X 16" BLK

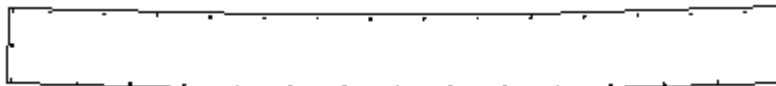
2008 BASE CAMP TRAVEL TRAILER

EXTERIOR SHELL

Exterior Skin



115321-01 SKIN, EXTERIOR FRONT BOTTOM



115321-02 SKIN, EXTERIOR FRONT, MIDDLE

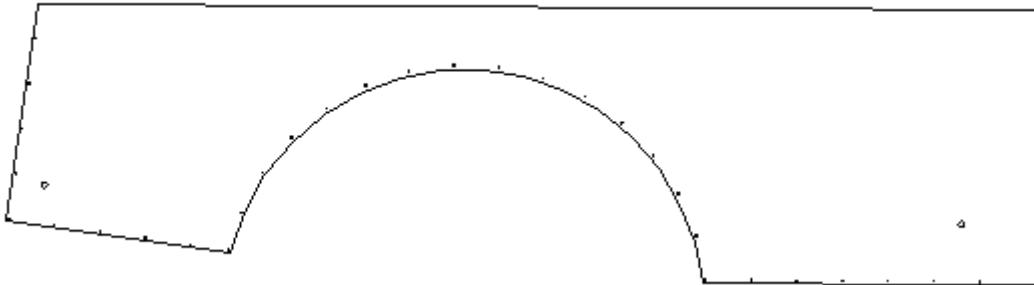


115321-03 SKIN, EXTERIOR FRONT, TOP

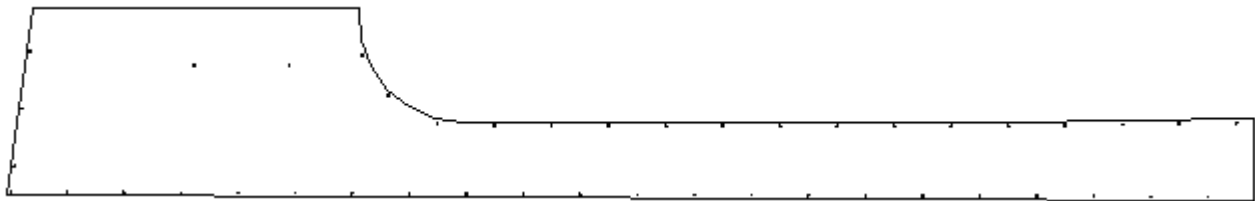
2008 BASE CAMP TRAVEL TRAILER

EXTERIOR SHELL

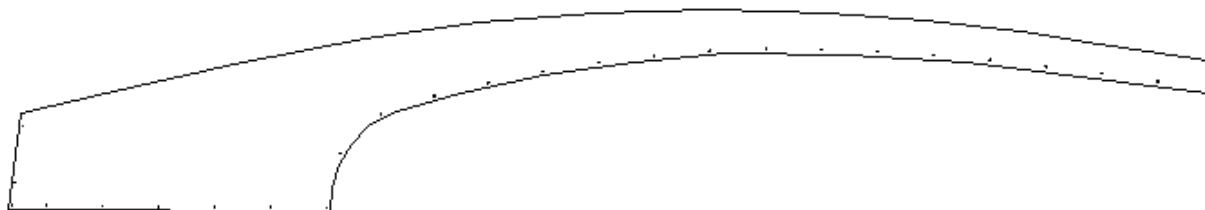
Exterior Skin



115321-04 Exterior Skin, Curbside Middle Bottom



115321-05 Exterior Skin, Curbside Middle

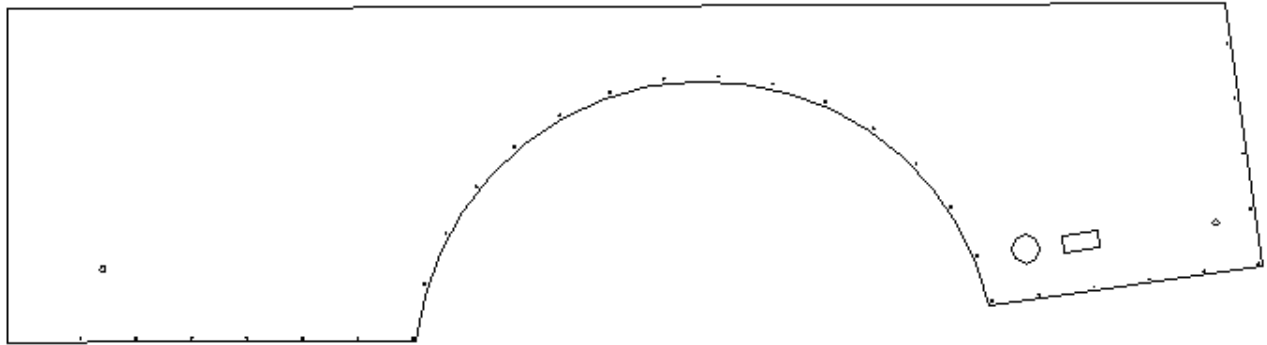


115321-06 Exterior Skin, Curbside Top

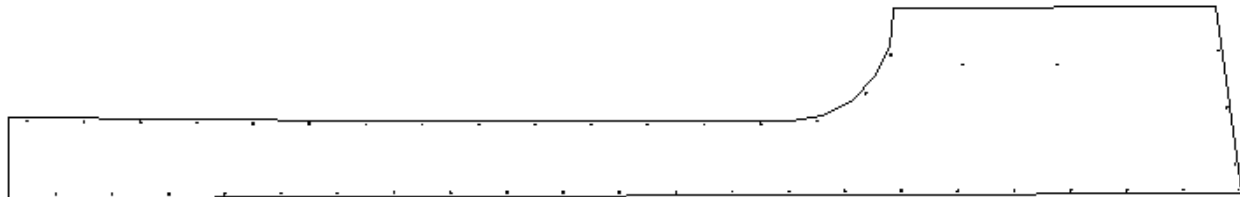
2008 BASE CAMP TRAVEL TRAILER

EXTERIOR SHELL

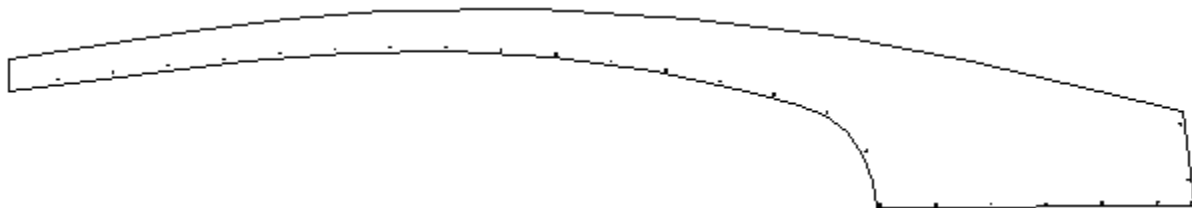
Exterior Skin



115321-07 Exterior Skin, Roadside Middle Bottom



115321-08 Exterior Skin, Roadside, Middle



115321-09 Exterior Skin, Roadside Top

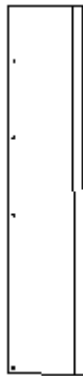
2008 BASE CAMP TRAVEL TRAILER

EXTERIOR SHELL

Exterior Skin



115321-10 Exterior Skin, Curbside Rear Top



115321-11 Exterior Skin, Curbside Rear Bottom



115321-12 Exterior Skin, Roadside Rear Top

2008 BASE CAMP TRAVEL TRAILER

EXTERIOR SHELL

Exterior Skin



115321-13 Exterior Skin, Roadside Rear Bottom

Nerf Bar Caps

381972 CAP-4" NERF BAR BC

Reflectors

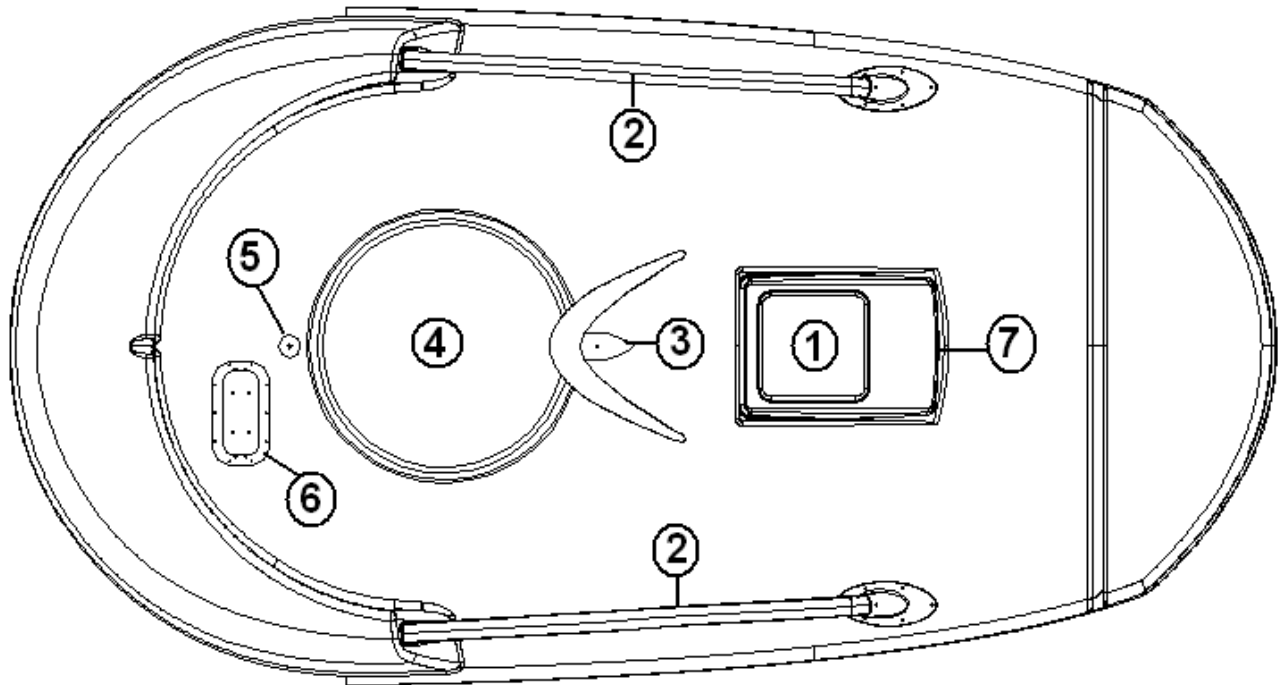
510446 REFLECTOR, RED, STICK-ON

510446-01 REFLECTOR-STICK-ON-AMBER

2008 BASE CAMP TRAVEL TRAILER

EXTERIOR SHELL

Roof



- | | |
|--------------|------------------------------------|
| 1. 381606-01 | VENT, ROOF 14"X14" NON POWER WHITE |
| 2. 454551 | Roof Bars |
| 2. 203566 | ROOF RACK TUBE MOUNTING BRACKET |
| 3. 511864 | Antenna, TV |
| 4. 372251 | Skylight glass |
| 5. 511807 | Radio antenna |
| 6. 382020 | Vent, Low Profile, aluminum |
| 7. 381953 | Maxx Air power fan |

Kelty Tent

381967 TENT- KELTY

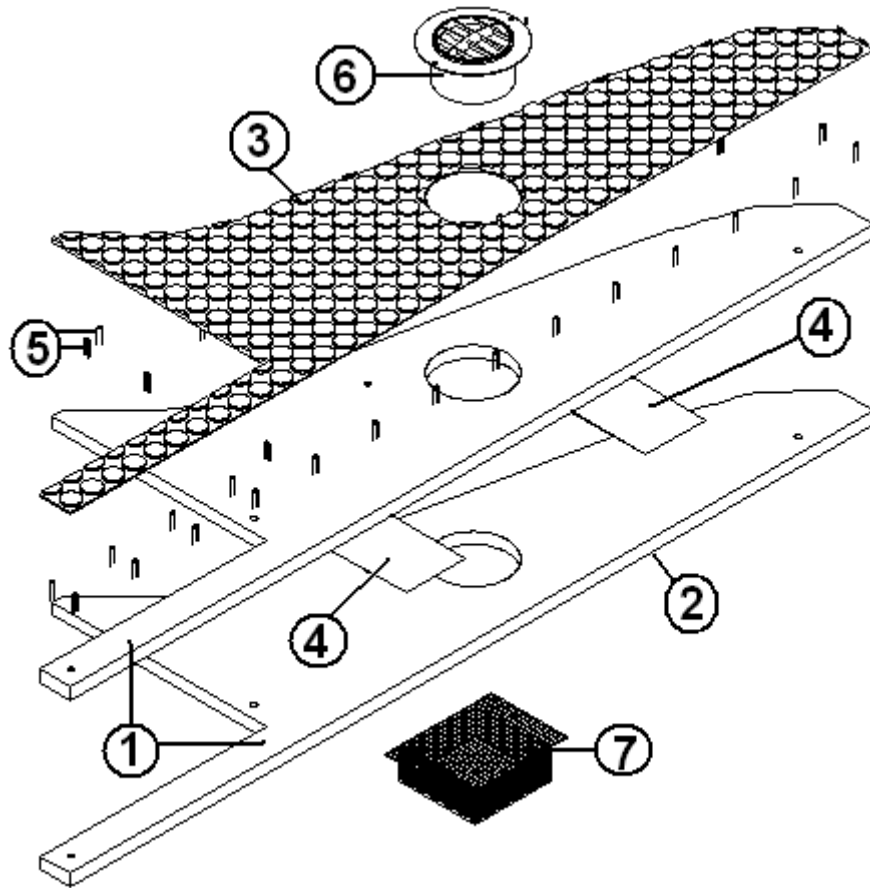
Front lower body protector

203561 FILM, BODY PROTECT KIT

2008 BASE CAMP TRAVEL TRAILER

INTERIOR SHELL

FLOORING, WING ASSEMBLIES



- | | |
|--------------|----------------------------------|
| 1. 966643-01 | WING-RS CUTOUT |
| 1. 966643-02 | WING-CS CUTOUT, OPPOSITE |
| 2. 702754 | UNDERBELLY DARCO 105" WIDE BLACK |
| 3. 703560 | FLOORING-RUBBER COIN BLACK |
| 4. 452276 | STEEL 20 GA GALVANIZED |
| 5. 340025-05 | 1/2" CRN, 1/4" LEG, GALV, PLAIN |
| 5. 340025-15 | FASTENER 1/4" CRN, 1" LEG |
| 6. 601337 | 4" ROTO VENT W/SHUT-OFF BLACK |
| 7. 454576 | CLOSEOUT-RAM AIR VENT |
| 380228 | WIRE HARDWARE CLOTH |

2008 BASE CAMP TRAVEL TRAILER

INTERIOR SHELL

FLOORING, SUB STRUCTURE

915854	WELDMENT-FLOOR
801640-01	CUTOUT-FWD FLOOR TOP
801640-02	CUTOUT-FLOOR FWD BOTTOM
801640-03	CUTOUT-FLOOR BOTTOM MID
801640-04	CUTOUT-FLOOR BOTTOM AFT
801309-02	FLOORING, PARTICLE BOARD, 3/8"X 96"X 120"
800507-01	LAUAN, 1/8" X 4' X 8'
203075-03	STYROFOAM SHEET, 1"
702754	UNDERBELLY, DARCO 105", WIDE BLACK
345431	HUCK, FLOORTIGHT FASTENER

FLOOR COVERING

350182	PLATE, WELD NUT FLOOR, TIE DOWN
381952	LOOP, TIE DOWN, SINGLE, BOLT
703560	FLOORING, RUBBER COIN, BLACK
703560-01	ADHESIVE, HYDRA FAST
300143	WASHER, LOCK 1/2", 9/16" ID
300144	WASHER, FLAT, 2.00"O.D., 9/16" I.D
345438	BOLT, 1/2", 13 X 4.0" BLACK
345437	BOLT, 1/2", 13 X 3.0"

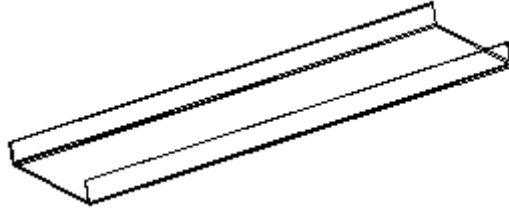
TRACK FLOOR CARGO SYSTEM AND COVER

382006-01	RAPID AERO TRACKER SYSTEM W/COVER
382006-02	24" TRACK W/CAPS & COVER

2008 BASE CAMP TRAVEL TRAILER

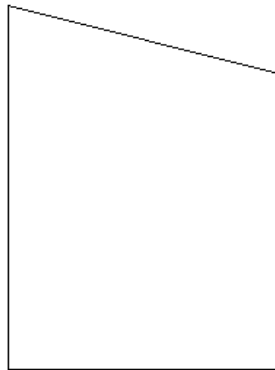
INTERIOR SHELL

BACKER, FORWARD SOFA, 14.25"



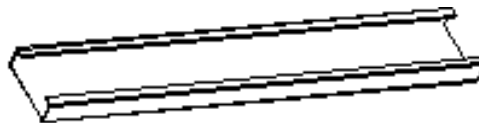
115340 BACKER, FORWARD SOFA, 14.25"

BACKER, TV MOUNTING



115351 BACKER, TV MOUNTING

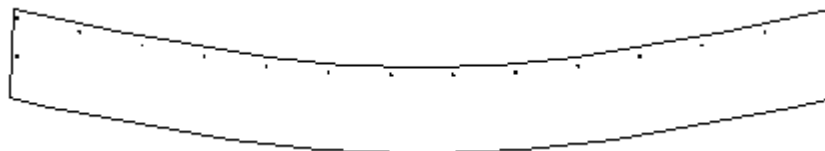
BACKERS, AFT SOFA



115339-01 BACKER, AFT SOFA 9"

115339-02 BACKER, SOFA 23"

INNER SKIN, FRONT TOP

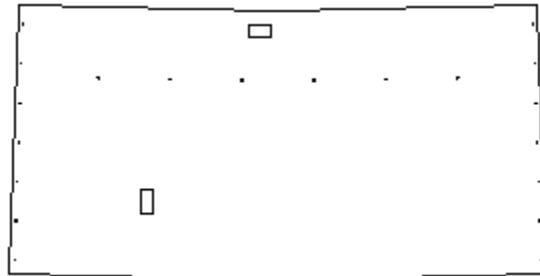


115352-01 INNER SKIN, FRONT TOP

2008 BASE CAMP TRAVEL TRAILER

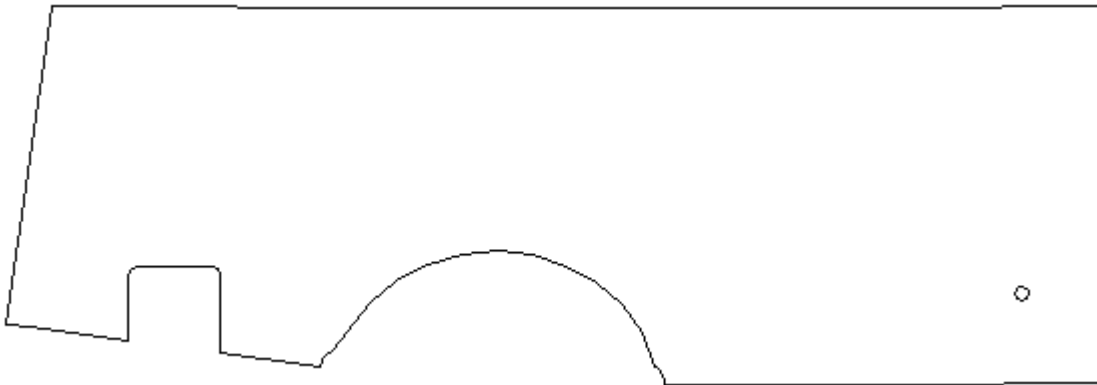
INTERIOR SHELL

INNER SKIN, FRONT BOTTOM



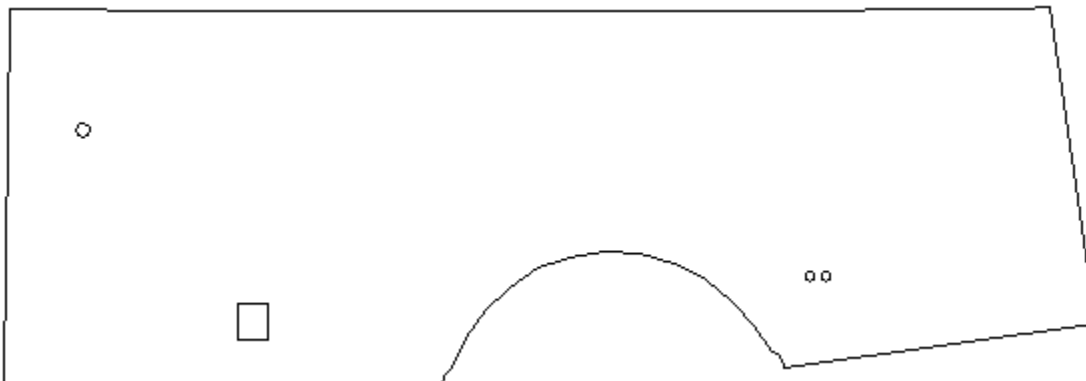
115352-02 INNER SKIN, FRONT BOTTOM

INNER SKIN, ROADSIDE BOTTOM



115352-03 INNER SKIN, ROADSIDE BOTTOM

INNER SKIN, CURBSIDE BOTTOM

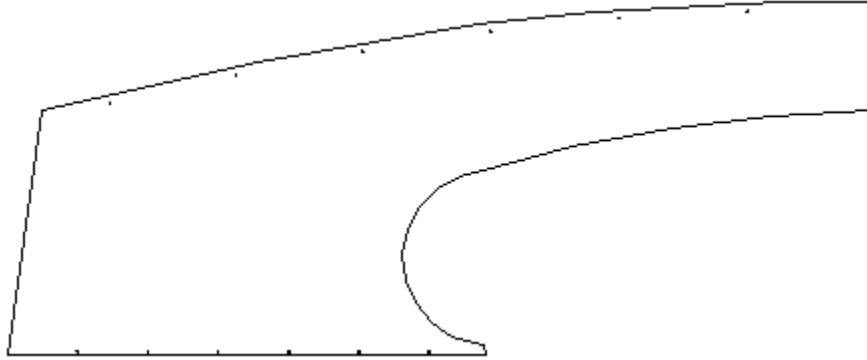


115352-04 INNER SKIN, CURBSIDE BOTTOM

2008 BASE CAMP TRAVEL TRAILER

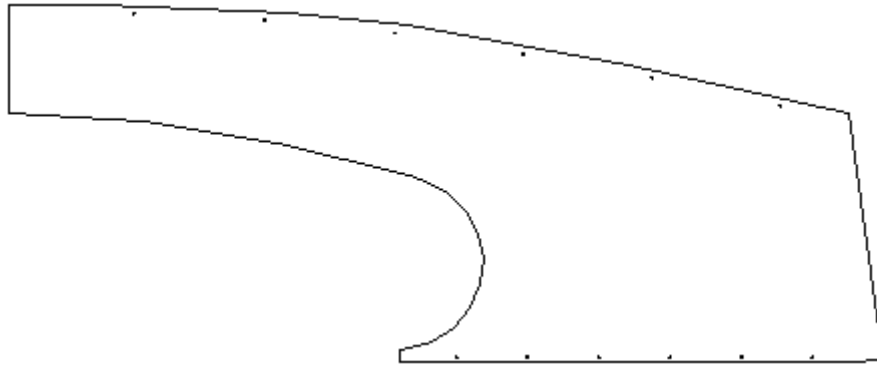
INTERIOR SHELL

INNER SKIN, ROADSIDE REAR TOP



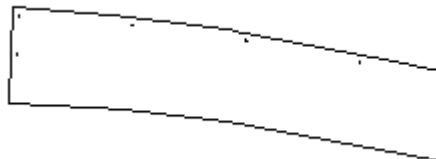
115352-05 INNER SKIN, ROADSIDE REAR TOP

INNER SKIN, CURBSIDE REAR TOP



115352-06 INNER SKIN, CURBSIDE REAR TOP

INNER SKIN, ROADSIDE MIDDLE TOP

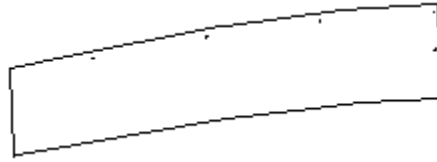


115352-07 INNER SKIN, ROADSIDE MIDDLE TOP

2008 BASE CAMP TRAVEL TRAILER

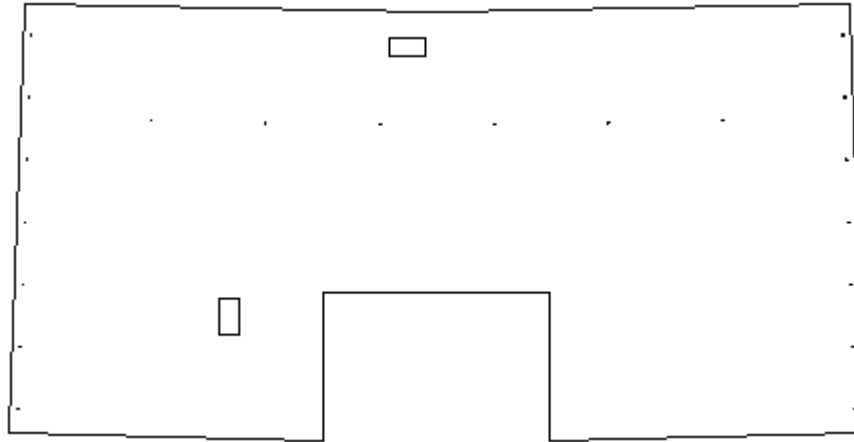
INTERIOR SHELL

INNER SKIN, CURBSIDE MIDDLE TOP



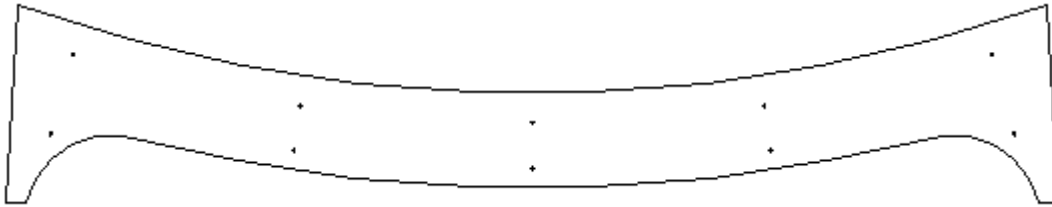
115352-08 INNER SKIN, CURBSIDE MIDDLE TOP

INNER SKIN, FRONT BOTTOM W/OPTIONAL AC



115352-09 INNER SKIN, FRONT BOTOM W/OPTIONAL AC

INNER SKIN, REAR HEADKNOCKER



115352-10 INNER SKIN, REAR HEADKNOCKER

2008 BASE CAMP TRAVEL TRAILER

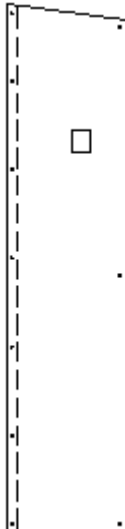
INTERIOR SHELL

INNER SKIN, CURBSIDE AFT TOP



115352-11 INNER SKIN, CURBSIDE AFT TOP

INNER SKIN, CURBSIDE AFT BOTTOM



115352-12 INNER SKIN, CURBSIDE AFT BOTTOM

2008 BASE CAMP TRAVEL TRAILER

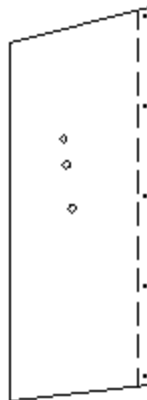
INTERIOR SHELL

INNER SKIN, ROADSIDE AFT BOTTOM



115352-13 INNER SKIN, ROADSIDE AFT BOTTOM

INNER SKIN, ROADSIDE AFT TOP

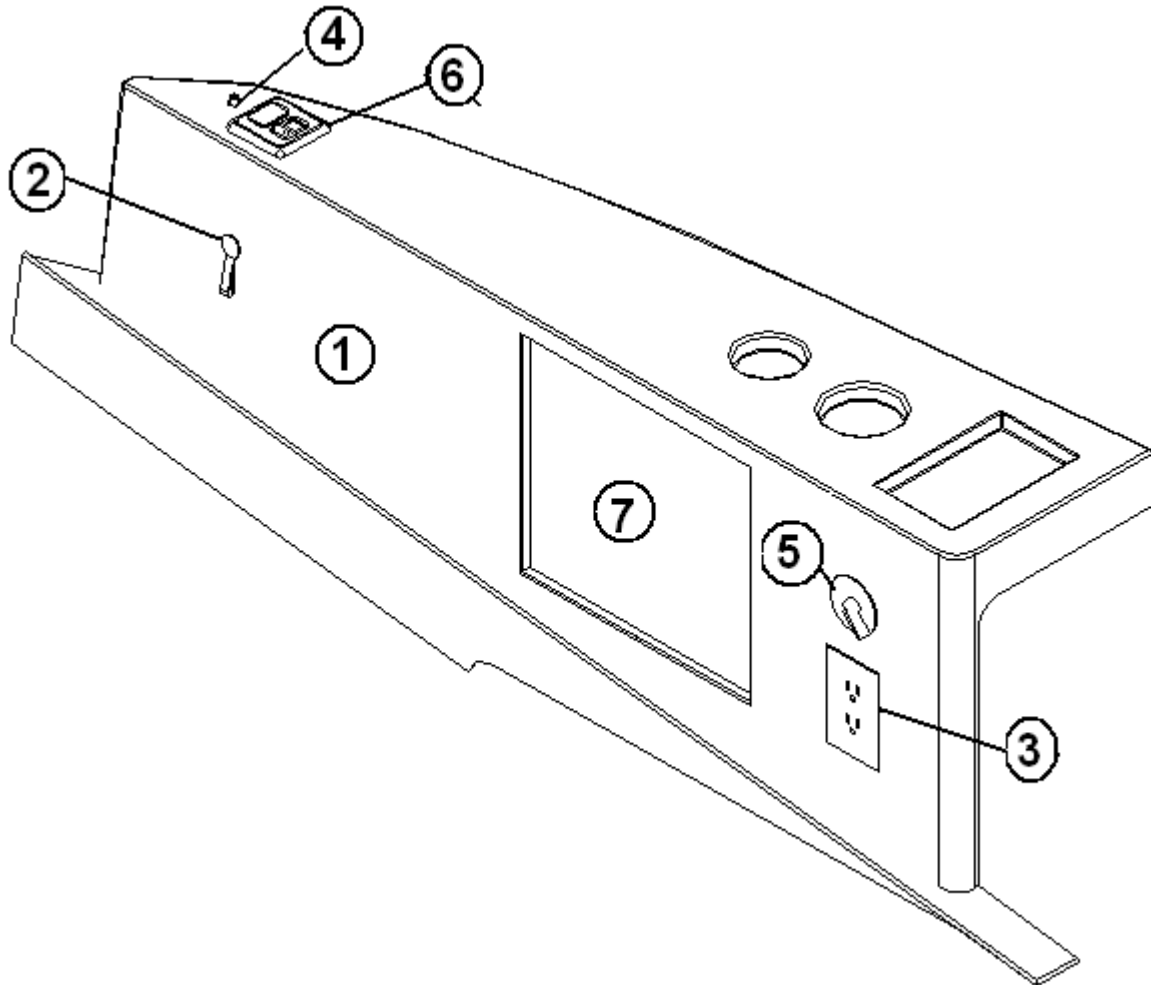


115352-14 INNER SKIN, ROADSIDE AFT TOP

2008 BASE CAMP TRAVEL TRAILER

INTERIOR SHELL

CONSOLE ASSEMBLY, ROADSIDE

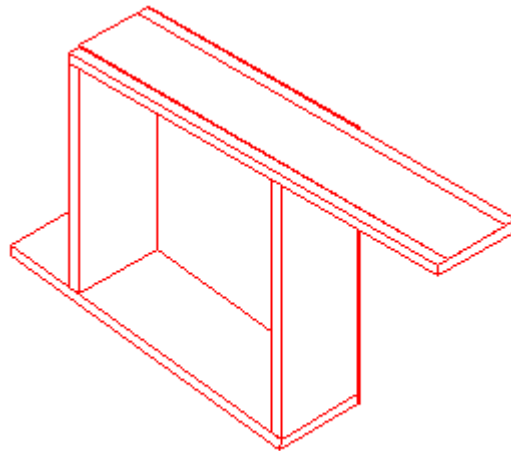


- | | |
|---------------|-------------------------------|
| 966753 | ROADSIDE CONSOLE ASSY. |
| 1. 203552-02 | CONSOLE, RS AFT |
| 2. 195466-250 | 12V RECEPTACLE SOCKET W/COVER |
| 3. 500785 | OUTLET, DUPLEX BROWN T & B |
| 4. 510623 | CONNECTOR COAX, MALE TO MALE |
| 5. 510626 | SWITCH, MASTER DISCONNECT |
| 6. 511731-01 | SWITCH, WATER HEATER BLACK |
| 7. 801675 | PANEL, BACKER RS CONSOLE |
| 454554 | SUPPORT BASE, POWER CENTER |

2008 BASE CAMP TRAVEL TRAILER

INTERIOR SHELL

GEAR POLE SUPPORT, ROADSIDE & CURBSIDE



966791 SUPPORT ASSY-GEAR POLE
114869 EXTRUSION, THRESHOLD

GEAR POLES

115338-01 POLE, ALUMINUM, 1.625" X 51.5", CURBSIDE
115338-02 POLE, ALUMINUM, 1.625" X 57.25", CURBSIDE
115338-03 POLE, ALUMINUM, 1.625" X 39.5", ROADSIDE
115338-04 POLE, ALUMINUM, 1.625" X 44", ROADSIDE
381980-01 STRIP, GEAR POLE 34"
381980-02 STRIP, GEAR POLE 38"
115337 FLANGE-CLOSED END 3.5" X 2.25" 1
325126 RIVET-OLYMPIC 1/4" ALUMINUM, .13"-.38"
345084 SCREW-1/4-14X1 THD.CUTTING
320116-05 SCREW, #8 X 7/8 PAN HD PHILLIP
454572 BRACE-CONSOLE SUPPORT
454554 SUPPORT BASE, POWER CENTER

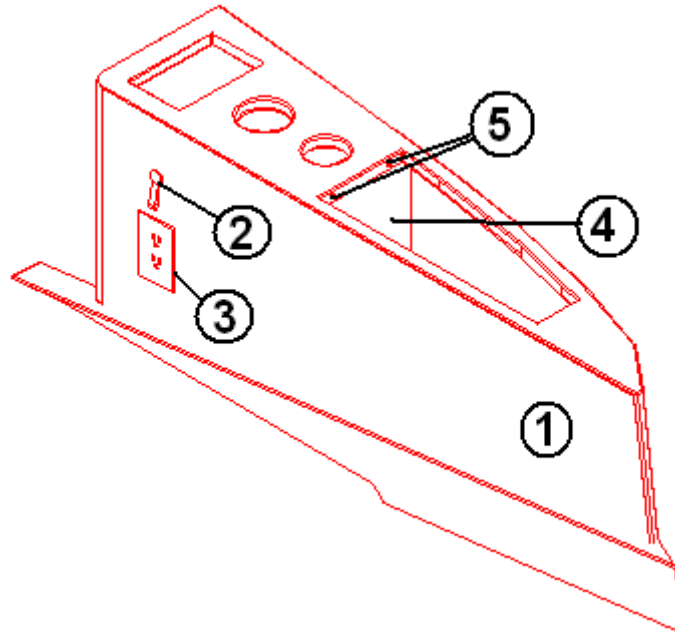
Kelty Gear Pole Storage System

381961 SWEATER STORAGE, 38" KELTY

2008 BASE CAMP TRAVEL TRAILER

INTERIOR SHELL

CONSOLE ASSEMBLY, CURBSIDE



- | | |
|---------------|------------------------------------|
| 966754 | CURBSIDE CONSOLE ASSY. |
| 1. 203552-01 | CONSOLE-AFT, CURBSIDE |
| 2. 195466-250 | 12V RECEPTACLE SOCKET W/COVER |
| 3. 500785 | OUTLET, DUPLEX, BROWN T & B |
| 4. 454553 | CLOSEOUT-CS CONSOLE |
| 5. 101110 | SHEET ALUMINUM, .090" X 48" X 120" |
| 5. 320116-05 | SCREW, #8 X 7/8 PAN HD PHILLIP |
| 601337 | 4" ROTO VENT W/SHUT-OFF BLACK |
| 454576 | CLOSEOUT, RAM AIR VENT |
| 380228 | WIRE HARDWARE, CLOTH |

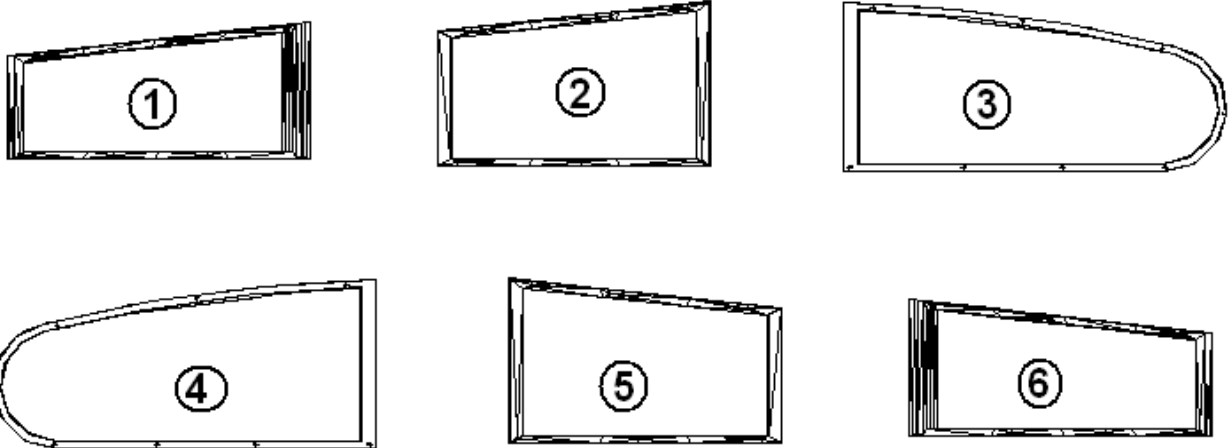
2008 BASE CAMP TRAVEL TRAILER

INTERIOR SHELL

INTERIOR TRIM

- 203590 TRIM RING, RAM AIR, 7.38" X 13"
- 201399 TRIM FLEXIBLE S-100-LG OFF WHITE
- 203548 TRIM RING AIR CONDITIONER

INNER WINDOW TRIM

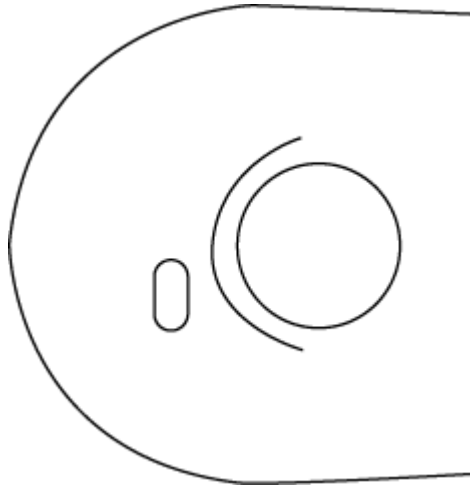


- 1. 203550-01 TRIM, CURBSIDE FRONT WINDOW
- 2. 203551-01 TRIM, CURBSIDE CENTER WINDOW
- 3. 203549-01 TRIM, CURBSIDE REAR WINDOW
- 4. 203550-02 TRIM, ROADSIDE FRONT WINDOW
- 5. 203551-02 TRIM, ROADSIDE CENTER WINDOW
- 6. 203549-02 TRIM, ROADSIDE REAR WINDOW
- 330128-08 RIVET 1/8 IN (WHITE) AD48ABS

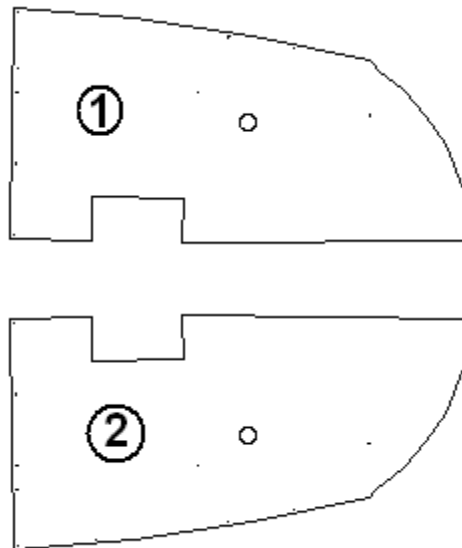
2008 BASE CAMP TRAVEL TRAILER

INTERIOR SHELL

HEADLINER, FRONT



- 203557 HEADLINER, FRONT
- 203557-01 HEADLINER, W/SKYLIGHT HOLE
- 201728-01 EXTRUSION, CEILING TRIM RETAINER
- 201728-04 EXTRUSION, CEILING TRIM

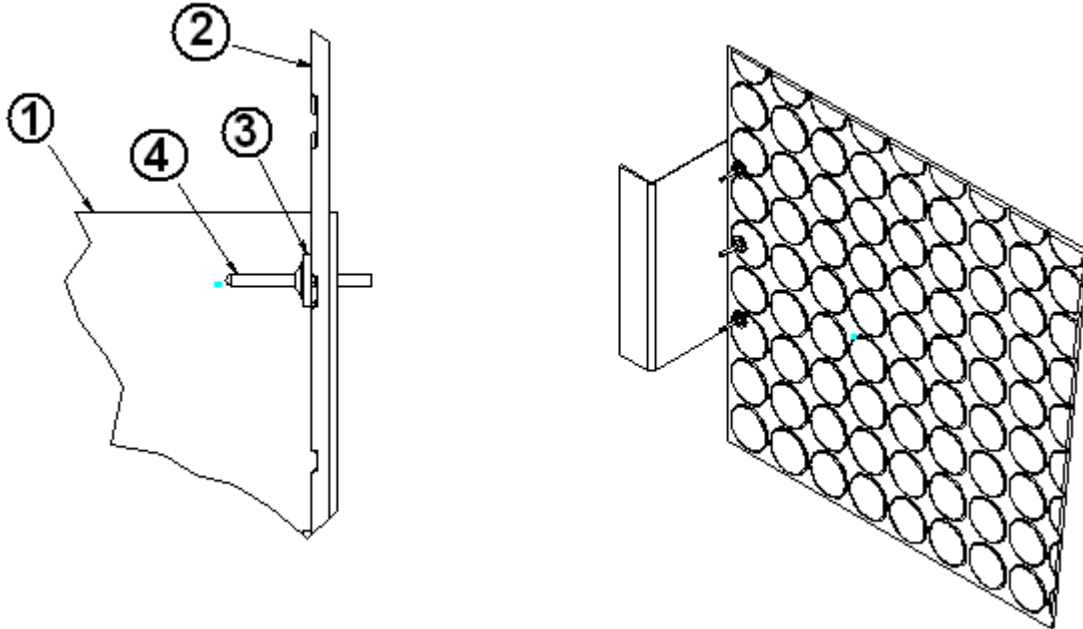


- 1. 203558-01 HEADLINER, REAR, CURBSIDE
- 2. 203558-02 HEADLINER, REAR, ROADSIDE
- 201728-01 EXTRUSION, CEILING TRIM RETAINER
- 201728-04 EXTRUSION, CEILING TRIM

2008 BASE CAMP TRAVEL TRAILER

INTERIOR SHELL

Tent Closeout Assemblies



967103-01	CLOSEOUT ASSY, TENT, CURBSIDE, SHOWN
967103-02	CLOSEOUT ASSY, TENT, ROADSIDE, OPPOSITE
1. 454631	Z BRACKET, TENT CLOSEOUT
2. 801768-01	CUTOUT, CLOSEOUT, CS, RUBBER MATERIAL
2.801768-02	CUTOUT, CLOSEOUT, RS, RUBBER MATERIAL
3. 300101	WASHER, 1/8"
4. 330127-05	RIVET, 1/8", AD45ABS
703560	FLOORING, RUBBER COIN BLACK
454632	CLOSEOUT, CROSSMEMBER TENT

2008 BASE CAMP TRAVEL TRAILER

CHASSIS

Axles

410933-01 AXLE, 3000 LB., W/10" BRAKES
410933-02 AXLE-3000 LB OFF ROAD W/10" BRAKES
345432 BOLT- 1/2-13 X 1.25" GR8 BLK
350179 LOCKNUT - 1/2-13
0250173-20 SCREW HHCS GR5 5/8-18X2.0 BLACK
0140053-62 WASHER-DISC SPRING SP 5/8 I.D.
0130068-818 NUT HEX FLGD SELF LKG 5/8-18 T

Wheels, Standard

410913 TIRE/WHEEL ST225/75R15 LRC
410920 CAP-SS CENTER 3.3"
400923 LUG NUT-1/2" ACORN TYPE

Wheels, Deluxe Style

410915 TIRE/WHEEL, P275/45R20, DELUXE
400923 LUG NUT, 1/2" ACORN TYPE

Wheels/Bumper, Off Road

410914 TIRE/WHEEL, 235/75R15, OFF ROAD
454546 EXTENTION, BUMPER, OFF ROAD

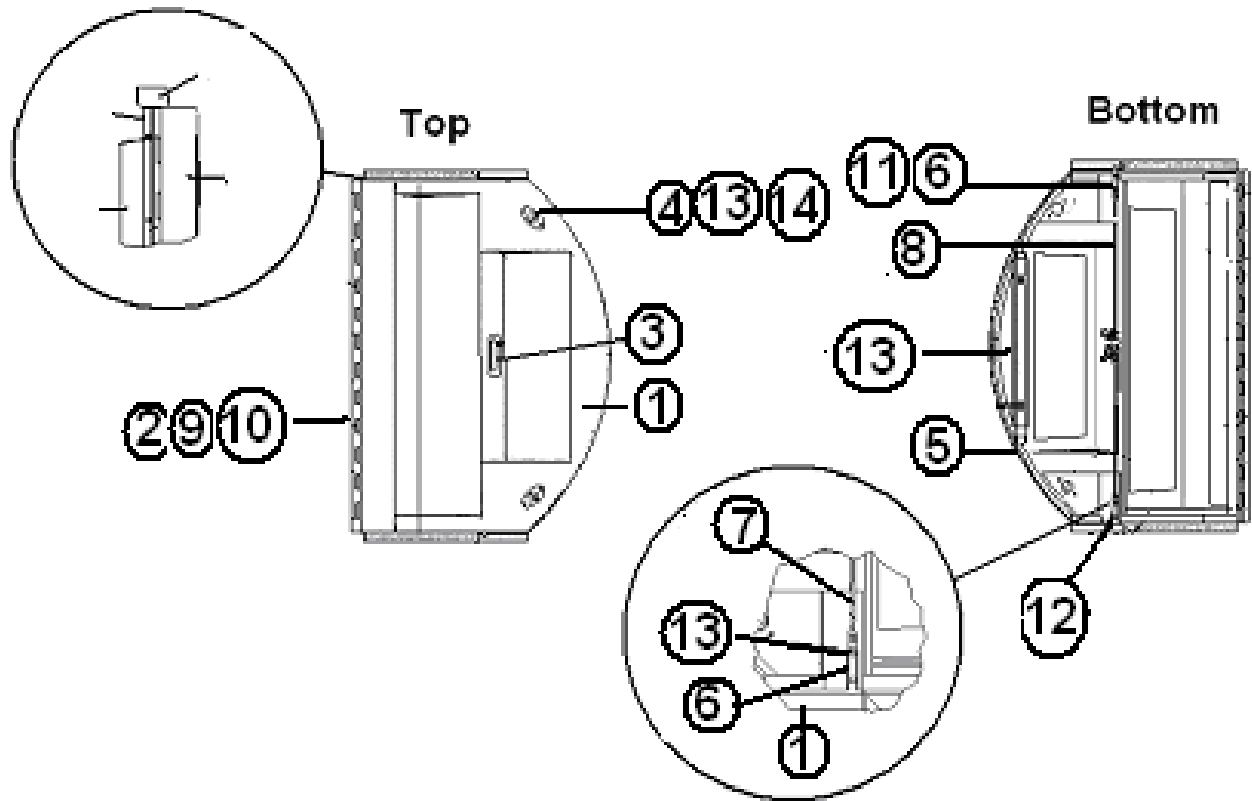
Battery Compartment

454503 CLOSEOUT-BATTERY BOX
381893 BUMPER-RUBBER W/METAL CORE THD
345276-03 BOLT HEX. HD. 1/4-20 X 3/4IN

2008 BASE CAMP TRAVEL TRAILER

CHASSIS

Step Assembly, Standard



Part numbers are on next page

2008 BASE CAMP TRAVEL TRAILER

CHASSIS

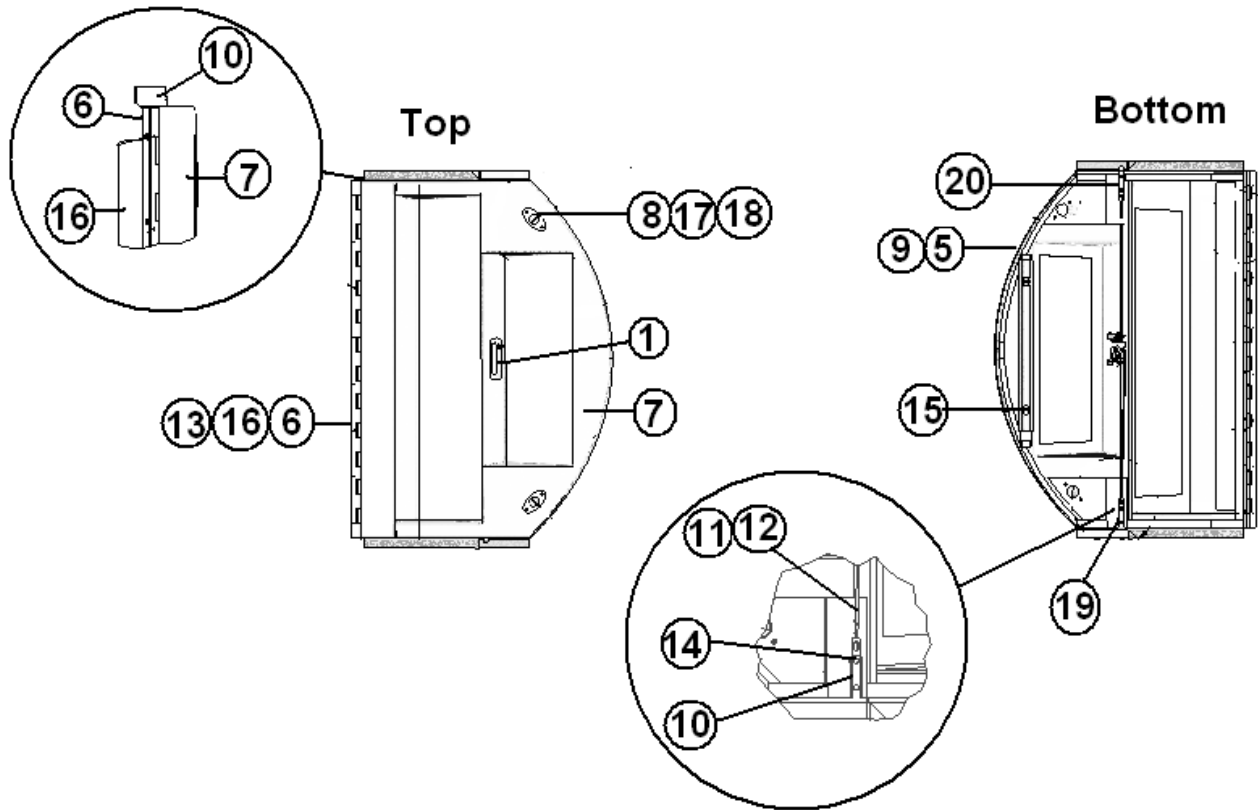
Step Assembly, Standard

966651	STEP ASSY-REAR
1. 966732	SUB ASSY-REAR STEP
2. 381984-01	HINGE- 2.5" X 50" SS
3. 381992-06	HANDLE-NON LOCKING
4. 381991	ANCHOR POINT-RECESSED
5. 381977-01	BUMPER-REAR STEP 24"
6. 381993	STRIKER-SLAM LATCH
7. 454544	STRIKER ROD-RS REAR STEP
8. 454545	STRIKER ROD-CS REAR STEP
9. 350147-25	NUT, NYLON LOCK, 1/4-20
10. 345383	SCREW 1/4-20 X 2.25 PH, FH SS
11. 382022-02	END CLIP - RH ROD
12. 382022-01	END CLIP- LH ROD
13. 345004	SCREW 1/4-14 WASHER HEX/HEAD C
14. 345444	SCREW- 1/2-13 X 1" SELF TAPPER
380069	TREAD STEP 8 X 18-1/2"
702963	VINYL EMBOSSED 1.75W THRESHOLD
382017	GASKET-.60" BULB SEAL
454575	STRIKER-REAR STEP PLATE
703658	ASSIST STRAP-REAR STEP
381663	GASKET D-SEAL EPDM SPONGE SD-2
454539	BRKT-LH STRIKER MTG.REAR STEP
454539-01	BRKT-RH STRIKER MTG REAR STEP
382023	CLIP-SLIDE BOLT REAR STEP
203593-01	BLOCK, ROD GUIDE, .63" NYLON, RS
203593-02	BLOCK, ROD GUIDE, .75" NYLON, CS
365308	SEAL, UPPER DOOR JAMB

2008 BASE CAMP TRAVEL TRAILER

CHASSIS

Step Assembly, Off Road



Part numbers are on next page

2008 BASE CAMP TRAVEL TRAILER

CHASSIS

Step Assembly, Off Road

966693	REAR STEP ASSY, OFF ROAD
1. 381992-06	HANDLE, NON LOCKING
2. 966651-2A	SUPPORT, LOWER REAR STEP
3. 966651-2B	SUPPORT, UPPER REAR STEP
4. 966651-2C	SUPPORT, MIDDLE REAR STEP
5. 454546	EXTENTION, BUMPER OFF ROAD
6. 381984-01	HINGE, 2.5" X 50", SS
7. 203568	INSERT, FIBERGLASS, REAR STEP
8. 381991	ANCHOR POINT, RECESSED
9. 381977-01	BUMPER-REAR STEP 24"
10. 381993	STRIKER, SLAM LATCH
11.454544	STRIKER ROD, ROADSIDE, REAR STEP
12.454545	STRIKER ROD, CURBSIDE, REAR STEP
13.350147-25	NUT, NYLON LOCK, 1/4-20
14.345004	SCREW 1/4-14, WASHER HEX/HEAD
15.345444	SCREW, 1/2-13 X 1", SELF TAPPER
16.345383	SCREW 1/4-20 X 2.25 PH, FH SS
17.345334-02	MACHINE SCREW, #10-24 X 1"SST OVAL
18.350147	NUT, NYLOCK #10-24
19.382022-02	END CLIP, RH ROD
20.382022-01	END CLIP, LH ROD
702963	VINYL EMBOSSED 1.75W THRESHOLD
382017	GASKET-.60" BULB SEAL
454575	STRIKER-REAR STEP PLATE
703658	ASSIST STRAP-REAR STEP
381663	GASKET D-SEAL EPDM SPONGE SD-2

2008 BASE CAMP TRAVEL TRAILER

CHASSIS

Step Ramp

381971 RAMP, BI-FOLD, UTILITY

Hitch Jack, Manual

382027 JACK-HITCH BOLT

Safety Chains

400953 SAFETY CHAIN 1/4"X30

Stabilizer Jacks

381957-01 STABILIZER JACKS HANDLE

381957-02 STABILIZER JACK

350132 NUT, FLANGED, MAC-LOCK 1/2-13

345251 BOLT, HEX HD 1/2-13X1-1/2 GR 5

Shell Attachment

300125 FLAT WASHER 1/4 X 5/8 X.045 31"

350158-01 WASHER, LOCK TOOTH (INT-EXT)-1/

350004 NUT 1/4-20 BULK PLAIN STEEL SQ

345313-11 BOLT-1/4-20 X 3.5" CARRIAGE

115316-01 ANGLE, ALUMINUM, 13" X 1" X 1.5" X 3"

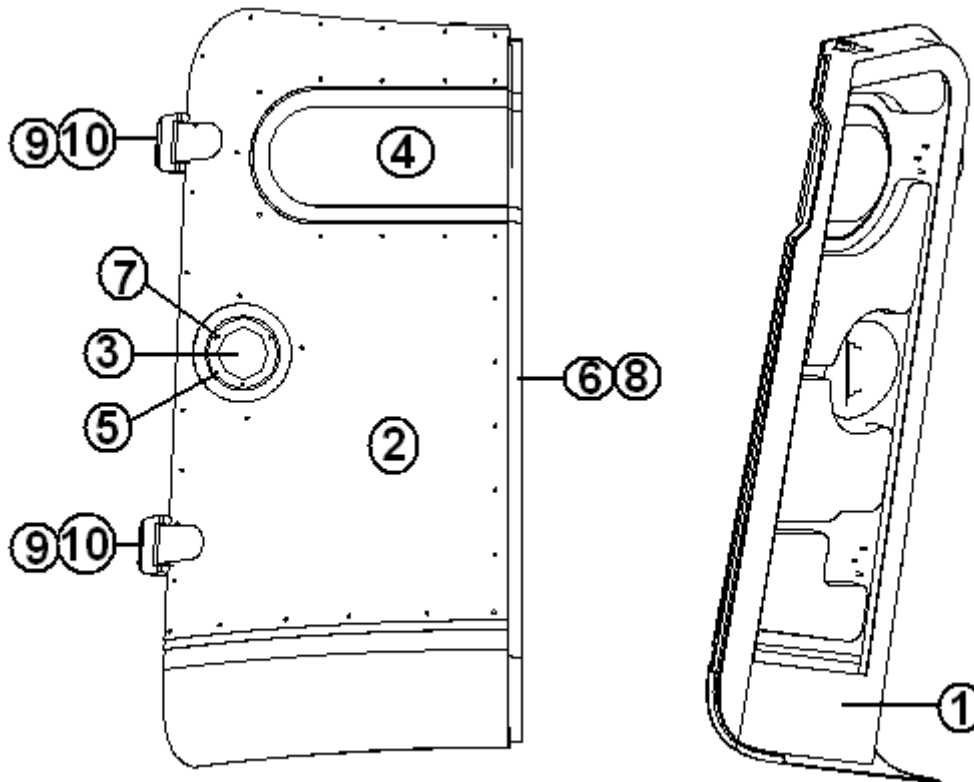
101134 ANGLE, ALUMINUM, 1/8 X 1 X 1 1/2"

330031-03 RIVET, DOME HEAD SSD64SSBS

2008 BASE CAMP TRAVEL TRAILER

DOORS/WINDOWS

Rear Door, Roadside

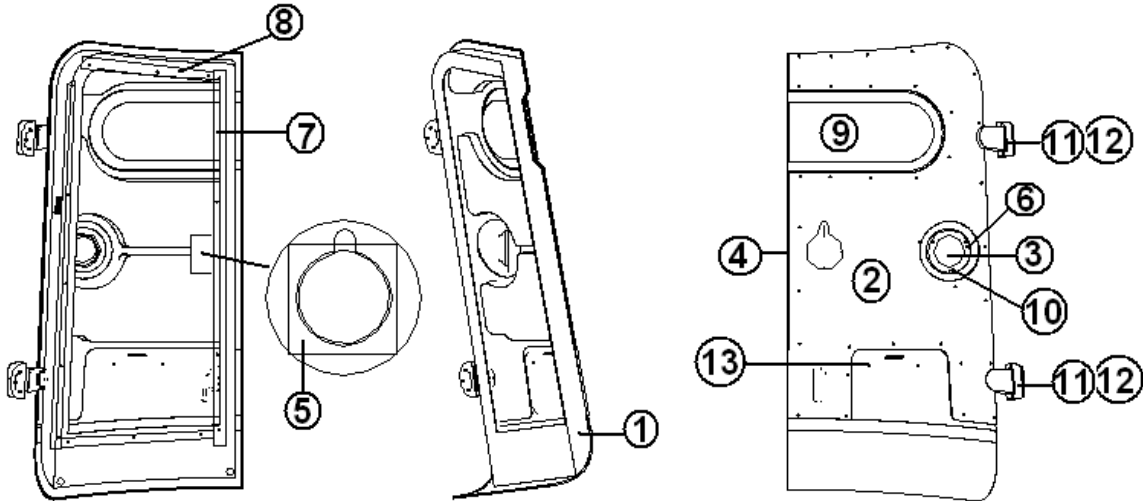


966918	Door assembly, roadside
966917	Hardware Assembly, Roadside Door
966915	Exterior Door Assembly, Roadside
1. 203564	Door fiberglass, roadside
2. 115321-15	Door skin, exterior, roadside
3. 511860-01	Light, 4" LED. Red
4. 372249	Window, roadside door
5. 454570	Tail light mounting bracket
6. 511324-02	Contact, wireless, 3-piston
7. 345419	Screw, #6 x 1", stainless
8. 345353-05	Screw, #6 x .75"
9. 966785-01	Hinge
10. 350147-25	¼ x 20 Nylox nut
203592	EYEBROW, REAR DOOR, BASECAMP

2008 BASE CAMP TRAVEL TRAILER

DOORS/WINDOWS

Rear Door, Curbside

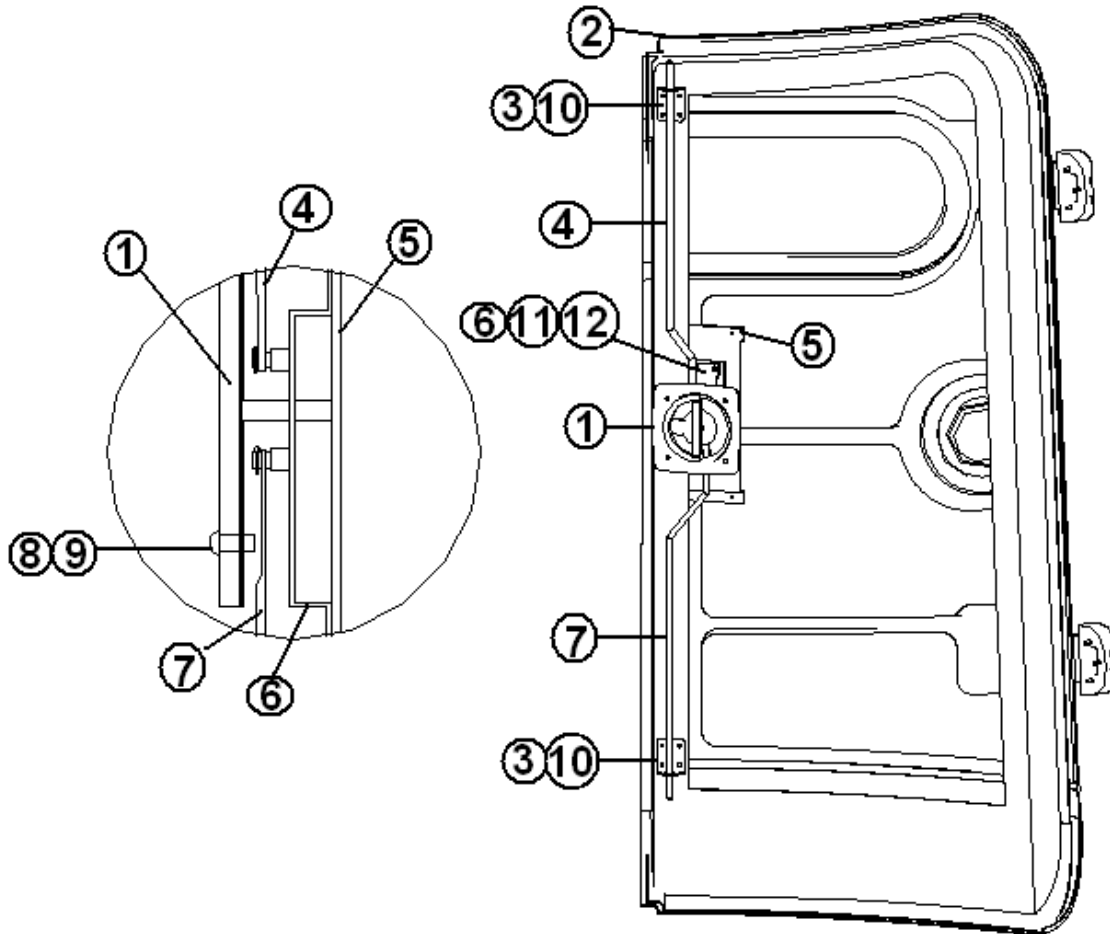


966924	Door assembly, curbside
966916	Hardware Assembly, Curbside
966914	Exterior Door Assembly, Curbside
1. 203565	Door fiberglass, curbside
2. 115321-14	Door skin, exterior, curbside
3. 511860-01	Light, 4" LED. Red
4. 511324-02	Contact, wireless, 3-piston
5. 454569	Handle mounting bracket
6. 454570	Tail light mounting bracket
7. 454594	Door backer, 2"x 48"
8. 454595	Door backer, 2"x 23"
9. 372250	Window, curbside door
10. 345419	Screw, #6 x 1", stainless
11. 966785-02	Hinge
12. 350147-25	¼ x 20 Nyloc nut
13. 350153	Nut plate, ¼ x 20
203592	EYEBROW, REAR DOOR, BASECAMP

2008 BASE CAMP TRAVEL TRAILER

DOORS/WINDOWS

Hardware, Rear Door, Roadside



Part Number on the Next Page

2008 BASE CAMP TRAVEL TRAILER

DOORS/WINDOWS

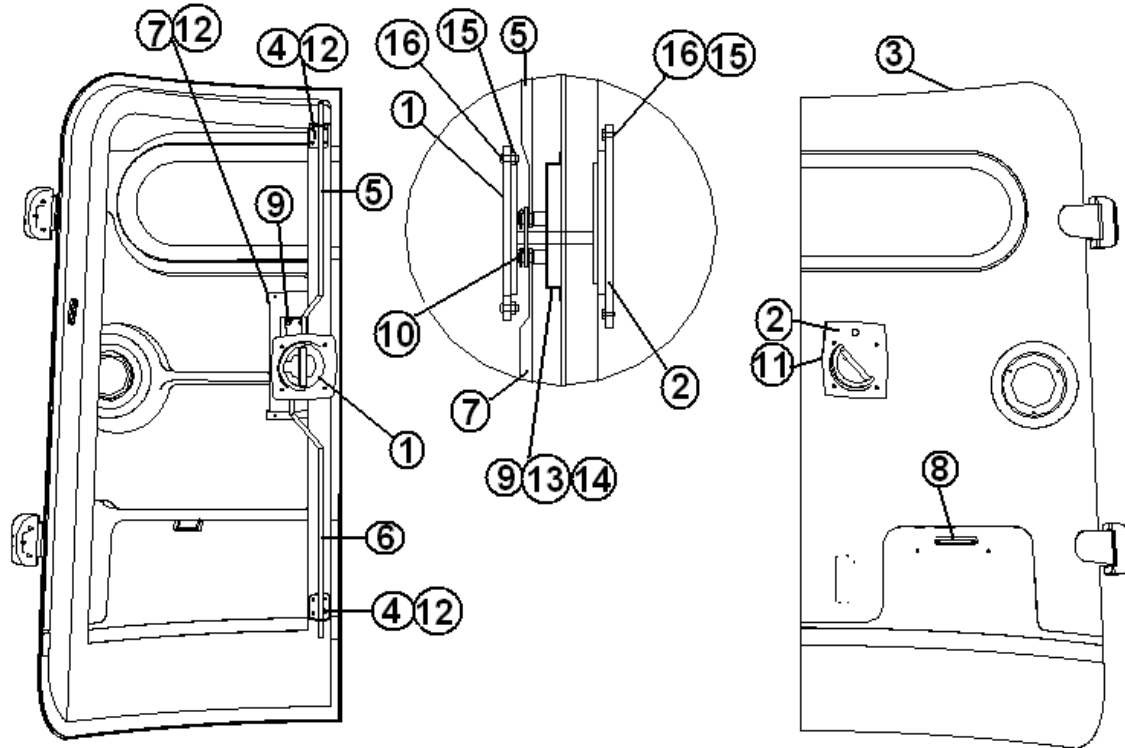
Hardware, Rear Door, Roadside

- | | |
|---------------|-----------------------------------|
| 1. 382018-01 | Handle, Non-locking |
| 2. 966915 | Door assembly, roadside exterior |
| 3. 454578 | Bracket, rod guide |
| 4. 454568-01 | Top rod, LH |
| 5. 454571 | Bracket, 4.50" x 14" |
| 6. 382018-04 | Center case, w/override |
| 7. 454567-01 | Top rod, 48" |
| 8. 345458 | Screw, #10-24 x 3/4" |
| 9. 350147-19 | NYLOC, nut, #10-24 |
| 10. 320029 | Screw, #8 x 3/4" |
| 11. 345276-03 | 1/4-20 bolt |
| 12.350022 | Nut, 1/4"x 20, Hex |
| 203608 | Block, door stay |
| 203609 | Clip. Door stay |
| 320148 | Screw, Philips, #8 x 1.75", Black |
| 454615-02 | Rod, door position stay, LH |

2008 BASE CAMP TRAVEL TRAILER

DOORS/WINDOWS

Hardware, Rear Door, Curbside



Part Number on the Next Page

2008 BASE CAMP TRAVEL TRAILER

DOORS/WINDOWS

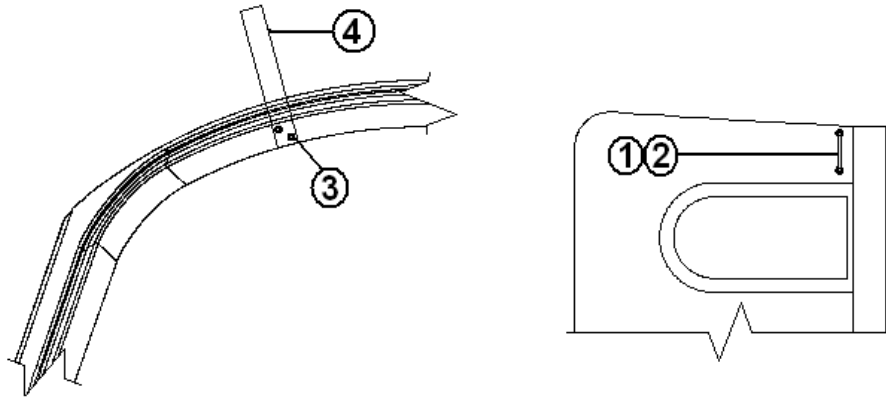
Hardware, Rear Door, Curbside

966916	Hardware assembly, Curbside door
1. 382018-01	Handle, Non-locking
2. 382018-02	Handle, locking w/key
3. 966914	Curbside door assembly, exterior
4. 454578	Bracket, rod guide
5. 454568-02	Top rod, RH
6. 454567-02	Bottom rod, RH
7. 454571	Bracket, 4.50" x 14"
8. 512086	License plate light
9. 382018-05	Center case, 2-point latch
10. 454577	Adaptor release, 2.38" x .75"
11. 382018-03	Gasket, locking square, D-ring
12. 320029	Screw, #8 x 3/4"
13. 345276-03	Bolt, 1/4"x 20 x 3/4"
14. 350022	Nut, 1/4"x 20, Hex
15. 350147-19	NYLOC, nut, #10-24
16. 345458	Screw, #10-24 x 3/4"
203608	Block, door stay
203609	Clip. Door stay
320148	Screw, Philips, #8 x 1.75", Black
454615-01	Rod, door position stay, RH

2008 BASE CAMP TRAVEL TRAILER

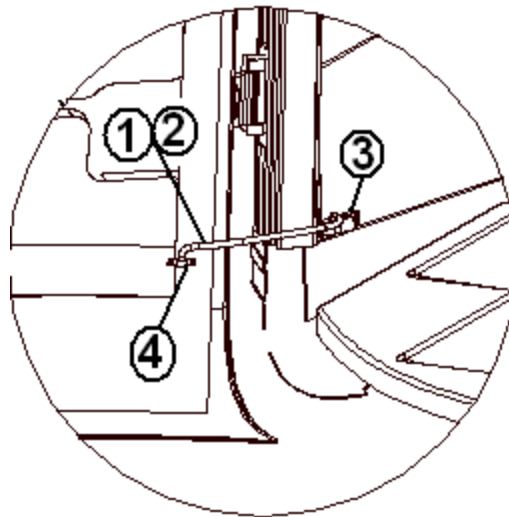
DOORS/WINDOWS

Door Stay, Strap Style



- | | |
|--------------|--|
| 1. 381566 | Loop, footman, steel |
| 2. 320116-05 | Screw, #8 x 7/8", pan head, Philips |
| 3. 325126 | Rivet, Olympic, 1/4" aluminum, .13"-.38" |
| 4. 703687 | Strap, door stay |

Door Stay, Rod Style

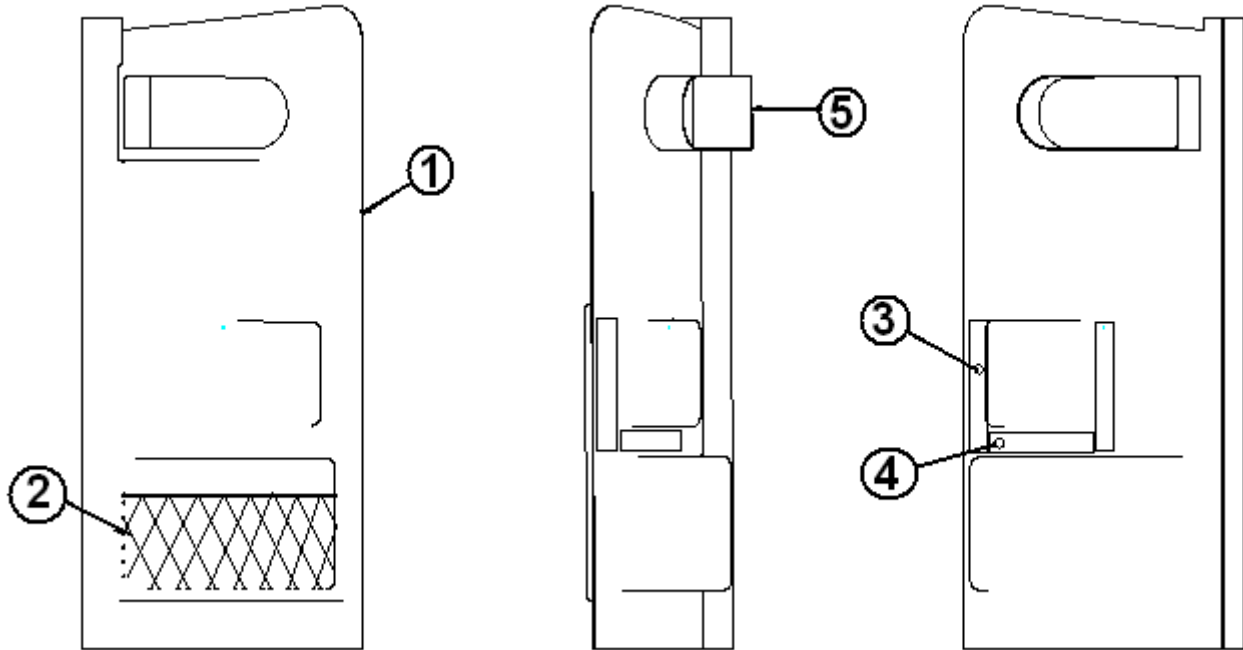


- | | |
|--------------|-------------------------------------|
| 1. 454615-01 | Rod, door position stay, right hand |
| 2. 454615-02 | Rod, door position stay, left hand |
| 3. 203608 | Block, door stay |
| 4. 203609 | Clip, round |
| 320148 | Screw, Philips, #8 x 1.75", black |

2008 BASE CAMP TRAVEL TRAILER

DOORS/WINDOWS

Rear Inner Door Roadside Panel

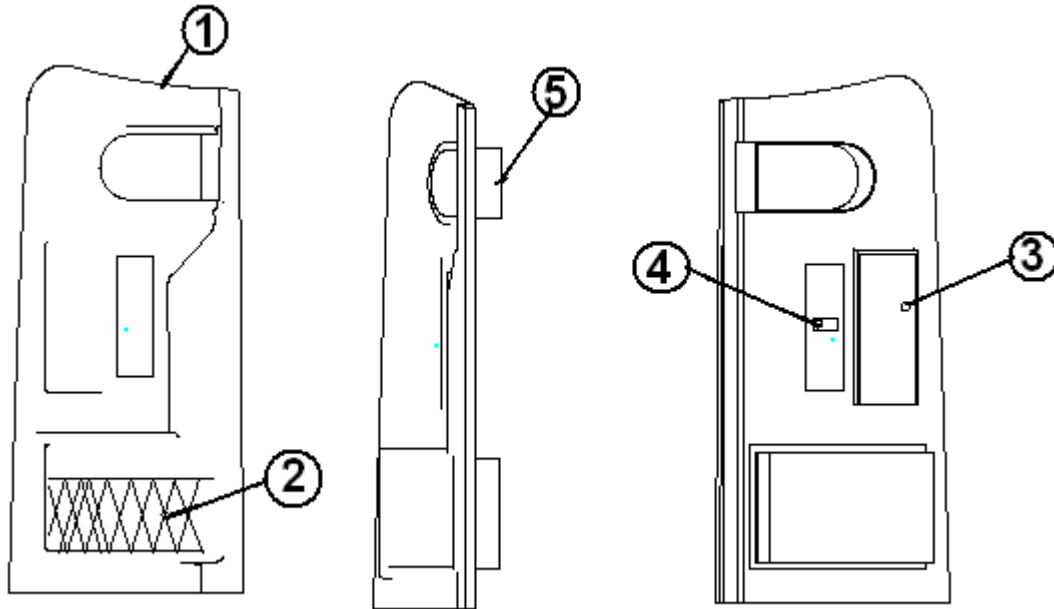


- | | |
|--------------|-------------------------------------|
| 967000 | PANEL ASSY, ABS, RS INNER DOOR |
| 1. 203553-02 | PANEL, RS AFT INNER DOOR |
| 2. 703660 | NETTING, REAR DOOR POCKET |
| 3. 454608 | BACKER, 12.00 X 1.75" |
| 4. 454609 | BACKER, 11.00" X 2.00" |
| 5. 381842 | TRIM-LOK, 1/16" BLACK PEBBLE FINISH |
| 320116-06 | BLACK PHIL HEAD SCREW #8 X 1" |
| 382007 | SEAL, D, .75"H X .813"W |

2008 BASE CAMP TRAVEL TRAILER

DOORS/WINDOWS

Rear Inner Door Curbside Panel

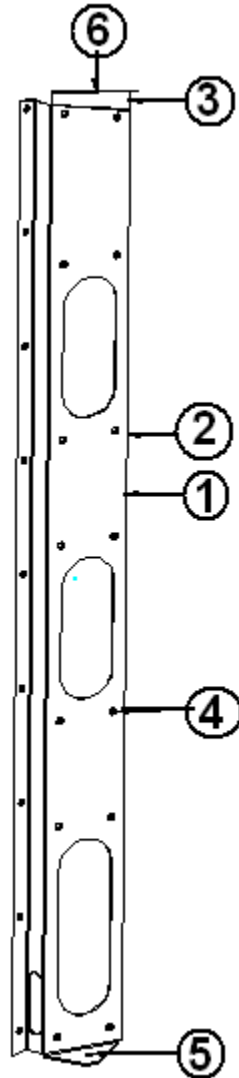


967001	PANEL ASSY, ABS, CS INNER DOOR
1. 203553-01	PANEL, CS AFT INNER DOOR
2. 703660	NETTING, REAR DOOR POCKET
3. 454605	BACKER, FIRE EXTINGUISHER
4. 454607	BACKER, MIDDLE FLASHLIGHT
5. 381842	TRIM-LOK, 1/16" BLACK PEBBLE FINISH
320116-06	BLACK PHIL HEAD SCREW #8 X 1"
382007	SEAL, D, .75"H X .813"W

2008 BASE CAMP TRAVEL TRAILER

DOORS/WINDOWS

Rear Door Brackets

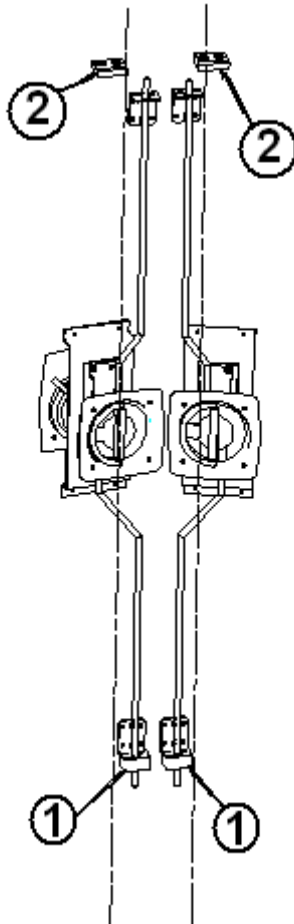


- | | |
|--------------|----------------------------------|
| 1. 454611-01 | BRACKET, REAR WALL/SIDEWALL, C/S |
| 2. 454611-02 | BRACKET, REAR WALL/SIDEWALL, R/S |
| 3. 454612 | BRACKET, REAR WALL/ROOF |
| 4. 330134 | RIVET, COUNTER SUNK, OLYMPIC RV6 |
| 5. 345431 | HUCK, FLOORTIGHT FASTENER |
| 6. 330031-03 | RIVET DOME HEAD SSD64SSBS |

2008 BASE CAMP TRAVEL TRAILER

DOORS/WINDOWS

Rear Door Rod Guide Blocks



- | | |
|-----------|--|
| 1. 203603 | BLOCK-LOWER DOOR GUIDE BLK |
| 2. 203604 | BLOCK-UPPER DOOR GUIDE BLK |
| 350158-01 | WASHER, LOCK TOOTH (INT-EXT) |
| 345132 | SCREW MACHINE 1/4-20X3/8 ROUND |
| 325126 | RIVET, OLYMPIC, 1/4" ALUMINUM, .13"-.38" |

2008 BASE CAMP TRAVEL TRAILER

DOORS/WINDOWS

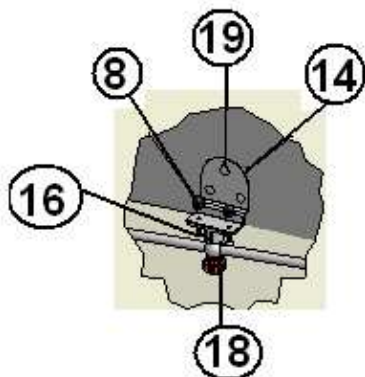
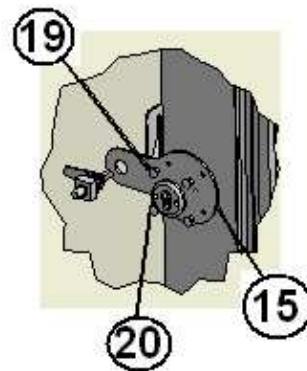
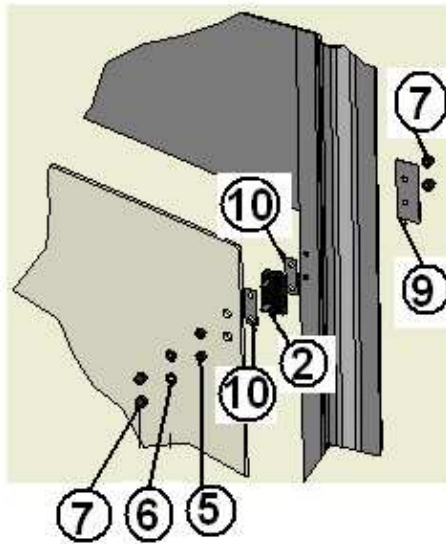
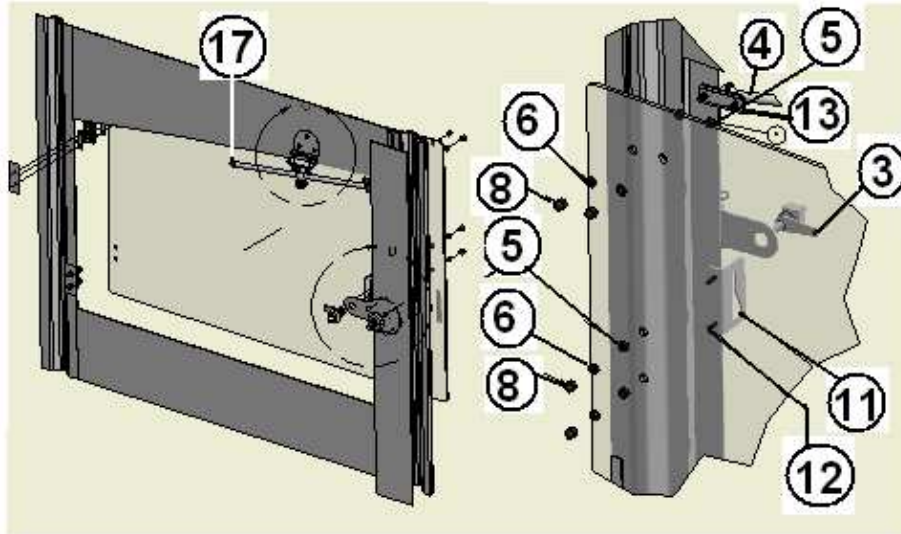
Rear Door Seals

381663	GASKET, D-SEAL EPDM SPONGE SD-2
381665	GASKET, D-SEAL .50W X 36H, BLACK
382007	SEAL, D, .75"H X .813"W
365307	CUTOUT, FOAM DOOR SEAL
365306	FOAM, 2"W X 25'L X 1/2" THICK
365214	GASKET SEAL, #1085T BLACK
382017	GASKET, .60" BULB SEAL
365308	SEAL, UPPER DOOR JAMB

2008 BASE CAMP TRAVEL TRAILER

DOORS/WINDOWS

Windows, Opening



Part Numbers On The next Page

2008 BASE CAMP TRAVEL TRAILER

DOORS/WINDOWS

Windows, Opening

1. 372247	GLASS-RS OPENING WINDOW
1. 372248	GLASS-CS OPENING WINDOW
2. 381995	HINGE-SCREW ON BLACK
3. 195510-28	LOCK ASSY FOR REAR
4. 381988	ARM-WINDOW ADJUSTER
5. 381983	BUSHING-WINDOW 5MM ACRYLIC
6. 300146	WASHER-BLK PLASTIC .45"OD
7. 350184	NUT-ACORN M5 X 8MM BLACK
8. 350183	NUT-ACORN #10-32 BLACK
9. 454550	WASHER WINDOW HINGE
10. 365299	TAPE-, HINGE DLB SIDED.5" X 1.5"
11.114479-01	BRACKET, WINDOW CLOSER RH
11. 114479-02	BRACKET, WINDOW CLOSER LH
12.345448	SCREW- #10-32 X 5/8" PH BLACK
13.345449	SCREW-#10-32 X 5/8" FH BLACK
14.454552	BRACKET, WINDOW ADJUSTER ARM
15.454556	BRACKET, WINDOW LATCH
16.345452	SCREW-#10-32 X 5/16" FHP SS
17.381990	CAP-BLACK. RUBBER BUMPER .225
18.381994	KNOB-ROSETTE 1.5"
19.330031-03	RIVET DOME HEAD SSD64SSBS
20.382013	BRACKET, SOFA TIE DOWN
195467-05	LATCH HANDLE RED
1101-0007	LATCH BODY
1101-0008	LATCH SHAFT
1101-0009	LATCH SPRING
0707-0002	PIN, DRIVE LOK 5/32 X 5/8 ZN
0702-0001	NUT, HEX PANEL 5/8-24 ZN D-CAST
0702-0002	NUT, JAM HEX 5/16-24
0706-0001	WASHER FLAT .53 OD X .328 ID
0304-0003	WINDOW LOCK PAW (ARM)
0304-0001	STEEL, STRIP 14GA X 2 1/2 X 10'
195509-01	LOCK PAWS TO BE PLATED
454577	ADAPTOR-LATCH RELEASE

2008 BASE CAMP TRAVEL TRAILER

DOORS/WINDOWS

Opening Window Gaskets/Drip Rail

386198-01	GASKET, OPENING WINDOW, CURBSIDE
386198-02	GASKET, OPENING WINDOW, ROADSIDE
203605	DRIP RAIL, BASECAMP WINDOW

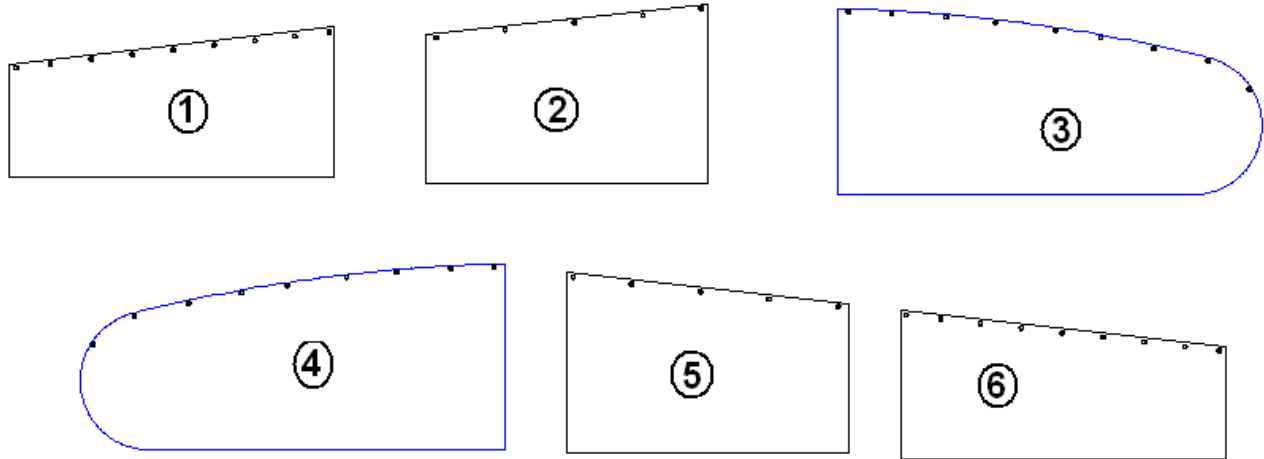
Windows, Glass

372244	GLASS, FIXED WINDOW, RS REAR
372245	GLASS, FIXED WINDOW, CS REAR
372246	GLASS, FIXEDWINDOW, RS FRONT
372252	GLASS, FIXED WINDOW, CS FRONT
372249	GLASS, FIXEDWINDOW, RS DOOR
372250	GLASS, FIXED WINDOW, CS DOOR
372247	GLASS, RS OPENING WINDOW
372248	GLASS, CS OPENING WINDOW
372251	GLASS, SKYLIGHT, 30" D

2008 BASE CAMP TRAVEL TRAILER

DOORS/WINDOWS

Drapes



- | | |
|------------------|---------------------------------|
| 1. 703624-227-04 | Curtain, curbside rear, Red |
| 1. 703624-237-04 | Curtain, curbside rear, Green |
| 1. 703624-247-04 | Curtain, curbside rear, Blue |
| 2. 703624-227-05 | Curtain, curbside middle, Red |
| 2. 703624-237-05 | Curtain, curbside middle, Green |
| 2. 703624-247-05 | Curtain, curbside middle, Blue |
| 3. 703624-227-06 | Curtain, curbside front, Red |
| 3. 703624-237-06 | Curtain, curbside front, Green |
| 3. 703624-247-06 | Curtain, curbside front, Blue |
| 4. 703624-227-01 | Curtain, roadside rear, Red |
| 4. 703624-237-01 | Curtain, roadside rear, Green |
| 4. 703624-247-01 | Curtain, roadside rear, Blue |
| 5. 703624-227-02 | Curtain, roadside middle, Red |
| 5. 703624-237-02 | Curtain, roadside middle, Green |
| 5. 703624-247-02 | Curtain, roadside middle, Blue |
| 6. 703624-227-03 | Curtain, roadside front, Red |
| 6. 703624-237-03 | Curtain, roadside front, Green |
| 6. 703624-247-03 | Curtain, roadside front, Blue |

700006

FASTENER SOCKET

2008 BASE CAMP TRAVEL TRAILER

ELECTRICAL, 110 VOLT

Power Cord

- 511416-02 POWER INLET, 30A, 125V, MALE
- 511416-03 POWER CORD, 30A, 30' W/CONNECTION, UL/C

Power Center

- 512084 POWER CENTER-AC/DC BLACK
Specify Model when ordering:
35 Amp: WF8935ANPB or
55 Amp: WF8955ANPB
- 512147 CIRCUIT BREAKER, POWER CENTER
Specify Model when ordering:
40 Amp: 181040F-011
50 Amp: 181040F

Outlet

- 500967-03 COVER, WHITE BLANK
- 510741 BOX/ELECTRICAL, 1-1/2" X 2" X 3
- 512181 BOX, SHALLOW SWITCH & OUTLET
- 511815-01 RECEPTACLE, DUPLEX BLACK, SELF-CONNECTING
- 511815-02 PLATE, DECORATOR 1 GANG BLACK
- 511912 PLATE, RECEPT STAINLESS STEEL

Breakers/Fuses

- 510564-02 BREAKER BRYANT 30 AMP
- 510564-1515 BREAKER, DOUBLE 15, AMP BRYANT
- 510564-15GFI BREAKER- BRYANT 15, GFI
- 512186 EXTENSION RING, GFCI
- 500773-15 FUSE, ATC, 12VDC, 15 AMP

2008 BASE CAMP TRAVEL TRAILER

ELECTRICAL, 12 VOLT

Battery

511828	BATTERY-12V DEEP CYCLE AGM
512151	CABLE-BATTERY POSITIVE
512152	CABLE-BATTERY NEGATIVE

7-Way Cable/Breakaway Switch

512146-01	CORD ASSY- 7 WAY BASECAMP
0300027	Break away switch, Bargman
454526	Bracket, breakaway switch
454524	Bracket, 7-way box

Interior Lights

511695-02	SPOT LIGHT-SURFACE MOUNT HALOGEN BRIGHT
512236	LIGHT, LED, 4" ROUND, CEILING

Switches

511276	COVER, 12 VOLT OUTLET, BLACK
511977	SWITCH ASSY-SPDT BLACK

2008 BASE CAMP TRAVEL TRAILER

ELECTRICAL, 12 VOLT

12 Volt Outlet

512101	PLATE- W/12V OUTLET WHITE
510807	Outlet, 12 volt
602113-06	Plug, 12-volt inlet, faucet

Exterior Lights

511324-02	CONTACT, WIRELESS 3-PISTON
512086	LIGHT- LICENSE PLATE
512086-01	BULB-LICENSE PLATE LIGHT
512134-01	LAMP, RED MARKER
512134-02	LIGHT, AMBER MARKER
512134-03	LAMP, MARKER, CHROME BEZEL
512134-04	LAMP, MARKER, MOUNTING GASKET

Tail Lights

511860-01	LIGHT, 4" LED, RED
511860-02	BEZEL, 4" ROUND CHROME W/VISOR
512185-01	PIG TAIL, RS TAIL LIGHT
512185-02	PIG TAIL, CS TAIL LIGHT

2008 BASE CAMP TRAVEL TRAILER

ENTERTAINMENT

Radio

512051-01 RADIO, AM/FM/CD-JENSEN
203582 COVER, RADIO, 3.09" X 8.21"

Speakers

203584 COVER, SPEAKER 4.5" D
511722 MOUNT, SPEAKER BLACK
203554 HOUSING, SPEAKER
512062 SPEAKER- W/GRILL 2-WAY 4" BLACK

Radio Antenna

511807 ANTENNA-AM/FM RUBBER 14"
300145 WASHER, RUBBER ID.29" OD.69"

TV/DVD w/Articulating Arm

690565 TV/DVD, LCD 10.4" AXION
512157 BRACKET, ARTICULATING ARM TV
512187 SWITCH, TV AMP.
703653 STRAP, TV 20.75" HOOK/LOOP
195345-01 1 1/2" BROWN NYLON WEBBING
703456 VELCRO, LOOP BLACK 1.5"
703456-01 VELCRO, HOOK BLACK 1.5"

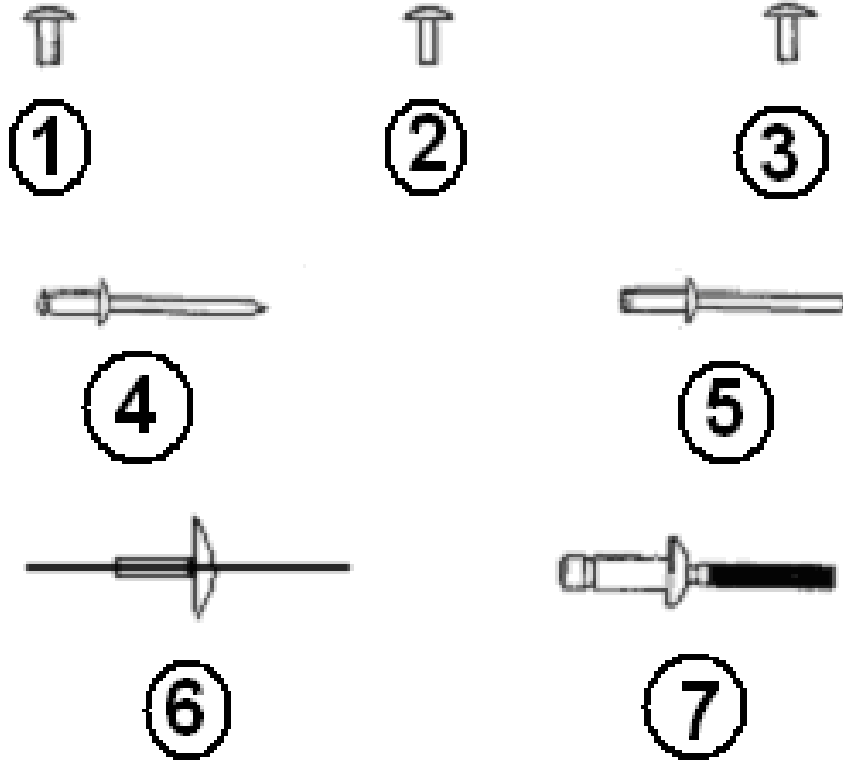
TV Antenna w/Jack

511864 ANTENNA, TV BOOMARANG
511864-01 BOOSTER, ANTENNA

2008 BASE CAMP TRAVEL TRAILER

FASTENERS

Rivets



1. 325004-01 RIVET, ANODIZED CLEAR 1/8 X 1/2
2. 325125 RIVET- ALUM. 5/32" .020-.312
3. 325003-01 RIVET, ANODIZED CLEAR 1/8 X 7/16
3. 325002-01 RIVET, ANODIZED CLEAR 1/8 X 3/8
4. 330126-03 Pop Rivet, 1/8" grip range .126-.250, S.S. body and mandrel
4. 330128-08 RIVET 1/8 IN (WHITE) AD48ABS
5. 330127-05 Rivet, pop dia.1/8" grip range .251-.312 aluminum body aluminum mandrel
6. 325126 RIVET-OLYMPIC, 1/4"ALUM .13"-.38"
7. 330130-02 RIVET POP SSD44SSBS
7. 330031-03 RIVET DOME HEAD SSD64SSBS
- 195380-01 POP RIVET AD41-43BSMG MULTI-GRIP

*Common bolts and screws not listed.

2008 BASE CAMP TRAVEL TRAILER

FURNITURE, GALLEY

Galley, W/O Cook Top

966650-01	Galley Assembly w/o Cook Top, Red
966650-02	Galley Assembly w/o Cook Top, Blue
966650-03	Galley Assembly w/o Cook Top, Green
1. 203574	PANEL, CURBSIDE, LOWER GALLEY
2. 203573	PANEL, ROADSIDE, LOWER GALLEY
3. 203577	PANEL, ROADSIDE, UPPER GALLEY
4. 203575	PANEL, MIDDLE UPPER GALLEY
5. 203579	PANEL, ROADSIDE, MIDDLE GALLEY
6. 203580	PANEL, CURBSIDE, MIDDLE GALLEY
7. 203576	PANEL, MID 60 GALLEY
8. 203581	RING, PAN SUPPORT GALLEY
9. 203602-01	PAN COVER, RED
9. 203602-02	PAN COVER, BLUE
9. 203602-03	PAN COVER, GREEN
10. 203570-01	SINK COVER, RED
10. 203570-02	SINK COVER, BLUE
10. 203570-03	SINK COVER, GREEN
11. 345391	ROD-THREADED 1/4-20 X 10'-0"
12. 195466-155	1/4" FLAT WASHER
13. 350004	NUT 1/4-20 BULK PLAIN STEEL SQ
14. 381893	BUMPER-RUBBER W/METAL CORE THD
15. 115338-06	POLE, ALUMINUM, 1.625"X 19.5"
16. 115338-05	POLE, ALUMINUM, 1.625"X 14.25"
17. 801689-01	UPPER DOOR, RED, 14.375"
17. 801690-01	UPPER DOOR, BLUE, 14.375"
17. 801691-01	UPPER DOOR, GREEN, 14.375"
18. 801689-02	LOWER DOOR, RED, 19.63"
18. 801690-02	LOWER DOOR, BLUE, 19.63"
18. 801691-02	LOWER DOOR, GREEN, 19.63"
19. 801689-01	UPPER CLOSEOUT, RED, 14.375"
19. 801690-01	UPPER CLOSEOUT, BLUE, 14.375"
19. 801691-01	UPPER CLOSEOUT, GREEN, 14.375"

Continued on next page

2008 BASE CAMP TRAVEL TRAILER

FURNITURE, GALLEY

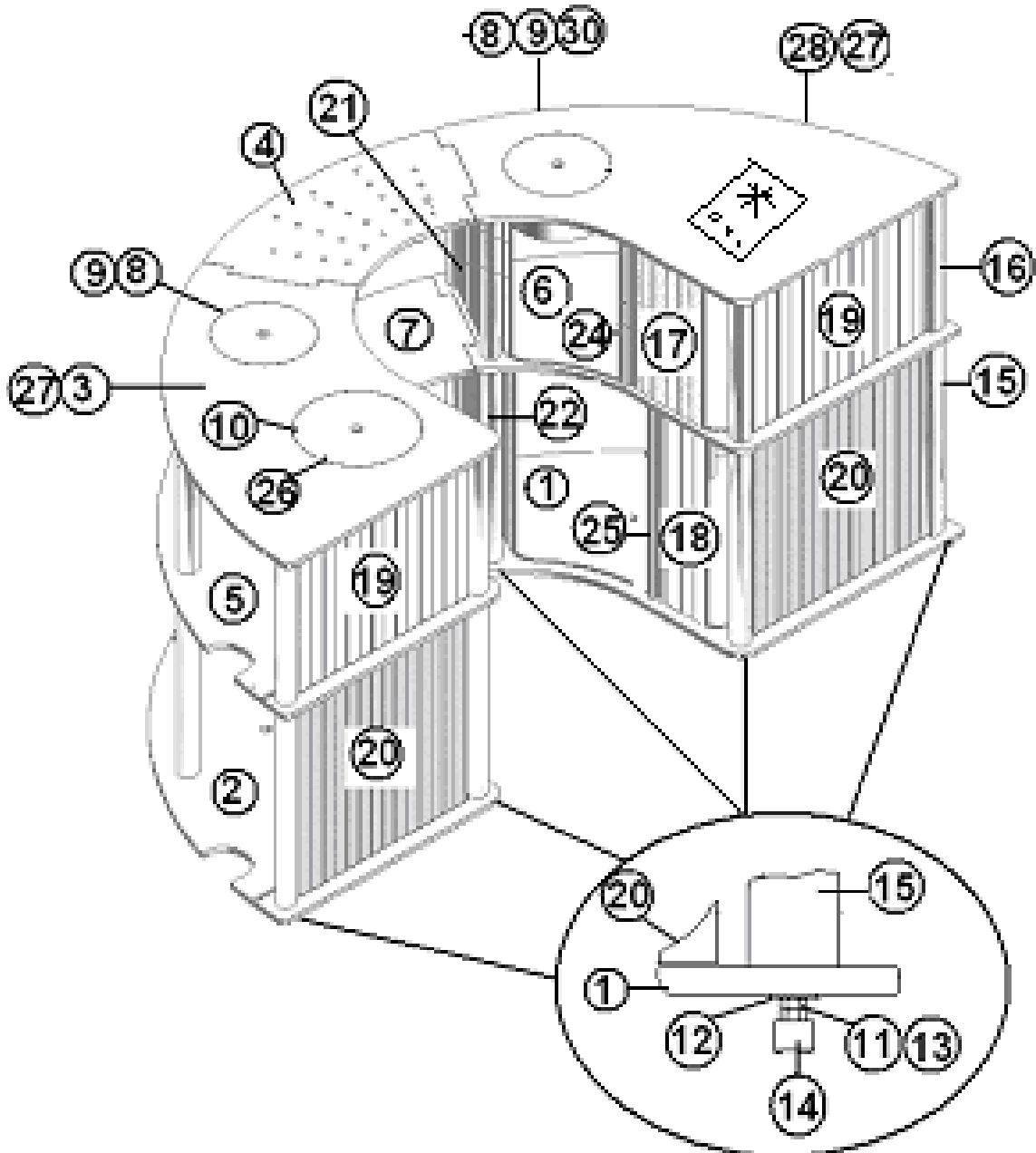
Galley, W/O Cook Top (continued)

20.	801689-02	LOWER SHELF DOOR, RED, 19.63"
20.	801690-02	LOWER SHELF DOOR, BLUE, 19.63"
20.	801691-02	LOWER SHELF DOOR, GREEN, 19.63"
21.	801689-01	UPPER CLOSEOUT, RED, 14.375"
21.	801690-01	UPPER CLOSEOUT, BLUE, 14.375"
21.	801691-01	UPPER CLOSEOUT, GREEN, 14.375"
22.	801689-02	LOWER CLOSEOUT, RED, 19.63"
22.	801690-02	LOWER CLOSEOUT, BLUE, 19.63"
22.	801691-02	LOWER CLOSEOUT, GREEN, 19.63"
23.	345447	SCREW, #8 X 32
24.	801692-01	HANDLE, ALUMINUM, 13.75" SHUTTER
25.	801692-02	HANDLE, ALUMINUM, 19"
26.	602110	SINK, SS ROUND, 4.5" X 11.5"
27.	382014	BUTTON, PANEL, RETAINING BEIGE
28.	203578-01	PANEL, CURBSIDE, GALLEY, W/O COOKTOP
29.	195380-01	POP RIVET AD41-43BSMG
30.	203601	ORGANIZER, ABS, PAN, 8"
	381996	MOLDING, F TRIM 12'
	381996-01	TRIM, F MOLDING 19"
	381996-02	TRIM, F MOLDING 8.25"
	350008	NUT BRASS NICKLE PLATED 8/32"
	454555	BRACKET, GALLEY, MOUNTING ANGLE
	345450	WELLNUT, RUBBER 1/4-20
	320035	SCREW 8 X 1/2 PH TYPE A PHIL WD
	345276-04	SCREW HEX HD. CAP 1/4-20 X 1 ID
	203586-01	SPACER, GALLEY 1.63" BC

2008 BASE CAMP TRAVEL TRAILER

FURNITURE, BATH

Galley, W/Cook Top



2008 BASE CAMP TRAVEL TRAILER

FURNITURE, BATH

Galley, W/Cook Top

966692-01	Galley, W/Cook Top, Red
966692-02	Galley, W/Cook Top, Blue
966692-03	Galley, W/Cook Top, Green
1. 203574	PANEL, CURBSIDE, LOWER GALLEY
2. 203573	PANEL, ROADSIDE, LOWER GALLEY
3. 203577	PANEL, ROADSIDE, UPPER GALLEY
4. 203575	PANEL, MIDDLE UPPER GALLEY
5. 203579	PANEL, ROADSIDE, MIDDLE GALLEY
6. 203580	PANEL, CURBSIDE, MIDDLE GALLEY
7. 203576	PANEL, MID 60 GALLEY
8. 203581	RING, PAN SUPPORT GALLEY
9. 203602-01	PAN COVER, RED
9. 203602-02	PAN COVER, BLUE
9. 203602-03	PAN COVER, GREEN
10. 203570-01	SINK COVER, RED
10. 203570-02	SINK COVER, BLUE
10. 203570-03	SINK COVER, GREEN
11. 345391	ROD-THREADED 1/4-20 X 10'-0"
12. 195466-155	1/4" FLAT WASHER
13. 350004	NUT 1/4-20 BULK PLAIN STEEL SQ
14. 381893	BUMPER-RUBBER W/METAL CORE THD
15. 115338-06	POLE, ALUMINUM, 1.625"X 19.5"
16. 115338-05	POLE, ALUMINUM, 1.625"X 14.25"
17. 801689-01	UPPER DOOR, RED, 14.375"
17. 801690-01	UPPER DOOR, BLUE, 14.375"
17. 801691-01	UPPER DOOR, GREEN, 14.375"
18. 801689-02	LOWER DOOR, RED, 19.63"
18. 801690-02	LOWER DOOR, BLUE, 19.63"
18. 801691-02	LOWER DOOR, GREEN, 19.63"
19. 801689-01	UPPER CLOSEOUT, RED, 14.375"
19. 801690-01	UPPER CLOSEOUT, BLUE, 14.375"
19. 801691-01	UPPER CLOSEOUT, GREEN, 14.375"

Continued on next page

2008 BASE CAMP TRAVEL TRAILER

FURNITURE, GALLEY

Galley, W/Cook Top (continued)

20. 801689-02	LOWER SHELF DOOR, RED, 19.63"
20. 801690-02	LOWER SHELF DOOR, BLUE, 19.63"
20. 801691-02	LOWER SHELF DOOR, GREEN, 19.63"
21. 801689-01	UPPER CLOSEOUT, RED, 14.375"
21. 801690-01	UPPER CLOSEOUT, BLUE, 14.375"
21. 801691-01	UPPER CLOSEOUT, GREEN, 14.375"
22. 801689-02	LOWER CLOSEOUT, RED, 19.63"
22. 801690-02	LOWER CLOSEOUT, BLUE, 19.63"
22. 801691-02	LOWER CLOSEOUT, GREEN, 19.63"
23. 345447	SCREW, #8 X 32
24. 801692-01	HANDLE, ALUMINUM, 13.75" SHUTTER
25. 801692-02	HANDLE, ALUMINUM, 19"
26. 602110	SINK, SS ROUND, 4.5" X 11.5"
27. 382014	BUTTON, PANEL, RETAINING BEIGE
28. 203578	PANEL, CURBSIDE, GALLEY, W/COOKTOP
29. 195380-01	POP RIVET AD41-43BSMG
30. 203601	ORGANIZER, ABS, PAN, 8"
381996	MOLDING, F TRIM 12'
381996-01	TRIM, F MOLDING 19"
381996-02	TRIM, F MOLDING 8.25"
350008	NUT BRASS NICKLE PLATED 8/32"
454555	BRACKET, GALLEY, MOUNTING ANGLE
345450	WELLNUT, RUBBER 1/4-20
320035	SCREW 8 X 1/2 PH TYPE A PHIL WD
345276-04	SCREW HEX HD. CAP 1/4-20 X 1 ID
203586-01	SPACER, GALLEY 1.63" BC

2008 BASE CAMP TRAVEL TRAILER

FURNITURE, GALLEY

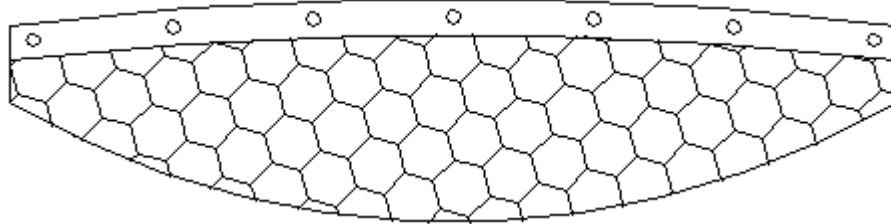
Galley Shelf Storage, Kelty

381962	SHELF, 8" FINISHED KELTY
381963	SHELF, 4" USABLE G1 KELTY
381964	SHELF, 4" USABLE G2 KELTY
381965	SHELF, 4" USABLE H1 KELTY
381966	SHELF, 4" USABLE H2 KELTY

2008 BASE CAMP TRAVEL TRAILER

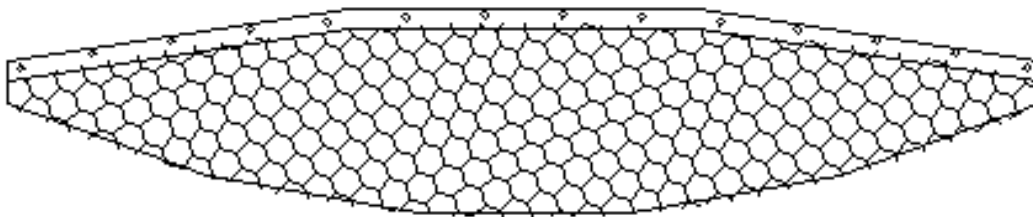
FURNITURE, LOUNGE

Net, Overhead Front Storage



- 115334 POLE, O/H LOCKER, FRONT 1"
- 703619 NETTING, O/H STORAGE, FRONT
- 115336 FLANGE, CLOSED END 2.5"X1.56"18
- 320005 SCREW SHEET METAL 8 X 1BH
- 325126 RIVET, OLYMPIC, 1/4"ALUM .13"-.38"
- 703645 STRAP, CURBSIDE/ROADSIDE, OVERHEAD
- 195345-01 1 1/2" BROWN NYLON WEBBING
- 300052 WASHER, 3/8 ID 5/8 OD FLAT
- 300111-25 WASHER, FLAT 1/4 INCH

Net, Overhead Side Storage

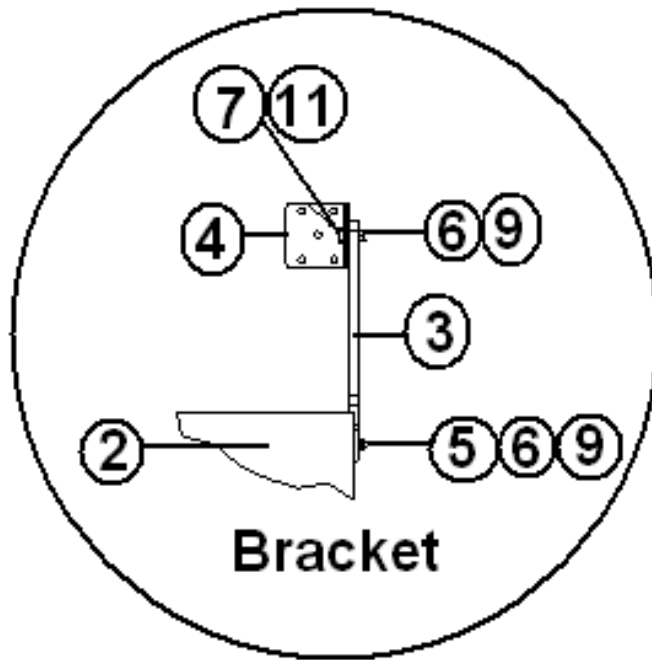
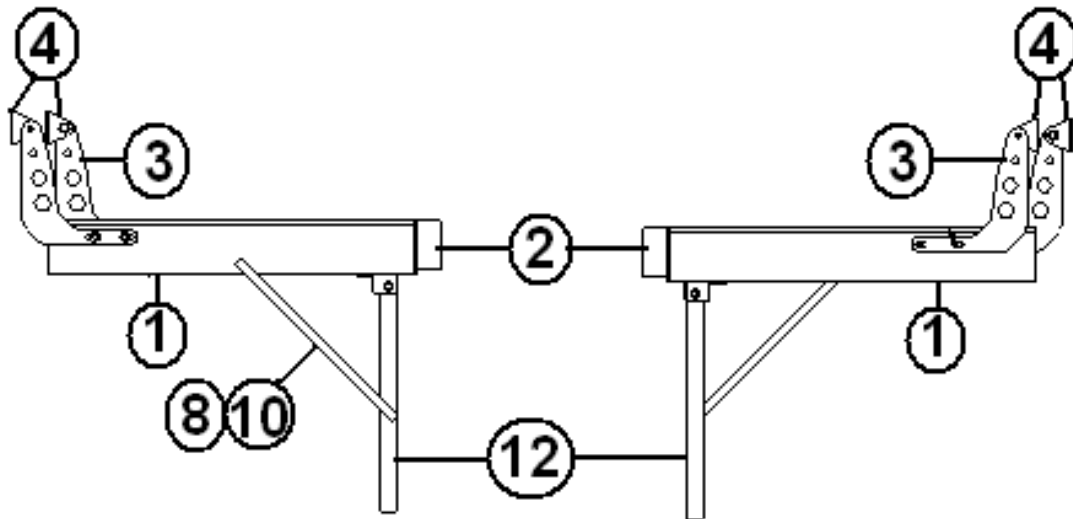


- 115333 POLE, O/H LOCKER CURBSIDE/ROADSIDE
- 703620 NETTING, STORAGE O/H, SIDES
- 115336 FLANGE, CLOSED END 2.5"X1.56"18
- 320005 SCREW SHEET METAL 8 X 1BH
- 325126 RIVET, OLYMPIC, 1/4"ALUM .13"-.38"
- 703645 STRAP, CURBSIDE/ROADSIDE, OVERHEAD
- 195345-01 1 1/2" BROWN NYLON WEBBING
- 300052 WASHER, 3/8 ID 5/8 OD FLAT
- 300111-25 WASHER, FLAT 1/4 INCH

2008 BASE CAMP TRAVEL TRAILER

FURNITURE, LOUNGE

Bed/Sofa Assembly, Complete



Part numbers are on the next page

2008 BASE CAMP TRAVEL TRAILER

FURNITURE, LOUNGE

Bed/Sofa Assembly, Complete

966642	BED/SOFA ASSEMBLY
1. 966641	UPPER BED ASSEMBLY
2. 966640-01	BED SLIDEOUT ASSEMBLY, BLUE
2. 966640-02	BED SLIDEOUT ASSEMBLY, RED
2. 966640-03	BED SLIDEOUT ASSEMBLY, GREEN
2. 966640-2A	S/O BED TOP, 16.62" X 45.38"
3. 454493	BRACKET, BED
4. 454501	BRACKET, WALL
5. 345435-03	BOLT, SHOULDER 1/4-20 X 1.75"
6. 300111-25	WASHER, FLAT 1/4 INCH
7. 345435-01	BOLT, SHOULDER 1/4-20 X .75"
8. 381229-01	SUPPORT HINGE-LEAF TABLE
9. 350045	1/4-20 NUT
10. 330031-03	RIVET DOME HEAD SSD64SSBS
11. 300111-31	WASHER, FLAT 5/16" SERIES N
12. 454496	WELDMENT, BED LEG

Bed/Sofa Tie back

703656	TIE BACK, SOFA BED BC
381566	LOOP FOOTMAN STEEL 1.625" X .56"
703655	WEBBING, .5"

Bed/Sofa Travel Bar

115364	Travel bar, sofa
114224	PLUNGER, 1"DIA. (LADDER) BC
381148-01	SOCKET, LADDER PLUNGER 114224 B
115363	TUBING, ALUMINUM, 16GA X 1" X 144"
195380-01	POP RIVET, AD41-43BSMG

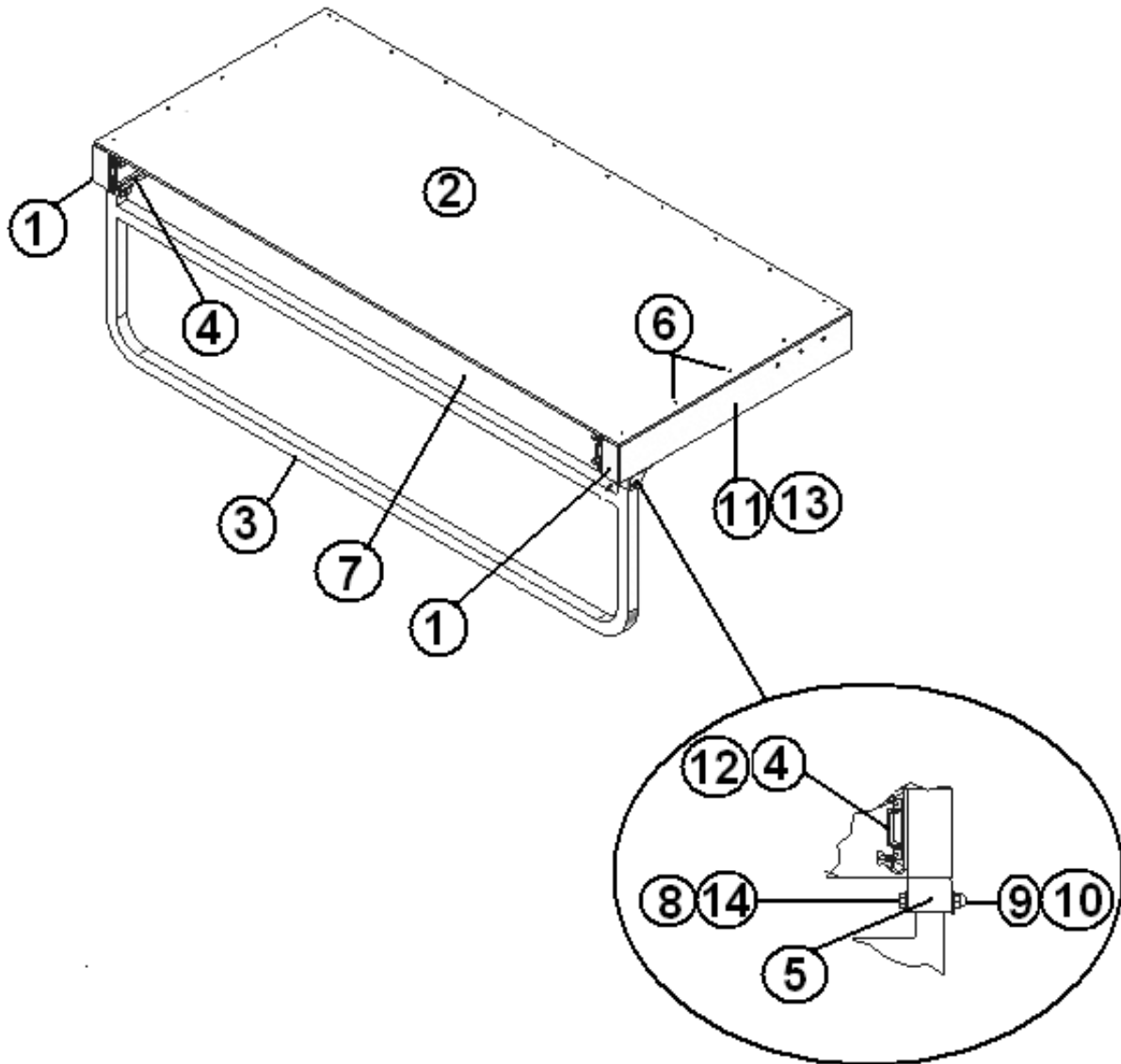
Bed/Sofa Under Base Storage

381959	UNDER BED UNIT, A THIN KELTY
381960	UNDER BED UNIT, B LARGE KELTY

2008 BASE CAMP TRAVEL TRAILER

FURNITURE, LOUNGE

Bed/Sofa Assembly, Upper, Lower



Part numbers are on the next page

2008 BASE CAMP TRAVEL TRAILER

FURNITURE, LOUNGE

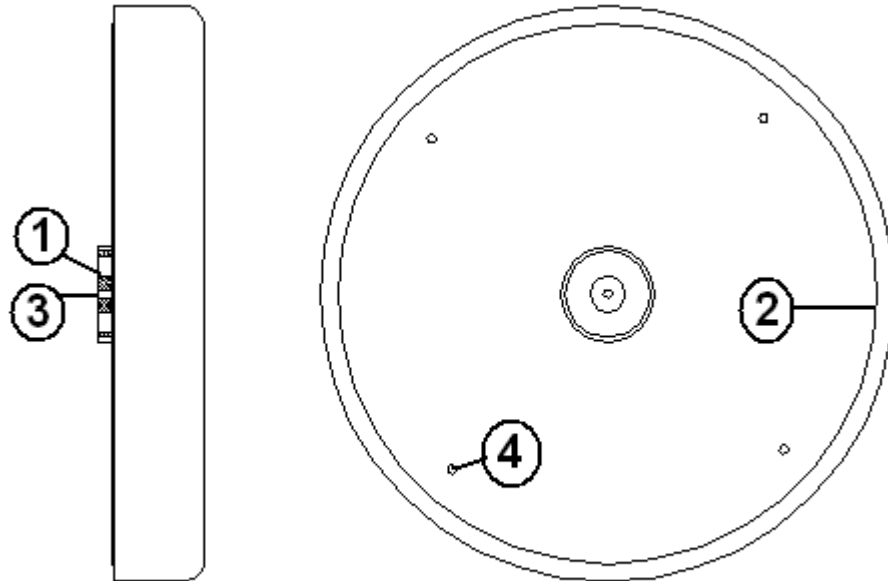
Bed Assembly, Upper, Lower

966641	UPPER BED
1. 203547-01	END CAP, PLASTIC, BLUE
1. 203547-02	END CAP, PLASTIC, RED
1. 203547-03	END CAP, PLASTIC, GREEN
2. 966641-2A	TOP, BED 23.5"X 50"
3. 454496	WELDMENT, BED LEG
4. 382021	SLIDE, DRAWER, 14"BALL BEARING
5. 454502	BRACKET, LEG HINGE
6. 345353-03	SCREW, #6 X 0.75 FLAT HD- PHIL
7. 454494	WELDMENT-BED SLIDEOUT
8. 345435-02	BOLT, SHOULDER 1/4-20 X 2"
9. 300111-25	WASHER, FLAT 1/4"
10. 350045	1/4-20 NUT
11. 454495	WELDMENT, UPPER BED
12.330031-03	RIVET DOME HEAD SSD64SSBS
13.330126-03	RIVET POP SSD44SSBS
14.300111-31	WASHER, FLAT 5/16IN SERIES N
701538-01	CARPET-ECONOLIER W/PSA BACK

2008 BASE CAMP TRAVEL TRAILER

FURNITURE, LOUNGE

Sofa Back



- | | |
|---------------|---------------------------------|
| 966731 | SEAT BACK ASSY |
| 1. 381731 | MAGNET, ROUND BASE 2.65" D. |
| 2. 115353 | BASE, SEAT BACK ROUND |
| 3. 345326-03 | SCREW, TAPPING #10 X .63" SS PH |
| 4. 195329-202 | HEMISPHERE CLEAR BUMP-ON |
| 381998 | BRACKET, WALL SEATBACK |
| 365001 | TAPE DOUBLE COATED FOAM |
| 330031-03 | RIVET DOME HEAD SSD64SSBS |

2008 BASE CAMP TRAVEL TRAILER

LABELS AND TAGS

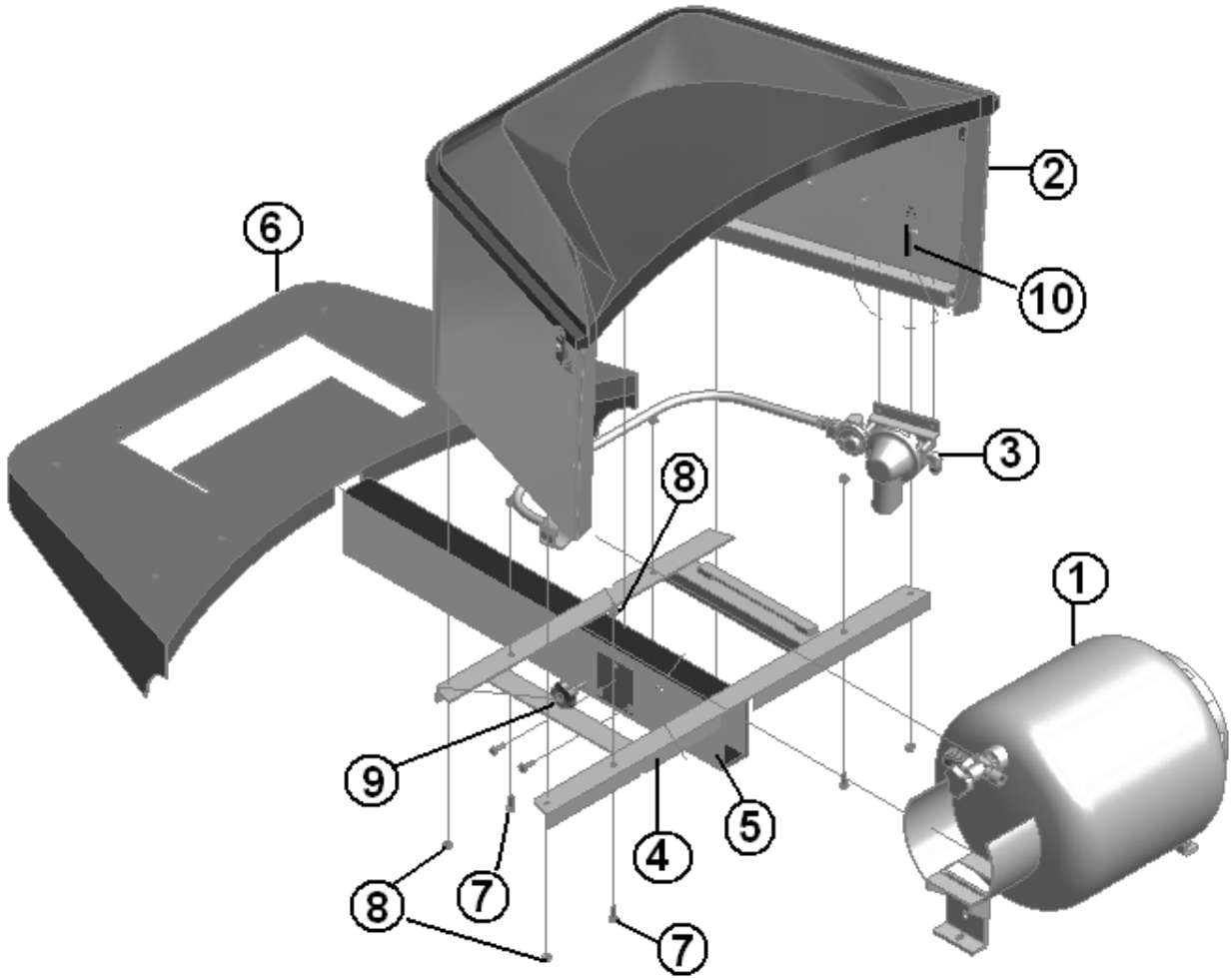
Labels and Tags

386111	LABEL 30 AMP FUSE MAX
386187	LABEL-15 AMP FUSE MAX
385560	Label, air conditioner rating
386114	LABEL-RVIA SILVER
386142	CHECK WHEEL LUG LABEL
386082	LABEL THOR, 5.25" X .75'
385062	DECAL 110-125 VOLTAGE AC
386118	Label, LP gas warning/fill
385812	Label, Calif. hazardous substance
386122	Warning label/cooking appliance
386121	Label, LP gas warning label (odor)
385950	LABEL "SMOKE DETECTOR CSA
385465	Exit label, English
385517	Label, kill switch warning
386192	HANG TAG: SMOKE/CO DETECTOR BATTER
385521	Label, emergency egress window
386194	LABEL, STORAGE PWR EQUIPMENT
386193	LABEL WHEEL TORQUE WARNING
386019	LABEL 1 AMP FUSE MAX

2008 BASE CAMP TRAVEL TRAILER

PLUMBING, LPG

LPG System, Above Floor



Part numbers are on the next page.

2008 BASE CAMP TRAVEL TRAILER

PLUMBING, LPG

LPG System, Above Floor

- | | |
|--------------|---------------------------------|
| 1. 602105 | TANK-LP 20# HORIZONTAL |
| 2. 115330 | LP COVER ASSY |
| 3. 602106 | REGULATOR-LP |
| 4. 454491 | WELDMENT, LP BOTTLE FRAME |
| 5. 115332 | PLATE, LP BOTTLE FASTENING |
| 6. 203555 | SHROUD-LOWER LP COVER |
| 7. 345276-03 | BOLT HEX. HD. 1/4-20 X 3/4IN |
| 8. 345236 | LOCKNUT, 1/4-20 NYLON #25CNU-AZ |
| 9. 345436 | KNOB-FIVE LOBED |
| 10. 345439 | NUT, 1/4-20 STEEL HEX THIN JAM |
| 381973 | STRAP-GROUNDING 6" |
| 454542 | STRAP, LP BOTTLE |

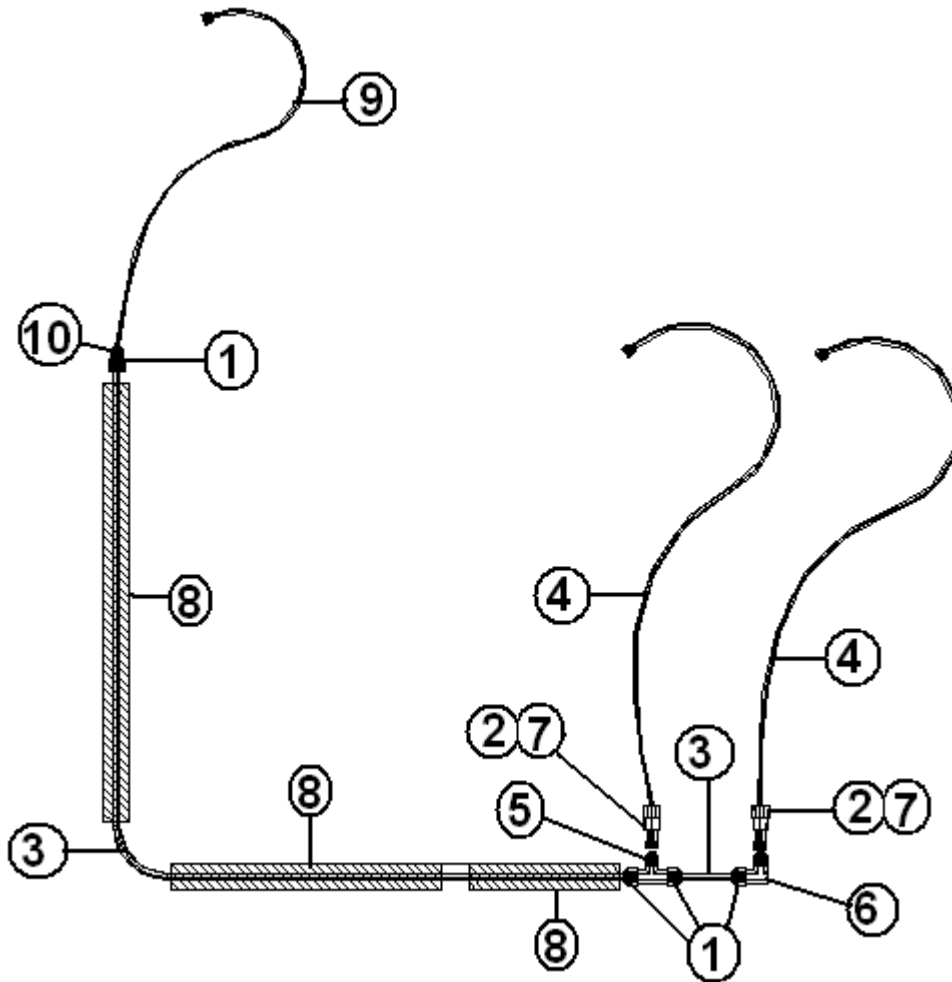
LPG Regulator Assembly (Item 3)

- | | |
|-----------|------------------------------------|
| 602106 | REGULATOR, COMPLETE ASSEMBLY |
| 602106-01 | REGULATOR, TWO STAGE |
| 602106-02 | BRACKET, "Z" LP REGULATOR |
| 602106-03 | PIGTAIL, 30" LP REGULATOR |
| 602106-04 | ELBOW, BRASS .38" NPT X .38" FLR |
| 602106-05 | COVER, LP REGULATOR BC |
| 602106-06 | ELBOW, CONN .25" FLARE X .25" MALE |

2008 BASE CAMP TRAVEL TRAILER

PLUMBING, LPG

LPG Layout, Below Floor

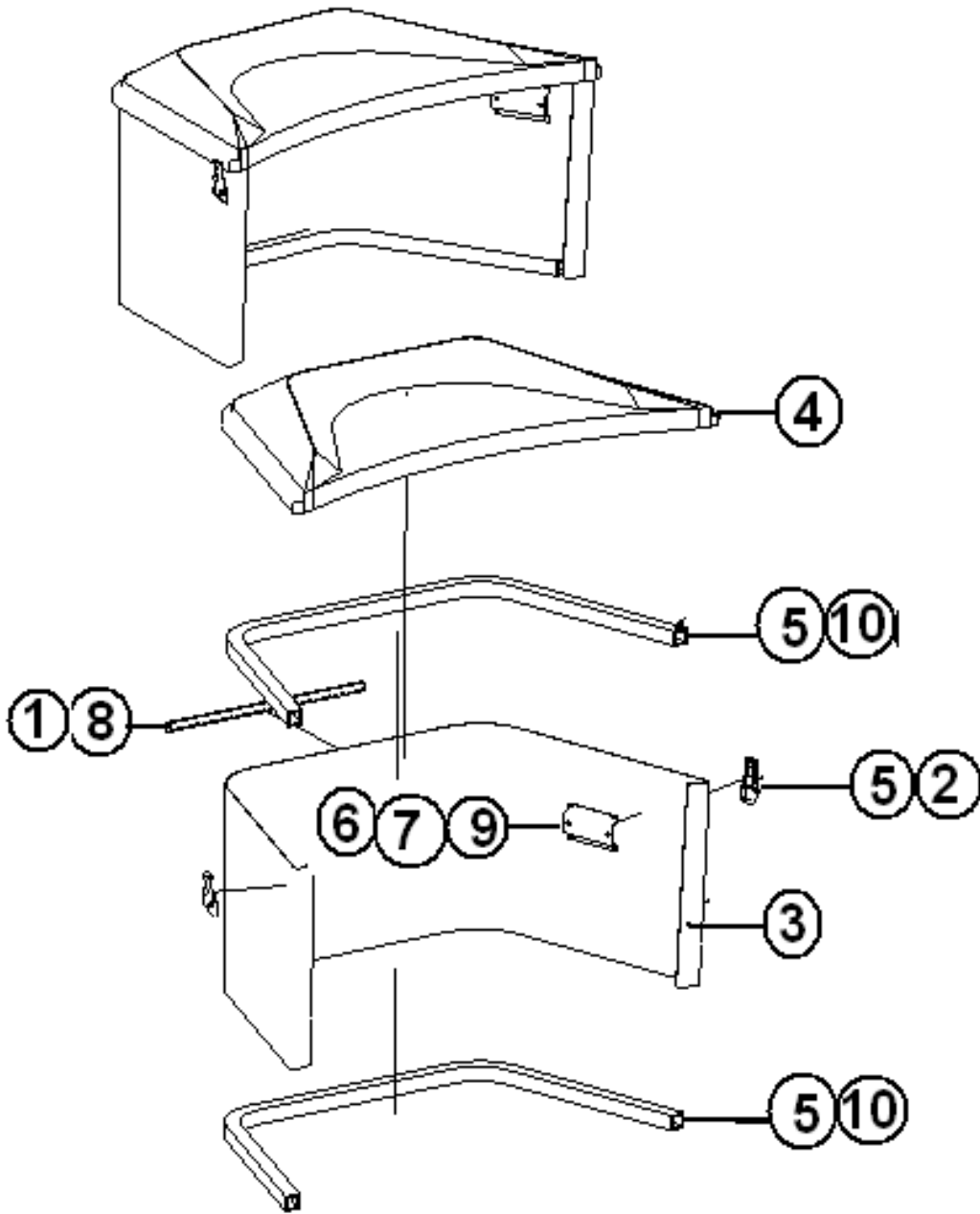


- | | |
|--------------|--------------------------------|
| 1. 600435 | FORGED FLARE NUTS 3/8IN |
| 2. 602109-01 | COUPLER-DISCONNECT.25"FPT X QD |
| 3. 600008 | TUBING COPPER 3/8" OD |
| 4. 602109-02 | HOSE-48" .25"MPTX QD |
| 5. 602107 | TEE-BRASS.38"FLX.38"FLX.25"MPT |
| 6. 602108 | ELBOW-BRASS .38"FLX.25"MPT |
| 7. 602109-03 | DUST PLUG - BASECAMP |
| 8. 601698-01 | E-PEX 1/2" TUBING |
| 9. 602104 | HOSE 3/8" X 48" |
| 10. 600238 | 3/8 IN FLARE UNION |
| 345426-02 | CLAMP-STEEL LOOP .38" RUBBER |

2008 BASE CAMP TRAVEL TRAILER

PLUMBING, LPG

LPG Bottle Cover, No Air Conditioner



Part numbers are the next page.

2008 BASE CAMP TRAVEL TRAILER

PLUMBING, LPG

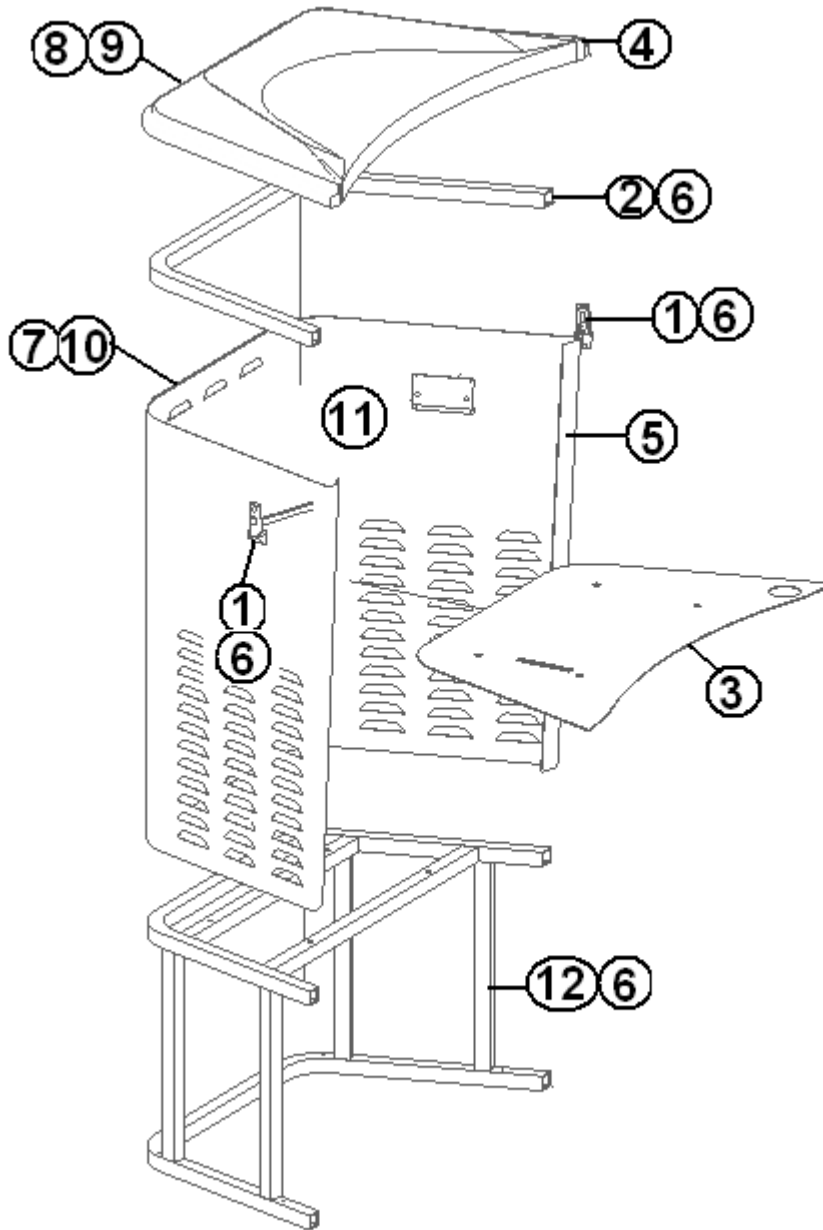
LPG Bottle Cover, No Air Conditioner

115330	LPG Bottle Cover, no air conditioner
1. 380988	HINGE, CONTINUOUS .5IN LEAF 16
2. 380903-01	LATCH, 51L1-1XAB FOR BOTTLE COVER
2. 380903-02	STRIKE, 51L-71AB FOR BOTTLE COVER
3. 115330-01	LP WRAP, BOTTLE COVER
4. 203556	LID, LP BOTTLE COVER
5. 330126-03	RIVET, POP, SSD44SSBS
6. 300101	WASHER, 1/8IN POP RIVET
7. 325003-01	RIVET, ANODIZED CLEAR, 1/8 X 7/16
8. 330130-02	RIVET 5/32 IN (MILL) AD52ABS
9. 115349	BRACKET, REGULATOR MOUNTING
10. 115330-02	FRAME, LP COVER
365045	SEAL MAIN DOOR

2008 BASE CAMP TRAVEL TRAILER

PLUMBING, LPG

LPG Bottle Cover, W/ Optional Air Conditioner



Part numbers are the next page.

2008 BASE CAMP TRAVEL TRAILER

PLUMBING, LPG

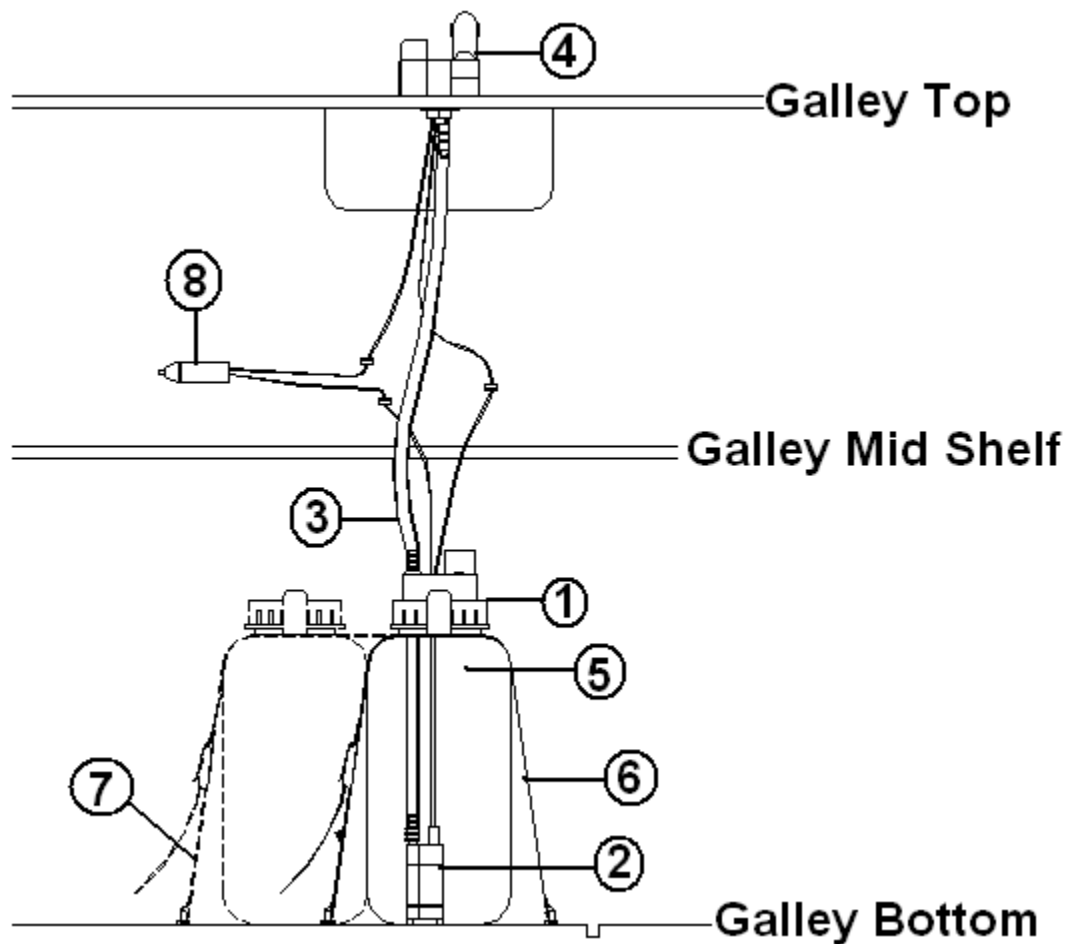
LPG Bottle Cover, W/ Optional Air Conditioner

115331	LPG Bottle Cover, no air conditioner
1. 380903-01	LATCH, 51L1-1XAB FOR BOTTLE COVER
1. 380903-02	STRIKE, 51L-71AB FOR BOTTLE COVER
2. 115330-02	FRAME-LP COVER, UPPER
3. 115350	LP/AC DIVIDER PANEL
4. 203556	LID, LP BOTTLE COVER
5. 115331-03	MID FRAME, LP WRAP BOTTLE COVER
6. 330126-03	RIVET, POP, SSD44SSBS
7. 330130-02	RIVET, 5/32 IN (MILL) AD52ABS
8. 325003-01	RIVET, ANODIZED CLEAR, 1/8 X 7/16"
9. 300101	WASHER, 1/8IN POP RIVET
10. 380988	HINGE, CONTINUOUS
11. 115349	BRACKET, REGULATOR MOUNTING
12. 115331-04	LP COVER, LOWER FRAME
365045	SEAL MAIN DOOR

2008 BASE CAMP TRAVEL TRAILER

PLUMBING, FRESHWATER

Freshwater System



- | | |
|--------------|----------------------------------|
| 602113 | KIT-FRESH WATER SYSTEM |
| 1. 602113-01 | CAP-BUCKET INSERT |
| 2. 602113-02 | PUMP, SUBMERSIBLE |
| 3. 602113-03 | HOSE, PVC 8.5'LENGTH |
| 4. 602113-04 | FAUCET, WATER TAP |
| 5. 602113-05 | TANK, 13 LITER |
| 6. 703646-01 | STRAP, 24" FRESH WATER TANK |
| 7. 703646-02 | STRAP, 19" FRESH WATER TANK |
| 8. 601113-06 | Plug, 12-volt inlet |
| 195345-01 | 1½" BROWN NYLON WEBBING |
| 382016 | BUCKLE, CAM STYLE, 1.5"WEBBING |
| 381566 | LOOP FOOTMAN STEEL 1.625" X .56" |

2008 BASE CAMP TRAVEL TRAILER

PLUMBING, DRAIN

Drain System

602140	TRAP, DRUM
602141	HOSE, GRAY DRAIN ID, .75" X 42"
602142	FITTING-, 75" BARBED
602143	CLAMP-WIDE BAND 1.06" OD #7329
602145	NIPPLE-.5" X 6.5"
602146	CONNECTOR, .5" SWIVEL
195362-39	2" STRAINER
601239-02	TUBING, .75" WATER FILL
602110	SINK, SS ROUND, 4.5" X 11.5"
*601786	City water fill

*Mounted in floor to drain sink

Portable Toilet

690568	TOILET-PORTABLE BASECAMP
--------	--------------------------

2008 BASE CAMP TRAVEL TRAILER

SAFETY EQUIPMENT

Detectors/Fire Extinguishers

510781	Smoke detector
512178	DETECTOR, CARBON MONOXIDE
511309	LPG detector
386019	LABEL 1 AMP FUSE MAX
600162-01	Fire extinguisher
600162-02	Fire extinguisher, CSA

Flash Light

382033	FLASHLIGHT, TRIPOD, STANLEY
382032	HOOK & LOOP W/BUCKLE, 12"L
382031	CLIP POLE, 5/8"

First Aid Kit

690572	MEDICAL KIT, WEEKENDER
998193	FIRST AID COVER ASSY
703688	BADGE, FIRST AID KIT

2008 BASE CAMP TRAVEL TRAILER

SEALER/GASKETS/PAINT

SEALER

360001	Sealant, #884058
360002	Sealant, Vulkem 11.5 oz. tube
360209	Sealant, seam
360176	Sealant, Almond, kitchen and bath
360180-04	Sealant, Sikaflex #221, black
360180	Sealant, Sika-flex, gray
360210	Sealant, Paralastic 4334-014
360283	Sealant, silicone, Corian Bone
360283-01	SEALANT SILICONE CORIAN G. WHITE
360313	SIKAFLEX 252 WHITE 10.5 OZ.
365287	SEALANT URETHANE-1100 FAST SET
360268-01	SEAL LIQUA ELASTOMIC ROOF WHITE

GASKETS/TAPE

381589	RUBBER EXTRUSION, FLOOR WIPER
382007	SEAL, WINDOWS, D .75"H X .813" W, DOOR
382017	GASKET-.60" BULB SEAL, WINDOWS
365298	TAPE, FOAM SPACER, .38" X .25" X 18', SKY LIGHT
381663	GASKET D-SEAL, REARSTEP
365045	SEAL, LP COVER
685510	SEAM TAPE, BLACK, RUBBER, 1/32 X 7/8 X 2
365308	SEAL, UPPER DOOR JAMB
386198-01	GASKET, OPENING WINDOW, CURBSIDE
386198-02	GASKET, OPENING WINDOW, ROADSIDE
365299	TAPE, WINDOW HINGE DOUBLE SIDED.5" X 1.5"
365001	TAPE DOUBLE COATED FOAM
365298	TAPE-FOAM SPACER .38" X .25" X 18'

PAINT

360317-03	PAINT-DUPONT NASON LOW VOC BLACK
360078	DUPONT 80225 ACRYLIC ENAMEL REDUCER

2008 BASE CAMP TRAVEL TRAILER

UPHOLSTERY/FOAM/MATTRESS

Sofa Cushions

- 703616-227 Cushions, complete kit, Red/Grey
- 703616-237 Cushions, complete kit, Light Green/Dark Green
- 703616-247 Cushions, complete kit, Blue/Grey

2008 BASE CAMP TRAVEL TRAILER

VENTS/FANS/ SKY LIGHTS

Ram Air Vent System

601337 4" ROTO VENT W/SHUT-OFF BLACK
382020 Vent, Low Profile, aluminum

Vent, Roof, Non-Power

381606-01 VENT-ROOF 14"X14" NON POWER WHITE
381606-02 TRIM RING-VENT WHITE

Sky Light w/Solar Shade

381982 SHADE, SOLAR SKYLIGHT, 27.75"
203544 TRIM RING, SKYLIGHT, 30" DIAMETER
365298 TAPE, FOAM SPACER, .38" X .25" X 18'

Roof Vent, Maxx Fan

381953 FAN-MAXX AIR VENT (SMOKE)

2008 BASE CAMP TRAVEL TRAILER

NOTES

