

AIRSTREAM

AN AMERICAN LEGEND

SAFARI SPORT TRAILER

Parts Book

2008

2008 SAFARI SPORT
TABLE OF CONTENTS
SECTION I
A through B

APPLIANCES

Air Conditioner	I-1
Furnace	I-1
Range/Cook Top	I-1
Microwave	I-1
Refrigerator	I-2
Water Heater	I-2

BODY

End shell, aft	I-4
End shell, front	I-6
Roof	I-8
RS Wall, 17'	I-9
CS Wall, 17'	I-11
RS Wall, 22'	I-13
There was a running line change adding a window to the 22' curbside during the 2008 model year per dealer's request.	
CS Wall, 22' w/One Window	I-15
CS Wall, 22' w/Two Windows	I-17
Underbelly Wraps	I-19
Wrap Protector	I-19
Body Interior	I-20

2008 SAFARI SPORT
TABLE OF CONTENTS
SECTION II
C through E

CHASSIS

Axles, Shocks	II-1
Tires, Wheels	II-1
Step	II-1
Stabilizing Jacks	II-2
Hose Carrier	II-2
Safety Chains	II-2
Hitch Jacks	II-2

DECALS/EXTERIOR TRIM	II-3
--	------

DOORS/WINDOWS/AWNING

Doors	II-4
Windows	II-10
Stone Guard	II-11
Awning	II-12

BLINDS	II-15
------------------------------	-------

ELECTRICAL

110 volt	II-18
12 volt	II-19

ENTERTAINMENT	II-22
-------------------------------------	-------

2008 SAFARI SPORT
TABLE OF CONTENTS
SECTION III
F through H

FLOOR COVERING

Mats	III-1
Vinyl Flooring	III-1

FURNITURE

Interior Doors	III-2
Mirrors	III-3
Lounge	III-4
Galley	III-18
Lavatory	III-33

HARDWARE

Exterior locks/hinges	III-41
Interior Cabinet Latches/Hinges	III-46
Bath Accessories	III-50
Wardrobe/Drapes	III-50
Detectors/Fire Extinguisher	III-51
Rivets	III-52

2008 SAFARI SPORT
TABLE OF CONTENTS
SECTION IV
L through Z

[LABELS and TAGS](#) IV-1

PLUMBING

[LPG](#) IV-3

[Fresh water](#) IV-4

[Faucets](#) IV-9

[Drain Water](#) IV-11

[Toilet](#) IV-17

[SEALER](#) IV-19

[GASKETS/PAINT](#) IV-20

UPHOLSTERY

[Pillow Kits](#) IV-21

[Dinette/Sofa Seat Covers/Foam](#) IV-23

[VENTS/FANS](#) IV-26

[SKY LIGHTS](#) IV-26

[PLYWOOD/PANELING](#) IV-27

[EDGEBANDING/LUAN](#) IV-27

[INTERIOR TRIM](#) IV-28

2008 SAFARI SPORT

APPLIANCES

Air Conditioners

690586-01 AIR CONDITIONER, 13,500, LO-PROFILE
690586-02 CEILING PACKAGE, FREEBLOW-COOL
601240-01 Black drain tubing, 1/2" ID

Furnace

690573 Furnace, Hydroflame, 22, 17"
600247 Hose, 4", flex heat duct
600193 Hose, 2", flex heat duct
600526 Flange, 4"
601244-03 REGISTER-ROTAIRE #3840-96 4", BLACK
601244-01 REGISTER-ROTAIRE #3840-96 4"BROWN
511228 Thermostat, furnace, off white
601348 TEE, HEAT DUCT, 4 X 4 X 2

Microwaves

690581-01 MICROWAVE CONVECTION TAPPEN BLACK, 22', 17'
690581-02 TRIM KIT, TAPPEN M/W TK1050B, 22', 17'
690581-03 Tappen Silver Convection Microwave
690581-04 Trim Kit, Silver, for Tappen Microwave
690592-01 Microwave, Convection, Black, Haier MWG1008B

Range/Cook Top

690576 COOKTOP-2 BURNER SMEV 8022 ST.
690585 OVEN, 30LT S.S. W/WINDOWED DOOR

2008 SAFARI SPORT

APPLIANCES

Refrigerators

690393-08	REFRIGERATOR, 4CF, LH DOOR, RM2451LB, 22'
965934-02	INSERT, DOOR, REFRIGERATOR 20.62" X 32.62", 22'
690470-02	REFRIGERATOR, 3CF, RH DOOR RM2351RB, 17'
965934-04	INSERT, DOOR, REFRIGERATOR 2 19.5" X 26", 17'
690394	Power ventilator, refrigerator
511836	SWITCH, REFRIGERATOR/FAN, WHITE
114883-01	BAFFLE, REFRIGERATOR CABINET, LOWER, 25.5"
381589	RUBBER EXTRUSION, FLOOR WIPER
381830	WIPER, RUBBER, 1.125" X 2" LONG

Water Heater

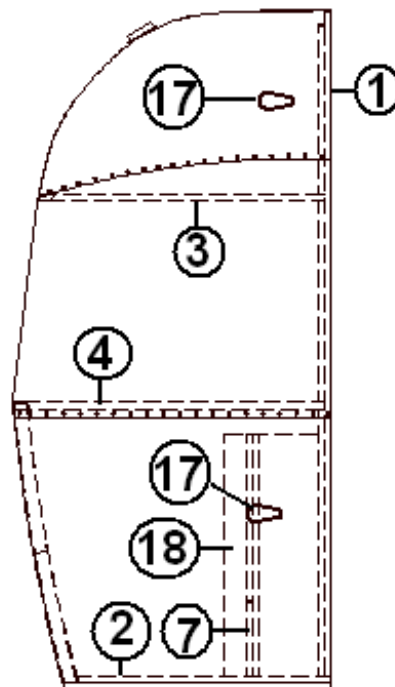
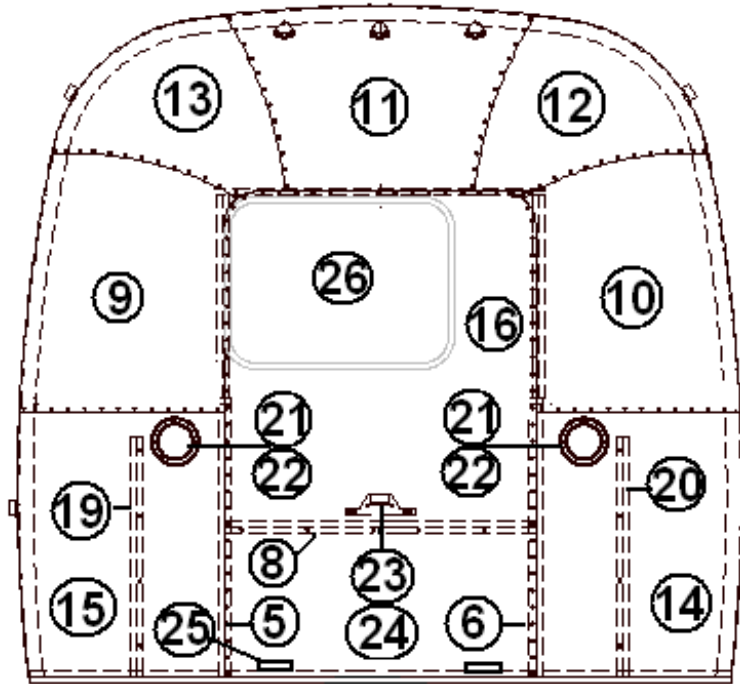
690199	Water heater, electronic ignition
690209	Access cover, brushed aluminum
381648	COVER LATCH HOLE, WATER HEATER

2008 SAFARI SPORT

EXTERIOR BODY NOTES

2008 SAFARI SPORT EXTERIOR BODY

Aft End, 17', 22'



See next page for P/N.

2008 SAFARI SPORT

EXTERIOR BODY

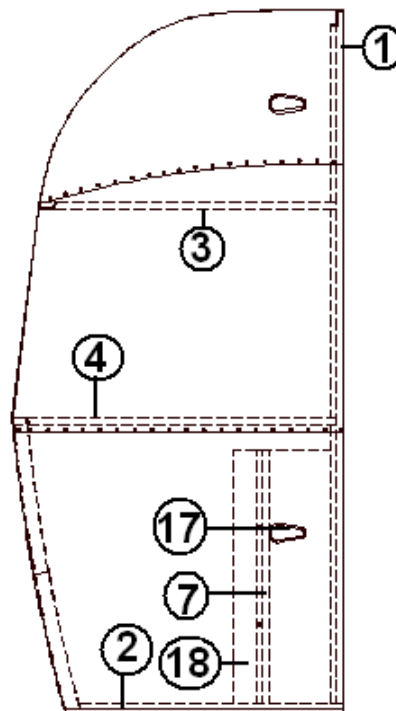
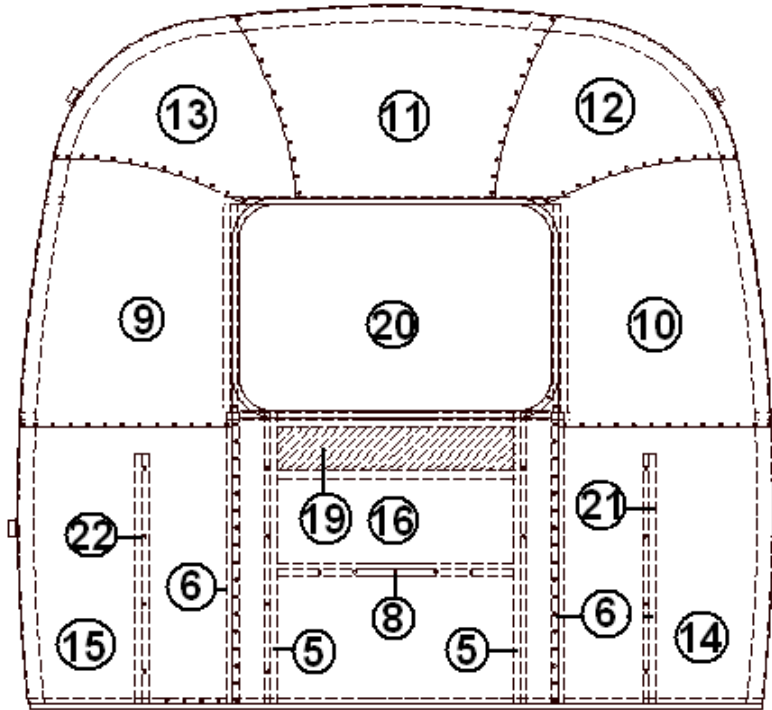
Aft End, 17', 22'

967108	END SHELL, AFT
1. 99900M-015	ZERO BOW
2. 115384	FLOOR BOW
3. 99900M-016	BOW, UPPER WINDOW
4. 99900M-017	BOW, LOWER WINDOW
5. 114505-01	BRACE, FRONT, VERTICAL, CS
6. 114505-02	BRACE, FRONT, VERTICAL, RS
7. 101315	BRACE, VERTICAL, REAR
8. 104408	EXTRUSION, Z RIB
9. 114888	SEGMENT, CENTER LEFT "BRIGHT"
10. 114889	SEGMENT, CENTER RIGHT "BRIGHT"
11. 99900M-049	SEGMENT, CENTER
12. 114890	SEGMENT, #26 "BRIGHT"
13. 114891	SEGMENT, #27 "BRIGHT"
14. 114894	SEGMENT, #28 "BRIGHT"
15. 114895	SEGMENT, #29 "BRIGHT"
16. 114880-201	ALUMINUM SHEET .040" X 51" X 201"
17. *511751	MARKERLIGHT, RED, TEARDROP
17. *512227	Light, clearance, red LED
18. 114849-03	ALUMINUM SHEET, .060" X 36"W X 8', GRAY
19. 101315-01	BRACE, VERTICAL, REAR, LH
20. 101315-02	BRACE, VERTICAL, REAR, RH
21. 511860-01	LIGHT, 4"LED, RED
22. 511860-02	BEZEL, 4" ROUND, CHROME W/VISOR
23. 511407	LICENSE PLATE HOLDER, W/LIGHT, BLACK
24. 511407-01	GASKET, BLACK FOR LICENSE PLATE LIGHT
25. 510446	REFLECTOR, RED STICK-ON
26. 371381-21	WINDOW, FLAT, W/8" VENT WINDOW

*LED clearance light replaced incandescent during model year

2008 SAFARI SPORT EXTERIOR BODY

Front End 17', 22'



See next page for P/N.

2008 SAFARI SPORT

EXTERIOR BODY

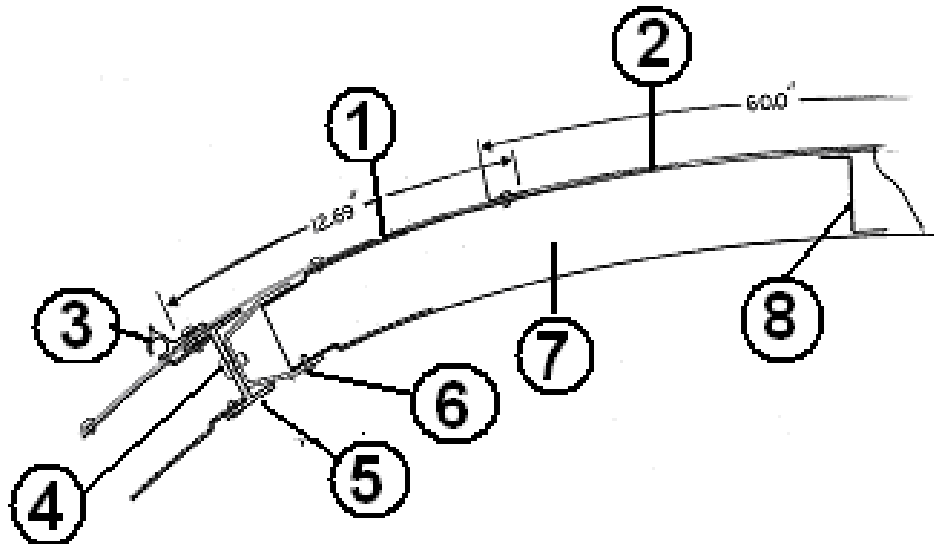
Front End 17', 22'

967107	END SHELL, FRONT
1. 99900M-015	ZERO BOW
2. 115384	FLOOR BOW
3. 99900M-016	BOW, UPPER WINDOW
4. 99900M-017	BOW, LOWER WINDOW
5. 114505-01	BRACE, FRONT, VERTICAL ,CS
6. 114505-02	BRACE, FRONT, VERTICAL, RS
7. 101315	BRACE, VERTICAL, REAR
8. 104408	EXTRUSION, Z RIB
9. 114888	SEGMENT, CENTER LEFT "BRIGHT"
10. 114889	SEGMENT, CENTER RIGHT "BRIGHT"
11. 99900M-049	SEGMENT, CENTER
12. 114890	SEGMENT, #26 "BRIGHT"
13. 114891	SEGMENT, #27 "BRIGHT"
14. 114894	SEGMENT, #28 "BRIGHT"
15. 114895	SEGMENT, #29 "BRIGHT"
16. 114880-307	ALUMINUM SHEET .040" X 51" X 307"
17. *511750	MARKERLIGHT, AMBER, TEARDROP
17. *512226	Light, clearance, amber LED
18. 114849-03	ALUMINUM SHEET, .060" X 36"W X 8', GRAY
19. 453629	HAT SECTION, DINETTE TABLE SUPPORT
20. 371381-19	WINDOW, 36.25" X 24.19" FLAT, SPLIT
21. 101315-01	BRACE, VERTICAL, REAR,, LH
22. 101315-02	BRACE, VERTICAL, REAR, RH
500096	REFLECTOR, AMBER

*LED clearance light replaced incandescent during model year

2008 SAFARI SPORT EXTERIOR BODY

Roof



- | | |
|---------------|---|
| 1. 114362 | Aluminum sheet, .050 x 7", white |
| 2. 114489-262 | Aluminum sheet, white, .032 x 60" x 262 |
| 3. 114290-02 | Extrusion, awning/drip rail |
| 4. 340123-02 | Rivet, Huck, 3/16 x 1/2" |
| 5. 104707-01 | Extrusion, "I" beam |
| 6. 114987-02 | Extrusion, roof corner |
| 7. 99900M-001 | Roof bow |
| 8. 104408 | Extrusion, Z bar, horizontal |
| 325000-03 | Rivet, buck, white, 1/8" x 1/4" |

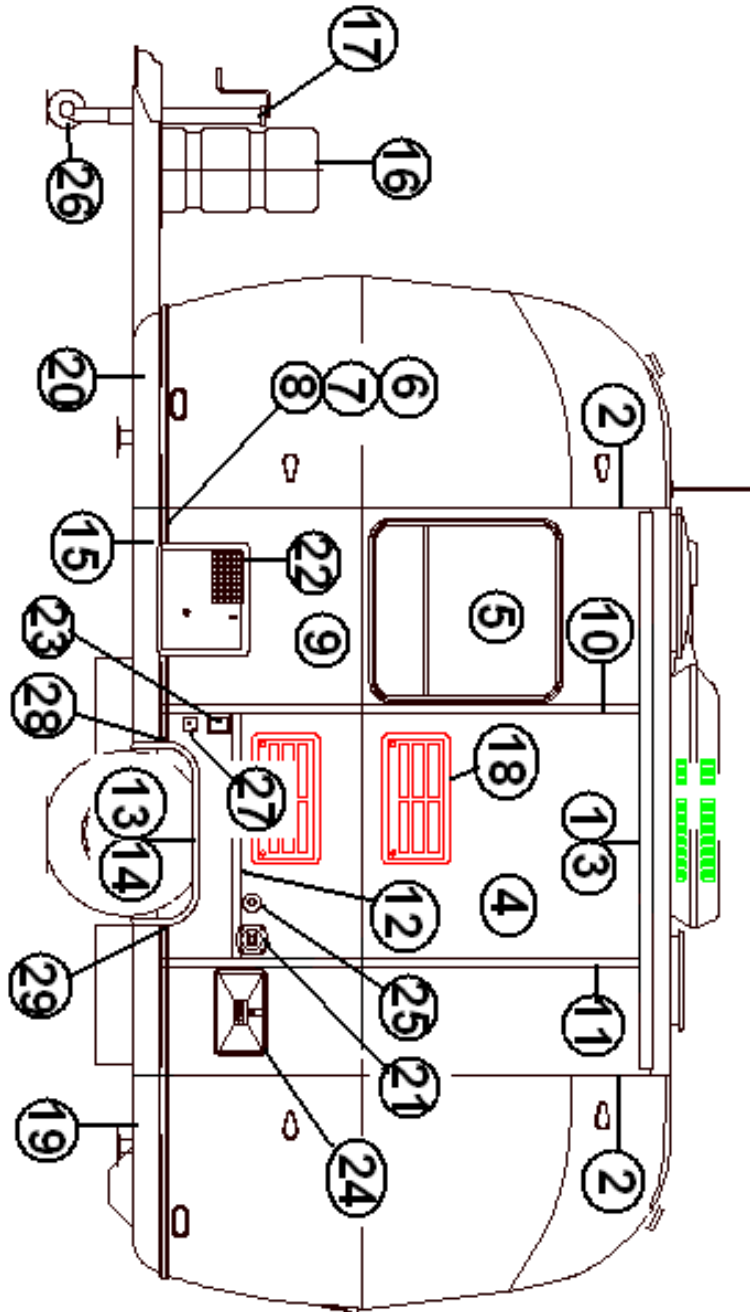
Shell Attachment

- | | |
|-----------|-------------------------------|
| 300023-02 | WASHER, HOLD DOWN-HOLE OFFSET |
|-----------|-------------------------------|

2008 SAFARI SPORT

EXTERIOR BODY

Wall, Roadside, 17'



Part numbers on the next page

2008 SAFARI SPORT

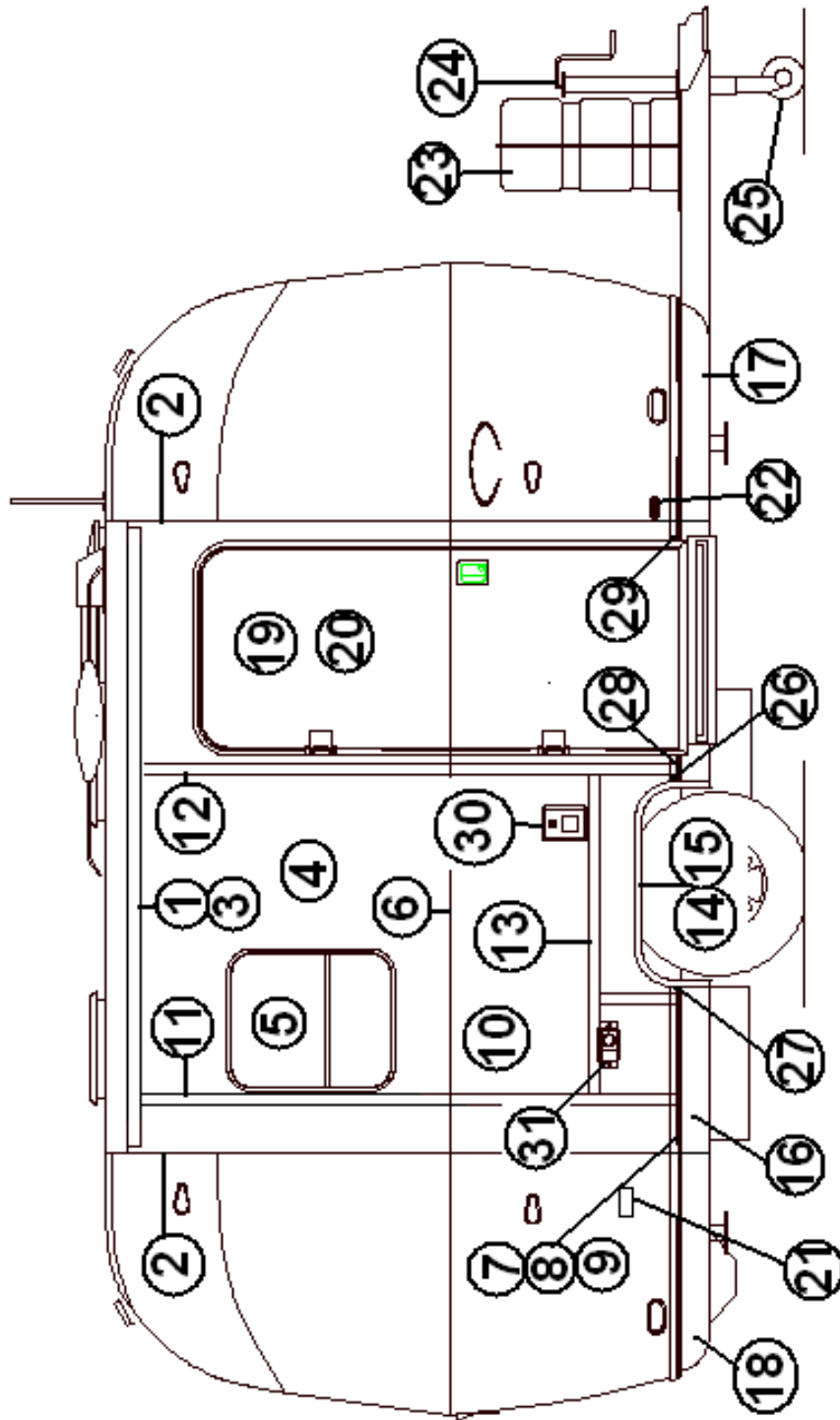
EXTERIOR BODY

Wall, Roadside, 17'

- | | |
|---------------|---|
| 1. 114290-02 | Extrusion, awning/drip rail |
| 2. 99900M-15 | Rib, end bow |
| 3. 104707-01 | Extrusion, "I" beam |
| 4. 114880-201 | Aluminum sheet, upper, .040 x 51 x 201" |
| 5. 371381-20 | Window, 28.25" X 29.75", Egress |
| 6. 114460 | Extrusion, rub rail |
| 7. 201763-01 | Insert, rub rail, chrome, 1" |
| 8. 100986 | Floor channel |
| 9. 114879-201 | Aluminum sheet, lower, .040 x 33 x 201" |
| 10. 114387-02 | Bow, Z rib, L |
| 11. 114387-01 | Bow, Z rib, RH |
| 12. 100986 | Wheel well stiffener (floor channel) |
| 13.114003-04 | Wheel well trim, inner, single axle |
| 14.114004-04 | Wheel well trim, outer, single axle |
| 15.203621 | Underbelly roll, black plastic |
| 16.203617 | Cover, 20# LPG bottles, plastic |
| 17.410945 | Hitch Jack |
| 18.922243 | Door assembly, refrigerator assess |
| 19.203303-03 | Banana wrap, black, RS rear |
| 20.203303-01 | Banana wrap, black, RS front |
| 21.601392-05 | City water fill |
| 22.690199 | Water Heater |
| 23.511416-02 | Power inlet, 30A, 125V, MALE |
| 24.601876 | Shower, exterior, white |
| 25.601441 | Black tank flush |
| 26.410946 | Hitch jack wheel |
| 27.512249 | Cable TV connector w/cover |
| 28.114466-02 | Casting, rub rail end, wheel well, LH |
| 29.114466-01 | Casting, rub rail end, wheel well, RH |

2008 SAFARI SPORT EXTERIOR BODY

Wall, Curbside, 17'



Part numbers on the next page

2008 SAFARI SPORT

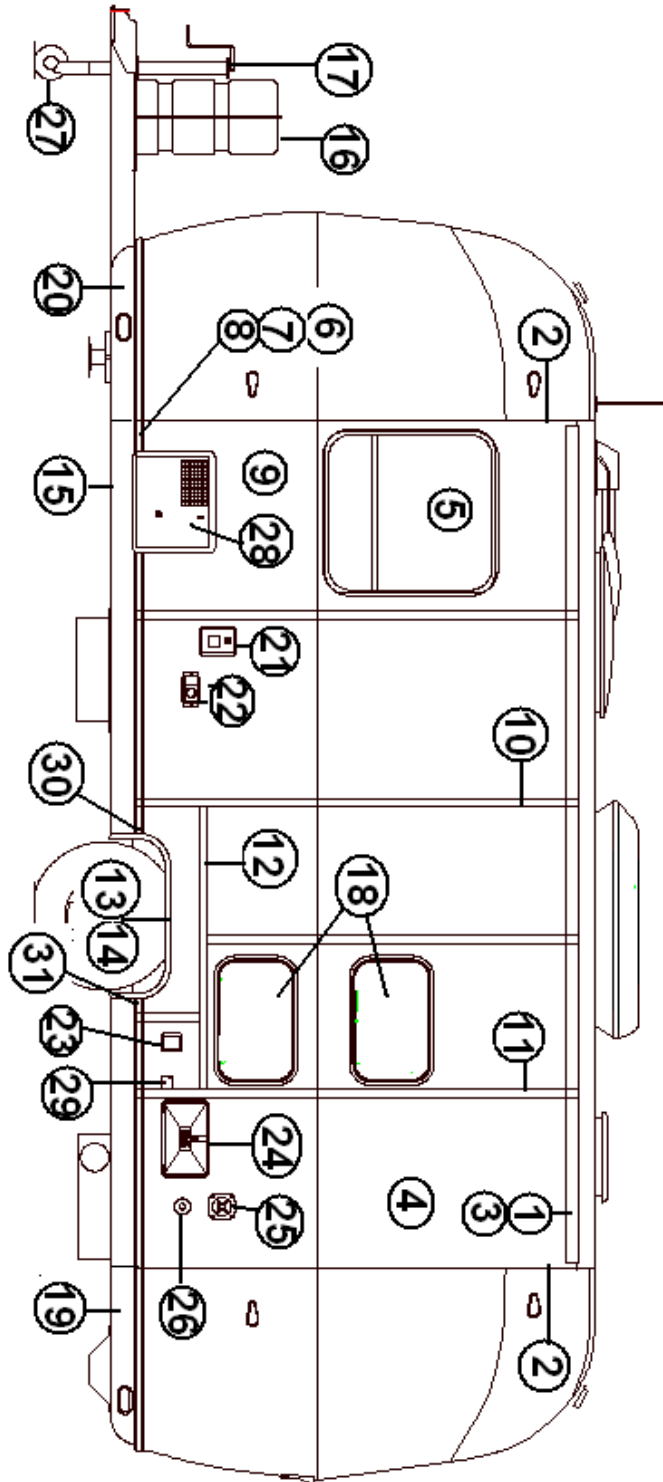
EXTERIOR BODY

Wall, Curbside, 17'

1. 114290-02 Extrusion, awning/drip rail
2. 99900M-15 Rib, end bow
3. 104707-01 Extrusion, "I" beam
4. 114880-201 Aluminum sheet, upper, .040 x 51 x 201"
5. 371381-02 Window, 19.25" X 22.75" W/8" VENT
6. 100034 "Z" bar, 48"
7. 114460 Extrusion, rub rail
8. 201763-01 Insert, rub rail, chrome, 1"
9. 100986 Floor channel
10. 114879-201 Aluminum sheet, lower, .040 x 33 x 201"
11. 114387-02 Bow, Z rib, L
12. 114387-01 Bow, Z rib, RH
13. 100986 Wheel well stiffener (floor channel)
14. 114003-04 Wheel well trim, inner, single axle
15. 114004-04 Wheel well trim, outer, single axle
16. 203621 Underbelly roll, black plastic
17. 203303-02 Banana wrap, black, CS front
18. 203303-04 Banana wrap, black, CS rear
19. 115207-09 Door, main, LH hinge, Sport
20. 114654 Screen door, main, LH hinge
21. 510676-01 Outlet, exterior, 120 Volt
22. 512252 Step light, LED, S.S.
23. 203617 Cover, 20# LPG bottles, plastic
24. 410945 Hitch Jack
25. 410946 Hitch jack wheel
26. 114466-01 Casting, rub rail end, wheel well, RH
27. 114466-02 Casting, rub rail end, wheel well, LH
28. 114465-01 Casting, rub rail end, door, RH
29. 114465-02 Casting, rub rail end, door, LH
30. 601194 Water fill, fresh
31. 690573-01 Furnace, 12,000 BTU

2008 SAFARI SPORT EXTERIOR BODY

Wall, Roadside, 22'



Part numbers on the next page

2008 SAFARI SPORT

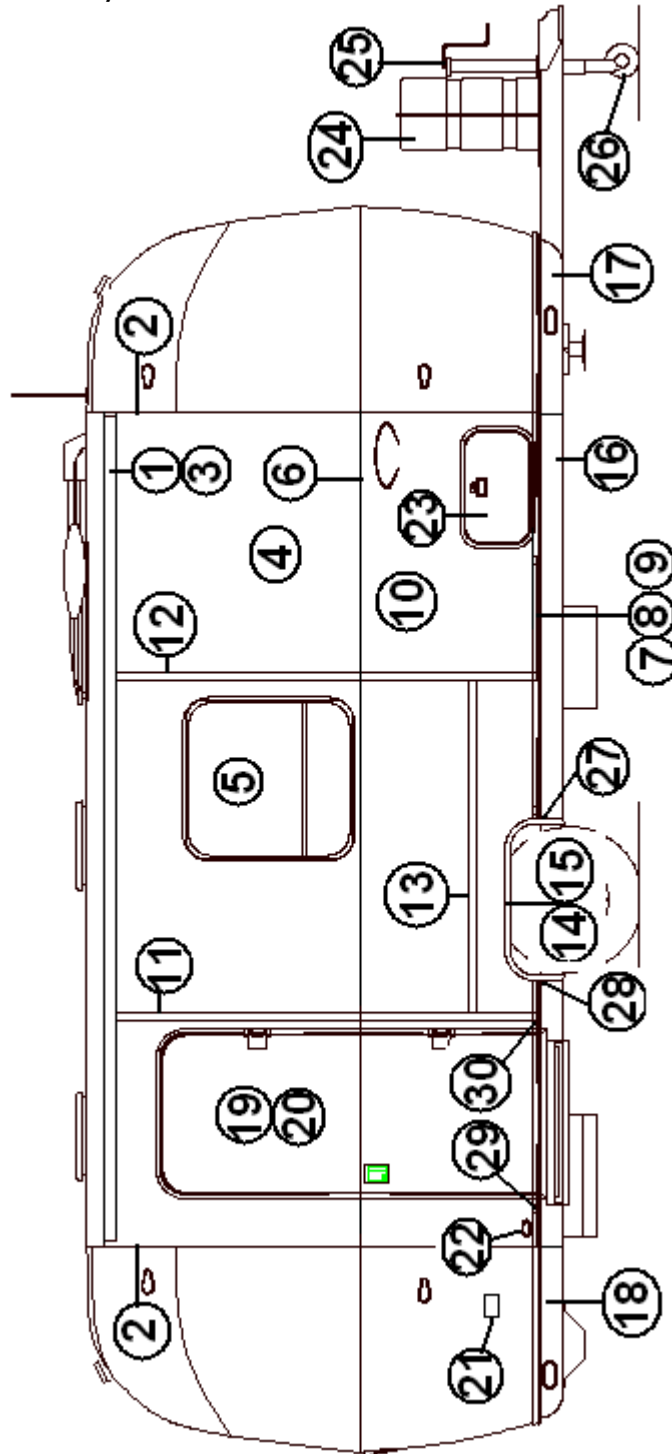
EXTERIOR BODY

Wall, Roadside, 22'

1. 114290-02 Extrusion, awning/drip rail
2. 99900M-15 Rib, end bow
3. 104707-01 Extrusion, "I" beam
4. 114880-201 Aluminum sheet, upper, .040 x 51 x 201"
5. 371381-20 Window, 28.25" X 29.75", Egress
6. 114460 Extrusion, rub rail
7. 201763-01 Insert, rub rail, chrome, 1"
8. 100986 Floor channel
9. 114879-201 Aluminum sheet, lower, .040 x 33 x 201"
10. 114387-02 Bow, Z rib, L
11. 114387-01 Bow, Z rib, RH
12. 100986 Wheel well stiffener (floor channel)
13. 114003-04 Wheel well trim, inner, single axle
14. 114004-04 Wheel well trim, outer, single axle
15. 203621 Underbelly roll, black plastic
16. 203617 Cover, 20# LPG bottles, plastic
17. 410945 Hitch Jack
18. 922243 Door assembly, refrigerator assess
19. 203303-03 Banana wrap, black, RS rear
20. 203303-01 Banana wrap, black, RS front
21. 601194 Water fill, fresh
22. 690573-01 Furnace, 12,000 BTU
23. 511416-02 Power inlet, 30A, 125V, MALE
24. 601876 Shower, exterior, white
25. 601392-05 City water fill
26. 601441 Black tank flush
27. 410946 Hitch jack wheel
28. 690199 Water heater
29. 512249 Cable TV connector w/cover
30. 114466-02 Casting, rub rail end, wheel well, LH
31. 114466-01 Casting, rub rail end, wheel well, RH

2008 SAFARI SPORT EXTERIOR BODY

Wall, Curbside, 22' w/One Window



Part numbers on the next page

2008 SAFARI SPORT

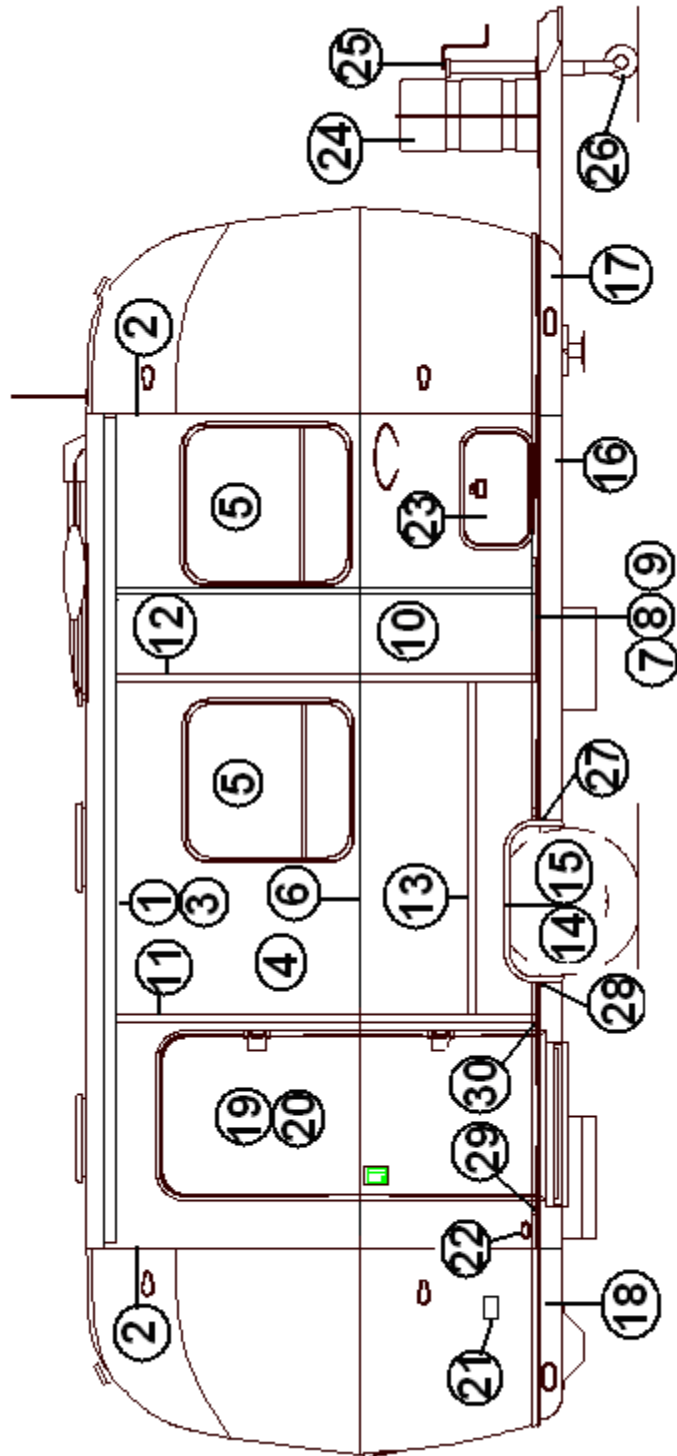
EXTERIOR BODY

Wall, Curbside, 22' w/One Window

1. 114290-02 Extrusion, awning/drip rail
2. 99900M-15 Rib, end bow
3. 104707-01 Extrusion, "I" beam
4. 114880-201 Aluminum sheet, upper, .040 x 51 x 201"
5. 371381-22 Window, 28.25" X 29.75" W/8" VENT
6. 100034 "Z" bar, 48"
7. 114460 Extrusion, rub rail
8. 201763-01 Insert, rub rail, chrome, 1"
9. 100986 Floor channel
10. 114879-201 Aluminum sheet, lower, .040 x 33 x 201"
11. 114387-02 Bow, Z rib, L
12. 114387-01 Bow, Z rib, RH
13. 100986 Wheel well stiffener (floor channel)
14. 114003-04 Wheel well trim, inner, single axle
15. 114004-04 Wheel well trim, outer, single axle
16. 203621 Underbelly roll, black plastic
17. 203303-02 Banana wrap, black, CS front
18. 203303-04 Banana wrap, black, CS rear
19. 115207-08 Door, main, RH hinge, Sport
20. 114654-01 Screen door, main, RH hinge
21. 510676-01 Outlet, exterior, 120 Volt
22. 512252 Step light, LED, S.S.
23. 100679-01 Side access door assembly, 20" x 11"
24. 203617 Cover, 20# LPG bottles, plastic
25. 410945 Hitch Jack
26. 410946 Hitch jack wheel
27. 114466-01 Casting, rub rail end, wheel well, RH
28. 114466-02 Casting, rub rail end, wheel well, LH
29. 114465-01 Casting, rub rail end, door, RH
30. 114465-02 Casting, rub rail end, door, LH

2008 SAFARI SPORT EXTERIOR BODY

Wall, Curbside, 22' w/Two Windows



Part numbers on the next page

2008 SAFARI SPORT

EXTERIOR BODY

Wall, Curbside, 22' w/Two Windows

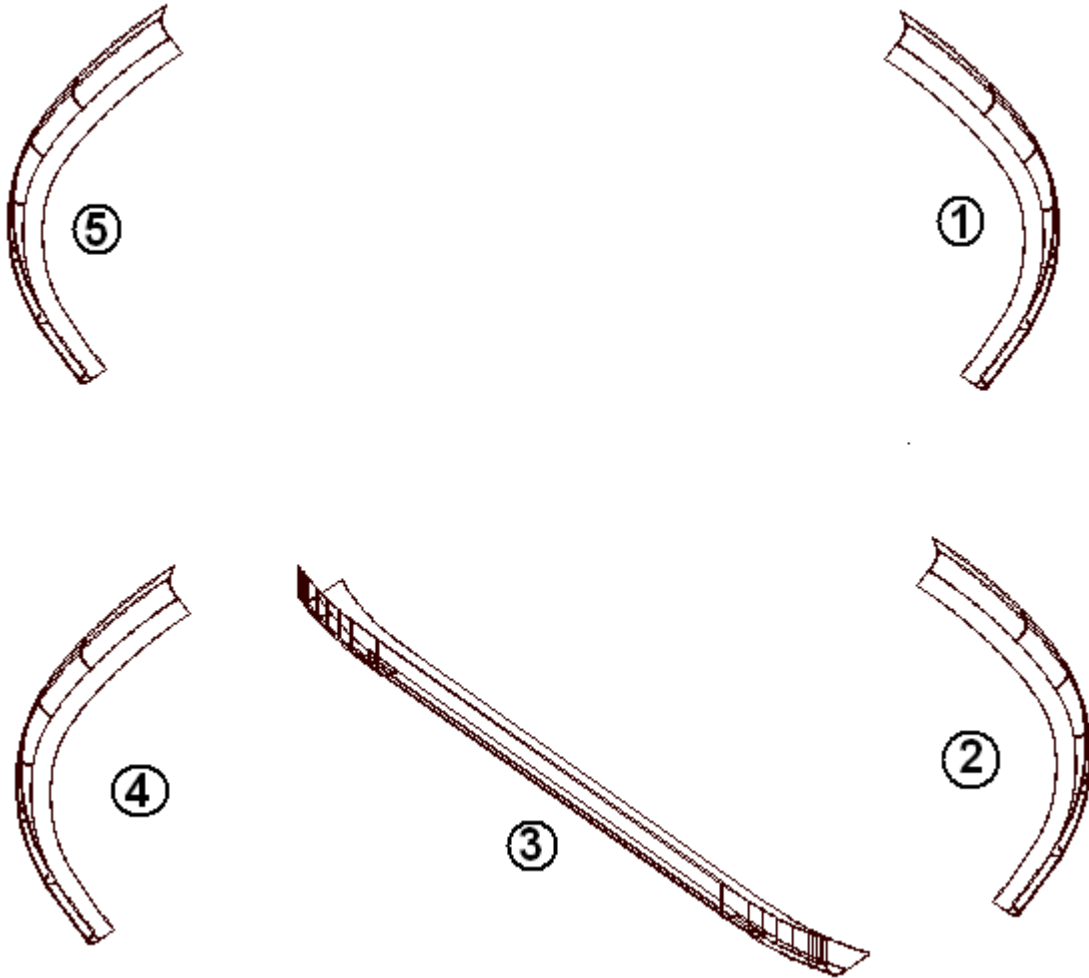
There was a running line change adding a window to the curbside during model year per dealer's request (item 5, rear window).

1. 114290-02 Extrusion, awning/drip rail
2. 99900M-15 Rib, end bow
3. 104707-01 Extrusion, "I" beam
4. 114880-201 Aluminum sheet, upper, .040 x 51 x 201"
5. 371381-22 Window, 28.25" X 29.75" W/8" VENT
6. 100034 "Z" bar, 48"
7. 114460 Extrusion, rub rail
8. 201763-01 Insert, rub rail, chrome, 1"
9. 100986 Floor channel
10. 114879-201 Aluminum sheet, lower, .040 x 33 x 201"
11. 114387-02 Bow, Z rib, L
12. 114387-01 Bow, Z rib, RH
13. 100986 Wheel well stiffener (floor channel)
14. 114003-04 Wheel well trim, inner, single axle
15. 114004-04 Wheel well trim, outer, single axle
16. 203304 Underbelly roll, black plastic
17. 203303-02 Banana wrap, black, CS front
18. 203303-01 Banana wrap, black, CS rear
19. 115207-08 Door, main, RH hinge, Sport
20. 114654-01 Screen door, main, RH hinge
21. 510676-01 Outlet, exterior, 120 Volt
22. 512252 Step light, LED, S.S.
23. 100679-01 Side access door assembly, 20" x 11"
24. 203617 Cover, 20# LPG bottles, plastic
25. 410945 Hitch Jack
26. 410946 Hitch jack wheel
27. 114466-01 Casting, rub rail end, wheel well, RH
28. 114466-02 Casting, rub rail end, wheel well, LH
29. 114465-01 Casting, rub rail end, door, RH
30. 114465-02 Casting, rub rail end, door, LH

2008 SAFARI SPORT

EXTERIOR BODY

Underbelly Skin/Wraps



1. 203303-01 Banana wrap, black, RS Front
 2. 203303-02 Banana wrap, black, RS Rear
 3. 203619 Underbelly wrap, center rear
 4. 203303-03 Banana wrap, black, CS Rear
 5. 203303-04 Banana wrap, black, CS Front
- 114679 Aluminum underbelly, .019" x 65.75 x coil

Wrap Protector

- 203618-01 FILM, 3D BODY, RS, 34.11 X 38.5
203618-02 FILM, 3D BODY, CS, 34.11 X 38.5

2008 SAFARI SPORT

INTERIOR BODY

Interior Skin

114445 Aluminum sheet, .032" x 34" x coil
114853-01 Aluminum sheet, .032" x 57" x coil

Wall/Headliner Fabric

703552 WALL LINER GEA SILVER, 96" 15 OZ
703552-01 WALL LINER GEO SILVER, 72" 14OZ

Wheel Well Insulator

203289 LINER, WHEEL WELL ABS
201568 FOAM, 3 TUFCOTE ACOUSTICAL

Main Door Threshold

702963 VINYL EMBOSSSED 1.75W THRESHOLD

Wall/Skin Trim

114157-01 Extrusion, end liner, upper, white
201728-06 Extrusion, ceiling trim retainer, gray
201728-03 Extrusion, ceiling trim
203225 Trim, flexible, "U", white
203138-04 EXTRUSION - PLASTIC WALL OAK

2008 SAFARI SPORT

INTERIOR BODY

Interior Aft End Segments



1. 114892-01 Interior Center Segment
2. 114890-01 Interior Segment

Galley Wall Board/Back splash

- 114879-201 ALUMINUM SHEET .040 X 33"W X 201", used for galley back splash. Specify length needed.
- 114070 J-TRIM, ALUMINUM

2008 SAFARI SPORT

CHASSIS

Axles

410875-24 Axle, 4500 #, 22'
410875-23 Axle, 3500#, 17'

Tire/Wheel, 17'

410944 TIRE/WHEEL ASSY 14" ALUMINUM
400985 CENTER CAP, STAINLESS STEEL
400923 LUG NUT, 1/2" ACORN TYPE
410848-01 TIRE/WHEEL ASSY 14"STEEL, SPARE

Tire/Wheel, 22'

410949 TIRE/WHEEL, 15" ALUMINUM
400844 COVER, HUB DUST, 4" STAINLESS
400923 LUG NUT, 1/2" ACORN TYPE
410843-01 TIRE/WHEEL ASSY 15" "D" SPARE

Spare Tire Carrier

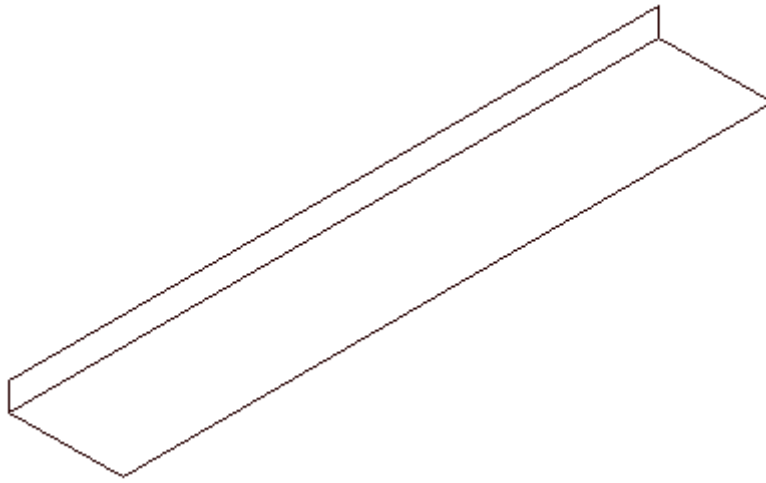
450414 "A" frame spare tire carrier
994073 BRACKET FOR SPARE TIRE

Step, Single

400962 STEP-MAIN DOOR STEEL 24"

2008 SAFARI SPORT CHASSIS

Rear Bumper Compartment



454635 Compartment bottom

Hose Carrier

601544-02 E-Z Hose carrier, 46in., black
104704-01 SHIM, 3 X 3

Safety Chain Hook

400945 5/16" clevis, safety slip hook

Hitch Jack

410945 JACK, ECLIPSE, MANUAL
410946 WHEEL, JACK, JOCKEY

Jacks, Stabilizing

400914-03 STABILIZER JACK 20", LIGHTWEIGHT
400914-02 HANDLE, 15" (STABILIZER JACK)
400914-04 FOOT PADS, STABILIZER JACK (Set of Four)

2008 SAFARI SPORT

DECALS/EXTERIOR TRIM

Decals/Logos/Nameplates

386127	NAMEPLATE SAFARI BLACK REFLECTIVE, D. LENZ
386201	DECAL, SPORT
386205	DECAL, "AIRSTREAM", CHROME, 16"
386068	MEDALLION 3" LOGO, AIRSTREAM

Rub Rail trim

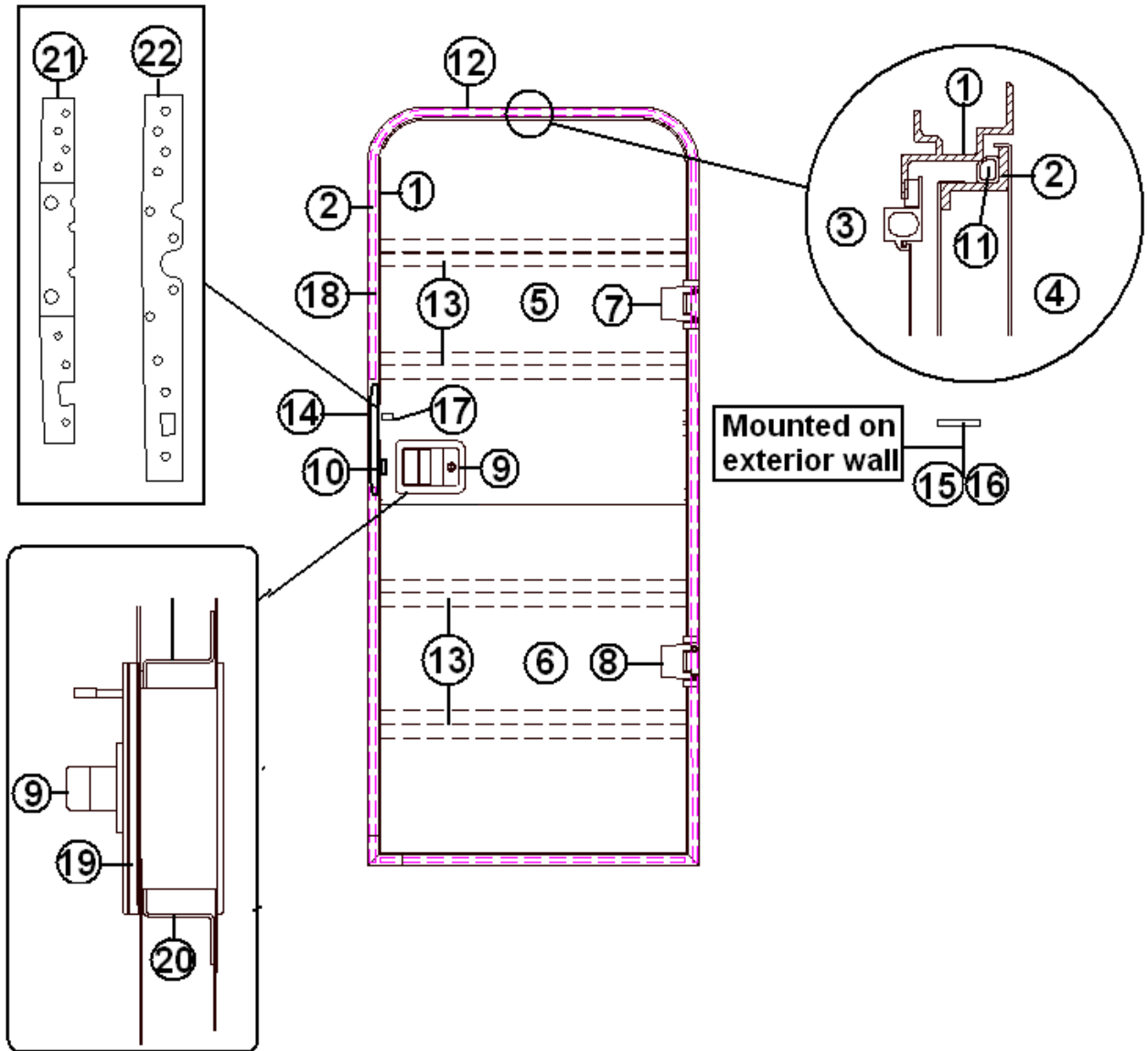
114460	Extrusion, rub rail
201763-01	Insert, rub rail, chrome, 1"
114466-01	Close out, casting, rub rail, angled RH
114466-02	Close out, casting, rub rail, angled LH
114465-01	Close out, casting, rub rail RH
114465-02	Close out, casting, rub rail LH

Reflectors

500095	REFLECTOR RED RECTANGULAR
500096	REFLECTOR, AMBER
510446	REFLECTOR, RED, STICK-ON

2008 SAFARI SPORT DOORS/WINDOWS/AWNING

Main Door, RH Hinge



Part numbers on the next page

2008 SAFARI SPORT

DOORS/WINDOWS/AWNING

Main Door, RH Hinge

- 115207-08 Main door assembly, RH Hinge
- 1. 114652-01 Jamb, main door, pre-formed
- 2. 114653-01 Frame, main door, pre-formed
- 3. 114654-01 Screen door assembly, RH Hinge
- 4. 114448-02 Skin, exterior, upper main door
- 5. 114449-03 Skin, exterior, lower main door
- 6. 114475 MAIN DOOR SKIN INNER
- 7. 381552-03 HINGE ASSY. MAIN DOOR UPPER
- 8. 381552-04 HINGE ASSY. MAIN DOOR LOWER
- 9. Trimark latch assembly parts shown in hardware section
- 10. 385595 Pocket strike, main door
- 11. 365232 Seal, main door
- 12. 114363 Drip cap, main door
- 13. 114658 Inner door, "Z" bar, upper & lower
- 14. 101171 HANDLE, CAST ALUMINUM
- 14. 382074 Gasket, grab handle, main door
- 15. 380290 Housing. Latch, mounted on side sheet
- 16. 380291 Latch assembly, mounted on side sheet
- 17. 201056 Striker, main door, black plastic
- 18. 114655 Trim ring formed, main door
- 19. 203370 Spacer, door latch
- 20. 114657 Hat section, formed, main door
- 21. *381548 OUTER LATCH, REINFORCEMENT, RH/LH
- 21. *382067 OUTER LATCH, REINFORCEMENT, RH/LH
- 22. **381557-01 Inner reinforcement plate, RH hinged door
- 22. **382068 Inner reinforcement plate, RH hinged door

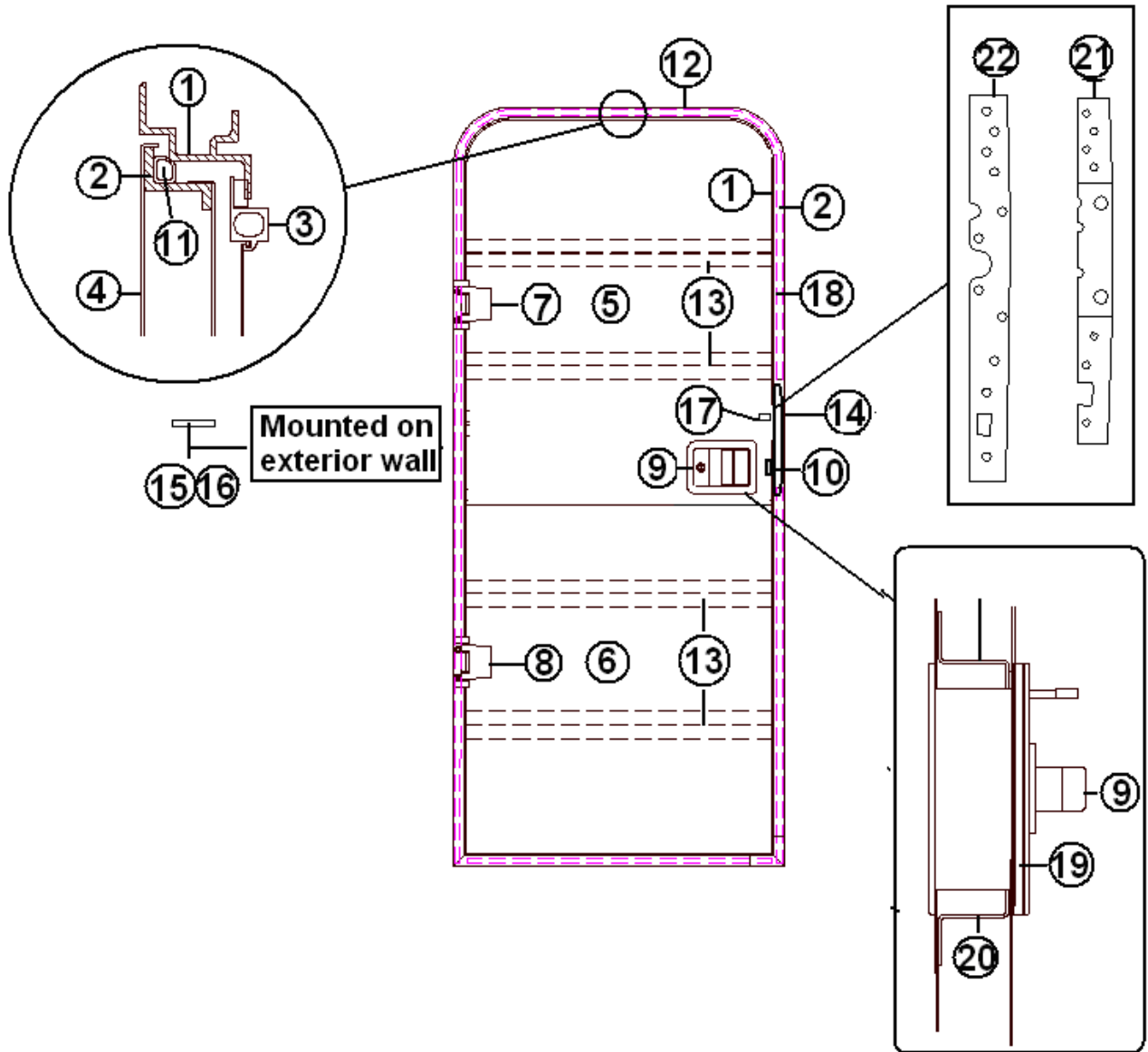
Due to square dead bolt being discontinued by Trimark, Airstream switched to a round deadbolt in April, 2008. (Late 2008 model year) with the following changes:

*381548 Replaced by 382067.

**381557-01 replaced by 382068.

2008 SAFARI SPORT DOORS/WINDOWS/AWNING

Main Door, LH Hinge



Part numbers on the next page

2008 SAFARI SPORT

DOORS/WINDOWS/AWNING

Main Door, LH Hinge

- | | |
|--------------|--|
| 115207-09 | Main door assembly, RH Hinge |
| 1. 114652 | Jamb, main door, pre-formed |
| 2. 114653 | Frame, main door, pre-formed |
| 3. 114654 | Screen door assembly, RH Hinge |
| 4. 114448-02 | Skin, exterior, upper main door |
| 5. 114449-03 | Skin, exterior, lower main door |
| 6. 114475 | MAIN DOOR SKIN INNER |
| 7. 381552-03 | HINGE ASSY. MAIN DOOR UPPER |
| 8. 381552-04 | HINGE ASSY. MAIN DOOR LOWER |
| 9. | Trimark latch assembly parts shown in hardware section |
| 10. 385595 | Pocket strike, main door |
| 11. 365232 | Seal, main door |
| 12. 114363 | Drip cap, main door |
| 13. 114658 | Inner door, "Z" bar, upper & lower |
| 14. 101171 | HANDLE, CAST ALUMINUM |
| 14. 382074 | Gasket, grab handle, main door |
| 15. 380290 | Housing. Latch, mounted on side sheet |
| 16. 380291 | Latch assembly, mounted on side sheet |
| 17. 201056 | Striker, main door, black plastic |
| 18. 114655 | Trim ring formed, main door |
| 19. 203370 | Spacer, door latch |
| 20. 114657 | Hat section, formed, main door |
| 21. *381548 | OUTER LATCH, REINFORCEMENT, RH/LH |
| 21. *382067 | OUTER LATCH, REINFORCEMENT, RH/LH |
| 22. **381557 | Inner reinforcement plate, LH hinged door |
| 22. **382066 | Inner reinforcement plate, LH hinged door |

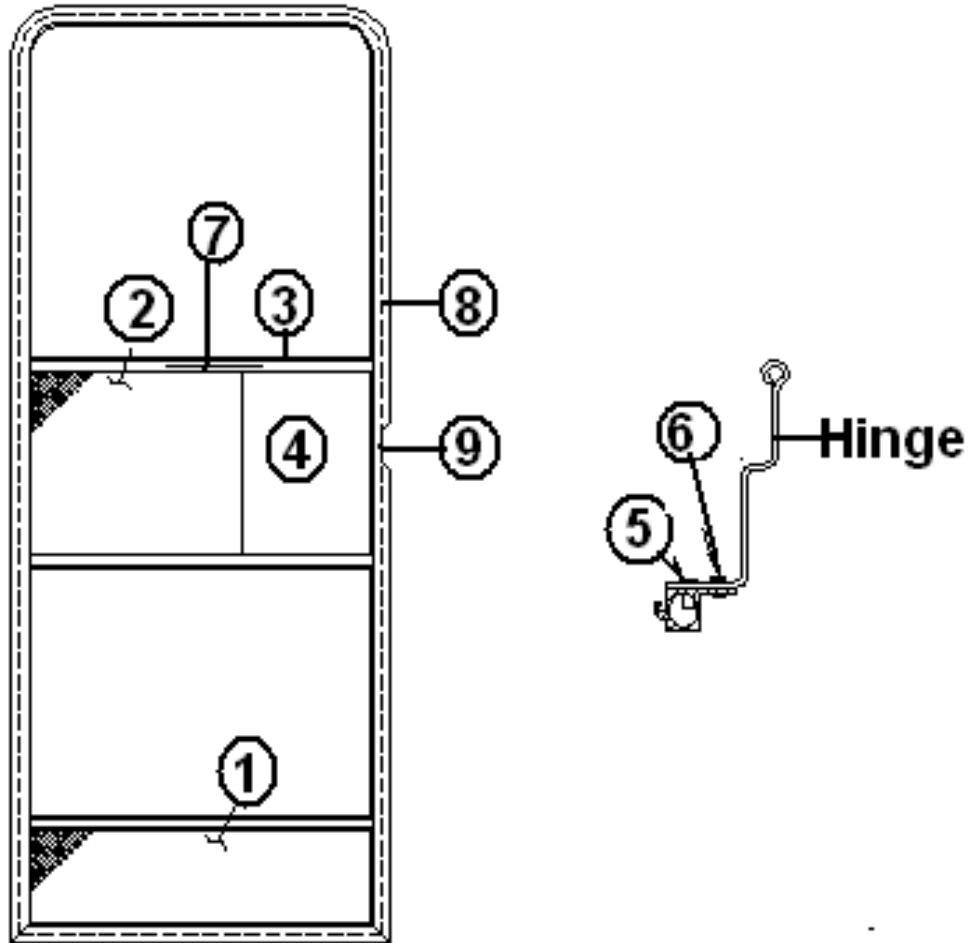
Due to square dead bolt being discontinued by Trimark, Airstream switched to a round deadbolt in April, 2008. (Late 2008 model year) with the following changes:

*381548 Replaced by 382067 on LH hinged door.

**381557 replaced by 382066

2008 SAFARI SPORT
DOORS/WINDOWS/AWNING

Screen Door



Part numbers on the next page

2008 SAFARI SPORT

DOORS/WINDOWS/AWNING

Screen Door

114654	SCREEN DOOR ASSY. LH HINGE
114654-01	SCREEN DOOR ASSY. RH HINGE
1. 114648-01	Kick panel screen door
2. 114561-01	Panel, slider, screen door
3. 104784-78	EXTR.SCREEN DOOR STIFENER #VH-9
4. 203287-02	Close out, plastic, screen door
5. 330130-02	RIVET POP, A52ABS
6. 325122	Rivet, hard, 5/32
7. 380004	HANDLE WITH 8/32 X 1 SCREW
8. 365013-01	Gasket, screen door, foam tape
9. 683946	BUG SEAL, edge of screen door close out
115171-01	SCREEN DOOR GUARD TOP
115171-02	SCREEN DOOR GUARD BOTTOM
380079	Screen, gray
200518	Spline, gray, screen insert
701624	VELCRO LOOP 5/8" WIDE
701625	VELCRO HOOK, 5/8" WIDE
381454	Screen door hold back latch, Bullet
386068	MEDALLION 3" LOGO, AIRSTREAM
381531-01	Hinge, screen door, upper
381531-02	Hinge, screen door, lower
381454	Latch, screen door

2008 SAFARI SPORT

DOORS/WINDOWS/AWNING

Refrigerator Exterior Access Door

922243	Door, refrigerator access, assembly
922156	REFRIGERATOR access door only
104417	Jamb, refrigerator access door
104439	Louvered panel, refrigerator access door
380988	HINGE, CONTINUOUS .5IN LEAF 16IN
203225	Trim, flexible
381812	Latch, twist Lock

Exterior Shower Door

601876	Shower Door, exterior, white
--------	------------------------------

Battery Box Lid

410551-02	LID BATTERY BOX
381430	LOCK, TWIST, STRAIGHT CAM
380203-01	PIANO HINGE 1/8" PIN
381814	Wing nut, battery hold down
381613	Black plastic cover, wing handle

Windows

371381-19	Window, 36.25" x 24.19", front end, 17', 22'
371381-20	Window, 28.25 "x 29.75", egress, RS, 17', 22'
371381-21	Window, flat w/8" vent, aft end, 17', 22'
371381-22	Window, 28.25" x 29.75" w/8" vent, CS 22'
371381-02	Window, 19.25 X 22.75, 8" Vent, CS, 17'
381665	GASKET "D" SEAL .50W X .36H BLACK

2008 SAFARI SPORT

DOORS/WINDOWS/AWNING

Window Trim

110460-07	Trim ring, window, 31.25" x 29.75", White
110460-10	Trim ring, window, 26.25 "X 19.25", White
110460-13	Trim ring, window, 36.25" X 24.19"
110460-14	Trim ring, window, 27" X 28"
110460-02	Trim ring, window, 19.25' x 22.75", White
203225	TRIM LOK, WHITE, edge trim

Window Stone Guard

110102-04	Rock guard
203472-07	Plexi-glass, front window
683960	Arm support
683959	Arm support bracket
114749	HINGE "Y" ASSY.
114750	HINGE "J"
685364	BRKT, UPPER HINGE-45.375-STONEGUARD
114815-01	Extrusion, frame aluminum
685378-01	¼" rubber spline
685351	Rubber frame, black
381021	Latch, draw flexible

Stone guard frame

114815-01	Extrusion, frame aluminum
685354	Front window key, 90-degree angle riveted to inside corner of metal frame
685378-01	¼" rubber spline
685351	Rubber frame, black
290812-01	Plexi-glass, 28" x 84 " sheet
101401	Extrusion, door latch housing
685355	SLIP JOINT S.S.HINGE

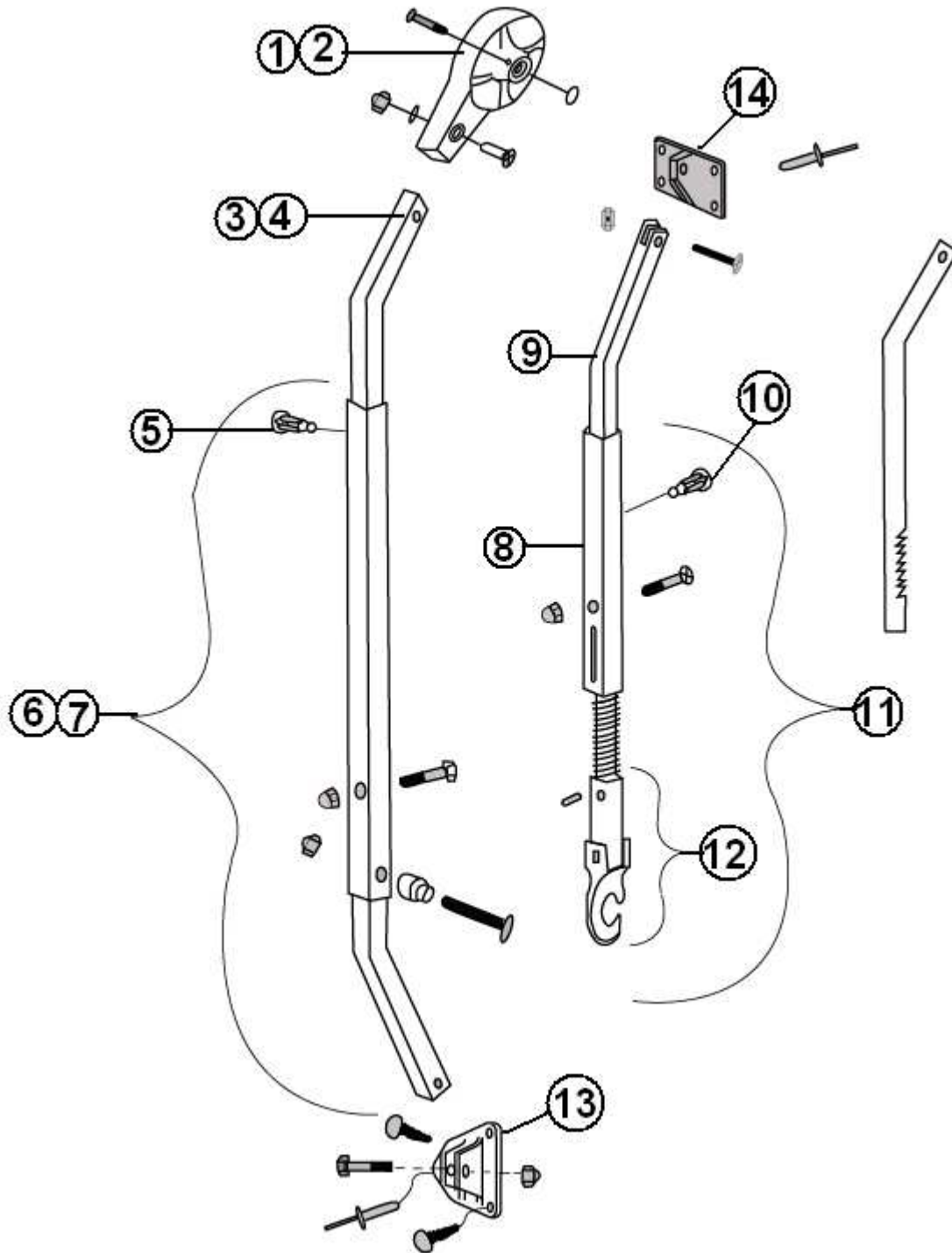
2008 SAFARI SPORT
DOORS/WINDOWS/AWNING

Awnings, Patio

703727-03	Awning, patio, 7' 5.25", Zip Dee, 17'
703727-02	Awning, patio, 9' 8", Zip Dee, 22'
703727-01	Hardware package, Zip Dee
385577	TAPE CLEAR WEAR STRIP 3.5" WIDE

2008 SAFARI SPORT HARDWARE

Awning Hardware, Lightweight, Patio



Part numbers on the next page

2008 SAFARI SPORT

HARDWARE

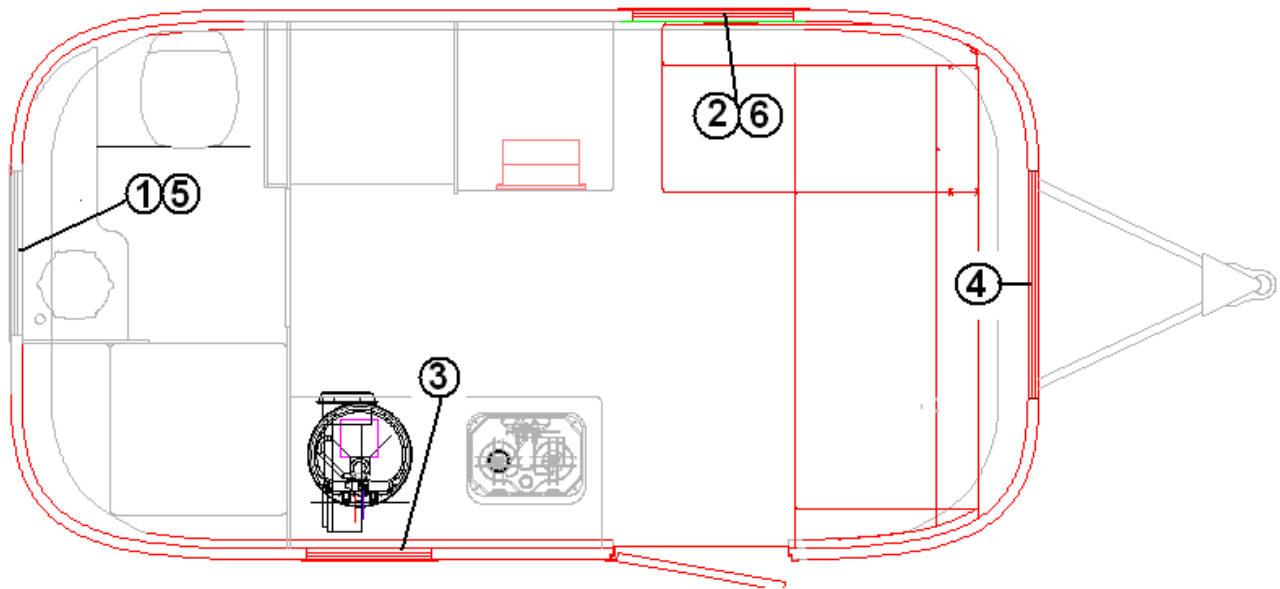
Patio Awning Hardware

703727-01	Awning hardware, complete package
1. 74043W-08	Front head casting
2. 74043W-09	Rear head casting
3. 74047W-13	Main arm bar, front
4. 74047W-14	Main arm bar, rear
5. 74054W	Snap stud assembly
6. 74048WS-18	Front main tube bar assembly
7. 74048WS-19	Rear main tube bar assembly
8. 74063W-05	Rafter arm tube
9. 74061WS-09	Rafter arm bar
10. 74072W	Ratchet stud
11. 74048WS-20	Rafter arm tube assembly
12. 74068W-05	Claw bar assembly
13. 74055W	Base hinge
14. 74056W-02	Rafter base, flat

2008 SAFARI SPORT

BLINDS

Blinds, 17'



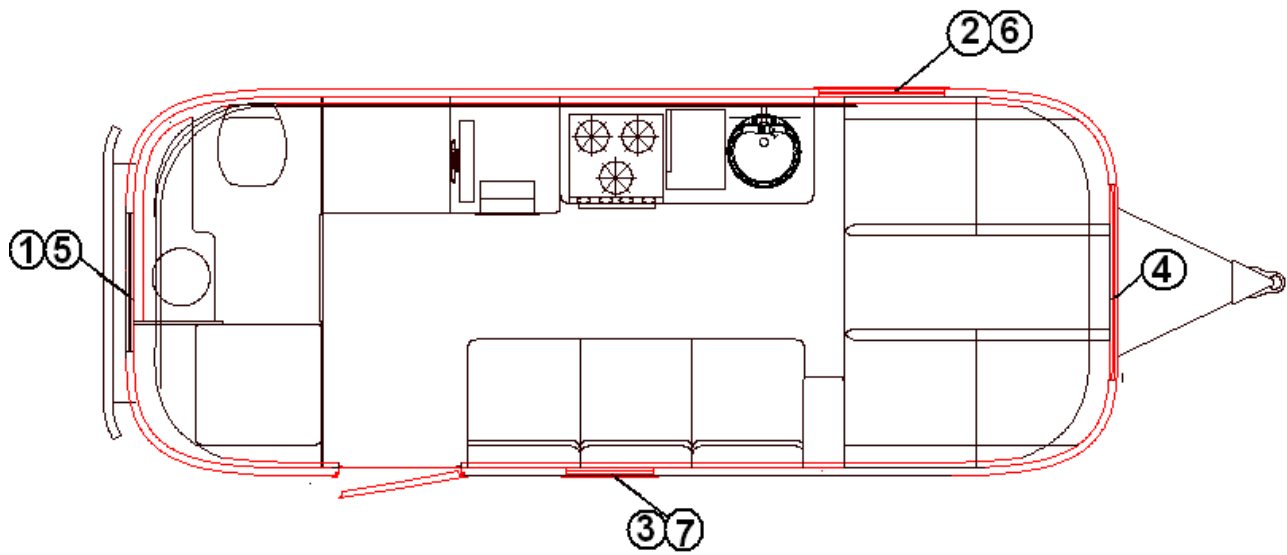
- | | |
|--------------|----------------------|
| 1. 703191-07 | BLIND, 27.5W X 22L |
| 2. 703191-21 | BLIND, 29.00 X 32.00 |
| 3. 703191-04 | BLIND, 21 X 23 |
| 4. 703191-23 | BLIND, 38.00 X 27.00 |
| 5. 115395-03 | BLIND COVER, 27.5" |
| 6. 115395-02 | BLIND COVER, 29" |

2008 SAFARI SPORT

BLINDS

Blinds 22', w/One Window

There was a running line change adding a window to the curbside during model year per dealer's request. See next page for two window model



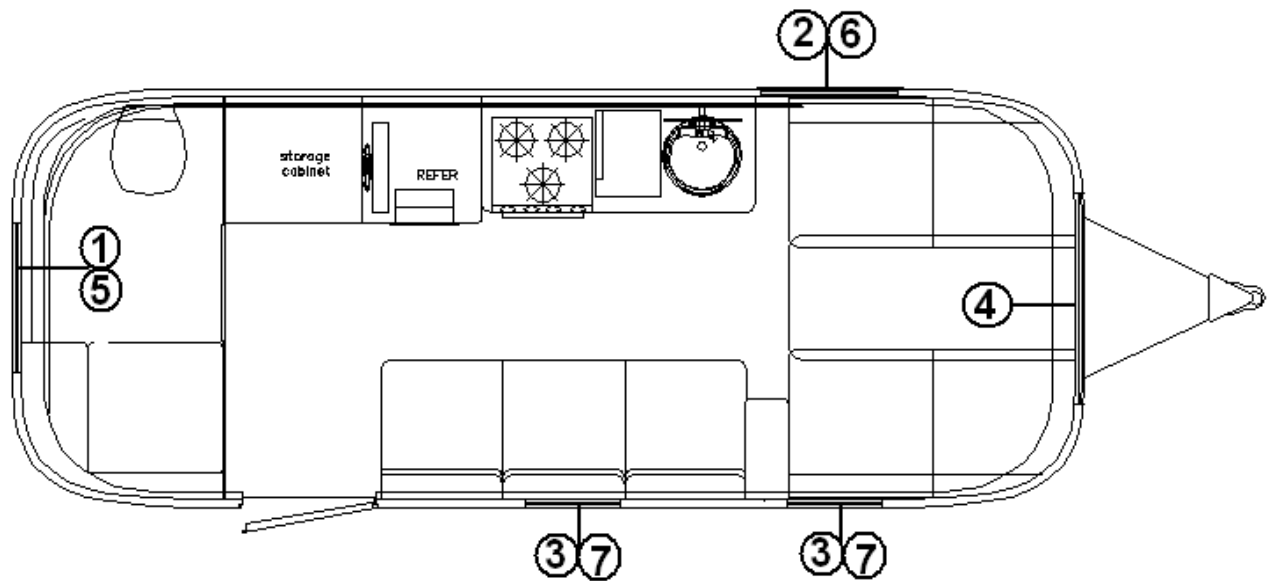
- | | |
|--------------|-------------------------------------|
| 1. 703191-07 | BLIND, MINI-METAL, 27.5W X 22L |
| 2. 703191-21 | BLIND, 29.00 X 32.00, ALUMINUM-MINI |
| 3. 703191-22 | BLIND, 31.00 X 32.00, ALUMINUM-MINI |
| 4. 703191-23 | BLIND, 38.00 X 27.00, ALUMINUM-MINI |
| 5. 115395-01 | MINI-BLIND COVER, 27.5" |
| 6. 115395-02 | MINI-BLIND COVER, 29" |
| 7. 115395-03 | MINI-BLIND COVER, 31" |

2008 SAFARI SPORT

BLINDS

Blinds 22', w/Two Windows

There was a running line change adding a window to the curbside during model year per dealer's request.



- | | |
|--------------|-------------------------------------|
| 1. 703191-07 | BLIND, MINI-METAL, 27.5W X 22L |
| 2. 703191-21 | BLIND, 29.00 X 32.00, ALUMINUM-MINI |
| 3. 703191-22 | BLIND, 31.00 X 32.00, ALUMINUM-MINI |
| 4. 703191-23 | BLIND, 38.00 X 27.00, ALUMINUM-MINI |
| 5. 115395-01 | MINI-BLIND COVER, 27.5" |
| 6. 115395-02 | MINI-BLIND COVER, 29" |
| 7. 115395-03 | MINI-BLIND COVER, 31" |

2008 SAFARI SPORT

ELECTRICAL, 110 VOLT

Shore Line Cord

511416-02 30-amp, male power inlet
511416-03 POWER CORD, 30A, 30' W/CONN UL/CSA

Converter

512237 POWER CENTER, AC/DC, BLACK
510743 GROUND BAR, 3 1/2" LONG

Breakers

510564-05 BREAKER BRYANT 30-20
510564-04 BREAKER BRYANT 20-20
510564-06 BREAKER- BRYANT 20 GFI

Switches

500913-03 SWITCH T & B WHITE

Battery Disconnect

510626 Switch, master battery disconnect

Exterior Outlet/Circuit Tester

510676-01 Outlet, exterior, gray
511023 Circuit tester (loose item)

Receptacles

511451-02 RECEPTACLE 20A SINGLE BROWN
500563-01 RECEPTACLE, 15A 125V T&B TYPE
500563-100 SCREW-WHITE FOR P/N 500563-01
382070 Non-skid rubber dot for 500563-01
511287 Receptacle, 15 amp, single
511814-01 RECEPTACLE, DUPLEX GRAY SELF CONTAINED
511814-02 PLATE, DECORATOR 1 GANG GRAY

2008 SAFARI SPORT

ELECTRICAL, 12 VOLT

Battery/Battery Box

511596	BATTERY-DEEP CYCLE GRP.24
381814	Wing nut, battery hold down
381613	Cover, black plastic for hold down wing nut
500836-02	Positive battery cable
500837	Negative Battery cable
410551-02	LID BATTERY BOX
381430	LOCK, TWIST,STRAIGHT CAM
380203-01	PIANO HINGE 1/8" PIN
510626	SWITCH, MASTER DISCONNECT

7-Way Cable

500886-01	7-Way cable w/plug
510947-20	20 amp BREAKER, 12V DC, TYPE II, #12V20
510946-06	Bracket, 6 PO Breaker,12V,#8536-2
510947-30	Breaker, 12V DC,TYPE II, #12V30
510948-12	Bar, buss, Circuit breaker, connector
510948-04	Bar, buss, circuit breaker
510743	GROUND BAR, 3 1/2" LONG

Switches, 12 Volt

512245	Switch assembly, 2-way, white
511745	SWITCH ASSY- THREE GANG WHITE
510658	SWITCH W/WEATHER-PROOF BOOT
511836	SWITCH, REFRIGERATOR/FAN WHITE #AH-AS

2008 SAFARI SPORT

ELECTRICAL, 12 VOLT

Battery Disconnect

510626 Switch, master battery disconnect

Break Away Switch

0300027 Break away switch, Bargman
454526 BRACKET, BREAK AWAY SWITCH

Monitor Panel and Sensor

511788-01 Monitor panel, CATCON Micropulse
511789-01 BOOT-SENSOR #500-20010-05
511789 SENSOR, TANK MONITOR
511286-01 WIRE FLAT TELEPHONE 26 GA. BLACK
511286-02 WIRE FLAT TELEPHONE 26 GA. IVORY
511252 PLUG PHONE 4 CONDUCTOR
511393 COUPLER-MODULAR EXTENSION, 4 CONDUCTOR
511817 COUPLER, IN LINE PHONE JACK

External TV Jack Inlet

512249 COVER-EXTERIOR ONE CABLE CONNE

Interior Lights

512243 LIGHT, 12V DLB W/SWITCH
512242 LIGHT, 12V SINGLE BULB W/SWITCH

Breakers, 12 Volt

510947-20 20 amp BREAKER, 12V DC, TYPE II, #12V20
510947-30 Breaker, 12V DC,TYPE II, #12V30

2008 SAFARI SPORT

ELECTRICAL, 12 VOLT

Exterior Lights

512252 STEP LIGHT, L.E.D., SS

*LED clearance light replaced incandescent during model year

*511751 Red incandescent teardrop lights

*512227 Red LED clearance light

*512227-01 Chrome base, red LED clearance light

*512227-02 Sealed light bezel, red LED clearance light

*512227-03 Foam gasket, red LED clearance light

*511750 Amber incandescent teardrop lights

*512226 Amber LED clearance light

*512226-01 Chrome base, amber LED clearance light

*512226-02 Sealed light bezel, amber LED clearance light

*512226-03 Foam gasket, amber LED clearance light

511407 LICENSE PLATE HOLDER, W/LIGHT, BLACK

511407-01 GASKET, BLACK FOR LICENSE PLATE LIGHT

Tail Light Assembly

511860-01 LIGHT, 4"LED, RED

511860-02 BEZEL, 4" ROUND, CHROME W/VISOR

12 Volt Interior Receptacle

195466-250 12 Receptacle w/cover

2008 SAFARI SPORT

ENTERTAINMENT

Radio/Antenna

*512239	Radio, AM/FM/CD
500913-03	SWITCH , T & B WHITE
511807	Antenna, AM/FM rubber, 13"
511339-01	SPEAKER, AUDIOVOX, 5.25"
511339-02	GRILL, SPEAKER, WHITE, 6"
512150	Adaptor, radio plug
512318	HOLDER W/1 AMP FUSE, IN-LINE
512248	Cable, Stereo Audio, 3', 2.5MM

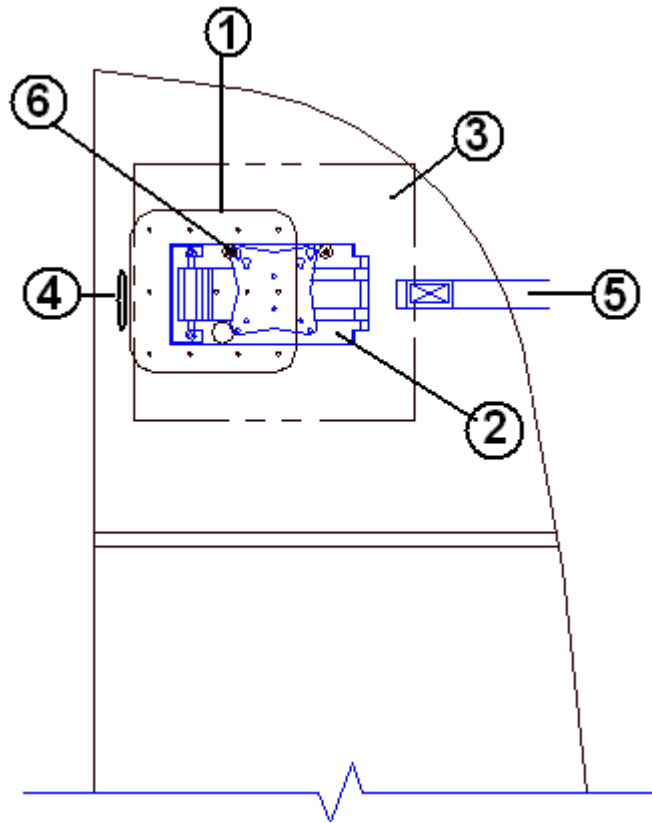
*P/N 512239 was changed from Sony Radio model CDX-GT110 TO CDX-GT120 during model year. Original radio discontinued, new radio is service old with new.

TV Antenna/Jack

510788-01	TV antenna, Winegard, long boom
510788-03	Amplifier, TV antenna
510788-04	Hardware package, interior, Winegard
510623	Connector, coax, male to male
511534	Dual coax plate, Satellite TV, hook up
512249	Jack, One cable, TV, exterior w/cover
511375	JACK MODULAR TELEPHONE TA-1020

2008 SAFARI SPORT ENTERTAINMENT

Video Upgrade



- | | |
|--------------|--------------------------------------|
| 1. 454477 | BRACKET, TV MOUNT, 19" TV |
| 2. 512256-01 | BRACKET, TV, ARTICULATING ARM, BLACK |
| 3. 690584 | TV W/DVD, COLOR, STERIO, LCD, 15" |
| 4. 381566 | LOOP, FOOTMAN, STEEL, 1.625"X .56 |
| 5. 703455-03 | STRAP, 46" |
| 6. 381136 | RUBBER BUMPER |

2008 SAFARI SPORT

FLOOR COVERING

Floor Mats

702549 MATT ENTRANCE W/AIRSTREAM LOGO

Vinyl Flooring

703659 FLOORING, VINYL, LEGACY LAGUNA
203594-01 FLOOR TRIM, UN1275 MAGNOLIA

2008 SAFARI SPORT

FURNITURE, DOORS

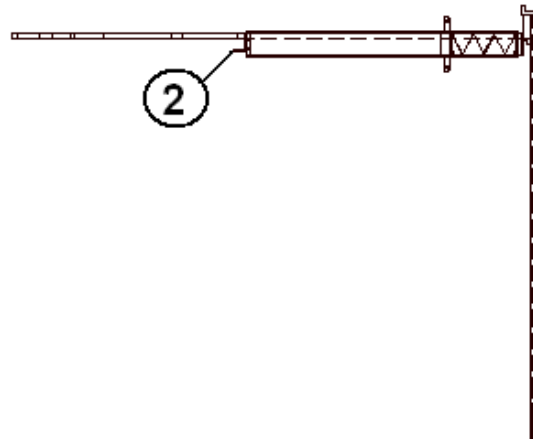
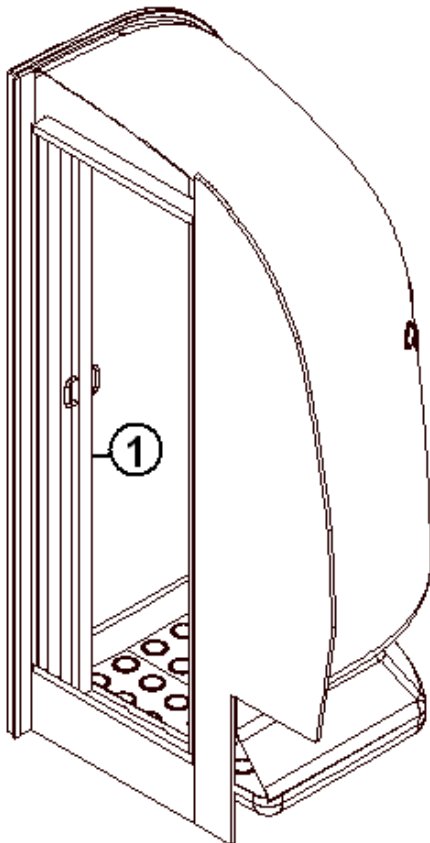
Doors, Roof Locker

967104-02	DOOR, TAMBOUR, 9.88 X 26.88
967104-01	DOOR, TAMBOUR, 9.88 X 25.38
967104-03	DOOR, TAMBOUR, 9.88 X 16.63
967104-04	DOOR, TAMBOUR, 9.88" X 23.38"
101265-01	EXTRUSION, BLACK, TAMBOUR DOOR HANDLE
201163-01	ENDCAP, BLACK, TAMBOUR DOOR HANDLE

Doors, Bath, 17', 22'

967102	DOOR ASSEMBLY "C" BATH, 22" X 72"
--------	-----------------------------------

Doors, Shower, 17', 22'

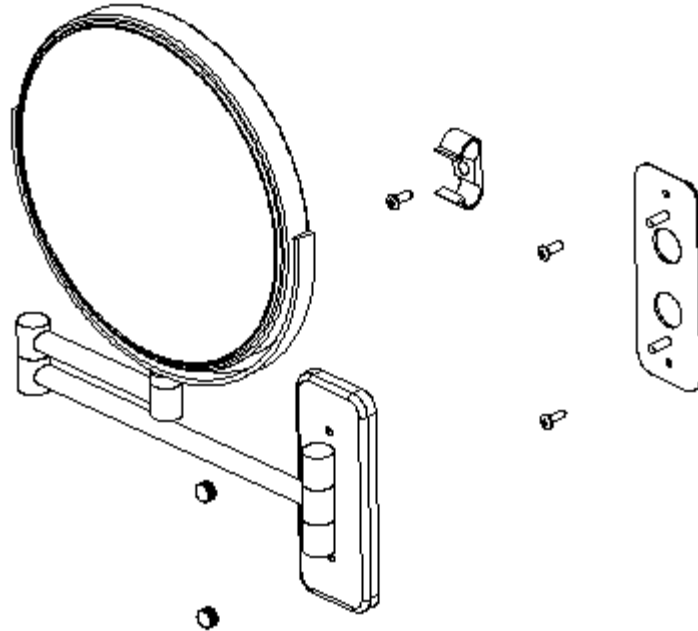


1. 703725
2. 101134

SHOWER DOOR
Aluminum angle, 1/8" x 1 x 1.5"

2008 SAFARI SPORT
FURNITURE, MIRRORS

Lavatory Mirror, 17', 22'



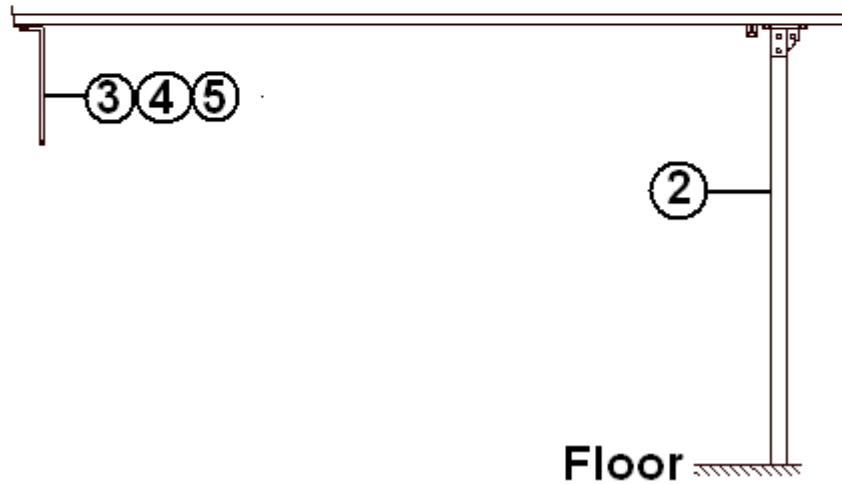
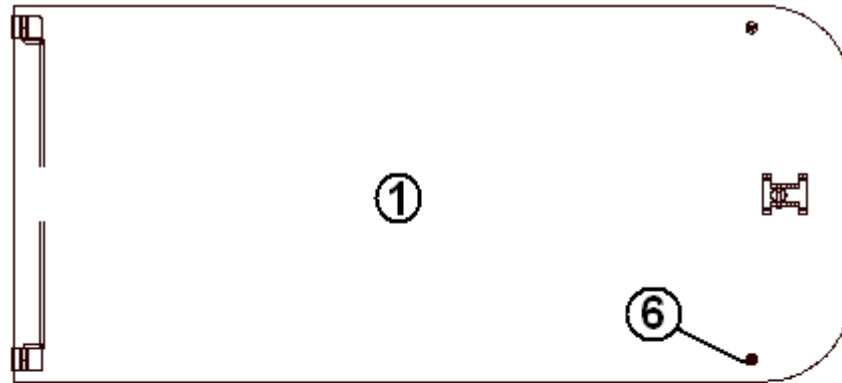
371423
371423-01
320035

MIRROR, WALL MOUNT NICKEL
RETAINER CLIP, 1 7/8" LONG
SCREW 8 X 1/2 PH TYPE A PHIL WD

2008 SAFARI SPORT

FURNITURE, LOUNGE

Dinette Table, 22'

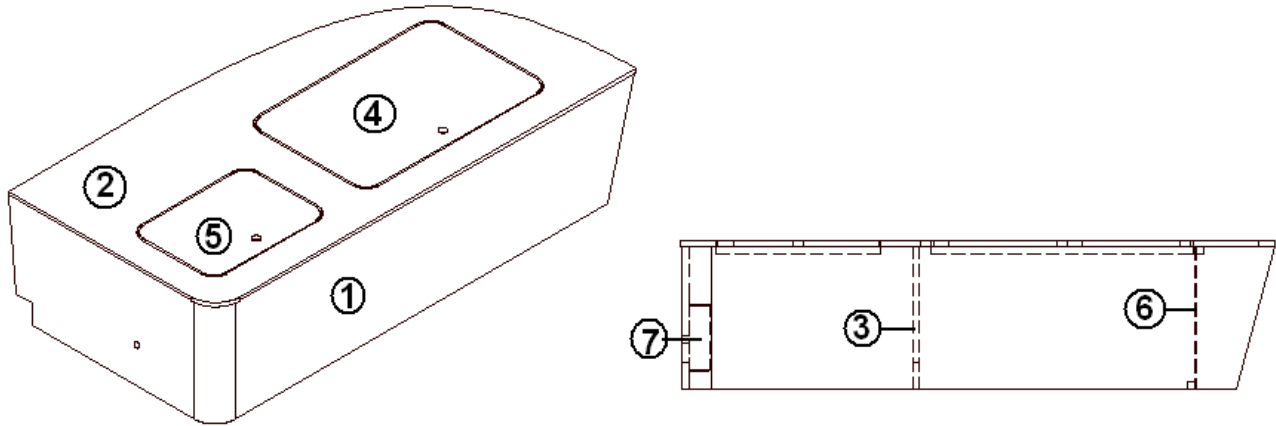


- | | |
|--------------|--------------------------|
| 967087 | DINETTE TABLE ASSY |
| 1. 967087-1 | PANEL, 26 X 60 |
| 2. 381881-04 | LEG, FOLDING TABLE 30.5" |
| 3. 380284-02 | TABLE HINGE BRACKET |
| 4. 380284-03 | TABLE HINGE BRACKETS |
| 5. 340018 | CATCH PLATE J-1 |
| 6. 381136 | RUBBER BUMPER |

2008 SAFARI SPORT

FURNITURE, LOUNGE

Dinette Seat Base, Roadside, 22'

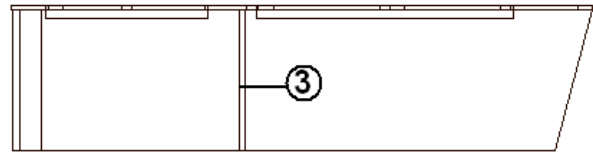
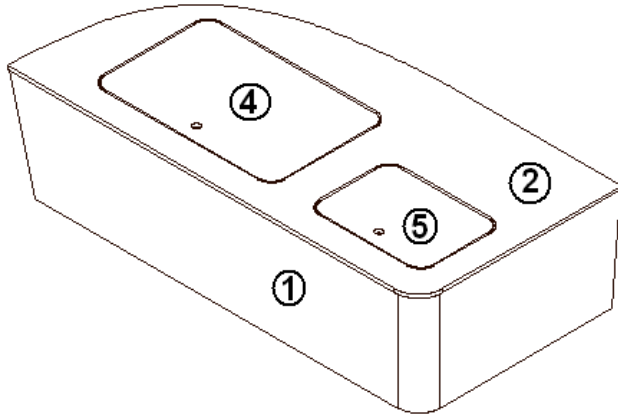


967084	BASE ASSY, RS DINETTE
1. 967083	BASE SUB ASSY, RS DINETTE
2. 967084-2	PANEL, 31.69 X 59.09
3. 967084-3	PANEL, 14.25 X 28.01
4. 967084-6	PANEL, RS DINETTE BASE 16.5 X 25.63
5. 967084-7	PANEL, RS DINETTE BASE 11.5 X 16
6. 701538-01	CARPET, ECONOLIER, W/PSA BAC
7. 201787-01	POCKET, DEADBOLT, INTERIOR
966702	CLOSEOUT ASSY, BOOTH SEATS

2008 SAFARI SPORT

FURNITURE, LOUNGE

Dinette Seat Base, Curbside, 22'

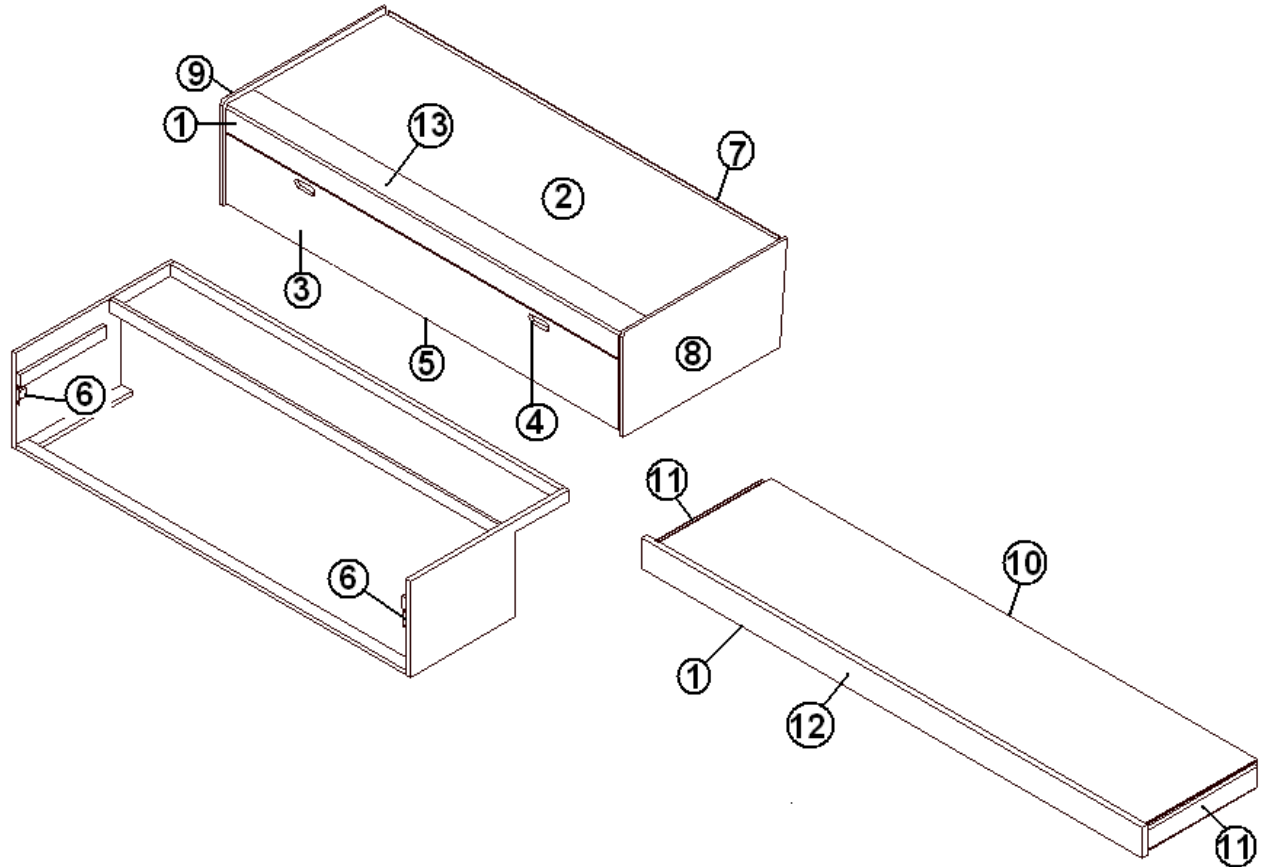


- | | |
|-------------|---------------------------------------|
| 967086 | BASE ASSY, CS DINETTE |
| 1. 967085 | BASE SUB ASSY, CS DINETTE |
| 2. 967086-2 | PANEL, CS DINETTE BASE, 31.69 X 59.09 |
| 3. 967086-3 | PANEL, CS DINETTE BASE, 14.25 X 28.01 |
| 4. 967086-6 | PANEL, CS DINETTE BASE, 26.75 X 16.88 |
| 5. 967086-7 | PANEL, CS DINETTE BASE, 11.5 X 16 |
| 966702 | CLOSEOUT ASSY, BOOTH SEATS |

2008 SAFARI SPORT

FURNITURE, LOUNGE

Sofa, 74", 22'

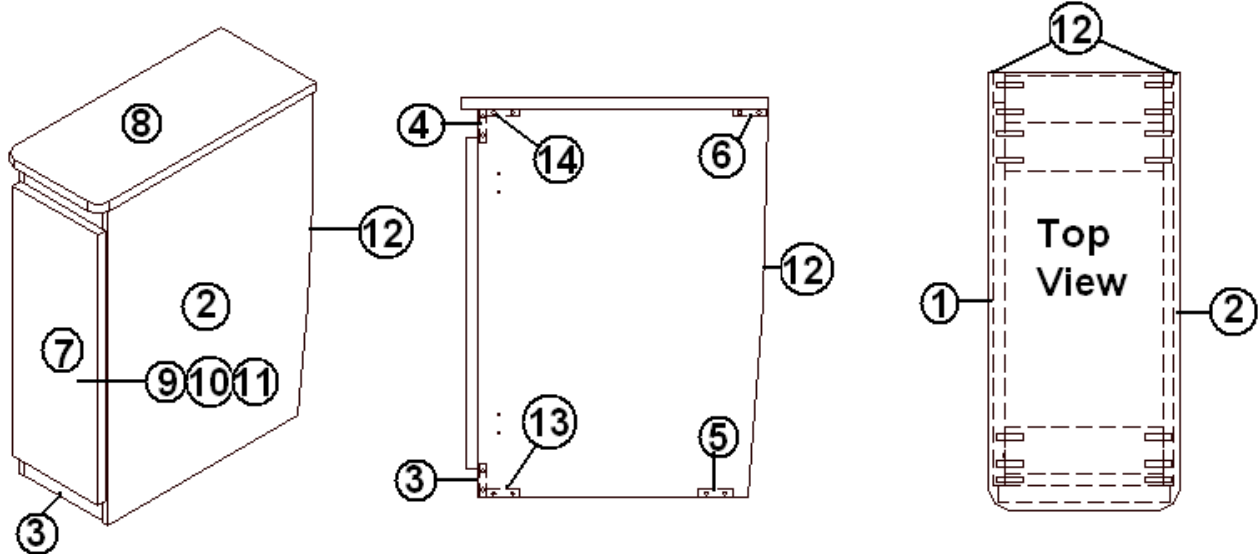


- | | |
|---------------|-------------------------------|
| 967094 | SOFA ASSY, 74" |
| 1. 967093 | SOFA BED ASSY |
| 2. 967094-2 | PANEL, SOFA BED 29.5 X 74 |
| 3. 967094-12 | DOOR, SOFA BED 11.25 X 73.13 |
| 4. 381775 | DRAWER PULL, FLUSH SATIN |
| 5. 381072-01 | HINGE, 3" X 2" |
| 6. 381228-01 | CATCH, GRABBER, DOOR |
| 7. 114809 | ALUMINUM ANGLE, 1.50 X 1.50 |
| 8. 967094-21 | PANEL, SOFA BED, 30.46 X 17 |
| 9. 967094-22 | PANEL, SOFA BED, 30.46 X 17 |
| 10. 915990 | WELDMENT, SOFA BED |
| 11. 381826 | SLIDE, BALL BEARING, 16" |
| 12. 967093-4 | PANEL, SOFA BED, 3.88 X 73.13 |
| 13. 967094-20 | PANEL, SOFA BED, 5 X 74 |

2008 SAFARI SPORT

FURNITURE, LOUNGE

Nightstand, 22'

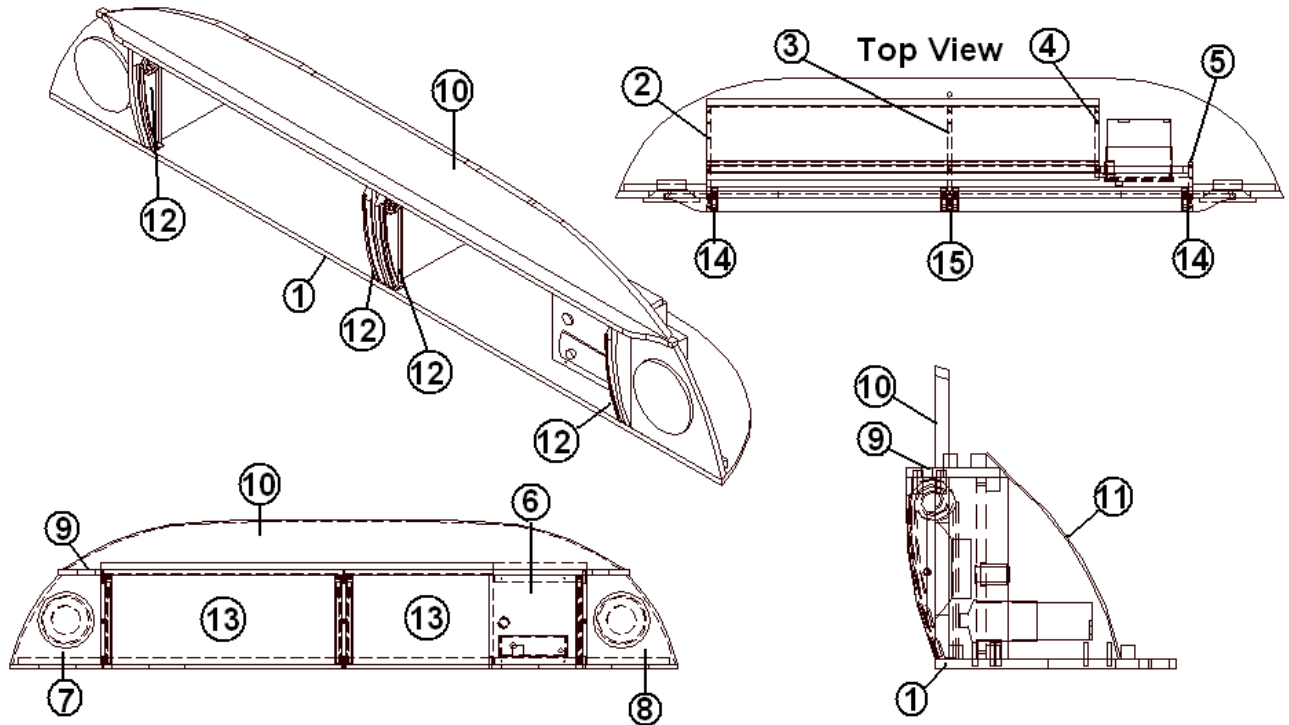


967089	NIGHTSTAND ASSY
1. 967089-1	PANEL, 19.48 X 26
2. 967089-2	PANEL, 19.48 X 26
3. 967089-3	PANEL, 2.25 X 7.5
4. 967089-4	PANEL, 2.25 X 7.5
5. 967089-5	PANEL, 2.25 X 7.5
6. 967089-6	PANEL, 2.25 X 7.5
7. 967089-7	DOOR, N/S, 8.13 X 22.13
8. 967089-8	TOP, N/S, 9 X 20.62
9. 381865	PULL, BAR, BRUSH NICKEL
10. 381607	HINGE ASSY
11. 381228-01	CATCH, GRABBER, DOOR
12. 203138-04	WALL EXTRUSION, PLASTIC 1/2", OAK
13. 967089-18	PANEL, N/S, 2.25 X 7.5
14. 967089-19	PANEL, N/S, 2.25 X 7.5

2008 SAFARI SPORT

FURNITURE, LOUNGE

Liner Locker, Front, 17', 22'



Part numbers on the next page

2008 SAFARI SPORT

FURNITURE, LOUNGE

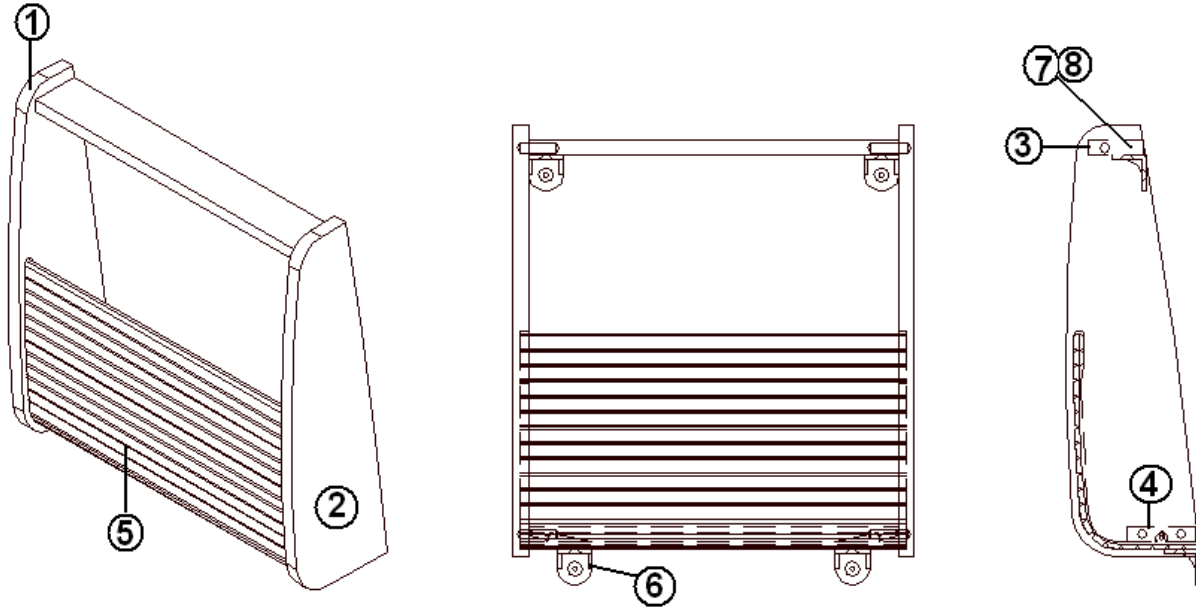
Liner Locker, Front, 17', 22'

967098	ROOFLOCKER, FRONT ENDLINER
1. 967098-1	PANEL, ROOFLOCKER, 13 X 72.87
2. 967098-2	PANEL, ROOFLOCKER, 9.46 X 9.81
3. 967098-3	PANEL, ROOFLOCKER, 9.21 X 9.81
4. 967098-4	PANEL, ROOFLOCKER, 5.15 X 9.81
5. 967098-5	PANEL, ROOFLOCKER, 9.46 X 9.81
6. 967098-6	PANEL, ROOFLOCKER, 10.19 X 9.81
7. 967098-7	PANEL, ROOFLOCKER, 9.94 X 9.81
8. 967098-8	PANEL, ROOFLOCKER, 9.94 X 9.81
9. 967098-9	PANEL, ROOFLOCKER, 5 X 62.39
10. 967098-10	PANEL, ROOFLOCKER, 4.5 X 61.3
11. 967098-11	PANEL, ROOFLOCKER, 13.5 X 42.81
12. 201164-02	SPIRALS, ROOFLOCKER, PLATINUM, LH/RH
13. 967104-01	DOOR, TAMBOUR 9.88 X 25.38
14. 115382-01	TRIM, ALUMINUM, ROOFLOCKER, .688 X 10
15. 115382-02	TRIM, ALUMINUM, ROOFLOCKER, 1.88 X 10
800368-02	TAMBOUR, SILVER, 4' X 8' SHEET
101265-01	EXTRUSION, BLACK, TAMBOUR DOOR HANDLE
201163-01	ENDCAP, BLACK, TAMBOUR DOOR HANDLE

2008 SAFARI SPORT

FURNITURE, LOUNGE

Magazine Rack, 22'

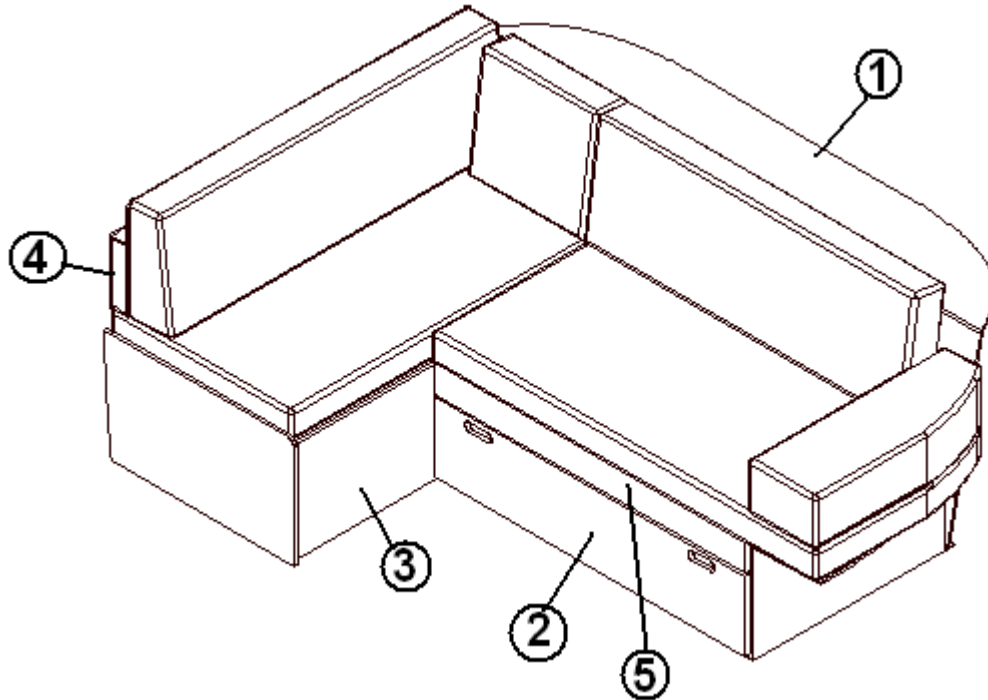


967138	MAGAZINE RACK
1. 967138-1	PANEL, MAGAZINE RACK, 4.375 X 14
2. 967138-2	PANEL, MAGAZINE RACK, 4.38 X 14
3. 967138-3	PANEL, MAGAZINE RACK, 1.75 X 12
4. 967138-4	PANEL, MAGAZINE RACK, 2.25 X 12
5. 385963	BRACKET, ANGLED, LAMBREQUIN
6. 381609-05	SCREW HAFELE EUROPEAN #9 1 1/2
7. 381610-01	COVER CAP PLAS. EUROPEAN WHITE
8. 800368-02	TAMBOUR-SILVER 4' X 8' SHEET

2008 SAFARI SPORT

FURNITURE, LOUNGE

L Sofa Assembly, 17'

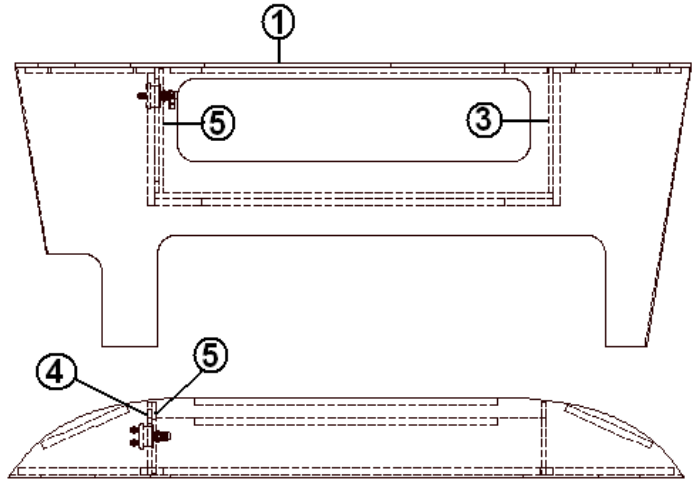
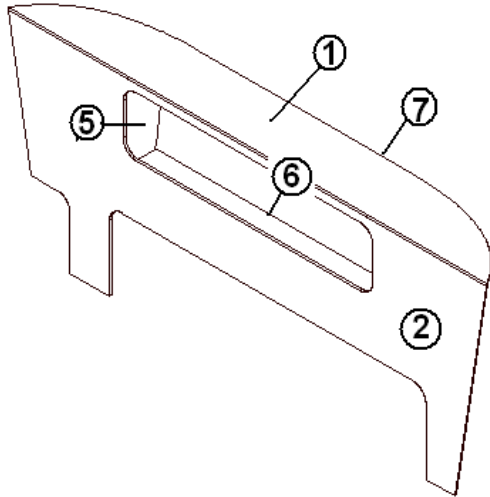


- 1. 967120 SOFA BACK ASSY.
- 2. 967123 SOFA ASSY.
- 3. 967124 SOFA "L"SECTION ASSY.
- 4. 967136 CUSHION ASSY., BACK SUPPORT
- 5. 967122 SOFA BED ASSY.

2008 SAFARI SPORT

FURNITURE, LOUNGE

Sofa Back Assembly, 17'

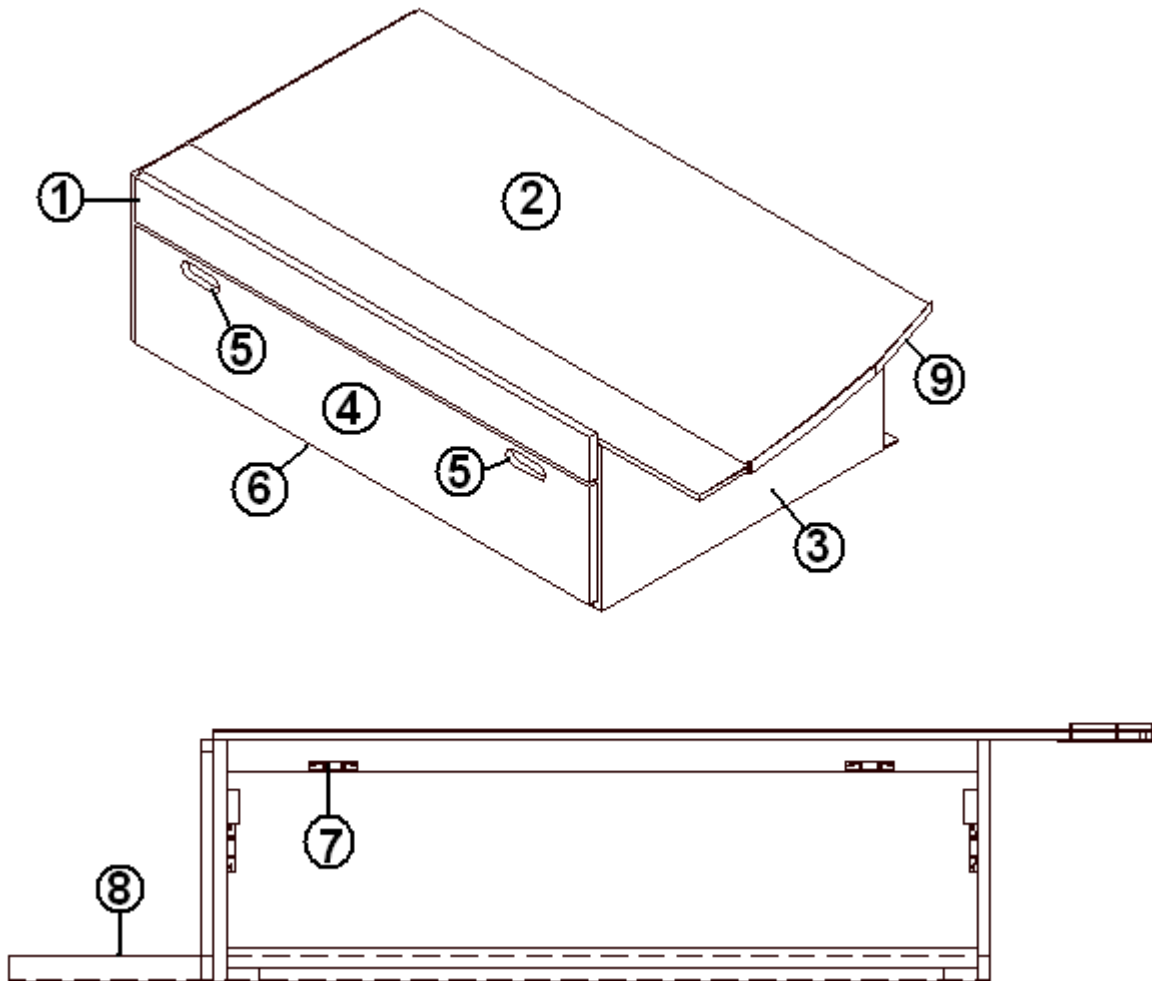


967120	SOFA BACK ASSY.
1. 967120-1	PANEL, SOFA BACK 11.69 X 75.99
2. 967120-2	PANEL, SOFA BACK 75.98 X 30.13
3. 967120-3	PANEL, SOFA BACK 10.87 X 13.63
4. 967120-4	PANEL, SOFA BACK 10.87 X 13.63
5. 967120-5	PANEL, SOFA BACK 8 X 13.38
6. 967120-6	PANEL, SOFA BACK 9.13 X 43
7. 203138-04 703330	EXTRUSION, PLASTIC, 1/2", OAK FABRIC, ,CARRERA, PATINA

2008 SAFARI SPORT

FURNITURE, LOUNGE

Sofa, 17'

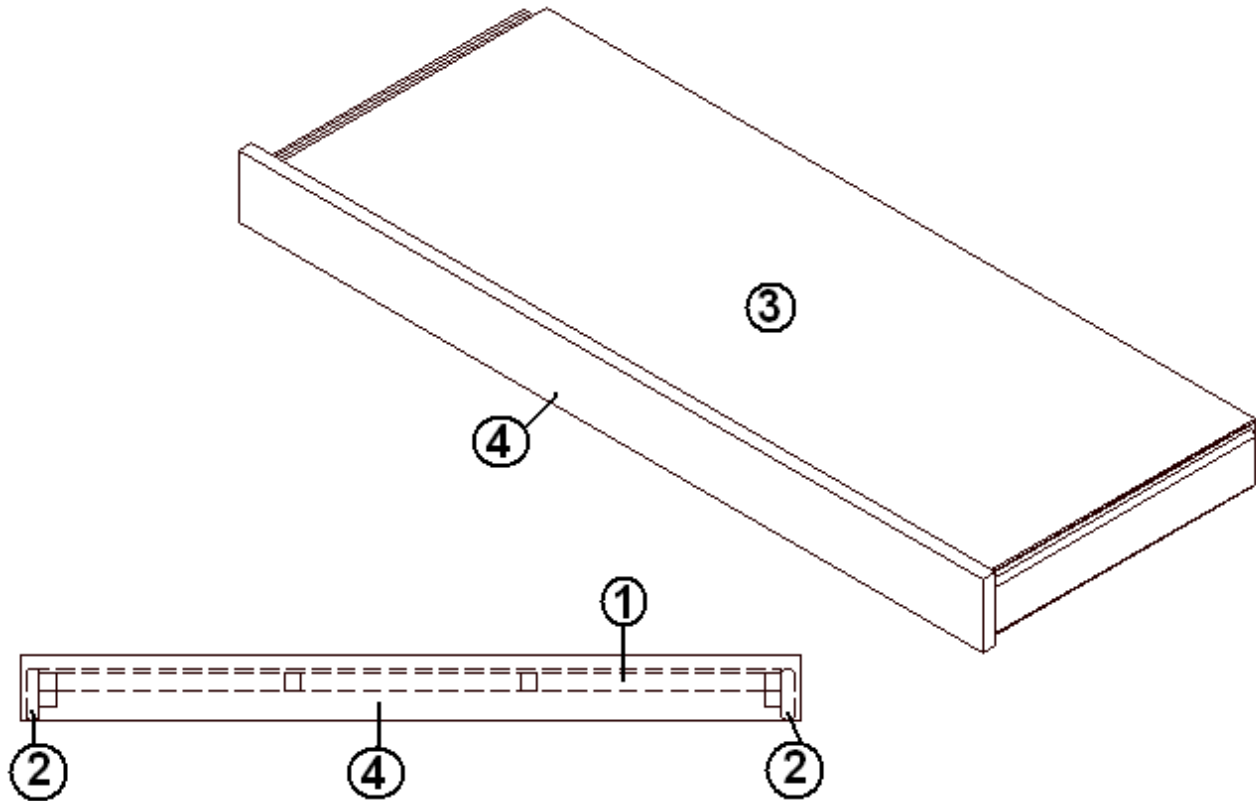


967123	SOFA ASSY.
1. 967122	SOFA BED ASSY.
2. 967123-2	PANEL, SOFA TOP, 28.25 X 56.36
3. 967123-3	PANEL, SOFA, 28.25 X 14.5
4. 967123-4	PANEL, SOFA, 10.25 X 45.63
5. 381774	HANDLE, DRAWER/DOOR
6. 381072	HINGE, 3" X 1 7/8", OPEN GOLD
7. 381228-01	CATCH, GRABBER DOOR
8. 114809	ALUMINUM ANGLE, 1.50 X 1.50
9. 114811	ALUMINUM ANGLE, .50 X .50

2008 SAFARI SPORT

FURNITURE, LOUNGE

Sofa Bed, 17'

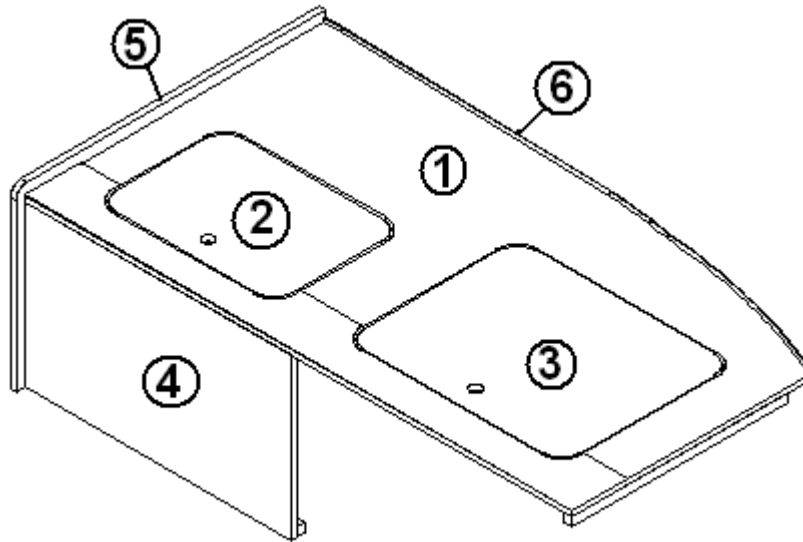


- | | |
|-------------|------------------------------------|
| 967122 | SOFA BED ASSY. |
| 1. 915997 | WELDMENT, SOFA BED |
| 2. 381826 | SLIDE-BALL BEARING 16" 28'CCD |
| 3. 967122-3 | PANEL, SOFA BED TOP, 17.00 X 43.50 |
| 4. 967122-4 | PANEL, SOFA BED, 3.88 X 45.63 |

2008 SAFARI SPORT

FURNITURE, LOUNGE

Sofa, L-Section, 17'

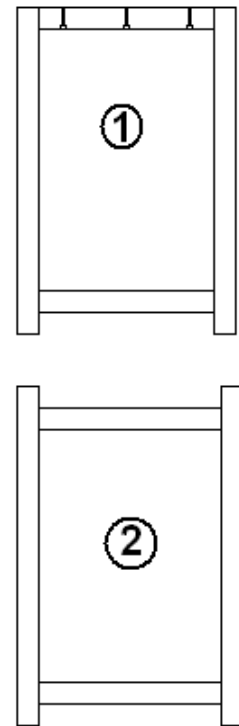
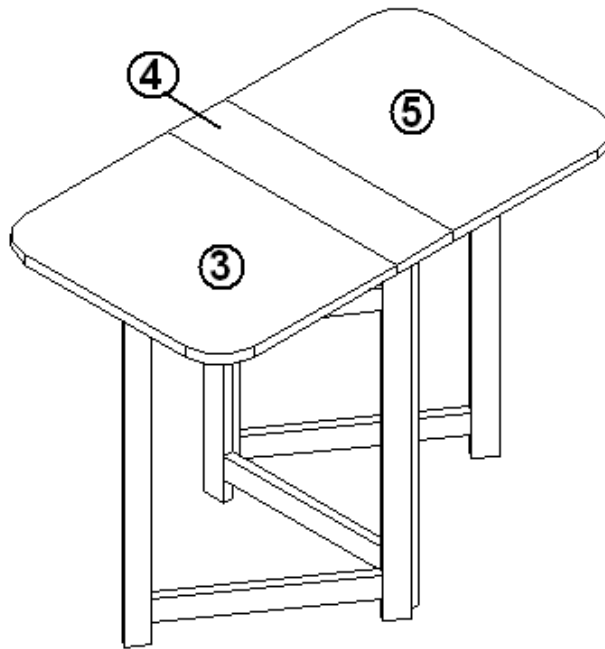
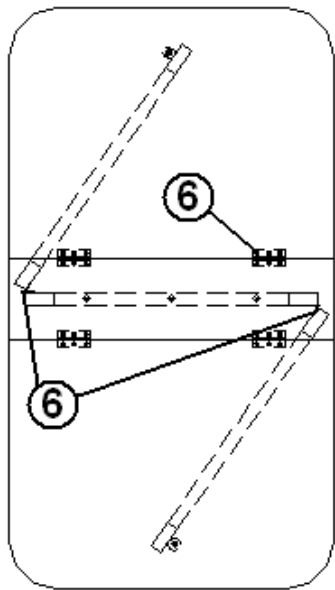


- | | |
|-------------|-----------------------------|
| 967124 | SOFA, "L"SECTION ASSY. |
| 1. 967124-1 | PANEL, L SOFA, 27 X 49.5 |
| 2. 967124-2 | PANEL, L SOFA, 11.5 X 16 |
| 3. 967124-3 | PANEL, L SOFA, 15.5 X 19.5 |
| 4. 967124-4 | PANEL, L SOFA, 14.5 X 24 |
| 5. 967124-5 | PANEL, L SOFA, 16 X 28 |
| 6. 114812 | ALUMINUM ANGLE, 1.00 X 1.00 |

2008 SAFARI SPORT

FURNITURE, LOUNGE

Table, Folding, 17'

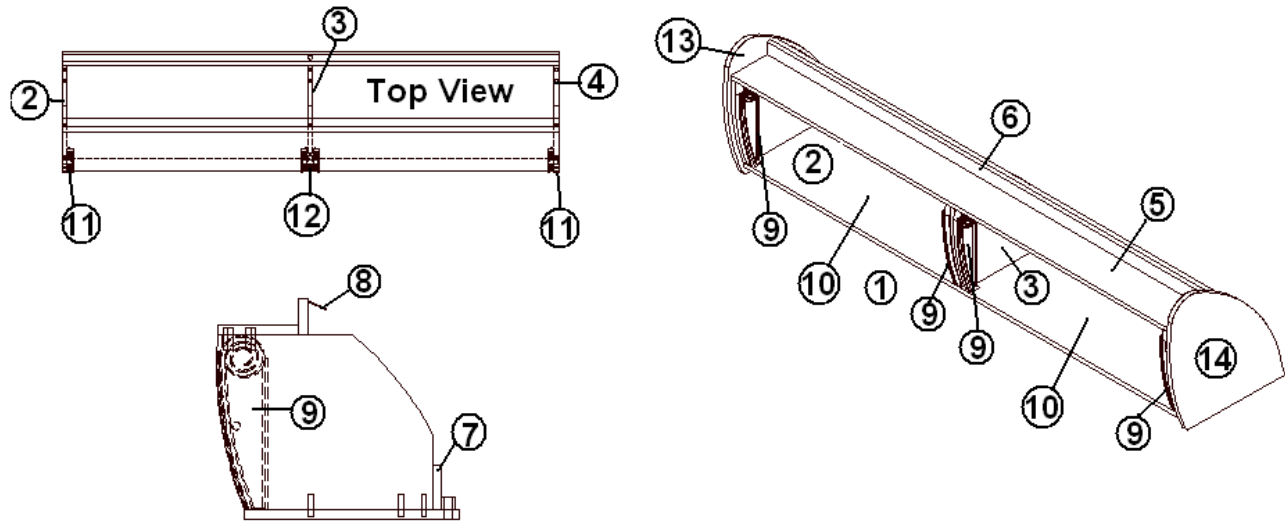


- | | |
|---------------|------------------------------------|
| 967141 | TABLE ASSY, SOFA |
| 1. 967139-005 | CENTER FOLDING TABLE LEG FRAME |
| 2. 967140-005 | SIDE FOLDING TABLE LEG |
| 3. 967141-3 | PANEL, SOFA TABLE, 20 X 15.5 |
| 4. 967141-4 | PANEL, SOFA TABLE, 20 X 5 |
| 5. 967141-5 | PANEL, SOFA TABLE, 20 X 15.5 |
| 6. 382051 | HINGE, SURFACE MOUNT, BRASS |
| 320097-01 | SCREW, #6 X 1/2", OVAL HEAD, BRASS |
| 381136 | RUBBER BUMPER |
| 381566 | LOOP, FOOTMAN STEEL, 1.625" X .56 |
| 703455-04 | STRAP, 18", FOLDING TABLE |

2008 SAFARI SPORT

FURNITURE, GALLEY

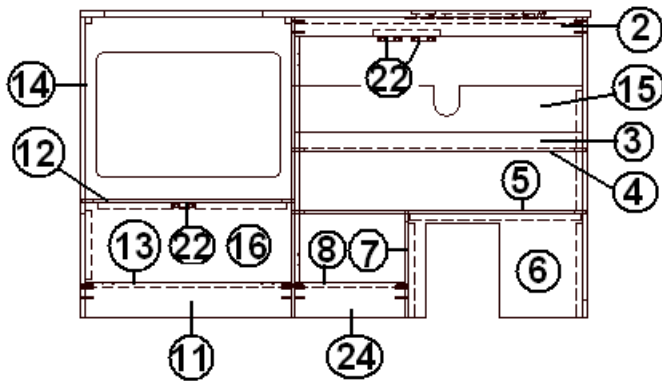
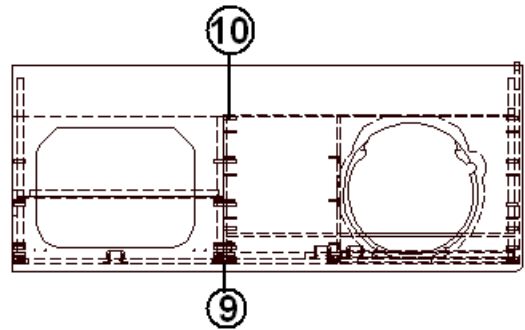
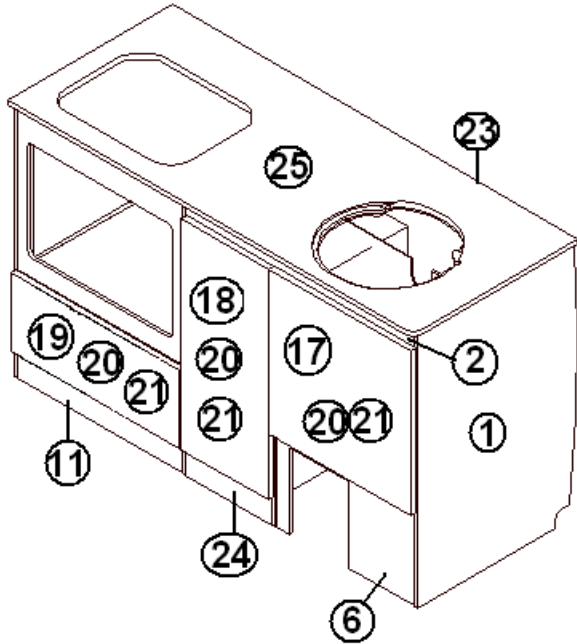
Roof Locker, Galley, 22'



967099	Roof locker, Galley
1. 967099-1	PANEL, GALLEY, ROOF LOCKER, 12 X 56
2. 967099-2	PANEL, GALLEY, ROOF LOCKER, 12.04 X 9.81
3. 967099-3	PANEL, GALLEY, ROOF LOCKER, 11.79 X 9.81
4. 967099-4	PANEL, GALLEY, ROOF LOCKER, 12.04 X 9.81
5. 967099-5	PANEL, GALLEY, ROOF LOCKER, 4.5 X 56
6. 967099-6	PANEL, GALLEY, ROOF LOCKER, 2 X 56
7. 967099-7	PANEL, GALLEY, ROOF LOCKER, 2.5 X 56
8. 104821	SUPPORT, ROOFLOCKER, 74"
9. 201164-02	SPIRALS, R/L, PLATINUM, LH/RH
10. 967104-02	DOOR, TAMBOUR 9.88 X 26.88
11. 115382-01	TRIM, ALUMINUM, R/L, .688 X 10
12. 115382-02	TRIM, ALUMINUM, R/L, 1.88 X 10
13. 967099-15	PANEL, GALLEY, ROOF LOCKER, 14.57 X 14.74
14. 967099-16	PANEL, GALLEY, ROOF LOCKER, 14.57 X 14.74
101265-01	EXTRUSION, BLACK DOOR HANDLE
201163-01	ENDCAP-BLACK HANDLE (PR)

2008 SAFARI SPORT FURNITURE, GALLEY

Galley, 22'



Part numbers on the next page

2008 SAFARI SPORT

FURNITURE, GALLEY

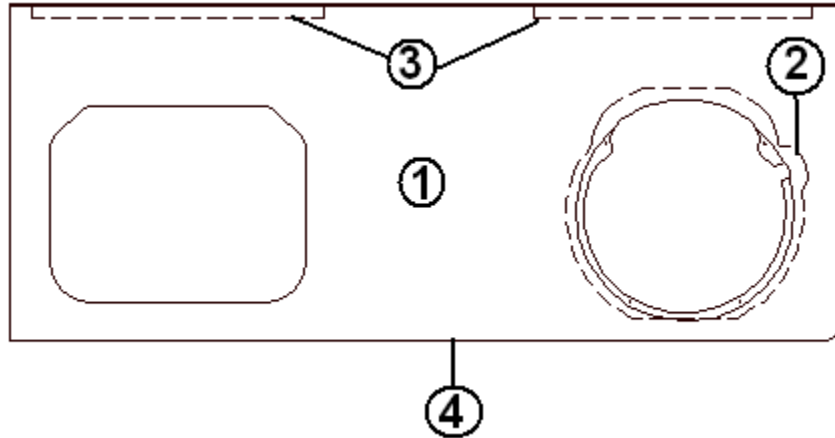
Galley, 22'

967080	GALLEY ASSY
1. 967080-1	PANEL, GALLEY, 23.5 X 35
2. 967080-2	PANEL, GALLEY, 2.25 X 32.5
3. 967080-3	PANEL, GALLEY, 2.25 X 20
4. 967080-4	PANEL, GALLEY, 13.62 X 20
5. 967080-5	PANEL, GALLEY, 17.12 X 20
6. 967080-6	PANEL, GALLEY, 20 X 12
7. 967080-7	PANEL, GALLEY, 23.5 X 35
8. 967080-12	PANEL, GALLEY, 12 X 12
9. 967080-13	PANEL, GALLEY, 2.25 X 28.75
10. 967080-14	PANEL, GALLEY, 23.5 X 35
11. 967080-15	PANEL, GALLEY, 4 X 35.5
12. 967080-16	PANEL, GALLEY, 17 X 23
13. 967080-17	PANEL, GALLEY, 7.13 X 23
14. 967080-18	PANEL, GALLEY, 23.5 X 35
15. 967080-19	PANEL, GALLEY, 20 X 15
16. 967080-21	PANEL, GALLEY, 23 X 9.81
17. 967080-22	DOOR-GAL 20.65 X 20.88
18. 967080-23	DOOR-GAL 11.61 X 29.38
19. 967080-24	DOOR-GAL 23.63 X 9.94
20. 381865	PULL, BAR, BRUSH NICKEL
21. 381607	HINGE ASSY
22. 381228-01	CATCH, GRABBER, DOOR
23. 203138-04	EXTRUSION, PLASTIC, 1/2" OAK
24. 967080-46	PANEL, GALLEY, 4 X 12.75
25. 967081	TOP, GALLEY
201051	DRAWER, 10 X 22

2008 SAFARI SPORT

FURNITURE, GALLEY

Galley Top, 22'

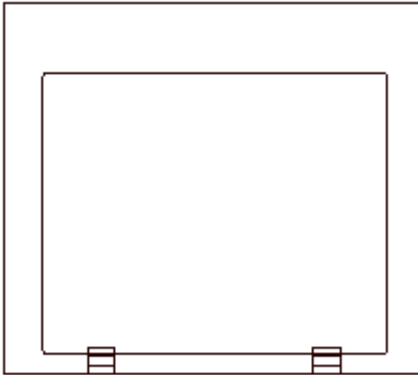


- | | |
|-------------|---------------------------------|
| 967081 | TOP-GALLEY 22' |
| 1. 967081-1 | PANEL, GALLEY TOP, 24.12 X 57.5 |
| 2. 967081-2 | PANEL, 17.11 X 16.50 |
| 3. 114812 | ALUMINUM ANGLE, 1.00 X 1.00 |
| 4. 115064 | TRIM, ALUMINUM COUNTER TOP |

2008 SAFARI SPORT

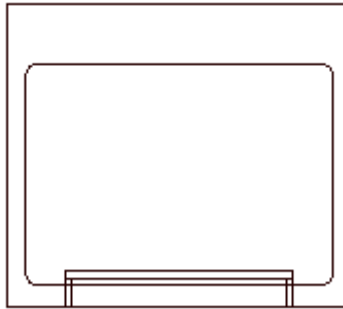
FURNITURE, GALLEY

Oven Face Frame, 17, 22'



967090 FACE FRAME, OVEN

Microwave Option Face Frame, 17, 22'

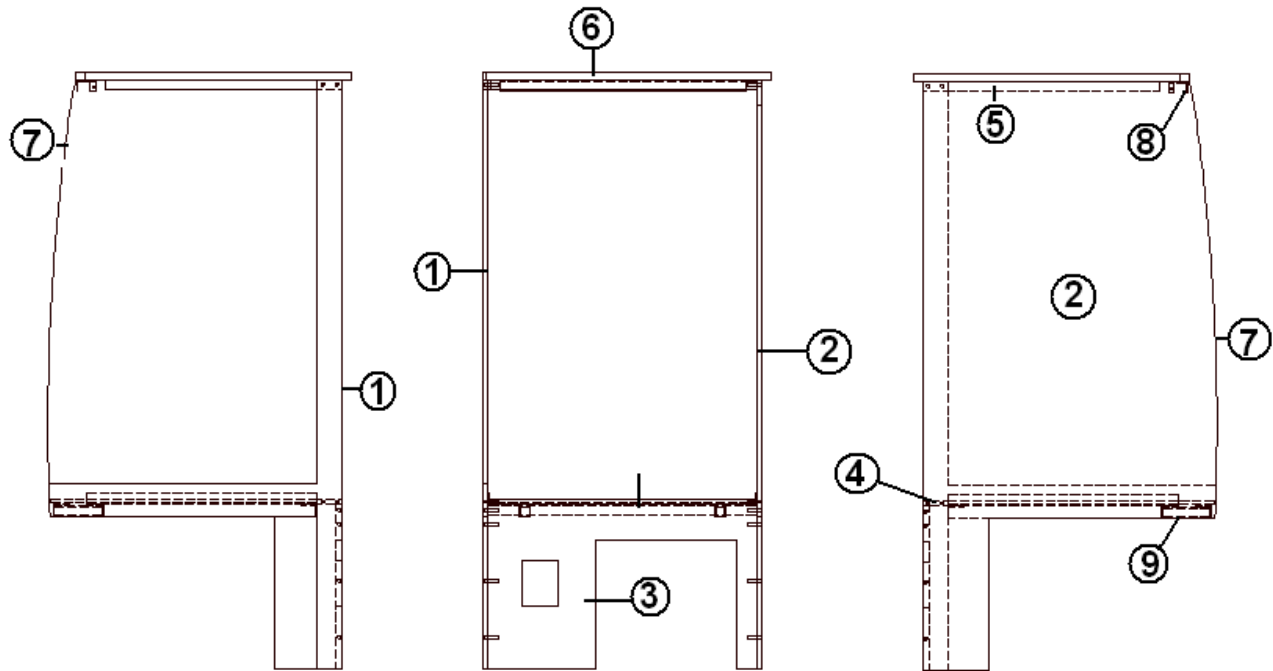


967133 FACE FRAME MICROWAVE OVEN OPTION

2008 SAFARI SPORT

FURNITURE, GALLEY

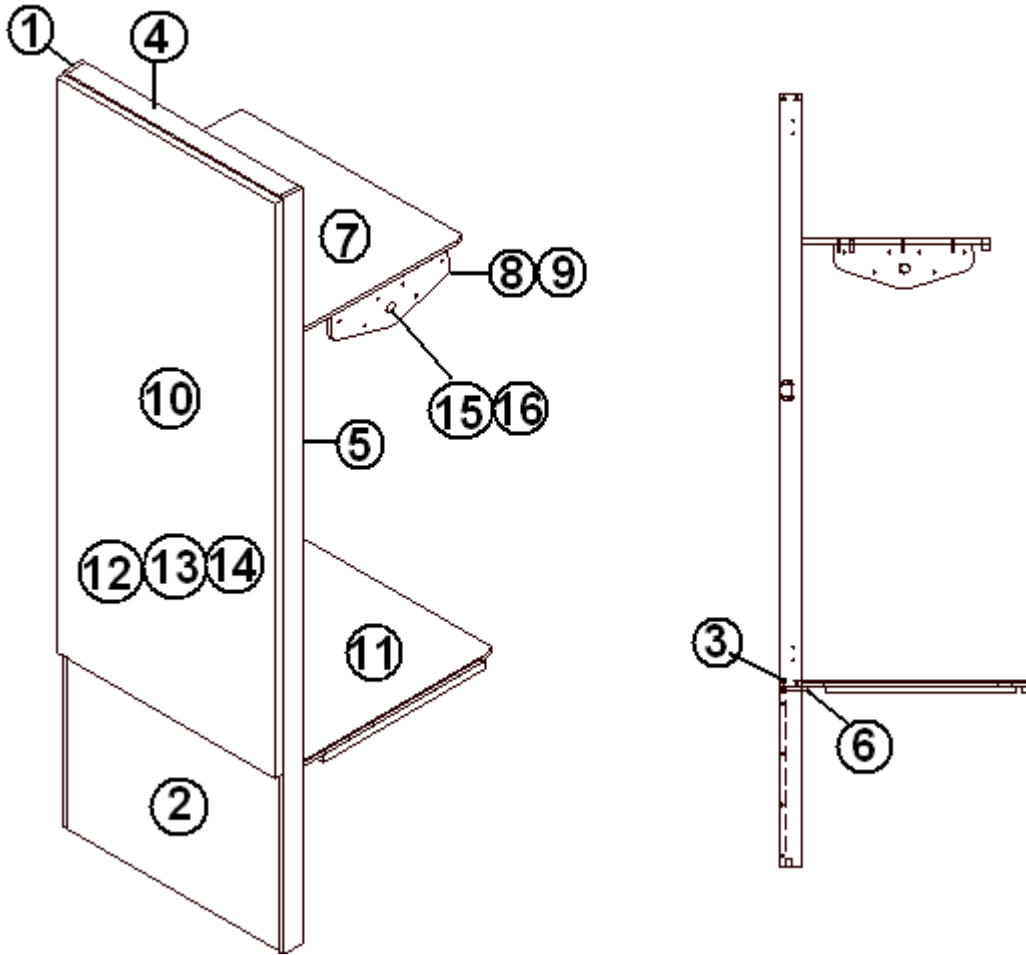
Refrigerator Cabinet, 22'



- | | |
|---|---|
| <p>967079</p> <p>1. 967079-1</p> <p>2. 967079-2</p> <p>3. 967079-3</p> <p>4. 967079-4</p> <p>5. 967079-5</p> <p>6. 967079-7</p> <p>7. 203138-04</p> <p>8. 114812</p> <p>9. 966559</p> | <p>REFRIGERATOR CABINET</p> <p>PANEL, 26.33 X 52.44</p> <p>PANEL, 26.33 X 52.44</p> <p>PANEL, 24 X 14.62</p> <p>PANEL, 2.25 X 24</p> <p>PANEL, 2.25 X 24</p> <p>PANEL, 25.75 X 24.56</p> <p>WALL EXTRUSION, PLASTIC, 1/2" OAK</p> <p>ALUMINUM ANGLE 1.00 X 1.00</p> <p>REFRIGERATOR STAND</p> |
|---|---|

2008 SAFARI SPORT FURNITURE, GALLEY

Storage Cabinet, Roadside, 17', 22'



Part numbers on the next page.

2008 SAFARI SPORT

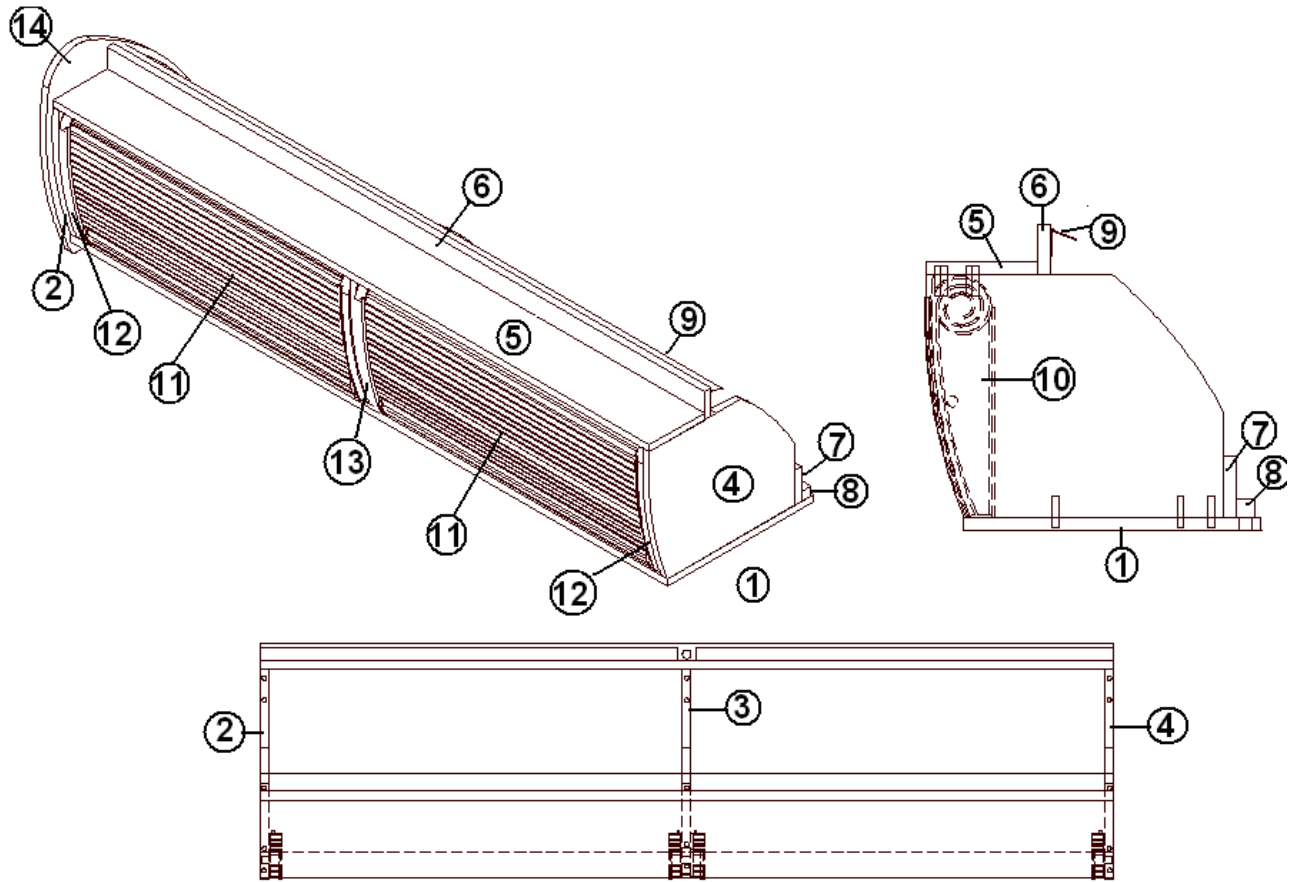
FURNITURE, GALLEY

Storage Cabinet, Roadside, 17', 22'

967078	STORAGE CABNET
1. 967078-1	PANEL, 2.25 X 77.75
2. 967078-3	PANEL, 27 X 17.5
3. 967078-4	PANEL, 2.25 X 27
4. 967078-5	PANEL, 2.25 X 27
5. 967078-6	PANEL, 2.25 X 77.75
6. 967078-7	PANEL, 2.25 X 27
7. 967078-10	PANEL, 18.75 X 28
8. 967078-11	PANEL, 14 X 4.4
9. 967078-12	PANEL, 14 X 4.5
10. 967078-13	PANEL, 27.62 X 59.38
11. 701538-01	CARPET, ECONOLIER W/PSA BACK
12. 381865	PULL, BAR, BRUSH NICKEL
13. 381607	HINGE ASSY
14. 381228	CATCH, GRABBER DOOR
15. 380045	TUBING, 3/4"
16. 200975-04	CONDUIT, FLEXIBLE, BLACK PLASTIC

2008 SAFARI SPORT FURNITURE, GALLEY

Roof Locker, Galley, 17'



Part numbers on the next page.

2008 SAFARI SPORT

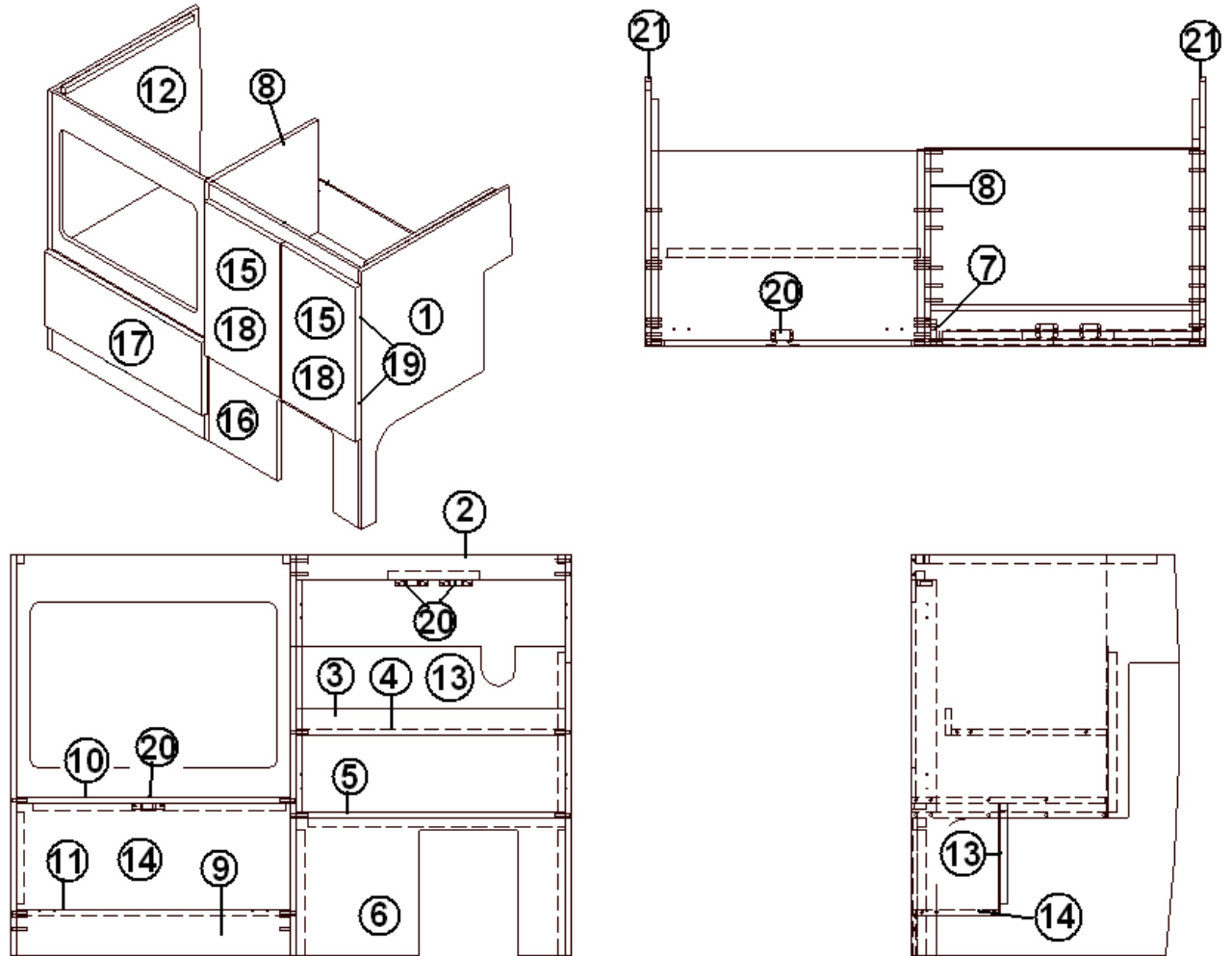
FURNITURE, GALLEY

Roof Locker, Galley, 17'

967134	ROOF LOCKER, GALLEY
1. 967134-1	PANEL, GALLEY ROOF LOCKER, 12 X 49
2. 967134-2	PANEL, GALLEY ROOF LOCKER, 12.04 X 9.81
3. 967134-3	PANEL, GALLEY ROOF LOCKER, 11.79 X 9.81
4. 967134-4	PANEL, GALLEY ROOF LOCKER, 12.04 X 9.81
5. 967134-5	PANEL, GALLEY ROOF LOCKER, 4.5 X 49
6. 967134-6	PANEL, GALLEY ROOF LOCKER, 2 X 49
7. 967134-7	PANEL, GALLEY ROOF LOCKER, 2.5 X 49
8. 800025-01	PINE, 3/4" X 3/4", STAINED
9. 104821	SUPPORT, ROOFLOCKER, 74"
10. 201164-02	SPIRALS, ROOF LOCKER PLATINUM, LH/RH
11. 967104-04	DOOR, TAMBOUR, 9.88" X 23.38"
12. 115382-01	TRIM, ALUMINUM, ROOF LOCKER, .688 X 10
13. 115382-02	TRIM, ALUMINUM, ROOF LOCKER, 1.88 X 10
14. 967134-15	PANEL, GALLEY ROOF LOCKER, 14.57 X 14.74
101265-01	EXTRUSION-BLACK DOOR HANDLE
201163-01	ENDCAP, BLACK HANDLE (PR)

2008 SAFARI SPORT FURNITURE, GALLEY

Galley, 17'



Part numbers on the next page.

2008 SAFARI SPORT

FURNITURE, GALLEY

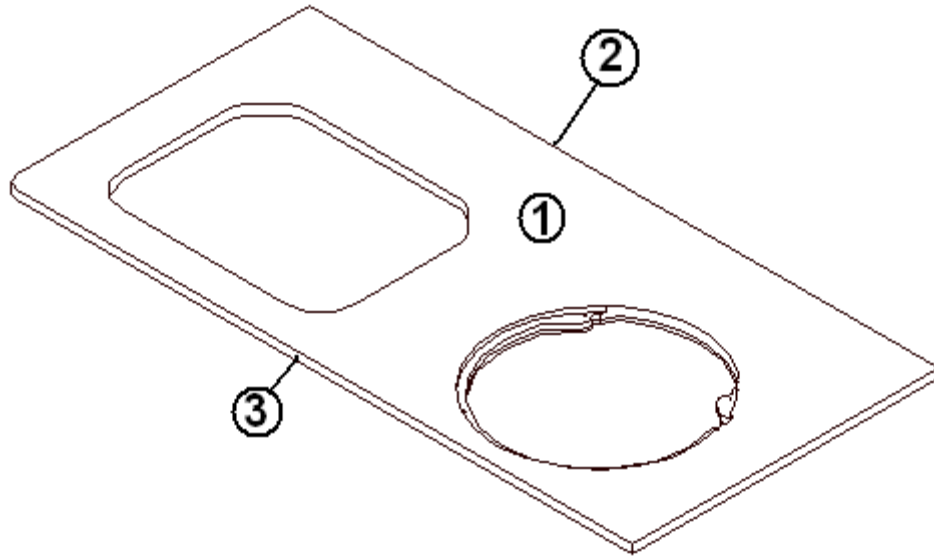
Galley, 17'

967132	GALLEY ASSY.
1. 967132-1	PANEL, GALLEY, 23.5 X 35
2. 967132-2	PANEL, GALLEY, 2.25 X 23.5
3. 967132-3	PANEL, GALLEY, 2.25 X 23.5
4. 967132-4	PANEL, GALLEY, 13.62 X 23.5
5. 967132-5	PANEL, GALLEY, 17.12 X 23.5
6. 967132-6	PANEL, GALLEY, 23.5 X 12
7. 967132-7	PANEL, GALLEY, 2.25 X 20.25
8. 967132-8	PANEL, GALLEY, 17.12 X 35
9. 967132-9	PANEL, GALLEY, 4 X 24
10. 967132-10	PANEL, GALLEY, 17 X 24
11. 967132-11	PANEL, GALLEY, 7.13 X 24
12. 967132-12	PANEL, GALLEY, 23.5 X 35
13. 967132-13	PANEL, GALLEY, 24 X 15
14. 967132-14	PANEL, GALLEY, 24.5 X 9.81
15. 967132-15	DOOR-GALLEY, 11.75 X 20.88
16. 967132-16	DOOR-GALLEY, 11.75 X 20.88
17. 967132-17	DOOR-GALLEY, 24.63 X 9.94
18. 381865	PULL, BAR, BRUSH NICKEL
19. 381607	HINGE ASSY
20. 381228-01	CATCH, GRABBER, DOOR
21. 203138-04	EXTRUSION, PLASTIC 1/2", OAK
967092	TOP, GALLEY, 17'

2008 SAFARI SPORT

FURNITURE, GALLEY

Galley Top, 17'



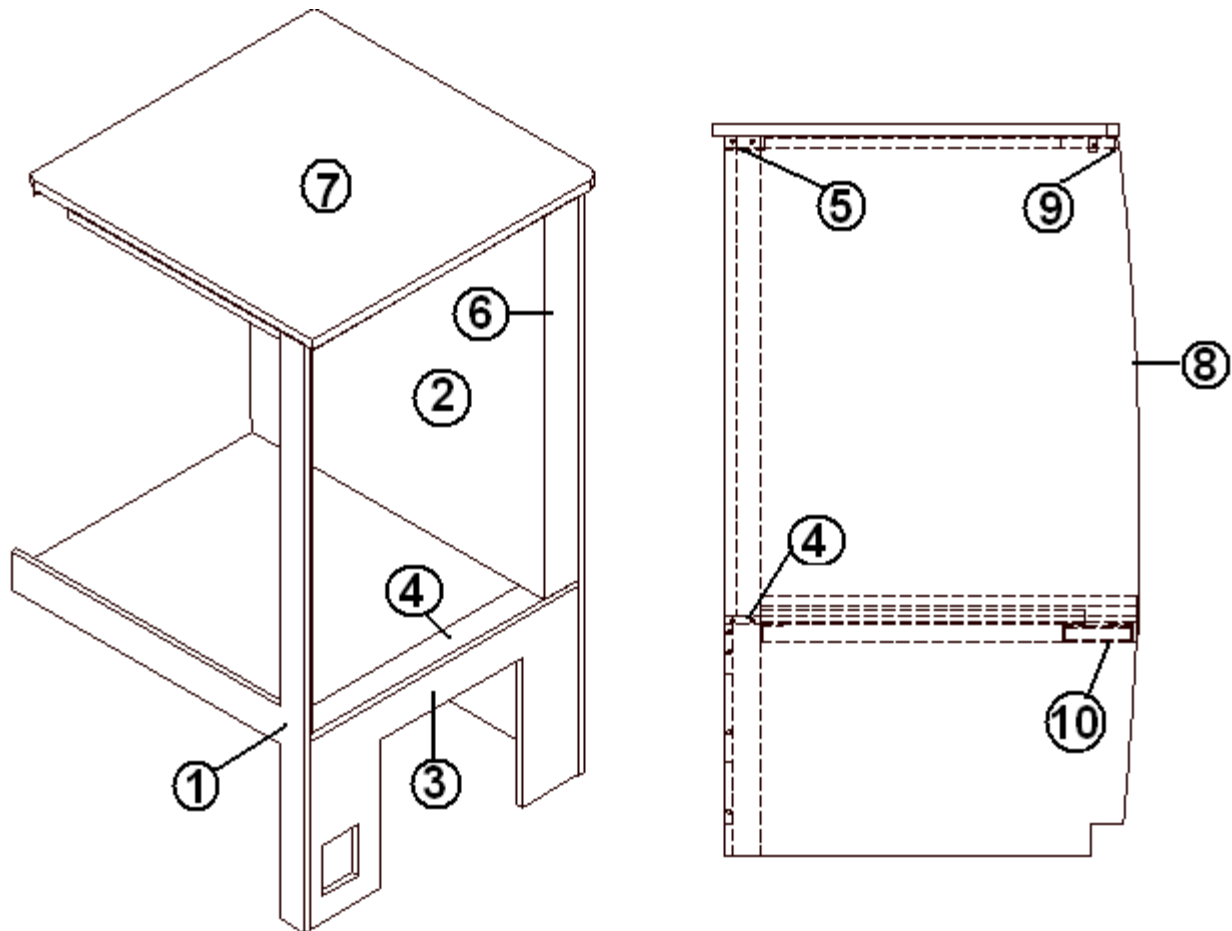
- 967092
- 1. 967092-1
- 2. 114812
- 3. 115064

TOP-GALLEY
PANEL, GALLEY TOP, 24.12 X 57.5
ALUMINUM ANGLE, 1.00 X 1.00
TRIM, ALUMINUM, COUNTER TOP

2008 SAFARI SPORT

FURNITURE, GALLEY

Refrigerator Cabinet, 17'



967137	REFRIGERATOR CABINET
1. 967137-1	PANEL, REFRIGERATOR 26.25 X 45.63
2. 967137-2	PANEL, REFRIGERATOR 26.25 X 45.63
3. 967137-3	PANEL, REFRIGERATOR 24 X 14.62
4. 967137-4	PANEL, REFRIGERATOR 2.25 X 24
5. 967137-5	PANEL, REFRIGERATOR 2.25 X 24
6. 967137-6	PANEL, REFRIGERATOR 3 X 29.75
7. 967137-7	PANEL, REFRIGERATOR 25.75 X 25.64
8. 203138-04	EXTRUSION, PLASTIC, 1/2", OAK W
9. 114812	ALUMINUM ANGLE, 1.00 X 1.00
10. 966559	REFRIGERATOR STAND ASSY

2008 SAFARI SPORT

FURNITURE, GALLEY

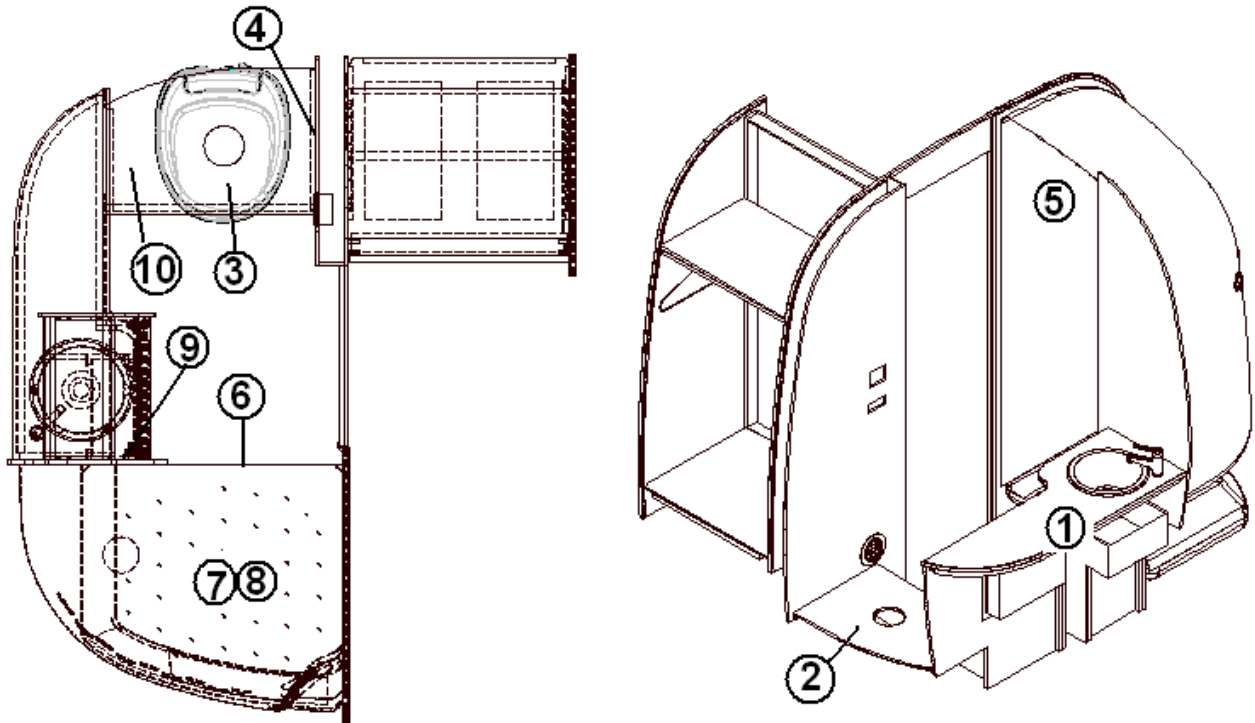
Spice rack, 17', 22'

382052 SPICE RACK, CHROME

2008 SAFARI SPORT

FURNITURE, BATH

Bath Module, 17', 22'

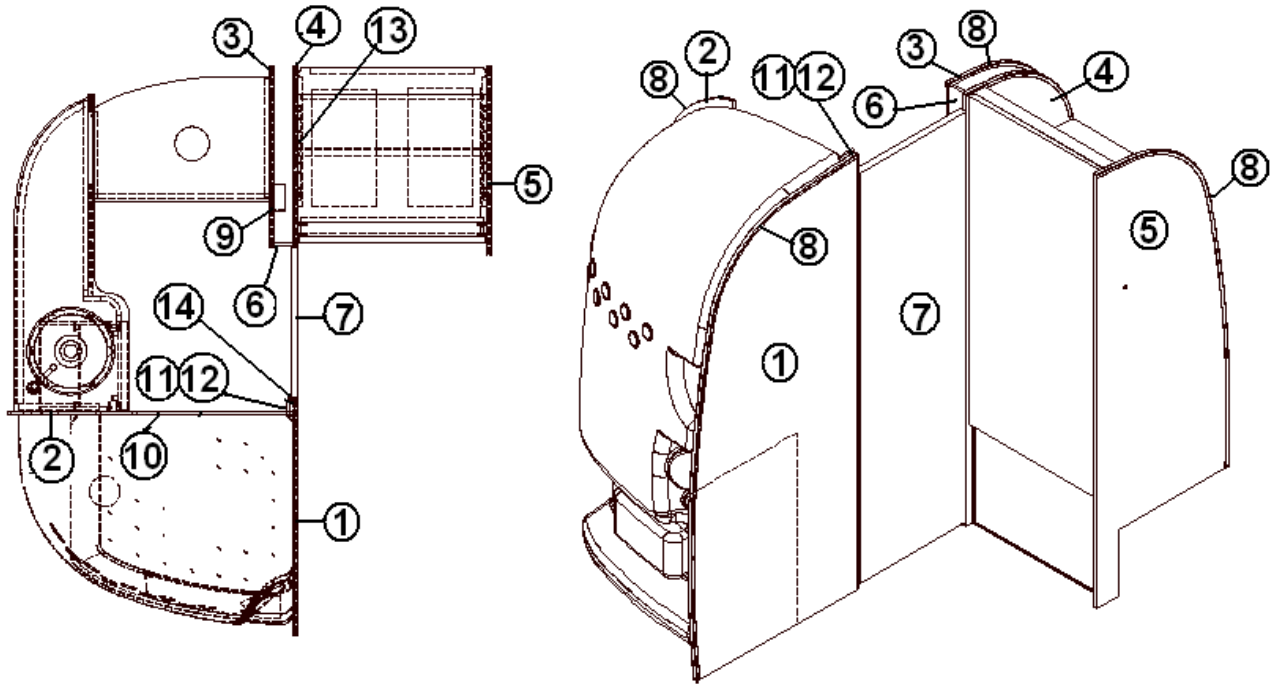


1. 967095 LAVATORY ASSEMBLY
2. 967097 STAND, TOILET
3. 690495 TOILET, THETFORD, AQUAMAGIC V-LO
4. 381923 HANDLE, PULL 14.25", TOWEL BAR
5. 203615 SHOWER ASSEMBLY
6. 703725 DOOR, SHOWER
7. 967113 SHOWER STAND
8. 967114 SHOWER SEAT SUPPORT
9. 371423 MIRROR, WALL MOUNT, NICKEL
10. 380034 TOILET PAPER HOLDER, CHROME

2008 SAFARI SPORT

FURNITURE, BATH

Bath Panels, 17', 22'

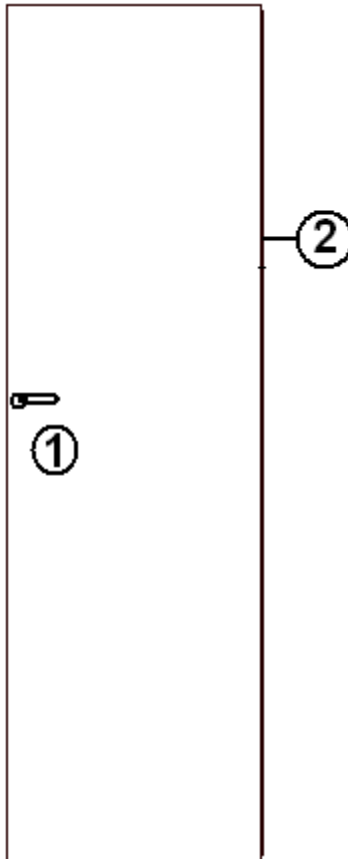


- | | |
|----------------|-------------------------------|
| 1. 111619-1 | PANEL, BATH, 34.41 X 79.33 |
| 2. 111619-2 | PANEL, BATH, 20.17 X 78.45 |
| 3. 111619-3 | PANEL, BATH, 26.38 X 79.06 |
| 4. 111619-4 | PANEL, BATH, 26.23 X 78.9 |
| 5. 111619-5 | PANEL, BATH, 27.51 X 79.14 |
| 6. 111619-6 | PANEL, BATH, 3 X 79.06 |
| 7. 967102 | DOOR, BATH 22" X 72" |
| 8. 203138-04 | EXTRUSION, PLASTIC, 1/2", OAK |
| 9. 601244-01 | REGISTER, ROTAIRE, 4" |
| 10. 203616-01 | GRILL, PLASTIC VENT, WHITE |
| 11. 111619-17 | PANEL, BATH, 24 X 6.75" |
| 12. 111619-18 | PANEL, BATH, 2.38 X 78.5 |
| 13. 111619-15 | PANEL, BATH, 3 X 79.06 |
| 14. 801655-007 | "L" Molding, door jamb |

2008 SAFARI SPORT

FURNITURE, BATH

Bath Door, 17', 22'

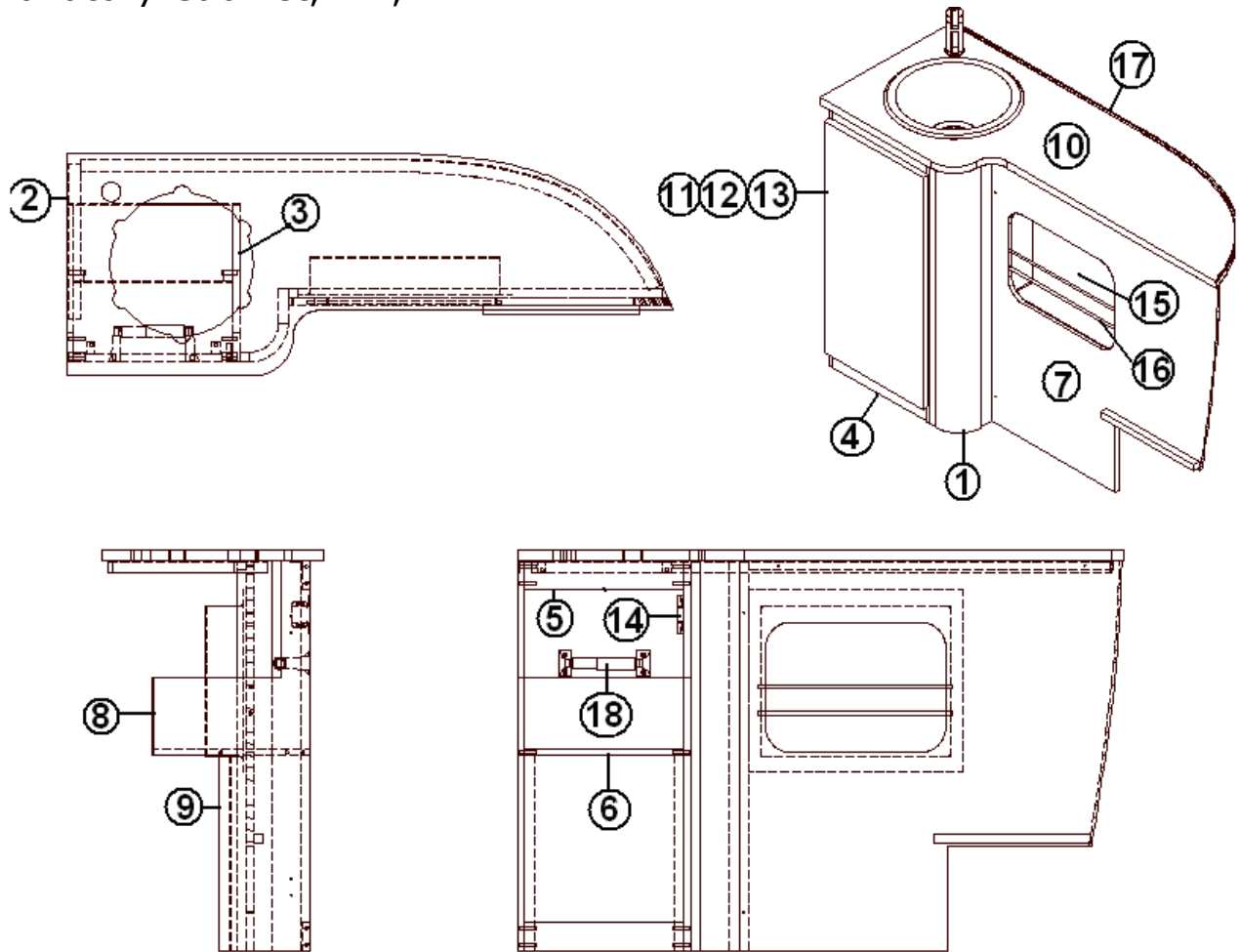


- 967102
- 1. 381771
- 2. 380203-01

DOOR, BATH, 22" X 72"
LATCH, LEVER
PIANO HINGE, 1/8" PIN

2008 SAFARI SPORT FURNITURE, BATH

Lavatory Cabinet, 17', 22'



Part numbers on the next page.

2008 SAFARI SPORT

FURNITURE, BATH

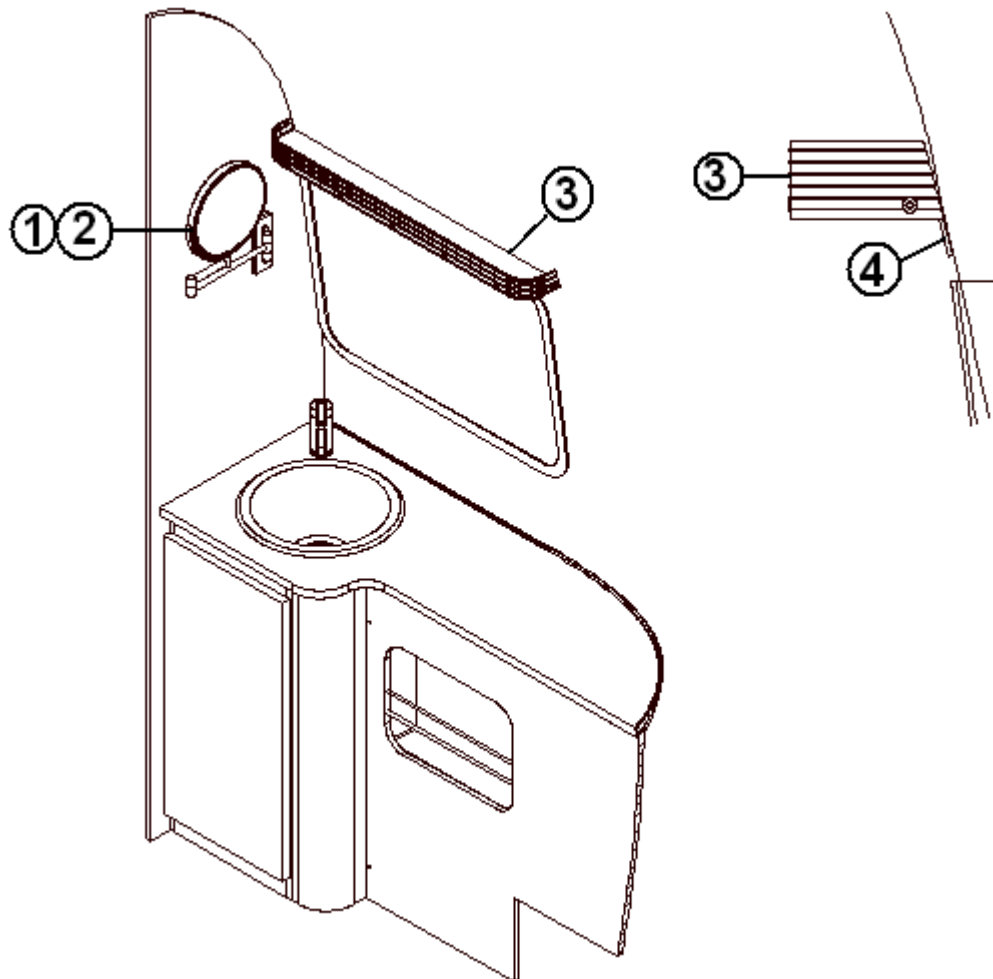
Lavatory Cabinet, 17', 22'

967095	LAVATORY CABINET
1. 967096	LAVATORY RADIUS ASSEMBLY
2. 967095-2	PANEL, LAVATORY, 12 X 30
3. 967095-3	PANEL, LAVATORY, 12 X 30
4. 967095-4	PANEL, LAVATORY, 2.25 X 12.23
5. 967095-5	PANEL, LAVATORY, 2.25 X 12.23
6. 967095-6	PANEL, LAVATORY, 11.94 X 12.23
7. 967095-7	PANEL, LAVATORY, 29.04 X 30
8. 967095-8	PANEL, LAVATORY, 13.23 X 6
9. 967095-9	PANEL, LAVATORY, 12.23 X 15
10. 967095-10	PANEL, LAVATORY, 17.05 X 46.53
11. 967095-11	DOOR, LAVATORY 12.85 X 26.13
12. 381607	HINGE ASSEMBLY
13. 381865	PULL, BAR, BRUSHED NICKEL
14. 381228-01	CATCH GRABBER, DOOR
15. 203383	RACK, MAGAZINE ABS
16. 115042	ROD, .25", ALUMINUM, 6' LENGTH
17. 201673	REVERSE COVE MOLDING, WHITE
18. 380034	TOILET PAPER HOLDER, CHROME
114812	ALUMINUM ANGLE, 1.00 X 1.00
203445	T-MOLDING BLK FLEXIBLE POLY .5

2008 SAFARI SPORT

FURNITURE, BATH

Lavatory Mirror/Rear Bath Shelf, 17', 22'



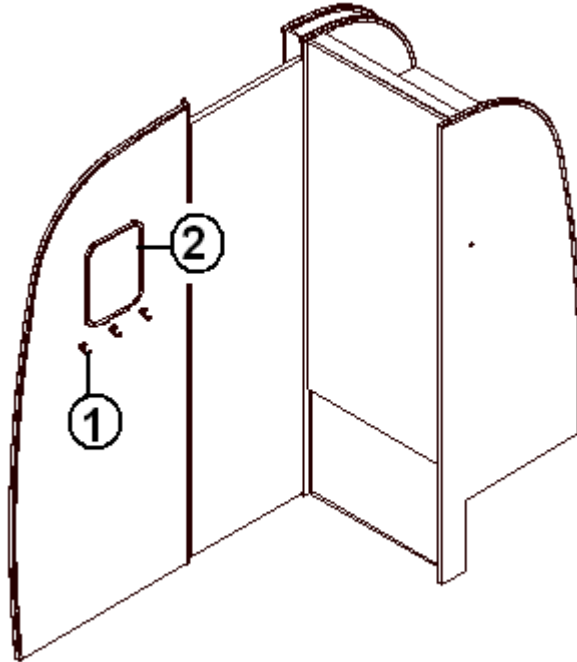
1. 371423
2. 320035
3. 967135
4. 115394

MIRROR, WALL MOUNT NICKEL
SCREW 8 X 1/2 PH TYPE A PHIL WD
SHELF-REAR BATH
ANGLE, REAR BATH SHELF

2008 SAFARI SPORT

FURNITURE, BATH

Dry Erase Board/Coat Hooks



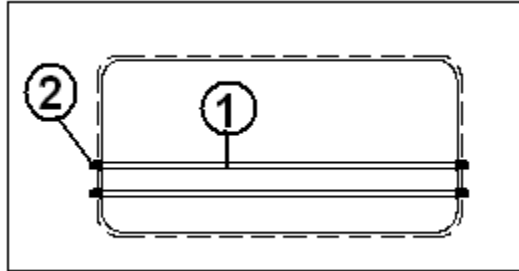
1. 381945
2. 381834

BOARD, DRY/ERASE 11" X 14", MAGNET
ALUMINUM COAT HOOK

2008 SAFARI SPORT

FURNITURE, BATH

Shower Shelf Rods, 17', 22'



1. 115042

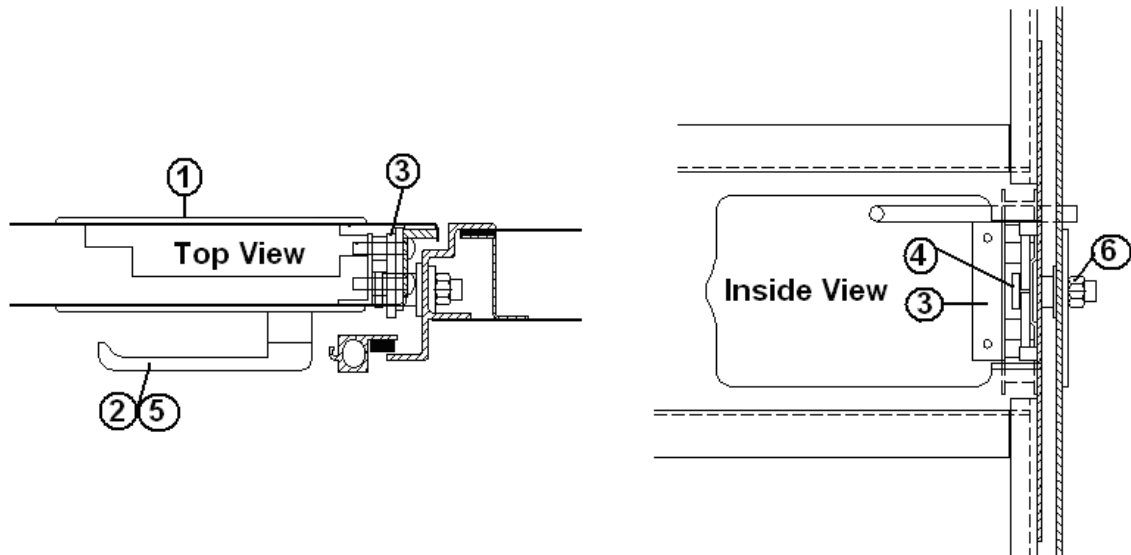
Rod, aluminum, 1/4", 6' long

2. 380019-01

Bushing, snap, 1/4"

2008 SAFARI SPORT HARDWARE

Main Door Lock, Right Hand Hinge



- | | |
|--------------|--------------------------------------|
| 1. 381547-09 | Main door lock, outside, housing |
| 2. 381547-11 | Main door lock, inside plate |
| 3. 381547-10 | Double rotary latch, main door lock |
| 4. 381547-04 | Striker bolt w/washer main door lock |
| 5. 381547-08 | Screw package, main door lock |
| 6. 381550 | Plate, Striker Bolt |
| 385595 | POCKET-STRIKE |

2008 SAFARI SPORT

HARDWARE

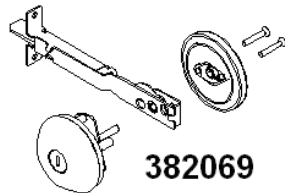
Deadbolt Assembly, Main Door, Square Trimark

Due to square dead bolt being discontinued by Trimark, Airstream switched to a round deadbolt in April, 2008. (Late 2008 model year)

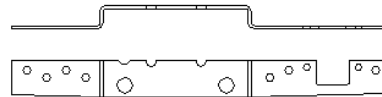
- 381323-01 DEADBOLT COMPLETE ASSY. #11840-12
- 381326 STRIKER #10007 W/TRIMARK DEADBOLT
- 453851 BOLT - TRI/MARK
- 203370 SPACER-TRI/MARK DOOR LATCH
- 385595 POCKET-STRIKE

Deadbolt Assembly, Main Door, Round, Trimark

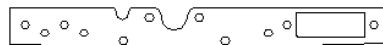
Due to square dead bolt being discontinued by Trimark, Airstream switched to a round deadbolt in April, 2008. (Late 2008 model year)



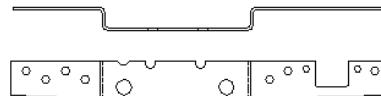
382069



382066



382067



382068

115413



115415

- 382069 Deadbolt assembly, round, Trimark
- 382066 Inner reinforcement plate, LH hinged door
- 382067 Outer reinforcement plate, RH/LH hinged door
- 382068 Inner reinforcement plate, RH hinged door
- 115413 Door hat section
- 115415 Door hat section assembly

2008 SAFARI SPORT

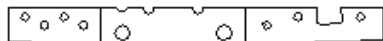
HARDWARE

Main Door Latch Reinforcement Plates

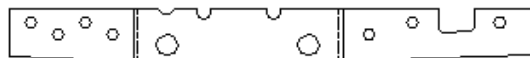
Due to square dead bolt being discontinued by Trimark, Airstream switched to a round deadbolt in April, 2008. (Late 2008 model year) This round deadbolt requires different Main Door latch Reinforcement Plates. On units with round deadbolts 381548 is replaced by 382067, 381557 is replaced by 382066, and 381557-01 is replaced by 382068.



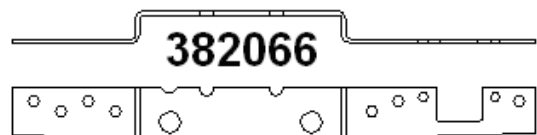
381548



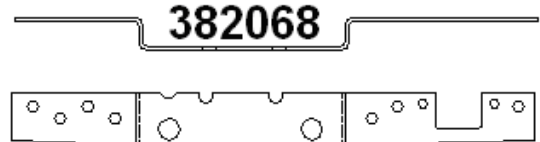
381557



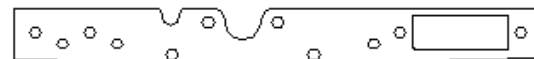
381557-01



382066



382068

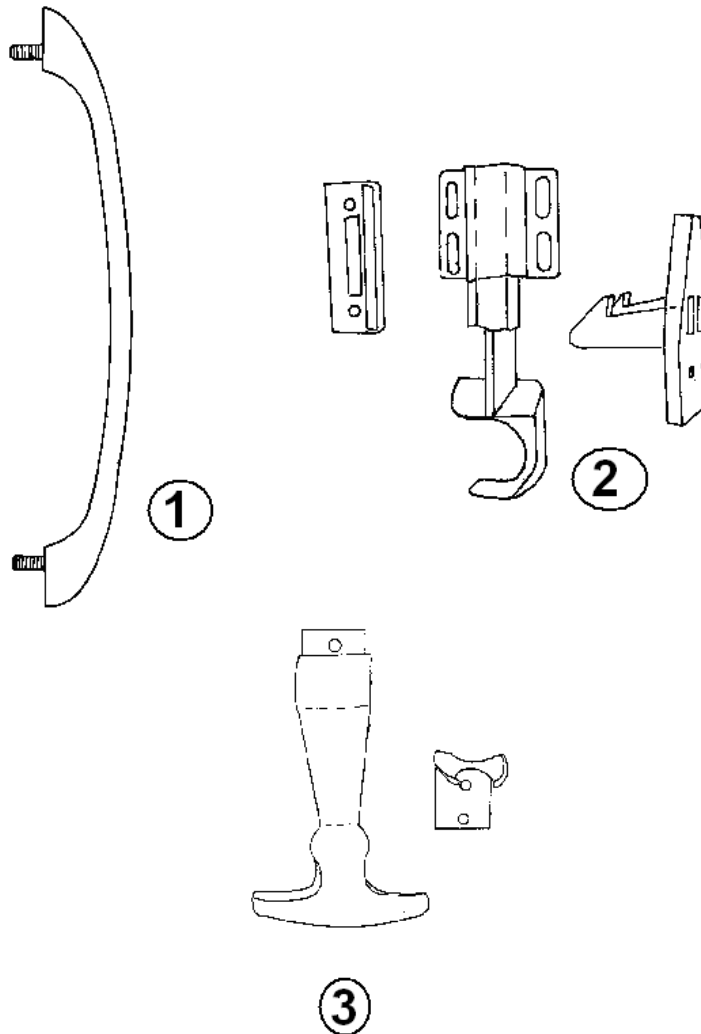


382067

381548	OUTER LATCH, REINFORCEMENT, LH/RH
381557	INNER LATCH REINFORCEMENT, RH
381557-01	INNER LATCH REINFORCEMENT, LH
382067	Outer reinforcement plate, RH/LH hinged door
382066	Inner reinforcement plate, LH hinged door
382068	Inner reinforcement plate, RH hinged door

2008 SAFARI SPORT HARDWARE

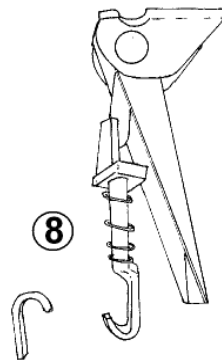
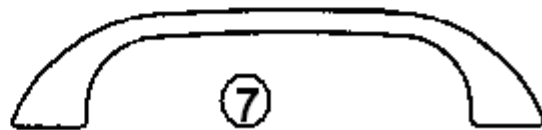
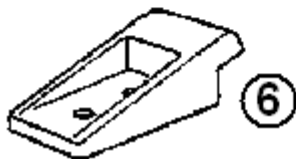
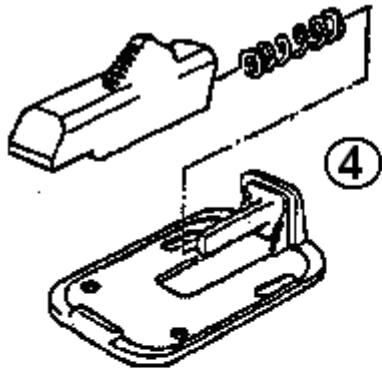
Exterior Latches/Locks



- | | |
|--------------|------------------------------------|
| 1. 101171 | Grab handle, main door |
| 1. 382074 | Gasket, grab handle, main door |
| 2. 381454 | Latch, screen door, Bullet |
| 3. 381021-01 | Rubber T handle, 90 degree bracket |

2008 SAFARI SPORT HARDWARE

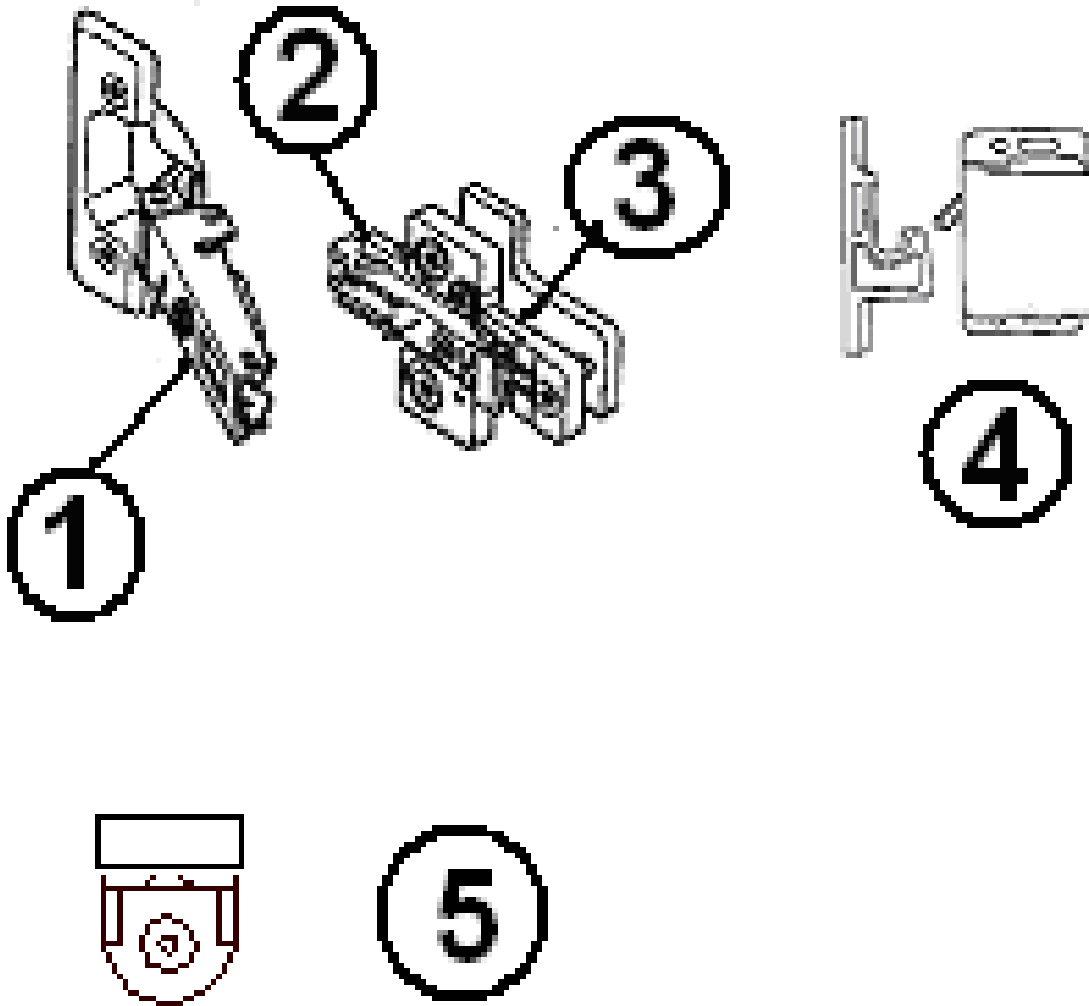
EXTERIOR LATCHES/LOCKS



- 4. 380291 Main door holdback, (use w/housing # 380290)
- 5. 380290 Latch housing, holdback
- 6. 201056 Catch, main door
- 7. 380004 Handle, screen door
- 8. 380903 Latch w/strike, chrome, gas bottle cover
- 8. 380903-01 LATCH ONLY, FOR BOTTLE COVER
- 8. 380903-02 STRIKE ONLY, FOR BOTTLE COVER

2008 SAFARI SPORT HARDWARE

Interior Cabinet/Latches/Hinges



Part number on the next page

2008 SAFARI SPORT

HARDWARE

Interior Cabinet/Latches/Hinges

1. 381607-01 Hinge, cabinet
2. 381607-02 Base, metal
3. 381607-03 Base, plastic
3. 381607-04 HINGE SCREW
4. 381228-01 Grabber door, latch w/catch, 3lb. Rating
5. 385963 BRACKET, ANGLED, LAMBREQUIN

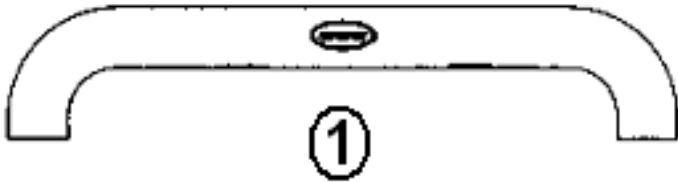
Interior Hinges

- 381072-01 HINGE 3" X 2", SOFA BED
380203-01 PIANO HINGE, BATH DOOR

2008 SAFARI SPORT

HARDWARE

Head knocker, Drawer Finger Pull, Rubber Bumpers



②



③



④

1. 381772
doorjamb

2. 382026

3. 360012

4. 360016
381610-01

Head knocker, white mounts on interior

PULL, FINGER, FLUSH, RECESSED, SS

Bumper, rubber white, stick-on, cylindrical

Bump on, rubber gray, square 3/8" x 3/8"

COVER CAP PLAS. EUROPEAN WHITE

2008 SAFARI SPORT
HARDWARE

Interior Latches/Hinges



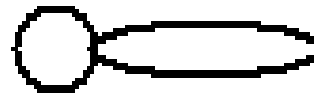
①



②



③



④

- | | |
|-----------|---|
| 1. 381865 | Handle drawer/door, chrome |
| 2. 381775 | Pull handle, CHROME |
| 3. 381737 | Grab bar, interior, mounts on interior doorjamb |
| 4. 381771 | Latch Swinging bath door |

2008 SAFARI SPORT

HARDWARE

Bathroom Accessories

380034 Toilet paper holder, chrome
381923 Handle, pull, (towel bar)
380017 Holder, tumbler and toothbrush

Wardrobe Clothes Rod

380045 Clothes rod
200975-04 Conduit, flexible, black (covers clothes rod)
380046 Bracket, clothes rod

Drapes

700005 FASTENER, CAP
700006 FASTENER SOCKET
700020 PILE VELCRO
700021 HOOK, VELCRO, WHITE

Sewer Hose Clamp/Water Fill key/Silverware Tray

340084-52 CLAMP, HOSE SAE #52
381647 KEY WATER FILL CH 751
195329-240 SEWER HOSE ADAPTOR, elbow
200980-01 TRAY, SILVERWARE, ALMOND, 9" X 13"

2008 SAFARI SPORT

HARDWARE

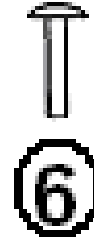
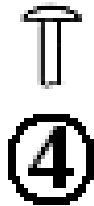
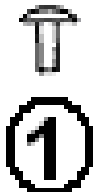
Detectors, Fire Extinguishers

510781	Smoke detector
510891	Smoke Detector CSA only
511309	LPG detector
512318	HOLDER W/1 AMP FUSE, IN-LINE
511411	JUNCTION BOX-7 TERMINAL 50-10-170
511375	JACK MODULAR TELEPHONE TA-1020
600162-01	Fire extinguisher
600162-02	Fire extinguisher, CSA
512178	DETECTOR CARBON MONOXIDE 9 VOLT

2008 SAFARI SPORT

Hardware

Rivets, Buck

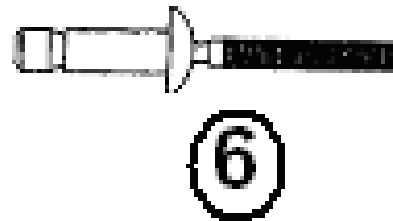
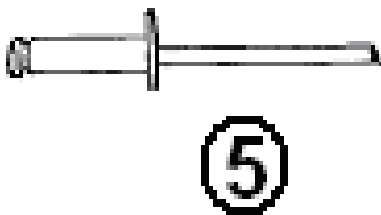
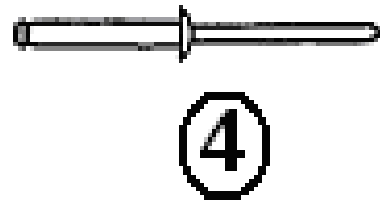
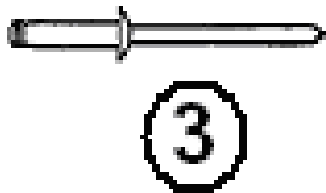
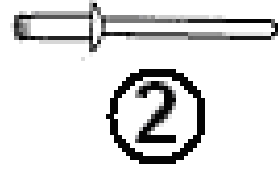
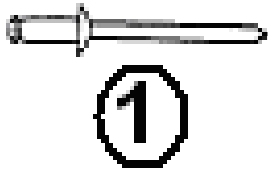


- | | |
|--------------|---|
| 1. 325043 | Rivet, 1/8", 1/4" length (hard) |
| 2. 325000-01 | Rivet, 1/8", 1/4" length anodized clear |
| 2. 325000 | Rivet, 1/8", 1/4" length clear |
| 3. 325000-03 | Rivet, 1/8", length 1/4", long, anodized white |
| 4. 325001-01 | Rivet, 1/8", length 5/16", anodized clear |
| 5. 325002-01 | Rivet, 1/8", length 3/8", anodized clear |
| 5. 325002 | Rivet, 1/8", length 3/8" |
| 6. 325004-01 | Rivet, 1/8", length 1/2", anodized clear |
| 7. 330127-03 | Rivet, grip range .063-.125, aluminum body,
aluminum mandrel |
| 8. 300101 | 1/8" I.D., Washer, aluminum |

2008 SAFARI SPORT

Hardware

Rivets, Pop



1. 330126-02 Pop Rivet, diameter 1/8", grip range .126-.187, S.S. body and mandrel
2. 330126-03 Pop Rivet, diameter 1/8", 1/8" grip range .126-.250, S.S. body and mandrel
3. 330148 Pop Rivet, AD43-45ABS
4. 330127-080 Pop Rivet, diameter 1/8", grip range .325"-.565" aluminum, body & mandrel
5. 330038 Pop Rivet, diameter 1/8" .150". (#20 bit) grip range .126-.250, aluminum body & mandrel (used-screen door hinge)
6. 325103 Pop Rivet, diameter 1/8"1/4" grip range .080-.325, SS body, steel mandrel

2008 SAFARI SPORT

LABELS AND TAGS

Labels and Tags

385193	Label, "12V distribution panel inside"
386119	Label, "DON'T USE AREA FOR STORAGE"
385068	Tag, cooking appliance warning
386118	Label, LP gas warning/fill
385517	Label, kill switch warning
385521	Label, emergency egress window
386122	Warning label/cooking appliance
386121	Label, LP gas warning label (odor)
385465	Exit label, English
385560	Label, air conditioner rating
385812	Label, Calif. hazardous substance
386120	Label, smoke detector
385359	Label, microwave or air conditioner
385837	Label, refrigeration ignition
386114	LABEL-RVIA SILVER
385418-01	Label, Federal registration
385062	Decal, 110-125 voltage AC
385565	Label, holding tank flushing
386012	Label warning, water heater
386082	LABEL THOR, 5.25" X .75'
386142	CHECK WHEEL LUG LABEL
386123	LABEL "POTABLE WATER ONLY"
386019	LABEL 1 AMP FUSE MAX.
385020	STICKER SELF ADHERING, JACK
386097	LABEL, FUSE 12 VOLT
386192	HANG TAG: SMOKE/CO DETECTOR BATTERY
386193	LABEL WHEEL TORQUE WARNING

2008 SAFARI SPORT

PLUMBING, LPG SYSTEM

Gas Bottles

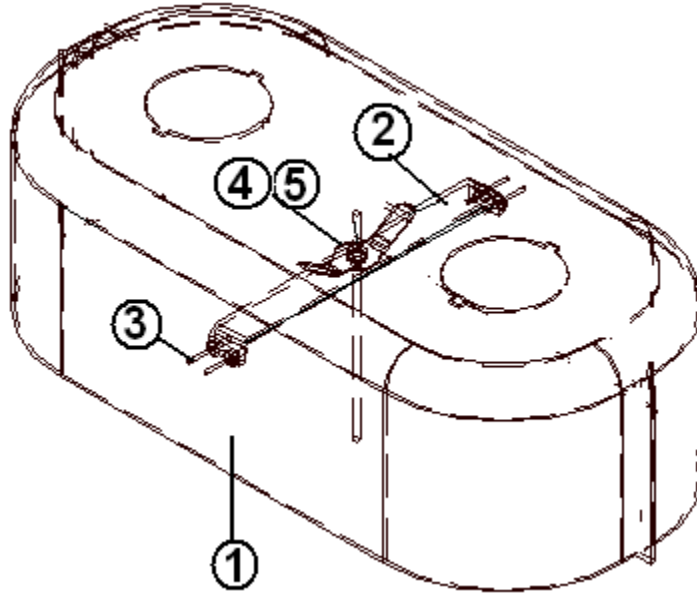
601781	LP gas bottle, 20lb. steel
601686	Base plate, LP tank mounting
601687	Hold down kit, LP tank

Gas regulator and Fittings

601731	LP regulator, w/pigtails, mounting Bracket & cover
601685-01	LP hose, 1/2" FPT x 3/8" flare
600004	Copper tubing, 5/8"
600008	Copper tubing, 3/8"
600435	Flare nut, forged, 3/8"
600000	Tee, brass, 5/8" x 5/8" x 3/8"
600661	GROUNDING CLAMP 1/2 TO 1 SIZE
600001	NUT BRASS FLARE 416 5/8
500038	LUG GROUND
500839	WIRE, BARE COPPER 8 GA.
601698-01	E-PEX 1/2" TUBING
380887	GROMMET, FLOOR
380886	GROMMET, FLOOR
600010	NUT, BRASS, FLARE, 3/8"
600003	TEE 5/8 X 3/8 X 3/8
601281	TEE, BRASS, UNION, 5/8 X 5/8 X 5/8

2008 SAFARI SPORT PLUMBING, LPG SYSTEM

Gas Bottle Cover

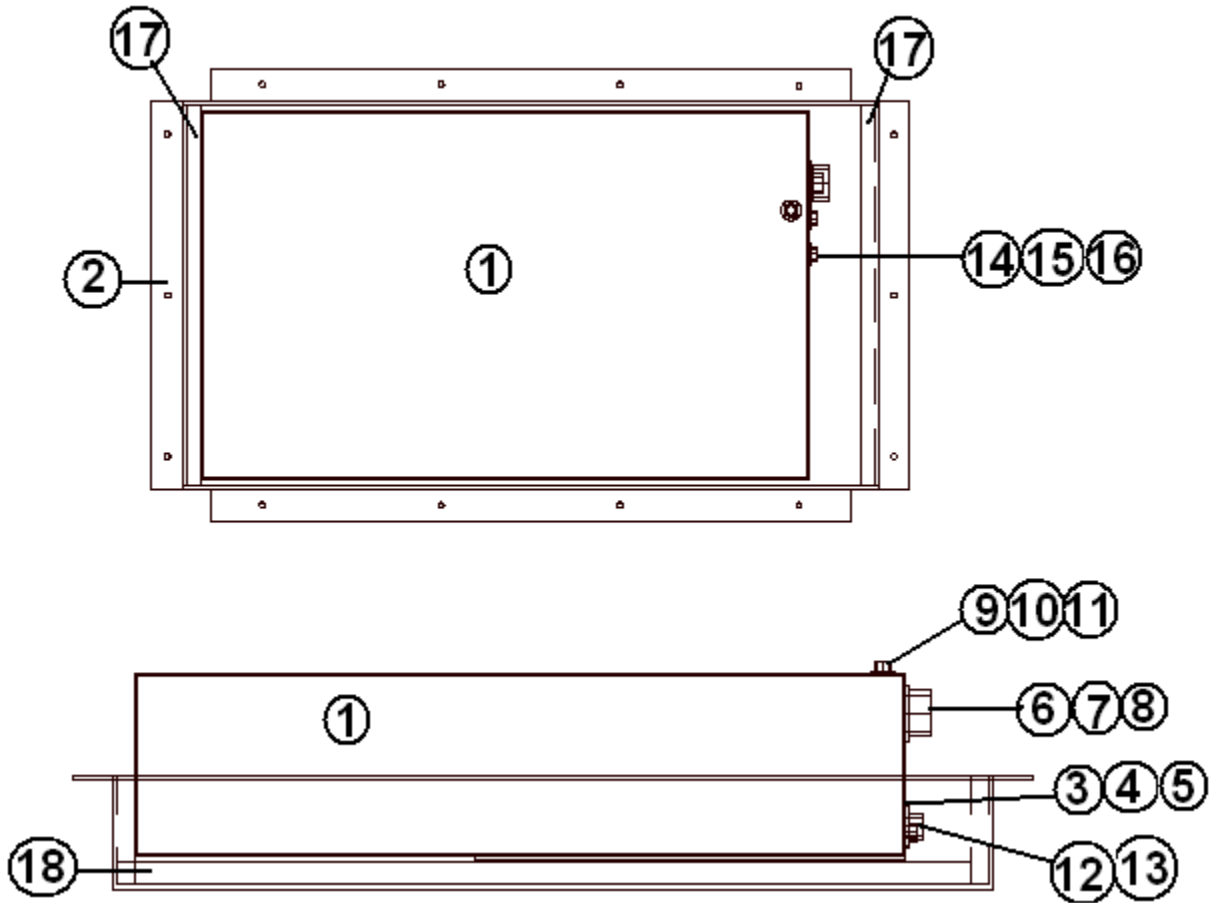


1. 203617
2. 454645
3. 330034
4. 381814
5. 381613

Gas bottle cover
Bracket, LP cover
AD 68 Pop rivet
Nut, wing, 5/16"
LP wing handle

2008 SAFARI SPORT PLUMBING, FRESH WATER

Fresh Water Tank, 17', 22'



Part Numbers on the Next Page

2008 SAFARI SPORT

PLUMBING, FRESH WATER

Fresh Water Tank, 17', 22'

- | | |
|---------------|------------------------------------|
| 1. 602168 | TANK, FRESH WATER |
| 2. 454627 | PAN, FRESH WATER TANK |
| 3. 601810 | VALVE-1/2"FPT X 1/2" FPT KBI |
| 4. 601811 | ELBOW-1/2"MPT X 1/2" FPT STREET |
| 5. 601812 | NIPPLE-BRASS 1/2" X 2" |
| 6. 601237 | ELBOW 90 D 1.25 MPT X 1.25 BAR |
| 7. 601239 | TUBING 1.375 I.D. RIBBED |
| 8. 0260043-20 | WORM CLAMP #20 |
| 9. 601698-04 | QQE33BTX 1/2BX1/2MPT BARB EL |
| 10. 601240-01 | TUBING 1/2 I.D. X 3/32 WALL THREAD |
| 11. 340086 | MINIATURE SCREW TYPE HOSE CLAMP |
| 12. 601698-04 | QQE33BTX 1/2BX1/2MPT BARB EL |
| 13. 601698-01 | E-PEX 1/2" TUBING |
| 14. *601588 | DRAIN COCK, RADIATOR BRASS |
| 14. *601589 | ADAPTOR, BRASS, 3/8 FPT X 1/2 MP |
| 15. 601589 | ADAPTOR BRASS 3/8 FPT X 1/2" MP |
| 16. 601698-03 | QQSFC33XPXP 1/2"B X 1" FPT SW AD |
| 17. 200507 | STYROFOAM, 1 X 25 X 55 |
| 18. 200152 | STYROFOAM, 1/2' X 6 X 42 |

*601588 and 601589 low point drain valve and adaptor were replaced during model year by:

*602185 Drain Valve, 90 degree

2008 SAFARI SPORT

PLUMBING, FRESH WATER

Water Fill/Pump and Fittings

601194	Water fill w/lock, gray
601237	Plastic elbow, 90 degree, 1.25" MPT x 1.25" barb
601239	Tubing, 1.375" I.D., flexible, water fill hose
602169	Water pump, Shurflo
601668	Filter, pre water pump
*601588	Drain cock, brass, water line drain
*601589	ADAPTOR, BRASS, 3/8 FPT X 1/2 MP
601531	FITTING-90 DEGREE 3" H X ST
203085	PLUG WATER LINE 1/2" PLASTIC BLK
601658	VALVE 1/2" STOP CPVC
601659	RISER 1/2" FPT X 12" CPVC
601392-05	CITY WATER FILL W/REGULATOR CHROME

*601588 and 601589 low point drain valve and adaptor were replaced during model year by:

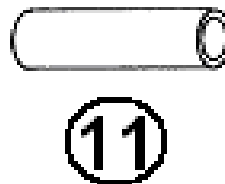
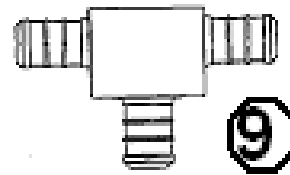
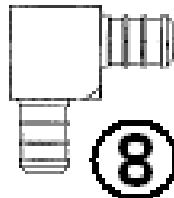
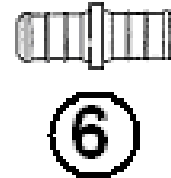
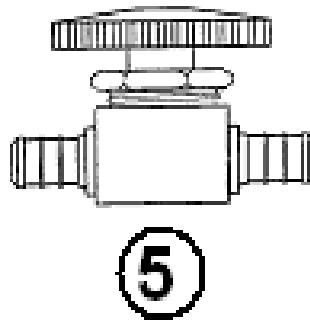
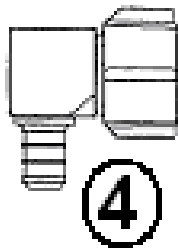
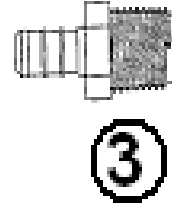
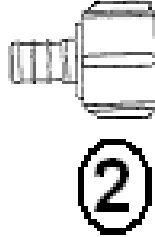
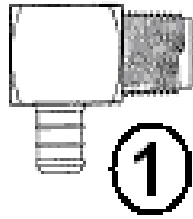
*602185 Drain Valve, 90 degree

City Water Hookup

600362	Connector, 1/2" FPT x water hose, swivel
600336	Plug with chain
601690	Nipple, 1/2" MPT x 2.50"
601689	Drop ell, 90 degree, 1/2" FPT
600309	Regulator, Watts, 1/2" FPT
600315	PUMP GUARD FILTER
601661	NIPPLE 1/2" BRASS HEX

2008 SAFARI SPORT PLUMBING, FRESH WATER

Fresh Water Fittings



Part Numbers Are On The Next page

2008 SAFARI SPORT

PLUMBING, FRESH WATER

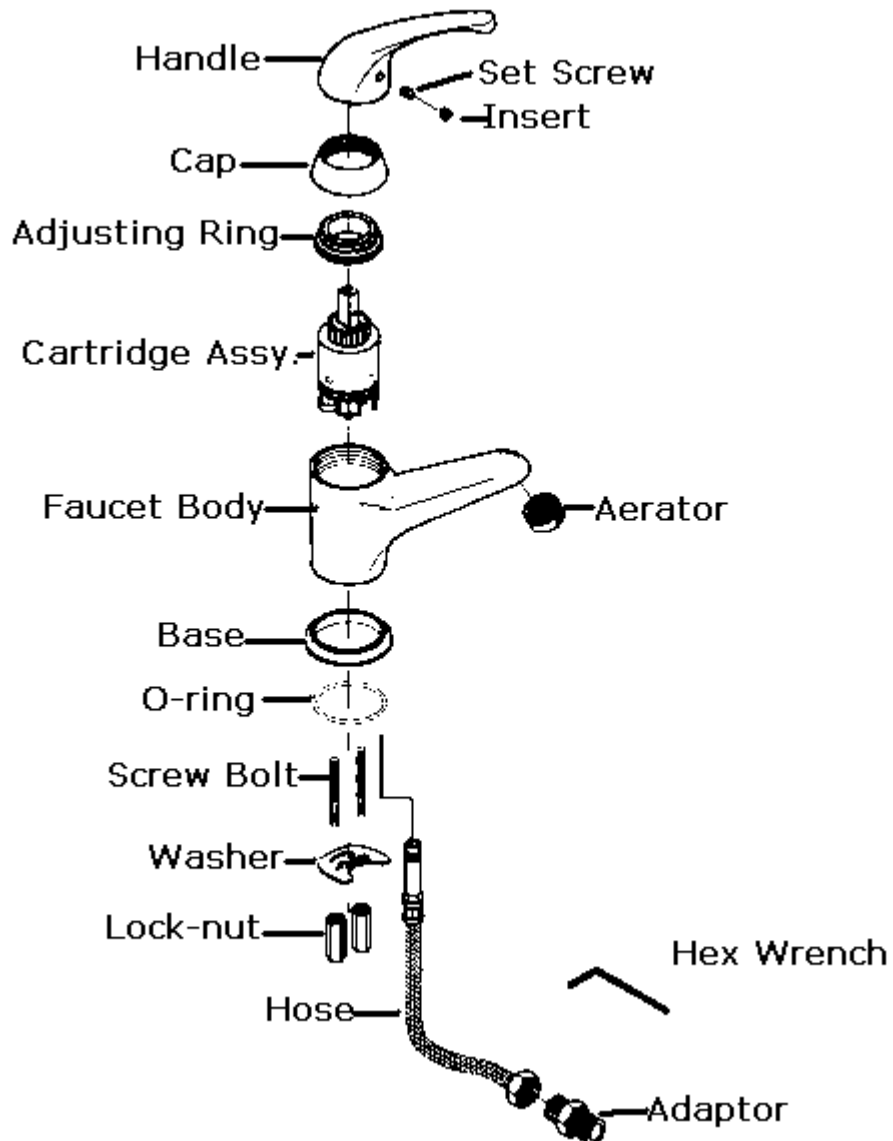
Fresh Water Fittings

- | | |
|---------------|--------------------------------------|
| 1. 601698-04 | Elbow, 1/2" barb x 1/2" MPT |
| 2. 601698-03 | Coupler, 1/2" barb x 1/2" FPT |
| 3. 601698-02 | Coupler, 1/2" barb x 1/2" MPT |
| 4. 601698-05 | Elbow 1/2 barb x 1/2" FPT |
| 5. 601698-22 | Shut-off, 1/2" barb x 1/2" barb |
| 6. 601698-08 | Coupler, 1/2" x 1/2" barb |
| 7. 601698-09 | Plug, 1/2" barb |
| 8. 601698-10 | Elbow 1/2" barb x 1/2" barb |
| 9. 601698-11 | Tee, 1/2" x 1/2" x 1/2" |
| 10. 601698-15 | Crimp ring, 1/2" E-Pex, 1/2" (black) |
| 11. 601698-01 | E-Pex tube, 1/2" |
| 11. 601698-21 | E-Pex tube, 1/2", Red |
| 600836 | ELBOW 3/8 MPT X 1/2", BARB-COPPER |
| 601237 | ELBOW 90 D 1.25 MPT X 1.25 BAR |
| 601810 | VALVE, 1/2" FPT X 1/2" FPT KBI |
| 601811 | ELBOW, 1/2" MPT X 1/2" FPT STREET |
| 601812 | NIPPLE-BRASS 1/2" X 2.0" |
| 340085-06 | CLAMP, LOOP, STEEL W/RUBBER, .75 |

2008 SAFARI SPORT PLUMBING, FRESHWATER

FAUCET-SMALL LEVER HANDLE BATH, 601842

Model 97155BR
ITC Inc.
230 East Lakewood Blvd.
Holland, MI 49424
Tel. 616-396-1355



601842 FAUCET-SMALL LEVER HANDLE BATH

2008 SAFARI SPORT

PLUMBING, FRESH WATER

Faucet, Chrome Shower Trim Kit, 17', 22'

601358	SHOWER HARDWARE UNIT, CHROME
602170-01	SHOWER VALVE, CHROME
602170-02	ELBOW 6401, SHOWER KIT
602170-03	NIPPLE, SHOWER KIT

Sink/Faucet, Galley

602197	SINK w/FAUCET, FLUSH SMEV S.S. SATIN, GALLEY
602153	FAUCET, WATER TAP STAINLESS STEEL
602149	SINK, FLUSH SMEV S.S. SATIN, GALLEY

2008 SAFARI SPORT

PLUMBING, DRAIN

Sink/showers, Lavatory, 17', 22'

601804-01	SINK-LAVY YUKON ROUND
601813	TAIL PIECE, LIFT/TURN DRAIN
203615	SHOWER ASSEMBLY

Sink/Faucet, Galley

602197	SINK w/FAUCET, FLUSH SMEV S.S. SATIN, GALLEY
602153	FAUCET, WATER TAP STAINLESS STEEL
602149	SINK, FLUSH SMEV S.S. SATIN, GALLEY

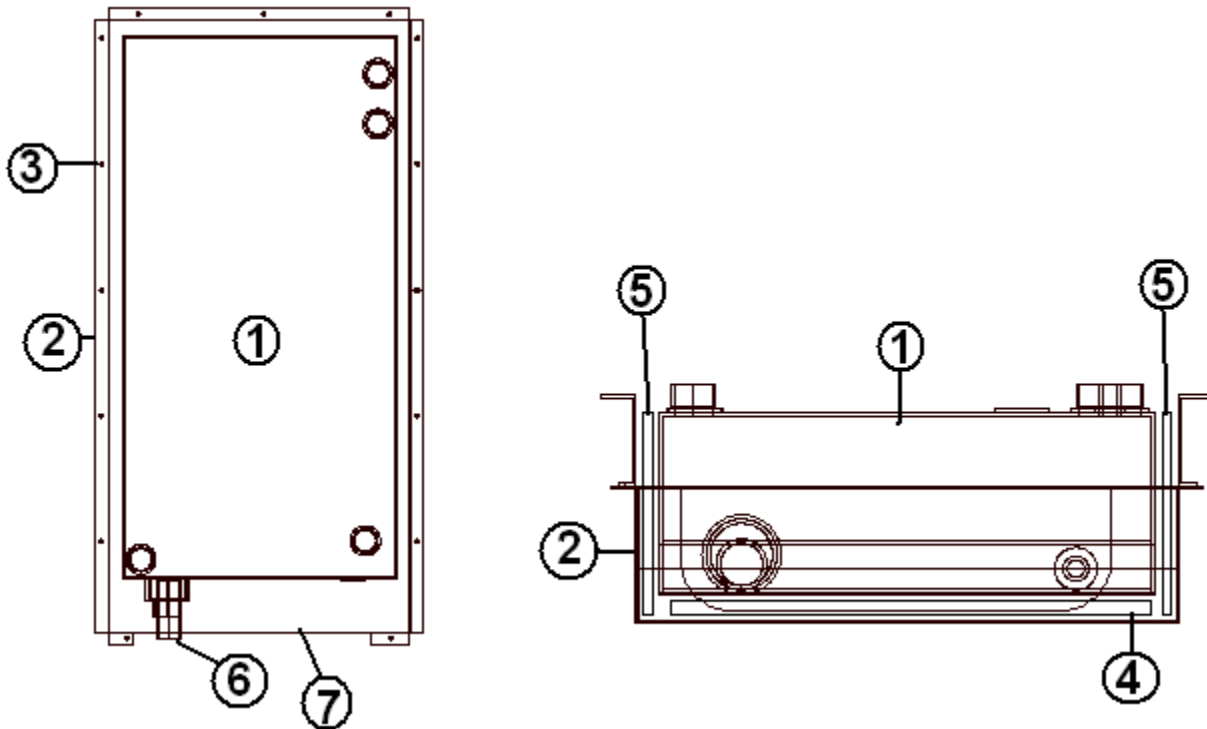
Black Tank Flush

601441	Tank flush system
--------	-------------------

2008 SAFARI SPORT

PLUMBING, DRAIN

Grey Tank, 17', 22'



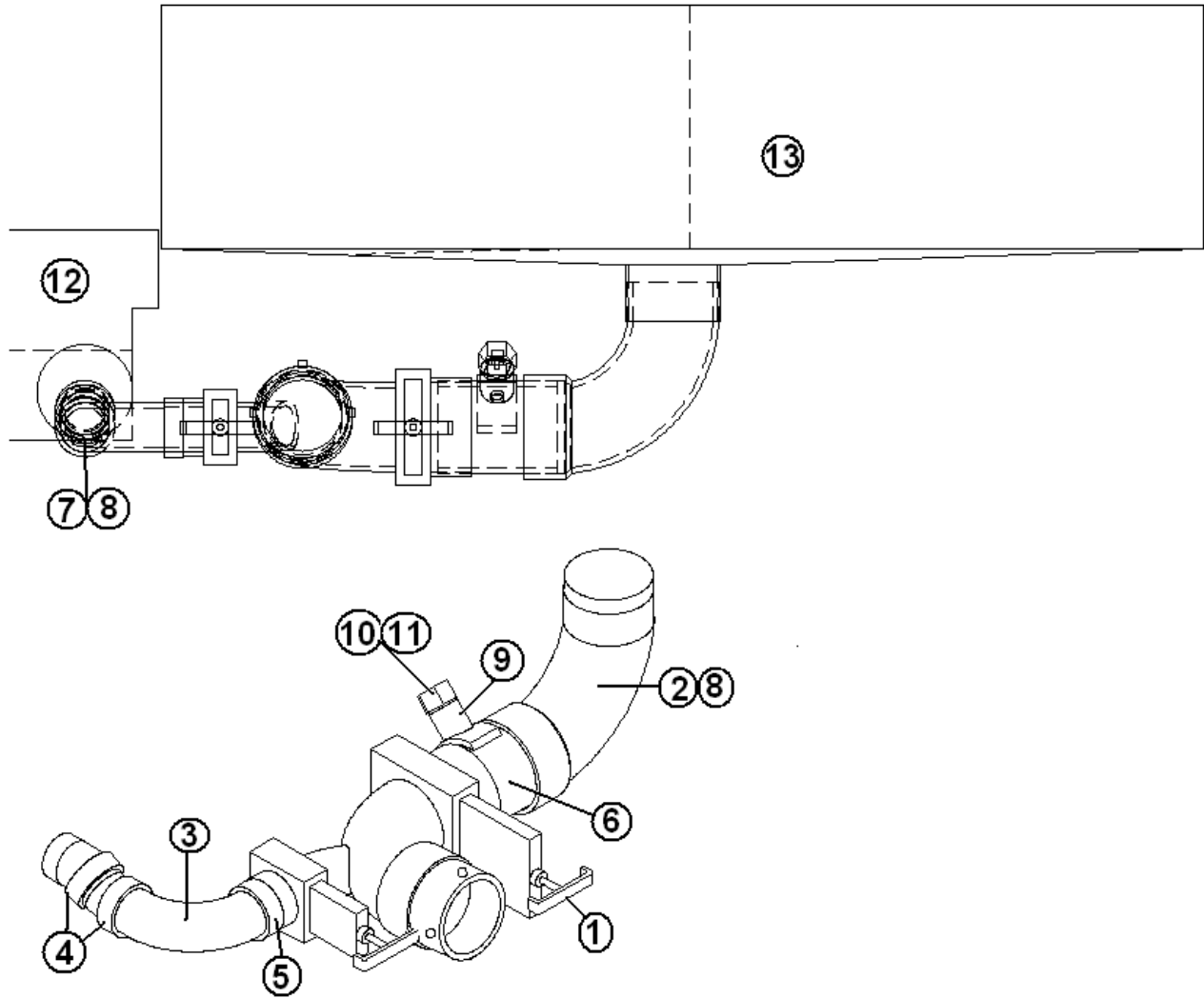
- | | |
|--------------|--|
| 1. 602166 | TANK, GRAY, HOLDING, 24 GALLON |
| 2. *602167 | PAN, GRAY TANK |
| 3. 345074-05 | SCREW 5/16-18 X 7/8, HEX WASHER |
| 4. 200507 | STYROFOAM, 1" X 25" X 55", WATER TIGHT |
| 5. 200152 | STYROFOAM, 1/2" X 6" X 42" |
| 6. 601160-02 | PIPE, ABS DVW, 1-1/2" |
| 7. *454629 | CLOSE OUT, GRAY TANK PAN |
| 454642 | STRAP, BLACK TANK FORWARD |
| 454641 | STRAP, BLACK TANK AFT |

*Running Line Change: Tank pan 602167 will have the 454629 closeout built into it from the vendor per PCR T-01806 after 10/1/07. 454629 will be obsolete.

2008 SAFARI SPORT

PLUMBING, DRAIN

Drain Valves/Tanks, 17', 22'



Part numbers on the next page.

2008 SAFARI SPORT

PLUMBING, DRAIN

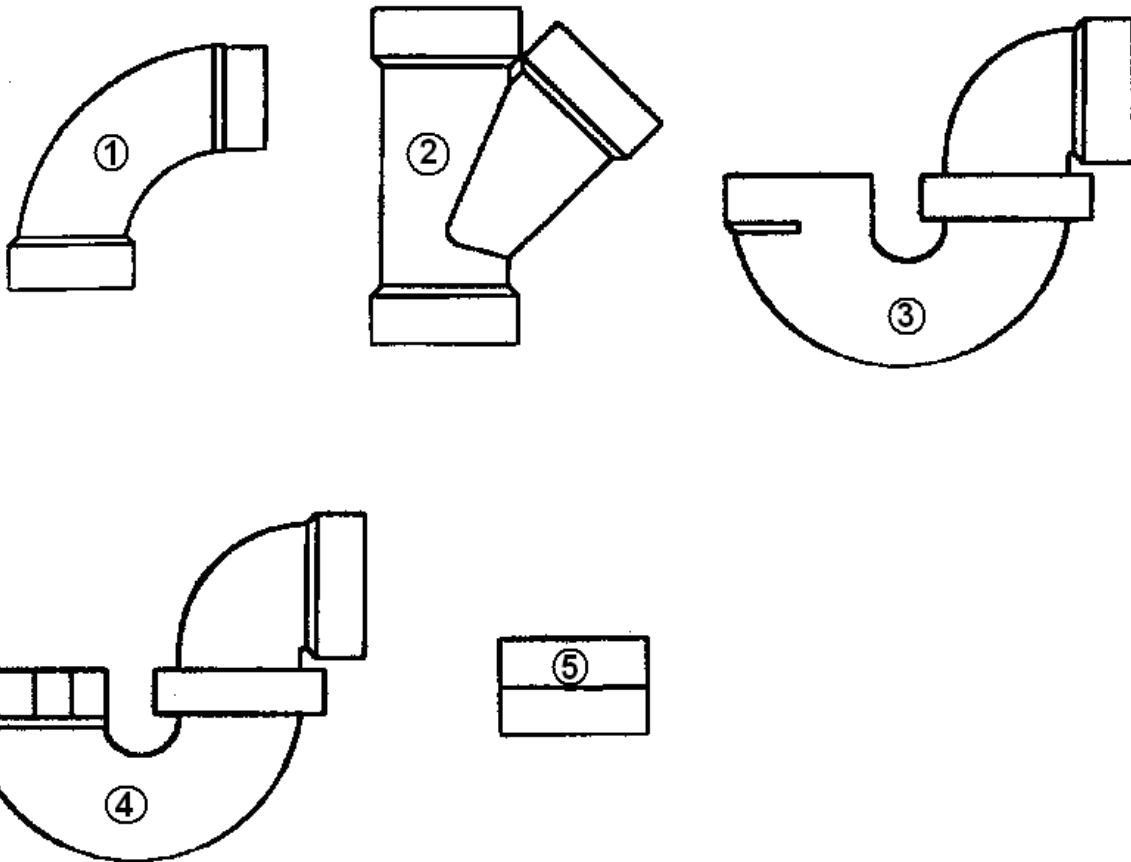
Drain Valves/Tanks, 17', 22'

- | | |
|---------------|-------------------------------------|
| 1. 601482 | Dump Valve Rotating assembly |
| 2. 600183 | 3" Ell, long sweep |
| 3. 600431 | Elbow, 90, 1½" |
| 4. 604800 | Street Ell, 1.5", 22.5 Degrees, ABS |
| 5. 601160-02 | Pipe, ABS DVW, 1½"-2.00" Long |
| 6. 601160-04 | Pipe, ABS DVW, 3"- 4" Long |
| 7. 195329-229 | Reducer adaptor, 3" to 1.5" |
| 8. 340092 | Clamp, worm type T40C-75-388-SB |
| 9. 601846 | ADAPTOR-3"PIPE, CATCON |
| 10. 511789 | Sensor, tank monitor |
| 11. 511789-01 | Boot, Sensor |
| 12. 602166 | Holding tank, gray |
| 13. 601854-02 | Black tank |
| 114916 | Bracket, dump valve |
| 200507 | STYROFOAM, 1" X 25" X 55" |
| 200152 | STYROFOAM, ½" X 6" X 42" |
| 601846 | ADAPTOR, 3"PIPE CATCON |
| 601266 | FLANGE, CLOSET, 3 X 4, SLIP FIT |

2008 SAFARI SPORT

PLUMBING, DRAIN

DRAIN FITTINGS, 1.5"



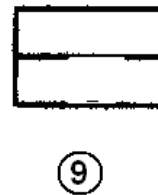
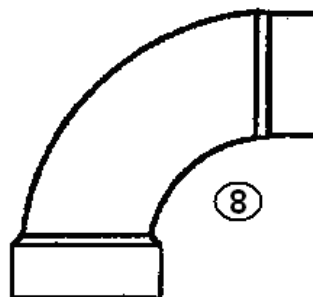
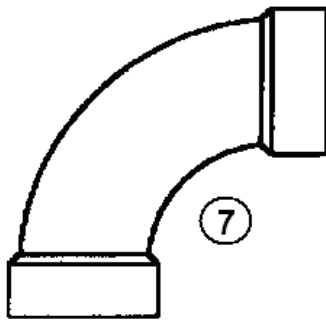
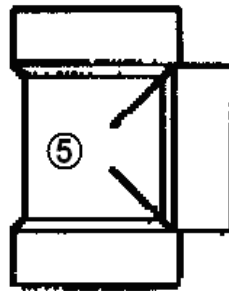
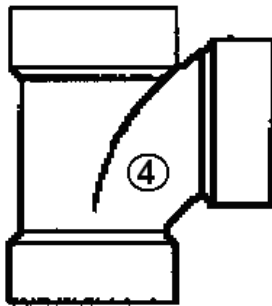
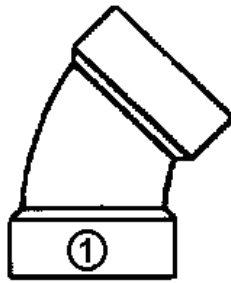
1. 600431 Elbow, 90 degree, long street
2. 600094 Wye, #2301
3. 600144 P-trap, 1.5" w/o slip nut
4. 600622 P-trap, 1.5" w/slip nut
5. 600227 1.5" coupling

(continued)

2008 SAFARI SPORT

PLUMBING, DRAIN

Drain Fittings, 1.5"

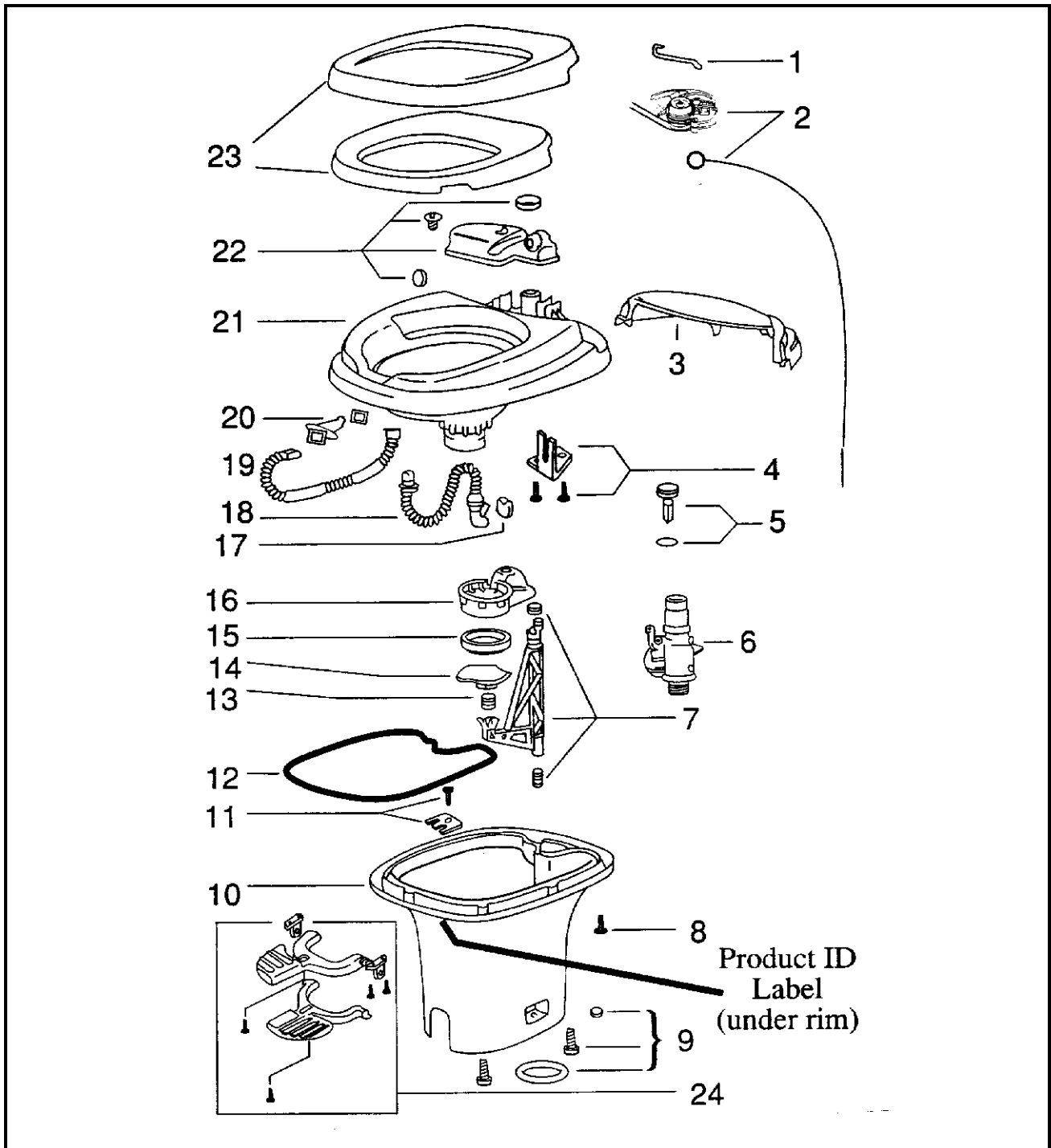


1. 600030 Elbow, 45 degree, long degree
2. 600538 Vent, 1.5"
3. 600155 Plug, 1.5"
4. 600156 Tee, sanitary, 1.5"
5. 601318 Tee, bi-directional, clean out, 1.5"
6. 600027 Elbow, 45 degree, long street
7. 600035 Elbow, 90 degree, long turn
8. 600431 Elbow, 90 degree, long street
9. 600308 Adaptor, w/female threads

2008 SAFARI SPORT

PLUMBING, DRAIN

Toilet



2008 SAFARI SPORT

PLUMBING, DRAIN

Toilet

690495 Aqua Magic V, Low Profile, 17', 22'

- | | |
|----------------|---------------------------------|
| 1) 690387-513 | Water valve link |
| 2) 690387-571 | Wire replacement package |
| 3) 690387-562 | Mechanism cover, white |
| 4) 690387-634 | Bracket assembly |
| 5) 690387-631 | Float assembly |
| 6) 690387-168 | Water valve replacement package |
| 7) 690387-632 | Actuator assembly |
| 8) 690387-659 | Screw base to bowl |
| 9) 690387-524 | Closet bolt package |
| 10) 690387-356 | Base, white, low |
| 11) 690387-636 | Retainer assembly |
| 12) 690387-387 | Sealant, base to bowl |
| 13) 690387-519 | Blade spring |
| 14) 690387-262 | Blade |
| 15) 690387-481 | Blade seal |
| 16) 690387-520 | Blade track |
| 17) 690387-512 | Flapper |
| 18) 690387-511 | Overflow tube |
| 19) 690387-509 | Flush tube |
| 20) 690387-637 | Nozzle assembly |
| 21) 690387-726 | Bowl |
| 22) 690387-630 | Reservoir tank assembly |
| 23) 690387-162 | Seat and cover assembly |
| 24) 690387-821 | Pedal package |
| 601266 | FLANGE, CLOSET, 3 X 4, SLIP FIT |

2008 SAFARI SPORT

SEALER/GASKETS/PAINT

SEALER

6000360	Sealant, Butyl #884058
360001	Sealant, #884058
360209	Sealant, seam
360176	Sealant, Almond, kitchen and bath
360180-04	Sealant, Sikaflex #221, black
360180	Sealant, Sika-flex, gray
360210	Sealant, Paralastic 4334-014
360259	Silicone glazing sealant, range
360283-01	SEALANT SILICONE CORIAN G. WHITE
360074	SEALANT GE RTV 102 WHITE 3 OZ TUBE

2008 SAFARI SPORT

GASKETS/PAINT

Gaskets



①



②



③

- | | |
|-----------|--|
| 1. 365035 | Gasket Access doorjamb, access doors |
| 2. 365013 | Gasket screen door |
| 3. 365232 | Gasket main door |
| 381665 | Gasket, D seal, window frame to shell |
| 365016 | Tape, foam, double face, 1/2" wide |
| 365235 | TAPE DBL COATED .12 X 1.00 |
| 365001-02 | Tape, vinyl foam, double face, 3/4" wide |
| 685510 | SEAM TAPE, BLACK 1/32" X 7/8" X 200 |
| 683946 | BUG SEAL, edge of screen door close out |
| 365190 | Rubber seal, refrigerator compartment |
| 382074 | Gasket, grab handle, main door |

Paint

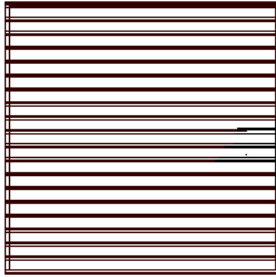
- | | |
|------------|-------------------------------------|
| 360213 | Paint, aluminum metallic |
| 360213-100 | Paint, aluminum metallic, 16 OZ CAN |
| 360151 | Paint, gray metallic, Centari |
| 360317-01 | Paint, Pewter, Gallon |
| 360260-01 | Paint, Pewter, 16 OZ CAN |

2008 SAFARI SPORT
UPHOLSTERY/FOAM/MATTRESS

Pillows

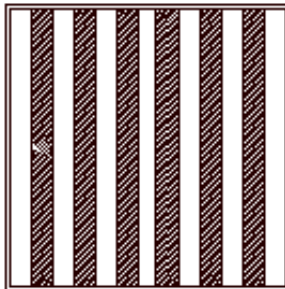
701611 PILLOW, 21" X 31"

Pillow Kit, Stratus, 17', 22'



703729 Pillow Kit, Stratus

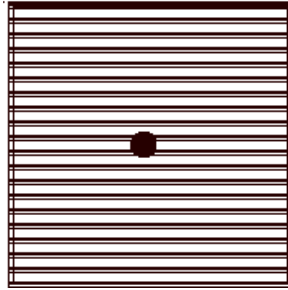
Pillow Kit, Oatmeal, 17', 22'



703728 Pillow Kit, Oatmeal

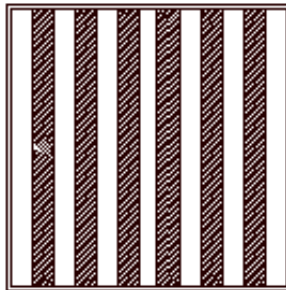
2008 SAFARI SPORT
UPHOLSTERY/FOAM/MATTRESS

Pillow Kit, Kiwi



703642-07 Pillow kit, Kiwi

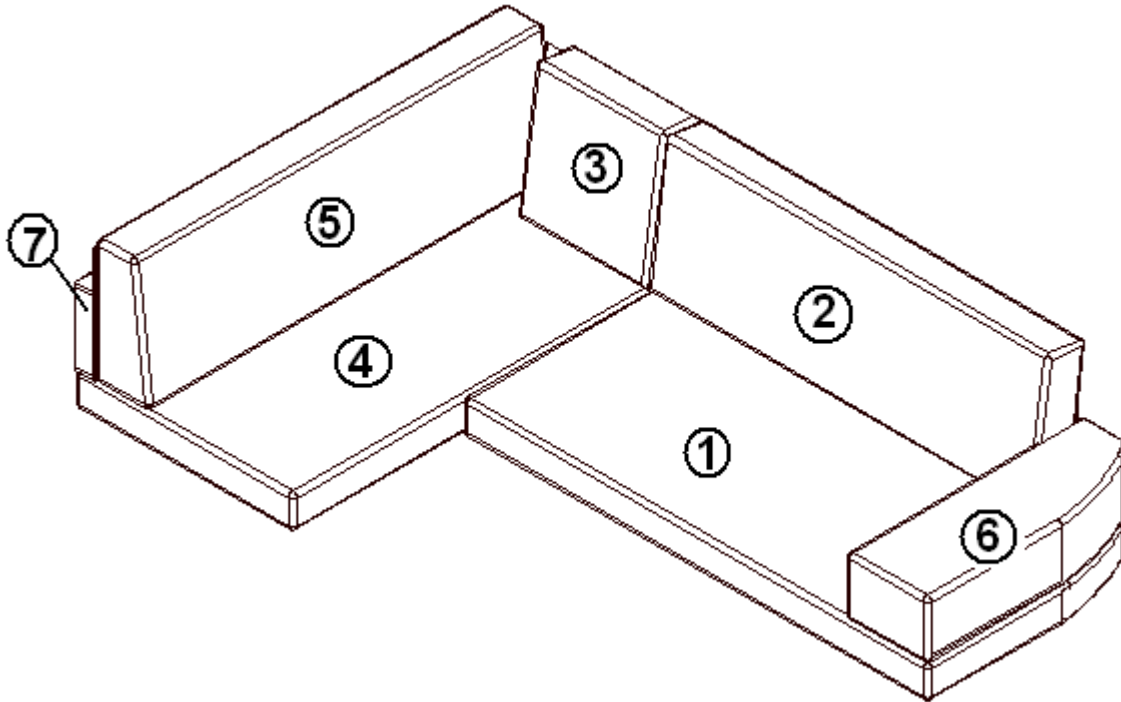
Pillow Kit, Sharksfin



703736 Pillow Kit, Sharksfin

2008 SAFARI SPORT
UPHOLSTERY/FOAM/MATTRESS

L-Sofa Seat Foam/Covers, 17'

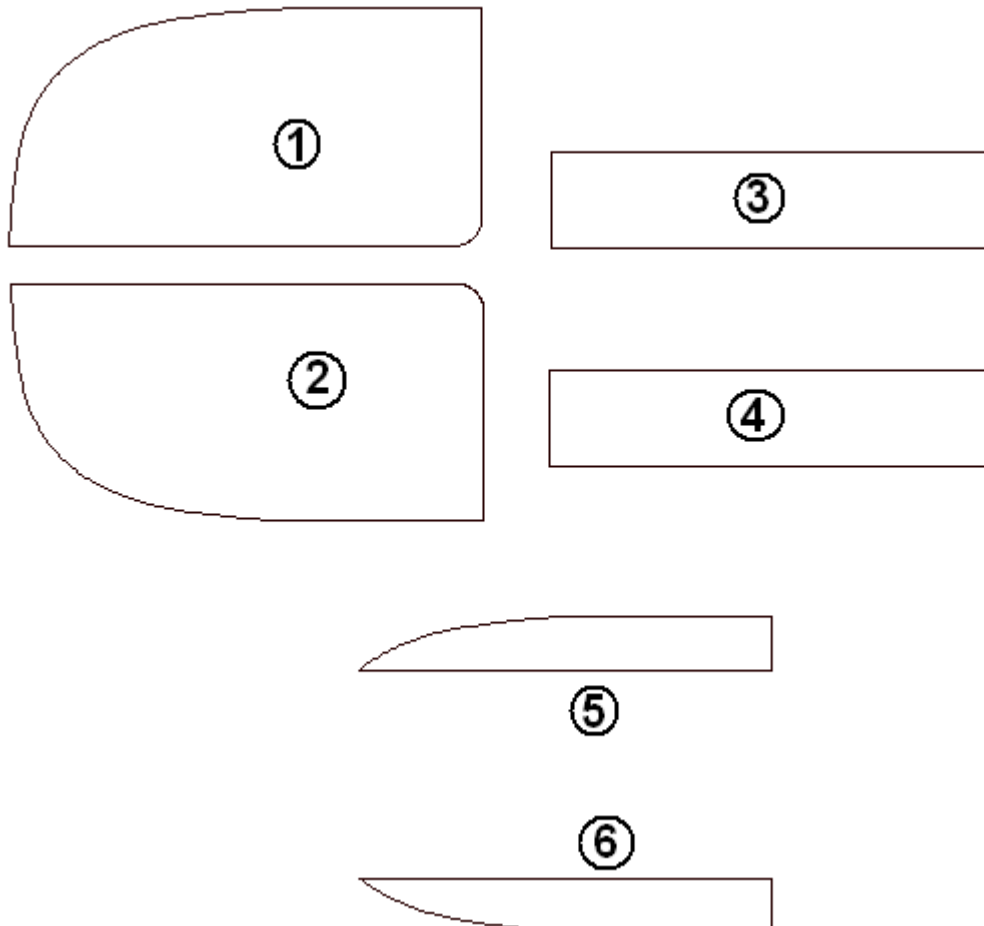


703726	FOAM CUSHION KIT
1. 703726-01	FOAM CUSHION, BOTTOM MAIN
1. 998199-01	FABRIC ASSY, BOTTOM MAIN
2. 703726-02	FOAM CUSHION, BACK, MAIN
2. 998199-02	FABRIC ASSY, BACK, MAIN
3. 703726-03	FOAM CUSHION, SMALL BACK
3. 998199-03	FABRIC ASSY, SMALL BACK
4. 703726-04	FOAM CUSHION, BASE SIDE
4. 998199-04	FABRIC ASSY, BASE SIDE
5. 703726-05	FOAM CUSHION, BACK SIDE FRONT
5. 998199-05	FABRIC ASSY, BACK SIDE FRONT
6. 703726-06	FOAM CUSHION, CURBSIDE ARMREST/PILLOW
6. 998199-06	FABRIC ASSY, CURBSIDE ARMREST/PILLOW
7. 703726-07	FOAM CUSHION, WEDGE, MAIN BACK
7. 998199-07	FABRIC ASSY, WEDGE, MAIN BACK

2008 SAFARI SPORT

UPHOLSTERY/FOAM/MATTRESS

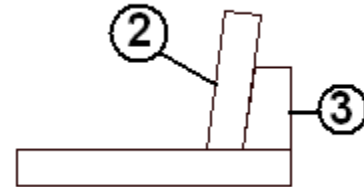
Dinette Seat Foam/Covers, 22'



- | | |
|--------------|----------------------------------|
| 1. 998196-01 | COVER, CS DINETTE SEAT |
| 1. 703720-01 | FOAM, CS DINETTE SEAT |
| 2. 998196-04 | COVER, CS DINETTE SEAT BACK REST |
| 2. 703720-04 | FOAM, CS DINETTE SEAT BACK REAT |
| 3. 998196-02 | COVER, CS DINETTE SEAT FILLER |
| 3. 703720-02 | FOAM, CS DINETTE SEAT FILLER |
| 4. 998196-05 | COVER, RS DINETTE SEAT |
| 4. 703720-05 | FOAM, RS DINETTE SEAT |
| 5. 998196-03 | COVER, RS DINETTE SEAT BACK REST |
| 5. 703720-03 | FOAM, RS DINETTE SEAT BACKREAT |
| 6. 998196-06 | COVER, RS DINETTE SEAT FILLER |
| 6. 703720-06 | FOAM, RS DINETTE SEAT FILLER |

2008 SAFARI SPORT
UPHOLSTERY/FOAM/MATTRESS

Sofa Seat Foam/Covers, 22'



- | | |
|--------------|-------------------------|
| 1. 998197-01 | COVER, LOUNGE SEAT |
| 1. 703721-01 | FOAM, LOUNGE SEAT |
| 2. 998197-02 | COVER, LOUNGE BACK REST |
| 2. 703721-02 | FOAM, LOUNGE BACK REST |
| 3. 998197-03 | COVER, LOUNGE FILLERS |
| 3. 703721-03 | FOAM, LOUNGE FILLERS |

2008 SAFARI SPORT VENTS/FANS/SKY LIGHTS

Vent, Black Tank, Roof

690264-03 Vent pipe cover, white
380228 Wire, hardware cloth

Roof vent, Non-Power

381606-01 Vent, roof, 14" x 14", non-power, white
381606-02 Trim ring, interior, roof vent, white

Vent Fan, Refrigerator

690394 Power ventilator, refrigerator
511836 Switch, refrigerator fan

Vent, Power, Roof

512253 VENT, COMFORT AIR, EXHAUST ONLY

Sky light, 19" x 19"

381318-05 Skylight, 19.5" x 19.5"
201962 Trim, skylight, 19.5" x 19.5"
702804-03 Shade, skylight, pleated, 19.50" x 20"
114485 Mounting Frame, Sky light
382053 Corner brace, skylight mounting frame
320139 Screw, assembly w/sealing washer

2008 SAFARI SPORT

WOOD/LAMINATES/TRIM

PLYWOOD

800506-04	Plywood, 3/4" x 4' x 8'
800506-06	Plywood, 3/4" x 4' x 8'
800506-05	Plywood, 5/8" x 4' x 8'
800976-01	Plywood, tongue and groove, 19/32' (floor)
801351	LITE PLY-18MM (.75") 4' X 8'

PANELING

800368-02	TAMBOUR, SILVER, 4' X 8' SHEET
801697	PANEL, FROSTY/FROSTY 12MM
801438	PANEL, FROSTY WHITE/ VINYL/RAW
801343-01	PANEL, TROPICAL OAK, 4' X 8' VERTICAL
801438	PANEL, FROST WHITE VINYL/RAW 2.7MM
801369	PANEL, FROST WHITE/WHITELINER
801381-01	PANEL, TROPICAL OAK/TROPICAL OAK, 12MM
801383-01	PANEL, TROPICAL OAK/WHT LINER, 12MM
801395	PANEL, TROPICAL OAK/TROPICAL OAK, 18MM

Edge banding

365267	EDGE BANDING-1.13" .024 PLY
365268-03	EDGE BANDING, .024" X .63" TROPICAL OAK
365268-05	EDGE BANDING, .024" X .9375" TROPICAL OAK
365268-01	EDGE BANDING, .024" X 1.13" TROPICAL OAK
365305-02	EDGE BANDING, BRUSHED ALUMINUM, 5/8"

LUAN

800507-01	Panel, Lauan, 1/8 x 4' x 8'
800507-02	Panel, Lauan, 1/4" x 4' x 8', raw/raw
800507-03	Panel, Lauan, 3/8" x 4' x 8', raw/raw
800507-04	Panel, Lauan, 1/2" x 4' x 8', raw/raw
800507-06	Panel, Lauan, .75" x 4' x 8', raw/raw

2008 SAFARI SPORT
WOOD/LAMINATES/TRIM

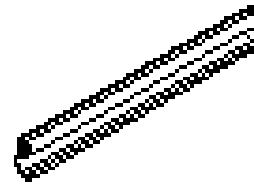
TRIM, WOOD



①



②



③



④

- | | |
|---------------|--------------------------------------|
| 1. 801655-007 | "L" Molding, door jamb |
| 2. 115064 | Trim, Aluminum Counter top |
| 3. 101265-01 | EXTRUSION, BLACK DOOR HANDLE |
| 4. 201163-01 | ENDCAP-BLACK HANDLE (PR) |
| 801492-007 | THRESHOLD MAIN DOOR, unit w/linoleum |

2008 SAFARI SPORT

WOOD/LAMINATES/TRIM

TRIM, PLASTIC



①



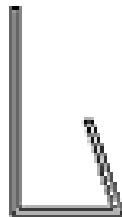
②



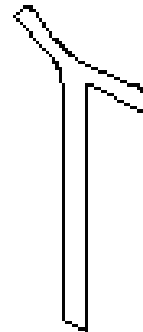
③



④



⑤



⑥

- | | |
|--------------|---|
| 1. 203225 | Trim lock, white |
| 2. 201728-06 | Extrusion plastic, ceiling trim, gray |
| 3. 201728-01 | Extrusion Ceiling trim retainer |
| 4. 203138-04 | Extrusion, plastic Panel edging, Oak |
| 5. 201666 | MOLDING, J-3/16, PLASTIC, ALMOND |
| 6. 201673 | Molding, cove, roof lockers, Ivory, Plastic |
| 203445 | T-Molding, 9/16", black |

