

# ***INTERSTATE MOTORHOME***

***PARTS  
BOOK***

**2009**



# 2009 INTERSTATE MOTORHOME TABLE OF CONTENTS

## SECTION I A through C

### APPLIANCES

<a href="#">Air Conditioner/Furnace</a> .....	I-1
<a href="#">Microwave/Cook Top</a> .....	I-1
<a href="#">Coffee Maker/Refrigerator</a> .....	I-1
<a href="#">Water Heater/Generator</a> .....	I-2

### EXTERIOR SHELL

<a href="#">Curbside Wall</a> .....	I-3
<a href="#">Roadside Wall</a> .....	I-5
<a href="#">Medallions</a> .....	I-7
<a href="#">Window Blackouts</a> .....	I-7
<a href="#">Body Kits</a> .....	I-8

### INTERIOR BODY

<a href="#">Interior Panels, Rear Door</a> .....	I-12
<a href="#">Interior Trim/Skin</a> .....	I-12
<a href="#">Closeouts, Windows, Pillars, Roof</a> .....	I-13
<a href="#">Dash Trim</a> .....	I-14
<a href="#">Floor Assembly</a> .....	I-16
<a href="#">Ceiling Panels</a> .....	I-17
<a href="#">Interior Aluminum Wall &amp; Door Panels</a> .....	I-18

### CHASSIS

<a href="#">Spare Tire Carrier</a> .....	I-19
<a href="#">Wheel Simulator</a> .....	I-20
<a href="#">Step/Step Well</a> .....	I-21
<a href="#">Exhaust System/Skid Bar</a> .....	I-22

# 2009 INTERSTATE MOTORHOME TABLE OF CONTENTS

## SECTION II D through E

### DOOR/WINDOWS/AWNING

<a href="#">Exterior Door</a> .....	II-1
<a href="#">Windows</a> .....	II-1
<a href="#">Awning</a> .....	II-2

<a href="#">DRAPES/SHADES/VALANCES</a> .....	II-3
--	------

### ELECTRICAL, 110 VOLT

<a href="#">Energy Management System</a> .....	II-4
<a href="#">Shoreline Hookup</a> .....	II-4
<a href="#">Inverter</a> .....	II-4
<a href="#">Receptacles</a> .....	II-5
<a href="#">Breaker</a> .....	II-5

### Electrical, 12 volt

<a href="#">Battery Box/Vent</a> .....	II-6
<a href="#">Battery System, Coach</a> .....	II-7
<a href="#">Lights</a> .....	II-7
<a href="#">Switches</a> .....	II-8
<a href="#">Distribution Panel, 12 Volt</a> .....	II-9
<a href="#">Dump Valve/Heating Pad, Holding Tanks</a> .....	II-9
<a href="#">Monitor Panel</a> .....	II-9
<a href="#">Rear View Monitor</a> .....	II-9

### ENTERTAINMENT

<a href="#">Radio Wiring</a> .....	II-10
<a href="#">Television Reception System</a> .....	II-10
<a href="#">Television Systems</a> .....	II-11

# 2009 INTERSTATE MOTORHOME TABLE OF CONTENTS

## SECTION III F through H

FASTENER (common fastener available locally are not listed)

[Rivets](#)..... III-1

[FLOOR COVERING](#) ..... III-2

### FURNITURE

[Lavatory](#) ..... III-3

[Galley](#)..... III-8

[Lounge](#) ..... III-17

[Bedroom](#)..... III-27

[Interior Door/Mirror](#) ..... III-35

[Edge Banding](#) ..... III-35

[Trim, Wood/Plastic](#) ..... III-36

[Panels, Wood/Laminated](#) ..... III-36

### HARDWARE

[Captains Chair, 2<sup>nd</sup> Row](#)..... III-37

[Lounge](#) ..... III-38

[Clothes Line](#) ..... III-38

[Interior Handles, Fastener, Latches](#) ..... III-39

[Hinges](#)..... III-40

[Bath Accessories](#) ..... III-40

[Labels and Tags](#) ..... III-41

[Safety Equipment](#)..... III-41

# 2009 INTERSTATE MOTORHOME TABLE OF CONTENTS

## SECTION IV L through Z

### PLUMBING

<a href="#">LPG Tank/Mounting Hardware/Heat Shield</a> .....	IV-1
<a href="#">LPG System</a> .....	IV-2
<a href="#">Fresh Water Tank/Gravity Fill</a> .....	IV-4
<a href="#">Fresh Water Pump/Lines</a> .....	IV-5
<a href="#">Faucet &amp; Sink, Galley</a> .....	IV-6
<a href="#">Faucet, Wet Bath</a> .....	IV-6
<a href="#">Shower, Exterior</a> .....	IV-6
<a href="#">City Water Hookup</a> .....	IV-6
<a href="#">Freshwater Fittings</a> .....	IV-7
<a href="#">Tanks/Valves/Heating Pad, Gray/Black</a> .....	IV-9
<a href="#">Black Tank Support and Cover</a> .....	IV-9
<a href="#">Gray Tank Support Rods/Brackets</a> .....	IV-10
<a href="#">Plumbing Closeouts</a> .....	IV-10
<a href="#">Macerator Pump</a> .....	IV-11
<a href="#">Drain System</a> .....	IV-12
<a href="#">Toilet</a> .....	IV-18

<a href="#">SEALER/GASKETS/UNDERCOATING</a> .....	IV-20
---	-------

### UPHOLSTERY/FOAM/MATTRESS

<a href="#">Cab Seats</a> .....	IV-21
<a href="#">Chair, Captains, 2<sup>nd</sup> Row</a> .....	IV-21
<a href="#">Mattresses, Bedspreads, Sheets, Pillows</a> .....	IV-21
<a href="#">Lounge Sofa</a> .....	IV-22
<a href="#">Shower Curtain</a> .....	IV-22

<a href="#">VENTS/FANS</a> .....	IV-23
----------------------------------	-------

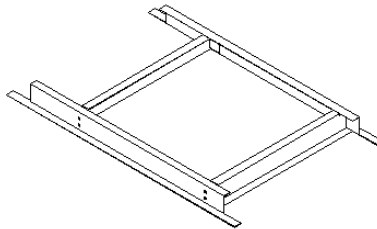
# 2009 INTERSTATE MOTORHOME

## APPLIANCES

### Air Conditioner

690586-01 AIR CONDITIONER, 13,500, LO-PROFILE  
690586-03 AIR CONDITIONER, CEILING PACKAGE, FREE BLOW  
690586-04 WALL THERMOSTAT, AIR CONDITIONER  
340086 MINIATURE SCREW TYPE HOSE CLAM  
601240-01 TUBING 1/2 I.D.

### Roof Air Conditioner Frame



115397 Roof AC frame

### Furnace

690395-02 FURNACE, 16,000 BTU, w/BLACK DOOR  
454674 VENT BACKER PLATE, FURNACE,

### Microwave/Cook Top

690597 MICROWAVE, 1.2 CONVECTION, APOLLO  
690576 COOK TOP, 2-BURNER, SMEV

### Coffee Maker

690598 COFFEE MAKER, CONTOUR

### Refrigerator

690599 REFRIGERATOR, NOVAKOOL, 3.1  
115166-08 INSERT, REFER PANEL, 16.56" X 28.00"

# 2009 INTERSTATE MOTORHOME

## APPLIANCES

### Water Heater

690602	WATER HEATER, 6 GALLON, GAS
690209	Water heater exterior door, brushed aluminum
381648	COVER, LATCH HOLE, WATER HEATER
690417-05	SWITCH, WATER HEATER, DUAL
967295	STAND-WATER HEATER
452652	FRAME ASSEMBLY, EXTERIOR
454653	CLOSEOUT, INSIDE LOWER WATER HEATER FRAME
454654	CLOSEOUT, UPPER WATER HEATER

### Generator, LP

511811-01	GENERATOR, ONAN, 2.5KV-FA LP VAPOR
511811-02	SWITCH, REMOTE, W/HR METER ONAN
511811-04	MOUNTING, KIT, UNDER FLOOR, ONAN, 2.5KV
511811-09	PIPE, GENERATOR EXHAUST
511811-08	HARNESS, MATING PIGTAIL
454670	Support, generator switchover box
454663	Mounting bracket, generator, complete set
454663-01	BRACKET, ROADSIDE GENERATOR MOUNTING
454663-02	BRACKET, CURBSIDE-AFT GEN MOUNTING
454705	SHIELD, GENERATOR EXHAUST
0451204	HANGER, EXHAUST, ONAN GENERATOR

### Generator, Diesel

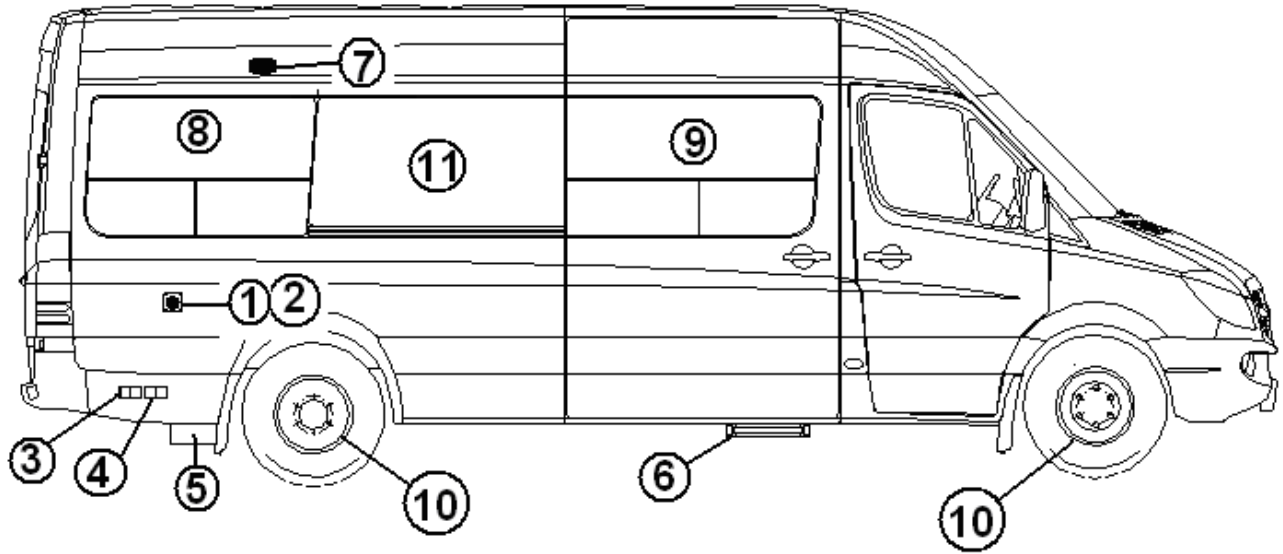
512286-01	GENERATOR, DIESEL, 2.8 KW
512286-02	SWITCH, REMOTE



# 2009 INTERSTATE MOTORHOME

## EXTERIOR SHELL

### Curbside Wall



Part numbers are on the next page.

# 2009 INTERSTATE MOTORHOME

## EXTERIOR SHELL

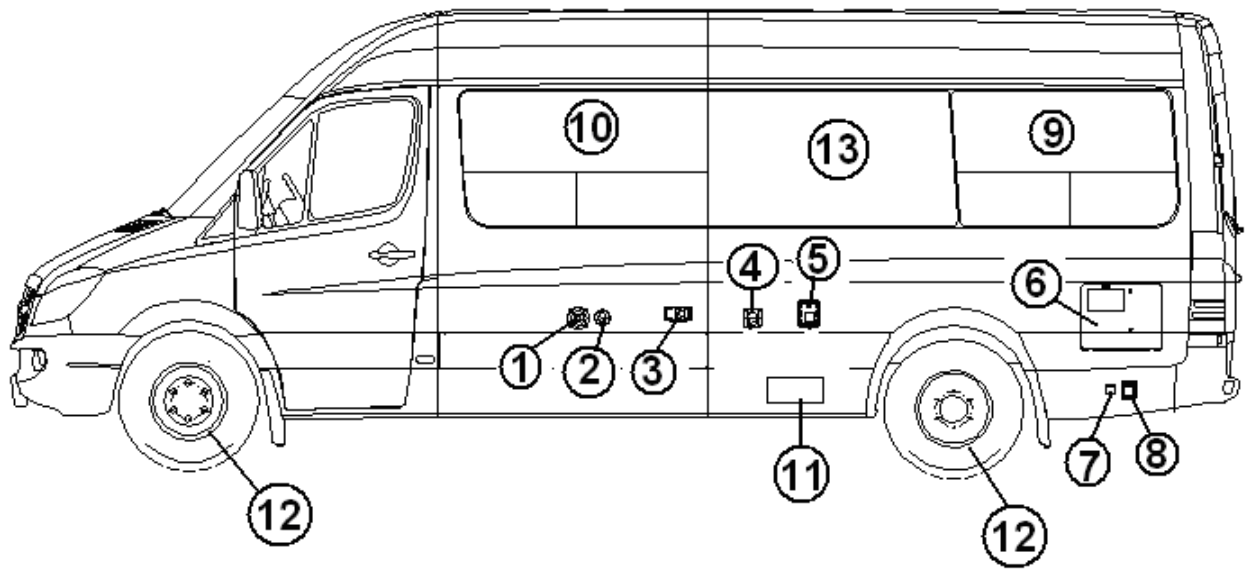
### Curbside Wall

1. 203638-01 Cone vent, white
2. 203638-02 Grille, white
3. 510676-01 Outlet, 10 Volt, exterior, gray
4. 511796 CABLE-EXT. TV/12V POWER PORT
5. 454680 LPG remote fill assembly, (includes bracket, switch, HOSE 602109-02, and valves)
5. 386147 DECAL-ON/OFF LP REMOTE FILL
5. 602207 LP hose, ½" x 120" long
5. 602206 LP hose, ¼" x 120" long
5. 454676 Bracket, LPG remote fill
5. 203650 Cover, remote fill
6. 512289-01 Step, slide out
7. 512288 Light, patio, black
8. 372258-02 Window, curbside double vent, 48.75" x 30.00"
9. 372258-04 Window, curbside double vent, 51.50" x 30.00"
10. 401000 Wheel simulator, set of 4
11. \*372258-06 Window, curbside, non-venting, 50.00" x 25.00"  
\*Atwood OPENING window replaced Sprinter FIXED window during model year per PCR# M-00071 B

# 2009 INTERSTATE MOTORHOME

## EXTERIOR SHELL

### Roadside Wall



Part numbers are on the next page.

# 2009 INTERSTATE MOTORHOME

## EXTERIOR SHELL

### Roadside Wall

1. 601392-05 City water fill w/regulator, chrome
2. 602190 Water fill, gravity
3. 690395-02 Furnace 16,000 BTU
4. 602189-01 Outlet, exterior shower
5. \*382072 Hatch, electrical switches w/o hole in door
5. \*382083 Hatch, electrical switches, w/Hole in door for cable
  
6. 690602 Water heater
7. \*512249 Cover, Cable TV Inlet
8. \*\*511416-02 Power inlet, 30 amp, painted
8. \*\*512099 Power inlet, 30 amp, stainless steel
9. 372258-01 Window, roadside double vent, 48.75" x 30.00"
10. 372258-03 Window, roadside double vent, 51.50" x 30.00"
11. 381766 Access hatch, 7.75" X 12.63"
12. 401000 Wheel simulator
13. \*\*\*372258-05 Window, roadside, non-venting, 50.00" x 25.00"

\*TV cable inlet moved inside dump valve switch hatch during model year. P/N 382072 changed to P/N 382083. P/N 512249 deleted and P/N 510623 Coax connector and 510623-01 coax connector locking nut added inside hatch.

\*\*Changed power inlet from painted to stainless steel during model year. Deleted P/N 511416-02 added P/N 512099

\*\*\*Atwood "OPENING" window replaced Sprinter "FIXED" window during model year per PCR# M-00071 B

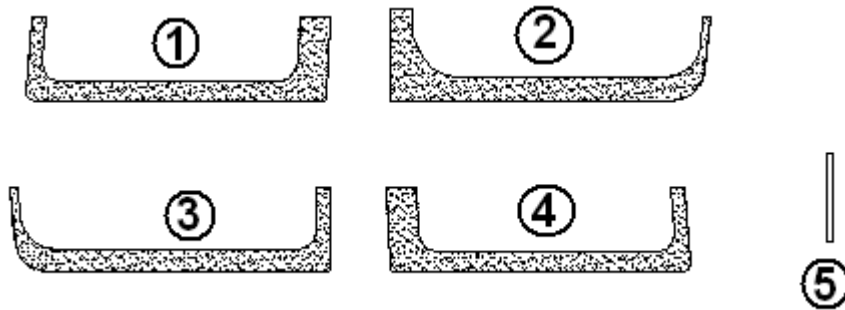
# 2009 INTERSTATE MOTORHOME

## EXTERIOR SHELL

### Medallions

- 386213 NAMEPLATE-INTERSTATE 3" X 10"  
386211 MEDALLION, "AIRSTREAM", 1.69" X 12.69" BLACK INLAY

### Window Blackouts, Exterior

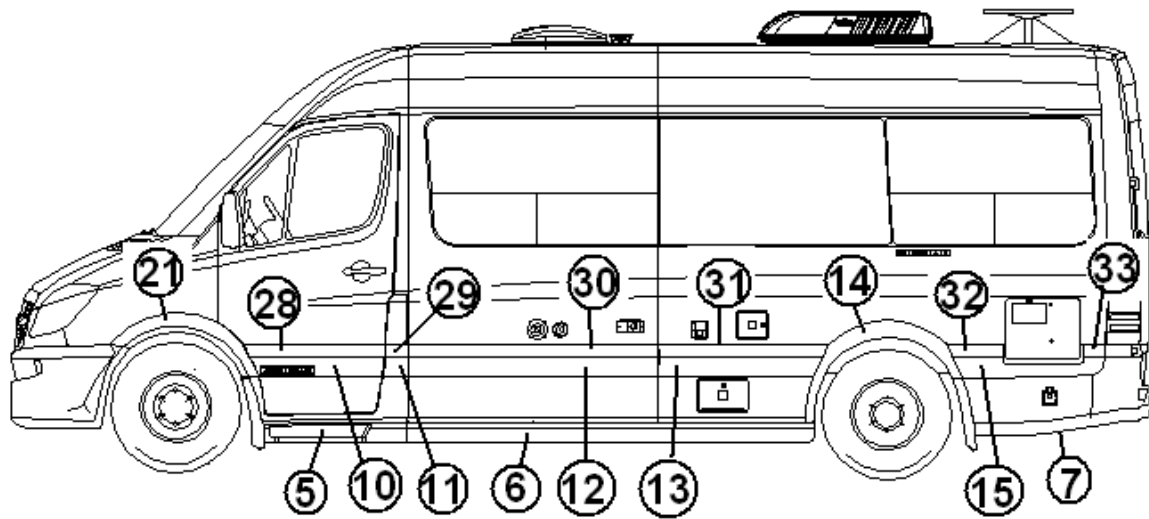
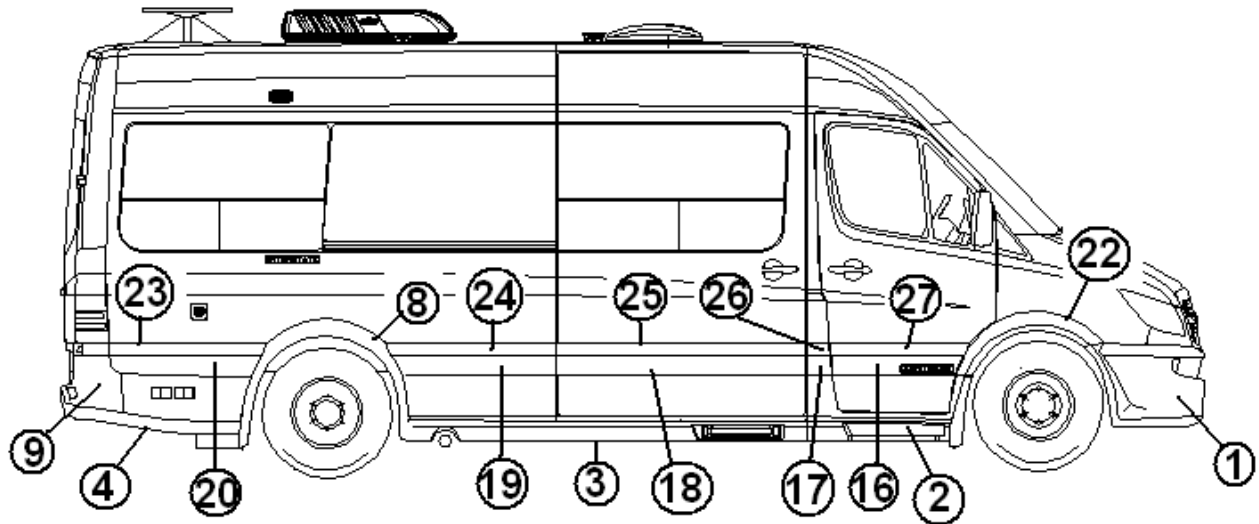


- 386215 KIT, WINDOW BLACKOUT  
1. 386215-01 Curbside rear blackout  
2. 386215-02 Curbside front blackout  
3. 386215-03 Roadside front blackout  
4. 386215-04 Roadside rear blackout  
5. 386215-05 Filler strip, 1.5"x 17"

# 2009 INTERSTATE MOTORHOME

## EXTERIOR SHELL

Body Kit, Silver



Part numbers are on the next page

# 2009 INTERSTATE MOTORHOME

## EXTERIOR SHELL

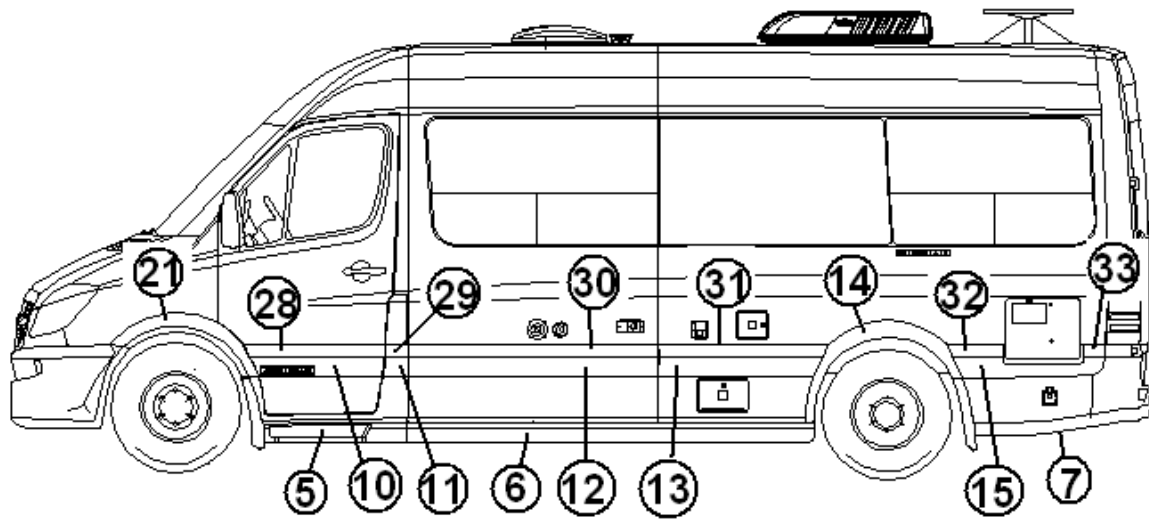
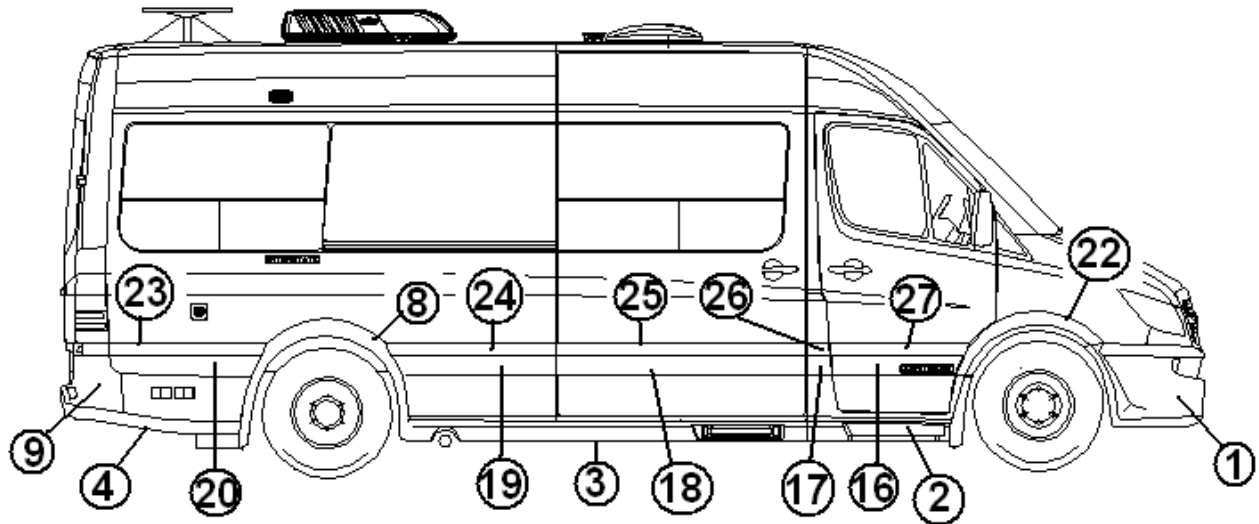
### Body Kit, Silver

1. 203624-01	BUMPER, FRONT
2. 203624-02	STEP, PASSENGER
3. 203624-03	ROCKER, PASS SIDE
4. 203624-04	TRANSION, PASSENGER REAR
5. 203624-05	STEP, DRIVER
6. 203624-06	ROCKER, DRIVER SIDE
7. 203624-07	TRANSION, DRIVER SIDE
8. 203624-08	FLARE, PASSENGER REAR
9. 203624-09	BUMPER, REAR
10. 203624-10	PANEL, DRIVER FRONT DOOR
11. 203624-11	PILLAR, B-PILLAR, DRIVER SIDE
12. 203624-12	PANEL, DRIVER SIDE BODY,
13. 203624-13	PANEL, DRIVER SIDE MIDDLE REAR
14. 203624-14	FLARE, DRIVER REAR
15. 203624-15	PANEL, DRIVER SIDE, REAR QUARTER PANEL
16. 203624-16	PANEL, PASSENGER SIDE, FRONT DOOR
17. 203624-17	PILLAR, B-PILLAR, PASSSENGER SIDE
18. 203624-18	PANEL, PASSENGER, SLIDER DOOR
19. 203624-19	PANEL, PASSENGER SIDE MIDDLE REAR
20. 203624-20	PANEL, PASSENGER REAR QUARTER PANEL
21. 203624-21	FLARE, DRIVER FRONT
22. 203624-22	FLARE, PASSENGER, FRONT
23. 203624-25	TRIM, PASSENGER SIDE QUARTER, CHROME
24. 203624-26	TRIM, PASSENGER MIDDLE REAR, CHROME
25. 203624-27	TRIM, PASSENGER SLIDE DOOR, CHROME
26. 203624-28	TRIM, B-PILLAR PASSENGER SIDE, CHROME
27. 203624-29	TRIM, PASSENGER, FRONT DOOR, CHROME
28. 203624-30	TRIM, DRIVER SIDE DOOR, CHROME
29. 203624-31	TRIM, B PILLAR DRIVER SIDE, CHROME
30. 203624-32	TRIM, DRIVER SIDE BODY, CHROME
31. 203624-33	TRIM, DRIVER SIDE MIDDLE REAR CHROME
32. 203624-34	TRIM, DRIVER'S REAR QTR, FRONT CHROME
33. 203624-35	TRIM, DRIVER'S REAR QTR REAR, CHROME
203624-36	STEP TREAD, CURBSIDE AND ROADSIDE
203624-37	STEP BRACKET KIT, CURBSIDE AND ROADSIDE
203624-38	MOUNTING HARDARE KIT

# 2009 INTERSTATE MOTORHOME

## EXTERIOR SHELL

Body Kit, White



Part numbers are on the next page



# 2009 INTERSTATE MOTORHOME

## EXTERIOR SHELL

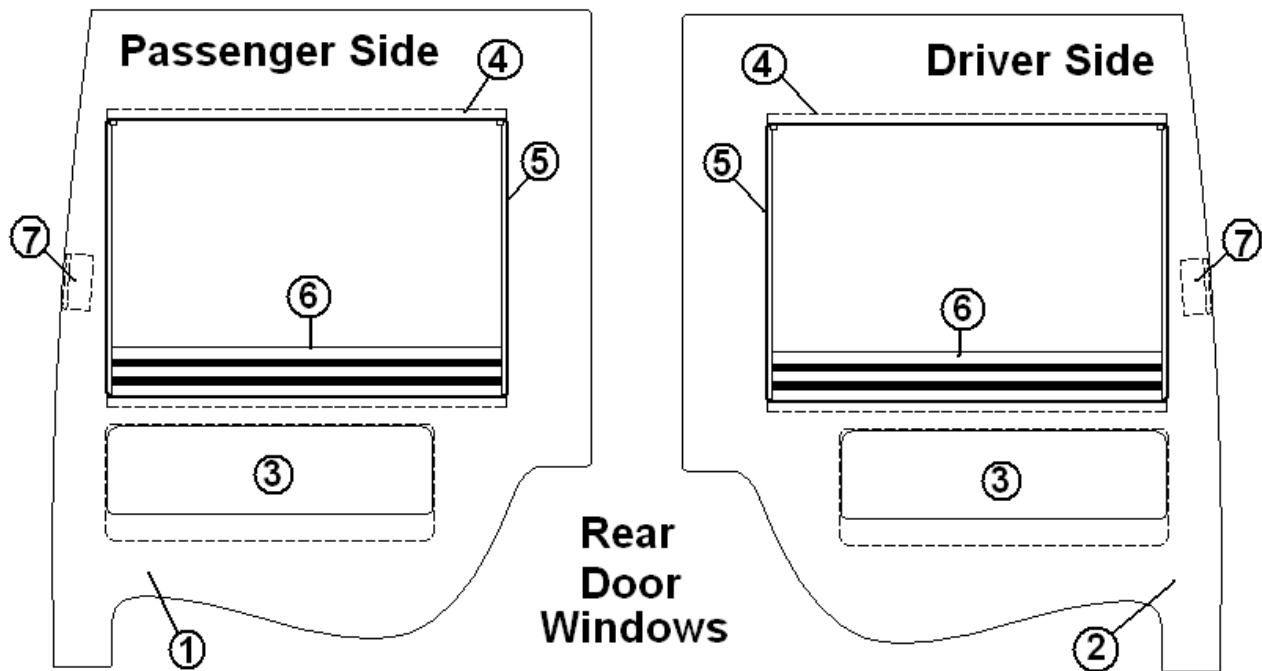
### Body Kit, White

1. 203624-01W	BUMPER, FRONT
2. 203624-02W	STEP, PASSENGER
3. 203624-03W	ROCKER, PASS SIDE
4. 203624-04W	TRANSION, PASSENGER REAR
5. 203624-05W	STEP, DRIVER
6. 203624-06W	ROCKER, DRIVER SIDE
7. 203624-07W	TRANSION, DRIVER SIDE
8. 203624-08W	FLARE, PASSENGER REAR
9. 203624-09W	BUMPER, REAR
10. 203624-10W	PANEL, DRIVER FRONT DOOR
11. 203624-11W	PILLAR, B-PILLAR, DRIVER SIDE
12. 203624-12W	PANEL, DRIVER SIDE BODY,
13. 203624-13W	PANEL, DRIVER SIDE MIDDLE REAR
14. 203624-14W	FLARE, DRIVER REAR
15. 203624-15W	PANEL, DRIVER SIDE, REAR QUARTER PANEL
16. 203624-16W	PANEL, PASSENGER SIDE, FRONT DOOR
17. 203624-17W	PILLAR, B-PILLAR, PASSSENGER SIDE
18. 203624-18W	PANEL, PASSENGER, SLIDER DOOR
19. 203624-19W	PANEL, PASSENGER SIDE MIDDLE REAR
20. 203624-20W	PANEL, PASSENGER REAR QUARTER PANEL
21. 203624-21W	FLARE, DRIVER FRONT
22. 203624-22W	FLARE, PASSENGER, FRONT
23. 203624-25	TRIM, PASSENGER SIDE QUARTER, CHROME
24. 203624-26	TRIM, PASSENGER MIDDLE REAR, CHROME
25. 203624-27	TRIM, PASSENGER SLIDE DOOR, CHROME
26. 203624-28	TRIM, B-PILLAR PASSENGER SIDE, CHROME
27. 203624-29	TRIM, PASSENGER, FRONT DOOR, CHROME
28. 203624-30	TRIM, DRIVER SIDE DOOR, CHROME
29. 203624-31	TRIM, B PILLAR DRIVER SIDE, CHROME
30. 203624-32	TRIM, DRIVER SIDE BODY, CHROME
31. 203624-33	TRIM, DRIVER SIDE MIDDLE REAR CHROME
32. 203624-34	TRIM, DRIVER'S REAR QTR, FRONT CHROME
33. 203624-35	TRIM, DRIVER'S REAR QTR REAR, CHROME
203624-36	STEP TRAD, CURBSIDE AND ROADSIDE
203624-37	STEP BRACKET KIT, CURBSIDE AND ROADSIDE
203624-38	MOUNTING HARDARE KIT

# 2009 INTERSTATE MOTORHOME

## INTERIOR SHELL

### Interior Panels, Rear Door



- |              |                                 |
|--------------|---------------------------------|
| 1. 203626-01 | Close off, rear curbside window |
| 2. 203626-02 | Close off, rear roadside window |
| 3. 203627    | Bucket, rear window             |
| 4. 800506-04 | Plywood                         |
| 5. 203225-01 | Trim lok, gray                  |
| 6. 703762-01 | Shade, 21.38" x 14.88"          |
| 7. 115421    | Angle bracket, rear door panel  |

### Interior Skin/Trim

- |           |  |
|-----------|--|
| 203628    | Closeout, Roadside "B" pillar, bottom  |
| 203629    | Close out, sliding door header         |
| 203631-01 | Closeout, roadside wheel well          |
| 203631-02 | Closeout, curbside wheel well          |
| 203637    | Pads, sound dampener, rear wheel wells |
| 203632    | Close off, step                        |

# 2009 INTERSTATE MOTORHOME

## INTERIOR SHELL

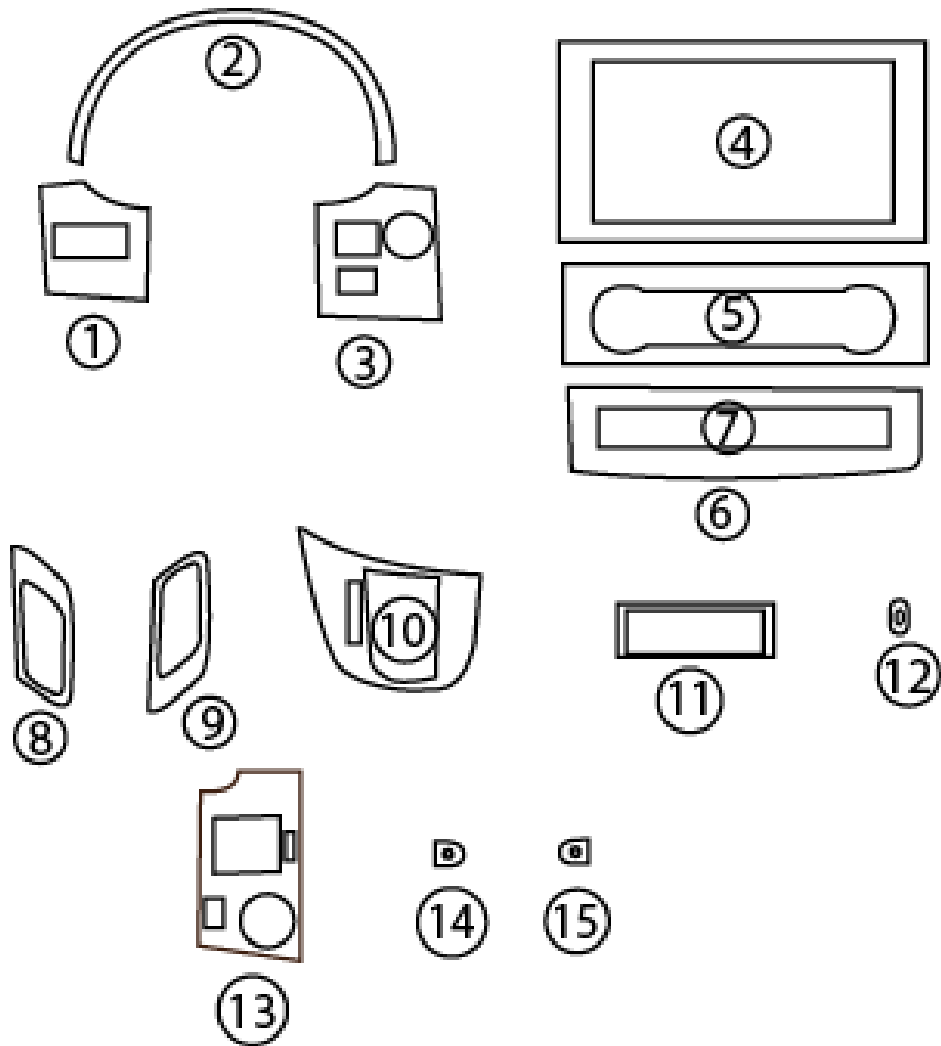
### Closeouts, Windows, Pillar, & Roof

203651-01	CLOSEOUT, CURBSIDE, "C" PILLAR
203651-02	CLOSEOUT, CURBSIDE, FRONT WINDOW
203651-03	CLOSEOUT, CURBSIDE, REAR WINDOW
203651-04	CLOSEOUT, CURBSIDE, LOWER PILLAR
203651-05	CLOSEOUT, CURBSIDE, REAR UPPER PILLAR
203651-06	CLOSEOUT, ROADSIDE, FRONT WINDOW
203651-07	CLOSEOUT, ROADSIDE, FRONT WINDOW, AFT
203651-08	CLOSEOUT, ROADSIDE, MIDDLE WINDOW
203651-09	CLOSEOUT, ROADSIDE, REAR WINDOW
203651-10	CLOSEOUT, ROADSIDE, REAR LOWER PILLAR
203651-11	CLOSEOUT, ROADSIDE, REAR UPPER PILLAR
203651-12	CLOSEOUT, ROOF, CENTER

# 2009 INTERSTATE MOTORHOME

## INTERIOR SHELL

### Dash Trim



Part numbers on the next page.

# 2009 INTERSTATE MOTORHOME

## INTERIOR SHELL

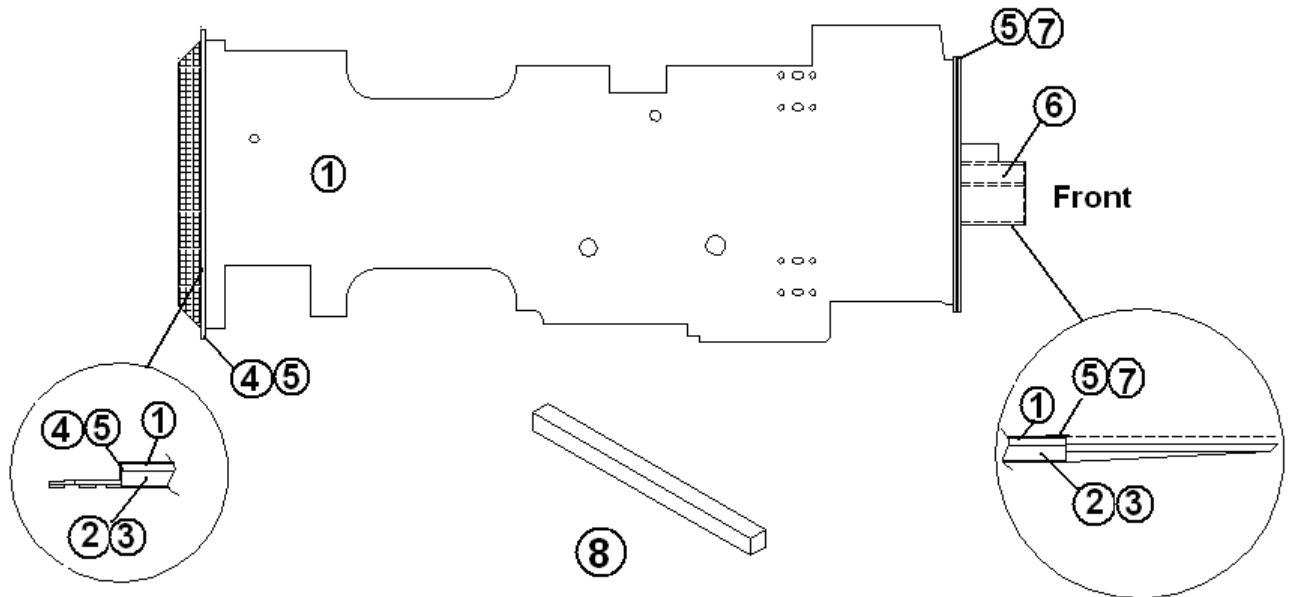
### Dash Trim

365312	Dash trim kit, Burlwood
1. 365312-105	Speedometer, left trim
2. 365312-104	Speedometer trim
3. 365312-106	Speedometer, right trim
4. 365312-115	Radio, AC surround trim
5. 365312-113	AS surround trim
6. 365312-114	Hazard light surround trim
7. 365312-107	Hazard lights chrome trim
8. 365312-101	Driver door pull trim
9. 365312-111	Passenger door pull trim
10. 365312-108	Shifter, automatic, trim
11. 365312-109	Storage trim
12. 365312-103	Plug trim
13. 365312-102	Driver vent trim
14. 365312-100	Driver door lock trim
15. 365312-112	Passenger door lock trim

# 2009 INTERSTATE MOTORHOME

## INTERIOR SHELL

### Floor Assembly

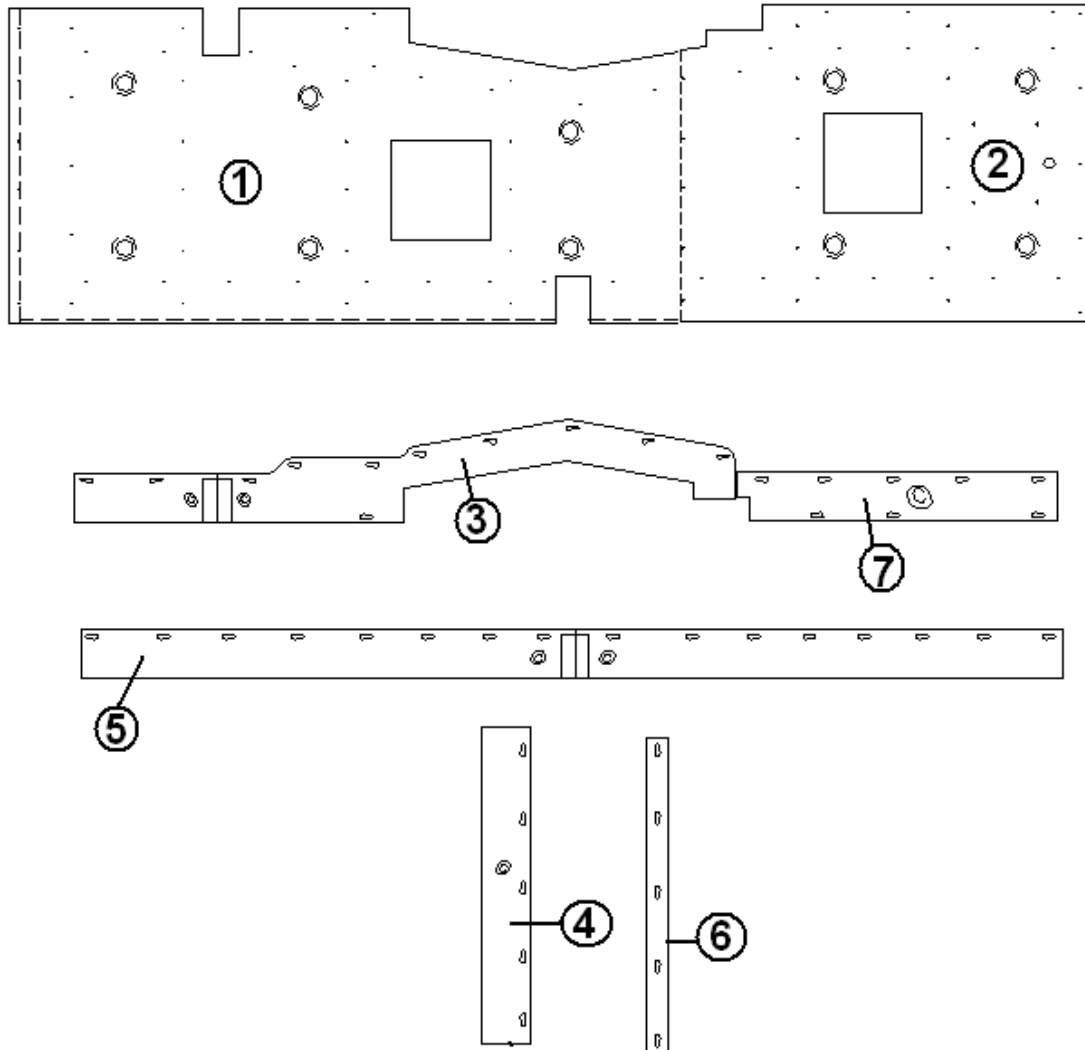


- |              |                                       |
|--------------|---------------------------------------|
| 1. 703659    | Vinyl flooring, legacy, Laguna maple  |
| 2. 932009    | Floor assembly                        |
| 3. 345330-09 | Screw, 1/4 x 20 x 3", self tapping    |
| 4. 454678    | Angle rear transition cap             |
| 5. 345353-03 | Screw, #6 flat head                   |
| 6. 923012    | Cab to main floor transition assembly |
| 7. 114869    | Extrusion, threshold compartment      |
| 8. 801807    | FILLER-FLOOR TRANSITION               |
| 702754       | UNDERBELLY, DARCO 102" WIDE BLACK     |

# 2009 INTERSTATE MOTORHOME

## INTERIOR SHELL

### Ceiling Panels

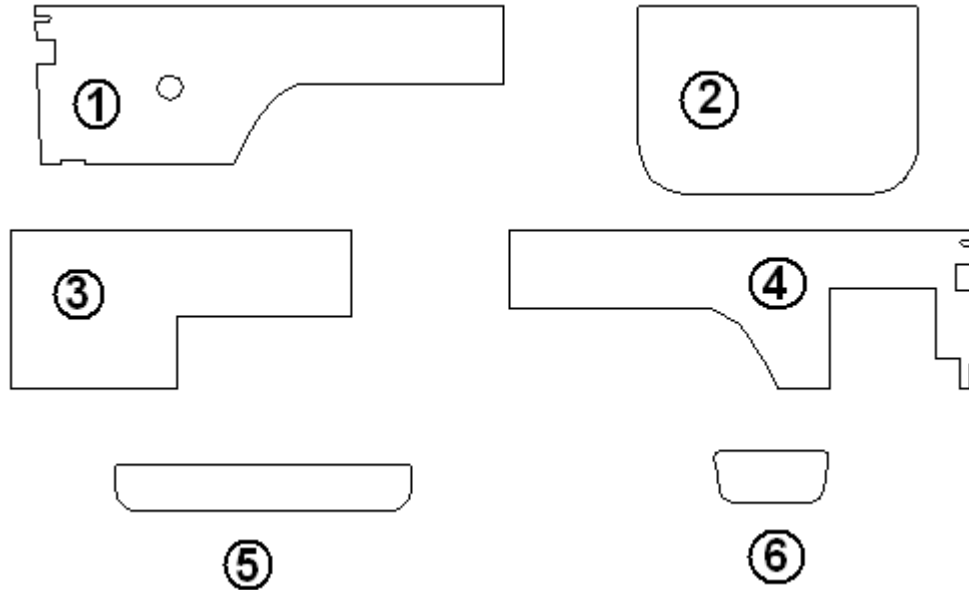


1. 923004-01 Aluminum ceiling panel, rear
  2. 923004-02 Aluminum ceiling panel, front
  3. 923004-03 Aluminum ceiling panel, curbside, padded
  4. 923004-04 Luan ceiling panel, rear, padded
  5. 923004-05 Luan ceiling panel, roadside, padded
  6. 923004-06 Luan ceiling panel, front, padded
  7. 923004-07 Luan ceiling panel, door, padded
- 701764 FOAM, 1/4"  
703750 SUEDE, D'ORO-DOVE GREY  
382062 FASTENER, FINNED, .25"

# 2009 INTERSTATE MOTORHOME

## INTERIOR SHELL

### Interior Aluminum Door & Wall Panels

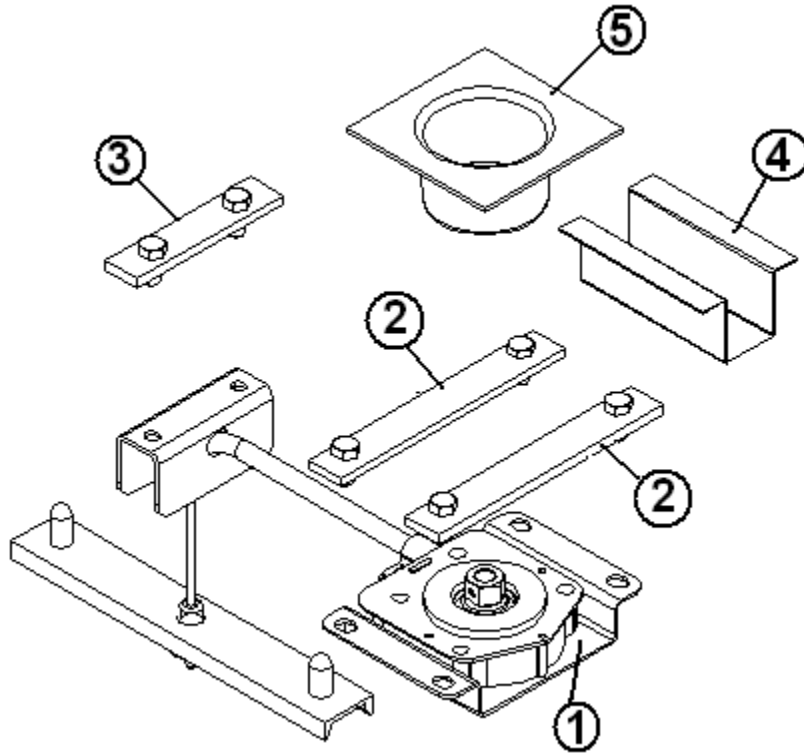


- |              |                                       |
|--------------|---------------------------------------|
| 1. 115434-01 | PANEL, ALUMINUM, CURBSIDE LOWER REAR  |
| 2. 115434-02 | PANEL, ALUMINUM, CURBSIDE SLIDER DOOR |
| 3. 115434-03 | PANEL, ALUMINUM, ROADSIDE LOWER       |
| 4. 115434-04 | PANEL, ALUMINUM, ROADSIDE, LOWER REAR |
| 5. 115434-05 | PANEL, CURBSIDE, SLIDER DOOR          |
| 6. 115434-06 | PANEL, ALUMINUM, REAR DOOR            |
| 203473       | CAP, SCREW COVER, PVC, WHITE          |
| 381081-05    | SNAP CAP, GRAY                        |
| 382057       | KNOCKDOWN, 8MM                        |
| 382057-01    | CAP, KNOCKDOWN, LIGHT BROWN           |



# 2009 INTERSTATE MOTORHOME CHASSIS

## Spare Tire Carrier



- 1. 454665 Spare tire carrier
- 2. 454669 Bracket, spare tire carrier
- 3. 454667 Bracket, spare tire carrier
- 4. 454713 Hat section, spare tire
- 5. 203646 Closeout, spare tire winch
- 382087 Socket,  $\frac{3}{4}$ " deep well,  $\frac{3}{8}$ " drive
- 381667 Ratchet,  $\frac{3}{8}$ " drive

# 2009 INTERSTATE MOTORHOME

## CHASSIS

### Wheel Simulator

401000 WHEEL SIMULATOR KIT, 16" (SET OF 4)

#### Front Wheels

401000-101 Front wheel liner  
401000-102 Front simulator hook  
401000-103 Screw, front liner, 5/16-18 x 1.25", Philips  
401000-104 Front hook compression spring  
401000-105 Lock washer, split, SS, 5/16"

#### Rear Wheels

401000-106 Rear wheel liner  
401000-107 Hat, rear wheel liner  
401000-108 Bolt, carriage, 1/4"-20 x 1/2", SS  
401000-109 Nut, KEPS, SS, 1/4"-20, zinc  
401000-110 Rear bracket  
401000-111 Screw, rear liner, 5/16-18 x .75", Philips  
401000-112 Washer, internal tooth lock, 5/16"

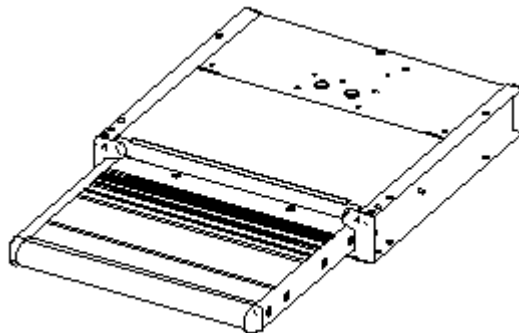
### Aluminum Wheels

410970-01 Aluminum wheel, front  
410970-02 Aluminum wheel, rear  
410970-03 Trim Kit, front wheel  
410970-04 Trim Kit, rear wheel

## 2009 INTERSTATE MOTORHOME

### CHASSIS

#### Step, Electric



- |           |  |
|-----------|--|
| 512289-01 | STEP, ELECTRIC SLIDEOUT, W/LED LIGHT & WARNING BUZZER. |
| 512289-02 | CONTROL BOX, STEP                                      |
| 512289-03 | SWITCH, STEP, DOOR CLOSED, PUSH BUTTON                 |
| 512289-04 | STEP MOUNTING KIT                                      |
| 386207    | LABEL, CAUTION, DOOR STEP                              |
| 512301    | Buzzer, warning, two tone, step & awning               |
| 345429    | Bolt, 1/2" x 13 x 4.5", hex head                       |
| 350132    | Nut, flanged, mac-lock, 1/2" x 13                      |
| 300112-50 | Washer, flat, 1/2" type B                              |

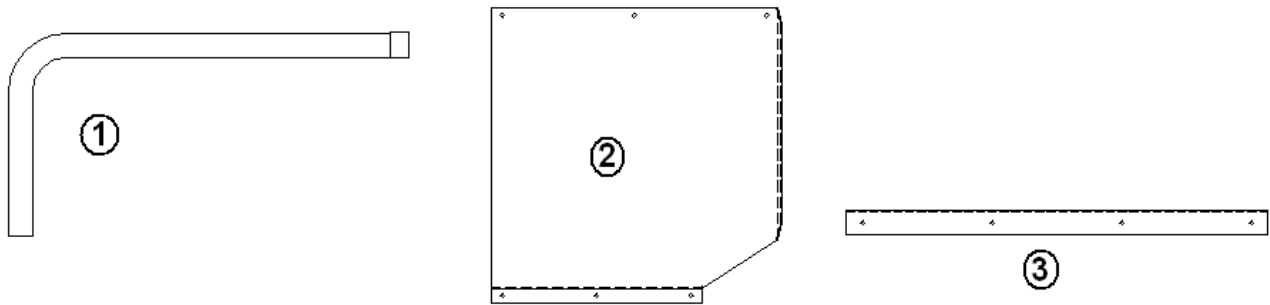
#### Step Well

- |        |                           |
|--------|---------------------------|
| 203440 | T-molding black, embossed |
| 203632 | Step close out, plastic   |

# 2009 INTERSTATE MOTORHOME

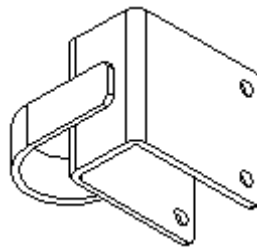
## CHASSIS

### Exhaust System



1. 454656 EXHAUST TAILPIPE  
454696-01 Wrap, exhaust, 34" long  
454696-02 Wrap, exhaust, 14" long  
454696-03 Clamp  
340073-10 CLAMP, MUFFLER, 2.5"  
340073-15 CLAMP, MUFFLER, 2.75"  
381509 Hanger, Tailpipe
2. 454708 Water tank heat shield
3. 454709 Angle, water tank heat shield

### Skid Bar Assembly



- 454685 Skid bar assembly

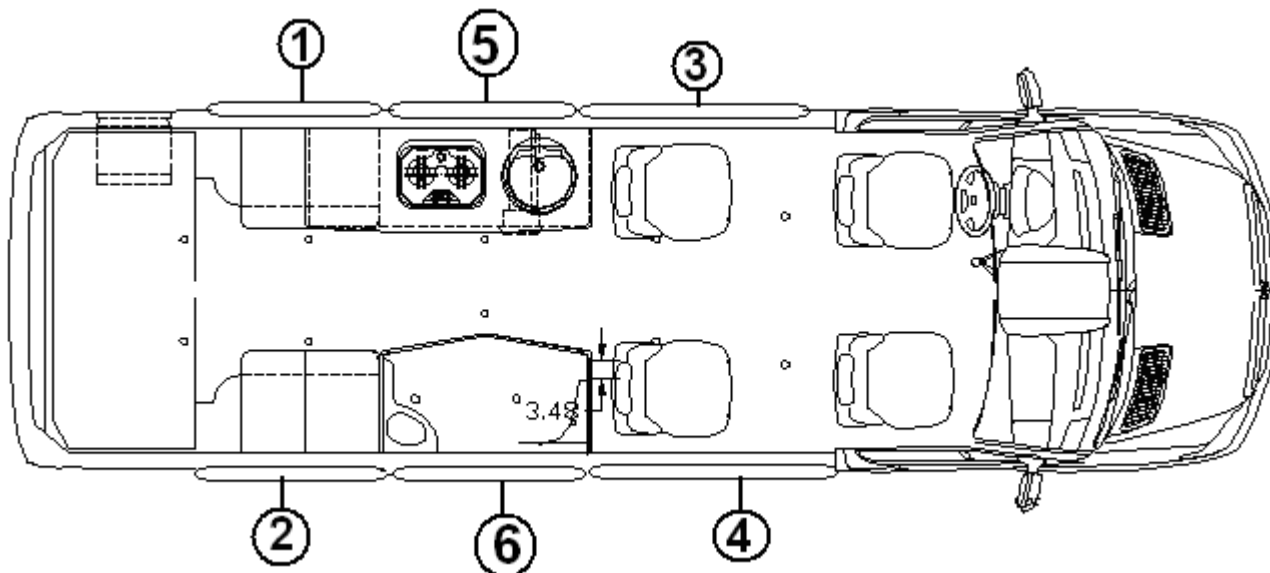
# 2009 INTERSTATE MOTORHOME

## DOOR/WINDOWS/AWNING

### Exterior Doors

- 381766 Access hatch, exterior switches, 7.75" X 12.63"
- 601392-05 City water fill w/regulator, chrome
- 602190 Water fill, gravity
- 602189-01 Outlet, exterior shower
- \*382072 Hatch, LP remote compartment & dump valve switch door.
- \*382083 Hatch, dump valve switches
- \*512249 Cover, exterior Cable TV Inlet
- \*TV Hook up moved inside dump valve switch hatch during model year. P/N 512249 deleted. 382072 changed to 382083.

### Windows



- 1. 372258-01 Rear window, roadside
- 2. 372258-02 Rear window, curbside
- 3. 372258-03 Front window, roadside
- 4. 372258-04 Siding door awning
- 5. \*372258-05 Window, roadside, non-venting, opening
- 6. \*372258-06 Window, curbside, non-venting, opening

\*Atwood OPENING window replaced Sprinter FIXED window during model year per PCR# M-00071 B

## 2009 INTERSTATE MOTORHOME

### DOOR/WINDOWS/AWNING

#### Awning, Patio

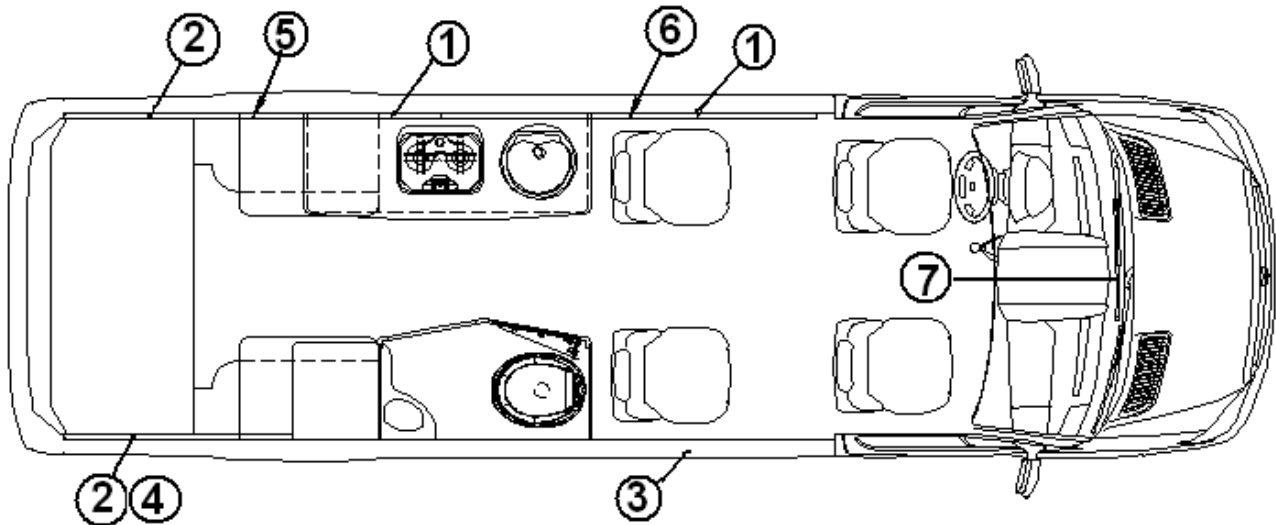
*703746-03	AWNING, PATIO, WHITE (white paint scheme)
*703746-04	AWNING, PATIO, TITANIUM (gray paint scheme)
703746-05	AWNING MOUNTING BRACKET
703746-01	MOTOR, WHITE (white paint scheme)
703746-02	MOTOR, TITANIUM (gray paint scheme)
512301	Buzzer, warning, two tone, step & awning
510844-01	Relay, Bosch
510844-02	Relay socket, Bosch
703467-03	Strap, awning leg storage

All mounting and operational hardware included. Same awning used for electric option, add motor w/water proof connector.

# 2009 INTERSTATE MOTORHOME

## DRAPES/BLINDS/VALANCES

### Drapes/Shades/Valances



- |              |  |
|--------------|--|
| 1. 703762-02 | Shade, day/night, 54" x 29", silver/pewter |
| 2. 703762-03 | Shade, day/night, 48" x 29", silver/pewter |
| 3. 998201    | Curtain assembly, sliding door             |
| 4. 967399    | Valance, curbside rear                     |
| 5. 967400    | Valance, roadside rear                     |
| 6. 967401    | Valance, roadside front                    |
| 7. 703761    | Curtain, privacy, Windshield, 119" X 33.5" |
| 967402-11    | Galley blind, close out                    |

### Drape Parts/Material

- |        |   |
|--------|---|
| 703771 | FABRIC WHITE, KRISTI STEEL                    |
| 700473 | DRAPERY LINING, MARLINE WHITE, 48", WENGE     |
| 700021 | HOOK, VELCRO, WHITE                           |
| 700020 | PILE VELCRO                                   |
| 700045 | GLIDES, CURTAIN, G3 W/ELASTIC                 |
| 700005 | FASTENER, CAP                                 |
| 700006 | FASTENER SOCKET                               |
| 340030 | FASTENER STUD NICKEL PLATED                   |
| 100097 | Curtain track extrusion, sliding door curtain |

# 2009 INTERSTATE MOTORHOME

## ELECTRICAL, 110 VOLT

### Energy Management System

- 512290-01 30A Energy Management Module
- 512290-02 Display panel, 30A Energy Management System
- 512290-03 Main control board, Energy Management Module

### Shoreline Hookup

- \*511416-02 30-amp, male power inlet for power cord
- \*512099 30-amp, male power inlet for power cord, stainless steel
- 512297 30 amp power cord, 25', super flex

\*Changed power inlet from painted to stainless steel during model year. Deleted P/N 511416-02 added P/N 512099.

### Inverter

- 512279-01 Inverter/Charger, 750 watt
- 512279-02 Remote display panel, Inverter/Charger
- 512277 Fuse holder, inline
- 512278-125 Fuse, BF1-32, 125 amp



# 2009 INTERSTATE MOTORHOME

## ELECTRICAL, 110 VOLT

### Receptacles

511451-02	Receptacle, 20 amp, single, brown
512096	Receptacle, GFI 15 amp w/black cover
511912	Wall plate, single gang, snap on, chrome
511815-01	Receptacle, duplex, black
512052	Receptacle, self contained, clamp type
512052-01	Back cap, for 512052, self contained receptacle
510676-01	Outlet, 10 Volt, exterior, gray

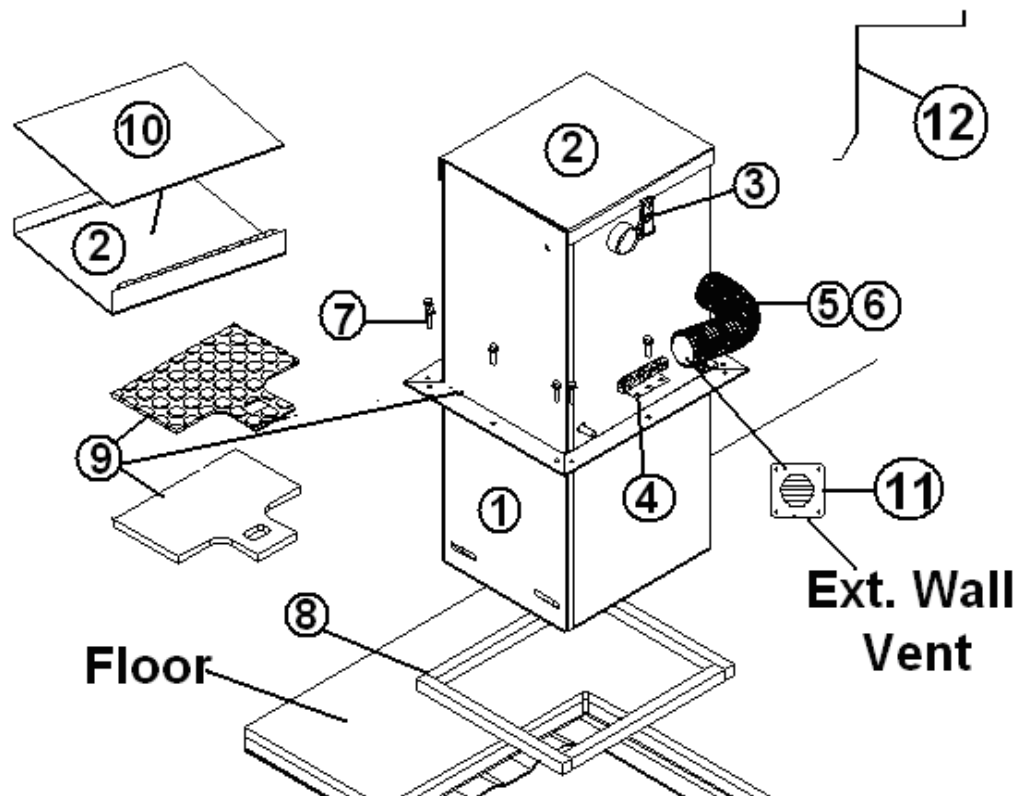
### Breaker

510564-02	Breaker, Bryant, 30 AMP
510564-04	Breaker, Bryant, 20-20 AMP dual
510564-05	Breaker, Bryant, 30-20 AMP, dual
510564-06	Breaker, Bryant, 20 AMP, GFCI
510564-08	Breaker, Bryant, 20-15 AMP dual
510564-20	Breaker, Bryant, 20 AMP

# 2009 INTERSTATE MOTORHOME

## ELECTRICAL, 12 VOLT

### Battery Box/Vent



- |               |  |
|---------------|--|
| 1. 916007     | Battery Box                                    |
| 2. 410962     | Lid, battery box                               |
| 3. 380903-01  | Latch  |
| 3. 380903-02  | Latch striker                                  |
| 4. 510743     | Grounding Bar                                  |
| 5. 602192     | Hose, black ribbed, 1.75 ID                    |
| 6. 340084-40  | Clamp, hose                                    |
| 7. 345084     | Screw  |
| 8. 365314     | Seal, closed cell foam, .75" x .75"            |
| 9. 967334     | Shelf assembly, battery box, w/rubber flooring |
| 9. 703560     | Rubber flooring, black                         |
| 10. 365315    | Sheet, neoprene foam rubber                    |
| 11. 203638-01 | Cone vent, white, exterior                     |
| 11. 203638-02 | Grille, white, exterior                        |
| 12. 454679    | Battery hold down strap                        |
| 380203-02     | PIANO HINGE, BLACK ANODIZED 72"                |

# 2009 INTERSTATE MOTORHOME

## ELECTRICAL, 12 VOLT

### Battery System, Coach

512283	Battery, 12 volt, deep cycle, GRP 24, AGM
512280	Battery Separator, 12VDC, 200 amps
512327-04	CABLE, 2 GA BLACK, 20"
512327-03	CABLE, 2 GA RED, 10"
512281-02	Stud, pass through, w/red base
512313	BATTERY DISCONNECT, MAIN, REMOVABLE HANDLE
510948-04	BAR, BUSS, CIRCUIT BREAKER CONNECTION
510947-30	BREAKER, 12V DC, TYPE II, #12V30
510947-50	BREAKER, 12V DC, TYPE II, #12V50
510947-15	BREAKER, 12V DC, TYPE II, #12V15

### Exterior Lights/Outlet

512288	Light, Patio, exterior waterproof
512101	Plate w/12 volt outlet, galley

### Lights, Interior

512298	Light, eyeball, reading
512310	Rope Light, white
512311	Terminal, .176" bullet, rope light
512300	Light, shower, halogen, white, waterproof
511695	SPOTLIGHT-BRUSHED NICKEL
511361	LIGHT COURTESY FLUSH MOUNT BLACK

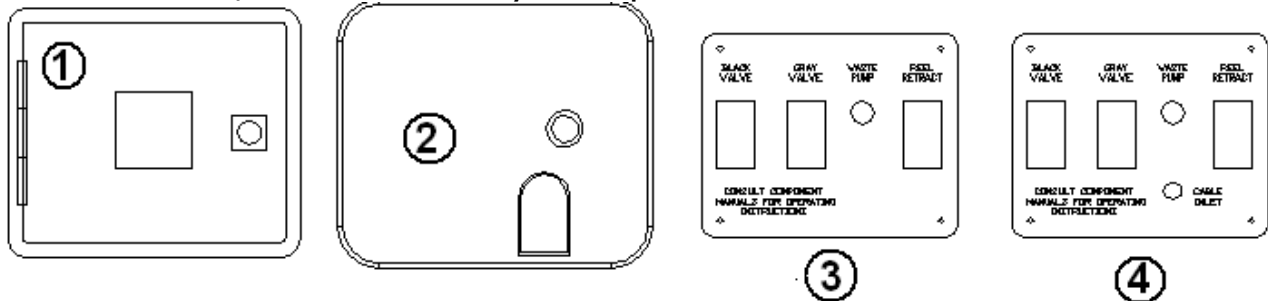
# 2009 INTERSTATE MOTORHOME

## ELECTRICAL, 12 VOLT

### Switches, Interior

512287	SWITCH ASSEMBLY, 3-GANG, 2-BLACK, 1-RED
512312	SWITCH ASSEMBLY, BLACK MOMENTARY
511979	SWITCH ASSEMBLY, 3-GANG, BLACK
690417-05	SWITCH, WATER HEATER, DUAL
511977	SWITCH ASSEMBLY, 1-GANG, BLACK
511975	SWITCH ASSEMBLY, 4-GANG, BLACK

### Switch Panel, Exterior Utility Compartment



1. \*382072 Hatch, sidewall switches
  2. \*382083 Hatch, sidewall switches w/cable inlet hole
  3. \*512328 Switch panel, exterior
  4. \*512350 Switch panel, exterior w/TV cable inlet
- |           |  |
|-----------|--|
| 511813-03 | SWITCH, ELECTRIC DUMP VALVES             |
| 510658    | Switch w/weather proof boot, sewer light |
| 510623    | Coax connector                           |
| 510623-01 | Coax connector locking nut               |

\*TV Hook up moved inside dump valve switch hatch during model year. P/N 382072 changed to P/N 382083. P/N 510623-Coax connector and 510623-01-coax connector locking nut added inside hatch. 512328 changed to 512350

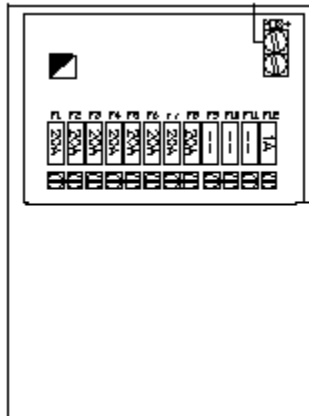
### Solar Panel

511846	KIT, CHARGE CONTROLLER DISPLAY
511142-01	PANEL, SOLAR 50 WATT
511142-02	BRACKET, MOUNTING, SOLAR PANEL
511165-01	Conduit, .5", black
500773-10	FUSE, ATC, 12 VDC, 10 AMP
195466-251	30 AMP FUSE HOLDER W/COVER

# 2009 INTERSTATE MOTORHOME

## ELECTRICAL, 12 VOLT

### Distribution/Breaker panel, 12VDC



512282            Distribution/Breaker panel, 12VDC

### Tank Heating Pad/Remote Dump Valve

511812            PAD, HEATING HOLD TANK #TH-718  
511813-01        VALVE, ELECTRIC, WASTE  
511813-04        SWITCH CABLE W/CONNECTOR  
511813-03        SWITCH, ELECTRIC DUMP VALVE

### Monitor Panel

512284-01        Display, monitor panel  
512284-02        Tank sensor harness  
512284-03        Tank sensor, (no hoods)

### Monitor, Rear View

512299            Monitor, rear view camera  
511948            Camera, rear view  
511645            "Y" adaptor, male to 2-female, RCA  
512056            Coupler, barrel, RCS, gold, F/F

# 2009 INTERSTATE MOTORHOME

## ENTERTAINMENT

### Radio Wiring

- 512309 Terminal, Sprinter radio
- 512311 Terminal, tube heat shrink, bullet
- 512317 Speaker, 5 ¼" 50 watt, black
- 510844-01 Relay, Bosch
- 510844-02 Relay socket, Bosch

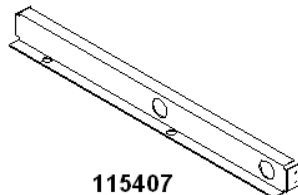
### Television Reception System

- 511735-01 Antenna, TV, Omni-directional
- 511635 PLATE, DUAL CABLE ENTRY
- 510788-06 Amplifier, TV antenna
- 512291 Audio/Video splitter, 3-postion
- 510612 Coax, 75 ohm, standard
- 510623 Connector, coax, male to male
- 510616 F CONNECTOR, COAX, 75 OHM
- 510623-01 Nut, locking, coax, male to male connector
- 511534 DUAL COAX PLATE WHITE
- \*512249 Cover, exterior Cable TV Inlet
- 510623 Coax connector and
- 510623-01 Coax connector locking nut added inside hatch.
- 511796 CABLE TV OUTLET/12V POWER PORT, EXTERIOR
- 510621-02 SPLITTER, COAX, 2-WAY
- 511287 RECEPTACLE SINGLE 15 AMP

\*TV Hook up moved inside dump valve switch hatch during model year. P/N 512249 deleted and P/N 510623-Coax connector and 510623-01-coax connector locking nut added inside hatch.

### Television, Flip Down

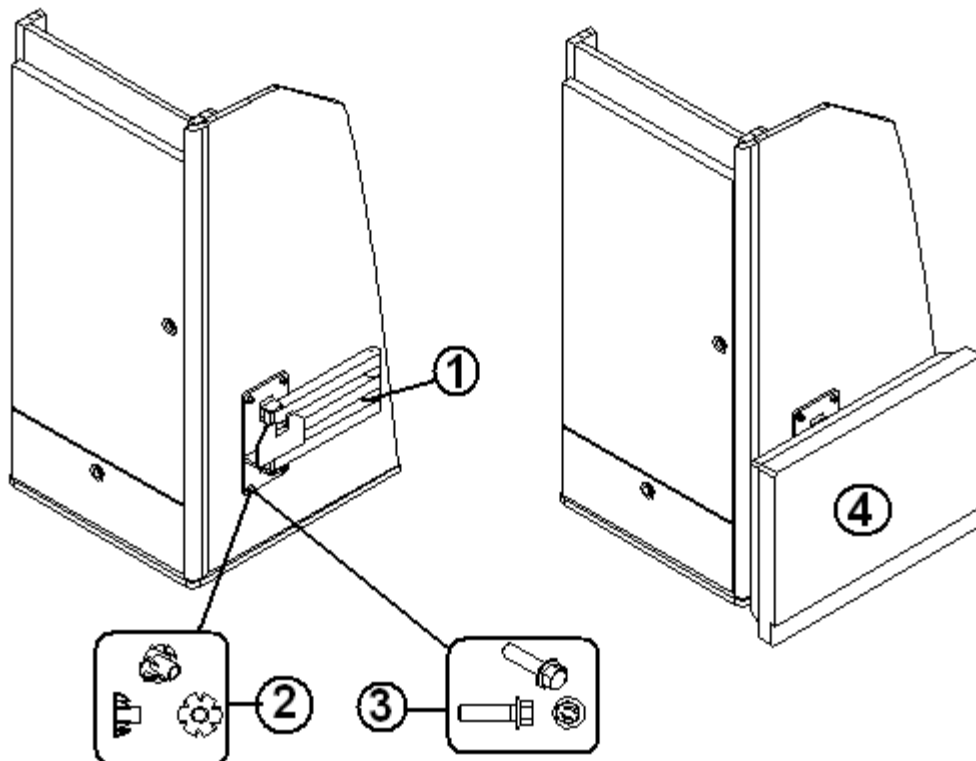
- 512302 TV, flip down, 17" LCD
- 512303 Headphones, IR



- 115407 SUPPORT, FLIP UP TV  
II-10

# 2009 INTERSTATE MOTORHOME ENTERTAINMENT

## Television, Rear TV Option



- |           |  |
|-----------|--|
| 1. 512293 | Mount, wall w/articulating arm             |
| 2. 350189 | Tee nut, 1/4" x 20                         |
| 3. 345461 | Screw, hex head cap, 1/4" x 20             |
| 4. 690600 | TV, LCD, 19" w/DVD player, Toshiba         |
| 510623    | Connector, coax, male to male              |
| 510623-01 | Nut, locking, coax, male to male connector |

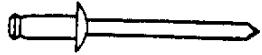




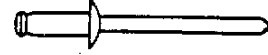
# 2009 INTERSTATE MOTORHOME

## FASTENER

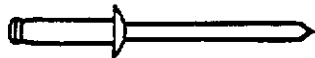
### Rivets



330126-02  
rivet, pop  
dia. 1/8 "  
grip range .126-.187  
stainless steel  
stainless steel mandrel



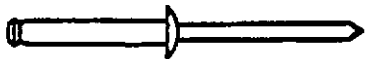
330126-03  
rivet, pop  
dia. 1/8 "  
grip range .126-.250  
body stainless steel body  
stainless steel mandrel



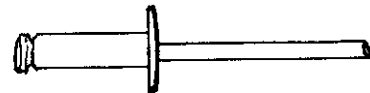
330127-05  
rivet, pop  
dia. 1/8 "  
grip range .251-.312  
aluminum body  
aluminum mandrel



330128-05  
rivet, pop  
dia. 1/8 "  
grip range .251-.312  
aluminum body, white  
aluminum mandrel



330127-08  
rivet, pop  
dia. 1/8 "  
grip range .325-.565  
aluminum body  
aluminum mandrel



330038  
rivet, pop  
dia. .150 (#20 bit)  
grip range .126-.250  
aluminum body  
aluminum mandrel  
(used-screen door hinge)



325103  
dia. 1/4 "  
grip range .080-.325  
SS body, steel mandrel

# 2009 INTERSTATE MOTORHOME

## FURNITURE

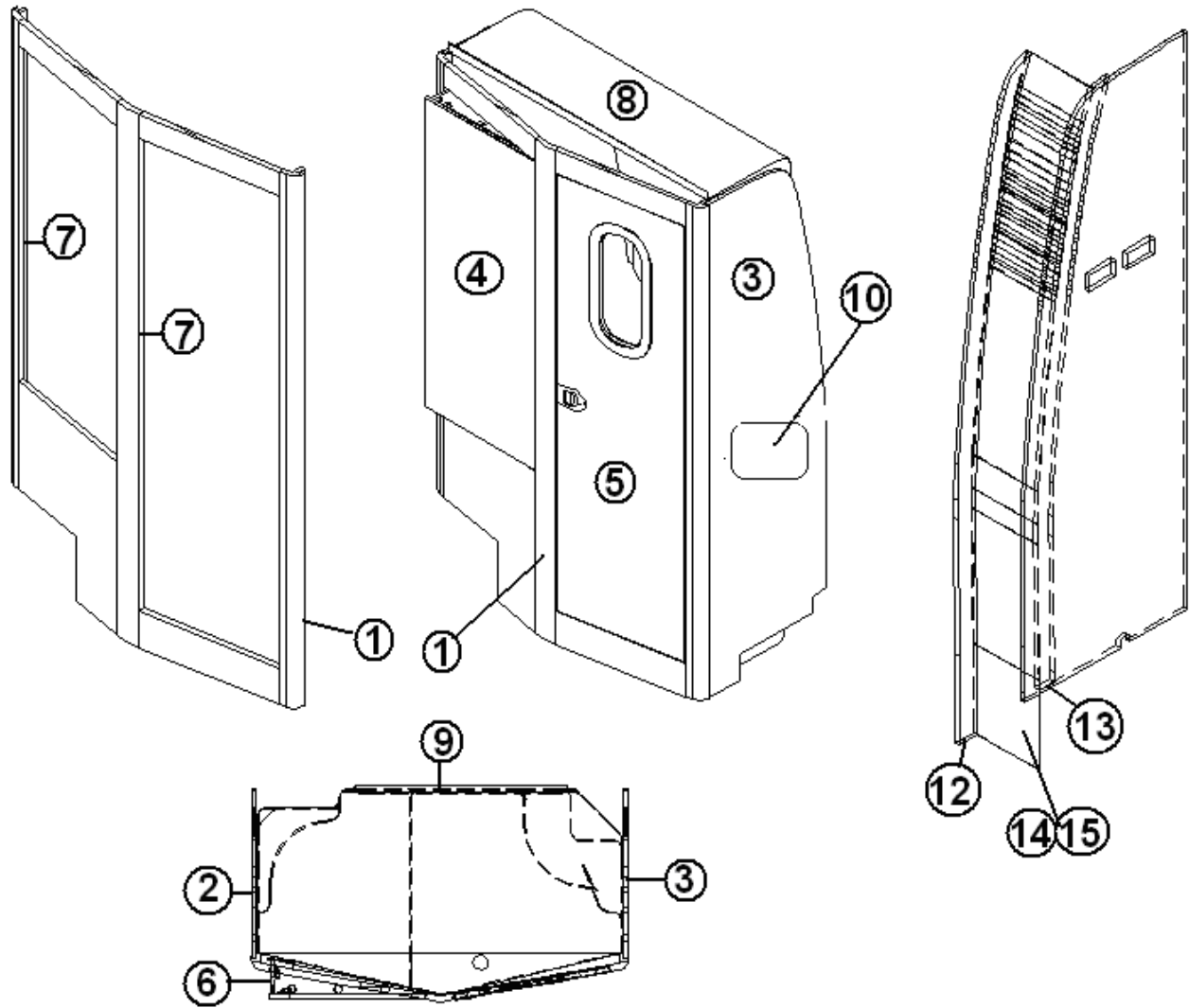
### Linoleum/Mats/Carpet

703659	FLOORING, SAVANNAH
801782	Plywood mat overlay, flooring
703759-16	Floor mat, Cab, Beige, used on Tan color scheme
703759-18	Floor mat, Cab, Gray, used on Grey color scheme
703763	Mat, shower

# 2009 INTERSTATE MOTORHOME

## FURNITURE, BATH

### Wet Bath Module



Part numbers on the next page

# 2009 INTERSTATE MOTORHOME

## FURNITURE, BATH

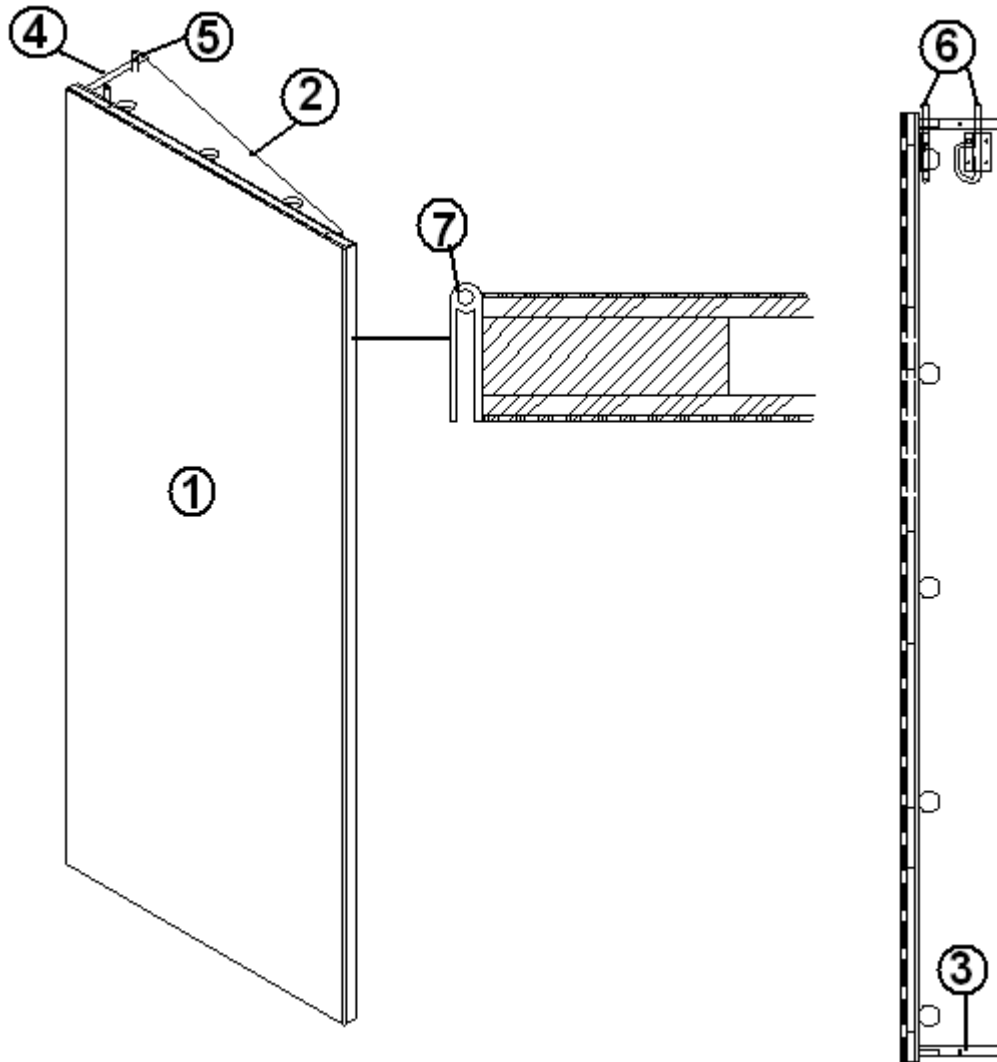
### Wet Bath Module

1. 967217-014	WET BATH FACE ASSEMBLY, G. ALCHEMY
2. 111684-112	PANEL, 20.68 X 64.90
3. 111684-113	PANEL, 20.68 X 73.90
4. 967219-11	DOOR, FORWARD, WET BATH
5. 967218-11	DOOR, AFT, WET BATH
6. 967231-11	CLOSEOUT, FORWARD BATH DOOR
7. 115064	TRIM, ALUMINUM, COUNTER TOP
8. 203265	SHOWER STALL
9. 203637	PADS, SOUND DAMPENER
10. 111684-1110	Panel, 11.88 x 13.88
12. 111684-1112	Panel, 2.25 x 73.14
13. 111684-1113	Panel, 2.00 x 64.40
14. 101131-01	Aluminum, underbelly, 8" x 72.50"
15. 701538-01	Carpet, w/backing
115427	Backer outside panel
115426	Backer, shower panel, front
115428	Backer, shower panel, rear
100097	Curtain track extrusion, aluminum
203641	Shower trim, upper
203642	Shower trim, lower

# 2009 INTERSTATE MOTORHOME

## FURNITURE, BATH

### Lavatory Door, Forward

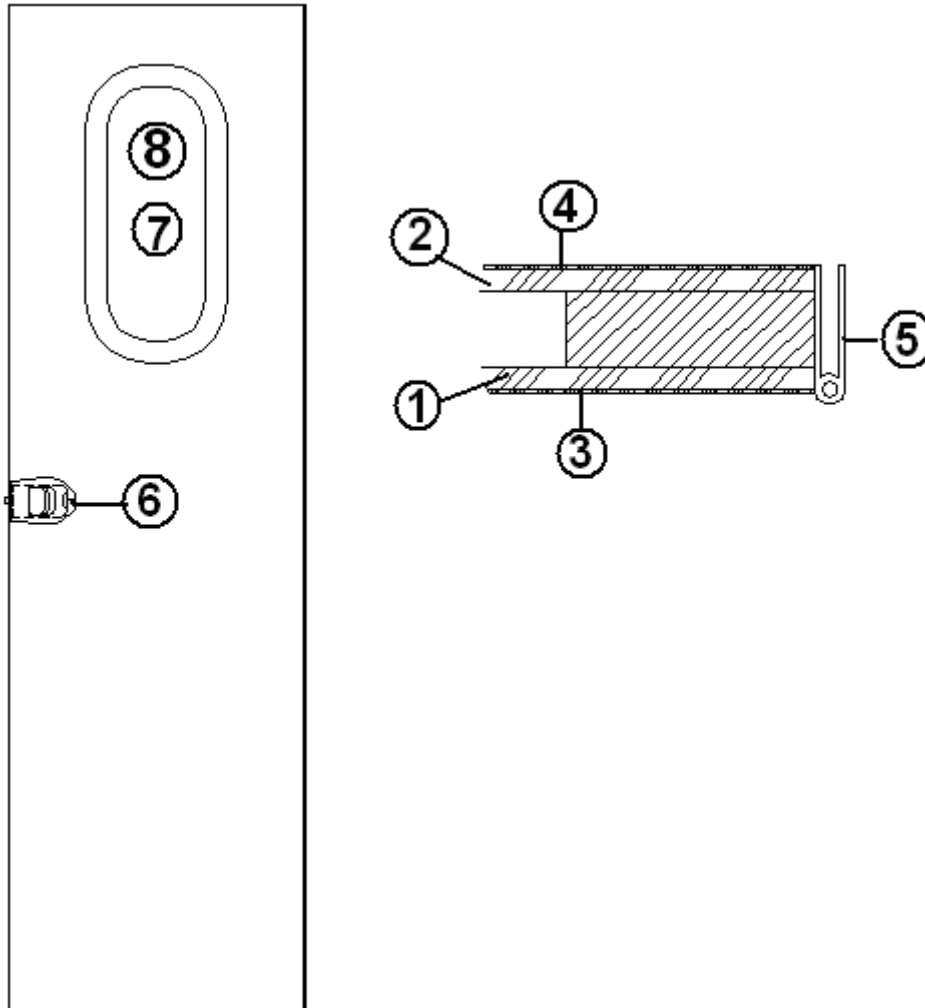


- |                |                                 |
|----------------|---------------------------------|
| 1. 967219-11   | DOOR, FORWARD, WET BATH         |
| 2. 967231-112  | PANEL, 4 x 17                   |
| 3. 967231-113  | PANEL, 4 x 17                   |
| 4. 967231-114  | PANEL, 4 x 45.63                |
| 5. 800573-0114 | MOLDING, DOOR EDGE, 1.09" X 80" |
| 6. 381856      | CATCH, TENSION, 2-BALL          |
| 7. 380458      | PIANO HINGE, 1/8" PIN           |
| 385940-02      | MIRROR PULL, CHROME             |

# 2009 INTERSTATE MOTORHOME

## FURNITURE, BATH

### Lavatory Door, Aft

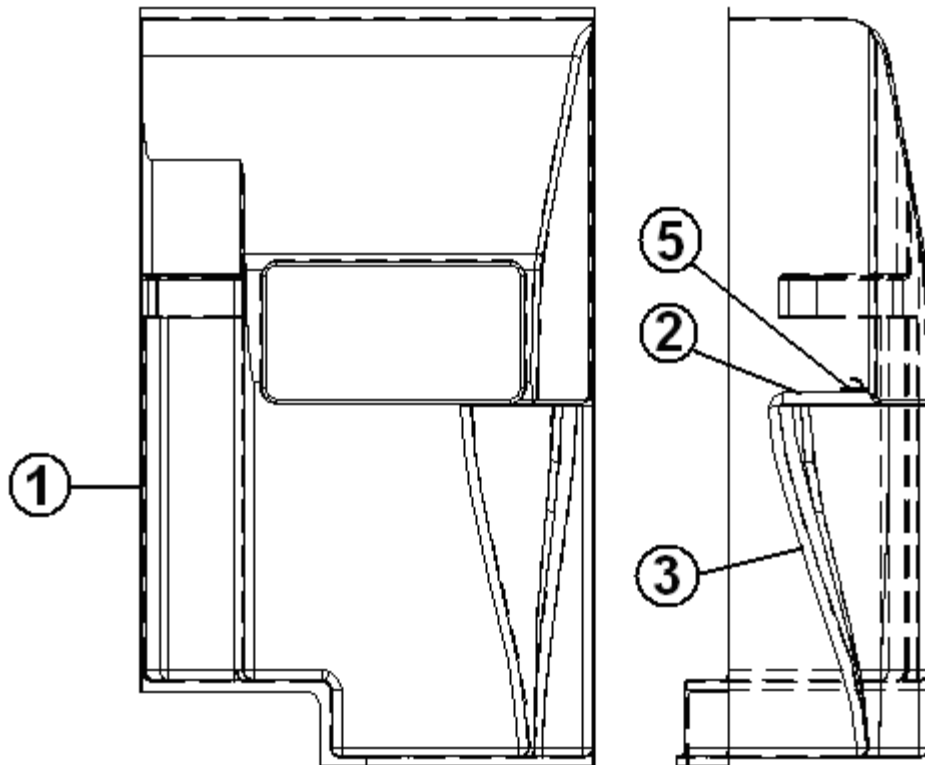


- |               |                                     |
|---------------|-------------------------------------|
| 967218-11     | Lavatory, Aft Door                  |
| 1. 967218-111 | PANEL, 20 x 67                      |
| 2. 967218-112 | PANEL, 20 x 67                      |
| 3. 967218-113 | LAMINATE, VERTICAL, 20" X 67"       |
| 4. 967218-114 | LAMINATE, VERTICAL, 20" X 67"       |
| 5. 380458     | PIANO HINGE, 1/8" PIN               |
| 6. 382055     | LATCH, PRIVACY, OMNI, LAVATORY DOOR |
| 6. 382061     | STRIKER, OMNI FLAT LATCH            |
| 7. 371384     | WINDOW, BATH DOOR                   |
| 8. 203653     | WINDOW CLOSEOFF                     |

# 2009 INTERSTATE MOTORHOME

## FURNITURE, BATH

### Shower Module

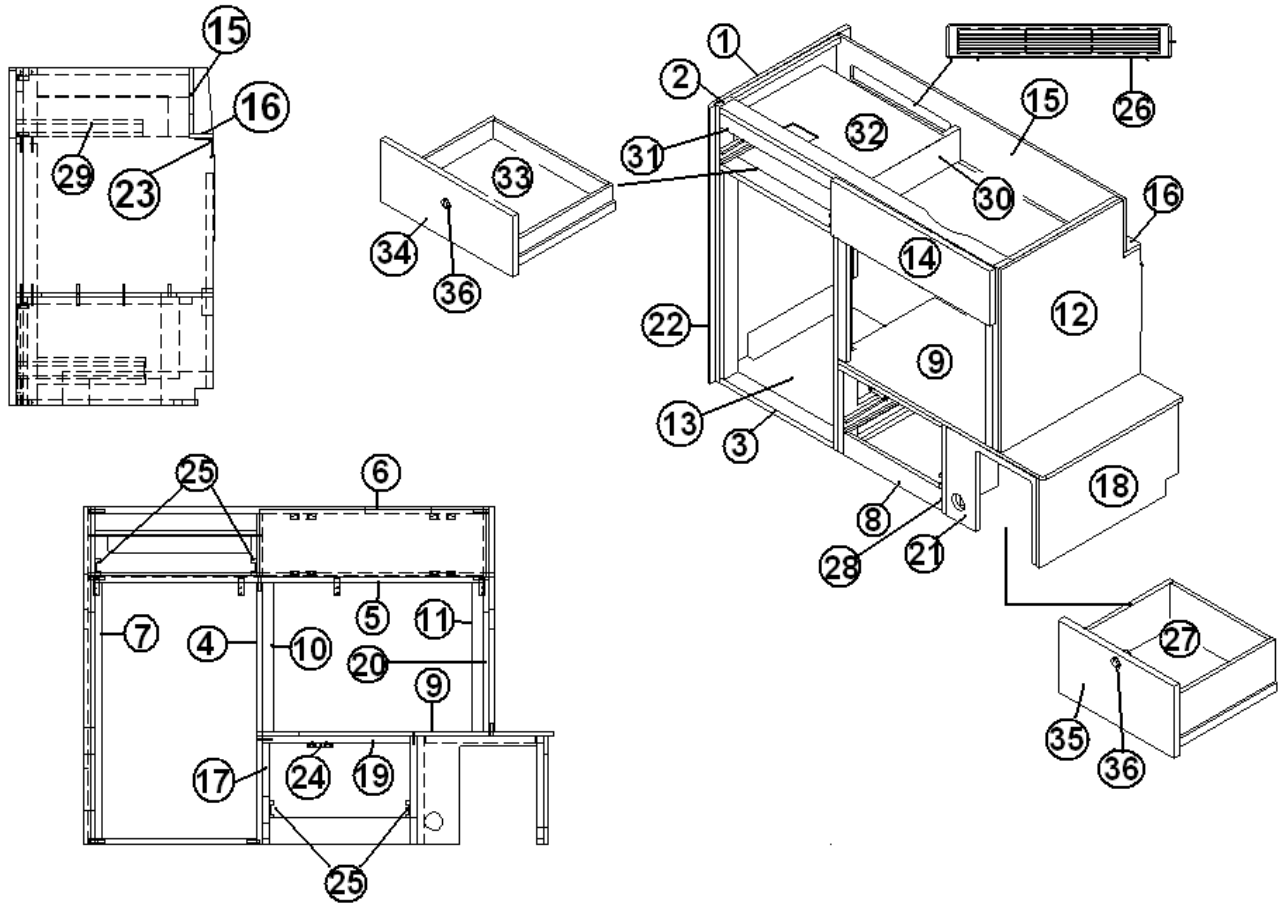


1. 203625 Wet bath shower module (includes sink, under sink access panel, and shower)
  2. 203625-01 Sink, lavatory
  3. 203625-02 Panel, access, under sink
  4. 602175 Dry roll toilet paper holder
  4. 115423 Aluminum backer, toilet paper holder
  5. 602193 Faucet, pullout wet bath
  - 381923 HANDLE-PULL 14.25", SS SATIN BRASS (USED FOR TOWEL BAR)
  - \*382098 Handle, 14.25", Glass Chrome (Towel bar)
  - 195362-39 Strainer, sink drain
- \*Replaced 381923 handle towel bar during model year.

# 2009 INTERSTATE MOTORHOME

## FURNITURE, GALLEY

Galley,



Parts numbers are on the next page



# 2009 INTERSTATE MOTORHOME

## FURNITURE, GALLEY

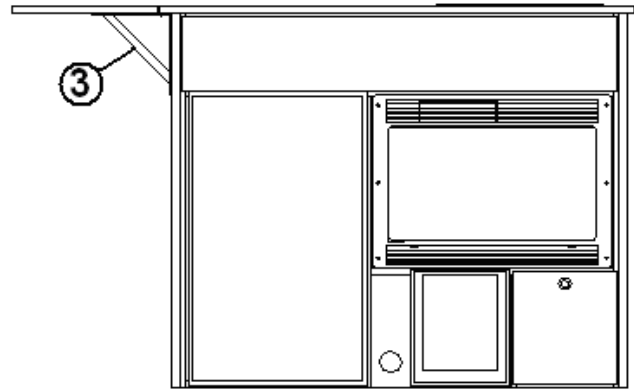
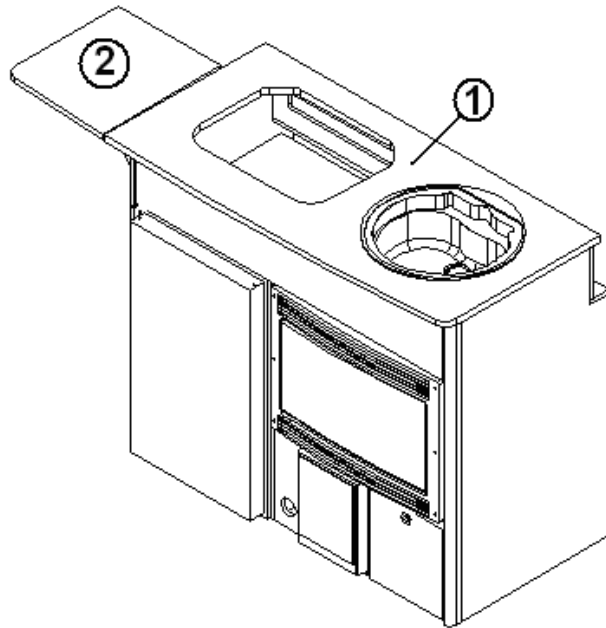
### Galley,

967150-11	GALLEY ASSEMBLY
1. 967150-111	PANEL, 21.12 X 37.25
2. 967150-112	PANEL, 2.25 X 37.25
3. 967150-113	PANEL, 2.25 X 17.75
4. 967150-114	PANEL, 16.00 X 29.00
5. 967150-115	PANEL, 2.25 X 42.75
6. 967150-116	PANEL, 2.25 X 42.75
7. 967150-117	PANEL, 2.25 X 28.25
8. 967150-118	PANEL, 15.50 X 3
9. 967150-119	PANEL, 21.72 X 32.75
10. 967150-1110	PANEL, 1.25 X 16.50
11. 967150-1111	PANEL, 1.25 X 16.50
12. 967150-1112	PANEL, 21.72 X 24.75
13. 967150-1113	PANEL, 18.50 X 17.75
14. 967150-1114	PANEL, 7.37 X 24.87
15. 967150-1115	PANEL, 7.25 X 44.75
16. 967150-1116	PANEL, 2.72 X 45.75
17. 967150-1117	PANEL, 14.25 X 11.25
18. 967150-1118	PANEL, 21.7 X 12.00
19. 967150-1119	PANEL, 2.25 X 16.25
20. 967150-1120	PANEL, 2.25 X 24.75
21. 967150-1121	PANEL, 14.00 X 12.00
22. 801706-0014	CORNER TRIM, 90 DEG, SILVER
23. 380264	CORNER BRACKET
24. 381228-01	CATCH GRABBER DOOR
25. 381400	DRAWER SLIDE, 14", PAIR
26. 386206	LOUVERED VENT
27. 967229-11	DRAWER BOX ASSEMBLY, GALLEY
28. 967150-1131	PANEL, 18.00 X 12.00
29. 967150-1132	PANEL, 14.00 X 4.38
30. 967150-1133	PANEL, 18.00 X 6.75
31. 967150-1134	PANEL, 17.75 X 1.75
32. 801507-01	PANEL, 19.25 x 14.50
33. 967314-11	DRAWER BOX, GALLEY, UPPER
34. 967314-111	PANEL, UPPER GALLEY DRAWER FRONT
35. 967229-111	PANEL, LOWER GALLEY DRAWER FRONT
36. 382059-01	KNOB, PUSH/PULL
200980-01	Tray, silverware, 9" x 13.25" x 1.75"

# 2009 INTERSTATE MOTORHOME

## FURNITURE, GALLEY

### Galley Top



1. 967232-11

GALLEY TOP, LAMINATE, STANDARD GREY

1. 967232-06

GALLEY TOP, LAMINATE, OPTIONAL TAN

1. 967243-01

GALLEY TOP, SOLID SURFACE, BEECH

1. 967243-02

GALLEY TOP, SOLID SURFACE, PEWTER

2. 967233-11

GALLEY FLIP SHELF, LAMINATE, STANDARD

GREY

2. 967233-06

GALLEY FLIP SHELF, LAMINATE, OPTIONAL TAN

2. 967244-01

GALLEY FLIP SHELF, SOLID SURFACE, BEECH

2. 967244-02

GALLEY FLIP SHELF, SOLID SURFACE, PEWTER

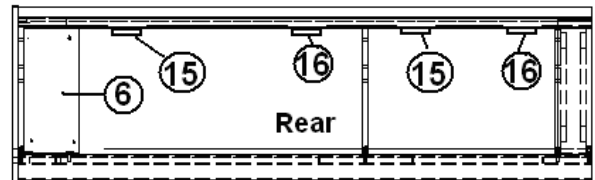
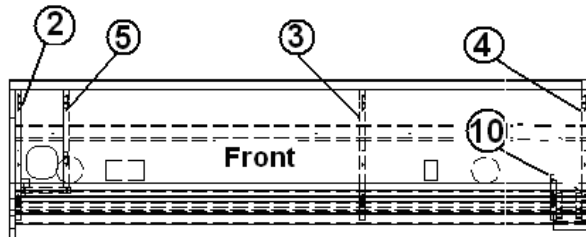
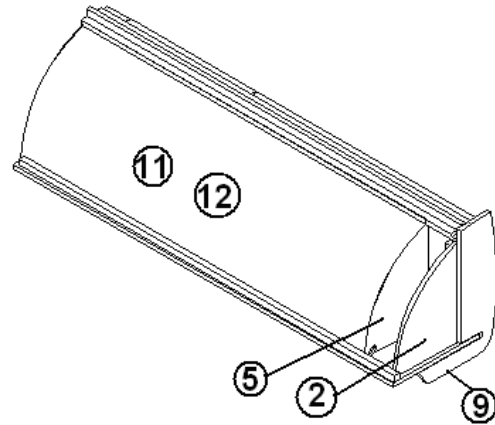
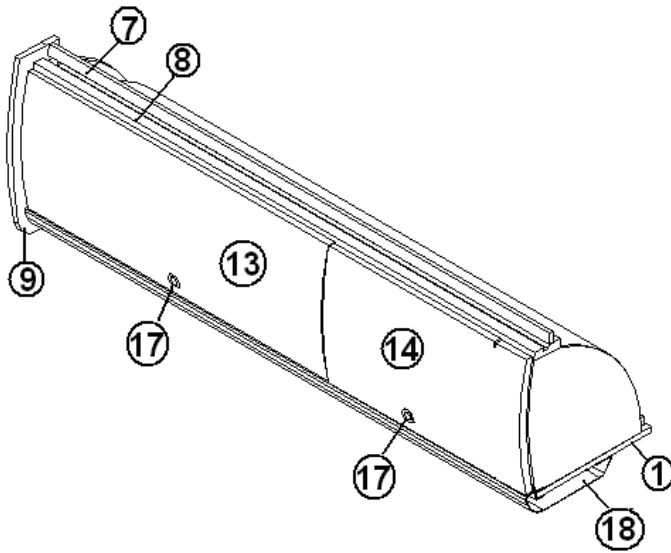
3. 381614

BRACKET, FOLDING SHELF

# 2009 INTERSTATE MOTORHOME

## FURNITURE, GALLEY

Roof Locker, Roadside, 53"



# 2009 INTERSTATE MOTORHOME

## FURNITURE, GALLEY

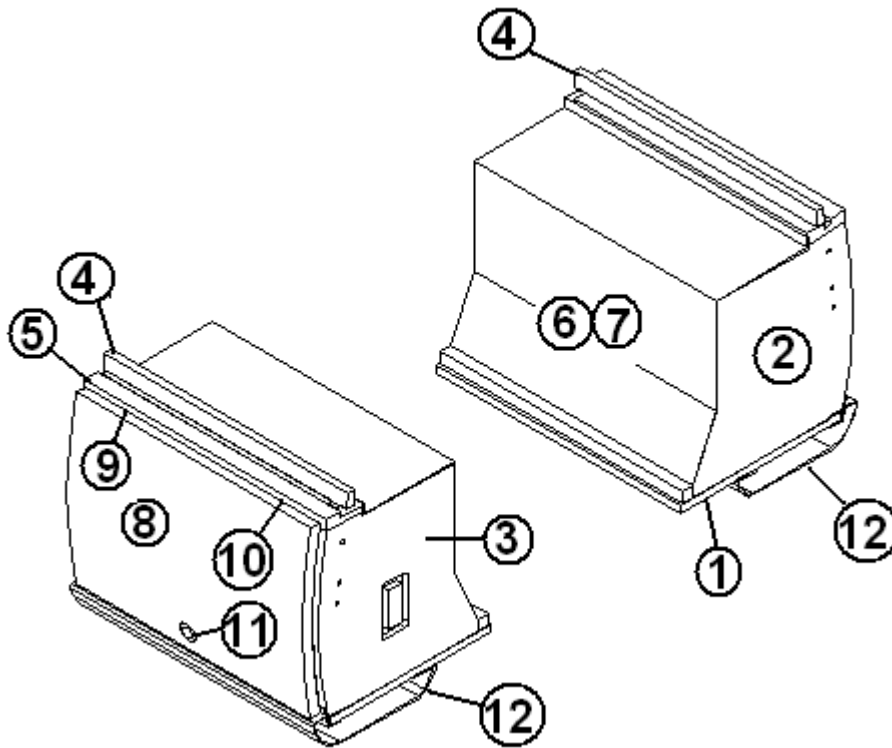
### Roof Locker, Roadside, 53"

967222-11	Roof locker, roadside, 53"
1. 967222-111	Panel, 12.00 x 53.02
2. 967222-112	Panel, 11.83 x 12.12
3. 967222-113	Panel, 11.83 x 12.12
4. 967222-114	Panel, 11.83 x 12.12
5. 967222-115	Panel, 8.88 x 12.00
6. 967222-116	Panel, 4.50 x 12.00
7. 967222-117	Panel, 1.00 x 52.50
8. 967222-118	Panel, 2.75 x 52.50
9. 967222-119	Panel, 10.15 x 16.46
10. 967222-1110	Panel, 2.41 x 10.07
11. 115405-03	Roof locker back, aluminum, 48"
12. 701538-01	Carpet, Econoliner, PSA
13. 801785-0114	Door, radius, 12.38" x 31.50"
14. 801785-0714	Door, radius, 12.38" x 20.50"
15. 381840-01	Hinge, LH
16. 381840-02	Hinge, RH
17. 382059-01	Knob, push/pull
18. 115406	Roof locker extrusion, 37.63"

# 2009 INTERSTATE MOTORHOME

## FURNITURE, GALLEY

### Roof Locker, Roadside, 18"

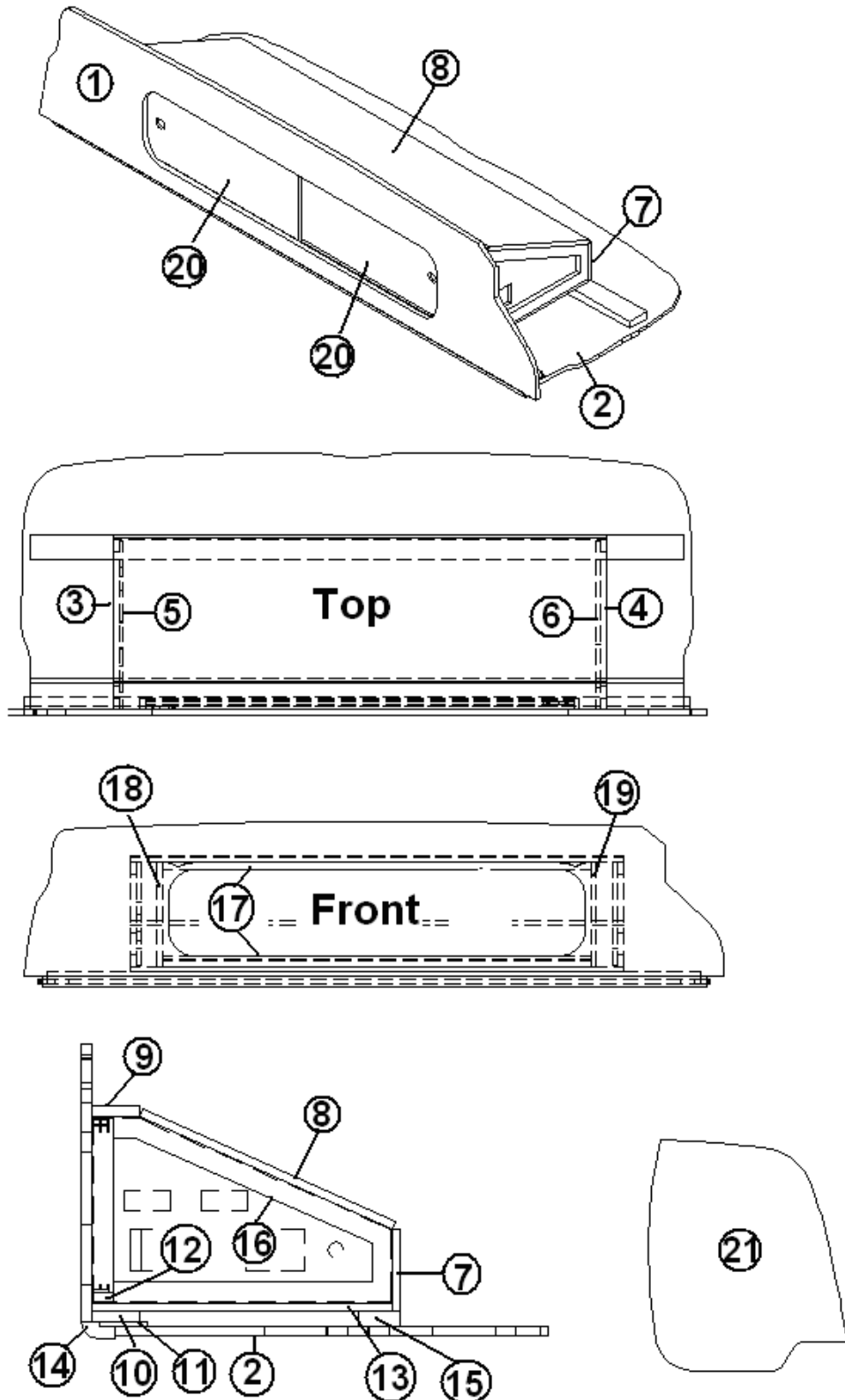


967235-11	Roof locker, Roadside, 18"
1. 967235-111	Panel, 12.00 x 18.00
2. 967235-112	Panel, 11.83 x 12.12
3. 967235-113	Panel, 11.83 x 12.12
4. 967235-114	Panel, 1.00 x 18.00
5. 967235-115	Panel, 2.75 x 18.00
6. 115405-04	Roof locker back, aluminum, 18"
7. 701538-01	Carpet, Econoliner, PSA
8. 801785-0414	Door, radius, 12.38" x 17.38"
9. 381840-01	Hinge, LH
10. 381840-02	Hinge, RH
11. 382059-01	Knob, push/pull
12. 115406	Roof locker extrusion, 18"

# 2009 INTERSTATE MOTORHOME

## FURNITURE, GALLEY

### Roof Locker, Front End



III-14

# 2009 INTERSTATE MOTORHOME

## FURNITURE, GALLEY

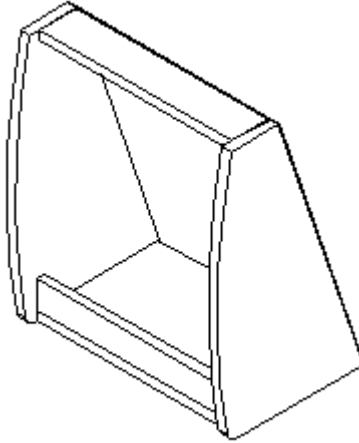
### Roof Locker, Front End

967238-11	Roof Locker, Front End
1. 967238-111	Panel, 13.12 x 58.94
2. 967238-112	Panel, 20.50 x 56.50
3. 967238-113	Panel, 8.79 x 14.25
4. 967238-114	Panel, 8.79 x 14.25
5. 967238-115	Panel, 8.67 x 14.13
6. 967238-116	Panel, 8.67 x 14.13
7. 967238-117	Panel, 3.88 x 41.50
8. 967238-118	Panel, 13.12 x 41.50
9. 967238-119	Panel, 2.25 x 41.50
10. 967238-1110	Panel, 2.25 x 55.00
11. 967238-1111	Panel, 2.25 x 55.00
12. 967238-1112	Panel, 1.00 x 36.00
13. 967238-1113	Panel, 14.25 x 41.50
14. 801706-0014	Corner trim, 90 degree, silver
15. 850082	Poplar, 2"
16. 701538-01	Carpet, Econoliner, PSA
17. 203480	Sliding door track
18. 967238-1122	Panel, 1.00 x 8.00
19. 967238-1123	Panel, 1.00 x 8.00
20. 203633-01	Door, Plexiglas, 7.88" x 18.50"
21. 967228-11	End cap, roof locker 14.58" X 16.46"

# 2009 INTERSTATE MOTORHOME

## FURNITURE, GALLEY

### Front Shelf Closeout Assembly



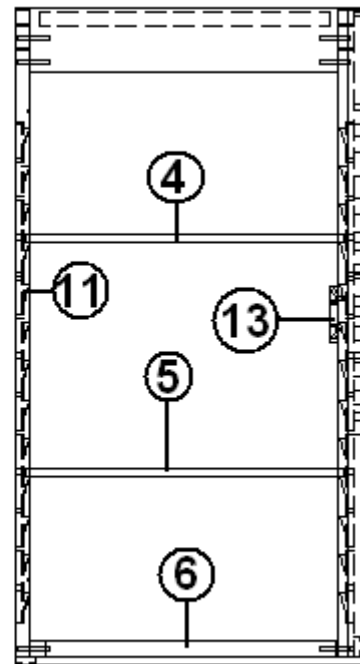
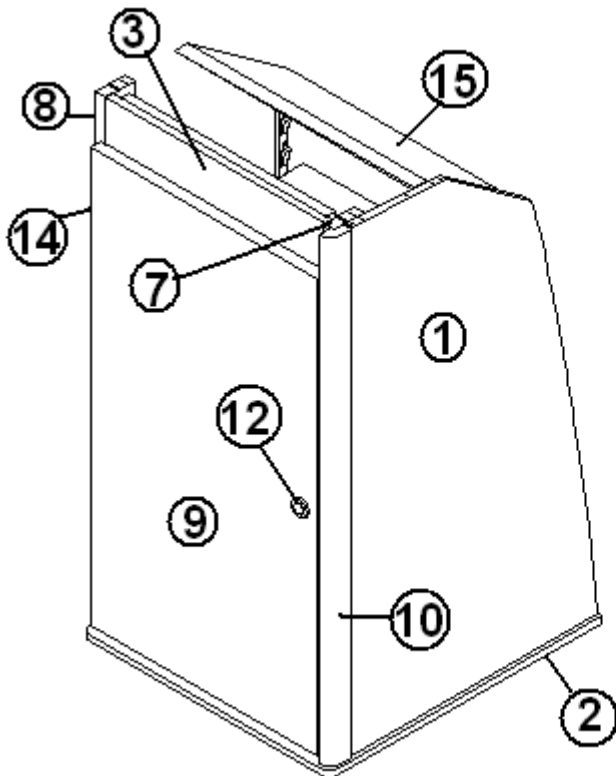
967328-11      Front Shelf Closeout Assembly



# 2009 INTERSTATE MOTORHOME

## FURNITURE, LOUNGE

### Wardrobe, Hanging

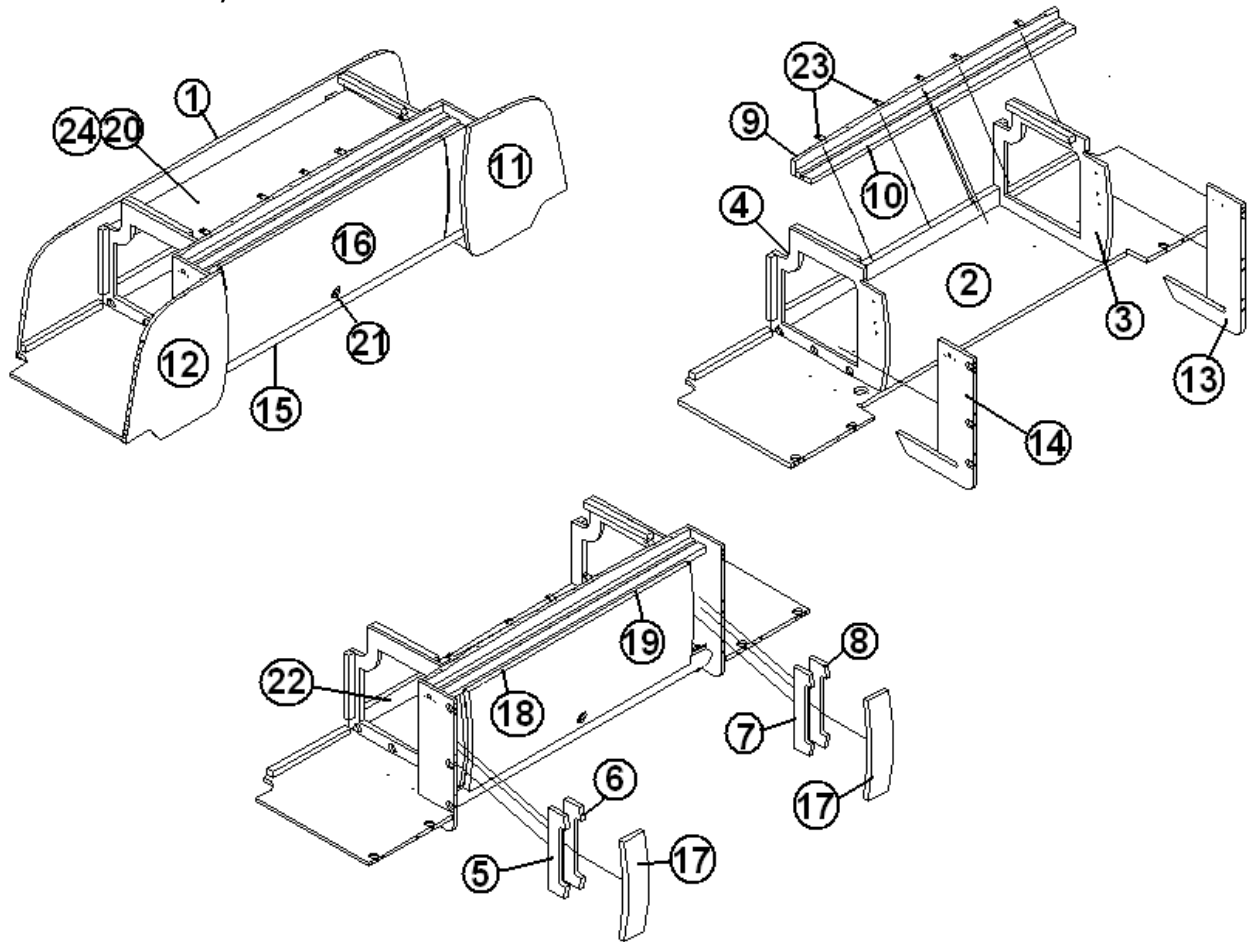


967204-11	Wardrobe, Hanging
1. 967204-111	PANEL, 18.07 X 33.50
2. 967204-112	PANEL, 18.25 X 19.88
3. 967204-113	PANEL, 16.00 X 3.25
4. 967204-115	PANEL, 14.75 X 16.50
5. 967204-116	PANEL, 17.25 X 16.50
6. 967204-117	PANEL, 2.25 X 16.00
7. 967204-118	PANEL, 2.25 X 33.50
8. 967204-119	PANEL, 2.25 X 33.50
9. 967204-1110	PANEL, 16.63 X 30.25
10. 801706-0014	CORNER TRIM, 90 DEG, SILVER
11. 381527	SPEEDY SHELF STRIPS
12. 382059-01	KNOB, PUSH/PULL
13. 381228-01	DOOR, GRABBER CATCH
14. 381607	HINGE, DOOR
15. 967234	WIRE COVER ASSEMBLY
115420	Wardrobe close off

# 2009 INTERSTATE MOTORHOME

## FURNITURE, LOUNGE

### Roof Locker, Center Rear



# 2009 INTERSTATE MOTORHOME

## FURNITURE, LOUNGE

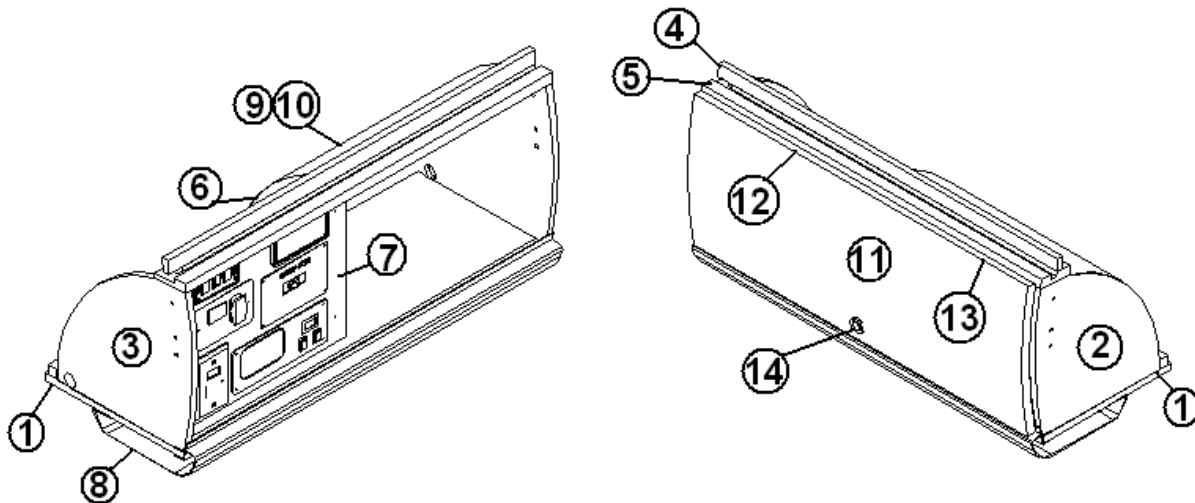
### Roof Locker, Center Rear

967220-11	Roof locker, rear center
1. 967220-111	Panel, 12.56 x 56.02
2. 967220-112	Panel, 18 x 62.63
3. 967220-113	Panel, 16.36 x 14.04
4. 967220-114	Panel, 16.36 x 14.04
5. 967220-115	Panel, 2.19 x 10.02
6. 967220-116	Panel, 2.19 x 10.02
7. 967220-117	Panel, 2.19 x 10.02
8. 967220-118	Panel, 2.19 x 10.02
9. 967220-119	Panel, 2.21 x 37.63
10. 967220-1110	Panel, 2.25 x 37.63
11. 967220-1111	Panel, 13.76 x 16.46
12. 967220-1112	Panel, 13.76 x 16.46
13. 967220-1113	Panel, 10.96 x 16.46
14. 967220-1114	Panel, 10.96 x 16.46
15. 115406	Roof locker extrusion, 37.63"
16. 801785-0114	Door, radius, 12.38" x 31.50"
17. 801785-0514	Door, radius, 12.38" x 2.88"
18. 381840-01	Hinge, LH
19. 381840-02	Hinge, RH
20. 115412	Rear locker closeout, aluminum
21. 382059-01	Knob, push/pull
22. 850082	Poplar, 2"
23. 380041	"L" bracket
24. 701538-01	Carpet, econoliner

# 2009 INTERSTATE MOTORHOME

## FURNITURE, LOUNGE

### Roof Locker, Curbside Rear

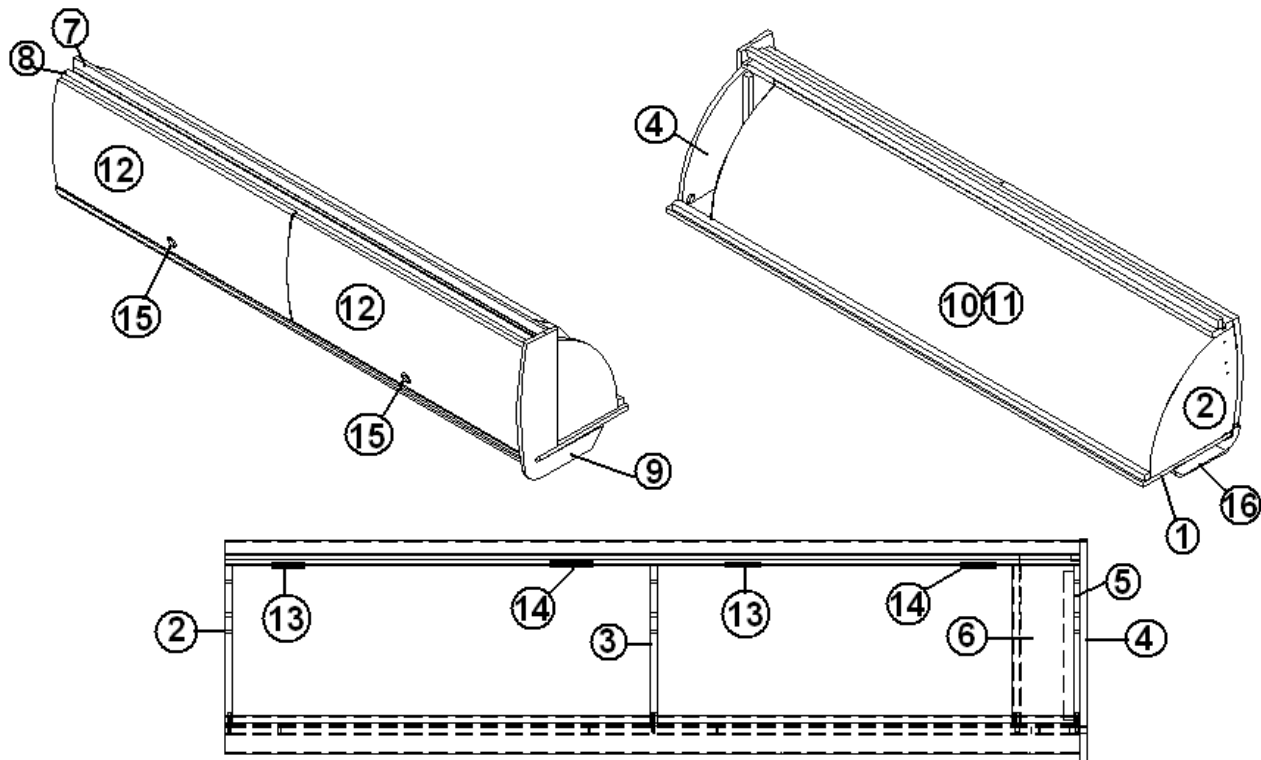


967221-11	Roof locker, curbside rear
1. 967221-111	Panel, 12.00 x 32.00
2. 967221-112	Panel, 11.83 x 12.12
3. 967221-113	Panel, 11.83 x 12.12
4. 967221-114	Panel, 1.00 x 32.00
5. 967221-115	Panel, 2.75 x 32.00
6. 967221-117	Panel, 8.88 x 12.00
7. 967221-118	Panel, 15.38 x 12.00
8. 115406	Roof locker extrusion, 37.63"
9. 115405-01	Aluminum roof locker back
10. 701538-01	Carpet, econoliner
11. 801785-0114	Door, radius, 12.38" x 31.50"
12. 381840-01	Hinge, LH
13. 381840-02	Hinge, RH
14. 382059-01	Knob, push/pull

# 2009 INTERSTATE MOTORHOME

## FURNITURE, LOUNGE

### Roof Locker, Roadside Rear

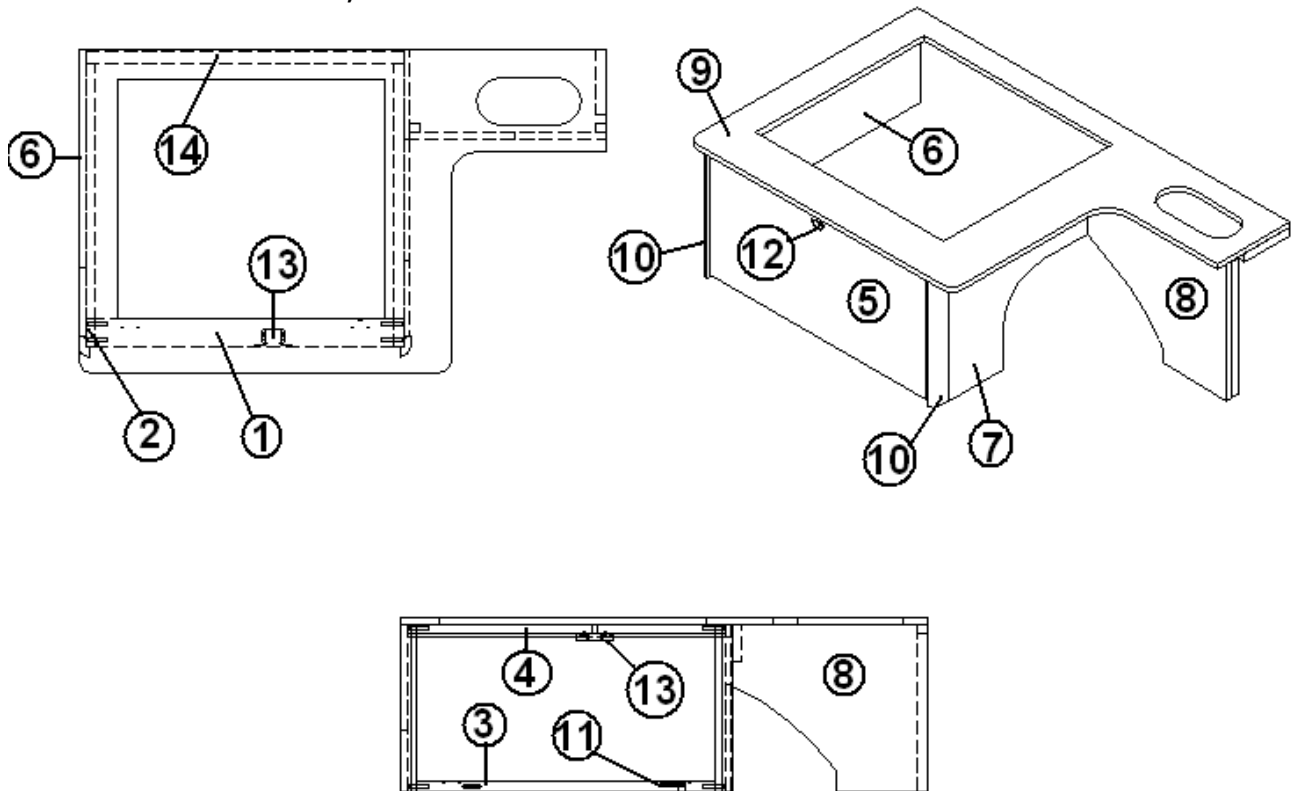


967223-11	Roof locker, roadside rear
1. 967223-111	Panel, 12.00 x 64.02
2. 967223-112	Panel, 11.83 x 12.12
3. 967223-113	Panel, 11.83 x 12.12
4. 967223-114	Panel, 11.83 x 12.12
5. 967223-115	Panel, 8.88 x 12.00
6. 967223-116	Panel, 4.50 x 12.00
7. 967223-117	Panel, 1.00 x 63.50
8. 967223-118	Panel, 2.75 x 63.50
9. 967223-1110	Panel, 10.15 x 16.46
10. 115405-02	Aluminum roof locker back, 59"
11. 701538-01	Carpet, econoliner
12. 801785-0114	Door, radius, 12.38" x 31.50"
13. 381840-01	Hinge, LH
14. 381840-02	Hinge, RH
15. 382059-01	Knob, push/pull
16. 115406	Roof locker extrusion, 63.50"

# 2009 INTERSTATE MOTORHOME

## FURNITURE, LOUNGE

### Dinette Seat Base, Curbside

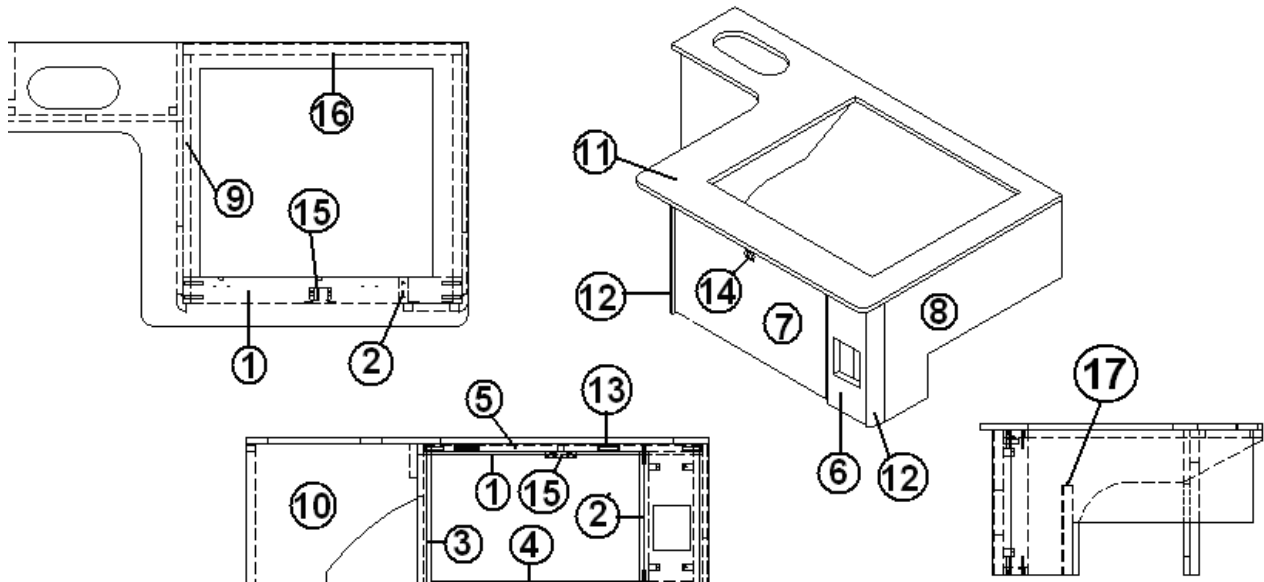


967239-11	Dinette Seat base, Curbside
1. 967239-111	Panel, 2.25 x 13.12
2. 967239-112	Panel, 2.25 x 13.12
3. 967239-113	Panel, 2.25 x 23.50
4. 967239-114	Panel, 2.25 x 23.50
5. 967239-115	Panel, 24.13 x 12.24
6. 967239-116	Panel, 22.50 x 13.12
7. 967239-117	Panel, 22.50 x 13.12
8. 967239-118	Panel, 15.36 x 13.12
9. 967239-119	Panel, 25.31 x 41.42
10. 801706-0014	Corner trim, 90 degree, silver
11. 381607	Hinge
12. 382059-01	Knob, push/pull
13. 381228-01	Grabber catch, door
14. 114812	Angle, aluminum, 1" x 1"
967239-1118	Closeout, 8 x 25

# 2009 INTERSTATE MOTORHOME

## FURNITURE, LOUNGE

### Dinette Seat Base, Roadside

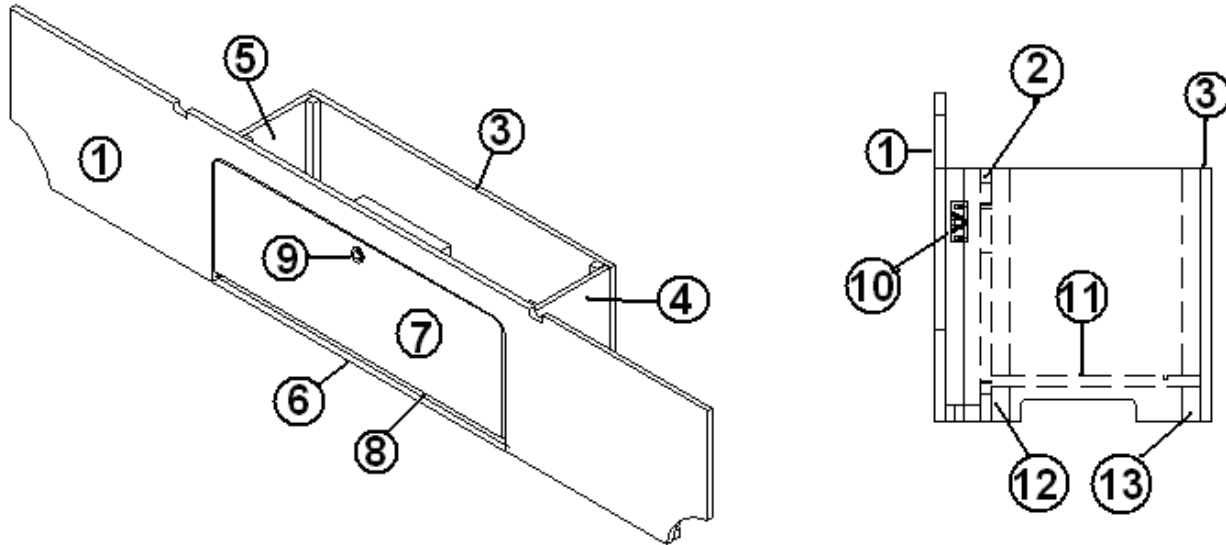


967240-11	Dinette Seat base, roadside
1. 967240-111	Panel, 2.25 x 13.12
2. 967240-112	Panel, 2.25 x 11.62
3. 967240-113	Panel, 2.25 x 13.12
4. 967240-114	Panel, 2.25 x 23.50
5. 967240-115	Panel, 2.25 x 23.50
6. 967240-116	Panel, 4.94 x 13.12
7. 967240-117	Panel, 19.25 x 12.24
8. 967240-118	Panel, 22.75 x 13.12
9. 967240-119	Panel, 22.5 x 13.12
10. 967240-1110	Panel, 10.36 x 13.12
11. 967240-1111	Panel, 25.31 x 41.42
12. 801706-0014	Corner trim, 90 degree, silver
13. 381607	Hinge
14. 382059-01	Knob, push/pull
15. 381228-01	Grabber catch, door
16. 114812	Angle, aluminum, 1" x 1"
17. 967240-1121	Panel, closeout, 8 x 25

# 2009 INTERSTATE MOTORHOME

## FURNITURE, LOUNGE

### Sofa, Rear, Seat Base



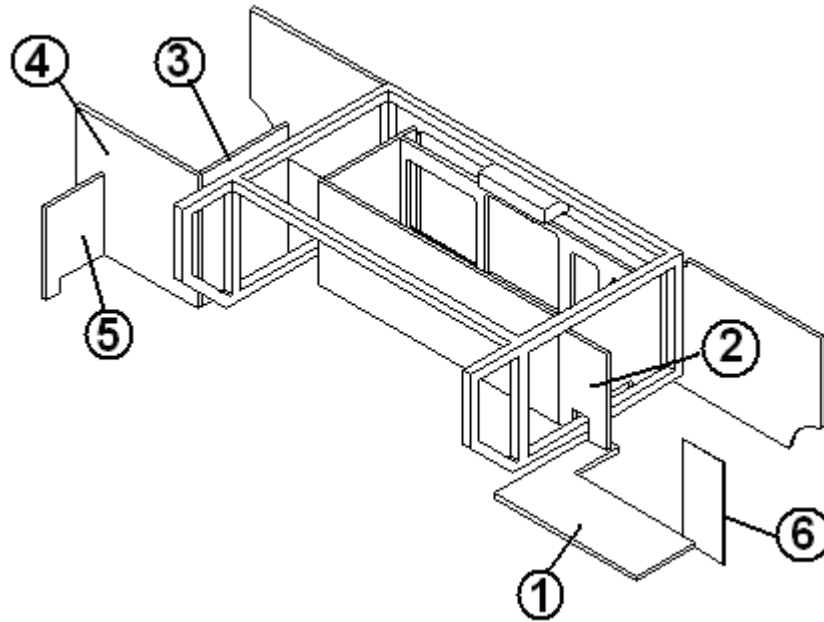
967241-11	Dinette Seat base, roadside
1. 967241-111	Panel, 13.50 x 69.59
2. 967241-112	Panel, 29.13 x 11.00
3. 967241-113	Panel, 30.25 x 11.00
4. 967241-114	Panel, 9.50 x 11.00
5. 967241-115	Panel, 9.50 x 11.00
6. 967241-116	Panel, 1.13 x 29.50
7. 967241-117	Panel, 28.88 x 10.00
8. 380458	Hinge, piano, copper
9. 382059-01	Knob, push/pull
10. 381228-01	Grabber catch, door
11. 967241-1114	Panel, 9.00 x 8.00
12. 967241-1115	Panel, 1.5 x 8.00
13. 967241-1116	Panel, 1.5 x 8.00
345474	Cap screw, hex head, 1/2" x 1.75"
345476	Cap screw, hex head, 1/2" x 3.5"
345477	Cap screw, hex head, 1/2" x 5"



# 2009 INTERSTATE MOTORHOME

## FURNITURE, LOUNGE

### Sofa, Rear, Seat Base Close Outs

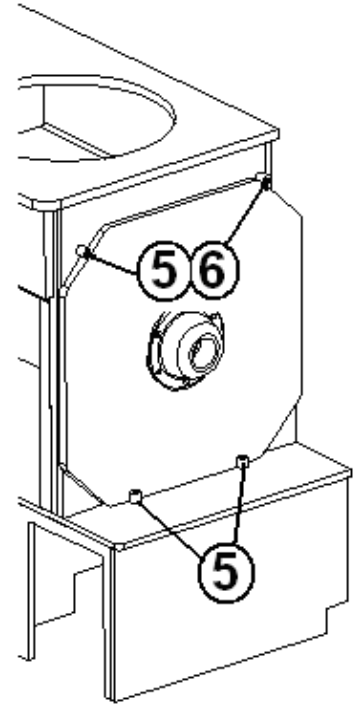
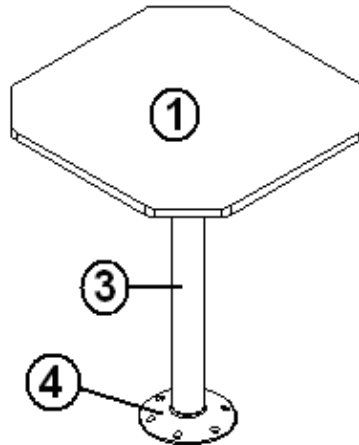
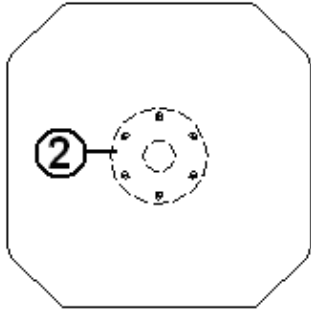


- |               |   |
|---------------|---|
| 1. 967324-111 | Sofa bed close out, 17.5 x 12.5               |
| 2. 967324-112 | Sofa bed close out, 10.25 x 5.75              |
| 3. 967324-113 | Sofa bed close out, 14 x 10.5                 |
| 4. 967324-114 | Sofa bed close out, 14 x 15                   |
| 5. 967324-115 | Sofa bed close out, 9.75 x 7                  |
| 6. 114879-201 | Aluminum sheet cut to Closeout, , 5" x 10.75" |

# 2009 INTERSTATE MOTORHOME

## FURNITURE, LOUNGE

### Table, Pedestal



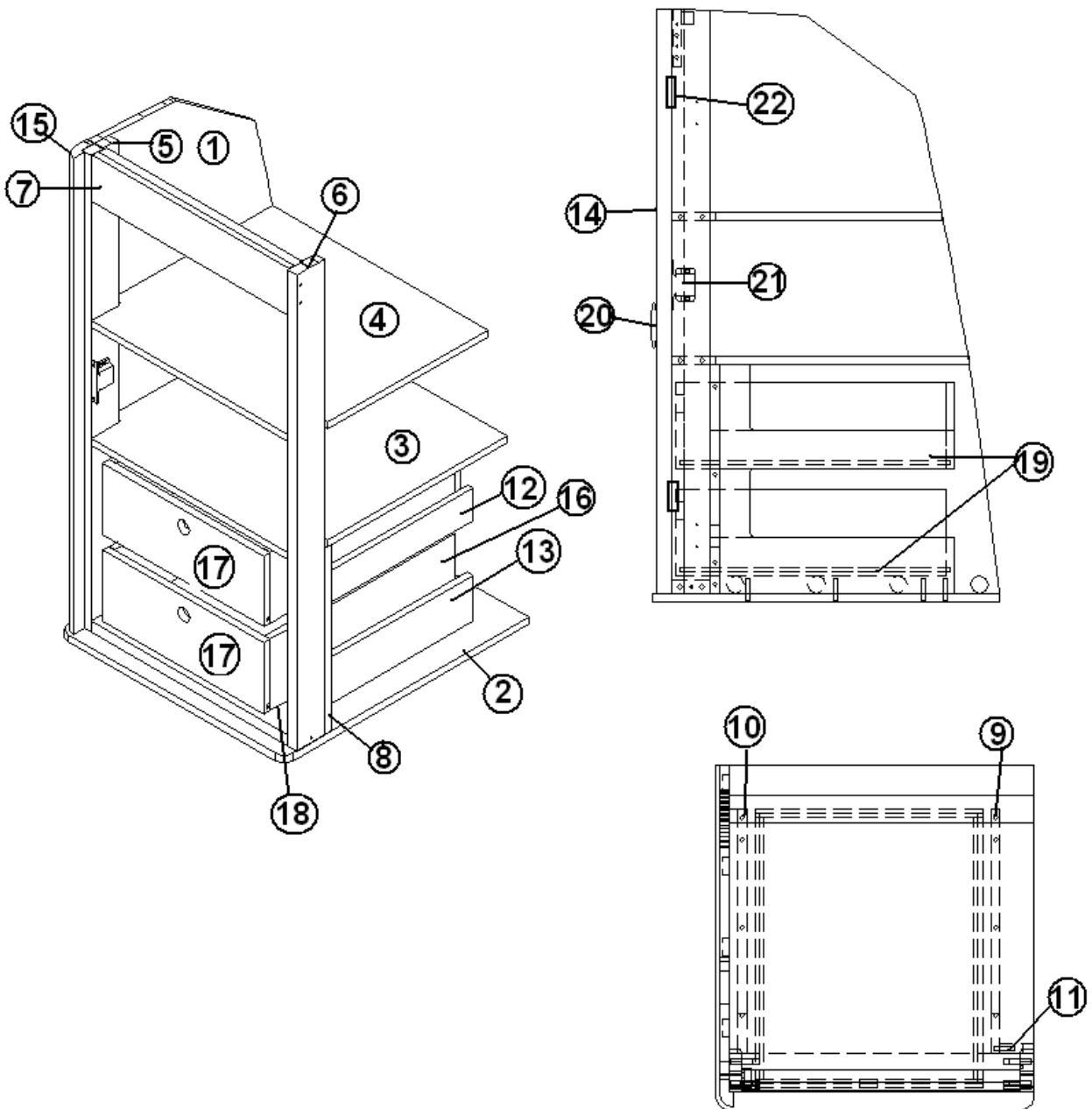
- 967242-11
- 967242-06
- 1. 967242-111
- 1.967242-061
- 2. 381975
- 3. 381974
- 4. 381976
- 5. 381136
- 6. 382078
- 382077

- Table assembly
- Table assembly, solid surface option
- Table top, G. Alchemy
- Table top, solid surface option
- Pedestal socket, table top
- Pedestal leg, thread lock
- Pedestal socket, floor, thread lock
- Rubber bumper
- Screen clip
- Post storage clip, pedestal table

# 2009 INTERSTATE MOTORHOME

## FURNITURE, BEDROOM

### Wardrobe, Hanging, Twin Bedroom



P/Ns are on the next page.

# 2009 INTERSTATE MOTORHOME

## FURNITURE, BEDROOM

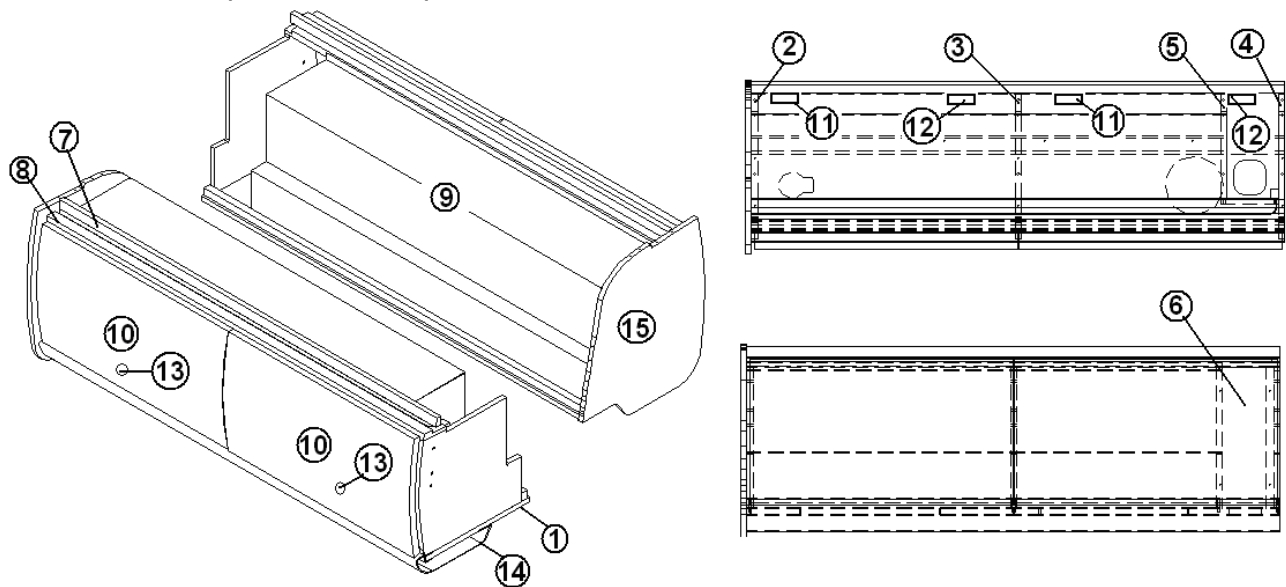
### Wardrobe, Hanging, Twin Bedroom

967461-11	W/R ASSY, HANGING
1. 967461-111	PANEL, W/R 18.07 X 33.50
2. 967461-112	PANEL, W/R 18.25 X 19.88
3. 967461-113	PANEL, W/R 17.06 X 17.50
4. 967461-114	PANEL, W/R 15.5 X 17.50
5. 967461-115	PANEL, W/R 2.25 X 33.50
6. 967461-116	PANEL, W/R 2.25 X 33.50
7. 967461-117	PANEL, W/R 3.25 X 16
8. 967461-118	PANEL, W/R 2.25 X 16
9. 967461-119	PANEL, W/R 14 X 13.13
10. 967461-1110	PANEL, W/R 14 X 13.13
11. 967461-1111	PANEL, W/R 13.13 X 1.94
12. 967461-1112	PANEL, W/R 2.25 X 14
13. 967461-1113	PANEL, W/R 3.25 X 14
14. 967461-1114	PANEL, W/R 16.63 X 30.25
15. 801706-0014	CORNER TRIM
16. 801262-08	DRAWER SIDE, 5" X 15"
17. 967461-0017	DRAWER FRONT, 5" X 13.06"
18. 801262-07	DRAWER BOTTOM, 15.50" X 12.56"
19. 381400	SLIDE DRAWER, 2900-14" P
20. 382059-01	KNOB-PUSH/PULL SUGATSUNE
21. 381228-01	CATCH GRABBER DOOR
22. 381607	HINGE ASSY
967234	COVER ASSY-WIRE

# 2009 INTERSTATE MOTORHOME

## FURNITURE, BEDROOM

### Roof Locker, Roadside, Twin Bedroom

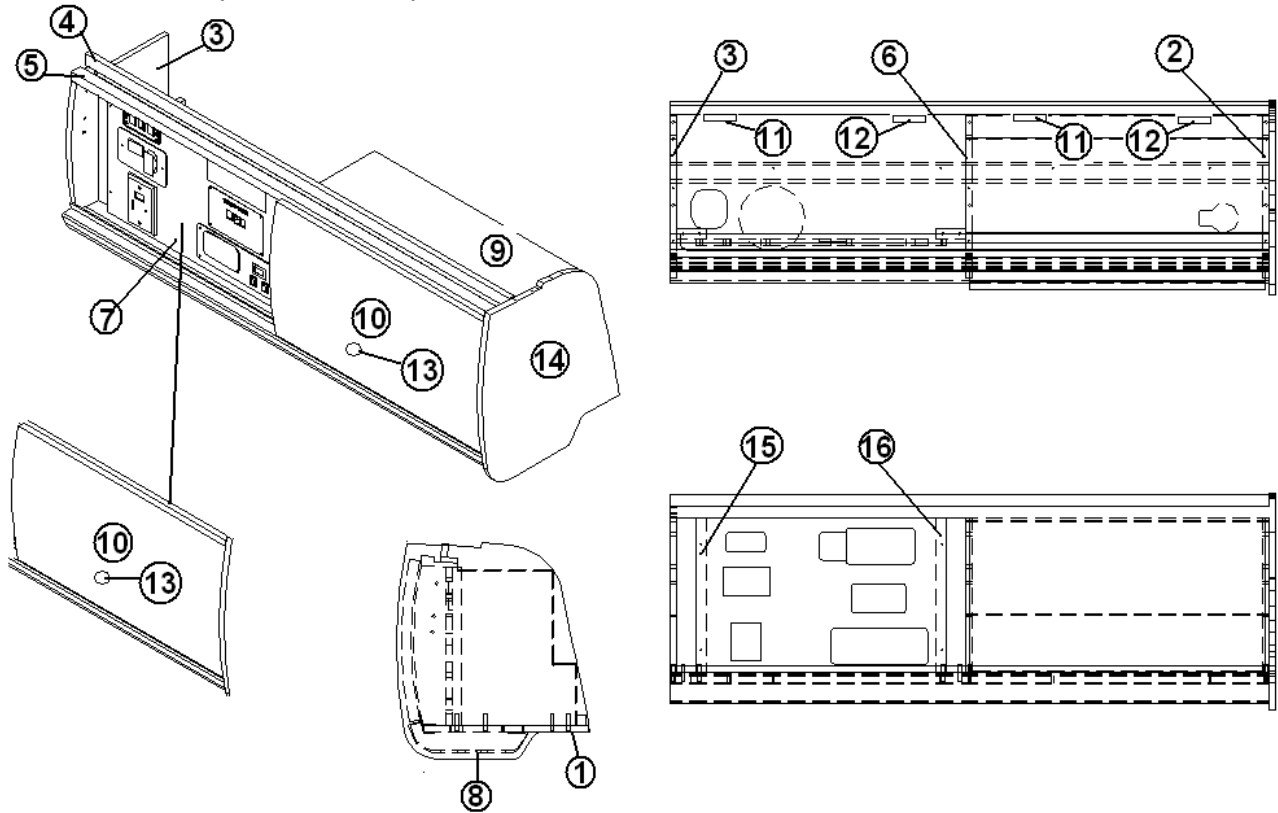


967465-11	R/L ASSY-RS AFT
1. 967465-111	PANEL, AFT R/L 12.5 X 45.50
2. 967465-112	PANEL, AFT R/L 12.28 X 12.12
3. 967465-113	PANEL, AFT R/L 12.28 X 12.12
4. 967465-114	PANEL, AFT R/L 12.28 X 12.12
5. 967465-115	PANEL, AFT R/L 8.84 X 11.73
6. 967465-116	PANEL, AFT R/L 5 X 12.00
7. 967465-117	PANEL, AFT R/L 1 X 45.50
8. 967465-118	PANEL, AFT R/L 2.75 X 45.50
9. 115473-02	BACK, ALUM.R/L. 40.5"
10. 801785-0214	DOOR, PLYFOAM RADIUS, 12.38 X 28.13
11. 381840-01	HINGE, OVERHEAD SPRING, LH
12. 381840-02	HINGE, OVERHEAD SPRING, RH
13. 382059-01	KNOB, PUSH/PULL, SUGATSUNE
14. 115406	EXTRUSION, R/L 9.075" WIDE ALUMINUM
15. 967463-11	ENDCAP, ROOFLOCKER

# 2009 INTERSTATE MOTORHOME

## FURNITURE, BEDROOM

### Roof Locker, Curbside, Twin Bedroom



967466-11

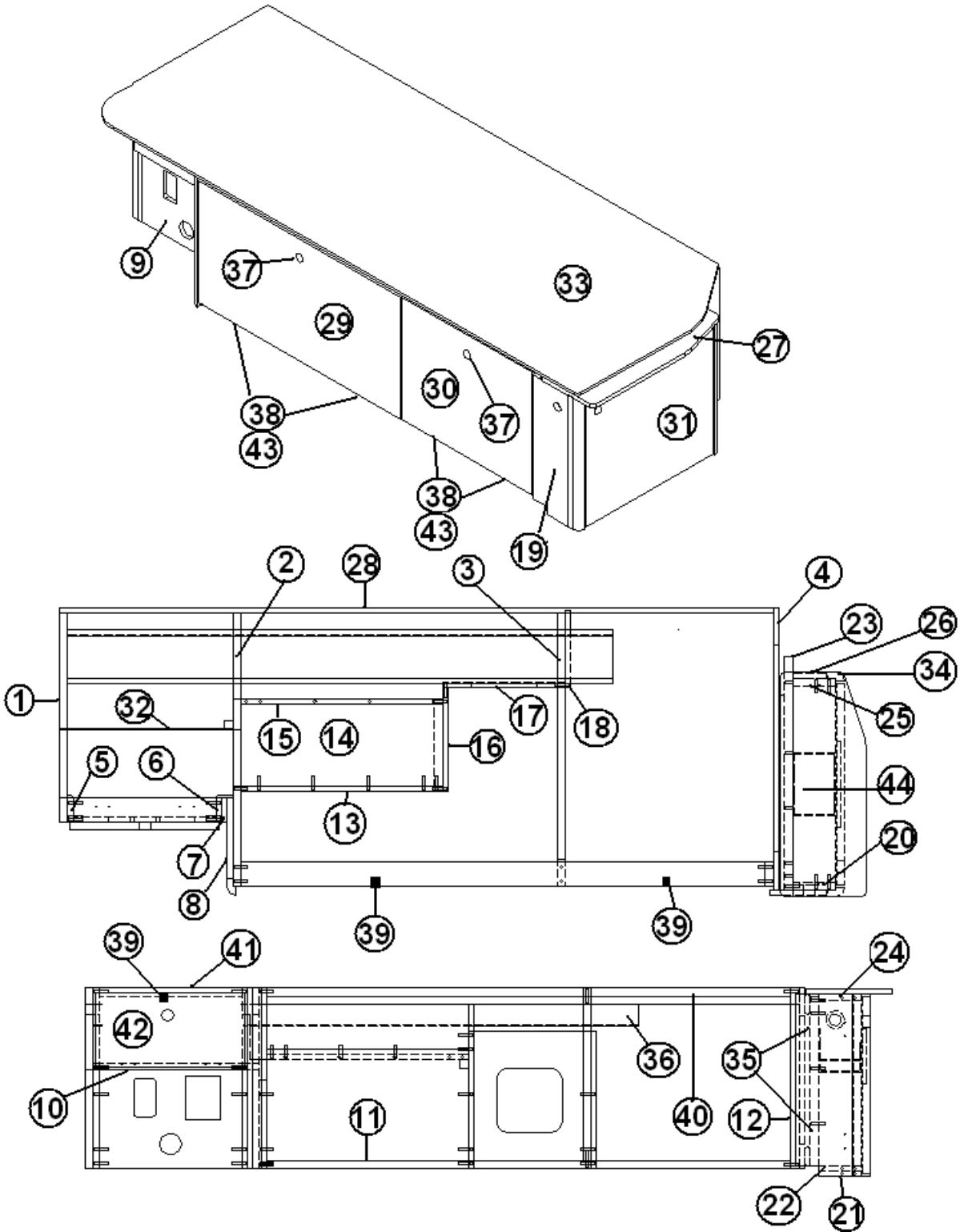
R/L ASSY, CS

- |                 |  |
|-----------------|--|
| 1. 967466-111   | PANEL, CS R/L, 12.5 X 45.50              |
| 2. 967466-112   | PANEL, CS R/L, 12.28 X 12.12             |
| 3. 967466-113   | PANEL, CS R/L, 12.28 X 12.12             |
| 4. 967466-114   | PANEL, CS R/L, 1 X 45.50                 |
| 5. 967466-115   | PANEL, CS R/L, 2.75 X 45.50              |
| 6. 967466-117   | PANEL, CS R/L, 12.28 X 12.12             |
| 7. 967466-118   | PANEL, CS R/L, 19 X 12.00                |
| 8. 115406       | EXTRUSION, R/L 9.075" WIDE ALUM          |
| 9. 115473-03    | BACK, ALUMINUM R/L, 23"                  |
| 10. 801785-0814 | DOOR, PLYFOAM 35", RADIUS, 12.38 X 22.44 |
| 11. 381840-01   | HINGE, OVERHEAD SPRING LH                |
| 12. 381840-02   | HINGE, OVERHEAD SPRING RH                |
| 13. 382059-01   | KNOB, PUSH/PULL SUGATSUNE                |
| 14. 967463-11   | ENDCAP, ROOFLOCKER                       |
| 15. 967466-1122 | PANEL, CS R/L, 2.25 X 12.00              |
| 16. 967466-1123 | PANEL, CS R/L, 2.25 X 12.00              |

# 2009 INTERSTATE MOTORHOME

## FURNITURE, BEDROOM

Bed, Curbside, Twin Bedroom



P/Ns are on the next page.

# 2009 INTERSTATE MOTORHOME

## FURNITURE, BEDROOM

### Bed, Curbside, Twin Bedroom

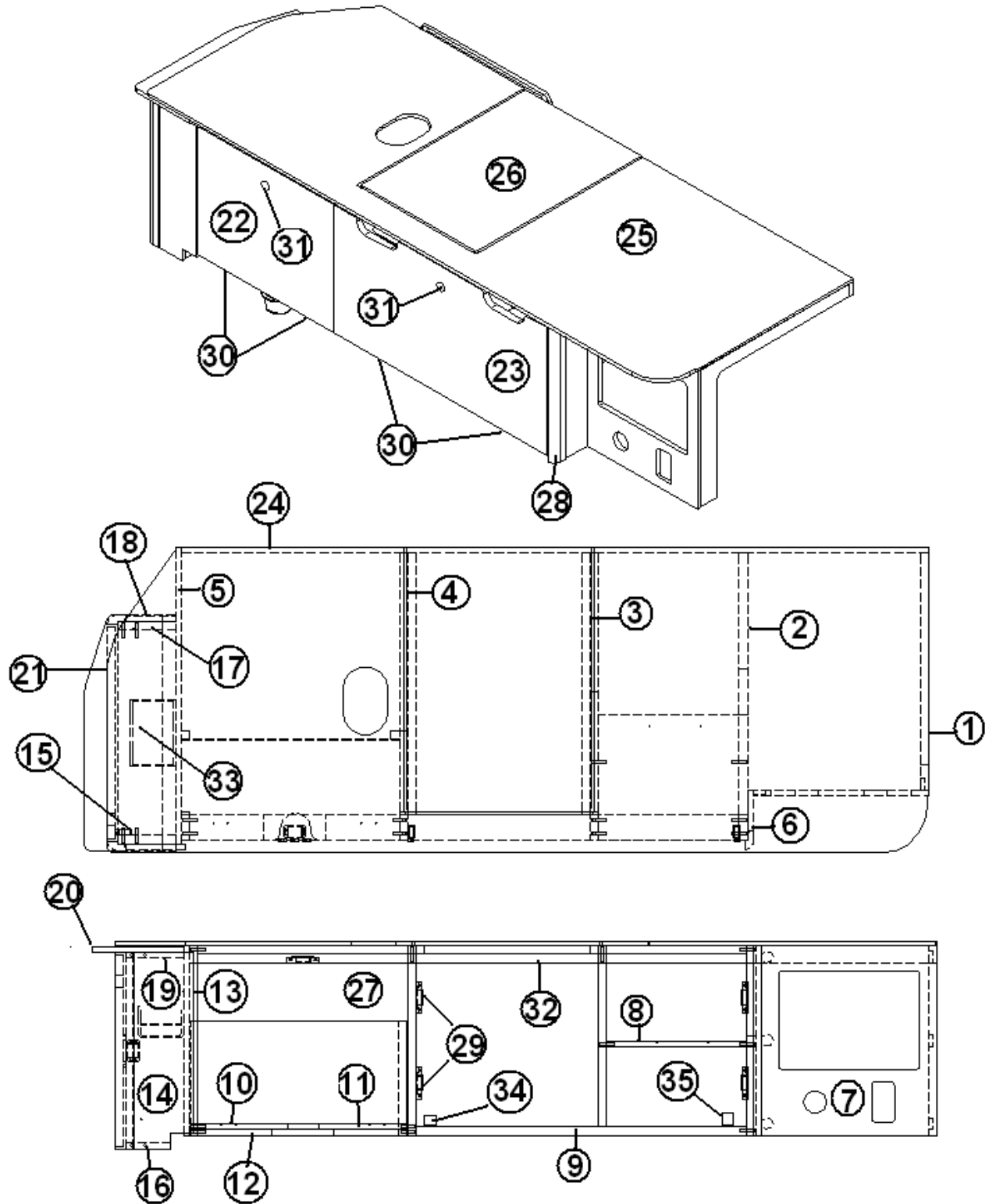
967468-11	BED, CS TWIN
1. 967468-111	PANEL, CS BED, 19.22 X 16.63
2. 967468-112	PANEL, CS BED, 25.09 X 16.63
3. 967468-113	PANEL, CS BED, 25.09 X 15.88
4. 967468-114	PANEL, CS BED, 25.97 X 16.63
5. 967468-115	PANEL, CS BED, 2.25 X 16.63
6. 967468-116	PANEL, CS BED, 2.25 X 16.63
7. 967468-119	PANEL, CS BED, 2.25 X 16.63
8. 967468-1110	PANEL, CS BED, 7.38 X 16.63
9. 967468-1111	PANEL, CS BED, 13.13 X 9.13
10. 967468-1112	PANEL, CS BED, 8.50 X 15.13
11. 967468-1113	PANEL, CS BED, 2.25 X 48.13
12. 967468-1121	PANEL, CS BED, 2.25 X 16.63
13. 967468-1122	PANEL, CS BED, 11 X 18.50
14. 967468-1123	PANEL, CS BED, 8 X 18.50
15. 967468-1124	PANEL, CS BED, 4.63 X 18.50
16. 967468-1125	PANEL, CS BED, 9.5 X 15.13
17. 967468-1126	PANEL, CS BED, 12.63 X 11.25
18. 967468-1127	PANEL, CS BED, 6.75 X 12.63
19. 967468-1128	PANEL, CS BED, 5.19 X 16.75
20. 967468-1129	PANEL, CS BED, 3.88 X 16.75
21. 967468-1130	PANEL, CS BED, 3.88 X 18.00
22. 967468-1131	PANEL, CS BED, 3.88 X 18.00
23. 967468-1132	PANEL, CS BED, 21.5 X 15.81
24. 967468-1133	PANEL, CS BED, 23.5 X 18
25. 967468-1134	PANEL, CS BED, 3.88 X 16.75
26. 967468-1135	PANEL, CS BED, 3.13 X 16.75
27. 967468-1136	PANEL, CS BED, 7.88 X 20.63
28. 967468-1137	PANEL, CS BED, 1.5 X 65.50
29. 967468-1138	PANEL, CS BED, 29.69 X 15.25
30. 967468-1139	PANEL, CS BED, 19 X 15.25
31. 967468-1140	PANEL, CS BED, 18.62 X 16.31
32. 967468-1141	PANEL, CS BED, 5.00 X 15.00
33. 967468-1142	PANEL, CS BED, 26.75 X 72.00
34. 801706-0014	CORNER TRIM
35. 381192	SLIDE, DRAWER, 18"
36. 115475	TROUGH, ALUMINUM HAT SECTION 54"
37. 382044	HANDLE, BRUSHED NICKEL
38. 381607	HINGE ASSY
39. 381228-01	CATCH, GRABBER, DOOR
40. 967468-1150	PANEL, CS BED, 2.25 X 48.13
41. 967468-1151	PANEL, CS BED, 2.25 X 13.13
42. 967468-1152	PANEL, CS BED, 13.75 X 6.00
43. 382094	BRACKET, CORD
44. 381607-03	BASEPLATE, HINGE, PLASTIC



# 2009 INTERSTATE MOTORHOME

## FURNITURE, BEDROOM

Bed, Roadside, Twin Bedroom



P/Ns are on the next page.

# 2009 INTERSTATE MOTORHOME

## FURNITURE, BEDROOM

### Bed, Roadside, Twin Bedroom

967467-11	BED, RS
1. 967467-111	PANEL, TWIN BED, 20.72 X 16.63
2. 967467-112	PANEL, TWIN BED, 25.09 X 16.63
3. 967467-113	PANEL, TWIN BED, 25.09 X 15.88
4. 967467-114	PANEL, TWIN BED, 25.09 X 16.63
5. 967467-115	PANEL, TWIN BED, 25.97 X 16.63
6. 967467-116	PANEL, TWIN BED, 3.63 X 16.63
7. 967467-1110	PANEL, TWIN BED, 15.38 X 16.63
8. 967467-1112	PANEL, TWIN BED, 11 X 12.31
9. 967467-1113	PANEL, TWIN BED, 2.25 X 29
10. 967467-1123	PANEL, TWIN BED, 8.75 X 19.13
11. 967467-1124	PANEL, TWIN BED, 2.25 X 6.75
12. 967467-1125	PANEL, TWIN BED, 2.25 X 6.75
13. 967467-1126	PANEL, TWIN BED, 2.25 X 16.63
14. 967467-1127	PANEL, TWIN BED, 5.19 X 17.19
15. 967467-1128	PANEL, TWIN BED, 5.13 X 17.19
16. 967467-1129	PANEL, TWIN BED, 3.94 X 18
17. 967467-1130	PANEL, TWIN BED, 5.13 X 17.19
18. 967467-1131	PANEL, TWIN BED, 4.38 X 17.19
19. 967467-1132	PANEL, TWIN BED, 5.13 X 18
20. 967467-1133	PANEL, TWIN BED, 8 X 20.63
21. 967467-1134	DOOR, TWIN BED, 16.81 X 18.63
22. 967467-1135	DOOR, TWIN BED, 19 X 15.25
23. 967467-1136	PANEL, TWIN BED, 29.69 X 15.25
24. 967467-1137	PANEL, TWIN BED, 1.5 X 65.5
25. 967467-1138	PANEL, TWIN BED, 26.75 X 72
26. 967467-1139	PANEL, TWIN BED, 16.19 X 23.13
27. 967467-1140	PANEL, TWIN BED, 10.00 X 19.00
28. 801706-0014	CORNER TRIM
29. 381228-01	CATCH, GRABBER, DOOR
30. 381607	HINGE ASSY.
31. 382044	HANDLE, BRUSHED NICKEL
32. 967467-1147	PANEL, TWIN BED, 2.25 X 48.13
33. 382094	BRACKET, CORD ALUMINUM
34. 967467-1149	PANEL, TWIN BED, 3.00 X 3.00
35. 967467-1150	PANEL, TWIN BED, 3.00 X 3.00

## 2009 INTERSTATE MOTORHOME

### FURNITURE, PANELING/INTERIOR DOOR

#### Interior Door/Mirror

203633-01	Door, sliding glass, 7.88" X 18.50"
801785-0114	Door, roof locker, radius, 12.38" x 31.50"
801785-0414	Door, roof locker, radius, 12.38" x 17.38"
801785-0514	Door, roof locker, radius, 12.38" x 25.00"
801785-0714	Door, radius, 12.38" x 20.50"
967218-11	Door assembly, aft bath
967219-11	Door assembly, forward bath
371423-02	Mirror, wall mount, bronze finish.
371423-01	RETAINER CLIP, MIRROR, 1.88"

#### Edge Banding

365238-04	EDGE BAND, WHITE, .50
365238-05	EDGE BAND, CHALK WHITE, .88
365267	EDGE BAND, PLYWOOD, 1.125"
365267-01	EDGE BAND, PLY, .63"
365313-01	EDGE BAND, GOLD ALCHEMY, .63"
365313-02	EDGE BAND, GOLD ALCHEMY, 1.63"
365313-03	EDGE BAND, GOLD ALCHEMY, 1.125"
365268-03	EDGE BAND, TROPICAL OAK, .63"
365304-01	EDGE BAND, SAND CRYSTAL .88"
365305-01	EDGE BAND, BRUSHED ALUMINUM, 15/16"
365305-02	EDGE BAND, BRUSHED ALUMINUM, .63"

## 2009 INTERSTATE MOTORHOME

### FURNITURE, PANELING/INTERIOR DOOR

#### Trim, Wood/Plastic

203445	T-MOLDING, BLACK 9/16"
203445-01	T-MOLDING, WHITE, 9/16"
201673	COVE MOLDING, PLASTIC, WHITE
201673-01	COVER MOLDING, PLASTIC, OAK
203138-01	PLASTIC WALL EXTRUSION, 1/2', WHITE
203138-04	PLASTIC WALL EXTRUSION, 1/2", OAK
203464-01	PLASTIC WALL EXTRUSION, 3/4", OAK
203597	T-MOLDING, WHITE EMBOSSED, 13/16"
203440	T-MOLDING, BLACK EMBOSSED 13/16"
801706-0014	CORNER TRIM, 90 DEGREE, GOLD ALCHEMY
203462-0114	SCREW CAP COVER PVC, GOLD ALCHEMY
800573-0114	MOLDING, DOOR EDGE, G. ALCHEMY, 80"
115064	TRIM, ALUMINUM, COUNTER TOP
801818	Plug, wood, 3/8", tapered
381081-05	Screw head snap cap, light grey

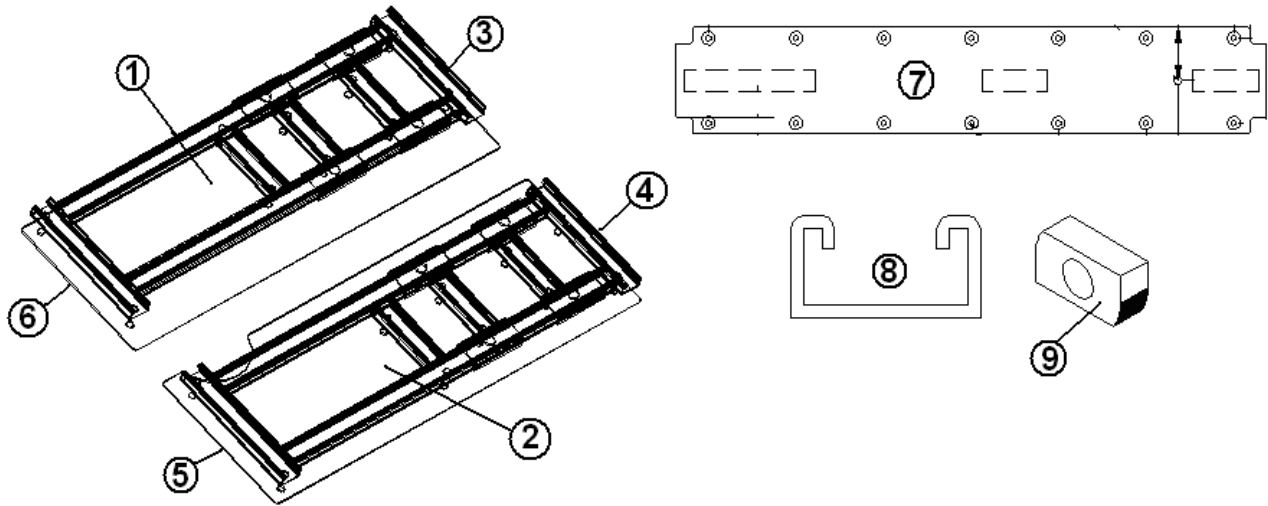
#### Wood Panels/Laminate

801355-01	LAMINATE, FROSTY WHITE VERTICAL
801368	PANEL, 18MM, WHITELINER/WHITELINER
801369	PANEL, 18MM, FROSTY WHITE/WHITELINER
801378	PANEL, 18MM, WHITELINER/BACKER
801438	PANEL, 3MM, WHITELINER/RAW
801725	PANEL, 3MM, BRUSHED STAINLESS STEEL/RAW
801757	PANEL, 18MM, WHITE DÉCOR MAPLE/LINER
801793-01	LAMINATE, GOLD ALCHEMY, VERTICAL
801795	PANEL, 18MM, GOLD ALCHEMY/WHITELINER
801796-01	PANEL, ALCHEMY/ALCHEMY, 18MM, VERITCAL
801797-01	PANEL, ALCHEMY/LINER, 12MM, VERITCAL
801801	PANEL, 12MM, GOLD ALCHEMY/GOLD ALCHEMY
801801-01	PANEL, ALCHEMY/ALCHEMY 12MM, VERITCAL

# 2009 INTERSTATE MOTORHOME

## HARDWARE

### Captains Chair Pedestal Assemblies, 2<sup>nd</sup> Row



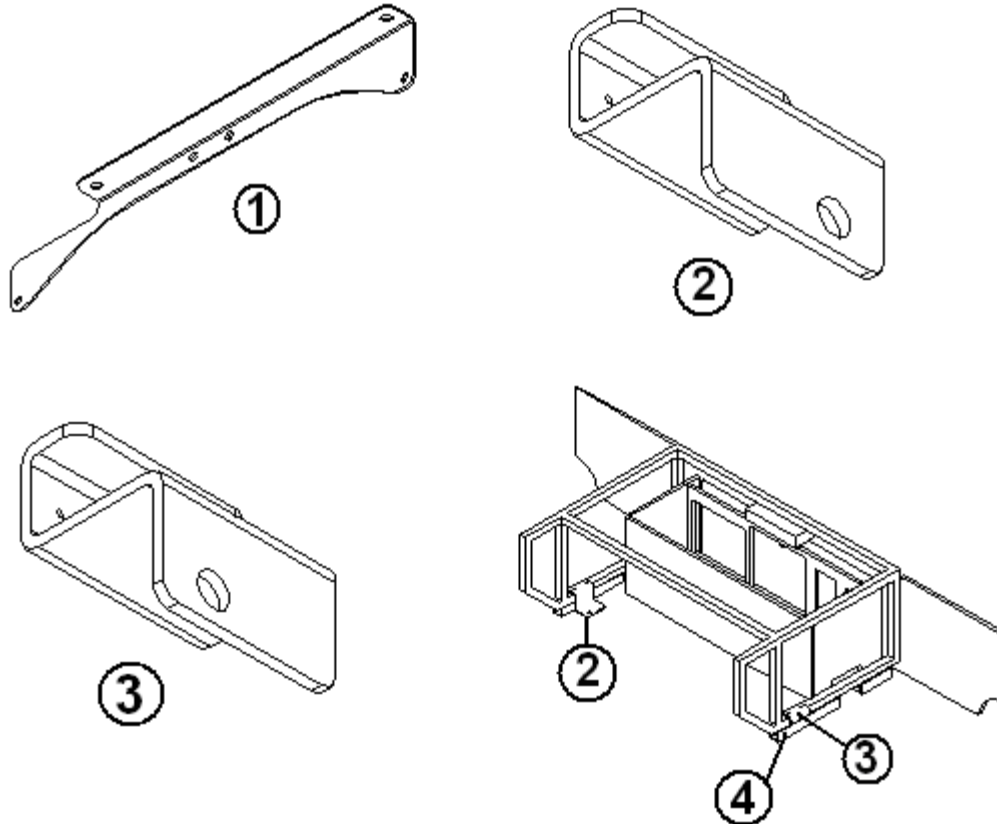
- |              |                                  |
|--------------|----------------------------------|
| 1. 916009-01 | Seat pedestal assembly, roadside |
| 2. 916009-02 | Seat pedestal assembly, curbside |
| 3. 454677-01 | Weldment, roadside seat pedestal |
| 4. 454677-02 | Weldment, curbside seat pedestal |
| 5. 454673-01 | Plate, seat pedestal, w/notch    |
| 6. 454673-02 | Plate, seat pedestal             |
| 7. 454671    | Plate, seat anchor               |
| 8. 454655    | Rail, uni-strut                  |
| 9. 401001    | Nut, 1.37, cam                   |
| *386214      | Seat swivel, driver side         |
| *386214-01   | Seat swivel, passenger side      |
| *386214-02   | Seat swivel hand brake adaptor   |
| *325127      | RIVET, MAGNA LOK .38"            |
| *325128      | RIVET, BULB TITE .25"            |

\*Began using chassis supplied seat swivels on unit 301962 released on 10/16/08.

# 2009 INTERSTATE MOTORHOME

## HARDWARE

### Lounge Seat Belts /Cup Holder



- |              |   |
|--------------|---|
| 1. 454675    | Seat belt bracket                       |
| 2. 454682-01 | Bracket, LH sofa                        |
| 3. 454682-02 | Bracket, RH sofa                        |
| 4. 454684    | Tubing, steel, 1.25" x 1.25"            |
| 382075-01    | Seat belt, 60" belt w/10" buckle, black |
| 382075-02    | Seat belt, 74" belt w/24" buckle, black |
| 203610       | Cup holder, double                      |

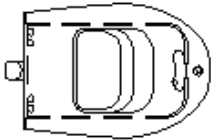
### Clothesline, Retractable

- |        |                          |
|--------|--------------------------|
| 382063 | Clothesline, Retractable |
|--------|--------------------------|

# 2009 INTERSTATE MOTORHOME

## HARDWARE

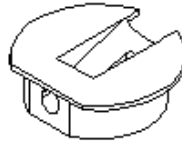
### Handles/Latches/Fastener, Interior



①



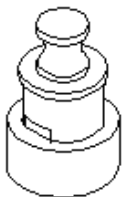
②



③



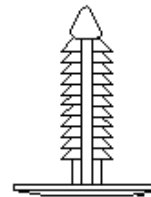
④



⑤



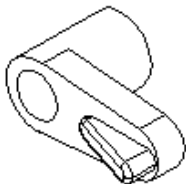
⑥



⑦



⑧



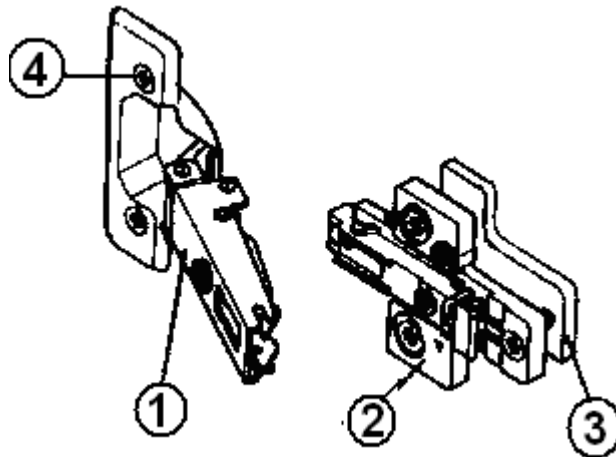
⑨

- |              |  |
|--------------|--|
| 1. 382055    | LATCH, PRIVACY, LAVATORY DOOR          |
| 2. 382061    | STRIKER, LATCH, PRIVACY, LAVATORY DOOR |
| 3. 382057    | KNOCK DOWN FASTENER                    |
| 4. 382057-01 | FASTENER COVER CAP, LIGHT BROWN        |
| 5. 382059-01 | KNOB, PUSH/PULL, CHROME                |
| 6. 386206    | VENT, LOUVERED, BLACK                  |
| 7. 382062    | Fastener, finned, .25"                 |
| 8. 382077    | Post storage clip, pedestal table      |
| 9. 382078    | Screen clip                            |

# 2009 INTERSTATE MOTORHOME

## HARDWARE

### Hinges



- 381607 HINGE ASSY-GRASS EURO
- 1. 381607-01 HINGE-GRASS EURO W/80307 PLASTIC, CABINETS
- 2. 381607-02 BASEPLATE, GRASS HINGE
- 3. 381607-03 BASEPLATE, GRASS PLASTIC
- 4. 381607-04 HINGE SCREW, GRASS
- 380458 HINGE PIANO BROWN, SHOWER DOOR
- 381840-01 HINGE, ROOFLOCKER, SPRING LH #372.
- 381840-02 HINGE, ROOFLOCKER, SPRING RH #372.
- 380203-02 PIANO HINGE, BLACK ANODIZED 72"

### Bath Accessories

- 602175 TOILET ROLL HOLDER, DRYROLL
- 382076 SOAP DISPENSER, 3- BOTTLE, CHROME
- \*381923 HANDLE, PULL, 14.25" (USED FOR TOWEL BAR)
- \*382098 Handle, 14.25", Glass Chrome (Towel bar)
- \*Replaced 381923 handle towel bar during model year.



# 2009 INTERSTATE MOTORHOME

## HARDWARE

### Labels and Tags

386121	Label, LP gas warning label (odor)
386122	Warning label/cooking appliance
385261	CLEANING INSTRUCTION LABEL
386120	Label, smoke detector
385812	LABEL CALIF. HAZARDOUS SUBSTANCE
385465	Exit label, English
386119	LABEL "DO NOT STORE COMBUSTIBLE"
386124	LABEL, REFUELING WARNING
386207	LABEL, CAUTION, DOOR STEP
386222	Sticker, curbside rear door handle
386113	LABEL-RVIA GOLD
386082	LABEL THOR, 5.25" X .75'
386123	LABEL "POTABLE WATER ONLY"
386118	Label, LP gas warning/fill
385062	Decal, 110-125 voltage AC
602205-12	STICKER, INSTRUCTION MACERATOR
602189-03	DECAL, EXTERIOR SHOWER
386147	DECAL-ON/OFF LP REMOTE FILL
386227	LABEL, HITCH WEIGHT RATING

### Detector/Fire Extinguisher

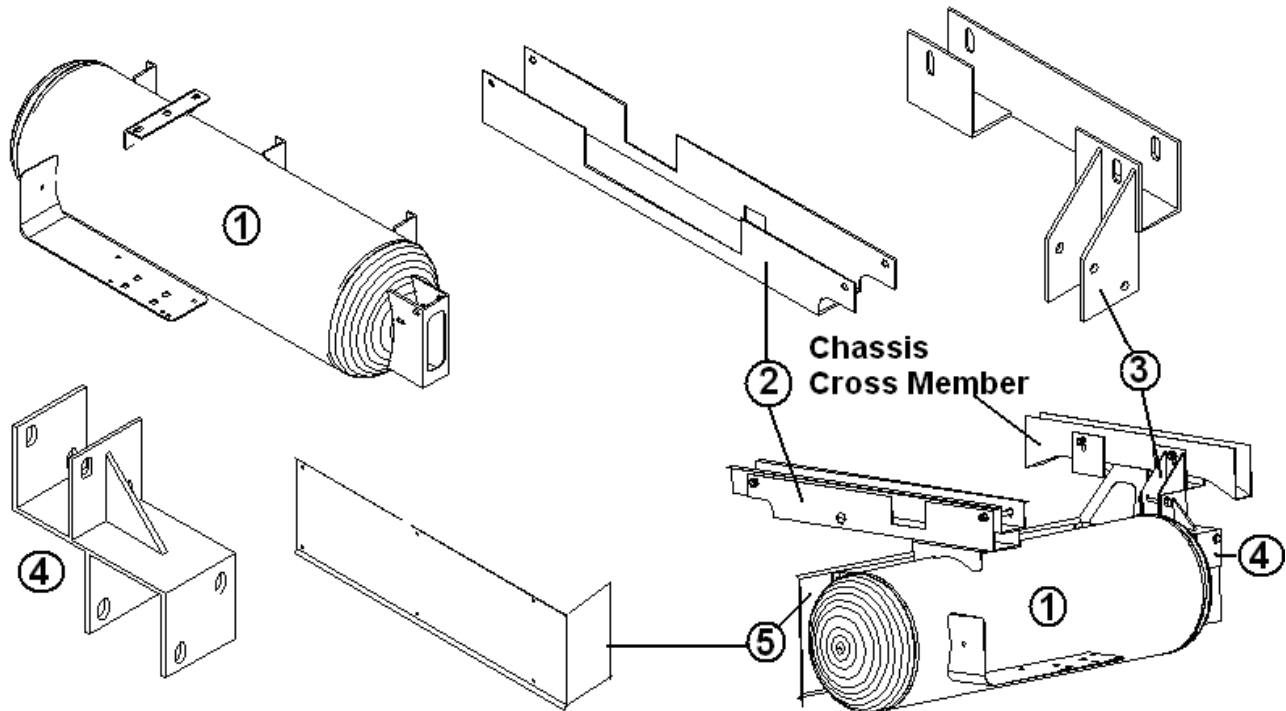
512260	Smoke/Carbon dioxide detector
511309	LPG detector
690381-02	Fire extinguisher



# 2009 INTERSTATE MOTORHOME

## PLUMBING, LPG

### LPG Tank/Mounting Brackets/Heat Shield

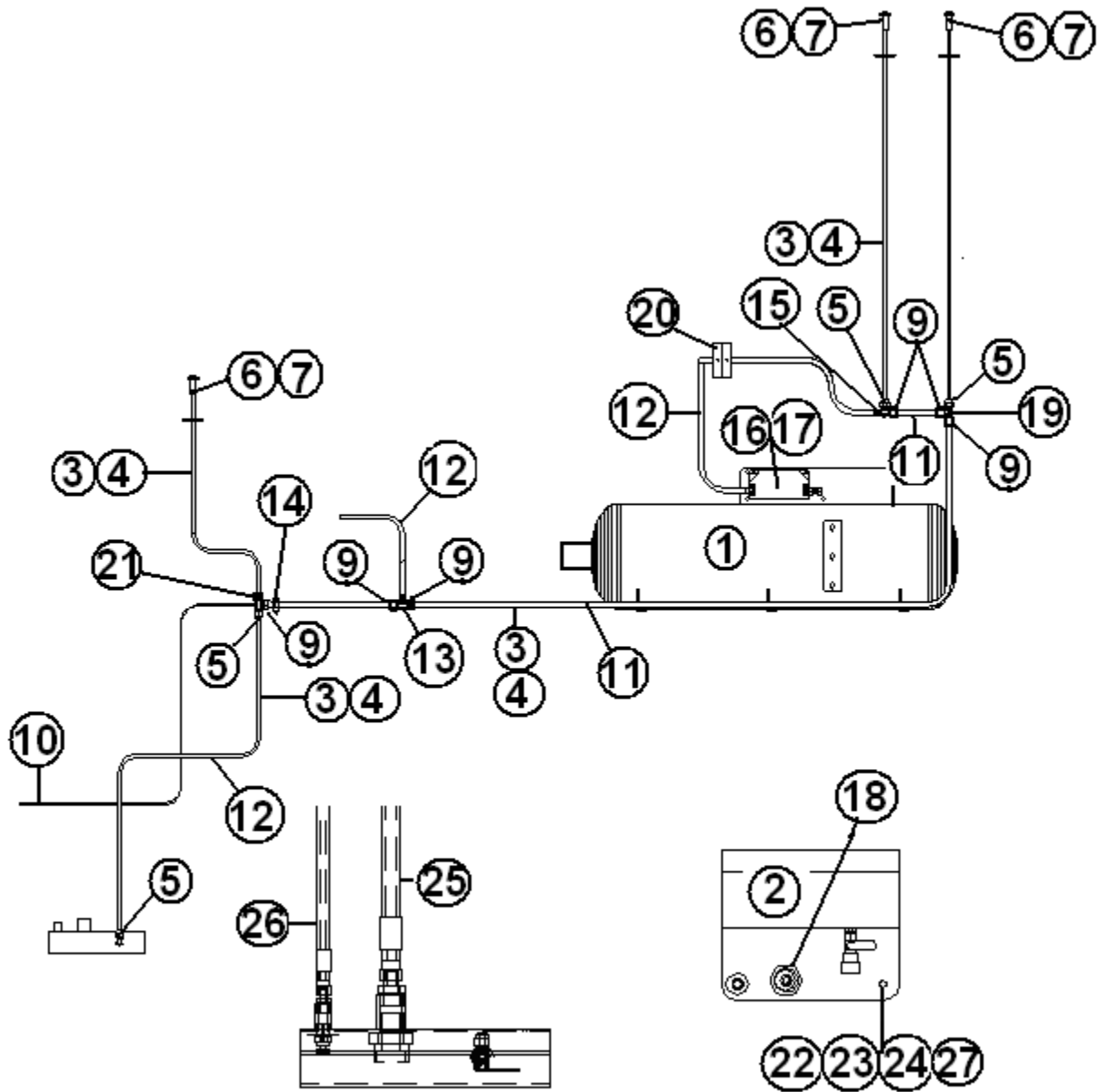


- |           |                                      |
|-----------|--------------------------------------|
| 1. 602188 | LP tank                              |
| 2. 454657 | Mounting bracket, front, LP tank     |
| 3. 454658 | Mounting bracket, rear, LP tank      |
| 4. 454659 | Mounting bracket, LP tank to chassis |
| 5. 454662 | Heat shield, LP tank                 |
| 345272-05 | 3/8" x 16 x 3" bolt, GRD 5           |
| 345272-02 | 3/8" x 16 x 4" bolt, GRD 5           |
| 350147-37 | Nut, nylox, 3/8" x 16                |
| 300072-06 | Washer, lock                         |
| 345084    | Screw, thread cutting, 1/4 x 14 x 1" |

# 2009 INTERSTATE MOTORHOME

## PLUMBING, LPG

### LPG System



ITEM 8 USED EVERY 4 FEET TO SUPPORT GAS LINES

Part numbers are on the next page.

# 2009 INTERSTATE MOTORHOME

## PLUMBING, LPG

### LPG System

1. 602188 LP tank
2. 454680 LPG remote fill assembly, (includes bracket, switch, HOSE 602109-02, and valves)
- 2.454676 Bracket only, LPG remote fill
3. 600008 Tubing, copper, .38" ID
4. 601698-01 Tubing, E-Pex, .5"
5. 600435 Nuts, forged, .38"
6. 380887 Grommet, floor
7. 380886 Grommet, floor
8. 340085-05 Clamp, coy
9. 600436 Nuts, forged, .63"
10. 500839 Wire, copper, ground
11. 600004 Tubing, copper, .63"
12. 602104 Hose, .38" x 48"
13. 600000 Tee, brass, 5/8 x 5/8 x 3/8
14. 600661 Ground fittings
15. 600003 Tee, 5/8 x 3/8 x 3/8
16. 601875-05 Cover, regulator
17. 601875-04 Regulator, two stage
18. 602109-03 Dust cap
19. 601472 Tee, 5/8 x 3/8 x 3/8
20. 454686 LP Regulator hose stand off bracket
21. 601882 ELBOW, 90 DEGREE, 3/8" X FLR X 1/4" MPT R
22. 511805 SWITCH, ROTARY ON/OFF LP VALVE
23. 381852 KNOB LP REMOTE SWITCH
24. 386147 DECAL "ON/OFF", LP REMOTE FILL
25. 602207 LP hose, 1/2" x 120" long
26. 602206 LP hose, 1/4" x 120" long
27. 602109-02 Hose quick disconnect, grille port
- 601881 Fitting, 3/8" M FL X 1/4" MPT R x 1.5" BARB
- 602221 TEE, BRASS, 3/8" X 3/8" X 5/8"
- 601675 FITTING, BRASS, 3/8" X M FL X M NPT

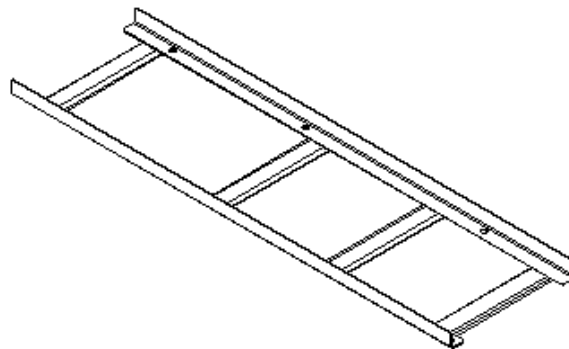
# 2009 INTERSTATE MOTORHOME

## PLUMBING, FRESHWATER

### Freshwater Tank/Gravity Water Fill System

602184	TANK, FRESH WATER 27GALLON
602187	Water pickup tube, elbow w/15" tube
454664-01	Rod, freshwater tank, 14"
454664-02	Rod, freshwater tank, 12.75"
454664-03	Rod, freshwater tank, 13.5"
602208	Fitting, 1.5" MPT x 1.5" barb
602210	Fitting, brass, .625" barb x .75" MPT
602209-01	Hose, Garden type, white, 5/8" ID
602209-02	Hose, Garden type, white, 3/4" ID
602198	Hose, water fill, 1.5"
602198-01	Hose, vent, potable water, 2" ID
511812	Pad, heating
203634	Styrofoam, 1" x 48" x 96"
602190	Water fill, gravity
203648	Close off, water tank, plastic
203656	SPACER, WATER TANK
386223	Rubber isolator material
203648	Close off, water tank
203656	Spacer, water tank

### Fresh Water Tank Support Assembly

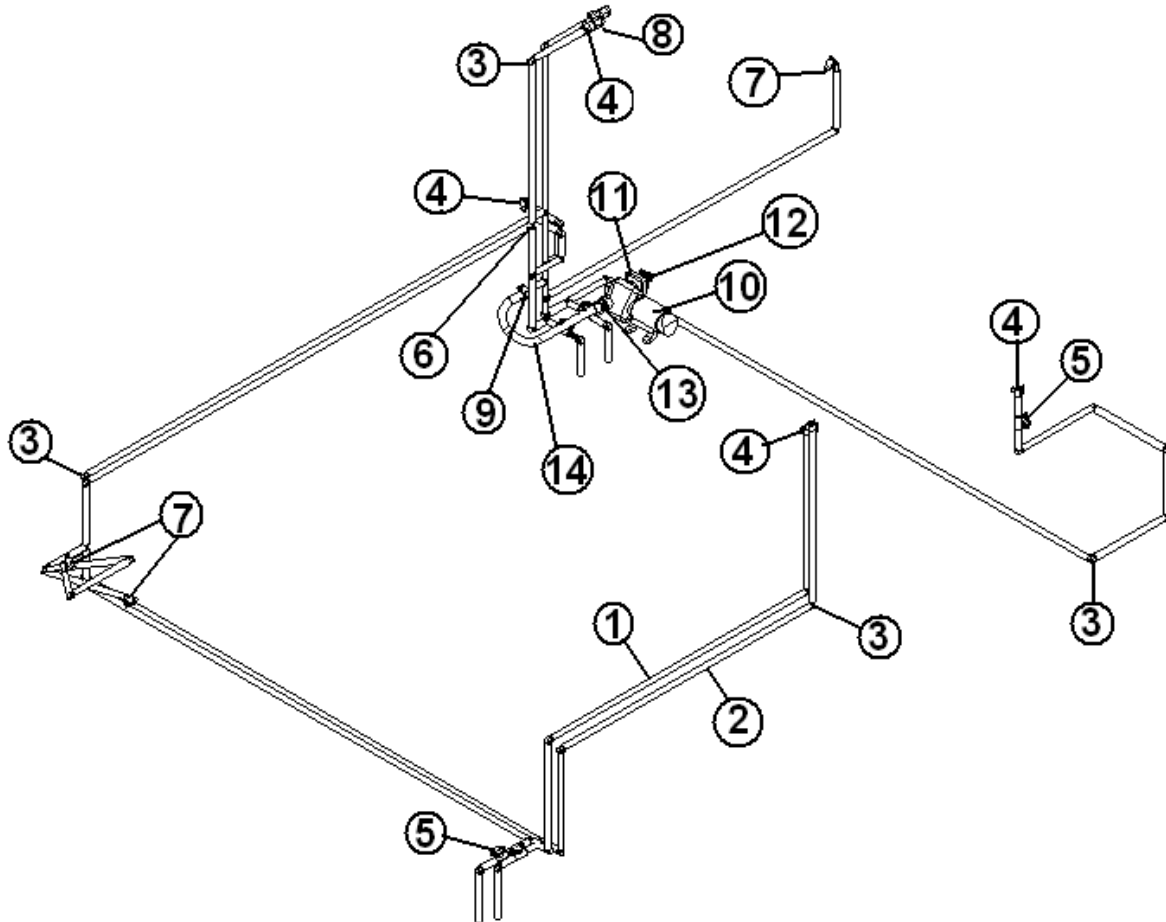


454661	Fresh water tank support assembly
--------	-----------------------------------

# 2009 INTERSTATE MOTORHOME

## PLUMBING, FRESHWATER

### Freshwater System/Pump/Lines/Fittings

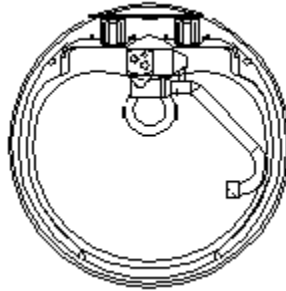


- |               |                                     |
|---------------|-------------------------------------|
| 1. 601698-01  | E-Pex tube, 1/2"                    |
| 2. 601698-21  | TUBING E-PEX 1/2" RED               |
| 3. 601698-10  | Elbow 1/2" barb x 1/2" barb         |
| 4. 601698-03  | Coupler, 1/2" barb x 1/2" FPT       |
| 4. 602217     | Rubber washer, exterior shower      |
| 5. 601698-22  | Shut-off, 1/2" barb x 1/2" barb     |
| 6. 601698-11  | Tee, 1/2" x 1/2" x 1/2"             |
| 7. 601698-05  | Elbow 1/2" barb x 1/2" FPT          |
| 8. 600139     | Check valve                         |
| 9. 601698-02  | Coupler, 1/2" barb x 1/2" MPT       |
| 10. 602177-01 | Water pump, Flojet                  |
| 11. 602177-02 | Strainer assembly, mini             |
| 12. 602177-03 | Pump port, quick connect, 3/4" barb |
| 13. 602177-04 | Pump port, quick connect, 1/2" barb |
| 14. 602186    | Flex hose, 20" w/swivel connection  |

# 2009 INTERSTATE MOTORHOME

## PLUMBING, FRESHWATER

### Faucet & Sink Assembly, Galley

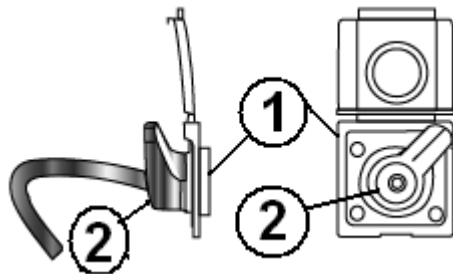


- 602197 SINK & FAUCET ASSEMBLY, GALLEY
- 602149 SINK ONLY, GALLEY
- 602153 FAUCET ONLY, WATER TAP, STAINLESS STEEL
- 195362-39 Strainer, 2"

### Faucet, Wet Bath

- 602193 Faucet, pullout, wet bath
- 602193-01 Bracket, shower head
- 801806 Backer, faucet (installed under faucet for support)

### Shower, Exterior



- 1. 602189-01 SHOWER BASE OUTLET
- 2. 602189-02 SHOWER HOSE/VALVE
- 3. 602189-03 SHOWER DECAL

### City Water Hook Up

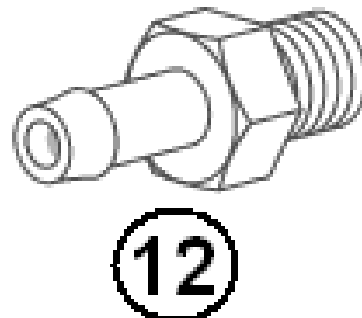
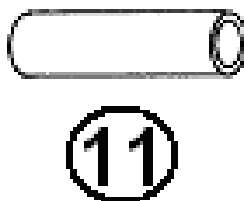
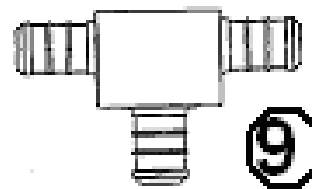
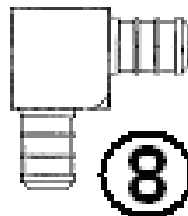
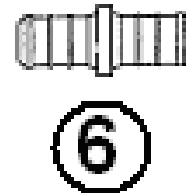
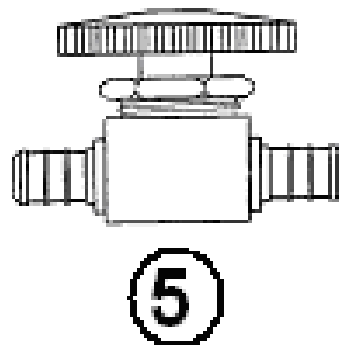
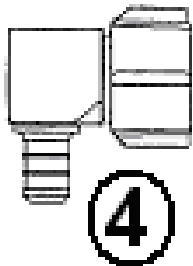
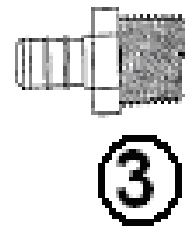
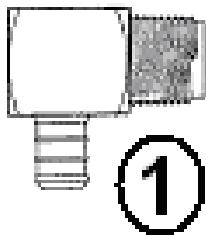
- 601392-05 City water hookup w/regulator
- 602198 Hose, potable water



# 2009 INTERSTATE MOTORHOME

## PLUMBING, FRESHWATER

### Fresh Water Fittings



Part Number Are On The Next page

# 2009 INTERSTATE MOTORHOME

## PLUMBING, FRESHWATER

### Fresh Water Fittings

- |               |                                      |
|---------------|--------------------------------------|
| 1. 601698-04  | Elbow, 1/2" barb x 1/2" MPT          |
| 2. 601698-03  | Coupler, 1/2" barb x 1/2" FPT        |
| 3. 601698-02  | Coupler, 1/2" barb x 1/2" MPT        |
| 4. 601698-05  | Elbow 1/2" barb x 1/2" FPT           |
| 5. 601698-22  | Shut-off, 1/2" barb x 1/2" barb      |
| 6. 601698-08  | Coupler, 1/2" x 1/2" barb            |
| 7. 601698-09  | Plug, 1/2" barb                      |
| 8. 601698-10  | Elbow 1/2" barb x 1/2" barb          |
| 9. 601698-11  | Tee, 1/2" x 1/2" x 1/2"              |
| 10. 601698-15 | Crimp ring, 1/2" E-Pex, 1/2" (black) |
| 11. 601698-01 | E-Pex tube, 1/2"                     |
| 11. 601698-21 | TUBING E-PEX 1/2" RED                |
| 12. 602199    | Adaptor, 3/8" barb x 1/2" MIP        |
| 203085        | PLUG WATER LINE 1/2" PLASTIC B       |
| 601238        | ADAPTOR 1.25 MPT X 1.25 BARB         |

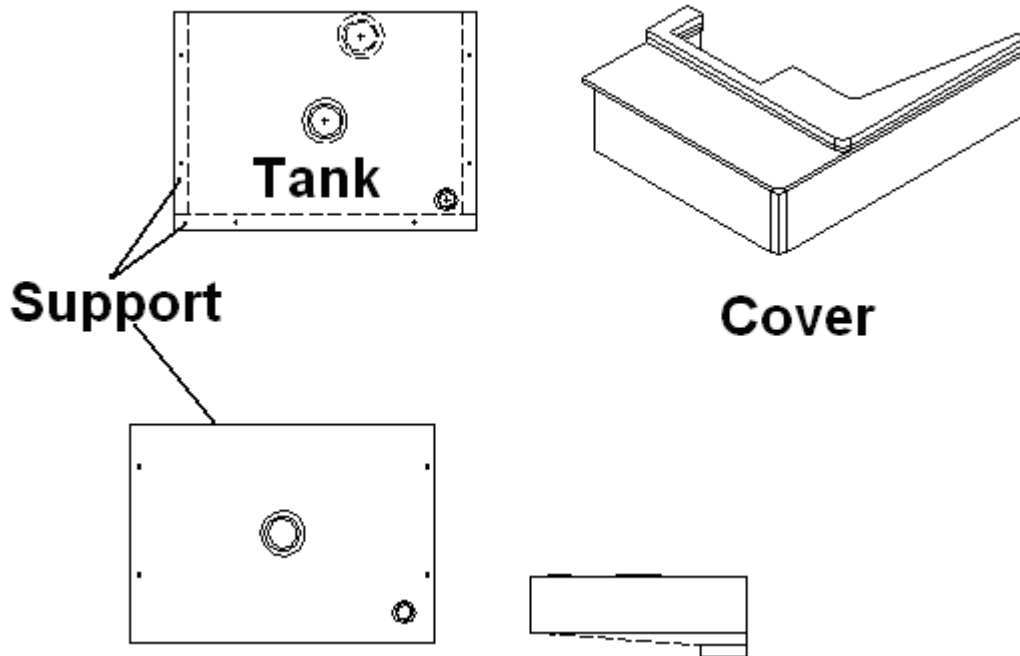
# 2009 INTERSTATE MOTORHOME

## PLUMBING, DRAIN

### Tanks/Valves/Heating Pad

602182	Black water tank
602191	Grey water tank
511813-01	VALVE, ELECTRIC, WASTE
511813-03	SWITCH, VALVE, ELECTRIC WASTE
511812	PAD-HEATING HOLDING TANK #TH-718
511813-04	SWITCH CABLE W/CONNECTOR, HEATING PAD

### Black Tank, Support & Cover

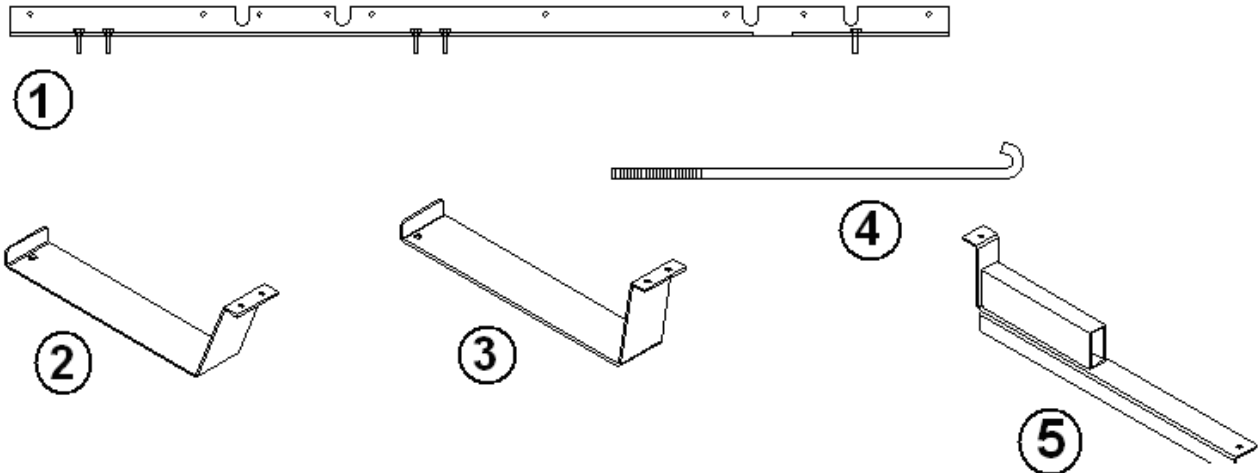


967316	Cover assembly, black tank
203643	Cover, black tank, upper
203644	Pocket, black tank vent
203645	Cover, black tank lower
801415	Corner trim, 1" radius
801784	SUPPORT, BLACK TANK

# 2009 INTERSTATE MOTORHOME

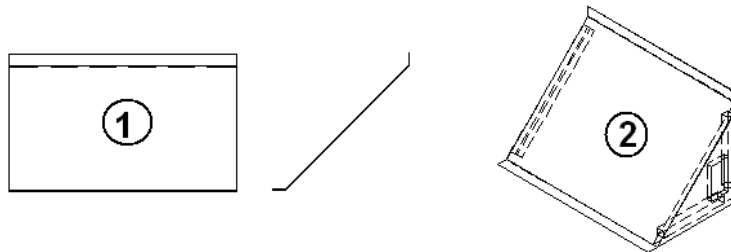
## PLUMBING, DRAIN

### Support Rod/Brackets, Gray Tank



- |           |                            |
|-----------|----------------------------|
| 1. 454688 | Bracket, gray tank         |
| 2. 454689 | Bracket, gray tank, front  |
| 3. 454690 | Bracket, gray tank, middle |
| 4. 454687 | Rod, gray tank             |
| 5. 454691 | Bracket, gray tank, rear   |
| 386223    | Rubber isolator material   |

### Plumbing Close Outs

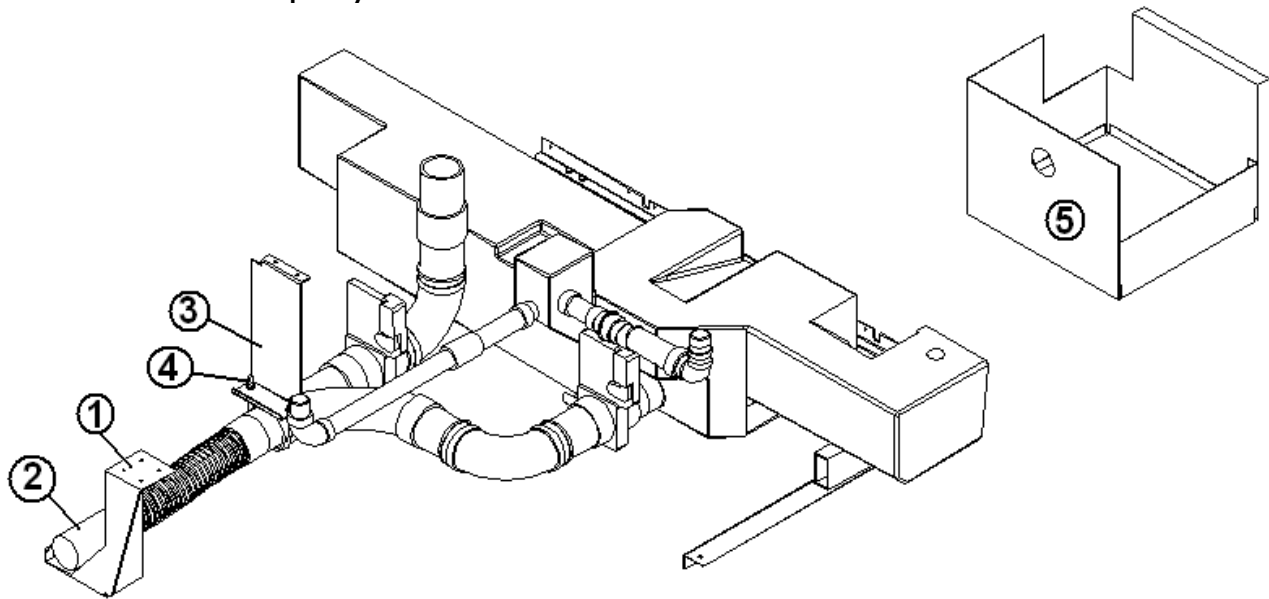


- |           |                              |
|-----------|------------------------------|
| 1. 115424 | Plumbing close out, roadside |
| 2. 967320 | Plumbing close out, curbside |

# 2009 INTERSTATE MOTORHOME

## PLUMBING, DRAIN

### Macerator Pump System

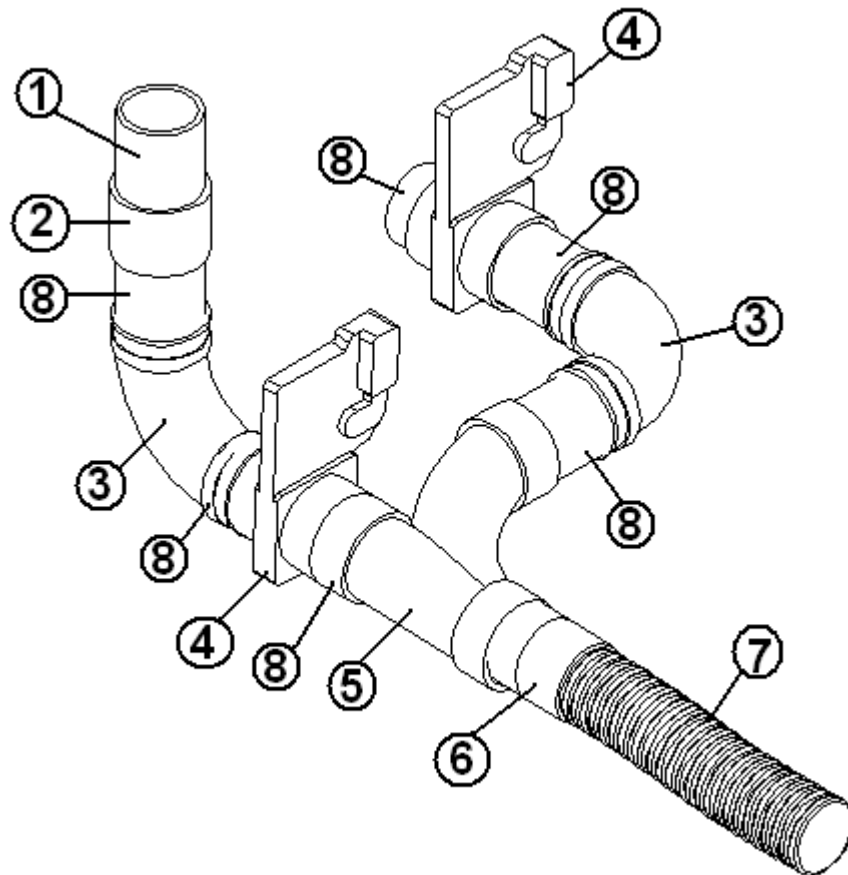


- |              |  |
|--------------|--|
| 1. 602205-02 | Mounting bracket                             |
| 2. 602176    | Macerator pump                               |
| 3. 454692    | Bracket, drain plumbing                      |
| 4. 340084-20 | Clamp, hose, stainless steel                 |
| 5. 454693    | Box, macerator pump hose reel                |
| 602186       | Hose, 20" flex                               |
| 512323       | Hose reel w/hose, macerator pump             |
| 454683       | Hose reel mounting bracket                   |
| 602205-01    | 20 amp switch                                |
| 602205-03    | 1/4" self tapping screws                     |
| 602205-10    | Valve, drip proof, w/2 adaptor for reel hose |
| 602205-11    | Hose clamp, stainless steel, 1"              |
| 602205-12    | Instruction sticker                          |

# 2009 INTERSTATE MOTORHOME

## PLUMBING, DRAIN

Drain System, Below Floor, From Tank to Pump

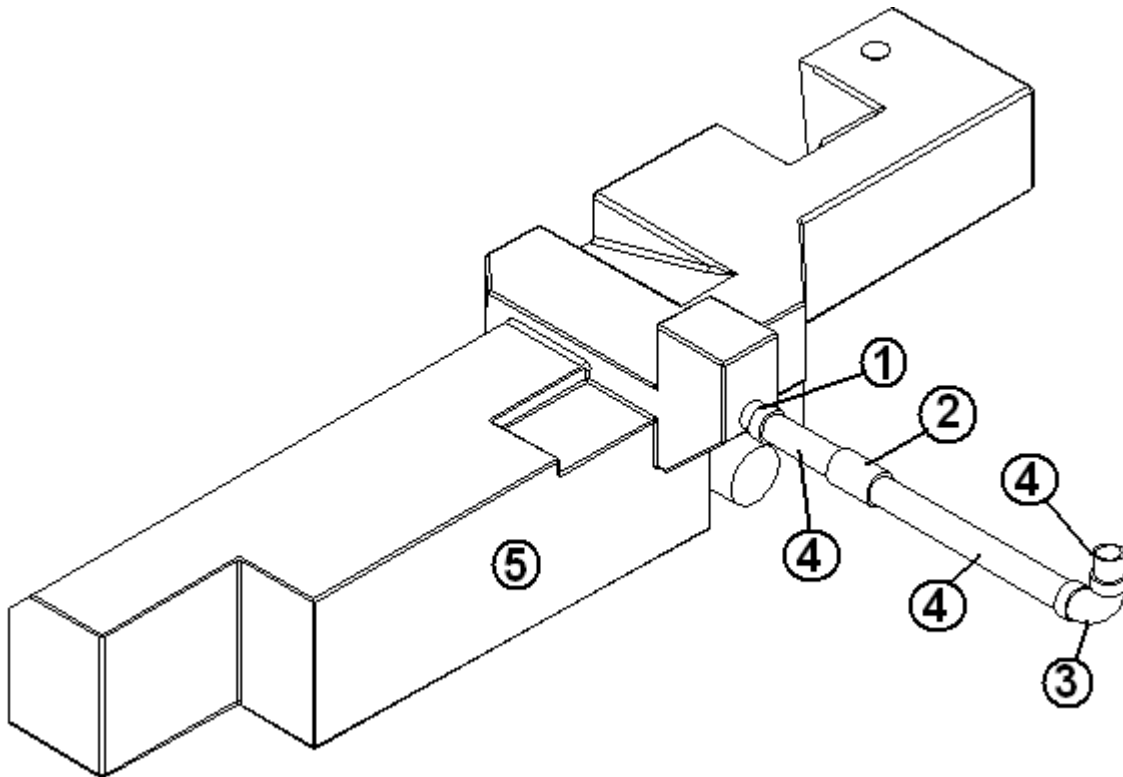


- |              |  |
|--------------|--|
| 1. 601267-04 | NIPPLE, 3" DIAMETER, THREADED ONE END, 10" LONG  |
| 2. 600253    | COUPLING, 3"                                     |
| 3. 602181    | ELBOW, 3" FLEXIBLE                               |
| 4. 511813-01 | VALVE, ELECTRIC, WASTE                           |
| 5. 600187    | 3" WYE, COMB AND 1/8 BEND                        |
| 6. 602205-04 | Adaptor for 3" connection hose                   |
| 7. 602205-05 | 3" flexible connection hose, 3' long, w/2 clamps |
| 8. 601160-04 | PIPE, ABS DVW, 3"                                |

# 2009 INTERSTATE MOTORHOME

## PLUMBING, DRAIN

### Drain System, Below Floor from Galley

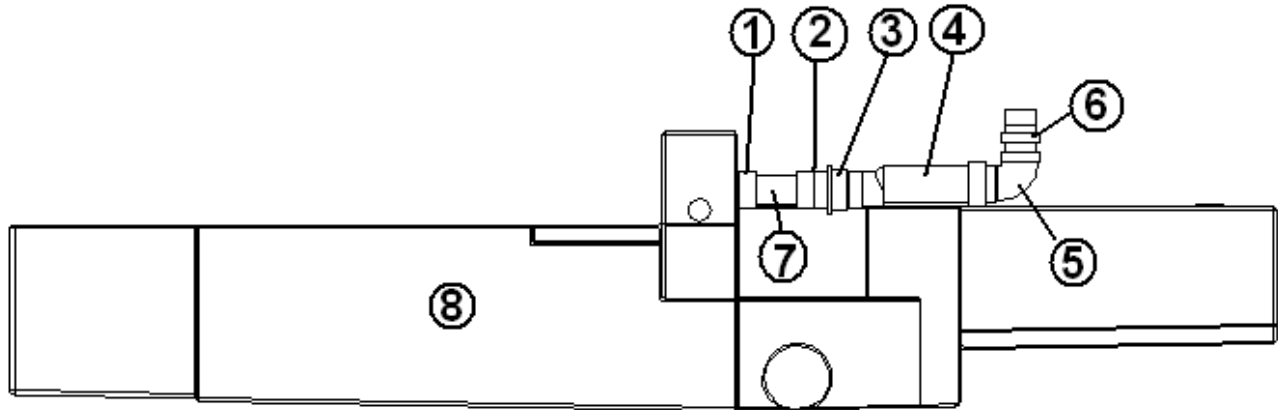


- |           |                                    |
|-----------|------------------------------------|
| 1. 602194 | Adaptor, PVC, 1.125 hub x MPT      |
| 2. 602200 | Coupling, 1.25", flexible          |
| 3. 602222 | Elbow, 1.25" x 45 degree, long ELL |
| 4. 602195 | Pipe, 1.25" white PVC              |
| 5. 602191 | Grey water tank                    |

# 2009 INTERSTATE MOTORHOME

## PLUMBING, DRAIN

### Drain System, Below Floor to Shower



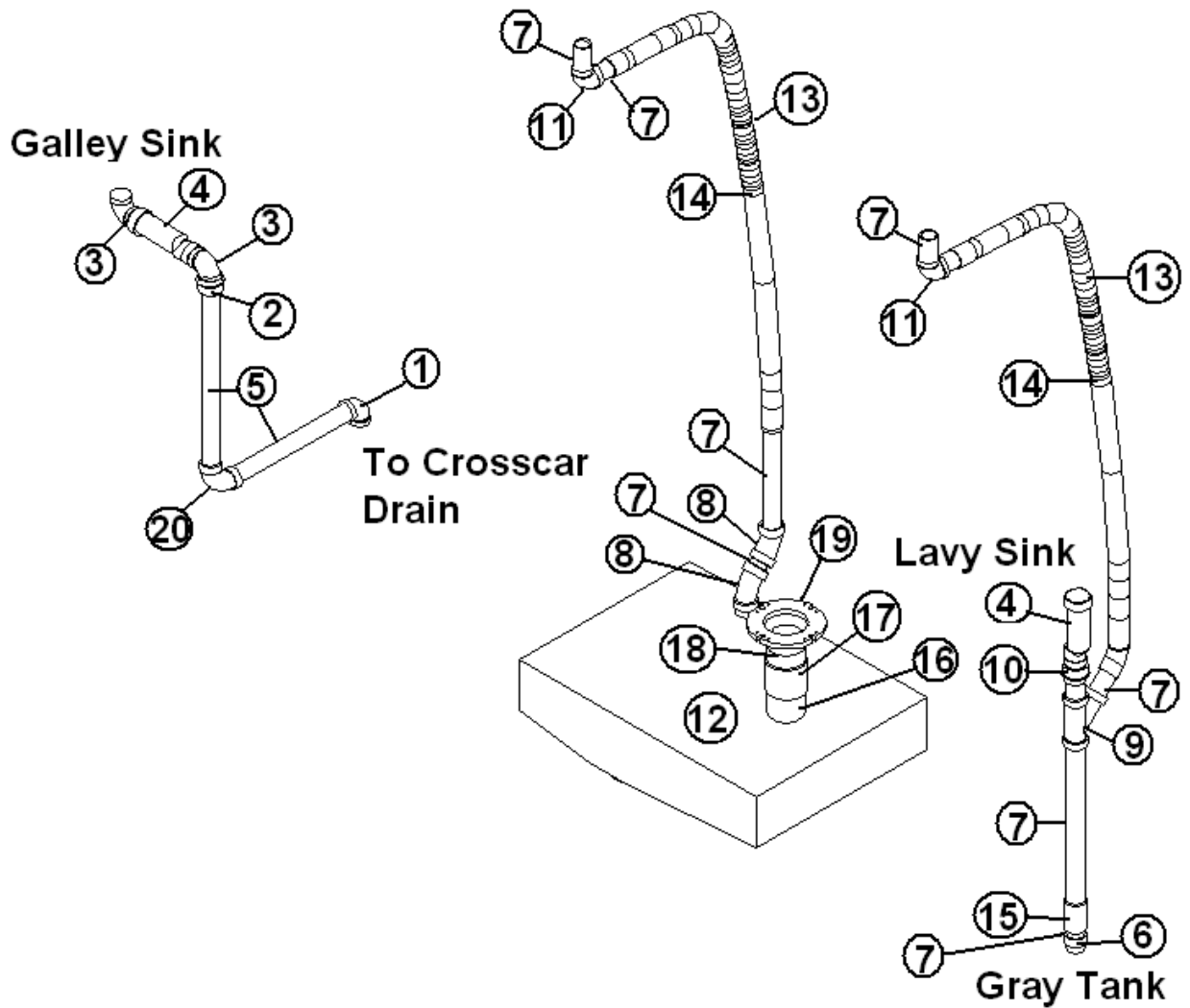
- |              |                                 |
|--------------|---------------------------------|
| 1. 602194    | Adaptor, PVC, 1.125 hub x MPT   |
| 2. 602215    | BUSHING, 1.5" X 1.25", PVC      |
| 3. 602231    | SWIVEL, ADAPTOR, 1.5" HUB X FPT |
| 4. 690603-01 | Valve, HEPVO, waste             |
| 5. 690603-02 | Adaptor, angle                  |
| 6. 601676    | ADAPTOR, THREADED, 1.5" MALE    |
| 7. 602195    | Pipe, 1.25" white PVC           |
| 8. 602191    | Grey water tank                 |



# 2009 INTERSTATE MOTORHOME

## PLUMBING, DRAIN

### Drain System, Above Floor



Part numbers are on the next page.

# 2009 INTERSTATE MOTORHOME

## PLUMBING, DRAIN

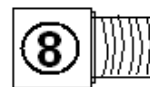
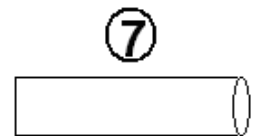
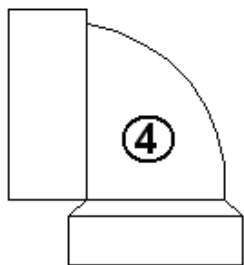
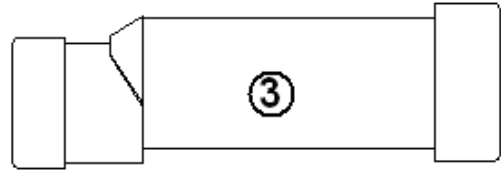
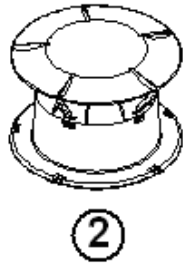
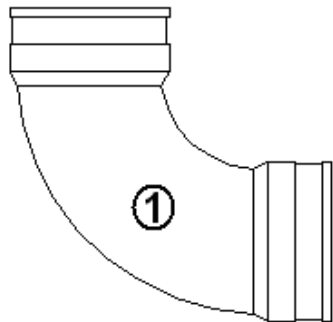
### Drain System, Above Floor

1. 602196 Elbow, Slip x slip, 1.25", PVC
2. 602215 BUSHING, 1.5" X 1.25", PVC
3. 690603-01 Valve, HEPVO, waste
4. 690603-02 Adaptor, angle
5. 602195 Pipe, 1.25" white PVC
6. 602214 ADAPTER, 1.5" MPT X 1.5", SLIP PVC
7. 601160-02 PIPE, ABS DVW, 1.5"
8. 600030 ELL ABS, 45degrees, long turn
9. 600094 WYE
10. 602231 ADAPTOR, 1.5" HUB X FPT
11. 600033 Elbow, vent, 1.5", 90 degrees
12. 602182 Tank, black
13. 602198-01 Hose, vent, potable water, 2" ID
14. 340084-28 Clamp, hose, 2.25"
15. 602201 Coupling, 1.5", flexible
16. 601267-04 NIPPLE, 3", THREADED ONE END, 10" LONG
17. 600253 COUPLING, 3"
18. 601160-04 PIPE, ABS DVW, 3"
19. 601266 Flange, toilet
20. 602222 Elbow, 1.25" x 45 degree, long ELL

# 2009 INTERSTATE MOTORHOME

## PLUMBING, DRAIN

### Plumbing Fittings

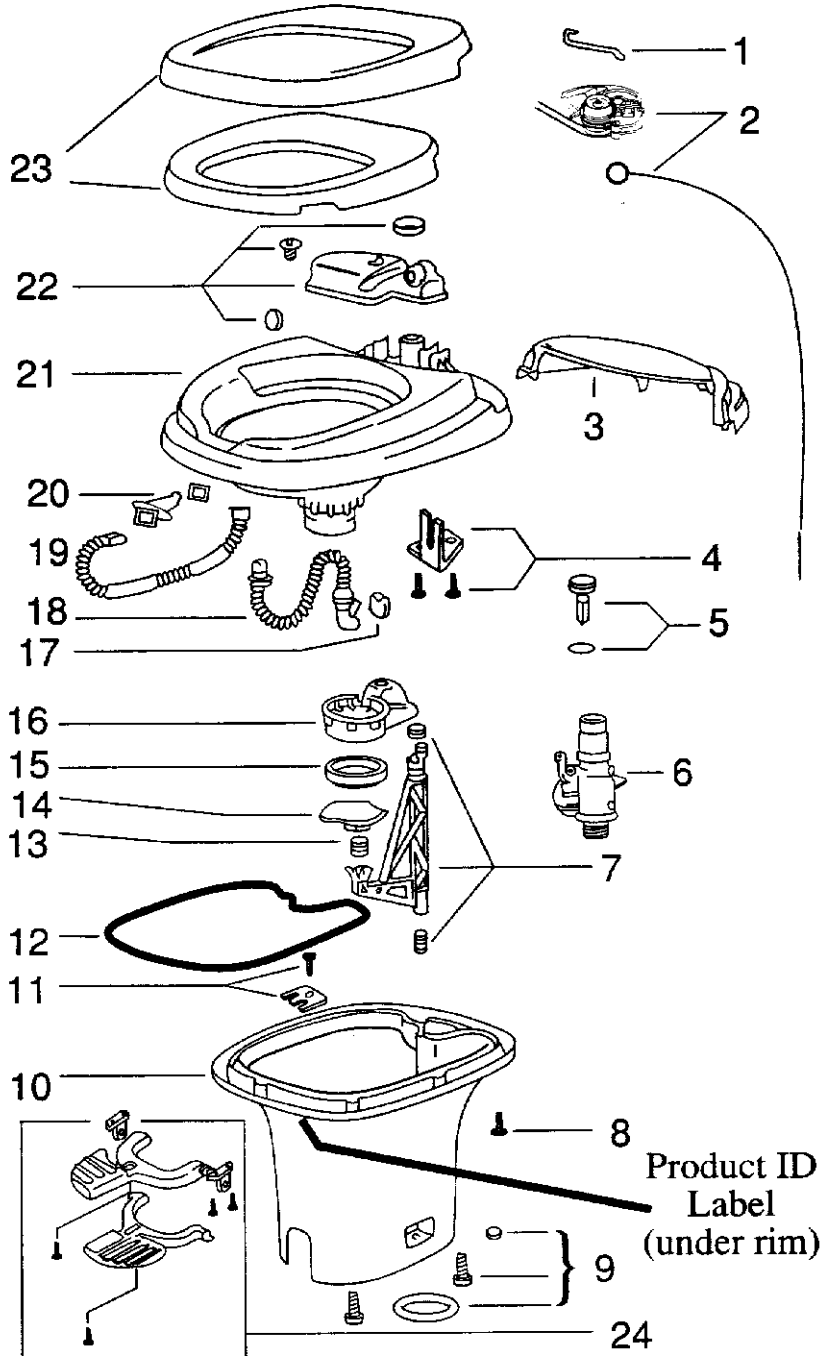


- |              |  |
|--------------|--|
| 1. 602181    | ELBOW, 3" FLEXIBLE                     |
| 2. 690601    | COVER, TANK VENT, BLACK                |
| 3. 690603-01 | Valve, HEPVO, waste                    |
| 4. 690603-02 | Adaptor, angle                         |
| 5. 601267-04 | NIPPLE, 3", THREADED ONE END, 10" LONG |
| 6. 602196    | Elbow, Slip x slip, 1.25", PVC         |
| 7. 602195    | Pipe, 1.25" white PVC                  |
| 8. 602194    | Adaptor, PVC, 1.125 hub x MPT          |
| 602211       | PLUG, .75" MPT PLASTIC                 |
| 602212       | ADAPTER, 1.5" FPT X 1.5", SLIP, PVC    |
| 602213       | ADAPTER, 1.5" SPIG. X 1.5" MPT PVC     |

# 2009 INTERSTATE MOTORHOME

## PLUMBING, DRAIN

### Toilet w/o Water Saver



P/N Next Page

# 2009 INTERSTATE MOTORHOME

## PLUMBING, DRAIN

### Toilet w/o Water Saver

690495-02	Toilet complete, Aqua Magic IV
1. 690387-513	Water valve link
2. 690387-571	Wire replacement package
3. 690387-562	Mechanism cover, white
4. 690387-634	Bracket assembly
5. 690387-631	Float assembly
6. 690387-168	Water valve replacement package
7. 690387-632	Actuator assembly
8. 690387-659	Screw base to bowl
9. 690387-524	Closet bolt package
10. 690387-356	Base, white, low
10. 690387-062	Base, white, high
11. 690387-636	Retainer assembly
12. 690387-387	Sealant, base to bowl
13. 690387-519	Blade spring
14. 690387-262	Blade
15. 690387-481	Blade seal
16. 690387-520	Blade track
17. 690387-512	Flapper
18. 690387-511	Overflow tube
19. 690387-509	Flush tube
20. 690387-637	Nozzle assembly
21. 690387-726	Bowl
22. 690387-630	Reservoir tank assembly
23. 690387-162	Seat and cover assembly
24. 690387-821	Pedal package

## 2009 INTERSTATE MOTORHOME

### SEALER/GASKETS/UNDERCOATING

#### SEALER

360001	Sealant, #884058
360268-01	SEAL LIQUA ELASTOMIC ROOF WHITE
360323	Sealant, Sikaflex #227, white
360324	Sika Lick, spray bottle
360323-01	Sealant, Sikaflex #227, black, tube
360180	ADHESIVE SEAL, SIKAFLEX 221
365190	SEAL RUBBER ADHESIVE, ¾" X 3
360074	SEALANT, GE RTV 102, WHITE, 3 OZ.

#### Under Coating

360327	Undercoating, 17 Oz. Aerosol can
--------	----------------------------------

#### GASKETS

365314	SEAL, CLOSED CELL FOAM.75"X.75", battery box
365315	SEAL, FOAM SHEET, .13" X 57"W, battery box
365185-20	2" GASKET TAPE, Black tank

# 2009 INTERSTATE MOTORHOME

## UPHOLSTERY/SOFA/SEATS

### Driver/Passenger Seat/Skirt

- 703764-379 Skirt, driver's seat pedestal, tan, 2-tone
- 703764-389 Skirt, driver's seat pedestal, grey, 2-tone
- 703765-379 Skirt, passenger's seat pedestal, tan, 2-tone
- 703765-389 Skirt, passenger's seat pedestal, grey, 2-tone
- \*703758-379 Front cab chair, Tan 2-tone
- \*703758-389 Front cab chair, Gray 2-tone

\*Cab captain chair come with chassis. Airstream sends the chair out to be recovered to the motorhome color scheme.

### Chair, Captains, 2<sup>nd</sup> Row

- 703756-379 Chair w/seat belt, Tan
- 703756-389 Chair w/seat belt, Gray

### Mattress, Twin Bed

- 703808-01 MATTRESS, 27" X 74", RS TWIN
- 703808-02 MATTRESS, 27" X 74, CS TWIN

### Bedspreads & Sheet, Twin Bed

- 703811-379 Bedspread, 2-tone Tan
- 703811-389 Bedspread, 2-Tone Grey
- 703825 Sheet set

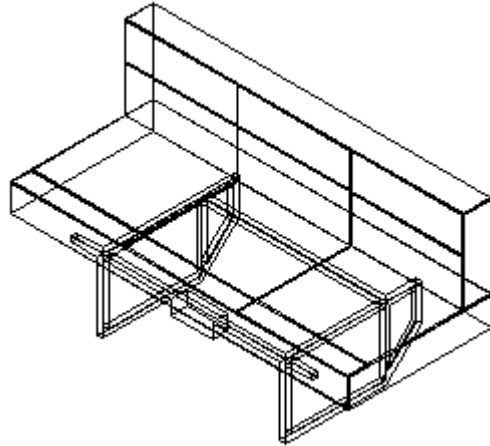
### Pillows, Twin Bed

- 701611 Pillow, 21" x 31"
- 703813-01 Pillow, 2-tone tan, 16" x 16"
- 703813-02 Pillow, 2-tone tan, 16" x 10"
- 703813-03 Pillow Sham, 2-tone tan, 28" x 20"
- 703814-01 Pillow, 2-tone grey, 16" x 16"
- 703814-02 Pillow, 2-tone grey, 16" x 10"
- 703814-03 Pillow Sham, 2-tone grey, 28" x 20"

## 2009 INTERSTATE MOTORHOME

### UPHOLSTERY/FOAM/MATTRESS

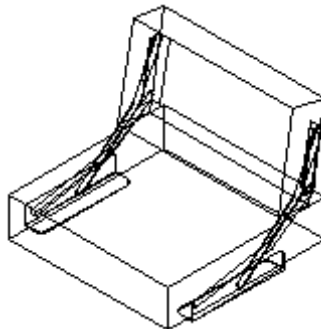
#### Sofa, Power



703755-379L Sofa, power w/2 armrests, Tan leather

703755-389L Sofa, power w/2 armrests, Gray leather

#### Sofa, Manual 29" Jackknife



703757-379L Sofa, jackknife, 29", Tan leather

703757-389L Sofa, jackknife, 29", Gray leather

#### Shower Curtain

998202 Shower curtain assembly

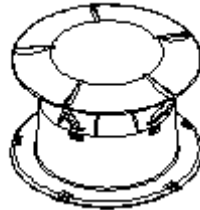
100097 Curtain track



# 2009 INTERSTATE MOTORHOME

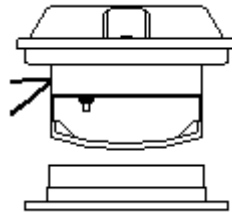
## VENTS/FANS

### Roof Vent, Holding Tanks



690601 COVER, TANK VENT, BLACK  
203640 CEILING SPACER, TANK VENT

### Bath Power Vent



690266-04 VENT W/2" WHITE GARNISH  
203639 CEILING SPACER, BATH VENT

### Power Vent, Ceiling

382058 Maxx Vent, exhaust only  
115403 Vent frame assembly, roof







