

AIRSTREAM

AN AMERICAN LEGEND

FLYING CLOUD TRAILER

Parts Book

2009

2009 FLYING CLOUD
TABLE OF CONTENTS
SECTION I, A through B

APPLIANCES

Air Conditioner	I-1
Furnace	I-1
Range/Cook Top	I-2
Refrigerator	I-2
Water Heater	I-3
Microwave	I-3

BODY

End shell, aft	I-4
End shell, front	I-14
Roof	I-24
RS Wall 28' W	I-25
CS Wall 28' W	I-27
RS Wall, 27' Front Bed	I-29
CS Wall, 27' Front Bed	I-31
CS Wall 25 Front Bed	I-33
RS Wall 25 Front Bed	I-35
RS Wall, 23'	I-37
CS Wall, 23'	I-39
RS Wall, 23' Front Bed	I-41
CS Wall, 23' Front Bed	I-43
CS Wall, 20'	I-45
RS Wall 20'	I-47
RS Wall, 19ft.	I-49
CS Wall, 19ft.	I-51
Wrap Protector	I-53
Body Interior	I-54

2009 FLYING CLOUD TABLE OF CONTENTS

SECTION II C through E

CHASSIS

Axles, Shocks	II-1
Step, Wheel Wells	II-1
Tires, Wheels	II-2
Stabilizing Jacks, Hose Carrier	II-3
Rear Bumper	II-4
Under Belly Metal	II-5
Hitch Jacks	II-5
Coupler, Safety Chains, Hitch	II-6
Brakes/Grease Seal/Bearings	II-7
Rear Bumper Slide Out Storage Drawer	II-9

DECALS/EXTERIOR TRIM	II-10
--	-------

DOORS/WINDOWS/AWNING

Doors	II-11
Windows	II-18
Stone Guard	II-23
Awning	II-25

DRAPES/BLINDS/VALANCES	II-26
--	-------

ELECTRICAL

110 volt	II-34
12 volt	II-36

ENTERTAINMENT	II-42
-------------------------------------	-------

2009 FLYING CLOUD
TABLE OF CONTENTS
SECTION III
F through H

FLOOR COVERING

Mats	III-1
Vinyl Flooring	III-1
Diamond Tread Plate	III-1

FURNITURE

Interior Doors	III-2
Mirrors	III-5
Drawer	III-5
Lounge	III-7
Galley	III-52
Lavatory	III-130
Bedroom	III-173

HARDWARE

Exterior locks/hinges	III-217
Roof Locker Mounting Supports	III-221
Interior drawer slides/hinges latches	III-225
Bath Accessories	III-229
Wardrobe, Drapes, Interior Hinges.	III-230
Detectors/Fire Extinguisher	III-231
Window	III-233
Awning hardware	III-234
Rivets	III-236

2009 FLYING CLOUD TABLE OF CONTENTS

SECTION IV L through Z

[LABELS and TAGS](#) IV-1

PLUMBING

[LPG](#) IV-3

[Fresh Water](#) IV-5

[Faucets](#) IV-10

[Drain Water](#) IV-13

[Toilet](#) IV-29

[SEALER](#) IV-33

[GASKETS/PAINT](#) IV-34

UPHOLSTERY

[Mattresses/Bedspreads](#) IV-35

[Sofa/Armrests, 23'](#) IV-37

[Pillows](#) IV-38

[Dinette Foam](#) IV-40

[VENTS/FANS](#) IV-44

[SKY LIGHTS](#) IV-45

[PLYWOOD/PANELING](#) IV-46

[EDGEBANDING/LUAN](#) IV-47

[INTERIOR TRIM](#) IV-48

2009 FLYING CLOUD

APPLIANCES

Air Conditioners

690323-32 Air conditioner, 13,500 BTU W/Heat pump
690323-37 AC roof, 15,000 BTU w/Heat pump
690380-10 AIR BOX/SHROUD, INTERIOR, WHITE
690380-11 ADAPTER, DUCT, USE W/690380-10
690323-31 COMFORT CONTROL CENTER
961270 Pan Assembly, drain, air conditioner
511252 PLUG PHONE 4 CONDUCTOR
690323-100 Shroud, exterior, Penguin
601240-01 Black drain tubing, 1/2" ID

Furnace

690395 Furnace, Hydroflame, 7916-II, 19'
690467 Furnace, 18,000 BTU, 23' FB
690467-03 FURNACE, 18000 BTU, 23'
690467-02 FURNACE, 18,000 BTU, 20'
690467-01 DIVERTER, FURNACE DISCHARGE, 20'
690274-04 Furnace, Hydroflame, 8525-IV, 25', 27
690274-01 Furnace, Hydroflame, 8531, 28'
690274-09 Door exterior, Hydroflame
600247 Hose, 4", flex heat duct
600193 Hose, 2", flex heat duct
600526 Flange, 4"
114079 ADAPTER, DUCT, 4.00" TO 2.00"
601348 TEE, HEAT DUCT, 4 X 4 X 2
601244-01 REGISTER-ROTAIRE #3840-96 4"BROWN
601244-03 REGISTER-ROTAIRE #3840-96 4", BLACK
203070 REGISTER PLASTIC BROWN 2" X 10"
601429 Louver vent, 2", Black, round
511228 Thermostat, furnace, off white

2009 FLYING CLOUD

APPLIANCES

Range/Cook Top

690396-09 RANGE 22", W/OVEN S.S. TOP/DOOR
690396-10 Cook top, 3 Burner, Stainless Steel
690396-03 Bi-fold cover

Refrigerators

690393-07 Refrigerator, 4 Cu. Ft. RH, RM2451RB, 19'
690393-08 REFRIGERATOR, 4CF, LH RM2451LB, 20'
690540 REFER- 5 CU FT, LH HINGE, 23'
690540-01 REFER, 5 CU FT, RH HINGE, 23' Front Bed
690574-01 Refrigerator 7CF, LH, RM3762LB, 28'
690574-02 Refrigerator 7CF, RH, RM3762RB, 25' FB, 27' FB
965934-02 INSERT REFRIGERATOR DOOR, 20.62" X 32.62",
19', 20'
965934-03 INSERT REFRIGERATOR DOOR, 20.62" X 38.62", 23'
FB, 23'
965934-05 INSERT, UPPER DOOR, REFRIGERATOR, 23.75" X
17", 25'FB, 27' FB, 28'
965934-06 INSERT, LOWER, REFER, 23.7" X 32.38", 25' FB,
27'FB, 28'
365190 SEAL RUBBER ADHESIVE 3/4" X 3"
690394 Power ventilator, refrigerator
511836 SWITCH, REFER/FAN, WHITE

2009 FLYING CLOUD

APPLIANCES

Water Heater

690199	Water heater, electronic ignition
690209	Access cover, brushed aluminum
381648	COVER LATCH HOLE, WATER HEATER
511731	SWITCH, WATER HEATER
967194	STAND, WATER HEATER

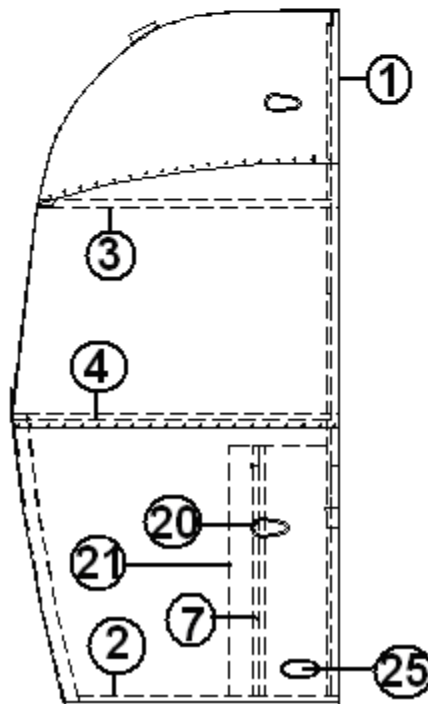
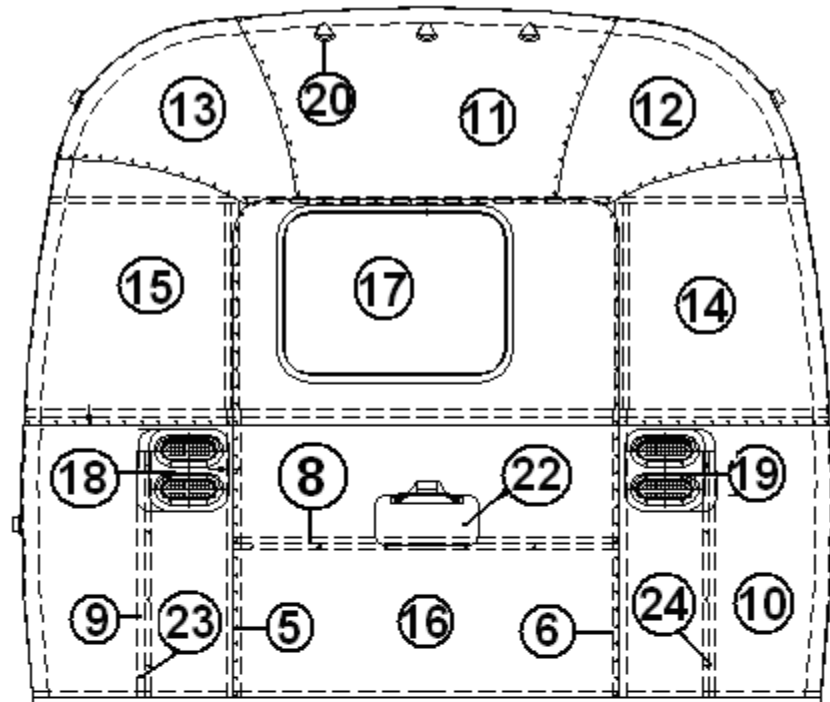
Microwaves

690407-01	MICROWAVE, BLACK, DOMETIC CDMW12, 23' FB, 23'
690407-02	TRIM KIT, FOR M/W 690407-01, 23' FB, 23'
690580-01	MICROWAVE-TAPPEN, BLACK, Model TM 5030B, 27' FB model
690345-01	MICROWAVE-CONVECTION SHARP R-820BK, 28'W, 27' FB, 25' FB, 19', 20', 23', 23' Front Bed models
690345-03	TRIM RING, CONVECTION MICROWAVE, SHARP, 28'W, 27' FB, 25' FB, 19', 20', 23', 23' Front Bed models
690594-01	Microwave, CSA, Sylvania Convection, Black, 28'W, 27' FB, 25' FB, 23' FB, 23', 20', 19'
690594-02	Trim ring, CSA, Sylvania Black Microwave

2009 FLYING CLOUD

EXTERIOR BODY

AFT END, 23' FRONT BED



Part Numbers are on the Next Page

2009 FLYING CLOUD

EXTERIOR BODY

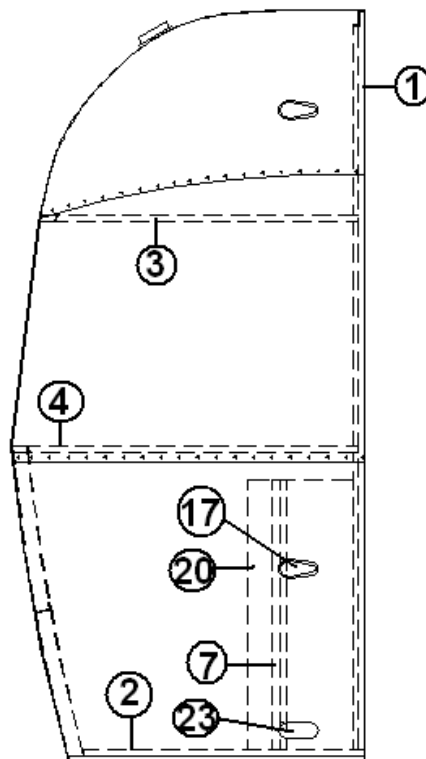
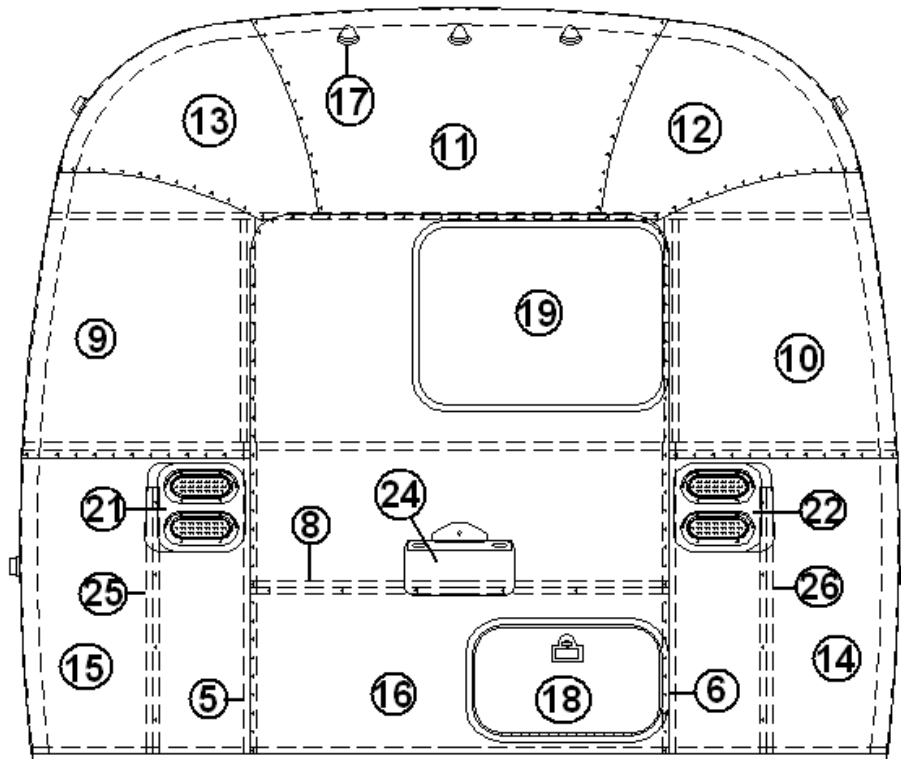
AFT END, 23' FRONT BED

967149-01	End shell complete
1. 114994	End bow
2. 104463	Floor bow
3. 104351	Upper window bow
4. 104343	Lower window bow
5. 114505-01	Support, lower end, LH
6. 114505-02	Support, lower end, RH
7. 101315	Brace, vertical rear
8. 104408	Extrusion rib
9. 114895	Segment #29
10. 114894	Segment #28
11. 114892	Segment #25(narrow body)
12. 114890	Segment #26
13. 114891	Segment #27
14. 114889	Segment, center right
15. 114888	Segment, center left
16. 114880-201	Alum. Sheet, cut down to 41" x 51"
17. 372218	21" x 28" opening window
18. 952929-01	RS tail light assembly
19. 952929-02	CS tail light assembly
20. 512227	Light, clearance, red LED
21. 114849-03	Alum. Sheet, 040 x 12.0" x 29.0"
22. 511407	License plate light/holder, Black
22. 511407-01	Gasket, License plate light/holder
23. 101315-01	SUPPORT-LOWER END SHELL, LH
24. 101315-02	SUPPORT LOWER END SHELL, RH
25. 500095	Red reflector, rectangular

2009 FLYING CLOUD

EXTERIOR SHELL

AFT END, 19', 23'



Part Numbers are on the Next Page

2009 FLYING CLOUD

EXTERIOR SHELL

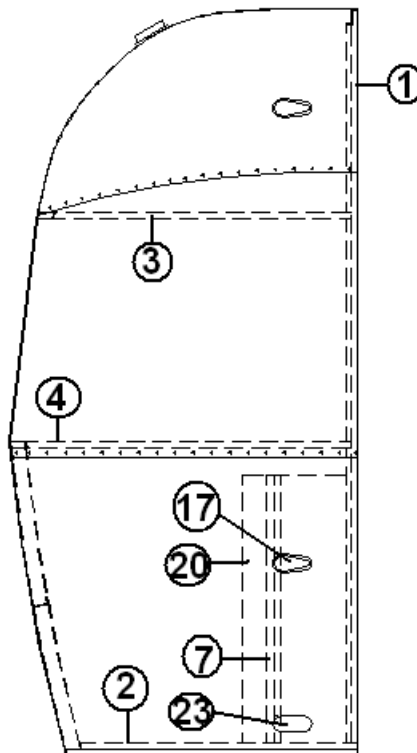
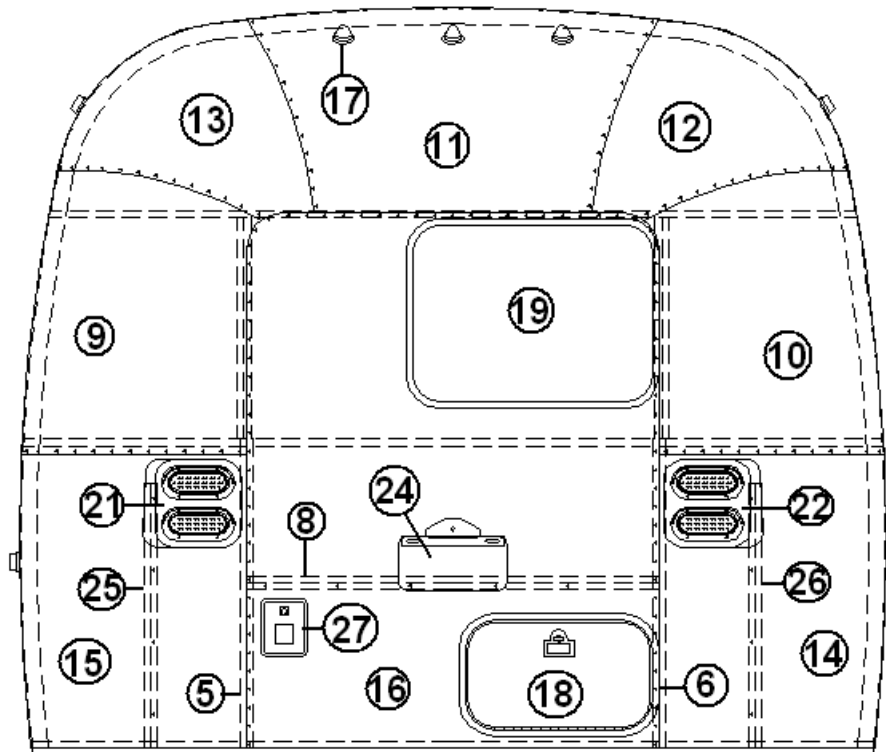
AFT END, 19', 23'

964513-08	AFT SHELL
1. 114994	End bow
2. 104463	Floor bow
3. 104351	Upper window bow
4. 104343	Lower window bow
5. 114505-01	Support, lower end, LH
6. 114505-02	Support, lower end, RH
7. 101315	Brace, vertical rear
8. 104408	Z-rib
9. 114888	Segment, center left
10. 114889	Segment, center right
11. 114892	Segment #25
12. 114890	Segment #26
13. 114891	Segment #27
14. 114894	Segment #28
15. 114895	Segment #29
16. 114880-201	Alum. Sheet, cut down to .040 x 19.0" x 51.0"
17. 512227	Light, clearance, red LED
18. 100679-01	Door assembly, side access
19. 372229	WINDOW-21" X 28" OPENING, REAR END
20. 114849-03	Aluminum sheet, gray
21. 952929-01	RS tail light assembly
22. 952929-02	CS tail light assembly
23. 500095	Red reflector, rectangular
24. 511407	License plate light/holder, Black
24. 511407-01	Gasket, License plate light/holder
25. 101315-01	SUPPORT-LOWER END SHELL, LH
26. 101315-02	SUPPORT LOWER END SHELL, RH

2009 FLYING CLOUD

EXTERIOR SHELL

AFT END, 20'



Part Numbers are on the Next Page

2009 FLYING CLOUD

EXTERIOR SHELL

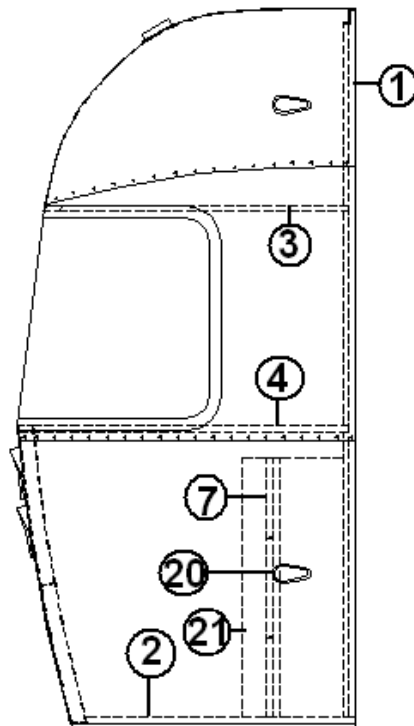
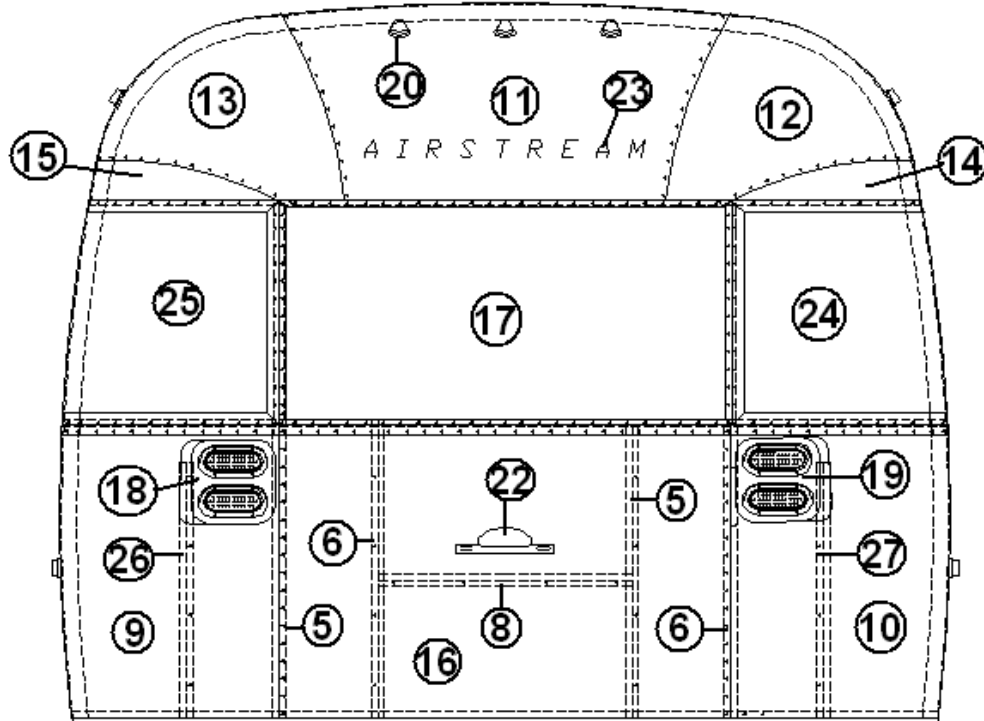
AFT END, 20'

964513-07	AFT SHELL
1. 114994	End bow
2. 104463	Floor bow
3. 104351	Upper window bow
4. 104343	Lower window bow
5. 114505-01	Support, lower end, LH
6. 114505-02	Support, lower end, RH
7. 101315	Brace, vertical rear
8. 104408	Z-rib
9. 114888	Segment, center left
10. 114889	Segment, center right
11. 114892	Segment #25
12. 114890	Segment #26
13. 114891	Segment #27
14. 114894	Segment #28
15. 114895	Segment #29
16. 114880-201	Alum. Sheet, cut down to .040 x 19.0" x 51.0"
17. 512227	Light, clearance, red LED
18. 100679-01	Door assembly, side access
19. 372229	WINDOW-21" X 28" OPENING, REAR END
20. 114849-03	Aluminum sheet, gray
21. 952929-01	RS tail light assembly
22. 952929-02	CS tail light assembly
23. 500095	Red reflector, rectangular
24. 511407	License plate light/holder, Black
24. 511407-01	Gasket, License plate light/holder
25. 101315-01	SUPPORT-LOWER END SHELL, LH
26. 101315-02	SUPPORT LOWER END SHELL, RH
27. 601194	WATER FILL W/LOCK, GRAY,W/LABEL

2009 FLYING CLOUD

EXTERIOR BODY

AFT END, 27' Front Bed, 25' Front Bed



Part Numbers are on the Next Page

2009 FLYING CLOUD

EXTERIOR BODY

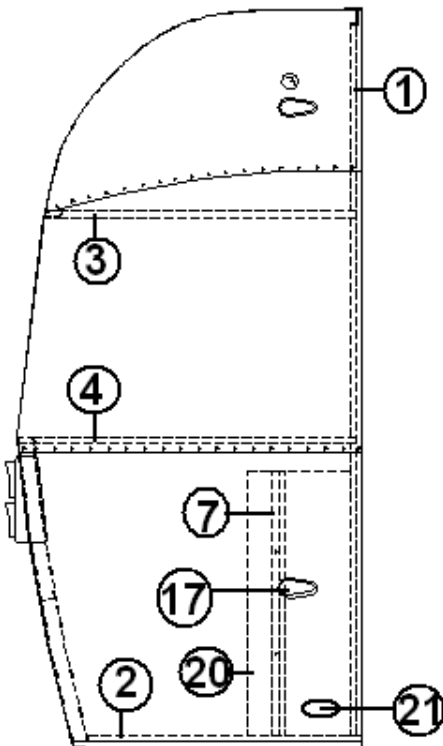
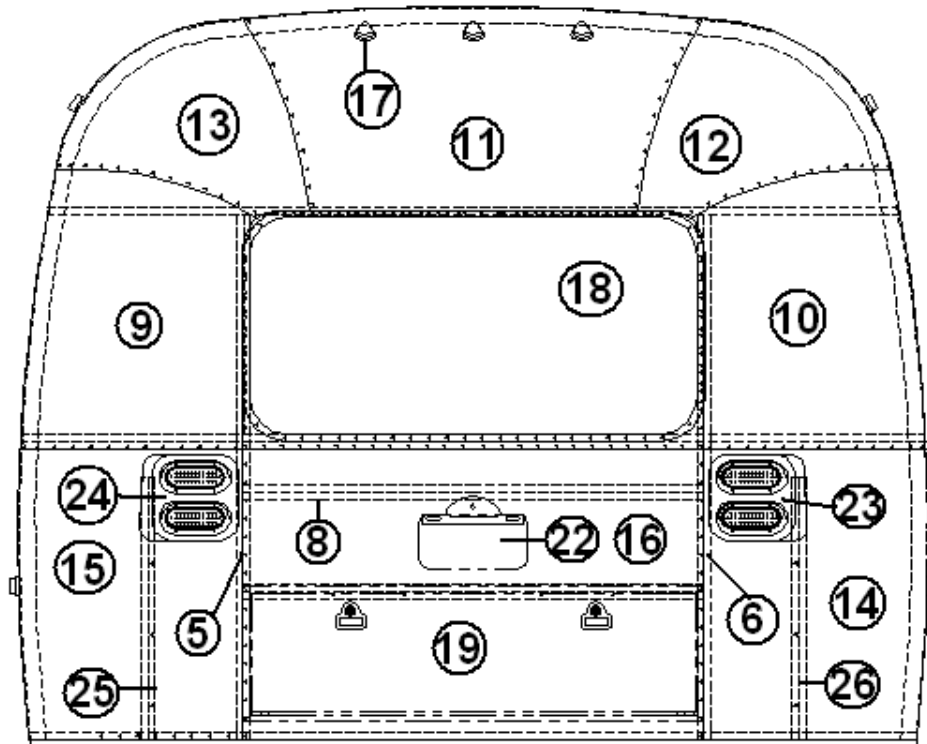
AFT END, 27' Front Bed, 25' Front Bed

921227-01	End shell complete, Aft
1. 1114993	End bow
2. 114676	Floor bow
3. 114678	Upper window bow
4. 114677	Lower window bow
5. 114505-01	Support, lower end, LH
6. 114505-02	Support, lower end, RH
7. 101315	Brace, vertical rear
8. 104408	Extrusion rib
9. 114895	Segment #29
10. 114894	Segment #28
11. 114893	Segment #25
12. 114890	Segment #26
13. 114891	Segment #27
14. 114889	Segment, center right
15. 114888	Segment, center left
16. 114880-201	Alum. sheet, cut down to 040 x 45.25 x 51.0
17. 371346-02	WINDOW-48.97" FLAT FRONT/WRAP
18. 952929-01	TAILLIGHT ASSY- LED R.S.
19. 952929-02	TAILLIGHT ASSY- LED C.S
20. 512227	Light, clearance, red LED
21. 114849-03	Alum. Sheet, 040 x 12.0" x 29.0"
22. 511407	License plate light/holder, Black
22. 511407-01	Gasket, License plate light/holder
23. 386150	Decal, "AIRSTREAM"
24. 372088-101	WINDOW CORNER WRAP RS FRONT, CS
25. 372089-101	WINDOW CORNER WRAP CS FRONT, RS
26. 101315-01	SUPPORT-LOWER END SHELL, LH
27. 101315-02	SUPPORT LOWER END SHELL, RH

2009 FLYING CLOUD

EXTERIOR SHELL

AFT END, 28'



Part Numbers are on the Next Page

2009 FLYING CLOUD

EXTERIOR SHELL

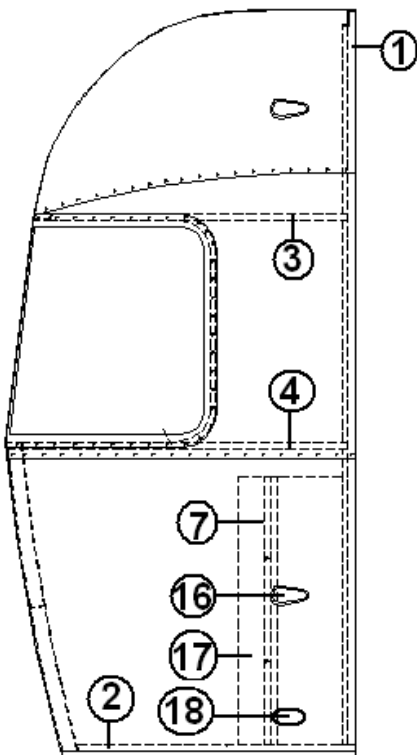
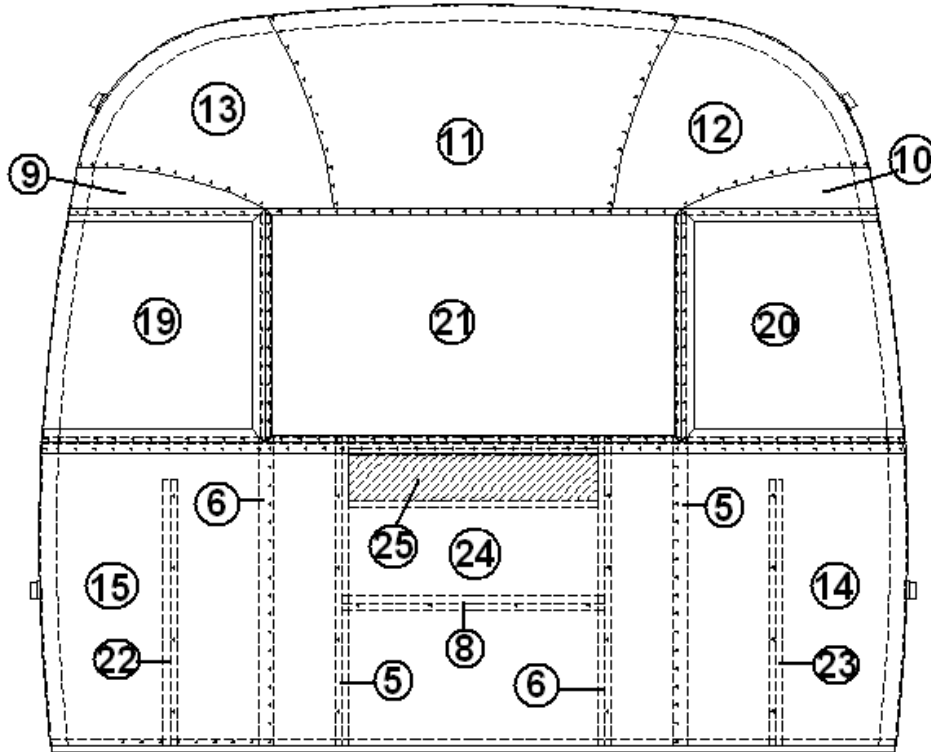
AFT END, 28'

922677	Aft End Assembly
1. 114993	End bow
2. 114676	Floor bow
3. 114678	Upper window bow
4. 114677	Lower window bow
5. 114505-01	Support, lower end, LH
6. 114505-02	Support, lower end, RH
7. 101315	Brace, vertical rear
8. 104408	Z-rib
9. 114888	Segment, center left
10. 114889	Segment, center right
11. 114893	Segment #25
12. 114890	Segment #26
13. 114891	Segment #27
14. 114894	Segment #28
15. 114895	Segment #29
16. 114880-307	Alum. Sheet, .060 x 19.0" x 51.0"
17. 512227	Light, clearance, red LED
18. 371348-02	Window, Rear w/ red handles
19. 921159	Trunk door assembly
20. 114849-03	Alum. Sheet, 040 x 12.0" x 29.0"
21. 500095	Red reflector, rectangular
22. 511407	License plate light/holder, Black
22. 511407-01	Gasket, License plate light/holder
23. 952929-02	CS tail light assembly
24. 952929-01	RS tail light assembly
25. 101315-01	Brace, vertical, rear, LH
26. 101315-02	Brace, vertical, rear, RH

2009 FLYING CLOUD

EXTERIOR SHELL

FRONT END, 19', 20', 23', 23' Front Bed



Part Numbers are on the Next Page

2009 FLYING CLOUD

EXTERIOR SHELL

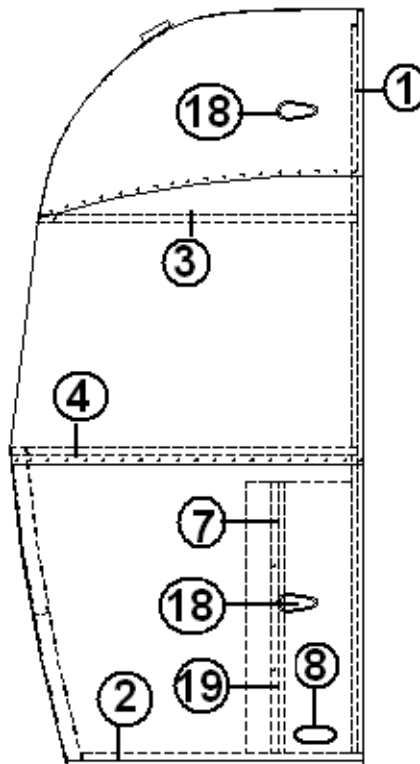
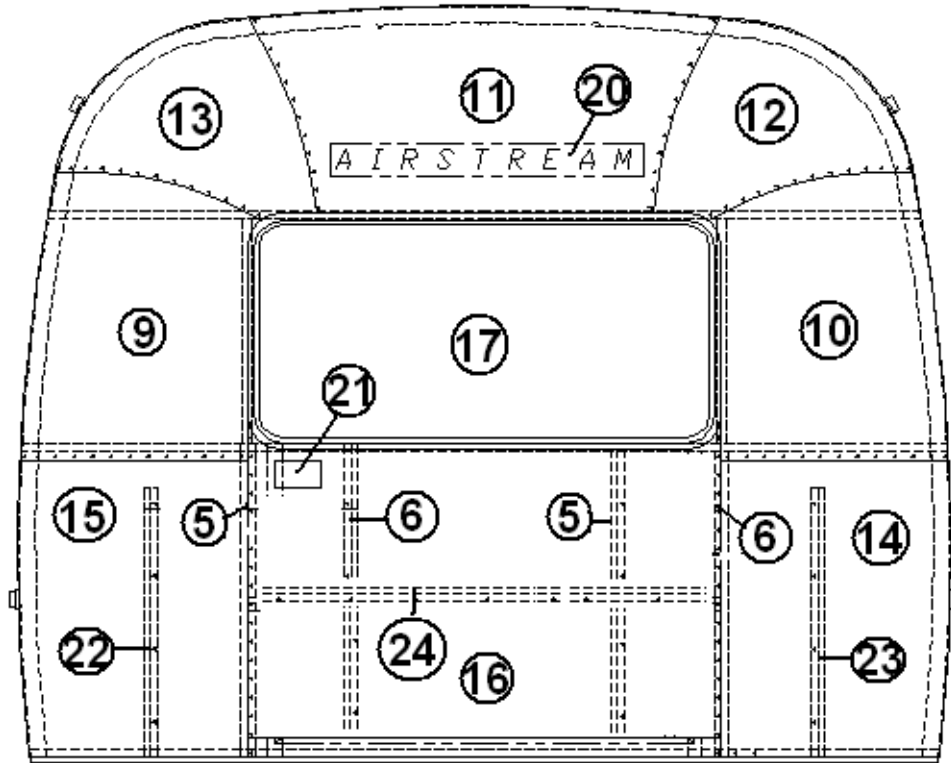
FRONT END, 19', 20', 23', 23' Front Bed

922626	Front End Shell
1. 114994	Weldment, end bow, NB
2. 104463	Floor bow, captive extrusion
3. 104351	Upper, window bow
4. 104343	Lower, window bow
5. 114505-01	Support, lower end shell, left-hand
6. 114505-02	Brace, vertical rear
7. 101315	Brace, vertical rear
8. 104408	Rib bow
9. 114888	Segment, center left, bright
10. 114889	Segment, center right, bright,
11. 114892	Segment, #25, NB, bright
12. 114890	Segment, #26, bright
13. 114891	Segment, #27, bright
14. 114894	Segment, #28, bright
15. 114895	Segment, #29, bright
16. 512226	Light, clearance, amber LED
17. 114849-03	Aluminum sheet, 060 x 12.00" x 29.00"
18. .500096	Reflector, amber
19. 372088-101	RS front panoramic window
20. 372089-101	CS front panoramic window
21. 371328	Front window
21. 371328-100	Front window glass only
22. 101315-01	Brace, vertical, rear, LH
23. 101315-02	Brace, vertical, rear, RH
24. 114880-307	Aluminum sheet, .040" x 5" x 307" "cut down"
25. 453629	Hat section, 27.25" long, Front dinette models only

2009 FLYING CLOUD

EXTERIOR SHELL

Front End, 25' Queen Front Bed



Part Numbers are on the Next Page

2009 FLYING CLOUD

EXTERIOR SHELL

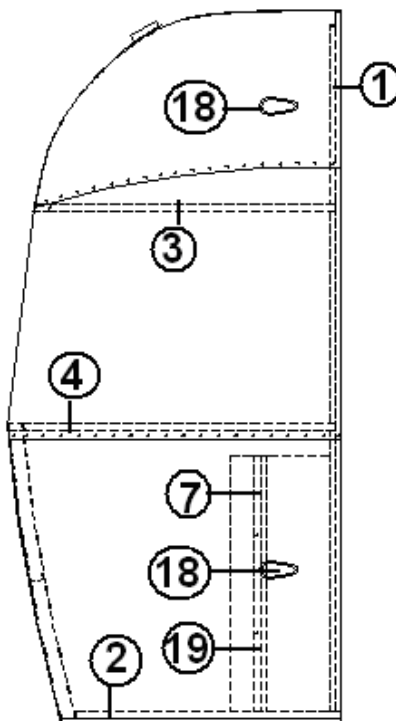
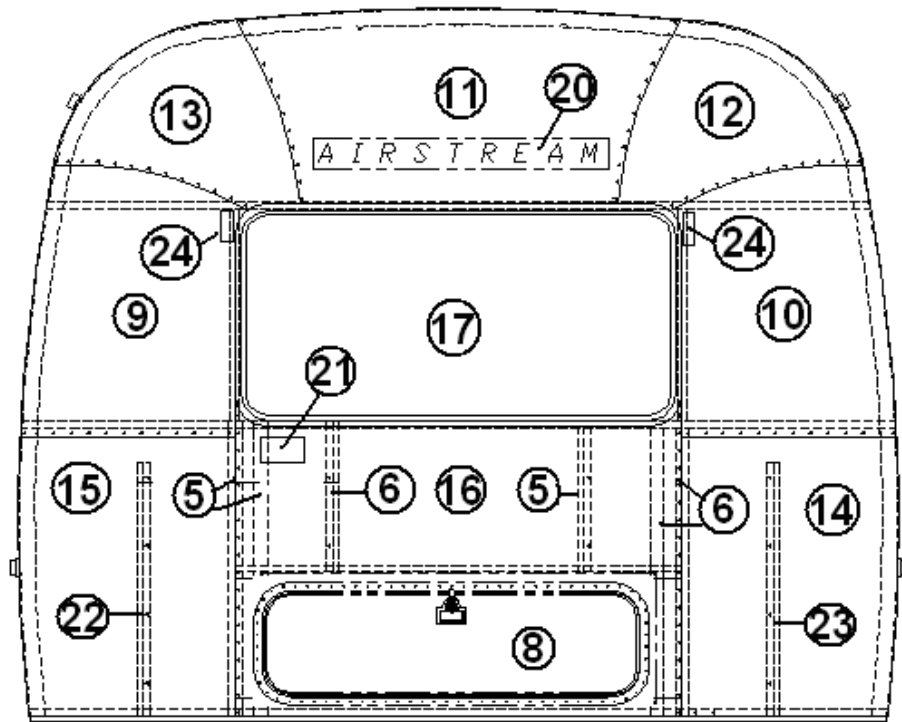
Front End, 25' Queen Front Bed

921225-02	End shell complete, front
1. 114993	WELDMENT ZERO BOW "WB"
2. 114676	BOW FLOOR ALTERED
3. 114678	BOW UP WINDOW ALTERED
4. 114677	BOW LOWER WINDOW ALTERED
5. 114505-01	SUPPORT LOWER END SHELL LH
6. 114505-02	SUPPORT LOWER END RH
7. 101315	BRACE VERTICAL REAR
8. 500096	Reflector, amber
9. 114888	SEGMENT-CENTER LEFT "BRIGHT"
10. 114889	SEGMENT-CENTER RIGHT "BRIGHT"
11. 114893	SEGMENT-#25 WIDE BODY "BRIGHT"
12. 114890	SEGMENT-#26 "BRIGHT"
13. 114891	SEGMENT-#27 "BRIGHT"
14. 114894	SEGMENT-#28 "BRIGHT"
15. 114895	SEGMENT-#29 "BRIGHT"
16. 114880-307	ALUMINUM, .040" X 51" X 307"
17. 371348-03	WINDOW, W/SILVER HANDLES
18. 512226	Light, clearance, amber LED
19. 114849-03	ALUMINUM, .060 26"W X 8' GRAY
20. 386150	AIRSTREAM LOGO, BLACK
21. 386118	LABEL, LP GAS
22. 101315-01	Brace, vertical, rear, LH
23. 101315-02	Brace, vertical, rear, RH
24. 104408	Rib bow

2009 FLYING CLOUD

EXTERIOR SHELL

Front End, 27' Front Bed, 25' Twin Front Bed w/ Standard Window



Part Numbers are on the Next Page

2009 FLYING CLOUD

EXTERIOR SHELL

Front End, 27' Front Bed, 25' Twin Front Bed w/ Standard Window

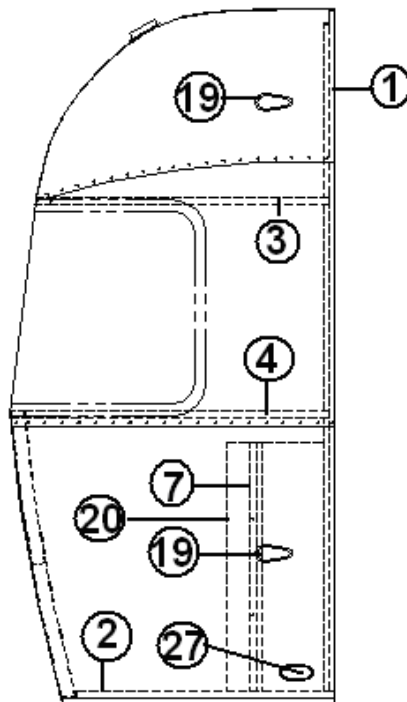
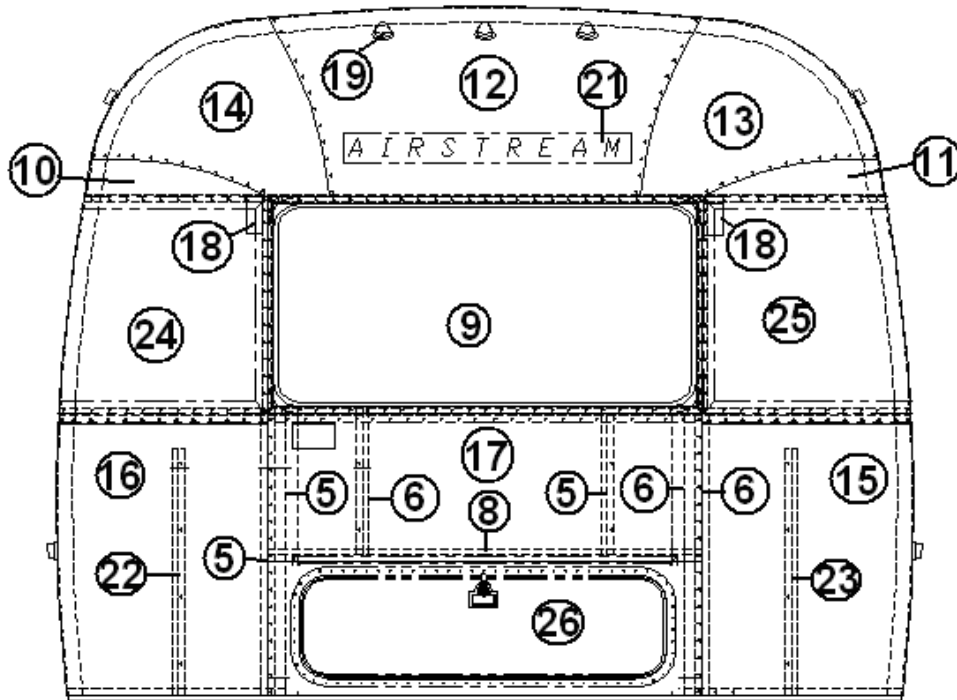
921244	End shell complete, front
1. 114993	WELDMENT ZERO BOW "WB"
2. 114676	BOW FLOOR ALTERED
3. 114678	BOW UP WINDOW ALTERED
4. 114677	BOW LOWER WINDOW ALTERED
5. 114505-01	SUPPORT LOWER END SHELL LH
6. 114505-02	SUPPORT LOWER END RH
7. 101315	BRACE VERTICAL REAR
8. *922711	TRUNK DOOR, W/SQUARE CORNERS
8. *922288-02	TRUNK DOOR W/ROUND CORNERS
9. 114888	SEGMENT-CENTER LEFT "BRIGHT"
10. 114889	SEGMENT-CENTER RIGHT "BRIGHT"
11. 114893	SEGMENT-#25 WIDE BODY "BRIGHT"
12. 114890	SEGMENT-#26 "BRIGHT"
13. 114891	SEGMENT-#27 "BRIGHT"
14. 114894	SEGMENT-#28 "BRIGHT"
15. 114895	SEGMENT-#29 "BRIGHT"
16. 114880-307	ALUMINUM, .040" X 51" X 307"
17. 371348-03	WINDOW, w/Silver handles
18. 512226	Light, clearance, amber LED
19. 114849-03	ALUMINUM, .060 26"W X 8' GRAY
20. 386150	AIRSTREAM LOGO, BLACK
21. 386118	LABEL, LP GAS
22. 101315-01	Brace, vertical, rear, LH
23. 101315-02	Brace, vertical, rear, RH
24. 115316	ALUMINUM ANGLE, SHELL SUPPORT

* 922288-02 DOOR W/ROUND CORNERS REPLACED 922711 DOOR WITH SQAURE CORNERS DURING MODEL YEAR.

2009 FLYING CLOUD

EXTERIOR SHELL

Front End Shell, 27' Front Bed & 25' Twin Front Bed w/Panoramic Windows



Part Numbers are on the Next Page

2009 FLYING CLOUD

EXTERIOR SHELL

Front End Shell, 27' Front Bed & 25' Twin Front Bed w/Panoramic Windows

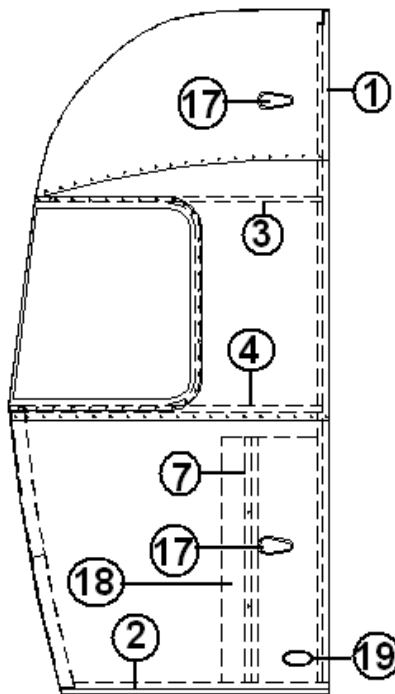
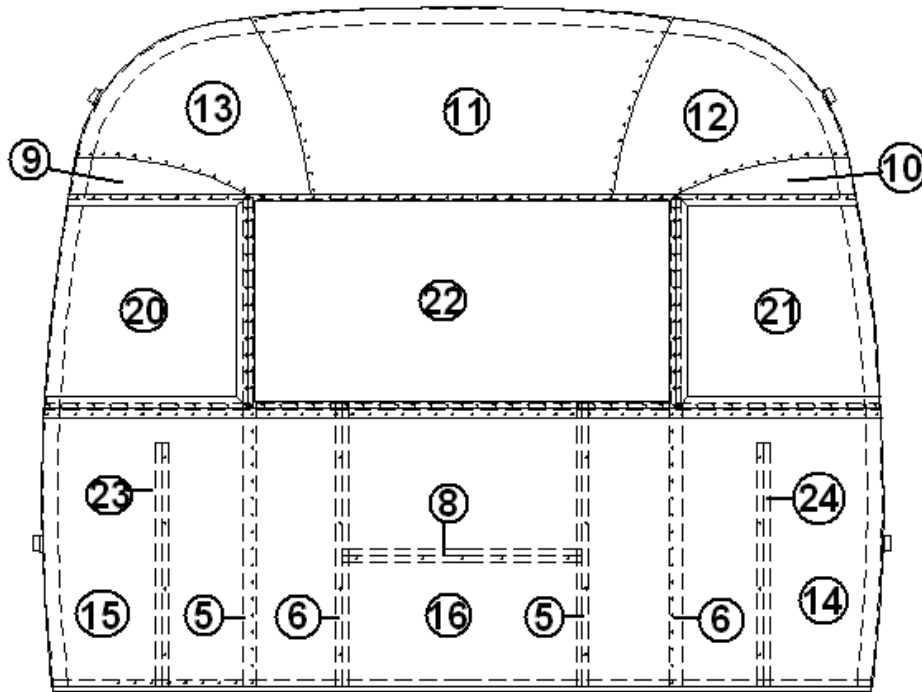
921244-01	Front Shell 27' FB w/Panoramic Windows
1. 114993	End bow
2. 114676	Floor bow
3. 114678	Upper window bow
4. 114677	Lower window bow
5. 114505-01	Support, lower end, LH
6. 114505-02	Support, lower end, RH
7. 101315	Brace, vertical rear
8. 104408	Z-rib
9. 371346-02	Window, front, w/panoramic windows
10. 114888	Segment, center left
11. 114889	Segment, center right
12. 114893	Segment #25
13. 114890	Segment #26
14. 114891	Segment #27
15. 114894	Segment #28
16. 114895	Segment #29
17. 101115	Alum. sheet, .060" x 41.00" x 51"
18. 115316	Aluminum angle, end shell insert
19. 512226	Light, clearance, amber LED
20. 114829-03	Aluminum sheet, Pewter, 26" x 8"
21. 386150	Logo, "Airstream"
22. 101315-01	Brace, rear vertical, LH
23. 101315-02	Brace, rear vertical, RH
24. 372088-101	Panoramic window, CS front
25. 372089-101	Panoramic window, RS front
26. *922711	DOOR ASSEMBLY, TRUNKW/SQUARE CORNERS
26. *922288-02	DOOR ASSEMBLY, TRUNKW/ROUND CORNERS
27. 500096	Reflector, amber

* 922288-02 DOOR W/ROUND CORNERS REPLACED 922711 DOOR WITH SQAURE CORNERS DURING MODEL YEAR.

2009 FLYING CLOUD

EXTERIOR SHELL

FRONT END, 28', 25' Queen Front Bed w/Panoramic Window Option



Part Numbers are on the Next Page

2009 FLYING CLOUD

EXTERIOR SHELL

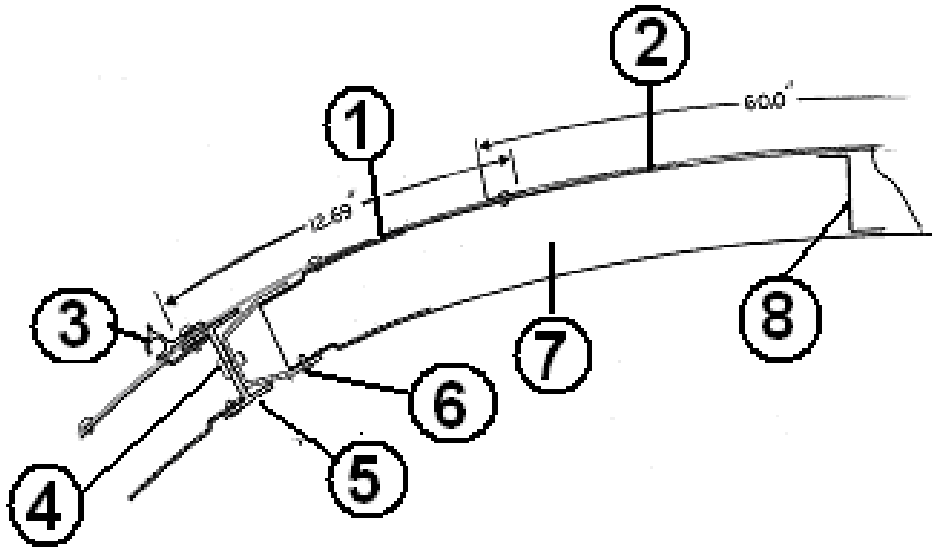
FRONT END, 28', 25' Queen Front Bed w/Panoramic Window Option

922676	Front end shell
1. 114993	End bow
2. 114676	Floor bow
3. 114678	Upper window bow
4. 114677	Lower window bow
5. 114505-01	Support, lower end, LH
6. 114505-02	Support, lower end, RH
7. 101315	Brace, vertical rear
8. 104408	Z-rib
9. 114888	Segment, center left
10. 114889	Segment, center right
11. 114893	Segment #25
12. 114890	Segment #26
13. 114891	Segment #27
14. 114894	Segment #28
15. 114895	Segment #29
16. 101115	Alum. sheet, .060" x 41.00" x 51"
17. 512226	Light, clearance, amber LED
18. 114829-03	Aluminum sheet, Pewter 26" x 8"
19. 500096	Reflector, amber
20. 372089-101	Panoramic window, CS front
21. 372088-101	Panoramic window, RS front
22. 371346-02	WINDOW, 48.97" Front/Rear End
23. 101315-01	Brace, vertical, rear, LH
24. 101315-02	Brace, vertical, rear, RH

2009 FLYING CLOUD

EXTERIOR BODY

ROOF



ROOF

- | | |
|----------------|--|
| 1. 114669-307 | Alum. sheet, white, .032" x 12.69" x 307" |
| 2. 114489-262 | Alum. sheet, white, .032" x 60.0" x 262" |
| 2a. 114489-198 | Alum. sheet, white, .032" x 60" x 198" |
| 3. 114290-02 | Extrusion, awning/drip rail, 197.25" |
| 4. 330139-01 | RIVET MAGNALOK SS 1/4" |
| 5. 104707-01 | Extrusion, "I" beam |
| 6. 114987-01 | Extrusion, roof corner, 194" |
| 6a. 114987-02 | Extrusion, roof corner, 258" |
| 7. 114387-03 | Roof bow |
| 8. 104408 | Extrusion, Z-bar, horizontal |
| 104948 | Air deflector, between roof A/C and refrigerator |

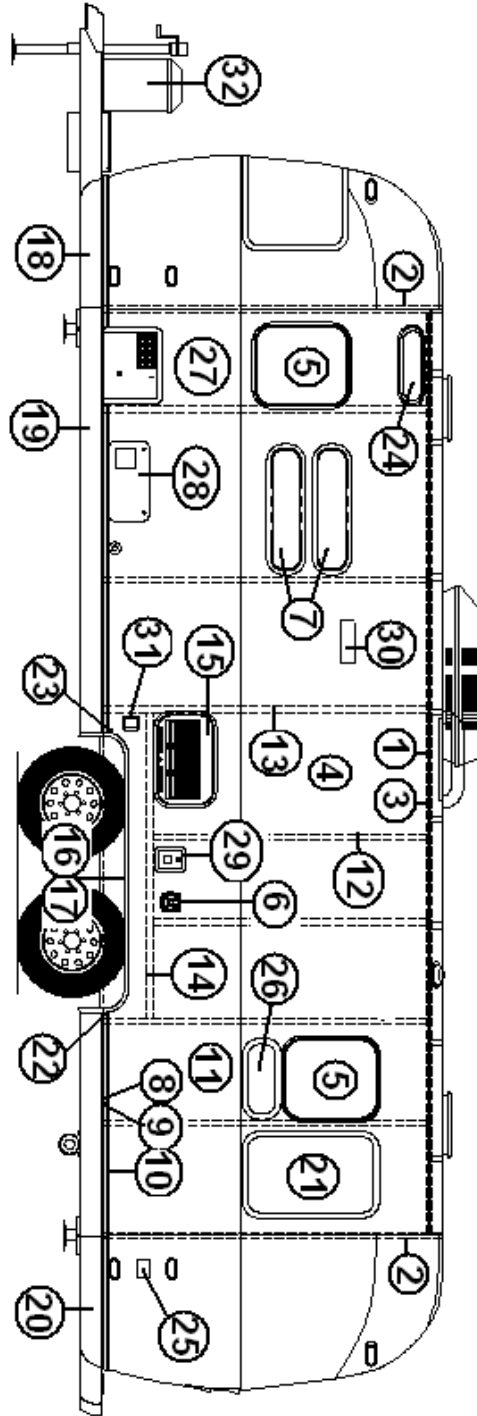
Shell Attachment

- | | |
|-----------|-------------------------------|
| 300023-02 | WASHER, HOLD DOWN-HOLE OFFSET |
|-----------|-------------------------------|

2009 FLYING CLOUD

EXTERIOR BODY

Wall, Roadside, 28' W



Part numbers are on the next page

2009 FLYING CLOUD

EXTERIOR BODY

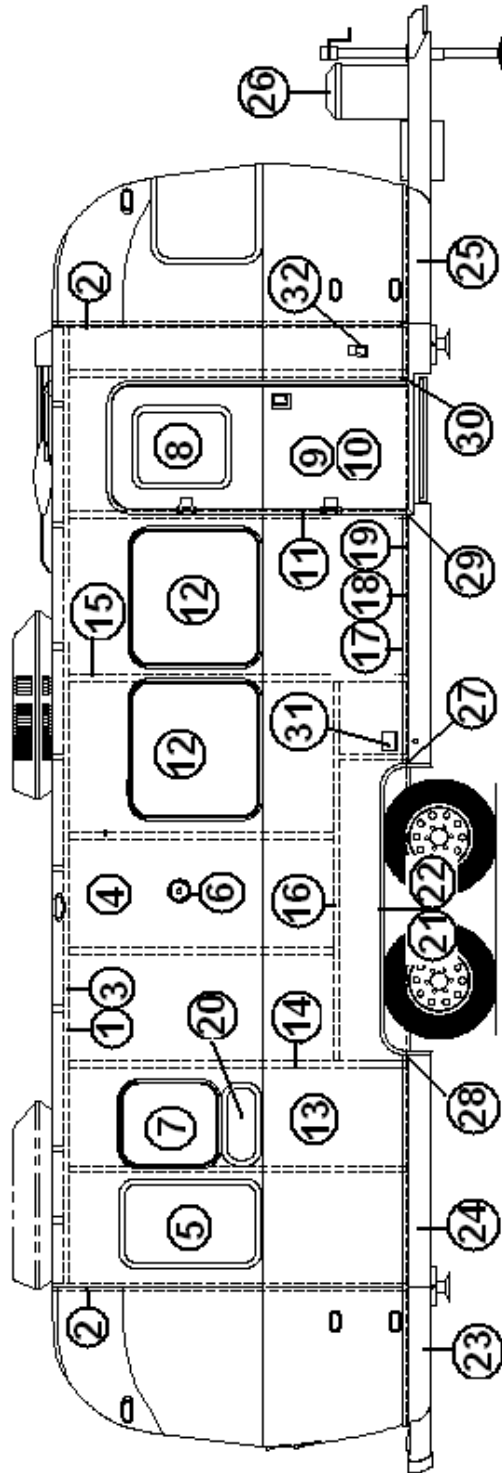
Wall, Roadside, 28' W

1. 114290-02	Extrusion, awning/drip rail, 261"
2. 114993	Rib, end bow
3. 104707-06	Extrusion, "I" beam, 258"
4. 114880-238	Alum. sheet, upper, .040" x 51" x 238"
5. 371323-01	WINDOW-18" OPENING
6. 601392-05	City water hook-up
7. 371270-01	Window, 30" stacked
8. 114460	Extrusion, rub rail
9. 201763-01	Insert, rub rail, chrome, 1"
10. 100986	Floor channel
11. 114879-238	Alum. sheet, lower, .040" x 33" x 238"
12. 114387-01	Bow, Z rib, RH
13. 114387-02	Bow, Z rib, LH
14. 100986	Wheel well stiffener (floor channel.
15. 922243	Door, refrigerator access
16. 684936	Wheel well trim, inner, tandem axle
17. 684937	Wheel well trim, outer, tandem axle
18. 200542-01	Banana wrap, RS front
19. 101131-01	Underbelly wrap, .024" x 22.5", Pewter
20. 200544	Banana wrap, RS rear
21. 371286-01	Window, 18" X 30" curved fixed
22. 114466-01	Casting, rub rail end, wheel well, RH
23. 114466-02	Casting, rub rail end, wheel well, LH
24. 922770-01	Vista View Window, 18"
25. 104619	MTG. PLATE, TELEPHONE & TV JACK
25. 510616	F CONNECTOR, COAX, 75 OHM
25. 511375	JACK MODULAR TELEPHONE
26. 371269-01	Window, 18" stacked
27. 690209	Access cover, Atwood
28. 690274-09	Door exterior, Hydroflame
29. 601194	Water fill w/lock, gray w/label
30. 511017-11	Vent cover, range exhaust
31. 511416-02	POWER INLET, 30A, 125V, MALE - GRAY
32. 921232	Cover, 30# LPG bottles

2009 FLYING CLOUD

EXTERIOR BODY

Wall, Curbside, 28' W



Part numbers are on the next page

2009 FLYING CLOUD

EXTERIOR BODY

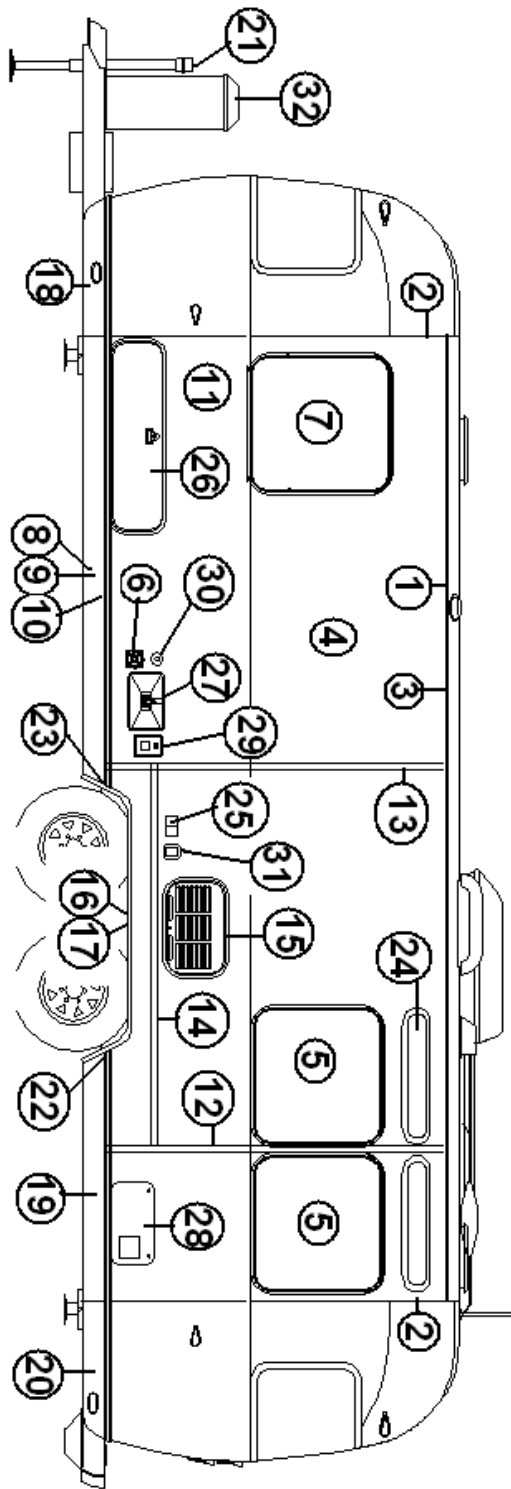
Wall, Curbside, 28' W

1. 114290-02 Extrusion, awning/drip rail, 261"
2. 114993 Rib, end bow
3. 104707-06 Extrusion, "I" beam, 258"
4. 114880-238 Alum. sheet, upper, .040" x 51" x 238"
5. 371286-01 Window, 18" X 30" curved fixed
6. 500092 Flood light and lens
7. 371323-01 Window, 18" opening
8. 371400-01 Window, main door, etched
9. 115207-04 Main door assembly
10. 114654 Screen door assembly
11. 114652 Jamb, main door
12. 371380 Window, opening, 30" tall
13. 114879-238 Alum. sheet, lower, .040" x 33 x 238"
14. 114387-01 Bow, Z rib, RH
15. 114387-02 Bow, Z rib, LH
16. 100986 Wheel well stiffener (floor channel.
17. 114460 Extrusion, rub rail
18. 201763-01 Insert, rub rail, chrome, 1"
19. 100986 Floor channel
20. 371269-01 Window, 18" stacked
21. 684936 Wheel well trim, inner, tandem axle
22. 684937 Wheel well trim, outer, tandem axle
23. 200545 Banana wrap, CS rear
24. 101131-01 Underbelly wrap, .024" x 22.5, Pewter
25. 200543-01 Banana wrap, CS front
26. 921232 Cover, 30# LPG bottles
27. 114466-01 Casting, rub rail end, wheel well, RH
28. 114466-02 Casting, rub rail end, wheel well, L9
29. 114465-02 CASTING CLOSEOUT, RUB RAIL LH
30. 114465-01 CASTING CLOSEOUT, RUB RAIL RH
31. 510676-01 OUTLET, EXTERIOR, 120 VOLT, GRAY
32. 512252 STEP LIGHT-LED STAINLESS STEEL

2009 FLYING CLOUD

EXTERIOR BODY

Wall, Roadside, 27'



Part numbers are on the next page

2009 FLYING CLOUD

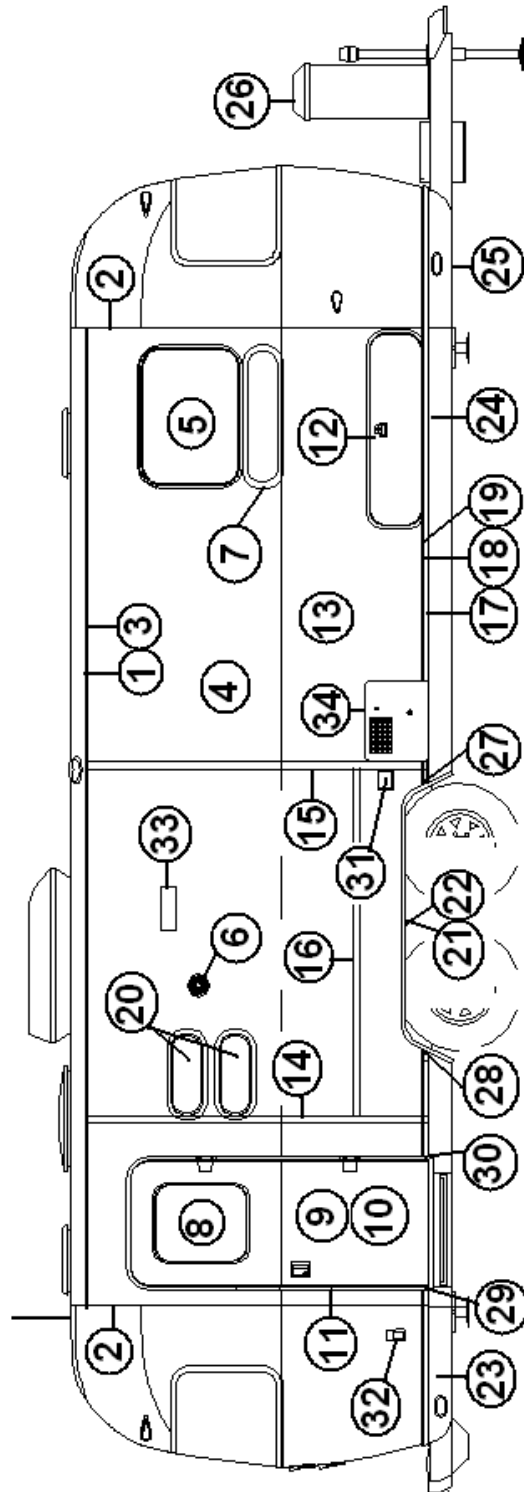
EXTERIOR BODY

Wall, Roadside, 27'

1. 114290-02 Extrusion, awning/drip rail, 261"
2. 114993 Rib, end bow
3. 104707-06 Extrusion, "I" beam, 258"
4. 114880-238 Alum. sheet, upper, .040" x 51" x 238"
5. 371380 Window, 30in. opening
6. 601392-05 City water hook-up
7. 371380-01 Window, 30" egress
8. 114460 Extrusion, rub rail
9. 201763-01 Insert, rub rail, chrome, 1"
10. 100986 Floor channel
11. 114879-238 Alum. sheet, lower, .040" x 33" x 238"
12. 114387-01 Bow, Z rib, RH
13. 114387-02 Bow, Z rib, LH
14. 100986 Wheel well stiffener (floor channel.
15. 922243 Door, refrigerator access
16. 684936 Wheel well trim, inner, tandem axle
17. 684937 Wheel well trim, outer, tandem axle
18. 200542-01 Banana wrap, RS front
19. 101131-01 Underbelly wrap, .024" x 22.5", Pewter
20. 200544 Banana wrap, RS rear
21. 400961 POWER JACK
22. 114466-01 Casting, rub rail end, wheel well, RH
23. 114466-02 Casting, rub rail end, wheel well, LH
24. 922770-02 Vista View, 30"
25. 104619 MTG. PLATE, TELEPHONE & TV JACK
26. 510616 F CONNECTOR, COAX, 75 OHM
27. 511375 JACK MODULAR TELEPHONE
28. 922288-02 Door, side access, long
29. 601876 Exterior shower hatch
30. 690274-09 Door exterior, Hydroflame
31. 601194 Water fill w/lock, gray w/label
32. 601441 Tank flush system
33. 511416-02 POWER INLET, 30A, 125V, MALE, GRAY
34. 921232 Cover, 30# LPG bottles

2009 FLYING CLOUD EXTERIOR BODY

Wall, Curbside, 27'



Part numbers are on the next page

2009 FLYING CLOUD

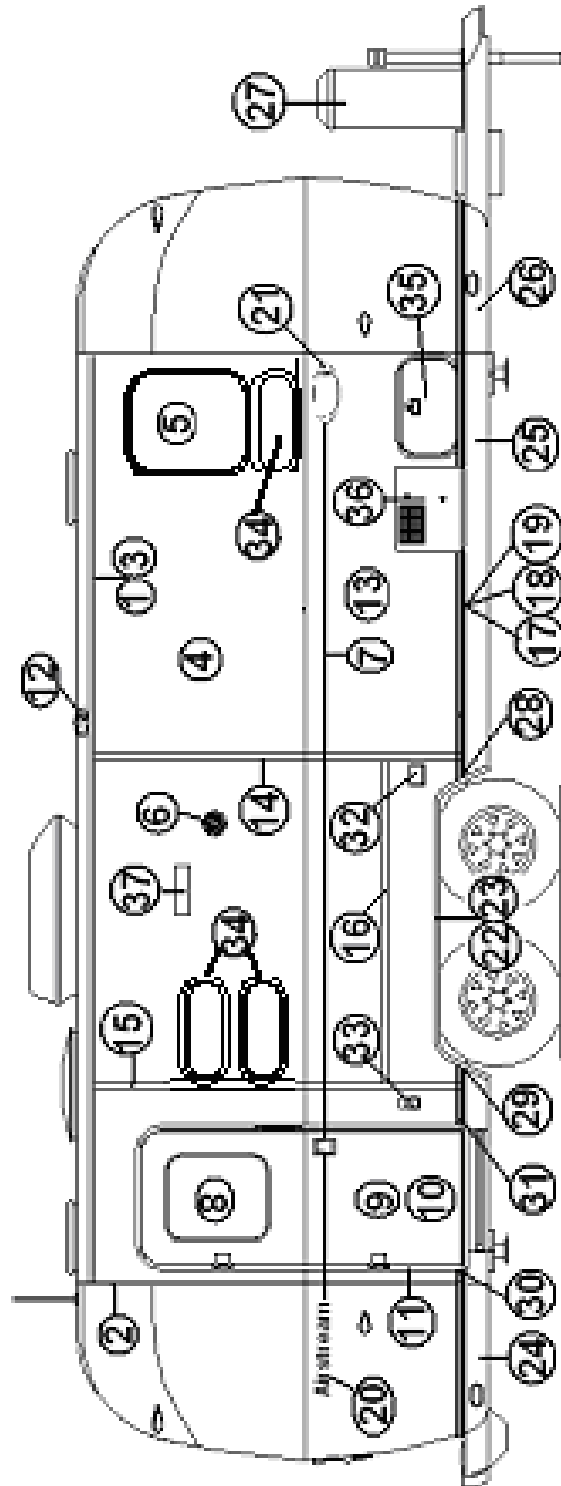
EXTERIOR BODY

Wall, Curbside, 27'

1. 114290-02	Extrusion, awning/drip rail, 261"
2. 114993	Rib, end bow
3. 104707-06	Extrusion, "I" beam, 258"
4. 114880-238	Alum. sheet, upper, .040" x 51" x 238"
5. 371324-02	Window, 30in. opening
6. 500092	Flood light and lens
7. 371270-01	WINDOW 30" STACK
8. 371400-01	Window, main door
9. 115207-05	Main door assembly
10. 114654-01	Screen door assembly
11. 114652-01	Jamb, main door
12. 922288-02	Door, side access, long
13. 114879-238	Alum. sheet, lower, .040" x 33 x 228"
14. 114387-01	Bow, Z rib, RH
15. 114387-02	Bow, Z rib, LH
16. 100986	Wheel well stiffener (floor channel.
17. 114460	Extrusion, rub rail
18. 201763-01	Insert, rub rail, chrome, 1"
19. 100986	Floor channel
20. 371269-01	Window, 18" stacked
21. 684936	Wheel well trim, inner, tandem axle
22. 684937	Wheel well trim, outer, tandem axle
23. 200545	Banana wrap, CS rear
24. 101131-01	Underbelly wrap, .024" x 22.5, Pewter
25. 200543-01	Banana wrap, CS front
26. 921232	Cover, 30# LPG bottles
27. 114466-01	Casting, rub rail end, wheel well, RH
28. 114466-02	Casting, rub rail end, wheel well, L9
29. 114465-02	CASTING CLOSEOUT, RUB RAIL LH
30. 114465-01	CASTING CLOSEOUT, RUB RAIL RH
31. 510676-01	OUTLET, EXTERIOR, 120 VOLT, GRAY
32. 512252	STEP LIGHT-LED STAINLESS STEEL
33. 511017-11	EXTERIOR VENT GRAY
34. 690209	Access cover, water heater

2009 FLYING CLOUD EXTERIOR SHELL

Wall, Curbside, 25' Front Bed



Part numbers are on the next page

2009 FLYING CLOUD

EXTERIOR SHELL

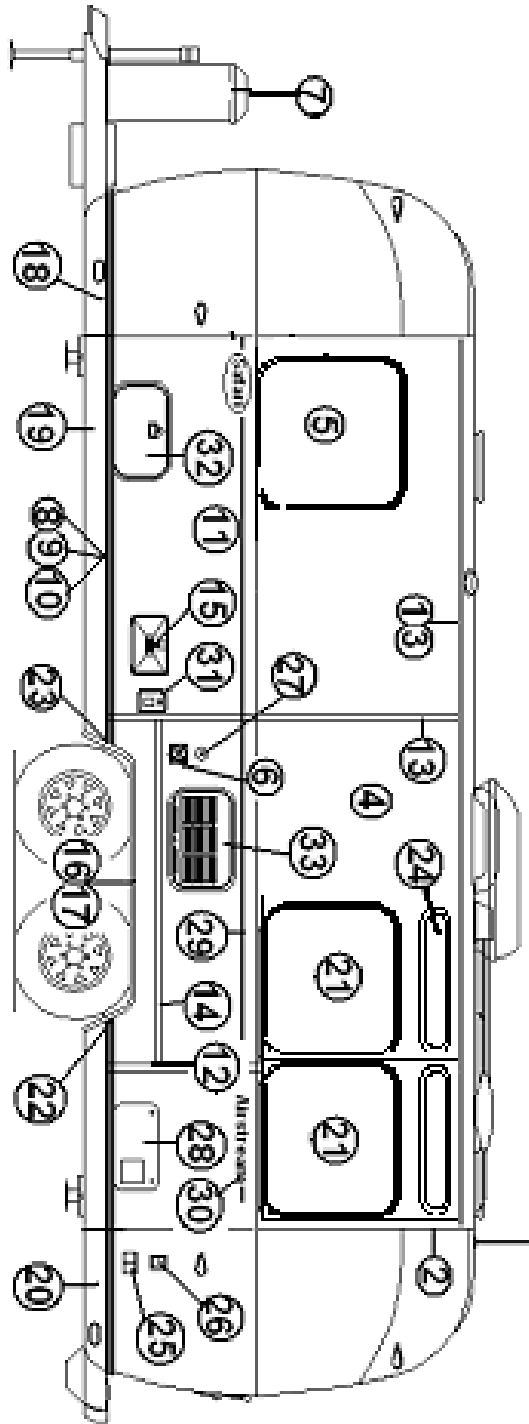
Wall, Curbside, 25' Front Bed

1. 114290-01	Extrusion, awning/drip rail
2. 114993	Rib, end bow
3. 104707-05	Extrusion, "I" beam
4. 114880-201	Alum. sheet, upper, .040" x 51" x 201"
5. 371323-01	WINDOW-18" OPENING
6. 500092	Flood light and lens
7. 386088	Decal, black reflective
8. 371400-01	Window, main door, etched
9. 115207-05	Main door assembly
10. 114654-01	Screen door assembly
11. 114652-01	Jamb, main door
12. 690266-01	Shower roof vent
13. 114879-201	Alum. sheet, lower, .040" x 33 x 201"
14. 114387-01	Bow, Z rib, RH
15. 114387-02	Bow, Z rib, LH
16. 100986	Wheel well stiffener (floor channel.
17. 114460	Extrusion, rub rail
18. 201763-01	Insert, rub rail, chrome, 1"
19. 100986	Floor channel
20. 386151	DECAL, AIRSTREAM 1.3"X 16" BLACK
21. 386220	Nameplate, Flying Cloud
22. 684936	Wheel well trim, inner, tandem axle
23. 684937	Wheel well trim, outer, tandem axle
24. 200545	Banana wrap, CS rear
25. 101131-01	Underbelly wrap, .024" x 22.5, Pewter
26. 200543-01	Banana wrap, CS front
27. 921232	Cover, 30# LPG bottles
28. 114466-01	Casting, rub rail end, wheel well, RH
29. 114466-02	Casting, rub rail end, wheel well, LH
30. 114465-02	CASTING CLOSEOUT, RUB RAIL LH
31. 114465-01	CASTING CLOSEOUT, RUB RAIL RH
32. 510676-01	OUTLET, EXTERIOR, 120 VOLT, GRAY
33. 512252	STEP LIGHT-LED STAINLESS STEEL
34. 371269-01	WINDOW 18" STACK
35. 100679-01	Side Access Door Assembly
36. 690199	Water Heater
37. 511017-11	EXTERIOR VENT GRAY

2009 FLYING CLOUD

EXTERIOR BODY

Wall, Roadside, 25' Front Bed



Part numbers are on the next page

2009 FLYING CLOUD

EXTERIOR BODY

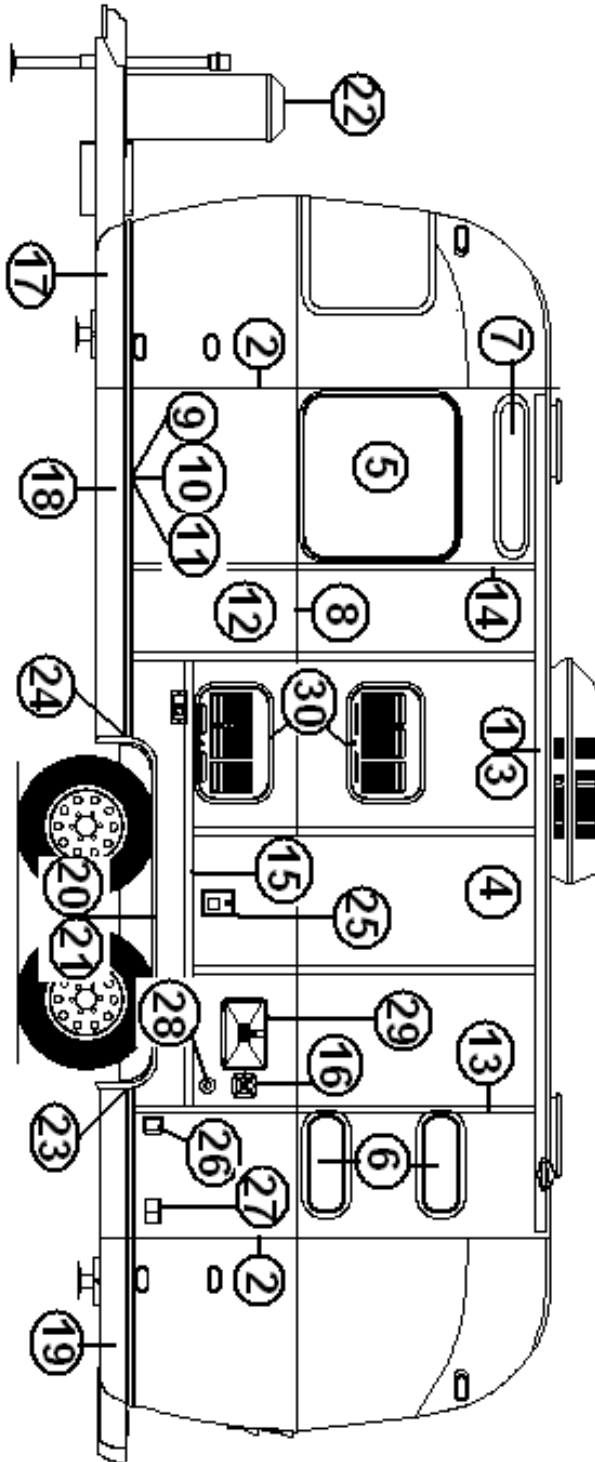
Wall, Roadside, 25' Front Bed

1. 114290-01 Extrusion, awning/drip rail
2. 114993 Rib, end bow
3. 104707-05 Extrusion, "I" beam
4. 114880-201 Alum. sheet, upper, .040" x 51" x 201"
5. 371380-01 WINDOW, OPENING EGRESS
6. 601392-05 City water hook-up
7. 921232 Cover, 30# LPG bottles
8. 114460 Extrusion, rub rail
9. 201763-01 Insert, rub rail, chrome, 1"
10. 100986 Floor channel
11. 114879-201 Alum. sheet, lower, .040" x 33" x 201"
12. 114387-01 Bow, Z rib, RH
13. 114387-02 Bow, Z rib, LH
14. 100986 Wheel well stiffener (floor channel)
15. 601876 Shower, exterior, white
16. 684936 Wheel well trim, inner, tandem axle
17. 684937 Wheel well trim, outer, tandem axle
18. 200542-01 Banana wrap, RS front
19. 101131-01 Underbelly wrap, .024" x 22.5", Pewter
20. 200544 Banana wrap, RS rear
21. 371380 WINDOW-OPENING 30" TALL
22. 114466-01 Casting, rub rail end, wheel well, RH
23. 114466-02 Casting, rub rail end, wheel well, LH
24. 922770-02 VISTA VIEW- 30"
25. 104619 MTG. PLATE, TELEPHONE & TV JACK
25. 510616 F CONNECTOR, COAX, 75 OHM
25. 511375 JACK MODULAR TELEPHONE
26. 511416-02 POWER INLET, 30A, 125V, MALE - GRAY
27. 601441 Black tank Flush
28. 690274-09 Cover, Hydroflame furnace
29. 386088 Decal, black reflective
30. 386151 DECAL, AIRSTREAM 1.3"X 16" BLACK
31. 601194 Water fill w/lock, gray w/label
32. 100679-01 Side Access Door Assembly
33. 922243 Refer Access door

2009 FLYING CLOUD

EXTERIOR BODY

Wall, Roadside, 23'



Part numbers are on the next page

2009 FLYING CLOUD

EXTERIOR BODY

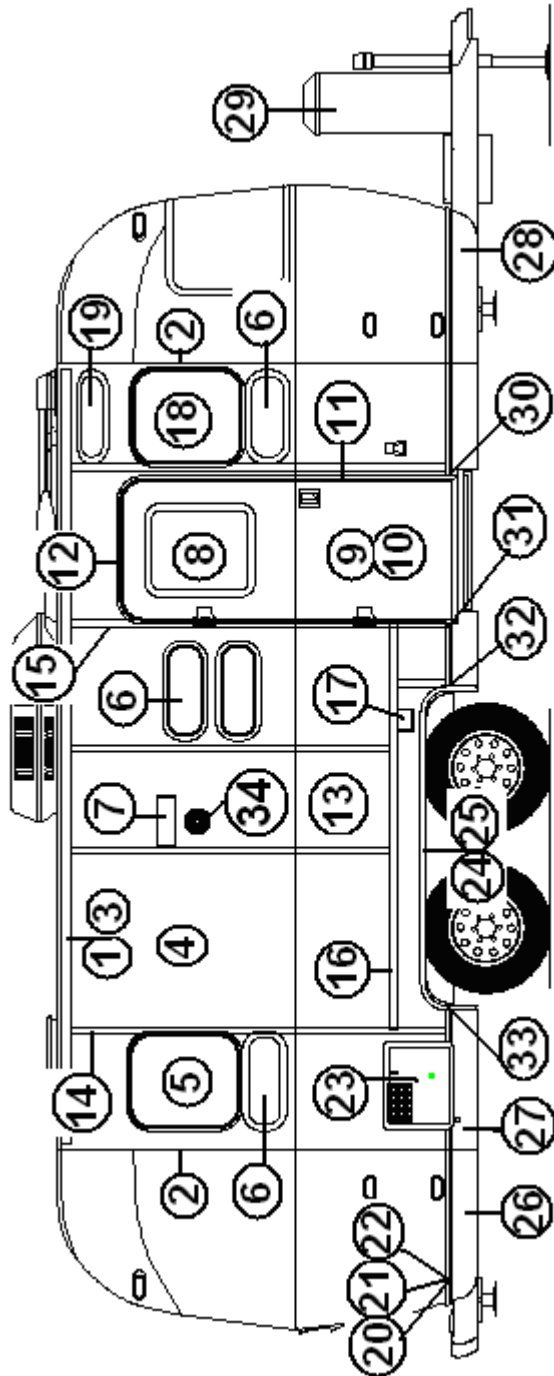
Wall, Roadside, 23'

1. 114290-01 Extrusion, awning/drip rail
2. 114994 Rib, end bow
3. 104707-05 Extrusion, "I" beam
4. 114880-201 Sheet, upper, .040" x 51" x 201"
5. 371380 Window, opening, 30" tall
6. 371269-01 WINDOW 18" STACK
7. 922770-02 VISTA VIEW- 30"
8. 100034 "Z" bar, 48"
9. 114460 Extrusion, rub rail
10. 201763-01 Insert, rub rail, chrome, 1"
11. 100986 Floor channel
12. 114879-201 Sheet, lower, .040" x 33" x 201"
13. 114387-01 Bow, Z rib, RH
14. 114387-02 Bow, Z rib, LH
15. 100986 Wheel well stiffener (floor channel.
16. 601392-05 City, water hook up
17. 203303-01 WRAP BLACK RS FRONT/CS REAR
18. 203304 ROLL, UNDERBELLY, BLACK PLASTIC
19. 203303-02 WRAP, BLACK CS FRONT/RS REAR
20. 684936 Wheel well trim, inner, tandem axle
21. 684937 Wheel well trim, outer, tandem axle
22. 921232 Cover, 30# LPG bottles
23. 114466-01 Casting, rub rail end, wheel well, RH
24. 114466-02 Casting, rub rail end, wheel well, LH
25. 601194 Water fill w/lock
26. 511416-02 Power inlet, shoreline
27. 104619 MTG. PLATE, TELEPHONE & TV JACK
27. 510616 F CONNECTOR, COAX, 75 OHM
27. 511375 JACK MODULAR TELEPHONE
28. 601197-02 Water hook-up for blank tank flush
29. 601876 Shower, exterior, white
30. 922243 Refer Access door

2009 FLYING CLOUD

EXTERIOR BODY

Wall, Curbside, 23'



Part numbers are on the next page

2009 FLYING CLOUD

EXTERIOR BODY

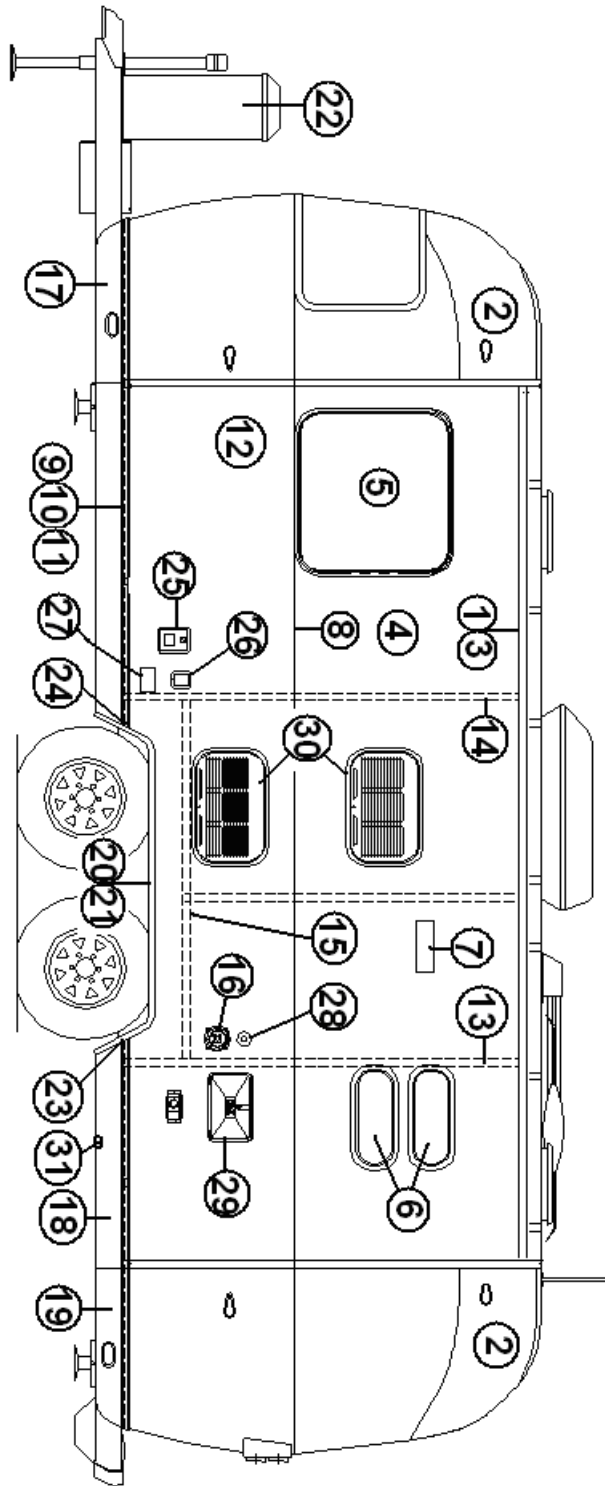
Wall, Curbside, 23'

1. 114290-01	Extrusion, awning/drip rail
2. 114994	Rib, end bow
3. 104707-05	Extrusion, "I" beam
4. 114880-201	Sheet, upper, .040" x 51" x 201"
5. 371323-01	WINDOW-18" OPENING
6. 371269-01	WINDOW 18" STACK
7. 511017-11	Vent cover, range exhaust
8. 371400-01	Window, main door, etched
9. 115207-04	Main door assembly
10. 114654	Screen door assembly
11. 114652	Jamb, main door
12. 114363	Drip cap, main door
13. 114879-201	Sheet, lower, .040" x 33" x 201"
14. 114387-01	Bow, Z rib, RH
15. 114387-02	Bow, Z rib, LH
16. 100986	Wheel well stiffener (floor channel)
17. 510676-01	OUTLET, EXTERIOR, 120 VOLT, GR
18. 371323-01	WINDOW-18" OPENING
19. 922770-01	VISTA VIEW, 18"
20. 114460	Extrusion, rub rail
21. 201763-01	Insert, rub rail, chrome, 1"
22. 100986	Floor channel
23. 690209	Access door, Atwood
24. 684936	Wheel well trim, inner, tandem axle
25. 684937	Wheel well trim, outer, tandem axle
26. 203303-01	WRAP BLACK RS FRONT/CS REAR
27. 203304	ROLL, UNDERBELLY, BLACK PLASTIC
28. 203303-02	WRAP, BLACK CS FRONT/RS REAR
29. 921232	Cover, 30# LPG bottles
30. 114465-01	Casting, rub rail end, door, RH
31. 114465-02	Casting, rub rail end, door, LH
32. 114466-01	Casting, rub rail end, wheel well, RH
33. 114466-02	Casting rub rail end, wheel well, LH
34. 500092	Flood light and lens

2009 FLYING CLOUD

EXTERIOR BODY

Wall, Roadside, 23' Front Bed



Part numbers are on the next page

2009 FLYING CLOUD

EXTERIOR BODY

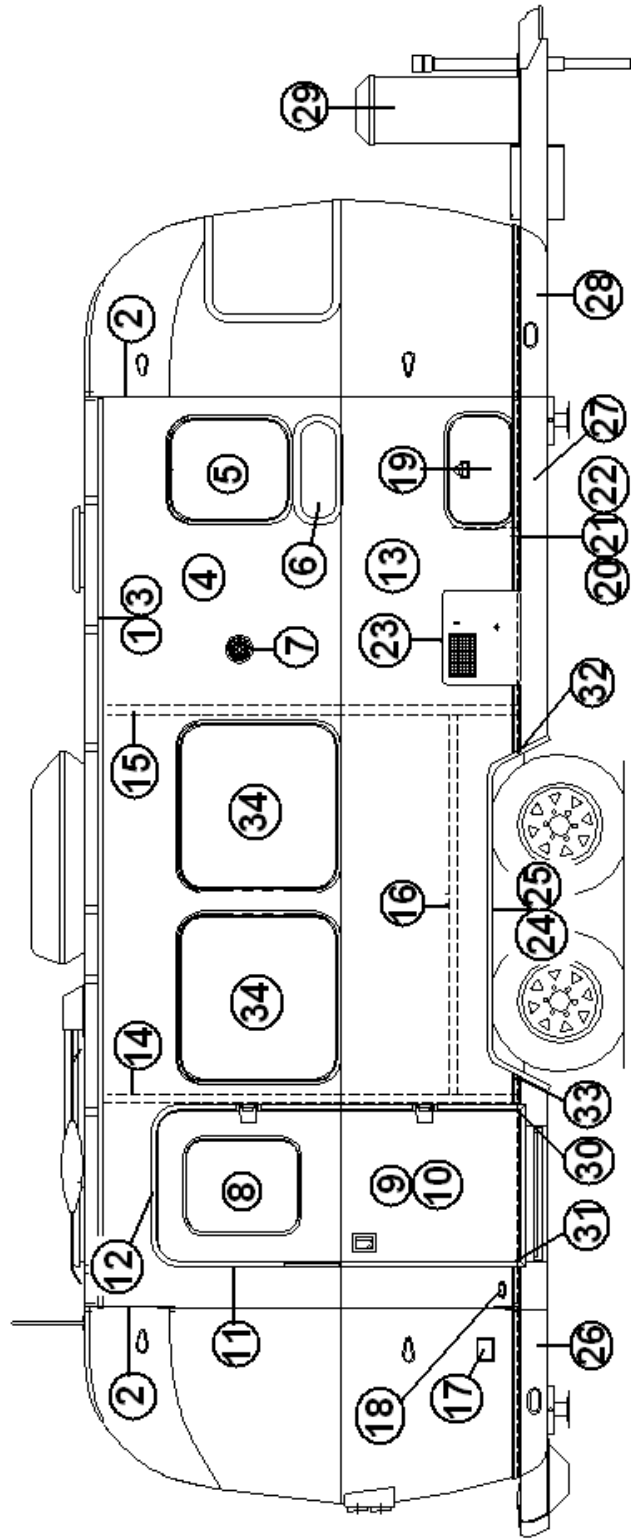
Wall, Roadside, 23' Front Bed

1. 114290-01	Extrusion, awning/drip rail
2. 114994	Rib, end bow
3. 104707-05	Extrusion, "I" beam
4. 114880-201	Sheet, upper, .040" x 51" x 201"
5. 371380-01	Window, 30" opening egress
6. 371269-01	WINDOW 18" STACK
7. 511017-11	Vent cover, range exhaust
8. 100034	"Z" bar, 48"
9. 114460	Extrusion, rub rail
10. 201763-01	Insert, rub rail, chrome, 1"
11. 100986	Floor channel
12. 114879-201	Sheet, lower, .040" x 33" x 201"
13. 114387-01	Bow, Z rib, RH
14. 114387-02	Bow, Z rib, LH
15. 100986	Wheel well stiffener (floor channel.
16. 601392-05	City, water hook up
17. 203303-01	WRAP BLACK RS FRONT/CS REAR
18. 203304	ROLL, UNDERBELLY, BLACK PLASTIC
19. 203303-02	WRAP, BLACK CS FRONT/RS REAR
20. 684936	Wheel well trim, inner, tandem axle
21. 684937	Wheel well trim, outer, tandem axle
22. 921232	Cover, 30# LPG bottles
23. 114466-01	Casting, rub rail end, wheel well, RH
24. 114466-02	Casting, rub rail end, wheel well, LH
25. 601194	Water fill w/lock
26. 511416-02	Power inlet, shoreline
27. 104619	MTG. PLATE, TELEPHONE & TV JACK
27. 510616	F CONNECTOR, COAX, 75 OHM
27. 510623	CONNECTOR COAX, MALE TO MALE
28. 601197-02	Water hook-up for blank tank FLUSH
29. 601876	Shower, exterior, white
30. 922243	Refer Access door
31. 510658	SWITCH W/WEATHER-PROOF BOOT
32. 511361	Light, flush mount, half moon shade, black

2009 FLYING CLOUD

EXTERIOR BODY

Wall, Curbside, 23' Front Bed



Part numbers are on the next page

2009 FLYING CLOUD

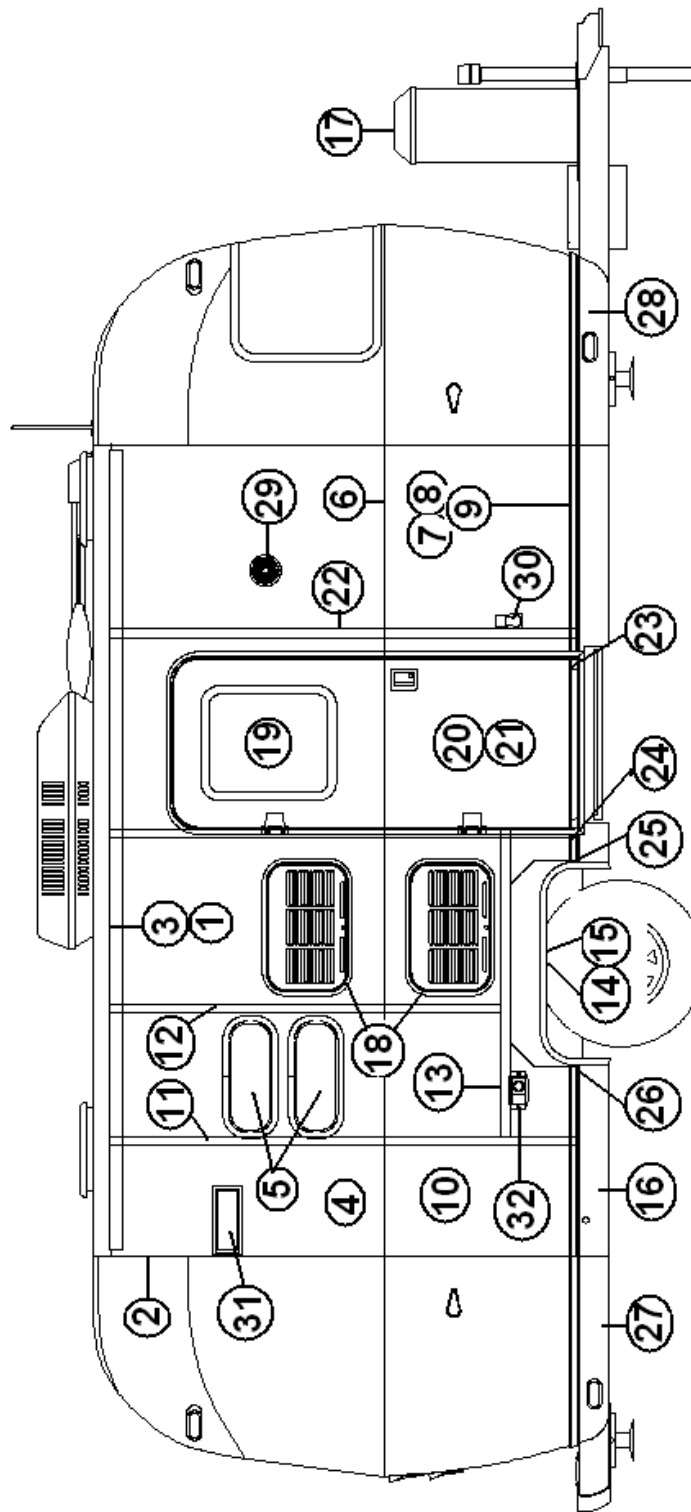
EXTERIOR BODY

Wall, Curbside, 23' Front Bed

1. 114290-01	Extrusion, awning/drip rail
2. 114994	Rib, end bow
3. 104707-05	Extrusion, "I" beam
4. 114880-201	Sheet, upper, .040" x 51" x 201"
5. 371323-01	WINDOW-18" OPENING
6. 371269-01	WINDOW 18" STACK
7. 500092	Patio light, round, Signal Stat
8. 371400-01	Window, main door, etched
9. 115207-05	Main door assembly
10. 114654-01	Screen door assembly
11. 114652-01	Jamb, main door
12. 114363	Drip cap, main door
13. 114879-201	Sheet, lower, .040" x 33" x 201"
14. 114387-01	Bow, Z rib, RH
15. 114387-02	Bow, Z rib, LH
16. 100986	Wheel well stiffener(floor channel.
17. 510676-01	OUTLET, EXTERIOR, 120 VOLT, GR
18. 512252	STEP LIGHT, L.E.D., SS
19. 100679-01	Side Access Door Assembly
20. 114460	Extrusion, rub rail
21. 201763-01	Insert, rub rail, chrome, 1"
22. 100986	Floor channel
23. 690209	Access door, Atwood
24. 684936	Wheel well trim, inner, tandem axle
25. 684937	Wheel well trim, outer, tandem axle
26. 203303-01	WRAP BLACK RS FRONT/CS REAR
27. 203304	ROLL, UNDERBELLY, BLACK PLASTIC
28. 203303-02	WRAP, BLACK CS FRONT/RS REAR
29. 921232	Cover, 30# LPG bottles
30. 114465-01	Casting, rub rail end, door, RH
31. 114465-02	Casting, rub rail end, door, LH
32. 114466-01	Casting, rub rail end, wheel well, RH
33. 114466-02	Casting rub rail end, wheel well, LH
34. 371380	Window, 30" tall, opening

2009 FLYING CLOUD EXTERIOR BODY

Wall, Curbside, 20'



Part numbers on the next page

2009 FLYING CLOUD

EXTERIOR BODY

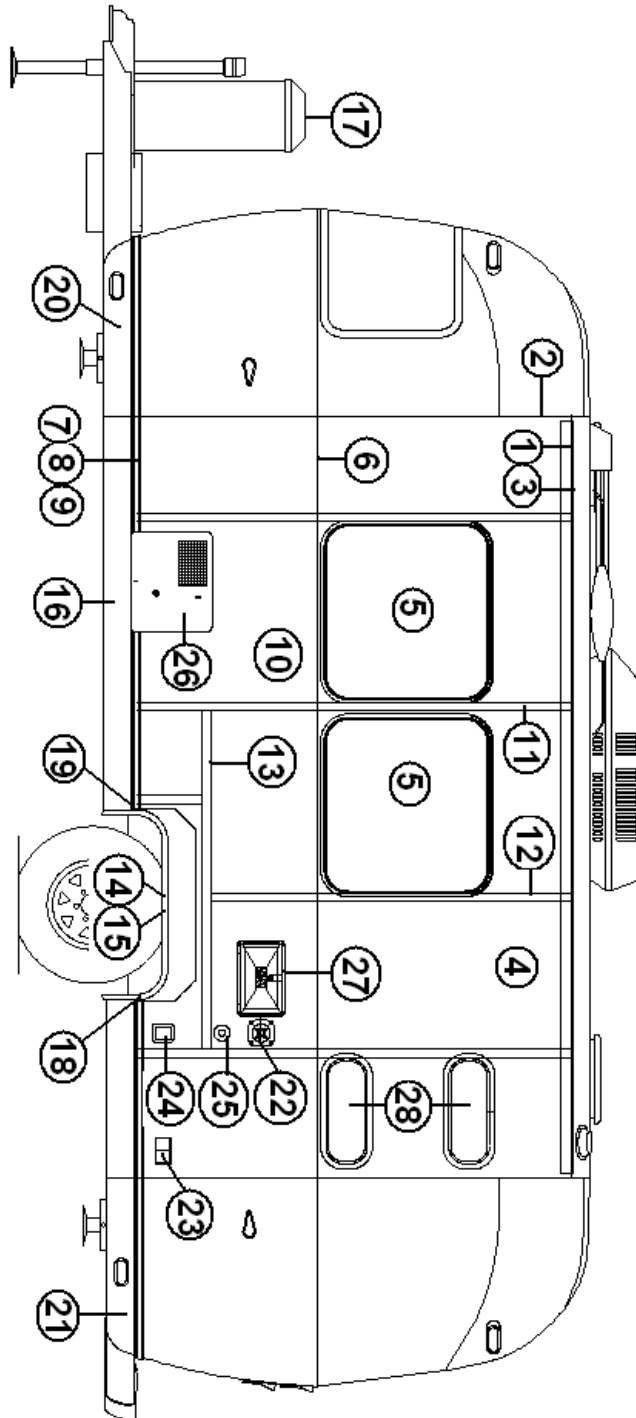
Wall, Curbside, 20'

1. 114290-01	Extrusion, awning/drip rail
2. 114994	Rib, end bow
3. 104707-05	Extrusion, "I" beam
4. 114880-201	Aluminum sheet, .040 x 51 x 201"
5. 371269-01	Window, portal
6. 100034	"Z" bar, 48"
7. 114460	Extrusion, rub rail
8. 201763-01	Insert, rub rail, chrome, 1"
9. 100986	Floor channel
10. 114879-201	Aluminum sheet, .040 x 33 x 201"
11. 114387-02	Bow, Z rib, L
12. 114387-01	Bow, Z rib, RH
13. 100986	Wheel well stiffener (floor channel.
14. 114003-04	Wheel well trim, inner, single axle
15. 114004-04	Wheel well trim, outer, single axle
16. 101131-01	Underbelly wrap, .024 x 22.5,pewter
17. 921232	Cover, 30# LPG bottles
18. 922243	Door assembly, refrigerator assess
19. 371400-01	Window, Main Door, etched
20. 115207-04	Main door assembly
21. 114654	Screen door assembly
22. 114652	Jamb, main door, pre-formed
23. 114465-01	Casting, rub rail end, door, RH
24. 114465-02	Casting, rub rail end, door, LH
25. 114466-01	Casting, rub rail end, wheel well, RH
26. 114466-02	Casting, rub rail end, wheel well, LH
27. 203251-04	Banana wrap, CS rear
28. 203251-02	Banana wrap, CS front
29. 500092	Flood light and lens
30. 512252	STEP LIGHT-LED STAINLESS STEEL
31. 511017-11	Vent cover, range exhaust
32. 690467-02	FURNACE-18000 BTU

2009 FLYING CLOUD

EXTERIOR BODY

Wall, Roadside, 20'



Part numbers on the next page

2009 FLYING CLOUD

EXTERIOR BODY

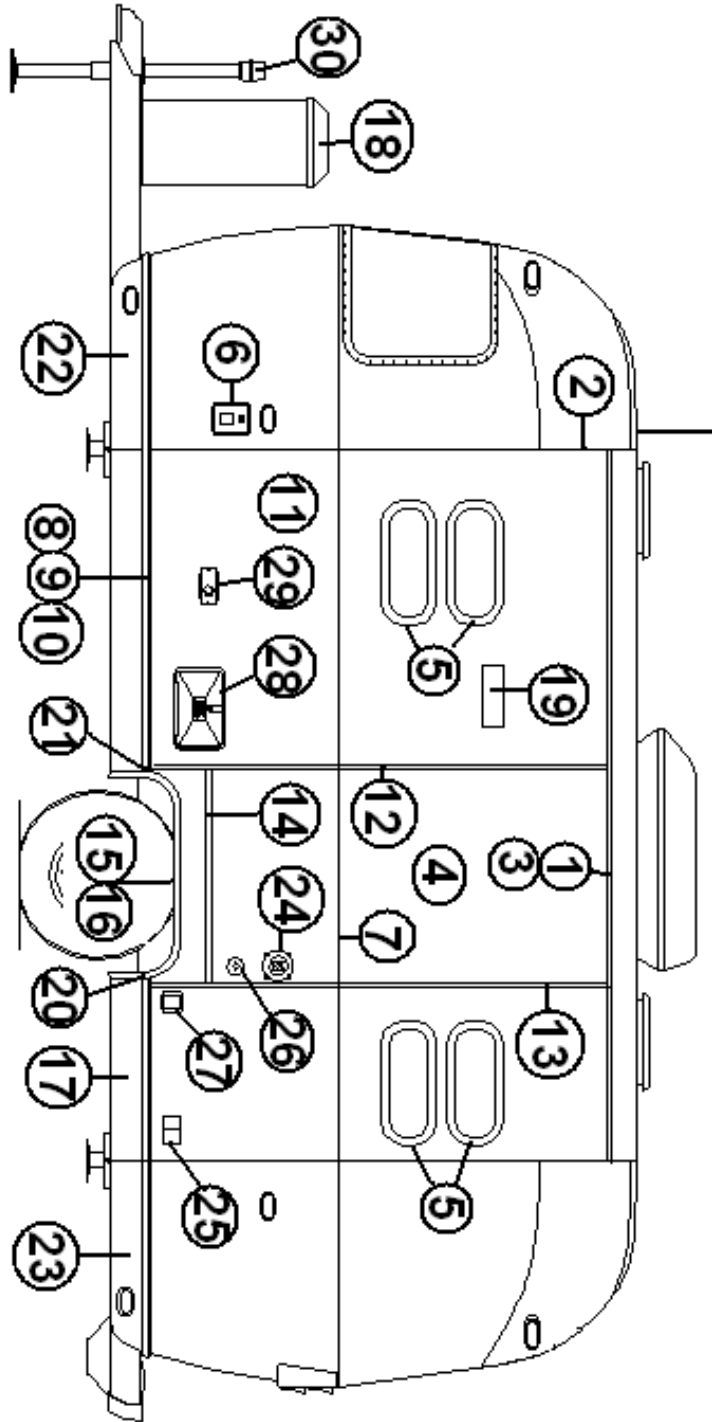
Wall, Roadside, 20'

1. 114290-01	Extrusion, awning/drip rail
2. 114994	Rib, end bow
3. 104707-05	Extrusion, "I" beam
4. 114880-201	Aluminum sheet, .040 x 51 x 201"
5. 371380	Window, opening, 30" tall
6. 100034	"Z" bar, 48"
7. 114460	Extrusion, rub rail
8. 201763-01	Insert, rub rail, chrome, 1"
9. 100986	Floor channel
10. 114879-201	Aluminum sheet, .040 x 33 x 201"
11. 114387-02	Bow, Z rib, LH
12. 114387-01	Bow, Z rib, RH
13. 100986	Wheel well stiffener (floor channel.
14. 114003-04	Wheel well trim, inner, single axle
15. 114004-04	Wheel well trim, outer, single axle
16. 101131-01	Underbelly wrap, .024 x 22.5,pewter
17. 921232	Cover, 30# LPG bottles
18. 114466-01	Casting, rub rail end, wheel well, RH
19. 114466-02	Casting, rub rail end, wheel well, LH
20. 203251-01	Banana wrap, RS front
21. 203251-03	Banana wrap, RS rear
22. 601392-05	City water hook-up
23. 104619	Mounting plate, telephone & TV jack
23. 511375	JACK MODULAR TELEPHONE
23. 510616	F CONNECTOR, COAX, 75 OHM
24. 510676-01	Exterior 110-Volt Outlet
25. 601441	Tank Flush System
26. 690199	Water Heater
27. 601876	Shower, exterior, white
28. 371269-01	Window, portal

2009 FLYING CLOUD

EXTERIOR BODY

Wall, Roadside, 19'



Part numbers on the next page

2009 FLYING CLOUD

EXTERIOR BODY

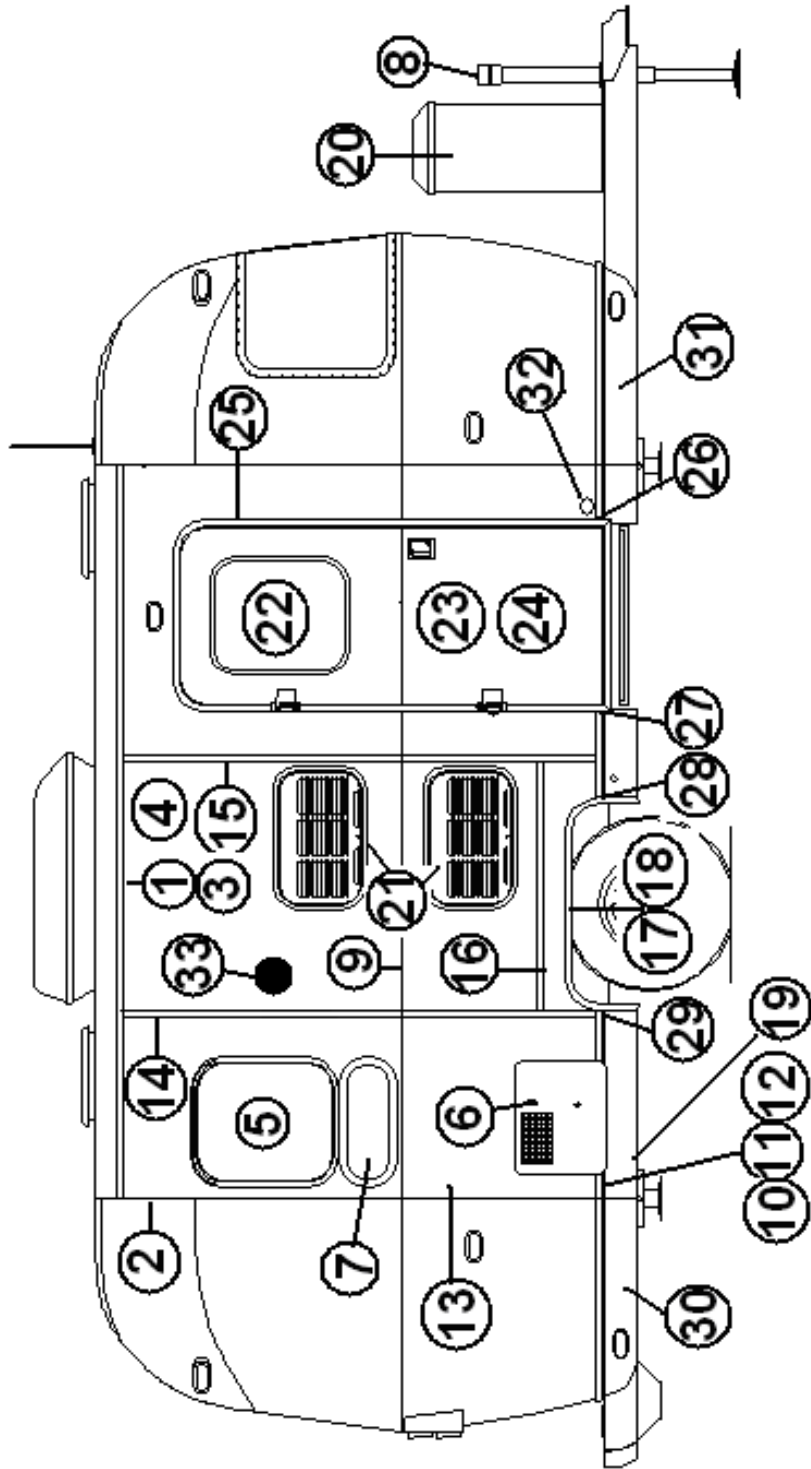
Wall, Roadside, 19'

1. 114290-01 Extrusion, awning/drip rail
2. 114994 Rib, end bow
3. 104707-05 Extrusion, "I" beam
4. 114880-238 Aluminum sheet, upper, .040 x 51 x 238"
5. 371269-01 Window, 18" stacked
6. 601194 Water fill w/lock, gray
7. 100034 "Z" bar, 48"
8. 114460 Extrusion, rub rail
9. 201763-01 Insert, rub rail, chrome, 1"
10. 100986 Floor channel
11. 114879-238 Aluminum sheet, lower, .040 x 33 x 238"
12. 114387-02 Bow, Z rib, LH
13. 114387-01 Bow, Z rib, RH
14. 100986 Wheel well stiffener (floor channel.
15. 114003-04 Wheel well trim, inner, single axle
16. 114004-04 Wheel well trim, outer, single axle
17. 101131-01 Underbelly wrap, .024 x 22.5, pewter
18. 921232 Cover, 30# LPG bottles
19. 511017-11 Vent cover, range exhaust
20. 114466-01 Casting, rub rail end, wheel well, RH
21. 114466-02 Casting, rub rail end, wheel well, LH
22. 203251-01 Banana wrap, RS front
23. 203251-03 Banana wrap, RS rear
24. 601392-05 City water hook-up
25. 104619 Mounting plate, exterior telephone & TV jack
25. 511375 JACK MODULAR TELEPHONE
25. 510616 F CONNECTOR, COAX, 75 OHM
26. 601441 SYSTEM, TANK FLUSH (NO-FUSS)
27. 511416-02 Power inlet, shoreline
28. 601876 Shower, exterior, white
29. 690395 Furnace, Hydroflame, 7916-II
30. 400961 JACK-ELECTRIC #27720 BARKER

2009 FLYING CLOUD

BODY

Wall, Curbside, 19'



Part numbers on the next page

2009 FLYING CLOUD

EXTERIOR BODY

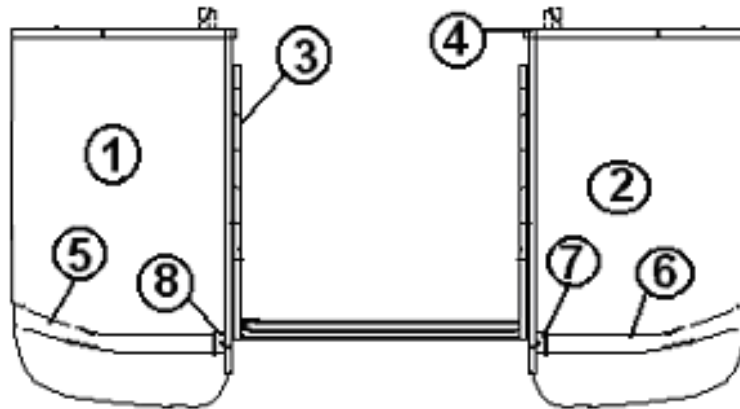
Wall, Curbside, 19'

1. 114290-02	Extrusion, awning/drip rail
2. 114994	Rib, end bow
3. 104707-05	Extrusion, "I" beam
4. 114880-238	Aluminum sheet, upper, .040 x 51 x 238"
5. 371323-01	WINDOW, 18" OPENING
6. 690259-03	Cover and mounting flange, Atwood
7. 371269-01	Window, 18" stacked
8. 400961	JACK, ELECTRIC
9. 100034	"Z" bar, 48"
10. 114460	Extrusion, rub rail
11. 201763-01	Insert, rub rail, chrome, 1"
12. 100986	Floor channel
13. 114879-238	Aluminum sheet, lower, .040 x 33 x 238"
14. 114387-02	Bow, Z rib, LH
15. 114387-01	Bow, Z rib, RH
16. 100986	Wheel well stiffener (floor channel.
17. 114003-04	Wheel well trim, inner, single axle
18. 114004-04	Wheel well trim, outer, single axle
19. 101131-01	Underbelly wrap, .024 x 22.5,pewter
20. 921232	Cover, 30# LPG bottles
21. 922243	Door assembly, refrigerator assess
22. 371400-01	Window, Main Door, etched
23. 115207-04	Main door assembly
24. 114654	Screen door assembly
25. 114652	Jamb, main door, pre-formed
26. 114465-01	Casting, rub rail end, door, RH
27. 114465-02	Casting, rub rail end, door, LH
28. 114466-01	Casting, rub rail end, wheel well, RH
29. 114466-02	Casting, rub rail end, wheel well, LH
30. 203251-04	Banana wrap, CS rear
31. 203251-02	Banana wrap, CS front
32. 512252	STEP LIGHT, LED, STAINLESS STEEL
33. 500092	Flood light and lens

2009 FLYING CLOUD

EXTERIOR SHELL

Wrap Protector/Holdbacks



109325-100	Wrap Protector, Set, 20', 23', 25', 27', 28'
109325-02	Wrap Protector, Set, 19'
1. 966276	Wrap Protector, CS, 20', 23', 25', 27', 28'
1. 685365-100	Wrap Protector, CS, 19'
2. 966277	Wrap Protector, RS, 20', 23', 25', 27', 28'
2. 685366-100	Wrap Protector, RS, 19'
3. 381605-03	Hinge, stainless, wrap protector
4. 100742-01	Extrusion, mirror/wrap trim protector
5. 114460	Extrusion, rub rail
6. 201763-01	Insert, rub rail, chrome
7. 114465-01	CASTING CLOSEOUT RUB RAIL RH
8. 114465-02	CASTING CLOSE-OUT RUB RAIL LH
114819-01	Wrap protector hold back, 1.62"
114819-02	Wrap protector hold back, 2.50"
114819-03	Wrap protector hold back, 5.00"
101401	EXTRUSION, DOOR LATCH HOUSING/STONE
345417	NUT ACORN, HEX, LOCKING SS 1/4-
345376	NUT HEX HD 1/4-20 SS
345336-07	CAP SCREW HEX HD 1/4-20 HEX .75"

2009 FLYING CLOUD

INTERIOR BODY

Interior Skin

114445	Aluminum sheet, .032" x 34" x coil
114879-201	ALUM.SHEET .040" X 33" X 201"
114880-201	ALUM.SHEET .040" X 51" X 201"
114879-238	ALUM.SHEET .040" X 33" X 238"
114880-238	ALUM.SHEET .040" X 51" X 238"
114879-262	ALUM.SHEET .040" X 33" X 262"
114880-262	ALUM.SHEET .040" X 51" X 262"

Wall/Skin Trim

114157-01	Extrusion, end liner, upper, white
201728-01	Extrusion, ceiling trim retainer
201728-03	Extrusion, ceiling trim
203225	Trim, flexible, "U", white
203138-03	Extrusion, plastic, wall, beige
203138-04	EXTRUSION - PLASTIC WALL OAK
114070	Extrusion, J-Trim, Aluminum

Bath Wall Board/Back Splash

801505	PANEL, ASCOT SAND/RAW .125" X 4'X8'
203159-02	DIVIDER BAR DECORATIVE ANTIQUE
114879-201	ALUMINUM SHEET .040 X 33"W X 201", used for galley back splash. Specify length needed.

2009 FLYING CLOUD

CHASSIS

Axles

410875-07 Axle, 4300 #, 19'
410875-14 AXLE- #3000, 23'
410875-09 Axle, 3800#, 25', 27', 28' W
410875-19 Axle, 5000#, 20'

Axles, CSA

454232 AXLE- 5000# 12"BRAKES/15"WHEEL, 19'

Shocks

0220003 Shock absorber
0250173-15 Bolt, grade 5, 5/8"-18 x 1.5", shock mount
0130068-818 Nut, hex head flanged, 5/8"-18, shock mount
0140053-62 WASHER DISC SPRING, SP, 5/8 I.D.

Step, Single, 19'

400962 STEP-MAIN DOOR STEEL 24"

Step, Double

381863-01 STEP-DOUBLE STEEL w/TREAD
0250175-03 SCREW HHCS GR5 3/8"-16 X 3/4"
0260100 3/8"-16 U-TYPE CAGE NUT

Wheel Well

200844 Wheel well, tandem
200514 Wheel well insulator, tandem
453617 WHEEL WELL BOX, 19 ft.

2009 FLYING CLOUD

CHASSIS

Tires/Wheels

Wheels/Tires, 23' FB, 23'

410952	TIRE/WHEEL ASSY-14"
410954	CAP-CENTER S.S.
400923	LUG NUT, 1/2", ACORN TYPE
410848-01	SPARE TIRE/WHEEL ASSEMBLY

Wheels/Tires, 28' W, 27' FB, 25' FB, 20', 19'

410953	TIRE/WHEEL ASSY 15"
400844-01	Dust cover, center hub
400923	lug nut, Acorn
410843-01	Spare Tire/wheel assembly, steel 15"

Spare Tire Carrier

450414	"A" frame spare tire carrier
994073	BRACKET FOR SPARE TIRE

2009 FLYING CLOUD

CHASSIS

Jacks, Stabilizing, 19'

400914-03	STABILIZER JACK 20", LIGHTWEIGHT
400914-02	HANDLE, 15" (STABILIZER JACK)
400914-04	FOOT PADS, STABILIZER JACK (Set of Four)

Jacks, Stabilizing, 20', 23', 25', 27', 28'

400093	Stabilizing jacks, BAL w/handle, (4 ea.)
400093-02	CRANK, STABILIZER JACK (BAL)
400093-01	BAL jack, (1 ea.)
400093-04	Foot pad, BAL jack

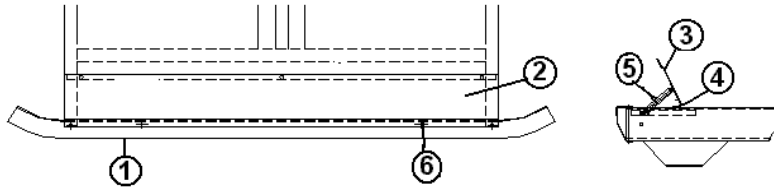
Hose Carrier

601544-02	E-Z Hose carrier, 46in., black
104704-01	SHIM, 3 X 3

2009 FLYING CLOUD

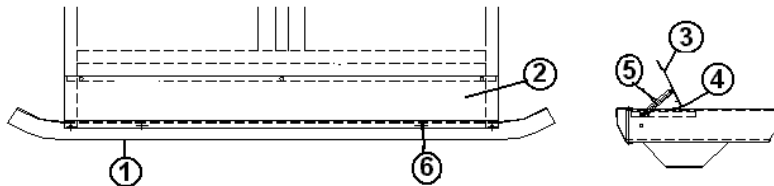
CHASSIS

Bumper Assembly, 19'



1. 410932 BUMPER, 19 FT.
2. 453627 BOTTOM, STORAGE COMPARTMENT
921239-03 LID ASSEMBLY, REAR HOSE CARRIER, 61",
(includes items 3 & 4 ASSEMBLED.
3. 454214 LID, REAR BUMPER COMPARTMENT
4. 380203-02 HINGE PIANO 1/8 PIN, BLACK
5. 380024 ARMS SUPPORT RIGHT HAND
6. 380067 LOCK CAM BUMPER LID LATCH
- 365235 TAPE DBL COATED .12"X 1.00"
- 365013-01 TAPE CHARCOAL LOW DENSITY FOAM
- 452213-200 SPACER, 2.00"

Bumper Assembly, 20', 23'

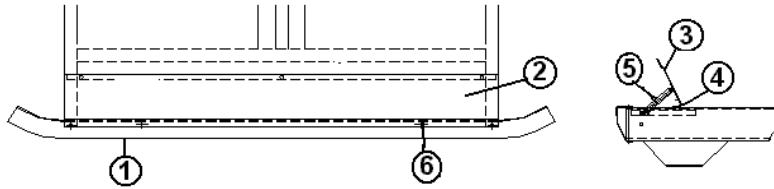


1. 410932 BUMPER
2. 454314 BOTTOM-STORAGE COMPARTMENT
3. 454315 LID REAR BUMPER COMPARTMENT
4. 380203-02 HINGE PIANO 1/8 PIN, BLACK
5. 380024 ARMS SUPPORT RIGHT HAND
6. 380067 LOCK CAM BUMPER LID LATCH
- 365235 TAPE DBL COATED .12"X 1.00"
- 365013-01 TAPE CHARCOAL LOW DENSITY FOAM

2009 FLYING CLOUD

CHASSIS

Bumper Assembly, 25', 27', 28'



- 1. 410831 BUMPER, 25', 27', 28'
- 2. 453538 BOTTOM, STORAGE COMPARTMENT, 25', 27', 28' W
- 3. 921239-01 LID ASSEMBLY, REAR BUMPER COMPARTMENT
- 3. 453497 LID ONLY, REAR BUMPER COMPARTMENT
- 4. 380203-02 HINGE PIANO 1/8 PIN
- 5. 380024 ARMS SUPPORT RIGHT HAND
- 6. 380067 LOCK CAM BUMPER LID LATCH
- 365235 TAPE DBL COATED .12"X 1.00"
- 365013-01 TAPE CHARCOAL LOW DENSITY FOAM

Underbelly

- 114679 Aluminum underbelly, .019" x 65.75 x coil
- 101131-01 Aluminum, underbelly wrap, .024" x 22.5, gray
- 203304 ROLL, UNDERBELLY, BLACK PLASTIC

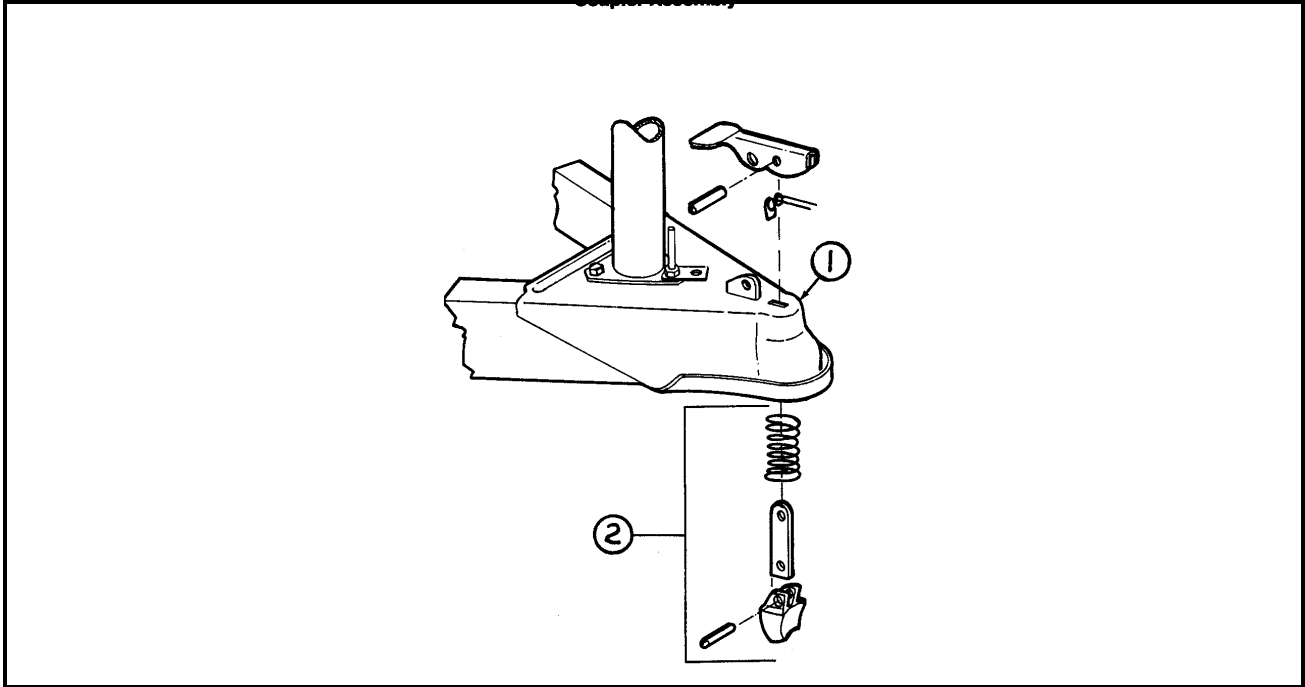
Power Jack, 28' W, 27' FB, 25' FB, 23' FB

- 400961 POWER JACK
- 410598 FOOT PAD, POWER JACK

2009 FLYING CLOUD

CHASSIS

Hitch Coupler/Safety Chains

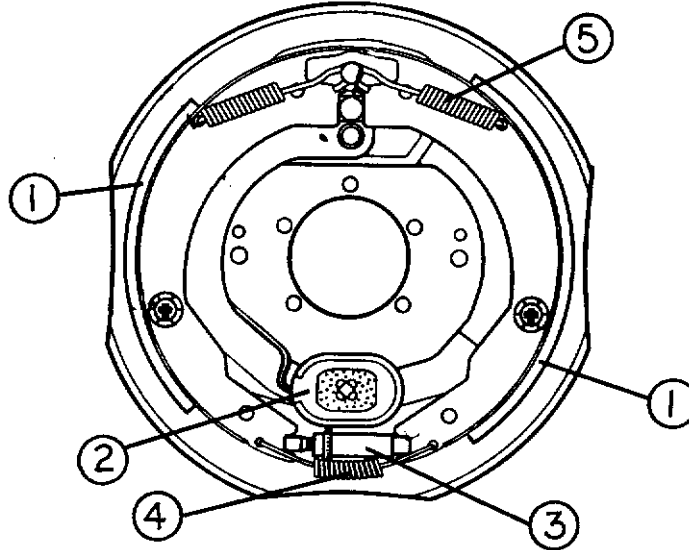


- | | |
|-----------|--------------------------------|
| 1. 680343 | Coupler assembly, 2 5/16" |
| 2. 680345 | Repair kit, 2 5/16" coupler |
| 400945 | 5/16" clevis, safety slip hook |

2009 FLYING CLOUD

CHASSIS

10" BRAKE ASSEMBLY

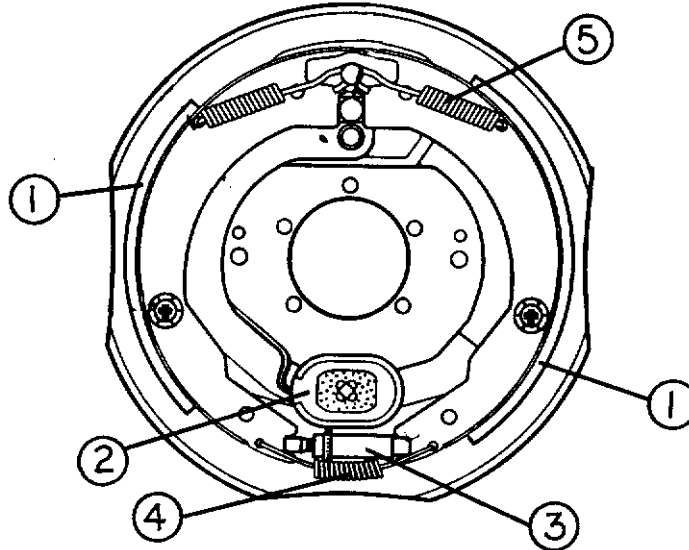


- | | |
|---------------|---|
| 1. 3160097-62 | Shoe and lining kit (includes hold down spring and pin) |
| 2. 3160097-65 | Magnet kit |
| 3. 3160097-63 | Adjuster assembly |
| 4. 3160097-64 | Adjusting screw spring |
| 5. 3160097-61 | Retractor spring |
| 3160096 | Brake assembly, RH, 10" Dexter |
| 3160097 | Brake assembly, LH, 10" Dexter |
| 3160255 | Brake drum 10", 5 lug |
| 685016 | Inner bearing, #L68149 |
| 685017 | Inner race, # L68111 |
| 680380 | Outer bearing, #L44649 |
| 680387 | Outer race, #L44610 |
| 680377 | Grease seal |

2009 FLYING CLOUD

CHASSIS

12" BRAKE ASSEMBLY

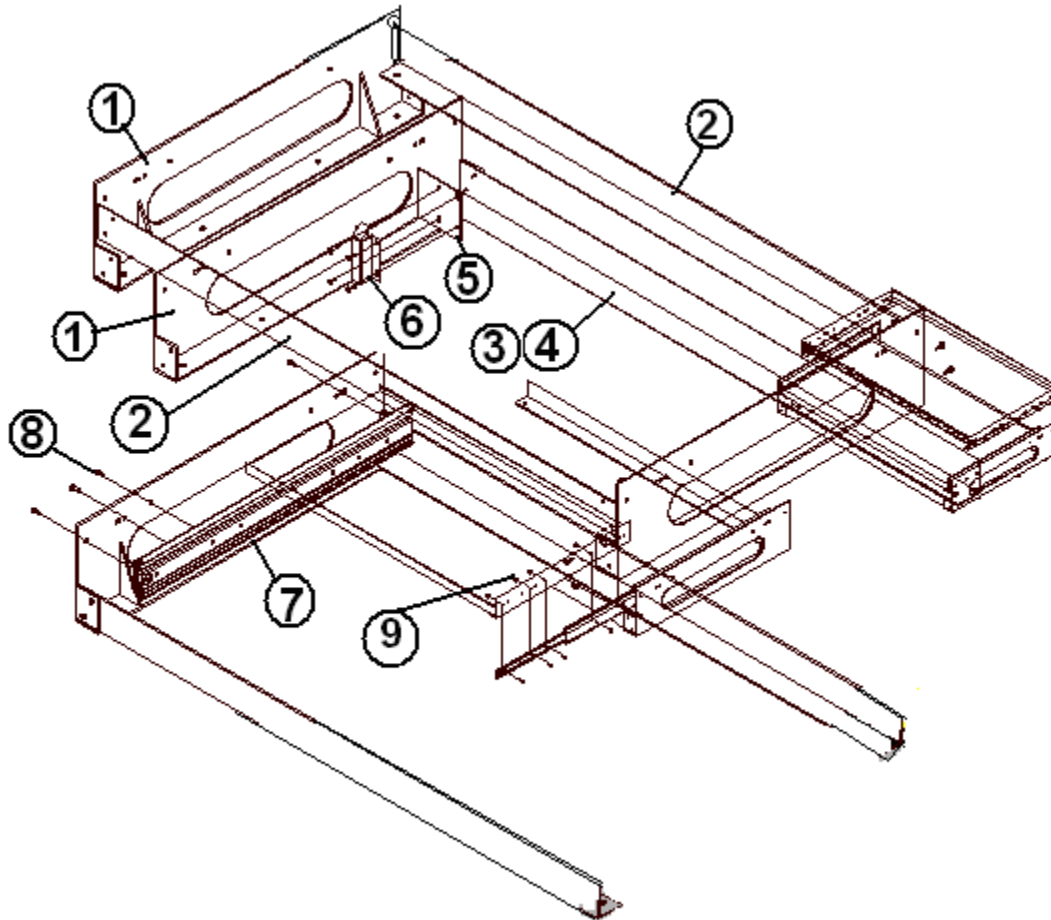


- | | |
|---------------|---|
| 1. 3160348-62 | Shoe and lining kit (includes hold down spring and pin) |
| 2. 3160348-65 | Magnet kit |
| 3. 3160348-63 | Adjuster assembly |
| 4. 3160348-64 | Adjusting screw spring |
| 5. 3160348-61 | Retractor spring |
| 3160347 | Brake assembly, RH, 12" Dexter |
| 3160348 | Brake assembly, LH, 12" Dexter |
| 3160121 | Brake drum, 12", 6 lugs |
| 450659 | Inner bearing, #25580 |
| 680364 | Inner race, #25520 |
| 450658 | Outer bearing, #LM67048 |
| 680365 | Outer race, #LM67010 |
| 680370-100 | Grease seal |

2009 FLYING CLOUD

CHASSIS

Rear Storage Slide, "W" Bed



- | | |
|---------------|--------------------------------------|
| 1. 454596 | FLOOR MOUNTING BRACKET, REAR STORAGE |
| 2. 454597 | ANGLE, CROSSMEMBER, REAR STOW |
| 3. 454598 | SLIDE BRACKET, REAR STOW |
| 4. 454599 | STORAGE BOX CROSSMEMBER |
| 5. 454600 | LATCH BRACKET |
| 6. 382035 | LATCH, SUNDECKER |
| 7. 382036 | SLIDE, 24" ACCURIDE END |
| 8. 320120-500 | SCREW, 10-32, FLAT HEAD |
| 9. 350029 | LOCK NUT, 10-32 |

2009 FLYING CLOUD

DECALS/EXTERIOR TRIM

Decals/Logos/Nameplates

386088	DECAL, STRIPE, CENTER BLACK REFLECTIVE 5/16"
386126	NAMEPLATE, BAMBI, BLACK/GRAY
385964-02	"AIRSTREAM", DECAL, 1 5/16" X 32"
386220	NAMEPLATE-FLYING CLOUD 3"X10"
386161	DECAL, "AIRSTREAM" .7" X 6.4" BLACK
386068	Medallion, screen door, 3", black
386150	DECAL, "AIRSTREAM", 2.4" X 28" BLACK
386151	DECAL, "AIRSTREAM", 1.3" X 16" BLACK

Beltline

114328	Extrusion, belt line molding
201912	Molding, belt line insert, chrome
114417	Casting, belt line close out

Rub Rail trim

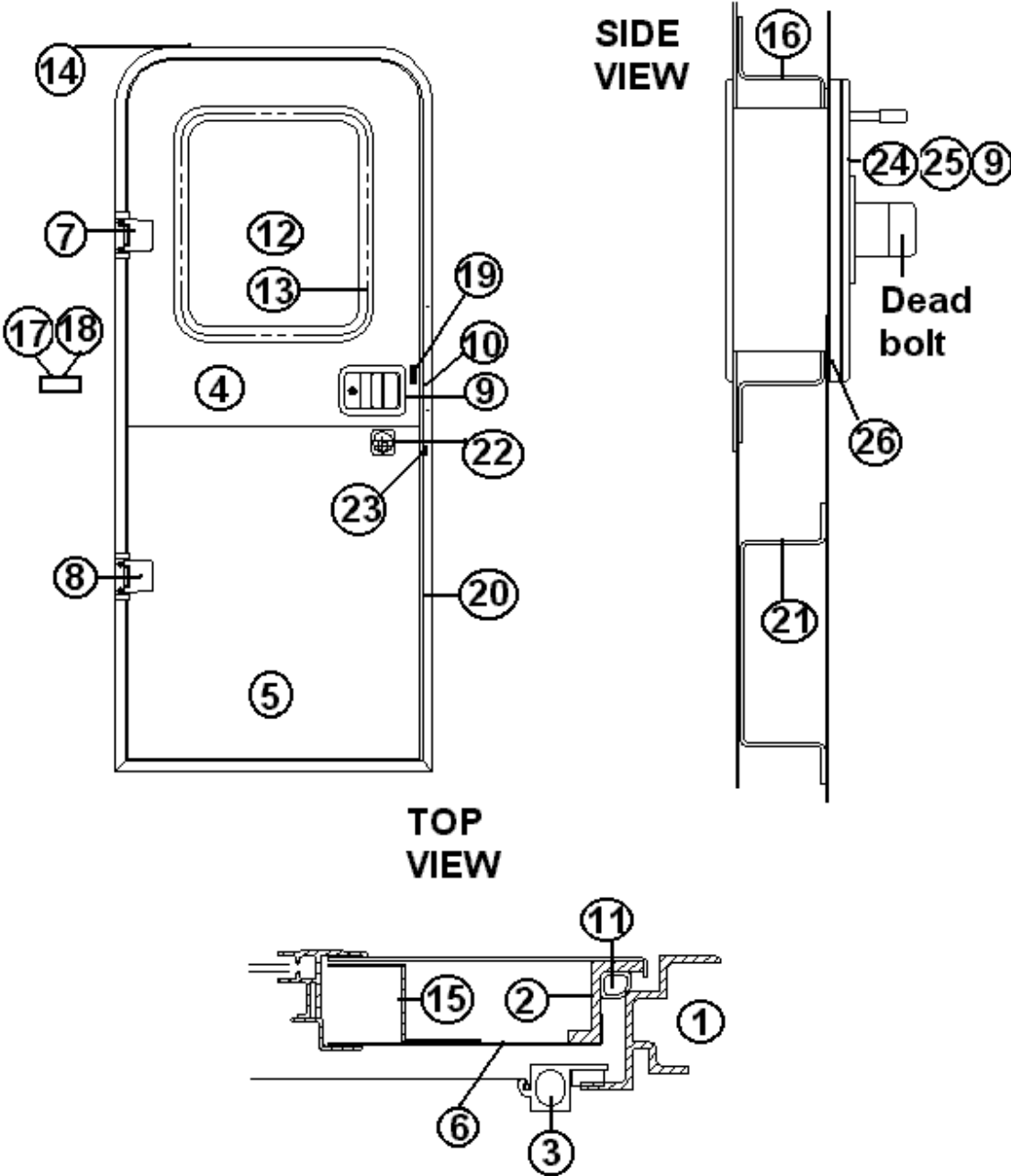
114460	Extrusion, rub rail
201763-01	Insert, rub rail, chrome, 1"
114466-01	Close out, casting, rub rail, angled RH
114466-02	Close out, casting, rub rail, angled LH
114465-01	Close out, casting, rub rail RH
114465-02	Close out, casting, rub rail LH

Reflectors

500095	REFLECTOR RED RECTANGULAR
500096	REFLECTOR, AMBER
510446	REFLECTOR, RED, STICK-ON

2009 FLYING CLOUD DOORS/WINDOWS/AWNING

Door, Main, LH Hinge



2009 FLYING CLOUD

DOORS, EXTERIOR

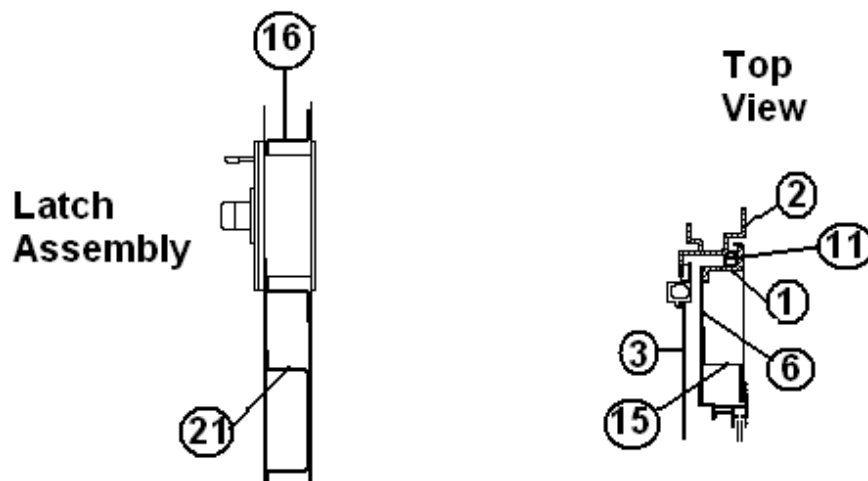
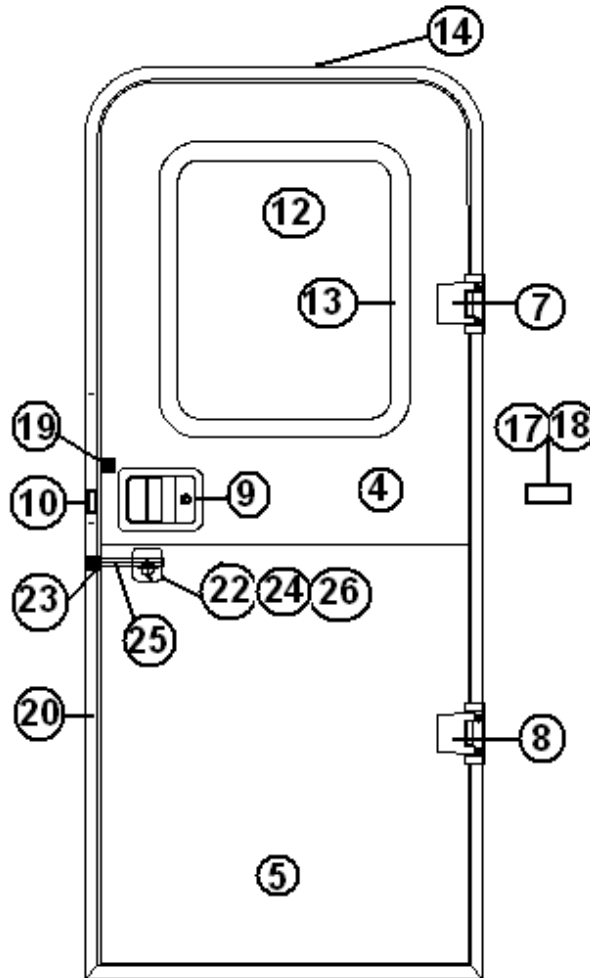
Door, Main, LH Hinge

115207-04	Main door assembly, LH hinge
1. 114653	Frame, main door, pre-formed
2. 114652	Jamb, main door, pre-formed
3. 114654	Screen door assembly
4. 114448-03	Skin, exterior, upper main door
5. 114449-03	Skin, exterior, lower main door
6. 114475	MAIN DOOR SKIN INNER
7. 381552-03	HINGE ASSY. MAIN DOOR UPPER
8. 381552-04	HINGE ASSY. MAIN DOOR LOWER
9. Trimark latch assembly parts shown in hardware section	
10. 385595	Pocket strike, main door
11. 365232	Seal, main door
12. 371400-01	Window, main door, etched
13. 115208	Trim ring, main door window
14. 114363	Drip cap, main door
15. 114658	Inner door, "Z" bar, upper & lower
16. 114657	Hat section, formed, main door
17. 380290	Housing. Latch, mounted on side sheet
18. 380291	Latch assembly, mounted on side sheet
19. 201056	Striker, main door, black plastic
20. 114507-03	Trim, main door
21. 115415	Door hat section assembly
22. 382069	Deadbolt assembly, round, Trimark
23. 381326	Striker w/ Trimark deadbolt
24. 345321-12	Screw, flat head, black
25. 453851	Bolt, Trimark, deadbolt
26. 203370	Spacer, deadbolt assembly
203495	SPACER-DOOR STAY MAIN
203494	BASE PLATE DOOR LATCH

2009 FLYING CLOUD

DOORS, EXTERIOR

Main Door, RH Hinge



Part numbers are on the next page.

2009 FLYING CLOUD

DOORS, EXTERIOR

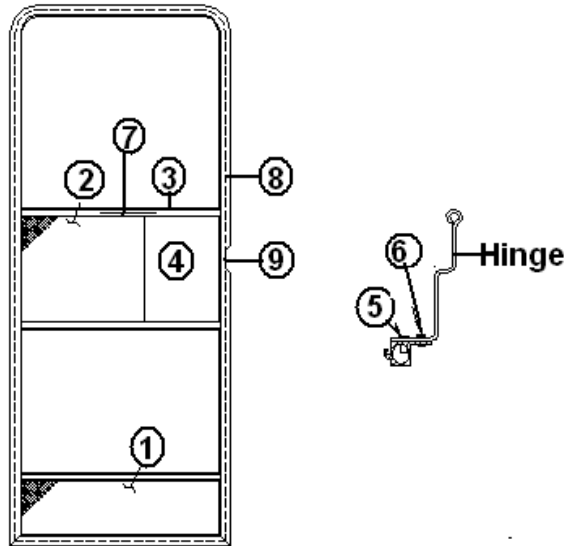
Main Door, RH Hinge

115207-05	Main door assembly, RH hinge
1. 114652-01	Jamb, main door, pre-formed
2. 114653-01	Frame, main door, pre-formed
3. 114654-01	Screen door assembly, RH Hinge
4. 114448-02	Skin, exterior, upper main door
5. 114449-02	Skin, exterior, lower main door
6. 114475	MAIN DOOR SKIN INNER
7. 381552-02	HINGE ASSY. MAIN DOOR UPPER
8. 381552-01	HINGE ASSY. MAIN DOOR LOWER
9. Trimark latch assembly parts shown in hardware section	
10. 385595	Pocket strike, main door
11. 365232	Seal, main door
12. 371400-01	Window, main door, etched
13. 203370	Spacer, Trimark door Latch
14. 114363	Drip cap, main door
15. 114658	Inner door, "Z" bar, upper & lower
16. 114657	Hat section, formed, main door
17. 380290	Housing. Latch, mounted on side sheet
18. 380291	Latch assembly, mounted on side sheet
19. 201056	Striker, main door, black plastic
20. 114507-03	Trim, main door
21. 115415	Door hat section assembly
22. 382069	Deadbolt assembly, round, Trimark
23. 381326	Striker w/ Trimark deadbolt
24. 345321-12	Screw, flat head, black
25. 453851	Bolt, Trimark, deadbolt
26. 203370	Spacer, deadbolt assembly
203495	SPACER-DOOR STAY MAIN
203494	BASE PLATE DOOR LATCH

2009 FLYING CLOUD

DOORS/WINDOWS/AWNING

Screen Door



114654	SCREEN DOOR ASSY. LH HINGE
114654-01	SCREEN DOOR ASSY. RH HINGE
1. 114648-01	Kick panel screen door
2. 114561-01	Panel, slider, screen door
3. 104784-78	EXTR.SCREENDOOR STIFENER #VH-9
4. 203287-02	Close out, plastic, screen door
5. 330126-03	RIVET POP SSD44SSBS
6. 325122	Rivet, hard, 5/32
7. 380004	HANDLE WITH 8/32 X 1 SCREW
8. 365013-01	Gasket, screen door, foam tape
9. 683946	BUG SEAL, edge of screen door close out
32226W	Guard, screen door
115171-01	SCREEN DOOR GUARD TOP
115171-02	SCREEN DOOR GUARD BOTTOM
380079	Screen, gray
200518	Spline, gray, screen insert
701624	VELCRO LOOP 5/8" WIDE
701625	VELCRO HOOK, 5/8" WIDE
381454	Screen door hold back latch, Bullet
386068	MEDALLION 3" LOGO, AIRSTREAM
381531-01	Hinge, screen door, upper
381531-02	Hinge, screen door, lower

2009 FLYING CLOUD

DOORS/WINDOWS/AWNING

Refrigerator Door

922243	Door, refrigerator access, assembly
922156	Refer access door only
104417	Jamb, refrigerator access door
104439	Louvered panel, refrigerator access door
380988	HINGE, CONTINUOUS .5IN LEAF 16IN
203225	Trim, flexible
381812	Latch, twist Lock
381665	GASKET "D" SEAL .50W X .36H BLACK

Side/Rear Small Access Door

100679-01	Side access door assembly, 20" x 11"
365035	Seal, side access door
380770	LOCK & CASTING ASSEMBLY
380773	HINGE, ACCESS DOOR
115295	Spacer, formed, compartment door
115296	Jamb, formed, compartment door

Front Trunk Door, 25' Front Bed, 27' Front Bed

*922711	DOOR ASSY, SQUARE CORNERS
115157	JAMB-TRUNK DOOR, SQUARE CORNERS
*922288-02	DOOR ASSY, ROUND CORNERS
104833	JAMB-TRUNK DOOR, ROUND CORNERS
380203-01	PIANO HINGE 1/8"
380770	LOCK & CASTING, BLACK
360016	BUMP-ON RUBBER
365035	RUBBER SEAL ACCESS DOOR
381065-10	10" CABLE SUPPORT

Exterior Shower Door

601876	Shower Door, exterior, white
--------	------------------------------

*922288-02 REPLACED 922711 DURING MODEL YEAR

2009 FLYING CLOUD
DOORS/WINDOWS/AWNING

Trunk Door, 28'

921159	Trunk door assembly, rear
365035	Seal, access door
114675	Jamb, rear trunk door
380203-01	PIANO HINGE 1/8"
380770	LOCK & CASTING ASSEMBLY
360016	BUMP-ON RUBBER
381065-10	10" CABLE SUPPORT
701538-01	CARPET, ECONOLIER VELOUR BLACK 48"

Battery Box Lid

410551-02	LID BATTERY BOX
381430	LOCK, TWIST, STRAIGHT CAM
380203-01	PIANO HINGE 1/8" PIN
381814	Wing nut, battery hold down
381613	Black plastic cover, wing handle

2009 FLYING CLOUD

DOORS/WINDOWS/AWNING

Vista Views

922770-01 VISTA VIEW- 18"
203490-03 TRIM RING-18" VISTA VIEW
703462-03 SHADE-PULL 19.25"X9.5" VISTA VIEW
922772-01 BACKER-VISTA VIEW BLIND 18"
115222-02 Z BAR-FORMED 19.5"VISTA VIEW

922770-02 VISTA VIEW- 30"
203490-04 TRIM RING- 30" VISTA VIEW
703462-04 SHADE-PULL 31.25"X9.5"VISTA VIEW
922772-02 BACKER-VISTA VIEW BLIND 30"
115222-01 Z BAR-FORMED 31.5"VISTA VIEW

Windows, Riveted

371269-01 WINDOW 18" STACK
371400-01 WINDOW, MAIN DOOR, ETCHED
371323-01 WINDOW, 18" OPENING
371346-02 WINDOW, 48.97" FLAT FRONT/WRAP RR
371380 WINDOW, OPENING 30" TALL
372088-101 WINDOW CORNER WRAP RS FRONT, CS
372089-101 WINDOW CORNER WRAP CS FRONT, RS
372218 WINDOW, 21" x 28", NON EGRESS
371348-03 Window, front w/silver handles
371348-02 Window, egress, rear end, w/ red handles, 28'
371270-01 WINDOW 30" STACK
371328 WINDOW, NARROW BODY FRONT, PANORAMIC
372229 WINDOW, 21" X 28" OPENING, rear egress
371286-01 Window, 18" X 30" curved fixed
371324-02 Window, 30". Opening
371380-01 Window, 30" opening egress
365208 Seal, WINDOW

2009 FLYING CLOUD

DOORS/WINDOWS/AWNING

Window Trim, Riveted Windows

372222	TRIM RING, 30" STACK WINDOW, CLEAR
372223	TRIM RING, 18" STACK WINDOW, CLEAR
371319-06	TRIM RING, MAIN DOOR
110900-03	TRIM FORMED, INTERIOR FRONT WRAP
110900-04	TRIM FORMED, INTERIOR FRONT WRAP
372225	TRIM RING, INNER SUPPORT, 30"
372226	TRIM RING, INNER SUPPORT, 18"
372227	TRIM RING, INNER SPACER, 18" X 30"
372228	TRIM RING, 18" X 30" WINDOW

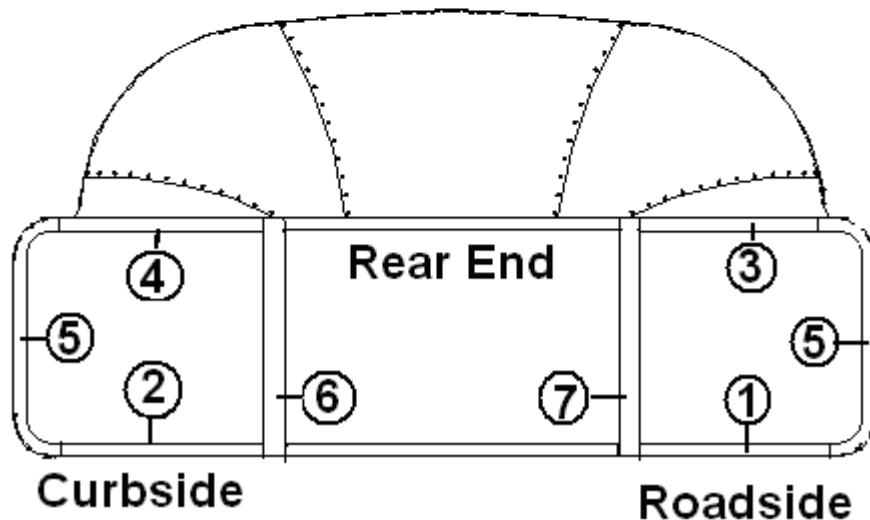
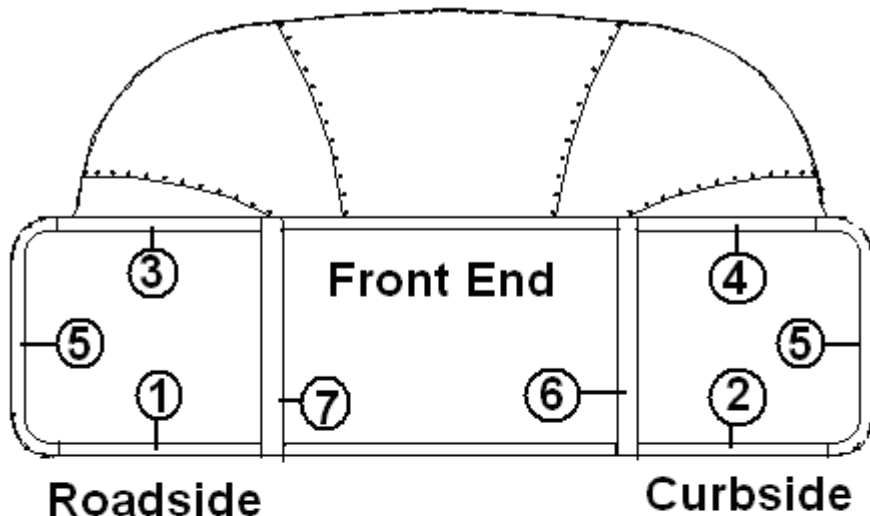
Window Screens, Riveted

372174-03	SCREEN, 18" OPENING WINDOW
371347-03	SCREEN, SQUARE FRONT WINDOW WIDEBODY
372173-02	Screen, square front window, narrow body
371349-03	SCREEN REAR ESCAPE
372220-01	SCREEN, 21"X 28", ALT EGRESS-MIL
372220-02	SCREEN, 21"X 28", ALT NON- EGRESS-MIL
372215-01	SCREEN, 30", OPENING WINDOW TALL
372215-02	SCREEN, 30", OPENING EGRESS WINDOW
372174-03	SCREEN, 18", OPENING WINDOW
371349-01	SCREEN, REAR ESCAPE STD
372230	SCREEN, REAR, 21" X 28", EXIT
372175-04	Screen, 30" tall opening window
371347-01	Screen, square front panoramic window,

2009 FLYING CLOUD

DOORS/WINDOWS/AWNING

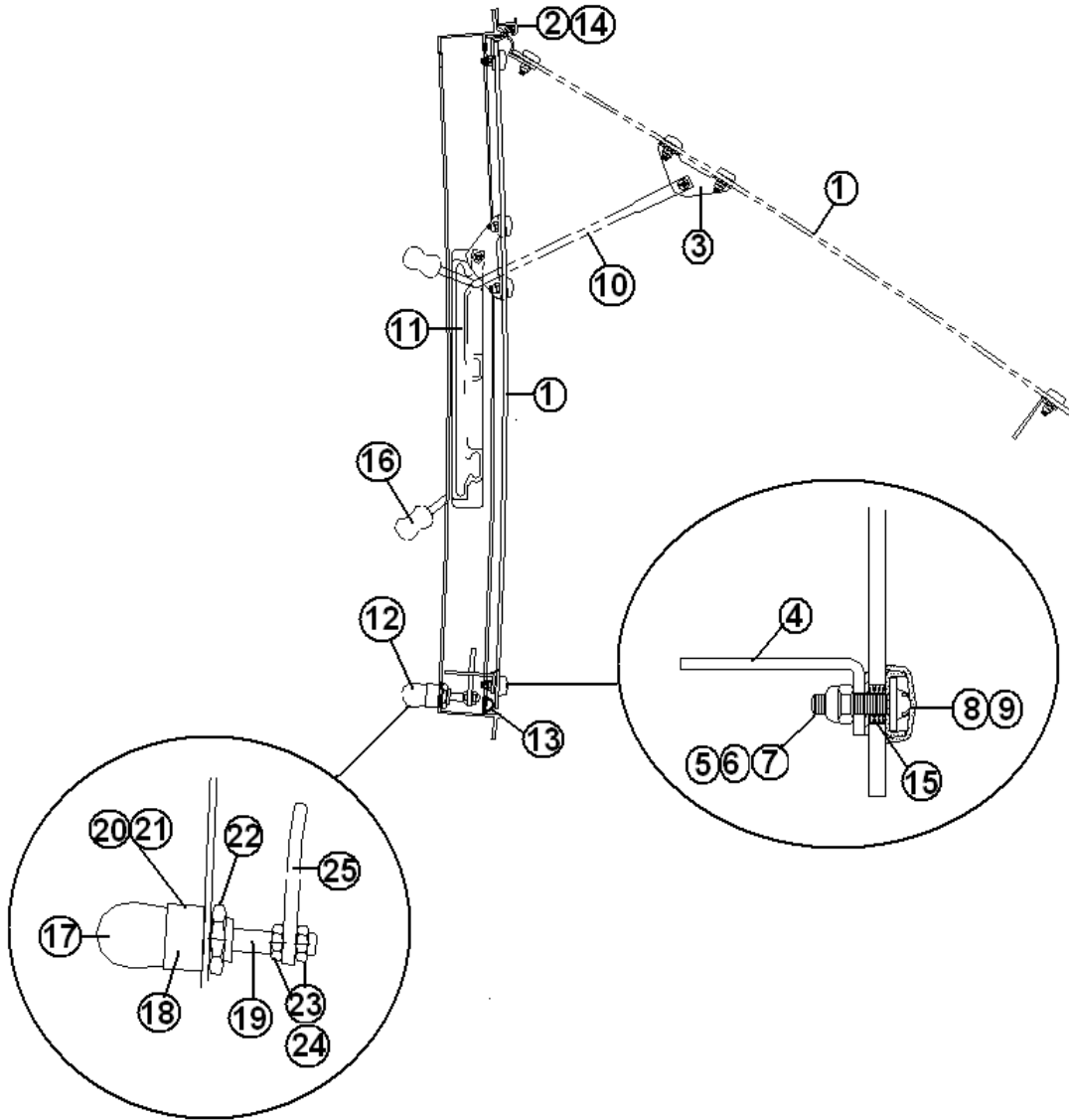
Panoramic Window Trim



- | | |
|--------------|---------------------------|
| 1. 201579-02 | TRIM RING, LOWER, GRAY |
| 2. 201580-02 | TRIM RING, LOWER, GRAY |
| 3. 201581-05 | TRIM RING, UPPER, GRAY |
| 4. 201581-06 | TRIM RING, UPPER, GRAY |
| 5. 201578-02 | END CAP, TRIM RING GRAY |
| 6. 110900-03 | TRIM FORMED, ALUMINUM, RH |
| 7. 110900-04 | TRIM FORMED, ALUMINUM, LH |
| 203225-01 | TRIM LOK, GRAY .75" |

2009 FLYING CLOUD DOORS/WINDOWS/AWNINGS

Window Parts Diagram



Part numbers on next page

2009 FLYING CLOUD

DOORS/WINDOWS/AWNINGS

1. 371323-100	Glass w/hardware, 18" window
1. 371324-100	Glass w/hardware, 30" window
2. 371323-101	Hinge, 18" window
2. 371324-101	Hinge, 30" window
3. 1101-0010	Bracket, window prop
4. 685124	Striker plate, window latch
5. 0706-0004	Flat washer
6. 0703-0001	Screw, #8-32 x .625", black, SS
7. 0702-0010	Nut, Nylox, #8-32, black SS
8. 0802-0004	Screw cover, 12-12 #100, black
9. 0802-0005	Washer, 12-12 screw cover bottom
10. 100903	Operating arm, RH
10. 100903-01	Operating arm, LH
11. 0802-0001	Guide, operating arm, RH
11. 0802-0002	Guide, operating arm, LH
12. 010020	Latch assembly, chrome
13. 381665	Gasket seal
14. 0101-0017	Male hinge extrusion, 1/2" pc.
15. 0706-0003	Bushing, window, acrylic
16. 380230-03	Window arm knob, silver
16. 380230-04	Window arm knob, red
17. 1101-0005	Latch handle, chrome
17. 195467-05	Latch handle, red
18. 1101-0007	Latch body
19. 11101-0008	Latch shaft
20. 1101-0009	Latch spring
21. 0707-0002	Pin, drive lock, 5/32" x 5/8", zinc
22. 0702-0001	Nut, hex panel, 5/8"-24, zinc
23. 0702-0002	Nut, jam, hex, 5/16-24
24. 385123	Washer, flat, .53" OD x .328" ID
25. 685123	Latch paw

**2009 FLYING CLOUD
DOORS/WINDOWS/AWNING**

Window Stone Guard

110102-02	Rock guard, 19', 20', 23'
110102-01	Rock guard, 19', 25', 27'
110102	Rock guard, CENTER PIECE ONLY, 28'W
683960	Arm support
683959	Arm support bracket
114749	HINGE "Y" ASSY.
114750	HINGE "J"
685364	BRKT, UPPER HINGE-45.375-STONEGUARD
114815-01	Extrusion, frame aluminum
685378-01	¼" rubber spline
685351	Rubber frame, black
290812-02	Plexi-glass, 28" x 10' sheet
381021	Latch, draw flexible

2009 FLYING CLOUD DOORS/WINDOWS/AWNING

Window Stone Guard, Panoramic Windows

110188-01	3 Piece Stone Guard, 25', 27', 28'
685275-100	3 Piece Stone Guard, 19', 20', 23' only
685275-101	CS wrap window stone guard
685275-102	RS wrap window stone guard
110102	Stone Guard, Center Piece, 27' FB, 25' FB, 28'
685275-103	Stone Guard, Center Piece, 19', 20', 23'
685358	Turn fast stud
685362	Retainer, split ring
685359	Rubber receptacle
685361	Bracket, rubber receptacle
685363	Slip joint hinge, SS, CS per pair
683960	Arm support
683959	Arm support bracket
114749	HINGE "Y" ASSY. (ROCKGUARD ASSY.)
114750	HINGE "J" (ROCKGUARD ASSY.)
685364	BRKT, UPPER HINGE-45.375-STONEGUARD
381021-01	Latch, draw flexible

Stone guard frame

114815-01	Extrusion, frame aluminum
685354	Front window key, 90-degree angle riveted to inside corner of metal frame
685378-01	¼" rubber spline
685351	Rubber frame, black
290812-01	Plexi-glass, 28" x 84 " sheet
101401	Extrusion, door latch housing
685355	SLIP JOINT S.S.HINGE

**2009 FLYING CLOUD
DOORS/WINDOWS/AWNING**

Awnings, Patio

702993-09	Awning, patio, 9' 8", Zip Dee, 19'
702993-16	Awning, Patio, 11' 3" ¼", 20'
702993-15	Awning, patio, 13' 5 ¼", 23'
702993-27	Awning, Patio, 14' 2.25", 23' Front Bed
702993-06	Awning, patio, 16' 4½", 25'
702993-17	Awning, patio, 18' 5½", 27'
702993-08	Awning, patio, 18' 4", 28' W
702993	Hardware package, Zip Dee
385577	TAPE CLEAR WEAR STRIP 3.5" WIDE

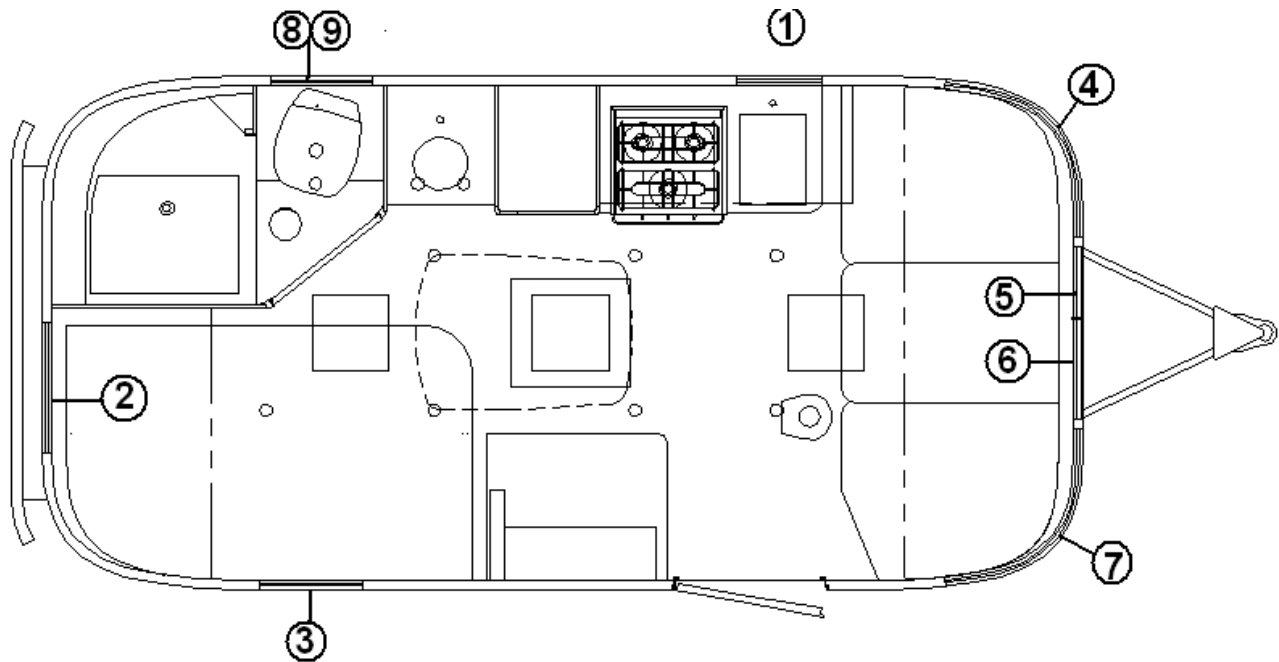
Window Awnings

703181-13	AWNING, WINDOW, 9' 8", 19'
703181-17	AWNING, WINDOW 11' 3.25", 20'
703181-16	AWNING, WINDOW, 13' 5.25", 23'
703181-29	AWNING, WINDOW, 14' 2.25", 23' FB
703181-01	AWNING, WINDOW, 47", 23' FB, 20'
703181-05	AWNING, WINDOW, 16' 4.5", 25' FB
703181-15	AWNING, WINDOW, 52.50", 27' FB, 28'
703181-20	AWNING, REAR WINDOW, 52.63", 25' FB
703181-21	AWNING, WINDOW, 18' 6.25", 27' FB
703181-12	AWNING, WINDOW, 18'4.5", 28'

2009 FLYING CLOUD

DRAPES/BLINDS/VALANCES

Drapes/Blinds 19'

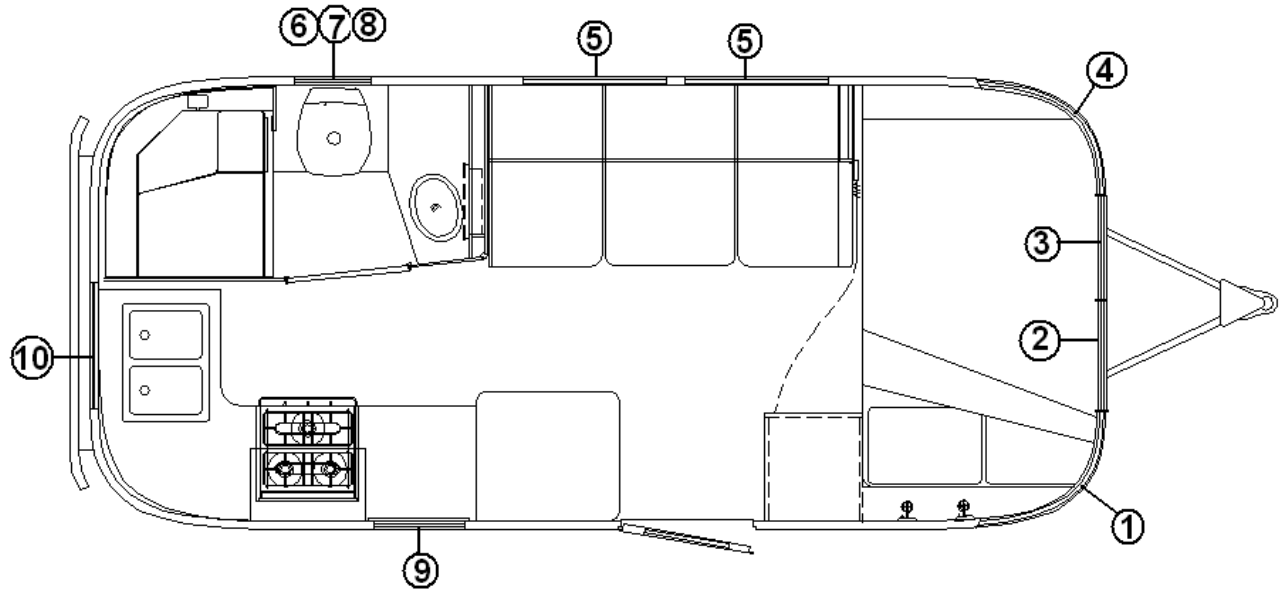


- | | | |
|----|-----------|---|
| 1. | 703191-04 | Blind brushed aluminum, 21" x 23" Long |
| 2. | 703191-15 | Blind brushed aluminum, 24.75" x 21" Long |
| 3. | 703191-13 | Blind brushed aluminum, 18.75" x 32" Long |
| 4. | 998144-11 | DRAPE, RS SIDE PANEL, 37" X 25.5" |
| 5. | 998144-12 | DRAPE, RS FRONT PANEL, 23" X 25.5" |
| 6. | 998144-10 | DRAPE, CS FRONT PANEL, 23" X 25.5" |
| 7. | 998144-09 | DRAPE, CS SIDE PANEL, 37" X 25.5" |
| 8. | 703191-08 | Blind brushed aluminum, 17.5W X 22 B |
| 9. | 801803-02 | TOP, VALANCE 20" |
| | 381898 | SPACER, NYLON .166ID X .24OD X .25L |

2009 FLYING CLOUD

DRAPES/BLINDS/VALANCES

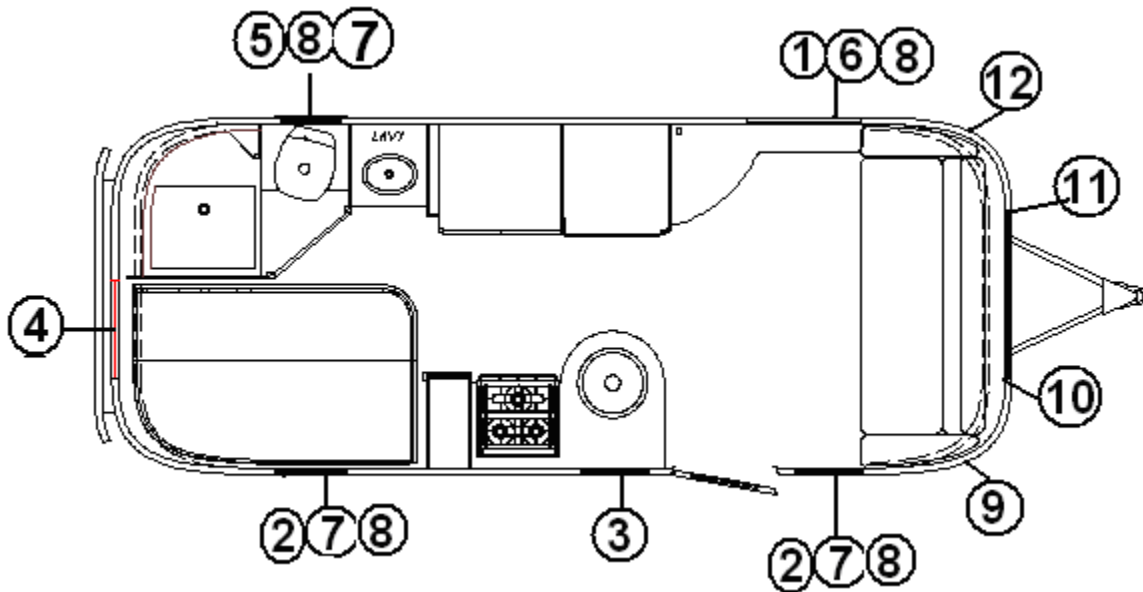
Drapes/Blinds 20'



1. 998144-09 DRAPE, CS SIDE PANEL, 37" X 25.5"
2. 998144-10 DRAPE, CS FRONT PANEL, 23" X 25.5"
3. 998144-12 DRAPE, RS FRONT PANEL, 23" X 25.5"
4. 998144-11 DRAPE, RS SIDE PANEL, 37" X 25.5"
5. 703191-11 BLIND, MINI-METAL, 29.5W" X 29L"
6. 381898 SPACER, NYLON .166ID X .24OD X .25L
7. 703191-10 BLIND, MINI METAL, 17.5" X 33"
8. 801803-02 TOP, VALANCE 20"
9. 703191-04 Blind brushed aluminum, 21" x 23" Long
10. 703191-15 BLIND, BRUSHED ALUMINUM, 24.75" X 21"L

2009 FLYING CLOUD DRAPES/BLINDS/VALANCES

Drapes/Blinds 23'

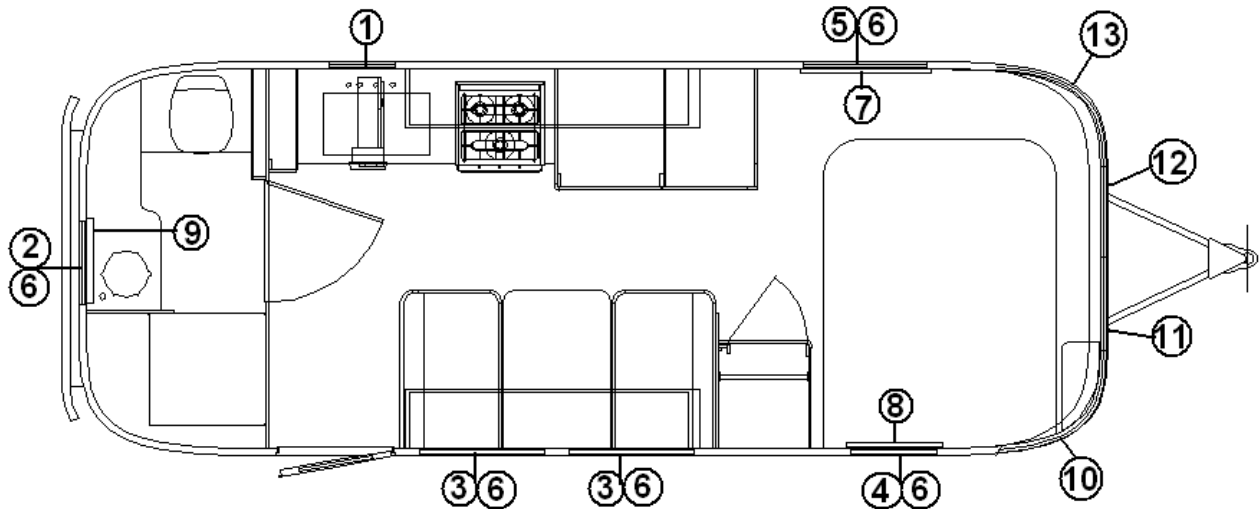


- | | |
|---------------|---|
| 1. 703191-11 | Blind brushed aluminum, 29.5" x 29" Long |
| 2. 703191-13 | Blind brushed aluminum, 18.75" x 32" Long |
| 3. 703191-04 | Blind brushed aluminum, 21" x 23" Long |
| 4. 703191-15 | Blind brushed aluminum, 24.75" x 21" Long |
| 5. 703191-10 | Blind brushed aluminum, 17.5" x 33" Long |
| 6. 801803-01 | Valance assembly, 32" |
| 7. 801803-02 | Valance assembly, 20" |
| 8. 381898 | Nylon Spacer |
| 9. 998144-09 | Drape, Curbside, side panel, 37" x 25.5" |
| 10. 998144-10 | Drape, Curbside, front panel, 23" x 25.5" |
| 11. 998144-12 | Drape, Roadside, front panel, 33" x 25.5" |
| 12. 998144-11 | Drape, Roadside, side panel, 37" x 25.5" |

2009 FLYING CLOUD

DRAPES/BLINDS/VALANCES

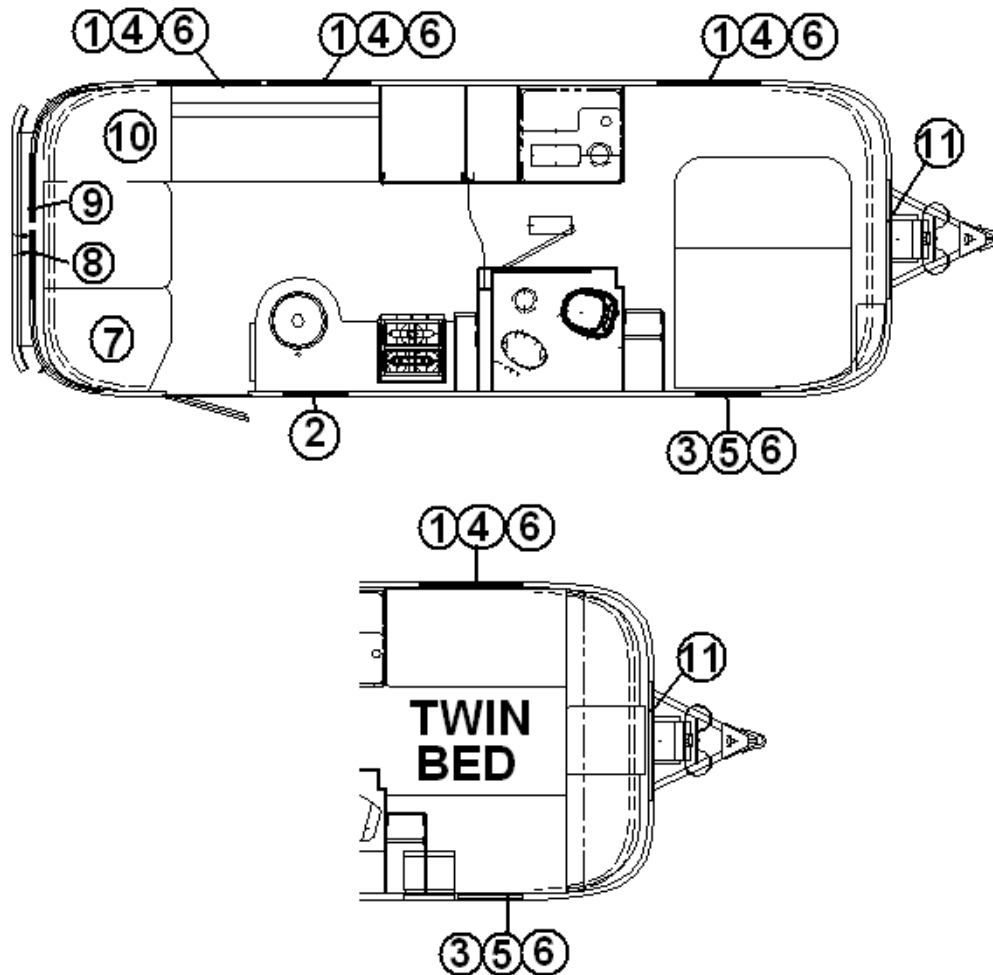
Drapes/Blinds 23' Front Bed



- | | |
|---------------|---|
| 1. 703191-04 | BLIND, 21" X 23", BRUSHED ALUMINUM |
| 2. 703191-07 | BLIND, 27.5" X 22", BRUSHED ALUMINUM |
| 3. 703191-11 | Blind brushed aluminum, 29.5" x 29" Long |
| 4. 703191-13 | Blind brushed aluminum, 18.75" x 32" Long |
| 5. 703191-17 | Blind brushed aluminum, 29.75" x 33.5" Long |
| 6. 381898 | SPACER, NYLON |
| 7. 801803-01 | Top Valance assembly, 32" |
| 8. 801803-02 | Top Valance assembly, 20" |
| 9. 801803-04 | Top VALANCE ASSY, 28.50" |
| 10. 998144-09 | DRAPE, CS SIDE PANEL, 37" X 25.5" |
| 11. 998144-10 | DRAPE, CS FRONT PANEL, 23" X 25.5" |
| 12. 998144-12 | DRAPE, RS FRONT PANEL, 23" X 25.5" |
| 13. 998144-11 | DRAPE, RS SIDE PANEL, 37" X 25.5" |

2009 FLYING CLOUD DRAPES/BLINDS/VALANCES

Drapes/Blinds 25' Front Bed

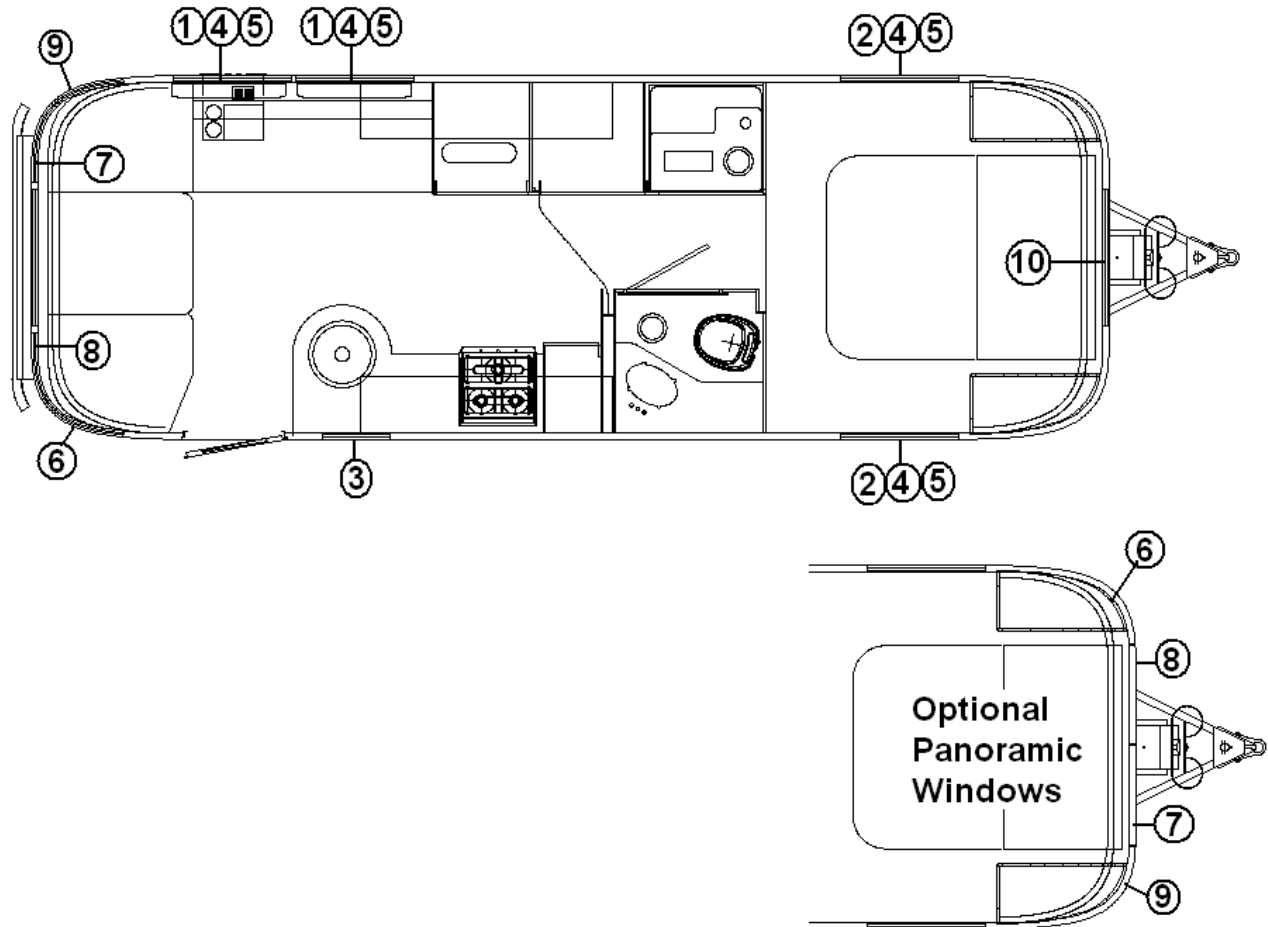


- | | |
|----------------|---|
| 1. 703191-11 | BLIND BRUSHED ALUMINUM, 29.5 X 29L |
| 2. 703191-04 | BLIND BRUSHED ALUMINUM, 21 X 23 |
| 3. 703191-13 | BLIND BRUSHED ALUMINUM, 18.75 X 32 |
| 4. 801803-01 | TOP VALANCE ASSY, 32" |
| 5. 801803-02 | TOP VALANCE ASSY, 20" |
| 6. 381898 | SPACER, NYLON, .166ID X .24OD X .25L |
| 7. 998144-09 | DRAPE, CS SIDE PANEL, 37" X 25.50" |
| 8. 998144-07 | DRAPE, RS FRONT PANEL, 27" X 25.50" |
| 9. 998144-05 | DRAPE, CS FRONT PANEL, 27" X 25.50" |
| 10. 998144-11 | DRAPE, CS SIDE PANEL, 37" X 25.5 |
| 11. 7703191-18 | BLIND BRUSHED ALUMINUM, 50.50" X 28.00" |

2009 FLYING CLOUD

DRAPES/BLINDS/VALANCES

Drapes/Blinds 27' Front Bed

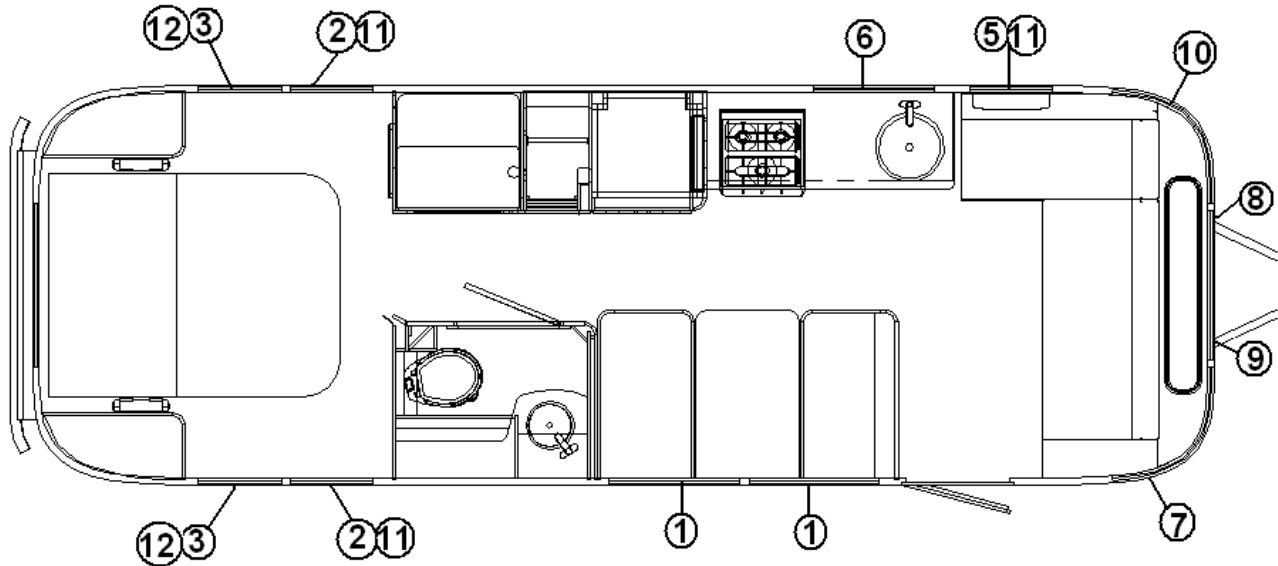


1. 703191-11 BLIND, METAL, 29.5" X 29" ALUMINUM
2. 703191-17 BLIND, METAL, 29.75" X 33.5" ALUMINUM
3. 703191-04 BLIND, METAL, 21" X 23" ALUMINUM
4. 801803-01 VALANCE ASSEMBLY, 32"
5. 381898 SPACER, NYLON
6. 998144-09 DRAPE, CURBSIDE, SIDE PANEL, 37" X 25.5"
7. 998144-07 DRAPE, ROADSIDE, FRONT PANEL, 27" X 25.5"
8. 998144-05 DRAPE, CURBSIDE, FRONT PANEL, 27" X 25.5"
9. 998144-11 DRAPE, ROADSIDE, SIDE PANEL, 37" X 25.5"
10. 703191-18 BLIND, METAL, 50.5" X 28" ALUMINUM

2009 FLYING CLOUD

DRAPES/BLINDS/VALANCES

Drapes/Blinds 28' W



- | | | |
|-----|-----------|--------------------------------------|
| 1. | 703191-12 | BLIND, BRUSHED ALUMINUM 29.50" X 27" |
| 2. | 703191-10 | BLIND, BRUSHED ALUMINUM 17.5" X 33" |
| 3. | 703191-19 | BLIND, 20" X 33" ALUMINUM MINI |
| 4. | 703191-18 | BLIND, 50.5" X28 " ALUMINUM MINI |
| 5. | 703191-08 | BLIND, MINI-METAL 17.5" W X 22" |
| 6. | 703191-20 | BLIND, 31" X 24" ALUMINUM MINI |
| 7. | 998144-09 | DRAPE, CS SIDE PANEL 37" X 25.5 |
| 8. | 998144-07 | DRAPE, RS FRONT PANEL, 27"X 29" |
| 9. | 998144-05 | DRAPE, CS FRONT PANEL, 27"X 29" |
| 10. | 998144-11 | DRAPE, CS SIDE PANEL 37" X 25.5 |
| 11. | 801803-02 | VALANCE ASSEMBLY, 20" |
| 12. | 801803-03 | VALANCE ASSEMBLY, 22" |

2009 FLYING CLOUD
DRAPES/BLINDS/VALANCES

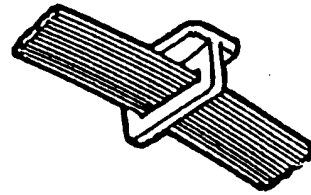
Drapes Hardware



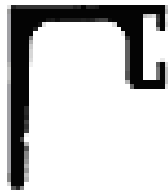
101220
Bracket, curtain
stand off



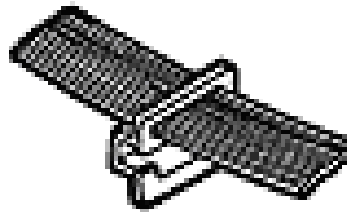
101217
Track, curtain



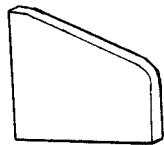
700044
Glides, w/elastic
"T" type



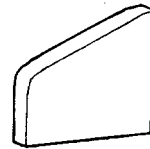
101225
Bracket, curtain
stand off



700045
Glides, w/elastic
"G" type



200785
End, curtain track, LH



200784
End, curtain track, RH

100099 EXTRUSION, ALUMINUM, CURTAIN TRACK TOP

2009 FLYING CLOUD

ELECTRICAL, 110 VOLT

Shore Line Cord

511416-02 30-amp, male power inlet
511416-03 POWER CORD, 30A, 30' W/CONN UL/CSA

Converter

511654-01 POWER CENTER-110V/12V MAGNATEK, BLACK
510743 GROUND BAR, 3 ½" LONG

Breakers, USA

510564-05 BREAKER BRYANT 30-20
510564-04 BREAKER BRYANT 20-20
510564-20GFI GFI BREAKER, TYPE BR, 20GFI, #GFCB-120
510564-06 BREAKER- BRYANT 20 GFI
453573 MOUNTING BRACKET, BREAKER BOX

Switches

500913-03 SWITCH T & B WHITE
511814-01 Receptacle, 15 amp, gray
511814-02 Decorator plate, gray

Microwave Switch, 27' FB Option

201787-01 POCKET DEADBOLT, INTERIOR
511451-02 RECEPTACLE, 20A, SINGLE, BROWN
512221 SWITCH, LEVER, 300V, 10A

Exterior Outlet/Circuit Tester

510676-01 Outlet, exterior, gray
511023 Circuit tester (loose item)

2009 FLYING CLOUD

ELECTRICAL, 110 VOLT

Junction Box

510014 BOX JUNCTION OCTAGON #54151-C
510015 BOX COVER #54C-1
510475 CLIP, GROUND

Breakers/Receptacles, CSA

510564-03 BREAKER BRYANT 15-15
510564-04 BREAKER BRYANT 20-20
510564-20GFI GFI BREAKER, TYPE BR, 20GFI, #GFCB-120
510888-05 RECEPTACLE W/COVER, GFI, WHITE
510888-06 SPACER, RECEPTACLE, GFI, WHITE
510888-07 RECEPTACLE COVER, WHITE

Receptacles

511451-01 RECEPTACLE 20A SINGLE WHITE
511451-02 RECEPTACLE 20A SINGLE BROWN
500563-01 RECEPTACLE, 15A 125V T&B TYPE
500563-100 SCREW-WHITE FOR P/N 500563-01
382070 Non-skid rubber dot for 500563-01
500967-01 COVER, BLANK, ELEC., IVORY #86
511287 Receptacle, 15 amp, single
510888-07 RECEPTACLE COVER, WHITE

Generator Prep Option

511654-03 POWER CENTER, 30A W/TRANSFER SWITCH
511416-02 POWER INLET, 30A, 125V, MALE
385062 DECAL, 110-125 VOLTAGE, AC

2009 FLYING CLOUD

ELECTRICAL, 12 VOLT

Battery/Battery Box

511596	BATTERY-DEEP CYCLE GRP.24
511828	BATTERY-12V DEEP CYCLE AGM, w/solar panel option only
203415	Battery tray
381814	Wing nut, battery hold down
381613	Cover, black plastic for hold down wing nut
500836-02	Positive battery cable
500837	Negative Battery cable
512049-01	CABLE, RED JUMPER
512049-02	CABLE, BLACK JUMPER
410551-02	LID BATTERY BOX
381430	LOCK,TWIST,STRAIGHT CAM
380203-01	PIANO HINGE 1/8" PIN

7-Way Cable

500886-01	7-Way cable w/plug
510947-20	20 amp BREAKER, 12V DC, TYPE II, #12V20
510948-04	BAR BUSS CIRCUIT BREAKER
510743	GROUND BAR, 3 1/2" LONG

Fuse Box, CSA

964082	FUSE BLOCK ASSY. 12V CSA
452412-01	BRACKET FUSE BLOCK 12V CSA
511313	BLOCK FUSE ATC 12V 6 POSITION
511314	BUSHING UNIVERSAL 1" I.D. BLAC
511345	FUSE 30A AGU GLASS TUBE BUSSMA
510655-01	DOOR/FRAME ONLY W/LATCH 12V PA

2009 FLYING CLOUD

ELECTRICAL, 12 VOLT

Switches, 12 Volt

502056	Mounting plate, 12 volt switch
500967-01	COVER, BLANK, IVORY
511745	SWITCH ASSY- THREE GANG WHITE
511327	Switch body w/rocker, single, white
510868-03	Switch panel, 4 gang, white, by door
511567-01	SWITCH BODY W/ROCKER, 2 GANG BLACK
511567-02	Switch body w/Rocker switches, two gang white
511566-02	Cover, switch, Printed, Two Gang, White
511566-01	SWITCH COVER-2 GANG BLACK
511665	SWITCH ASSY, CEILING WHITE
510658	SWITCH W/WEATHER-PROOF BOOT
511810	SWITCH ASSY-4 GANG WHITE
511836	SWITCH, REFER/FAN WHITE #AH-AS
511682	SWITCH ASSY-3 GANG WHITE
511669	SWITCH ASSY-SHOWER WHITE
511658	SWITCH BODY W/COVER 3-GANG WHITE
511731	SWITCH-WATER HEATER

Battery Disconnect

511655-01	BDO BEZEL ASSY-BLACK/SILVER
511655-02	BD RELAY 100 AMP, 12 VOLT
511655-03	CABLE, BDO/1, 20 FT
511655-05	CABLE-BDO/1, 30'

12 Volt Outlet

510807	Outlet, 12 volt
511121	Mounting plate, 12 volt receptacle

2009 FLYING CLOUD

ELECTRICAL, 12 VOLT

Inverter, 600 Watt, option

511968	INVERTER 600W W/REMOTE
511969	110A FUSE & FUSE BLACK
500039	GROUND LUG
500563-01	RECEPTACLE, 15A 125V T & B TYPE
500563-100	SCREW-WHITE FOR P/N 500563-01
382070	Non-skid rubber dot for 500563-01
511451-01	RECEPTACLE 20A SINGLE WHITE XL
512049-01	CABLE, RED JUMPER
512049-02	CABLE, BLACK JUMPER

Break away Switch

0300027	Break away switch, Bargman
454526	BRACKET, BREAK AWAY SWITCH

Monitor Panel and Sensor

511788-01	Monitor panel, CATCON Micropulse
511789-01	BOOT-SENSOR #500-20010-05
511789	SENSOR, TANK MONITOR
511286-01	WIRE FLAT TELEPHONE 26 GA. BLACK
511286-02	WIRE FLAT TELEPHONE 26 GA. IVORY
511252	PLUG PHONE 4 CONDUCTOR
511393	COUPLER-MODULAR EXTENSION, 4 CONDUCTOR
511817	COUPLER, IN LINE PHONE JACK

External Telephone/TV Jack

452981	PHONE JACK PROTECTIVE PLATE
104619	Mounting plate, exterior telephone/TV jack
511411	Junction box, 7 terminals
511375	JACK MODULAR TELEPHONE TA-1020
510616	F CONNECTOR, COAX, 75 OHM

2009 FLYING CLOUD

ELECTRICAL, 12 VOLT

Interior Telephone Jack

510624-01	MODULAR PHONE QUICK JACK WHITE
511375	JACK MODULAR TELEPHONE
510174	TELEPHONE WIRE
510654-01	TV jack, 12 volt w/splitter

TV Hook Up Blank Plate

512025-01	V JUNCTION DEVICE, SELF CONTAINED, WHITE
512025-02	PLATE, SNAP ON, ONE GANG SCD, WHITE

Solar Panel

511828	BATTERY-12V DEEP CYCLE AGM
512049-01	CABLE, RED JUMPER
512049-02	CABLE, BLACK JUMPER
511142-01	PANEL-SOLAR 53 WATT VLX-53
511142-02	BRACKET-MOUNTING KIT SOLAR PANEL
512318	HOLDER W/1 AMP FUSE, IN-LINE
510696	HOLDER, FUSE, IN-LINE
510328	AGC 10 FUSE-FUSE PANEL
385947	LABEL 10 AMP FUSE MAX.
511846	KIT-CHARGE CONTROLLER DISPLAY
511851	CABLE- CAT 5E BLUE
511852	CONNECTOR- RJ45E

Chassis Electrical Conduit

600035	ELL ABS LONG SWEEP 1 1/2"
601160-03	PIPE, ABS DVW, 2"
600193	2"DUCT THERMAFLEX FLEXIBLE AIR

2009 FLYING CLOUD

ELECTRICAL, 12 VOLT

Interior Lights

512243 LIGHT, 12V DLB W/SWITCH
512242 LIGHT, 12V SINGLE BULB W/SWITCH
511695 SPOTLIGHT, BRUSHED NICKEL
511694 LIGHT, READING HALOGEN BRUSHED NICKEL
99900P-948 LED Ceiling light, KOA Units only

Exterior Lights

500092 Patio light, round, Signal Stat
510160 Bulb, patio light #1156
512252 STEP LIGHT, L.E.D., SS

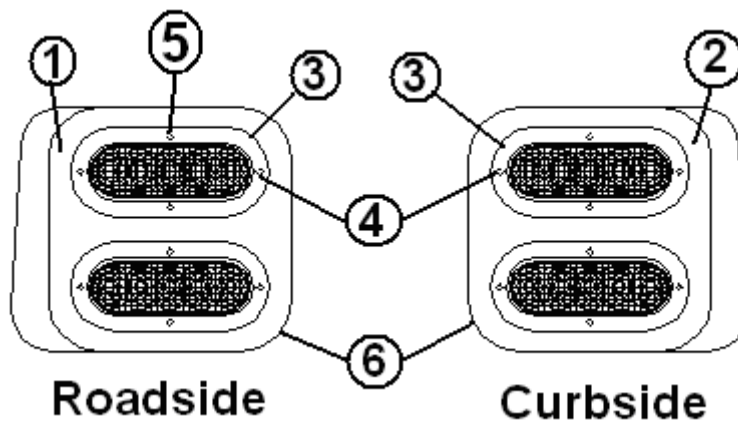
512226 Amber LED clearance light
512226-01 Chrome base, amber LED clearance light
512226-02 Sealed light bezel, amber LED clearance light
512226-03 Foam gasket, amber LED clearance light
512227 Red LED clearance light
512227-01 Chrome base, red LED clearance light
512227-02 Sealed light bezel, red LED clearance light
512227-03 Foam gasket, red LED clearance light

511407 License plate light/holder, Black
511407-01 Gasket, License plate light/holder

2009 FLYING CLOUD

ELECTRICAL, 12 VOLT

Tail Light Assembly



952929-01	TAIL LIGHT ASSEMBLY, LED, ROADSIDE
952929-02	TAIL LIGHT ASSEMBLY, LED, CURBSIDE
1. 511664-01	TAIL LIGHT CASTING, ROADSIDE
2. 511664-02	TAIL LIGHT CASTING, CURBSIDE
3. 512330-01	6" OVAL LED TAIL LIGHT
4. 512331	TRIM RING, OVAL TAIL LIGHT, CHROME
5. 345473	SCREW, #6 X 3/4", STAINLESS STEEL
6. 512351	GASKET, TAIL LIGHT BEZEL

2009 FLYING CLOUD

ENTERTAINMENT

Radio/Antenna

511732	Radio, AM/FM/CD, CDX-CA710X
500913-03	SWITCH , T & B WHITE
500484-05	Antenna lead & extension, 72"
511807	Antenna, AM/FM rubber, 13"
511827	Wall Plate, Coax, White
512215-01	SPEAKER, 6.5", model SP65CO
512215-02	GRILL, 6.5", WHITE
203599	Speaker, Spacer, 5/8"

TV Antenna/Jack

510788-01	TV antenna, Winegard, long boom
510788-05	TV antenna, Winegard, short boom
510788-03	Amplifier, TV antenna
510788-04	Hardware package, interior, Winegard
114396	TV antenna roof trough
510612	Coax, 75 ohm, standard
510623	Connector, coax, male to male
510616	CONNECTOR, COAX, 75 OHM
511827	WALL PLATE FLUSH MOUNT COAX-WHITE
511534	Dual coax plate, Satellite TV, hook up

Audio Upgrade Package

511191	CD CHANGER-10 DISK SONY CDX-75
511822	SUBWOOFER POWERED, 6.5 WEDGE
512215-01	SPEAKER, 6.5", model SP65CO
512215-02	GRILL, 6.5", WHITE
203599	Speaker, Spacer, 5/8"
511863-02	A/B Selector Switch Kit
512024	Jack, 12V, DC, Audio Prep

2009 FLYING CLOUD

ENTERTAINMENT

Audio/Video Upgrades Package 22' TV

512059	RADIO-AM/FM/CD/DVD, SONY
512215-01	SPEAKER, 6.5", model SP65CO
512215-02	GRILL, 6.5", WHITE
511822	SUB WOOFER-POWERED 6.5" WEDGE
511191	CD CHANGER-10 DISK SONY CDX-75
511863-02	A/B Selector Switch Kit
512024	JACK, 12V DC AUDIO PREP
511835	PATCH CORD 30' 3-WAY MALE TO MALE
511829	CONNECTOR 'F' MALE/MALE ADAPTE
511834	PATCH CORD 30' DUAL MALE TO MALE
511703	CORD-PATCH MALE/MALE 2-WAY 20'
690588	23" LCD TV, Samsung
512265	RCA cord adaptor, angled
381136	Spacer bumpers, TV bracket
512273	POWER CORD, 8', SAMSUNG TV
512268	LEAD, TV ANTENNA COAXIAL CABLE

2009 FLYING CLOUD

ENTERTAINMENT

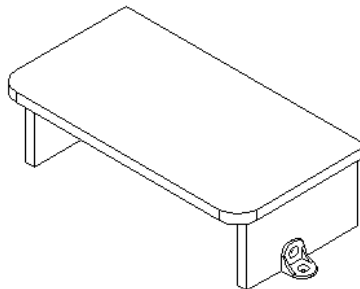
Audio/Video Upgrade Package, 19" TV

512059	RADIO, AM/FM/CD/DVD, SONY
511822	SUBWOOFER, POWERED, 6.5" WEDGE
511191	CD CHANGER, 10 DISK, SONY, CDX-75
512215-01	SPEAKER, 6.5", model SP65CO
512215-02	GRILL, 6.5", WHITE
203599	Speaker, Spacer, 5/8"
512268	LEAD TV ANTENNA COAXIAL CABLE
690590	TV, 19" Samsung
381209-01	Grommet, w/cap, black, 1.5" hole
511703	CORD, PATCH, MALE/MALE, 2-WAY, 20'
511834	PATCH CORD, 30' DUAL MALE TO MALE
511835	PATCH CORD, 30' 3-WAY MALE TO MALE

Computer LAN Wiring Option

195503-12	3/OUTLET. CAT 5 WALL PLATE, WHITE
195503-13	F VIDEO OUTLET
195503-14	CAT 5 JACK, BLUE
195503-15	CAT 5 JACK, WHITE
195503-37	CAT 5 CABLE, BLUE
195466-119	CAT 5 CABLE, WHITE
195503-40	F-COAXIAL CONNECTO, RG-59/U

Shelf, CD Changer



967287-09	SHELF-CD CHANGER
-----------	------------------

2009 FLYING CLOUD

ENTERTAINMENT

Exterior TV/Telephone Jack

500996 Jack, TV/phone, gray
510741 BOX/ELECTRICAL, 1 1/2" X 2" X 3"
510654-01 TV jack/12 volt w/splitter, white

Satellite Radio/Antenna System

511866-05 SATELLITE RADIO SYSTEM
511866-01 SATELLITE RADIO RECEIVER SIRUS
511866-02 SATELLITE RADIO KIT, HOME ADAPTER SIRUS
511866-03 BRACKET-DOCKING STATION RECEIVER
511866-04 PLANE-ANTENNA GROUND
511862 SWITCH-SOURCE SELECTOR #XA-300
511926 Auxiliary Audio Switcher
512142 Fuse, glass, slow-blow, 2 amp

XM Radio

512220 SATELLITE RADIO SYS-XM SKYF12
511862 SWITCH, SOURCE SELECTOR #XA-300
512142 FUSE, GLASS SLOW BLOW 2A
511926 AUXILLARY AUDIO SWITCHER, JVC

Satellite TV Jack

511534 Dual coax plate, Satellite TV, hook up

External Speakers, Wireless

511987 SPEAKER-OUTDOOR WIRELESS
386161 DECAL-AIRSTREAM .7" X 6.4" BLACK

2009 FLYING CLOUD

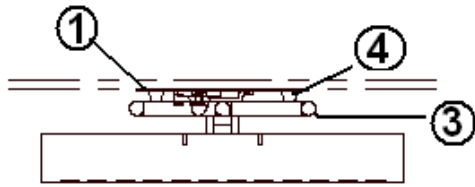
ENTERTAINMENT

Flat Screen TV/Bracket Installation, 19" TV

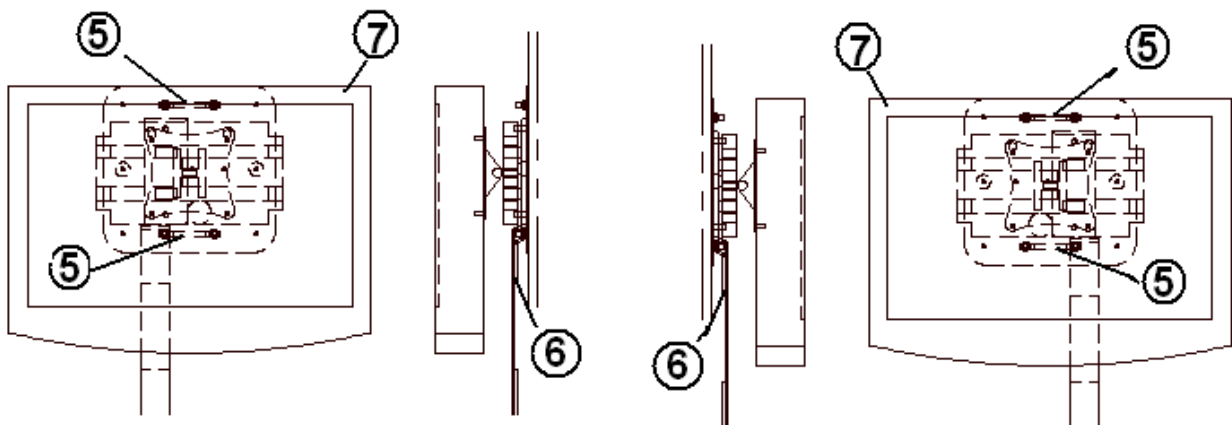
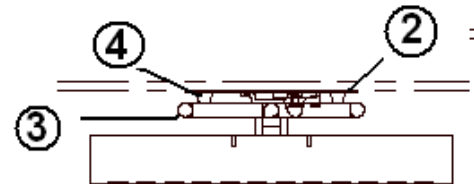
Right hand used on 20', 23', 23' FB

Left hand used on 19', 25' FB, 27' FB, 28'W

Right Hand Installation



Left Hand Installation

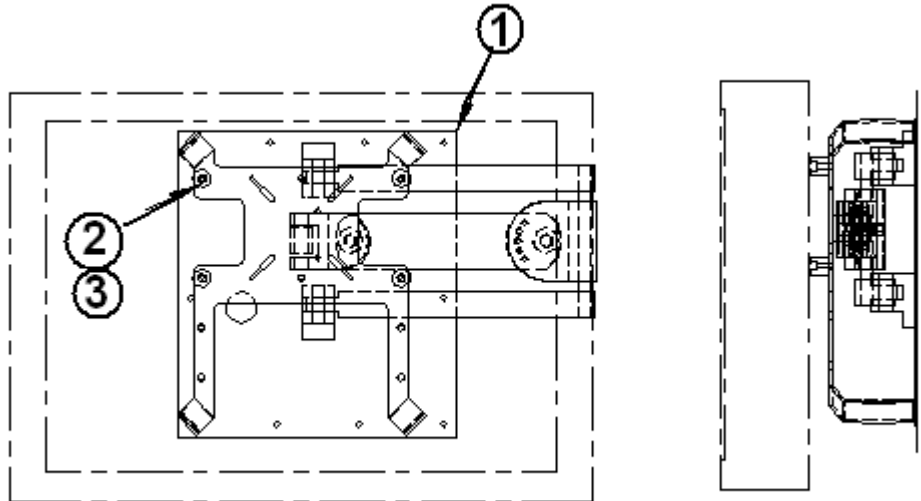


- | | |
|--------------|------------------------------------|
| 1. 454477 | Bracket, TV mount Wall, RH |
| 2. 454434 | Bracket, TV mount Wall, LH |
| 3. 512105-01 | Bracket, articulating arm, flat TV |
| 4. 381136 | Rubber bumper |
| 5. 381566 | Loop, footman steel |
| 6. 703455-03 | TV Strap, 46" |
| 7. 690590 | TV, 19" LCD, Samsung |
| 512268 | LEAD TV ANTENNA COAXIAL CABLE |

2009 FLYING CLOUD

ENTERTAINMENT

Flat Screen TV/Bracket Installation, 22" TV



- 1. *512238 BRACKET-WALL-ARTICULATING ARM
- 1. *512352 Articulating Arm
- 2. 345478 SCREW-M4 X 30MM PAN PHIL
- 3. 381136 RUBBER BUMPER
- 512265 ADAPTOR RIGHT ANGLE, RCA
- 690588 TV-COLOR LCD 22" SAMSUNG
- 512268 TV antenna coaxial cable lead, 9'

*512238 replaced by 512352 during model year. New hole pattern in panel required.

2009 FLYING CLOUD

FLOOR COVERING

Floor Mats

702549 MATT ENTRANCE W/AIRSTREAM LOGO

Vinyl Flooring

703659 LINOLEUM, WOOD PLANK
203594-02 FLOOR TRIM, UN7021 ASH GREY

Diamond Tread Plate

115209-01 DIAMOND PLATE, .025" X 4' X 8'
115209-02 DIAMOND PLATE, 30" x 74"
115212-01 TREAD PLATE, 28.16" X 53.25", 28'
115212-03 TREAD PLATE, 29.79" X 60.31", 23'
115212-04 TREAD PLATE, 27" X 45" 19'
115212-08 TREAD PLATE, 25.11" X 48.48", 20'

2009 FLYING CLOUD

FURNITURE, DOORS

Doors, Roof Locker

801786-0114	DOOR PLYFORM, 35.50" X 15.25"
801786-0214	DOOR PLYFORM, 15.25" X 31.63"
801786-0314	DOOR, PLYFORM, 15.25" X 28.38
801786-0414	DOOR, PLYFORM, 15.25" X 23.13
801786-0514	DOOR PLYFORM, 15.25 X 12.50, RH
801786-0614	DOOR, PLYFORM, 15.25" X 12.50", LH
801786-0714	DOOR, PLYFORM, 15.25" X 12.50", RH
801786-0814	DOOR PLYFORM, 15.25 X 12.50, LH
801786-0914	DOOR, PLYFORM, 15.25 X 28.75
801786-1014	FILLER, PLYFORM, 15.25 X 4.08
801786-1114	DOOR, PLYFORM, 15.25 X 23.63

2009 FLYING CLOUD

FURNITURE, DOORS

Doors, Bath

967341-09 BATH DOOR ASSEMBLY, 20'
967202-03 DOOR, BATH, 23' Front Bed
966894-09 DOOR, BATH, 25' FB, 27' FB, 28'W
966939-09 DOOR, BATH, 25.50 X 72.00, 19', 23'

Doors, Shower, 19'

702937-03 SHOWER DOOR-ROLL AWAY, 62" X 36"

Door, Shower, 28', 27' FB, 25' FB

703626-01 SHOWER DOOR, BRUSHED NICKEL
703626-100 LATCH-TRAVEL SHOWER DOOR

Door, Shower, 20', 23'

702937-03 SHOWER DOOR, ROLL AWAY, 62.00 X 36.00

Door, Shower, 23' Front Bed

703745 SHOWER DOOR, BROWN, 22" X 65" W/TRAVEL
LOCK

2009 FLYING CLOUD

FURNITURE, DOORS

Doors, Foldette, 19', 25', 27', 28'

702681-03	DOOR FOLDETTTE 46" X 73" BEIGE
702681-07	DOOR, FOLDETTTE 60"X 73" GREY
702681-08	FOLDETTTE DOOR, BEIGE, 60" X 73"
702681-04	FOLDETTTE, IRVINE, 56" X 73", 19'
381563-01	Track, formed, foldette door
452258	BRACKET, MTG. FOLDETTTE DOOR
381890-01	TRACK-FORMED FOLDETTTE 25' FB
381890-02	TRACK-STRAIGHT FOLDETTTE 25' FB, 27'
382005	TRACK-FORMED FOLDETTTE DOOR, 20", 27'
701342-01	Strap, holdback, 7"
381581	STRAP CLEAR PLASTIC .75"W
700811	BUTTON CAP, HANDY #36
700812	BUTTON BOTTOM, HANDY #36 OAK

Doors, Foldette, Front Bed

702681-08	DOOR-FOLDETTTE, 60"X 73" BEIGE
452258	BRACKET, MOUNTING, FOLDETTTE DOOR
701342-01	STRAP, VINYL, HOLD-BACK, 7.0"LONG
382056	TRACK, FOLDETTTE DOOR, FRONT BED

Doors, Foldette, 23'

702681-06	DOOR, FOLDETTTE, 60" X 73", IVORY
452258	BRACKET, MOUNTING, FOLDETTTE DOOR
701342-01	STRAP, VINYL, HOLD BACK, 7.0" LONG
381768	TRACK, FOLDETTTE DOOR

Door, Foldette, 20'

702681-08	FOLDETTTE DOOR, BEIGE 60" X 73"
381946	TRACK, FOLDETTTE DR 20'

2009 FLYING CLOUD

FURNITURE, MIRRORS/DRAWERS

Mirrors

372203-05	Mirror, safety glass, medicine cabinet, 19" x 14"
372203-15	MIRROR- POLISHED EDGES, 17.00" X 25.25"
372203-24	Mirror, safety glass, 9.50" x 20.00"
372203-30	Mirror, safety glass, medicine cabinet, 30" x 14"
372203-26	Mirror, safety glass, 13.62" X 58"
372203-33	MIRROR, SAFETY, .125" X 14" X 40"
371423	MIRROR, WALL MOUNT, NICKEL, 23' FB
203385	TRIM, "F", SELF EDGING, CLEAR, 28'W, 23' FB
371397	MIRROR, 18.5" X 31", 23' FB, 20'
966089	TRIM RING, 18.5" X 31" MIRROR, 23' FB, 20'
381220-01	MIRROR CLIP, #309NP NICKEL PLATE
381220-02	MIRROR CLIP, #318NP NICKLE PLATE
385940-02	MIRROR PULL CHROME
104965-01	RETAINER CLIP-GALLEY

Drawers/Drawer Boxes

964909-11	DRAWER BOX, 10" X 14.0" X 19", 19' Dinette
965554-03	DRAWER BOX, 5.625" X 17.25" X 17"
965554-05	DRAWER BOX, 5.63" X 14.25" X 17.63"
965554-06	DRAWER BOX ASSY-5.63" X23" X 21.75"
965555-02	DRAWER BOX, 8.00" X 9.5" X 20"
965555-03	DRAWER BOX, 7.88" X 20.68"
965558-04	DRAWER BOX, 8" X 15.25" X 14.88"
965560-05	DRAWER BOX, 5.63" X16.5" X 15.25"
965584-02	DRAWER BOX, 3.38" X 13.75" X 13.00"
965642-01	DRAWER BOX, 19.75", 19' Galley
965642-02	DRAWER BOX, 3.38" X 15.25" X 14.88"

2009 FLYING CLOUD

FURNITURE, MIRRORS/DRAWERS

Drawer Slides

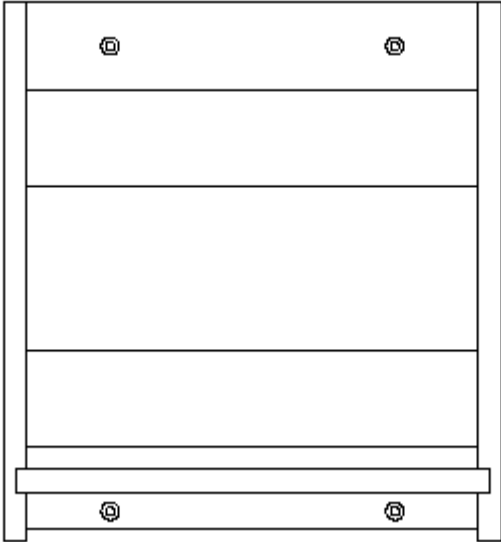
381773-02	DRAWER SLIDE-3-3/8"H X 13.75"L
381773-03	DRAWER SLIDE 15.75"
381773-15	DRAWER SLIDE, 5.875" X 15.75"
381773-16	DRAWER SLIDE, 5.88" X 17.38"
381773-17	DRAWER SLIDE-5.875" X 18.5"
381773-21	DRAWER SLIDE-8.38" X 15.75"
381773-25	DRAWER SLIDE-8.38" X 21.63"
381826	SLIDE, BALL BEARING 16" 28'W L-SOFA BED
381925	SLIDE-DRAWER 24" SIDE, 23' PANTRY
381833-01	DRAWER SLIDE-UNDER SHELF 18" PAIR, 19' DINETTE
381944-01	SLIDE 18", PANTRY, 27' FB

Storage Boxes

203419	STORAGE BOX 23"L X 16.75"W X 11.88"
203439	STORAGE BOX 17"L X 11.13"W X 6.38"
203447	STORAGE BOX 23.5" X 16.25" X 6.38"
203622	TUB-STORAGE, 28' W L-LOUNGE
203636	STORAGE BOX, 24.5" X 17.75" X 7.25"

2009 FLYING CLOUD
FURNITURE, LOUNGE

Magazine Rack, 28'



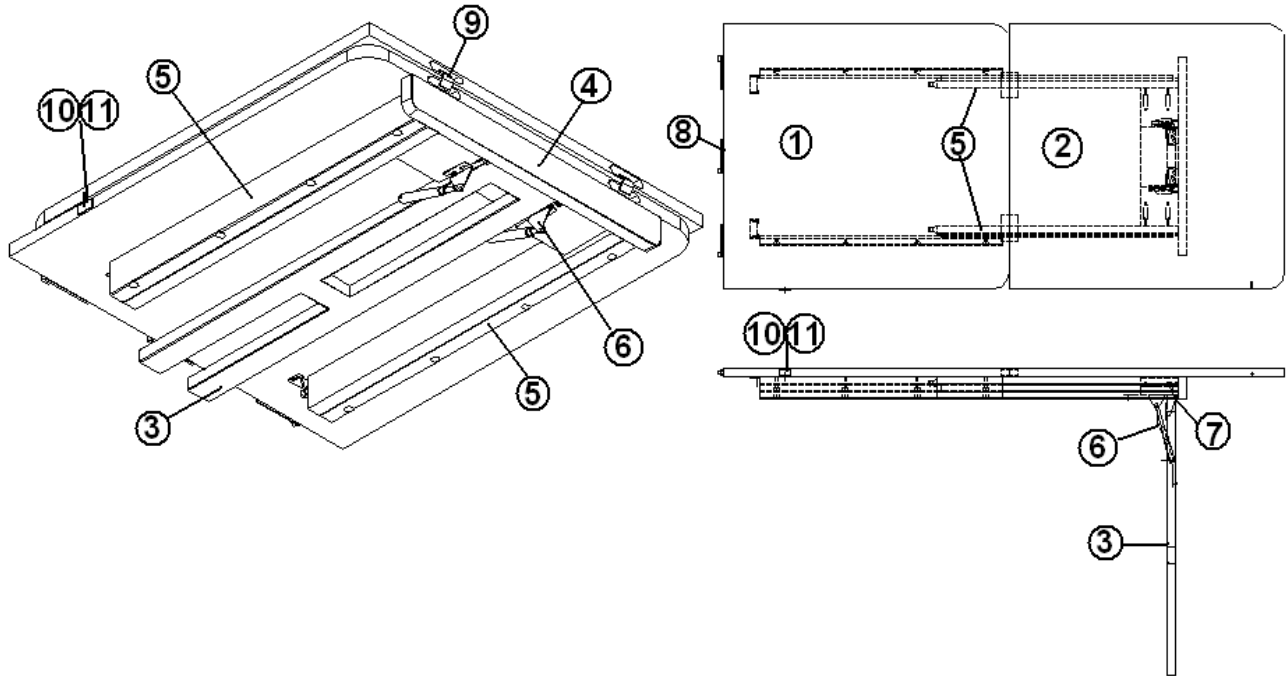
963990-0014

Magazine Rack

2009 FLYING CLOUD

FURNITURE, LOUNGE

Table, Lift Up, 23'

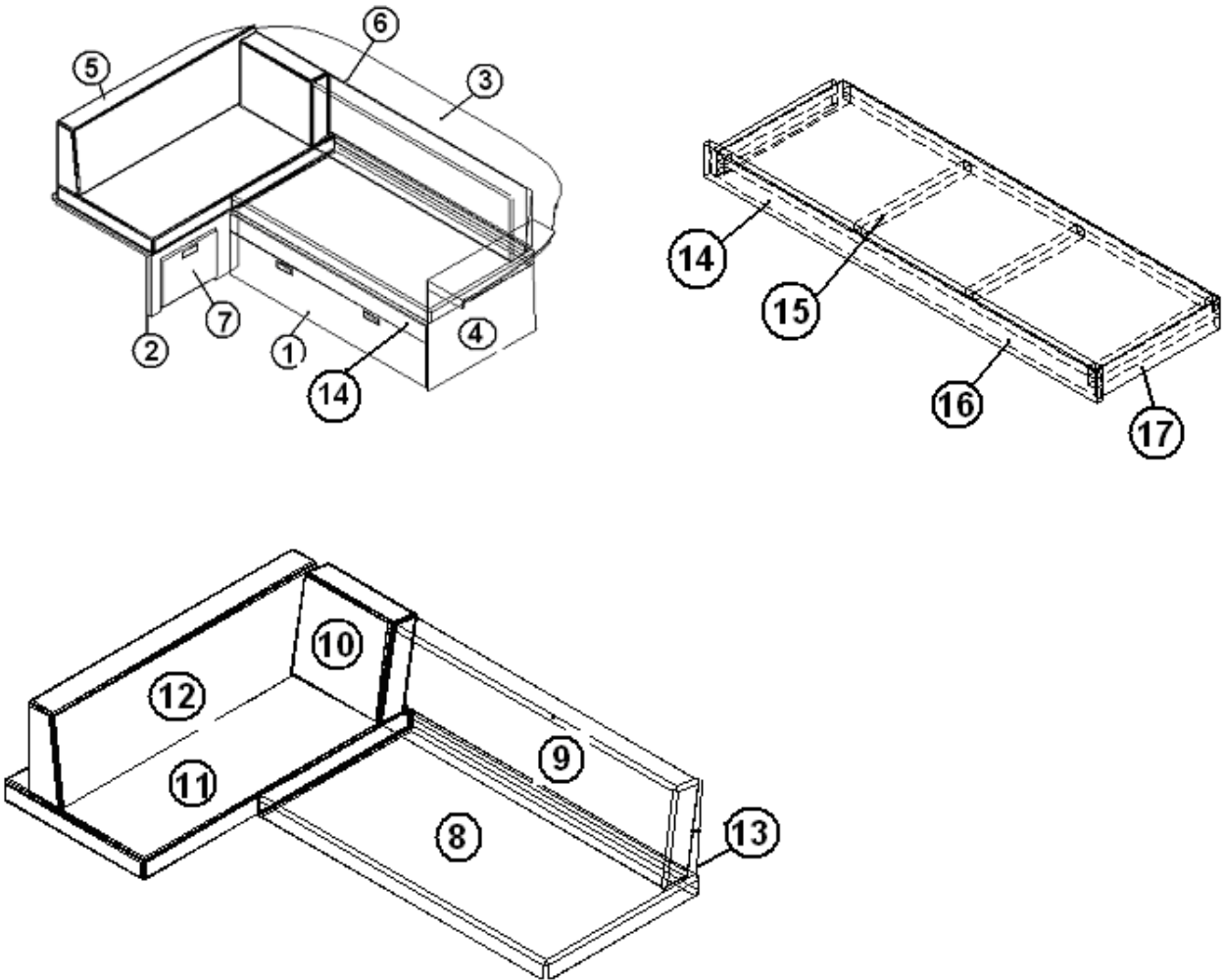


- | | |
|---------------|-------------------------------------|
| 967381-09 | TABLE ASSEMBLY, LIFT UP |
| 1. 967381-091 | LEAF, TABLE, LOWER |
| 2. 967381-092 | LEAF, TABLE, UPPER |
| 3. 962177-037 | LEG, HARDWOOD, 30.50" |
| 4. 967381-094 | FACER BOARD, LIFT-UP TABLE |
| 5. 381306 | SLIDES, TABLE, LIFT-UP, RH & LH #20 |
| 6. 381147 | DOOR SUPPORT - SPRING LOADED |
| 7. 385935-01 | HINGE PIVOT ZINC PLATED |
| 8. 201155 | SLIDING GUIDE, PLASTIC -TABLE |
| 9. 380040 | HINGE SOSS INVISIBLE L & R HAND |
| 10. 345319-08 | SCREW, PARTICLE BOARD, #8 X 1.00" |
| 11. 380037 | RETAINER SPRING LOCK |
| 12. 380038 | EYELET LOCK GS 5 10 BRASS |
| 381074 | CATCH BULL DOG #65S (COPPER) |

2009 FLYING CLOUD

FURNITURE, LOUNGE

Sofa "L" Lounge, 23'



Part number on the next page

2009 FLYING CLOUD

FURNITURE, LOUNGE

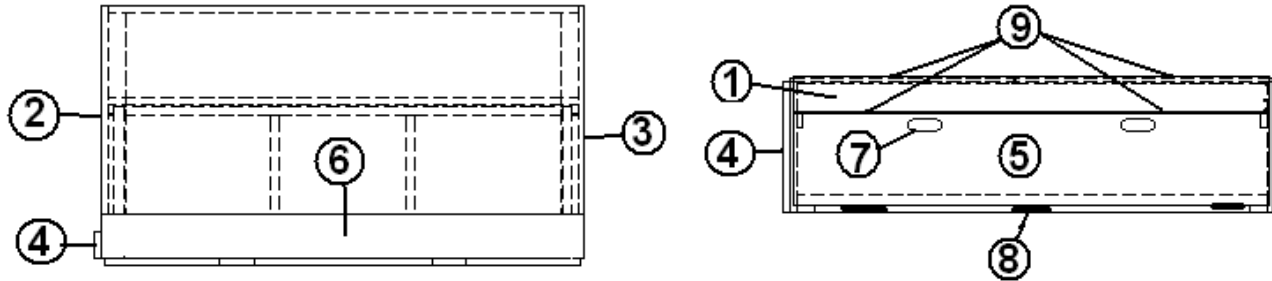
Sofa "L" Lounge, 23'

1. 967377-09 Sofa assembly
2. 967040 Sofa "L" section
3. 966444 Sofa back, Mid night Sun, (granite)
- 3.966611 Sofa back, standard
4. 965831 Sofa armrest
5. 703577 "L" lounge cushion assembly
6. 998149-07 Back cushion support assembly
7. 967040-13 Door, "L" sofa
8. 998186-01 Fabric assembly bottom main cushion
9. 998186-02 Fabric assembly, back main cushion
10. 998186-03 Fabric assembly, side back rest
11. 998186-04 Fabric assembly, side base cushion
12. 998186-05 Fabric assembly, side back rest
13. 998186-06 Fabric assembly, wedge cushion
14. 967376 Bed assembly, sofa
15. 966287 WELDMENT, SOFA BED
16. 967376-4 PANEL, SOFA BED, 53.44 X 3.88
17. 381826 SLIDE-BALL BEARING 16" 28'CCD
- 203439 STORAGE BOX 17"L X 11.13"W X 6.38"
- 203447 STORAGE BOX 23.5" X 16.25" X 6.38"
- 381072-01 HINGE 3" X 2"
- 381228-01 CATCH GRABBER DOOR C3-803
- 382044 PULL-BAR BRUSH NICKEL

2009 FLYING CLOUD

FURNITURE, LOUNGE

Sofa Assembly, 23'

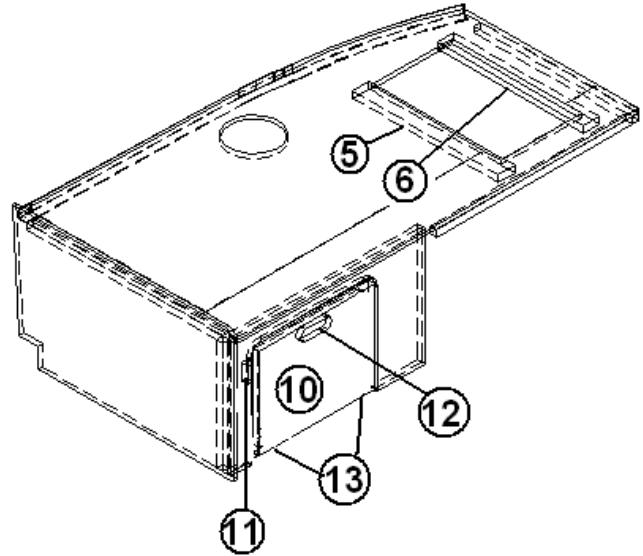
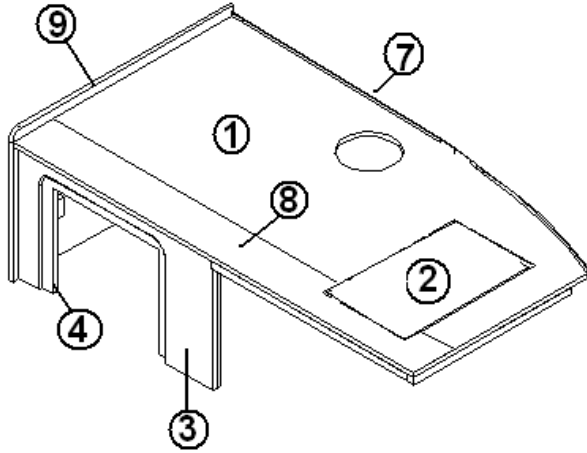


967377-09	SOFA ASSY.
1. 967376	BED ASSY, SOFA
2. 967377-092	PANEL, SOFA, 14.5 X 28.25
3. 967377-093	PANEL, SOFA, 14.25 X 28.25
4. 967377-094	PANEL, SOFA, 14.5 X 3
5. 967377-095	PANEL, SOFA, 10.25 X 53.44
6. 967377-098	PANEL, SOFA, 5 X 54.31
7. 382044	HANDLE, BRUSHED NICKEL
8. 381072-01	HINGE, 3" X 2" FIXED PIN (PR)
9. 381228-01	CATCH, GRABBER DOOR C3-803
114809	ALUMINUM ANGLE 1.50 X 1.50

2009 FLYING CLOUD

FURNITURE, LOUNGE

Sofa Assembly, "L" Section, 23'

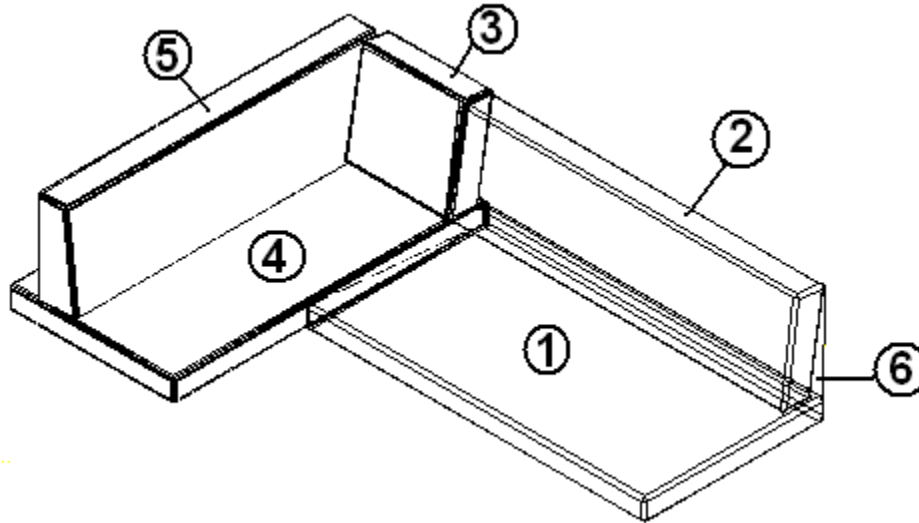


	967040-09	SOFA ASSY "L" SECTION
1.	967040-091	PANEL, SOFA L-SECTION, 27.00 X 49.50
2.	967040-092	PANEL, SOFA L-SECTION, 9.00 X 15.00
3.	967040-093	PANEL, SOFA L-SECTION, 14.50 X 24.00
4.	967040-094	PANEL, SOFA L-SECTION, 14.50 X 24.00
5.	850082	POPLAR, .75 X 2.00, CUT TO 18"
6.	850082	POPLAR, .75 X 2.00, CUT TP 18"
7.	114812	ALUMINUM ANGLE 1.00 X 1.00
8.	967040-0910	PANEL, SOFA L-SECTION, 5.00 X 49.50
9.	967040-0911	PANEL, SOFA L-SECTION, 16.00 X 27.29
10.	967040-13	DOOR, 11.25 X 14.25, L-SECTION
11.	381228-01	CATCH, GRABBER DOOR
12.	381775	DRAWER PULL, FLUSH SATIN
13.	381072-01	HINGE, 3" X 2" FIXED PIN (PR)
	203445	T-MOLDING, BLACK, FLEXIBLE POLY, .5

2009 FLYING CLOUD

FURNITURE, LOUNGE

Sofa "L" Lounge Foam Kit, 23'

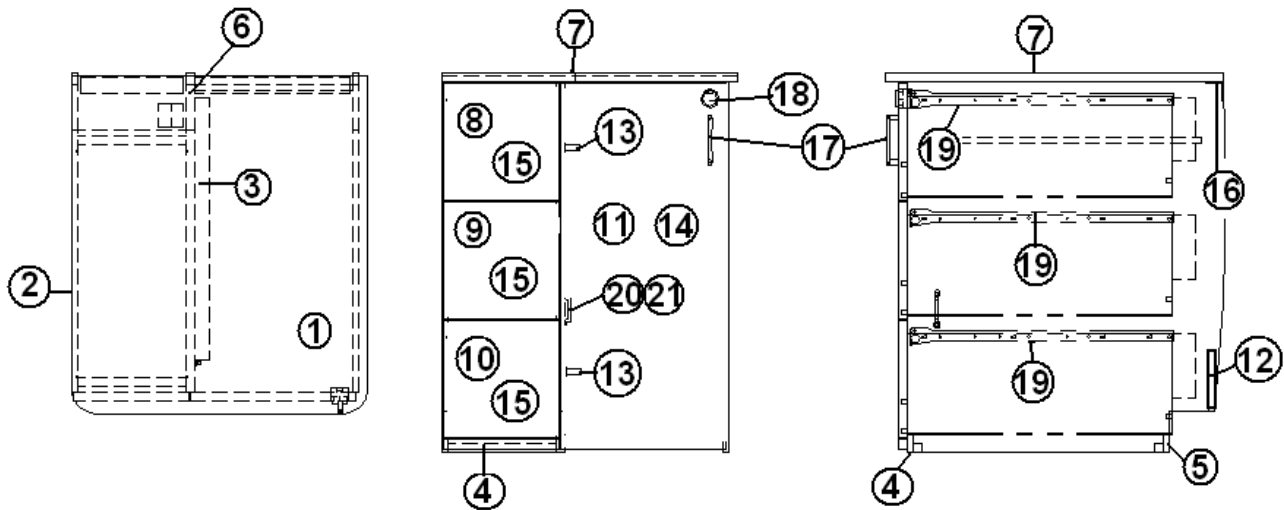


- | | |
|--------------|------------------------------|
| 1. 703577-01 | Foam cushion, bottom main |
| 2. 703577-02 | Foam cushion, back, main |
| 3. 703577-03 | Foam cushion, small back |
| 4. 703577-04 | Foam cushion, base side |
| 5. 703577-05 | Foam cushion, back rest side |
| 6. 703577-06 | Foam cushion wedge |

2009 FLYING CLOUD

FURNITURE, LOUNGE

Table/Stow Cabinet, 23'



967380-09

1. 967380-091
2. 967380-092
3. 967380-093
4. 967380-094
5. 967380-095
6. 967380-096
7. 967380-097
7. 967380-107
8. 967380-098
9. 967380-099
10. 967380-0910
11. 967380-0911
12. 967380-0912
13. 381607
14. 701538-01
15. 965555-03
16. 114809
17. 382044
18. 381408
19. 381773-25
20. 381566
21. 703455

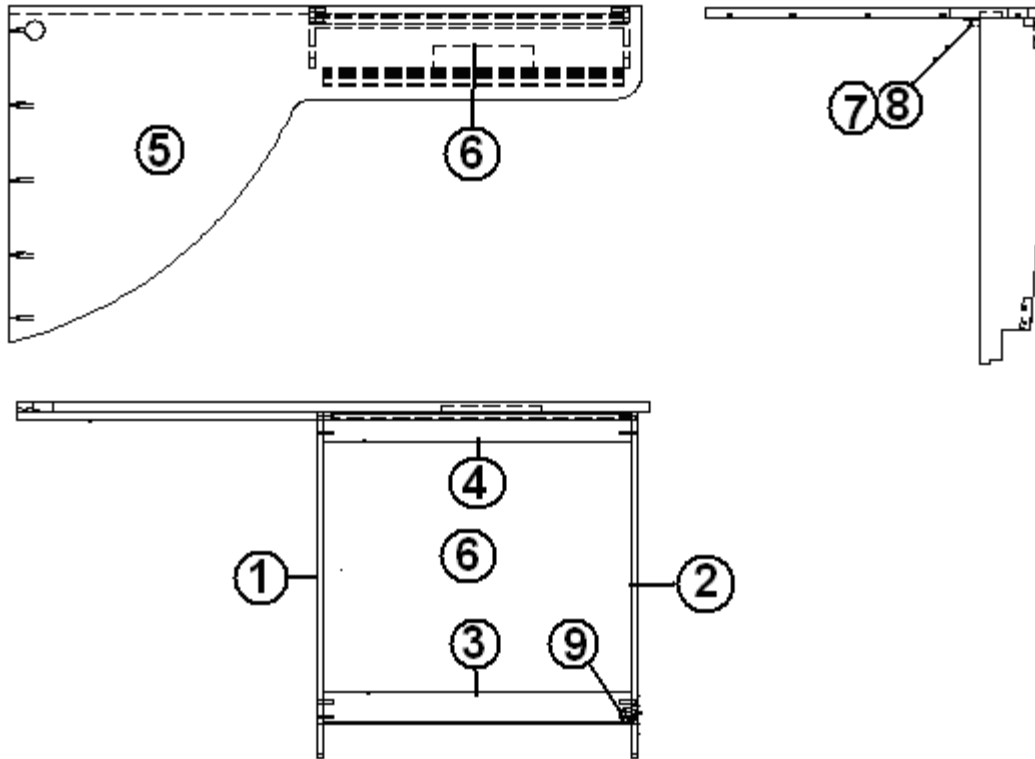
TABLE, STORAGE

- PANEL, TABLE CABINET, 26.91 X 31.25
- PANEL, TABLE CABINET, 26.91 X 31.25
- PANEL, TABLE CABINET, 1.25 X 22.13
- PANEL, TABLE CABINET, 1.25 X 9.13
- PANEL, TABLE CABINET, 1.25 X 9.13
- PANEL, TABLE CABINET, 26.91 X 31.25
- PANEL, TABLE CABINET, 28.56 X 25.00
- PANEL, TABLE CABINET, GRANITE, 28.56 X 25"
- DOOR, TABLE CABINET, 9.75 X 9.88
- DOOR, TABLE CABINET, 9.75 X 9.88
- DOOR, TABLE CABINET, 9.75 X 9.88
- DOOR, TABLE CABINET, 14.00 X 30.88
- PANEL, TABLE CABINET, 5.00 X 13.38
- HINGE, GRASS EURO
- CARPET-ECONOLIER W/PSA BACK
- DRAWER BOX, 7.88" X 20.68"
- ALUMINUM ANGLE, 1.50 X 1.50
- HANDLE, BRUSHED NICKEL
- LOCK, PUSH, BUTTON STYLE, BLACK
- DRAWER SLIDE-8.38" X 21.63" (PAIR)
- LOOP, FOOTMAN STEEL
- STRAP, 20" FLAT SCREEN TV

2009 FLYING CLOUD

FURNITURE, LOUNGE

Desk Assembly, 23', Standard

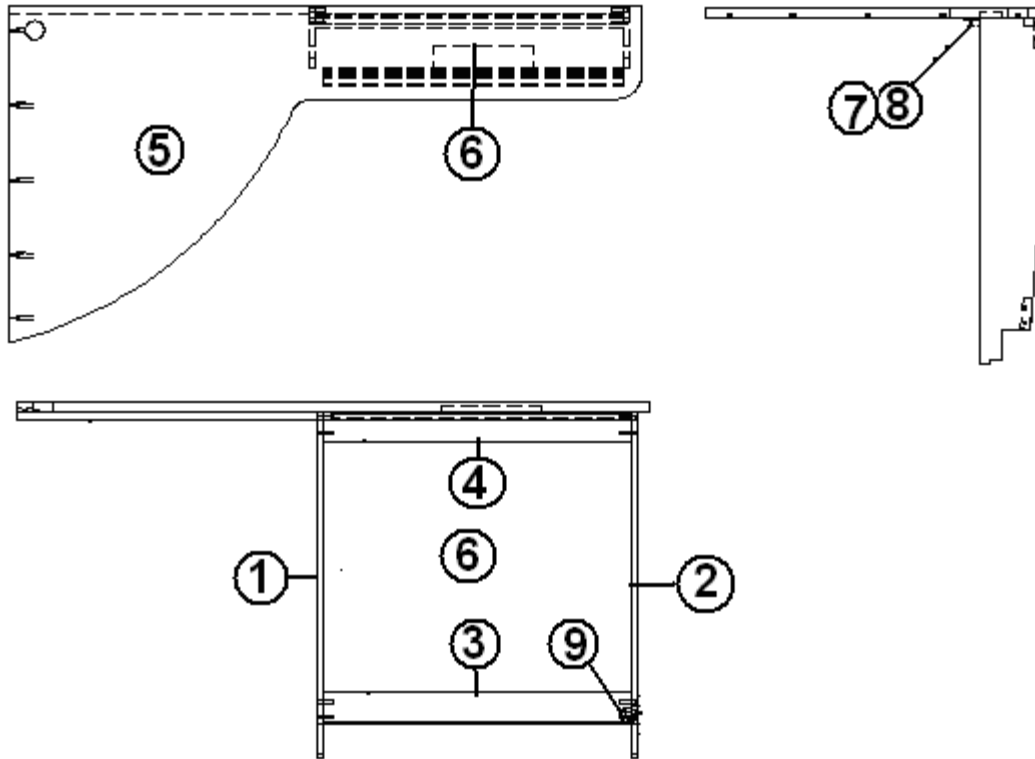


967379-09	DESK ASSEMBLY
1. 967379-091	PANEL, DESK, 5.00 X 27.75
2. 967379-092	PANEL, DESK, 5.00 X 27.75
3. 967379-093	PANEL, DESK, 2.50 X 25.13
4. 967379-094	PANEL, DESK, 2.50 X 25.13
5. 967379-095	PANEL, DESK, 45.00 X 27.00
6. 967381-09	TABLE, LIFT UP
7. 380203-01	PIANO HINGE, 1/8" PIN
8. 101253	EXTRUSION, CREDENZA HINGE, MOVABLE
9. 381074	CATCH. BULL DOG, (COPPER)

2009 FLYING CLOUD

FURNITURE, LOUNGE

Desk Assembly, 23', Granite Option

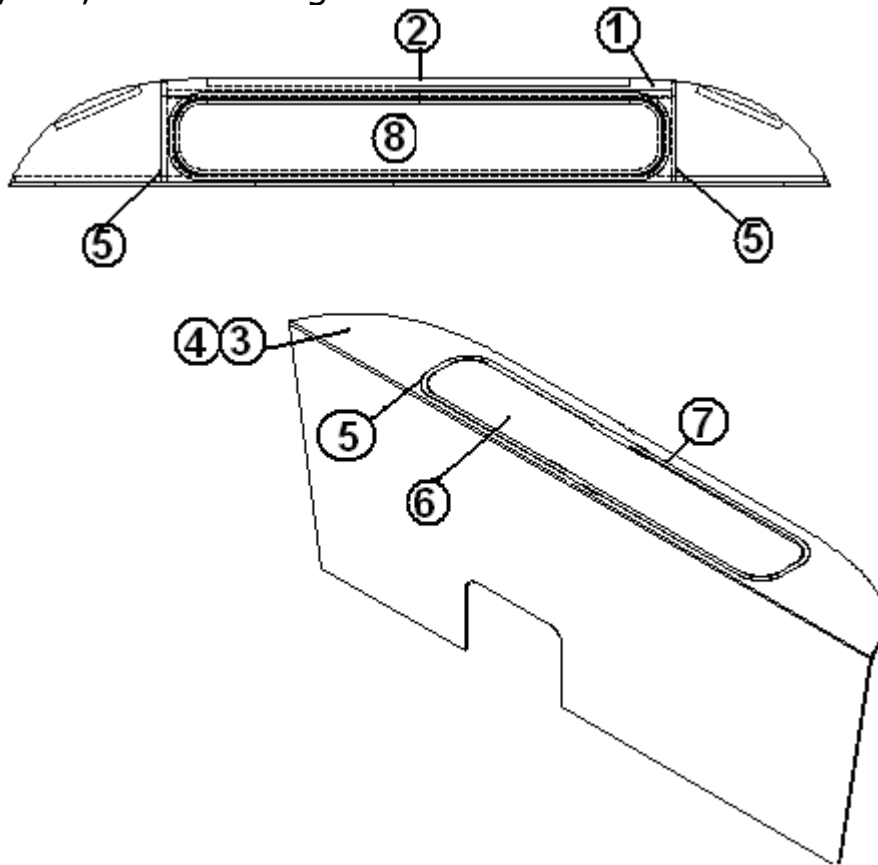


- | | |
|---------------|------------------------------------|
| 967379-10 | DESK ASSEMBLY |
| 1. 967379-091 | PANEL, DESK, 5.00 X 27.75 |
| 2. 967379-092 | PANEL, DESK, 5.00 X 27.75 |
| 3. 967379-093 | PANEL, DESK, 2.50 X 25.13 |
| 4. 967379-094 | PANEL, DESK, 2.50 X 25.13 |
| 5. 967379-105 | PANEL, DESK, 45.00 X 27.00 |
| 6. 967381-09 | TABLE, LIFT UP |
| 7. 380203-01 | PIANO HINGE, 1/8" PIN |
| 8. 101253 | EXTRUSION, CREDENZA HINGE, MOVABLE |
| 9. 381074 | CATCH. BULL DOG, (COPPER) |

2009 FLYING CLOUD

FURNITURE, LOUNGE

Sofa Back, 23', 23' L-Lounge

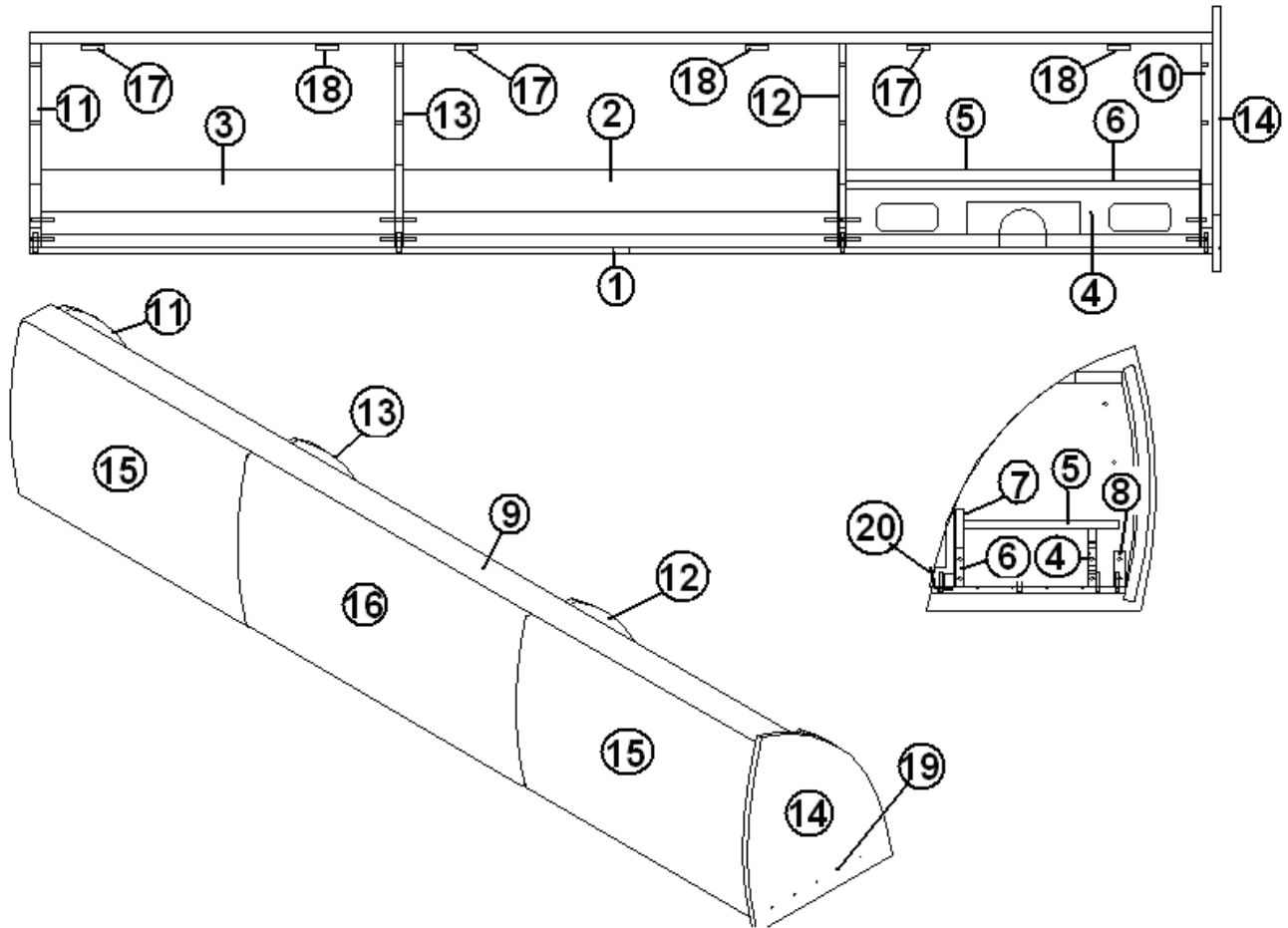


966444	SOFA BACK ASSY, L-LOUNGE
966611	SOFA BACK ASSY, SPECIAL EDITION
1. 800507-03	LAUAN, 3/8" X 4'X 8'
2. 800025-01	PINE 3/4" X 3/4" STAINED
3. 701764	FOAM, 1/4"
4. 703783	FABRIC, DULLES CINNAMON, 54"
5. 115203	DOOR, JAMB
6. 966134	DOOR, SOFA BACK
7. 381847-01	HINGE-PIANO ANGLE .88" X 46"
8. 203622	STORAGE TUB
381581	STRAP CLEAR PLASTIC .75"W

2009 FLYING CLOUD

FURNITURE, LOUNGE

Roof Locker, Dinette, 23' Front Bed



Part numbers are on the next page.

2009 FLYING CLOUD

FURNITURE, LOUNGE

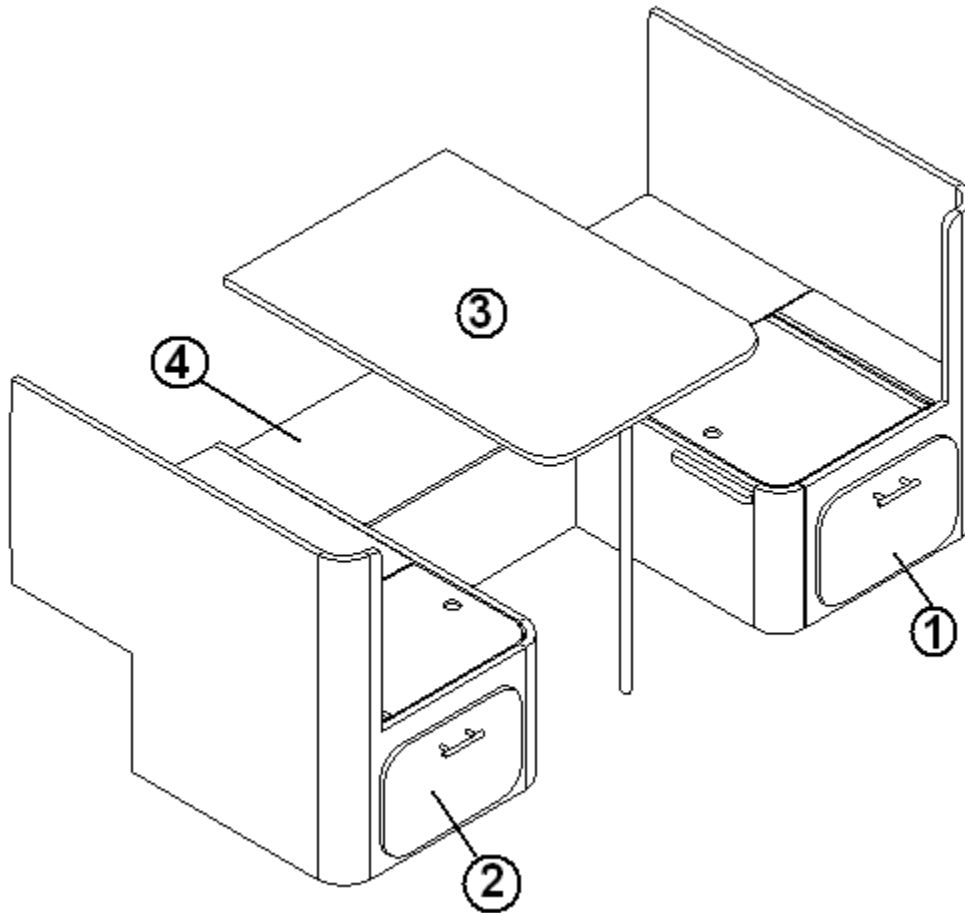
Roof Locker, Dinette, 23' Front Bed

967326-09	LOCKER ASSY, DINETTE
1. 967326-091	PANEL, 12.50 X 76.00
2. 967326-092	PANEL, 27.97 X 5.00
3. 967326-093	PANEL, 22.72 X 5.00
4. 967326-094	PANEL, 22.75 X 3.75
5. 967326-095	PANEL, 22.75 X 10.00
6. 967326-096	PANEL, 22.72 X 5.00
7. 967326-097	PANEL, 22.72 X 2.25
8. 967326-098	PANEL, 27.97 X 2.25
9. 967326-099	PANEL, 3.00 X 76.00
10. 967326-0910	PANEL, 13.18 X 13.00
11. 967326-0911	PANEL, 13.18 X 13.00
12. 967326-0912	PANEL, 13.18 X 13.00
13. 967326-0913	PANEL, 13.18 X 13.00
14. 965587-01	END CAP ASSEMBLY
15. 801786-0414	DOOR, PLYFORM, 15.25" X 23.13
16. 801786-0314	DOOR, PLYFORM, 15.25" X 28.38
17. 381840-01	HINGE, OVERHEAD SPRING LH
18. 381840-02	HINGE, OVERHEAD SPRING RH
19. 381902	HOOK, SCREW IN, STAINLESS STEEL
20. 115085	Angle, aluminum
511227-01	Raceway, wiring, white

2009 FLYING CLOUD

FURNITURE, LOUNGE

Dinette Seat/Table Module, 23' Front Bed

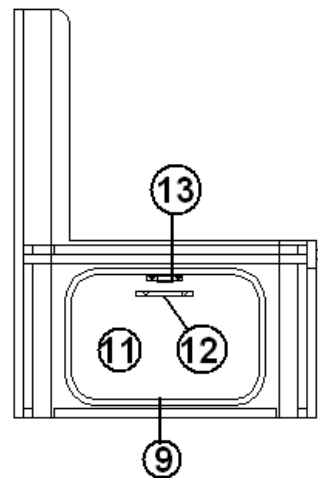
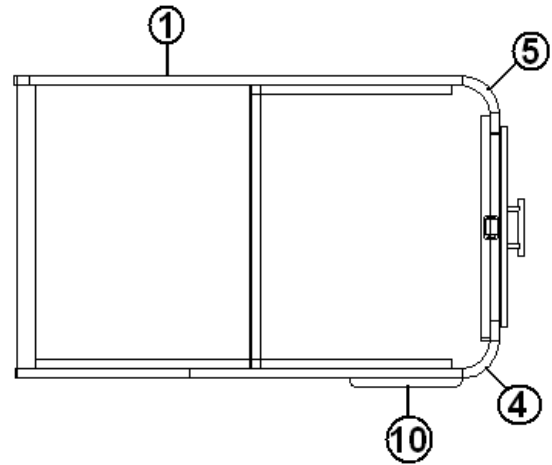
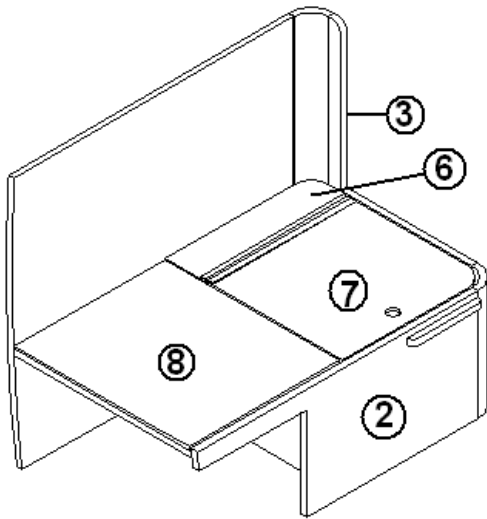


- | | |
|--------------|-----------------------|
| 1. 967166 | DINETTE SEAT, AFT |
| 2. 967165 | DINETTE SEAT, FORWARD |
| 3. 967206-09 | TABLE, DINNETE |
| 4. 967205-03 | CLOSEOUT, DINETTE |

2009 FLYING CLOUD

FURNITURE, LOUNGE

Dinette Seat, Aft, 23' Front Bed

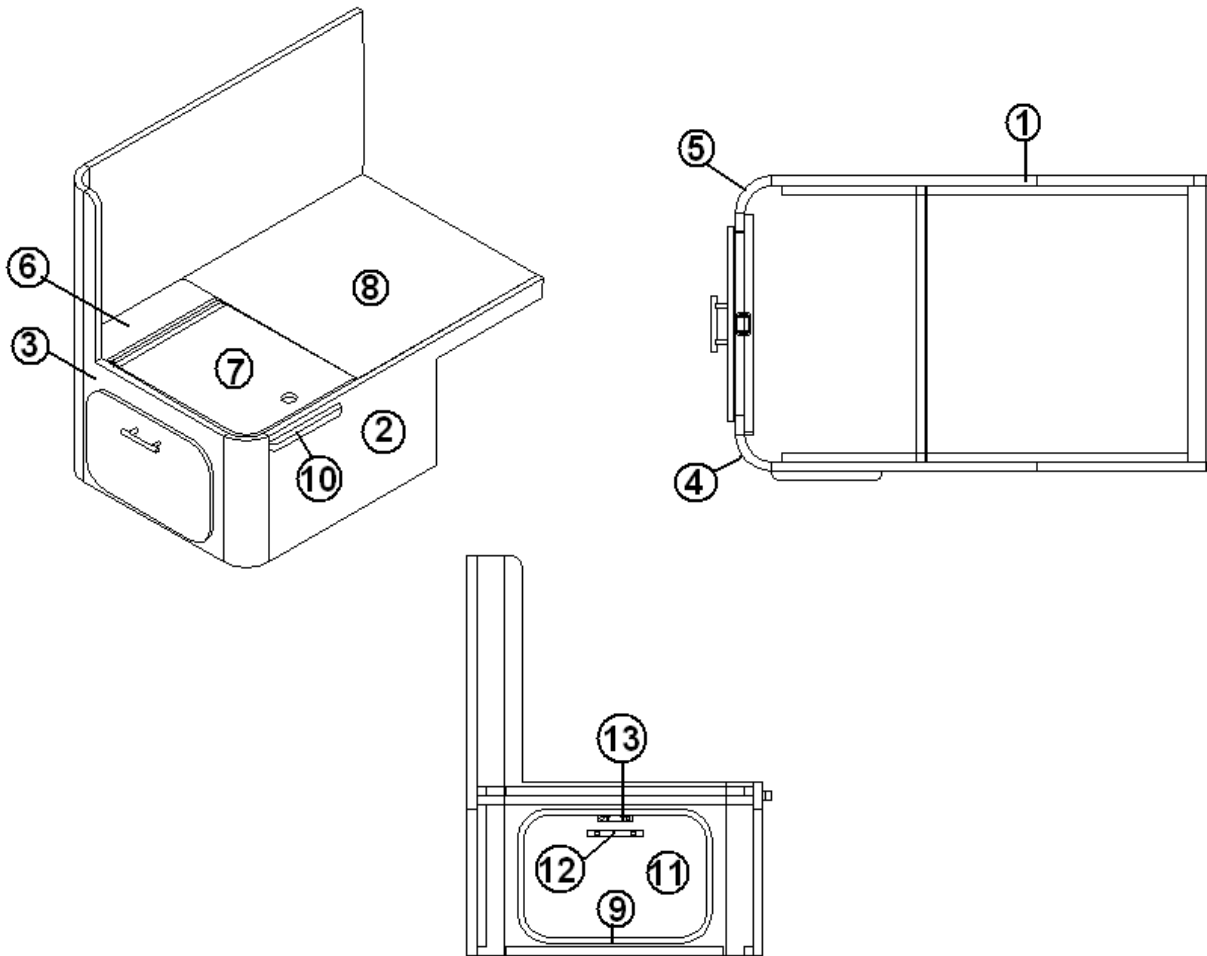


967166	DINETTE SEAT, AFT
1. 967166-1A	PANEL, 32.75" X 35.91"
2. 967166-1B	PANEL, 14.25" X 35.75"
3. 967166-1C	PANEL, 18.25" X 32.75"
4. 967166-2A	PANEL, LAUAN
5. 967166-2B	PANEL, LAUAN
6. 967166-3A	PANEL, 4.75" X 18.65"
7. 967166-3B	PANEL, 17.25" X 18.40"
8. 967166-3C	PANEL, 19.23" X 22.25"
9. 380458	HINGE, PIANO COPPER
10. 800470-007	STOP, HARDWOOD
11. 966137	DOOR, DINETTE SEAT
12. 382044	HANDLE, BRUSHED NICKEL
13. 381228-01	CATCH, GRABBER, DOOR

2009 FLYING CLOUD

FURNITURE, LOUNGE

Dinette Seat, Forward, 23' Front Bed

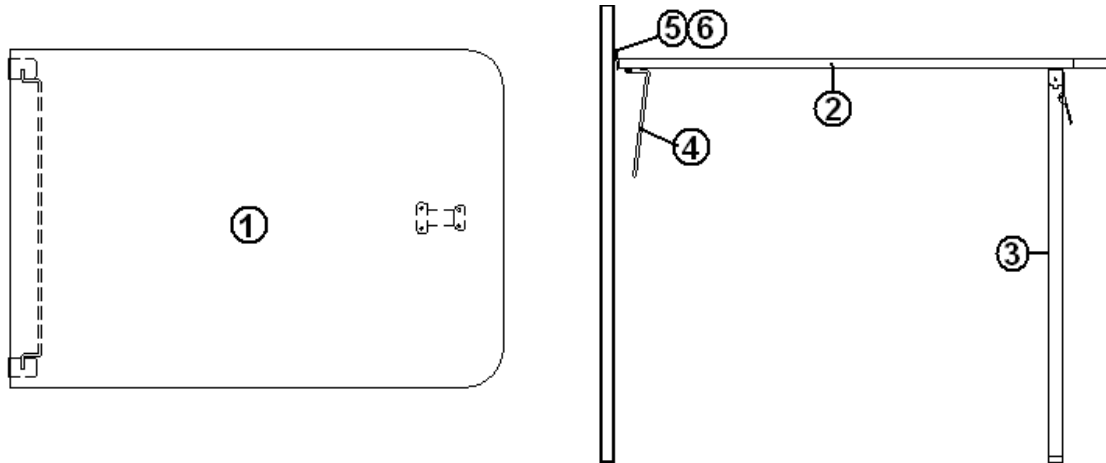


- | | |
|----------------|------------------------|
| 967165 | DINETTE SEAT, AFT |
| 1. 967165-1A | PANEL, 32.75" X 35.91" |
| 2. 967165-1B | PANEL, 14.25" X 35.75" |
| 3. 967165-1C | PANEL, 18.25" X 32.75" |
| 4. 967165-2A | PANEL, LAUAN |
| 5. 967165-2B | PANEL, LAUAN |
| 6. 967165-3A | PANEL, 4.75" X 18.65" |
| 7. 967165-3B | PANEL, 17.25" X 18.40" |
| 8. 967165-3C | PANEL, 19.23" X 22.25" |
| 9. 380458 | HINGE, PIANO COPPER |
| 10. 800470-007 | STOP, HARDWOOD |
| 11. 966137 | DOOR, DINETTE SEAT |
| 12. 382044 | HANDLE, BRUSHED NICKEL |
| 13. 381228-01 | CATCH, GRABBER, DOOR |

2009 FLYING CLOUD

FURNITURE, LOUNGE

Dinette Table, 23' Front Bed

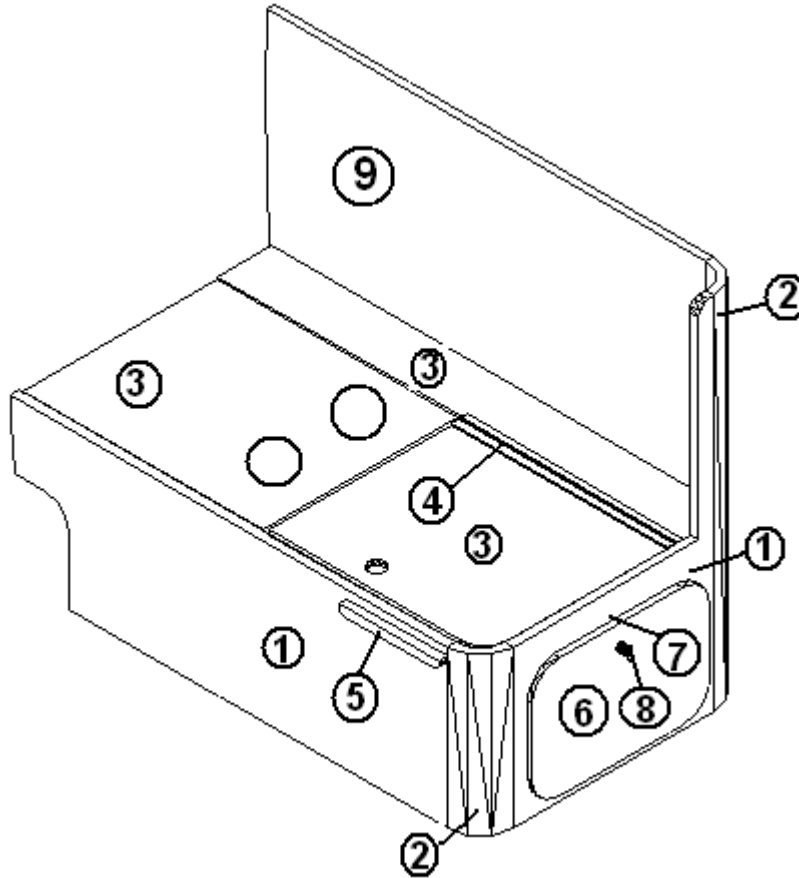


- | | |
|---------------|--------------------------------------|
| 967206-09 | TABLE, 38" DINNETE |
| 1. 967206-091 | TOP, DINETTE TABLE |
| 1. 967206-101 | TOP, DINETTE TABLE, GRANITE OPTION |
| 2. 365305-01 | EDGE BANDING, .88", BRUSHED ALUMINUM |
| 3. 700065-01 | LEG-SNAPO FOLDING, 30.5" CHROME |
| 4. 380284-02 | TABLE HINGE BRACKET |
| 5. 380284-03 | TABLE HINGE BRACKET |
| 6. 340018 | CATCH PLATE J-1 |

2009 FLYING CLOUD

FURNITURE, LOUNGE

DINETTE SEAT, RH, 20'

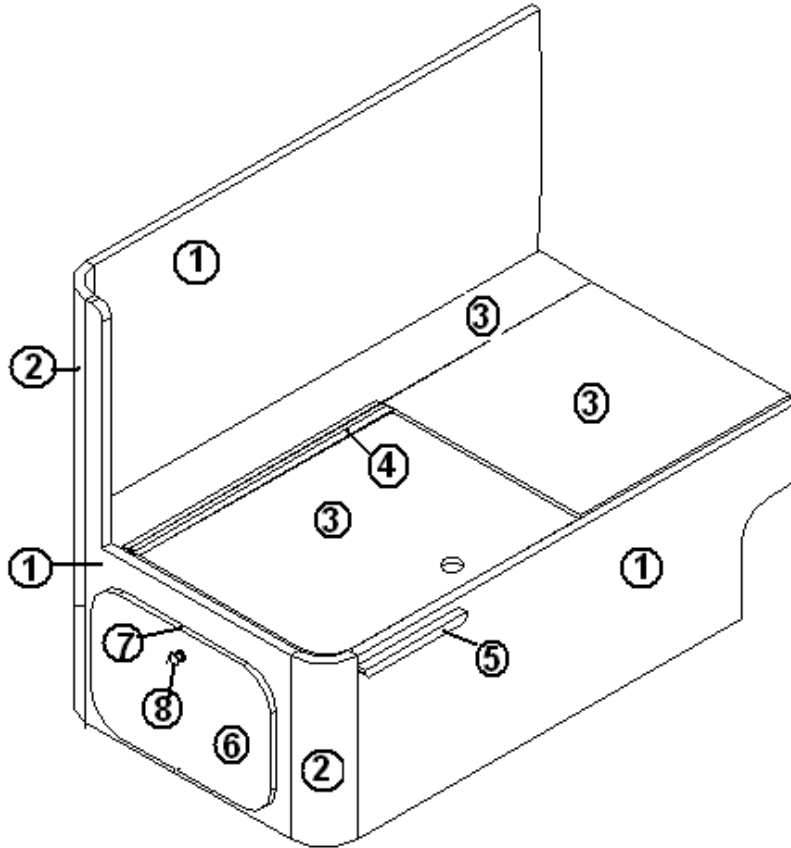


966557	SEAT ASSY, RH DINETTE
1. 801351	LITE PLY, 18MM (.75") 4' X 8'
2. 801345	RADIUS PLYWOOD .75" X 3" X 8'
3. 800507-03	LAUAN, 3/8" X 4'X 8'
3. 703309-06	FOAM, DINETTE, SEAT BOTTOM LH/RH
4. 380458	HINGE PIANO BROWN ANODIZED
5. 800470-0014	STOP-HARDWOOD .75" DINETTE CLETE
6. 966137	DOOR ASSY-DINETTE SEAT
7. 381228-01	CATCH GRABBER DOOR
8. 382044	PULL-BAR BRUSH NICKEL
9. 703309-05	FOAM, DINETTE, RIGHT SIDE BACK
967370	CLOSEOUT ASSY, BOOTH SEATS

2009 FLYING CLOUD

FURNITURE, LOUNGE

DINETTE SEAT, LH, 20'

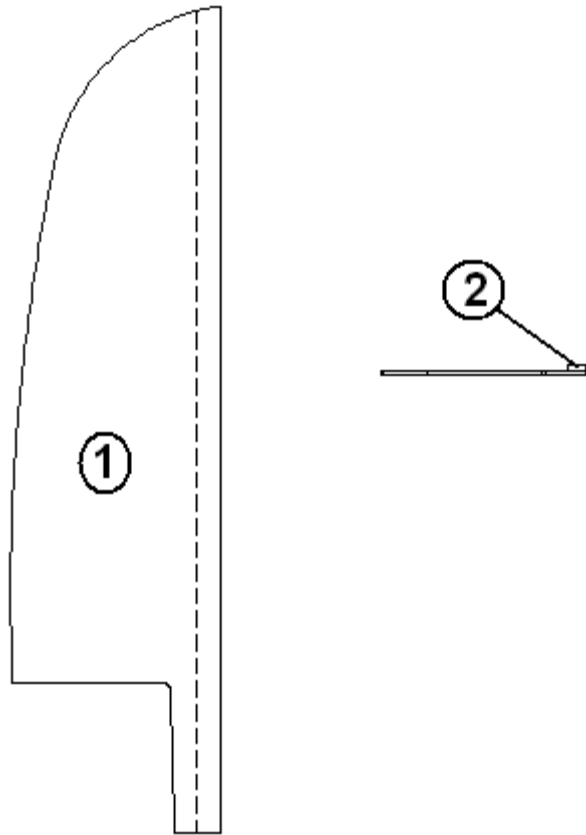


966558	SEAT ASSY-LH DINETTE 30'
1. 801351	LITE PLY, 18MM (.75") 4' X 8'
1. 703309-06	FOAM, DINETTE, SEAT BOTTOM LH/RH
2. 801345	RADIUS PLYWOOD .75" X 3" X 8'
3. 800507-03	LAUAN, 3/8" X 4' X 8'
3. 703309-04	FOAM, DINETTE, SIDE BACK
4. 380458	HINGE PIANO BROWN ANODIZED
5. 800470-0014	STOP-HARDWOOD .75" DINETTE CLETE
6. 966137	DOOR ASSY-DINETTE SEAT SAF
7. 381228-01	CATCH GRABBER DOOR
8. 382044	PULL-BAR BRUSH NICKEL
967370	CLOSEOUT ASSY, BOOTH SEATS

2009 FLYING CLOUD

FURNITURE, LOUNGE

Panel Assembly, Dinette/Bed, 20'

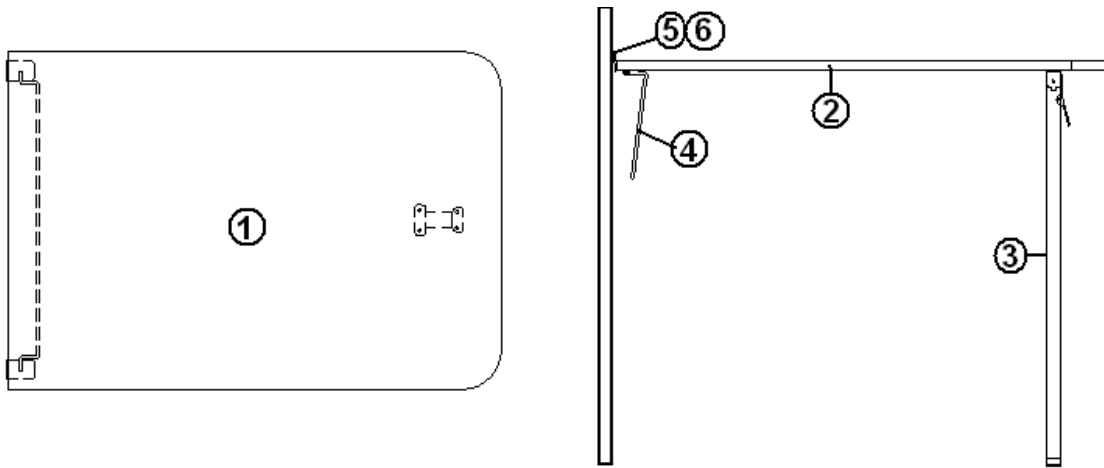


967348	PANEL ASSY. DINETTE/BED
1. 967348-1	PANEL, DINETTE/BED, 19.73 X 77.67
2. 967348-2	PANEL, DINETTE/BED, 2.25 X 77.67
203138-04	EXTRUSION, PLASTIC, WALL, OAK

2009 FLYING CLOUD

FURNITURE, LOUNGE

DINETTE TABLE, 20'

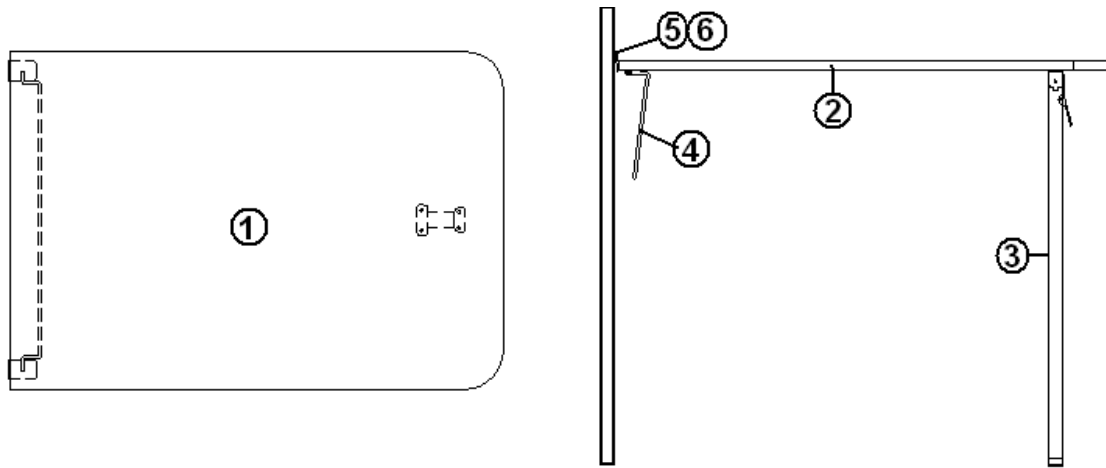


- | | |
|---------------|---------------------------------------|
| 967373-09 | TABLE ASSY-38" DINNETE |
| 7. 967373-091 | PANEL, DINETTE TABLE 26.00 X 38.00 |
| 8. 365305-01 | EDGEBANDING, BRUSHED ALUMINUM, 15/16" |
| 9. 700065-01 | LEG-SNAPO FOLDING, 30.5" CHROME |
| 10. 380284-02 | TABLE HINGE BRACKET |
| 11. 380284-03 | TABLE HINGE BRACKET |
| 12. 340018 | CATCH PLATE J-1 |

2009 FLYING CLOUD

FURNITURE, LOUNGE

DINETTE TABLE, 20', GRANITE OPTION



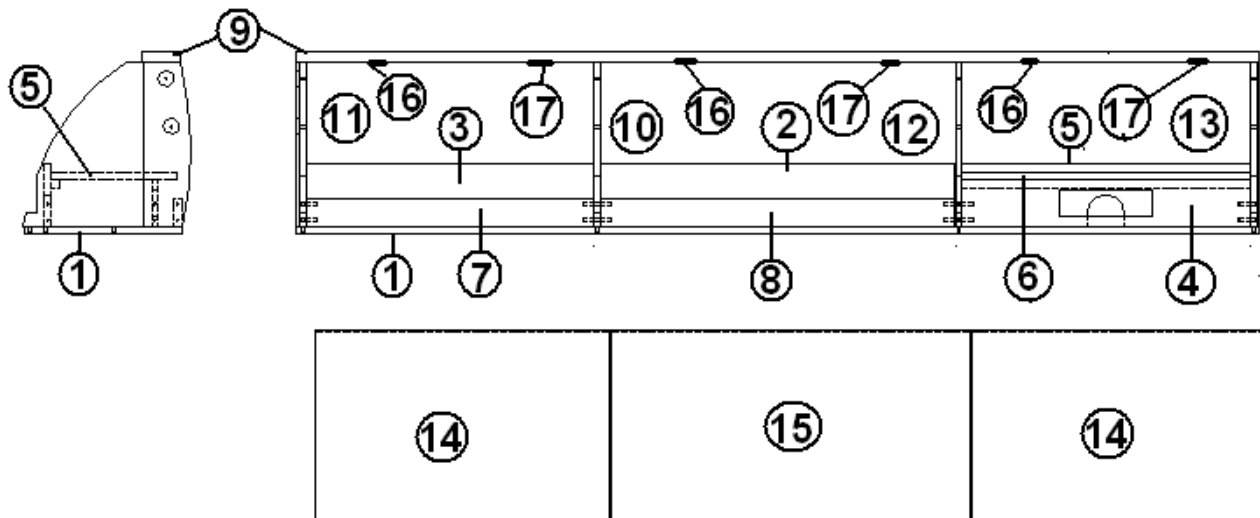
- 967373-10
- 1. 967373-101
- 2. 365311-01
- 3. 700065-01
- 4. 380284-02
- 5. 380284-03
- 6. 340018

- TABLE ASSY-38" DINNETE, GRANITE
- PANEL, DINETTE TABLE 26.00 X 38.00
- EDGE BANDING, LABRADOR GRNITE, 15/16"
- LEG-SNAPO FOLDING, 30.5" CHROME
- TABLE HINGE BRACKET
- TABLE HINGE BRACKET
- CATCH PLATE J-1

2009 FLYING CLOUD

FURNITURE, GALLEY

ROOF LOCKER, DINETTE, 20'



967362-09 ROOF LOCKER, DINETTE

967362-091 PANEL, DINETTE ROOF LOCKER, 12.50 X 76.00

967362-092 PANEL, DINETTE ROOF LOCKER, 5.00 X 27.97

967362-093 PANEL, DINETTE ROOF LOCKER, 5.00 X 22.72

967362-094 PANEL, DINETTE ROOF LOCKER, 22.75 X 3.75

967362-095 PANEL, DINETTE ROOF LOCKER, 10.00 X 22.72

967362-096 PANEL, DINETTE ROOF LOCKER, 5.00 X 22.72

967362-097 PANEL, DINETTE ROOF LOCKER, 2.25 X 22.72

967362-098 PANEL, DINETTE ROOF LOCKER, 2.25 X 27.97

967362-099 PANEL, DINETTE ROOF LOCKER, 3.00 X 76

967274-03 DIVIDER, LH, ROOF LOCKER, 12.53 X 13.00

967274-02 DIVIDER, LH, ROOF LOCKER, 12.53 X 13.00

967274-06 DIVIDER, RH, ROOF LOCKER, 12.53 X 13.00

967274-05 DIVIDER, ROOF LOCKER, 12.53 X 13.00

801786-0414 DOOR, PLYFORM, 15.25 X 23.13 ALCHEMY

801786-0314 DOOR, PLYFORM, 15.25 X 28.38 ALCHEMY

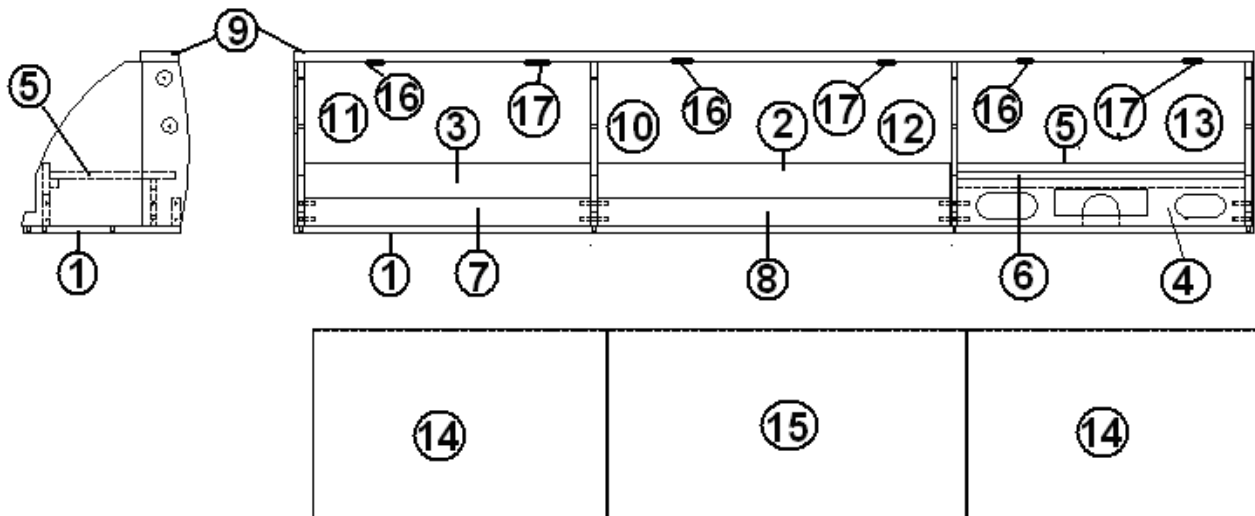
381840-01 HINGE, OVERHEAD SPRING, LH

381840-02 HINGE, OVERHEAD SPRING, RH

2009 FLYING CLOUD

FURNITURE, GALLEY

ROOF LOCKER, DINETTE, 20' w/AUDIO/VIDEO UPGRADE

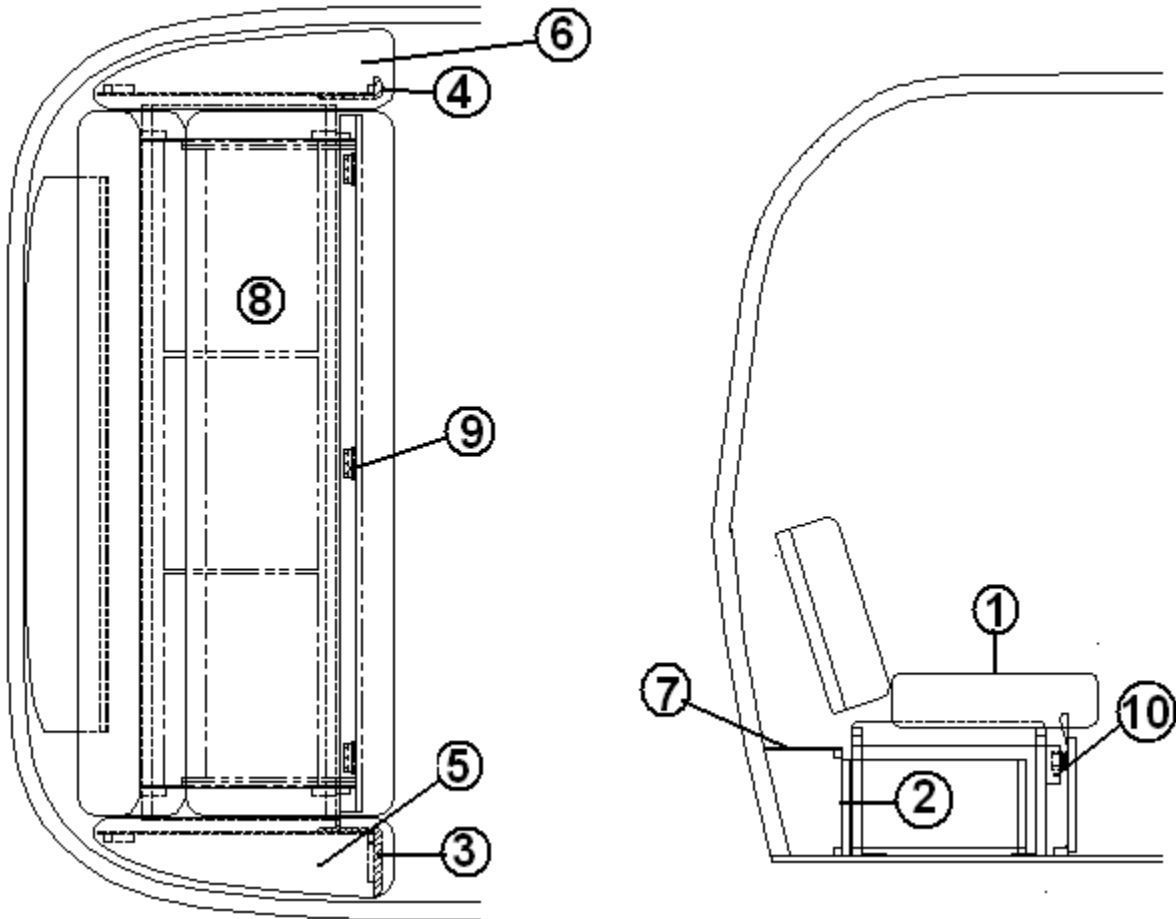


967363-09	ROOF LOCKER, DINETTE
1. 967363-091	PANEL, DINETTE ROOF LOCKER, 12.50 X 76.00
2. 967363-092	PANEL, DINETTE ROOF LOCKER, 5.00 X 27.97
3. 967363-093	PANEL, DINETTE ROOF LOCKER, 5.00 X 22.72
4. 967363-094	PANEL, DINETTE ROOF LOCKER, 22.75 X 3.75
5. 967363-095	PANEL, DINETTE ROOF LOCKER, 10.00 X 22.72
6. 967363-096	PANEL, DINETTE ROOF LOCKER, 5.00 X 22.72
7. 967363-097	PANEL, DINETTE ROOF LOCKER, 2.25 X 22.72
8. 967363-098	PANEL, DINETTE ROOF LOCKER, 2.25 X 27.97
9. 967363-099	PANEL, DINETTE ROOF LOCKER, 3.00 X 76
10. 967274-03	DIVIDER, LH, ROOF LOCKER, 12.53 X 13.00
11. 967274-02	DIVIDER, LH, ROOF LOCKER, 12.53 X 13.00
12. 967274-06	DIVIDER, RH, ROOF LOCKER, 12.53 X 13.00
13. 967274-05	DIVIDER, ROOF LOCKER, 12.53 X 13.00
14. 801786-0414	DOOR, PLYFORM, 15.25 X 23.13 ALCHEMY
15. 801786-0314	DOOR, PLYFORM, 15.25 X 28.38 ALCHEMY
16. 381840-01	HINGE, OVERHEAD SPRING, LH
17. 381840-02	HINGE, OVERHEAD SPRING, RH

2009 FLYING CLOUD

FURNITURE, LOUNGE

Front Lounge 23'



2009 FLYING CLOUD

FURNITURE, LOUNGE

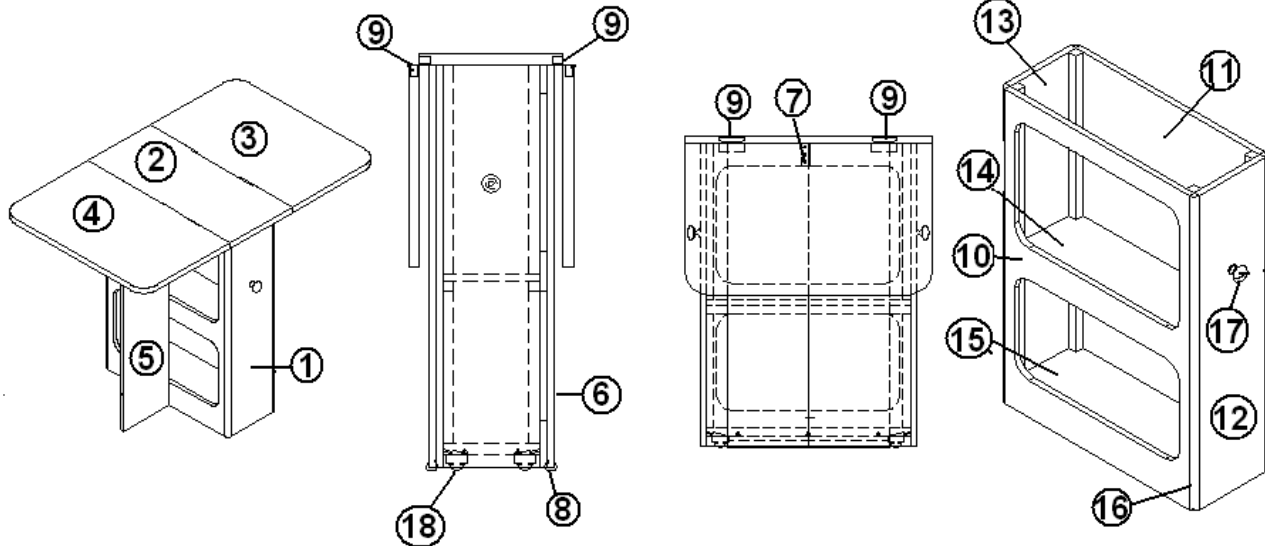
Front Lounge 23'

1. 702798-012	SOFA 74" CLOTH, STRATUS
1. 702798-029	SOFA 74" CLOTH, BURNT SLENNA
1. 702798-099	SOFA 74" CLOTH, SEA GREEN
1.702798-195	SOFA 74" CLOTH, MIDNIGHT SUN
1. 702798-03	SOFA, 74" ULTRA LEATHER
2. 965806	CLOSEOUT LOUNGE
3. 967374	SUPPORT ASSY.-ARMREST RS
3. 965807-02	SUB ASSY. FACE ARMREST SUPPORT RS
4. 967375	SUPPORT ASSY. ARMREST CS
4. 965807-01	FACE SUB ASSY-ARM.SUPPORT
5. 965809-01	Armrest Cushion Assy. RS, CLOTH SOFA
5. 965809-03	Armrest Cushion Assy. RS Leather
6. 965809-02	Armrest Cushion Assy. CS, CLOTH SOFA
6. 965809-04	Armrest Cushion Assy. CS Leather
7. 965805	Rear close-out assembly
8. 203636	STORAGE BOX
9. 381072-01	HINGE, 3" X 2" FIXED PIN
10. 381228-01	CATCH, GRABBER DOOR
381581	STRAP, CLEAR

2009 FLYING CLOUD

FURNITURE, LOUNGE

Table, Gate, 23'



967383-09

TABLE ASSY, GATE

1. 967382

BASE ASSY, GATE TABLE

2. 967383-092

PANEL, GATE TABLE, 10 X 23

3. 967383-093

PANEL, GATE TABLE, 14 X 23

4. 967383-094

PANEL, GATE TABLE, 14 X 23

5. 967383-095

PANEL, GATE TABLE, 7.5 X 28

6. 967383-096

PANEL, GATE TABLE, 7.5 X 28

7. 381479

HINGE, BRASS, CABINET, 2" X 1-3/8"

8. 203138-04

EXTRUSION, PLASTIC 1/2"

9. 380040

HINGE, SOSS, INVISIBLE, L & R HAND

10. 967382-1

PANEL, TABLE BASE, 28.00 X 19.00

11. 967382-2

PANEL, TABLE BASE, 19.00 X 28.00

12. 967382-3

PANEL, TABLE BASE, 6.75 X 28.00

13. 967382-4

PANEL, TABLE BASE, 6.75 X 28.00

14. 967382-7

PANEL, TABLE BASE, 19 X 6.75

15. 967382-6

PANEL, TABLE BASE, 19 X 6.75

16. 800638-0114

MOLDING, QUARTER ROUND, .5"

17. 381796

KNOB, HOLLOW, 1.25", DIAMETER

18. 381941

FLANGE, MOUNT BALL TRANSFER

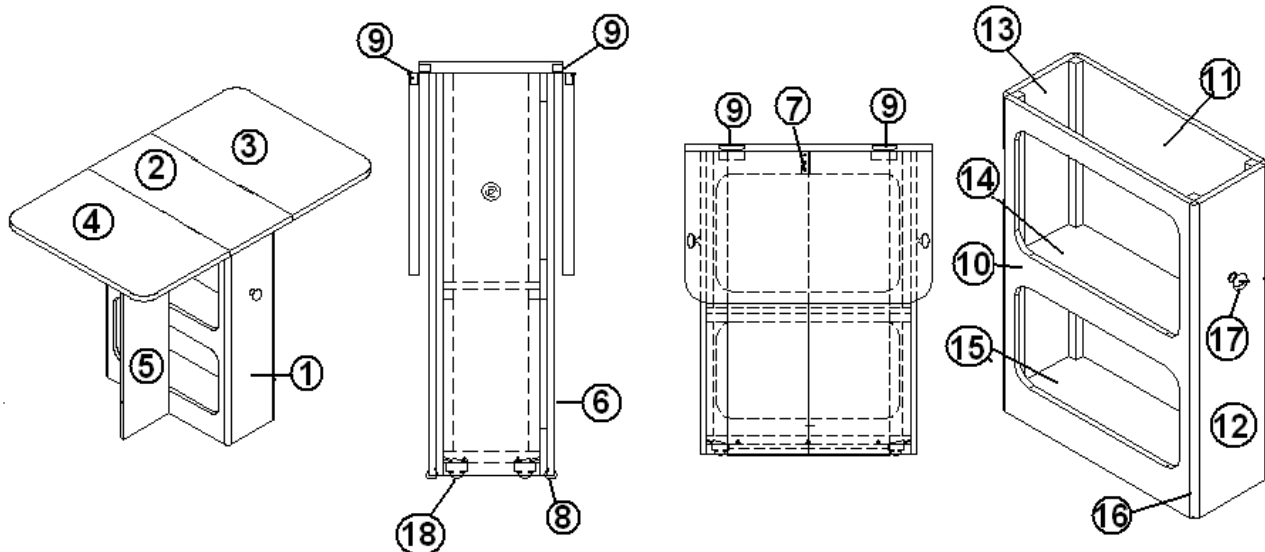
203445

T-MOLDING BLACK, FLEXIBLE POLY, .5

2009 FLYING CLOUD

FURNITURE, LOUNGE

Table, Gate, 23', Midnight Sun Option

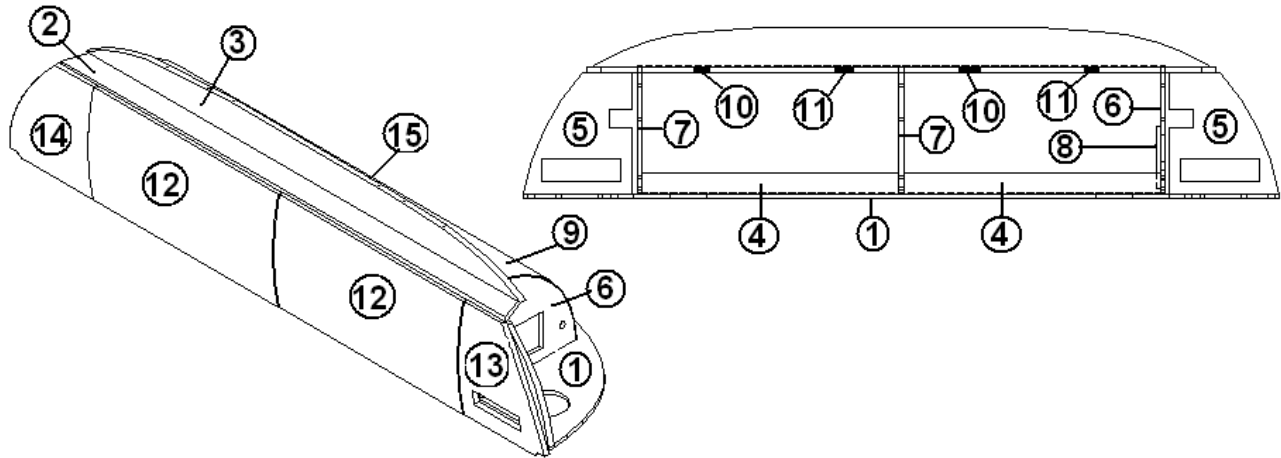


- | | |
|-----------------|------------------------------------|
| 967383-10 | TABLE ASSY, GATE |
| 1. 967382 | BASE ASSY, GATE TABLE |
| 2. 967383-102 | PANEL, GATE TABLE, 10 X 23 |
| 3. 967383-103 | PANEL, GATE TABLE, 14 X 23 |
| 4. 967383-104 | PANEL, GATE TABLE, 14 X 23 |
| 5. 967383-095 | PANEL, GATE TABLE, 7.5 X 28 |
| 6. 967383-096 | PANEL, GATE TABLE, 7.5 X 28 |
| 7. 381479 | HINGE, BRASS, CABINET, 2" X 1-3/8" |
| 8. 203138-04 | EXTRUSION, PLASTIC 1/2" |
| 9. 380040 | HINGE, SOSS, INVISIBLE, L & R HAND |
| 10. 967382-1 | PANEL, TABLE BASE, 28 X 19 |
| 11. 967382-2 | PANEL, TABLE BASE, 19 X 28 |
| 12. 967382-3 | PANEL, TABLE BASE, 6.75 X 28 |
| 13. 967382-4 | PANEL, TABLE BASE, 6.75 X 28 |
| 14. 967382-7 | PANEL, TABLE BASE, 19 X 6.75 |
| 15. 967382-6 | PANEL, TABLE BASE, 19 X 6.75 |
| 16. 800638-0114 | MOLDING, QUARTER ROUND, .5" |
| 17. 381796 | KNOB, HOLLOW, 1.25", DIAMETER |
| 18. 381941 | FLANGE, MOUNT BALL TRANSFER |
| 203445 | T-MOLDING BLACK, FLEXIBLE POLY, .5 |

2009 FLYING CLOUD

FURNITURE, LOUNGE

End Liner Roof Locker, Front, 19', 23'

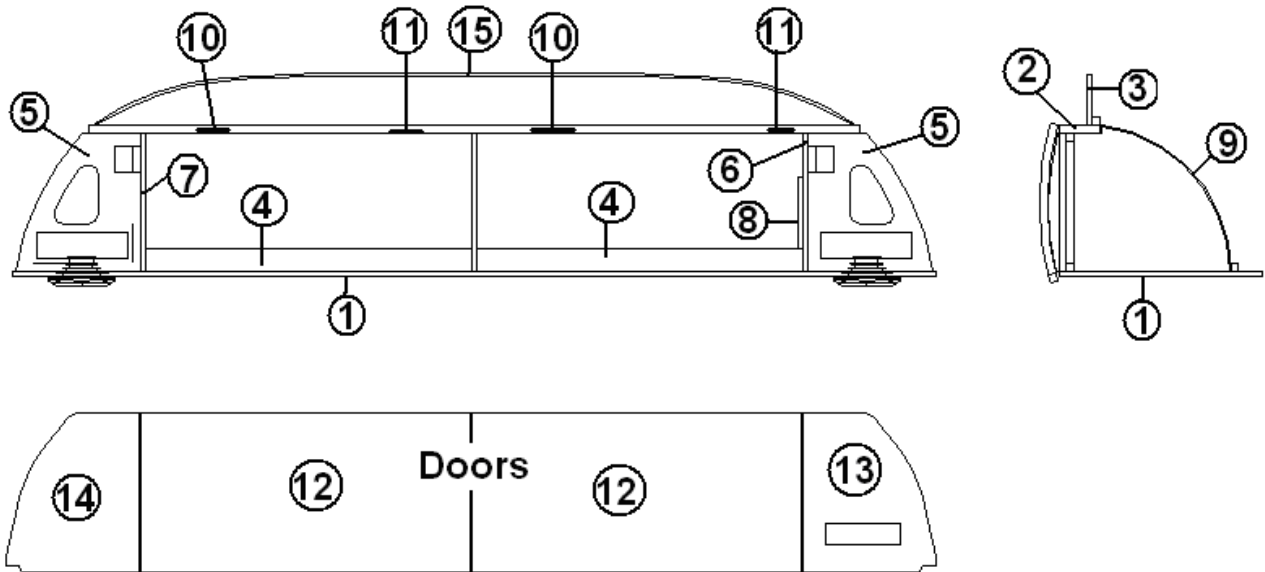


967293-09	ENDLINER LOCKER, RADIO RIGHT
1. 967292-09	BOTTOM, ENDLINER LOCKER
2. 967292-091	PANEL, ENDLINER LOCKER, 19.5 X 83.25
3. 967288-09	TOP, ENDLINER LOCKER
4. 967289-09	HEADER, ENDLINER LOCKER
5. 967290-09	STILE, ENDLINER LOCKER
6. 967283	SUPPORT, ENDLINER LOCKER, 12 X 13.25
7. 967277-02	DIVIDER-RH R/L W/RADIO HOLE FC
8. 967277-01	DIVIDER-RH R/L 17.33 X 13.93 FC
9. 967293-098	PANEL, ENDLINER LOCKER, 12.00 X 6.75
10. 381840-01	HINGE, OVERHEAD SPRING LH
11. 381840-02	HINGE, OVERHEAD SPRING RH
12. 801786-0914	DOOR, PLYFORM, 15.25 X 28.75
13. 801786-0714	DOOR, PLYFORM, 15.25 X 12.50, RH RADIO
14. 801786-0614	DOOR, PLYFORM 15.25 X 12.5 LH ALCH
15. 201673-01	MOLDING, OAK COVE, .43"

2009 FLYING CLOUD

FURNITURE, LOUNGE

End Liner Roof Locker, 28' W

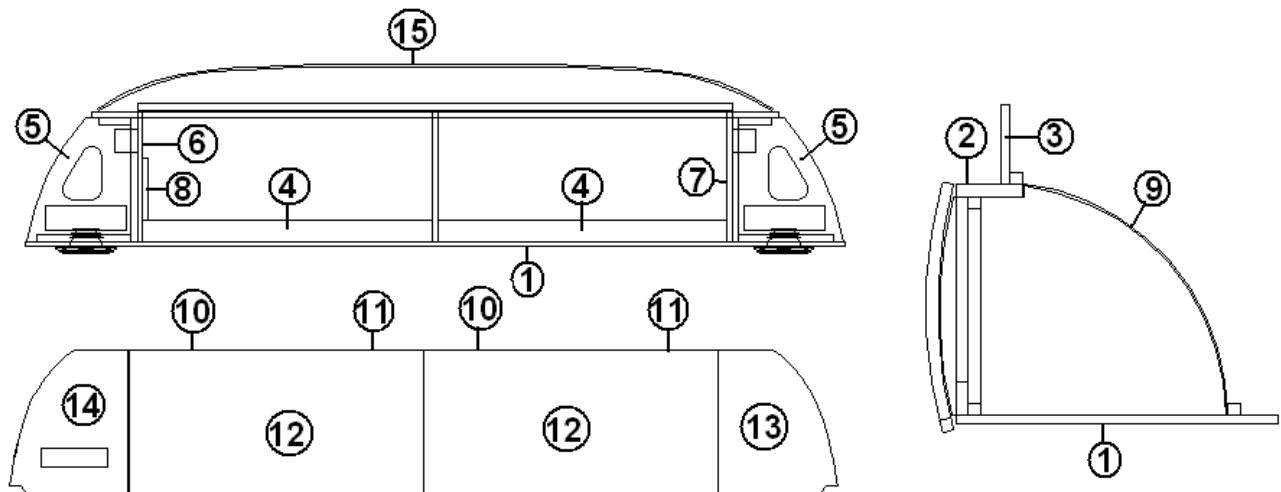


967286-09	ROOF LOCKER, RIGHT HAND RADIO
1. 967278	BOTTOM, ROOF LOCKER
2. 967280	TOP, ROOF LOCKER
3. 967281	HEADER, ROOF LOCKER
4. 967282	STILE, ROOF LOCKER
5. 967283	SUPPORT, ROOF LOCKER END
6. 967277-02	DIVIDER, ROOF LOCKER W/RADIO HOLE
7. 967277-01	DIVIDER, ROOF LOCKER
8. 967286-098	PANEL, END ROOF LOCKER, 12.00 X 6.75
9. 967286-099	PANEL, END ROOF LOCKER 22.00 X 64.00
10. 381840-01	HINGE, OVERHEAD SPRING LH
11. 381840-02	HINGE, OVERHEAD SPRING RH
12. 801786-0214	DOOR, PLYFORM, 15.25 X 31.63
13. 801786-0714	DOOR, PLYFORM, 15.25 X 12.50 RH RADIUS
14. 801786-0614	DOOR, PLYFORM, 15.25 X 12.50, LH RADIUS
15. 201673-01	MOLDING-OAK COVE .43" OAK

2009 FLYING CLOUD

FURNITURE, LOUNGE

End Liner Roof Locker, Rear W/Radio, 25' Front Bed, 27' "W" Front Bed

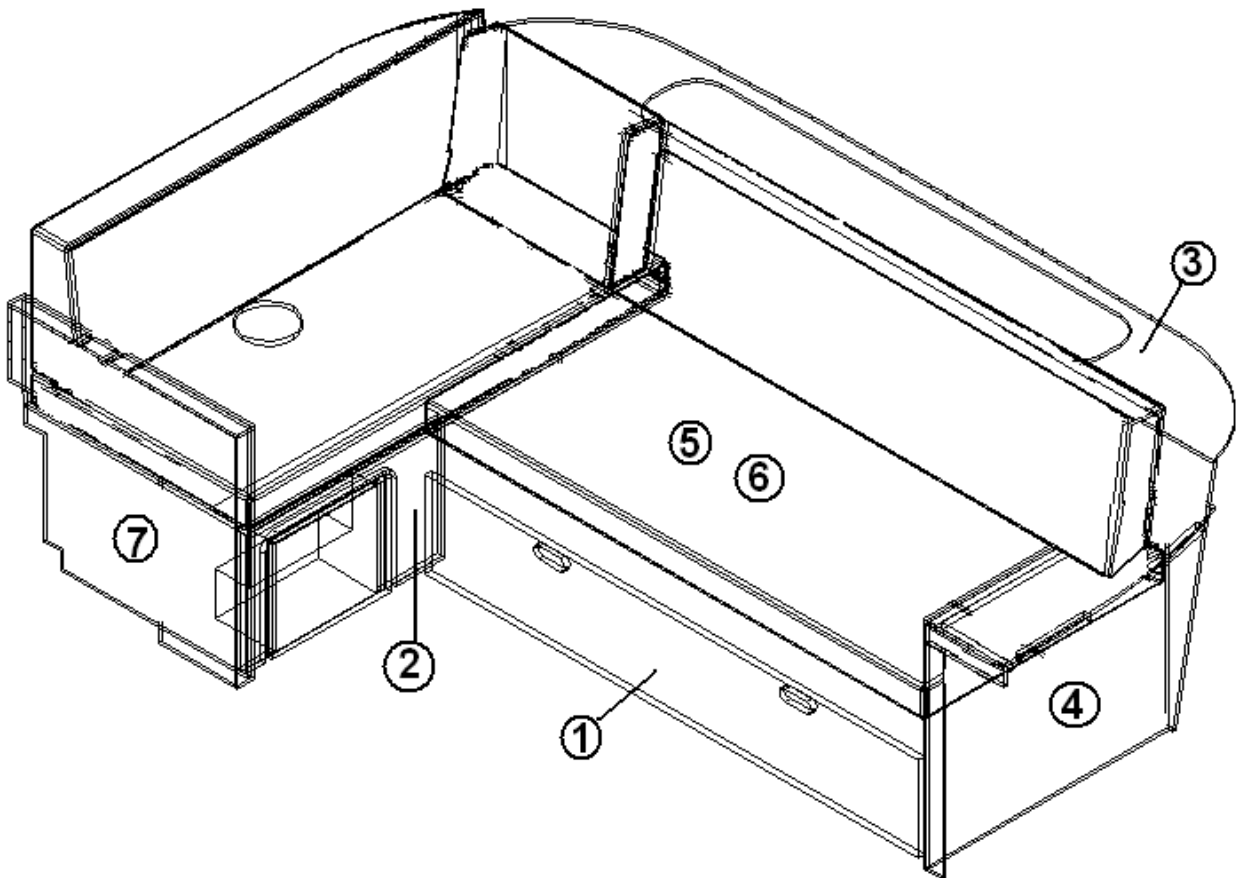


967285-09	ROOF LOCKER, END LINER, W/LH RADIO
1. 967278	BOTTOM, ROOF LOCKER
2. 967280	TOP, ROOF LOCKER
3. 967281	HEADER, ROOF LOCKER
4. 967282	STILE, ROOF LOCKER
5. 967283	SUPPORT, ROOF LOCKER, END
6. 967277-02	DIVIDER, RH ROOF LOCKER, W/RADIO HOLE
7. 967277-01	DIVIDER, RH ROOF LOCKER
8. 967285-098	PANEL, ROOF LOCKER, LH W/RADIO
9. 967285-099	PANEL, END ROOF LOCKER, 22 X 64
10. 381840-01	HINGE, OVERHEAD SPRING
11. 381840-02	HINGE, OVERHEAD SPRING
12. 801786-0214	DOOR PLYFORM, 15.25 X 31.63
13. 801786-0514	DOOR PLYFORM, 15.25 X 12.50, RH
14. 801786-0814	DOOR PLYFORM, 15.25 X 12.50, LH
15. 201673-01	MOLDING, OAK, COVE, .43"

2009 FLYING CLOUD

FURNITURE, LOUNGE

"L" Sofa, 28'W

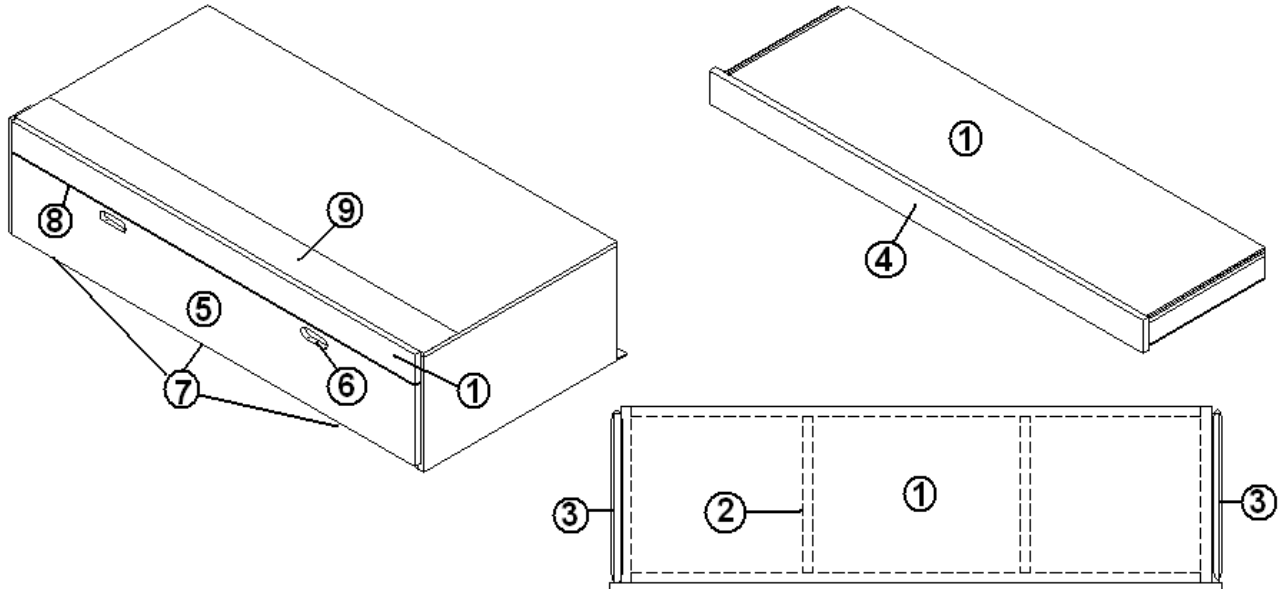


- | | |
|--------------|-------------------------------------|
| 1. 966970-09 | SOFA ASSEMBLY |
| 2. 966972-09 | L SECTION ASSEMBLY, SOFA |
| 3. 966973 | BACK ASSEMBLY, SOFA |
| 4. 966974 | ARMREST ASSEMBLY, SOFA |
| 5. 703340-14 | FOAM KIT, L-LOUNGE |
| 6. 998203 | FABRIC ASSEMBLY, L-LOUNGE |
| 7. 967230 | ARMREST ASSEMBLY, L-LOUNGE |
| 203447 | STORAGE BOX, 23.5" X 16.25" X 6.38" |

2009 FLYING CLOUD

FURNITURE, LOUNGE

Sofa Assembly, 28' W

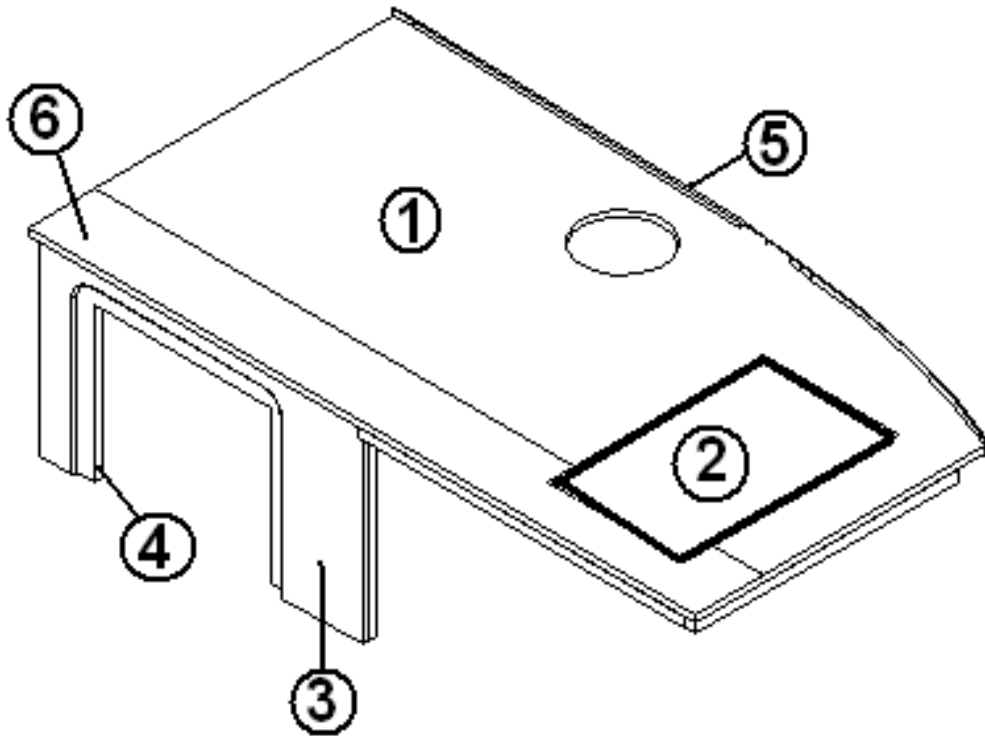


966970-09	SOFA ASSEMBLY
1. 966971-09	BED ASSEMBLY
2. 915708	WELDMENT, SOFA BED
3. 381826	SLIDE, BALL BEARING
4. 966971-094	PANEL, SOFA BED, 3.88 X 59.13
5. 966970-092	DOOR, SOFA, 60.00 X 28.25
6. 382044	HANDLE, BRUSHED NICKEL
7. 381607	HINGE, GRASS EURO
8. 381228-01	CATCH GRABBER DOOR
9. 966970-0921	PANEL, SOFA, 14.5 X 28.25
114809	ALUMINUM ANGLE, 1.50 X 1.50

2009 FLYING CLOUD

FURNITURE, LOUNGE

Sofa, L-Section, 28' W

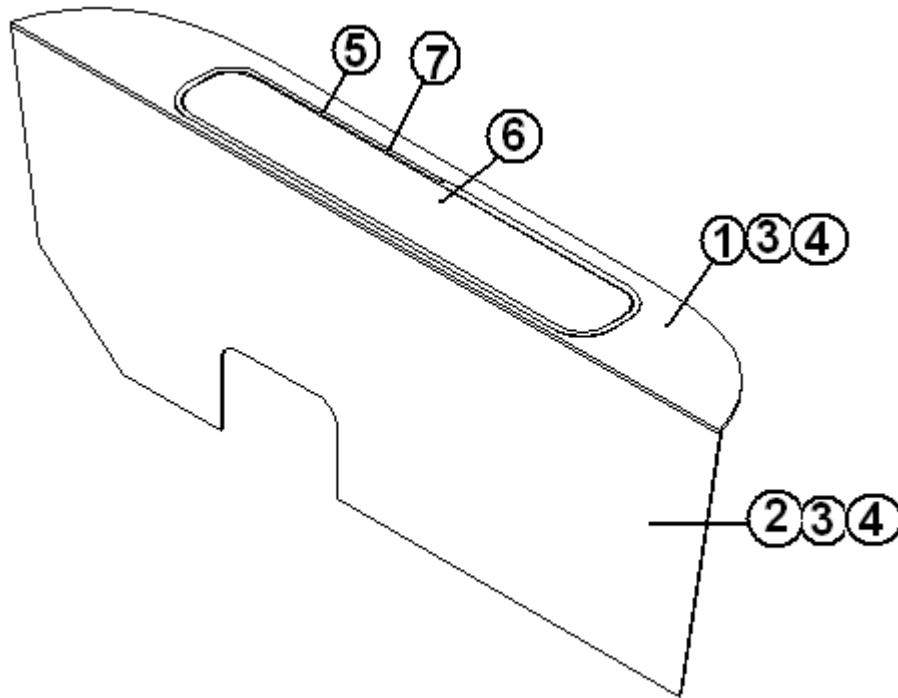


- | | |
|----------------|-------------------------------|
| 966972-09 | L SECTION ASSEMBLY, SOFA |
| 1. 966972-091 | PANEL, L SOFA, 27.00 X 49.50 |
| 2. 966972-092 | PANEL, L SOFA, 9.88 X 15.88 |
| 3. 966972-093 | PANEL, L SOFA, 14.50 X 24.00 |
| 4. 966972-094 | PANEL, L SOFA, 14.50 X 24.00 |
| 5. 114812 | ALUMINUM ANGLE, 1.00" X 1.00" |
| 6. 966972-0910 | PANEL, L SOFA, 5 X 49.50 |

2009 FLYING CLOUD

FURNITURE, LOUNGE

Sofa Back Section, 28' W

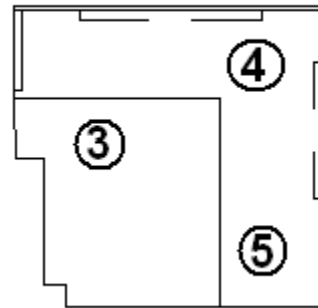
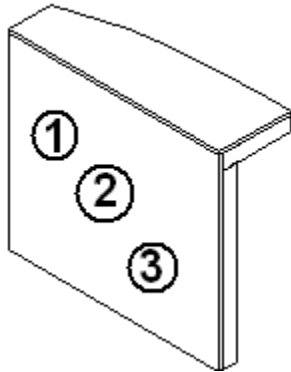


966973	SOFA BACK ASSEMBLY
1. 966973-1	PANEL, 12.25 X 9.00
2. 966973-2	PANEL, 31.63 X 9.00
3. 701764	FOAM, 1/4"
4. 703783	FABRIC, DULLES CINNAMON
5. 115203	DOOR, JAMB
6. 966134	DOOR, SOFA BACK
7. 381847-01	HINGE-PIANO ANGLE .88" X 46"
365013-01	TAPE CHARCOAL LOW DENSITY FOAM
381581	STRAP CLEAR PLASTIC .75"W

2009 FLYING CLOUD

FURNITURE, LOUNGE

Sofa Armrests, L-Lounge, 28' W



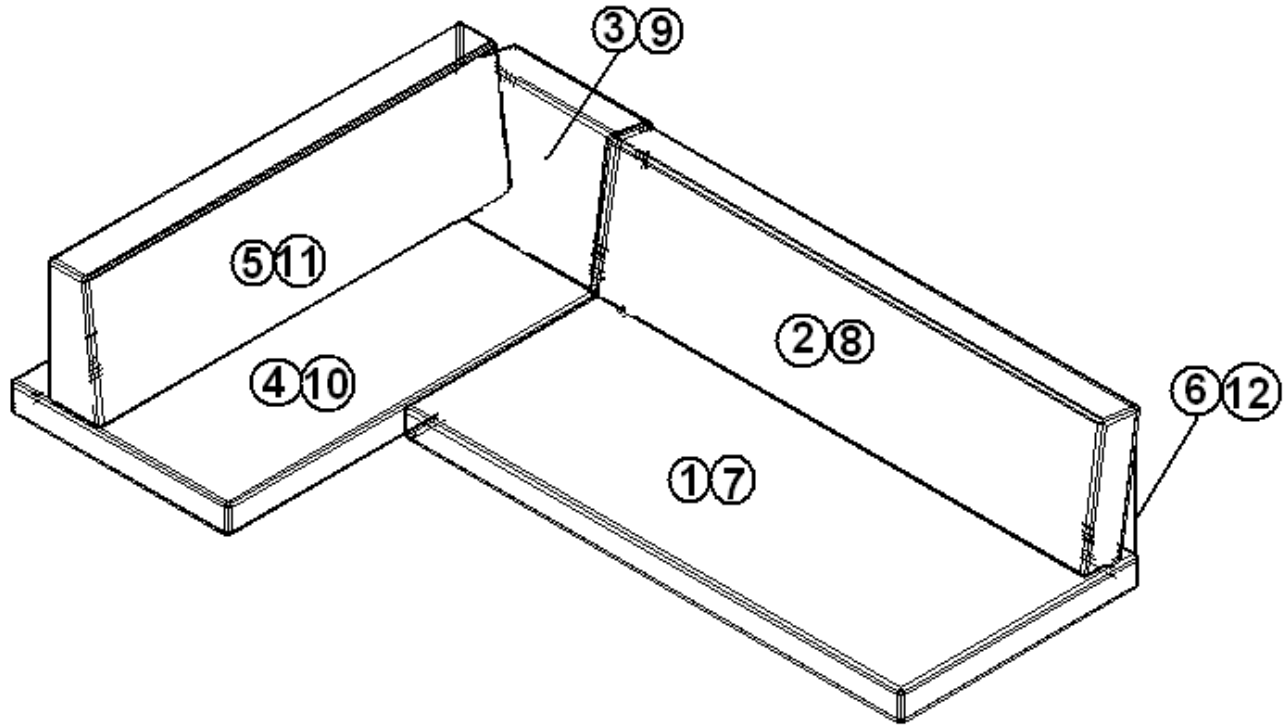
- 1. 966974
- 2. 703783
- 3. 701764
- 4. 967230
- 5. 703782

SOFA ARMREST
FABRIC, DULLES CINNAMON
FOAM, 1/4"
ARMREST ASSEMBLY, L-LOUNGE
FABRIC, MINGLE COCOA

2009 FLYING CLOUD

FURNITURE, LOUNGE

Sofa, Cushions/Foam, 28' W



- 703340-14 FOAM KIT, L LOUNGE
- 998203 FABRIC ASSEMBLY KIT, L LOUNGE
- 1. 703340-01 FOAM CUSHION, BOTTOM MAIN
- 2. 703340-02 FOAM CUSHION, BACKREST, MAIN
- 3. 703340-03 FOAM CUSHION, SMALL BACKREST
- 4. 703340-04 FOAM CUSHION, BASE SIDE
- 5. 703340-05 FOAM CUSHION, BACKREST SIDE
- 6. 703340-06 FOAM CUSHION, WEDGE, 78"
- 7. 998203-01 FABRIC ASSEMBLY, BOTTOM MAIN
- 8. 998203-02 FABRIC ASSEMBLY, BACKREST, MAIN
- 9. 998203-03 FABRIC ASSEMBLY, SMALL BACKREST
- 10. 998203-04 FABRIC ASSEMBLY, BASE SIDE
- 11. 998203-05 FABRIC ASSEMBLY, BACKREST SIDE
- 12. 998203-06 FABRIC ASSEMBLY, WEDGE, 78"

2009 FLYING CLOUD

FURNITURE, LOUNGE

Sofa Armrest, 23'



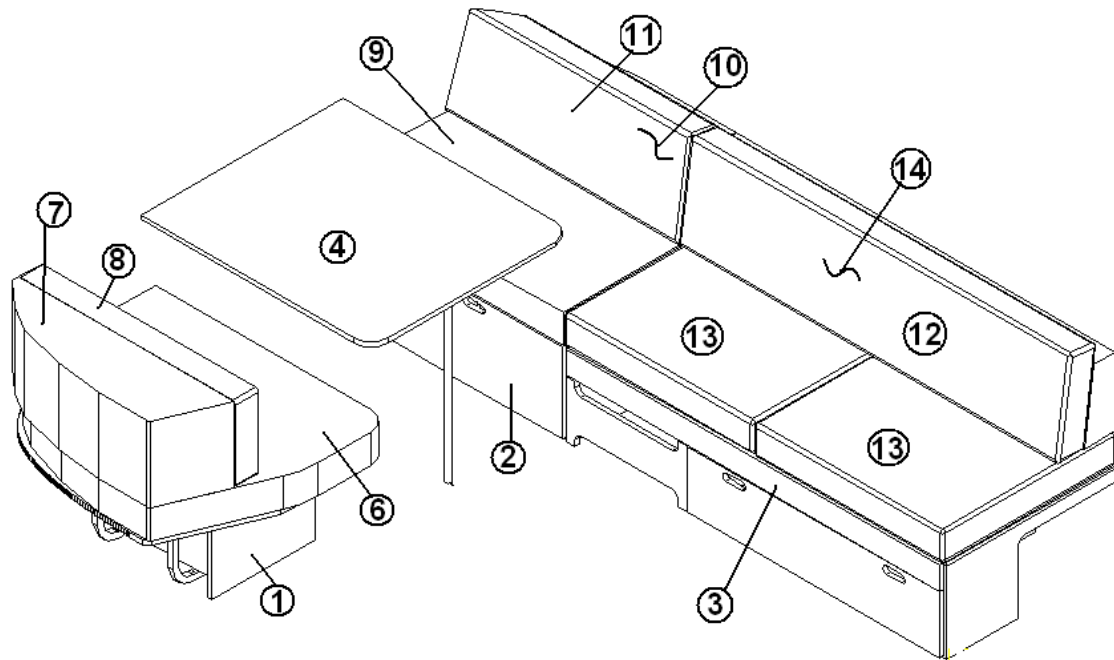
967374 SUPPORT ASSY.-ARMREST RS, SHOWN
965807-02 SUB ASSY. FACE ARMREST SUPPORT RS
965809-01 CUSHION ASSY-RS ARMREST

967375 SUPPORT ASSY. ARMREST CS, OPPOSITE
965807-01 SUB-ASSY. FACE ARMREST SUPPORT CS
965809-02 CUSHION ASSY-CS ARMREST

2009 FLYING CLOUD

FURNITURE, LOUNGE

Sofa, Dinette, 25' Front Bed, 27' Front Bed

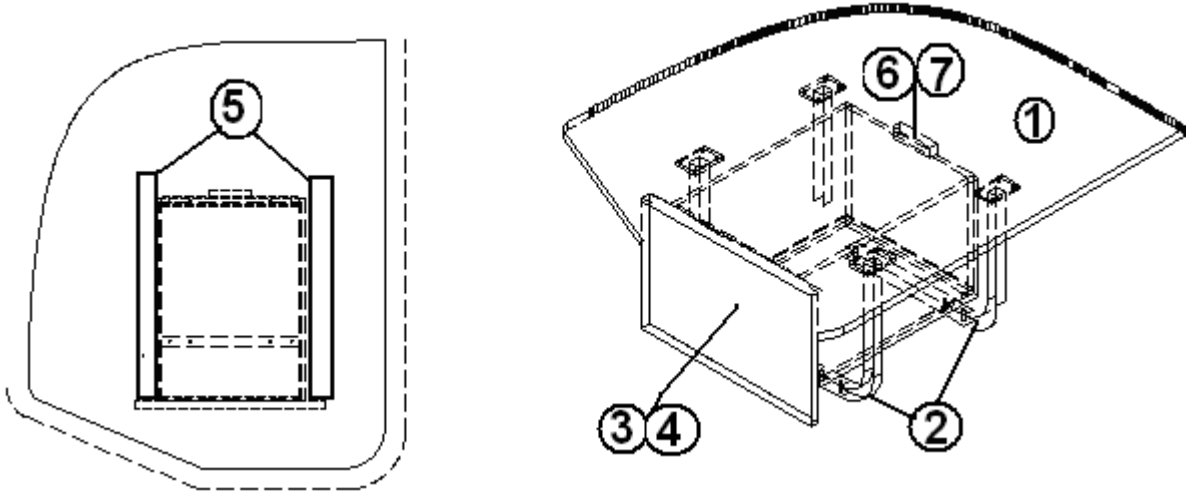


1. 966889-09 SEAT ASSEMBLY, LH, DINETTE
2. 966890-09 SEAT ASSEMBLY, RH, DINETTE
3. 966887-09 SOFA ASSY
4. 967156-09 TABLE ASSY, DINETTE
4. 967156-10 TABLE ASSY, DINETTE, LABRADOR GRANITE
5. 703486 FOAM KIT, LOUNGE/DINETTE
6. 998173-01 FABRIC ASSEMBLY, CURBSIDE DINETTE SEAT
7. 998173-02 FABRIC ASSEMBLY, CURBSIDE BACK FILL
8. 998173-03 FABRIC ASSEMBLY, CURBSIDE BACK REST
9. 998173-04 FABRIC ASSEMBLY, ROADSIDE DINETTE SEAT
10. 998173-05 FABRIC ASSEMBLY, ROADSIDE BACK FILL
11. 998173-06 FABRIC ASSEMBLY, ROADSIDE BACK REST
12. 998173-07 FABRIC ASSEMBLY, DINETTE WEDGE
13. 998173-08 FABRIC ASSEMBLY, BOTTOM CUSHION
14. 998173-09 FABRIC ASSEMBLY, CUSHION BACK REST
- 203439 STORAGE BOX, 17"L X 11.13"W X 6.38"H

2009 FLYING CLOUD

FURNITURE, LOUNGE

Dinette Seat, Curbside, 25' Front Bed, 27' Front Bed

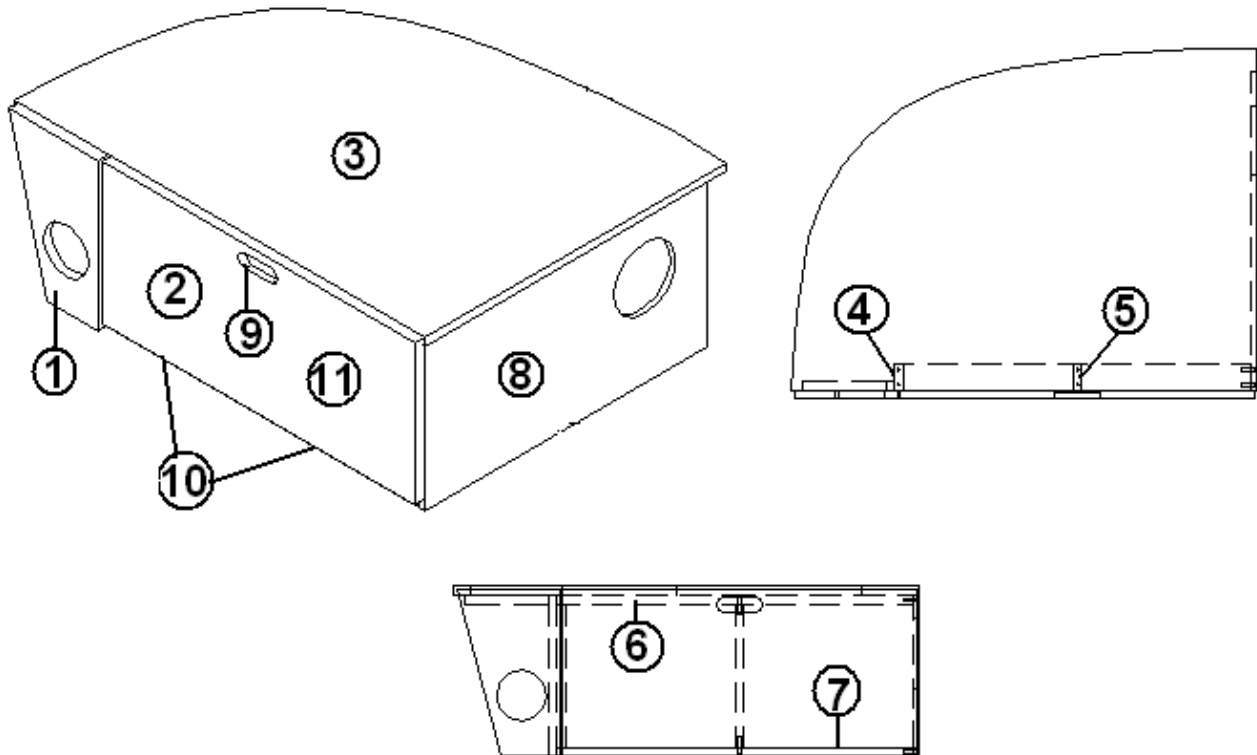


- | | |
|---------------|---------------------------------------|
| 966889-09 | SEAT ASSY-CS DINETTE |
| 1. 966889-091 | PANEL, LH DINETTE SEAT, 33.38 X 40.18 |
| 2. 454177 | LEG-DINETTE ALUM |
| 3. 964909-11 | DRAWER BOX, 10" X 14.00" X 19.00" |
| 4. 966889-094 | DOOR, DINETTE 11.50" X 18.00" |
| 5. 381833-01 | DRAWER SLIDE, UNDER SHELF, 18", PAIR |
| 6. 381074 | CATCH BULL DOG #65S (COPPER) |
| 7. 800581-01 | LUMBER, OAK, 1 3/16" X 1.5" |

2009 FLYING CLOUD

FURNITURE, LOUNGE

Dinette Seat, Roadside, 25' Front Bed, 27' Front Bed



966890-09

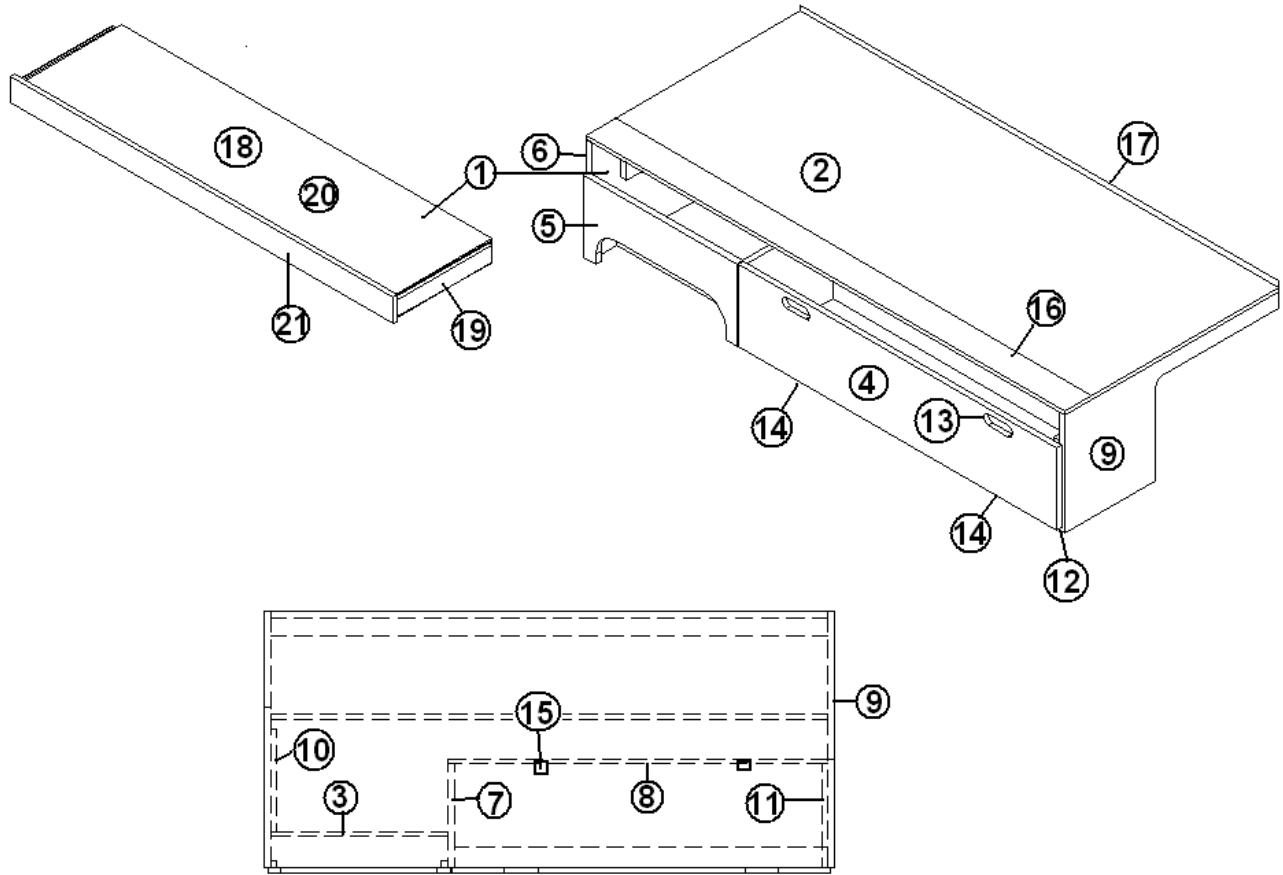
SEAT, RH DINETTE

- | | |
|---------------|---------------------------------------|
| 1. 966890-091 | PANEL, RH DINETTE SEAT, 14.38 X 8.88 |
| 2. 966890-092 | PANEL, RH DINETTE SEAT, 13.63 X 30.63 |
| 3. 966890-093 | PANEL, RH DINETTE SEAT, 29.5 X 40.19 |
| 4. 966890-094 | PANEL, RH DINETTE SEAT, 2.25 X 12.38 |
| 5. 966890-095 | PANEL, RH DINETTE SEAT, 2.25 X 12.38 |
| 6. 966890-096 | PANEL, RH DINETTE SEAT, 2.25 X 30.75 |
| 7. 966890-097 | PANEL, RH DINETTE SEAT, 2.25 X 30.75 |
| 8. 966890-098 | PANEL, RH DINETTE SEAT, 27.5 X 13.88 |
| 9. 381775 | DRAWER PULL, FLUSH, SATIN |
| 10. 381072 | HINGE 3" X 1 7/8", OPEN, GOLD |
| 11. 381228-01 | CATCH GRABBER DOOR C3-803 |

2009 FLYING CLOUD

FURNITURE, LOUNGE

Sofa Bed, 25' Front Bed, 27' Front Bed



2009 FLYING CLOUD

FURNITURE, LOUNGE

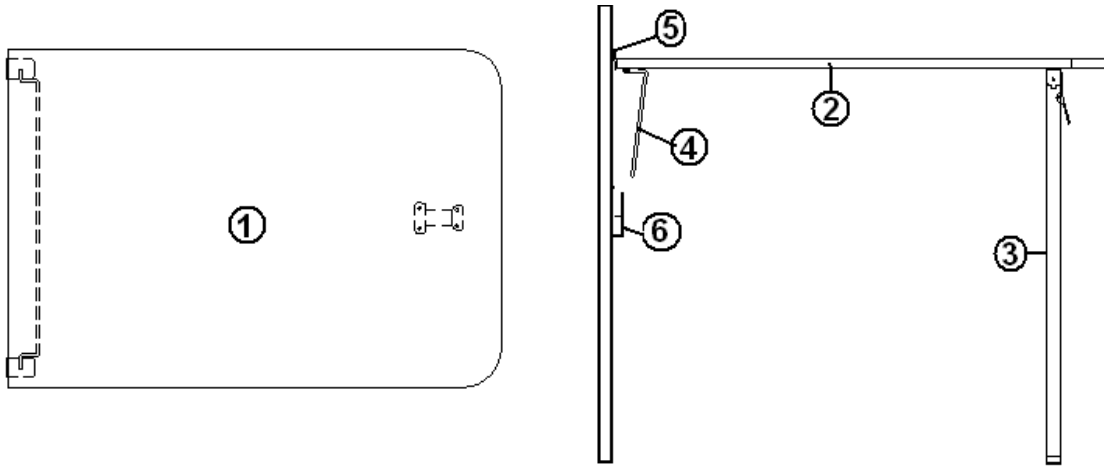
Sofa Bed, 25' Front Bed, 27' Front Bed

966887-09	SOFA ASSEMBLY
1. 966888-09	BED ASSEMBLY, SOFA
2. 966887-092	PANEL, SOFA, 29.5 X 66.00
3. 966887-093	PANEL, SOFA, 20.5 X 5.00
4. 966887-094	PANEL, SOFA, 9.88 X 43.88
5. 966887-095	PANEL, SOFA, 9.88 X 21.13
6. 966887-096	PANEL, SOFA, 14.13 X 29.5
7. 966887-097	PANEL, SOFA, 10.13 X 12.00
8. 966887-098	PANEL, SOFA, 10.13 X 44
9. 966887-099	PANEL, SOFA, 14.13 X 29.50
10. 966887-0910	PANEL, SOFA, 2.25 X 12.00
11. 966887-0911	PANEL, SOFA, 2.25 X 12.00
12. 966887-0915	PANEL, SOFA, 2.25 X 43.25
13. 381775	DRAWER PULL, FLUSH SATIN
14. 381072-01	HINGE, 3" X 2"
15. 381228-01	CATCH, GRABBER, DOOR
16. 801793-01	LAMINATE, GOLD ALCHEMY, VERTICAL
17. 101115	SHEET, ALUM .060 X 48 X 120, CUT TO 5"
18. 915811	WELDMENT, SOFA BED
19. 381826	SLIDE, BALL BEARING
20. 800507-02	LAUAN, 1/4", CUT TO 17.00" X 63.00"
21. 966888-094	PANEL, SOFA BED 3.88 X 65.13
330031-03	RIVET DOME HEAD SSD64SSBS

2009 FLYING CLOUD

FURNITURE, LOUNGE

Dinette Table, 25' Front Bed, 27' Front Bed



- | | |
|---------------|--|
| 967156-09 | TABLE, 38", DINETTE |
| 967156-10 | TABLE ASSY, DINETTE, LABRADOR GRANITE |
| 1. 967156-091 | PANEL, DINETTE TABLE, 35.00" X 40.00" |
| 1. 967156-101 | PANEL, DINETTE TABLE, 35.00" X 40.00",
LABRADOR GRANITE |
| 2. 365305-01 | EDGE BANDING, BRUSHED ALUMINUM, 15/16" |
| 3. 381881-04 | LEG-FOLDING TABLE 30.5" |
| 4. 380284-02 | TABLE HINGE BRACKET |
| 5. 380284-03 | CENTER HINGE |
| 6. 340018 | CATCH PLATE J-1 |
| 381136 | RUBBER BUMPER |

2009 FLYING CLOUD

FURNITURE, LOUNGE

TV Shelf, Black

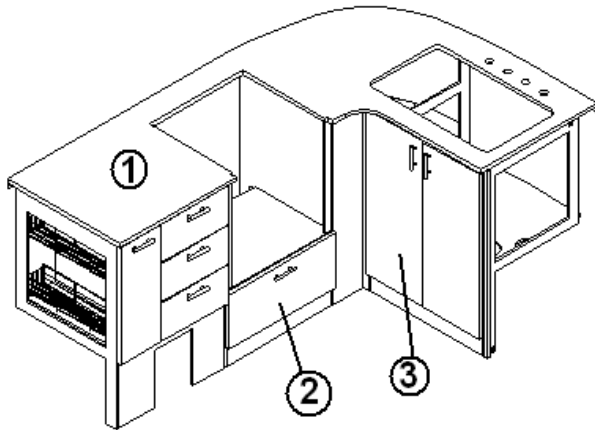
381241-009 TV SHELF W/MIRROR, BLACK

2009 FLYING CLOUD

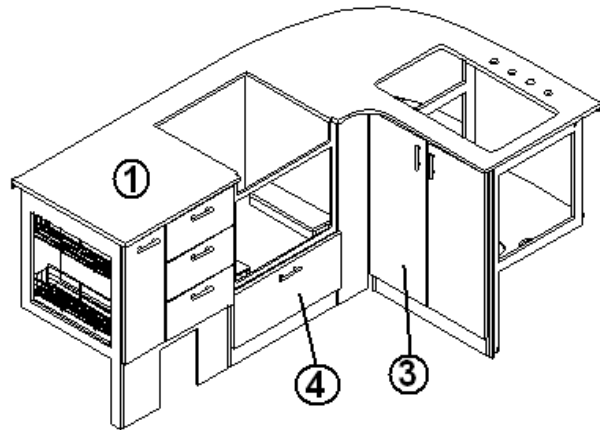
FURNITURE, GALLEY

Galley, 20'

Galley w/Oven



Galley w/Microwave & Cook Top



1. 967338-09

TOP, GALLEY

1. 967338-10

TOP, GALLEY, GRANITE

2. 967339-09

BASE, FORWARD, GALLEY W/OVEN

3. 967340-09

BASE, AFT, GALLEY

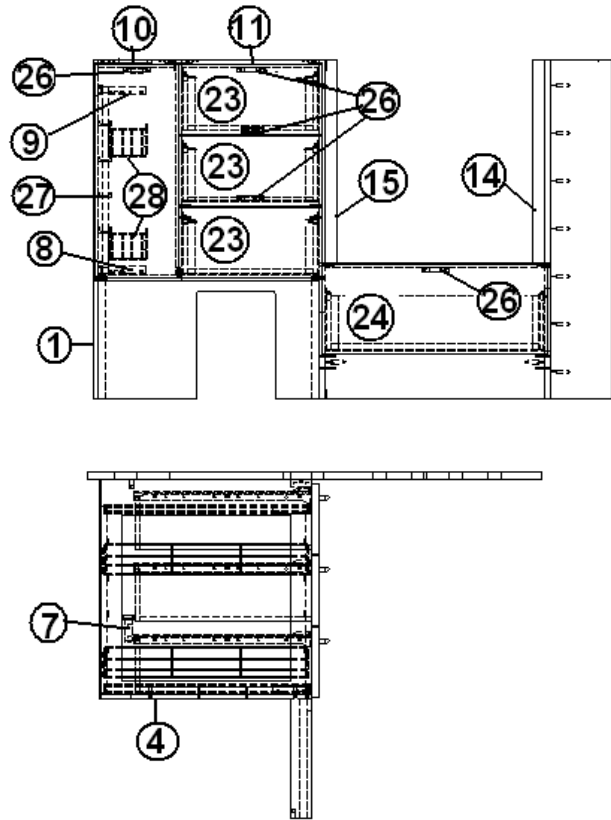
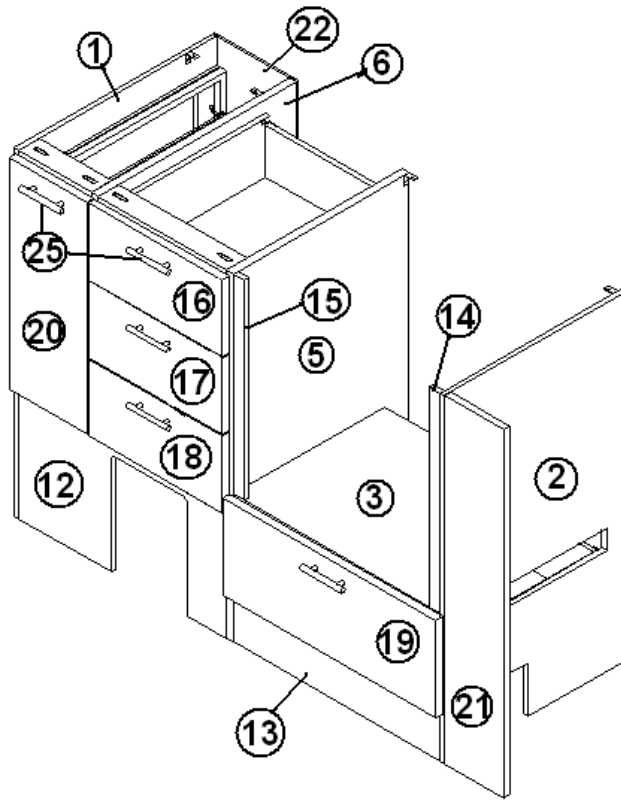
4. 967359-09

BASE, FORWARD, GALLEY, W/MICROWAVE

2009 FLYING CLOUD

FURNITURE, GALLEY

Galley 20', Forward Base



Part Numbers on the next page.

2009 FLYING CLOUD

FURNITURE, GALLEY

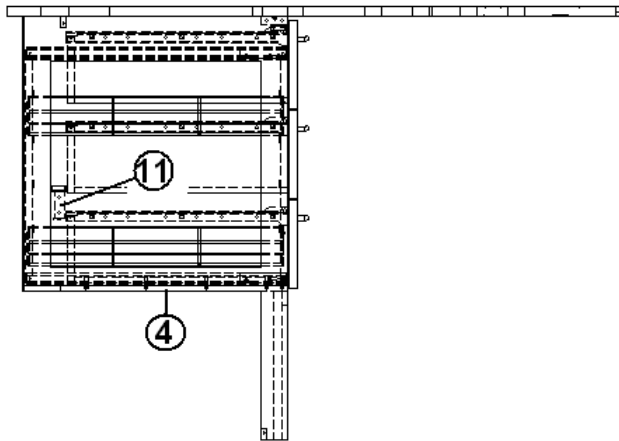
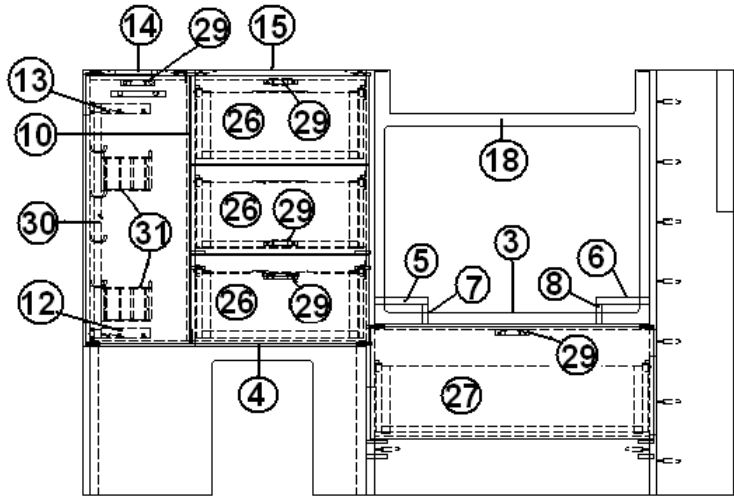
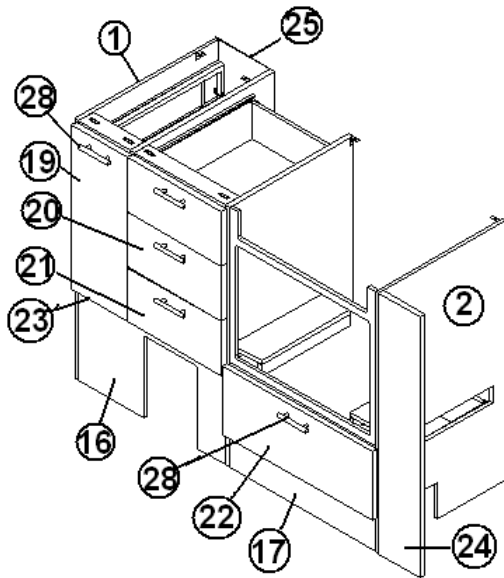
Galley 20', Forward Base

967339-09	BASE ASSEMBLY, FORWARD GALLEY
1. 967339-091	PANEL,GALLEY BASE, 22.06 X 35.50
2. 967339-092	PANEL,GALLEY BASE, 20 X 35.50
3. 967339-093	PANEL,GALLEY BASE, 23 X 16.81
4. 967339-094	PANEL,GALLEY BASE, 23.06 X 22.06
5. 967339-099	PANEL,GALLEY BASE, 19.5 X 35.50
6. 967339-0910	PANEL,GALLEY BASE, 22.06 X 22.56
7. 967339-0911	PANEL, GALLEY BASE, 2.25 X 14.25
8. 967339-0912	PANEL,GALLEY BASE, 4.00 X 4.00
9. 967339-0913	PANEL,GALLEY BASE, 4.00 X 4.00
10. 967339-0914	PANEL,GALLEY BASE, 2.25 X 8.06
11. 967339-0915	PANEL,GALLEY BASE, 2.25 X 14.25
12. 967339-0916	PANEL,GALLEY BASE, 23.06 X 12.44
13. 967339-0917	PANEL,GALLEY BASE, 5.00 X 23.00
14. 967339-0918	PANEL,GALLEY BASE, 1.25 X 21.19
15. 967339-0919	PANEL,GALLEY BASE, 1.25 X 21.19
16. 967339-0921	PANEL,GALLEY BASE, 14.88 X 7.38
17. 967339-0922	PANEL,GALLEY BASE, 14.88 X 7.38
18. 967339-0923	PANEL,GALLEY BASE, 14.88 X 7.38
19. 967339-0924	PANEL,GALLEY BASE, 23.63 X 9.38
20. 967339-0925	DOOR, GALLEY BASE, 8.69 X 22.38
21. 967339-0926	PANEL,GALLEY BASE, 6.55 X 35.5
22. 967339-0927	PANEL,GALLEY BASE, 9.31 X 23.06
23. 965554-05	DRAWER BOX, 5.63" X 14.25" X 17.60"
24. 965554-06	DRAWER BOX, 5.63" X 23" X 21.75"
25. 381865	PULL BAR, BRUSHED NICKEL
26. 381228-01	DOOR CATCH, GRABBER
27. 381551-03	ORGANIZER, WHITE, BASE CABINET
28. 381551-02	WIRE BASKET 4" WIDE WHITE
381773-17	DRAWER SLIDE, 5.875" X 18.50" (PAIR)

2009 FLYING CLOUD

FURNITURE, GALLEY

Galley 20', Forward Base, Microwave Option



Part Numbers on the next page.

2009 FLYING CLOUD

FURNITURE, GALLEY

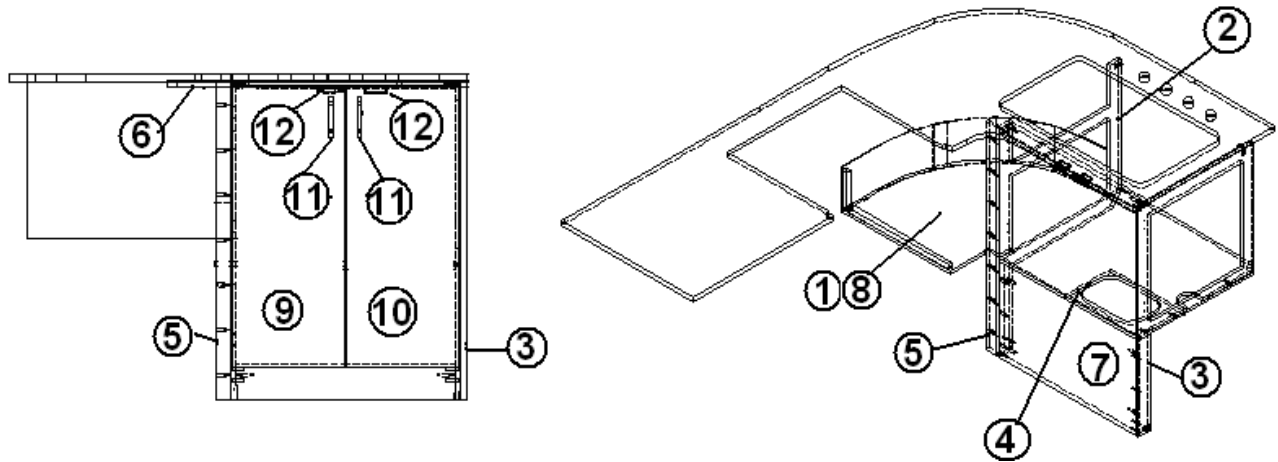
Galley 20', Forward Base, Microwave Option

967359-09	GALLEY FORWARD BASE, W/MICROWAVE
1. 967359-091	PANEL, GALLEY, 22.06 X 35.50
2. 967359-092	PANEL, GALLEY, 20.00 X 35.50
3. 967359-093	PANEL, GALLEY, 23.00 X 16.81
4. 967359-094	PANEL, GALLEY, 23.06 X 22.06
5. 967359-095	PANEL, GALLEY, 4.50 X 14.00
6. 967359-096	PANEL, GALLEY, 4.50 X 14.00
7. 967359-097	PANEL, GALLEY, 1.69 X 14.00
8. 967359-098	PANEL, GALLEY, 1.69 X 14.00
9. 967359-099	PANEL, GALLEY, 19.50 X 35.50
10. 967359-0910	PANEL, GALLEY BASE, 22.06 X 22.56
11. 967359-0911	PANEL, GALLEY, 2.25 X 14.25
12. 967359-0912	PANEL, GALLEY, 4.00 X 4.00
13. 967359-0913	PANEL, GALLEY, 4.00 X 4.00
14. 967359-0914	PANEL, GALLEY, 2.25 X 8.06
15. 967359-0915	PANEL, GALLEY, 2.25 X 14.25
16. 967359-0916	PANEL, GALLEY, 23.06 X 12.44
17. 967359-0917	PANEL, GALLEY, 5.00 X 23.00
18. 967359-0920	PANEL, GALLEY, 23 X 21.19
19. 967359-0921	PANEL, GALLEY, 14.88 X 7.38
20. 967359-0922	PANEL, GALLEY, 14.88 X 7.38
21. 967359-0923	PANEL, GALLEY, 14.88 X 7.38
22. 967359-0924	PANEL, GALLEY, 23.63 X 9.38
23. 967359-0925	DOOR, GALLEY 8.69 X 22.38
24. 967359-0926	PANEL, GALLEY, 6.55 X 35.5
25. 967359-0927	PANEL, GALLEY, 9.31 X 23.06
26. 965554-05	DRAWER BOX, 5.63" X 14.25" X 17.6
27. 965554-06	DRAWER BOX, 5.63" X 23" X 21.75"
28. 381865	PULL BAR, BRUSH NICKEL
29. 381228-01	DOOR CATCH, GRABBER
30. 381551-03	ORGANIZER, WHITE, BASE CABINET
31. 381551-02	WIRE BASKET, 4" WIDE, WHITE
381773-17	DRAWER SLIDE, 5.875" X1 8.5" (PAIR)

2009 FLYING CLOUD

FURNITURE, GALLEY

Galley, 20', Aft Base

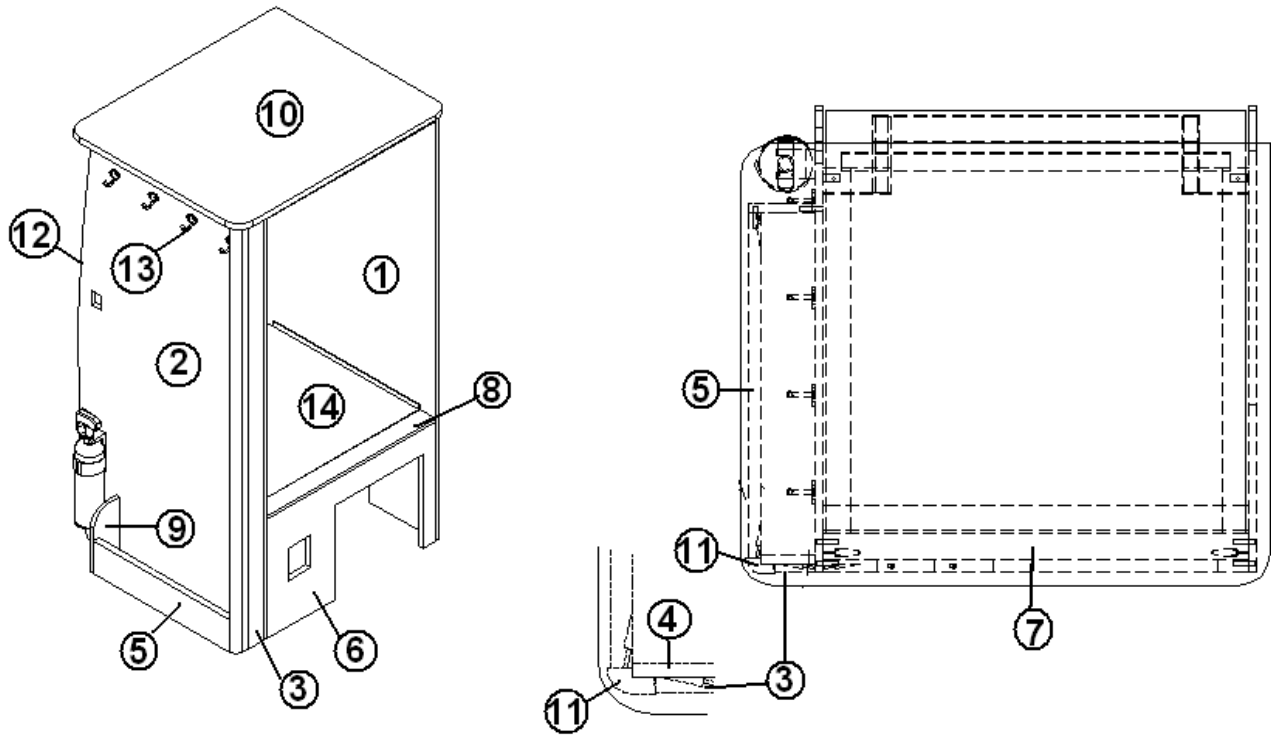


967340-09	BASE ASSEMBLY, GALLEY, AFT
1. 967340-091	PANEL,GALLEY BASE, 28.41 X 46.13
2. 967340-092	PANEL,GALLEY BASE, 21.86 X 35.5
3. 967340-093	PANEL,GALLEY BASE, 20.80 X 35.50
4. 967340-094	PANEL,GALLEY BASE, 8.75 X 13.25
5. 967340-095	PANEL,GALLEY BASE, 1.875 X 35.5
6. 967340-097	PANEL,GALLEY BASE, 2.25 X 24.5
7. 967340-098	PANEL,GALLEY BASE, 15.00 X 24.50
8. 967340-0910	PANEL,GALLEY BASE, 39.375 X 7.00
9. 967340-0911	DOOR, GALLEY BASE, 12.50 X 19.88
10. 967340-0912	DOOR, GALLEY BASE, 12.50 X 19.88
11. 382044	HANDLE, BRUSHED NICKEL
12. 381228-01	DOOR CATCH, GRABBER
13. 381607	HINGE, GRASS EURO
115064	TRIM-ALUM COUNTER TOP
115448-01	EXTRUSION, R/L MTG SUPPORT, 22.50"
115448-02	EXTRUSION, R/L MTG SUPPORT, 27.75"

2009 FLYING CLOUD

FURNITURE, GALLEY

Refrigerator Cabinet, 20'



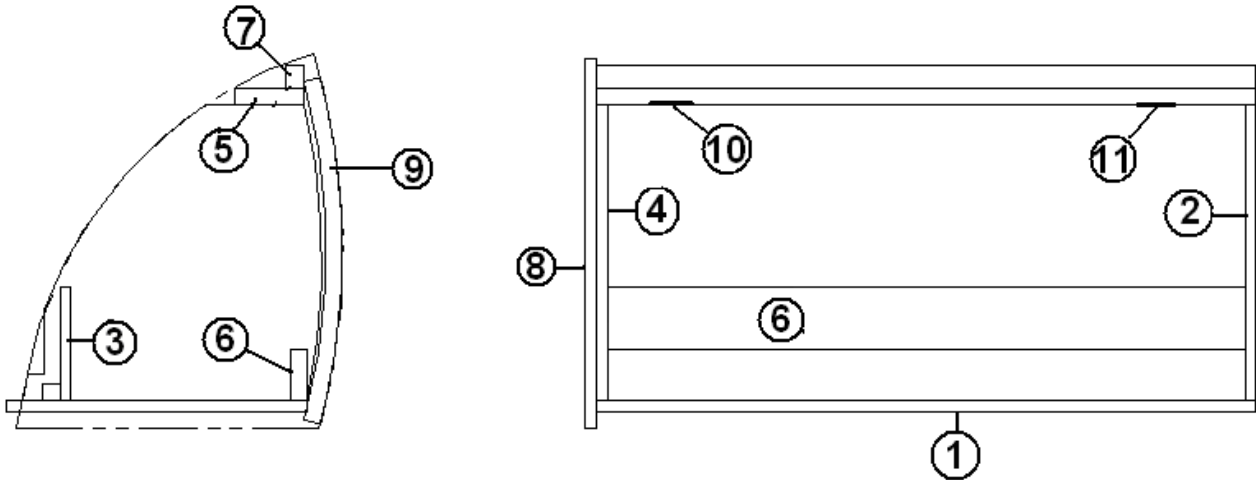
967347-09

- | | |
|-----------------|--|
| 1. 967347-091 | REFRIGERATOR CABINET |
| 2. 967347-092 | PANEL, REFER CABINET, 26.33 X 52.43 |
| 3. 967347-093 | PANEL, REFER CABINET, 26.33 X 52.43 |
| 4. 967347-094 | PANEL, REFER CABINET, 2.25 X 52.43 |
| 5. 967347-095 | PANEL, REFER CABINET, 3.00 X 52.43 |
| 6. 967347-096 | PANEL, REFER CABINET, 4.00 X 19.50 |
| 7. 967347-097 | PANEL, REFER CABINET, 24 X 14.63 |
| 8. 967347-098 | PANEL, REFER CABINET, 2.25 X 24.00 |
| 9. 967347-099 | PANEL, REFER CABINET, 2.25 X 24.00 |
| 10. 967347-0910 | PANEL, REFER CABINET, 3.75 X 7.50 |
| 10. 967347-1010 | TOP, REFER CABINET, 29.94 X 24.56 |
| 11. 801706-0014 | TOP, REFER CABINET, GRANITE, 29.94 X 24.56 |
| 12. 203138-04 | TRIM, CORNER, 90D 1" RADIUS, ALCHEMY, 84' |
| 13. 381384 | EXTRUSION, PLASTIC, 1/2" |
| 14. 966559 | HOOK, ALUMINUM, COAT, 1.68" |
| 114812 | REFER STAND |
| | ALUMINUM ANGLE, 1.00 X 1.00 |

2009 FLYING CLOUD

FURNITURE, GALLEY

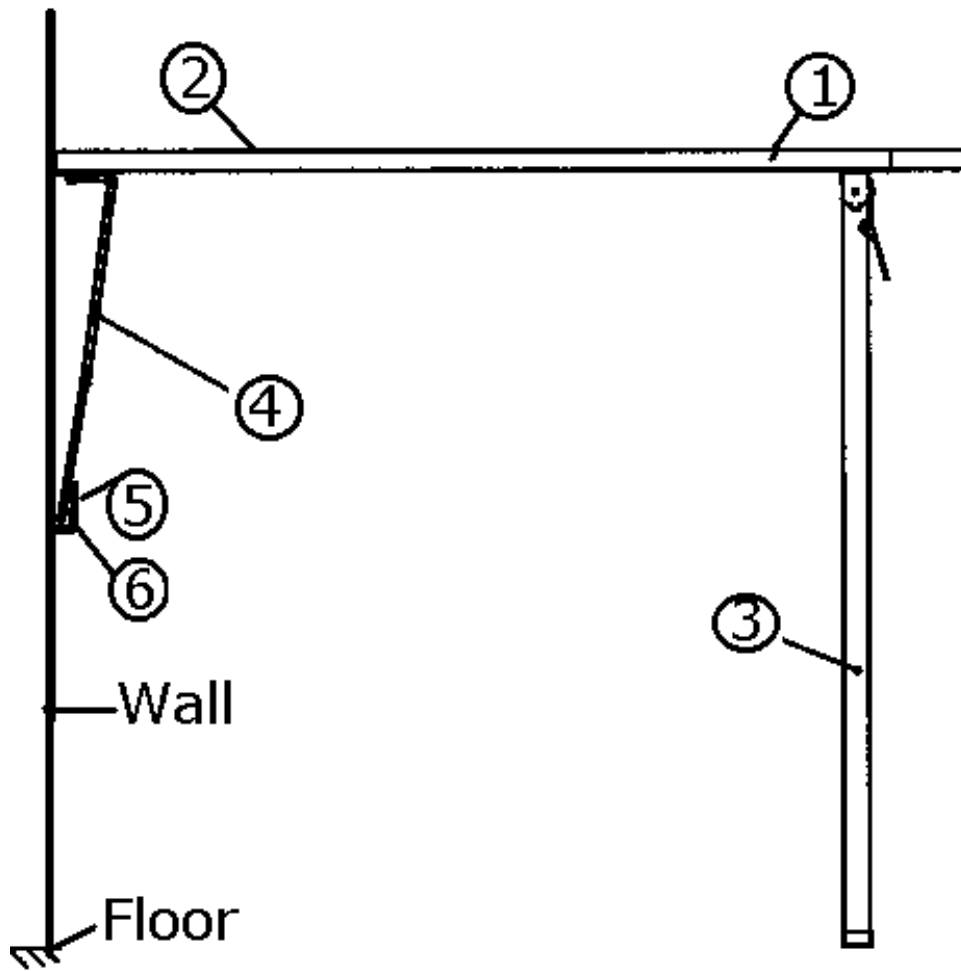
Roof Locker, Rear Galley, 20'



967349-09	
1. 967349-091	ROOF LOCKER, REAR GALLEY PANEL, GALLEY ROOF LOCKER, 13.25 X 29.00
2. 967274-01	DIVIDER, RH, ROOF LOCKER, 12.53 X 13.00
3. 967349-093	PANEL, GALLEY ROOF LOCKER, 5 X 27.94
4. 967274-02	DIVIDER, LH, ROOF LOCKER, 12.53 X 13.00
5. 967349-095	PANEL, GALLEY ROOF LOCKER, 3.00 X 29.00
6. 967349-096	PANEL, GALLEY ROOF LOCKER, 2.25 X 27.94
7. 967349-097	PANEL, GALLEY ROOF LOCKER, 1.75 X 29.00
8. 967275	CAP ASSEMBLY, END, 14.76 X 17.07
9. 801786-0314	DOOR PLYFORM, 15.25 X 28.38
10. 381840-01	HINGE-OVERHEAD SPRING LH
11. 381840-02	HINGE-OVERHEAD SPRING RH

2009 FLYING CLOUD
FURNITURE, GALLEY

Dinette Table, 19'

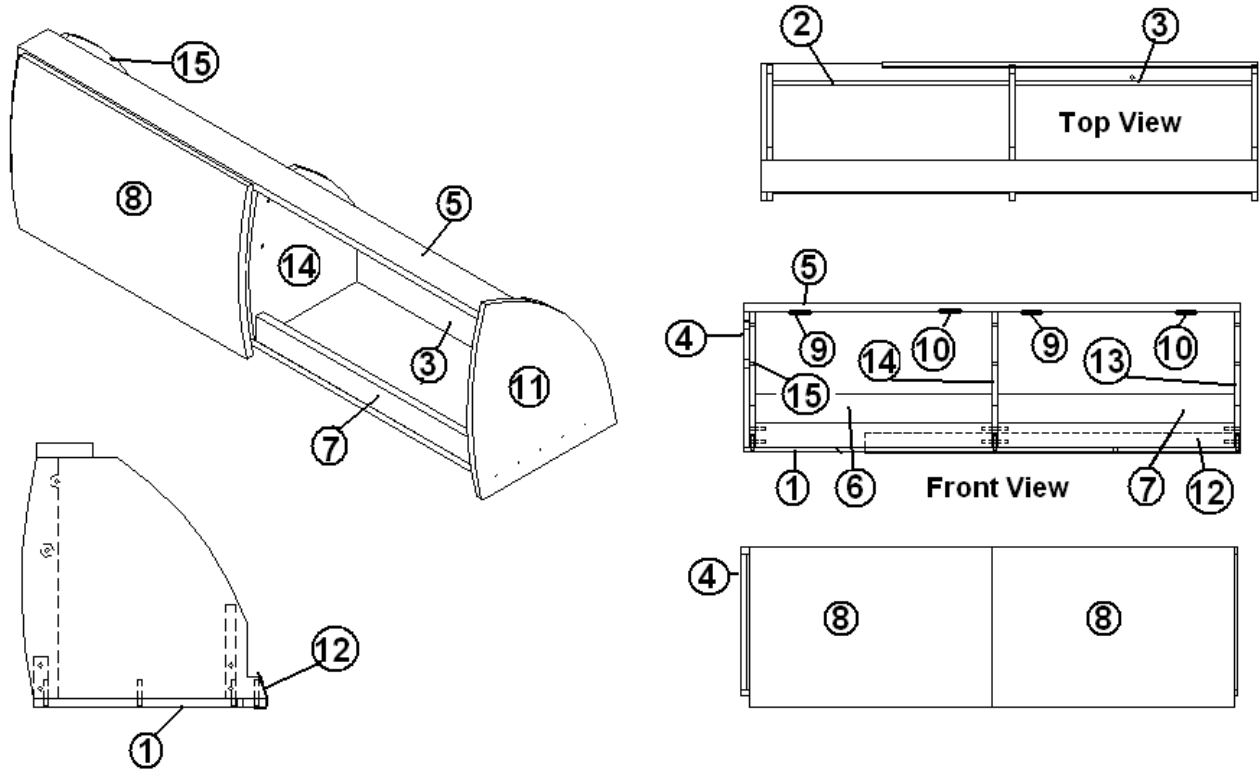


- | | |
|---------------|--|
| 967153-09 | Dinette Table |
| 1. 967153-091 | DINETTE TABLE TOP |
| 1. 967153-101 | DINETTE TABLE TOP, GRANITE |
| 2. 365305-01 | EDGE BANDING, BRUSHED ALUMINUM, 15/16" |
| 3. 700065-01 | Snapo folding table leg |
| 4. 380284-02 | Table hinge bracket |
| 5. 380284-02 | Center hinge |
| 6. 340018 | Catch plate |
| 381136 | RUBBER BUMPER |

2009 FLYING CLOUD

FURNITURE, GALLEY

Roof Locker, Galley, 20', 19'

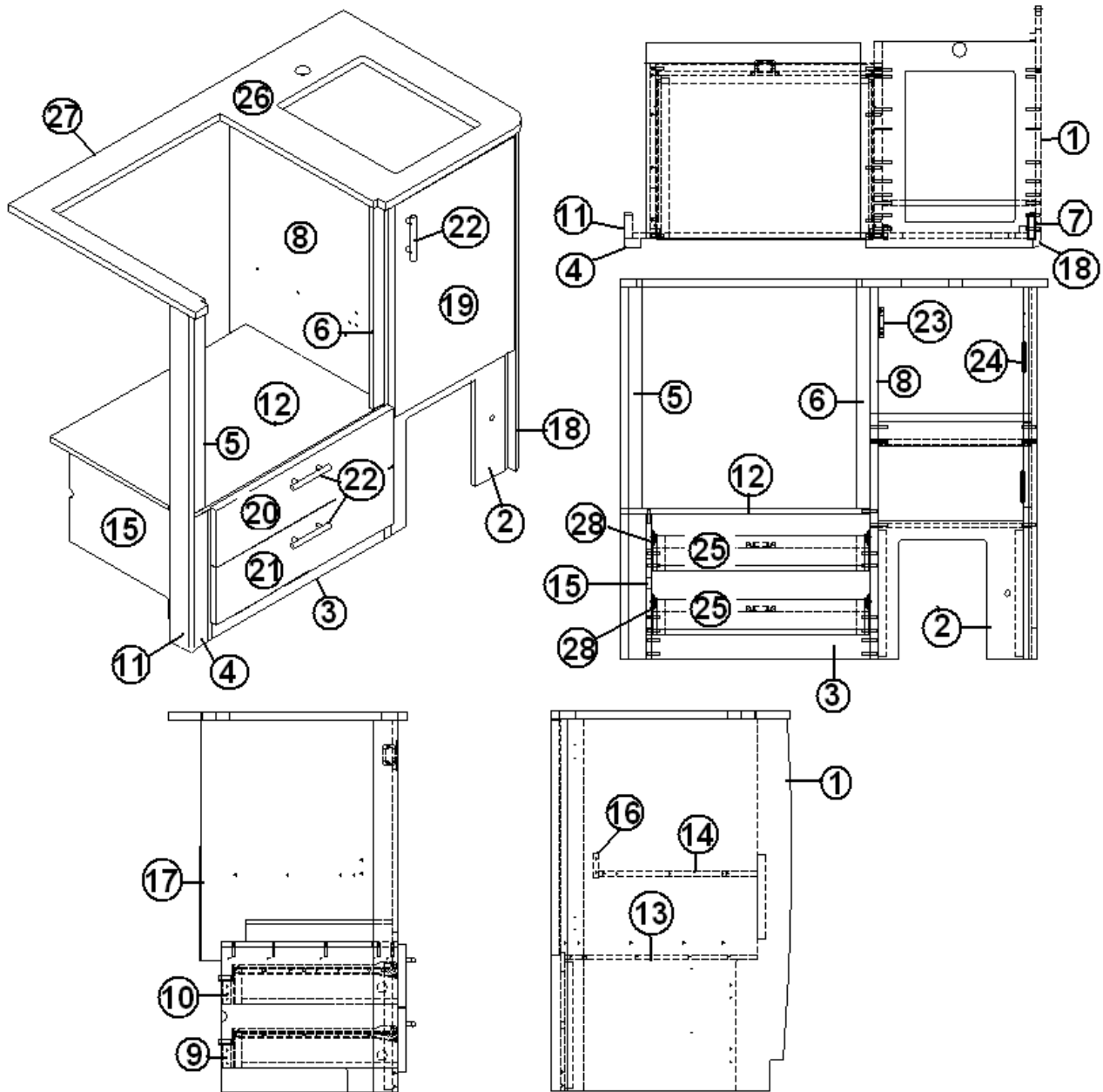


967361-09	ROOF LOCKER, GALLEY 19'/20'
1. 967361-091	PANEL, GALLEY ROOF LOCKER, 12.5 X 47.5
2. 967361-092	PANEL, GALLEY ROOF LOCKER, 5 X 22.72
3. 967361-093	PANEL, GALLEY ROOF LOCKER, 5 X 22.72
4. 967361-094	PANEL, GALLEY ROOF LOCKER, 2 X 13
5. 967361-096	PANEL, GALLEY ROOF LOCKER, 3 X 47.5
6. 967361-097	PANEL, GALLEY ROOF LOCKER, 2.25 X 22.72
7. 967361-098	PANEL, GALLEY ROOF LOCKER, 2.25 X 22.72
8. 801786-0414	DOOR PLYFORM, 15.25 X 23.13, G. ALCHEMY
9. 381840-01	HINGE, OVERHEAD SPRING LH
10. 381840-02	HINGE, OVERHEAD SPRING RH
11. 967275-01	CAP ASSEMBLY, END
12. 115085	ANGLE ALUMINUM, ROOFLOCKER
13. 967274-01	DIVIDER, RH, ROOF LOCKER, 12.53 X 13.00
14. 967274-03	DIVIDER, LH, ROOF LOCKER, 12.53 X 13.00
15. 967274-02	DIVIDER, LH, ROOF LOCKER, 12.53 X 13.00

2009 FLYING CLOUD

FURNITURE, GALLEY

Galley w/Full Oven, 19'



Part Numbers are on the Next Page

2009 FLYING CLOUD

FURNITURE, GALLEY

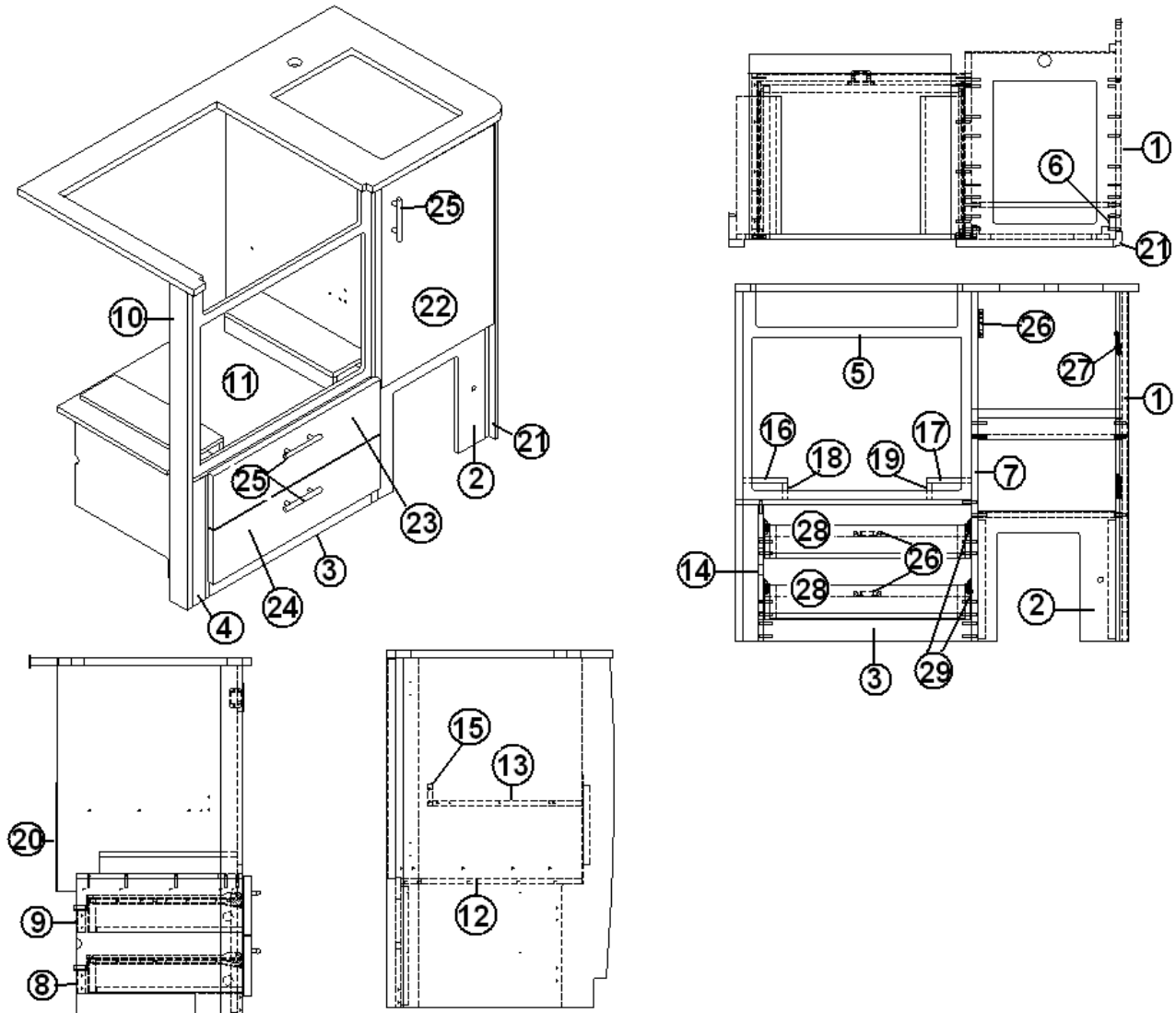
Galley w/Full Oven, 19'

966959-09	GALLEY, W/OVEN
1. 966959-091	PANEL, GALLEY, 21.43 X 35.50-GALLEY
2. 966959-092	PANEL, GALLEY, 13.88 X 13.25
3. 966959-093	PANEL, GALLEY, 2.25 X 21.00
4. 966959-094	PANEL, GALLEY, 1.62 X 13.81
5. 966959-095	PANEL, GALLEY, 1.31 X 21.19
6. 966959-096	PANEL, GALLEY, 1.31 X 21.19
7. 966959-098	PANEL, GALLEY, 2.25 X 35.50
8. 966959-099	PANEL, GALLEY, 18.81 X 35.50
9. 966959-0910	PANEL, GALLEY, 2.25 X 21.00
10. 966959-0911	PANEL, GALLEY, 2.25 X 21.00
11. 966959-0912	PANEL, GALLEY, 2.25 X 35.50
12. 966959-0913	PANEL, GALLEY, 16.81 X 23.88
13. 966959-0914	PANEL, GALLEY, 18.31 X 14.62
14. 966959-0915	PANEL, GALLEY, 15.12 X 14.62
15. 966959-0916	PANEL, GALLEY, 16.81 X 13.81
16. 966959-0917	PANEL, GALLEY, 2.25 X 14.62
17. 966959-0922	PANEL, GALLEY, 11.00 X 15.38
18. 801706-0014	TRIM, CORNER, 90D 1" RADIUS, ALCHEMY, 84"
19. 966959-0925	DOOR, 14.50 X 22.38
20. 966959-0926	DRAWER FACE, 21.62 X 6.00
21. 966959-0927	DRAWER FACE, 21.62 X 6.00
22. 382044	HANDLE, BRUSHED NICKEL
23. 381228-01	DOOR GRABBER CATCH
24. 381607	HINGE, GRASS EURO
25. 965642-01	DRAWER BOX, 21.00"
26. 967345-09	TOP, GALLEY
26. 967345-09	TOP, GALLEY, GRANITE
27. 115064	TRIM, ALUMINUM, COUNTER TOPINT
28. 381773-03	DRAWER SLIDE 15.75"

2009 FLYING CLOUD

FURNITURE, GALLEY

Galley w/Convection Microwave Assembly, 19'



Part numbers are on the next page.

2009 FLYING CLOUD

FURNITURE, GALLEY

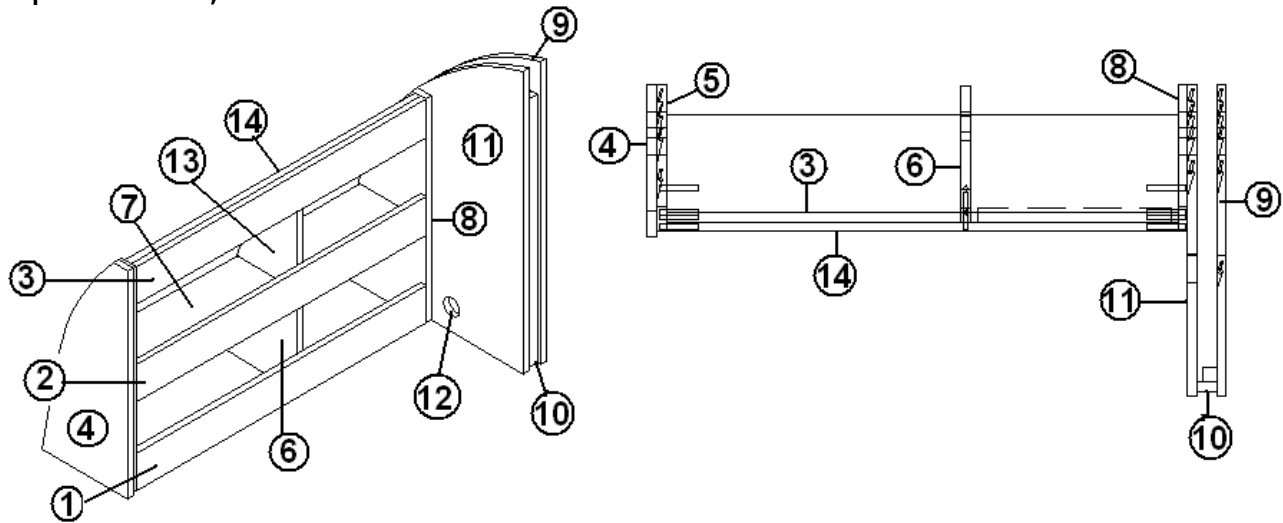
Galley w/Convection Microwave, 19'

966960-09	GALLEY W/MICROWAVE OPTION
1. 966960-091	PANEL, GALLEY, 21.43 X 35.50
2. 966960-092	PANEL, GALLEY, 13.88 X 13.25
3. 966960-093	PANEL, GALLEY, 2.25 X 21.00
4. 966960-094	PANEL, GALLEY, 1.62 X 13.81
5. 966960-097	PANEL, GALLEY, 23.12 X 21.19
6. 966960-098	PANEL, GALLEY, 2.25 X 35.50
7. 966960-099	PANEL, GALLEY, 18.81 X 35.50
8. 966960-0910	PANEL, GALLEY, 2.25 X 21.00
9. 966960-0911	PANEL, GALLEY, 2.25 X 21.00
10. 966960-0912	PANEL, GALLEY, 2.25 X 35.50
11. 966960-0913	PANEL, GALLEY, 16.81 X 23.88
12. 966960-0914	PANEL, GALLEY, 18.31 X 14.62
13. 966960-0915	PANEL, GALLEY, 15.12 X 14.62
14. 966960-0916	PANEL, GALLEY, 16.81 X 13.81
15. 966960-0917	PANEL, GALLEY, 2.25 X 14.62
16. 966960-0918	PANEL, GALLEY, 4.50 X 14.00
17. 966960-0919	PANEL, GALLEY, 4.50 X 14.00
18. 966960-0920	PANEL, GALLEY, 1.69 X 14.00
19. 966960-0921	PANEL, GALLEY, 1.69 X 14.00
20. 966960-0922	PANEL, GALLEY, 11.00 X 15.38
21. 801706-0014	TRIM, CORNER, 90D, 1" RADIUS, 84"
22. 966960-0925	DOOR, GALLEY, 14.50 X 22.38
23. 966960-0926	DRAWER FACE, 21.62 X 6.00
24. 966960-0927	DRAWER FACE, 21.62 X 6.00
25. 382044	HANDLE, BRUSHED NICKEL
26. 381228-01	DOOR GRABBER CATCH
27. 381607	HINGE, GRASS EURO
28. 965642-01	DRAWER BOX, BOX, 21.00"
29. 381773-03	DRAWER SLIDE, 15.75"

2009 FLYING CLOUD

FURNITURE, GALLEY

Spice Rack, 19'



966954-09

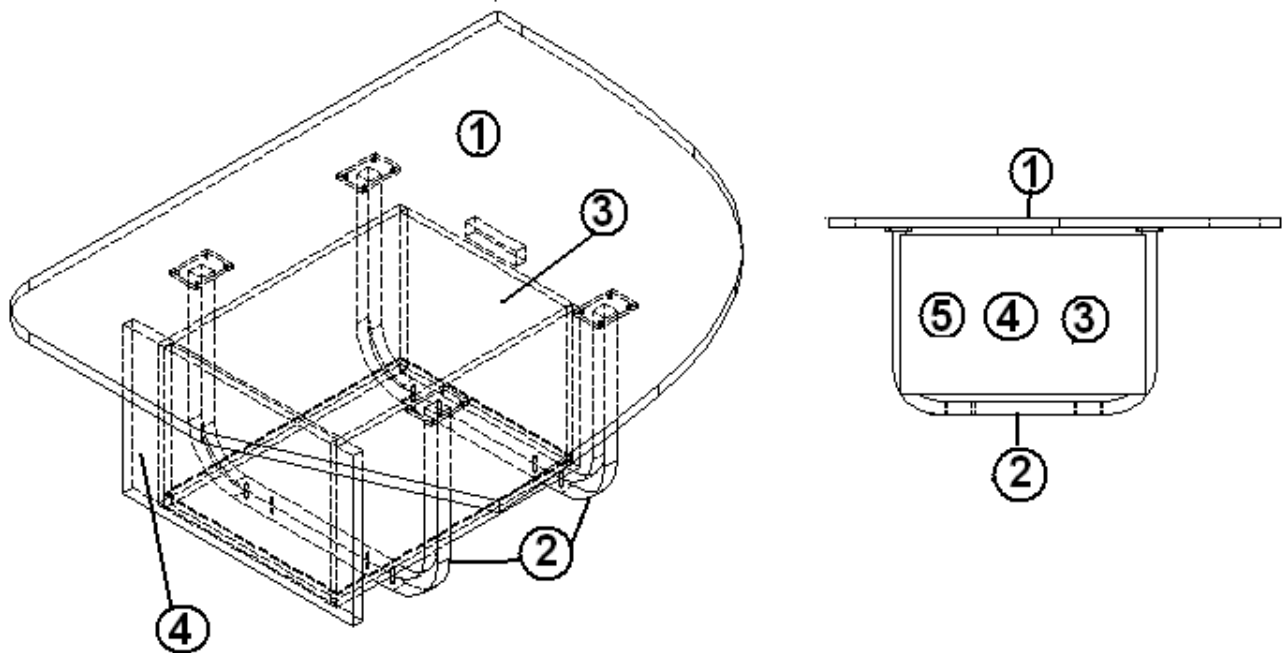
SPICE RACK ASSY

- | | |
|-----------------|----------------------------------|
| 1. 966954-091 | PANEL, SPICE RACK, 3.00 X 26.50 |
| 2. 966954-092 | PANEL, SPICE RACK, 3.00 X 26.50 |
| 3. 966954-093 | PANEL, SPICE RACK, 3.00 X 26.50 |
| 4. 966954-094 | PANEL, SPICE RACK, 7.88 X 18.00 |
| 5. 966954-095 | PANEL, SPICE RACK, 7.63 X 17.75 |
| 6. 966954-096 | PANEL, SPICE RACK, 7.00 X 7.50 |
| 7. 966954-097 | PANEL, SPICE RACK, 5.56 X 26.50 |
| 8. 966954-098 | PANEL, SPICE RACK, 7.63 X 17.75 |
| 9. 966954-099 | PANEL, SPICE RACK, 16.12 X 23.92 |
| 10. 966954-0911 | PANEL, SPICE RACK, 1.00 X 21.25 |
| 11. 966954-0912 | PANEL, SPICE RACK, 16.12 X 23.92 |
| 12. 381209-01 | GROMMET W/CAP BLACK, 1.5"HOLE |
| 13. 966954-0915 | PANEL, SPICE RACK, 5.50 X 8.25 |
| 14. 966954-0916 | PANEL, SPICE RACK, 3.00 X 26.50 |

2009 FLYING CLOUD

FURNITURE, GALLEY

Dinette Seat, Curbside, 19'

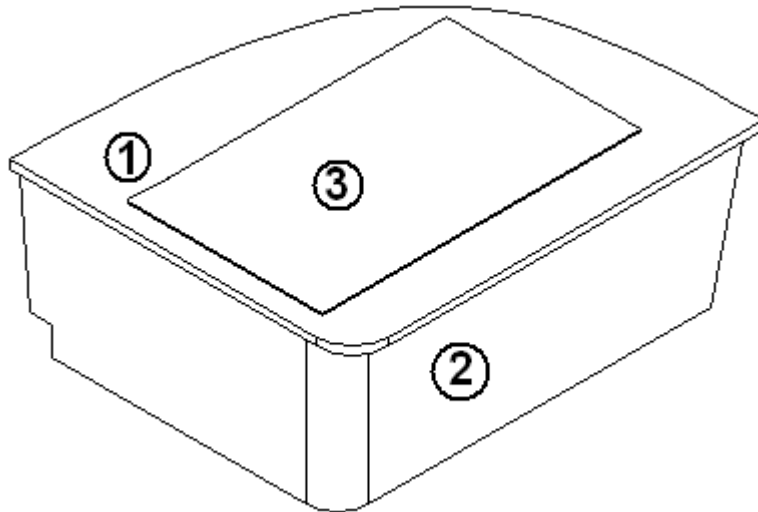


966961-09	SEAT, CURBSIDE, DINETTE
1. 966961-091	PANEL, 33.38 X 40.19
2. 454177	LEG, DINETTE ALUMINUM
3. 964909-11	DRAWER BOX, 10" X 14.00 X 19.00
4. 966961-094	DRAWER FACE ,18.00 X 11.50
5. 381074	CATCH, BULL DOG, (COPPER)
381833-01	DRAWER SLIDE, UNDER SHELF 18" (PAIR)

2009 FLYING CLOUD

FURNITURE, GALLEY

Dinette Seat, Roadside, 19'



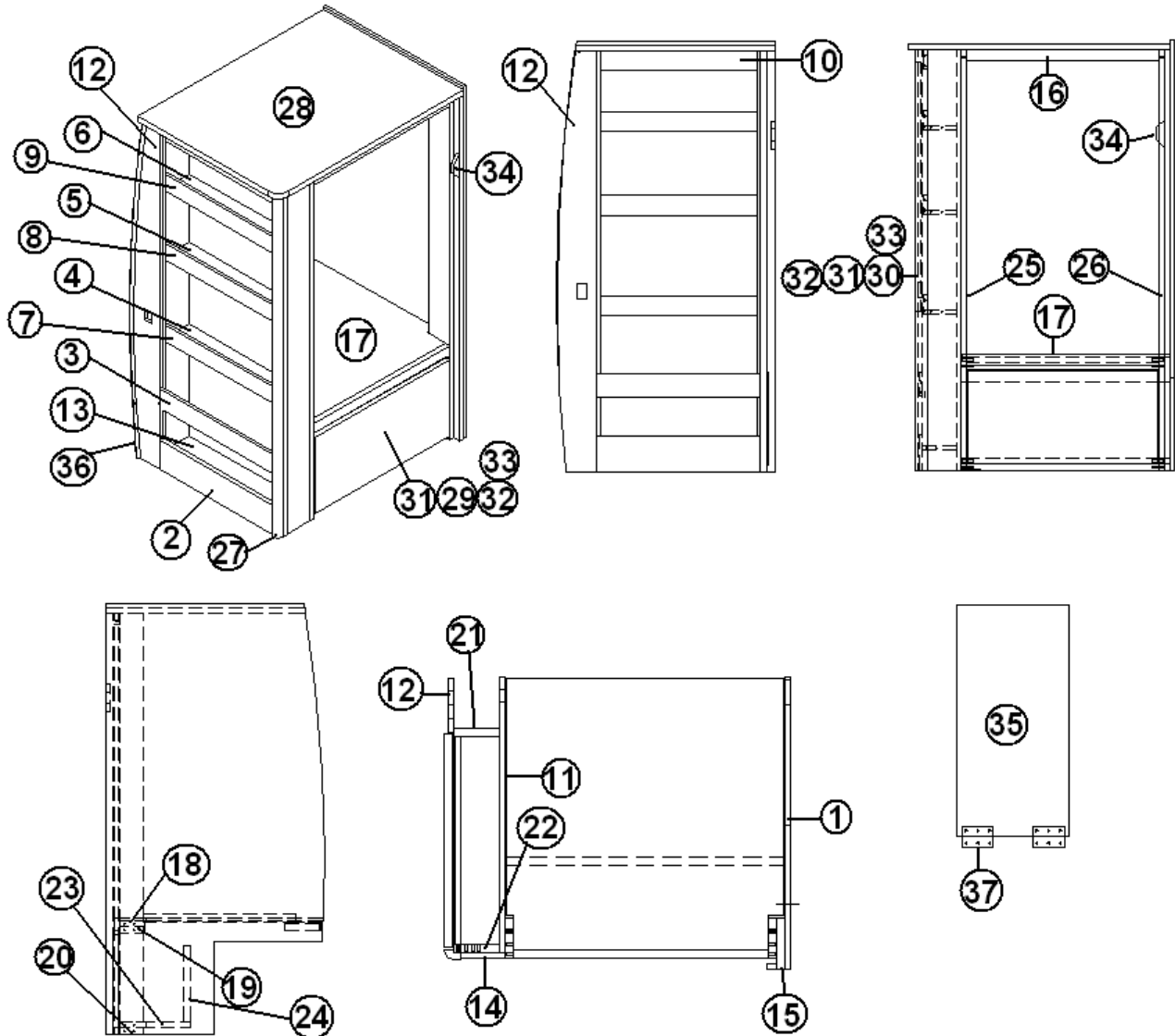
- 966962-09
1. 966962-091
2. 966964-09
3. 966962-095
701538-01

SEAT, ROADSIDE DINETTE
PANEL, DINETTE SEAT, 33.44 X 40.19
SUB ASSEMBLY, ROADSIDE DINETTE
PANEL DINETTE SEAT RS 31.13 X 19.00
CARPET-ECONOLIER W/PSA BACK

2009 FLYING CLOUD

FURNITURE, GALLEY

Refrigerator Cabinet, 19'



Part numbers are on the next page.

2009 FLYING CLOUD

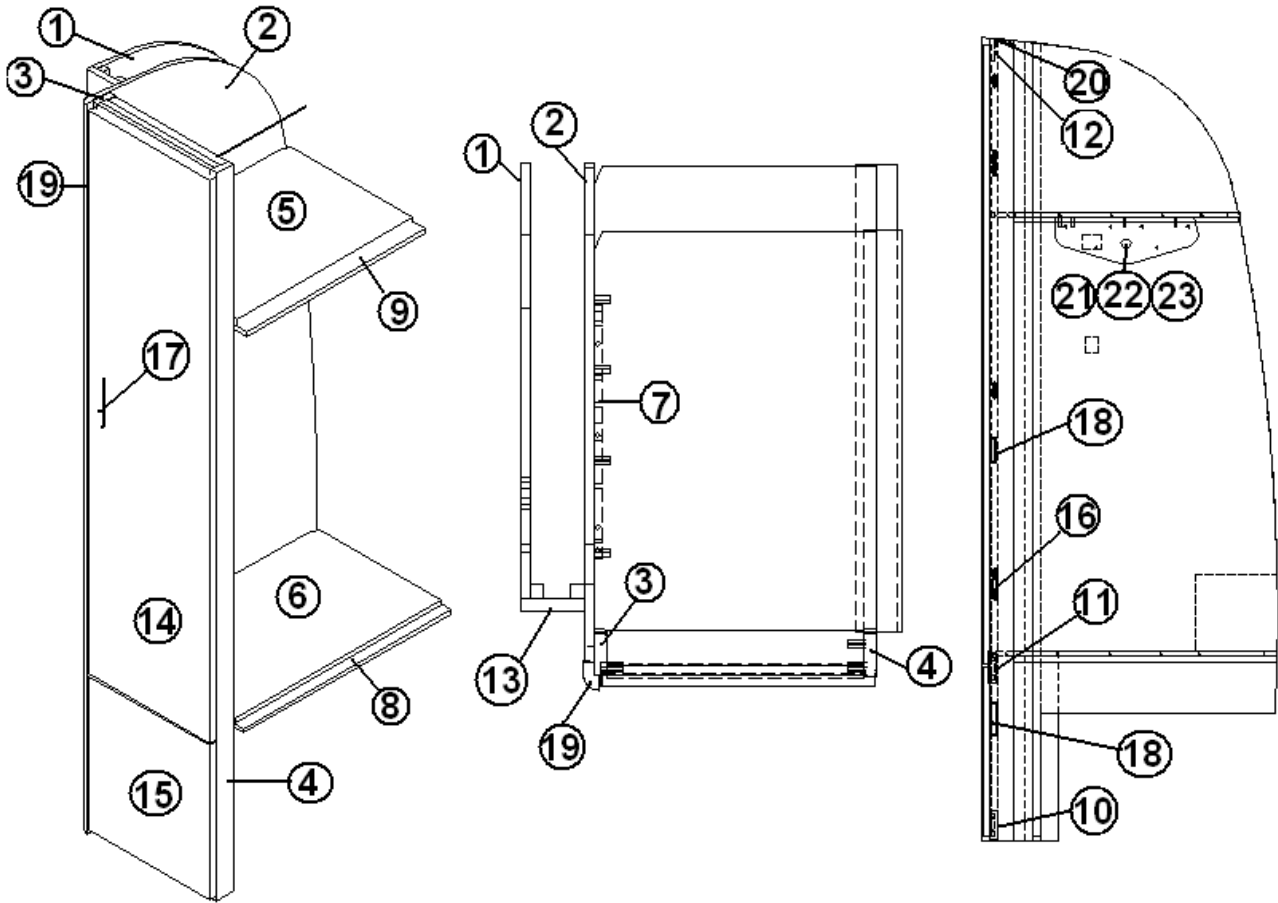
FURNITURE, GALLEY

Refrigerator Cabinet, 19'

966952-09	CABINET, REFRIGERATOR
1. 966952-091	PANEL, REFER CABINET, 27.33 X 53.75
2. 966952-092	PANEL, REFER CABINET, 4.50 X 20.50
3. 966952-093	PANEL, REFER CABINET, 3.00 X 20.50
4. 966952-094	PANEL, REFER CABINET, 3.68 X 19.50
5. 966952-095	PANEL, REFER CABINET, 3.68 X 19.50
6. 966952-096	PANEL, REFER CABINET, 3.68 X 19.50
7. 966952-097	PANEL, REFER CABINET, 2.50 X 19.50
8. 966952-098	PANEL, REFER CABINET, 2.50 X 19.50
9. 966952-099	PANEL, REFER CABINET, 2.50 X 19.50
10. 966952-0910	PANEL, REFER CABINET, 2.50 X 19.50
11. 966952-0911	PANEL, REFER CABINET, 25.83 X 52.50
12. 966952-0912	PANEL, REFER CABINET, 5.14 X 52.50
13. 966952-0913	PANEL, REFER CABINET, 4.25 X 19.50
14. 966952-0914	PANEL, REFER CABINET, 4.12 X 52.50
15. 966952-0915	PANEL, REFER CABINET, 4.75 X 52.50
16. 966952-0916	PANEL, REFER CABINET, 1.44 X 23.94
17. 966952-0917	PANEL, REFER CABINET, 1.50 X 23.94
18. 966952-0918	PANEL, REFER CABINET, 2.94 X 23.94
19. 966952-0919	PANEL, REFER CABINET, 2.94 X 23.94
20. 966952-0920	PANEL, REFER CABINET, 2.94 X 23.94
21. 966952-0921	PANEL, REFER CABINET, 4.25 X 52.50
22. 966952-0922	PANEL, REFER CABINET, 4.25 X 52.50
23. 966952-0923	PANEL, REFER CABINET, 8.69 X 26.19
24. 966952-0924	PANEL, REFER CABINET, 9.50 X 26.19
25. 966952-0925	PANEL, REFER CABINET, 3.75 X 52.50
26. 966952-0926	PANEL, REFER CABINET, 3.75 X 52.50
27. 801706-0014	TRIM-CORNER 90D 1"RADIUS, ALCHEMY, 84"
28. 966952-0931	TOP, REFER CABINET, 24.88 X 32.75
28. 966952-1031	TOP, REFER CABINET, 24.88 X 32.75, GRANITE
29. 966952-0932	DOOR, 23.63 X 11.69
30. 966952-0933	DOOR, 20.00 X 31.31
31. 382044	HANDLE, BRUSHED NICKEL
32. 381607	HINGE, GRASS EURO
33. 381228-01	DOOR CATCH GRABBER
34. 964519-0014	BLOCK, POCKET DOOR LATCH
35. 966956-09	SHELF ASSEMBLY, CLOSEOUT
36. 203138-04	PLASTIC WALL EXTRUSION, 1/2
37. 381479-01	HINGE, BUTT, 2"X1.38"
381074	CATCH BULL DOG (COPPER)
965630	STAND ASSEMBLY, REFER

2009 FLYING CLOUD FURNITURE, GALLEY

Wardrobe, Aft, 23'



Part numbers are on the next page.

2009 FLYING CLOUD

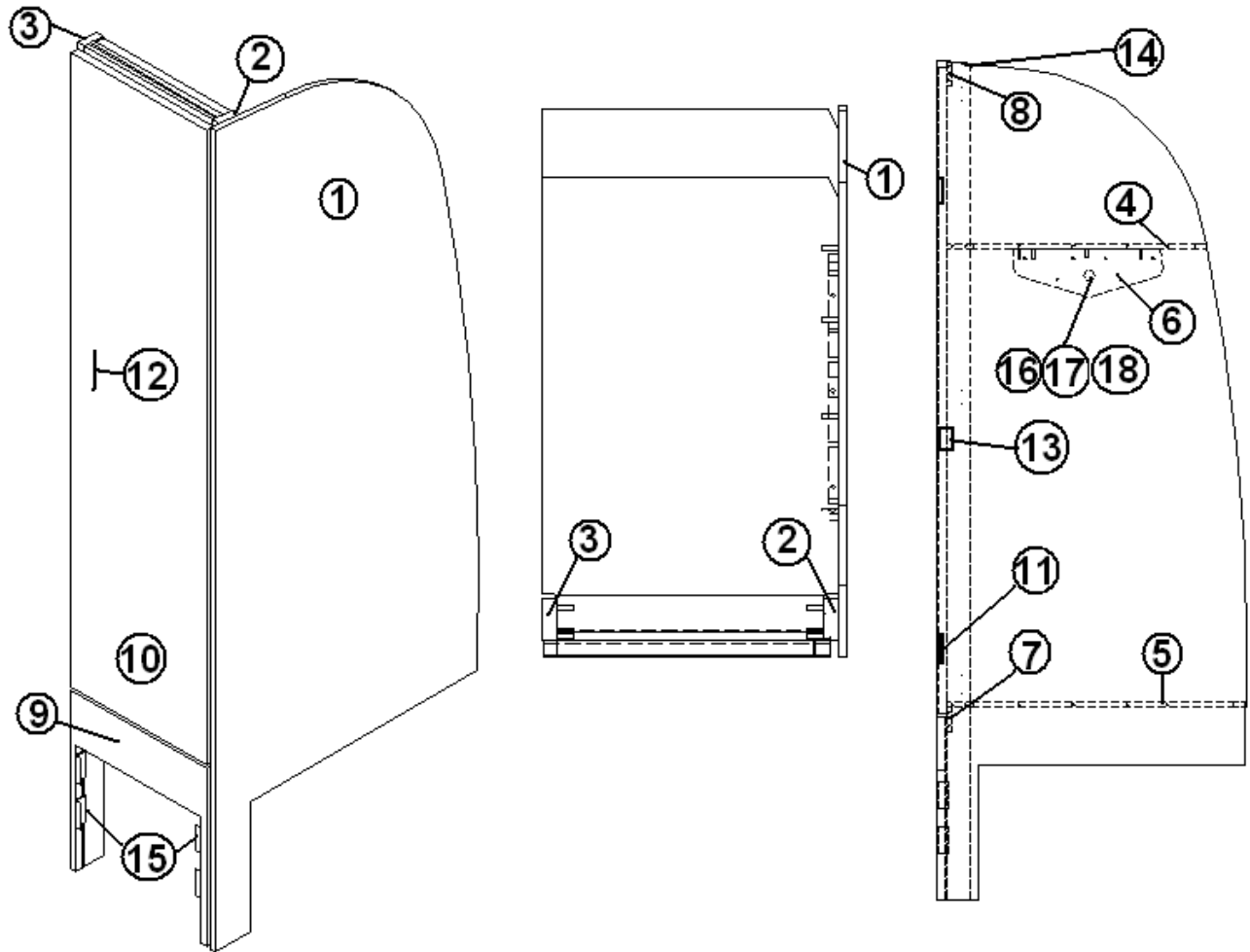
FURNITURE, GALLEY

Wardrobe, Aft, 23'

967387-09	AFT WARDROBE
1. 967387-091	PANEL, AFT WARDROBE, 23.90 X 78.00
2. 967387-092	PANEL, AFT WARDROBE, 27.42 X 78.37
3. 967387-093	PANEL, AFT WARDROBE, 2.25 X 78.00
4. 967387-094	PANEL, AFT WARDROBE, 2.25 X 78.00
5. 967387-095	PANEL, AFT WARDROBE, 15.56 X 24.38
6. 967387-096	PANEL, AFT WARDROBE, 15.56 X 28.15
7. 967387-097	PANEL, AFT WARDROBE, 14.00 X 4.48
8. 967387-098	PANEL, AFT WARDROBE, 25.34 X 2.25
9. 967387-099	PANEL, AFT WARDROBE, 21.75 X 2.25
10. 967387-0910	PANEL, AFT WARDROBE, 2.25 X 14.06
11. 967387-0911	PANEL, AFT WARDROBE, 2.25 X 14.06
12. 967387-0912	PANEL, AFT WARDROBE, 2.25 X 14.06
13. 967387-0913	PANEL, AFT WARDROBE, 78.00 X 3.50
14. 967387-0914	DOOR, AFT WARDROBE, 15.03 X 60.50
15. 967387-0915	DOOR, AFT WARDROBE, 15.03 X 16.57
16. 381607	HINGE, GRASS EURO
17. 382044	HANDLE, BRUSHED NICKEL
18. 381228-01	CATCH, GRABBER DOOR
19. 801706-0014	TRIM, CORNER, 90D, 1" RADIUS, 84"
20. 115085	ANGLE, ALUMINUM, ROOFLOCKERS
21. 380045	Clothes rod
22. 200975-04	Conduit, flexible, black (covers clothes rod)
23. 380046	Bracket, clothes rod

2009 FLYING CLOUD FURNITURE, GALLEY

Wardrobe, Forward, 23'



Part numbers are on the next page.

2009 FLYING CLOUD

FURNITURE, GALLEY

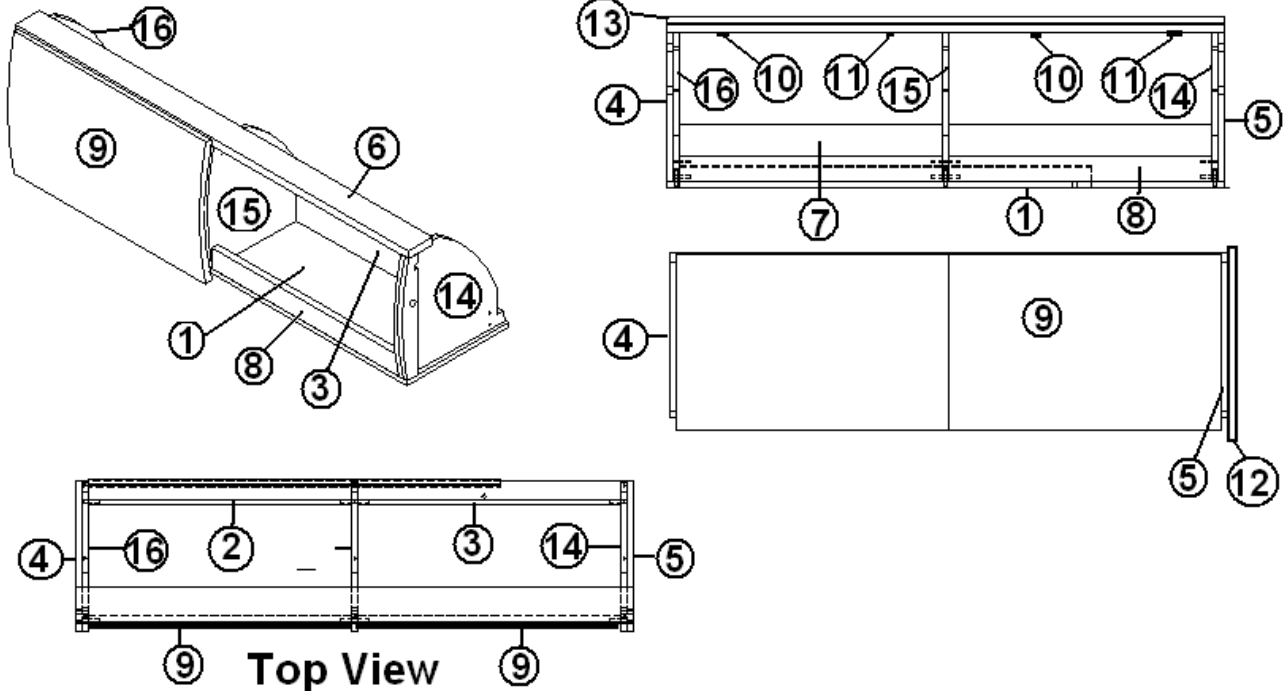
Wardrobe, Forward, 23'

967388-09	FORWARD WARDROBE
1. 967388-091	PANEL, FORWARD WARDROBE, 29.00 X 78.50
2. 967388-092	PANEL, FORWARD WARDROBE, 2.25 X 78.50
3. 967388-093	PANEL, FORWARD WARDROBE, 2.25 X 78.50
4. 967388-094	PANEL, FORWARD WARDROBE, 15.56 X 24.38
5. 967388-095	PANEL, FORWARD WARDROBE, 15.56 X 27.96
6. 967388-096	PANEL, FORWARD WARDROBE, 14.00 X 4.48
7. 967388-097	PANEL, FORWARD WARDROBE, 2.25 X 14.06
8. 967388-098	PANEL, FORWARD WARDROBE, 2.25 X 14.06
9. 967388-099	PANEL, FORWARD WARDROBE, 15.03 X 17.03
10. 967388-0910	DOOR, FORWARD WARDROBE, 15.03 X 60.50
11. 381607	HINGE, GRASS EURO
12. 382044	HANDLE, BRUSHED NICKEL
13. 381228-01	CATCH, GRABBER DOOR
14. 115085	ANGLE, ALUMINUM, ROOFLOCKERS
15. 114812	ALUMINUM ANGLE, 1.00 X 1.00
16. 380045	Clothes rod
17. 200975-04	Conduit, flexible, black (covers clothes rod)
18. 380046	Bracket, clothes rod

2009 FLYING CLOUD

FURNITURE, GALLEY

Roof Locker, Galley, 23'

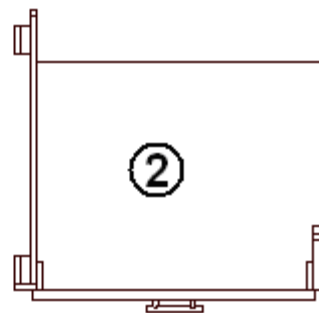
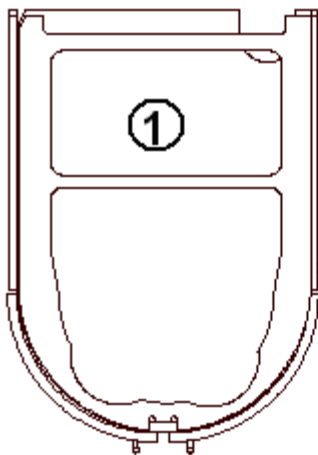
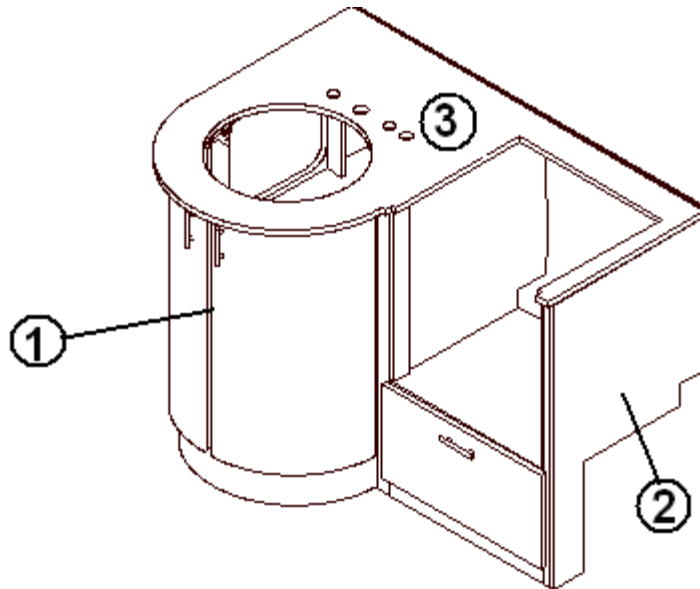


967390-09	GALLEY ROOF LOCKER
1. 967390-091	PANEL, GALLEY ROOF LOCKER, 12.50 X 48.5
2. 967390-092	PANEL, GALLEY ROOF LOCKER, 5.00 X 22.97
3. 967390-093	PANEL, GALLEY ROOF LOCKER, 5.00 X 22.97
4. 967390-094	PANEL, GALLEY ROOF LOCKER, 2.00 X 13.00
5. 967390-095	PANEL, GALLEY ROOF LOCKER, 2.00 X 13.00
6. 967390-096	PANEL, GALLEY ROOF LOCKER, 3.00 X 48.50
7. 967390-097	PANEL, GALLEY ROOF LOCKER, 2.25 X 22.97
8. 967390-098	PANEL GALLEY ROOF LOCKER 2.25 X 22.97
9. 801786-1114	DOOR GALLEY ROOF LOCKER 15.25 X 23.63
10. 381840-01	HINGE, OVERHEAD SPRING LH
11. 381840-02	HINGE, OVERHEAD SPRING RH
12. 967275	CAP ASSEMBLY, END, 14.76 X 17.07
13. 115085	ANGLE ALUMINUM, ROOFLOCKER
14. 967274-01	DIVIDER, RH, ROOF LOCKER, 12.53 X 13.00
15. 967274-03	DIVIDER, LH, ROOF LOCKER, 12.53 X 13.00
16. 967274-02	DIVIDER, LH, ROOF LOCKER, 12.53 X 13.00

2009 FLYING CLOUD

FURNITURE, GALLEY

Galley, 23'

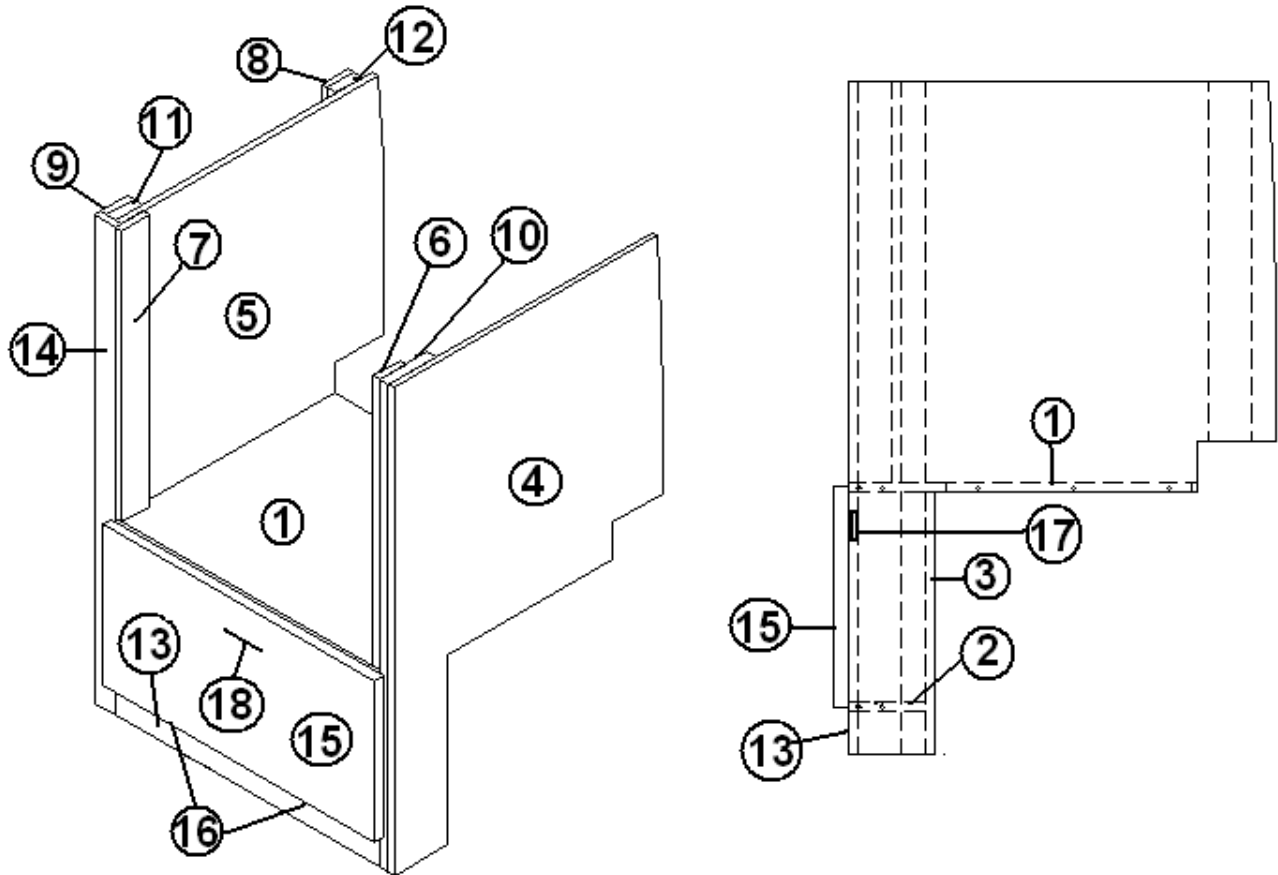


- | | |
|--------------|----------------------------|
| 967392-09 | Galley, 23' |
| 1. 966943-09 | Galley, forward section |
| 2. 966944-09 | Galley, aft section |
| 3. 967391-09 | Galley top |
| 3. 967391-10 | Galley top, granite option |

2009 FLYING CLOUD

FURNITURE, GALLEY

Galley, 23', Aft Section



Part numbers are on the next page.

2009 FLYING CLOUD

FURNITURE, GALLEY

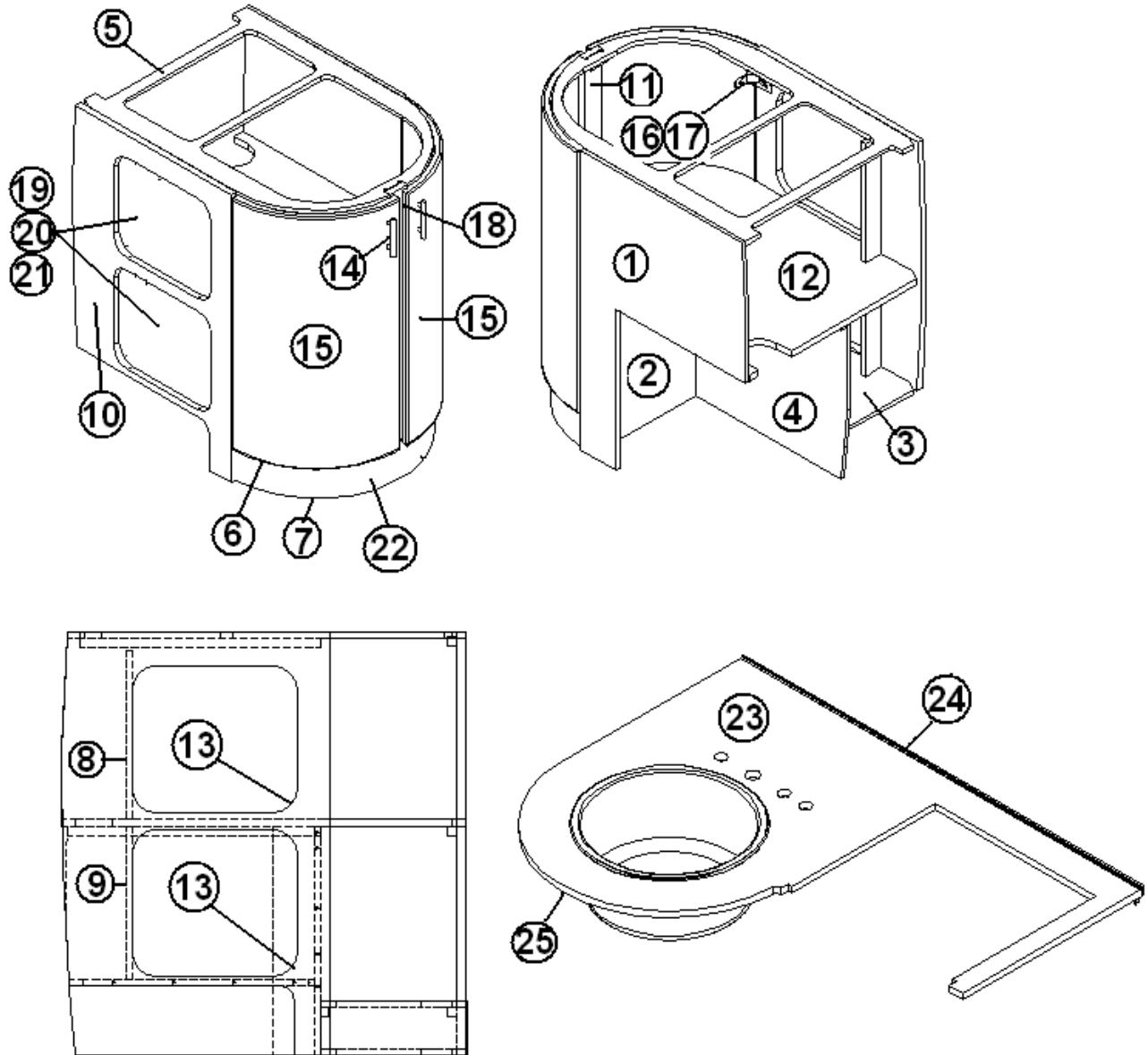
Galley, 23', Aft Section

966944-09	GALLEY, AFT SECTION
1. 966944-1	PANEL, AFT GALLEY, 18.36 X 22.87
2. 966944-2	PANEL, AFT GALLEY, 22.13 X 4.00
3. 966944-3	PANEL, AFT GALLEY, 23.46 X 13.81
4. 966944-4	PANEL, AFT GALLEY, 22.58 X 35.5
5. 966944-5	PANEL, AFT GALLEY, 22.08 X 35.5
6. 966944-6	PANEL, AFT GALLEY, 2.25 X 21.19
7. 966944-7	PANEL, AFT GALLEY, 2.25 X 21.19
8. 966944-8	PANEL, AFT GALLEY, 2.25 X 19.00
9. 966944-9	PANEL, AFT GALLEY, 2.25 X 35.5
10. 966944-10	PANEL, AFT GALLEY, 4.00 X 35.5
11. 966944-11	PANEL, AFT GALLEY, 2.25 X 35.50
12. 966944-12	PANEL, AFT GALLEY, 2.25 X 19.00
13. 966944-13	PANEL, AFT GALLEY, 2.25 X 22.13
14. 966944-14	PANEL, AFT GALLEY, 1.81 X 35.50
15. 966944-15	DOOR-GALLEY 22.81 X 11.69
16. 381607	HINGE, GRASS EURO
17. 381228-01	CATCH, GRABBER DOOR C3-803
18. 382044	HANDLE, BRUSHED NICKEL

2009 FLYING CLOUD

FURNITURE, GALLEY

Galley, 23', Forward Section



Part numbers are on the next page.

2009 FLYING CLOUD

FURNITURE, GALLEY

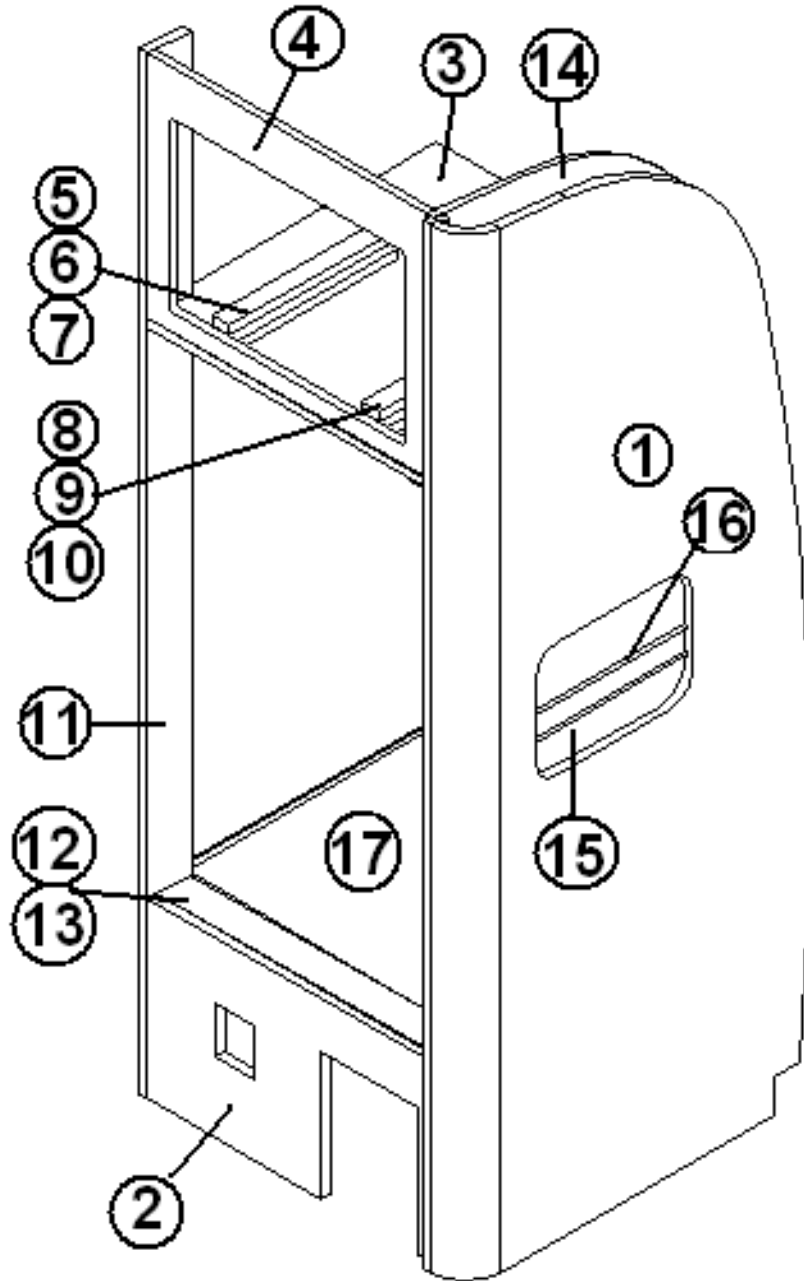
Galley, 23', Forward Section

966943-09	GALLEY, FORWARD SECTION
1. 966943-1	PANEL, FORWARD GALLEY, 5.50
2. 966943-2	PANEL, FORWARD GALLEY, 23.83 X 19.13
3. 966943-3	PANEL, FORWARD GALLEY, 20.50 X 9.25
4. 966943-4	PANEL, FORWARD GALLEY, 19.13 X 20.82
5. 966943-5	PANEL, FORWARD GALLEY, 24.91 X 33.87
6. 966943-6	PANEL, FORWARD GALLEY, 23.50 X 12.19
7. 966943-7	PANEL, FORWARD GALLEY, 23.5 X 12.19
8. 966943-8	PANEL, FORWARD GALLEY, 14.13 X 2.25
9. 966943-9	PANEL, FORWARD GALLEY, 12.75 X 2.25
10. 966943-10	PANEL, FORWARD GALLEY, 35.50 X 22.57
11. 966943-11	PANEL, FORWARD GALLEY, 2.44 X 35.5
12. 966943-12	PANEL, FORWARD GALLEY, 24.91 X 33.87
13. 203445	T-MOLDING, BLACK, .5
14. 382044	HANDLE, BRUSHED NICKEL
15. 801787-0114	DOOR, RADIUS, 16.97 X 31.00
16. 381607	HINGE, GRASS EURO
17. 381808	BRACKET, FACE MOUNT, HINGE
18. 381856	CATCH, TENSION, 2-BALL, CHROME
19. 381654	HINGE, NON BORE, GLASS DOOR, BLACK
20. 381707	STRIKE W/PULL, GLASS DOOR, BLACK
21. 371391	DOOR-GLASS 11.56" X13.06" GAL
22. 115309	TOE KICK, GALLEY, ALUMINUM
23. 967391	TOP ASSEMBLY, GALLEY
23.967391-10	TOP ASSEMBLY, GALLEY, GRANITE OPTION
24. 114812	ALUMINUM ANGLE, 1.00 X 1.00
25. 115064	TRIM, ALUMINUM, COUNTER TOP
381708	WASTEBASKET, 11.38 X 8.25 X 12.00

2009 FLYING CLOUD

FURNITURE, GALLEY

Refrigerator/Standard Microwave Cabinet, 23'



Part numbers are on the next page.

2009 FLYING CLOUD

FURNITURE, GALLEY

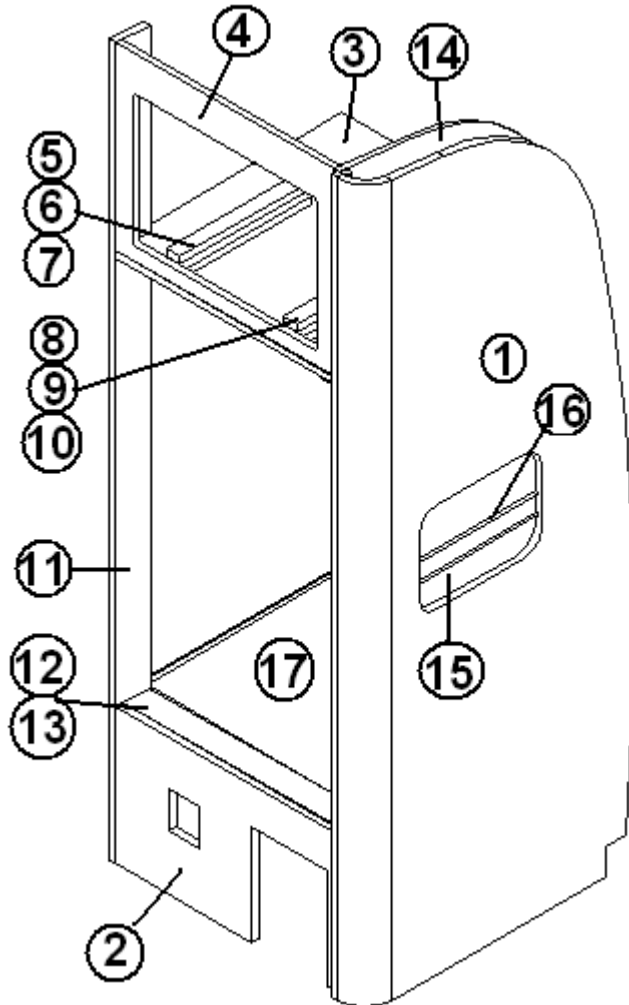
Refrigerator/Standard Microwave Cabinet, 23'

967385-09	REFRIGERATOR CABINET ASSEMBY
1. 967384	PANEL, REFER
2. 967385-092	PANEL, REFER CABINET, 23.94 X 14.88
3. 967385-093	PANEL, REFER CABINET, 25.56 X 24.69
4. 967385-094	PANEL, REFER CABINET, 19.81 X 23.94
5. 967385-095	PANEL, REFER CABINET, 1.50 X 14.50
6. 967385-096	PANEL, REFER CABINET
7. 967385-097	PANEL, REFER CABINET, 1.50 X 14.50
8. 967385-098	PANEL, REFER CABINET, 1.50 X 14.50
9. 967385-099	PANEL, REFER CABINET, 1.50 X 14.50
10. 967385-0910	PANEL, REFER CABINET, 1.50 X 14.50
11. 967385-0911	PANEL, REFER CABINET, 3.75 X 78.13
12. 967385-0912	PANEL, REFER CABINET, 23.94 X 3.00
13. 967385-0913	PANEL, REFER CABINET, 23.94 X 3.00
14. 967385-0914	PANEL, REFER CABINET, 26.03
15. 203383	RACK, MAGAZINE
16. 115042	ROD, .25" ALUMINUM, 6' LENGTH
17. 967385-0915	PANEL, REFER CABINET, 43.87 X 26.22
966480	STAND, REFER
101134	ANGLE, ALUMINUM, 1/8" X 1" X 1.5"
203385	TRIM-"F"SELF EDGING CLEAR#SE-1

2009 FLYING CLOUD

FURNITURE, GALLEY

Refrigerator/Convection Microwave Cabinet, 23'



Part numbers are on the next page.

2009 FLYING CLOUD

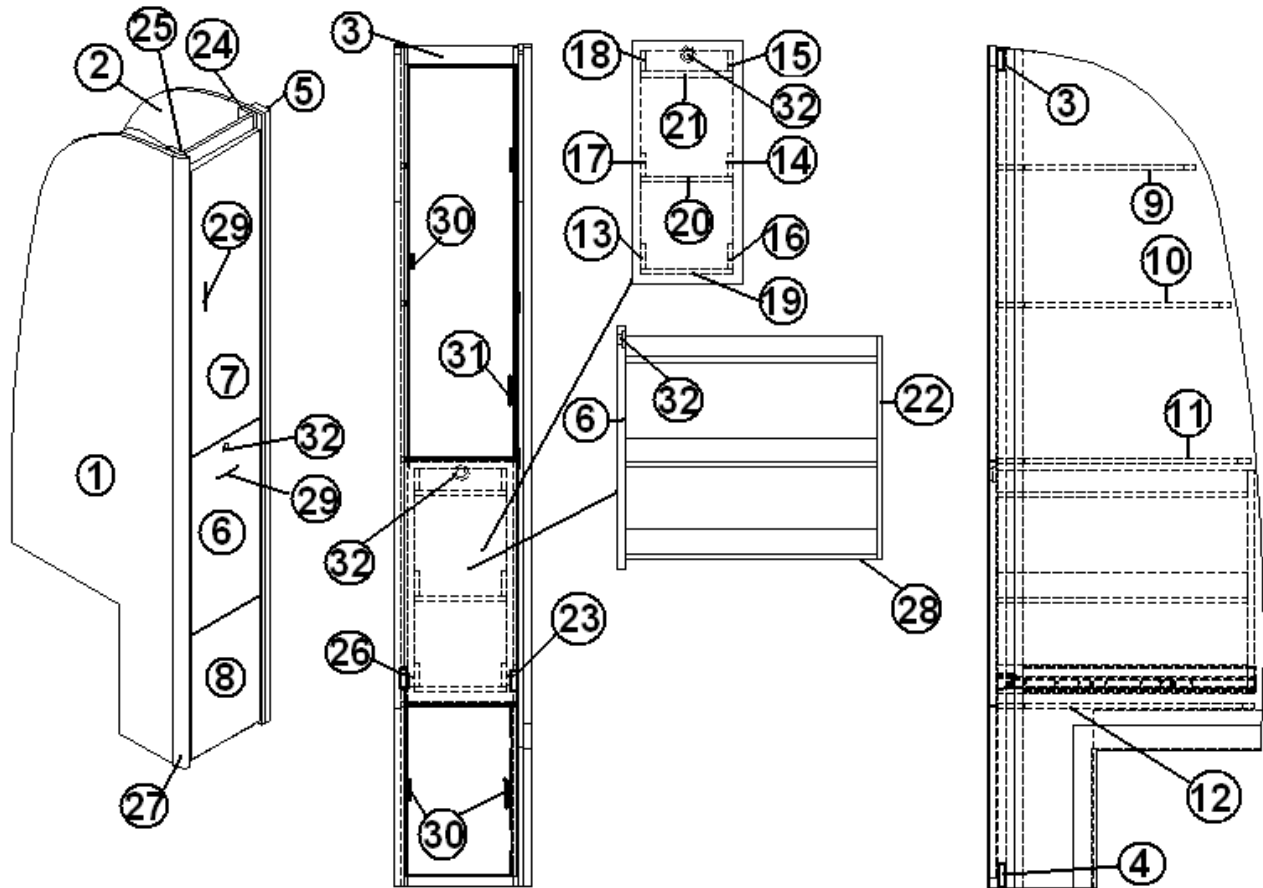
FURNITURE, GALLEY

Refrigerator/Convection Microwave Cabinet, 23'

967386-09	REFRIGERATOR CABINET ASSEMBY
1. 967384	PANEL, REFER
2. 967386-092	PANEL, REFER CABINET, 23.94 X 14.88
3. 967386-093	PANEL, REFER CABINET, 25.56 X 24.69
4. 967386-094	PANEL, REFER CABINET, 19.81 X 23.94
5. 967386-095	PANEL, REFER CABINET, 1.50 X 14.50
6. 967386-096	PANEL, REFER CABINET
7. 967386-097	PANEL, REFER CABINET, 1.50 X 14.50
8. 967386-098	PANEL, REFER CABINET, 1.50 X 14.50
9. 967386-099	PANEL, REFER CABINET, 1.50 X 14.50
10. 967386-0910	PANEL, REFER CABINET, 1.50 X 14.50
11. 967386-0911	PANEL, REFER CABINET, 3.75 X 78.13
12. 967386-0912	PANEL, REFER CABINET, 23.94 X 3.00
13. 967386-0913	PANEL, REFER CABINET, 23.94 X 3.00
14. 967386-0914	PANEL, REFER CABINET, 26.03
15. 203383	RACK, MAGAZINE
16. 115042	ROD, .25" ALUMINUM, 6' LENGTH
17. 967386-0915	PANEL, REFER CABINET, 43.87 X 26.22
966480	STAND, REFER
101134	ANGLE, ALUMINUM, 1/8" X 1" X 1.5"
203385	TRIM-"F"SELF EDGING CLEAR#SE-1

2009 FLYING CLOUD FURNITURE, GALLEY

Pantry, 23'



Part numbers are on the next page.

2009 FLYING CLOUD

FURNITURE, GALLEY

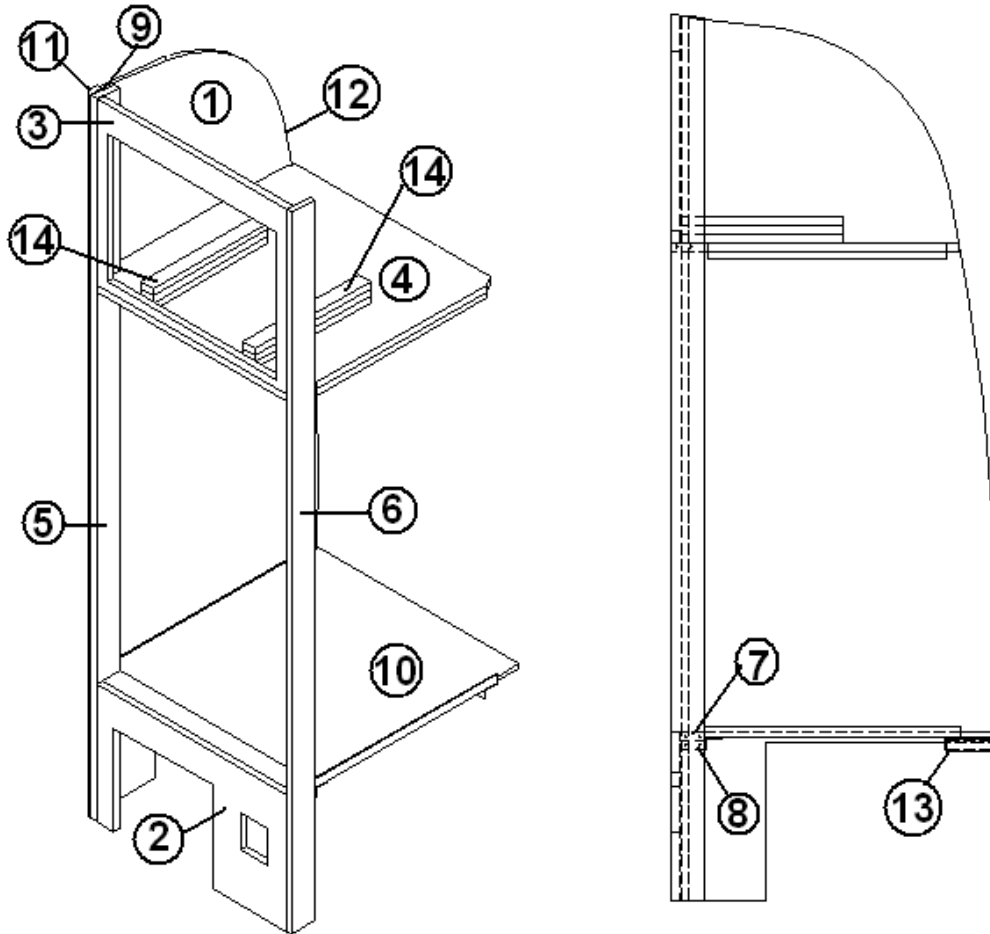
Pantry, 23'

967389-09	PANTRY ASSEMBLY
1. 967389-091	PANEL, PANTRY, 23.89 X 77.87
2. 967389-092	PANEL, PANTRY, 25.44 X 78.13
3. 967389-093	PANEL, PANTRY, 2.25 X 9.75
4. 967389-094	PANEL, PANTRY, 2.25 X 9.75
5. 967389-095	PANEL, PANTRY, 2.25 X 78.04
6. 967389-096	DOOR, PANTRY, 10.38 X 22.63
7. 967389-097	DOOR, PANTRY, 10.38 X 36.62
8. 967389-098	DOOR, PANTRY, 10.38 X 15.88
9. 967389-099	PANEL, PANTRY, 11.00 X 18.44
10. 967389-0910	PANEL, PANTRY, 11.00 X 21.63
11. 967389-0911	PANEL, PANTRY, 11.00 X 23.44
12. 967389-0912	PANEL, PANTRY, 11.00 X 23.88
13. 967389-0913	PANEL, PANTRY, 2.25 X 23.38
14. 967389-0914	PANEL, PANTRY, 2.25 X 23.38
15. 967389-0915	PANEL, PANTRY, 2.25 X 23.38
16. 967389-0916	PANEL, PANTRY, 2.25 X 23.38
17. 967389-0917	PANEL, PANTRY, 2.25 X 23.38
18. 967389-0918	PANEL, PANTRY, 2.25 X 23.38
19. 967389-0919	PANEL, PANTRY, 8.63 X 23.38
20. 967389-0920	PANEL, PANTRY, 8.63 X 23.38
21. 967389-0921	PANEL, PANTRY, 8.63 X 23.38
22. 967389-0922	PANEL, PANTRY, 8.63 X 20.75
23. 967389-0923	PANEL, PANTRY, 21.69 X 2.25
24. 967389-0924	PANEL, PANTRY, 2.25 X 78.13
25. 967389-0925	PANEL, PANTRY, 2.25 X 78.13
26. 967389-0926	PANEL, PANTRY, 21.69 X 2.25
27. 801706-0014	TRIM, CORNER, 90D, 1" RADIUS
28. 381925	SLIDE, DRAWER, 24" SIDE
29. 382044	HANDLE, BRUSHED NICKEL
30. 381228-01	CATCH, GRABBER DOOR
31. 381607	HINGE, GRASS EURO
32. 381408	LOCK, PUSH, BUTTON STYLE, BLACK
966503	SPACER, BED/PANTRY
203636	STORAGE BOX, 24.5" X 17.75" X 7.25"

2009 FLYING CLOUD

FURNITURE, GALLEY

Refrigerator/Microwave Cabinet, 23' Front Bed

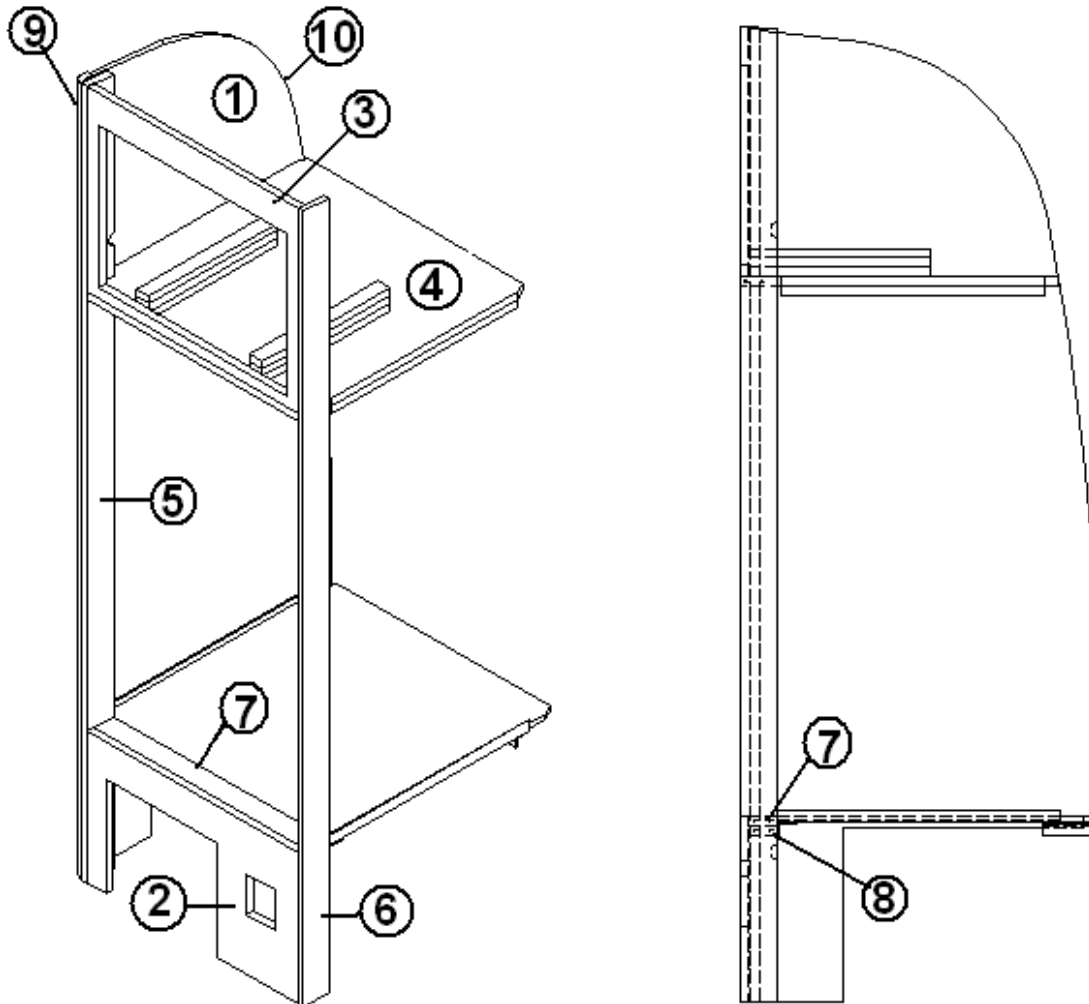


967309-09		REFER/CONVECTION MW CABINET
1.	967309-091	PANEL, 27.22 X 78.10
2.	967309-092	PANEL, 23.94 X 14.88
3.	967309-093	PANEL, 23.94 X 20.16
4.	967309-094	PANEL, 25.56 X 25.50
5.	967309-095	PANEL, 3.00 X 78.39
6.	967309-096	PANEL, 3.00 X 78.39
7.	967309-097	PANEL, 2.25 X 23.94
8.	967309-098	PANEL, 2.25 X 23.94
9.	967309-099	PANEL, 2.125 X 78.32
10.	967309-0910	PANEL, 25.25 X 25.75
11.	801706-0014	CORNER TRIM 90 DEG 1" RADIUS, OAK
12.	203138-04	EXTRUSION, PLASTIC 1/2" OAK W
13.	967176	REFRIGERATOR STAND ASSY.
14.	967309-0917	PANEL, 1.50 X 14.50

2009 FLYING CLOUD

FURNITURE, GALLEY

Refrigerator/Convection Microwave Cabinet, 23' Front Bed

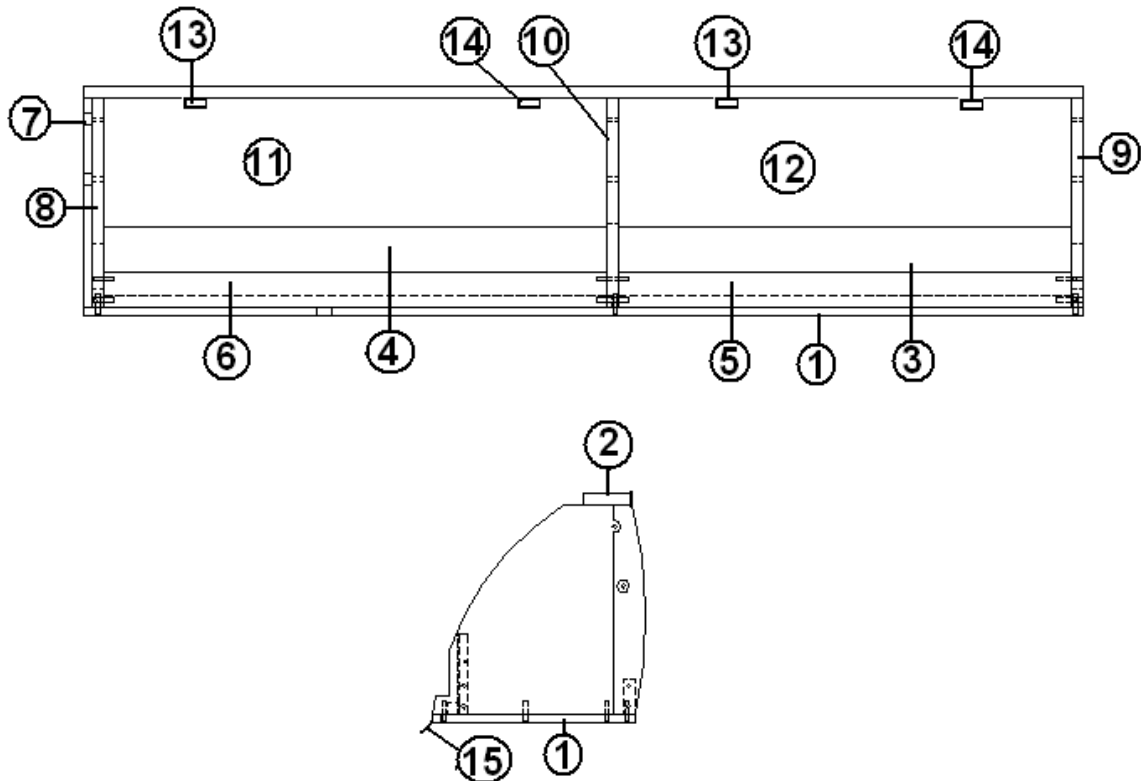


967310-09	REFIGERATOR CABINET, W/CON. MICROWAVE
1. 967310-091	PANEL, REFER/CONV. MICRO., 27.22 X 78.10
2. 967310-092	PANEL, REFER/CONV. MICRO., 23.94 X 14.88
3. 967310-093	PANEL, REFER/CONV. MICRO., 23.94 X 20.16
4. 967310-094	PANEL, REFER/CONV. MICRO., 25.56 X 25.50
5. 967310-095	PANEL, REFER/CONV. MICRO., 3.00 X 78.39
6. 967310-096	PANEL, REFER/CONV. MICRO., 3.00 X 78.39
7. 967310-097	PANEL, REFER/CONV. MICRO., 2.25 X 23.94
8. 967310-098	PANEL, REFER/CONV. MICRO., 2.25 X 23.94
9. 801393-0014	CORNER TRIM, 90 D, 1" RADIUS
10. 203138-04	EXTRUSION, PLASTIC 1/2" OAK
11. 967176	STAND, REFRIGERATOR

2009 FLYING CLOUD

FURNITURE, GALLEY

Roof locker, Galley, 23' Front Bed

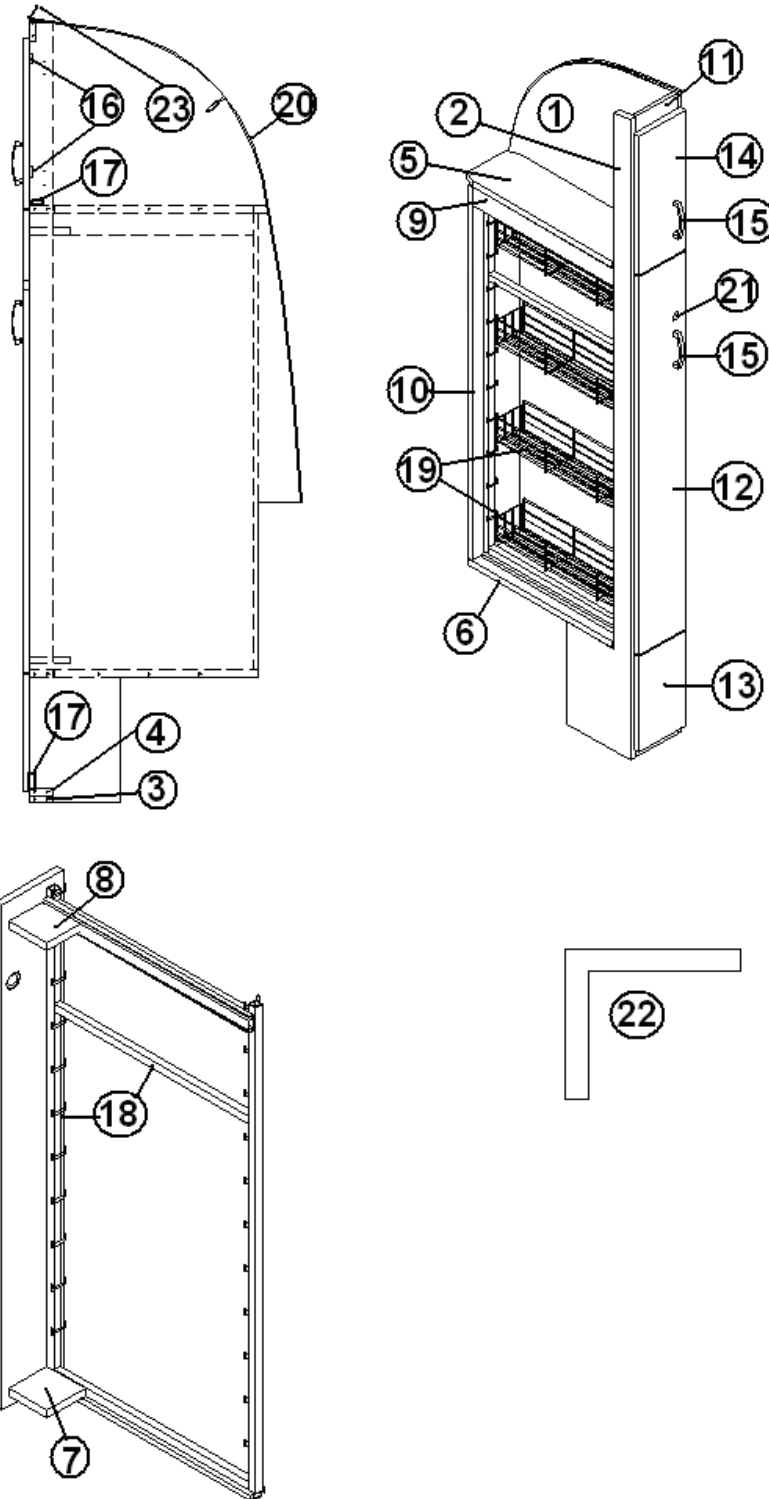


967315-09	ROOFLOCKER, GALLEY
1. 967315-091	PANEL, 12.5 X 61.88
2. 967315-092	PANEL, 3.00 X 61.88
3. 967315-093	PANEL, 27.97 X 5.00
4. 967315-094	PANEL, 31.10 X 5.00
5. 967315-095	PANEL, 27.97 X 2.25
6. 967315-096	PANEL, 31.10 X 2.25
7. 967315-097	PANEL, 2.00 X 13.00
8. 967315-098	PANEL, 13.18 X 13.00
9. 967186-039	PANEL, 13.18 X 13.00
10. 967315-0910	PANEL, 11.68 X 13.00
11. 801786-0314	DOOR, PLYFORM, 15.25" X 31.63"
12. 801786-0214	DOOR PLYFORM, 15.25" X 28.38"
13. 381840-01	HINGE, OVERHEAD SPRING, LH
14. 381840-02	HINGE, OVERHEAD SPRING, RH
15. 115085	ANGLE , ALUMINUM
511227-01	RACEWAY, WIRING, WHITE

2009 FLYING CLOUD

FURNITURE, GALLEY

Pantry, 23' Front Bed



Part numbers are on the next page.

2009 FLYING CLOUD

FURNITURE, GALLEY

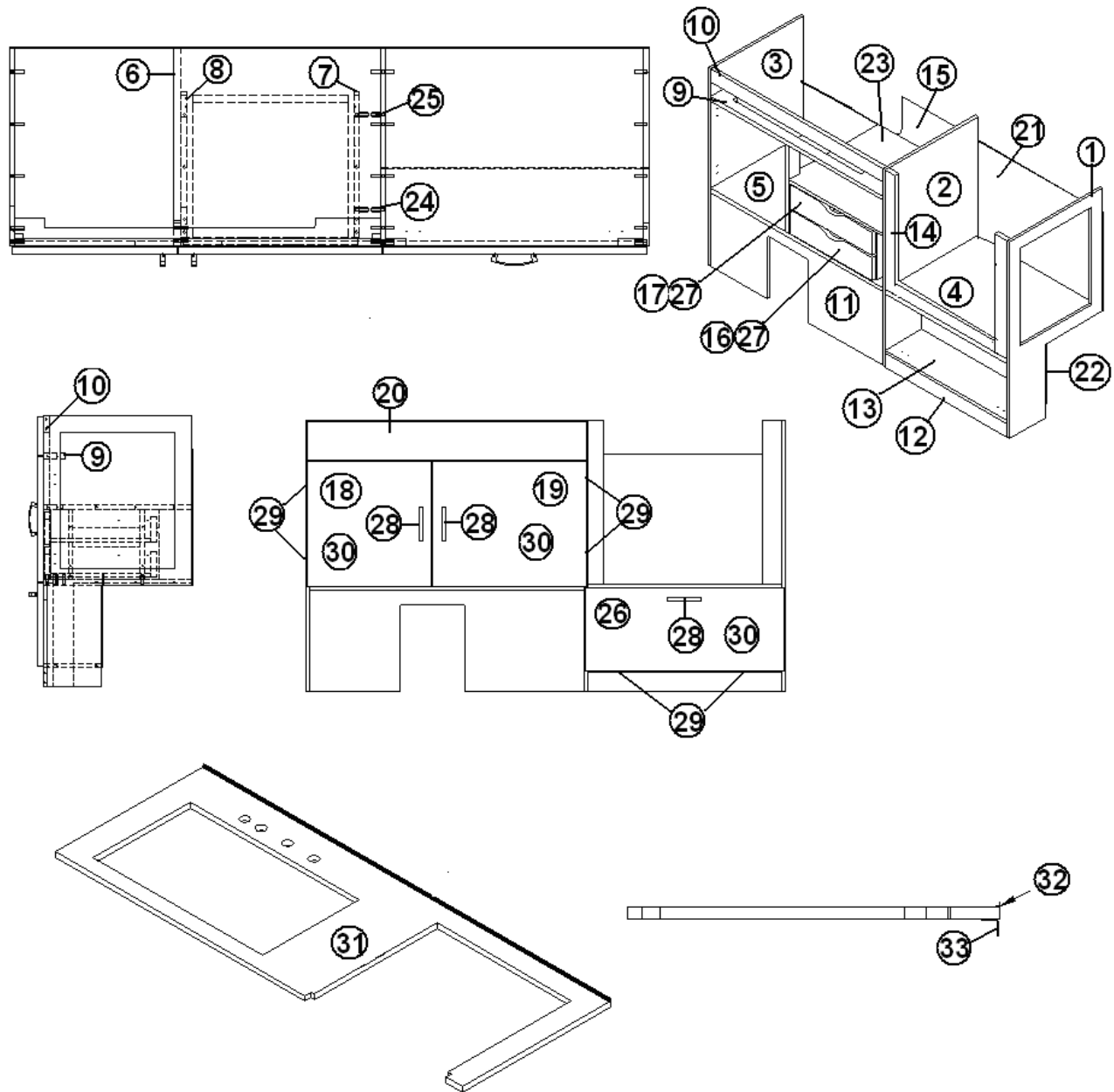
Pantry, 23' Front Bed

967317-09	PANTRY
1. 967317-091	PANEL, 26.87 X 78.09
2. 967317-092	PANEL, 9.00 X 78.25
3. 967317-093	PANEL, 5.88 X 2.25
4. 967317-094	PANEL, 5.88 X 2.25
5. 967317-095	PANEL, 23.63 X 6.63
6. 967317-096	PANEL, 22.75 X 6.63
7. 967317-097	PANEL, 4.00 X 4.00
8. 967317-098	PANEL, 4.00 X 4.00
9. 967317-099	PANEL, 20.00 X 2.25
10. 967317-0910	PANEL, 6.63 X 45.63
11. 967317-0911	PANEL, 5.88 X 2.25
12. 967317-0912	DOOR, 6.50 X 46.25, PANTRY
13. 967317-0913	DOOR, 6.50 X 11.63, PANTRY
14. 967317-0914	DOOR, 6.50 X 17.00, PANTRY
15. 382044	HANDLE, BRUSHED NICKEL
16. 381607	HINGE ASSEMBLY
17. 381228-01	CATCH, GRABBER DOOR, C3-803
18. 381551-01	PANTRY RACK, 1.5"W X 45"H WHITE
19. 381551-02	WIRE BASKET, 4" WIDE, WHITE
20. 203138-04	EXTRUSION, PLASTIC ½", OAK
21. 381408	LOCK, PUSH, BUTTON STYLE, BLACK
22. 966503	SPACER-BED/PANTRY
23. 104821	Roof locker support, 74"
203447	STORAGE BOX, 23.5 "X 16.25" X 6.38"

2009 FLYING CLOUD

FURNITURE, GALLEY

Galley, 23' Front Bed



Part numbers are on the next page.

2009 FLYING CLOUD

FURNITURE, GALLEY

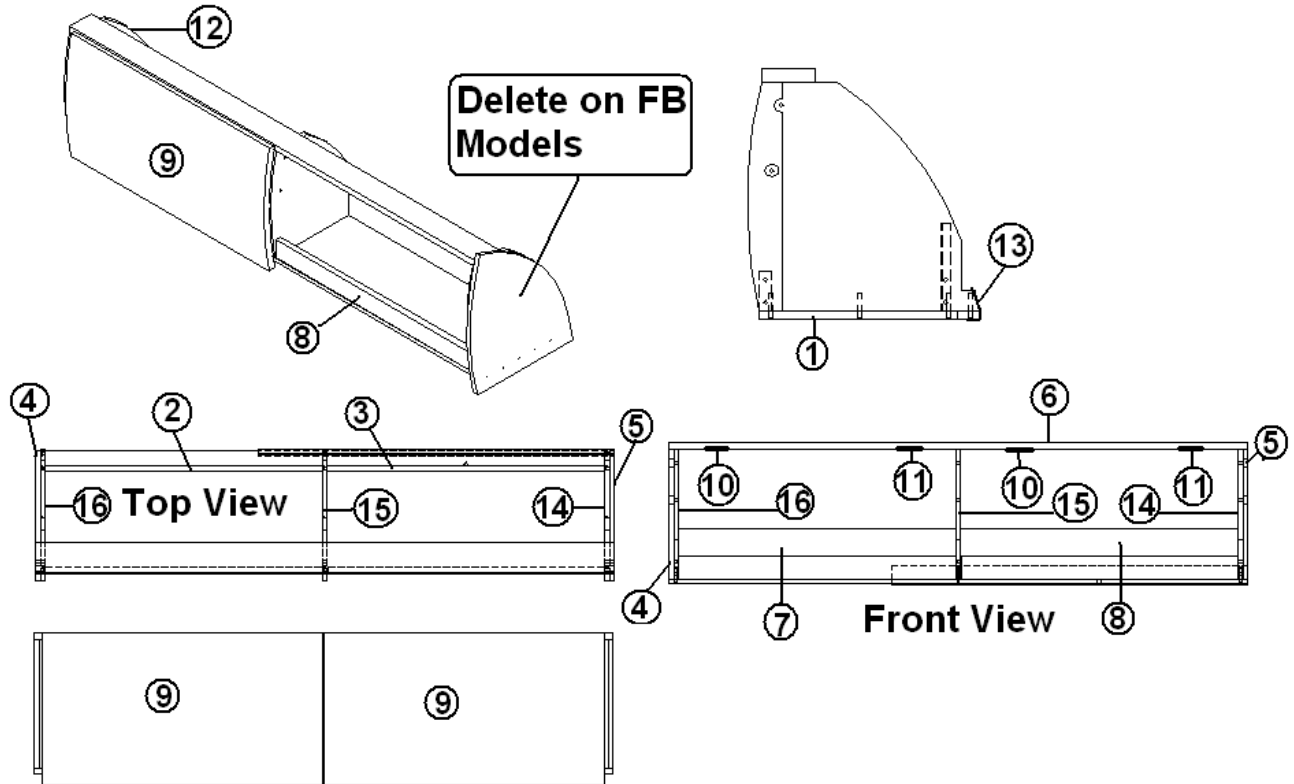
Galley, 23' Front Bed

967313-09	GALLEY
1. 967313-091	PANEL, GALLEY, 19.13 X 35.00
2. 967313-092	PANEL, GALLEY, 19.13 X 35.00
3. 967313-093	PANEL, GALLEY, 19.13 X 35.00
4. 967313-094	PANEL, GALLEY, 19.13 X 25.00
5. 967313-095	PANEL, GALLEY, 19.13 X 35.38
6. 967313-096	PANEL, GALLEY, 19.13 X 15.56
7. 967313-097	PANEL, GALLEY, 14.13 X 9.09
8. 967313-098	PANEL, GALLEY, 14.13 X 9.09
9. 967313-099	PANEL, GALLEY, 2.75 X 35.38
10. 967313-0910	PANEL, GALLEY, 35.38 X 2.25
11. 967313-0911	PANEL, GALLEY, 35.38 X 13.06
12. 967313-0912	PANEL, GALLEY, 25.00 X 2.44
13. 967313-0913	PANEL, GALLEY, 7.50 X 25.00
14. 967313-0933	PANEL, GALLEY, 25.00 X 23.44
15. 967313-0934	PANEL, GALLEY, 35.88 X 13.63
16. 967313-0916	PANEL, GALLEY, 16.88 X 4.13
17. 967313-0917	PANEL, GALLEY, 16.88 X 4.13
18. 967313-0918	DOOR, GALLEY, 16.00 X 16.18
19. 967313-0919	DOOR, GALLEY, 19.88 X 16.18
20. 967313-0920	PANEL, GALLEY, 36.00 X 5.00
21. 967313-0921	PANEL, GALLEY, 17.62 X 61.88
22. 967313-0922	PANEL, GALLEY, 10.62 X 26.00
23. 967313-0923	PANEL, GALLEY, 19.13 X 20.00
24. 967313-0924	PANEL, GALLEY, 2.00 X 9.09
25. 967313-0925	PANEL, GALLEY, 2.00 X 9.09
26. 967313-0926	DOOR, GALLEY, 25.63 X 10.75
27. 965584-02	DRAWER BOX, 3.38" X 13.75" X 13.0
28. 382044	HANDLE-BRUSHED NICKEL
29. 381607	HINGE ASSEMBLY
30. 381228-01	CATCH GRABBER DOOR
31. 967181-09	GALLEY TOP
31. 967181-10	GALLEY TOP, GRANITE OPTION
32. 115064	TRIM, ALUMINUM, COUNTER TOP
33. 114812	ALUMINUM ANGLE, 1.00 X 1.00
381773-02	SLIDE, DRAWER

2009 FLYING CLOUD

FURNITURE, GALLEY

Roof Locker, Galley, 25' Front Bed



Part numbers are on the next page.

2009 FLYING CLOUD

FURNITURE, GALLEY

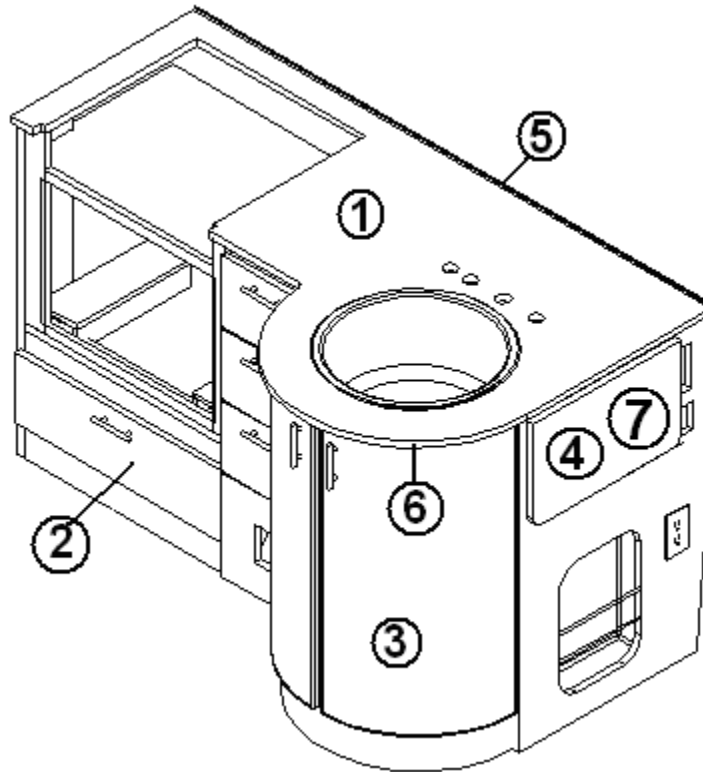
Roof Locker, Galley, 25' Front Bed

967302-09	GALLEY ROOF LOCKER ASSEMBLY
1. 967302-091	PANEL, GALLEY ROOF LOCKER, 12.50 X 58.50
2. 967302-092	PANEL, GALLEY ROOF LOCKER, 5.00 X 27.97
3. 967302-093	PANEL, GALLEY ROOF LOCKER, 5.00 X 27.97
4. 967302-094	PANEL, GALLEY ROOF LOCKER, 2.00 X 13.00
5. 967302-095	PANEL, GALLEY ROOF LOCKER, 2.00 X 13.00
6. 967302-096	PANEL, GALLEY ROOF LOCKER, 3.00 X 58.50
7. 967302-097	PANEL, GALLEY ROOF LOCKER, 2.25 X 27.97
8. 967302-098	PANEL, GALLEY ROOF LOCKER, 2.25 X 27.97
9. 801786-0314	DOOR, PLYFORM, 15.25" X 28.38"
10. 381840-01	HINGE, OVERHEAD SPRING, LH
11. 381840-02	HINGE, OVERHEAD SPRING, RH
12. 967275	CAP ASSEMBLY, END, 14.76 X 17.07
13. 115085	ANGLE, ALUMINUM, ROOFLOCKERS
14. 967274-01	DIVIDER, GALLEY ROOF LOCKER, 12.53 X 13.00
15. 967274-02	DIVIDER, GALLEY ROOF LOCKER, 12.53 X 13.00
16. 967274-03	DIVIDER, GALLEY ROOF LOCKER, 12.53 X 13.00
381902	HOOK, Stainless Steel

2009 FLYING CLOUD

FURNITURE, GALLEY

Galley, 25' Front Bed

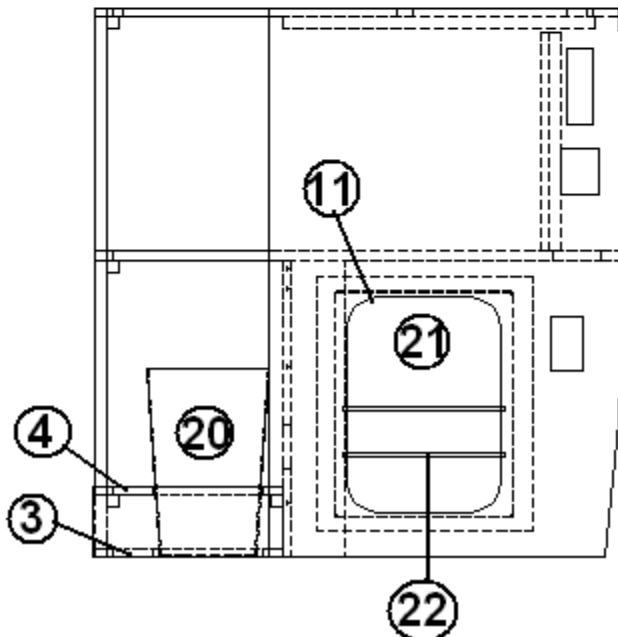
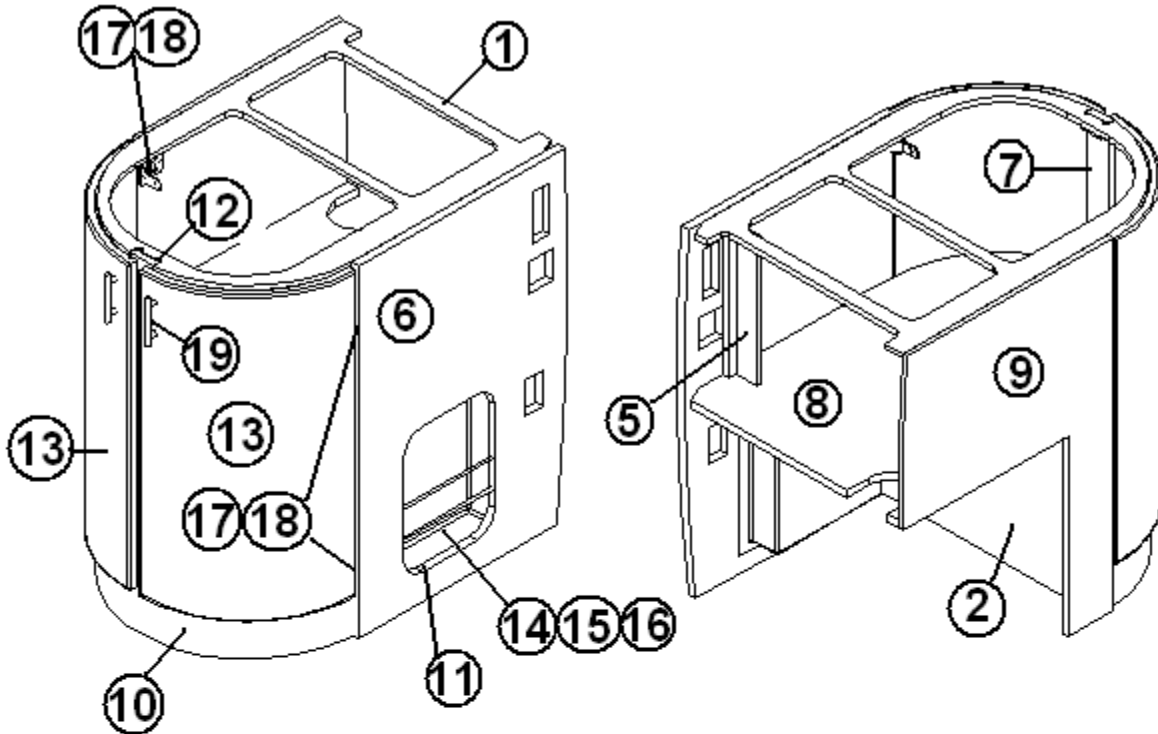


- | | |
|--------------|--------------------------------------|
| 967306 | GALLEY, STANDARD OVEN |
| 967306-10 | GALLEY, CONVECTION MICROWAVE OVEN |
| 1. 967305 | TOP, GALLEY |
| 1. 967305-10 | TOP, GALLEY, GRANITE |
| 2. 966908-09 | GALLEY, OVEN SECTION |
| 2. 966950-09 | GALLEY, CONVECTION MICROWAVE SECTION |
| 3. 966907-09 | GALLEY, AFT SECTION |
| 4. 966910-09 | GALLEY FLIP UP SHELF |
| 5. 114812 | ALUMINUM ANGLE 1.00" X 1.00" |
| 6. 115064 | TRIM, ALUMINUM COUNTER TOP |
| 7. 381614 | BRACKET, FOLDING SHELF, 8" X 8" |

2009 FLYING CLOUD

FURNITURE, GALLEY

Galley, 25' Front Bed, Aft Section



Part Numbers On The Next Page

2009 FLYING CLOUD

FURNITURE, GALLEY

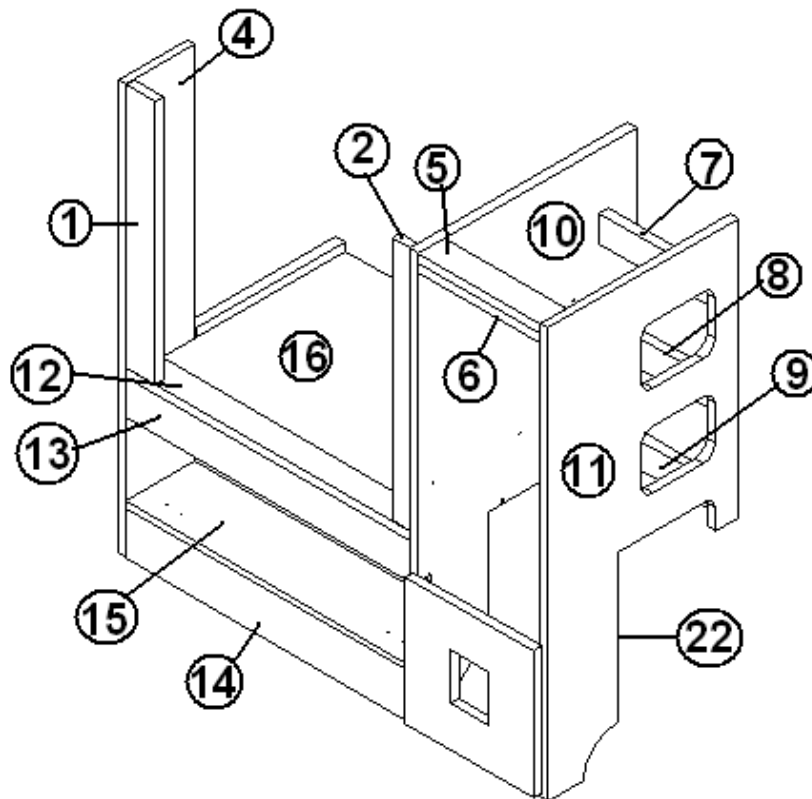
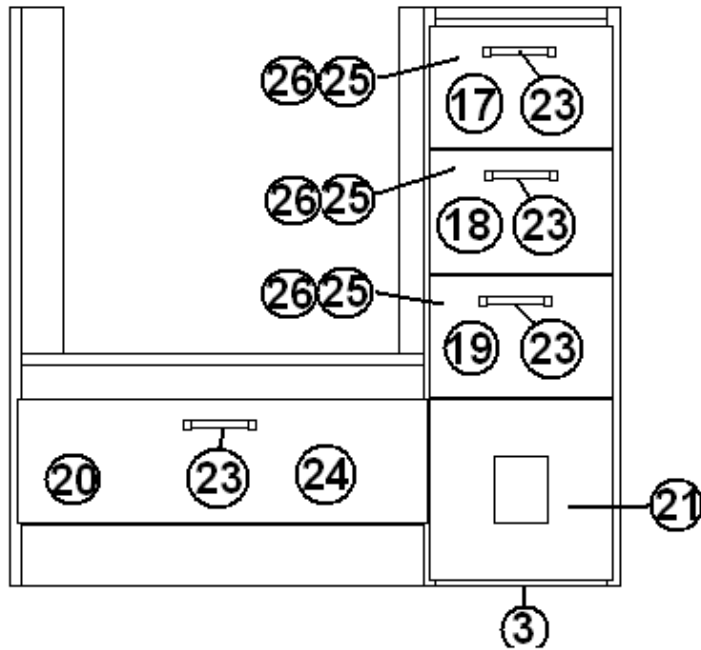
Galley, 25' Front Bed, Aft Section

966907-09	GALLEY, AFT SECTION
1. 966907-091	PANEL, AFT GALLEY, 23.50 X 33.94
2. 966907-092	PANEL, AFT GALLEY, 23.54 X 19.13
3. 966907-093	PANEL, AFT GALLEY, 23.5 X 12.21
4. 966907-094	PANEL, AFT GALLEY, 23.5 X 12.21
5. 966907-095	PANEL, AFT GALLEY, 3.00 X 14.00
6. 966907-096	PANEL, AFT GALLEY, 23.04 X 35.50
7. 966907-097	PANEL, AFT GALLEY, 2.44 X 35.50
8. 966907-098	PANEL, AFT GALLEY, 23.50 X 34.40
9. 966907-099	PANEL, AFT GALLEY, 23.06 X 35.50
10. 115309	TOE KICK, GALLEY, ALUMINUM
11. 203440	MOLDING, BLACK EMBOSSED, .8125"
12. 381856	CATCH, TENSION, 2-BALL CHROME
13. 801787-0114	DOOR, RADIUS FOAM, 16.97" X 31.00"
14. 381654	HINGE, NON BORE, GLASS DOOR, BLACK
15. 381707	STRIKE W/PULL-GLASS DOOR BLACK
16. 371391	DOOR, GLASS, 11.56" X 13.06"
17. 381808	BRACKET, FACE MOUNT, HINGE
18. 381607	HINGE, GRASS EURO
19. 382044	HANDLE, BRUSHED NICKEL
20. 381708	WASTEBASKET, 11.38" X 8.25" X 12.00"
21. 203383	RACK, MAGAZINE
22. 115042	ROD, .25", ALUMINUM, 6' LENGTH
203483	COVER, SINK ROUND, 17.75" NATURAL

2009 FLYING CLOUD

FURNITURE, GALLEY

Galley, 25' Front Bed, Oven Section



Part Numbers on the next page

2009 FLYING CLOUD

FURNITURE, GALLEY

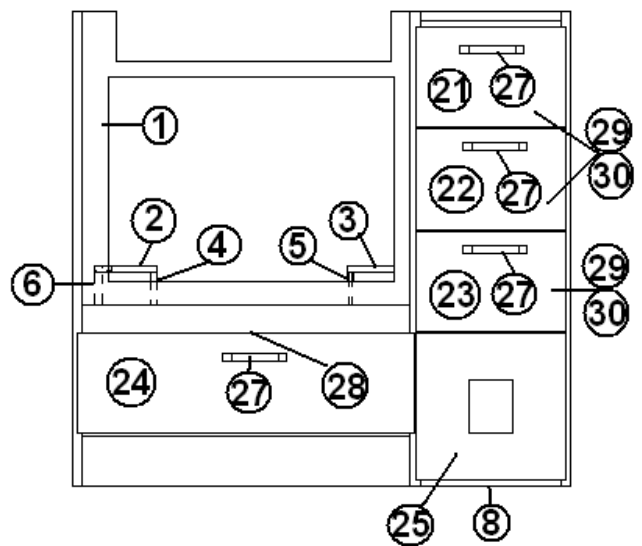
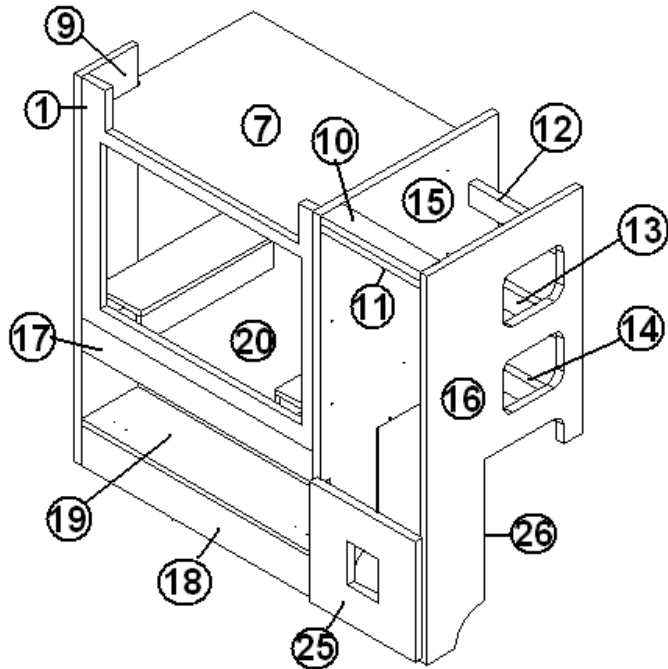
Galley, 25' Front Bed, Oven Section

966908-09	GALLEY CABINET, OVEN SECTION
1. 966908-091	PANEL, GALLEY, OVEN, 2.50 X 21.19
2. 966908-092	PANEL, GALLEY, OVEN, 1.50 X 21.19
3. 966908-093	PANEL, GALLEY, OVEN, 2.25 X 10.50
4. 966908-094	PANEL, GALLEY, OVEN, 6.00 X 35.5
5. 966908-095	PANEL, GALLEY, OVEN, 2.25 X 10.50
6. 966908-096	PANEL, GALLEY, OVEN, 2.25 X 10.50
7. 966908-097	PANEL, GALLEY, OVEN, 2.25 X 10.50
8. 966908-098	PANEL, GALLEY, OVEN, 2.25 X 10.50
9. 966908-099	PANEL, GALLEY, OVEN, 2.25 X 10.50
10. 966908-0910	PANEL, GALLEY, OVEN, 18.88 X 35.50
11. 966908-0911	PANEL, GALLEY, OVEN, 16.44 X 35.50
12. 966908-0912	PANEL, GALLEY, OVEN, 2.25 X 24.50
13. 966908-0913	PANEL, GALLEY, OVEN, 3.00 X 24.50
14. 966908-0914	PANEL, GALLEY, OVEN, 3.75 X 24.50
15. 966908-0915	PANEL, GALLEY, OVEN, 6.00 X 24.50
16. 966908-0916	PANEL, GALLEY, OVEN, 18.38 X 25.25
17. 966908-0917	PANEL, GALLEY, OVEN, 11.13 X 7.50
18. 966908-0918	PANEL, GALLEY, OVEN, 11.13 X 7.50
19. 966908-0919	PANEL, GALLEY, OVEN, 11.13 X 7.50
20. 966908-0920	PANEL, GALLEY, OVEN, 25.13 X 7.50
21. 966908-0921	PANEL, GALLEY, OVEN, 11.13 X 11.00
22. 966908-0922	PANEL, GALLEY, OVEN, 26.00 X 9.31
23. 382044	HANDLE, BRUSHED NICKEL
24. 381228-01	CATCH, GRABBER, DOOR
25. 965560-02	DRAWER BOX, 5.63" X 9.25" X 14.00
26. 381773-15	DRAWER SLIDE, 5.875" X 15.75"

2009 FLYING CLOUD

FURNITURE, GALLEY

Galley, 25' Front Bed, Microwave/3-Burner Section



Part Numbers on the next page

2009 FLYING CLOUD

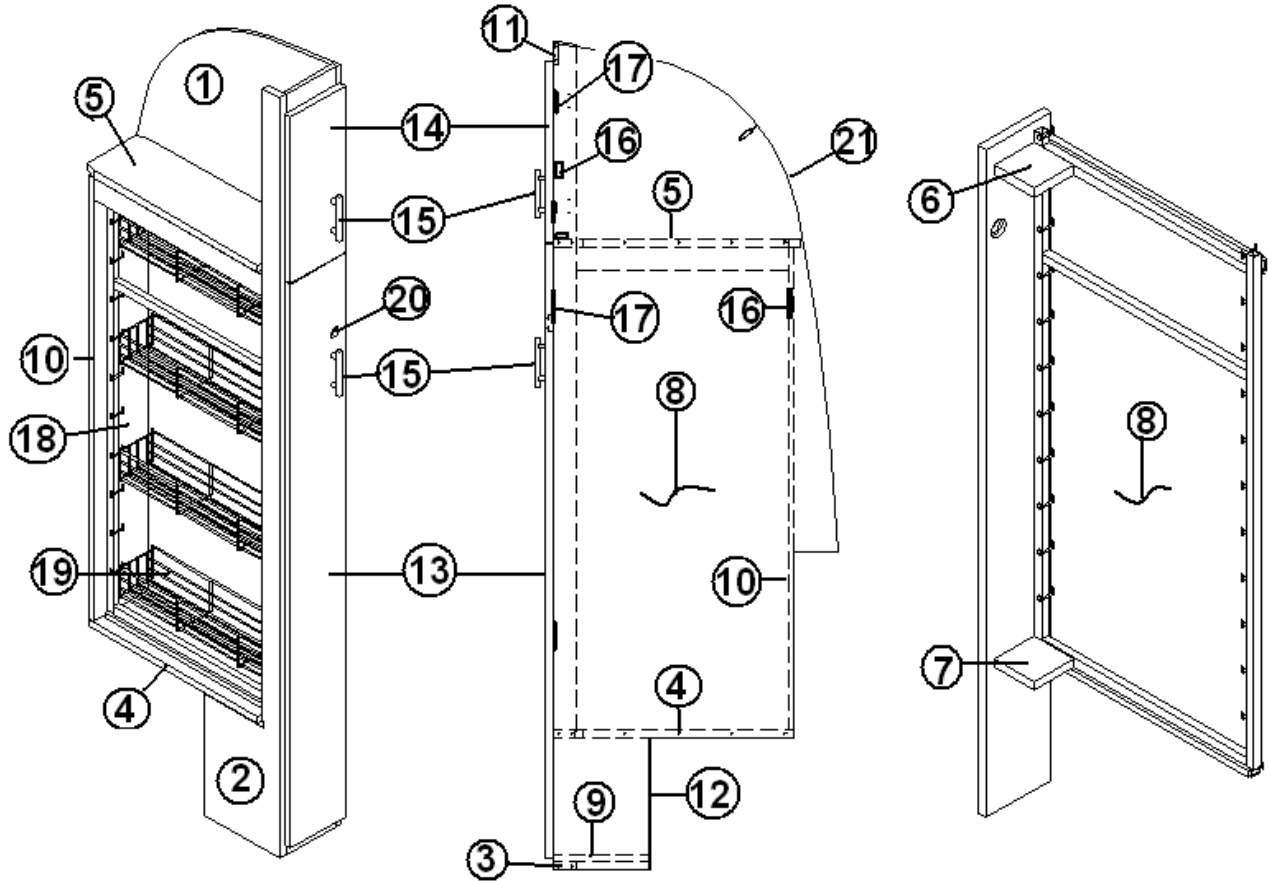
FURNITURE, GALLEY

Galley, 25' Front Bed, Microwave/3-Burner Section

966950-09	GALLEY W/MICROWAVE
1. 966950-091	PANEL, GALLEY W/MICROWAVE, 24.50 X 21.94
2. 966950-092	PANEL, GALLEY W/MICROWAVE, 4.75 X 14.00
3. 966950-093	PANEL, GALLEY W/MICROWAVE, 4.75 X 14.00
4. 966950-094	PANEL, GALLEY W/MICROWAVE, 2.44 X 14.00
5. 966950-095	PANEL, GALLEY W/MICROWAVE, 2.44 X 14.00
6. 966950-096	PANEL, GALLEY W/MICROWAVE, 2.44 X 14.00
7. 966950-097	PANEL, GALLEY W/MICROWAVE, 18.13 X 25.25
8. 966950-098	PANEL, GALLEY W/MICROWAVE, 2.25 X 10.50
9. 966950-099	PANEL, GALLEY W/MICROWAVE, 6.00 X 35.5
10. 966950-0910	PANEL, GALLEY W/MICROWAVE, 2.25 X 10.50
11. 966950-0911	PANEL, GALLEY W/MICROWAVE, 2.25 X 10.50
12. 966950-0912	PANEL, GALLEY W/MICROWAVE, 2.25 X 10.50
13. 966950-0913	PANEL, GALLEY W/MICROWAVE, 2.25 X 10.50
14. 966950-0914	PANEL, GALLEY W/MICROWAVE, 2.25 X 10.50
15. 966950-0915	PANEL, GALLEY W/MICROWAVE, 18.88 X 35.50
16. 966950-0916	PANEL, GALLEY W/MICROWAVE, 16.44 X 35.50
17. 966950-0917	PANEL, GALLEY W/MICROWAVE, 3.00 X 24.50
18. 966950-0918	PANEL, GALLEY W/MICROWAVE, 3.75 X 24.50
19. 966950-0919	PANEL, GALLEY W/MICROWAVE, 6.00 X 24.50
20. 966950-0920	PANEL, GALLEY W/MICROWAVE, 18.38 X 25.25
21. 966950-0921	DOOR, GALLEY W/MICROWAVE, 11.13 X 7.50
22. 966950-0922	DOOR, GALLEY W/MICROWAVE, 11.13 X 7.50
23. 966950-0923	DOOR, GALLEY W/MICROWAVE, 11.13 X 7.50
24. 966950-0924	DOOR, GALLEY W/MICROWAVE, 25.13 X 7.50
25. 966950-0925	PANEL, GALLEY W/MICROWAVE, 11.13 X 11
26. 966950-0926	PANEL, GALLEY W/MICROWAVE, 26.00 X 9.31
27. 382044	HANDLE, BRUSHED NICKEL
28. 381228-01	CATCH, GRABBER, DOOR
29. 965560-02	DRAWER BOX, 5.63" X 9.25" X 14.00"
30. 381773-15	DRAWER SLIDE, 5.875" X 15.75"(PAIR)

2009 FLYING CLOUD FURNITURE, GALLEY

Pantry, 25' Front Bed



Part Numbers on the Next Page

2009 FLYING CLOUD

FURNITURE, GALLEY

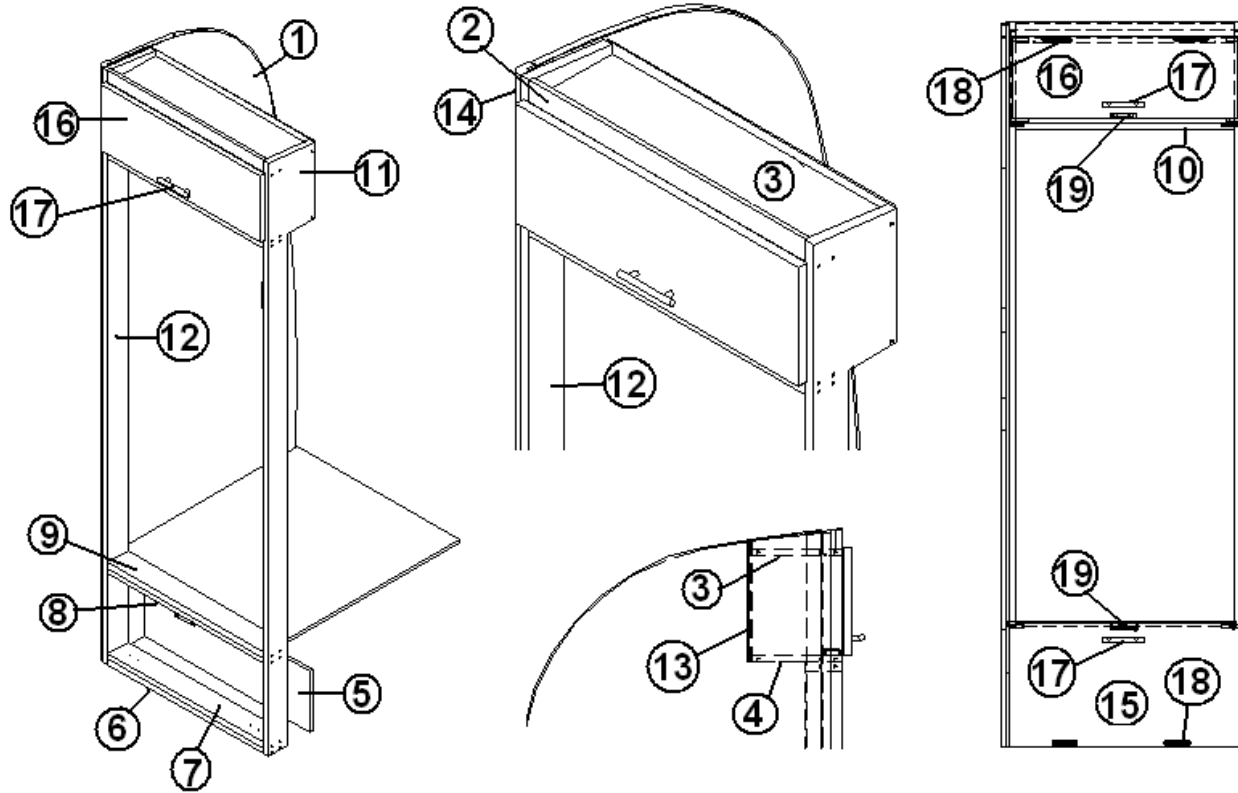
Pantry, 25' Front Bed

966904-09	PANTRY CABINET
1. 966904-091	PANEL, PANTRY, 26.88 X 78.09
2. 966904-092	PANEL, PANTRY, 9.00 X 78.25
3. 966904-093	PANEL, PANTRY, 2.25 X 5.88
4. 966904-094	PANEL, PANTRY, 6.63 X 22.75
5. 966904-095	PANEL, PANTRY, 6.63 X 23.38
6. 966904-096	PANEL, PANTRY, 4.00 X 4.00
7. 966904-097	PANEL, PANTRY, 4.00 X 4.00
8. 966904-098	PANEL, PANTRY, 2.25 X 20.00
9. 966904-099	PANEL, PANTRY, 9.00 X 5.88
10. 966904-0910	PANEL, PANTRY, 6.63 X 45.63
11. 966904-0911	PANEL, PANTRY, 2.25 X 5.88
12. 966904-0912	PANEL, PANTRY, 7.13 X 12.50
13. 966904-0913	DOOR-PANTRY 6.50 X 58.00
14. 966904-0914	DOOR-PANTRY 6.50 X 17.00
15. 382044	HANDLE, BRUSHED NICKEL
16. 381228-01	CATCH, GRABBER, DOOR
17. 381607	HINGE, GRASS EURO
18. 381551-01	PANTRY RACK, 1.5"W X 45"H, WHITE
19. 381551-02	WIRE BASKET, 4" WIDE, WHITE
20. 381408	LOCK, PUSH, BUTTON STYLE, BLACK
21. 203138-04	EXTRUSION, PLASTIC, ½" OAK

2009 FLYING CLOUD

FURNITURE, GALLEY

Refrigerator Cabinet, 25' Front Bed, 27' Front Bed



Part Numbers on the Next Page

2009 FLYING CLOUD

FURNITURE, GALLEY

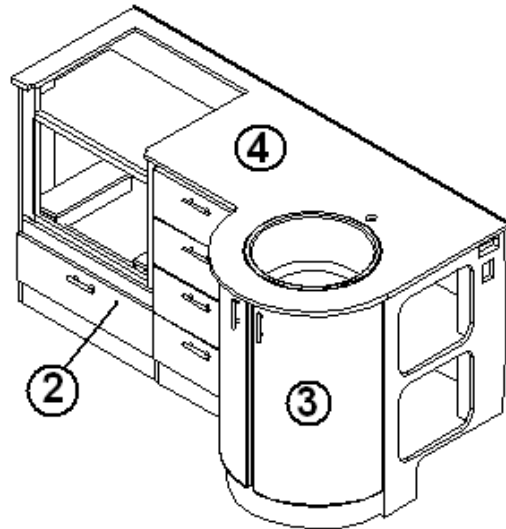
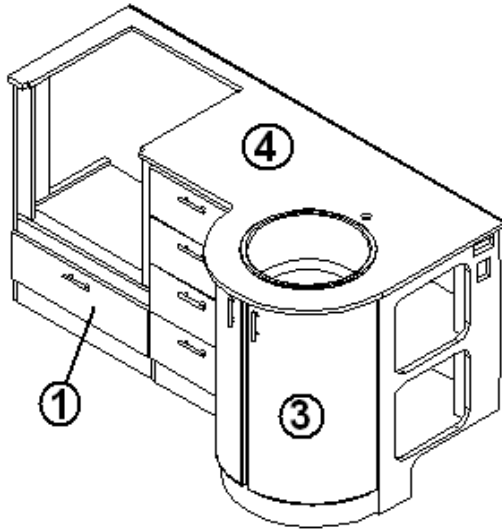
Refrigerator Cabinet, 25' Front Bed, 27' Front Bed

966853-09	REFRIGERATOR CABINET
1. 966853-091	PANEL, REFER CABINET. 28.64 X 78.59
2. 966853-092	PANEL, REFRIGERATOR CABINET, 1.63 X 23.80
3. 966853-093	PANEL, REFRIGERATOR CABINET, 7.25 X 23.81
4. 966853-094	PANEL, REFRIGERATOR CABINET, 7.25 X 23.81
5. 966853-095	PANEL, REFRIGERATOR CABINET, 8 X 25.5
6. 966853-096	PANEL, REFRIGERATOR CABINET, 3 X 23.81
7. 966853-097	PANEL, REFRIGERATOR CABINET, 3 X 23.81
8. 966853-098	PANEL, REFRIGERATOR CABINET, 3 X 23.81
9. 966853-099	PANEL, REFRIGERATOR CABINET, 3 X 23.81
10. 966853-0910	PANEL, REFRIGERATOR CABINET, 3 X 23.81
11. 966853-0911	PANEL, REFRIGERATOR CABINET, 7.25 X 78.88
12. 966853-0912	PANEL, REFRIGERATOR CABINET, 7.25 X 78.88
13. 966853-0915	PANEL, REFRIGERATOR CABINET, 10. X 24.81
14. 801706-0014	TRIM, CORNER 90D 1"RADIUS, 84" LONG
15. 966853-0918	DOOR, REFER CABINET, 24.44 X 11.69
16. 966853-0919	DOOR, REFRIGERATOR CABINET, 24.44 X 8.88
17. 382044	HANDLE, BRUSHED NICKEL
18. 381607	HINGE, GRASS EURO
19. 381228-01	CATCH, GRABBER, DOOR
966812	STAND-REFER

2009 FLYING CLOUD

FURNITURE, GALLEY

Galley, 27'



1. 966877-09

2. 966878-09

3. 966873-09

4. 967271

4. 801672-04

381708

GALLEY SECTION, W/OVEN

GALLEY SECTION, W/MICROWAVE

GALLEY AFT SECTION

TOP ASSY, GALLEY

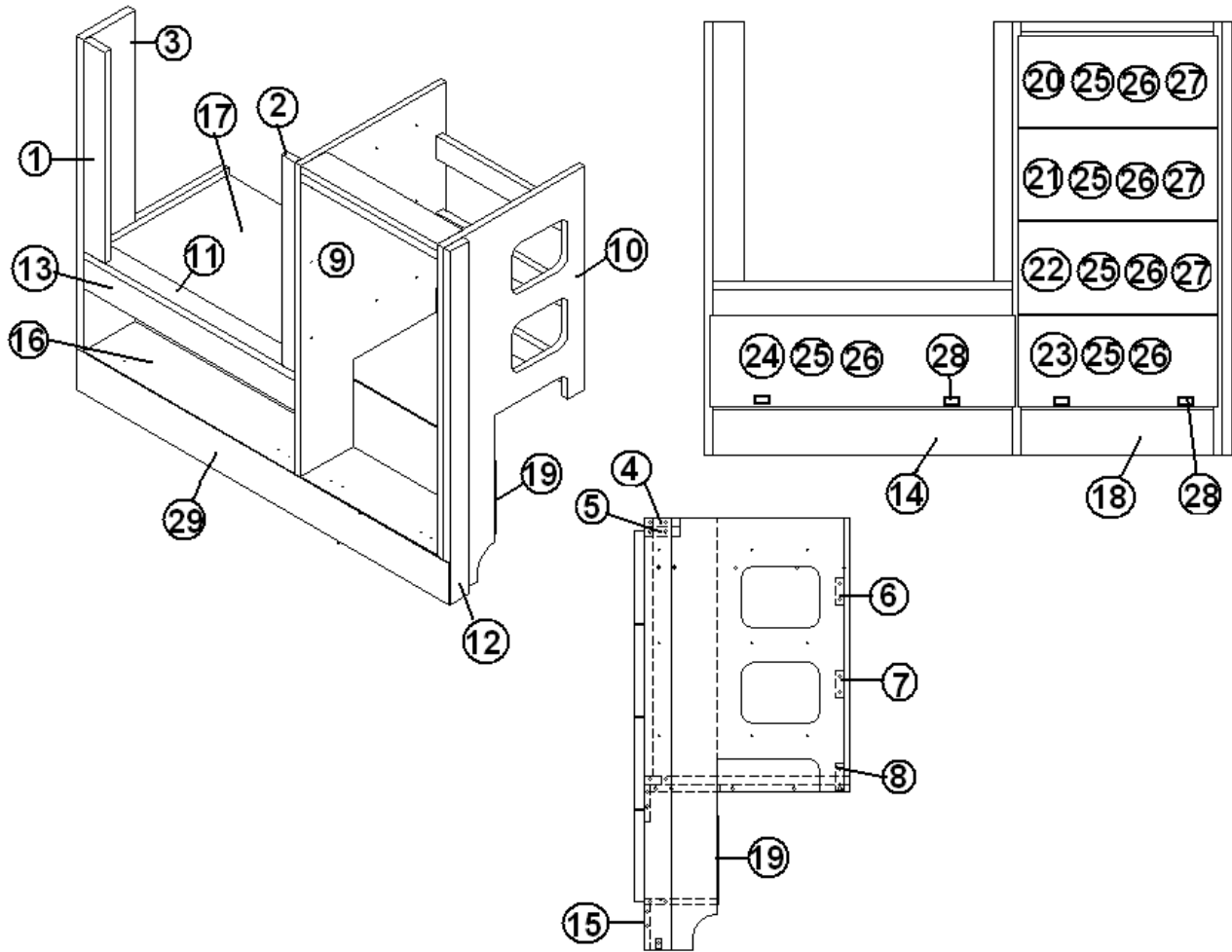
TOP ASSY, GALLEY, LABRADOR GRANITE

WASTE BASKET

2009 FLYING CLOUD

FURNITURE, GALLEY

Galley w/Oven Section, 27'



Part Numbers on the Next Page.

2009 FLYING CLOUD

FURNITURE, GALLEY

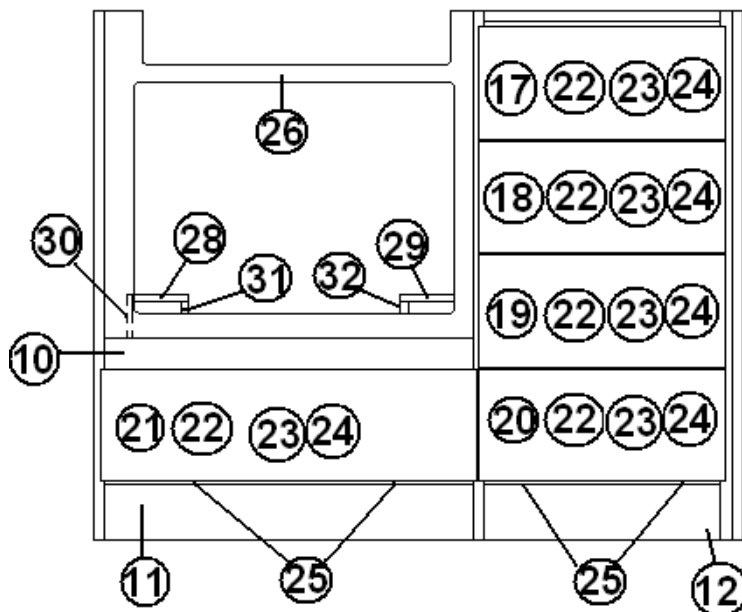
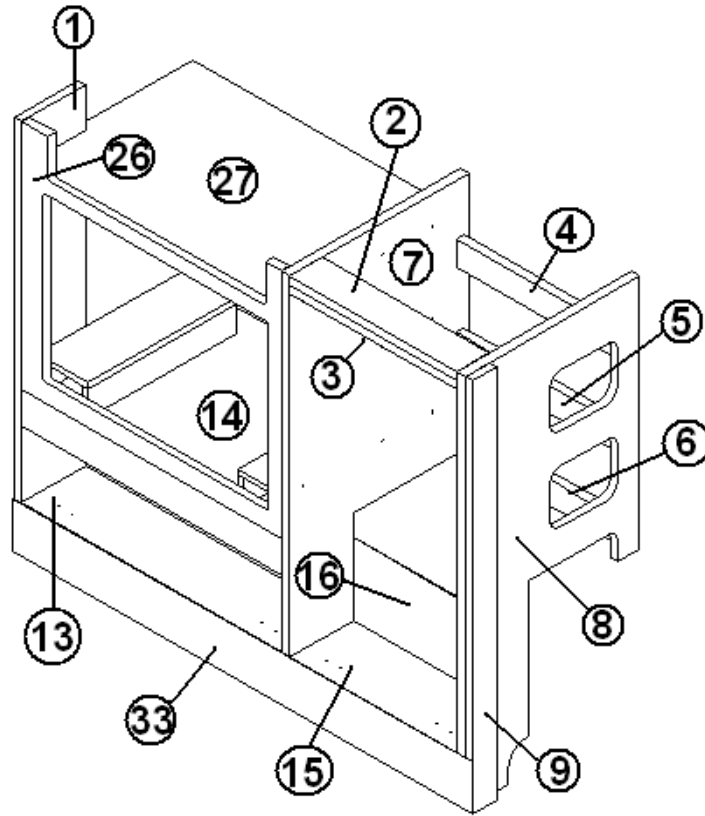
Galley w/Oven Section, 27'

966877-09	GALLEY, OVEN, SECTION, STANDARD
1. 966877-091	PANEL, GALLEY OVEN, 2.5 X 21.19
2. 966877-092	PANEL, GALLEY OVEN, 1.5 X 21.19
3. 966877-093	PANEL, GALLEY OVEN, 6 X 35.50
4. 966877-094	PANEL, GALLEY OVEN, 15.75 X 3.00
5. 966877-095	PANEL, GALLE OVEN, 15.75 X 3.00
6. 966877-096	PANEL, GALLEY OVEN, 2.25 X 15.75
7. 966877-097	PANEL, GALLEY OVEN, 2.25 X 15.75
8. 966877-098	PANEL, GALLEY OVEN, 2.25 X 15.75
9. 966877-099P	ANEL, GALLEY OVEN, 18.88 X 35.50
10. 966877-0910	PANEL, GALLEY OVEN, 16.44 X 35.50
11. 966877-0911	PANEL, GALLEY OVEN, 2.25 X 24.50
12. 966877-0912	PANEL, GALLEY OVEN, 2.25 X 35.50
13. 966877-0913	PANEL, GALLEY OVEN, 24.5 X 3.00
14. 966877-0914	PANEL, GALLEY OVEN, 24.5 X 3.75
15. 966877-0915	PANEL, GALLEY OVEN, 15.75 X 3.75
16. 966877-0916	PANEL, GALLEY OVEN, 6 X 24.50
17. 966877-0917	PANEL, GALLEY OVEN, 16.38 X 25.25
18. 966877-0918	PANEL, GALLEY OVEN, 6 X 15.75
19. 966877-0919	PANEL, GALLEY OVEN, 42.50 X 7.25
20. 966877-0921	DRAWER FACE, GALLEY OVEN, 16.38 X 7.50
21. 966877-0922	DRAWER FACE, GALLEY OVEN, 16.38 X 7.50
22. 966877-0923	DRAWER FACE, GALLEY OVEN, 16.38 X 7.50
23. 966877-0924	DOOR, GALLEY OVEN, 16.38 X 7.50
24. 966877-0925	DOOR, GALLEY OVEN, 25.13 X 7.50
25. 382044	HANDLE BRUSHED NICKEL
26. 381228-01	CATCH, GRABBER, DOOR
27. 965560-05	DRAWER BOX, 5.63" X 16.5" X 15.25
28. 381607	HINGE, GRASS EURO
29. 115376	TOE KICK, GALLEY
381773-15	DRAWER SLIDE, 5.875" X 15.75", PAIR

2009 FLYING CLOUD

FURNITURE, GALLEY

Galley, Oven Section, w/Microwave Option, 27'



Part Numbers on the Next Page.

2009 FLYING CLOUD

FURNITURE, GALLEY

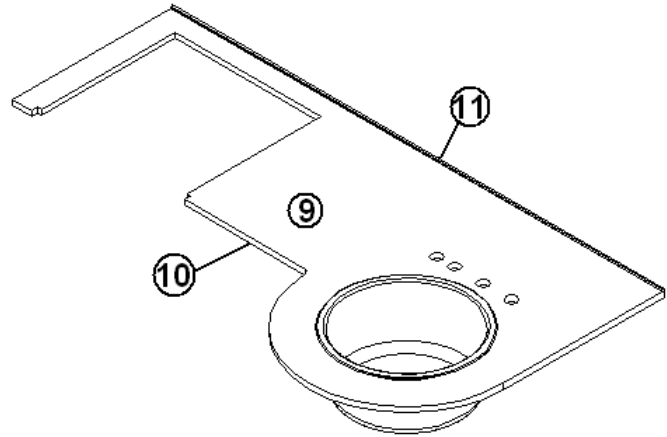
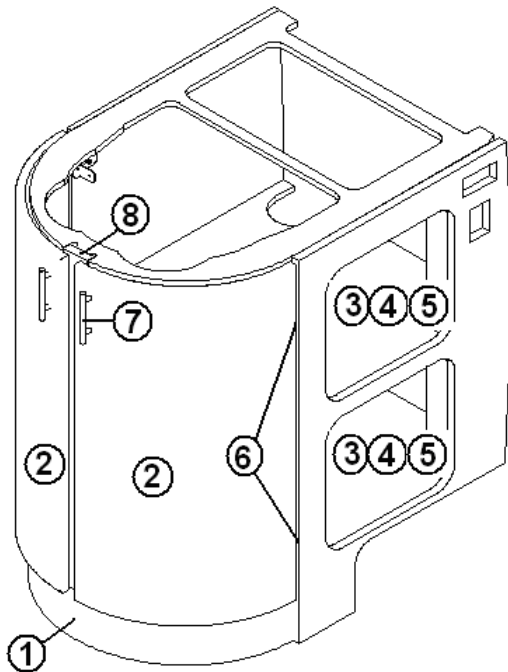
Galley, Oven Section, w/Microwave Option, 27'

966878-09	GALLEY, w/MICROWAVE SECTION
1. 966878-093	PANEL, GALLEY MICROWAVE, 6 X 35.50
2. 966878-094	PANEL, GALLEY MICROWAVE, 15.75 X 3.00
3. 966878-095	PANEL, GALLEY MICROWAVE, 15.75 X 3.00
4. 966878-096	PANEL, GALLEY MICROWAVE, 2.25 X 15.75
5. 966878-097	PANEL, GALLEY MICROWAVE, 2.25 X 15.75
6. 966878-098	PANEL, GALLEY OVEN, 2.25 X 15.75
7. 966878-099	PANEL, GALLEY OVEN, 18.88 X 35.50
8. 966878-0910	PANEL, GALLEY OVEN, 16.44 X 35.50
9. 966878-0912	PANEL, GALLEY OVEN, 2.25 X 35.50
10. 966878-0913	PANEL, GALLEY OVEN, 24.5 X 3.00
11. 966878-0914	PANEL, GALLEY OVEN, 24.5 X 3.75
12. 966878-0915	PANEL, GALLEY OVEN, 15.75 X 3.75
13. 966878-0916	PANEL, GALLEY OVEN, 6 X 24.5
14. 966878-0917	PANEL, GALLEY OVEN, 16.38 X 25.25
15. 966878-0918	PANEL, GALLEY OVEN, 6 X 15.75
16. 966878-0919	PANEL, GALLEY OVEN, 42.5 X 7.25
17. 966878-0921	DRAWER FACE GALLEY OVEN 16.38 X 7.50
18. 966878-0922	DRAWER FACE GALLEY OVEN 16.38 X 7.50
19. 966878-0923	DRAWER FACE GALLEY OVEN 16.38 X 7.50
20. 966878-0924	DOOR, GALLEY OVEN, 16.38 X 7.50
21. 966878-0925	DOOR, GALLEY OVEN, 25.13 X 7.50
22. 382044	HANDLE, BRUSHED NICKEL
23. 381228-01	CATCH, GRABBER, DOOR
24. 965560-05	DRAWER BOX, 5.63" X 16.5" X 15.25
25. 381607	HINGE, GRASS EURO
26. 966878-0933	PANEL, GALLEY OVEN, 24.5 X 21.94
27. 966878-0934	PANEL, GALLEY OVEN, 16.13 X 25.25
28. 966878-0935	PANEL, GALLEY OVEN, 4.75 X 14.00
29. 966878-0936	PANEL, GALLEY OVEN, 4.75 X 14.00
30. 966878-0937	PANEL, GALLEY OVEN, 2.44 X 14.00
31. 966878-0938	PANEL, GALLEY OVEN, 2.44 X 14.00
32. 966878-0939	PANEL, GALLEY OVEN, 2.44 X 14.00
33. 115376	TOE KICK, GALLEY
381773-15	DRAWER SLIDE, 5.875" X 15.75" (PAIR)

2009 FLYING CLOUD

FURNITURE, GALLEY

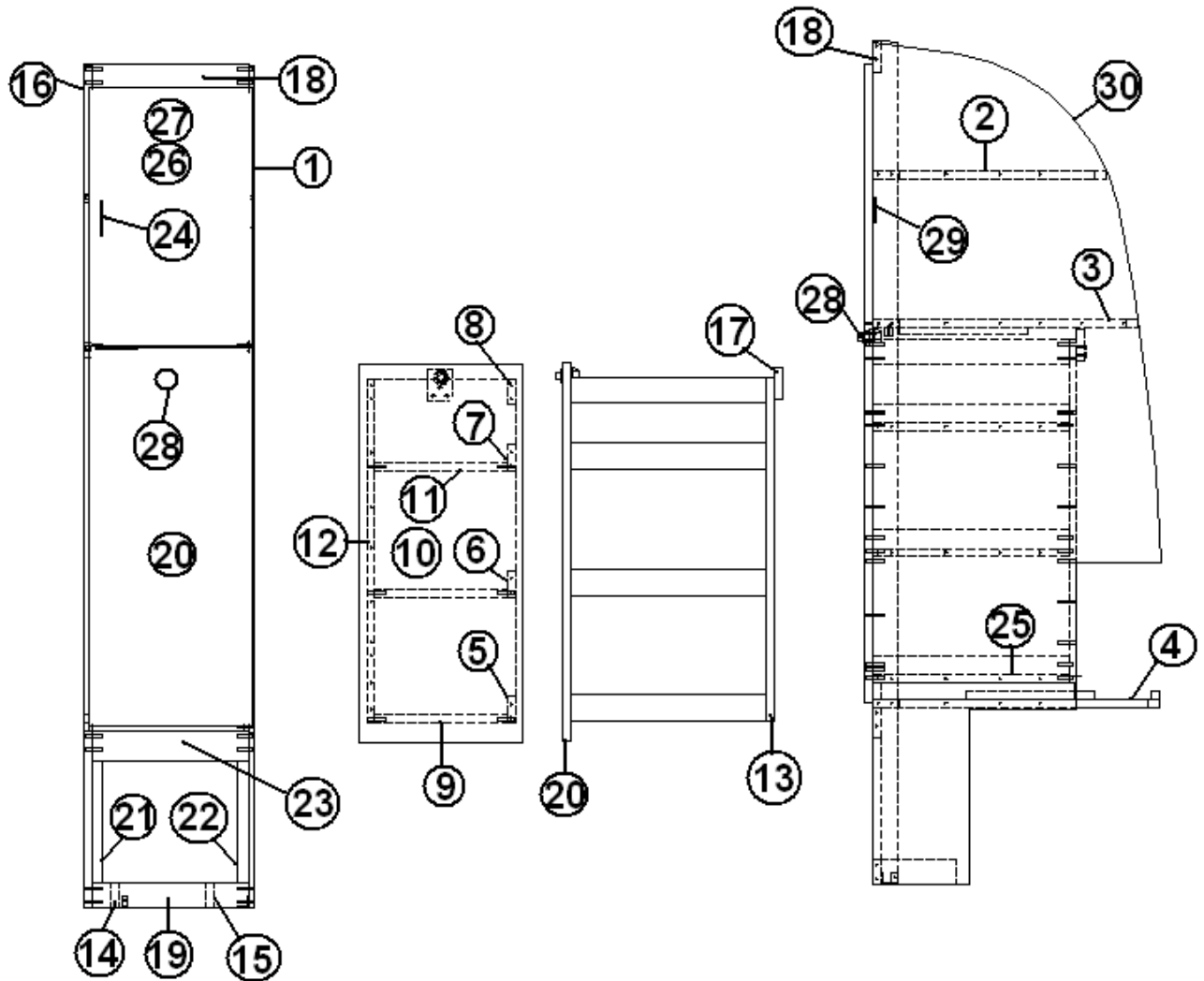
Galley, 27', Aft Section



- | | |
|----------------|------------------------------------|
| 966873-09 | Galley, Aft Section |
| 1. 115309 | TOE KICK, GALLEY, ALUMINUM |
| 2. 966873-0918 | DOOR, RADIUS FOAM 16.81" X 31" |
| 3. 381654 | HINGE, NON BORE GLASS DOOR.BLACK |
| 4. 381707 | STRIKE W/PULL, GLASS DOOR BLACK |
| 5. 371391 | DOOR, GLASS 11.56"X 13.06" |
| 6. 381607 | HINGE ASSY-GRASS EURO |
| 7. 382044 | PULL BAR, BRUSH NICKEL |
| 8. 381856 | CATCH-TENSION 2-BALL |
| 9. 967271 | TOP, GALLEY |
| 9. 801672-04 | TOP ASSY, GALLEY, LABRADOR GRANITE |
| 10. 115064 | TRIM, ALUMINUM COUNTER TOP |
| 11. 114812 | ALUMINUM ANGLE, 1.00 X 1.00 |
| 203440 | T-MOLDING BLACK |
| 381708 | WASTEBASKET-11.38 X 8.25 X 12.00 |

2009 FLYING CLOUD FURNITURE, GALLEY

Pantry, 27'



Part Numbers on the Next Page

2009 FLYING CLOUD

FURNITURE, GALLEY

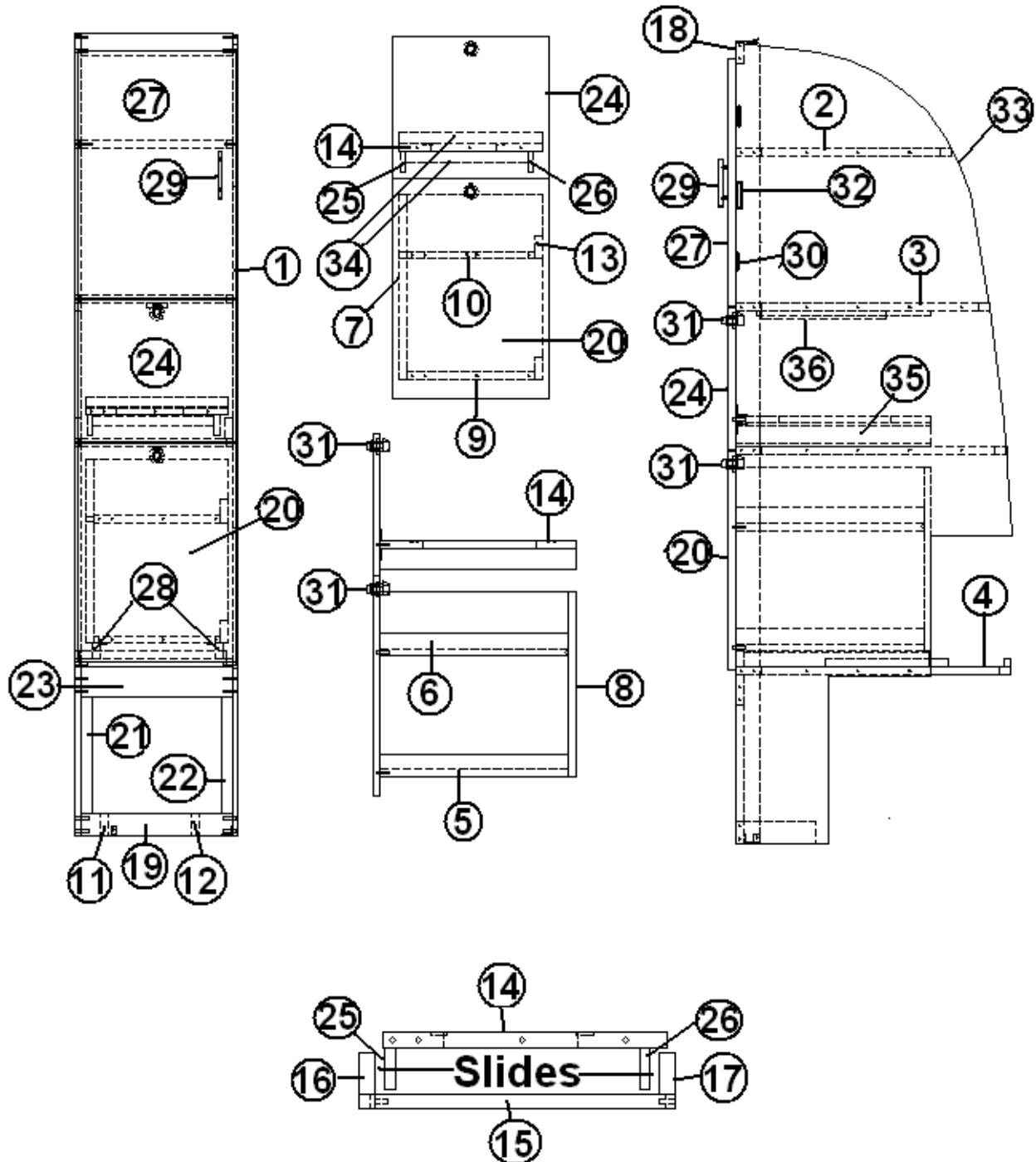
Pantry, 27'

966886-09	PANTRY ASSEMBLY
1. 966886-091	PANEL, PANTRY, 26.87 X 78.09
2. 966886-092	PANEL, PANTRY, 21.75 X 15.38
3. 966886-093	PANEL, PANTRY, 24.75 X 15.38
4. 966886-094	PANEL, PANTRY, 26.75 X 15.38
5. 966886-095	PANEL, PANTRY, 2.5 X 18.25
6. 966886-096	PANEL, PANTRY, 2.5 X 18.25
7. 966886-097	PANEL, PANTRY, 2.5 X 18.25
8. 966886-098	PANEL, PANTRY, 2.5 X 18.25
9. 966886-099	PANEL, PANTRY, 18.25 X 12.38
10. 966886-0910	PANEL, PANTRY, 18.25 X 12.38
11. 966886-0911	PANEL, PANTRY, 18.25 X 12.38
12. 966886-0912	PANEL, PANTRY, 18.25 X 32.00
13. 966886-0913	PANEL, PANTRY, 13.88 X 32.00
14. 966886-0914	PANEL, PANTRY, 2.25 X 7.00
15. 966886-0915	PANEL, PANTRY, 2.25 X 7.00
16. 966886-0916	PANEL, PANTRY, 2.25 X 78.25
17. 966886-0917	PANEL, PANTRY, 2.25 X 3.00
18. 966886-0918	PANEL, PANTRY, 2.25 X 14.63
19. 966886-0919	PANEL, PANTRY, 2.25 X 14.63
20. 966886-0920	DOOR, PANTRY, 15.25 X 35.31
21. 966886-0921	PANEL, PANTRY, 1 X 11.31
22. 966886-0922	PANEL, PANTRY, 1 X 11.31
23. 966886-0923	PANEL, PANTRY, 2.91 X 14.63
24. 966886-0924	DOOR, PANTRY, 15.25 X 24.13
25. 381944-01	SLIDE, 18" PER SET
26. 382044	HANDLE, BRUSHED NICKEL
27. 381607	HINGE, GRASS EURO
28. 381408	LOCK, PUSH BUTTON STYLE, BLACK
29. 381228-01	CATCH, GRABBER, DOOR
30. 203445	MOLDING, BLACK, FLEXIBLE, POLY .5"

2009 FLYING CLOUD

FURNITURE, GALLEY

Pantry, 27' Microwave Option



Part numbers on the next page.

2009 FLYING CLOUD

FURNITURE, GALLEY

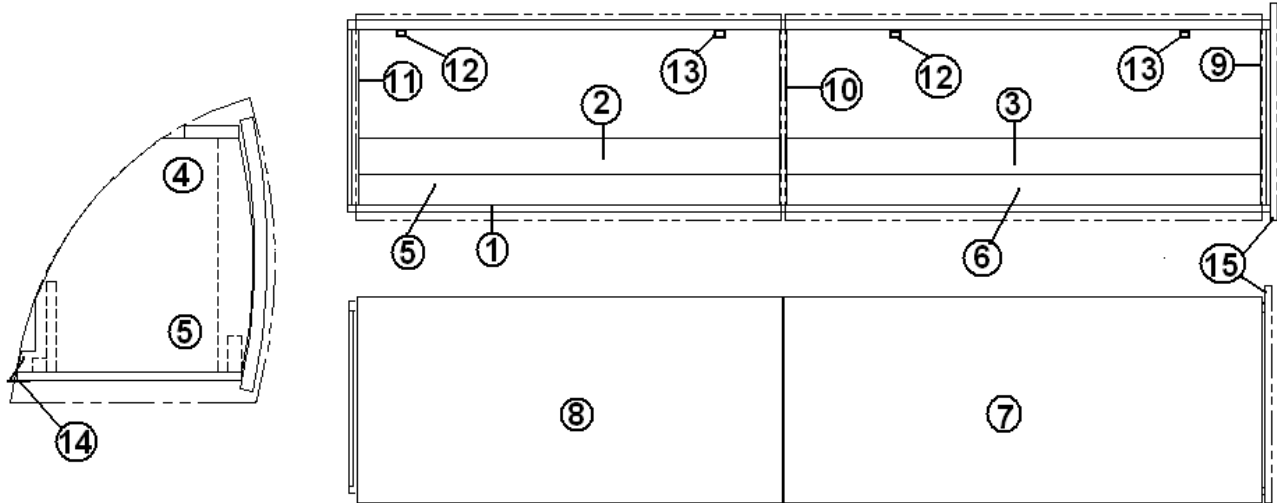
Pantry, 27' Microwave Option

966898-09	CABINET, PANTRY W/MICROWAVE OPTION
1. 966898-091	PANEL, PANTRY, 26.87 X 78.09
2. 966898-092	PANEL, PANTRY, 21.75 X 15.38
3. 966898-093	PANEL, PANTRY, 24.75 X 15.38
4. 966898-094	PANEL, PANTRY, 26.75 X 15.38
5. 966898-095	PANEL, PANTRY, 2.25 X 18.25
6. 966898-096	PANEL, PANTRY, 2.25 X 18.25
7. 966898-097	PANEL, PANTRY, 18 X 18.25
8. 966898-098	PANEL, PANTRY, 18 X 13.88
9. 966898-099	PANEL, PANTRY, 12.38 X 18.25
10. 966898-0910	PANEL, PANTRY, W/MICRO 12.38 X 18.25
11. 966898-0911	PANEL, PANTRY, 2.25 X 7
12. 966898-0912	PANEL, PANTRY, 2.25 X 7
13. 966898-0913	PANEL, PANTRY, 2.25 X 78.25
14. 966898-0914	PANEL, PANTRY, 19 X 13.88
15. 966898-0915	PANEL, PANTRY, 26.31 X 15.38
16. 966898-0916	PANEL, PANTRY, 2 X 19
17. 966898-0917	PANEL, PANTRY, 2 X 19
18. 966898-0918	PANEL, PANTRY, 14.63 X 2.25
19. 966898-0919	PANEL, PANTRY, 14.63 X 2.25
20. 966898-0920	DOOR, PANTRY, 21.38 X 15.25
21. 966898-0921	PANEL, PANTRY, 1 X 11.31
22. 966898-0922	PANEL, PANTRY, 1 X 11.31
23. 966898-0923	PANEL, PANTRY, 2.91 X 14.63
24. 966898-0924	DOOR, PANTRY, 13.81 X 15.25
25. 966898-0925	PANEL, PANTRY, 2 X 19
26. 966898-0926	PANEL, PANTRY, 2 X 19
27. 966898-0927	DOOR, PANTRY, 15.25 X 24.13
28. 381944-01	SLIDE ,18", PER SET
29. 382044	HANDLE, BRUSHED NICKEL
30. 381607	HINGE, GRASS EURO
31. 381408	LOCK, PUSH, BUTTON STYLE, BLAC
32. 381228-01	CATCH, GRABBER, DOOR
33. 203445	MOLDING BLACK, FLEXIBLE, .5"
34. 114812	ALUMINUM ANGLE, 1.00" X 1.00"
35. 381192	SLIDE, DRAWER, 18" (EACH=1 PAIR)
36. 966898-0942	PANEL, PANTRY, 2 X 17

2009 FLYING CLOUD

FURNITURE, GALLEY

Roof Locker, Galley, 27'



967276-09

1. 967276-091
2. 967276-092
3. 967276-093
4. 967276-094
5. 967276-095
6. 967276-096
7. 801786-0114
8. 801786-0214
9. 967274-01
10. 967274-03
11. 967274-02
12. 381840-01
13. 381840-02
14. 115085
15. 967275-01
381902

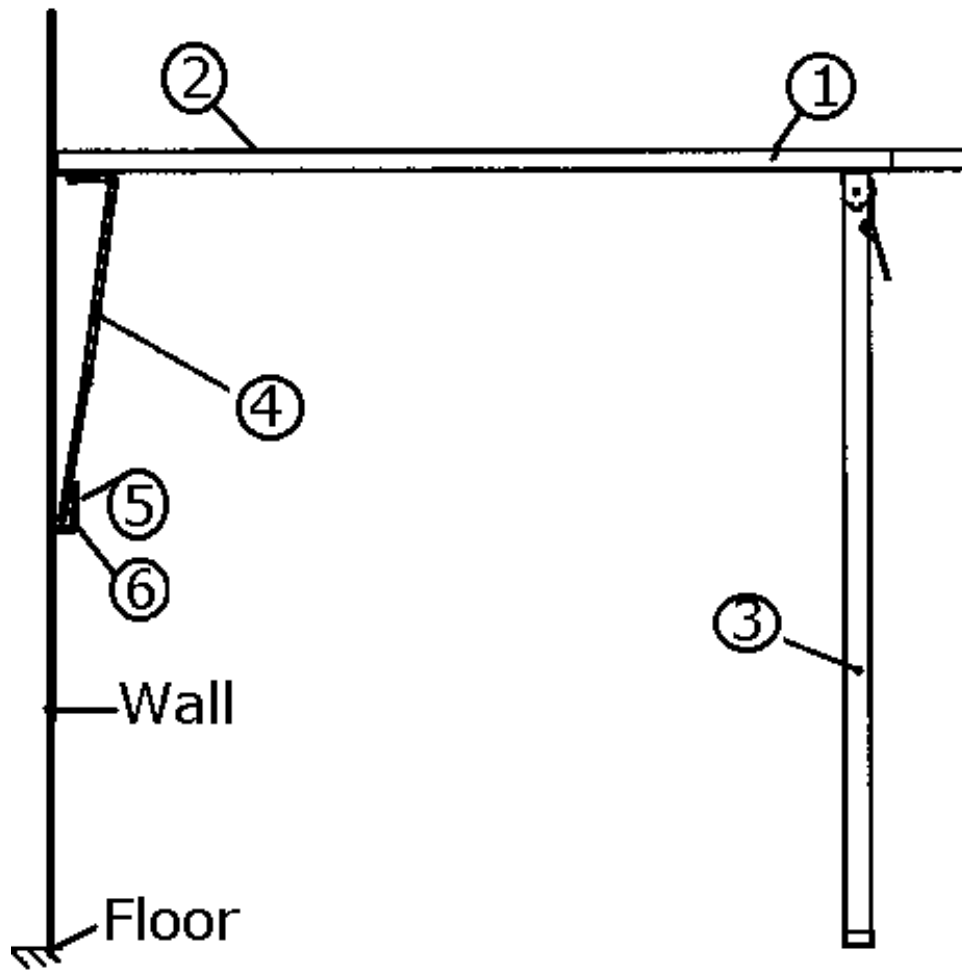
ROOF LOCKER

- PANEL, GALLEY ROOF LOCKER, 12.5 X 68.5
- PANEL, GALLEY ROOF LOCKER, 5 X 31.29
- PANEL, GALLEY ROOF LOCKER, 5 X 35.16
- PANEL, GALLEY ROOF LOCKER, 3 X 68.50
- PANEL, GALLEY ROOF LOCKER, 2.25 X 31.29
- PANEL, GALLEY ROOF LOCKER, 2.25 X 35.16
- DOOR, PLYFORM, 35.5 X 15.25
- DOOR, PLYFORM, 15.25 X 31.63
- DIVIDER, RH ROOF LOCKER, 12.53 X 13.00
- DIVIDER, LH, ROOF LOCKER, 12.53 X 13.00
- DIVIDER, LH ROOF LOCKER, 12.53 X 13.00
- HINGE, OVERHEAD SPRING LH
- HINGE, OVERHEAD SPRING RH
- ANGLE, ALUMINUM, ROOFLOCKERS
- CAP ASSY-END 14.76 X 17.07
- HOOK, SS, SCREW IN

2009 FLYING CLOUD

FURNITURE, GALLEY

Dinette Table, 28' W

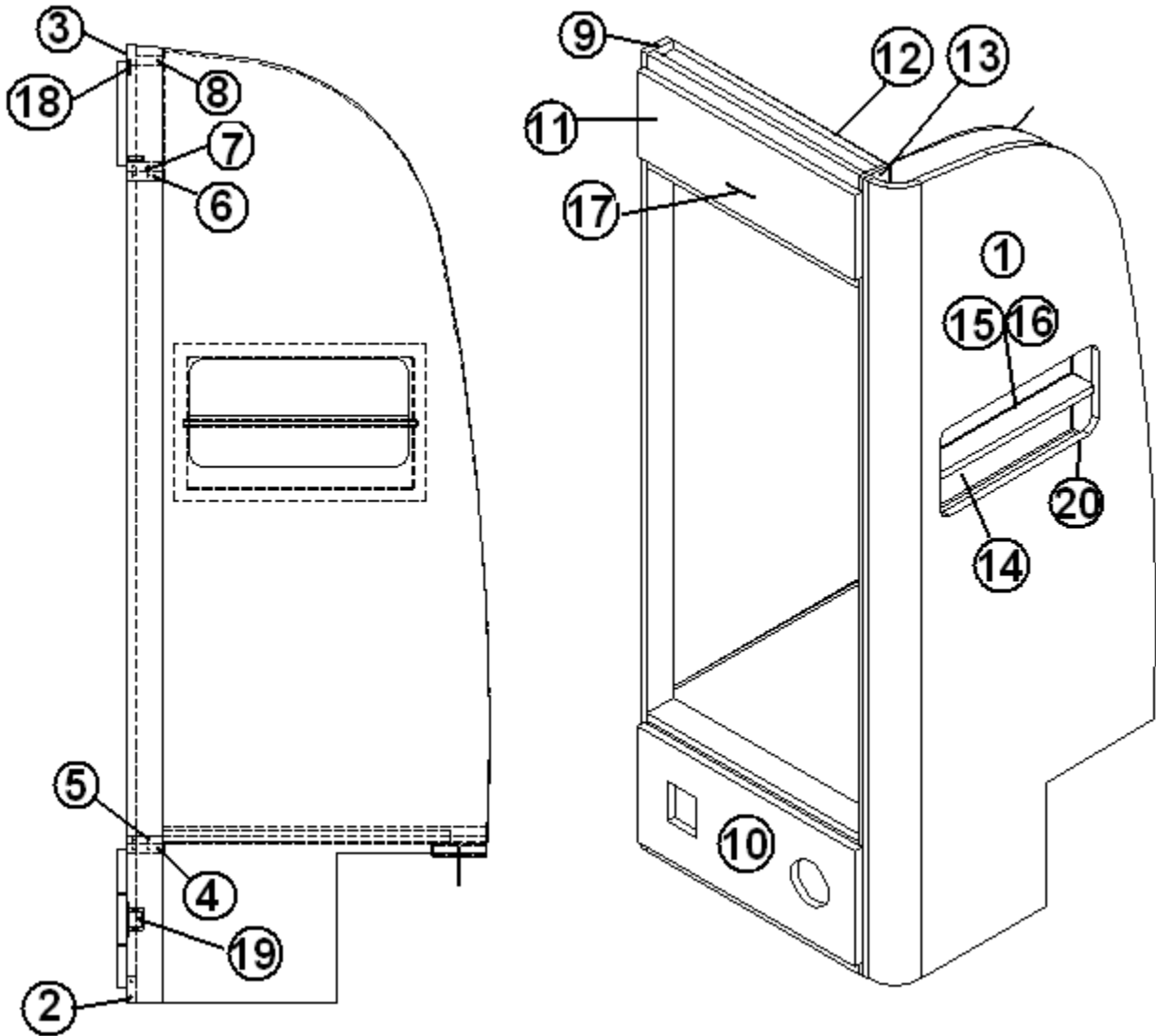


- | | |
|---------------|--|
| 967398-09 | DINETTE TABLE |
| 967398-10 | DINETTE TABLE, GRANITE OPTION |
| 1. 967398-091 | DINETTE TABLE TOP |
| 1. 967398-101 | DINETTE TABLE TOP, GRANITE OPTION |
| 2. 365305-01 | EDGE BANDING, BRUSHED ALUMINUM, 15/16" |
| 3. 700065-01 | Snapo folding table leg |
| 4. 380284-03 | Table hinge bracket |
| 5. 380284-02 | Center hinge |
| 6. 340018 | Catch plate |

2009 FLYING CLOUD

FURNITURE, GALLEY

Refrigerator Cabinet, 28' W



Part numbers on the next page.

2009 FLYING CLOUD

FURNITURE, GALLEY

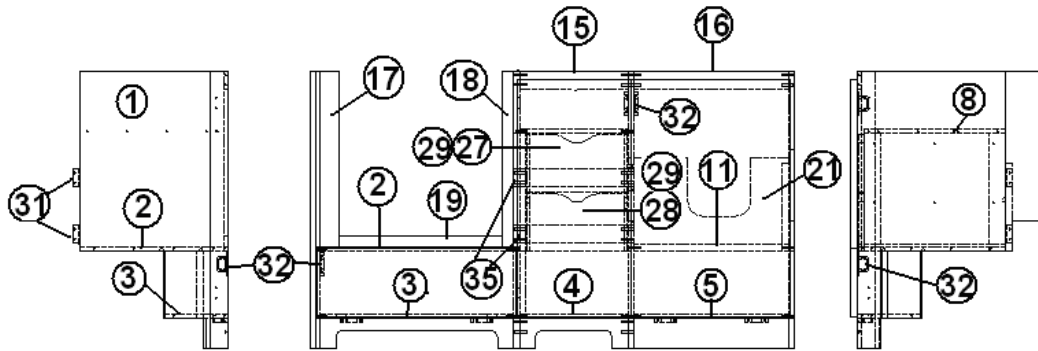
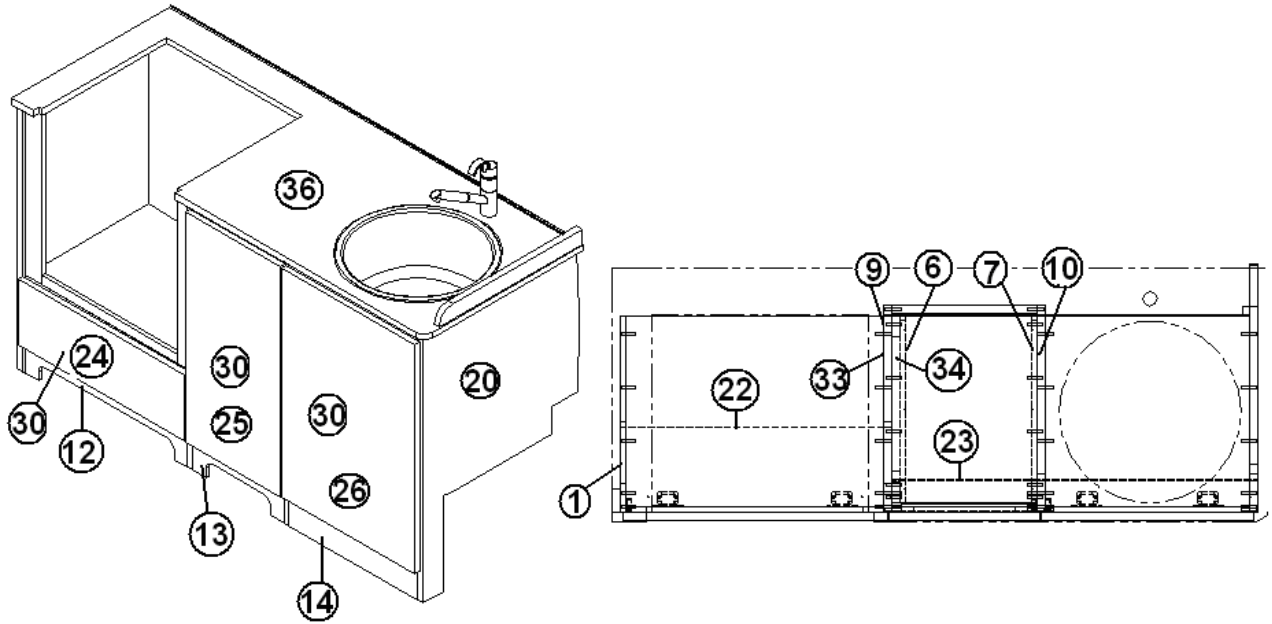
Refrigerator Cabinet, 28' W

966992-09	CABINET, REFRIGERATOR
1. 966993-09	PANEL, ASSEMBLY, REFRIGERATOR
2. 966992-092	PANEL, REFRIGERATOR, 2.25 X 24.06
3. 966992-093	PANEL, REFRIGERATOR, 1.75 X 24.06
4. 966992-094	PANEL, REFRIGERATOR, 3 X 24.06
5. 966992-095	PANEL, REFRIGERATOR, 3 X 24.06
6. 966992-096	PANEL, REFRIGERATOR, 3 X 24.06
7. 966992-097	PANEL, REFRIGERATOR, 3 X 24.06
8. 966992-098	PANEL, REFRIGERATOR, 2.25 X 24.06
9. 966992-099	PANEL, REFRIGERATOR, 3 X 78.62
10. 966992-0910	PANEL, REFRIGERATOR, 24.69 X 11.38
11. 966992-0911	DOOR-REFRIGERATOR, 24.69 X 8.5
12. 966992-0912	PANEL, REFRIGERATOR, 10.86 X 25.31
13. 966992-0913	PANEL, REFRIGERATOR, 3 X 78.62
14. 203384	RACK, SPICE
15. 203385	TRIM, "F"SELF EDGING CLEAR
16. 203330	PLASTIC, FROSTED WHITE
17. 382044	HANDLE, BRUSHED NICKEL
18. 381607	HINGE, GRASS EURO
19. 381228-01	CATCH, GRABBER, DOOR
20. 203440	T MOLDING, BLACK EMBOSSED, .8125
966808	STAND ASSY, REFRIGERATOR
200980-01	TRAY, SILVER WARE, ALMOND, 9" X 13"

2009 FLYING CLOUD

FURNITURE, GALLEY

Galley, 28' W, Full Oven



Part Numbers on next page

2009 FLYING CLOUD

FURNITURE, GALLEY

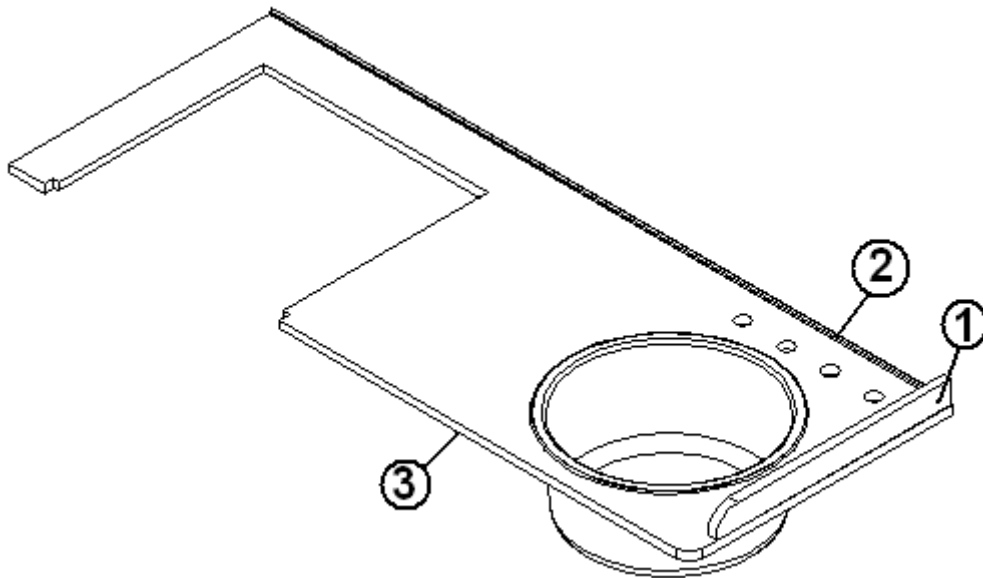
Galley, 28' W, Full Oven

966983-09	GALLEY ASSEMBLY
1. 966983-091	PANEL, GALLEY, 18.63 X 35.00
2. 966983-092	PANEL, GALLEY, 18.63 X 24.50
3. 966983-093	PANEL, GALLEY, 8 X 24.50
4. 966983-094	PANEL, GALLEY, 3 X 13.75
5. 966983-095	PANEL, GALLEY, 3 X 19.50
6. 966983-096	PANEL, GALLEY, 17.75 X 14.84
7. 966983-097	PANEL, GALLEY, 17.75 X 14.84
8. 966983-098	PANEL, GALLEY, 17.75 X 13.75
9. 966983-099	PANEL, GALLEY, 19.63 X 35.00
10. 966983-0910	PANEL, GALLEY, 19.63 X 35.00
11. 966983-0911	PANEL, GALLEY, 18.63 X 19.5
12. 966983-0912	PANEL, GALLEY, 3.75 X 24.5
13. 966983-0913	PANEL, GALLEY, 3.75 X 13.75
14. 966983-0914	PANEL, GALLEY, 3.75 X 19.50
15. 966983-0915	PANEL, GALLEY, 2.25 X 19.50
16. 966983-0916	PANEL, GALLEY, 2.25 X 19.50
17. 966983-0917	PANEL, GALLEY, 2.5 X 22.19
18. 966983-0918	PANEL, GALLEY, 1.5 X 22.19
19. 966983-0919	PANEL, GALLEY, 1.25 X 20.5
20. 966983-0920	PANEL, GALLEY, 23.51 X 35.00
21. 966983-0921	PANEL, GALLEY, 20.25 X 11.75
22. 966983-0922	PANEL, GALLEY, 8.56 X 25.75
23. 966983-0923	PANEL, GALLEY, 8.56 X 34.75
24. 966983-0924	DOOR, GALLEY, 25.12 X 8.69
25. 966983-0925	DOOR, GALLEY, 14.38 X 30.00
26. 966983-0926	DOOR, GALLEY, 20.13 X 30.00
27. 966983-0927	PANEL, GALLEY, 12.63 X 7.17
28. 966983-0928	PANEL, GALLEY, 12.63 X 7.17
29. 965955-02	DRAWER BOX ASSEMBLY
30. 382044	HANDLE, BRUSHED NICKEL
31. 381607	HINGE, GRASS EURO
32. 381228-01	CATCH ,GRABBER, DOOR
33. 966983-0942	PANEL, GALLEY, 2 X 14.84
34. 966983-0943	PANEL, GALLEY, 2 X 14.84
35. 381773-16	DRAWER SLIDE, 5.88" X 17.38"
36. 967393-09	TOP ASSEMBLY, GALLEY
36. 967393-10	TOP ASSEMBLY, GALLEY, GRANITE OPTION

2009 FLYING CLOUD

FURNITURE, GALLEY

Galley Top, 28'W, Full Oven

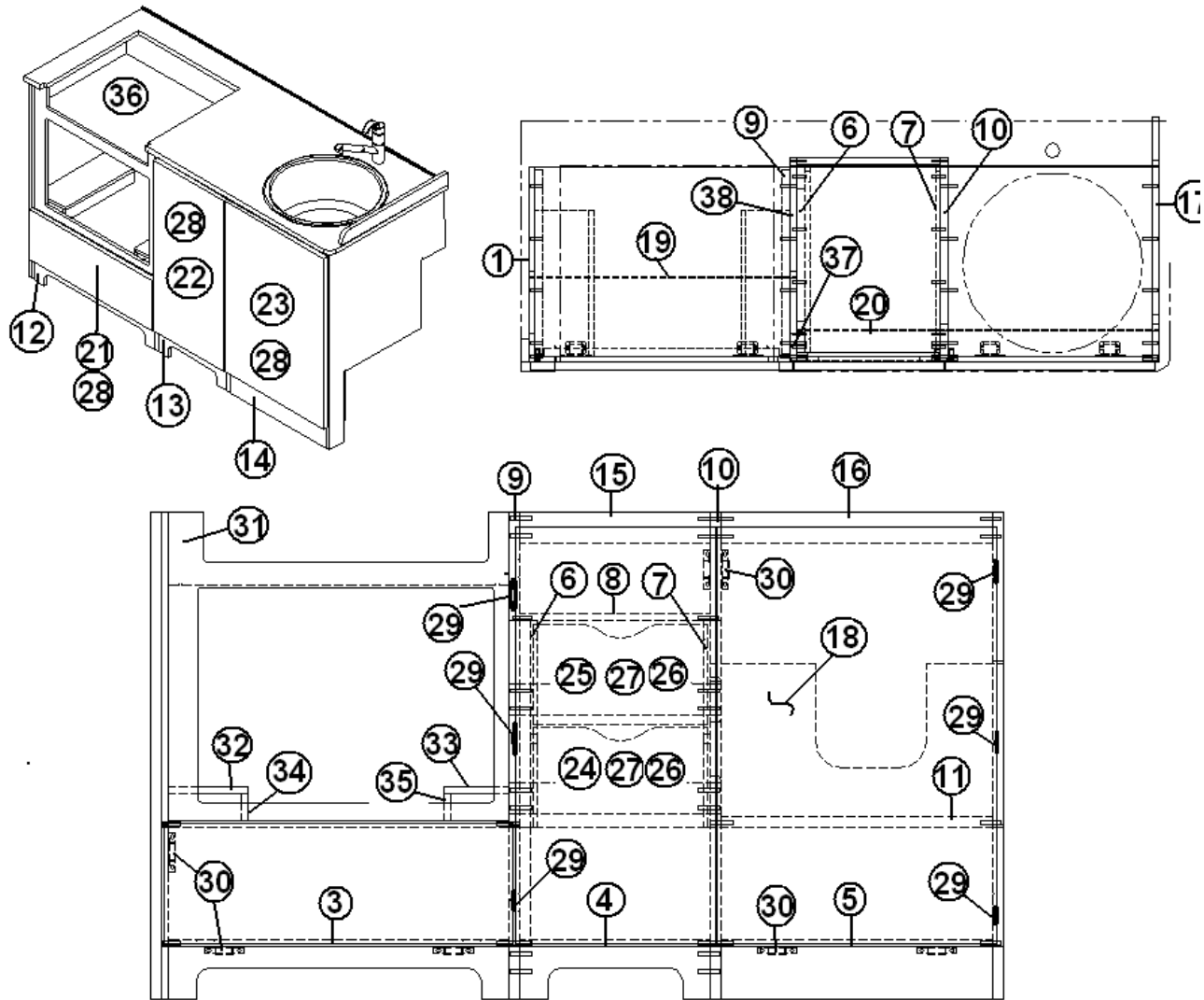


- 967393 -09 TOP ASSEMBLY, GALLEY
- 967393-10 TOP ASSEMBLY, GALLEY, GRANITE OPTION
- 1. 967007-09 BACKSPLASH, GALLEY
- 1. 967007-09 BACKSPLASH, GALLEY, GRANITE OPTION
- 2. 114812 ALUMINUM ANGLE, 1.00 X 1.00
- 3. 115064 TRIM, ALUMINUM, COUNTER TOP

2009 FLYING CLOUD

FURNITURE, GALLEY

Galley, 28' W, Microwave, Convection Oven



Part Numbers on next page

2009 FLYING CLOUD

FURNITURE, GALLEY

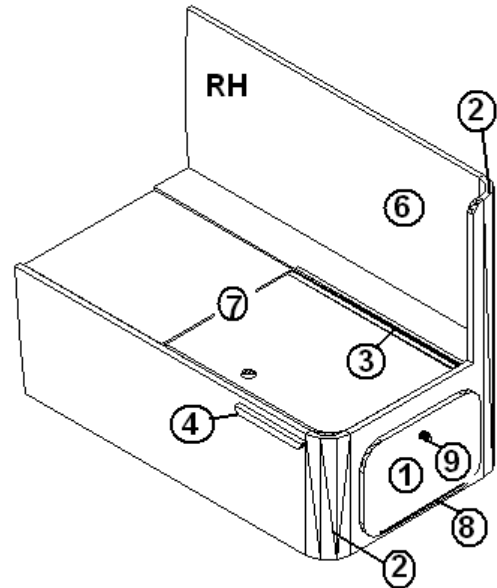
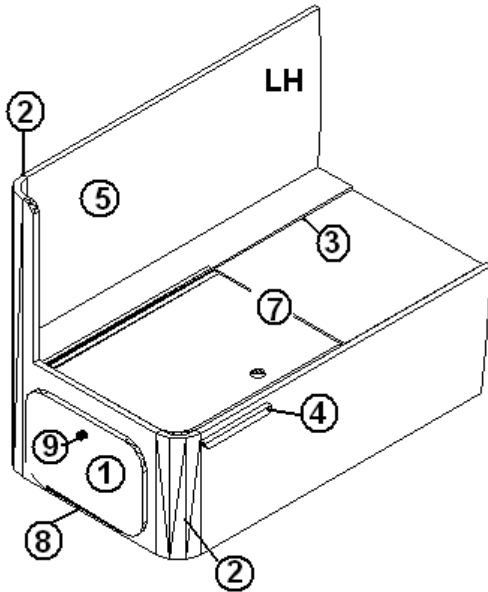
Galley, 28'W, Microwave, Convection Oven

966984-09	CABINET, GALLEY W/MICROWAVE
1. 966984-091	PANEL, GALLEY W/MICROWAVE, 18.63 X 35
2. 966984-092	PANEL, GALLEY W/MICROWAVE, 18.63 X 24.5
3. 966984-093	PANEL, GALLEY W/MICROWAVE, 8 X 24.5
4. 966984-094	PANEL, GALLEY W/MICROWAVE, 3 X 13.75
5. 966984-095	PANEL, GALLEY W/MICROWAVE, 3 X 19.5
6. 966984-096	PANEL, GALLEY W/MICROWAVE, 17.75 X 14.84
7. 966984-097	PANEL, GALLEY W/MICROWAVE, 17.75 X 14.84
8. 966984-098	PANEL, GALLEY W/MICROWAVE, 17.75 X 13.75
9. 966984-099	PANEL, GALLEY W/MICROWAVE, 19.63 X 35
10. 966984-0910	PANEL, GALLEY W/MICROWAVE, 19.63 X 35
11. 966984-0911	PANEL, GALLEY W/MICROWAVE, 18.63 X 19.5
12. 966984-0912	PANEL, GALLEY W/MICROWAVE, 3.75 X 24.5
13. 966984-0913	PANEL, GALLEY W/MICROWAVE, 3.75 X 13.75
14. 966984-0914	PANEL, GALLEY W/MICROWAVE, 3.75 X 19.5
15. 966984-0915	PANEL, GALLEY W/MICROWAVE, 2.25 X 13.75
16. 966984-0916	PANEL, GALLEY W/MICROWAVE, 2.25 X 19.5
17. 966984-0920	PANEL, GALLEY W/MICROWAVE, 23.52 X 35
18. 966984-0921	PANEL, GALLEY W/MICROWAVE, 21 X 11.75
19. 966984-0922	PANEL, GALLEY W/MICROWAVE, 8.56 X 25.75
20. 966984-0923	PANEL, GALLEY W/MICROWAVE, 8.56 X 34.75
21. 966984-0924	DOOR, GALLEY W/MICROWAVE, 25.12 X 8.69
22. 966984-0925	DOOR, GALLEY W/MICROWAVE, 14.38 X 30
23. 966984-0926	DOOR, GALLEY W/MICROWAVE, 20.13 X 30
24. 966984-0927	PANEL, GALLEY W/MICROWAVE, 12.63 X 7.17
25. 966984-0928	PANEL, GALLEY W/MICROWAVE, 12.63 X 7.17
26. 965955-02	DRAWER BOX ASSEMBLY
27. 381773-16	DRAWER SLIDE, 5.88" X 17.38"
28. 382044	HANDLE-BRUSHED NICKEL
29. 381607	HINGE ASSEMBLY
30. 381228-01	CATCH, GRABBER DOOR
31. 966984-0942	PANEL, GALLEY W/MICROWAVE, 24.5 X 22.19
32. 966984-0943	PANEL, GALLEY W/MICROWAVE, 5.69 X 14
33. 966984-0944	PANEL, GALLEY W/MICROWAVE, 4.69 X 14
34. 966984-0945	PANEL, GALLEY W/MICROWAVE, 1.94 X 14
35. 966984-0946	PANEL, GALLEY W/MICROWAVE, 1.94 X 14
36. 966984-0947	PANEL, GALLEY W/MICROWAVE, 18.12 X 24.5
37. 966984-0948	PANEL, GALLEY W/MICROWAVE, 2 X 18.84
38. 966984-0949	PANEL, GALLEY W/MICROWAVE, 2 X 18.84

2009 FLYING CLOUD

FURNITURE, GALLEY

Dinette Seats, 28' W

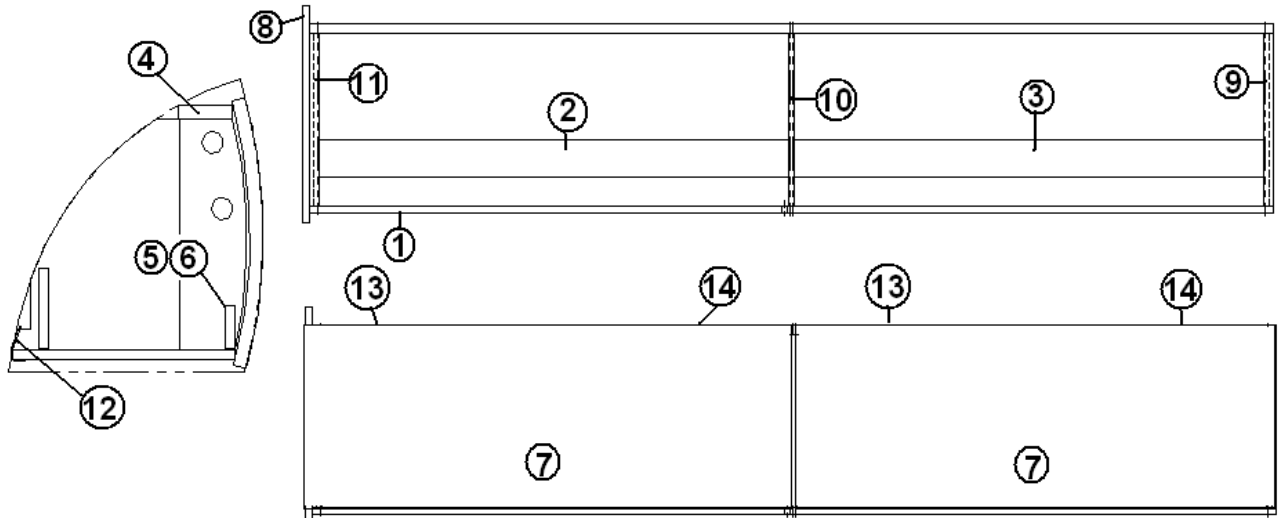


965894	RH Dinette Seat
965895	LH Dinette Seat
1. 966137	DOOR, DINETTE
2. 801345	Radius plywood, .75" x 3" x 8'
3. 380458	Hinge, piano, brown
4. 800470-007	Stop, hardwood, 3/4" dinette
5. 703309-01	Foam, left side back
6. 703309-02	Foam, right side back
7. 703309-03	Foam, seat bottom
8. 380458	Hinge, piano, brown
9. 381796	Knob, Hollow
700414	Foam, 3/8" x 4' x 8'
381228-01	CATCH GRABBER DOOR
800405-007	PLUG BUTTON HARDWOOD

2009 FLYING CLOUD

FURNITURE, GALLEY

Roof Locker, Dinette, 28' W

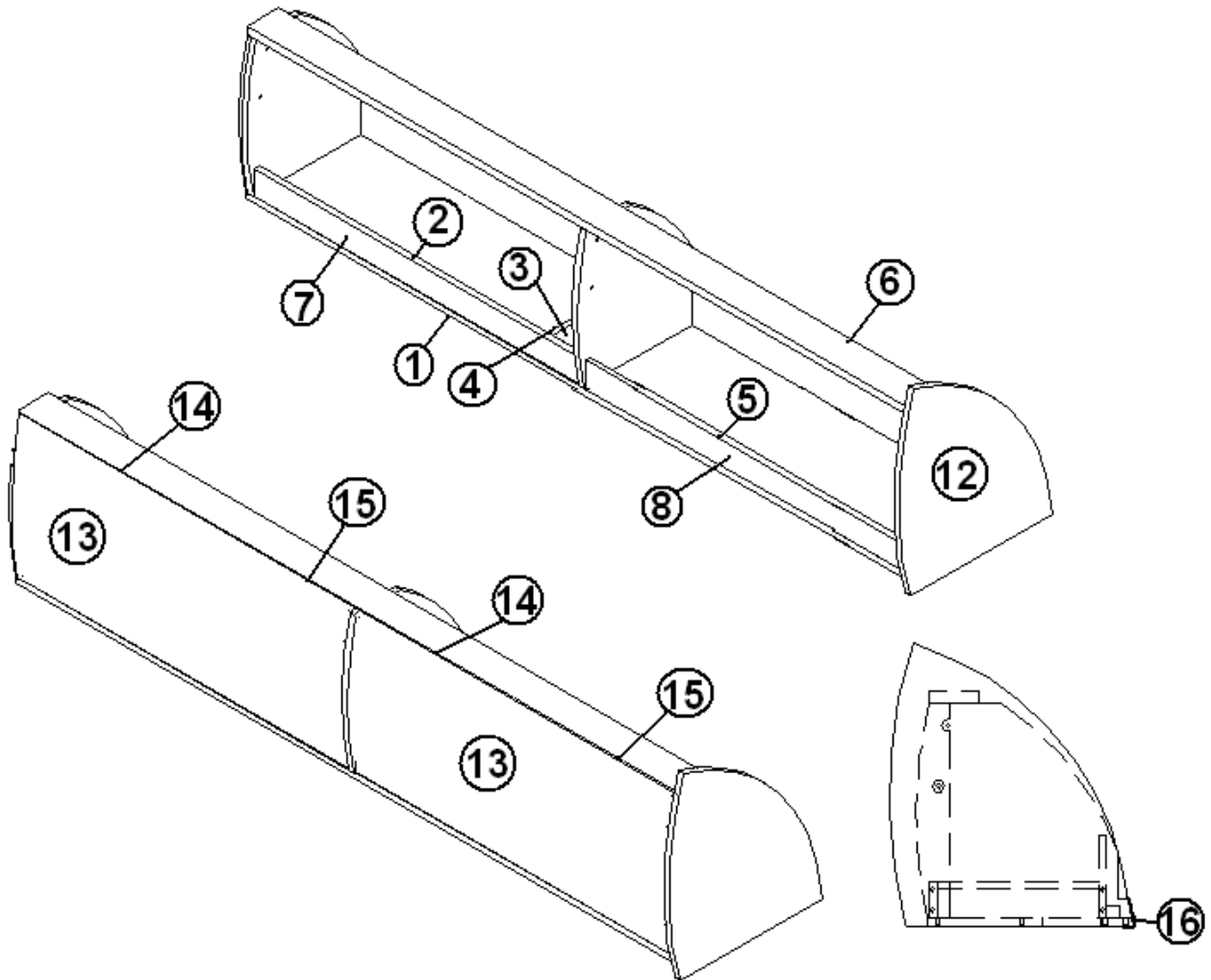


967395-09	ROOF LOCKER, DINETTE
1. 967395-091	PANEL, ROOF LOCKER 12.5 X 72.25
2. 967395-092	PANEL, ROOF LOCKER 5 X 35.16.00
3. 967395-093	PANEL, ROOF LOCKER 5 X 35.16.00
4. 967395-094	PANEL, ROOF LOCKER 3 X 72.25
5. 967395-095	PANEL, ROOF LOCKER 2.25 X 35.16.00
6. 967395-096	PANEL, ROOF LOCKER 2.25 X 35.16.00
7. 801786-0114	DOOR, PLYFORM 35.5 X 15.25 ALCHEM
8. 967275	CAP ASSY, END, 14.76 X 17.07
9. 967274-01	DIVIDER, RH, R/L, 12.53 X 13.00
10. 967274-02	DIVIDER, LH, R/L, 12.53 X 13.00
11. 967274-03	DIVIDER, LH, R/L, 12.53 X 13.00
12. 115085-01	ALUMINUM ANGLE, ROOFLOCKER
13. 381840-01	HINGE, OVERHEAD SPRING, LH
14. 381840-02	HINGE, OVERHEAD SPRING, RH

2009 FLYING CLOUD

FURNITURE, GALLEY

Roof Locker, Galley 28' W



Part Numbers on next page

2009 FLYING CLOUD

FURNITURE, GALLEY

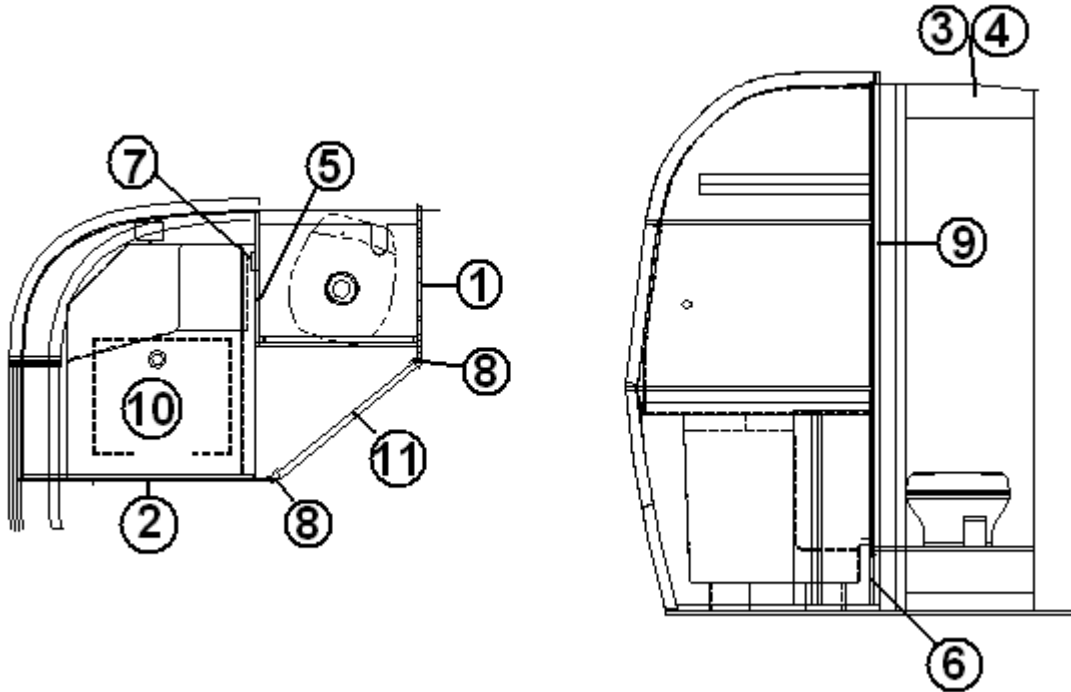
Roof Locker, Galley 28' W

967397-09	ROOF LOCKER ASSY- GALLEY
1. 967397-091	PANEL, GALLEY ROOF LOCKER, 12.5 X 64.5
2. 967397-092	PANEL, GALLEY ROOF LOCKER, 5 X 31.22
3. 967397-093	PANEL, GALLEY ROOF LOCKER, 3 X 9.75
4. 967397-094	PANEL, GALLEY ROOF LOCKER, 2.25 X 9.75
5. 967397-095	PANEL, GALLEY ROOF LOCKER, 5 X 31.22
6. 967397-096	PANEL, GALLEY ROOF LOCKER, 3 X 64.5
7. 967397-097	PANEL, GALLEY ROOF LOCKER, 2.25 X 31.22
8. 967397-098	PANEL, GALLEY ROOF LOCKER, 2.25 X 31.22
9. 967274-01	DIVIDER-RH GAL.ROOF LOCKER 12.53 X 13.00
10. 967274-02	DIVIDER-LH GAL ROOF LOCKER 12.53 X 13.00
11. 967274-03	DIVIDER-LH GAL ROOF LOCKER 12.53 X 13.00
12. 967275-02	CAP ASSY-END 14.76 X 17.07
13. 801786-0214	DOOR PLYFORM 15.25 X 31.63 ALCHE
14. 381840-01	HINGE-OVERHEAD SPRING LH #372.
15. 381840-02	HINGE-OVERHEAD SPRING RH #372.
16. 115085	ANGLE ALUMINUM, ROOFLOCKERS

2009 FLYING CLOUD

FURNITURE, BATH

Bath Module 19', 23'

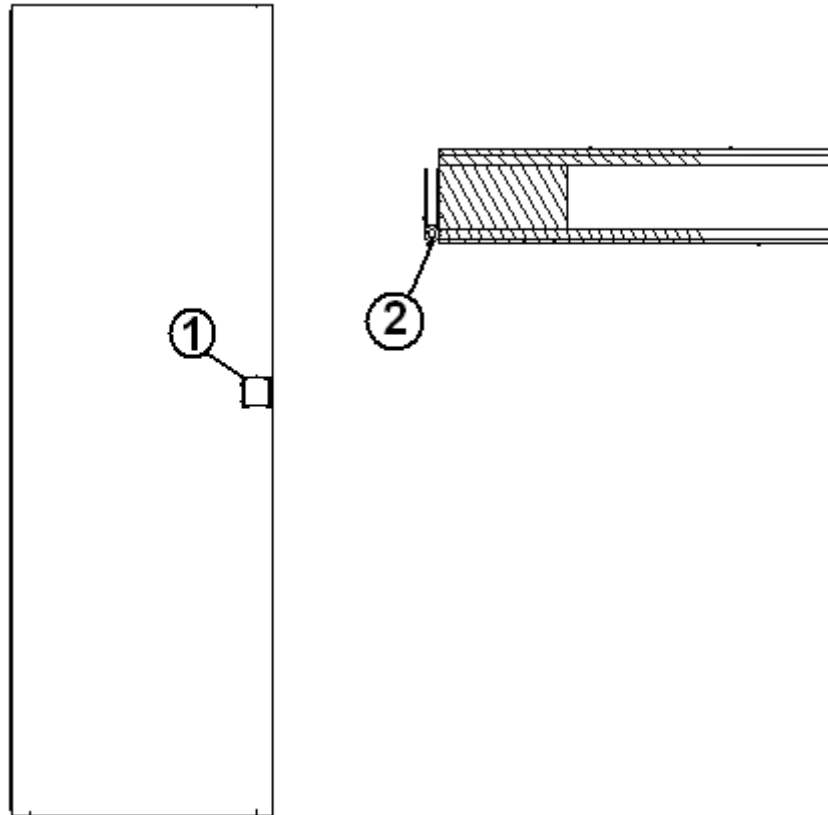


- | | |
|----------------|-----------------------------------|
| 1. 111563-091 | Panel, forward bath |
| 2. 111563-092 | Panel, aft bath |
| 3. 111563-093 | Panel, bath divider |
| 4. 111563-094 | Header, bath door |
| 5. 111563-095 | Panel, 12.00 x 66.63 |
| 6. 111563-096 | Panel, 9.00 x 23.00 |
| 7. 111563-097 | Panel, 63.00 x 3.00 |
| 8. 801394-0014 | Jamb, bath door, RS-CS |
| 9. 702937-03 | Shower door, roll away, 62" x 36" |
| 10. 203114 | Shower, 2 piece, fiberglass |
| 11. 966939-09 | Door assembly, 25.50" X 72.00 |
| 966941-09 | TOILET STAND ASSEMBLY |
| 970028 | SHOWER SEAT SUPPORT |
| 964994 | CLOSE OUT, SHOWER |
| 967110-09 | CLOSE OUT, TOILET PAPER HOLDER |

2009 FLYING CLOUD

FURNITURE, BATH

Door, Bath, 19', 23'



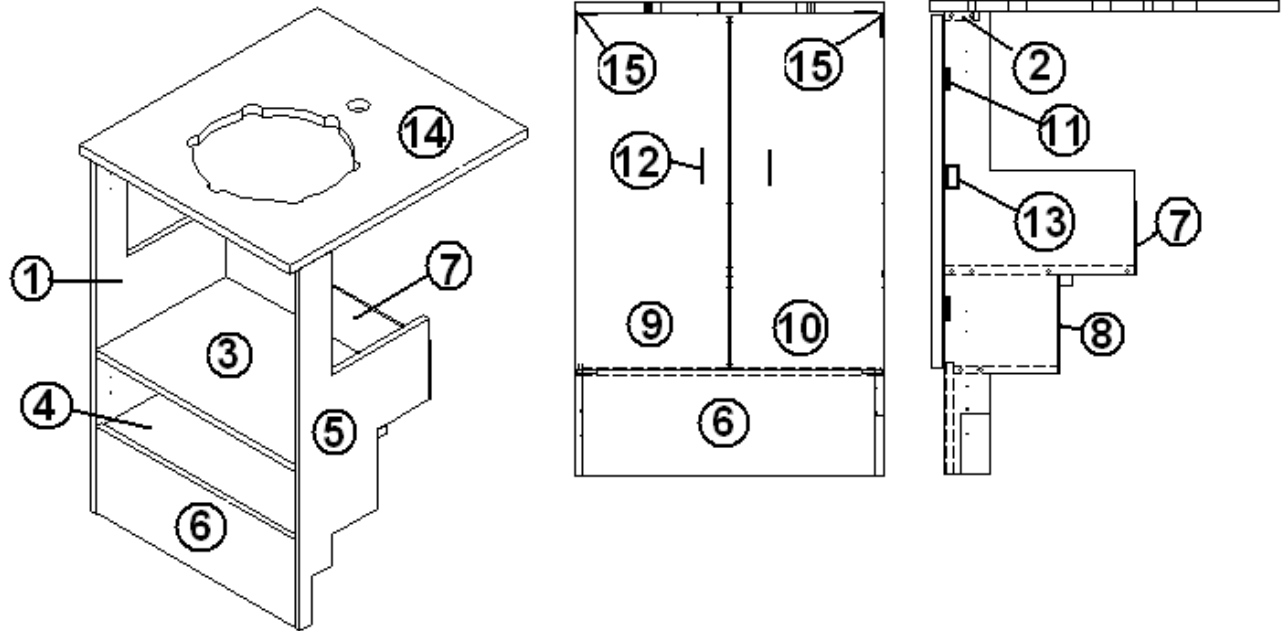
966939-09
1. 382034
2. 380203-01

DOOR, "C" BATH
LATCH, FLUSH MOUNT
PIANO HINGE, 1/8"

2009 FLYING CLOUD

FURNITURE, BATH

Lavatory Cabinet, 19', 23'



966919-09

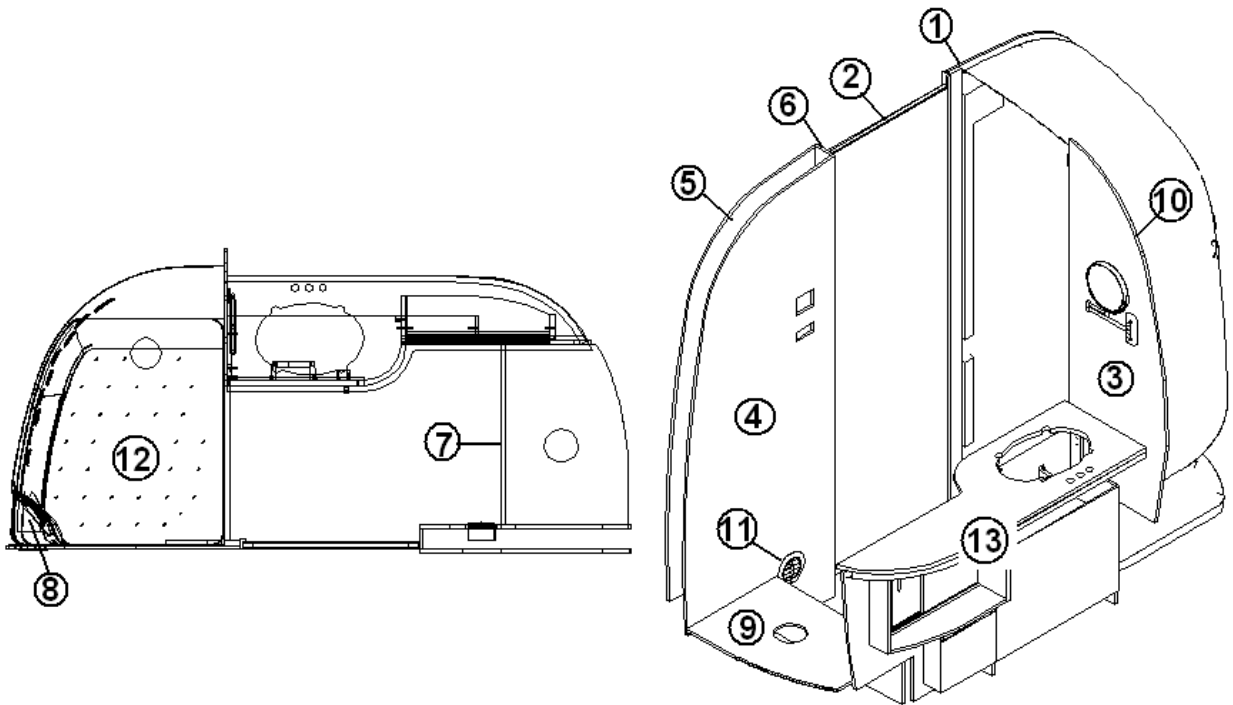
CABINET, LAVATORY

- | | |
|-----------------|--------------------------------|
| 1. 966919-091 | PANEL, LAVATORY, 12.38 X 30.00 |
| 2. 966919-092 | PANEL, LAVATORY, 2.25 X 19.00 |
| 3. 966919-093 | PANEL, LAVATORY, 12.38 X 19.00 |
| 4. 966919-094 | PANEL, LAVATORY, 6.81 X 19.00 |
| 5. 966919-095 | PANEL, LAVATORY, 12.38 X 30.00 |
| 6. 966919-096 | PANEL, LAVATORY, 19.00 X 7.25 |
| 7. 966919-097 | PANEL, LAVATORY, 4.75 X 20.00 |
| 8. 966919-098 | PANEL, LAVATORY, 6.50 X 20.00 |
| 9. 966919-0913 | DOOR, LAVATORY, 9.75 X 22.88" |
| 10. 966919-0914 | DOOR, LAVATORY, 9.75 X 22.88" |
| 11. 381607-01 | HINGE, GRASS EURO |
| 12. 382044 | HANDLE, BRUSHED NICKEL |
| 13. 381228-01 | CATCH, GRABBER DOOR |
| 14. 967364-09 | TOP, LAVATORY |
| 14. 967364-101 | TOP, LAVATORY, GRANITE OPTION |
| 15. 114812 | ALUMINUM ANGLE, 1.00 X 1.00 |

2009 FLYING CLOUD

FURNITURE, BATH

Bath Module, 23' Front Bed

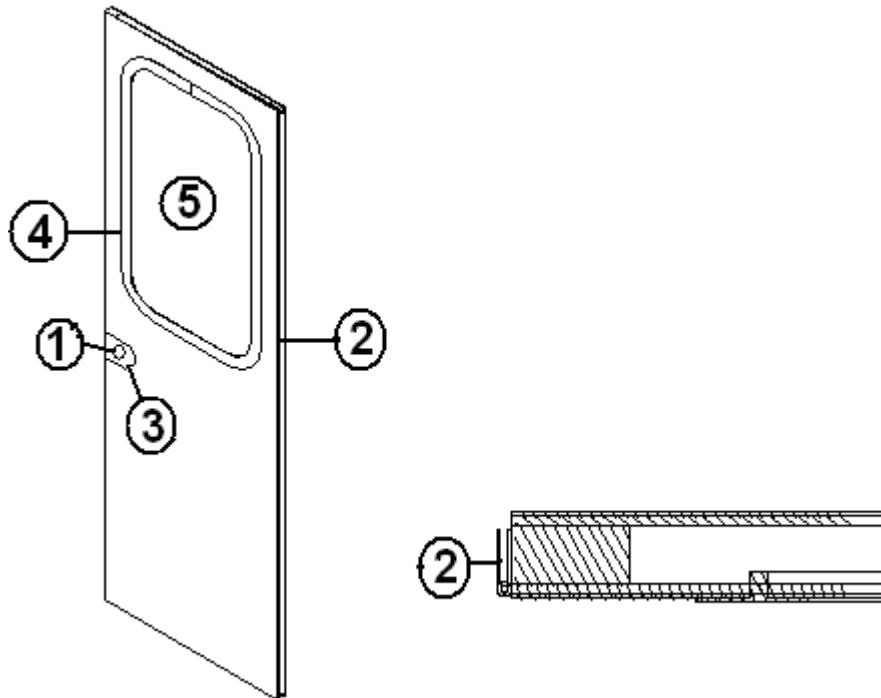


- | | |
|---------------|-------------------------------------|
| 1. 967325-09 | FORWARD PANEL SUB ASSEMBLY |
| 2. 967202-09 | DOOR, BATH, GOLD ALCHEMY |
| 3. 111675-093 | PANEL, 19.92 X 77.4 |
| 4. 111675-094 | PANEL, 30.76 X 78.39 |
| 5. 111675-095 | PANEL, 30.76 X 78.39 |
| 6. 111675-096 | PANEL, 3.00 X 78.55 |
| 7. 111675-097 | PANEL, 23.25 X 7.25 |
| 8. 111675-098 | PANEL, 5.5 X 5.5 |
| 9. 967097 | TOILET STAND |
| 10. 203138-04 | WALL EXTRUSION, OAK |
| 11. 601244-01 | REGISTER, ROUND, BROWN |
| 12. 203615 | SHOWER |
| 13. 967321-09 | LAVATORY ASSEMBLY |
| 801665-0014 | MOLDING "L" DOOR JAMB, TROPICAL OAK |

2009 FLYING CLOUD

FURNITURE, BATH

Door, Bath, 23' Front Bed

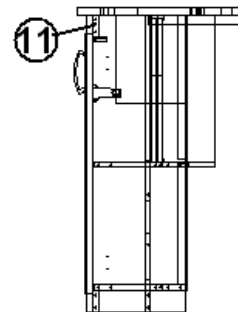
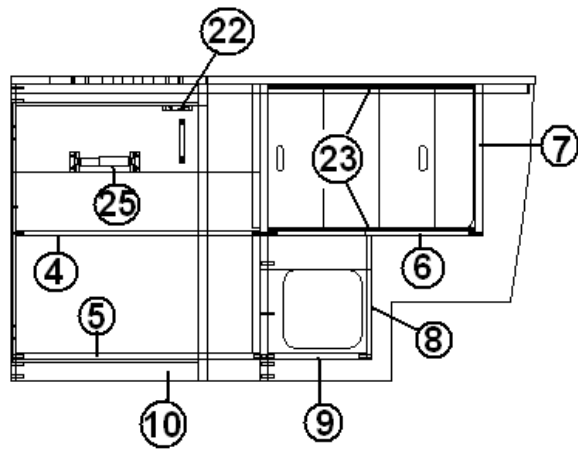
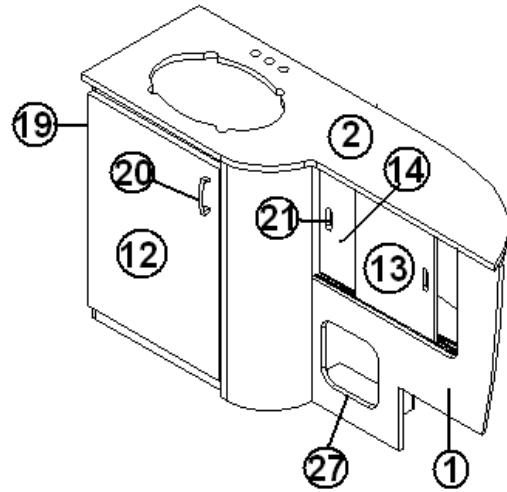
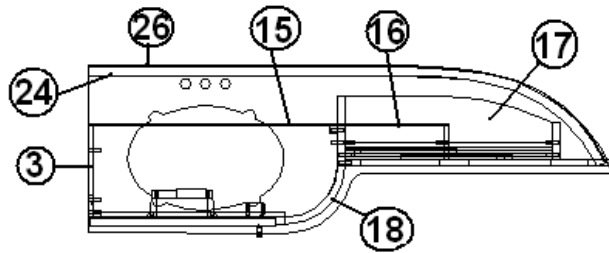


967202-09	BATH DOOR, W/MIRROR
1. 381771-01	LATCH LEVER
2. 380203-01	HINGE PIANO
3. 454320	DOOR HANDLE COVER
4. 966089	MIRROR W/TRIM RING ASSEMBLY
5. 371397	MIRROR ONLY

2009 FLYING CLOUD

FURNITURE, BATH

Lavatory Cabinet, 23' Front Bed



Part Numbers are on the next page

2009 FLYING CLOUD

FURNITURE, BATH

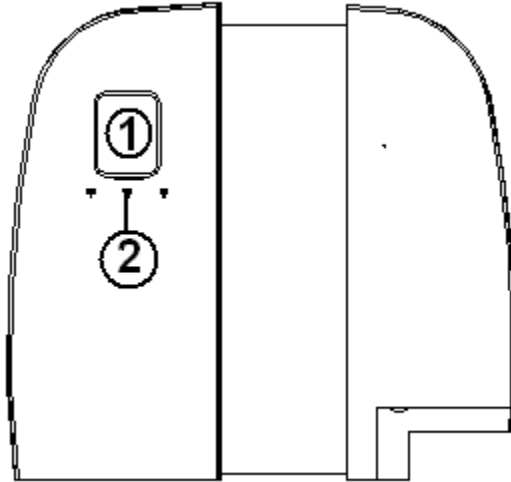
Lavatory Cabinet, 23' Front Bed

967321-09	LAVY ASSEMBLY, OAK
1. 967321-091	PANEL, 26.87 X 30.00
2. 967321-092	TOP, OAK
2. 967321-102	TOP, OAK, GRANITE OPTION
2. 967190-042	TOP, MIDNIGHT SUN
3. 967321-093	PANEL, 9.27 X 30.00
4. 967321-094	PANEL, 9.27 X 24.64
5. 967321-095	PANEL, 9.27 X 24.64
6. 967321-096	PANEL, 7.02 X 20.85
7. 967321-097	PANEL, ASSY 3.75 X 15.38
8. 967321-098	PANEL, 3.5 X 12.88
9. 967321-099	PANEL, 3.50 X 10.00
10. 967321-0910	PANEL, 2.25 X 19.42
11. 967321-0911	PANEL, 2.25 X 19.42
12. 967321-0912	DOOR-LAVY 18.67 X 26.13
13. 967321-0913	DOOR LAVY 11.25 X 14.50
14. 967321-0914	DOOR-LAVY 11.25 X 14.50
15. 967321-0915	PANEL, 25.17 X 18.75
16. 967321-0916	PANEL, 11.25 X 9.50
17. 967321-0917	PANEL, 22.38 X 7.50
18. 967198-09	SUB-ASSY, RADIUS, LAVY
19. 381607	HINGE ASSY-GRASS
20. 382044	PULL, BAR BRUSH NICKEL
21. 382030	PULL, RECESSED FINGER
22. 381228-01	CATCH GRABBER DOOR
23. 115374	EXTRUSION, SLIDING DOOR TRACK, .5"
24. 114812	ALUMINUM ANGLE, 1.00 X 1.00
25. 380034	TOILET PAPER HOLDER, CHROME
26. 201673	REVERSE COVE MOLDING, WHITE,
27. 203445	MOLDING BLACK, FLEXIBLE POLY .5

2009 FLYING CLOUD

FURNITURE, BEDROOM

Erase board and Key Hooks, 23' Front Bed



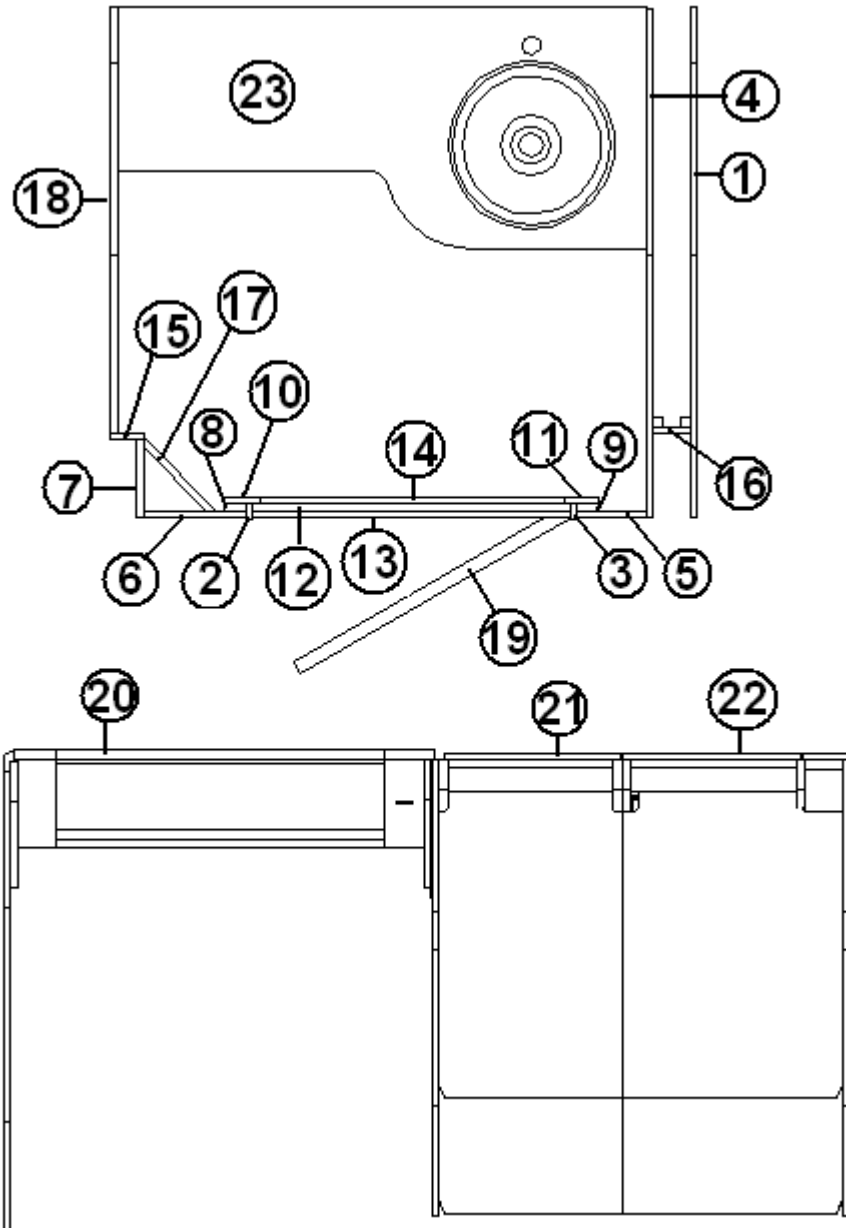
1. 381902
2. 381945

HOOK, STAINLESS STEEL, SCREW IN
BOARD, DRY/ERASE 11" X 14" MAGNETIC

2009 FLYING CLOUD

FURNITURE, BATH

Bath Module 27'



Part Numbers on the Next Page

2009 FLYING CLOUD

FURNITURE, BATH

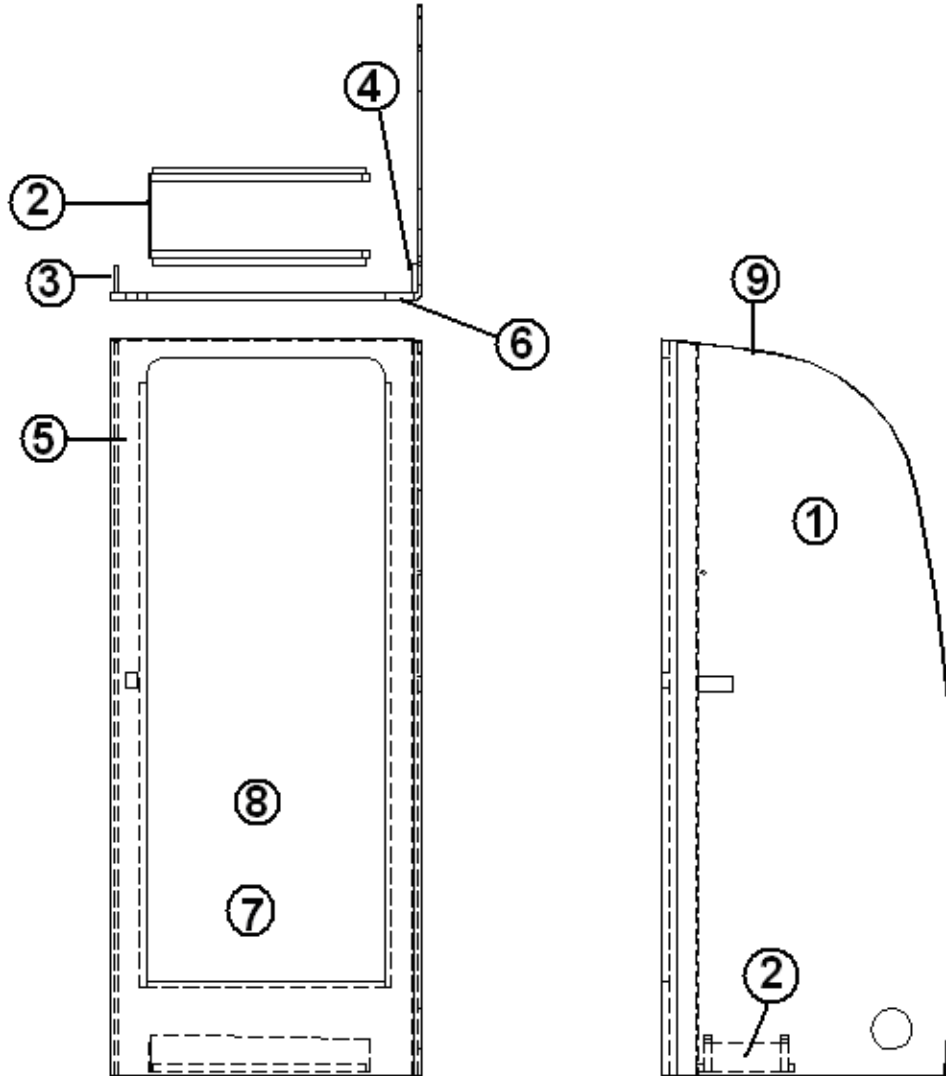
Bath Module 27'

1. 111533-091	PANEL, BATH, 79.44 X 39.5
2. 111533-092	PANEL, BATH, 1.13 X 79.5
3. 111533-093	PANEL, BATH, 1.13 X 79.5
4. 111533-094	PANEL, BATH, 79.5 X 39.5
5. 111533-095	PANEL, BATH, 5.375 X 79.5
6. 111533-096	PANEL, BATH, 8 X 79.5
7. 111533-097	PANEL, BATH, 6 X 79.5
8. 111533-098	PANEL, BATH, 1.75 X 79.5
9. 111533-099	PANEL, BATH, 1.75 X 79.5
10. 111533-0910	PANEL, BATH, 2.75 X 79.5
11. 111533-0911	PANEL, BATH, 2.75 X 79.5
12. 111533-0912	PANEL, BATH, 24.625 X 3.5
13. 111533-0913	PANEL, BATH, 24.625 X 3.5
14. 111533-0914	PANEL, BATH, 23.625 X 3.75
15. 111533-0915	PANEL, BATH, 2.5 X 79.25
16. 111533-0916	PANEL, BATH, 3 X 79.25
17. 111533-0917	PANEL, BATH, 8 X 79.13
18. 111533-0918	PANEL, BATH, 79 X 33
19. 966894-09	DOOR ASSY-BATH 24 X 72
20. 966879-09	SHOWER COMPARTMENT ASSEMBLY
21. 966880-09	WARDROBE, FORWARD
22. 966881-09	WARDROBE, AFT
23. 966884-09	LAVATORY CABINET
961916-01	Shower stand assembly

2009 FLYING CLOUD

FURNITURE, BATH

Shower Compartment, 27' Front Double Bed, 25' Front Bed

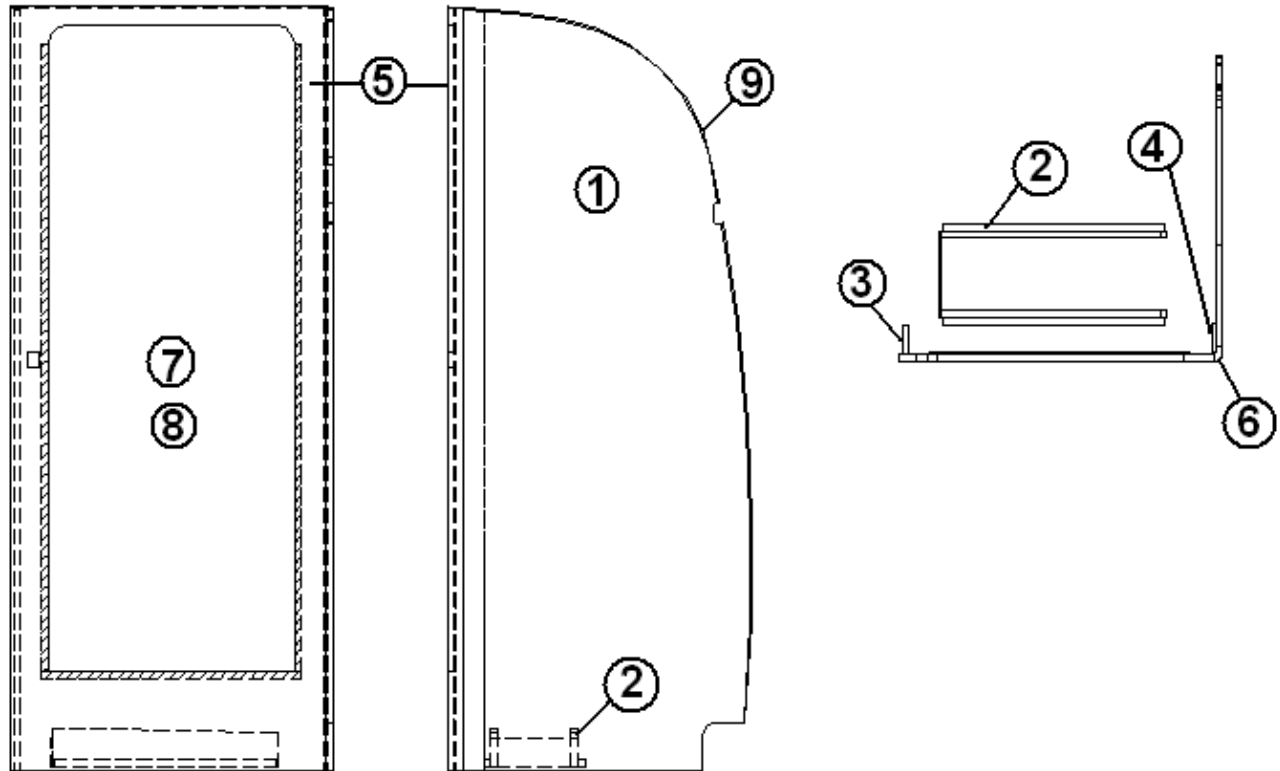


- | | |
|----------------|---------------------------------|
| 966879-09 | SHOWER COMPARTMENT |
| 1. 966879-091 | PANEL, SHOWER 29.72 X 78.75 |
| 2. 961916-01 | SHOWER STAND ASSY. |
| 3. 966879-093 | PANEL, SHOWER 3 X 78.94 |
| 4. 966879-094 | PANEL, SHOWER 3 X 78.94 |
| 5. 966879-095 | PANEL, SHOWER 32.5 X 79 |
| 6. 801706-0014 | TRIM, CORNER, 90D 1" |
| 7. 203081 | SHOWER STALL, 2 PC. |
| 8. 703626-01 | SHOWER DOOR, BRUSHED NICKEL W/A |
| 9. 203138-04 | EXTRUSION , PLASTIC 1/2" OAK W |
| 203440 | T MOLDING, BLACK EMBOSSED .8125 |

2009 FLYING CLOUD

FURNITURE, BATH

Shower Compartment, 27' Twin Front Bed

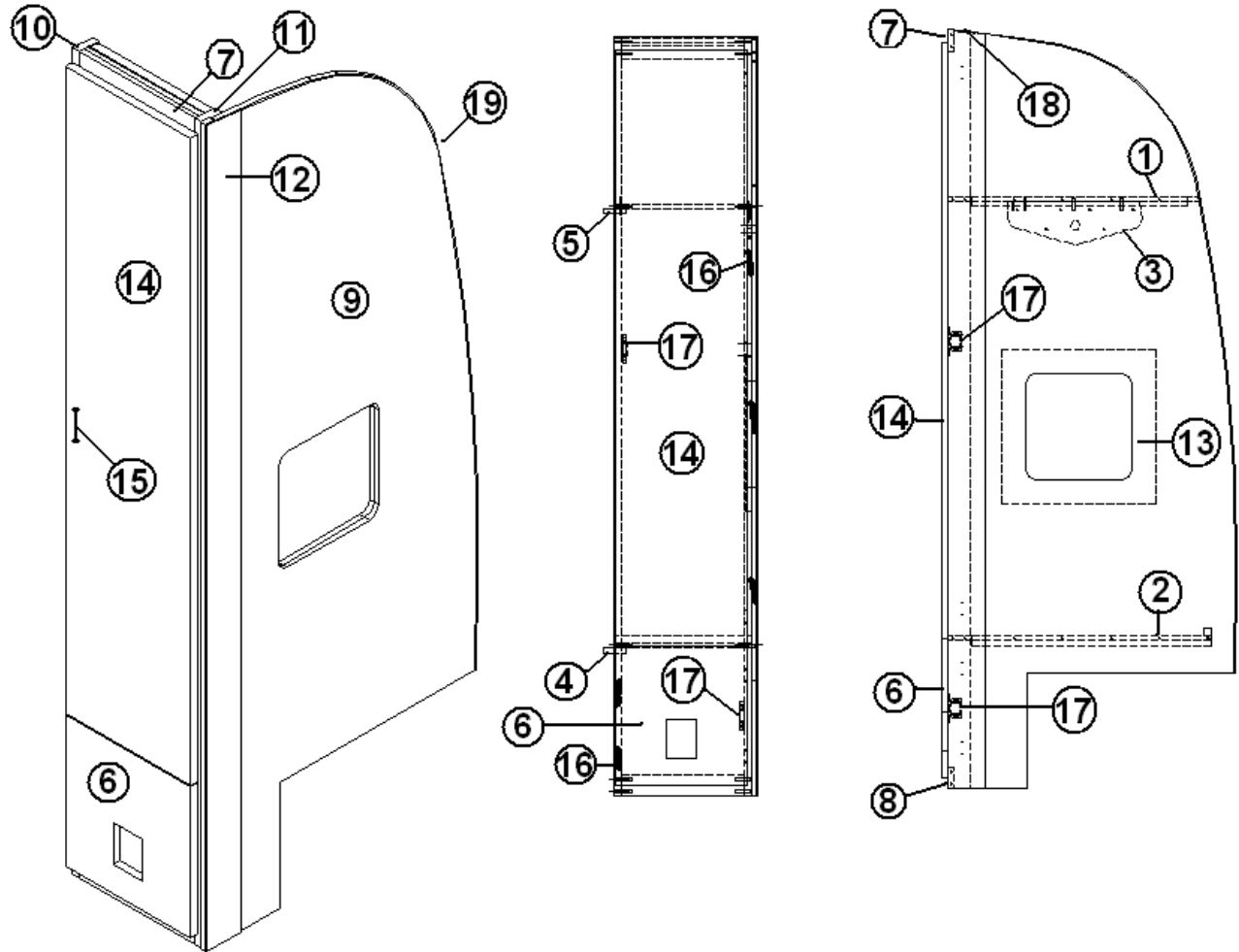


- | | |
|----------------|--------------------------------|
| 967060-09 | SHOWER COMPARTMENT |
| 1. 967060-091 | PANEL, SHOWER 79 X 29.72 |
| 2. 961916-01 | STAND ASSEMBLY, SHOWER |
| 3. 967060-093 | PANEL, SHOWER, 3 X 78.94 |
| 4. 967060-094 | PANEL, SHOWER, 3 X 78.94 |
| 5. 967060-095 | PANEL, SHOWER, 32.5 X 78.75 |
| 6. 801706-0014 | TRIM, CORNER 90D 1"RADIUS, 84" |
| 7. 203081 | SHOWER STALL, 2 PC. |
| 8. 703626-01 | SHOWER DOOR, BRUSHED NICKEL |
| 9. 203138-04 | EXTRUSION, PLASTIC, 1/2" OAK |
| 203440 | MOLDING, BLACK EMBOSSED, .8125 |

2009 FLYING CLOUD

FURNITURE, BATH

Wardrobe, 27', Forward



Part Numbers on The Next Page

2009 FLYING CLOUD

FURNITURE, BATH

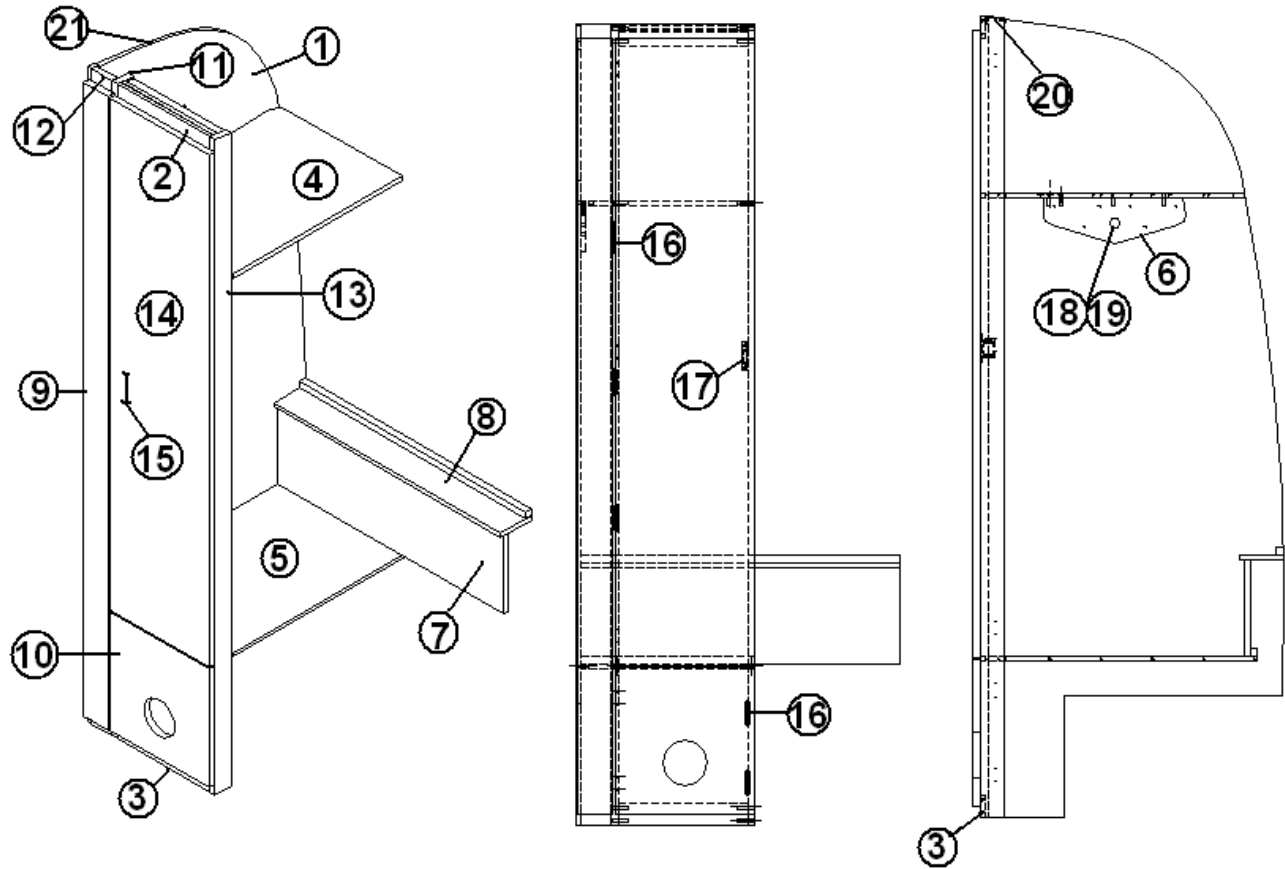
Wardrobe, 27', Forward

966880-09	WARDROBE, FORWARD
1. 966880-091	PANEL, FORWARD WARDROBE, 26 X 14.25
2. 966880-092	PANEL, FORWARD WARDROBE, 27.25 X 14.25
3. 966880-093	PANEL, FORWAR, WARDROBE, 14 X 7
4. 966880-094	PANEL, FORWARD WARDROBE, 2.25 X 24.75
5. 966880-095	PANEL, FORWARD WARDROBE, 2.25 X 22.25
6. 966880-096	PANEL, FORWARD WARDROBE, 13.75 X 14.38
7. 966880-097	PANEL, FORWARD WARDROBE, 2.25 X 12.75
8. 966880-098	PANEL, FORWARD WARDROBE, 2.25 X 12.75
9. 966880-099	PANEL, FORWAR, WARDROBE, 29.87 X 78.88
10. 966880-0910	PANEL, FORWARD WARDROBE, 2.25 X 78.88
11. 966880-0911	PANEL, FORWARD WARDROBE, 2.25 X 78.88
12. 966880-0912	PANEL, FORWARD WARDROBE, 3.81 X 78.88
13. 966883-09	CLOSEOUT, WARDROBE
14. 966880-0914	DOOR, FORWARD WARDROBE, 13.75 X 61.75
15. 382044	HANDLE-BRUSHED NICKEL
16. 381607	HINGE, GRASS EURO
17. 381228-01	DOOR GRABBER CATCH
18. 104821	SUPPORT, ROOFLOCKER, 74"
19. 203138-04	EXTRUSION, PLASTIC, 1/2" OAK

2009 FLYING CLOUD

FURNITURE, BATH

Wardrobe, 27', Aft



Part Numbers on The Next Page

2009 FLYING CLOUD

FURNITURE, BATH

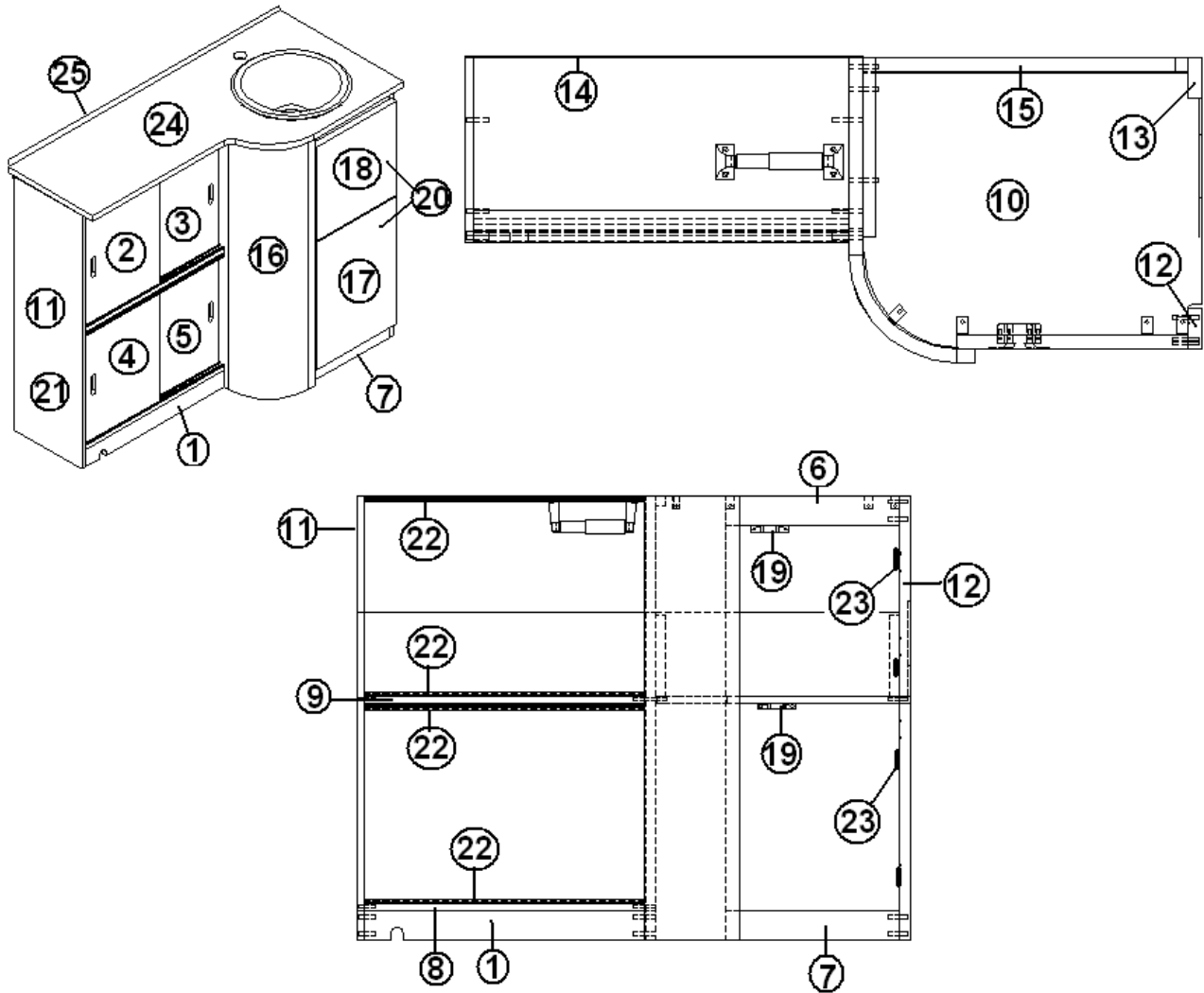
Wardrobe, 27', Aft

966881-09	WARDROBE, AFT
1. 966881-091	PANEL, AFT WARDROBE, 29.87 X 78.88
2. 966881-092	PANEL, AFT WARDROBE, 2.25 X 12.75
3. 966881-093	PANEL, AFT WARDROBE, 2.25 X 12.75
4. 966881-094	PANEL, AFT WARDROBE, 26 X 17.19
5. 966881-095	PANEL, AFT WARDROBE, 27.25 X 17.19
6. 966881-096	PANEL, AFT WARDROBE, 14 X 7
7. 966881-097	PANEL, AFT WARDROBE, 9.5 X 31.44
8. 966881-098	PANEL, AFT WARDROBE, 4.31 X 31.44
9. 966881-099	PANEL, AFT WARDROBE, 3.44 X 76.25
10. 966881-0910	PANEL, AFT WARDROBE, 13.75 X 14.38
11. 966881-0911	PANEL, AFT WARDROBE, 2.94 X 78.88
12. 966881-0912	PANEL, AFT WARDROBE, 2.25 X 78.88
13. 966881-0913	PANEL, AFT WARDROBE, 2.25 X 78.88
14. 966881-0914	DOOR-AFT WARDROBE, 13.75 X 61.75
15. 382044	HANDLE, BRUSHED NICKEL
16. 381607	HINGE, GRASS EURO
17. 381228-01	CATCH, GRABBER, DOOR
18. 380045	TUBING, 3/4", METAL
19. 200975-04	CONDUIT, FLEXIBLE BLACK PLASTIC
20. 104821	SUPPORT, ROOFLOCKER, 74"
21. 203138-04	EXTRUSION, PLASTIC, 1/2" OAK

2009 FLYING CLOUD

FURNITURE, BATH

Lavatory Cabinet, 27'



Part Numbers on The Next Page

2009 FLYING CLOUD

FURNITURE, BATH

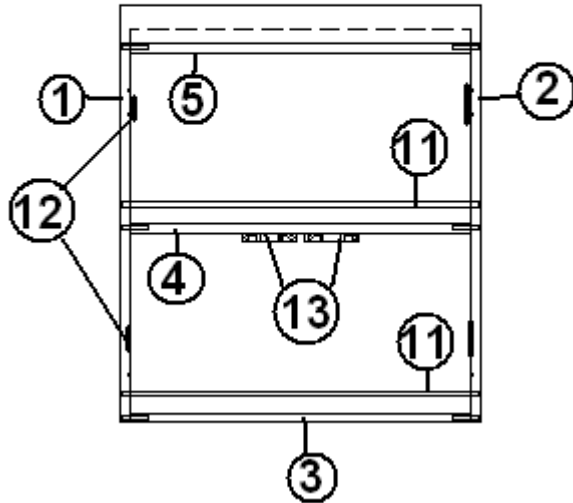
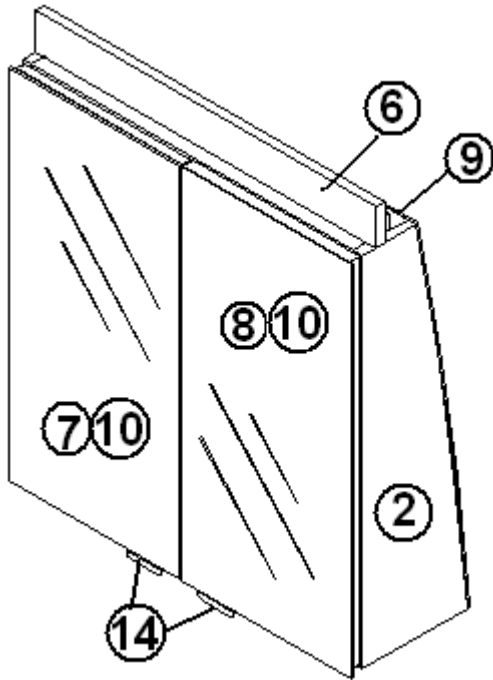
Lavatory Cabinet, 27'

966884-09	LAVATORY CABINET
1. 966884-091	PANEL, LAVATORY, 20.85 X 2.25
2. 966884-092	PANEL, LAVATORY, 11.25 X 14.5
3. 966884-093	PANEL, LAVATORY, 11.25 X 14.5
4. 966884-094	PANEL, LAVATORY, 11.25 X 14.5
5. 966884-095	PANEL, LAVATORY, 11.25 X 14.5
6. 966884-096	PANEL, LAVATORY, 12.87 X 2.25
7. 966884-097	PANEL, LAVATORY, 12.87 X 2.25
8. 966884-098	PANEL, LAVATORY, 10.25 X 20.85
9. 966884-099	PANEL, LAVATORY, 10.25 X 20.85
10. 966884-0910	PANEL, LAVATORY, 18.87 X 16.19
11. 966884-0911	PANEL, LAVATORY, 10.25 X 33
12. 966884-0912	PANEL, LAVATORY, 2.25 X 33
13. 966884-0913	PANEL, LAVATORY, 2.25 X 14.87
14. 966884-0914	PANEL, LAVATORY, 22.13 X 22.13
15. 966884-0915	PANEL, LAVATORY, 18.12 X 6.25
16. 966893	RADIUS SUB ASSEMBLY
17. 966884-0917	DOOR, 11.87 X 16.69
18. 966884-0918	DOOR, LAVATORY, 11.87 X 12.31
19. 381228-01	CATCH, GRABBER, DOOR
20. 382044	HANDLE, BRUSHED NICKEL
21. 382030	PULL, RECESSED FINGER, .7X2.7
22. 115374	EXTRUSION, SLIDING DOOR TRACK, .5"
23. 381607	HINGE, GRASS EURO
24. 967270	LAVATORY TOP
24. 967270-10	LAVATORY TOP , LABRADOR GRANITE
25. 114812	ALUMINUM ANGLE, 1" X 1"

2009 FLYING CLOUD

FURNITURE, BATH

Medicine Cabinet, Lower, 23', 19'



966922-09

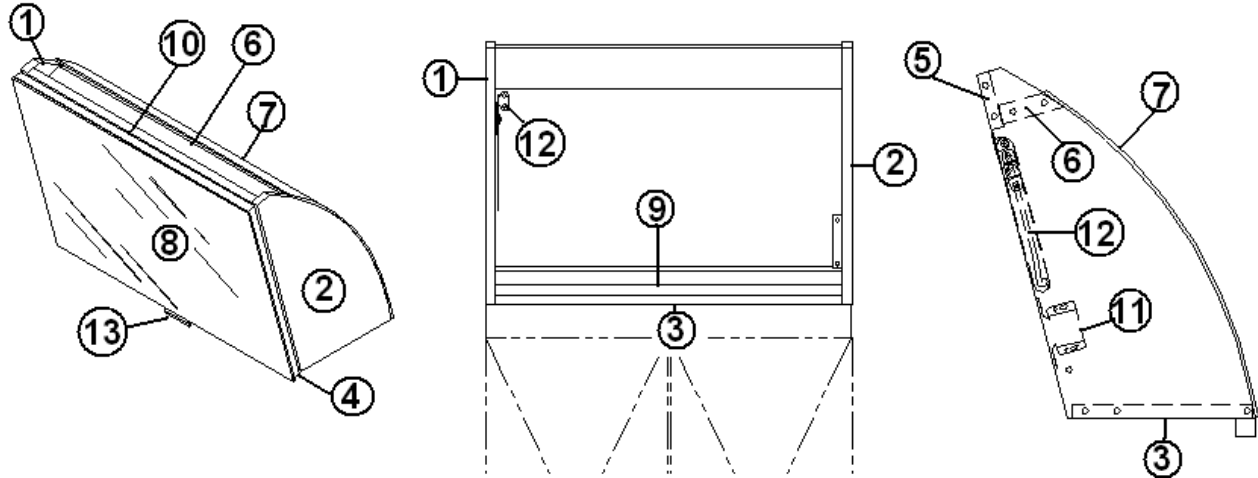
MEDICINE CABINET, LOWER

- | | |
|---------------|--------------------------------------|
| 1. 966922-091 | PANEL, 5.89 X 20.00 |
| 2. 966922-092 | PANEL, 5.89 X 20.00 |
| 3. 966922-093 | PANE,L 5.75 X 17.97 |
| 4. 966922-094 | PANEL, 4.56 X 17.97 |
| 5. 966922-095 | PANEL, 3.00 X 17.97 |
| 6. 966922-096 | PANEL, 2.00 X 19.00 |
| 7. 966922-097 | DOOR, 9.25 X 19.75 |
| 8. 966922-098 | DOOR, 9.25 X 19.75 |
| 9. 966922-099 | PANEL, 20.25 X 19.0 |
| 10. 372203-24 | MIRROR, POLISHED EDGES, 9.50 X 20.00 |
| 11. 115042 | ROD, .25" ALUMINUM, 6' LENGTH |
| 12. 385935-01 | HINGE, PIVOT, ZINC PLATED |
| 13. 381228-01 | CATCH, GRABBER, DOOR |
| 14. 385940-02 | MIRROR PULL, CHROME |

2009 FLYING CLOUD

FURNITURE, BATH

Medicine Cabinet, Upper, 19', 23'



966921-09

CABINET, MEDICINE, UPPER

1. 966921-091

PANEL, MEDICINE CABINET, 10.44 X 13.50

2. 966921-092

PANEL, MEDICINE CABINET, 10.44 X 13.50

3. 966921-093

PANEL, MEDICINE CABINET, 7.00 X 17.97

4. 966921-094

PANEL, MEDICINE CABINET, 13.75 X 18.75

5. 966921-095

PANEL, MEDICINE CABINET, 2.25 X 17.97

6. 966921-096

PANEL, MEDICINE CABINET, 2.50 X 17.97

7. 966921-097

PANEL, MEDICINE CABINET, 16.25 X 19.0

8. 372203-05

MIRROR, POL EDGES, 19.00" X 14.00

9. 115042

ROD, .25" ALUMINUM, 6' LENGTH

10. 385935-01

HINGE, PIVOT, ZINC PLATED

11. 381228-01

CATCH, GRABBER, DOOR

12. 380024

ARMS, SUPPORT, RIGHT HAND

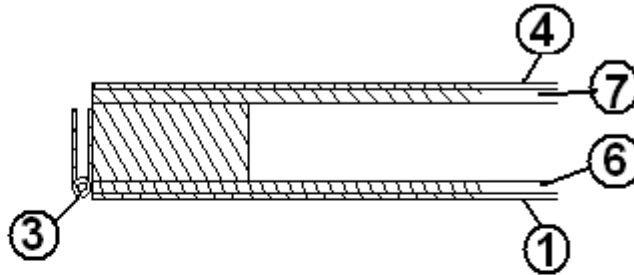
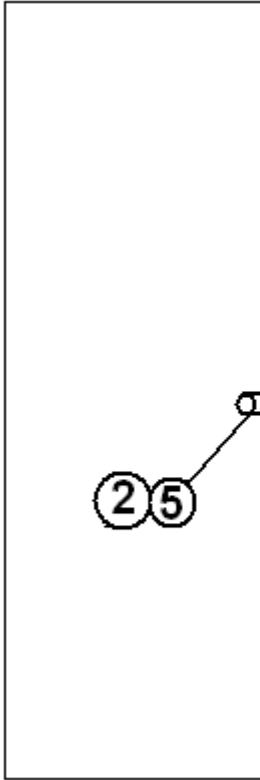
13. 385940-02

MIRROR PULL, CHROME

2009 FLYING CLOUD

FURNITURE, BATH

Door, Bath, Front Bed, 27' Front Bed, 25' Front Bed



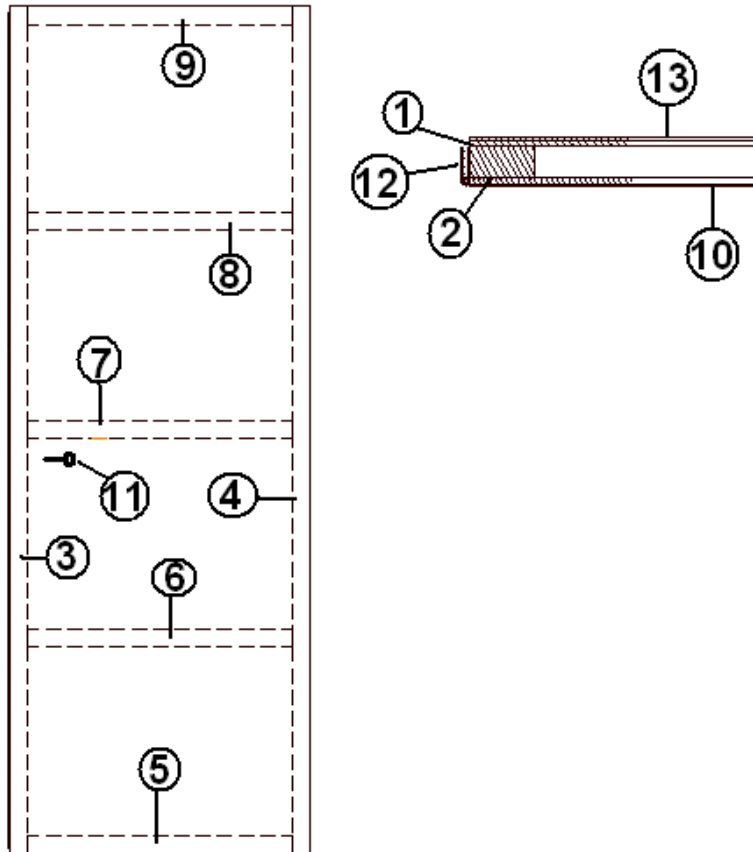
- 966894-09
- 1. 801793-01
- 2. 381771
- 3. 380203-01
- 4. 801355-01
- 5. 454320
- 6. 966894-091
- 7. 966894-092

- DOOR, BATH, 24 X 72
- LAMINATE, GOLD ALCHEMY, VERTICAL
- LATCH, LEVER LOCKSET, PRIVACY
- PIANO HINGE
- LAMINATE, FROST WHITE, 4' X 8', VERTICLE
- DOOR HANDLE COVER
- PANEL, BATH DOOR, 27.50 X 74.00
- PANEL, BATH DOOR, 27.50 X 74.00

2009 FLYING CLOUD

FURNITURE, BATH

Door, Bath, 28' W

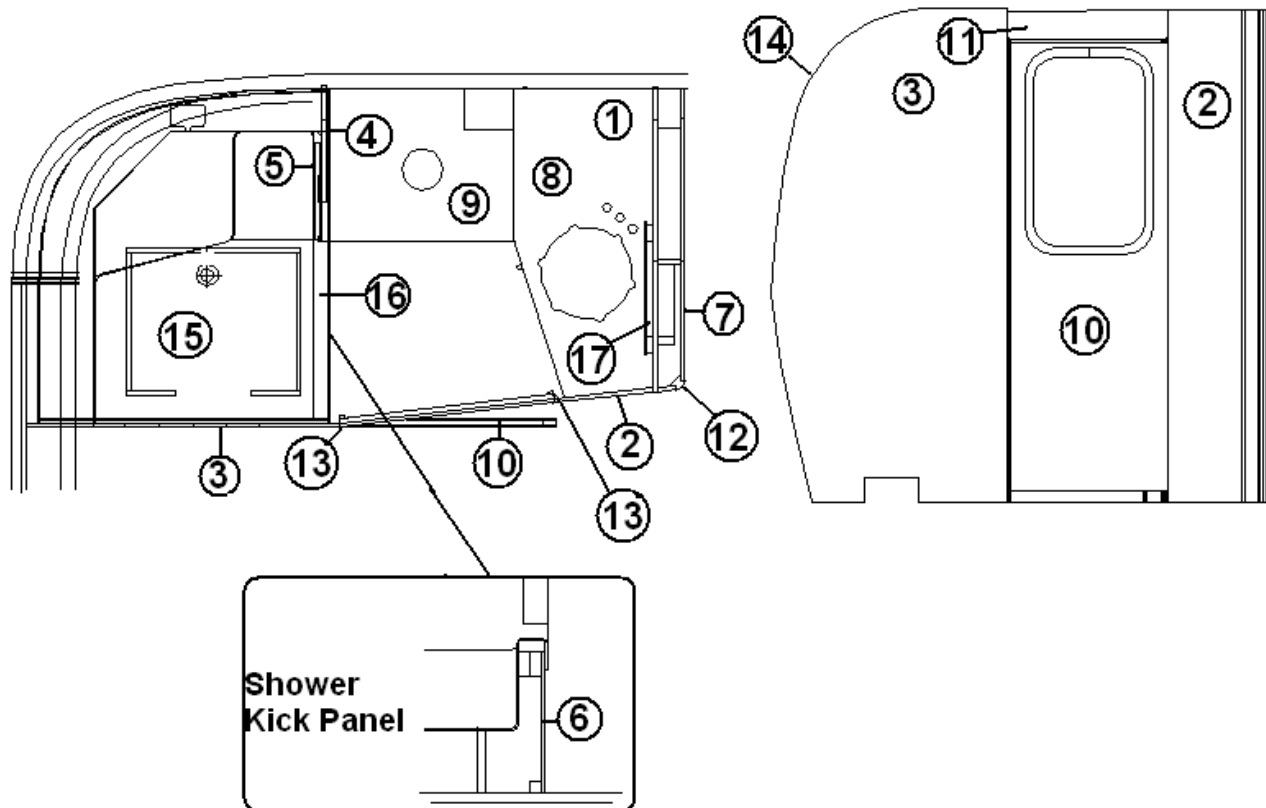


966994-09	Bath door
1. 966994-091	PANEL, LAUAN, 27" X 74"
2. 966994-092	PANEL, LAUAN, 27" X 74"
3. 966994-093	PANEL, LAUAN, 1.50" X 72.50"
4. 966994-094	PANEL, LAUAN, 1.50" X 72.50"
5. 966994-095	PANEL, LAUAN, 1.50" X 22.50"
6. 966994-096	PANEL, LAUAN, 1.50" X 22.50"
7. 966994-097	PANEL, LAUAN, 1.50" X 22.50"
8. 966994-098	PANEL, LAUAN, 1.50" X 22.50"
9. 966994-099	PANEL, LAUAN, 1.50" X 22.50"
10. 801793-01	LAMINATE, GOLD ALCHEMY, VERTICAL
11. 381771	LATCH, FLUSH MOUNT
12. 380203-01	PIANO HINGE 1/8" PIN
13. 801355-01	LAMINATE, WHITE VERTICLE

2009 FLYING CLOUD

FURNITURE, BATH

BATH MODULE, 20'

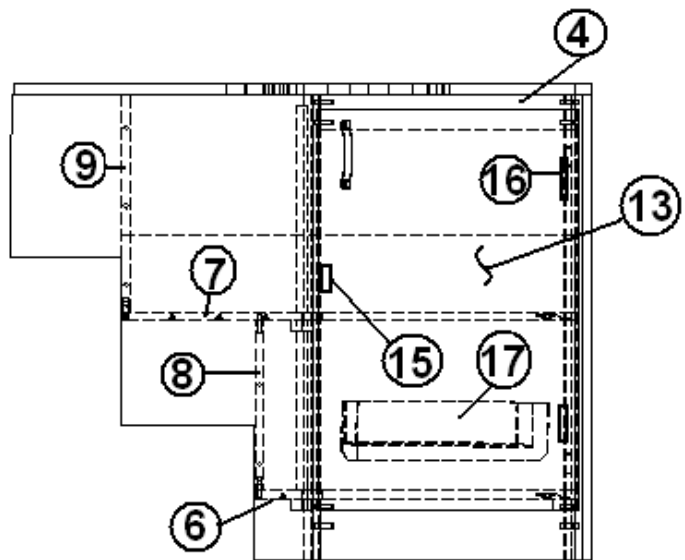
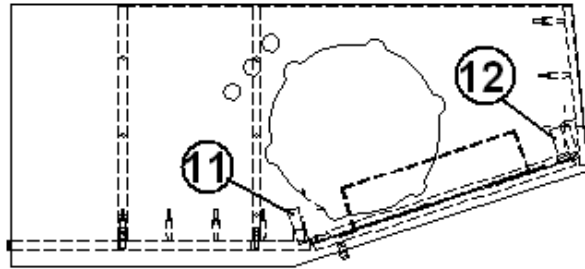
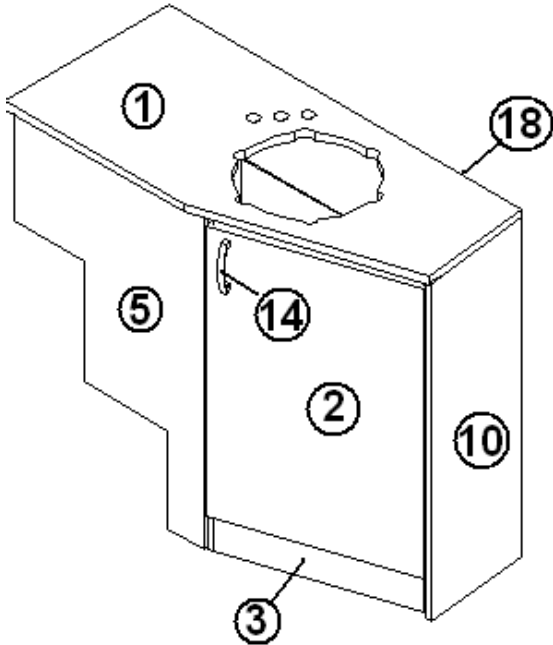


1. 111740-091	PANEL, BATH MODULE, 36.69 X 79.04
2. 111740-092	PANEL, BATH MODULE, 14.81 X 79.12
3. 111740-093	PANEL, BATH MODULE, 37.83 X 79.38
4. 111740-094	PANEL, BATH MODULE, 14.00 X 67.69
5. 111740-095	PANEL, BATH MODULE, 3.00 X 63.00
6. 111740-096	PANEL, BATH MODULE, 23.00 X 9.00
7. 967351-09	PANEL, AFT DINETTE
8. 967342-09	LAVATORY CABINET
9. 966941	STAND, TOILET
10. 967341-09	DOOR, BATH
11. 967350-09	HEADER, BATH DOOR
12. 801415-0014	CORNER TRIM, 1"RADIUS, GOLD ALCHEMY
13. 801665-0014	MOLDING, DOOR JAMB, GOLD ALCHEMY
14. 203138-04	EXTRUSION, PLASTIC, 1/2"
15. 203114	SHOWER, 2 PC FIBERGLASS
16. 702937-03	SHOWER DOOR-ROLL AWAY 62 X 36
17. 601847	CABINET, MEDICINE, W/MIRROR, 16"X 22"
800638-0014	MOLDING, QUARTER ROUND, .5", ALCHEMY

2009 FLYING CLOUD

FURNITURE, BATH

Lavatory Cabinet, 20'



Part numbers are on the next page.

2009 FLYING CLOUD

FURNITURE, BATH

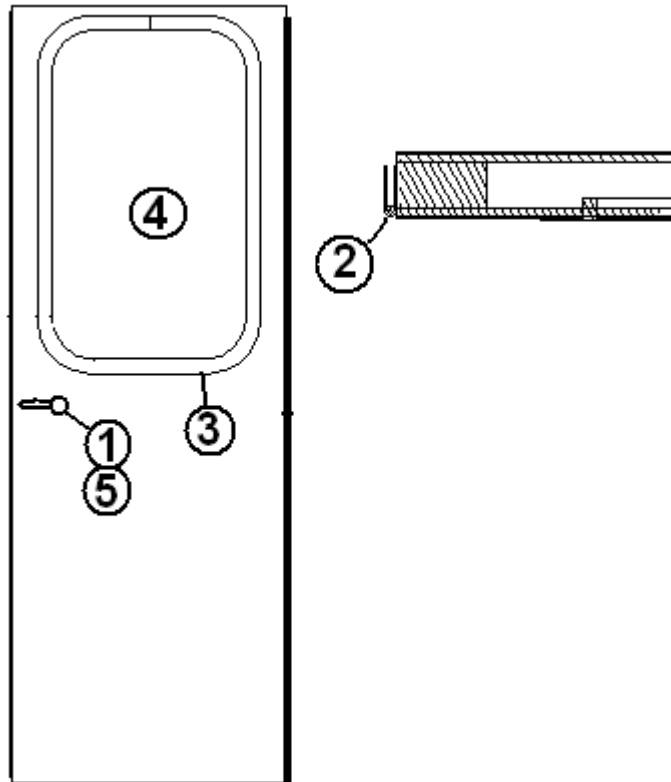
Lavatory Cabinet, 20'

967342-09	LAVATORY CABINET
1. 967342-091	TOP, LAVATORY, 37.25 X 16.88
1. 967342-101	TOP, LAVATORY, GRANITE, 37.25 X 16.88
2. 967342-092	DOOR, LAVATORY, 17.63 X 24.75
3. 967342-093	PANEL, LAVATORY, 4 X 17.13
4. 967342-094	PANEL, LAVATORY, 2.25 X 17.13
5. 967342-095	PANEL, LAVATORY, 19.5 X 30
6. 967342-096	PANEL, LAVATORY, 20.77 X 15.19
7. 967342-097	PANEL, LAVATORY, 29.4 X 15.19
8. 967342-098	PANEL, LAVATORY, 11 X 15.19
9. 967342-099	PANEL, LAVATORY, 14 X 15.19
10. 967342-0910	PANEL, LAVATORY, 10.33 X 30
11. 967342-0911	PANEL, LAVATORY, 2.25 X 30
12. 967342-0912	PANEL, LAVATORY, 2.25 X 30
13. 967342-0913	PANEL, LAVATORY, 29.13 X 17
14. 382044	HANDLE, BRUSHED NICKEL
15. 381228-01	DOOR CATCH, GRABBER
16. 381607	HINGE, GRASS EURO
17. 203383	RACK, MAGAZINE
18. 201673	REVERSE COVE MOLDING, WHITE, PLASTIC
380034	TOILET PAPER HOLDER, CHROME

2009 FLYING CLOUD

FURNITURE, BATH

Bath Door, 20'



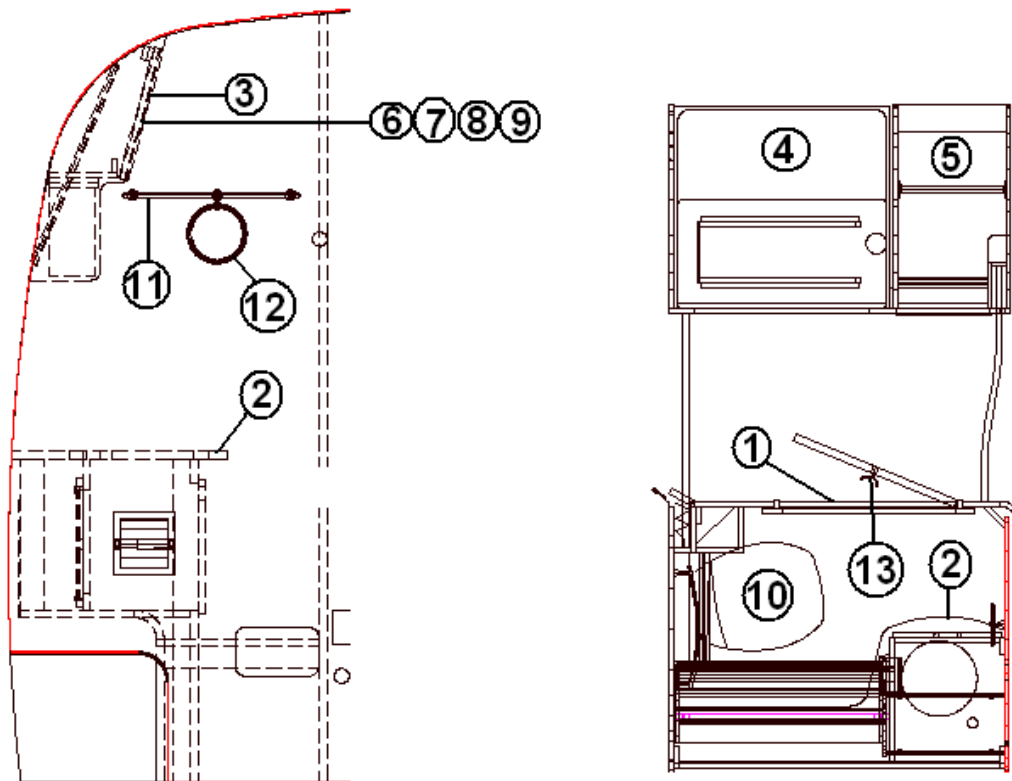
- 967341-09
1. 382034
2. 380458
3. 966089
4. 371397
5. 454320
320034

BATH DOOR W/MIRROR
LATCH, FLUSH MOUNT
HINGE PIANO BROWN ANODIZED
TRIM RING, MIRROR
MIRROR, 18.5" X 31" W/4" RADIUS
DOOR HANDLE COVER
SCREW STAINLESS STEEL #8 X 5/8

2009 FLYING CLOUD

FURNITURE, BATH

Bath Module, 28' W

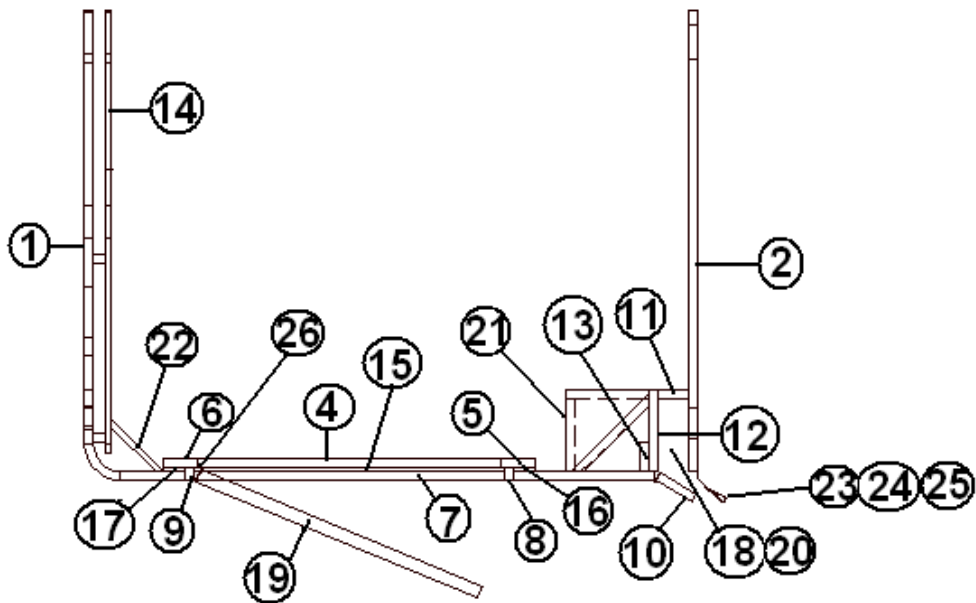
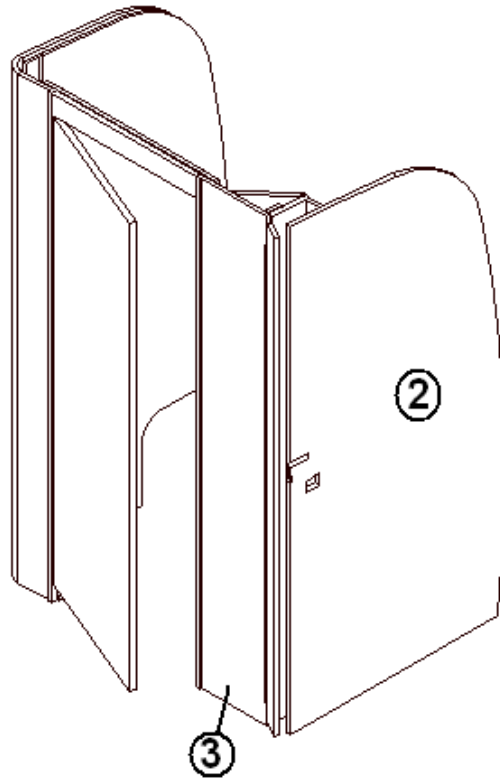


1. 966990-09 FRONT WALL ASSY, LATRINE
2. 966394-09 LAVATORY CABINET
3. 967003-09 MEDICINE CABINET, UPPER 30"
4. 966967-09 SHOWER COMPT ASSY
5. 966969-09 WARDROBE ASSY ROADSIDE
6. 372203-15 MIRROR, 17.00 X 25.25
7. 800507-02 LAUAN, 1/4" X 4' X 8'
8. 381220-01 MIRROR CLIP
9. 381220-02 MIRROR CLIP
10. 690472 TOILET, CHINA, WHITE
11. 381776 TOWEL BAR, CHROME, 18"
12. 381777 TOWEL RING, CHROME
13. 381778 ROBE HOOK, DOUBLE CHROME

2009 FLYING CLOUD

FURNITURE, BATH

Door/Walls Bath, 28' W



Part Number on the Next Page

2009 FLYING CLOUD

FURNITURE, BATH

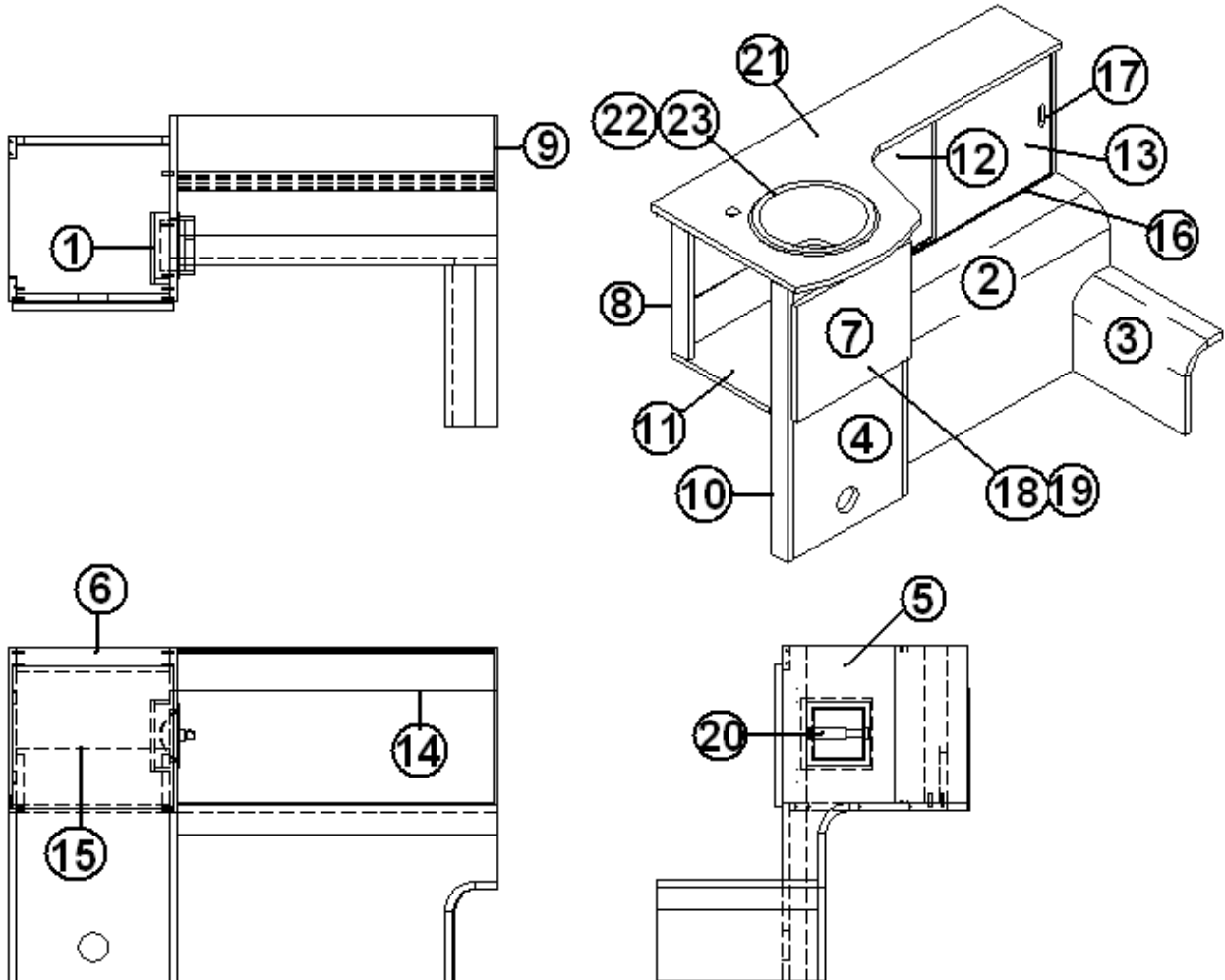
Door/Walls Bath, 28' W

966990-09	FRONT WALL ASSY, LATRINE
1. 966991-09	WALL ASSY FWD BATH
2. 966990-092	PANEL, BATH, 38.58 X 79.22
3. 966990-3	PANEL, BATH, 11.69 X 79.50
4. 966990-094	PANEL, BATH, 25.25 X 3.75
5. 966990-095	PANEL, BATH, 2.88 X 79.32
6. 966990-096	PANEL, BATH, 2.88 X 79.32
7. 966990-097	PANEL, BATH, 26.00 X 3.41
8. 966990-098	PANEL, BATH, 1.06 X 79.42
9. 966990-099	PANEL, BATH, 1.06 X 79.42
10. 966990-0910	DOOR, BATH, FRONT WALL, 3.44 X 77.4
11. 966990-0911	PANEL, BATH, 2.5 X 78.82
12. 966990-0912	PANEL, BATH, 6.75 X 79.34
13. 966990-0913	PANEL, BATH, 2.5 X 79.38
14. 966990-0914	PANEL, BATH, 37.08 X 79.15
15. 800507-02	LAUAN, 1/4" X 4' X 8'
16. 800507-02	LAUAN, 1/4" X 4' X 8'
17. 800507-02	LAUAN, 1/4" X 4' X 8'
18. 702681-07	DOOR, FOLDETTE 60"X 73" GREY
19. 966994-09	DOOR ASSY, BATH
20. 381802-01	TAP CAP #2 WHITE
21. 966996	CLOSEOUT, BLACK TANK VENT ASSY.
22. 966990-0922	PANEL, BATH, 6.18 X 79.34
23. 381581	STRAP CLEAR PLASTIC .75"W
24. 700811	BUTTON CAP, HANDY
25. 700812	BUTTON BOTTOM, OAK
26. 380203-01	PIANO HINGE 1/8" PIN

2009 FLYING CLOUD

FURNITURE, BATH

Lavatory Cabinet, 28' W



Part numbers on the next page.

2009 FLYING CLOUD

FURNITURE, BATH

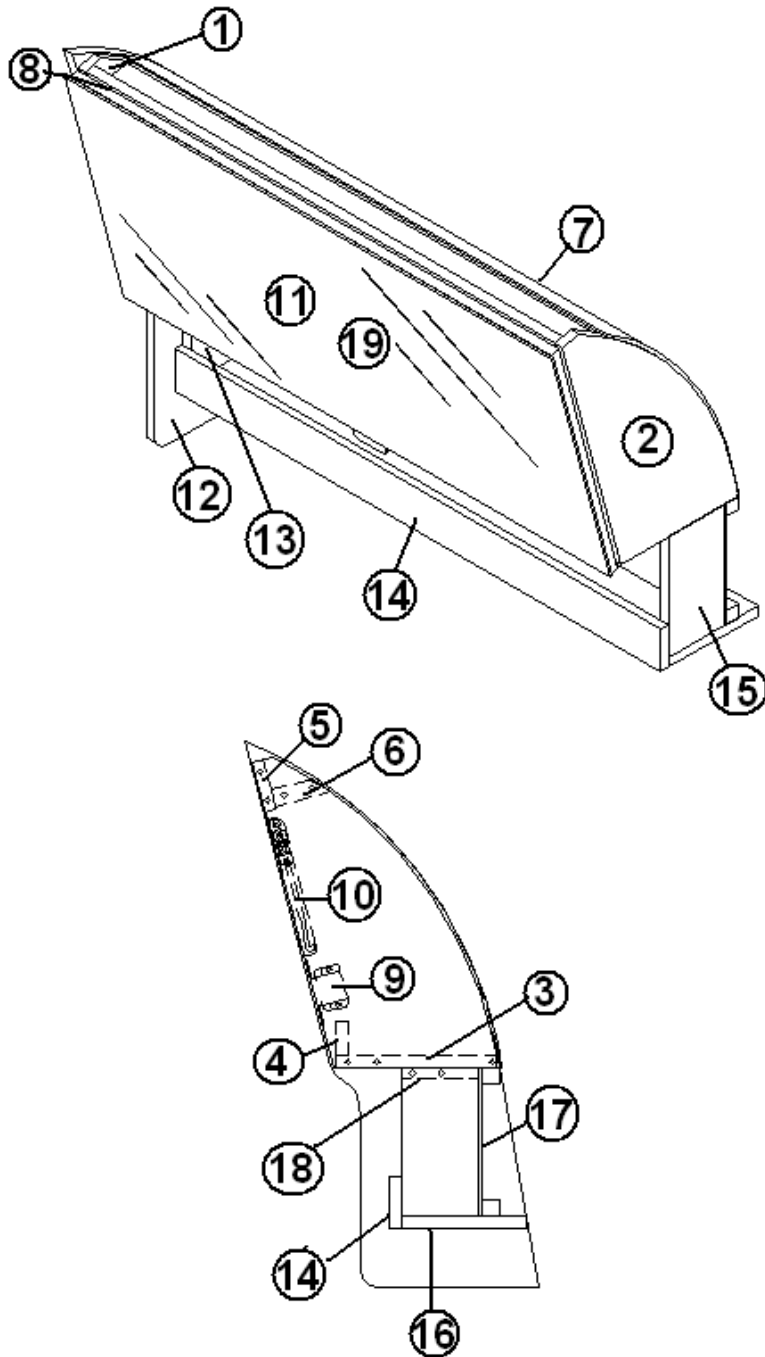
Lavatory Cabinet Assembly, 28' W

967394-09	Lavatory Cabinet Assembly, 28' W
1. 967006	CLOSEOUT PAPER HOLDER
2. 966999-09	CLOSEOUT-LAVY
3. 967002-09	CLOSEOUT-PLUMBINT LAVY
4. 967394-094	PANEL, LAVATORY CABINET, 15.25 X 17.5
5. 967394-095	PANEL, LAVATORY CABINET, 18.25 X 33
6. 967394-096	PANEL, LAVATORY CABINET, 2.25 X 15.25
7. 967394-097	DOOR, LAVATORY CABINET, 15.88 X 13.63
8. 967394-098	PANEL, LAVATORY CABINET, 2.25 X 15.5
9. 967394-099	PANEL, LAVATORY CABINET, 7.25 X 15.5
10. 967394-0910	PANEL, LAVATORY CABINET, 2.25 X 33
11. 967394-0911	PANEL, LAVATORY CABINET, 16 X 15.5
12. 967394-0912	DOOR, LAVATORY CABINET, 16 X 15.13
13. 967394-0913	DOOR, LAVATORY CABINET, 16 X 15.13
14. 967394-0914	PANEL, LAVATORY CABINET, 12 X 32.13
15. 967394-0915	PANEL, LAVATORY CABINET, 15.25 X 5.5
16. 115374	EXTRUSION, SLIDING DR TRACK .5"
17. 382030	PULL, RECESSED FINGER .7 X 2.75
18. 381607	HINGE, GRASS EUROPE
19. 381228-01	CATCH, GRABBER DOOR
20. 381299	HOLDER, RECESSED, TOILET PAPER
21. 967396-09	TOP, LAVY
21. 967396-010	TOP, LAVY, GRANITE OPTION
22. 602216-01	FAUCET, LAVATORY
23. 601804-01	SINK, LAVATORY, YUKON ROUND

2009 FLYING CLOUD

FURNITURE, BATH

Medicine Cabinet, 28' W



Part numbers on the next page.

2009 FLYING CLOUD

FURNITURE, BATH

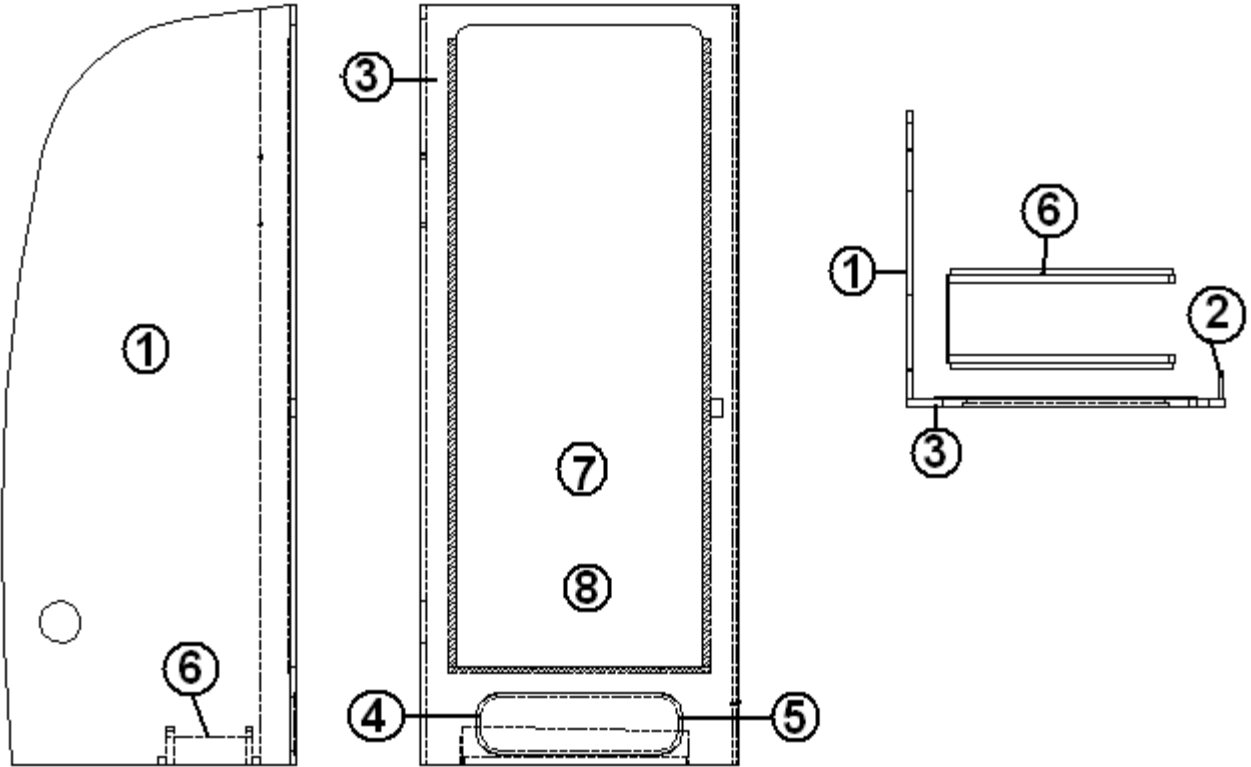
Medicine Cabinet, 28' W

967003-09	Medicine Cabinet Assembly, 28' W
1. 967003-091	PANEL, MEDICINE CABINET, 10.81 X 13.56
2. 967003-092	PANEL, MEDICINE CABINET, 10.81 X 13.56
3. 967003-093	PANEL, MEDICINE CABINET, 7 X 28.97
4. 967003-094	PANEL, MEDICINE CABINET, 1.5 X 28.97
5. 967003-095	PANEL, MEDICINE CABINET, 2.25 X 28.97
6. 967003-096	PANEL, MEDICINE CABINET, 2.5 X 28.97
7. 967003-097	PANEL, MEDICINE CABINET, 16.13 X 30
8. 385935-01	HINGE PIVOT ZINC PLATED
9. 381228-01	CATCH, GRABBER, DOOR
10. 380024	ARMS SUPPORT, RIGHT HAND
11. 967004	DOOR, MEDICINE CABINET, 30"
12. 967005	CLOSE-OUT, MEDICINE CABINET
13. 967003-0915	PANEL, MEDICINE CABINET, 3.42 x 6.50
14. 967003-0916	PANEL, MEDICINE CABINET, 2.25 x 29.97
15. 967003-0917	PANEL, MEDICINE CABINET, 3.42 x 6.50
16. 967003-0918	PANEL, MEDICINE CABINET, 5.50 x 29.97
17. 967003-0920	PANEL, MEDICINE CABINET, 6.50 x 29.97
18. 967003-0921	PANEL, MEDICINE CABINET, 3.42 x 28.97
19. 372203-30	MIRROR, SAFETY 14" HX30" W
19. 385940-02	MIRROR PULL, CHROME
195329-202	HEMISPHERE CLEAR BUMP-ON 190 M

2009 FLYING CLOUD

FURNITURE, BATH

Shower Compartment, 28' W

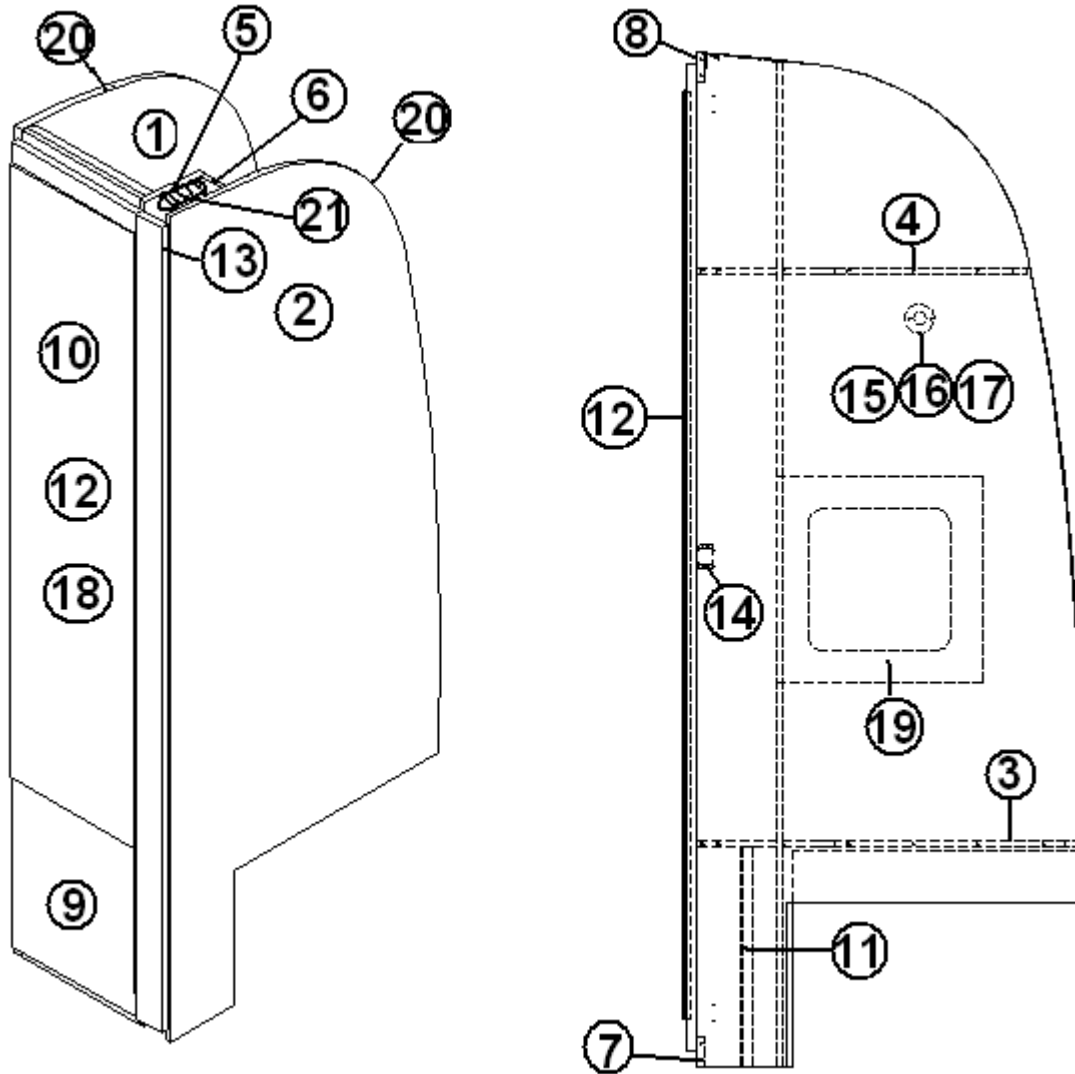


- | | |
|---------------|-----------------------------------|
| 1. 966967-091 | PANEL, SHOWER, 29.89 X 78.65 |
| 2. 966967-092 | PANEL, SHOWER, 3 X 78.71 |
| 3. 966967-093 | PANEL, SHOWER, 33.06 X 78.71 |
| 4. 966967-094 | PANEL, SHOWER, 21.44 X 6.44 |
| 5. 203647 | MOLDING-T, 13/16", CHAMOIS YELLOW |
| 6. 965816 | STAND, SHOWER |
| 7. 203081-01 | SHOWER STALL-2 PC FIBER 28'CCD |
| 8. 703626-01 | SHOWER DOOR-BRUSHED NICKEL |

2009 FLYING CLOUD

FURNITURE, BATH

Wardrobe, 28' W



Part Numbers on the next page.

2009 FLYING CLOUD

FURNITURE, BATH

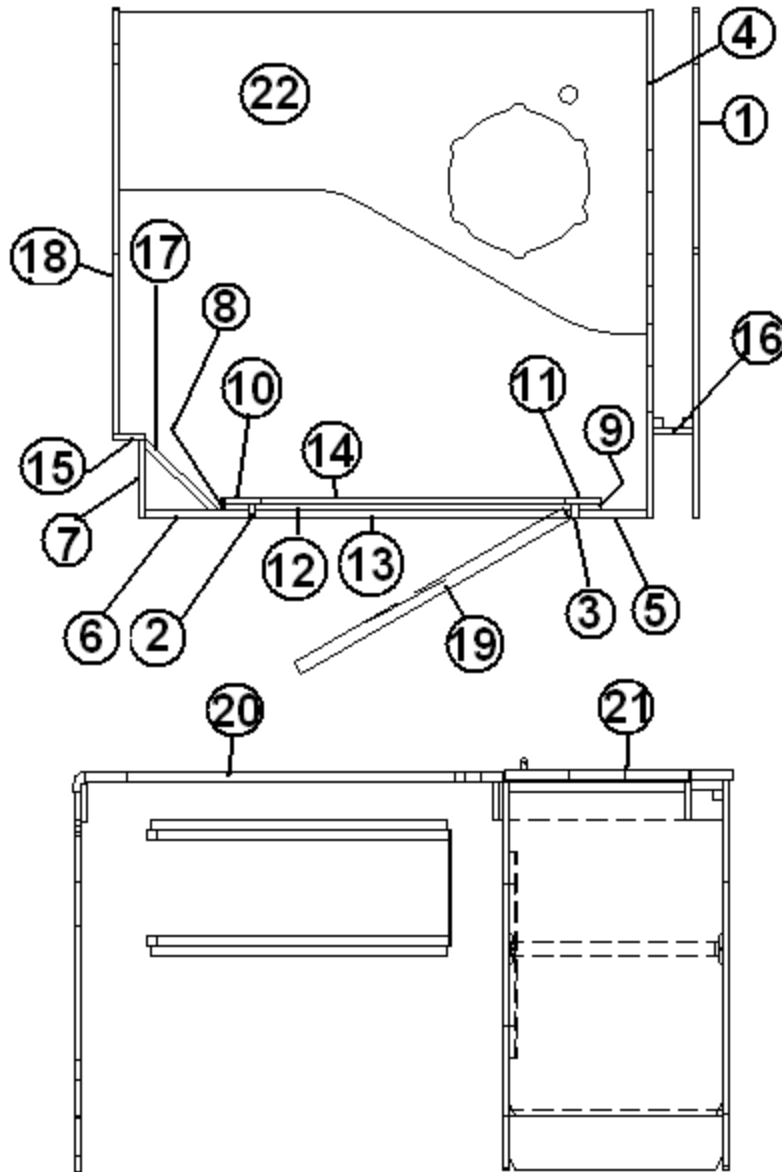
Wardrobe, 28' W

966969-09	WARDROBE ASSEMBLY, ROADSIDE
1. 966969-091	PANEL, ROADSIDE WARDROBE 29.85 X 78.65
2. 966969-092	PANEL, ROADSIDE WARDROBE 29.58 X 78.65
3. 966969-093	PANEL, ROADSIDE WARDROBE 29.73 X 15.81
4. 966969-094	PANEL, ROADSIDE WARDROBE 25.79 X 15.81
5. 966969-095	PANEL, ROADSIDE WARDROBE 6.75 X 78.65
6. 966969-096	PANEL, ROADSIDE WARDROBE 2.31 X 77.94
7. 966969-097	PANEL, ROADSIDE WARDROBE 2.25 X 13.00
8. 966969-098	PANEL, ROADSIDE WARDROBE 2.25 X 13.00
9. 966969-099	DOOR, ROADSIDE WARDROBE 13.63 X 76.56
10. 966969-0910	DOOR, ROADSIDE WARDROBE 2.77 X 76.56
11. 966969-0911	PANEL, ROADSIDE WARDROBE 17 X 13.00
12. 372203-26	MIRROR, POLISHED EDGES, 13.62 X 58.50
13. 380203-01	PIANO HINGE, 1/8" PIN
14. 381228-01	CATCH, GRABBER, DOOR
15. 380046	FLANGE, CHROME
16. 380045	TUBING, 3/4", METALLIC
17. 200975-04	CONDUIT, FLEXIBLE, BLACK, PLASTIC
18. 381607	HINGE ASSEMBY
19. 966883	CLOSEOUT, WARDROBE
20. 203138-04	EXTRUSION, PLASTIC, 1/2", OAK
21. 702681-07	DOOR, FOLDETTE, 60"X73" GREY
203464-01	TRIM PANEL OAK 3/4"
104821	SUPPORT, ROOFLOCKER, 74"

2009 FLYING CLOUD

FURNITURE, BATH

Bath Module, 25' Front Bed



Part Numbers on the next page.

2009 FLYING CLOUD

FURNITURE, BATH

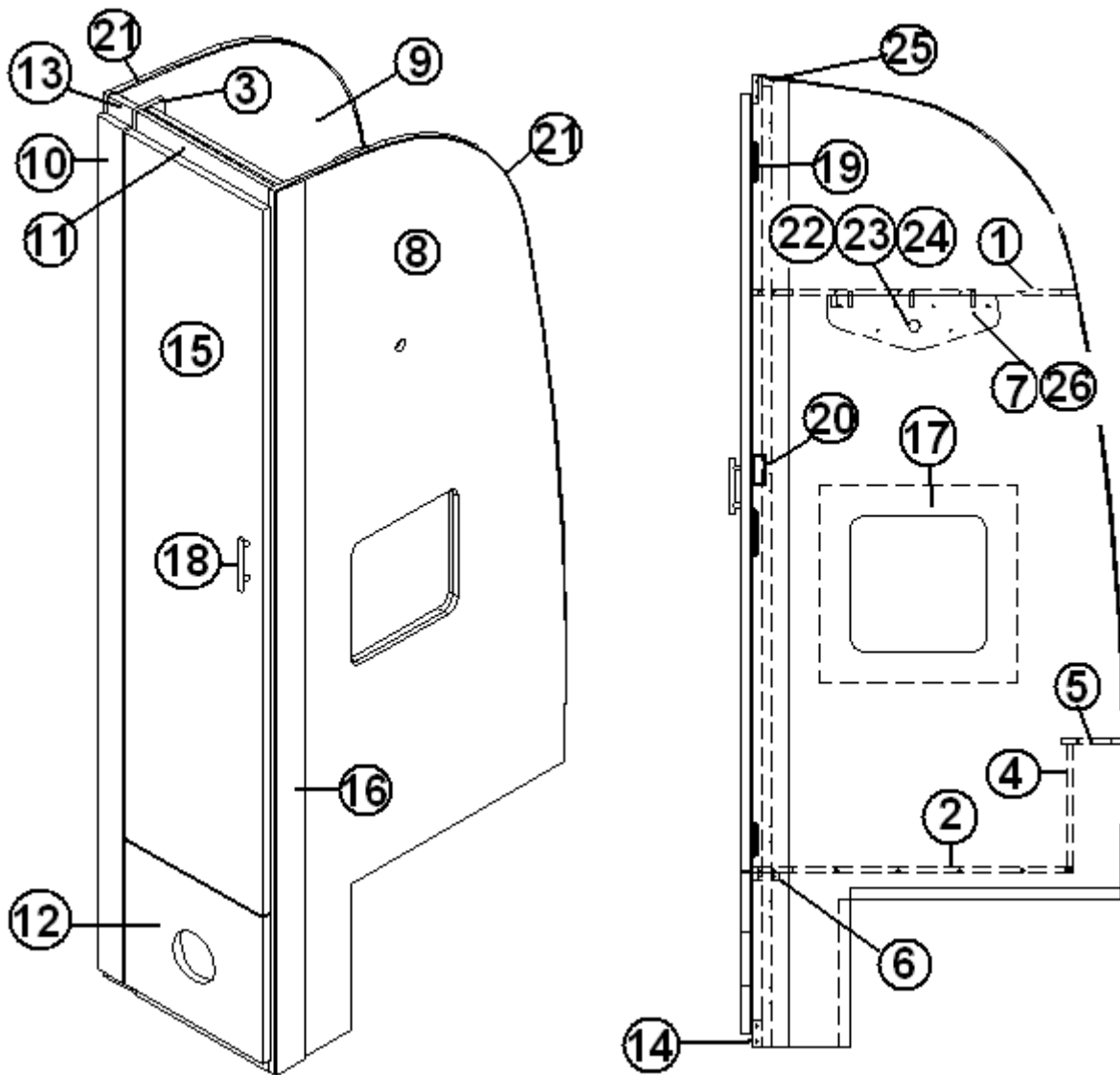
Bath Module, 25' Front Bed

111565-09	BATH MODULE
1. 111565-091	PANEL, BATH MODULE, 39.50 X 79.44
2. 111565-092	PANEL, BATH MODULE, 1.13 X 79.42
3. 111565-093	PANEL, BATH MODULE, 1.13 X 79.42
4. 111565-094	PANEL, BATH MODULE, 39.50 X 79.44
5. 111565-095	PANEL, BATH MODULE, 5.375 X 79.5
6. 111565-096	PANEL, BATH MODULE, 8.00 X 79.5
7. 111565-097	PANEL, BATH MODULE, 6.00 X 79.5
8. 111565-098	PANEL, BATH MODULE, 1.75 X 79.5
9. 111565-099	PANEL, BATH MODULE, 1.75 X 79.5
10. 111565-0910	PANEL, BATH MODULE, 2.75 X 79.5
11. 111565-0911	PANEL, BATH MODULE, 2.75 X 79.5
12. 111565-0912	PANEL, BATH MODULE, 24.625 X 3.5
13. 111565-0913	PANEL, BATH MODULE, 24.625 X 3.75
14. 111565-0914	PANEL, BATH MODULE, 23.625 X 3.75
15. 111565-0915	PANEL, BATH MODULE, 2.50 X 79.25
16. 111565-0916	PANEL, BATH MODULE, 3.00 X 79.13
17. 111565-0917	PANEL, BATH MODULE, 8.00 X 79.13
18. 111565-0918	PANEL, BATH MODULE, 79.00 X 33.00
19. 966894-09	DOOR, BATH, 24.00" X 72.00"
20. 966879-09	SHOWER COMPARTMENT ASSEMBLY
21. 966905-09	WARDROBE ASSEMBLY
22. 966902-09	LAVATORY CABINET ASSEMBLY

2009 FLYING CLOUD

FURNITURE, BATH

Wardrobe, 25' Front Bed



Part Numbers on the next page.

2009 FLYING CLOUD

FURNITURE, BATH

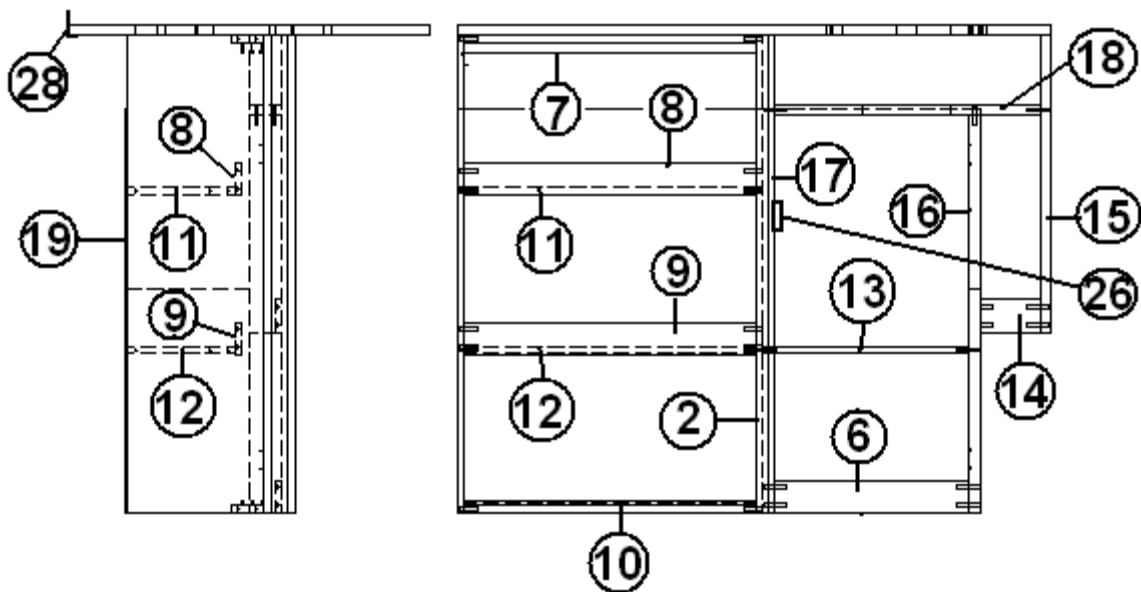
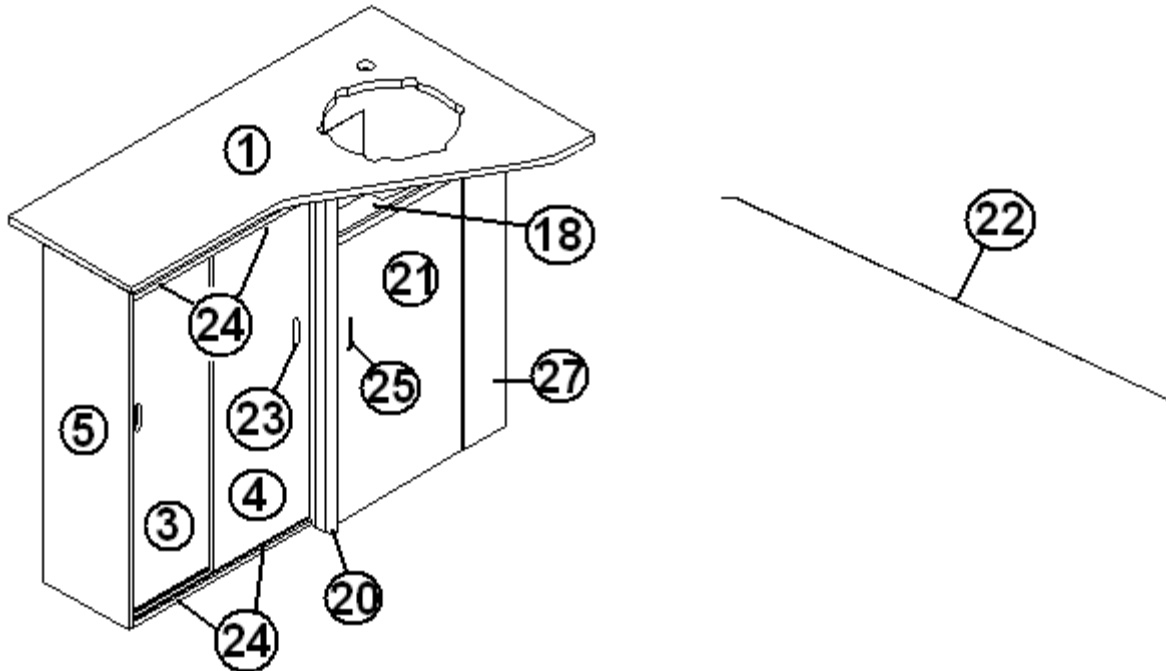
Wardrobe, 25' Front Bed

966905-09	WARDROBE ASSEMBLY
1. 966905-091	PANEL, WARDROBE, 16.56 X 26.25
2. 966905-092	PANEL, WARDROBE, 16.56 X 26
3. 966905-093	PANEL, WARDROBE, 3 X 78.88
4. 966905-094	PANEL, WARDROBE, 10 X 16.56
5. 966905-095	PANEL, WARDROBE, 5.25 X 16.56
6. 966905-096	PANEL, WARDROBE, 2.25 X 13.63
7. 966905-097	PANEL, WARDROBE, 4.5 X 14
8. 966905-098	PANEL, WARDROBE, 30.09 X 78.88
9. 966905-099	PANEL, WARDROBE, 30.09 X 78.88
10. 966905-0910	PANEL, WARDROBE, 2.69 X 76.19
11. 966905-0911	PANEL, WARDROBE, 2.25 X 13.63
12. 966905-0912	PANEL, WARDROBE, 14.25 X 13
13. 966905-0913	PANEL, WARDROBE, 2.44 X 78.88
14. 966905-0914	PANEL, WARDROBE, 2.25 X 13.63
15. 966905-0915	PANEL, WARDROBE, 14.25 X 63.06
16. 800507-02	LAUAN, 1/4" X 4' X 8'
17. 966883-09	CLOSEOUT, WARDROBE
18. 382044	HANDLE, BRUSHED NICKEL
19. 381607	HINGE, GRASS EURO
20. 381228-01	CATCH, GRABBE, R DOOR
21. 203138-04	EXTRUSION, PLASTIC 1/2", OAK
22. 380045	TUBING 3/4", METAL
23. 200975-04	CONDUIT, FLEXIBLE, BLACK PLASTIC
24. 380046	FLANGE CHROME
25. 104821	SUPPORT, ROOFLOCKER, 74"
26. 966905-0930	PANEL, WARDROBE, 4.5 X 14

2009 FLYING CLOUD

FURNITURE, BATH

Lavatory Cabinet, 25' Front Bed



Part Numbers on the Next Page

2009 FLYING CLOUD

FURNITURE, BATH

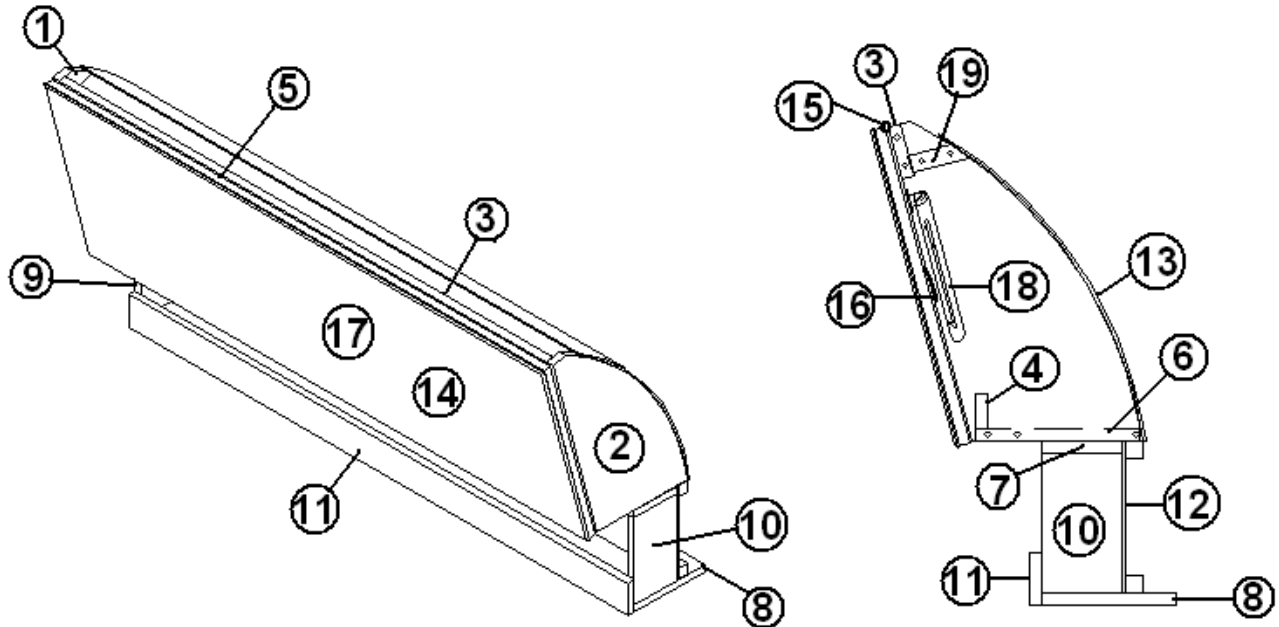
Lavatory Cabinet, 25' Front Bed

966902-09	LAVATORY CABINET
1. 966903-09	TOP, LAVATORY
1. 966903-10	TOP, LAVATORY GRANITE
2. 966902-092	PANEL, LAVATORY, 10.00 X 33.00
3. 966902-093	PANEL, LAVATORY, 10.81 X 31.50
4. 966902-094	PANEL, LAVATORY, 10.81 X 31.50
5. 966902-095	PANEL, LAVATORY, 9.50 X 33.00
6. 966902-096	PANEL, LAVATORY, 2.25 X 13.50
7. 966902-097	PANEL, LAVATORY, 2.25 X 20.12
8. 966902-098	PANEL, LAVATORY, 2.25 X 20.12
9. 966902-099	PANEL, LAVATORY, 2.25 X 20.12
10. 966902-0910	PANEL, LAVATORY, 2.25 X 20.12
11. 966902-0911	PANEL, LAVATORY, 7.50 X 20.12
12. 966902-0912	PANEL, LAVATORY, 7.50 X 20.12
13. 966902-0913	PANEL, LAVATORY, 7.50 X 14.25
14. 966902-0914	PANEL, LAVATORY, 2.25 X 4.12
15. 966902-0915	PANEL, LAVATORY, 2.25 X 20.5
16. 966902-0916	PANEL, LAVATORY, 10.75 X 27.5
17. 966902-0917	PANEL, LAVATORY, 2.25 X 33.00
18. 966902-0918	PANEL, LAVATORY, 2.25 X 18.38
19. 966902-0919	PANEL, LAVATORY, 28.00 X 36.12
20. 801706-0014	TRIM, CORNER 90D, 1" RADIUS, 84"
21. 966902-0923	PANEL, LAVATORY, 14.13 X 27.13
22. 454225	CLOSEOUT, ASSEMBLY, LAVATORY
23. 382030	PULL, RECESSED FINGER
24. 115374	EXTRUSION, SLIDING DOOR TRACK, .5"
25. 382044	HANDLE, BRUSHED NICKEL
26. 381228-01	CATCH, GRABBER, DOOR
27. 966902-0931	PANEL, LAVATORY, 4.75 X 27.12
28. 114812	ALUMINUM ANGLE, 1.00" X 1.00"

2009 FLYING CLOUD

FURNITURE, BATH

Medicine Cabinet, 25' Front Bed, 27' Front Bed



966896-09

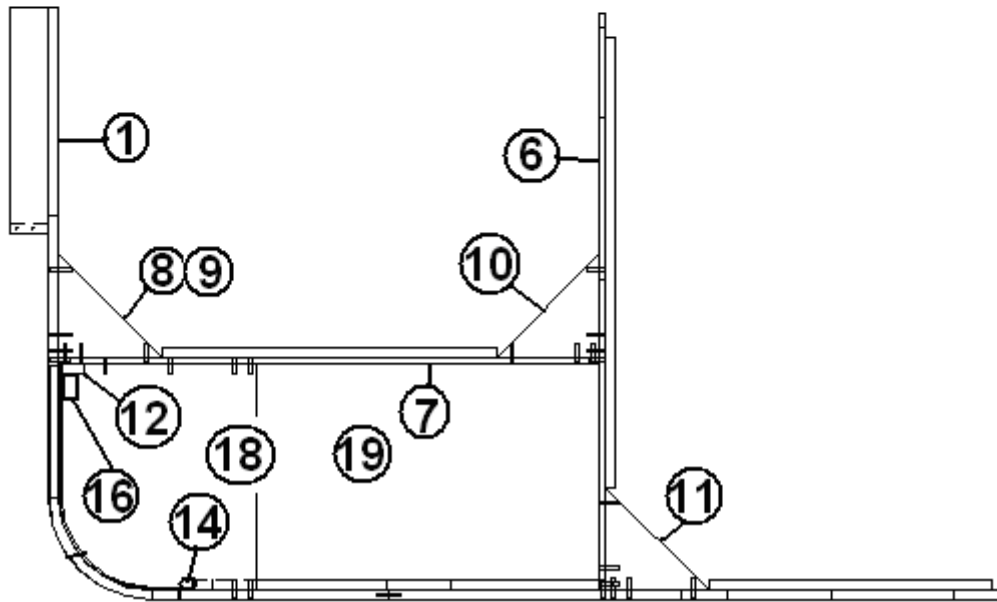
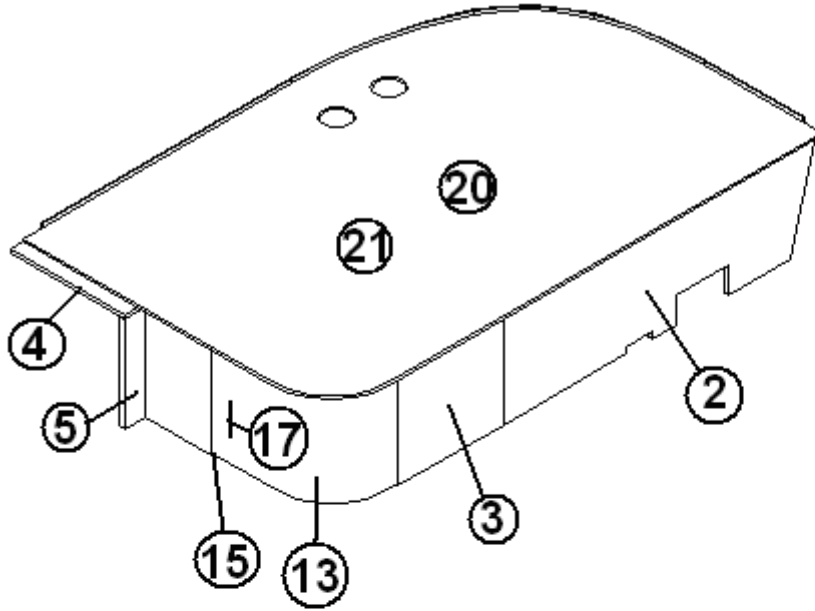
CABINET, MEDICINE

- | | |
|-----------------|--|
| 1. 966896-091 | PANEL, MEDICINE CABINET, 10.81 X 13.56 |
| 2. 966896-092 | PANEL, MEDICINE CABINET, 10.81 X 13.56 |
| 3. 966896-093 | PANEL, MEDICINE CABINET, 2.25 X 39 |
| 4. 966896-094 | PANEL, MEDICINE CABINET, 1.5 X 39 |
| 5. 966896-095 | PANEL, MEDICINE CABINET, 13.88 X 39.88 |
| 6. 966896-096 | PANEL, MEDICINE CABINET, 7 X 39 |
| 7. 966896-097 | PANEL, MEDICINE CABINET, 3.42 X 40 |
| 8. 966896-098 | PANEL, MEDICINE CABINET, 5.67 X 40 |
| 9. 966896-099 | PANEL, MEDICINE CABINET, 3.42 X 6 |
| 10. 966896-0910 | PANEL, MEDICINE CABINET, 3.42 X 6 |
| 11. 966896-0911 | PANEL, MEDICINE CABINET, 2.25 X 40 |
| 12. 966896-0912 | PANEL, MEDICINE CABINET, 6.5 X 40 |
| 13. 966896-0913 | PANEL, MEDICINE CABINET, 16.25 X 40 |
| 14. 372203-33 | MIRROR, SAFETY, .125" X 14" X 40" |
| 15. 385935-01 | HINGE, PIVOT, ZINC PLATED |
| 16. 381228-01 | CATCH, GRABBER DOOR |
| 17. 385940-02 | MIRROR, PULL CHROME |
| 18. 380024 | ARMS, SUPPORT RIGHT HAND |
| 19. 966896-0923 | PANEL, MEDICINE CABINET, 2.5 X 39 |

2009 FLYING CLOUD

FURNITURE, BEDROOM

Bed, 19', 23'



Part Numbers On the Next Page

2009 FLYING CLOUD

FURNITURE, BEDROOM

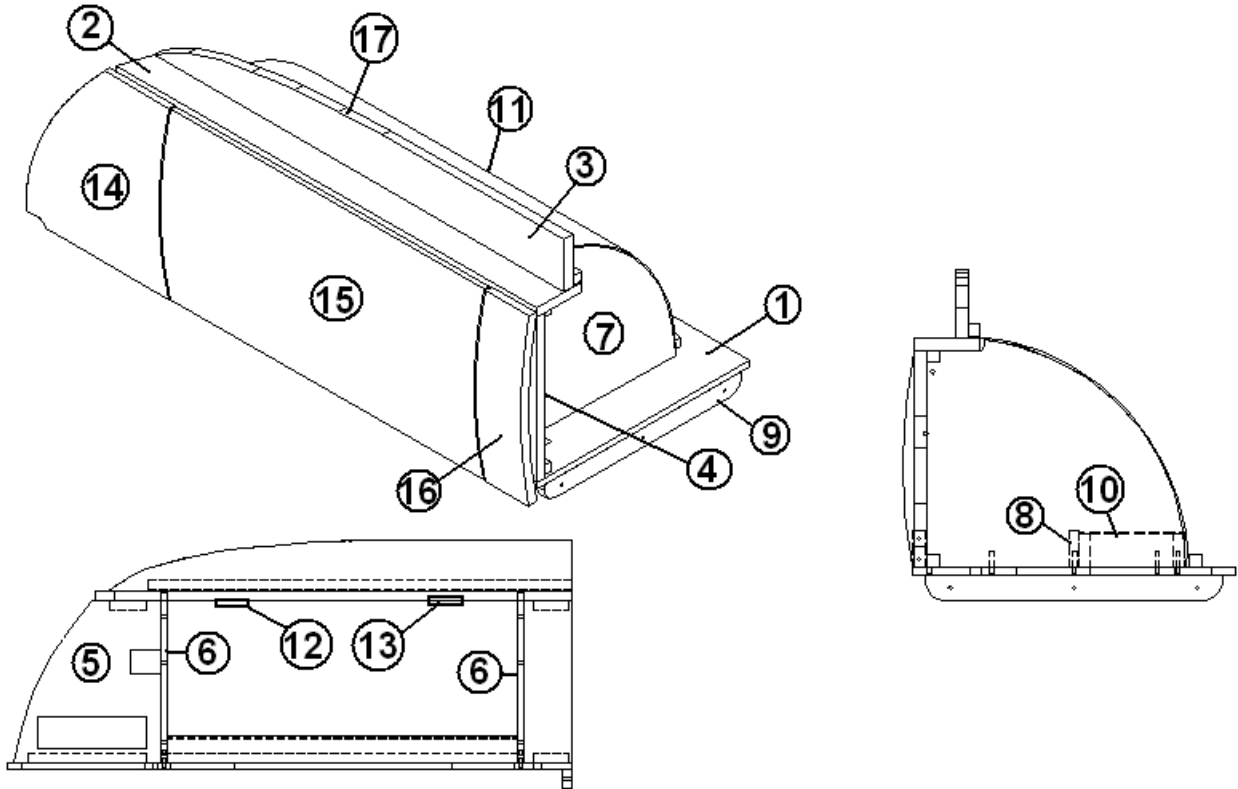
Bed, 19', 23'

966926-09	BED, "C" NARROW BODY
1. 966926-091	PANEL, BED, 27.75 X 15.125
2. 966926-092	PANEL, BED, 47.63 X 15.125
3. 966926-093	PANEL, BED, 16.19 X 15.125
4. 966926-094	PANEL, BED, 17.5 X 3.0
5. 966926-095	PANEL, BED, 3.0 X 14.36
6. 966926-096	PANEL, BED, 44.75 X 15.125
7. 966926-097	PANEL, BED, 42.0 X 15.125
8. 966926-098	PANEL, BED, 8.0 X 8.00, ANGLE
9. 966926-099	PANEL, BED, 8.0 X 8.00, ANGLE
10. 966926-0910	PANEL, BED, 8.0 X 8.00, ANGLE
11. 966926-0911	PANEL, BED, 8.0 X 8.00, ANGLE
12. 966926-0912	PANEL, BED, 2.0 X 13.50
13. 966925-09	DOOR, RADIUS, "C" BED
14. 381853	HINGE, PIANO
15. 203587	WEDGE, RADIUS BED BASE DOOR
16. 381948	K-CATCH
17. 382044	HANDLE, BRUSHED NICKEL
18. 203419	BOX STORAGE ,23"L X 16.75"W X 11.88"D
19. 203439	STORAGE BOX, 17"L X 11.13"W X 6.38"D
20. 703696	MATTRESS, 48" X 76" CORNER DOUBLE
21. 966926-0914	BED TOP, 47.14 X 75.12
22. 966926-0913	PANEL, BED, 15.19 X 17.625
701538-01	CARPET-ECONOLIER W/PSA BACK

2009 FLYING CLOUD

FURNITURE, BEDROOM

End Liner Roof Locker, Rear, 19', 23'

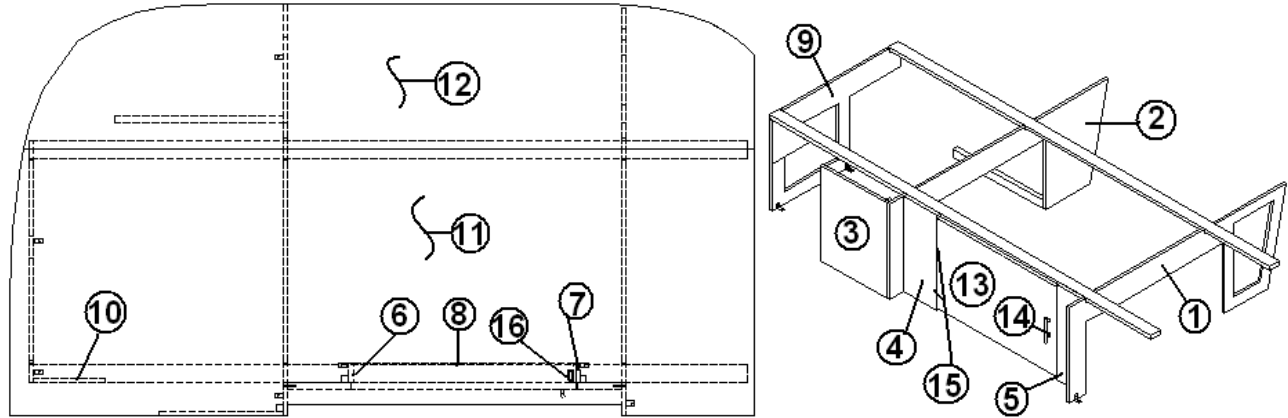


- | | |
|-----------------|---|
| 967369-09 | ENDLINER, REAR, NARROW BODY |
| 1. 967365-09 | BOTTOM, NARROW BODY, ENDLINER LOCKER |
| 2. 967366-09 | TOP, NARROW BODY, ENDLINER LOCKER |
| 3. 967367-09 | HEADER, NARROW BODY, ENDLINER LOCKER |
| 4. 967290-09 | STILE, NARROW BODY, ENDLINER LOCKER |
| 5. 967283 | SUPPORT, NARROW BODY, ENDLINER LOCKER |
| 6. 967277-01 | DIVIDER, NARROW BODY, ENDLINER LOCKER |
| 7. 800506-06 | PLYWOOD, $\frac{3}{4}$ " X 4' X 8', cut to 3.88" x 13.25" |
| 8. 967369-0908 | PANEL, ENDLINER LOCKER, 2.25 X 28.35 |
| 9. 967369-0909 | PANEL, ENDLINER LOCKER, 1.5 X 18.0 |
| 10. 967369-0910 | PANEL, ENDLINER LOCKER, 6.5 X 28.35 |
| 11. 967369-0911 | PANEL, ENDLINER LOCKER, 22.0 X 29.38 |
| 12. 381840-01 | HINGE, OVERHEAD SPRING, LH |
| 13. 381840-02 | HINGE, OVERHEAD SPRING, RH |
| 14. 801786-0614 | DOOR, PLYFORM, 15.25X12.50, LH |
| 15. 801786-0914 | DOOR, PLYFORM, 15.25 X 28.75 |
| 16. 801786-1014 | FILLER, 15.25 X 4.08 GOLD ALCHEMY |
| 17. 201673-013 | MOLDING, OAK, COVE, .43" |

2009 FLYING CLOUD

FURNITURE, BEDROOM

Bed, 20'

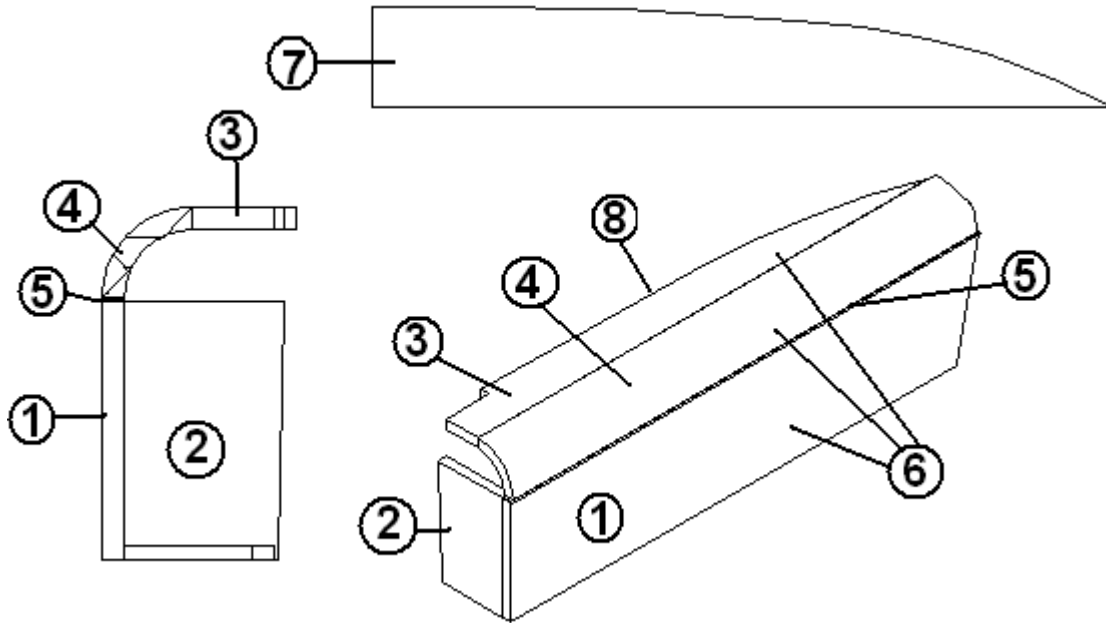


967335-09	BED ASSY- 20 FC
1. 967335-091	PANEL, BED, 45.96 X 17.5
2. 967335-092	PANEL, BED, 46.33 X 17.5
3. 967335-093	PANEL, BED, 14 X 17.5
4. 967335-094	PANEL, BED, 7 X 17.5
5. 967335-095	PANEL, BED, 5 X 17.5
6. 967335-096	PANEL, BED, 2.25 X 16.75
7. 967335-097	PANEL, BED, 2.25 X 16.75
8. 967335-098	PANEL, BED, 2.25 X 24.63
9. 967335-0910A	PANEL, BED, 17.50 X 27.25
10. 967335-0910B	PANEL, BED, 8.00 X 8.00
11. 967335-0911A	PANEL, BED, 30.00 X 83.75
12. 8967335-0911B	PANEL, BED, 16.35 X 82.25
13. 967335-0913	DOOR-BED 25.25 X 16.5
14. 382044	HANDLE, BRUSHED NICKEL
15. 381607	HINGE, GRASS EURO
16. 381228-01	DOOR CATCH, GRABBER

2009 FLYING CLOUD

FURNITURE, BEDROOM

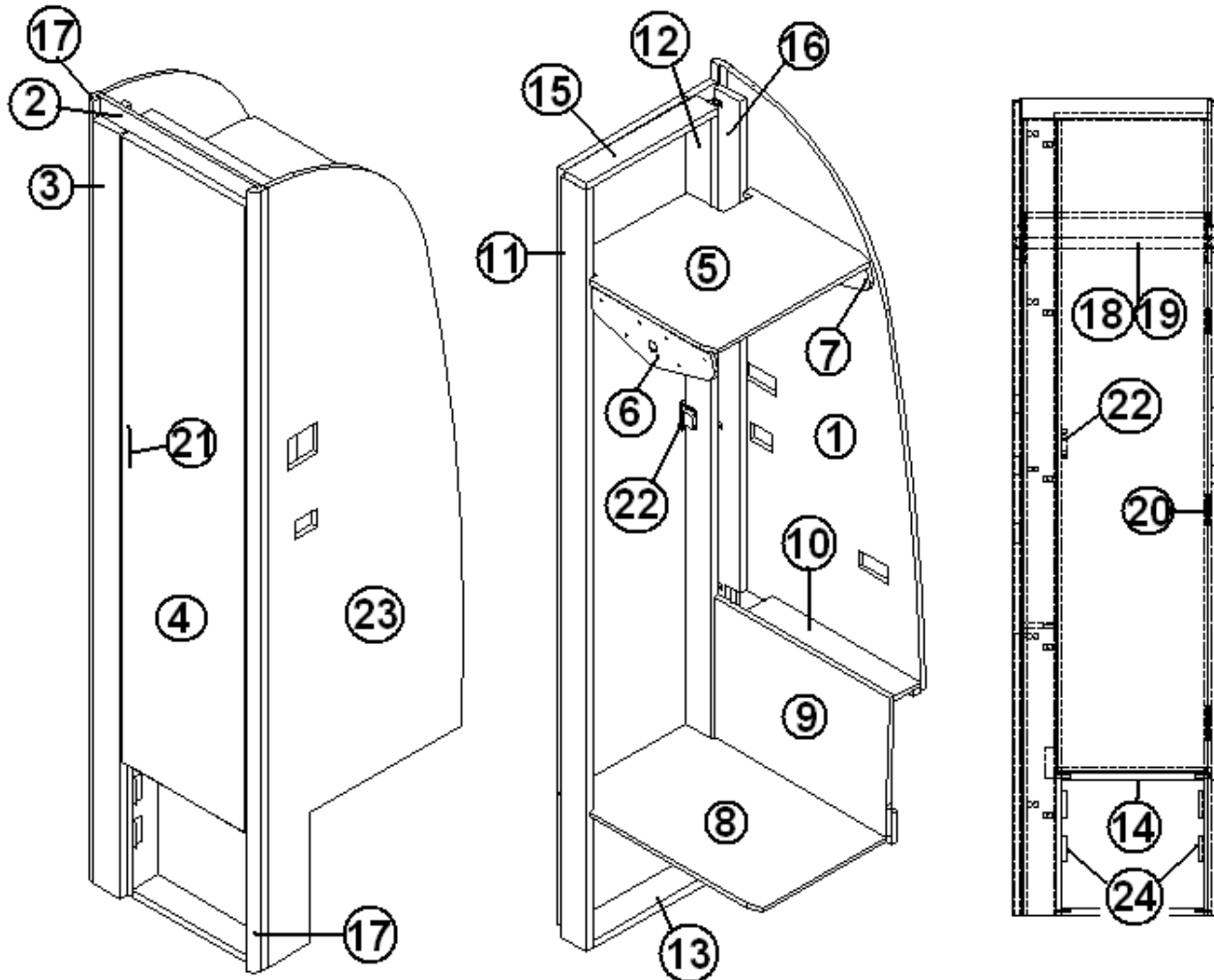
Hamper, Roadside, 20'



967336-09	HAMPER, ROADSIDE
1. 967336-091	PANEL, ROADSIDE HAMPER, 8.62 X 39.25
2. 967336-092	PANEL, ROADSIDE HAMPER, 5.35 X 8.63
3. 967336-093	PANEL, ROADSIDE HAMPER, 3.47 X 37.68
4. 801345	RADIUS PLYWOOD, .75" X 3" X8'
5. 380458	HINGE, PIANO, COPPER
6. 702482-03	HEADLINER SPECTRA OPALXTE X TU
7. 967336-098	PANEL, ROADSIDE HAMPER, 5 X 36.25
8. 201673	REVERSE COVE MOLDING, WHITE

2009 FLYING CLOUD FURNITURE, BEDROOM

Wardrobe, Roadside, 19'



Part numbers are on the next page.

2009 FLYING CLOUD

FURNITURE, BEDROOM

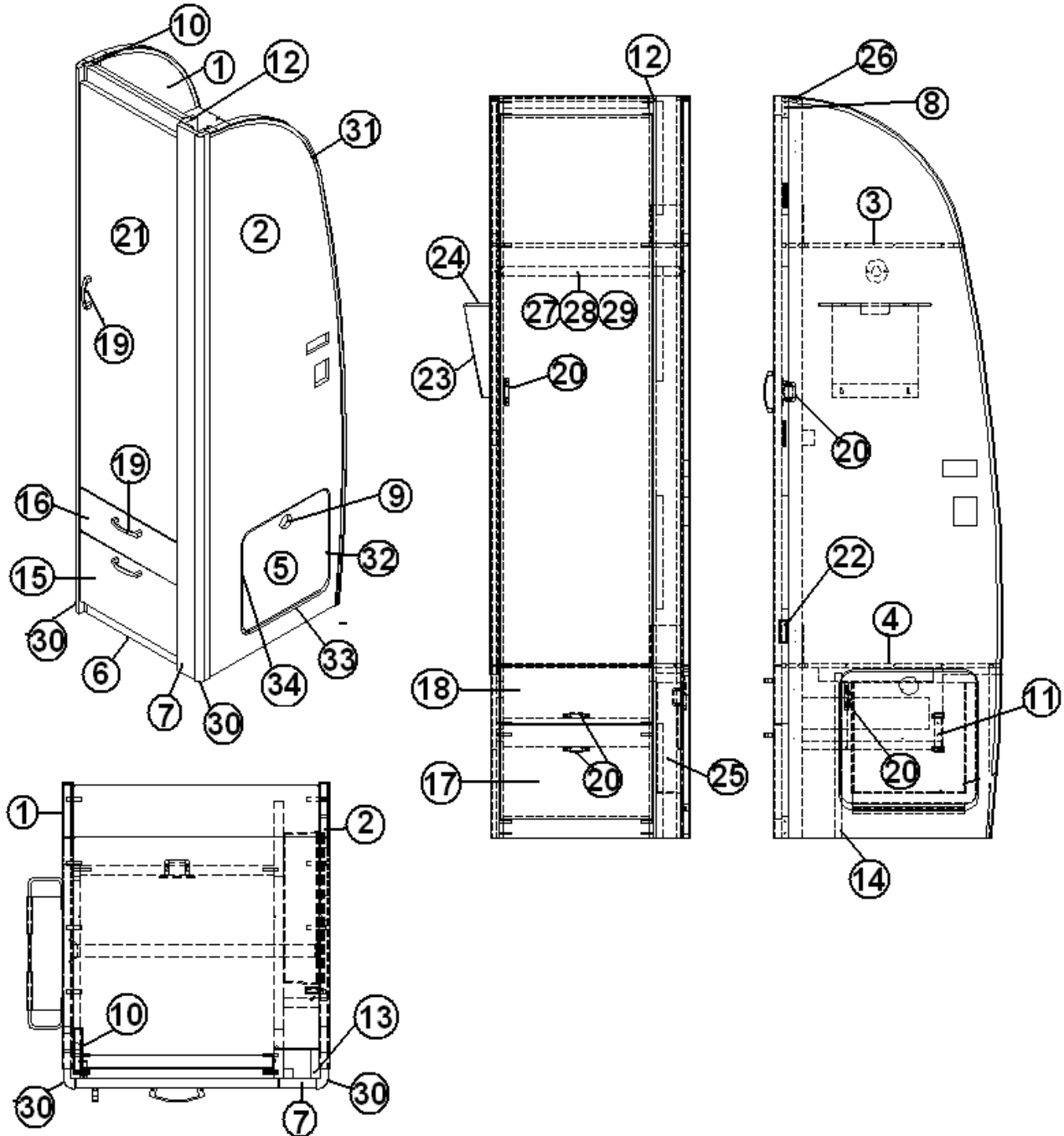
Wardrobe, Roadside, 19'

966957-09	WARDROBE ASSY
1. 966957-091	PANEL, WARDROBE, 22.38 X 77.76
2. 966957-092	PANEL, WARDROBE, 2.13 X 18.38
3. 966957-093	PANEL, WARDROBE, 3.13 X 76.19
4. 966957-094	DOOR, 14.25 X 62.38
5. 966957-095	PANEL, WARDROBE, 17.50 X 18.38
6. 966957-096	PANEL, WARDROBE, 14.00 X 4.50
7. 966957-097	PANEL, WARDROBE, 14.00 X 4.50
8. 966957-098	PANEL, WARDROBE, 15.12 X 22.88
9. 966957-099	PANEL, WARDROBE, 14.00 X 20.17
10. 966957-0910	PANEL, WARDROBE, 3.25 X 17.13
11. 966957-0911	PANEL, WARDROBE, 3.00 X 75.88
12. 966957-0912	PANEL, WARDROBE, 3.00 X 75.88
13. 966957-0913	PANEL, WARDROBE, 3.00 X 13.63
14. 966957-0914	PANEL, WARDROBE, 3.00 X 13.63
15. 966957-0915	PANEL, WARDROBE, 2.50 X 15.13
16. 966957-0916	PANEL, WARDROBE, 3.00 X 75.88
17. 801706-0014	TRIM, CORNER 90D, 1" RADIUS, ALCHEMY, 84"
18. 380045	TUBING, 3/4" METAL
19. 200975-04	CONDUIT, FLEXIBLE, BLACK PLASTIC
20. 381607	HINGE, GRASS EURO
21. 382044	HANDLE, BRUSHED NICKEL
22. 381228-01	DOOR GRABBER CATCH
23. 966957-0930	PANEL, WARDROBE, 77.78 X 22.50
24. 114811	ALUMINUM ANGLE, .50" X .50"

2009 FLYING CLOUD

FURNITURE, BEDROOM

Wardrobe, 20'



PART NUMBERS ON THE NEXT PAGE

2009 FLYING CLOUD

FURNITURE, BEDROOM

Wardrobe, 20'

967337-09	WARDROBE ASSEMBY
1. 967337-091	PANEL, WARDROBE, 22.39 X 77.75
2. 967337-092	PANEL, WARDROBE, 22.39 X 77.75
3. 967337-093	PANEL, WARDROBE, 19.69 X 19
4. 967337-094	PANEL, WARDROBE, 19.69 X 23.06
5. 967337-095	PANEL, WARDROBE, 14.25 X 14
6. 967337-096	PANEL, WARDROBE, 2.25 X 15.25
7. 967337-097	PANEL, WARDROBE, 2.94 X 77.94
8. 967337-098	PANEL, WARDROBE, 2.25 X 15.25
9. 382026	PULL, FLUSH, S.S. FINGER
10. 967337-0910	PANEL, WARDROBE, 16.87 X 77.88
11. 967337-0911	PANEL, WARDROBE, 3 X 15.25
12. 967337-0912	PANEL, WARDROBE, 21.25 X 77.88
13. 967337-0913	PANEL, WARDROBE, 77.75 X 2.25
14. 967337-0914	PANEL, WARDROBE, 2.94 X 17.25
15. 967337-0915	PANEL, WARDROBE, 15.88 X 10
16. 967337-0916	PANEL, WARDROBE, 15.88 X 6
17. 965558-04	DRAWER BOX, 8.00" X 15.25" X 14"
18. 965642-02	DRAWER BOX, 3.38" X 15.25" X 14"
19. 382044	HANDLE, BRUSHED NICKEL
20. 381228-01	DOOR CATCH, GRABBER
21. 967337-0921	DOOR, WARDROBE, 15.88 X 57.75
22. 381607	HINGE, GRASS EURO
23. 386106-01	RACK, MAGAZINE, WHITE
24. 386107	ROD, MAGAZINE RACK
25. 203383	RACK, MAGAZINE
26. 104821	SUPPORT, ROOFLOCKER, 74"
27. 380045	TUBING, 3/4", METAL
28. 200975-04	CONDUIT, FLEXIBLE, BLACK, PLASTIC
29. 380046	FLANGE, CHROME
30. 801706-0014	TRIM, CORNER 90D, 1" RADIUS, 84", G. ALCHEMY
31. 203138-04	EXTRUSION, PLASTIC, 1/2" OAK
32. 203445	T-MOLDING, BLACK, .5"
33. 381951	HINGE, FORMED, .5"
34. 381065-10	10" CABLE SUPPORT
381773-03	DRAWER SLIDE 15.75"
381773-21	DRAWER SLIDE, 8.38" X 15.75"

2009 FLYING CLOUD

FURNITURE, BEDROOM

Wardrobe Erase board and Key Hooks, 20'



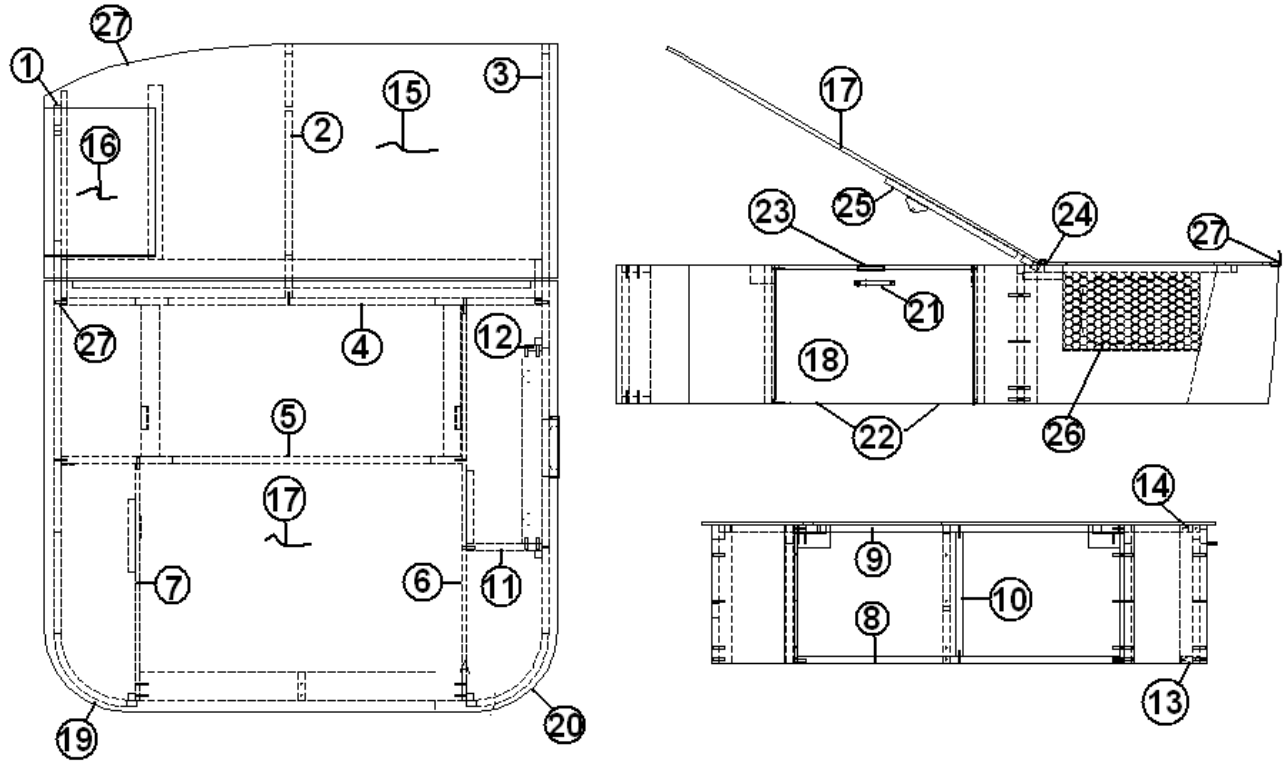
1. 381902
2. 381945

HOOK, STAINLESS STEEL, SCREW IN
BOARD, DRY/ERASE 11" X 14" MAGNETIC

2009 FLYING CLOUD

FURNITURE, BEDROOM

Bed, 23' Front Bed



PART NUMBERS ARE ON THE NEXT PAGE

2009 FLYING CLOUD

FURNITURE, BEDROOM

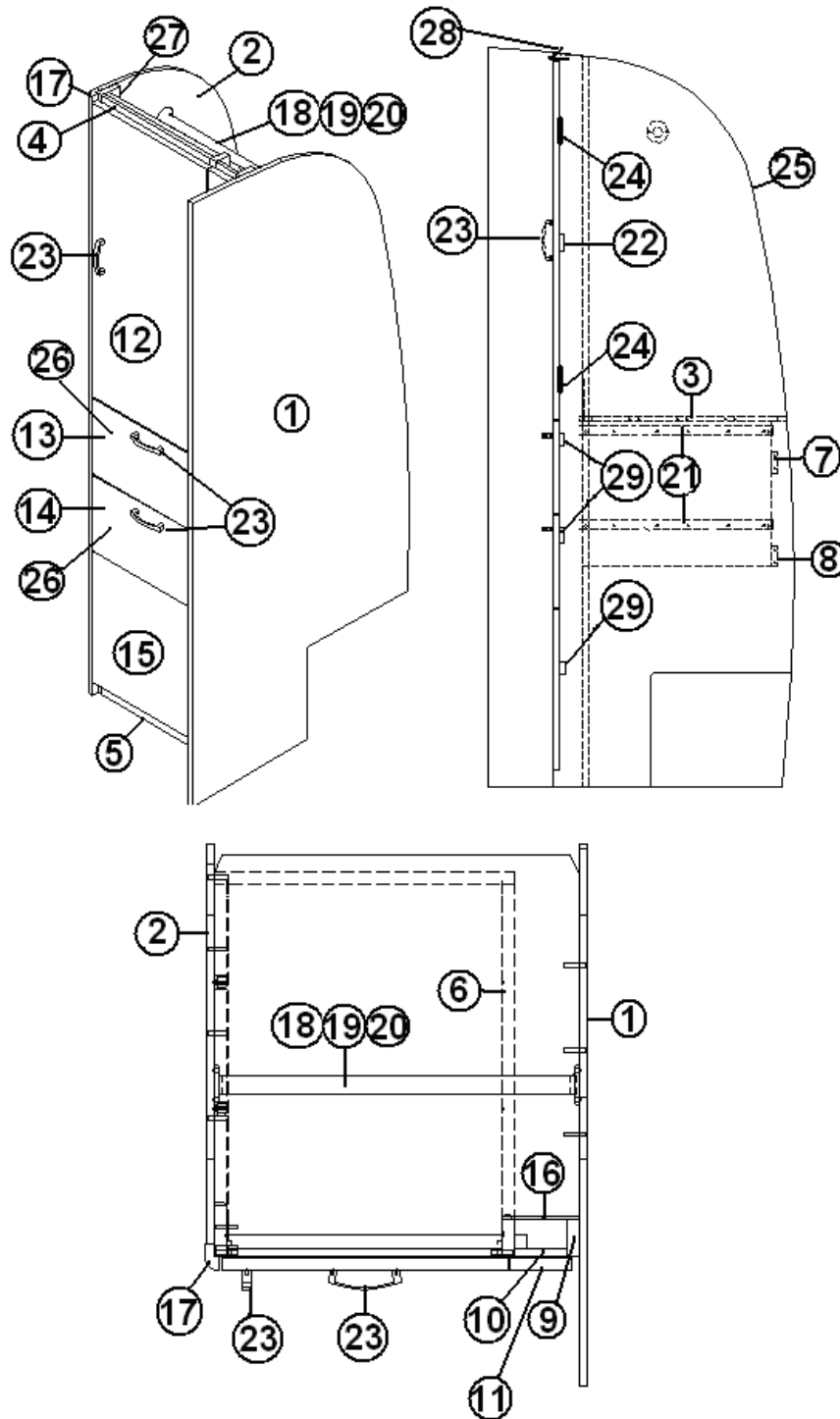
Bed, 23' Front Bed

967264-09	BED BASE ASSEMBLY
1. 967264-091	PANEL, BED BASE, ASSY 15.13 X 46.62
2. 967264-092	PANEL, BED BASE, 15.13 X 27.8
3. 967264-093	PANEL, BED BASE, 15.13 X 33.11
4. 967264-094	PANEL, BED BASE, 15.13 X 52.50
5. 967264-095	PANEL, BED BASE, 15.13 X 43.81
6. 967264-096	PANEL, BED BASE, 15.13 X 43.00
7. 967264-097	PANEL, BED BASE, 15.13 X 25.75
8. 967264-098	PANEL, BED BASE, 3.00 X 35.13
9. 967264-099	PANEL, BED BASE, 3.00 X 35.13
10. 967264-0910	PANEL, BED BASE, 3.00 X 13.63
11. 967264-0911	PANEL, BED BASE, 8.19 X 15.13
12. 967264-0912	PANEL, BED BASE, 2.25 X 15.13
13. 967264-0913	PANEL, BED BASE, 21.00 X 2.25
14. 967264-0914	PANEL, BED BASE, 21.00 X 2.25
15. 967264-0915	PANEL, BED BASE, 56.00 X 25.63
16. 967264-0916	PANEL, BED BASE, 16.00 X 12.00
17. 967264-0917	PANEL, BED BASE, 56.00 X 47.00
18. 967264-0918	DOOR, 14.25" X 21.63"
19. 967200-09	SUB-ASSEMBLY, BED CORNER
20. 967265-09	SUB ASSEMBLY, BED CORNER
21. 382044	HANDLE, BRUSHED NICKEL
22. 381607	HINGE, GRASS EURO
23. 381228-01	CATCH, GRABBER, DOOR
24. 380203-01	PIANO HINGE
25. 114812	ALUMINUM ANGLE, 1.00" X 1.00"
26. 453783-05	GRILLE SCREEN
27. 115151	ANGLE, BED SUPPORT
703291	MATTRESS 60"X75" W/45DEG CORNE
203419	BOX STORAGE 23"LX16.75"WX11.88
381067-09	SPRING, GAS 90 LBS.
381262	BRACKET, PROP, W/BALL
381310	GAS PROP BRACKET ASSY, UPPER
381084	BALL, STUD

2009 FLYING CLOUD

FURNITURE, BEDROOM

Wardrobe, Bedroom, 23' Front Bed



PART NUMBERS ARE ON THE NEXT PAGE

2009 FLYING CLOUD

FURNITURE, BEDROOM

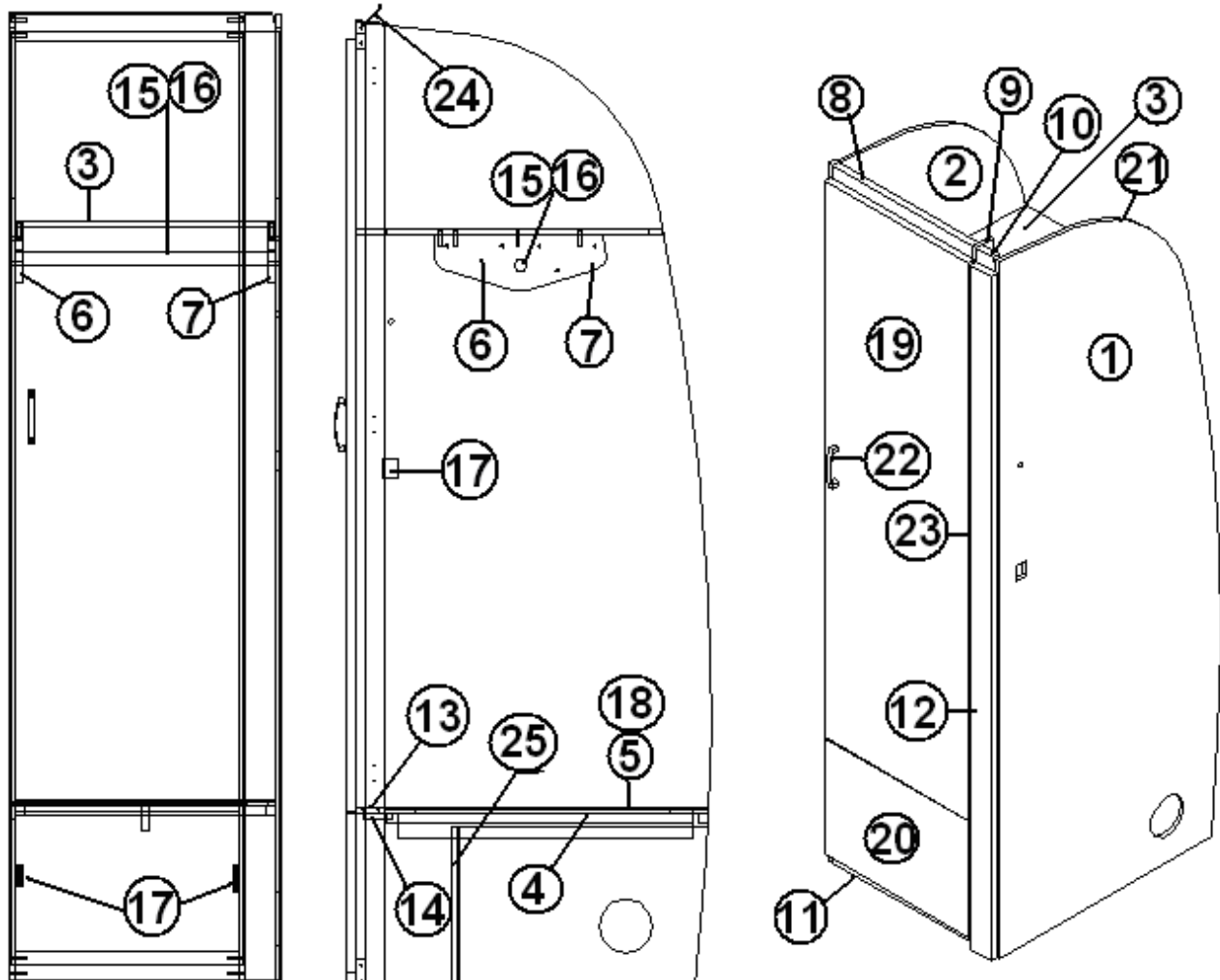
Wardrobe, Bedroom, 23' Front Bed

967307-09	WARDROBE, BEDROOM
1. 967307-091	PANEL, 32.47 X 78.51
2. 967307-092	PANEL, 23.98 X 77.77
3. 967307-093	PANEL, 24.00 X 21.75
4. 967307-094	PANEL, 2.25 X 16.44
5. 967307-095	PANEL, 2.25 X 16.44
6. 967307-096	PANEL, 22.25 X 77.84
7. 967307-097	PANEL, 17.94 X 2.25
8. 967307-098	PANEL, 17.94 X 2.25
9. 967307-099	PANEL, 2.25 X 77.84
10. 967307-0910	PANEL, 3.06 X 77.84
11. 967307-0911	PANEL, 3.69 X 75.25
12. 967307-0912	DOOR 17.06 X 38.13
13. 967307-0913	DOOR 17.06 X 9.88
14. 967307-0914	DOOR 17.06 X 9.88
15. 967307-0915	DOOR 17.06 X 17.00
16. 967307-0916	PANEL, 4 X 4.56
17. 801706-0014	CORNER TRIM, 90 DEG. 1" RADIUS
18. 380045	TUBING, 3/4"
19. 200975-04	CONDUIT, FLEXIBLE BLACK PLASTIC
20. 380046	FLANGE CHROME
21. 381773-25	DRAWER SLIDE, 8.38"X 21.63" (PAIR)
22. 381228-01	CATCH GRABBER DOOR
23. 382044	HANDLE-BRUSHED NICKEL
24. 381607	HINGE
25. 203138-04	EXTRUSION, PLASTIC 1/2" OAK
26. 965555-04	DRAWER BOX, 8.00 X 15.00" X 20.00"
27. 967307-0930	PANEL, 3.00 X 77.84
28. 104821	Roof locker support
29. 381228	CATCH GRABBER DOOR

2009 FLYING CLOUD

FURNITURE, BEDROOM

Wardrobe, Roadside, 23' Front Bed



PART NUMBERS ARE ON THE NEXT PAGE

2009 FLYING CLOUD

FURNITURE, BEDROOM

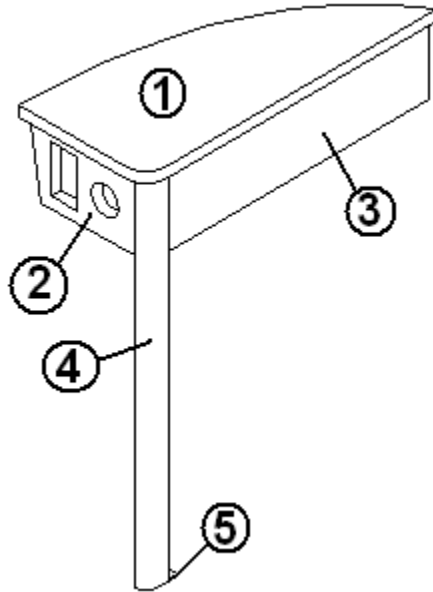
Wardrobe, Roadside, 23' Front Bed

967308-09	WARDROBE ASSY
1. 967308-091	PANEL, 28.79 X 78.24
2. 967308-092	PANEL, 28.79 X 78.24
3. 967308-093	PANEL, 24.88 X 21.00
4. 967308-094	PANEL, 21.00 X 26.25
5. 967308-095	PANEL, 21.00 X 26.25
6. 967308-096	PANEL, 14.00 X 4.50
7. 967308-097	PANEL, 14.00 X 4.50
8. 967308-098	PANEL, 2.25 X 18.06
9. 967308-099	PANEL, 2.25 X 78.28
10. 967308-0910	PANEL, 2.44 X 78.38
11. 967308-0911	PANEL, 2.25 X 18.06
12. 967308-0912	PANEL, 2.69 X 76.88
13. 967308-0913	PANEL, 2.25 X 18.06
14. 967308-0914	PANEL, 2.25 X 18.06
15. 380045	TUBING, 3/4"
16. 200975-04	CONDUIT, FLEXIBLE BLACK PLASTIC
17. 381228-01	CATCH, GRABBER, DOOR
18. 701538	CARPET, ECONOLIER, VELOUR BLACK
19. 967308-0921	DOOR, 18.69 X 62.56
20. 381607	HINGE
21. 382044	HANDLE, BRUSHED NICKEL
22. 967308-0922	DOOR, 18.69 X 13.00
23. 203138-04	EXTRUSION, PLASTIC 1/2"
24. 104821	Roof locker support
25. 967308-0929	PANEL, 14.13 X 21.00

2009 FLYING CLOUD

FURNITURE, BEDROOM

Nightstand, 23' Front Bed

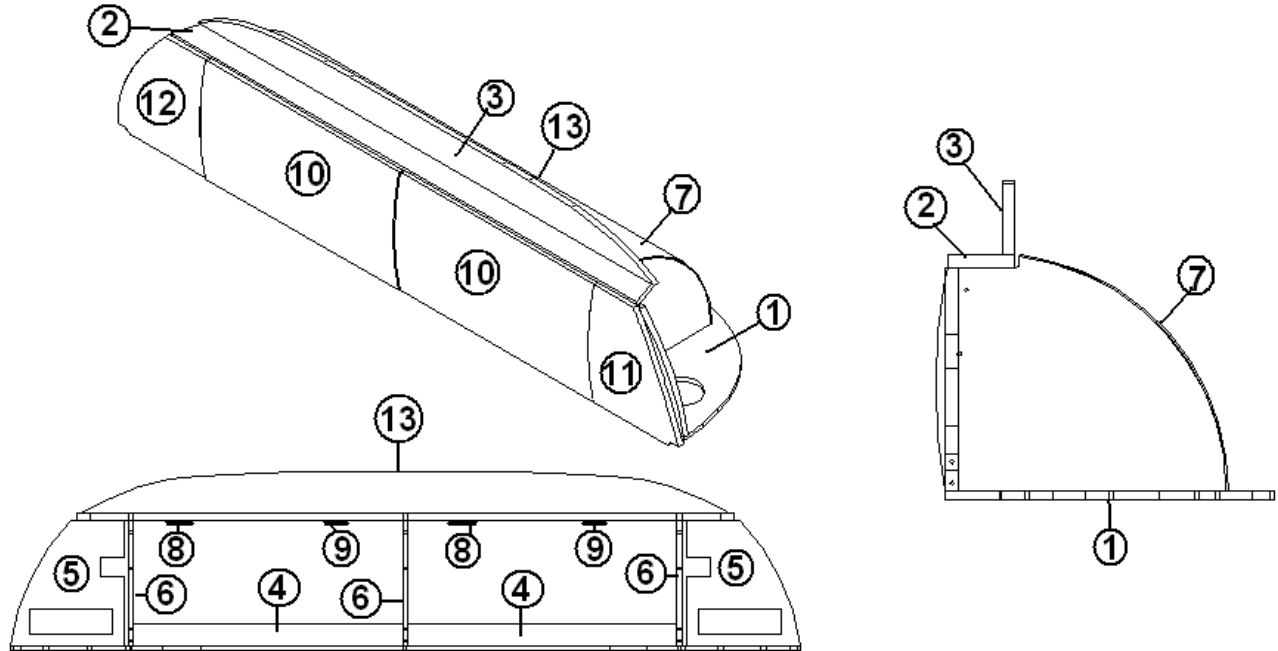


- | | |
|----------------|-----------------------------------|
| 9671318-09 | NIGHTSTAND |
| 1. 967318-091 | TOP, 9.28 X 21.19 |
| 1. 967318-101 | TOP, 9.28 X 21.19, GRANITE OPTION |
| 2. 967318-092 | PANEL, 7.63 X 5.00 |
| 3. 967318-093 | PANEL, 18.75 X 5.00 |
| 4. 801706-0014 | CORNER TRIM 90 DEG. 1" RADIUS |
| 5. 380041 | BRACE, 1", STANLEY CORNER |

2009 FLYING CLOUD

FURNITURE, BEDROOM

End Liner Roof Locker, Front, 23' Front Bed, 20'

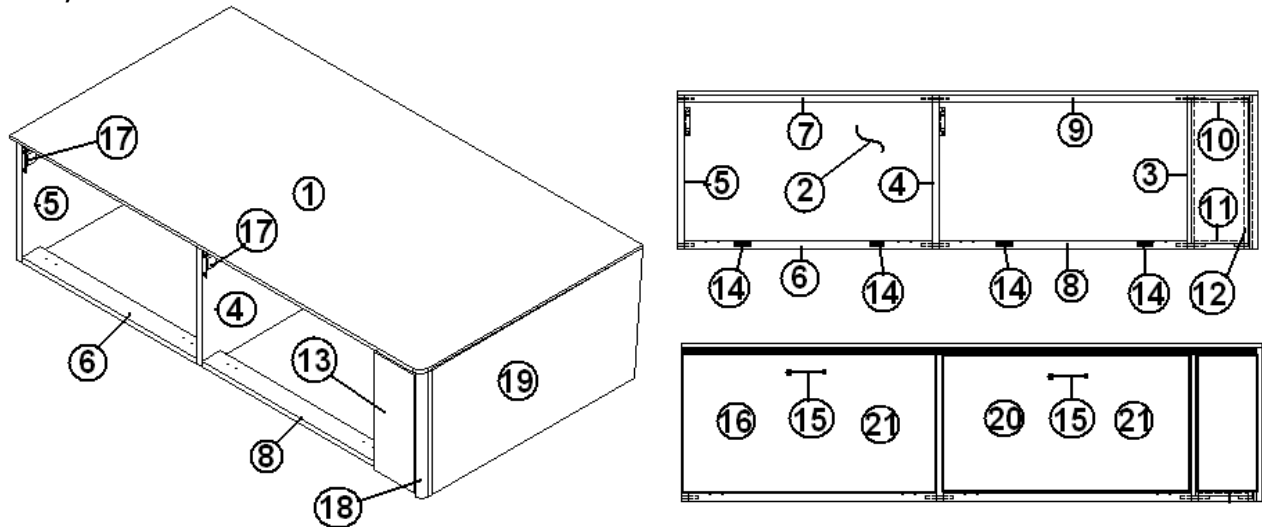


- | | |
|-----------------|---|
| 967291-09 | FRONT END LINER ASSY. |
| 1. 967294-09 | BOTTOM, NARROW BODY ENDLINER LOCKER |
| 2. 967288-09 | TOP, NARROW BODY ENDLINER LOCKER |
| 3. 967289-09 | HEADER, NARROW BODY ENDLINER LOCKER |
| 4. 967290-09 | STILE, NARROW BODY ENDLINER LOCKER |
| 5. 967283 | END SUPPORT, ROOF LOCKER, 12.00 X 13.25 |
| 6. 967277-01 | DIVIDER, RH, ROOF LOCKER, 17.33 X 13.93 |
| 7. 967291-099 | PANEL, 22.00 X 58.25 |
| 8. 381840-01 | HINGE, OVERHEAD SPRING LH |
| 9. 381840-02 | HINGE, OVERHEAD SPRING RH |
| 10. 801786-0914 | DOOR, RADIUS FOAM 15.25"X 28.38 |
| 11. 801786-0514 | DOOR, RADIUS FOAM 15.25"X 12.5" |
| 12. 801786-0614 | DOOR, RADIUS FOAM 15.25"X 12.5 |
| 13. 201673-01 | MOLDING, OAK, COVE |

2009 FLYING CLOUD

FURNITURE, BEDROOM

Bed, 27' Curbside Twin

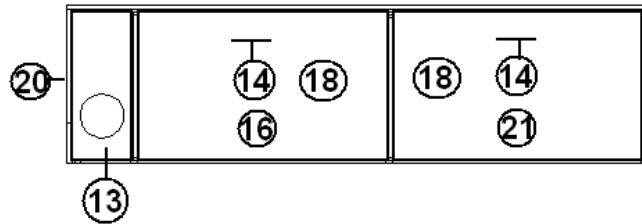
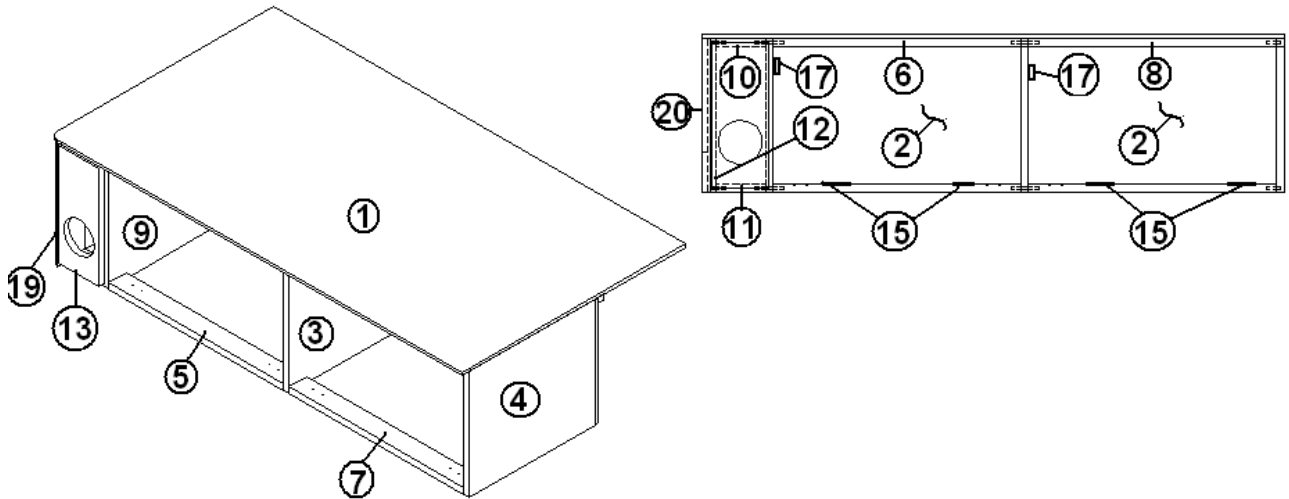


966856-09	BED, CURBSIDE TWIN
1. 966856-091	TOP, CURBSIDE TWIN BED, 31 X 57.25
2. 966856-092	PANEL, CURBSIDE TWIN BED, 56.69 X 15.13
3. 966856-093	PANEL, CURBSIDE TWIN BED, 17.5 X 15.13
4. 966856-094	PANEL, CURBSIDE TWIN BED, 17.5 X 15.13
5. 966856-095	PANEL, CURBSIDE TWIN BED, 17.5 X 15.13
6. 966856-096	PANEL, CURBSIDE TWIN BED, 2.5 X 24.38
7. 966856-097	PANEL, CURBSIDE TWIN BED, 2.5 X 24.38
8. 966856-098	PANEL, CURBSIDE TWIN BED, 2.5 X 24.38
9. 966856-099	PANEL, CURBSIDE TWIN BED, 2.5 X 24.38
10. 966856-0910	PANEL, CURBSIDE TWIN BED, 2.5 X 4.94
11. 966856-0911	PANEL, CURBSIDE TWIN BED, 2.5 X 4.94
12. 966856-0912	PANEL, CURBSIDE TWIN BED, 2.5 X 15.13
13. 966856-0913	PANEL, CURBSIDE TWIN BED, 5.56 X 14.25
14. 381607	HINGE, GRASS EURO
15. 382044	HANDLE, BRUSHED NICKEL
16. 966856-0917	DOOR, CURBSIDE TWIN BED, 25 X 14.25
17. 381228-01	CATCH, GRABBER, DOOR
18. 801706-0014	TRIM, CORNER 90D 1"RADIU, 84"
19. 966856-0922	PANEL, CURBSIDE TWIN BED, 29.13 X 15.13
20. 966856-0925	DOOR, CURBSIDE TWIN BED, 25 X 14.25
21. 203419	BOX STORAGE, 23"L X 16.75" W X 11.88

2009 FLYING CLOUD

FURNITURE, BEDROOM

Bed, 27', Roadside Twin



Part Numbers are on the Next Page.

2009 FLYING CLOUD

FURNITURE, BEDROOM

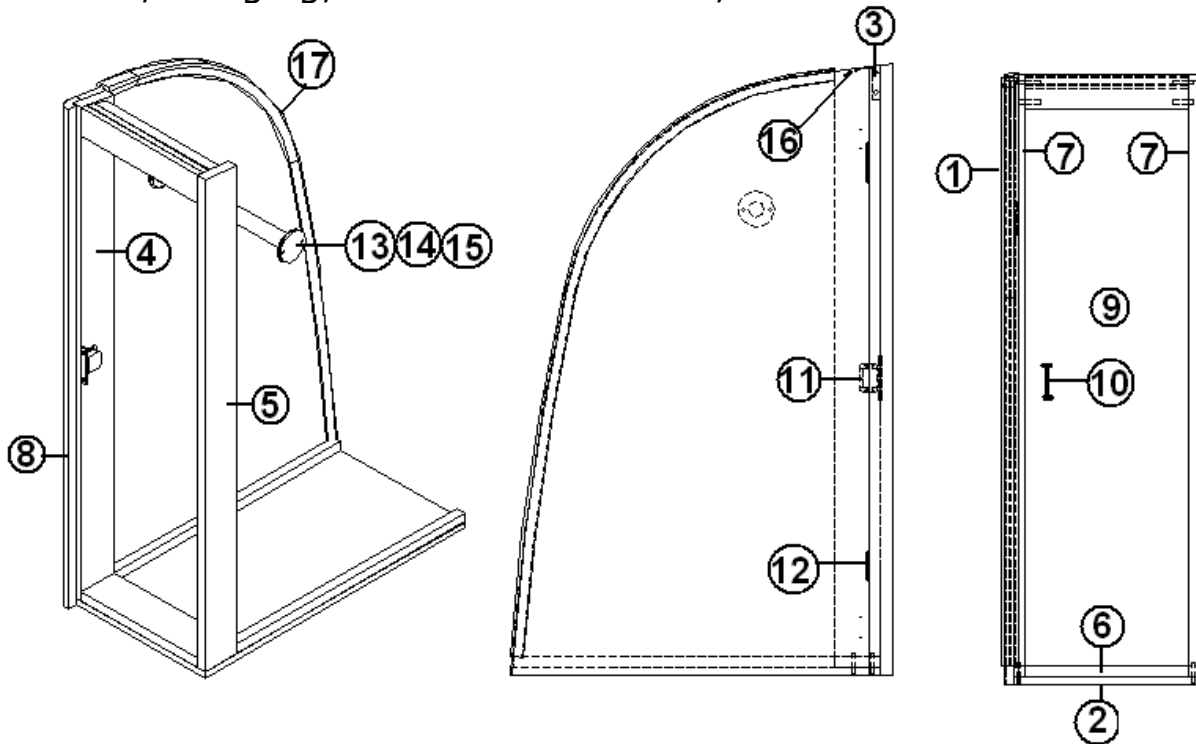
Bed, 27', Roadside Twin

966857-09	BED, ROADSIDE TWIN
1. 966857-091	TOP, ROADSIDE TWIN BED, 31.00 X 57.25
2. 966857-092	PANEL, ROADSIDE TWIN BED, 50.25 X 15.13
3. 966857-093	PANEL, ROADSIDE TWIN BED, 17.50 X 15.13
4. 966857-094	PANEL, ROADSIDE TWIN BED, 17.50 X 15.13
5. 966857-095	PANEL, ROADSIDE TWIN BED, 2.50 X 24.38
6. 966857-096	PANEL, ROADSIDE TWIN BED, 2.50 X 24.38
7. 966857-097	PANEL, ROADSIDE TWIN BED, 2.50 X 24.38
8. 966857-098	PANEL, ROADSIDE TWIN BED, 2.50 X 24.38
9. 966857-099	PANEL, ROADSIDE TWIN BED, 30.00 X 15.13
10. 966857-0910	PANEL, ROADSIDE TWIN BED, 2.50 X 4.94
11. 966857-0911	PANEL, ROADSIDE TWIN BED, 2.50 X 4.94
12. 966857-0912	PANEL, ROADSIDE TWIN BED, 2.50 X 15.13
13. 966857-0913	PANEL, ROADSIDE TWIN BED, 5.56 X 14.25
14. 382044	HANDLE-BRUSHED NICKEL
15. 381607	HINGE, GRASS EURO
16. 966857-0917	DOOR, ROADSIDE TWIN BED, 25.00" X 14.25"
17. 381228-01	CATCH, GRABBER, DOOR
18. 203419	BOX STORAGE, 23"L X 16.75"W X 11.88"D
19. 801706-0014	TRIM, CORNER, 90D 1" RADIUS, 84"
20. 966857-0922	PANEL, ROADSIDE TWIN BED, 29.5 X 15.13
21. 966857-0926	DOOR, ROADSIDE TWIN BED, 25.00" X 14.25"

2009 FLYING CLOUD

FURNITURE, BEDROOM

Wardrobe, Hanging, 25' Twin Front Bed , 27' Twin Front Bed

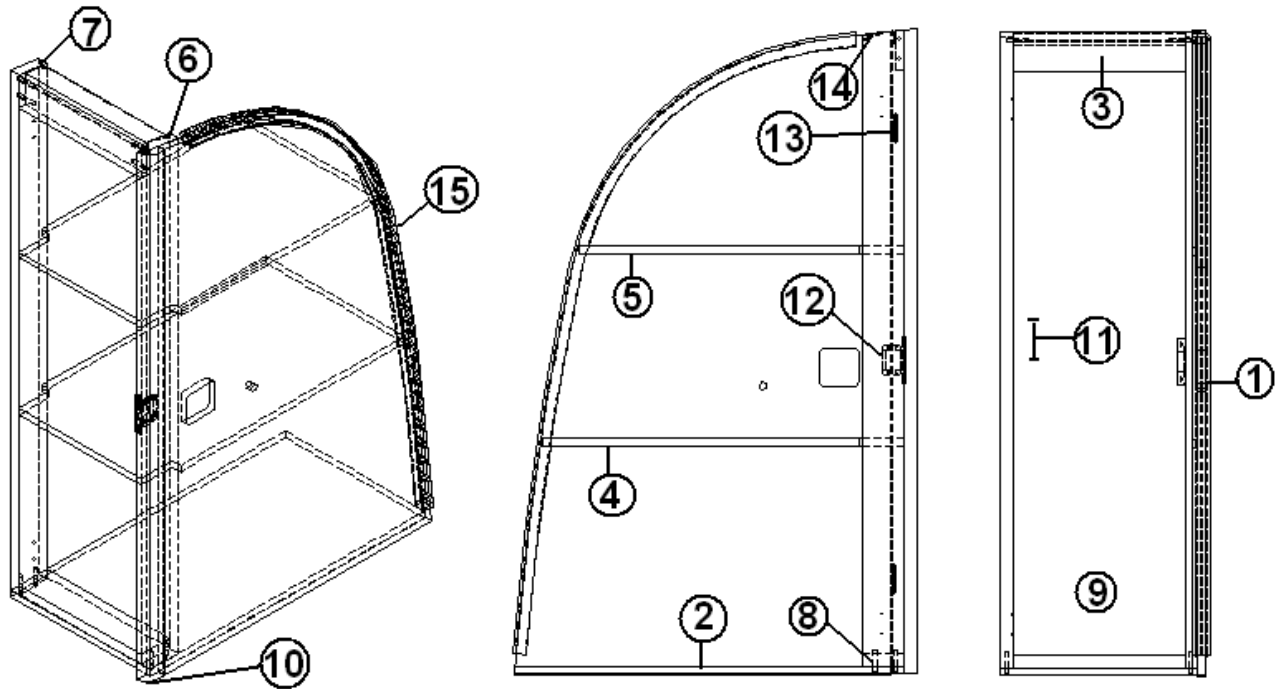


966852-09	WARDROBE, HANGING
1. 966852-091	PANEL, HANGING WARDROBE, 23.59 X 40.19
2. 966852-092	PANEL, HANGING WARDROBE, 24.31 X 12.25
3. 966852-093	PANEL, HANGING WARDROBE, 2.25 X 10.75
4. 966852-094	PANEL, HANGING WARDROBE, 3.00 X 39.75
5. 966852-095	PANEL, HANGING WARDROBE, 3.00 X 39.75
6. 966852-096	PANEL, HANGING WARDROBE, 3.00 X 10.75
7. 966852-097	PANEL, HANGING WARDROBE, 2.25 X 21.19
8. 801706-0014	TRIM, CORNER 90D 1"RADIUS, 84"
9. 966852-099	DOOR, HANGING, WARDROBE, 11.38" X 38.88"
10. 382044	HANDLE, BRUSHED NICKEL
11. 381607	HINGE, GRASS EURO
12. 380046	FLANGE, CHROME
13. 380045	TUBING, 3/4 ", METAL
14. 200975-04	CONDUIT, FLEXIBLE BLACK PLASTIC
15. 115085	ANGLE ALUMINUM, ROOFLOCKERS
16. 203138-04	EXTRUSION, PLASTIC, 1/2" OAK
381241-009	TV SHELF W/MIRROR, BLACK

2009 FLYING CLOUD

FURNITURE, BEDROOM

Linen Cabinet, Hanging, 27' Front Bed Twin



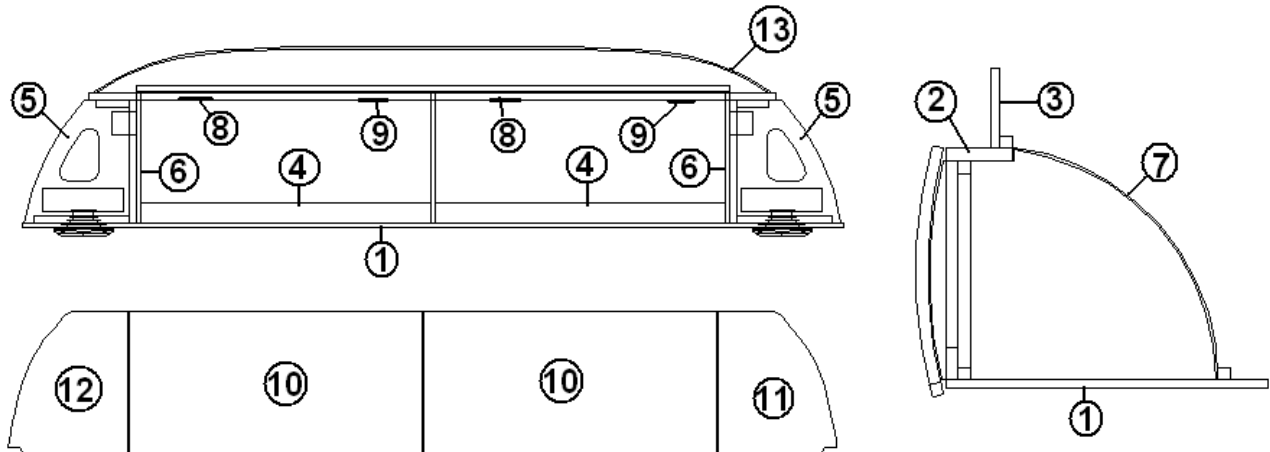
966855-09

- | | |
|-----------------|--------------------------------------|
| 1. 966855-091 | PANEL, LINEN CABINET, 23.59 X 40.19 |
| 2. 966855-092 | PANEL, LINEN CABINET, 24.25 X 12.25 |
| 3. 966855-093 | PANEL, LINEN CABINET, 2.5 X 10.75 |
| 4. 966855-094 | PANEL, LINEN CABINET, 22.5 X 12.25 |
| 5. 966855-095 | PANEL, LINEN CABINET, 20.25 X 12.25 |
| 6. 966855-096 | PANEL, LINEN CABINET, 2.5 X 39.75 |
| 7. 966855-097 | PANEL, LINEN CABINET, 2.5 X 39.75 |
| 8. 966855-098 | PANEL, LINEN CABINET, 2.5 X 10.75 |
| 9. 966855-099 | DOOR, HANGING CABINET, 11.38 X 38.88 |
| 10. 801706-0014 | TRIM, CORNER 90D 1"RADIUS, 84" |
| 11. 382044 | HANDLE, BRUSHED NICKEL |
| 12. 381228-01 | CATCH, GRABBER, DOOR |
| 13. 381607 | HINGE ASSY-GRASS EURO |
| 14. 115085 | ANGLE ALUMINUM - ROOFLOCKERS |
| 15. 203138-04 | EXTRUSION, PLASTIC, 1/2" OAK |

2009 FLYING CLOUD

FURNITURE, BEDROOM

End Liner Roof Locker, Front, 27' Twin & Queen "J" Front Bed, 25' FB

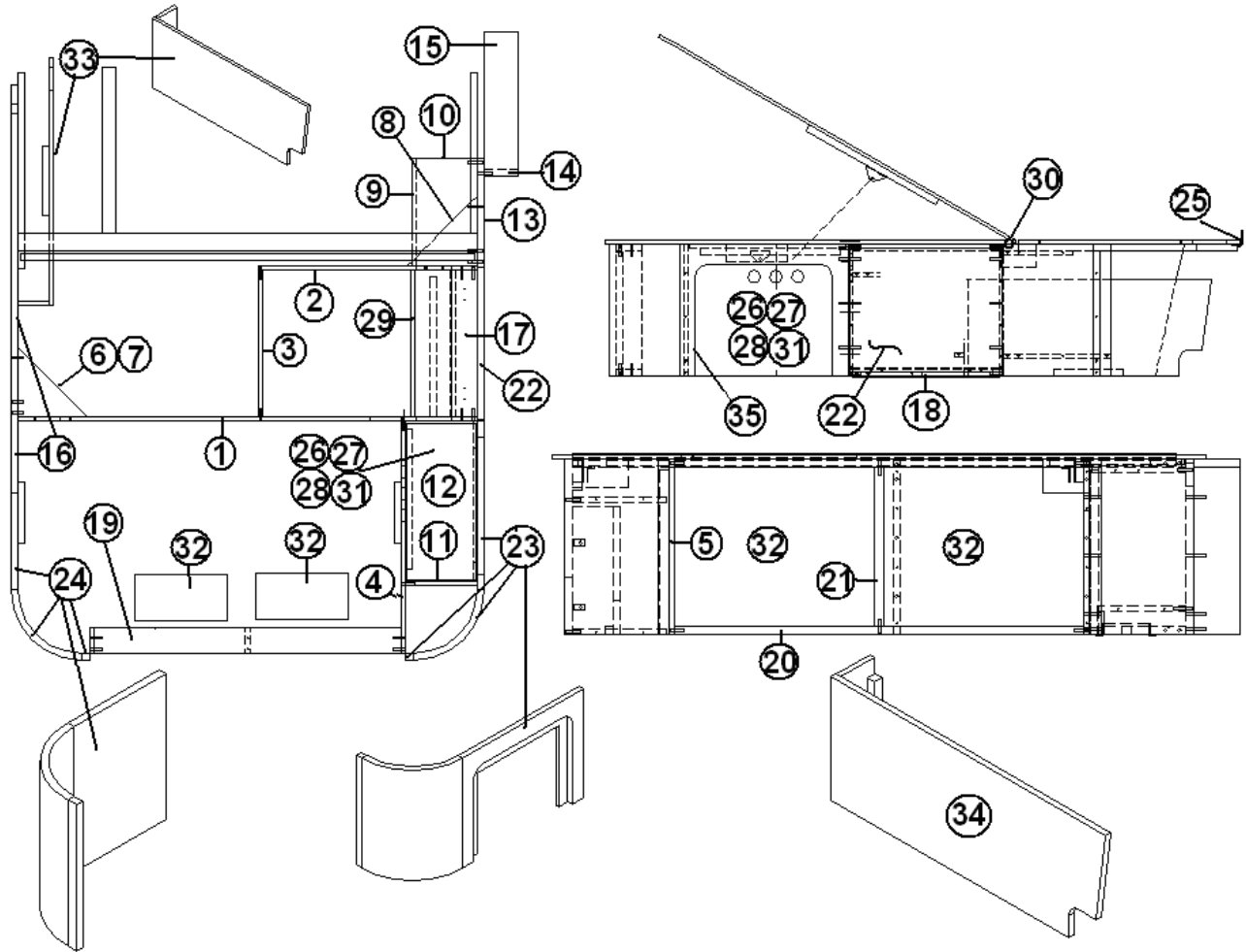


967284-09	ROOF LOCKER, END LINER, W/O RADIO
1. 967278	BOTTOM, ROOF LOCKER, 19.50 X 89.00
2. 967280	TOP, ROOF LOCKER, 4.00 X 75.00
3. 967281	HEADER, ROOF LOCKER, 4.75 X 73.50
4. 967282	STILE, ROOF LOCKER, 2.25 X 31.22
5. 967283	SUPPORT, ROOF LOCKER, 12.00 X 13.25
6. 967277-01	DIVIDER, RH ROOF LOCKER, 17.33 X 13.93
7. 967284-099	PANEL, END ROOF LOCKER, 22.00 X 64.00
8. 381840-01	HINGE, OVERHEAD SPRING, LH
9. 381840-02	HINGE, OVERHEAD SPRING, RH
10. 801786-0214	DOOR, PLYFORM, 15.25 X 31.63
11. 801786-0514	DOOR, PLYFORM, 15.25 X 12.50, RH
12. 801786-0614	DOOR, PLYFORM, 15.25 X 12.50, LH
13. 201673-01	MOLDING-OAK COVE .43" OAK

2009 FLYING CLOUD

FURNITURE, BEDROOM

Bed, 25' Front Double Bed



2009 FLYING CLOUD

FURNITURE, BEDROOM

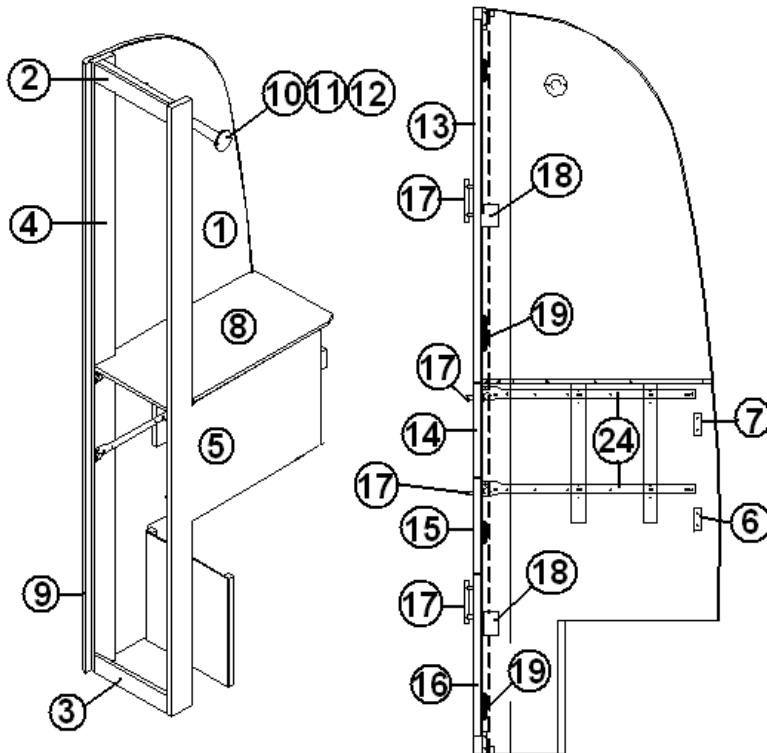
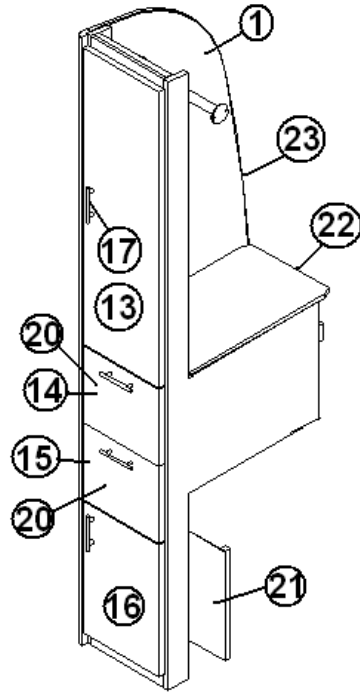
Bed, 25' Front Double Bed

967072-09	BED BASE, QUEEN ("B) BED
1. 967072-091	PANEL, QUEEN BED, 15.13 X 52.5
2. 967072-092	PANEL, QUEEN BED, 25.00 X 15.13
3. 967072-093	PANEL, QUEEN BED, 16.75 X 15.13
4. 967072-094	PANEL, QUEEN BED, 26.50 X 15.13
5. 967072-095	PANEL, QUEEN BED, 3.00 X 15.13
6. 967072-096	PANEL, QUEEN BED, 8.00 X 8.00
7. 967072-097	PANEL, QUEEN BED, 8.00 X 8.00
8. 967072-098	PANEL, QUEEN BED, 8.00 X 8.00
9. 967072-099	PANEL, QUEEN BED, 2.00 X 12.25
10. 967072-0910	PANEL, QUEEN BED, 7.50 X 12.25
11. 967072-0911	PANEL, QUEEN BED, 8.19 X 14.63
12. 967072-0912	PANEL, QUEEN BED, 8.06 X 18.56
13. 967072-0913	PANEL, QUEEN BED, 12.31 X 15.13
14. 967072-0914	PANEL, QUEEN BED, 4.00 X 14.38
15. 967072-0915	PANEL, QUEEN BED, 4.00 X 16.50
16. 967072-0916	PANEL, QUEEN BED, 46.62 X 15.13
17. 967072-0917	PANEL, QUEEN BED, 3.00 X 16.75
18. 967072-0918	PANEL, QUEEN BED, 3.00 X 16.75
19. 967072-0919	PANEL, QUEEN BED, 3.00 X 35.13
20. 967072-0920	PANEL, QUEEN BED, 3.00 X 35.13
21. 967072-0921	PANEL, QUEEN BED, 3.00 X 13.63
22. 967072-0922	PANEL, QUEEN BED, 17.38 X 14.25
23. 967069-09	RADIUS, QUEEN BED
24. 967070-09	RADIUS, QUEEN BED
25. 115151	ANGLE, BED SUPPORT, 43"
26. 381607	HINGE, GRASS EURO
27. 382044	HANDLE, BRUSHED NICKEL
28. 381228-01	CATCH, GRABBER, DOOR
29. 115101	CLOSEOUT, BED BASE WIRES, 16.63
30. 380203-01	HINGE, PIANO
31. 201016	DRAWER, 16" X 22"
32. 203419	BOX STORAGE, 23"L X 16.75"W X 11.88"D
33. 967071-09	CLOSEOUT, QUEEN BED BASE, 25FB FC
34. 966348	CLOSEOUT, QUEEN BED, WIRES 25'FB S
35. 203440	T MOLDING, BLACK EMBOSSED, .8125

2009 FLYING CLOUD

FURNITURE, BEDROOM

Wardrobe, 25' Front Double Bed



Part Numbers are on the Next Page.

2009 FLYING CLOUD

FURNITURE, BEDROOM

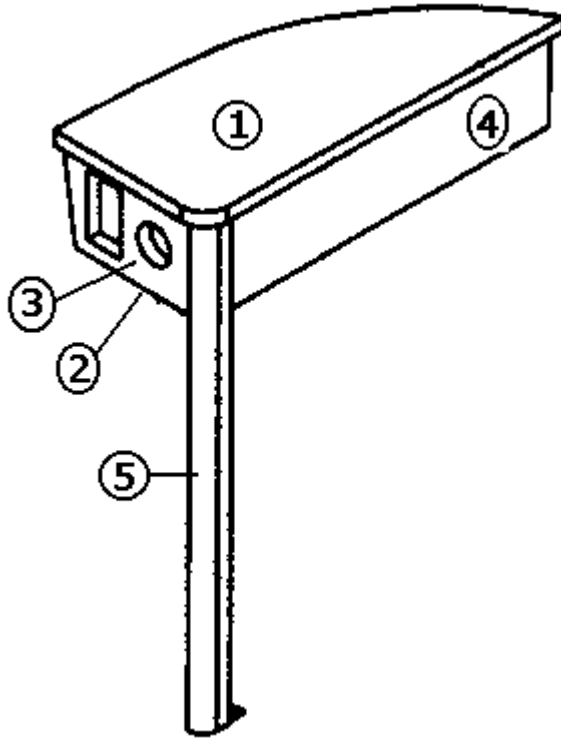
Wardrobe, 25' Front Double Bed

966901-09	BEDROOM WARDROBE
1. 966901-091	PANEL, BEDROOM WARDROBE, 24.25 X 78.16
2. 966901-092	PANEL, BEDROOM WARDROBE, 2.25 X 10.75
3. 966901-093	PANEL, BEDROOM WARDROBE, 2.25 X 10.75
4. 966901-094	PANEL, BEDROOM WARDROBE, 3.00 X 78.31
5. 966901-095	PANEL, BEDROOM WARDROBE, 22.25 X 78.31
6. 966901-096	PANEL, BEDROOM WARDROBE, 2.25 X 12.25
7. 966901-097	PANEL, BEDROOM WARDROBE, 2.25 X 12.25
8. 966901-098	PANEL, BEDROOM WARDROBE, 24.31 X 12.25
9. 801706-0014	TRIM, CORNER, 90D 1"RADIUS, 84" LONG
10. 380046	FLANGE CHROME
11. 380045	TUBING 3/4"ELEC METALLIC
12. 200975-04	CONDUIT,FLE X IBLE BLACK PLASTIC
13. 966901-0915	DOOR, BEDROOM WARDROBE, 11.38 X 38.13
14. 966901-0916	DOOR, BEDROOM WARDROBE, 11.37 X 17
15. 966901-0917	PANEL, BEDROOM WARDROBE, 11.37 X 9.88
16. 966901-0918	PANEL, BEDROOM WARDROBE, 11.38 X 9.88
17. 382044	HANDLE, BRUSHED NICKEL
18. 381228-01	CATCH, GRABBER, DOOR
19. 381607	HINGE, GRASS EURO
20. 965555-02	DRAWER BOX, 8.00" X 9.50" X 20.00"
21. 966901-0926	PANEL, BEDROOM WARDROBE, 12.25 X 15.63
22. 203138-04	EXTRUSION, PLASTIC, 1/2" OAK
23. 203138-05	EXTRUSION, PLASTIC, 1/2" WALL, BLACK
24. 381773-25	DRAWER SLIDE, 8.38" X 21.63" (PAIR)

2009 FLYING CLOUD

FURNITURE, BEDROOM

Nightstand, 25' Front Double Bed

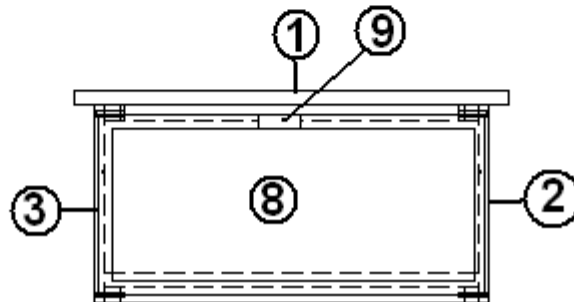
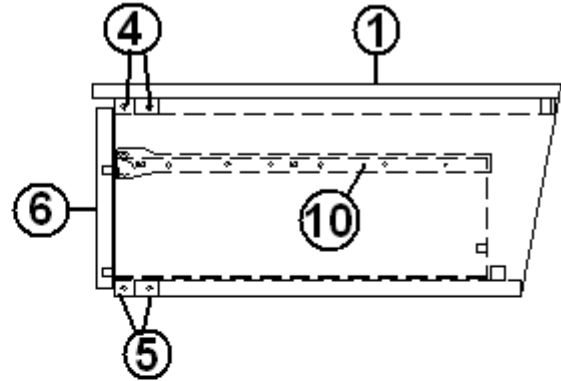
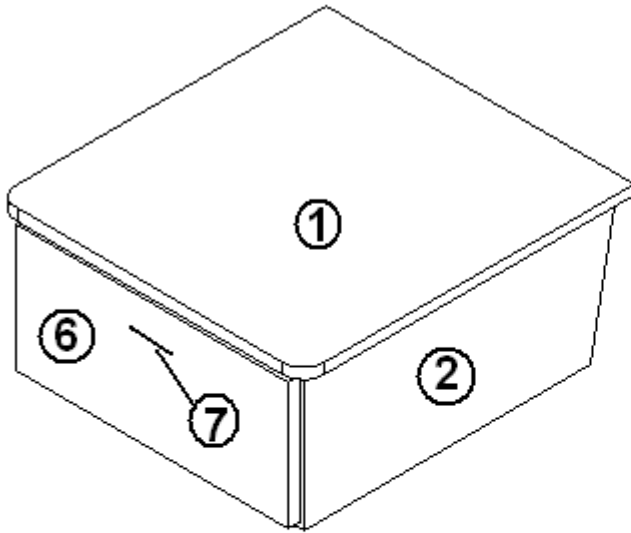


966899-09	NIGHTSTAND
966899-091	PANEL, NIGHTSTAND, 9.25 X 21.39
966899-092	PANEL, NIGHTSTAND, 7.63 X 5.00
966899-093	PANEL, NIGHTSTAND, 18.95 X 5.00
801706-0014	TRIM, CORNER 90D 1"RADIUS, 84" LONG
380041	BRACE, 1", STANLEY, CORNER

2009 FLYING CLOUD

FURNITURE, BEDROOM

Nightstand, 25' Front Twin Bed, 27' Front Bed Twin

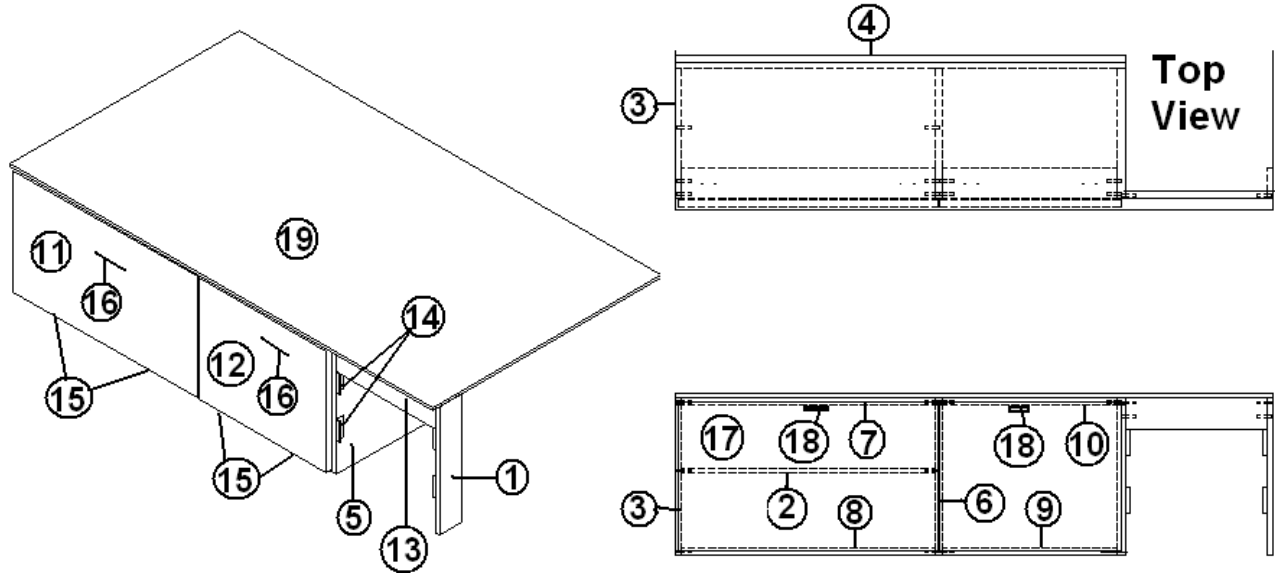


- | | |
|---------------|---|
| 966859-09 | NIGHT STAND |
| 1. 966860-09 | TOP, TWIN NIGHT STAND |
| 1. 966860-10 | TOP, TWIN NIGHT STAND, LABRADOR GRANITE |
| 2. 966859-092 | PANEL, NIGHT STAND, 22.00 X 9.75 |
| 3. 966859-093 | PANEL, NIGHT STAND, 22.00 X 9.75 |
| 4. 966859-094 | PANEL, NIGHT STAND, 18.50 X 2.5 |
| 5. 966859-095 | PANEL, NIGHT STAND, 18.50 X 2.5 |
| 6. 966859-097 | DOOR, NIGHT STAND, 19.13 X 8.88 |
| 7. 965554-03 | DRAWER BOX, 5.625" X 17.25" X 17.00" |
| 8. 382044 | HANDLE, BRUSHED NICKEL |
| 9. 381228-01 | CATCH, GRABBER, DOOR |
| 10. 381773-17 | DRAWER SLIDE-5.875" X 18.5" (PAIR) |

2009 FLYING CLOUD

FURNITURE, BEDROOM

Bed, 25' Front Twin Bed, Curbside

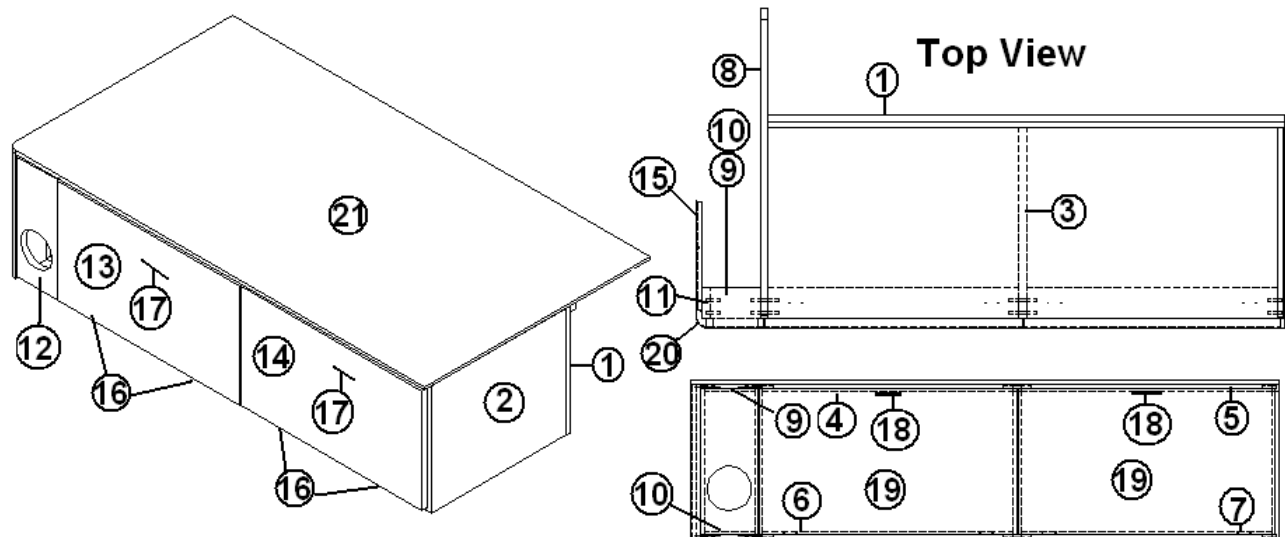


966912-09	BED, CURBSIDE TWIN
1. 966912-091	PANEL, CURBSIDE TWIN BED, 3.00 X 15.13
2. 966912-092	PANEL, CURBSIDE TWIN BED, 12.50 X 24.38
3. 966912-093	PANEL, CURBSIDE TWIN BED, 12.50 X 15.13
4. 966912-094	PANEL, CURBSIDE TWIN BED, 43.13 X 15.13
5. 966912-095	PANEL, CURBSIDE TWIN BED, 12.50 X 15.13
6. 966912-096	PANEL, CURBSIDE TWIN BED, 12.50 X 15.13
7. 966912-097	PANEL, CURBSIDE TWIN BED, 3.00 X 24.38
8. 966912-098	PANEL, CURBSIDE TWIN BED, 3.00 X 24.38
9. 966912-099	PANEL, CURBSIDE TWIN BED, 3.00 X 16.75
10. 966912-0910	PANEL, CURBSIDE TWIN BED, 3.00 X 16.75
11. 966912-0911	DOOR, CURBSIDE TWIN BED, 25.00 X 14.25
12. 966912-0912	DOOR, CURBSIDE TWIN BED, 7.38 X 14.25
13. 966912-0913	PANEL, CURBSIDE TWIN BED, 3.00 X 13.63
14. 114812	ALUMINUM ANGLE, 1/2" X 1/2" X 1/2"
15. 381607	HINGE, GRASS EURO
16. 382044	HANDLE, BRUSHED NICKEL
17. 201051	DRAWER 10X22
18. 381228-01	CATCH, GRABBER, DOOR C3-803
19. 800507-03	LAUAN, 3/8" X 4' X 8', CUT TO 31.00" X 57.25"

2009 FLYING CLOUD

FURNITURE, BEDROOM

Bed, 25' Front Twin Bed, Roadside

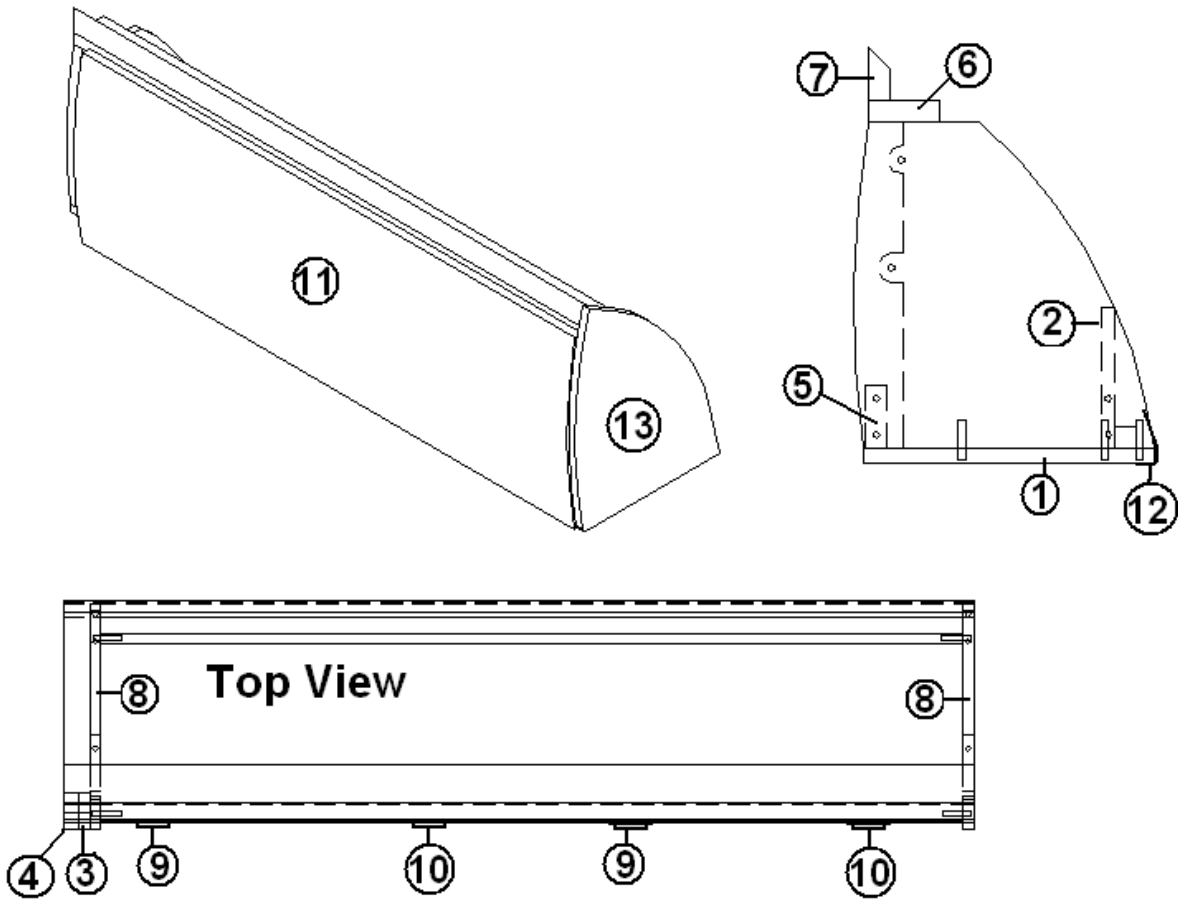


966913-09	BED, ROADSIDE TWIN
1. 966913-091	PANEL, ROADSIDE TWIN BED, 50.25 X 15.13
2. 966913-092	PANEL, ROADSIDE TWIN BED, 18.5 X 15.13
3. 966913-093	PANEL, ROADSIDE TWIN BED, 18.5 X 15.13
4. 966913-094	PANEL, ROADSIDE TWIN BED, 3.00 X 24.38
5. 966913-095	PANEL, ROADSIDE TWIN BED, 3.00 X 24.38
6. 966913-096	PANEL, ROADSIDE TWIN BED, 3.00 X 24.38
7. 966913-097	PANEL, ROADSIDE TWIN BED, 3.00 X 24.38
8. 966913-098	PANEL, ROADSIDE TWIN BED, 30.00 X 15.13
9. 966913-099	PANEL, ROADSIDE TWIN BED, 3.00 X 4.94
10. 966913-0910	PANEL, ROADSIDE TWIN BED, 3.00 X 4.94
11. 966913-0911	PANEL, ROADSIDE TWIN BED, 3.00 X 15.13
12. 966913-0912	PANEL, ROADSIDE TWIN BED, 5.56 X 14.25
13. 966913-0913	DOOR, ROADSIDE TWIN BED, 25.00 X 14.25
14. 966913-0914	DOOR, ROADSIDE TWIN BED, 25.00 X 14.25
15. 966913-0915	PANEL, ROADSIDE TWIN BED, 10.50 X 15.13
16. 381607	HINGE, GRASS EURO
17. 382044	HANDLE, BRUSHED NICKEL
18. 381228-01	CATCH, GRABBER, DOOR
19. 203419	BOX STORAGE, 23"L X 16.75"W X 11.88"D
20. 801393-02	CORNER TRIM, 90D, 1"RADIUS, 84"
21. 800507-03	LAUAN, 3/8" X 4' X 8', CUT TO 31.00" X 57.25"

2009 FLYING CLOUD

FURNITURE, BEDROOM

Roof Locker, Bedroom, 25' Front Bed, 23', 19'

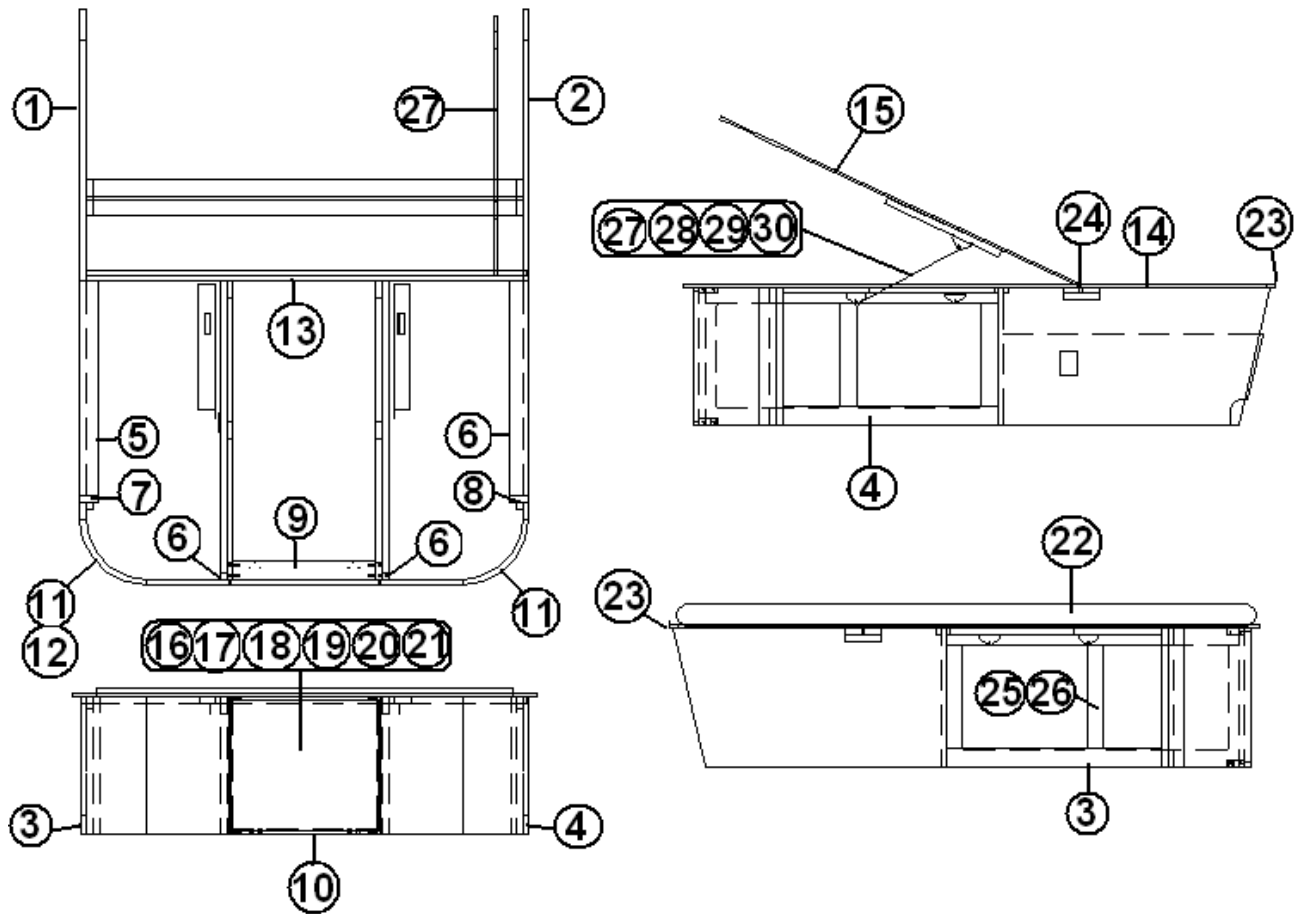


- | | |
|-----------------|---------------------------------------|
| 967312-09 | ROOF LOCKER, BEDROOM TWIN |
| 1. 967312-091 | PANEL, BED ROOF LOCKER, 10.25 X 42.88 |
| 2. 967312-092 | PANEL, BED ROOF LOCKER, 5 X 40.59 |
| 3. 967312-093 | PANEL, BED ROOF LOCKER, 1.73 X 11.5 |
| 4. 967312-094 | PANEL, BED ROOF LOCKER, 1.73 X 11.5 |
| 5. 967312-095 | PANEL, BED ROOF LOCKER, 2.25 X 40.59 |
| 6. 967312-096 | PANEL, BED ROOF LOCKER, 2.5 X 42.88 |
| 7. 967312-097 | PANEL, BED ROOF LOCKER, 1.88 X 42.88 |
| 8. 967311-01 | DIVIDER, BED TWIN ROOF LOCKER |
| 9. 381840-01 | HINGE, OVERHEAD SPRING LH |
| 10. 381840-02 | HINGE, OVERHEAD SPRING RH |
| 11. 801789-0114 | DOOR, ROOF LOCKER, 13.75" X 41.00" |
| 12. 115085 | ANGLE, ALUMINUM, ROOF LOCKERS |
| 13. 967360 | ENDCAP, ROOF LOCKER, BEDROOM, TWIN |

2009 FLYING CLOUD

FURNITURE, BEDROOM

Bed, 27', 28' W, Double



2009 FLYING CLOUD

FURNITURE, BEDROOM

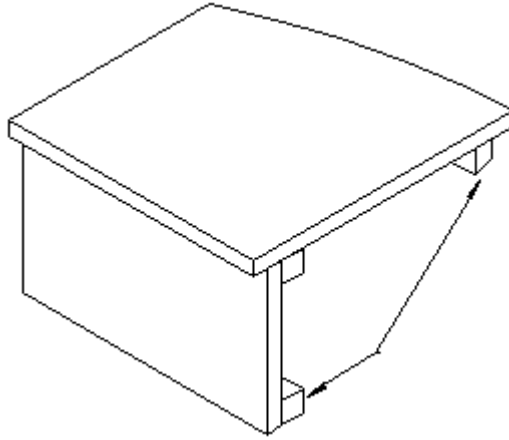
Bed, 27', 28' W, Double

966863-09	BASE ASSEMBLY, BED
1. 966863-091	PANEL, BED, 32.75 X 16.63
2. 966863-092	PANEL, BED, 32.75 X 16.63
3. 966863-093	PANEL, BED, 2.25 X 26
4. 966863-094	PANEL, BED, 2.25 X 26
5. 966863-095	PANEL, BED, 2.25 X 26
6. 966863-096	PANEL, BED, 2.25 X 26
7. 966863-097	PANEL, BED, 16.63 X 2.25
8. 966863-098	PANEL, BED, 16.83 X 2.25
9. 966863-099	PANEL, BED, 2.25 X 17.25
10. 966863-0910	PANEL, BED, 2.25 X 17.25
11. 966864-09	SUB ASSEMBLY, BED CORNER
12. 365313-02	EDGE BANDING, .94" GOLD ALCHEMY
13. 966863-0913	PANEL, BED, 52.5 X 16.63
14. 966863-0919	TOP, BED, 23.25 X 56.00
15. 966863-0920	TOP, BED, 47.75 X 56.00
16. 966863-0921	DOOR, BED, 17.88 X 15.75
17. 382044	HANDLE, BRUSHED NICKEL
18. 345001-08	MACHINE SCREW, #8-32 X 1"
19. 381607	HINGE ASSY
20. 345001-08	MACHINE SCREW, #8-32 X 1"
21. 381228-01	CATCH GRABBER DOOR
22. 703699	MATTRESS, 60" X 75", QUEEN "J"
23. 114812	ALUMINUM ANGLE, 1.00 X 1.00
24. 380203-01	HINGE, PIANO
25. 966863-0934	PANEL, BED, 36 X 16.63
26. 966863-0937	PANEL, BED, 11 X 30.44
27. 381067-09	SPRING, GAS 90 LBS.
28. 381262	BRACKET, PROP, W/BALL
29. 381310	GAS PROP BRACKET ASSY, UPPER
30. 381084	BALL, STUD
203419	BOX STORAGE, 23"L X 16.75"W X 11.88
203439	STORAGE BOX, 17"L X 11.13"W X 6.38"

2009 FLYING CLOUD

FURNITURE, BEDROOM

Closeout, Bed, LH, Queen "J" 27' Front Bed

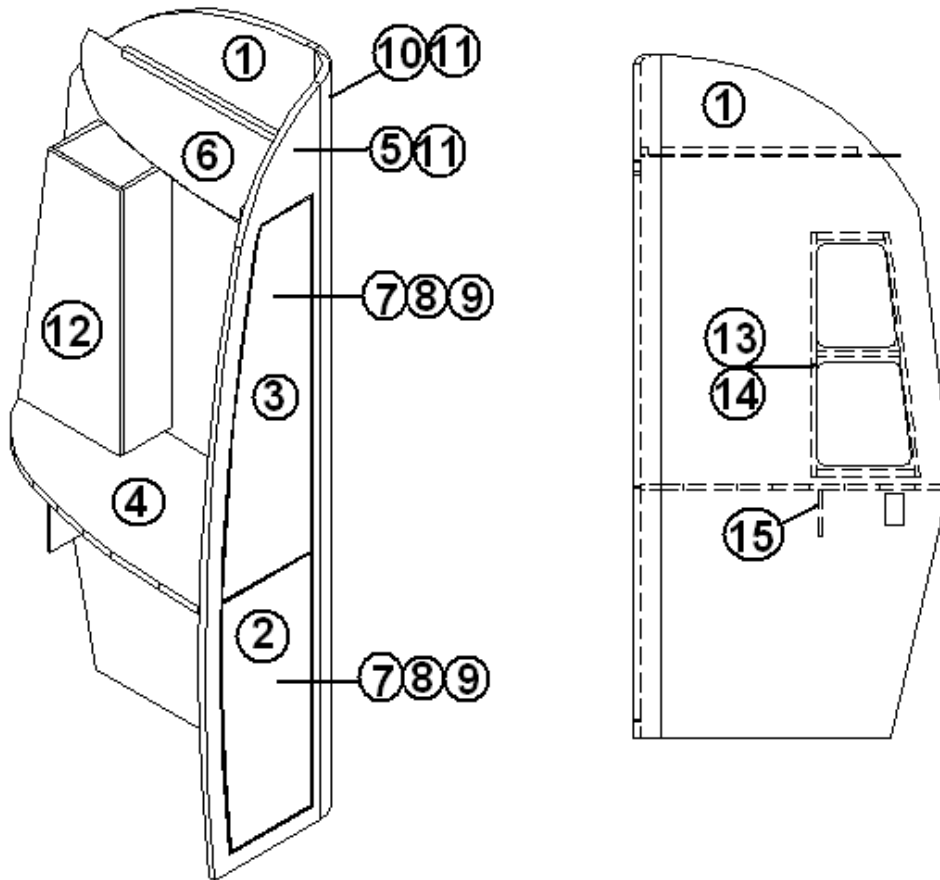


966865-09 Closeout, Bed, LH

2009 FLYING CLOUD

FURNITURE, BEDROOM

Closet, Left Rear, 27' Queen W, 28' W

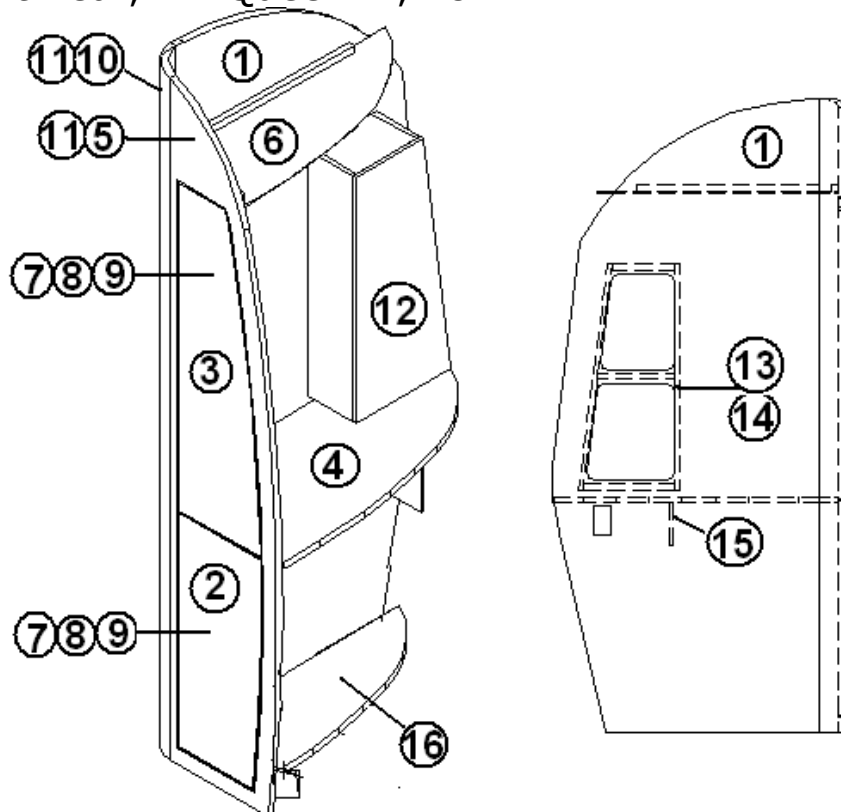


966871-09	WARDROBE ASSEMBLY, LH, "W" BEDROOM
1. 966871-091	PANEL, "W" WARDROBE, LH, 32.25 X 76.61
2. 966871-092	DOOR, "W" WARDROBE, LH, 10.49 X 25.88
3. 966871-093	DOOR, "W" WARDROBE, LH, 10.41 X 36.31
4. 966871-094	PANEL, "W" WARDROBE, LH, 34.35 X 15.92
5. 966871-095	PANEL, "W" WARDROBE, LH, 13.69 X 75.65
6. 966871-096	PANEL, "W" WARDROBE, LH, 29 X 10.81
7. 382044	HANDLE-BRUSHED NICKEL
8. 381607	HINGE ASSY.
9. 381228-01	CATCH GRABBER DOOR
10. 801345	RADIUS PLYWOOD, .75" X 3" X 8'
11. 966871-0913	PANEL, "W" WARDROBE, LH, 18.5 X 76
12. 966875-09	BOOKSHELF ASSY, AFT WARDROBE, LH
13. 386106-01	RACK, MAGAZING, WHITE
14. 386107	ROD, MAGAZINE RACK
15. 966871-0919	PANEL, "W" WARDROBE, LH, 5 X 13.78

2009 FLYING CLOUD

FURNITURE, BEDROOM

Closet, Right Rear, 27' Queen W, 28' W

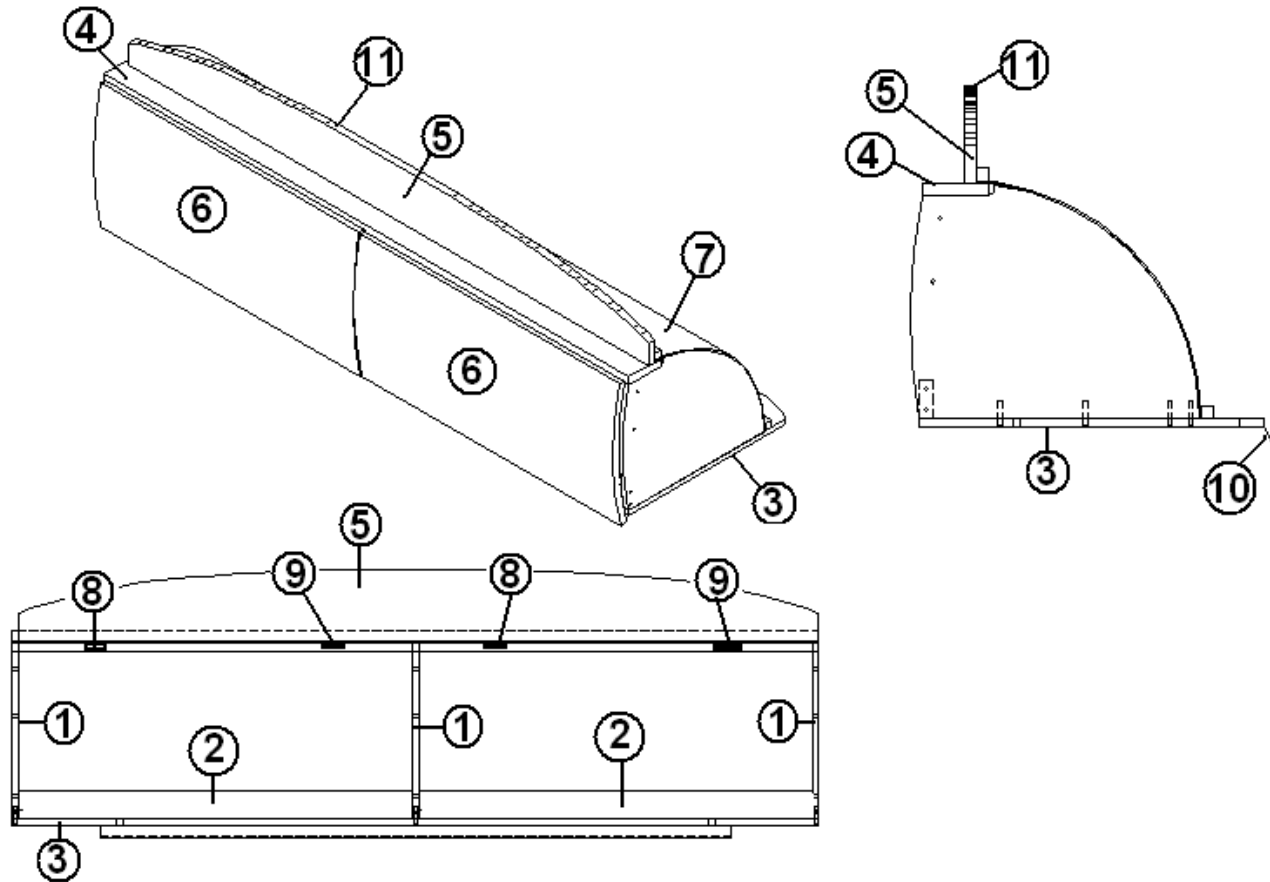


966872-09	WARDROBE ASSEMBLY, RH, "W" BEDROOM
1. 966872-091	PANEL, "W" WARDROBE, RH, 32.25 X 76.61
2. 966872-092	DOOR, "W" WARDROBE, RH, 10.49 X 25.88
3. 966872-093	DOOR, "W" WARDROBE, RH, 10.41 X 36.31
4. 966872-094	PANEL, "W" WARDROBE, RH, 34.35 X 15.92
5. 966872-095	PANEL, "W" WARDROBE, RH, 13.69 X 75.65
6. 966872-096	PANEL, "W" WARDROBE, RH, 29 X 10.81
7. 382044	HANDLE-BRUSHED NICKEL
8. 381607	HINGE ASSY.
9. 381228-01	CATCH, GRABBER DOOR
10. 801345	RADIUS PLYWOOD, .75" X 3" X 8'
11. 966872-0913	PANEL, "W" WARDROBE, RH, 18.5 X 76
12. 966874-09	BOOKSHELF ASSY, AFT WARDROBE, RH
13. 386106-01	RACK, MAGAZINE, WHITE
14. 386107	ROD, MAGAZINE RACK
15. 966872-0919	PANEL, "W" WARDROBE, LH, 5 X 13.78
16. 967236-09	CLOSEOUT, WARDROBE

2009 FLYING CLOUD

FURNITURE, BEDROOM

Roof Locker, Rear End, 27' Queen W, 28' W

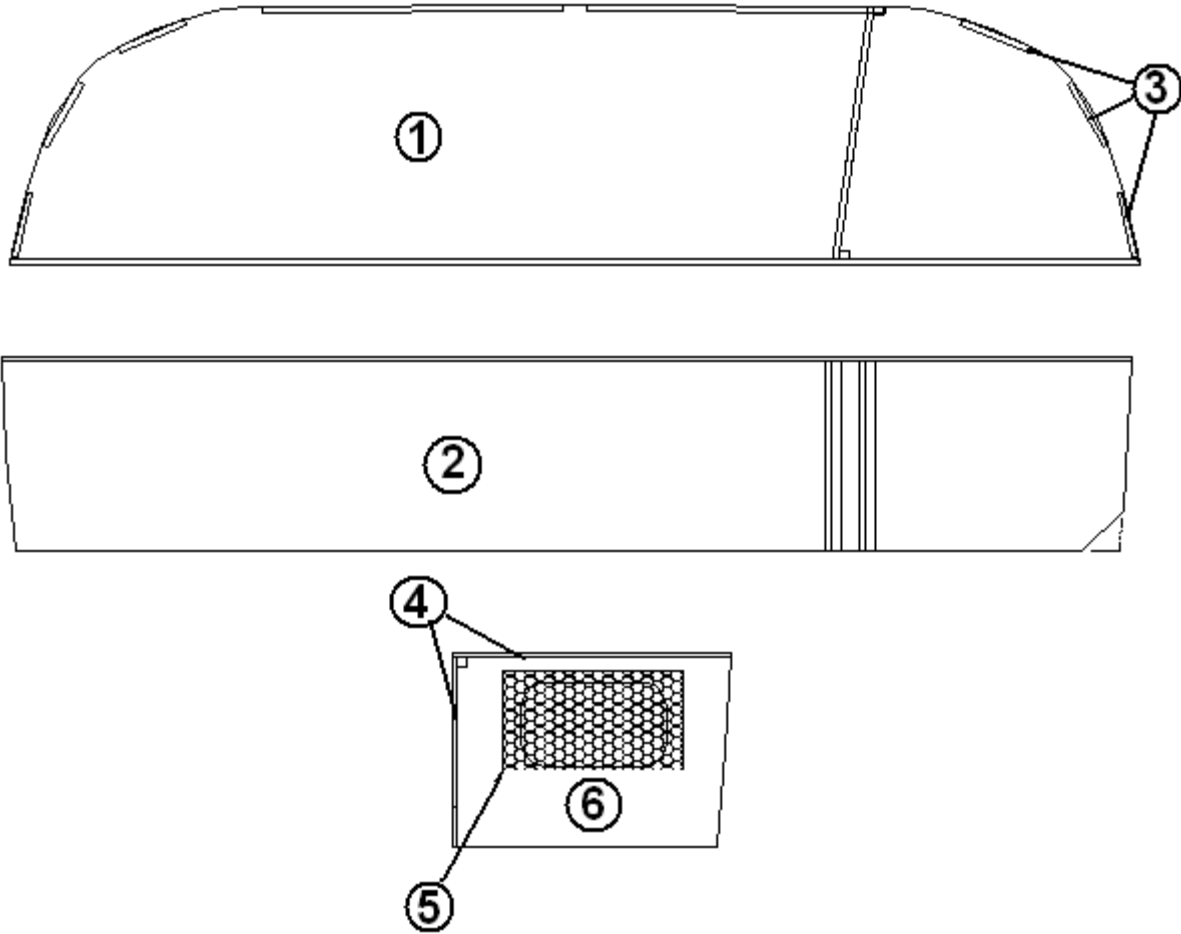


967329-09	ROOF LOCKER ASSY-"W" CENTER
1. 967277-01	DIVIDER, RH ROOF LOCKER, 17.33 X 13.93
2. 967282	STILE, ROOF LOCKER, 2.25 X 31.22
3. 967330	BOTTOM, "W" ROOF LOCKER
4. 967331	TOP, "W" ROOF LOCKER
5. 967332	HEADER, "W" ROOF LOCKER
6. 801786-0214	DOOR PLYFORM, 15.25 X 31.63
7. 967329-097	PANEL, "W" ROOF LOCKER, CENTER 22 X 64
8. 381840-01	HINGE, OVERHEAD SPRING, LH
9. 381840-02	HINGE, OVERHEAD SPRING, RH
10. 104829	SUPPORT, ROOFLOCKER, GALLEY
11. 201673-01	MOLDING, OAK COVE .43" OAK

2009 FLYING CLOUD

FURNITURE, BEDROOM

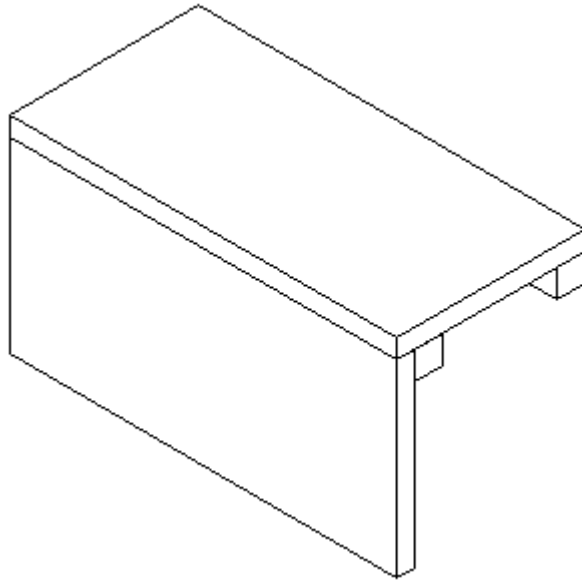
Front Storage Box, 27' Front Bed Twin, 25' Front Bed Twin



- | | |
|---------------|---------------------------------------|
| 966858-09 | BOX ASSY-FRT STORAGE FC |
| 1. 966858-091 | PANEL, FRT STORAGE 21.5 X 93.5 |
| 2. 966858-092 | PANEL, FRT BO X15 X 93.5 |
| 3. 114811 | ALUMINUM ANGLE, .50" X .50" |
| 4. 701538-01 | CARPET-ECONOLIER W/PSA BACK |
| 5. 453783-05 | GRILL SCREEN, DINETTE, 9.25" X 14.88" |
| 6. 966858-098 | PANEL, FRONT BOX, 15" X 21.25" |

2009 FLYING CLOUD
FURNITURE, BEDROOM

Closeout, 27' Twin

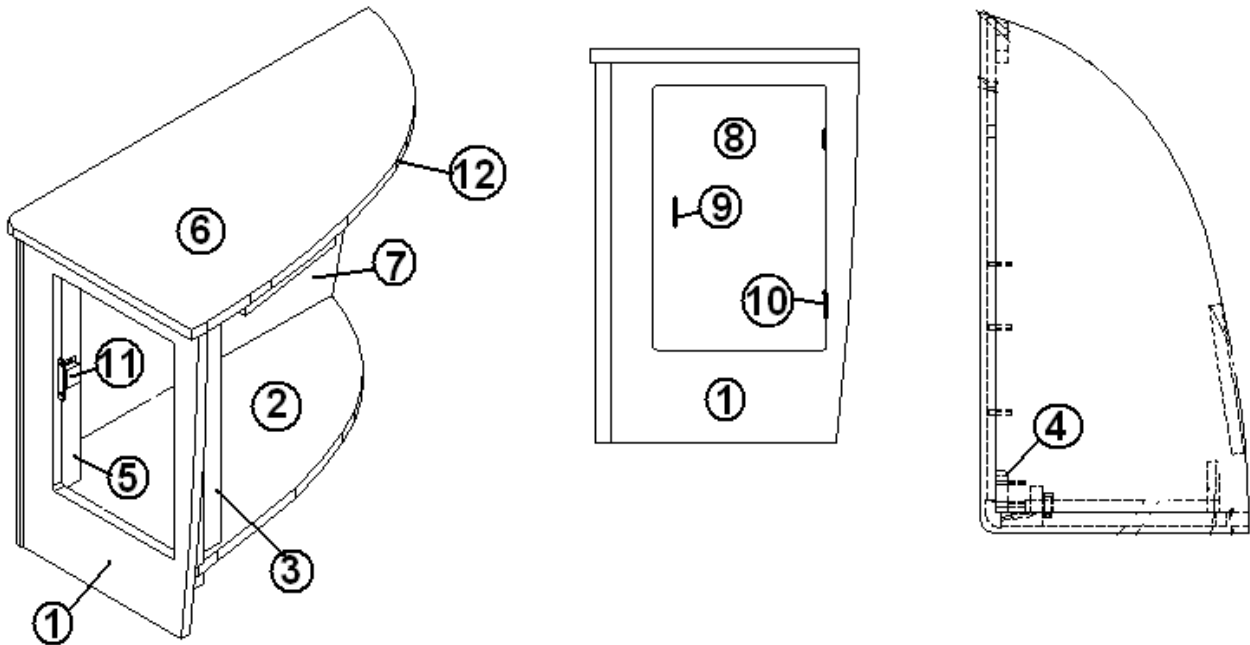


966861-09 Closeout, twin option

2009 FLYING CLOUD

FURNITURE, BEDROOM

Nightstand, 27' J-Queen Bedroom, Curbside



966851-09

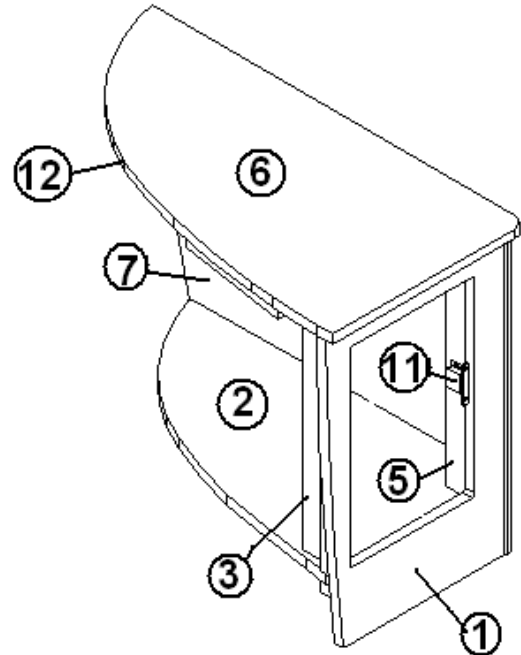
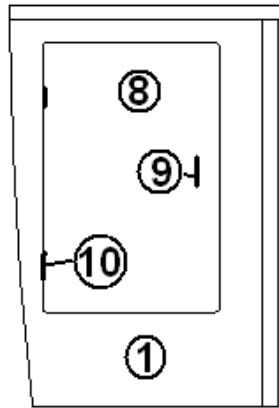
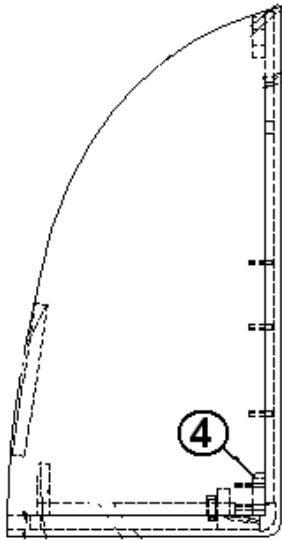
NIGHTSTAND, RH

- | | |
|-----------------|--|
| 1. 966851-091 | PANEL, RH N/S, 14.78 X 22.75 |
| 2. 966851-092 | PANEL, RH N/S, 27.69 X 14.13 |
| 3. 966851-093 | PANEL, RH N/S, 3 X 17.75 |
| 4. 966851-094 | PANEL, RH N/S, 2.25 X 22.75 |
| 5. 966851-095 | PANEL, RH N/S, 3 X 1.63 |
| 6. 966851-096 | PANEL, RH N/S, 16.09 X 31.06 |
| 6. 966851-106 | PANEL, RH N/S, 16.09 X 31.06, LABRADOR |
| | GRANITE |
| 7. 966851-097 | PANEL, RH, N/S, 28.84 X 22.75 |
| 8. 966851-098 | DOOR, 7" X 15.31" |
| 9. 382044 | PULL, BAR BRUSH NICKEL |
| 10. 381607 | HINGE, GRASS |
| 11. 381228-01 | CATCH GRABBER DOOR |
| 12. 801706-0114 | CORNER TRIM-90D 1" RADIUS |
| 201673 | REVERSE COVE MOLDING, WHITE |

2009 FLYING CLOUD

FURNITURE, BEDROOM

Nightstand, 27' J-Queen Bedroom, Roadside



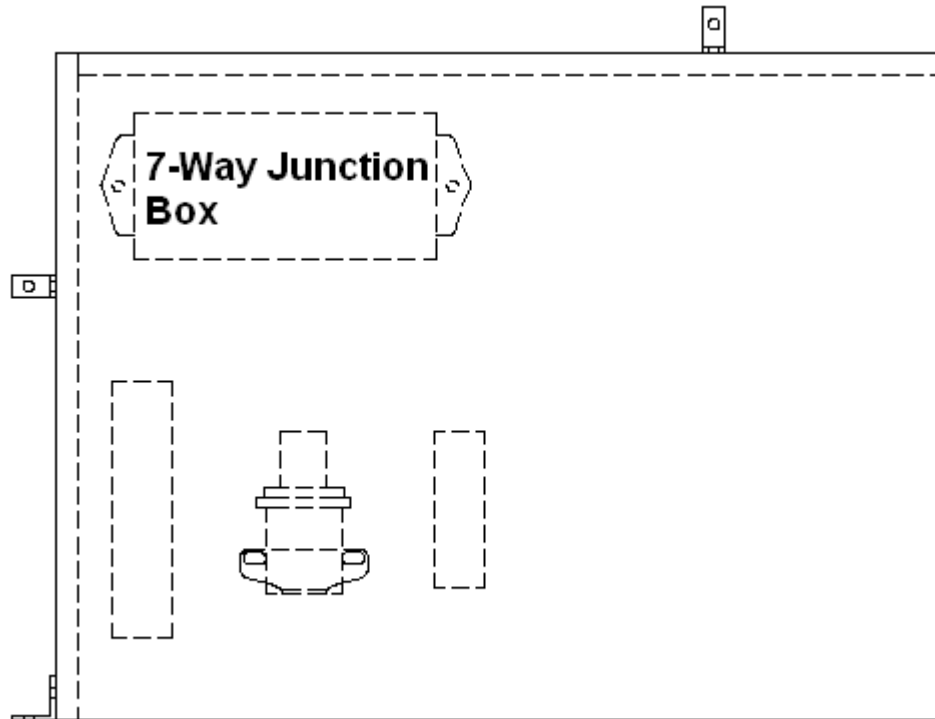
966868-09

- | | |
|-----------------|--|
| 1. 966868-091 | NIGHTSTAND, LH |
| 2. 966868-092 | PANEL, LH N/S, 14.78 X 22.75 |
| 3. 966868-093 | PANEL, LH N/S, 27.69 X 14.13 |
| 4. 966868-094 | PANEL, LH N/S, 3 X 17.75 |
| 5. 966868-095 | PANEL, LH N/S, 2.25 X 22.75 |
| 6. 966868-096 | PANEL, LH N/S, 3 X 1.63 |
| 6. 966868-106 | PANEL, LH N/S, 16.09 X 31.06 |
| | PANEL, LH N/S, 16.09 X 31.06, LABRADOR |
| | GRANITE |
| 7. 966868-097 | PANEL, LH N/S, 28.84 X 22.75 |
| 8. 966868-098 | DOOR, 7" X 15.31" |
| 9. 382044 | PULL, BAR BRUSH NICKEL |
| 10. 381607 | HINGE, GRASS |
| 11. 381228-01 | CATCH GRABBER DOOR |
| 12. 801706-0114 | CORNER TRIM-90D 1" RADIUS |
| 201673 | REVERSE COVE MOLDING, WHITE |

2009 FLYING CLOUD

FURNITURE, BEDROOM

Closeout, Electrical, 27' J-Queen Bedroom, 27' W-Queen

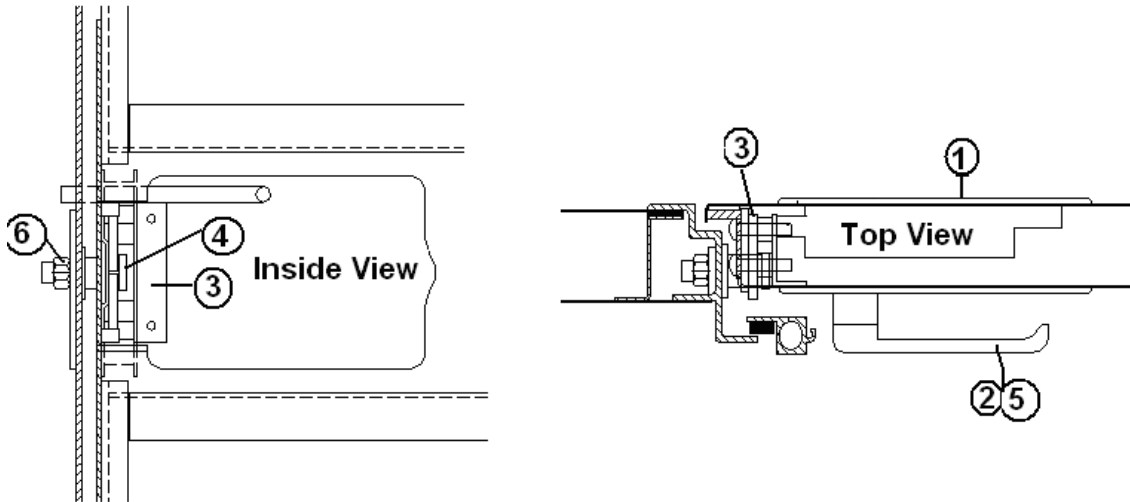


966788 Electrical Closeout

2009 FLYING CLOUD

HARDWARE

Main Door Lock, Left Hand Hinge

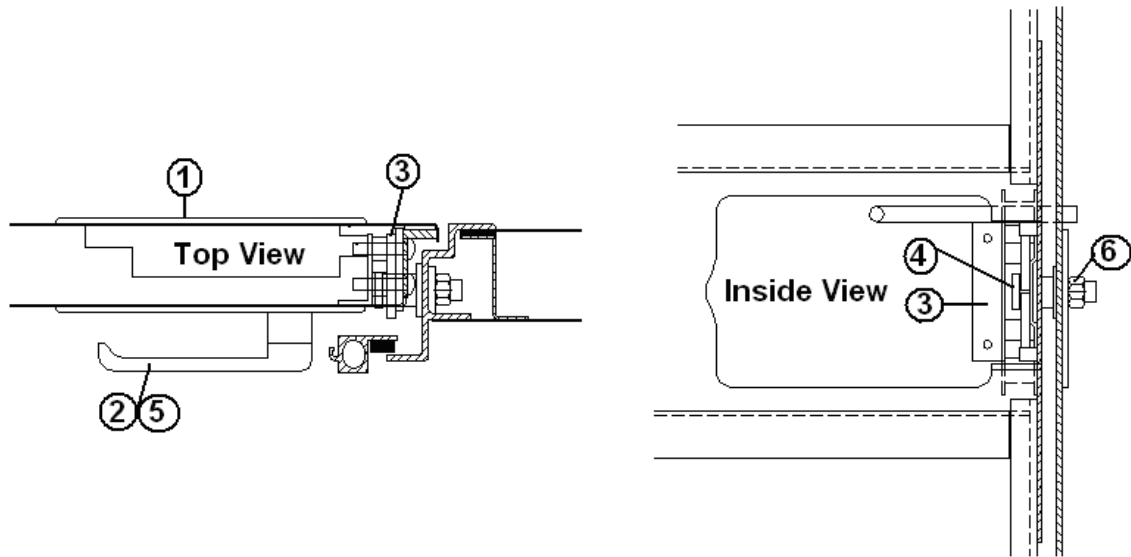


- | | |
|--------------|--------------------------------------|
| 1. 381547-01 | Main door lock, outside, housing |
| 2. 381547-07 | Main door lock, inside plate |
| 3. 381547-03 | Double rotary latch main door lock |
| 4. 381547-04 | Striker bolt w/washer main door lock |
| 5. 381547-08 | Screw package, main door lock |
| 6. 381550 | Plate, Striker Bolt |
| 385595 | POCKET-STRIKE |
| 381889 | KEY CHAIN, AIRSTREAM, CORIAN |
| 381901 | KEY RACK |

2009 FLYING CLOUD

HARDWARE

Main Door Lock, Right Hand Hinge

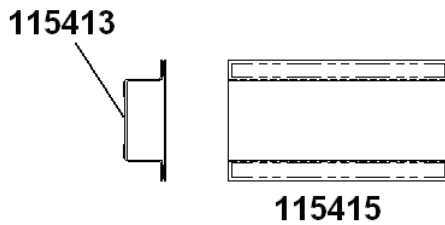
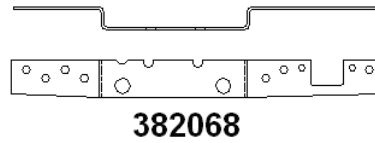
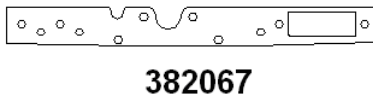
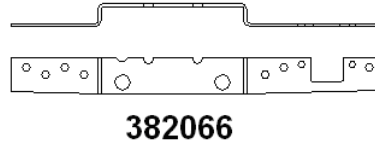
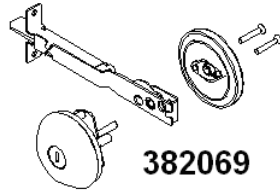


- | | |
|--------------|--------------------------------------|
| 1. 381547-09 | Main door lock, outside, housing |
| 2. 381547-11 | Main door lock, inside plate |
| 3. 381547-10 | Double rotary latch, main door lock |
| 4. 381547-04 | Striker bolt w/washer main door lock |
| 5. 381547-08 | Screw package, main door lock |
| 6. 381550 | Plate, Striker Bolt |
| 385595 | POCKET-STRIKE |

2009 FLYING CLOUD

HARDWARE

Deadbolt Assembly, Main Door, Round, Trimark

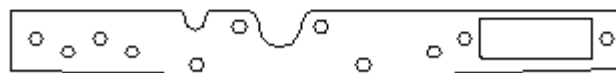
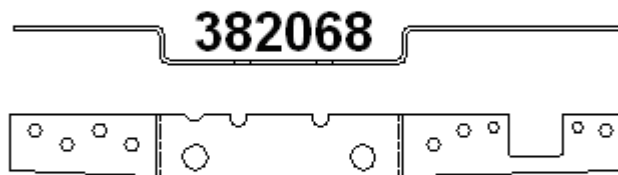
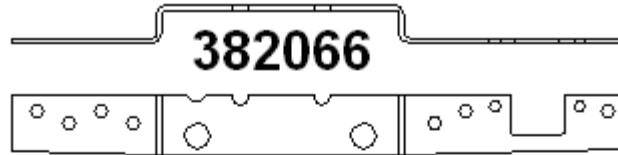


- 382069 Deadbolt assembly, round, Trimark
- 382066 Inner reinforcement plate, LH hinged door
- 382067 Outer reinforcement plate, RH/LH hinged door
- 382068 Inner reinforcement plate, RH hinged door
- 115413 Door hat section
- 115415 Door hat section assembly

2009 FLYING CLOUD

HARDWARE

Main Door Latch Reinforcement Plates



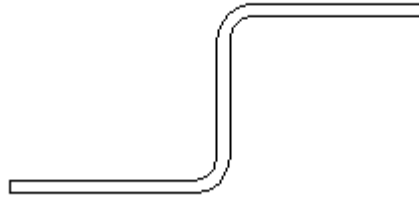
382067

- | | |
|--------|--|
| 382066 | Inner reinforcement plate, LH hinged door |
| 382068 | Inner reinforcement plate, RH hinged door |
| 382067 | Outer reinforcement plate, RH/LH hinged door |

2009 FLYING CLOUD

HARDWARE

Roof Locker Mounting Supports



115448-01	ROOF LOCKER MOUNTING SUPPORT, 22.50"
115448-02	ROOF LOCKER MOUNTING SUPPORT, 27.75"
115448-03	ROOF LOCKER MOUNTING SUPPORT, 29.75"
115448-04	ROOF LOCKER MOUNTING SUPPORT, 40.38"

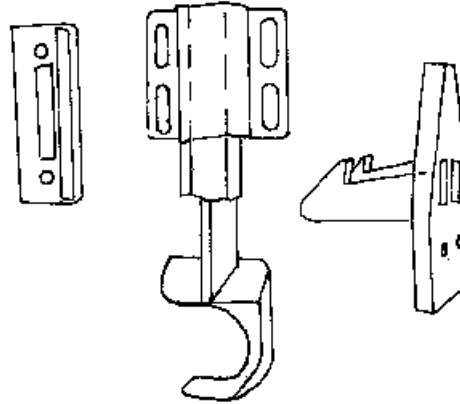
2009 FLYING CLOUD

HARDWARE

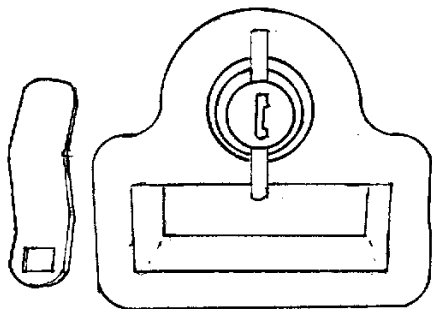
Exterior Latches/Locks



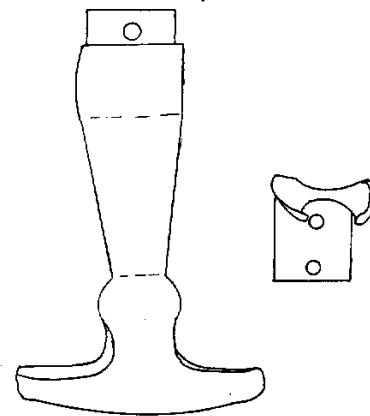
101171
Grab handle, main door



381454
Latch, screen door, Bullet



380770-Twist lock, black

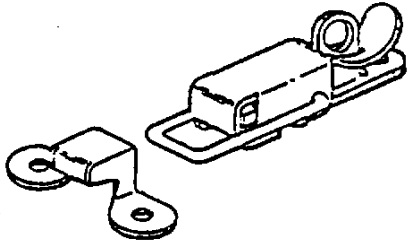


381021-01 Rubber T
handle, 90 degree bracket

2009 FLYING CLOUD

HARDWARE

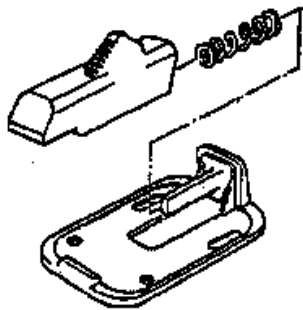
EXTERIOR LATCHES/LOCKS



340023-01 Pad lockable catch



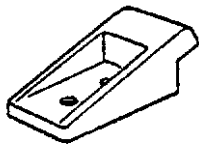
380067 Lock cam,
bumper lid



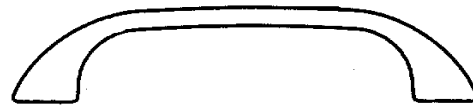
380291 Main door holdback,
(use w/housing #380290)



380290 Latch housing,



201056 Catch, main door
holdback



380004 Handle, screen door

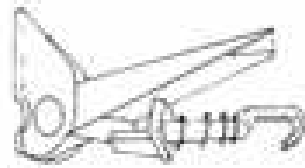
2009 FLYING CLOUD

HARDWARE

EXTERIOR LATCHES/LOCKS



①



②



③



④



⑤

- | | |
|---------------|---|
| 1. 380024 | Support arm, bumper lid, Medicine cabinet |
| 2. *380903-01 | LATCH ONLY, FOR BOTTLE COVER |
| 3. 380903-02 | STRIKE ONLY, FOR BOTTLE COVER |
| 4. *382091-01 | Tension latch, stainless steel |
| 5. *382091-02 | Strike, tension latch, stainless steel |

P/N 380903-01 and 380903-02 were replaced by P/N 382091-01 and 382091-02 on units with manufacturing dates 10/20/08 and after.

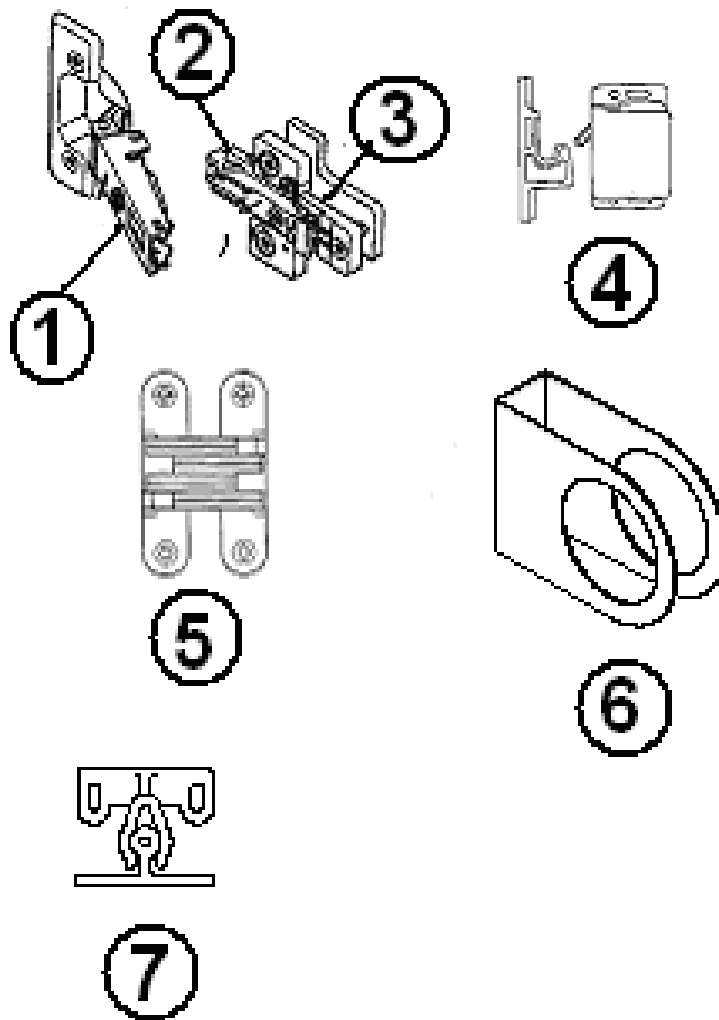
Wrap Protector Holdback Latches

- | | |
|-----------|---------------------------------|
| 114819-01 | Wrap protector hold back, 1.62" |
| 114819-02 | Wrap protector hold back, 2.50" |
| 114819-03 | Wrap protector hold back, 5.00" |

2009 FLYING CLOUD

HARDWARE

Interior Cabinet/Latches/Hinges



Part number on the next page

2009 FLYING CLOUD

HARDWARE

Interior Cabinet/Latches/Hinges

- | | |
|--------------|--|
| 1. 381607-01 | Hinge, cabinet |
| 2. 381607-02 | Base, metal |
| 3.381607-03 | Base, plastic |
| 3. 381607-04 | HINGE SCREW |
| 4. 381228 | Grabber door, latch w/catch, 10lb.rating |
| 4. 381228-01 | Grabber door, latch w/catch, 3lb. Rating |
| 5. 380040 | Soss hinge, lift up table |
| 6. 454320 | Door handle Cover |
| 7. 381948 | K-catch |

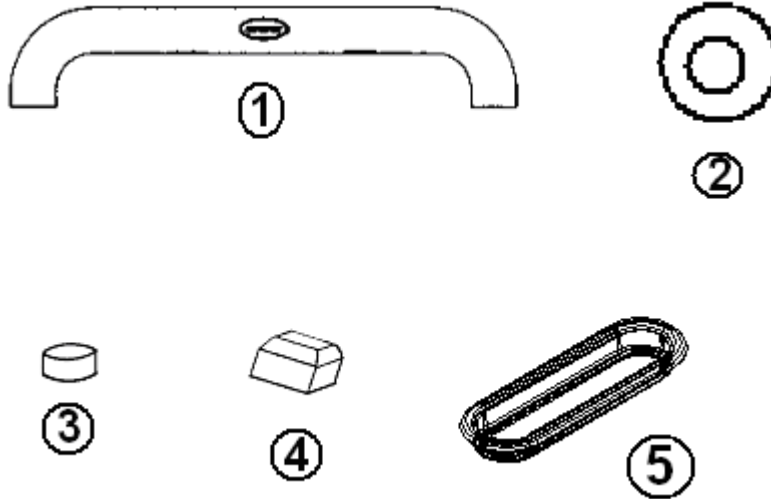
Hinges

- | | |
|-----------|---|
| 380458 | Hinge, piano, bath door, dinette seat, brown |
| 381614 | Folding shelf bracket, galley |
| 385935-01 | Hinge, pivot, plated, medicine cabinet, twin bed |
| 381840-01 | HINGE-OVERHEAD SPRING LH, ROOF LOCKER |
| 381840-02 | HINGE-OVERHEAD SPRING RH, ROOF LOCKER |
| 381072-01 | HINGE 3" X 2" |
| 380203-01 | PIANO HINGE, LIFT UP TABLE, |
| 380203-02 | PIANO HINGE, BLACK, BUMPER LID |
| 381847-01 | HINGE PIANO, ANGLE, 46", SOFA BACK |
| 381808 | BRACKET, FACE MOUNT HINGE, CLOSET SHELF |
| 381951 | HINGE-FORMED .5", LAVATORY |
| 380988 | HINGE, EXTERIOR REFER ACCESS DOOR |
| 380773 | HINGE, EXTERIOR ACCESS DOOR |
| 381479-01 | HINGE, BUTT, 2" X 1.38", GATE TABLE-23', GALLEY
CLOSEOUT SHELF-19' |

2009 FLYING CLOUD

HARDWARE

Head knocker, Drawer/Door Finger Pulls, Rubber Bumpers



- | | |
|-----------|---|
| 1. 381772 | Head knocker, white mounts on interior doorjamb |
| 2. 382026 | PULL, FINGER, FLUSH, RECESSED, SS |
| 3. 360012 | Bumper, rubber white, stick-on, cylindrical |
| 4. 360016 | Bump on, rubber gray, square 3/8" x 3/8" |
| 5. 382030 | PULL, RECESSED FINGER .7 X 2.7 |
| 360012-01 | Bumper, rubber brown, stick-on, cylindrical |
| 381610-01 | COVER CAP PLAS. EUROPEAN WHITE |
| 381610-03 | COVER CAP PLAS. EUROPEAN PINE |

2009 FLYING CLOUD

HARDWARE

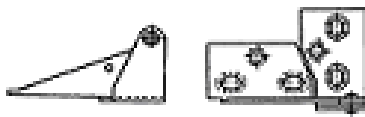
Interior Latches/Hinges



①



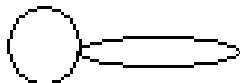
②



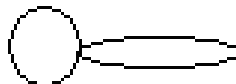
③



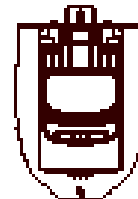
④



⑤



⑥



⑦

- | | |
|--------------|---|
| 1. 382044 | Handle drawer/door, chrome |
| 2. 381775 | Pull handle, CHROME |
| 3. 385935-01 | Hinge pivot, zinc plated |
| 4. 381737 | Grab bar, interior, mounts on interior doorjamb |
| 5. 381771-01 | Latch Swinging bath door |
| 6. 382034 | Latch, flush mount, corner bath doors |
| 7. 454614 | STRIKE PLATE FOR FLUSH MOUNT LATCH |
| 385940-02 | MIRROR PULL CHROME |

2009 FLYING CLOUD

HARDWARE

Bathroom Accessories, 25', 27', 28'

380034	Toilet paper holder, chrome
381822	18' towel bar, Brushed Nickel
381824	Towel Ring, Brushed Nickel
380017	Holder, tumbler and toothbrush

Bathroom Accessories, 23', 19'

381299	HOLDER RECESSED TOILET PAPER
381259-01	TOWEL BAR, CHROME, 18"
381259-03	ENDS, TOWEL BAR, CHROME

Bathroom Accessories, 20'

380034	TOILET PAPER HOLDER, CHROME
380017	HOLDER TUMBLER & TOOTHBRUSH
381824	Towel Ring, Brushed Nickel
381822	Towel Bar, Brushed Nickel, 18"

2009 FLYING CLOUD

HARDWARE

Wardrobe Clothes Rod

380045	Clothes rod
200975-04	Conduit, flexible, black (covers clothes rod)
380046	Bracket, clothes rod

Drapes

700005	FASTENER, CAP
700006	FASTENER SOCKET
700020	PILE VELCRO
700021	HOOK, VELCRO, WHITE

Sewer Hose Clamp/Water Fill key/Silverware Tray

340084-52	CLAMP, HOSE SAE #52
381647	KEY WATER FILL CH 751
195329-240	SEWER HOSE ADAPTOR, elbow
200980-01	TRAY, SILVERWARE, ALMOND, 9" X 13"
381269	TRAILER LEVEL

2009 FLYING CLOUD

HARDWARE

Detectors, Fire Extinguishers

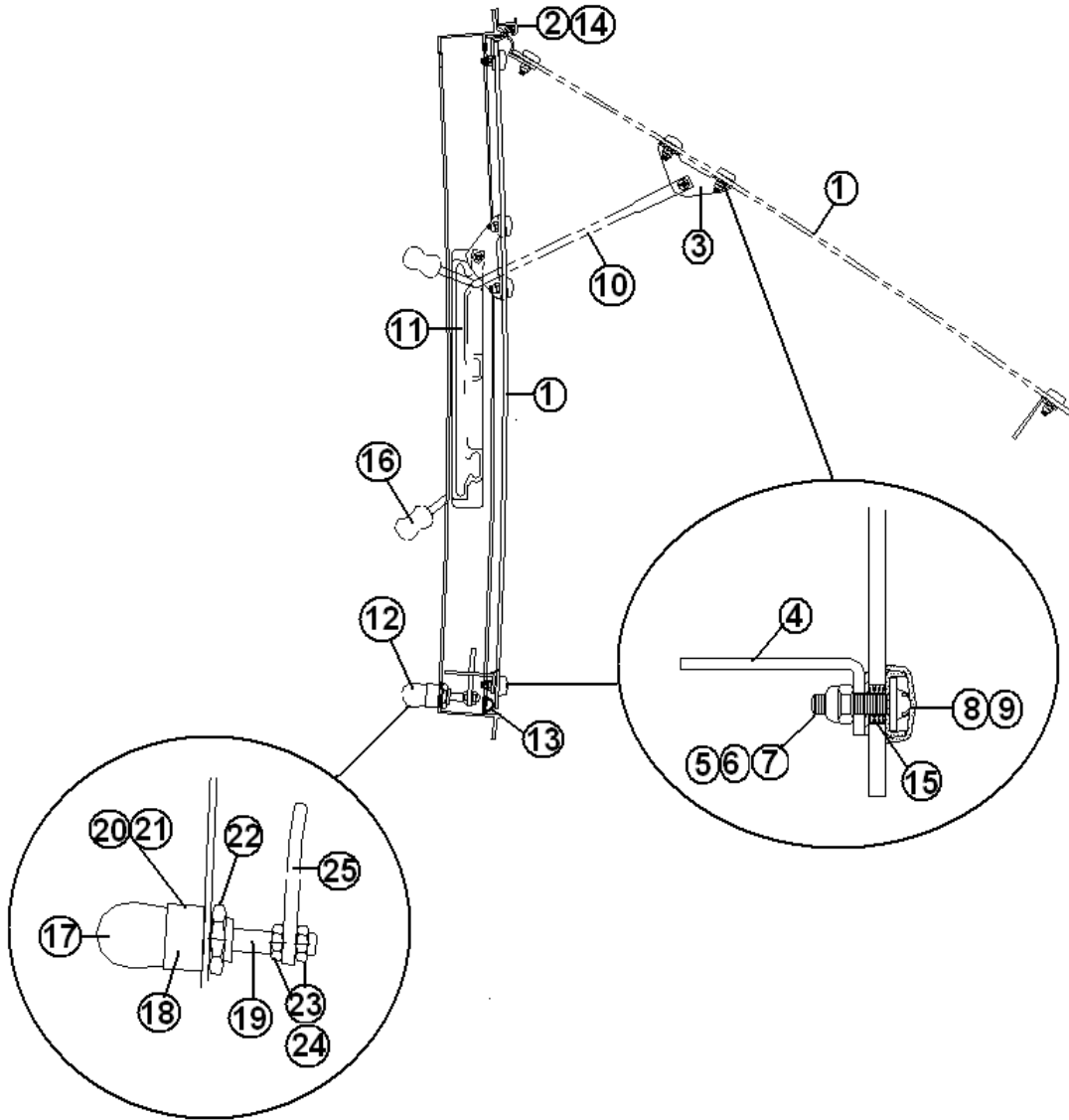
510781	Smoke detector
510891	Smoke Detector CSA only
511309	LPG detector
512318	HOLDER W/1 AMP FUSE, IN-LINE
511393	COUPLER-MODULAR EXTENSION
511411	JUNCTION BOX-7 TERMINAL 50-10-170
600162-01	Fire extinguisher
600162-02	Fire extinguisher, CSA
512178	DETECTOR CARBON MONOXIDE 9 VOLT

Bed Top Gas Spring Assembly

381067-09	SPRING-GAS 90 LBS.
381262	BRACKET, PROP, W/BALL
381310	GAS PROP BRACKET ASSY, UPPER
381084	BALL, STUD

2009 FLYING CLOUD DOORS/WINDOWS/AWNINGS

Window Parts Diagram, Riveted



Part numbers on next page

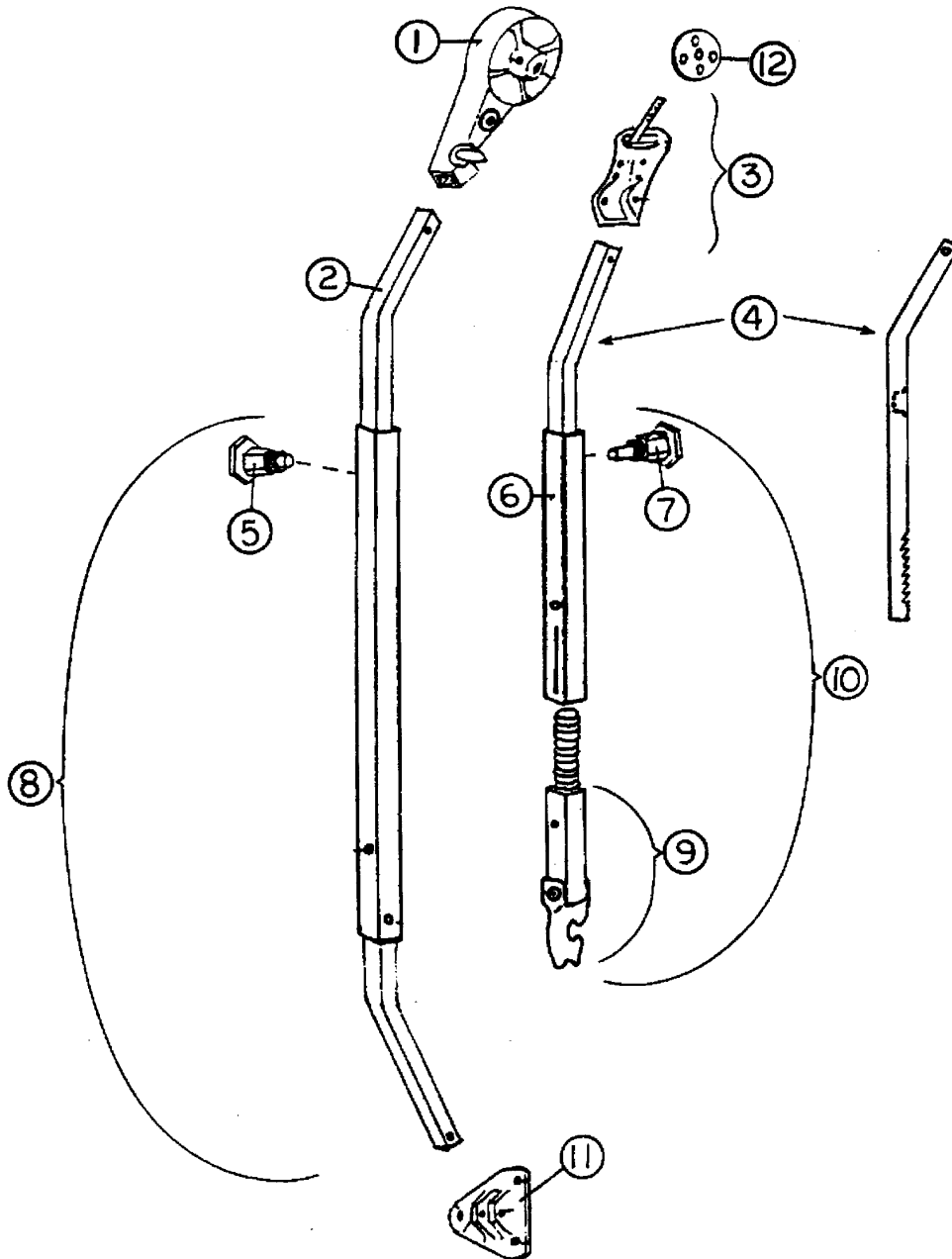
2009 FLYING CLOUD

DOORS/WINDOWS/AWNINGS

1. 371323-100	Glass w/hardware, 18" window
1. 371324-100	Glass w/hardware, 30" window
2. 371323-101	Hinge, 18" window
2. 371324-101	Hinge, 30" window
3. 1101-0010	Bracket, window prop
4. 685124	Striker plate, window latch
5. 0706-0004	Flat washer
6. 0703-0001	Screw, #8-32 x .625", black, SS
7. 0702-0010	Nut, Nylox, #8-32, black SS
8. 0802-0004	Screw cover, 12-12 #100, black
9. 0802-0005	Washer, 12-12 screw cover bottom
10. 100903	Operating arm, RH
10. 100903-01	Operating arm, LH
11. 0802-0001	Guide, operating arm, RH
11. 0802-0002	Guide, operating arm, LH
12. 010020	Latch assembly, chrome
13. 381665	Gasket seal
14. 0101-0017	Male hinge extrusion, 1/2" pc.
15. 0706-0003	Bushing, window, acrylic
16. 380230-03	Window arm knob, silver
16. 380230-04	Window arm knob, red
17. 1101-0005	Latch handle, chrome
17. 195467-05	Latch handle, red
18. 1101-0007	Latch body
19. 1101-0008	Latch shaft
20. 1101-0009	Latch spring
21. 0707-0002	Pin, drive lock, 5/32" x 5/8", zinc
22. 0702-0001	Nut, hex panel, 5/8"-24, zinc
23. 0702-0002	Nut, jam, hex, 5/16-24
24. 385123	Washer, flat, .53" OD x .328" ID
25. 685123	Latch paw

2009 FLYING CLOUD HARDWARE

AWNING HARDWARE



See next page for P/N

2009 FLYING CLOUD

HARDWARE

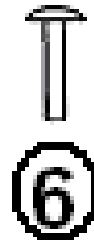
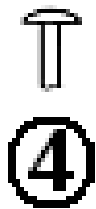
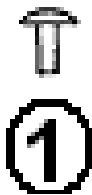
AWNING HARDWARE

702993	Awning Hardware, complete Assembly
1. 74043W-06	Front head assembly
1. 74043W-07	Rear head assembly
2. 74047W-11	Front main arm bar
2. 74047W-12	Rear main arm bar
3. 74056W	Clamp assembly, front, curved
3. 74056W-01	Clamp assembly, rear, curved
4. 74061WS-08	Rafter arm bar, satin
5. 74054W	Snap stud assembly
6. 74063W-04	Rafter arm tube, satin
7. 74072W	Ratchet stud
8. 74048WS-15	Front main arm tube assembly
8. 74048WS-16	Rear main arm tube assembly
9. 74068W-04	Claw bar assembly
10. 74048WS-17	Rafter arm assembly
11. 74055W	Base hinge, rib mount
12. 74060W	Clamp wheel

2009 FLYING CLOUD

Hardware

Rivets, Buck

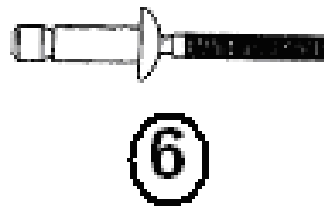
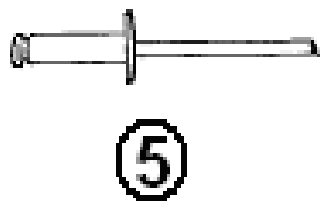
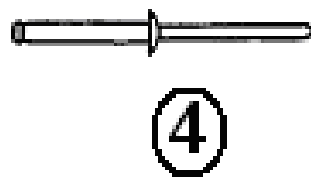
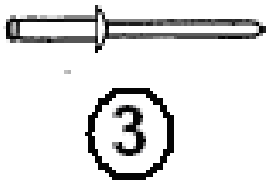
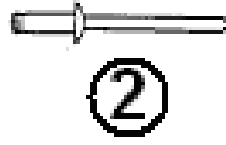
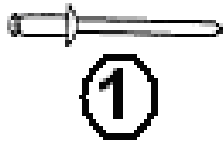


- | | |
|--------------|---|
| 1. 325043 | Rivet, 1/8", 1/4" length (hard) |
| 2. 325000-01 | Rivet, 1/8", 1/4" length anodized clear |
| 2. 325000 | Rivet, 1/8", 1/4" length clear |
| 3. 325000-03 | Rivet, 1/8", length 1/4", long, anodized white |
| 4. 325001-01 | Rivet, 1/8", length 5/16", anodized clear |
| 5. 325002-01 | Rivet, 1/8", length 3/8", anodized clear |
| 5. 325002 | Rivet, 1/8", length 3/8" |
| 6. 325004-01 | Rivet, 1/8", length 1/2", anodized clear |
| 7. 330127-03 | Rivet, grip range .063-.125, aluminum body,
aluminum mandrel |
| 8. 300101 | 1/8" I.D., Washer, aluminum |

2009 FLYING CLOUD

Hardware

Rivets, Pop



- | | |
|---------------|---|
| 1. 330126-02 | Pop Rivet, dia. 1/8" grip range .126-.187, S.S. |
| 2. 330126-03 | Pop Rivet, dia., 1/8" grip range .126-.250, S.S. |
| 3. 330148 | Pop Rivet, AD43-45ABS, aluminum |
| 4. 330128-050 | Pop Rivet, dia., 1/8" .251"-.312" white |
| 5. 330038 | Pop Rivet, dia. .150". (#20 bit) grip range
(used-screen door hinge) |
| 6. 330016-04 | Pop rivet, closed end, sealing |
| 325103 | Pop Rivet, dia. 1/4" grip range .080-.325, SS
body, steel mandrel |
| 330126-04 | Pop rivet, dome head, SSD45 |
| 330126-05 | Pop rivet, dome head, SSD46 |
| 330126-06 | Pop rivet, dome head, SSD48 |

2009 FLYING CLOUD

LABELS AND TAGS

Labels and Tags, USA

385193	Label, "12V distribution panel inside"
386119	Label, "DON'T USE AREA FOR STORAGE"
385068	Tag, cooking appliance warning
386118	Label, LP gas warning/fill
385517	Label, kill switch warning
385521	Label, emergency egress window
386122	Warning label/cooking appliance
386121	Label, LP gas warning label (odor)
385465	Exit label, English
385560	Label, air conditioner rating
385812	Label, Calif. hazardous substance
386120	Label, smoke detector
385359	Label, microwave or air conditioner
385837	Label, refrigeration ignition
386012	Label warning, water heater
386123	LABEL "POTABLE WATER ONLY"
386192	HANG TAG: SMOKE/CO DETECTOR BATTERY
386193	LABEL WHEEL TORQUE WARNING
386098	LABEL, FUSE 12 VOLT
386082	LABEL THOR, 5.25" X .75'
386142	CHECK WHEEL LUG LABEL
386114	LABEL-RVIA SILVER
385418-01	Label, Federal registration
385062	Decal, 110-125 voltage AC
385565	Label, holding tank flushing
386097	LABEL, FUSE 12 VOLT
385101	TAG AUX TANK DUMP VALVE HANDLE
385099	TAG MAIN TANK DUMP VALVE HANDLE
386019	LABEL 1 AMP FUSE MAX.
385020	STICKER SELF ADHERING, JACK
386111	LABEL 30 AMP FUSE MAX.

2009 FLYING CLOUD

LABELS AND TAGS

Labels and Tags, CSA

385949	LABEL "POTABLE WATER" CSA
385950	LABEL "SMOKE DETECTOR CSA
385951	LABEL "RANGE FRESH AIR" CSA
385952	LABEL "LP WARNING" CSA
385953	LABEL "IF YOU SMELL GAS" CSA
385954	LABEL "RANGE WARNING" CSA
385466	LABEL, EXIT LABEL (FRENCH)
386105	Label, TV.VCR Receptacle
385971	Label, fuse, exterior light

2009 FLYING CLOUD

PLUMBING, LPG SYSTEM

Gas Bottles

601710-01	LP gas bottle, 30lb. steel
601710-02	LP gas bottle, 30lb. steel, CSA
601686	Base plate, LP tank mounting
601687	Hold down kit, LP tank

Gas Regulator and Fittings

601731	LP regulator, w/pigtails, mounting Bracket & cover
381613	Plastisol cover-LP wing handle
601685-01	LP hose, 1/2" FPT x 3/8" flare
601685-02	LP hose, 1/2" FPT x 3/8" flare, CSA only
600468	Union flare, 5/8" x 5/8"
600004	Copper tubing, 5/8"
600008	Copper tubing, 3/8"
600436	Flare nut, forged, 5"/8
600435	Flare nut, forged, 3/8"
600000	Tee, brass, 5/8" x 5/8" x 3/8"
600003	Tee, brass, 5/8" x 3/8" x 3/8"
600661	GROUNDING CLAMP 1/2 TO 1 SIZE
600001	NUT BRASS FLARE 416 5/8
500038	LUG GROUND
500839	WIRE, BARE COPPER 8 GA.
601281	TEE BRASS UNION 5/8 X 5/8 X 5/8
601698-01	E-PEX 1/2" TUBING
380887	GROMMET, FLOOR
380886	GROMMET, FLOOR
340085-05	CLAMP #COY 1109 5/8"
600010	NUT, BRASS, FLARE, 3/8"
600238	3/8", FLARE UNION
601472	TEE, 5/8 X 3/8 X 5/8 FLARED

2009 FLYING CLOUD

PLUMBING, LPG SYSTEM

Gas Bottle Cover

921232	Gas bottle cover, 30#
*380903-01	LATCH ONLY, FOR BOTTLE COVER
*380903-02	STRIKE ONLY, FOR BOTTLE COVER
382091-01	Tension latch, stainless steel
382091-02	Strike, tension latch, stainless steel
200841	Lid, plastic, bottle cover
380773	Hinge, access door
114070	EXTRUDED J-TRIM, ALUMINUM GRAY
386088	TAPE DECAL-SIDE CENTER

P/N 380903-01 and 380903-02 were replaced by P/N 382091-01 and 382091-02 on units with manufacturing dates 10/20/08 and after. Use replacements on all units.

2009 FLYING CLOUD

PLUMBING, FRESH WATER

Fresh Water Tank, 19'

601861-01	Tank, fresh water, 19 ft
964478	SLOPE PAD-Fresh tank,
454065	Strap fresh water tank, 19 FT
602185	DRAIN VALVE 90 DEG TURN
453712	SHIELD FRESH WATER TANK DRAIN

Fresh Water Tank, 20'

602101	TANK, FRESH WATER
454489	TANK PAN, GALVANIZED FRESH WATER
511780	PAD, TANK HEATING
602185	DRAIN VALVE 90 DEG TURN

Fresh Water Tank, 23'

601863-02	TANK, FRESH WATER 39 GALLON
966288	TANK PAN
511780	PAD, TANK HEATING 6.5" X 18"
602185	DRAIN VALVE 90 DEG TURN

Fresh Water Tank, 23' Front Bed

601863-02	TANK, FRESH WATER 39 GALLON
966288	TANK PAN
602185	DRAIN VALVE 90 DEG TURN

2009 FLYING CLOUD

PLUMBING, FRESH WATER

Fresh Water Tank, 27'

601863-01	TANK, FRESH WATER 39 GALLON
601620	PAN FRESH TANK
601243	DRAIN COCK
453712	SHIELD FRESH WATER TANK DRAIN
602185	DRAIN VALVE 90 DEG TURN

Fresh Water Tank, 28'W, 25' FB

601863-01	TANK, FRESH WATER 39 GALLON
601642	PAN, TANK ROTOCAST
453493	HANGER STRAP, TANK PAN
453615	TANK SUPPORT STRIP-62"
453712	SHIELD FRESH WATER TANK DRAIN
602185	DRAIN VALVE 90 DEG TURN

Fresh Water Tank Hose/Fittings

602185	DRAIN VALVE 90 DEG TURN
601239-01	TUBING-1.375"ID RIBBED W/FLAT SIDE
601240-01	TUBING 1/2" I.D. X 3/32" WALL THICKNESS
0260043-06	WORM CLAMP #6
0260043-28	WORM CLAMP #28
0260043-20	WORM CLAMP #20
601723	FILTER SCREEN, WATER
453712	SHIELD FRESH WATER TANK DRAIN

2009 FLYING CLOUD

PLUMBING, FRESH WATER

Water Tank Fills and Fittings

601194	Water fill w/lock, gray
602185	DRAIN VALVE 90 DEG TURN
601237	Plastic elbow, 90 degree, 1.25" MPT x 1.25" barb
601239	Tubing, 1.375" I.D., flexible, water fill hose
601531	FITTING-90 DEGREE 3" H X ST
203085	PLUG WATER LINE 1/2" PLASTIC BLK
601659	RISER 1/2" FPT X 12" CPVC

City Water Hookup

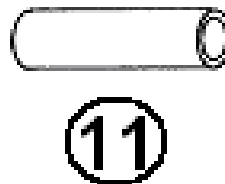
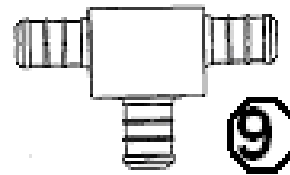
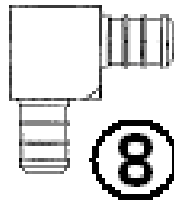
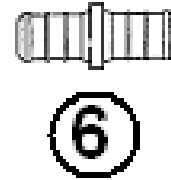
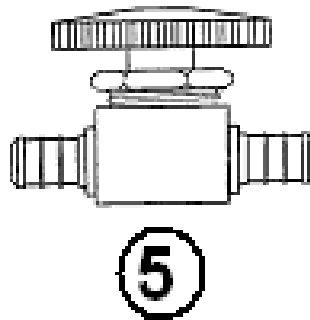
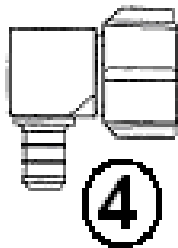
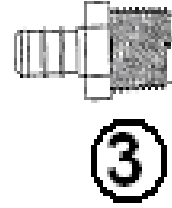
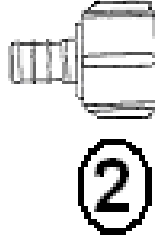
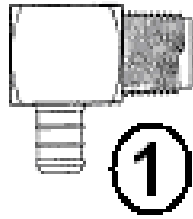
601392-05	CITY WATER FILL W/REGULATOR CHROME
601723	FILTER SCREEN, WATER
600362	Connector, 1/2" FPT x water hose, swivel
600336	Plug with chain
601690	Nipple, 1/2" MPT x 2.50"
601689	Drop ell, 90 degree, 1/2" FPT
600309	Regulator, Watts, 1/2" FPT
600315	PUMP GUARD FILTER
601661	NIPPLE 1/2" BRASS HEX

Water Pump & Fittings

602202	Water pump, Sureflo
602204	Flex hose, 1/2", Sureflo water pump
601668-01	Filter, pre water pump

2009 FLYING CLOUD PLUMBING, FRESH WATER

Fresh Water Fittings



Part Numbers Are On The Next page

2009 FLYING CLOUD

PLUMBING, FRESH WATER

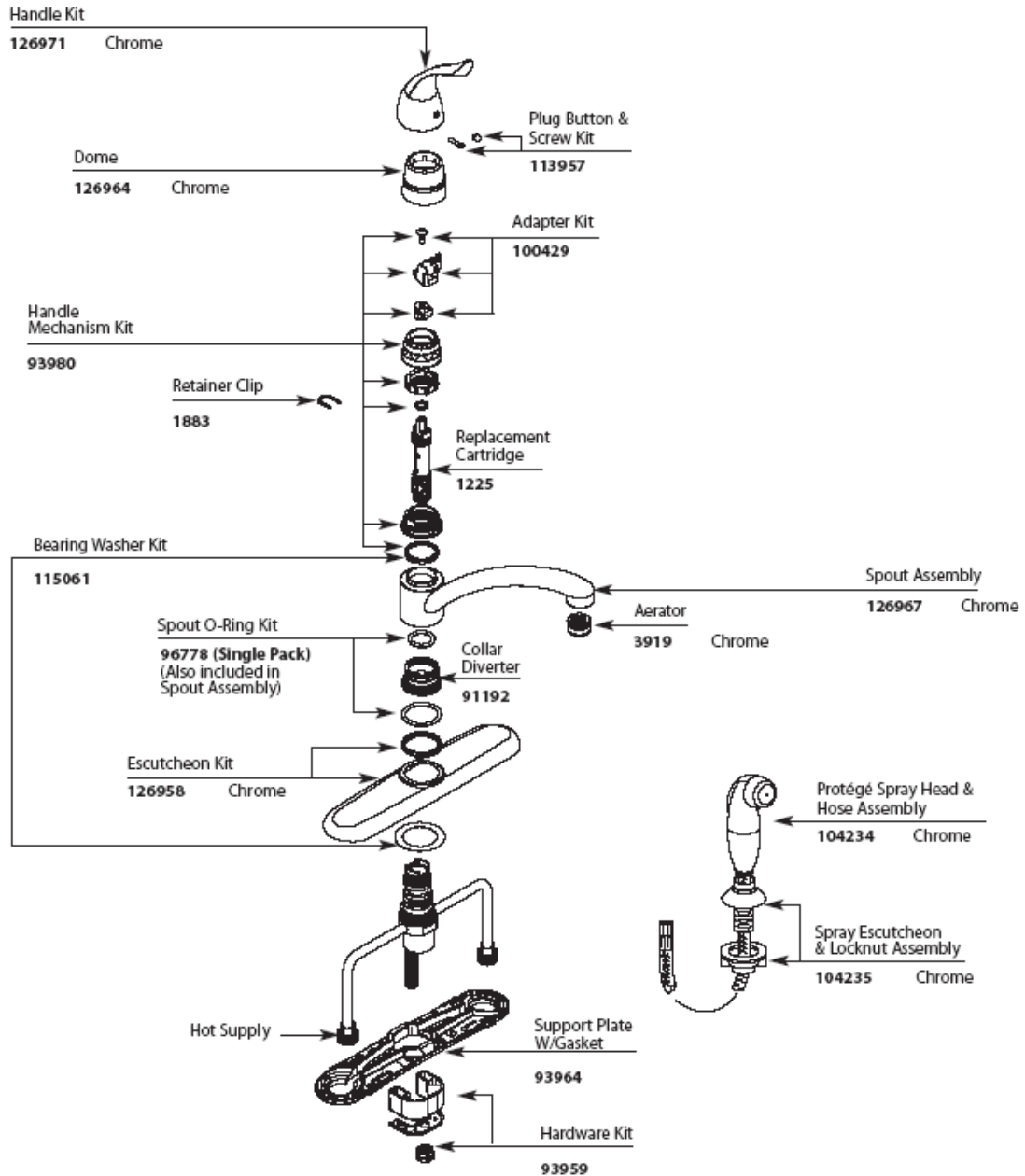
Fresh Water Fittings

1. 601698-04	Elbow, 1/2" barb x 1/2" MPT
2. 601698-03	Coupler, 1/2" barb x 1/2" FPT
3. 601698-02	Coupler, 1/2" barb x 1/2" MPT
4. 601698-05	Elbow 1/2 barb x 1/2" FPT
5. 601698-22	Shut-off, 1/2" barb x 1/2" barb
6. 601698-08	Coupler, 1/2" x 1/2" barb
7. 601698-09	Plug, 1/2" barb
8. 601698-10	Elbow 1/2" barb x 1/2" barb
9. 601698-11	Tee, 1/2" x 1/2" x 1/2"
10. 601698-15	Crimp ring, 1/2E-Pex, 1/2" (black)
1. 601698-01	E-Pex tube, 1/2"
11. 601698-21	E-Pex tube, 1/2", Red
600836	ELBOW 3/8 MPT X 1/2", BARB-COPPER
601237	ELBOW 90 D 1.25 MPT X 1.25 BAR
601810	VALVE, 1/2" FPT X 1/2" FPT KBI
601811	ELBOW, 1/2" MPT X 1/2' FPT STREET
601812	NIPPLE-BRASS 1/2" X 2.0"
340085-06	CLAMP, LOOP, STEEL W/RUBBER, .75
601446	NIPPLE,, .50 NPT X 1.5", GALVINIZED
601004	COUPLING, 1/2" BARB X 3/8" MPT
601467	SILLCOCK, 1/2" FEMALE W/WHEEL HANDLE
601469	VACUUM BREAKER, 3/4", GARDEN HOSE
600049	ELBOW, BRASS, 3/8 MPT X 1/4 FLARE
600293	NIPPLE, CLOSE, 1/2", BRASS

2009 FLYING CLOUD PLUMBING, FRESH WATER

Faucet, Galley

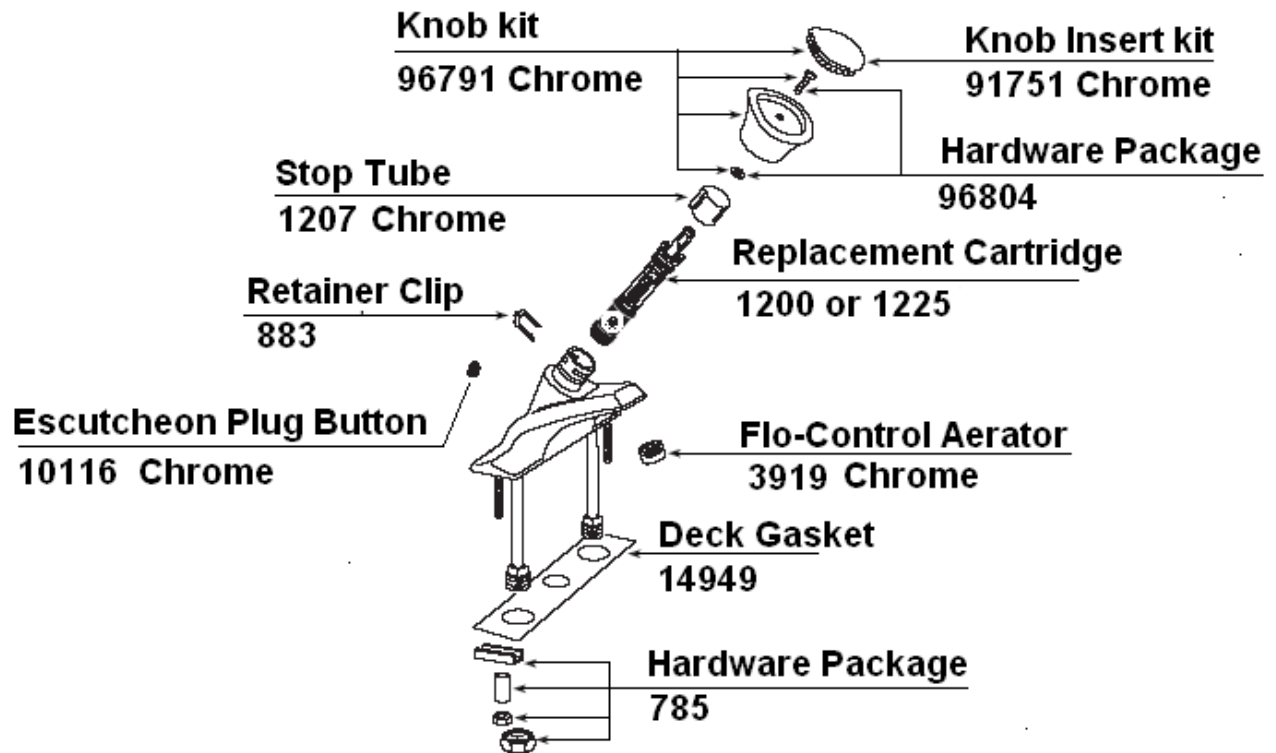
602159 Faucet, MDL 7430 Moen Chateau w/Filtration & Spray Contact Moen direct at 1-800-BUY-MOEN for warranty and your local parts outlet.



2009 FLYING CLOUD
PLUMBING, FRESH WATER

Faucet, Lavatory

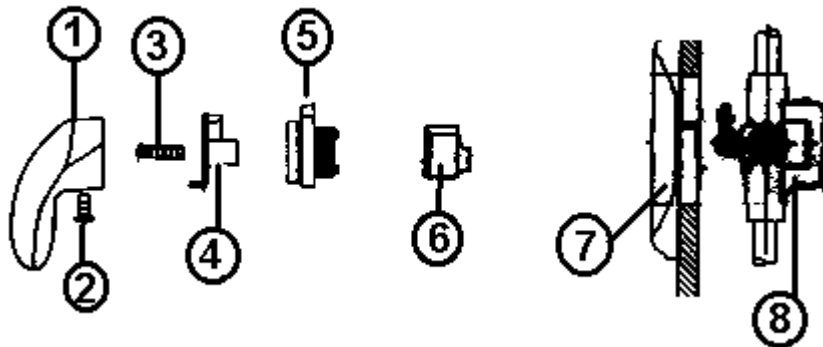
Contact: 1-800-Buy Moen for parts and warranty



602216-01 Faucet, Lavatory, Moen, Chateau

2009 FLYING CLOUD PLUMBING, FRESH WATER

Faucet, Chrome Shower Trim Kit



601829 Chrome shower faucet trim kit, Moen Valetta MDL TL2391

Contact Moen at 1-800-BUY-MOEN for warranty and local parts distributor.

1. Lever handle
2. Set screw
3. Handle screw
4. Handle adaptor
5. Brake
6. Key stop
7. Escutcheon
8. 601831 4-port posi-temp valve

600594 Strainer w/white rubber stopper

601358 Shower kit, includes:
Shower hose, shower head, Vacuum breaker, wall mounts

601592-04 HOSE GUIDE, SHOWER, CSA ONLY

2009 FLYING CLOUD

PLUMBING, DRAIN

Toilet Flange

601266 FLANGE, CLOSET, 3 X 4, SLIP FIT
601424 FLANGE, CLOSET 4" X 3", THREADED

Sink/Showers, 28' W

203081-01 SHOWER STALL, 2 PC
600594 Tub strainer w/rubber stopper
703626-01 SHOWER DOOR, BRUSHED NICKEL
601804-01 SINK, LAVY, YUKON ROUND

601806 SINK, S.S. ROUND GALLEY
601714-01 TAIL PIECE 1-1/2X4"(GALLEY DRAIN)
601714-02 1.5", SLIP NUT W/WINGS
601714-03 1.5", BLACK RUBBER WASHER
600968 BASKET STRAINER

Sink/Showers, 27', 25' Front Bed

203081 SHOWER STALL, 2 PC
600594 Tub strainer w/rubber stopper
703626-01 SHOWER DOOR-BRUSHED NICKEL
601804-01 SINK, 12' ROUND, LAVY, S. S

601806 SINK-S.S. ROUND GALLEY
203483 COVER-SINK ROUND 17.75" NATURAL
601714-01 TAIL PIECE 1-1/2X4"(GALLEY DRAIN)
601714-02 1.5", SLIP NUT W/WINGS
601714-03 1.5", BLACK RUBBER WASHER
600968 BASKET STRAINER

2009 FLYING CLOUD

PLUMBING, DRAIN

Sink/showers, 23'

601806	SINK-S.S. ROUND GALLEY
601714-01	TAIL PIECE 1-1/2X4"(GALLEY DRAIN)
601714-02	1.5", SLIP NUT W/WINGS
601714-03	1.5", BLACK RUBBER WASHER
600968	BASKET STRAINER
203483	COVER-SINK ROUND 17.75" NATURAL

601804-01	SINK, LAVY YUKON ROUND
601813	TAIL PIECE-LIFT/TURN DRAIN
203114	SHOWER 2 PC FIBERGLASS
702937-03	SHOWER DOOR-ROLL AWAY 62" X 36"

Sink/showers, 23' Front Bed

601804-01	SINK, LAVY YUKON ROUND
601813	TAIL PIECE-LIFT/TURN DRAIN, LAVY SINK

602172	SINK, STAINLESS STEEL 16" X 27"
601714-01	TAIL PIECE 1-1/2X4"(GALLEY DRAIN)
601714-02	1-1/2" SLIP NUT W/WINGS
601714-03	1-1/2" BLACK RUBBER WASHER
203623	SINK COVER 1/2" NATURAL
203615	SHOWER
600594	STRAINER W/WHT RUBBER STOPPER

2009 FLYING CLOUD

PLUMBING, DRAIN

Sink/showers, 20'

602172	Sink, Stainless Steel, 16" x 27"
203623	SINK COVER, 1/2" NATURAL OAK
600968	BASKET STRAINER
601804-01	SINK-LAVY YUKON ROUND
601813	TAIL PIECE-LIFT/TURN DRAIN
203114	SHOWER, 2 PC FIBERGLASS
702937-03	SHOWER DOOR-ROLL AWAY 62" X 36"
965330	SHOWER STAND ASSEMBLY

Sink/showers, 19'

601938	SINK, S/S, SINGLE BOWL, GALLEY
195362-39	STRAINER, SINK, 2", FOR 601938
203425	Sink cover
601714-04	TAIL PIECE 1.5 X 6"(GALLEY DRAIN)
601804-01	SINK-LAVY YUKON ROUND
601813	TAIL PIECE-LIFT/TURN DRAIN
203114	SHOWER 2 PC FIBERGLASS
600594	Strainer w/white rubber stopper
702937-03	SHOWER DOOR, ROLL AWAY 62" X 36"
600822	ADAPTER, P-TRAP
602164-01	P TRAP W/COMPRESSION NUT, 1.5"
602164-02	TAILPIECE W/NUTS & WASHERS, 1.5

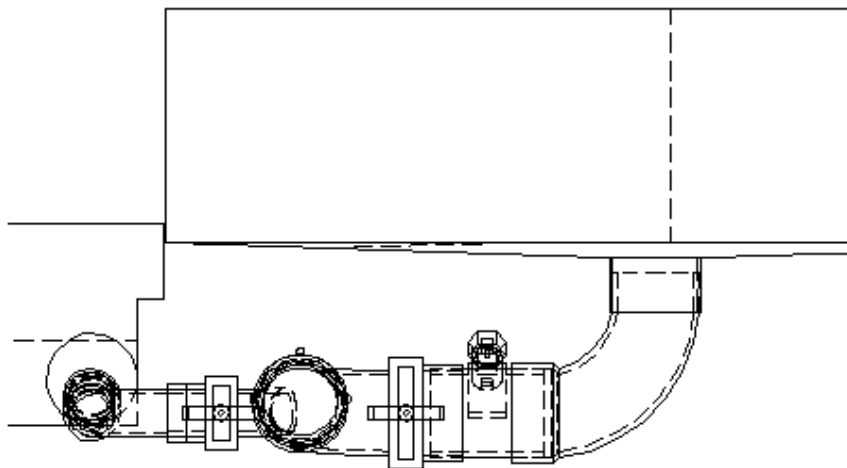
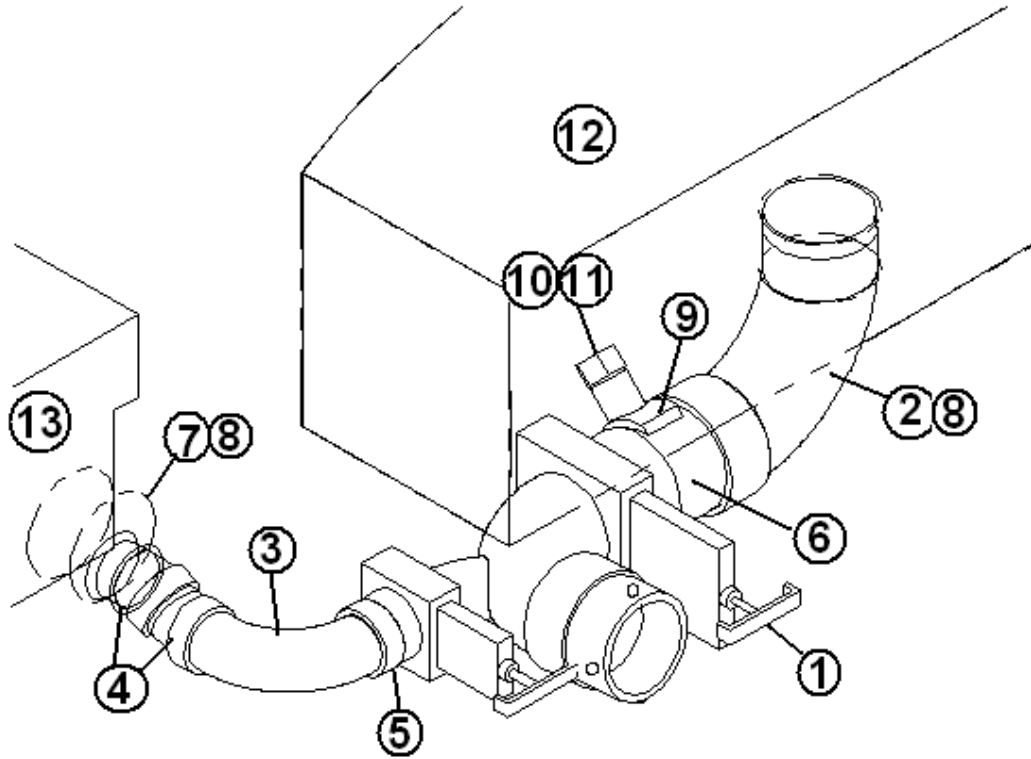
Black Tank Flush

601441	Tank flush system
--------	-------------------

2009 FLYING CLOUD

PLUMBING, DRAIN

Drain Valves/Tanks, 19'



PART NUMBERS ARE ON THE NEXT PAGE.

2009 FLYING CLOUD

PLUMBING, DRAIN

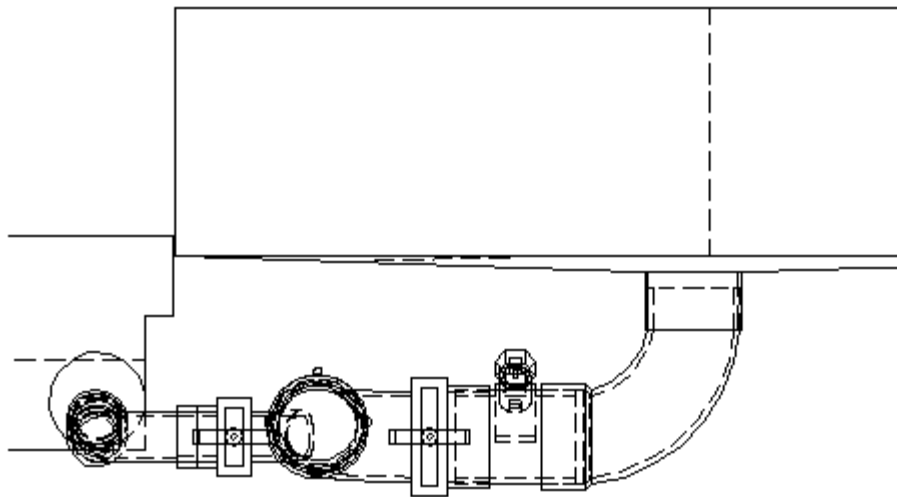
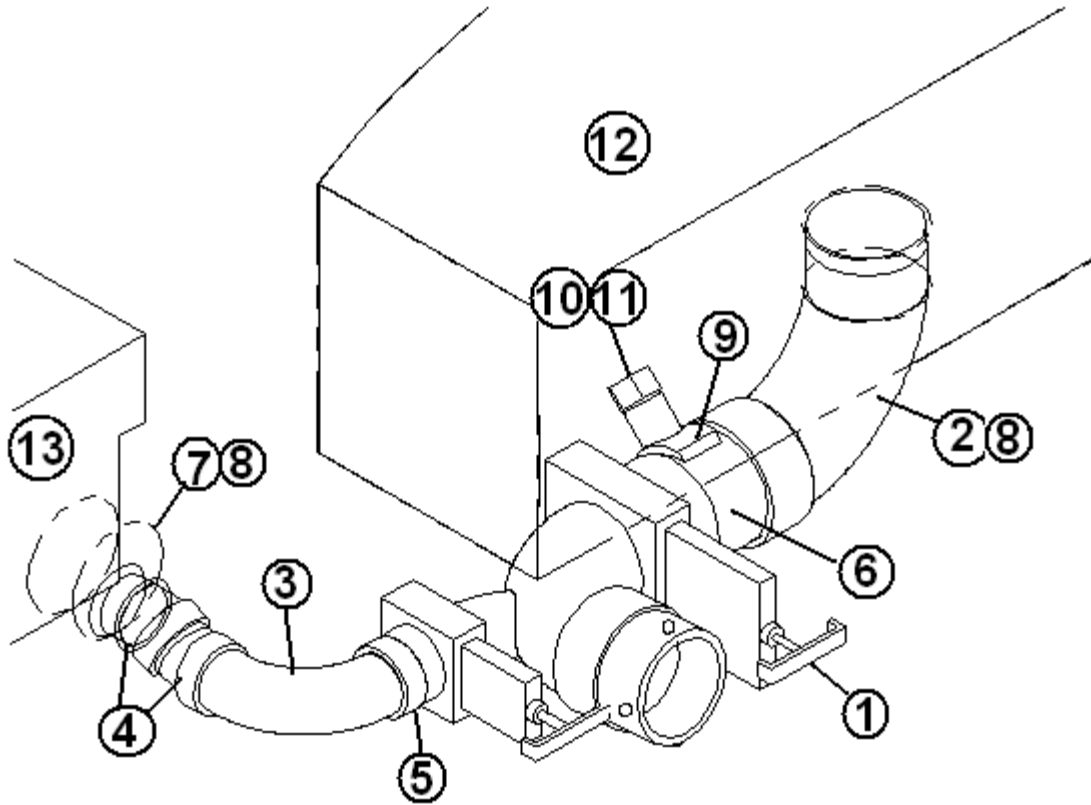
Drain Valves/Tanks, 19'

- | | |
|---------------|--|
| 1. 601482 | Dump Valve Rotating assembly |
| 2. 600820 | 3" single socket, 90D |
| 3. 600431 | Elbow, 90, 1½" |
| 4. 601800 | Street ELL, 1.5", 22.5D, ABS, SPIG X HUB |
| 5. 601160-02 | Pipe, ABS DVW, 1½"-2.00" Long |
| 6. 601160-04 | Pipe, ABS DVW, 3"- 4" Long |
| 7. 195329-229 | Reducer adaptor, 3" to 1.5" |
| 8. 340092 | Clamp, worm type T40C-75-388-SB |
| 9. 601846 | ADAPTOR, 3" PIPE CATCON |
| 10. 511789 | Sensor, tank monitor |
| 11. 511789-01 | Boot, Sensor |
| 12. 601854-01 | Black tank |
| 13. 601844-01 | Holding tank, gray |
| 13. 601717 | Pan, gray tank |
| 964478 | Slope pad-Black tank |
| 601228 | Close-out septic pan |
| 453977 | Strap, black tank FWD. |
| 453978 | Strap, black tank AFT. |
| 601846 | ADAPTOR, 3"PIPE, CATCON |
| 380481-A | 7 X 8 RUBBER BOOT, 3.5" DIA HOLE |
| 601531 | FITTING, 90 DEGREE, 3" H X ST |

2009 FLYING CLOUD

PLUMBING, DRAIN

Drain Valves/Tanks, 20', 23'



Part numbers are on the next page.

2009 FLYING CLOUD

PLUMBING, DRAIN

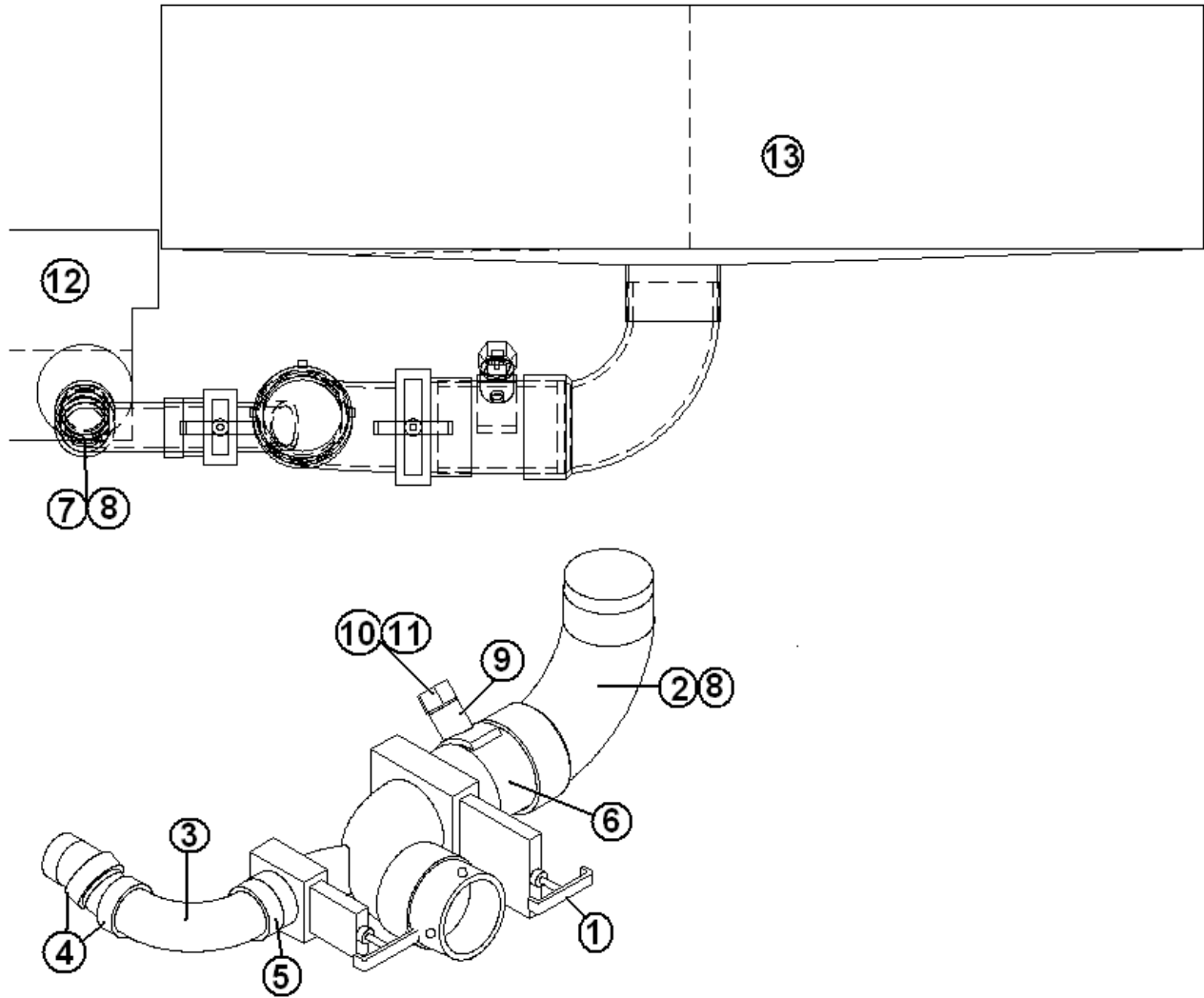
Drain Valves/Tanks, 23'

1. 601482	Dump Valve Rotating assembly
2. 600820	3" single socket, 90D
3. 600431	Elbow, 90, 1½"
4. 601800	Street ELL, 1.5", 22.5D, ABS, SPIG X HUB
5. 601160-02	Pipe, ABS DVW, 1½"-2.00" Long
6. 601160-04	Pipe, ABS DVW, 3"- 4" Long
7. 195329-229	Reducer adaptor, 3" to 1.5"
8. 340092	Clamp, worm type T40C-75-388-SB
9. 601846	ADAPTOR, 3" PIPE CATCON
10. 511789	Sensor, tank monitor
11. 511789-01	Boot, Sensor
12. 601854-01	Black tank
13. 601844-01	Holding tank, gray
13. 602052	Pan, gray tank
511780	PAD, TANK HEATING 6.5"X 18"
114916	Bracket, dump valve
200954	SLOPE PAD, 22.75"X 55"
453615	TANK SUPPORT STRIP, GRAY TANK
453493	HANGER STRAP-TANK PAN
453977	Strap, black tank FWD.
453978	Strap, black tank AFT.
454566	CLOSEOUT, GRAY TANK PAN
380481-A	BOOT RUBBER 3" DRAIN LINE

2009 FLYING CLOUD

PLUMBING, DRAIN

Drain Valves/Tanks, 23' Front Bed



Part numbers on the next page.

2009 FLYING CLOUD

PLUMBING, DRAIN

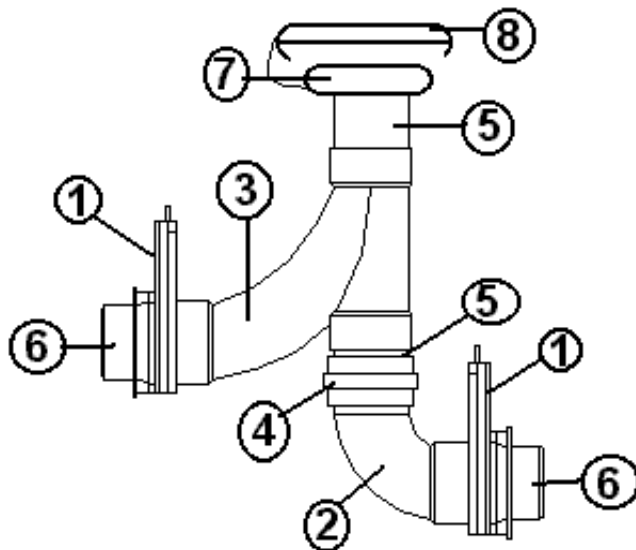
Drain Valves/Tanks, 23' Front Bed

1. 601482	Dump Valve Rotating assembly
2. 600183	3" Ell, long sweep
3. 600431	Elbow, 90, 1½"
4. 604800	Street Ell, 1.5", 22.5 Degrees, ABS
5. 601160-02	Pipe, ABS DVW, 1½"-2.00" Long
6. 601160-04	Pipe, ABS DVW, 3"- 4" Long
7. 195329-229	Reducer adaptor, 3" to 1.5"
8. 340092	Clamp, worm type T40C-75-388-SB
9. 601846	Adaptor, 3" pipe, Catcon
10. 1511789	Sensor, tank monitor
11. 511789-01	Boot, Sensor
12. 602173	Tank, gray
12. 454649	Pan, gray Tank
13. 601854-02	Tank, black
453963	Strap, black tank FWD.
453964	Strap, black tank AFT.
114916	Bracket, dump valve
200507	STYROFOAM, 1" X 25" X 55"
200152	ADAPTOR, 3"PIPE CATCON
601266	FLANGE, CLOSET, 3 X 4, SLIP FIT

2009 FLYING CLOUD

PLUMBING, DRAIN

Drain Valves/Tanks, 25' Front Bed

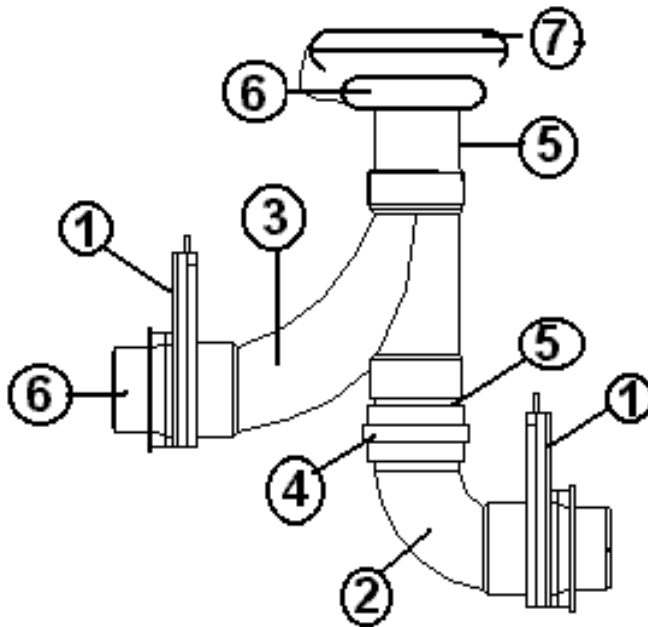


- | | |
|--------------|-----------------------------------|
| 1. 601607-11 | VALVE ASSY. 3" SPIGOT X 3" SPIGOT |
| 2. 600820 | 3" single socket, 90 Degree |
| 3. 600187 | 3" Wye, combination & 1/8" bend |
| 4. 600289 | Calder coupler, 3" |
| 5. 601160-04 | 3" ABS pipe |
| 6. 601607-06 | ADAPTOR, 3" HUB X 3" BAYONET |
| 7. 601607-06 | ADAPTOR, 3" HUB X 3" BAYONET |
| 8. 601607-07 | Termination Cap |
| 601850-04 | TANK-GRAY 37 GAL. 25' FB |
| 601848-09 | TANK-BLACK 39 GAL 25' FB |
| 200954 | SLOPE PAD, 22.75" X 55" |
| 04190 | DUMP VALVE HANDLE 19" EXTENTION |
| 380481-A | BOOT RUBBER 3" DRAIN LINE |
| 114086 | BRACKET DUMP VALVE HANDLE |
| 200152 | STYROFOAM 1/2" X 6" X 42" |
| 345074-05 | SCREW 5/16-18 X 7/8HEX WASHER |
| 601626 | Pan assembly, Waste Tank |
| 453615 | TANK SUPPORT STRIP, 61.50" |

2009 FLYING CLOUD

PLUMBING, DRAIN

Drain Valves/Tanks, 27'

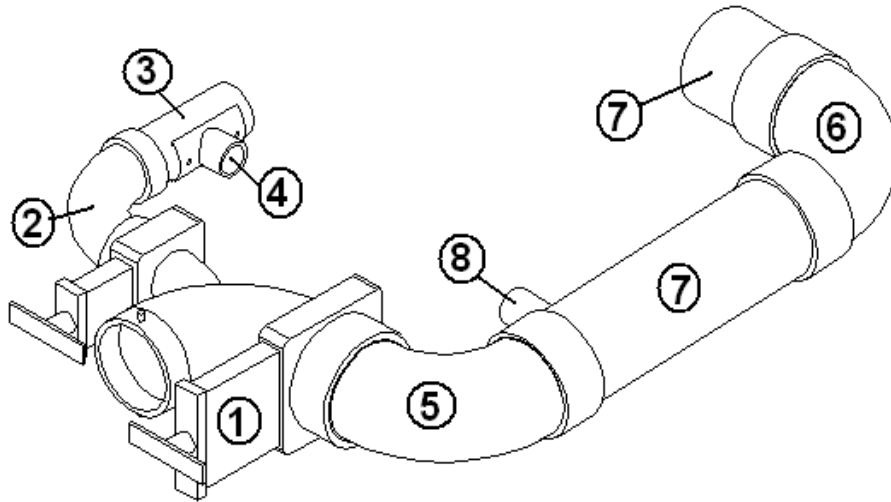


- | | |
|--------------|-----------------------------------|
| 1. 601607-11 | VALVE ASSY. 3" SPIGOT X 3"SPIG |
| 2. 600820 | 3"SINGLE SOCKET 90DEGREE |
| 3. 600187 | 3"WYE, COMB & 1/8 BEND |
| 4. 600289 | CALDER COUPLING 3IN (RUBBER) |
| 5. 601160-04 | PIPE, ABS DVW, 3" |
| 6. 601607-06 | TERMINATION ADAPTOR,3" HUB X 3" |
| 7. 601607-07 | TERMINATION CAP,3" BAYONET |
| 601850-04 | TANK-GRAY 37 GAL. |
| 601848-09 | TANK-BLACK 39 GAL. |
| 601626 | PAN WASTE HOLDING TANKS |
| 200954 | SLOPE PAD |
| 114086 | BRACKET DUMP VALVE HANDLE |
| 04190 | DUMP VALVE HANDLE 19 EXT THETFORD |
| 380481-A | 7 X 8 RUBBER BOOT 3-1/2 DIA HOLE |
| 200152 | STYROFOAM 1/2 X 6 X 42 |
| 115361 | DUMP VALVE MOUNTING PLATE |
| 601531 | FITTING-90 DEGREE 3" H X ST |
| 200943 | DUMP VALVE CLOSEOUT |

2009 FLYING CLOUD

PLUMBING, DRAIN

Drain Valves/Tanks, 28' W

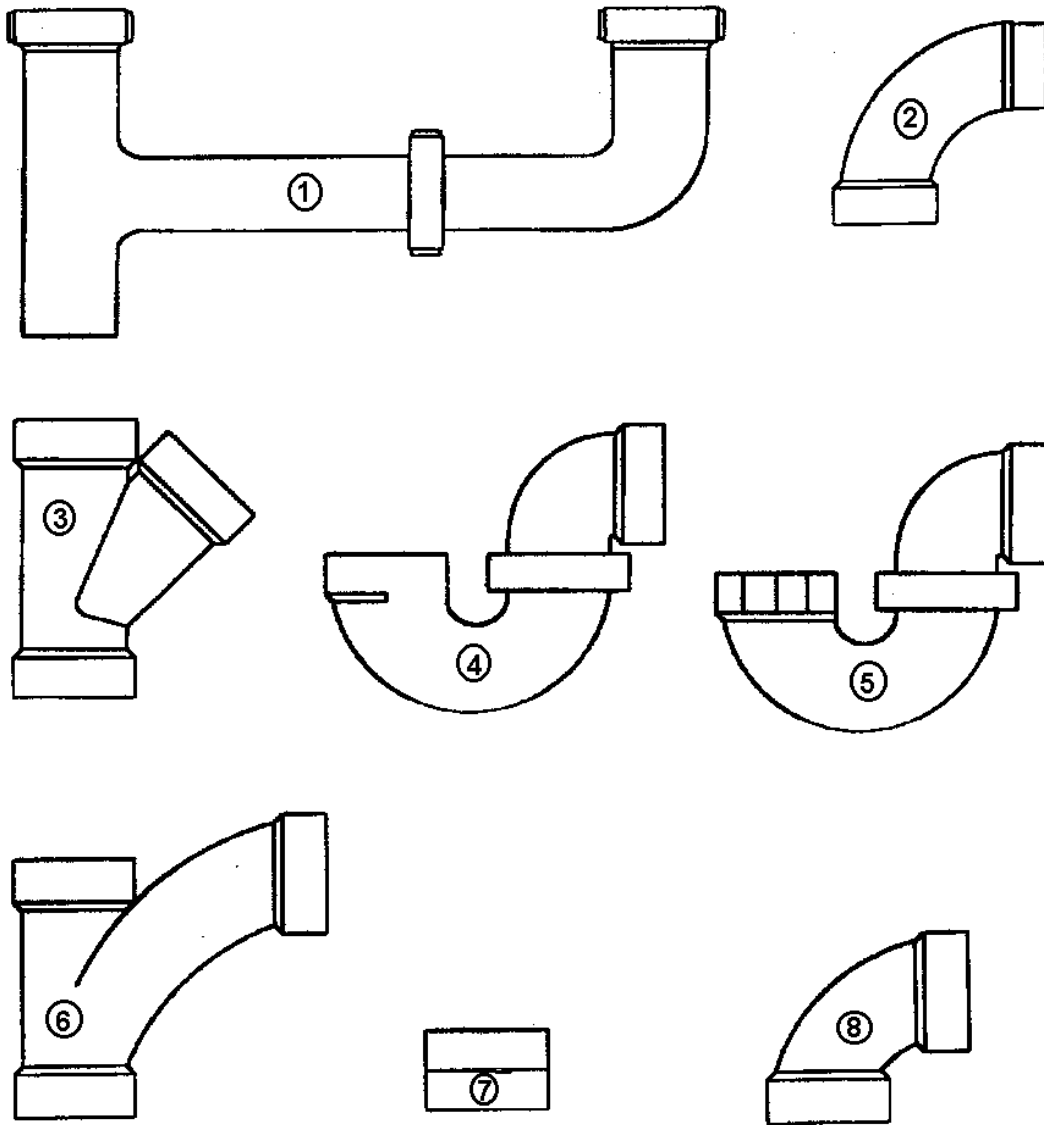


- | | |
|--------------|----------------------------------|
| 1. 601482 | DUMP VALVE ROTATING ASSEMBLY |
| 2. 600431 | ELBOW, 90, 1 1/2" |
| 3. 601160-02 | PIPE, ABS DVW, 1 1/2" |
| 4. 601845 | ADAPTOR-1.5", PIPE CATCON |
| 5. 600820 | 3"SINGLE SOCKET 90 DEGREE |
| 6. 600183 | ELL LONG SWEEP ABS 3" |
| 7. 601160-04 | PIPE, ABS DVW, 3" |
| 8. 601846 | ADAPTOR, 3" PIPE CATCON |
| 0360494 | BOOT RUBBER |
| 601889-01 | TANK-BLACK 35 GALLON |
| 601890-02 | TANK-GRAY 37 GALLON |
| 601895 | PAN-BLACK/GRAY TANK |
| 203149 | SLOPE PAD-HOLDING TANKS |
| 200152 | STYROFOAM 1/2 X 6 X 42" |
| 454178-01 | STRAP-BLACK/GRAY TANK 52.25" |
| 454178-02 | STRAP-BLACK/GRAY TANK 5.25" H |
| 454178-04 | STRAP-BLACK/GRAY TANK 4.75" H |
| 454178-05 | STRAP-BLACK/GRAY TANK 4.25" |
| 601424 | FLANGE, CLOSET 4" X 3", THREADED |

2009 FLYING CLOUD

PLUMBING, DRAIN

DRAIN FITTINGS, 1.5"

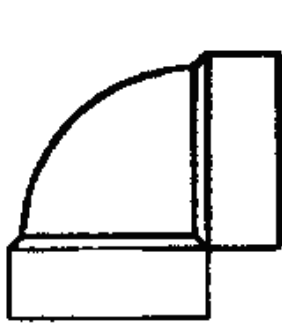


- 1. 600378 Continuous waste
 - 2. 600431 Elbow, 90 degree, long street
 - 3. 600094 Wye, #2301
 - 4. 600144 P-trap, 1.5" w/o slip nut
 - 5. 600622 P-trap, 1.5" w/slip nut
 - 6. 600182 Wye, 1.5", 1/8" bend
 - 7. 600227 1.5" coupling
 - 8. 601636 Elbow, 90 degree short sweep
- (continued)

2009 FLYING CLOUD

PLUMBING, DRAIN

Drain Fittings, 1.5"



①



②



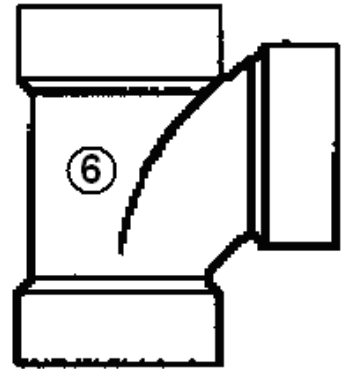
③



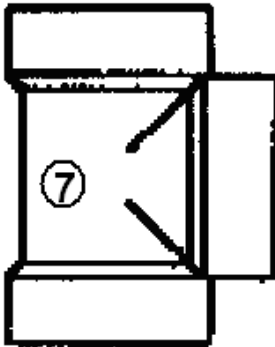
④



⑤



⑥



⑦



⑧

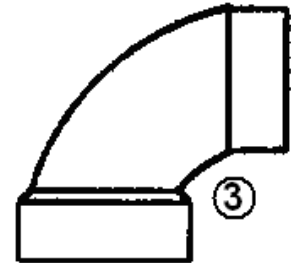
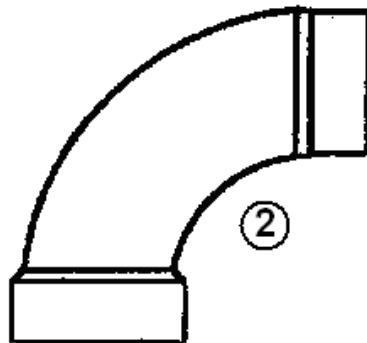
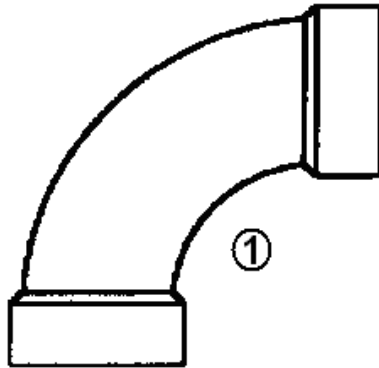
1. 600033 Elbow vent, 90 degree
2. 600030 Elbow, 45 degree, long degree
3. 600538 Vent, 1.5"
4. 600155 Plug, 1.5"
5. 601677 Cap, 1.5"
6. 600156 Tee, sanitary, 1.5"
7. 601318 Tee, bi-directional, clean out, 1.5"
8. 600027 Elbow, 45 degree, long street

(continued)

2009 FLYING CLOUD

PLUMBING, DRAIN

Drain Fittings, 1.5"



④



⑤

1. 600035 Elbow, 90 degree, long turn, 1.5"
2. 600431 Elbow, 90 degree, long street, 1.5"
3. 600662 Elbow, 90 degree, short street, 1.5"
4. 601676 Adaptor, 1.5"
5. 600308 Adaptor, w/female threads, 1.5"

2009 FLYING CLOUD

PLUMBING, DRAIN

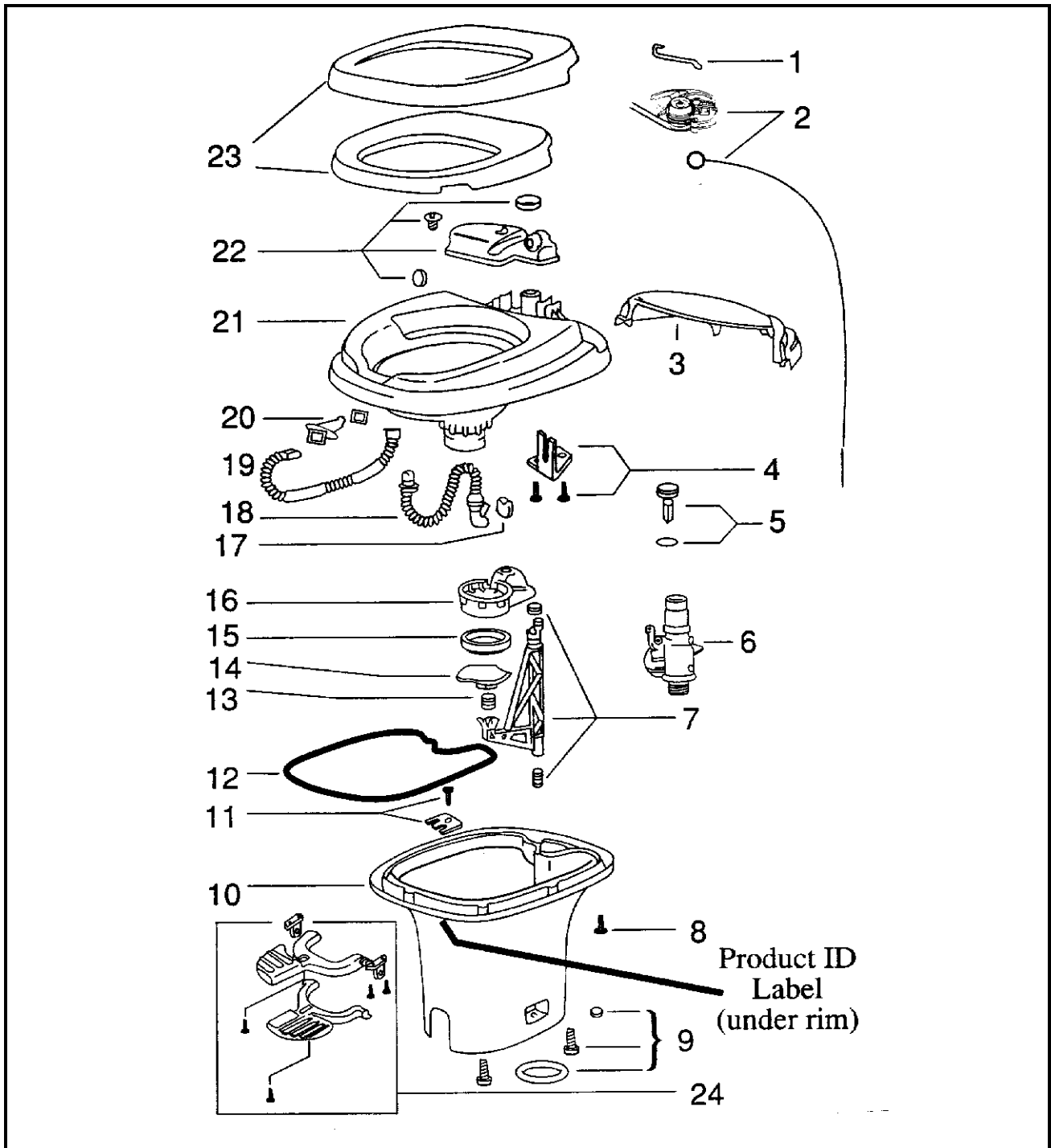
Drain Fittings, 1.5"

601200	ADAPTOR AUTO VENT W/EXT.
601240-01	TUBING ½" I.D. X 3/32" WALL THICK
601267-04	NIPPLE 3" DIA. THD ONE 10" LG
601267-02	NIPPLE 3" DIA. THD ONE 6" LG
602073	TEE, FIXTURE 2" HUB X 2" HUB X 1.5" FITTING
600318	WYE-1/8 BEND COMBINATION, 2 X 2 X 1-1
602072	TEE-SANITARY, REDUCING 2X1.5X
601160-03	PIPE, ABS DVW, 2"
602112	ELBOW 90 DEG. SHORT STREET 2"
600760-01	ADAPTER, MALE PIPE, ½" X ½", PLASTIC
601722	ADAPTER, 1.5" MALE HUB X MIPT
600822	ADAPTER, P-TRAP
602164-01	P TRAP W/COMPRESSION NUT, 1.5"
602164-02	TAILPIECE W/NUTS & WASHERS, 1.5
601868	SANITARY TEE-SPIG X HUB X HUB

2009 FLYING CLOUD

PLUMBING, DRAIN

Toilet



2009 FLYING CLOUD

PLUMBING, DRAIN

Toilet

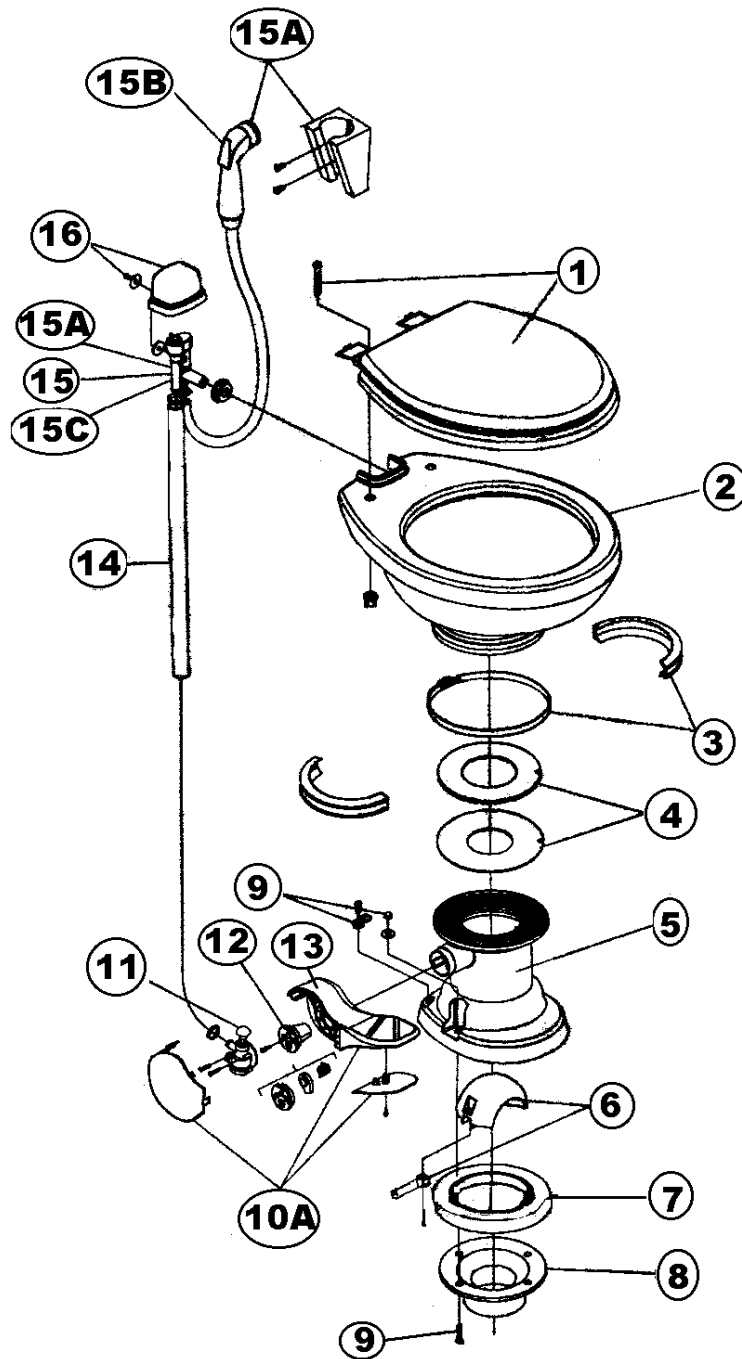
- 690495 Aqua Magic V, Low Profile, 19', 20', 23', 23' Front Bed
690495-01 Aqua Magic V, High Profile, 27' Front Bed, 25' Front Bed

1. 690387-513 Water valve link
2. 690387-571 Wire replacement package
3. 690387-562 Mechanism cover, white
4. 690387-634 Bracket assembly
5. 690387-631 Float assembly
6. 690387-168 Water valve replacement package
7. 690387-632 Actuator assembly
8. 690387-659 Screw base to bowl
9. 690387-524 Closet bolt package
10. 690387-356 Base, white, low
- 10a 690387-062 Base, white, high
11. 690387-636 Retainer assembly
12. 690387-387 Sealant, base to bowl
13. 690387-519 Blade spring
14. 690387-262 Blade
15. 690387-481 Blade seal
16. 690387-520 Blade track
17. 690387-512 Flapper
18. 690387-511 Overflow tube
19. 690387-509 Flush tube
20. 690387-637 Nozzle assembly
21. 690387-726 Bowl
22. 690387-630 Reservoir tank assembly
23. 690387-162 Seat and cover assembly
24. 690387-821 Pedal package

2009 FLYING CLOUD

PLUMBING, DRAIN

Toilet, 28' ONLY



P/N Next Page

2009 FLYING CLOUD

PLUMBING, DRAIN

Toilet, 28' ONLY

- 690472 Sealand, Traveler Lite, White, HIGH PROFILE, 28'
- 1. 344088 Seat Assembly
- 2. 310790 China bowl kit
- 3. 310025 Ring & half clamp kit
- 4. 316140 Teflon & rubber seal kit
- 5. 310792 Base kit, includes 3, 4, 6, 7, 9, 10A, 11 & 12
- 6. 310681 Ball, shaft, cartridge kit
- 7. 343938 Floor flange seal
- 8. 601424 Flange, floor, threaded, Airstream
- 8a. 601266 TOILET, FLANGE, CLOSET, 3" X 4", SLIP FIT
- 9. 310794 Floor bolt mounting kit
- 10. 310117 Pedal cover kit
- 10A. 310682 Flush pedal kit (includes 12)
- 11. 314349 Water valve kit
- 12. 310683 Spring cartridge kit
- 13. Pedal included w/Part 10A
- 14. 340177 Supply hose
- 15. 310687 Vacuum breaker kit
- 15A. 319054 Vacuum breaker kit w/spray
- 15B. 690307-103 Hand spray
- 15C. 230335 Vacuum breaker (used w/spray)
- 16. 310795 Vacuum breaker cover kit
- 601884 CENTER SET NUT, PLASTIC

2009 FLYING CLOUD

SEALER/GASKETS/PAINT

SEALER

6000360	Sealant, Butyl #884058
360001	Sealant, #884058
360209	Sealant, seam
360176	Sealant, Almond, kitchen and bath
360180-04	Sealant, Sikaflex #221, black
360180	Sealant, Sika-flex, gray
360210	Sealant, Paralastic 4334-014
360259	Silicone glazing sealant, range
360283-01	SEALANT SILICONE CORIAN G. WHITE
360074	SEALANT GE RTV 102 WHITE 3 OZ TUBE

2009 FLYING CLOUD

GASKETS/PAINT

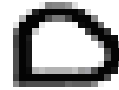
Gaskets



①



②



③

- | | |
|--------------|--|
| 1. 365035 | Gasket Access doorjamb, access doors |
| 2. 365013-01 | Gasket screen door |
| 3. 365232 | Gasket main door |
| 381665 | Gasket, D seal, window frame to shell |
| 365016 | Tape, foam, double face, 1/2" wide |
| 365235 | TAPE DBL COATED .12 X 1.00 |
| 365001-02 | Tape, vinyl foam, double face, 3/4" wide |
| 685510 | SEAM TAPE, BLACK 1/32" X 7/8" X 200 |
| 381830 | Gasket, wiper seal around refer compartment |
| 381589 | Rubber, floor wiper around refer compartment |
| 683946 | BUG SEAL, edge of screen door close out |
| 365190 | Rubber seal, refrigerator compartment |
| 382074 | Gasket, grab handle, main door |

Paint

- | | |
|------------|-------------------------------------|
| 360213 | Paint, aluminum metallic |
| 360213-100 | Paint, aluminum metallic, 16 OZ CAN |
| 360151 | Paint, gray metallic, Centari |
| 360317-01 | Paint, Pewter, Gallon |
| 360260-01 | Paint, Pewter, 16 OZ CAN |

2009 FLYING CLOUD
UPHOLSTERY/FOAM/MATTRESS

Mattresses/Bedspreads, 19' & 23' Corner Bed

703287-029	BEDSPREAD, BURNT SIENNA
703287-195	BEDSPREAD, MIDNIGHT SUN
703287-099	BEDSPREAD, SEA GREEN
703287-012	BEDSPREAD, STRATUS
703696	MATTRESS-48" X 76" W/10" RADIUS CORNER

Mattresses/Bedspreads, 20'

703363-012	BEDSPREAD, STRATUS
703363-099	BEDSPREAD, SEA GREEN
703363-195	BEDSPREAD, MIDNIGHT SUN
703363-029	BEDSPREAD, BURNT SIENNA
703695	Mattress

Mattresses/Bedspreads, 25' Front Twin Bed, 27' Front Twin Bed

703820-012	BEDSPREAD, STRATUS
702820-029	BEDSPREAD, BURNT SIENNA
702820-195	BEDSPREAD, MIDNIGHT SUN
702820-099	BEDSPREAD, SEA GREEN
703697-01	Mattress, curbside rear, roadside front, 34" x 78", contoured, twin, all models
703697-02	Mattress, curbside front, roadside rear, 34" x 78", contoured, twin, all models

2009 FLYING CLOUD
UPHOLSTERY/FOAM/MATTRESS

Mattresses/Bedspreads, 23' Front Bed & 25' Front Double Bed

703301-029	BEDSPREAD, 60" x 75" w/45, BURNT SIENNA
703301-012	BEDSPREAD, 60" x 75" w/45, STRATUS
703301-195	BEDSPREAD, 60" x 75" w/45, MIDNIGHT SUN
703301-099	BEDSPREAD, 60" x 75" w/45, SEA GREEN
703698	MATTRESS 60" X 75" W/45 DEGREE CORNER

Mattresses/Bedspreads, 27' Front Double Bed

703301-029	BEDSPREAD, 60" x 75" w/45, BURNT SIENNA
703301-012	BEDSPREAD, 60" x 75" w/45, STRATUS
703301-195	BEDSPREAD, 60" x 75" w/45, MIDNIGHT SUN
703301-099	BEDSPREAD, 60" x 75" w/45, SEA GREEN
703699	MATTRESS, DOUBLE, 60" X 75" W/11"RADIUS CORNER

Mattresses/Bedspreads, 28' Double Bed

703301-012	BEDSPREAD, 60" x 75" w/45, STRATUS
703301-195	BEDSPREAD, 60" x 75" w/45, MIDNIGHT SUN
703301-099	BEDSPREAD, 60" x 75" w/45, SEA GREEN
703301-029	BEDSPREAD, 60" x 75" w/45, BURNT SIENNA
703699	MATTRESS-60" X 75" W/11"RADIUS CORNER

2009 FLYING CLOUD
UPHOLSTERY/FOAM/MATTRESS

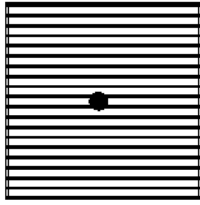
Sofa/Armrests/Cushions, 23'

702798-029	SOFA 74" CLOTH, BURNT SIENNA
702798-195	SOFA 74" CLOTH, MIDNIGHT SUN
702798-099	SOFA 74" CLOTH, SEA GREEN
702798-012	SOFA 74" CLOTH, STRATUS
702798-03	SOFA, 74" ULTRA LEATHER
965809-01	CUSHION ASSEMBLY, RS ARMREST
965809-03	CUSHION ASSEMBLY, RS ARMREST, Leather
703358-01	FOAM, ARMREST, RS LOUNGE
965809-02	CUSHION ASSEMBLY, CS ARMREST
965809-04	CUSHION ASSEMBLY, CS ARMREST, leather
703358-02	FOAM, ARMREST, CS LOUNGE
801447	PANEL, ARMREST, INNER CUTOUT

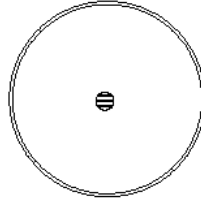
2009 FLYING CLOUD

UPHOLSTERY/FOAM/MATTRESS

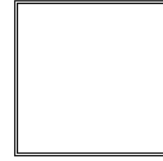
Pillow Kit, Stratus



703342-01

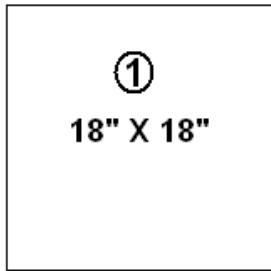


703342-02

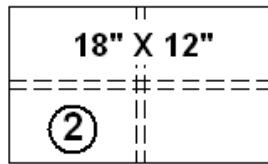


703342-03

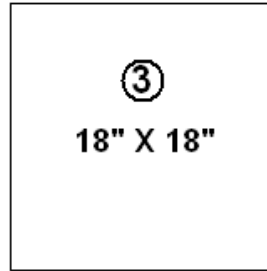
Pillow Kit, Burnt Sienna



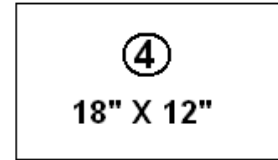
①
18" X 18"



②



③
18" X 18"



④
18" X 12"

703790-05 Pillow kit, 19' w/Sofa Option, 23', 25' FB, 27' FB, 28'W

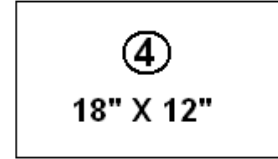
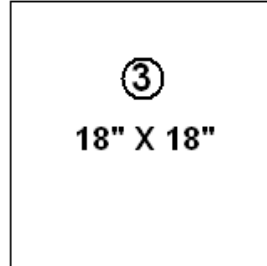
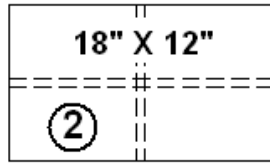
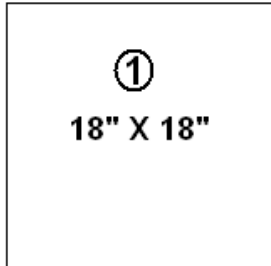
703790-06 Pillow kit, 19', 20', 23' FB

1. 703790-01 Lounge Pillow, 18" x 18"
2. 703790-02 Lounge Pillow, 18" x 12"
3. 703790-03 Bedroom Pillow, 18" x 18"
4. 703790-04 Bedroom Pillow, 18" x 12"

2009 FLYING CLOUD

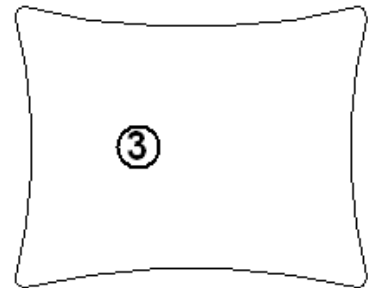
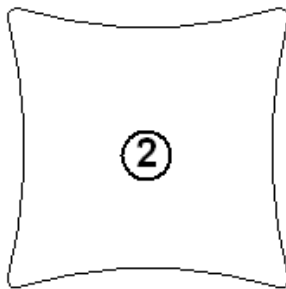
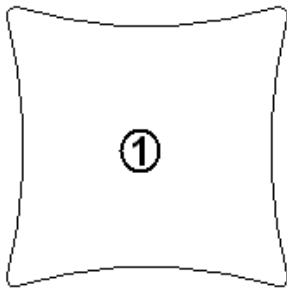
UPHOLSTERY/FOAM/MATTRESS

Pillow Kit, Sea Green



- 703791-05 Pillow kit, 19' w/Sofa Option, 23', 27'FB, 28'W
 703791-06 Pillow kit, 19', 20', 23'FB
 1. 703791-01 Lounge Pillow, 18" x 18"
 2. 703791-02 Lounge Pillow, 18" x 12"
 3. 703791-03 Bedroom Pillow, 18" x 18"
 4. 703791-04 Bedroom Pillow, 18" x 12"

Pillow Kit, Midnight Sun



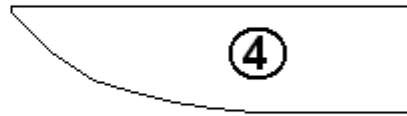
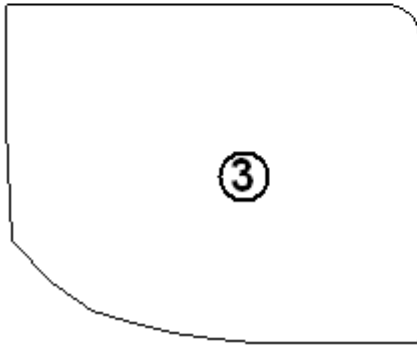
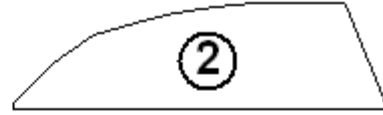
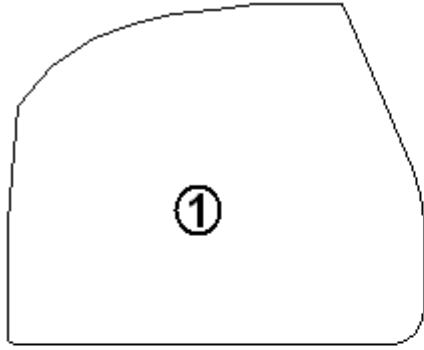
- 703478-03 PILLOW KIT MIDNIGHT SUN, 19' W/SOFA OPTION, 28'
 703478-04 PILLOW KIT MIDNIGHT SUN, 19', 20', 23' FB
 1. 703478-01 LOUNGE PILLOW, BACAL JET FABRIC
 2. 703478-02 LOUNGE PILLOW, ONYX FABRIC
 3. 703478-05 BEDROOM PILLOW

Pillow

701611 PILLOW, 21" X 31"

2009 FLYING CLOUD
UPHOLSTERY/FOAM/MATTRESS

Dinette Foam, 19'



2009 FLYING CLOUD

UPHOLSTERY/FOAM/MATTRESS

Dinette Foam, 19'

- | | |
|---------------------|--|
| 1. 998150-01FC-012 | CUSHION ASSEMBLY, CURBSIDE SEAT, STRATUS |
| 1.998150-01FC-195 | CUSHION ASSEMBLY, CURBSIDE SEAT, MIDNIGHT SUN |
| 1.998150-01FC-099 | CUSHION ASSEMBLY, CURBSIDE SEAT, SEA GREEN |
| 1.998150-01FC-029 | CUSHSION ASSEMBLY, CURBSIDE SEAT, BURNT SIENNA |
| 1.703368-01 | FOAM, CURBSIDE DINETTE SEAT |
| 2. 998150-02 | FOAM & FABRIC FILLER ASSEMBLY, CURBSIDE DINETTE BACK |
| 2. 703368-02 | FOAM, CURBSIDE BACK FILLER |
| 3. 998150-04FC-195 | CUSHION ASSEMBLY, ROADSIDE SEAT, MIDNIGHT SUN |
| 3. 998150-04FC-012 | CUSHION ASSEMBLY, ROADSIDE SEAT, STRATUS |
| 3. 998150-04FC-099 | CUSHION ASSEMBLY, ROADSIDE SEAT, SEA GREEN |
| 3.998150-04FC-029 | CUSHSION ASSEMBLY, ROADSIDE SEAT, BURNT SIENNA |
| 3. 703368-04 | FOAM, ROADSIDE DINETTE SEAT |
| 4. 998150-05 | FOAM & FABRIC ASSEMBLY, FILLER ROADSIDE DINETE BACK |
| 4. 703368-05 | FOAM, ROADSIDE BACK FILLER |
| 5. 998150-FC-06-012 | FOAM & FABRIC ASSEMBLY, ROADSIDE BACK REST, STRATUS |
| 5. 998150-FC-06-195 | FOAM & FABRIC ASSEMBLY, ROADSIDE BACK REST, MIDNIGHT SUN |
| 5. 998150-FC-06-099 | FOAM & FABRIC ASSEMBLY, ROADSIDE BACK REST, SEA GREEN |
| 5. 998150-FC-06-028 | FOAM & FABRIC ASSEMBLY, ROADSIDE BACK REST, BURNT SIENNA |
| .5 703368-06 | FOAM, ROADSIDE BACK REST |

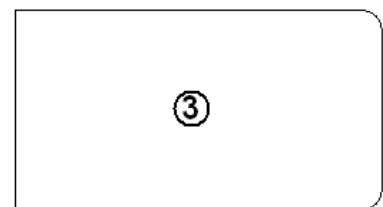
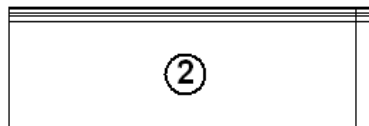
2009 FLYING CLOUD

UPHOLSTERY/FOAM/MATTRESS

Dinette Foam, 20'

700414	FOAM, UPHOLSTERY 3/8" X 86" X 52'
703309-05	FOAM, DINETTE, RIGHT SIDE BACK
703309-04	FOAM, DINETTE, SIDE BACK
703309-06	FOAM, DINETTE, SEAT BOTTOM LH/RH

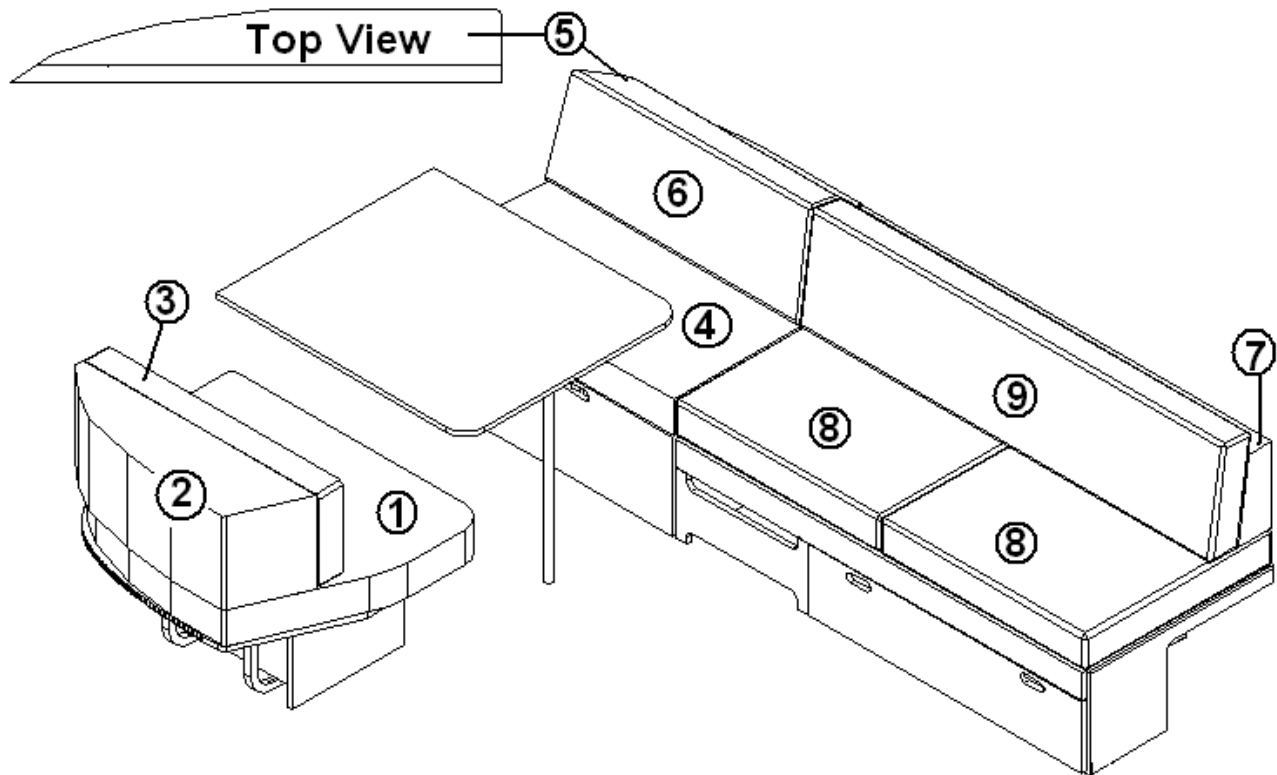
Dinette Foam/Covers, 23' Front Bed



1. 998200-01	FABRIC ASSY, DINETTE SEAT AFT
1. 703309-04	DINETTE FOAM, AFT SEAT BACK
2. 998200-02	FABRIC ASSY, DINETTE SEAT FORWARD BACK
2. 703309-05	DINETTE FOAM, FORWARD SEAT BACK
3. 998200-03	FABRIC ASSY, AFT/FORWARD SEAT BOTTOM
3. 703309-06	DINETTE FOAM, AFT/FORWARD SEAT BOTTOM

2009 FLYING CLOUD UPHOLSTERY/FOAM/MATTRESS

Dinette Foam, 25' Front Bed, 27' Front Bed



1. 703486-01 Foam, Curbside dinette seat
2. 703486-02 Foam, curbside back filler
3. 703486-03 Foam, curbside back rest
4. 703486-04 Foam, roadside dinette
5. 703486-05 Foam, roadside back filler
6. 703486-06 Foam roadside backrest
7. 703486-07 Foam cushion, lounge wedge
8. 703486-08 Foam, cushion, lounge bottom
9. 703486-09 Foam, cushion, backrest

Dinette Foam, 28' W

- | | |
|-----------|-----------------------------------|
| 700414 | FOAM, UPHOLSTERY 3/8" X 86" X 52' |
| 703309-01 | Foam-left side back |
| 703309-02 | Foam-right side back |
| 703309-03 | Foam-seat bottom right/left |

2009 FLYING CLOUD

VENTS/FANS/SKY LIGHTS

Refrigerator Roof vent

100341 Refrigerator, vent collar, roof, large
101394 Cover, refrigerator vent, roof, large
381042 MESH- GALVANIZED. .017 X 36

Vent, Black Tank, Roof

690264-03 Vent pipe cover, white
380228 Wire, hardware cloth

Roof vent, Non-Power

381606-01 Vent, roof, 14" x 14", non-power, white
381606-02 Trim ring, interior, roof vent, white

Range Hood and Vent

512210 RANGE HOOD, BARALDI
454590 EXTENSION, RANGE VENT BARALDI
511017-11 Vent cover, exterior, range hood, gray
115175 DUCT-RANGE EXHAUST TRANSITION
114913 ANGLE RANGE HOOD INSTAL.
203600 SCREW COVER CAP, GRAY
454187 EXTENSION-RANGE EXHAUST
365016 TAPE FOAM DUBL-KOTE, 1/2 #441
114230-04 CLOSEOUT FORMED R.EXHAUST 4.40
365190 SEAL RUBBER ADHESIVE 3/4" X 3"

2009 FLYING CLOUD

VENTS/FANS/SKY LIGHTS

Vent, Bath, Power/Manual Lift

690266-01	Ventilator, power, bath
690266-02	Ventilator, power, bath, CSA
690266-03	EXTENSION GARNISH 4" ROOF
201666	MOLDING-J 3/16" PLASTIC TRIM, ALMOND

Vent, Refrigerator, Power, 19', 23'

690394	Power ventilator, refrigerator
511836	Switch, refrigerator fan

Roof Vent, Power

381450	Vent, Fantastic roof, #6000RBT DBL
381841	VENT-FANTASTIC EXHAUST ONLY
511657	FANTASTIC FAN W/410KIB CONTROL

Sky light, 25', 27', 28'

381318-05	Skylight, 19.5" x 19.5"
201962	Trim, skylight, 19.5" x 19.5"
702804-03	Shade, skylight, pleated, 19.50" x 20"
114485	Mounting Frame, Sky light
320139	Screw, assembly w/sealing washer

2009 FLYING CLOUD

WOOD/LAMINATES/TRIM

PLYWOOD

800506-04	Plywood, 3/4" x 4' x 8'
800506-05	Plywood, 5/8" x 4' x 8'
800506-06	Plywood, 3/4" x 4' x 8'
800976-01	Plywood, tongue and groove, 19/32' (floor)
801353	LITE PLY-3MM, 4' X 8'
801351	LITE PLY-18MM (.75") 4' X 8'

PANELING

801355-01	LAMINATE, FROSTY WHITE VERTICAL
801368	18MM, WHITELINER/WHITELINER
801369	18MM, FROSTY WHITE/WHITELINER
801378	18MM, WHITELINER/BACKER
801392	12MM, WHITELINER/WHITELINER
801438	3MM, WHITELINER/RAW
801697	12MM, FROSTY WHITE/FROSTY WHITE
801698	12MM, WHITELINER/BACKER
801703	12MM, FROSTY WHITE/WHITE LINER
801725	3MM, BRUSHED STAINLESS STEEL/RAW
801757	18MM, WHITE DÉCOR MAPLE/LINER
801793-01	LAMINATE, GOLD ALCHEMY VERTICAL
801795-01	PNL-PRELAM ALCHEMY/LINER 18MM V
801795	18MM, GOLD ALCHEMY/WHITELINER
801796	18MM GOLD ALCHEMY/GOLD ALCHEMY
801796-01	PNL-PRELAM ALCHEMY/ALCHEMY 18MM V
801797	12MM, GOLD ALCHEMY/LINER
801797-01	PNL-PRELAM ALCHEMY/LINER 12MM V
801802	12MM, GOLD ALCHEMY/FROSTY WHITE
801802-01	PANEL, ALCHEMY/FROSTY 12MM VERTICAL
801801	12MM, GOLD ALCHEMY/GOLD ALCHEMY
801801-01	PNL-PRELAM ALCHEMY/ALCHEMY 12MM VERITCAL

2009 FLYING CLOUD

WOOD/LAMINATES/TRIM

Edge banding

365268-03	EDGE BANDING, .024" X .63" TROPICAL OAK
365238-04	EDGE BAND, .5, WHITE
365238-05	EDGE BAND, 15/16", CHALK WHITE
365313-01	EDGE BAND, GOLD ALCHEMY, .63"
365313-02	EDGE BAND, GOLD ALCHEMY, 15/16
365313-03	EDGE BAND, GOLD ALCHEMY, 1.125"
365267-01	EDGE BAND, PLY, .63"
365267	EDGE BAND, PLY, 1.125"
365305-01	EDGE BAND, BRUSHED ALUMINUM, 15/16"

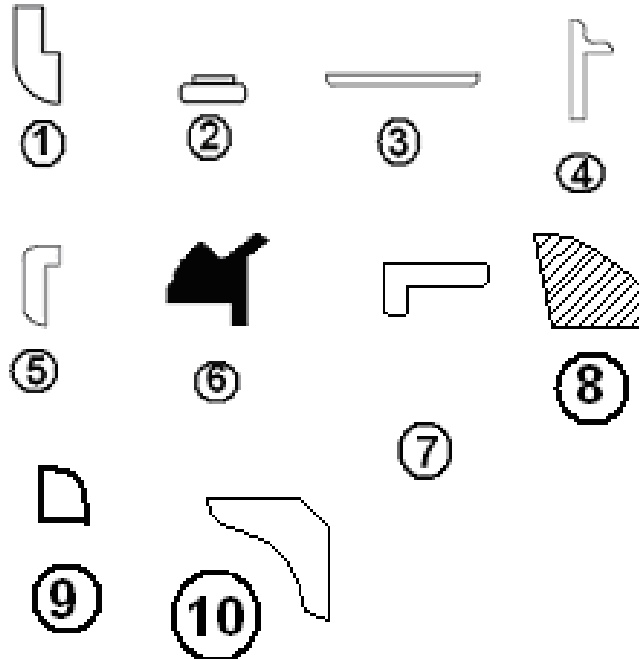
LUAN

800507-01	Panel, Lauan, 1/8 x 4' x 8'
800507-02	Panel, Lauan, 1/4" x 4' x 8', raw/raw
800507-03	Panel, Lauan, 3/8" x 4' x 8', raw/raw
800507-04	Panel, Lauan, 1/2" x 4' x 8', raw/raw
800507-06	Panel, Lauan, .75" x 4' x 8', raw/raw

2009 FLYING CLOUD

WOOD/LAMINATES/TRIM

TRIM, WOOD

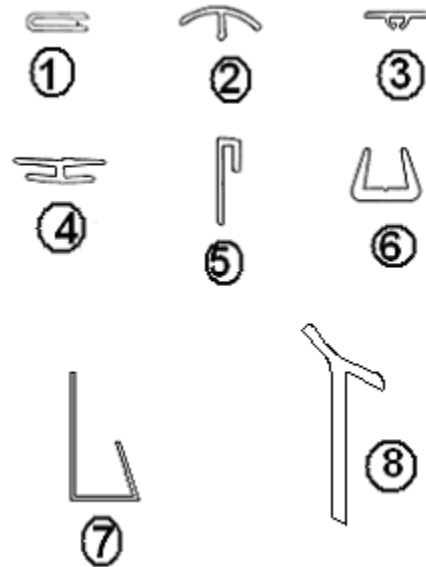


- | | |
|-----------------|--|
| 1. 801706-0014 | CORNER TRIM, 90 DEGREE, 1" RADIUS |
| 2. 800405-0014 | Plug hardwood button, screw cover |
| 3. 801173-0014 | Header Molding, flat radius, 1.13", G. ALCHEMY |
| 3. 801178-06 | Molding, flat, Ascot, .81" |
| 3. 801571-0114 | FLAT HARDWOOD MOLDING, .52", G. ALCHEMY |
| 3. 801572-0114 | FLAT HARDWOOD MOLDING, .72", G. ALCHEMY |
| 3. 801573-0114 | FLAT HARDWOOD DOOR EDGE, G. ALCHEMY |
| 4. 115064 | Trim, Aluminum Counter top |
| 5. 800617-0014 | MOLDING WAINSCOT 84" |
| 6. 801394-0014 | CORNER TRIM 45 DE 2" RADIUS BATH |
| 7. 801665-0014 | MOLDING, DOOR JAMB, GOLD ALCHEMY |
| 8. 801492-0014 | THRESHOLD MAIN DOOR, unit w/linoleum |
| 9. 800638-0114 | MOLDING, ¼ ROUND, .5", OAK |
| 9. 800575-0114 | CORNER MOLDING, GOLD ALCHEMY |
| 10. 801268-0114 | MOLDING, INDISE CORNWER, G. ALCHEMY |

2009 FLYING CLOUD

WOOD/LAMINATES/TRIM

TRIM, PLASTIC



- | | |
|--------------|---|
| 1. 203225 | Trim lock, white |
| 1. 203225-01 | TRIM LOK, GRAY .75" |
| 2. 201728-03 | Extrusion plastic, ceiling trim |
| 3. 201728-01 | Extrusion Ceiling trim retainer |
| 4. 203159-02 | Trim, divider bar, White |
| 4. 114070 | Molding, "J" |
| 6. 203138-03 | Extrusion, plastic Panel edging Beige |
| 6. 203138-04 | Extrusion, plastic Panel edging, Oak |
| 6. 203138-01 | Extrusion, plastic Panel edging white |
| 6. 203464-01 | Extrusion, panel, oak |
| 7. 201666 | MOLDING-J-3/16 PLASTIC, ALMOND |
| 8. 201673 | Molding, cove, roof lockers, Ivory, Plastic |
| 8. 201673-01 | Molding, cove, roof lockers, .43", oak |
| 203445 | T-Molding, 9/16", black |
| 203597 | T-MOLDING, WHITE EMBOSSSED 13/16" |
| 203440 | T-MOLDING, BLACK EMBOSSSED 13/16" |

2009 FLYING CLOUD

Notes

