

AIRSTREAM

PAN AMERICA TRAVEL TRAILER

PARTS BOOK

2009

2009 PAN AMERICA TRAVEL TRAILER
TABLE OF CONTENTS
SECTION I

APPLIANCES

Air Conditioner, Furnace	I-1
Microwave, Range,	I-1
Refrigerator,	I-2
Water Heater, Range Hood	I-2

BODY

End shell, aft	I-4
End shell, front	I-6
34 Ft RS Wall	I-8
34 Ft CS Wall	I-10
Roof	I-12
Wrap Protectors	I-13
Body Interior	I-14

CHASSIS

Axles, Shocks, Tires, Wheels	I-15
Spare Tire & Carrier	I-15
Safety Chains	I-15
Step	I-16
Hitch Jack	I-19
Stabilizing Jacks. Hose Carrier	I-21
Underbelly Metal	I-21
Hitch Coupler	I-22
Brakes	I-23
Cargo Ramp Storage	I-24
Cargo Ramp	I-25

2009 PAN AMERICA TRAVEL TRAILER
TABLE OF CONTENTS
SECTION II

[DECAL/EXTERIOR TRIM](#).....II-1

DOORS/WINDOWS/AWNING

[Exterior Doors](#)II-2

[Windows, Window Trim & Screens](#) II-11

[Window Rock Guard](#)..... II-16

[Awnings](#).....II-17

DRAPES/BLINDS/VALANCES

[Drapes/Blinds](#) II-18

[Drape Parts/Material](#) II-20

ELECTRICAL

[110 volt](#)..... II-21

[12 volt](#)..... II-24

ENTERTAINMENT

[Radio/Antenna](#) II-28

[Television Antenna/Jacks](#)..... II-28

[Satellite Radio](#) II-29

[Audio/Audio Video Upgrade Packages](#) II-30

[Flat Screen TV Installation](#) II-31

2009 PAN AMERICA TRAVEL TRAILER TABLE OF CONTENTS

SECTION III

FASTENERS

Rivets	III-1
------------------------------	-------

FLOOR

Cargo Floor Ramp Trim	III-3
Floor Sub-Structure	III-3
Floor Covering	III-3

FURNITURE

Drawer Slides/Boxes	III-4
Mirrors	III-4
Interior Doors	III-4
Bedroom	III-5
Lavatory	III-13
Galley	III-19
Lounge	III-27
Cargo Area	III-32

HARDWARE

Exterior locks/hinges	III-37
Window Hardware	III-38
Cabinet Hinge/Catch	III-42
Interior Trim	III-43
Lavatory Accessories	III-44
Bed Gas Springs	III-44
Awning Hardware	III-45
Trailer Level	III-46
Cargo Floor Track Tie Down	III-46

2009 PAN AMERICA TRAVEL TRAILER TABLE OF CONTENTS

SECTION IV

LABELS and TAGS	IV-1
---------------------------------------	------

PLUMBING

LPG	IV-3
Fresh Water	IV-4
Freshwater Fittings	IV-6
Faucets	IV-8
Drain Water	IV-11
Toilet	IV-16
Black Tank Flush/Loose parts	IV-17

SAFETY EQUIPMENT	IV-18
--	-------

SEALER/GASKETS	IV-19
--------------------------------------	-------

PAINT	IV-19
-----------------------------	-------

UPHOLSTERY/FOAM/MATTRESS

Mattresses	IV-21
Bedspreads	IV-21
Chair	IV-21
Cushions, "L" Lounge	IV-22
Pillows	IV-23

VENTS/FANS	IV-24
----------------------------------	-------

SKY LIGHTS	IV-25
----------------------------------	-------

WOOD/LAMINATES/TRIM	IV-26
---	-------

2009 PAN AMERICA TRAVEL TRAILER

APPLIANCES

Air Conditioner

690323-32	AC 13,500 BTU W/HEAT PUMP
690323-37	AIR CONDITIONER, 15,000 BTU w/Heat Pump
690323-03	AIR CONDITIONER, DOMETIC HEAT STRIP
690380-10	INTAKE AIR BOX AND CEILING SHROUD, WHITE
690380-11	DUST ADAPTOR, USE WITH 690380-10
690323-31	COMFORT CONTROL CENTER
511252	PLUG PHONE 4 CONDUCTOR
961270	Pan Assembly, drain, air conditioner
601240-01	TUBING 1/2ID X 5/8OD BLACK PLASTIC
690323-100	Shroud, exterior, Penquin air conditioner

Furnace

690274	FURNACE, 34,000BTU
690274-09	Door exterior, Hydroflame
600193	2" DUCT THERMAFLEX FLEXIBLE, DUCT
600247	4" HOSE, HEAT DUCT FLEX
203070	REGISTER PLASTIC BROWN 2" X 10"
601244-03	REGISTER, ROTAIRE, BLACK
690429	LOUVER-2" BLACK ROUND
600526	FLANGE, 4 IN
601348	TEE, HEAT DUCT, 4" X 4" X 2"
962807	FURNACE STAND ASSEMBLY

Microwave

690594-03	Microwave, Sylvania Convection, Silver
690581-04	Trim Kit, Silver, Microwave

Range

690396-10	COOKTOP, 3 BURNER S.S. TOP
690396-03	Range bi-fold cover, black
114876	TRIM RING, RANGE RECESS, BLACK

2009 PAN AMERICA TRAVEL TRAILER

APPLIANCES

Refrigerator

690574-02	REFER, 7CU FT RH #RM3762RB
965934-05	INSERT ASSY-REFER UPPER 23.75" X 32"
965934-06	INSERT ASSY-REFER LOWER, 23.75" X 32"

Water Heater

690602	WATER HEATER, 6 GALLON, GAS/ELECTRIC
690209	BRUSHED ALUM ACCESS COVER
690417-05	SWITCH, DUAL WATER HEATER
454652	FRAME, WATER HEATER
454653	CLOSEOUT, LOWER WATER HEATER
454654	CLOSEOUT, UPPER WATER HEATER
963650	STAND, WATER HEATER
601671	ELBOW STREET 90DEG 1/2"
381648	COVER LATCH HOLE WATER HEATER

Range Hood

512210	RANGE HOOD, BARALDI, 12V
454590	EXTENSION-RANGE VENT BARALDI
511791-02	RANGE HOOD-VENTLINE SILVER, CSA
511017-11	EXTERIOR VENT GRAY
115175	DUCT-RANGE EXHAUST TRANSITION
114913	ANGLE RANGE HOOD
365016	TAPE FOAM DUBL-KOTE - 1/2"
203600	CAP COVER, SCREW, GRAY

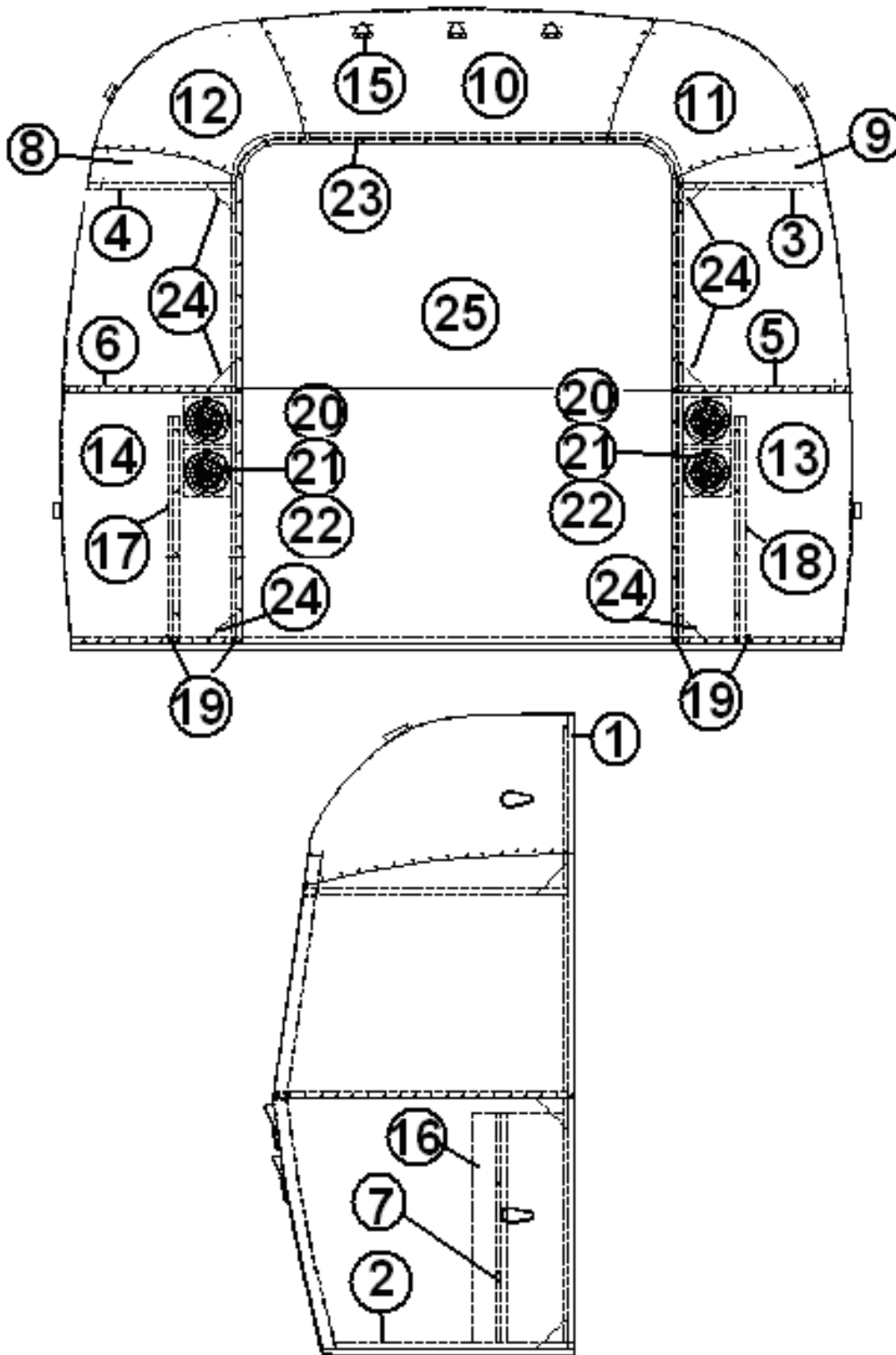
2009 PAN AMERICA TRAVEL TRAILER

NOTES

2009 PAN AMERICA TRAVEL TRAILER

EXTERIOR SHELL

AFT END, 34'



Part Numbers are on the Next Page

2009 PAN AMERICA TRAVEL TRAILER

EXTERIOR SHELL

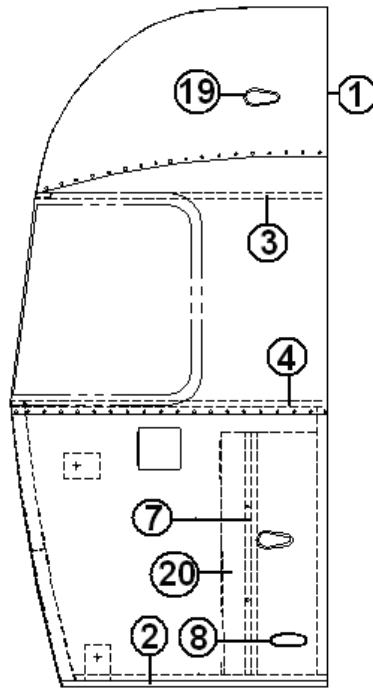
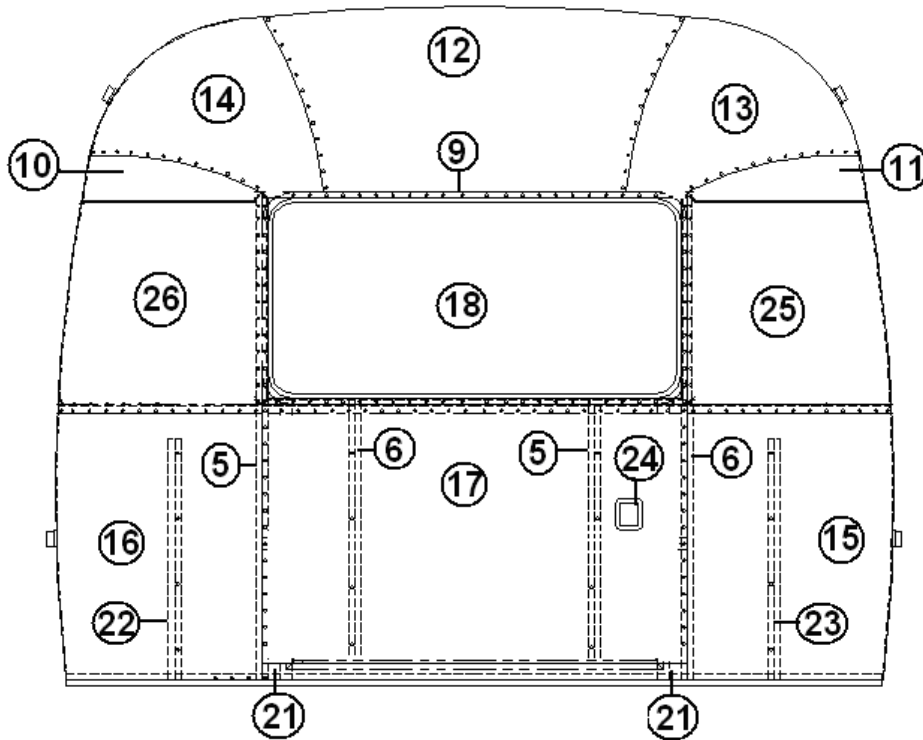
AFT END, 34'

923014	Aft Shell
1. 114993	End bow
2. 114676	Floor bow
3. 115469-01	Upper window bow, curbside
4. 115469-02	Upper window bow, roadside
5. 115470-01	Lower window bow, curbside
6. 115470-02	Lower window bow, roadside
7. 101315	Brace, vertical rear
8. 114888	Segment, center left
9. 114889	Segment, center right
10. 114893	Segment #25
11. 114890	Segment #26
12. 114891	Segment #27
13. 114894	Segment #28
14. 114895	Segment #29
15. 512227	Light, clearance, red, LED
16. 114849-03	Aluminum sheet, cut to .040 x 12" x 29"
17. 101315-01	Support, lower end shell, LH
18. 101315-02	Support, lower end shell, RH
19. 114813	Angle, 1" x 1.5" x 1.25" W
20. 511860-01	Light, 4: LED, red
21. 511860-02	Bezel, 4" round, chrome, w/visor
22. 381873	Gasket, tail light
23. 454710	Formed "Z", rear door
24. 454711	Gusset, rear end shell
25. 967429	Door, rear cargo area

2009 PAN AMERICA TRAVEL TRAILER

EXTERIOR SHELL

Front End, 34'



See next page for P/N

2009 PAN AMERICA TRAVEL TRAILER

EXTERIOR SHELL

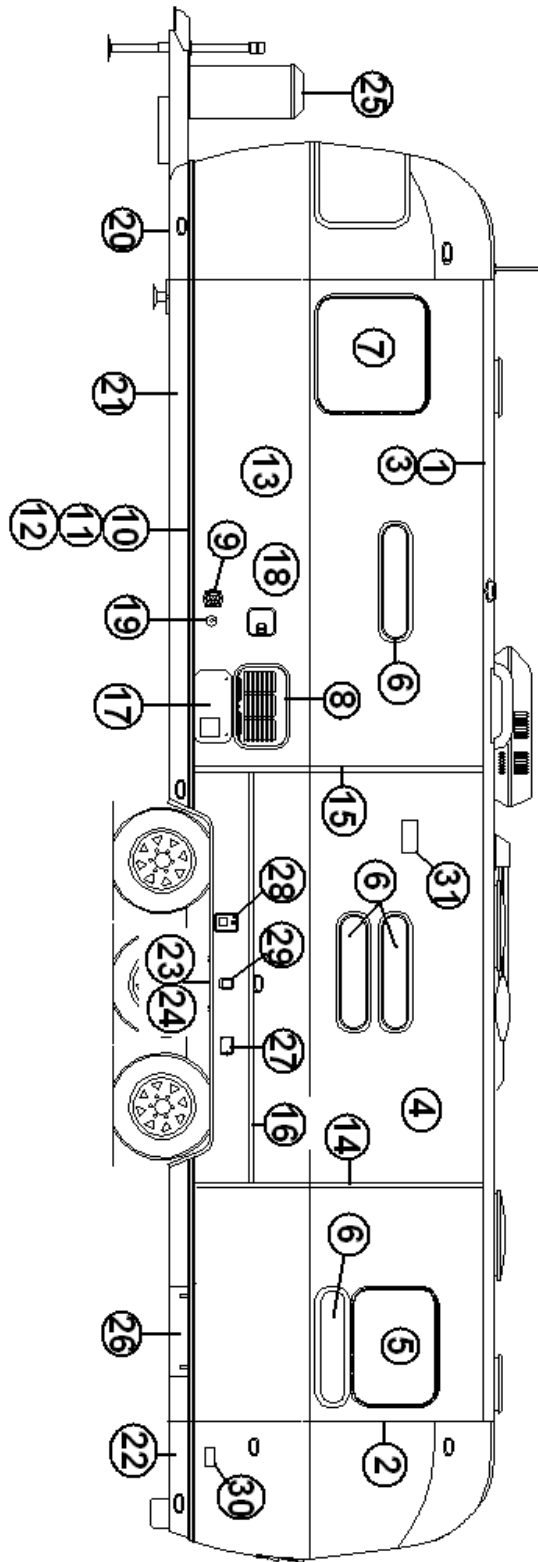
Front End, 34'

921243-02	End shell complete
1. 114993	End bow
2. 114676	Floor bow
3. 114678	Upper window bow
4. 114677	Lower window bow
5. 114505-01	Support, lower end, LH
6. 114505-02	Support, lower end, RH
7. 101315	Brace, vertical rear
8. 500096	Reflector, amber, oval
9. 101041	Roof locker extrusion
10. 114888	Segment, center left
11. 114889	Segment, center right
12. 114893	Segment #25
13. 114890	Segment #26
14. 114891	Segment #27
15. 114894	Segment #28
16. 114895	Segment #29
17. 114880-307	Aluminum sheet, cut to .040" x 34.75" x 58"
18. 371346-02	Window, front end
19. 512226	Light, clearance, amber LED
20. 114849-03	Aluminum sheet, cut to .040 x 12" x 29"
21. 114813	Angle, 1" x 1.5" x 1.25" W
22. 101315-01	Support, lower end shell, LH
23. 101315-02	Support, lower end shell, RH
24. 511416-02	Power inlet, generator prep, 30A, 125V
25. 372089-101	Window, rear corner wrap, curbside
26. 372088-101	Window, rear corner wrap, roadside

2009 PAN AMERICA TRAVEL TRAILER

EXTERIOR SHELL

Wall, Roadside 34'



See next page for P/N

2009 PAN AMERICA TRAVEL TRAILER

EXTERIOR SHELL

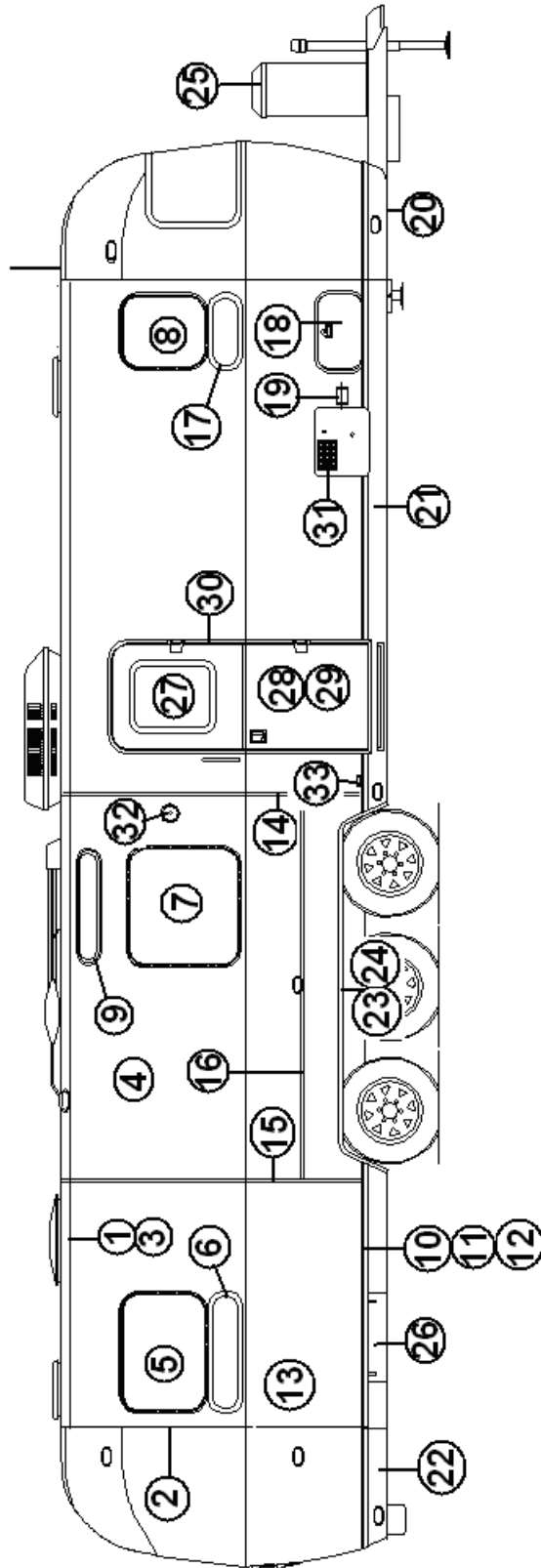
Wall, Roadside 34'

1. 114290-03 Extrusion, awning/drip rail
2. 114993 End bow
3. 104707-01 Extrusion, "I" beam
4. 114880-307 Alum. sheet, upper, .040" x 51" x307"
5. 371324-02 Window, 30in. opening
6. 371270-01 Window, 30in., stack, stationary
7. 371380-01 30" x 30", opening egress window
8. 922243 Louvered panel, refrigerator access door
9. 601392-05 City water hook up, chrome
10. 114460 Extrusion, rub rail
11. 201763-01 Insert, rub rail, chrome, 1"
12. 100986 Floor channel
13. 114879-307 Alum. sheet, lower, .040" x 33" x 307"
14. 114387-01 Bow, Z rib, RH
15. 114387-02 Bow, Z rib, LH
16. 100986 Wheel well stiffener (floor channel.
17. 690274-09 Cover, Hydro-flame furnace
18. 602219 Exterior shower
19. 601441 Tank flush, no-fuss
20. 200542-01 Banana wrap, RS front
21. 101131-01 Underbelly wrap, .024" x 22.5", Pewter
22. 201974-03 Bumper, rear corner, RS
23. 685257 Wheel well trim, inner, tri-axle
24. 685258 Wheel well trim, outer, tri-axle
25. 921231 Bottle cover, LP, w/out decal
26. 109867-02 Door, utility compartment
27. 500996 Jack, TV/phone, gray, Exterior
28. 601194 Water fill w/lock
29. 511416-02 Power inlet, 110 volt cord
30. 510676-01 Outlet, exterior 110-volt
31. 511017-11 Vent cover, exterior, range exhaust

2009 PAN AMERICA TRAVEL TRAILER

EXTERIOR SHELL

Wall, Curbside, 34'



See next page for P/N

2009 PAN AMERICA TRAVEL TRAILER

EXTERIOR SHELL

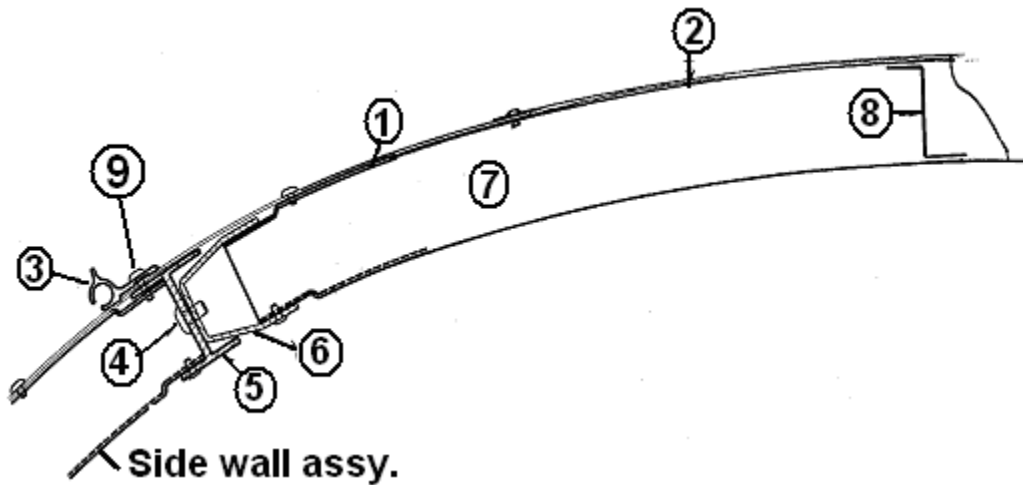
Wall, Curbside, 34'

1. 114290-03 Extrusion, awning/drip rail
2. 114993 End bow
3. 104707-01 Extrusion, "I" beam
4. 114880-307 Alum. sheet, upper, .040" x 51" x 307"
5. 371324-02 Window, 30in. opening
6. 371270-01 Window, 30in., stack, stationary
7. 371380 Window, 30" tall, opening
8. 371323-01 Window, 18in. opening
9. 922770-02 Vista View, 30"
10. 114460 Extrusion, rub rail
11. 201763-01 Insert, rub rail, chrome, 1"
12. 100986 Floor channel
13. 114879-307 Alum. sheet, lower, .040" x 33" x 307"
14. 114387-01 Bow, Z rib, RH
15. 114387-02 Bow, Z rib, LH
16. 100986 Wheel well stiffener (floor channel.
17. 371269-01 Window, 18in., stack, stationary
18. 100679-01 Door, side access with jamb
19. 510676-01 Outlet, exterior 110-volt
20. 200543-01 Banana wrap, CS front
21. 101131-01 Underbelly wrap, .024" x 22.5", Pewter
22. 201974-04 Bumper, rear corner, CS
23. 685257 Wheel well trim, inner, tri-axle
24. 685258 Wheel well trim, outer, tri-axle
25. 921231 Bottle cover, LP, w/out decal
26. 109867-02 Door, utility compartment
27. 371400-01 Window, main door
28. 115207-04 Main door assembly
29. 114654 Screen door assembly
30. 114652 Main door jamb, formed
31. 690209 Cover, brushed aluminum, Atwood WH
32. 500092 Flood light
33. 512252 STEP LIGHT, L.E.D., SS

2009 PAN AMERICA TRAVEL TRAILER

EXTERIOR SHELL

Roof End View

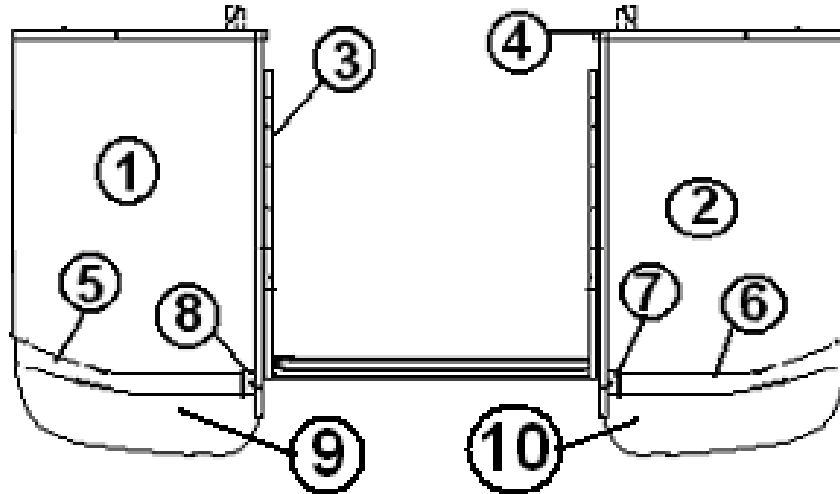


- | | |
|---------------|---|
| 1. 114669-307 | Alum. Sheet, white, .032" x 12.69" x 307" |
| 2. 114489-307 | Alum. Sheet, white, .032" x 60" x 307" |
| 3. 114290-03 | Extrusion, awning/drip rail, 307" |
| 4. 330139-01 | RIVET MAGNALOK SS 1/4" |
| 5. 104707-06 | Extrusion, "I" beam, 258" |
| 6. 114987-01 | Extrusion, roof corner, 194" |
| 7. 114387-03 | N/B ROOF BOW, ASSEMBLY |
| 8. 104408 | Extrusion, Z-bar, horizontal |
| 9. 325000-03 | RIVET, ANODIZED, WHITE, 1/8" X 1/4" |

2009 PAN AMERICA TRAVEL TRAILER

EXTERIOR SHELL

Wrap Protector/Holdbacks



966273-100	Wrap Protector, complete set
1. 966272	Wrap Protector, CS
2. 966273	Wrap Protector, RS
3. 381605-02	Hinge, stainless, wrap protector
4. 100742-01	Extrusion, mirror/wrap trim protector
5. 114460	Extrusion, rub rail
6. 201763-01	Insert, rub rail, chrome
7. 114465-01	CASTING CLOSEOUT RUB RAIL RH
8. 114465-02	CASTING CLOSE-OUT RUB RAIL LH
9. 200542-01	WRAP UNDERBELLY FRONT RS HAIRCELL
10. 200543-01	WRAP UNDERBELLY FRONT CS HAIRCELL
114819-01	ASM WRAP PROTECTOR HOLDBACK 1.62"
114819-02	ASM WRAP PROTECTOR HOLDBACK 2.50"
114819-03	ASM WRAP PROTECTOR HOLDBACK 5.00"
101401	EXTRUSION, DOOR LATCH HOUSING/STONE
345417	NUT ACORN, HEX, LOCKING SS 1/4-20
345376	NUT HEX HD 1/4-20 SS
345336-07	CAP SCREW HEX HD 1/4-20 HEX .75"
114819-01	Wrap protector hold back, 1.62"
114819-03	Wrap protector hold back, 5.00"
500096	REFLECTOR, AMBER

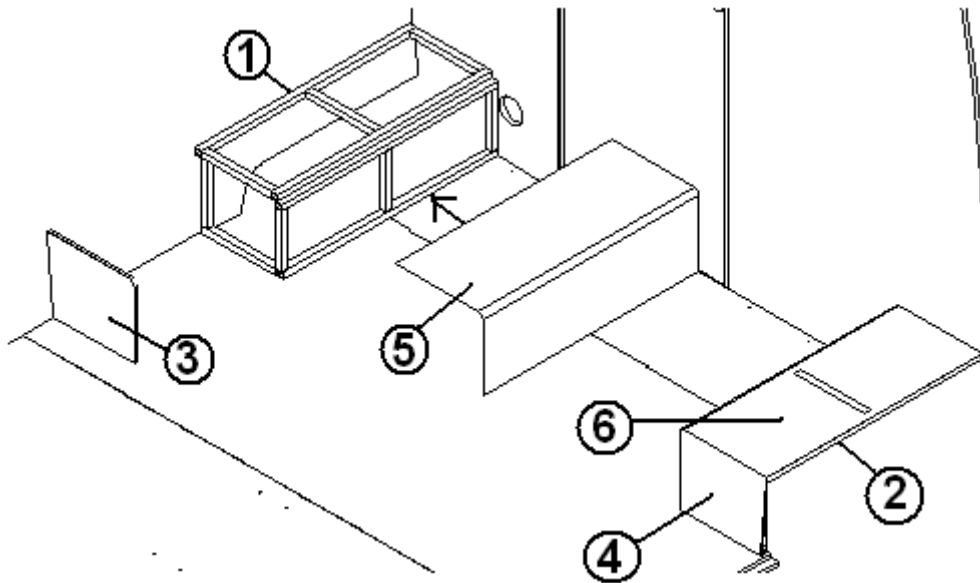
2009 PAN AMERICA TRAVEL TRAILER

INTERIOR SHELL

SKIN, INTERIOR

114879-307 ALUMINUM SHEET .040" X 33" X 307"
114880-307 ALUMINUM SHEET .040" X 51" X 307"

INTERIOR WHEEL WELL LINER



115441-01 WELDMENT, RS FRAME
115441-02 WELDMENT, CS FRAME
115454-01 END, RS
115454-02 END, CS
115458-01 COVER, RS WHEEL WELL SKIN
115458-02 COVER, CS WHEEL WELL SKIN

2009 PAN AMERICA TRAVEL TRAILER

CHASSIS

Axles

410875-09 AXLE, 3800 lbs. 25', 28', 27' FB

Shocks

0220003 Shock assembly

0250173-15 Bolt, grade 5, 5/8"-18 x 1.5", shock mount

0130068-818 Nut, hex head flanged, 5/8"-18, shock mount

Tires/Wheels, 34'

410968 TIRE/WHEEL ASSY, 15" LRD

400923 LUG NUT, 1/2", ACORN TYPE

Spare Tire and Carrier

410843-01 SPARE TIRE/WHEEL ASSEMBLY 15" "D"

450414 "A" frame spare tire carrier

994073 Bracket, Spare Tire

Safety Chains

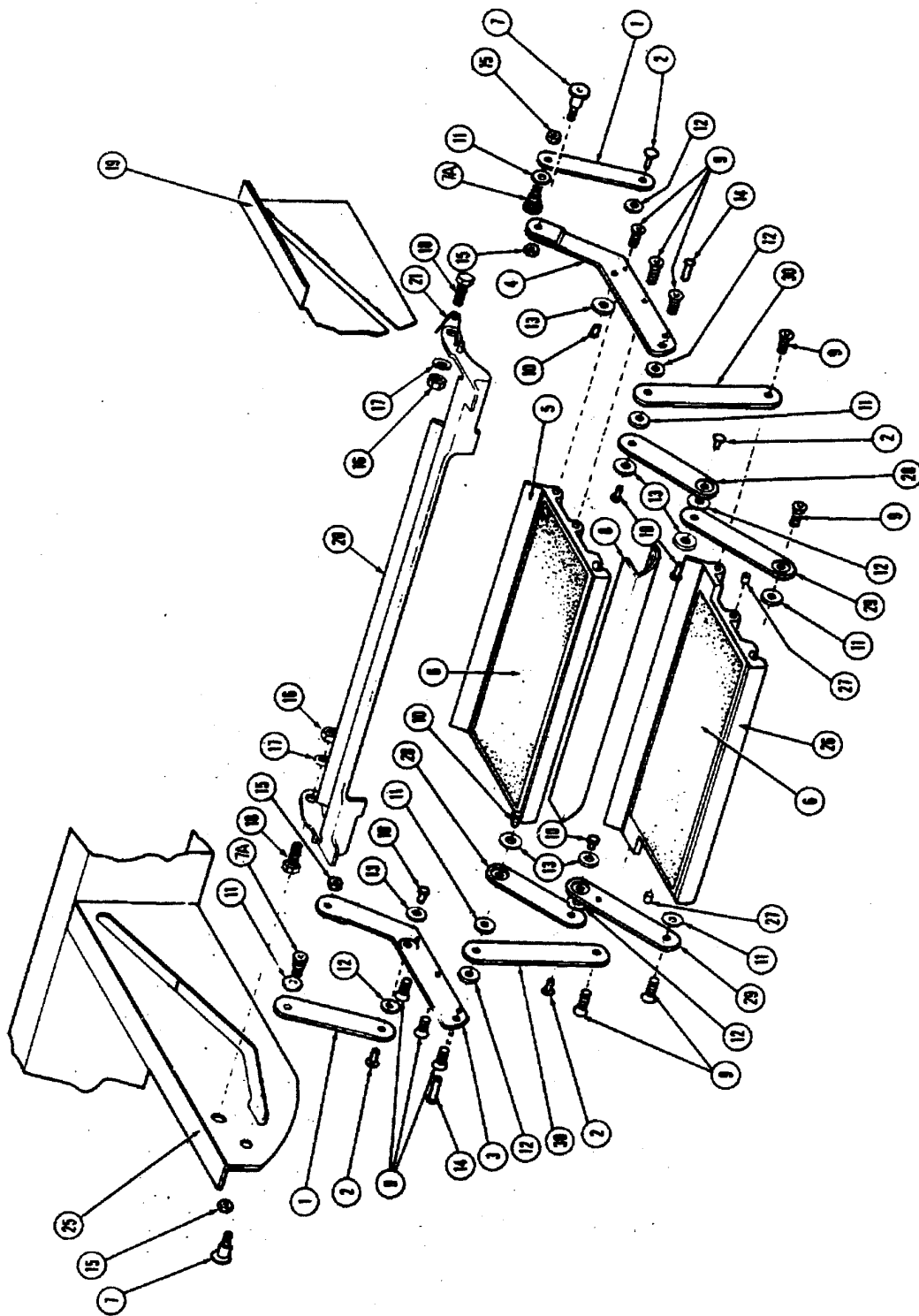
400953 Safety Chain, 1/4" x 30"

400945 5/16" clevis, safety slip hook

2009 PAN AMERICA TRAVEL TRAILER

CHASSIS

Step



See next page for P/N

2009 PAN AMERICA TRAVEL TRAILER

CHASSIS

Step

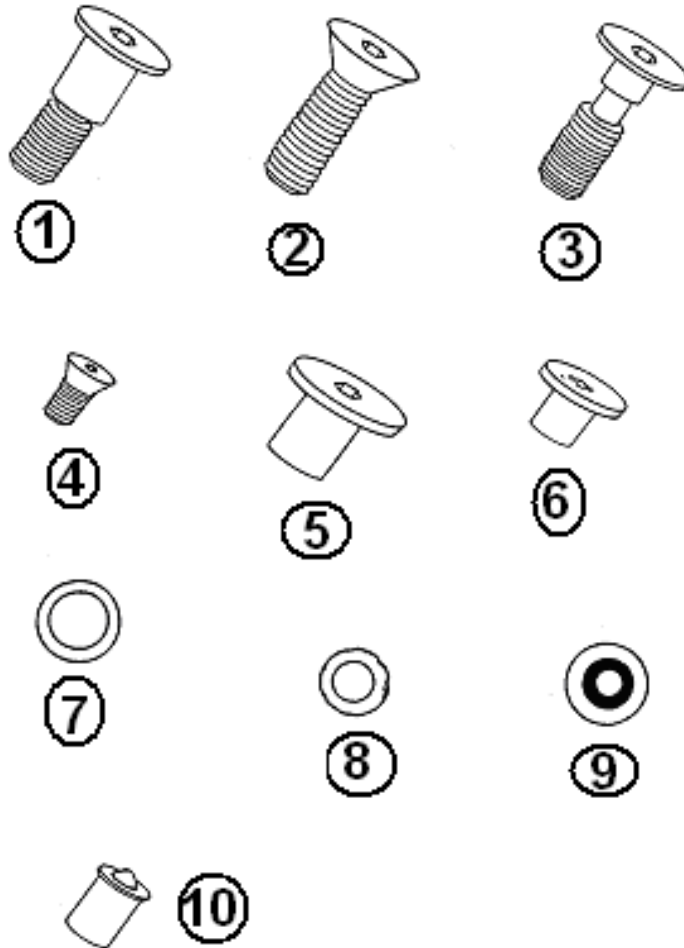
3440006	Double step assembly
1. 680213	Arm, upper support
2. 680214	*Pin, hinge
3. 680215	Step bracket, left
4. 680216	Step bracket, right
5. 680217	Extrusion, step 20.5"
6. 380069	Safety tread
7. 001152	Bolt, shoulder
7a. 001145	Bolt, shoulder, 3/8" thread
8. 680220	Panel
9. 680221	Screw, flat head
10. 680222	Bolt, socket head
11. 680223	Washer, bronze
12. 680224	Washer, wave
13. 680225	Washer, aluminum
14. 680226	Pin, pivot
15. 350005	Nut, hex
16. 350147-25	Nut, Nylock
17. 300005	Washer, flat
18. 345016	Screw, machine
19. 400454	Outrigger, RH (Not included with step assembly).
20. 100298	Casting, step release
21. 0440032	Step spring
25. 400455	Outrigger, LH (Not included with step assembly).
26. 410200	Extrusion, step, 20.0"
27. 380075	*Bullet catch
28. 400004	Hinge arm, upper
29. 400003	Hinge arm, lower
30. 400005	Arm, lower support

*Larger illustration on next page

2009 PAN AMERICA TRAVEL TRAILER

CHASSIS

Step Bolts/Washers/Screws/Catches Illustrated

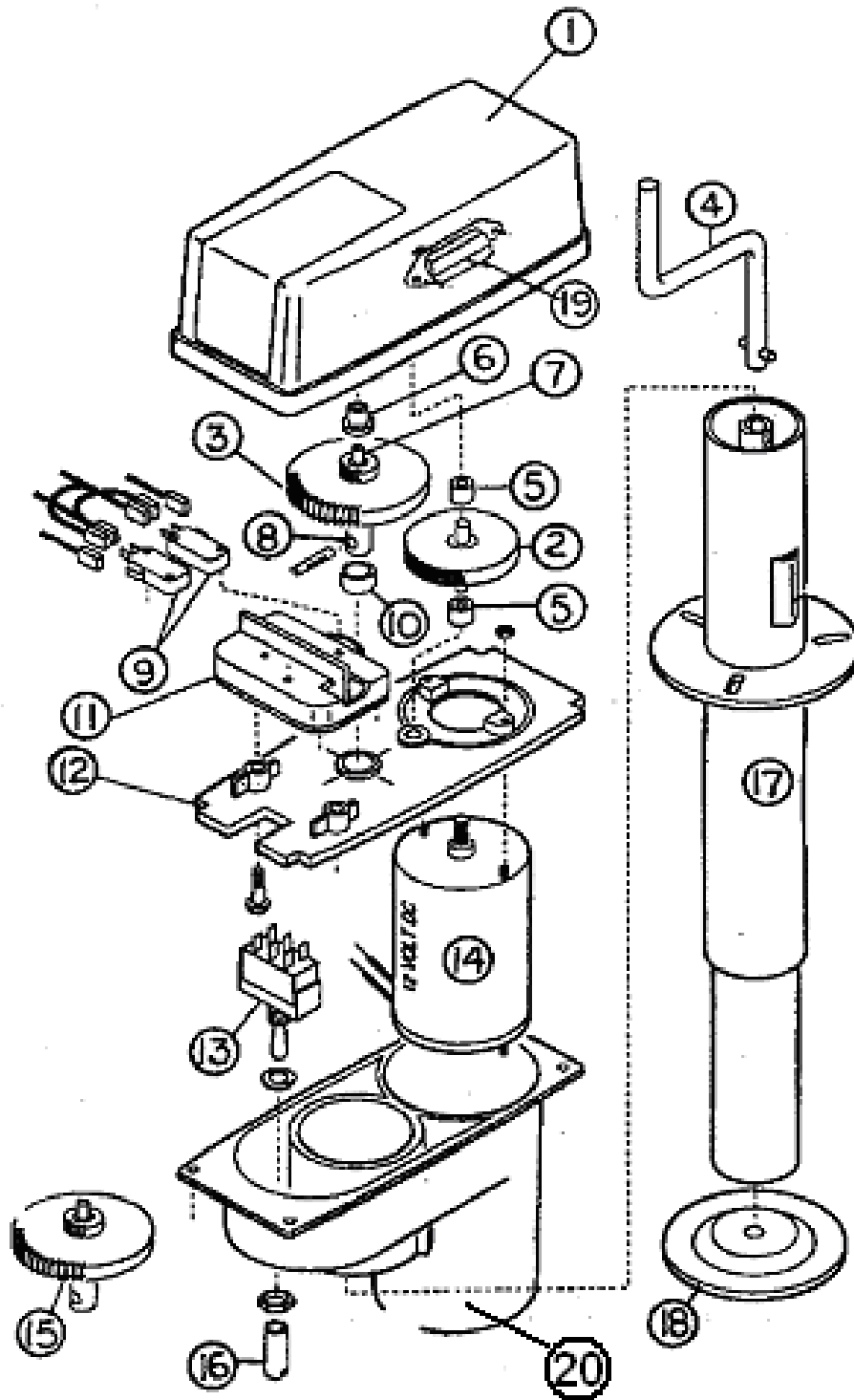


- | | |
|------------|------------------------------------|
| 1. 001152 | 1/2" Shoulder w/3/8" shoulder bolt |
| 2. 680221 | 3/8-16 x 1, flat head Allen, screw |
| 3. 001145 | 3/8-16 thread, shoulder bolt |
| 4. 680222 | Flat head Allen socket screw |
| 5. 680226 | Pivot pin |
| 6. 680214 | Hinge pin |
| 7. 680223 | Brass washer |
| 8. 680224 | Wave washer |
| 9. 680225 | Aluminum Washer |
| 10. 380075 | Bullet catch |

2009 PAN AMERICA TRAVEL TRAILER

CHASSIS

Power Hitch Jack



Part Numbers are on the next page

2009 PAN AMERICA TRAVEL TRAILER

CHASSIS

Power Hitch Jack

511544	Power jack w/flag holder & light
012251	Power head less post
1. 012198	Cover, Super Jack
2. 010051	Gear, fiber, Super Jack
3. 015551	Drive gear, Super Jack
4. 016199	Crank handle, manual, Super Jack
5. 080501	Bushing, bronze, Super Jack
6. 010055	Bushing, flange, Super Jack
7. 015552	Gear, pot/reed, Super Jack
8. 015553	Shaft, Super Jack
9. 081703	Micro switch, Super Jack
10. 080520	Bushing/bronze,7/16,Super Jack
11. 012252	Limit switch assembly, Super Jack
12. 012200	Center plate, Super Jack
13. 081704	Switch, toggle, Super Jack
14. 016263	Motor, 12V, Super Jack
15. 011675	Drive gear assembly, Super Jack
16. 010069	Switch cover, Super Jack
17. 011631	Jack post, Super Jack
18. 410598	Foot pad #12231
19. 026503	Light, Jack
20. 012199	Housing for Motor and Switch

2009 PAN AMERICA TRAVEL TRAILER

CHASSIS

Stabilizing Jacks

400093	Stabilizing jacks, BAL w/handle, set of 4, 19'
400093-01	BAL jack, each
400093-02	CRANK, STABILIZER JACK (BAL)
400093-04	Foot pad, BAL jack
400093-05	BAL JACKS, BACK, W/FOOTPAD & CRANK
385020	STICKER SELF ADHERING, JACK

Hose Carrier, Sewer Hose

601544-02	EZ HOSE CARRIER-BLACK 45
454422	SPACER-SEWER HOSE CARRIER, 16' model
104704-01	SHIM, 3" X 3"

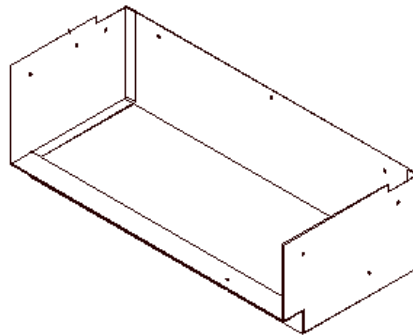
Hose Carrier, Exterior Shower Hose, 26"

601946-01	CARRIER, EZ HOSE, 26", BLACK
454227	MOUNTING BRACKET, HOSE CARRIER

Underbelly

101131-01	Aluminum, underbelly wrap, .024" x 22.5, gray
114679	ALUMINUM UNDERBELLY .019" X" 65.75"
200093	INSULATION, FIBERGLASS

Underbelly Compartment Pan



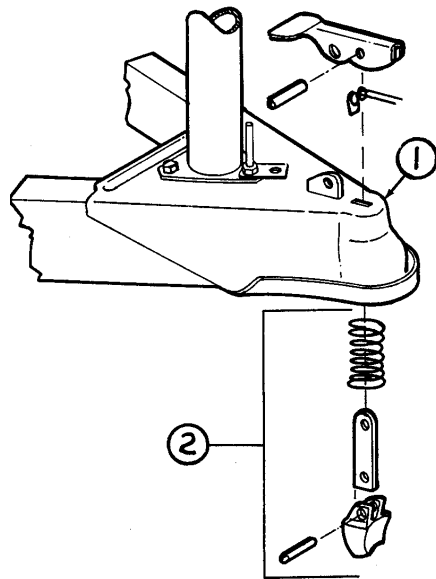
915145-01	Utility compartment assembly, painted
-----------	---------------------------------------

2009 PAN AMERICA TRAVEL TRAILER CHASSIS

Cross Car Electrical Raceway

454205 CROSSCAR ELECTRICAL RACEWAY

Hitch Coupler



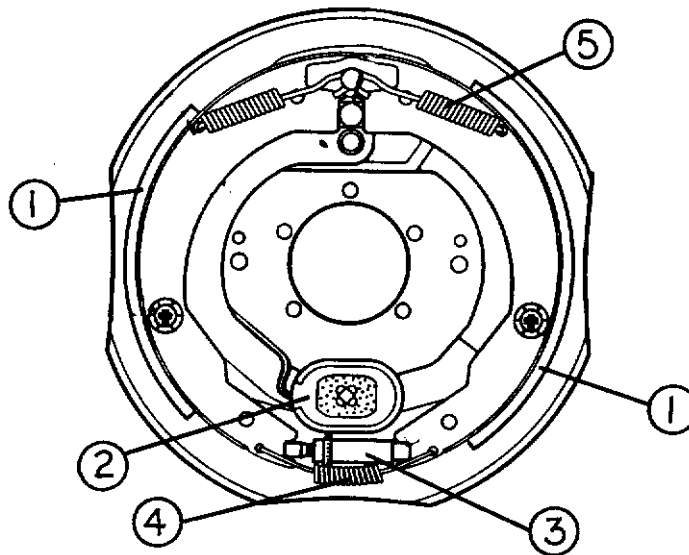
- 1. 680343 Coupler assembly, 2 5/16"
- 2. 680345 Repair kit, 2 5/16" coupler

2009 PAN AMERICA TRAVEL TRAILER

CHASSIS

12" BRAKE ASSEMBLY

3160121	Brake drum, 12", 6 lug
450659	Inner bearing, #25580
680364	Inner race, #25520
450658	Outer bearing, #LM67048
680365	Outer race, #LM67010
680370-100	Grease seal
3160347	Brake assembly, RH, 12" Dexter
3160348	Brake assembly, LH, 12" Dexter

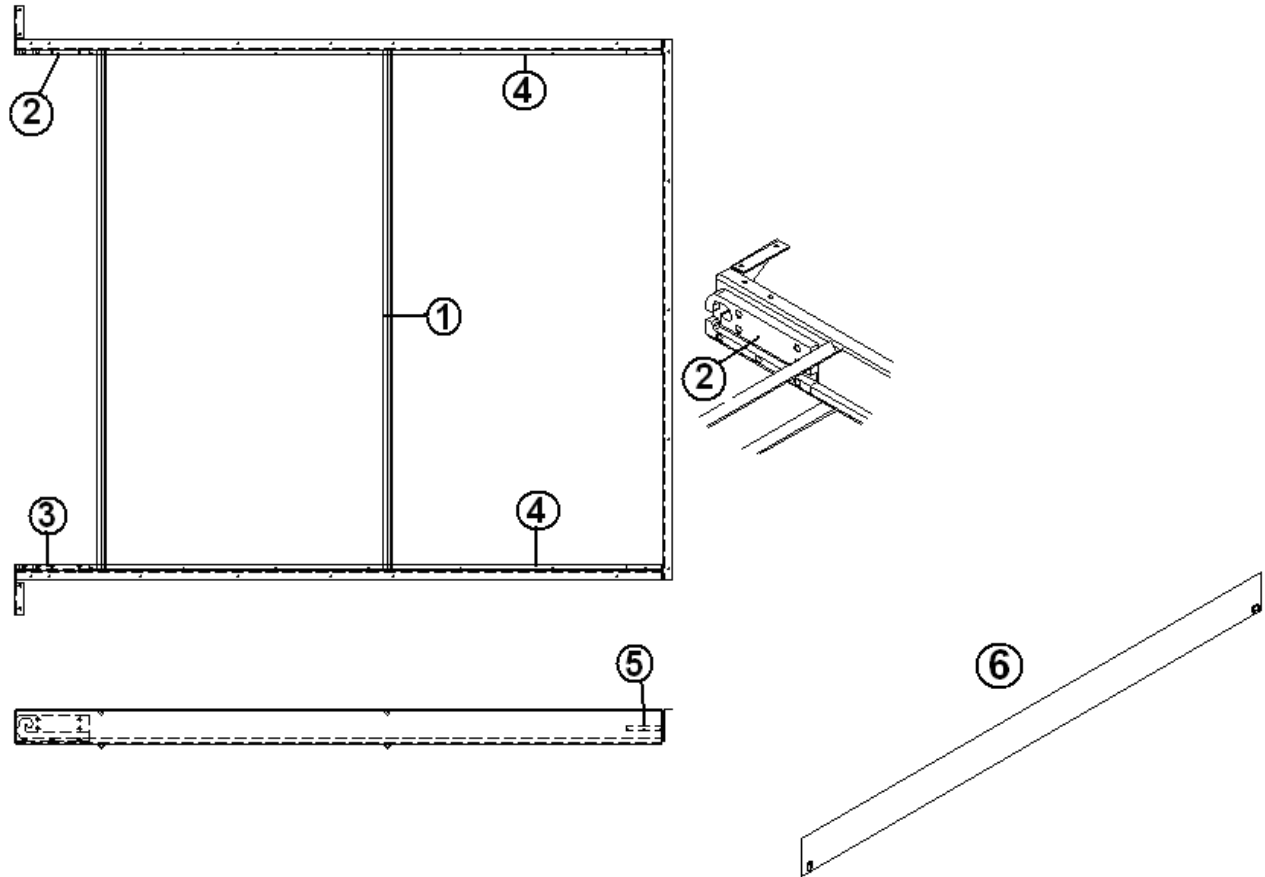


1. 3160348-62	Shoe and lining kit (includes hold down spring and pin)
2. 3160348-65	Magnet kit
3. 3160348-63	Adjuster assembly
4. 3160348-64	Adjusting screw spring
5. 3160348-61	Retractor spring

2009 PAN AMERICA TRAVEL TRAILER

CHASSIS

Cargo Ramp Storage

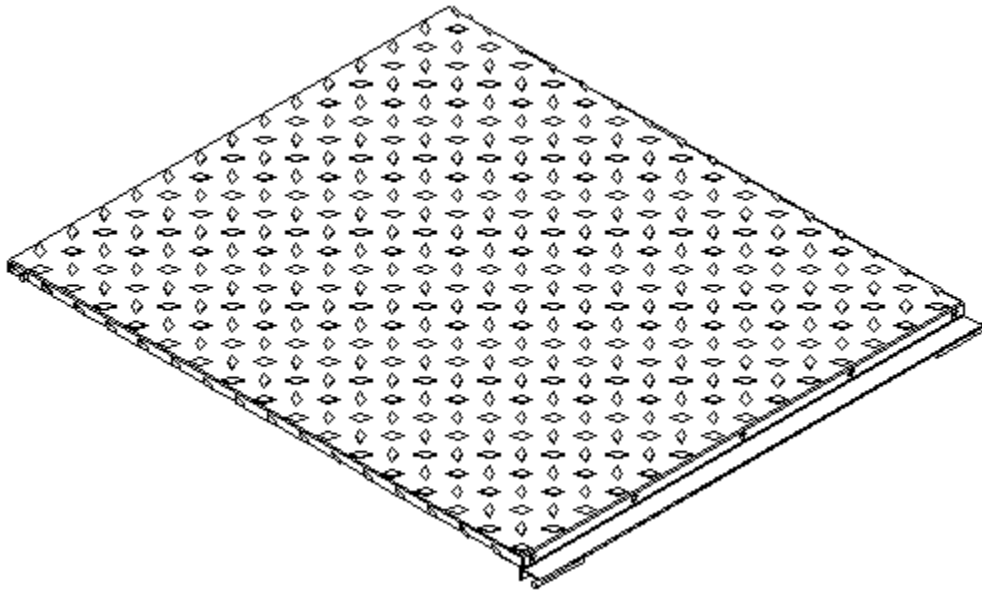


- | | |
|--------------|--------------------------------|
| 967430 | RAMP STORAGE FRAME/GLIDES |
| 1. 454698 | FRAME, RAMP STORAGE |
| 2. 454697-01 | BRACKET, RH RAMP SLIDE |
| 3. 454697-02 | BRACKET, LH RAMP SLIDE |
| 4. 203654-01 | GUIDE BLOCK, RAMP, 62" |
| 5. 203654-02 | GUIDE BLOCK, RAMP, 4" |
| 6. 454704 | DOOR, RAMP STORAGE COMPARTMENT |
| 320029-01 | SCREW, #8 X 1/2" PPH |
| 345235-05 | SCREW, 1/4-20 X 1.5" FH SS |
| 345236 | LOCKNUT, 1/4-20 NYLON |
| 382085 | HINGE, 2" X 56", SS BLACK |

2009 PAN AMERICA TRAVEL TRAILER

CHASSIS

Cargo Ramp



454701 Ramp, rear cargo

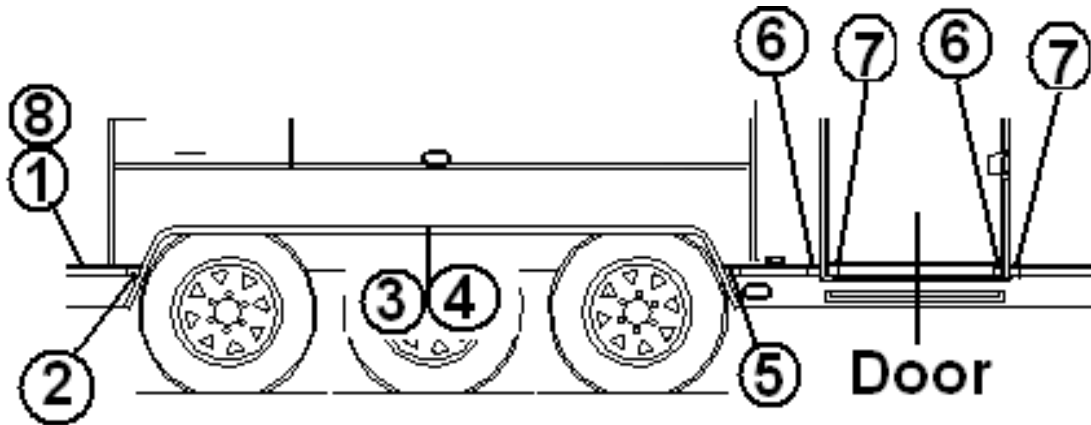
2009 PAN AMERICA TRAVEL TRAILER

EXTERIOR TRIM

Decal/Medallions

- 386150 DECAL, AIRSTREAM 2.4"X 28" BLACK
- 386225 DECAL, PAN AMERICA, BLACK, 2.05 X 44.

Rub Rail Trim/Wheel Well Trim



- 1. 114460 Extrusion, rub rail
- 2. 114466-02 Close out, casting, rub rail, angled LH
- 3. 685257 Wheel well trim, inner, tri-axle
- 4. 685258 Wheel well trim, outer, tri-axle
- 5. 114466-01 Close out, casting, rub rail, angled RH
- 6. 114465-02 Close out, casting, rub rail LH
- 7. 114465-01 Close out, casting, rub rail RH
- 8. 201763-01 Insert, rub rail, chrome, 1"

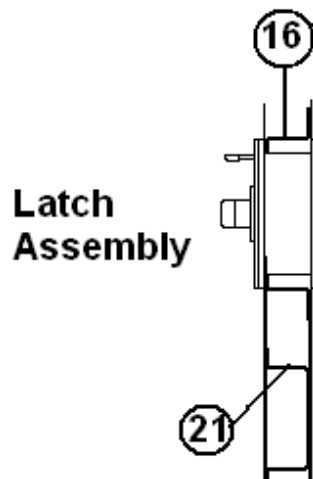
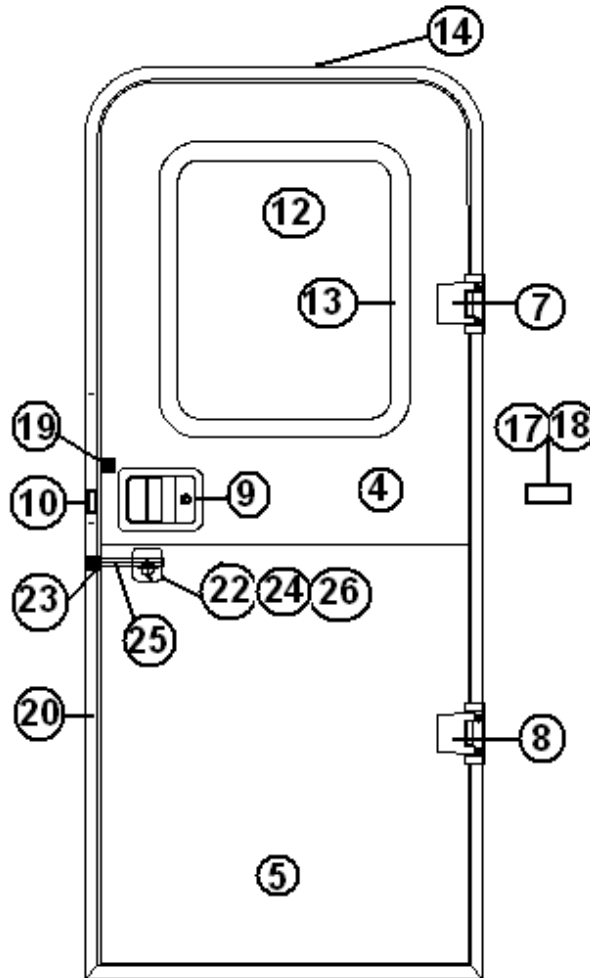
Reflectors

- 500095 REFLECTOR RED RECTANGULAR
- 500096 REFLECTOR, AMBER
- 510446 REFLECTOR, RED, STICK-ON

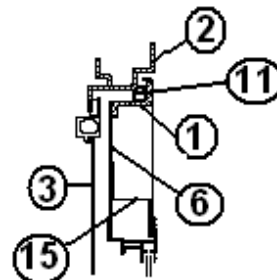
2009 PAN AMERICA TRAVEL TRAILER

DOORS, EXTERIOR

Main Door, RH Hinge



Top View



2009 PAN AMERICA TRAVEL TRAILER

DOORS, EXTERIOR

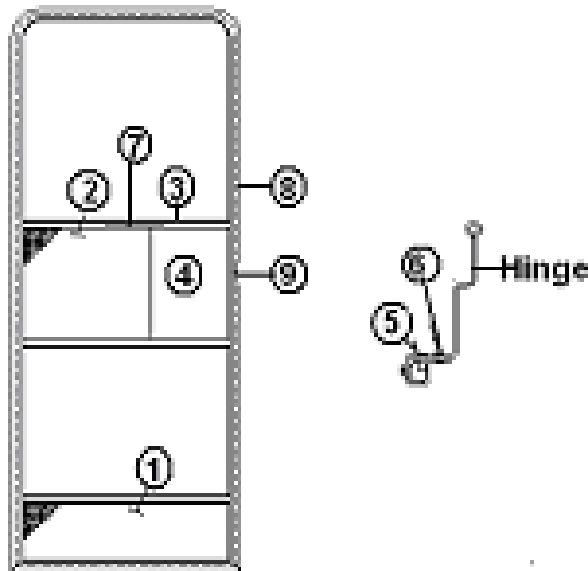
Main Door, RH Hinge

115207-06	Main door assembly, RH hinge
1. 114652-01	Jamb, main door, pre-formed
2. 114653-01	Frame, main door, pre-formed
3. 114654-01	Screen door assembly, RH Hinge
4. 114448-02	Skin, exterior, upper main door
5. 114449-02	Skin, exterior, lower main door
6. 114475	MAIN DOOR SKIN INNER
7. 381552-02	HINGE ASSY. MAIN DOOR UPPER
8. 381552-01	HINGE ASSY. MAIN DOOR LOWER
9. Trimark latch assembly parts shown in hardware section	
10. 385595	Pocket strike, main door
11. 365232	Seal, main door
12. 371400-01	Window, main door, etched
13. 203370	Spacer, Trimark door Latch
14. 114363	Drip cap, main door
15. 114658	Inner door, "Z" bar, upper & lower
16. 114657	Hat section, formed, main door
17. 380290	Housing. Latch, mounted on side sheet
18. 380291	Latch assembly, mounted on side sheet
19. 201056	Striker, main door, black plastic
20. 114507-03	Trim, main door
21. 115415	Hat section assembly, round dead bolt
22. 382069	Deadbolt assembly, round, Trimark
23. 381326	Striker w/ Trimark deadbolt
24. 345321-12	Screw, flat head, black
25. 453851	Bolt, Trimark, deadbolt
26. 203370	Spacer, deadbolt assembly
203495	SPACER-DOOR STAY MAIN
203494	BASE PLATE DOOR LATCH

2009 PAN AMERICA TRAVEL TRAILER

DOORS, EXTERIOR

Main Door Screen Assembly



- | | |
|--------------|---|
| 114654-01 | SCREEN DOOR ASSY. RH HINGE |
| 1. 114648-01 | Kick panel screen door |
| 2. 114561-01 | Panel, slider, screen door |
| 3. 104784-78 | EXTR.SCREENDOOR STIFENER #VH-9 |
| 4. 203287-02 | Close out, plastic, screen door |
| 5. 330126-03 | RIVET POP SSD44SSBS |
| 6. 325122 | Rivet, hard, 5/32 |
| 7. 380004 | HANDLE WITH 8/32 X 1 SCREW |
| 8. 365013-01 | Gasket, screen door, foam tape |
| 9. 683946 | BUG SEAL, edge of screen door close out |
| 380079 | Screen, gray |
| 200518 | Spline, gray, screen insert |
| 701624 | VELCRO LOOP 5/8" WIDE |
| 701625 | VELCRO HOOK, 5/8" WIDE |
| 381454 | Screen door hold back latch, Bullet |
| 386068 | MEDALLION 3" LOGO, AIRSTREAM |

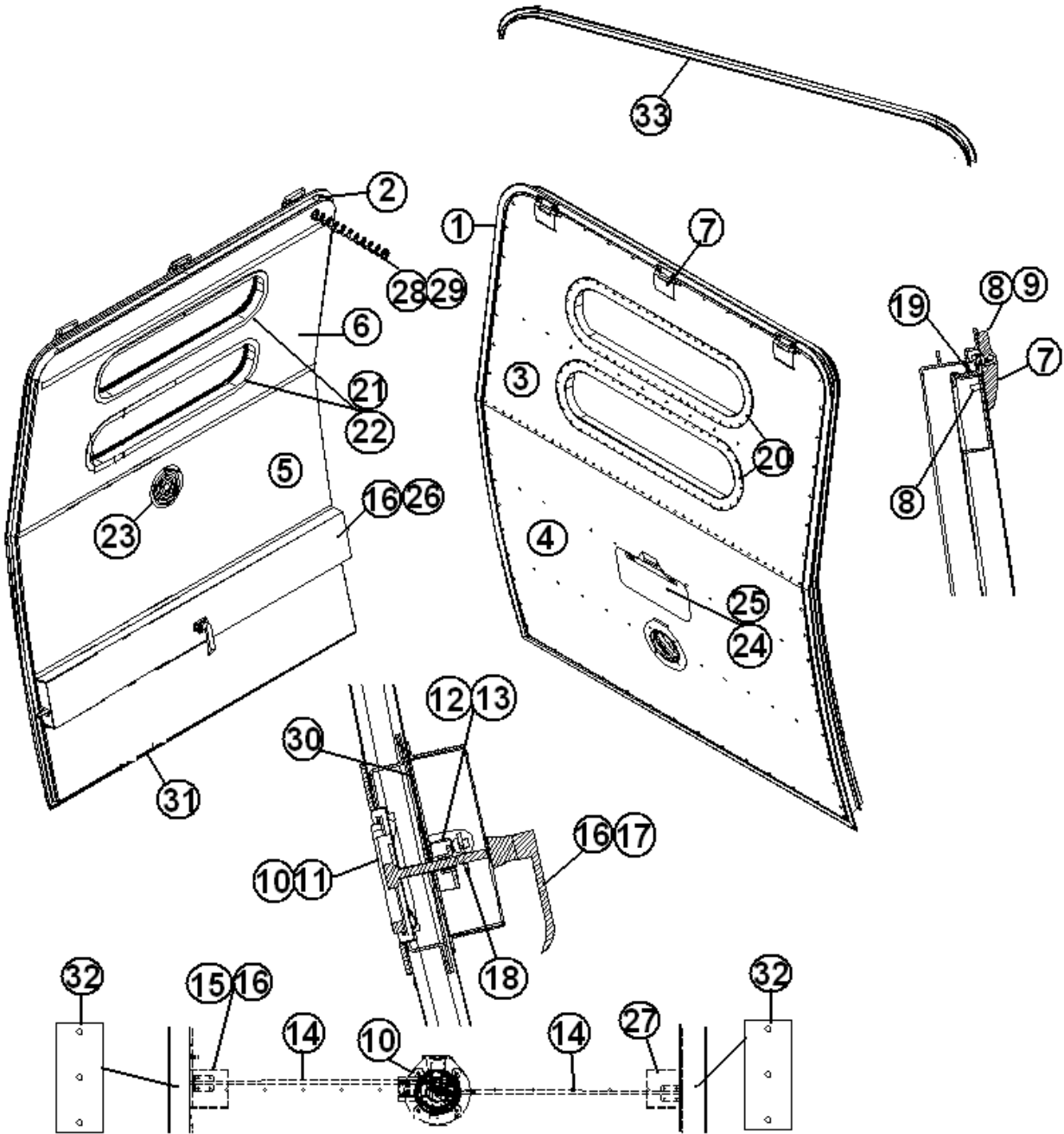
Screen Door Guard

- | | |
|-----------|----------------------------|
| 115171-01 | Guard, screen door, top |
| 115171-02 | Guard, screen door, bottom |

2009 PAN AMERICA TRAVEL TRAILER

DOORS, EXTERIOR

Cargo Door Assembly



Part numbers are on the next page.

2009 PAN AMERICA TRAVEL TRAILER

DOORS, EXTERIOR

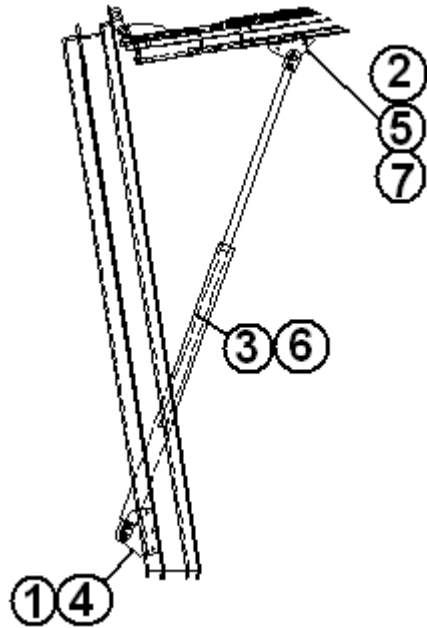
Cargo Door Assembly

967429	REAR CARGO DOOR
1. 115408	JAMB ASSY, REAR DOOR
2. 115449	WELDMENT, REAR DOOR FRAME
3. 115416	OUTER SKIN, UPPER REAR DOOR
4. 115417	OUTER SKIN, LOWER REAR DOOR
5. 115418	INNER SKIN, LOWER REAR DOOR
6. 115419	INNER SKIN, UPPER REAR DOOR
7. 382065	HINGE ASSY, DOOR
8. 345236	LOCKNUT, 1/4, 20 NYLON
9. 345235-05	SCREW, 1/4, 20 X 1.5", FH SS
10. 382018-10	HANDLE, LOCKING, D RING
11. 350147-19	NUT, NYLON LOCK
12. 382018-04	CENTER CASE, W/OVERRIDE
13. 345387	SCREW, 1/4, 14 X .75"
14. 382018-07	RODS, 48" SQUARE D RINGS
15. 382018-09	GUIDE, ROD
16. 320111	SCREW, #8 X 3/4", SD, PPH, SS
17. 382018-08	HANDLE, L, NON LOCK
18. 454571	BRACKET, RELEASE
19. 365232	SEAL, BAGGAGE DOOR
20. 371270-01	WINDOW, 30"
21. 372222-01	TRIM RING, STACK
22. 372225-01	TRIM RING, INNER SUPPORT
23. 500092	FLOODLITE & LENS
24. 511407	LICENSE PLATE HOLDER W/LIGHT, BLACK
25. 511407-01	GASKET, BLACK, FOR LICENSE PLATE LIGHT
26. 115452	CLOSEOUT, LATCH, REAR DOOR
27. 801816	SPACER, ROD GUIDES
28. 512340	CORD, COIL 3 WIRE
29. 512341	FITTING, INSERT, CORD CLAMP
30. 115453	PLATE, LATCH COVER
31. 382017	GASKET, .60" BULB SEAL, BLACK
32. 203655	BLOCK, ROD GUIDE
33. 115435	DOOR DRIP CAP, REAR DOOR

2009 PAN AMERICA TRAVEL TRAILER

DOORS, EXTERIOR

Cargo Door Struts

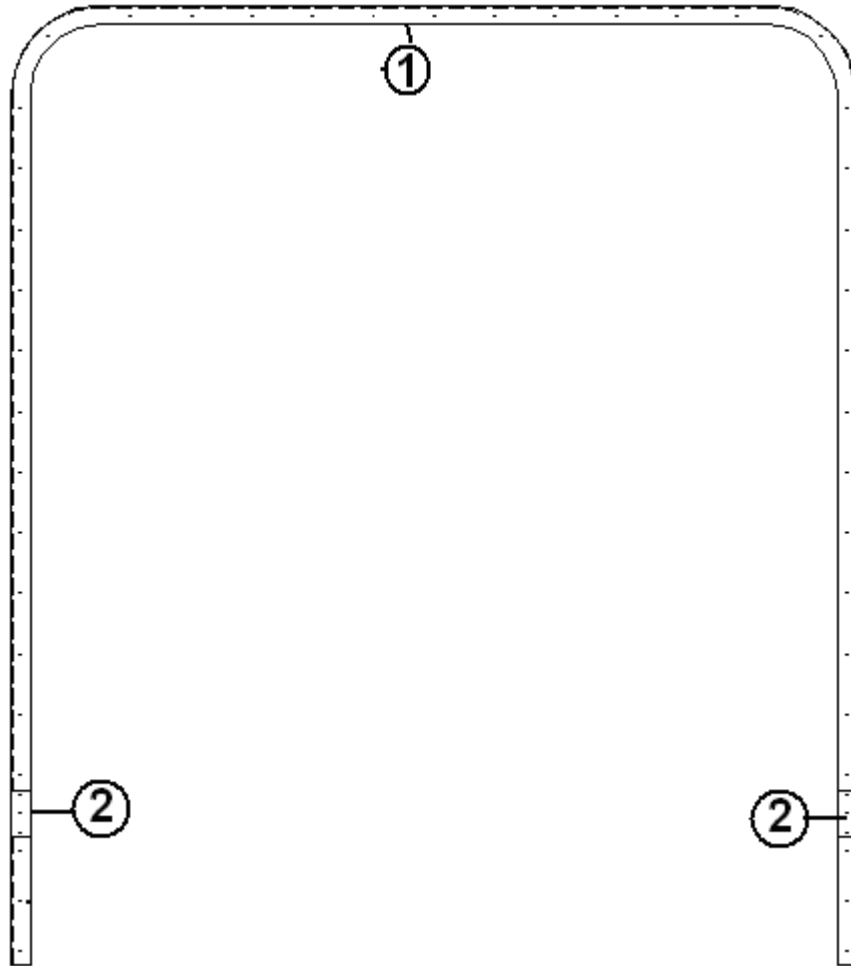


- | | |
|--------------|------------------------------|
| 1. 410967 | BRACKET, GAS ROD, REAR DOOR |
| 2. 381262 | BRACKET, PROP, W/BALL |
| 3. 382084-01 | SPRING, GAS 175# W/FITTINGS |
| 4. 330031-03 | RIVET, DOME HEAD, SSD64SSBS |
| 5. 330031-01 | RIVET, 3/16 X 5/8, SSD68SSBS |
| 6. 382084-02 | SOCKET, GAS ROD |
| 7. 300012 | WASHER, ALUMINUM, 3/16 ID |

2009 PAN AMERICA TRAVEL TRAILER

DOORS, EXTERIOR

Cargo Door Trim Ring



1. 115460

2. 203655

320116-06

320006

TRIM RING, REAR DOOR

BLOCK, ROD GUIDE .25" X 1.25" X 3"

BLACK PHILIP HEAD SCREW #8 X 1"

SCREW, SHEET METAL, 8 X 3/4"

2009 PAN AMERICA TRAVEL TRAILER

DOORS, EXTERIOR

Door, Refer Access

922243	ASSEMBLY, REFER ACCESS DOOR
922156	DOOR, REFER ACCESS
104417	JAMB, REFRIGERATOR ACCESS
104439	LOUVERED PANEL, REFER ACCESS DOOR
380988	HINGE, CONTINUOUS .5IN LEAF 16IN
203225	TRIM LOCK WHITE #1375 1/8 W-3
381812	LATCH TWIST CHROME

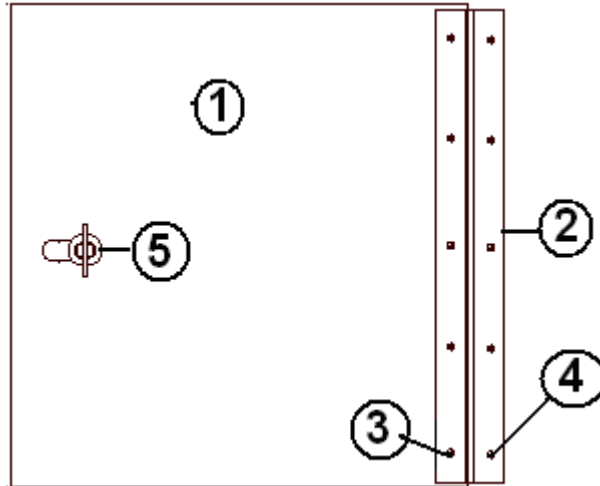
Access Door, Small, Side

100679-01	Small, access door assembly, rear or side
365035	Seal, side access door
380773	HINGE, ACCESS DOOR
380770	LOCK & CASTING ASSEMBLY
115295	SPACER, FORMED COMPARTMENT DOOR
115296	JAMB, FORMED COMPARTMENT DOOR

2009 PAN AMERICA TRAVEL TRAILER

DOORS, EXTERIOR

Access Door, Battery



- | | |
|--------------|-----------------------------------|
| 1. 410551-04 | LID BATTERY BOX |
| 2. 381430 | LOCK, TWIST, STRAIGHT CAM |
| 3. 380203-01 | PIANO HINGE 1/8", Battery box lid |
| 4. 381814 | NUT-WING 5/16 #1809 |
| 5. 381613 | PLASTISOL COVER-LP WING HANDLE |

Furnace Door

690274-09 Door exterior, Hydroflame

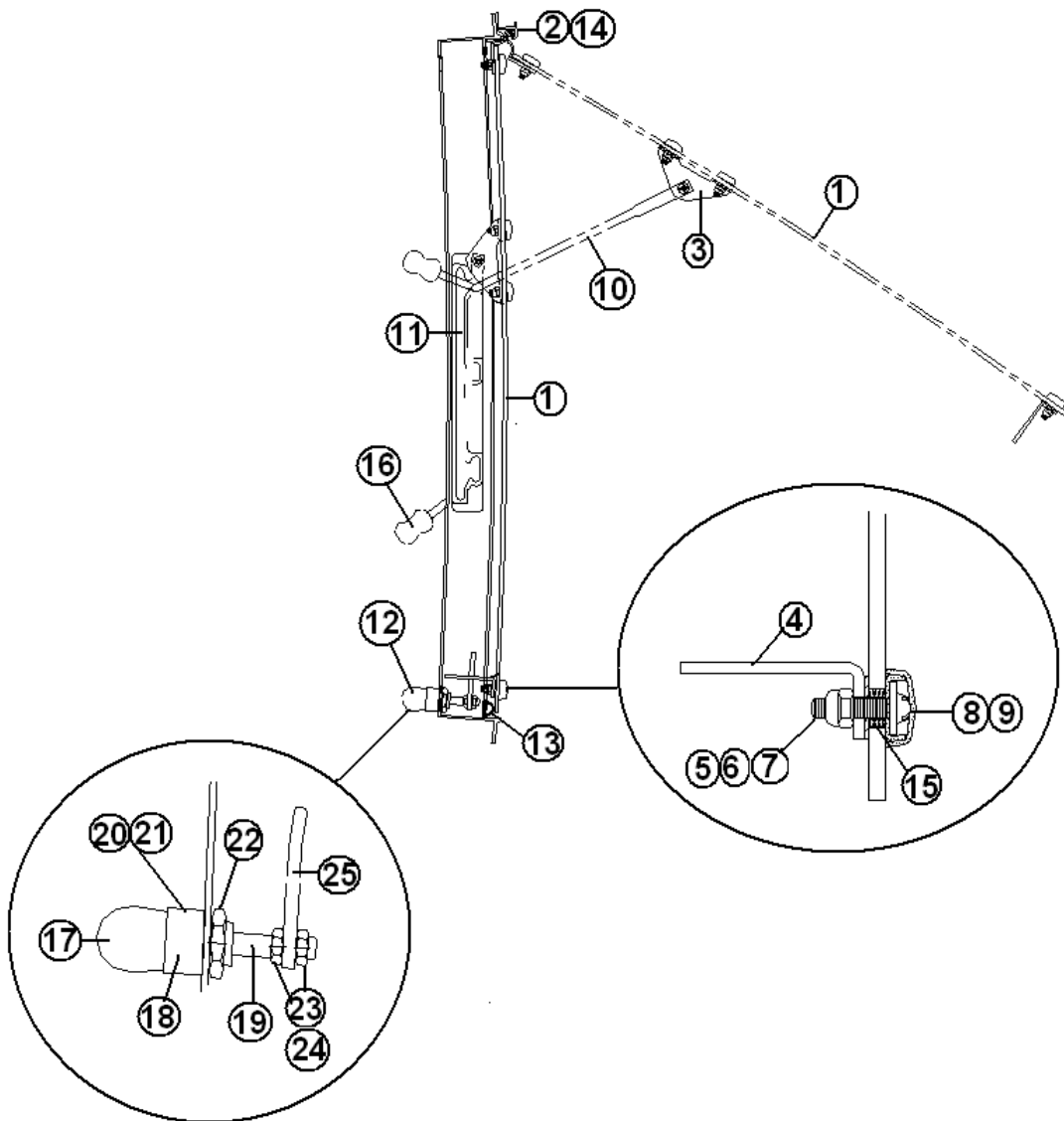
Main Door/Window Trim

371319-06 TRIM RING, MAIN DOOR WINDOW
114507-03 TRIM, MAIN DOOR

2009 PAN AMERICA TRAVEL TRAILER

WINDOWS/SCREENS

Opening Windows Diagram



Part numbers on next page

2009 PAN AMERICA TRAVEL TRAILER

WINDOWS/SCREENS

1. 371323-100	Glass w/hardware, 18" window
1. 371324-100	Glass w/hardware, 30" window
2. 371323-101	Hinge, 18" window
2. 371324-101	Hinge, 30" window
3. 1101-0010	Bracket, window prop
4. 685124	Striker plate, window latch
5. 0706-0004	Flat washer
6. 0703-0001	Screw, #8-32 x .625", black, SS
7. 0702-0010	Nut, Nylox, #8-32, black SS
8. 0802-0004	Screw cover, 12-12 #100, black
9. 0802-0005	Washer, 12-12 screw cover bottom
10. 100903	Operating arm, RH
10. 100903-01	Operating arm, LH
11. 0802-0001	Guide, operating arm, RH
11. 0802-0002	Guide, operating arm, LH
12. 010020	Latch assembly, chrome
13. 381665	Gasket seal
14. 0101-0017	Male hinge extrusion, 1/2" pc.
15. 0706-0003	Bushing, window, acrylic
16. 380230-03	Window arm knob, silver
16. 380230-04	Window arm knob, red
17. 1101-0005	Latch handle, chrome
17. 195467-05	Latch handle, red
18. 1101-0007	Latch body
19. 1101-0008	Latch shaft
20. 1101-0009	Latch spring
21. 0707-0002	Pin, drive lock, 5/32" x 5/8", zinc
22. 0702-0001	Nut, hex panel, 5/8"-24, zinc
23. 0702-0002	Nut, jam, hex, 5/16-24
24. 385123	Washer, flat, .53" OD x .328" ID
25. 685123	Latch paw

2009 PAN AMERICA TRAVEL TRAILER

WINDOWS/SCREENS

Windows and Screens

371269-01	WINDOW 18" STACK
371270-01	WINDOW 30" STACK
371400-01	WINDOW, MAIN DOOR
371323-01	WINDOW, 18" OPENING
371380	WINDOW, OPENING 30" TALL
195510-19	GLASS AND HARDWARE FOR 371380 WINDOW
371380-01	WINDOW, EGRESS, 30"
922770-02	VISTA VIEW, 30"
371346-02	WINDOW, FRONT END
372088-101	WINDOW, PANORAMIC, RS FRONT
372089-101	WINDOW, PANORAMIC, CS FRONT
372174-03	SCREEN, 18"OPENING WINDOW
371347-03	SCREEN-SQUARE FRT WINDOW
372215-01	SCREEN, 30"OPENING WINDOW TALL
372175-02	WINDOW SCREEN 30"
371424	WINDOW, PASSAGE DOOR

Window Screen Assembly

683946	SEAL, FUZZ GRY (SCREEN)
380079	Screen, gray
200518	Spline, gray, screen insert

Vista View Window, Trim, Shade, 30"

922770-02	VISTA VIEW, 30"
203490-04	TRIM RING, 30" VISTA VIEW
703462-04	SHADE, PULL 31.25" X 9.5", 30" VISTA VIEW
922772-02	BACKER, VISTA VIEW BLIND 30"

2009 PAN AMERICA TRAVEL TRAILER

WINDOWS/SCREENS

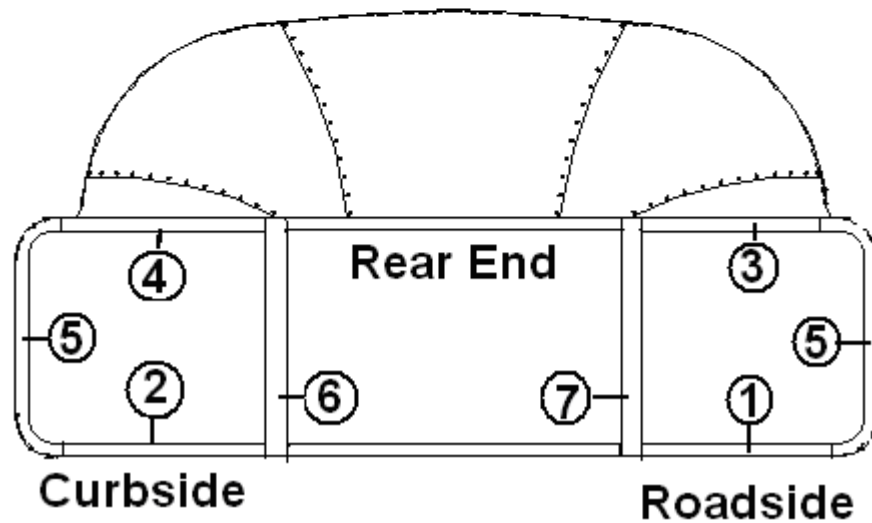
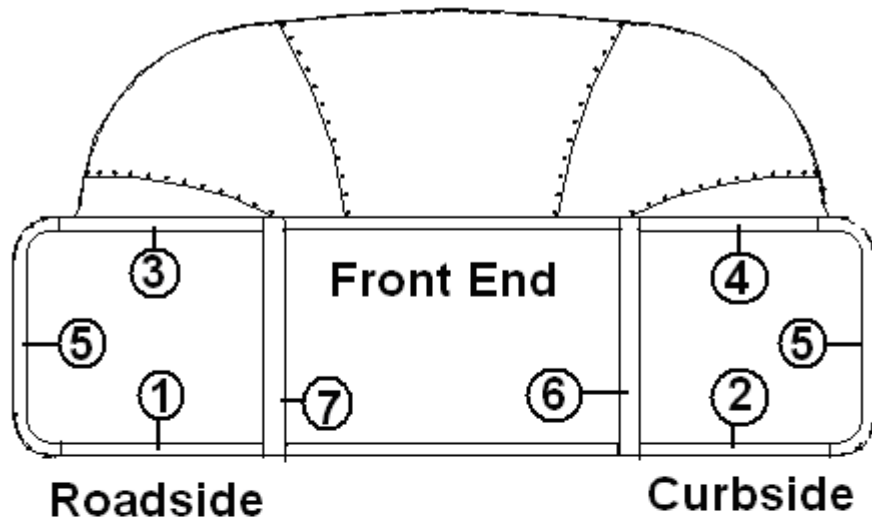
Stacked Window Trim

372225-01	TRIM RING INNER SUPPORT 30"
372222-01	TRIM RING, 30" STACK WINDOW CLEAR
372226	TRIM RING INNER SUPPORT 18"
372228	TRIM RING, 18"X 30" WINDOW
372223	TRIM RING, 18" STACK WINDOW CLEAR
372227	TRIM RING, INNER SPACER 18" X 30"
203225-01	TRIM, gray flexible, goes around window rings

2009 PAN AMERICA TRAVEL TRAILER

WINDOWS/SCREENS

Panoramic Window Trim



- | | |
|--------------|---------------------------|
| 1. 201579-02 | TRIM RING, LOWER, GRAY |
| 2. 201580-02 | TRIM RING, LOWER, GRAY |
| 3. 201581-05 | TRIM RING, UPPER, GRAY |
| 4. 201581-06 | TRIM RING, UPPER, GRAY |
| 5. 201578-02 | END CAP, TRIM RING GRAY |
| 6. 110900-03 | TRIM FORMED, ALUMINUM, RH |
| 7. 110900-04 | TRIM FORMED, ALUMINUM, LH |
| 203225-01 | TRIM LOK, GRAY .75" |

2009 PAN AMERICA TRAVEL TRAILER

WINDOWS/SCREENS

Window Stone Guard

110188-01	3-Piece Stone, Panoramic Windows, Wide Body
685275-101	CS wrap window solar protector, stone guard
685275-102	RS wrap window solar protector, stone guard
110102	Stone guard, center piece only, Wide Body
685358	Turn fast stud
685362	Retainer, split ring
685359	Rubber receptacle
685361	Bracket, rubber receptacle
685363	Slip joint hinge, SS, CS per pair
683960	Arm support
683959	Arm support bracket
114749	HINGE "Y" ASSY. (ROCKGUARD ASSY.)
114750	HINGE "J" (ROCKGUARD ASSY.)
685364	BRKT, UPPER HINGE-45.375-STONEGUARD
381021-01	Latch, draw flexible
114815-01	Extrusion, frame aluminum
685354	Front window key, 90-degree angle riveted to inside corner of metal frame
685378-01	¼" rubber spline
685351	Rubber frame, black
290812-01	Plexi-glass, 28" x 84 " sheet
685355	SLIP JOINT S.S.HINGE
101401	Extrusion, door latch housing
380291	LATCH ASSY SET
380290	Housing for latch 380291
201056	STRIKER, MAIN DOOR, PLASTIC, BLACK

2009 PAN AMERICA TRAVEL TRAILER

AWNINGS

Patio Awning

702993-28 AWNING, PATIO, 21' 4.5"
702993 HARDWARE, MOUTING ZIP DEE #HE-AS7
385577 TAPE, CLEAR, WEAR STRIP, 3.5" WIDE

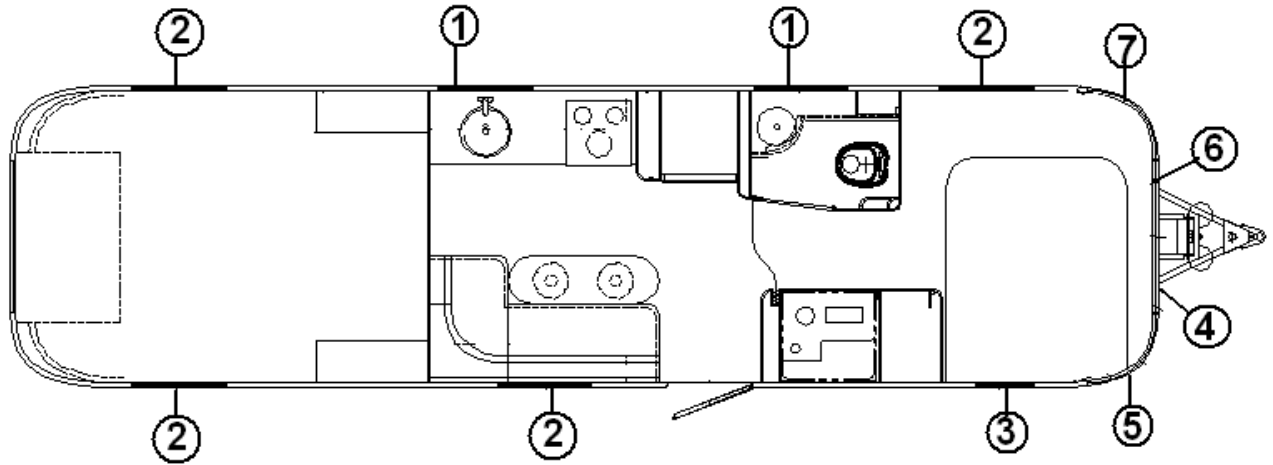
Window Awnings

703181-21 AWNING, WINDOW, 18' 6.25", #4607
703181-30 AWNING, 3' WINDOW, SATIN #4607
385577 TAPE, CLEAR, WEAR STRIP, 3.5" WIDE

2009 PAN AMERICA TRAVEL TRAILER

DRAPES/BLINDS

Drapes/Shades, 34'

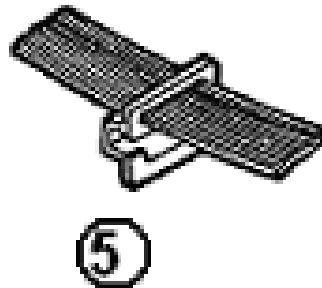
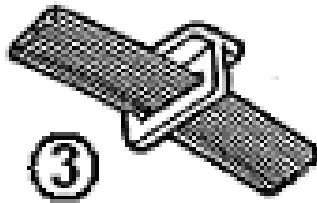


- | | |
|--------------|---|
| 1. 703700-02 | SHADE, 32.50" X 24.00"L |
| 2. 703700-04 | SHADE, 29.75"X34"L |
| 3. 703700-05 | SHADE, 19.00" X 34.00"L |
| 4. 998144-05 | DRAPE, CURBSIDE FRONT PANEL, 27" X 29" |
| 5. 998144-09 | DRAPE, CURBSIDE SIDE PANEL, 37" X 25.50" |
| 6. 998144-07 | DRAPE, ROADSIDE FRONT PANEL, 27" X29" |
| 7. 998144-11 | DRAPE, ROADSIDE SIDE PANEL, 37.00" X 25.50" |

2009 PAN AMERICA TRAVEL TRAILER

DRAPES/BLINDS

Drape Hardware



- | | |
|-----------|-----------------------------|
| 1. 101220 | Bracket, curtain stand off |
| 2. 101217 | Track, curtain |
| 3. 700044 | Glides, w/elastic, T" type |
| 4. 101225 | Bracket, curtain, stand off |
| 5. 700045 | Glides, w/elastic, "G" type |
| 6. 200785 | End, curtain track, LH |
| 7. 200784 | End, curtain track, RH |

2009 PAN AMERICA TRAVEL TRAILER

DRAPES/BLINDS

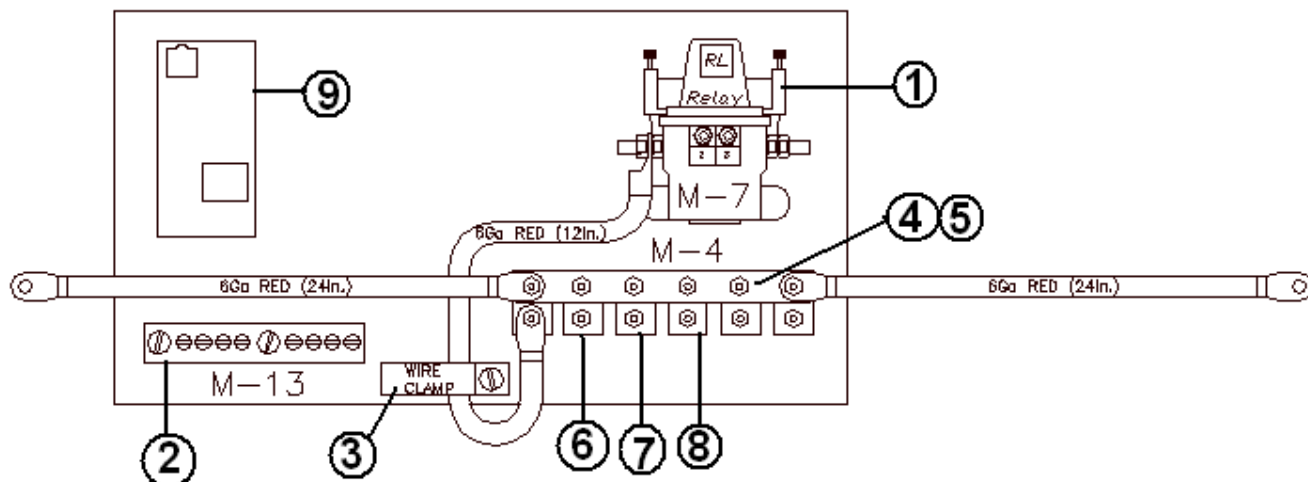
Drape Parts/Material

703774	NLA - FABRIC, EUROFLICKER SILVER
702761	FABRIC - ADAMO - HS/WHITE
700473	DRAPERY LINING, MARLINE WHITE, 48", WENGE
700013	PERMA TAPE #4813-3IN 100 YD ROLL
700045	GLIDES, CURTAIN, G3 W/ELASTIC
700005	FASTENER, CAP
700006	FASTENER SOCKET
700020	PILE VELCRO
700021	HOOK, VELCRO, WHITE
340030	FASTENER STUD NICKEL PLATED
100099	EXTR, ALUM. CURTAIN TRACK TOP

2009 PAN AMERICA TRAVEL TRAILER

ELECTRICAL, 110 VOLT

Converter/Electronic Kill Breaker Panel



- | | |
|--------------|--|
| 1. 511655-02 | BDO RELAY 100 AMP 12VOLT |
| 1. 511655-01 | SWITCH BEZEL, SILVER/BLACK |
| 1. 511655-05 | CABLE, BDO/1 30' |
| 2. 510743 | GROUND BAR, 3 1/2" LONG |
| 3. 340093-06 | CLIP, "J" VINYL COATED, 3/4" |
| 4. 510948-12 | BAR BUSS CIRCUIT BREAKER CONNECTION |
| 5. 510946-08 | BRCKT, 6PO, BREAKER, 12V, #8536-2 |
| 6. 510947-50 | BREAKER, 12V DC, TYPE II, #12V50 |
| 7. 510947-20 | BREAKER, 12V DC, TYPE II, #12V20 |
| 8. 510947-30 | BREAKER, 12V DC, TYPE II, #12V30 |
| 9. 511846 | KIT, CHARGER CONTROLLER, SOLAR PANEL |
| 511654-01 | POWER CENTER-110V/12V MAGNATEK |
| 510661 | Breaker, 20 amp. Square D GFI |
| 510662 | Breaker, 20 amp, double, Square D 2020 |
| 510663 | Breaker, 30amp, Square D, 0130 |
| 510666 | Breaker, 15/20 amps double |

2009 PAN AMERICA TRAVEL TRAILER

Interior/Exterior Receptacles

500563-01	Receptacle, 15 amp, white
500563-100	SCREW-WHITE FOR P/N 500563-01
382070	Non-skid rubber dot for 500563-01
511287	Receptacle, 15 amp, single
510676-01	Outlet, exterior, gray
511023	Circuit tester (loose item)
500967-01	COVER, BLANK, ELECTRICAL OUTLET, IVORY
511451-02	RECEPTACLE 20A SINGLE BROWN XL
511328	SWITCH COVER, 1 GANG PRINTED, WHITE

Junction Box

510014	BOX JUNCTION OCTAGON #54151-C
510015	BOX COVER #54C-1
510475	CLIP, GROUND
510110	CLAMPS ADHESIVE BACKED

2009 PAN AMERICA TRAVEL TRAILER

ELECTRICAL, 110 VOLT

Generator Prep, Optional

510562	SWITCH, GENERATOR SWITCH OVER AUTO TS
511416-02	POWER INLET, 30A, 125V, MALE
385062	DECAL 110-125 VOLTAGE AC

Inverter, 600 Watt

511968	INVERTER 600W W/REMOTE
511969-01	110A FUSE & FUSE BLACK
500039	GROUND LUG
511090	STUD-TYPE JUNCTION BLOCK
500563-01	RECEPTACLE, 15A 125V T & B TYPE
500563-100	SCREW-WHITE FOR P/N 500563-01
382070	Non-skid rubber dot for 500563-01
511451-01	RECEPTACLE 20A SINGLE WHITE XL
511286-03	WIRE, TELE.26GA FLAT RED#191824

Tester, 110 Volt Circuit Analyzer

511023	TESTER CIRCUIT ANALYZER 3 WIRE
--------	--------------------------------

2009 PAN AMERICA TRAVEL TRAILER

ELECTRICAL, 12 VOLT

Battery

511132	Battery, deep cycle, lead acid
511845	Battery, deep cycle, lead acid, solar charging option
500836	Positive battery cable
500837	Negative Battery cable
203415	BATTERY TRAY

Interior Lights

511695-01	SPOT LIGHT-SURFACE MOUNT HALOGEN BRIGHT
511971	LIGHT, 12V DLB W/SWITCH
511694-01	READING LIGHT-HALO.NICKEL/BRASS
511970	LIGHT, 12V SINGLE W/SWITCH
512169	LIGHT, 3 ARMS, DINETTE
511849	LIGHT, FLUORESENT, SURFACE MOUNT
511850	LIGHT, FLUORESENT, SURFACE MOUNT
511848	LIGHT, FLUORESENT, 13" RECESSED
511971	LIGHT, 12V, DOUBLE W/SWITCH
512171	LIGHT, RADIANCE, READING, ROUND
511410	LIGHT, SHOWER, INCANDESCENT, SINGLE
512336	LIGHT, SCONCE, WALL
115467	LIGHT SHADE, SCONCE
382100	TRIM, RUBBER EDGE, SCONCE LIGHT SHADE

Door Bell

511957	BEZEL-ROUND DOORBELL
511958	SWITCH-DR BELL W/6"LEADS
511966	DOOR BELL, BATTERY POWERDED WHITE BROWN
381663	GASKET, D-SEAL

2009 PAN AMERICA TRAVEL TRAILER

ELECTRICAL, 12 VOLT

Monitor System

511788-01	Monitor panel, CATCON Micropulse
511252	PLUG PHONE 4 CONDUCTOR
511789	SENSOR-TANK MONITOR #500-10050
511393	COUPLER-MODULAR EXTENSION 4 CONDUCTOR
511286	WIRE, FLAT TELEPHONE
511286-02	WIRE-TELEPHONE 26GA FLAT IVORY
511789-01	BOOT-SENSOR #500-20010-05

Solar Panel System

511845	BATTERY-12V DEEP CYC.GP.27 MAT
511142-01	PANEL-SOLAR 53 WATT VLX-53
511142-02	BRACKET-MOUNTING KIT SOLAR PANEL
512318	HOLDER W/1 AMP FUSE, IN-LINE
510696	HOLDER, FUSE, IN-LINE
510328	FUSE, AGC 10
385947	LABEL-10 AMP FUSE MAX
511846	KIT-CHARGE CONTROLLER DISPLAY
511851	CABLE- CAT 5E BLUE
511852	CONNECTOR- RJ45E

7-Way Cable/Breakaway Switch

500886-01	7-Way cable w/plug
510743	Ground bar, 3 1/2" long
511411	Junction box, 7 terminals
0300027	Break away switch, Bargman
454526	Bracket, breakaway switch

2009 PAN AMERICA TRAVEL TRAILER

ELECTRICAL, 12 VOLT

Switches

502056	Mounting plate, 12 volt switch
511327	Switch body w/rocker, single, white
511566-01	SWITCH COVER-2 GANG BLK-#10072
511567-01	SWITCH BODY W/ROCKER SW 2 GANG BLACK
511771	SWITCH, TWO GANG, WHITE
511566-02	Cover, switch, Printed, Two Gang, White
381541-11	SWITCH, ROOF VENT, WHITE
511669	SWITCH ASSY-SHOWER WHITE

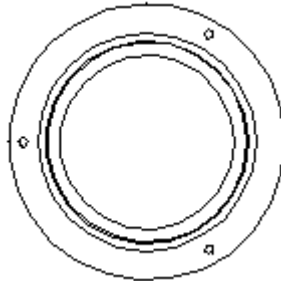
Exterior Lights

500092	Patio light, round, Signal Stat
14699WR	Bulb, patio light #1156
512252	Utility light (by main door), LED
510658	SWITCH W/WEATHER PROOF BOOT
510644	LIGHT, HALF SHADE
511407	License plate light/holder, Black
511407-01	Gasket, License plate light/holder
512227	Red LED clearance light
512227-01	Chrome base, red LED clearance light
512227-02	Sealed light bezel, red LED clearance light
512227-03	Foam gasket, red LED clearance light
512226	Amber LED clearance light
512226-01	Chrome base, amber LED clearance light
512226-02	Sealed light bezel, amber LED clearance light
512226-03	Foam gasket, amber LED clearance light

2009 PAN AMERICA TRAVEL TRAILER

ELECTRICAL, 12 VOLT

Taillight Assembly



- | | |
|-----------|----------------------------------|
| 511860-01 | Light, 4: LED, red |
| 511860-02 | Bezel, 4" round, chrome, w/visor |
| 381873 | Gasket, tail light |

12 Volt Outlet/Breaker

- | | |
|--------|------------------------------------|
| 510807 | Outlet, 12 volt |
| 511121 | Mounting plate, 12 volt receptacle |

2009 PAN AMERICA TRAVEL TRAILER

ENTERTAINMENT

Radio/Speakers/Antenna

511732	Radio AM/FM/CD, #CDX-CA400
512215-01	SPEAKER, 6.5", model SP65CO
512215-02	GRILL, 6.5", WHITE
511807	ANTENNA, AM/FM RUBBER 13"
512345	SWITCH, SPEAKER, A/B, BLACK

TV Antenna/Booster System

510788-01	Antenna, TV Wineguard, long boom
500484-04	ANTENNA LEAD & EXTENSION 48"
510788-03	Amplifier, TV antenna
510788-04	Hardware package, interior, Winegard
510612	Coax, 75 ohm, standard
510623	Connector, coax, male to male
510616	F CONNECTOR, COAX, 75 OHM
114396	Trough, TV antenna, roof

TV/Telephone Jacks/Wiring

511375	JACK MODULAR TELEPHONE TA-1020
500996	Jack, TV/phone, gray, Exterior
510654	TV jack/12 volt w/splitter
104619	Mounting plate, exterior telephone/TV jack
510174	TELEPHONE WIRE
511534	DUAL COAX PLATE, WHITE, TT
511817	COUPLER ASSY-IN LINE PHONE JACK

TV Hookup Blank Plate

512025-01	V JUNCTION DEVICE, SELF CONTAINED, WHITE
512025-02	PLATE, SNAP ON, ONE GANG SCD, WHITE

2009 PAN AMERICA TRAVEL TRAILER

ENTERTAINMENT

Satellite Radio w/XM System

512220 SATELLITE RADIO SYSTEM, XM SKYF12
511862 SWITCH, SOURCE SELECTOR, # XA-300
512142 FUSE, GLASS, SLOW BLOW, 2 AMP
512142 FUSE, GLASS, SLOW BLOW, 2 AMP

Satellite Radio w/Sirius System

511866-05 KIT-SIRIUS SATELLITE RADIO
511866-01 SATELLITE RADIO RECEIVER, SIRUS
511866-02 SATELLITE RADIO KIT-HOME ADAPTER
511866-03 BRACKET, DOCKING STA.RECEIVER MTG
511866-04 PLANE-ANTENNA GROUND
511863-02 A/B Selector Switch Kit
511862 SWITCH-SOURCE SELECTOR #XA-300
512142 Fuse, Slow blow, 2-amp
511926 AUXILLARY AUDIO SWITCHER, JVC

2009 PAN AMERICA TRAVEL TRAILER

ENTERTAINMENT

Audio Upgrade Package

511191	CD changer, 10 unit, Sony CDX-434RF
512215-01	SPEAKER, 6.5", model SP65CO
512215-02	GRILL, 6.5", WHITE
511822	SUB WOOFER-POWERED 6.5" WEDGE
511834	PATCH CORD, 30' DUAL, MALE TO MALE
511863-01	MODULE, SPEAKER CONTROL
511863-02	SPEAKER CONTROL MODULE-RLM SERVER

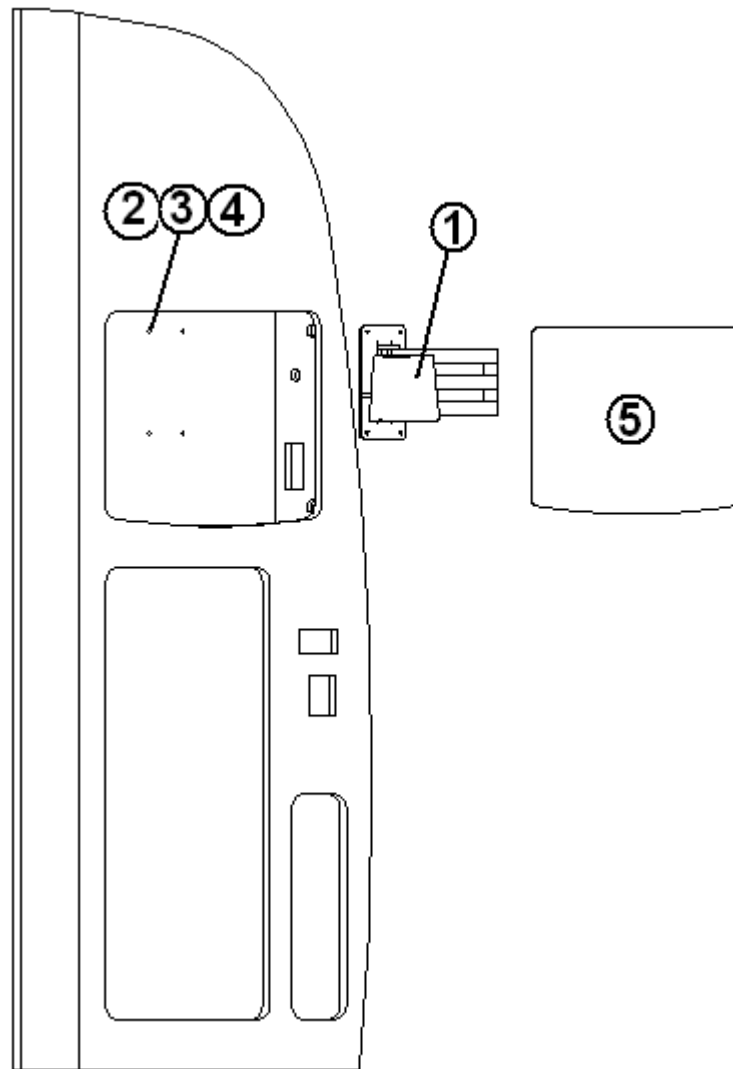
Audio/Video Upgrade Package

512059	RADIO AM/FM/CD/DVD
512215-01	SPEAKER, 6.5", model SP65CO
512215-02	GRILL, 6.5", WHITE
511822	SUB WOOFER-POWERED 6.5" WEDGE
511191	CD changer, 10 unit, Sony CDX-434RF
511834	PATCH CORD, 30' DUAL, MALE TO MALE
511863-01	MODULE, SPEAKER CONTROL,
511863-02	SPEAKER CONTROL MODULE-RLM SERVER
511646	PATCH CORD, 3-WAY, 20" RCA
511703	CORD-PATCH MALE/MALE 2-WAY 20'

2009 PAN AMERICA TRAVEL TRAILER

ENTERTAINMENT

TV & Bracket Installation, 34'



1. 512293
2. 345461
3. 300072-05
4. 690590
5. 350189

1. MOUNT, TV DOUBLE ARM, TOUCH LOCK
2. SCREW, 1/4-20, HEX FLANGE CAP
3. WASHER, LOCK, 5/16 I.D. X 19/32
4. TV, LCD, HD, COLOR STEREO, 19" SAMSUNG
5. NUT, TEE, 6 PRONGS, 1/4-20

2009 PAN AMERICA TRAVEL TRAILER

FASTENERS

Rivets



325043(hard)
325000 (soft)
Rivet, buck type
dia. 1/8"
length 1/4"



325000-01
Rivet, buck type
dia. 1/8"
length 1/4"
anodized clear



325000-03
Rivet, buck type
dia. 1/8"
length 1/4"
anodized white



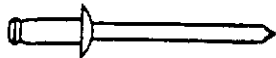
325001-01
Rivet, buck type
dia. 1/8"
length 5/16"
anodized clear



325002
Rivet, buck type
dia. 1/8"
length 3/8"
anodized clear



325004-01
Rivet, buck type
dia. 1/8"
length 1/2"
anodized clear



330129-08 Brown
dia. 1/8"
grip range .063-.125
aluminum body
aluminum mandrel



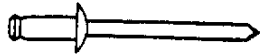
300101
1/8" I.D.
washer, aluminum

*Common bolts and screws readily available at local hardware outlets have not been listed.

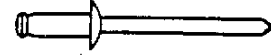
2009 PAN AMERICA TRAVEL TRAILER

*FASTENERS

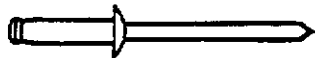
Rivets



330126-02
rivet, pop
dia. 1/8 "
grip range .126-.187
stainless steel
stainless steel mandrel



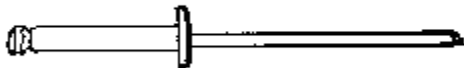
330126-03
rivet, pop
dia. 1/8 "
grip range .126-.250
body stainless steel body
stainless steel mandrel



330148
rivet, pop
AD43-45ABS
grip range .251-.312
aluminum body
aluminum mandrel



330128-050
rivet, pop
dia. 1/8"
grip range .251-.312
aluminum body, white
aluminum mandrel



330038
rivet, pop
dia. .150 (#20 bit)
grip range .126-.250
Aluminum body
aluminum mandrel
(used-screen door hinge)



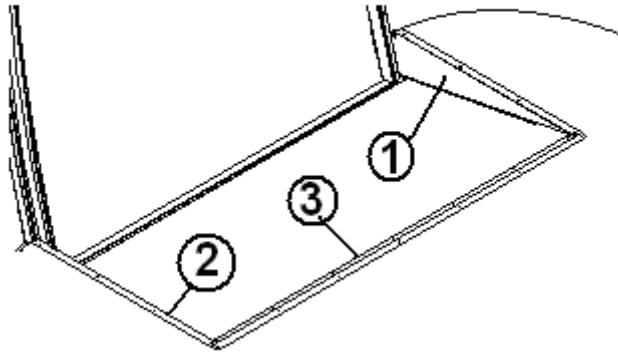
325103
dia. 1/4"
grip range .080-.325
SS body, steel mandrel

*Common bolts and screws not listed.

2009 PAN AMERICA TRAVEL TRAILER

FLOOR

Cargo Floor Ramp Trim



- | | |
|--------------|------------------------|
| 1. 454699 | CLOSEOUT, LH SIDE RAMP |
| 2. 454699-01 | CLOSEOUT, RH RAMP SIDE |
| 3. 454699-02 | CLOSEOUT, RAMP FRONT |

Floor Sub-Structure

- | | |
|-----------|-------------------------------------|
| 800976-01 | PLYWOOD TONGUE & GROOVE 19/32 X 97" |
| 345073-21 | 1/4-20 X 3 SCREW WAFERHEAD |
| 100986 | EXTRUSION, FLOOR |
| 300023-02 | WASHER, HOLD DOWN-HOLE OFFSET |
| 345084 | SCREW-1/4-14X1 THREAD. CUTTING |

Floor Covering

- | | |
|-----------|--|
| 703766 | FLOORING, VINYL, BEAU-YASMINE 90 |
| 703769 | FLOORING, TUFF PLY, GREY, 102"WIDE, GARAGE |
| 703769-01 | ADHESIVE-#3080 WATERBASE TPO |
| 702665 | Rug cushion, non-slip |
| 702549 | MATT ENTRANCE W/AIRSTREAM LOGO |
| 701538 | CARPET, ECONOLIER VELOUR BLACK 48" |

2009 PAN AMERICA TRAVEL TRAILER
FURNITURE, INTERIOR DOORS/DRAWERS/MIRRORS

Drawer Slides

381773-15 DRAWER SLIDE-5.875"X 15.75"(PAIR)

Drawer Boxes

965560-05 DRAWER BOX, 5.63" X 16.5" X 15.25"

Mirrors

371423 MIRROR, WALL MOUNT NICKEL

371423-01 RETAINER CLIP, MIRROR 1.88"

381241-009 TV SHELF, BLACK FRAME W/MIRROR

Furniture/Cushion Batting

701538-01 CARPET, ECONOLIER W/PSA BACKING, used on
furniture

703347 FABRIC-CHARCOAL TWEED, used on cushions

Doors

703626-01 SHOWER DOOR, BRUSHED NICKEL

967431 DOOR, PASSAGE, CARGO AREA

115464 DOOR, 20 X 15.25, CARGO AREA CABINETS

967245 DOOR, TAMBOUR, 16.63" X 8.5", ROOF LOCKER

Doors, Foldette

702681-01 DOOR, FOLDETTE, 36"X 73" GREY

381563-01 TRACK, FORMED FOLDETTE DOOR

381581 STRAP, CLEAR PLASTIC, .75"W

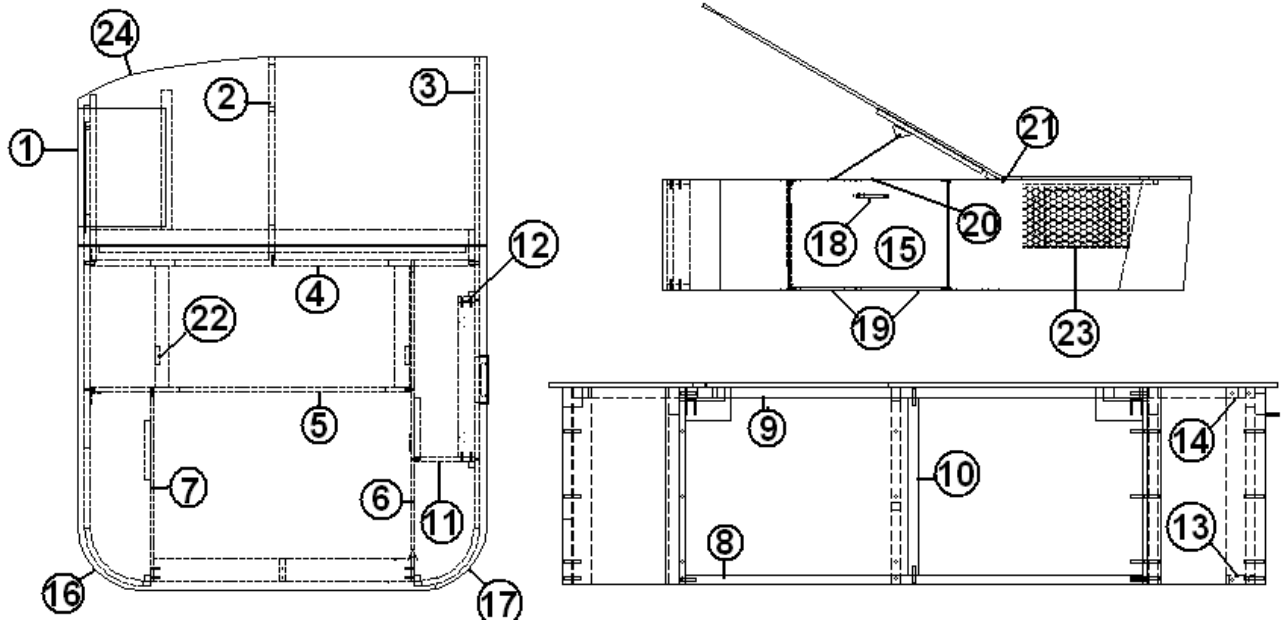
700811 BUTTON CAP

700812 BUTTON BOTTOM

2009 PAN AMERICA TRAVEL TRAILER

FURNITURE, BEDROOM

Bed Base, 34'



Part numbers are on the next page.

2009 PAN AMERICA TRAVEL TRAILER

FURNITURE, BEDROOM

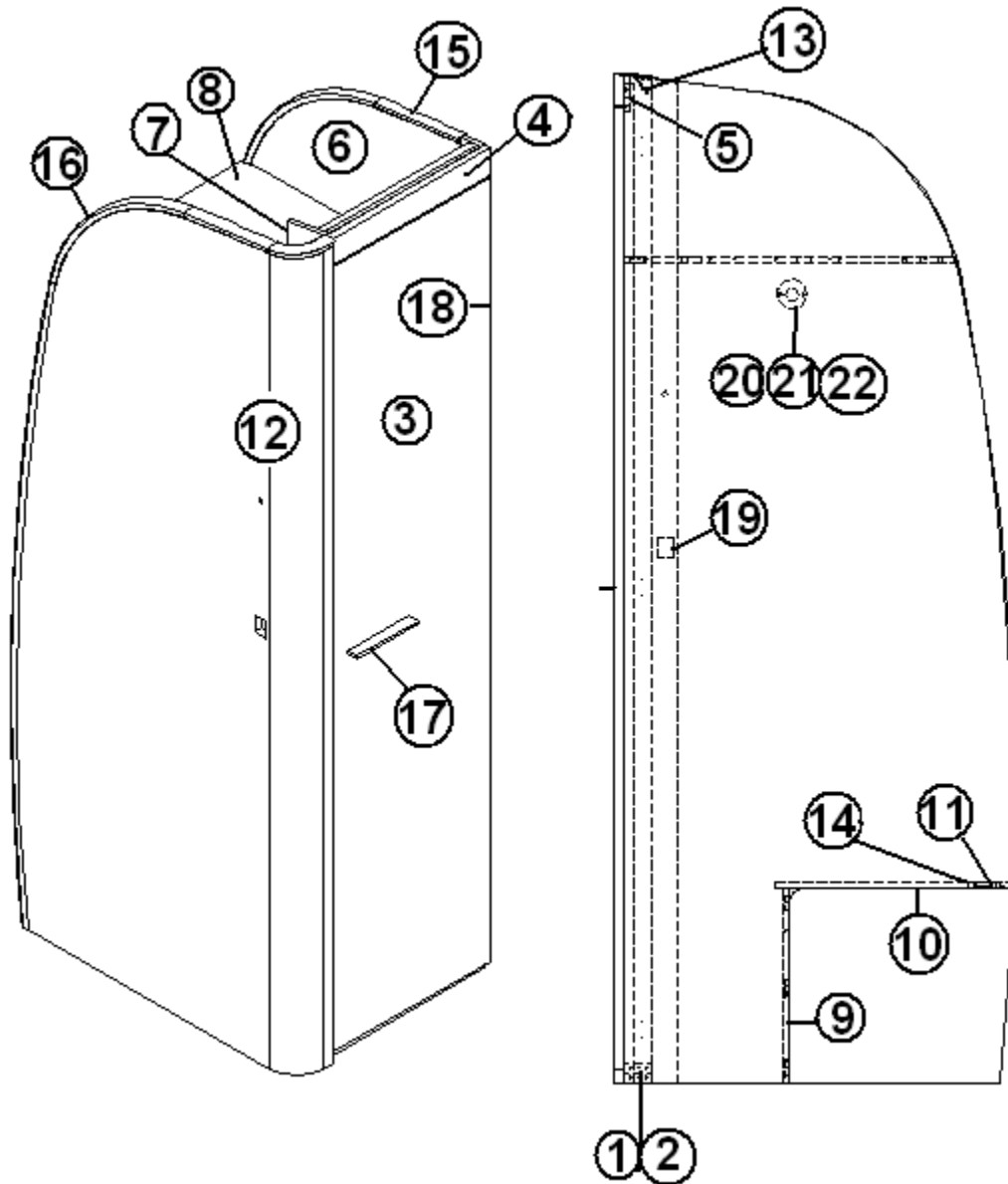
Bed Base, 34'

967264-07	BED ASSEMBLY
1. 967264-071	PANEL, BED, 15.13 X 46.62
2. 967264-072	PANEL, BED, 15.13 X 27.80
3. 967264-073	PANEL, BED, 15.13 X 33.11
4. 967264-074	PANEL, BED, 15.13 X 52.50
5. 967264-075	PANEL, BED, 15.13 X 43.81
6. 967264-076	PANEL, BED, 15.13 X 43.00
7. 967264-077	PANEL, BED, 15.13 X 25.75
8. 967264-078	PANEL, BED, 3 X 35.13
9. 967264-079	PANEL, BED, 3 X 35.13
10. 967264-0710	PANEL, BED, 3 X 13.63
11. 967264-0711	PANEL, BED, 8.19 X 15.13
12. 967264-0712	PANEL, BED, 2.25 X 15.13
13. 967264-0713	PANEL, BED, 21 X 2.25
14. 967264-0714	PANEL, BED, 21 X 2.25
15. 967264-0718	PANEL, BED, 14.25 X 21.63
16. 967200-07	CORNER, BED SUB ASSY.
17. 967265-07	CORNER SUB ASSY.
18. 382038	HANDLE, 6.69", SILVER
19. 381607	HINGE, GRASS EURO
20. 381228-01	CATCH, DOOR, GRABBER
21. 380203-01	PIANO HINGE 1/8" PIN CLEAR ANODIZED
22. 114812	ALUMINUM ANGLE, 1.00 X 1.00
23. 453783-05	GRILL SCREEN
24. 115151	ANGLE, BED SUPPORT, 43"

2009 PAN AMERICA TRAVEL TRAILER

FURNITURE, BEDROOM

Wardrobe, 34'



Part numbers are on the next page.

2009 PAN AMERICA TRAVEL TRAILER

FURNITURE, BEDROOM

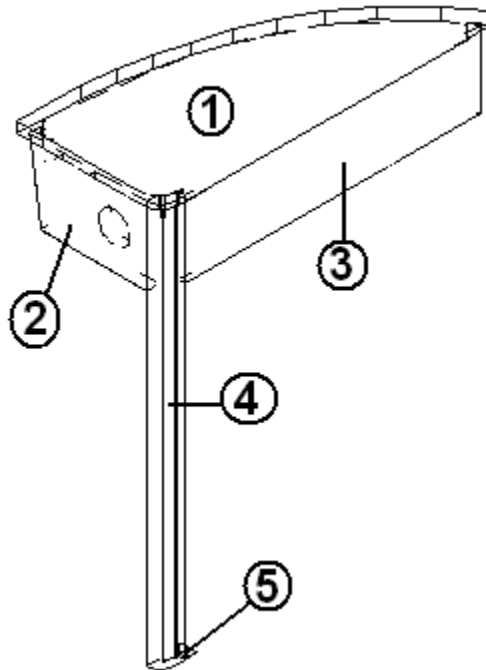
Wardrobe, 34'

967296-07	CABINET, WARDROBE
1. 967296-071	PANEL, WARDROBE 2.25 X 16.63
2. 967296-072	PANEL, WARDROBE 2.25 X 16.63
3. 967296-073	PANEL, WARDROBE 17.25 X 75.00
4. 967296-074	PANEL, WARDROBE 17.25 X 2.50
5. 967296-075	PANEL, WARDROBE 16.63 X 3.00
6. 967296-076	PANEL, WARDROBE 30.3 X 78.71
7. 967296-077	PANEL, WARDROBE 4.25 X 78.71
8. 967296-078	PANEL, WARDROBE 20.31 X 26.00
9. 967296-079	PANEL, WARDROBE 20.31 X 15.13
10. 967296-0710	PANEL, WARDROBE 20.19 X 15.00
11. 967296-0711	PANEL, WARDROBE 3.5 X 20.31
12. 967297-07	SUB ASSEMBLY, WARDROBE
13. 114812	ALUMINUM ANGLE, 1.00 X 1.00
14. 380203-01	PIANO HINGE, 1/8" PIN, CLEAR, ANODIZED
15. 203138-01	EXTRUSION, PLASTIC WALL, WHITE
16. 203464-01	TRIM PANEL, OAK, 3/4"
17. 382038	HANDLE, 6.69", SILVER
18. 381607	HINGE, GRASS EURO
19. 381228-01	CATCH, DOOR, GRABBER
20. 380045	TUBING, 3/4"
21. 380046	FLANGE CHROME
22. 200975-04	CONDUIT, FLEXIBLE BLACK PLASTIC
381241-009	TV SHELF, BLACK FRAME, W/MIRROR

2009 PAN AMERICA TRAVEL TRAILER

FURNITURE, BEDROOM

Nightstand, 34'



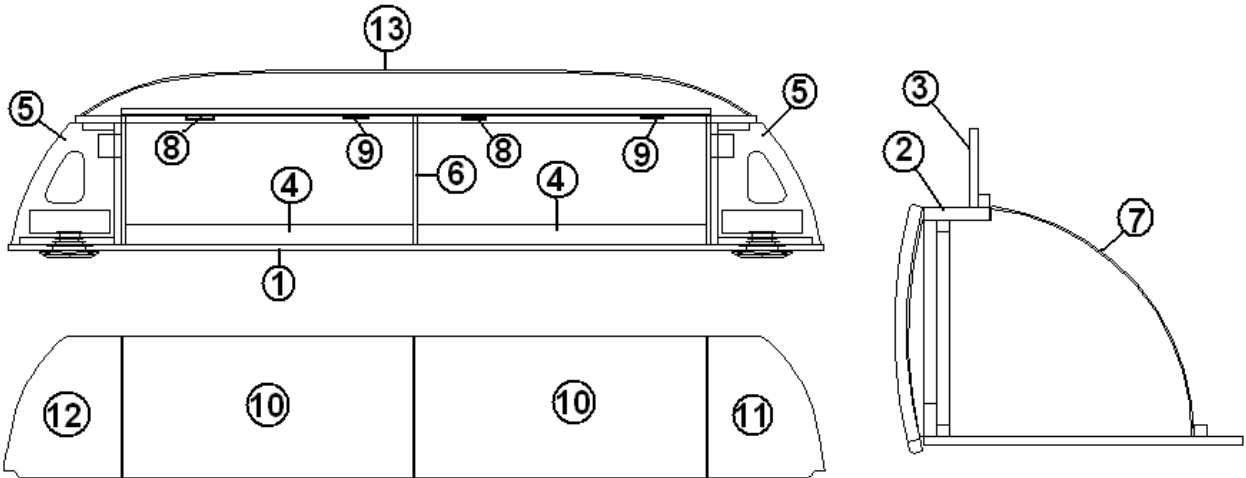
- 966899-07
- 1. 966899-071
- 2. 966899-072
- 3. 966899-073
- 4. 801706-0014
- 5. 380041

- Nightstand,
- Panel, 9.38 x 21.19
- Panel, 7.63 x 5.00
- Panel, 18.75 x 5.00
- Corner trim, 90 degree radius
- Corner bracer

2009 PAN AMERICA TRAVEL TRAILER

FURNITURE, BEDROOM

Roof Locker, Bedroom

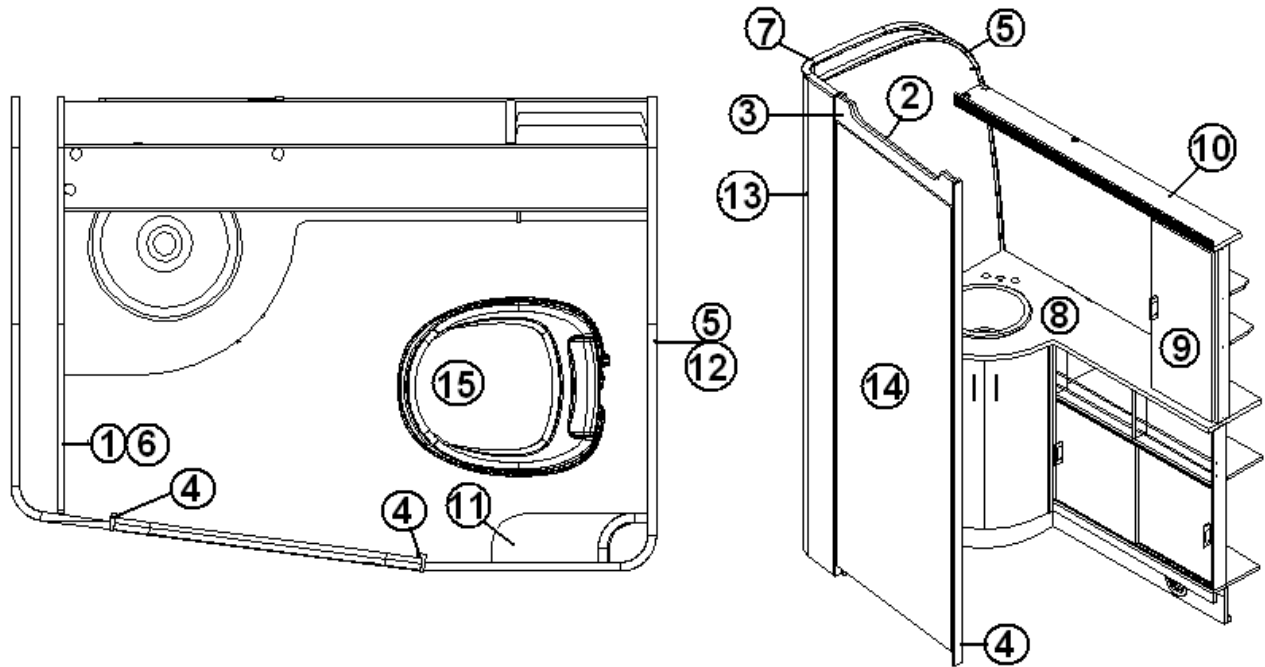


967449-07	ROOF LOCKER END W/O LIGHTS
1. 967448	BOTTOM, ROOF LOCKER, W/O LIGHTS
2. 967280	TOP, ROOF LOCKER, 4.00 X 75.00
3. 967281	HEADER, ROOF LOCKER, 4.75 X 73.50
4. 967282	STILE, ROOF LOCKER, 2.25 X 31.22
5. 967283	SUPPORT, ROOF LOCKER END, 12.00 X 13.25
6. 967277-01	DIVIDER, RH ROOF LOCKER, 17.33 X 13.93
7. 967449-079	PANEL, 22.00 x 64.00
8. 381840-01	HINGE, OVERHEAD SPRING, LH
9. 381840-02	HINGE, OVERHEAD SPRING, RH
10. 801786-0214	DOOR PLYFORM, 15.25 X 31.63
11. 801786-0514	DOOR PLYFORM, 15.25 X 12.50, RH
12. 801786-0614	DOOR PLYFORM, 15.25 X 12.50, LH
13. 201673-01	MOLDING, OAK COVE, .43", OAK

2009 PAN AMERICA TRAVEL TRAILER

FURNITURE, BATH

Bath Module, 34'

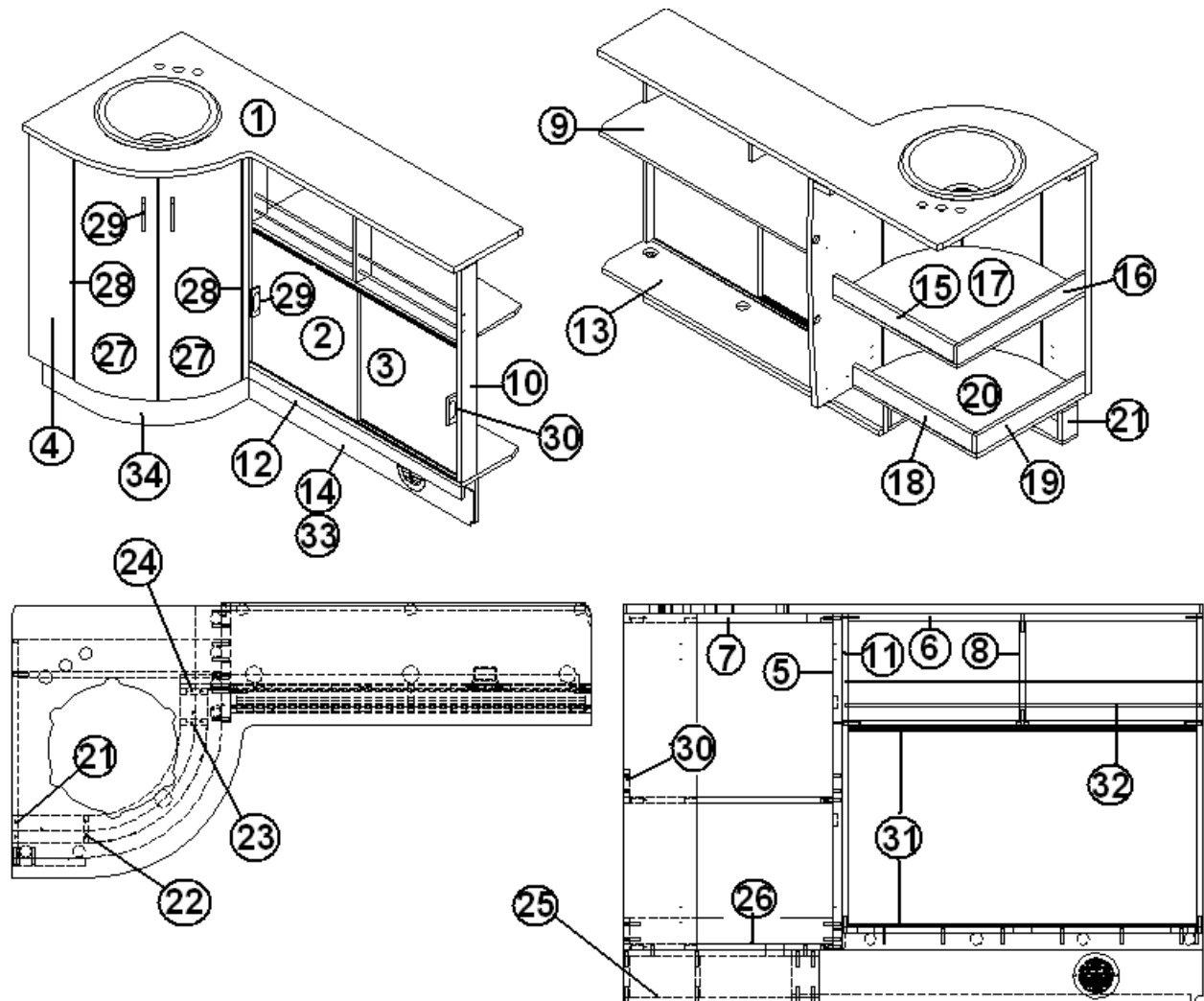


- | | |
|----------------|----------------------------------|
| 1. 111735-071 | PANEL, BATH MODULE 34.9 X 78.92 |
| 2. 111735-072 | PANEL, BATH MODULE 26 X 4 |
| 3. 111735-073 | PANEL, BATH MODULE 26 X 4 |
| 4. 801665-0014 | MOLDING, DOOR JAMB |
| 5. 203464-01 | TRIM, PANEL, OAK, 3/4" |
| 6. 203138-04 | EXTRUSION, PLASTIC, 1/2", OAK |
| 7. 201673-01 | MOLDING, OAK COVE .43", OAK |
| 8. 967353-07 | LAVATORY CABINET |
| 9. 967354-07 | LAVATORY CABINET, UPPER |
| 10. 967355-07 | SHELF, LAVATORY |
| 11. 967356-07 | CLOSEOUT, BATH |
| 12. 967357-07 | PANEL, FORWARD BATH |
| 13. 967358-07 | PANEL, AFT BATH MODULE |
| 14. 966939 | DOOR, BATH, 25.50 X 72.00 |
| 15. 690495 | TOILET, THETFORD, AQUAMAGIC V-LO |

2009 PAN AMERICA TRAVEL TRAILER

FURNITURE, BATH

Lavatory Cabinet, 34'



Part numbers are on the next page.

2009 PAN AMERICA TRAVEL TRAILER

FURNITURE, BATH

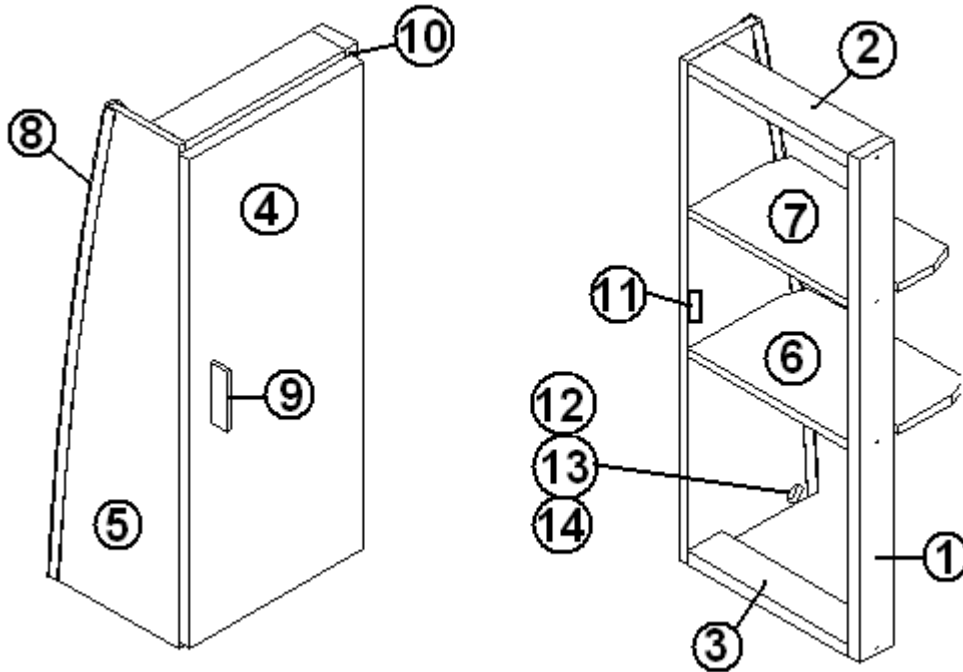
Lavatory Cabinet, 34'

967353-07	CABINET, LAVATORY
1. 967353-071	PANEL, LAVATORY CABINET, 23 X 49
2. 967353-072	PANEL, LAVATORY CABINET, 15 X 16.63
3. 967353-073	PANEL, LAVATORY CABINET, 15 X 16.63
4. 967353-074	PANEL, LAVATORY CABINET, 6.25 X 28.5
5. 967353-075	PANEL, LAVATORY CABINET, 10.13 X 28.5
6. 967353-076	PANEL, LAVATORY CABINET, 2.25 X 28.5
7. 967353-077	PANEL, LAVATORY CABINET, 21.33 X 17.75
8. 967353-078	PANEL, LAVATORY CABINET, 2.25 X 8.38
9. 967353-079	PANEL, LAVATORY CABINET, 30.5 X 9.25
10. 967353-0710	PANEL, LAVATORY CABINET, 2.25 X 26.5
11. 967353-0711	PANEL, LAVATORY CABINET, 2.25 X 26.5
12. 967353-0712	PANEL, LAVATORY CABINET, 30.5 X 1.5
13. 967353-0713	PANEL, LAVATORY CABINET, 8.63 X 30.5
14. 967353-0714	PANEL, LAVATORY CABINET, 6 X 34.75
15. 967353-0717	PANEL, LAVATORY CABINET, 2.25 X 3.5
16. 967353-0718	PANEL, LAVATORY CABINET, 2.25 X 18.5
17. 967353-0719	PANEL, LAVATORY CABINET, 17.75 X 21.5
18. 967353-0720	PANEL, LAVATORY CABINET, 2.25 X 17.25
19. 967353-0721	PANEL, LAVATORY CABINET, 2.25 X 15.75
20. 967353-0722	PANEL, LAVATORY CABINET, 17.75 X 15.75
21. 967353-0723	PANEL, LAVATORY CABINET, 2.25 X 3.5
22. 967353-0724	PANEL, LAVATORY CABINET, 2.25 X 3.5
23. 967353-0725	PANEL, LAVATORY CABINET, 2.25 X 3.5
24. 967353-0726	PANEL, LAVATORY CABINET, 2.25 X 3.5
25. 967353-0727	PANEL, LAVATORY CABINET, 13 X 16.5
26. 967353-0728	PANEL, LAVATORY CABINET, 13 X 16.5
27. 801788-0114	DOOR, PLYFOAM, 9.18 X 28.25
28. 381607	HINGE ASSY.
29. 382038-01	HANDLE, 3.35", SILVER
30. 381228-01	CATCH, GRABBER, DOOR
31. 115374	EXTRUSION, SLIDING DOOR TRACK, .5"
32. 11504	ROD, .25" ALUMINUM, 6' LENGTH
33. 115438-01	TOEKICK, LAVATORY CABINET, 32.5"
34. 115438-02	TOEKICK, LAVATORY CABINET, 25.25"

2009 PAN AMERICA TRAVEL TRAILER

FURNITURE, BATH

Lavatory Cabinet, Upper, 34'



967354-07

CABINET ASSY-UPPER LAVATORY

1. 967354-071

PANEL, UPPER LAVATORY, 2.25 X 28.5

2. 967354-072

PANEL, UPPER LAVATORY 2.25 X 10.5

3. 967354-073

PANEL, LAVATORY CABINET, 2.25 X 10.5

4. 967354-074

PANEL, LAVATORY CABINET, 11.31 X 27.63

5. 967354-075

PANEL, LAVATORY CABINET, 8.29 X 28.5

6. 967354-076

PANEL, LAVATORY CABINET, 11.25 X 7.38

7. 967354-077

PANEL, LAVATORY CABINET, 11.25 X 6.25

8. 203138-04

EXTRUSION, PLASTIC, 1/2" OAK

9. 382038

HANDLE, 6.69", SILVER

10. 381607

HINGE ASSY

11. 381228-01

CATCH, GRABBER, DOOR

12. 382057

KNOCKDOWN, 8MM

13. 320151

SCREW, #6 X 3/4", ROUND WASHER

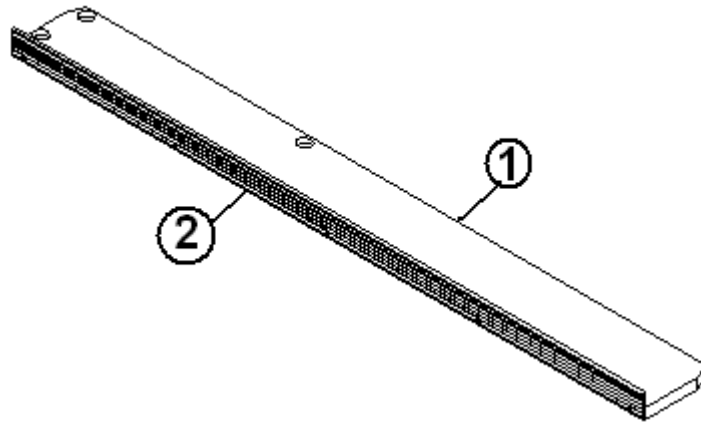
382057-04

CAP, KNOCKDOWN WHITE

2009 PAN AMERICA TRAVEL TRAILER

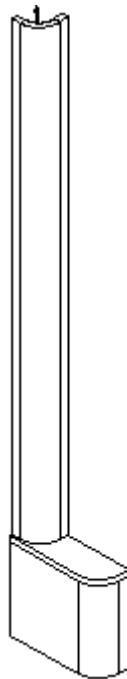
FURNITURE, BATH

Shelf, Lavatory, 34'



967355-07 SHELF, LAVATORY
1. 967355-071 PANEL, LAVATORY SHELF
2. 114869 EXTRUSION, THRESHOLD

Close Out, Bath, 34'

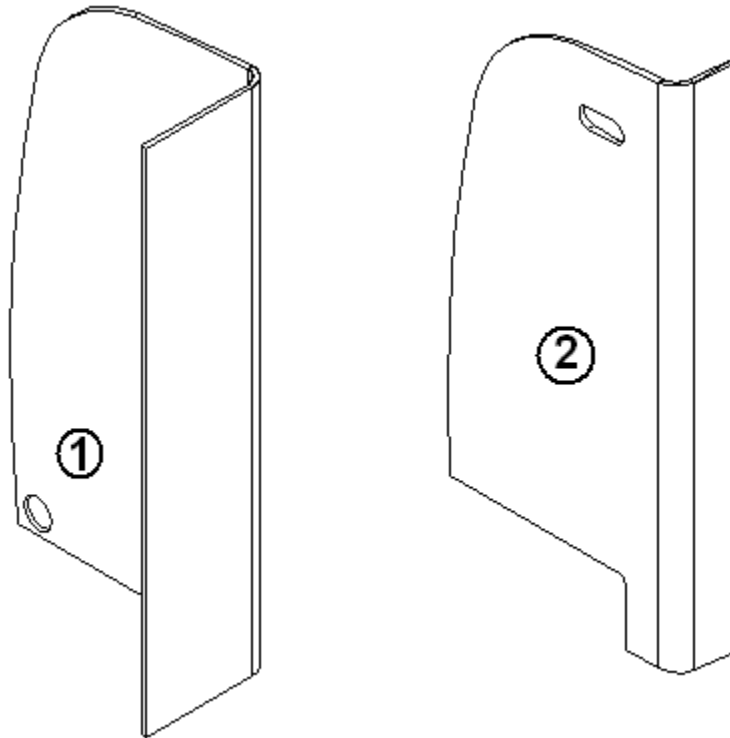


967356-07 CLOSEOUT, BATH

2009 PAN AMERICA TRAVEL TRAILER

FURNITURE, BATH

Bath Panels, Forward, 34'

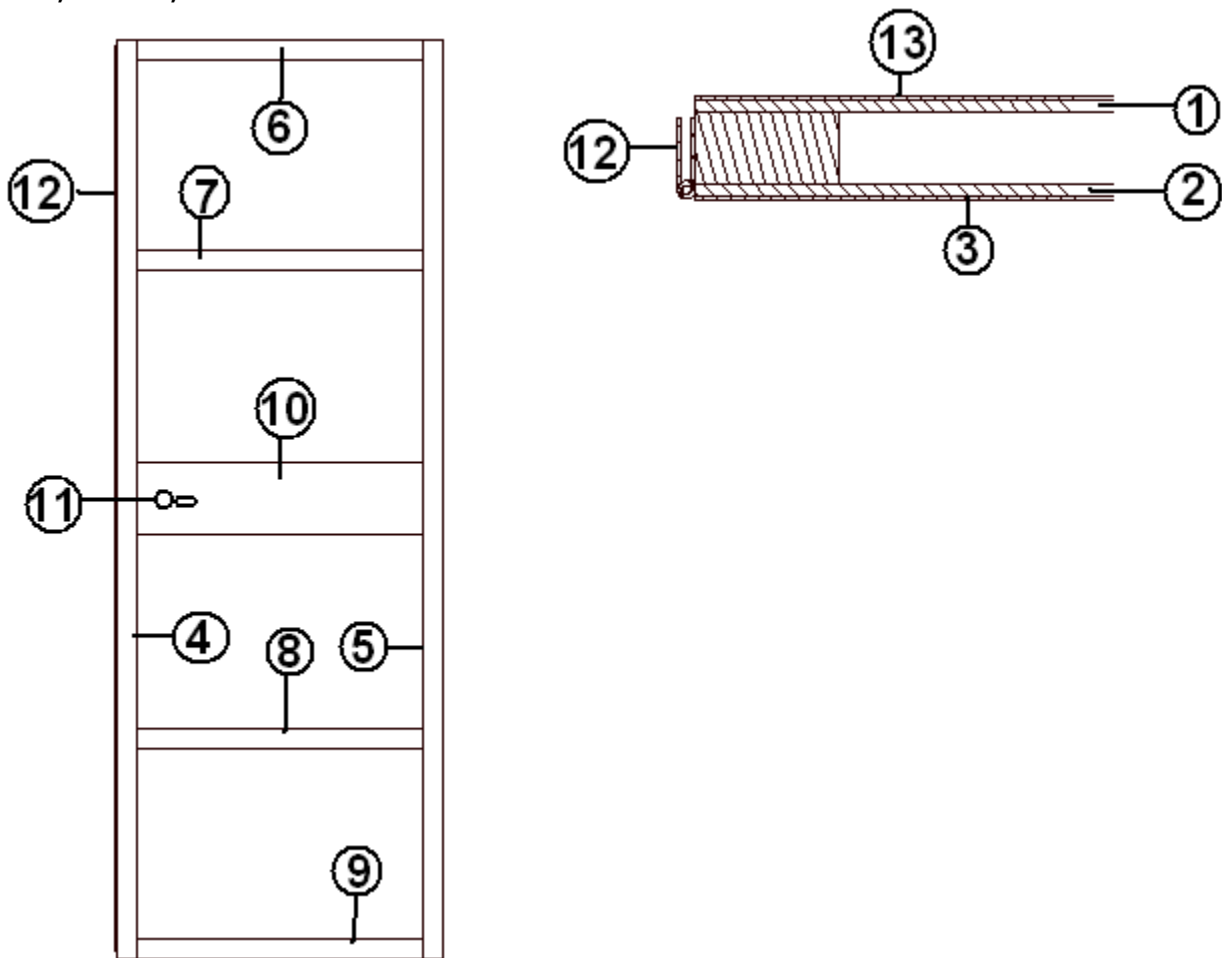


1. 967357-07 PANEL, ASSEMBLY, FORWARD, BATH
2. 967358-07 PANEL, ASSEMBLY, AFT, BATH

2009 PAN AMERICA TRAVEL TRAILER

FURNITURE, BATH

Door, Bath, 34'



966939-07

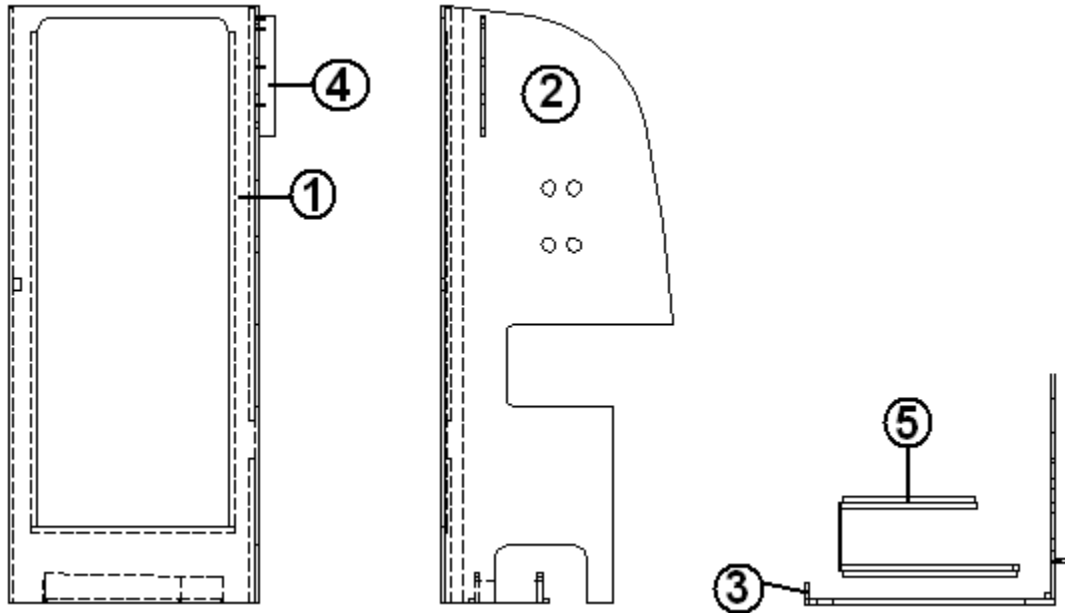
Bath door

- | | |
|---------------|------------------------------------|
| 1. 966939-1 | LAUAN, 1/8" X 27" X 74" |
| 2. 966939-2 | LAUAN, 1/8" X 27" X 74" |
| 3. 801804-01 | LAMINATE, WENGE VERTICAL |
| 4. 966939-4 | Lauan, 1.50" x 72.5" |
| 5. 966939-5 | Lauan, 1.50" x 72.5" |
| 6. 966939-6 | Lauan, 1.50" x 23.25" |
| 7. 966939-7 | Lauan, 1.50" x 23.25" |
| 8. 966939-8 | Lauan, 1.50" x 23.25" |
| 9. 966939-9 | Lauan, 1.50" x 23.25" |
| 10. 966939-10 | Lauan, 5.69" x 23.25" |
| 11. 382034 | LATCH-FLUSH MOUNT |
| 12. 380203-01 | PIANO HINGE 1/8" PIN CEAR ANODIZED |
| 13. 801355-01 | LAMINATE, WHITE VERTICLE |

2009 PAN AMERICA TRAVEL TRAILER

FURNITURE, BATH

Shower Compartment, 34'

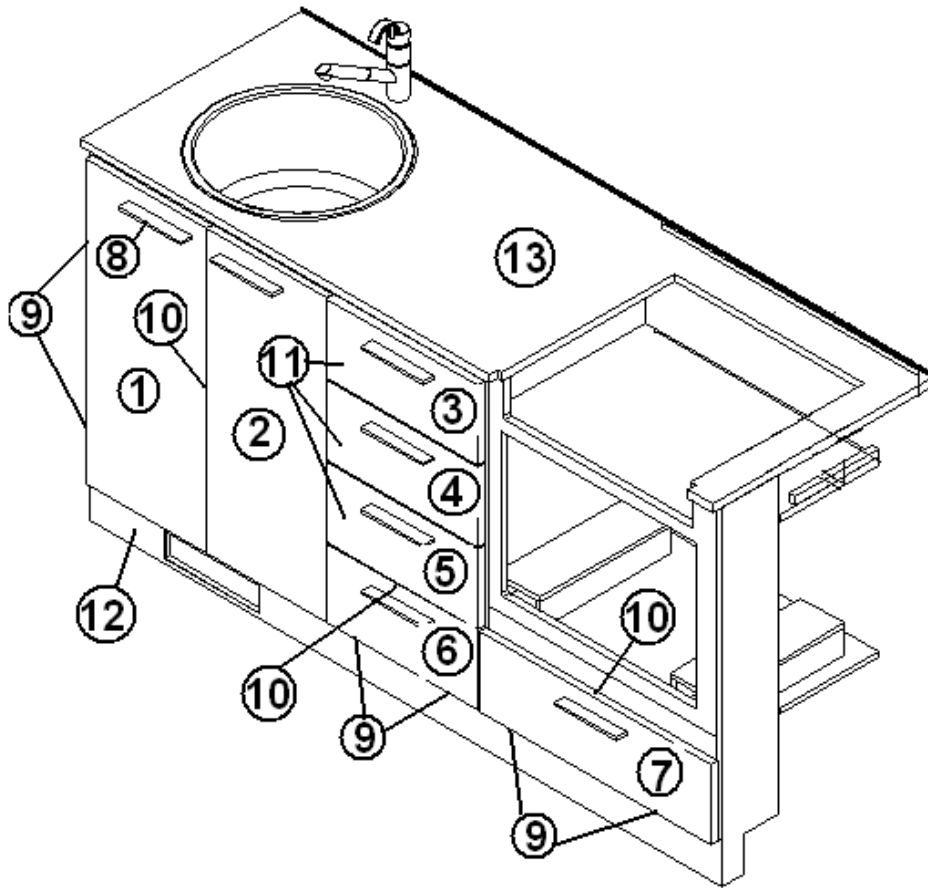


- | | |
|---------------|--|
| 967298-07 | SHOWER COMPARTMENT |
| 1. 967298-071 | PANEL, SHOWER COMPARTMENT, 33 X 78.77 |
| 2. 967298-072 | PANEL, SHOWER COMPARTMENT, 30.04 X 78.71 |
| 3. 967298-073 | PANEL, SHOWER COMPARTMENT, 2.25 X 78.71 |
| 4. 967298-074 | PANEL, SHOWER COMPARTMENT, 2.25 X 16.00 |
| 5. 967299 | STAND ASSY-SHOWER |

2009 PAN AMERICA TRAVEL TRAILER

FURNITURE, GALLEY

Galley, w/Cook Top, 34'



967424-07

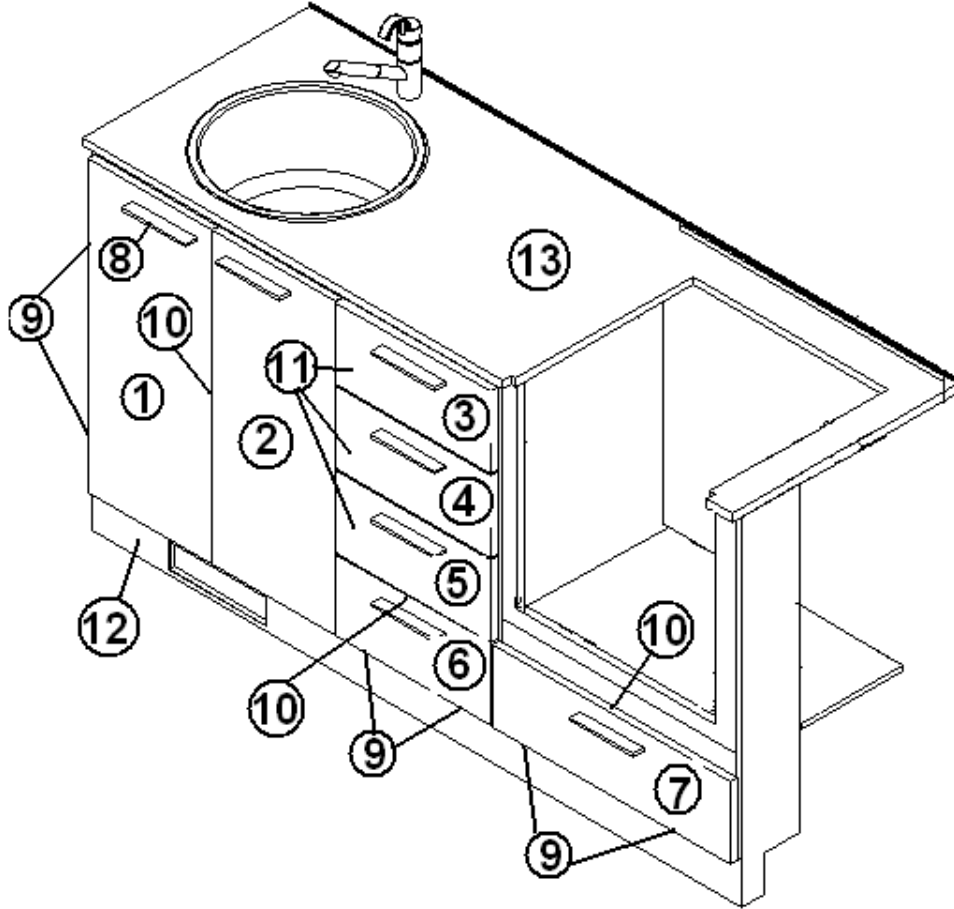
CABINET, GALLEY

- | | |
|---------------|-----------------------------------|
| 1. 967424-071 | PANEL, GALLEY 12.88 X 30.38 |
| 2. 967424-072 | PANEL, GALLEY 12.88 X 30.38 |
| 3. 967424-073 | PANEL, GALLEY 16.38 X 7.50 |
| 4. 967424-074 | PANEL, GALELY 16.38 X 7.50 |
| 5. 967424-075 | PANEL, GALLEY 16.38 X 7.50 |
| 6. 967424-076 | PANEL, GALLEY 16.38 X 7.50 |
| 7. 967424-077 | PANEL, GALLEY 25.13 X 7.50 |
| 8. 382038 | HANDLE, 6.69", SILVER |
| 9. 381607 | HINGE ASSEMBLY |
| 10. 381228-01 | CATCH, DOOR, GRABBER |
| 11. 965560-05 | DWR.BOX, 5.63" X 16.5" X 15.25 |
| 12. 115443 | TOEKICK-GALLEY 68.50" |
| 13. 967425 | GALLEY TOP |
| 381773-15 | DRAWER SLIDE-5.875" X 15.75" |
| 381708 | WASTEBASKET, 11.38 X 8.25 X 12.00 |

2009 PAN AMERICA TRAVEL TRAILER

FURNITURE, GALLEY

Galley, w/Full Oven, 34'

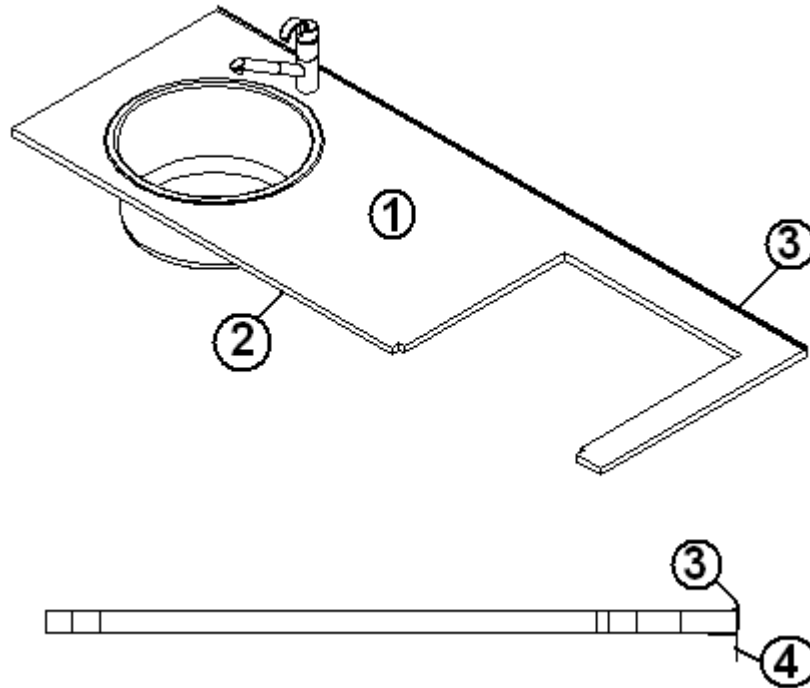


967424-017	CABINET, GALLEY
1. 967424-071	PANEL, GALLEY 12.88 X 30.38
2. 967424-072	PANEL, GALLEY 12.88 X 30.38
3. 967424-073	PANEL, GALLEY 16.38 X 7.50
4. 967424-074	PANEL, GALELY 16.38 X 7.50
5. 967424-075	PANEL, GALLEY 16.38 X 7.50
6. 967424-076	PANEL, GALLEY 16.38 X 7.50
7. 967424-077	PANEL, GALLEY 25.13 X 7.50
8. 382038	HANDLE, 6.69", SILVER
9. 381607	HINGE ASSEMBLY
10. 381228-01	CATCH, DOOR, GRABBER
11. 965560-05	DRAWER BOX, 5.63" X 16.5" X 15.25
12. 115443	TOEKICK, GALLEY 68.50"
13. 967425-07	GALLEY TOP
381773-15	DRAWER SLIDE-5.875" X 15.75"
381708	WASTEBASKET, 11.38 X 8.25 X 12.00

2009 PAN AMERICA TRAVEL TRAILER

FURNITURE, GALLEY

Galley Top, 34'



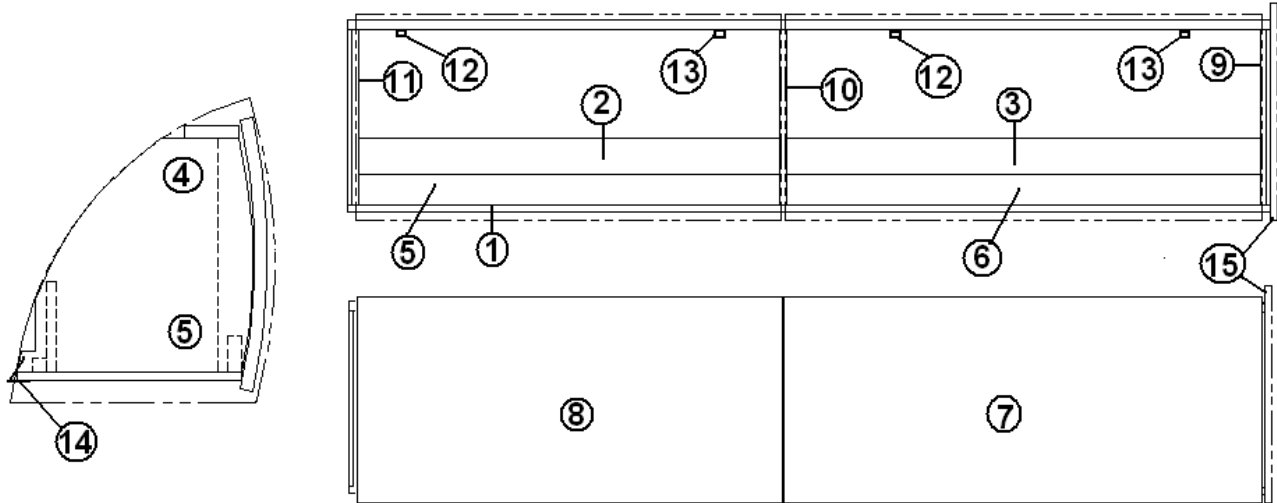
- 967425-07
- 1. 967425-071
- 2. 115177
- 3. 114812
- 4. 115064

- TOP, GALLEY
- PANEL, GALLEY TOP, 24.00 X 68.50
- TRIM, COUNTER TOP, 1.25" ALUMINUM
- ALUMINUM ANGLE, 1.00 X 1.00
- TRIM, ALUMINUM, COUNTER TOP

2009 PAN AMERICA TRAVEL TRAILER

FURNITURE, GALLEY

Roof Locker, Galley, 34'

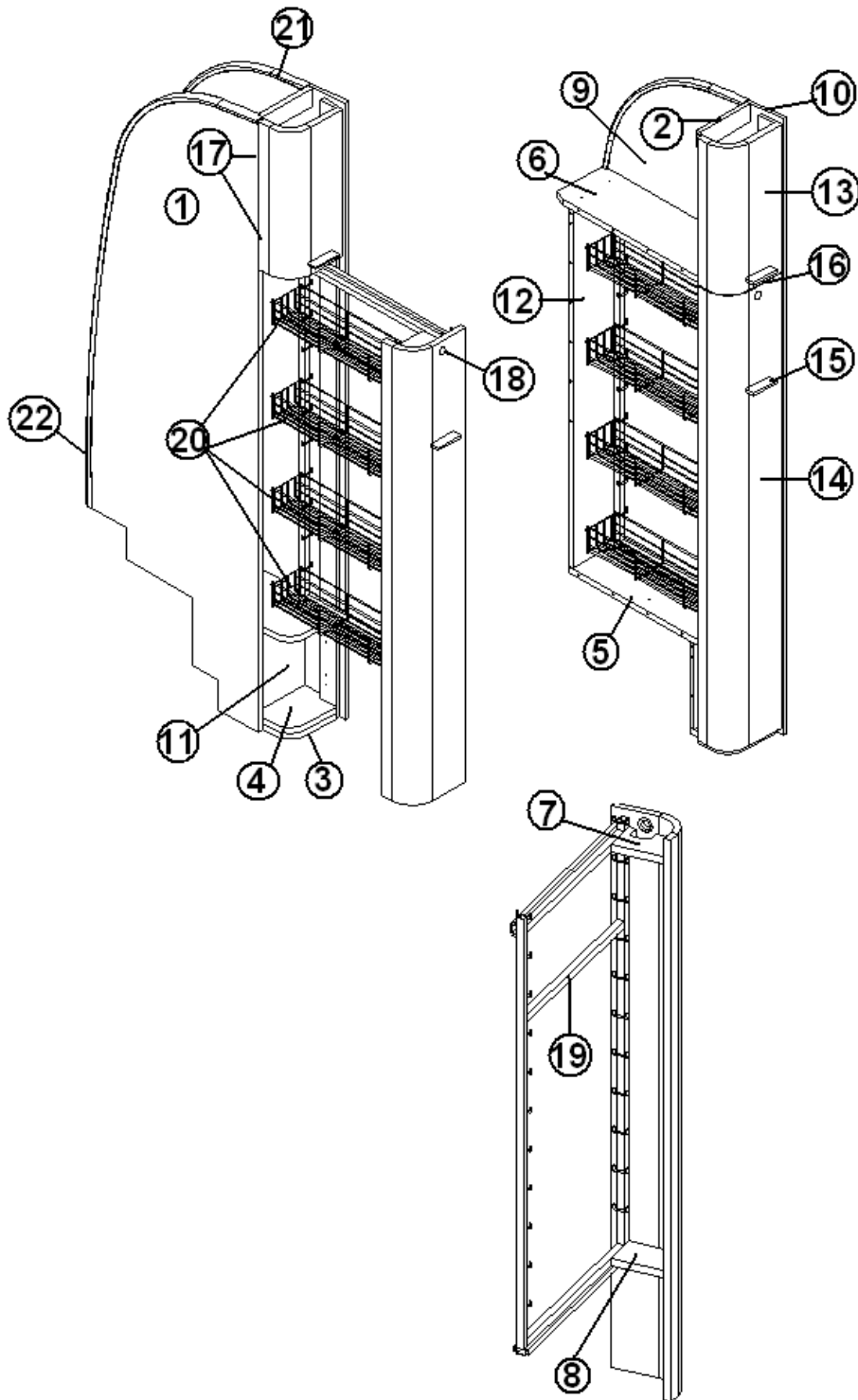


967276-09	ROOF LOCKER, GALLEY
1. 967276-091	PANEL, GALLEY ROOF LOCKER, 12.5 X 68.50
2. 967276-092	PANEL, GALLEY ROOF LOCKER, 5 X 31.29
3. 967276-093	PANEL, GALLEY ROOF LOCKER, 5 X 35.16
4. 967276-094	PANEL, GALLEY ROOF LOCKER, 3 X 68.50
5. 967276-095	PANEL, GALLEY ROOF LOCKER, 2.25 X 31.29
6. 967276-096	PANEL, GALLEY ROOF LOCKER, 2.25 X 35.16
7. 801786-0114	DOOR, PLYFORM, 35.5 X 15.25
8. 801786-0214	DOOR, PLYFORM, 15.25 X 31.63
9. 967274-01	DIVIDER, RH ROOF LOCKER, 12.53 X 13.00
10. 967274-03	DIVIDER, LH, ROOF LOCKER, 12.53 X 13.00
11. 967274-02	DIVIDER, LH ROOF LOCKER, 12.53 X 13.00
12. 381840-01	HINGE, OVERHEAD SPRING LH
13. 381840-02	HINGE, OVERHEAD SPRING RH
14. 115085	ANGLE, ALUMINUM, ROOFLOCKERS
15. 967275-01	CAP ASSY-END 14.76 X 17.07
381902	HOOK, SS, SCREW IN

2009 PAN AMERICA TRAVEL TRAILER

FURNITURE, GALLEY

Pantry, 34'



Part numbers are on the next page.

2009 PAN AMERICA TRAVEL TRAILER

FURNITURE, GALLEY

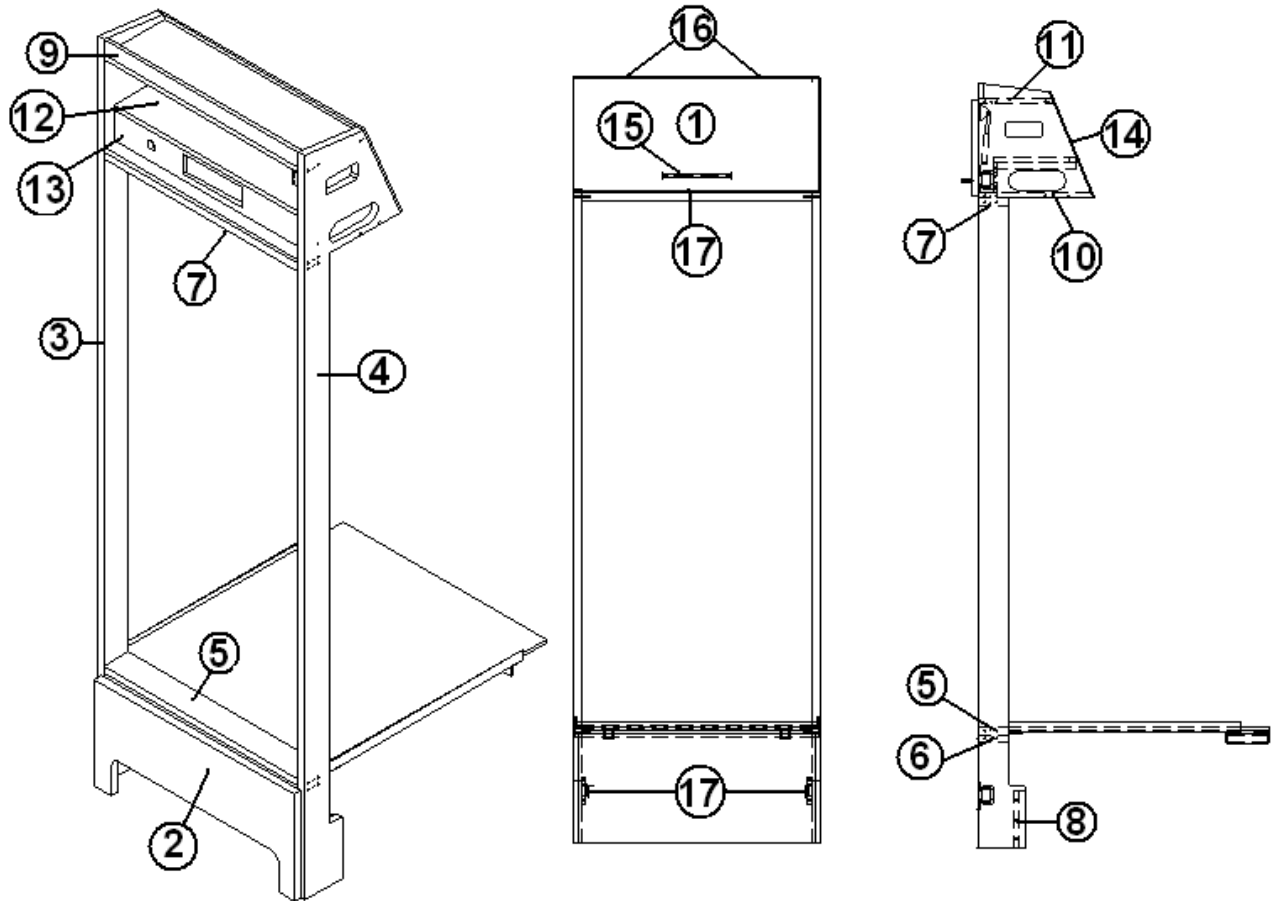
Pantry, 34'

967303-07	PANTRY
1. 967303-071	PANEL, PANTRY, 24.75 X 78
2. 967303-072	PANEL, PANTRY, 7.25 X 2.25
3. 967303-073	PANEL, PANTRY, 4.5 X 6.75
4. 967303-074	PANEL, PANTRY, 13.5 X 7.25
5. 967303-075	PANEL, PANTRY, 23.25 X 7.25
6. 967303-076	PANEL, PANTRY, 25.5 X 7.25
7. 967303-077	PANEL, PANTRY, 5.38 X 3.75
8. 967303-078	PANEL, PANTRY, 5.38 X 3.75
9. 967303-079	PANEL, PANTRY, 29.5 X 78.65
10. 967303-0710	PANEL, PANTRY, 2.25 X 77.25
11. 967303-0711	PANEL, PANTRY, 7.25 X 10.88
12. 967303-0712	PANEL, PANTRY, 7.25 X 45.63
13. 967304-01	DOOR, 18.75"
14. 967304-02	DOOR, 58"
15. 385940-02	MIRROR PULL ,CHROME
16. 381228-01	CATCH, DOOR, GRABBER
17. 381607	HINGE ASSEMBLY
18. 381408	LOCK, PUSH, BUTTON STYLE, BLACK
19. 381551-01	PANTRY RACK, 1.5"W X 45"H, WHITE
20. 381551-02	WIRE BASKET, 4" WIDE, WHITE
21. 203138-04	EXTRUSION, PLASTIC, 1/2' OAK
22. 203464-01	TRIM PANEL, OAK, 3/4"

2009 PAN AMERICA TRAVEL TRAILER

FURNITURE, GALLEY

Refrigerator Cabinet, 34'



Part numbers are on the next page.

2009 PAN AMERICA TRAVEL TRAILER

FURNITURE, GALLEY

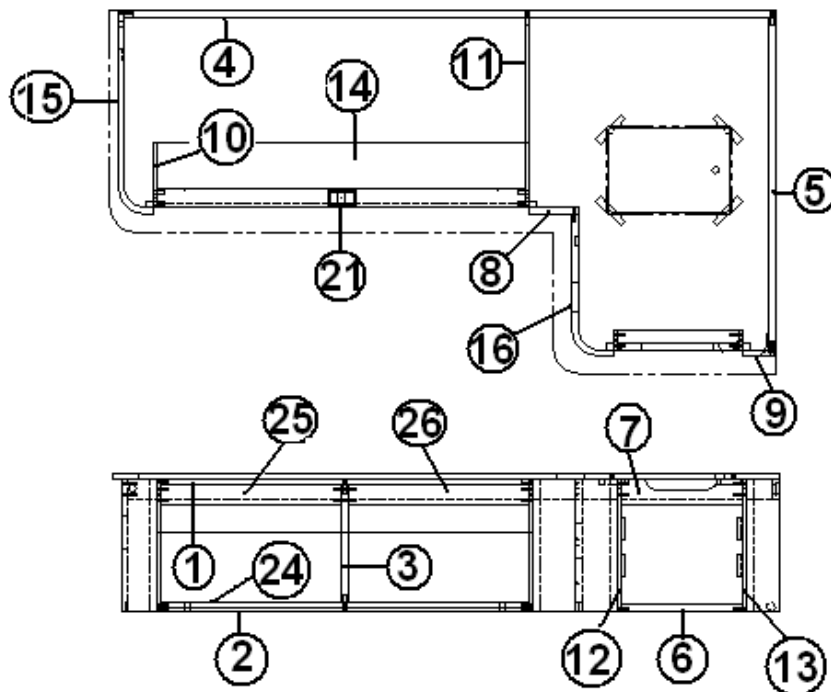
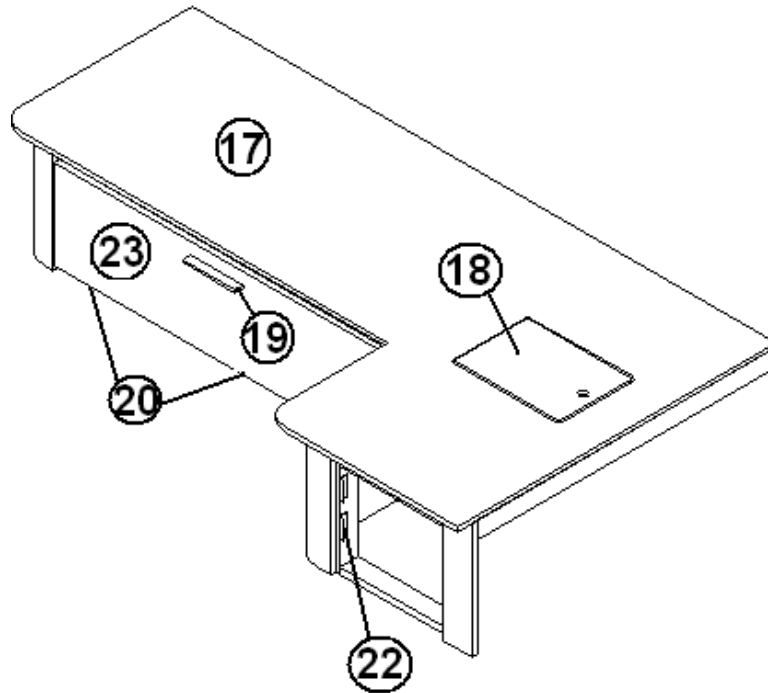
Refrigerator Cabinet, 34'

967423-07	CABINET, REFRIGERATOR
1. 967423-071	PANEL, REFRIGERATOR, 24.44 X 9.88
2. 967423-072	PANEL, REFRIGERATOR, 24.44 X 11.31
3. 967423-073	PANEL, REFRIGERATOR, 11.75 X 78.88
4. 967423-074	PANEL, REFRIGERATOR, 11.75 X 78.88
5. 967423-075	PANEL, REFRIGERATOR, 3 X 78.88
6. 967423-076	PANEL, REFRIGERATOR, 3 X 23.81
7. 967423-077	PANEL, REFRIGERATOR, 3 X 23.81
8. 967423-078	PANEL, REFRIGERATOR, 23.81 X 6
9. 967423-079	PANEL, REFRIGERATOR, 23.81 X 1.63
10. 967423-0710	PANEL, REFRIGERATOR, 11.75 X 23.81
11. 967423-0711	PANEL, REFRIGERATOR, 7.71 X 23.81
12. 967423-0712	PANEL, REFRIGERATOR, 8.29 X 23.81
13. 967423-0713	PANEL, REFRIGERATOR, 3.75 X 23.81
14. 967423-0714	PANEL, REFRIGERATOR, 25.31 X 11.88
15. 382038	HANDLE, 6.69", SILVER
16. 381607	HINGE ASSEMBLY
17. 381228-01	CATCH, DOOR, GRABBER
966812	STAND ASSEMBLY, REFRIGERATOR

2009 PAN AMERICA TRAVEL TRAILER

FURNITURE, LOUNGE

"L" Lounge, 34'



Part numbers are on the next page.

2009 PAN AMERICA TRAVEL TRAILER

FURNITURE, LOUNGE

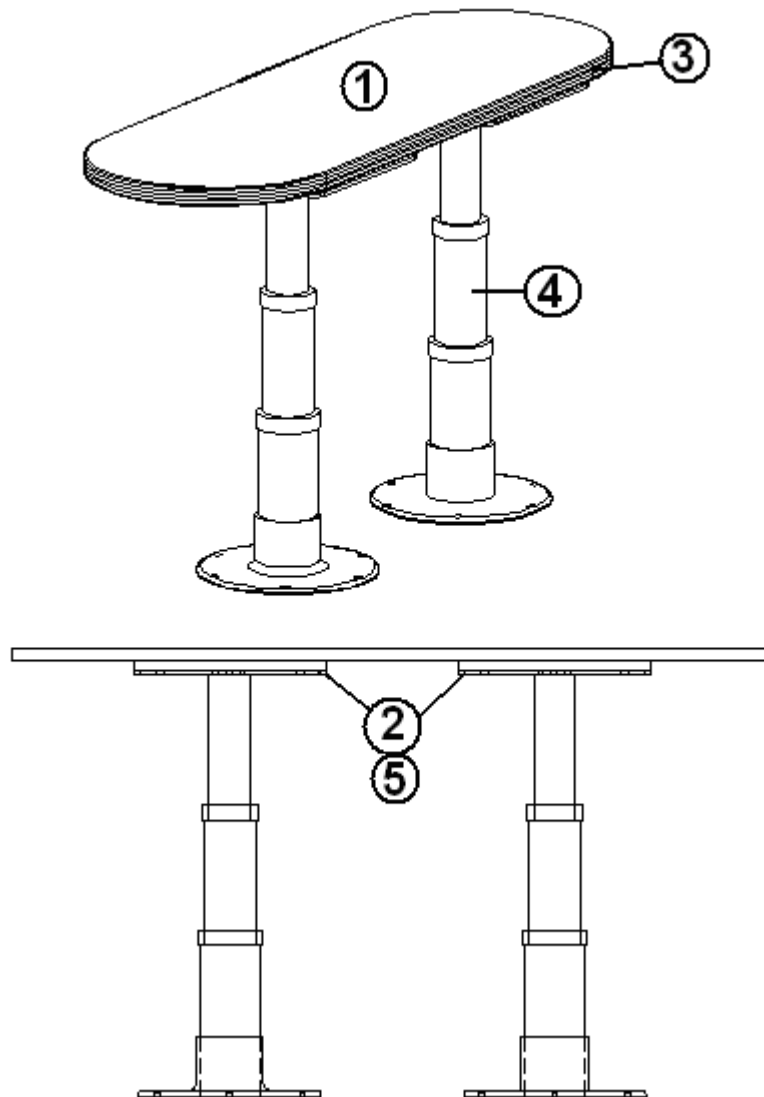
"L" Lounge

967247-07	L LOUNGE ASSY
1. 967247-071	PANEL, L LOUNGE, 2.25 X 41.38
2. 967247-072	PANEL, L LOUNGE, 2.25 X 41.38
3. 967247-073	PANEL, L LOUNGE, 2.25 X 13.25
4. 967247-074	PANEL, L LOUNGE, 2.25 X 73.25
5. 967247-075	PANEL, L LOUNGE, 2.25 X 37.5
6. 967247-076	PANEL, L LOUNGE, 2.25 X 13.63
7. 967247-077	PANEL, L LOUNGE, 3 X 13.63
8. 967247-078	PANEL, L LOUNGE, 5.5 X 15
9. 967247-079	PANEL, L LOUNGE, 3.75 X 15
10. 967247-0710	PANEL, L LOUNGE, 8.75 X 15
11. 967247-0711	PANEL, L LOUNGE, 21.5 X 15
12. 967247-0712	PANEL, L LOUNGE, 2.25 X 15
13. 967247-0713	PANEL, L LOUNGE, 2.25 X 15
14. 967247-0714	PANEL, L LOUNGE, 9 X 42.38
15. 967248-07	CORNER ASSEMBLY, RADIUS, CONTOUR
16. 967249-07	CORNER ASSEMBLY, RADIUS, STRAIGHT
17. 967247-0717A	PANEL, L LOUNGE, 75.00 X 41.00
18. 967247-0717B	PANEL, L LOUNGE, 9.50 X 13.50
19. 382038	HANDLE, 6.69", SILVER
20. 381607	HINGE ASSEMBLY
21. 381228-01	CATCH, DOOR, GRABBER
22. 114811	ALUMINUM ANGLE .50 X.50
23. 967247-0727	PANEL, L LOUNGE, 42 X 11.5
24. 967247-0730	PANEL, L LOUNGE, 2.25 X 41.38
25. 967247-0731	PANEL, L LOUNGE, 20.31 X 2.25
26. 967247-0732	PANEL, L LOUNGE, 20.31 X 2.25
703796	KIT-FOAM/FABRIC LOUNGE

2009 PAN AMERICA TRAVEL TRAILER

FURNITURE, LOUNGE

Table, Pedestal



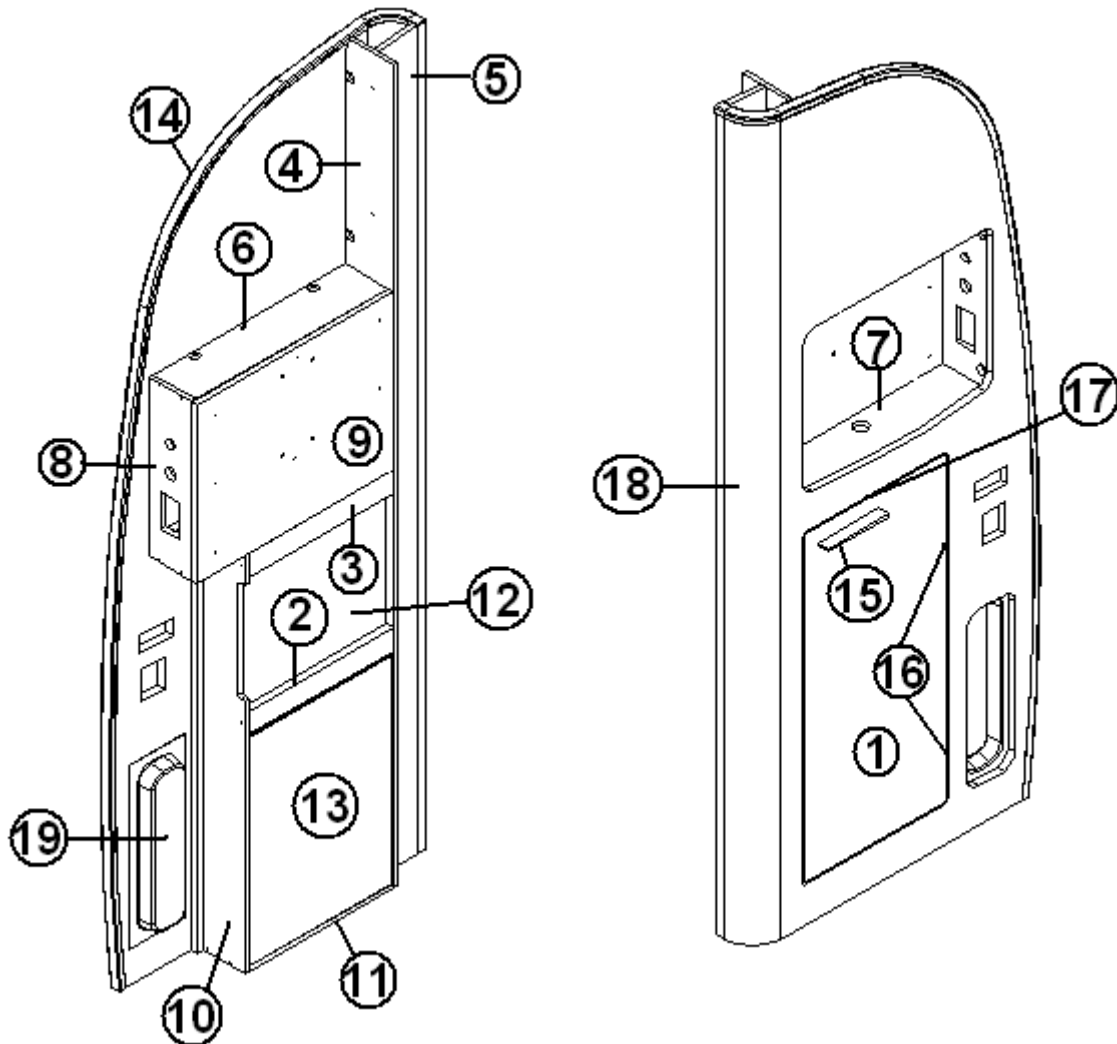
- 967279-07
- 1. 967279-071
- 2. 967279-072
- 3. 115177
- 4. 382073-01
- 5. 967279-077

TABLE ASSEMBLY, PEDESTAL
PANEL, TABLE 17 X 50.00
PANEL, TABLE 12.63 X 12.63
TRIM, COUNTER TOP ,1.25" ALUMINUM
BRACKET, PEDESTAL TABLE
PANEL, TABLE 12.63 X 12.63

2009 PAN AMERICA TRAVEL TRAILER

FURNITURE, LOUNGE

Cabinet, Entrance



Part numbers are on the next page.

2009 PAN AMERICA TRAVEL TRAILER

FURNITURE, LOUNGE

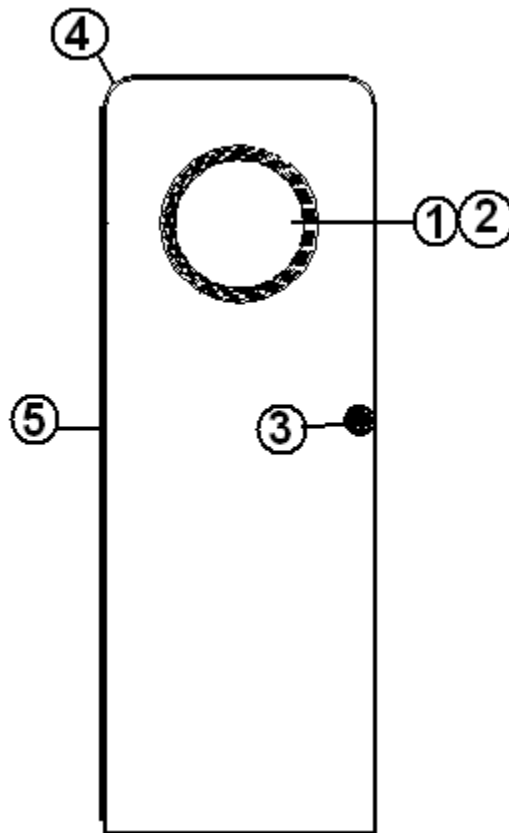
Cabinet, Entrance

967322-07	CABINET ASSEMBLY, ENTRANCE
1. 967322-071	PANEL, CABINET, 15.63 X 33.13
2. 967322-072	PANEL, CABINET, 2.25 X 15.69
3. 967322-073	PANEL, CABINET, 2.25 X 15.69
4. 967322-074	PANEL, CABINET, 5.25 X 78.28
5. 967322-075	PANEL, CABINET, 4.25 X 78.71
6. 967322-076	PANEL, CABINET, 4.75 X 21.00
7. 967322-077	PANEL, CABINET, 4.75 X 21.00
8. 967322-078	PANEL, CABINET, 4.75 X 17.00
9. 967322-079	PANEL, CABINET, 21.5 X 17.00
10. 967322-0710	PANEL, CABINET, 5.25 X 39.75
11. 967322-0711	PANEL, CABINET, 5.25 X 15.69
12. 967322-0712	PANEL, CABINET, 15.63 X 17.25
13. 967322-0713	PANEL, CABINET, 15.63 X 21.75
14. 203464-01	TRIM, PANEL, OAK, 3/4"
15. 382038	HANDLE, 6.69", SILVER
16. 381607	HINGE ASSEMBLY
17. 381228-01	CATCH, DOOR, GRABBER
18. 967323-07	SUB ASSEMBLY, CABINET PANEL
19. 200773	CLOSEOUT, READING LIGHT, ABS
381854	HOOK, COAT, 2 PRONGS, BRIGHT NICKEL
350189	NUT, TEE, 6 PRONGS, 1/4-20

2009 PAN AMERICA TRAVEL TRAILER

FURNITURE, CARGO AREA

Passage Door

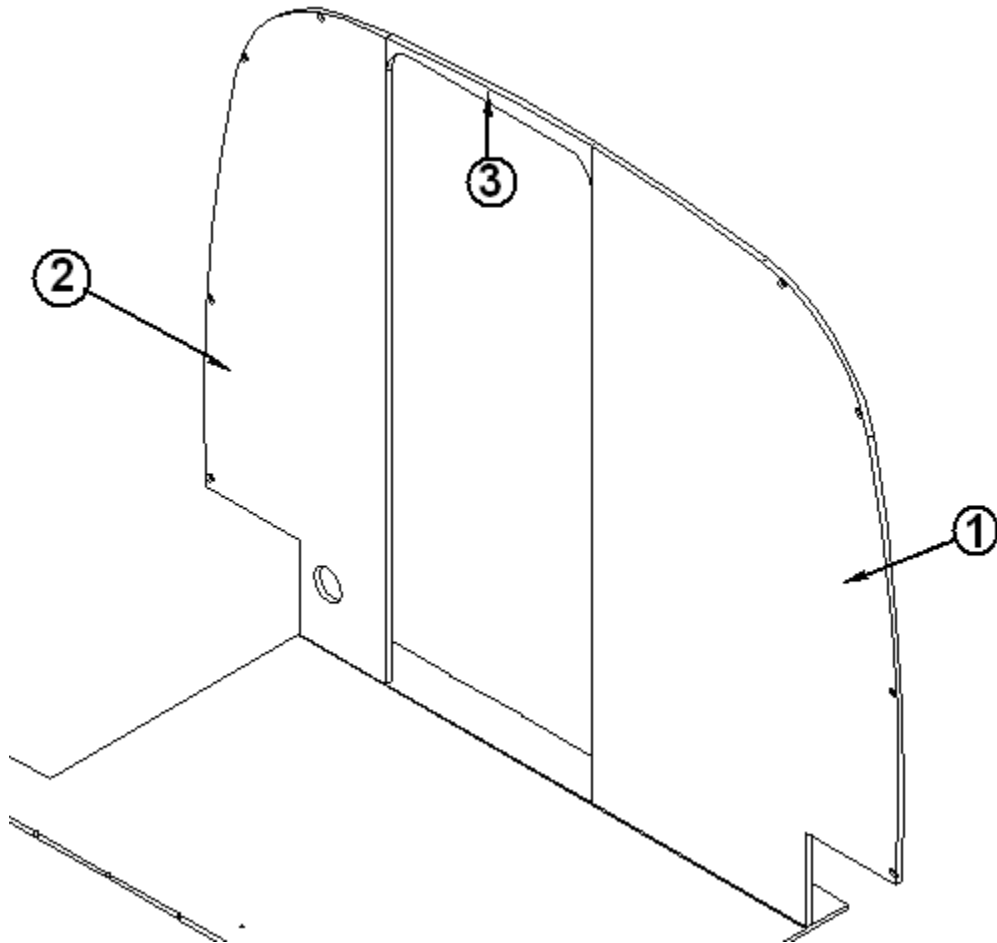


967431	DOOR, PASSAGE
1. 371424	WINDOW, PASSAGE DOOR
2. 115328	TRIM RING, BATH DOOR
3. 99900P-048	LATCH, PUSH/PULL, SS
4. 115468	EXTRUSION, ALUMINUM NOSE FACING
5. 380203-01	PIANO, HINGE 1/8:
345353-03	SCREW, #6 X 0.75 FLAT HEAD, PHILIPS
203635	TRIM RING, PASSAGE DOOR

2009 PAN AMERICA TRAVEL TRAILER

FURNITURE, CARGO AREA

Cargo Bulkhead

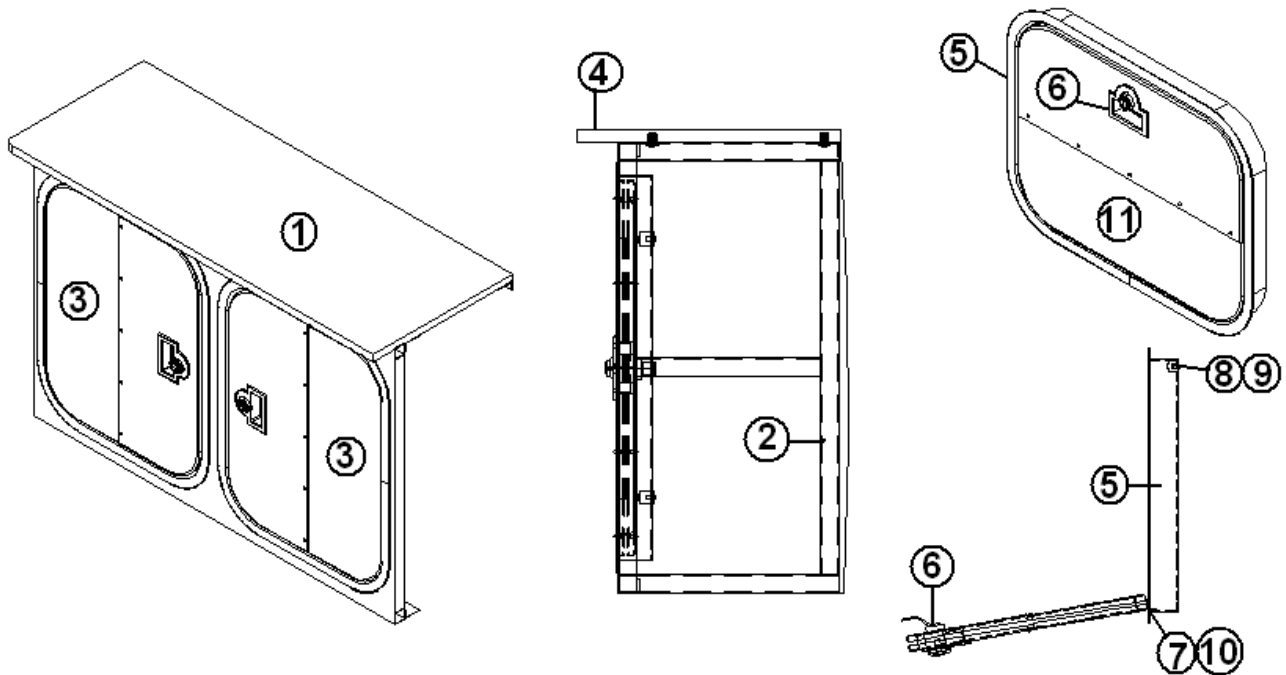


- | | |
|-------------|--------------------------------|
| 1. 111766-1 | PANEL, BULKHEAD, 79.47 X 43.00 |
| 2. 111766-2 | PANEL, BULKHEAD, 78.21 X 25.46 |
| 3. 111766-3 | PANEL, BULKHEAD, 5.45 X 28.62 |
| 382057 | KNOCKDOWN, 8MM |

2009 PAN AMERICA TRAVEL TRAILER

FURNITURE, CARGO AREA

Storage Cabinet, Rear, Roadside

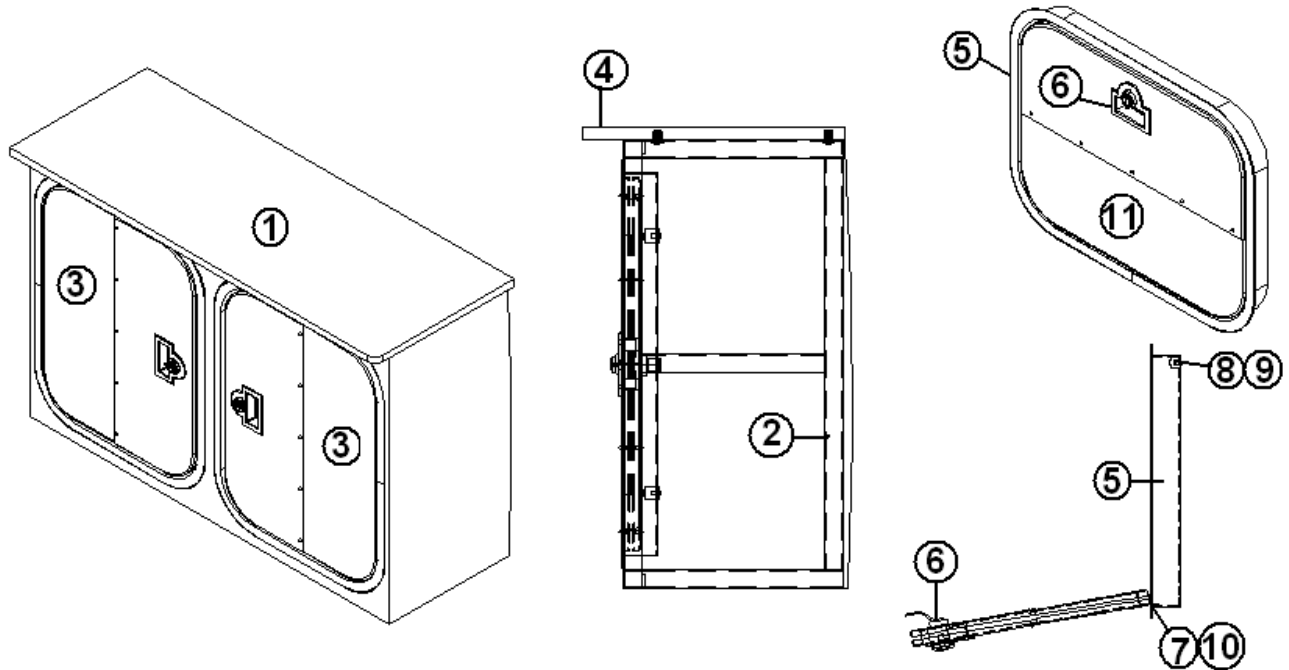


- | | |
|---------------|--------------------------------------|
| 115465 | CABINET, ROADSIDE AFT STORAGE |
| 1. 115462-01 | SKIN, ROADSIDE AFT STORAGE CABINET |
| 2. 115447 | WELDMENT, FRAME, CABINET |
| 3. 115464 | DOOR W/JAMB, ACCESS 20 X 15.25 |
| 4. 967432 | TOP, ROADSIDE AFT STORAGE CABINET |
| 5. 99900M-084 | JAMB, ACCESS DOOR, 20 X 15.25 |
| 6. 380770 | LOCK & CASTING, BLACK |
| 7. 330126-03 | RIVET, POP, SSD44SSBS |
| 8. 381893 | BUMPER, RUBBER, W/METAL CORE |
| 9. 345132 | SCREW, MACHINE, 1/4-20 X 3/8 ROUND |
| 10. 380773 | HINGE, ACCESS DOOR |
| 11. 115463 | DOOR, 20" X 15.25", NO LOCK INCLUDED |

2009 PAN AMERICA TRAVEL TRAILER

FURNITURE, CARGO AREA

Storage Cabinet, Rear, Curbside

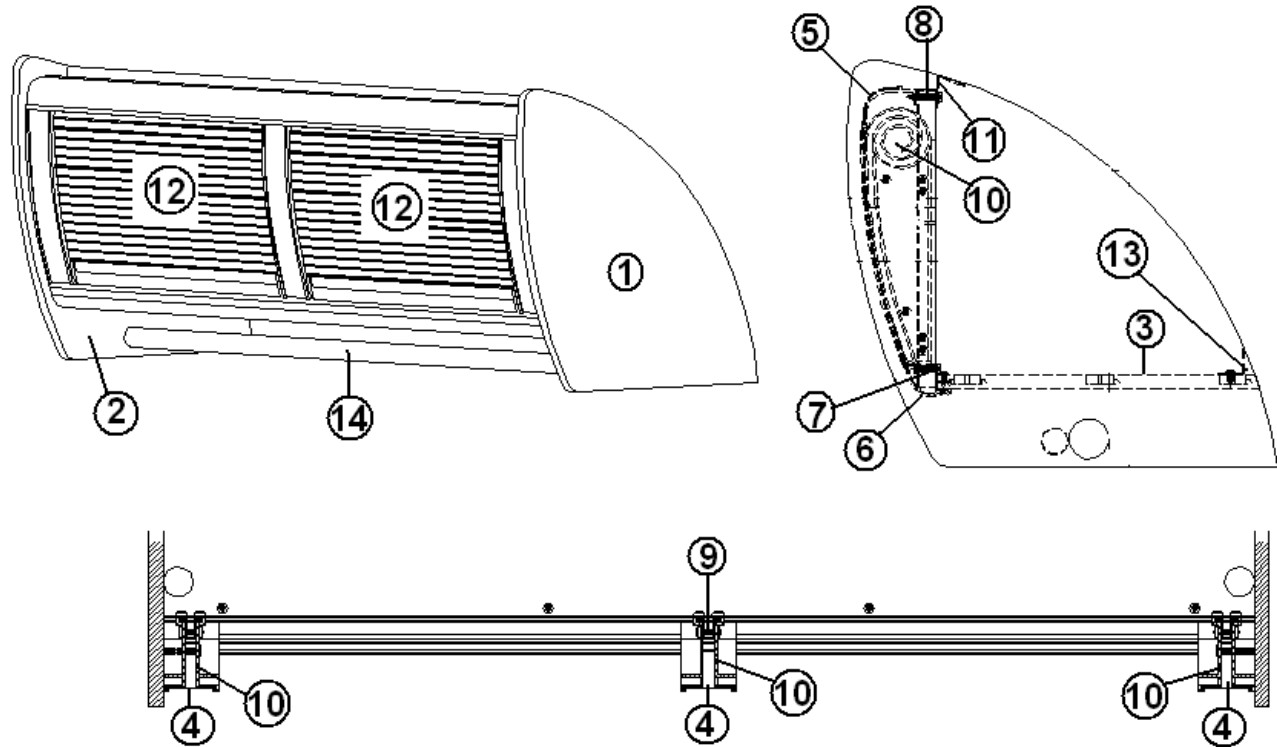


- | | |
|---------------|------------------------------------|
| 115466 | CABINET, CURBSIDE AFT STORAGE |
| 1. 115462-02 | SKIN, CURBSIDE AFT STORAGE CABINET |
| 2. 115447 | WELDMENT, FRAME, CABINET |
| 3. 115464 | DOOR W/JAMB, ACCESS 20 X 15.25 |
| 4. 967433 | TOP, CURBSIDE AFT STORAGE CABINET |
| 5. 99900M-084 | JAMB, ACCESS DOOR, 20 X 15.25 |
| 6. 380770 | LOCK & CASTING, BLACK |
| 7. 330126-03 | RIVET, POP, SSD44SSBS |
| 8. 381893 | BUMPER, RUBBER, W/METAL CORE |
| 9. 345132 | SCREW, MACHINE, 1/4-20 X 3/8 ROUND |
| 10. 380773 | HINGE, ACCESS DOOR |
| 11. 115463 | DOOR, 20" X 15.25" |

2009 PAN AMERICA TRAVEL TRAILER

FURNITURE, CARGO AREA

Roof Locker, Cargo Area

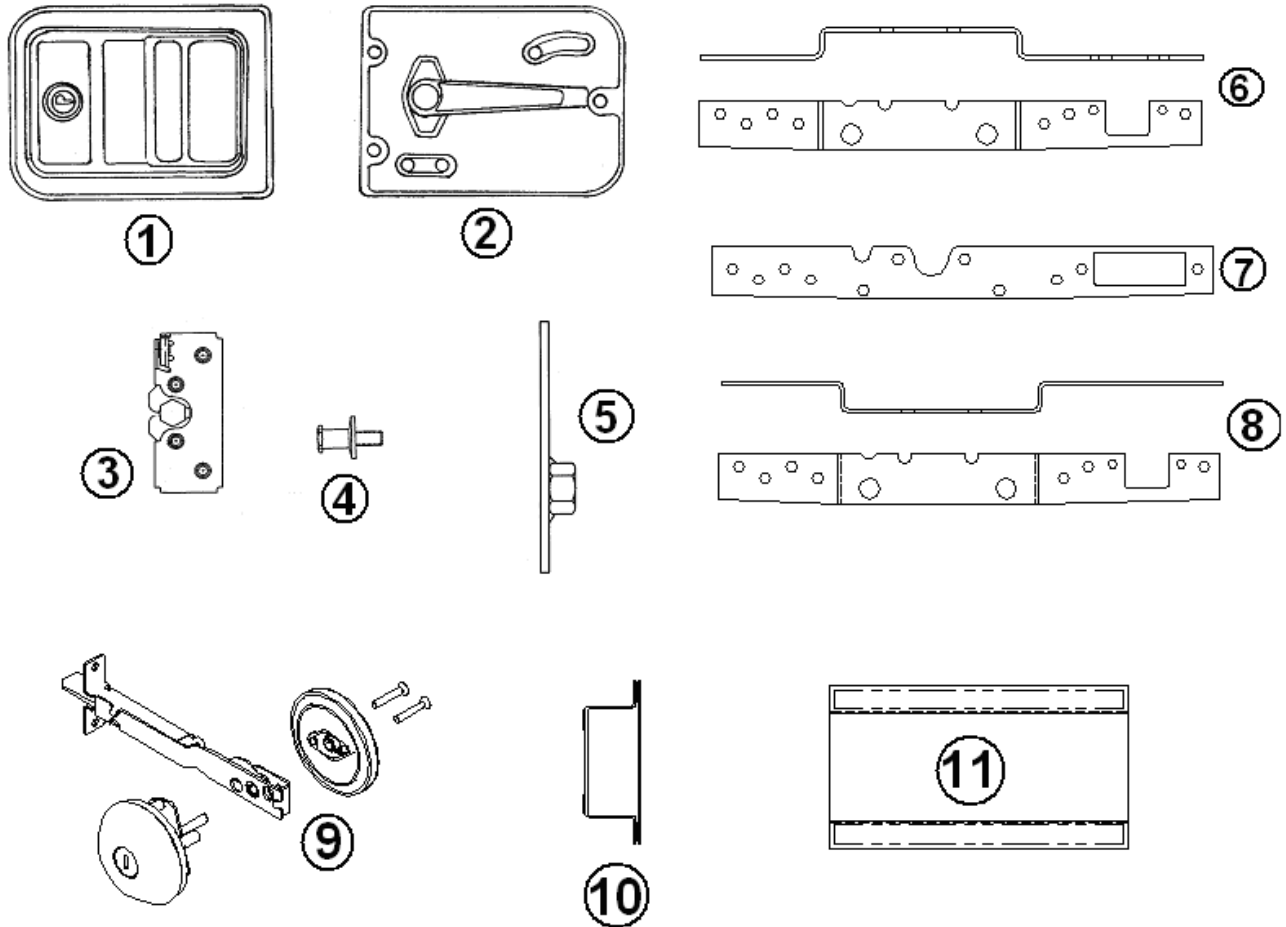


967246-07	ROOF LOCKER, CARGO AREA
1. 967246-071	PANEL, ROOF LOCKER, 15.50 X 16.39
2. 967246-072	PANEL, ROOF LOCKER, 15.50 X 16.39
3. 967246-073	PANEL, ROOF LOCKER, 36.85 X 12.25
4. 454712	INSERT, ALUMINUM, FLAT, ROOF LOCKER
5. 454706	INSERT, FORMED, ROOF LOCKER 2.50 X 36.00
6. 454707	INSERT, FORMED, ROOF LOCKER 2.50 X 36.00
7. 101267-01	EXTRUSION, LOWER ROOF LOCKER, BLACK
8. 101268-01	EXTRUSION, UPPER ROOF LOCKER, BLACK
9. 195466-01	T-BAR, 11 1/4"
10. 201164-02	SPIRALS, ROOF LOCKER, PLATINUM, LH/RH
11. 104821	SUPPORT, ROOFLOCKER, 74"
12. 967245	DOOR, TAMBOUR, 16.63" X 8.5"
13. 114812	ALUMINUM ANGLE, 1.00" X 1.00"
14. 115363	TUBING, ALUMINUM, 16GA X 1" X 144"

2009 PAN AMERICA TRAVEL TRAILER

HARDWARE

Main Door Latch/Deadbolt

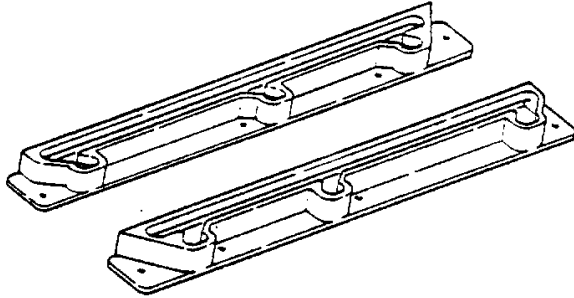


- | | |
|--------------|--|
| 1. 381547-01 | Main door lock, outside housing |
| 2. 381547-07 | Main door lock, inside plate |
| 3. 381547-03 | Double rotary latch, main door |
| 4. 381547-04 | Striker bolt w/washer, main door lock |
| 5. 381550 | Plate, striker bolt mounting |
| 6. 382066 | Inner reinforcement plate, LH hinged door |
| 7. 382067 | Outer reinforcement plate, RH/LH hinged door |
| 8. 382068 | Inner reinforcement plate, RH hinged door |
| 9. 382069 | Deadbolt assembly, round, Trimark |
| 10. 15413 | Door hat section |
| 11. 15415 | Door hat section assembly |
| 381547-08 | Screw package, main door lock |
| 385595 | Pocket strike, #10-10-810 |

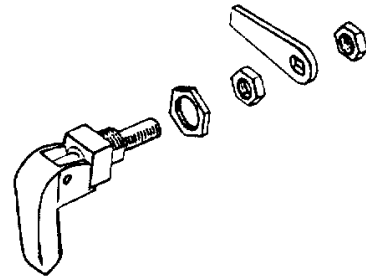
2009 PAN AMERICA TRAVEL TRAILER

HARDWARE

WINDOW HARDWARE



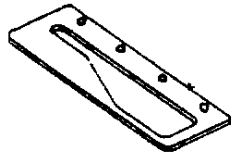
683975 Window guide, RH
683975-01 Window guide, LH



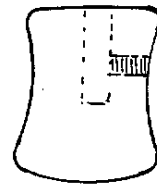
010020 Lower window latch
381088 Latch w/red handle



685123 Pawl,
window latch,
straight



685124 Striker
plate, window
latch



380230-03 Knob,
window arm
380230-04 Knob,
window arm, red

0703-0001
0703-0010
0706-0003
0706-0004
0802-0004
0802-0005

Screw 8-32 x 1/2", black
Screw 8-32 x 1/2", stainless
Washer, flat, nylon, clear
Washer, flat, nylon, black
Screw cap, black
Snap cap washer, clear

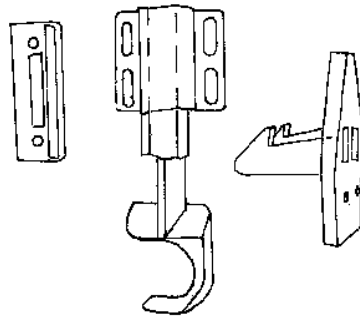
2009 PAN AMERICA TRAVEL TRAILER

HARDWARE

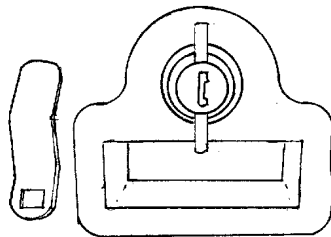
EXTERIOR LATCHES/LOCKS/GRAB HANDLES



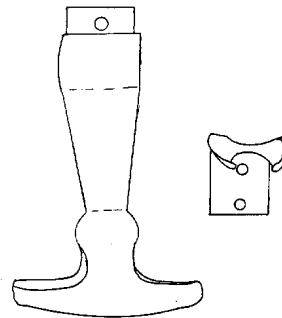
101171 Grab Handle, main door



381454 Latch, screen door, Bullet



380770-102 Twist lock, black

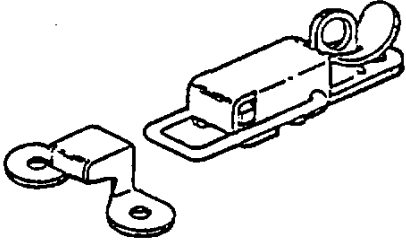


381021-01 Rubber T handle

2009 PAN AMERICA TRAVEL TRAILER

HARDWARE

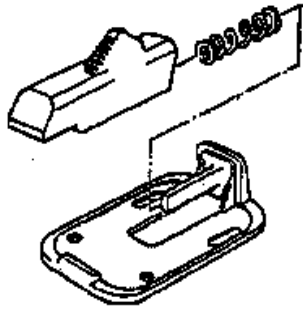
EXTERIOR LATCHES/LOCKS/GRAB HANDLES



340023-01 Catch
w/strike, battery box



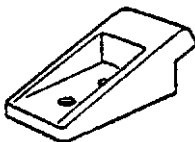
380067 Lock cam,
bumper lid



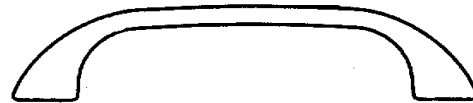
380291 Main door holdback,
(use w/housing #380290)



380290 Latch housing,



201056 Catch, main door
holdback

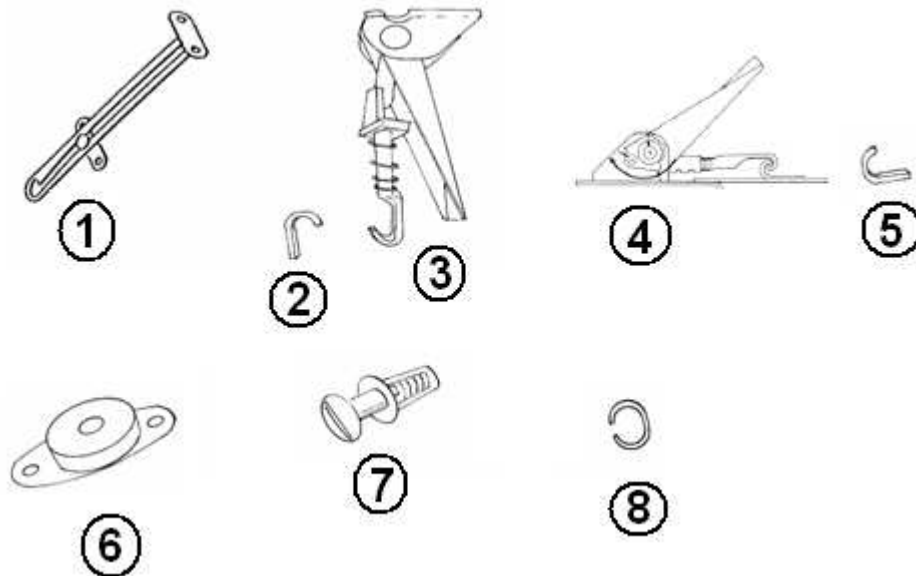


380004 Handle, screen door

2009 PAN AMERICA TRAVEL TRAILER

HARDWARE

EXTERIOR LATCHES/LOCKS/GRAB HANDLES



- | | |
|---------------|--|
| 1. 380024 | Support arm, bumper lid |
| 2. *380903-01 | Latch, chrome, gas bottle cover |
| 3. *380903-02 | Strike, latch, chrome, gas bottle cover |
| 4. *382091-01 | Tension latch, stainless steel |
| 5. *382091-02 | Strike, tension latch, stainless steel |
| 6. 685359 | Rubber receptacle, 1/4 turn latch, Southco |
| 7. 685348 | Stud, 1/4 turn latch, Southco |
| 8. 685362 | Retaining ring, 1/4 turn stud |

*P/N 380903-01 and 380903-02 were replaced by P/N 382091-01 and 382091-02 on units with manufacturing dates 10/20/08 and after.

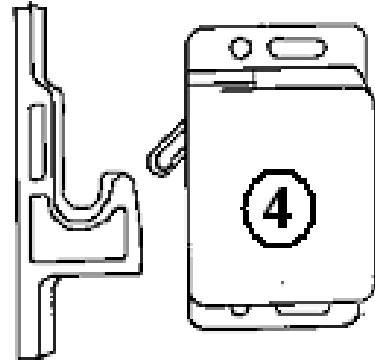
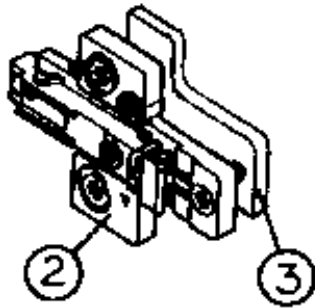
EXTERIOR HINGES

- | | |
|-----------|--|
| 381552-03 | Hinge assembly, main door, upper |
| 381552-04 | Hinge assembly, main door, lower |
| 381531-01 | Hinge, screen door, upper |
| 381531-02 | Hinge, screen door, lower |
| 380773 | Hinge, exterior access door, 13¼, gas bottle cover |
| 380203-01 | Piano hinge, 1/8" pin, Battery box lid, access doors |
| 380988 | HINGE, CONTINUOUS, REFER ACCESS DOOR |

2009 PAN AMERICA TRAVEL TRAILER

HARDWARE

INTERIOR CABINET HINGE/CATCH

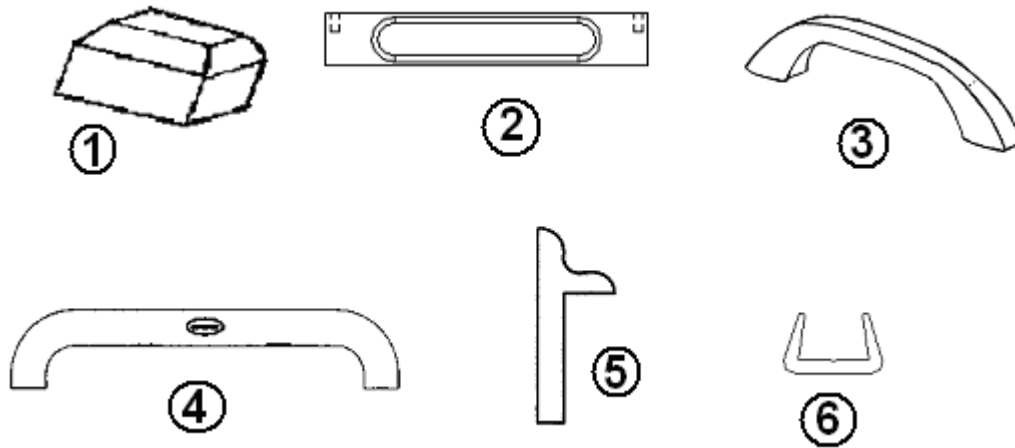


- | | |
|--------------|--------------------|
| 381607 | Hinge assembly |
| 1) 381607-01 | Hinge, cabinet |
| 2) 381607-02 | Base, metal |
| 3)*381607-03 | Base, plastic |
| 3) 381608-04 | Screw #6 x 5/8" |
| 4) 381228-01 | Grabber door latch |
| 5) 454320 | Door latch cover |
- *Not used in all applications

2009 PAN AMERICA TRAVEL TRAILER

HARDWARE

INTERIOR TRIM



- | | |
|--------------|---|
| 1. 360016 | Bumper, rubber |
| 2. 382038 | HANDLE, BAR, SILVER, 6.69" |
| 2. 382038-01 | HANDLE, BAR, SILVER, 3.35" |
| 3. 381737 | Grab bar, interior, mounts on interior doorjamb |
| 4. 381772 | Head knocker, white |
| 5. 115064 | Molding Aluminum cove |
| 6. 203138-03 | EXTRUSION, PLASTIC WALL, BEIGE |
| 6. 203138-04 | EXTRUSION, .5", PLASTIC, WALL OAK |

2009 PAN AMERICA TRAVEL TRAILER

HARDWARE

BATHROOM ACCESSORIES

- 381776 TOWEL BAR, CHROME 18"
- 381777 TOWEL RING, CHROME
- 380034 TOILET PAPER HOLDER, CHROME,

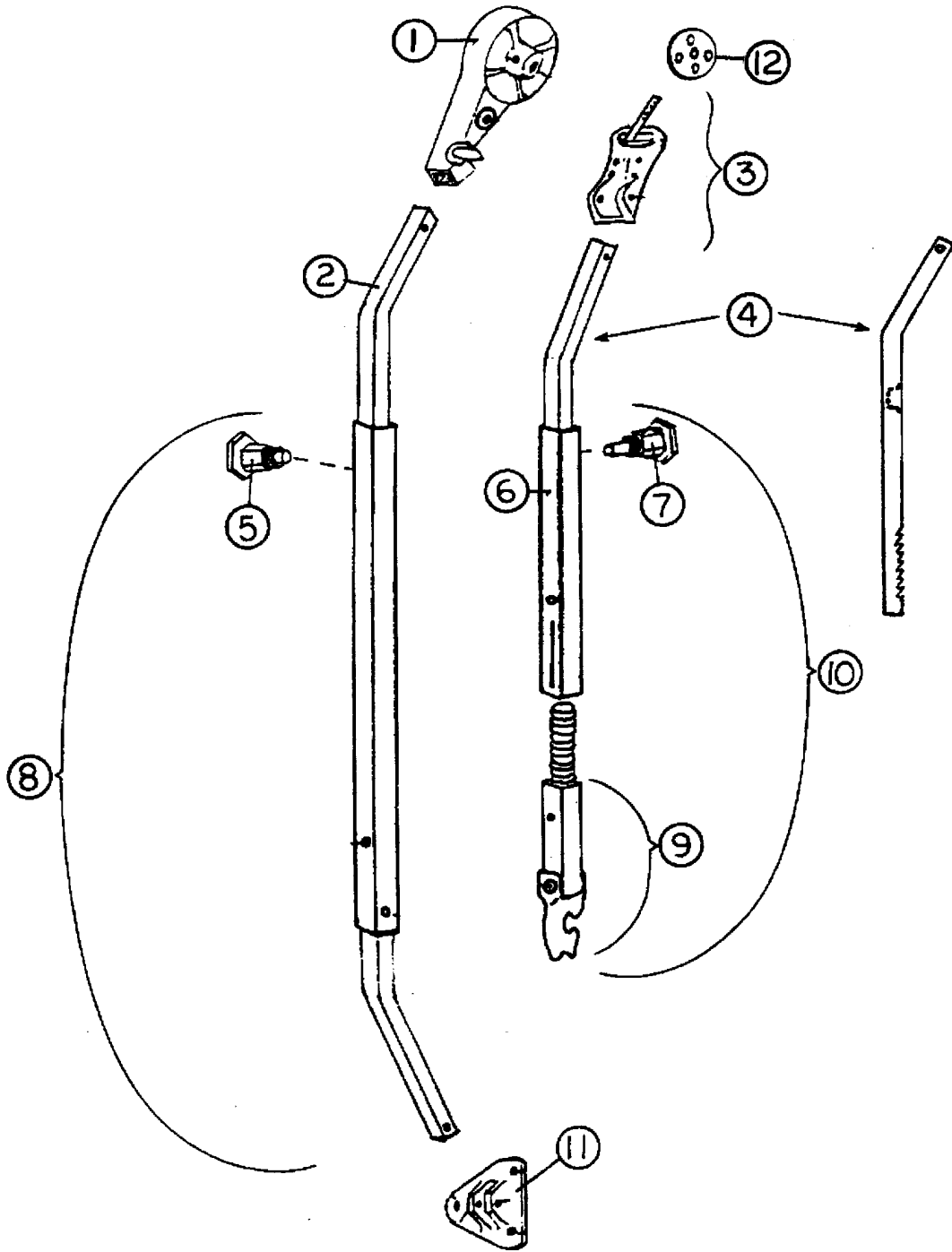
BED GAS SPRINGS

- 380203-01 PIANO HINGE 1/8" PIN CLEAR ANODIZED
- 381067-09 SPRING, GAS 90 LBS.
- 381262 BRACKET, PROP, W/BALL
- 381310 GAS PROP BRKT. ASSY-UPPER
- 381084 BALL, STUD

2009 PAN AMERICA TRAVEL TRAILER

HARDWARE

AWNING HARDWARE



See next page for P/N

2009 PAN AMERICA TRAVEL TRAILER

HARDWARE

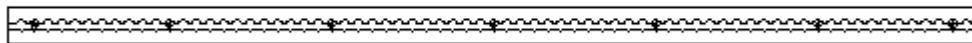
AWNING HARDWARE

702993	Awning Hardware, complete Assembly
1. 74043W-06	Front head assembly
1. 74043W-07	Rear head assembly
2. 74047W-11	Front main arm bar
2. 74047W-12	Rear main arm bar
3. 74056W	Clamp assembly, front, curved
3. 74056W-01	Clamp assembly, rear, curved
4. 74061WS-08	Rafter arm bar, satin
5. 74054W	Snap stud assembly
6. 74063W-04	Rafter arm tube, satin
7. 74072W	Ratchet stud
8. 74048WS-15	Front main arm tube assembly
8. 74048WS-16	Rear main arm tube assembly
9. 74068W-04	Claw bar assembly
10. 74048WS-17	Rafter arm assembly
11. 74055W	Base hinge, rib mount
12. 74060W	Clamp wheel

Trailer Level

381269 TRAILER LEVEL

Cargo Floor Tie Down



382080	RING TIE DOWN, DOUBLE STUD
382081	END CAP, PROTECTIVE TIE DOWN
345330-09	SCREW, 1/4-20 X 3 FH SELF THREAD

2009 PAN AMERICA TRAVEL TRAILER

LABELS AND TAGS

Labels and Tags

386114	LABEL-RVIA SILVER
385193	Label, "12V distribution panel inside"
386119	Label, "DON'T USE AREA FOR STORAGE"
385068	Tag, cooking appliance warning
386118	Label, LP gas warning/fill
385517	Label, kill switch warning
385521	Label, emergency egress window
386122	Warning label/cooking appliance
386121	Label, LP gas warning label (odor)
385465	Exit label, English
385560	Label, air conditioner rating
385812	Label, Calif. hazardous substance
386120	Label, smoke detector
385837	Label, refrigeration ignition
386012	Label warning, water heater
386123	LABEL "POTABLE WATER ONLY"
386192	HANG TAG, SMOKE/CO DETECTOR BATTERY
386193	LABEL, WHEEL TORQUE WARNING
386098	LABEL, FUSE 12 V.
386082	LABEL THOR, 5.25" X .75'
386142	CHECK WHEEL LUG LABEL
385062	Decal, 110-125 voltage AC
385565	Label, holding tank flushing
386097	LABEL FUSE 12 V. Fuse Block Circuits
386019	LABEL 1 AMP FUSE MAX
385101	TAG AUX TANK DUMP VALVE HANDLE
385099	TAG MAIN TANK DUMP VALVE HANDLE
386226	LABEL, RV MASTER WEIGHT LABEL
386060	LABEL, SATELLITE RECEIVER JACK
385966	LABEL, INVERTER CIRCUIT
386160	LABEL, INVERTER SWITCH
385020	Sticker, Self adhering, "JACK"

2009 PAN AMERICA TRAVEL TRAILER

PLUMBING, LPG

LPG SYSTEM, 34'

601698-12	TUBING, E-PEX, .75"
601698-01	TUBING, E-PEX, .50"
600008	TUBING COPPER 3/8OD
600004	TUBING COPPER, 5/8" OD
600435	FORGED FLARE NUTS, 3/8"
600436	FORGED FLARE NUTS 5/8IN
600000	TEE BRASS 5/8 X 5/8 X 3/8
601472	TEE, 5/8 X 3/8 X 5/8, FLARED
600001	NUT, BRASS, FLARE, 5/8"
600661	GROUND FITTING .5" TO 1"
380887	GROMMET, FLOOR
380886	GROMMET, FLOOR
340085-05	CLAMP #COY 1109 5/8 IN.
600661	GROUNDING CLAMP 1/2 TO 1 SIZE
500839	WIRE, BARE COPPER 8 GA.
500038	LUG GROUND

2009 PAN AMERICA TRAVEL TRAILER

PLUMBING, LPG

LP BOTTLES AND FITTINGS

601711	LP TANK, 30 LBS. ALUMINUM
601731	LP REGULATOR W/MTG. BRACKET
601685-01	LP HOSE-1/2"FPT X 3/8F-36" #19
600000	TEE BRASS 5/8 X 5/8 X 3/8
600004	TUBING COPPER 5/8 OD
601686	BASE PLATE - LP TANK
345375-04	ROD, THREADED, 1/2"-13UNC X 32"
100949	Bracket, bottle hold, cast aluminum
410238	"T" handle, threaded, cast aluminum

LP Bottle Cover

921231	Gas bottle cover w/o decal, 30lbs
*380903-01	Latch only
*380903-02	Strike only
*382091-01	Tension latch, stainless steel
*382091-02	Strike, tension latch, stainless steel
200841	Lid, plastic, bottle cover
380773	Hinge, access door
114070	J-trim, extrusion, aluminum

* P/N 380903-01 and 380903-02 were replaced by P/N 382091-01 and 382091-02. Use replacements on all units.

2009 PAN AMERICA TRAVEL TRAILER

PLUMBING, FRESHWATER

Fresh Tank System

601864-01	TANK-FRESH WATER 54.5 GALLON
601620	Pan, fresh water tank
601243	Drain cock, fresh water tank
602185	Drain Valve, 90 degree
601723	FILTER SCREEN, WATER
453712	SHIELD FRESH WATER TANK DRAIN
381435	Hatch, white plastic, water hose exit
600155	1 1/2" plug Clean out
602185	Drain Valve, 90 degree
600836	ELBOW 3/8 MPT X 1/2" BARB-COPPE
601237	ELBOW 90 D 1.25 MPT X 1.25 BAR
200152	STYROFOAM 1/2 X 6 X 42

Fresh Water Gravity Fill System

601194	Water fill w/lock, gray
601239-01	TUBING, 1.375" ID, RIBBED W/FLATS
601240-01	TUBING, 1/2" I.D. X 3/32" WALL THICKNESS

City Water Hookup System

601392-04	Water fill, chrome
600139	Check valve, brass
601467	Sill cock, 1/2" FP w/wheel handle
601469	Vacuum breaker, 3/4" garden hose
601658	VALVE 1/2" STOP CPVC
601659	RISER 1/2" FPT X 12" CPVC
601589	Adaptor, brass, 3/8" FPT x 1/2" MPT

2009 PAN AMERICA TRAVEL TRAILER

PLUMBING, FRESHWATER

Tank Fittings/Shield

601243	DRAIN COCK, FRESH WATER
600155	PLUG, CLEANOUT, 1 1/2"
453712	SHIELD, FRESH WATER TANK DRAIN
602185	Drain Valve, 90 degree

Water Pump

602202	Water pump, Sureflo
602204	Flex hose, 1/2", Sureflo water pump
601668-01	Water pump, pre-filter, Shurflo

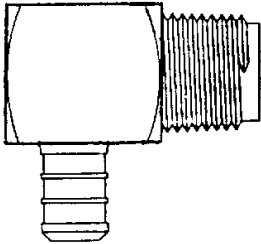
Exterior Shower

602219	SHOWER, EXTERIOR
602220	COILED HOSE, 30', W/BRASS INSERT

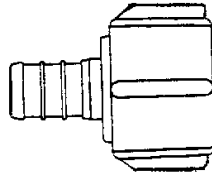
2009 PAN AMERICA TRAVEL TRAILER

PLUMBING, FRESHWATER

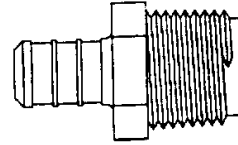
FRESH WATERLINE/FITTINGS



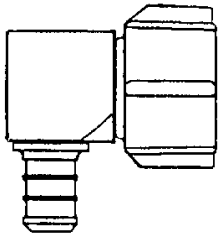
601698-04
Elbow, 1/2" barb
x 1/2" MPT



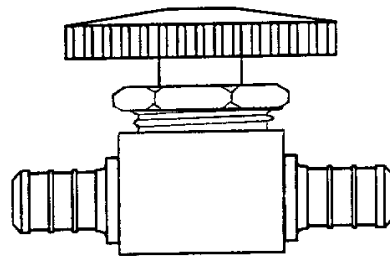
601698-03
Coupler, 1/2" barb
x 1/2" FPT



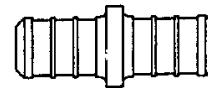
601698-02
Coupler, 1/2" barb
x 1/2" MPT



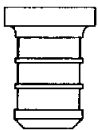
601698-05
Elbow 1/2" barb x
1/2" FPT



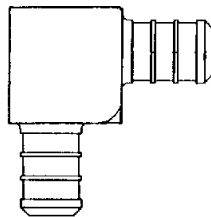
601698-22
Shut-off, 1/2" barb x
1/2" barb



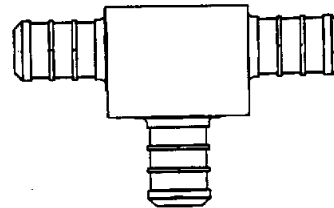
601698-08
Coupler
1/2" x 1/2" barb



601698-09
Plug, 1/2" barb



601698-10
Elbow 1/2" barb x
1/2" barb



601698-11
Tee, 1/2" x 1/2" x
1/2" barb

2009 PAN AMERICA TRAVEL TRAILER

PLUMBING, FRESHWATER

FRESH WATERLINE/FITTINGS



601698-15
Crimp ring, 1/2



601698-01
E-Pex, 1/2" (black)



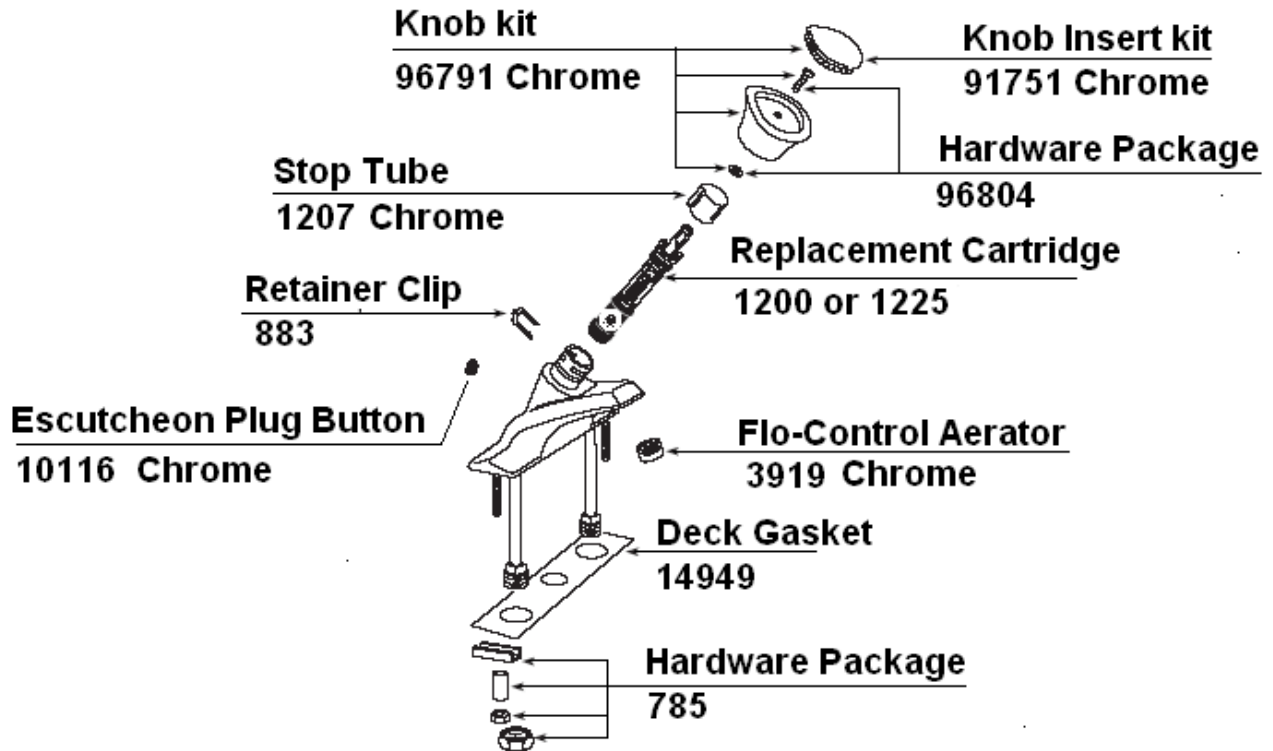
601698-21
E-Pex tube, 1/2" Red

2009 PAN AMERICA TRAVEL TRAILER

PLUMBING, FRESHWATER

Faucet, Lavatory

Contact: 1-800-Buy Moen for parts and warranty

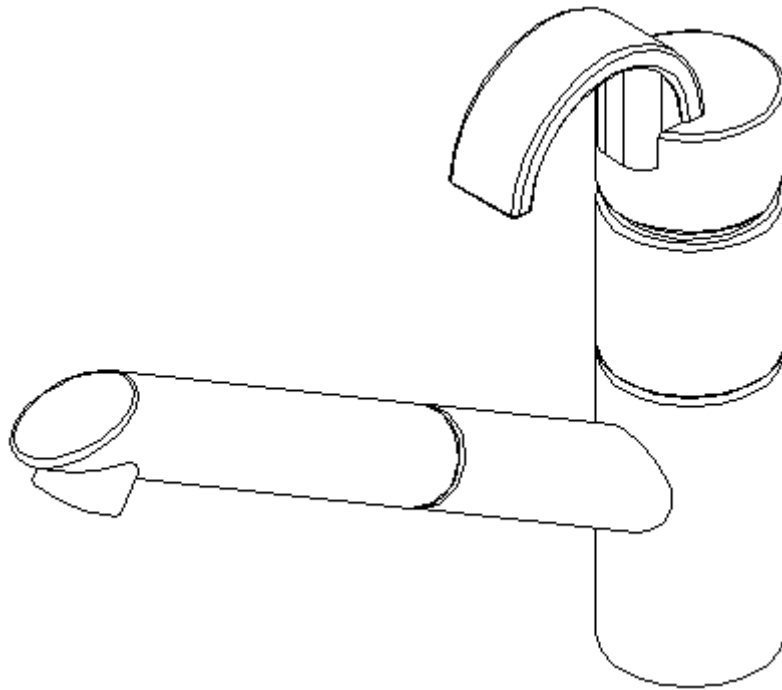


602216-01 Faucet, Lavatory, Moen, Chateau

2009 PAN AMERICA TRAVEL TRAILER

PLUMBING, FRESHWATER

Faucet, Galley, Elkay, Model #LK-7120



602158

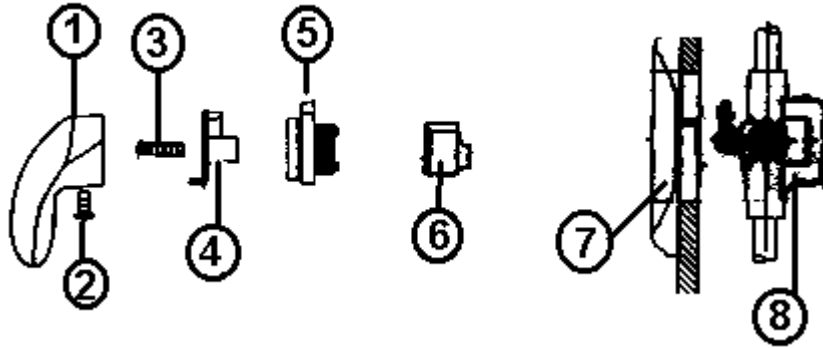
FAUCET, GALLEY ELKAY #LK-7120

2009 PAN AMERICA TRAVEL TRAILER

PLUMBING, FRESHWATER

Faucet, Shower

601829 Faucet, Shower, Chrome, Moen MDL TL2391



1. Lever handle
2. Set screw
3. Handle screw
4. Handle adaptor
5. Brake
6. Key stop
7. Escutcheon
8. 601831 4-port posi-temp valve

600594 Strainer w/white rubber stopper

601358 Shower kit, includes:

Shower hose, shower head,
Vacuum breaker, wall mounts

601358-100 SHOWER HEAD ONLY FOR 601358 #462-PBCBG

601358-101 WALL PLATE W/PIN (HOLDS SHOWER HEAD) #5001
BG

601358-102 SWIVEL W/SHOWER HOOK #40034CLRBG

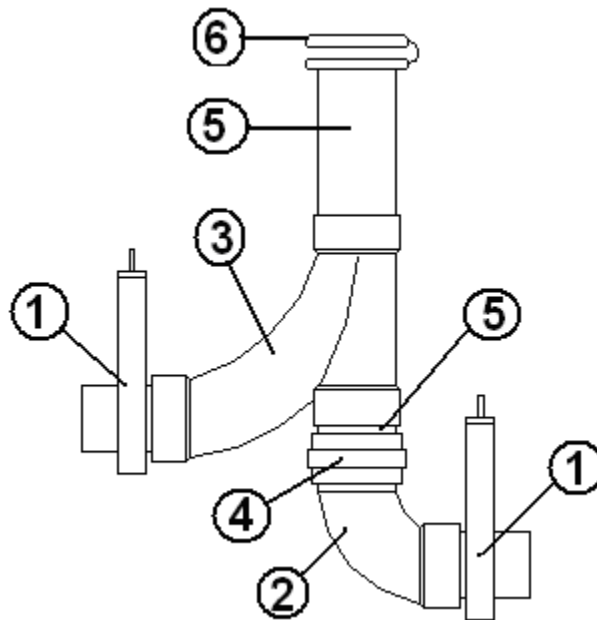
601185-08 PLUG, PIPE 1/2" MALE NPT, STEEL

601661 NIPPLE, 1/2", BRASS HEX

2009 PAN AMERICA TRAVEL TRAILER

PLUMBING, DRAIN

Drain System, Below Floor, 34'

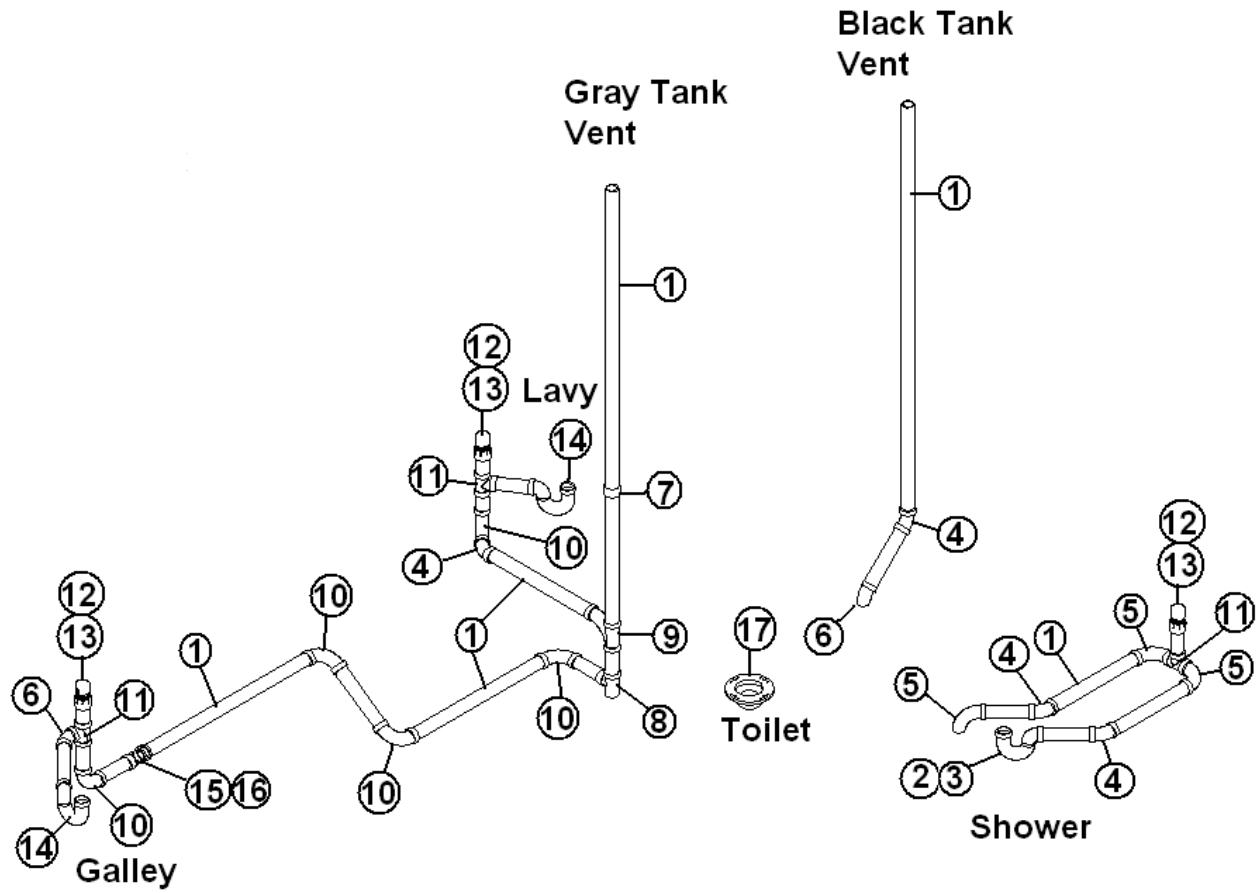


- | | | |
|----|-----------|---------------------------------------|
| 1. | 601607-11 | Valve assembly, 3" spigot x 3" spigot |
| 2. | 600820 | 3" Single socket 90 degree |
| 3. | 600187 | 3" Wye. Combination & 1/8" bend |
| 4. | 600289 | Calder coupler 3" rubber |
| 5. | 601160-04 | Pipe, ABS, 3" |
| 6. | 601607-07 | Termination Cap |
| | 601850-06 | Tank, holding, gray, 37 gallon |
| | 601848-11 | Tank, holding, black, 39 gallon |
| | 601626 | PAN WASTE HOLDING TANKS |
| | 0360499 | SLOPE PAD, STYROFOAM |
| | 200152 | STYROFOAM 1/2 X 6 X 42 |
| | 601531 | FITTING-90 DEGREE 3" H X ST |
| | 200943 | DUMP VALVE CLOSE-OUT |
| | 601607-06 | TERMINATION ADAPTOR, 3" HUB X 3" BA |
| | 04190 | DUMP VALVE HANDLE 19 EXT THETF |
| | 380481-A | 7 X 8 RUBBER BOOT 3-1/2 DIA HOLE |
| | 385101 | TAG AUX TANK DUMP VALVE HANDLE |
| | 385099 | TAG MAIN TANK DUMP VALVE HANDLE |
| | 114086 | BRACKET DUMP VALVE HANDLE |

2009 PAN AMERICA TRAVEL TRAILER

PLUMBING, DRAIN

Drain System, Above Floor, 34'



Part numbers are on the next page.

2009 PAN AMERICA TRAVEL TRAILER

PLUMBING, DRAIN

Drain System, Above Floor, 34'

1. 601160-02	PIPE, ABS DVW, 1.5"
2. 602164-01	P TRAP W/COMPRESSION NUT
3. 602164-02	TAILPIECE W/NUTS & WASHERS
4. 600030	ELL, ABS, 45 DEGREES, LONG TURN
5. 600431	ELBOW, 90
6. 600027	ELBOW, ABS, LONG STREET, 45 DEGREES
7. 600227	PLASTIC COUPLINGS
8. 601868	SANITARY TEE,-SPIG X HUB X HUB
9. 600182	WYE,1.5" X 1.5" X 1.5",1/8" BEND
10. 600035	ELL, ABS, LONG SWEEP
11. 600156	TEE, SANITARY
12. 600538	VENT, V-200, AUTOMATIC
13. 600308	ADAPTER, ABS, FEMALE SLOAN
14. 600144	P TRAP, ABS
15. 601318	TEE, BI-DIRECTIONAL CLEANOUT
16. 600155	PLUG, CLEANOUT
17. 600065	FLANGE, FLOOR, THREADED
602185	DRAIN COCK RADIUS
601589	ADAPTOR BRASS 3/8" FPT X 1/2" MP
600662	1 1/2" ELBOW, SHORT RADIUS

2009 PAN AMERICA TRAVEL TRAILER

PLUMBING, DRAIN

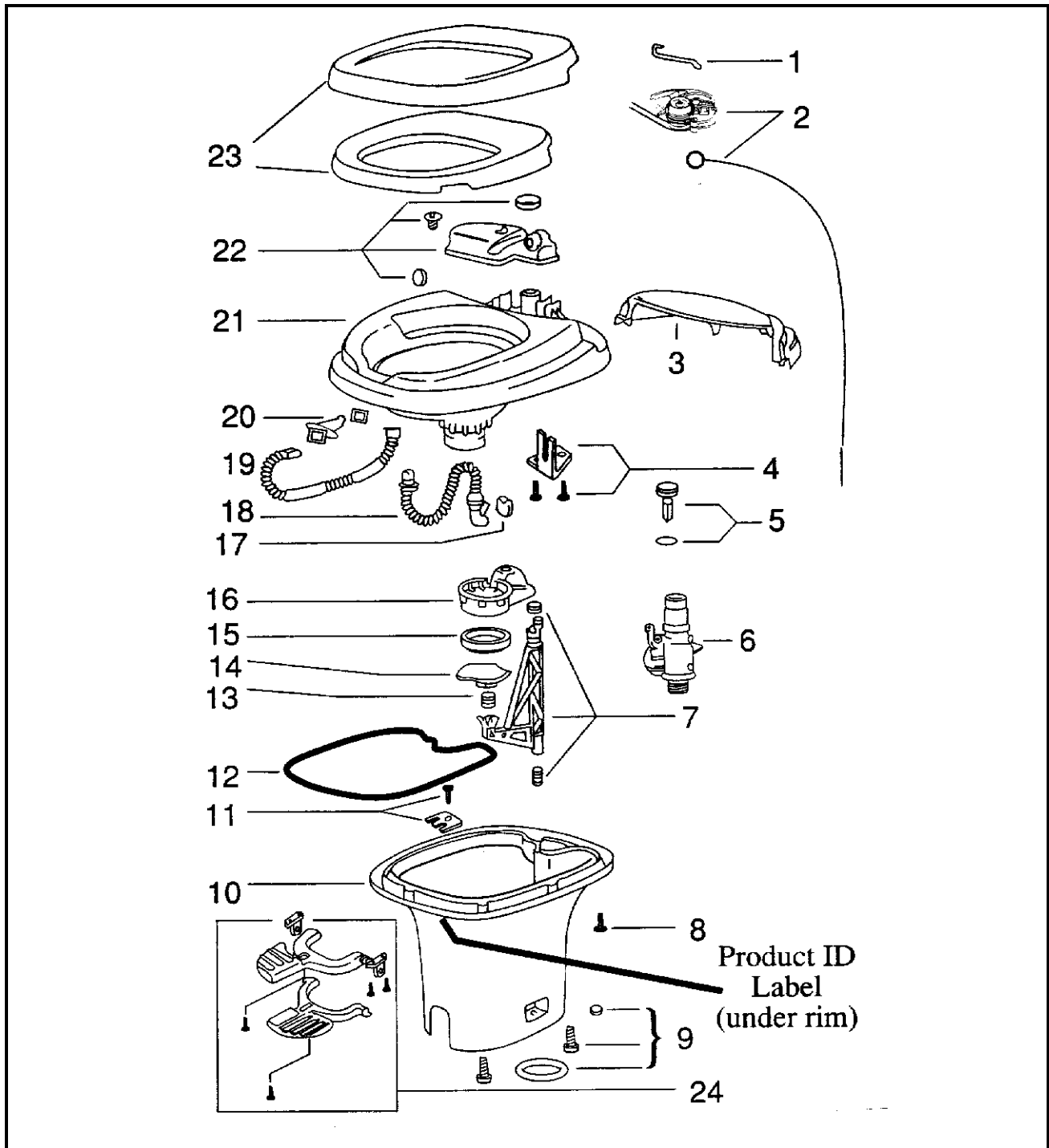
Sinks/showers

601804-01	SINK, 12" SS ROUND, BATH
203081	SHOWER STALL, 2 PC.
703626-01	SHOWER DOOR, BRUSHED NICKEL
601806	SINK, S.S. ROUND, GALLEY
601714-01	TAIL PIECE, 1 ½" X 4"(GALLEY DRAIN)
601714-02	1 ½", SLIP NUT W/WINGS (GALLEY DRAIN)
601714-03	1 ½", BLACK RUBBER WASHER (GALLEY DRAIN)

2009 PAN AMERICA TRAVEL TRAILER

PLUMBING, DRAIN

Toilet



2009 PAN AMERICA TRAVEL TRAILER

PLUMBING, DRAIN

Toilet

690495 Aqua Magic V, Low Profile

1. 690387-513 Water valve link
2. 690387-571 Wire replacement package
3. 690387-562 Mechanism cover, white
4. 690387-634 Bracket assembly
5. 690387-631 Float assembly
6. 690387-168 Water valve replacement package
7. 690387-632 Actuator assembly
8. 690387-659 Screw base to bowl
9. 690387-524 Closet bolt package
10. 690387-356 Base, white, low
- 10a 690387-062 Base, white, high
11. 690387-636 Retainer assembly
12. 690387-387 Sealant, base to bowl
13. 690387-519 Blade spring
14. 690387-262 Blade
15. 690387-481 Blade seal
16. 690387-520 Blade track
17. 690387-512 Flapper
18. 690387-511 Overflow tube
19. 690387-509 Flush tube
20. 690387-637 Nozzle assembly
21. 690387-726 Bowl
22. 690387-630 Reservoir tank assembly
23. 690387-162 Seat and cover assembly
24. 690387-821 Pedal package

2009 PAN AMERICA TRAVEL TRAILER

PLUMBING, DRAIN

Black Tank Flush

601441	SYSTEM, TANK FLUSH
601698-10	QQE33X 1/2" BARB EL
601698-08	QQC33 X 1/2" BARB COUPLING
601698-04	QQE33BTX 1/2" B X 1/2" MPT BARB EL
601698-05	QQE33BSXP 1/2" B X 1/2" FPT SWV EL
601698-03	QQSFC33XPXP 1/2" B X 1/2" FPT SW ADP
601698-15	1/2" CRIMP RING
601698-01	E-PEX 1/2" TUBING

Plumbing Loose Parts

340084-52	CLAMP, HOSE SAE #52, for sewer hose
600241-01	SEWER HOSE ADAPTOR, STRAIGHT #02593
381647	KEY WATER FILL CH751
195329-240	SEWER HOSE ADAPTOR

2009 PAN AMERICA TRAVEL TRAILER

SAFETY EQUIPMENT

Detectors/Fire Extinguishers

510781	Smoke detector
510891	Smoke Detector CSA only
511309	LPG detector
512318	HOLDER W/1 AMP FUSE, IN-LINE
386019	LABEL 1 AMP FUSE MAX
512178	DETECTOR, CARBON MONOXIDE
600162-01	Fire extinguisher
600162-02	Fire extinguisher, CSA

2009 PAN AMERICA TRAVEL TRAILER

SEALER/GASKETS/PAINT

SEALER

360001	Sealant, #884058
360002	Sealant, Vulkem 11.5 oz. tube
360209	Sealant, seam
360176	Sealant, Almond, kitchen and bath
360180-04	Sealant, Sikaflex #221, black
360180	Sealant, Sika-flex, gray
360210	Sealant, Paralastic 4334-014
360283	Sealant, silicone, Corian Bone
360283-01	SEALANT SILICONE CORIAN G. WHITE
685510	SEAM TAPE, BLACK,RUBBER 1/32 X 7/8 X 2

GASKETS/TAPE



365035, Gasket
Access doorjamb



365013-01, Gasket
screen door



365232, Gasket
main door

365190	SEAL, RUBBER, 3/4" X 3/4", Refer, Range hood
381665	Gasket, D seal, window frame to shell
365208	Gasket, window frame to glass
365016	Tape, foam, double face, 1/2" wide
685510	Seam tape, exterior metal, black rubber, 1/2"
365001	TAPE DOUBLE COATED FOAM
381830	Gasket wiper, L section, 1.12" x 2.00", seal around refer baffle
382074	Gasket, grab handle, main door

2009 PAN AMERICA TRAVEL TRAILER

SEALER/GASKETS/PAINT

PAINT

360213	Paint, aluminum metallic
360151	Paint, gray metallic, Centari
360151-01	Paint, gray metallic, Centari, 16 oz. can
360317-01	Paint, Pewter, Gallon
360260-100	Paint, Pewter, 16 oz. can

2009 PAN AMERICA TRAVEL TRAILER

UPHOLSTERY/FOAM/MATTRESS

Mattress, 34'

703698 MATTRESS 60 X 75 QUEEN "B"

Bedsread, 34'

703795-429 BEDSPREAD-PAN AM

Chairs

*382004 CHAIR, ZIPDEE PACIFIC BLUE STANDARD

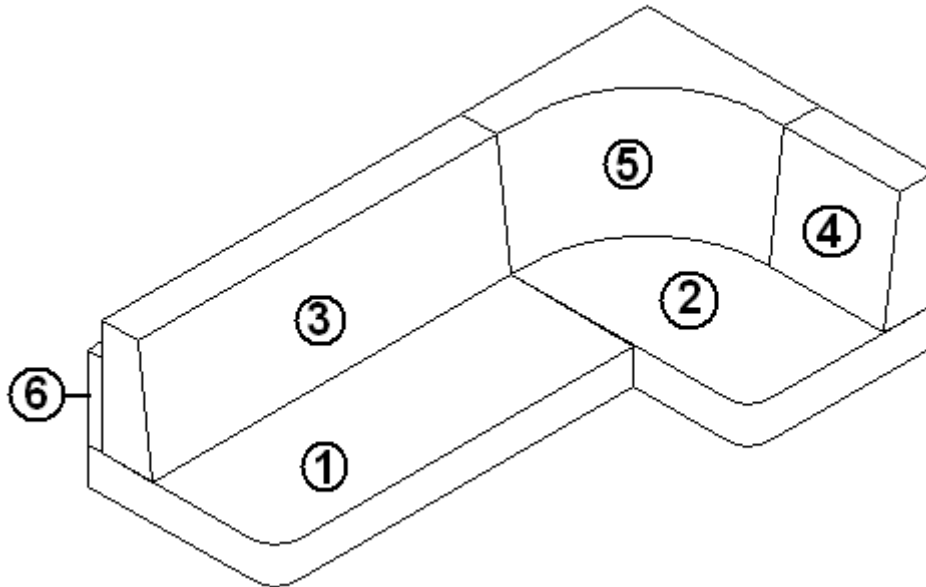
*382004-02 SILKSCREEN, ZIP DEE CHAIR

*Order both part numbers to get a chair with Airstream logo silk screened.

2009 PAN AMERICA TRAVEL TRAILER

UPHOLSTERY/FOAM/MATTRESS

Cushions, "L" Lounge, 34'



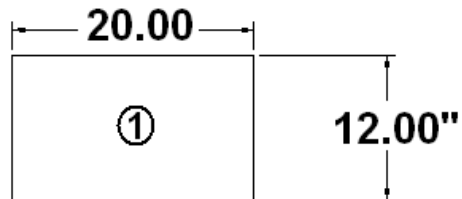
1. 703796-01 Seat base forward
2. 703796-02 Seat base, aft
3. 703796-03 Seat back, forward
4. 703796-04 Seat back, aft
5. 703796-05 Seat back, radius
6. 703796-06 Seat back, filler

2009 PAN AMERICA TRAVEL TRAILER

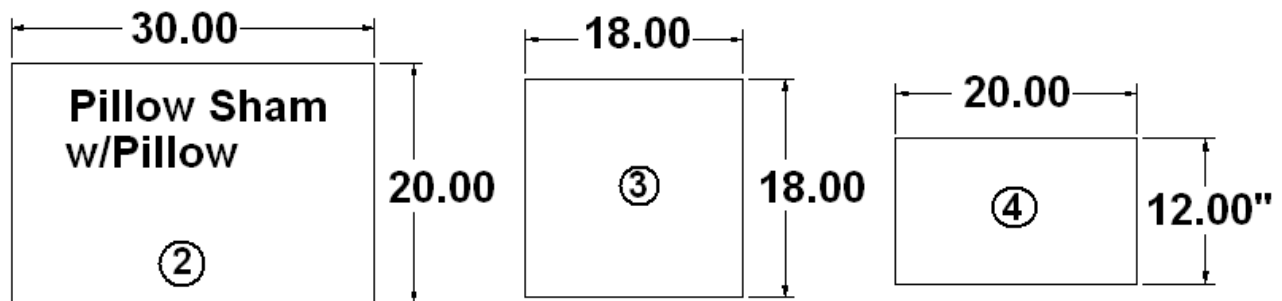
UPHOLSTERY/FOAM/MATTRESS

Pillow Kit

LOUNGE PILLOW



BEDROOM PILLOWS



703794-05 PILLOW KIT, COMPLETE

1. 703794-01 PILLOW, LONGE, 20" X 12"
2. 703794-02 PILLOW W/SHAM, 30" X 20"
3. 703794-03 PILLOW, BEDROOM, 18" X 18"
4. 703794-04 PILLOW, BEDROOM, 20" X 12"

2009 PAN AMERICA TRAVEL TRAILER

VENTS/FANS/ SKY LIGHTS

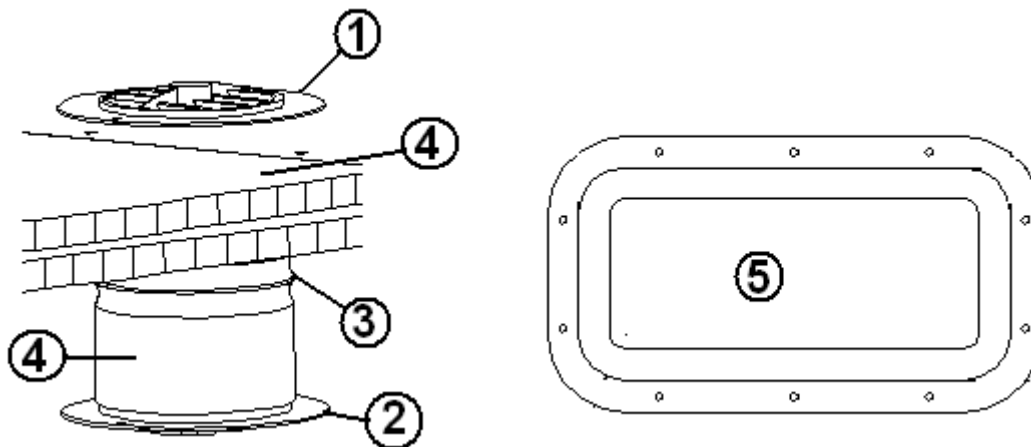
Refer Vent, Roof

- 100341 Refrigerator, vent collar, roof, large
- 101394 Cover, refrigerator vent, roof, large
- 381042 MESH, galvanized for refer vent. .017 X 36"

Black Tank Roof Vent Pipe Cover

- 690264-03 Vent pipe cover
- 380228 Wire, hardware cloth

Cargo Area Vents



- 1. 601337 4" ROTO VENT W/SHUT, OFF BLACK
- 2. 601337-01 VENT, 4"ROTO W/SCREEN BLACK
- 3. 600247 4" HOSE, HEAT DUCT FLEX
- 4. 340084-60 CLAMP, HOSE, SIZE, 4.25"
- 5. 382020 VENT, MANUAL, ROOF

2009 PAN AMERICA TRAVEL TRAILER

VENTS/FANS/ SKY LIGHTS

Vents, Power, Bath

690266-01	Ventilator, power, bath
690266-02	Ventilator, power, bath, CSA
690266-03	EXTENSION GARNISH 4", power vent
381541-11	SWITCH-ROOF VENT, WHITE

Vents, Power, Roof

381841	VENT, ROOF FANTASTIC EXHAUST ONLY
511657	FANTASTIC FAN W/410KIB CONTROL

Skylight, 19 1/2" X 19 1/2"

114485	MOUNTING FRAME SKYLIGHT
381318-05	SKYLIGHT 19 1/2" X 19 1/2"
201962	TRIM RING 19 X 19 SKYLIGHT WHI
702804-03	SHADE PLTD SKYLIGHT 19.25" X 20.00"
320139	Screw assembly w/rubber washer

2009 PAN AMERICA TRAVEL TRAILER

WOOD TRIM /FORMICA/PANELING

PLYWOOD

800506-03	PLYWOOD, 3/8" X 4' X 8'
800506-04	PLYWOOD, 1/2" X 4' X 8'
800506-05	Plywood, 5/8" x 4' x 8'
800506-06	PLYWOOD, 3/4" X 4' X 8'
801351	LITE PLY-18MM (.75") 4' X 8'

Cabinet formed Radius Corners

801345	RADIUS PLYWOOD .75" X 3" X 8'
801348	RADIUS PLYWOOD-.75" X 8" X 6'

PANELING, LAUAN

800507-01	Panel, lauan, 1/8 x 4' x 8'
800507-02	Panel, Lauan, 1/4" x 4' x 8', raw/raw
800507-03	Panel, Lauan, 3/8" x 4' x 8', raw/raw
800507-04	Panel, Lauan, 1/2" x 4' x 8', raw/raw
800507-06	LAUAN, .75" X 4' 8'

MAIN DOOR/PASSAGE DOOR THRESHOLD

702963	VINYL EMBOSSED 1.75W THRESHOLD
801492-0014	THRESHOLD, GOLD ALCHEMY

2009 PAN AMERICA TRAVEL TRAILER

WOOD TRIM /FORMICA/PANELING

Trim, Wall, Paneling

203138-01	Plastic wall extrusion, .5", white
203138-04	Plastic wall extrusion, .5", OAK
203440	T-MOLDING, BLACK EMBOSSED 13/16"
203445	T-MOLDING BLK FLEXIBLE POLY .56"
203445-01	T-MOLDING, .5625" WHITE
203464-01	Plastic wall extrusion, .75", Oak
203597	T-molding, white embossed, 13.16"
201673-01	COVE MOLDING, PLASTIC, WHITE
801706-0014	CORNER TRIM, 90 DEG, GOLD ALCHEMY

Edge banding

365238-04	EDGE BAND, .5, WHITE
365238-05	EDGE BAND, 15/16", CHALK WHITE
365313-01	EDGE BAND, GOLD ALCHEMY, .63"
365313-02	EDGE BAND, GOLD ALCHEMY, 15/16"
365313-03	EDGE BAND, GOLD ALCHEMY, 1.125"
365305-01	EDGE BAND, BRUSHED ALUMINUM, 15/16"
365305-02	EDGE BAND, BRUSHED ALUMINUM, .63"

2009 PAN AMERICA TRAVEL TRAILER

WOOD TRIM /FORMICA/PANELING

PANELING

801368	Paneling, 18MM, WHITELINER/WHITELINER
801378	Paneling, 18MM, WHITELINER/BACKER
801392	Paneling, 12MM, WHITELINER/WHITELINER
801438	Paneling, 3MM, WHITELINER/RAW
801743	LAMINATE, BRUSHED STAINLESS STEEL
801779-01	LAMINATE, FROSTY WHITE
801793-01	LAMINATE, GOLD ALCHEMY, VERTICAL
801794-01	Paneling, 18MM, GOLD ALCHEMY/ALUMINUM SNOW
801795-01	Paneling, 18MM, GOLD ALCHEMY/WHITE LINER
801796-01	Paneling, 18MM GOLD ALCHEMY/GOLD ALCHEMY
801797-01	Paneling, 12MM, GOLD ALCHEMY/WHITE LINER
801798	Paneling, 18MM, LIGHT GREY FLECK, BACKER
801799-01	Paneling, 12MM, ALUMINUM SNOW/ALUMNUM
SNOW	
801801-01	PANELING, 12MM, GOLD ALCHEMY/GOLD ALCHEMY
801802-01	PANELING, 12MM, GOLD ALCHEMY/FROSTY WHITE
801805	LAMINATE, BLACK PHENOLIC, GARAGE COUNTER
TOPS	
801811-01	LAMINATE, GOLD ALCHEMY, 5 FEET WIDE
801812-01	PANELING, 18MM, GOLD ALCHEMY/GATOR BACKER
454620	CHEMETAL, 103 KNOCKOUT

