

AVENUE MOTORHOME

**PARTS
BOOK**

2011



2011 AVENUE MOTORHOME

TABLE OF CONTENTS

SECTION I A through C

APPLIANCES

<u>Air Conditioner/Furnace, Microwave/Cook Top</u>	I-1
<u>Refrigerator</u>	I-1
<u>Water Heater/Generator</u>	I-2

EXTERIOR SHELL

<u>Wall & Roof Structure</u>	I-3
<u>Medallions</u>	I-4
<u>Skirting Install, Fiberglass</u>	I-5
<u>Rear Bumper Access Panel</u>	I-6
<u>Mesh Grille</u>	I-9
<u>Grab Handle</u>	I-9
<u>Mud Flaps</u>	I-10
<u>Roof Assembly Install</u>	I-11
<u>Utility Compartment</u>	I-13

INTERIOR BODY

<u>Interior Panels, Rear Door</u>	I-14
<u>Interior Panel Assemblies</u>	I-15
<u>Interior Closeout Assemblies</u>	I-16
<u>Closeout, Interior, Fuel Fill</u>	I-19
<u>Floor</u>	I-20
<u>Dash Trim Kits</u>	I-21

CHASSIS

<u>Spare Tire Carrier</u>	I-22
<u>Hitch</u>	I-23
<u>Trunk Box</u>	I-24
<u>Heat Shield & Closeout for Step</u>	I-25
<u>Heat Shield, Shower Pan</u>	I-25
<u>Step/Step Well</u>	I-27
<u>Exhaust</u>	I-28

2011 AVENUE MOTORHOME
TABLE OF CONTENTS
SECTION II
D through E

DOOR/WINDOWS/AWNING

<u>Exterior Door</u>	II-1
<u>Rear Door Gasket</u>	II-1
<u>Windows</u>	II-1
<u>Awning</u>	II-1

<u>DRAPES/SHADES/VALANCES</u>	II-2
-------------------------------------	------

ELECTRICAL, 110 VOLT

<u>Energy Management System</u>	II-4
<u>Shoreline Hookup</u>	II-4
<u>Inverter</u>	II-4
<u>Receptacles</u>	II-5
<u>Breakers</u>	II-5

Electrical, 12 volt

<u>Battery Box</u>	II-6
<u>Battery System, Coach</u>	II-7
<u>Exterior Lights</u>	II-7
<u>Lights, Interior</u>	II-8
<u>Switches</u>	II-8
<u>Solar Panel</u>	II-8
<u>Monitor Panel</u>	II-9
<u>Rear View Monitor</u>	II-9
<u>Tank Heating Pad</u>	II-9

ENTERTAINMENT

<u>Radio Wiring</u>	II-9
<u>Television Reception System</u>	II-9
<u>Television Systems</u>	II-10

2011 AVENUE MOTORHOME
TABLE OF CONTENTS
SECTION III
F through H

FASTENER (common fastener available locally are not listed)

Rivets..... III-1

FLOOR COVERING III-2

FURNITURE

Lavatory III-3

Shower Module III-5

Galley..... III-15

Furniture, Lounge..... III-36

Driver/Passenger Seat Swivel Base III-45

Mirrors/Interior Doors III-49

Edge Banding III-49

Trim, Wood/Plastic III-50

Drawer Box Assemblies III-51

HARDWARE

Seat Pedestal Bracket Assembly III-52

Clothes Line III-56

Sofa Seatbelt Installation III-57

Interior Handles, Fastener, Latches III-59

Hinges..... III-60

Bath Accessories III-60

Labels and Tags III-61

Safety Equipment..... III-61

2011 AVENUE MOTORHOME
TABLE OF CONTENTS
SECTION IV
L through Z

PLUMBING

<u>LPG System</u>	IV-1
<u>LPG Tank</u>	IV-2
<u>Fresh Water Tank/Gravity Fill</u>	IV-3
<u>Water Pump, Filter, Regulator</u>	IV-4
<u>Faucet & Sink, Galley</u>	IV-4
<u>Faucet, Wet Bath</u>	IV-4
<u>Exterior Utility Compartment</u>	IV-5
<u>Freshwater Fittings</u>	IV-6
<u>Water Lines, Hot/Cold</u>	IV-7
<u>Tanks/Valves/Heating Pad, Gray/Black</u>	IV-12
<u>Gray Tank Brackets</u>	IV-13
<u>Black Tank Brackets</u>	IV-14
<u>Drain Valve System/Macerator Pump, Tank Flush</u> .	IV-15
<u>Drain System, Above Floor</u>	IV-16
<u>Heat Shields, Grey Tank & Drainage</u>	IV-18
<u>Toilet</u>	IV-19

<u>SEALER/GASKETS</u>	IV-21
-----------------------------	-------

UPHOLSTERY/FOAM/MATTRESS

<u>Cab Seats</u>	IV-22
<u>Chair, Captains, 2nd Row</u>	IV-22
<u>Pillows</u>	IV-23
<u>Lounge Sofa</u>	IV-24
<u>Shower Curtain</u>	IV-24

<u>VENTS/FANS</u>	IV-27
-------------------------	-------

2011 AVENUE MOTORHOME

APPLIANCES

Air Conditioner

690614-01	Air conditioner 13,500 BTU Cool Only, Coleman
690614-02	Ceiling Plenum, Coleman
690614-03	Control Kit, Cool Only
690614-04	Thermostat, A/C Coleman
511260	Cover, Weather Proof Single Gang
967577	Cover Assembly, Air Conditioner

Furnace

690616	Furnace, 16,000 BTU Suburban
601244-03	Register, Rotaire, Black

Microwave/Cook Top

690576	Cook Top, 2-Burner, SMEV
690610-01	Microwave, Contoure UL SS
690610-04	Trim Kit, Contoure Black

Refrigerator

690599	REFRIGERATOR, NOVAKOOL, 3.1 LH DOOR
690599-01	REFRIGERATOR, NOVAKOOL, 3.1 RH DOOR
115166-08	INSERT, REFER PANEL, 16.56" X 28.00"

2011 AVENUE MOTORHOME

APPLIANCES

Water Heater

690615 Water heater 6Gallon
690417-05 Switch, Water Heater, Dual
690915-01 Door, water heater, Artic White
690915-02 Door, water heater, Grey

Generator, LP

512422-01 GENERATOR, 2800 MICROLITE ONAN
511811-02 REMOTE SWITCH W/HOUR METER
454744 BRACKET, GENERATOR
454742-01 BRACKET, GENERATOR/MOUNT LP - CS
454742-02 BRACKET, GENERATOR/LP MOUNT - RS
454829 SHIELD, HEAT, GENERATOR EXHAUST
454743 BRACKET, LP SUPPORT
454796 HEAT SHIELD LP TANK
454798 ACCESS PANEL, LP
454799 HEAT SHIELD CS, LP TANK
512422-03 TAILPIPE, 2.8 GAS GENERATOR
381509 HANGER, TAILPIPE, GENERATOR
382136 MOUNT, RUBBER INSULATOR 1.38"
602283 REGULATOR, 2 STATE W/ADAPTER
510562 SWITCH, GENERATOR SWITCH
510817-01 SINGLE GANG, WEATHER PROOF BOX
510817-02 SINGLE GANG, WEATHER PROOF EXTENTION RING
*410988 GENERATOR FUEL LINE KIT

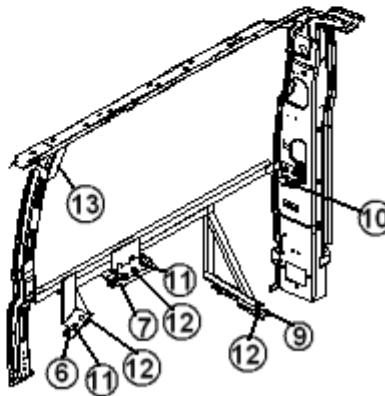
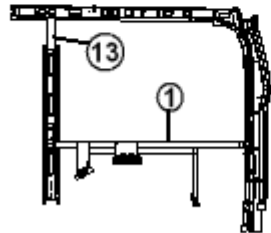
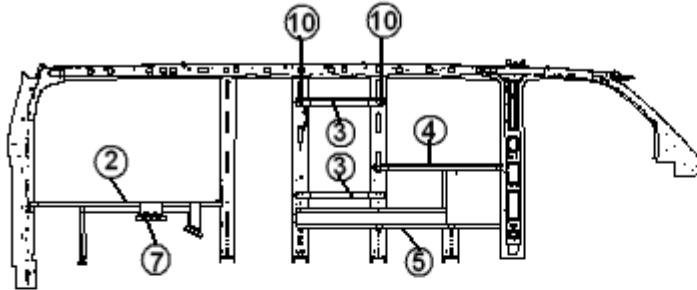
*GENERATOR FUEL LINE KIT CONSISTS OF:

60" Hose
Male connector
Hose clamps
5/16" - 1/4" reducer
High pressure hose
Hose clamps

2011 AVENUE MOTORHOME

EXTERIOR SHELL

Wall & Roof Structure, Interior



- | | | |
|-----|-----------|---------------------------------------|
| 1. | 454746-01 | BRACKET-CS REAR WALL |
| 2. | 454746 | BRACKET-RS REAR WALL |
| 3. | 454780 | BRACKET-SIDEWALL SUPPORT |
| 4. | 454781 | BRACKET-WINDOW |
| 5. | 454782 | BRACKET-SIDEWALL MOUNT |
| 6. | 454755 | BRACKET-FWD RETAINING SIDEWALL |
| 7. | 454756 | BRACKET-AFT RETAINING SIDEWALL |
| 8. | 454758 | BRACKET-RS SIDEWALL ANGLE (Not Shown) |
| 9. | 454758-01 | BRACKET-CS SIDEWALL ANGLE |
| 10. | 345084 | SCREW-1/4-14X1 THD.CUTTING |
| 11. | 345251 | BOLT-HEX HD 1/2-13X1-1/2 GR 5 |
| 12. | 300072-08 | LOCK WASHER |
| 13. | 454832 | BRKT, GALLEY REINFORCEMENT RIB |
| | 345477-01 | SCREW-CAP HD 1/2-13 X 2" |
| | 345272-04 | SCREW-CAP 3/8-16X1.0 HEX HEAD |
| | 350005 | NUT3/8-16 UNC HEX HD PLATED |
| | 300072-04 | WASHER,LOCK 1/4IN |

2011 AVENUE MOTORHOME

EXTERIOR SHELL

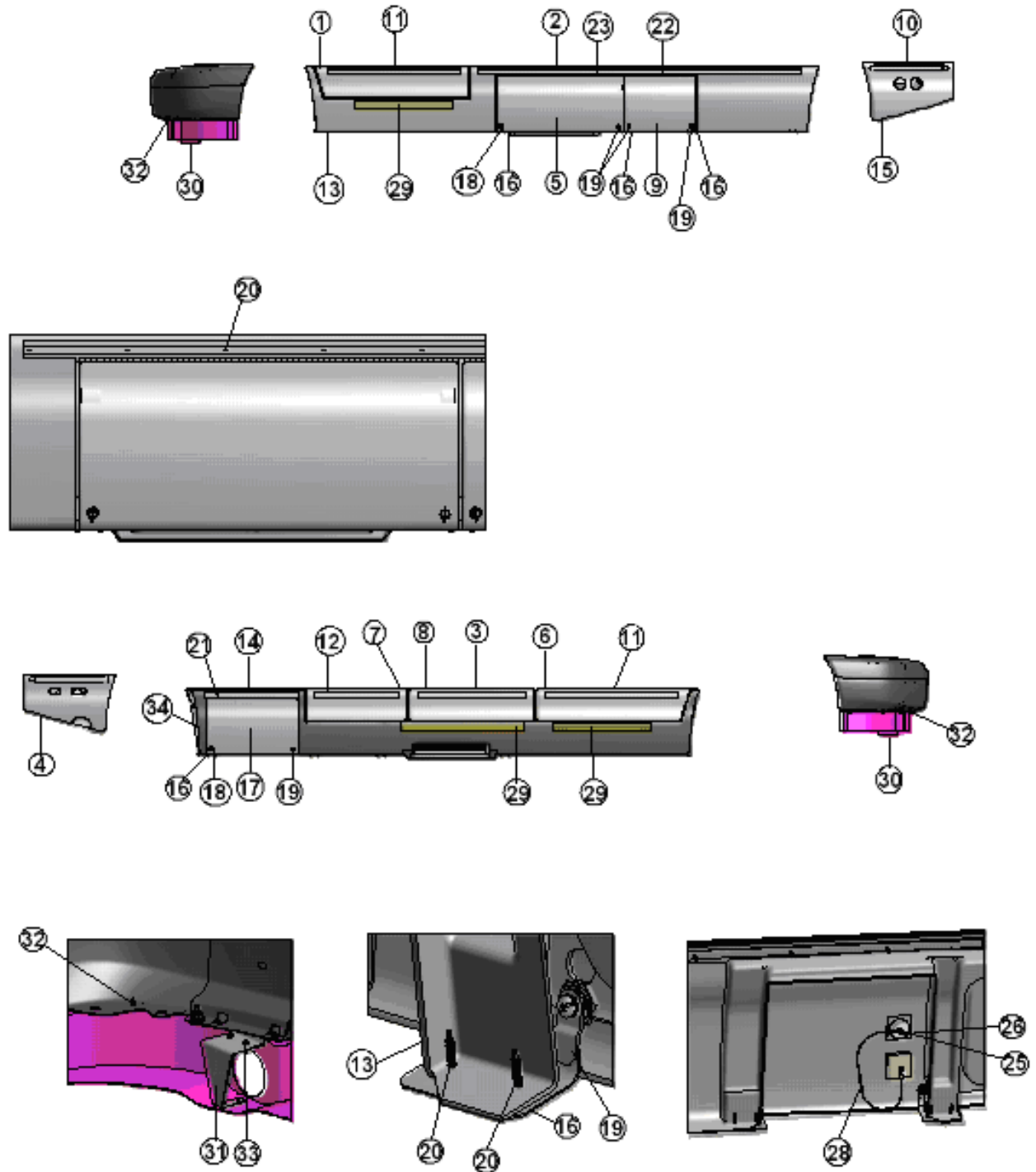
Medallions

386243	NAMEPLATE-AVENUE 1.69" x 8.38"
386205	AIRSTREAM, CHROME 1.75" X 21.5"
386247	80 YEAR LOGO

2011 AVENUE MOTORHOME

EXTERIOR SHELL

SKIRTING INSTALLATION - WITHOUT WARDROBE OPTION



Parts Listed on Next Page

I-5

2011 AVENUE MOTORHOME

EXTERIOR SHELL

SKIRTING INSTALLATION, FIBERGLASS, STANDARD

111977 SKIRTING INSTALL, FIBERGLASS

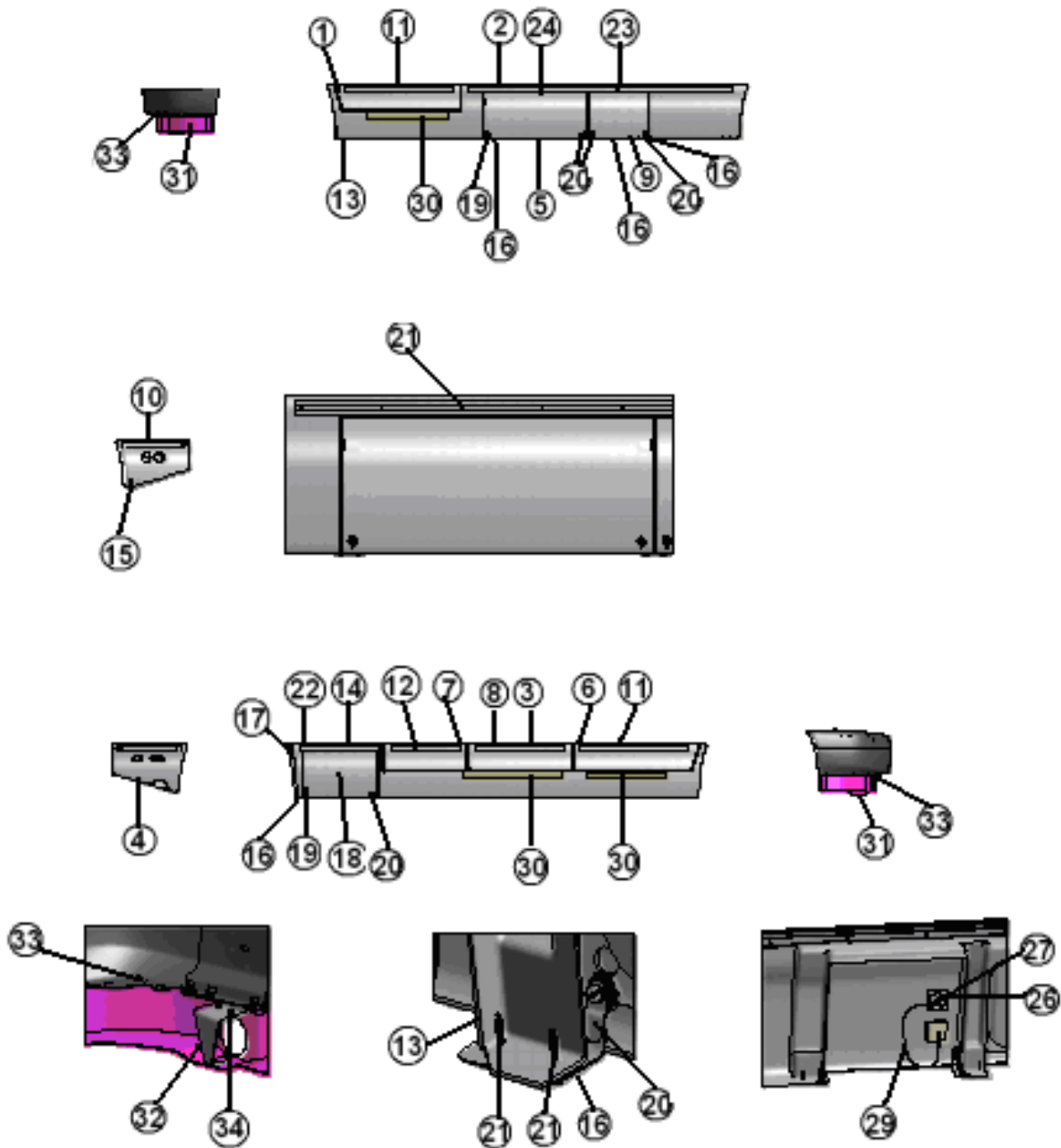
1. 203687 FASCIA-DOOR ROADSIDE
 2. 203707 MOLDING-EXT.BODY CHROME 1.28"
 3. 203707 MOLDING-EXT.BODY CHROME 1.28"
 4. 203686 DEPARTURE-REAR CS CHEVY VAN
 5. 203683 DOOR-BAGGAGE 13.61 X 31
 6. 203688 FASCIA-DOOR CURBSIDE CHEVY VAN
 7. 203690 FASCIA-DBL DOOR LH CHEVY VAN
 8. 203691 FASCIA-DBL DOOR RH CHEVY VAN
 9. 203684 DOOR-SYSTEMS 13.61 X 17.63
 10. 203707 MOLDING-EXT.BODY CHROME 1.28"
 11. 203707 MOLDING-EXT.BODY CHROME 1.28"
 12. 203707 MOLDING-EXT.BODY CHROME 1.28"
 13. 203681 FENDERSKIRT-RS CHEVY VAN
 14. 203707 MOLDING-EXT.BODY CHROME 1.28"
 15. 203685 DEPARTURE-REAR RS CHEVY VAN
 16. 454833 BRACKET, DOOR CATCH AVENUE
 17. 203706 DOOR-BATTERY BOX
 18. 382137 CAM LOCK-THUMB TURN LOCKING
 19. 382138 CAM LOCK-THUMB TURN NON LOCKING
 20. 320029-02 SCREW-#8 X 1 SELF TAP SS
 21. 380203-01 PIANO HINGE 1/8" PIN CLR ANODI
 22. 380203-01 PIANO HINGE 1/8" PIN CLR ANODI
 23. 380203-01 PIANO HINGE 1/8" PIN CLR ANODI
 24. 454838 BRKT - CS FENDER ATTACHMENT(NOT SHOWN)
 25. 452276 STEEL 20 GA GALVANIZED
 26. 382139 MAGNET-DR HOLDER 28 LB 1.57"D
 27. 320163 SCREW-M4 X 8MM PH STEEL
 28. 382140 GASKET-MAGNET 1.58"D (NOT SHOWN)
 29. 381065-13 SUPPORT CABLE- 13"
 30. 385577 TAPE CLEAR WEAR STRIP 3.5"
 31. **203709 SPOILER-BUMPER LOWER ABS CBV
 31. **203689 Front Bumper – Used on units prior to 10/28/10.
 32. 454854 BRACKET, DRIVING LIGHT LOWER CBV
 33. 320164 SCREW -TAPPING 18-8 X 1" SS
 34. 203723 FENDERSKIRT- CS FG
- 345276-03 BOLT HEX. HD. 1/4-20 X 3/4IN
350147-25 NUT,NYLON LOCK,1/4-20
203682 FENDER SKIRT, CURBSIDE
203697 PANEL, ACCESS, REAR BUMPER

**The front bumper was revised during the model year.

2011 AVENUE MOTORHOME

EXTERIOR SHELL

SKIRTING INSTALL WITH WARDROBE OPTION



PARTS CALLED OUT ON NEXT PAGE

2011 AVENUE MOTORHOME

EXTERIOR SHELL

SKIRTING INSTALLATION – FIBERGLASS, WARDROBE OPT

1. 203687 FASCIA, DOOR, ROADSIDE
2. 203707 MOLDING, EXTERIOR BODY, BLACK
3. 203707 MOLDING, EXTERIOR BODY, BLACK
4. 203686 FENDER, REAR DEPARTURE, CURBSIDE
5. 203683 DOOR, BAGGAGE, 31" X 13.61"
6. 203688 FASCIA, DOOR, CURBSIDE
7. 203690 FASCIA, DBL.DOOR, LH
8. 203691 FASCIA, DBL DOOR, RH
9. 203684 DOOR, SYSTEMS, 17.63" X 13.61"
10. 203707 MOLDING, EXT. BODY, BLK, 17.75"
11. 203707 MOLDING, EXT. BODY, BLK, 32.5"
12. 203707 MOLDING, EXT. BODY, BLK, 20.56"
13. 203681 FENDERSKIRT, ROADSIDE
14. 203707 MOLDING, EXT. BODY, BLK 23.5"
15. 203685 FENDER, REAR DEPARTURE, RS
16. 454833 BRKT., CATCH FOR DOORS
17. 203682 FENDER SKIRT CS
18. 203706 DOOR, BATTERY BOX, 22.44" X 13.61"
19. 382137 CAM LOCK, THUMB TURN, LOCKING
20. 382138 CAM LOCK, THUMB TURN NON-LOCKING
21. 320029-02 SCREW, #8 X 1.00" SELF TAPPING
22. 380203-01 HINGE, PIANO, ANODIZED, 22"
23. 380203-01 HINGE, PIANO, ANODIZED, 22"
24. 380203-01 HINGE, PIANO, ANODIZED, 22"
25. 454838 BRKT., CS FENDERSKIRT
26. 382139 MAGNET, DOOR HOLDER, 28#
27. 320163 SCREW, PH M4 X 8MM
28. 382140 GASKET, MAGNETIC DOOR HOLDER
29. 381065-13 CABLE, SUPPORT, 13"
30. 385577 TAPE, CLEAR, WEAR STRIP, 3.5"WIDE
31. 203709 SPOILER, BUMPER LOWER
32. 454854 BRACKET, DRIVING LIGHT, LOWER SPOILER
33. 320164 SCREW, TAPPING 12-14 X 1.00"SS
34. 345276-03 BOLT HEX HD. ¼-20 X ¾"
35. 350147-25 NYLON LOCKING NUT, ¼-20
36. 512182 LIGHT, DRIVING, 4" ROUND
37. 365013-01 FOAM,CHARCOAL LOW DENSITY FOAM
38. 330038 RIVET, BLIND AD54 ABS

2011 AVENUE MOTORHOME

EXTERIOR SHELL

MESH GRILLE



386246

MESH GRILLE, OPTIONAL

GRAB HANDLE



382156 HANDLE-CHEVY GRAB #15056573

454867 BRACKET, CS GRAB HANDLE

345084 SCREW ¼-14 X 1 THD CUTTING

320167 SCREW PH PAN #4 X 1" BLACK

2011 AVENUE MOTORHOME

EXTERIOR SHELL

MUD FLAPS

203698 Mud Flap, Front, 2 per van

203699 Mud Flap, Rear, 2 per van

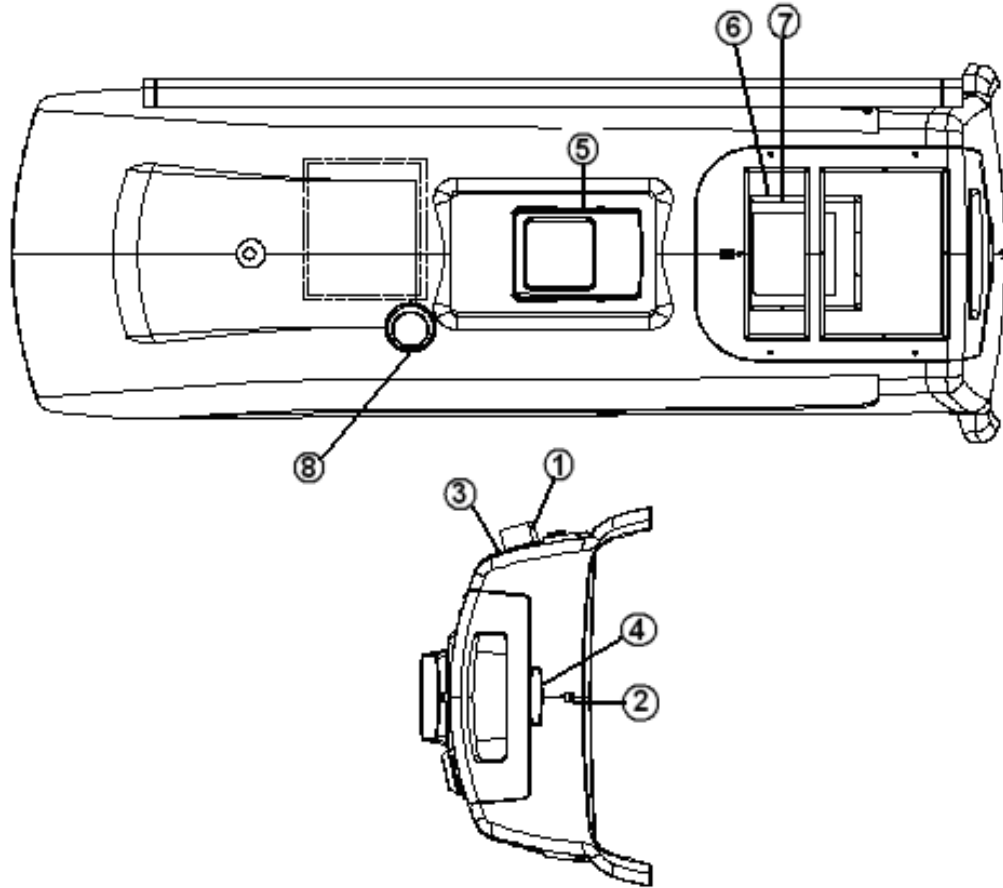
EXTERIOR STRIPING

365339 Striping Tape, 5/16" Blk/Lt. Charcoal Metallic

2011 AVENUE MOTORHOME

EXTERIOR SHELL

ROOF ASSEMBLY INSTALLATION



Parts Listed on Next Page

2011 AVENUE MOTORHOME

EXTERIOR SHELL

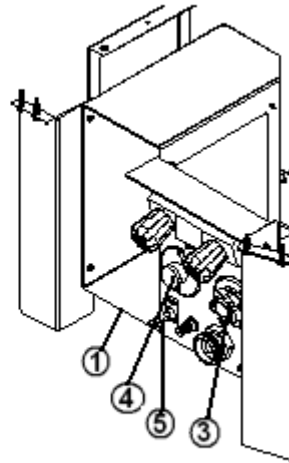
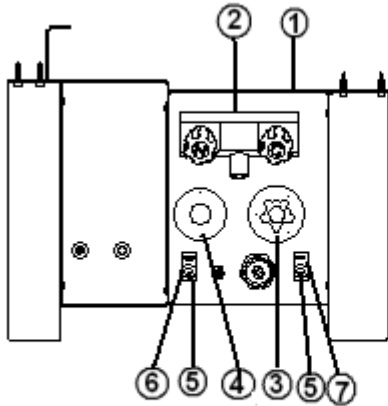
ROOF ASSEMBLY INSTALLATION

111881	ROOF ASSY INSTALLATION
1. 703870	AWNING-MOTORIZED CAREFREE 3.5M
2. 511948	CAMERA-REAR VIEW COLOR PIONEER
3. 512446	CORD CONN.-STRAIN RELIEF#LPCG7
4. HIGH MOUNT BRAKE LIGHT (CHASSIS PART)	
5. 382058	VENT-MAXX EXHAUST ONLY #00-062
6. 115507	BRACKET, A/C SUPPORT AVENUE
7. 320029-01	SCREW#8X1/2 PPH TYPE A SMS 18-
8. 690266-04	POWER VENTILATOR (USED ON SUITE ONLY)
203680	HALO-REAR HIGH TOP CBV
203678	ROOF-HIGH TOP W/INNER FLANGE
967577	COVER ASSY- AIR CONDITIONER
454824-01	BRACKET-A/C COVER INSTALL
203679	COVER-A/C HIGH TOP CBV
115494-01	GRILL-A/C COVER 11X30
115494-02	GRILL-A/C COVER 22X30
115494-03	GRILL-A/C COVER 9X24
320029-02	SCREW-#8 X 1 SELF TAP SS
300160	WASHER-LARGE SS .75"OD
300157	WASHER-SS 1.5 OD W/.28 HOLE
345336-07	CAP SCREW HX HD 1/4-20 XX .75"
512420	ANTENNA-OMNI DIR. HD DIGITAL
350147-25	NUT,NYLON LOCK,1/4-20
115498	SPACER, CAREFREE AWNING MOUNT
500921	CONNECTOR - COAX IN PLATE
115498	SPACER-CAREFREE AWNING MOUNT
104358	ALUM. BAR STOCK 1/4IN THICKX1
320029-02	SCREW-#8 X 1 SELF TAP SS
345471	FASTENER-AVK 5/16-18 UNC
512288	LIGHT-EXTERIOR WATER TIGHT BLK
300161	WASHER- 5/16 ID X .625 SS
345494-02	SCREW-CAP HEX 5/16-18 X 1.5 SS
360342	SIKAFLEX- 255 BLACK 20 OZ TB
382153	CAP-A/C POCKET DRAIN RED 4491K

2011 AVENUE MOTORHOME

EXTERIOR SHELL

Utility Compartment



UTILITY COMPARTMENT

- | | |
|--------------|--------------------------------------|
| 1. 454800 | COMPT ASSY- UTILITY |
| 2. 602263-01 | FAUCET-SHOWER 4" WHITE #19889 |
| 3. 602272 | HOOK UP-NO FLUSH #19981 |
| 4. 602273 | FLANGE-CITY WATER W/EZ GRIP |
| 5. 512434 | SWITCH-HEAVY DUTY 25AMP #5582- |
| 6. 386240 | DECAL-MACERATOR PUMP SWITCH |
| 7. 386241 | DECAL-LP VALVE SWITCH |
| 345084 | SCREW-1/4-14X1 THD.CUTTING |
| 454773 | BOX, UTILITY COMPARTMENT |
| 45474 | Bracket, UTILITY COMPARTMENT, FWD. |
| 454775 | Bracket, UTILITY COMPARTMENT, AFT |
| 454801 | Bracket, Utility Compartment Support |
| 454802 | ACCESS PANEL, UTILITY COMPARTMENT |

2011 AVENUE MOTORHOME

INTERIOR SHELL

INTERIOR TRIM OUTS, REAR DOOR, GREY

203703 SET, REAR DOOR PILLAR/HEADER CLOSEOUTS,
GREY, HAIRCELL

203703-01 HEADER, REAR DOOR TRIM OUT

203703-02 ROADSIDE PILLAR, REAR DOOR TRIM OUT

203703-03 CURBSIDE PILLAR, REAR DOOR TRIM OUT

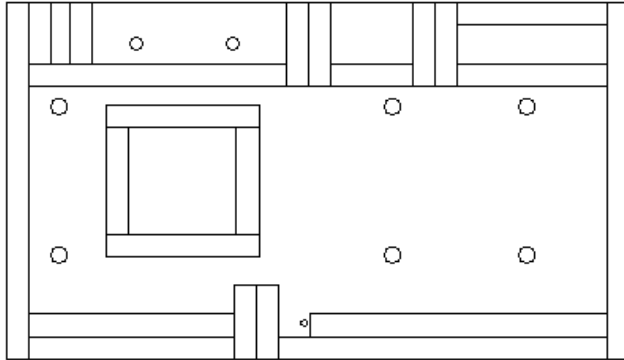
203703-04 ROADSIDE CORNER, REAR DOOR TRIM OUT

203703-05 CURBSIDE CORNER, REAR DOOR TRIM OUT

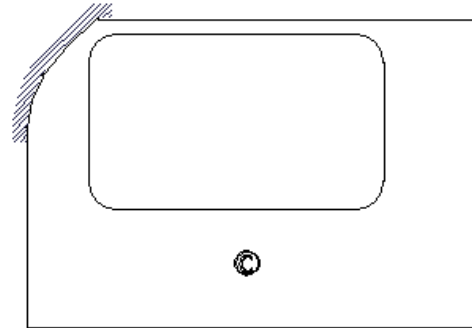
2011 AVENUE MOTORHOME

INTERIOR SHELL

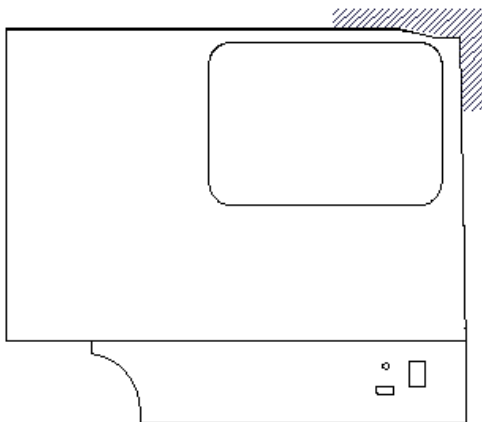
PANEL ASSEMBLIES, INTERIOR



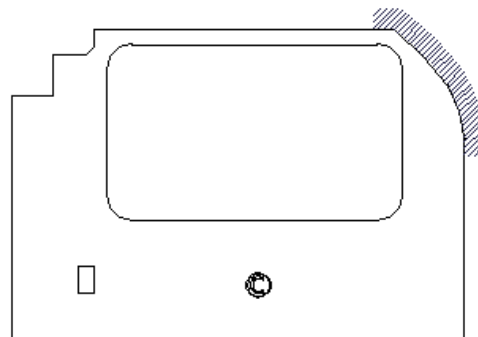
967581
PANEL ASSY - FWD ROOF



967586
PANEL ASSY-RS AFT WALL



967585
PANEL ASSY-RS FWD WALL



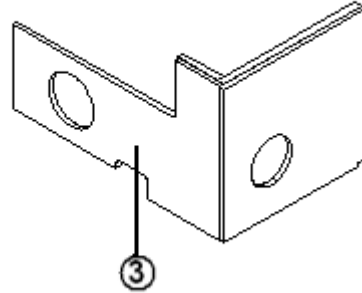
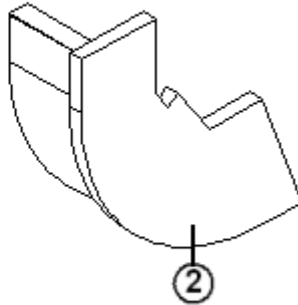
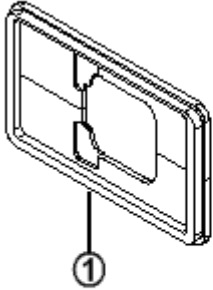
967587
PANEL ASSY-CS AFT WALL

- 967581 PANEL ASSY - FWD ROOF
- 967586 PANEL ASSY - RS AFT WALL
- 967585 PANEL ASSY - RS FWD WALL
- 967587 PANEL ASSY - CS AFT WALL

2011 AVENUE MOTORHOME

INTERIOR SHELL

CLOSEOUT ASSEMBLIES, INTERIOR

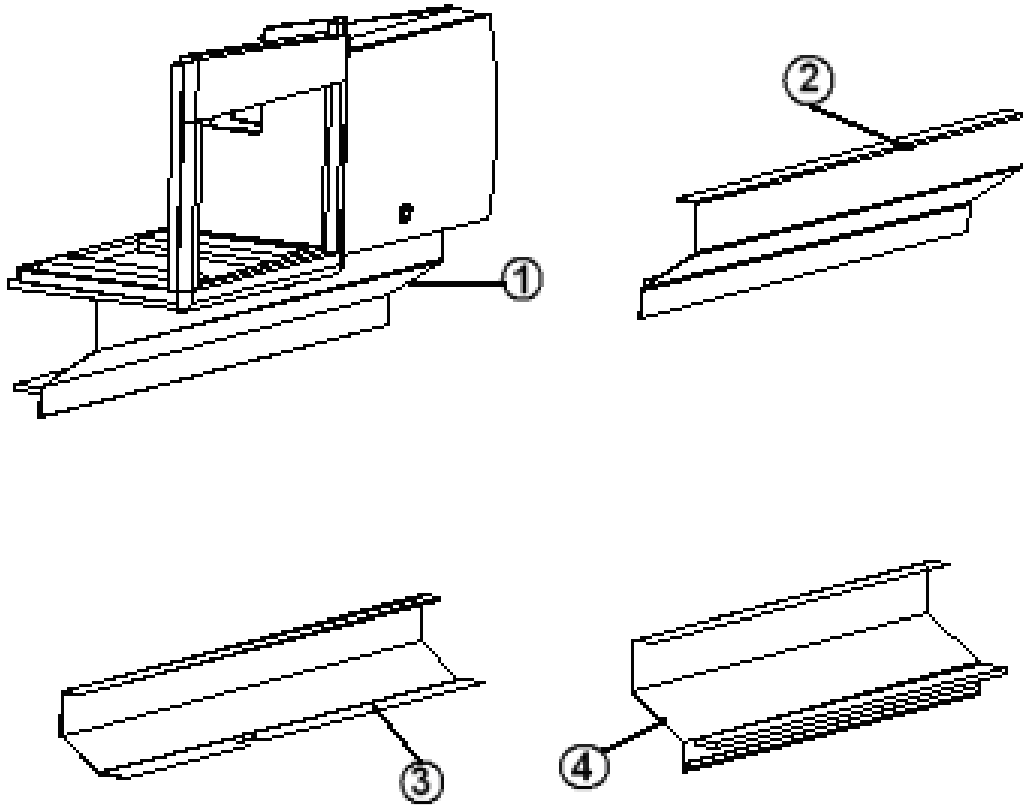


- | | | |
|----|-----------|--|
| 1. | 967578 | CLOSEOUT, PEDESTAL, LT. CAMEL |
| 1. | 967578-16 | CLOSEOUT, PEDESTAL, ONYX |
| 2. | 967583-17 | CLOSEOUT, AFT GALLEY ROOFLOCKER,
LT.CAMEL |
| 2. | 967583-16 | CLOSEOUT, AFT GALLEY ROOFLOCKER, ONYX |
| 3. | 967607 | CLOSEOUT ASSY., RS LOUNGE |
| 3. | 967608 | CLOSEOUT ASSY., CS LOUNGE |

2011 AVENUE MOTORHOME

INTERIOR SHELL

CLOSEOUT ASSEMBLIES, INTERIOR



2011 AVENUE MOTORHOME

CLOSEOUT ASSEMBLIES, INTERIOR

- | | |
|-----------|--|
| 1. 967609 | CLOSEOUT ASSY-ROADSIDE FWD VALANCE, LT. |
| CAMEL | |
| 967609-16 | CLOSEOUT ASSYROADSIDE FWD VALANCE, ONYX |
| 2. 967610 | CLOSEOUT ASSY-ROADSIDE AFT VALANCE , LT. |
| CAMEL | |
| 967610-16 | CLOSEOUT ASSY-ROADSIDE AFT VALANCE, ONYX |
| 3. 967611 | CLOSEOUT ASSY-CURBSIDE FWD VALANCE |
| 4. 967612 | CLOSEOUT ASSY-CURBSIDE AFT VALANCE, LT. |
| CAMEL | |
| 967612-16 | CLOSEOUT ASSY-CURBSIDE AFT VALANCE, ONYX |
| 320155 | SCREW-#8X1 FH PH BLK |
| 967606 | CLOSEOUT, DRIVER PILLAR |
| 703900 | CLOSEOUT, DRIVER SEAT, BLACK |
| 115503 | CLOSEOUT, VALANCE CS REAR |
| 115506 | CLOSEOUT, VALANCE RS REAR |
| 967583 | CLOSEOUT, AFT GALLEY ROOFLOCKER |
| 203704 | CLOSEOUT, FORWARD GALLEY PILLAR |
| 203701 | CLOSEOUT, FORWARD SHOWER PAN |
| 203702 | CLOSEOUT, AFT SHOWER PAN |
| 967634-17 | CLOSEOUT, VALANCE ROADSIDE, WARDROBE, |
| ONYX | |
| 967634-16 | CLOSEOUT, VALANCE ROADSIDE, WARDROBE, |
| LT.CAMEL | |

Wheel Well Cover Assemblies

- | | |
|--------|-----------------------------|
| 967600 | Cover, Wheel Well, Roadside |
| 967601 | Cover, Wheel Well, Curbside |

2011 AVENUE MOTORHOME

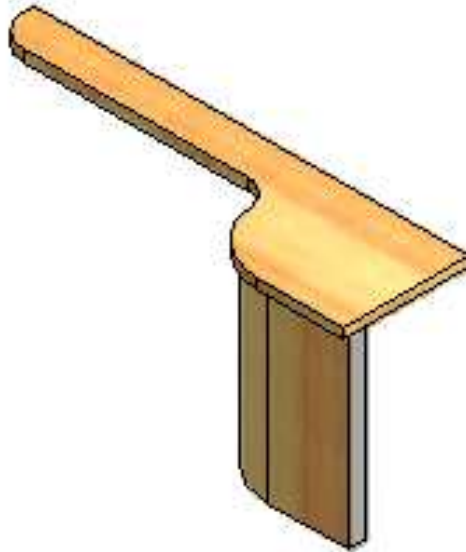
INTERIOR SHELL

Fuel Fill Closeout

967604 CLOSEOUT ASSY., ROADSIDE FUEL FILL, LT. CAMEL

967604-16 CLOSEOUT ASSY., ROADSIDE FUEL FILL, ONYX

20.00"W X 9.00"H X 5.75" D



2011 AVENUE MOTORHOME

INTERIOR SHELL

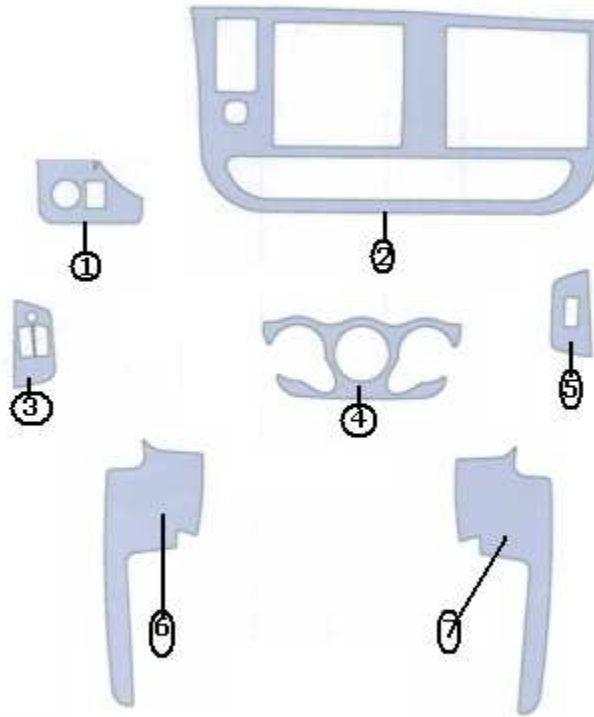
Flooring

703841	VINYL FLOORING, BEAU JUNTA, ONYX
114070	EXTRUSION, J-TRIM, MILL FINISH
115134	EXTRUSION, LAMINATE TRIM 120"
115488	ANGLE, ALUMINUM, .06" X .5" X 1"
703867	INSULATOR FLOOR MAT
703867-01	INSULATOR FLOOR MAT, RS WARDROBE

2011 AVENUE MOTORHOME

INTERIOR SHELL

DASH TRIM KITS

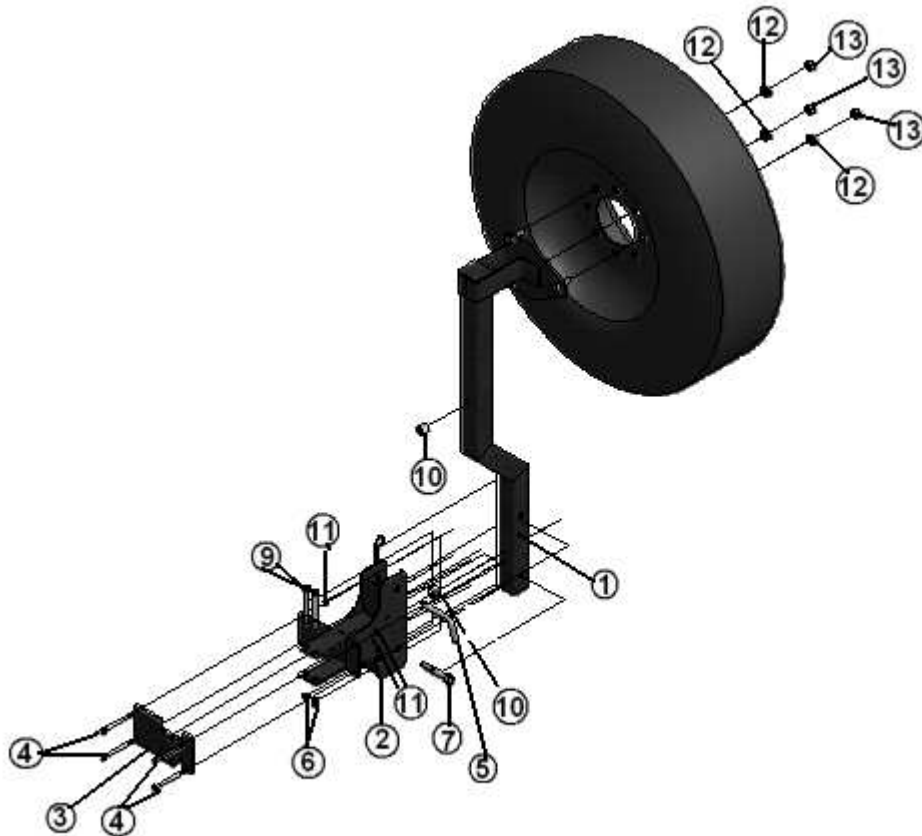


- | | |
|--------------|------------------------------------|
| 365331-01 | DASH KIT, ASH BURL, GREY |
| 365331-02 | DASH KIT, MAJESTIC BURL, BROWN |
| 1.365331-013 | DRIVER VENT, GREY |
| 1.365331-023 | DRIVER VENT, BROWN |
| 2.365331-012 | MAIN CENTER DASH, GREY |
| 2.365331-022 | MAIN CENTER DASH, BROWN |
| 3.365331-014 | DRIVER DOOR CONTROLS, GREY |
| 3.365331-024 | DRIVER DOOR CONTROLS, BROWN |
| 4.365331-011 | CUPHOLDER, GREY |
| 4.365331-021 | CUPHOLDER, BROWN |
| 5.365331-015 | PASSENGER DOOR CONTROLS, GREY |
| 5.365331-025 | PASSENGER DOOR CONTROLS, BROWN |
| 6.365331-016 | BESIDE DRIVER DOOR PANEL, GREY |
| 6.365331-026 | BESIDE DRIVER DOOR PANEL, BROWN |
| 7.365331-017 | BESIDE PASSENGER DOOR PANEL, GREY |
| 7.365331-027 | BESIDE PASSENGER DOOR PANEL, BROWN |

2011 AVENUE MOTORHOME

CHASSIS

Spare Tire Carrier



- | | | |
|-----|-----------|--------------------------------------|
| 1. | 454841 | TUBE ASSEMBLY |
| 2. | 454840 | BASE ASSEMBLY |
| 3. | 454842 | PLATE, BOLTING |
| 4. | 345336-09 | CAP SCREW, HEX HEAD. 1/4-20, SS 3.5" |
| 5. | 345456 | HITCH PIN |
| 6. | 350147-37 | NUT-NYLON LOCK 3/8-16 |
| 7. | 345477-03 | CAP SCREW HX HD 1/2-13"X3" |
| 8. | 350147-50 | NUT, NYLON LOCK 1/2 - 13 |
| 9. | 345272-16 | CAP SCREW HX HD 3/8-16 (4") |
| 10. | 381136 | RUBBER BUMPER |
| 11. | 350147-25 | NYLON LOCKING NUT 1/4-20 |
| 12. | 300158 | WASHER SPRING LOCK 1/2" |
| 13. | 350166 | NUT, HX HD ZINC PLATE 1/2-1 |
| | 381986-01 | CONTINENTAL KIT |

2011 AVENUE MOTORHOME

CHASSIS

HITCH



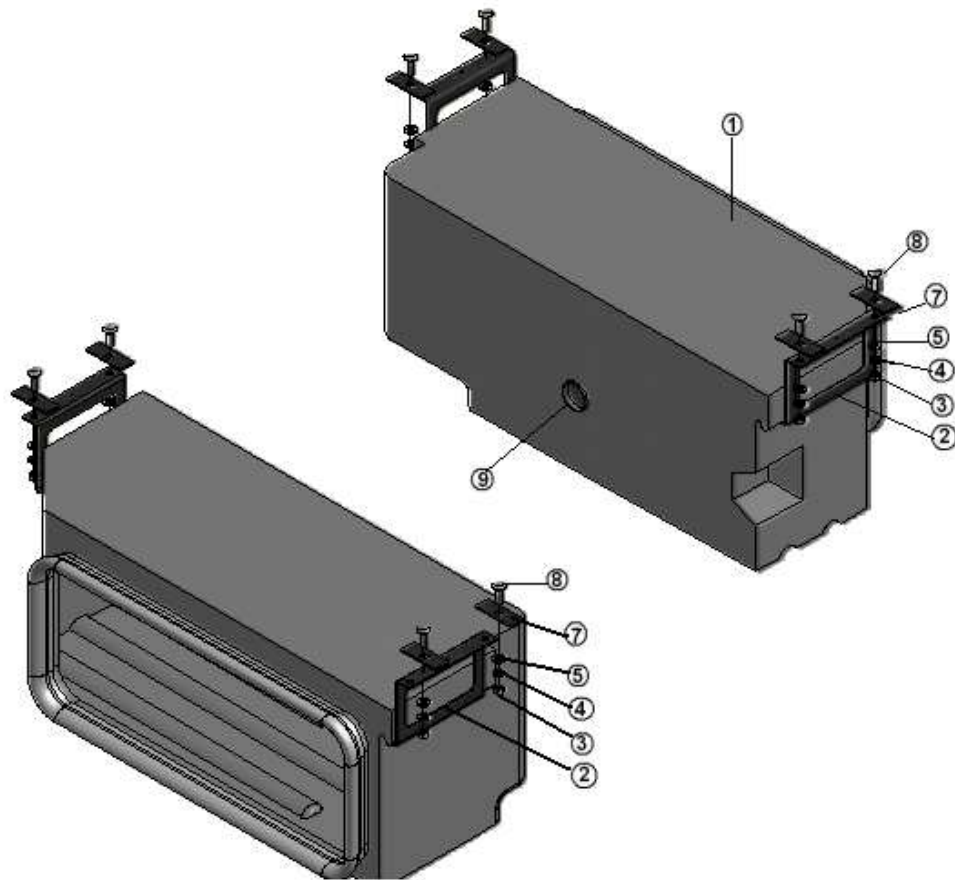
HITCH INSTALLATION

- | | |
|--------------|--------------------------------|
| 1. 401004 | HITCH-CEQUENT 4000#/10000# |
| 2. 454807 | BRACKET-LP PORT |
| 3. 602109-03 | DUST PLUG |
| 4. 512458 | SOCKET - 7 WAY #118015 |
| 5. 454837 | BRACKET, MTG. 7 WAY CONNECTOR |
| 6. 601412-08 | ADAPTER- .5"MPT X .375"MFLR |
| 7. 602109-01 | COUPLER-DISCONNECT.25"FPT X QD |
| 8. 602286 | NIPPLE-.5"MPT X .25" MPT BRASS |

2011 AVENUE MOTORHOME

CHASSIS

TRUNK BOX

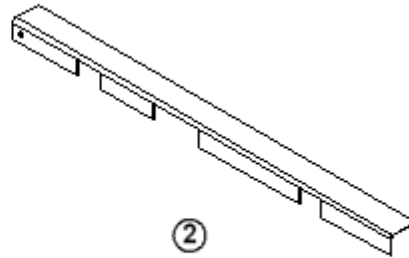
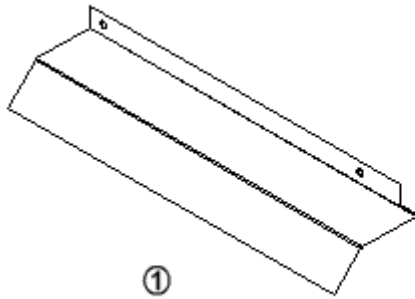


- | | |
|--------------|---------------------------------|
| 1. 602259 | Trunk Box, Roto-cast |
| 2. 454776 | Bracket, Black Tank Rear |
| 3. 350005 | Nut, 3/8-16 UNC Hex Head Plated |
| 4. 350187 | Washer, Split Locking SS |
| 5. 300052 | Washer, Flat 3/8" |
| 7. 454765 | Plate, Carriage Bolt |
| 8. 345331-02 | Bolt, Carriage 3/8-16 1.25" |
| 9. 382144 | Plug, Snap In Round 2" |
| 365332 | Bulb seal |

2011 AVENUE MOTORHOME

CHASSIS

HEAT SHIELD & CLOSEOUT, STEP & SHOWER PAN



- | | | |
|----|--------|-------------------|
| 1. | 454899 | HEAT SHIELD, STEP |
| 2. | 454900 | CLOSEOUT, STEP |

HEAT SHIELD, SHOWER PAN

- | | |
|--------|-------------------------|
| 454790 | HEAT SHIELD, SHOWER PAN |
|--------|-------------------------|

2011 AVENUE MOTORHOME

CHASSIS

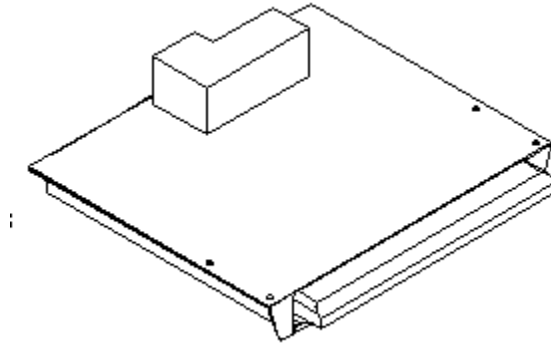
Aluminum Wheels

410990	KIT-ALUMINUM WHEELS
410990-01	ALUMINUM WHEEL, 16 X 7J
410990-02	HUB COVER, FRONT 2" DEEP PUSH THROUGH
410990-03	HUB COVER, AFT 4.7" DEEP PUSH THROUGH
410990-04	LUG NUT, CONE
410990-05	SCREW COVER
410993	VALVE STEM-CHEVY #15263240

2011 AVENUE MOTORHOME

CHASSIS

Step, Electric



512450-01	STEP, MOTORIZED PROJECT 2000
512450-100	STEP SWITCH
454893	BRACKET, STEP MOUNTING INNER
454892	BRACKET, STEP MOUNTING OUTER
512301	Buzzer, warning, two tone, step & awning
385577	FILM, STEP AREA, TAPE CLEAR, 3.5" WIDE

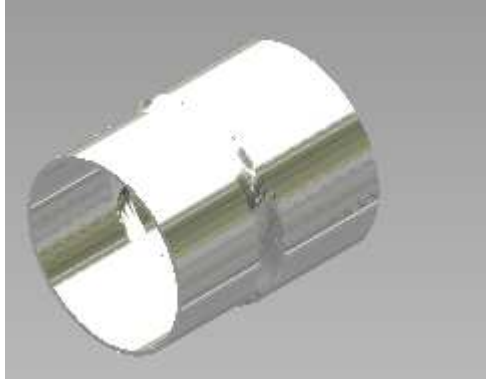
Step Well

203705	CLOSEOUT-STEPWELL ABS
701538-01	CARPET, ECONOLIER W/PSA BACK
512377	LIGHT, COURTESY, W/SS BEZEL, LED

2011 AVENUE MOTORHOME

CHASSIS

Exhaust



410989
340073-15
381509

Exhaust Extension, 3" OD, Stainless Steel
Clamp, Muffler 2.75"
Hanger, Tailpipe

2011 AVENUE MOTORHOME

DOOR/WINDOWS/AWNING

Exterior Doors

203683 Baggage Door 13.61" x 31.00"
203706 Battery Box Door 22.44" x 13.61"
203684 Systems Door 17.63" X 13.61"

Rear Upper Door Gasket

365357 Seal, Unigrip Rear Upper Door



WINDOWS

371427 Window, 28.5" x 21"
371428 Window, 35" x 21"
360342 Sikaflex #255 Black, 20 oz. Tube
320116 Screw, Black PH #8 x 1.25"
371429 Window, 35" x 21" - EGRESS

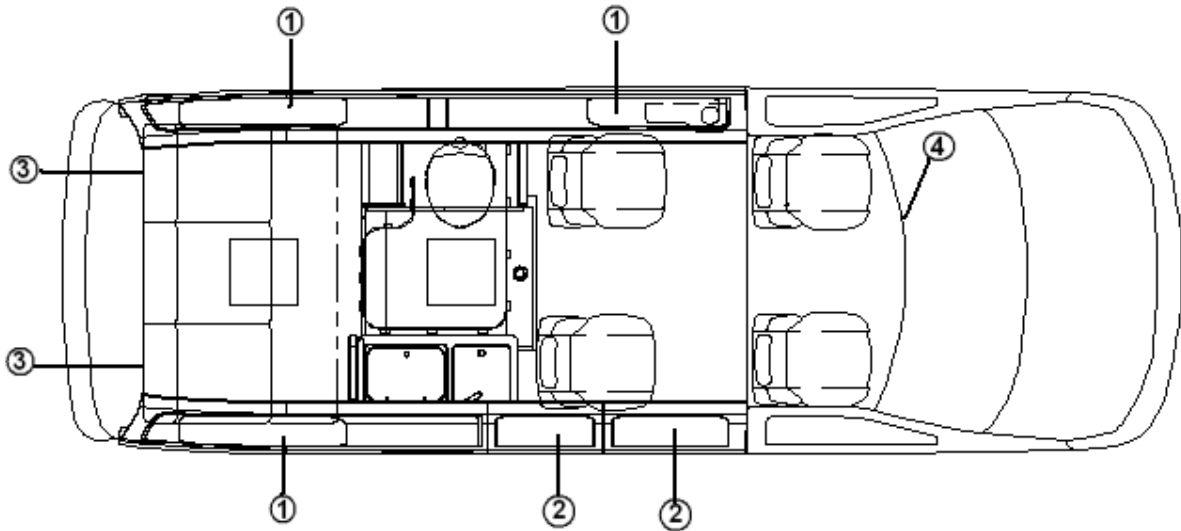
Awning, Patio

703870 Awning W/motor, 3.5M White Case
703870-01 Awning W/motor, 3.5M Silver Case
115498 Spacer, Carefree Awning Mount
512301 Buzzer, warning, two tone, step & awning
512428 110V GFI Receptacle, weatherproof cover & gasket
Grey
512428-01 110V GFI Receptacle, weatherproof cover & gasket,
White
512445 Terminal, Disconnect, Male

2011 AVENUE MOTORHOME

DRAPES/BLINDS/VALANCES

Drapes



	111891	CURTAIN INSTALL
1.	998209-400	CURTAIN ASSY-RS/CS 23.5" X 40" ONYX
1.	998209-411	CURTAIN ASSY-RS/CS 23.5" X 40" LT. CAMEL
2.	998210-400	CURTAIN ASSY-SIDE DR 22.5"X27" ONYX
2.	998210-411	CURTAIN ASSY-SIDE DR 22.5"X27" LT. CAMEL
3.	998211-01	CURTAIN REAR DOOR ROADSIDE
3.	998211-02	CURTAIN REAR DOOR CURBSIDE
4.	998207-400	CURTAIN-CAB CLOSEOUT ONYX
4.	998207-411	CURTAIN-CAB CLOSEOUT LT. CAMEL
	100097	EXTR. ALUM CURTAIN TRACK
	101217	EXTR. ALUM CURTAIN TRACK
	382123	SHOCK CORD CLIP
	382124	SHOCK CORD HOOK
	703872	WEIGHT, DRAPERY VINYL 1" X 1"

2011 AVENUE MOTORHOME

DRAPES/BLINDS/VALANCES

Drape Parts/Material

703861	FABRIC, BENTON STONE, 54",ONYX & LT CAMEL
703869	FABRIC-SUMMIT KHAKI, ONYX & LT CAMEL
700021	HOOK, VELCRO, WHITE
700020	PILE VELCRO
700045	GLIDES, CURTAIN, G3 W/ELASTIC
700005	FASTENER, CAP
700006	FASTENER SOCKET
340030	FASTENER STUD NICKEL PLATED
100097	Curtain track extrusion, sliding door curtain

2011 AVENUE MOTORHOME

ELECTRICAL, 110 VOLT

Energy Management System

512357-03 DISPLAY, MINI PCS
512357-02 CONTROL, POWER, Energy Management System
512361 DISTRIBUTION CENTER, 30A/15A AC/DC

Shoreline Hookup

512401-01 30 amp power cord 30'
512401-02 Inlet, Male 125V-30A
512401-03 Inlet, Male 125V-30A White
512437 Cord, Portable 10/3

Inverter

512279-01 Inverter/Charger, 750 watt
512279-02 Remote display panel, Inverter/Charger
512279-03 Cable- 25' Display Module
512277 Fuse holder, inline
512278-125 Fuse, BF1-32, 125 amp
511090 Junction Block, stud type

2011 AVENUE MOTORHOME

ELECTRICAL, 110 VOLT

Receptacles

511260	Cover, weather proof, single gang
512428	Receptacle, weather proof cover & gasket, grey
512428-01	Receptacle, weather proof cover & gasket, white
512398	Wall Plate, Power Supply, White
511814-01	RECEPTACLE-DUPLEX GRAY SELF
511814-02	PLATE-DECORATOR 1 GANG GRAY
512402-01	INLET-TV/SAT WHITE #FTVSAT-PS
512291	Wall Plate – NP107-009, 3 female, RCA

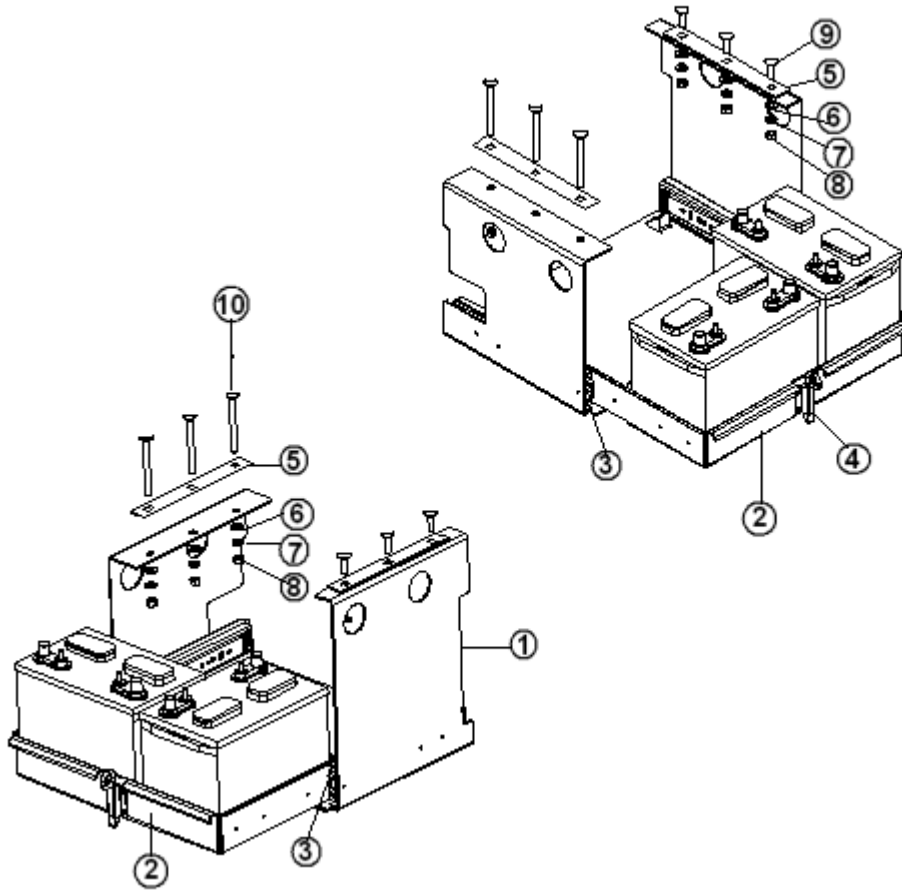
Breakers

510564-05	Breaker, Bryant, 30-20 AMP, dual
510564-03	Breaker, Bryant 15-15
510564-07	Breaker, Bryant 15 GFI
510564-09	Breaker, Bryant 15A SPST
512431	Kit, Add a Circuit

2011 AVENUE MOTORHOME

ELECTRICAL, 12 VOLT

BATTERY BOX ASSEMBLY



- | | | |
|-----|-----------|--------------------------------|
| | 111868 | BATTERY BOX INSTALL |
| 1. | 454760 | BOX-BATTERY OUTER CHEVY |
| 2. | 454761 | TRAY-BATTERY BOX CHEVY |
| 3. | 382121 | SLIDE-DRAWER 10" 500 LB |
| 4. | 382128 | CATCH-TRANSOM #1165 CBV |
| 5. | 454828 | PLATE-BATT.BOX CARRIAGE WASHER |
| 6. | 300052 | WASHER, 3/8 ID 5/8 OD FLAT |
| 7. | 350187 | WASHER-LOCK SS 3/8-16 |
| 8. | 350005 | NUT 3/8-16 UNC HEX HD PLATED |
| 9. | 345331-02 | BOLT- 3/8-16 X 1.25 CARRIAGE |
| 10. | 345331-13 | BOLT-3/8-16 X 4 |
| | 512443-01 | STRAP-BATTERY 56" |
| | 512443-02 | STRAP-BATTERY 40" |
| | 203700 | Closeout, battery box |

2011 AVENUE MOTORHOME

ELECTRICAL, 12 VOLT

Battery System, Coach

512283	Battery, 12 volt, deep cycle, GRP 24, AGM
512313	Disconnect, Main Battery
512360	Battery Separator, 12VDC
512313	BATTERY DISCONNECT, MAIN, REMOVABLE HANDLE
510948-06	BAR, BUSS, CURCUIT BREAKER CONNECTION
510947-30	BREAKER, 12V DC, TYPE II, #12V30
510947-15	BREAKER, 12V DC TYPE II, #12V15
510947-25	BREAKER, 12V DC, TYPE II #12V25
510947-30	BREAKER, 12V DC, TYPE ii #12V30
510947-50	BREAKER, 12V DC, TYPE II, #12V50
512147-03	WEATHERPROOF CIRCUIT BREAKER 120AMP
510946-04	BRACKET, 4 POSITION, CIRCUIT .BREAKER, 12V, #8536-2
345489-01	BOLT-MOUNTING BATT.CABLE
345489-02	SPACER-BATT. MOUNTING BOLT

Exterior Lights/Outlet

512288	Light, Patio, exterior waterproof
511294	Light License Plate
512182	Fog Light Kit, 4" Round, Per Pair
512435	Switch w/Plate, Fog Light
**512427-01	Fog Light Roadside
**512427-02	Fog Light Curbside
512441	LIGHT W/SWITCH, LED

**The bumper was redesigned during model year.

512427-tab was used on units built prior to 10/28/10.

2011 AVENUE MOTORHOME

ELECTRICAL, 12 VOLT

Lights, Interior

512376	LIGHT, SHOWER, SS TRIM RING, LED
512463	LIGHT, SPOT, LED RECESSED FROST
512392	LIGHT, READING W/SWITCH, LED, BLACK
512426-01	LIGHT-LED SINGLE DOME W/SWITCH
512426-02	LIGHT-LED DOUBLE DOME W/SWITCH
512377	LIGHT-LED COURTESY SS

Switches, Interior

690417-05	SWITCH, WATER HEATER, DUAL
512435	SWITCH W/PLATE, FOG LIGHT
511781	SWITCH ASSY-LIGHTED 2GANG ROCK
511975	SWITCH ASSY-4 GANG BLK
511999	SWITCH ASSY-2 GANG BLK

Solar Panel

511846	KIT, CHARGE CONTROLLER DISPLAY
512448	SOLAR PANEL 20 WATT
511851	CABLE, CAT 5E BLUE

2011 AVENUE MOTORHOME

ELECTRICAL, 12 VOLT

Monitor Panel

- 512284-01 Display, monitor panel
- 512284-02 Tank sensor harness
- 512284-03 Tank sensor, (no hoods)

Monitor, Rear View

- 512299 Monitor, rear view camera
- 511948 Camera, rear view
- 511645 "Y" adaptor, male to 2-female, RCA
- 512056 Coupler, barrel, RCS, gold, F/F

Tank Heating Pad

- 511812 PAD, HEATING HOLD TANK #TH-718

Radio Wiring

- 512444 Speaker, 2.5" Silver/Black
- 510844-01 Relay, Bosch
- 510844-02 Relay socket, Bosch
- 512414 Headphone Station Kit

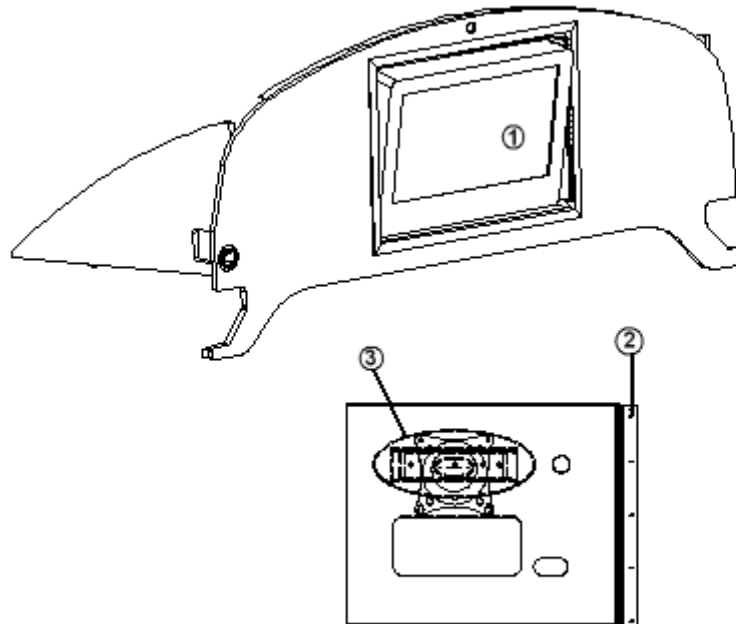
Television Reception System

- 512420 ANTENNA-OMNI DIR. HD DIGITAL
- 510788-06 Amplifier, TV antenna
- 510612 Coax, 75 ohm, standard
- 510623 Connector, coax, male to male
- 510616 F CONNECTOR, COAX, 75 OHM
- 511534 DUAL COAX PLATE WHITE
- 511796-01 CABLE TV OUTLET/12V POWER PORT, EXT. WHITE
- 510621-02 SPLITTER, COAX, 2-WAY
- 511287 RECEPTACLE SINGLE 15 AMP
- 512366-25 CABLE, HDMI MALE/MALE, 25'

2011 AVENUE MOTORHOME

ENTERTAINMENT

TELEVISION W/ANGLE HINGE BRACKET



- | | |
|-----------|---------------------------------|
| 1. 690612 | TV-LCD/DVD 19" TOSHIBA MODIFIED |
| 2. 382127 | HINGE-PIANO BLACK 2" |
| 3. 512355 | MOUNT-WALL TV TILT/PIVOT BLK # |
| 454887 | BRACKET-TV MT-ANGLED |
| 382116-02 | CAP-RUBBER SCREW .125"#644K72 |
| 320116-02 | SCREW BLACK PHIL HEAD #8; 1/2" |
| 454850 | PAWL, TV LATCH SS |
| 382146-01 | CAM LATCH-BLK #E5-2-125-000 |
| 382146-02 | CLOSEOUT WASHER-CAM LATCH BLK |
| 365232 | SEAL BAGGAGE DOOR #2180 H2-400 |

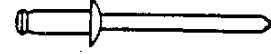
2011 AVENUE MOTORHOME

FASTENER

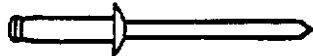
Rivets



330126-02
rivet, pop
dia. 1/8 "
grip range .126-.187
stainless steel
stainless steel mandrel



330126-03
rivet, pop
dia. 1/8 "
grip range .126-.250
body stainless steel body
stainless steel mandrel



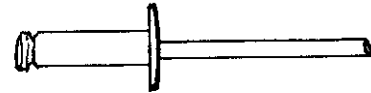
330127-05
rivet, pop
dia. 1/8 "
grip range .251-.312
aluminum body
aluminum mandrel



330128-05
rivet, pop
dia. 1/8 "
grip range .251-.312
aluminum body, white
aluminum mandrel



330127-08
rivet, pop
dia. 1/8 "
grip range .325-.565
aluminum body
aluminum mandrel



330038
rivet, pop
dia. .150 (#20 bit)
grip range .126-.250
aluminum body
aluminum mandrel
(used-screen door hinge)



325103
dia. 1/4 "
grip range .080-.325
SS body, steel mandrel

2011 AVENUE MOTORHOME

FURNITURE

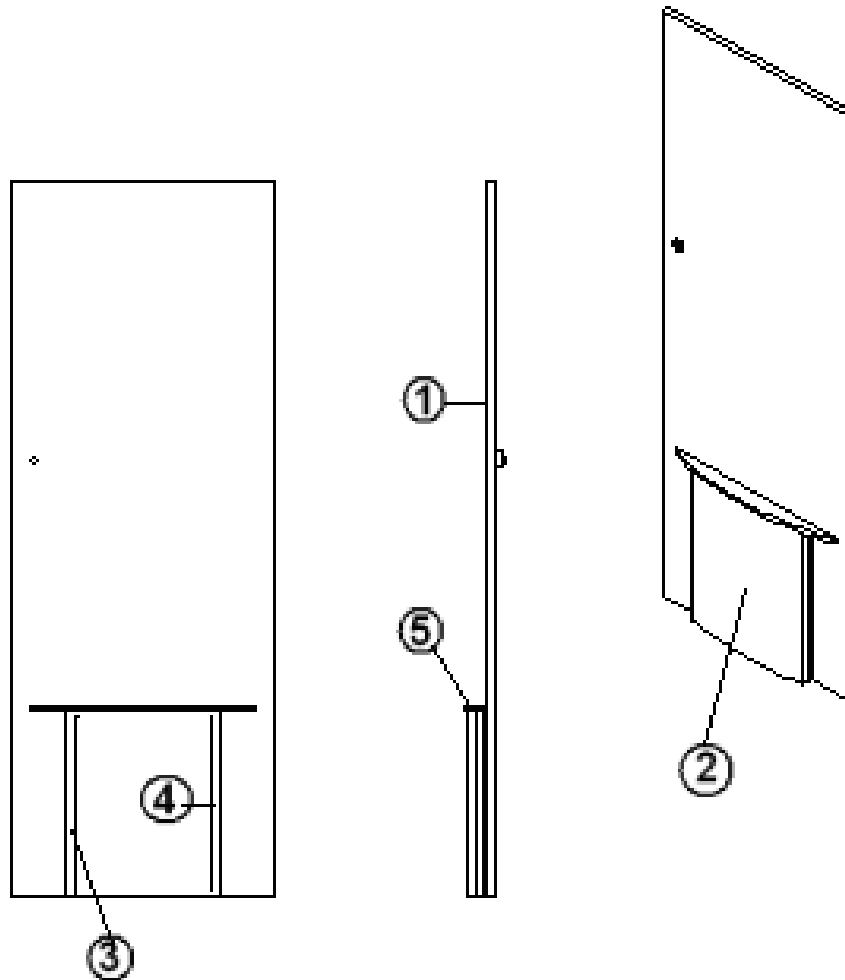
Linoleum/Mats/Carpet

703759-19	Floor mat, Cab, Gray, used on Sand Pearl & Tan color scheme
703873	Set, Floor Mats, Ash Grey, Onyx Color Scheme
703873-01	Floor Mat, Front, Ash Grey, Onyx Color Scheme
703873-02	Floor Mat, Kitchen W/Tabs, Onyx Color Scheme
703874	Set, Floor Mats, Sand, Lt. Camel Color Scheme
703874-01	Floor Mat, Front, Sand, Lt. Camel Color Scheme
703874-02	Floor Mat, Kitchen w/Tabs, Sand, Lt. Camel Color Scheme

2011 AVENUE MOTORHOME

FURNITURE, BATH

Lavatory Door, Lt. Camel

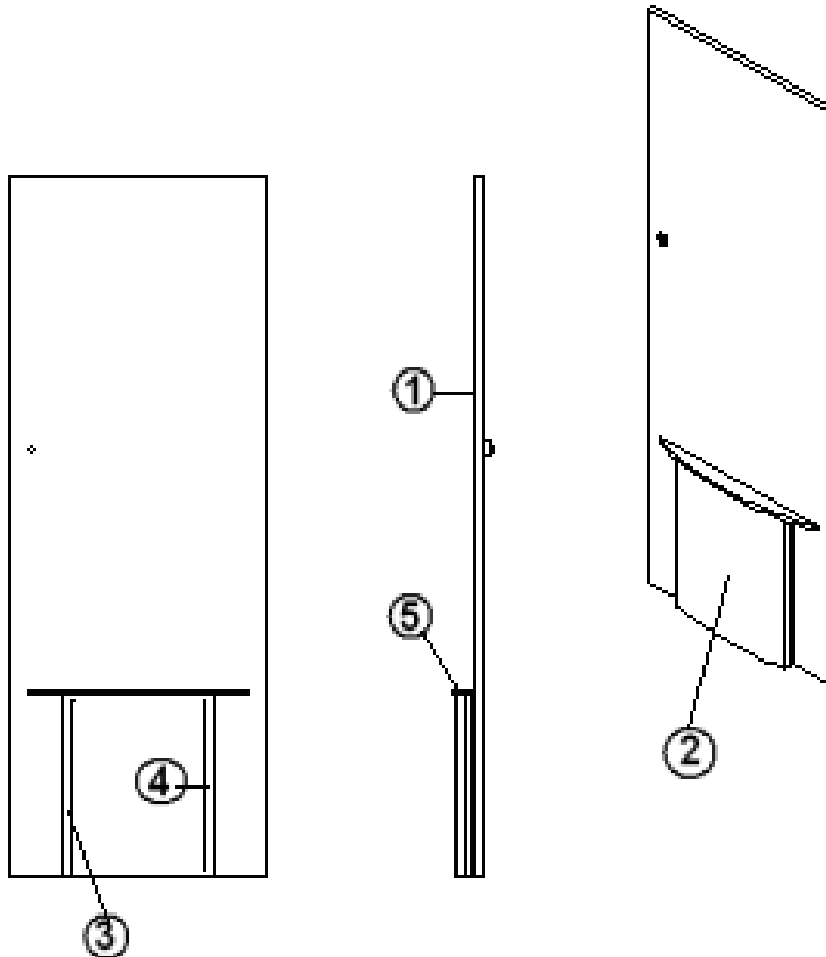


- | | |
|----------------|------------------------------|
| 967599 | DOOR ASSY-BATH LT.CAMEL |
| 1. 967599-1 | BATH DOOR 25.25X69.63 |
| 2. 801786-1418 | DOOR-PLYFOAM 15.25X18 A.SAND |
| 3. 967599-3 | PANEL-BATH DR 1.38X18 |
| 4. 967599-4 | PANEL-BATH DR 1.38X18 |
| 5. 967599-5 | PANEL-BATH DR 22X2.16 |
| 382059-01 | KNOB-PUSH/PULL SUGATSUNE |
| 381609-06 | SCREW-HAFELE #9 X 1.75" |
| 382057-04 | COVER-CAP ALMOND PLASTIC |

2011 AVENUE MOTORHOME

FURNITURE, BATH

Lavatory Door, Onyx



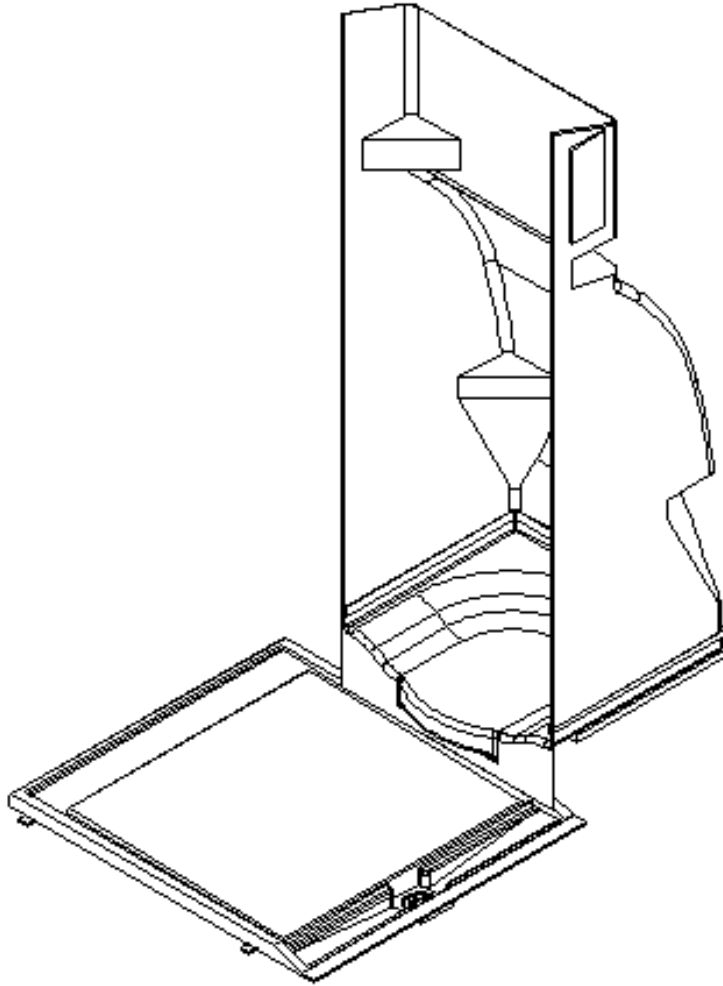
- 967599-16
- 1. 967599-161
- 2. 801786-1419
- 3. 967599-163
- 4. 967599-164
- 5. 967599-165
- 382059-01
- 381609-06
- 382057-02

- DOOR ASSY-BATH Onyx
- BATH DOOR 25.25X69.63
- DOOR-PLYFOAM 15.25X18 A.Night
- PANEL-BATH DR 1.38X18
- PANEL-BATH DR 1.38X18
- PANEL-BATH DR 22X2.16
- KNOB-PUSH/PULL SUGATSUNE
- SCREW-HAFELE #9 X 1.75"
- COVER-CAP GRAY PLASTIC

2011 AVENUE MOTORHOME

FURNITURE, BATH

Shower Module

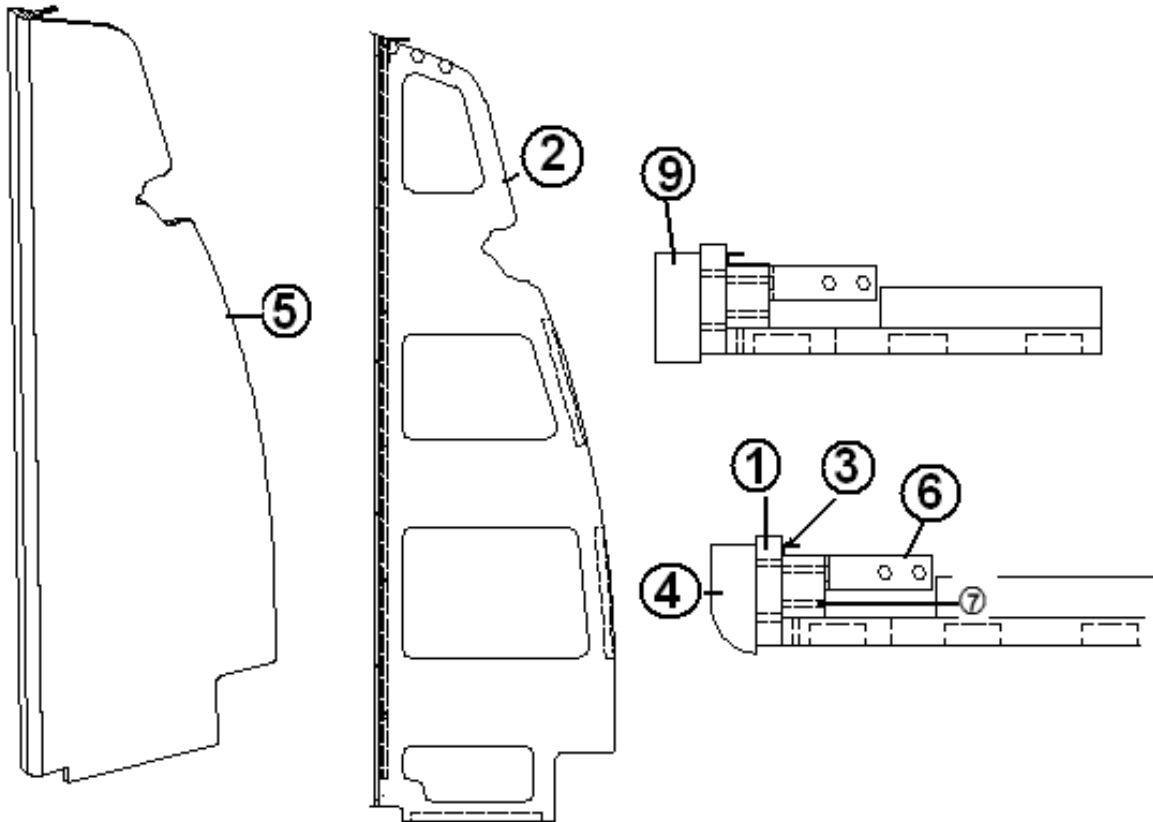


203694	Shower Module, 3 Pc.
602263-02	Faucet, Shower 4" Parchment
602263-04	Shower Hand Held Parchment

2011 AVENUE MOTORHOME

FURNITURE, BATH

SHOWER WALL, FORWARD

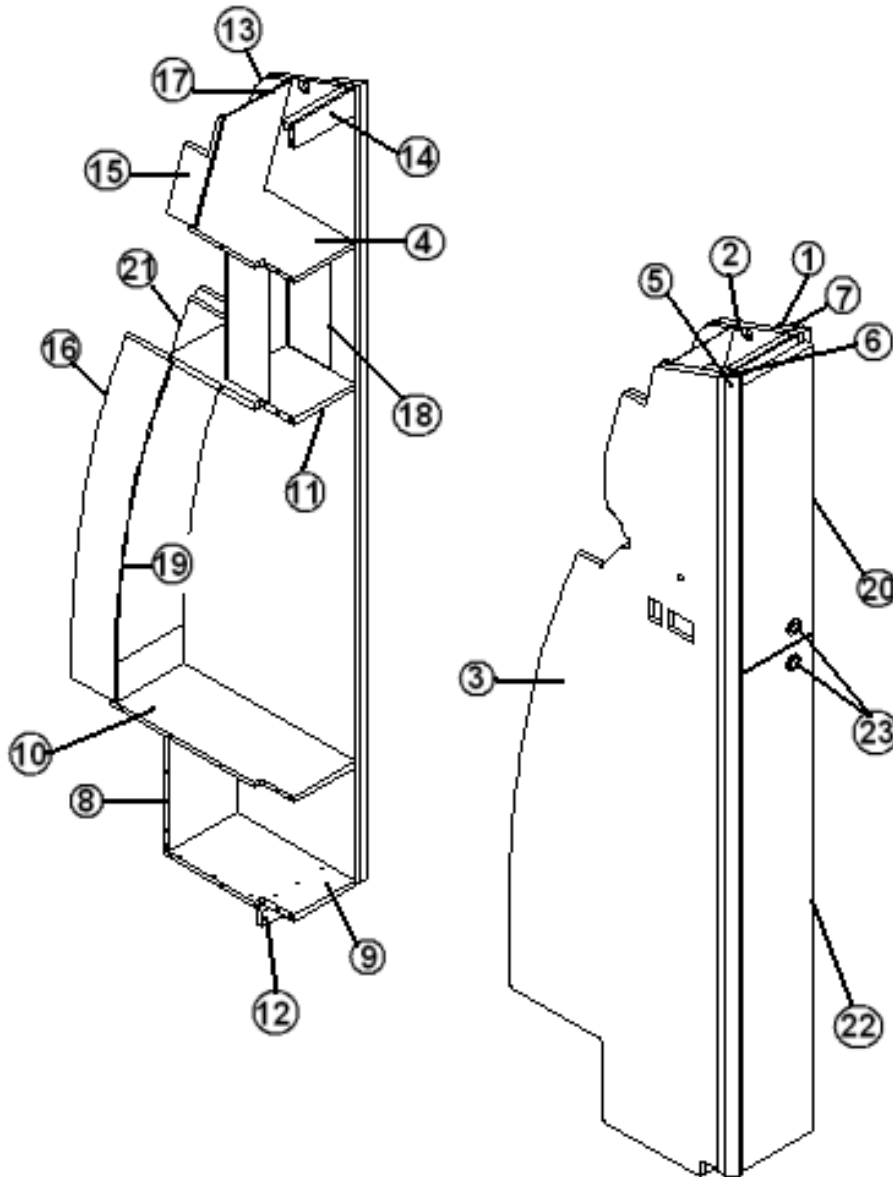


967598	WALL ASSY-FWD SHOWER, LT.CAMEL
967598-16	WALL ASSY-FWD SHOWER, ONYX
1. 967598-1	PANEL-SHOWER WALL 2X70.68
2. 967598-2	PANEL-FWD SHOWER WALL 21.5X72.25
3. 201666	MOLDING-J-3/16 PLASTIC ALMOND
4. 801864-0018	CORNER TRIM SHOWER A.SAND INTERIOR
4. 801864-0019	CORNER TRIM SHOWER A.NIGHT INTERIOR
5. 967598-5	PANEL-FWD SHOWER 22X72.12
6. 380264	ORNER BRACKET #997 LGT 2IN X
7. 967598-7	PANEL, FWD SHOWER 1.13X62.50
9. 801880-0018	CORNER TRIM SHOWER, A. SAND (OPT)
9. 801880-0019	CORNER TRIM SHOWER, A. NIGHT (OPT)
382125	HINGE, PIANO 1.25" X 72"
382098	HANDLE, GLOSS CHROME 14.25" TOWEL BAR

2011 AVENUE MOTORHOME

FURNITURE, BATH

WARDROBE CABINET ASSEMBLY, LT.CAMEL



Parts Listed on Next Page

2011 AVENUE MOTORHOME

FURNITURE, BATH

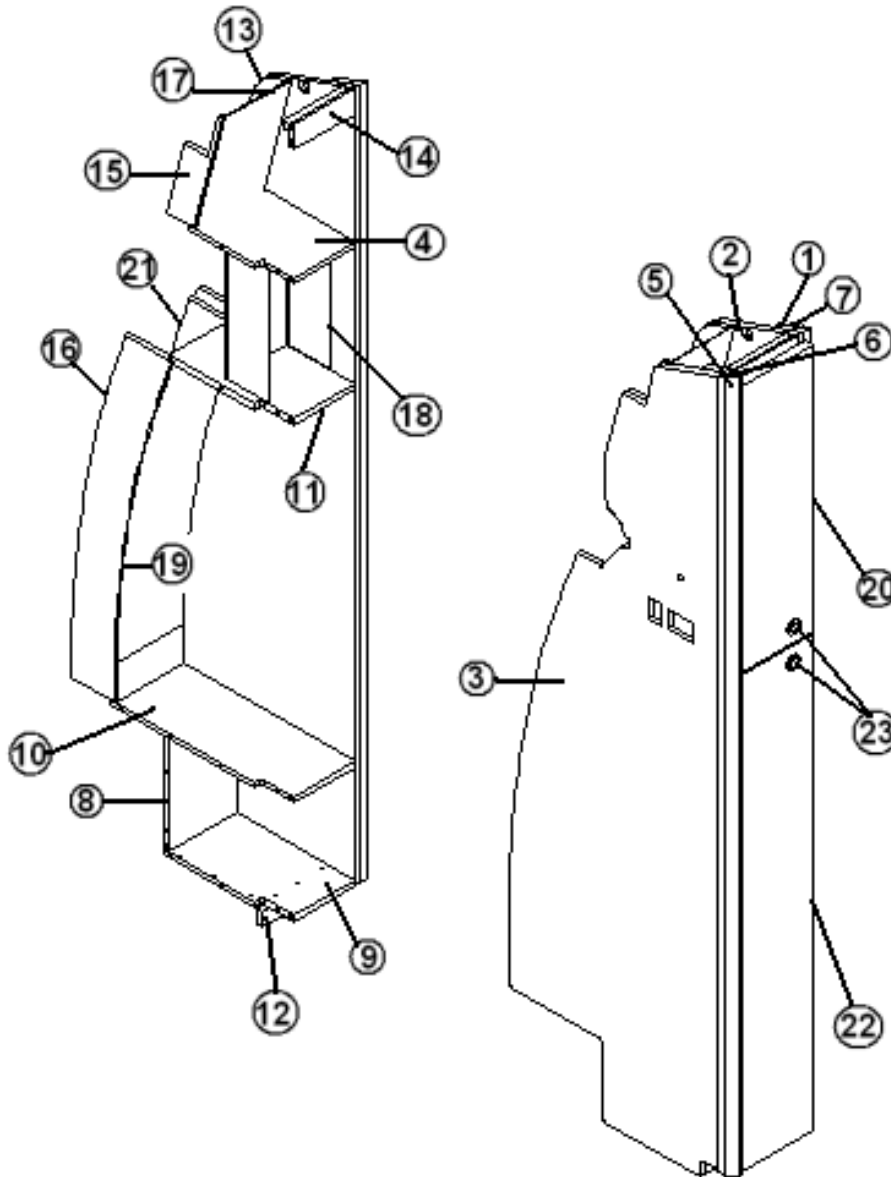
WARDROBE CABINET ASSEMBLY, LT.CAMEL

967597	CABINET ASSY-WARDROBE
1. 201666	MOLDING-J-3/16 PLASTIC ALMOND
2. 967597-2	PANEL-W/R 22" X 72.17"
3. 967597-3	PANEL-W/R 21.25" X 71.89"
4. 967597-4	PANEL-W/R 7" X 10"
5. 801706-0018	CORNER TRIM-90D 1"R A.SAND
6. 967597-6	PANEL-W/R 3" X 70.64"
7. 967597-7	PANEL-W/R 3" X 70.67"
8. 967597-8	PANEL-W/R 7" X 10"
9. 967597-9	PANEL-W/R 7" X 12.5"
10. 967597-10	PANEL-W/R 7" X 18"
11. 967597-11	PANEL-W/R 7" X 12"
12. 967597-12	PANEL-W/R 7" X 1.5"
13. 967597-13	PANEL-W/R 5.76" X 11.29"
14. 967597-14	PANEL-W/R 6.25" X 2.25"
15. 967597-15	PANEL-W/R 5.76 X 11.29
16. 967597-18	PANEL-W/R 10.21" X 33"
17. 801438	PANEL, FRT WHT VINYL/RAW 6.88 x 33.00
18. 115497	CLOSEOUT, W/R SWITCHES
19. 801438	PANEL, FRT WHT VINYL/RAW 6.88 X 3.59
20. 967597-22	WARDROBE 7.25" X 25.5"
21. 967597-23	PANEL-W/R 10.21" X 33"
22. 967597-24	PANEL-W/R 7.25" X 44"
23. 382059-01	KNOB-PUSH/PULL SUGATSUNE
381228	CATCH GRABBER DOOR C3-810
381607	HINGE ASSEMBLY

2011 AVENUE MOTORHOME

FURNITURE, BATH

WARDROBE CABINET ASSEMBLY, ONYX



Parts Listed on Next Page

2011 AVENUE MOTORHOME

FURNITURE, BATH

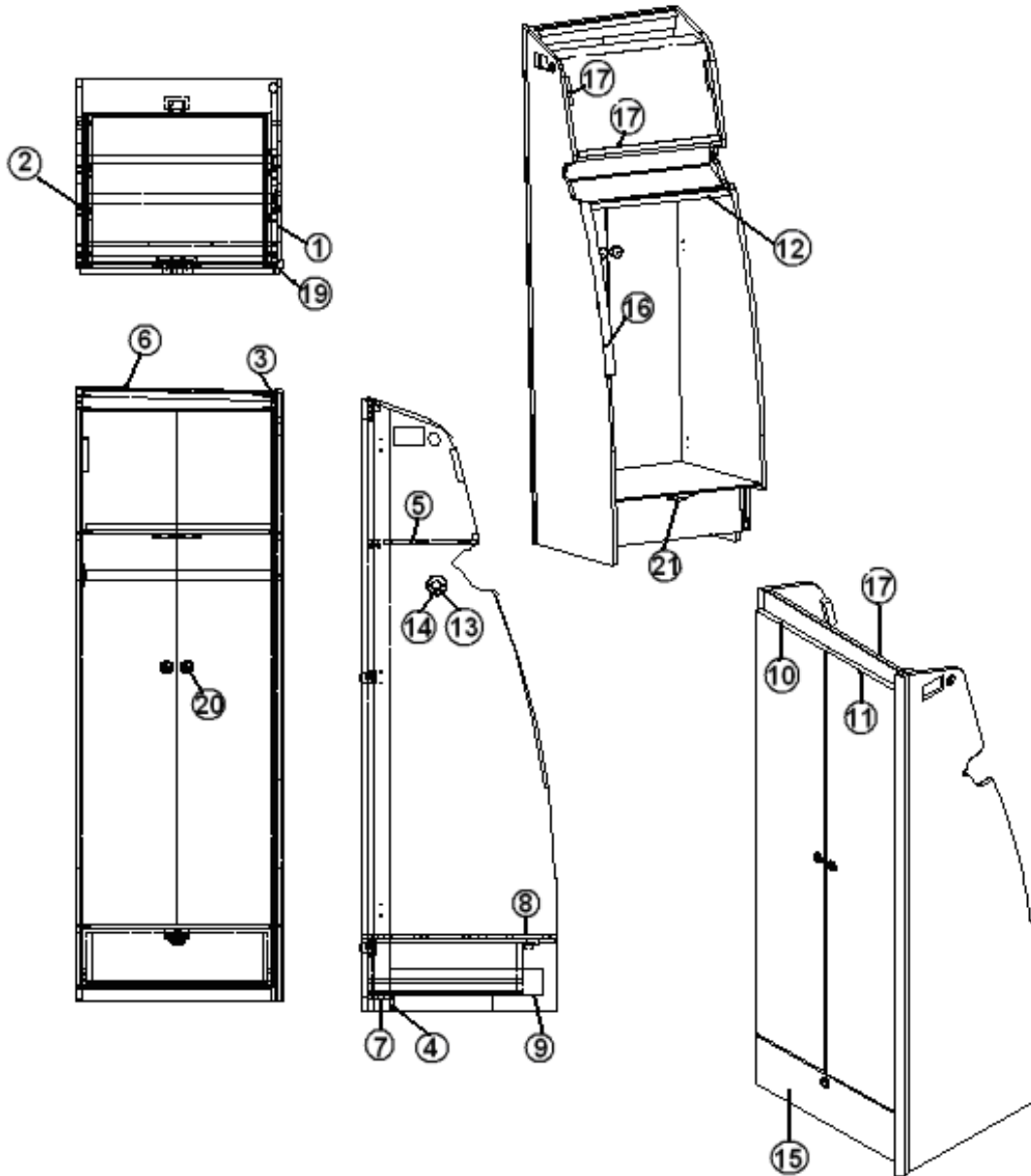
WARDROBE CABINET ASSEMBLY ONYX

967597-16	CABINET ASSY-WARDROBE
1. 201666	MOLDING-J-3/16 PLASTIC ALMOND
2. 967597-162	PANEL-W/R 22" X 72.17"
3. 967597-163	PANEL-W/R 21.25" X 71.89"
4. 967597-164	PANEL-W/R 7" X 10"
5. 801706-0019	CORNER TRIM-90D 1"R A.NIGHT
6. 967597-166	PANEL-W/R 3" X 70.64"
7. 967597-167	PANEL-W/R 3" X 70.67"
8. 967597-168	PANEL-W/R 7" X 10"
9. 967597-169	PANEL-W/R 7" X 12.5"
10. 967597-1610	PANEL-W/R 7" X 18"
11. 967597-1611	PANEL-W/R 7" X 12"
12. 967597-1612	PANEL-W/R 7" X 1.5"
13. 967597-1613	PANEL-W/R 5.76" X 11.29"
14. 967597-1614	PANEL-W/R 6.25" X 2.25"
15. 967597-1615	PANEL-W/R 5.76 X 11.29
16. 967597-1618	PANEL-W/R 10.21" X 33"
17. 801438	PANEL, FRT WHT VINYL/RAW 6.88 x 33.00
18. 115497	CLOSEOUT, W/R SWITCHES
19. 801438	PANEL, FRT WHT VINYL/RAW 6.88 X 3.59
20. 967597-1622	WARDROBE 7.25" X 25.5"
21. 967597-1623	PANEL-W/R 10.21" X 33"
22. 967597-1624	PANEL-W/R 7.25" X 44"
23. 382059-01	KNOB-PUSH/PULL SUGATSUNE
381228	CATCH GRABBER DOOR C3-810
381607	HINGE ASSEMBLY

2011 AVENUE MOTORHOME

FURNITURE, BATH

WARDROBE CABINET, ROADSIDE, WARDROBE OPT., LT CAMEL



PARTS LISTED ON NEXT PAGE

2011 AVENUE MOTORHOME

FURNITURE, BATH

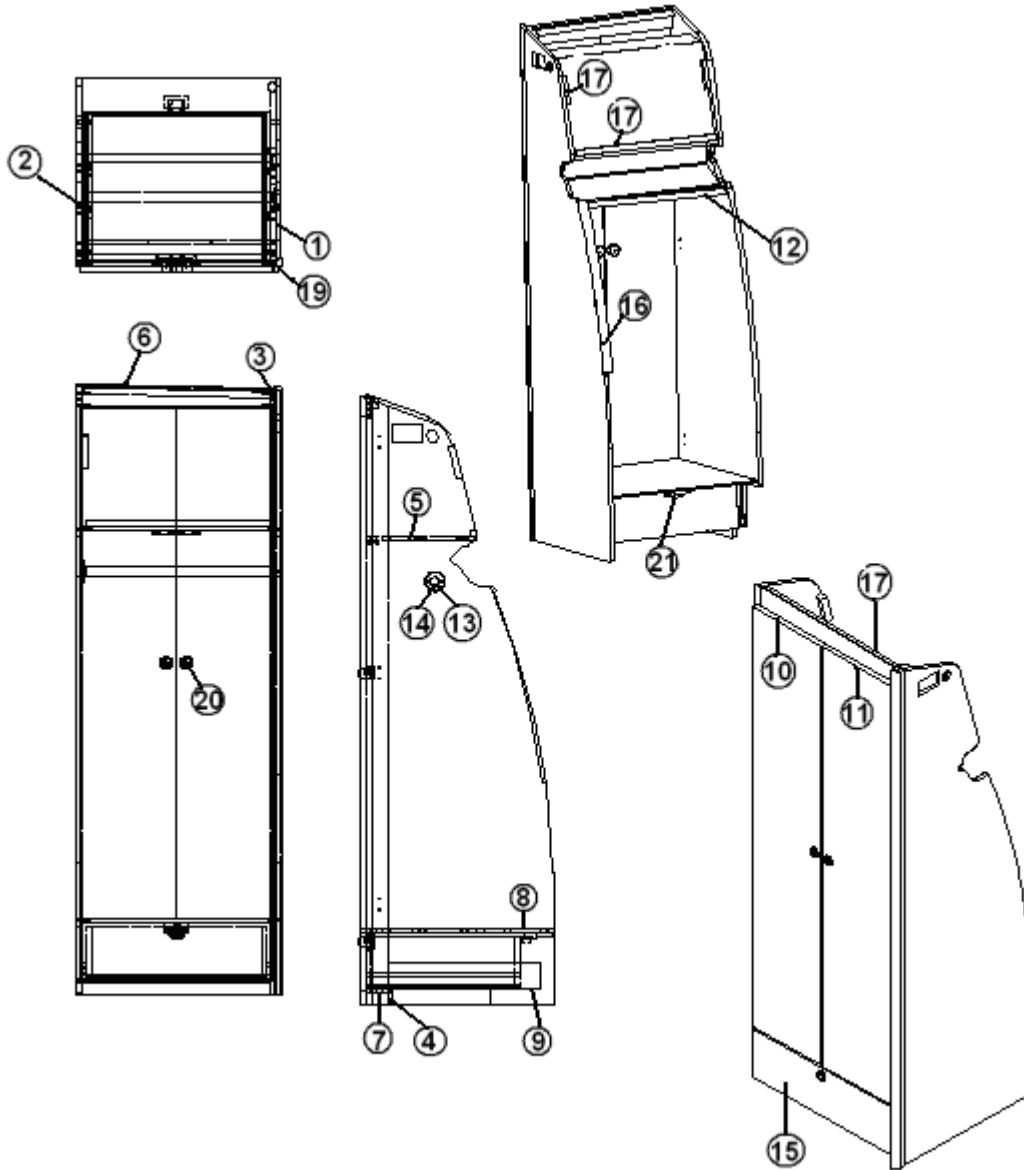
WARDROBE CABINET, ROADSIDE, WARDROBE OPT., LT CAMEL

967641	WARDROBE CAB ASSY-LT. CAMEL
1. 967641-1	PANEL-W/R 21.25X72.31
2. 967641-2	PANEL-W/R 22X72.12
3. 967641-3	PANEL-W/R 2.5X71.59
4. 967641-4	PANEL-W/R 2X22.88
5. 967641-5	PANEL-W/R 22.88X13
6. 967641-6	PANEL-W/R 22.13X3
7. 967641-7	PANEL-W/R 2.5X22.13
8. 967641-8	PANEL-W/R 22.88X22
9. 967641-9	PANEL-W/R 3X18
10. 967641-10	PANEL-W/R 11.31X60.50
11. 967641-11	PANEL-W/R 11.31X60.50
12. 115513	CLOSEOUT-W/R CAB. HEADER
13. 380046	FLANGE CHROME
14. 380045	TUBING 3/4" ELEC METALLIC
15. 967650	DRAWER ASSY- WARDROBE
16. 115512	CLOSEOUT-W/R UPPER
17. 800025-01	PINE 3/4" X 3/4"
18. 801706-0018	CORNER TRIM-90D 1"R A.SAND 84
19. 382059-01	KNOB-PUSH/PULL SUGATSUNE
20. 381228	CATCH GRABBER DOOR C3-810
200975-04	CONDUIT,FLEXIBLE BLACK PLASTIC
115514	CLOSEOUT-W/R LOWER
701538-01	CARPET-ECONOLIER W/PSA BACK

2011 AVENUE MOTORHOME

FURNITURE, BATH

WARDROBE CABINET, ROADSIDE, WARDROBE OPT. ONYX



PARTS LISTED ON NEXT PAGE

2011 AVENUE MOTORHOME

FURNITURE, BATH

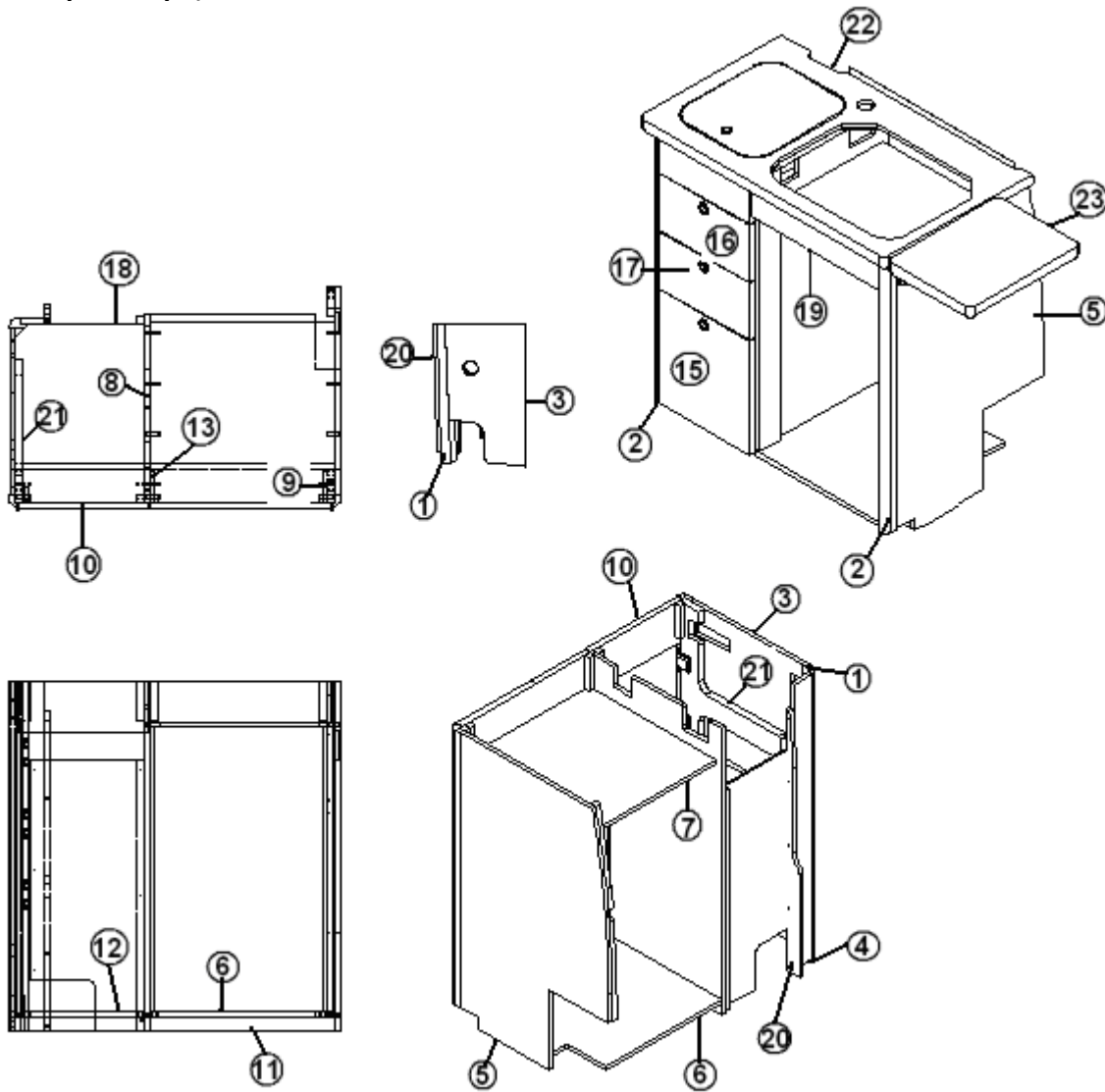
WARDROBE CABINET, ROADSIDE, WARDROBE OPT., ONYX

967641	WARDROBE CAB ASSY-ONYX
1. 967641-1	PANEL-W/R 21.25X72.31
2. 967641-2	PANEL-W/R 22X72.12
3. 967641-3	PANEL-W/R 2.5X71.59
4. 967641-4	PANEL-W/R 2X22.88
5. 967641-5	PANEL-W/R 22.88X13
6. 967641-6	PANEL-W/R 22.13X3
7. 967641-7	PANEL-W/R 2.5X22.13
8. 967641-8	PANEL-W/R 22.88X22
9. 967641-9	PANEL-W/R 3X18
10. 967641-10	PANEL-W/R 11.31X60.50
11. 967641-11	PANEL-W/R 11.31X60.50
12. 115513	CLOSEOUT-W/R CAB. HEADER
13. 380046	FLANGE CHROME
14. 380045	TUBING 3/4" ELEC METALLIC
15. 967650	DRAWER ASSY- WARDROBE
16. 115512	CLOSEOUT-W/R UPPER
17. 800025-01	PINE 3/4" X 3/4"
19. 801706-0019	CORNER TRIM-90D 1"R A.NIGHT 84
20. 382059-01	KNOB-PUSH/PULL SUGATSUNE
21. 381228	CATCH GRABBER DOOR C3-810
200975-04	CONDUIT,FLEXIBLE BLACK PLASTIC
115514	CLOSEOUT-W/R LOWER
701538-01	CARPET-ECONOLIER W/PSA BACK

2011 AVENUE MOTORHOME

FURNITURE, GALLEY

Galley Assy., Lt. Camel



Parts Listed on Next Page

2011 AVENUE MOTORHOME

FURNITURE, GALLEY

Galley, Lt. Camel

967588-01 GALLEY ASSY Lt. Camel

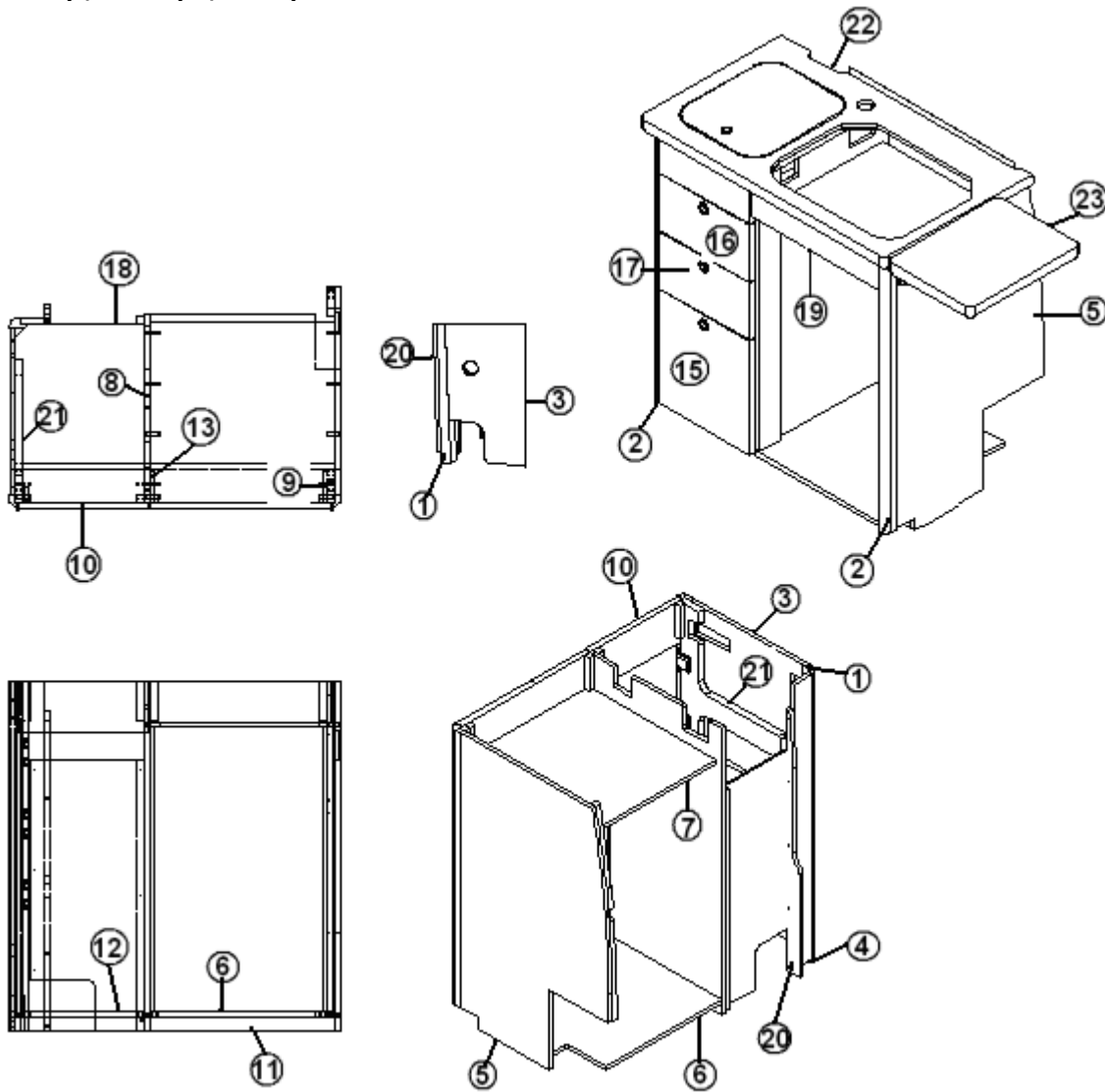
1. 801415-0018 CORNER TRIM-1" RAD ASIAN SAND
2. 801706-0018 CORNER TRIM-90D 1" ASIAN SAND
3. 967588-3 PANEL-GALLEY 16.63X35
4. 967588-4 PANEL-GALLEY 2.5X35
5. 967588-5 PANEL-GALLEY 20.88X35
6. 967588-6 PANL-GALLEY 18.5X18.75
7. 967588-7 PANEL-GALLEY 18.5X18
8. 967588-8 PANEL-GALLEY 18.75X35
9. 967588-9 PANEL-GALLEY 3X33.63
10. 967588-10 PANEL-GALLEY 12.88X5.13
11. 967588-11 PANEL-GALLEY 32X38
12. 967588-12 PANEL-GALLEY 12.25X3.75
13. 967588-13 PANEL-GALLEY 3X28.5
15. 967593 DRW BOX ASSY-LOWER GAL
16. 967591 DRW BOX ASSY-UPPER GALLEY
17. 967592 DRW BOX ASSY-MID GALLEY
18. 967588-18 PANEL-GALLEY 11.5X27
19. 967588-19 PANEL-GALLEY 18.13 X 4.13
20. 967588-23 PANEL-GALLEY 1.88X32
21. 967588-24 PANEL-GALLEY 14.25X33.63
22. 602261-01 TOP-GALLEY CORIAN COCOA BROWN
23. 602267-01 FLIP SHELF CORIAN
- 602260 SINK-SS SNG BOWL 13 X 15 X 5
- 195362-39 STRAINER-SINK 2" # 7466JR
- 602262-01 COVER-SINK CORIAN COCOA
- 381708 WASTEBASKET-11.38 X 8.25 X 12.
- 381228 CATCH GRABBER DOOR C3-810
- 382059-01 KNOB-PUSH/PULL SUGATSUNE

967594 Drawer Assembly, Sink Cover
(Used on units built prior to August of 2010.)

2011 AVENUE MOTORHOME

FURNITURE, GALLEY

Galley, Assy., Onyx



Parts Listed on Next Page

2011 AVENUE MOTORHOME

FURNITURE, GALLEY

Galley, Onyx

967588-02

GALLEY ASSY-ONYX

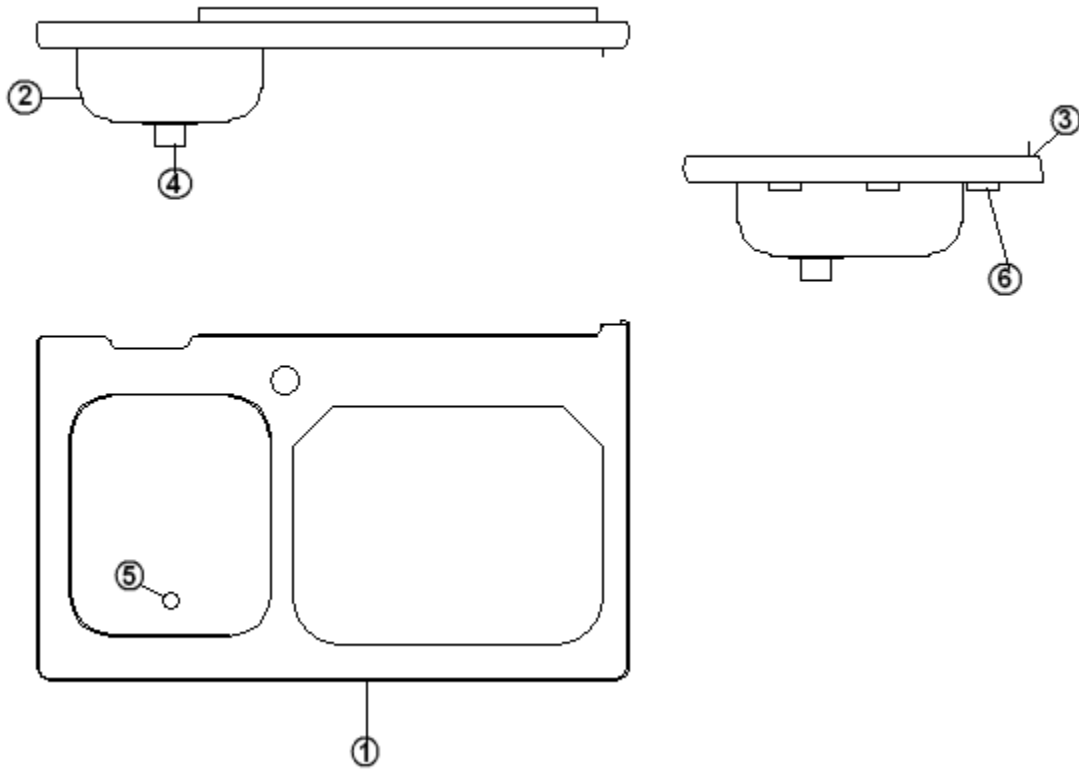
1. 801415-0019 CORNER TRIM-1" RAD ASIAN NIGHT
2. 801706-0019 CORNER TRIM-90D 1" ASIAN NIGHT
3. 967588-3 PANEL-GALLEY 16.63X35
4. 967588-4 PANEL-GALLEY 2.5X35
5. 967588-5 PANEL-GALLEY 20.88X35
6. 967588-6 PANL-GALLEY 18.5X18.75
7. 967588-7 PANEL-GALLEY 18.5X18
8. 967588-8 PANEL-GALLEY 18.75X35
9. 967588-9 PANEL-GALLEY 3X33.63
10. 967588-1610 PANEL-GALLEY 12.88X5.13
11. 967588-1611 PANEL-GALLEY 32X38
12. 967588-1612 PANEL-GALLEY 12.25X3.75
13. 967588-1613 PANEL-GALLEY 3X28.5
15. 967593 DRW BOX ASSY-LOWER GAL
16. 967591 DRW BOX ASSY-UPPER GALLEY
17. 967592 DRW BOX ASSY-MID GALLEY
18. 967588-1618 PANEL-GALLEY 11.5X27
19. 967588-1619 PANEL-GALLEY 18.13 X 4.13
20. 967588-1623 PANEL-GALLEY 1.88X32
21. 967588-1624 PANEL-GALLEY 14.25X33.63
22. 602261-02 TOP-GALLEY CORIAN MOSAIC
23. 602267-02 FLIP SHELF CORIAN MOSAIC
- 602260 SINK-SS SNG BOWL 13 X 15 X 5
- 195362-39 STRAINER-SINK 2" # 7466JR
- 602262-02 COVER-SINK CORIAN MOSAIC
- 381708 WASTEBASKET-11.38 X 8.25 X 12.
- 381228 CATCH GRABBER DOOR C3-810
- 382059-01 KNOB-PUSH/PULL SUGATSUNE

967594 Drawer Assembly, Sink Cover
(Used on units built prior to August of 2010.)

2011 AVENUE MOTORHOME

FURNITURE, GALLEY

GALLEY TOP

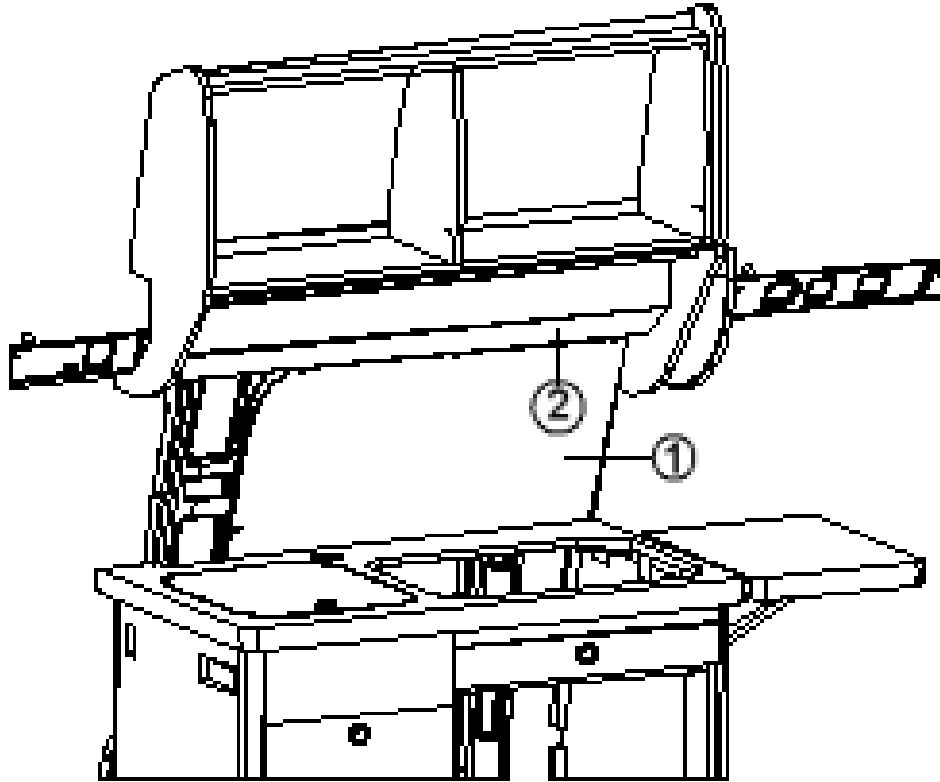


- | | | |
|----|-----------|-----------------------------------|
| 1. | 602261-01 | Top Assembly, Cocoa Brown, CORIAN |
| 1. | 602261-02 | Top Assembly, Mosaic, CORIAN |
| 2. | 602260 | Sink, Single Bowl, 13" x 15" x 5" |
| 3. | 115496-02 | Flat brackets, galley top |
| 4. | 195362-39 | Strainer, sink 2" |
| 5. | 602262-01 | Sink Cover, Cocoa Brown |
| 5. | 602262-02 | Sink Cover, Mosaic |
| 6. | 115496-01 | BRACKET, GALLEY TOP 1.88 X 1.5 |

2011 AVENUE MOTORHOME

FURNITURE, GALLEY

GALLEY BACK SPLASH

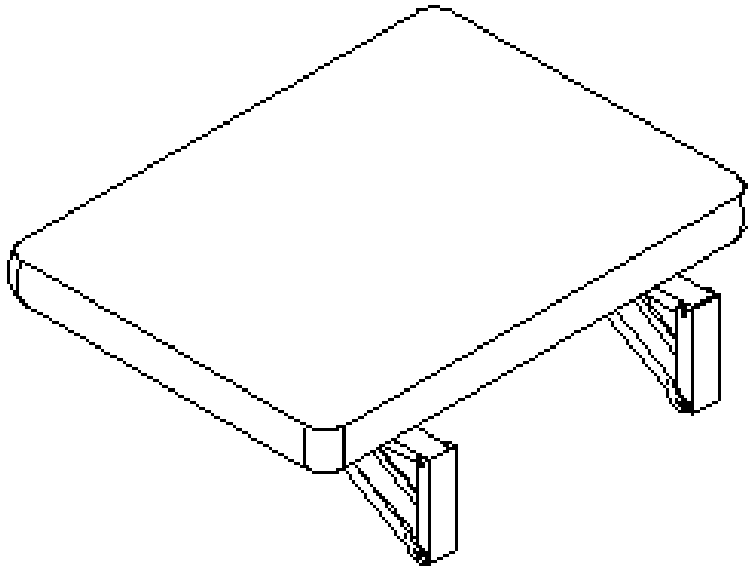


- 1. 115500 Backsplash - Galley Lower
- 2. 115499 Backsplash - Galley Upper
- 114070 Extrusion, J-Trim Aluminum
- 320034 Stainless steel screw #8 x 5/8"

2011 AVENUE MOTORHOME

FURNITURE, GALLEY

GALLEY FLIP SHELF ASSEMBLY

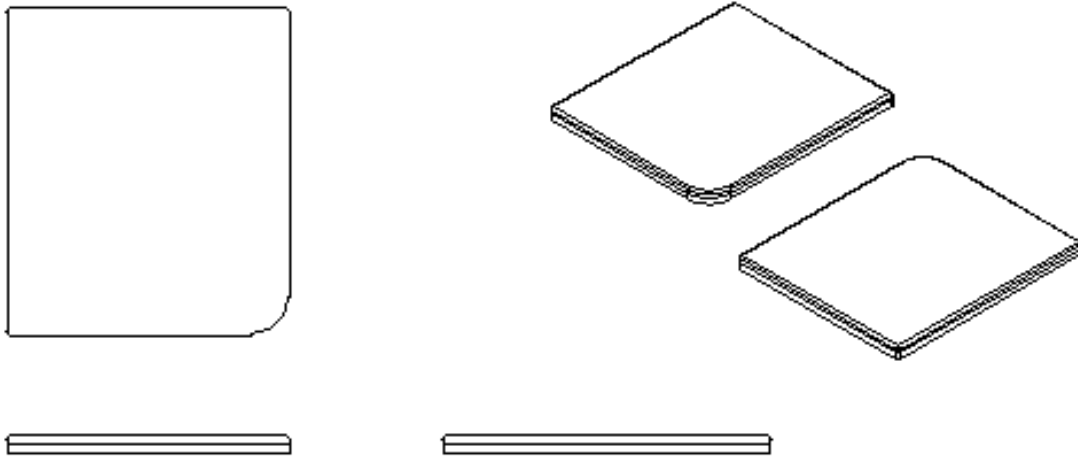


- | | |
|-----------|--|
| 602267-01 | SHELF-FLIP CORIAN COCOA BROWN, LT. CAMEL |
| 602267-02 | SHELF-FLIP CORIAN MOSAIC - ONYX |
| 382092 | BRACKET-HINGED SPRING 88 LB CAP. |

2011 AVENUE MOTORHOME

FURNITURE, GALLEY

GALLEY FLIP SHELF ASSY., WARDROBE OPTION

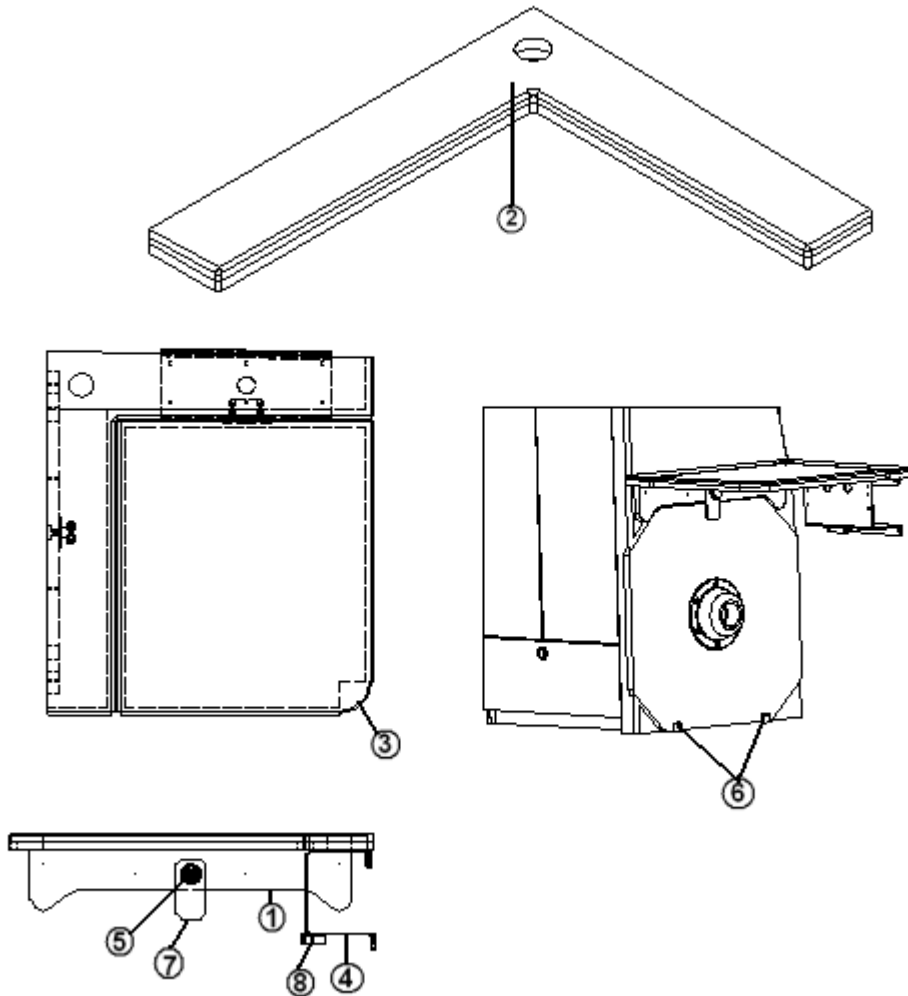


- | | |
|-----------|-------------------------------|
| 602290-01 | FLIP TABLE, CORIAN, LT. CAMEL |
| 602290-02 | FLIP TABLE, CORIAN, ONYX |
| 454852 | BRACKET, FLIP TABLE |
| 382095 | KNOB, KNURLED 1/4-20 X .50" |

2011 AVENUE MOTORHOME

FURNITURE, GALLEY

FLIP TABLE ASSY AREA, LT. CAMEL, WARDROBE OPTION

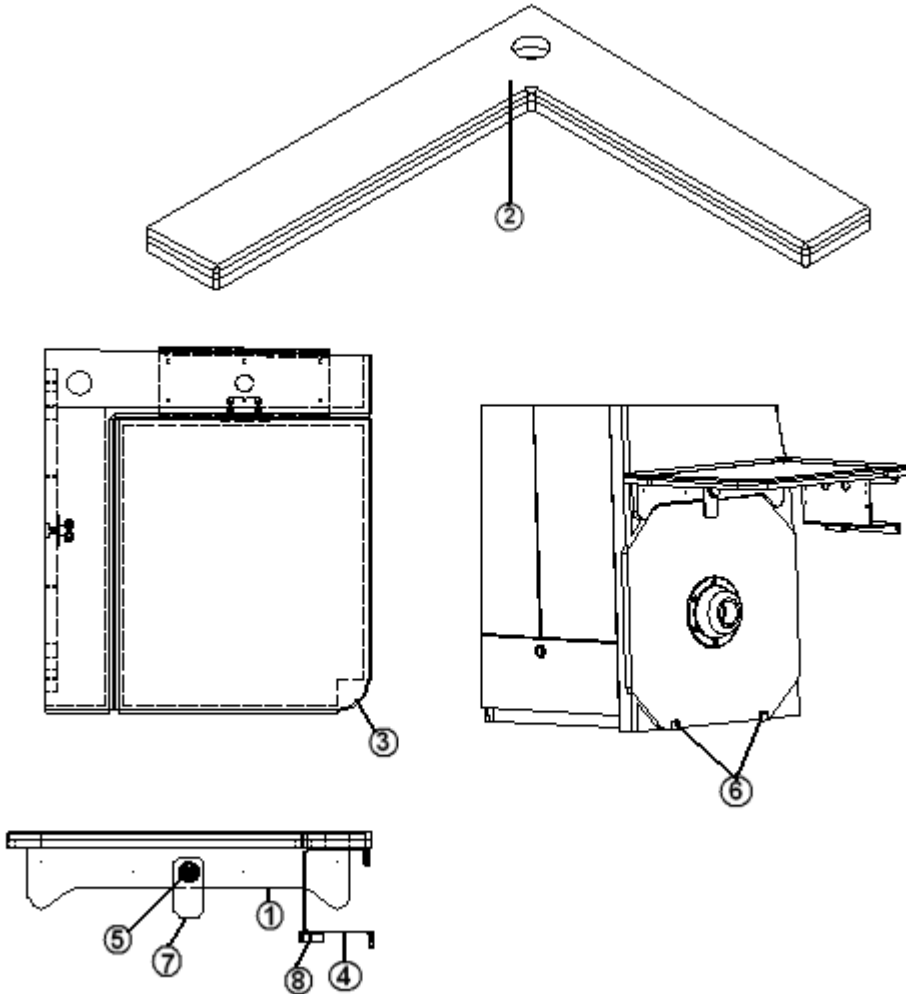


- 967648 FLIP TABLE AREA -WARDROBE CAMEL
1. 967648-1 PANEL-TABLE 3.67X19
 2. 602291-01 CREDENZA TOP-CORAIN COCOA
 3. 602290-01 FLIP TABLE - CORIAN COCOA
 4. 454852 BRACKET, FLIP TABLE AVENUE
 5. 382095 KNOB-KNURLED 1/4-20 X .50"
 6. 381136 RUBBER BUMPER
 7. 454721 BRACKET PED TABLE STORAGE
 8. 381228 CATCH GRABBER DOOR C3-810
- 382092-01 BRACKET, HINGED SPRING 88# CAP
350189 NUT - TEE 6 PRONG 1/4-20
381609-02 SCREW HAFELE EUROPEAN #9 1"
381610-05 COVER-CAP ALMOND PLASTIC
365344-02 EDGEBANDING- .94" PEARL BISQUE
320116-06 BLACK PHIL HEAD SCREW #8; 1"

2011 AVENUE MOTORHOME

FURNITURE, GALLEY

FLIP TABLE ASSY AREA, ONYX, WARDROBE OPTION

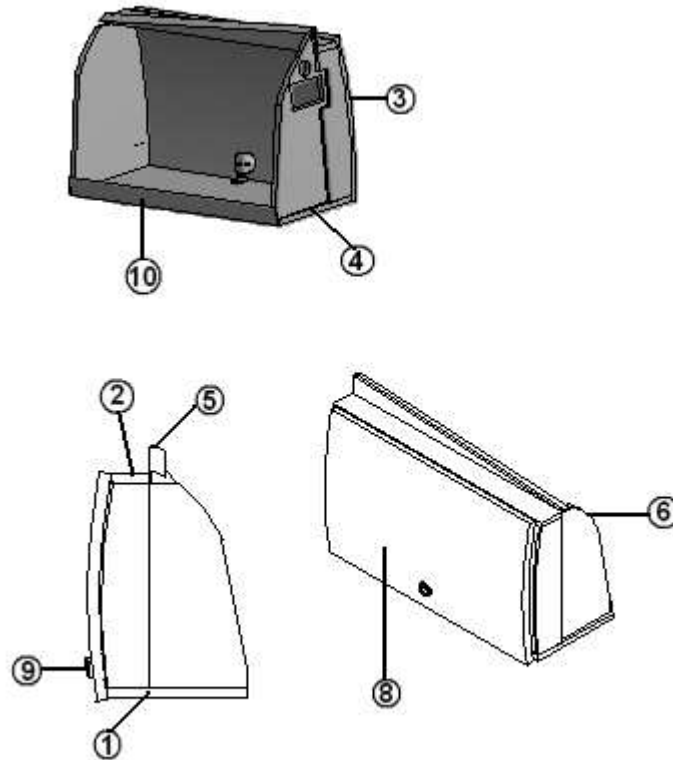


- | | |
|---------------|--------------------------------|
| 967648-16 | FLIP TABLE AREA -WARDROBE Onyx |
| 1. 967648-161 | PANEL-TABLE 3.67X19 |
| 2. 602291-02 | CREDENZA TOP-MOSAIC |
| 3. 602290-02 | FLIP TABLE - MOSAIC |
| 4. 454852 | BRACKET, FLIP TABLE AVENUE |
| 5. 382095 | KNOB-KNURLED 1/4-20 X .50" |
| 6. 381136 | RUBBER BUMPER |
| 7. 454721 | BRACKET PED TABLE STORAGE |
| 8. 381228 | CATCH GRABBER DOOR C3-810 |
| 382092-01 | BRACKET, HINGED SPRING 88# CAP |
| 350189 | NUT - TEE 6 PRONG 1/4-20 |
| 381609-02 | SCREW HAFELE EUROPEAN #9 1" |
| 381610-04 | COVER-CAP Black PLASTIC |
| 365346-02 | EDGE BANDING- .94" Midnight |
| 320116-06 | BLACK PHIL HEAD SCREW #8; 1" |

2011 AVENUE MOTORHOME

FURNITURE, GALLEY

Roof Locker, Forward Microwave, Light Camel

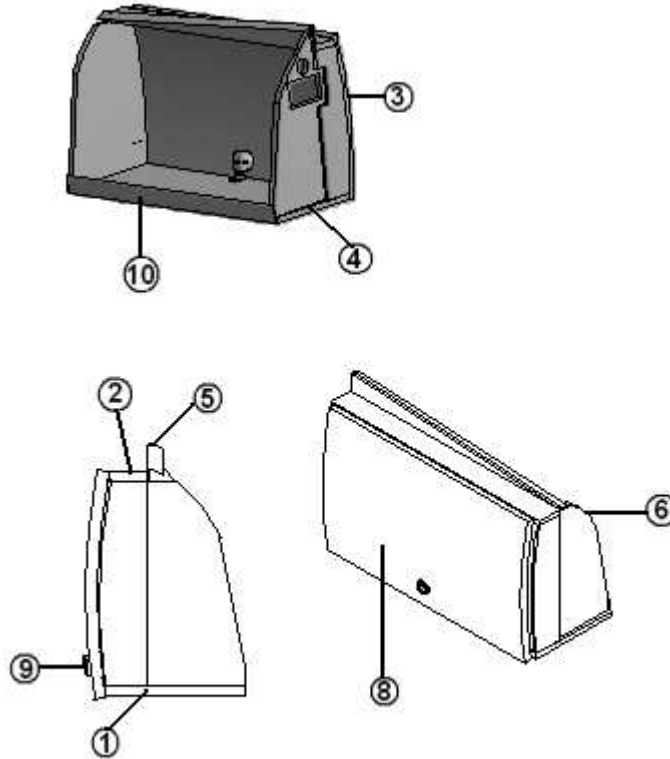


- | | |
|----------------|--------------------------------|
| 967573 | ROOFLOCKER ASSY-FWD MICROWAVE |
| 1. 967573-1 | PANEL-MICRO R/L 8.25X23 |
| 2. 967573-2 | PANEL-MICRO R/L 2.25X23 |
| 3. 800507-02 | LAUAN,2.91 X 12.13 |
| 4. 967573-4 | PANEL-MICRO R/L 8.65X13.88 |
| 5. 454791 | ANGLE-ROOFLOCKER FWD MICRO |
| 6. 967573-6 | PANEL-MICRO R/L 8.65X12.13 |
| 7. 800507-02 | LAUAN,1/4"X 4'X 8' (NOT SHOWN) |
| 8. 801862-0218 | DOOR-PLYFOAM 13.5X22 A.SAND |
| 9. 382155 | KNOB LATCH-PUSH/PULL CHROME |
| 10. 114813 | ALUM. ANGLE 1.00 X 1.50 |
| 454810 | BACK- FWD MICRO R/L |
| 703871-01 | VINYL-CEILING IVORY 54"X40" |
| 381607 | HINGE ASSY-GRASS EURO |
| 382155-01 | LATCH STRIKE-PUSH/PULL KNOB |
| 382126 | LID STAY-CHROME 250MM FIRMATOP |
| 701538-01 | CARPET-ECONOLIER W/PSA BACK |

2011 AVENUE MOTORHOME

FURNITURE, GALLEY

Roof Locker, Forward Microwave, Onyx

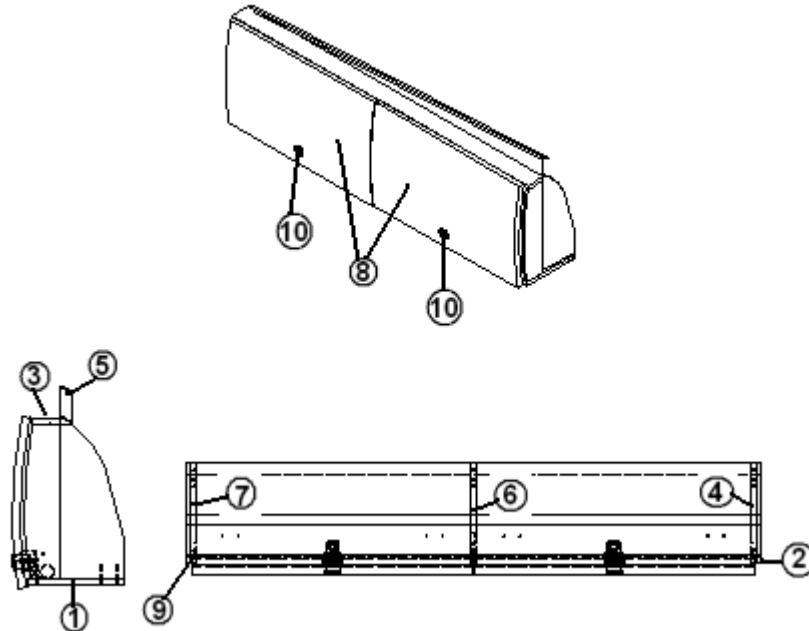


967573-16	ROOFLOCKER ASSY-FWD MICROWAVE
1. 967573-161	PANEL-MICRO R/L 8.25X23
2. 967573-162	PANEL-MICRO R/L 2.25X23
3. 800507-02	LAUAN,2.91 X 12.13
4. 967573-164	PANEL-MICRO R/L 8.65X13.88
5. 454791	ANGLE-ROOFLOCKER FWD MICRO
6. 967573-166	PANEL-MICRO R/L 8.65X12.13
7. 800507-02	LAUAN,1/4"X 4'X 8' (NOT SHOWN)
8. 801862-0219	DOOR-PLYFOAM 13.5X22 A. Night
9. 382155	KNOB LATCH-PUSH/PULL CHROME
10.114813	ALUM. ANGLE 1.00 X 1.50
703871-01	VINYL-CEILING IVORY 54"X40"
381607	HINGE ASSY-GRASS EURO
382155-01	LATCH STRIKE-PUSH/PULL KNOB
382126	LID STAY-CHROME 250MM FIRMATOP
701538-01	CARPET-ECONOLIER W/PSA BACK

2011 AVENUE MOTORHOME

FURNITURE, GALLEY

Roof Locker Assembly, Forward Galley, Lt. Camel

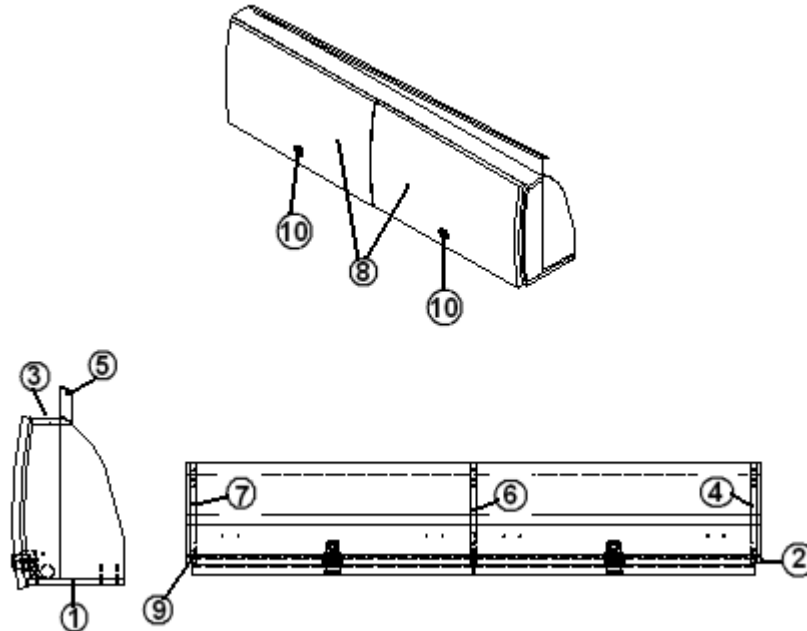


967574	ROOFLOCKER ASSY-FWD GALLEY - LT.CAMEL
1. 967574-1	PANEL-GAL R/L 7.5X45.13
2. 800507-02	PANEL-GAL R/L 2.91 X 12.13
3. 967574-3	PANEL-GAL R/L 2.25X45.63
4. 967574-4	PANEL-GAL R/L 7.91X12.13
5. 454792	ANGLE-R/L FWD GALLEY
6. 967574-6	PANEL-GAL R/L 7.91X12.13
7. 967574-7	PANEL-GAL R/L 7.91X12.13
8. 801862-0218	DOOR-PLYFOAM 13.5X22 A.SAND
9. 800507-02	PANEL-GAL R/L 2.91" X 12.13"
382155	KNOB LATCH-PUSH/PULL CHROME
454811	BACK- FWD GALLEY R/L
382126	LID STAY-CHROME 250MM FIRMATOP
701538-01	CARPET-ECONOLIER W/PSA BACK
114813	ALUM. ANGLE 1.00 X 1.50
703871-01	VINYL-CEILING IVORY 54"X40"
382057	KNOCKDOWN-8MM #16289B
382057-04	CAP-KNOCKDOWN WHT #16387
381607	HINGE ASSY-GRASS EURO
382155-01	LATCH STRIKE-PUSH/PULL KNOB

2011 AVENUE MOTORHOME

FURNITURE, GALLEY

Roof Locker Assembly, Forward Galley, ONYX

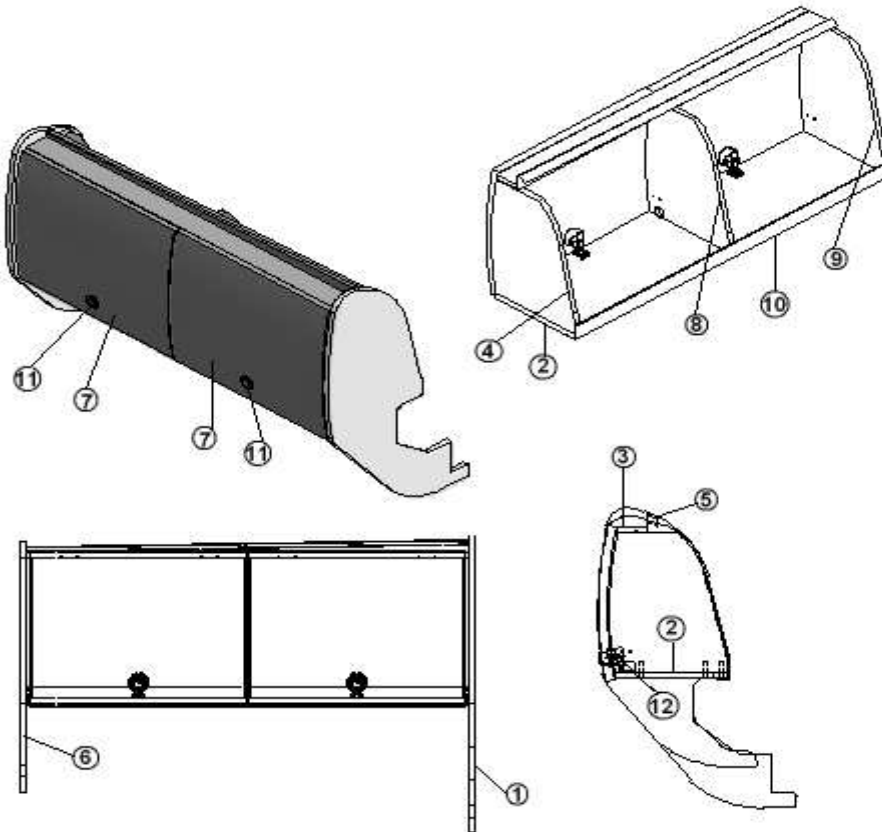


- | | |
|----------------|-----------------------------------|
| 967574-16 | ROOFLOCKER ASSY-FWD GALLEY - ONYX |
| 1. 967574-161 | PANEL-GAL R/L 7.5X45.13 |
| 2. 800507-02 | PANEL-GAL R/L 2.91 X 12.13 |
| 3. 967574-163 | PANEL-GAL R/L 2.25X45.63 |
| 4. 967574-164 | PANEL-GAL R/L 7.91X12.13 |
| 5. 454792 | ANGLE-R/L FWD GALLEY |
| 6. 967574-166 | PANEL-GAL R/L 7.91X12.13 |
| 7. 967574-167 | PANEL-GAL R/L 7.91X12.13 |
| 8. 801862-0219 | DOOR-PLYFOAM 13.5X22 A.NIGHT |
| 9. 800507-02 | PANEL-GAL R/L 2.91" X 12.13" |
| 10. 382155 | KNOB LATCH-PUSH/PULL CHROME |
| 454811 | BACK- FWD GALLEY R/L |
| 382126 | LID STAY-CHROME 250MM FIRMATOP |
| 701538-01 | CARPET-ECONOLIER W/PSA BACK |
| 114813 | ALUM. ANGLE 1.00 X 1.50 |
| 703871-01 | VINYL-CEILING IVORY 54"X40" |
| 382057 | KNOCKDOWN-8MM #16289B |
| 382057-02 | CAP-KNOCKDOWN GREY |
| 381607 | HINGE ASSY-GRASS EURO |
| 382155-01 | LATCH STRIKE-PUSH/PULL KNOB |

2011 AVENUE MOTORHOME

FURNITURE, GALLEY

Roof Locker Assembly, Galley, Lt. Camel

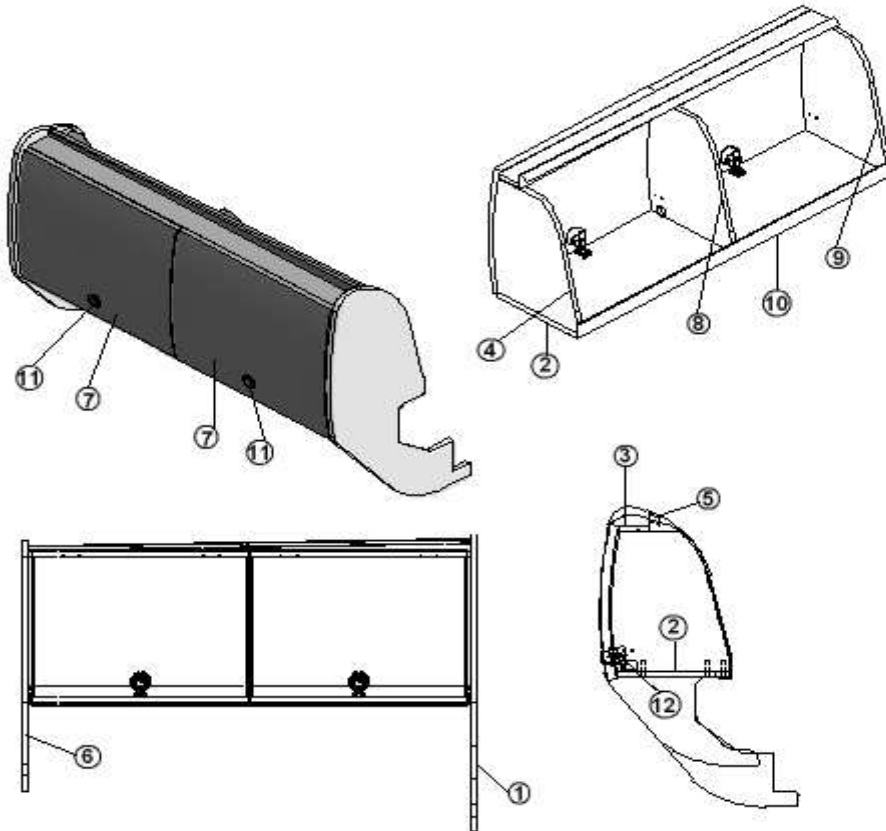


- | | |
|----------------|----------------------------------|
| 967576 | ROOFLOCKER ASSY-GALLEY, LT.CAMEL |
| 1. 967576-1 | PANEL-GAL R/L 15.39X25.86 |
| 2. 967576-2 | PANEL-GAL R/L 8.88X34.75 |
| 3. 967576-3 | PANEL-GAL R/L 2.25X34.75 |
| 4. 967576-4 | PANEL-GAL R/L 9.3X12.13 |
| 5. 454795 | ANGLE-GAL R/L 34.75" |
| 6. 967576-6 | PANEL-GAL R/L 12.64X21.69 |
| 7. 801862-0118 | DOOR-PLYFOAM 13.5X17 A.SAND |
| 8. 967576-8 | PANEL-GAL R/L 9.3X12.13 |
| 9. 967576-9 | PANEL-GAL R/L 9.3X12.13 |
| 10. 114813 | ALUM. ANGLE 1.00 X 1.50 |
| 11. 382155 | KNOB LATCH-PUSH/PULL CHROME |
| 12. 382155-01 | LATCH STRIKE-PUSH/PULL KNOB |
| 454812 | BACK-GAL R/L 16.13X34.75 |
| 382126 | LID STAY-CHROME 250MM FIRMATOP |
| 703871-01 | VINYL-CEILING IVORY 54"X40" |
| 382057 | KNOCKDOWN-8MM #16289B |
| 382057-04 | CAP-KNOCKDOWN WHT #16387 |
| 381607 | HINGE ASSY-GRASS EURO- |

2011 AVENUE MOTORHOME

FURNITURE, GALLEY

Roof Locker Assembly, Galley, Onyx

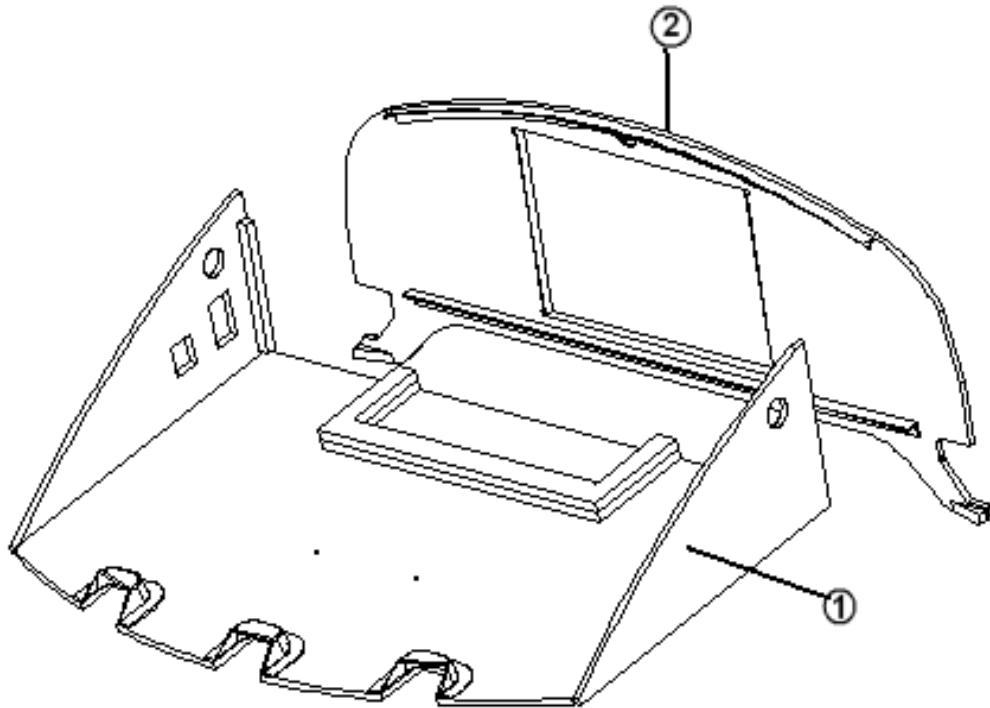


- | | |
|----------------|--------------------------------|
| 967576-16 | ROOFLOCKER ASSY-GALLEY, ONYX |
| 1. 967576-161 | PANEL-GAL R/L 15.39X25.86 |
| 2. 967576-162 | PANEL-GAL R/L 8.88X34.75 |
| 3. 967576-163 | PANEL-GAL R/L 2.25X34.75 |
| 4. 967576-164 | PANEL-GAL R/L 9.3X12.13 |
| 5. 454795 | ANGLE-GAL R/L 34.75" |
| 6. 967576-166 | PANEL-GAL R/L 12.64X21.69 |
| 7. 801862-0119 | DOOR-PLYFOAM 13.5X17 A.NIGHT |
| 8. 967576-168 | PANEL-GAL R/L 9.3X12.13 |
| 9. 967576-169 | PANEL-GAL R/L 9.3X12.13 |
| 10. 114813 | ALUM. ANGLE 1.00 X 1.50 |
| 11. 382155 | KNOB LATCH-PUSH/PULL CHROME |
| 12. 382155-01 | LATCH STRIKE-PUSH/PULL KNOB |
| 454812 | BACK-GAL R/L 16.13X34.75 |
| 382126 | LID STAY-CHROME 250MM FIRMATOP |
| 703871-01 | VINYL-CEILING IVORY 54"X40" |
| 382057 | KNOCKDOWN-8MM #16289B |
| 382057-02 | CAP-KNOCKDOWN GREY |
| 381607 | HINGE ASSY-GRASS EURO- |

2011 AVENUE MOTORHOME

FURNITURE, GALLEY

FRONT OVERHEAD CABINET ASSY.

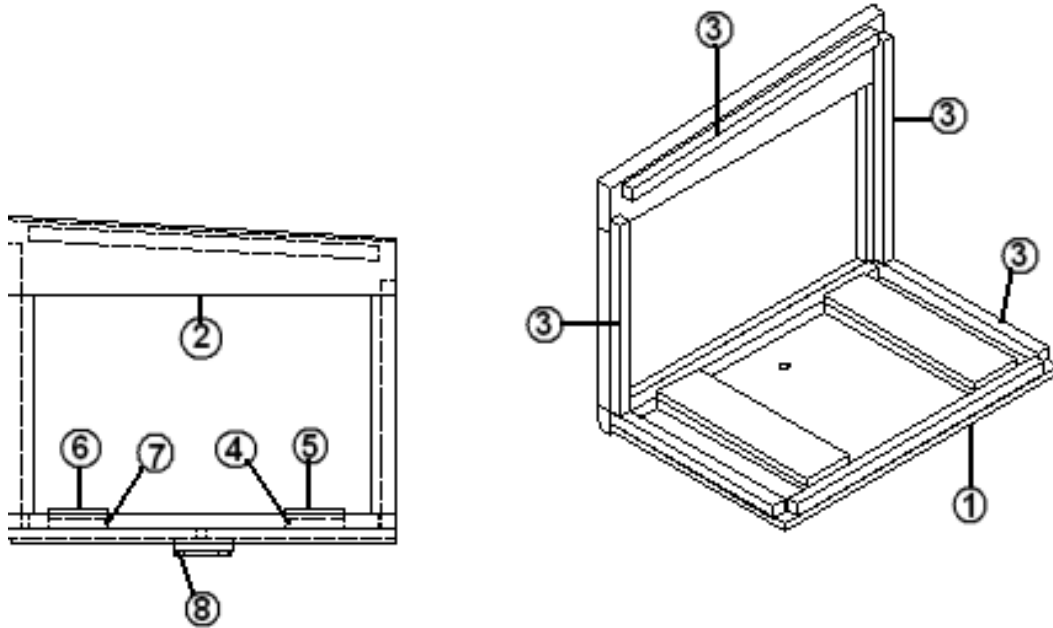


- 111879 FRONT OVERHEAD CABINET ASSY.
- 1. 967596 SHELF ASSY-FRT OVERHEAD CAB
- 2. 967595 CAB FACE-FRT R/L
- 365314 SEAL-CLOSED CELL FOAM.75"X.75"
- 801875 PANEL-FRONT OVERHEAD CLOSEOUT
- 200773 CLOSEOUT, READING LIGHT

2011 AVENUE MOTORHOME

FURNITURE, GALLEY

Microwave Cabinet Assembly- Roadside Wardrobe OPT., Onyx

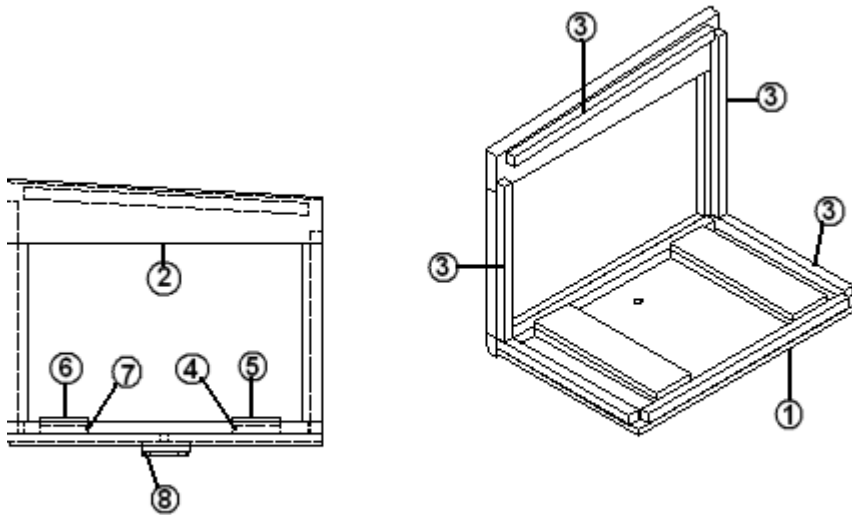


- 967640-16 MICRO CAB ASSY- WARDROBE ONYX
1. 967640-161 PANEL-MICRO 12.75X20
 2. 801886-0019 FACE FRAME-MICRO CABINET A.NIGHT
 3. 800025-01 PINE 3/4" X 3/4" STAINED
 4. 967640-164 PANEL-MICRO 3X11
 5. 967640-165 PANEL-MICRO 3X11
 6. 967640-166 PANEL-MICRO 3X11
 7. 967640-16 PANEL-MICRO 3X11
 8. 512429 LIGHT-READING LED #81295-NIG46

2011 AVENUE MOTORHOME

FURNITURE, GALLEY

Microwave Cabinet Assembly, RS Wardrobe OPT, LT. CAMEL

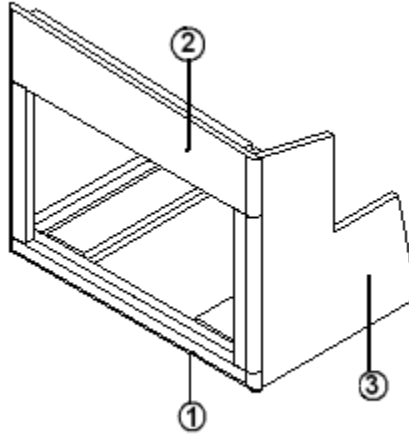


- | | |
|----------------|-------------------------------------|
| 967640-17 | MICRO CAB ASSY, WARDROBE, LT.CAMEL |
| 1. 967640-171 | PANEL-MICRO 12.75X20 |
| 2. 801886-0018 | FACE FRAME-MICRO CABINET ASIAN SAND |
| 3. 800025-01 | PINE 3/4" X 3/4" STAINED |
| 4. 967640-174 | PANEL-MICRO 3X11 |
| 5. 967640-175 | PANEL-MICRO 3X11 |
| 6. 967640-176 | PANEL-MICRO 3X11 |
| 7. 967640-177 | PANEL-MICRO 3X11 |
| 8. 512429 | LIGHT-READING LED #81295-NIG46 |

2011 AVENUE MOTORHOME

FURNITURE, GALLEY

Microwave Cabinet Assembly, LT. CAMEL

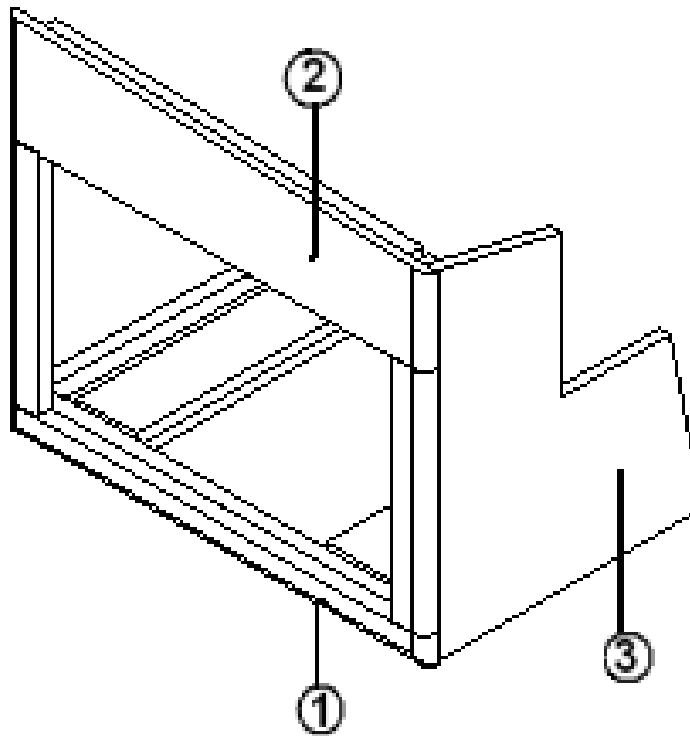


- 967575-17 MICROWAVE CABINET.ASSY- LT. CAMEL
- 1. 967575-171 PANEL 12.75" X 20"
- 2. 801863-0018 FACE FRAME-MICRO CAB. LT. CAMEL
- 3. 967575-173 PANEL 12.75" x 16.63"
- 967575-174 PANEL, MICRO 3" X 11"
- 967575-175 PANEL, MICRO 3" X 11"
- 967575-177 PANEL, MICRO 3" X 11"
- 512429 LIGHT-READING LED #81295-NIG46

2011 AVENUE MOTORHOME

FURNITURE, GALLEY

Microwave Cabinet Assembly, ONYX



967575-16 MICROWAVE CABINET.ASSY- ONYX

1. 967575-161 PANEL 12.75" X 20"

2. 801863-0019 FACE FRAME-MICRO CAB. ONYX

3. 967575-163 PANEL 12.75" x 16.63"

967575-164 PANEL, MICRO 3" X 11"

967575-165 PANEL, MICRO 3" X 11"

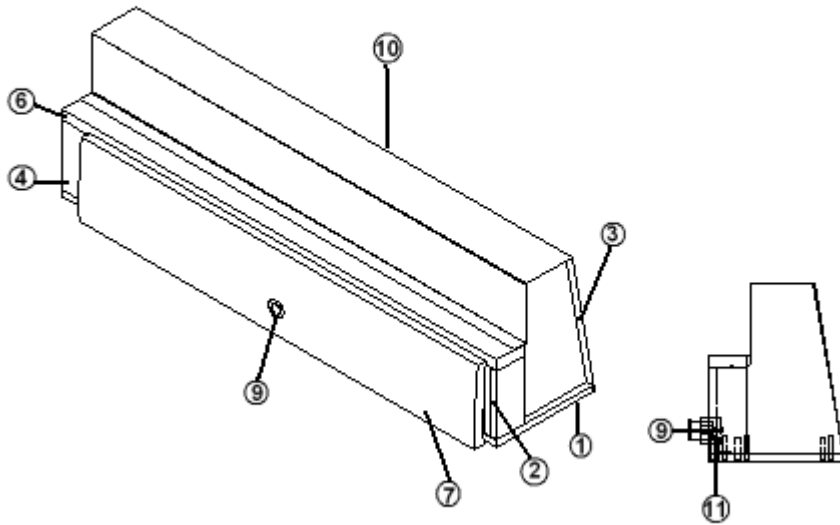
967575-167 PANEL, MICRO 3" X 11"

512429 LIGHT-READING LED #81295-NIG46

2011 AVENUE MOTORHOME

FURNITURE, LOUNGE

Roof Locker, Roadside Rear, 36.25"



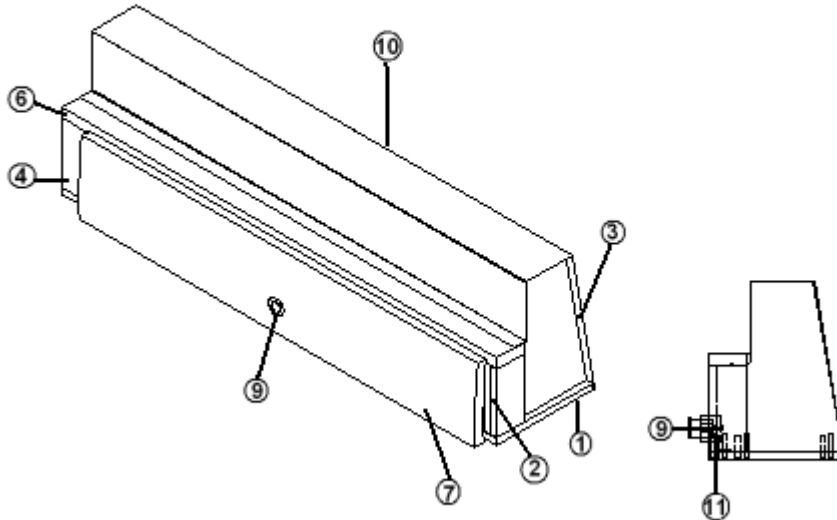
967605 ROOF LOCKER ASSY, ROADSIDE REAR, 36.25", LT.CAMEL

- 1. 967605-1 PANEL-ROOFLOCKER 8X36.25
- 2. 967605-2 PANEL-ROOFLOCKER 2.25X5
- 3. 967605-3 PANEL-ROOFLOCKER 8X10
- 4. 967605-4 PANEL-ROOFLOCKER 3X5
- 5. 967605-5 PANEL-ROOFLOCKER 7.5X10 (NOT SHOWN)
- 6. 967605-6 PANEL-ROOFLOCKER 2.25X36.25
- 7. 801870-0218 DOOR-PLYFOAM 6X33 A.SAND
- 8. 381607 HINGE ASSY-GRASS EURO (NOT SHOWN)
- 9. 382155 KNOB LATCH-PUSH/PULL CHROME
- 10. 454825 BACK-RS REAR R/L
- 11. 382155-01 LATCH STRIKE-PUSH/PULL KNOB
- 701538-01 CARPET-ECONOLIER W/PSA BACK

2011 AVENUE MOTORHOME

FURNITURE, LOUNGE

Roof Locker, Roadside Rear, 36.25", ONYX

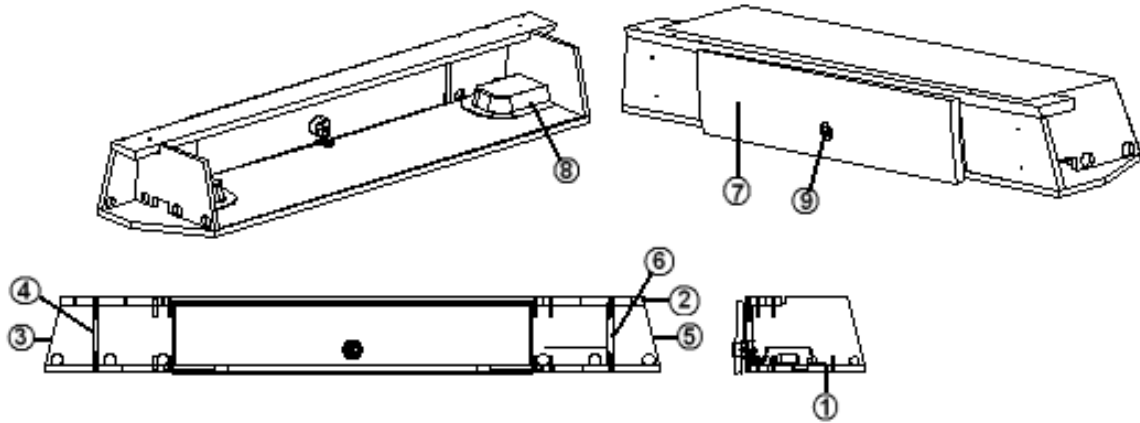


- 967605-16 ROOFLOCKER ASSY, ROADSIDE REAR 36.25", ONYX
- 1. 967605-161 PANEL-ROOFLOCKER8X36.25
 - 2. 967605-162 PANEL-ROOFLOCKER 2.25X5
 - 3. 967605-163 PANEL-ROOFLOCKER 8X10
 - 4. 967605-164 PANEL-ROOFLOCKER 3X5
 - 5. 967605-165 PANEL-ROOFLOCKER 7.5X10 (NOT SHOWN)
 - 6. 967605-166 PANEL-ROOFLOCKER 2.25X36.25
 - 7. 801870-0219 DOOR-PLYFOAM 6X33 A.NIGHT
 - 8. 381607 HINGE ASSY-GRASS EURO (NOT SHOWN)
 - 9. 382155 KNOB LATCH-PUSH/PULL CHROME
 - 10. 454825 BACK-RS REAR R/L
 - 11. 382155-01 LATCH STRIKE-PUSH/PULL KNOB
 - 701538-01 CARPET-ECONOLIER W/PSA BACK

2011 AVENUE MOTORHOME

FURNITURE, LOUNGE

Roof Locker, Rear, Lt. Camel

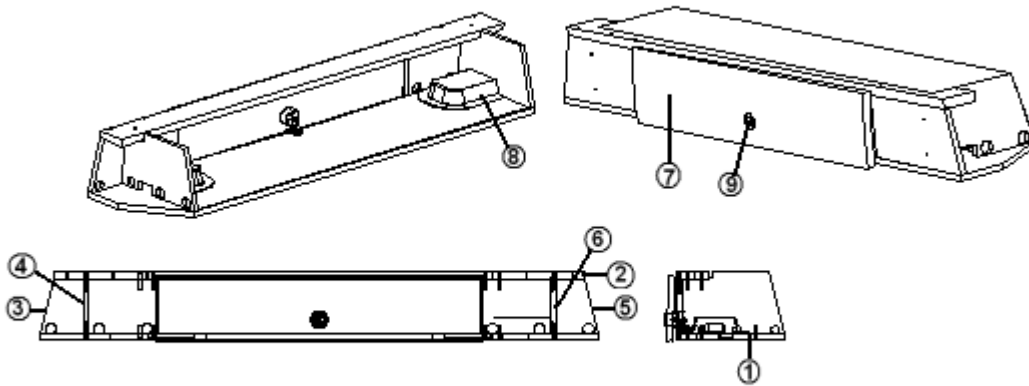


- 967582 ROOFLOCKER ASSY-REAR - LT. CAMEL
- 1. 967582-1 PANEL-REAR ROOFLOCKER 11X51.63
 - 2. 967582-2 PANEL-REAR ROOFLOCKER 3X48.88
 - 3. 967582-3 PANEL-REAR ROOFLOCKER 11X5
 - 4. 967582-4 PANEL-REAR ROOFLOCKER 10.5X5.75
 - 5. 967582-5 PANEL-REAR ROOFLOCKER 11X5
 - 6. 967582-7 PANEL-REAR ROOFLOCKER 10.5X5.75
 - 7. 801870-0118 DOOR-PLYFOAM 6X30 A.SAND
 - 8. 200773 CLOSEOUT, READING LIGHT ABS
 - 9. 382155 KNOB LATCH-PUSH/PULL CHROME
 - 701538-01 CARPET-ECONOLIER W/PSA BACK
 - 382057 KNOCKDOWN-8MM #16289B
 - 382057-04 CAP-KNOCKDOWN WHT #16387
 - 381607 HINGE ASSY-GRASS EURO-
 - 454823 CLOSEOUT-REAR R/L
 - 382155-01 LATCH STRIKE-PUSH/PULL KNOB

2011 AVENUE MOTORHOME

FURNITURE, LOUNGE

Roof Locker, Rear, ONYX

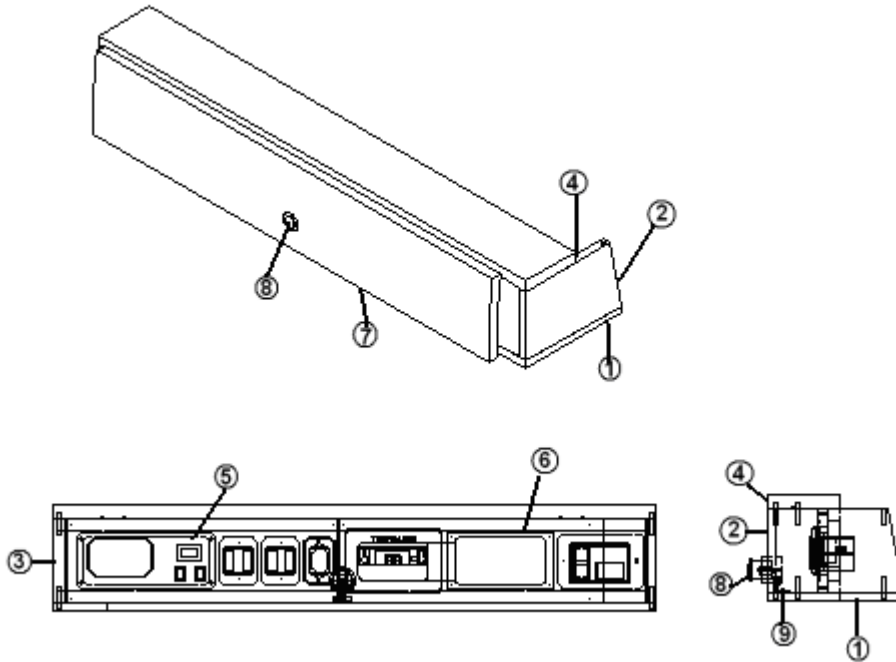


- 967582-16 ROOFLOCKER ASSY-REAR – ONYX
- 1. 967582-161 PANEL-REAR ROOFLOCKER 11X51.63
- 2. 967582-162 PANEL-REAR ROOFLOCKER 3X48.88
- 3. 967582-163 PANEL-REAR ROOFLOCKER 11X5
- 4. 967582-164 PANEL-REAR ROOFLOCKER 10.5X5.75
- 5. 967582-165 PANEL-REAR ROOFLOCKER 11X5
- 6. 967582-167 PANEL-REAR ROOFLOCKER 10.5X5.75
- 7. 801870-0119 DOOR-PLYFOAM 6X30 A.NIGHT
- 8. 200773 CLOSEOUT, READING LIGHT ABS
- 9. 382155 KNOB LATCH-PUSH/PULL CHROME
- 701538-01 CARPET-ECONOLIER W/PSA BACK
- 382057 KNOCKDOWN-8MM #16289B
- 382057-02 CAP-KNOCKDOWN GREY
- 381607 HINGE ASSY-GRASS EURO-
- 454823 CLOSEOUT-REAR R/L
- 382155-01 LATCH STRIKE-PUSH/PULL KNOB

2011 AVENUE MOTORHOME

FURNITURE, LOUNGE

Roof Locker, Curbside Rear, Lt. Camel

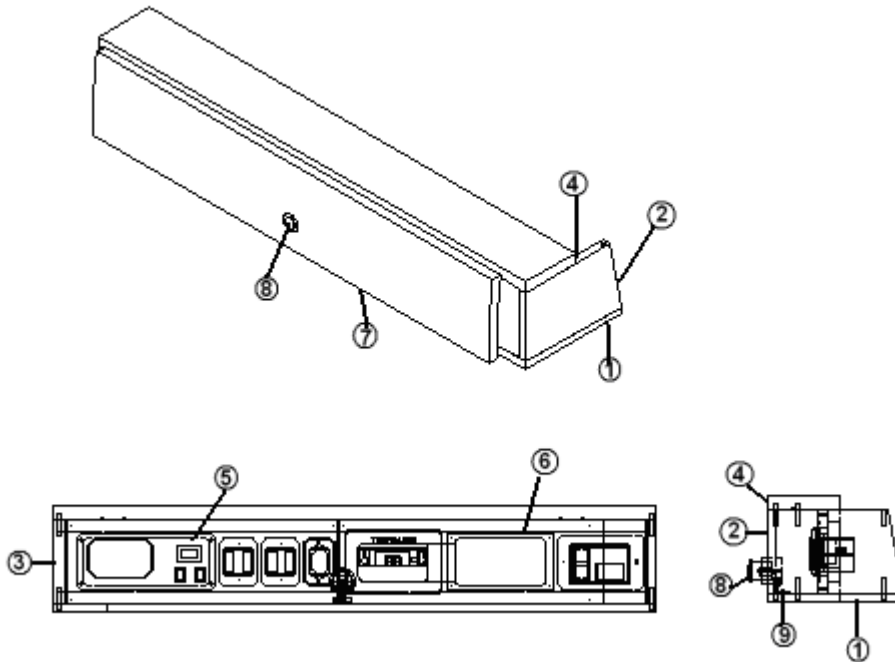


- | | |
|----------------|--------------------------------------|
| 967584 | ROOFLOCKER, CURBSIDE REAR, Lt. Camel |
| 1. 967584-1 | PANEL-CS ROOFLOCKER 8X35.5 |
| 2. 967584-2 | PANEL-CS ROOFLOCKER 8X5 |
| 3. 967584-4 | PANEL-CS ROOFLOCKER 4.25X5 |
| 4. 967584-5 | PANEL-CS ROOFLOCKER 4.25X35.5 |
| 5. 967584-6 | PANEL-CS ROOFLOCKER 16X4.88 |
| 6. 967584-7 | PANEL-CS ROOFLOCKER 18X4.88 |
| 7. 801870-0218 | DOOR-PLYFOAM 6X33 A. SAND |
| 8. 382155 | KNOB LATCH-PUSH/PULL CHROME |
| 9. 382155-01 | LATCH STRIKE-PUSH/PULL KNOB |
| 381607 | HINGE ASSY-GRASS EURO-SAFARI |

2011 AVENUE MOTORHOME

FURNITURE, LOUNGE

Roof Locker, Curbside Rear, ONYX



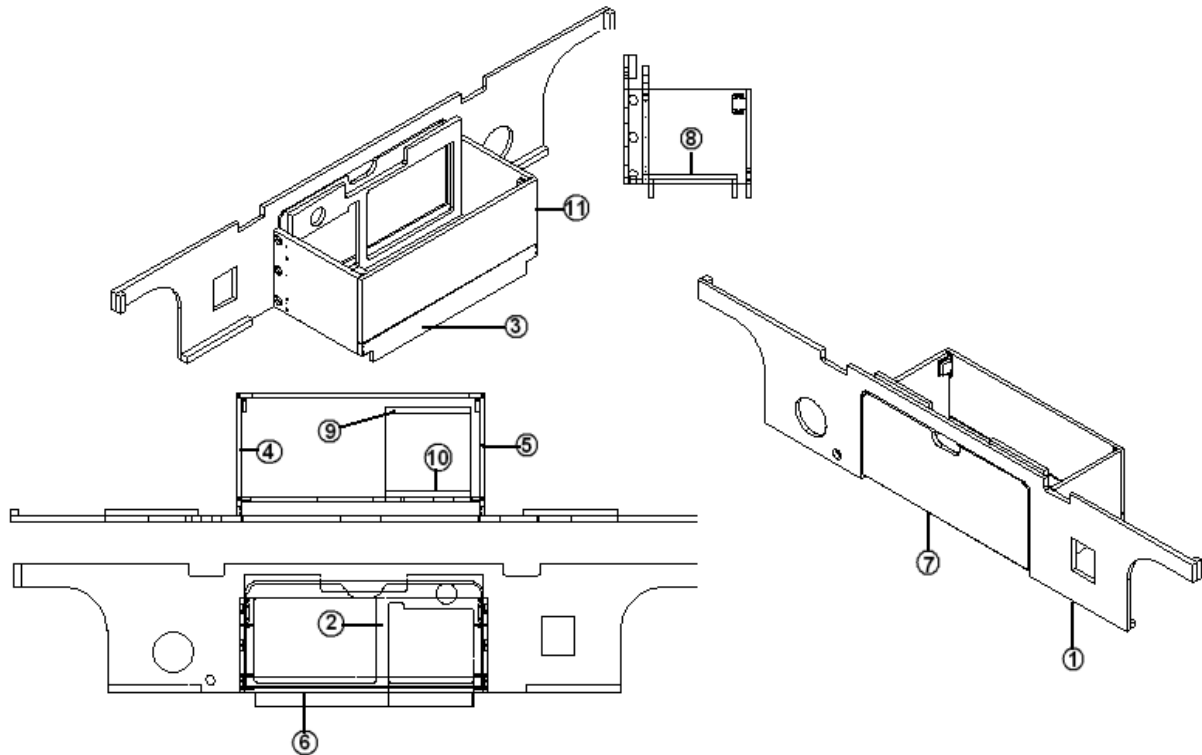
967584-16 ROOFLOCKER, CURBSIDE REAR, Onyx

1. 967584-161 PANEL, CS R/L 8X35.5
2. 967584-162 PANEL, CS ROOFLOCKER 8X5
3. 967584-164 PANEL, CS ROOFLOCKER 4.25X5
4. 967584-165 PANEL, CS ROOFLOCKER 4.25X35.5
5. 967584-166 PANEL, CS ROOFLOCKER 16X4.88
6. 967584-167 PANEL, CS ROOFLOCKER 18X4.88
7. 801870-0219 DOOR-PLYFOAM 6X33 A. NIGHT
8. 382155 KNOB LATCH-PUSH/PULL CHROME
9. 382155-01 LATCH STRIKE-PUSH/PULL KNOB
381607 HINGE ASSY-GRASS EURO-SAFARI

2011 AVENUE MOTORHOME

FURNITURE, LOUNGE

Sofa, Rear, Seat Base Close Outs, Lounge, LT. CAMEL

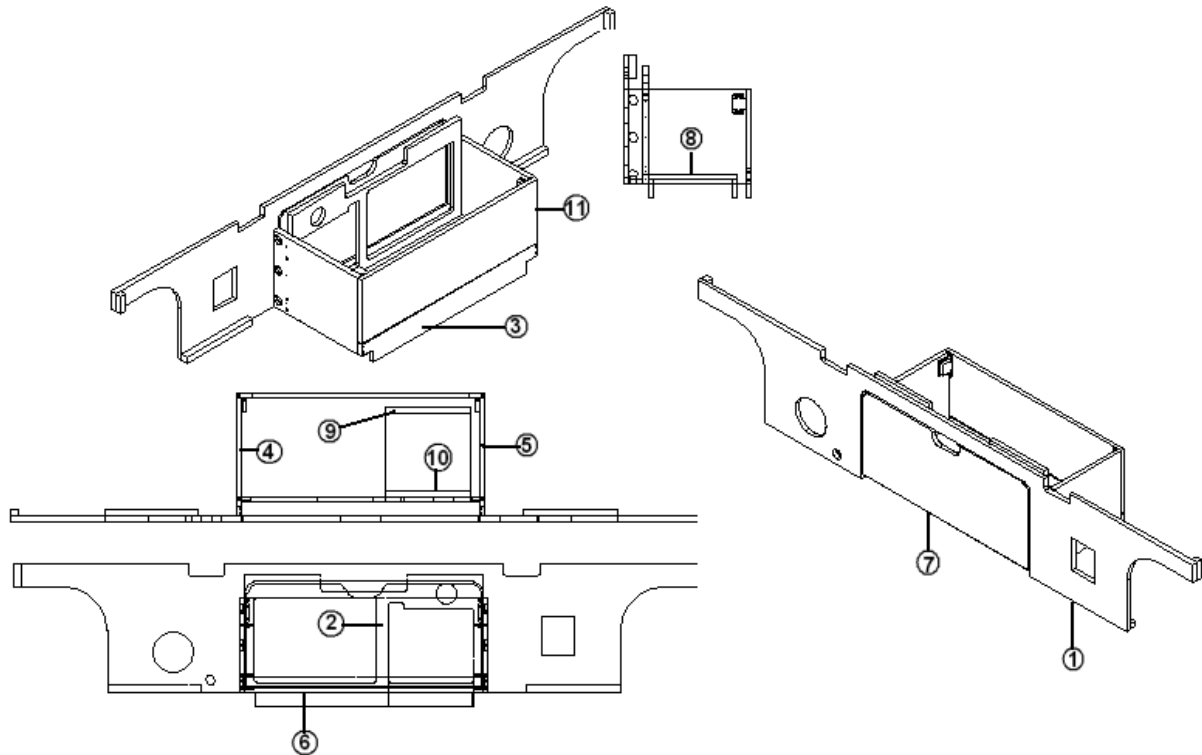


- | | |
|---------------|--------------------------------|
| 967569 | BASE ASSY-SOFA LT CAMEL |
| 1. 967569-1 | PANEL-SOFA BASE 13X71 |
| 2. 967569-2 | PANEL-SOFA BASE 24.13X12 |
| 3. 967569-3 | PANEL-SOFA BASE 25.25X3 |
| 4. 967569-4 | PANEL-SOFA BASE 11X9.5 |
| 5. 967569-5 | PANEL-SOFA BASE 11X9.5 |
| 6. 967569-6 | PANEL-SOFA BASE 1.38X24.25 |
| 7. 967569-7 | PANEL-SOFA BASE 10.38X23.81 |
| 8. 967569-8 | PANEL-SOFA BASE 9X8.63 |
| 9. 967569-9 | PANEL-SOFA BASE 2X8.63 |
| 10. 967569-10 | PANEL-SOFA BASE 2X8.63 |
| 11. 967569-11 | PANEL-SOFA BASE 25.25X7.88 |
| 382125 | HINGE-PIANO CLEAR 1.25"X 72" |
| 365344-01 | EDGEBANDING-.63" PEARL BISQUE |
| 203693 | T-MOLDING BEIGE EMBOSSED.8125" |
| 381228 | CATCH GRABBER DOOR C3-810 |
| 701538-01 | CARPET-ECONOLIER W/PSA BACK |

2011 AVENUE MOTORHOME

FURNITURE, LOUNGE

Sofa, Rear, Seat Base Close Outs, Lounge, ONYX

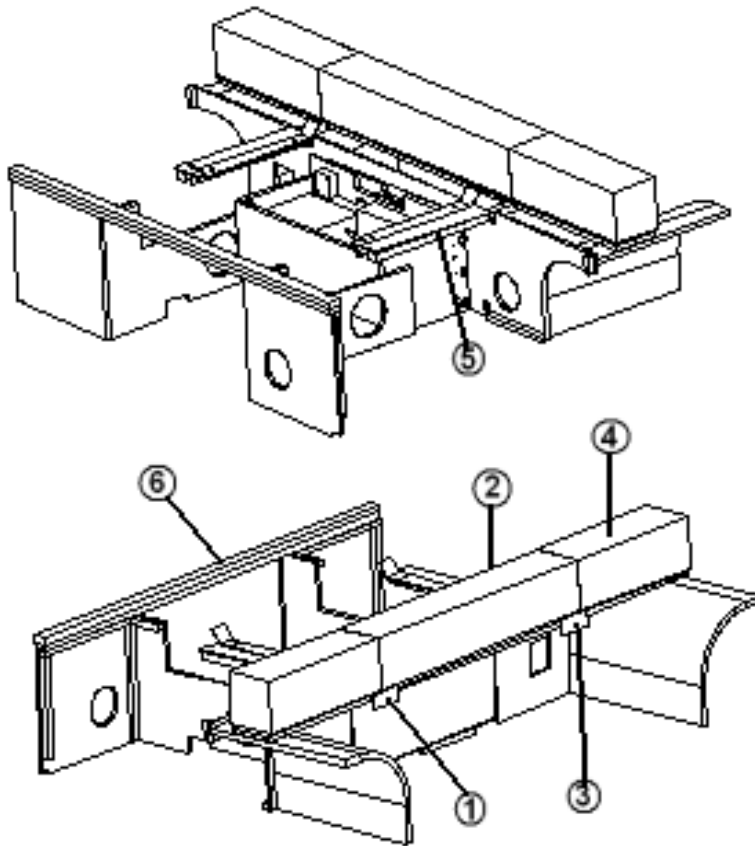


- 967569-16 BASE ASSY-SOFA, ONYX
1. 967569-161 PANEL-SOFA BASE 13X71
2. 967569-162 PANEL-SOFA BASE 24.13X12
3. 967569-163 PANEL-SOFA BASE 25.25X3
4. 967569-164 PANEL-SOFA BASE 11X9.5
5. 967569-165 PANEL-SOFA BASE 11X9.5
6. 967569-166 PANEL-SOFA BASE 1.38X24.25
7. 967569-167 PANEL-SOFA BASE 10.38X23.81
8. 967569-168 PANEL-SOFA BASE 9X8.63
9. 967569-169 PANEL-SOFA BASE 2X8.63
10. 967569-1610 PANEL-SOFA BASE 2X8.63
11. 967569-1611 PANEL-SOFA BASE 25.25X7.88
- 382125 HINGE-PIANO CLEAR 1.25"X 72"
- 365346-01 EDGE BANDING-.63" MIDNIGHT
- 203440 T-MOLDING BLACK EMBOSSED.8125"
- 381228 CATCH GRABBER DOOR C3-810
- 701538-01 CARPET-ECONOLIER W/PSA BACK

2011 AVENUE MOTORHOME

FURNITURE, LOUNGE

BED EXTENSION/HEADREST SUPPORT



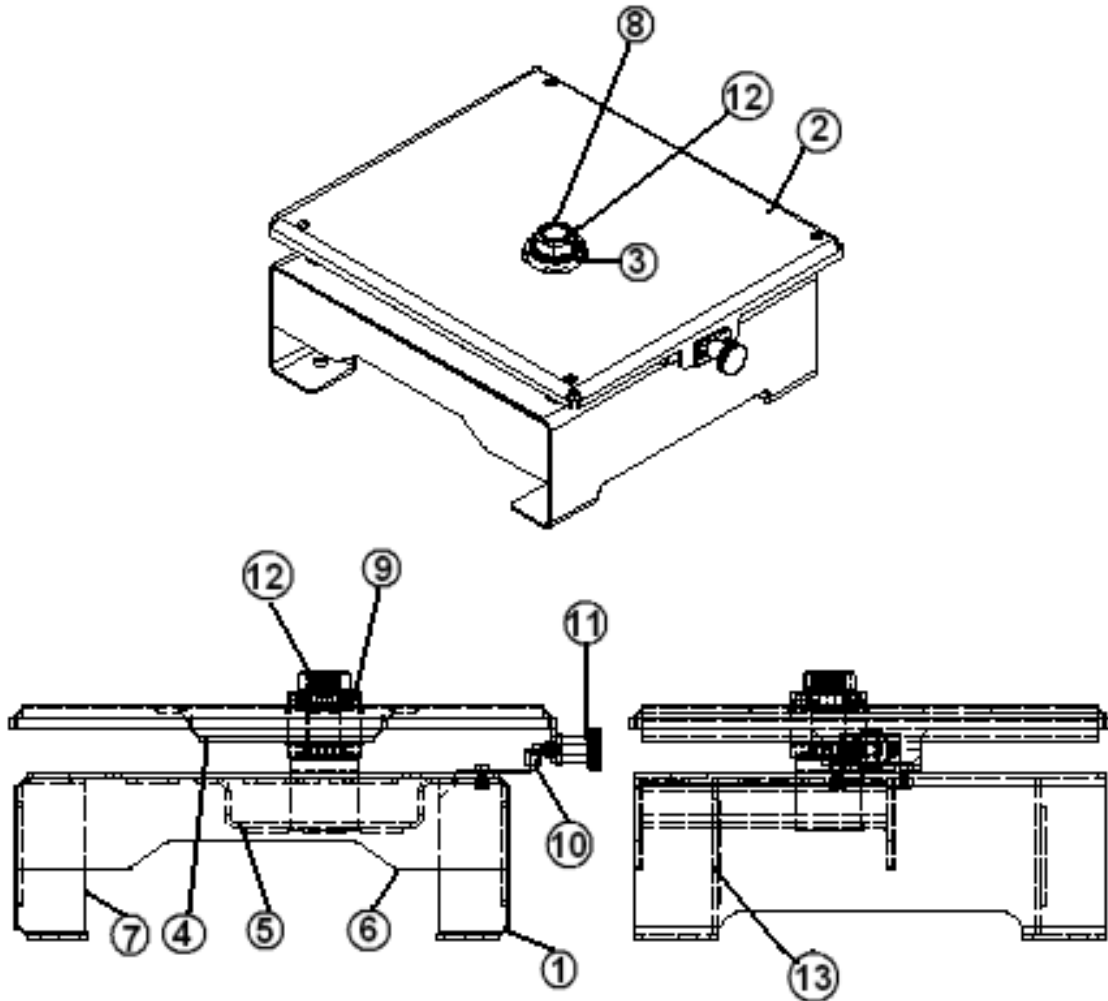
- | | |
|--------------|------------------------------|
| 1. 454849-01 | TUBE-SOFA BED CS EXTENSION |
| 2. 967616 | SOFA EXT.ASSY-CENTER CUSHION |
| 3. 454849-02 | TUBE-SOFA BED RS EXTENSION |
| 4. 967617 | SOFA EXT.ASSY-OUTER CUSHION |
| 5. 454848 | BRACKET, SOFA BED EXTENSION |
| 6. 967622 | SUPPORT ASSY-HEAD REST LNG |
| 701538-01 | CARPET-ECONOLIER W/PSA BACK |
| 703907 | STRAP SET - HOLD DOWN SOFA |

*EXTENSION/HEADREST SUPPORT WAS USED ON UNITS BUILT ON 9/29 AND FORWARD.

2011 AVENUE MOTORHOME

FURNITURE, LOUNGE

SWIVEL BASE ASSEMBLY, DRIVER/PASSENGER



Parts Listed On Next Page

2011 AVENUE MOTORHOME

FURNITURE, LOUNGE

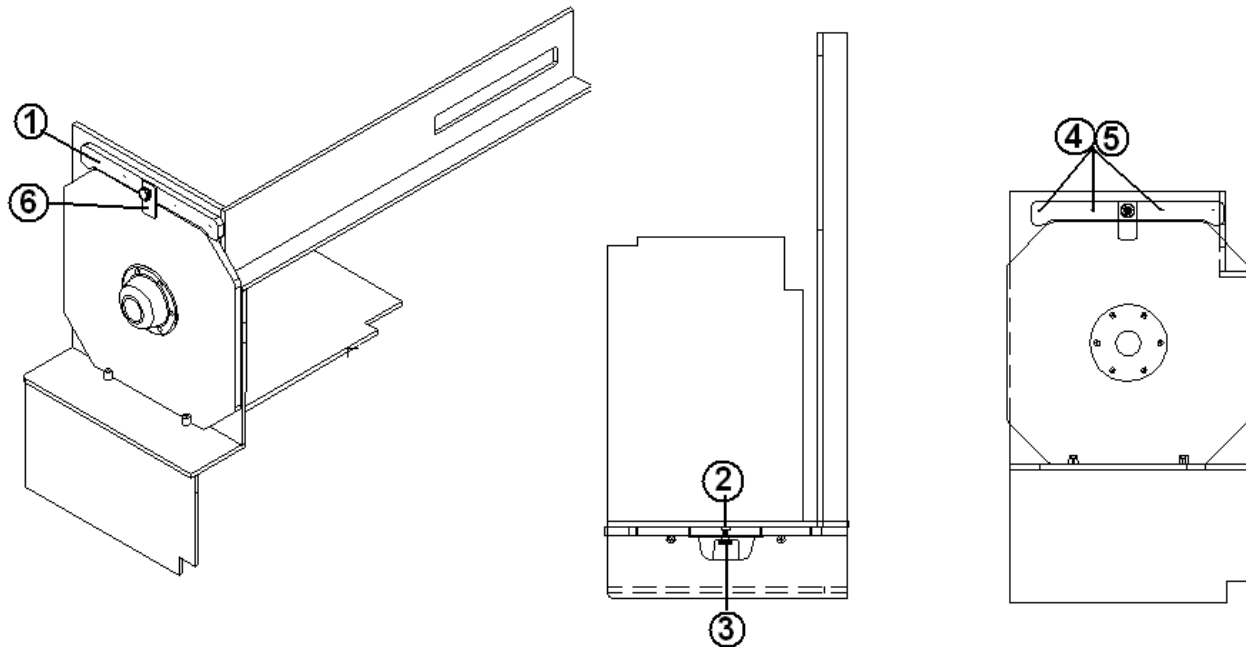
SWIVEL BASE ASSEMBLY, DRIVER/PASSENGER

111877-01	BASE ASSY-SWIVEL DRIVER
111877-02	BASE ASSY-SWIVEL PASSENGER
1. 454815-01	Swivel Base, Driver
1. 454815-02	Swivel Base, Passenger
2. 454814-01	Swivel Base Top, Driver
2. 454814-02	Swivel Base Top, Passenger
3. 382132	Bearing
4. 454816-01	Support Bracket, Swivel Base Top
4. 454816-02	Support Bracket, Swivel Base Top, Passenger
5. 454817	Support Bracket, Swivel Base
6. 454818	Cross Brace Gusset, Swivel Base
7. 454819	Gusset, Swivel Base
8. 454820	Spindle, Swivel Base
9. 454821	Spindle Hub, Swivel Base
10. 454822-01	Latch Bracket, Swivel Base, Driver
10. 454822-02	Latch Bracket, Swivel Base, Passenger
11. 382133	Spring Plunger – Plate Mounted
12. 350195	Thin Nylon Lock Nut, 1"-14 Grade 8
13. 454819-01	Gusset, Swivel Base

2011 AVENUE MOTORHOME

FURNITURE, LOUNGE

Pedestal Table Storage Install, Lounge



- 111810-1 PANEL, 17.50 X 2.25, Lt.Camel
- 1.111810-161 PANEL, 17.50 X 2.25, Onyx
- 1. 350189 NUT, TEE 6 PRONG 1/4-20
- 2. 382095 KNOB, KNURLED 1/4-20 X .50"
- 3. 381609-02 SCREW, HAFELE, EUROPEAN, #9, 1"
- 4. 381610-03 COVER CAP, PLASTIC
- 5. 381136 RUBBER BUMPER
- 454721 BRACKET PED TABLE STORAGE
- 382077 CLIP, 2.38" POST STORAGE

2011 AVENUE MOTORHOME

FURNITURE, LOUNGE

PEDESTAL TABLE ASSY.

967614	PEDESTAL TABLE ASSY
602234-03	TOP-PEDESTAL TABLE CORIAN, COCOA BROWN
602234-04	TOP-PEDESTAL.TABLE CORIAN MOSIAC
381974	LEG-PEDESTAL 29" VAN
381975	SOCKET-PED.TABLE VAN
381976	SOCKET-FLOOR PED.TABLE VAN

2011 AVENUE MOTORHOME

FURNITURE, PANELING/INTERIOR DOOR

Mirror

381220-02 MIRROR CLIP, NICKLE PLATED
372203-15 MIRROR- POL EDGES- 17.00 X 25

Roof Locker Doors

801786-1418 Door, radius 15.25" x 18.00", Asian Sand
801786-1419 Door, radius 15.25" x 18.00", Asian Night
801870-0118 Door, radius 6.00" x 30.00", Asian Sand
801870-0119 Door, radius 6.00" x 30.00", Asian Night
801870-0218 Door, radius 6.00" x 33.00", Asian Sand
801870-0219 Door, radius 6.00" x 33.00" Asian Night

Edge Band

**365328-01 EDGE BAND, ONYX, .63"
**365328-02 EDGE BAND, ONYX, .94"
**365346-01 EDGE BAND, .63" MIDNIGHT 1MM
**365346-02 EDGE BAND, .94" MIDNIGHT 1MM
**365326-01 EDGE BAND, .63" PEARL BISQUE
**365326-02 EDGE BAND, .94" PEAR BISQUE
**365344-01 EDGE BAND, .63" PEARL BISQUE 1MM
**365344-02 EDGE BAND, .94" PEARL BISQUE 1MM

** Edge banding changed during model year to 1mm. Change occurred appx. Jan. 2011.

2011 AVENUE MOTORHOME
FURNITURE, PANELING/INTERIOR DOOR

Trim, Wood/Plastic

- 800638-0119 MOLDING, QUARTER RD. .5" ASIAN NIGHT, ONYX
- 800638-0118 MOLDING, QUARTER RD .5" ASIAN SAND, LT.CAMEL
- 801415-0018 CORNER TRIM ,1" RADIUS LT. CAMEL
- 801415-0019 CORNER TRIM, 1" RADIUS ONYX

Wood Panels

- 801438 PANEL, 3MM, WHITELINER/RAW
- 801855-01 PANEL, A.NIGHT/A.NIGHT 18MM
- 801856-01 PANEL, A.NIGHT/A.NIGHT 12MM
- 801719 PANEL, SAND CRYSTAL/WHITE, 18MM
- 801869-01 PANEL-PRELAM A.SAND/A.SAND 18MM
- 801841-01 PANEL-PRELAM ASIAN/ASIAN 12MM

2011 AVENUE MOTORHOME

FURNITURE

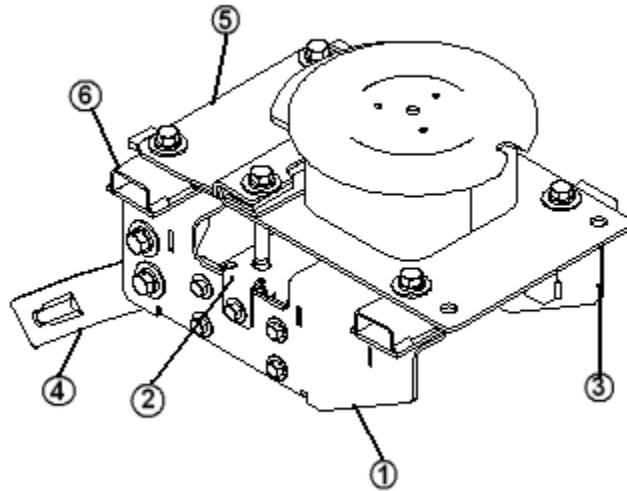
Drawer Box Assemblies

967591	Drawer Box, Upper Galley, Lt. Camel
967591-16	Drawer Box, Upper Galley, Onyx
381400	Drawer Slide, 14" per pair
381615	Tray, 11" Molded Plastic
382059-01	Knob, Push/Pull
967592	Drawer Box, Mid Galley, Lt. Camel
967592-16	Drawer Box, Mid Galley, Onyx
381400	Drawer Slide, 14" per pair
382059-01	Knob, Push/Pull
967593	Drawer Box, Lower Galley, Lt. Camel
967593-16	Drawer Box, Lower Galley, Onyx
381400-01	Drawer Slide, 12" per pair
382059-01	Knob, Push/Pull
967650	Drawer Box, Wardrobe, Lt. Camel
967650-16	Drawer Box, Wardrobe, Onyx
381192	Drawer Slide, 18" per pair
382059-01	Knob, Push/Pull

2011 AVENUE MOTORHOME

HARDWARE

PEDESTAL BRACKET ASSY.

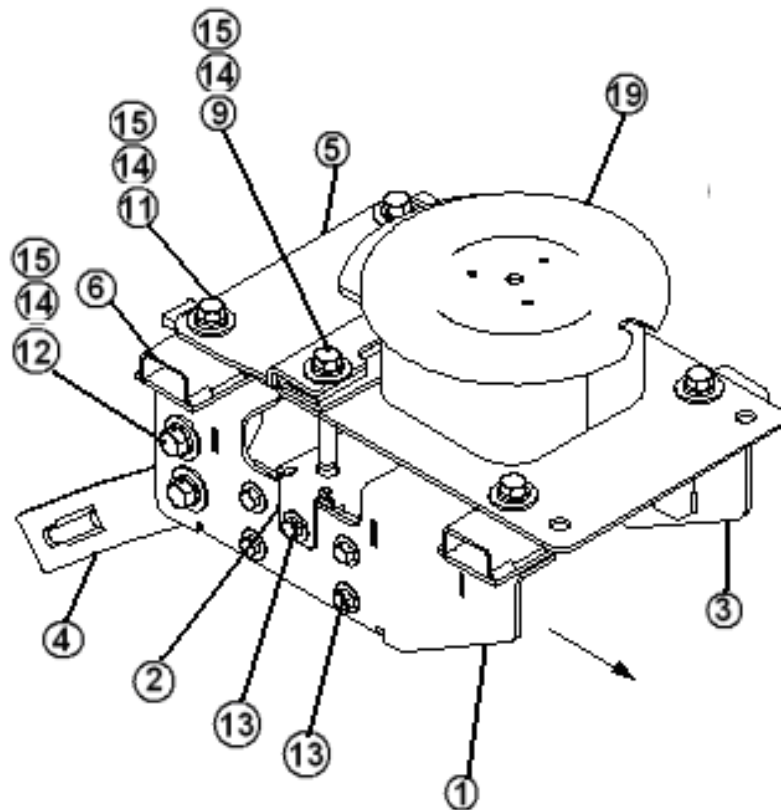
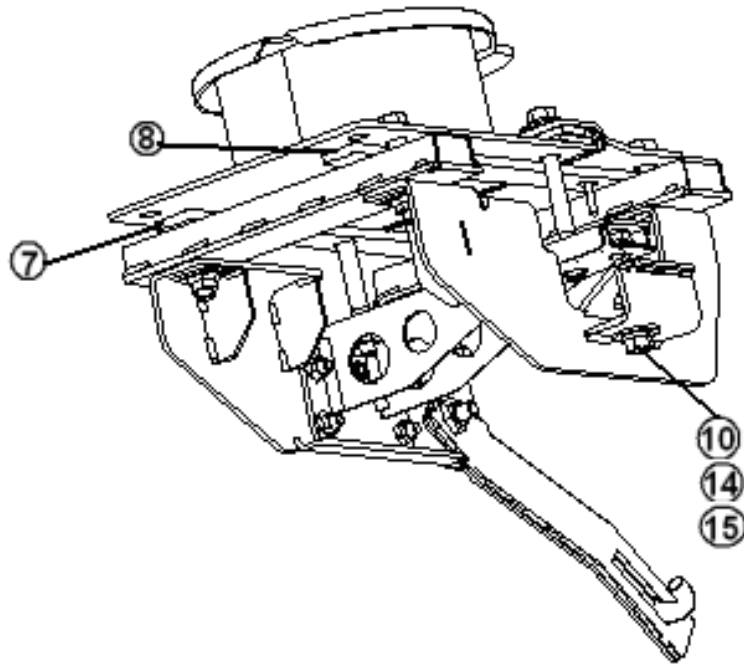


111859	BRACKET ASSY., SEAT PEDESTAL
1. 454747	BRACKET-PED CS OUTER
2. 454748	BRACKET-PED CS CENTER
3. 454749	BRACKET-PED CS INNER
4. 454750	BAR ASSY- CS TIE
5. 454751	SUPPORT ASSY-CS PEDESTAL
6. 454752	CHANNEL ASSY - CS
454753	SHIM - OUTER 1.25 X 15.5
454754	SHIM-INNER 1.25 X 15.5
345477-04	SCREW-CAP 1/2-13 X 5
345477	SCREW-CAP HEX HD 1/2"-13X3.5"
345477-03	SCREW-CAP HD 1/2-13 X 3"
345251	BOLT-HEX HD 1/2-13X1-1/2 GR 5
345272-04	SCREW-CAP 3/8-16X1.0 HEX HEAD
300112-50	WASHER- FLAT.5" TYPE B
300158	WASHER-SPRING LOCK .5"
300117-37	WASHER-FLAT.38 TYP B .406"ID 1
350147-37	NUT-NYLON LOCK 3/8-16
320161	SCREW-SELF TAP HD 1/4-14 X 1.5

2011 AVENUE MOTORHOME

HARDWARE

PEDESTAL BRACKET ASSY. CURBSIDE, WARDROBE OPT



PART NUMBERS ON NEXT PAGE

2011 AVENUE MOTORHOME

HARDWARE

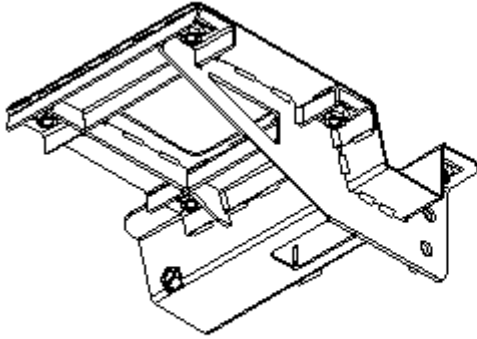
PEDESTAL BRACKET ASSY. CURBSIDE, WARDROBE OPT

111908	SEAT PED.BRKT CS ASSY/INSTALL
1. 454747	BRACKET-PED CS OUTER
2. 454748	BRACKET-PED CS CENTER
3. 454749	BRACKET-PED CS INNER
4. 454750	BAR ASSY- CS TIE
5. 454751	SUPPORT ASSY-CS PEDESTAL
6. 454752	CHANNEL ASSY - CS
7. 454753	SHIM - OUTER 1.25 X 15.5
8. 454754	SHIM-INNER 1.25 X 15.5
9. 345477-04	SCREW-CAP 1/2-13 X 5
10. 345477	SCREW-CAP HEX HD 1/2"-13X3.5"
11. 345477-03	SCREW-CAP HD 1/2-13 X 3"
12. 345251	BOLT-HEX HD 1/2-13X1-1/2 GR 5
13. 345272-04	SCREW-CAP 3/8-16X1.0 HEX HEAD
14. 300112-50	WASHER- FLAT.5" TYPE B
15. 300158	WASHER-SPRING LOCK .5"
16. 300117-37	WASHER-FLAT.38 TYP B .406"ID 1
17. 320161	SCREW-SELF TAP HD 1/4-14 X 1.5
18. REFERENCE	SEAT PEDESTAL NORCO #11664
19. 345492-01	SCREW-CAP HD 5/16-18 X 1.25
20. 300159	WASHER-SPRING LOCK .3125"
21. 300117-31	WASHER-FLAT TYP B.344 ID .880D

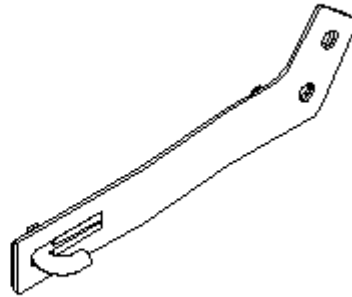
2011 AVENUE MOTORHOME

HARDWARE

ROADSIDE PEDESTAL BRACKETS & HARDWARE

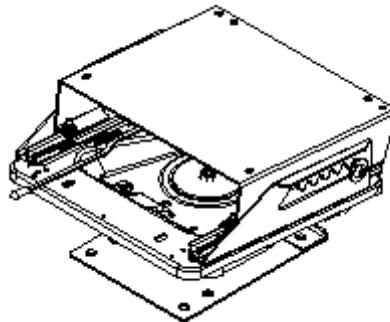


454784



454785

- 454784 BRACKET, RS OUTER PEDESTAL
- 454785 BRACKET, RS INNER PEDESTAL
- 454786 SUPPORT ASSY-RS PEDESTAL
- 454787 WASHER-RS PEDESTAL 3X1.88
- 345491 SCREW-CAP BUTT.SOCKET 1/2X1.25
- 345477-02 SCREW-CAP HD 1/2-13 X 2.5"
- 345477-01 SCREW-CAP HD 1/2-13 X 2"
- 345492-01 SCREW-CAP HD 5/16-18 X 1.25"
- 300159 WASHER-SPRING LOCK .3125"
- 300117-31 WASHER-FLAT TYP B.344 ID .88OD



- 454783-01 Seat Pedestal Manual ISS Slide/Swivel Riser
- 454783-02 Swivel Remote Bracket

2011 AVENUE MOTORHOME

HARDWARE

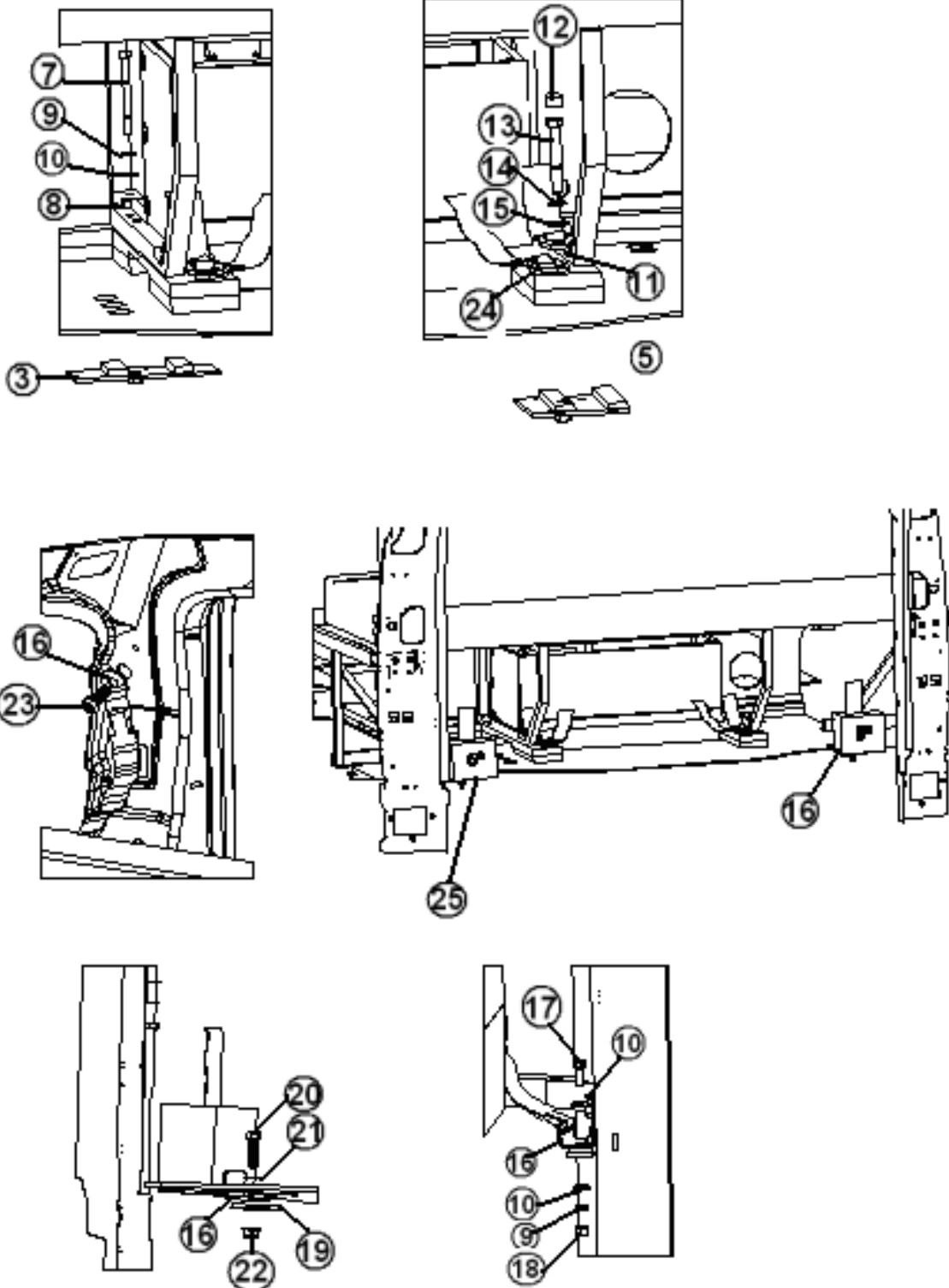
Clothesline, Retractable

382063 Clothesline, Retractable

2011 AVENUE MOTORHOME

HARDWARE

SOFA & SEATBELT INSTALLATION



PARTS LISTED ON NEXT PAGE

2011 AVENUE MOTORHOME

HARDWARE

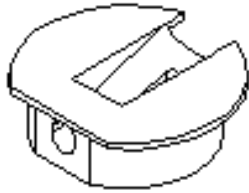
SOFA & SEATBELT INSTALLATION

1. 703879-411L SOFA-POWER, LT. CAMEL
1. 703879-400L SOFA-POWER ONYX
2. 454763-03 BRACKET, SOFA MOUNT CS FRT
3. 454763-01 BRACKET, SOFA MOUNT RS FRT
4. 454763-02 BRACKET, SOFA MOUNT RS REAR
5. 454763-04 BRACKET, SOFA MOUNT CS REAR
6. 454813 CLOSEOUT-REAR WATER LINE
7. 345272-16 SCREW. CAP HH. GR. 5 3/8-16
8. 454714 WASHER-FORMED SOFA LEG NCV3
9. 300072-04 WASHER, LOCK 1/4IN
10. 300111-37 WASHER FLAT, 3/8 TYPE A SERIES
11. 382131-03 SEATBELT-29"BUCKLE/WEB ASSY
12. 382089 CAP-BLACK BOLT #129572
13. 345477 SCREW-CAP HEX HD 1/2"-13X3.5"
14. 300072-08 LOCK WASHER
15. 300147 WASHER-FLAT ID 0.53" OD 1.10"
16. 382131-02 SEATBELT-3 PT RETRACT 8"
17. 345272-04 SCREW-CAP 3/8-16X1.0 HEX HEAD
18. 350005 NUT 3/8-16 UNC HEX HD PLATED
19. 300164 WASHER-SEATBELT RETRACTOR
20. 345497 SCREW-HEX CAP 7/16-14 X 1.5
21. 300111-43 FLAT WASHER, FLAT 7/16 S.A.E.
22. 350143-07 NUT, HEX, SELF LOCKING 7/16-14
23. 345493 BOLT-ANCHOR 12MM X 1.375"
24. 382075-02 SEATBELT-100" W/30" BUCKLE BLK
25. 382131-01 SEATBELT-3 PT RETRACT 6"

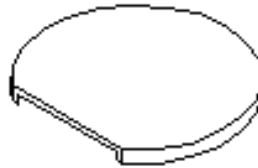
2011 AVENUE MOTORHOME

HARDWARE

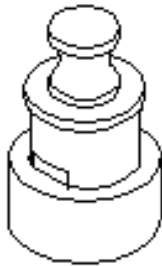
Handles/Latches/Fastener, Interior



①



②



③



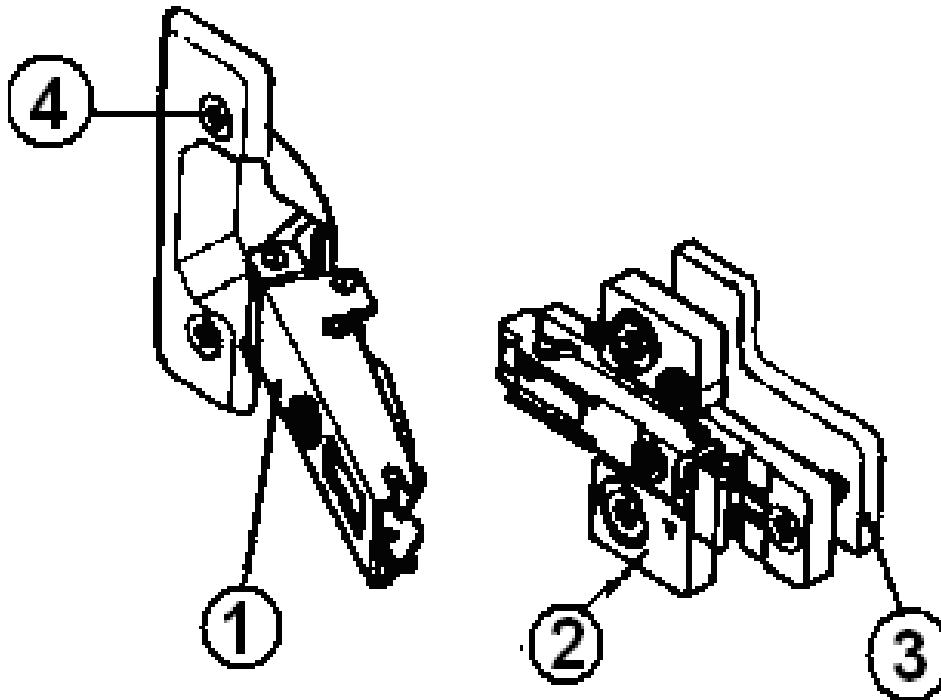
④

- | | |
|--------------|-----------------------------------|
| 1. 382057 | KNOCK DOWN FASTENER |
| 2. 382057-01 | FASTENER COVER CAP, LIGHT BROWN |
| 382057-02 | FASTENER COVER CAP, GREY |
| 382057-04 | FASTENER COVER CAP, WHITE |
| 3. 382059-01 | KNOB, PUSH/PULL, CHROME |
| 4. 382077 | POST STORAGE CLIP, PEDESTAL TABLE |

2011 AVENUE MOTORHOME

HARDWARE

Hinges



- | | |
|--------------|--|
| 381607 | HINGE ASSY-GRASS EURO |
| 1. 381607-01 | HINGE-GRASS EURO W/80307 PLASTIC, CABINETS |
| 2. 381607-02 | BASEPLATE, GRASS HINGE |
| 3. 381607-03 | BASEPLATE, GRASS PLASTIC |
| 4. 381607-04 | HINGE SCREW, GRASS |
| 382127 | HINGE, PIANO, BLACK, 2" |

Bath Accessories

- | | |
|--------|--|
| 382098 | Handle, 14.25", Glass Chrome (Towel bar) |
| 380034 | Toilet Paper Holder |

2011 AVENUE MOTORHOME

HARDWARE

Labels and Tags

386121	Label, LP gas warning label (odor)
386122	Warning label/cooking appliance
386120	Label, smoke detector
385812	LABEL CALIF. HAZARDOUS SUBSTANCE
385465	Exit label, English
386119	LABEL "DO NOT STORE COMBUSTIBLE"
386124	LABEL, REFUELING WARNING
386222	Sticker, curbside rear door handle
386113	LABEL-RVIA GOLD
386082	LABEL THOR, 5.25" X .75'
386123	LABEL "POTABLE WATER ONLY"
386118	Label, LP gas warning/fill
385062	Decal, 110-125 voltage AC
386232	Label, Warning, Secure Privacy
386240	Decal, Macerator Pump Switch
386241	Decal, LP Valve Switch
386245	Decal, E-85 Fuel Usage
386242	Decal, Circuit Breaker
386147	DECAL-ON/OFF LP REMOTE FILL
386061	LABEL, REMOVE PANEL FOR ACCESS
386189	LABEL, WARNING NO SEATBELTS
386237	LABEL, LOCK/UNLOCK

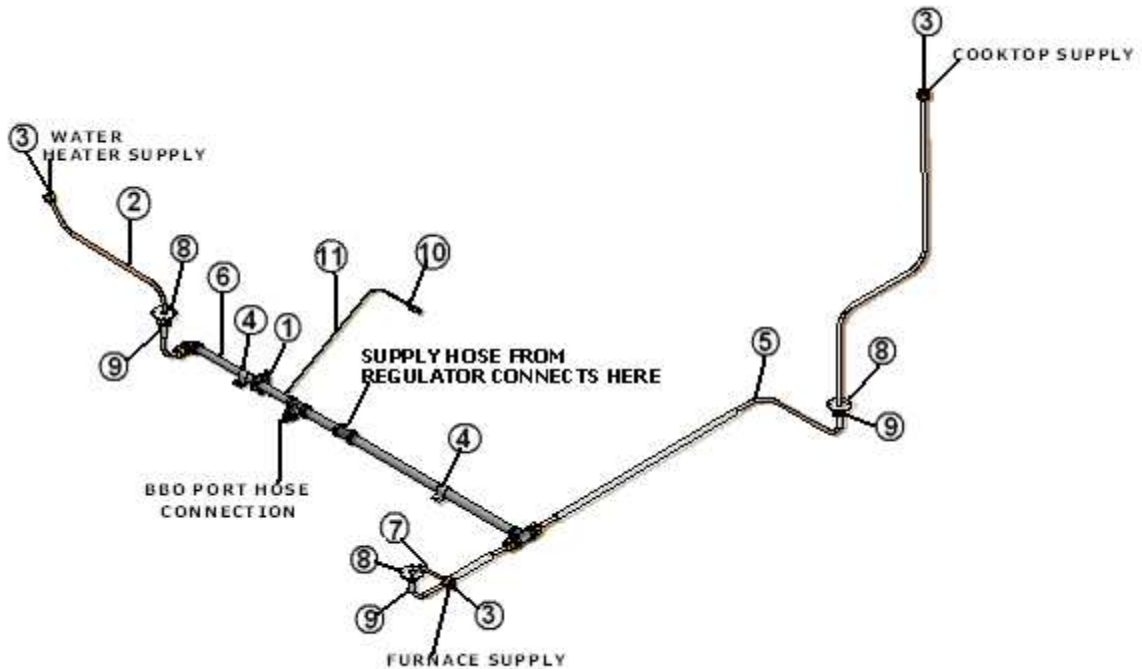
Detector/Fire Extinguisher

512260	Smoke/Carbon dioxide detector
511309	LPG detector
690381-02	Fire extinguisher

2011 AVENUE MOTORHOME

PLUMBING, LPG

LPG System



- | | | |
|-----|-----------|---------------------------|
| 1. | 0260081 | GROUND CLAMP |
| 2. | 600008 | TUBING COPPER 3/8OD |
| 3. | 600010 | NUT BRASS FLARE 415 3/8 |
| 4. | 340085-07 | CLAMP-LOOP W/RUB.1" |
| 5. | 600008 | TUBING COPPER 3/8OD |
| 6. | 943725 | MANIFOLD ASSY-LP |
| 7. | 600008 | TUBING COPPER 3/8OD |
| 8. | 380886 | GROMMET, FLOOR |
| 9. | 380887 | GROMMET, FLOOR |
| 10. | 500038 | LUG GROUND |
| 11. | 500839 | WIRE, BARE COPPER 8 GA. |
| 12. | 602279 | HOSE- LP .5" X 95" UL/CGA |
| 13. | 602278 | HOSE-LP .25"X95" UL/CGA |
| 14. | 602104 | HOSE 3/8" X 48" |
| | 601698-01 | E-PEX 1/2" TUBING |
| | 340073-12 | CLAMP-MUFFLER 3.5" |

2011 AVENUE MOTORHOME

PLUMBING, LPG

LPG Tank

602255	LP tank, 7.9 Gallon
600008	Tubing, copper, .38" ID
601698-01	Tubing, E-Pex, .5"
600435	Nuts, forged, .38"
380887	Grommet, floor
380886	Grommet, floor
340085-05	Clamp, coy
600436	Nuts, forged, .63"
500839	Wire, copper, ground
600004	Tubing, copper, .63"
602104	Hose, .38" x 48"
600661	Ground fittings
601875-05	Cover, regulator
601875-04	Regulator
602109-03	Dust cap
512434	SWITCH, HEAVY DUTY 25AMP #5582-10
386147	DECAL "ON/OFF", LP REMOTE FILL
602109-01	Hose quick disconnect, grille port
602278	Hose, LP .25" x 95" UL/CGA
602279	Hose, LP .5" x 95" UL/CGA

2011 AVENUE MOTORHOME

PLUMBING, FRESHWATER

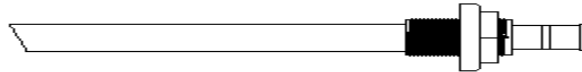
Freshwater Tank/Gravity Water Fill System

602252	TANK, FRESH WATER 29 GALLON
454831	Plate, Carriage Washer 1.25 x 3"
602208	Fitting, 1.5" MPT x 1.5" barb
602210	Fitting, brass, .625" barb x .75" MPT
602209-03	Hose, Garden type, white, 5/8" ID
511812	Pad, heating
454808	Plate, J Hook Hanger
454830	J Hook Anchor Bolt
454831	Plate, Carriage Washer, 1.25" x 3"
600103	Spring, ST ST 20.00"
602266	Fitting, Barb .5 MPT x .625ID
345331-20	Bolt, Carriage Rd. 3/8 - 16 x 8
345331-13	Bolt, 3/8 - 16 x 4

Water fill, gravity

602282	Water fill dish
--------	-----------------

Fresh Water Pick up Assembly



602274	Fresh water pick up assy., 15", Barbed Straight
--------	---

*This tube is modified at Airstream. The part will not be pre-cut. Dealer will need to angle cut to length.

2011 AVENUE MOTORHOME

PLUMBING, FRESHWATER

WATER PUMP, FILTER, & REGULATOR

602177-01	PUMP-WATER FLOJET #03526500H
602177-05	QUICK CONNECT-PUMP PORT .5"M 9
602177-02	STRAINER-MINI ASSY #01740300B
602277	FILTER-WATER INLINE SHURFLO
602277-01	FITTING-WATER FILTER
602186	FLEX HOSE-20" SWIVEL CONN.
602276	REGULATOR-WATERMATE #F217C
115504	WATER PUMP BRACKET

Faucet, Galley, Pull Out

602251	Faucet, Pull Out
602260	Sink, Stainless Steel, Single Bowl 13" x 15" x 5"
195362-39	Strainer, 2"

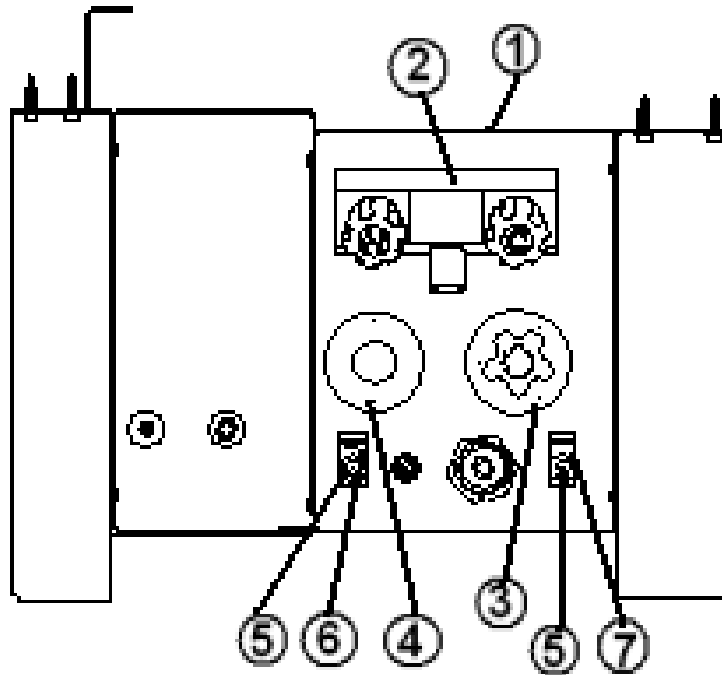
SHOWER FAUCET

602263-02	FAUCET-SHOWER 4" PARCH #19890
602263-03	SHOWER-HAND HELD WHITE #19908
602263-04	SHOWER-HAND HELD PARCH.#19907

2011 AVENUE MOTORHOME

PLUMBING, FRESHWATER

EXTERIOR UTILITY COMPARTMENT

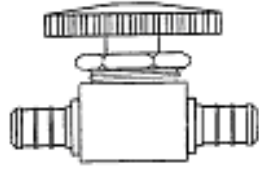


- | | |
|--------------|-----------------------------------|
| 1. 454800 | Assembly, Utility Compartment |
| 2. 602263-01 | Faucet, Shower 4" White |
| 3. 602273 | City Water Flange w/EZ Grip |
| 4. 602272 | Hook-Up, No Fuss Flush |
| 5. 512434 | Switch, Heavy Duty 25Amp |
| 6. 386240 | Decal, Macerator Pump Switch |
| 7. 386241 | Decal, LP Valve Switch |
| 8. 345084 | Screw, 1/4 - 14 x 1 Thad. Cutting |
| 602263-03 | Shower hose w/brackets |

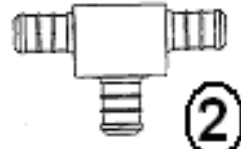
2011 AVENUE MOTORHOME

PLUMBING, FRESHWATER

Fresh Water Fittings



①



②



③



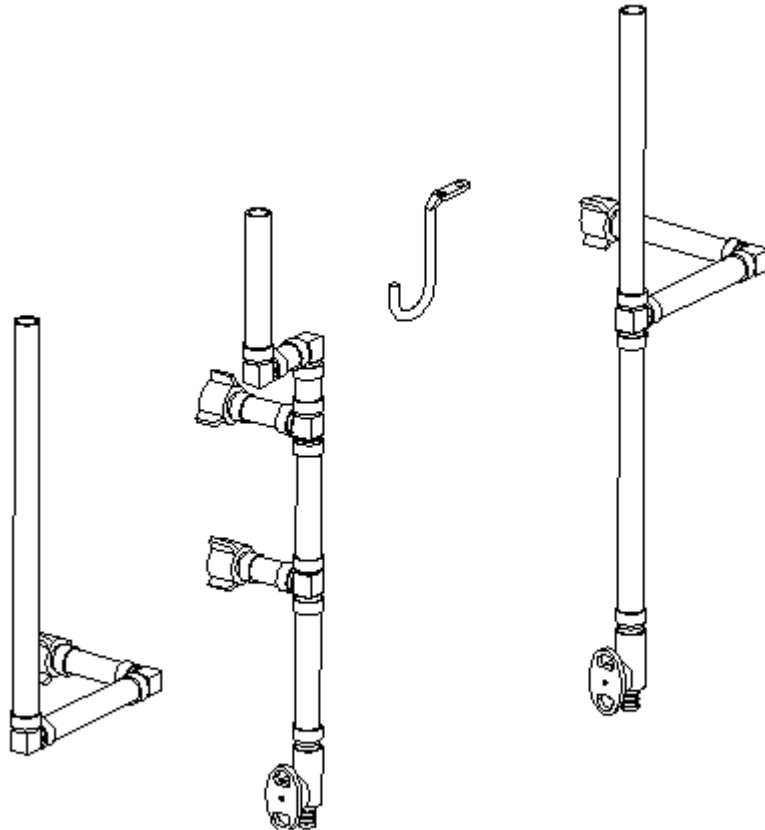
④

- | | |
|--------------|---|
| 1. 601698-22 | Shut-off, 1/2" barb x 1/2" barb |
| 1. 602256-22 | Shut-off 1/2" barb X 1/2" barb, Plastic |
| 2. 601698-11 | Tee, 1/2" x 1/2" x 1/2", metal |
| 2. 602256-11 | Tee, 1/2", plastic |
| 3. 601698-15 | Crimp ring, 1/2E-Pex, 1/2" (black) |
| 4. 601698-01 | E-Pox tube, 1/2" |
| 4. 601698-21 | TUBING E-PEX 1/2" RED |
| 602256-04 | ELBOW, POLY .5BARB X .5 MPT |

2011 AVENUE MOTORHOME

PLUMBING, FRESHWATER

WATER LINES, BELOW FLOOR



943727-01 FRESH WATER LINES-UNDER FLOOR

WATER LINES CONSIST OF THE FOLLOWING PARTS:

601698-15	1/2 CRIMP RING #14785
602258-03	ADAPT-BRASS .5B X .5FPT SWIVEL
602258-10	ELBOW-BRASS .5 BARB
602258-11	TEE-BRASS .5 BARB
602258-07	VALVE-BRASS .5 B X .5 STRAIGHT
601698-01	E-PEX 1/2" TUBING
601698-21	TUBING E-PEX 1/2' RED

2011 AVENUE MOTORHOME

PLUMBING, FRESHWATER

WATER LINES, ROADSIDE COLD WATER



943727-03

WATER LINES-RS COLD LAYOUT

ABOVE WATER LINES ARE MADE UP OF THE FOLLOWING:

601698-15	1/2 CRIMP RING #14785
602258-10	ELBOW-BRASS .5 BARB
602258-11	TEE-BRASS .5 BARB
602258-03	ADAPT-BRASS .5B X .5FPT SWIVEL
602258-07	VALVE-BRASS .5 B X .5 STRAIGHT
602258-02	ADAPT.-BRASS .5 BARB X .5 MPT
601774	ELBOW SUPPORT-90D 1/2"
601698-01	E-PEX 1/2" TUBING

2011 AVENUE MOTORHOME

PLUMBING, FRESHWATER

WATER LINES, ROADSIDE HOT WATER



943727-02 WATER LINES-RS HOT LAYOUT

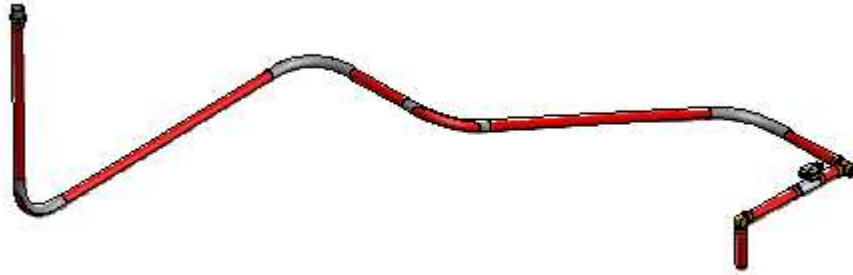
THE WATER LINES ARE MADE UP OF THE FOLLOWING:

601698-15	1/2 CRIMP RING #14785
602258-10	ELBOW-BRASS .5 BARB
602258-11	TEE-BRASS .5 BARB
602258-02	ADAPT.-BRASS .5 BARB X .5 MPT
601774	ELBOW SUPPORT-90D 1/2
601698-21	TUBING E-PEX 1/2' RED

2011 AVENUE MOTORHOME

PLUMBING, FRESHWATER

WATER LINES, CURBSIDE HOT WATER



Water Lines Consists of:

601698-15	1/2" Crimp Ring
602258-10	Elbow, Brass .5" Barb
602258-11	Tee, Brass .5" Barb
602258-07	Valve, Brass .5" Barb X .5" Straight
602258-02	Adapter, Brass .5B X .5MPT
601774	Elbow Support, 90D 1/2"
601698-21	E-Pox Tubing, 1/2", Red

2011 AVENUE MOTORHOME

PLUMBING, FRESHWATER

WATER LINES, HEATER/CROSSCAR



943727-04 WATER LINES-HEATER/CROSS CAR

WATER LINES CONSIST OF:

601698-15	1/2 CRIMP RING #14785
602258-10	ELBOW-BRASS .5 BARB
602258-11	TEE-BRASS .5 BARB
602258-07	VALVE-BRASS .5 B X .5 STRAIGHT
602258-04	ELBOW-BRASS .5 BARB X .5 MPT
602258-02	ADAPT.-BRASS .5 BARB X .5 MPT
601698-21	TUBING E-PEX 1/2' RED
601698-01	E-PEX 1/2" TUBING

2011 AVENUE MOTORHOME

PLUMBING, DRAIN

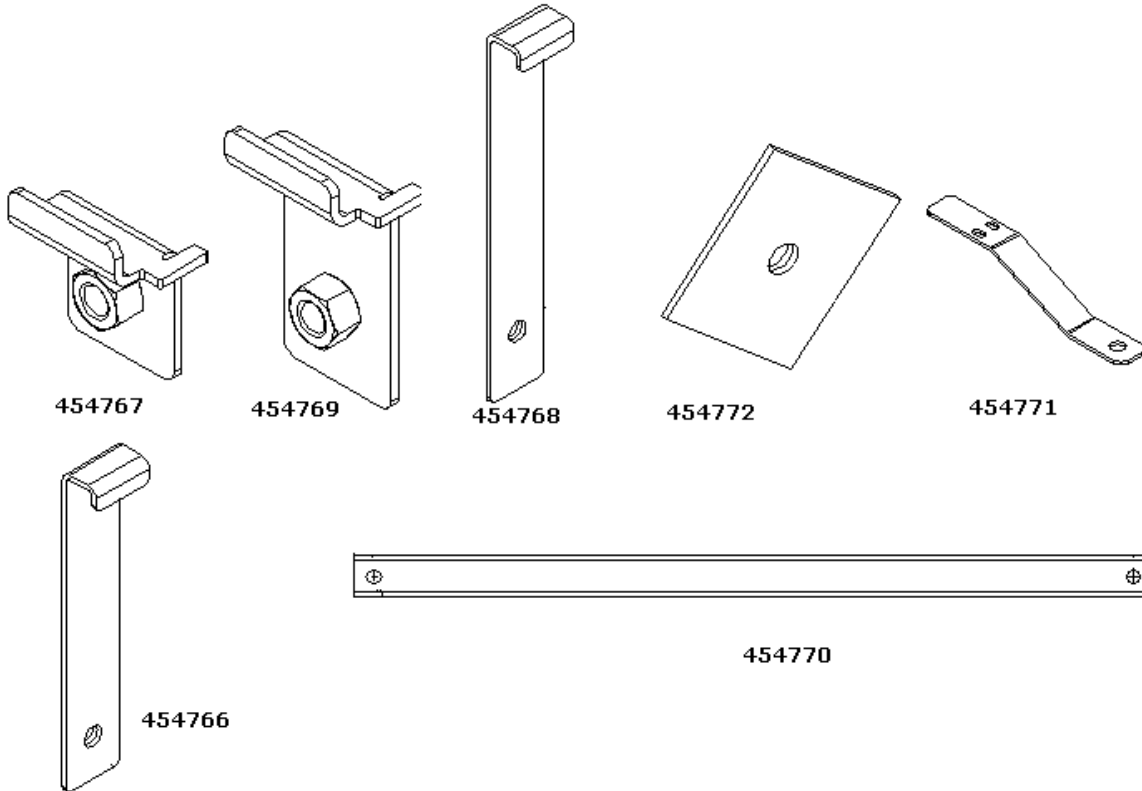
Tanks/Valves/Heating Pad

602253	Black holding tank
602254	Grey holding tank
511812	PAD-HEATING HOLDING TANK #TH-718
602280	Dump Valve 3"S x 1.5"H x 3" Bay
600155	CLEANOUT PLUG, 1 1/2"
454764	BRACKET, GRAY TANK HANGER
454767	BRACKET, GRAY TANK CLAMP TOP FWD
454769	BRACKET, GRAY TANK CLAMP TOP AFT
454768	BRACKET, GRAY TANK CLAMP BTM AFT
454772	BRACKET, GRAY TANK PLATE 2.5X2.5
454771	BRACKET, GRAY TANK CM BRACE
454766	BRACKET, GRAY TANK CLAMP BTM FWD
454770	BRACKET, GRAY TANK BTM SUPPORT
454845	BRACKET, REAR BLK TANK SUPPORT
454844	BRACKET, FWD BLK TANK SUPPORT
454846	BRACKET, BOTTOM BLK TANK SUPPORT
454778	PLATE-BLK TANK WASHER
454779	PLATE-BLK TANK WASHER

2011 AVENUE MOTORHOME

PLUMBING, DRAIN

GREY TANK BRACKETS

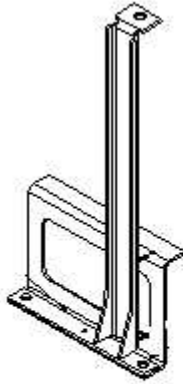


- 454767 BRACKET, GREY TANK CLAMP TOP FWD
- 454769 BRACKET, GREY TANK CLAMP TOP AFT
- 454768 BRACKET, GREY TANK CLAMP BTM AFT
- 454772 BRACKET, GREY TANK PLATE 2.5X2.5
- 454771 BRACKET, GREY TANK CM BRACE
- 454766 BRACKET, GREY TANK CLAMP BTM FWD
- 454770 BRACKET, GREY TANK BTM SUPPORT
- 454764 BRACKET, GRAY TANK HANGER (Not Shown)

2011 AVENUE MOTORHOME

PLUMBING, DRAIN

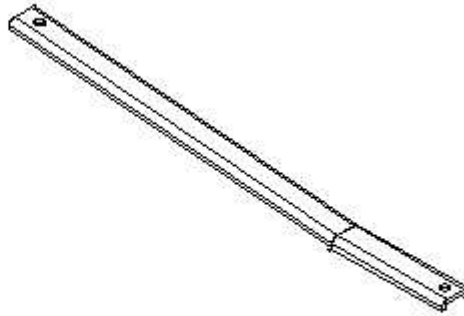
BLACK TANK BRACKETS



454845



454844



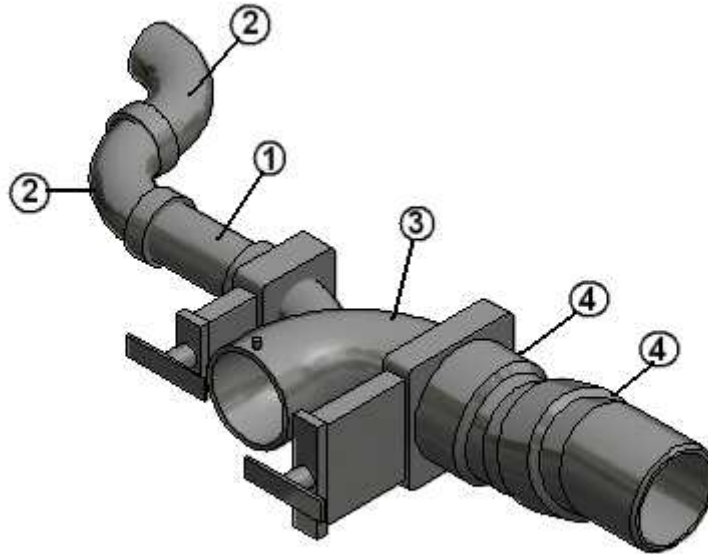
454846

- 454845 BRACKET, REAR BLK TANK SUPPORT
- 454844 BRACKET, FWD BLK TANK SUPPORT
- 454846 BRACKET, BOTTOM BLK TANK SUPPORT

2011 AVENUE MOTORHOME

PLUMBING, DRAIN

Drain Valve System/Macerator Pump



- | | |
|--------------|--------------------------------|
| 1. 601160-02 | PIPE, ABS DVW, 1-1/2" |
| 2. 600431 | ELBOW, 90, 1-1/2 IN |
| 3. 602280 | VALVE-DUMP 3"S X 1.5"H X 3"BAY |
| 4. 601403 | ELBOW-ST 22.5D 3" ABS |
| 602264 | PUMP KIT-MACERATOR |

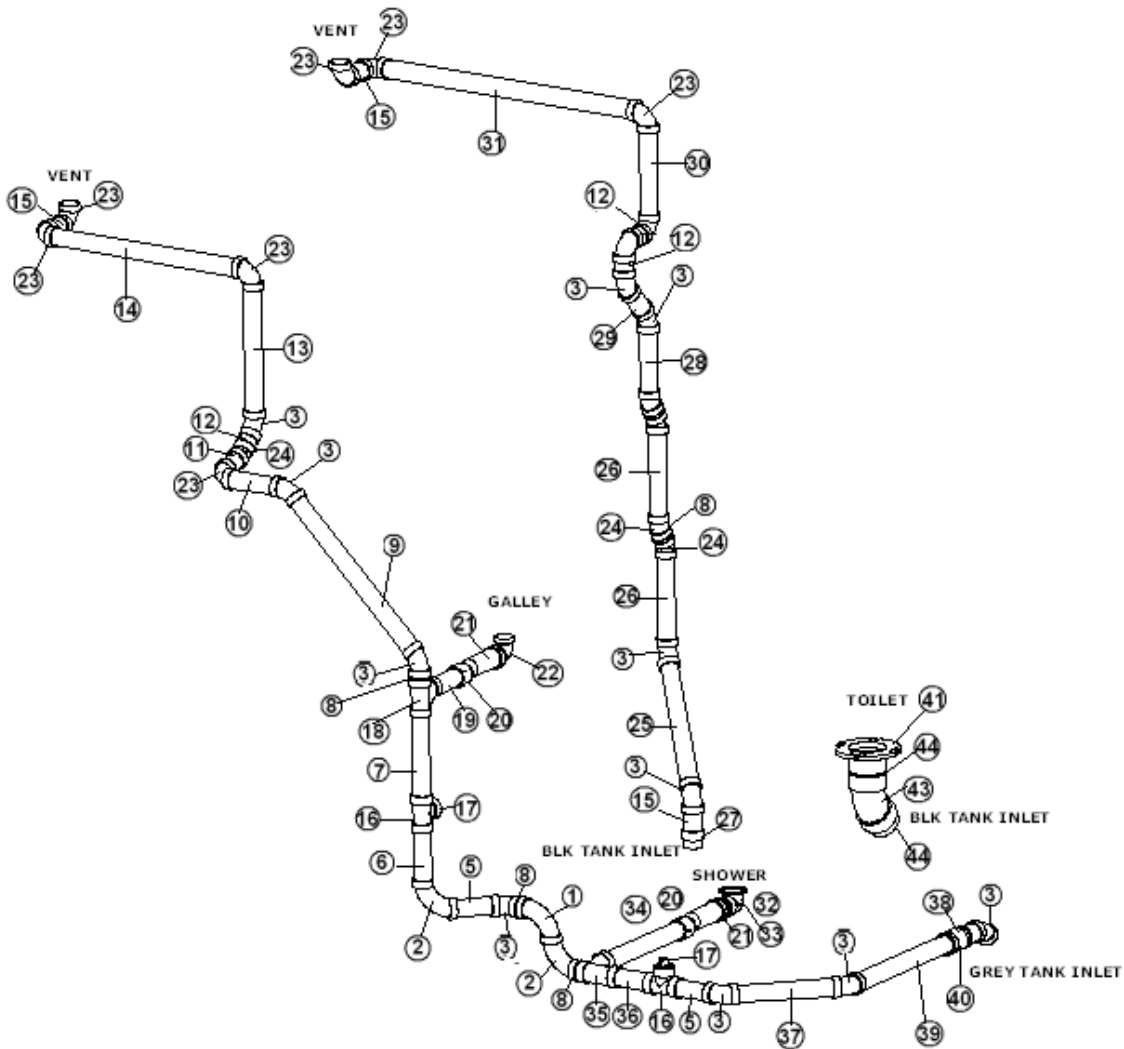
Tank Flush

- | | |
|-----------|---|
| 601698-01 | E-PEX 1/2" TUBING |
| 602256-10 | ELBOW, POLY .5 BARB |
| 602256-03 | ADAPATOR, POLY, .5 BARB X .5 FPT SWIVEL |
| 602256-05 | ELBOW, POLY .5 BARB X .5 FPT SWIVEL |
| 601441 | SYSTEM, TANK FLUSH |
| 602272 | HOOK UP-NO FLUSH #19981 |
| 601698-15 | 1/2" CRIMP RING |

2011 AVENUE MOTORHOME

PLUMBING, DRAIN

Drain System, Above Floor



Parts Listed On Next Page

2011 AVENUE MOTORHOME

PLUMBING, DRAIN

Drain System, Above Floor

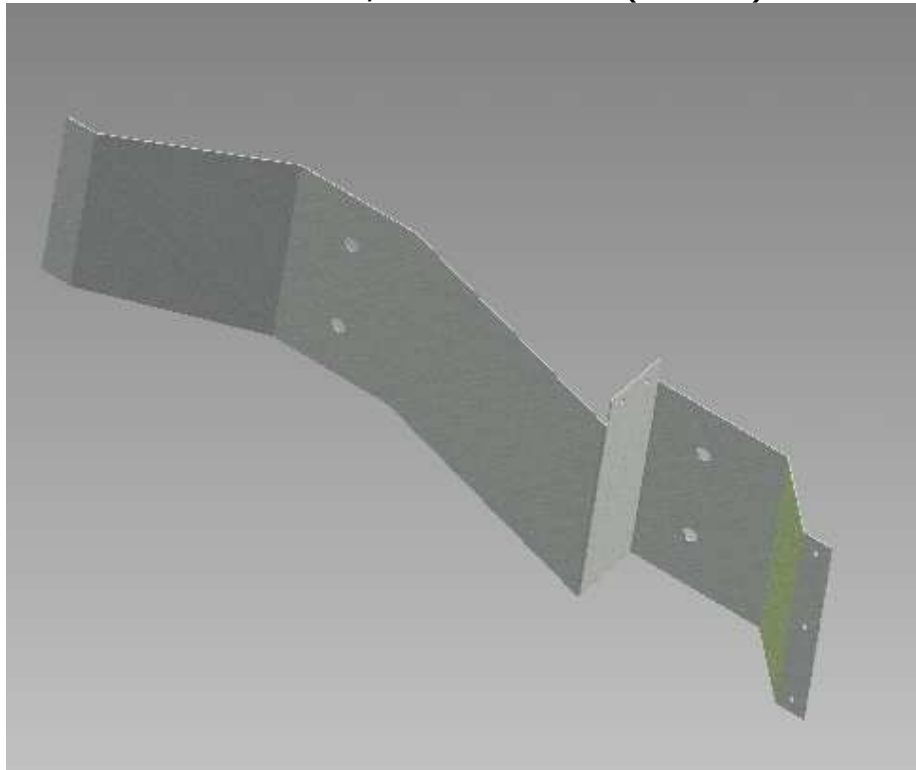
1. 600431 ELBOW, 90, 1-1/2 IN
2. 600035 ELL ABS LONG SWEEP 1-1/2
3. 600030 ELL ABS 45 DEGREES LG TURN
5. 600156 TEE SANITARY
- 6 THRU 15 - 601160-02 PIPE, ABS DVW 1 1/2"
16. 600318 TEE, SANITARY 1.5 X 1.5 X 1.5
17. 600155 CLEANOUT PLUG 1 1/2"
18. 600156 TEE, SANITARY 1 1/2"
19. 601160-02 PIPE ABS DVW 1 1/2" 5.50"
20. 602212 ADAPTER, 1 1/2" FPT X 1 1/2" SLIP PVC
21. 690603-01 WASTE VALVE HEPVO
22. 690603-02 ADAPTER ANGLE HEPVO
23. 600035 ELBOW, 90 DEG. ABS LONG SWEEP
24. 600030 ELBOW, 45 DEG ABS
- 25 & 26 601160-02 PIPE, ABS DVW 1 1/2"
27. 602213 ADAPTER, 1 1/2" SPIGOT X 1 1/2" MPT
- 28 THRU 31 601160-02 PIPE, ABS DVW 1 1/2"
32. 602213 ADAPTER, 1 1/2" SPIGOT X 1 1/2" MPT
33. 602265 TUB SHOE ELBOW 1 1/2" ABS
34. 601160-02 PIPE, ABS DVW 1 1/2"
35. 600182 WYE 1.5 X 1.5 X 1.5 ABS
36. 601160-02 PIPE, ABS DVW 1 1/2"
37. 601160-02 PIPE, ABS DVW 1 1/2"
38. 602201 COUPLING FLEXIBLE 1.5"
39. 601160-02 PIPE, ABS DVW 1 1/2"
40. 601160-02 PIPE, ABS DVW 1 1/2"
41. 602293 CLOSET FLANGE ABS 3 X 4
43. 602281 FITTING, 3.00" ABS 45D ELBOW
44. 601267-02 NIPPLE THREADED ONE END 6.00"

2011 AVENUE MOTORHOME

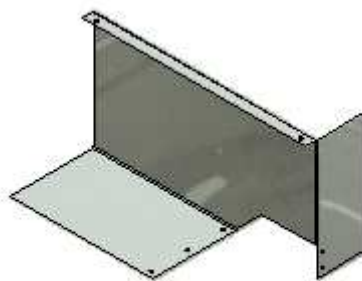
PLUMBING

HEAT SHIELDS

454835 HEAT SHIELD, GREY TANK (Below)



454836 HEAT SHIELD, DRAINAGE (Below)

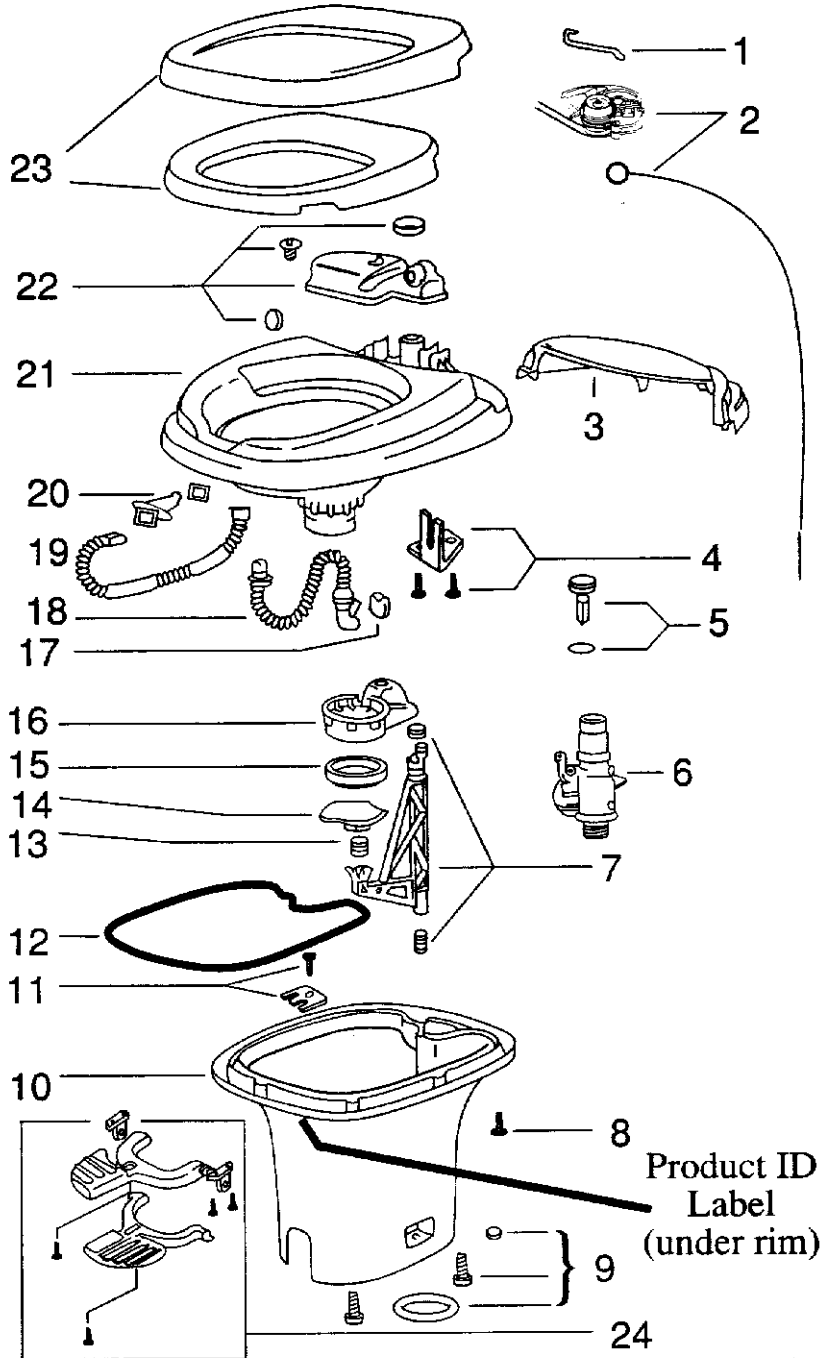


454834 SLEEVE, REFLECTOR, 22"

2011 AVENUE MOTORHOME

PLUMBING, DRAIN

Toilet w/o Water Saver



P/N Next Page

2011 AVENUE MOTORHOME

PLUMBING, DRAIN

Toilet w/o Water Saver

690495	Toilet complete, Aqua Magic IV
1. 690387-513	Water valve link
2. 690387-571	Wire replacement package
3. 690387-562	Mechanism cover, white
4. 690387-634	Bracket assembly
5. 690387-631	Float assembly
6. 690387-168	Water valve replacement package
7. 690387-632	Actuator assembly
8. 690387-659	Screw base to bowl
9. 690387-524	Closet bolt package
10. 690387-356	Base, white, low
10. 690387-062	Base, white, high
11. 690387-636	Retainer assembly
12. 690387-387	Sealant, base to bowl
13. 690387-519	Blade spring
14. 690387-262	Blade
15. 690387-481	Blade seal
16. 690387-520	Blade track
17. 690387-512	Flapper
18. 690387-511	Overflow tube
19. 690387-509	Flush tube
20. 690387-637	Nozzle assembly
21. 690387-726	Bowl
22. 690387-630	Reservoir tank assembly
23. 690387-162	Seat and cover assembly
24. 690387-821	Pedal package

2011 AVENUE MOTORHOME

SEALER/GASKETS/UNDERCOATING

SEALER

360001	Sealant, #884058
360268-01	SEAL LIQUA ELASTOMIC ROOF WHITE
360180	ADHESIVE SEAL, SIKAFLEX 221
365190	SEAL RUBBER ADHESIVE, ¾" X 3
365356-01	SEALANT-WHITE SIKA#505UV SILAN
365356-02	SEALANT-GRAY SIKA#505UV SILANE
365330-01	SEAL-RTV SILICONE WHITE #4552
360001	SEALANT BUTYL, #884058
360209-01	SEALANT SEAM
360286	SEALANT GREY SU6000-40-386/1
360052	SEALANT BLACK VULKEM
365356-02	SEALANT-GRAY SIKA#505UV SILANE
360327	Undercoating, 17 Oz. Aerosol can

GASKETS

365314	SEAL, CLOSED CELL FOAM.75"X.75", battery box
--------	--

2011 AVENUE MOTORHOME

UPHOLSTERY/SOFA/SEATS

Driver/Passenger Seat/Skirt

Cab captain chair come with chassis. Airstream sends the chair out to be recovered to the motorhome color scheme.

703806-400	Skirt, driver's seat pedestal, Onyx
703806-411	Skirt, driver's seat pedestal, Lt. Camel
703807-400	Skirt, passenger's seat pedestal, Onyx
703807-411	Skirt, passenger's seat pedestal, Lt. Camel
703876-400	Recover, Driver & Passenger Seat, Per Set, Onyx
703876-411	Recover, Driver & Passenger Seat, Per Set, Lt. Camel

Chair, Captains, 2nd Row

703877-400L	Chair Roadside w/Seat Belt, Mid, Onyx
703877-411L	Chair Roadside w/Seat Belt, Mid, Lt. Camel
703878-400L	Chair Curbside w/Seat Belt, Mid, Onyx
703878-411L	Chair Curbside w/Seat Belt, Mid, Lt. Camel

Trunk Liner

703899	Kit, Trunk Liner 3 Piece, Black
--------	---------------------------------

2011 AVENUE MOTORHOME

UPHOLSTERY/SOFA/SEATS

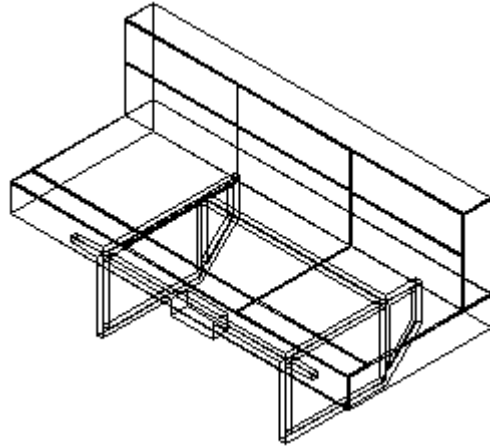
Pillows, Lounge

703865-03	Pillow Kit, Onyx/Lt. Camel
703865-01	Pillow, Onyx/Lt. Camel, 16" x 16"
703865-02	Pillow, Onyx/Lt. Camel,,16" x 10"
703817-01	Pillow, Sand Pearl, 16" x 16"
703817-02	Pillow, Sand Pearl, 16" x 10"

2011 AVENUE MOTORHOME

UPHOLSTERY/FOAM/MATTRESS

Sofa, Power



703879-400L Sofa, power w/headrests, Onyx

703879-411L Sofa, power w/headrests, Lt. Camel

Shower Curtain

998208 Shower curtain 108 X 72

100097 Curtain track

100099 Curtain track

700044 Curtain glide "T"

700045 Curtain glide "G"

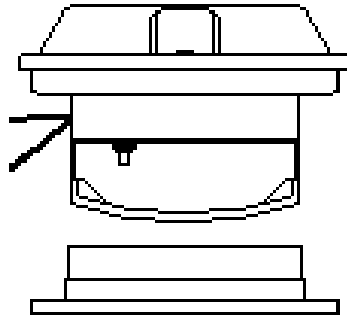
100099 Aluminum Curtain Track, Top

101217 Extrusion, Curtain Track

2011 AVENUE MOTORHOME

VENTS/FANS

Bath Power Vent



690266-04 VENT W/2" WHITE GARNISH

Power Vent, Ceiling

382058 Maxx Vent, exhaust only

