

# *AIRSTREAM*

*AN AMERICAN LEGEND*

## SPORT TRAILER

Parts Book

2013



2013 SPORT  
TABLE OF CONTENTS  
SECTION I  
A through B

APPLIANCES

<a href="#">Air Conditioner</a> .....	I-1
<a href="#">Furnace</a> .....	I-1
<a href="#">Water Heater</a> .....	I-2
<a href="#">Microwave</a> .....	I-3
<a href="#">Range/Cook Top</a> .....	I-3
<a href="#">Refrigerator</a> .....	I-3

BODY

<a href="#">End shell, Aft</a> .....	I-4
<a href="#">End shell, Front</a> .....	I-8
<a href="#">Roof</a> .....	I-12
<a href="#">RS Wall, 16'</a> .....	I-14
<a href="#">CS Wall, 16'</a> .....	I-16
<a href="#">RS Wall, 22'</a> .....	I-18
<a href="#">CS Wall, 22'</a> .....	I-20
<a href="#">Underbelly Wraps</a> .....	I-22
<a href="#">Wrap Protector</a> .....	I-22
<a href="#">Body Interior</a> .....	I-23

2013 SPORT  
TABLE OF CONTENTS  
SECTION II  
C through E

CHASSIS

[Axles, Shocks](#) ..... II-1  
[Tires, Wheels](#)..... II-1  
[Step](#) ..... II-1  
[Hose Carrier](#) ..... II-2  
[Hitch Jacks](#) ..... II-2  
[Stabilizing Jacks](#)..... II-2  
[Hatch, Access](#) ..... II-3

[DECALS/EXTERIOR TRIM](#) ..... II-4

DOORS/WINDOWS/AWNING

[Doors](#) ..... II-5  
[Windows](#) ..... II-12  
[Stone Guard](#) ..... II-14  
[Awning](#) ..... II-15

[DRAPES/BLINDS](#) ..... II-18

ELECTRICAL

[110 volt](#) ..... II-21  
[12 volt](#)..... II-23

[ENTERTAINMENT](#)..... II-27

2013 SPORT  
TABLE OF CONTENTS  
SECTION III  
F through H

FLOOR COVERING

[Mats](#) .....III-1  
[Vinyl Flooring](#).....III-1

FURNITURE

[Interior Doors](#) .....III-2  
[Lounge](#) .....III-3  
[Galley](#).....III-10  
[Lavatory](#) .....III-26  
[Bedroom](#).....III-39

HARDWARE

[Exterior locks/hinges](#) ..... III-49  
[Interior Cabinet Latches/Hinges](#) ..... III-53  
[Bath Accessories](#) ..... III-56  
[Wardrobe/Drapes](#)..... III-56  
[Sewer Hose/Water Fill Key/Silverware Tray](#) ..... III-56  
[Detectors/Fire Extinguisher](#) ..... III-57  
[Clothesline](#) ..... III-57  
[Rivets](#)..... III-58

2013 SPORT  
TABLE OF CONTENTS  
SECTION IV  
L through Z

[LABELS and TAGS](#) ..... IV-1

PLUMBING

[LPG](#) ..... IV-2  
[Exterior Propane Port](#)..... IV-3  
[Fresh Water](#)..... IV-7  
[Faucets/Sinks](#) ..... IV-13  
[Drain Water](#)..... IV-14  
[Toilet](#)..... IV-20

[SEALER](#) ..... IV-24

[GASKETS/PAINT](#)..... IV-25

UPHOLSTERY

[Pillow Kits](#) ..... IV-26  
[Bedsread, Mattress](#) ..... IV-28  
[Dinette/Sofa Seat Covers/Foam](#) ..... IV-29

[VENTS/FANS](#)..... IV-30

[SKY LIGHTS](#)..... IV-30

[PLYWOOD/PANELING](#) ..... IV-31

[EDGEBANDING/LAUAN](#)..... IV-32

[INTERIOR TRIM/WOOD/PLASTIC](#) ..... IV-33

## 2013 SPORT

### APPLIANCES

#### Air Conditioners

690323-46	AIR CONDITIONER, 13,500 MANUAL 22'
690323-03	HEAT STRIP 16', 22'
690380-11	ADAPTER, DUCT USE W/690380-10, 22'
195329-143	AIR CONDITIONER 11,000 BTU, 16'
690323-05	AIR BOX/RETURN GRILL MANUAL, 16'
511252	PLUG PHONE 4 CONDUCTOR, 16'
201809	PAN AIR CONDITIONER
601240-01	Black drain tubing, 1/2" ID
203724	Kit, A/C Drain
203722	Gasket, A/C Drain Kit

#### Furnace

690573-04	FURNACE, 12K BTU #7912-11, 16', 22'
690613-02	DOOR, FURNACE, BROWN, INTERIOR, 16', 22'
690608-01	VENT, FURNACE EXTENSION, 3.63" TO 7.12, 22'
690608-02	VENT, FURNACE EXTENSION, 3.63" TO 7.12, 16'
600247	Hose, 4", flex heat duct
600193	Hose, 2", flex heat duct
600526	Flange, 4"
601244-03	REGISTER-ROTAIRE #3840-96 4", BLACK
511228	Thermostat, furnace, off white
601348	TEE, HEAT DUCT, 4 X 4 X 2
601244-02	REGISTER, ROTAIRE #3840-96, 4", WHITE

## 2013 SPORT

### APPLIANCES

#### Water Heater

690199	Water heater, electronic ignition
690209	Access cover, brushed aluminum
381648	COVER LATCH HOLE, WATER HEATER
601671	ELBOW, STREET, 90DEG 1/2", GALVENIZED
967194	STAND ASSY, WATER HEATER
511731-01	SWITCH, WATER HEATER BLACK, 16'



## 2013 SPORT

### APPLIANCES

#### Microwave, 22' FB

- 690605-03 Microwave, Convection Cuisinart 22'FB
- 690605-02 Trim ring, microwave, stainless steel, 22' FB

#### Microwave, 16'

- 690579 MICROWAVE-GE BLACK SPACEMAKER, 16'
- 454583 BRACKET-MICRO MOUNTING
- 382025 STRAP, NYLON LOOP 3/4"
- 454730 BRACKET-R/L SUPPORT
- 386236 LABEL, MICRO CONNECTION

#### Range/Cook Top

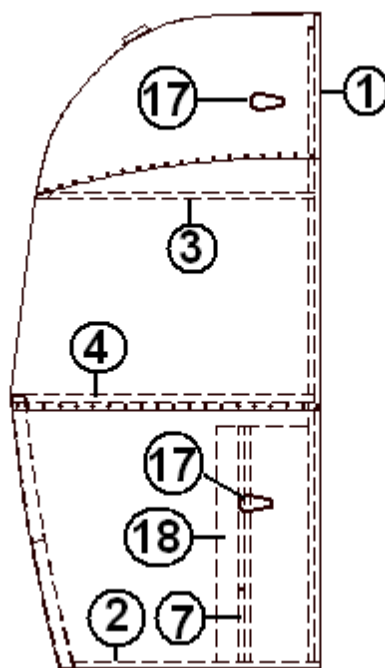
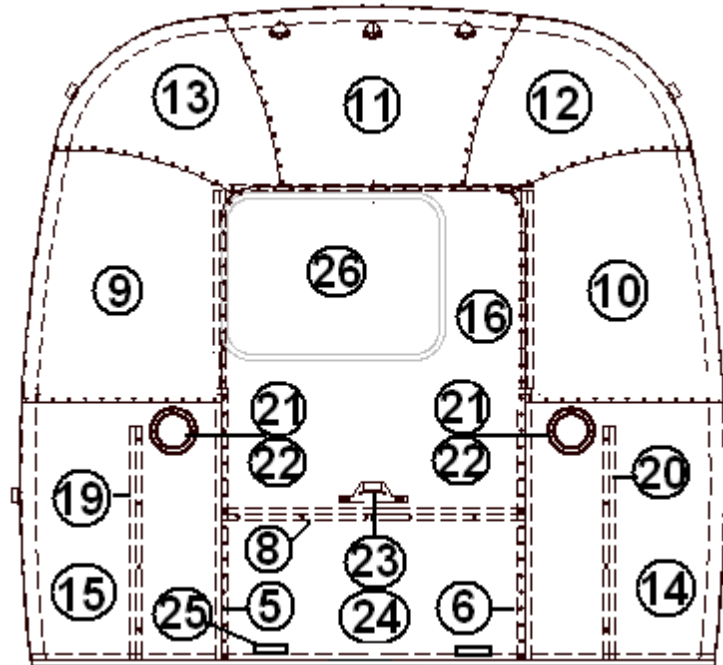
- 690576 COOKTOP-2 BURNER SMEV 8022 ST

#### Refrigerators

- 690604-01 REFRIGERATOR, 4CF, LH DOOR, RM8501LB, BLACK FRONT, 22' FRONT BED
- 965934-08 INSERT, DOOR, REFRIGERATOR, 20" X 29.25", 22' FRONT BED
- 690470-02 REFRIGERATOR, 3CF, RH DOOR RM2351RB, 16'
- 801728-04 INSERT, DOOR, REFRIGERATOR, 19.81 X 26.25H, 16'
  
- 690394 POWER VENTILATOR, REFRIGERATOR
- 511836 SWITCH, REFRIGERATOR/FAN, WHITE
- 114883-01 BAFFLE, REFRIGERATOR CABINET, 25.50", 16' 22' FRONT BED
  
- 365194 TAPE, ALUMINUM FOIL, 2"
- 365013-01 TAPE CHARCOAL LOW DENSITY FOAM
- 203753 TRIM, T W/ADHESIVE BACK
- 381830 WIPER, RUBBER, 1.125" X 2" LONG

# 2013 SPORT EXTERIOR BODY

Aft End, 22'



See next page for P/N.

## 2013 SPORT

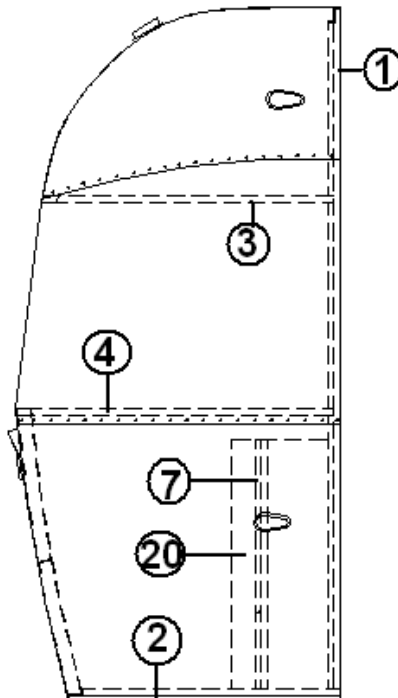
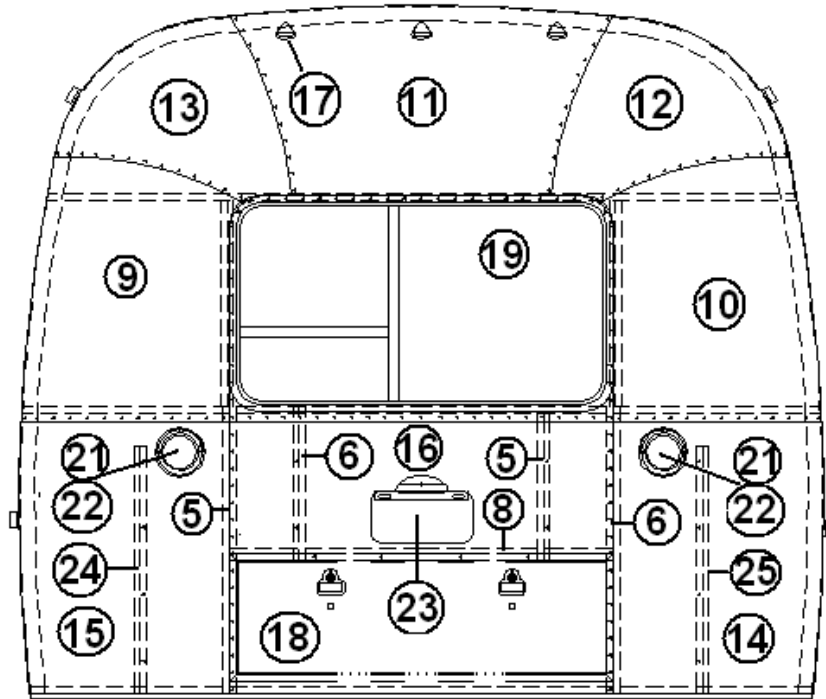
### EXTERIOR BODY

Aft End, 22'

967108	END SHELL, AFT
1. 99900M-015	ZERO BOW
2. 115384	FLOOR BOW
3. 99900M-016	BOW, UPPER WINDOW
4. 99900M-017	BOW, LOWER WINDOW
5. 114505-01	BRACE, FRONT, VERTICAL ,CS
6. 114505-02	BRACE, FRONT, VERTICAL, RS
7. 101315	BRACE, VERTICAL, REAR
8. 104408	EXTRUSION, Z RIB
9. 114888	SEGMENT, CENTER LEFT "BRIGHT"
10. 114889	SEGMENT, CENTER RIGHT "BRIGHT"
11. 99900M-049	SEGMENT, CENTER
12. 114890	SEGMENT, #26 "BRIGHT"
13. 114891	SEGMENT, #27 "BRIGHT"
14. 114894	SEGMENT, #28 "BRIGHT"
15. 114895	SEGMENT, #29 "BRIGHT"
16. 114880-201	ALUMINUM SHEET .040" X 51" X 201"
17. 512227	LIGHT, CLEARANCE, RED, LED
18. 114849-03	ALUMINUM SHEET, .060" X 36"W X 8', GRAY
19. 101315-01	BRACE, VERTICAL, REAR, LH
20. 101315-02	BRACE, VERTICAL, REAR, RH
21. 511860-01	LIGHT, 4"LED, RED
22. 511860-02	BEZEL, 4" ROUND, CHROME W/VISOR
23. 512455	LICENSE PLATE HOLDER W/LED LIGHT BLACK
24. NLA	GASKET, BLACK FOR LICENSE PLATE LIGHT
25. 510446	REFLECTOR, RED STICK-ON
26. 371426-05	WINDOW, Silver Frame, W/8" VENT

# 2013 SPORT EXTERIOR BODY

Aft End, 16'



See next page for P/N.

## 2013 SPORT

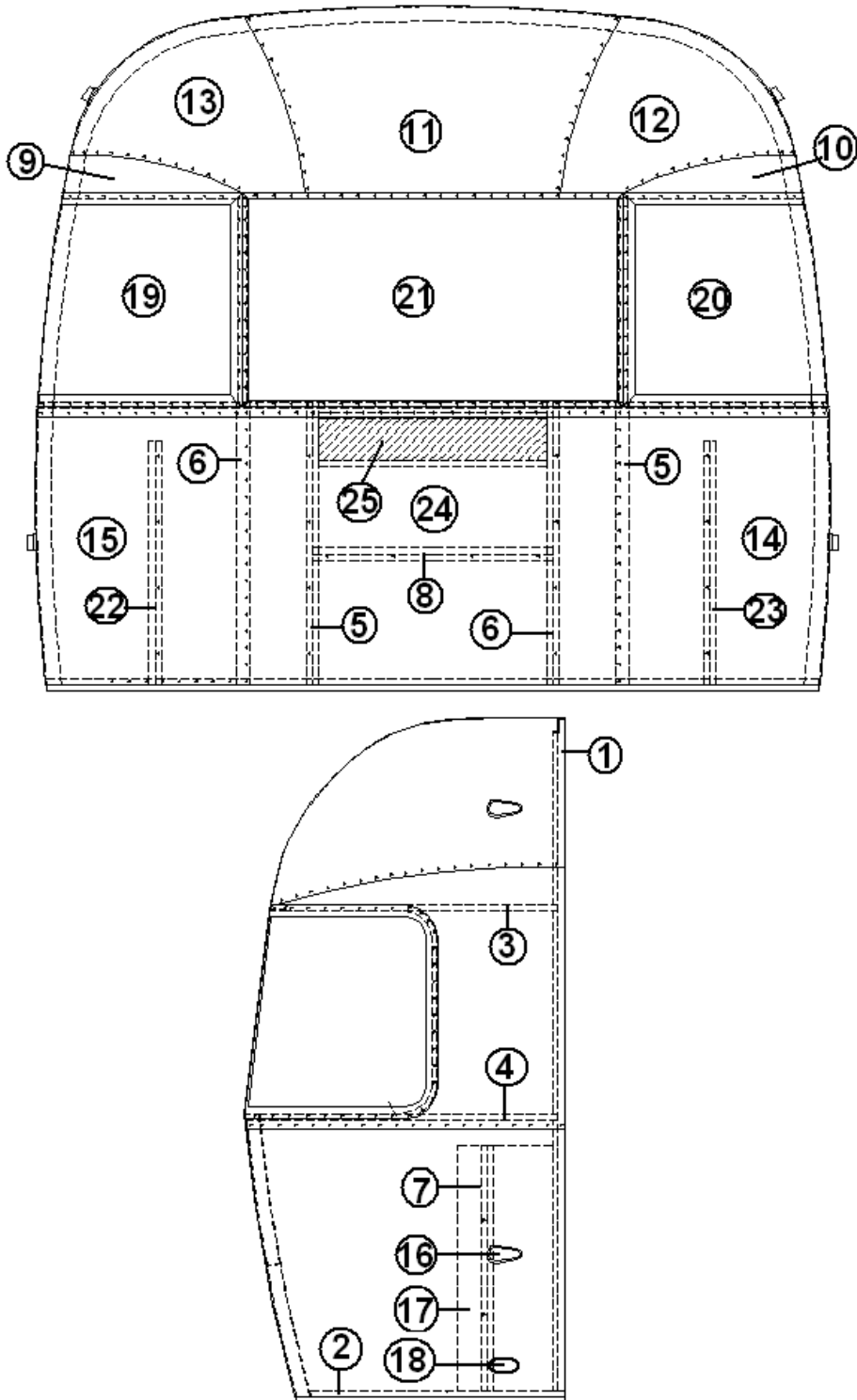
### EXTERIOR BODY

Aft End, 16'

923027	END SHELL, REAR
1. 114994	ZERO BOW, "NB"
2. 104463	BOW, FLOOR, NARROW BODY
3. 115480	BOW, UPPER WINDOW, NB
4. 104343	BOW, LOWER WINDOW, NARROW BODY
5. 114505-01	BRACE, FRONT, VERTICAL, CS
6. 114505-02	BRACE, FRONT, VERTICAL, RS
7. 101315	BRACE, VERTICLE, REAR
8. 104408	EXTRUSION, Z RIB
9. 114888	SEGMENT, CENTER LEFT
10. 114889	SEGMENT, CENTER RIGHT
11. 114892	SEGMENT, #25 NARROW
12. 114890	SEGMENT, #26
13. 114891	SEGMENT, #27
14. 114894	SEGMENT, #28
15. 114895	SEGMENT, #29
16. 114880-307	ALUMINUM SHEET, CUT TO 45.25" X 25"
17. 512227	LIGHT, CLEARANCE, LED, RED
18. 922711	DOOR ASSEMBLY, TRUNK
19. 371426-02	WINDOW, VERTICLE EGRESS, SILVER
20. 114849-03	ALUMINUM SHEET, GRAY, CUT TO 12" X 29"
21. 511860-01	LIGHT, 4"LED RED
22. 511860-02	BEZEL, 4" ROUND, CHROME, W/VISOR
23. 512455	LICENSE PLATE HOLDER W/LED LIGHT BLACK
24. 101315-01	BRACE, VERTICAL REAR
25. 101315-02	SUPPORT, LOWER END SHELL RH

# 2013 SPORT EXTERIOR SHELL

FRONT END, 16'



Part Numbers are on the Next Page

## 2013 SPORT

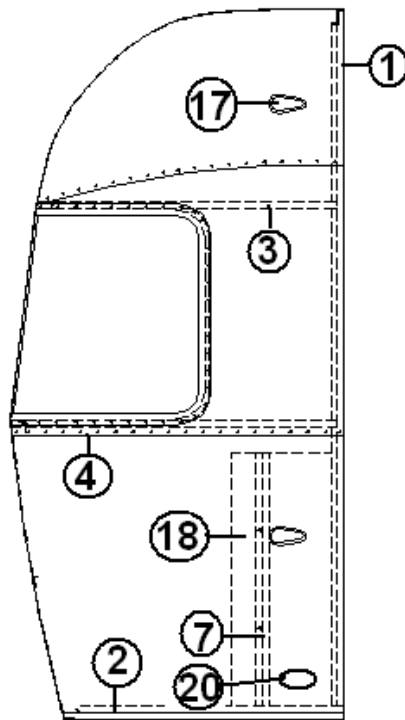
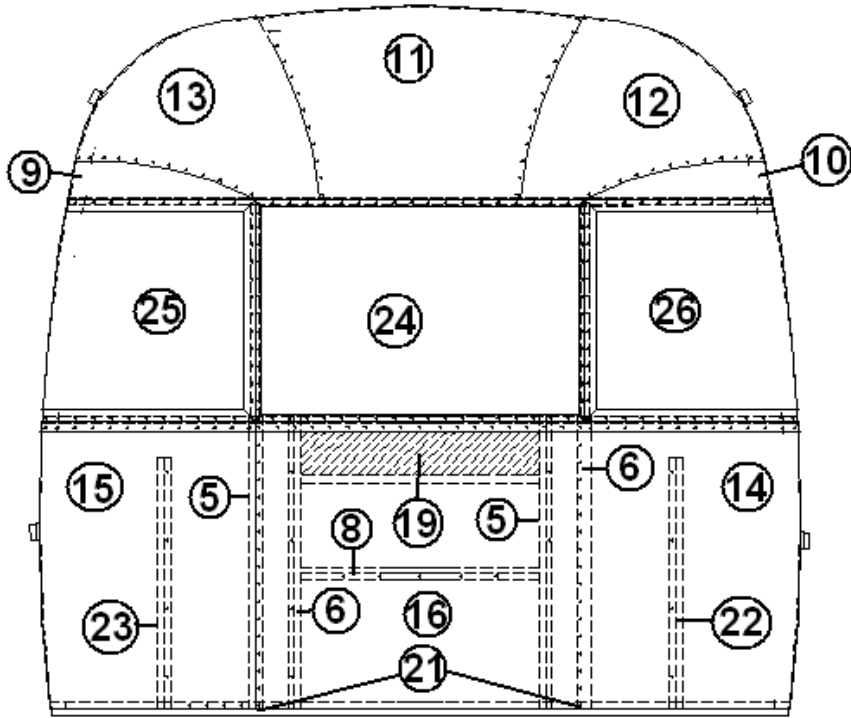
### EXTERIOR SHELL

#### FRONT END, 16'

- |                |  |
|----------------|--|
| 922626-01      | Front End Shell  |
| 1. 114994      | Weldment, end bow, NB  |
| 2. 104463      | Floor bow, captive extrusion   |
| 3. 115480      | Upper, window bow  |
| 4. 104343      | Lower, window bow  |
| 5. 114505-01   | Support, lower end shell, left-hand                                    |
| 6. 114505-02   | Brace, vertical rear   |
| 7. 101315      | Brace, vertical rear   |
| 8. 104408      | Rib bow  |
| 9. 114888      | Segment, center left, bright   |
| 10. 114889     | Segment, center right, bright  |
| 11. 114892     | Segment, #25, NB, bright   |
| 12. 114890     | Segment, #26, bright   |
| 13. 114891     | Segment, #27, bright   |
| 14. 114894     | Segment, #28, bright   |
| 15. 114895     | Segment, #29, bright   |
| 16. 512226     | Light, clearance, amber LED  |
| 17. 114849-03  | Aluminum sheet, 060 x 12.00" x 29.00"                                  |
| 18. 500096     | Reflector, amber   |
| 19. 372089-101 | CS front panoramic window  |
| 20. 372088-101 | RS front panoramic window  |
| 21. 371328     | Front window, complete assembly  |
| 22. 371328-100 | Front window glass w/Hardware only                                     |
| 23. 101315-01  | Brace, vertical, rear, LH  |
| 24. 101315-02  | Brace, vertical, rear, RH  |
| 25. 114880-307 | Aluminum sheet, .040" x 5" x 307", "cut down to size and hole punched" |
| 26. 453629     | Hat section, 27.25" long, Front dinette models only                    |

# 2013 SPORT EXTERIOR BODY

Front End 22'



See next page for P/N.



## 2013 SPORT

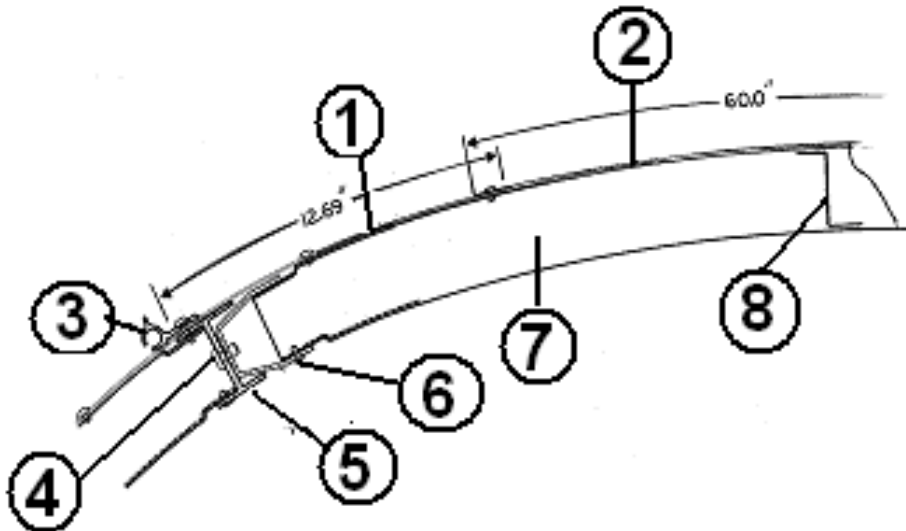
### EXTERIOR BODY

#### Front End, 22'

967333	END SHELL, FRONT
1. 99900M-015	ZERO BOW
2. 115384	FLOOR BOW
3. 99900M-016	BOW, UPPER WINDOW
4. 99900M-017	BOW, LOWER WINDOW
5. 114505-01	BRACE, FRONT, VERTICAL ,CS
6. 114505-02	BRACE, FRONT, VERTICAL, RS
7. 101315	BRACE, VERTICAL, REAR
8. 104408	EXTRUSION, Z RIB
9. 114888	SEGMENT, CENTER LEFT "BRIGHT"
10. 114889	SEGMENT, CENTER RIGHT "BRIGHT"
11. 99900M-049	SEGMENT, CENTER
12. 114890	SEGMENT, #26 "BRIGHT"
13. 114891	SEGMENT, #27 "BRIGHT"
14. 114894	SEGMENT, #28 "BRIGHT"
15. 114895	SEGMENT, #29 "BRIGHT"
16. 114880-307	ALUMINUM SHEET, CUT TO 41" X 37.55"
17. 512226	Light, clearance, amber LED
18. 114849-03	ALUMINUM SHEET, GRAY, CUT TO 12" X 19"
19. 453629	HAT SECTION, DINETTE TABLE SUPPORT
20. 500096	REFLECTOR, AMBER
21. 114813	ANGLE, 1'X 1.5"X 1.25"
22. 101315-01	BRACE, VERTICAL, REAR,, LH
23. 101315-02	BRACE, VERTICAL, REAR, RH
24. 99900P-049	WINDOW, FRONT, W/SQUARE CORNERS
25. 372089-101	CURBSIDE WRAP WINDOW
26. 372088-101	ROADSIDE WRAP WINDOW

## 2013 SPORT EXTERIOR BODY

### Roof



- |               |   |
|---------------|---|
| 1. 114362     | Aluminum sheet, .050 x 7", white        |
| 2. 114489-262 | Aluminum sheet, white, .032 x 60" x 262 |
| 3. 114290-02  | Extrusion, awning/drip rail             |
| 4. 340123-02  | Rivet, Huck, 3/16 x 1/2"                |
| 5. 104707-01  | Extrusion, "I" beam                     |
| 6. 114987-02  | Extrusion, roof corner                  |
| 7. 99900M-001 | Roof bow                                |
| 8. 104408     | Extrusion, Z bar, horizontal            |
| 325000-03     | Rivet, buck, white, 1/8" x 1/4"         |

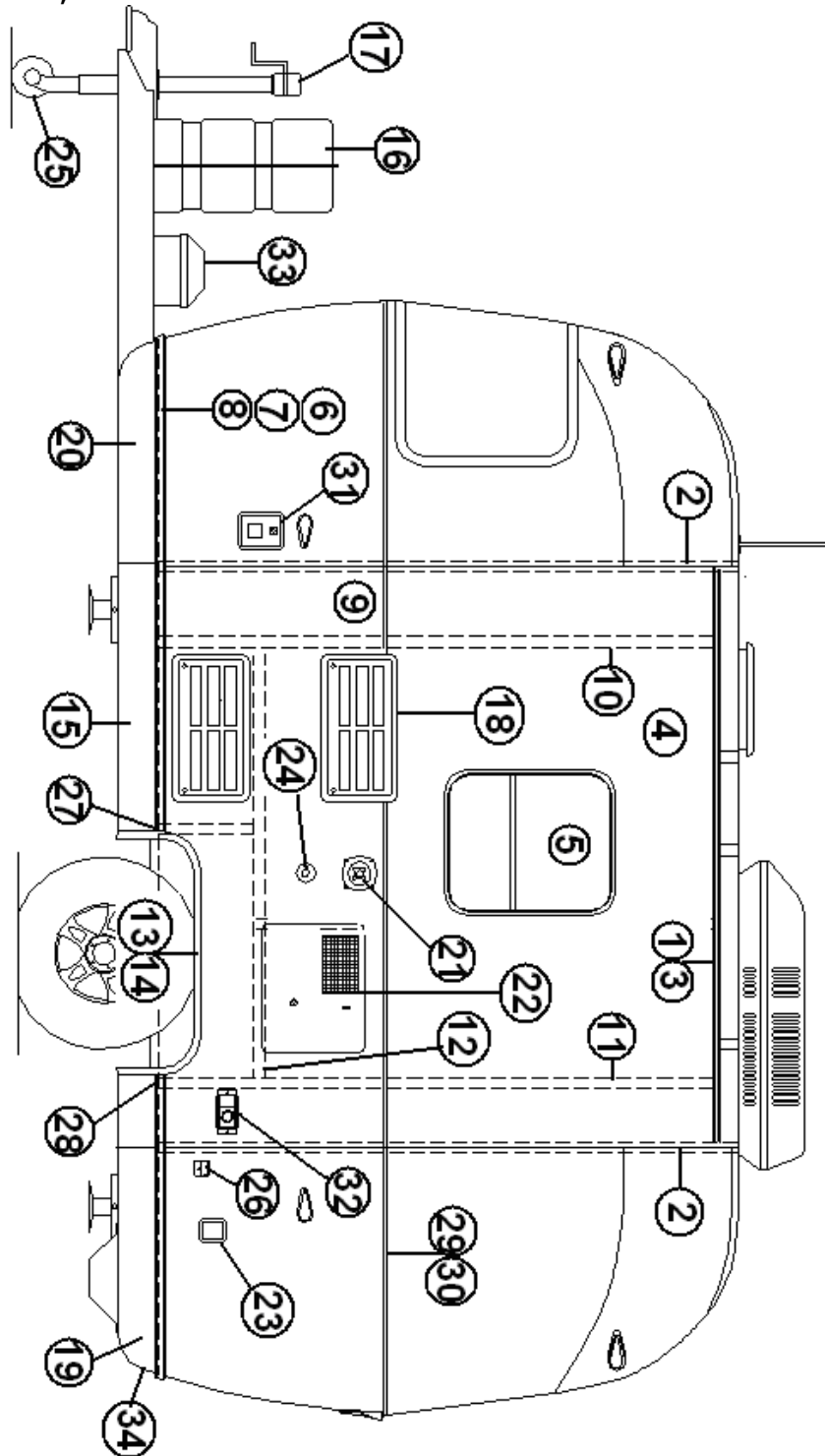
### Shell Attachment

- |           |                               |
|-----------|-------------------------------|
| 300023-02 | WASHER, HOLD DOWN-HOLE OFFSET |
|-----------|-------------------------------|

2013 SPORT  
NOTES

# 2013 SPORT EXTERIOR BODY

Wall, Roadside, 16'



Part numbers on the next page

# 2013 SPORT

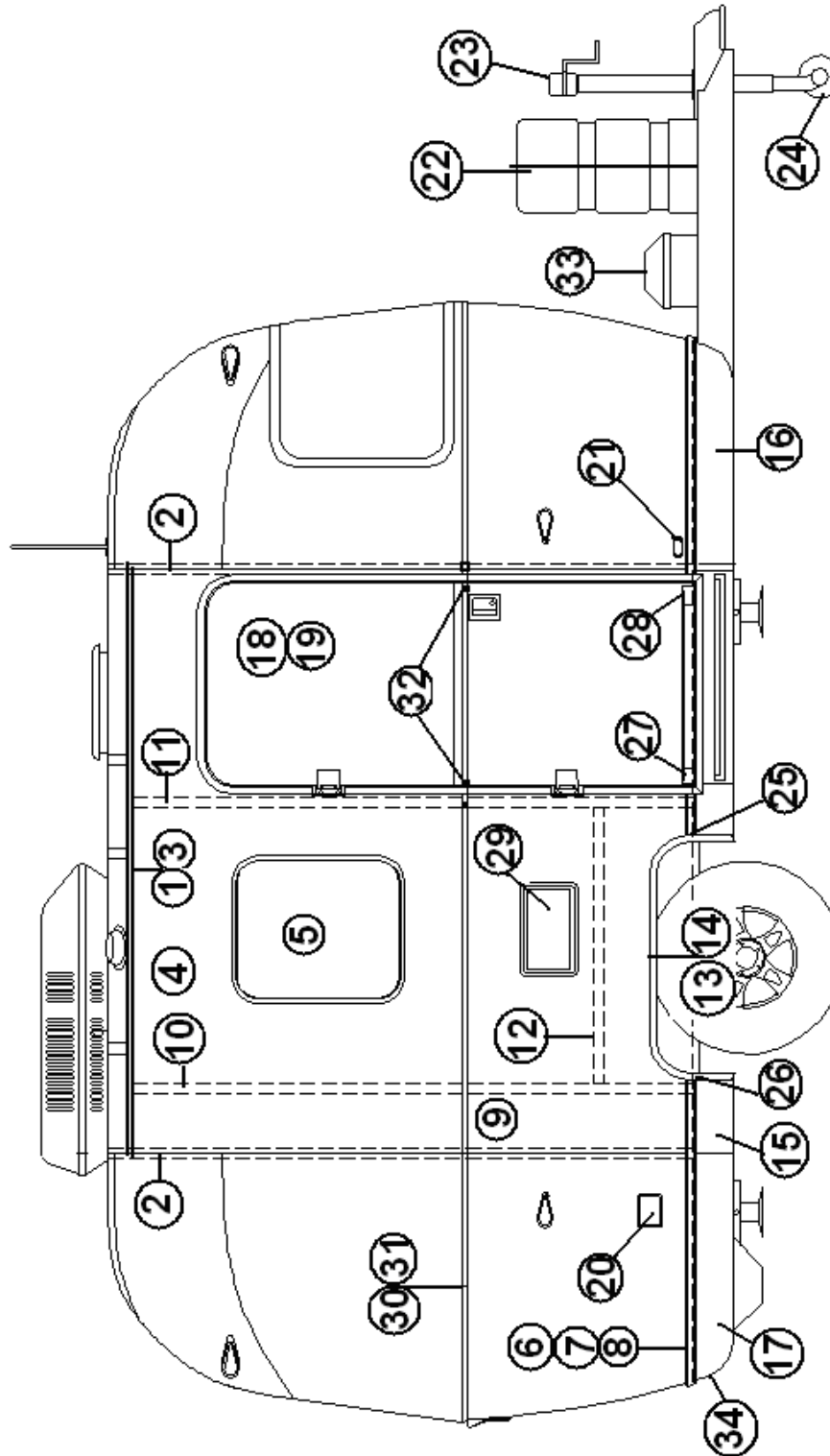
## EXTERIOR BODY

### Wall, Roadside, 16'

1. 114290-01	Extrusion, awning/drip rail
2. 114994	Rib, end bow
3. 104707-01	Extrusion, "I" beam
4. 114880-262	Aluminum sheet, upper, .040 x 51 x 262"
5. 371426-01	WINDOW, 19.38" X 22.88", 8" VENT SILVER
6. 115546	Extrusion, rub rail
7. 201763-01	Insert, rub rail, chrome, 1"
8. 100986	Floor channel
9. 114879-262	Aluminum sheet, lower, .040 x 33 x 262"
10. 114387-02	Bow, Z rib, L
11. 114387-01	Bow, Z rib, RH
12. 100986	Wheel well stiffener (floor channel)
13. 114003-03	Wheel well trim, inner, single axle
14. 114004-03	Wheel well trim, outer, single axle
15. 203304	Underbelly roll, black plastic
16. 203732	COVER ASSY-LP BOTTLE .
17. 410945	Hitch Jack
18. 690470-01	Door assembly, refrigerator access
19. 203303-03	Banana wrap, black, RS rear
20. 203303-01	Banana wrap, black, RS front
21. 601392-05	City water fill
22. 690199	Water Heater
23. 512401-02	Power inlet, 30A, 125V, MALE
24. 601441	Black tank flush
25. 410946	Hitch jack wheel
26. 512402	INLET, TV/SATELLITE, TITANIUM
27. 114466-02	Casting, rub rail end, wheel well, LH
28. 114466-01	Casting, rub rail end, wheel well, RH
29. 114328	EXTRUSION, BELT MOLDING
30. 201912	MOLDING, CHROME, BELT LINE
31. 601194	Water fill, fresh
32. 690573-04	Furnace, 12,000 BTU
33. 511595	BATTERY BOX
34. 203671	WRAP, UNDERBELLY CENTER REAR

# 2013 SPORT EXTERIOR BODY

Wall, Curbside, 16'



Part numbers on the next page

# 2013 SPORT

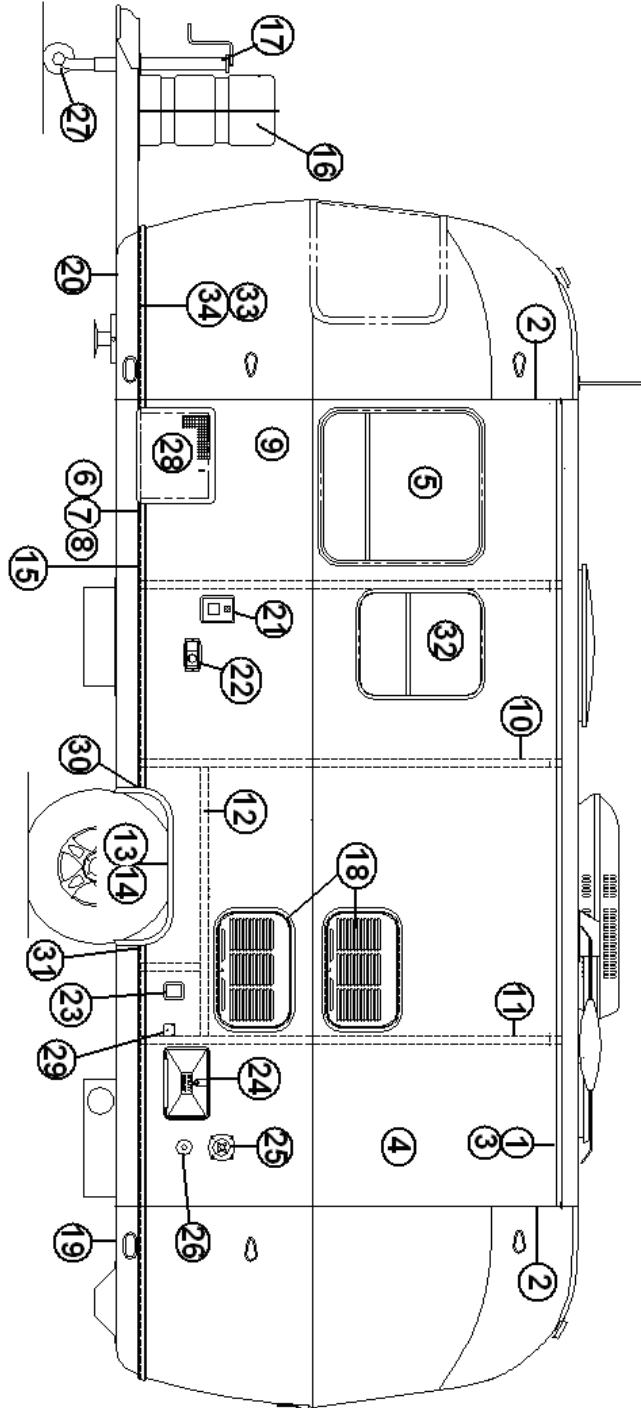
## EXTERIOR BODY

Wall, Curbside, 16'

1. 114290-01	Extrusion, awning/drip rail
2. 114994	Rib, end bow
3. 104707-01	Extrusion, "I" beam
4. 114880-262	Aluminum sheet, upper, .040 x 51 x 262"
5. 371426-03	WINDOW, 19.38" X 22.88", FIXED SILVER
6. 115546	Extrusion, rub rail
7. 201763-01	Insert, rub rail, chrome, 1"
8. 100986	Floor channel
9. 114879-262	Aluminum sheet, lower, .040 x 33 x 262"
10. 114387-02	Bow, Z rib, L
11. 114387-01	Bow, Z rib, RH
12. 100986	Wheel well stiffener (floor channel)
13. 114003-03	Wheel well trim, inner, single axle
14. 114004-03	Wheel well trim, outer, single axle
15. 203304	Underbelly roll, black plastic
16. 203303-02	Banana wrap, black, CS front
17. 203303-04	Banana wrap, black, CS rear
18. 115207-09	Door, main, LH hinge, Sport
19. 114654	Screen door, main, LH hinge
20. 512399	COVER, EXTERIOR OUTLET, GREY
21. 512252	Step light, LED, S.S.
22. 203732	COVER ASSY-LP BOTTLE
23. 410945	Hitch Jack
24. 410946	Hitch jack wheel
25. 114466-01	Casting, rub rail end, wheel well, RH
26. 114466-02	Casting, rub rail end, wheel well, LH
27. 114465-01	Casting, rub rail end, RH
28. 114465-02	Casting, rub rail end, LH
29. 602326	Shower, exterior PW, Key
30. 114328	EXTRUSION, BELT MOLDING
31. 201912	MOLDING, CHROME, BELT LINE
32. 114417	CASTING, CLOSE OUT, BELT LINE
33. 511595	BATTERY BOX
34. 203671	WRAP, UNDERBELLY CENTER REAR

# 2013 SPORT EXTERIOR BODY

Wall, Roadside, 22'



Part numbers on the next page



## 2013 SPORT

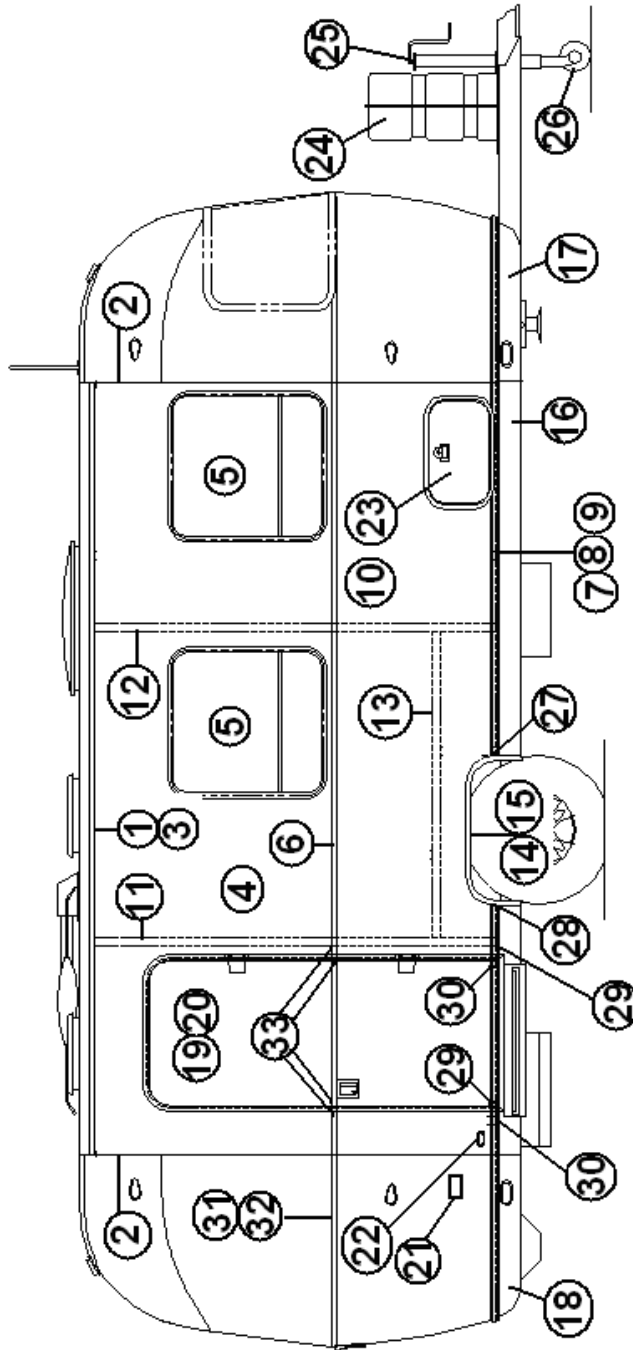
### EXTERIOR BODY

Wall, Roadside, 22'

1. 114290-02	Extrusion, awning/drip rail
2. 99900M-015	Rib, end bow
3. 104707-01	Extrusion, "I" beam
4. 114880-201	Aluminum sheet, upper, .040 x 51 x 201"
5. 371426-04	Window, 28.25 x 29.75, egress, Silver
6. 115546	Extrusion, rub rail
7. 201763-100	Insert, rub rail, chrome, 1"
8. 100986	Floor channel
9. 114879-201	Aluminum sheet, lower, .040 x 33 x 201"
10. 114387-02	Bow, Z rib, L
11. 114387-01	Bow, Z rib, RH
12. 100986	Wheel well stiffener (floor channel)
13. 114003-04	Wheel well trim, inner, single axle
14. 114004-04	Wheel well trim, outer, single axle
15. 203621	Underbelly roll, black plastic
16. 203732	COVER ASSY-LP BOTTLE Cover, 20# LPG bottles,
17. 410945	Hitch Jack
18. 922243	Door assembly, refrigerator assess
19. 203303-03	Banana wrap, black, RS rear
20. 203303-01	Banana wrap, black, RS front
21. 601194	Water fill, fresh
22. 690573-04	Furnace, 12,000 BTU
23. 512401-02	Power inlet, 30A, 125V, MALE
24. 602326	Shower, exterior, PW, Key
25. 601392-05	City water fill
26. 601441	Black tank flush
27. 410946	Hitch jack wheel
28. 690199	Water heater
29. 512402	INLET, TV/SATELLITE, TITANIUM
30. 114466-02	Casting, rub rail end, wheel well, LH
31. 114466-01	Casting, rub rail end, wheel well, RH
32. 371426-01	Window, 19.25 X 22.75, 8" Vent, Silver
33.114328	EXTRUSION, BELT MOLDING
34. 201912-100	MOLDING, CHROME, BELT LINE

# 2013 SPORT EXTERIOR BODY

Wall, Curbside, 22'



Part numbers on the next page

## 2013 SPORT

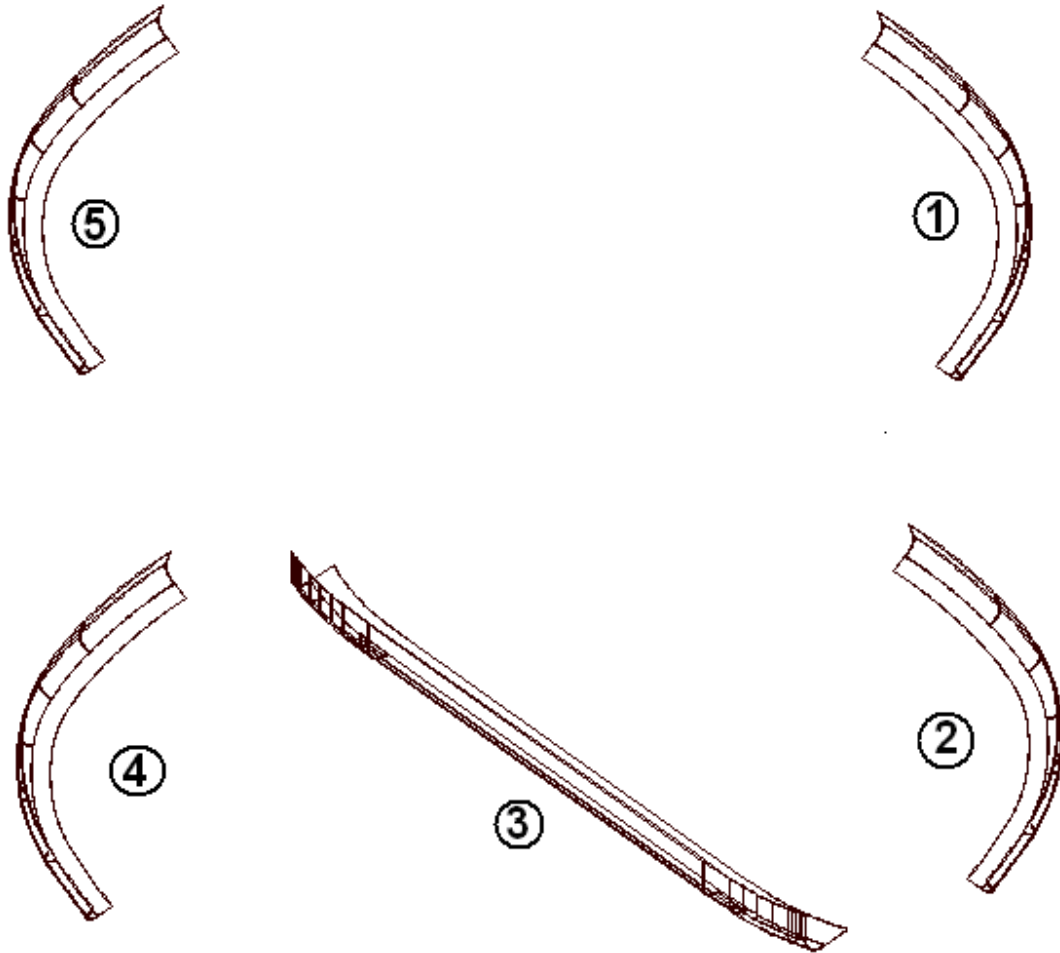
### EXTERIOR BODY

Wall, Curbside, 22'

1. 114290-02	Extrusion, awning/drip rail
2. 99900M-015	Rib, end bow
3. 104707-01	Extrusion, "I" beam
4. 114880-201	Aluminum sheet, upper, .040 x 51 x 201"
5. 371426-06	Window, 28.25" x 29.75" w/8" vent, Silver
6. 100034	"Z" bar, 48"
7. 115546	Extrusion, rub rail
8. 201763-01	Insert, rub rail, chrome, 1"
9. 100986	Floor channel
10. 114879-201	Aluminum sheet, lower, .040 x 33 x 201"
11. 114387-02	Bow, Z rib, L
12. 114387-01	Bow, Z rib, RH
13. 100986	Wheel well stiffener (floor channel)
14. 114003-04	Wheel well trim, inner, single axle
15. 114004-04	Wheel well trim, outer, single axle
16. 203621	Underbelly roll, black plastic
17. 203303-02	Banana wrap, black, CS front
18. 203303-04	Banana wrap, black, CS rear
19. 115207-08	Door, main, RH hinge, Sport
20. 114654-01	Screen door, main, RH hinge
21. 512399	COVER-EXT.OUTLET, GREY
21 500563-03	RECEPTACLE, WHITE 15 AMP
22. 512252	Step light, LED, S.S.
23. 100679-01	Side access door assembly, 20" x 11"
24. 203732	COVER ASSY-LP BOTTLE
25. 410945	Hitch Jack
26. 410946	Hitch jack wheel
27. 114466-01	Casting, rub rail end, wheel well, RH
28. 114466-02	Casting, rub rail end, wheel well, LH
29. 114465-01	Casting, rub rail end, RH
30. 114465-02	Casting, rub rail end, LH
31. 114328	Extrusion, belt molding
32. 201912	Molding, Chrome Beltline
33. 114417	Casting, Close out, Beltline

2013 SPORT  
EXTERIOR BODY

Underbelly Skin/Wraps



- 1. 203303-01 Banana wrap, black, RS Front
- 2. 203303-02 Banana wrap, black, RS Rear
- 3. 203671 Underbelly wrap, center rear
- 4. 203303-03 Banana wrap, black, CS Rear
- 5. 203303-04 Banana wrap, black, CS Front
- 114679 Aluminum underbelly, .019" x 65.75 x coil

Wrap Protector

- 203618-01 FILM, 3D BODY, RS, 34.11 X 38.5
- 203618-02 FILM, 3D BODY, CS, 34.11 X 38.5

## 2013 SPORT INTERIOR BODY

### Interior Skin

114445	Aluminum sheet, .032" x 34" x coil
114853-01	Aluminum sheet, .032" x 57" x coil
114879-262	Aluminum sheet, .040" x 33" x coil
114880-262	Aluminum sheet, .040" x 51" x coil

### Wheel Well Insulator

203289	LINER, WHEEL WELL ABS
201568	FOAM, 3 TUFCOTE ACOUSTICAL

### Main Door Threshold

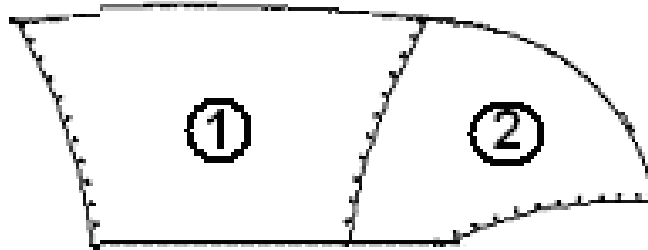
702963	VINYL EMBOSSED 1.75W THRESHOLD
115565	EXTRUSION, THRESHOLD MAIN DOOR
100097	EXTRUSION, CURTAIN TRACK, FOR THRESHOLD

### Wall/Skin Trim

203225	Trim, flexible, "U", white
203225-01	Trim, flexible, "U", Gray

2013 SPORT  
INTERIOR BODY

Interior Aft End Segments



1. 114892-01 Interior Center Segment
2. 114890-01 Interior Segment

Galley Wall Board/Back splash

- |        |   |
|--------|---|
| 111786 | Galley backsplash, 22' FB w/Galley Window |
| 114070 | J-trim, Aluminum                          |

## 2013 SPORT

### CHASSIS

#### Axles

410980-04 Axle, 4500#, 22'

410980-10 Axle, 3500#, 16'

#### Tire/Wheel, 16'

410944 TIRE/WHEEL ASSY 14" ALUMINUM

400985 CENTER CAP, STAINLESS STEEL

400923 LUG NUT, 1/2" ACORN TYPE

410848-01 TIRE/WHEEL ASSY 14"STEEL, SPARE

#### Tire/Wheel, 22'

410949 TIRE/WHEEL, 15" ALUMINUM

400844-01 COVER, HUB DUST, 4" STAINLESS

400923 LUG NUT, 1/2" ACORN TYPE

410843-01 TIRE/WHEEL ASSY 15" "D" SPARE

#### Spare Tire Carrier

450414 "A" frame spare tire carrier

994073 BRACKET FOR SPARE TIRE

#### Step, Single

400962 STEP-MAIN DOOR STEEL 24"

## 2013 SPORT CHASSIS

### Hose Carrier

601544-02 E-Z Hose carrier, 46in., black  
104704-01 SHIM, 3 X 3, 22'  
454422 SPACER, SEWER HOSE CARRIER, 16'

### Hitch Jack

410945 JACK, ECLIPSE, MANUAL  
410946 WHEEL, JACK, JOCKEY

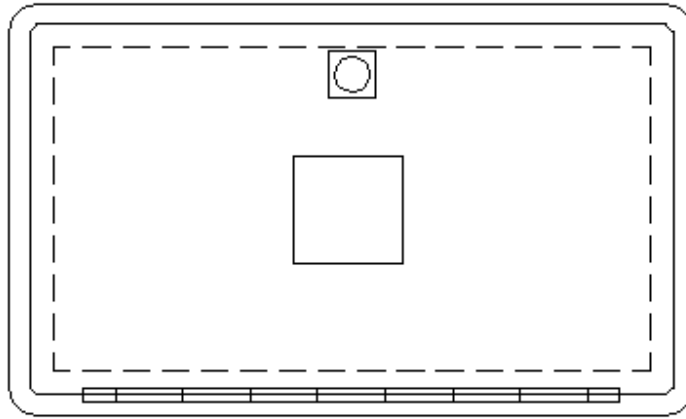
### Jacks, Stabilizing

400914-03 STABILIZER JACK 20", LIGHTWEIGHT  
400914-02 HANDLE, 15" (STABILIZER JACK)  
400914-04 FOOT PADS, STABILIZER JACK (Set of Four)  
454425 SPACER, STABILIZER JACK



# 2013 SPORT CHASSIS

Access Hatch, 16'



381766

Access Hatch, 7.75" x 12.63"

## 2013 SPORT

### DECALS/EXTERIOR TRIM

#### Decals/Logos/Nameplates

386219	NAMEPLATE, SPORT, 3" X 10"
386205	DECAL, "AIRSTREAM", CHROME, 16"
386068	MEDALLION 3" LOGO, AIRSTREAM
386152	DECAL, AIRSTREAM, 2.4"X 28", ALUMINUM
386126	NAMEPLATE-BAMBI BLACK/GRAY

#### Beltline

114328	Extrusion, belt line molding
201912	Molding, belt line insert, chrome
114417	Casting, belt line close out

#### Rub Rail trim

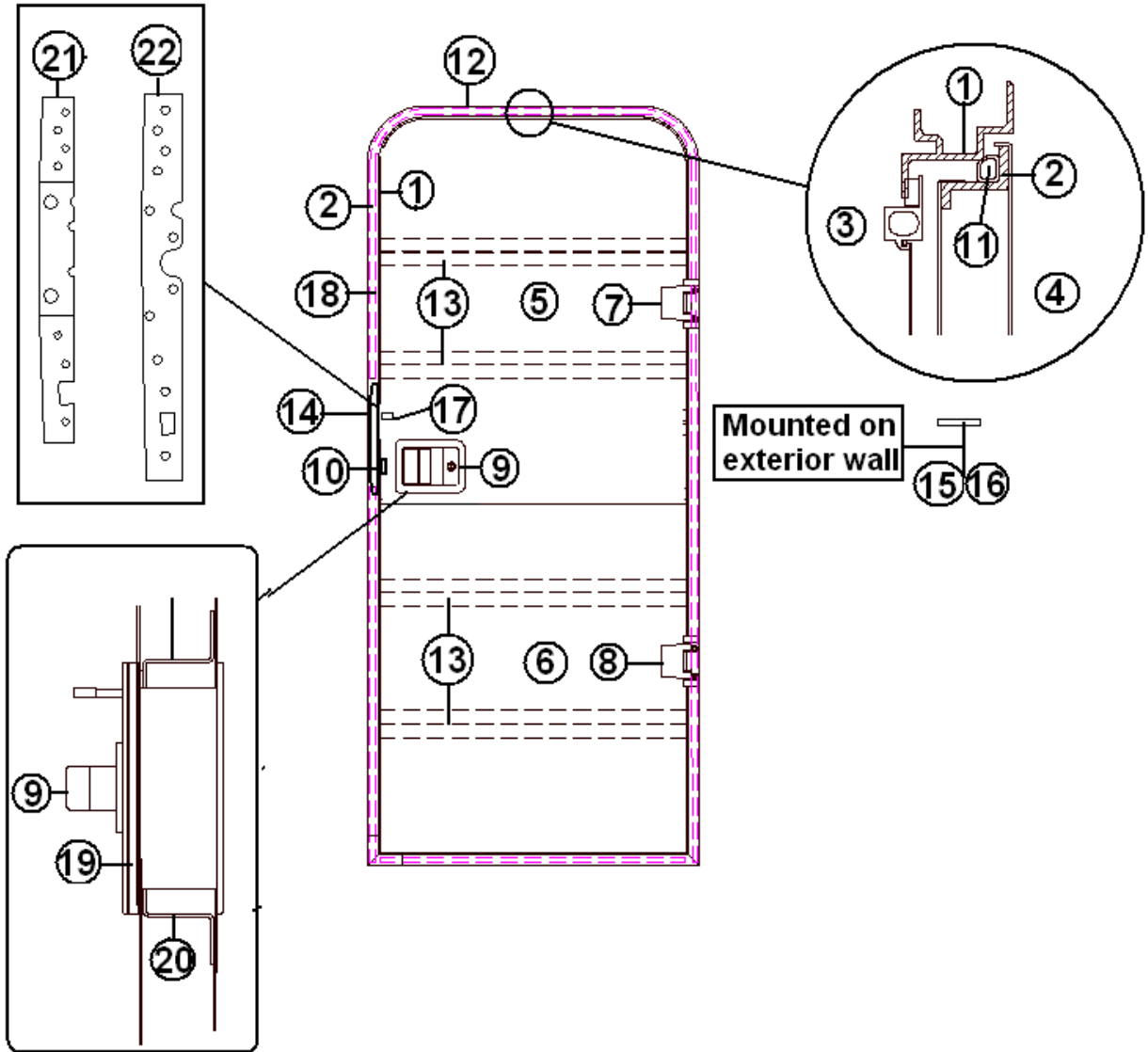
115546	Extrusion, rub rail
201763-01	Insert, rub rail, chrome, 1"
114466-01	Close out, casting, rub rail, angled RH
114466-02	Close out, casting, rub rail, angled LH
114465-01	Close out, casting, rub rail RH
114465-02	Close out, casting, rub rail LH

#### Reflectors

500096	REFLECTOR, AMBER
500095	REFLECTOR, RED
510446	REFLECTOR, RED, STICK-ON

# 2013 SPORT DOORS/WINDOWS/AWNING

## Main Door, RH Hinge



Part numbers on the next page

## 2013 SPORT

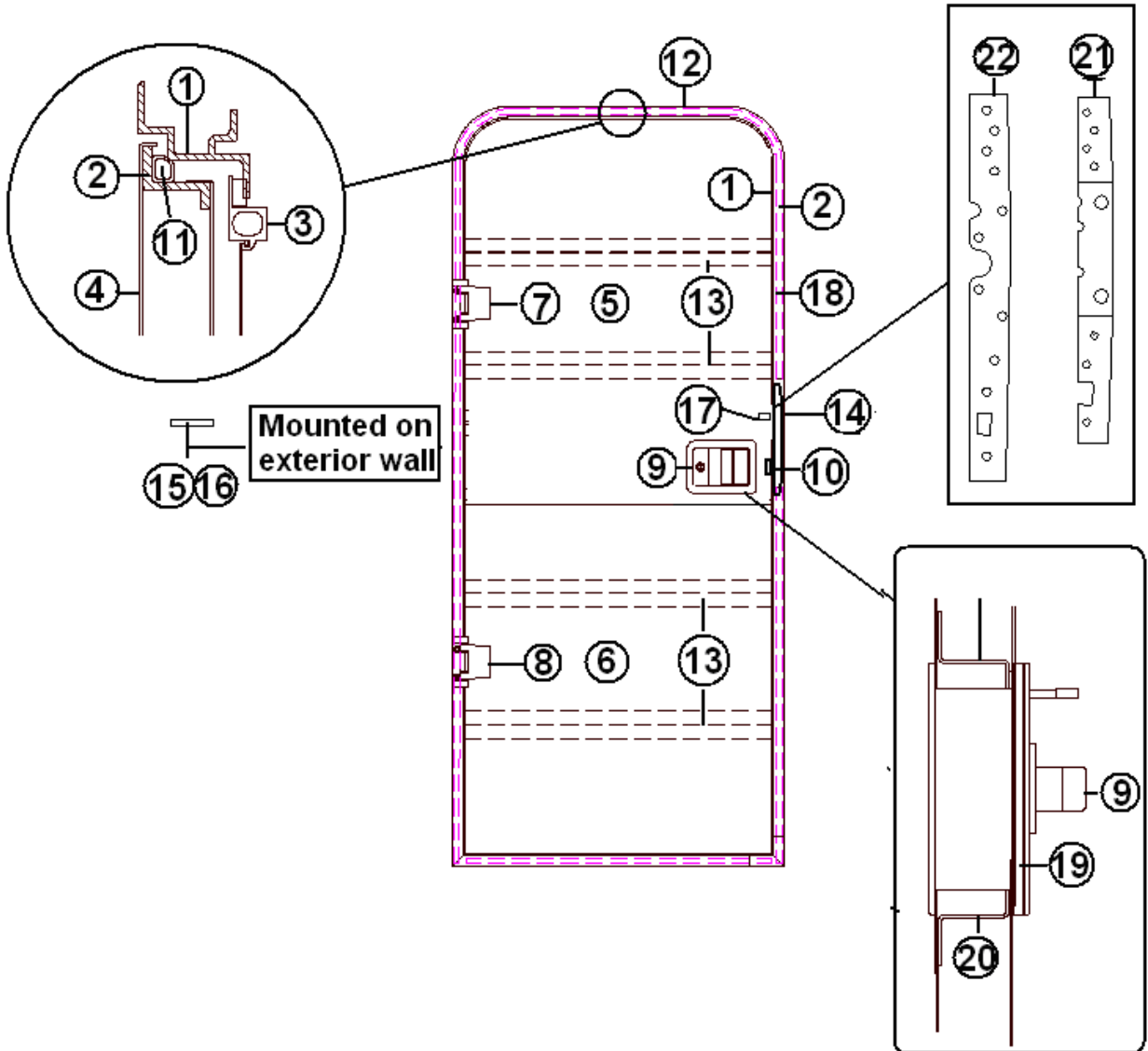
### DOORS/WINDOWS/AWNING

#### Main Door, RH Hinge

- 115207-08 Main door assembly, RH Hinge
- 1. 114652-01 Jamb, main door, pre-formed
- 2. 114653-01 Frame, main door, pre-formed
- 3. 114654-01 Screen door assembly, RH Hinge
- 4. 114448-03 Skin, exterior, upper main door
- 5. 114449-03 Skin, exterior, lower main door
- 6. 114475 MAIN DOOR SKIN INNER
- 7. 381552-02 HINGE ASSY. MAIN DOOR UPPER
- 8. 381552-01 HINGE ASSY. MAIN DOOR LOWER
- 9. Trimark latch assembly parts shown in hardware section
- 10. 385595 Pocket strike, main door
- 11. 365232 Seal, main door
- 12. 114363 Drip cap, main door
- 13. 114658 Inner door, "Z" bar, upper & lower
- 14. 101171 HANDLE, CAST ALUMINUM
- 14. 382074 Gasket, grab handle, main door
- 15. 380290 Housing. Latch, mounted on side sheet
- 16. 380291 Latch assembly, mounted on side sheet
- 17. 201056 Striker, main door, black plastic
- 18. 114507-03 Trim, main door
- 19. 203370 Spacer, door latch
- 20. 114657 Hat section, formed, main door
- 21. 382067 OUTER LATCH, REINFORCEMENT, RH/LH
- 22. 382068 Inner reinforcement plate, RH hinged door

# 2013 SPORT DOORS/WINDOWS/AWNING

## Main Door, LH Hinge



Part numbers on the next page

## 2013 SPORT

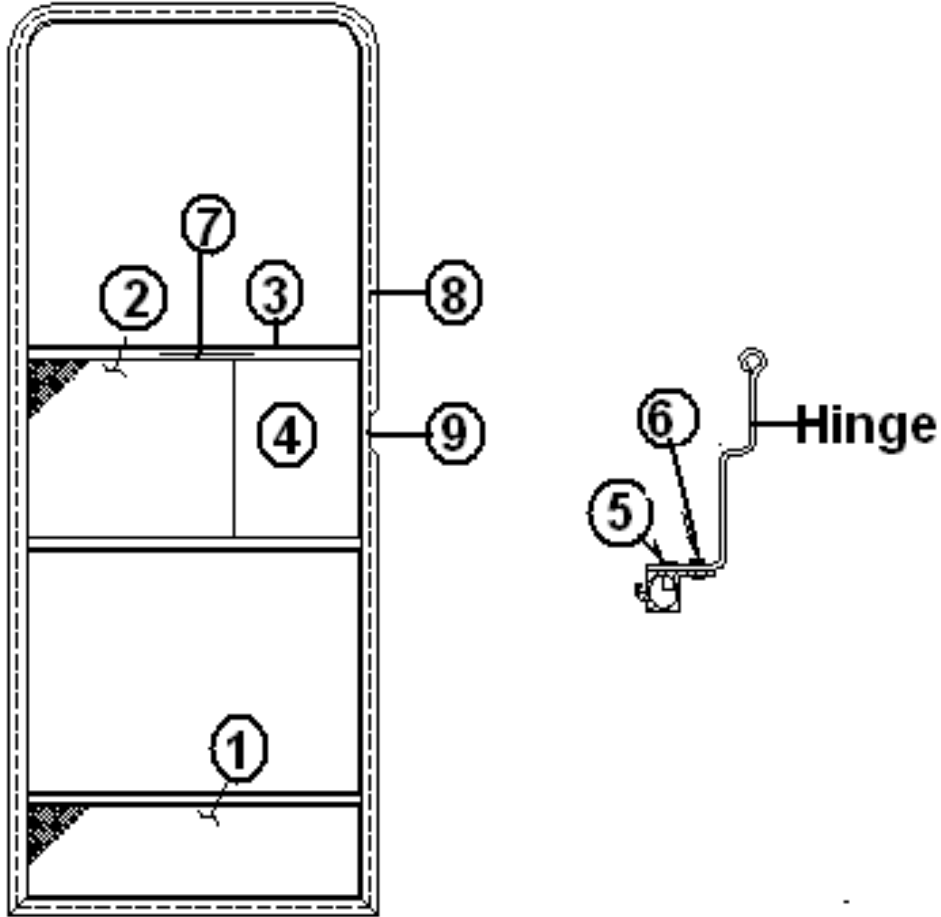
### DOORS/WINDOWS/AWNING

#### Main Door, LH Hinge

- 115207-09 Main door assembly, RH Hinge
- 1. 114652 Jamb, main door, pre-formed
- 2. 114653 Frame, main door, pre-formed
- 3. 114654 Screen door assembly, RH Hinge
- 4. 114448-03 Skin, exterior, upper main door
- 5. 114449-03 Skin, exterior, lower main door
- 6. 114475 MAIN DOOR SKIN INNER
- 7. 381552-03 HINGE ASSY. MAIN DOOR UPPER
- 8. 381552-04 HINGE ASSY. MAIN DOOR LOWER
- 9. Trimark latch assembly parts shown in hardware section
- 10. 385595 Pocket strike, main door
- 11. 365232 Seal, main door
- 12. 114363 Drip cap, main door
- 13. 114658 Inner door, "Z" bar, upper & lower
- 14. 101171 HANDLE, CAST ALUMINUM
- 14. 382074 Gasket, grab handle, main door
- 15. 380290 Housing. Latch, mounted on side sheet
- 16. 380291 Latch assembly, mounted on side sheet
- 17. 201056 Striker, main door, black plastic
- 18. 114507-03 Trim, main door
- 19. 203620 Spacer, door latch
- 20. 114657 Hat section, formed, main door
- 21. 382067 OUTER LATCH, REINFORCEMENT, RH/LH
- 22. 382066 Inner reinforcement plate, LH hinged door

2013 SPORT  
DOORS/WINDOWS/AWNING

Screen Door



Part numbers on the next page

## 2013 SPORT

### DOORS/WINDOWS/AWNING

#### Screen Door

114654	SCREEN DOOR ASSY. LH HINGE
114654-01	SCREEN DOOR ASSY. RH HINGE
1. 114648-01	Kick panel screen door
2. 114561-01	Panel, slider, screen door
3. 104784-78	EXTR.SCREEN DOOR STIFENER #VH-9
4. 203287-02	Close out, plastic, screen door
5. 330130-02	RIVET POP, A52ABS
6. 325122	Rivet, hard, 5/32
7. 380004	HANDLE WITH 8/32 X 1 SCREW
8. 365013-01	Gasket, screen door, foam tape
9. 683946	BUG SEAL, edge of screen door close out
115171-01	SCREEN DOOR GUARD TOP
115171-02	SCREEN DOOR GUARD BOTTOM
380079	Screen, gray
200518	Spline, gray, screen insert
701624	VELCRO LOOP 5/8" WIDE
701625	VELCRO HOOK, 5/8" WIDE
381454	Screen door hold back latch, Bullet
386068	MEDALLION 3" LOGO, AIRSTREAM
381531-01	Hinge, screen door, upper
381531-02	Hinge, screen door, lower



## 2013 SPORT

### DOORS/WINDOWS/AWNING

#### Refrigerator Exterior Access Door, 22' Front bed

922243	Door, refrigerator access, assembly
922156	REFRIGERATOR access door only
104417	Jamb, refrigerator access door
104439	Louvered panel, refrigerator access door
372264	Screen, refrigerator door
380988	HINGE, CONTINUOUS .5IN LEAF 16IN
203225	Trim, flexible
381812	Latch, twist Lock

#### Refrigerator Exterior Access Door, 16'

690470-01 VENT, SIDE WALL, REFRIGERATOR

#### Exterior Shower Door

602326 Exterior Shower PW, Key

#### Access Door, Small, Side

100679-01	Small, access door assembly
365035	Seal, side access door
380773	HINGE, ACCESS DOOR
380770	LOCK & CASTING ASSEMBLY
115295	SPACER, FORMED COMPARTMENT DOOR
115296	JAMB, FORMED COMPARTMENT DOOR

## 2013 SPORT

### DOORS/WINDOWS/AWNING

#### Access Door, 16' Rear End

922711	DOOR ASSEMBLY, TRUNK
115158	PANEL, OUTER TRUNK DOOR
115159	PANEL, INNER TRUNK DOOR
115157	JAMB, TRUNK DOOR
380203-01	PIANO HINGE
380770	LOCK & CASTING ASSEMBLY, BLACK
360016	BUMP-ON, RUBBER
365035	RUBBER SEAL, ACCESS DOOR
701538-01	CARPET, ECONOLIER W/PSA BACK
381065-10	10" CABLE SUPPORT

#### Windows, Standard

371426-01	Window, 19.25 X 22.75, 8" Vent, 16', 22', Silver
371426-02	WINDOW, 44.00" X 24.25", REAR END, VERTICAL EGRESS, 16', SILVER
371426-03	WINDOW, 19.38" X 22.88", FIXED, 16', SILVER
371426-05	WINDOW, FLAT, w/8" vent, aft end, 22', Silver
99900P-049	Window, 36.25" x 24.19", front end, 22', Silver
371426-04	Window, 28.25 x 29.75, egress, RS, 22', Silver
371426-06	Window, 28.25" x 29.75" w/8" vent, CS, 22', Silver
371328	Front window, 16', Silver
382117	GASKET-WINDOW RECTANGLE
380230-03	KNOB, WINDOW ARM, PLASTIC/SILVER
195467-05	LATCH, HANDLE, RED
345320	SCREW, SET, 6-32 X 1/8, INTERNAL HEX
382116-03	CAP, SCREW RUBBER 5/32 X .5'

## 2013 SPORT

### DOORS/WINDOWS/AWNING

#### Windows, Panoramic

99900P-049	WINDOW, FRONT, W/SQUARE CORNERS
371328	FRONT WINDOW, GLASS ONLY
372089-101	ROADSIDE WRAP WINDOW
372088-101	CURBSIDE WRAP WINDOW
320127-04	SCREW SHEET METAL #8 QDPH BLK
371347-03	SCREEN, FRONT WINDOW, 22'
380230-03	KNOB, WINDOW ARM, PLASTIC/SILVER
365367	Foam Tape, Automotive

#### Window Screens, 16'

372176-03	SCREEN, REAR WINDOW, 16'
372173-02	SCREEN, FRONT WINDOW, 16'

#### Window Trim

110460-13	Trim ring, window, 36.25" X 24.19", White
110460-11	Trim ring, window, 19.38 X 22.75, Aluminum finish
110460-12	Trim ring, window, 26.25 x 19.25, Aluminum finish
110460-17	Trim ring, window, 28.25 X 29.75, Aluminum finish
110460-15	TRIM RING, WINDOW, 19.38 X 22.75, WHITE
110460-16	TRIM RING, WINDOW, 42.69 X 22.44, WHITE
203225	TRIM LOK, WHITE, EDGE TRIM
203225-01	TRIM LOK, GRAY, EDGE TRIM

## 2013 SPORT

### DOORS/WINDOWS/AWNING

#### Window Stone Guard, Panoramic Window

685275-101	CURBSIDE WRAP SOLAR GRAY STONEGUARD
685275-102	ROADSIDE WRAP SOLAR GRAY STONEGUARD
110102-05	Rock guard, center piece only, 22'
685275-103	Rock guard, center, narrow body, 16'
683960	Arm support
683959	Arm support bracket
114749	HINGE "Y" ASSY.
114750	HINGE "J"
685364	BRKT, UPPER HINGE-45.375-STONEGUARD
381021-01	Latch, draw flexible
685360	BRACKET, STONEGUARD, UPPER WRAP
290812-01	PLEXIGLASS, 1/8 X 28 X 84
685362	RETAINER, SPLIT RING

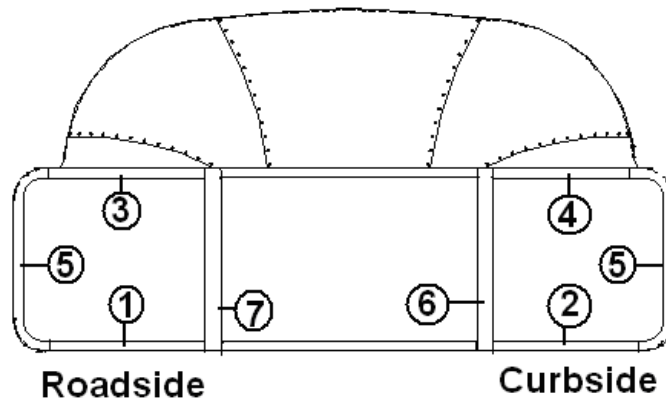
#### Stone guard frame

114815-01	Extrusion, frame aluminum
685354	Front window key, 90-degree angle riveted to inside corner of metal frame
685378-01	1/4" rubber spline
685351	Rubber frame, black
101401	Extrusion, door latch housing
685355	SLIP JOINT S.S.HINGE

## 2013 SPORT

### DOORS/WINDOWS/AWNING

#### Panoramic Window Trim



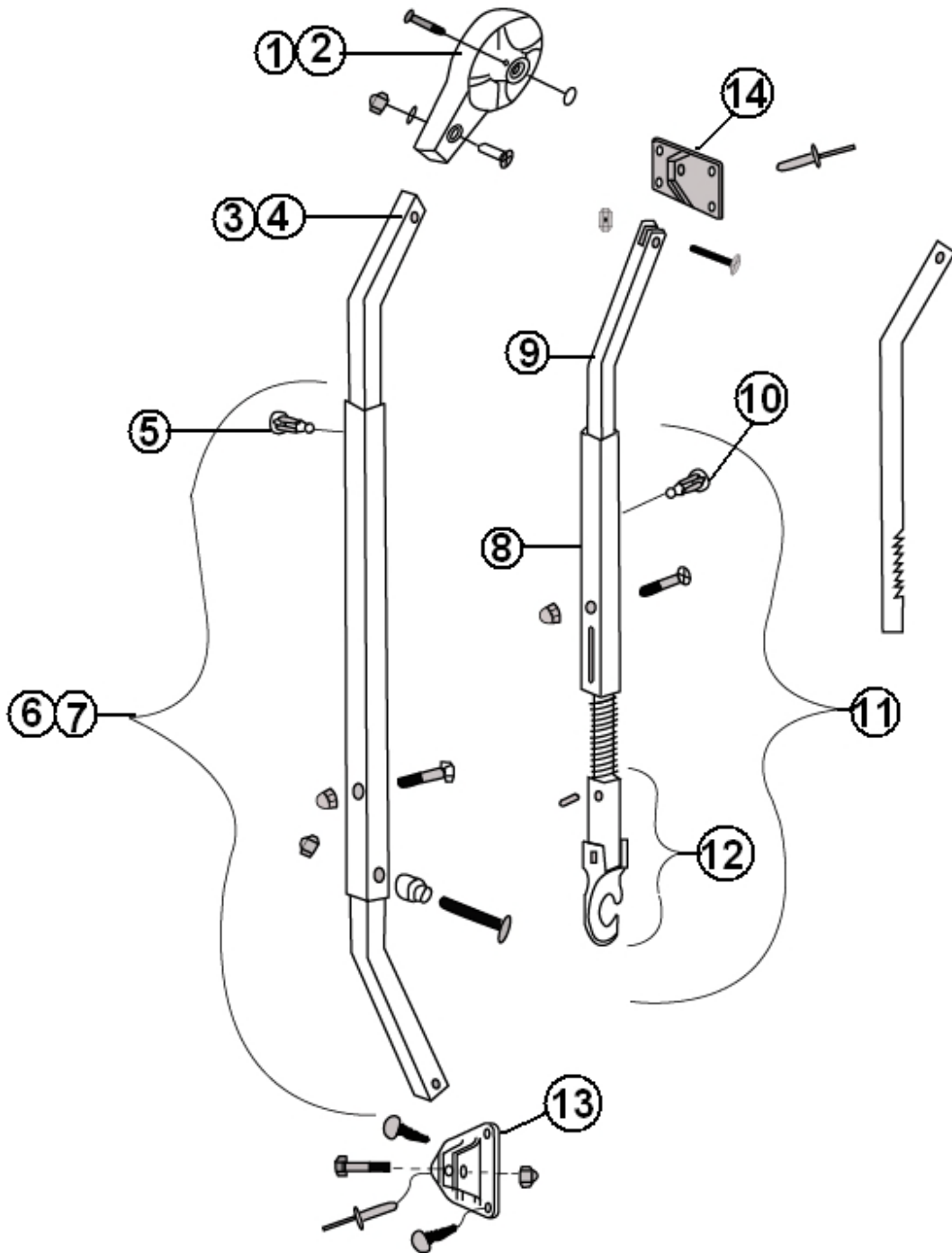
- |              |                              |
|--------------|------------------------------|
| 1. 201579-02 | TRIM RING, LOWER, ALUMINUM   |
| 2. 201580-02 | TRIM RING, LOWER, ALUMINUM   |
| 3. 201581-05 | TRIM RING, UPPER, ALUMINUM   |
| 4. 201581-06 | TRIM RING, UPPER, ALUMINUM   |
| 5. 201578-02 | END CAP, TRIM RING, ALUMINUM |
| 6. 110900-03 | TRIM FORMED, ALUMINUM, RH    |
| 7. 110900-04 | TRIM FORMED, ALUMINUM, LH    |
| 203225-01    | TRIM LOK, ALUMINUM .75"      |

#### Awnings, Patio

- |           |                                       |
|-----------|---------------------------------------|
| 703727-06 | Awning, patio, 6' 8.25", Zip Dee, 16' |
| 703727-02 | Awning, patio, 12'5.25", Zip Dee, 22' |
| 703727-01 | Hardware package, Zip Dee             |
| 385577    | TAPE CLEAR WEAR STRIP 3.5" WIDE       |

# 2013 SPORT HARDWARE

## Awning Hardware, Lightweight, Patio



Part numbers on the next page

## 2013 SPORT

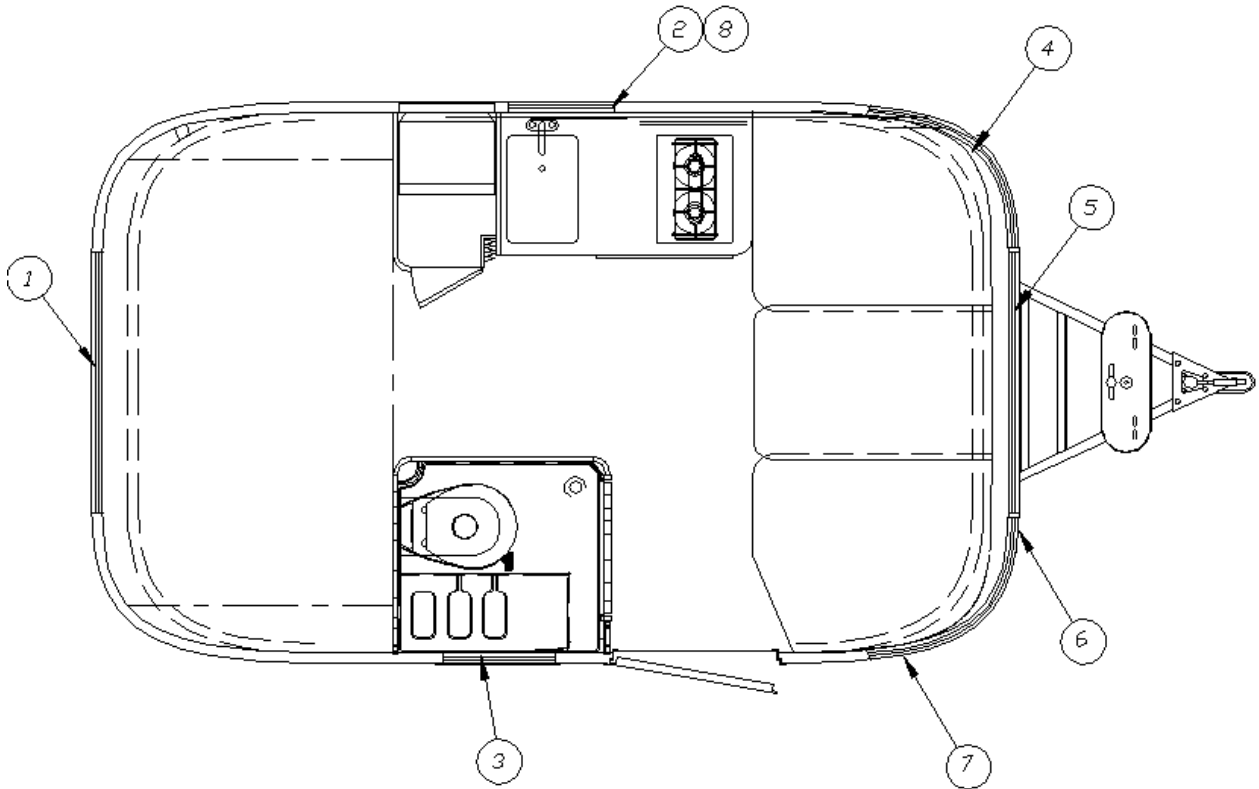
### HARDWARE

#### Awning Hardware, Lightweight, Patio

703727-01	Awning hardware, complete package
1. 74043W-08	Front head casting
2. 74043W-09	Rear head casting
3. 74047W-13	Main arm bar, front
4. 74047W-14	Main arm bar, rear
5. 74054W	Snap stud assembly
6. 74048WS-18	Front main tube bar assembly
7. 74048WS-19	Rear main tube bar assembly
8. 74063W-05	Rafter arm tube
9. 74061WS-09	Rafter arm bar
10. 74072W	Ratchet stud
11. 74048WS-20	Rafter arm tube assembly
12. 74068W-05	Claw bar assembly
13. 74055W	Base hinge
14. 74056W-02	Rafter base, flat

## 2013 SPORT DRAPES/BLINDS

Drapes/Blinds 16'

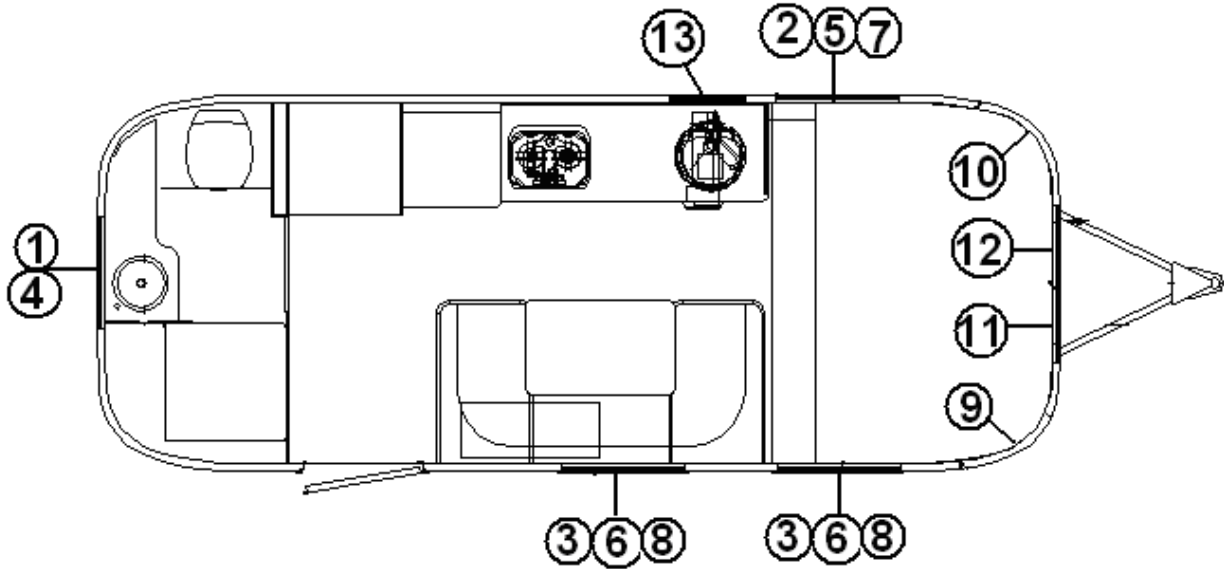


- |    |           |   |
|----|-----------|---|
| 1. | 998171-09 | CURTAIN ASSEMBLY, 28.5" X 25.5"         |
| 2. | 703191-04 | BLIND, MINI, METAL, 21" X 23", ALUMINUM |
| 3. | 703445-05 | SHADE, PULL, 21.00W X 34.00L, WHITE     |
| 4. | 998144-11 | DRAPE, RS SIDE PANEL, 40" X 25.5"       |
| 5. | 998144-12 | DRAPE, RS FRONT PANEL, 23" X 25.5"      |
| 6. | 998144-10 | DRAPE, CS FRONT PANEL, 23" X 25.5"      |
| 7. | 998144-09 | DRAPE, CS SIDE PANEL 40" X 25.5         |
| 8. | 115425-05 | VALANCE, 22.125", ALUMINUM              |
|    | 702355-01 | SHADE, PULL, MICHELL, 20-1/8 X 30       |



## 2013 SPORT DRAPES/BLINDS

Drapes/Blinds, 22'



- |               |   |
|---------------|---|
| 1. 703191-07  | MINI BLIND, METAL, 27.5W X 22L          |
| 2. 703191-21  | MINI BLIND, ALUMINUM, 29.00 X 32.00     |
| 3. 703191-22  | MINI BLIND, ALUMINUM, 31.00 X 32.00     |
| 4. 115396-03  | BLIND COVER, 27.5"                      |
| 5. 115396-02  | BLIND COVER, 29.0"                      |
| 6. 115396-01  | BLIND COVER, 31"                        |
| 7. 115425-01  | VALANCE, ALUMINUM, 29.75"               |
| 8. 115425-02  | VALANCE, ALUMINUM, 38.75"               |
| 9. 998144-09  | DRAPE, CS SIDE PANEL, 37" X 25.50"      |
| 10. 998144-11 | DRAPE, RS SIDE PANEL, 37" X 25.50"      |
| 11. 998144-13 | DRAPE, CS REAR PANEL                    |
| 12. 998144-14 | DRAPE, RS REAR PANEL                    |
| 13. 703191-04 | MINI-BLIND, 21" X 23", BRUSHED ALUMINUM |
| 345353-03     | SCREW, #6 X 0.75, FLAT HEAD, PHIL       |
| 195329-202    | ROUND STCK ON BUMPER, CLEAR             |

## 2013 SPORT

### DRAPES/BLINDS

#### Drapes, Installation

345353-03	SCREW, #6 X 0.75 FLAT HD, PHILIPS
195329-202	HEMISPHERE, CLEAR BUMP-ON
703905	LINING, MICHELLE WHITE
703903	FABRIC WYETH - OFF WHITE
700045	GLIDES CURTAIN G3 W/ELASTIC
700020	PILE, VELCRO
700021	HOOK, VELCRO, WHITE
101225	EXTRUSION, ALUMINUM CURTAIN TRACK
101217	EXTRUSION CURTAIN TRACK
101220	TRACK, STAND-OFF, CURTAIN
200784	ENDS, CURTAIN TRACK, RH WHITE
200785	ENDS, CURTAIN TRACK, LH WHITE

**2013 SPORT**  
**ELECTRICAL, 110 VOLT**

Shore Line Cord

512401-01      CORD, POWER, 30A, 30'  
512401-02      POWER INLET, 30A, 125V, MALE

Converter

512237          POWER CENTER, AC/DC, BLACK  
510743          GROUND BAR, 3 ½" LONG

Breakers

510564-2020    BREAKER, TYPE BRD, BD 20-20  
510564-3020    BREAKER, TYPE BRD, BD 30-20  
510564-20GFI   BREAKER, TYPE BR, 20 GFI

Switches

500913-03      SWITCH T & B WHITE  
511327          SWITCH BODY W/ROCKER SWITCH, 1 GANG  
500563-04      PLATE, DECORATOR, 1-GANG, WHITE  
500967-01      COVER, BLANK, IVORY  
511665          SWITCH, CEILING WHITE  
511669          SWITCH, SHOWER WHITE

Exterior Outlet/Circuit Tester

512399          COVER, EXTERIOR OUTLET, GREY  
500563-03      RECEPTACLE, WHITE 15 A  
511023          Circuit tester (loose item)

**2013 SPORT**  
**ELECTRICAL, 110 VOLT**

**Receptacles**

511287	Receptacle, 15 amp, single
511814-01	RECEPTACLE, DUPLEX GRAY SELF CONTAINED
511814-02	PLATE, DECORATOR 1 GANG GRAY
500563-03	RECEPTACLE, WHITE, 15 AMP
500563-04	PLATE, 1-GANG
512481-02	RECEPTACLE, 20A SINGLE, BROWN
512481-03	PLATE, BROWN COVER W/SCREWS

**Microwave Pre-Wire**

512025-01	JUNCTION DEVICE, WHITE
512025-02	PLATE, SNAP ON, ONE GANG, WHITE

**2013 SPORT**  
**ELECTRICAL, 12 VOLT**

**Battery/Battery Box**

511596	BATTERY-DEEP CYCLE GRP.24
381613	Cover, black plastic for hold down wing nut
500836-02	Positive battery cable
500837	Negative Battery cable
511595	BATTERY BOX

**7-Way Cable**

500886-01	7-Way cable w/plug
510947-20	20 amp BREAKER, 12V DC, TYPE II, #12V20
510946-06	Bracket, 6 PO Breaker, 12V, #8536-2
510947-30	Breaker, 12V DC, TYPE II, #12V30
510743	GROUND BAR, 3 1/2" LONG

**Switches, 12 Volt**

512245	Switch assembly, 2-way, white
511745	SWITCH ASSY- THREE GANG WHITE
510658	SWITCH W/WEATHER-PROOF BOOT
511836	SWITCH, REFRIGERATOR/FAN WHITE #AH-AS
511566-02	SWITCH COVER, 2 GANG, WHITE
511567-02	SWITCH BODY W/ROCKER, 2 GANG
511980	SWITCH ASSY, 4 GANG BLACK
511658	SWITCH BODY W/COVER, 3-GANG
511672	SWITCH BODY W/COVER 3 GANG BLACK
511673	SWITCH COVER, TWO GANG BLACK
511674	SWITCH COVER, ONE GANG BLACK
511975	SWITCH ASSY, 4 GANG, BLACK
511731-01	SWITCH, WATER HEATER BLACK, 16'
511999	SWITCH ASSY, 2 GANG BLACK
511288	FACE PLATE, ON/OFF TOGGLE SWITCH

**2013 SPORT**  
**ELECTRICAL, 12 VOLT**

Receptacle, 12 Volt

510888-05      RECEPTACLE W/COVER, GFI, WHITE  
512562          RECEPTACLE GASKET W/ADHESIVE BACK, BLACK

Battery Disconnect

510626          Switch, master battery disconnect

Break Away Switch

0300027        Break away switch, Bargman  
454526          BRACKET, BREAK AWAY SWITCH

Monitor Panel and Sensor

511788-01      Monitor panel, CATCON Micropulse  
511789-01      BOOT-SENSOR #500-20010-05  
511789          SENSOR, TANK MONITOR  
511286-01      WIRE FLAT TELEPHONE 26 GA. BLACK  
511286-02      WIRE FLAT TELEPHONE 26 GA. IVORY  
511252          PLUG PHONE 4 CONDUCTOR  
511393          COUPLER-MODULAR EXTENSION, 4 CONDUCTOR

External TV Jack Inlet

512402          INLET, TV/SAT.

Breakers, 12 Volt

510947-20      20 amp BREAKER, 12V DC, TYPE II, #12V20  
510947-30      Breaker, 12V DC, TYPE II, #12V30

**2013 SPORT**  
**ELECTRICAL, 12 VOLT**

**Interior Lights**

512243	LIGHT, 12V DLB W/SWITCH
512242	LIGHT, 12V SINGLE BULB W/SWITCH
511410	LIGHT, SHOWER, INCANDESCENT, SINGLE, 16'
512462	LIGHT, READING, LED, FROST LENS

**Exterior Lights**

512252	STEP LIGHT, L.E.D., SS
510732-02	CSA PORCH LIGHT
512227	Red LED clearance light
512227-01	Chrome base, red LED clearance light
512227-02	Sealed light bezel, red LED clearance light
512226	Amber LED clearance light
512226-01	Chrome base, amber LED clearance light
512226-02	Sealed light bezel, amber LED clearance light
382181	Gasket, Clearance Light
512455	License Plate Light w/Holder LED Black
500095	Reflector, red Oblong oval
500096	Reflector, amber
510446	Reflector, Red stick on
512252	Step light, LED St.St.
512533	Light, Auxiliary LED

**2013 SPORT**  
**ELECTRICAL, 12 VOLT**

Tail Light Assembly

511860-01	LIGHT, 4"LED, RED
511860-02	BEZEL, 4" ROUND, CHROME W/VISOR
381873	GASKET, TAILLIGHT

12 Volt Interior Receptacle

195466-250	12 Receptacle w/cover
------------	-----------------------

Fuses

500773-03	FUSE, ATC, 12V DC, 3 AMP
512318	FUSE HOLDER W/1 AMP AGC FUSE
500883-01	FUSE 12, CSA 1 AMP
681936	AGC-1 FUSE
510696	HOLDER, FUSE, IN-LINE



## 2013 SPORT ENTERTAINMENT

### Radio/Antenna

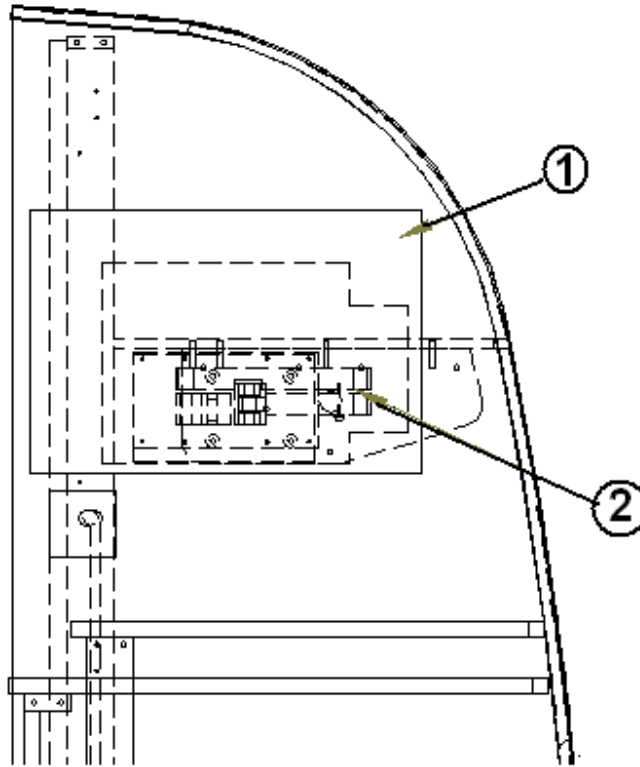
512239	Radio, AM/FM/CD
500913-03	SWITCH, T & B WHITE
511807	Antenna, AM/FM rubber, 13"
500484-05	ANTENNA LEAD & EXTENSION, 72"
511339-01	SPEAKER, AUDIOVOX, 5.25"
511339-02	GRILL, SPEAKER, WHITE, 6"
512215-01	SPEAKER 6.5", 16'
512215-02	GRILL, 6.5", WHITE, 16'
512150	Adaptor, radio plug
512318	HOLDER W/1 AMP FUSE, IN-LINE
681936	AGC-1 FUSE
512407	Cable-RG6 Coax

### TV Antenna/Jack

510788-03	Amplifier, TV antenna
510788-09	ANTENNA, SHORT BOOM W/RV WIND
510788-04	Hardware package, interior, Winegard
115484	TROUGH, TV ANTENNA
510623	Connector, coax, male to male
511534	Dual coax plate, Satellite TV, hook up
511375	JACK MODULAR TELEPHONE TA-1020
511834	PATCH CORD, 30' DUAL MALE TO MALE
511835	PATCH CORD, 30' 3-WAY, MALE TO MALE
511703	CORD, PATCH, MALE/MALE, 2-WAY 20'
511655-03	CABLE, BDO/1, 20 FT
512402	INLET, TV/SATELLITE, TITANIUM

# 2013 SPORT ENTERTAINMENT

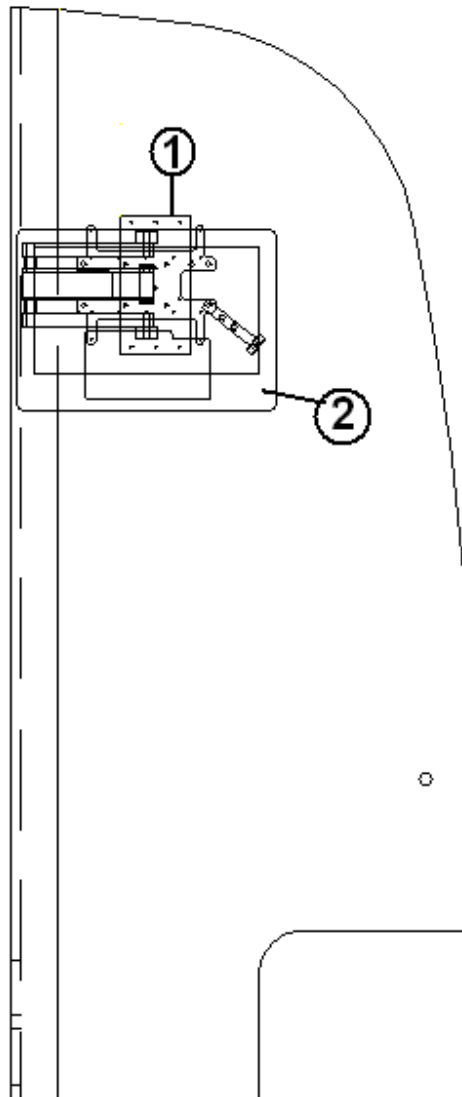
TV Installation, 22'



- |           |                                    |
|-----------|------------------------------------|
| 1. 690629 | TV-LED W/DVD 19" SANSUI            |
| 1. 512457 | ARM, ARTICULATING MOVIEW MSDSL     |
| 320157    | SCREW-PH M4 X 12MM STEEL           |
| 345468-01 | SCREW-#12 X.625"PH PHIL BLK HD     |
| 512499    | CABLE-MINI COAX 48" TRL            |
| 512405-01 | COAX, LEAD/JUMPER W/CONNECTOR, 6"  |
| 512405-02 | COAX, LEAD/JUMPER W/CONNECTOR, 12" |

# 2013 SPORT ENTERTAINMENT

TV Installation, 16'



- |              |                                 |
|--------------|---------------------------------|
| 1. 512526-01 | ARM, ARTICULATING, Tilt         |
| 2. 320157    | SCREW, PH M4 X 12MM, STEEL      |
| 690629       | TV W/DVD LED 19"                |
| 512499       | CABLE, MINI COAX, 48"           |
| 512025-01    | JUNCTION DEVICE, WHITE          |
| 512025-02    | PLATE, SNAP ON, ONE GANG, WHITE |

2013 SPORT  
FLOOR COVERING

Floor Mats

703852 MATT, ENTRANCE, AIRSTREAM LOGO

Vinyl Flooring

703835 FLOORING, VINYL, YASMINE W/DURAB  
203594-02 FLOOR TRIM, ASH GREY  
115565 Extrusion, threshold main door  
100097 Extrusion, curtain track, for threshold  
114869 EXTRUSION, THRESHOLD, COMPARTMENT CLEAR  
ANODIZED.

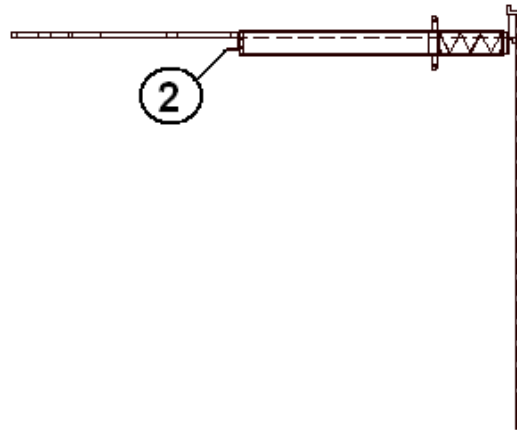
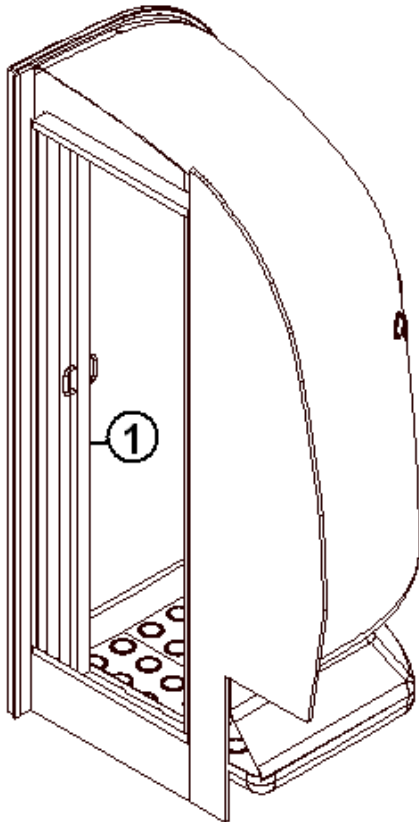
# 2013 SPORT

## FURNITURE, DOORS

### Doors, Roof Locker

967104-01	DOOR, TAMBOUR, 9.88 X 25.38
967104-06	DOOR, TAMBOUR, 9.88" X 28.25"
967104-07	DOOR, TAMBOUR, 9.88 X 29.13
967104-08	DOOR, TAMBOUR, 9.88 X 20.63
101265-01	EXTRUSION, BLACK, TAMBOUR DOOR HANDLE
201163-01	ENDCAP, BLACK, TAMBOUR DOOR HANDLE

### Door, Shower, 22'

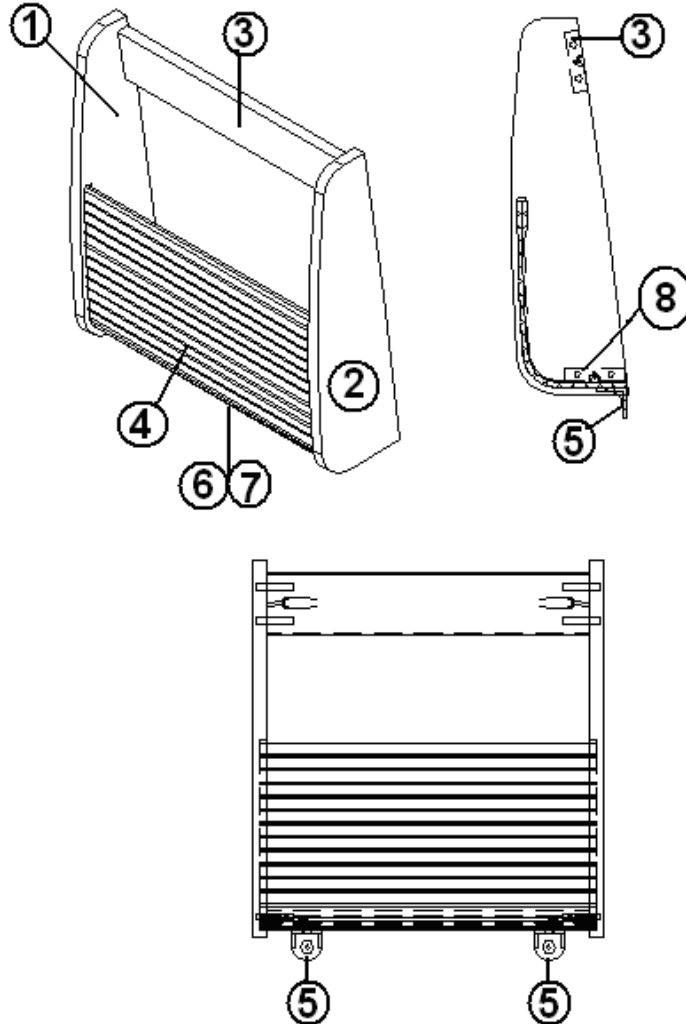


- 1. 703725
- 2. 454734

SHOWER DOOR  
Angle formed 65" shower door

## 2013 SPORT FURNITURE, LOUNGE

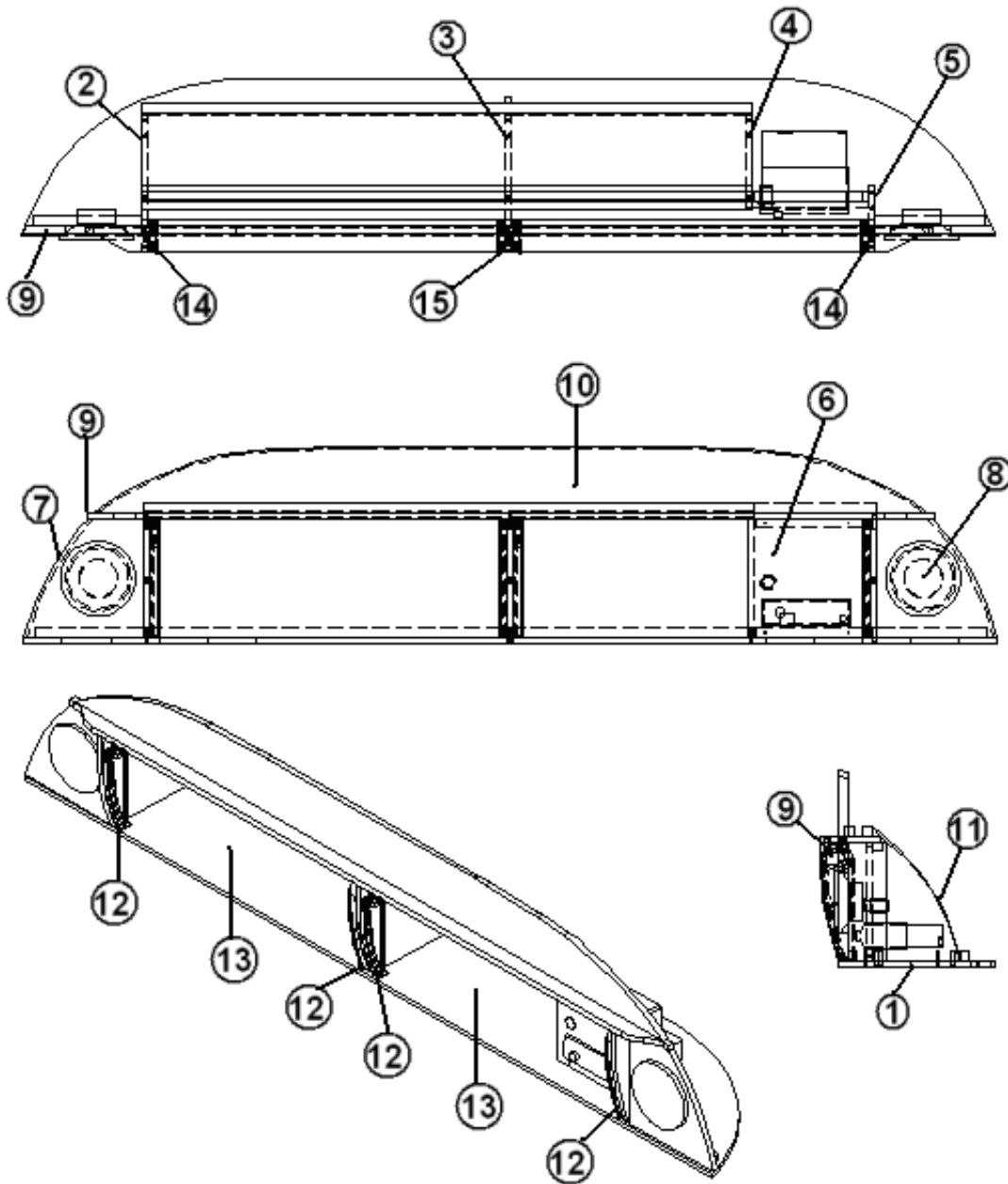
### Magazine Rack, 22' Front Bed



- |  |   |
|--|---|
| <p>967483<br/>1. 967483-1<br/>2. 967483-2<br/>3. 967483-4<br/>4. 967104-06<br/>5. 385963<br/>6. 101265-01<br/>7. 201163-01<br/>8. 967483-3<br/>381609-05<br/>381610-01</p> | <p>MAGAZINE RACK<br/>PANEL, MAGAZINE RACK, 4.25 X 14<br/>PANEL, MAGAZINE RACK, 4.25 X 14<br/>PANEL, MAGAZINE RACK, 2.25 X 12<br/>DOOR, TAMBOUR, 9.88" X 28.25"<br/>BRACKET, ANGLED, LAMBREQUIN<br/>EXTRUSION, BLACK DOOR HANDLE<br/>ENDCAP, BLACK HANDLE (PR)<br/>PANEL, MAGAZINE RACK, 2.25 X 12<br/>SCREW HAFELE EUROPEAN #9 1 1/2<br/>COVER CAP PLAS. EUROPEAN WHITE</p> |
|--|---|

# 2013 SPORT FURNITURE, LOUNGE

Liner Locker Assy., Front, 16'



Parts Listed on Next Page

**2013 SPORT**  
**FURNITURE, LOUNGE**

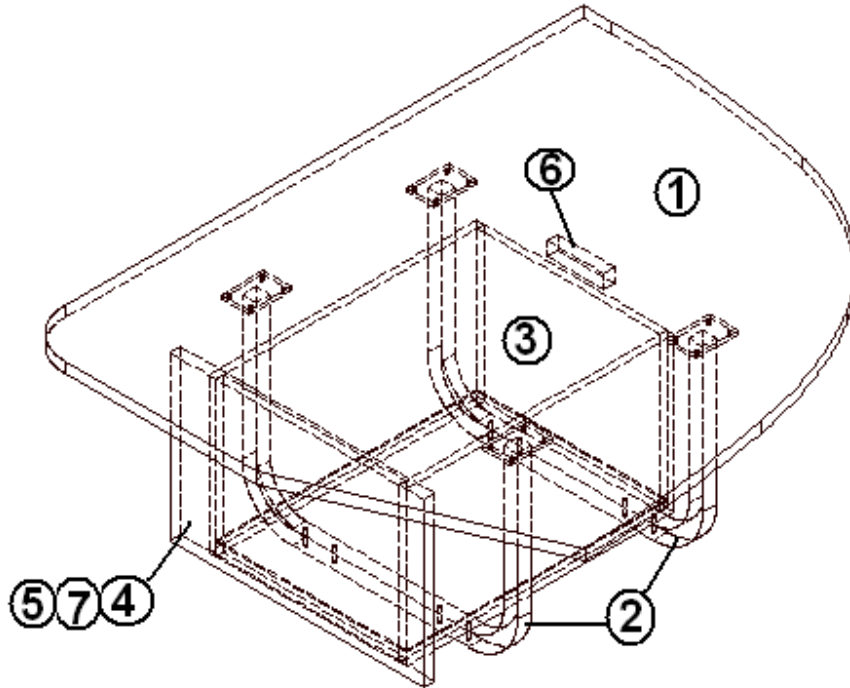
Liner Locker Assy., Front, 16'

	967498-08	Liner Locker Assy., Front
1.	967498-081	Panel, Roof locker 13" x 80.57"
2.	967498-082	Panel, Roof locker 11.46" x 9.81"
3.	967498-083	Panel, Roof locker 11.21" x 9.81"
4.	967498-084	Panel, Roof locker 7.15" x 9.81"
5.	967498-085	Panel, Roof locker 5.48" x 9.81"
6.	967498-086	Panel, Roof locker 10.19" x 9.81"
7.	967498-087	Panel, Roof locker 9.94" x 9.81"
8.	967498-088	Panel, Roof locker 9.94" x 9.81"
9.	967498-089	Panel, Roof locker 5.00" x 70.09"
10.	967498-0810	Panel, Roof locker 5.50" x 69.00"
11.	967498-0811	Panel, Roof locker 13.50" x 50.5"
12.	201164-02	Spirals, Roof locker, platinum gray
13.	967104-07	Door, Tambour 9.88" x 29.13"
14.	115382-01	Trim, Aluminum Roof locker .688" x 10"
15.	115382-02	Trim, Aluminum Roof locker 1.88" x 10"
	201673	Reverse cove molding, White
	365348-02	Edge band .94" Brushed Aluminum



2013 SPORT  
FURNITURE, LOUNGE

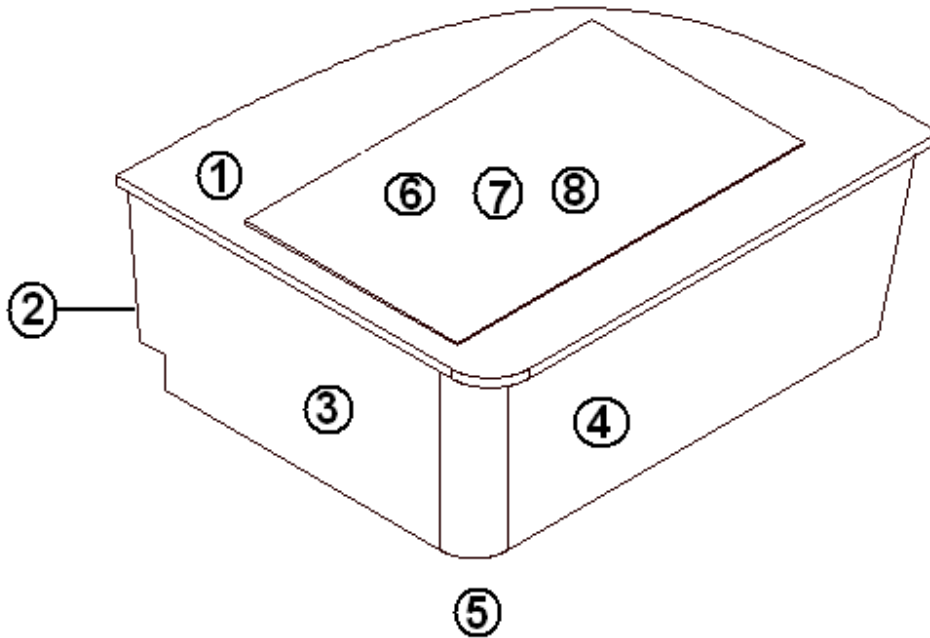
Dinette Seat, 16' Curbside



- |               |                                   |
|---------------|-----------------------------------|
| 966961-08     | SEAT ASSY, CS DINETTE             |
| 1. 966961-081 | PANEL, 33.38 X 40.19              |
| 2. 454177     | LEG, DINETTE ALUM                 |
| 3. 964909-11  | DRAWER BOX ASSY, 10" X 14.00 X 19 |
| 4. 966961-084 | PANEL, 18 X 11.5                  |
| 5. 381833-01  | DRAWER SLIDE, UNDER SHELF 18"PR   |
| 6. 800581-01  | LUMBER, OAK, 13/16 X 1.5          |
| 7. 381074     | CATCH BULL DOG                    |

2013 SPORT  
FURNITURE, LOUNGE

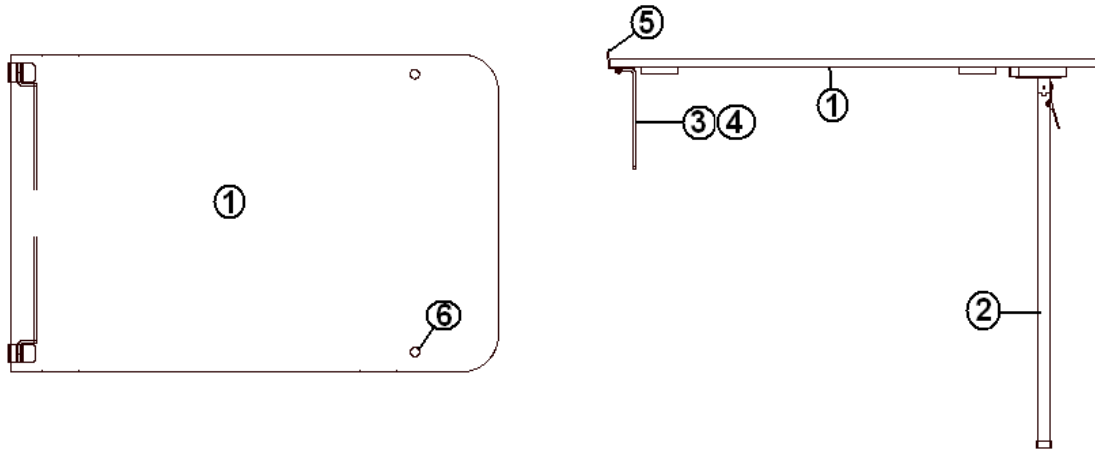
Dinette Seat, 16', Roadside



966962-08	SEAT, ROADSIDE DINETTE
1. 966962-081	PANEL, 33.44 X 40.19
2. 967785	SUB ASSY-RS DINETTE
3. 966964-081	RS DIN SUB ASSY, 28 X 13.88
4. 966964-082	RS DIN SUB ASSY-37.03 X 13.88
5. 801345	RADIUS PLYWOOD, .75"X 3"X 8'
6. 966962-085	LUAN PANEL, 31.13 X 19
7. 966962-086	LUAN PANEL, 28.75 X 16.88
8. 701538-01	CARPET-ECONOLIER

2013 SPORT  
FURNITURE, LOUNGE

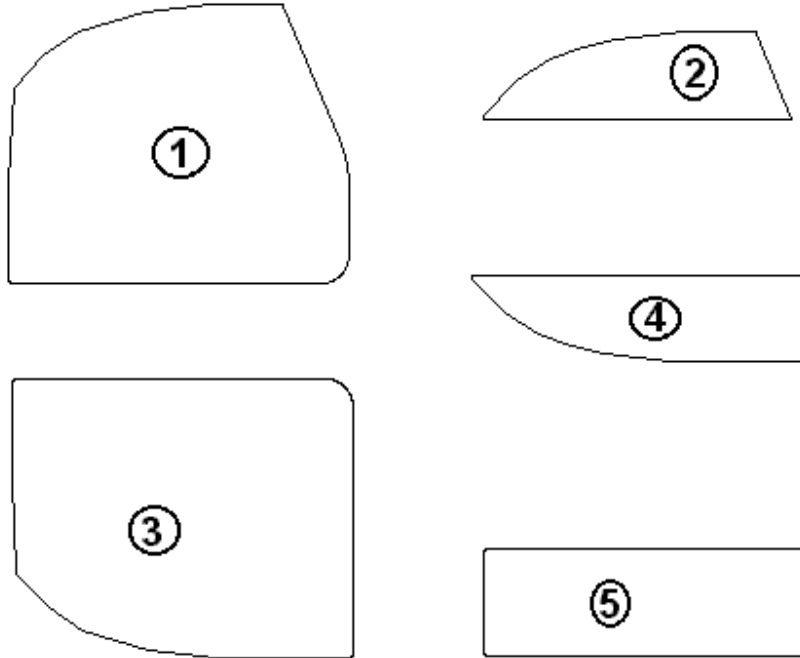
Dinette Table, 16'



- |               |                                    |
|---------------|------------------------------------|
| 967153-08     | TABLE ASSY, DINETTE                |
| 1. 967153-081 | TABLE TOP, 26" X 40"               |
| 2. 382177     | LEG, FOLDING TABLE 30.50"          |
| 3. 380284-02  | TABLE HINGE BRACKET                |
| 4. 380284-03  | TABLE HINGE BRACKETS               |
| 5. 340018     | CATCH PLATE J-1                    |
| 6. 381136     | RUBBER BUMPER                      |
| 115177        | TRIM, COUNTER TOP, 1.25", ALUMINUM |

**2013 SPORT**  
**FURNITURE, LOUNGE**

Dinette Seat Cushions, 16'

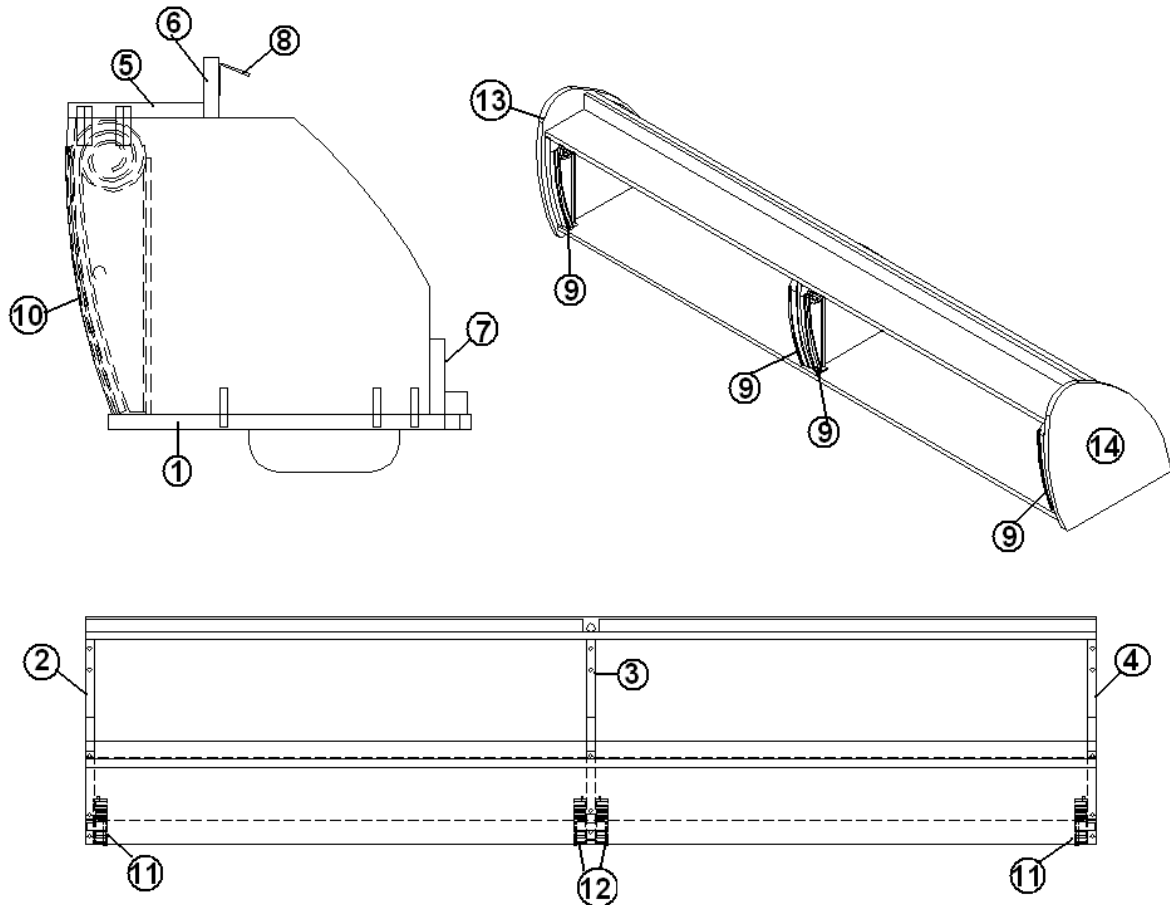


- |     |            |                                 |
|-----|------------|---------------------------------|
| 1.  | 998150-01  | SEAT ASSEMBLY-CS DINETTE        |
| 1a. | 703368-01  | FOAM-SEAT CS DINETTE            |
| 1b. | 998150-101 | COVER, CS DINETTE SEAT          |
| 2.  | 998150-02  | FILLER ASSEMBLY-CS DINETTE BACK |
| 2a. | 703368-02  | CS BACK FILLER                  |
| 2b. | 998150-102 | COVER, CS DINETTE BACK          |
| 3.  | 998150-04  | SEAT ASSEMBLY-RS DINETTE        |
| 3a. | 703368-04  | FOAM-RS DINETTE SEAT            |
| 3b. | 998150-104 | COVER, RS DINETTE SEAT          |
| 4.  | 998150-05  | FILLER ASSEMBLY-RS DINETTE SEAT |
| 4a. | 703368-05  | FOAM-RS BACK FILLER             |
| 4b. | 998150-106 | COVER, RS DINETTE SEAT FILLER   |
| 5.  | 998150-06  | BACK REST ASSEMBLY-RS DINETTE   |
| 5a. | 703368-06  | FOAM-RS BACK REST               |
| 5b. | 998150-106 | COVER, BACK REST ASSEMBLY       |
|     | 700022     | ZIPPER                          |
|     | 700020     | PILE VELCRO                     |
|     | 700021     | HOOK, VELCRO, WHITE             |
|     | 703446     | SILK FILM SHEETING #SFS 36 AIR  |

# 2013 SPORT

## FURNITURE, GALLEY

### Roof Locker, Galley, 22' Front Bed



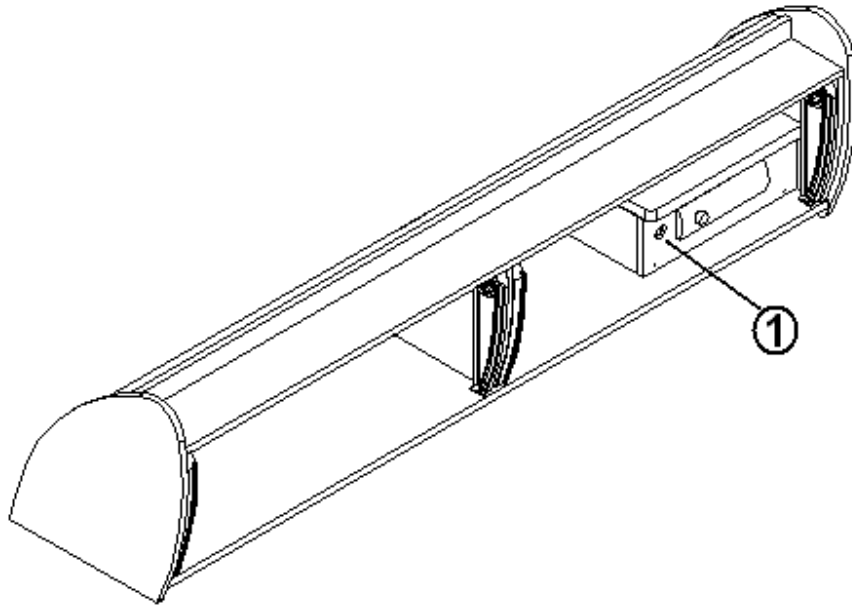
967482

Roof locker, galley

- |               |                                    |
|---------------|------------------------------------|
| 1. 967482-1   | Roof locker panel, 12.00" x 59.50" |
| 2. 967482-2   | Roof locker panel, 12.05" x 9.81"  |
| 3. 967482-3   | Roof locker panel, 11.79" x 9.81"  |
| 4. 967482-4   | Roof locker panel, 12.04" x 8.81"  |
| 5. 967482-5   | Roof locker panel, 4.50" x 59.50"  |
| 6. 967482-6   | Roof locker panel, 2.00" x 59.50"  |
| 7. 967482-7   | Roof locker panel, 2.50" x 59.50"  |
| 8. 104821     | Support, roof locker, 74"          |
| 9. 201164-02  | Roof locker spirals, platinum      |
| 10. 967104-06 | Door, Tambour, 9.88" x 28.25"      |
| 11. 115382-01 | Aluminum trim, .63" x 10.00"       |
| 12. 115382-02 | Aluminum trim, .1.75" x 10.00"     |
| 13. 967482-15 | Roof locker panel, 14.57" x 14.74" |
| 14. 967482-16 | Roof locker panel, 14.57" x 14.74" |

2013 SPORT  
FURNITURE, GALLEY

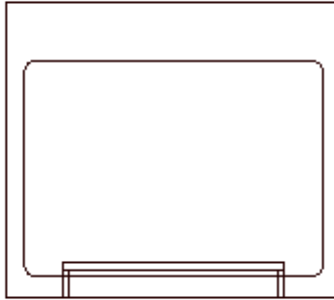
Roof Locker Radio Shelf, 22' Front Bed



1. 967434          SHELF, STEREO

2013 SPORT  
FURNITURE, GALLEY

Microwave Option Face Frame, 22' FB

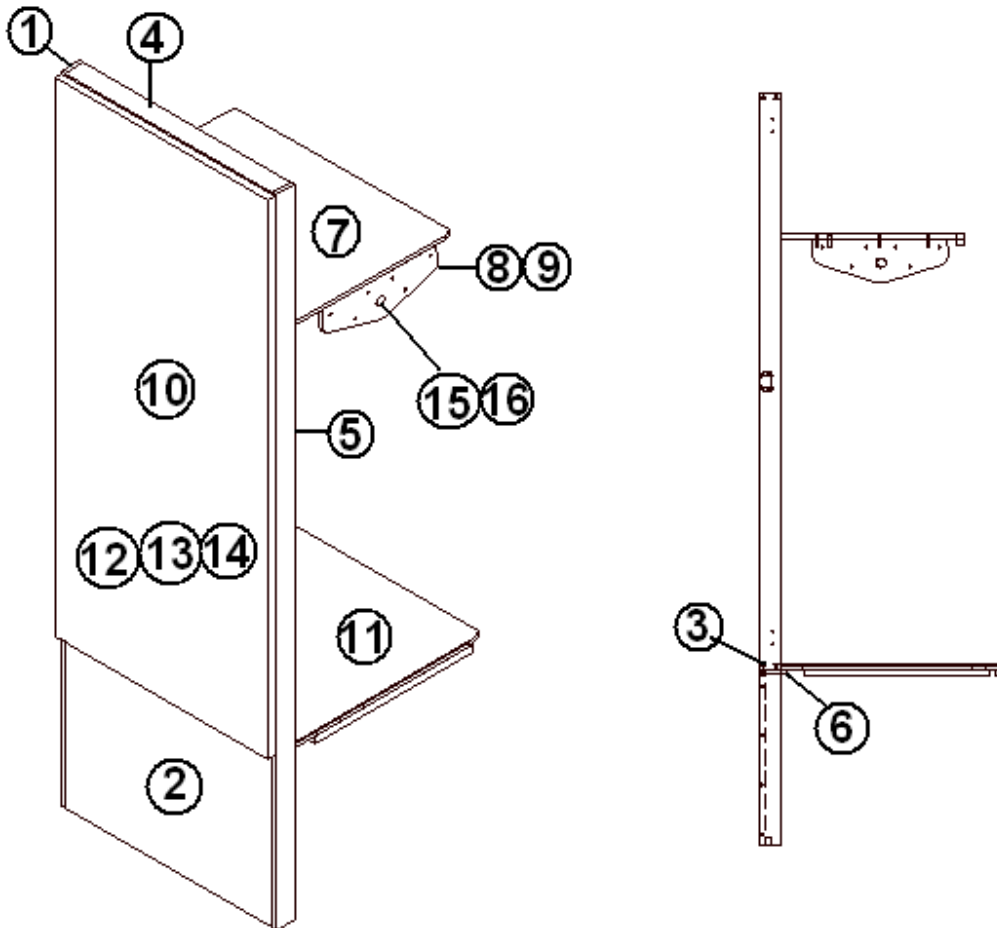


967267-081

FACE FRAME MICROWAVE OVEN OPTION

2013 SPORT  
FURNITURE, GALLEY

Storage Cabinet, Roadside, 22' Front Bed



Part numbers on the next page.



**2013 SPORT**  
**FURNITURE, GALLEY**

**Storage Cabinet, Roadside, 22' Front Bed**

967253-08	STORAGE CABNET
1. 967253-081	PANEL, 2.25 X 77.75
2. 967253-083	PANEL, 27 X 17.5
3. 967253-084	PANEL, 2.25 X 27
4. 967253-085	PANEL, 2.25 X 27
5. 967253-086	PANEL, 2.25 X 77.75
6. 967253-087	PANEL, 2.25 X 27
7. 967253-0810	PANEL, 18.75 X 26
8. 967253-0811	PANEL, 14 X 4.4
9. 967253-0812	PANEL, 14.25 X 5.5
10. 967253-0813	PANEL, 27.62 X 59.38
11. 701538-01	CARPET, ECONOLIER W/PSA BACK
12. 382044	HANDLE-BRUSHED NICKEL
13. 381607	HINGE ASSY
14. 381228	CATCH, GRABBER DOOR
15. 380045	TUBING, 3/4"
16. 200975-04	CONDUIT, FLEXIBLE, BLACK PLASTIC

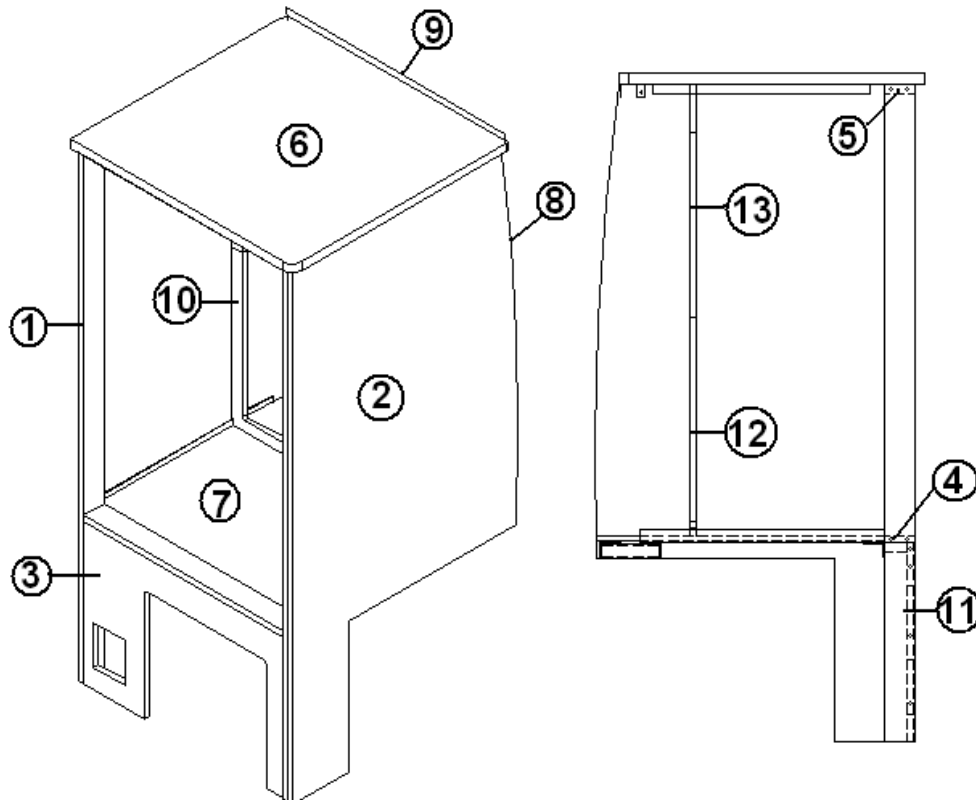
2013 SPORT  
FURNITURE, GALLEY

Spice rack, 22' Front Bed

382052      SPICE RACK, CHROME

## 2013 SPORT FURNITURE, GALLEY

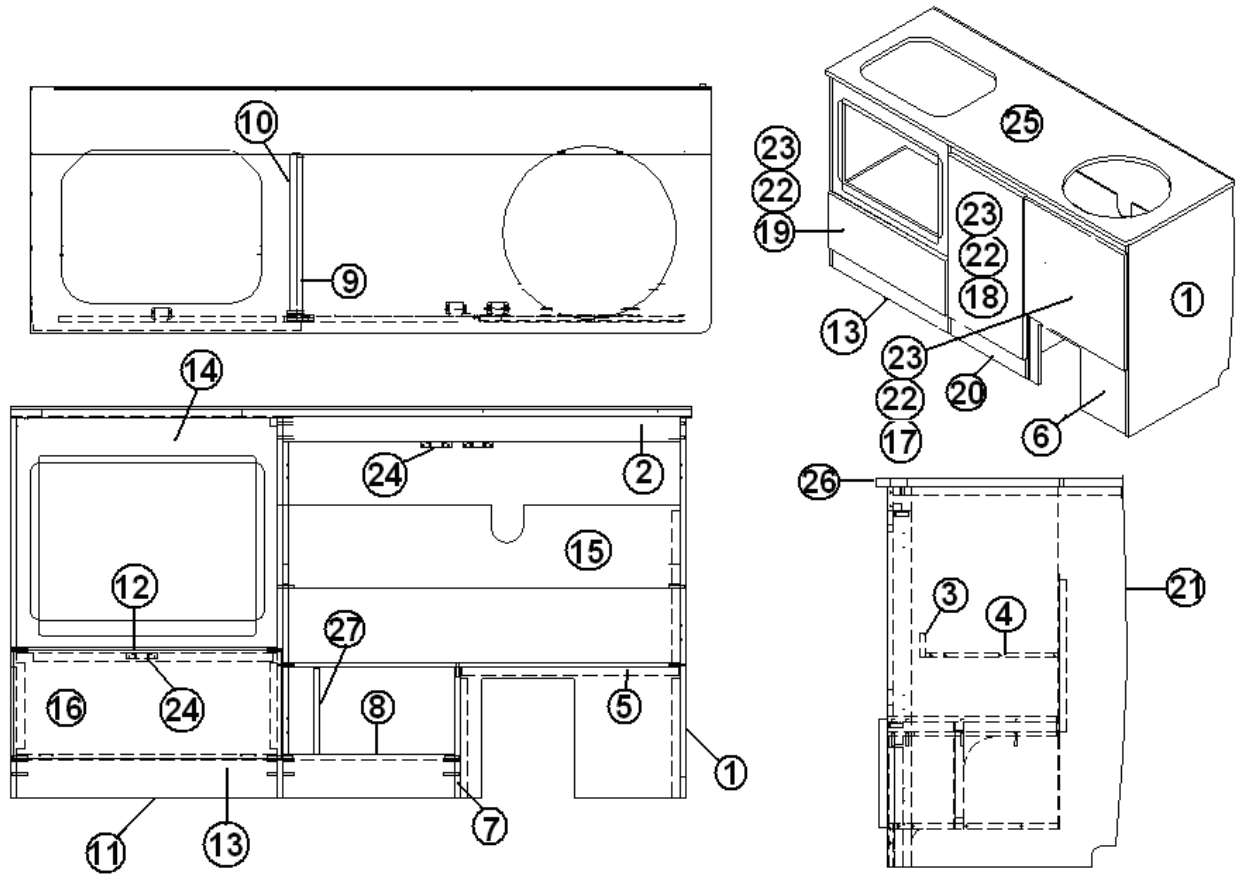
### Refrigerator Cabinet, 22' Front Bed



- |               |                                     |
|---------------|-------------------------------------|
| 967441        | CABINET, REFRIGERATOR               |
| 1. 967441-1   | PANEL, REFER CABINET, 23.51 X 48.38 |
| 2. 967441-2   | PANEL, REFER CABINET, 23.5 X 48.38  |
| 3. 967441-3   | PANEL, REFER CABINET, 21 X 14.62    |
| 4. 967441-4   | PANEL, REFER CABINET, 2.25 X 21.00  |
| 5. 967441-5   | PANEL, REFER CABINET, 2.25 X 21.00  |
| 6. 967441-6   | PANEL, REFER CABINET, 22.75 X 22.46 |
| 7. 967442     | REFRIGERATOR STAND                  |
| 8. 203138-01  | EXTRUSION, PLASTIC WALL, WHITE      |
| 9. 114812     | ALUMINUM ANGLE, 1.00 X 1.00         |
| 10. 967441-19 | PANEL, REFER CABINET, 2.25 X 48.38  |
| 11. 967441-20 | PANEL, REFER CABINET, 1.69 X 20.75  |
| 12. 967441-21 | PANEL, REFER CABINET, 1.75 X 16.00  |
| 13. 967441-22 | PANEL, REFER CABINET, 21.75 X 17.25 |

# 2013 SPORT FURNITURE, GALLEY

## Galley, 22' Front Bed



Part numbers on the next page.

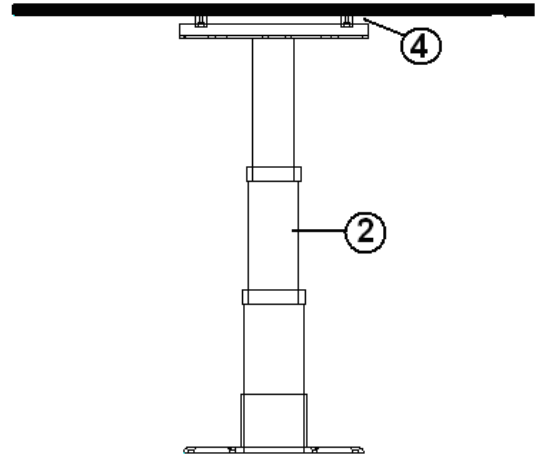
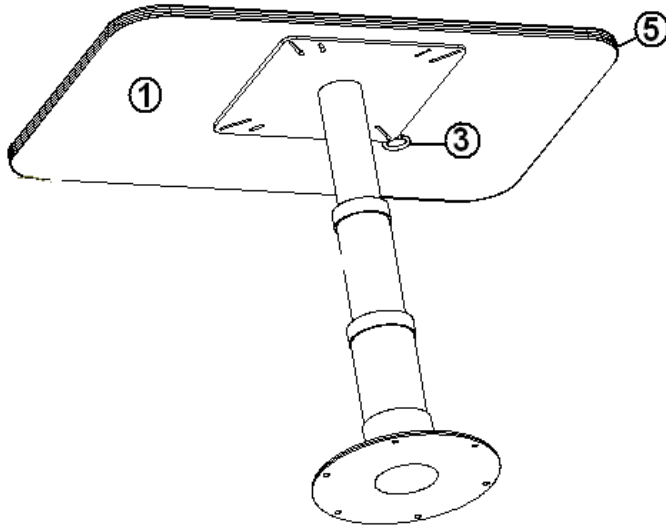
**2013 SPORT**  
**FURNITURE, GALLEY**

Galley, 22' Front Bed

967439	GALLEY ASSY.
1. 967439-1	PANEL, GALLEY, 21.96 X 35.00
2. 967439-2	PANEL, GALLEY, 2.25 X 36.50
3. 967439-3	PANEL, GALLEY, 2.25 X 36.50
4. 967439-4	PANEL, GALLEY, 12.12 X 36.50
5. 967439-5	PANEL, GALLEY, 15.62 X 36.50
6. 967439-6	PANEL, GALLEY, 20.25 X 12.00
7. 967439-7	PANEL, GALLEY, 15.62 X 12.00
8. 967439-8	PANEL, GALLEY, 15.12 X 15.75
9. 967439-9	PANEL, GALLEY, 2.25 X 28.75
10. 967439-10	PANEL, GALLEY, 15.62 X 35.00
11. 967439-11	PANEL, GALLEY, 4.00 X 24.00
12. 967439-12	PANEL, GALLEY, 15.50 X 24.00
13. 967439-13	PANEL, GALLEY, 5.63 X 24.00
14. 967439-14	PANEL, GALLEY, 15.55 X 35.00
15. 967439-15	PANEL, GALLEY, 37.00 X 23.50
16. 967439-16	PANEL, GALLEY, 24.00 X 9.81
17. 967439-17	DOOR, GALLEY, 20.75 X 20.88
18. 967439-18	DOOR, GALLEY, 15.75 X 29.38
19. 967439-19	PANEL, GALLEY, 24.63 X 9.94
20. 967439-20	PANEL, GALLEY, 4.00 X 15.75
21. 203138-01	EXTRUSION, PLASTIC WALL, WHITE
22. 382044	HANDLE, BRUSHED NICKEL
23. 381607	HINGE ASSY.
24. 381228-01	CATCH, GRABBER, DOOR
25. 967440	TOP, GALLEY
26. 115064	TRIM, ALUMINUM COUNTER TOP
27. 967439-30	PANEL, GALLEY, 9.50 X 12.00
967867	CUTLERY DRAWER ASSY.
967860	INSERT, CUTLERY DRAWER

2013 SPORT  
FURNITURE, GALLEY

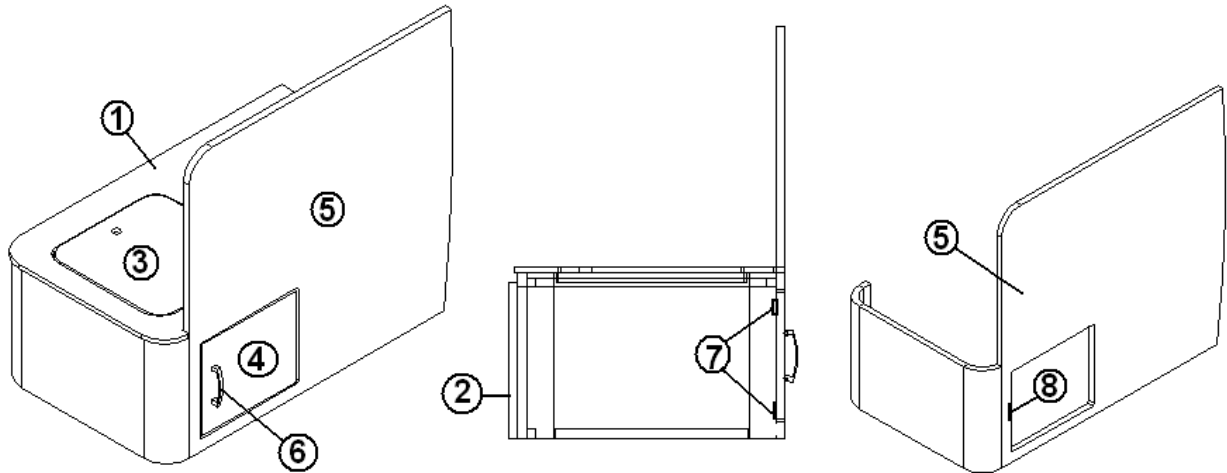
Dinette Table, 22' Front Bed



- 967484      DINETTE TABLE
1. 967484-1    DINETTE TABLE TOP, 34.75 X 21.88
2. 382073-01    BRACKET, PEDESTAL TABLE
3. 381109-01    BUNK LATCH, W/FLAT U STRIKE
4. 381400-01    DRAWER SLIDE, 12"
5. 115472      TRIM, ALUMINUM COUNTER TOP

2013 SPORT  
FURNITURE, GALLEY

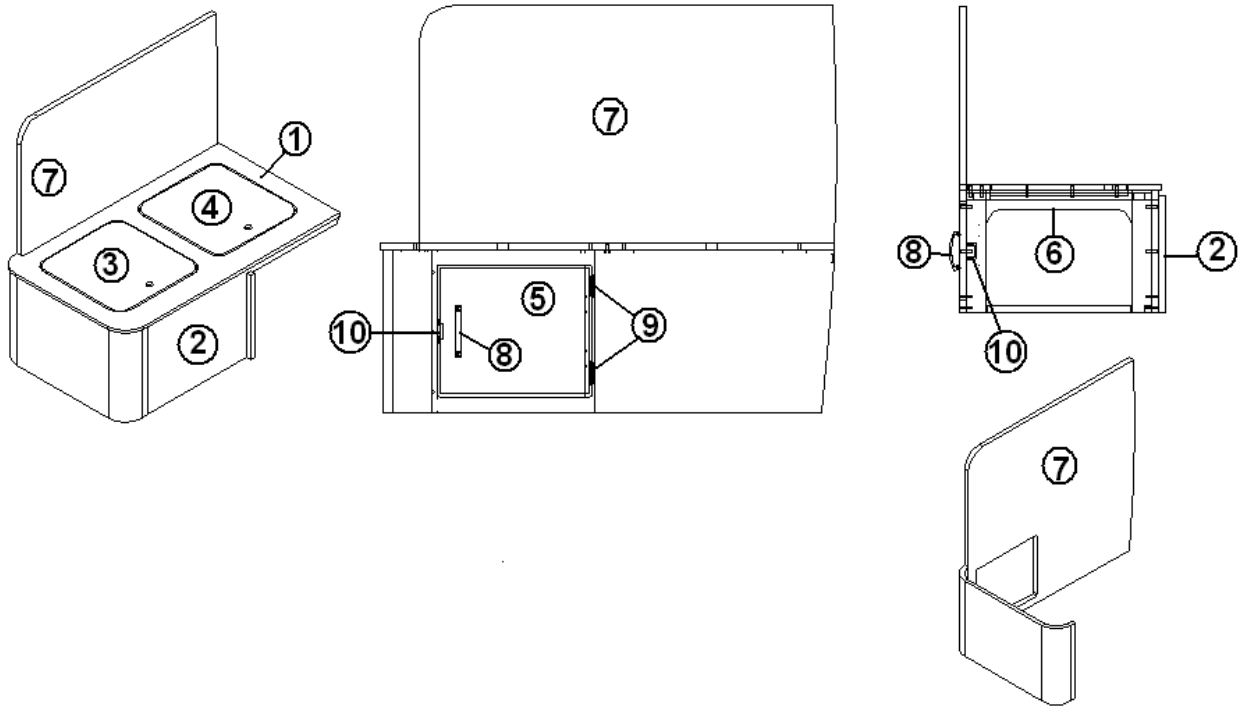
Dinette Seat, Rear, 22' Front Bed



- |              |                                    |
|--------------|------------------------------------|
| 967446       | SEAT ASSY, REAR DINETTE            |
| 1. 967446-1  | PANEL, DINETTE SEAT, 22.5 X 38.08  |
| 2. 967446-2  | PANEL, DINETTE SEAT, 14.25 X 33.81 |
| 3. 967446-3  | PANEL, DINETTE SEAT, 14.5 X 15.50  |
| 4. 967446-6  | PANEL, DINETTE SEAT, 12.5 X 10.50  |
| 5. 967443    | DINETTE SEAT SUB ASSY.             |
| 6. 382044    | HANDLE, BRUSHED NICKEL             |
| 7. 381607    | HINGE ASSY.                        |
| 8. 381228-01 | CATCH, GRABBER, DOOR               |

## 2013 SPORT FURNITURE, GALLEY

### Dinette Seat, Forward, 22' Front Bed

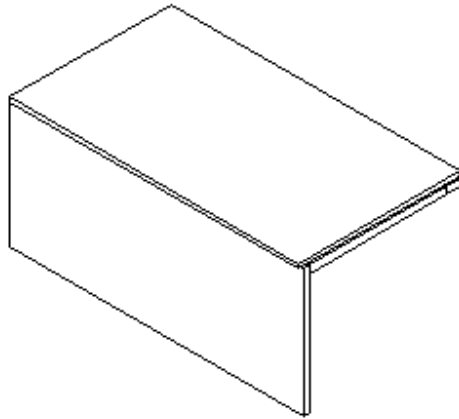


<p>967447</p> <p>1. 967447-1</p> <p>2. 967447-2</p> <p>3. 967447-3</p> <p>4. 967447-4</p> <p>5. 967447-7</p> <p>6. 967447-8</p> <p>7. 967444</p> <p>8. 382044</p> <p>9. 381607</p> <p>10. 381228-01</p>	<p>SEAT ASSEMBLY, FORWARD, DINETTE</p> <p>PANEL, DINETTE SEAT, 22.5 X 38.08</p> <p>PANEL, DINETTE SEAT, 13.75 X 33.81</p> <p>PANEL, DINETTE SEAT, 14.5 X 15.50</p> <p>PANEL, DINETTE SEAT, 14.5 X 15.50</p> <p>PANEL, DINETTE SEAT, 12.5 X 10.50</p> <p>PANEL, DINETTE SEAT, 20.75 X 13.75</p> <p>FORWARD DINETTE SEAT SUB ASSEMBLY</p> <p>HANDLE, BRUSHED NICKEL</p> <p>HINGE ASSY</p> <p>CATCH, GRABBER, DOOR</p>
---	---



2013 SPORT  
FURNITURE, GALLEY

Dinette Seat, Middle, 22' Front Bed

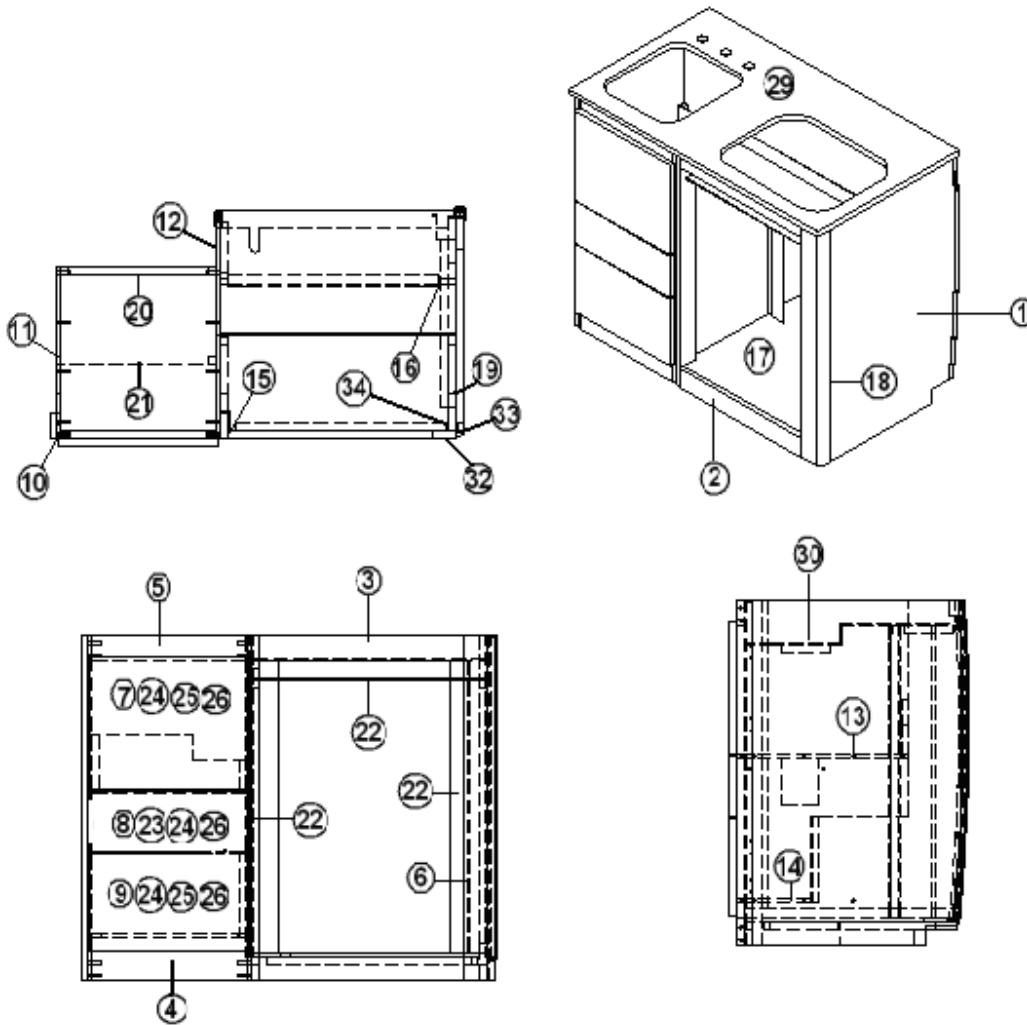


967445

DINETTE SEAT, MIDDLE DINETTE

# 2013 SPORT FURNITURE, GALLEY

Galley, 16'



Parts Listed on Next Page

## 2013 SPORT

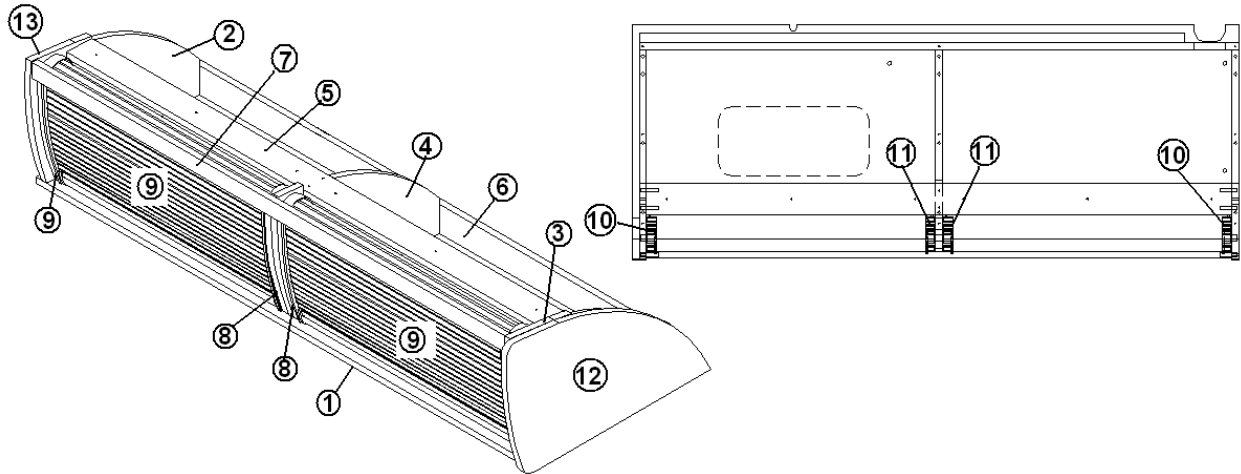
### FURNITURE, GALLEY

Galley, 16'

1.	967790	GALLEY ASSEMBLY
2.	967790-1	PANEL, GALLEY 35 X 21.76
3.	967790-2	PANEL, GALLEY 20.75 X 2.75
4.	967790-3	PANEL, GALLEY 20.75 X 2.5
5.	967790-4	PANEL, GALLEY 15.75 X 4.25
6.	967790-5	PANEL, GALLEY 15.75 X 2.5
7.	967790-6	PANEL, GALLEY 2.43 X 35
8.	967790-7	DOOR GALLEY 16.38 X 13.44
9.	967790-8	DOOR GALLEY 16.38 X 6.19
10.	967790-9	DOOR GALLEY 16.38 X 9.94
11.	967790-10	PANEL, GALLEY 2.5 X 35
12.	967790-11	PANEL, GALLEY 17.5 X 35
13.	967790-12	PANEL, GALLEY 23.46 X 35
14.	967790-13	PANEL, GALLEY 17.5 X 15.75
15.	967790-14	PANEL, GALLEY 15.75 X 9
16.	967790-15	PANEL, GALLEY 2.5 X 35
17.	967790-16	PANEL, GALLEY 1.75 X 29.75
18.	800507-03	LAUAN, 3/8" X 4' X 8'
19.	801706-0014	TRIM CORNER 90D 1"R ALCHEMY 84
20.	800025-01	PINE 3/4" X 3/4" STAINED
21.	967790-20	PANEL, GALLEY 15.75 X 5.5
22.	967790-21	PANEL, GALLEY 16.25 X 8.75
23.	381830	WIPER RUBBER 1.125" X 2" L
24.	967145-02	DWR BOX ASSY 4.5 X 14.53 X 14.88
25.	382044	HANDLE BRUSHED NICKEL
26.	381607	HINGE ASSY GRASS EURO
27.	381228-01	CATCH GRABBER DOOR C3803
28.	365343-01	EDGEBANDING.63" GOLD ALCHEMY
29.	365343-02	EDGEBANDING .94" GOLD ALCHEMY
30.	967795	TOP ASSY GALLEY 16 SP
31.	967791	CLOSEOUT GALLEY 16 SP
32.	967790-32	PANEL, GALLEY 21.82 X 3.75
33.	800507-02	LAUAN, 1/4" X 4' X 8'
34.	967790-34	PANEL, GALLEY 2.25 X 31.25
	967860	CUTLERY DRAWER INSERT

## 2013 SPORT FURNITURE, GALLEY

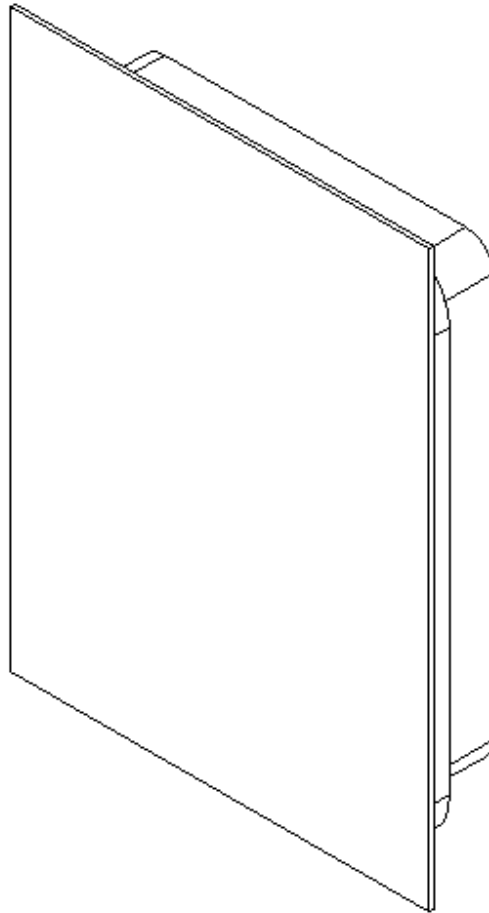
### Roof Locker, Galley, 16'



967500-08	LOCKER, GALLEY
1. 967500-081	PANEL, ROOF LOCKER, 15.63 X 43.75
2. 967500-082	PANEL, ROOF LOCKER, 15.3 X 10.20
3. 967500-083	PANEL, ROOF LOCKER, 15.3 X 10.20
4. 967500-084	PANEL, ROOF LOCKER, 14.67 X 10.12
5. 967500-085	PANEL, ROOF LOCKER, 2.25 X 42.75
6. 967500-086	PANEL, ROOF LOCKER, 2.25 X 42.75
7. 967500-087	PANEL, ROOF LOCKER, 1.25 X 42.75
8. 201164-02	SPIRALS-ROOF LOCKER, PLATINUM, LH/RH
9. 967104-08	DOOR, TAMBOUR, 9.88 X 20.63
9. 101265-01	EXTRUSION, BLACK, TAMBOUR DOOR HANDLE
9. 201163-01	ENDCAP, BLACK, TAMBOUR DOOR HANDLE
10. 115382-01	TRIM, ALUMINUM ROOF LOCKER, .688 X 10.00
11. 115382-02	TRIM, ALUMINUM, ROOF LOCKER, 1.88 X 10.00
12. 967500-0814	PANEL, ROOF LOCKER, 18.5 X 11.00
13. 967500-0815	PANEL, ROOF LOCKER, 18.5 X 11.00

2013 SPORT  
FURNITURE, BATH

Medicine Cabinet w/Mirror, 16'

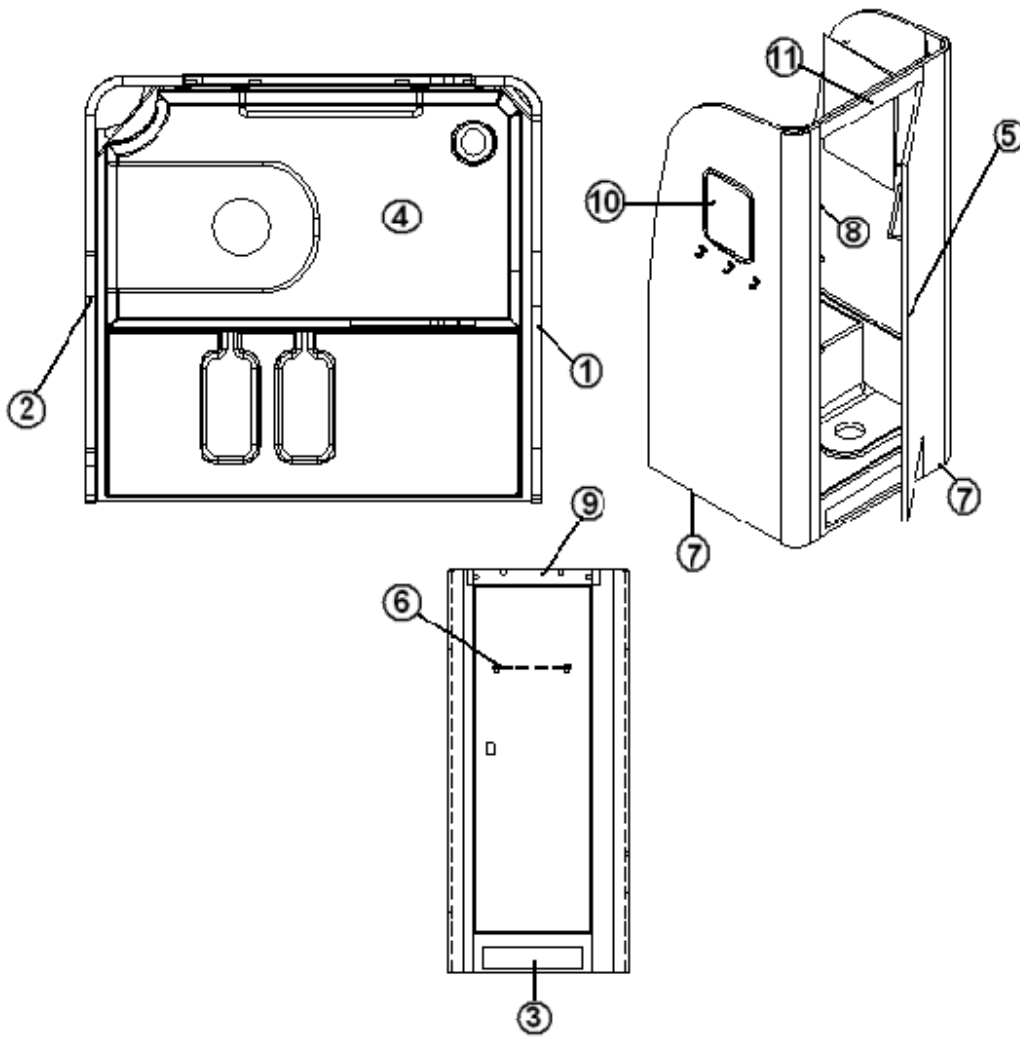


601847

CABINET, MEDICINE W/MIRROR 16"X 22"

2013 SPORT  
FURNITURE, BATH

111999 Bath Module, 16', Side Entry



Parts Listed on Next Page

**2013 SPORT  
FURNITURE, BATH**

**111999 Bath Module, 16'**

1. 967781 Wall Assembly, Fwd. Wet Bath
2. 967783 Wall Assembly, Rear Wet Bath
3. 111999-5 Panel, Bath 23.5" x 7.5"
4. 203729-01 Shower Base, Side Entry
5. 967782 Door Assembly, Wet Bath
6. 382098 Handle, Glass Chrome 14.25"
7. 114879-201 Aluminum sheet
8. 115538 Trim, Aluminum Angle .5" x .75'
9. 111999-17 Panel, Bath 23.5" x 3"
10. 111639 Hook, Dry/Erase Install (See pageIII-37 for components.)
11. 111999-23 Panel, 26.50 x 3.00" Wet Bath
- 345418 Screw, #6 x .75" S.S.
- 300140-01 Washer 1.5" OD
- 382063 Retractable clothes line
- 111999-3 Closeout assy., Wet Bath 60.75 X 3.86

## 2013 SPORT

### FURNITURE, BATH

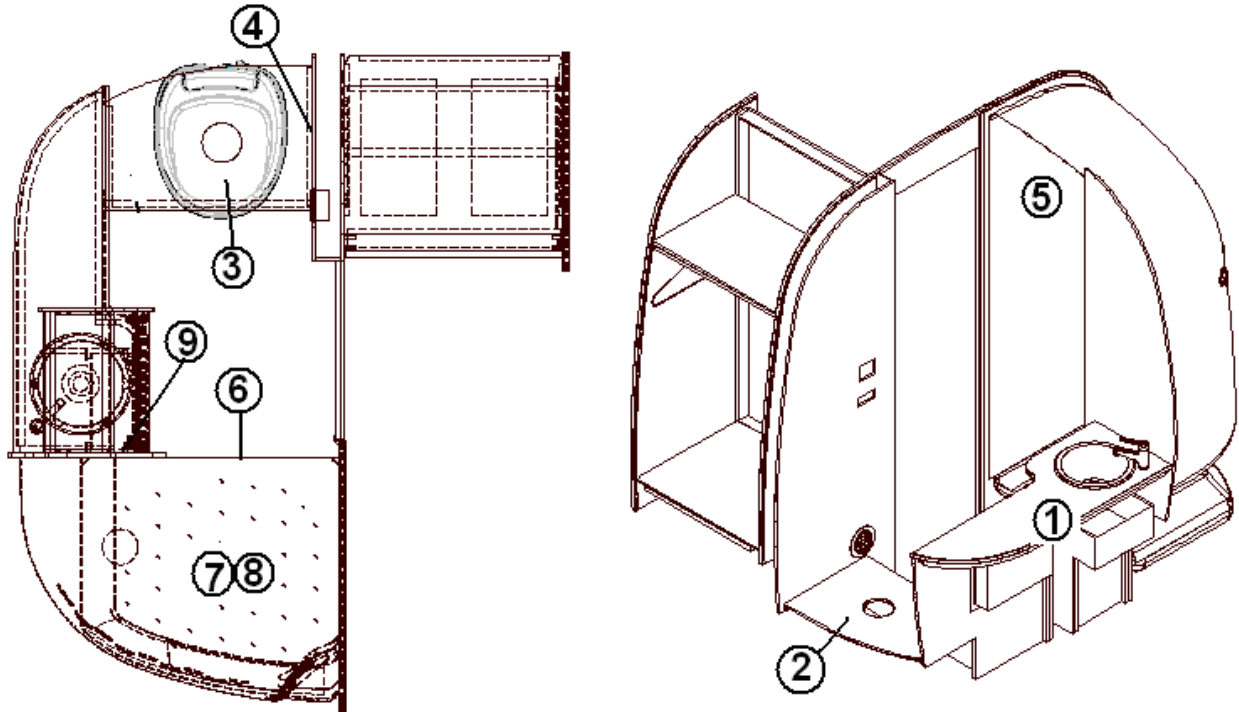
#### Shower Curtain, 16'

703467-01	SHOWER CURTAIN, SQUARE CORNER
703467-04	SHOWER CURTAIN, SIDE ENTRY BATH
703460	FABRIC PENNE OFF WHITE, SHOWER
700103	WEBBING 1/2IN FOR SHOWER CURTAIN
700045	GLIDES CURTAIN G3 W/ELASTIC
700044	GLIDES, CURTAIN W/ELASTIC, T-2
700021	HOOK, VELCRO, WHITE
700020	PILE VELCRO
703467-03	STRAP-SHOWER CURTAIN
381581	STRAP CLEAR PLASTIC .75" WIDE
700811	BUTTON CAP, HANDY
700812	BUTTON BOTTOM, HANDY
101225	Extrusion, aluminum curtain track attachment
101217	Extrusion, curtain track
200785	Ends, Curtain track LH White
200784	Ends, Curtain track RH White



# 2013 SPORT FURNITURE, BATH

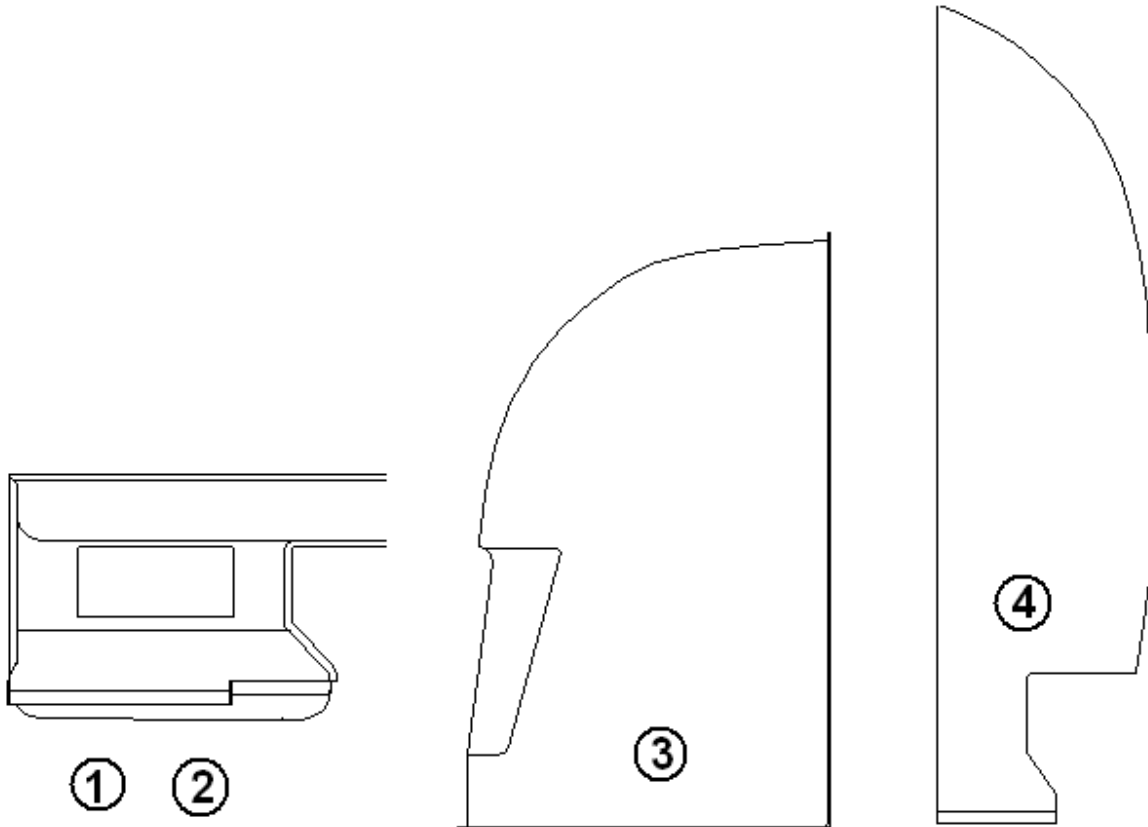
## Bath Module, 22' Front Bed



- |              |  |
|--------------|--|
| 1. 967255    | LAVATORY ASSEMBLY                        |
| 2. 967254    | STAND, TOILET                            |
| 3. 690495-01 | TOILET, THETFORD, AQUAMAGIC V-LO         |
| 4. 382098    | Handle, 14.25", Glass Chrome (Towel bar) |
| 5. 203615    | SHOWER ASSEMBLY                          |
| 6. 703725    | DOOR, SHOWER                             |
| 7. 967113    | SHOWER STAND                             |
| 8. 967114    | SHOWER SEAT SUPPORT                      |
| 9. 371423-02 | MIRROR, WALL MOUNT, NICKEL               |

2013 SPORT  
FURNITURE, BATH

Shower Assembly, 22' Front Bed

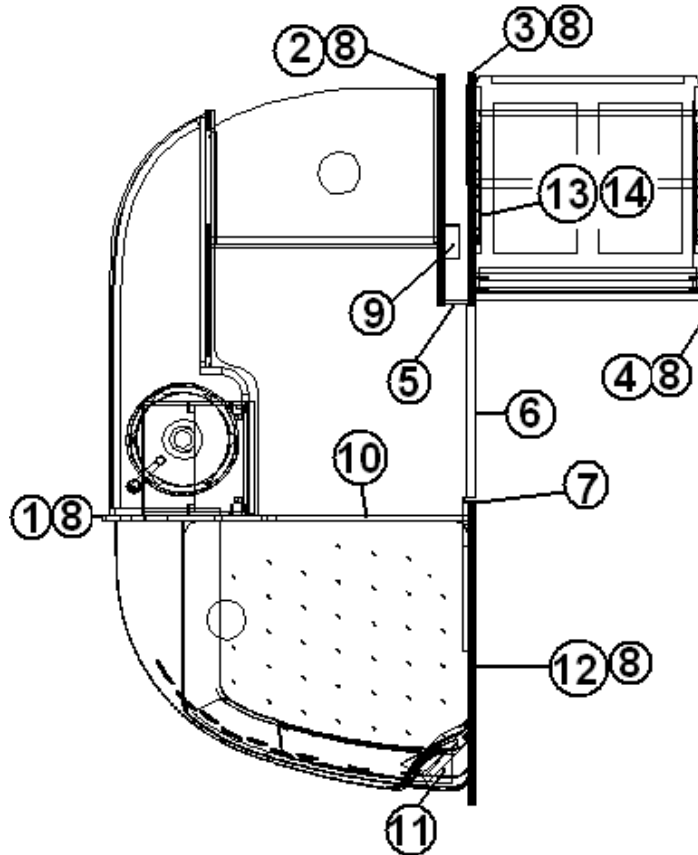


- |               |                      |
|---------------|----------------------|
| 203615        | SHOWER ASSEMBLY      |
| 1. *203692    | Shower base assembly |
| 2. *203615-02 | Shower base assembly |
| 3. 203615-03  | Shower surround      |
| 4. 203615-04  | Shower panel         |

\*Items 1 & 2 are bonded together at the vendor before delivery.

## 2013 SPORT FURNITURE, BATH

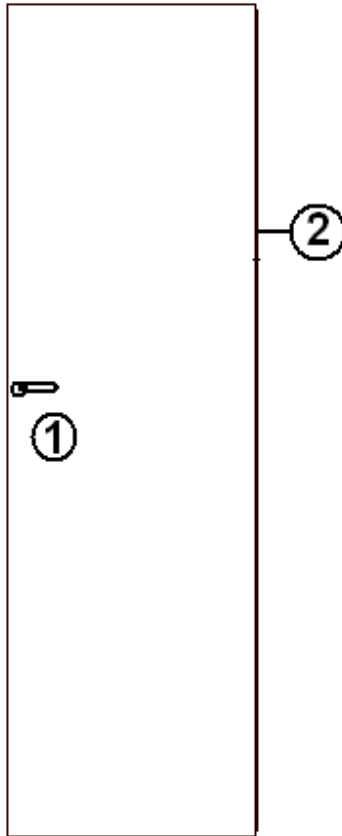
### Bath Panels, 22' Front Bed



- |     |             |                                  |
|-----|-------------|----------------------------------|
| 1.  | 111718-082  | PANEL, BATH, 18.92 X 79.19       |
| 2.  | 111718-083  | PANEL, BATH, 26.38 X 78.05       |
| 3.  | 111718-084  | PANEL, BATH, 26.23 X 77.09       |
| 4.  | 111718-085  | PANEL, BATH, 27.51 X 79.14       |
| 5.  | 111718-086  | PANEL, BATH, 3.00 X 78.06        |
| 6.  | 967257      | DOOR, BATH 22" X 72"             |
| 7.  | 801665-WH   | MOLDING-L, DOOR JAMB             |
| 8.  | 203138-01   | EXTRUSION, PLASTIC, 1/2", WHITE  |
| 9.  | 601244-02   | REGISTER, ROTAIRE, 4", WHITE     |
| 10. | 111718-0817 | PANEL, BATH, 23.25 X 7.25        |
| 11. | 111718-0822 | PANEL, BATH, 5.5 X 5.5           |
| 12. | 967273      | SUB ASSEMBLY, FORWARD BATH PANEL |
| 13. | 111718-0824 | PANEL, BATH, 5.50 X 5.50         |
| 14. | 111718-0825 | PANEL, BATH, 9.50 X 9.50         |
|     | 382063      | CLOTHESLINE, RETRACTABLE         |

2013 SPORT  
FURNITURE, BATH

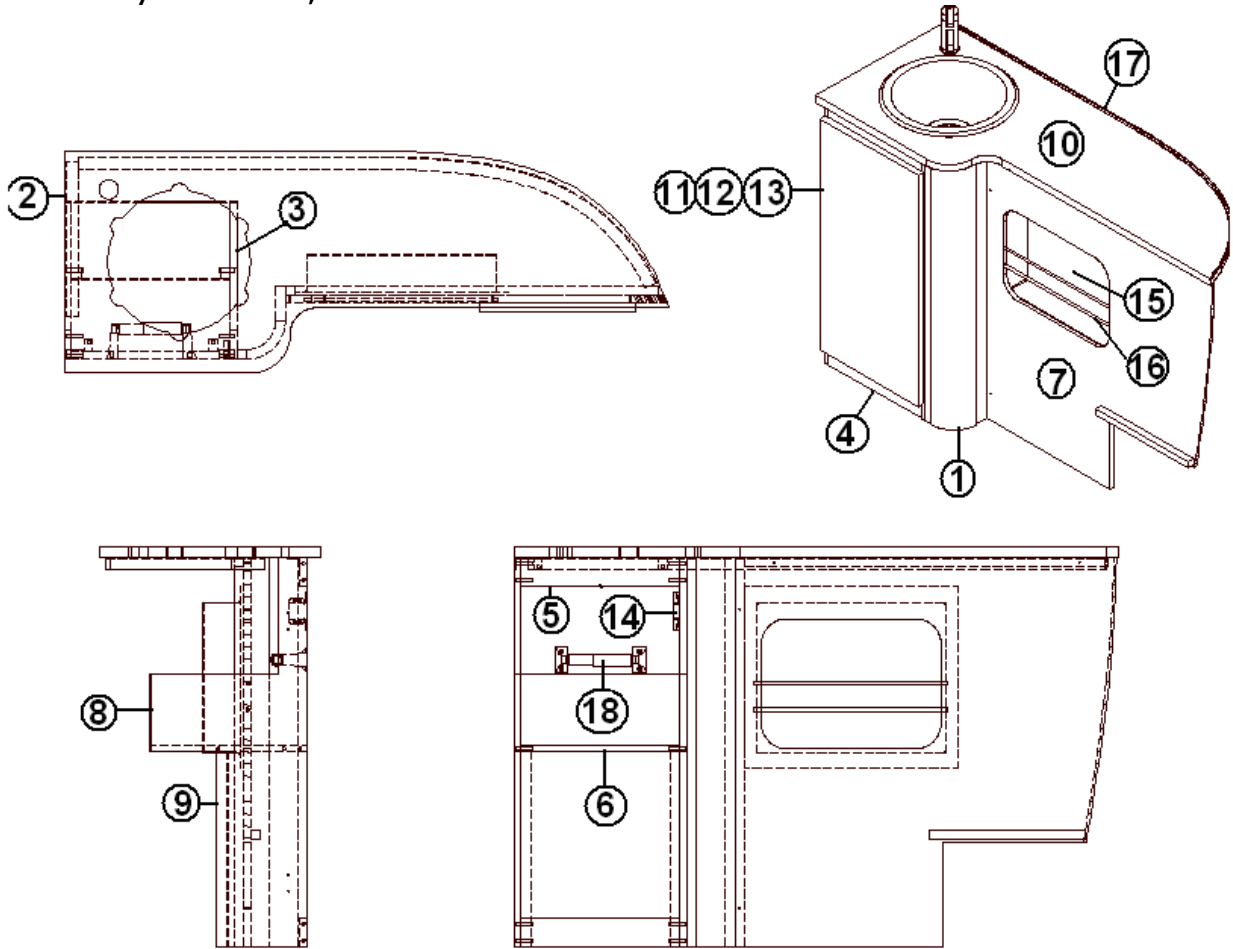
Bath Door, 22' Front Bed



- |              |                       |
|--------------|-----------------------|
| 967257       | DOOR, BATH, 22" X 72" |
| 1. 381771    | LATCH, LEVER          |
| 2. 380203-01 | PIANO HINGE, 1/8" PIN |

2013 SPORT  
FURNITURE, BATH

Lavatory Cabinet, 22' Front Bed



Part numbers on the next page.

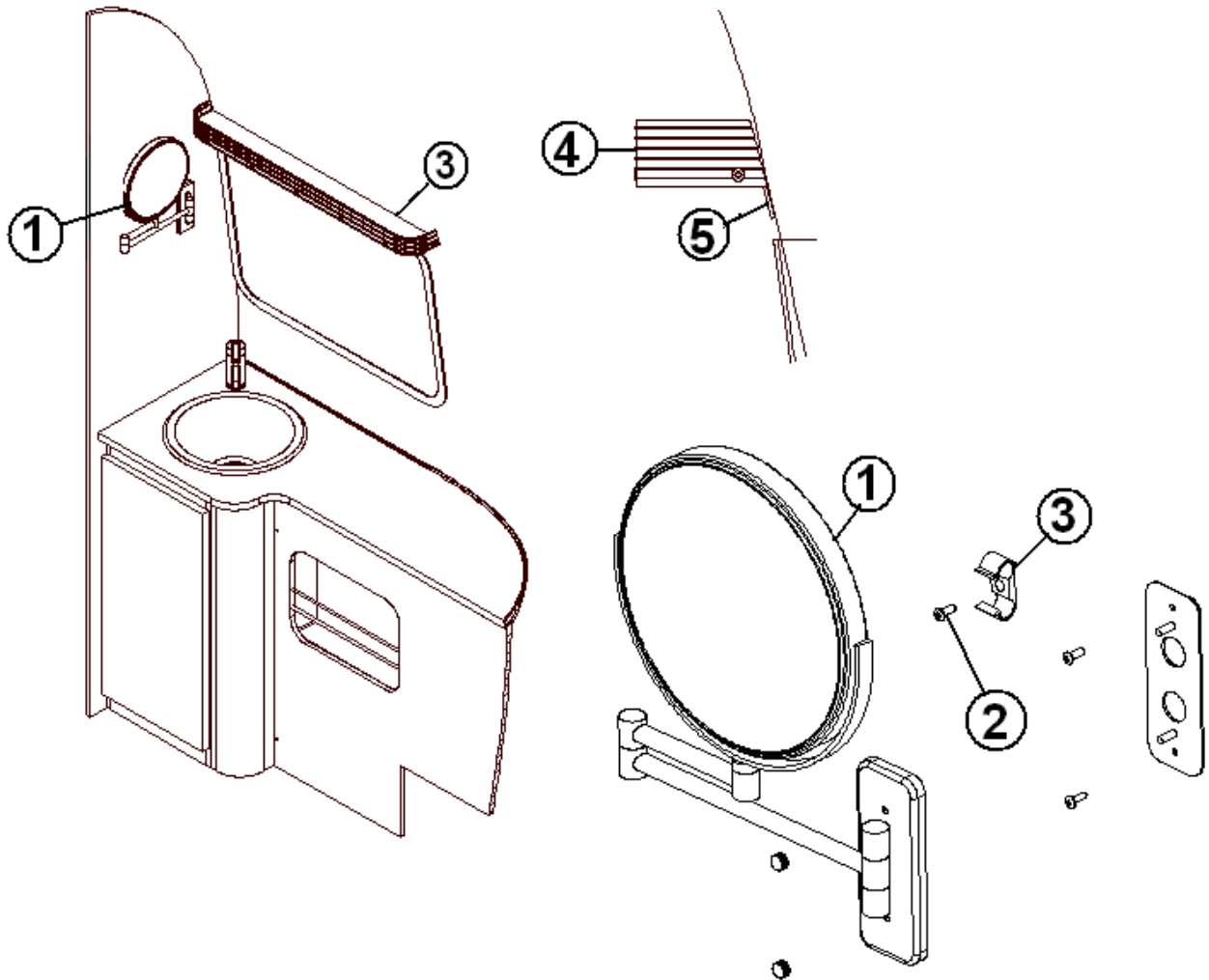
2013 SPORT  
FURNITURE, BATH

Lavatory Cabinet, 22' Front Bed

967255	LAVATORY CABINET
1. 967256	LAVATORY RADIUS ASSEMBLY
2. 967255-082	PANEL, LAVATORY, 12 X 30
3. 967255-083	PANEL, LAVATORY, 12 X 30
4. 967255-084	PANEL, LAVATORY, 2.25 X 12.23
5. 967255-085	PANEL, LAVATORY, 2.25 X 12.23
6. 967255-086	PANEL, LAVATORY, 11.94 X 12.23
7. 967255-087	PANEL, LAVATORY, 31.53 X 30
8. 967255-088	PANEL, LAVATORY, 13.23 X 6
9. 967255-089	PANEL, LAVATORY, 12.23 X 15
10. 967255-0810	PANEL, LAVATORY, 17.05 X 46.53
11. 967255-0811	DOOR, LAVATORY 12.85 X 26.13
12. 381607	HINGE ASSEMBLY
13. 382044	PULL, BAR, BRUSHED NICKEL
14. 381228-01	CATCH GRABBER, DOOR
15. 203383	RACK, MAGAZINE ABS
16. 115042	ROD, .25", ALUMINUM, 6' LENGTH
17. 115064	TRIM, ALUMINUM COUNTER TOP
18. 380034	TOILET PAPER HOLDER, CHROME
114812	ALUMINUM ANGLE, 1.00 X 1.00
203445	T-MOLDING BLK FLEXIBLE POLY .5

2013 SPORT  
FURNITURE, BATH

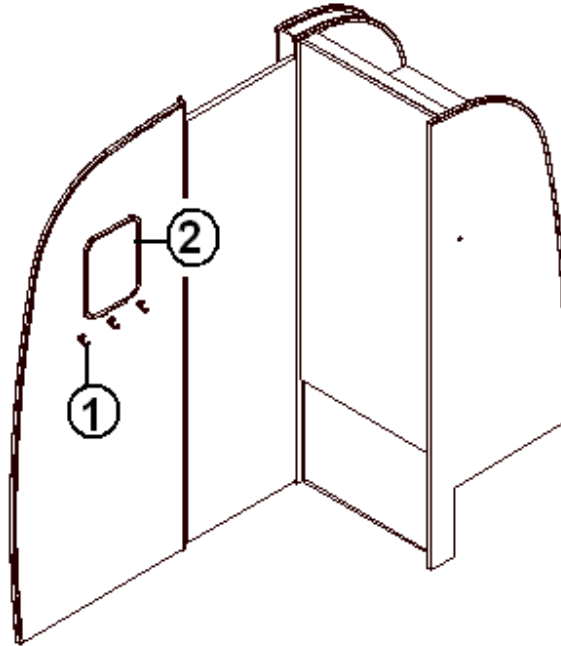
Lavatory Mirror/Rear Bath Shelf, 22' Front Bed



- |              |                                 |
|--------------|---------------------------------|
| 1. 371423-02 | MIRROR, WALL MOUNT NICKEL       |
| 2. 320035    | SCREW 8 X 1/2 PH TYPE A PHIL WD |
| 3. 371423-01 | RETAINER CLIP, 1 7/8" LONG      |
| 4. 967135    | SHELF-REAR BATH                 |
| 5. 115394    | ANGLE, REAR BATH SHELF          |

2013 SPORT  
FURNITURE, BATH

Dry Erase Board/Coat Hooks, 16' Side Entry Wet Bath & 22' Front Bed



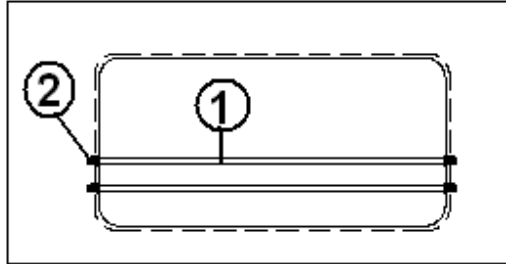
1. 381945
2. 381834

BOARD, DRY/ERASE 11" X 14", MAGNET  
ALUMINUM COAT HOOK



2013 SPORT  
FURNITURE, BATH

Shower Shelf Rods, 22' Front Bed

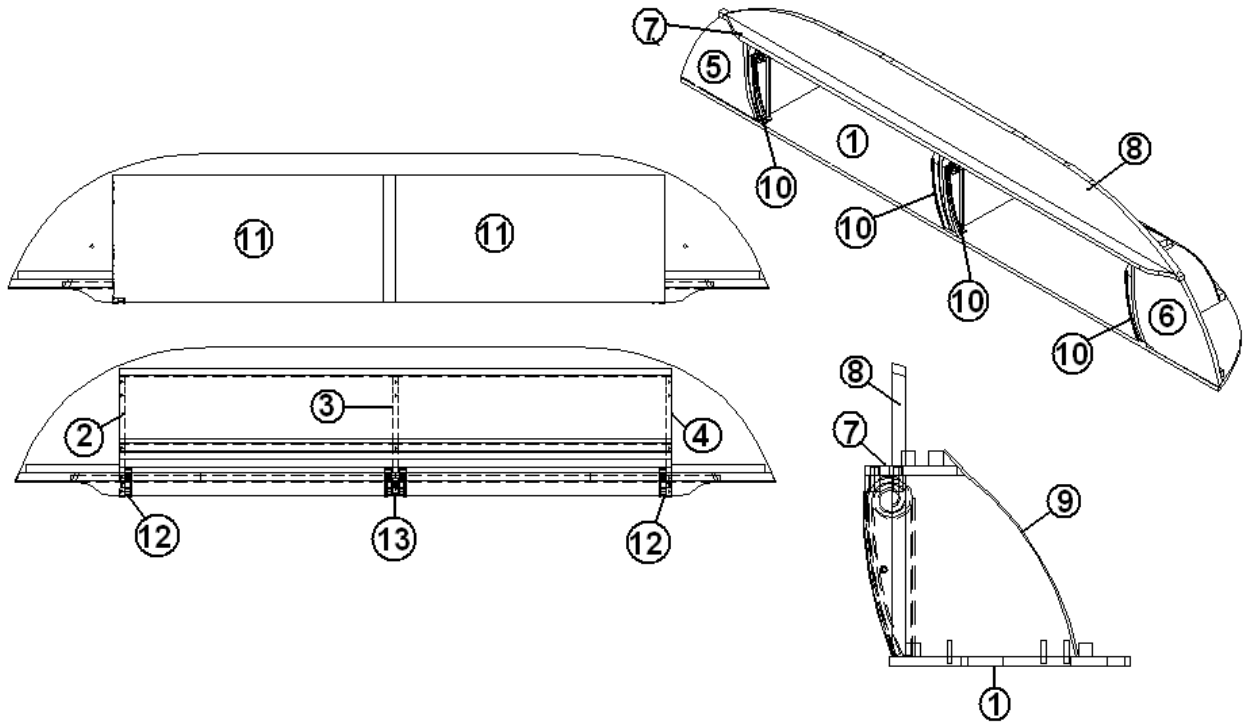


- |              |                              |
|--------------|------------------------------|
| 1. 115042    | Rod, aluminum, 1/4", 6' long |
| 2. 380019-01 | Bushing, snap, 1/4"          |

# 2013 SPORT

## FURNITURE, BEDROOM

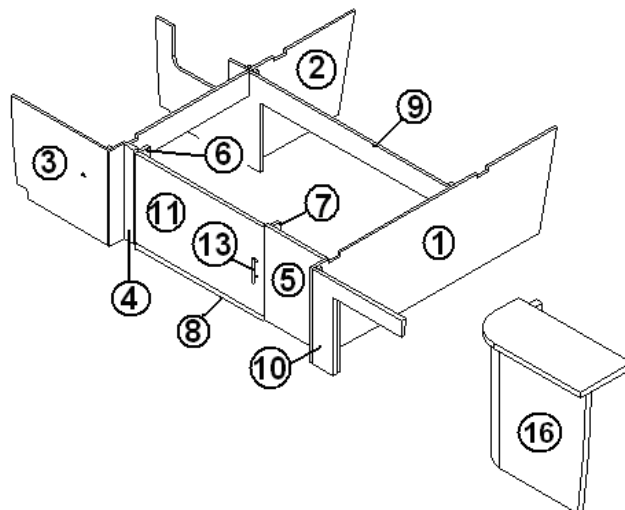
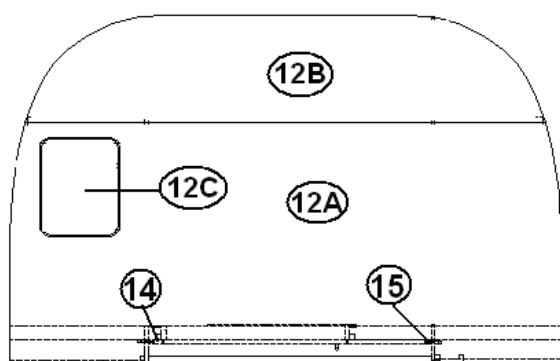
### Roof Locker, Front, 22' Front Bed



- |  |  |
|--|--|
| <p>967435</p> <p>1. 967435-1</p> <p>2. 967435-2</p> <p>3. 967435-3</p> <p>4. 967435-4</p> <p>5. 967435-5</p> <p>6. 967435-6</p> <p>7. 967435-7</p> <p>8. 967435-8</p> <p>9. 967435-9</p> <p>10. 201164-02</p> <p>11. 967104-01</p> <p>12. 115382-01</p> <p>13. 115382-02</p> | <p>ROOF LOCKER, FRONT</p> <p>PANEL, FRONT ROOF LOCKER, 13.00 X 72.87</p> <p>PANEL, FRONT ROOF LOCKER, 9.46 X 9.81</p> <p>PANEL, FRONT ROOF LOCKER, 9.21 X 9.81</p> <p>PANEL, FRONT ROOF LOCKER, 9.46 X 9.81</p> <p>PANEL, FRONT ROOF LOCKER, 9.94 X 9.81</p> <p>PANEL, FRONT ROOF LOCKER, 9.94 X 9.81</p> <p>PANEL, FRONT ROOF LOCKER, 5.00 X 62.39</p> <p>PANEL, FRONT ROOF LOCKER, 5.50 X 61.30</p> <p>PANEL, FRONT ROOF LOCKER, 13.50 X 42.80</p> <p>SPIRALS, R/L, PLATINUM, LH/RH</p> <p>DOOR, TAMBOUR, 9.88 X 25.25</p> <p>TRIM, ALUMINUM, ROOF LOCKER, 6.88 X 10.00</p> <p>TRIM, ALUMINUM, ROOF LOCKER, 1.88 X 10.00</p> |
|--|--|

## 2013 SPORT FURNITURE, BEDROOM

### Bed, 22' Front Bed

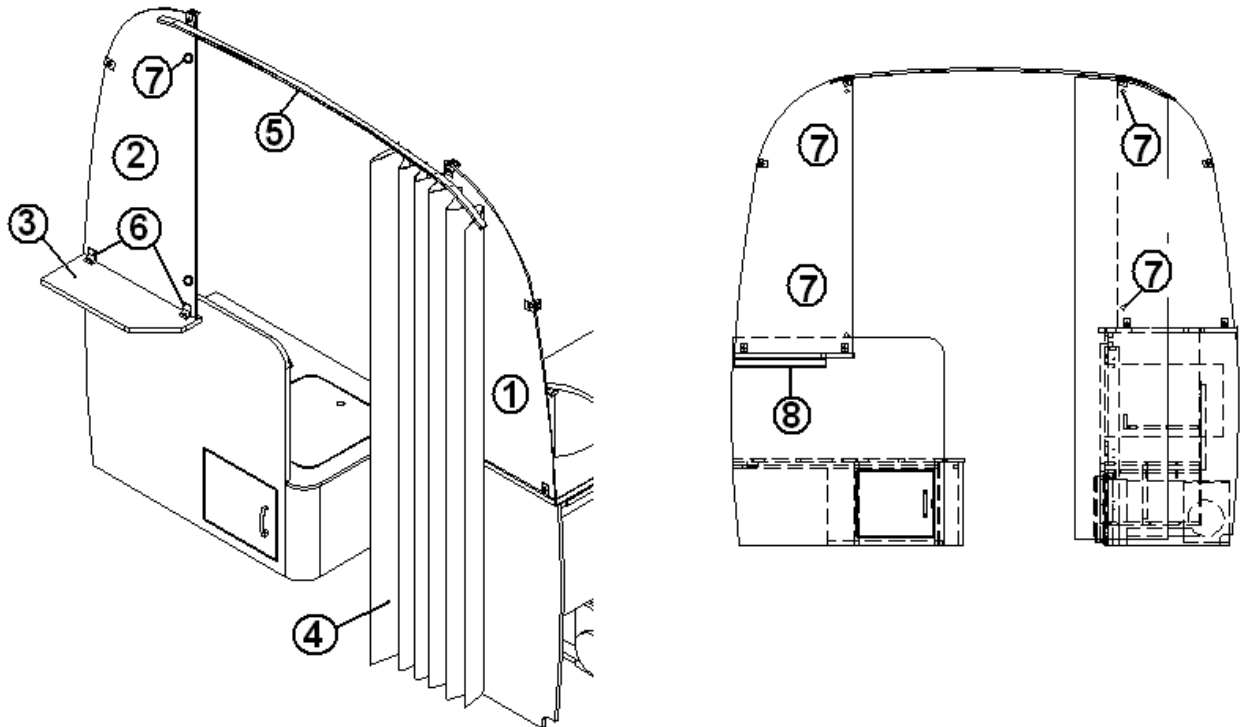


967436	BED ASSY.
1. 967436-1	PANEL, BED, 17.50 X 52.29
2. 967436-2	PANEL, BED, 17.50 X 52.53
3. 967436-3	PANEL, BED, 20.38 X 17.50
4. 967436-4	PANEL, BED, 2.25 X 17.50
5. 967436-5	PANEL, BED, 12.63 X 17.50
6. 967436-6	PANEL, BED, 2.25 X 16.75
7. 967436-7	PANEL, BED, 2.25 X 16.75
8. 967436-8	PANEL, BED, 2.25 X 27.00
9. 967436-9	PANEL, BED, 17.50 X 62.69
10. 967436-10	PANEL, BED, 19.14 X 17.50
11. 967436-11	DOOR, BED, 27.63 X 16.50
12A. 967436-12A	BED TOP
12B. 967436-12B	BED TOP
12C. 967436-12C	BED TOP DOOR
13. 382044	HANDLE, BRUSHED NICKEL
14. 381607	HINGE ASSY.
15. 381228-01	CATCH, GRABBER, DOOR
16. 967451	BED CLOSEOUT

# 2013 SPORT

## FURNITURE, BEDROOM

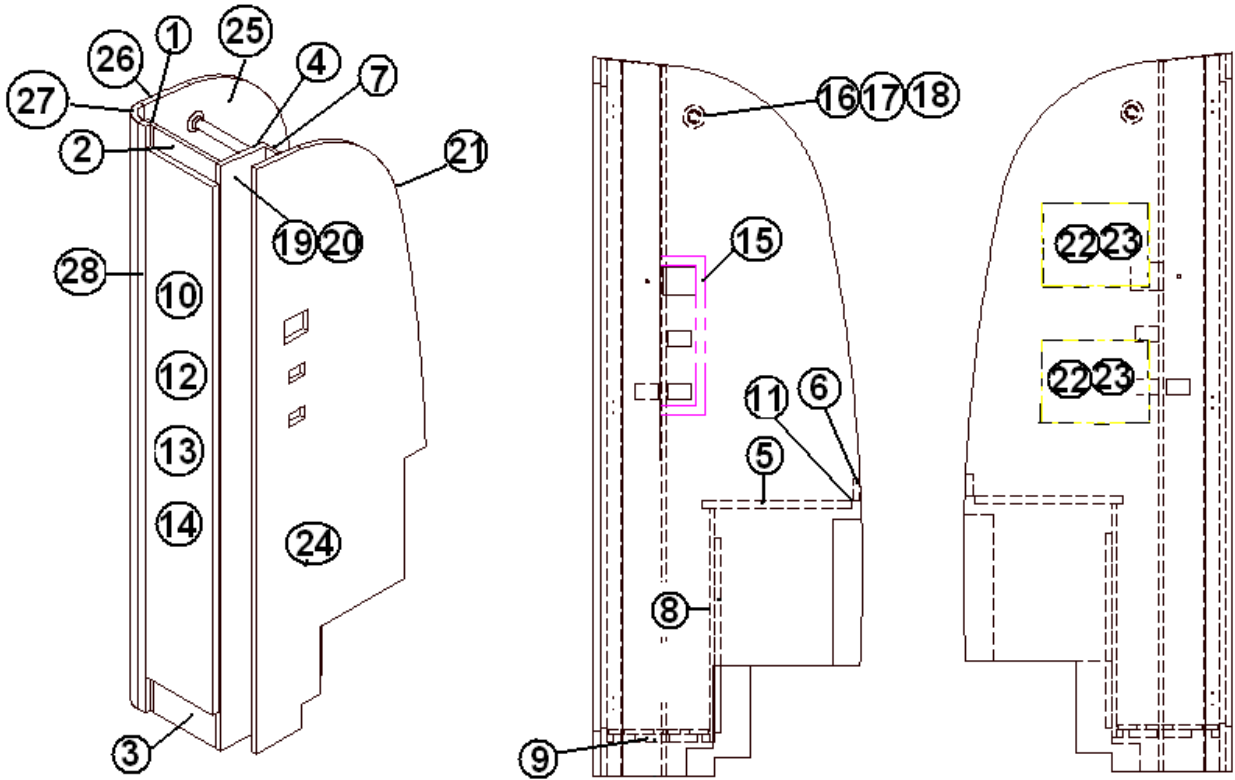
### Privacy Panels, Curtain, 22' Front Bed



- |              |  |
|--------------|--|
| 1. 203658    | PANEL, PRIVACY, RS                       |
| 2. 203659    | PANEL, PRIVACY, CS                       |
| 3. 967452    | SHELF, BEDROOM                           |
| 4. 703801    | CURTAIN, DIVIDING, 51" X 76"             |
| 5. 381563-01 | FOLDETTTE DOOR TRACK, STRAIGHT, 60" GRAY |
| 6. 381782    | PULL, GLASS DOOR, CHROME PLATED          |
| 7. 700822    | HOOK, VELCRO, CIRCLE, ADHESIVE           |
| 8. 115455    | ANGLE, ALUMINUM, .25 X 1.5 X 2.5 X 300"  |

# 2013 SPORT FURNITURE, BEDROOM

Wardrobe, 16', Roadside



Part numbers are on the next page.

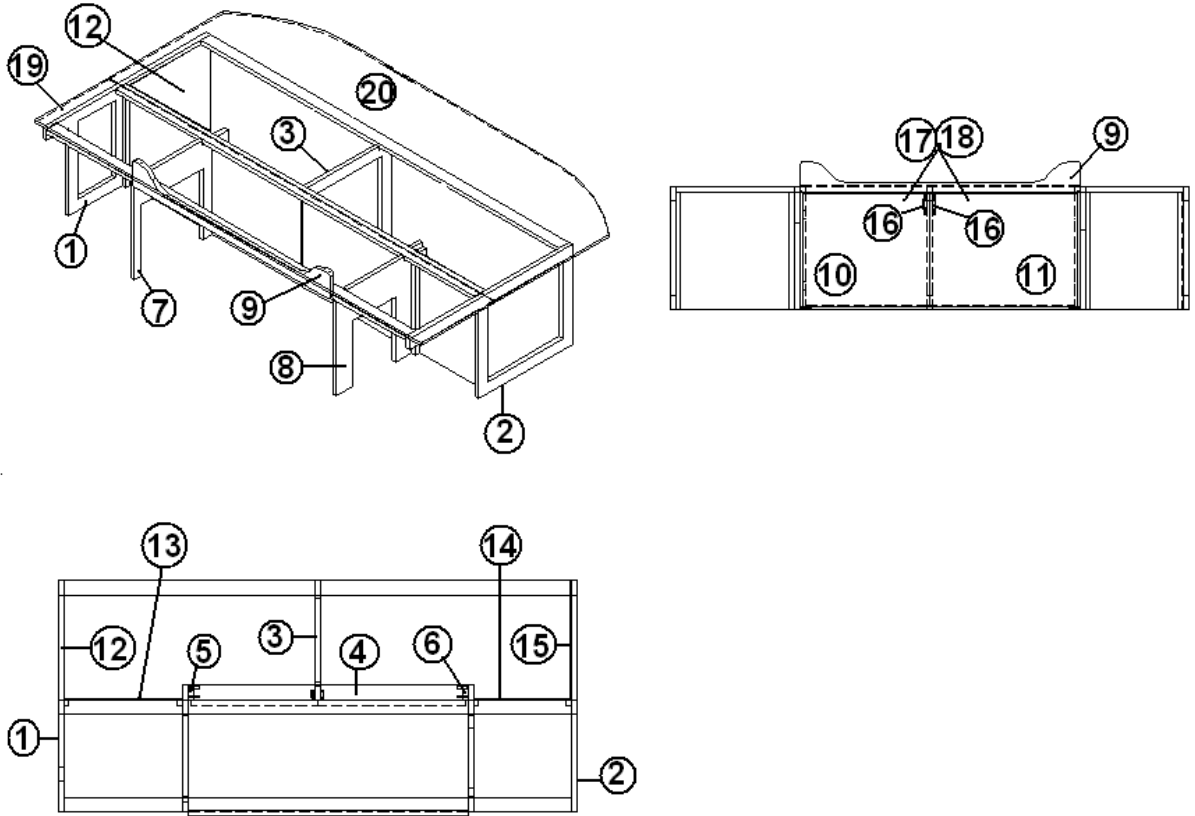
**2013 SPORT**  
**FURNITURE, BEDROOM**

Wardrobe, 16', Roadside

967020-08	ROADSIDE WARDROBE
1. 967020-081	PANEL, 1.5 X 78.28
2. 967020-082	PANEL, 9.75 X 3
3. 967020-083	PANEL, 9.75 X 5.25
4. 967020-084	PANEL, 6.5 X 78.28
5. 967020-085	PANEL, 18.25 X 16.25
6. 967020-086	PANEL, 2.5 X 16.25
7. 967020-087	PANEL, 2.25 X 77.55
8. 967020-088	PANEL, 16.5 X 25.5
9. 967020-089	PANEL, 16.25 X 10.92
10. 967020-0811	DOOR, 10.44X70.66
11. 380203-01	PIANO HINGE
12. 381607-01	HINGE, GRASS EURO
13. 382044	HANDLE, BRUSHED NICKEL
14. 381228-01	CATCH GRABBER DOOR
15. 200773	CLOSEOUT, READING LIGHT
16. 380045	TUBING ¾", ELECTRICAL, METALLIC
17. 380046	FLANGE CHROME
18. 200975-04	CONDUIT, FLEXIBLE BLACK PLASTIC
19. 381838-01	TRACK, FOLDETTE DOOR
20. 702681-08	DOOR, FOLDETTE 60" X 73" BEIGE
21. 203464-03	TRIM, PANEL, WHITE, ¾"
22. 386106-01	RACK-MAGAZINE WHITE
23. 386107	ROD-MAGAZINE RACK
24. 967020-0826	PANEL, 26.25 X 78.17
25. 967026-08	PANEL, SUB ASSY, AFT WARDROBE
26. 967026-081	PANEL, AFT WARDROBE
27. 801345	RADIUS PLYWOOD, .75" X 3' X 8'
28. 967026-082	PANEL, 1 X 78.5

2013 SPORT  
FURNITURE, BEDROOM

Bed, 16'



Part numbers on the next page

**2013 SPORT**  
**FURNITURE, BEDROOM**

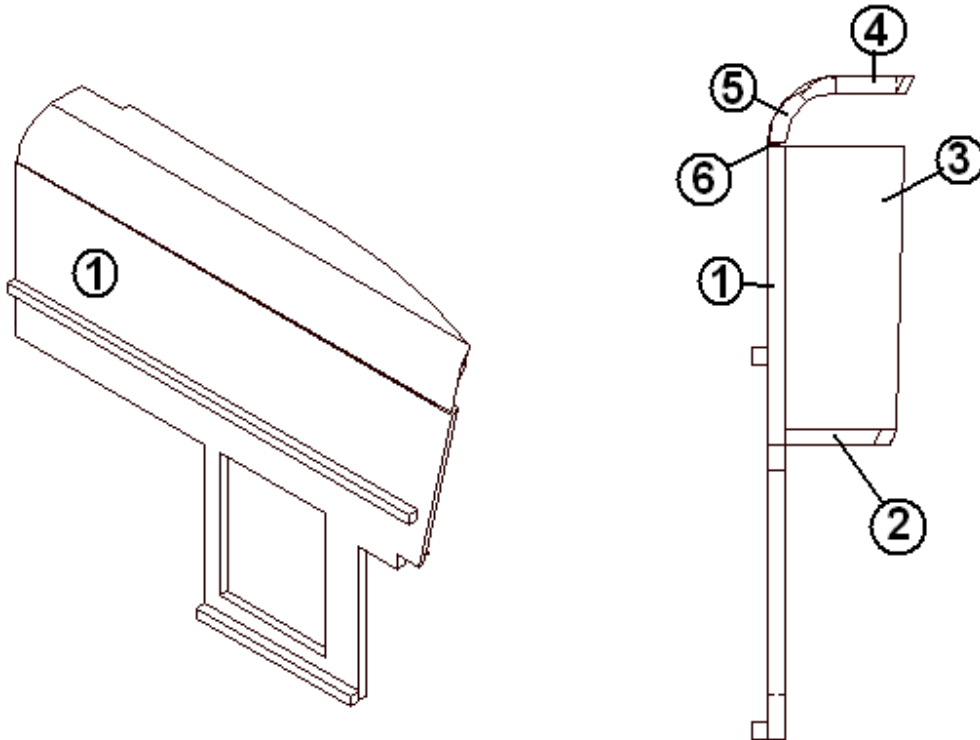
Bed, 16'

967008-08	BED ASSY
1. 967008-081	PANEL, BED 33 X 17.5
2. 967008-082	PANEL, BED 33 X 17.5
3. 967008-083	PANEL, BED 17 X 17.5
4. 967008-084	PANEL, BED 2.25 X 38.5
5. 967008-085	PANEL, BED 2.25 X 17.5
6. 967008-086	PANEL, BED 2.25 X 17.5
7. 967008-087	PANEL, BED 18.25 X 17.5
8. 967008-088	PANEL, BED 18.25 X 17.5
9. 967008-089	PANEL, BED 4.5 X 40
10.967008-0810	DOOR, BED 18 X 16
11.967008-0811	DOOR, BED 21 X 16
12.967008-0812	PANEL, BED 16.88 X 16.75
13.967008-0813	PANEL, BED 17 X 17.5
14.967008-0814	PANEL, BED 14 X 17.5
15.967008-0815	PANEL, BED 16.88 X 16.75
16.381228-01	CATCH, GRABBER DOOR
17.381607-01	HINGE, GRASS EURO
18.382044	HANDLE, BRUSHED NICKEL
19.967008-22	PANEL, BED TOP 15 X 78
20.967008-23	PANEL, BED TOP 30.24 X 78
703695	MATTRESS, 48 X 78, W/DBL RADIUS CORNER
703975	MATTRESS, DBL RAD CORNER 47.5 X 78 Pillowtop
203439	STORAGE BOX, 17"L X 11.13"W X 6.38"
203636	STORAGE BOX, 24.5"X17.75" X 7.25"



2013 SPORT  
FURNITURE, BEDROOM

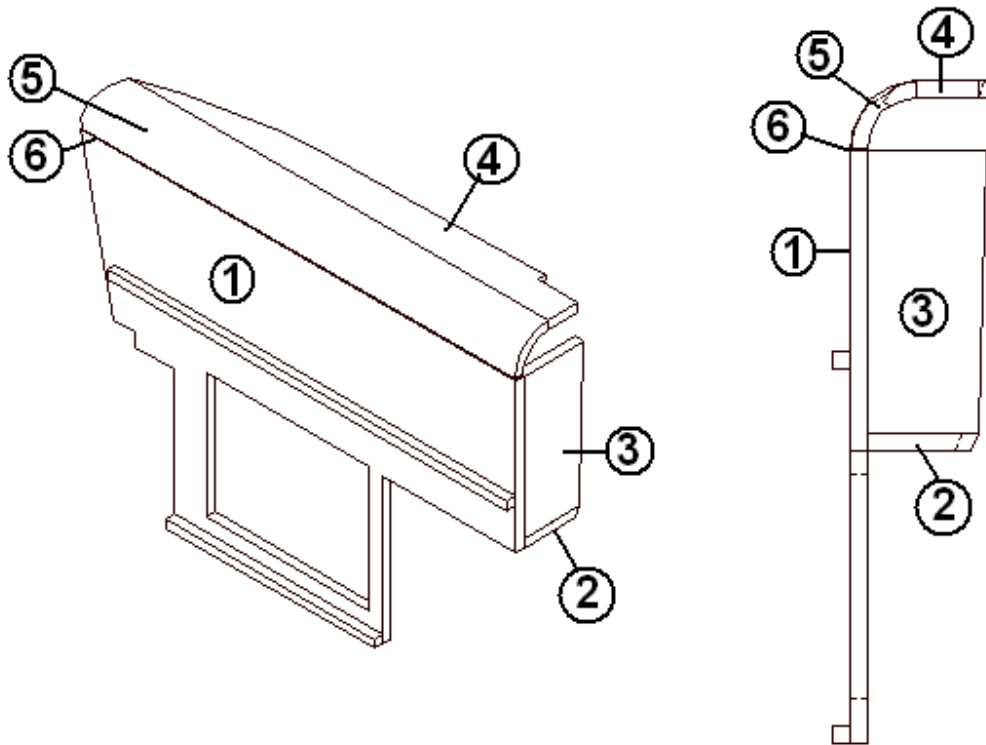
Hamper-Headboard LH, 16'



- |             |                                 |
|-------------|---------------------------------|
| 967017      | HAMPER/HEADBOARD-LH             |
| 1. 967017-1 | PANEL, HAMPER/HEAD 39.25 X 26.5 |
| 2. 967017-2 | PANEL, HAMPER/HEAD 4.96 X 36.24 |
| 3. 967017-3 | PANEL, HAMPER/HEAD 5.35 X 12.63 |
| 4. 967017-4 | PANEL, HAMPER/HEAD 3.47 X 37.68 |
| 5. 801345   | RADIUS PLYWOOD, .75" X 3" X 8'  |
| 6. 380458   | HINGE, PIANO COPPER             |
| 702482-03   | HEADLINER SPECTRA OPAL          |

2013 SPORT  
FURNITURE, BEDROOM

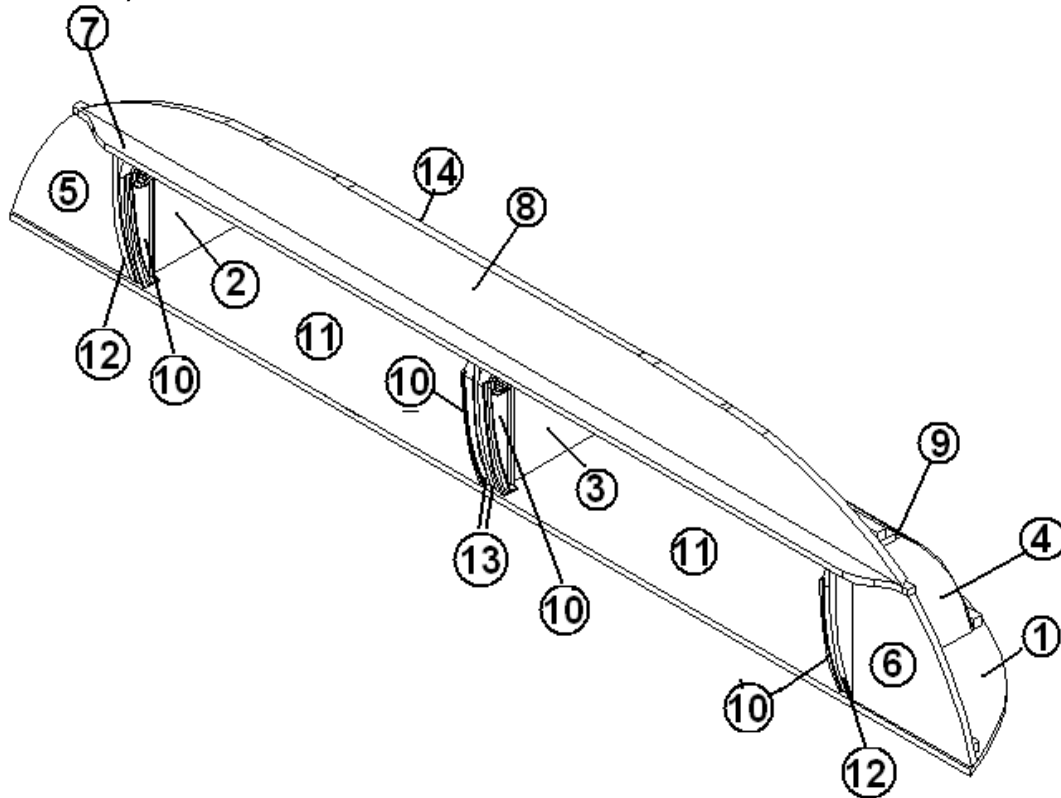
Hamper-Headboard RH, 16'



- |             |                                    |
|-------------|------------------------------------|
| 967018      | HAMPER/HEADBOARD, RH               |
| 1. 967018-1 | PANEL, HAMPER/HEAD RH 39.25 X 26.5 |
| 2. 967018-2 | PANEL, HAMPER/HEAD RH 4.96 X 36.24 |
| 3. 967018-3 | PANEL, HAMPER/HEAD RH 5.35 X 12.63 |
| 4. 967018-4 | PANEL, HAMPER/HEAD RH 3.47 X 37.68 |
| 5. 801345   | RADIUS PLYWOOD .75"X 3"X 8'        |
| 6. 380458   | HINGE, PIANO COPPER                |
| 702482-03   | HEADLINER SPECTRA OPAL             |

## 2013 SPORT FURNITURE, BEDROOM

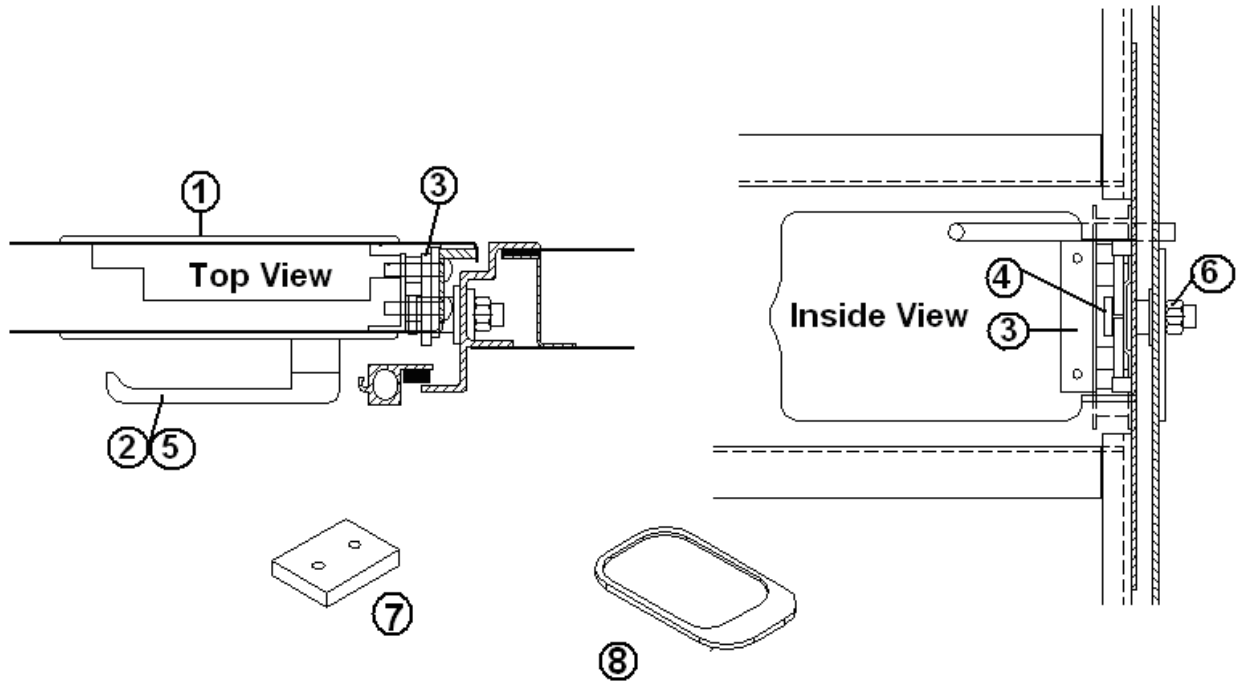
Roof Locker, 16'



967499-08	LOCKER ASSY, REAR
1. 967499-081	PANEL, R/L 13 X 80.57
2. 967499-082	PANEL, R/L 11.46 X 9.81
3. 967499-083	PANEL, R/L 11.21 X 9.81
4. 967499-084	PANEL, R/L 11.46 X 9.91
5. 967499-085	PANEL, R/L 9.94 X 9.81
6. 967499-086	PANEL, R/L 9.94 X 9.81
7. 967499-087	PANEL, R/L 5 X 70.09
8. 967499-088	PANEL, R/L 5.5 X 69
9. 967499-089	PANEL, R/L 13.5 X 60.70
10. 201164-02	SPIRALS, R/L, PLATINUM, LH/RH
11. 967104-07	DOOR, TAMBOUR, 9.88 X 29.13
12. 115382-01	TRIM, ALUMINUM, .6.88 X 10.00
13. 115382-02	TRIM, ALUMINUM, 1.88 X 10.00
14. 201673	REVERSE COVE MOLDING, WHITE, PLASTIC
101265-01	EXTRUSION, BLACK, DOOR HANDLE
201163-01	ENDCAP, BLACK HANDLE, (PAIR)

# 2013 SPORT HARDWARE

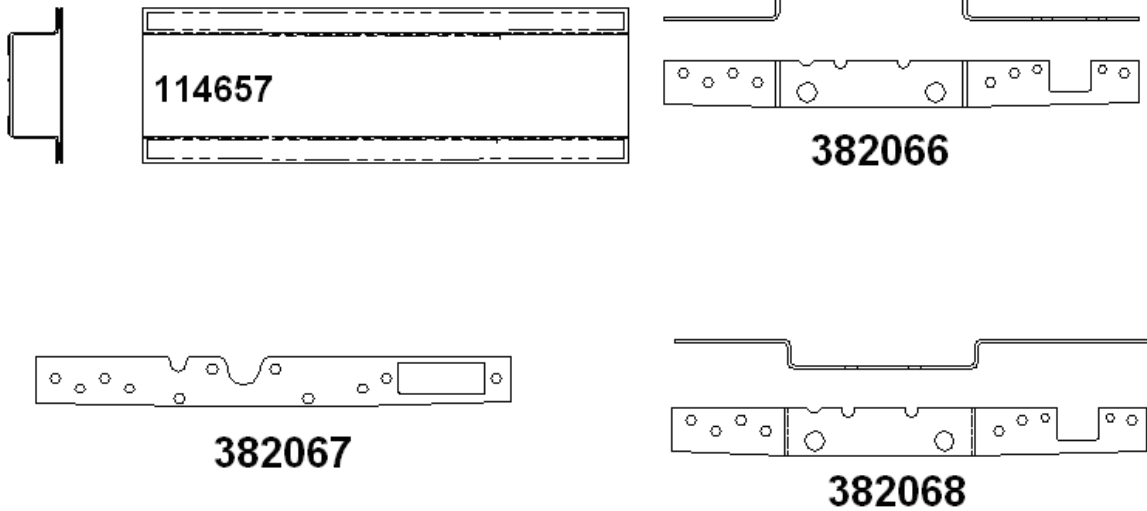
## Main Door Lock



- |              |   |
|--------------|---|
| 1. 381547-09 | Main door lock, outside, housing, RH Hinge    |
| 1.381547-01  | Main door lock, outside housing LH Hinge      |
| 2. 381547-11 | Main door lock, inside plate, RH Hinge        |
| 2. 381547-07 | Main door lock, inside plate, LH Hinge        |
| 3. 381547-10 | Double rotary latch, main door lock, RH Hinge |
| 3. 381547-03 | Double rotary latch, main door LH Hinge       |
| 4. 381547-04 | Striker bolt w/washer main door lock          |
| 5. 381547-08 | Screw package, main door lock                 |
| 6. 381550    | Plate, Striker Bolt                           |
| 7. 203620    | SPACER, STRIKER MAIN DOOR                     |
| 8. 203494    | BASE PLATE DOOR LATCH                         |
| 385595       | POCKET-STRIKE                                 |
| 300162       | WASHER, NYLON, 6/6 5/16 ID                    |
| 300163       | WASHER, FELT, .25"ID X .75" OD                |

# 2013 SPORT HARDWARE

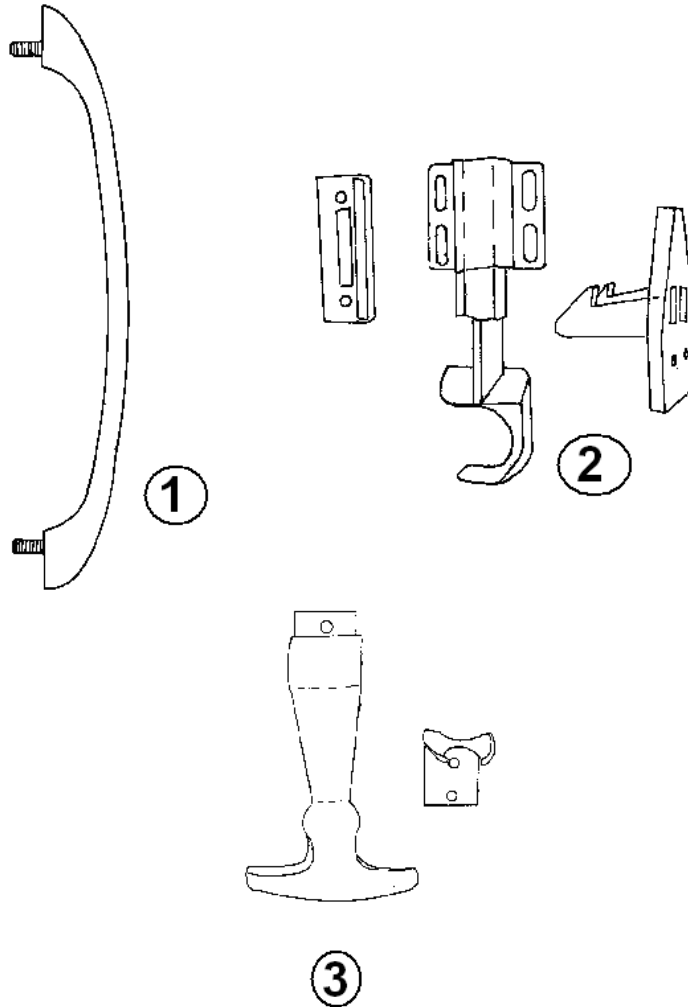
## Main Door Latch Stiffener Plates



- |        |  |
|--------|--|
| 382069 | Deadbolt assembly, round, Trimark            |
| 114657 | Door hat section                             |
| 382066 | Inner reinforcement plate, LH hinged door    |
| 382067 | Outer reinforcement plate, RH/LH hinged door |
| 382068 | Inner reinforcement plate, RH hinged door    |

# 2013 SPORT HARDWARE

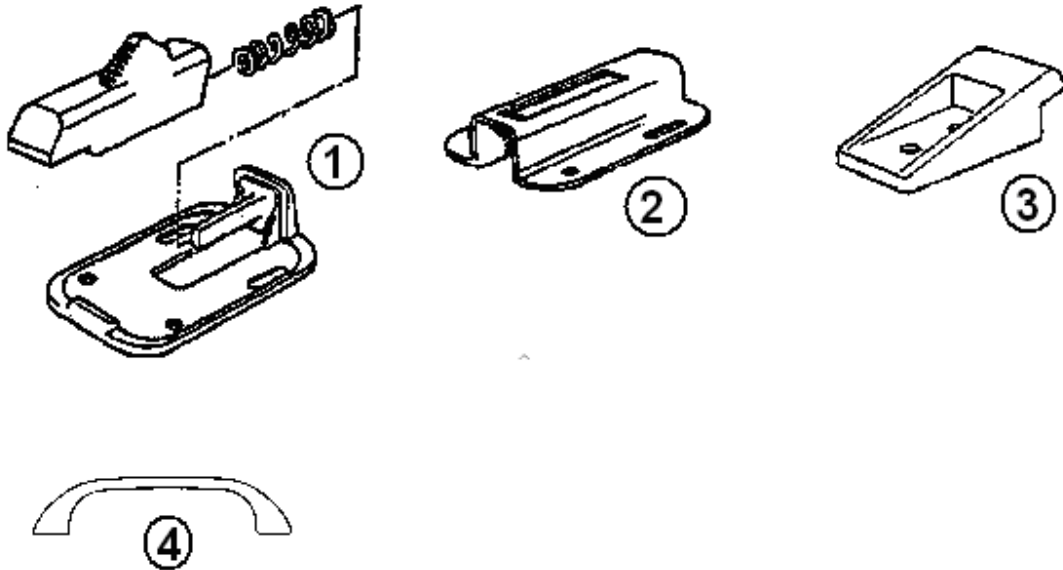
## Exterior Latches/Locks



- |              |                                    |
|--------------|------------------------------------|
| 1. 101171    | Grab handle, main door             |
| 1. 382074    | Gasket, grab handle, main door     |
| 2. 381454    | Latch, screen door, Bullet         |
| 3. 381021-01 | Rubber T handle, 90 degree bracket |

# 2013 SPORT HARDWARE

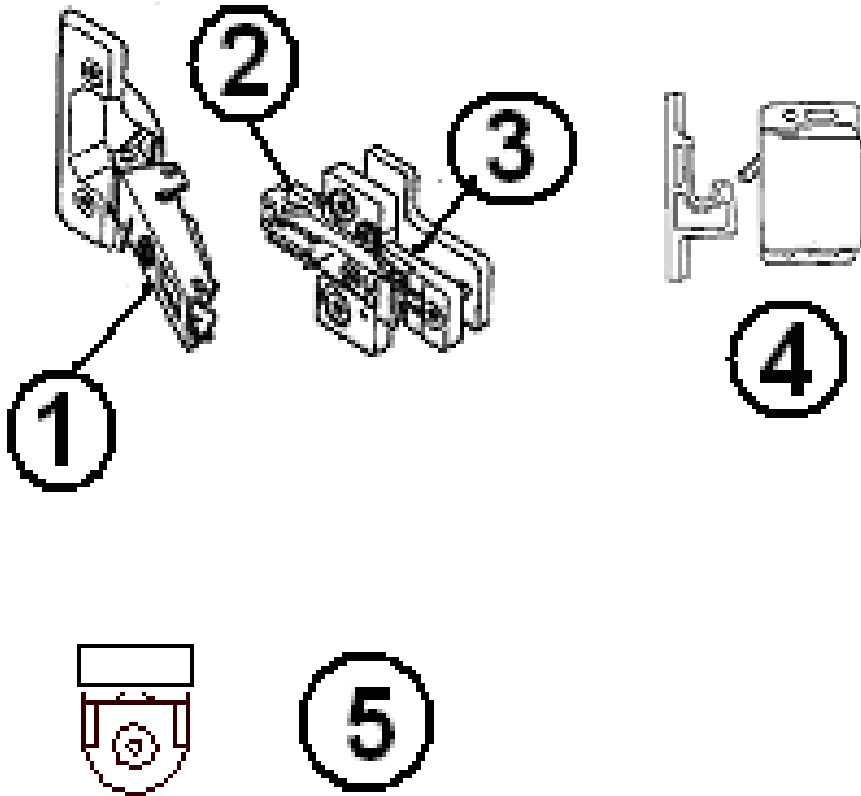
## Exterior Latches/Locks



1. 380291 Main door holdback, (use w/housing # 380290)
2. 380290 Latch housing, holdback
3. 201056 Catch, main door
4. 380004 Handle, screen door

2013 SPORT  
HARDWARE

Interior Cabinet/Latches/Hinges



- |              |  |
|--------------|--|
| 1. 381607-01 | Hinge, cabinet                           |
| 2. 381607-02 | Base, metal                              |
| 3. 381607-03 | Base, plastic                            |
| 3. 381607-04 | HINGE SCREW                              |
| 4. 381228-01 | Grabber door, latch w/catch, 3lb. Rating |
| 5. 385963    | BRACKET, ANGLED, LAMBREQUIN              |

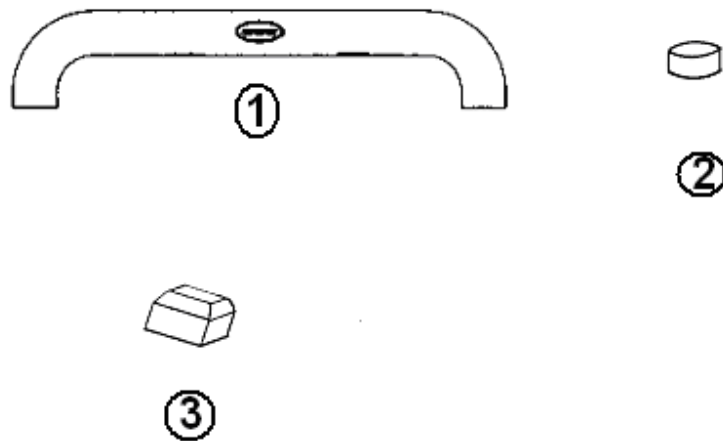


# 2013 SPORT HARDWARE

## Interior Hinges

380203-01 PIANO HINGE, BATH DOOR

Main Door Head Knocker, Rubber Bumpers



- |              |   |
|--------------|---|
| 1. 381772    | Head knocker, white (mounts on interior top door jamb). |
| 2. 360012    | Bumper, rubber white, stick-on, cylindrical             |
| 2. 360012-01 | Bumper, rubber brown, stick-on, cylindrical             |
| 3. 360016    | Bump on, rubber gray, square 3/8" x 3/8"                |
| 381610-01    | COVER CAP PLAS. EUROPEAN WHITE                          |
| 381610-04    | COVER, BLACK, PLASTIC                                   |

2013 SPORT  
HARDWARE

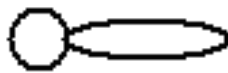
Interior Latches/Hinges



①



②



③

- 1. 382044
- 2. 381737
- 3. 381771

HANDLE, BRUSHED NICKEL  
Grab bar, interior, mounts on interior doorjamb  
Latch Swinging bath door

## 2013 SPORT

### HARDWARE

#### Bathroom Accessories

380034 Toilet paper holder, chrome  
382098 Handle, 14.25", Glass Chrome (Towel bar)  
382175 Towel Bar, Chrome 18"

#### Wardrobe Clothes Rod

380045 Clothes rod  
200975-04 Conduit, flexible, black (covers clothes rod)  
380046 Bracket, clothes rod

#### Drapes

700005 FASTENER, CAP  
700006 FASTENER SOCKET  
700020 PILE VELCRO  
700021 HOOK, VELCRO, WHITE

#### Sewer Hose Clamp/Water Fill key/Silverware Tray/Key Holder

340084-52 CLAMP, HOSE SAE #52  
381647 KEY WATER FILL CH 751  
195329-240 SEWER HOSE ADAPTOR, elbow  
382122 KEYCHAIN-AIRSTREAM LOGO  
385229 KEY HOLDER PLASTIC AIRSTREAM BLUE

## 2013 SPORT

### HARDWARE

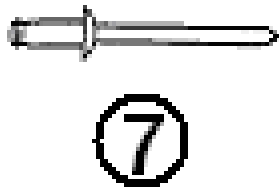
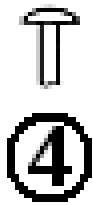
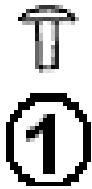
#### Detectors, Fire Extinguishers

510781	Smoke detector
510891	Smoke Detector CSA
512539-01	Detector LP Black 12V
512318	HOLDER W/1 AMP FUSE, IN-LINE
511411	JUNCTION BOX-7 TERMINAL 50-10-170
511375	JACK MODULAR TELEPHONE TA-1020
452412	BRACKET, FUSE BLOCK, 12V
600162-01	Fire extinguisher
600162-02	Fire extinguisher, CSA
203387	POCKET, RECESSED, EXTINGUISHER BRACKET
372213	TRIM, BRUSHED CHROME, 1/8"
512178	DETECTOR CARBON MONOXIDE 9 VOLT
Clothesline	
382063	Clothesline, retractable

# 2013 SPORT

## Hardware

### Rivets, Buck

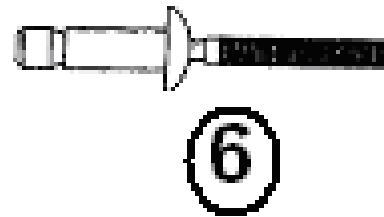
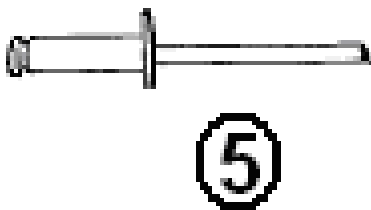
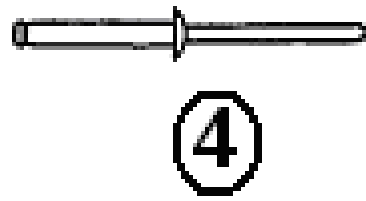
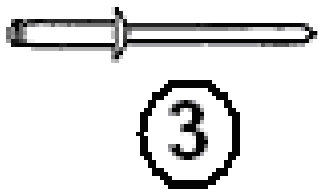
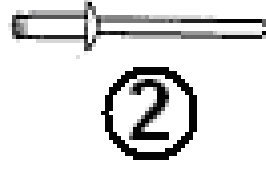
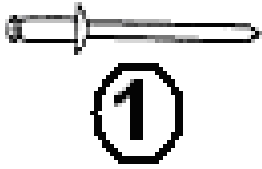


- |              |  |
|--------------|--|
| 1. 325043    | Rivet, 1/8", 1/4" length (hard)                              |
| 2. 325000-01 | Rivet, 1/8", 1/4" length anodized clear                      |
| 2. 325000    | Rivet, 1/8", 1/4" length clear                               |
| 3. 325000-03 | Rivet, 1/8", length 1/4", long, anodized white               |
| 4. 325001-01 | Rivet, 1/8", length 5/16", anodized clear                    |
| 5. 325002-01 | Rivet, 1/8", length 3/8", anodized clear                     |
| 5. 325002    | Rivet, 1/8", length 3/8"                                     |
| 6. 325004-01 | Rivet, 1/8", length 1/2", anodized clear                     |
| 7. 330127-03 | Rivet, grip range .063-.125, aluminum body, aluminum mandrel |
| 8. 300101    | 1/8" I.D., Washer, aluminum                                  |

# 2013 SPORT

## Hardware

### Rivets, Pop



1. 330126-02 Pop Rivet, diameter 1/8", grip range .126-.187, S.S. body and mandrel
  2. 330126-03 Pop Rivet, diameter 1/8", 1/8" grip range .126-.250, S.S. body and mandrel
  3. 330148 Pop Rivet, AD43-45ABS
  4. 330127-080 Pop Rivet, diameter 1/8", grip range .325"-.565" aluminum, body & mandrel
  5. 330038 Pop Rivet, diameter 1/8" .150". (#20 bit) grip range .126-.250, aluminum body & mandrel (used-screen door hinge)
  6. 325103 Pop Rivet, diameter 1/8"1/4" grip range .080-.325, SS body, steel mandrel
- 330152 Rivet, 1/8" Alum. Body w/Steel mandrel

## 2013 SPORT LABELS AND TAGS

### Labels and Tags

385193	Label, "12V distribution panel inside"
386119	Label, "DON'T USE AREA FOR STORAGE"
385068	Tag, cooking appliance warning
386118	Label, LP gas warning/fill
385517	Label, kill switch warning
385521	Label, emergency egress window
386122	Warning label/cooking appliance
386121	Label, LP gas warning label (odor)
385465	Exit label, English
385560	Label, air conditioner rating
385812	Label, Calif. hazardous substance
386120	Label, smoke detector
385359	Label, microwave or air conditioner
385837	Label, refrigeration ignition
386012	Label warning, water heater
386123	LABEL "POTABLE WATER ONLY"
386114	LABEL-RVIA SILVER
386192	HANG TAG: SMOKE/CO DETECTOR BATTERY
386193	LABEL WHEEL TORQUE WARNING
386098	LABEL, FUSE, 12 V
386082	DECAL, THOR, .75" X 5.25"
385418-01	Label, Federal registration
386019	LABEL 1 AMP FUSE MAX.
386226	LABEL, RV MASTER WEIGHT LABEL
385020	STICKER SELF ADHERING, JACK
385062	Decal, 110-125 voltage AC
385565	Label, holding tank flushing
386097	LABEL, FUSE 12 VOLT
386232	LABEL, WARNING-SECURE PRIVACY CURTAIN

**2013 SPORT**  
**PLUMBING, LPG SYSTEM**

**Gas Bottles**

601781 LP gas bottle, 20lb. steel  
601687 Hold down kit, LP tank

**LP REGULATOR**

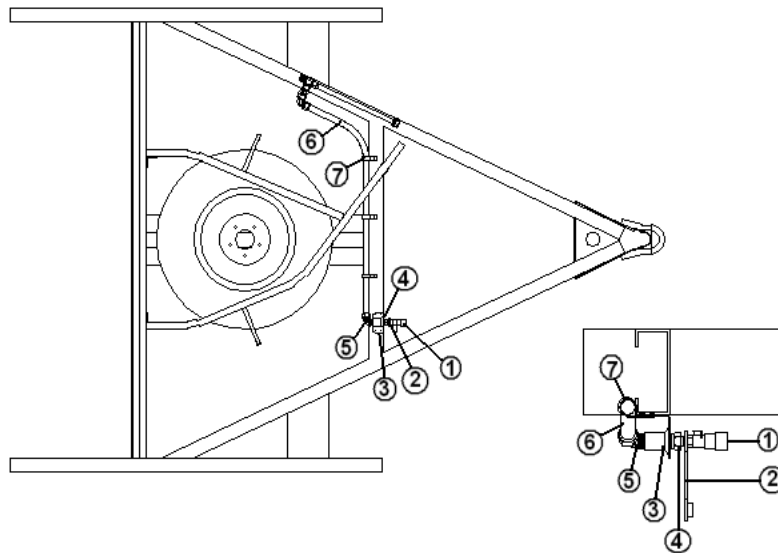
602332-01 Wing Nut  
602332-02 Black Pan  
602332-03 Regulator w/two 12" Pigtails  
602332-04 30# Threaded Rod  
602332-05 48" LP Hose 1/2" Flare X 5/8" Flare  
602332-06 Holddown, Regulator  
602332-07 Bracket for Regulator  
601776 Union 1/2" Flare X 5/8" Flare  
381613 Cover, LP Wing Handle  
345074-05 Screw, 5/16 - 18 x 7/8 Hex Washer HD  
350132 Nut, Flanged Mac-Lock 1/2-13

601685-02 LP hose, 1/2"FPT x 3/8" flare, CSA  
600004 Copper tubing, 5/8"  
600008 Copper tubing, 3/8"  
600435 Flare nut, forged, 3/8"  
600436 Flare nut, forged, 5/8"  
600000 Tee, brass, 5/8" x 5/8" x 3/8"  
600661 GROUNDING CLAMP 1/2 TO 1 SIZE  
500038 LUG GROUND  
500839 WIRE, BARE COPPER 8 GA.  
601698-01 E-PEX 1/2" TUBING  
380887 GROMMET, FLOOR  
380886 GROMMET, FLOOR  
600010 NUT, BRASS, FLARE, 3/8"  
600003 TEE 5/8 X 3/8 X 3/8



## 2013 SPORT PLUMBING, LPG SYSTEM

### PROPANE PORT – EXTERIOR

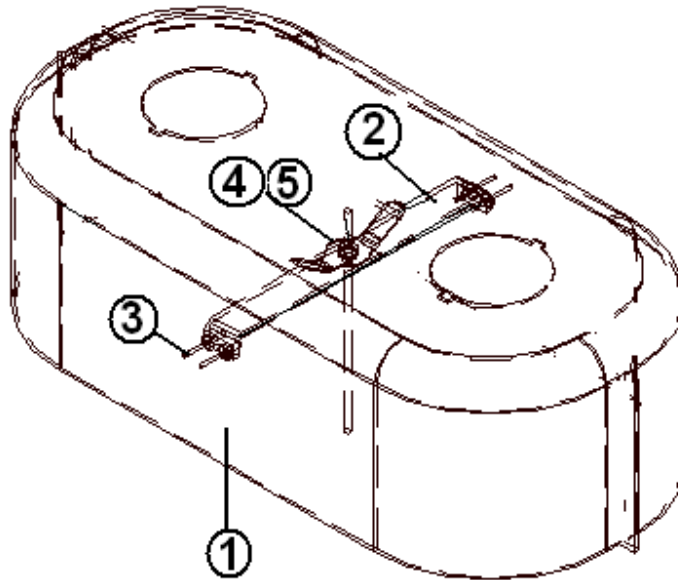


	112008	EXTERIOR PROPANE PORT
	*112008-01	EXTERIOR PROPANE PORT – 16'
1.	602109-01	COUPLER, QUICK DISCONNECT
2.	602109-03	DUST PLUG
3.	454901	BRACKET – LP QUICK DISCONNECT PORT
4.	602286	NIPPLE, 1/2" MNPT – 1/4" MNPT
5.	602313	FITTING 1/2" MPT X 1/2" FLR 90 DEGREE
6.	*602315	LP HOSE 1/2" FLR SWV 36.00"
6.	*602315-01	18" LP HOSE.
7.	340085-07	CLAMP, LOOP, STEEL W/RUB 1"
8.	201267-11	CONDUIT CONVOLUTED 1.00" DIA
	386250	LABEL-LPG SERVICE PORT

\*602315 IS REPLACED WITH PART NUMBER 602315-01, 18" HOSE.  
16' TRAILER

2013 SPORT  
PLUMBING, LPG SYSTEM

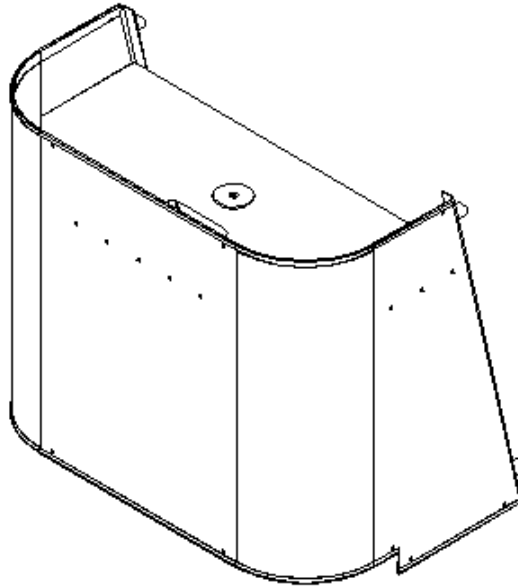
Gas Bottle Cover, 22'



- |           |                   |
|-----------|-------------------|
| 1. 203617 | Gas bottle cover  |
| 2. 454645 | Bracket, LP cover |
| 3. 330034 | AD 68 Pop river   |
| 4. 381814 | Nut, wing, 5/16"  |
| 5. 381613 | LP wing handle    |

2013 SPORT  
PLUMBING, LPG SYSTEM

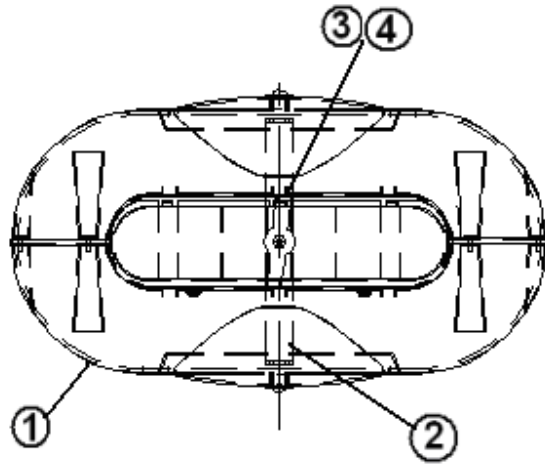
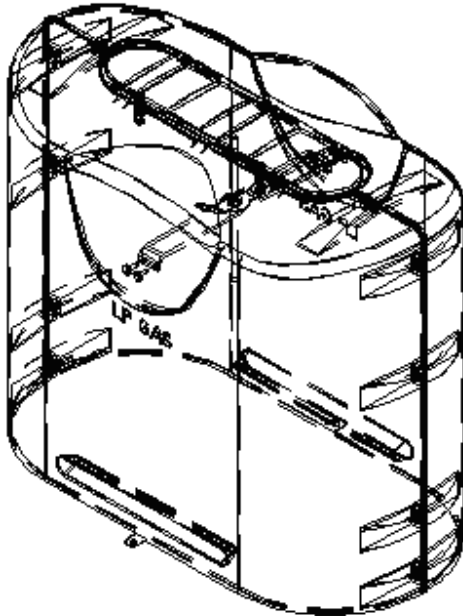
LP Bottle Cover, 16'



- |        |                                |
|--------|--------------------------------|
| 915778 | COVER ASSY-LP BOTTLE, 16'      |
| 115202 | LID LP BOTTLE COVER            |
| 115201 | WRAP, LP BOTTLE COVER          |
| 381136 | RUBBER BUMPER                  |
| 114070 | EXTRUSION. J-TRIM, MILL FINISH |

2013 SPORT  
PLUMBING, LPG SYSTEM

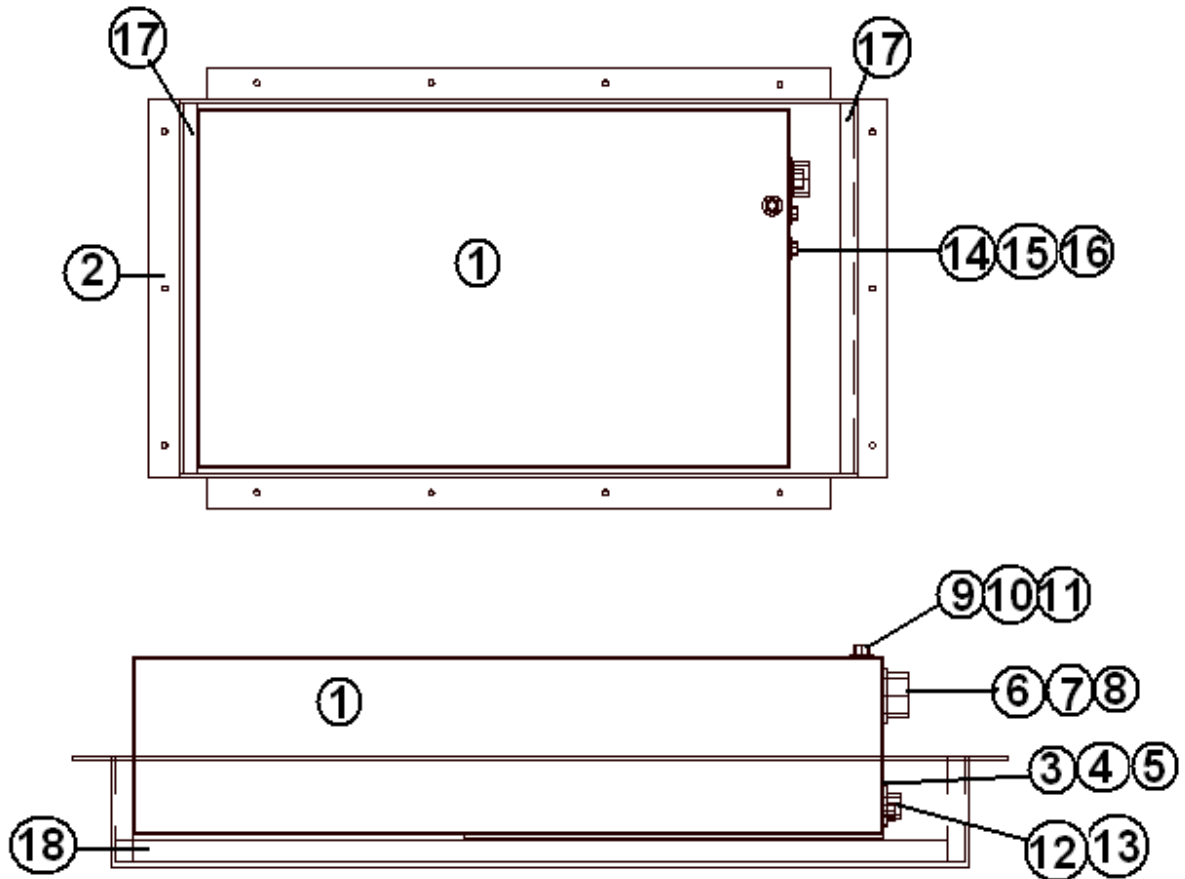
LP Bottle Cover, 16'



- |              |                                 |
|--------------|---------------------------------|
| 1. 203732    | Cover Assy.                     |
| 2. 454906    | Bracket, LP Cover               |
| 3. 602332-01 | Wing Nut                        |
| 4. 381613    | Plastisol Cover, LP Wing Handle |
| 300012       | Washer, Aluminum 3/16 ID        |

# 2013 SPORT PLUMBING, FRESH WATER

Fresh Water Tank, 22'



Part Numbers on the Next Page

## 2013 SPORT

### PLUMBING, FRESH WATER

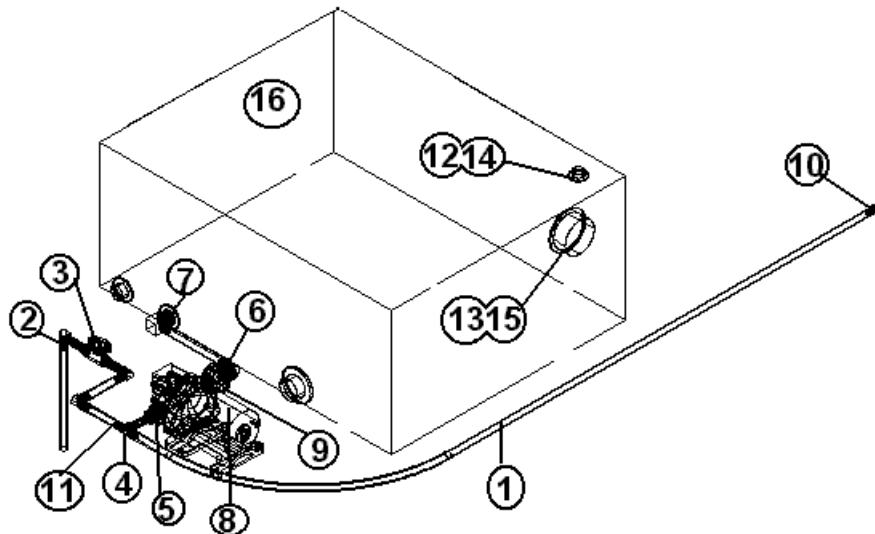
#### Fresh Water Tank, 22'

1. 602168 TANK, FRESH WATER
2. 454627 PAN, FRESH WATER TANK
3. 601810 VALVE-1/2"FPT X 1/2" FPT KBI
4. 601811 ELBOW-1/2"MPT X 1/2" FPT STREET
5. 601812 NIPPLE-BRASS 1/2" X 2"
6. 601237 ELBOW 90 D 1.25 MPT X 1.25 BAR
7. 601239 TUBING 1.375 I.D. RIBBED
8. 0260043-20 WORM CLAMP #20
9. 602256-04 ELBOW, 1/2"BARB X 1/2"MPT
10. 601240-01 TUBING 1/2 I.D. X 3/32 WALL THREAD
11. 340086 MINIATURE SCREW TYPE HOSE CLAMP
12. 602256-04 ELBOW, 1/2"BARB X 1/2"MPT
13. 601698-01 E-PEX 1/2" TUBING
14. 601698-15 1/2", CRIMP RING
15. 602185-01 Drain Valve, 90 degree
16. 602256-03 COUPLER, 1/2"BARB X 1/2"FPT
17. 200507 STYROFOAM, 1 X 25 X 55
18. 200152 STYROFOAM, 1/2' X 6 X 42

# 2013 SPORT

## PLUMBING, FRESH WATER

### Fresh Water System, 16'



- |               |   |
|---------------|---|
| 1. 601698-01  | E-PEX 1/2" TUBING                         |
| 2. 602256-10  | QQE33X 1/2" BARB EL                       |
| 3. 602256-22  | BALL VALVE 1/4" TURN                      |
| 4. 602256-11  | QQT333X 1/2" BARB TEE                     |
| 5. 602256-03  | QQSFC33XPXP 1/2" B X 1/2", SWIVEL ADAPTOR |
| 6. 602256-05  | QQE33BSXP 1/2" B X 1/2" FPT SWIVEL        |
| 7. 602256-04  | QQE33BTX 1/2" BX 1/2" MPT BARB EL         |
| 8. 602307     | WATER PUMP SHURFLO #4008-101-A6           |
| 9. 601668-01  | WATER PUMP PRE-FILTER                     |
| 10. 602256-08 | QQC33X 1/2" BARB COUPLING                 |
| 11. 601698-15 | 1/2" CRIMP RING                           |
| 12. 601240-01 | TUBING 1/2" I.D. X 3/32 WALL              |
| 13. 601239-01 | TUBING 1.375" I.D. RIBBED                 |
| 14. 340084-12 | CLAMP, HOSE                               |
| 15. 340084-20 | CLAMP, HOSE                               |
| 16. 601861-01 | Fresh water tank                          |
| 602204        | HOSE 1/2" FLEX                            |
| 602308        | CHECK VALVE, 1/2" MPT x 1/2" MPT          |
| 601531        | FITTING-90 DEGREE 3" H X ST               |
| 203085        | PLUG WATER LINE 1/2" PLASTIC BLACK        |
| 601658        | VALVE 1/2" STOP CPVC                      |
| 601659        | RISER 1/2" FPT X 12" CPVC                 |
| 602185-01     | DRAIN VALVE 90 DEG TURN                   |
| 454065        | STRAP-WATER TANK                          |

## 2013 SPORT

### PLUMBING, FRESH WATER

#### Water Fill/Pump and Fittings

601194	Water fill w/lock, gray
601237	Plastic elbow, 90 degree, 1.25" MPT x 1.25" barb
601239-01	Tubing, 1.375" I.D., flexible, water fill hose
601061-03	Water pump, Shurflo
602202	WATER PUMP SMART SENSOR
602204	HOSE, 1/2" FLEX, WATER PUMP
601668-01	Filter, pre water pump
602185-01	Valve, 90 degree
601531	FITTING-90 DEGREE 3" H X ST
203085	PLUG WATER LINE 1/2" PLASTIC BLK
601659	RISER 1/2" FPT X 12" CPVC
601392-05	CITY WATER FILL W/REGULATOR CHROME
601197-02	Water hook up, chrome

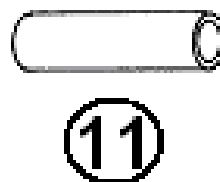
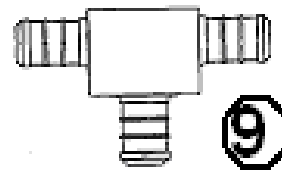
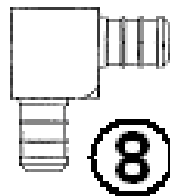
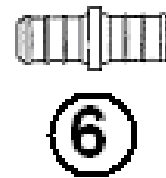
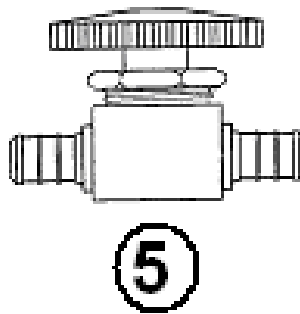
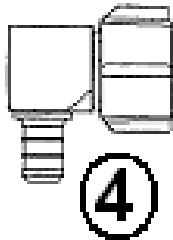
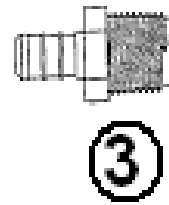
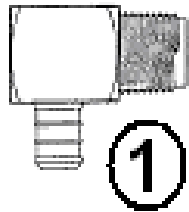
#### City Water Hookup

600362	Connector, 1/2" FPT x water hose, swivel
600336	Plug with chain
601690	Nipple, 1/2" MPT x 2.50"
601689	Drop ell, 90 degree, 1/2" FPT
600315	PUMP GUARD FILTER
602256-01	NIPPLE, POLY .5"MPT X .5"MPT
601237	ELBOW 90 D 1.25 MPT X 1.25 BAR
601267-02	NIPPLE THREADED ONE END ONLY



2013 SPORT  
PLUMBING, FRESH WATER

Fresh Water Fittings



Part Numbers Are On The Next page

## 2013 SPORT

### PLUMBING, FRESH WATER

#### Fresh Water Fittings

1. 602256-04 Elbow, 1/2" barb x 1/2" MPT
2. 602256-03 Coupler, 1/2" barb x 1/2" FPT
3. 602256-02 Coupler, 1/2" barb x 1/2" MPT
4. 602256-05 Elbow 1/2 barb x 1/2" FPT
5. 602256-22 Shut-off, 1/2" barb x 1/2" barb
6. 602256-08 Coupler, 1/2" x 1/2" barb
7. 602256-09 Plug, 1/2" barb
8. 602256-10 Elbow 1/2" barb x 1/2" barb
9. 602256-11 Tee, 1/2" x 1/2" x 1/2"
10. 10.601698-15 Crimp ring, 1/2E-Pex, 1/2" (black)
11. 601698-01 E-Pex tube, 1/2
- 11.601698-21 E-Pex tube, 1/2", Red
- 601237 ELBOW 90 D 1.25 MPT X 1.25 BAR
- 601810 VALVE, 1/2" FPT X 1/2" FPT KBI
- 601811 ELBOW, 1/2" MPT X 1/2' FPT STREET
- 601812 NIPPLE-BRASS 1/2" X 2.0"
- 340085-06 CLAMP, LOOP, STEEL W/RUBBER, .75

## 2013 SPORT

### PLUMBING, FRESH WATER

#### **Faucet, Trim Kit, Shower, 22'**

601358	SHOWER HARDWARE UNIT, CHROME
602170-01	SHOWER VALVE, CHROME
602170-02	ELBOW 6401, SHOWER KIT
602256-01	NIPPLE, 1/2", BRASS, HEX

#### **Sink/Faucet, Galley, 22'**

602197	SINK w/FAUCET, FLUSH SMEV S.S. SATIN, GALLEY
602153	FAUCET ONLY, WATER TAP, STAINLESS STEEL
195362-39	STRAINER, 2"

#### **Sink/Faucet, Lavatory, 22'**

602294-01	FAUCET, LAVY, SINGLE LEVER
602294-02	AERATOR, 1.5 GPM (FOR 602294-01)
601804-01	SINK, LAVY, YUKON ROUND
601813	TAIL PIECE, LIFT/TURN DRAIN
600594	STRAINER W/WHITE RUBBER STOPPER

#### **Sink/Faucet, Galley, 16'**

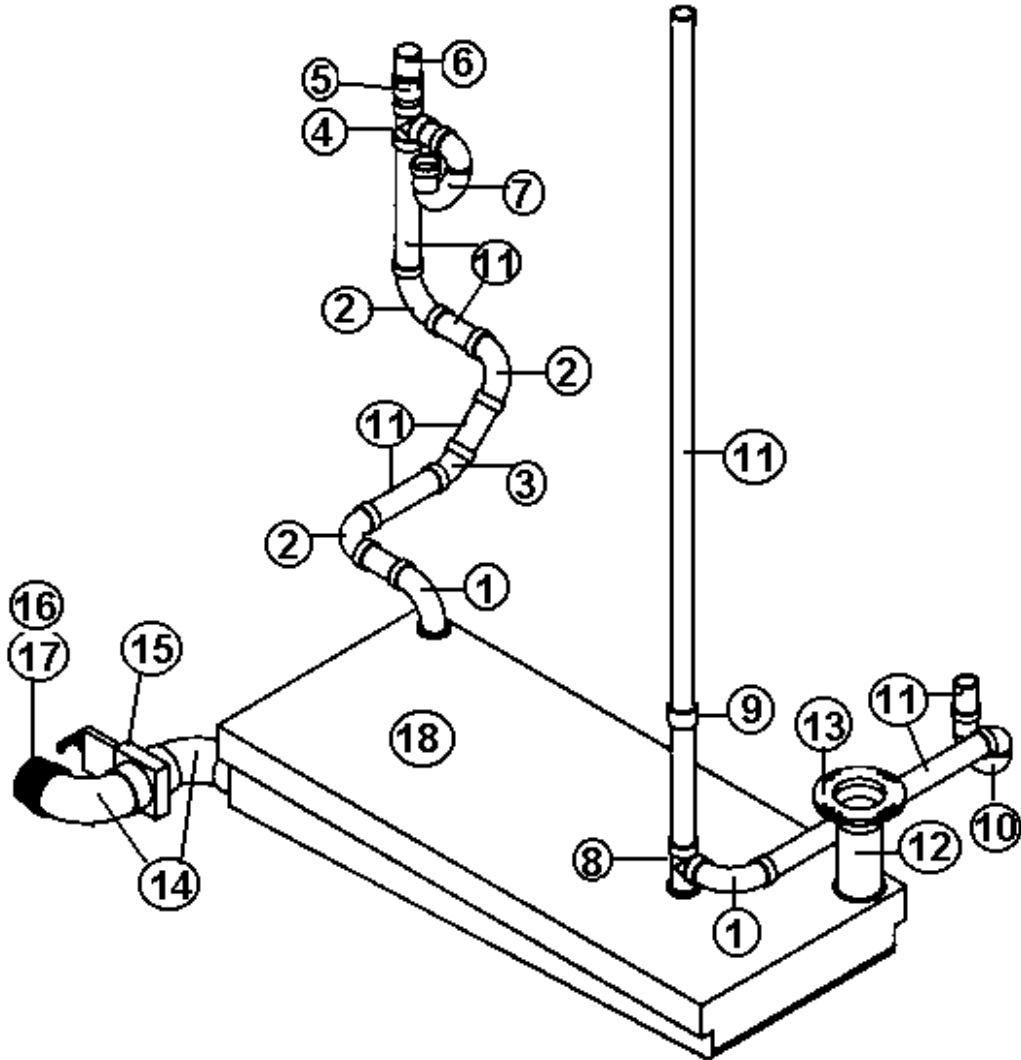
602250	SINK, SS, SINGLE BOWL, 13" X 15"
601714-01	TAIL PIECE 1-1/2X4"(GALLEY DRAIN)
601714-02	1.5" SLIP NUT W/WINGS
601714-03	105" BLACK RUBBER WASHER
601714-04	TAILPIECE, GALLEY DRAIN
602243	FAUCET, GALLEY MOEN
600968	BASKET STRAINER
203673	COVER, SINK, .5, NATURAL OAK, 14.25 X 12.25

#### **Shower Valve 16'**

604877-01	SHOWER VALVE, W/FLAT WASHER
604877-03	ELBOW, 1/2" CHROME SUPPLY
604877-04	VACUUM BREAKER, BRASS
604877-05	AMCOR CHROME 4 POS HH SHOWER HEAD
604877-06	AMCOR MET/FLEX BLK & CHROME 59" HOSE
604877-07	AMCOR CHROME WALL BRKT FOR HH SHOWER
601884	CENTER SET NUT, PLASTIC
601661	Brass Coupler 1 3/4"

# 2013 SPORT PLUMBING, DRAIN

DRAIN SYSTEM, 16'



P/N on Next Page

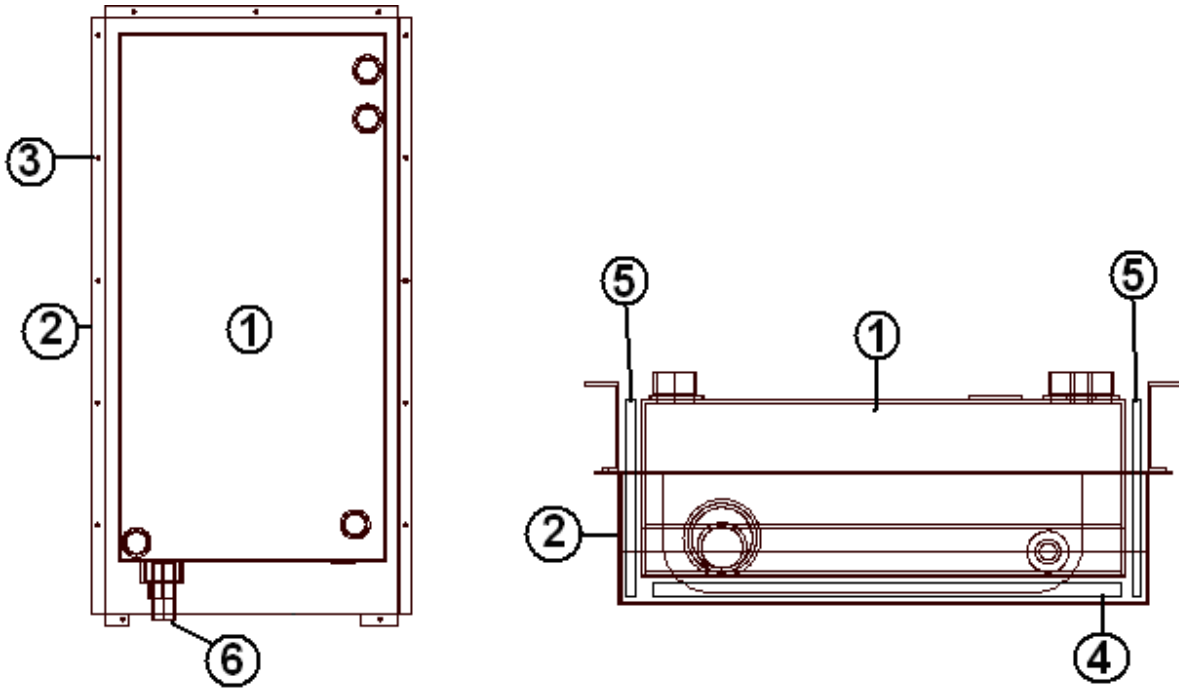
**2013 SPORT**  
**PLUMBING, DRAIN**

**DRAIN SYSTEM, 16'**

1. 600431 Elbow, 90, 1.5"
2. 600035 Ell, ABS, Long sweep, 1.5"
3. 600662 Ell. 45 degrees, long turn
4. 600156 Tee, sanitary
5. 600308 Adaptor, ABS, female, Sloan #2891
6. 602306 Valve Air Admittance, 2"
7. 600622 P-trap, 1.5" w/slip nut & washer
8. 601868 Sanitary tee, spig x hub x hub
9. 600227 Plastic couplings
10. 602164-01 P-trap, ABS, 1.5"
11. 601160-02 Pipe, ABS, DVW, 1.5"
12. 601267-04 Nipple, 3" Dia. THD one, 10" long
13. 601266 Flange, closet, 3' x4", slip fit
14. 600820 3" single socket, 90 degree
15. 601607-14 Dump valve, 3"
16. 601607-06 Termination adaptor, 3" hub x 3" bay
17. 601607-07 Termination cap, 3" bay
18. 601844-07 Tank, black/gray combination
19. 115555 Bracket, Dump Valve
20. 600027 Elbow, 45 degree, short
- 511789 SENSOR-TANK MONITOR #500-10050
- 453945-07 Close off, plumbing, black
- 601869 Tank pan
- 200507 STYROFOAM, 1 X 25 X 55"
- 200152 STYROFOAM 1/2 X 6 X 42"
- 602164-01 P TRAP W/COMPRESSION NUT 1.5"
- 602164-02 TAILPIECE W/NUTS & WASHERS 1.5
- 601727 Shower drain w/grid top

## 2013 SPORT PLUMBING, DRAIN

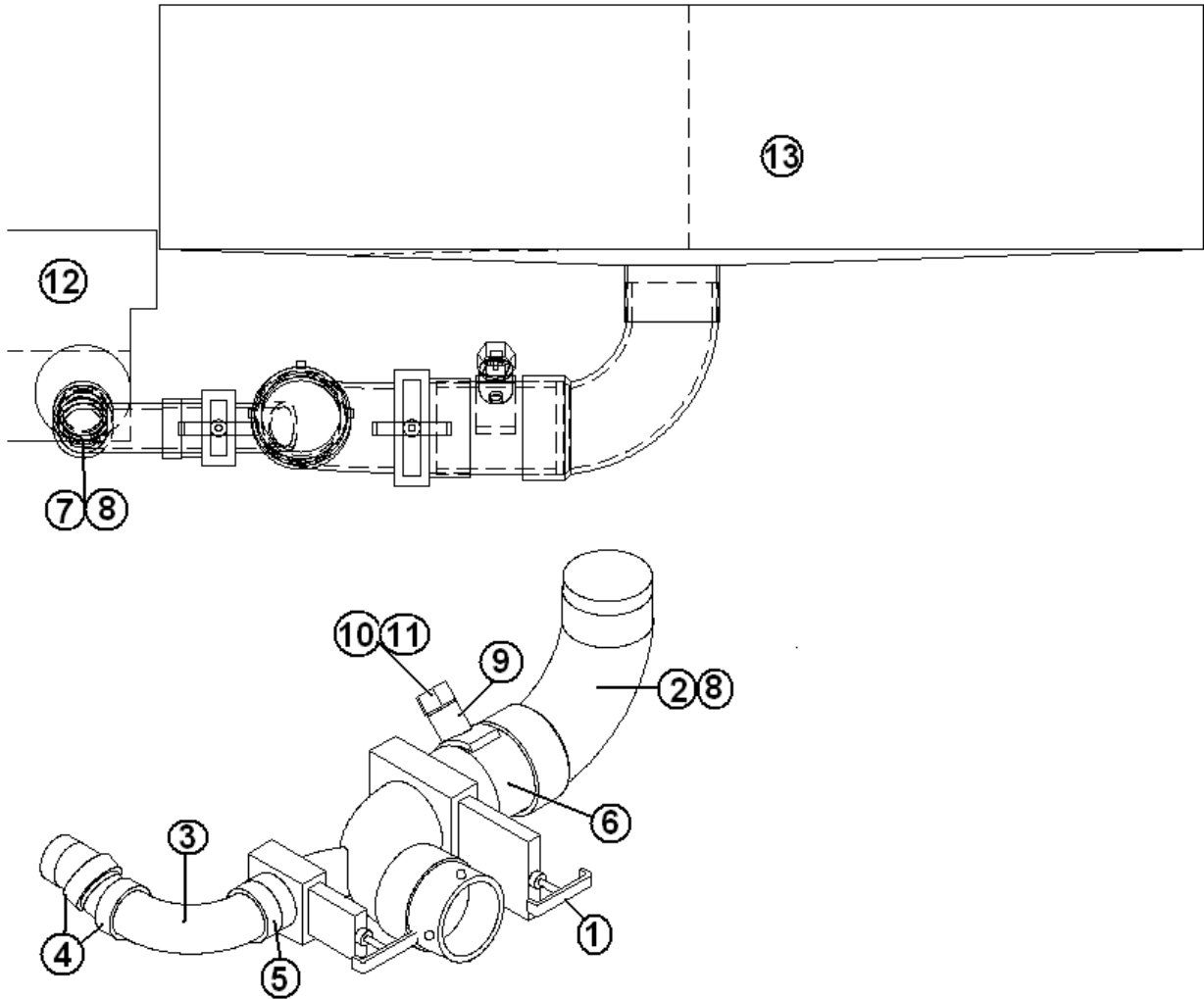
Grey Tank, 22' Front bed



- |              |  |
|--------------|--|
| 1. 602166    | TANK, GRAY, HOLDING, 24 GALLON         |
| 2. 602167    | PAN, GRAY TANK                         |
| 3. 345074-05 | SCREW 5/16-18 X 7/8, HEX WASHER        |
| 4. 200507    | STYROFOAM, 1" X 25" X 55", WATER TIGHT |
| 5. 200152    | STYROFOAM, 1/2" X 6" X 42"             |
| 6. 601160-02 | PIPE, ABS DVW, 1-1/2"                  |
| 454642       | STRAP, BLACK TANK FORWARD              |
| 454641       | STRAP, BLACK TANK AFT                  |

# 2013 SPORT PLUMBING, DRAIN

## Drain Valves/Tanks, 22' Front Bed



Part numbers on the next page.

**2013 SPORT**  
**PLUMBING, DRAIN**

**Drain Valves/Tanks, 22' Front Bed**

- |     |            |                                     |
|-----|------------|-------------------------------------|
| 1.  | 601482     | Dump Valve Rotating assembly        |
| 2.  | 600820     | 3" Ell, 90 degree                   |
| 3.  | 600431     | Elbow, 90, 1½"                      |
| 4.  | 601800     | Street Ell, 1.5", 22.5 Degrees, ABS |
| 5.  | 601160-02  | Pipe, ABS DVW, 1½"-2.00" Long       |
| 6.  | 601160-04  | Pipe, ABS DVW, 3"- 4" Long          |
| 7.  | 195329-229 | Reducer adaptor, 3" to 1.5"         |
| 8.  | 340092     | Clamp, worm type T40C-75-388-SB     |
| 9.  | 601846     | ADAPTOR-3"PIPE, CATCON              |
| 10. | 511789     | Sensor, tank monitor                |
| 11. | 511789-01  | Boot, Sensor                        |
| 12. | 602166     | Holding tank, gray                  |
| 13. | 601854-02  | Black tank                          |
|     | 114916     | Bracket, dump valve                 |
|     | 200507     | STYROFOAM, 1" X 25" X 55"           |
|     | 200152     | STYROFOAM, ½" X 6" X 42"            |
|     | 601266     | FLANGE, CLOSET, 3 X 4, SLIP FIT     |

**Black Tank Flush**

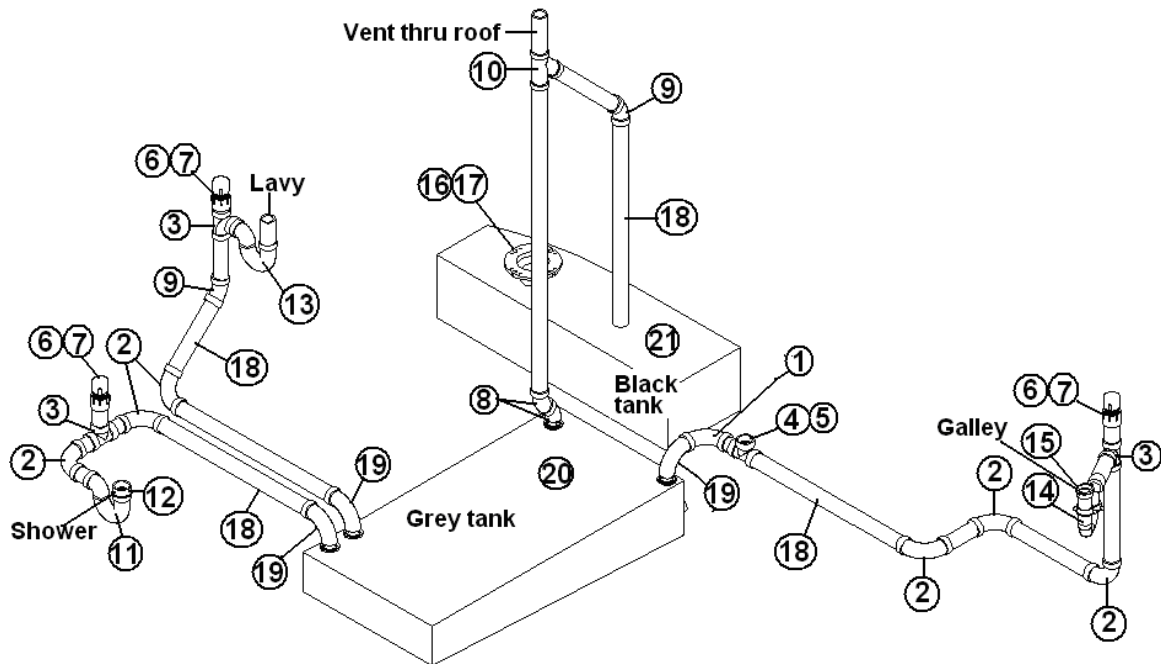
- |           |                    |
|-----------|--------------------|
| 601441    | Tank flush system  |
| 601392-01 | Screw in black cap |



# 2013 SPORT

## PLUMBING, DRAIN

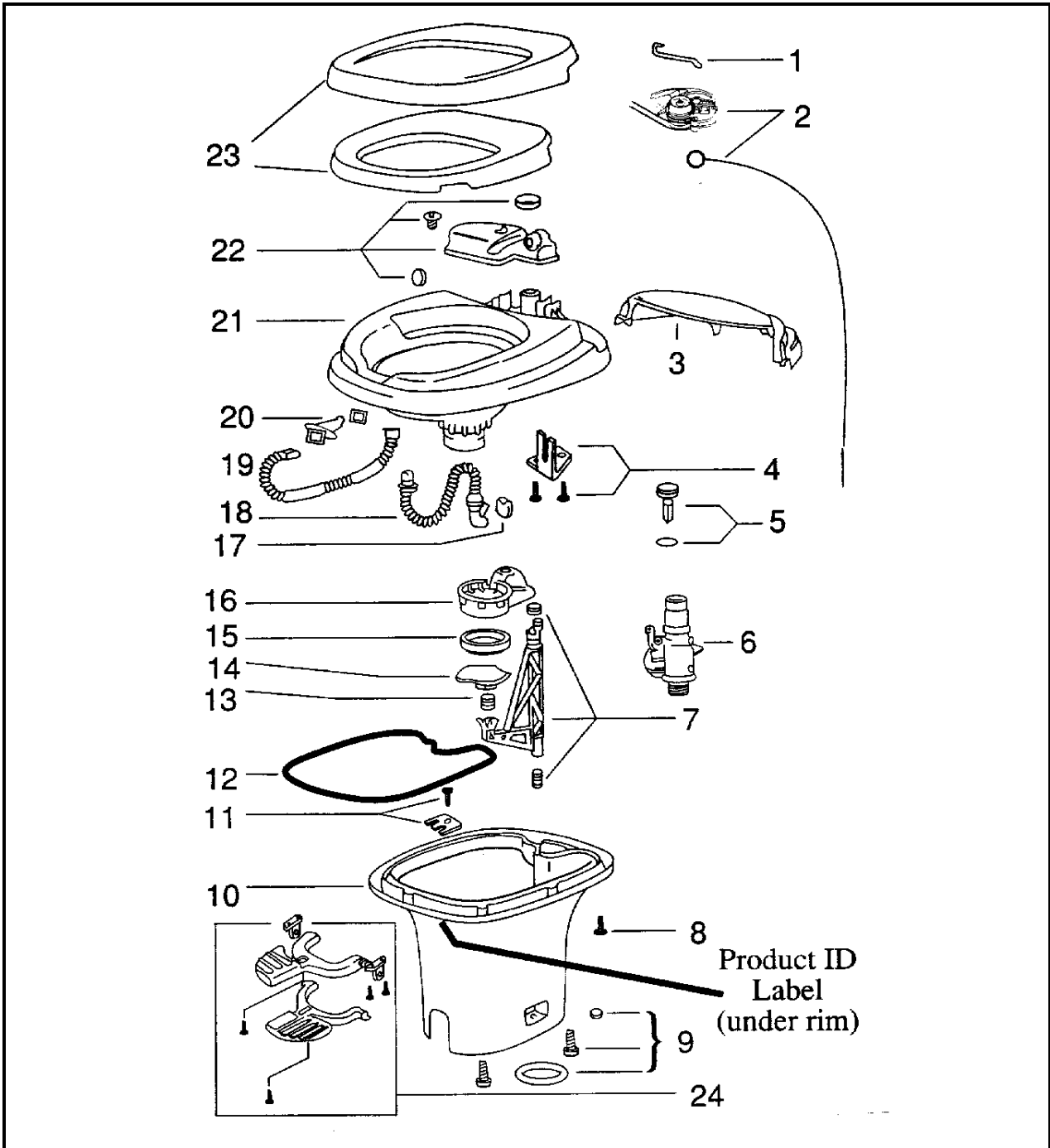
### Drain System, 22 Front Bed



- |               |                                     |
|---------------|-------------------------------------|
| 1. 600431     | ELBOW, 90 DEGREE, 1.5"              |
| 2. 600035     | ELL ABS LONG SWEEP, 1.5"            |
| 3. 600156     | TEE SANITARY                        |
| 4. 601318     | TEE BI-DIRECTIONAL CLEANOUT         |
| 5. 600155     | PLUG, CLEANOUT, 1.5"                |
| 6. 602306     | VALVE AIR ADMITTANCE 2"             |
| 7. 600308     | ADAPTER, ABS, FEMALE SLOAN          |
| 8. 600027     | ELBOW, ABS, LONG ST, 45 DEGREES     |
| 9. 600030     | ELL, ABS, 45 DEGREES, LONG TURN     |
| 10. 600094    | WYE                                 |
| 11. 602164-01 | P TRAP W/COMPRESSION NUT ,1.5"      |
| 12. 602164-02 | TAILPIECE, W/NUTS & WASHERS 1.5"    |
| 13. 600144    | P TRAP, ABS, 1.5"                   |
| 14. 600622    | P-TRAP, 1.5", W/SLIP NUT & WASHER   |
| 15. 601714-01 | TAIL PIECE, 1.5" X 4"(GALLEY DRAIN) |
| 16. 601266    | FLANGE, CLOSET, 3" X 4", SLIP FIT   |
| 17. 601267-02 | NIPPLE, THREADED ONE END, 6" LONG   |
| 18. 601160-02 | PIPE, ABS DVW, 1.5"                 |
| 19. 600662    | 1.5" ELBOW, SHORT RADIUS            |
| 20. 602166    | GRAY HOLDING TANK                   |
| 21. 601854-02 | BLACK HOLDING TANK                  |

# 2013 SPORT PLUMBING, DRAIN

Toilet, 22'



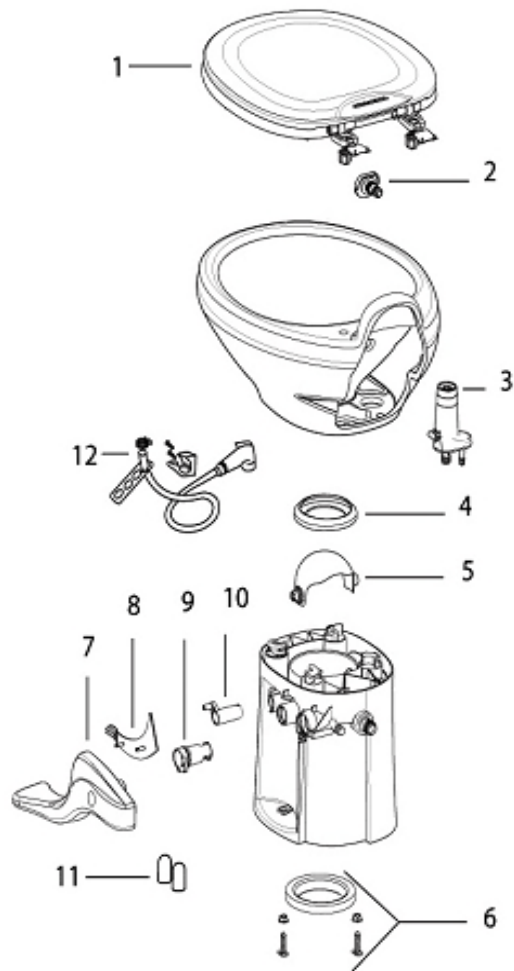
**2013 SPORT**  
**PLUMBING, DRAIN**

Toilet, 22'

690495-02	Aqua Magic V, Low Profile
1) 690387-513	Water valve link
2) 690387-571	Wire replacement package
3) 690387-562	Mechanism cover, white
4) 690387-634	Bracket assembly
5) 690387-631	Float assembly
6) 690387-168	Water valve replacement package
7) 690387-632	Actuator assembly
8) 690387-659	Screw base to bowl
9) 690387-524	Closet bolt package
10) 690387-356	Base, white, low
11) 690387-636	Retainer assembly
12) 690387-387	Sealant, base to bowl
13) 690387-519	Blade spring
14) 690387-262	Blade
15) 690387-481	Blade seal
16) 690387-520	Blade track
17) 690387-512	Flapper
18) 690387-511	Overflow tube
19) 690387-509	Flush tube
20) 690387-637	Nozzle assembly
21) 690387-726	Bowl
22) 690387-630	Reservoir tank assembly
23) 690387-162	Seat and cover assembly
24) 690387-821	Pedal package
601266	FLANGE, CLOSET, 3 X 4, SLIP FIT

# 2013 SPORT PLUMBING, DRAIN

Toilet, 16'



## 2013 SPORT

### PLUMBING, DRAIN

Toilet, 16'

602329 Toilet, China Aqua Magic Style II Thetford #42050  
White w/o Hand Spray

Thetford Part Numbers:

1. 42036 Seat & Cover Assembly
2. 34124 Nozzle, White
3. 34122 Vacuum Breaker
4. 34120 Waste Ball Seal
5. 34117 Waste Ball White
6. 42115 Closet Bolt Package
7. 42067 Pedal, High, White
8. 42080 Pedal Cover Insert, White
9. 42049 Water Valve
10. 42048 Waste Ball Drive Arm
11. 42111 Bolt Caps, White
12. 19289 Chrome Hand Spray Kit

**2013 SPORT**  
**PLUMBING, DRAIN**  
**SEALER/GASKETS/PAINT**

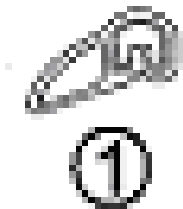
**SEALER**

360001	Sealant, #884058
360209	Sealant, seam
360176	Sealant, Almond, kitchen and bath
360180	Sealant, Sika-flex, gray
360180-04	Sealant, Sikaflex #221, black
360210	Sealant, Paralastic 4334-014
360283-01	SEALANT SILICONE CORIAN G. WHITE
365330-03	SEALANT, ALUMINUM/GREY
360258	SEALANT, ACRYLIC LATEX CAULK
360258-03	SEALANT, LATEX CAULK CLEAR

# 2013 SPORT

## GASKETS/PAINT

### Gaskets



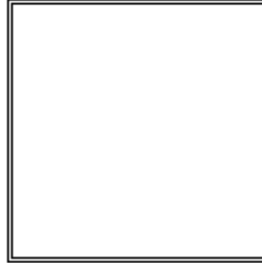
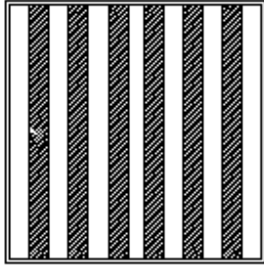
- |              |  |
|--------------|--|
| 1. 365035    | Gasket Access door jamb, access doors    |
| 2. 365013-01 | Gasket screen door                       |
| 3. 365232    | Gasket main door                         |
| 365208       | Gasket seal, Excel Windows               |
| 382117       | Gasket, Window Rectangle -               |
| 365016       | Tape, foam, double face, 1/2" wide       |
| 365001-02    | Tape, vinyl foam, double face, 3/4" wide |
| 685510       | SEAM TAPE, BLACK 1/32" X 7/8" X 200      |
| 683946       | BUG SEAL, edge of screen door close out  |
| 365190       | Rubber seal, refrigerator compartment    |
| 382074       | Gasket, grab handle, main door           |
| 365222       | TAPE DOUBLE COATED, .08 X 3/4"           |

### Paint

- |            |                                     |
|------------|-------------------------------------|
| 360213     | Paint, aluminum metallic            |
| 360213-100 | Paint, aluminum metallic, 16 OZ CAN |
| 360151     | Paint, gray metallic, Centari       |
| 360346     | PAINT, SILVER, PPG                  |
| 360347     | PAINT, BLACK, PPG                   |
| 360260-01  | Paint, Pewter, 16 OZ CAN            |

2013 SPORT  
UPHOLSTERY/FOAM/MATTRESS

Pillow Kit, Sharksfin



①

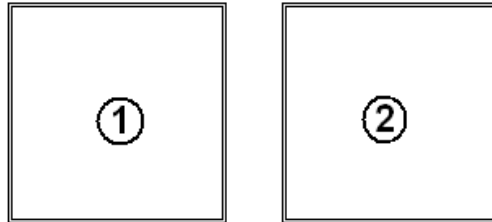
②

- |              |                               |
|--------------|-------------------------------|
| 703736-03    | Pillow Kit, Sharksfin, 22' FB |
| 703736-04    | Pillow Kit, Sharksfin, 16'    |
| 1. 703736-01 | Pillow, Sharksfin             |
| 2. 703736-02 | Pillow, Sharksfin             |



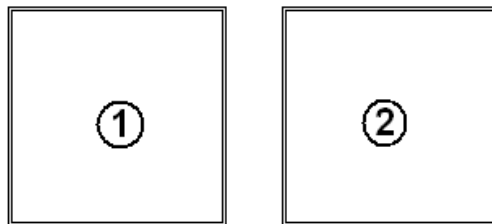
**2013 SPORT**  
**UPHOLSTERY/FOAM/MATTRESS**

**Pillow Kit, MOCHABLUE**



- 703793-03 Pillow kit, MOCHABLUE, 22' FB
- 703793-04 Pillow kit, MOCHABLUE, 16'
- 1. 703793-01 Pillow, AMBROSIA PEWTER FABRIC
- 2. 703793-02 Pillow, SOLILIQUE MOCHABLUE FABRIC

**Pillow Kit, Cinnabar**



- 703792-03 Pillow Kit, Cinnabar, 22' FB
- 703792-04 Pillow Kit, Cinnabar, 16'
- 1. 703792-01 Pillow, Cinnabar, ambrosia fabric
- 2. 703792-02 Pillow, Cinnabar, soliloque fabric

**Pillow**

- 703987 PILLOW BED, PLUMP POLY FILL 20"X30"

## 2013 SPORT

### UPHOLSTERY/FOAM/MATTRESS

#### Bedsread, Mattress, 22' Front Bed

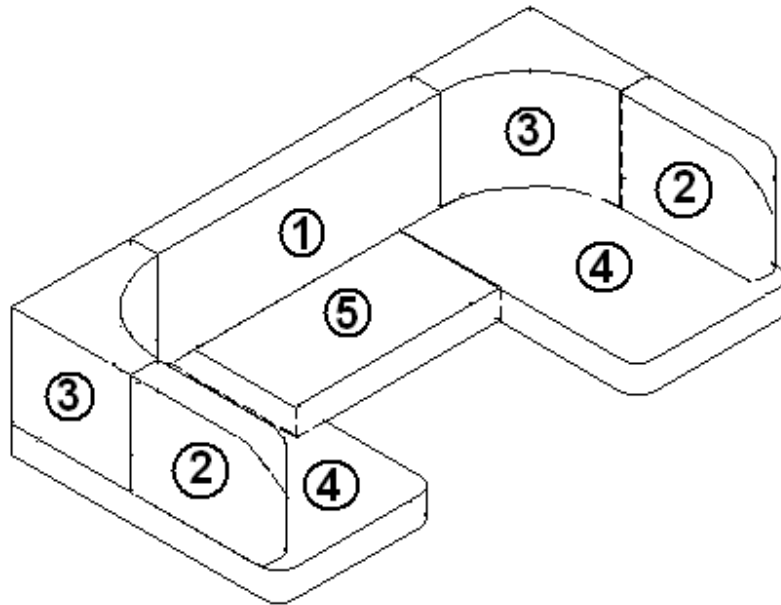
703980	MATTRESS, 54" X 83" PILLOW TOP 2012 1/2
703880-129	BEDSPREAD, 55 X 84, CINNABAR 22'
703880-139	BEDSPREAD, 55 X 84, MOCHABLUE 22'
703880-068	BEDSPREAD, 55 X 84, SHARKSFIN 22'

#### Bedsread, Mattress, 16'

703975	MATTRESS, 47.5 X 78, PILLOWTOP
703363-129	BEDSPREAD, REVERSE SHAM, CINNABAR 16'
703363-139	BEDSPREAD, REVERSE SHAM, MOCHABLUE 16'
703363-068	BEDSPREAD, REVERSE SHAM, SHARKSFIN 16'

2013 SPORT  
UPHOLSTERY/FOAM/MATTRESS

Dinette Seat Foam/Covers, 22' Front Bed



- |              |                              |
|--------------|------------------------------|
| 1. 998204-01 | SEAT COVER, MIDDLE BACK REST |
| 1. 703802-01 | FOAM, MIDDLE BACK REST       |
| 2. 998204-02 | SEAT COVER, SIDE BACK REST   |
| 2. 703802-02 | FOAM, SIDE BACK REST         |
| 3. 998204-03 | SEAT COVER, CORNER BACK REST |
| 3. 703802-03 | FOAM, CORNER BACK REST       |
| 4. 998204-04 | SEAT COVER, SEAT BOTTOM      |
| 4. 703802-04 | FOAM, SEAT BOTTOM            |
| 5. 998204-05 | SEAT COVER, CENTER SEAT BACK |
| 5. 703802-05 | FOAM, CENTER SEAT BACK       |
| 703802       | FOAM KIT, COMPLETE           |

**2013 SPORT**  
**VENTS/FANS/SKY LIGHTS**

Vent, Black Tank, Roof

690264-03 Vent pipe cover, white  
380228 Wire, hardware cloth  
382165 GASKET, CORLON ,VENT CAP

Vent Fan, Refrigerator

690394 Power ventilator, refrigerator  
511836 Switch, refrigerator fan

Vent, Power, Roof

512538 VENT, EXHAUST ONLY, MANUAL  
690266-01 VENTILATOR, POWER, ROUND

Sky light, 19" x 19"

381318-05 Skylight, 19.5" x 19.5"  
201962 Trim, skylight, 19.5" x 19.5"  
702804-03 Shade, skylight, pleated, 19.50" x 20"  
114485 Mounting Frame, Sky light  
382053 Corner brace, skylight mounting frame

**2013 SPORT**  
**WOOD/LAMINATES/TRIM**

**PLYWOOD**

800506-04	Plywood, 3/4" x 4' x 8'
800506-06	Plywood, 3/4" x 4' x 8'
800506-05	Plywood, 5/8" x 4' x 8'
800976-01	Plywood, tongue and groove, 19/32' (floor)
801351	LITE PLY-18MM (.75") 4' X 8'

**PANELING**

801355-01	LAMINATE, FROSTY WHITE ,VERTICAL
801368	18MM WHITELINER/WHITELINER
801369	PANEL, FROST WHITE/WHITELINER
801378	18MM WHITELINER/BACKER
801392	12MM GOLD ALCHEMY/LINER
801438	PANEL, FROST WHITE VINYL/RAW 2.7MM
801697	PANEL, FROSTY/FROSTY 12MM
801703	12MM FROSTY WHITE/WHITE LINER
801725	3MM BRUSHED STAINLESS STEEL/RAW
801745	LAMINATE, ABET 292 LUCIDA
801793-01	LAMINATE, GOLD ALCHEMY VERTICAL
801795-01	18MM GOLD ALCHEMY/WHITELINER
801797-01	12MM GOLD ALCHEMY/LINER
801783	TAMBOUR, BRUSHED ALUMINUM
801858	PNL, PRELAM 18MM LUNA FROST/WHITE LINER

## 2013 SPORT

### WOOD/LAMINATES/TRIM

#### Edge banding

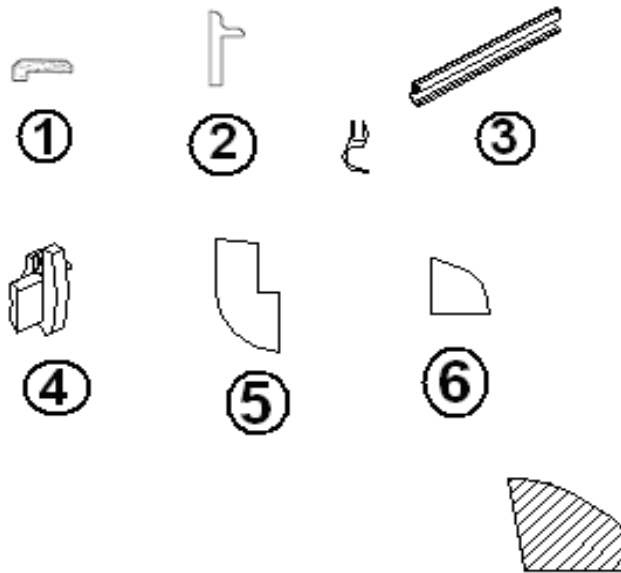
365348-01	EDGEBANDING, BRUSHED ALUMINUM, 5/8"
365343-01	EDGEBANDING, .63", GOLD ALCHEMY
365343-02	EDGEBANDING, 94", GOLD ALCHEMY
365343-03	EDGEBANDING, 1.25" GOLD ALCHEMY
365238-04	EDGEBANDING TAPE PVC 5/8", WHITE
365238-05	EDGEBANDING, TAPE PVC, 1.25", WHITE
365238-06	EDGEBANDING, TAPE PVC, 1.3125", WHITE
365348-02	EDGEBANDING, 15/16", BRUSHED ALUMINUM
365348-03	EDGEBANDING, .63", BRUSHED ALUMINUM

#### LAUAN

800507-01	Panel, Lauan, 1/8 x 4' x 8'
800507-02	Panel, Lauan, 1/4" x 4' x 8', raw/raw
800507-03	Panel, Lauan, 3/8" x 4' x 8', raw/raw
800507-04	Panel, Lauan, 1/2" x 4' x 8', raw/raw
800507-06	Panel, Lauan, .75" x 4' x 8', raw/raw

**2013 SPORT**  
WOOD/LAMINATES/TRIM

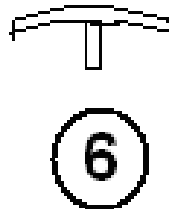
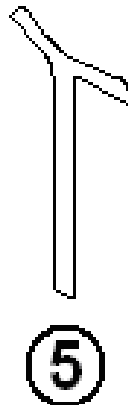
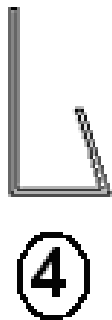
TRIM, WOOD



- |                |   |
|----------------|---|
| 1. 801665-WH   | MOLDING-L, DOOR JAMB                          |
| 2. 115064      | Trim, Aluminum Counter top                    |
| 3. 101265-01   | EXTRUSION, BLACK DOOR HANDLE                  |
| 4. 201163-01   | ENDCAP-BLACK HANDLE (PR)                      |
| 5. 801706-0114 | Molding, corner trim, 90 degree, Gold Alchemy |
| 6. 800638-0114 | Molding, quarter round, Gold Alchemy          |
| 115565         | Extrusion, Threshold, Main Door               |
| 100097         | Extrusion, Alum. Track for Threshold          |
| 801178-07      | TRIM, FLAT, FROSTY WHITE                      |

2013 SPORT  
WOOD/LAMINATES/TRIM

TRIM, PLASTIC



- |              |  |
|--------------|--|
| 1. 203225    | Trim lock, WHITE                       |
| 1. 203225-01 | Trim lock, GRAY                        |
| 2. 201728-06 | Extrusion plastic, ceiling trim, gray  |
| 3. 203138-01 | Extrusion, plastic Panel edging, WHITE |
| 3. 203464-03 | Extrusion, plastic Panel edging, White |
| 4. 201666    | MOLDING, J-3/16, PLASTIC, ALMOND       |
| 5. 201673    | Molding, cove, roof lockers, WHITE     |
| 6. 203445    | T-Molding, 9/16", BLACK                |
| 6. 203445-02 | T-Molding, 9/16", YELLOW               |
| 7. 201728-01 | EXTRUSION, CEILING TRIM RETAINER       |
| 203753       | T-TRIM W/ADHESIVE BACK                 |



