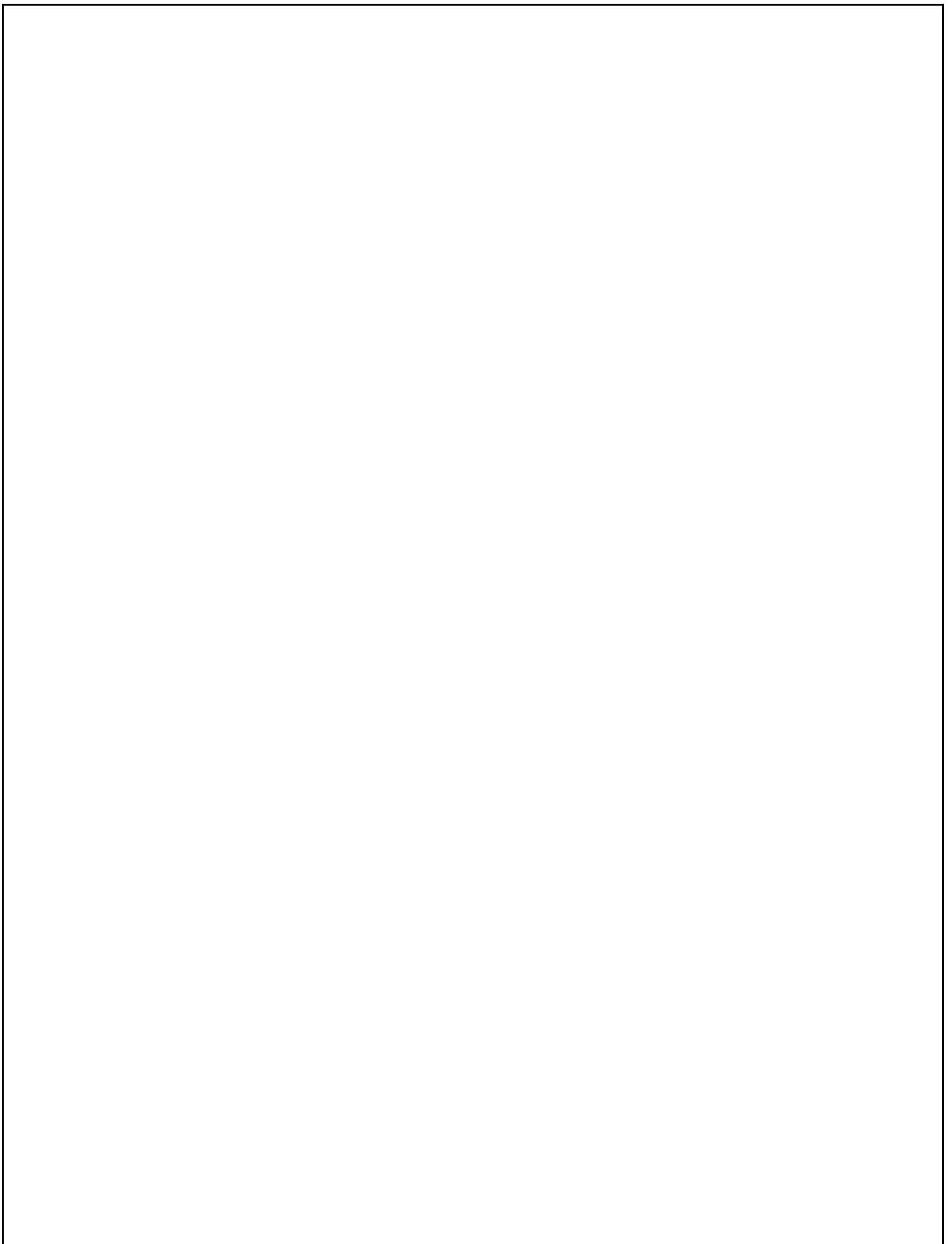


2015

AUTOBAHN

***PARTS
BOOK***



2015 AUTOBAHN

SECTION I

APPLIANCES

<u>Heating & Cooling System</u>	I-1
<u>Refrigerator</u>	I-1

EXTERIOR SHELL

<u>RS & CS Wall's</u>	I-2
<u>Body Kits</u>	I-4
<u>Storage Box, Bumper protector, Medallions</u>	I-10
<u>Hitch Cover</u>	I-11

INTERIOR BODY

<u>Interior Panels, Rear Door</u>	I-12
<u>Interior Trim/Skin</u>	I-12
<u>Dash Trim Kits</u>	I-13
<u>Floor Assembly</u>	I-15
<u>Ceiling Panels</u>	I-16

WINDOW COVERINGS

<u>Window Boxes</u>	I-17
<u>Shades & Blind Boxes</u>	I-18

CHASSIS

<u>Spare Tire Carrier</u>	I-19
<u>Aluminum Wheels</u>	I-20
<u>Step, Driver/Passenger</u>	I-20
<u>Electric Step/Step Well</u>	I-21
<u>Exhaust System/Skid Bar</u>	I-22
<u>Parktronic Sensor</u>	I-22
<u>Air Ride System</u>	I-20

AWNINGS

<u>Awnings</u>	I-23
----------------------	------

2015 AUTOBAHN

SECTION II

ELECTRICAL, 110 VOLT

<u>Inverter</u>	II-1
<u>Receptacles</u>	II-2
<u>Breakers</u>	II-3

Electrical, 12 volt

<u>Battery Tray</u>	II-3
<u>Battery System, Coach</u>	II-4
<u>Interior/Exterior Lights</u>	II-4
<u>Disconnect Box</u>	II-5
<u>Interior Switches</u>	II-6
<u>Solar Panels</u>	II-8
<u>Cable Kits, Power Cord, Rear View Monitor</u>	II-8
<u>ISIS/Infinity Box</u>	II-8

ENTERTAINMENT

<u>Radio Wiring</u>	II-9
<u>Television Reception System</u>	II-9
<u>Navigation System</u>	II-10
<u>Satellite In-Motion</u>	II-10
<u>TV Install</u>	II-10

2015 AUTOBAHN

SECTION III

FASTENERS

<u>Rivets</u>	III-1
<u>Screws</u>	III-1

<u>FLOOR COVERING</u>	III-2
-----------------------------	-------

FURNITURE

Roof Lockers

<u>Front, Overhead</u>	III-3
<u>Front Transition, RS</u>	III-6
<u>Rear</u>	III-9
<u>Roadside</u>	III-15
<u>Curbside</u>	III-21

Credenza

<u>RS, Forward</u>	III-27
<u>RS, Rear</u>	III-33
<u>CS, Forward</u>	III-39
<u>CS, Mid</u>	III-45
<u>CS, Rear</u>	III-51
<u>Rear Cross Car</u>	III-57

Refrigerator Stand

<u>Roadside</u>	III-63
<u>Curbside</u>	III-64
<u>Refrigerator Drop-In</u>	III-65

DOORS, PANELING, TRIM

<u>Roof Locker Doors</u>	III-66
<u>Edgebanding</u>	III-67
<u>Trim</u>	III-68
<u>Paneling, Laminate</u>	III-69

2015 AUTOBAHN

SECTION III

HARDWARE

<u>Seat Pedestal Brackets</u>	III-70
<u>Interior Handles, Fastener, Latches</u>	III-71
<u>Hinges & Door Slides</u>	III-72
<u>Bracket, Slide Door</u>	III-72
<u>Labels and Tags</u>	III-73
<u>Fire Extinguisher</u>	III-73
<u>Cargo Cover</u>	III-73

<u>SEALER/GASKETS/UNDERCOATING</u>	III-74
--	--------

UPHOLSTERY, SEATS

<u>Cabin Seats & Pedestal Covers</u>	III-75
<u>Chairs, 2nd & 3rd Rows</u>	III-75
<u>Chairs, Back Row</u>	III-75
<u>Trunk Liner</u>	III-75

2015 AUTOBAHN

APPLIANCES

Heating/Cooling System

690647	Kit, Rear HVAC system, Proair
690647-01	Floor mount H/C, 32K BTU cooling, 35K BTU heating
690647-02	Condenser kit
690647-03	Booster pump kit
690647-04	Compressor kit with manifolds
690647-05	Mounting kit
690647-07	Air delivery kit

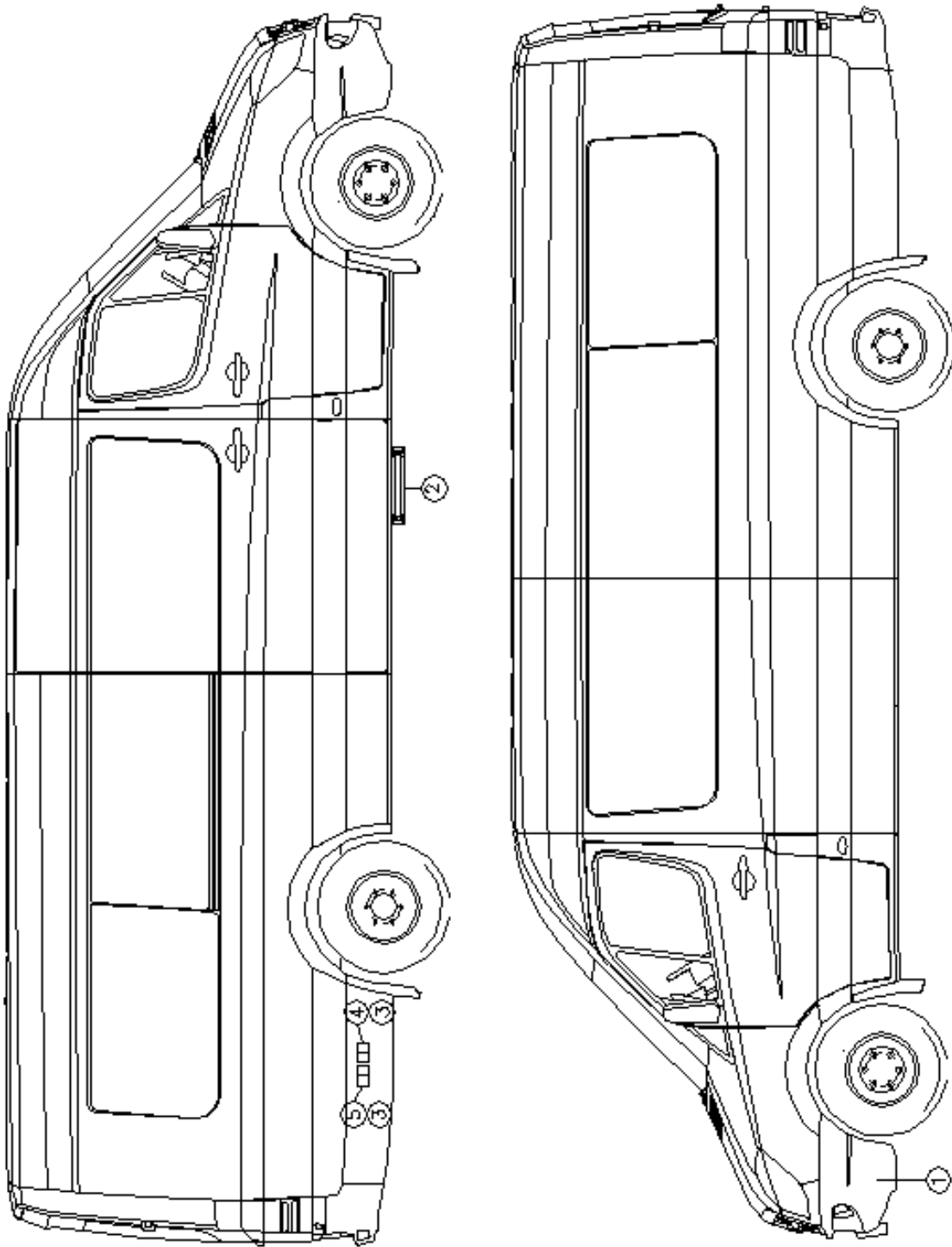
Refrigerator

690655-01	Refrigerator, Novakool, .8 CF, LH Door
690655-02	Refrigerator, Novakool, .8 CF, RH Door
602376-01	Refrigerator/Cooler lid, Corian, Hazelnut

2015 AUTOBAHN

EXTERIOR SHELL

Roadside & Curbside Wall



Parts Listed on Next Page

2015 AUTOBAHN

EXTERIOR SHELL

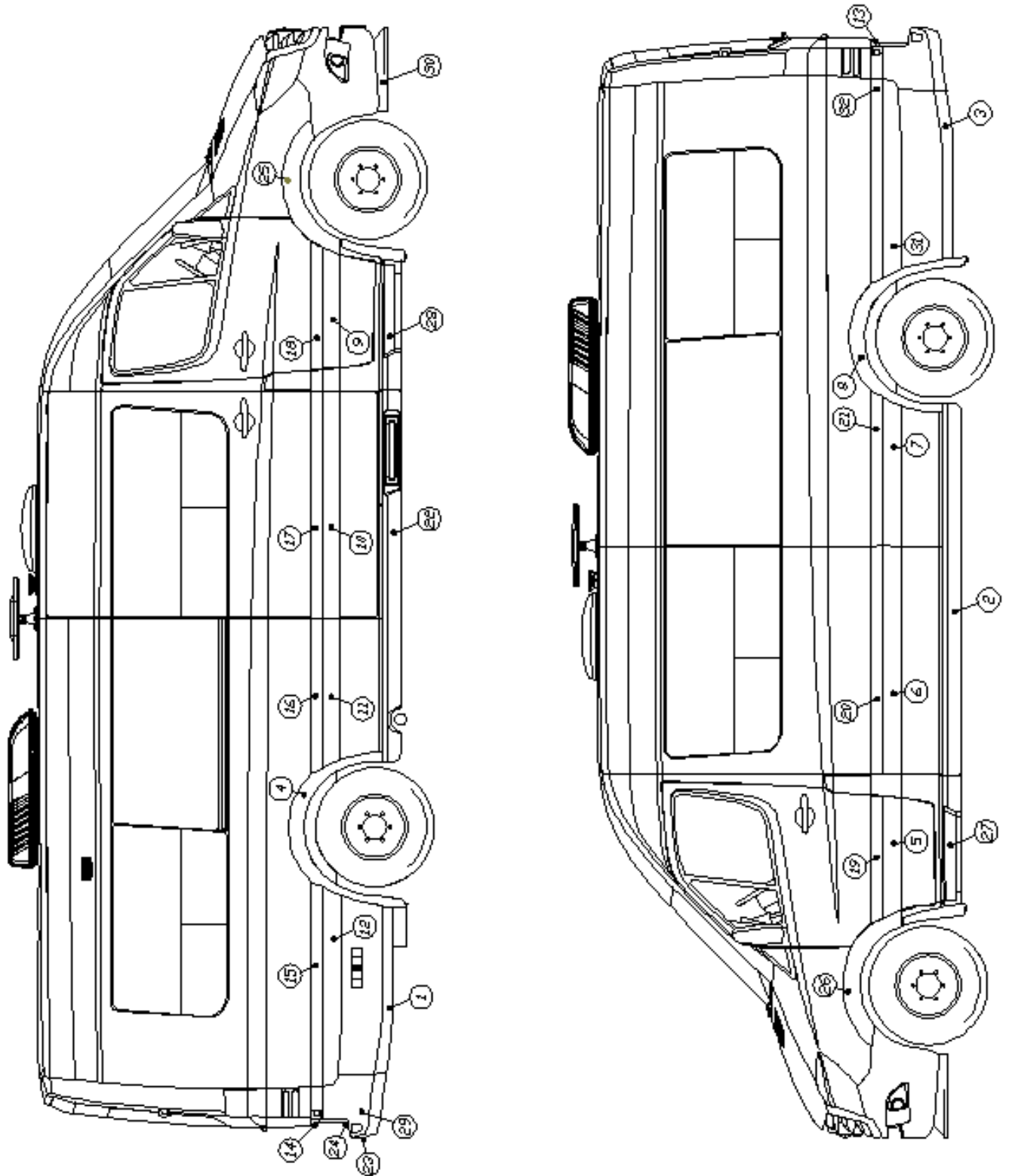
Roadside & Curbside Wall

923148	Autobahn Shell, Extended
1. 203624	Body Kit
2. 512450	Step, project 2000
3. 512428-01W	Cover, W.P. w/gasket, 110V, White
512428-01B	Cover, W.P. w/gasket, 110V, Black
512428-01S	Cover, W.P. w/gasket, 110V, Silver
4. 512852	Wall plate, SGL HDMI pigtail & "F" coax
5. 512642-06	Receptacle, 15A, Single

2015 AUTOBAHN

EXTERIOR SHELL

Body Kit, Silver



Parts Listed on Next Page

2015 AUTOBAHN

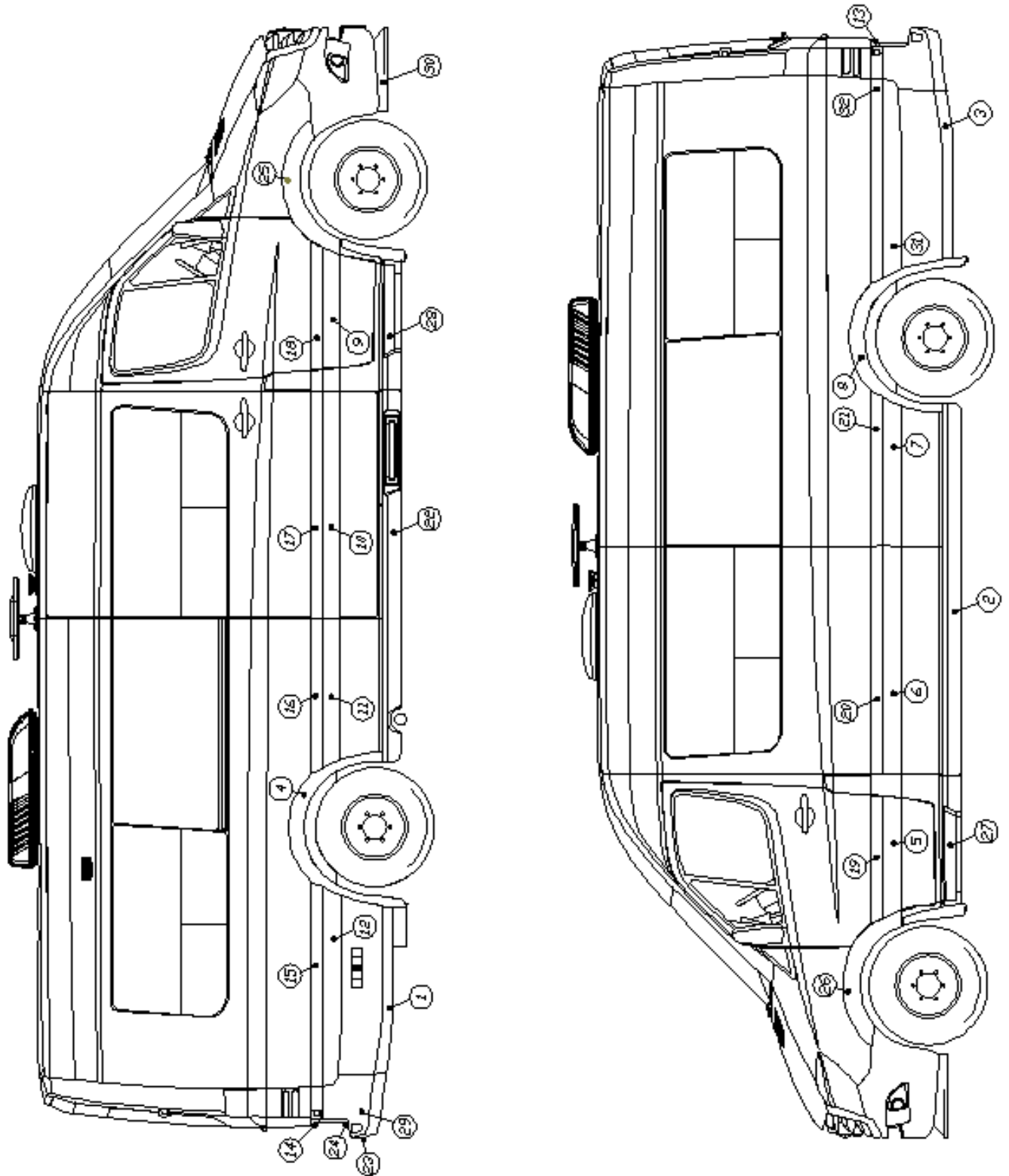
EXTERIOR SHELL

Body Kit, Silver

1. 203624-40 Extended Passenger Rear Transition
2. 203624-06 Rocker, Driver Side
3. 203624-41 Extended Drivers Side Rear Transition
4. 203624-08 Flare, Passenger Rear
5. 203624-10 Panel, Driver Front Door
6. 203624-12 Panel, Driver Side Body,
7. 203624-13 Panel, Driver Side Middle Rear
8. 203624-14 Flare, Driver Rear
9. 203624-16 Panel, Passenger Side, Front Door
10. 203624-18 Panel, Passenger, Slider Door
11. 203624-19 Panel, Passenger Side Middle Rear
12. 203624-43 Extended Passenger Side Rear Qtr
13. 203624-23 Driver Side Top Close Out Rear Bumper
14. 203624-24 Passenger Side Top Close Out Rear Bumper
15. 203624-44 Extended Passenger side, Trim Qtr
16. 203624-26 Trim, Passenger Middle Rear, Chrome
17. 203624-27 Trim, Passenger Slide Door, Chrome
18. 203624-29 Trim, Passenger, Front Door, Chrome
19. 203624-30 Trim, Driver Side Door, Chrome
20. 203624-32 Trim, Driver Side Body, Chrome
21. 203624-33 Trim, Driver Side Middle Rear Chrome
22. 203624-39 Passenger Side Rocker
23. 203624-47 Hitch Cover
24. 203624-48 Bracket, Rear Bumper
25. 203624-55 Flare, Front passenger side
26. 203624-56 Flare, Front driver side
27. 203624-57 Step assembly, Driver side
28. 203624-58 Step assembly, Passenger side
29. 203624-59 Rear Bumper W/Sensor Cutouts
30. 203624-61 Air dam, Front bumper
31. 203624-42 Extended left hand rear quarter panel
32. 203624-45 Extended left hand rear quarter trim

2015 AUTOBAHN EXTERIOR SHELL

Body Kit, Black



Parts Listed on Next Page

2015 AUTOBAHN

EXTERIOR SHELL

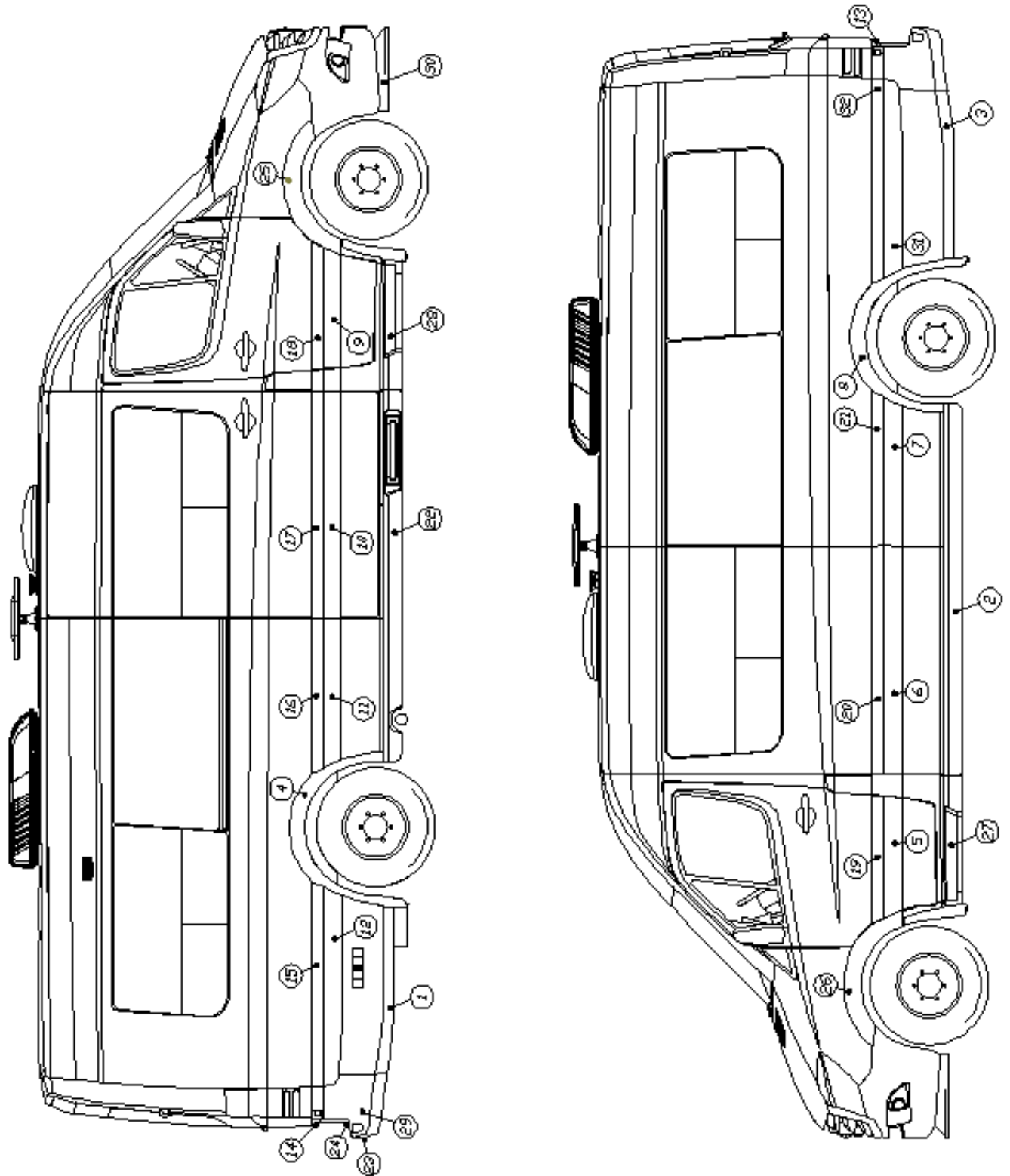
Body Kit, Black

1. 203624-40B Extended Passenger Rear Transition
2. 203624-06B Rocker, Driver Side
3. 203624-41B Extended Drivers Side Rear Transition
4. 203624-08B Flare, Passenger Rear
5. 203624-10B Panel, Driver Front Door
6. 203624-12B Panel, Driver Side Body,
7. 203624-13B Panel, Driver Side Middle Rear
8. 203624-14B Flare, Driver Rear
9. 203624-16B Panel, Passenger Side, Front Door
10. 203624-18B Panel, Passenger, Slider Door
11. 203624-19B Panel, Passenger Side Middle Rear
12. 203624-43B Extended Passenger Side Rear Qtr
13. 203624-23B Driver Side Top Close Out Rear Bumper
14. 203624-24B Passenger Side Top Close Out Rear Bumper
15. 203624-44 Extended Passenger side, Trim Qtr
16. 203624-26 Trim, Passenger Middle Rear, Chrome
17. 203624-27 Trim, Passenger Slide Door, Chrome
18. 203624-29 Trim, Passenger, Front Door, Chrome
19. 203624-30 Trim, Driver Side Door, Chrome
20. 203624-32 Trim, Driver Side Body, Chrome
21. 203624-33 Trim, Driver Side Middle Rear Chrome
22. 203624-39B Passenger Side Rocker
23. 203624-47B Hitch Cover
24. 203624-48 Bracket, Rear Bumper
25. 203624-55B Flare, Front passenger side
26. 203624-56B Flare, Front driver side
27. 203624-57B Step assembly, Driver side
28. 203624-58B Step assembly, Passenger side
29. 203624-59B Rear Bumper W/Sensor Cutouts
30. 203624-61B Air dam, Front bumper
31. 203624-42B Extended left hand rear quarter panel
32. 203624-45 Extended left hand rear quarter trim

2015 AUTOBAHN

EXTERIOR SHELL

Body Kit, White



Parts Listed on Next Page

2015 AUTOBAHN

EXTERIOR SHELL

Body Kit, White

1. 203624-40W Extended Passenger Rear Transition
2. 203624-06W Rocker, Driver Side
3. 203624-41W Extended Drivers Side Rear Transition
4. 203624-08W Flare, Passenger Rear
5. 203624-10W Panel, Driver Front Door
6. 203624-12W Panel, Driver Side Body,
7. 203624-13W Panel, Driver Side Middle Rear
8. 203624-14W Flare, Driver Rear
9. 203624-16W Panel, Passenger Side, Front Door
10. 203624-18W Panel, Passenger, Slider Door
11. 203624-19W Panel, Passenger Side Middle Rear
12. 203624-43W Extended Passenger Side Rear Qtr
13. 203624-23W Driver Side Top Close Out Rear Bumper
14. 203624-24W Passenger Side Top Close Out Rear Bumper
15. 203624-44 Extended Passenger side, Trim Qtr
16. 203624-26 Trim, Passenger Middle Rear, Chrome
17. 203624-27 Trim, Passenger Slide Door, Chrome
18. 203624-29 Trim, Passenger, Front Door, Chrome
19. 203624-30 Trim, Driver Side Door, Chrome
20. 203624-32 Trim, Driver Side Body, Chrome
21. 203624-33 Trim, Driver Side Middle Rear Chrome
22. 203624-39W Passenger Side Rocker
23. 203624-47W Hitch Cover
24. 203624-48 Bracket, Rear Bumper
25. 203624-55W Flare, Front passenger side
26. 203624-56W Flare, Front driver side
27. 203624-57W Step assembly, Driver side
28. 203624-58W Step assembly, Passenger side
29. 203624-59W Rear Bumper W/Sensor Cutouts
30. 203624-61W Air dam, Front bumper
31. 203624-42W Extended left hand rear quarter panel
32. 203624-45 Extended left hand rear quarter trim

2015 AUTOBAHN

EXTERIOR SHELL

Medallions

386255 Badge, "AIRSTREAM" Chrome 1.182" X 12.435"

386265 Badge, "AUTOBAHN" Chrome 1.182" X 11.099"

Storage Box, Below Floor

454903 Compartment, Rear Storage

203730 Lid, Storage Box, Plastic

381985 Plug, Quick Nap

Rear Bumper Protector 3-M Film

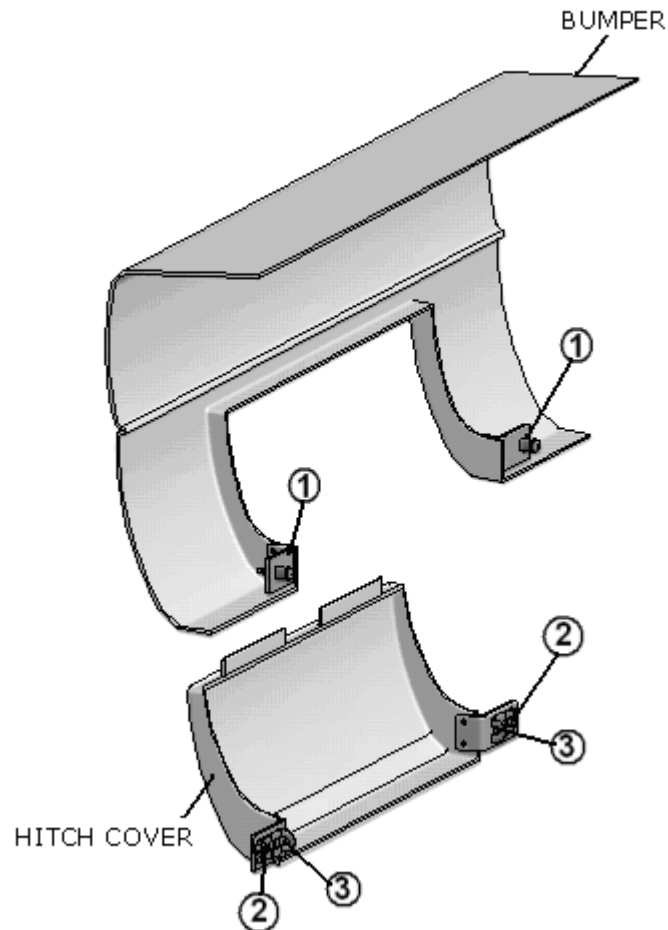
203764 Rear Bumper Protector, 3-M Film

Bracket, 7-Way

454968 Bracket, 7-Way Plug

2015 AUTOBAHN EXTERIOR SHELL

Hitch Cover



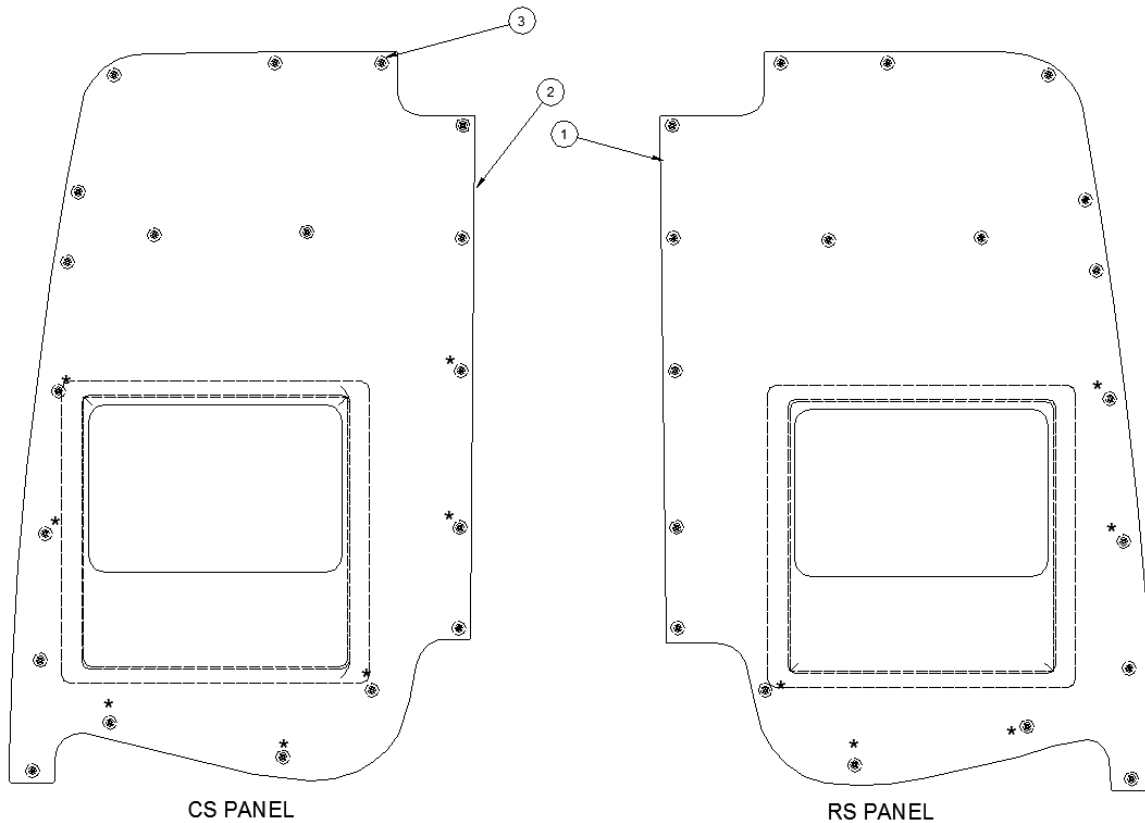
1. 454919
2. 454920
3. 382182
320029-02

Bumper Bracket
Cover Bracket
Latch, Snap Slide, Stainless Steel
Screw #8 x 1.00 Self-Tap SS 300

2015 AUTOBAHN

INTERIOR SHELL

Interior Panels, Rear Door



112085 Rear Door Panels Install

- 1. 203765 RS rear upper door panel
- 2. 203766 CS rear upper door panel
- 3. 382062 Fastener, Finned .25"
- 365374 Glue, Loctite
- 365013 Tape, Charcoal low density foam
- 454945 Angle, 1 x 1.25 x 2.5

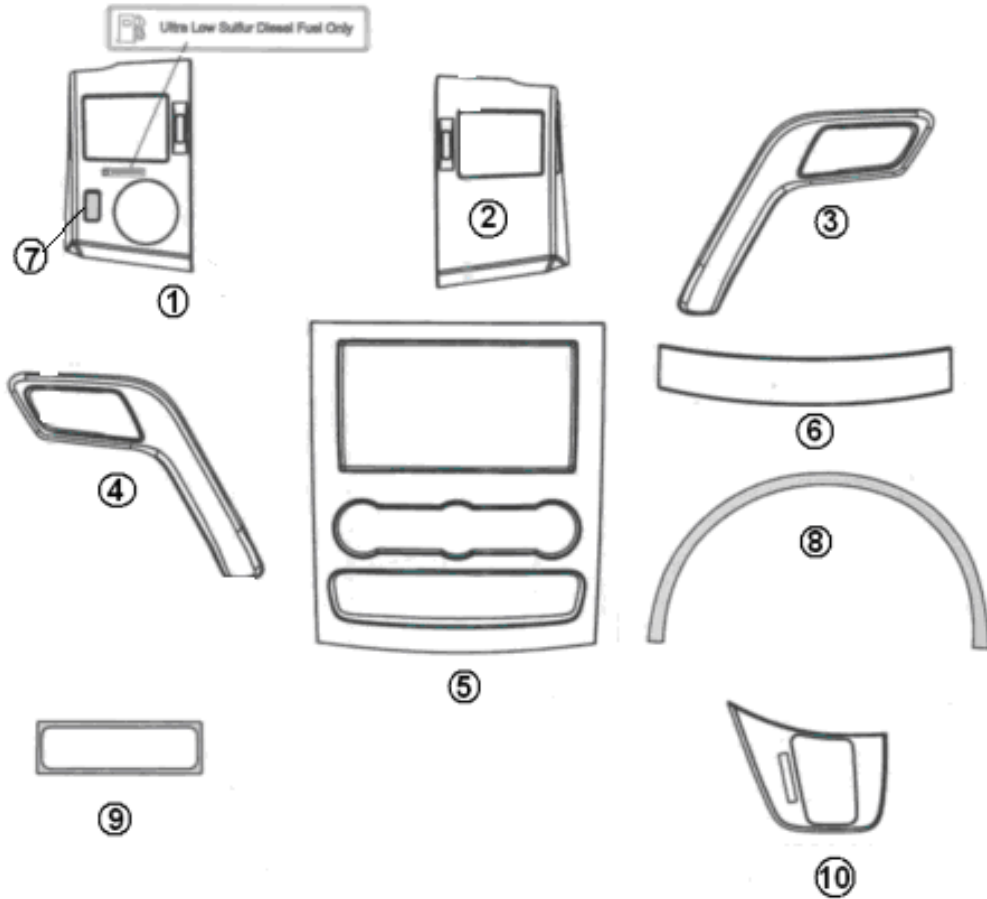
Interior Skin/Trim

- 203628 Closeout, Roadside "B" pillar, bottom
- 203629 Close out, sliding door header
- 203631-01 Closeout, roadside wheel well
- 203631-02 Closeout, curbside wheel well
- 203637 Pads, sound dampener, rear wheel wells
- 203632 Close off, step

2015 AUTOBAHN

INTERIOR SHELL

Dash Trim Kit, Ivory & Walnut



365320-01

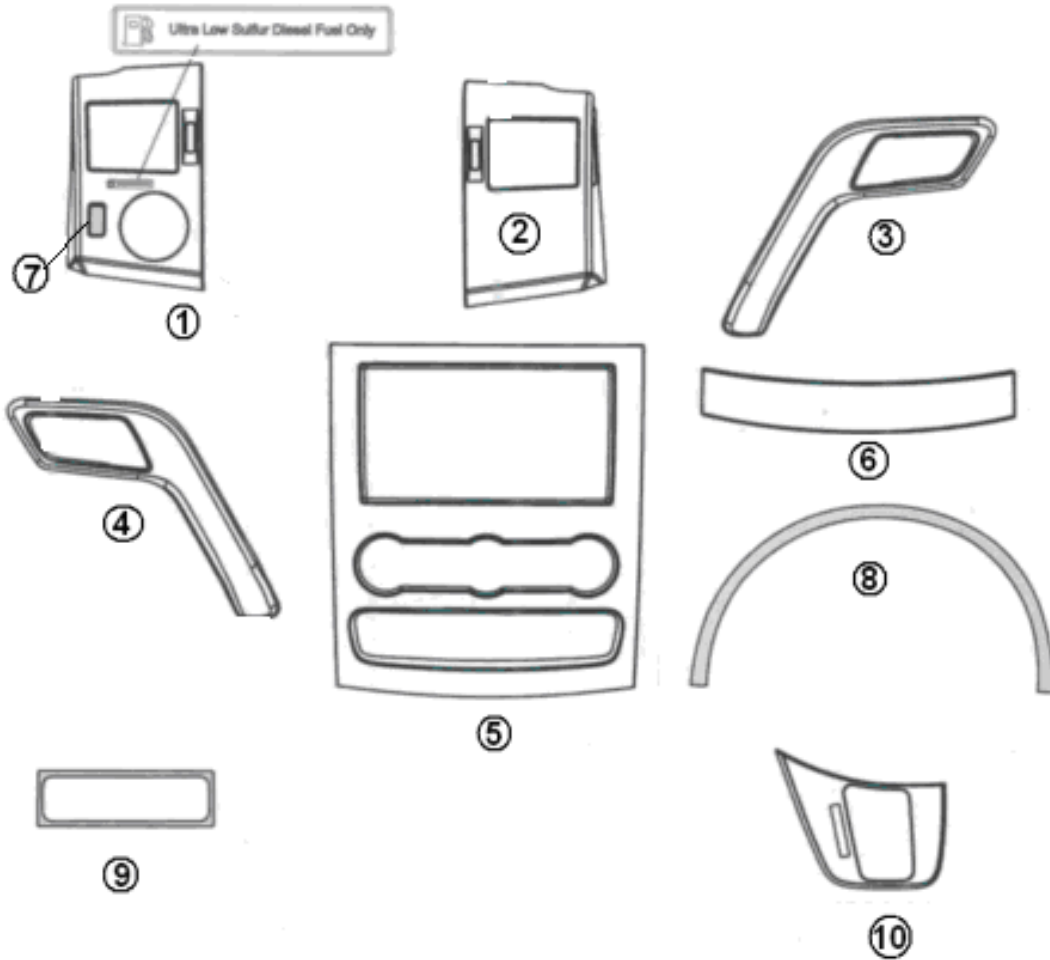
Kit, Dash Trim Combo, Majestic Burl

- | | |
|----------------|--|
| 1. 365320-100 | Decal, Driver Vent, Majestic Burl |
| 2. 365320-101 | Decal, Passenger Vent Majestic Burl |
| 3. 365320-102 | Decal, Driver Door Pull Majestic Burl |
| 4. 365320-103 | Decal, Passenger Door Pull Majestic Burl |
| 5. 365320-104 | Decal, Radio/AC Control Surround, Majestic Burl |
| 6. 365320-105 | Decal, Above Radio Center Storage, Majestic Burl |
| 7. 365320-106 | Decal, Plug for Driver Vent, Majestic Burl |
| 8. 365320-107 | Decal, Speedometer, Majestic Burl |
| 9. 365320-108 | Decal, Below Main Dash, Majestic Burl |
| 10. 365320-109 | Decal, Auto Shifter, Majestic Burl |

2015 AUTOBAHN

INTERIOR SHELL

Dash Trim Kit, Ebony



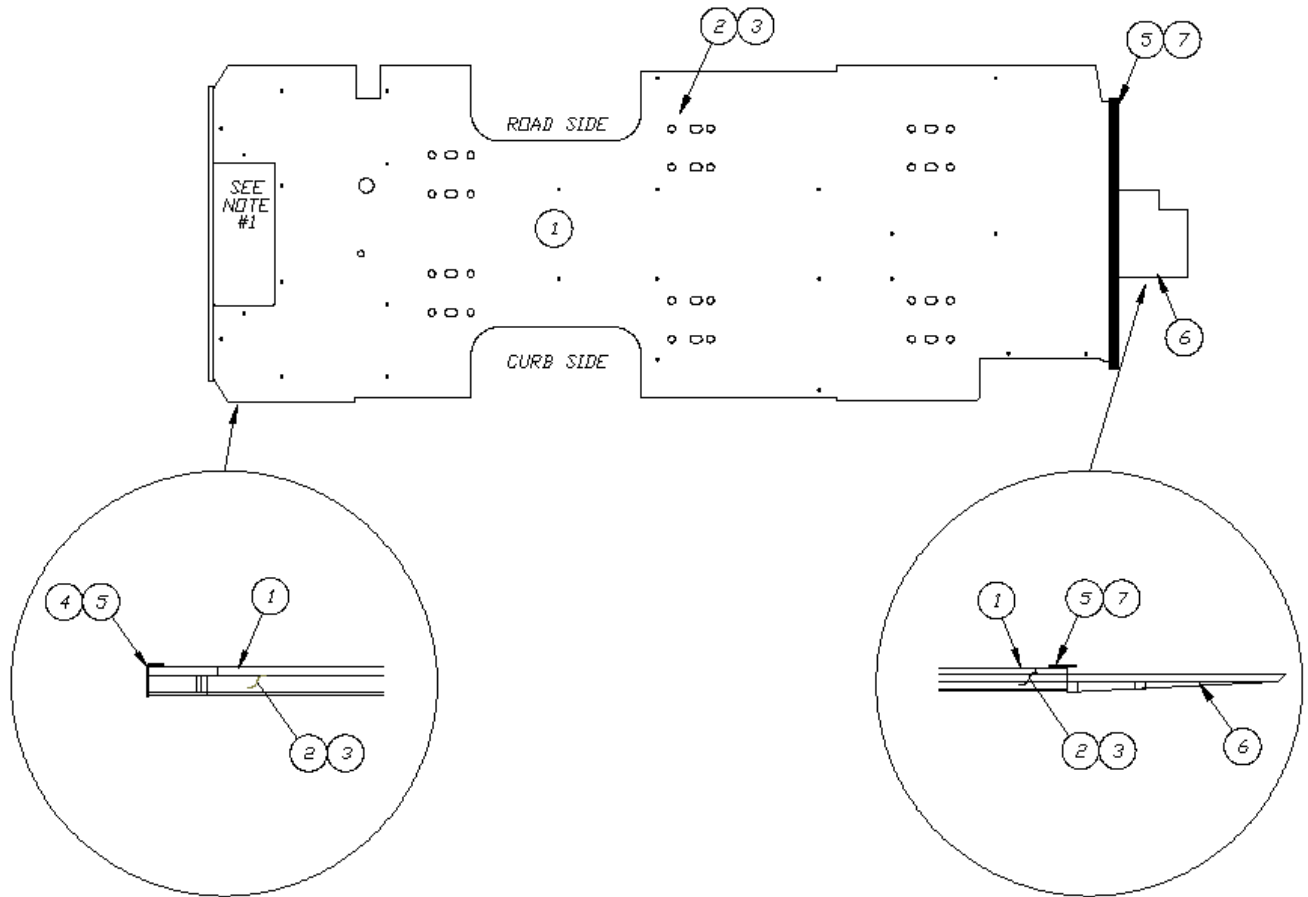
365319-01

Kit, Dash Trim Combo, Charcoal Cherry

- | | |
|------------------|--|
| 1. 365319-01100 | Decal, Driver Vent, Charcoal Cherry |
| 2. 365319-01101 | Decal, Passenger Vent Charcoal Cherry |
| 3. 365319-01102 | Decal, Driver Door Pull Charcoal Cherry |
| 4. 365319-01103 | Decal, Passenger Door Pull Charcoal Cherry |
| 5. 365319-01104 | Decal, Radio/AC Control Surround, Charcoal Cherry |
| 6. 365319-01105 | Decal, Above Radio Center Storage, Charcoal Cherry |
| 7. 365319-01106 | Decal, Plug for Driver Vent, Charcoal Cherry |
| 8. 365319-01107 | Decal, Speedometer, Charcoal Cherry |
| 9. 365319-01108 | Decal, Below Main Dash, Charcoal Cherry |
| 10. 365319-01109 | Decal, Auto Shifter, Charcoal Cherry |

2015 AUTOBAHN INTERIOR SHELL

Floor Assembly



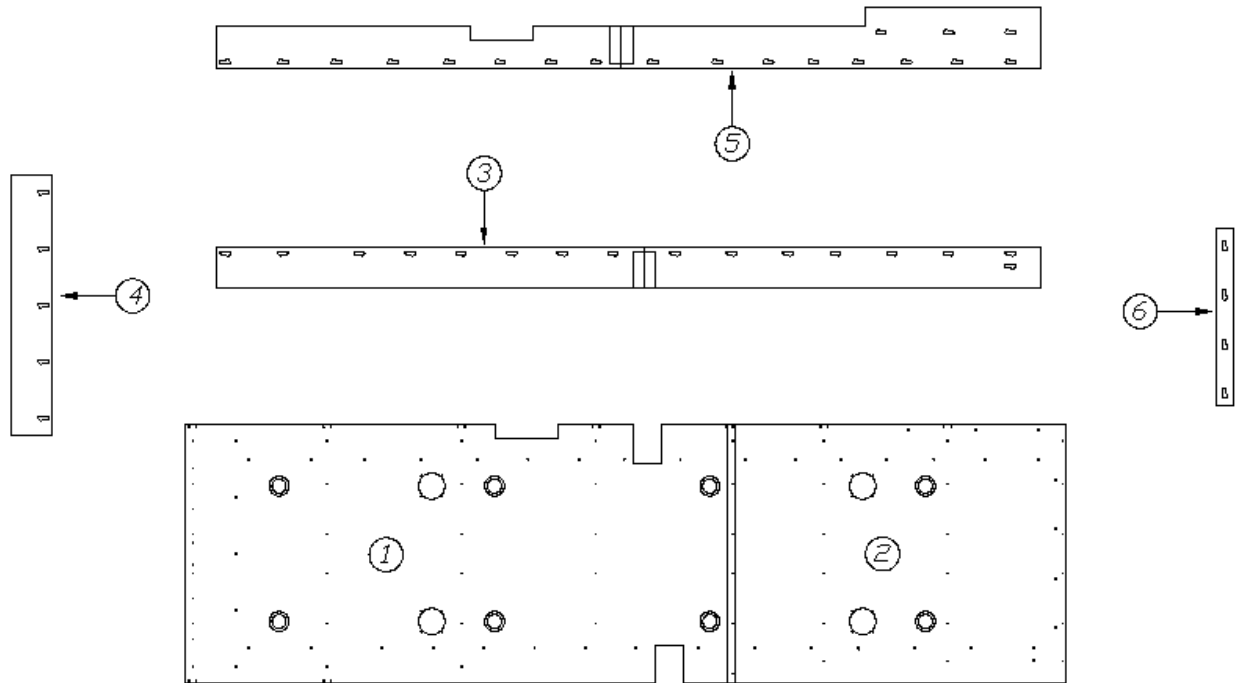
112067

Floor Install

- | | |
|---|---|
| <ul style="list-style-type: none"> 1. 704111 2. 923147 3. 345330-09 4. 967772 5. 345353-03 6. 923012 7. 114869 | <ul style="list-style-type: none"> Vinyl flooring, Ships deck Mahogany/Ivory RV Durbac Floor assembly Screw, ¼ x 20 x 3", self-tapping Floor trim angle assembly Screw, #6 flat head Cab to main floor transition assembly Extrusion, threshold compartment Cab to main floor transition Floor Guard, Underbelly Adhesive, AAT-272, Super premium |
|---|---|

2015 AUTOBAHN INTERIOR SHELL

Ceiling Panels



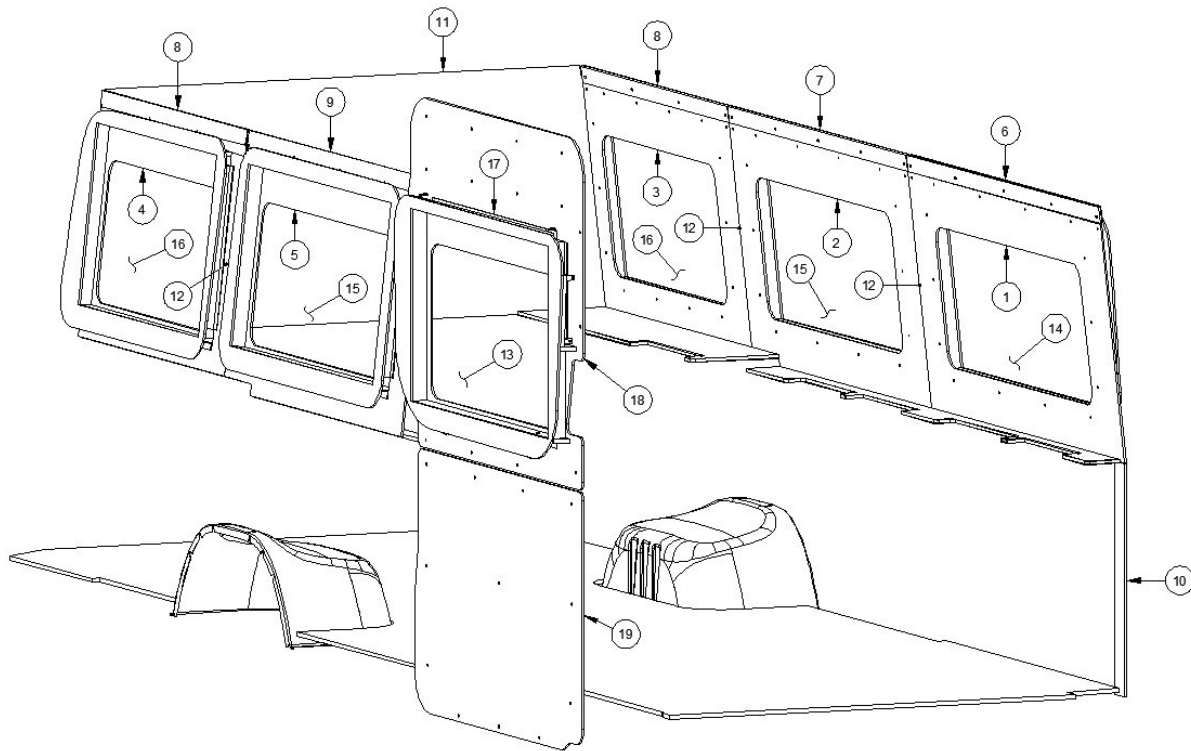
923153

Layout, Ceiling Panels

- | | |
|--------------|--------------------------------|
| 1. 923153-01 | Ceiling panel, Rear |
| 2. 923153-02 | ceiling panel, Front |
| 3. 923153-03 | Ceiling panel, CS |
| 4. 923153-04 | Ceiling panel, Rear |
| 5. 923153-05 | Ceiling panel, RS |
| 6. 923153-06 | Ceiling panel, Front |
| 704088 | Fabric, Sarandave Impala |
| 704088-01 | Foam, 3/16" |
| 704088-02 | Suede Impala laminated to foam |

2015 AUTOBAHN WINDOW COVERINGS

Window Boxes



112081

Install, Window Boxes

- | | |
|---------------|---------------------------------------|
| 1. 967933 | Blind box, RS, Forward |
| 2. 967934 | Blind box RS, Mid |
| 3. 967935 | Blind box RS, Rear |
| 4. 967938 | Blind box CS, Rear |
| 5. 967939 | Blind box CS, Mid |
| 6. 968045-01 | Closeout, RS, Forward |
| 7. 968045-02 | Closeout, RS, Mid |
| 8. 968045-03 | Closeout, RS/CS, Aft |
| 9. 968045-04 | Closeout, CS, Forward |
| 10. 968045-05 | Closeout, Forward, Lower |
| 11. 968048 | Closeout, Rear wall |
| 12. 365306-01 | Foam, 2" x 25', 3/4" thick |
| 13. 112082-01 | Install, Roller shade, Sliding door |
| 14. 112082-02 | Install, Roller shade, Forward window |
| 15. 112082-03 | Install, Roller shade, Mid window |
| 16. 112082-04 | Install, Roller shade, Aft window |
| 17. 967940 | Blind box CS, Sliding door |
| 18. 967948 | Panel, CS slide door, Upper |
| 19. 967949 | Panel, CS slide door, Lower |

2015 AUTOBAHN

WINDOW COVERINGS

Shades

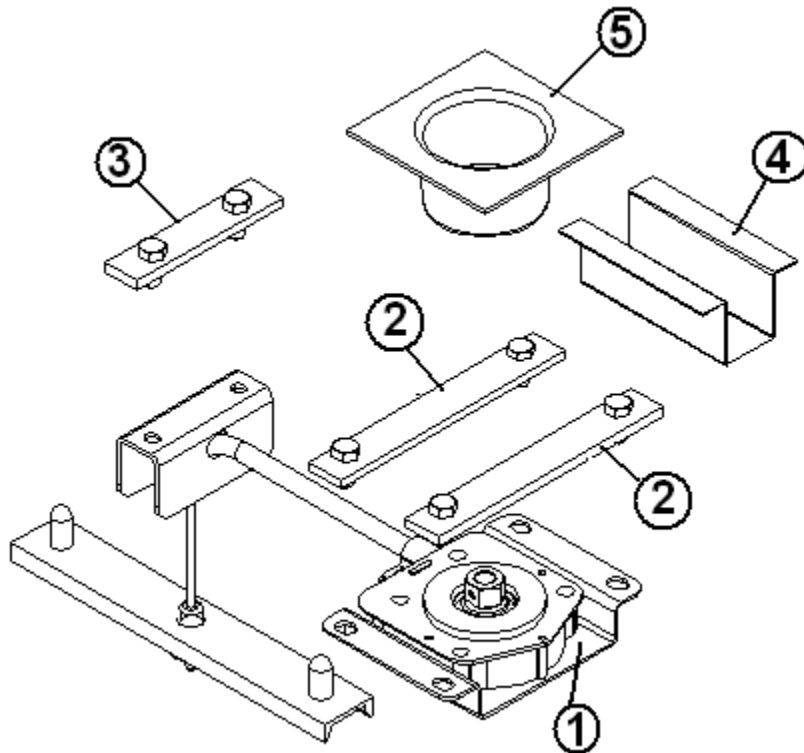
704097-01	Shade, Double roller, 21.38 x 14.88
704097-02	Shade, Double roller, 44 x 26
704097-03	Shade, Double roller, 48.5 x 26
704097-04	Shade, Double roller, 51.25 x 26
320116-02	Screw, #6 x 1.125", PH FH, Black
704109-01	Windshield shade
704109-02	RS Cab window shade
704109-03	CS Cab window shade

Blind Box Assemblies

967933	RS, Forward
967934	RS, Mid
967935	RS, Rear
967938	CS, Rear
967939	CS, Mid
967940	CS, Sliding door

2015 AUTOBAHN CHASSIS

Spare Tire Carrier



- | | |
|-----------|--|
| 1. 454665 | Spare tire carrier |
| 2. 454669 | Bracket, spare tire carrier |
| 3. 454667 | Bracket, spare tire carrier |
| 4. 454713 | Hat section, spare tire |
| 5. 203646 | Closeout, spare tire winch |
| 382099 | Socket, $\frac{3}{4}$ " deep well, $\frac{3}{8}$ " drive |
| 381667 | Ratchet, $\frac{3}{8}$ " drive |

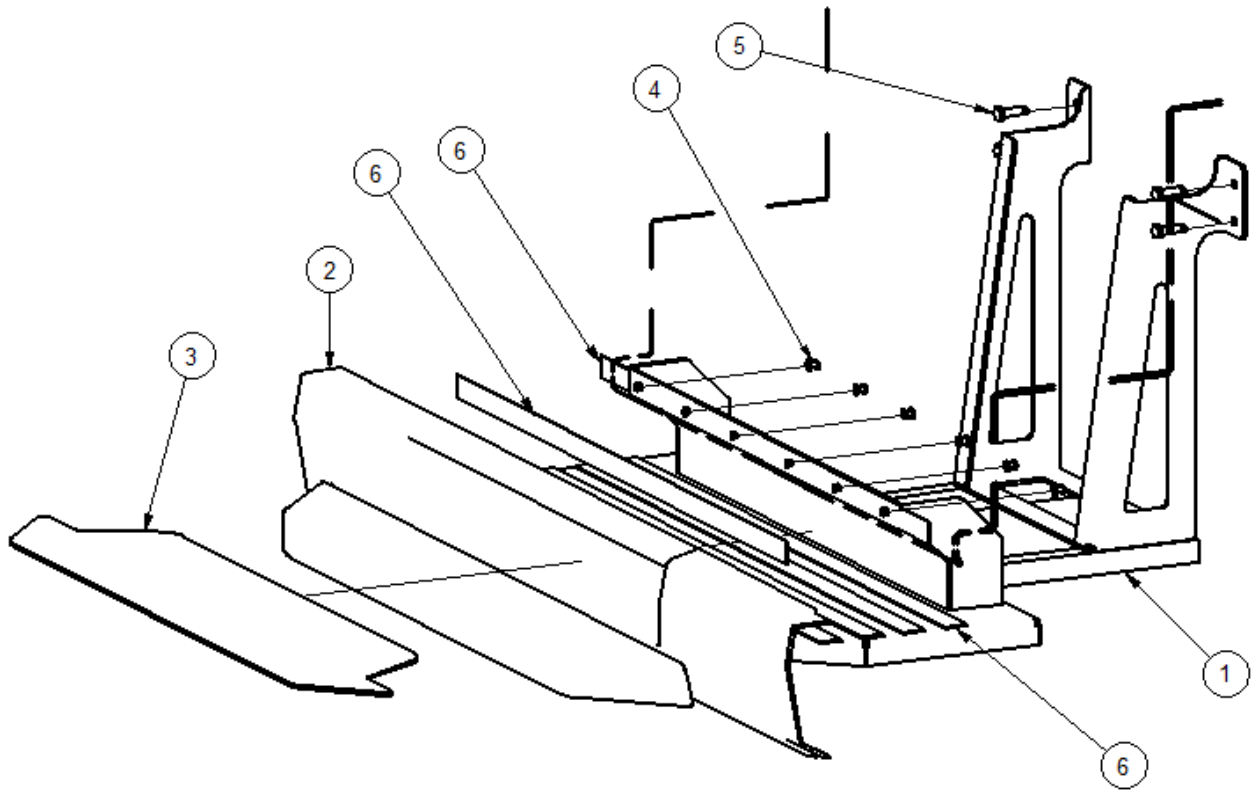
2015 AUTOBAHN

CHASSIS

Aluminum Wheels

411004-01	Wheel, Front, Polished Outside #250801DB
411004-02	Wheel, Rear, Polished Inside #250802DB
411004-03	Trim Kit, Front #021120
411004-04	Trim Kit, Rear #022120

Driver & Passenger Steps

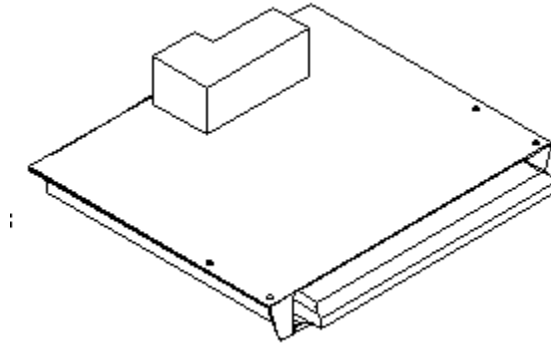


1. 454963	Weldment, support frame
2. 203624-57	Step, Driver
3. 203624-58	Step, Passenger
4. 382224	Foot pad
5. 345084	Screw, 1/4-14 x 1 THD.
6. 365222	1/2" VHB x 24" Long

2015 AUTOBAHN

CHASSIS

Step, Electric



512450	Step, Power Project 2000
512450-100	Step Switch
454789	Bracket, Step Mounting
454788	Bracket, Step Hanger
512301	Buzzer, Warning, Two Tone, Step & Awning
203772	Film, Step Area

Step Well

203632	Step Close Out, Plastic
203661	Trim Ring, Step Well Pocket
382097	Cord, Black Bungee, 14" W/Clips
967479	Pocket Assy, Step Well
701538-01	Carpet, Econolier W/PSA Back
512377	Light, Courtesy, W/SS Bezel, Led

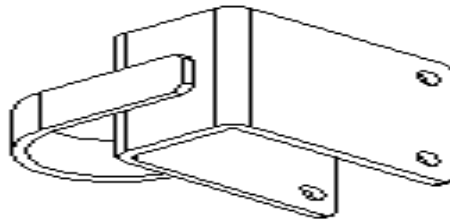
2015 AUTOBAHN

CHASSIS

Exhaust System

454656	Exhaust Tailpipe
454696-01	Wrap, Exhaust, 34" Long
454696-02	Wrap, Exhaust, 14" Long
340073-10	Clamp, Muffler, 2.5"
340073-15	Clamp, Muffler, 2.75"
340073-02	Clamp, Muffler W/Nuts & Saddle
381509	Hanger, Tailpipe
410999	Exhaust Extension 7.25" 2.5" OD S.S.

Skid Bar Assembly



454685	Skid bar assembly
--------	-------------------

Parktronic Sensor

382173	Kit, Bosch Park Sensor Sockets
512617-01	Replacement Parktronic sensor

Air Ride System

411006-01	Air ride kit
411006-02	Xenon height sensor bracket

2015 AUTOBAHN

AWNINGS

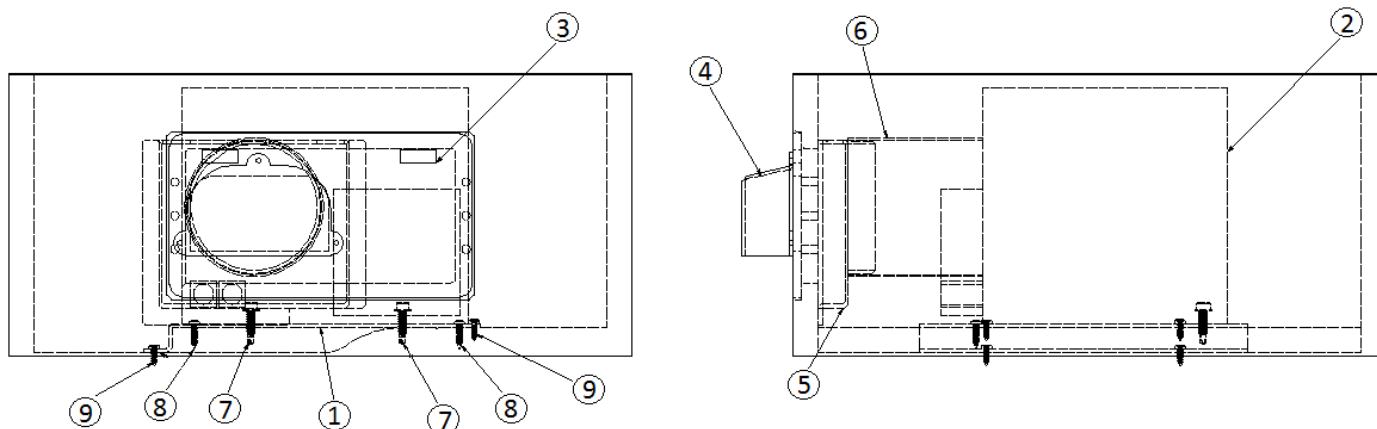
Awnings, Armless

704007-01	Awning, Armless, 13'1" Fiamma F65 Eagle 400, White
704007-02	Awning, Armless, 13'1" Fiamma F65 Eagle 400, Titanium
704007-03	Awning, Armless, 13'1" Fiamma F65 Eagle 400, Black
704007-04	Installation Bracket F65 Eagle, Full length
704007-05	Switch
704007-06	Control board
512740	Flex tape, LED, 13.6V, 112"
510844-01	Relay/Socket, Bosch

2015 AUTOBAHN

ELECTRICAL, 110 VOLT

Inverter



112084

Inverter Install

- | | |
|--------------|--|
| 1. 454939 | Formed mounting plate |
| 2. 512279-01 | Inverter, 750 watt w/transfer switch, Tripp Lite |
| 512279-02 | Remote Display module |
| 512279-03 | 25' Cable |
| 3. 967972 | Modified inverter fan door |
| 4. 203758 | Closeout, inverter fan |
| 5. 203762 | Intake duct collar seat pedestal |
| 6. 600247 | Heat duct, Flexible, 4" |
| 7. 345084 | Screw, 1/4-14 x 1 THD |
| 8. 320006 | Screw, #8 sheet metal, Pan-head, PH, .75' |
| 9. 320035 | Screw, #8 sheet metal, Pan-head, .5" |
| 340084-60 | Hose clamp, 4.25" |

2015 AUTOBAHN

ELECTRICAL, 110 VOLT

Receptacles

511451-02	Receptacle, 20 amp, single, brown
512096	Receptacle, GFI 15 amp w/black cover
511815-01	Receptacle, duplex, black
511912	Wall plate, single gang, snap on, chrome
512741B	W.P. cover w/gasket, Receptacle, Black
512741W	W.P. cover w/gasket, Receptacle, White
512741S	W.P. cover w/gasket, Receptacle, Silver
500785	Outlet, Duplex Brown T&B

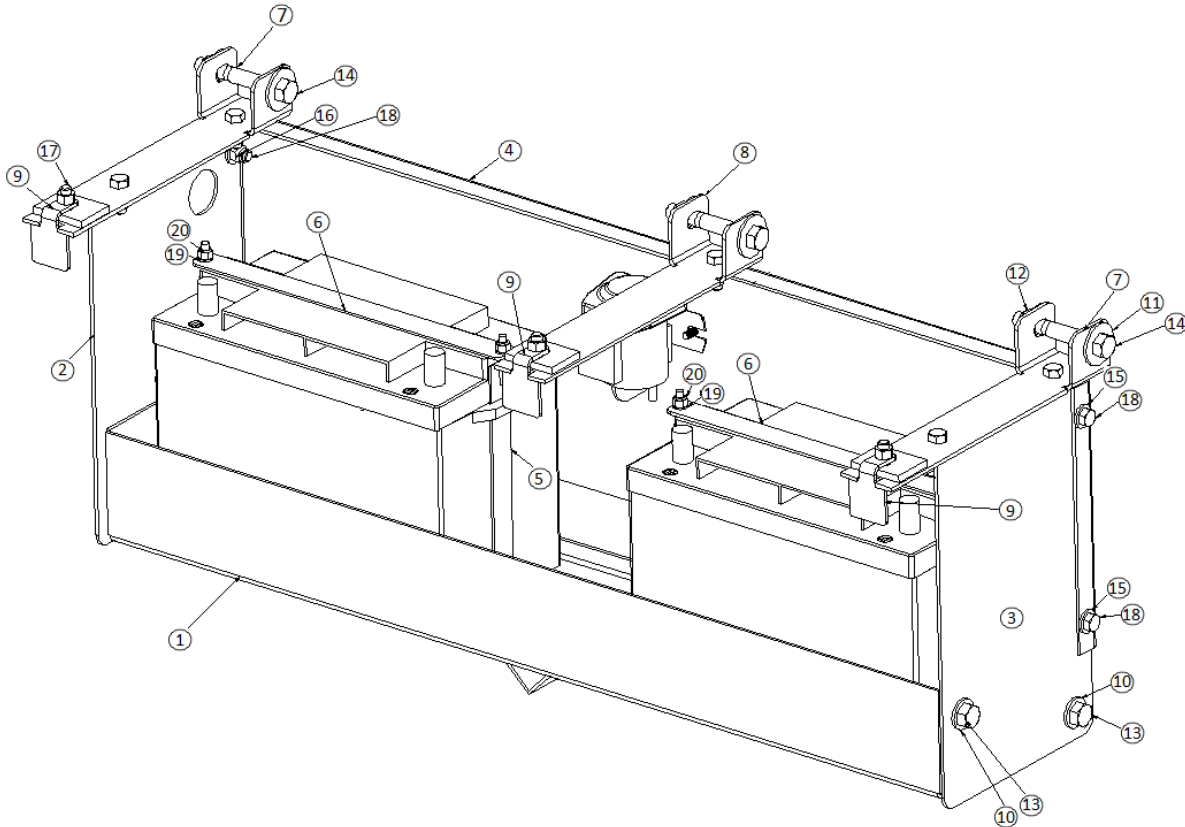
Breakers

510564-3020	Breaker, Bryant 3020 Amp
510564-2020	Breaker, Type BRD, BD 20-20
510564-30	Breaker, Bryant, 30AMP
510947-05	Breaker, 5A, 1003290
510947-06	Breaker, 6A, 12V6APP
510947-08	Breaker, 8A, 12V8APP
510947-15	Breaker, 15A, 12V15APP
510947-30	Breaker, 30A, 12V30APP
510948-04	Buss Bar, 4 position, Copper
510948-06	Buss Bar, 6 position, Copper
512646-15	Universal Circuit Breaker, 15A, Type II

2015 AUTOBAHN

ELECTRICAL, 12 VOLT

Battery Tray



112107 Battery Tray Install

- | | |
|---------------|-------------------------------------|
| 1. 454946 | Battery tray, Bottom |
| 2. 454947 | Battery tray, LH side |
| 3. 454948 | Battery tray, RH side |
| 4. 454949 | Battery tray, Back |
| 5. 454951 | Battery tray, Side strap |
| 6. 454952 | Battery tray, Top strap |
| 7. 454953 | Battery tray, End frame bracket |
| 8. 454954 | Battery tray, Mid frame bracket |
| 9. 454955 | Battery tray, Bracket angle nut |
| 10. 300169 | Washer, SS, 17/32" ID, 1-1/16" OD |
| 11. 300112-50 | Washer, Flat, 1/2", Type B |
| 12. 350147-50 | Nut, Nylon lock |
| 13. 345251 | Bolt, Hex HD, 1/2-13 x 1-1/2 GR 5 |
| 14. 345477 | Cap, Screw, Hex HD |
| 15. 300052 | Washer, Flat, 3/8" |
| 16. 350147-37 | Nut, Nylon lock, 3/8-16 |
| 17. 345272-05 | Hex bolt, Grade 5 |
| 18. 345272-04 | Cap, Screw, Hex HD, 3/8-16 GR 5 |
| 19. 300111-25 | Washer, Flat, 1/4" |
| 20. 345377 | Nut, Hex HD, Nylon lock, 1/4-20, SS |

2015 AUTOBAHN

ELECTRICAL, 12 VOLT

Battery System, Coach

511845	Battery, 12 Volt, Deep Cycle, AGM
512360	Battery Separator w/ smart control and Gen sense
512281-02	Stud, Pass Through, W/Red Base
512604	Battery Disconnect, Main 275A W/Remote Operator
510947-05	Breaker, 5A, 1003290
510947-06	Breaker, 6A, 12V6APP
510947-08	Breaker, 8A, 12V8APP
510947-15	Breaker, 15A, 12V15APP
510947-30	Breaker, 30A, 12V30APP
510948-04	Buss Bar, 4 position, Copper
510948-06	Buss Bar, 6 position, Copper
512278-150	Fuse, Type BF1-32, 150A

Interior Lights

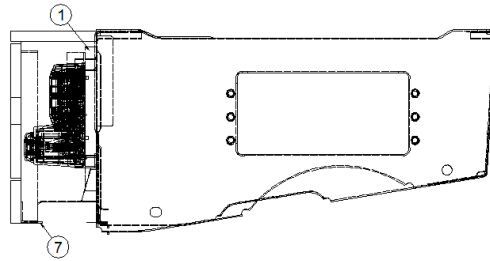
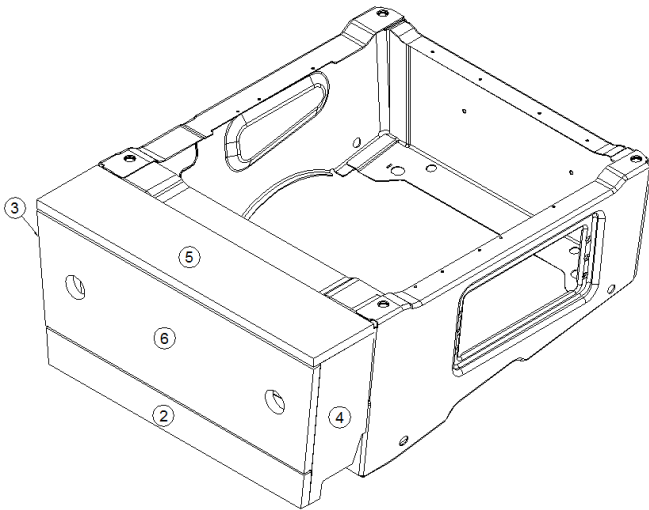
512310	Rope Light, White
512394	Pigtail, Rope Lighting, 8" Power Connector
512311	Terminal, .176" Bullet, Rope Light
512377	Light, Courtesy w/Stainless Steel Bezel
512641	Light, Courtesy, LED, Sea-dog
512626	Light, Eyeball, LED, 12V, Satin Nickel
512679	Light, 4.5", Radiance, Switched, Surface Mounted
512718	Spot light, Frosted lens, LED, Recessed
512726-01	Light, LED ribbon, Cool white
512726-02	Light channel w/tape, 6'

Exterior Lights

512101	Plate w/12 volt outlet, White
511294	Light, License Plate
512740	LED Flex Tape 112" Strips

2015 AUTOBAHN ELECTRICAL, 12 VOLT

Disconnect Box



968114-25
968114-26

Disconnect Box Assembly, Onyx
Disconnect Box Assembly, Lt. Camel

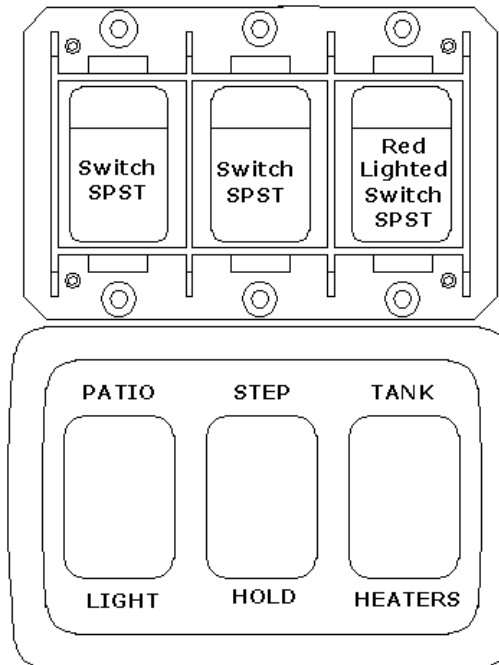
- | | |
|---------------|--------------------------|
| 1. 968114-251 | Panel, 14 x 6.75 |
| 968114-261 | Panel, 14 x 6.75 |
| 2. 968114-252 | Panel, 17 x 2 |
| 968114-262 | Panel, 17 x 2 |
| 3. 968114-253 | Panel, 3.5 x 8.5 |
| 968114-263 | Panel, 3.5 x 8.5 |
| 4. 968114-254 | Panel, 3.5 x 8.5 |
| 968114-264 | Panel, 3.5 x 8.5 |
| 5. 968114-255 | Panel, 18.25 x 4 |
| 968114-265 | Panel, 18.25 x 4 |
| 6. 968114-256 | Panel, 18.25 x 6.25 |
| 968114-266 | Panel, 18.25 x 6.25 |
| 7. 380041 | Brace, 1" Stanley corner |

2015 AUTOBAHN

ELECTRICAL, 12 VOLT

Interior Switches

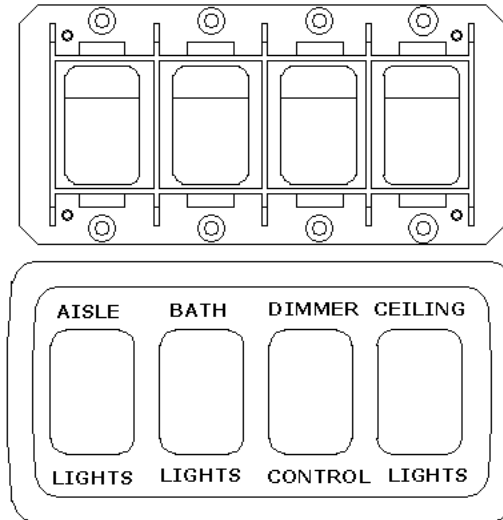
512312	Switch Assembly, Black Momentary
511977	Switch Assembly, 1-Gang, Black
510658	Switch w/weather proof boot
512546	Switch, Momentary pushbutton SPST
512630	Switch assembly, Battery disconnect, Home series
512632	Switch, CS-4MOM, Black, Task, Seat, Privacy, Sunscreen
512634	Switch, RS-4MOM, Black, Sunscreen, Privacy, Seat, Task
512778	Switch assembly, 3MOM, Black, Entrance, Courtesy, Indirect
512779	Switch, 4MOM, Black, Awning, Awning, Ceiling, Ceiling
500982	Magnetic door switch



512548	Switch Assy., 3 Gang Blk w/White Text
--------	---------------------------------------

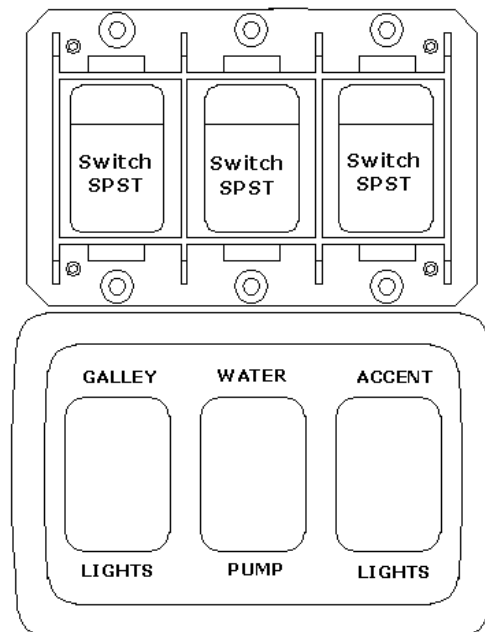
2015 AUTOBAHN ELECTRICAL, 12 VOLT

Interior Switches, Continued



512549

Switch Assy., 4 Gang w/Dim Black w/White Text



512550

Switch, 3-Gang Black w/White Text

2015 AUTOBAHN

ELECTRICAL, 12 VOLT

Solar Panel

512805	Solar Flex panel, 100 watt
511006-14	Butt splice, 16-14, Heat shrink
201267-03	Convoluted conduit, 3/8"
320139	Screw, #8 x .75" w/#10 washer
512723	Connector, Molded 2 pin

Cable Kits, Main 12VDC

512629	Kit, Cable, Main 12V DC
500773-07	Fuse, ATC, 12VDC, 7.5 Amp

Power Cord

512798	Power cord, 15Amp, 115Vac, 25', Yellow, Heavy duty
--------	--

Monitor, Rear View

512299	Monitor, rear view camera
511948	Camera, rear view
511645	"Y" adaptor, male to 2-female, RCA
512056	Coupler, barrel, RCS, gold, F/F

ISIS/Infinity Box

512635	ISIS mastercell
512636	ISIS powercell
512637	ISIS inmotion motor control
512638	ISIS omni cell
512639	ISIS intouchnet web server
512674	ISIS invironment

2015 AUTOBAHN

ENTERTAINMENT

Radio Wiring

512309	Terminal, Sprinter radio
512311	Terminal, tube heat shrink, bullet
512557	Antenna, adaptor, Radio to VW
512527	Shroud, Radio In-Dash

Television Reception System

511635	Plate, Dual Cable Entry
510612	Coax, 75 OHM, standard
510623	Connector, coax, male to male
510623-01	Coax connector locking nut added inside hatch
511534	Dual Coax Plate White
511796W	Cable TV Outlet/12v Power Port, Exterior White
511796S	Cable TV Outlet/12v Power Port, Exterior Silver
511796B	Cable TV Outlet/12v Power Port, Exterior Black
510621-02	Splitter, Coax, 2-Way
511287	Receptacle Single 15 Amp
512366-25	Cable, HDMI Male/Male, 25'
512366-20	Cable, HDMI Male/Male, 20'
512366-15	Cable, HDMI Male/Male, 15'
512405-01	Coax Lead/Jumper W/Conn., 6"
512406	Connector, Rg6 Hex Compression
512407	Cable, Rg6 Coax
512714	HDMI switcher/splitter

2015 AUTOBAHN

ENTERTAINMENT

Navigation System

512838	In-dash, Double din, Navigation system, Kenwood
512554	Tuner Sirius XM Tuner
512504	iPod Cable
512492-03	Antenna w/18' Cable, Roof Mount
512555	Bezel, Sprinter Dash Radio
512797	Speaker, 3-way, 5 1/4', Kenwood
512559	Speaker Spacer
512683	Harness Radio
512814	Volume/USB charge plate w/bezel
512813	Volume/USB charge plate, 3.5 x 2
512265	Adaptor, Right angle, Male-female, RCA

Satellite In-Motion, Option

511635	Plate, Dual cable entry
512663-03	Cable, RG45 connectors, CAT5E, 5', Black
512724	Satellite dish w/paired DirecTV receiver box
512790	HDMI converter, Composite/S-video to HDMI
512563	Power supply, DC/DC 12Vdc-5Vdc
512816	Patch cord, 3-way, Male-male, 1.5', RCA

TV Install

454943	Bracket, TV Slide
320116-04	Screw, Sheet metal #8 PPH, Black
690645	32" LED TV, Jensen
512776	Blu-Ray smart player, Samsung
512644	TV box, Apple
512804	Wireless router, Cradle Point

2015 AUTOBAHN

FASTENERS

Rivets

325127	Rivet, Magna-Lok, 3/8", Protruding head, Steel
325128	Rivet, Bulb-Tite, 1/4", Dome head, Steel
330149	Pop rivet, Aluminum, Dome head
330031-03	Rivet, Dome head

Screws

345330-09	Screw, 1/4-20 x 3 FH, Self-thread
345353-03	Screw, #6 x .75 Flat HD, Phil
345469	Screw, M6 x 1 x 8mm, PH Phil
320161	Screw, Self-tap, 1/4-14 x 1.5
320116-02	Screw, #8, PH, Black
320116-04	Screw, Sheet metal, #8, PH Phil, Black
320116-08	Screw, #8, Phil HD, black
320116-10	Screw, Sheet metal, #8 PH, Black
320029-02	Screw, #8 x 1, Self-tap
345329-07	Screw, #6 oval HD, Phil
320171-02	Screw, #8 x .5" PH, Gray
320171-04	Screw, #8 x .75" PH, Gray
320139	Screw, #8 x .75" w/#10 washer
320158	Screw, #8 x .625, Pan head
345084	Screw, 1/4-14 x 1, Thread cutting
345513	Screw, M4 x 20mm, Hex head, Zinc
320178	Screw, #8-18 x .375, PH Tap, Black
381609-05	Screw, #9 x 1-1/2", Hafele European
345355	Screw, #8 x 3/4, FH Phil
345508	Screw, #10 x .5", FH Phil, Zinc

2015 AUTOBAHN

FLOOR COVERING

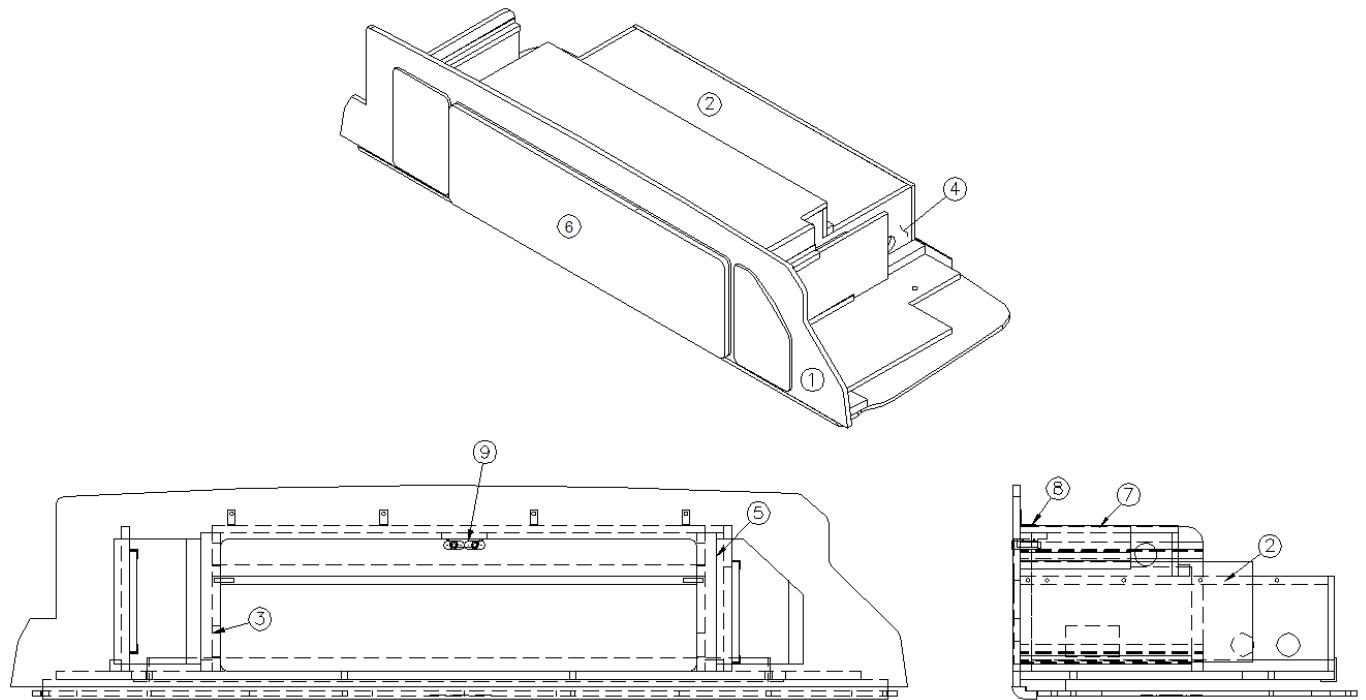
Linoleum/Mats/Carpet

704111	Flooring, Vinyl Shipsdeck Mahogany/Ivory
801782-01	Plywood mat overlay, flooring
703968	Floor Guard, Underbelly material 102" Wide, Black
454904	Floor trim, Angle
704154	Floor mat, Driver and passenger
203727	Foil, Single bubble flex

2015 AUTOBAHN

FURNITURE, ROOF LOCKER

Roof Locker, Front, Overhead, Ivory



968007

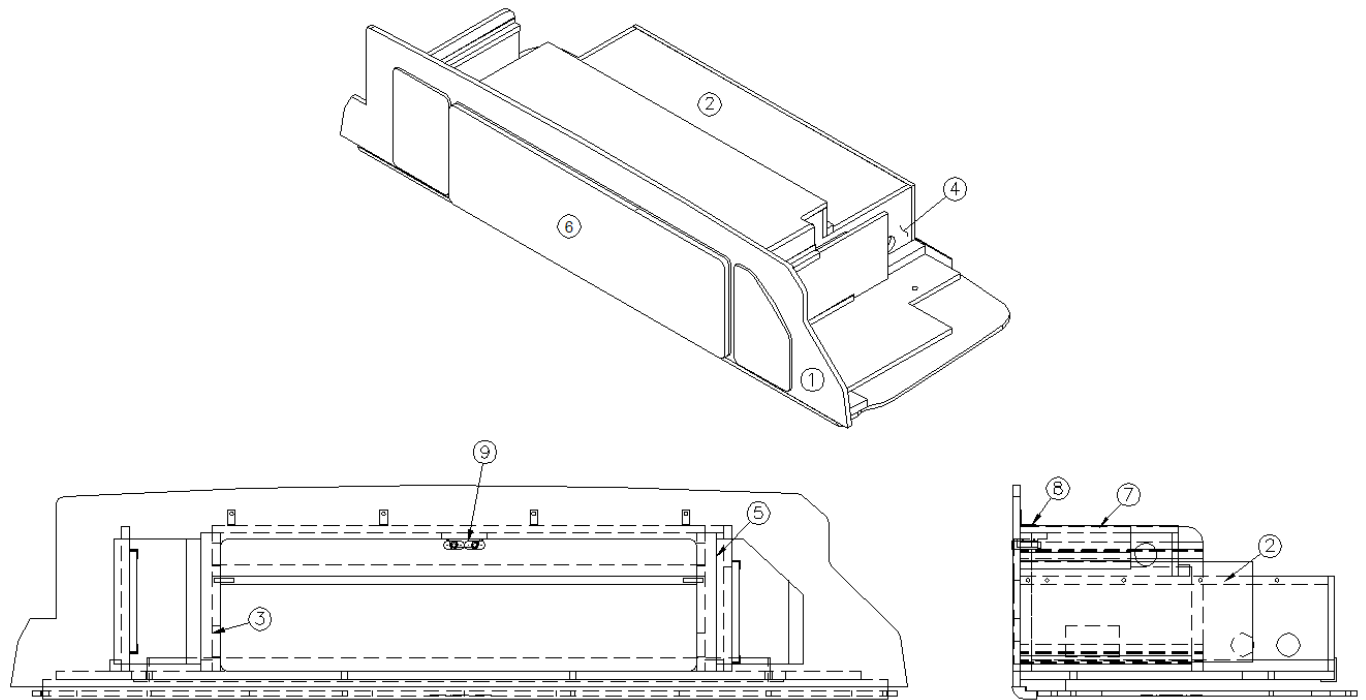
Roof Locker, Overhead, Front

- | | |
|--------------|------------------------------------|
| 1. 968061 | Sub assembly, Front overhead |
| 2. 968007-3 | Panel, 20.26 x 31.38 |
| 3. 968007-4 | Panel, 9.13 x 20.26 |
| 4. 968007-5 | Panel, 9.13 x 20.26 |
| 5. 968007-6 | Panel, 1.25 x 19.88 |
| 6. 968007-8 | Panel, 9.88 x 32 |
| 7. 968007-12 | Panel, 1.25 x 19.88 |
| 8. 380041 | Brace, 1" Stanley corner |
| 9. 382211 | Catch, Magnetic, Dual Push to open |
| 381209-01 | Grommet w/cap, 1.5" hole, Black |

2015 AUTOBAHN

FURNITURE, ROOF LOCKER

Roof Locker, Front, Overhead, Ebony



968007-16

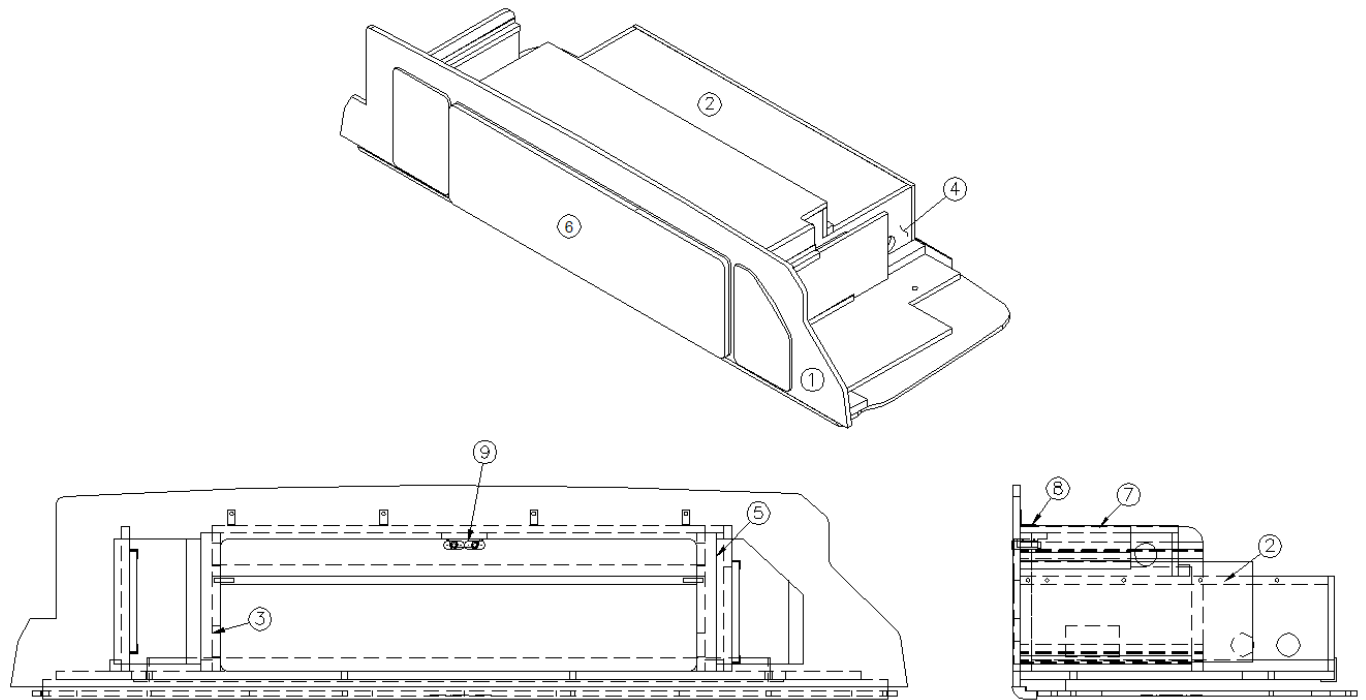
Roof Locker, Overhead, Front

- | | |
|---|---|
| <ul style="list-style-type: none"> 1. 968061 2. 968007-163 3. 968007-164 4. 968007-165 5. 968007-166 6. 968007-168 7. 968007-1612 8. 380041 9. 382211 381209-01 | <ul style="list-style-type: none"> Sub assembly, Front overhead Panel, 20.26 x 31.38 Panel, 9.13 x 20.26 Panel, 9.13 x 20.26 Panel, 1.25 x 19.88 Panel, 9.88 x 32 Panel, 1.25 x 19.88 Brace, 1" Stanley corner Catch, Magnetic, Dual Push to open Grommet w/cap, 1.5" hole, Black |
|---|---|

2015 AUTOBAHN

FURNITURE, ROOF LOCKER

Roof Locker, Front, Overhead, Walnut



968007-02

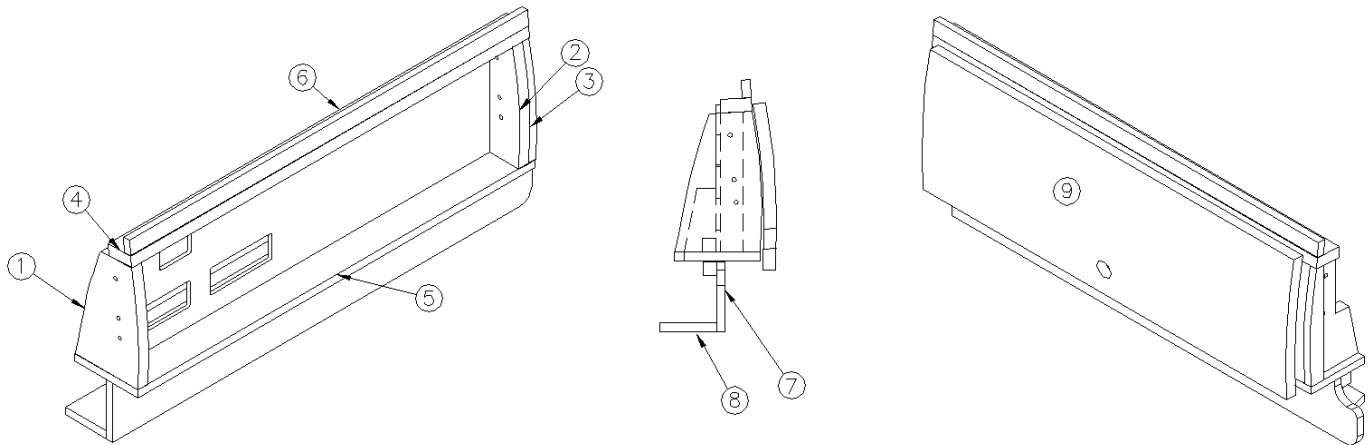
Roof Locker, Overhead, Front

- | | |
|---|---|
| <ul style="list-style-type: none"> 1. 968061 2. 968007-023 3. 968007-024 4. 968007-025 5. 968007-026 6. 968007-028 7. 968007-0212 8. 380041 9. 382211 381209-01 | <ul style="list-style-type: none"> Sub assembly, Front overhead Panel, 20.26 x 31.38 Panel, 9.13 x 20.26 Panel, 9.13 x 20.26 Panel, 1.25 x 19.88 Panel, 9.88 x 32 Panel, 1.25 x 19.88 Brace, 1" Stanley corner Catch, Magnetic, Dual Push to open Grommet w/cap, 1.5" hole, Black |
|---|---|

2015 AUTOBAHN

FURNITURE, ROOF LOCKER

Roof Locker, RS Front Transition, Ivory



968056

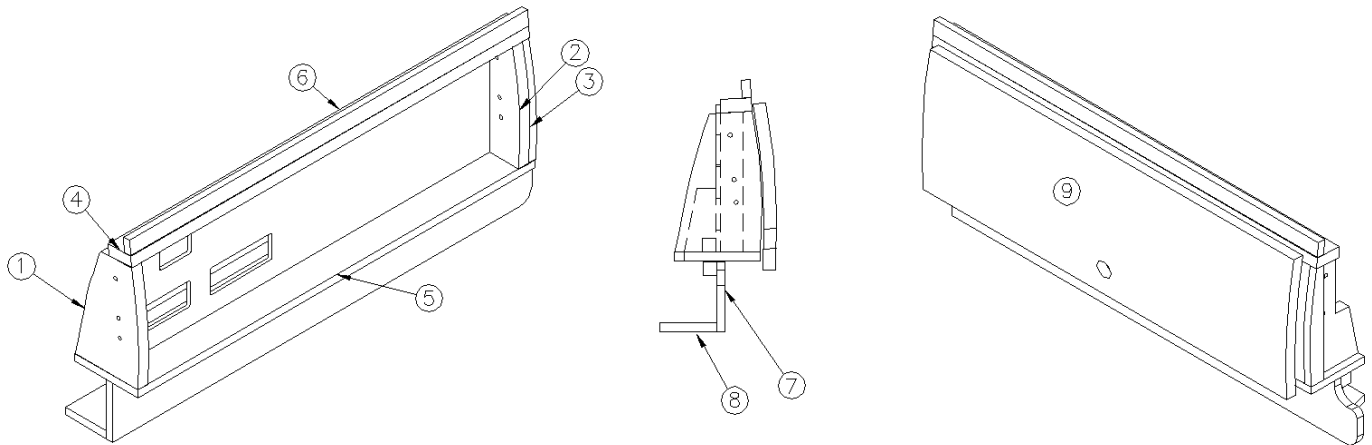
Roof Locker, RS Front Transition

- | | |
|----------------|----------------------------------|
| 1. 968056-1 | Panel, 4.76 x 7.79 |
| 2. 968056-2 | Panel, 4.26 x 7.79 |
| 3. 968056-3 | Panel, 2.83 x 7.79 |
| 4. 968056-4 | Panel, 1.75 x 30.25 |
| 5. 968056-5 | Panel, 4.81 x 30.25 |
| 6. 968056-6 | Panel, 1 x 30.25 |
| 7. 968056-7 | Panel, 31.88 x 3.88 |
| 8. 968056-8 | Panel, 29.86 x 3.125 |
| 9. 801790-0118 | Door, 35 x 9.25, Asian Sand |
| 365344-01 | Edgebanding, .63", Pearl Bisque |
| 365344-02 | Edgebanding, .94", Pearl Bisque |
| 365344-03 | Edgebanding, 1.25", Pearl Bisque |

2015 AUTOBAHN

FURNITURE, ROOF LOCKER

Roof Locker, RS Front Transition, Ebony



968056-16

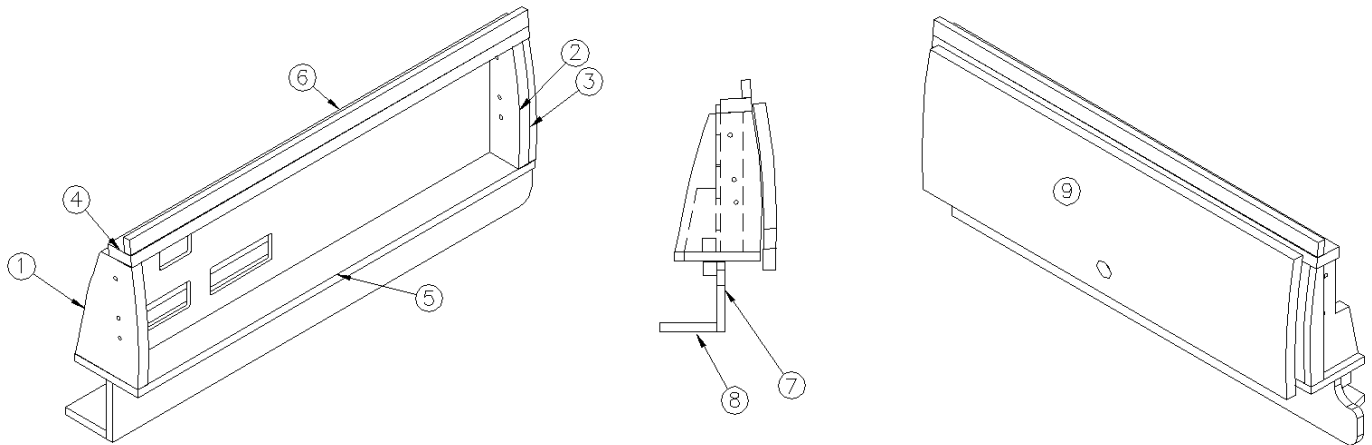
Roof Locker, RS Front Transition

- | | |
|----------------|------------------------------|
| 1. 968056-161 | Panel, 4.76 x 7.79 |
| 2. 968056-162 | Panel, 4.26 x 7.79 |
| 3. 968056-163 | Panel, 2.83 x 7.79 |
| 4. 968056-164 | Panel, 1.75 x 30.25 |
| 5. 968056-165 | Panel, 4.81 x 30.25 |
| 6. 968056-166 | Panel, 1 x 30.25 |
| 7. 968056-167 | Panel, 31.88 x 3.88 |
| 8. 968056-168 | Panel, 29.86 x 3.125 |
| 9. 801790-0119 | Door, 35 x 9.25, Asian Night |
| 365346-01 | Edgebanding, .63", Midnight |
| 365346-02 | Edgebanding, .94", Midnight |
| 365346-03 | Edgebanding, 1.25", Midnight |

2015 AUTOBAHN

FURNITURE, ROOF LOCKER

Roof Locker, RS Front Transition, Walnut



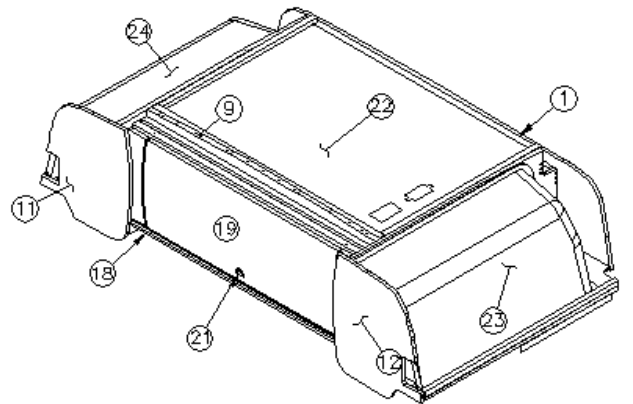
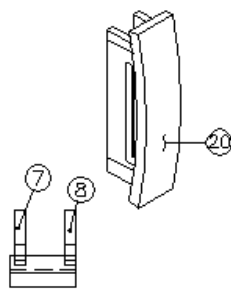
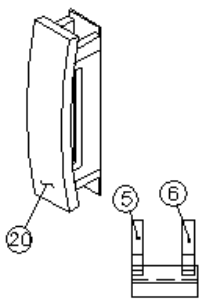
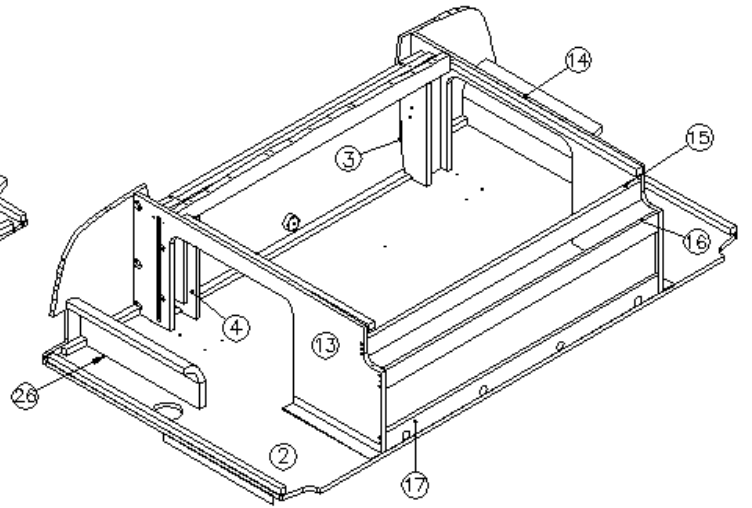
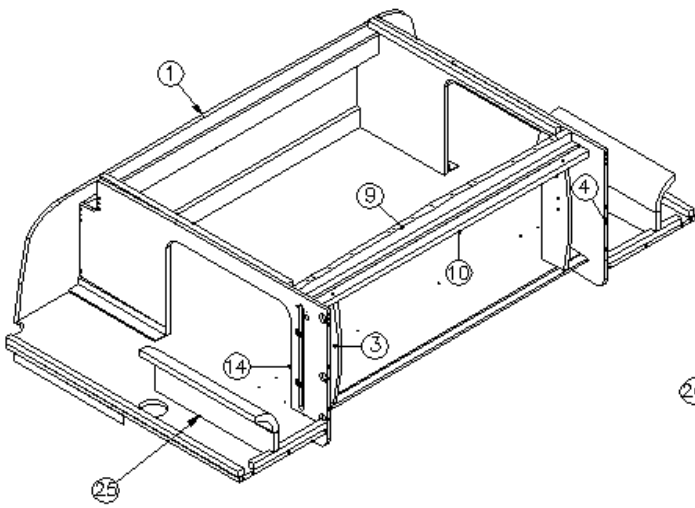
968056-02

Roof Locker, RS Front Transition

- | | |
|---------------|----------------------------|
| 1. 968056-021 | Panel, 4.76 x 7.79 |
| 2. 968056-022 | Panel, 4.26 x 7.79 |
| 3. 968056-023 | Panel, 2.83 x 7.79 |
| 4. 968056-024 | Panel, 1.75 x 30.25 |
| 5. 968056-025 | Panel, 4.81 x 30.25 |
| 6. 968056-026 | Panel, 1 x 30.25 |
| 7. 968056-027 | Panel, 31.88 x 3.88 |
| 8. 968056-028 | Panel, 29.86 x 3.125 |
| 9. 801790-012 | Door, 35 x 9.25, Walnut |
| 365379-01 | Edgebanding, .63", Walnut |
| 365379-02 | Edgebanding, .94", Walnut |
| 365379-03 | Edgebanding, 1.25", Walnut |

2015 AUTOBAHN FURNITURE, ROOF LOCKER

Roof Locker, Rear, Ivory



Parts Listed on Next Page

2015 AUTOBAHN

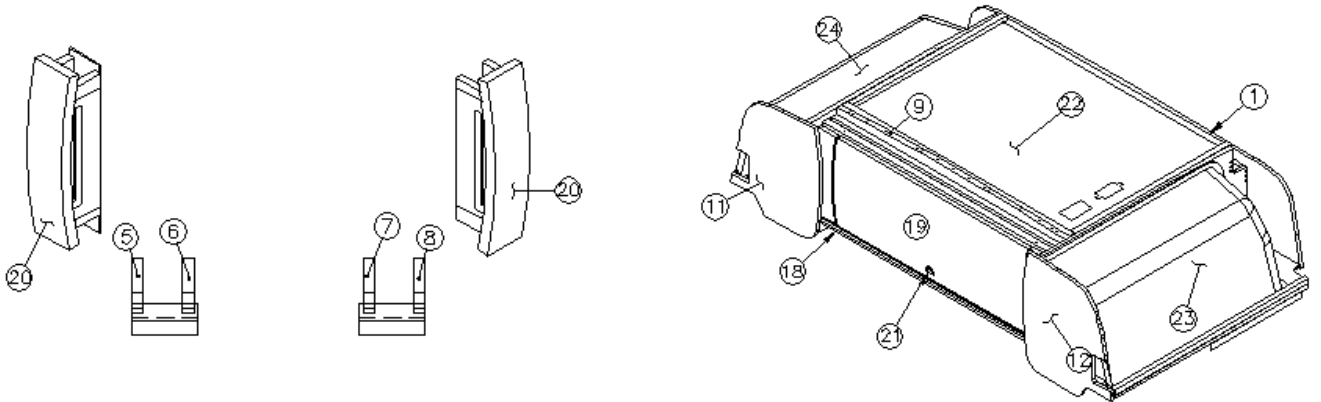
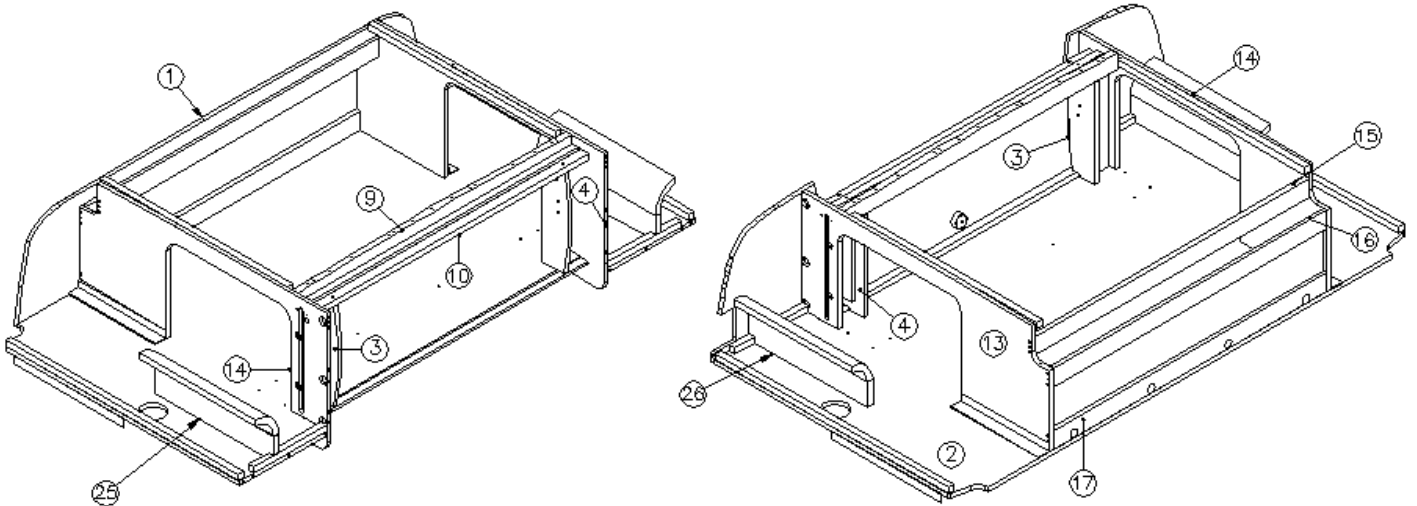
FURNITURE, ROOF LOCKER

Roof Locker, Rear, Ivory

968059	Roof Locker, Rear
1. 968059-1	Panel, 11.88 x 55.72
2. 968059-2	Panel, 34 x 62.63
3. 968059-3	Panel, 3.7 x 1212
4. 968059-4	Panel, 3.7 x 12.12
5. 968059-5	Panel, 2.41 x 10.07
6. 968059-6	Panel, 2.41 x 10.07
7. 968059-7	Panel, 2.41 x 10.07
8. 968059-8	Panel, 2.41 x 10.07
9. 968059-9	Panel, 2.21 x 37.63
10. 968059-10	Panel, 2.25 x 37.63
11. 968059-11	Panel, 14.75 x 16.47
12. 968059-12	Panel, 14.75 x 16.47
13. 968059-13	Panel, 34 x 16.46
14. 968059-14	Panel, 34 x 16.46
15. 968059-15	Panel, 2.25 x 37.63
16. 968059-16I	Panel, 2.25 x 37.63
17. 968059-17	Panel, 2.25 x 37.63
18. 115406	Extrusion, 9.075" wide aluminum
19. 801785-0118	Door, 12.38 x 31.5, Asian Sand
20. 801785-0518	Door, 12.38 x 2.88, Asian Sand
21. 382059-01	Knob, Push/pull
22. 115552	Aluminum, Closeout
23. 203728-01	Closeout, RH
24. 203728-02	Closeout, LH
25. 968060-01	Sub assembly, CS
26. 968060-02	Sub assembly, RS
382227	Hinge, Overhead spring, Nickel
968058	Shelf assembly, Game system

2015 AUTOBAHN FURNITURE, ROOF LOCKER

Roof Locker, Rear, Ebony



Parts Listed on Next Page

2015 AUTOBAHN

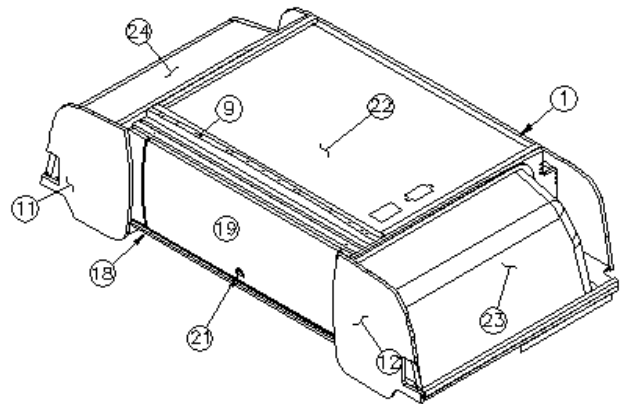
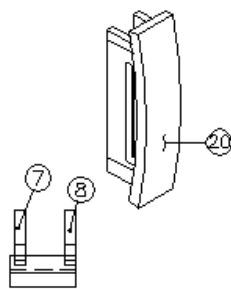
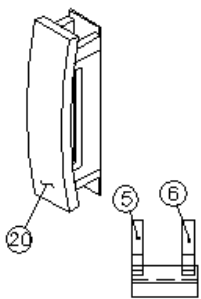
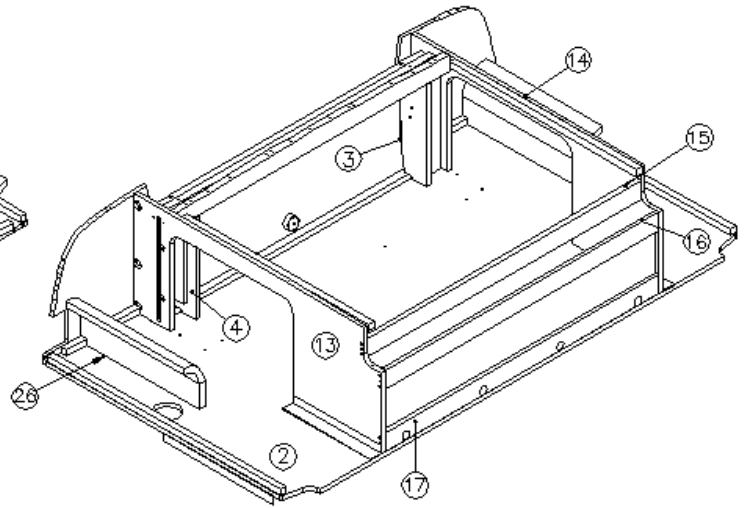
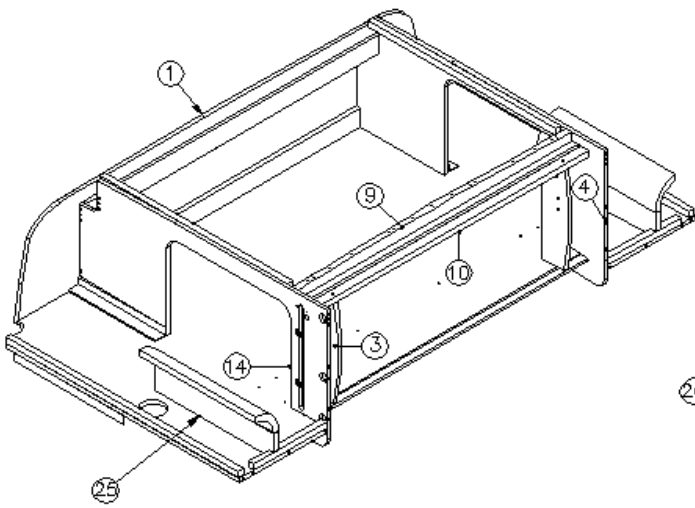
FURNITURE, ROOF LOCKER

Roof Locker, Rear, Ebony

968059-16	Roof Locker, Rear
1. 968059-161	Panel, 11.88 x 55.72
2. 968059-162	Panel, 34 x 62.63
3. 968059-163	Panel, 3.7 x 1212
4. 968059-164	Panel, 3.7 x 12.12
5. 968059-165	Panel, 2.41 x 10.07
6. 968059-166	Panel, 2.41 x 10.07
7. 968059-167	Panel, 2.41 x 10.07
8. 968059-168	Panel, 2.41 x 10.07
9. 968059-169	Panel, 2.21 x 37.63
10. 968059-1610	Panel, 2.25 x 37.63
11. 968059-1611	Panel, 14.75 x 16.47
12. 968059-1612	Panel, 14.75 x 16.47
13. 968059-1613	Panel, 34 x 16.46
14. 968059-1614	Panel, 34 x 16.46
15. 968059-1615	Panel, 2.25 x 37.63
16. 968059-1616	Panel, 2.25 x 37.63
17. 968059-1617	Panel, 2.25 x 37.63
18. 115406	Extrusion, 9.075" wide aluminum
19. 801785-0119	Door, 12.38 x 31.5, Asian Night
20. 801785-0519	Door, 12.38 x 2.88, Asian Night
21. 382059-01	Knob, Push/pull
22. 115552	Aluminum, Closeout
23. 203728-01	Closeout, RH
24. 203728-02	Closeout, LH
25. 968060-01	Sub assembly, CS
26. 968060-02	Sub assembly, RS
382227	Hinge, Overhead spring, Nickel
968058-16	Shelf assembly, Game system

2015 AUTOBAHN FURNITURE, ROOF LOCKER

Roof Locker, Rear, Walnut



Parts Listed on Next Page

2015 AUTOBAHN

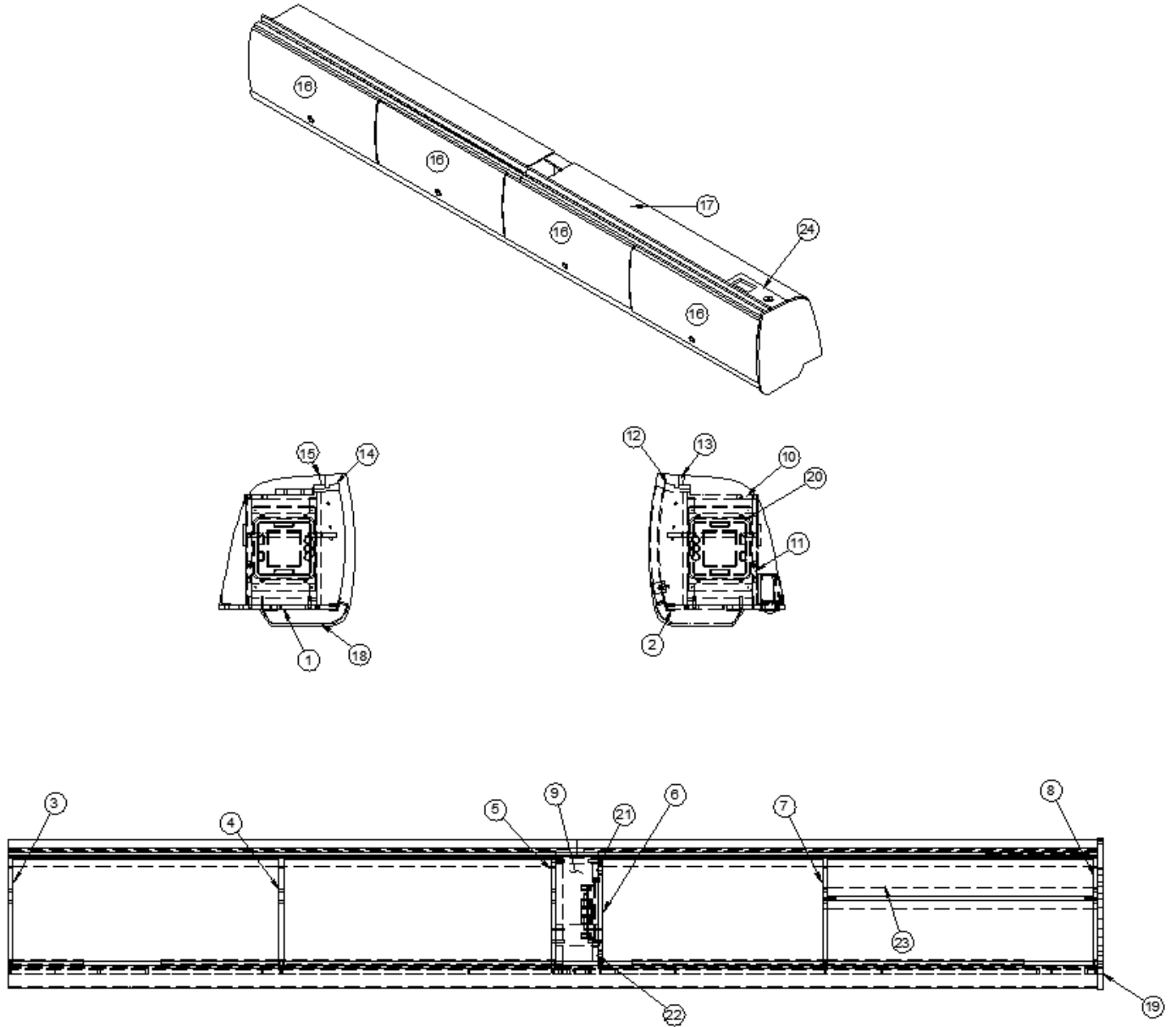
FURNITURE, ROOF LOCKER

Roof Locker, Rear, Walnut

968059-02	Roof Locker, Rear
1. 968059-021	Panel, 11.88 x 55.72
2. 968059-022	Panel, 34 x 62.63
3. 968059-023	Panel, 3.7 x 1212
4. 968059-024	Panel, 3.7 x 12.12
5. 968059-025	Panel, 2.41 x 10.07
6. 968059-026	Panel, 2.41 x 10.07
7. 968059-027	Panel, 2.41 x 10.07
8. 968059-028	Panel, 2.41 x 10.07
9. 968059-029	Panel, 2.21 x 37.63
10. 968059-0210	Panel, 2.25 x 37.63
11. 968059-0211	Panel, 14.75 x 16.47
12. 968059-0212	Panel, 14.75 x 16.47
13. 968059-0213	Panel, 34 x 16.46
14. 968059-0214	Panel, 34 x 16.46
15. 968059-0215	Panel, 2.25 x 37.63
16. 968059-0216	Panel, 2.25 x 37.63
17. 968059-0217	Panel, 2.25 x 37.63
18. 115406	Extrusion, 9.075" wide aluminum
19. 801785-012	Door, 12.38 x 31.5, Walnut
20. 801785-052	Door, 12.38 x 2.88, Walnut
21. 382059-01	Knob, Push/pull
22. 115552	Aluminum, Closeout
23. 203728-01	Closeout, RH
24. 203728-02	Closeout, LH
25. 968060-01	Sub assembly, CS
26. 968060-02	Sub assembly, RS
382227	Hinge, Overhead spring, Nickel
968058-02	Shelf assembly, Game system

2015 AUTOBAHN FURNITURE, ROOF LOCKER

Roof Locker, Roadside, Ivory



Parts Listed on Next Page

2015 AUTOBAHN

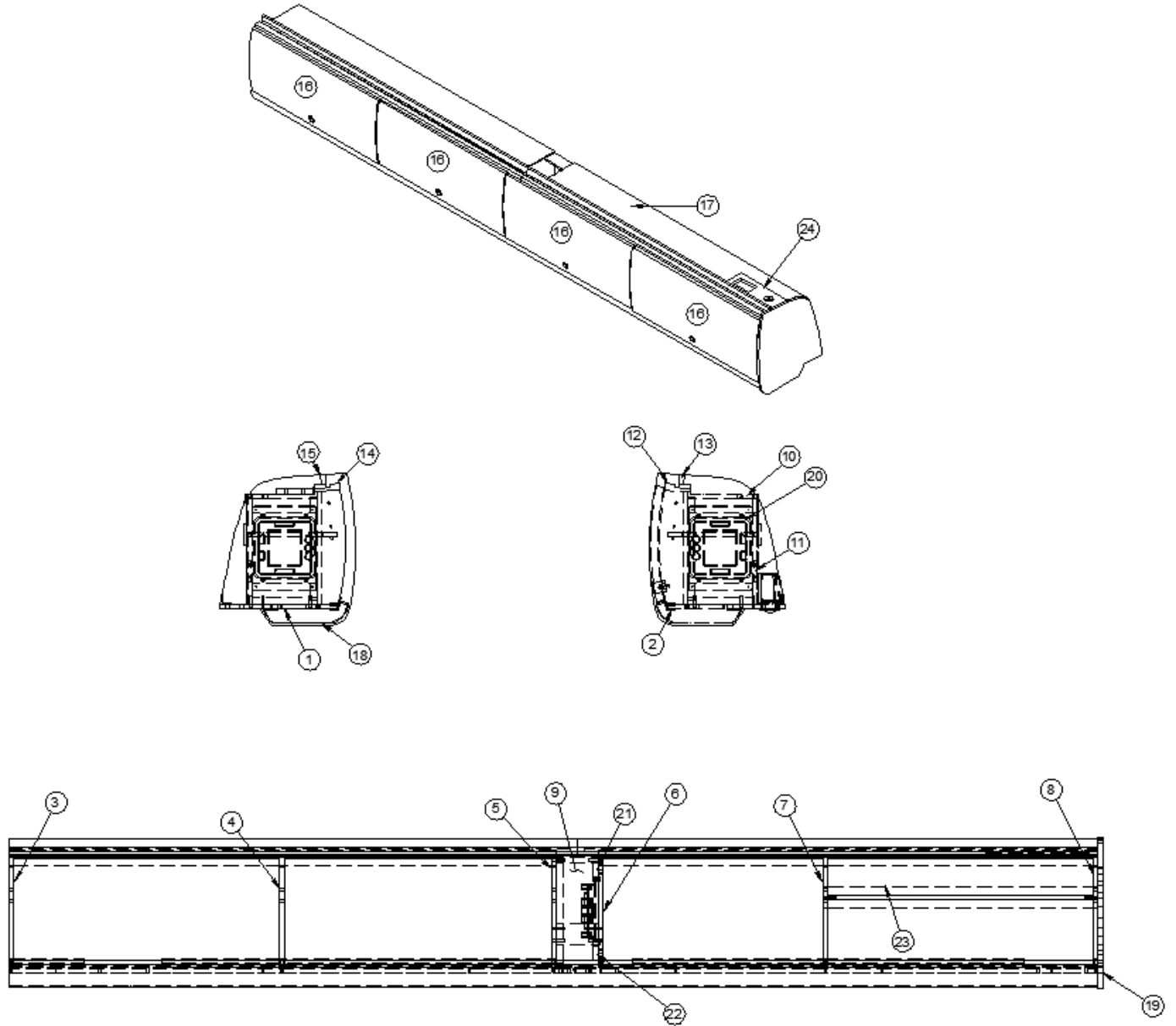
FURNITURE, ROOF LOCKER

Roof Locker, Roadside, Ivory

967952	Roof Locker, Roadside
1. 967952-1	Panel, 12.5 x 61.38
2. 967952-2	Panel, 12.5 x 54.63
3. 967952-3	Panel, 10.52 x 12.12
4. 967952-4	Panel, 10.52 x 12.12
5. 967952-5	Panel, 10.52 x 12.12
6. 967952-6	Panel, 10.52 x 12.12
7. 967952-7	Panel, 10.52 x 12.12
8. 967952-8	Panel, 10.52 x 12.12
9. 967952-9	Panel, 4.5 x 11.98
10. 967952-10	Panel, 2.25 x 4.5
11. 967952-11	Panel, 2.25 x 4.5
12. 967952-12	Panel, 2.75 x 55.49
13. 967952-13	Panel, 1 x 55.49
14. 967952-14	Panel, 2.75 x 60.5
15. 967952-15	Panel, 1 x 60.5
16. 801785-1018	Door, 12.38 x 28.81, Asian Sand
17. 115595-02	Aluminum, Locker cabinet back, 53.25
18. 115406	Roof locker extrusion
19. 967957	Roof locker end cap assembly
20. 967952-29	Panel, 8.94 x 6.77
21. 967952-30	Panel, 1.5 x 6.83
22. 967952-31	Panel, 1.5 x 6.83
23. 967952-38	Panel, 28.31 x 9.63
24. 967952-40	Panel, 4 x 11
382059-01	Knob, Push/pull

2015 AUTOBAHN FURNITURE, ROOF LOCKER

Roof Locker, Roadside, Ebony



Parts Listed on Next Page

2015 AUTOBAHN

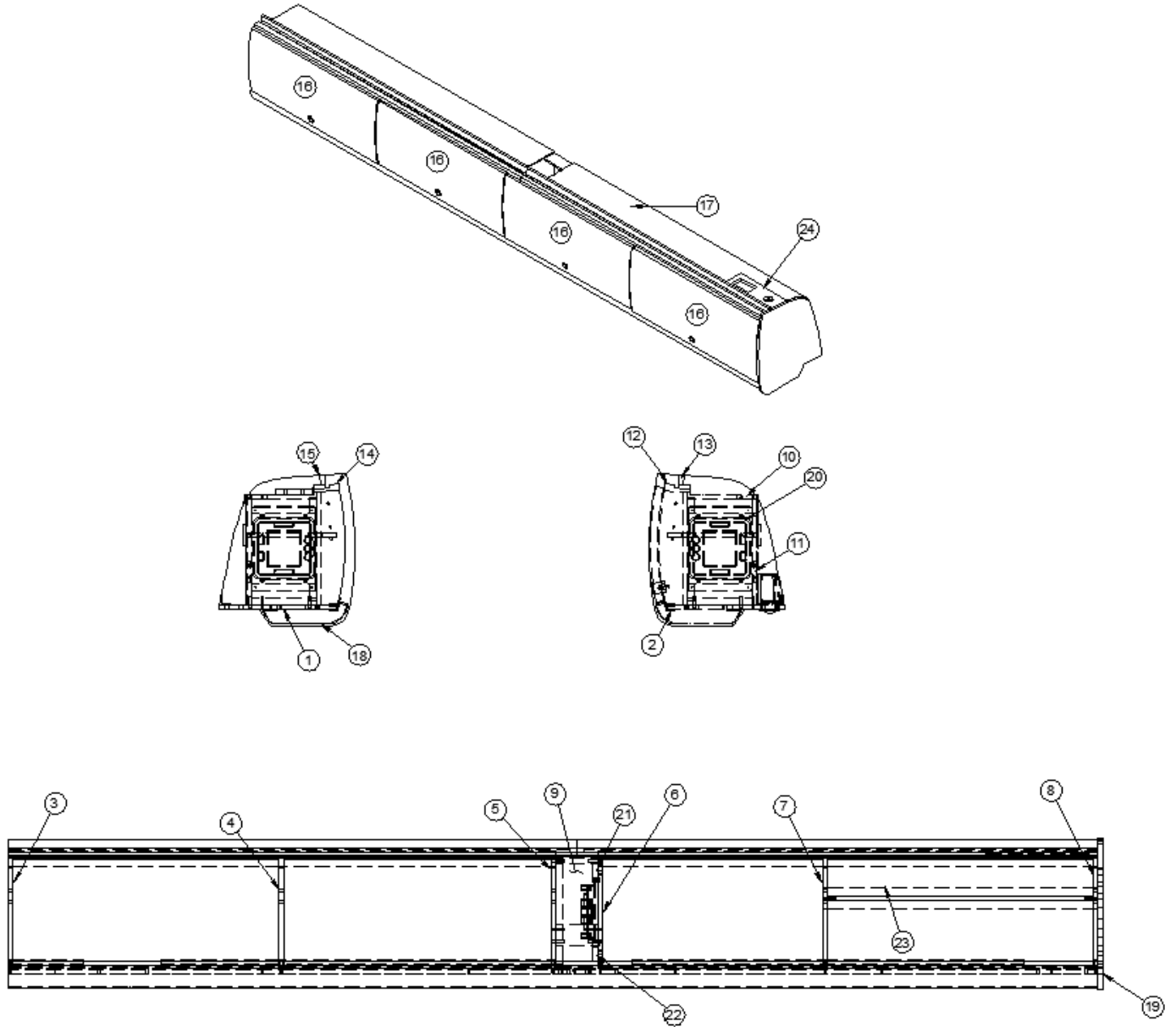
FURNITURE, ROOF LOCKER

Roof Locker, Roadside, Ebony

967952-16	Roof Locker, Roadside
1. 967952-161	Panel, 12.5 x 61.38
2. 967952-162	Panel, 12.5 x 54.63
3. 967952-163	Panel, 10.52 x 12.12
4. 967952-164	Panel, 10.52 x 12.12
5. 967952-165	Panel, 10.52 x 12.12
6. 967952-166	Panel, 10.52 x 12.12
7. 967952-167	Panel, 10.52 x 12.12
8. 967952-168	Panel, 10.52 x 12.12
9. 967952-169	Panel, 4.5 x 11.98
10. 967952-1610	Panel, 2.25 x 4.5
11. 967952-1611	Panel, 2.25 x 4.5
12. 967952-1612	Panel, 2.75 x 55.49
13. 967952-1613	Panel, 1 x 55.49
14. 967952-1614	Panel, 2.75 x 60.5
15. 967952-1615	Panel, 1 x 60.5
16. 801785-1019	Door, 12.38 x 28.81, Asian Night
17. 115595-02	Aluminum, Locker cabinet back, 53.25
18. 115406	Roof locker extrusion
19. 967957-16	Roof locker end cap assembly, Onyx
20. 967952-1629	Panel, 8.94 x 6.77
21. 967952-1630	Panel, 1.5 x 6.83
22. 967952-1631	Panel, 1.5 x 6.83
23. 967952-1638	Panel, 28.31 x 9.63
24. 967952-1640	Panel, 4 x 11
382059-01	Knob, Push/pull

2015 AUTOBAHN FURNITURE, ROOF LOCKER

Roof Locker, Roadside, Walnut



Parts Listed on Next Page

2015 AUTOBAHN

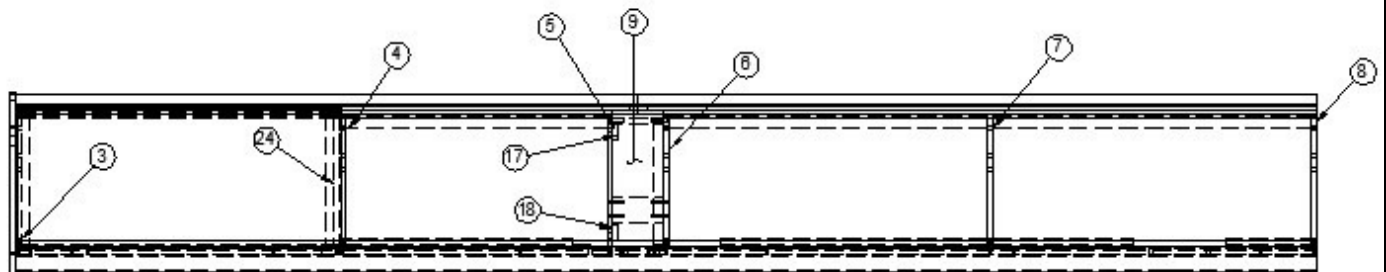
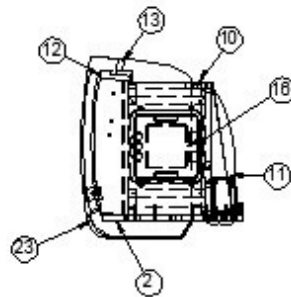
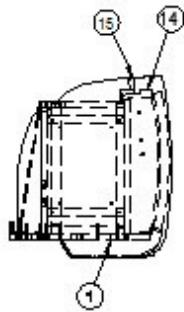
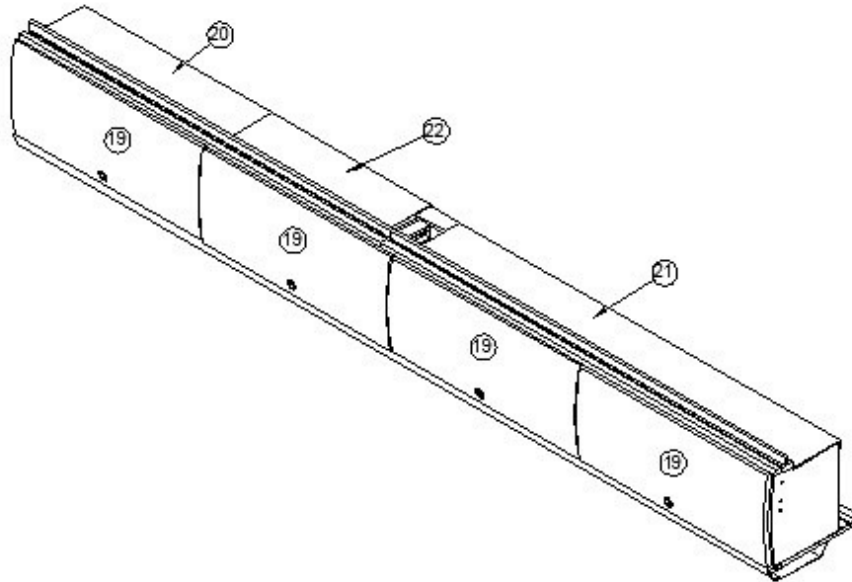
FURNITURE, ROOF LOCKER

Roof Locker, Roadside, Walnut

967952-02	Roof Locker, Roadside
1. 967952-021	Panel, 12.5 x 61.38
2. 967952-022	Panel, 12.5 x 54.63
3. 967952-023	Panel, 10.52 x 12.12
4. 967952-024	Panel, 10.52 x 12.12
5. 967952-025	Panel, 10.52 x 12.12
6. 967952-026	Panel, 10.52 x 12.12
7. 967952-027	Panel, 10.52 x 12.12
8. 967952-028	Panel, 10.52 x 12.12
9. 967952-029	Panel, 4.5 x 11.98
10. 967952-0210	Panel, 2.25 x 4.5
11. 967952-0211	Panel, 2.25 x 4.5
12. 967952-0212	Panel, 2.75 x 55.49
13. 967952-0213	Panel, 1 x 55.49
14. 967952-0214	Panel, 2.75 x 60.5
15. 967952-0215	Panel, 1 x 60.5
16. 801785-102	Door, 12.38 x 28.81, Walnut
17. 115595-02	Aluminum, Locker cabinet back, 53.25
18. 115406	Roof locker extrusion
19. 967957-02	Roof locker end cap assembly
20. 967952-0229	Panel, 8.94 x 6.77
21. 967952-0230	Panel, 1.5 x 6.83
22. 967952-0231	Panel, 1.5 x 6.83
23. 967952-0238	Panel, 28.31 x 9.63
24. 967952-0240	Panel, 4 x 11
382059-01	Knob, Push/pull

2015 AUTOBAHN FURNITURE, ROOF LOCKER

Roof Locker, Curbside, Ivory



Parts Listed on Next Page

2015 AUTOBAHN

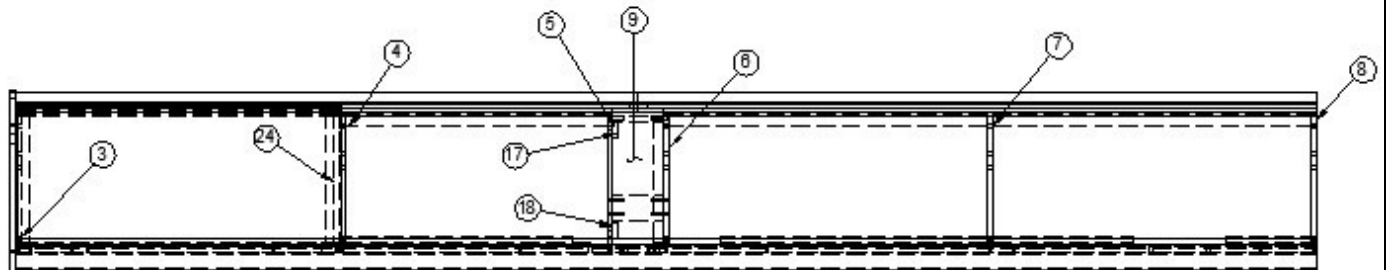
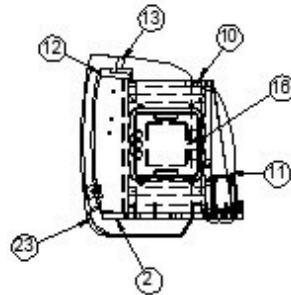
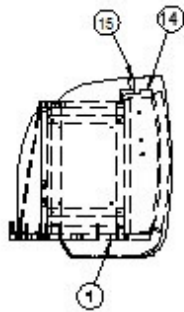
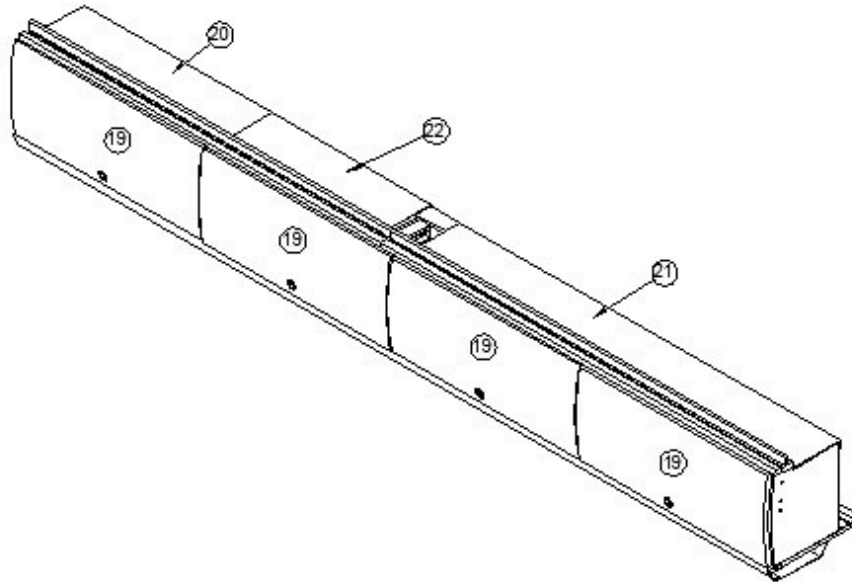
FURNITURE, ROOF LOCKER

Roof Locker, Curbside, Ivory

967953	Roof Locker, Curbside
1. 967953-1	Panel, 12.5 x 54.63
2. 967953-2	Panel, 12.5 x 61.38
3. 967953-3	Panel, 10.52 x 12.12
4. 967953-4	Panel, 10.52 x 12.12
5. 967953-5	Panel, 10.52 x 12.12
6. 967953-6	Panel, 10.52 x 12.12
7. 967953-7	Panel, 10.52 x 12.12
8. 967953-8	Panel, 10.52 x 12.12
9. 967953-9	Panel, 4.5 x 11.98
10. 967953-10	Panel, 2.25 x 4.5
11. 967953-11	Panel, 2.25 x 4.5
12. 967953-12	Panel, 2.75 x 60.5
13. 967953-13	Panel, 1 x 60.5
14. 967953-14	Panel, 2.75 x 55.49
15. 967953-15	Panel, 1 x 55.49
16. 967953-16I	Panel, 8.94 x 6.77
17. 967953-17	Panel, 1.5 x 6.83
18. 967953-18	Panel, 1.5 x 6.83
19. 801785-1018	Door, 12.38 x 28.81, Asian Sand
20. 115587-01	Aluminum, Locker cabinet back, 28.75
21. 115595-01	Aluminum, Locker cabinet back, 58.25
22. 115595-03	Aluminum, Locker cabinet back, 24.5
23. 115406	Roof locker extrusion
24. 967953-33	Panel, 7.71 x 12
967958	Roof locker end cap assembly
382059-01	Knob, Push/pull
382227	Hinge, Overhead spring, Nickel

2015 AUTOBAHN FURNITURE, ROOF LOCKER

Roof Locker, Curbside, Ebony



Parts Listed on Next Page

2015 AUTOBAHN

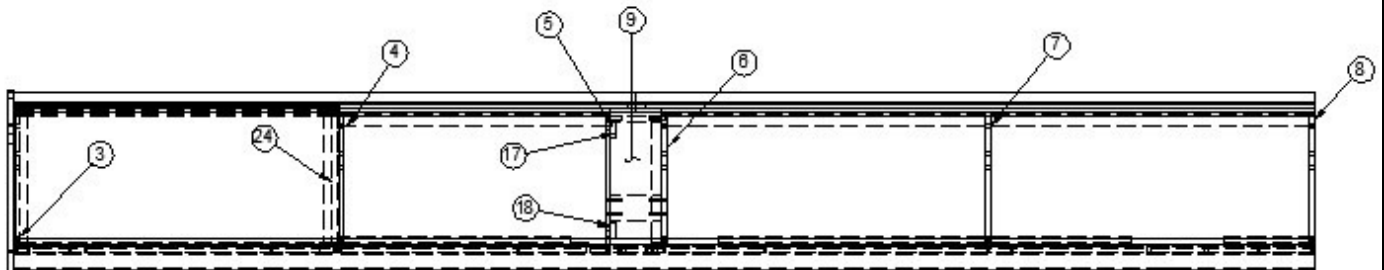
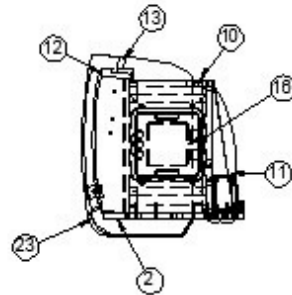
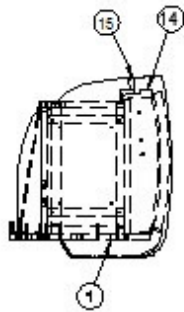
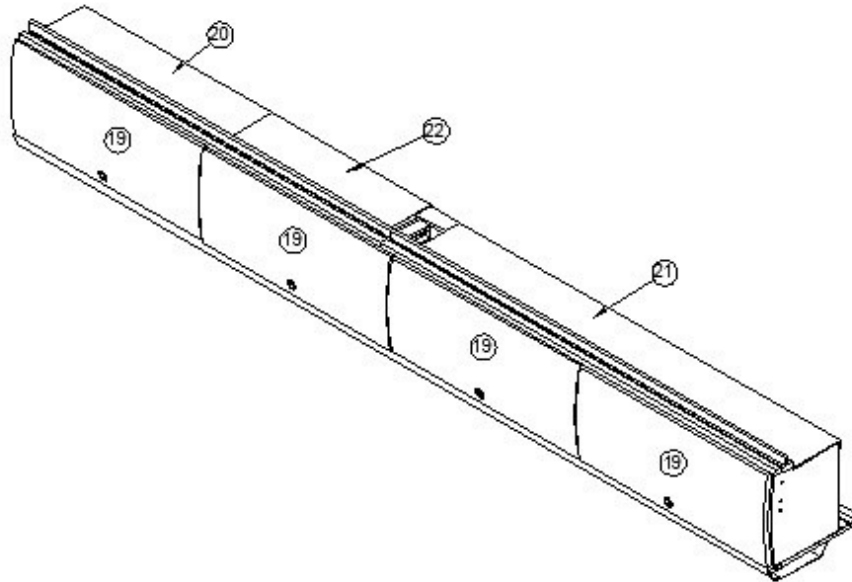
FURNITURE, ROOF LOCKER

Roof Locker, Curbside, Ebony

967953-16	Roof Locker, Curbside
1. 967953-161	Panel, 12.5 x 54.63
2. 967953-162	Panel, 12.5 x 61.38
3. 967953-163	Panel, 10.52 x 12.12
4. 967953-164	Panel, 10.52 x 12.12
5. 967953-165	Panel, 10.52 x 12.12
6. 967953-166	Panel, 10.52 x 12.12
7. 967953-167	Panel, 10.52 x 12.12
8. 967953-168	Panel, 10.52 x 12.12
9. 967953-169	Panel, 4.5 x 11.98
10. 967953-1610	Panel, 2.25 x 4.5
11. 967953-1611	Panel, 2.25 x 4.5
12. 967953-1612	Panel, 2.75 x 60.5
13. 967953-1613	Panel, 1 x 60.5
14. 967953-1614	Panel, 2.75 x 55.49
15. 967953-1615	Panel, 1 x 55.49
16. 967953-1616	Panel, 8.94 x 6.77
17. 967953-1617	Panel, 1.5 x 6.83
18. 967953-1618	Panel, 1.5 x 6.83
19. 801785-1019	Door, 12.38 x 28.81, Asian Night
20. 115587-01	Aluminum, Locker cabinet back, 28.75
21. 115595-01	Aluminum, Locker cabinet back, 58.25
22. 115595-03	Aluminum, Locker cabinet back, 24.5
23. 115406	Roof locker extrusion
24. 967953-1633	Panel, 7.71 x 12
967958-16	Roof locker end cap assembly, Onyx
382059-01	Knob, Push/pull
382227	Hinge, Overhead spring, Nickel

2015 AUTOBAHN FURNITURE, ROOF LOCKER

Roof Locker, Curbside, Walnut



Parts Listed on Next Page

2015 AUTOBAHN

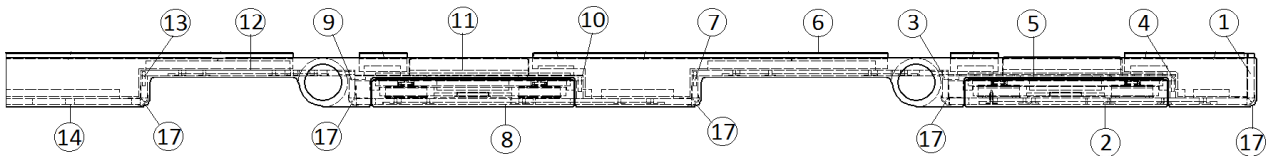
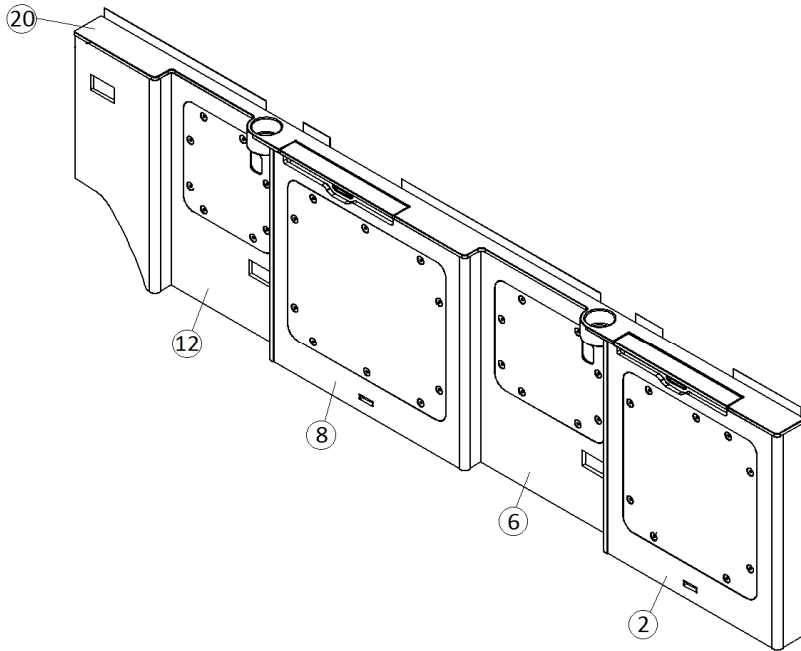
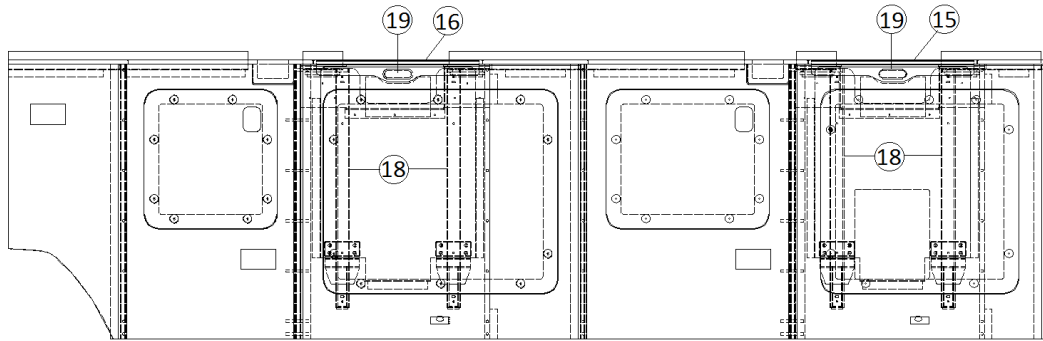
FURNITURE, ROOF LOCKER

Roof Locker, Curbside, Walnut

967953-02	Roof Locker, Curbside
1. 967953-021	Panel, 12.5 x 54.63
2. 967953-022	Panel, 12.5 x 61.38
3. 967953-023	Panel, 10.52 x 12.12
4. 967953-024	Panel, 10.52 x 12.12
5. 967953-025	Panel, 10.52 x 12.12
6. 967953-026	Panel, 10.52 x 12.12
7. 967953-027	Panel, 10.52 x 12.12
8. 967953-028	Panel, 10.52 x 12.12
9. 967953-029	Panel, 4.5 x 11.98
10. 967953-0210	Panel, 2.25 x 4.5
11. 967953-0211	Panel, 2.25 x 4.5
12. 967953-0212	Panel, 2.75 x 60.5
13. 967953-0213	Panel, 1 x 60.5
14. 967953-0214	Panel, 2.75 x 55.49
15. 967953-0215	Panel, 1 x 55.49
16. 967953-0216	Panel, 8.94 x 6.77
17. 967953-0217	Panel, 1.5 x 6.83
18. 967953-0218	Panel, 1.5 x 6.83
19. 801785-102	Door, 12.38 x 28.81, Walnut
20. 115587-01	Aluminum, Locker cabinet back, 28.75
21. 115595-01	Aluminum, Locker cabinet back, 58.25
22. 115595-03	Aluminum, Locker cabinet back, 24.5
23. 115406	Roof locker extrusion
24. 967953-0233	Panel, 7.71 x 12
967958-02	Roof locker end cap assembly, Walnut
382059-01	Knob, Push/pull
382227	Hinge, Overhead spring, Nickel

2015 AUTOBAHN FURNITURE, CREDENZA

Credenza, Roadside, Forward, Ivory



Parts Listed on Next Page
III-27

2015 AUTOBAHN

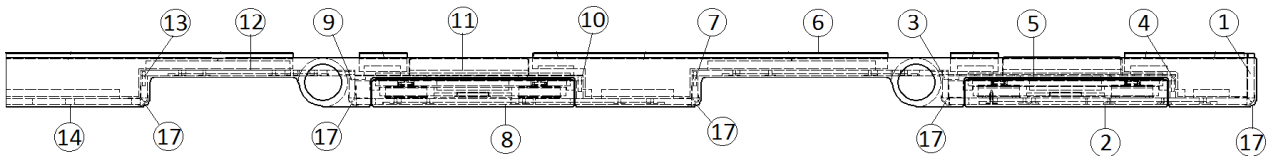
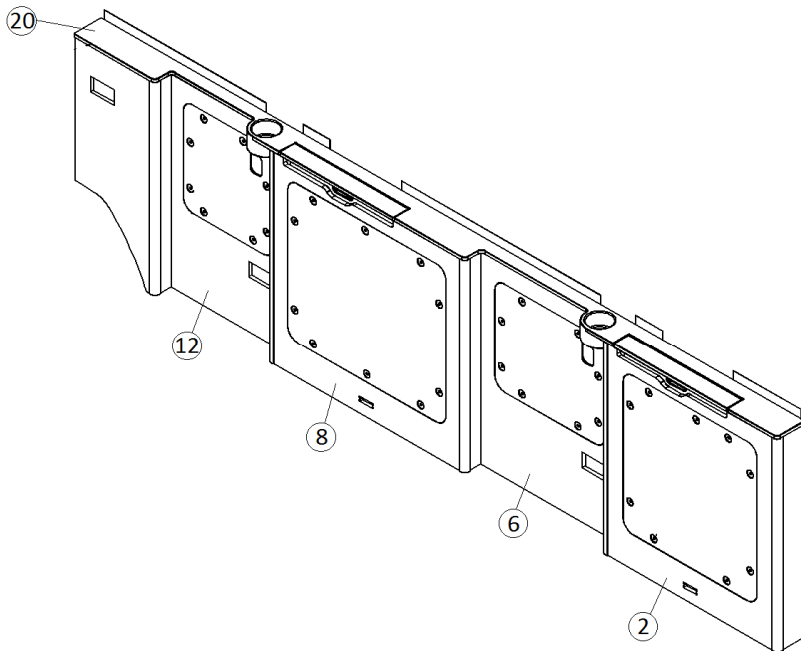
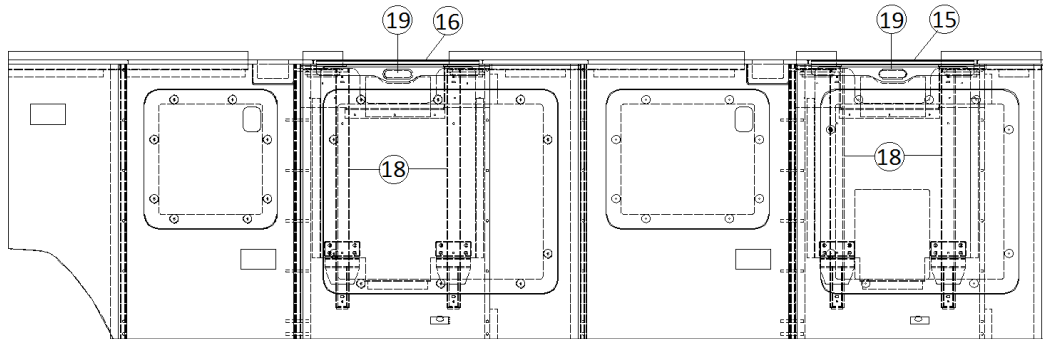
FURNITURE, CREDENZA

Credenza, Roadside, Forward, Ivory

968014	Forward Credenza, Roadside
1. 968014-1	Panel, 3.75 x 27.5
2. 968014-2	Panel, 24.88 x 27.38
3. 968014-3	Panel, 2.38 x 27.5
4. 968014-4	Panel, 1.44 x 27.5
5. 968014-5	Panel, 19 x 27.13
6. 968014-6	Panel, 20.88 x 27.5
7. 968014-7	Panel, 1.88 x 27.5
8. 968014-8	Panel, 28 x 27.38
9. 968014-9	Panel, 2.38 x 27.5
10. 968014-10	Panel, 1.44 x 27.5
11. 968014-11	Panel, 19 x 27.13
12. 968014-12	Panel, 17.38 x 27.5
13. 968014-13	Panel, 1.88 x 27.5
14. 968014-14	Panel, 11.26 x 27.5
15. 968014-19	Panel, 15.5 x 21.38
16. 968014-20	Panel, 15.5 x 21.38
17. 115584	Extrusion, Outside corner, .5" panel
18. 382200-02	Hinged door slide, 24"
19. 382030	Pull, Recessed finger
20. 602340-01	Credenza top
454937	Bracket, Flip table support
365344-01	Edgebanding, .63", Pearl Bisque
365344-02	Edgebanding, .94", Pearl Bisque

2015 AUTOBAHN FURNITURE, CREDENZA

Credenza, Roadside, Forward, Ebony



Parts Listed on Next Page
III-29

2015 AUTOBAHN

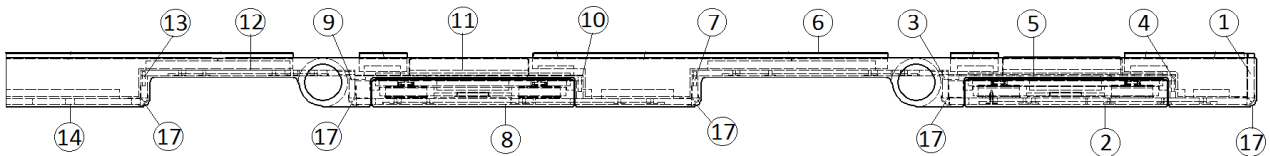
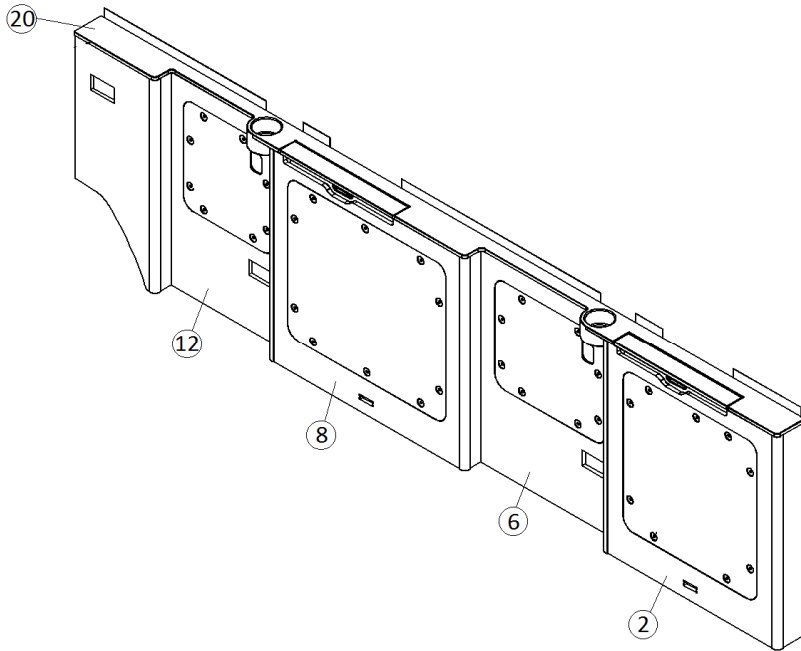
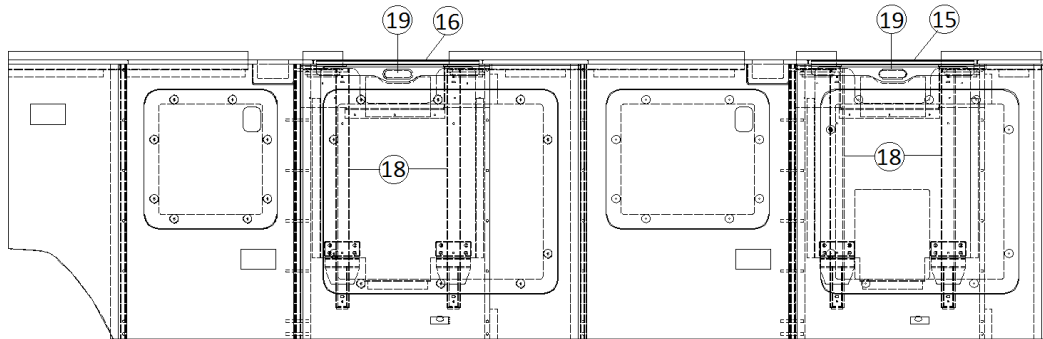
FURNITURE, CREDENZA

Credenza, Roadside, Forward, Ebony

968014-16	Forward Credenza, Roadside
1. 968014-161	Panel, 3.75 x 27.5
2. 968014-162	Panel, 24.88 x 27.38
3. 968014-163	Panel, 2.38 x 27.5
4. 968014-164	Panel, 1.44 x 27.5
5. 968014-165	Panel, 19 x 27.13
6. 968014-166	Panel, 20.88 x 27.5
7. 968014-167	Panel, 1.88 x 27.5
8. 968014-168	Panel, 28 x 27.38
9. 968014-169	Panel, 2.38 x 27.5
10. 968014-1610	Panel, 1.44 x 27.5
11. 968014-1611	Panel, 19 x 27.13
12. 968014-1612	Panel, 17.38 x 27.5
13. 968014-1613	Panel, 1.88 x 27.5
14. 968014-1614	Panel, 11.26 x 27.5
15. 968014-1619	Panel, 15.5 x 21.38
16. 968014-1620	Panel, 15.5 x 21.38
17. 115584	Extrusion, Outside corner, .5" panel
18. 382200-02	Hinged door slide, 24"
19. 382030	Pull, Recessed finger
20. 602340-01	Credenza top
454937	Bracket, Flip table support
365346-01	Edgebanding, .63", Midnight
365346-02	Edgebanding, .94", Midnight

2015 AUTOBAHN FURNITURE, CREDENZA

Credenza, Roadside, Forward, Walnut



Parts Listed on Next Page
III-31

2015 AUTOBAHN

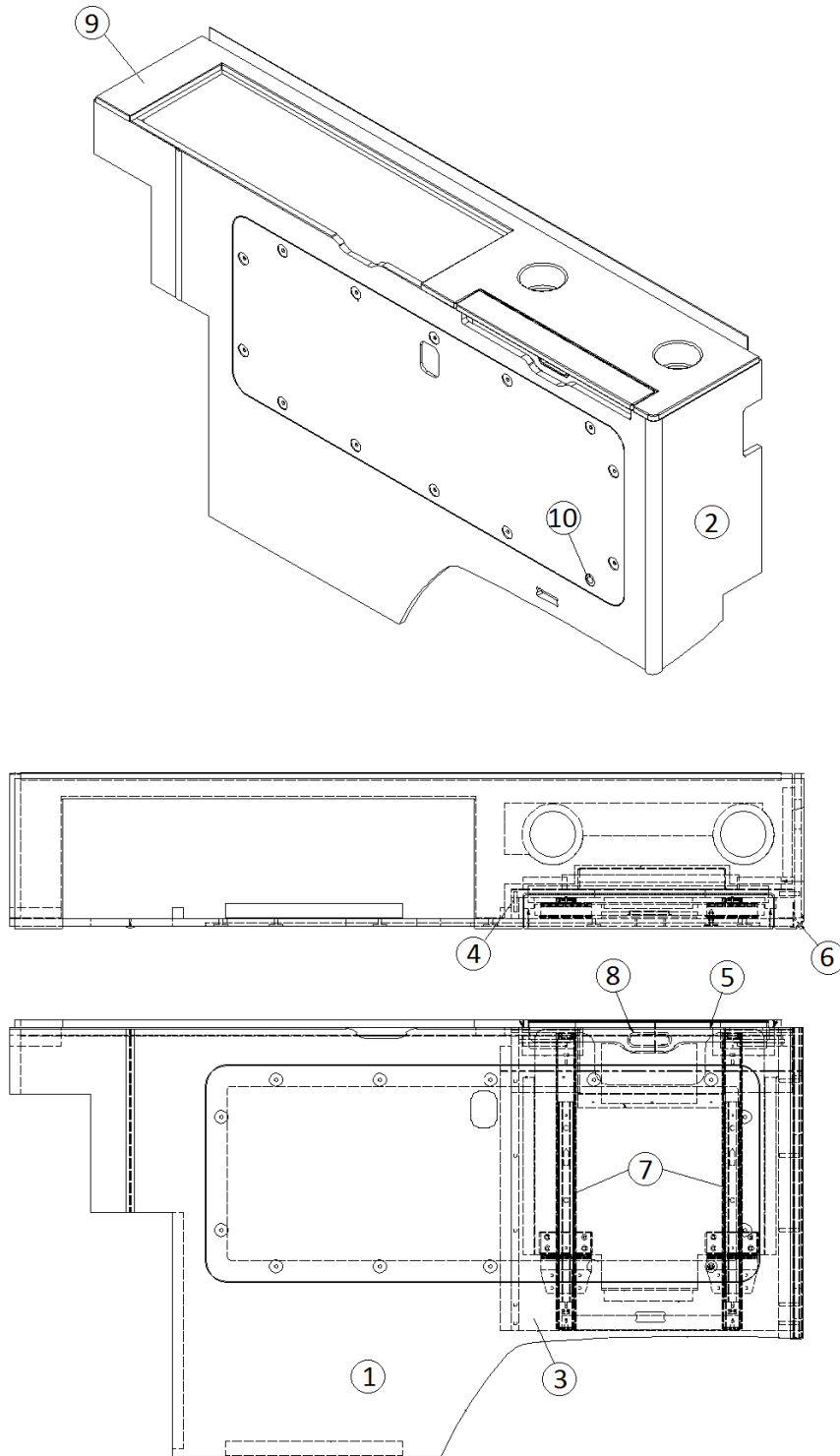
FURNITURE, CREDENZA

Credenza, Roadside, Forward, Walnut

968014-02	Forward Credenza, Roadside
1. 968014-021	Panel, 3.75 x 27.5
2. 968014-022	Panel, 24.88 x 27.38
3. 968014-023	Panel, 2.38 x 27.5
4. 968014-024	Panel, 1.44 x 27.5
5. 968014-025	Panel, 19 x 27.13
6. 968014-026	Panel, 20.88 x 27.5
7. 968014-027	Panel, 1.88 x 27.5
8. 968014-028	Panel, 28 x 27.38
9. 968014-029	Panel, 2.38 x 27.5
10. 968014-0210	Panel, 1.44 x 27.5
11. 968014-0211	Panel, 19 x 27.13
12. 968014-0212	Panel, 17.38 x 27.5
13. 968014-0213	Panel, 1.88 x 27.5
14. 968014-0214	Panel, 11.26 x 27.5
15. 968014-0219	Panel, 15.5 x 21.38
16. 968014-0220	Panel, 15.5 x 21.38
17. 115584	Extrusion, Outside corner, .5" panel
18. 382200-02	Hinged door slide, 24"
19. 382030	Pull, Recessed finger
20. 602340-01	Credenza top
454937	Bracket, Flip table support
365379-01	Edgebanding, .63", Walnut
365379-02	Edgebanding, .94", Walnut

2015 AUTOBAHN FURNITURE, CREDENZA

Credenza, Roadside, Rear, Ivory



Parts Listed on Next Page

III-33

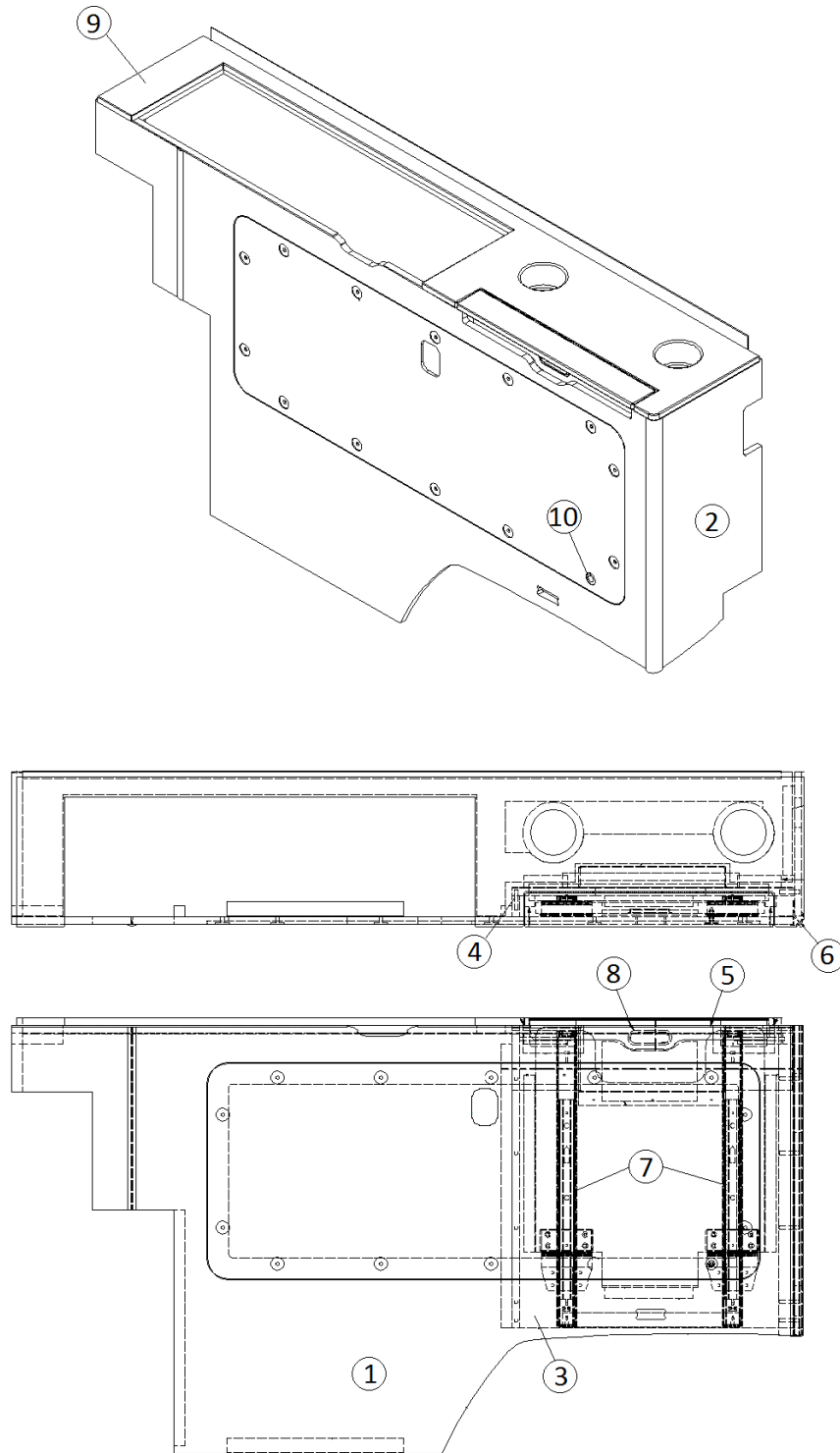
2015 AUTOBAHN
FURNITURE, CREDENZA

Credenza, Roadside, Rear, Ivory

968015	Rear Credenza, Roadside
1. 968015-1	Panel, 53.06 x 28.88
2. 968015-2	Panel, 9.75 x 20.97
3. 968015-3	Panel, 19.13 x 20.13
4. 968015-4	Panel, 1.44 x 20.5
5. 968015-6	Panel, 15.5 x 17.5
6. 115584	Extrusion, Outside corner, .5" panel
7. 382200-01	Hinged door slide
8. 382030	Pull, Recessed finger
9. 602341-01	Credenza top
10. 382062	Fastener, Finned, .25"
454937	Bracket, Flip table support
365344-01	Edgebanding, .63", Pearl Bisque
365344-02	Edgebanding, .94", Pearl Bisque

2015 AUTOBAHN FURNITURE, CREDENZA

Credenza, Roadside, Rear, Ebony



Parts Listed on Next Page

III-35

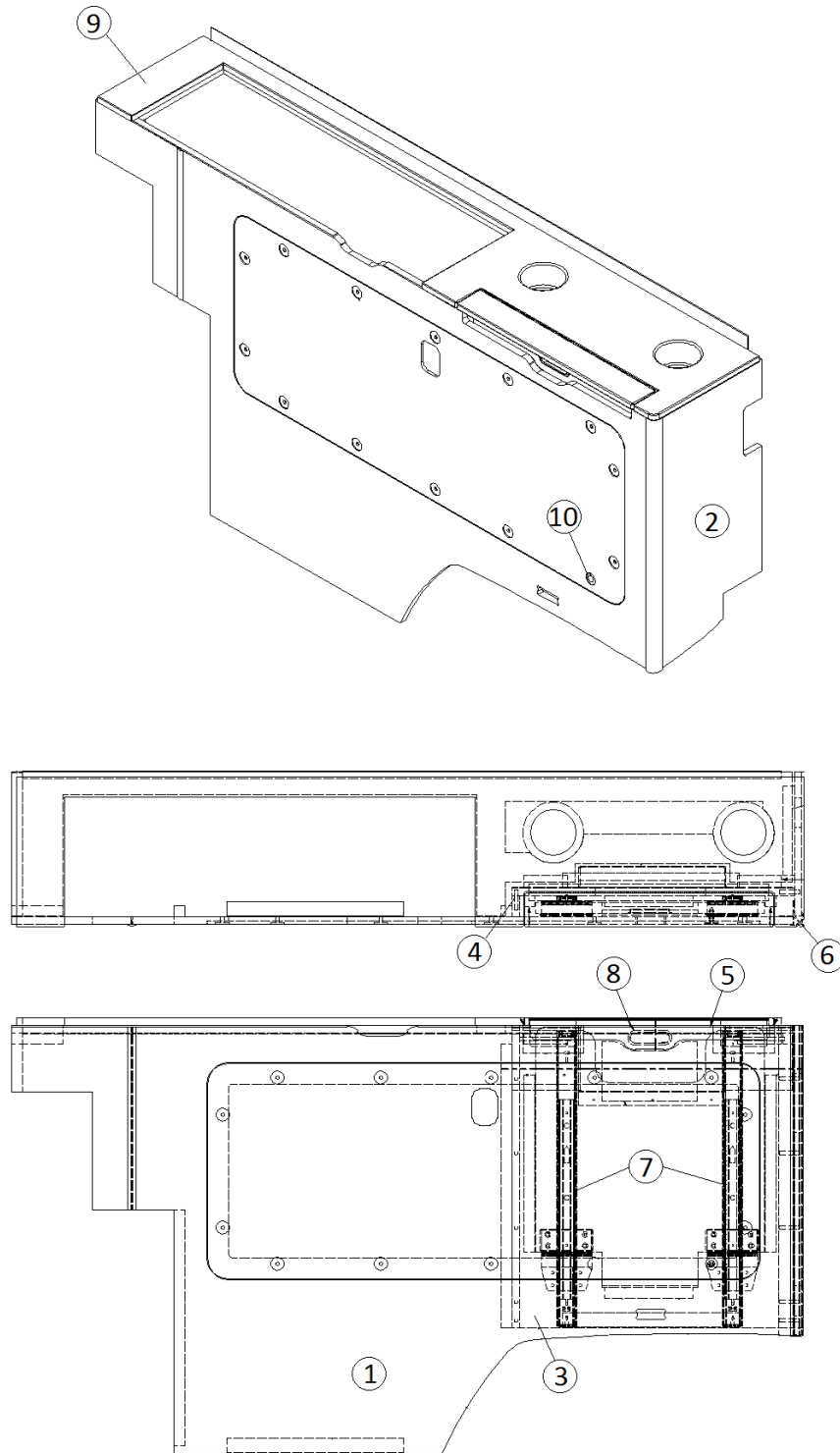
2015 AUTOBAHN
FURNITURE, CREDENZA

Credenza, Roadside, Rear, Ebony

968015-16	Rear Credenza, Roadside
1. 968015-161	Panel, 53.06 x 28.88
2. 968015-162	Panel, 9.75 x 20.97
3. 968015-163	Panel, 19.13 x 20.13
4. 968015-164	Panel, 1.44 x 20.5
5. 968015-166	Panel, 15.5 x 17.5
6. 115584	Extrusion, Outside corner, .5" panel
7. 382200-01	Hinged door slide
8. 382030	Pull, Recessed finger
9. 602341-01	Credenza top
10. 382062	Fastener, Finned, .25"
454937	Bracket, Flip table support
365346-01	Edgebanding, .63", Midnight
365346-02	Edgebanding, .94", Midnight

2015 AUTOBAHN FURNITURE, CREDENZA

Credenza, Roadside, Rear, Walnut



Parts Listed on Next Page

III-37

2015 AUTOBAHN

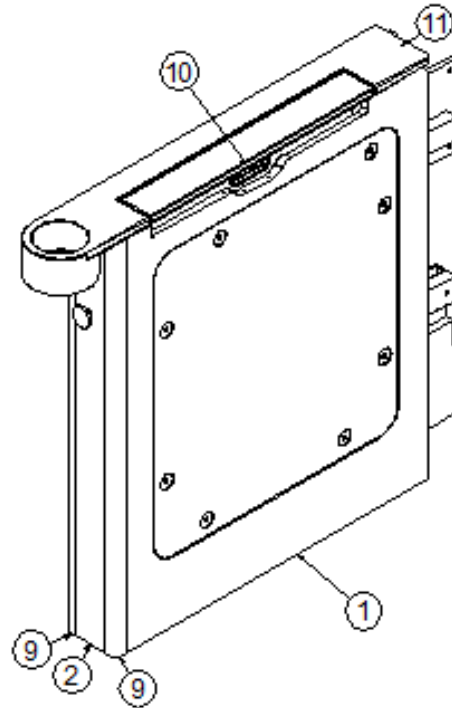
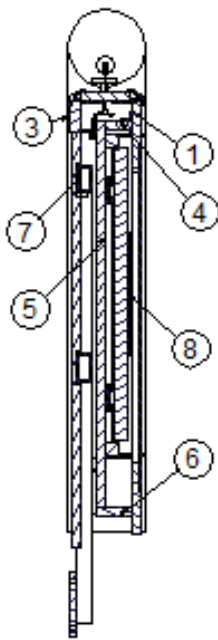
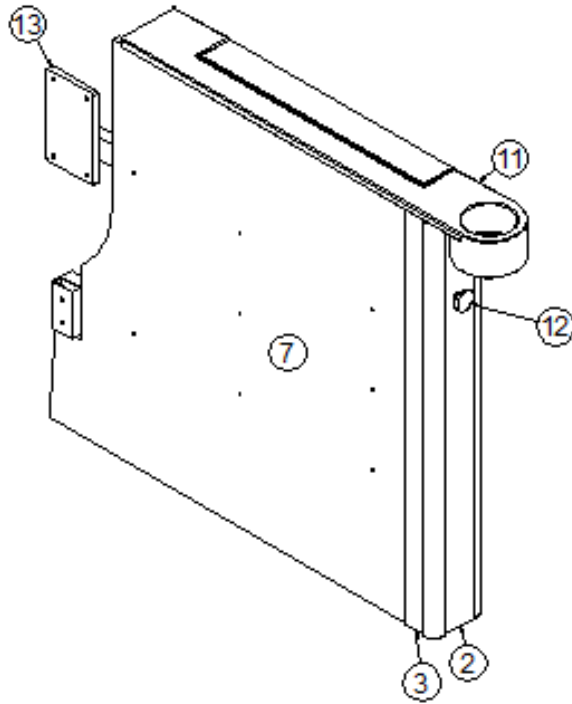
FURNITURE, CREDENZA

Credenza, Roadside, Rear, Walnut

968015-02	Rear Credenza, Roadside
1. 968015-021	Panel, 53.06 x 28.88
2. 968015-022	Panel, 9.75 x 20.97
3. 968015-023	Panel, 19.13 x 20.13
4. 968015-024	Panel, 1.44 x 20.5
5. 968015-026	Panel, 15.5 x 17.5
6. 115584	Extrusion, Outside corner, .5" panel
7. 382200-01	Hinged door slide
8. 382030	Pull, Recessed finger
9. 602341-01	Credenza top
10. 382062	Fastener, Finned, .25"
454937	Bracket, Flip table support
365379-01	Edgebanding, .63", Walnut
365379-02	Edgebanding, .94", Walnut

2015 AUTOBAHN FURNITURE, CREDENZA

Credenza, Curbside, Forward, Ivory



Parts Listed on Next Page
III-39

2015 AUTOBAHN

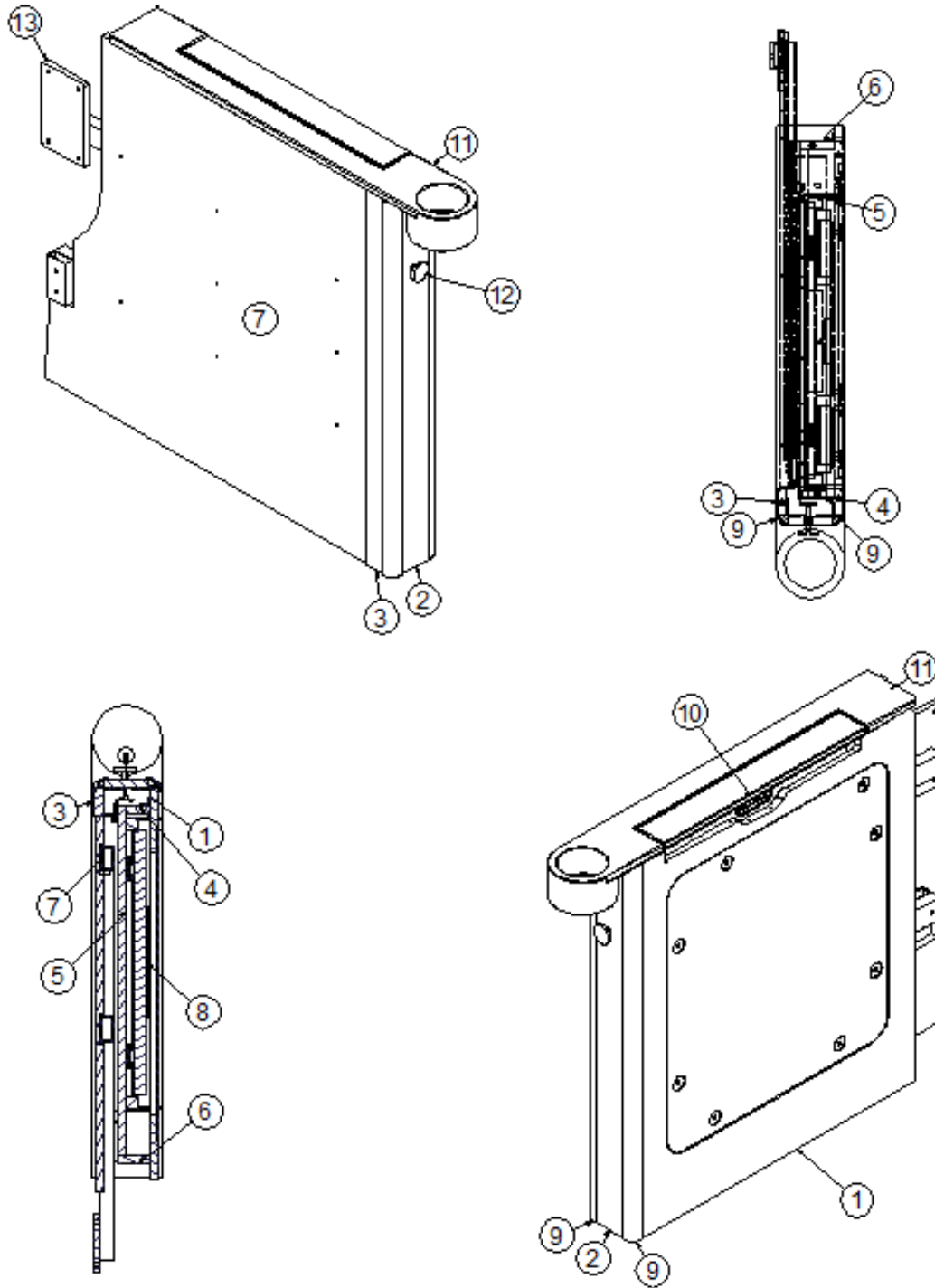
FURNITURE, CREDENZA

Credenza, Curbside, Forward, Ivory

968018	Forward Credenza, Curbside
1. 968018-1	Panel, 23 x 26.88
2. 968018-2	Panel, 2.63 x 27
3. 968018-3	Panel, 1.563 x 27
4. 968018-4	Panel, 1.44 x 25
5. 968018-5	Panel, 20.5 x 24.75
6. 968018-6	Panel, 1.94 x 25
7. 968018-7	Panel, 26.75 x 26.94
8. 968018-8	Panel, 15.5 x 21.5
9. 115584	Extrusion, Outside corner, .5" panel
10. 382030	Pull, Recessed finger
11. 602345-01	Credenza top
12. 382216	Knob, 1.25" Dia, Chrome
13. 454940	Bracket, Slide table panel
454933	Bracket, CS credenza panel
382200-02	Hinged door slide
382208	Slide, Locking, Heavy duty, Full extension
365344-01	Edgebanding, .63", Pearl Bisque
365344-02	Edgebanding, .94", Pearl Bisque

2015 AUTOBAHN FURNITURE, CREDENZA

Credenza, Curbside, Forward, Ebony



Parts Listed on Next Page
III-41

2015 AUTOBAHN

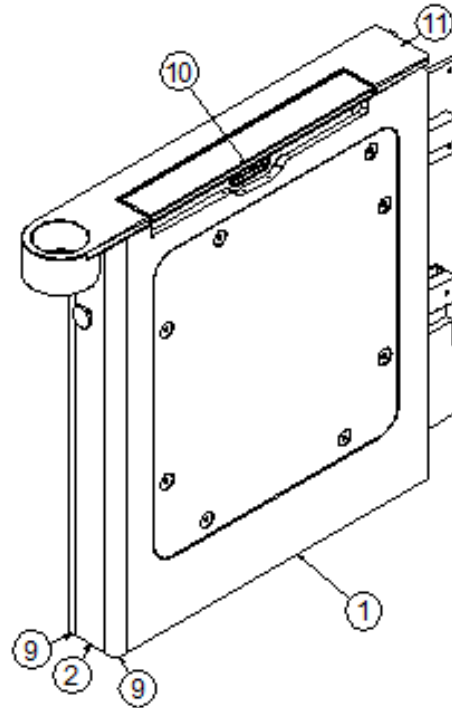
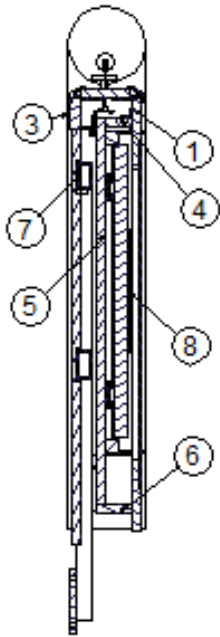
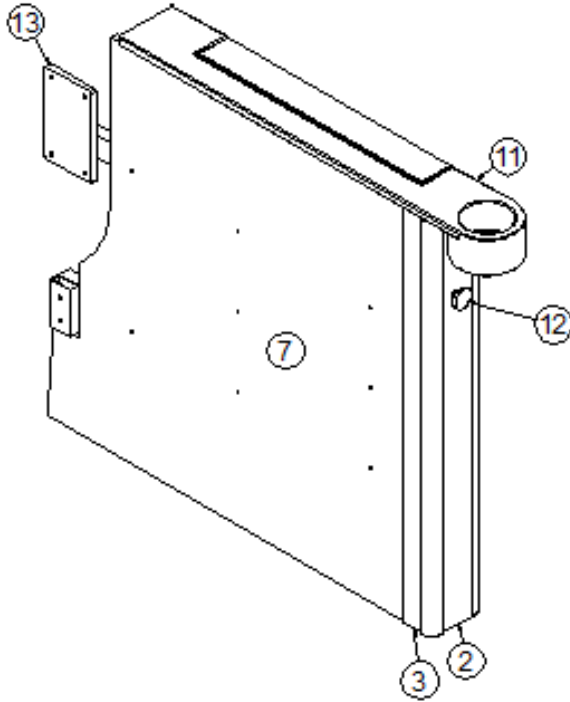
FURNITURE, CREDENZA

Credenza, Curbside, Forward, Ebony

968018-16	Forward Credenza, Curbside
1. 968018-161	Panel, 23 x 26.88
2. 968018-162	Panel, 2.63 x 27
3. 968018-163	Panel, 1.563 x 27
4. 968018-164	Panel, 1.44 x 25
5. 968018-165	Panel, 20.5 x 24.75
6. 968018-166	Panel, 1.94 x 25
7. 968018-167	Panel, 26.75 x 26.94
8. 968018-168	Panel, 15.5 x 21.5
9. 115584	Extrusion, Outside corner, .5" panel
10. 382030	Pull, Recessed finger
11. 602345-01	Credenza top
12. 382216	Knob, 1.25" Dia, Chrome
13. 454940	Bracket, Slide table panel
454933	Bracket, CS credenza panel
382200-02	Hinged door slide
382208	Slide, Locking, Heavy duty, Full extension
365346-01	Edgebanding, .63", Midnight
365346-02	Edgebanding, .94", Midnight

2015 AUTOBAHN FURNITURE, CREDENZA

Credenza, Curbside, Forward, Walnut



Parts Listed on Next Page
III-43

2015 AUTOBAHN

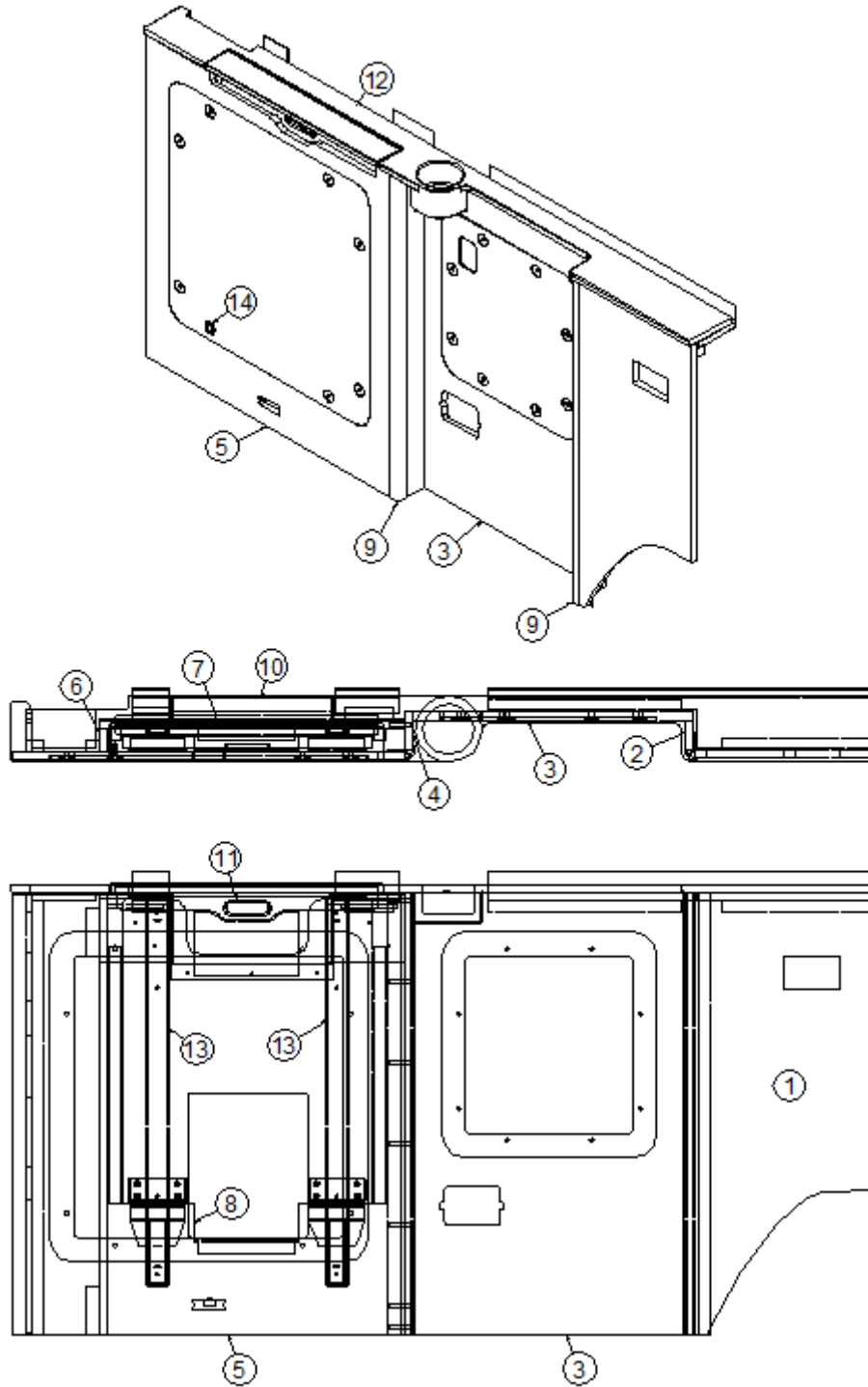
FURNITURE, CREDENZA

Credenza, Curbside, Forward, Walnut

968018-02	Forward Credenza, Curbside
1. 968018-021	Panel, 23 x 26.88
2. 968018-022	Panel, 2.63 x 27
3. 968018-023	Panel, 1.563 x 27
4. 968018-024	Panel, 1.44 x 25
5. 968018-025	Panel, 20.5 x 24.75
6. 968018-026	Panel, 1.94 x 25
7. 968018-027	Panel, 26.75 x 26.94
8. 968018-028	Panel, 15.5 x 21.5
9. 115584	Extrusion, Outside corner, .5" panel
10. 382030	Pull, Recessed finger
11. 602345-01	Credenza top
12. 382216	Knob, 1.25" Dia, Chrome
13. 454940	Bracket, Slide table panel
454933	Bracket, CS credenza panel
382200-02	Hinged door slide
382208	Slide, Locking, Heavy duty, Full extension
365379-01	Edgebanding, .63", Walnut
365379-02	Edgebanding, .94", Walnut

2015 AUTOBAHN FURNITURE, CREDENZA

Credenza, Curbside, Mid, Ivory



Parts Listed on Next Page

III-45

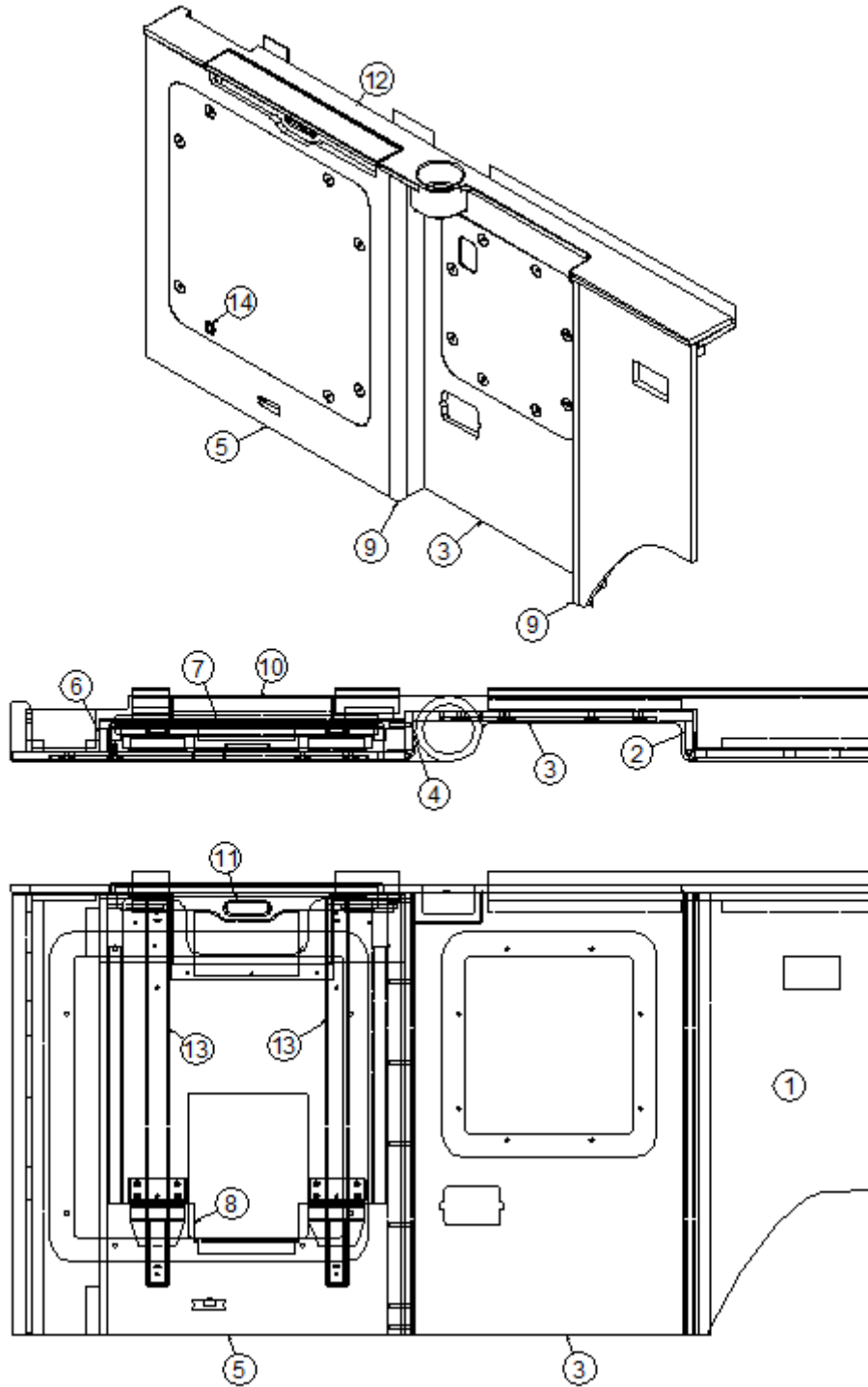
2015 AUTOBAHN
FURNITURE, CREDENZA

Credenza, Curbside, Mid, Ivory

968017	Mid Credenza, Curbside
1. 968017-1	Panel, 11.26 x 27.5
2. 968017-2	Panel, 1.88 x 27.5
3. 968017-3	Panel, 17.38 x 27.5
4. 968017-4	Panel, 2.38 x 27.5
5. 968017-5	Panel, 24.25 x 27.38
6. 968017-6	Panel, 1.44 x 27.5
7. 968017-7	Panel, 19 x 27.13
8. 968017-8	Panel, 15.5 x 21.38
9. 115584	Extrusion, Outside corner, .5" panel
10. 454937	Bracket, Flip table support
11. 382030	Pull, Recessed finger
12. 602345-01	Credenza top
13. 382200-02	Hinged door slide, 24"
14. 382062	Fastener, Finned, .25"
365344-01	Edgebanding, .63", Pearl Bisque
365344-02	Edgebanding, .94", Pearl Bisque

2015 AUTOBAHN FURNITURE, CREDENZA

Credenza, Curbside, Mid, Ebony



Parts Listed on Next Page

III-47

2015 AUTOBAHN

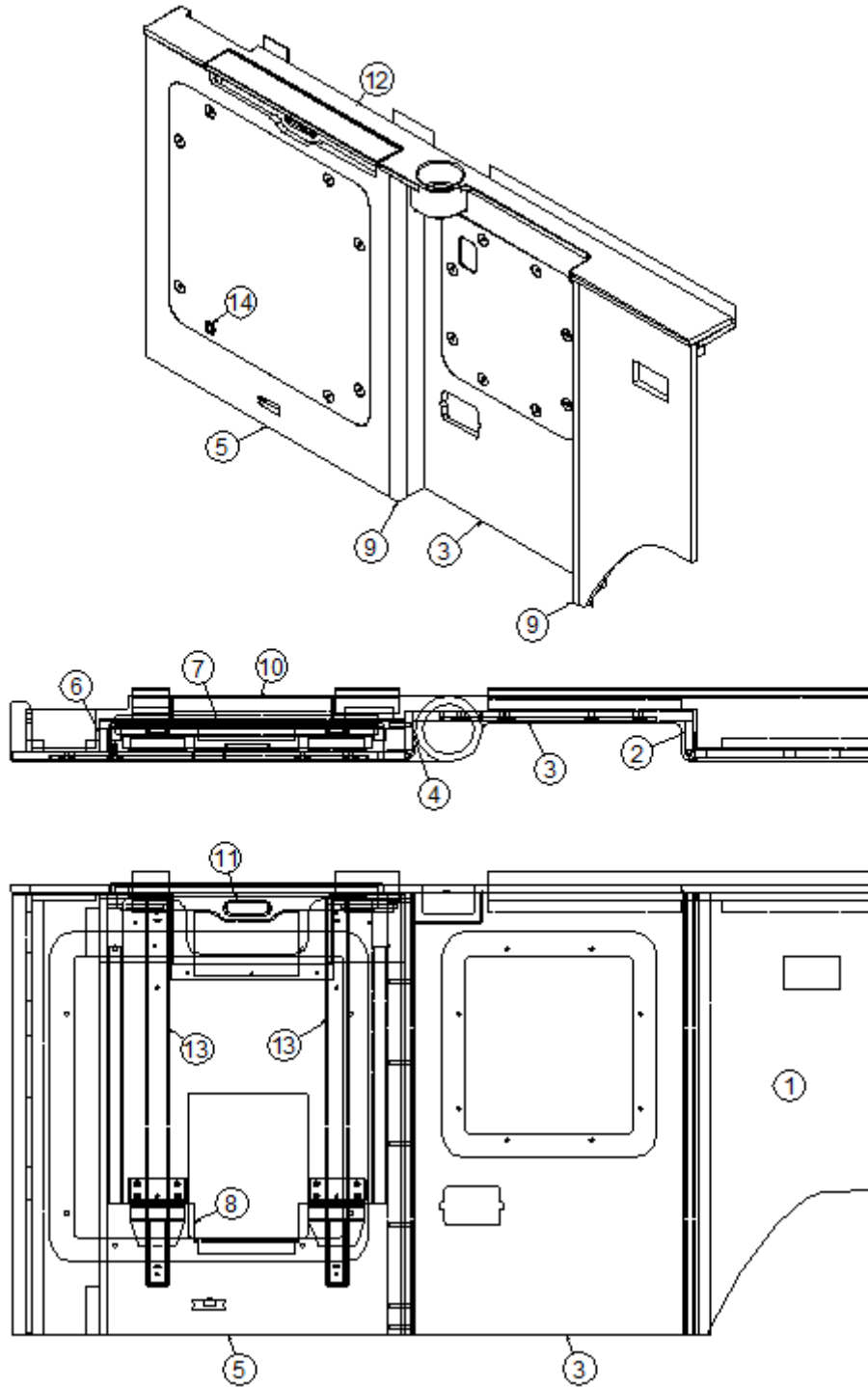
FURNITURE, CREDENZA

Credenza, Curbside, Mid, Ebony

968017-16	Mid Credenza, Curbside
1. 968017-161	Panel, 11.26 x 27.5
2. 968017-162	Panel, 1.88 x 27.5
3. 968017-163	Panel, 17.38 x 27.5
4. 968017-164	Panel, 2.38 x 27.5
5. 968017-165	Panel, 24.25 x 27.38
6. 968017-166	Panel, 1.44 x 27.5
7. 968017-167	Panel, 19 x 27.13
8. 968017-168	Panel, 15.5 x 21.38
9. 115584	Extrusion, Outside corner, .5" panel
10. 454937	Bracket, Flip table support
11. 382030	Pull, Recessed finger
12. 602345-01	Credenza top
13. 382200-02	Hinged door slide, 24"
14. 382062	Fastener, Finned, .25"
365346-01	Edgebanding, .63", Midnight
365346-02	Edgebanding, .94", Midnight

2015 AUTOBAHN FURNITURE, CREDENZA

Credenza, Curbside, Mid, Walnut



Parts Listed on Next Page

III-49

2015 AUTOBAHN

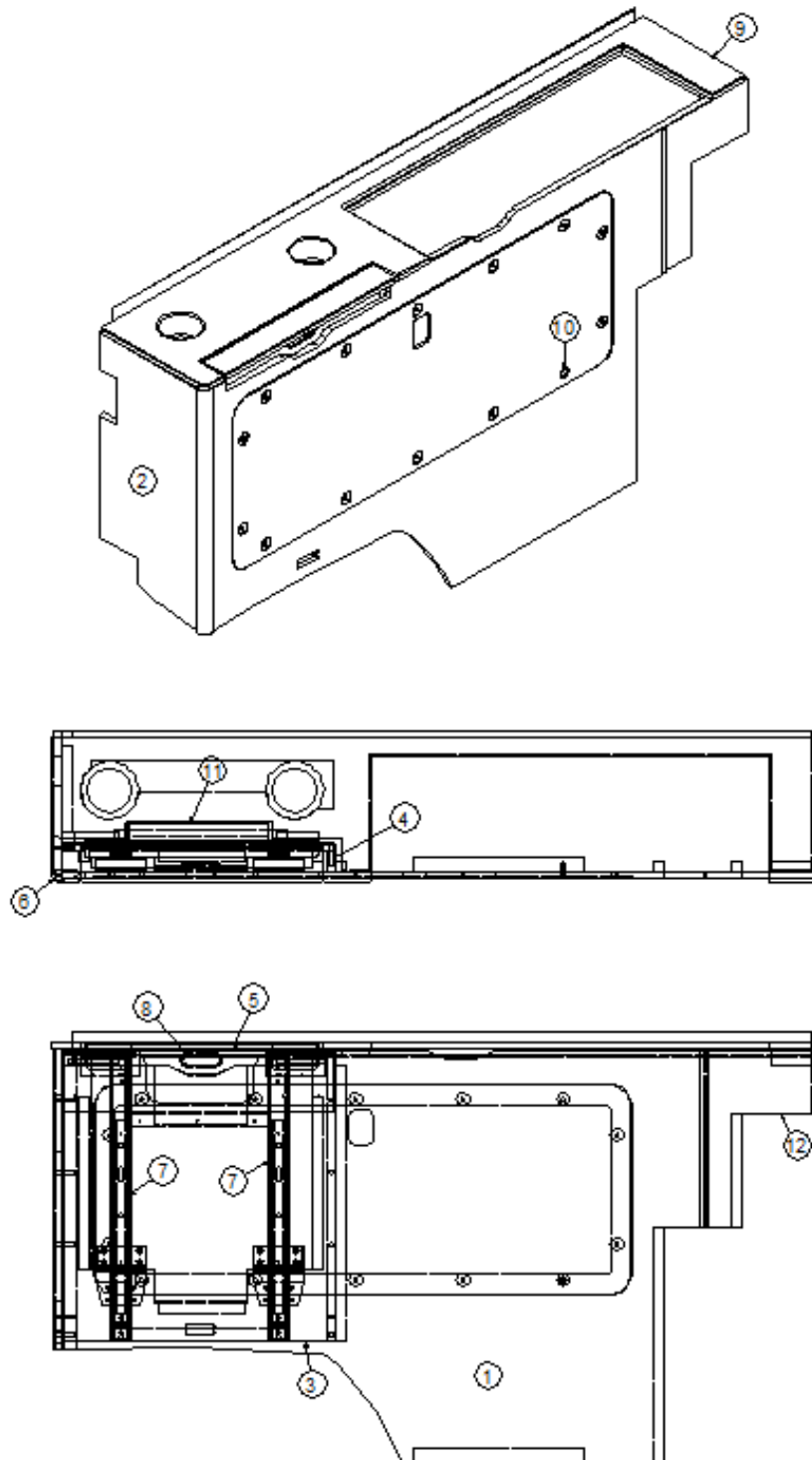
FURNITURE, CREDENZA

Credenza, Curbside, Mid, Walnut

968017-02	Mid Credenza, Curbside
1. 968017-021	Panel, 11.26 x 27.5
2. 968017-022	Panel, 1.88 x 27.5
3. 968017-023	Panel, 17.38 x 27.5
4. 968017-024	Panel, 2.38 x 27.5
5. 968017-025	Panel, 24.25 x 27.38
6. 968017-026	Panel, 1.44 x 27.5
7. 968017-027	Panel, 19 x 27.13
8. 968017-028	Panel, 15.5 x 21.38
9. 115584	Extrusion, Outside corner, .5" panel
10. 454937	Bracket, Flip table support
11. 382030	Pull, Recessed finger
12. 602345-01	Credenza top
13. 382200-02	Hinged door slide, 24"
14. 382062	Fastener, Finned, .25"
365379-01	Edgebanding, .63", Walnut
365379-02	Edgebanding, .94", Walnut

2015 AUTOBAHN
FURNITURE, CREDENZA

Credenza, Curbside, Rear, Ivory



Parts Listed on Next Page

III-51

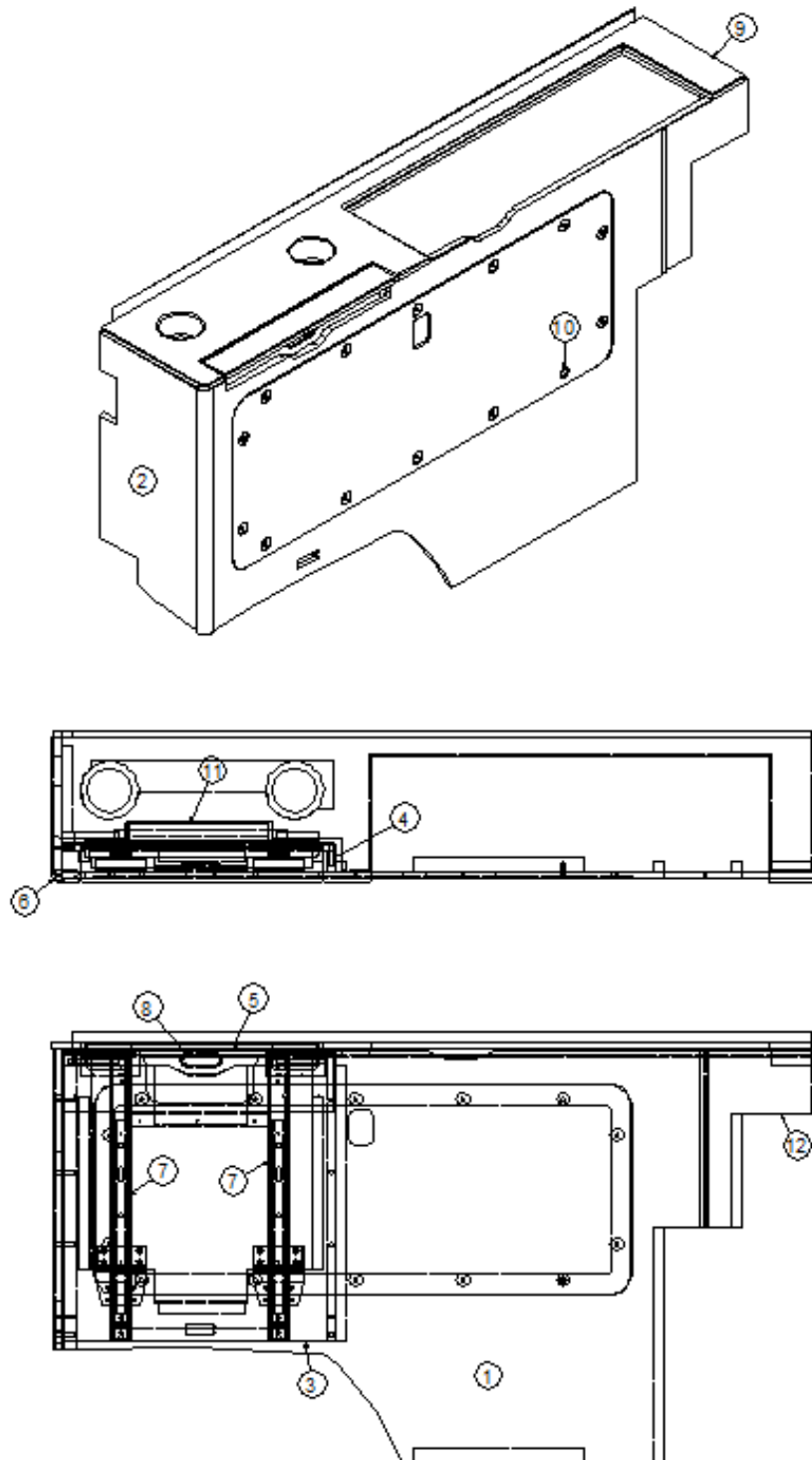
2015 AUTOBAHN
FURNITURE, CREDENZA

Credenza, Curbside, Rear, Ivory

968016	Rear Credenza, Roadside
1. 968016-1	Panel, 44.81 x 28.88
2. 968016-2	Panel, 9.75 x 20.97
3. 968016-3	Panel, 19.13 x 20.13
4. 968016-4	Panel, 1.44 x 20.5
5. 968016-6	Panel, 15.5 x 17.5
6. 115584	Extrusion, Outside corner, .5" panel
7. 382200-01	Hinged door slide
8. 382030	Pull, Recessed finger
9. 602343-01	Credenza top
10. 382062	Fastener, Finned, .25"
11. 454937	Bracket, Flip table support
12. 968016-26	Panel, 8.13 x 12.38
365344-01	Edgebanding, .63", Pearl Bisque
365344-02	Edgebanding, .94", Pearl Bisque

2015 AUTOBAHN
FURNITURE, CREDENZA

Credenza, Curbside, Rear, Ebony



Parts Listed on Next Page

III-53

2015 AUTOBAHN

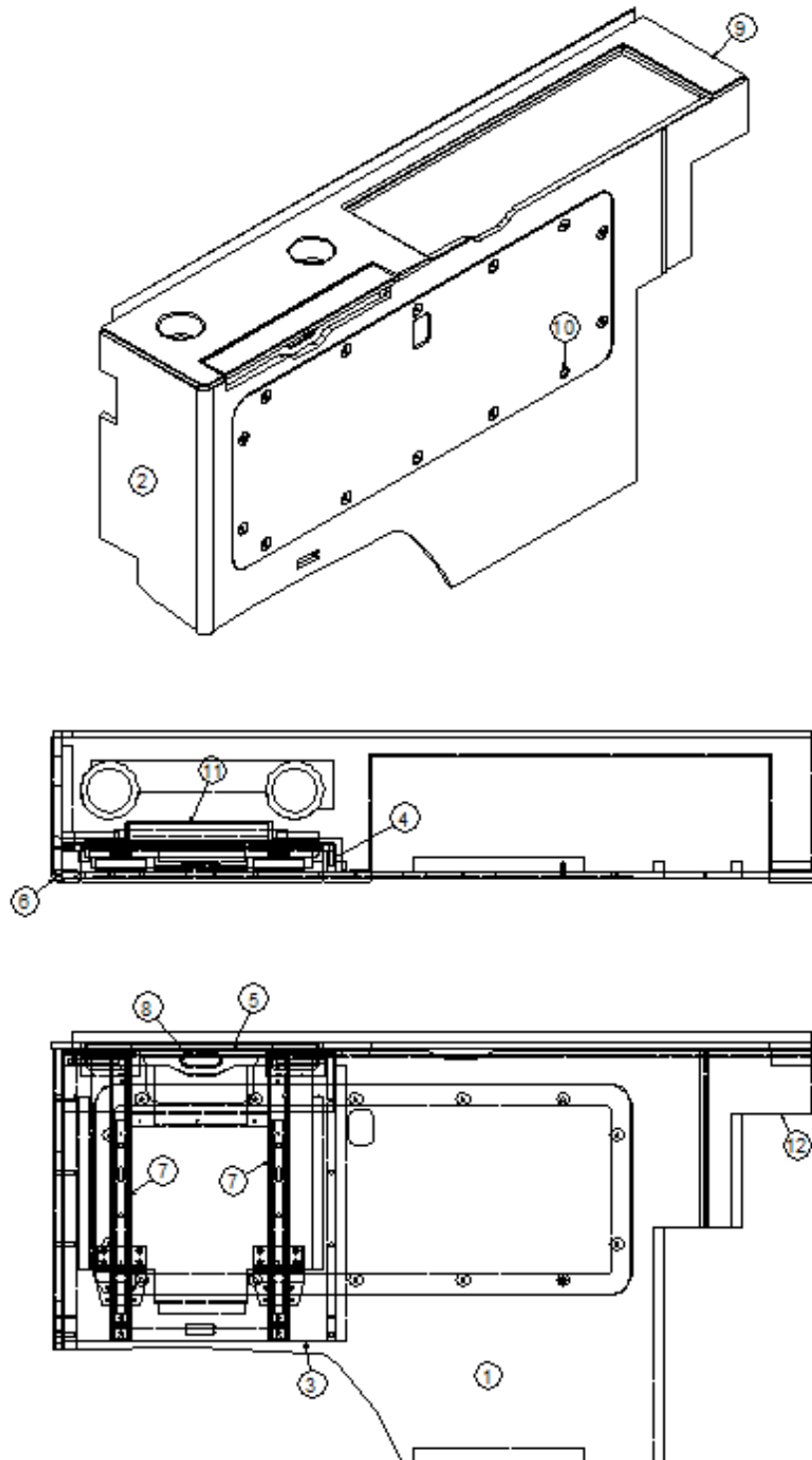
FURNITURE, CREDENZA

Credenza, Curbside, Rear, Ebony

968016-16	Rear Credenza, Roadside
1. 968016-161	Panel, 44.81 x 28.88
2. 968016-162	Panel, 9.75 x 20.97
3. 968016-163	Panel, 19.13 x 20.13
4. 968016-164	Panel, 1.44 x 20.5
5. 968016-166	Panel, 15.5 x 17.5
6. 115584	Extrusion, Outside corner, .5" panel
7. 382200-01	Hinged door slide
8. 382030	Pull, Recessed finger
9. 602343-01	Credenza top
10. 382062	Fastener, Finned, .25"
11. 454937	Bracket, Flip table support
12. 968016-1626	Panel, 8.13 x 12.38
365346-01	Edgebanding, .63", Midnight
365346-02	Edgebanding, .94", Midnight

2015 AUTOBAHN FURNITURE, CREDENZA

Credenza, Curbside, Rear, Walnut



Parts Listed on Next Page

III-55

2015 AUTOBAHN

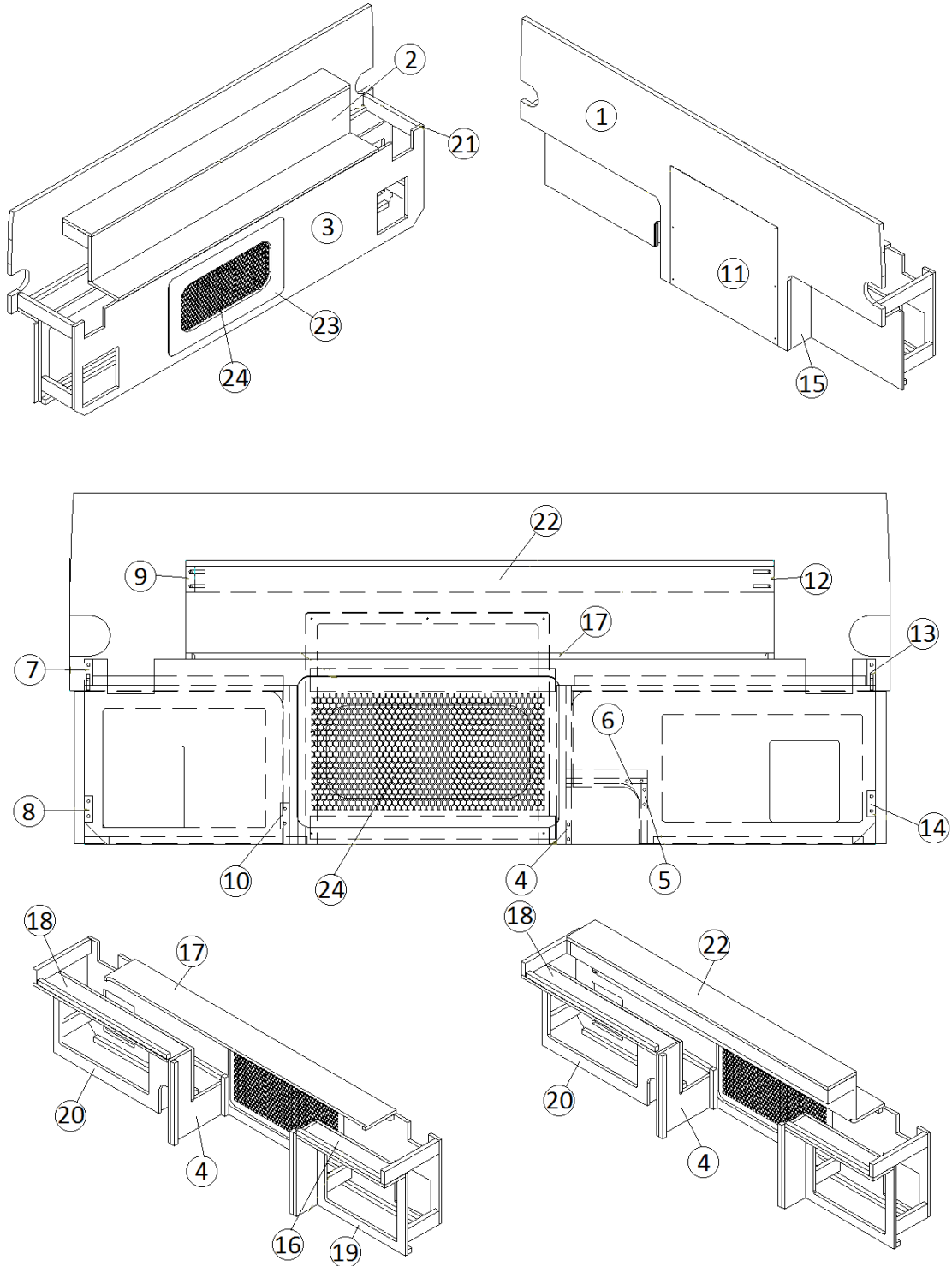
FURNITURE, CREDENZA

Credenza, Curbside, Rear, Walnut

968016-02	Rear Credenza, Roadside
1. 968016-021	Panel, 44.81 x 28.88
2. 968016-022	Panel, 9.75 x 20.97
3. 968016-023	Panel, 19.13 x 20.13
4. 968016-024	Panel, 1.44 x 20.5
5. 968016-026	Panel, 15.5 x 17.5
6. 115584	Extrusion, Outside corner, .5" panel
7. 382200-01	Hinged door slide
8. 382030	Pull, Recessed finger
9. 602343-01	Credenza top
10. 382062	Fastener, Finned, .25"
11. 454937	Bracket, Flip table support
12. 968016-0226	Panel, 8.13 x 12.38
365379-01	Edgebanding, .63", Walnut
365379-02	Edgebanding, .94", Walnut

2015 AUTOBAHN FURNITURE, CREDENZA

Credenza, Rear Cross Car, Ivory



Parts Listed on Next Page

III-57

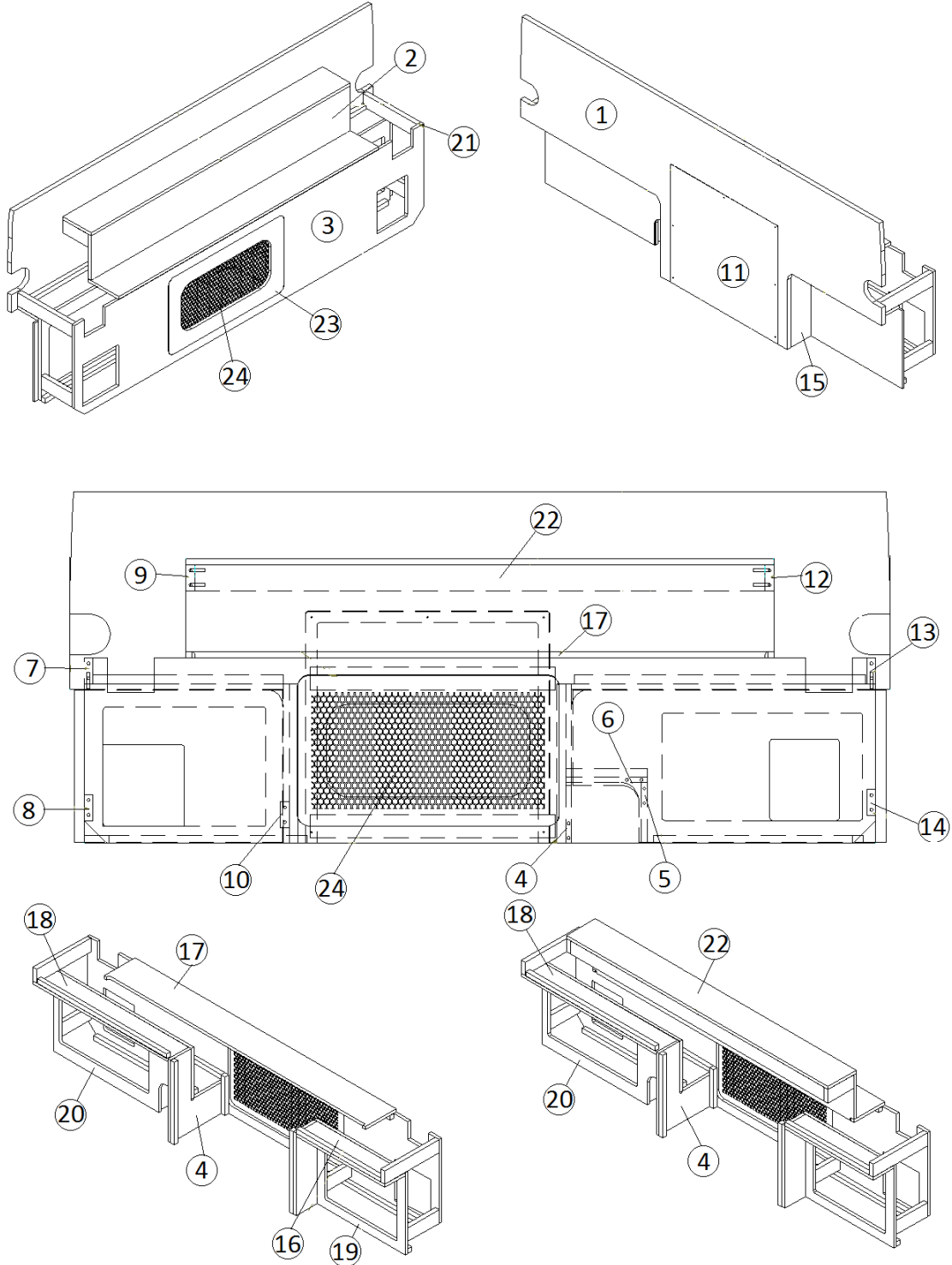
2015 AUTOBAHN
FURNITURE, CREDENZA

Credenza, Rear Cross Car, Ivory

968054	Rear Cross Car Credenza
1. 968054-1	Panel, 30.25 x 70.44
2. 968054-2	Panel, 8 x 50.5
3. 968054-3	Panel, 16 x 68
4. 968054-4	Panel, 10.5 x 13.75
5. 968054-5	Panel, 6 x 5.25
6. 968054-6	Panel, 6 x 7
7. 968054-7	Panel, 2.25 x 10.5
8. 968054-8	Panel, 2.25 x 6
9. 968054-9	Panel, 2.25 x 5
10. 968054-10	Panel, 2.25 x 6
11. 968054-11	Panel, 19.97 x 20.94
12. 968054-12	Panel, 2.25 x 5
13. 968054-13	Panel, 2.25 x 10.5
14. 968054-14	Panel, 2.25 x 6
15. 968054-15	Panel, 4 x 13.75
16. 968054-16I	Panel, 4 x 17.13
17. 968054-17	Panel, 6 x 50.5
18. 968054-18	Panel, 4 x 26.13
19. 968054-19	Panel, 13.75 x 17.63
20. 968054-20	Panel, 13.75 x 26.63
21. 968054-23	Panel, 5.5 x 50.5
22. 968054-27	Panel, 2.25 x 49
23. 968054-28	Panel, 12.94 x 22.44
24. 382197	Screen, Hexagon
365344-01	Edgebanding, .63", Pearl Bisque

2015 AUTOBAHN FURNITURE, CREDENZA

Credenza, Rear Cross Car, Ebony



Parts Listed on Next Page
III-59

2015 AUTOBAHN

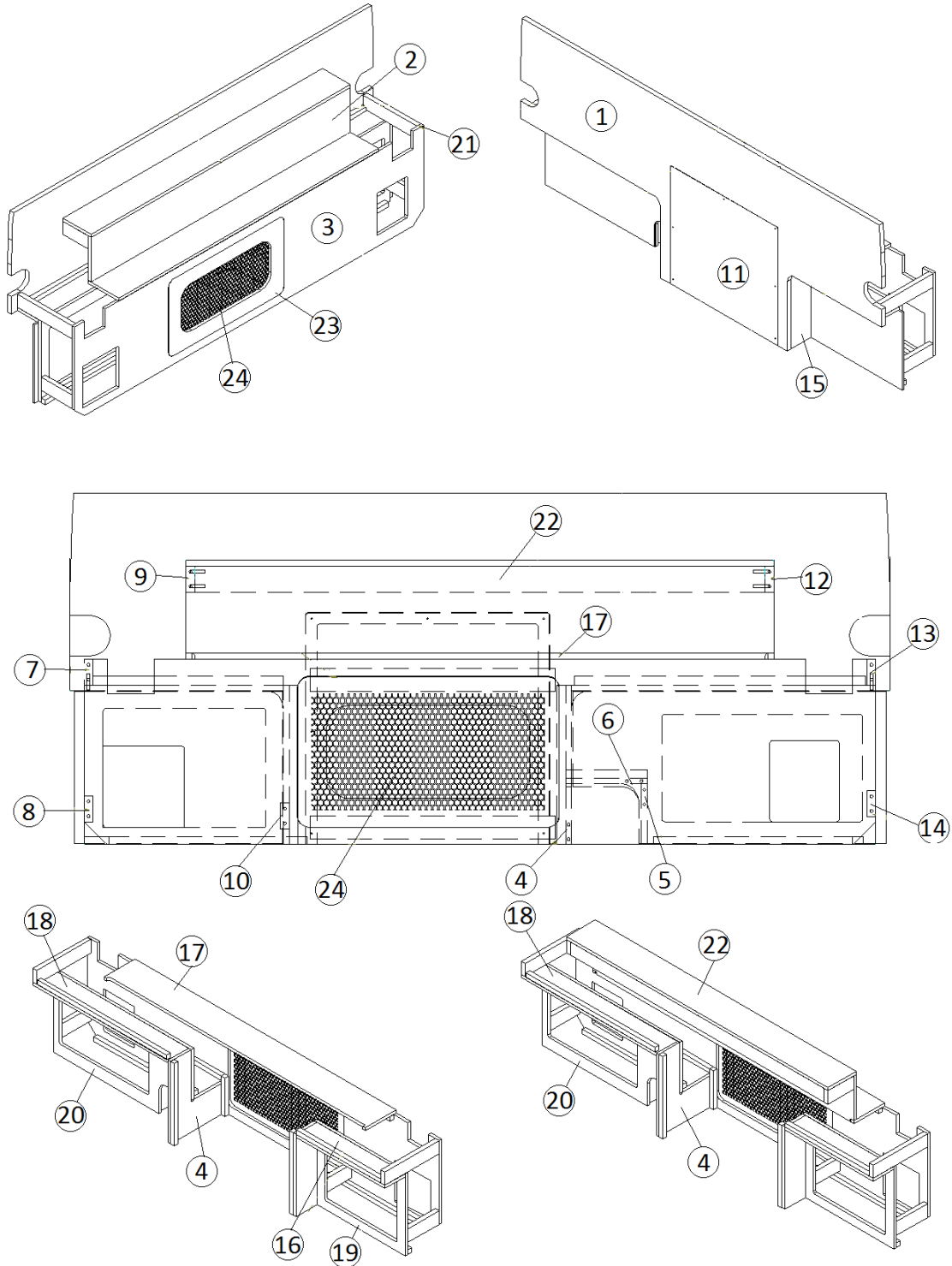
FURNITURE, CREDENZA

Credenza, Rear Cross Car, Ebony

968054-16	Rear Cross Car Credenza
1. 968054-161	Panel, 30.25 x 70.44
2. 968054-162	Panel, 8 x 50.5
3. 968054-163	Panel, 16 x 68
4. 968054-164	Panel, 10.5 x 13.75
5. 968054-165	Panel, 6 x 5.25
6. 968054-166	Panel, 6 x 7
7. 968054-167	Panel, 2.25 x 10.5
8. 968054-168	Panel, 2.25 x 6
9. 968054-169	Panel, 2.25 x 5
10. 968054-1610	Panel, 2.25 x 6
11. 968054-1611	Panel, 19.97 x 20.94
12. 968054-1612	Panel, 2.25 x 5
13. 968054-1613	Panel, 2.25 x 10.5
14. 968054-1614	Panel, 2.25 x 6
15. 968054-1615	Panel, 4 x 13.75
16. 968054-1616	Panel, 4 x 17.13
17. 968054-1617	Panel, 6 x 50.5
18. 968054-1618	Panel, 4 x 26.13
19. 968054-1619	Panel, 13.75 x 17.63
20. 968054-1620	Panel, 13.75 x 26.63
21. 968054-1623	Panel, 5.5 x 50.5
22. 968054-1627	Panel, 2.25 x 49
23. 968054-1628	Panel, 12.94 x 22.44
24. 382197	Screen, Hexagon
365346-01	Edgebanding, .63", Midnight

2015 AUTOBAHN FURNITURE, CREDENZA

Credenza, Rear Cross Car, Walnut



Parts Listed on Next Page

III-61

2015 AUTOBAHN

FURNITURE, CREDENZA

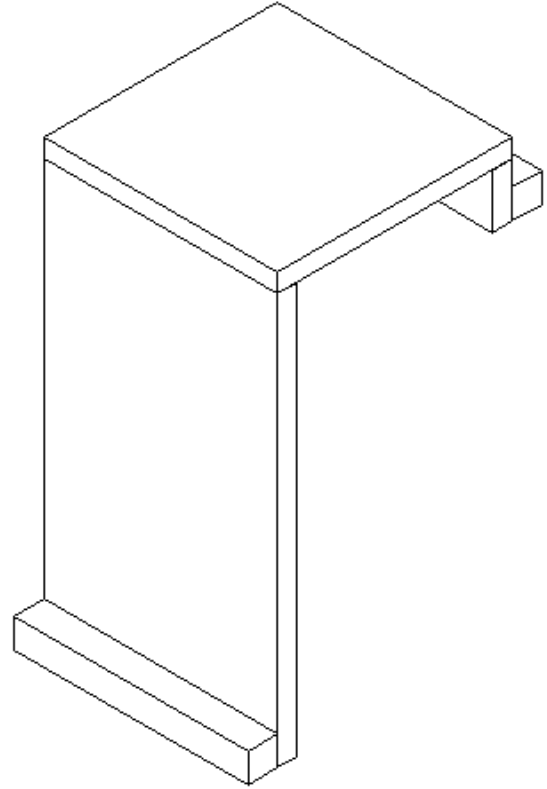
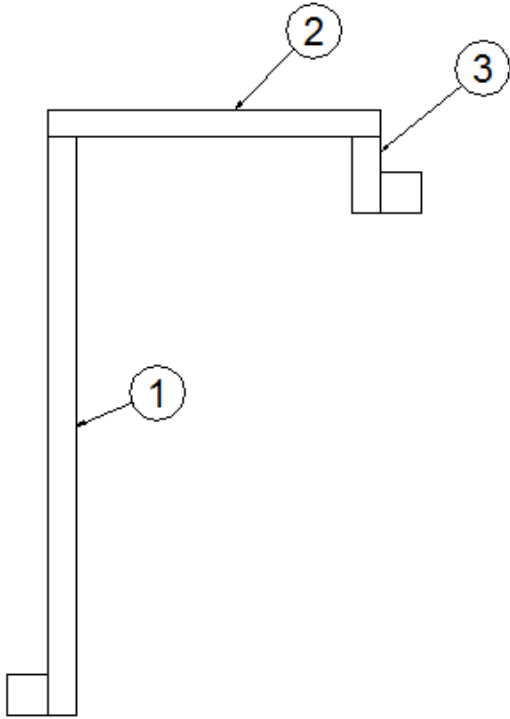
Credenza, Rear Cross Car, Walnut

968054-02	Rear Cross Car Credenza
1. 968054-021	Panel, 30.25 x 70.44
2. 968054-022	Panel, 8 x 50.5
3. 968054-023	Panel, 16 x 68
4. 968054-024	Panel, 10.5 x 13.75
5. 968054-025	Panel, 6 x 5.25
6. 968054-026	Panel, 6 x 7
7. 968054-027	Panel, 2.25 x 10.5
8. 968054-028	Panel, 2.25 x 6
9. 968054-029	Panel, 2.25 x 5
10. 968054-0210	Panel, 2.25 x 6
11. 968054-0211	Panel, 19.97 x 20.94
12. 968054-0212	Panel, 2.25 x 5
13. 968054-0213	Panel, 2.25 x 10.5
14. 968054-0214	Panel, 2.25 x 6
15. 968054-0215	Panel, 4 x 13.75
16. 968054-0216	Panel, 4 x 17.13
17. 968054-0217	Panel, 6 x 50.5
18. 968054-0218	Panel, 4 x 26.13
19. 968054-0219	Panel, 13.75 x 17.63
20. 968054-0220	Panel, 13.75 x 26.63
21. 968054-0223	Panel, 5.5 x 50.5
22. 968054-0227	Panel, 2.25 x 49
23. 968054-0228	Panel, 12.94 x 22.44
24. 382197	Screen, Hexagon
365379-01	Edgebanding, .63", Walnut

2015 AUTOBAHN

FURNITURE, REFRIGERATOR STAND

Refrigerator Stand, Roadside



968106

Roadside Refrigerator Stand

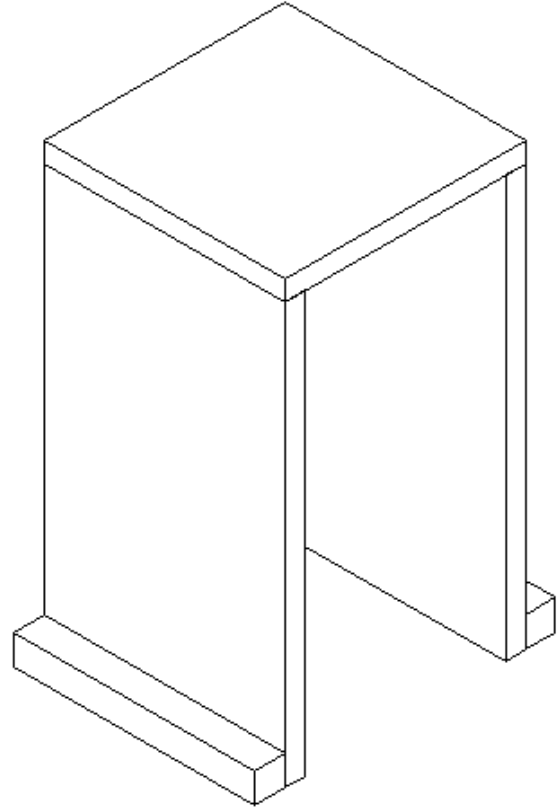
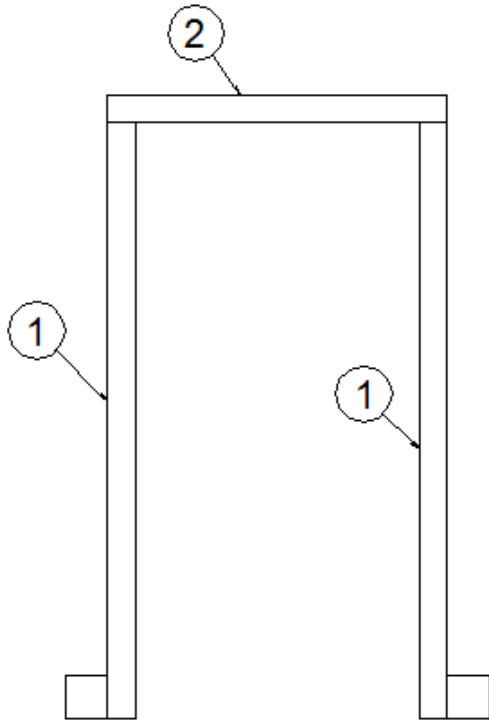
- 1. 968106-1
- 2. 968106-2
- 3. 968106-3

Panel, 6 x 10.5
Panel, 6 x 6
Panel, 1.38 x 6

2015 AUTOBAHN

FURNITURE, REFRIGERATOR STAND

Refrigerator Stand, Curbside



968105

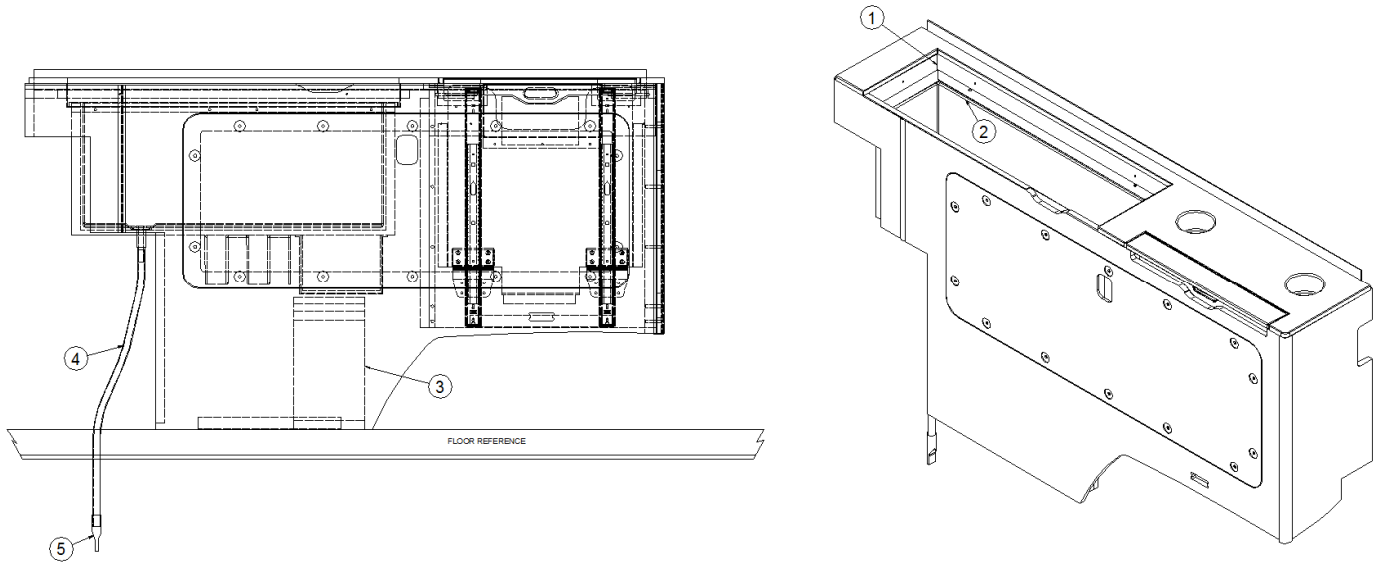
Curbside Refrigerator Stand

- 1. 968105-1
- 2. 968105-2

Panel, 6 x 10.5
Panel, 6 x 6

2015 AUTOBAHN FURNITURE, REFRIGERATOR STAND

Refrigerator Drop-In Install



112106

Refrigerator Drop-In Install

- | | |
|--------------|----------------------------------|
| 1. 454962 | Frame, Drop-In refrigerator |
| 2. 690655-02 | Refrigerator, Novakool, RS |
| 690655-01 | Refrigerator, Novakool, CS |
| 3. 968106 | RS refrigerator stand assembly |
| 968105 | CS refrigerator stand assembly |
| 4. 601240-01 | Hose, Potable water vent, .5" ID |
| 5. 602377 | Flat tubing, Kazoo Valve |
| 602376-01 | Corian Lid |
| 340084-08 | Adjustable clamp, 1" |

*Roadside Install Shown

2015 AUTOBAHN

DOORS, PANELING, TRIM

Roof Locker Doors, Ivory

801785-0119	Door, 12.38" x 31.50"
801785-0519	Door, 12.38" x 25.00"
801785-1019	Door, 12.38 x 28.81
801790-0119	Door, 9.25 x 28.63

Roof Locker Doors, Ebony

801785-0118	Door, 12.38" x 31.50"
801785-0518	Door, 12.38" x 25.00"
801785-1018	Door, 12.38 x 28.81
801790-0118	Door, 9.25 x 28.63

Roof Locker Doors, Walnut

801785-012	Door, 12.38" x 31.50"
801785-052	Door, 12.38" x 25.00"
801785-102	Door, 12.38 x 28.81
801790-012	Door, 9.25 x 28.63

2015 AUTOBAHN

DOORS, PANELING, TRIM

Edgebanding

365346-01	Edge Band, .63", Midnight Stroll
365346-02	Edge Band, .94", Midnight Stroll
365346-03	Edge Band, 1.25", Midnight Stroll
365344-01	Edge Band, .63", Pearl Bisque
365344-02	Edge Band, .94", Pearl Bisque
365344-03	Edge Band, 1.25", Pearl Bisque
365379-01	Edge Band, .63", Walnut
365379-02	Edge Band, .94", Walnut
365379-03	Edge Band, 1.25", Walnut

2015 AUTOBAHN

DOORS, PANELING, TRIM

Trim, Wood/Plastic

203445	T-Molding, Black flexible poly, .5"
203445-01	T-Molding, .5625", White
801706-0018	Corner Trim, 90° 1" Rad. Asian Sand
801706-0019	Corner Trim, 90°, Midnight
801706-002	Corner Trim, 90°, Walnut
203462-01	Screw Cap Cover, Gray
203462-012	Screw Cap Cover, PVC, Walnut
203462-0118	Screw Cap Cover, PVC, Lt. Camel
203462-0119	Screw Cap Cover, PVC, Black, Onyx

2015 AUTOBAHN

DOORS, PANELING, TRIM

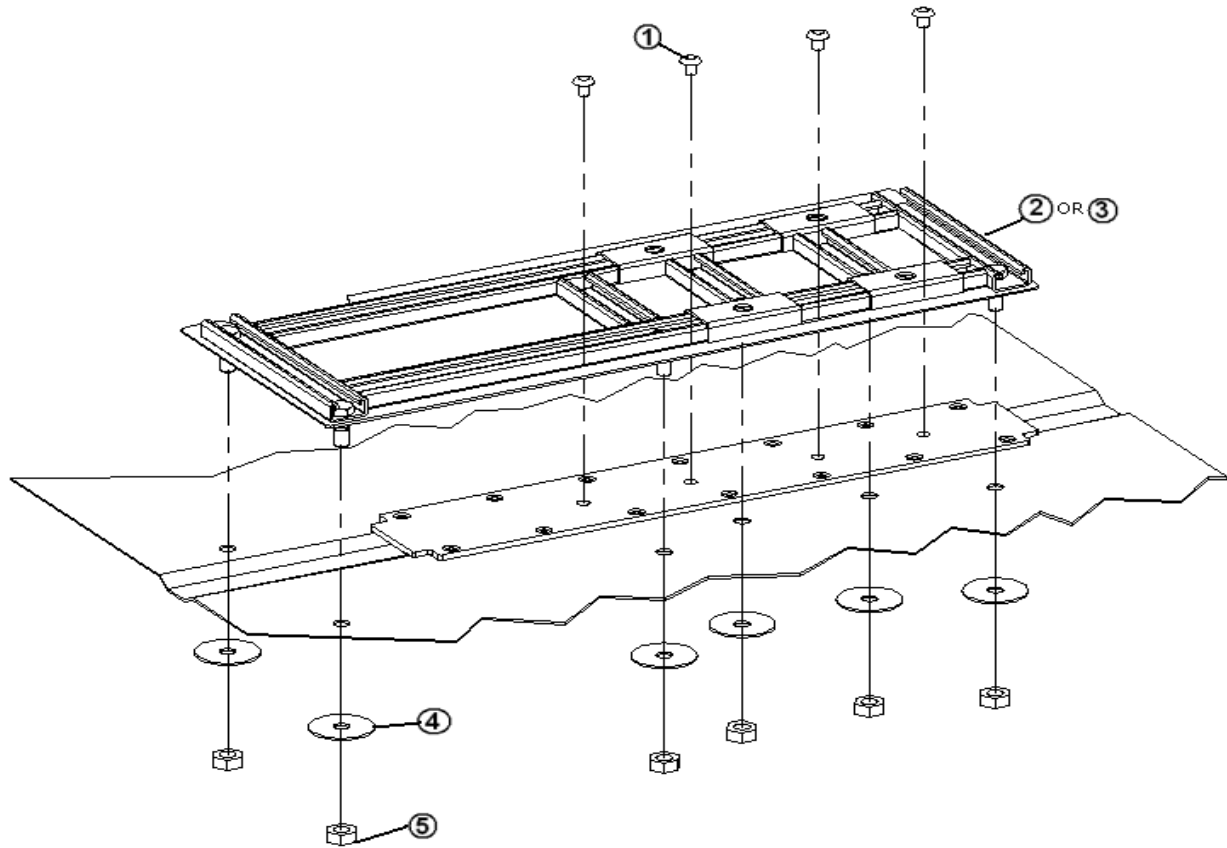
Wood Panels/Laminate

801438	Panel, 3mm, White liner/Raw
801855-01	Panel, A. Night /A. Night, 18mm
801856-01	Panel, A. Night /A. Night, 12mm
801854-01	Laminate, Asian Night
801949	Laminate, Asian Night
801869-01	Panel, Asian Sand/Asian Sand, 18mm
801841-01	Panel, A. Sand/A. Sand, 12mm
801833-01	Laminate, Asian Sand
801951	Laminate, Asian Sand
801984-01	Panel, C. Walnut/C. Walnut, 12mm
801983-01	Panel, C. Walnut/C. Walnut, 18mm
801982-01	Laminate, C. Walnut

2015 AUTOBAHN

HARDWARE

Seat Pedestal Brackets



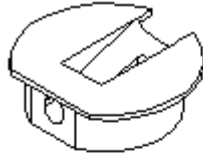
112050 Seat Pedestal Brackets Install

- | | |
|--------------|-------------------------------|
| 1. 325127 | Rivet, Magna Lok .38" |
| 2. 916037-01 | Pedestal Assy., Roadside Seat |
| 3. 916037-02 | Pedestal Assy., Curbside Seat |
| 4. 300115 | Washer, #10114 |
| 5. 350132 | Nut, Flanged Mac Lock 1/2 -13 |

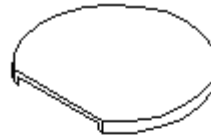
2015 AUTOBAHN

HARDWARE

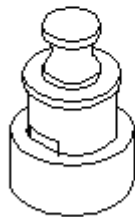
Interior, Handles/Latches/Fastener



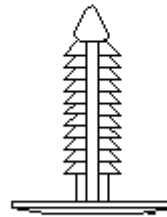
①



②



③



④

- | | |
|--------------|----------------------------------|
| 1. 382057 | Knockdown Fastener |
| 2. 382057-01 | Fastener, Cover Cap, Light Brown |
| 382057-03 | Fastener, Cover Cap, Dk. Brown |
| 3. 382059-01 | Knob, Push/Pull, Chrome |
| 4. 382062 | Fastener, finned, .25" |

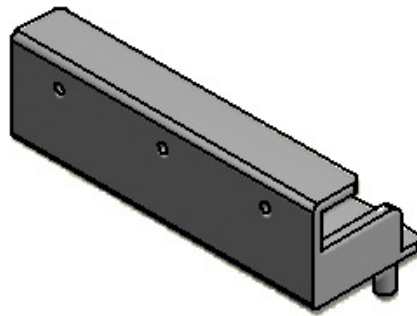
2015 AUTOBAHN

HARDWARE

Hinges & Door Slides

382227	Hinge, Overhead spring, Nickel
382220	Hinge, Self-closing, .5" overlay
382200-02	Slide, Hinged door, 24"
382200-01	Slide, Hinged door, 20"
382208	Slide, Locking, Heavy Duty, Full extend, 18"
382209	Slide, Heavy Duty, Full extend, 18"

Bracket, Slide Door



454875	Bracket, Slide Door Half Stop, Dual W/R
382174	Bumper, rubber w/washer .75 Black

2015 AUTOBAHN

HARDWARE

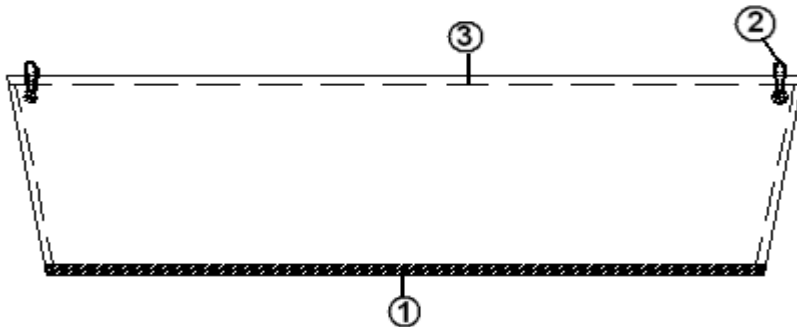
Labels and Tags

385812	Label, Calif. Hazardous Substance
386082	Label, Thor, 5.25" X .75'
386227-02	Label, Hitch Weight Rating
386237	Label, Lock/Unlock
386252	Label, Hepvo waterless trap
386254	Label, PB Battery assist
386264	Label, LPG system, 110/125V
386270	Label, Turn Int Battery Disc. To "ON"
386269	Label, Fire extinguisher
386275	Label, AGM or GEL Battery only (non-spill)
386277	Label, Warning Battery Ground

Fire Extinguisher

690381-02	Fire extinguisher
-----------	-------------------

Cargo Cover



703966	Cargo Cover
--------	-------------

1. 700617-01	DS-150 Hook
2. 382123	Clip, Shock Cord Black
3. 115042	Rod, .25" Aluminum
382124	Hook, Shock Cord Black
703832	Vinyl, Simplicity Black 54"

2015 AUTOBAHN

SEALER, GASKETS, UNDERCOATING

Sealer

360001	Sealant, #884058
360268-01	Seal, Liqua Elastomic Roof, White
360323	Sealant, Sikaflex #227, white
360323-01	Sealant, Sikaflex #227, black, tube
360180	Adhesive Seal, Sikaflex 221
360074	Sealant, Ge RTV 102, White, 3 Oz.
360052	Sealant, Black Vulkem
365330-01	Seal, RTV silicone, White
365330-03	Sealant, RTV silicone, Aluminum Grey
365356-01	Sealant, Silane, Sikaflex, White
365356-02	Sealant, Silane, Sikaflex, Gray
360341	Sealant, Silicone rubber SB 188
360286	Sealant, Grey, SU6000-40-386/1 C

Gaskets

365185-20	2" Gasket Tape, Black Tank
-----------	----------------------------

Undercoating

360327	Undercoating, 17 Oz. Aerosol can
--------	----------------------------------

2015 AUTOBAHN

UPHOLSTERY, SEATS

Driver/Passenger, Seat/Pedestal Cover

703806OY	Cover, driver's seat pedestal, Oyster
703806B	Cover, driver's seat pedestal, Black
704105OY	Cover, passenger's seat pedestal, Oyster
704105B	Cover, passenger's seat pedestal, Black
704044OY	Front cab chairs, Oyster
704044B	Front cab chairs, Black

Cabin captain chairs come with chassis. Airstream sends the chair out to be recovered to the motorhome color scheme.

Chair, 2nd & 3rd Row

704079OY	Mid-chairs, RS w/power footrest and integrated heat, Oyster
704079B	Mid-chairs, RS w/power footrest and integrated heat, Black
704080OY	Mid-chairs, CS w/power footrest and integrated heat, Oyster
704080B	Mid-chairs, CS w/power footrest and integrated heat, Black

Chair, Back Row

704081OY	Chair, Rear, RS w/power footrest and integrated heat, Oyster
704081B	Chair, Rear, RS w/power footrest and integrated heat, Black
704082OY	Chair, Rear, CS w/power footrest and integrated heat, Oyster
704082B	Chair, Rear, CS w/power footrest and integrated heat, Black

Trunk Liner

703805-400	Set, Trunk Liner 3 Pc, Onyx
703805-411	Set, Trunk Liner 3 Pc, Lt. Camel

