

adventure, inspired by  
 **AIRSTREAM**

**2019**  
**(NEST)**  
**Parts Book**





# 2019 NEST

## SECTION I

### APPLIANCES

<u>Air Conditioner</u> .....	I-1
<u>Furnace</u> .....	I-1
<u>Water Heater</u> .....	I-1
<u>Microwaves</u> .....	I-2
<u>Range and Cooktop</u> .....	I-2
<u>Refrigerators</u> .....	I-2

### EXTERIOR SHELL

<u>Shell</u> .....	I-3
<u>Nose Cone</u> .....	I-5

### INTERIOR SHELL

<u>Interior Skin</u> .....	I-6
<u>Interior Beltline</u> .....	I-6

# 2019 NEST

## SECTION II

### CHASSIS

<u>Axles</u> .....	II-1
<u>Tires and Wheels</u> .....	II-1
<u>Spare Tire Carrier</u> .....	II-1
<u>Entry Step</u> .....	II-1
<u>Hitch Coupler</u> .....	II-1
<u>Hose Carrier</u> .....	II-1
<u>Hitch Jack</u> .....	II-1
<u>Stabilizing Jacks</u> .....	II-1
<u>Storage Box</u> .....	II-2

### DECALS, EXTERIOR TRIM

<u>Decals, Logos, and Nameplates</u> .....	II-3
<u>Drip Edge</u> .....	II-3
<u>Belt Line Trim</u> .....	II-3
<u>Reflectors</u> .....	II-3

### DOORS, WINDOWS, AWNINGS

<u>Main Entry Door</u> .....	II-4
<u>Screen Door</u> .....	II-6
<u>Access Door, Exterior Shower</u> .....	II-6
<u>Access Door, Side</u> .....	II-6
<u>Windows Box</u> .....	II-7
<u>Window and Windscreens</u> .....	II-7
<u>Window Trim</u> .....	II-7
<u>Awnings, Patio</u> .....	II-8

### CURTAINS AND BLINDS

<u>Curtains and Blinds</u> .....	II-9
<u>Curtains and Blinds Hardware</u> .....	II-10

# 2019 NEST

## SECTION II

### ELECTRICAL

#### 110 Volt

<u>Shore Line Cord</u> .....	II-11
<u>Converter</u> .....	II-11
<u>Breakers</u> .....	II-11
<u>Junction Boxes</u> .....	II-11
<u>Receptacles</u> .....	II-11

#### 12 Volt

<u>Battery and Battery Box</u> .....	II-12
<u>7-Way Cable</u> .....	II-12
<u>Switches and USB Ports</u> .....	II-12
<u>Battery Disconnect</u> .....	II-12
<u>Breakaway Switch</u> .....	II-12
<u>Monitor System</u> .....	II-12
<u>Breakers</u> .....	II-12
<u>Fuses</u> .....	II-13
<u>Solar Panel System</u> .....	II-13
<u>Interior Lights</u> .....	II-13
<u>Exterior Lights</u> .....	II-13

### ENTERTAINMENT

<u>Video Prewire</u> .....	II-14
----------------------------	-------

# 2019 NEST

## SECTION III

### FLOOR COVERING

<u>Floor Mats</u> .....	III-1
<u>Vinyl Flooring</u> .....	III-1

### FURNITURE

<u>Doors, Roof Lockers</u> .....	III-2
<u>Drawer Slides</u> .....	III-2
<u>Mirrors</u> .....	III-2

### BEDROOM

<u>Beds</u> .....	III-3
-------------------	-------

### STORAGE

<u>Wardrobes</u> .....	III-4
<u>Roof Lockers</u> .....	III-6

### LAVATORY

<u>Bath Module</u> .....	III-11
<u>Wetbath Enclosure</u> .....	III-13
<u>Bath Door</u> .....	III-14

### GALLEY

<u>Galley Top</u> .....	III-15
<u>Galley Cabinets</u> .....	III-16
<u>Galley Wall</u> .....	III-18
<u>Pantry</u> .....	III-19
<u>Refrigerator Cabinet</u> .....	III-21

### LOUNGE

<u>U-Shaped Dinette</u> .....	III-23
<u>Dinette Floor</u> .....	III-24
<u>Dinette Seat, Curbside</u> .....	III-26
<u>Dinette Seat, Roadside</u> .....	III-26
<u>Credenza</u> .....	III-28
<u>Dinette Table</u> .....	III-29
<u>Sofa Dinette Table</u> .....	III-30
<u>Sofa Dinette</u> .....	III-31

# 2019 NEST

## SECTION III

### HARDWARE

<u>Main Door Lock</u> .....	III-32
<u>Exterior Latches, Locks, and Handles</u> .....	III-33
<u>Interior Latches and Handles</u> .....	III-34
<u>Bungee Kit</u> .....	III-34
<u>Hinges</u> .....	III-35
<u>Bathroom Accessories</u> .....	III-36
<u>Wardrobe Clothes Rod</u> .....	III-36
<u>Sewer Hose Clamp and Key Holder</u> .....	III-36
<u>Rivets</u> .....	III-37
<u>Screws</u> .....	III-37

### SAFETY EQUIPMENT

<u>Detectors and Fire Extinguishers</u> .....	III-38
---	--------

### LABELS AND TAGS

<u>Labels and Tags</u> .....	III-39
------------------------------	--------

# 2019 NEST

## SECTION IV

### PLUMBING

#### LPG SYSTEM

<u>LP Tanks and Regulator</u> .....	IV-1
<u>LPG Systems</u> .....	IV-1

#### FRESH WATER

<u>Faucets</u> .....	IV-2
<u>City Water Hook-Up</u> .....	IV-2
<u>Fresh Water Tank Fill</u> .....	IV-2
<u>Water Pump</u> .....	IV-2
<u>Fresh Water Tank</u> .....	IV-2
<u>Fresh Water Fittings</u> .....	IV-3
<u>Fresh Water System</u> .....	IV-4

#### DRAIN SYSTEM

<u>Sinks and Shower</u> .....	IV-5
<u>Black and Grey Tanks</u> .....	IV-5
<u>Black Tank Flush</u> .....	IV-5
<u>Drain, Above Floor</u> .....	IV-6
<u>Tank Drain</u> .....	IV-8
<u>Drain Fittings</u> .....	IV-9
<u>Toilets</u> .....	IV-10

### SEALERS AND GASKETS

<u>Sealers</u> .....	IV-11
<u>Gaskets</u> .....	IV-11
<u>Gasket Kits</u> .....	IV-11



# 2019 NEST SECTION IV

## BEDDING, FOAM

<u>Pillow Kits</u> .....	IV-12
<u>Mattress</u> .....	IV-12
<u>Dinette Foam Kit</u> .....	IV-13
<u>Sofa Dinette Foam Kit</u> .....	IV-14
<u>Décor Boards</u> .....	IV-15

## VENTS, FANS, SKYLIGHT

<u>Vent, Black Tank</u> .....	IV-16
<u>Vent, Refrigerator</u> .....	IV-16
<u>Vent, Roof</u> .....	IV-16
<u>Exhaust Fan</u> .....	IV-16
<u>Skylight</u> .....	IV-16

## PANELING, EDGEBANDING, LAUAN

<u>Paneling</u> .....	IV-17
<u>Edgebanding</u> .....	IV-17
<u>Lauan</u> .....	IV-17
<u>Plywood</u> .....	IV-17

## TRIMS

<u>Trim</u> .....	IV-18
-------------------	-------



# 2019 NEST APPLIANCES

## Air Conditioner

690323-58	Air conditioner, 13.5K, White
690380-15	AC interior air box, Polar White
513173-01	Control, Dometic AC
601240-01	AC drain tube

## Furnace

690616	Furnace, 16K BTU, Ducted
690616-01	Intake vent, 5"
455309-01	Furnace angle bracket
115931	Vent boss, Furnace
204002	Air duct, 4", Low profile
115856-12	Vent, Low profile duct
365445-2	Gasket, Furnace vent
600526	Flange, 4"
601348	Tee, Heat duct
600247	Hose, 4", Flex heat duct
600193	Hose, 2", Flex heat duct
340084-28	Clamp hose, 2.25"
340084-60	Clamp hose, 4.5"
114079	Reducer, 4 x 2, HVAC
600184	Fitting, 2" heat duct
115856-04	Plate-Kick Dinette Lower Nest (floor vent)

## Water Heater

690711-01	Water heater, On-demand, IW60 Suburban
690711-02	Vent, Water heater
690711-03	Control center, Water heater
115892	Vent boss, Water heater
365420	Gasket, Water heater vent

## 2019 NEST APPLIANCES

### Microwave

690648-03      Microwave, .7 CF, Contoure, Stainless Steel  
690648-04      Microwave bezel, Flush mount

### Range and Cooktop

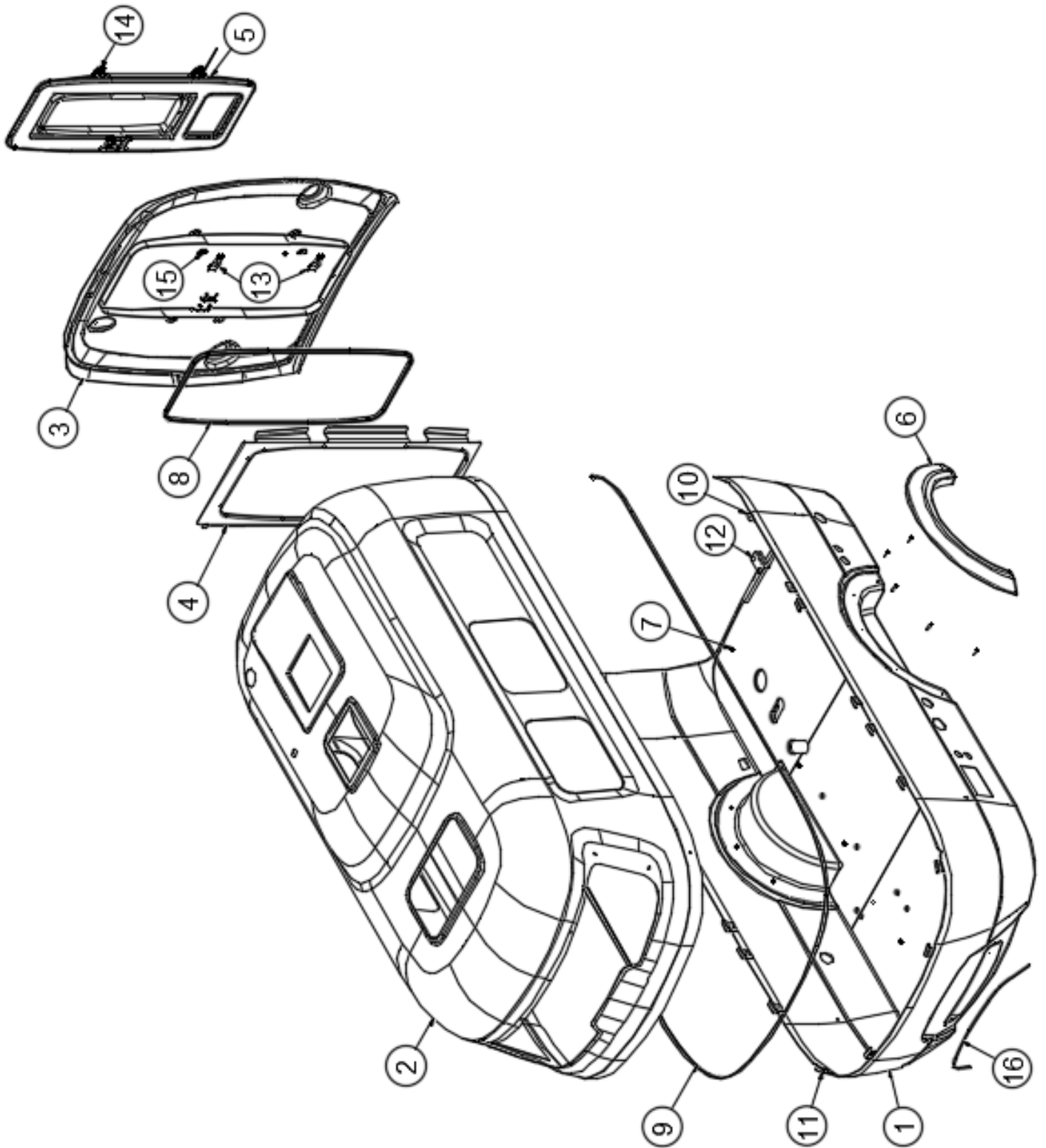
690576      Cooktop, 2 Burner, SMEV

### Refrigerator

690713      Refrigerator, 3.2 CF, Norcold Pepe  
455309-16      Vent box assembly, Refrigerator  
115856-10      Cover-Refer Face Nest 15.47x34.812

# 2019 NEST EXTERIOR SHELL

Shell



Parts Listed on Next Page

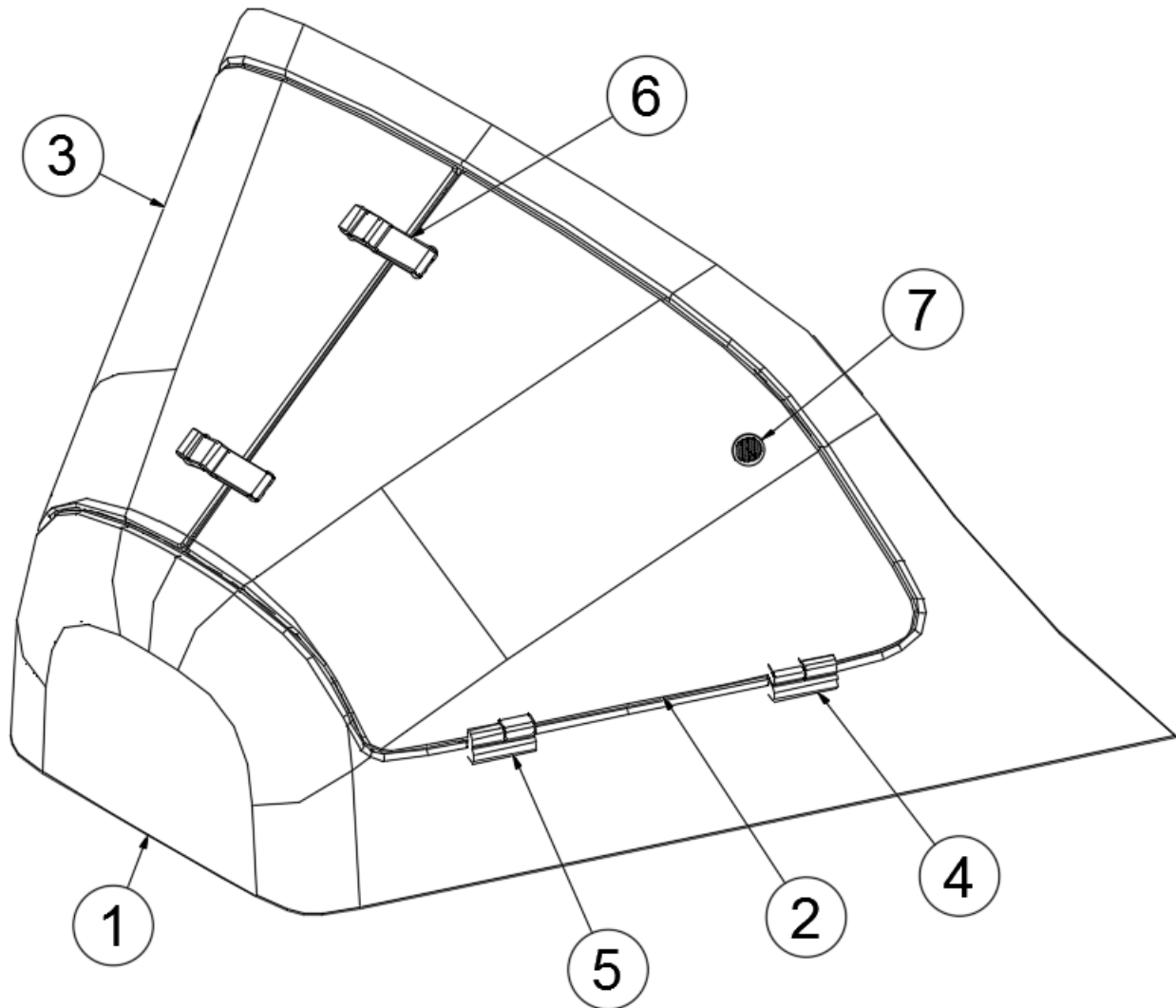
## 2019 NEST EXTERIOR SHELL

### Shell

203906	Shell Assembly
1. 203906-1	Shell, Bottom
2. 203906-2	Shell, Top
3. 203906-3	Shell, Rear cap
4. 203906-5	Door closeout
5. 203906-8	Main entry door
6. 203906-12	Wheel flare
7. 802217	Floor assembly
8. 382421-02	Gasket, Entry door – Installed on Door Jam
9. 382473	Rub rail, Grey
10. 455310-01	Shell mating plate
11. 455310-02	Shell mating plate
12. 455310-04	Shell flush bracket
13. 455310-05	Door hinge brace
14. 382433-02	Hinge, Shell
15. 382433-03	Backer plate, Shell hinge
16. 382554	PE foam, 3/8 x 1/4 thick, White
115971	Catch, Door latch
372290	Front windshield
371463	Window, Side, 27 x 20
371464	Window, Side, 27 x 20, Egress
371465	Window, Side, 14 x 20

# 2019 NEST EXTERIOR SHELL

## Nose Cone



203906-17

Nose Cone Assembly

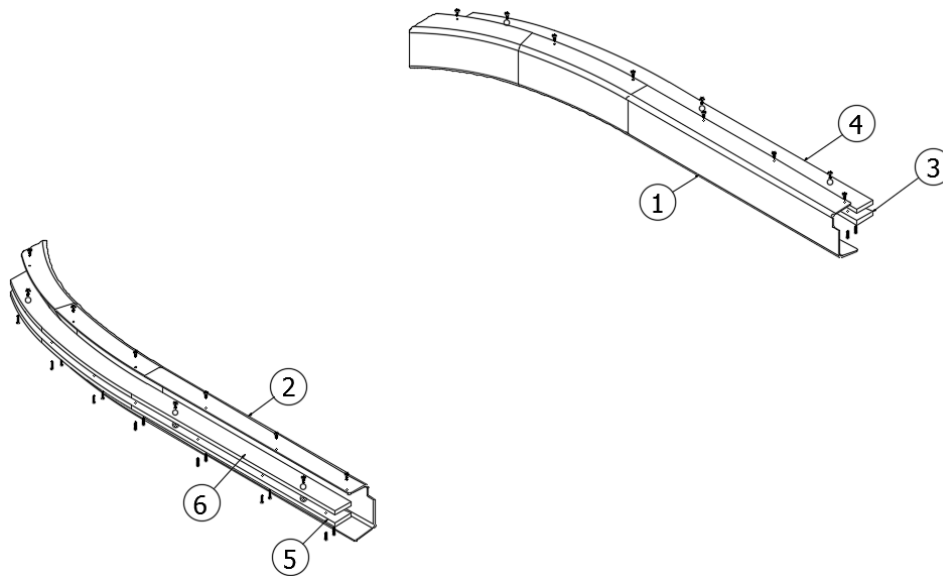
- |               |                          |
|---------------|--------------------------|
| 1. 203906-4   | Nose cone                |
| 2. 203906-9   | RS door, Nose cone       |
| 3. 203906-10  | CS door, Nose cone       |
| 4. 382475-01  | Hinge, Left access door  |
| 5. 382475-02  | Hinge, Right access door |
| 6. 382440     | Latch, Nose cone         |
| 7. 602600-100 | Vent, Nose cone          |
| 455311-01     | Door brace, Nose cone    |
| 455311-02     | Mount, Sides, Nose cone  |
| 455311-03     | Mount, Front, Nose cone  |
| 455311-04     | Hinge spacer, Nose cone  |

# 2019 NEST INTERIOR SHELL

## Interior Skin

203932-04	Spacer, Interior skin
203932-06	Interior skin, Upper CS
203932-07	Interior skin, Upper RS
203932-09	Interior skin, Lower CS
203932-10	Interior skin, Lower RS
203932-13	Interior skin, Windscreen
203932-02	Interior Beltline CS
203932-03	Interior Beltline RS
203932-01	Headliner

## Interior Beltline Trim



112592

### Interior Beltlines Install

1. 203932-02	Beltline trim, Interior, CS
2. 203932-03	Beltline trim, Interior, RS
3. 112592&000712EE	Panel, 56.5 x 9
4. 112592&000812EE	Panel, 56.5 x 9
5. 112592&000912EE	Panel, 56.5 x 9
6. 112592&001012EE	Panel, 56.5 x 9



# 2019 NEST CHASSIS

## Axles

410980-18	Axle, 4000#, Nev-R-Adjust
410980-100	10" RH Nev-R-Adjust Brake Assembly
410980-101	10" LH Nev-R-Adjust Brake Assembly

## Tires and Wheels

401034	Tire and wheel assembly, W235-80R-16E
411058	Lug nut

## Spare Tire Carrier

401035	Spare tire and wheel assembly, ST235/80R 16E
455224	Bracket, Spare tire

## Entry Step

411056	Step, Aluminum
100298	Step release casting
0440032	Step spring
380069	Tread step, 8 x 18.5

## Hitch Coupler

680343-01	Marvel coupler, 2-5/16"
680345	Coupler latch repair kit

## Hose Carrier

602717	Hose carrier
112483-01	Bracket, Hose carrier

## Hitch Jack

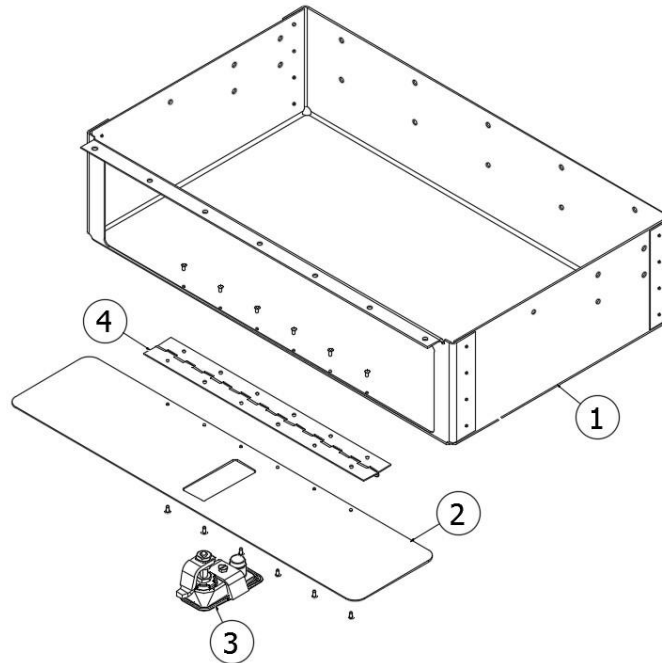
410945	Manual jack, Eclipse
401022	Hitch jack foot pad

## Stabilizing Jacks

400914-03	Stabilizer jack, 20", Lightweight
400914-02	Stabilizer jack handle, 15"
400914-04	Foot pads, Stabilizer jack (set of four)
400914-040	Foot pads, Stabilizer jack (each)

# 2019 NEST CHASSIS

## Storage Box



455309-12

Outside Storage Box Assembly

1. 455309-08

Outside storage box

2. 455309-13

Door, Outside storage box

3. 382476

Access door latch

4. 382568

Piano hinge

325035

Rivet, Semi tubular

# 2019 NEST

## DECALS, EXTERIOR TRIM

### Decals, Logos, and Nameplates

386341	Badge, "Nest", 3.09 x 11.98, Black Chrome
386342	Airstream Window decal, White
386347-1	Windscreen applique
386347-2	Rear door applique

### Drip Edge

115967	Extrusion, C-channel, .375 x .375
365302	Tape, Double sided, .5", Gray
345601	Screw, Pan head, #6-18 x 1

### Belt Line Trim

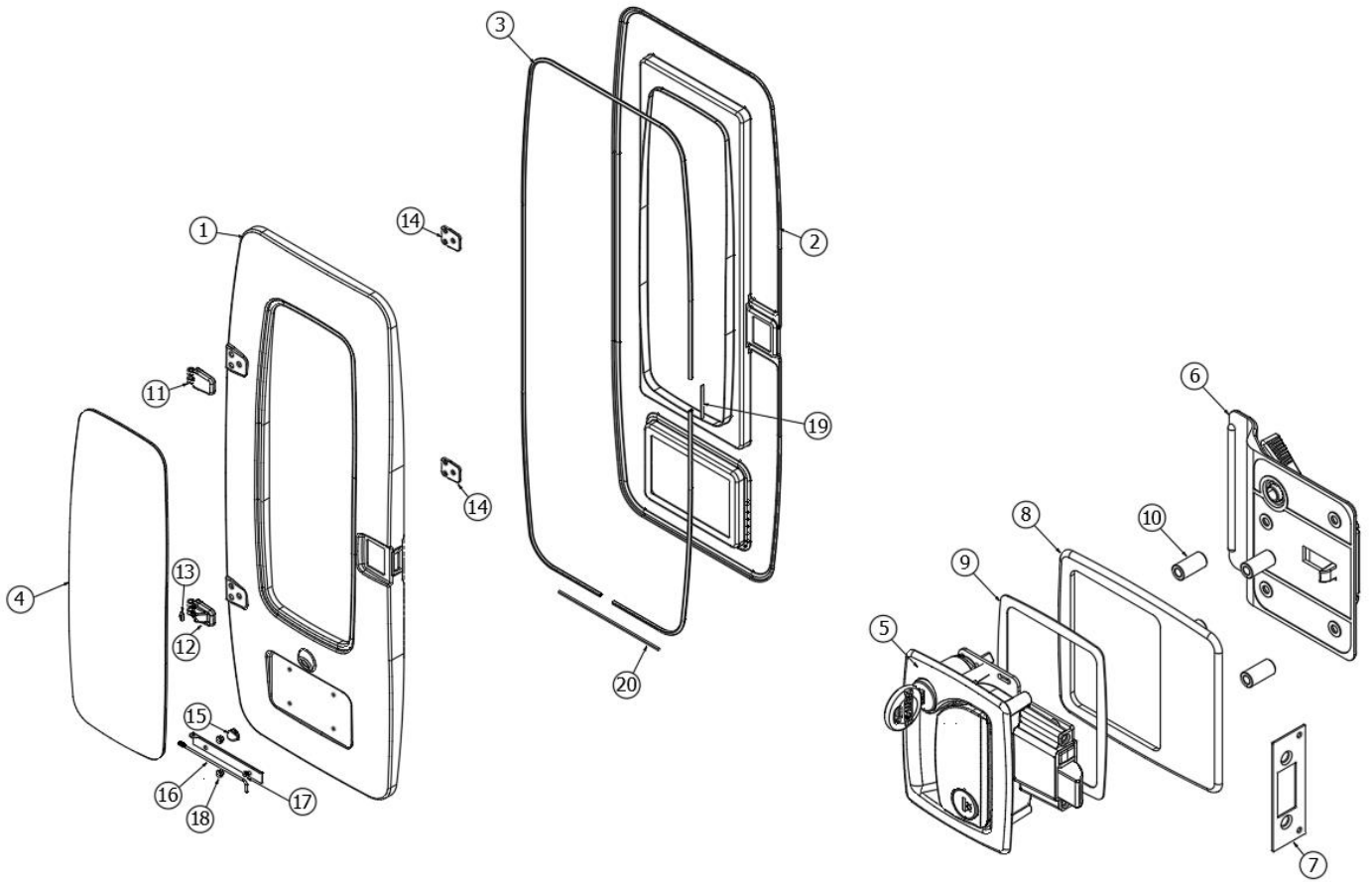
382473	Rub rail, Grey
--------	----------------

### Reflectors

512967	Reflector, Yellow oval
512968	Reflector, Red oval

# 2019 NEST DOORS, WINDOWS, AWNINGS

## Main Entry Door



Parts Listed on Next Page

# 2019 NEST

## DOORS, WINDOWS, AWNINGS

### Main Entry Door

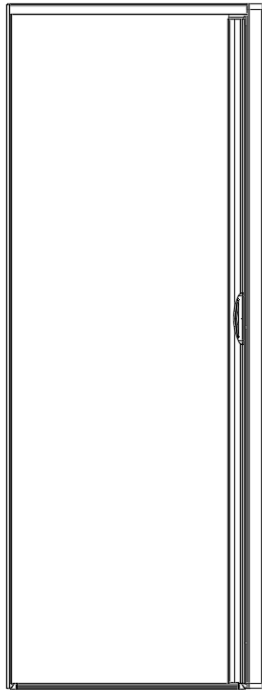
203906-8

Main Entry Door

1. 203906-06 Outer skin, Entry door
  2. 203906-7 Inner skin, Entry door
  3. 382421-02 Gasket, Entry door – Installed on Door Jam
  4. 372289 Glass, Entry door
  5. 382432-01 Outer latch, Tri-mark
  6. 382432-02 Inner latch, Tri-mark
  7. 382432-05 Striker plate
  8. 382432-06 Latch plate, Entry door
  9. 382432-10 Gasket, Tri-mark latch
  10. 382432-07 Spacer, Door handle
  11. 382433-01 Hinge, Entry door
  12. 382433-06 Hinge Door, Top
  13. 382607 1 x .25 N42 Magnet, 24 Lb. Dual Sided
  14. 382433-05 Backer plate, Door hinge
  15. 513222 License plate light
  16. 455310-09 Assembly, Door Holdback
  17. 382609 ¼ Rod Catch, Nylon
  18. 350252 ¼-20 Threaded Nut Insert
  19. 365455-1 Entry Door, Filler Gasket, Latch
  20. 365454-1 Entry Door, Bottom Gasket
- 203740 Insulation, Eco-batt fiberglass
- 204049 Cover, Interior Door, Nest

# 2019 NEST DOORS, WINDOWS, AWNINGS

## Screen Door



372292 Retractable screen, Rear entry door

## Access Door, Exterior Shower

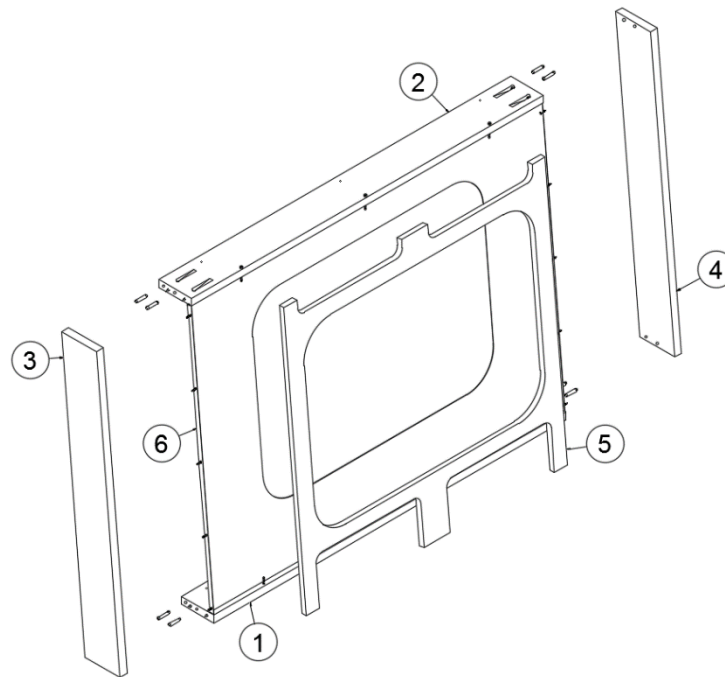
602326 Exterior shower  
602326-100 Shower head w/hose & mixer  
602326-101 Exterior shower door  
602326-102 Clip for shower head

## Access Door, Side

203906-15 Access door, RS  
382474-L Gasket, RS access door  
203906-16 Access door, CS  
382474-R Gasket, CS access door  
382476 Access door latch  
455309-09 Floor drain cover  
704494-1 Grommet, Nylon webbing, Brass  
704494-2 Strap, Access doors

# 2019 NEST DOORS, WINDOWS, AWNINGS

## Window Box



968729

Window Box Assembly

- |                    |                     |
|--------------------|---------------------|
| 1. 968729&000118BB | Panel, 3.75 x 40.43 |
| 2. 968729&000218BB | Panel, 3.75 x 40.43 |
| 3. 968729&000318BB | Panel, 4 x 31.47    |
| 4. 968729&000418BB | Panel, 4 x 31.47    |
| 5. 968729&000512EE | Panel, 29.44 x 30   |
| 6. 115856-09       | Trim, Window box    |

## Windows and Windscreens

- |          |                                 |
|----------|---------------------------------|
| 372290   | Front windshield                |
| 371463   | Window, Side, 27 x 20           |
| 371463-1 | Wall crimp ring, Standard Black |
| 371464   | Window, Side, 27 x 20, Egress   |
| 371465   | Window, Side, 14 x 20           |
| 371465-1 | Wall crimp ring, Standard Black |

## Window Trim

- |           |                      |
|-----------|----------------------|
| 802217-05 | Ring, Wetbath window |
|-----------|----------------------|

# 2019 NEST

## DOORS, WINDOWS, AWNINGS

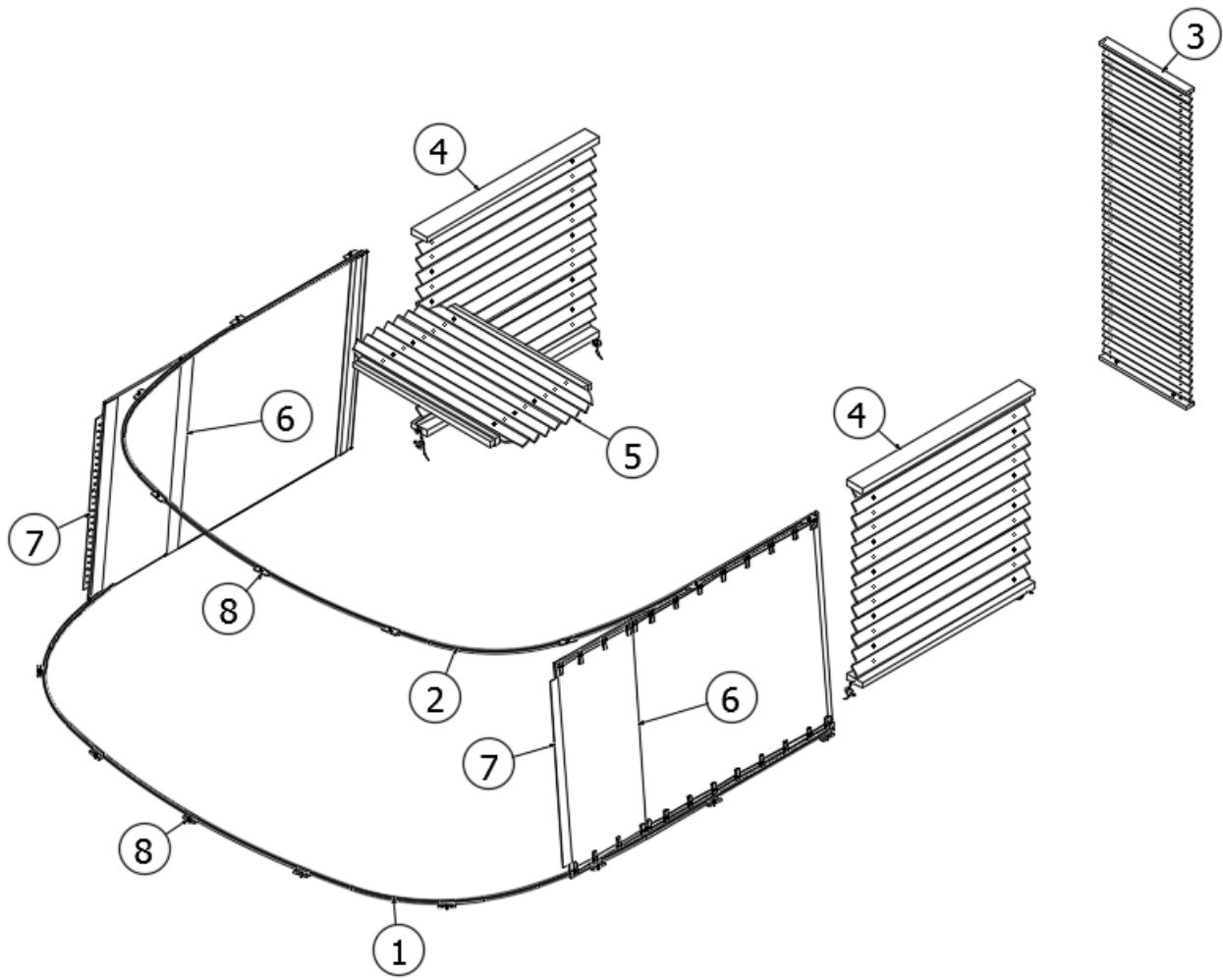
### Awnings, Patio

704407-03	Awning, Carefree, 111", Silver
704407-01	Awning mount kit, Carefree
365222	Tape, Double coated
382484-01	Wire grommet, Rubber
512740	Awning light, LED flex tape, 112" strips
704407-04	Motorized Awning Switch - Carefree



# 2019 NEST CURTAINS AND BLINDS

## Curtains and Blinds



112602

### Window Coverings Install

- |              |                                       |
|--------------|---------------------------------------|
| 1. 101217-95 | Curtain track, Bottom                 |
| 2. 101217-81 | Curtain track, Top                    |
| 3. 704446    | Pleated window blind, 14.5 x 46       |
| 4. 704447    | Pleated window blind, 40 x 29         |
| 5. 704448    | Pleated skylight blind, 29 x 17       |
| 6. 998242-01 | Drapes, Flat panels, Rear             |
| 7. 998242-02 | Drapes, Flat panels, Front            |
| 8. 100099    | Aluminum extrusion, Curtain track top |
| 704506       | Zipper, 26", White                    |

## 2019 NEST CURTAINS AND BLINDS

### Curtains and Blinds Hardware

704198	Fabric lining blackout, Ivory White
700045	Glides, Curtain G3 w/elastic
700020	Pile, Velcro
101225	Extrusion, Aluminum curtain track
101217	Extrusion, Curtain track
200784	Ends, Curtain track, RH, White
200785	Ends, Curtain track, LH, White

# 2019 NEST

## ELECTRICAL, 110 VOLT

### Shore Line Cord

513087-01 Power Cord w/swivel handle, 30A, 30', Gray, Marinco  
513343 Power inlet, Male, 30A, 125V, White, Marinco

### Converter

512237 Power center, AC/DC, Black  
510743 Ground bar, 3 ½" Long

### Breakers

510564-15GFI Breaker, 15 amp, 15 GFI  
510564-1515 Breaker, Type BRD, BD 15-15  
510564-20 Breaker, 20 amp  
510564-30 Breaker, 30 amp

### Junction Boxes

511411 Junction box, 7 terminal

### Receptacles

511815-03 Receptacle, Duplex, Self-contained, White  
500563-03 Receptacle, Self-contained, White  
500563-04 Wall plate w/screws for 500563-03, White  
512741 W.P. cover w/gasket, Gray  
512481-01 Receptacle, White  
511534 Dual coax plate, White  
512986 Outlet, Pop-up  
511023 Circuit tester (loose item)  
513317 Plate, Decorator, 2 gang, White

# 2019 NEST

## ELECTRICAL, 12 VOLT

### Battery and Battery Box

511596	Battery, Deep cycle, SRM-24
511595	Battery box
512049-06	Jumper cable, Red
512049-07	Jumper cable, Black
500836-02	Positive battery cable
500837	Negative battery cable

### 7-Way Cable

500886-01	7-way cable w/plug
-----------	--------------------

### Switches and USB Ports

510626	Switch, Master battery disconnect
513178	Switch panel, Backlit LED digital dimmer
510658	Switch w/weather-proof boot
510658-01	Switch, Push button
510658-02	Boot, Black
513313	USB, 4 port, 12V DC
513133-01	USB, Front mount, Dual, Non-lighted, Black
511977	Switch Assy-Spdt Blk 28'int
513165-03	Controller - RGB Blue Tooth #230-00041

### Battery Disconnect

510626	Switch, Master battery disconnect
--------	-----------------------------------

### Breakaway Switch

0300027	Breakaway switch, Bargman
454526	Bracket, Breakaway switch

### Monitor System

513168	Kit System Tank Monitor
513168-01	Flush mount monitor panel only
513168-02	Sender pad

### Breakers

510947-20	Breaker, 12V DC, Type II
510947-30	Breaker, 12V DC, Type II

# 2019 NEST

## ELECTRICAL, 12 VOLT

### Fuses

500773-07 Fuse, ATC, 12V DC, 7.5 Amp  
500773-15 Fuse, ATC, 12V DC, 15 Amp

### Solar Panel System

513033 Bracket, Portable solar panel port

### Interior Lights

513129 LED reading light, Switched  
513187 LED reading light, Nickel  
513340 LED tape light, Custom  
513186-01 Tape light track, 72"  
513186-02 Tape light track, 40.5"  
513186-03 Tape light track, 12"  
512376 LED light, SS trim ring, Surface mount  
513165 Panel-Light Corian Bar #LP2-007RGBE9-12-4SG-02

### Exterior Lights

513177 Light, Door  
513025 Light, Marker/Clearance, Yellow  
513026 Light, Marker/Clearance, Red  
513153 Taillight, Stop/turn, Red  
513419 Clearance light  
513419-1 Gasket, Clearance light  
513179 LED light, Porch  
512696-01 LED button light  
512696-02 Chrome collar, Button light  
382431-01 Handle assist, Lighted  
382431-02 Backer plate, Grab handle  
513222 License plate light  
512740 Awning light, LED flex tape, 112" strips

# 2019 NEST ENTERTAINMENT

## Video Prewire

511534	Dual coax plate, Satellite/TV hook-up
513342	TV/Sat inlet, Marisco, White

# 2019 NEST FLOOR COVERING

## Floor Mats

703852 Matt, Entrance, Airstream logo

## Vinyl Flooring

704409 Vinyl flooring, Phonitec Deco  
800976-01 Plywood, Tongue and groove, 19/32 x 97.77  
203727 Foil, Single bubble flex  
703766-01 Adhesive, AAT-272 Super Premium  
704517 Entry matt, Silver w/Black lettering

# 2019 NEST

## FURNITURE, DOORS, DRAWER SLIDES, MIRRORS

### Doors, Roof Locker

203677-06	Sliding door, Seamless, Plexiglas acrylic
203388	Sliding door track, Upper & lower, White plastic

### Drawer Slides

382203-04	Drawer slide, Self-close, 18"
382203-06	Clips, Front fixing

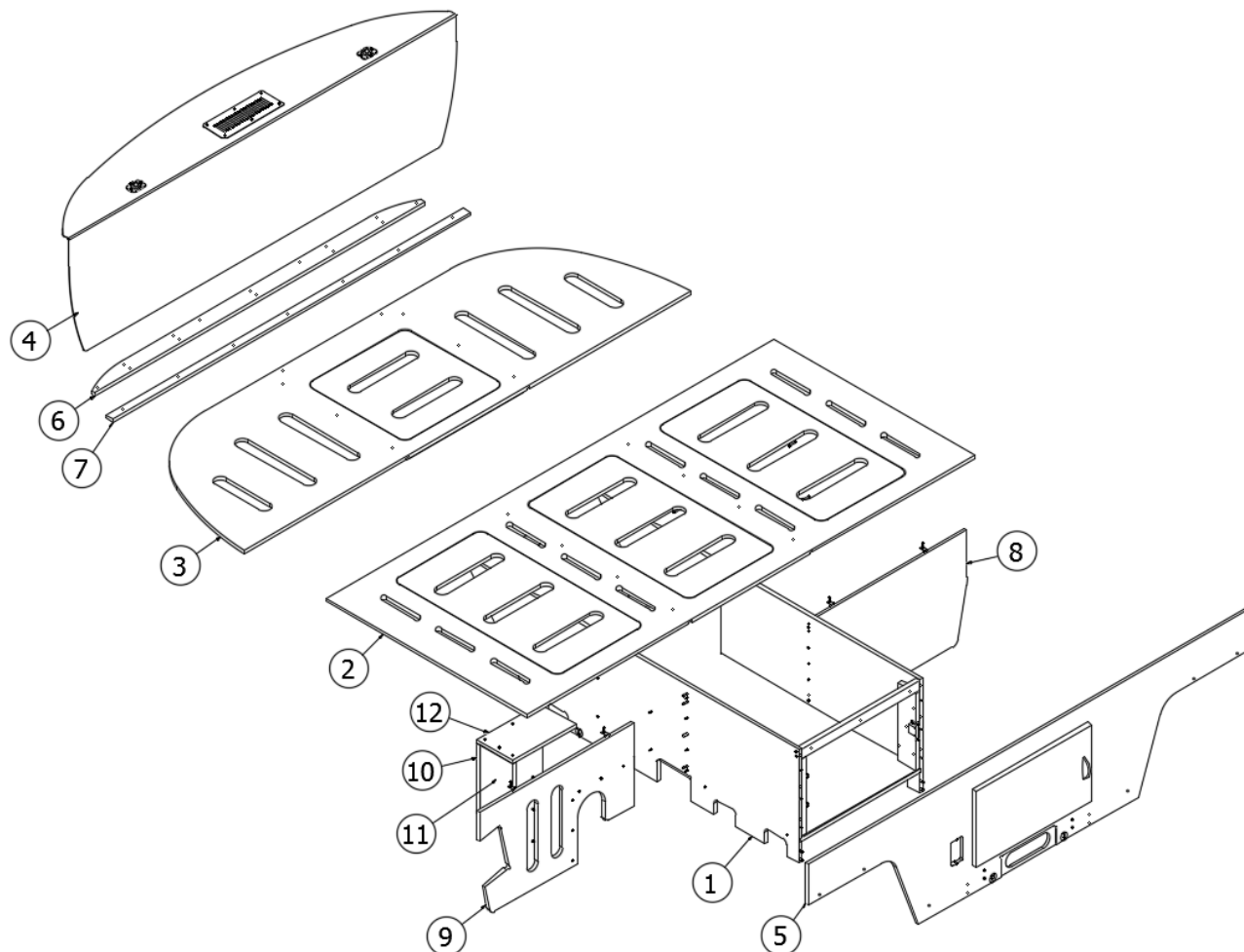
### Mirrors

371461-01	Mirror, Lavatory
382531	Mirror standoff kit



# 2019 NEST FURNITURE, BEDROOM

## Bed



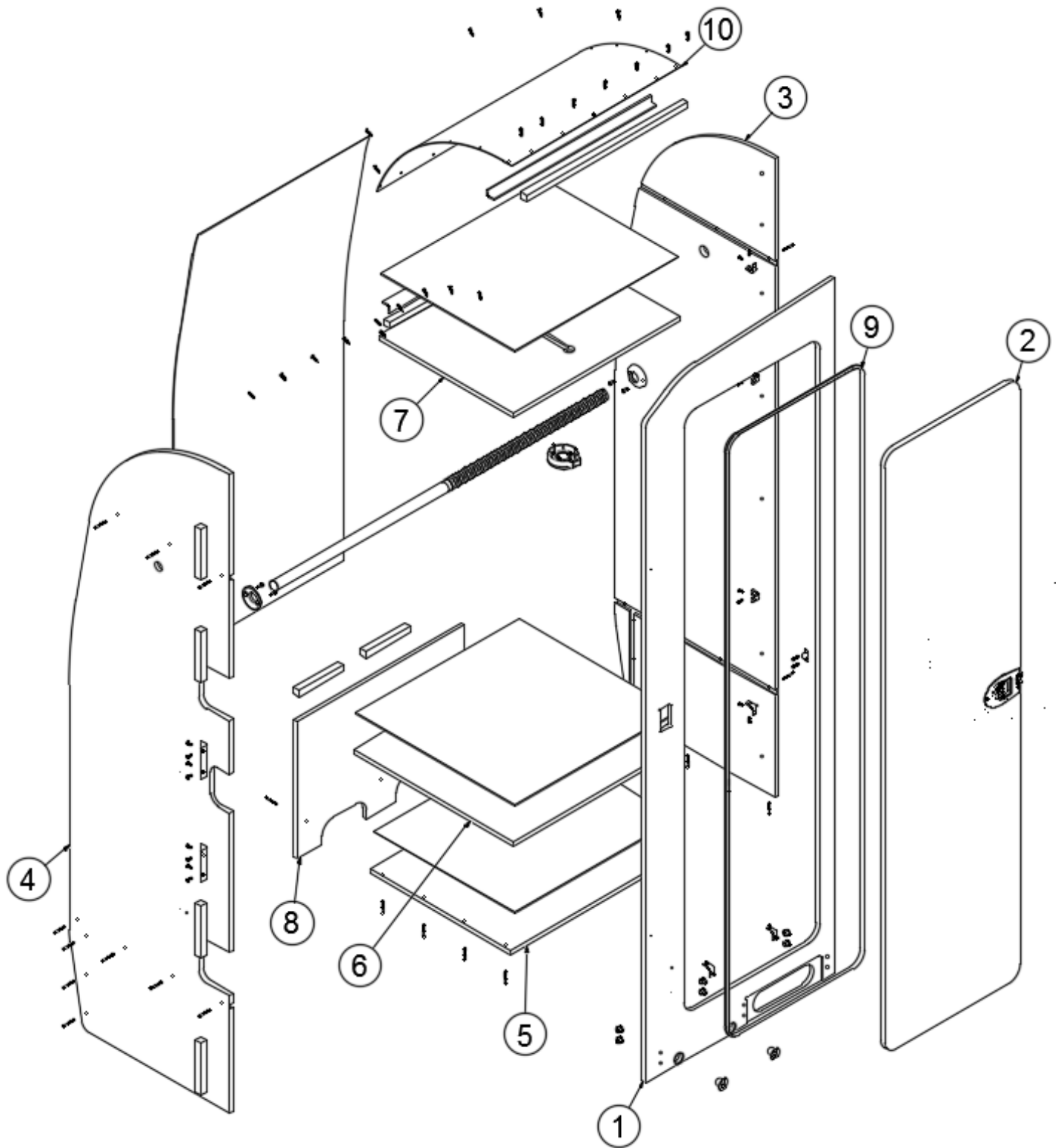
968502

Bed

- |                     |                                    |
|---------------------|------------------------------------|
| 1. 968805           | Bed floor                          |
| 2. 968807           | Bed panel, Front                   |
| 3. 968806           | Bed panel, Rear                    |
| 4. 968813           | Credenza                           |
| 5. 968808           | Bed panel, Face                    |
| 6. 968502&000112EE  | Panel, 2.5 x 60                    |
| 7. 968502&000212EE  | Panel, 1.25 x 65                   |
| 8. 968502&000312EE  | Panel, 28 x 17                     |
| 9. 968502&000412EE  | Panel, 28 x 17                     |
| 10. 968502&000512EE | Panel, 11.5 x 11                   |
| 11. 968502&000612EE | Panel, 6 x 9.50                    |
| 12. 968502&000712EE | Panel, 11.5 x 6.55                 |
| 380041              | Bracket, 90°, 1 x 1                |
| 800422              | Dowel pin, Spiral wood, .25 x 1.25 |

# 2019 NEST FURNITURE, STORAGE

Wardrobe



Parts Listed on Next Page

## 2019 NEST FURNITURE, STORAGE

### Wardrobe

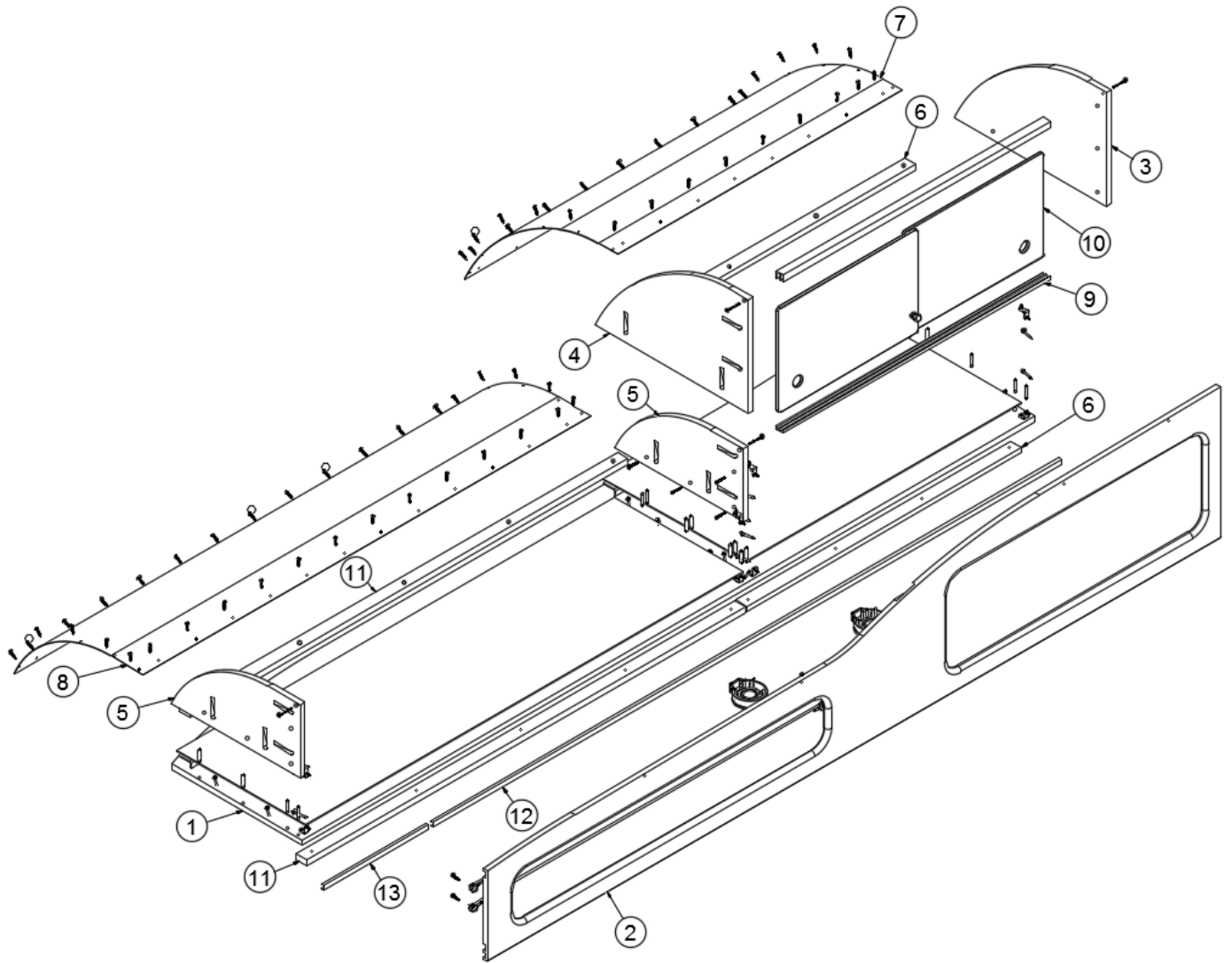
968497

Wardrobe

1. 968497&000112BE Panel, 25.5 x 81.13
2. 968497&000212BB Panel, 17.5 x 69.5
3. 968497&000412EE Panel, 21.5 x 74.5
4. 968497&000512EE Panel, 21.5 x 74.5
5. 968497&000612EE Panel, 18.97 x 23.1
6. 968497&000712EE Panel, 22.5 x 21.50
7. 968497&000812EE Panel, 18.0 x 22.50
8. 968497&000912EE Panel, 22.5 x 16.00
9. 968497&0014T01A T-molding, 9/16", White
10. 115856-17 Cubby backer, Wardrobe
- 380045 Tubing, 3/4"
- 380046 Flange, Chrome
- 200975-04 Conduit, Flexible Black plastic
- 382057 Knockdown
- 513129 LED reading light, Switched
- 701538-01 Carpet, Econolier w/PSA back
- 386279 Corner brace, .75 x .75
- 380041 Bracket, 90°, 1 x 1
- 382125 Piano hinge
- 382441-01 Door latch, 5/8" door, Omni
- 382061 Striker latch
- 382077 Clip- 2.38" Post Storage

# 2019 NEST FURNITURE, STORAGE

## Roof Locker, Curbside



Parts Listed on Next Page

## 2019 NEST FURNITURE, STORAGE

### Roof Locker, Curbside

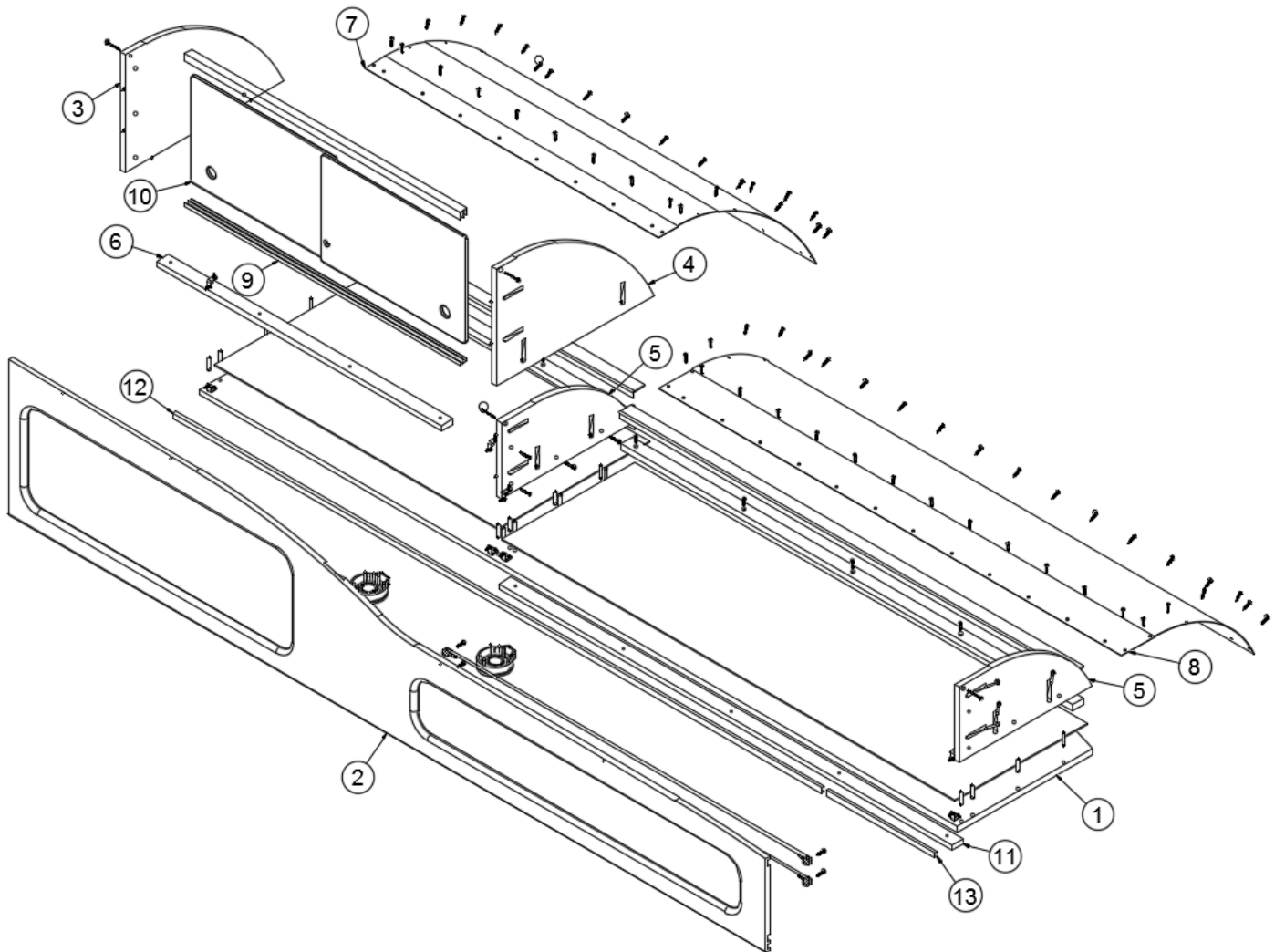
968506

CS Cubby

1. 968506&000112BE Panel, 18 x 84
2. 968506-2 Front panel, CS, Foil
3. 968506&000312EE Panel, 11.25 x 17.5
4. 968506&000412EE Panel, 11.25 x 17.5
5. 968506&000512EE Panel, 7.25 x 14.75
6. 968506&000612EE Panel, 1.25 x 31.56
7. 115856-18 Cubby backer, Aft, CS/RS
8. 115856-19 Cubby backer, Fore, CS/RS
9. 203388 Track, Sliding door, White
10. 203677-06 Sliding door, Seamless, Plexiglass acrylic
11. 968506&000912EE Panel, 1.25 x 50.22
12. 513186-01 Tape light track, 72"
13. 513186-03 Tape light track, 12"
- 701538-01 Carpet, Econolier w/PSA back
- 382630 Latch-Travel 1/4-20 Nylon Blk
- 382520-2 Bushing, Sliding glass doors
- 513129 LED reading light, Switched
- 800422 Dowel pin, Spiral wood, .25 x 1.25
- 704504 Bungee kit
- 382443 Wall attachment bracket

# 2019 NEST FURNITURE, STORAGE

## Roof Locker, Roadside



Parts Listed on Next Page

## 2019 NEST FURNITURE, STORAGE

### Roof Locker, Roadside

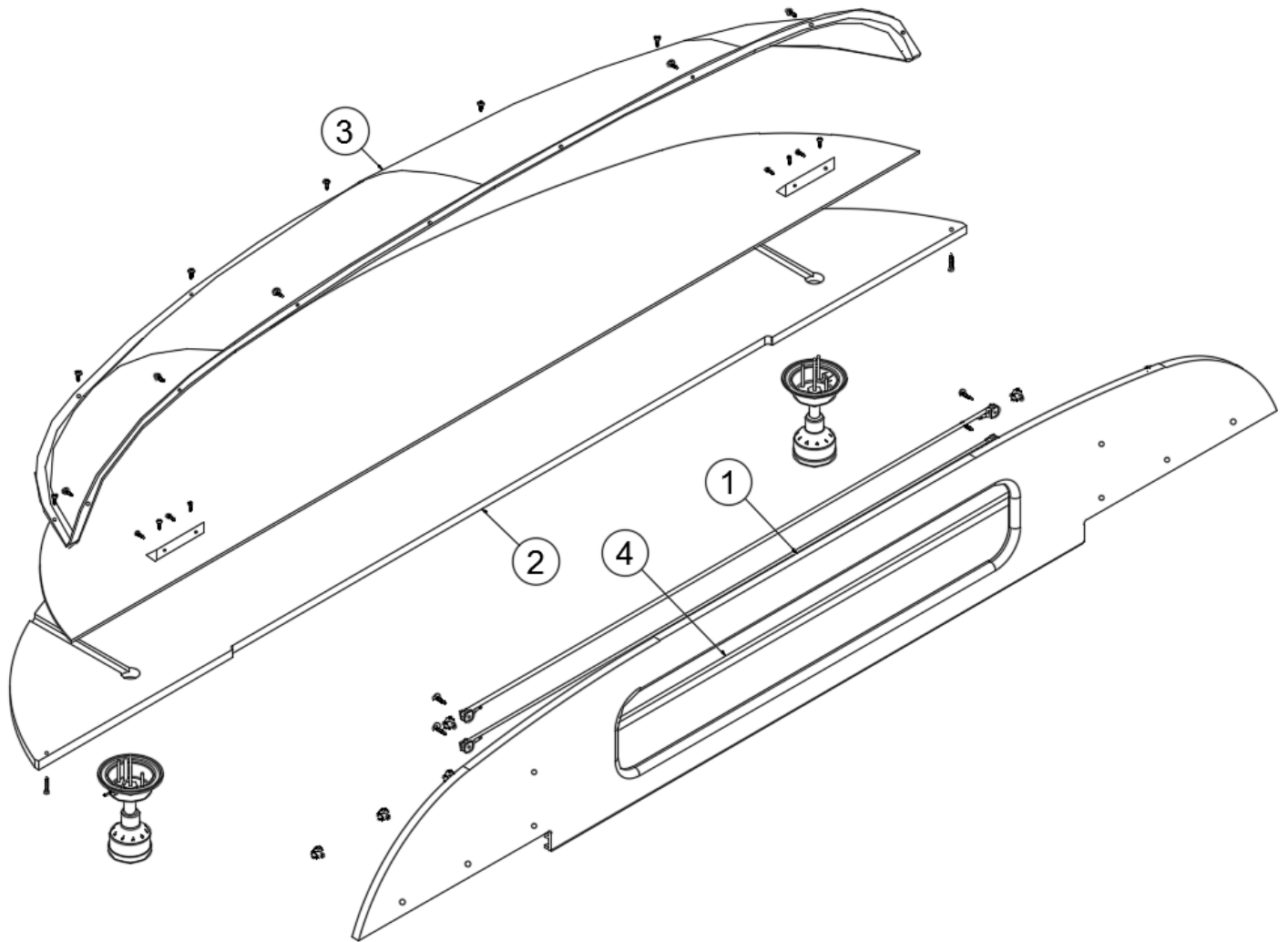
968507

RS Cubby

1. 968507&000112BE Panel, 18 x 84
2. 968507-2 Front panel, RS, Foil
3. 968507&000312EE Panel, 11.25 x 17.5
4. 968507&000412EE Panel, 11.25 x 17.5
5. 968507&000512EE Panel, 7.25 x 14.75
6. 968507&000612EE Panel, 1.25 x 31.56
7. 115856-18 Cubby backer, Aft, CS/RS
8. 115856-19 Cubby backer, Fore, CS/RS
9. 203388 Track, Sliding door, White
10. 203677-06 Sliding door, Seamless, Plexiglass acrylic
11. 968507&000912EE Panel, 1.25 x 50.22
12. 513186-01 Tape light track, 72"
13. 513186-03 Tape light track, 12"
- 701538-01 Carpet, Econolier w/PSA back
- 382630 Latch-Travel 1/4-20 Nylon Blk
- 382520-2 Bushing, Sliding glass doors
- 513129 LED reading light, Switched
- 800422 Dowel pin, Spiral wood, .25 x 1.25
- 704504 Bungee kit
- 382443 Wall attachment bracket

# 2019 NEST FURNITURE, STORAGE

## Roof Locker, Front



968508

Front Cubby

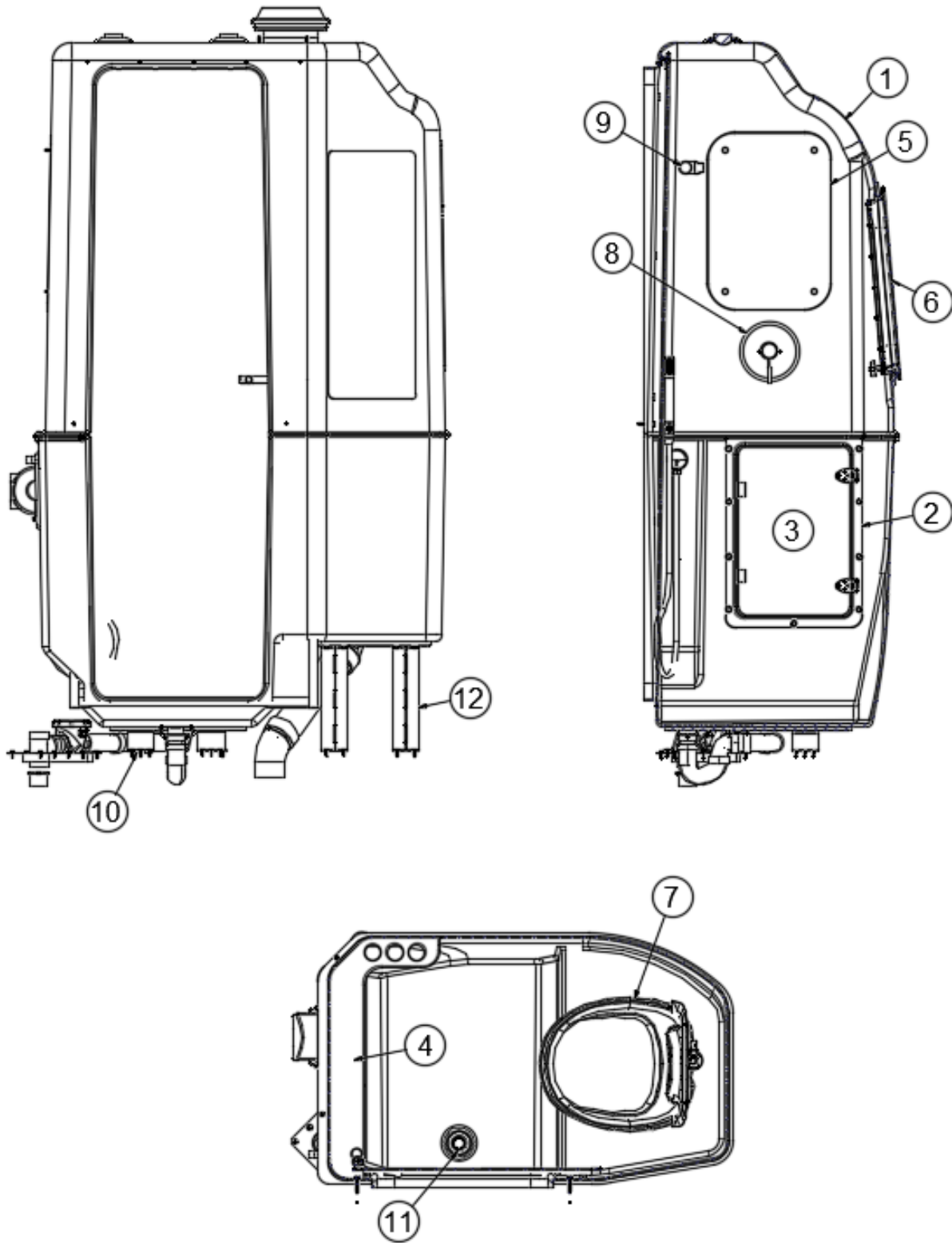
- 1. 968508-1
- 2. 968508&000212BE
- 3. 203931-05
- 4. 513186-02
- 701538-01
- 513187
- 704504
- 386279

- Front panel, Front, Foil
- Panel, 13.75 x 70.5
- Cubby skin, Front
- Tape light track, 40.5"
- Carpet, Econolier w/PSA back
- LED reading light, Nickel
- Bungee kit
- Corner brace, .75 x .75



# 2019 NEST FURNITURE, LAVATORY

## Bath Module



Parts Listed on Next Page

# 2019 NEST FURNITURE, LAVATORY

## Bath Module

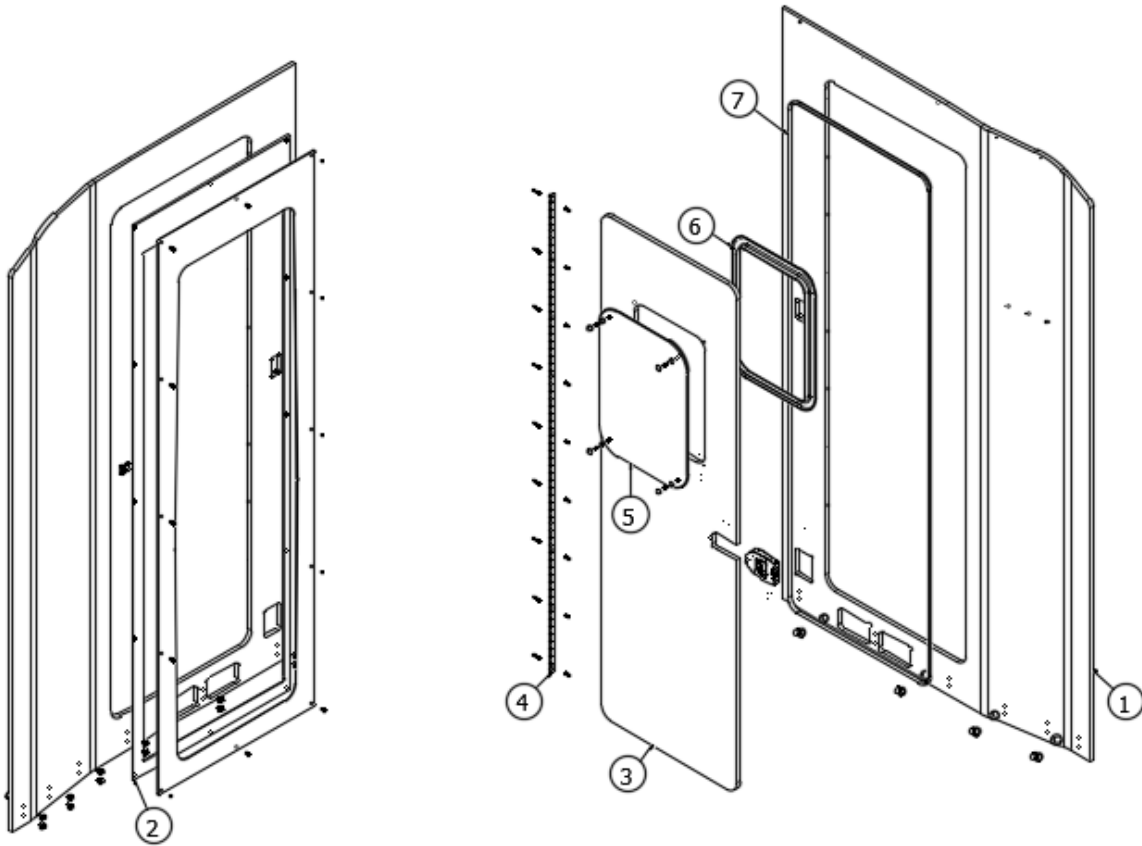
112423

### Wetbath Module

1. 203925 Wetbath module assembly
2. 203925-03 Wetbath cabinet insert assembly
3. 203925-05 Door, Wetbath cabinet
4. 203925-07 Countertop, Lavy
5. 371461 Lavatory mirror sub-assembly
6. 371465 Window, Side, 14 x 20
7. 690442-03 Toilet, Low profile, Bravura
8. 602657-01 Faucet handle, Lavatory
9. 602657-18 Hanger
10. 943823-01 Shower drain sub-assembly
11. 600594-02 Shower drain w/Black strainer
12. 455309-11 Wetbath toilet support assembly
- 512376 LED light, SS trim ring, Surface mount
- 382436-02 Gasket, Wetbath exhaust fan
- 690266-04 Ventilator, Power
- 690266-05 Garnish, 4" ceiling vent, Polar White
- 602657-02 Shower wand
- 602657-03 Elbow
- 602657-04 Shower hose
- 602308 Check valve, Brass
- 101217 Extrusion, Curtain track
- 101225 Extrusion, Aluminum curtain track
- 200785 Ends, Curtain track, LH, White
- 200784 Ends, Curtain track, RH, White
- 700822 Velcro dots
- 703467-04 Shower curtain
- 703467-03 Strap, Shower curtain
- 455309-09 Floor drain cover
- 381081-01 Snap cap screw cover, Bottom, Clear
- 381081-04 Snap cap screw cover, Top, White
- 381081-07 Snap cap screw cover, Top, Chrome
- 382572 Hook, Shower

# 2019 NEST FURNITURE, LAVATORY

## Wetbath Enclosure



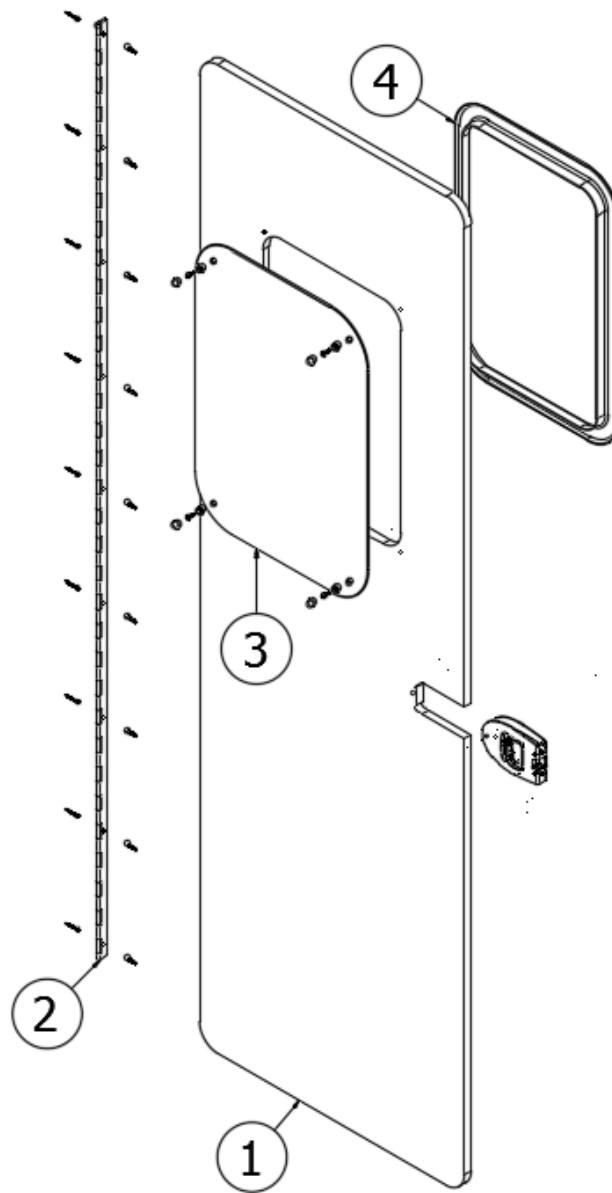
968498

Wetbath Enclosure

- |   |   |
|---|---|
| <ul style="list-style-type: none"> <li>1. 968498-1</li> <li>2. 968498-7</li> <li>3. 968498-3</li> <li>4. 382125</li> <li>5. 372291</li> <li>6. 203931-08</li> <li>7. 968498&amp;0015T01A</li> <li>382441-02</li> <li>381081-04</li> <li>382061</li> <li>382057</li> </ul> | <ul style="list-style-type: none"> <li>Wetbath enclosure</li> <li>Spacer panel, Lavatory door</li> <li>Door, Wetbath</li> <li>Piano hinge</li> <li>Frosted glass, Lavatory door</li> <li>Lavatory window trim ring, Interior</li> <li>T-molding, 9/16", White</li> <li>Door latch, 1/2" door, Omni</li> <li>Snap cap screw cover, Top, White</li> <li>Striker latch</li> <li>Knockdown</li> </ul> |
|---|---|

# 2019 NEST FURNITURE, LAVATORY

## Bath Door

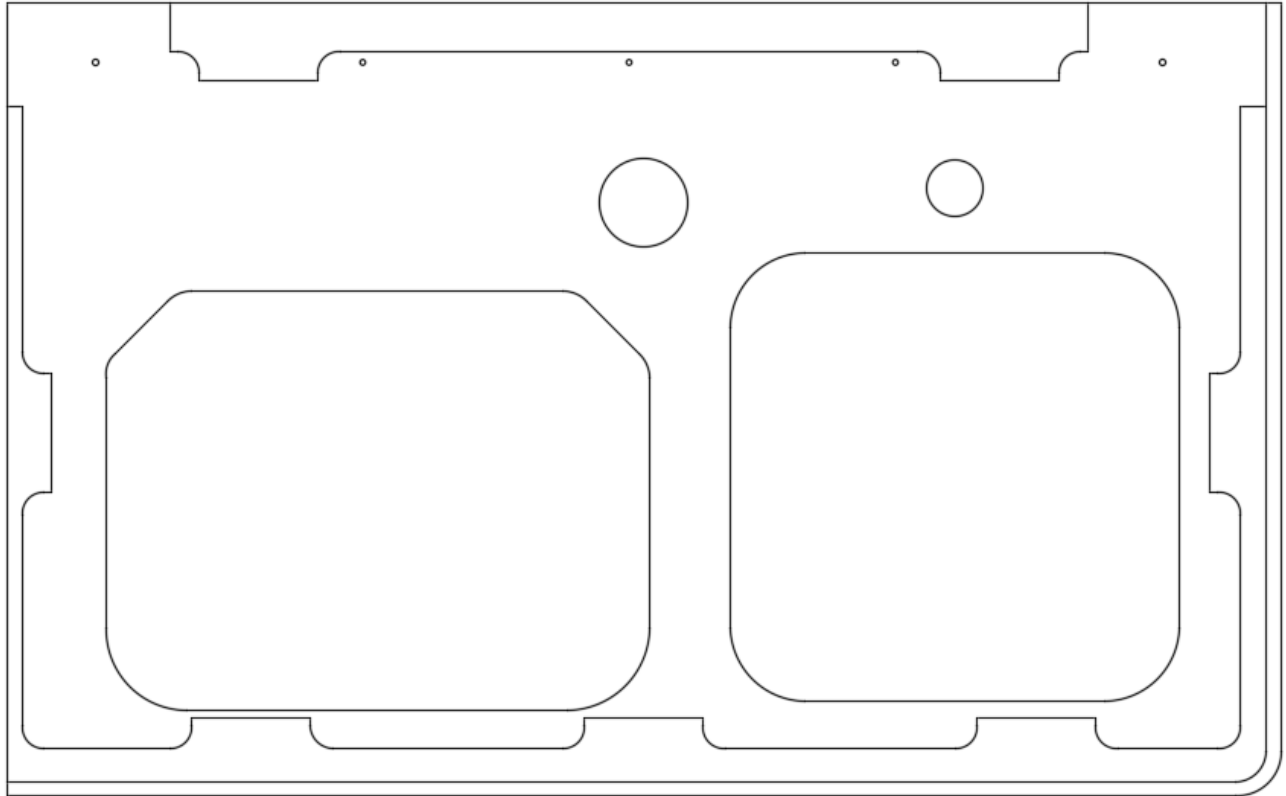


1. 968498-3
2. 382125
3. 372291
4. 203931-08  
382441-02  
382061

Wetbath Door  
Piano hinge  
Frosted glass, Lavatory door  
Lavatory window trim ring, Interior  
Door latch, 1/2" door, Omni  
Striker latch

2019 NEST  
FURNITURE, GALLEY

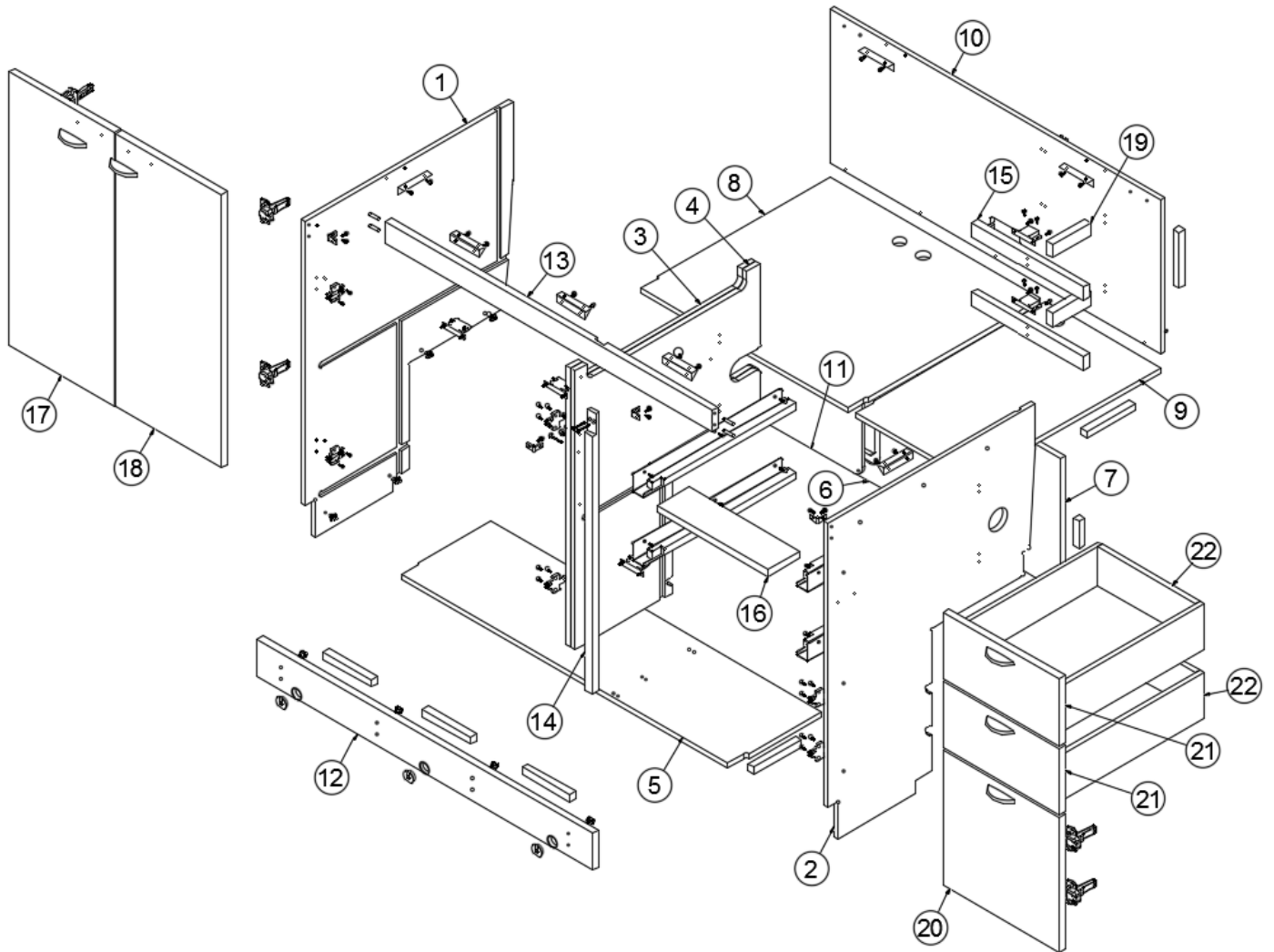
Galley Top



- |           |                                       |
|-----------|---------------------------------------|
| 968700-34 | Galley countertop                     |
| 602700    | Galley sink, 16 x 16 drop in, Kindred |
| 203983    | Sink cover, 15.25 x 15.25             |
| 602664    | Faucet, Galley                        |

# 2019 NEST FURNITURE, GALLEY

## Galley Cabinets



Parts Listed on Next Page

# 2019 NEST FURNITURE, GALLEY

## Galley Cabinets

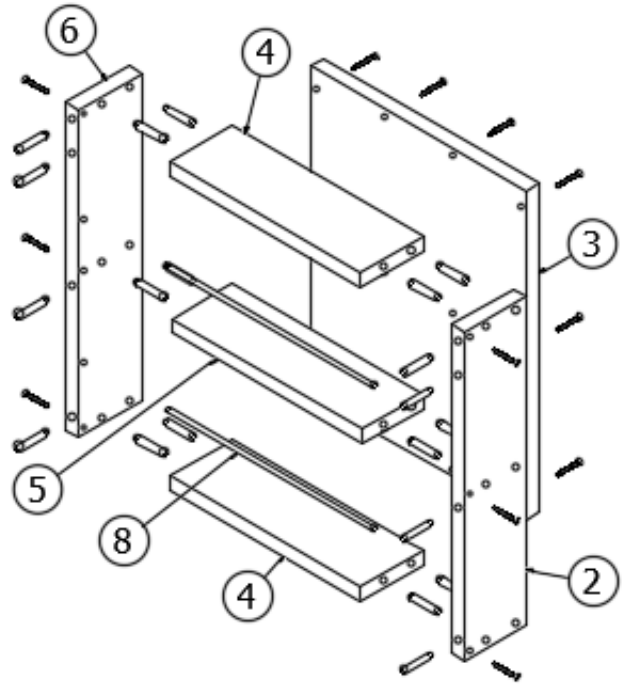
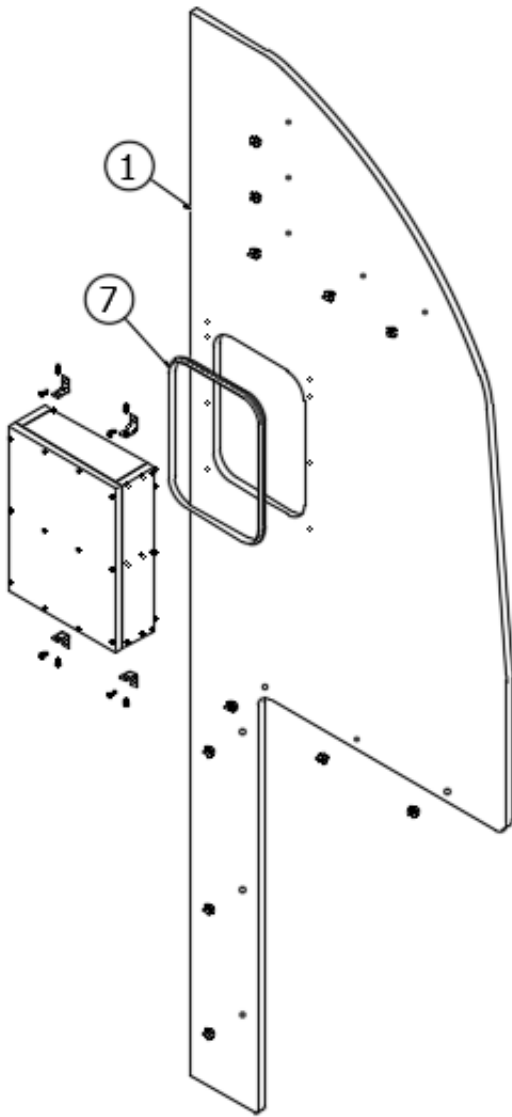
968700

Galley Cabinet

1. 968700&000112BE	Panel, 26 x 34.75
2. 968700&000212EE	Panel, 26 x 34.75
3. 968700&000312EE	Panel, 23.17 x 30.19
4. 968700&000412EE	Panel, 23.17 x 30.19
5. 968700&000512EE	Panel, 11.44 x 41.4
6. 968700&000612EE	Panel, 14.5 x 26.4
7. 968700&000712EE	Panel, 14.5 x 14.4
8. 968700&000812EE	Panel, 23.94 x 26.4
9. 968700&000912EE	Panel, 23.94 x 14.4
10. 968700&001012EE	Panel, 41.4 x 16.76
11. 968700&002012EE	Panel, 9.38 x 17.38
12. 968700&001118BB	Panel, 4 x 42
13. 968700&001218BB	Panel, 2.25 x 40.9
14. 968700&001318BB	Panel, 1.02 x 30.19
15. 968700&001418BB	Panel, 1.5 x 13.9
16. 968700&001518BB	Panel, 4 x 13.9
17. 968700&001618BB	Panel, 13.22 x 29.63
18. 968700&001718BB	Panel, 13.22 x 29.63
19. 968700&002718BB	Panel, 1.5 x 4.7
20. 968700&004118BB	Panel, 14.53 x 14.63
21. 968700&001818BB	Panel, 7.25 x 14.63
22. 968020-22	Drawer assembly
968700-34	Galley countertop
386279	Corner brace, .75 x .75
382404	Pull handle
382398-02	Clip mounting plate, Door hinge
382398-01	Door hinge, Clip top, 110°
382203-04	Drawer slide, Self-close, 18"
382057	Knockdown
381228	Catch, Grabber door (10lb Pull)
380041	Bracket, 90°, 1 x 1

# 2019 NEST FURNITURE, GALLEY

## Galley Wall



968816

Galley Wall/Wetbath Assembly

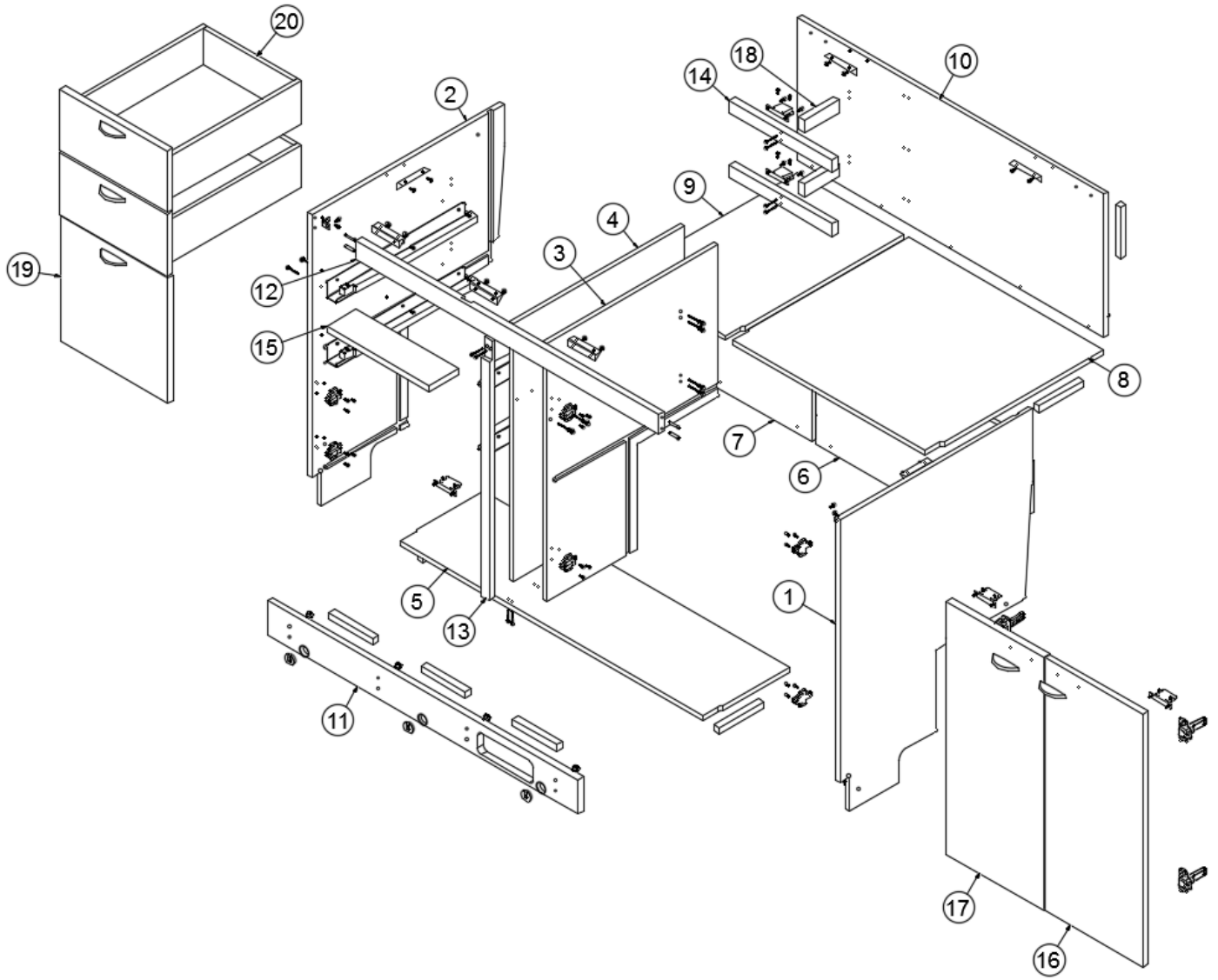
1. 968816&000112BE
2. 968816&000212EE
3. 968816&000312EE
4. 968816&000412EE
5. 968816&000512EE
6. 968816&000612EE
7. 968816&0007T01A
8. 382567  
380041  
800422

- Panel, 27.75 x 81  
 Panel, 2.75 x 12.5  
 Panel, 9.5 x 12.5  
 Panel, 2.75 x 8.4  
 Panel, 2.69 x 8.4  
 Panel, 2.75 x 12.5  
 T-molding, 9/16", White  
 Rod, Spice rack  
 Bracket, 90°, 1 x 1  
 Dowel pin, Spiral wood, .25 x 1.25



# 2019 NEST FURNITURE, GALLEY

## Pantry



Parts Listed on Next Page

# 2019 NEST FURNITURE, GALLEY

## Pantry

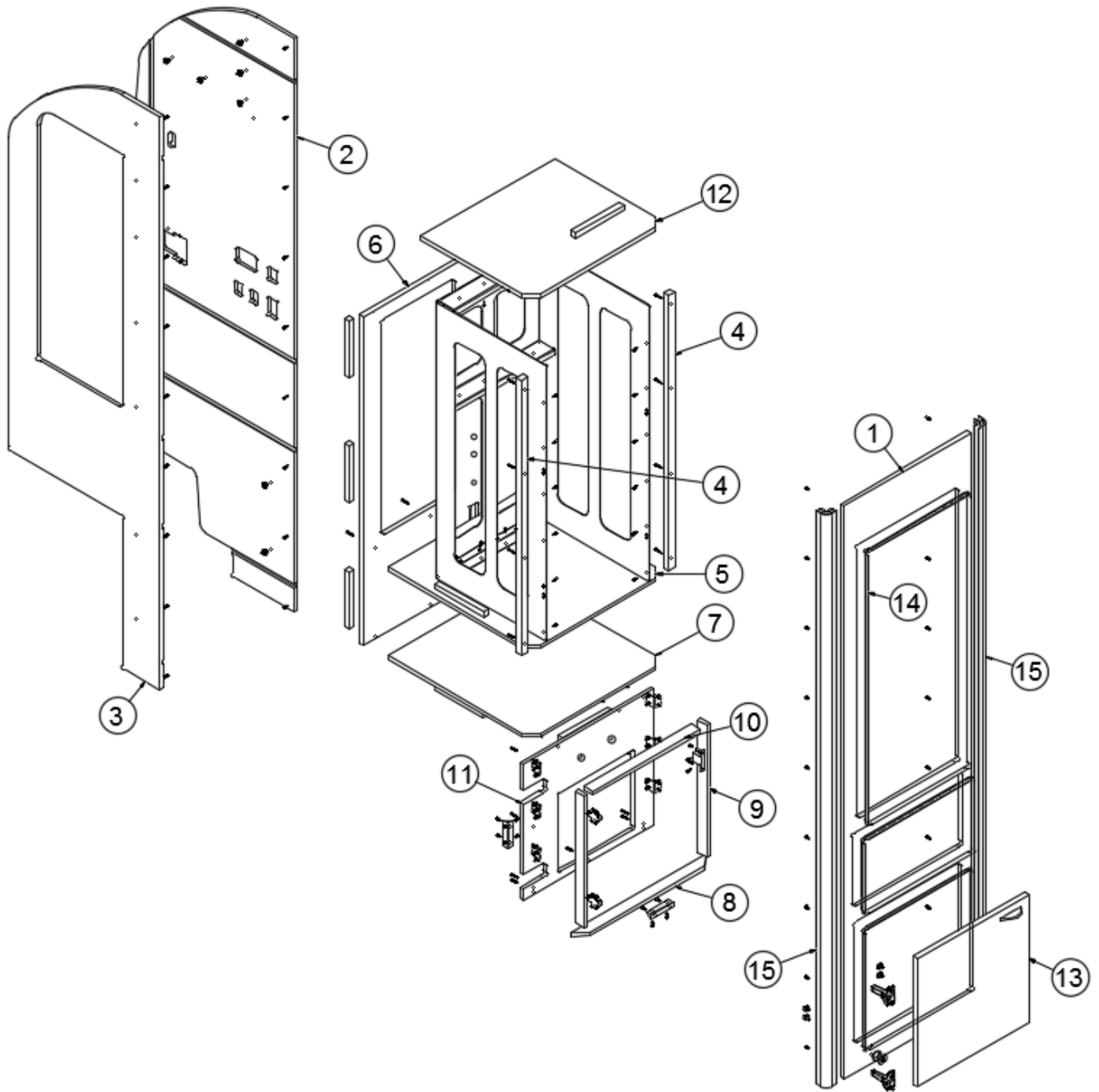
968501

## Pantry Cabinet

1. 968501&000112BE	Panel, 26 x 34.75
2. 968501&000212EE	Panel, 26 x 34.75
3. 968501&000312EE	Panel, 23.17 x 30.19
4. 968501&000412EE	Panel, 23.17 x 30.19
5. 968501&000512EE	Panel, 11.44 x 41.4
6. 968501&000612EE	Panel, 14.5 x 41.4
7. 968501&000712EE	Panel, 14.5 x 14.4
8. 968501&000812EE	Panel, 23.94 x 26.4
9. 968501&000912EE	Panel, 23.94 x 14.4
10. 968501&001012EE	Panel, 41.4 x 16.76
11. 968501&001118BB	Panel, 4 x 42
12. 968501&001218BB	Panel, 2.25 x 40.9
13. 968501&001318BB	Panel, 1.02 x 30.19
14. 968501&001418BB	Panel, 1.5 x 13.9
15. 968501&001518BB	Panel, 4 x 13.9
16. 968501&001618BB	Panel, 13.22 x 29.63
17. 968501&001718BB	Panel, 13.22 x 29.63
18. 968501&002718BB	Panel, 1.5 x 4.7
19. 968501&004118BB	Panel, 14.53 x 14.63
20. 968020-22	Drawer assembly
968501-34	Pantry countertop
382203-04	Drawer slide, Self-close, 18"
382057	Knockdown
381228	Catch, Grabber door (10lb Pull)
380041	Bracket, 90°, 1 x 1
382398-02	Clip mounting plate, Door hinge
382398-01	Door hinge, Clip top, 110°
386279	Corner brace, .75 x .75
382404	Pull handle
800422	Dowel pin, Spiral wood, .25 x 1.25
382203-06	Drawer Locking Clip Set

# 2019 NEST FURNITURE, GALLEY

## Refrigerator Cabinet



Parts Listed on Next Page

## 2019 NEST FURNITURE, GALLEY

### Refrigerator Cabinet

968499

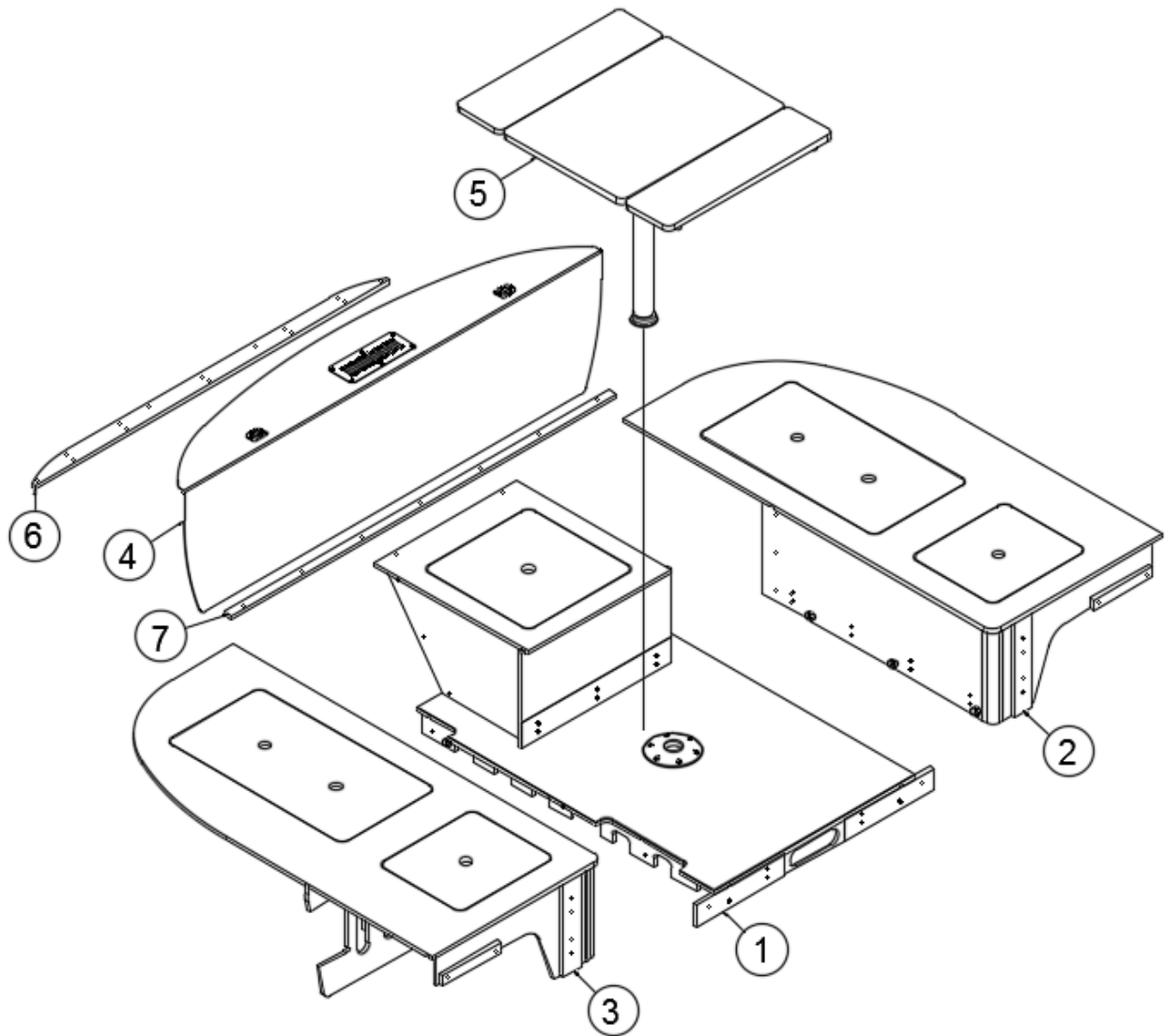
1. 968499&000112BE
2. 968499&000212BE
3. 968499&000312BE
4. 968499&000418EE
5. 968499&000612EE
6. 968499&000712EE
7. 968499&000912EE
8. 968499&001012EE
9. 968499&001112EE
10. 968499&001212EE
11. 968499&001312EE
12. 968499&001412EE
13. 968499&001718BB
14. 968499&0019T01A
15. 115681  
455309-16  
382398-02  
382398-01  
386279  
382404  
381228  
382057  
455309-07  
115856-08

### Refrigerator Cabinet

- Panel, 20.64 x 81
- Panel, 27.25 x 81
- Panel, 24.59 x 81
- Panel, 1.13 x 38.88
- Panel, 21.9 x 23.38
- Panel, 21.9 x 46.5
- Panel, 21.9 x 23.38
- Panel, 1.5 x 21.9
- Panel, 1.5 x 18.64
- Panel, 1.5 x 17.5
- Panel, 19.19 x 21.4
- Panel, 18 x 21.9
- Panel, 18.13 x 18.13
- T-molding, 9/16", White
- Extrusion, 1" radius corner, 81"
- Vent box assembly, Refrigerator
- Clip mounting plate, Door hinge
- Door hinge, Clip top, 110°
- Corner brace, .75 x .75
- Pull handle
- Catch, Grabber door (10lb Pull)
- Knockdown
- Hinge bracket
- Refrigerator Kick Plate Assembly

# 2019 NEST FURNITURE, LOUNGE

## U-Shaped Dinette



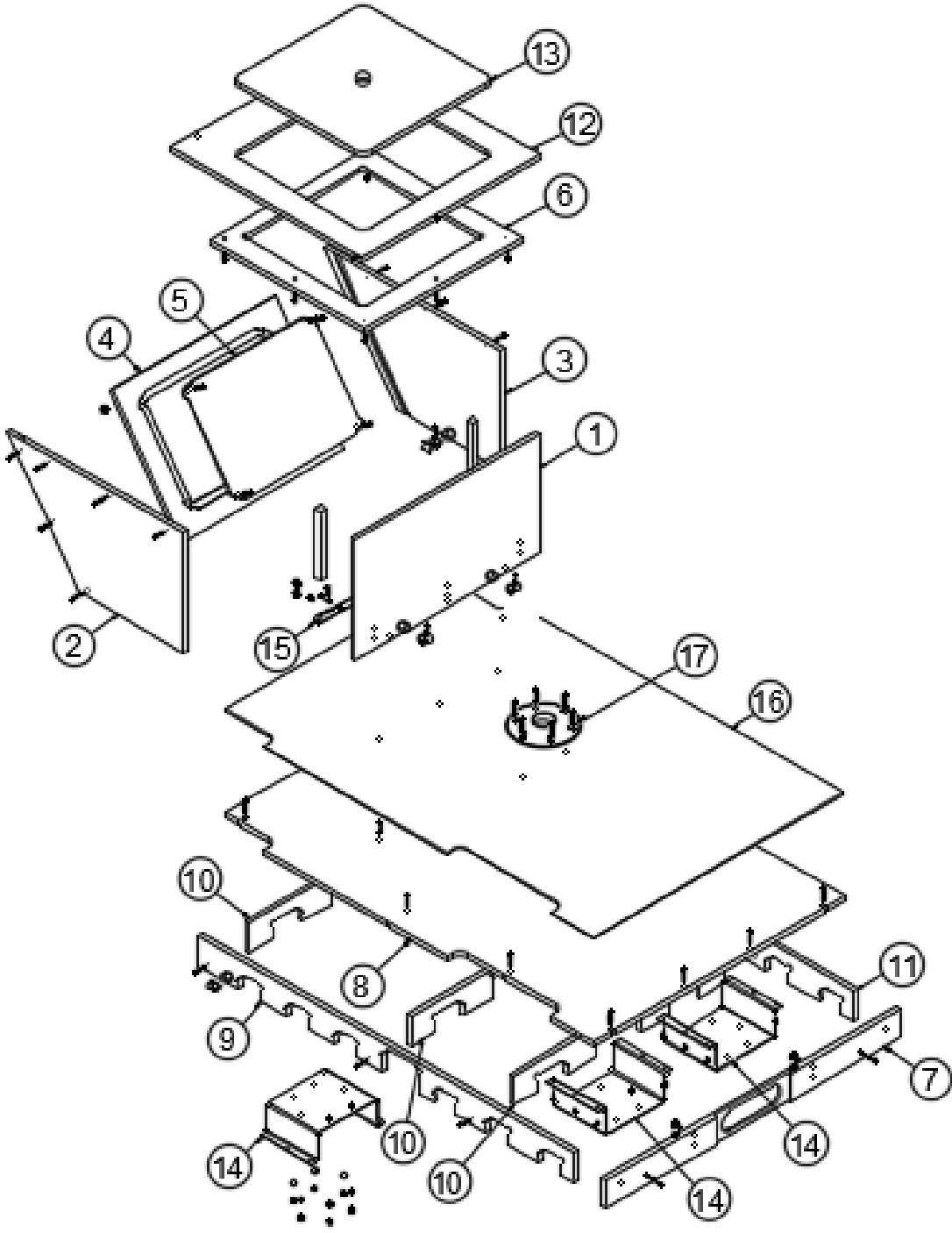
968503

### U-Shaped Dinette Assembly

- |                    |                                 |
|--------------------|---------------------------------|
| 1. 968809          | Dinette floor subassembly       |
| 2. 968810          | Dinette seat subassembly, Right |
| 3. 968811          | Dinette seat subassembly, Left  |
| 4. 968813          | Credenza subassembly            |
| 5. 968812          | Dinette table subassembly       |
| 6. 968503&000112EE | Panel, 2.5 x 60                 |
| 7. 968503&000212EE | Panel, 1.25 x 65                |

# 2019 NEST FURNITURE, LOUNGE

## Dinette Floor



Parts Listed on Next Page

# 2019 NEST FURNITURE, LOUNGE

## Dinette Floor

968809

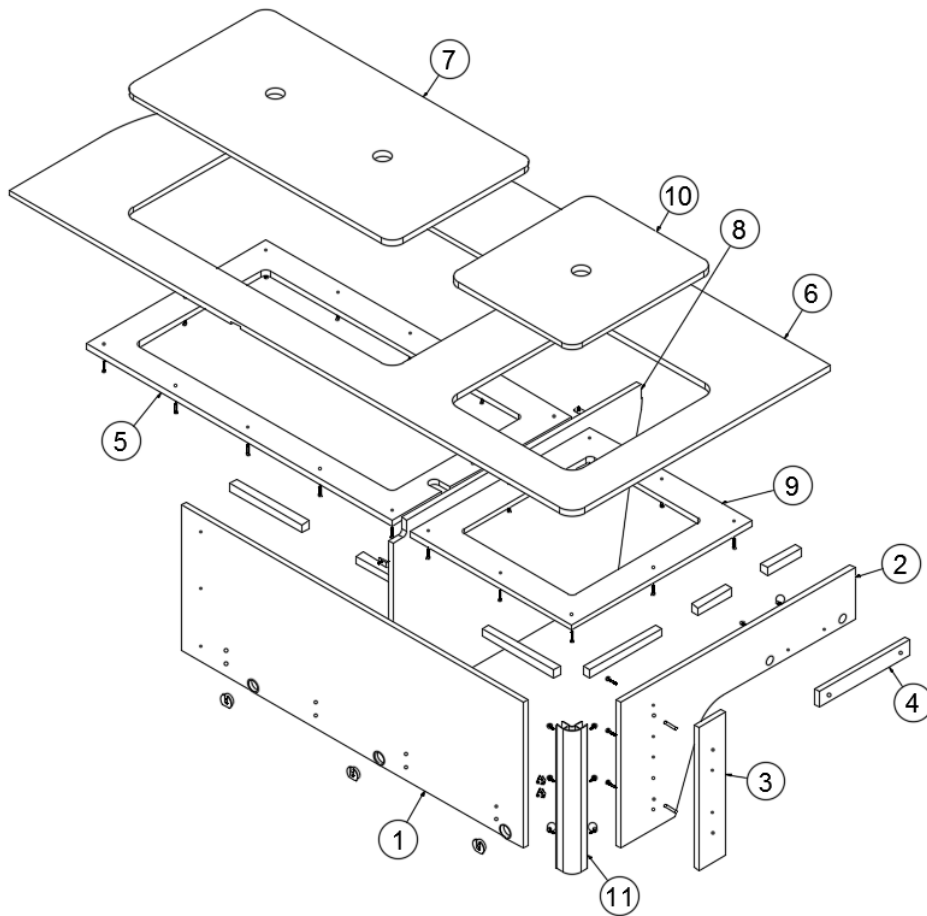
1. 968809&000612BE
2. 968809&000812EE
3. 968809&000912EE
4. 968809&001012EE
5. 968809&001112EE
6. 968809&001212EE
7. 968809&000112EE
8. 968809&000212EE
9. 968809&000312EE
10. 968809&000412EE
11. 968809&000512EE
12. 968809&000712EE
13. 968809&001312EE
14. 455309-20
15. 455309-04
16. 704409
17. 381976
- 382057
- 382057-02
- 800422

Dinette Floor

- Panel, 14 x 25.12
- Panel, 14 x 24
- Panel, 14 x 24
- Panel, 16.31 x 22
- Panel, 12.44 x 17.44
- Panel, 21 x 21.38
- Panel, 3.24 x 40
- Panel, 34 x 52
- Panel, 3.49 x 51
- Panel, 3.49 x 28.45
- Panel, 3.49 x 51
- Panel, 24 x 26
- Panel, 17.88 x 17.88
- Table support
- Location bracket, Dinette
- Vinyl flooring, U-dinette
- Socket, Floor
- Knockdown
- Knockdown cap, Gray
- Dowel pin, Spiral wood, .25 x 1.25

# 2019 NEST FURNITURE, LOUNGE

## Dinette Seat, Curbside



968810

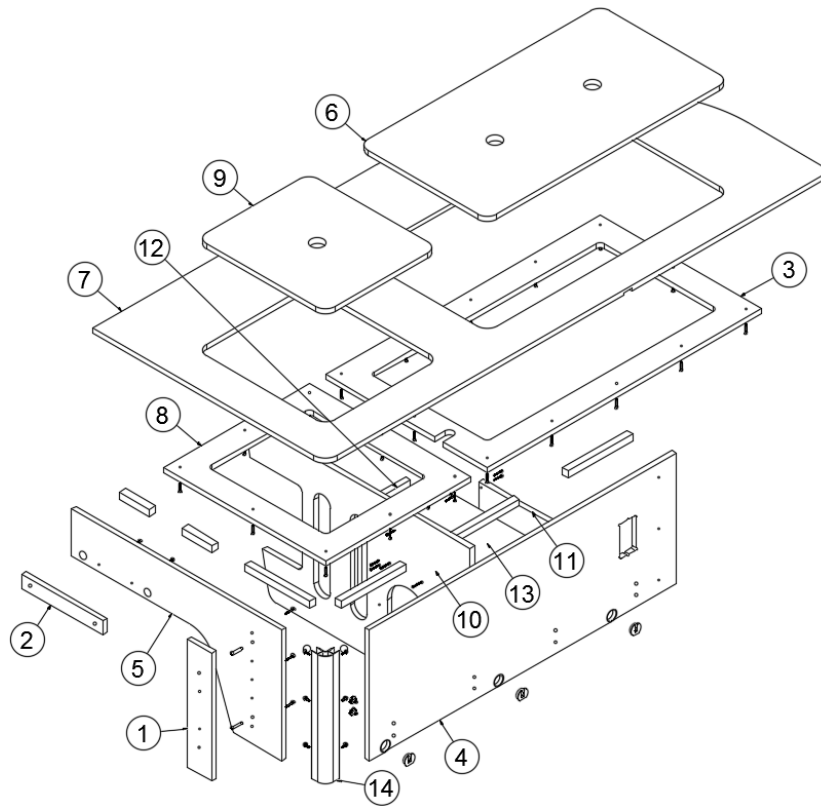
CS Dinette Seat

- |                     |                                    |
|---------------------|------------------------------------|
| 1. 968810&000212BE  | Panel, 14 x 38                     |
| 2. 968810&000312BE  | Panel, 14 x 26                     |
| 3. 968810&000412EE  | Panel, 3 x 13.69                   |
| 4. 968810&000512EE  | Panel, 1.5 x 10                    |
| 5. 968810&000612EE  | Panel, 20 x 34                     |
| 6. 968810&000112EE  | Panel, 28.75 x 62.5                |
| 7. 968810&000712EE  | Panel, 15.88 x 29.88               |
| 8. 968810&000812EE  | Panel, 27.62 x 17.88               |
| 9. 968810&000912EE  | Panel, 20 x 18                     |
| 10. 968810&001012EE | Panel, 15.88 x 13.88               |
| 11. 115681          | Extrusion, 1" radius corner, 81"   |
| 382057              | Knockdown                          |
| 800422              | Dowel pin, Spiral wood, .25 x 1.25 |
| 380041              | Bracket, 90°, 1 x 1                |
| 513129              | LED Reading Light, Switched        |



# 2019 NEST FURNITURE, LOUNGE

## Dinette Seat, Roadside



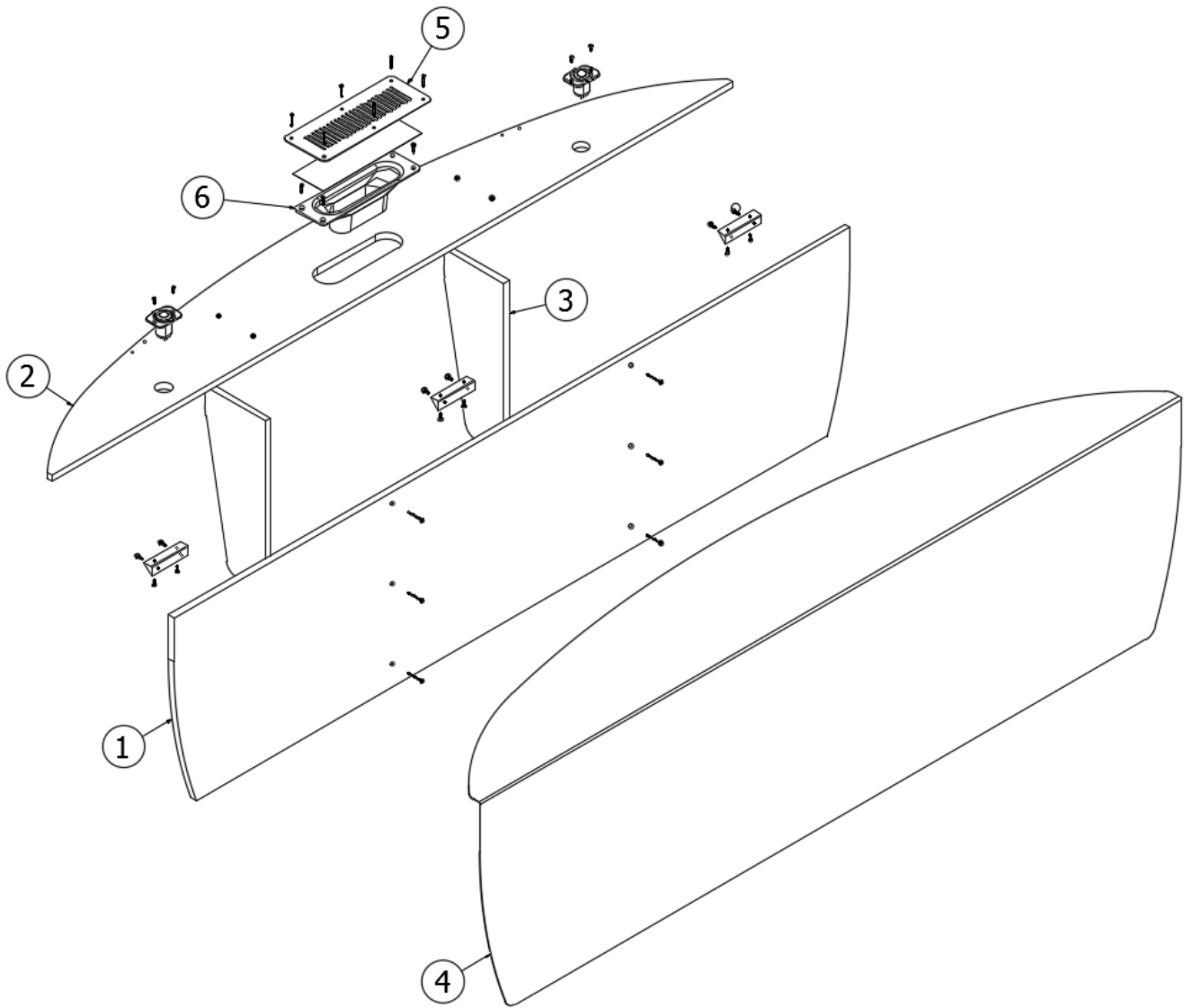
968811

RS Dinette Seat

- |                     |                                    |
|---------------------|------------------------------------|
| 1. 968811&000812EE  | Panel, 3 x 13.69                   |
| 2. 968811&000912EE  | Panel, 1.5 x 10                    |
| 3. 968811&001012EE  | Panel, 20 x 34                     |
| 4. 968811&000212BE  | Panel, 14 x 38                     |
| 5. 968811&000312BE  | Panel, 14 x 26                     |
| 6. 968811&001112EE  | Panel, 15.88 x 29.88               |
| 7. 968811&000112EE  | Panel, 28.75 x 62.5                |
| 8. 968811&001212EE  | Panel, 20 x 18                     |
| 9. 968811&001312EE  | Panel, 15.88 x 13.88               |
| 10. 968811&000412EE | Panel, 27.62 x 17.88               |
| 11. 968811&000512EE | Panel, 11.5 x 11                   |
| 12. 968811&000612EE | Panel, 6 x 9.5                     |
| 13. 968811&000712EE | Panel, 11.5 x 6.55                 |
| 14. 115681          | Extrusion, 1" radius corner, 81"   |
| 382057              | Knockdown                          |
| 800422              | Dowel pin, Spiral wood, .25 x 1.25 |
| 380041              | Bracket, 90°, 1 x 1                |
| 513129              | LED Reading Light, Switched        |

# 2019 NEST FURNITURE, LOUNGE

## Credenza



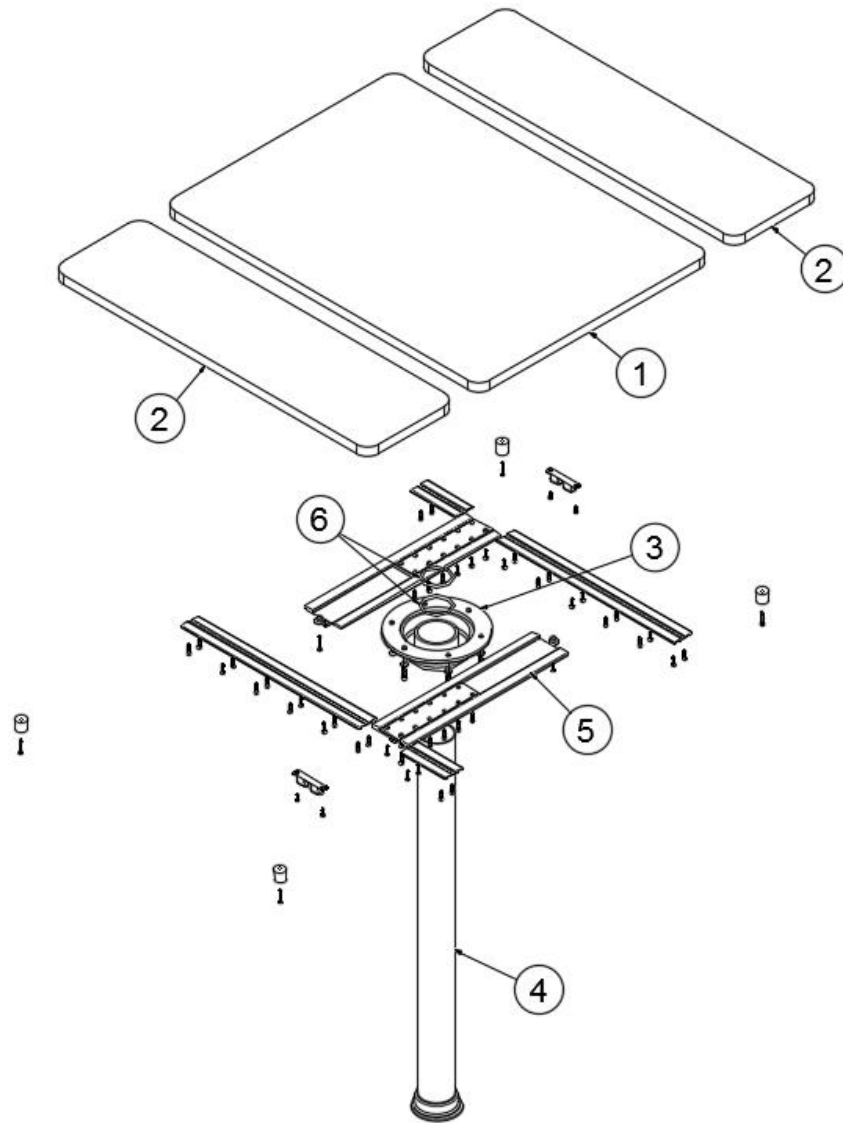
968813

Credenza

- |                    |  |
|--------------------|--|
| 1. 968813&000112EE | Panel, 17 x 68                             |
| 2. 968813&000212EE | Panel, 9 x 68.5                            |
| 3. 968813&000312EE | Panel, 6 x 15                              |
| 4. 704431          | Credenza fabric wrap                       |
| 5. 115856-12       | Vent, Low profile duct                     |
| 6. 204002          | Air duct, 4", Low profile                  |
| 513133-01          | USB, Front mount, Dual, Non-lighted, Black |
| 386279             | Corner brace, .75 x .75                    |
| 115969             | Duct screen, Aluminum                      |

# 2019 NEST FURNITURE, LOUNGE

## Dinette Table



968812

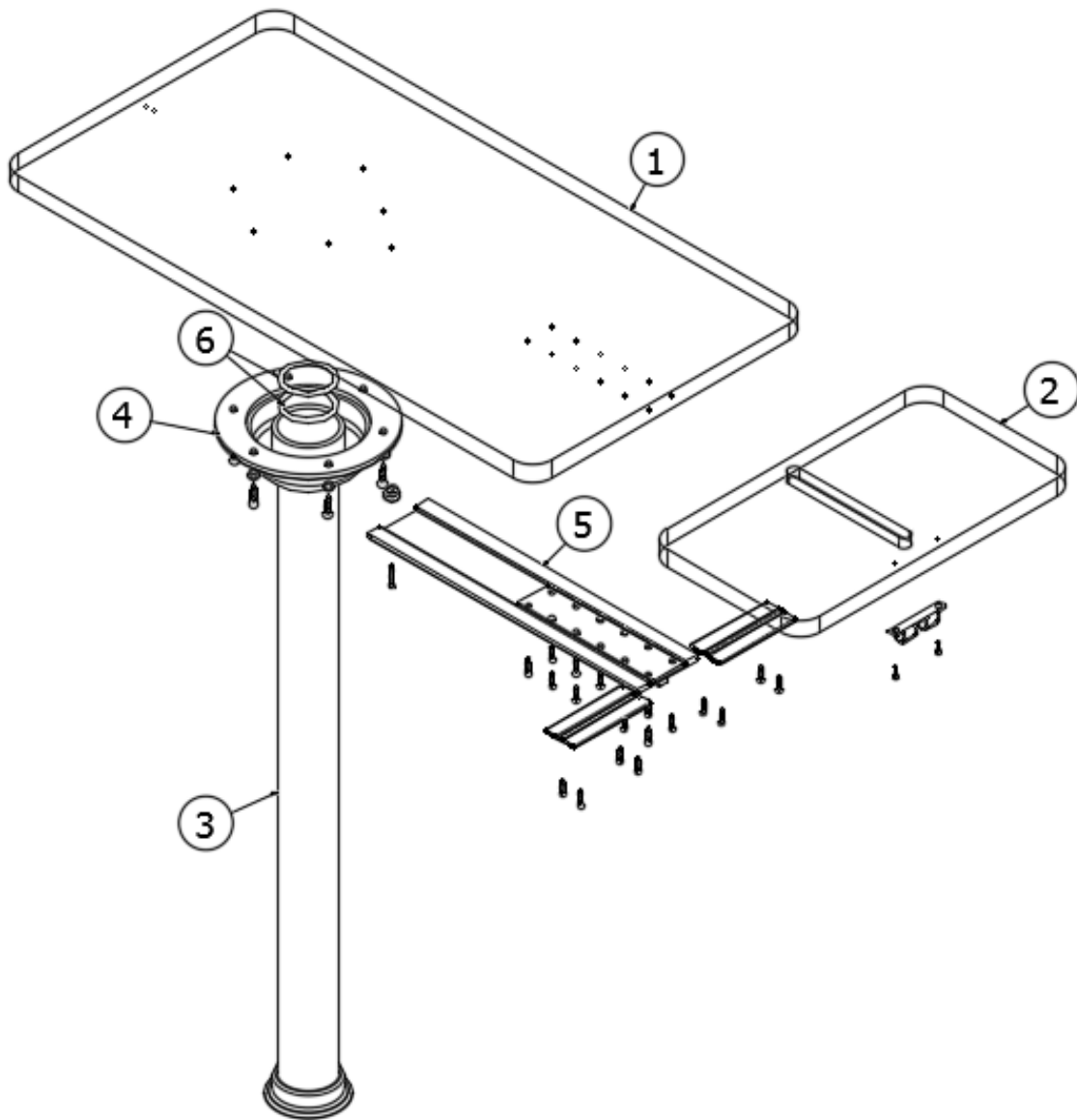
Dinette Table

- 1. 968812&000118KE
- 2. 968812&000218KE
- 3. 381975
- 4. 381974
- 5. 382570
- 6. 382411
- 381976
- 455309-18
- 455309-19
- 381136

- Panel, 28 x 20.5
- Panel, 28 x 7.75
- Socket, Pedestal table
- Leg, Pedestal, Thread lock, 29"
- Support, Drop leaf table
- O-ring, 2.25" OD, 1.875" ID
- Socket, Floor
- Plate, Table latch
- Stop, Table latch
- Rubber Bumper

# 2019 NEST FURNITURE, LOUNGE

## Sofa Dinette Table



968814

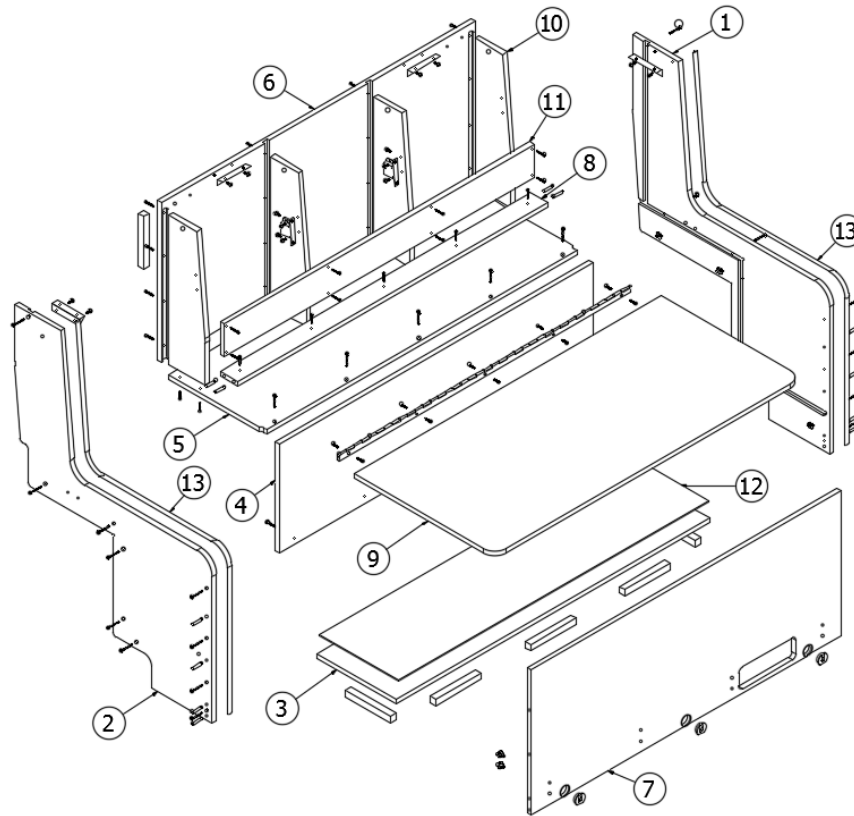
Sofa Dinette Table

1. 968814&000218KE
2. 968814&000118KE
3. 381974
4. 381975
5. 382570
6. 382411

- Panel, 14.5 x 28  
Panel, 14.5 x 8  
Leg, Pedestal, Thread lock, 29"  
Socket, Pedestal table  
Support, Drop leaf table  
O-ring, 2.25" OD, 1.875" ID

# 2019 NEST FURNITURE, LOUNGE

## Sofa Dinette



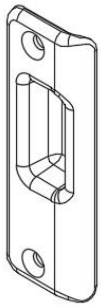
968504

Sofa Dinette

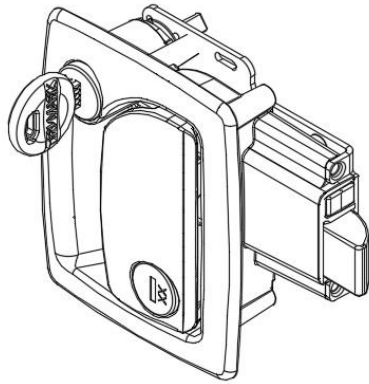
- |                     |                                 |
|---------------------|---------------------------------|
| 1. 968504&000112BB  | Panel, 26 x 34.75               |
| 2. 968504&000212BB  | Panel, 26 x 34.75               |
| 3. 968504&000312EE  | Panel, 10.4 x 41.4              |
| 4. 968504&000412EE  | Panel, 12.5 x 41.4              |
| 5. 968504&000512EE  | Panel, 12.75 x 41.4             |
| 6. 968504&000612EE  | Panel, 41.4 x 18.2              |
| 7. 968504&000712BE  | Panel, 16.56 x 40.9             |
| 8. 968504&000812EE  | Panel, 2.25 x 40.9              |
| 9. 968504&000912BB  | Panel, 18.5 x 40.5              |
| 10. 968504&001112EE | Panel, 4.75 x 17                |
| 11. 968504&001812BE | Panel, 3.75 x 40.9              |
| 12. 704409          | Vinyl flooring, Sofa dinette    |
| 13. 968504&0019T01A | T-molding, 9/16", White         |
| 382125              | Piano hinge                     |
| 386279              | Corner brace, .75 x .75         |
| 381228              | Catch, Grabber door (10lb Pull) |
| 382057              | Knockdown                       |
| 968504&0024B01      | Edgebanding,                    |
| 968504&0025B02      | Edgebanding,                    |

# 2019 NEST HARDWARE

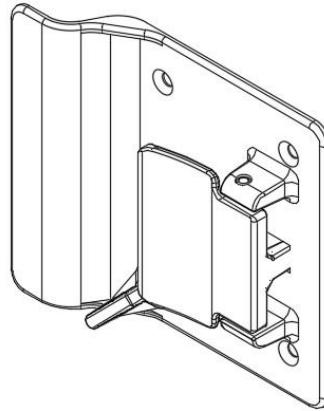
## Main Door Lock



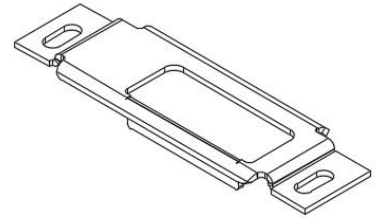
1



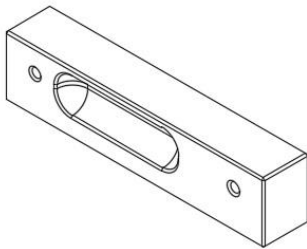
2



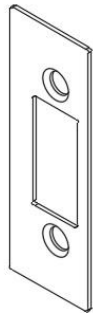
3



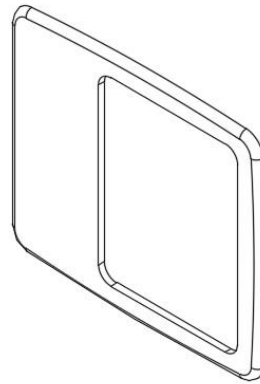
4



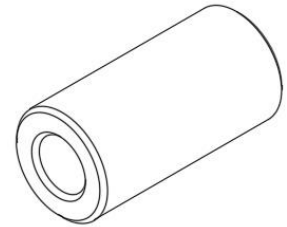
5



6



7

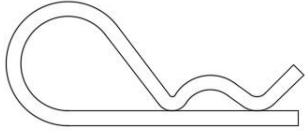


8

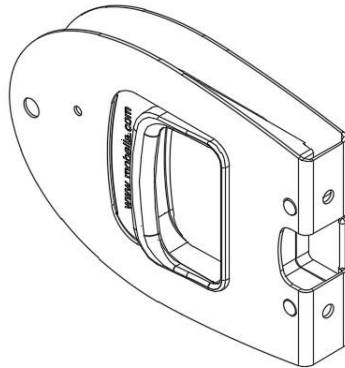
- |              |                                      |
|--------------|--------------------------------------|
| 1. 115971    | Catch, Door latch                    |
| 2. 382432-01 | Outer latch, Tri-mark                |
| 3. 382432-02 | Inner latch, Tri-mark                |
| 4. 382432-03 | Striker plate, Tri-mark door latch   |
| 5. 382432-04 | Striker closeout, Entry door         |
| 6. 382432-05 | Striker plate                        |
| 7. 382432-06 | Latch plate, Entry door              |
| 8. 382432-07 | Spacer, Door handle                  |
| 382432-08    | Screw, Oval head, #8-32 x 1.25", SS  |
| 382432-09    | Screw, Flat head, #8-32 x 1/2", Zinc |
| 382432-10    | Gasket, Tri-mark latch               |

# 2019 NEST HARDWARE

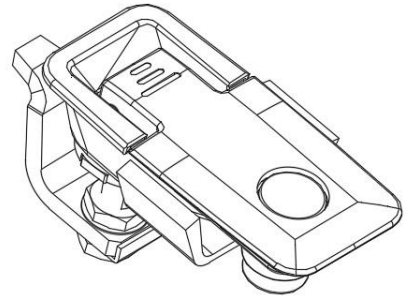
## Exterior Latches, Locks, and Handles



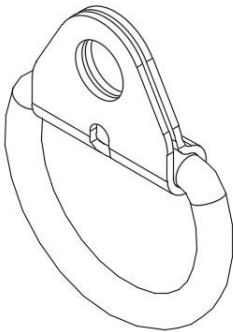
1



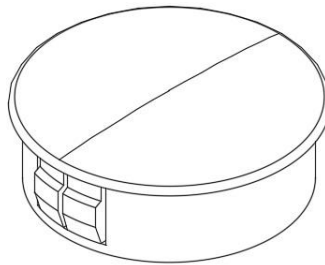
2



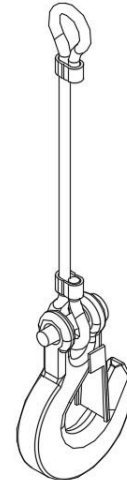
3



4



5



6

1. 0360502

2. 382441-01

382441-02

3. 382476

4. 382501

5. 382502

6. 382503

Hairpin cotter, Stainless Steel

Door latch, 5/8" door, Omni

Door latch, 1/2" door, Omni

Access door latch

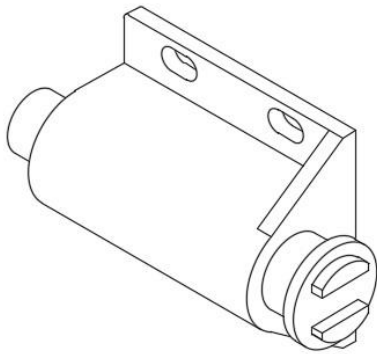
Dog ring, Tie down

Locking cap, 1.25", Plastic

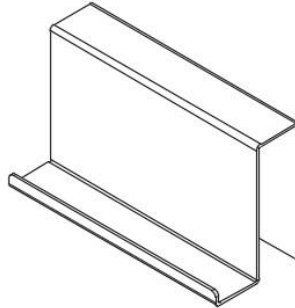
Safety cables

# 2019 NEST HARDWARE

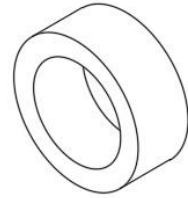
## Interior Latches and Handles



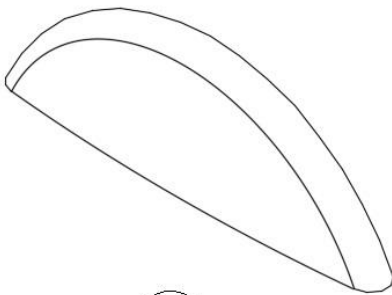
1



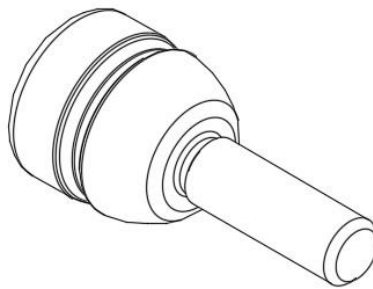
2



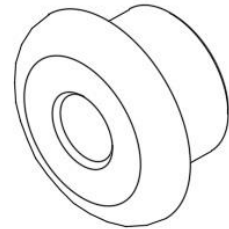
3



4



5



6

- |              |                               |
|--------------|-------------------------------|
| 1. 381653    | Glass catch                   |
| 2. 381707    | Glass strike/pull             |
| 3. 382357    | Glass mount spacer bushing    |
| 4. 382404    | Pull handle                   |
| 5. 382630    | Latch-Travel 1/4-20 Nylon Blk |
| 6. 382520-2  | Bushing, Sliding glass doors  |
| 382239       | Latch, Shower door            |
| 7. 381228-02 | Catch, Grabber door, 5LB      |
| 381228       | Catch, Grabber door, 10LB     |

## Bungee Kit

- |           |   |
|-----------|---|
| 704504    | Bungee kit                                    |
| 704504-01 | Attachment knobs, Black                       |
| 704504-02 | Bungee cord w/loops and Zinc clip, 25", Black |
| 704504-03 | Bungee cord w/loops and Zinc clip, 32", Black |



## 2019 NEST HARDWARE

### Hinges

382125	Piano hinge, 1.25 x 72, Clear
382423	Hinge, Wetbath cabinet
382568	Piano hinge, Zinc
382398-02	Clip mounting plate, Door hinge
382398-01	Door hinge, Clip top, 110°
382433-01	Hinge, Entry door
382433-04	Hinge pin, Entry door
382475-01	Hinge, Left access door
382475-02	Hinge, Right access door
382433-02	Hinge, Shell

## 2019 NEST HARDWARE

### Bathroom Accessories

602175	Toilet roll holder, Dryroll
382572	Hook, Shower
703467-04	Shower curtain
703467-03	Strap, Shower curtain
382553	Soap Dispenser
703760	Fabric, Shower shield, Snow, 72"

### Wardrobe Clothes Rod

380045	Clothes rod
200975-04	Conduit, Flexible Black plastic
380046	Bracket, Clothes rod

### Sewer Hose Clamp and Key Holder

340084-52	Clamp, Hose
195329-240	Sewer hose adapter, Elbow
385229	Key holder, Plastic, Airstream Blue

## 2019 NEST HARDWARE

### Rivets

325035 Rivet, Chicago  
330031-01 Rivet, 3-16 x 5/8, SSD68SSBS

### Screws

320116-02 Screw, #8 x .5, PH, Black  
320005 Screw, Sheet metal, 8 x 1 BH  
320035 Screw, 8 x 1/2 PH, Type A Phil  
320035-01 Screw, 5/8 #8 Pan, Type A Phil  
320078 Screw, 8 x 3-8  
320166-01 Screw, #8 x .5 PH FH, Zinc plate  
345074-05 Screw, Hex HD Cap 1/4-20 X 1  
345298-02 Screw, Wood, #14 Phil Flat HD  
345319-08 Screw, Particle Board, #8  
345585 Screw, #8-18 X .75, OH Drilling  
345600 Screw, #10-24 X 1", PHSS, #2  
345601 Screw, #6-18 X 1", PHSS  
345602 Screw, #6-18 X .5SS PH

# 2019 NEST SAFETY EQUIPMENT

## Detectors and Fire Extinguishers

510781	Smoke detector
512539-01	LP detector, 12V, Black
600162-01	Fire extinguisher
512783	Detector, Carbon Monoxide (BRK)

## 2019 NEST LABELS AND TAGS

### Labels and Tags

386250	Label, LPG Service Port
386119	Label, "Don't Use Area For Storage"
385068	Tag, Cooking Appliance Warning
386118	Label, LP Gas Warning/Fill
385517	Label, Kill Switch Warning
385521	Label, Emergency Egress Window
386122	Warning Label/Cooking Appliance
386121	Label, LP Gas Warning Label (Odor)
385465	Exit Label, English
385560	Label, Air Conditioner Rating
385812	Label, Calif. Hazardous Substance
386120	Label, Smoke Detector
385359	Label, Microwave Or Air Conditioner
386012	Label, Warning, Water Heater
386123	Label, "Potable Water Only"
386114	Label, Rvia Silver
386192	Hang Tag, Smoke/Co Detector Battery
386193	Label, Wheel Torque Warning
386098	Label, Fuse, 12 V
385418-01	Label, Federal Registration
386019	Label, 1 Amp Fuse Max.
386226	Label, RV Master Weight Label
385020	Sticker, Self-Adhering, Jack
385062	Decal, 110-125 Voltage Ac
385565	Label, Holding Tank Flushing
386232	Label, Warning-Secure Privacy Curtain
386301	Warning label, Window Glass
386302	Label, Cooktop
386303	Warning label, Surface Cleaning
S000672A	Certified Green Labels - Gold

# 2019 NEST LABELS AND TAGS

## Labels and Tags, CSA

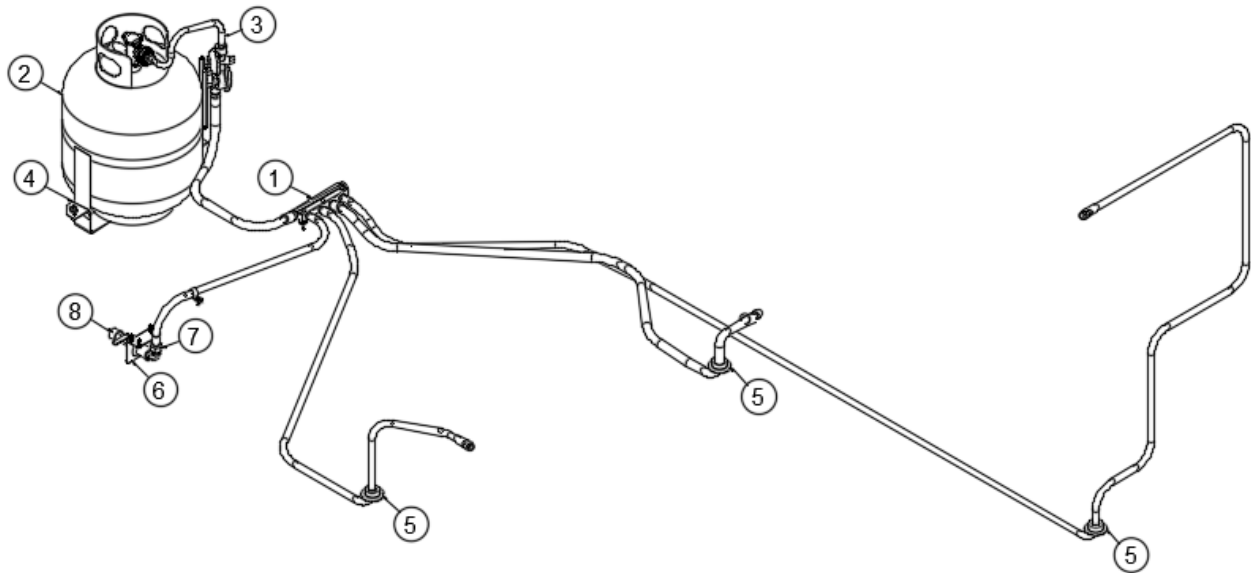
385949	Label, Potable Water, CSA
385950	Label, Smoke Detector, CSA
385951	Label, Range Fresh Air, CSA
385952	Label, LP Warning, CSA
385953	Label, If You Smell Gas, CSA
385954	Label, Range Warning, CSA
386105	Label, TV/VCR Receptacle, CSA

# 2019 NEST PLUMBING, LPG SYSTEM

## LP Tanks and Regulator

601781	LP tank, 20#, Steel
602680-01	LP regulator assembly
943825-1	Manifold assembly, LP gas

## LPG System



### 112501 LPG System Layout

1. 943825-1	LP gas manifold assembly
2. 601781	LP tank, 20#, Steel
3. 602680-01	LP regulator assembly
4. 411057	Single LP tank ring bracket
5. 382500	Press fit sealing grommet, 1/2"
6. 454901	Bracket, LP Quick Disconnect Port
7. 602313	Fitting 1/2" MPT x 1/2" Flare 90 degree
8. 602109-01	Coupler, Quick Disconnect

## 2019 NEST PLUMBING, FRESH WATER

### Faucet, Galley

602664            Faucet, Galley

### Faucet, Lavatory

602657-01        Faucet handle, Lavatory

### City Water Hook-Up

601392-07        City water fill w/regulator, 50 PSI, White  
601392-01        Plastic screw in cap

### Fresh Water Tank Fill

602598            Water fill, Valterra, White  
601239-01        Tubing, 1.375" ID, Flexible, Water fill hose

### Water Pump

602307            Shurflo water pump, 3 GPM  
601668-01        Strainer, Water pump

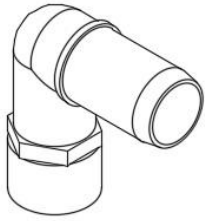
### Fresh Water Tank

602646            Fresh water tank  
602648-01        Pan, Fresh water tank  
602648-02        Sensor cover, Fresh water tank

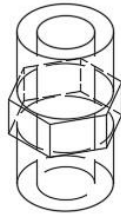


# 2019 NEST PLUMBING, FRESH WATER

## Fresh Water Fittings



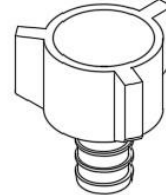
1



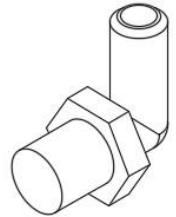
2



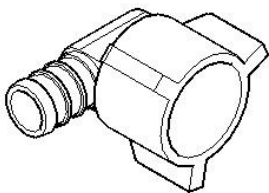
3



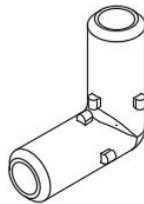
4



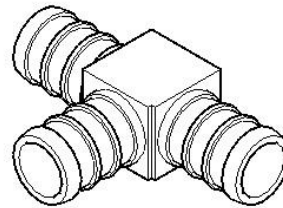
5



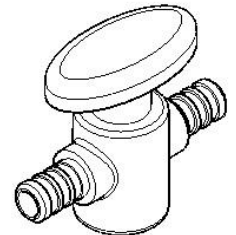
6



7



8

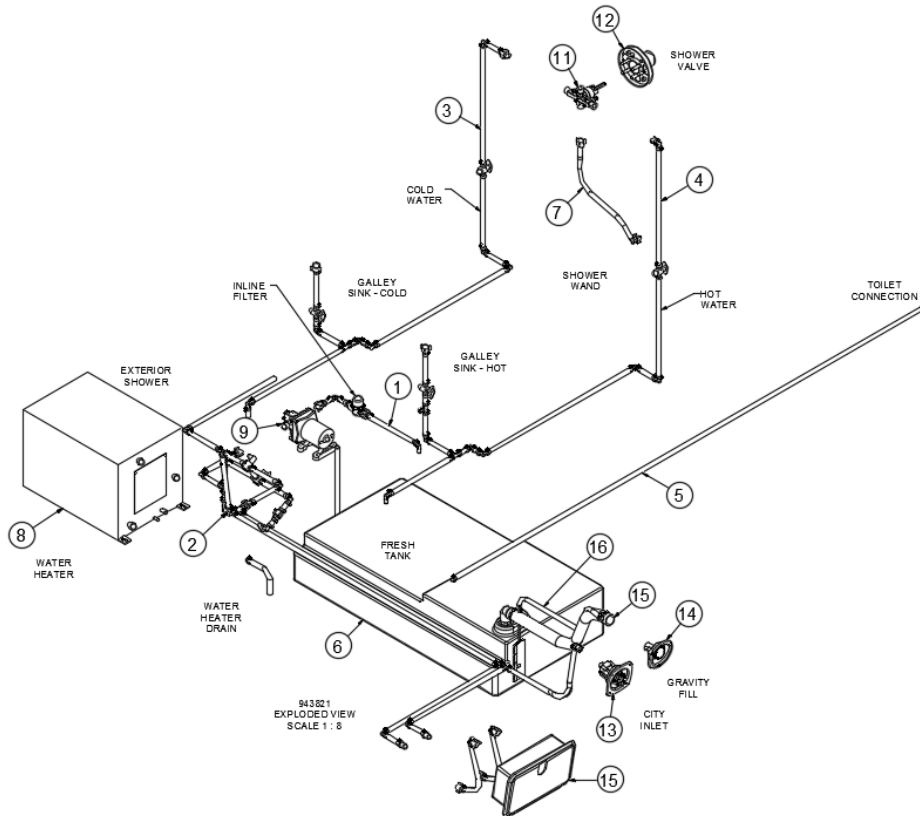


9

- |              |                                      |
|--------------|--------------------------------------|
| 1. 601237    | Elbow, 90°, 1.25 MPT x 1.25 Bar      |
| 2. 602256-01 | Nipple, .5 MPT x .5 MPT              |
| 3. 602256-02 | Coupler, .5 barb x .5 MPT            |
| 4. 602256-03 | Coupler, .5 barb x .5 FPT            |
| 5. 602256-04 | Elbow, .5 barb x .5 MPT              |
| 6. 602256-05 | Elbow, .5 barb x .5 FPT              |
| 7. 602256-10 | Elbow, .5 barb x .5 barb             |
| 8. 602256-11 | Tee, .5 x .5 x .5                    |
| 9. 602256-22 | Valve, .5 barb x .5 straight         |
| 601698-01    | E-Pex tube, .5                       |
| 601698-15    | Crimp ring, .5 E-Pex, .5, Black      |
| 601698-21    | E-Pex tube, .5, Red                  |
| 601239-01    | Tubing, 1.375 ID, w/flats every 9"   |
| 601240-01    | Tubing, .5" ID x 3/32 wall clearance |
| 602185-01    | Drain valve, 90°                     |
| 601659       | Riser, 1/2" FPT x 12" CPVC           |
| 600155       | Cleanout plug, 1.5"                  |

# 2019 NEST PLUMBING, FRESH WATER

## Fresh Water System



112558

### Fresh Water System

- |     |           |  |
|-----|-----------|--|
| 1.  | 943821-1  | Filter/inlet sub-assembly                  |
| 2.  | 943821-2  | Water heater bypass sub-assembly           |
| 3.  | 943821-3  | Cold water riser sub-assembly              |
| 4.  | 943821-4  | Hot water riser sub-assembly               |
| 5.  | 943821-5  | Toilet supply sub-assembly                 |
| 6.  | 112477-01 | Fresh water tank sub-assembly              |
| 7.  | 943821-6  | shower connection sub-assembly             |
| 8.  | 690711-01 | Water heater, Suburban On-demand           |
| 9.  | 602307    | Water pump, Shurflo                        |
| 10. | 602326    | Exterior shower                            |
| 11. | 602657-05 | Valve, Shower faucet                       |
| 12. | 602657-19 | Plaster ground                             |
| 13. | 601392-07 | City water fill w/regulator, 50 PSI, White |
| 14. | 602598    | Water fill, Valterra, White                |
| 15. | 601239-01 | Tubing, 1.375" ID, Ribbed                  |
| 16. | 601240-01 | Tubing, .5" ID x 3/32 wall clearance       |
|     | 340301    | Clamp, Worm gear                           |
|     | 340086    | Hose clamp, 5/8", SS                       |
|     | 602186    | Flex hose, 20" swivel connection           |

# 2019 NEST PLUMBING, DRAIN SYSTEM

## Sinks and Shower

602700	Galley sink, 16 x 16 drop in, Kindred
203983	Sink cover
602664	Faucet, Galley
203925	Wetbath module assembly
703467-04	Shower curtain
600594-01	Sink drain w/White rubber stopper
600594-02	Shower drain w/Black strainer
602657-01	Faucet handle, Lavatory
602657-02	Shower wand
602657-03	Elbow
602657-04	Shower hose
602657-05	Valve, Shower faucet
602657-18	Hanger
602657-19	Plaster ground

## Black and Gray Tanks

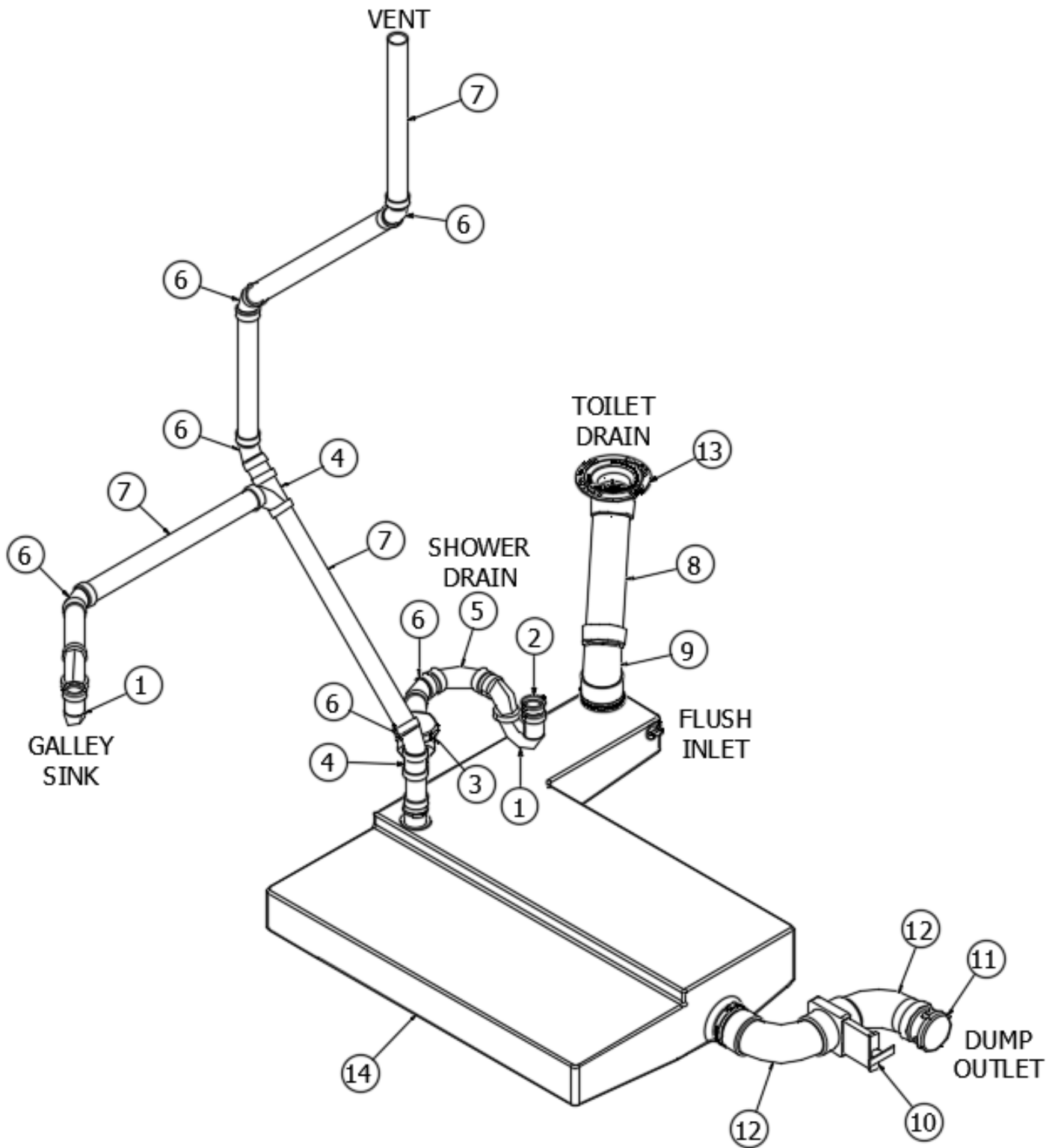
602645	Black and Gray combo tank
602647	Pan, Black and Gray tank

## Black Tank Flush

602599	Flush water inlet, Bright White
602677-1	Brass vacuum breaker, Flush valve
602677-2	Check valve, Tanks flush
602677-3	Breaker check valve

# 2019 NEST PLUMBING, DRAIN SYSTEM

## Drain, Above Floor



Parts Listed on Next Page

## 2019 NEST PLUMBING, DRAIN SYSTEM

### Drain, Above Floor

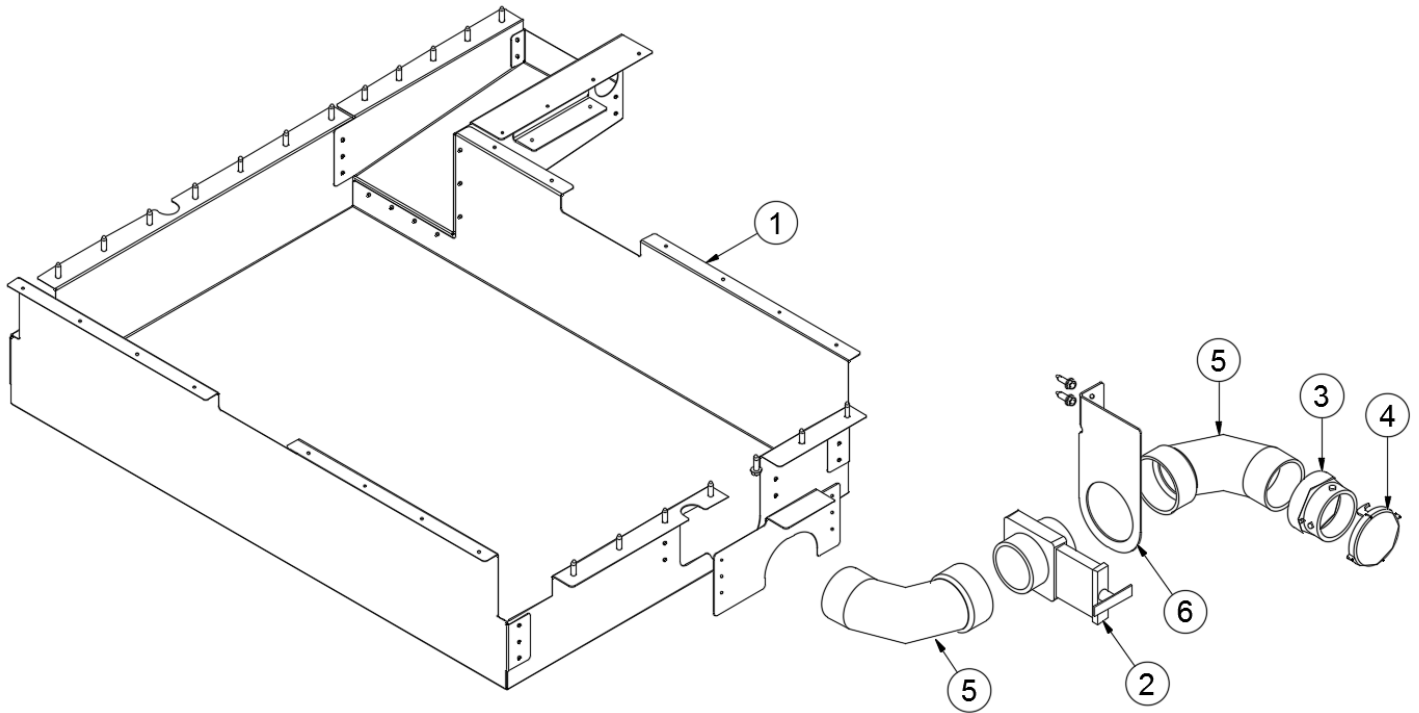
943823

Above Floor Drain System

1. 602164-01 P-trap, ABS, 1.5"
2. 602164-02 Tailpiece w/nuts & washers, 1.5
3. 602720 Sanitary check valve, 1.5"
4. 600156 Tee, sanitary
5. 600035 Elbow, ABS, Long sweep, 1.5"
6. 600030 Elbow, ABS, 45°, Long turn
7. 601160-02 Pipe, ABS, DVW, 1.5"
8. 601160-04 Pipe, ABS DVW, 3"
9. 602684 Elbow, 45°
10. 601607-14 Dump valve, Rotating
11. 601607-07 Termination cap, 3" bay
12. 600820 Single socket, 3", 90°
13. 602654 Toilet flange, 45°, Swivel
14. 602645 Black/Grey combo tank
- 601607-06 Termination adaptor, 3" hub x 3" bay

# 2019 NEST PLUMBING, DRAIN SYSTEM

## Tank Drain



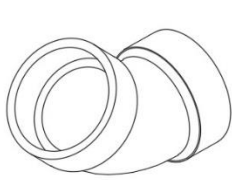
112478

Black/Gray Tank Install

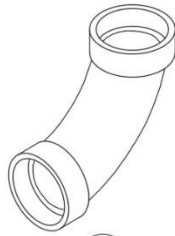
- |              |                                      |
|--------------|--------------------------------------|
| 1. 602647    | Pan, Black/Grey combo tank           |
| 2. 601607-14 | Dump valve, Rotating                 |
| 3. 601607-06 | Termination adaptor, 3" hub x 3" bay |
| 4. 601607-07 | Termination cap, 3" bay              |
| 5. 600820    | Single socket, 3", 90°               |
| 6. 112478-13 | Bracket, Dump hose                   |
| 602645       | Black/Grey combo tank                |

# 2019 NEST PLUMBING, DRAIN SYSTEM

## Drain Fittings



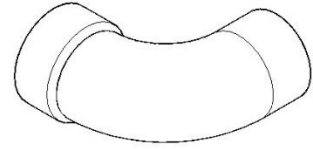
1



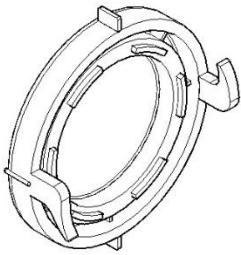
2



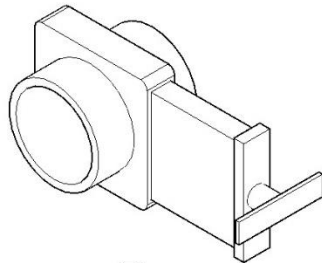
3



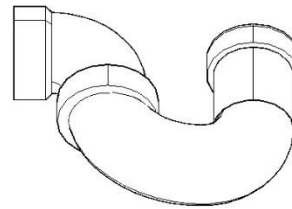
4



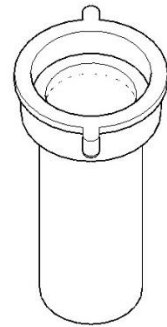
5



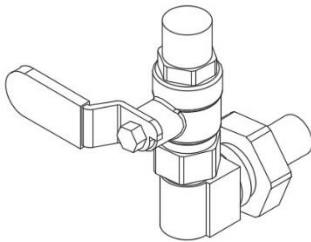
6



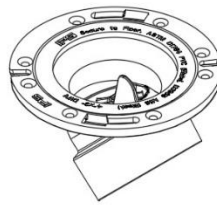
7



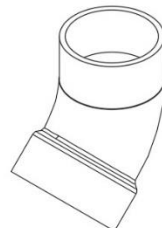
8



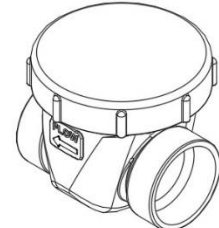
9



10



11



12

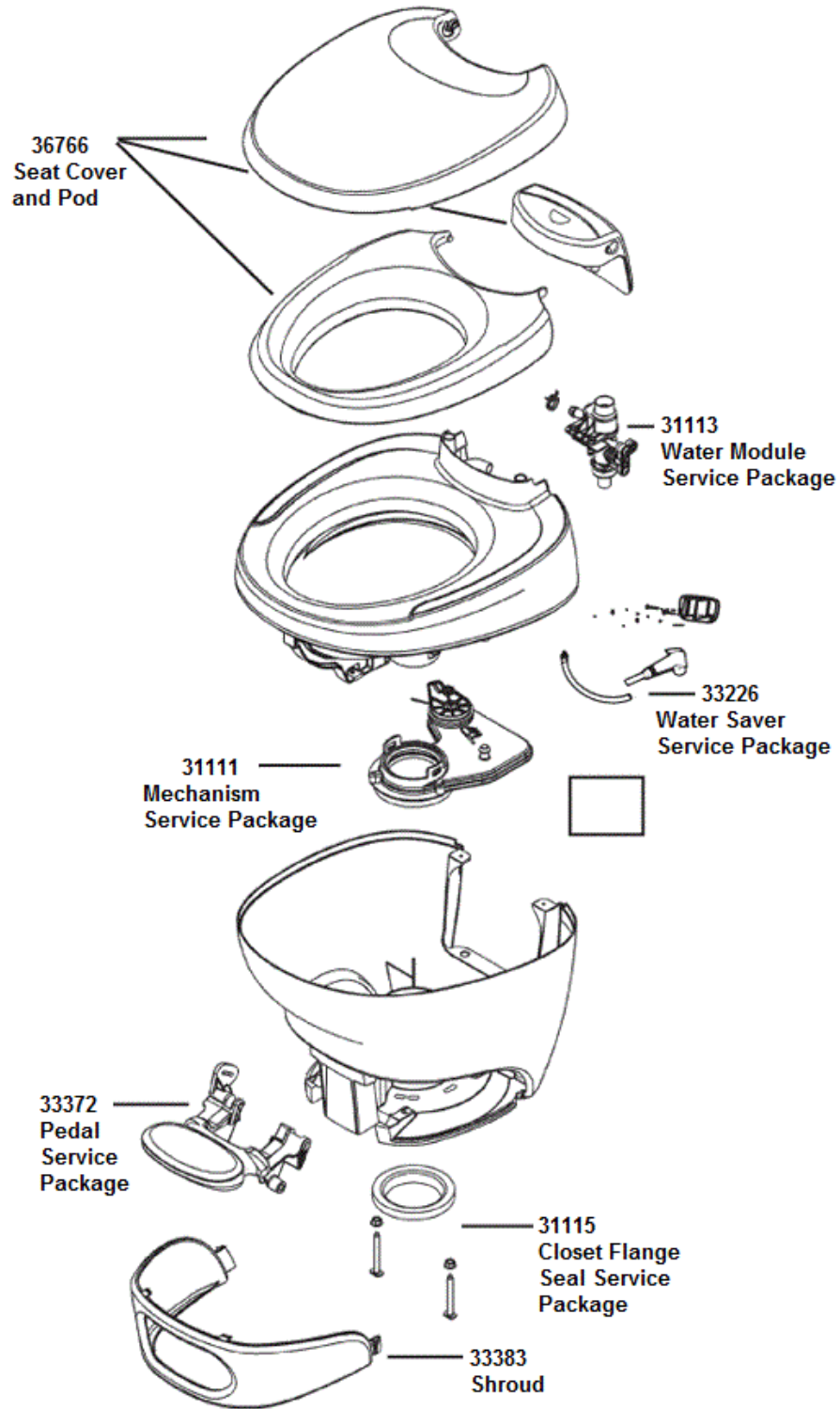
- |              |                                  |
|--------------|----------------------------------|
| 1. 600030    | Elbow, ABS, 45°, Long turn       |
| 2. 600035    | Elbow, 1.5", 90°, Long sweep     |
| 3. 600156    | Tee, Sanitary                    |
| 4. 600820    | Single socket, 3", 90°           |
| 5. 601607-07 | Termination cap, 3" bay          |
| 6. 601607-14 | Dump valve, Rotating             |
| 7. 602164-01 | P-trap w/compression nut, 1.5"   |
| 8. 602164-02 | Tailpiece w/nuts & washers, 1.5" |
| 9. 602185-01 | Drain valve, 90° turn, Lead free |
| 10. 602654   | Toilet flange, 45°, Swivel       |
| 11. 602684   | Elbow, 45°                       |
| 12. 602720   | Sanitary check valve, 1.5"       |
| 601160-02    | Pipe, ABS DVW, 1.5"              |
| 601160-04    | Pipe, ABS DVW, 3"                |

# 2019 NEST PLUMBING, DRAIN SYSTEM

## Toilet

690442-03  
602654

Toilet, Low profile, Bravura, White  
Toilet flange, 45°, Swivel





## 2019 NEST SEALERS AND GASKETS

### Sealers

360176	Sealant, Almond, kitchen and bath
365330-01	Sealant, Adseal, White
360258	Sealant, Acrylic Latex caulk, White
360258-03	Sealant, Latex Caulk Clear
28433W	Walbernize Super Seal
360341	Sealant, Silicone rubber
360376	Fiberglass adhesive, ITW Plexus AO/MA420
365417	Tape, 3M extreme sealing
360069-01	Sealer, 1/8 x 1.25, Putty tape
703991	Seal, Pile weather strip, Black
365001	Tape, double coated foam
365222	Tape Double Coated,.08 X 3/4"

### Gaskets

365001	Tape, double coated foam
365222	Tape Double Coated,.08 X 3/4"
365420	Gasket, Water heater vent
203925-06	Gasket, Wetbath shelf cubby
381665	Gasket, D-seal – Installed on the Main Entry Door
382436	Gasket kit
382436-02	Gasket, Wetbath exhaust fan
365438	Gasket, Windscreen
365214	Gasket seal, Black
382432-10	Gasket, Tri-mark latch
513419-1	Gasket, Clearance light
203722	A-C Gasket
382421-02	Gasket, Entry door – Installed on Door Jam
365447	Kit, Roof Gasket

### Gasket Kits

365445	Kit- Gasket, Not sold Separately
--------	----------------------------------

### Webath Shelf Gasket

- Wetback Exhaust Fan Gasket
- Exterior Shower Gasket
- City Water Fill Gasket
- Furnace Vent Gasket
- Gravity Fill Gasket
- Tank Flush Gasket

## 2019 NEST BEDDING, FOAM

### Pillow and Bedding Kit, Neutral

704420	Kit, Pillow and Bedding
704420-01	Body pillow
704420-02	Pillow
704420-03	Accent pillow
704420-04	Duvet

### Pillow and Bedding Kit, Teal

704422	Kit, Pillow and Bedding
704422-01	Body pillow
704422-02	Pillow
704422-03	Accent pillow
704422-04	Duvet

### Pillow Kit U-Dinette, Neutral

704421	Pillow kit
704421-01	Accent pillow
704421-02	Accent pillow

### Pillow Kit U-Dinette, Teal

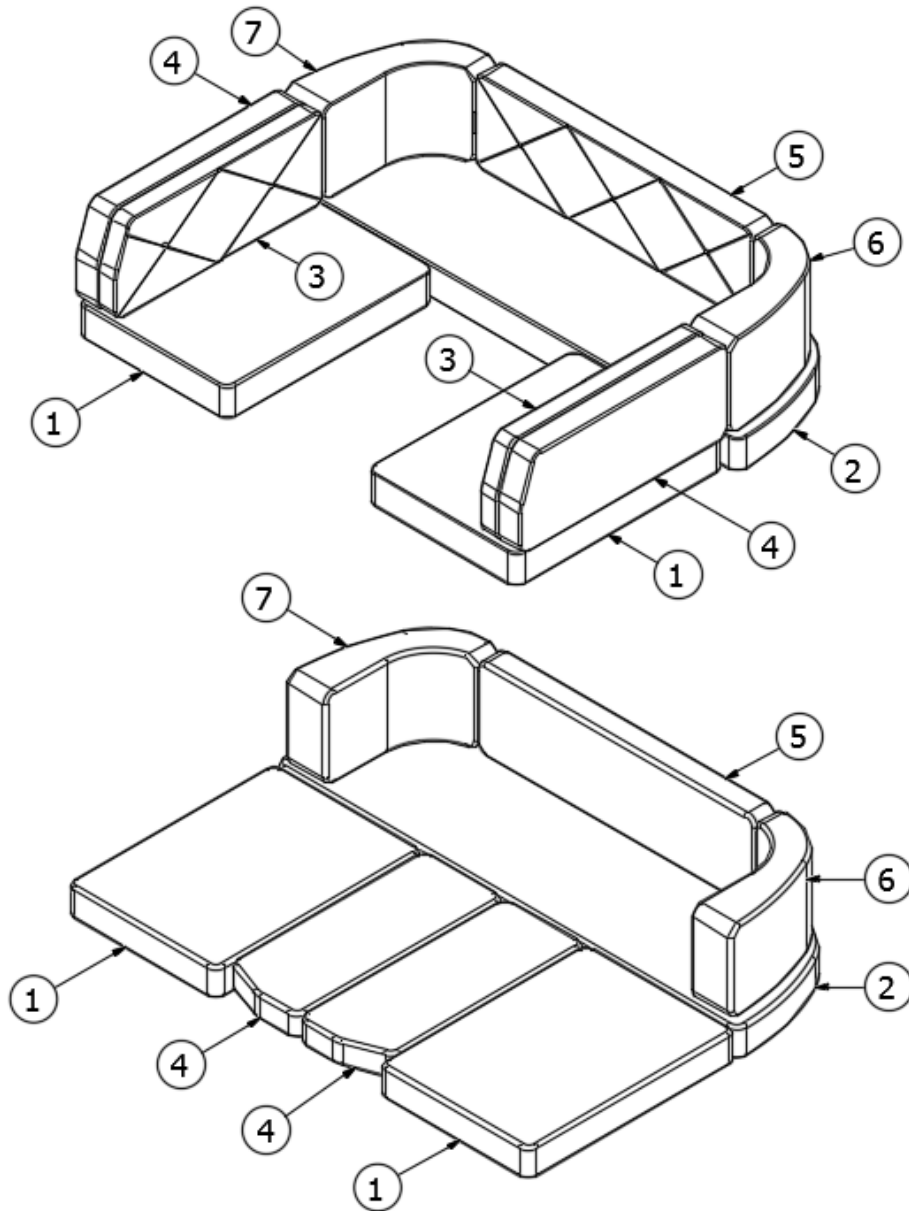
704423	Pillow kit
704423-01	Accent pillow
704423-02	Accent pillow

### Mattress

704454	Mattress- Nest Fixed 80x57.5
--------	------------------------------

# 2019 NEST BEDDING, FOAM

## Dinette Foam Kit



704451-T  
704451-B

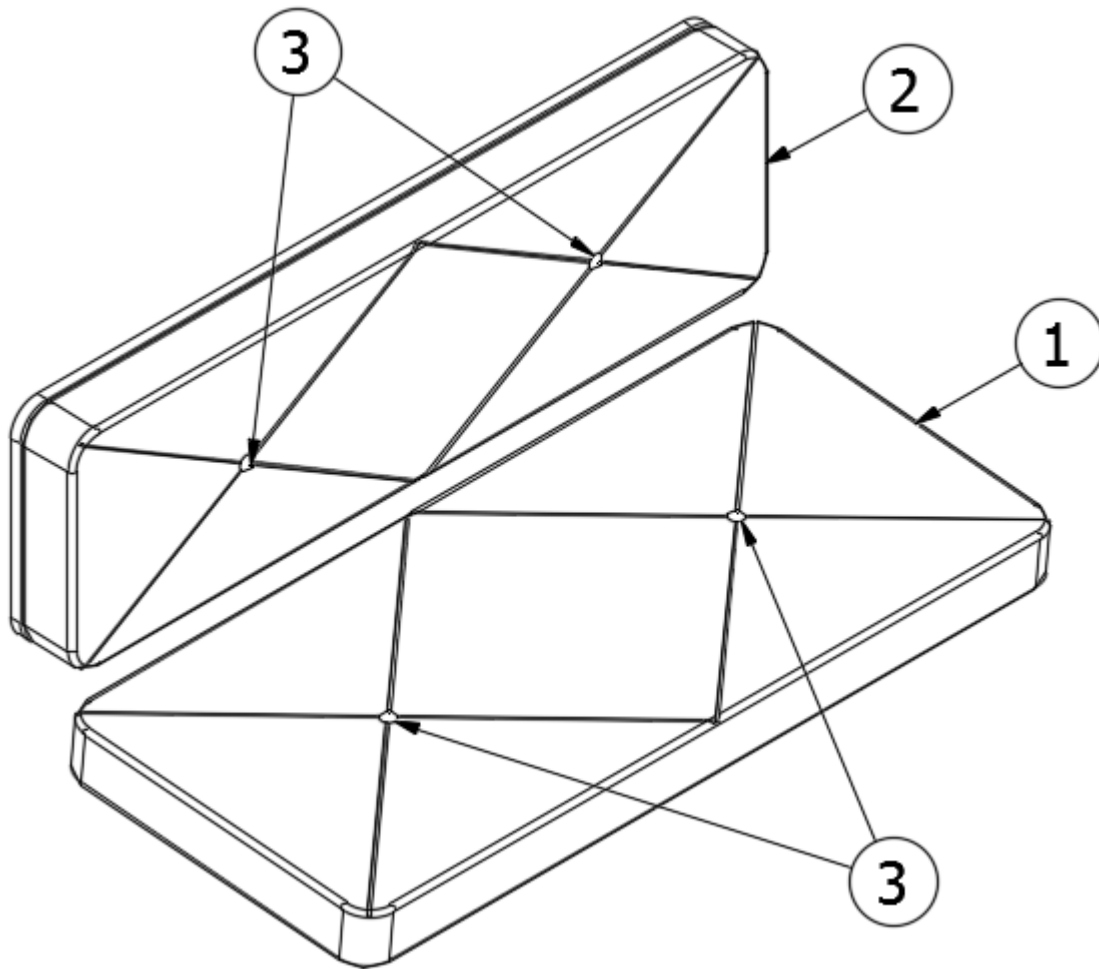
Kit, Dinette Foam, Teal  
Kit, Dinette Foam, Beige

1. 704451-01
2. 704451-02
3. 704451-03
4. 704451-04
5. 704451-05
6. 704451-06
7. 704451-07

Side, Dinette seat  
Front, Dinette seat  
Side rest, Dinette seat  
Side wedge, Dinette seat  
Front rest, Dinette seat  
CS corner, Dinette seat  
RS corner, Dinette seat

# 2019 NEST BEDDING, FOAM

## Sofa Dinette Foam Kit



704493-T  
704493-B

Kit, Sofa Dinette Foam, Teal  
Kit, Sofa Dinette Foam, Beige

- 1. 704493-01
- 2. 704493-02
- 3. 704451-11  
704451-12

Foam, Sofa seat bottom  
Foam, Sofa seat back  
Button, .75", White  
Velcro strip

# 2019 NEST BEDDING, FOAM

## Décor Boards

### WINGSPAN WHITE



704424 - Dolce, Artesian

**Perm. Bed/Sofa dinette**  
Cushion kit:  
704493-B  
Pillow/Bedding kit:  
704420

**U-Dinette**  
Cushion kit:  
704451-B  
Pillow kit:  
704421



**Window Coverings:**  
704505, Duet - Snow

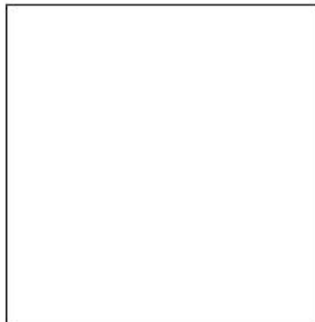
### CLUTCH BLUE



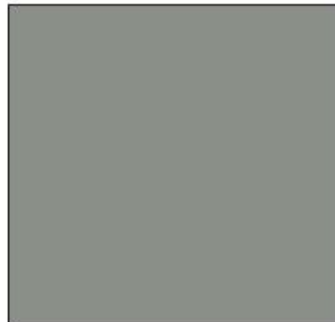
704507 - Dolce, Emerald

**Perm. Bed/Sofa dinette**  
Cushion kit:  
704493-T  
Pillow/Bedding kit:  
704422

**U-Dinette**  
Cushion kit:  
704451-T  
Pillow kit:  
704423



**Laminate:**  
802218, Soft White  
**White edgeband:**  
365340-TAB, Frosty White  
**Grey (galley) edgeband:**  
365427-02, Citadel



**Laminate:**  
802235, Fashion Grey



**Laminate**  
802287, Pewter Pine  
**Edgeband:**  
365437-02, Pewter Pine



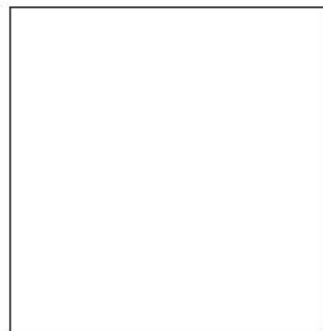
**Wall covering fabric**  
704431 (includes lamination)  
Barnstormer, Harbor Mist



**Flooring**  
704409, Phonitec, Deco 991E  
**Roll width:**  
12'-0"



**Wet Bath Countertop**  
203925-07  
Hi-MACS LG Hausys  
Color: GT909 Armadillo



**Thermofilm:**  
704510, Snow White  
**Used on:**  
968506-2, CS Cubby face  
968507-2, RS Cubby face  
969508-1, Front Cubby face,



**Thermofilm**  
704483, Pewter Pine  
**Used on:**  
968700-34, Galley Top  
968501-34, Pantry Top  
968504-13, Sofa Dinette Top

# 2019 NEST VENTS, FANS, SKYLIGHTS

## Vent, Black Tank

690700-01 Vent pipe cover, White  
382337 Gasket, Corlon, Vent Cap

## Vent, Refrigerator

968499-16 Vent, Refrigerator

## Vent, Roof

690266-04 Ventilator w/2" garnish, White  
690266-05 Garnish, 4" ceiling vent, Polar White

## Exhaust Fan

690714 Maxxfan, 4-speed manual  
690714-01 Bezel, Maxxfan, White

## Skylight

371462 Skylight, 30 x 18  
371462-01 Clamp ring, Skylight, Black  
112591-01 Stiffener frame, Skylight

# 2019 NEST

## PANELING, EDGEBANDING, LAUAN

### Paneling

802218	Laminate, Soft White Xtreme matte w/peel coat
802235	Laminate, Vertical, Fashion Grey
802237	Pre-laminated panel, 18mm, Grey Liner/Grey Liner
802238	Pre-laminated panel, 18mm, Grey Liner/Soft White
802239	Pre-laminated panel, 18mm, Soft White/Soft White
802240	Pre-laminated panel, 12mm, Grey Liner/Grey Liner
802241	Pre-laminated panel, 12mm, Grey Liner/Soft White
802242	Pre-laminated panel, 12mm, Soft White/Soft White
802287	Laminate, HPL, Pewter Pine

### Edgebanding

365437-02	Edgebanding, .94", Pewter Pine
-----------	--------------------------------

### Lauan

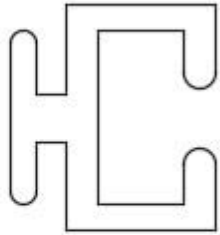
800507-03	Panel, Lauan, 3/8" x 4' x 8', raw/raw
-----------	---------------------------------------

### Plywood

800397	Cedar, Planked, 4' x 8' sheet
800976-01	Plywood, tongue and groove, 19/32' (floor)
801351	Lite Ply, 18MM (.75") 4' X 8'
801352	Lite Ply, 12MM (.5"), 4' x 8'

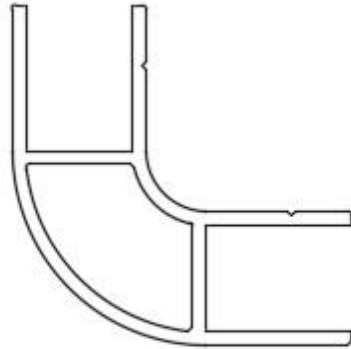
# 2019 NEST TRIMS

Trim



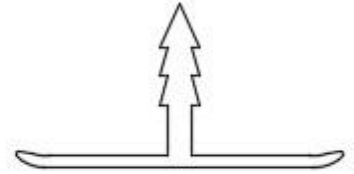
1

- 1. 101217
- 2. 115681
- 3. 115950  
203445-01



2

- Extrusion, Curtain track, Aluminum
- Extrusion, 1" radius corner, .5"
- T-molding extrusion, 13/16", Aluminum
- T-molding, 9/16", White



3