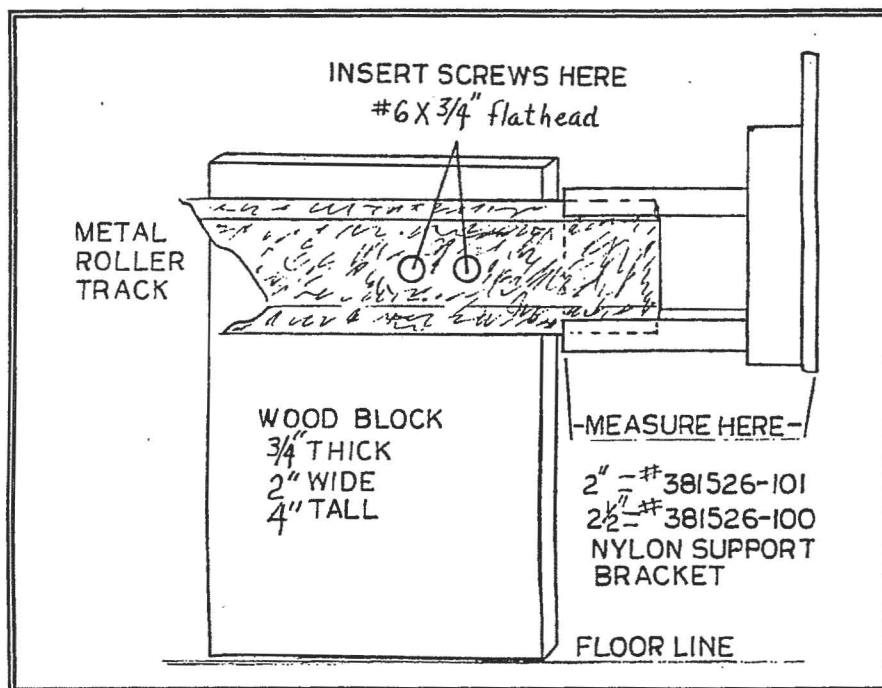


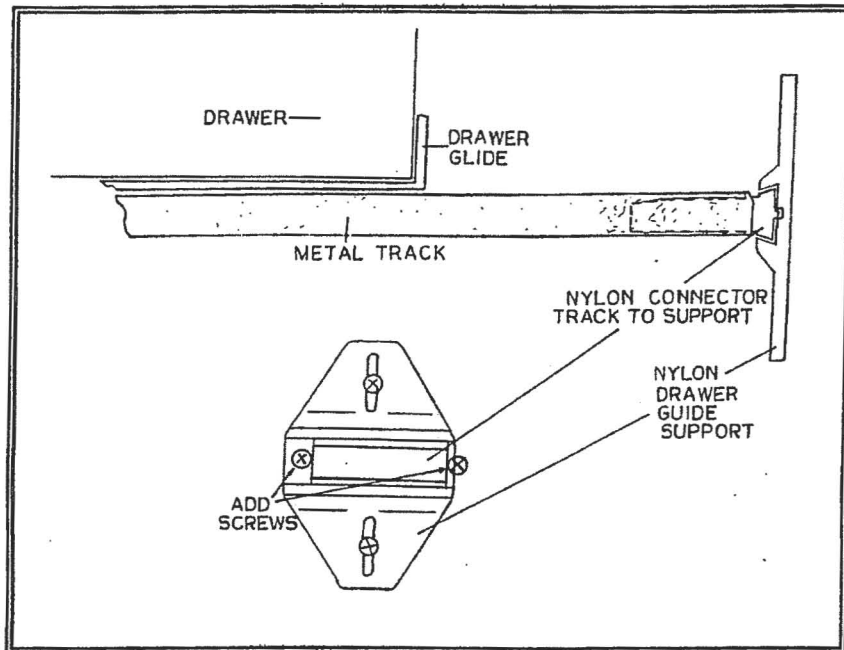
AIRSTREAM™

DINETTE DRAWER GUIDE SUPPORT Repair Kit # 381400-100

- ◆ Remove dinette seat tops
- ◆ Slide drawer part way out
- ◆ Stand wood piece on floor on outside of metal track next to nylon support bracket. (See Illus.)
- ◆ Hold wood firmly down on floor and insert two #6 x 3/4" screws through metal track into wood. The holes will already be in the track in most cases. If only one hole is pre-drilled a second 1/4" hole should be drilled in the track prior to installing the block.



If the nylon support bracket is broken and replacement is required, there are two different designs. To obtain the correct parts measure the support bracket as shown in the illustration and reference that part number corresponding to that measurement. When ordered by part number you will receive a pair — right and left.



* This style drawer glide was used in many different locations. If you have other drawers with the nylon connector sliding out of the drawer guide support, adding the screws as shown will correct the problem. *Note: The connector is not necessarily centered. Slide the drawer closed and make sure the drawer is square to the cabinet face. Carefully slide the drawer out and secure the connector in the position that it assumed when the drawer face was square.*