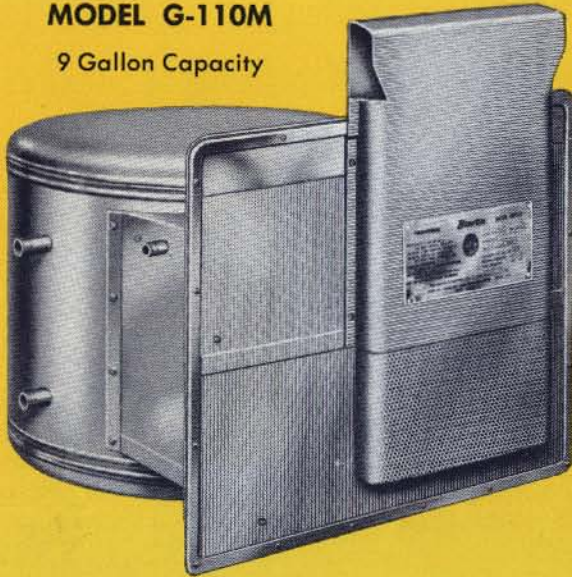


# BOWEN GAS WATER HEATERS

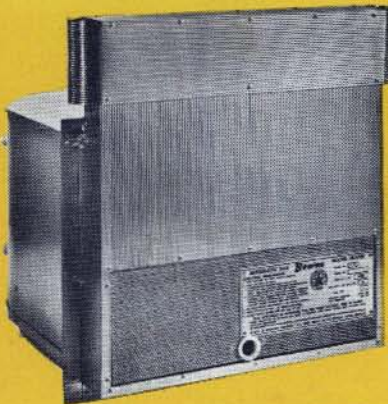
**MODEL G-110M**  
9 Gallon Capacity



**MODEL G-117M**  
17 Gallon Capacity

**MODEL G-106T**  
6 Gallon Capacity

*this is  
\*T*



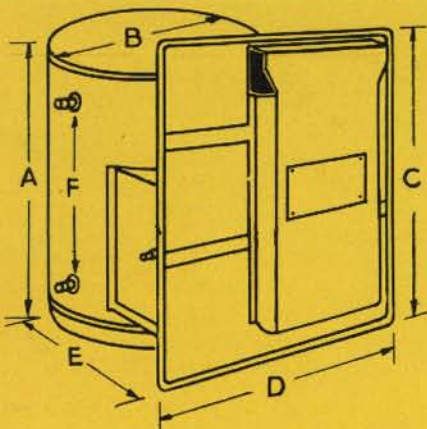
All Bowen Gas Water Heaters are installed from the outside. There are real advantages in this method. All adjustments — and service, should it ever be needed — are easily made from the outside. There is no inside vent pipe going through the roof, which always creates a maintenance problem. There is no chance of gas odors inside the mobile home.

To operate, you merely light the pilot from the outside.

Bowen Gas Water Heaters have been tested and approved by both the American Gas Association and the Canadian Gas Association for installation in mobile homes and travel trailers.

And remember! There is a tremendous saving when you use gas to heat water.

## SPECIFICATIONS, DIMENSIONS AND SPACE REQUIREMENTS



MODEL	G-106T*	G-110M G-110T*	G-117M	G-130M
Storage Capacity	6-Gal.	9-Gal.	17-Gal.	30-Gal.
Gas Input	12,500	12,600	12,600	12,600
A. Height of Tank	12"	15"	22½"	34½"
B. Diameter of Tank	16"	20½"	20½"	20½"
C. Height of Panel	19"	17½"	24½"	36¼"
D. Width of Panel	18"	22½"	22½"	22½"
E. Overall Depth	18½"	22"	22"	22"
F. Nipples, center to center	7"	7¼"	14¼"	26½"
Body Opening	16½" x 12¼"	21" x 16"	21" x 23"	21" x 35"
Net Weight	22 lbs.	45 lbs.	62 lbs.	75 lbs.
Shipping Weight	26 lbs.	57 lbs.	75 lbs.	90 lbs.

\*Models G-106T and G-110T for LP gas only



**REPRESENTATIVES  
AND WAREHOUSES**

Florence Distributing Company  
2900 West Mishawaka Road  
Elkhart, Indiana

Martin Manufacturing Co.  
Box 1292, 708 N. Throckmorton  
Fort Worth, Texas

Mobile Home Products  
13585 - 49th Street North  
St. Petersburg, Florida

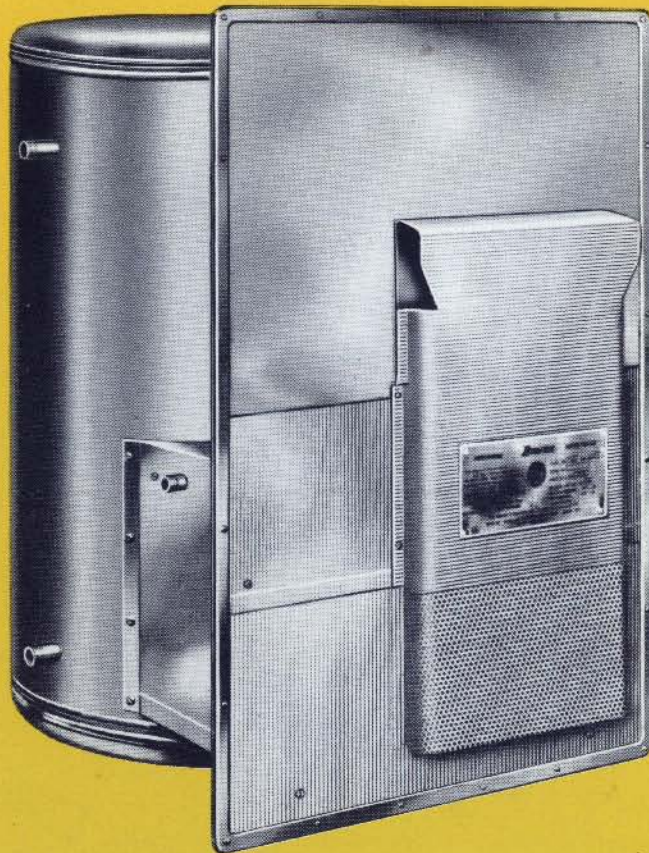
Sporoco, Inc.  
506 N. Orange  
Selinsgrove, Penna.

Ward & Son, Inc.  
5601 Valley Blvd.  
Los Angeles 32, Calif.

*27 1/4 x 16 1/2*



# BOWEN GAS WATER HEATERS



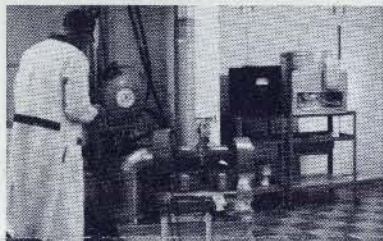
**MODEL G-130M**  
30 Gallon Capacity

## **MODEL G-130M** **30 GALLON CAPACITY**

This big Bowen fully meets the ever-increasing call for **more hot water!** Large mobile homes, with clothes washers, dish washers, tub and showers to serve more people, can now have more hot water than will ever be required.

Model G-130M, storing 30 gallons of hot water, and its fast recovery by its efficient use of gas, is the answer to this problem.

**ALL ALUMINUM**  
**Rustproof Forever**  
**Unsurpassed Economy**  
**Simple Installation,**  
**under Counter**



## **BUILT FOR LASTING SATISFACTION**

The high quality of Bowen Water Heaters is the result of scientific research over many years in our own well equipped laboratory and its many testing devices. Each individual tank is hydrostatically tested. Materials are of the highest quality. Rigid inspection is maintained at every step in production. Then the final performance inspection — to assure the user the very best product that modern engineering and production methods can produce.

## **BOWEN FEATURES INSURE LONG LIFE AND ECONOMY**

One-piece tank of lifetime, rust proof aluminum.

Thick fiberglass insulation that is tops in economical heat retention, fire-proof, odorless, non-settling.

Hot water outlet at top, utilizing full capacity of tank.

Incoming water, at base of tank, comes into immediate contact with large, horizontal combustion chambers, insuring immediate thermostatic response as water is drawn off.

Easy adjustment of the accurate, trouble-free thermostat, from 110° to 160°.

Tank damage caused by "unfriendly water" and other harmful elements is eliminated by a protective magnesium anode.

All models are equipped for either LP or natural gas, except the 9 gallon Model G-110T for travel trailers which is approved for LP gas only.

**Specifications of all models on other side.**

### **PATENTED**

The design and construction of all Bowen Gas Water Heaters are protected by Letters Patent No. 3,028,843.



BOWEN DIVISION

49230 WEST FOURTEEN MILE • WIXOM, MICHIGAN 48096

PHONE: 624-1555 • AREA CODE 313 • TWX-624-4562