

Before connecting lamp to gas supply be sure valve is in "OFF" position. Check all fittings and connections for leaks with a soap solution before lighting the lamp.

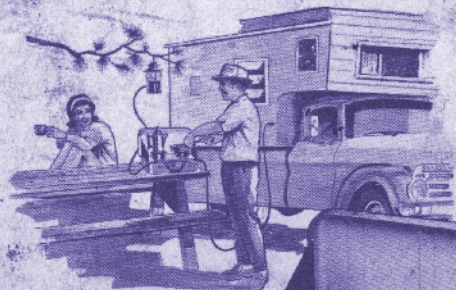
After mantle has been burned off, insert lighted match through opening in bottom of globe and hold near bottom of mantle. **DO NOT TOUCH MANTLE FABRIC.** Next, turn gas full on with valve handle. **CAUTION—DO NOT TURN ON GAS BEFORE INSERTING MATCH.** Note: When a lamp has first been connected, there may be air in the gas line. Several matches may be required before lamp will ignite.

Gas valve should never be turned on until after lighted match is inserted.

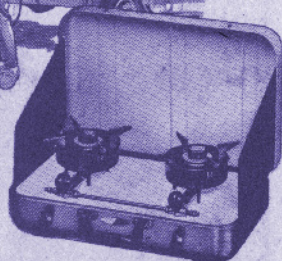
Should light pulsate after burning for awhile this would indicate undergassing or low pressure. See your gas dealer or contact Humphrey Products.

If light flames or carbon spots appear on mantle, follow this procedure: check inside of bunsen tube. Spiders and other insects sometimes enter through air openings when lamps have not been in use and we often find that a spider web in the bunsen causes the trouble. If light still carbons, this indicates overgassing. See your gas dealer or contact light manufacturer.

When the portion of your gas light next to the wall becomes hot there is no cause for alarm. This is the nature of this type of appliance and while it feels hot to the touch it does not become hot enough to create a hazard. With a minimum amount of care your light will give you years of trouble-free service and provide instant light whenever and wherever you need it.



USE YOUR
LP-GAS BOTTLE
TO COOK OUTSIDE, TOO,
WITH FAMOUS ...



Humphrey COOKIT

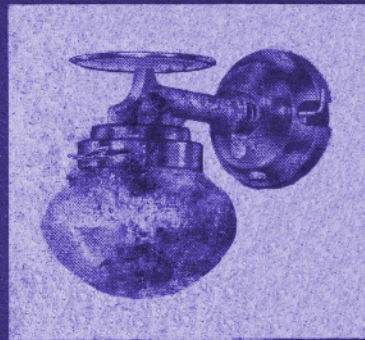
Once you enjoy the benefits of modern LP-Gas in a refillable 'bottle' for cooking—you wouldn't have anything else.

Now Humphrey offers you the same ease, speed, and convenience for cooking *outside* that you have inside. Confidence, too—as to performance and safety. 'Roughing-it' with old-fashioned wood-or-gasoline-burning equipment may be O.K.—for some other hardy souls . . . You can save your time, attention and temper for the fun-part of your outings. Here's the ideal 'one-package' deal for outdoors cooking and lighting too, (Camplite).—Don't settle for less!

Humphrey Products

Div. General Gas Light Co. Box 2008 Kalamazoo, Michigan 49003

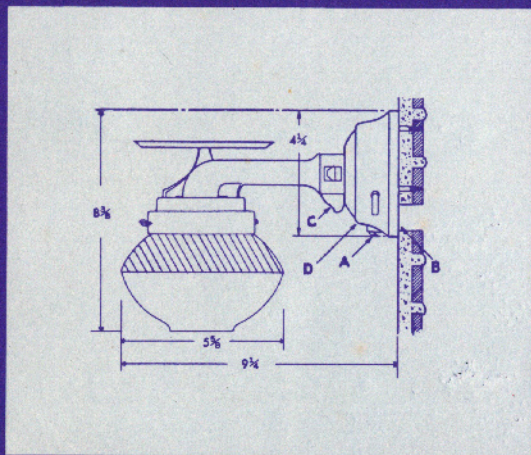
INSTALLATION AND OPERATION



Humphrey
OPALITE NO. 3 GAS LAMP

Instructions

For Installing and Operating Humphrey Series No. 3 Wall Mounting Gas Lamp



FOR BEST RESULTS USE ONLY GENUINE
HUMPHREY MANTLES AND GLOBES

Congratulations on your purchase of this Humphrey Gas Light. Its design and construction are based on more than 65 years of gas light manufacturing experience. You will find that it is easy and economical to operate and will give you many years of dependable lighting service.

INSTALLING YOUR LAMP

1. The No. 3 Series Bracket or Wall Light is easily installed. There are two gas supply inlets to the valve body, "A" and "B". As "B" is more often used, this is supplied open while "A" is plugged. Reverse if the connection on front is to be used.
2. Copper tubing for gas supply of $\frac{1}{4}$ " outside diameter is recommended for short runs and tubing of $\frac{3}{8}$ " outside diameter for longer runs or for installations where more than one light is used. The tubing connector, for attaching tubing to the light valve, is included in the small envelope containing screws.
3. As shipped, the bracket back plate which holds valve body is detached from burner body. It is usually more convenient to connect the tubing before screwing plate to wall. Do not put a strain on union or valve as light will not operate properly if valve is cocked to one side. When installing light allow 6 inches clearance between top of heat deflector and ceiling to prevent overheating.
4. The lamps are supplied with Parker-Kalon screws threaded close up to head. They will hold back plate firmly in hard wall board as thin as $\frac{1}{8}$ ". Just start an awl or drill a hole smaller than screw and it will cut its way solidly through to head.
5. After installing back plate, install Bunsen and body shell "D". These are attached to back plate with screws provided.
6. The globe is held by a spring ring. Press the loop ring ends together and put globe up into the holder. When globe is in position release the spring ends and the ring will close around globe neck. Give globe a slight pull to see that it is firmly held.

INSTRUCTIONS FOR MANTLE INSTALLATION

Use Only Genuine Humphrey No. 8 Mantle

1. When attaching a new No. 8 mantle to the lamp, hold it by the porcelain ring. Never touch the mantle itself. (See photo below.)
2. After lamp is installed, and the mantle is in proper position, and with gas off—apply a match to the top of the mantle. The mantle coating will burn slowly downward. Allow this flame to burn and smolder until the mantle stops glowing.
3. Replace globe. **BE CAREFUL NOT TO TOUCH MANTLE OR IT WILL CRUMBLE.**



NO. 8
BURNER NOSE



NO. 8
MANTLE

4. Turn gas on and light mantle.
 5. Let lamp burn at maximum brightness for at least 15 minutes before turning it off.
- THIS CAREFUL HANDLING ASSURES A STRONG MANTLE** delivering maximum light, and long service.

OPERATING INSTRUCTIONS TO LIGHT

Humphrey Lamps are designed for use on Liquefied Petroleum (Butane and Propane) Gases at a pressure of 11" water column. (6 oz.).

DO NOT ATTEMPT TO USE THIS LIGHT ON NON-REGULATED HIGH PRESSURE GAS.

PRINTED
IN
U.S.A.