

***AIRSTREAM EUROPE***  
***422 BAMBI***  
***TRAVEL TRAILER***

***PARTS***  
***BOOK***

**2010-2012**

SECTION I  
A through C

APPLIANCES

[Heating System](#) ..... I-1  
[Refrigerator](#)..... I-3

BODY

[End shell, Rear](#) ..... I-4  
[End Shell, Front](#) ..... I-6  
[Wall, Roadside, 422](#) ..... I-8  
[Wall, Curbside, 422](#) ..... I-10  
[Film, Body Protector](#) ..... I-12  
[Grab Rails](#) ..... I-13  
[Floor](#) ..... I-14  
[Shell/Chassis Attachment](#) ..... I-14  
[Roof](#)..... I-15  
[Body Interior](#) ..... I-16

CHASSIS

[Bumper](#) ..... I-18  
[Coupling Covers](#)..... I-18  
[Underbelly Cover](#)..... I-19  
[Wheel Assemblies](#) ..... I-19  
[P-Trap Cover](#) ..... I-19

SECTION II  
D through E

[DECAL/EXTERIOR TRIM/REFLECTORS](#).....II-1

DOORS/WINDOWS/AWNING

[Exterior Doors](#) .....II-2

[Windows, Window Trim & Screens](#) .....II-6

[Awnings](#).....II-8

BLINDS

[Blinds](#).....II-11

ELECTRICAL

[Auxiliary Light](#) .....II-12

[Exterior Lights](#) .....II-12

[Tail Light Assemblies](#) .....II-13

SECTION III  
F through H

FASTENERS

[Rivets](#)..... III-1

[FLOOR COVERING](#) ..... III-4

FURNITURE

[Roof Locker Doors](#) ..... III-5

[Lounge](#) ..... III-6

[Lavatory](#) ..... III-14

[Galley](#) ..... III-23

[Interior Trims](#) ..... III-36

HARDWARE

[Main Door](#) ..... III-37

[Bathroom Accessories](#) ..... III-39

[Wardrobe Clothes Rod](#) ..... III-39

[Storage Boxes/Wastebasket](#) ..... III-39

[Pedestal Table Hardware](#) ..... III-40

[Roof locker Hardware](#) ..... III-40

SECTION IV  
P through Z

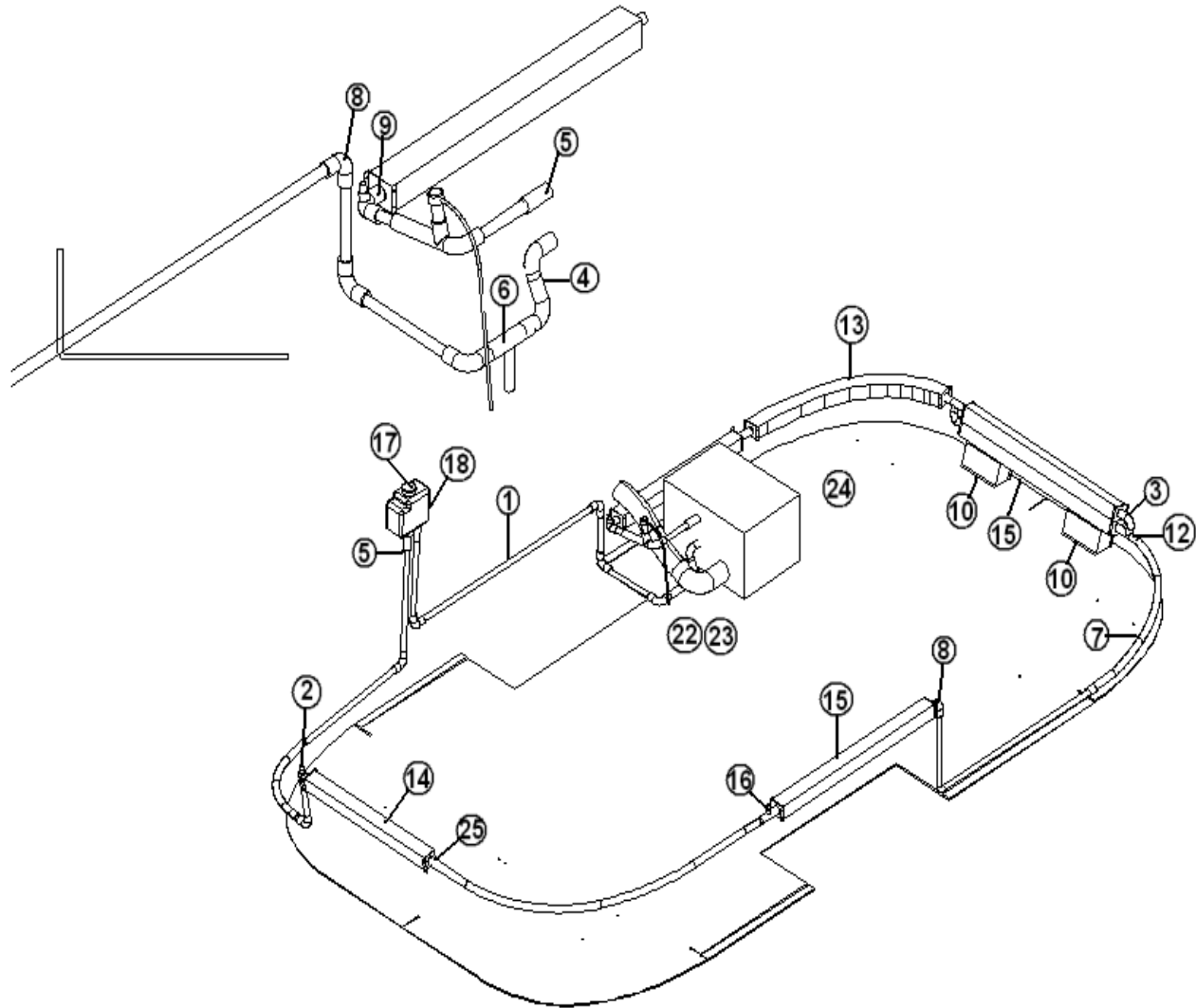
PLUMBING

<a href="#">LPG</a> .....	IV-I
<a href="#">Fresh Water</a> .....	IV-5
<a href="#">Faucet</a> .....	IV-5
<a href="#">Shower Kit</a> .....	IV-5
<a href="#">Drain Water</a> .....	IV-6
<a href="#">Cold Water Lay-Out</a> .....	IV-9
<a href="#">Hot Water Lay-Out</a> .....	IV-11
<a href="#">Sink, Lavatory</a> .....	IV-13
<a href="#">SEALER/PAINT</a> .....	IV-14
<a href="#">VENTS/FANS</a> .....	IV-15

# 2010 - 2012 AEU 422 Bambi

## APPLIANCES

### Heating System, 422 Bambi



Parts Listed on Next Page

## 2010 - 2012 AEU 422 Bambi

### APPLIANCES

99900M-387

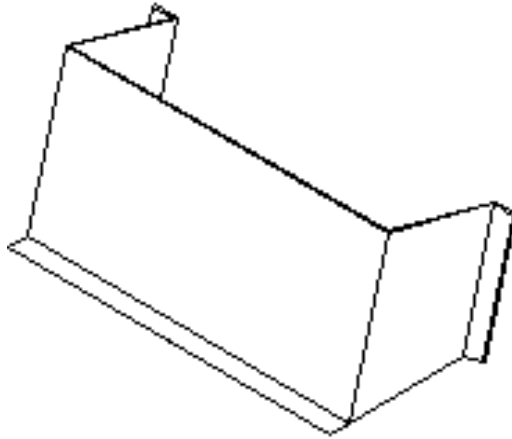
Heating System, 422 Bambi

1. 99900P-076 Pipe, Aluminum 22 x 1mm
2. 99900P-069 T-Joint Rubber w/Bleeder
3. 99900P-070 Y Joint Rubber w/Clips
4. 99900P-745 Rubber Fitting S Modified
5. 99900P-074 Joint, Rubber EPDM 21 4 x 4 25mm
6. 99900P-072 T-Drain Rubber w/Clips
7. 99900P-073 Rubber Hose
8. 99900P-084 Elbow, 90D Rubber
9. 99900P-966 Elbow, 90D Rubber
10. 99900P-188 Baffle, Floor to Radiator
11. 340085-07 Clamp, Loop w/ Rubber 1"
12. 99900P-077 Connector, Pipe 22 X 1mm
13. 99900P-393 Convector, 1000mm Curved
14. 99900P-965 High Density Convector 800M
15. 99900P-964 High Density Convector 1000MM
16. 99900P-963 Rubber Joint w/Bleeder
17. 99900P-081 Pump, 12V Circulation
18. 99900P-082 Tank, Expansion
19. 99900P-086 Panel, Control
20. 99900P-087 Control Panel Connection Cable 8.5M
21. 99900P-075 Flue, Wall w/Clips
22. 99900P-089 Hose, Exhaust 50mm
23. 99900P-090 Hose, Inlet 75mm
24. 99900P-092 Heater, Hot Water
25. 99900P-085 Rubber, Double Clip

## 2010 - 2012 AEU 422 Bambi

### APPLIANCES

Heater Baffle, Floor to Radiator, 422 AEU



99900M-188 BAFFLE, FLOOR TO RADIATOR, 532 AEU

Refrigerator Door, Inserts

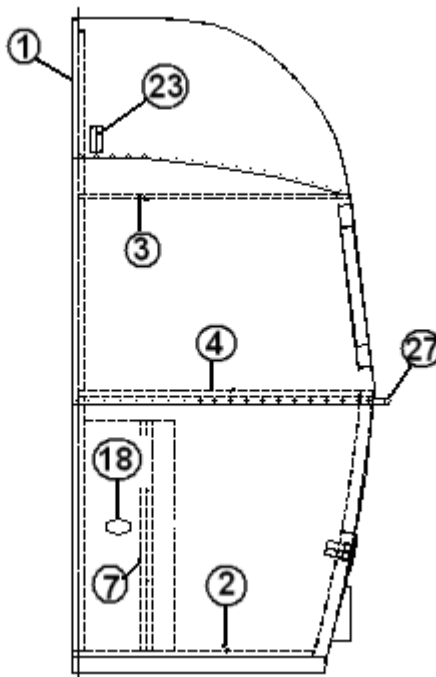
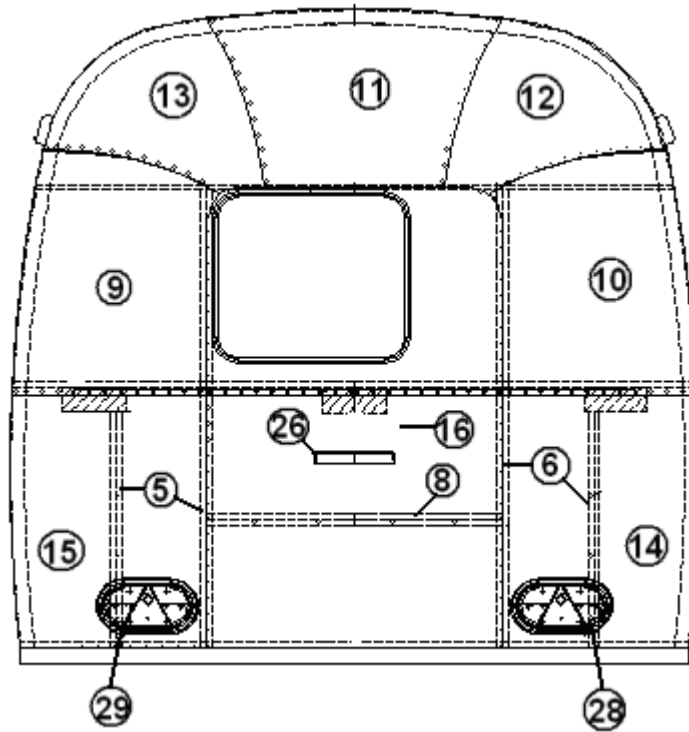
99900M-170 Refrigerator Door Insert, 422



# 2010 - 2012 AEU 422 Bambi

## EXTERIOR BODY

End Shell, Aft, 422 BAMBI



PARTS LISTED ON NEXT PAGE

## 2010 - 2012 AEU 422 Bambi

### EXTERIOR BODY

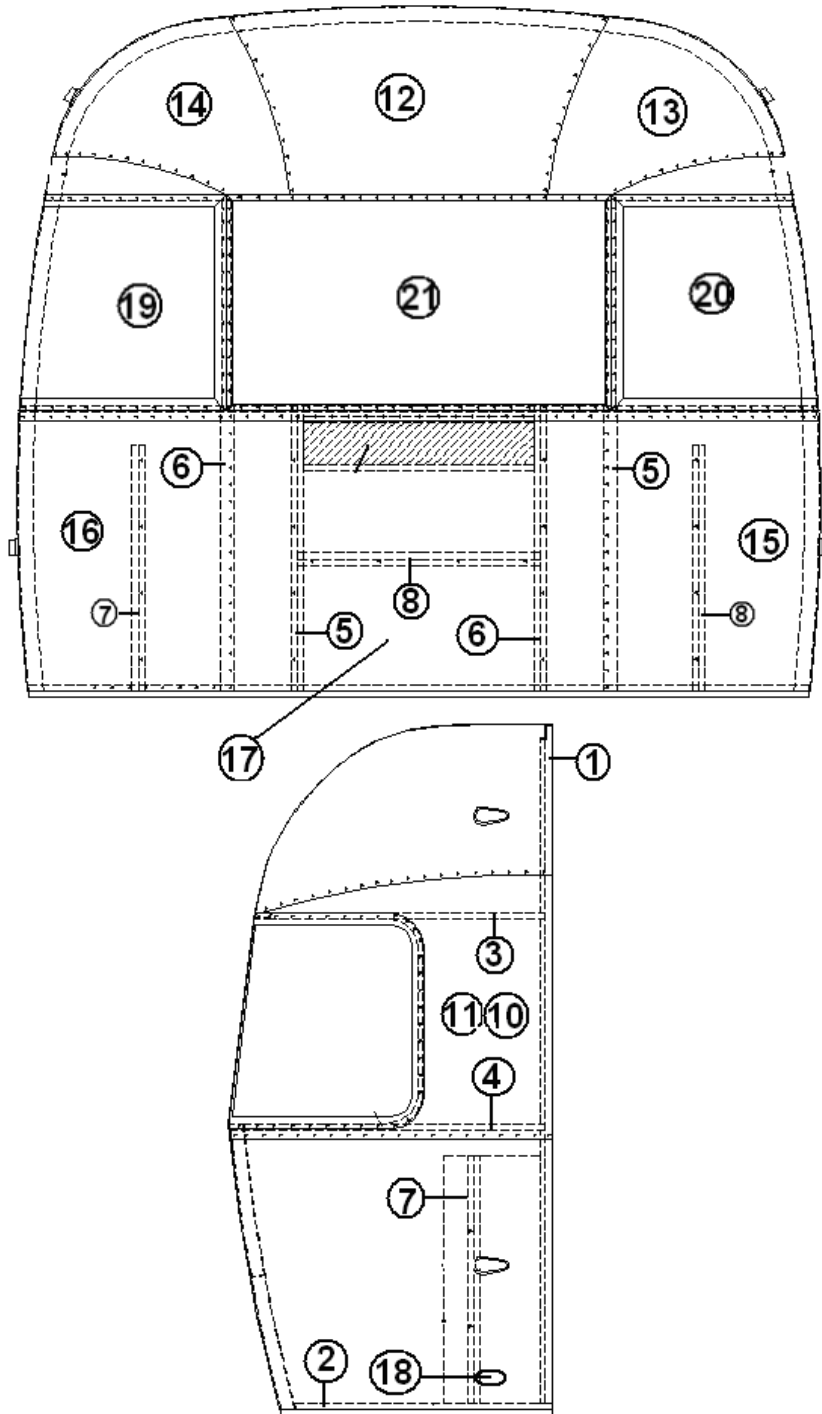
#### Aft End, 422 BAMBI

	99900M-403	END SHELL REAR
1.	99900M-015	WELDMENT ZERO BOW "NB"
2.	99900M-018	FLOOR BOW, CAPTIE EXTRUSION
3.	99900M-016	UPPER WINDOW BOW
4.	99900M-017	LOWER WINDOW BOW
5.	114505-01	SUPPORT LOWER END SHELL LH
6.	114505-02	SUPPORT, LOWER END RH
7.	101315	BRACE VERTICAL REAR
8.	104408	EXTRUSION Z RIB
9.	114888	SEGMENT, CENTER LEFT BRIGHT
10.	114889	SEGMENT, CENTER RIGHT BRIGHT
11.	99900M-049	EXTRUSION CENTER END SHELL ROOF SEGMENT
12.	114890	SEGMENT, #26 BRIGHT
13.	114891	SEGMENT, #27 BRIGHT
14.	114894	SEGMENT, #28 BRIGHT
15.	114895	SEGMENT, #29 BRIGHT
16.	114880-307	ALUM. SHEET .040" X 51" X 307"
18.	99900P-015	LED SIDE MARKER LAMP
21.	101115	ALUM. SHEET .060 X 48 X 120
23.	99900P-014	END/OUTLINER MARKER LIGHT
26.	99900P-010	NUMBER PLATE LAMP
27.	99900P-001	GRAB RAIL 63", ss
28.	99900P-981	BASE RH REAR LAMP
28.	99900P-979	TAIL LIGHT RH REAR COMBO
29.	99900P-980	BASE LH REAR LAMP
29.	99900P-978	TAIL LIGHT LH REAR COMBO

# 2010 - 2012 AEU 422 Bambi

## EXTERIOR SHELL

### END SHELL, FRONT 422 BAMBI



Part Numbers are on the Next Page

# 2010 - 2012 AEU 422 Bambi

## EXTERIOR SHELL

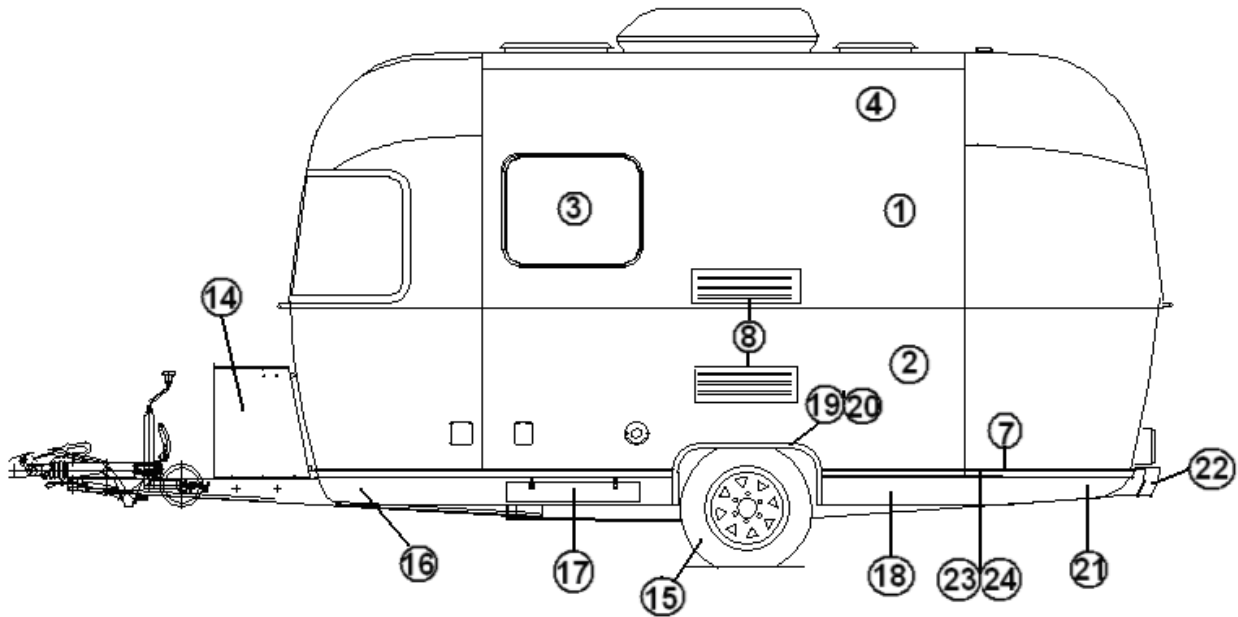
### END SHELL, FRONT 422 BAMBI

	99900M-436	Front End Shell
1.	99900M-015	Weldment, end bow, NB
2.	99900M-018	Floor bow, captive extrusion
3.	99900M-016	Upper, window bow
4.	99900M-017	Lower, window bow
5.	114505-01	Support, lower end shell, left-hand
6.	114505-02	Brace, vertical rear
7.	101315-01	Support Lower end LH
8.	101315-02	Support Lower end RH
9.	104408	Rib bow
10.	114888	Segment, center left, bright
11.	114889	Segment, center right, bright
12.	99900M-049	Exterior Center End Shell Roof Segment
13.	114890	Segment, #26, bright
14.	114891	Segment, #27, bright
15.	114894	Segment, #28, bright
16.	114895	Segment, #29, bright
17.	114880-307	Aluminum sheet, 040 x 51" x 307"
18.	500096	Reflector, amber
19.	372088-101	RS front panoramic window
20.	372089-101	CS front panoramic window
21.	99900P-049	Front window, complete assembly
	99900P-001	Grab Rail 63"

# 2010 - 2012 AEU 422 Bambi

## EXTERIOR SHELL

Wall, Roadside, 422



Part numbers are on the next page

## 2010 - 2012 AEU 422 Bambi

### EXTERIOR SHELL

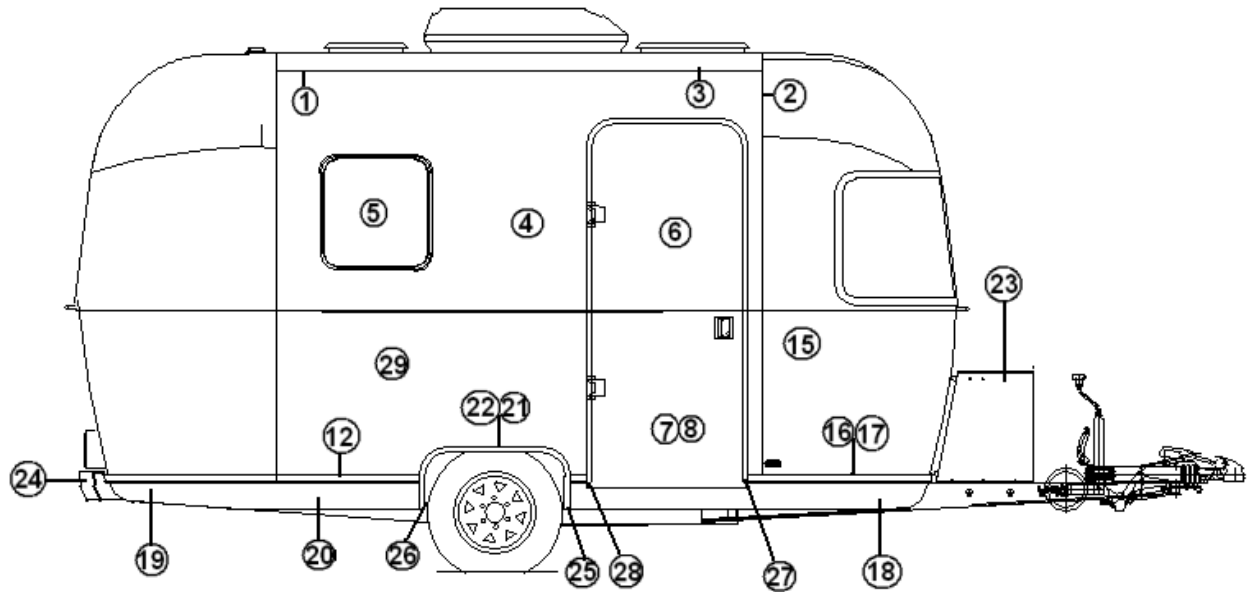
#### Wall, Roadside, 422

1. 114880-201 Aluminum Sheet, .040" x 51" x 198"
2. 114879-201 Aluminum Sheet, .040" x 33" x 198"
3. 99900P-994 Window, 650 x 520
4. 114290-02 Extrusion, Awning, Drip Rail 261"
5. 114387-02 Bow, Rib, Z L.H.
6. 114387-01 Bow, Rib, Z R.H.
7. 99900P-043 Extrusion, Floor 16.5'
8. 690470-01 Refrigerator Vent
9. 386126 Nameplate, Bambi/Blk/Gray
11. 99900P-075 Heater Wall Flue w/Clips
12. 99900P-015 Light, LED Side Marker
13. 99900P-018 Lamp, Side Marker w/Reflector
14. 99900M-035 Cover, LP Bottle
15. 99900P-977 Tire & Wheel Assy.
16. 99900P-008 Banana, Roadside Front/CS Rear
17. 99900M-420 Door, Utility Compartment
18. 203304 Roll, Underbelly, Black
19. 114003-03 Wheel well trim, inner, Single Axle
20. 99900M-121 Wheel well trim, outer, Single Axle
21. 200543-01 Banana, Curbside Front, Roadside Rear
22. 99900M-002 Bumper, Rear
23. 114460 Extrusion, Rubrail
24. 201763-01 Insert, rubrail, Chrome 1"

# 2010 - 2012 AEU 422 Bambi

## EXTERIOR SHELL

Wall, Curbside, 422



Parts Listed on Next Page

## 2010 - 2012 AEU 422 Bambi

### EXTERIOR SHELL

#### Wall, Curbside, 422

1. 114290-02 Extrusion, Awning Drip Rail
2. 99900M-015 Weldment, Zero Bow
3. 104707-01 Extrusion, I Beam
4. 114880-201 Aluminum Sheet, .040" x 51" x 201"
5. 99900P-992 Window, 500 X 520
6. 115207-09 Main Door Assy., LH Hinge
7. 114654-01 Screen Door Assy.
8. 114652-01 Jamb, Main Door, Pre-Formed
9. 101171 Handle, Cast Aluminum
10. 512252 Step Light, L.E.D.
11. 114387-02 Bow, Rib - Z L.H.
12. 99900P-043 Extrusion, Floor 16.5'
13. 114387-01 Bow, Z-Rib, R.H.
14. 99900P-015 Light, L.E.D. Side Marker
15. 386126 Nameplate, Bambi, Blk/Gray
16. 115546 Extrusion, Rubrail, 16'
17. 201763-100 Insert, Rub Rail Chrome, 1"
18. 99900P-009 Wrap, Banana, Curbside Front
19. 200542-01 Wrap, Banana, Curbside Rear
20. 203304 Roll, Underbelly, Black
21. 114003-03 Wheel Well Trim, Inner, Single Axle
22. 99900M-121 Wheel Well Trim, Outer, Single Axle
23. 99900M-035 Cover, LP Bottle
24. 99900M-002 Rear Bumper
25. 114466-01 Casting, Rub Rail End, Wheel Well, RH
26. 114466-02 Casting, Rub Rail End, Wheel Well, LH
27. 114465-01 Casting, Rub Rail End, Door, RH
28. 114465-02 Casting, Rub Rail End, Door, LH
29. 114879-201 Aluminum Sheet, .040" x 33" x 201"



2010 - 2012 AEU 422 Bambi

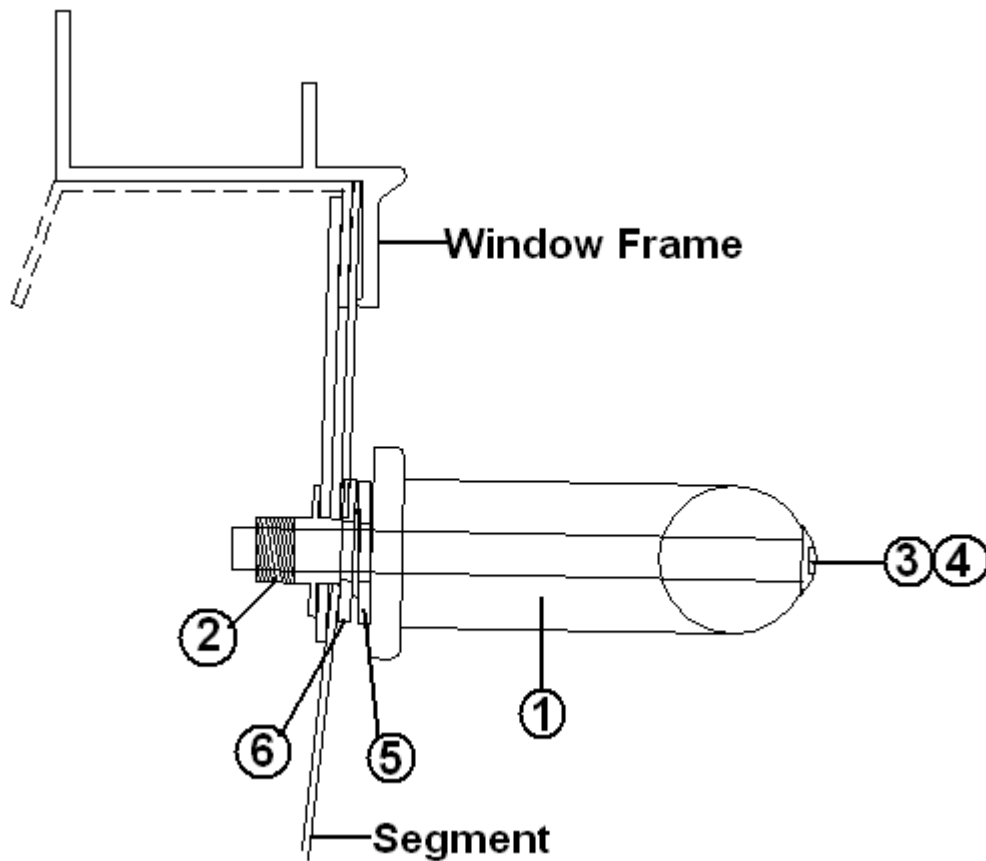
EXTERIOR SHELL

FILM, BODY PROTECTOR

203618-01	FILM, 3D BODY RS, 34.11 X 38.5"
203618-02	FILM, 3D BODY CS, 34.11 X 38.5"

2010 - 2012 AEU 422 Bambi  
EXTERIOR SHELL

Grab Rails



- |                |                                  |
|----------------|----------------------------------|
| 1. 99900P-001  | RAIL, GRAB STAINLESS STEEL       |
| 2. 99900P-004  | NUT- 1/4-20 RIVET                |
| 3. 99900P-006  | SCREW- 1/4-20 X 1.5" SOCKET HD   |
| 4. 99900P-044  | SCREW- 1/4-20X3.5" SOCKET CAP    |
| 5. 365222      | TAPE DOUBLE COATED .08 X 3/4"    |
| 6. 99900P-1033 | WASHER, SANTOPENE SEALING        |
| 360180         | ADHESIVE SEAL SIKAFLEX 221, GRAY |

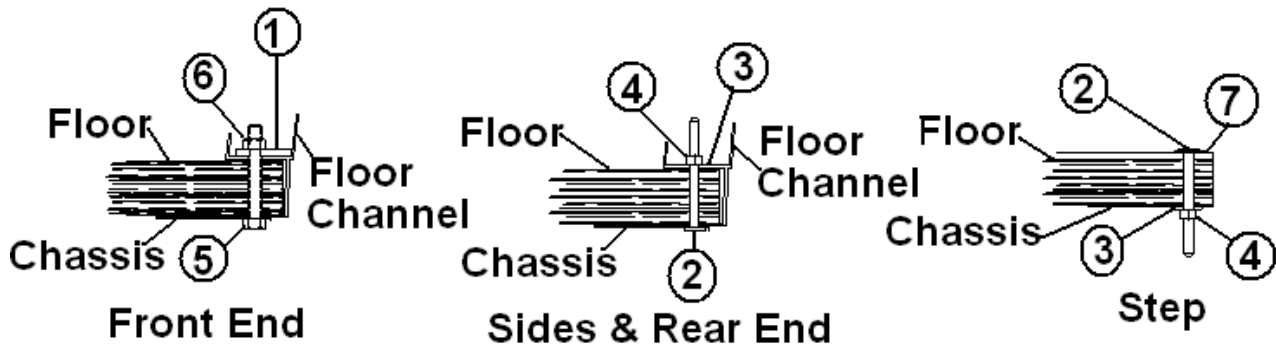
# 2010 - 2012 AEU 422 Bambi

## EXTERIOR SHELL

### Flooring Sub Structure

99900M-407	WELDMENT, FLOOR, 422
203665	STYROFOAM SHEET 1 1/2" THICK
801507-02	Lauan 1/4
114489-198	ALUMINUM SHEET .032 X 60" X 198" WHITE

### Shell/Chassis Attachment

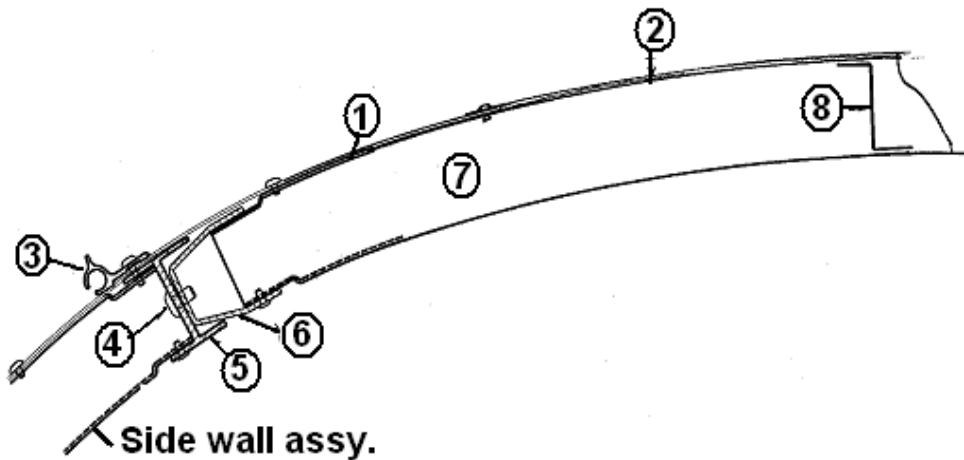


1. 300023-02	WASHER, HOLD DOWN, HOLE OFFSET
2. 345142	SCREW 1/4-20 X 3"
3. 300111-31	WASHER, FLAT, 5/16"
4. 350004	NUT, 1/4-20, STEEL SQUARE HEAD
5. 345272-13	SCREW, CAP, HEX HD, 3/8-16 X 3 1/4"
6. 350147-37	NUT, NYLON LOCK, 3/8-16
7. 300052	WASHER, 3/8"ID/5/8" OD FLAT

# 2010 - 2012 AEU 422 Bambi

## EXTERIOR SHELL

### Roof End View



- |               |  |
|---------------|--|
| 1. 114489-198 | Alum. Sheet, white, .032" x 60" x 198" |
| 2. 114880-307 | ALUM. SHEET, .040" X 51" X 307"        |
| 3. 114290-02  | Extrusion, awning/drip rail            |
| 4. 340123-02  | FASTENER, HUCK, BOM, 3/16" DIAMETER    |
| 5. 114515     | Extrusion, "I" Section                 |
| 6. 114987-02  | Extrusion, roof corner                 |
| 7. 99900M-001 | Roof Bow                               |
| 8. 104408     | Extrusion, Z-bar, horizontal           |
| 325000-03     | RIVET ANODIZED WHITE 1/8" X 1/4"       |
| 330127-03     | RIVET 1/8" AD43ABS                     |
| 325003-01     | RIVET, ANODIZED CLEAR 1/8" X 7/16"     |

## 2010 - 2012 AEU 422 Bambi

### INTERIOR SHELL

#### Interior Skin

114891-01	INTERIOR SEGMENT
114890-01	INTERIOR SEGMENT
114879-201	ALUMINUM SHEET .040" X 33" X 262"
114880-201	ALUMINUM SHEET .040" X 51" X 262"
114892-01	SEGMENT #25 NARROW INTERIOR

#### Interior Trim

201673	REVERSE COVE MOLDING WHITE
381772	HEAD KNOCKER, ENTRANCE DOOR
203138-05	EXTRUSION, PLASTIC, 1/2", WALL, BLACK
195329-202	Clear rubber bumper
201673	Cove molding, Ivory, plastic
114507-03	Trim, main door
203225	Trim lok White
201728-01	Extrusion, Ceiling Trim retainer
201962	Interior Trim, Skylight White

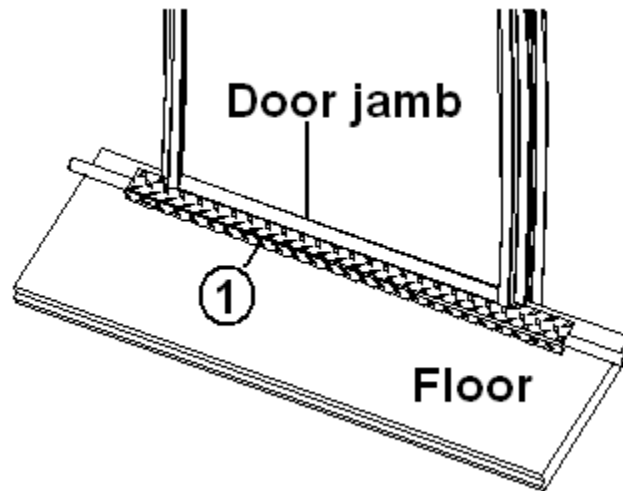
# 2010 - 2012 AEU 422 Bambi

## INTERIOR SHELL

### Wheel Well, Interior

203289 LINER, WHEEL WELL, ABS  
201568 FOAM, 3 TUFCOTE ACOUSTICAL, 1/2I  
365194 TAPE, ALUMINUM FOIL 2"

### Main Door Thresh Hold

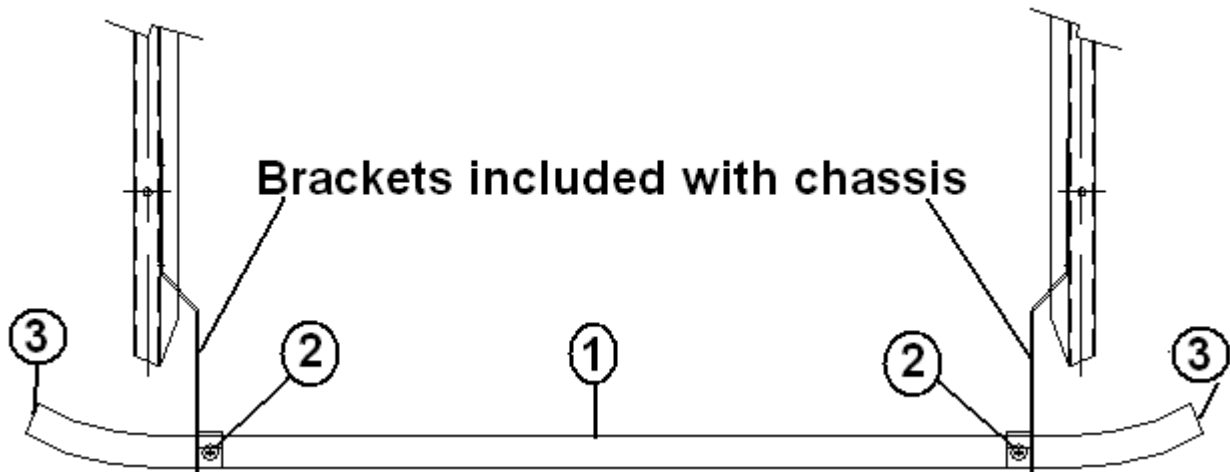


99900P-407 COVER-MAIN DOOR THRESHOLD

# 2010 - 2012 AEU 422 Bambi

## CHASSIS

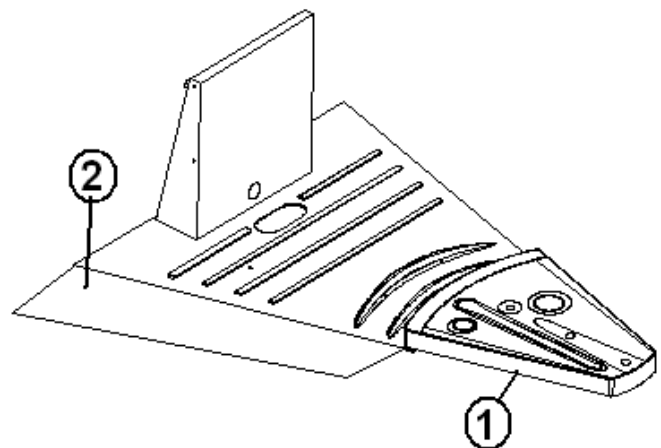
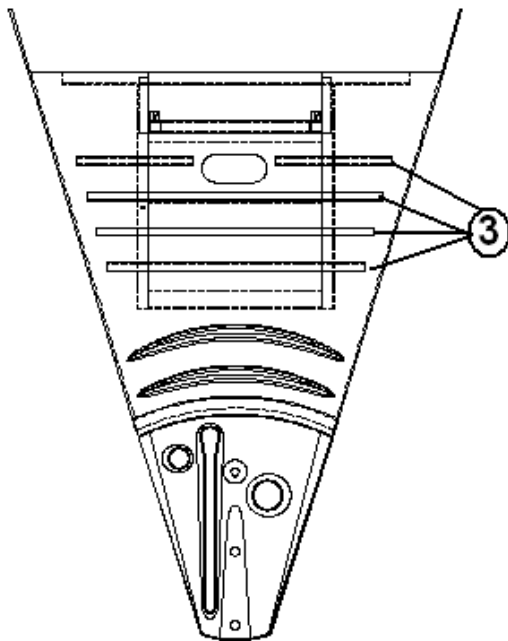
### Bumper



- 1. 99900M-002
- 2. 345073-08
- 3. 99900P-347

- BUMPER, REAR
- SCREW 1/4-20 X 1 3/8 WAFER HD
- Bumper end caps

### Coupling Cover, 422 BAMBI, 2010 & 2011



- 1. 99900P-026
- 2. 99900P-027

- COVER, COUPLING, 2010 & 2011
- COVER, DRAWBAR 2010 & 2011

# 2010 - 2012 AEU 422 Bambi

## CHASSIS

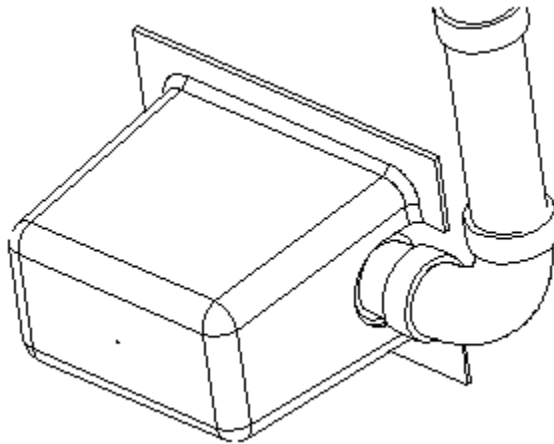
### Underbelly Skin/Cover

114679 ALUMINUM UNDERBELLY .019" X" 65.75"  
702754 NLA - UNDERBELLY DARCO 105" WIDE BLACK  
703968 FLOOR GUARD, UNDERBELLY, 102"W

### Wheel Assemblies

99900P-977 TIRE/WHEEL ASSEMBLY

### P-Trap Cover, Underbelly



99900P-119 P-trap cover (under floor)



# 2010 - 2012 AEU 422 Bambi

## EXTERIOR TRIM

### Decal/Medallions

386126	NAMEPLATE – BAMBI BLACK/GRAY
99900P-349	Vehicle Identification Plate
99900P-369	WEIGHT PLATE
386205	DECAL, "AIRSTREAM", CHROME, 1.75" x 21.50"
386068	MEDALLION, 3" LOGO, AIRSTREAM

### Beltline

114328	Extrusion, belt line molding
201912-100	Molding, belt line insert, chrome
114417	Casting, belt line close out

### Rub Rail Trim

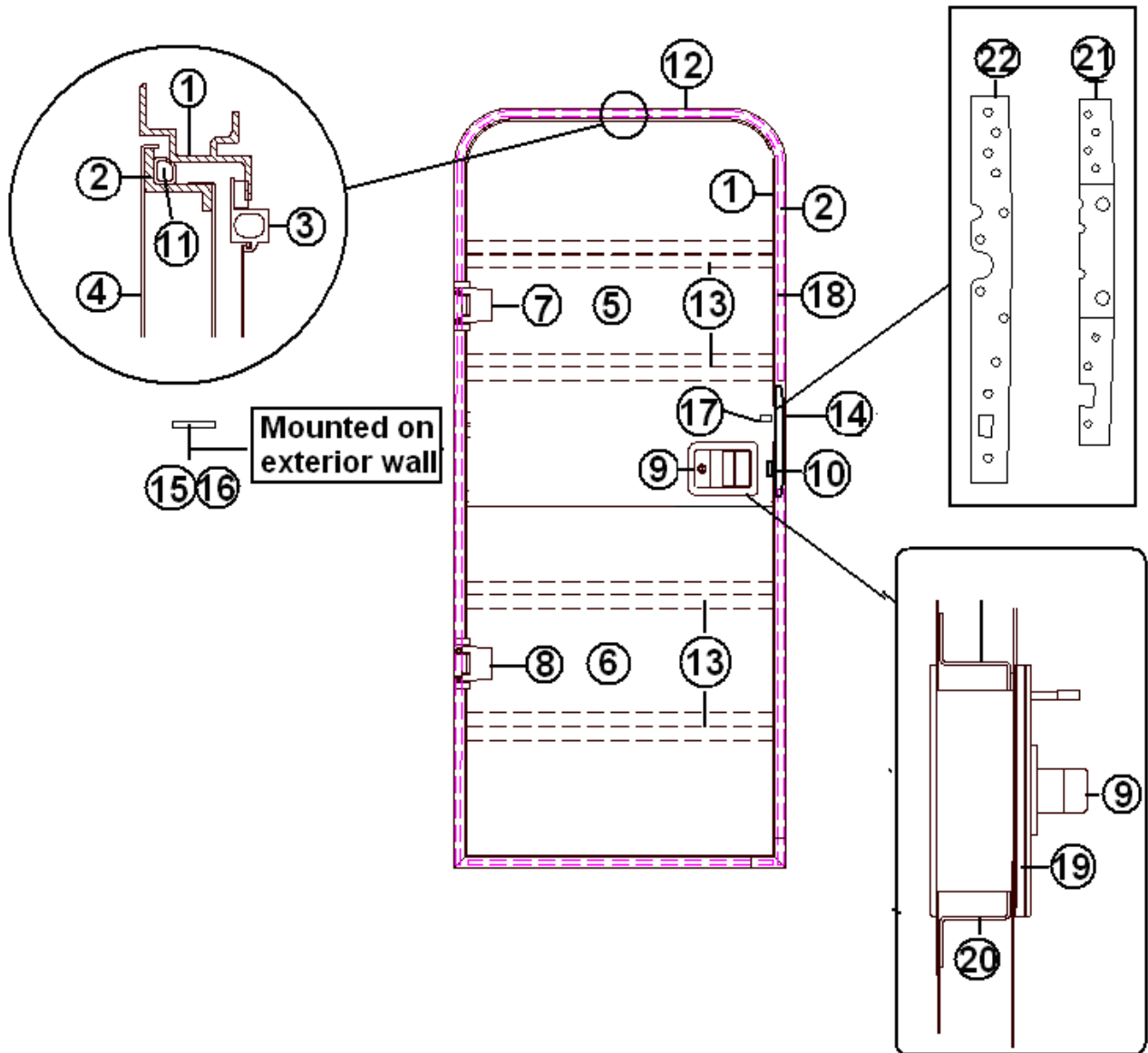
115546	Extrusion, rub rail
201763-100	Insert, rub rail, chrome, 1"
114466-01	Close out, casting, rub rail, angled RH
114466-02	Close out, casting, rub rail, angled LH
114465-01	Close out, casting, rub rail RH
114465-02	Close out, casting, rub rail LH

### REFLECTOR

99900P-346	REFLECTOR, AMBER REFLEX, OVAL
------------	-------------------------------

# 2010 - 2012 AEU 422 Bambi DOORS/WINDOWS/AWNING

Main Door, LH Hinge



## 2010 - 2012 AEU 422 Bambi

### DOORS/WINDOWS/AWNING

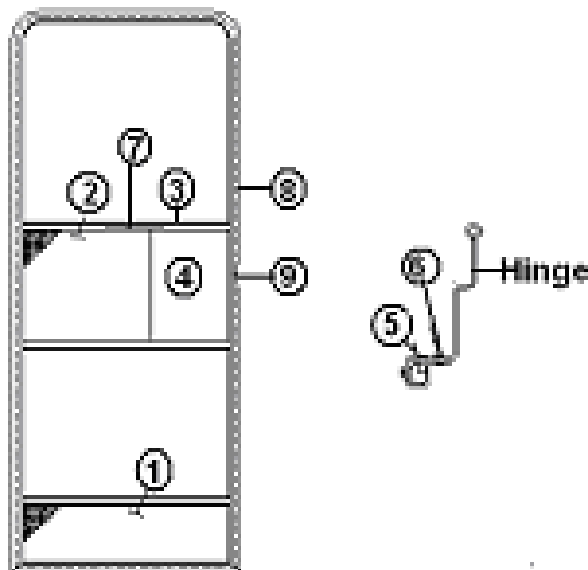
#### Main Door, LH Hinge

	115207-09	Main door assembly, LH Hinge
1.	114652	Jamb, main door, pre-formed
2.	114653	Frame, main door, pre-formed
3.	114654	Screen door assembly, LH Hinge
4.	114448-03	Skin, exterior, upper main door
5.	114449-03	Skin, exterior, lower main door
6.	114475	MAIN DOOR SKIN INNER
7.	381552-03	HINGE ASSY. MAIN DOOR UPPER
8.	381552-04	HINGE ASSY. MAIN DOOR LOWER
9.	Trimark latch assembly parts shown in hardware section	
10.	385595	Pocket strike, main door
11.	365232	Seal, main door
12.	114363	Drip cap, main door
13.	114658	Inner door, "Z" bar, upper & lower
14.	101171	HANDLE, CAST ALUMINUM
14	382074	Gasket, grab handle, main door
15.	380290	Housing. Latch, mounted on side sheet
16.	380291	Latch assembly, mounted on side sheet
17.	201056	Striker, main door, black plastic
18.	114507-03	Trim, main door
19.	203370	Spacer, door latch
20.	114657	Hat section, formed, main door
21.	382067	OUTER LATCH, REINFORCEMENT, RH/LH
22.	382066	Inner reinforcement plate, LH hinged door

# 2010 - 2012 AEU 422 Bambi

## DOORS/WINDOWS/AWNING

### Door, Screen



114654	SCREEN DOOR ASSY. LH HINGE
114654-01	SCREEN DOOR ASSY. RH HINGE
1. 114648-01	Kick panel screen door
2. 114561-01	Panel, slider, screen door
3. 104784-78	EXTR.SCREENDOOR STIFENER #VH-9
4. 203287-02	Close out, plastic, screen door
5. 330126-03	RIVET POP SSD44SSBS
6. 325122	Rivet, hard, 5/32
7. 380004	HANDLE WITH 8/32 X 1 SCREW
8. 365013-01	Gasket, screen door, foam tape
9. 683946	BUG SEAL, edge of screen door close out
380079	Screen, gray
200518	Spline, gray, screen insert
701624	VELCRO LOOP 5/8" WIDE
701625	VELCRO HOOK, 5/8" WIDE
381454	Screen door hold back latch, Bullet
386068	MEDALLION 3" LOGO, AIRSTREAM

### Screen Door Guard

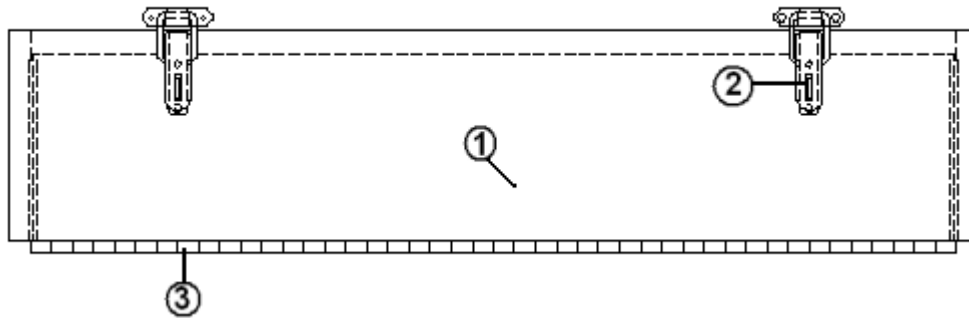
115171-01	SCREEN DOOR GUARD TOP
115171-02	SCREEN DOOR GUARD BOTTOM

# 2010 - 2012 AEU 422 Bambi

## DOORS/WINDOWS/AWNING

### DOORS, EXTERIOR

#### Compartment Door Assy. 23"



- |    |            |                                 |
|----|------------|---------------------------------|
|    | 99900M-419 | Compartment Door Install        |
| 1. | 99900M-420 | Door Utility Compartment        |
| 2. | 340023-01  | Corbin Catch                    |
| 3. | 380988     | Hinge, Continuous .5" Leaf      |
| 4. | 114679     | Aluminum underbelly             |
|    | 365013-0   | Tape Charcoal, Low Density Foam |
|    | 330126-02  | Rivet, Pop, SSD43SSBS           |
|    | 330127-02  | Rivet, 1/8 AD42ABS (Mill)       |
|    | 114070     | Extrusion, J-Trim, Mill Finish  |

## 2010 - 2012 AEU 422 Bambi

### DOORS/WINDOWS/AWNING

#### WINDOWS/SCREENS

##### Windows and Screens

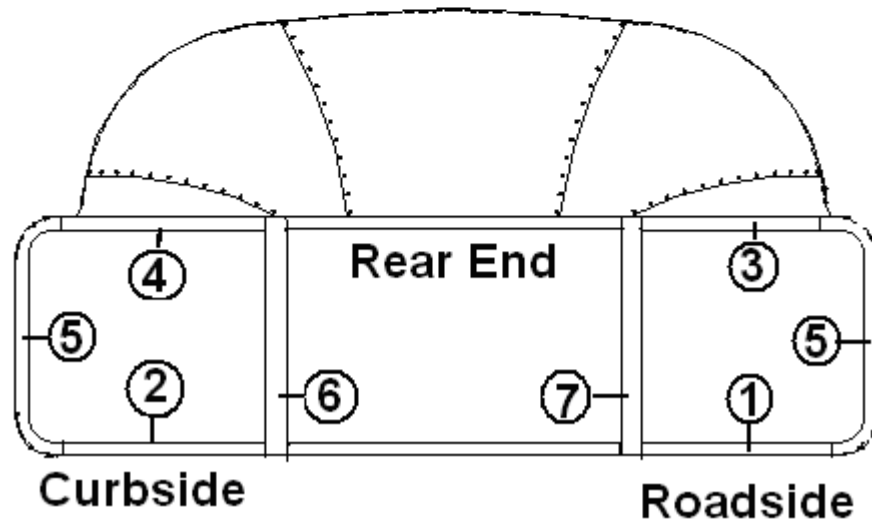
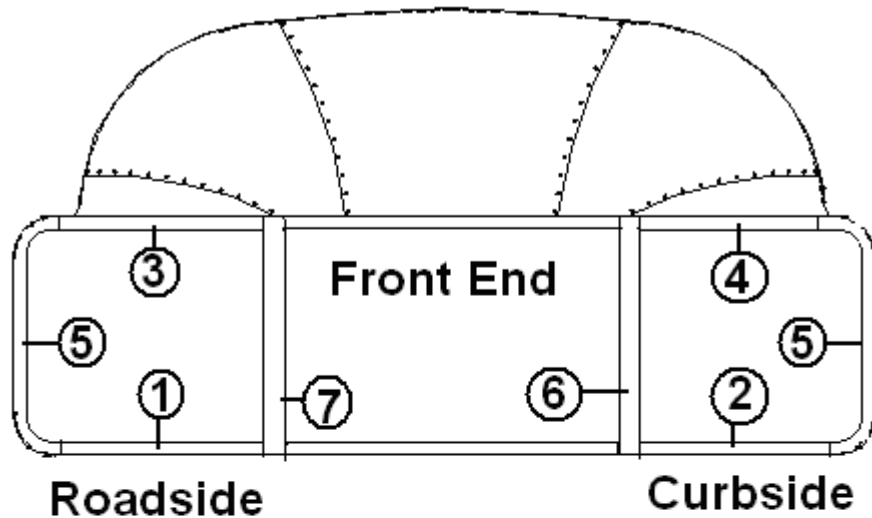
99900P-992	WINDOW 500 X 520, CURBSIDE
99900P-994	WINDOW 650 X 520, ROADSIDE
99900P-993	WINDOW 600 X 520, REAR
99900P-994	WINDOW 650 X 520
99900M-422	WINDOW FRAME INNER 850 X 500
99900M-423	WINDOW FRAME INNER 500 X 520
99900M-424	WINDOW FRAME INNER 600 X 520
99900M-425	WINDOW FRAME INNER 650 X 520
99900P-1000	WINDOW BRACKET
99900P-049	WINDOW, FRONT W/SQUARE CORNERS
99900P-039	Glass, 35.64" flat window
372088-101	WINDOW, WRAP RS FRONT, CS REAR
372089-101	WINDOW, WRAP CS FRONT, RS REAR

# 2010 - 2012 AEU 422 Bambi

## DOORS/WINDOWS/AWNING

### WINDOWS/SCREENS

#### Panoramic Window Trim



- |              |                                      |
|--------------|--------------------------------------|
| 1. 201579-02 | TRIM RING, LOWER, GRAY               |
| 2. 201580-02 | TRIM RING, LOWER, GRAY               |
| 3. 201581-05 | TRIM RING, UPPER, GRAY               |
| 4. 201581-06 | TRIM RING, UPPER, GRAY               |
| 5. 201578-02 | END CAP, TRIM RING GRAY              |
| 6. 110900-03 | TRIM FORMED, INTERIOR FRONT WRAP, RH |
| 7. 110900-04 | TRIM FORMED, INTERIOR FRONT WRAP, LH |
| 203225-01    | TRIM LOK, GRAY .75"                  |

## 2010 - 2012 AEU 422 Bambi

### DOORS/WINDOWS/AWNING

#### AWNINGS

Patio Awning, AEU 422 Bambi, Option

703727-05 Awning, Patio 7'7.75"

703727-07 Hardware, Awning Satin SS Bar

702993-361 Stainless Steel Bar, front, for SS hdwe 702993-36

702993-362 Stainless Steel Bar, rear, for SS hdwe 702993-36

74105W Hold down hook kit #11 for WINDOW awning

74075W 1/4-20 x 1 5/8" bolt

74076W 1/4-20 stainless steel cap nut

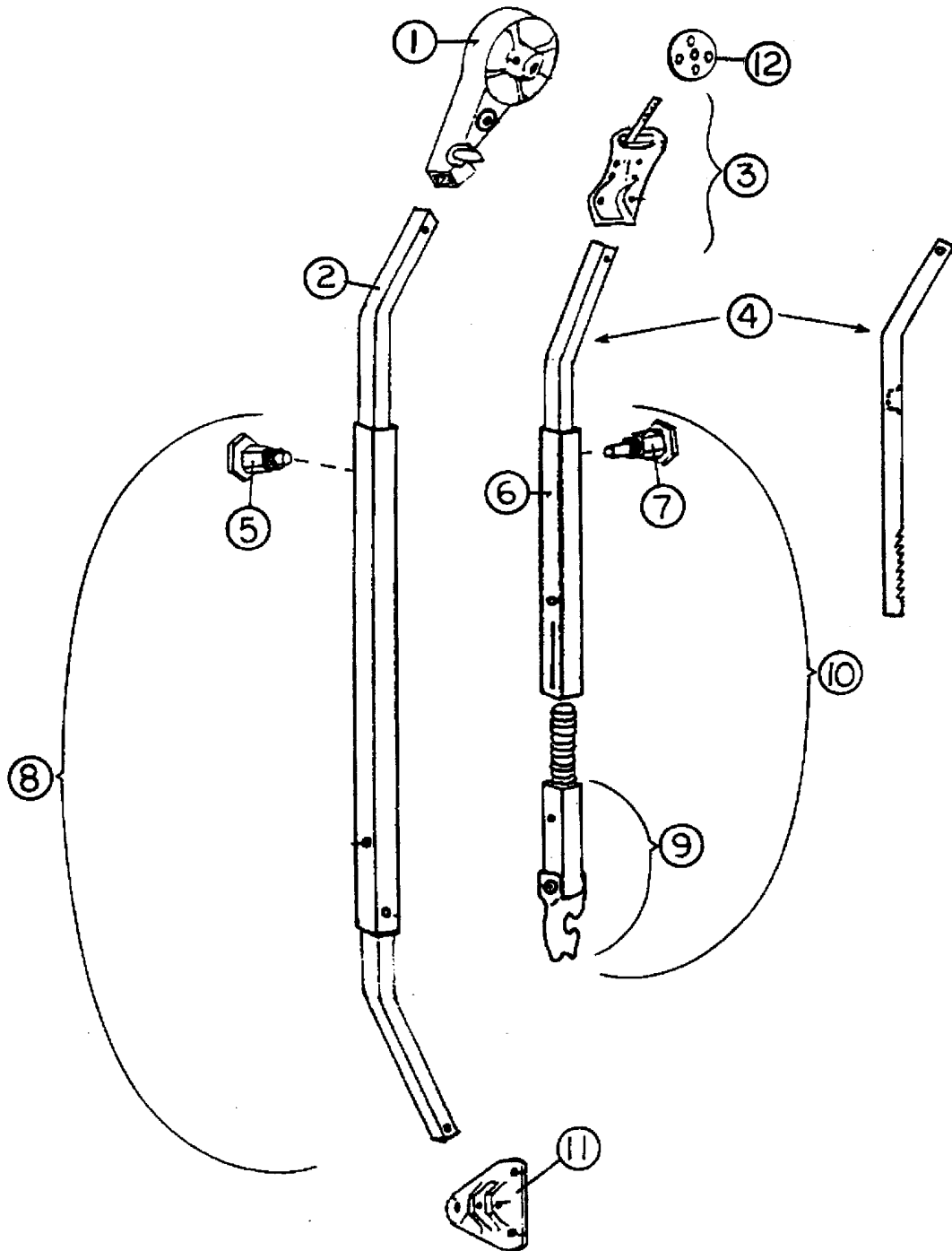
73376W Window awning travel latch



# 2010 - 2012 AEU 422 Bambi

## HARDWARE

### Patio Awning Hardware



See next page for P/N

# 2010 - 2012 AEU 422 Bambi

## HARDWARE

### Patio Awning Hardware, AEU 684, 604

702993	Awning Hardware, complete assembly
1. 74043W-06	Front head assembly
1. 74043W-07	Rear head assembly
2. 74047W-11	Front main arm bar
2. 74047W-12	Rear main arm bar
3. 74056W	Clamp assembly, front, curved
3. 74056W-01	Clamp assembly, rear, curved
4. 74061WS-08	Rafter arm bar, satin
5. 74054W	Snap stud assembly
6. 74063W-04	Rafter arm tube, satin
7. 74072W	Ratchet stud
8. 74048WS-15	Front main arm tube assembly
9. 74048WS-16	Rear main arm tube assembly
10. 74068W-04	Claw bar assembly
10. 74048WS-17	Rafter arm assembly
11. 74055W	Base hinge, rib mount
12. 74060W	Clamp wheel

## 2010 - 2012 AEU 422 Bambi

### BLINDS

99900P-995	BLIND, HORREX 850 X 500
99900P-996	BLIND, HORREX 500 X 520
99900P-997	BLIND, HORREX 600 X 520
99900P-998	BLIND, HORREX 650 X 520

# 2010 - 2012 AEU 422 Bambi

## ELECTRICAL

### AUXILIARY LIGHT

512533 LIGHT, AUXILIARY, LED

### Exterior Lights

99900P-010 LAMP, NUMBER PLATE  
115074 BRACKET, NUMBER PLATE

99900P-015 LIGHT, LED SIDE MARKER  
99900P-018 LAMP-SIDE MARKER W/REFLECTOR

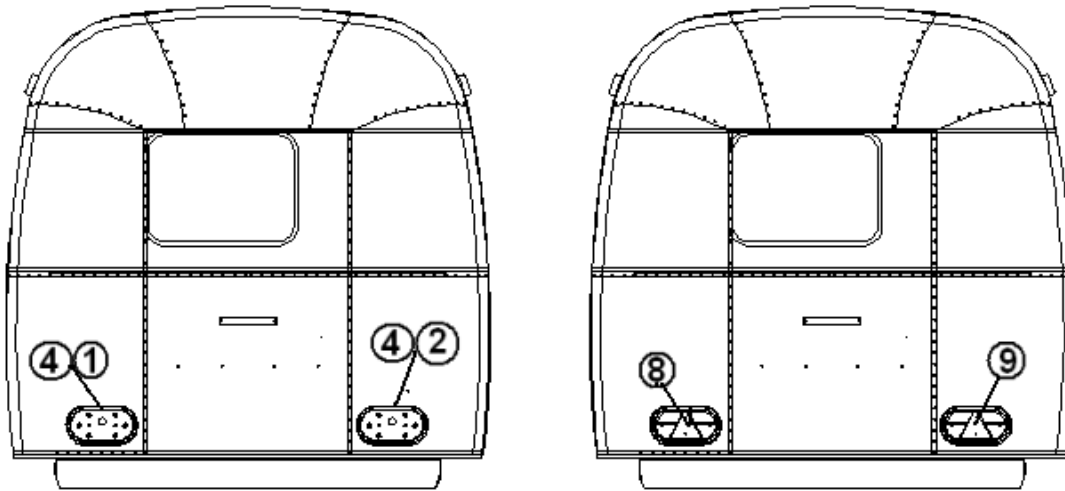
99900P-014 LIGHT, END LINER MARKER

512252 Step Light, L.E.D. St.St.

# 2010 - 2012 AEU 422 Bambi

## ELECTRICAL

### Tail Light Assembly



#### 99900M-421 TAILLIGHT ASSEMBLY

1. 99900P-980 REAR LAMP BASE, LH
2. 99900P-981 REAR LAMP BASE, RH
3. 99900P-1004 BUSHING
4. 203225-01 TRIM LOK-GRAY .75" #1375-1/8
5. 99900P-973 2" S.S. SHEET METAL SCREWS
6. 99900P-974 3" S.S. SHEET METAL SCREWS
7. 99900P-982 3 1/2" S.S. SHEET METAL SCREWS
8. 99900P-978 TAILLIGHT - LH REAR COMBO
9. 99900P-979 TAILLIGHT - RH REAR COMBO

# 2010 - 2012 AEU 422 Bambi

## FASTENERS

### Rivets



325043(hard)  
325000 (soft)  
Rivet, buck type  
dia. 1/8"  
length 1/4"



325000-01  
Rivet, buck type  
dia. 1/8"  
length 1/4"  
anodized clear



325000-03  
Rivet, buck type  
dia. 1/8"  
length 1/4"  
anodized white



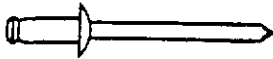
325001-01  
Rivet, buck type  
dia. 1/8"  
length 5/16"  
anodized clear



325002  
Rivet, buck type  
dia. 1/8"  
length 3/8"  
anodized clear



325004-01  
Rivet, buck type  
dia. 1/8"  
length 1/2"  
anodized clear



330129-08 Brown  
dia. 1/8"  
grip range .063-.125  
aluminum body  
aluminum mandrel



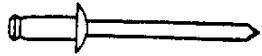
300101  
1/8" I.D.  
washer, aluminum

\*Common bolts and screws readily available at local hardware outlets have not been listed.

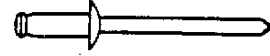
# 2010 - 2012 AEU 422 Bambi

## FASTENERS

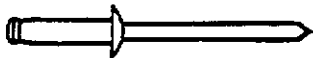
### Rivets



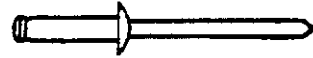
330126-02  
rivet, pop  
dia. 1/8 "  
grip range .126-.187  
stainless steel  
stainless steel mandrel



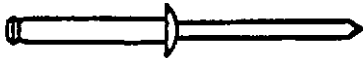
330126-03  
rivet, pop  
dia. 1/8 "  
grip range .126-.250  
body stainless steel  
stainless steel mandrel



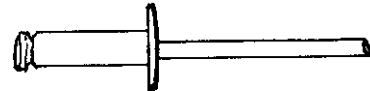
330127-05  
rivet, pop  
dia. 1/8 "  
grip range .251-.312  
aluminum body  
aluminum mandrel



330128-05  
rivet, pop  
dia. 1/8 "  
grip range .251-.312  
aluminum body, white  
aluminum mandrel



330127-08  
rivet, pop  
dia. 1/8 "  
grip range .325-.565  
aluminum body  
aluminum mandrel



330038  
rivet, pop  
dia. .150 (#20 bit)  
grip range .126-.250  
aluminum body  
aluminum mandrel  
(used-screen door hinge)



325103  
dia. 1/4 "  
grip range .080-.325  
SS body, steel mandrel

\*Common bolts and screws not listed.

## 2010 - 2012 AEU 422 Bambi

### FASTENERS

#### Rivets

330148	Rivet, Pop AD43-45 ABS
682616-100	Olympic rivet #308 w/washer, Bag of 500
330011	Rivet, Blind Black AD48 ABS
330038	Rivet, Blind, AD54

#### Screws

320016-100	Screw, #8 x 1/2" Phillips Head
320066-100	Screw, #8 x 3/4" White
320059-100	Screw, #8 x 1" White
320059-01	Screw, #8 x 1/4" White
320059-03	Screw, #8 x 2 1/2" White
320079-02	Screw, #8 x 3" Black
320060	Screw, #8 x 1 1/2" White
345419	Screw, #6 x 1" SS (Used for tail light castings)
320116-02	Screw, #8 1/2" Black Phillips Head
320116-04	Screw, #8 PPH Black .75 Sheet Metal
345073-08	Screw, 1/4-20 x 1 1/8 Wafer Head (Used for rear bumper repair)
99900P-350	Screw, #8 x 1" White OH SS
320111	Screw #8 x 3/4" SD, PPH SS
381519	Screw Stud
320035	Screw #8 x 1.5" Pan Philips Head
320146-01	Screw #6 x 3/4" Oval Philips Ash Gray
203473	Cap, Screw cover PVC White
381081-01	Cap washer, Screw head, White
381081-04	Cap, Screw head, White



2010 - 2012 AEU 422 Bambi

FURNITURE

Floor Covering

703835	FLOORING VINYL YASMINE
703852	MATT, ENTRANCE AIRSTREAM LOGO

# 2010 - 2012 AEU 422 Bambi

## FURNITURE

Doors, Roof locker

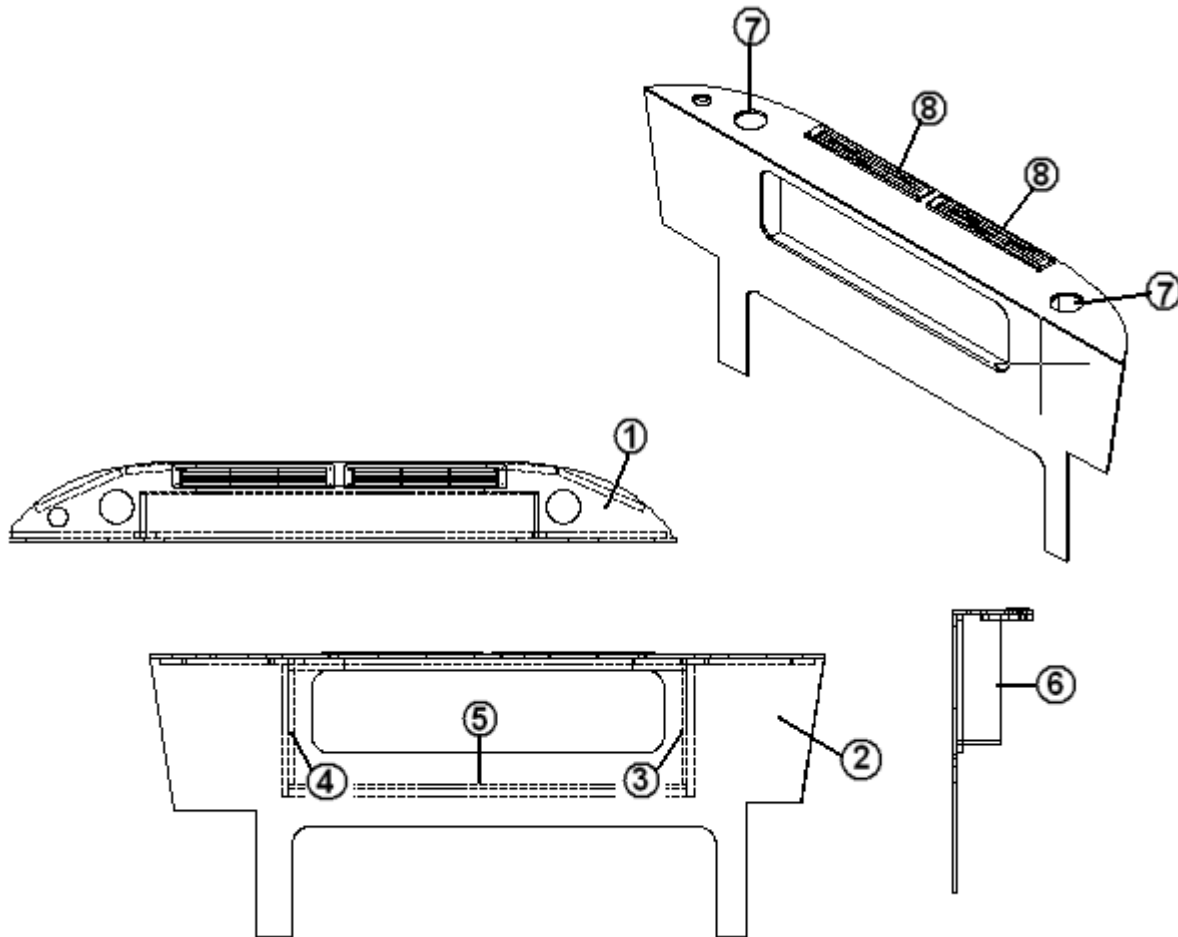
967104-01 Door, Tambour 9.88 X 25.25

967104-05 Door, Tambour 9.88 X 24.75

# 2010 - 2012 AEU 422 Bambi

## FURNITURE LOUNGE

### Sofa Back Assembly, 422



Parts Listed on Next Page

## 2010 - 2012 AEU 422 Bambi

### FURNITURE LOUNGE

#### Sofa Back Assembly, 422

	967421	Sofa Back Assy.
1.	967421-1	Panel 8.69 x 72.83
2.	967421-2	Panel 30.13 x 72.83
3.	967421-3	Panel 4.75 x 13.63
4.	967421-4	Panel 4.75 x 13.63
5.	967421-5	Panel 4.75 x 43.00
6.	801438	Panel, Frost White Vinyl/Raw
7.	203223	Cup Holder, 3.13" Black, Jumbo
8.	99900P-972	Louvered Ventilator, White

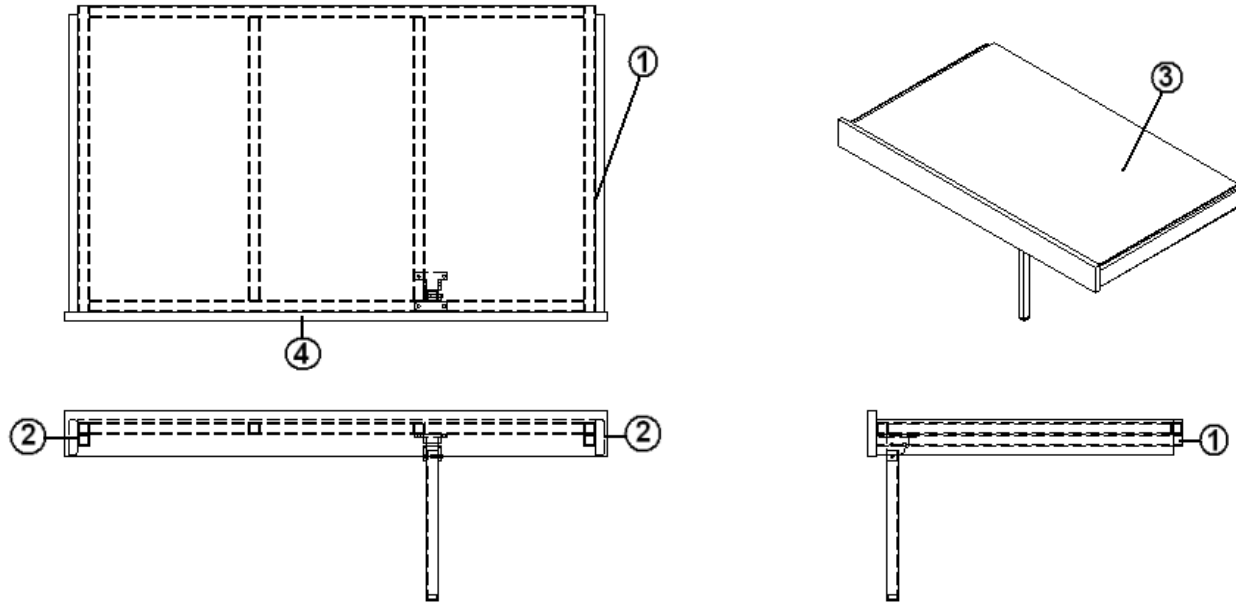
#### Sofa Assembly

	967420	Sofa Assembly
	967420-6	Sofa Door Assy., 10.25 x 45.63
	382044	Handle, Brushed Nickel
	381607	Hinge Assy., Grass Euro
	381228	Grabber Door Catch

# 2010 - 2012 AEU 422 Bambi

## FURNITURE LOUNGE

### SOFA BED ASSEMBLY

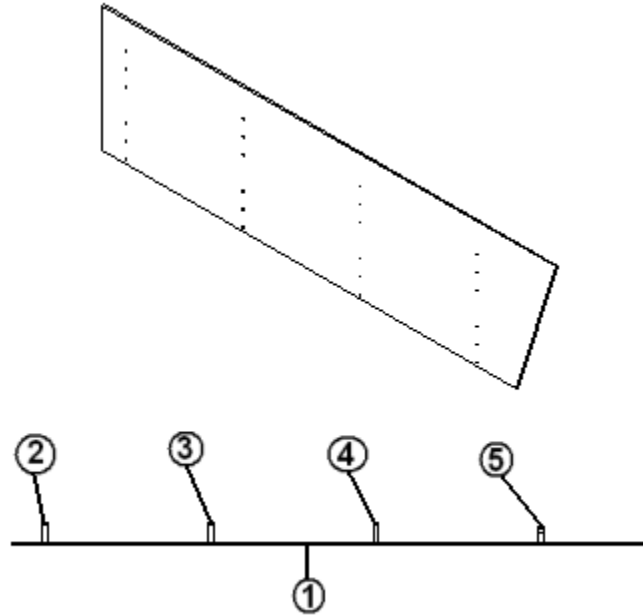


- |    |             |                                  |
|----|-------------|----------------------------------|
|    | 967497      | Sofa Bed Assembly.               |
| 1. | 916020      | Weldment, Sofa Bed               |
| 2. | 99900P-1023 | Slides, Drawer, Ball Bearing 26" |
| 3. | 800507-02   | Lauan, 1/4"                      |
| 4. | 967497-4    | Panel, Sofa Bed, 2.88" x 45.63"  |

# 2010 - 2012 AEU 422 Bambi

## FURNITURE LOUNGE

### Cushion Back Support Assy.

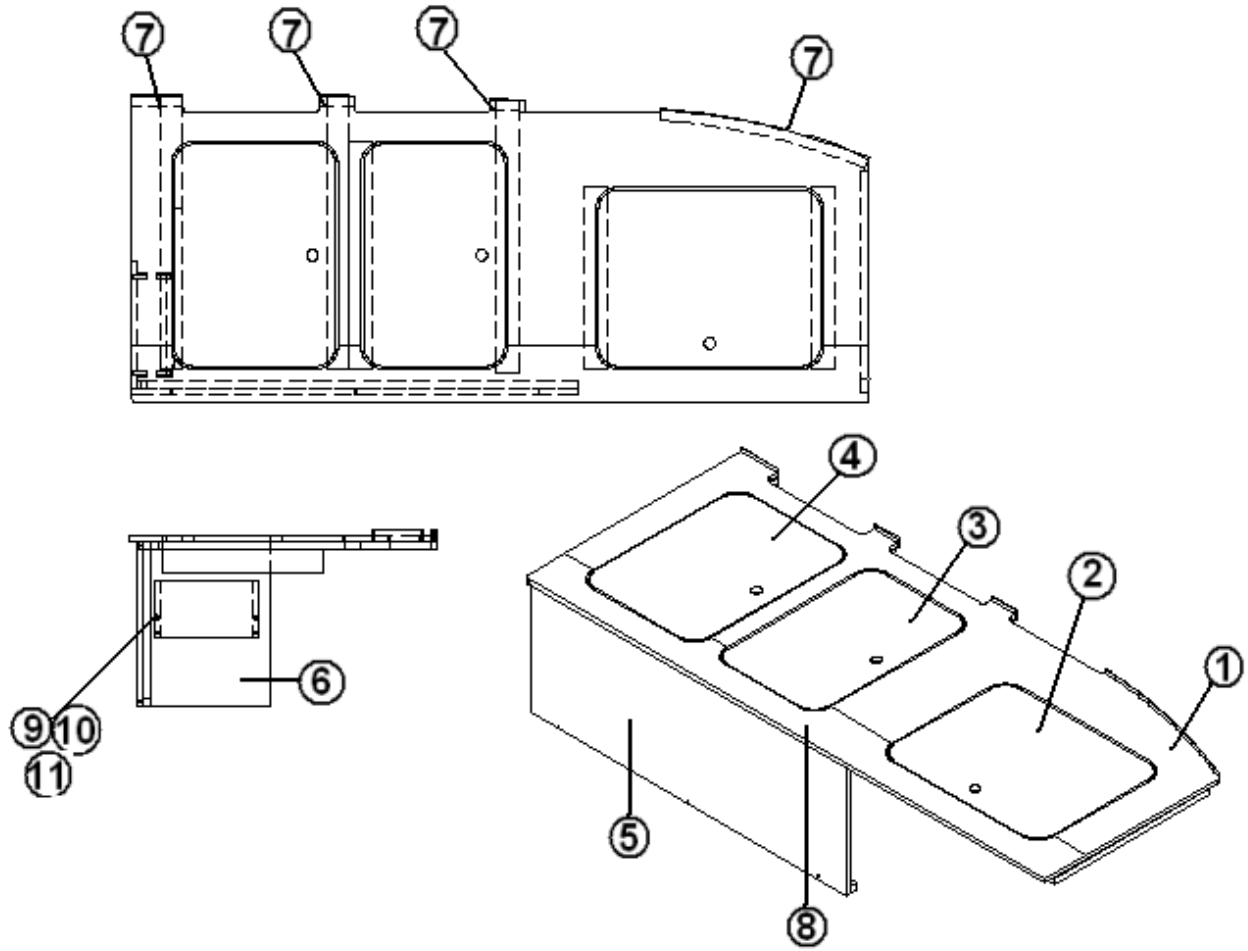


- |    |           |                                     |
|----|-----------|-------------------------------------|
|    | 967411    | Cushion Back Support Assy.          |
| 1. | 967411-1  | Panel, Cushion Support 16 x 61.92   |
| 2. | 967411-2  | Panel, Cushion Support 1.77 x 12.88 |
| 3. | 967411-2  | Panel, Cushion Support 1.77 x 12.88 |
| 4. | 967411-2  | Panel, Cushion Support 1.77 x 12.88 |
| 5. | 967411-5  | Panel, Cushion Support 1.34 x 12.88 |
|    | 702482-03 | Headliner, Spectra Opal Texture     |

# 2010 - 2012 AEU 422 Bambi

## FURNITURE LOUNGE

### Sofa Assembly, L Section



Parts Listed On Next Page

# 2010 - 2012 AEU 422 Bambi

## FURNITURE LOUNGE

### SOFA Assembly, L Section

967415	Sofa Assembly, L-Section
1. 967415-1	Panel 27.00 x 64.75
2. 967415-2	Panel 15.50 x 19.50
3. 967415-3	Panel 12.38 x 19.50
4. 967415-4	Panel 14.13 x 19.50
5. 967415-5	Panel 14.13 x 19.50
6. 967415-6	Panel 14.50 x 11.25
7. 114812	Aluminum angle, 1.00 x 1.00
8. 801793-01	Laminate, Vertical Gold Alchemy
9. 967415-11	Panel 9.00 x 5.00
10. 967415-12	Panel 2.50 x 5.00
11. 967415-12	Panel 2.50 x 5.00



## 2010 - 2012 AEU 422 Bambi

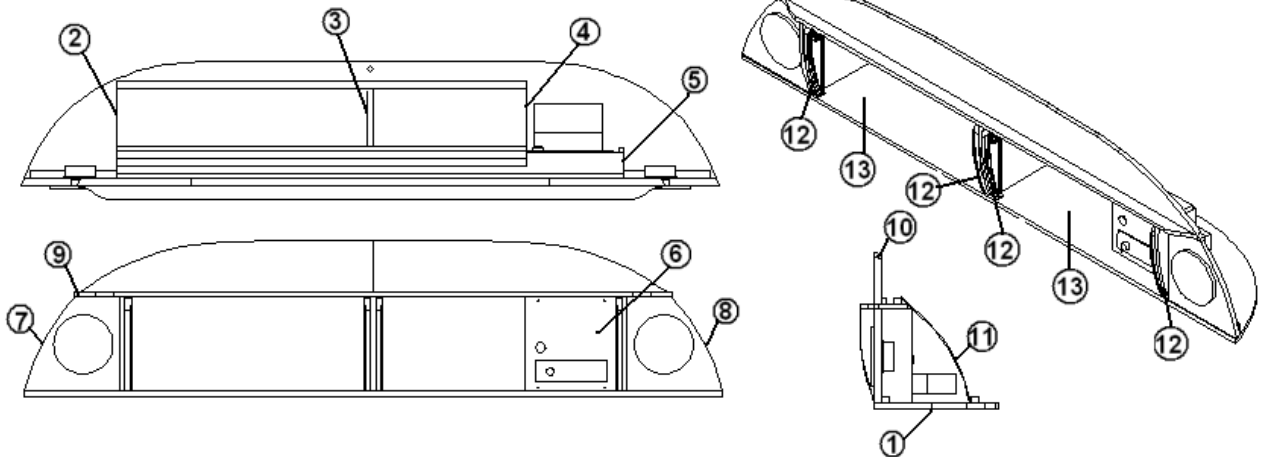
### FURNITURE HARDWARE, LOUNGE

104821	Support, Roof locker, 74"
115227-02	Angle, Formed 50.50"
195329-202	Hemisphere, Clear, Bump-On
200773	Closeout, Reading Light, ABS
381228	Grabber catch, 10# pull force
381228-01	Grabber catch, 3# pull force
381245	Sliding Door Track
382002	Pull, drawer/door, Oil Rubbed Bronze
454613	Leaf spring, Rooflocker
99900P-357	Plug, 3.5" dome, white
703498	Wall liner hobnail Ivory, 70"W

# 2010 - 2012 AEU 422 Bambi

## FURNITURE, LOUNGE

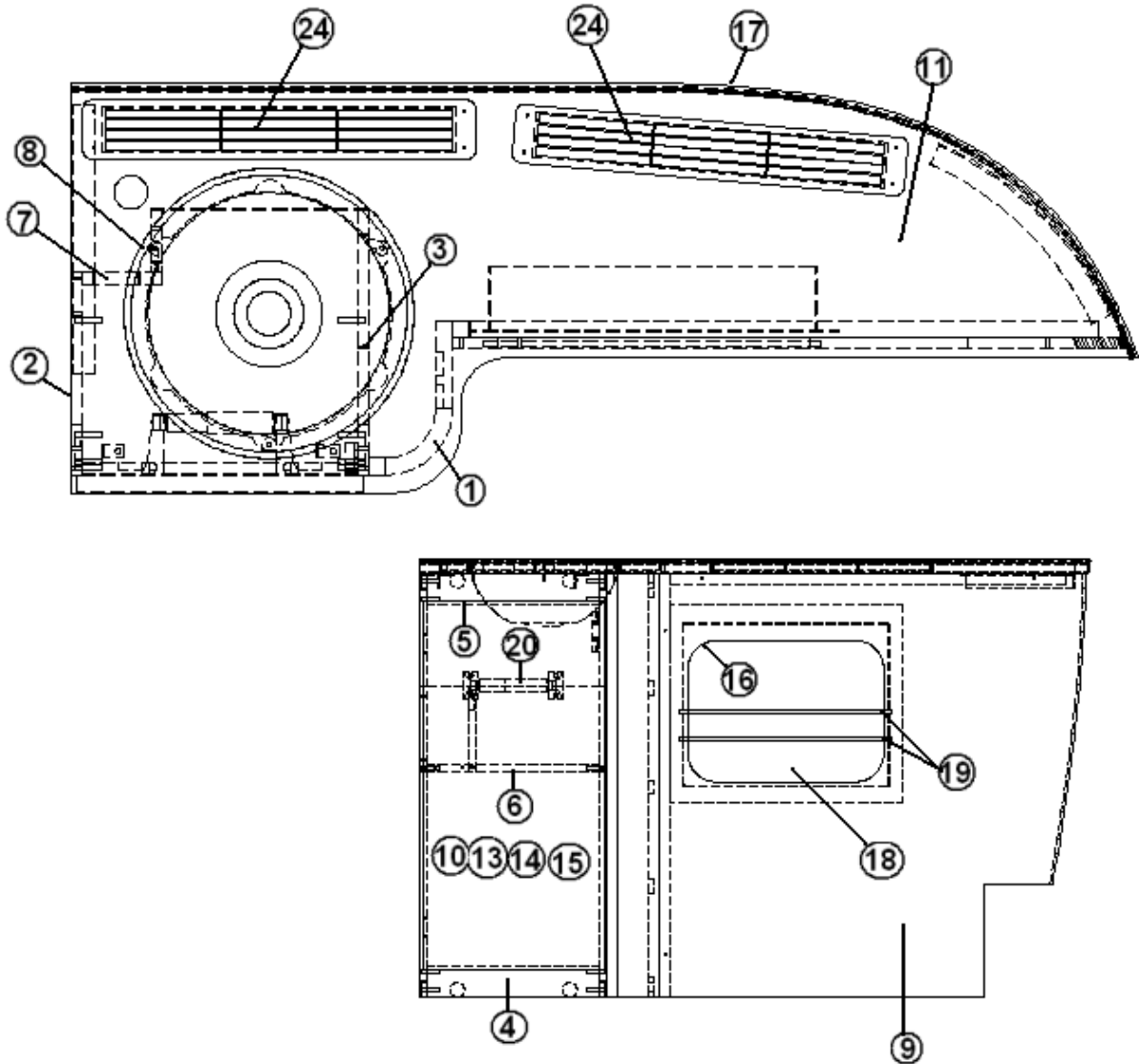
### Roof Locker Assembly, Front



	967098	Front Liner Locker Assy.
1.	967098-1	Panel, Front R/L 13" x 72.87"
2.	967098-2	Panel, Front R/L 9.46" x 9.81"
3.	967098-3	Panel, Front R/L 9.21" x 9.81"
4.	967098-4	Panel, Front R/L 5.15" x 9.81"
5.	967098-5	Panel, Front R/L 9.46" x 9.81"
6.	967098-6	Panel, Front R/L 10.19" x 9.81"
7.	967098-7	Panel, Front R/L 9.94" x 9.81"
8.	967098-8	Panel, Front R/L 9.94" x 9.81"
9.	967098-9	Panel, Front R/L 5" x 62.39"
10.	967098-10	Panel, Front R/L 4.5" x 61.3"
11.	967098-11	Panel, Front R/L 13.5" x 42.81"
12.	201164-02	Spirals, R/L Platinum Gray
13.	967104-01	Tambour Doors 9.88" x 25.25"
	115382-01	Alum. Trim, .688" x 10.0"
	115382-02	Alum. Trim, 1.88 x 10.0"
	201673	Cove Molding, Plastic, Ivory

2010 - 2012 AEU 422 Bambi  
FURNITURE, LAVATORY

Lavatory Cabinet Assembly



Parts Listed On Next Page

## 2010 - 2012 AEU 422 Bambi

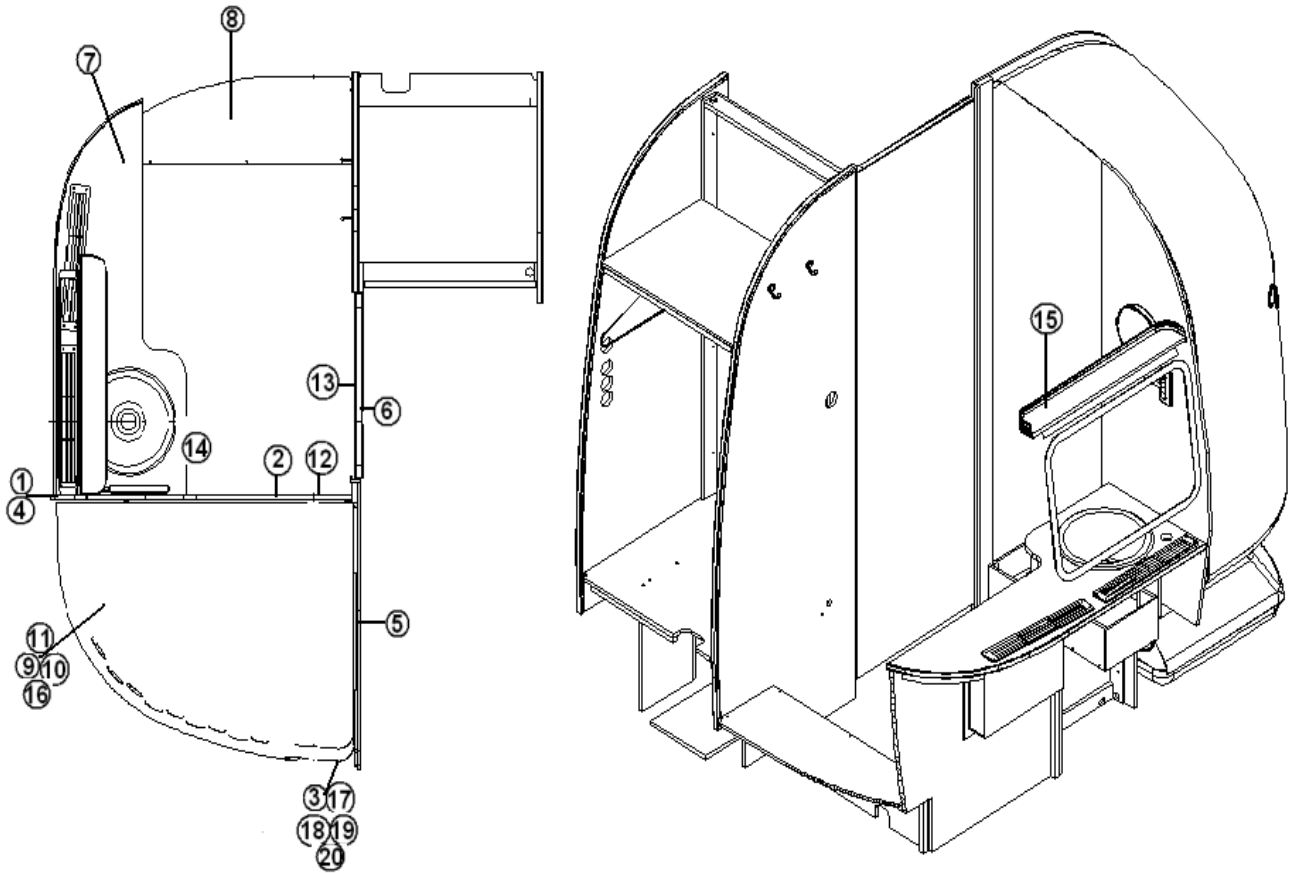
### FURNITURE, LAVATORY

967418	Lavatory Cabinet Assembly, 422
1. 967419	Lavy Radius Assy.
2. 967418-2	Panel, Lavy 9" X 30"
3. 967418-3	Panel, Lavy 11.75" x 30"
4. 967418-4	Panel, Lavy 2.25" x 12.23"
5. 967418-5	Panel, Lavy 2.25" x 12.23"
6. 967418-6	Panel, Lavy 11.69" x 12.23"
7. 967418-7	Panel, Lavy 3.5" x 6"
8. 967418-8	Panel, Lavy 2.75" x 6"
9. 967418-9	Panel, Lavy 30.21" x 30"
10. 967418-10	Door, Lavy 12.85" x 26.13"
11. 967418-11	Panel, Lavy 47.36" x 18.05"
12. 801438	Panel, Frost Wht. Vinyl/Raw
13. 381228	Grabber Door Catch
14. 382044	Handle, Brushed Nickel
15. 381607	Hinge Assy., Grass Euro
16. 203445-02	T Molding 9/16" Yellow
17. 201673	Reverse Cove Molding
18. 203383	Magazine Rack, ABS
19. 115042	Rod, Aluminum .25" 6' pc.
20. 380034	Toilet Paper Holder
24.99900P-972	Vent, Louvered 2.63" x 17.5"
380034	Toilet Paper Holder
601804-01	Sink, 12" SS round w/Studs
601813	Tail Piece Lift/Turn Drain
602294-01	Faucet, Lavy Sng. Lever Brushed

# 2010 - 2012 AEU 422 Bambi

## FURNITURE, LAVATORY

### Bath Module Installation



Parts Listed on Next Page

# 2010 - 2012 AEU 422 Bambi

## FURNITURE, LAVATORY

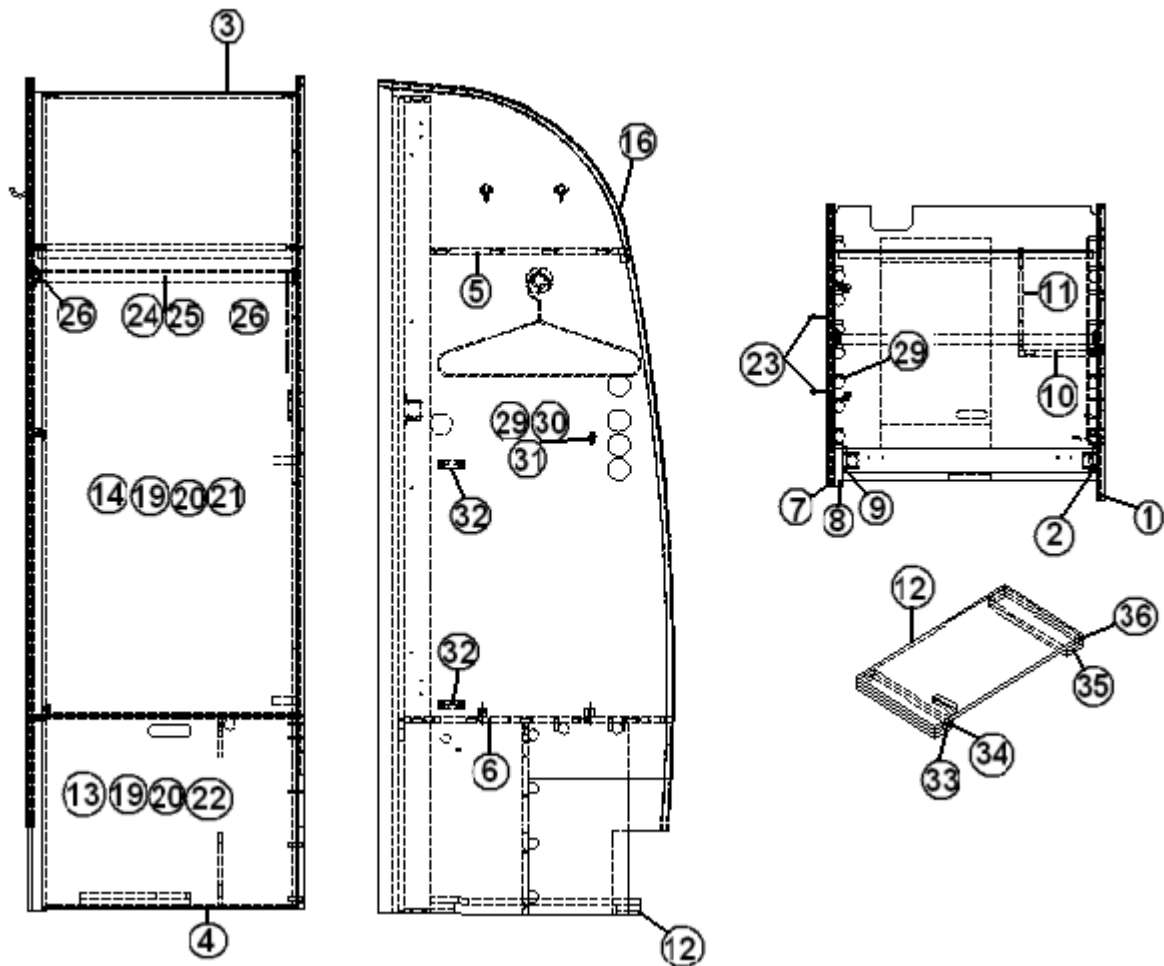
### Bath Module Installation

111762	Bath Module Installation
1. 111762-1	Panel 19.92 x 17.40"
2. 111762-2	Panel 23.50 x 7.25"
3. 111762-3	Panel 5.50 x 5.50"
4. 203138-01	Wall extrusion, plastic, white
5. 967273	Sub Assy., Fwd. Shower Panel
6. 967257	Bath Door Assembly
7. 967418	Lavatory Assy.
8. 967417	Closeout
9. 967113	Shower Stand
10. 967114	Shower Seat Support
11. 203615	Shower
12. 703725	Shower Door
13. 382098	Handle, gloss chrome 14.25"
14. 371423-02	Mirror Wall Mount, 8"
15. 967135	Shelf, Bath
16. 115042	Rod, .25" Aluminum, Shower Shelf
17. 602170-01	Shower Valve Chrome
18. 602170-02	Elbow, Shower Kit
19. 600661	Nipple, 1/2" Brass Hex
20. 601358	Shower Hardware Unit
21. 381610-01	Cover, Cap Plastic European
22. 201666	Molding J 3/16 Plastic Almond

# 2010 - 2012 AEU 422 Bambi

## FURNITURE, LAVATORY

### Wardrobe Cabinet Assy.



Parts Listed On Next Page

## 2010 - 2012 AEU 422 Bambi

### FURNITURE, LAVATORY

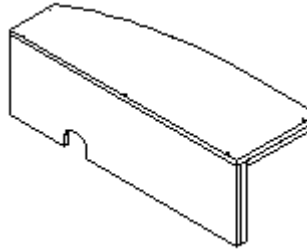
967416	Wardrobe Cabinet Assy.
1. 967416-1	Panel, W/R 27.51 x 78.14
2. 967416-2	Panel, W/R 2.25 x 76.75
3. 967416-3	Panel, W/R 2.25 x 23.00
4. 967416-4	Panel, W/R 2.25 x 23.00
5. 967416-5	Panel, W/R 18.38 x 24.75
6. 967416-6	Panel, W/R 24.88 x 24.75
7. 967416-7	Panel, W/R 26.23 x 77.90
8. 967416-8	Panel, W/R 2.25 x 76.25
9. 967416-9	Panel, W/R 3.54 x 76.75
10. 967416-10	Panel, W/R 7.5 x 17.88
11. 967416-11	Panel, W/R 9.5 x 17.88
12. 967416-12	Panel, W/R 10.24 x 19.69
13. 967416-13	Door, W/R 23.62 x 17.88
14. 967416-14	Door, W/R 23.62 x 58.38
15. 203138-04	Plastic Wall Extrusion ½" Oak
16. 381228	Grabber Door Catch C3-810
17. 381607	Hinge Assembly
18. 382044	Handle, Brushed Nickel
19. 381775	Drawer Pull, Flush Satin
20. 381834	Aluminum Coat Hook
21. 380045	Tubing, ¾" Elec. Metallic
22. 200975-04	Conduit, Flexible Black Plastic
23. 380046	Flange, Chrome
24. 382057	Knockdown, 8MM #16289B
25. 382057-04	Cap, Knockdown White
26. 381136	Rubber Bumper
27. 382078	Clip, Screen Black
28. 345329-11	Screw, PHL #6 Oval Head 1.5"
29. 382077	Clip, 2.38" Post Storage
33-36.967416-33	Panel, 10.24 x 2.25"



# 2010 - 2012 AEU 422 Bambi

## FURNITURE, LAVATORY

Closeout Assy. W/C



- 967417 Closeout Assy.
- 967417-1 Panel, W/C Closeout 29.2 x 10.38
- 967417-2 Panel, W/C Closeout 9 x 29.2

# 2010 - 2012 AEU 422 Bambi

## FURNITURE, LAVATORY

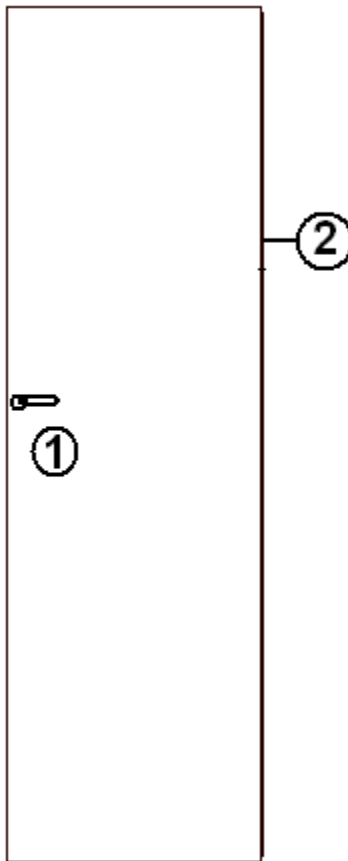
### LAVATORY FURNITURE HARDWARE

114812	Angle, Aluminum, 1.00" x 1.00"
115042	Rod, .25" aluminum, 6' Piece
200773	Closeout, Reading Light, ABS
114812	Aluminum Angle, 1" x 1"

2010 - 2012 AEU 422 Bambi

FURNITURE, BATH

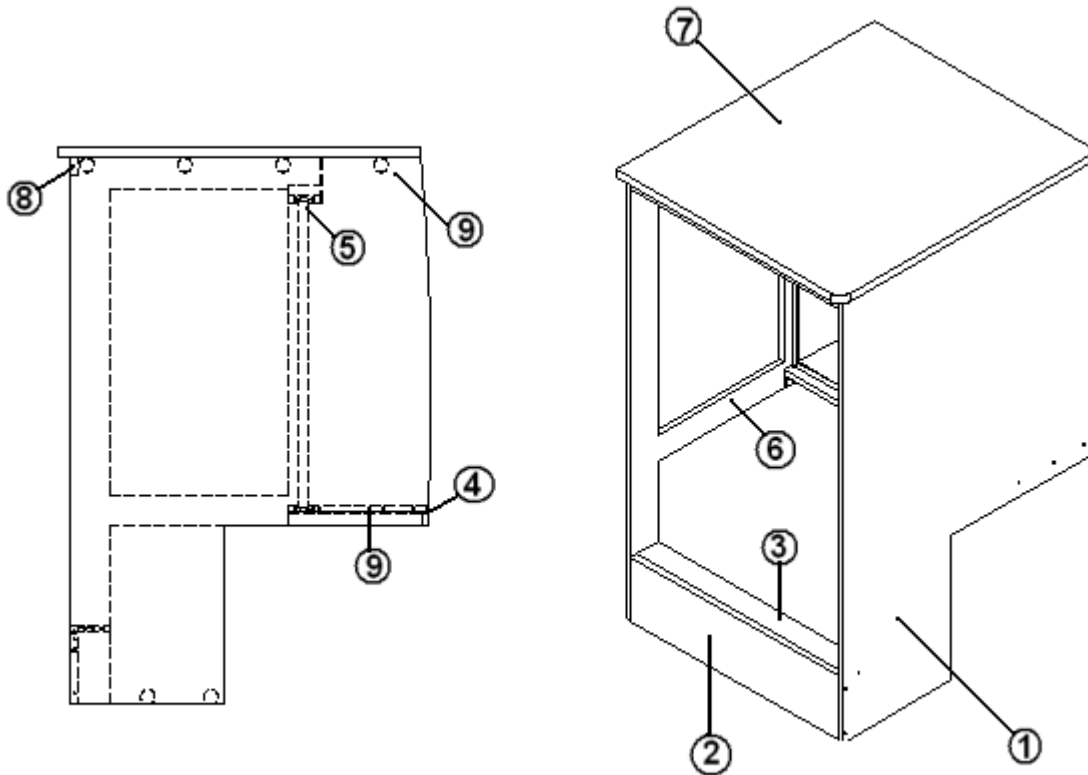
Bath Door



- |              |                       |
|--------------|-----------------------|
| 967257       | DOOR, BATH, 22" X 72" |
| 1. 381771    | LATCH, LEVER          |
| 2. 380203-01 | PIANO HINGE, 1/8" PIN |

# 2010 - 2012 AEU 422 Bambi

## FURNITURE, GALLEY

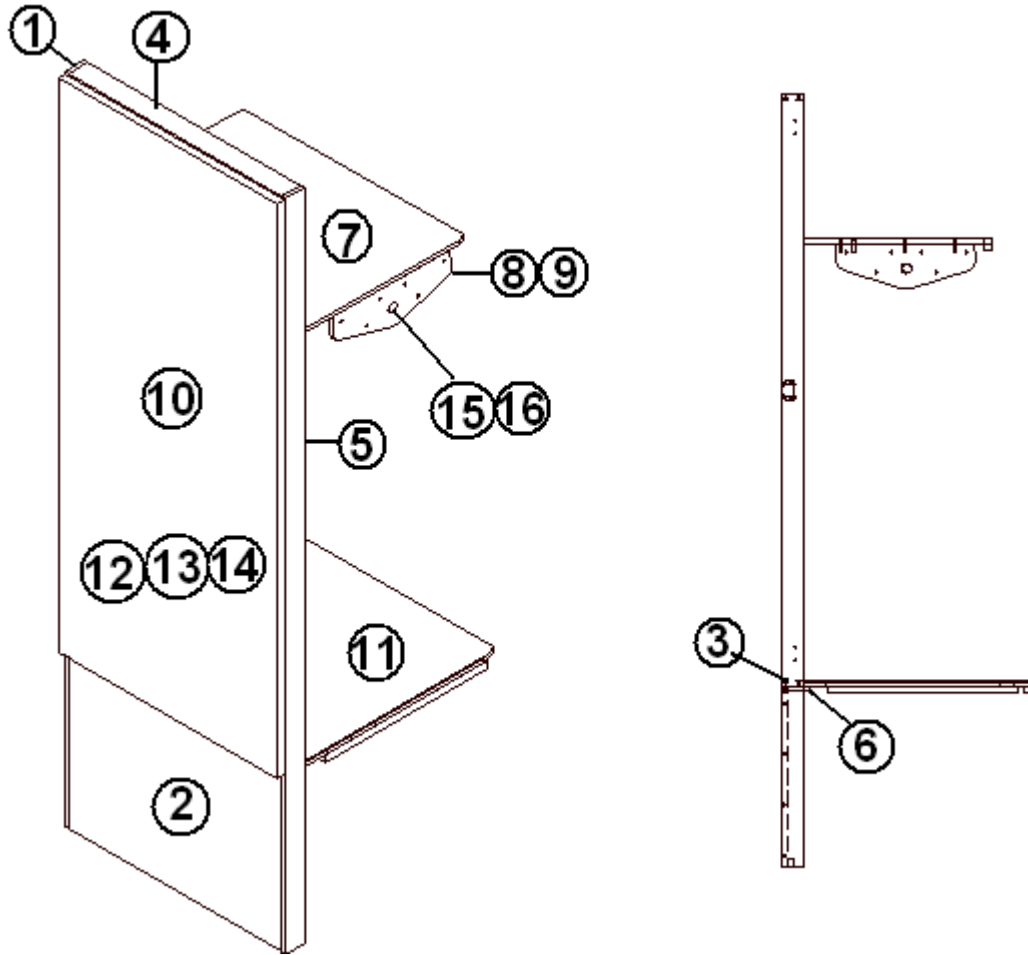


- |    |          |                               |
|----|----------|-------------------------------|
|    | 967414   | Refrigerator Cabinet Assy.    |
| 1. | 967414-1 | Panel, 25.71" X 39.01"        |
| 2. | 967414-2 | Panel, 5.63" x 20.88"         |
| 3. | 967414-3 | Panel, 2.25" x 20.88"         |
| 4. | 967414-4 | Panel, 9.88" x 20.88"         |
| 5. | 967414-5 | Panel, 2.25" x 20.88"         |
| 6. | 967414-6 | Panel, 25.71 x 39.01"         |
| 7. | 967414-7 | Panel, 26" X 22.63"           |
| 8. | 967414-8 | Panel, 1.25" x 20.88"         |
| 9. | 114812   | Aluminum angle, 1.00" x 1.00" |

# 2010 - 2012 AEU 422 Bambi

## FURNITURE, GALLEY

### Storage Cabinet, Roadside, 422



Part numbers on the next page.

# 2010 - 2012 AEU 422 Bambi

## FURNITURE, GALLEY

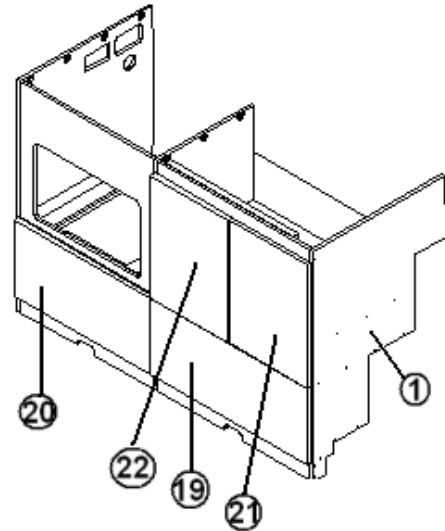
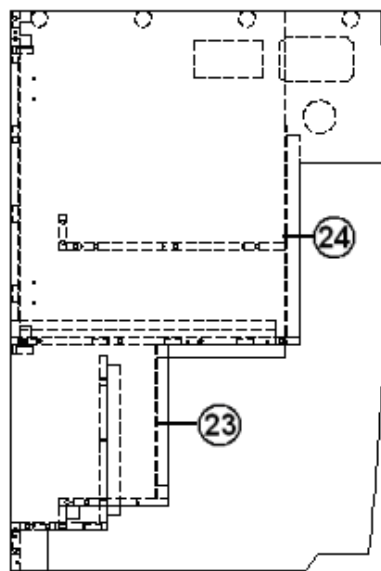
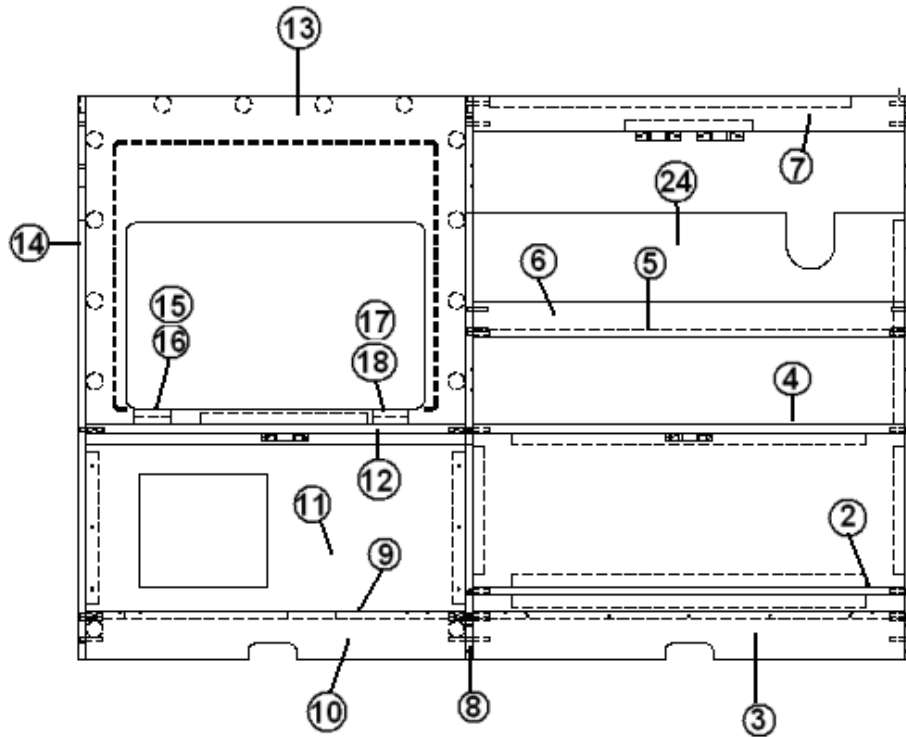
### Storage Cabinet, Roadside, 422

	967253-08	STORAGE CABNET
1.	967253-081	PANEL, 2.25 X 76.75
2.	967253-083	PANEL, 25 X 18.00
3.	967253-084	PANEL, 2.25 X 25
4.	967253-085	PANEL, 2.25 X 25
5.	967253-086	PANEL, 2.25 X 76.75
6.	967253-087	PANEL, 2.25 X 25
7.	967253-0810	PANEL, 18.75 X 26
8.	967253-0811	PANEL, 14 X 4.5
9.	967253-0812	PANEL, 14.00 X 5.5
10.	967253-0813	PANEL, 25.62 X 58.38
11.	701538-01	CARPET, ECONOLIER W/PSA BACK
12.	382044	HANDLE-BRUSHED NICKEL
13.	381607	HINGE ASSY
14.	381228	CATCH, GRABBER DOOR
15.	380045	TUBING, 3/4"
16.	200975-04	CONDUIT, FLEXIBLE, BLACK PLASTIC

# 2010 - 2012 AEU 422 Bambi

## FURNITURE, GALLEY

### Galley Cabinet Assy., 422



Parts Listed on Next Page

## 2010 - 2012 AEU 422 Bambi

### FURNITURE, GALLEY

#### Galley Cabinet Assy., 422

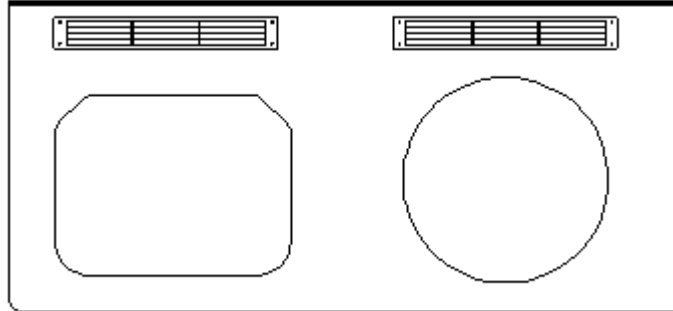
	967412	Galley Assembly
1.	967412-1	Panel, Galley 23.09 x 35
2.	967412-2	Panel, Galley 26.88 x 2.5
3.	967412-3	Panel, Galley 3 x 26.88
4.	967412-4	Panel, Galley 13.62 x 26.88
5.	967412-5	Panel, Galley 13.62 x 26.88
6.	967412-6	Panel, Galley 2.25 x 26.88
7.	967412-7	Panel, Galley 2.25 x 26.88
8.	967412-8	Panel, Galley 17.12 x 35 (not shown)
9.	967412-9	Panel, Galley 5.5 x 23.5
10.	967412-10	Panel, Galley 3 x 23.5
11.	967412-11	Panel, Galley 10.38 x 23.5
12.	967412-12	Panel, Galley 16.5 x 23.5
13.	967412-13	Panel, Galley 23.5 x 20.44
14.	967412-14	Panel, Galley 23.45 x 35.00
15.	967412-15	Panel, Galley 2.25 x 16.00
16.	967412-16	Panel, Galley 2.25 x 16.00
17.	967412-17	Panel, Galley 2.25 x 16.00
18.	967412-18	Panel, Galley 2.25 x 16.00
19.	967412-19	Door, Galley 27.5 x 11.56
20.	967412-20	Door, Galley 23.88 x 11.56
21.	967412-21	Door, Galley 13.69 x 18.69
22.	967412-22	Door, Galley 13.69 x 18.69
23.	801438	Panel, Frost White Vinyl/Raw
24.	801438	Panel, Frost White Vinyl/Raw
	203138-04	Extrusion, Plastic 1/2" oak
	381228-01	Grabber door catch, C3-803
	382044	Handle, Brushed Nickel
	381607	Hinge Assy., Grass Euro



# 2010 - 2012 AEU 422 Bambi

## FURNITURE, GALLEY

Galley Top Assy., 422



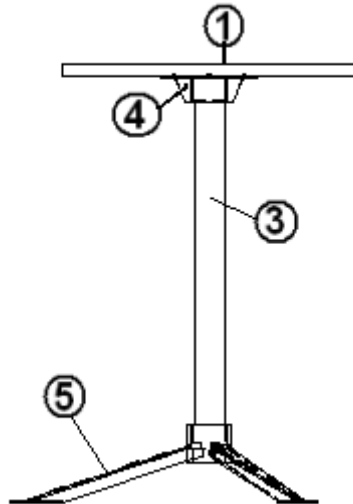
967413	Top Assy., Galley
967413-1	Panel, Galley Top 24.12 x 52.38
114812	Aluminum Angle, 1.00 X 1.00
115064	Trim, Aluminum Counter Top
99900P-972	Vent, Louvered 2.63 x 17.5 #337210

# 2010 - 2012 AEU 422 Bambi

## FURNITURE, GALLEY

967426

Table Assy.

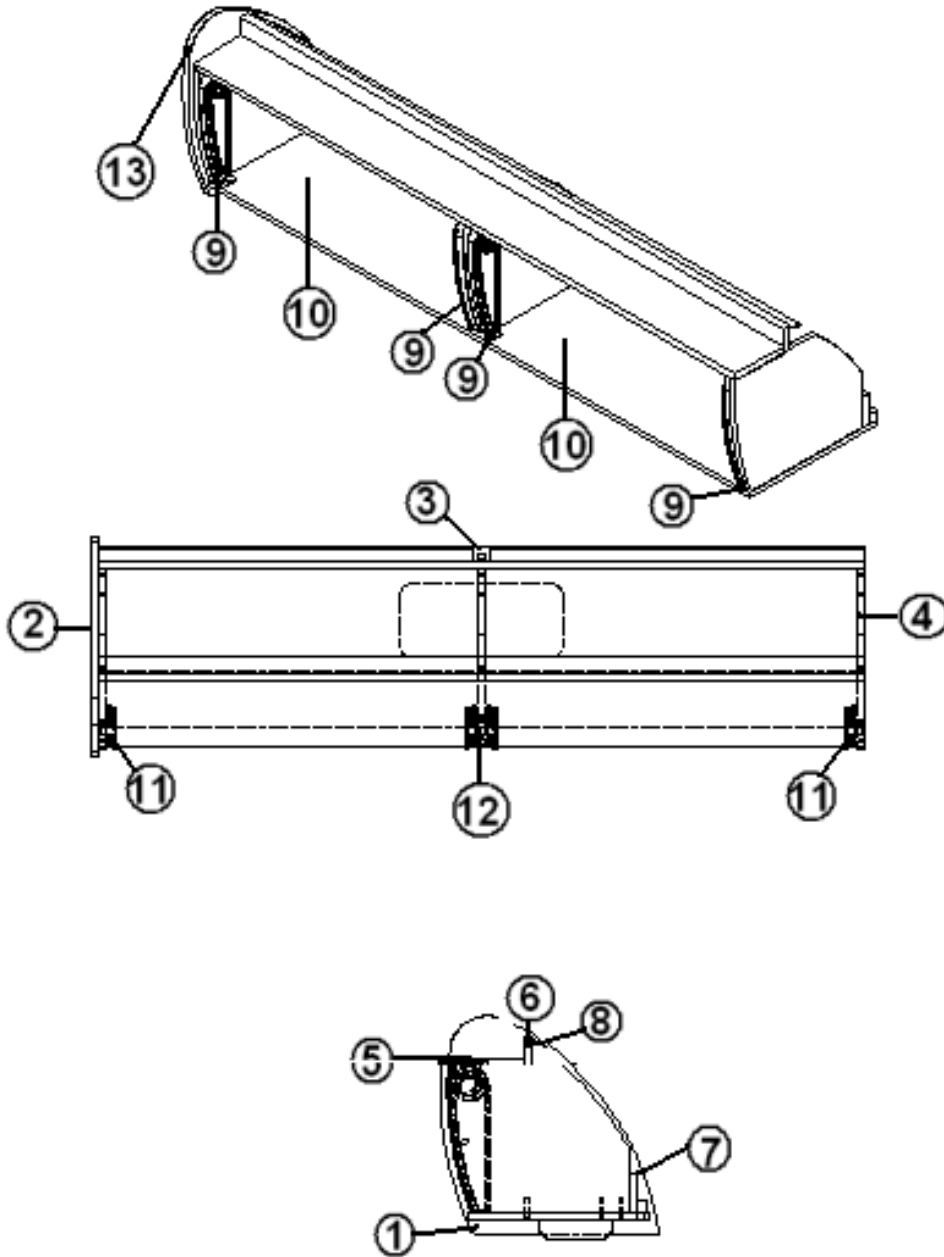


- |              |                                     |
|--------------|-------------------------------------|
| 1. 967426-1  | Panel, Table 19.75 x 26.00          |
| 2. 365340-02 | Edge banding, .94" Frosty Wht.      |
| 3. 380337-01 | Leg, Pedestal 25" Silver            |
| 4. 380338    | Socket, Pedestal Table              |
| 5. 381987    | Leg, Portable Pedestal Aft. Dinette |
| 703632       | Bag, Pedestal Leg 20"               |

2010 - 2012 AEU 422 Bambi  
FURNITURE, GALLEY

967422

Roof locker Assy., Galley



Parts Listed on Next Page

## 2010 - 2012 AEU 422 Bambi

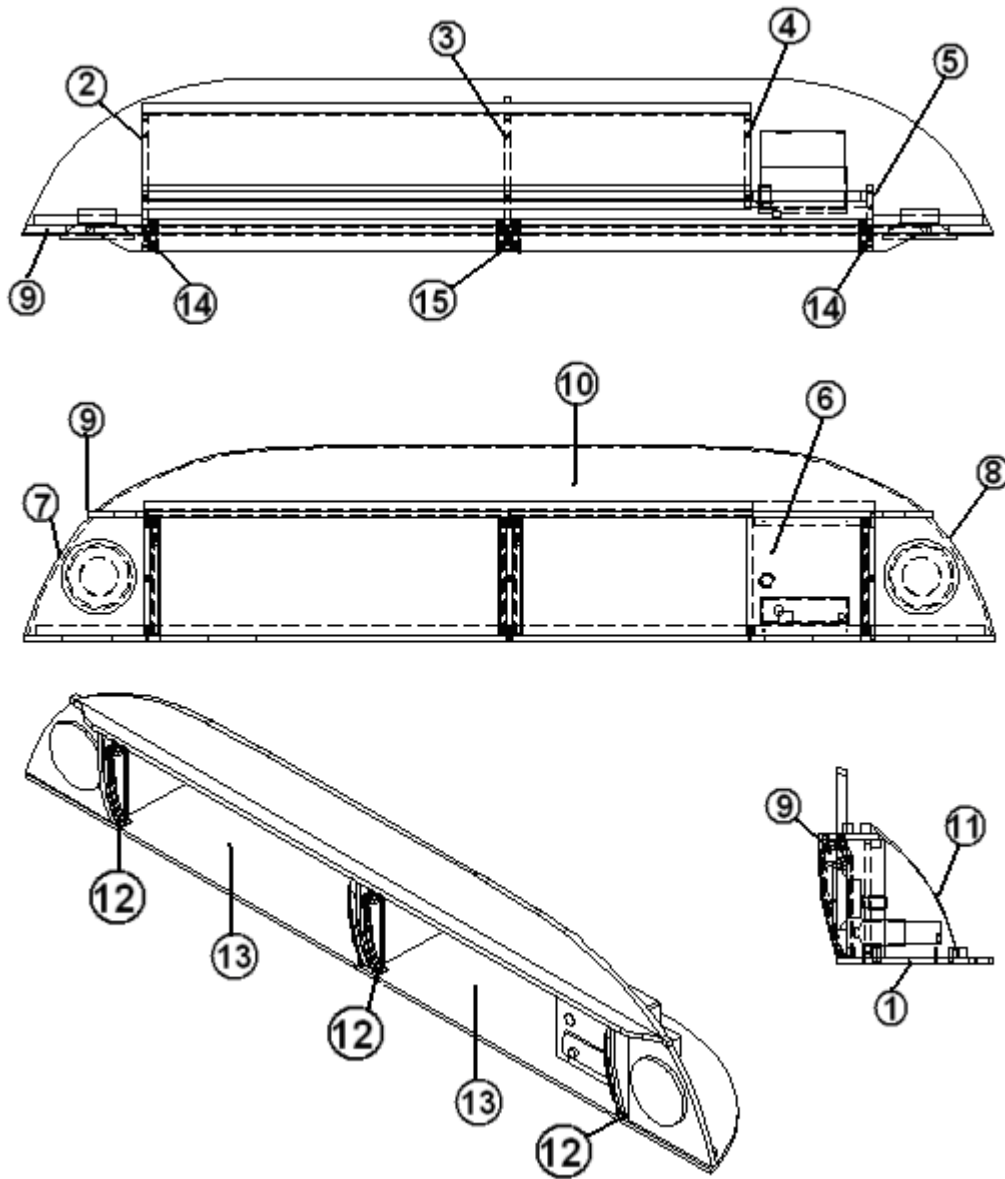
### FURNITURE, GALLEY

967422	Rooflocker Assy., Galley
1. 967422-1	Panel, Galley R/L 12 x 51
2. 967422-2	Panel, Galley R/L 12.04 x 9.81
3. 967422-3	Panel, Galley R/L 11.79 x 9.81
4. 967422-4	Panel, Galley R/L 12.04 x 9.81
5. 967422-5	Panel, Galley R/L 4.50 x 51.00
6. 967422-6	Panel, Galley R/L 2.00 x 51.00
7. 967422-7	Panel, Galley R/L 2.50 x 51.00
8. 104821	Support, R/L 74" (51.0")
9. 201164-02	Rooflocker Spirals, Platinum Gray
10. 967104-05	Tambour Doors, 9.88 x 24.75
11. 115382-01	Aluminum Trim, .63 x 10.0
12. 115382-02	Aluminum Trim, 1.75 x 10.0
13. 967422-15	Panel, Galley R/L 14.57 x 14.74

# 2010 - 2012 AEU 422 Bambi

## FURNITURE, GALLEY

### Front Liner Locker



Parts Listed on Next Page

## 2010 - 2012 AEU 422 Bambi

### FURNITURE, GALLEY

	967098	Roof Locker Assy., Front
1.	967098-1	Panel, Frt. R/L 13.00 x 72.87
2.	967098-2	Panel, Frt. R/L 9.46 x 9.81
3.	967098-3	Panel, Frt. R/L 9.21 x 9.81
4.	967098-4	Panel, Frt. R/L 5.15 x 9.81
5.	967098-5	Panel, Frt. R/L 9.46 x 9.81
6.	967098-6	Panel, Frt. R/L 10.19 x 9.81
7.	967098-7	Panel, Frt. R/L 9.94 x 9.81
8.	967098-8	Panel, Frt. R/L 9.94 x 9.81
9.	967098-9	Panel, Frt. R/L 5 x 62.39
10.	967098-10	Panel, Front R/L 4.5 x 61.3
11.	967098-11	Panel, Front R/L 13.5 x 42.81
12.	201164-02	Roof Locker Spirals, Platinum LH/RH
13.	967104-01	Doors, Tambour 9.88 x 25.25
14.	115382-01	Aluminum Trim, 6.88 x 10
15.	115382-02	Aluminum Trim, 1.88 x 10
	201673	Reverse cove molding, White

# 2010 - 2012 AEU 422 Bambi

## FURNITURE, GALLEY

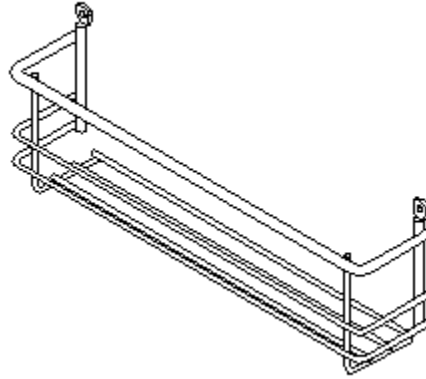
### Backsplash Assy, Galley

114879-262	Aluminum Sheet .040" x 33" x 262"
114070	Extrusion, J-Trim, Mill Finish

2010 - 2012 AEU 422 Bambi

FURNITURE, GALLEY

Spice Rack, Chrome



382052

Spice Rack, Chrome



# 2010 - 2012 AEU 422 Bambi

## FURNITURE, BEDROOM

### Interior Trim

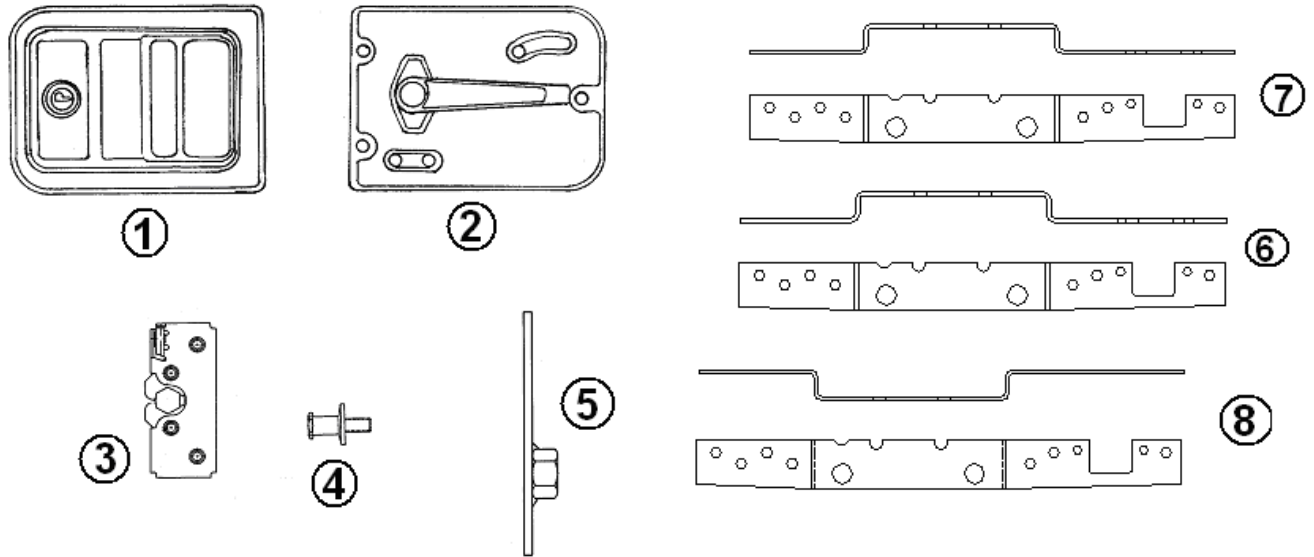
201666  
702963

Molding, J 3/16 Plastic Almond  
Vinyl, Embossed 1.75" Threshold

# 2010 - 2012 AEU 422 Bambi

## HARDWARE

### Main Door Latch/Lock

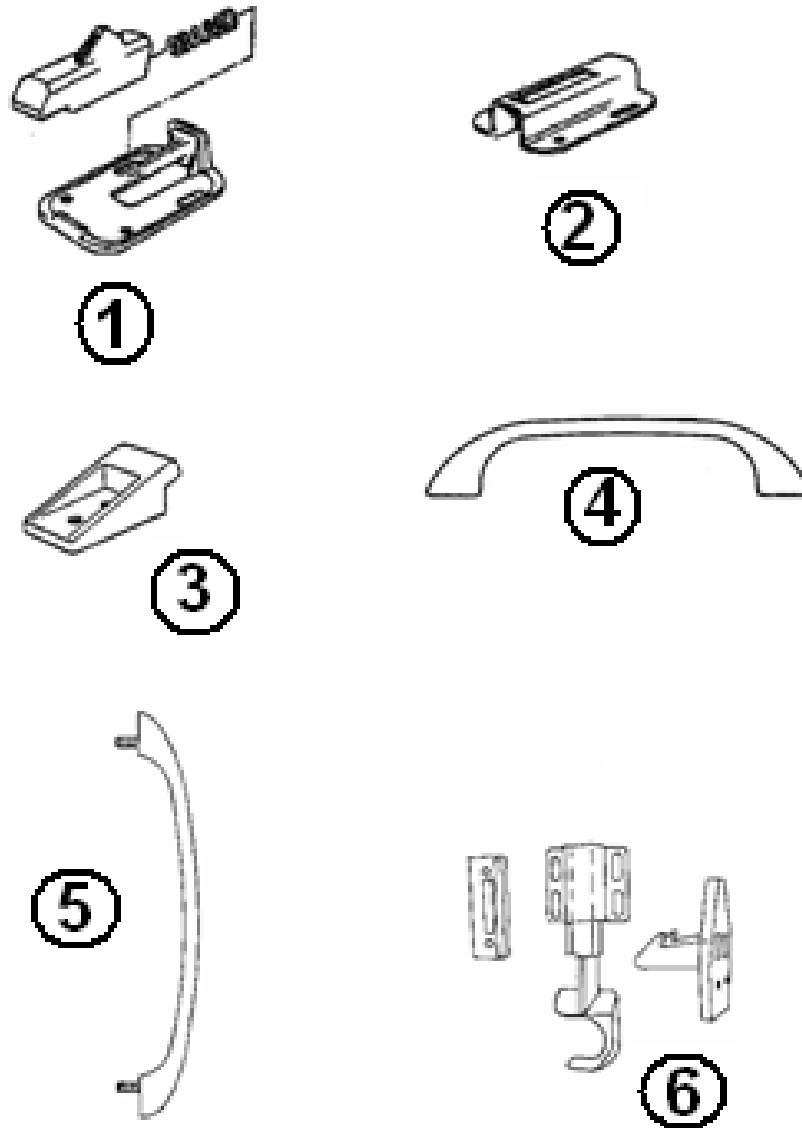


- |    |           |  |
|----|-----------|--|
| 1. | 381547-01 | Main door lock, outside housing              |
| 2. | 381547-07 | Main door lock, inside plate                 |
| 3. | 381547-03 | Double rotary latch, main door               |
| 4. | 381547-04 | Striker bolt w/washer, main door lock        |
| 5. | 381550    | Plate, striker bolt mounting                 |
| 6. | 382067    | Outer reinforcement plate, RH/LH hinged door |
| 7. | 382066    | Inner reinforcement plate, LH hinged door    |
| 8. | 8. 382068 | Inner reinforcement plate, RH hinged door    |
|    | 381547-08 | Screw package, main door lock                |
|    | 385595    | Pocket strike, #10-10-810                    |
|    | 203620    | Spacer, Striker - main door                  |
|    | 203494    | Base Plate, door latch                       |
|    | 381547-09 | Entrance Door Hardware set, RH, Chrome       |
|    | 381547-08 | Screw Pkg. w/o Dead Bolt                     |
|    | 381547-10 | Entrance Door Hardware Set, RH, Zinc/Clear   |
|    | 381547-11 | Entrance Door Hardware Set, RH Blk Textured  |

# 2010 - 2012 AEU 422 Bambi

## HARDWARE

### Main Door Holdback/Screen Door Handle & Latch



1. 380291 Main door holdback, (use w/housing #380290)
2. 380290 Latch housing,
3. 201056 Catch, main door holdback
4. 380004 Handle, screen door
5. 101171 Grab Handle, main door
6. 381454 Latch, screen door, Bullet

## 2010 - 2012 AEU 422 Bambi

### HARDWARE

#### Bathroom Accessories

382098	Handle, 14.25", Glass Chrome (Towel bar)
345418	Screw -#6 X .75" S.S.
300140-01	Washer, 1.25"OD, Towel Bar
380034	Toilet Paper Holder, Chrome
600594	Strainer w/White Rubber Stopper

#### Wardrobe/Hanging Clothes Rod

380046	Flange, Chrome
380045	Tubing, 3/4", Metal
200975-04	Conduit, Flexible, Black Plastic

#### Storage Boxes/Wastebasket

381708	Wastebasket -11.38 X 8.25 X 12.
--------	---------------------------------

#### Labels

99900P-349	PLATE, V.I.N.
99900P-369	PLATE, WEIGHT
99900P-939	LABEL-LP COVER LATCH
99900P-940	LABEL-BATTERY TYPE WARNING
99900P-941	LABEL-SOLAR PNL CONNECTION
99900P-942	LABEL-A/C PWR ON/OFF SWITCH
99900P-943	LABEL-BOILER PWR ON/OFF SWITCH
99900P-944	LABEL-AUX SWITCH
99900P-945	LABEL-INVERTER ON/OFF SWITCH
386193	LABEL WHEEL TORQUE WARNING
386123	LABEL "POTABLE WATER ONLY"

# 2010 - 2012 AEU 422 Bambi

## HARDWARE

### Pedestal Table Hardware

380337-01 Leg, Pedestal Table, 28.50"

380338 Socket, Pedestal Table

380339 Socket, Pedestal, Floor

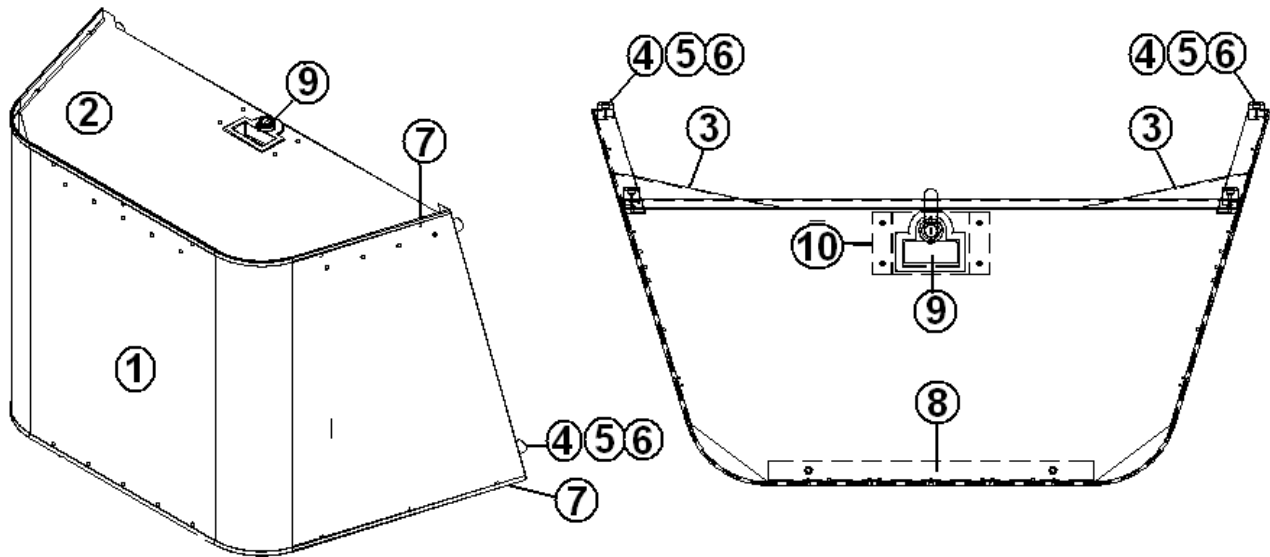
### Roof locker Hardware

454613 Spring, Leaf, Roof locker

# 2010 - 2012 AEU 422 Bambi

## PLUMBING, LPG

### LPG Bottle Cover



- |                |                                    |
|----------------|------------------------------------|
| 99900M-035     | COVER ASSEMBLY, LP BOTTLE          |
| 1. 99900P-024  | COVER WRAP, LP BOTTLE              |
| 2. 99900P-025  | LID, LP BOTTLE COVER               |
| 3. 114880-201  | ALUMINUM SHEET, .040" X 51"X201"   |
| 4. 381136      | RUBBER BUMPER                      |
| 5. 320029      | SCREW #8 X 3/4", PAN HEAD          |
| 6. 350008      | NUT, BRASS NICKLE PLATED, 8/32"    |
| 7. 114070      | J-TRIM EXTRUSION                   |
| 8. 99900M-249  | BRACKET, "Z", BOTTLE COVER         |
| 9. 380770      | LOCK & CASTING ASSEMBLY, BLACK     |
| 10. 99900M-044 | BRACKET, LATCH LP COVER            |
| 99900M-250     | ANGLE, 1" X 2" X 16"               |
| 203225-01      | TRIM LOK, GRAY                     |
| 325000-01      | RIVET, ANODIZED CLEAR 1/8" X 1/4"  |
| 325002-01      | RIVET, ANODIZED CLEAR, 1/8" X 3/8" |

## 2010 - 2012 AEU 422 Bambi

### PLUMBING, LPG

#### Gas Regulator and Fittings

601731	Regulator w/Mtg. brackets
602321-02	Pan, Black for regulator Kit
601687	Hold down kit, LP Tank
601685-02	LP Hose 1/2" FPT x 3/8" FL 36"
381613	Plastisol Cover LP Wing Handle
345084	Screw, 1/4-14 x 1 Thd. Cutting
350005	Nut, 3/8-16 UNC Hex Hd. Plated

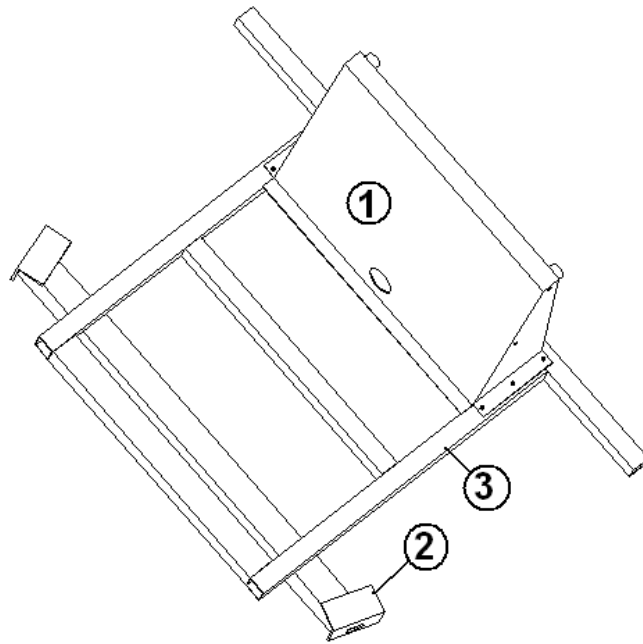
#### LP COVER BUNGEE CORD INSTALL

99900P-1002	HOOK, SHOCK CORD, BLACK
99900P-1001	CLIP, SHOCK CORD, BLACK
99900P-1003	MACHINE SCREW 10-24 X 1.75" SS
350158-02	WASHER, LOCK TOOTH #10
350147-19	NUT, NYLON LOCK #10-24
330038	RIVET, BLIND AD54 ABS-LF

# 2010 - 2012 AEU 422 Bambi

## PLUMBING, LPG

### LPG Bottle Support



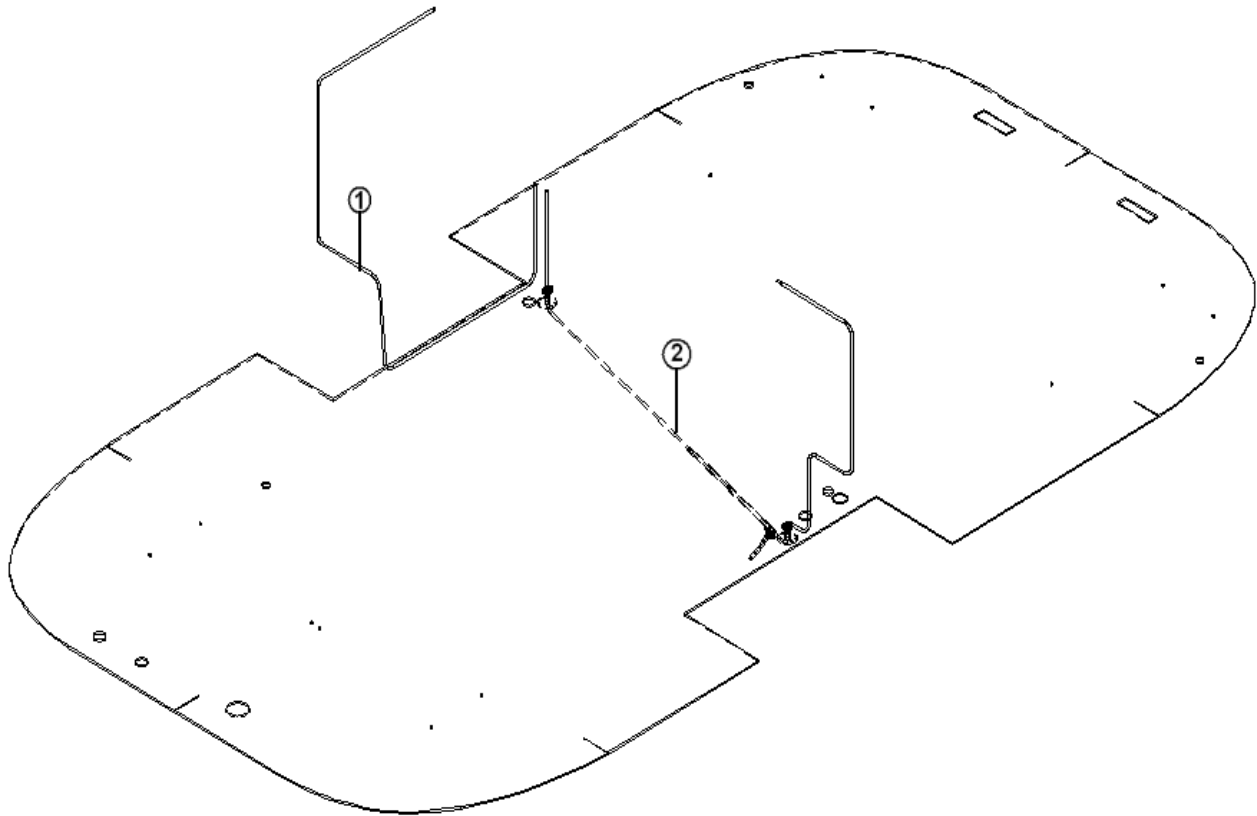
- |               |                                  |
|---------------|----------------------------------|
| 99900M-038    | LP SUPPORT ASSEMBLY              |
| 1. 99900M-635 | COVER, LP SUPPORT                |
| 2. 99900M-039 | CROSSMEMBER, LP SUPPORT          |
| 3. 99900M-036 | WELDMENT-LP SUPPORT              |
| 386018-01     | GROMMET RUBBER 1.25ID 1.75 OD    |
| 381136        | RUBBER BUMPER                    |
| 330126-04     | RIVET, POP S.S. .125" #45        |
| 345181        | SCREW, 1/4"-14 X 2" SELF-TAPPING |
| 345084        | SCREW, 1/4"-14X1 THD.CUTTING     |
| 345269-05     | BOLT, 1/2"-13 HEX HD GR.5        |
| 350147-50     | NUT, NYLON LOCK, 1/2"-13         |



# 2010 - 2012 AEU 422 Bambi

## PLUMBING, LPG

### LP System



1. 99900M-404
1. 99900M-405
2. 99900M-406
- 380887
- 380886
- 345426-02
- 99900P-148
- 99900P-057

LP SYSTEM INSTALL  
8MM LP LINE, MANIFOLD TO REFER  
8MM LP LINE MANIFOLD TO COOKTOP  
GROMMET, FLOOR  
GROMMET, UNDERBELLY  
CLAMP, STEEL LOOP .38" RUBBER  
EARTH CLAMP 2 X 16MM  
COPPER TUBE-8MM X 30M ROLL

## 2010 - 2012 AEU 422 Bambi

### PLUMBING, FRESHWATER

#### Plumbing Parts

99900P-093 PIPE, 12MM COLD WATER BLUE 100M  
99900P-095 ELBOW, 90D 12MM STEM  
99900P-097 TEE, 12MM EQUAL  
99900P-098 DRAIN DOWN, COLD PRESSURE RELIEF  
99900P-102 QUICK CONNECT, .5"MPT X 12MM  
99900P-100 COLLETS, BLUE

#### Faucet

602294-01 Faucet, Dura Euro Lavatory Single Lever, Single  
hole, Brushed Nickel Finish  
602294-02 Aerator for above faucet

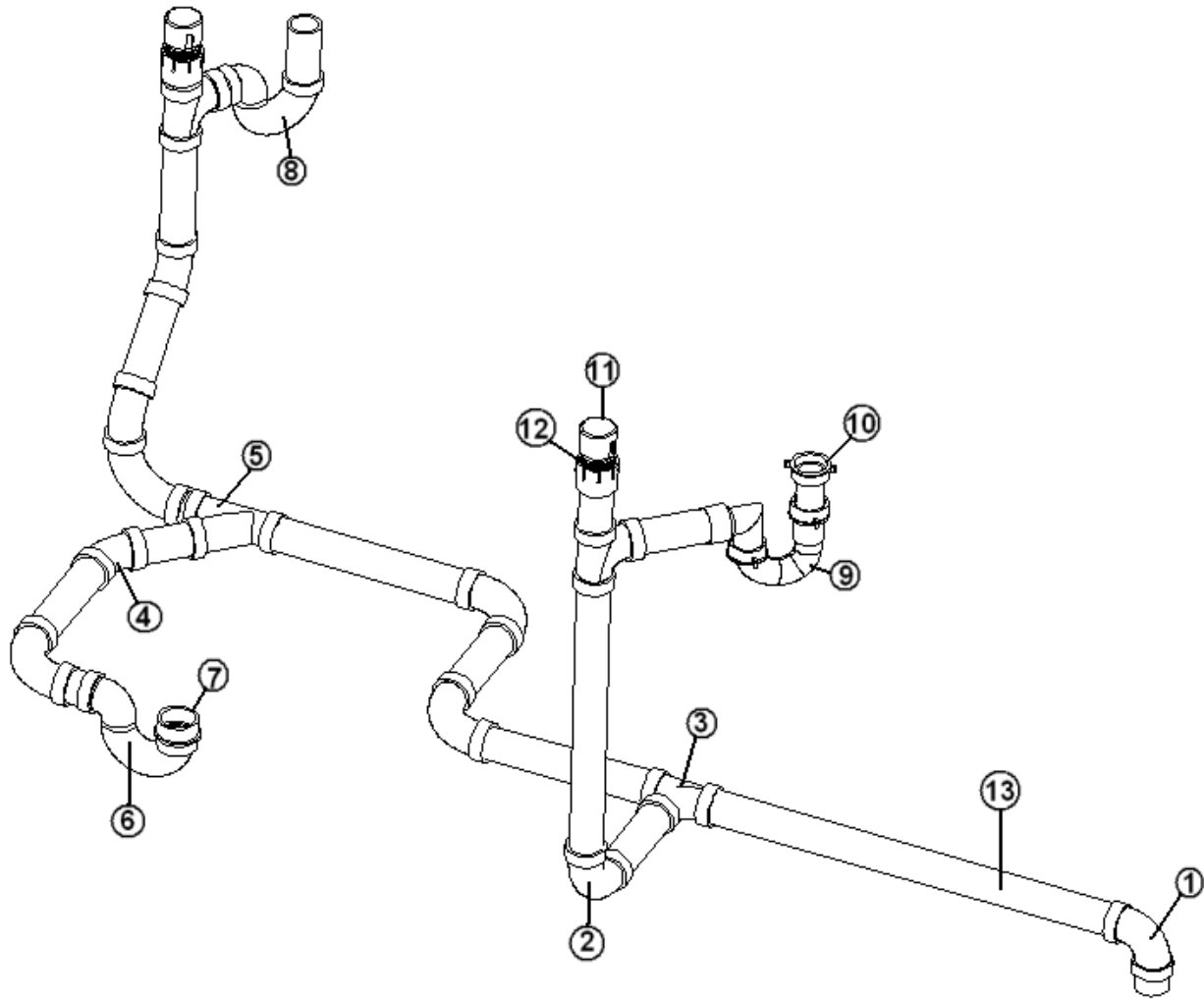
#### Shower Kit

601358 Shower kit, includes: Shower hose, shower  
head, Vacuum breaker  
602170-01 Shower Valve, Chrome  
602170-02 Elbow, Shower Kit, wall mounts  
601185-08 PLUG, PIPE 1/2" MALE NPT, STEEL  
601727 SHOWER DRAIN, 2"W/GRID TOP  
601661 NIPPLE 1/2" BRASS HEX  
602256-01 NIPPLE POLY .5"MPT X .5" MPT

# 2010 - 2012 AEU 422 Bambi

## PLUMBING, DRAIN

### DRAINAGE, ABOVE FLOOR



Parts Listed on Next Page

## 2010 - 2012 AEU 422 Bambi

### PLUMBING, DRAIN

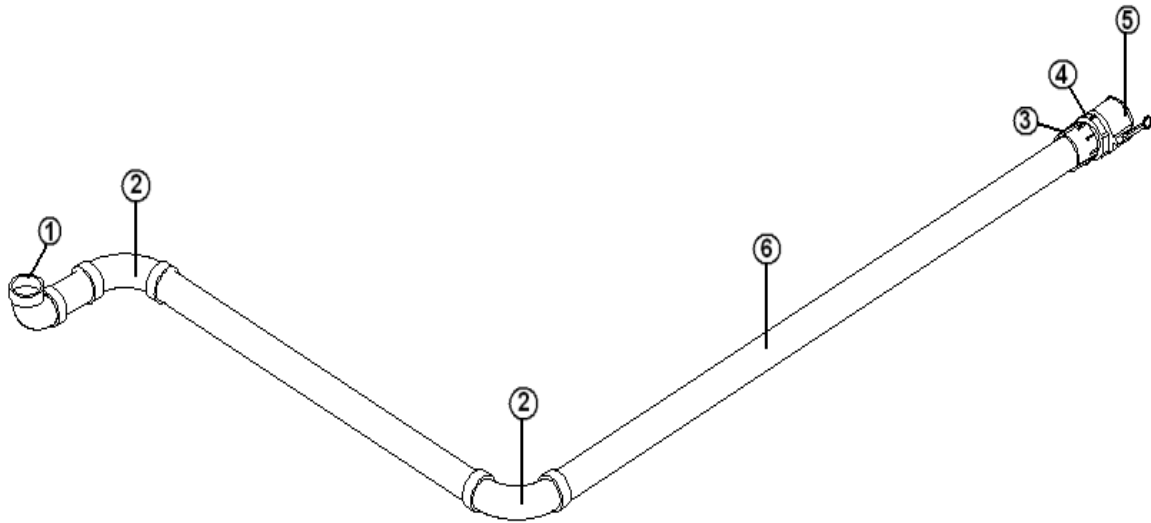
#### 99900M-389 DRAINAGE, ABOVE FLOOR

1. 600662 Elbow, 1 ½", Short Radius
2. 600035 Ell ABS Long Sweep 1 ½
3. 600156 Tee, Sanitary
4. 600030 Ell ABS 45 degrees Lg. Turn
5. 600094 Wye, #2301
6. 602164-01 P Trap w/Compression Nut 1.5"
7. 602164-02 Tail Piece w/nuts & washers 1.5
8. 600144 P Trap ABS 1 ½"
9. 600622 P-Trap 1 ½ w/Slip Nut & Wash
10. 601714-01 Tail Piece 1 ½ x 4" (Galley Drain)
11. 600538 Vent, V-200 Automatic
12. 600308 Adapter ABS Female Sloan
13. 601160-02 Pipe, ABS DVW, 1 ½"
- 601267-04 Nipple, 3" Dia. Thd. One 10" Lg.
- 602256-10 Elbow, Poly .5 Barb
- 602256-05 Elbow, Poly .5 Barb X .5 FPT Swivel
- 602256-03 Adapter, Poly .5 Barb X .5 FPT Swivel

# 2010 - 2012 AEU 422 Bambi

## PLUMBING, DRAIN

### DRAINAGE, BELOW FLOOR



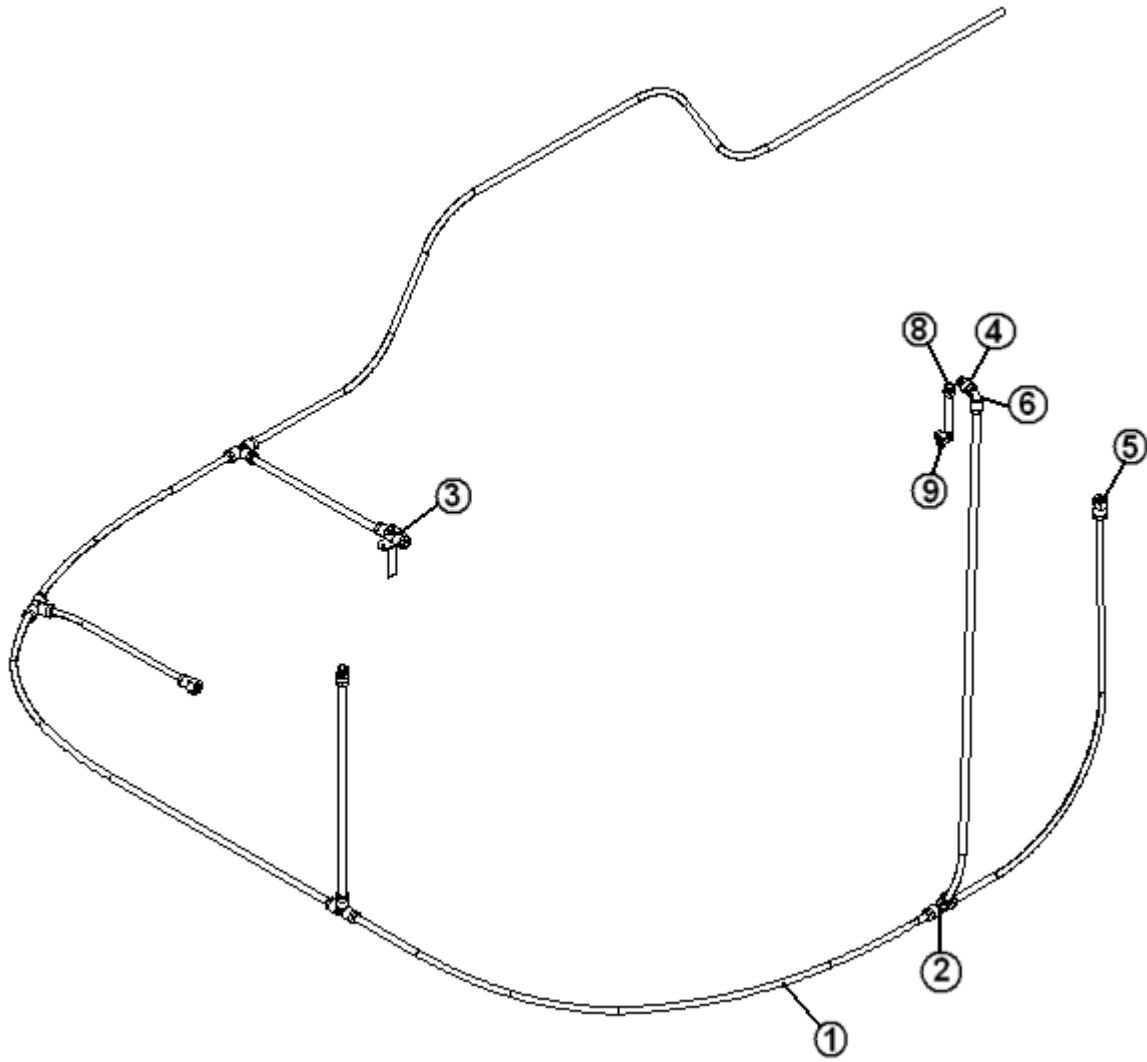
### 99900M-390 DRAINAGE, BELOW FLOOR

- 1. 600662 Elbow, 1 1/2" Short Radius
- 2. 600035 Ell ABS Long Sweep 1 1/2
- 3. 602306 Valve, 2" Air Admittance Ayrlet
- 4. 99900P-032 Plug, 1.5" C & G Hose X Male Pipe
- 5. 99900P-034 1.5" C & G Hose Cap X Socket
- 6. 601160-02 Pipe, ABS DVW, 1 1/2"

# 2010 - 2012 AEU 422 Bambi

## PLUMBING

### Cold Water Lay-Out



## 2010 - 2012 AEU 422 Bambi

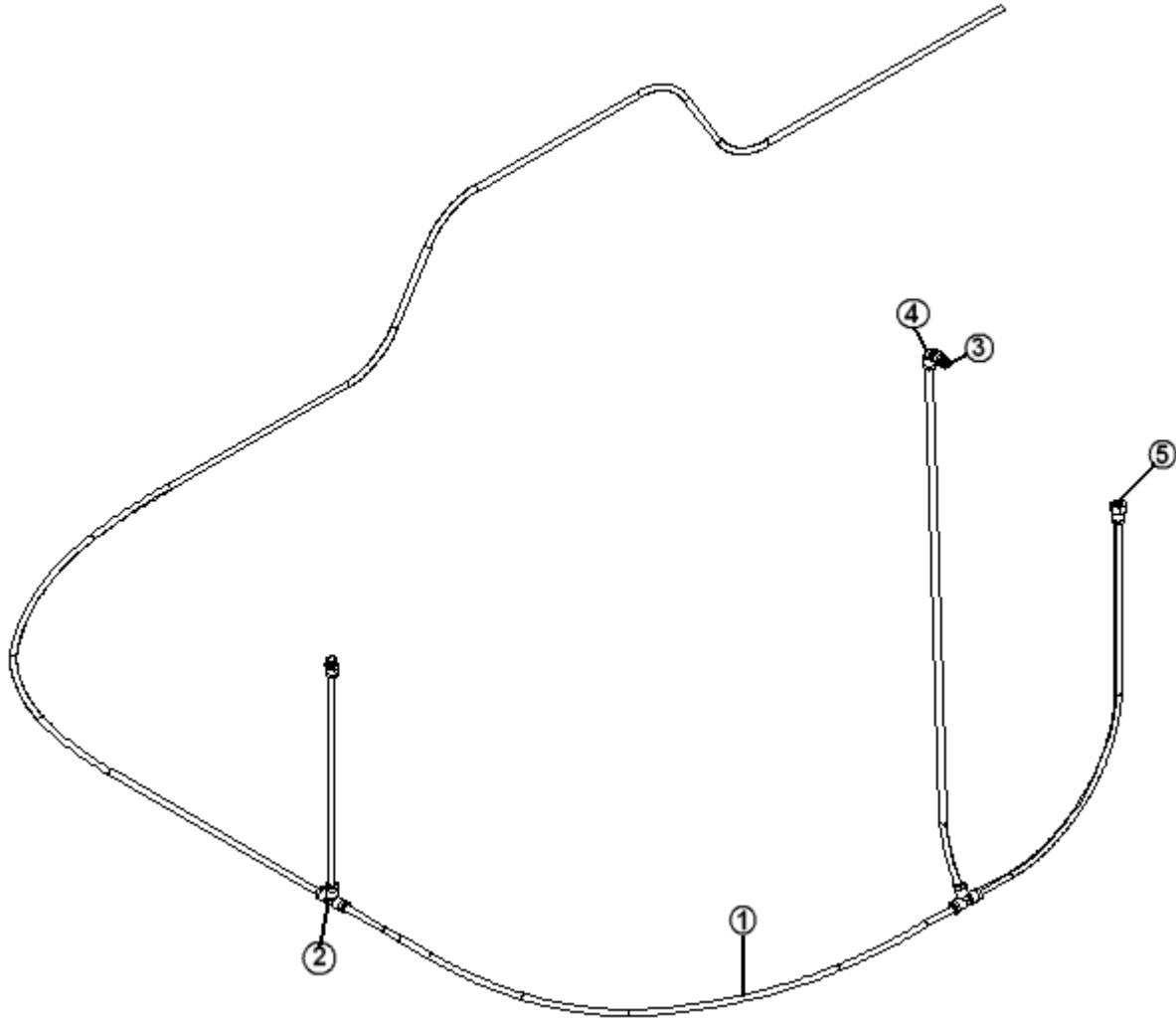
### PLUMBING

99900M-398	Cold Water Lay-Out
1. 99900P-093	Pipe, 12mm Cold Water Blue
2. 99900P-097	Tee, 12mm Equal
3. 99900P-098	Drain, Down Cold Press Relief
4. 99900P-102	Quick Connect .5" MPT x 12MM
5. 99900P-103	Quick Connect .5" FPT x 12MM
6. 99900P-095	Elbow, 90D 12mm Stem
7. 99900P-100	Collets, Blue
8. 602256-02	Adapter, Male Poly .5 Barb X .5 MPT
9. 602256-05	Elbow, Poly .5 Barb x .5 FPT Swivel
10. 601698-01	E-Pex tubing 1/2"
11. 601698-15	1/2 Crimp Ring

# 2010 - 2012 AEU 422 Bambi

## PLUMBING

### Hot Water Lay-Out





## 2010 - 2012 AEU 422 Bambi

### PLUMBING

99900M-399	Hot Water Lay-Out
1. 99900P-094	PIPE, 12MM HOT WATER RED
2. 99900P-097	TEE, 12MM EQUAL
3. 99900P-102	QUICK CONNECT .5" MPT X 12MM
4. 99900P-095	ELBOW, 90D 12MM STEM
5. 99900P-103	QUICK CONNECT .5" FPT X 12MM
6. 99900P-101	COLLETS, RED

# 2010 - 2012 AEU 422 Bambi

## PLUMBING, DRAIN

### Sink, Lavatory

601804-01	SINK, BATH, 12" SS ROUND
600968	BASKET STRAINER
602289	SINK, OVAL STAINLESS STEEL 12" X 17"
601813	TAIL PIECE, LIFT/TURN DRAIN

## 2010 - 2012 AEU 422 Bambi

### SEALER/PAINT

#### Sealer

360001	Sealant, #884058
360209	Sealant, seam
360176	Sealant, Almond, kitchen and bath
360180-04	Sealant, Sikaflex #221, black
360180	Sealant, Sika-flex, gray
360210	Sealant, Paralastic 4334-014
360283-01	SEALANT SILICONE CORIAN G. WHITE
685510	SEAM TAPE, BLACK, RUBBER 1/32 X 7/8 X 2
28174W	RV ACRYLIC TOUCH UP SPRAY
365330-01	Seal-RTV silicone white #4552
365233	Sealant, 100% silicone, Black
360180-04	Sealer 1/8 x 1 1/4" Putty Tape

#### Paint

360213	Paint, aluminum metallic
360151	Paint, gray metallic, Centari
360151-01	Paint, gray metallic, Centari, 16 oz. can

## 2010 - 2012 AEU 422 Bambi

### VENTS/FANS

#### Vent, High Level

99900P-1020	Trim Ring, High Level Vent
99900P-1021	Vent, High Level 4" x 5"

#### Vent, Side Wall Mounting, Refrigerator

690470-01	Vent, Side wall mounting refrigerator
690264-03	Vent Pipe Cover
511017-11	Exterior Vent, Gray

