

***AIRSTREAM EUROPE  
INTERNATIONAL  
2.5 METRE  
TRAVEL TRAILER***

***PARTS  
BOOK***

**2011/2012**



# 2011/2012 AEU INTERNATIONAL 2.5 METRE TT TABLE OF CONTENTS

## SECTION I, A through C

### APPLIANCES

<a href="#">Heater Baffles</a> .....	I-1
<a href="#">Refrigerator</a> .....	I-2

### BODY

<a href="#">End shell, Rear</a> .....	I-3
<a href="#">End Shell, Front</a> .....	I-9
<a href="#">Wall, Roadside, 685</a> .....	I-11
<a href="#">Wall, Roadside, 684</a> .....	I-13
<a href="#">Wall, Curbside, 684, 685</a> .....	I-15
<a href="#">Wall, Roadside, 534</a> .....	I-17
<a href="#">Wall, Curbside, 534</a> .....	I-19
<a href="#">Wrap Protector</a> .....	I-21
<a href="#">Grab Rails</a> .....	I-22
<a href="#">Floor</a> .....	I-23
<a href="#">Shell/Chassis Attachment</a> .....	I-23
<a href="#">Rear Reflector, Triangle</a> .....	I-25
<a href="#">Roof</a> .....	I-25
<a href="#">Body Interior</a> .....	I-26

### CHASSIS

<a href="#">Chassis Diagrams</a> .....	I-28
<a href="#">Step Close Outs</a> .....	I-30
<a href="#">P-Trap Cover</a> .....	I-30
<a href="#">Bumper</a> .....	I-31
<a href="#">Underbelly Compartment</a> .....	I-32
<a href="#">Underbelly Outlet Access</a> .....	I-33
<a href="#">Coupling Covers</a> .....	I-34
<a href="#">Underbelly Cover</a> .....	I-35
<a href="#">Wheel Assemblies</a> .....	I-35

# 2011/2012 AEU INTERNATIONAL 2.5 METRE TT TABLE OF CONTENTS

## SECTION II, D through E

[DECAL/EXTERIOR TRIM/REFLECTORS](#).....II-1

### DOORS/WINDOWS/AWNING

[Exterior Doors](#) .....II-2

[Windows, Window Trim & Screens](#) .....II-8

[Awnings](#).....II-12

### DRAPES/BLINDS/VALANCES

[Drape Trim and Track](#) .....II-15

### ELECTRICAL

[Interior Lights](#).....II-16

[Exterior Lights](#) .....II-17

[Temperature Sensor](#) .....II-17

### ENTERTAINMENT

[Radio Speakers](#).....II-19

[GPS Antenna](#) .....II-19

[Satellite Cable](#) .....II-19

# 2011/2012 AEU INTERNATIONAL 2.5 METRE TT TABLE OF CONTENTS

## SECTION III F through H

### FASTENERS

<a href="#">Rivets</a> .....	III-1
------------------------------	-------

<a href="#">FLOOR COVERING</a> .....	III-3
--------------------------------------	-------

### FURNITURE DRAWINGS & CHARTS

<a href="#">Roof Locker Doors</a> .....	III-3
---	-------

<a href="#">Lounge Furniture Hardware</a> .....	III-4
---	-------

<a href="#">Bath Furniture Hardware</a> .....	III-6
---	-------

<a href="#">Galley Furniture Hardware</a> .....	III-11
---	--------

<a href="#">Bedroom Furniture Hardware</a> .....	III-12
--	--------

### HARDWARE

<a href="#">Main Door</a> .....	III-14
---------------------------------	--------

<a href="#">Main Door Dead Bolt</a> .....	III-15
---	--------

<a href="#">Window Hardware</a> .....	III-17
---------------------------------------	--------

<a href="#">Key Blanks</a> .....	III-15
----------------------------------	--------

<a href="#">Bath Room Accessories</a> .....	III-18
---	--------

<a href="#">Wardrobe Clothes Rod</a> .....	III-18
--	--------

<a href="#">Storage Boxes/Wastebasket</a> .....	III-18
---	--------

<a href="#">Labels</a> .....	III-18
------------------------------	--------

# 2011/2012 AEU INTERNATIONAL 2.5 METRE TT TABLE OF CONTENTS

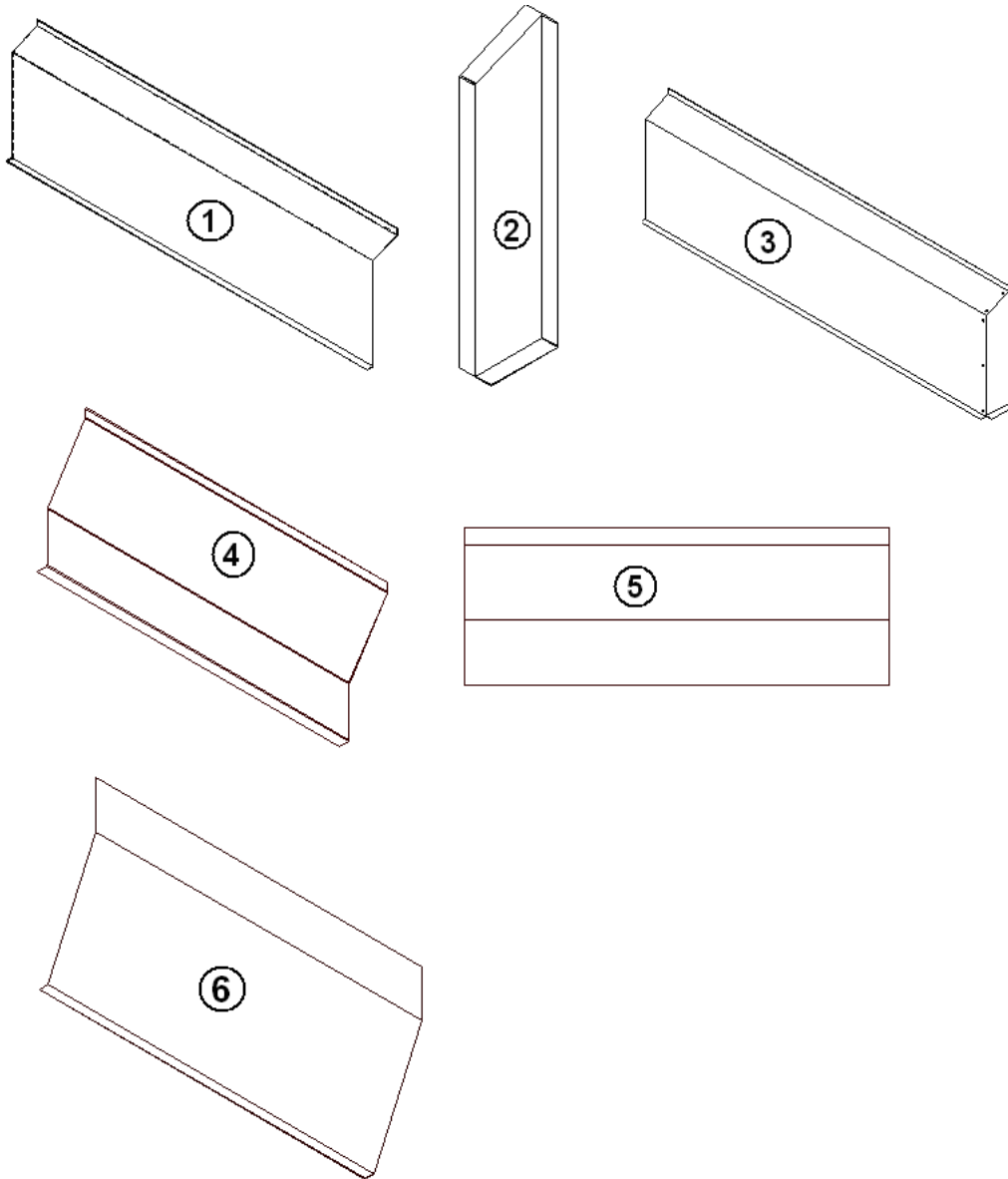
## SECTION IV P through Z

### PLUMBING

<a href="#">LPG</a> .....	IV-1
<a href="#">Freshwater</a> .....	IV-5
<a href="#">Faucet</a> .....	IV-9
<a href="#">Drain Water</a> .....	IV-11
<a href="#">Sewer Hose Connectors</a> .....	IV-16
<a href="#">SEALER</a> .....	IV-17
<a href="#">PAINT</a> .....	IV-17
<a href="#">VENTS/FANS</a> .....	IV-18

# 2011/2012 AEU INTERNATIONAL 2.5 METRE TT APPLIANCES

## Heater Baffles, 684 AEU, 685

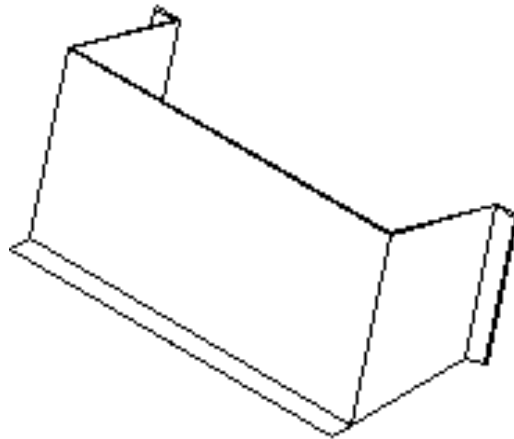


- |               |                   |
|---------------|-------------------|
| 1. 99900M-185 | Bed baffle, front |
| 2. 99900M-186 | Bed baffle, end   |
| 3. 99900M-187 | Bed baffle        |
| 4. 99900M-256 | Baffle, 30.25"    |
| 5. 99900M-214 | Dinette baffle    |
| 6. 99900M-292 | Baffle, heater    |

# 2011/2012 AEU INTERNATIONAL 2.5 METRE TT

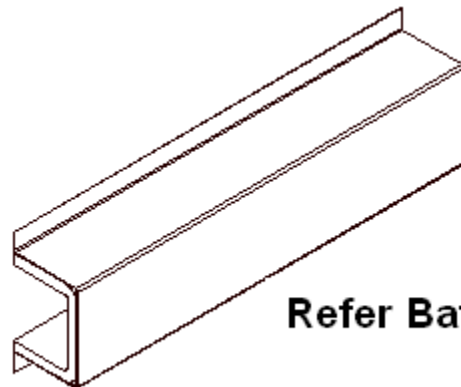
## APPLIANCES

Heater Baffle, Floor to Radiator, 684 AEU



99900M-188 BAFFLE, FLOOR TO RADIATOR

Refrigerator Prep



**Refer Baffle**

99900M-299 REFER BAFFLE ASSY, 534  
99900M-129 REFER BAFFLE ASSY, 532  
201568 FOAM, 3 TUF COTE ACOUSTICAL

Refrigerator Door Inserts

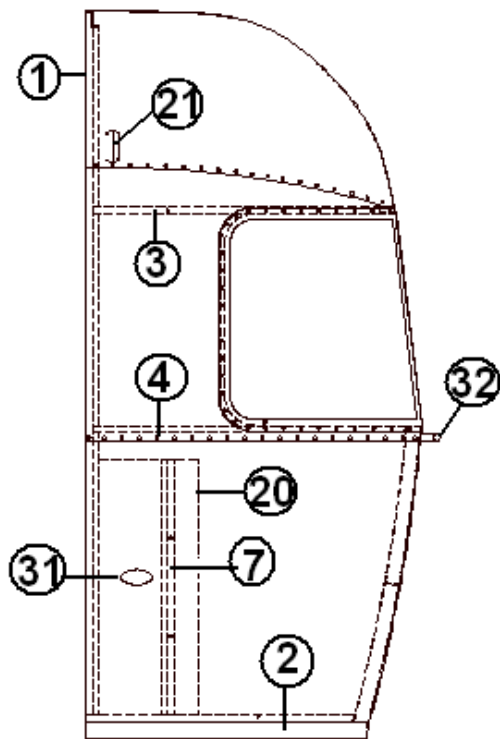
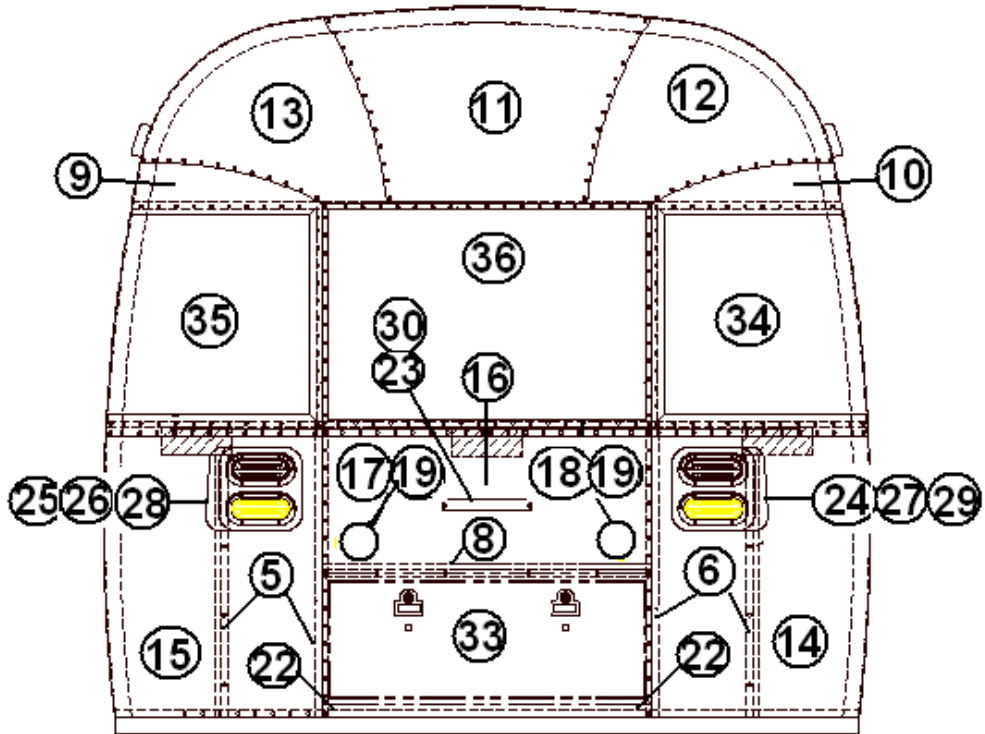
99900M-170 Refrigerator Door Insert, 534  
99900M-181 Refrigerator Door Insert, 684, 685  
99900M-184 Refrigerator stand, 684, 685



# 2011/2012 AEU INTERNATIONAL 2.5 METRE TT

## EXTERIOR SHELL

End Shell, Rear, 684 Double Bed, 534



Part numbers are on the next page

# 2011/2012 AEU INTERNATIONAL 2.5 METRE TT

## EXTERIOR SHELL

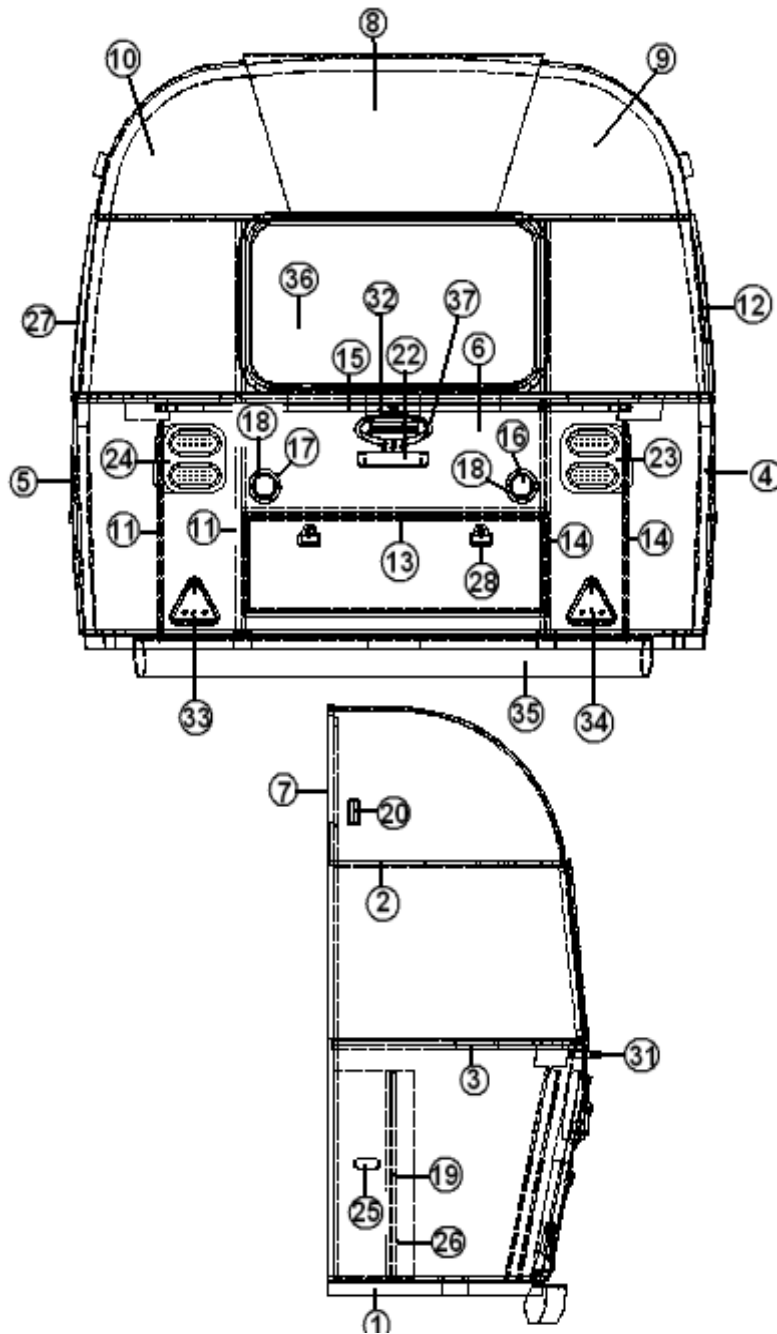
End Shell, Rear, Double Bed, 534, 684

99900M-455	END SHELL, REAR (684)
99900M-218	END SHELL, REAR (534)
1. 114994	WELDMENT, ZERO BOW
2. 99900M-216	BOW, FLOOR
3. 104351	BOW, UPPER WINDOW
4. 104343	BOW, LOWER WINDOW
5. 114505-01	SUPPORT LOWER END SHELL LH
6. 114505-02	SUPPORT LOWER END RH
7. 101315	BRACE VERTICAL REAR
8. 104408	EXTRUSION, Z RIB
9. 114888	SEGMENT, CENTER LEFT "BRIGHT"
10. 114889	SEGMENT, CENTER RIGHT "BRIGHT"
11. 114892	SEGMENT, CENTER END SHELL
12. 114890	SEGMENT, #26 "BRIGHT"
13. 114891	SEGMENT, #27 "BRIGHT"
14. 114894	SEGMENT, #28 "BRIGHT"
15. 114895	SEGMENT, #29 "BRIGHT"
16. 114880-307	ALUMINUM SHEET .040"X51"X307"
17. 99900P-011	LIGHT, LED FOG .95"D
18. 99900P-012	LIGHT, LED REVERSE
19. 99900P-013	RING, CHROME LIGHT
20. 101115	SHEET, ALUMINUM, .060 X 48 X 120
21. 99900P-014	LIGHT, END LINER MARKER
22. 114813	ALUMINUM ANGLE 1.00" X 1.50"
23. 99900P-010	LAMP, NUMBER PLATE
24. 99900M-043	TAIL LIGHT, CURBSIDE, INCANDESCENT
25. 99900M-042	TAIL LIGHT, ROADSIDE, INCANDESCENT
26. 203386-01	POCKET, INNER TAILLIGHT, LEFT HAND
27. 203386-02	POCKET, INNER TAILLIGHT, RIGHT HAND
28. 115073-01	BRACKET, ROADSIDE TAILLIGHT
29. 115073-02	BRACKET, CURBSIDE TAILLIGHT
30. 115074	BRACKET, CENTER TAILLIGHT
31. 99900P-015	LIGHT, LED SIDE MARKER
32. 99900P-396	RAIL, GRAB STAINLESS STEEL
33. 922711	ACCESS DOOR ASSEMBLY, 36"
34. 372088-101	CS WRAP WINDOW
35. 372089-101	RS WRAP WINDOW
36. 99900P-049	REAR WINDOW

# 2011/2012 AEU INTERNATIONAL 2.5 METRE TT

## EXTERIOR SHELL

End Shell, Rear With Door, 685



# 2011/2012 AEU INTERNATIONAL 2.5 METRE TT

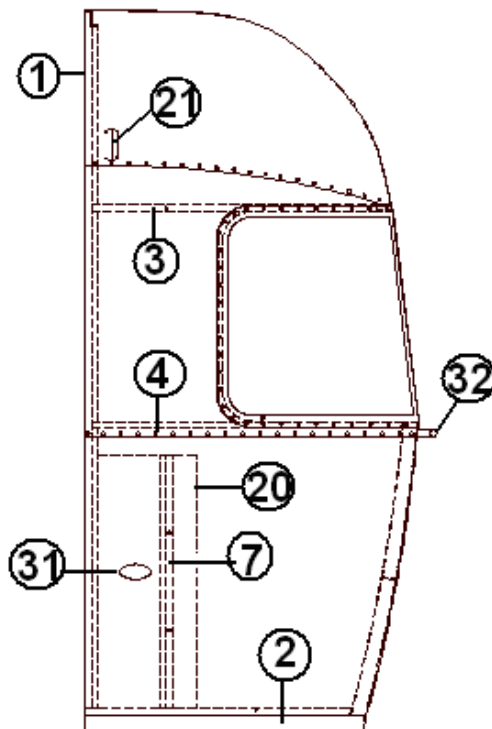
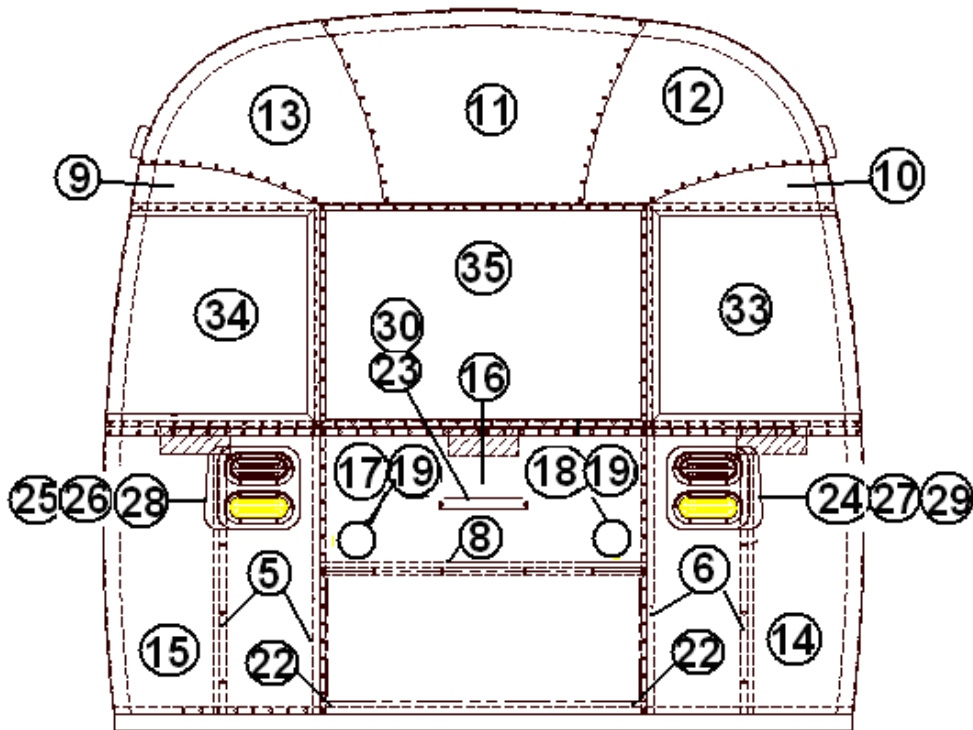
## EXTERIOR SHELL

99900M-504	End Shell, Rear With Door, 685
1. 99900M-216	Floor Bow, Captive Extrusion
2. 104351	Upper Window Bow
3. 104343	Lower Window Bow
4. 114894	Segment, #28 Bright
5. 114895	Segment, #29 Bright
6. 114880-307	Aluminum Sheet .040 x 51" x 307"
7. 114994	Weldment, Zero Bow
8. 114892	Roof Segment, Center
9. 114890	Segment, #26 Bright
10. 114891	Segment, #27 Bright
11. 114505-01	Support Lower End, LH
12. 114889	Segment, Centre Right, Bright
13. 104408	Extrusion Z rib
14. 114505-02	Support Lower End, RH
15. 101115	Aluminum Sheet, .060 x 48" x 120"
16. 99900P-011	Fog Light, LED, Red
17. 99900P-012	Reverse Lamp, White LED
18. 99900P-013	Chrome decorator ring
19. 101315	Brace, Vertical Rear
20. 99900P-014	Marker Light
21. 114813	Angle, 1" x 1.5" (not shown)
22. 99900P-010	Number Plate Lamp
23. 99900P-043	Taillight assembly, CS
24. 99900P-042	Taillight assembly, RS
25. 99900P-015	Side Marker Light, LED
26. 101115	Aluminum Sheet, .060 X 48" x 120"
27. 114888	Segment, Center Left Bright
28. 922711	Access Door Assy., 36"
29. 99900P-396	Grab Rail, 2.5m
30. 386108	Nameplate, International
31. 99900P-031	Rear Reflector, RS
32. 99900P-030	Rear Reflector, CS
33. 99900M-395	Rear Bumper, 2.5m
34. 371326	Window, rear opening, Std.
35. 99900P-1503	Decal, Model Designator
114328	Extrusion, Beltline
201912	Beltline Insert

# 2011/2012 AEU INTERNATIONAL 2.5 METRE TT

## EXTERIOR SHELL

End Shell, Rear, 684 Twin Bed



Part numbers are on the next page

# 2011/2012 AEU INTERNATIONAL 2.5 METRE TT

## EXTERIOR SHELL

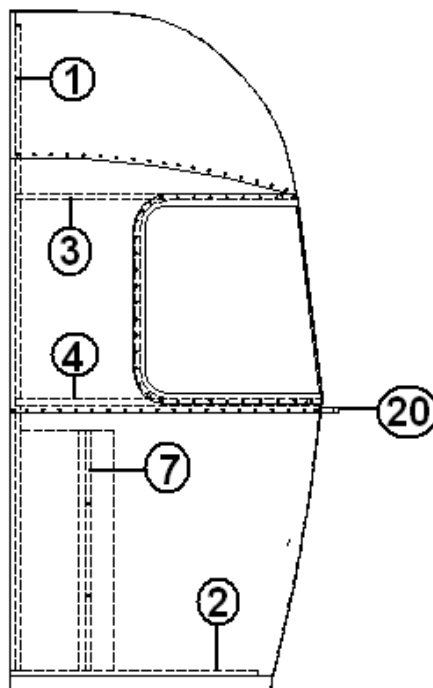
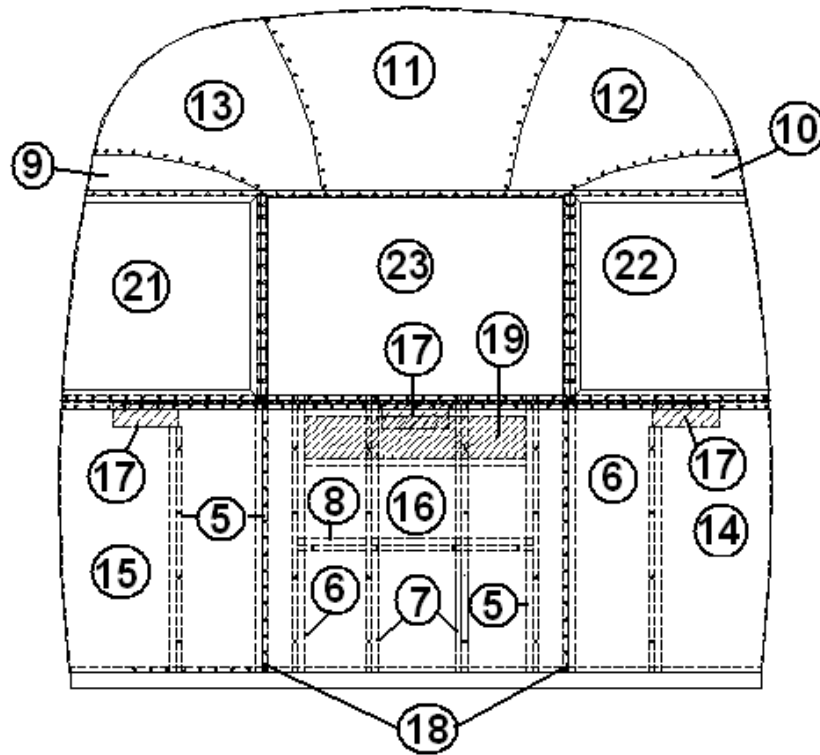
End Shell, Rear, 684 Twin Bed

99900M-219	END SHELL, REAR
1. 114994	WELDLMENT, ZERO BOW
2. 99900M-216	BOW, FLOOR
3. 104351	BOW, UPPER WINDOW
4. 104343	BOW, LOWER WINDOW
5. 114505-01	SUPPORT LOWER END SHELL LH
6. 114505-02	SUPPORT LOWER END RH
7. 101315	BRACE VERTICAL REAR
8. 104408	EXTRUSION, Z RIB
9. 114888	SEGMENT, CENTER LEFT "BRIGHT"
10. 114889	SEGMENT, CENTER RIGHT "BRIGHT"
11. 114892	SEGMENT, CENTER END SHELL
12. 114890	SEGMENT, #26 "BRIGHT"
13. 114891	SEGMENT, #27 "BRIGHT"
14. 114894	SEGMENT, #28 "BRIGHT"
15. 114895	SEGMENT, #29 "BRIGHT"
16. 114880-307	ALUMINUM SHEET .040"X51"X307"
17. 99900P-011	LIGHT, LED FOG .95"D
18. 99900P-012	LIGHT, LED REVERSE
19. 99900P-013	RING, CHROME LIGHT
20. 101115	SHEET, ALUMINUM, .060 X 48 X 120
21. 99900P-014	LIGHT, END LINER MARKER
22. 114813	ALUMINUM ANGLE 1.00" X 1.50"
23. 99900P-010	LAMP, NUMBER PLATE
24. 99900M-043	TAIL LIGHT, CURBSIDE, INCANDESCENT
25. 99900M-042	TAIL LIGHT, ROADSIDE, INCANDESCENT
26. 203386-01	POCKET, INNER TAILLIGHT, LEFT HAND
27. 203386-02	POCKET, INNER TAILLIGHT, RIGHT HAND
28. 115073-01	BRACKET, ROADSIDE TAILLIGHT
29. 115073-02	BRACKET, CURBSIDE TAILLIGHT
30. 115074	BRACKET, CENTER TAILLIGHT
31. 99900P-015	LIGHT, LED SIDE MARKER
32. 99900P-396	RAIL, GRAB STAINLESS STEEL
33. 372088-101	CS WRAP WINDOW
34. 372089-101	RS WRAP WINDOW
35. 371348-02	REAR WINDOW

# 2011/2012 AEU INTERNATIONAL 2.5 METRE TT

## EXTERIOR SHELL

End Shell, Front, 684, 685, & 534 AEU



Part numbers are on the next page

# 2011/2012 AEU INTERNATIONAL 2.5 METRE TT

## EXTERIOR SHELL

End Shell, Front, 684, 685, & 534 AEU

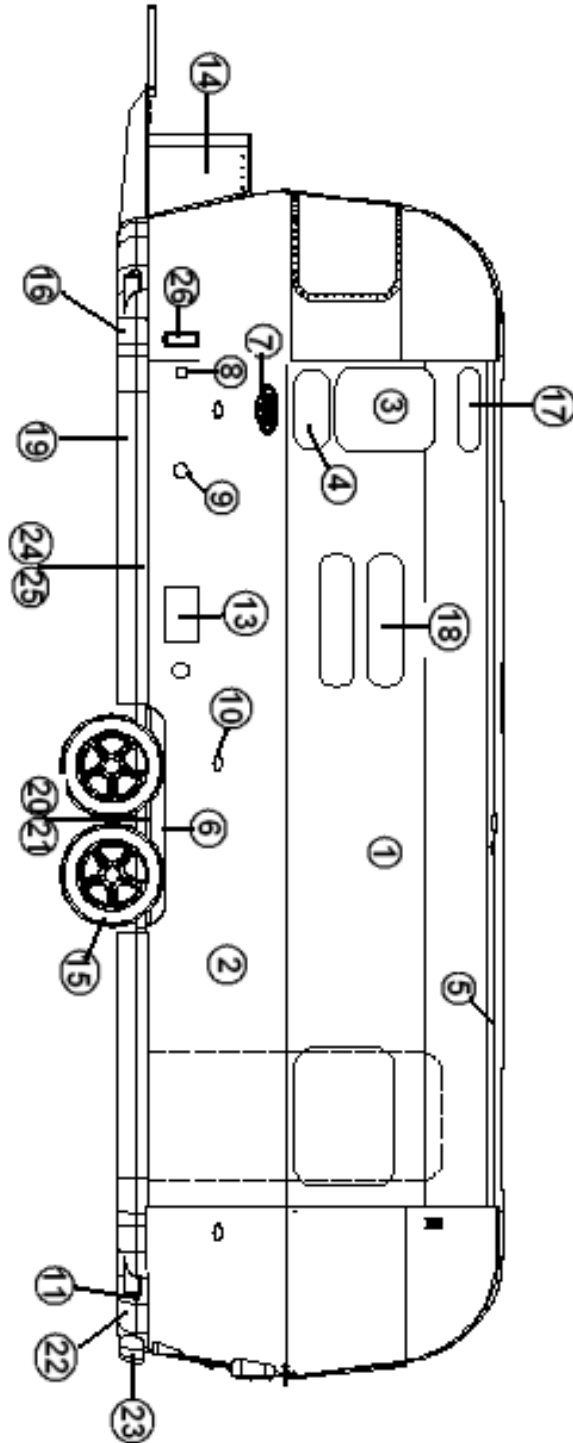
99900M-217	END SHELL, FRONT
1. 114994	WELDLMENT, ZERO BOW
2. 99900M-216	BOW, FLOOR
3. 104480	BOW, UPPER WINDOW
4. 104343	BOW, LOWER WINDOW
5. 114505-01	SUPPORT LOWER END SHELL LH
6. 114505-02	SUPPORT LOWER END RH
7. 101315	BRACE VERTICAL REAR
8. 104408	EXTRUSION, Z RIB
9. 114888	SEGMENT-CENTER LEFT "BRIGHT"
10. 114889	SEGMENT-CENTER RIGHT "BRIGHT"
11. 114892	SEGMENT-CENTER END SHELL
12. 114890	SEGMENT-#26 "BRIGHT"
13. 114891	SEGMENT-#27 "BRIGHT"
14. 114894	SEGMENT-#28 "BRIGHT"
15. 114895	SEGMENT-#29 "BRIGHT"
16. 114880-307	ALUMINUM, CUT TO X 41" X 37.55"
17. 101115	SHEET, ALUM .060" X 48" X 120"
18. 114813	ALUMINUM ANGLE 1.00" X 1.50"
19. 453629	HAT SECTION, TABLE SUPPORT
20. 99900P-396	RAIL, GRAB
21. 372088-101	WINDOW, WRAP RS FRONT, CS REAR
22. 372089-101	WINDOW, WRAP CS FRONT, RS REAR
23. 99900P-049	WINDOW, FRONT W/SQUARE CORNERS



# 2011/2012 AEU INTERNATIONAL 2.5 METRE TT

## EXTERIOR SHELL

Wall, Roadside, 685



Parts Listed on Next Page

# 2011/2012 AEU INTERNATIONAL 2.5 METRE TT

## EXTERIOR SHELL

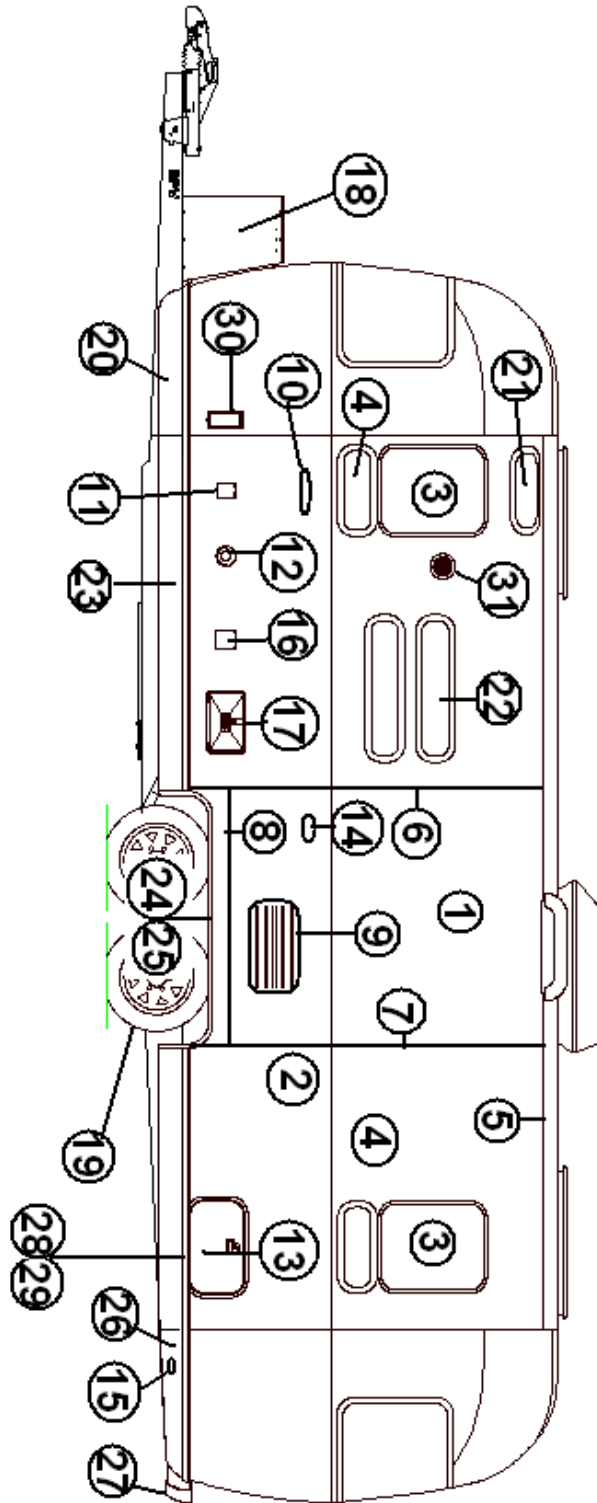
Wall, Roadside, 685

1. 114879-201 ALUMINUM SHEET, .040" X 33" X 201"
2. 114880-201 ALUMINUM SHEET, .040" X 51" X 201"
3. 371323-01 WINDOW, 18" OPENING
4. 371269-01 WINDOW 18" STACK
5. 114290-02 EXTRUSION,AWNING/DRIPRAIL 261"
6. 99900P-043 EXTRUSION-FLOOR 16.5'
7. 386108 NAME PLATE, INTERNATIONAL
8. 99900P-104 AQUAMASTER WATER SYSTEM INLET
9. 99900P-075 HEATER WALL FLUE, W/CLIPS
10. 99900P-015 LIGHT-LED SIDE MARKER
11. 99900P-018 LAMP-SIDE MARKER W/REFLECTOR
13. 601876 Exterior shower hatch
14. 99900M-035 COVER, LP BOTTLE
15. 99900P-378 TIRE/WHEEL ASSY
16. 99900P-008 BANANA,ROADSIDE FRONT/CS REAR
17. 922770-01 VISTA VIEW WINDOW, 18"
18. 371270-01 Window, 30in., stack, stationary
19. 101131-01 ALUMINUM UNDERBELLY
20. 99900M-176 TRIM, INNER WHEEL WELL
21. 99900M-175 TRIM, OUTER WHEEL WELL
22. 200543-01 BANANA, CS FRONT, RS REAR
23. 99900M-395 BUMPER-REAR
24. 114460 EXTRUSION, RUBRAIL, 16'
25. 201763-01 INSERT RUB RAIL CHROME 1"
26. 99900P-381 LP OUTLET, BBQ
- 114387-02 BOW RIB-Z L.H.
- 114387-01 BOW RIB-Z R.H.
- 100679-01 Door, side access with jamb (Twin Bed Only)

# 2011/2012 AEU INTERNATIONAL 2.5 METRE TT

## EXTERIOR SHELL

Wall, Roadside, 684



Part numbers are on the next page

# 2011/2012 AEU INTERNATIONAL 2.5 METRE TT

## EXTERIOR SHELL

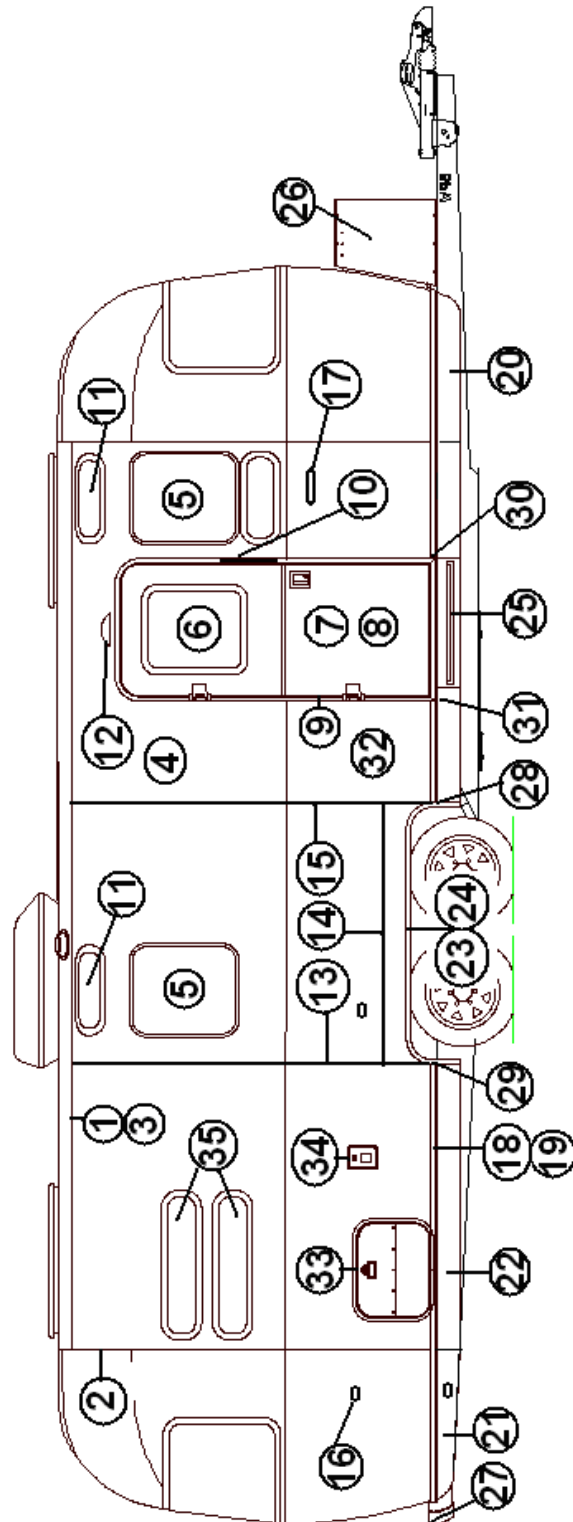
Wall, Roadside, 684

1. 114879-201 ALUMINUM SHEET, .040" X 33" X 201"
2. 114880-201 ALUMINUM SHEET, .040" X 51" X 201"
3. 371323-01 WINDOW, 18" OPENING
4. 371269-01 WINDOW 18" STACK
5. 114290-02 EXTRUSION, AWNING/DRIP RAIL 261"
6. 114387-02 BOW RIB-Z L.H.
7. 114387-01 BOW Z-RIB R.H.
8. 99900P-043 EXTRUSION-FLOOR 16.5'
9. 99900P-380 REFRIGERATOR VENT
10. 386108 NAME PLATE, INTERNATIONAL
11. 99900P-104 AQUAMASTER WATER SYSTEM INLET
12. 99900P-075 HEATER WALL FLUE, W/CLIPS
13. 100679-01 Door, side access with jamb (Twin Bed Only)
14. 99900P-015 LIGHT-LED SIDE MARKER
15. 99900P-018 LAMP-SIDE MARKER W/REFLECTOR
16. 99900P-153 POWER INLET BOX
17. 601876 Exterior shower hatch
18. 99900M-035 COVER, LP BOTTLE
19. 99900P-378 TIRE/WHEEL ASSY
20. 99900P-008 BANANA, ROADSIDE FRONT/CS REAR
21. 922770-01 VISTA VIEW WINDOW, 18"
22. 371270-01 Window, 30in., stack, stationary
23. 101131-01 ALUMINUM UNDERBELLY
24. 99900M-176 TRIM, INNER WHEEL WELL
25. 99900M-175 TRIM, OUTER WHEEL WELL
26. 200543-01 BANANA, CS FRONT, RS REAR
27. 99900M-395 BUMPER-REAR
28. 114460 EXTRUSION, RUBRAIL, 16'
29. 201763-01 INSERT RUB RAIL CHROME 1"
30. 99900P-381 LP OUTLET, BBQ
31. 99900P-398 White LED Light, 4"

# 2011/2012 AEU INTERNATIONAL 2.5 METRE TT

## EXTERIOR SHELL

Wall, Curbside, 684, 685



Part numbers are on the next page

# 2011/2012 AEU INTERNATIONAL 2.5 METRE TT

## EXTERIOR SHELL

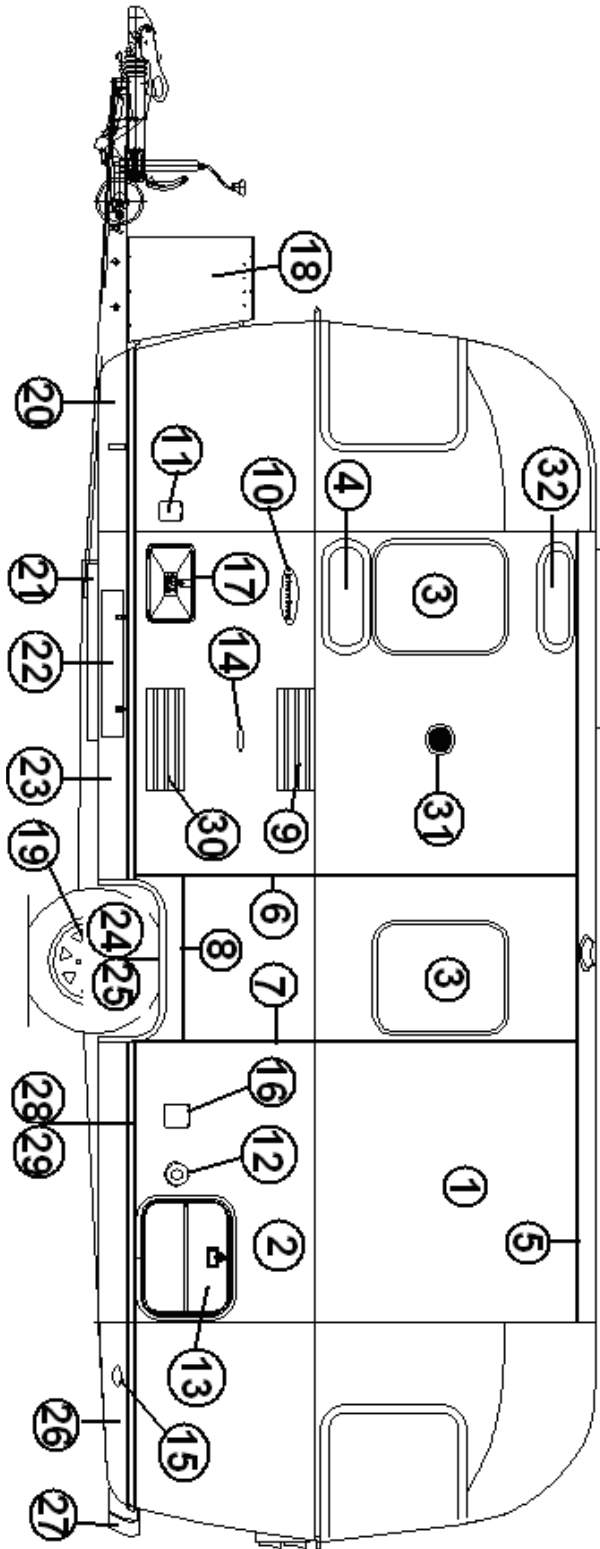
Wall, Curbside, 684

1. 114290-02	Extrusion, awning/drip rail
2. 114994	WELDLMENT-ZERO BOW
3. 104707-01	Extrusion, "I" beam
4. 114880-201	ALUMINUM SHEET, .040" X 51" X 201"
5. 371323-01	WINDOW, 18" OPENING
6. 371400-01	WINDOW, MAIN DOOR
7. 115207-07	Main door assembly
8. 114654	Screen door assembly
9. 114652	Jamb, main door, pre-formed
10. 10. 101171	HANDLE, CAST ALUMINUM
11. 922770-01	VISTA VIEW, 18"
12. 101323	CASTING, STEPLIGHT, POLISHED
13. 114387-02	BOW RIB-Z L.H.
14. 99900P-043	EXTRUSION, FLOOR 16.5'
15. 114387-01	BOW Z-RIB R.H.
16. 99900P-015	LIGHT, LED SIDE MARKER
17. 386108	NAMEPLATE, INTERNATIONAL
18. 114460	EXTRUSION RUBRAIL, 16'
19. 201763-01	INSERT RUB RAIL CHROME 1"
20. 99900P-009	BANANA, CURBSIDE, FRONT
21. 200542-01	BANANA, FRONT RS/REAR CS
22. 101131-01	ALUMINUM UNDERBELLY
23. 99900M-176	TRIM, INNER WHEEL WELL
24. 99900M-175	TRIM, OUTER WHEEL WELL
25. 99900P-379	STEP, OMNISTOR
26. 99900M-035	COVER, LP BOTTLE
27. 99900M-395	BUMPER-REAR
28. 114466-01	Casting, rub rail end, wheel well, RH
29. 114466-02	Casting, rub rail end, wheel well, LH
30. 114465-01	Casting, rub rail end, door, RH
31. 114465-02	Casting, rub rail end, door, LH
32. 114879-201	ALUMINUM SHEET, .040" X 33" X 201"
33. 99900M-082	DOOR W/JAMB ASSY, ACCESS 20 X 15.00
34. 601194	Water fill w/lock
35. 371270-01	Window, 30in., stack, stationary

# 2011/2012 AEU INTERNATIONAL 2.5 METRE TT

## EXTERIOR SHELL

Wall, Roadside, 534



Part numbers are on the next page

# 2011/2012 AEU INTERNATIONAL 2.5 METRE TT

## EXTERIOR SHELL

Wall, Roadside, 534

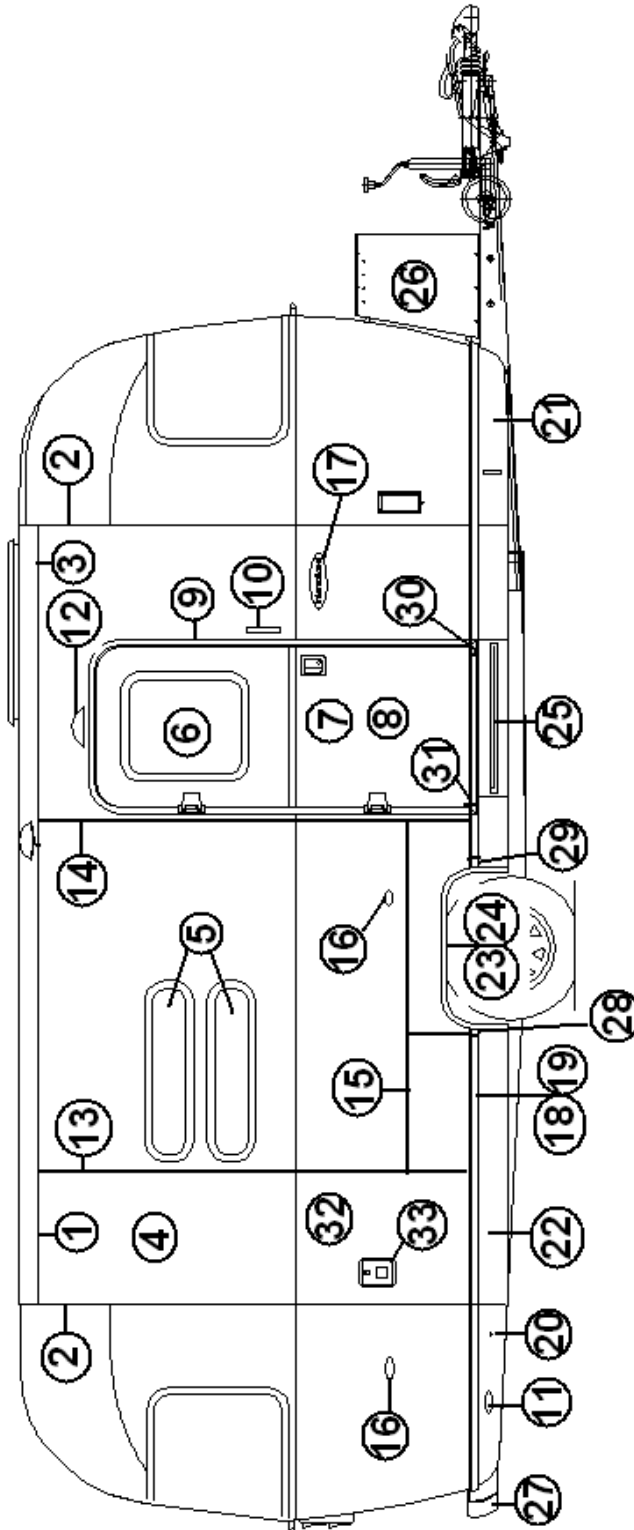
1. 114879-307	ALUMINUM SHEET, .040" X 33" X 307"
2. 114880-307	ALUMINUM SHEET, .040" X 51" X 307"
3. 371323-01	WINDOW, 18" OPENING
4. 371269-01	WINDOW, 18" STACK
5. 114290-02	EXTRUSION, AWNING/DRIP RAIL 261"
6. 114387-02	BOW RIB, Z L.H.
7. 114387-01	BOW Z-RIB R.H.
8. 99900P-043	EXTRUSION, FLOOR 16.5'
9. 99900P-107	REFIGERATOR VENT, UPPER
10. 386108	NAME PLATE, INTERNATIONAL
11. 99900P-104	AQUAMASTER WATER SYSTEM INLET
12. 99900P-075	HEATER WALL FLUE, W/CLIPS
13. 99900M-082	DOOR, ACCESS, 20" x 15.75"
14. 99900P-015	LIGHT-LED SIDE MARKER
15. 99900P-018	LAMP, SIDE MARKER W/REFLECTOR
16. 99900P-153	POWER INLET BOX
17. 601876	Exterior shower hatch
18. 99900M-035	COVER, LP BOTTLE
19. 99900P-003	TIRE/WHEEL ASSY
20. 99900P-008	BANANA, ROADSIDE FRONT/CS REAR
21. 99900P-020	COMPARTMENT PAN, UNDERBELLY
22. 99900M-045	COMPARTMENT ASSEMBLY
23. 101131-01	ALUMINUM UNDERBELLY
24. 114003-03	Wheel well trim, inner, single axle
25. 99900M-121	Wheel well trim, outer, single axle
26. 200543-01	BANANA, CS FRONT, RS REAR
27. 99900M-002	BUMPER-REAR
28. 114460	EXTRUSION, RUBRAIL, 16'
29. 201763-01	INSERT RUB RAIL CHROME 1"
30. 99900P-106	REFER VENT-LOWER
31. 99900P-398	WHITE LED LIGHT, 4"
32. 922770-01	VISTA VIEW WINDOW, 18"



# 2011/2012 AEU INTERNATIONAL 2.5 METRE TT

## EXTERIOR SHELL

Wall, Curbside, 534



Part numbers are on the next page

# 2011/2012 AEU INTERNATIONAL 2.5 METRE TT

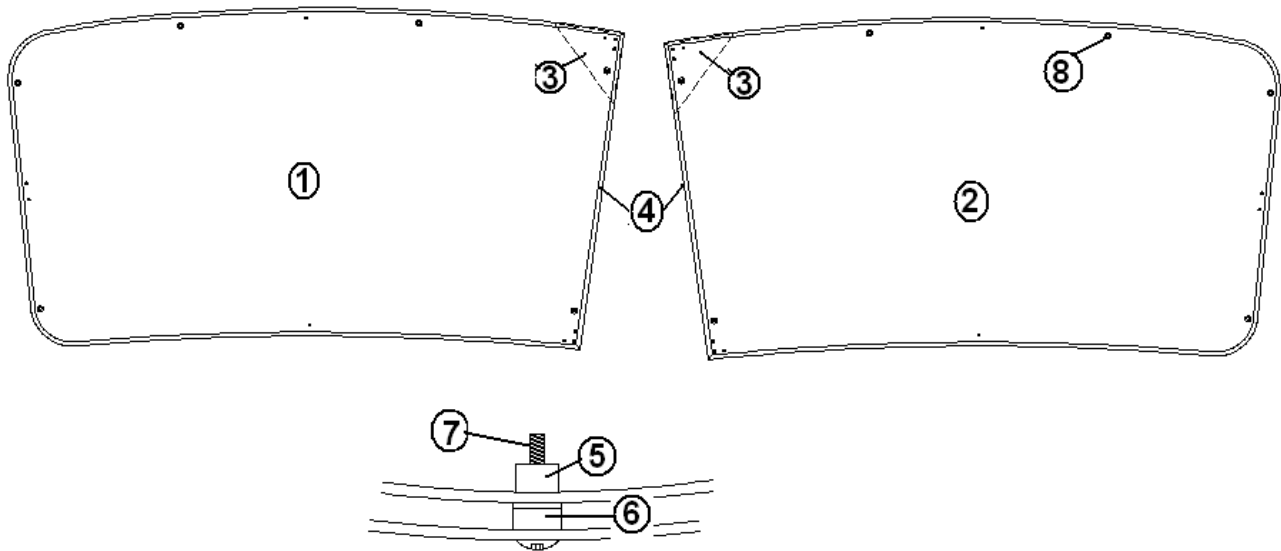
## EXTERIOR SHELL

Wall, Curbside, 534

1. 114290-02 Extrusion, awning/drip rail
2. 114994 WELDMENT-ZERO BOW
3. 104707-05 Extrusion, "I" beam
4. 114880-307 ALUMINUM SHEET, .040" X 51" X 307"
5. 371270-01 WINDOW, 30" STACKED
6. 371400-01 WINDOW, MAIN DOOR
7. 115207-07 Main door assembly, LH hinge
8. 114654 Screen door assembly
9. 114652 Jamb, main door, pre-formed
10. 101171 HANDLE, CAST ALUMINUM
11. 99900P-018 LAMP, SIDE MARKER W/REFLECTOR
12. 101323 CASTING, STEPLIGHT, POLISHED
13. 114387-02 BOW RIB-Z L.H.
14. 114387-01 BOW Z-RIB R.H.
15. 99900P-043 EXTRUSION, FLOOR 16.5'
16. 99900P-015 LIGHT, LED SIDE MARKER
17. 386108 NAMEPLATE, INTERNATIONAL
18. 114460 EXTRUSION RUBRAIL, 16'
19. 201763-01 INSERT RUB RAIL CHROME 1"
20. 99900P-009 BANANA, CURBSIDE, FRONT
21. 200542-01 BANANA, FRONT RS/REAR CS
22. 101131-01 ALUMINUM UNDERBELLY
23. 114003-03 Wheel well trim, inner, single axle
24. 99900M-121 Wheel well trim, outer, single axle
25. 400962 STEP, MAIN DOOR, STEEL, 24"
26. 99900M-035 COVER, LP BOTTLE
27. 99900M-002 BUMPER-REAR
28. 114466-01 Casting, rub rail end, wheel well, RH
29. 114466-02 Casting, rub rail end, wheel well, LH
30. 114465-01 Casting, rub rail end, door, RH
31. 114465-02 Casting, rub rail end, door, LH
32. 114879-307 ALUMINUM SHEET, .040" X 33" X 307"
33. 601194 Water fill w/lock

# 2011/2012 AEU INTERNATIONAL 2.5 METRE TT EXTERIOR SHELL

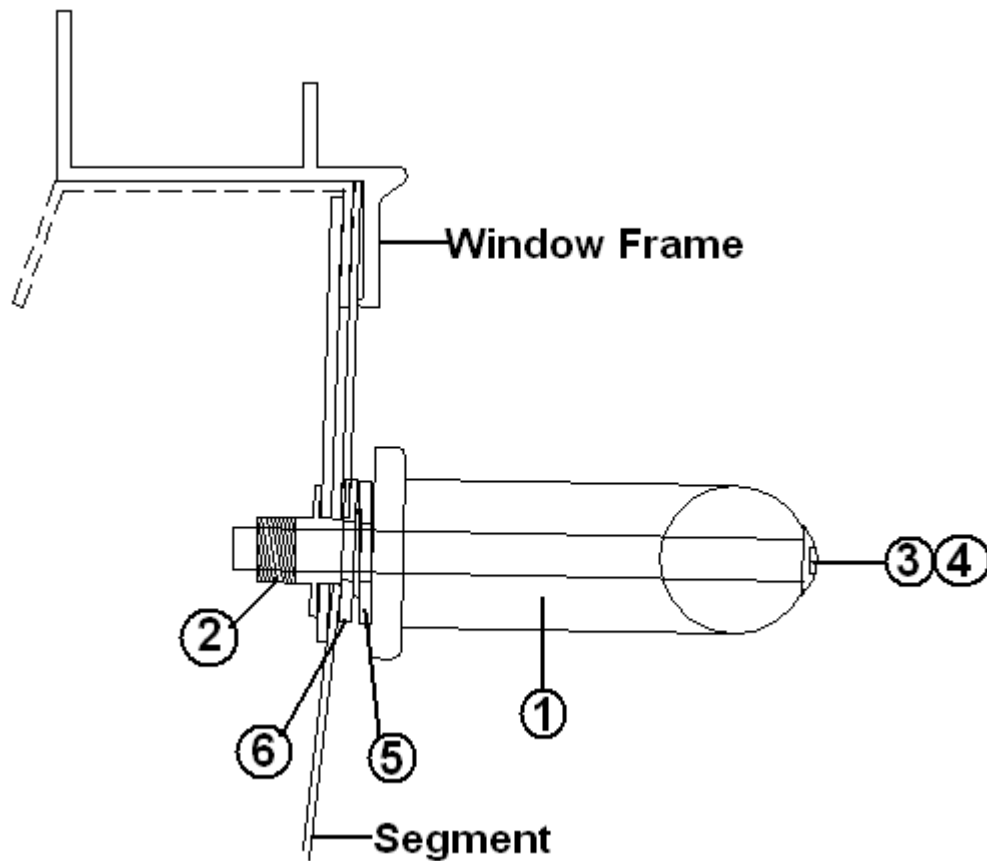
Wrap Protector, Front End, 534 & 684, 685 AEU



- |               |                                    |
|---------------|------------------------------------|
| 1. 99900M-439 | CURBSIDE WRAP PROTECTOR ASSEMBLY   |
| 2. 99900M-440 | ROADSIDE WRAP PROTECTOR ASSEMBLY   |
| 3. 685343     | GUSSET, CORNER SS WRAP PROTECTOR   |
| 4. 100742-01  | EXTRUSION, ALUMINUM TRIM           |
| 5. 345450     | WELLNUT, RUBBER 1/4-20             |
| 6. 99900P-006 | SCREW, 1/4-20 X 1.5" SOCKET HD     |
| 7. 99900P-007 | SPACER, ALUMINUM, .63"OD .252"ID X |
| 8. 325002-01  | RIVET, ANODIZED CLEAR, 1/8 X 3/8   |

# 2011/2012 AEU INTERNATIONAL 2.5 METRE TT EXTERIOR SHELL

## Grab Rails

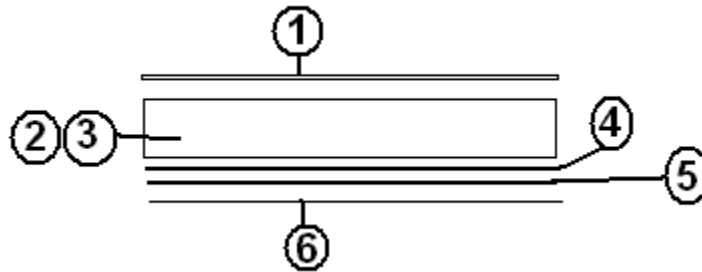


- |                |                                  |
|----------------|----------------------------------|
| 1. 99900P-001  | RAIL, GRAB STAINLESS STEEL       |
| 2. 99900P-004  | NUT- 1/4-20 RIVET                |
| 3. 99900P-006  | SCREW- 1/4-20 X 1.5" SOCKET HD   |
| 4. 99900P-044  | SCREW- 1/4-20X3.5" SOCKET CAP    |
| 5. 365222      | TAPE DOUBLE COATED .08 X 3/4"    |
| 6. 99900P-1033 | WASHER, SANTOPENE SEALING        |
| 360180         | ADHESIVE SEAL SIKAFLEX 221, GRAY |

# 2011/2012 AEU INTERNATIONAL 2.5 METRE TT

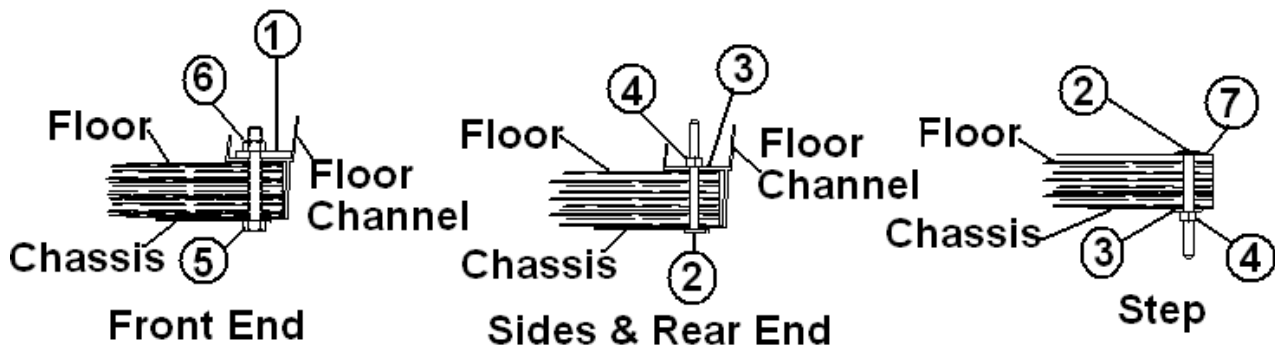
## EXTERIOR SHELL

### Flooring Sub Structure



99900M-212	FLOOR ASSEMBLY, 684
99900M-324	FLOOR ASSEMBLY, 534
99900M-515	FLOOR ASSEMBLY, 685
1. 801507-03	Lauan, 3/8"
2. 99900M-211	WELDMENT, FLOOR, 684
2. 99900M-323	WELDMENT, FLOOR, 534
2. 99900M-469	WELDMENT, FLOOR, 685
3. 203075	STYROFOAM SHEET 1½"
4. 801507-01	Lauan. 1/8"
5. 114489-198	ALUMINUM SHEET .032 X 60" X 198" WHITE
6. 702754	UNDERBELLY COVER, 105" WIDE BLACK

### Shell/Chassis Attachment

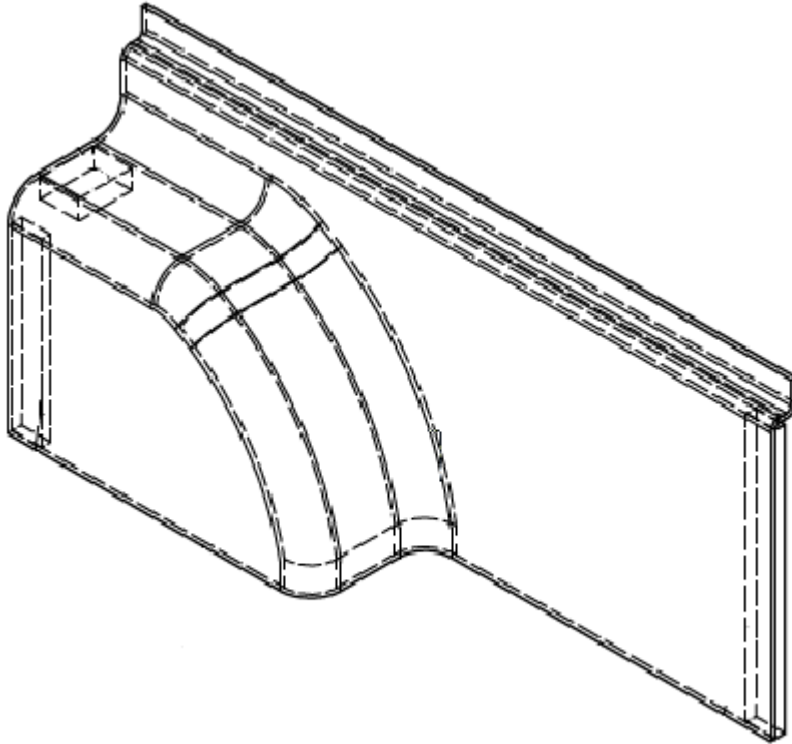


<b>Front End</b>	
1. 300023-02	WASHER, HOLD DOWN, HOLE OFFSET
2. 345142	SCREW 1/4-20 X 3"
3. 300111-31	WASHER, FLAT, 5/16"
4. 350004	NUT, 1/4-20, STEEL SQUARE HEAD
5. 345272-13	SCREW, CAP, HEX HD, 3/8-16 X 3¼"
6. 350147-37	NUT, NYLON LOCK, 3/8-16
7. 300052	WASHER, 3/8"ID/5/8" OD FLAT
<b>Sides &amp; Rear End</b>	

2011/2012 AEU INTERNATIONAL 2.5 METRE TT

CHASSIS

Cover, Wheel Arch 685



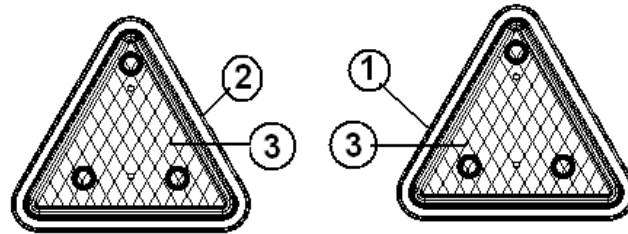
99900P-1043

COVER, WHEEL ARCH, 685

# 2011/2012 AEU INTERNATIONAL 2.5 METRE TT

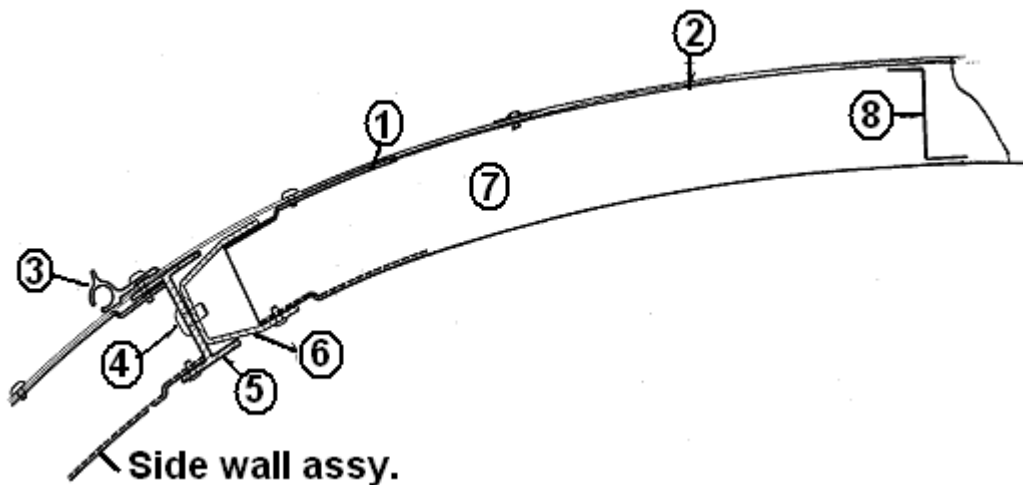
## EXTERIOR SHELL

### Rear Reflector



- |               |                               |
|---------------|-------------------------------|
| 1. 99900P-030 | BASE, CURBSIDE REAR REFLECTOR |
| 2. 99900P-031 | BASE, ROADSIDE REAR REFLECTOR |
| 3. 99900P-019 | REFLECTOR, REAR TRIANGLE      |

### Roof End View



- |               |  |
|---------------|--|
| 1. 114489-198 | Alum. Sheet, white, .032" x 60" x 198" |
| 2. 114880-307 | ALUM. SHEET, .040" X 51" X 307"        |
| 3. 114290-02  | Extrusion, awning/drip rail            |
| 4. 340123-02  | FASTENER, HUCK, BOM, 3/16" DIAMETER    |
| 5. 104707-05  | Extrusion, "I" beam, 194"              |
| 6. 114987-02  | Extrusion, roof corner                 |
| 7. 99900M-001 | Roof Bow                               |
| 8. 104408     | Extrusion, Z-bar, horizontal           |
| 325000-03     | RIVET ANODIZED WHITE 1/8" X 1/4"       |
| 330127-03     | RIVET 1/8" AD43ABS                     |
| 325003-01     | RIVET, ANODIZED CLEAR 1/8" X 7/16"     |
| 99900M-189    | WELDMENT ROOF VENT FRAME               |

# 2011/2012 AEU INTERNATIONAL 2.5 METRE TT

## INTERIOR SHELL

### Interior Skin

114879-262	ALUMINUM SHEET .040" X 33" X 262"
114880-262	ALUMINUM SHEET .040" X 51" X 262"
114879-307	ALUMINUM SHEET .040" X 33" X 307"
114880-307	ALUMINUM SHEET .040" X 51" X 307"
99900P-386	WALL LINER, HOBNAIL IVORY

### Interior Trim

381772	HEAD KNOCKER, ENTRANCE DOOR
203138-05	EXTRUSION, PLASTIC, 1/2", WALL, BLACK
203138-03	EXTRUSION, PLASTIC, 1/2", WALL, BEIGE
115208	TRIM RING-MAIN DOOR WINDOW
195329-202	Clear rubber bumper
203464-02	Panel Trim, beige
203464	Panel Trim, black
201673	Cove molding, Ivory, plastic
114507-03	Trim, main door
99900P-116	EDGE TRIM LOK, DINETTE, .38" WHITE
381081-04	SNAP CAP WHITE (SCREW SIZE #6)
381081-01	SNAP CAP/WASHER, WHITE



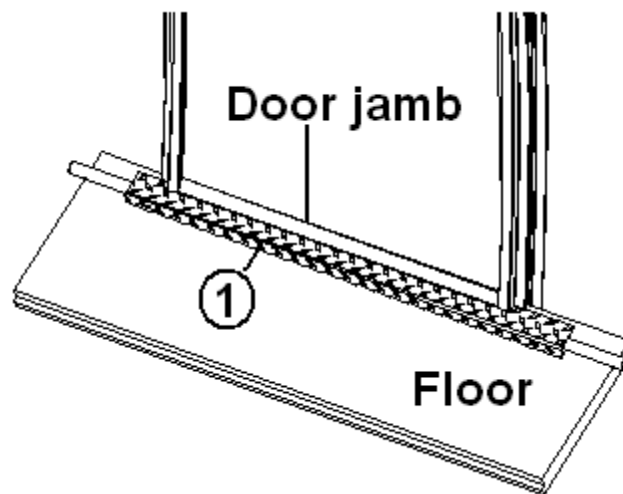
# 2011/2012 AEU INTERNATIONAL 2.5 METRE TT

## INTERIOR SHELL

### Wheel Well, Interior

203289	LINER- WHEEL WELL ABS, 534
99900P-397	WHEEL WELL LINER, 684
201568	FOAM, 3 TUFCOTE ACOUSTICAL, 1/2I
365194	TAPE, ALUMINUM FOIL 2"

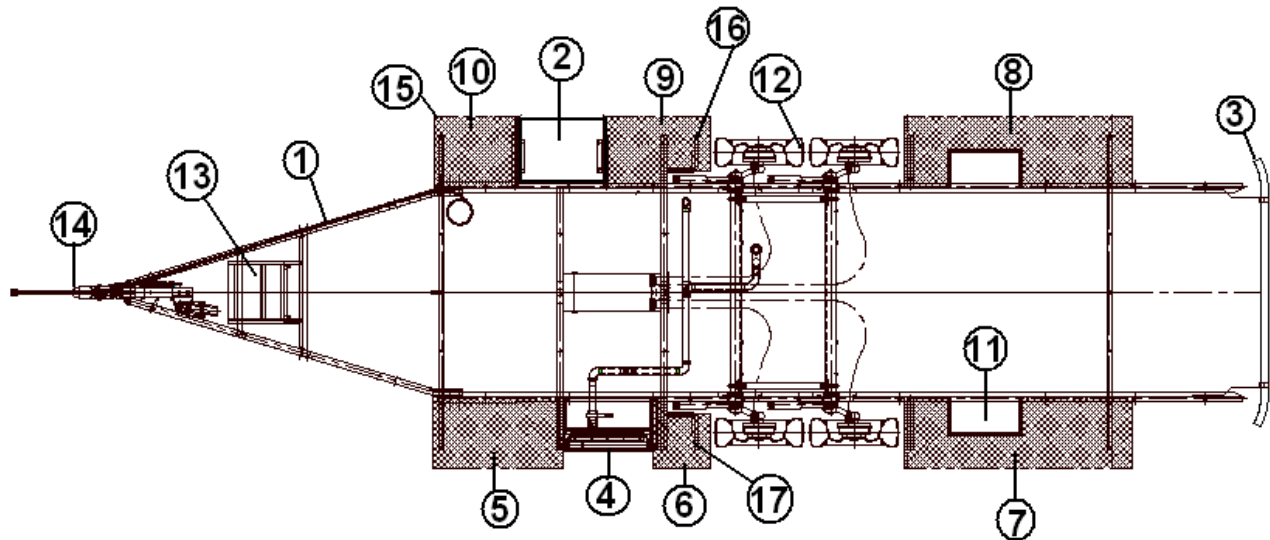
### Main Door Thresh Hold



1. 99900P-407 COVER-MAIN DOOR THRESHOLD

# 2011/2012 AEU INTERNATIONAL 2.5 METRE TT CHASSIS

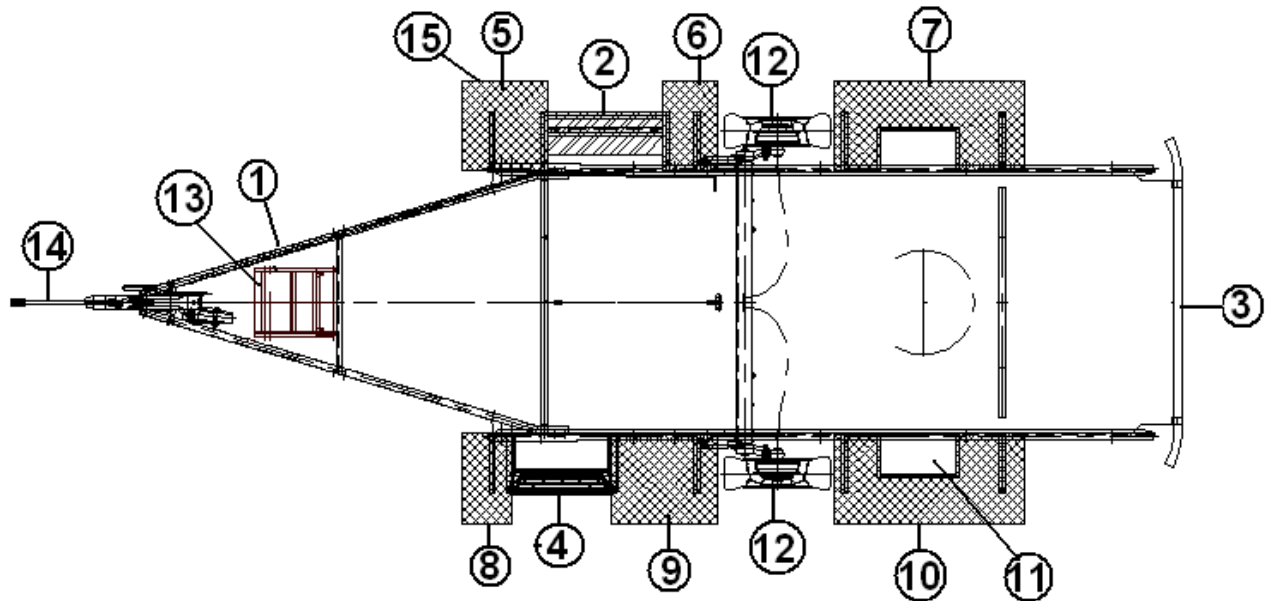
Chassis Diagram, 684



1. 99900M-222	CHASSIS ASSEMBLY
2. 99900P-379	STEP, OMNISTOR
3. 99900M-395	BUMPER-REAR
4. 99900M-045	COMPARTMENT ASSEMBLY, UNDERBELLY
5. 101131-01	ALUMINUM UNDERBELLY, CUT TO 20" X 35"
6. 101131-01	ALUMINUM UNDERBELLY, CUT TO 20" X 15.42"
7. 101131-01	ALUMINUM UNDERBELLY, CUT TO 20" X 61.50"
8. 101131-01	ALUMINUM UNDERBELLY, CUT TO 20" X 61.50"
9. 101131-01	ALUMINUM UNDERBELLY, CUT TO 20" X 28.72"
10. 101131-01	ALUMINUM UNDERBELLY, CUT TO 20" X 22.50"
11. 203384	RACK, SPICE ABS
12. 99900P-378	TIRE/WHEEL ASSY
13. 99900M-038	LP SUPPORT ASSY
14. 114070	EXTRUSION, J-TRIM
15. 99900P-702	LEAD, 13 PIN
16. 99900M-173	CLOSE OUT, CS UNDERBELLY
17. 99900M-174	CLOSE OUT, RS UNDERBELLY

# 2011/2012 AEU INTERNATIONAL 2.5 METRE TT CHASSIS

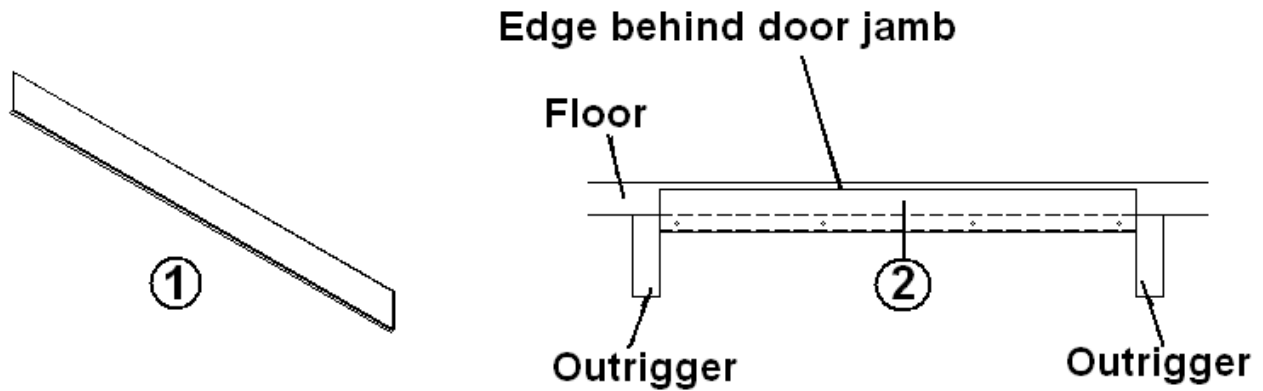
Chassis Diagram, 534



- |                |  |
|----------------|--|
| 99900M-312     | CHASSIS ASSEMBLY                         |
| 1. 99900P-742  | CHASSIS, 534, 2.5                        |
| 2. 400962      | STEP, STEEL                              |
| 3. 99900M-395  | BUMPER-REAR                              |
| 4. 99900M-045  | COMPARTMENT ASSEMBLY, UNDERBELLY         |
| 5. 101131-01   | ALUMINUM UNDERBELLY, CUT TO 20" X 35"    |
| 6. 101131-01   | ALUMINUM UNDERBELLY, CUT TO 20" X 15.42" |
| 7. 101131-01   | ALUMINUM UNDERBELLY, CUT TO 20" X 61.50" |
| 8. 101131-01   | ALUMINUM UNDERBELLY, CUT TO 20" X 61.50" |
| 9. 101131-01   | ALUMINUM UNDERBELLY, CUT TO 20" X 28.72" |
| 10. 101131-01  | ALUMINUM UNDERBELLY, CUT TO 20" X 22.50" |
| 11. 203384     | RACK, SPICE ABS                          |
| 12. 99900P-764 | TIRE/WHEEL ASSY                          |
| 13. 99900M-038 | LP SUPPORT ASSY                          |
| 14. 114070     | EXTRUSION, J-TRIM                        |
| 15. 99900P-134 | LEAD, 13 PIN                             |

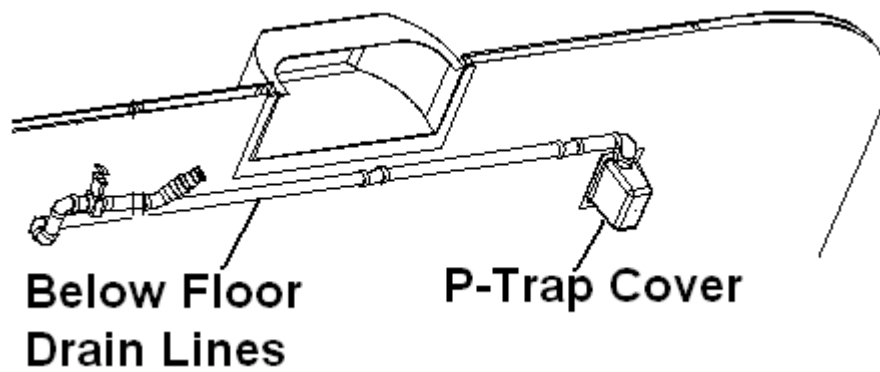
# 2011/2012 AEU INTERNATIONAL 2.5 METRE TT CHASSIS

Step Closeouts, 534



- 1. 99900M-326 CLOSEOUT, STEP AEU 534
- 2. 99900M-325 CLOSEOUT, STEP AEU 534

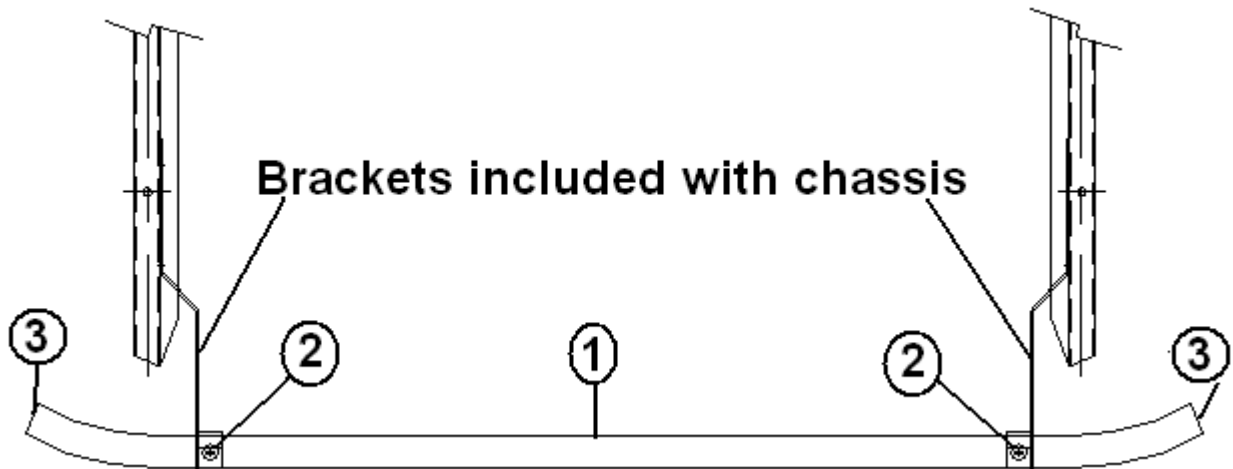
P-Trap Cover



- 99900P-119 P TRAP COVER
- 201568 FOAM, TUFCOTE ACOUSTICAL

# 2011/2012 AEU INTERNATIONAL 2.5 METRE TT CHASSIS

## Bumper



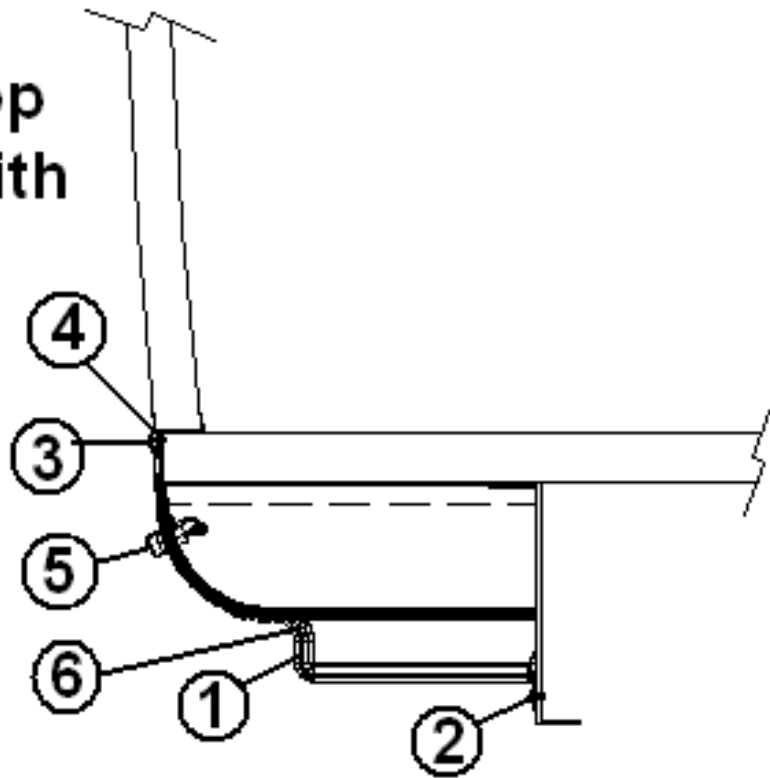
1. 99900M-395
2. 345073-08
3. 99900P-347

BUMPER, REAR  
SCREW 1/4-20 X 1 3/8 WAFER HD  
Bumper end caps

2011/2012 AEU INTERNATIONAL 2.5 METRE TT  
CHASSIS

Underbelly Compartment

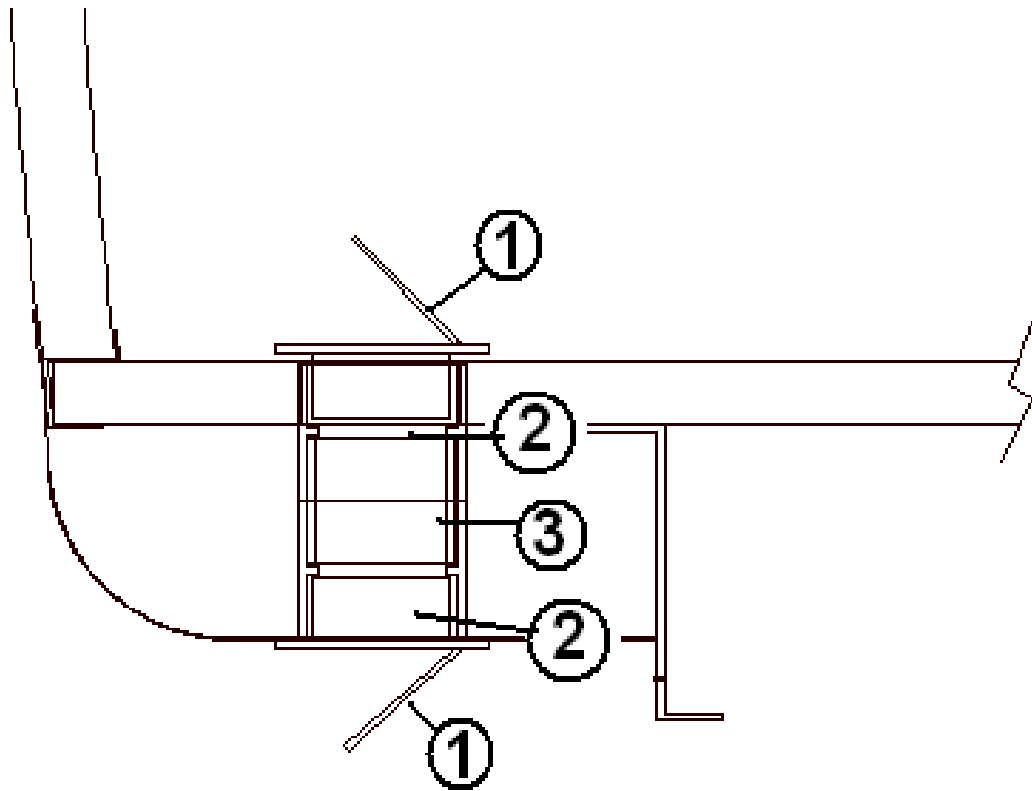
**Seal across top  
of belly pan with  
item 4**



- |               |                                   |
|---------------|-----------------------------------|
| 99900M-045    | COMPARTMENT ASSEMBLY, UNDERBELLY  |
| 1. 99900P-020 | COMPARTMENT, UNDERBELLY           |
| 2. 330038     | RIVET BLIND AD 54 ABS-LF          |
| 3. 330127-05  | RIVET 1/8" AD45ABS                |
| 4. 360180     | ADHESIVE SEAL SIKAFLEX 221 GR     |
| 5. 99900P-023 | KNOB, COMPRESSION LATCH           |
| 6. 380203-01  | PIANO HINGE 1/8" PIN CLR ANODIZED |

# 2011/2012 AEU INTERNATIONAL 2.5 METRE TT CHASSIS

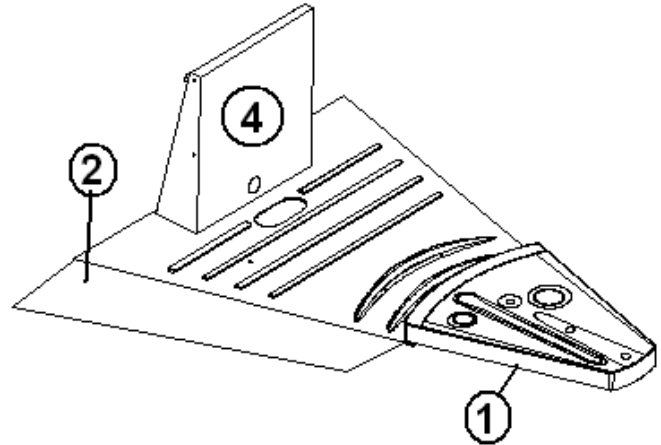
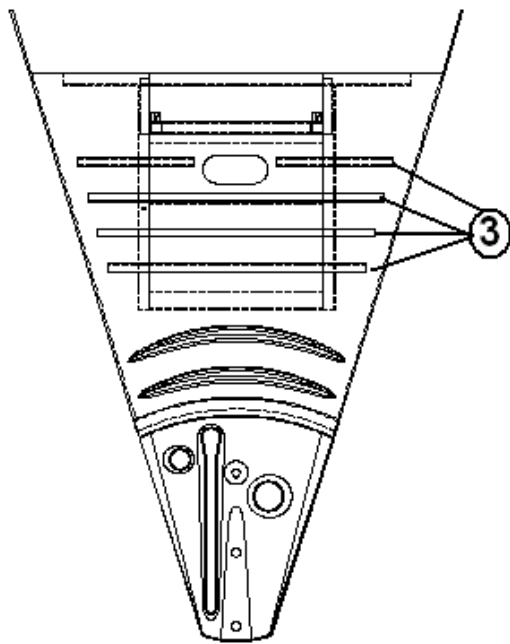
Underbelly Outlet Access, 685, 684, 534



- |              |                           |
|--------------|---------------------------|
| 1. 381435-01 | HATCH, ACCESS COVER, GREY |
| 2. 600253    | COUPLING, 3"              |
| 3. 601160-04 | PIPE, ABS DVW, 3"         |

# 2011/2012 AEU INTERNATIONAL 2.5 METRE TT CHASSIS

Coupling Cover, 684, 685

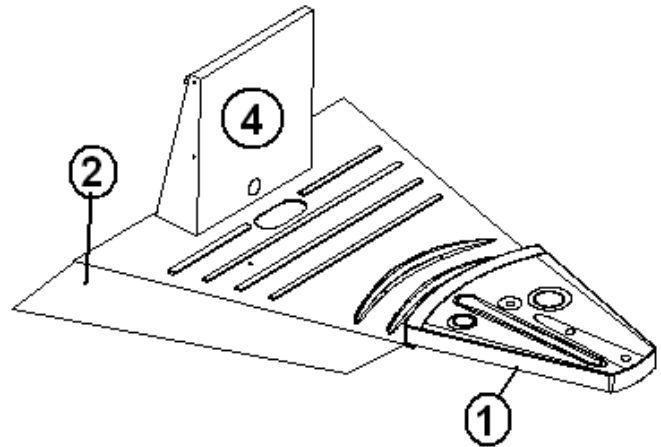
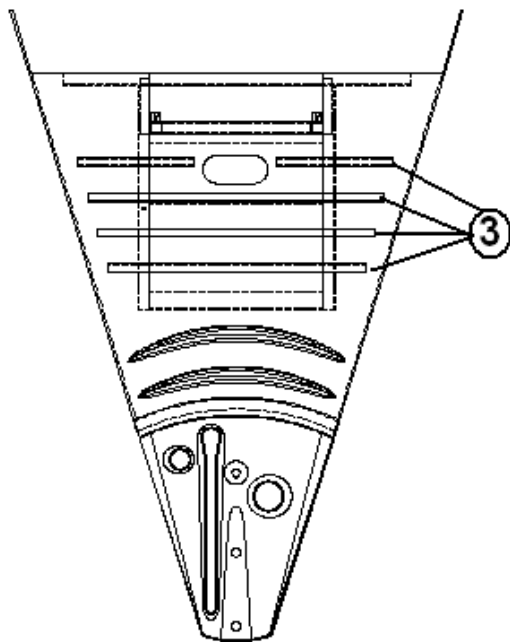


- |               |                                       |
|---------------|---------------------------------------|
| 1. 99900P-383 | COVER, COUPLING                       |
| 2. 99900P-027 | COVER, DRAWBAR                        |
| 3. 201709-02  | EXTRUSION TRIM MOLDING, -0007 (BLACK) |
| 4. 99900P-635 | SUPPORT COVER, LP, 684 AEU            |
| 99900P-384    | RIVET, NYLON PUSH IN, 1.06" LONG      |



# 2011/2012 AEU INTERNATIONAL 2.5 METRE TT CHASSIS

## Coupling Cover, 534



- |    |            |                                       |
|----|------------|---------------------------------------|
| 1. | 99900P-026 | COVER, COUPLING                       |
| 2. | 99900P-027 | COVER, DRAW BAR                       |
| 3. | 201709-02  | EXTRUSION TRIM MOLDING, -0007 (BLACK) |
| 4. | 99900P-635 | SUPPORT COVER, LP, 684 AEU            |
|    | 99900P-384 | RIVET, NYLON PUSH IN, 1.06" LONG      |

## Underbelly Skin/Cover

- |           |   |
|-----------|---|
| 101131-01 | Aluminum, underbelly wrap, .024" x 22.5, gray |
| 114679    | ALUMINUM UNDERBELLY .019" X" 65.75"           |
| 702754    | UNDERBELLY DARCO 105" WIDE BLACK              |

## Wheel Assemblies

- |            |                               |
|------------|-------------------------------|
| 99900P-764 | TIRE/WHEEL ASSEMBLY, 534      |
| 99900P-378 | TIRE/WHEEL ASSEMBLY, 684, 685 |
| 99900P-022 | TIRE/WHEEL ASSEMBLY, SPARE    |

# 2011/2012 AEU INTERNATIONAL 2.5 METRE TT

## EXTERIOR TRIM

### Decal/Medallions

386108	NAMEPLATE-INTERNATIONAL
99900P-349	Vehicle Identification Plate
99900P-369	WEIGHT PLATE
99900P-725	DECAL, 684 MODEL DESIGNATOR
99900P-723	DECAL, 532 MODEL DESIGNATOR
99900P-724	DECAL, 534 MODEL DESIGNATOR
386205	DECAL, AIRSTREAM, CHROME 16"
386068	MEDALLION 3" LOGO, AIRSTREAM
99900M-281	CONTROL PANEL, MEDALLION, 684
99900P-1503	DECAL, 685 MODEL DESIGNATOR

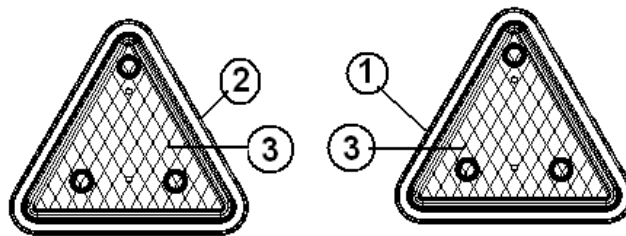
### Beltline

114328	Extrusion, belt line molding
201912	Molding, belt line insert, chrome
114417	Casting, belt line close out

### Rub Rail Trim

115546	Extrusion, rub rail
201763-01	Insert, rub rail, chrome, 1"
114466-01	Close out, casting, rub rail, angled RH
114466-02	Close out, casting, rub rail, angled LH
114465-01	Close out, casting, rub rail RH
114465-02	Close out, casting, rub rail LH

### Reflectors

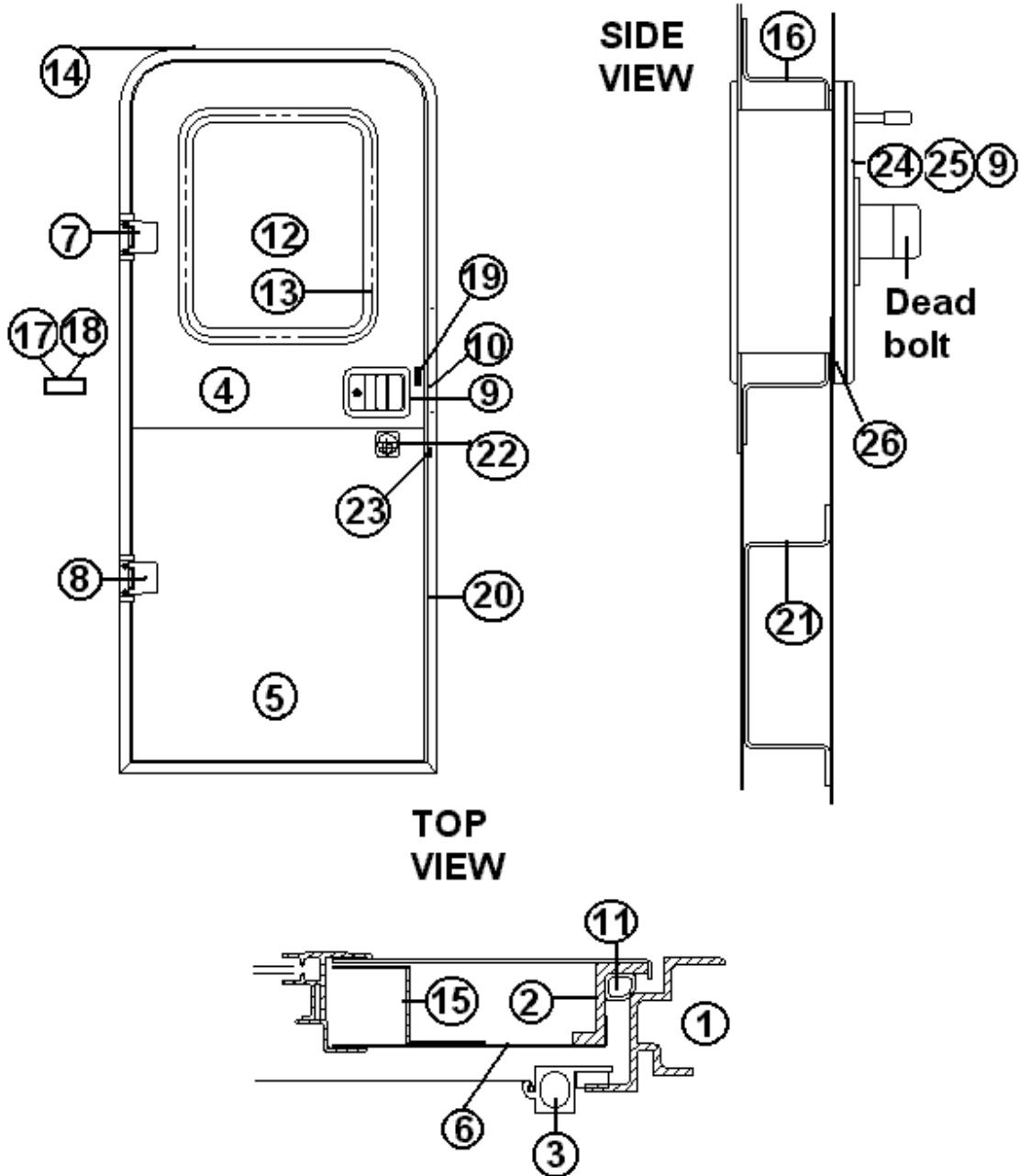


1.	99900P-030	BASE, CURBSIDE REAR REFLECTOR
2.	99900P-031	BASE, ROADSIDE REAR REFLECTOR
3.	99900P-019	REFLECTOR, REAR TRIANGLE
	99900P-346	REFLECTOR, AMBER REFLEX

# 2011/2012 AEU INTERNATIONAL 2.5 METRE TT

## DOORS, EXTERIOR

Door, Main, LH Hinge, AEU



Part numbers are on the next page

# 2011/2012 AEU INTERNATIONAL 2.5 METRE TT

## DOORS, EXTERIOR

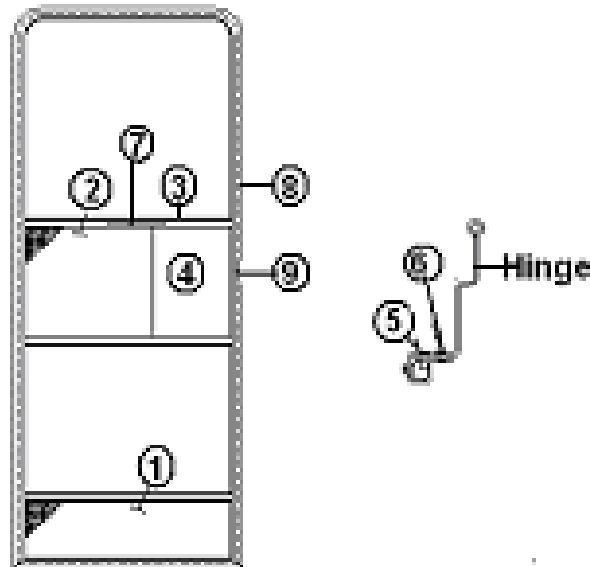
### Door, Main, LH Hinge, AEU

115207-07	Main door assembly, LH hinge
1. 114653	Frame, main door, pre-formed
2. 114652	Jamb, main door, pre-formed
3. 114654	Screen door assembly
4. 114448-03	Skin, exterior, upper main door
5. 114449-03	Skin, exterior, lower main door
6. 114475	MAIN DOOR SKIN INNER
7. 381552-03	HINGE ASSY. MAIN DOOR UPPER
8. 381552-04	HINGE ASSY. MAIN DOOR LOWER
9.	Trimark latch assembly parts shown in hardware section
10. 385595	Pocket strike, main door
11. 365232	Seal, main door
12. 371400-01	Window, main door, etched
13. 115208	Trim ring, main door window
14. 114363	Drip cap, main door
15. 114658	Inner door, "Z" bar, upper & lower
16. 114657	Hat section, formed, main door
17. 380290	Housing. Latch, mounted on side sheet
18. 380291	Latch assembly, mounted on side sheet
19. 201056	Striker, main door, black plastic
20. 114507-03	Trim, main door
21. 115415	Hat section assembly, dead bolt
22. 382069	Dead bolt, complete assembly
23. 381326	Striker w/ Trimark deadbolt
24. 345321-12	Screw, flat head, black
25. 453851	Bolt, Trimark, deadbolt
26. 203370	Spacer, deadbolt assembly
381548	INSIDE LATCH
381557	OUTSIDE LATCH BRACKET, RH

# 2011/2012 AEU INTERNATIONAL 2.5 METRE TT

## DOORS, EXTERIOR

### Door, Screen, AEU



114654	SCREEN DOOR ASSY. LH HINGE
1. 114648-01	Kick panel screen door
2. 114561-01	Panel, slider, screen door
3. 104784-78	EXTR.SCREENDOOR STIFENER #VH-9
4. 203287-02	Close out, plastic, screen door
5. 330126-03	RIVET POP SSD44SSBS
6. 325122	Rivet, hard, 5/32
7. 380004	HANDLE WITH 8/32 X 1 SCREW
8. 365013-01	Gasket, screen door, foam tape
9. 683946	BUG SEAL, edge of screen door close out
380079	Screen, gray
200518	Spline, gray, screen insert
701624	VELCRO LOOP 5/8" WIDE
701625	VELCRO HOOK, 5/8" WIDE
381454	Screen door hold back latch, Bullet
386068	MEDALLION 3" LOGO, AIRSTREAM

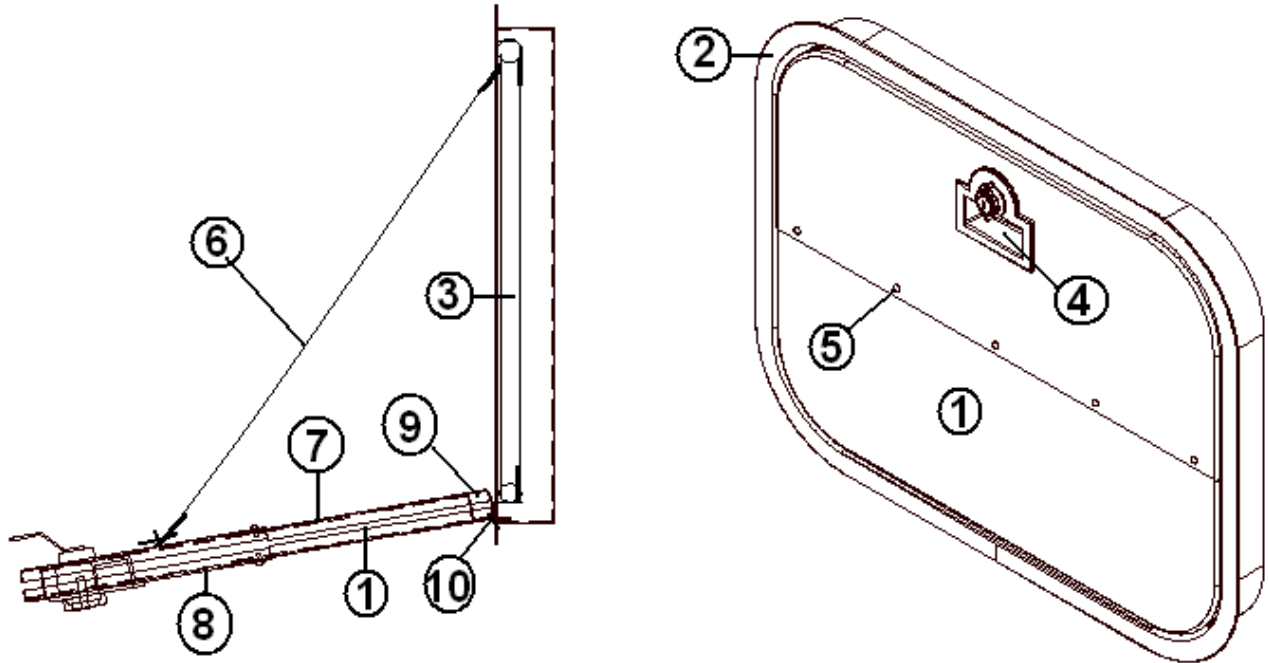
### Screen Door Guard, AEU

115171-01	SCREEN DOOR GUARD TOP
115171-02	SCREEN DOOR GUARD BOTTOM

# 2011/2012 AEU INTERNATIONAL 2.5 METRE TT

## DOORS, EXTERIOR

Side Access Door, Compartment, 20" X 15.25"

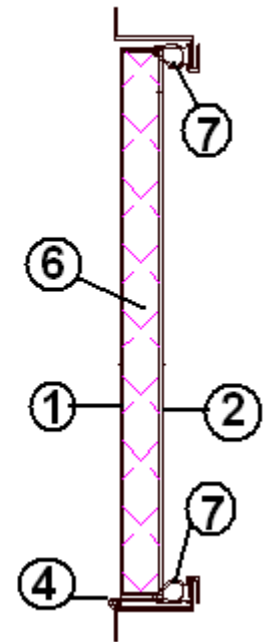
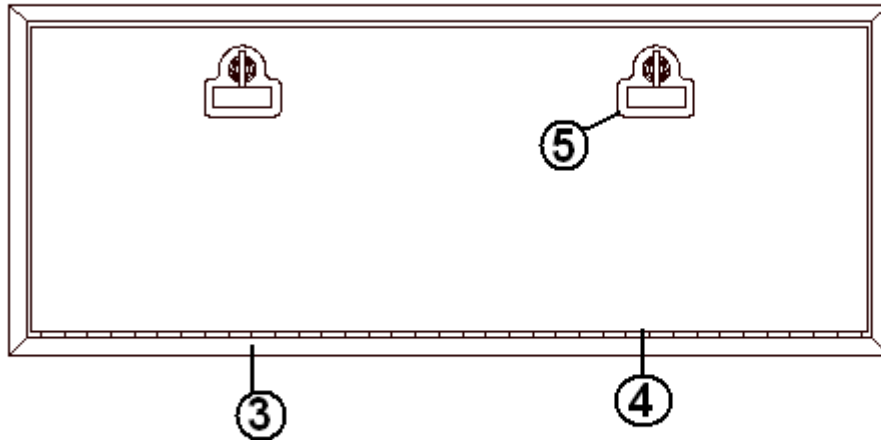


- |               |                                |
|---------------|--------------------------------|
| 99900M-082    | DOOR W/JAMB                    |
| 1. 99900M-083 | DOOR ASSY, 20" X 15.25"        |
| 2. 99900M-084 | JAMB, ACCESS DOOR, 20 X 15.25  |
| 3. 365035     | RUBBER SEAL. ACCESS DOOR       |
| 4. 380770     | LOCK & CASTING ASSEMBLY, BLACK |
| 5. 330126-03  | RIVET POP, SSD44SSBS           |
| 6. 381065-10  | 10" CABLE SUPPORT              |
| 7. 99900M-093 | PANEL, INTERIOR DOOR           |
| 8. 99900M-092 | PANEL, EXTERIOR DOOR           |
| 9. 99900M-094 | PANEL, BOTTOM DOOR             |
| 10. 380773    | HINGE, ACCESS DOOR             |
| 99900P-513    | CAP, RUBBER SCREW 5/32 X 1     |
| 99900M-091    | SPACER, ACCESS DOOR            |

# 2011/2012 AEU INTERNATIONAL 2.5 METRE TT

## DOORS, EXTERIOR

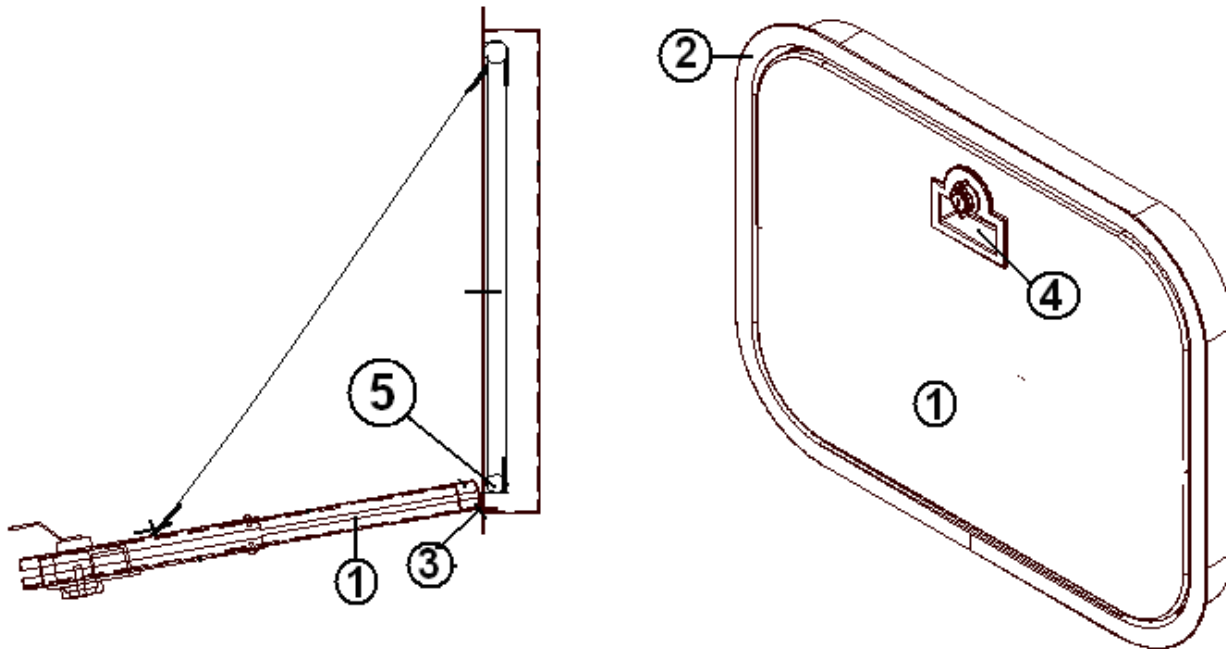
Door, Trunk



922711	DOOR ASSEMBLY, TRUNK
1. 115158	PANEL, OUTER TRUNK DOOR
2. 115159	PANEL, INNER TRUNK DOOR
3. 115157	JAMB-TRUNK DOOR
4. 380203-01	PIANO HINGE 1/8" PIN
5. 380770	LOCK & CASTING, BLACK
6. 200093	INSULATION, FIBERGLASS
7. 365035	RUBBER SEAL, ACCESS DOOR
381065-10	10" CABLE SUPPORT
360016	BUMP-ON RUBBER

# 2011/2012 AEU INTERNATIONAL 2.5 METRE TT DOORS, EXTERIOR

Side Access Door, Small  
(Also used in lavatory cabinet.)

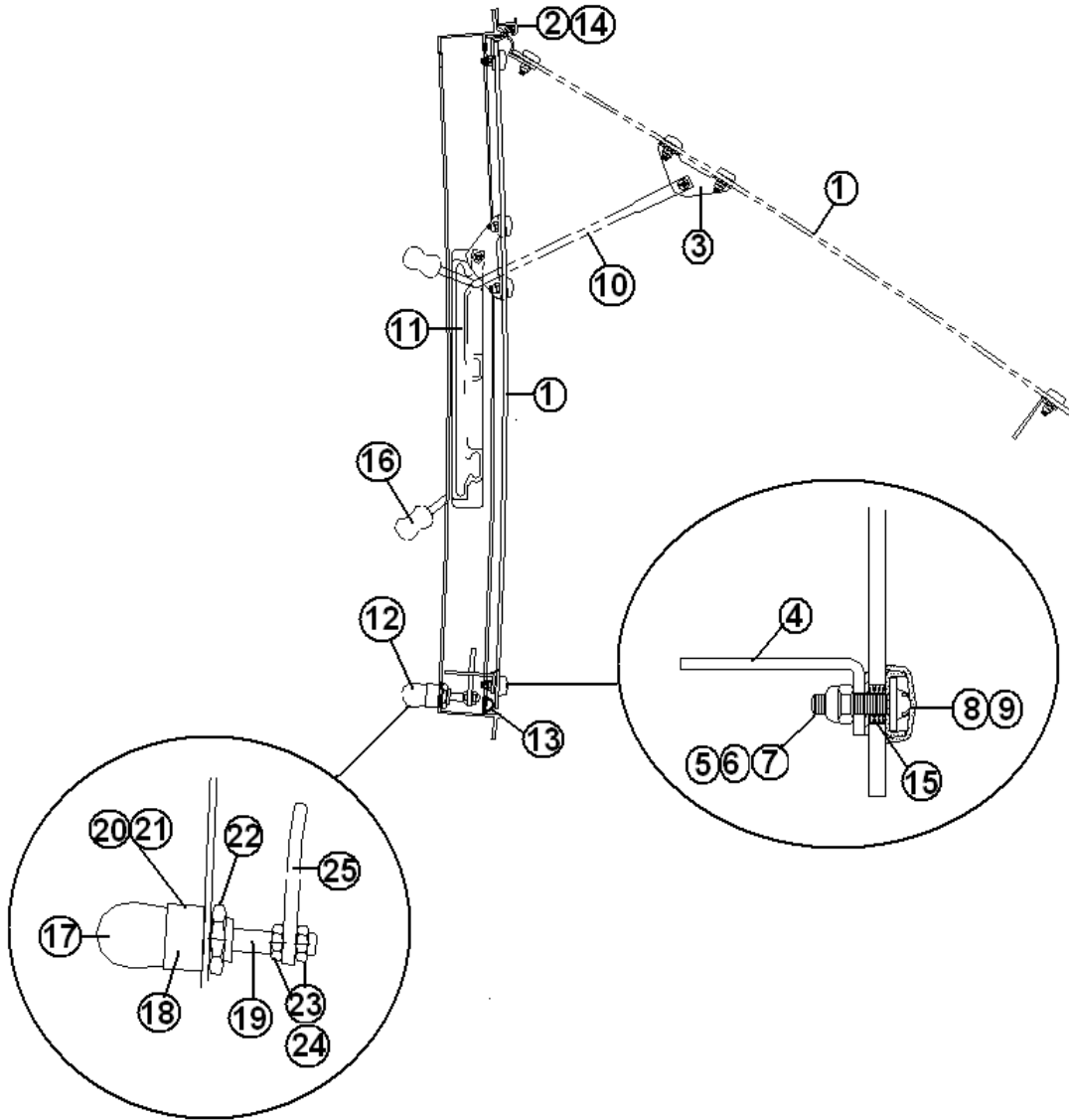


- |              |                                   |
|--------------|-----------------------------------|
| 1. 100679-01 | DOOR ASSEMBLY SIDE & REAR ACCESS, |
| SMALL        |                                   |
| 2. 115296    | JAMB FORMED COMPARTMENT DOOR      |
| 3. 380773    | HINGE, ACCESS DOOR                |
| 4. 380770    | LOCK & CASTING ASSEMBLY           |
| 5. 365035    | RUBBER SEAL ACCESS DOOR           |
| 6. 381065-10 | 10" CABLE SUPPORT                 |



# 2011/2012 AEU INTERNATIONAL 2.5 METRE TT WINDOWS/SCREENS

## Window Parts Diagram



Part numbers on next page

# 2011/2012 AEU INTERNATIONAL 2.5 METRE TT

## WINDOWS/SCREENS

1. 371324-100	Glass w/hardware, 30" window
2. 371324-101	Hinge, 30" window
3. 1101-0010	Bracket, window prop
4. 685124	Striker plate, window latch
5. 0706-0004	Flat washer
6. 0703-0001	Screw, #8-32 x .625", black, SS
7. 0702-0010	Nut, Nylox, #8-32, black SS
8. 0802-0004	Screw cover, 12-12 #100, black
9. 0802-0005	Washer, 12-12 screw cover bottom
10. 100903	Operating arm, RH
10. 100903-01	Operating arm, LH
11. 0802-0001	Guide, operating arm, RH
11. 0802-0002	Guide, operating arm, LH
12. 010020	Latch assembly, chrome
13. 381665	Gasket seal
14. 0101-0017	Male hinge extrusion, 1/2" pc.
15. 0706-0003	Bushing, window, acrylic
16. 380230-03	Window arm knob, silver
17. 380230-04	Window arm knob, red
17. 1101-0005	Latch handle, chrome
17. 195467-05	Latch handle, red
18. 1101-0007	Latch body
19. 1101-0008	Latch shaft
20. 1101-0009	Latch spring
21. 0707-0002	Pin, drive lock, 5/32" x 5/8", zinc
22. 0702-0001	Nut, hex panel, 5/8"-24, zinc
23. 0702-0002	Nut, jam, hex, 5/16-24
24. 385123	Washer, flat, .53" OD x .328" ID
25. 685123	Latch paw

# 2011/2012 AEU INTERNATIONAL 2.5 METRE TT

## WINDOWS/SCREENS

### Windows and Screens

99900P-049	WINDOW, FRONT W/SQUARE CORNERS
99900P-039	Glass, 35.64" flat window
99900P-052	SCREEN, FRONT WINDOW
372088-101	WINDOW, WRAP RS FRONT, CS REAR
372089-101	WINDOW, WRAP CS FRONT, RS REAR
99900P-053	SCREEN, REAR ESCAPE
371323-01	WINDOW, 18" OPENING
372174-01	SCREEN, 18" OPENING WINDOW
371270-01	Window, 30", STACKED DARK/GRAY
371269-01	WINDOW, 18" STACKED, DARK/GRAY
371400-01	MAIN DOOR WINDOW
115208	TRIM RING, MAIN DOOR WINDOW

### Vista View Windows, 18"

922770-01	VISTA VIEW WINDOW, 18"
203490-01	TRIM RING, 18" VISTA VIEW
703462-01	SHADE, PULL, 19.25" X 9.5", VISTA VIEW
922772-01	BACKER, VISTA VIEW, BLIND, 18"
115222-02	Z BAR, FORMED, 19.5", VISTA VIEW
203490-03	TRIM RING VISTA VIEW 18" INTERIOR SILVER

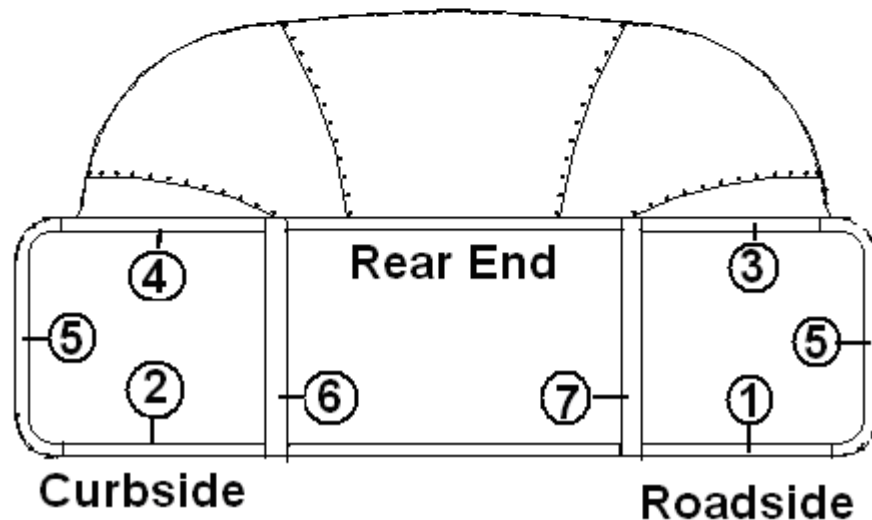
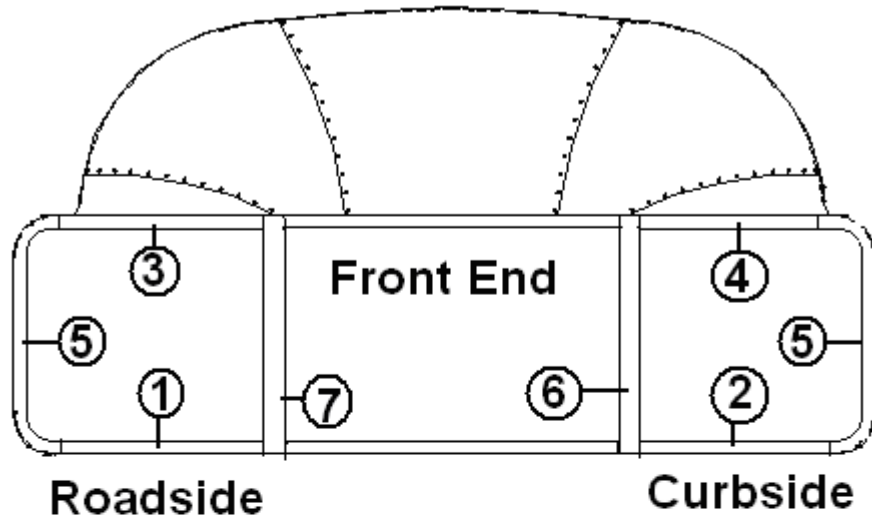
### Stacked Window Trim

372226	TRIM RING INNER SUPPORT 18"
372223	TRIM RING, 18" STACK WINDOW CLEAR
372222	TRIM RING 9 X 30 MILL 372222
372225	TRIM RING INNER 9"X 30" 372225
203225-01	TRIM, gray flexible, goes around window rings

# 2011/2012 AEU INTERNATIONAL 2.5 METRE TT

## WINDOWS/SCREENS

### Panoramic Window Trim



- |              |                           |
|--------------|---------------------------|
| 1. 201579-02 | TRIM RING, LOWER, GRAY    |
| 2. 201580-02 | TRIM RING, LOWER, GRAY    |
| 3. 201581-05 | TRIM RING, UPPER, GRAY    |
| 4. 201581-06 | TRIM RING, UPPER, GRAY    |
| 5. 201578-02 | END CAP, TRIM RING GRAY   |
| 6. 110900-03 | TRIM FORMED, ALUMINUM, RH |
| 7. 110900-04 | TRIM FORMED, ALUMINUM, LH |
| 203225-01    | TRIM LOK, GRAY .75"       |

# 2011/2012 AEU INTERNATIONAL 2.5 METRE TT

## AWNINGS

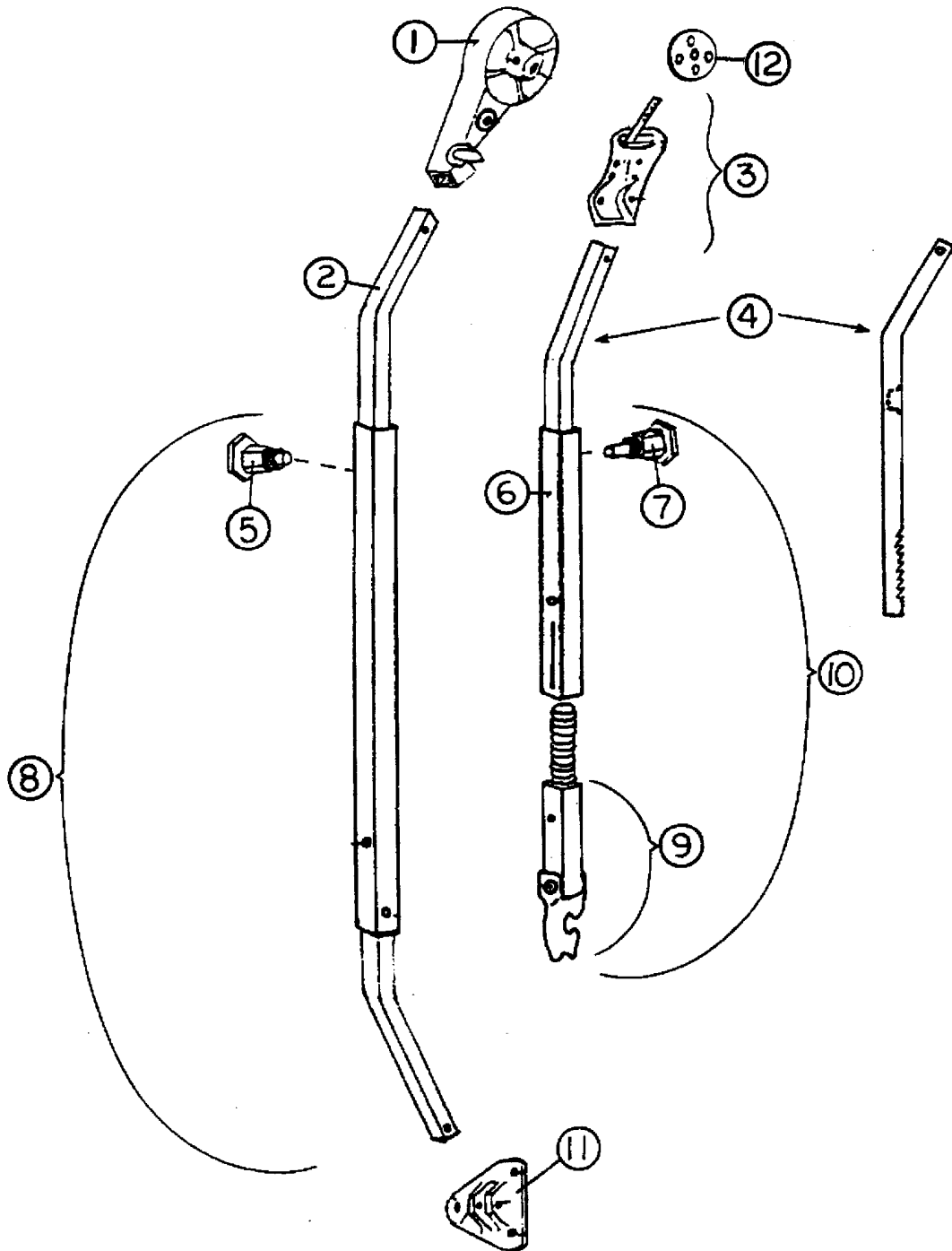
### Patio Awning

702993-19	AWNING PATIO, 11' 5", 534
703993-25	AWNING, PATIO, 16' 1.5", 684. 685
385577	TAPE, CLEAR, WEAR STRIP, 3.5" WIDE
702993-36	MOUNTING HARDWARE S.S. BAR

# 2011/2012 AEU INTERNATIONAL 2.5 METRE TT

## HARDWARE

### Patio Awning Hardware



See next page for P/N

# 2011/2012 AEU INTERNATIONAL 2.5 METRE TT

## HARDWARE

### Patio Awning Hardware

702993-36	Awning Hardware, complete assembly
1. 74043W-06	Front head assembly
1. 74043W-07	Rear head assembly
2. 74047W-11	Front main arm bar
2. 74047W-12	Rear main arm bar
3. 74056W	Clamp assembly, front, curved
3. 74056W-01	Clamp assembly, rear, curved
4. 74061WS-08	Rafter arm bar, satin
5. 74054W	Snap stud assembly
6. 74063W-04	Rafter arm tube, satin
7. 74072W	Ratchet stud
8. 74048WS-15	Front main arm tube assembly
8. 74048WS-16	Rear main arm tube assembly
9. 74068W-04	Claw bar assembly
10. 74048WS-17	Rafter arm assembly
11. 74055W	Base hinge, rib mount
12. 74060W	Clamp wheel

# 2011/2012 AEU INTERNATIONAL 2.5 METRE TT

## DRAPES/BLINDS

### Drape Hardware



①



②



③



④

- |           |  |
|-----------|--|
| 1. 101217 | Track, curtain                           |
| 2. 101225 | Bracket, curtain, stand off              |
| 3. 200785 | End, curtain track, LH                   |
| 4. 200784 | End, curtain track, RH                   |
| 700045-01 | CURTAIN GLIDE, G-TYPE W/ELASTIC          |
| 100099    | Extrusion, Curtain Track                 |
| 703462-03 | SHADE, PULL, 18" Grey Vista View         |
| 703462-04 | SHADE, PULL 31.25 X 9.5 GREY Vista View. |



# 2011/2012 AEU INTERNATIONAL 2.5 METRE TT

## ELECTRICAL

### AUXILIARY LIGHT

512533 Light, Auxiliary L.E.D.

### Interior Lights

99900P-948 LIGHT, LED, FLUSH MOUNT W/TRIM RING  
511694 LIGHT, READING, HALOGEN, BRUSHED NICKEL  
512462 LIGHT, READING LED FROST LENS  
511695 SPOTLIGHT, BRUSHED NICKEL  
512463 SPOTLIGHT, LED RECESSED FROST  
511695-01 SPOT LIGHT-SUR.MGT HALOGEN BR.NICK  
512464 SPOT LIGHT-SUR MT, FROST  
511297 LIGHT, HALOGEN, READING, W/SWITCH  
511297-01 LIGHT-HAL.READING W/SWITCH NICKEL  
512438 LIGHT, READING LED #81920-NIG46  
512300 LIGHT, HALOGEN, WHITE  
511248 FIXTURE, LIGHT, INCANDESCENT SINGLE  
512441 LIGHT, LED SNG W/SWITCH #L50-0042  
512464 LIGHT, SPOT LED SURFACE MT

# 2011/2012 AEU INTERNATIONAL 2.5 METRE TT

## ELECTRICAL

### Exterior Lights

99900P-010 115074	LAMP, NUMBER PLATE BRACKET, NUMBER PLATE
99900P-015 99900P-018	LIGHT, LED SIDE MARKER LAMP-SIDE MARKER W/REFLECTOR
99900P-011 99900P-012 99900P-013	LIGHT, LED FOG .95"D LIGHT, LED REVERSE RING, CHROME LIGHT
99900P-014 99900P-400	LIGHT, END LINER MARKER LIGHT, COMPARTMENT W/SWITCH
99900P-398 99900P-399	White LED Light, 4" round, (side flood light) FLANGE, COVER

### Entrance Light, Above Main Door

101323 99900P-105 201185	CASTING, ALUM STEP LIGHT, POLISHED LIGHT, ENTRANCE LED LENS STEP LIGHT
--------------------------------	--

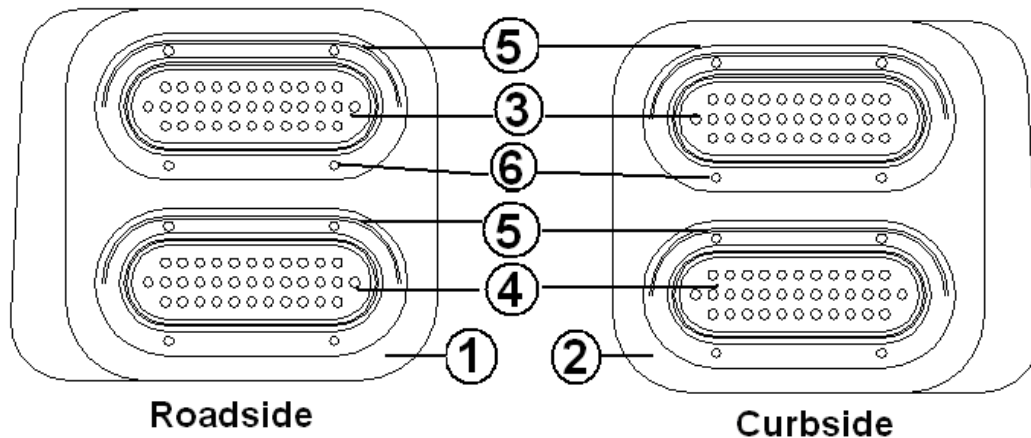
### Temperature Sensor

99900P-390	SENSOR ADLE TEMP (2.5M)
------------	-------------------------

# 2011/2012 AEU INTERNATIONAL 2.5 METRE TT

## ELECTRICAL

### Taillight Assemblies



99900M-043  
99900M-042

TAIL LIGHT, CURBSIDE  
TAIL LIGHT, ROADSIDE

1. 511664-01  
2. 511664-02  
3. 99900P-387  
3. 99900P-937  
4. 99900P-388  
4. 99900P-938  
5. 99900P-389  
6. 345419

CASTING, TAIL LIGHT, ROADSIDE  
CASTING, TAIL LIGHT, CURBSIDE  
LIGHT, STOP/TAIL/TURN, RED, 6" OVAL  
LIGHT, STOP/TAIL/TURN, RED  
LIGHT, LED TURN/AUXILIARY, AMBER  
LIGHT, TURN/AUXILIARY, AMBER  
BEZEL, 6" OVAL, CHROME  
SCREW, #6 X 1" STAINLESS STEEL

115073-01  
115073-02  
203386-01  
203386-02

BRACKET, ROADSIDE. TAILLIGHT  
BRACKET, CURBSIDE TAILLIGHT  
POCKET, INNER TAILLIGHT, ROADSIDE  
POCKET, INNER TAILLIGHT, CURBSIDE

# 2011/2012 AEU INTERNATIONAL 2.5 METRE TT

## RADIO/TV/GPS

### Radio Speakers

512215-01 SPEAKER, 6.5", SP65C0 (pair)

512215-02 GRILL, 6.5", WHITE (pair)

### GPS Antenna

99900P-335 GPS Antenna

### Satellite Cable

99900P-385 Satellite power cable

# 2011/2012 AEU INTERNATIONAL 2.5 METRE TT

## FASTENERS

### Rivets



325043(hard)  
325000 (soft)  
Rivet, buck type  
dia. 1/8"  
length 1/4"



325000-01  
Rivet, buck type  
dia. 1/8"  
length 1/4"  
anodized clear



325000-03  
Rivet, buck type  
dia. 1/8"  
length 1/4"  
anodized white



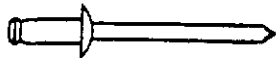
325001-01  
Rivet, buck type  
dia. 1/8"  
length 5/16"  
anodized clear



325002  
Rivet, buck type  
dia. 1/8"  
length 3/8"  
anodized clear



325004-01  
Rivet, buck type  
dia. 1/8"  
length 1/2"  
anodized clear



330129-08 Brown  
dia. 1/8"  
grip range .063-.125  
aluminum body  
aluminum mandrel



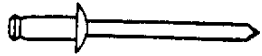
300101  
1/8" I.D.  
washer, aluminum

\*Common bolts and screws readily available at local hardware outlets have not been listed.

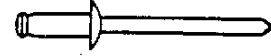
# 2011/2012 AEU INTERNATIONAL 2.5 METRE TT

## FASTENERS

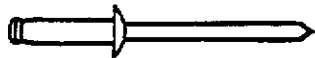
### Rivets



330126-02  
rivet, pop  
dia. 1/8 "  
grip range .126-.187  
stainless steel  
stainless steel mandrel



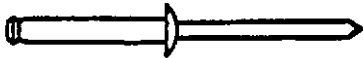
330126-03  
rivet, pop  
dia. 1/8 "  
grip range .126-.250  
body stainless steel  
stainless steel mandrel



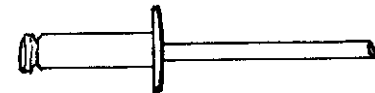
330127-05  
rivet, pop  
dia. 1/8 "  
grip range .251-.312  
aluminum body  
aluminum mandrel



330128-05  
rivet, pop  
dia. 1/8 "  
grip range .251-.312  
aluminum body, white  
aluminum mandrel



330127-08  
rivet, pop  
dia. 1/8 "  
grip range .325-.565  
aluminum body  
aluminum mandrel



330038  
rivet, pop  
dia. .150 (#20 bit)  
grip range .126-.250  
aluminum body  
aluminum mandrel  
(used-screen door hinge)



325103  
dia. 1/4 "  
grip range .080-.325  
SS body, steel mandrel

\*Common bolts and screws not listed.

# 2011/2012 AEU INTERNATIONAL 2.5 METRE TT

## FURNITURE

### Floor Covering

703944	FLOORING VINYL WHITE OILED ASH
703852	MATT ENTRANCE AIRSTREAM LOGO
703560	FLOORING, RUBBER COIN, BLACK

### Doors, Roof locker

965563-03	DOOR-SLIDING PLEXIGLASS, 11.31"X 15"
965563-09	DOOR-SLIDING PLEXIGLASS, 26" x 11.31"
965563-11	DOOR-SLIDING PLEXIGLASS, 22" x 11.31"

# 2011/2012 AEU INTERNATIONAL 2.5 METRE TT

## FURNITURE

### LOUNGE FURNITURE HARDWARE

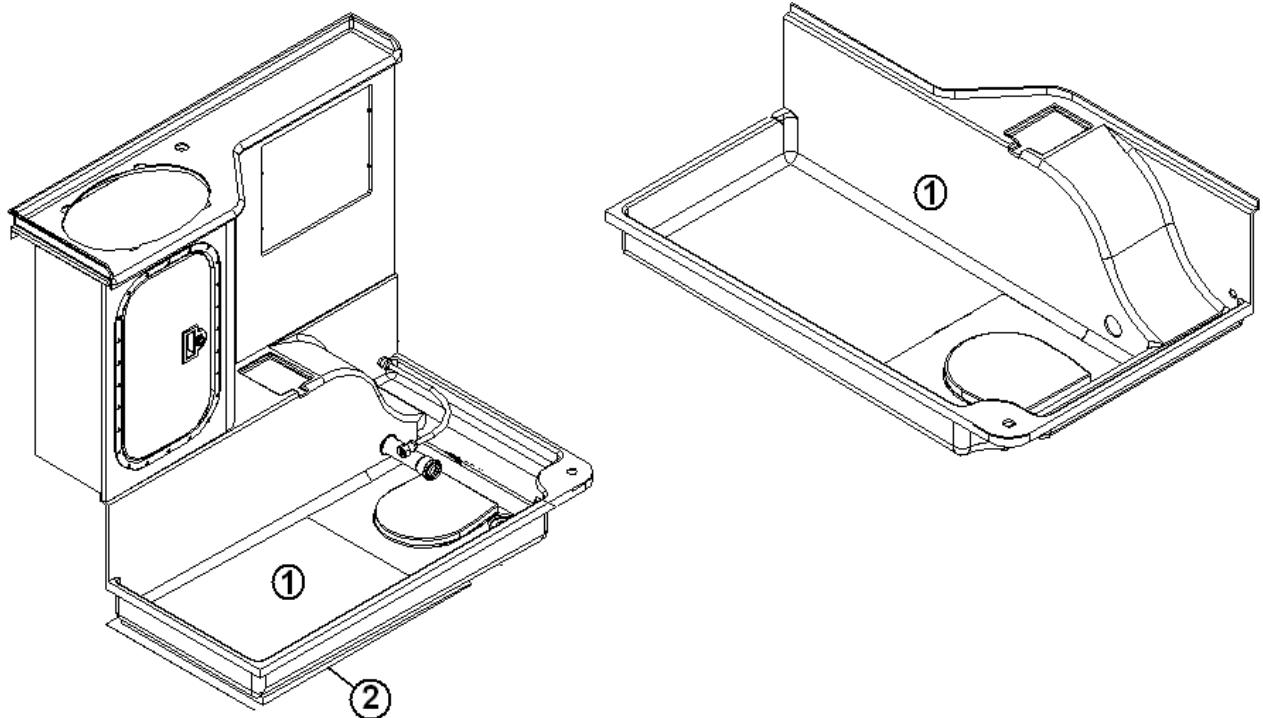
454613	Leaf Spring, roof locker
382002	Drawer pull, ORB 3"
381228	Grabber catch, 10 lbs.
381228-01	Grabber catch, 3 lbs.
114812	Aluminum angle, 1" x 1"
203464	Trim panel, black, .75"
203388	Sliding door track
380338	Socket, pedestal table
99900P-048	Latch, push/pull
203475	Trim, 18" stack window
371384	Window, bath door
99900P-728	Door seal vinyl
99900P-729	Bulb seal, rubber
99900P-730	Aluminum nosing for threshold
203138-03	Extrusion, wall - Beige
203464-02	Trim, panel .75" Beige PVC
114879-201	Aluminum sheet, cut down for kick plate
381081-04	Screw head snap cap, white
381081-01	Screw head snap cap washer, white



# 2011/2012 AEU INTERNATIONAL 2.5 METRE TT

## FURNITURE, BATH

### Shower Tray (Pan), 534 AEU



1. 99900P-401 Bath tray (shower pan)
2. 99900P-395 Pad, foam, bath tray support  
601727 SHOWER DRAIN 2"W/GRID TOP

### Wet Bath Door Installation

- 99900P-730 Nosing w/Holes, Aluminum
- 99900P-731 Jamb, Hinge Side Bath Door
- 99900P-732 Jamb, Latch Side Bath Door
- 99900P-728 Door, Sweep Vinyl 3'

# 2011/2012 AEU INTERNATIONAL 2.5 METRE TT

## FURNITURE, BATH

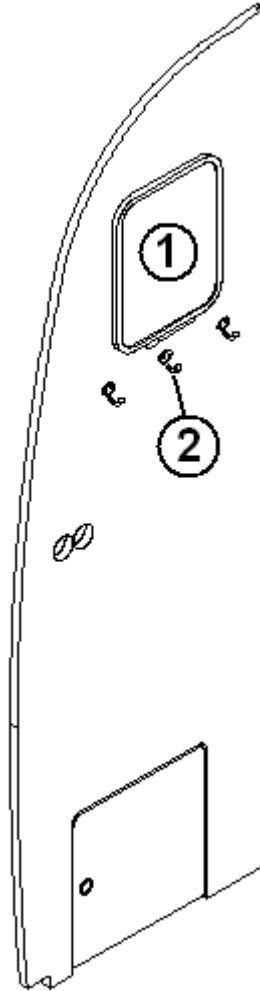
### BATH FURNITURE HARDWARE

114812	ANGLE, ALUMINUM, 1.00" X 1.00"
115042	ROD, .25" ALUMINUM, 6' PIECE
115064	TRIM, ALUMINUM, COUNTER TOP
195329-202	HEMISPHERE, CLEAR BUMP ON
201763-01	RUBRAIL INSERT CHROME 1"
201912	BELTLINE MOLDING CHROME
203138-03	PLASTIC WALL EXTRUSION ½" BEIGE
203388	TRACK, SLIDING DOOR
203464-02	PANEL TRIM, BEIGE
203475	TRIM RING, 18" STACK WINDOW
300140-01	WASHER, 1 ½" OB .050/.065 THICK
371384	WINDOW, BATH DOOR
381081-04	SNAP CAP WHITE (SCREW SIZE #6, #8)
381081-01	SNAP CAP WASHER ANTIQUE WHITE
382098	HANDLE, GLOSS CHROME 14 ½" TOWEL
454613	LEAF SPRING - ROOF LOCKER
99900P-376	BATH DOOR JAMB, HINGE SIDE
99900P-377	BATH DOOR JAMB, LATCH SIDE
99900P-048	LATCH, PUSH PULL
99900P-727	GROMMET, INSULATION
99900P-730	NOSING W/HOLES, ALUMINUM
99900P-732	JAMB, LATCH SIDE BATH DOOR
99900M-226	SUPPORT, TOILET

# 2011/2012 AEU INTERNATIONAL 2.5 METRE TT

## FURNITURE, BATH

### Dry Erase Board/Coat Hooks



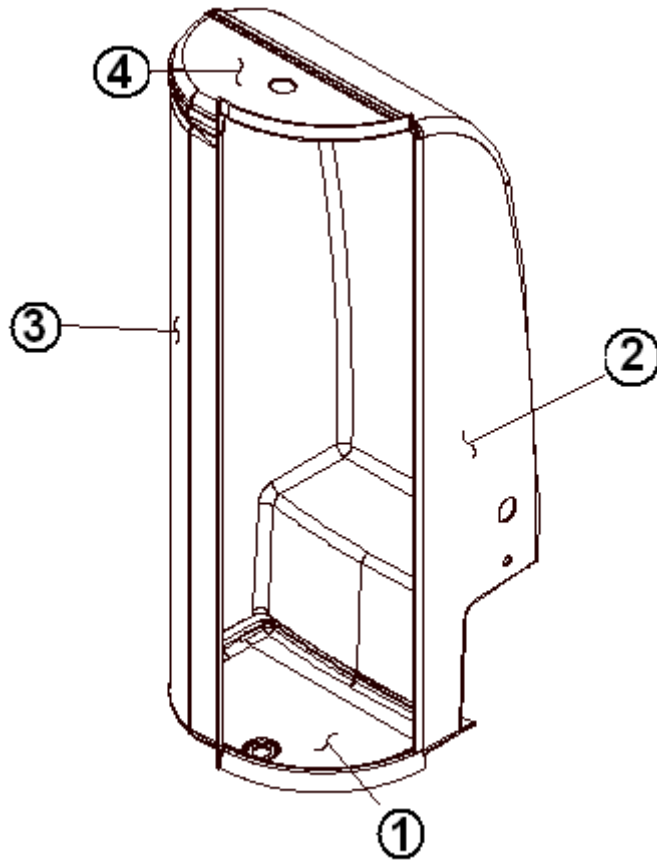
1. 381945
2. 381834

BOARD, DRY/ERASE 11" X 14", MAGNETIC  
COAT HOOK, ALUMINUM, 1.68"

# 2011/2012 AEU INTERNATIONAL 2.5 METRE TT

## FURNITURE, BATH

Shower Assembly, 684 AEU, 685

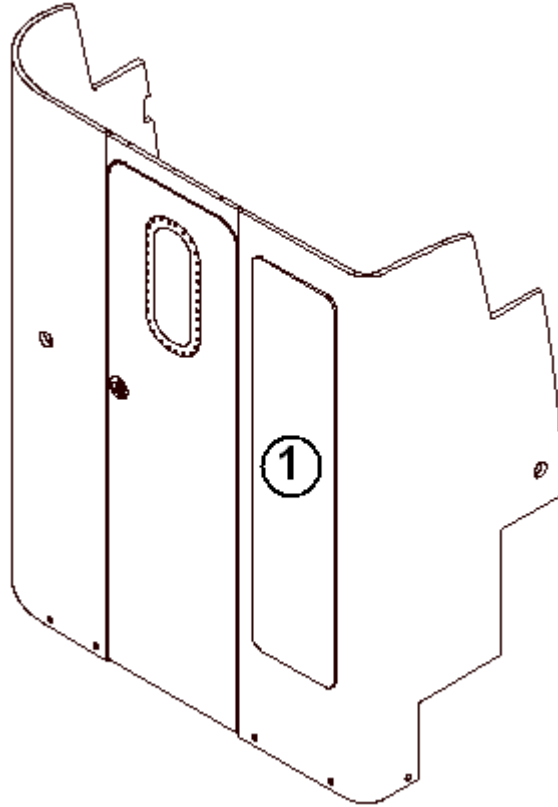


- 1. 99900P-1036 Base
- 2. 99900P-371 Seat
- 3. 99900P-1037 Front surround
- 4. 99900P-1045 Top surround

# 2011/2012 AEU INTERNATIONAL 2.5 METRE TT

## FURNITURE, BATH

Shower Module Mirror, 684 AEU

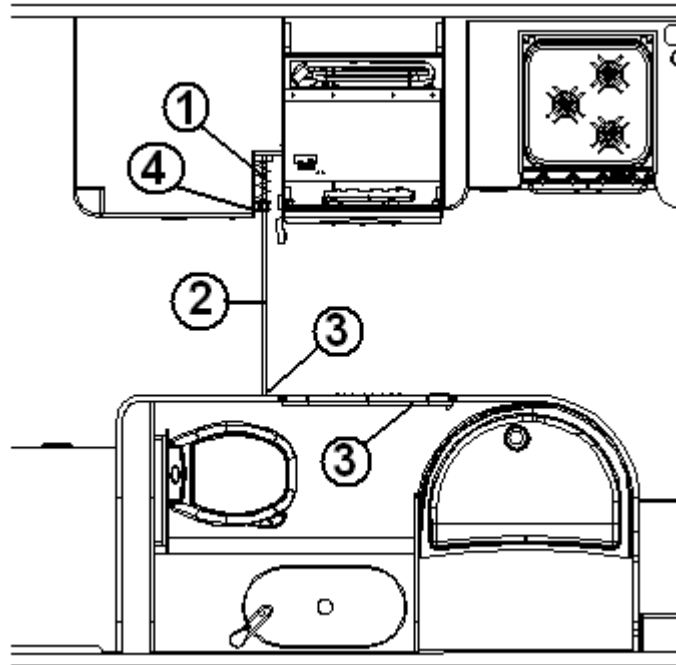


1. 99900P-402      Mirror, 58" x 14"

# 2011/2012 AEU INTERNATIONAL 2.5 METRE TT

## FURNITURE, BATH

Foldette Door, 684, 685



- 1. 702681-07
- 2. 381890-02
- 3. 99900P-746
- 4. 99900P-936

DOOR, FOLDETTTE, 60"X 73, GREY  
TRACK, STRAIGHT, FOLDETTTE DOOR  
STRIKER, STEEL, SELF ADHESIVE  
CATCH, MAGNETIC

# 2011/2012 AEU INTERNATIONAL 2.5 METRE TT

## FURNITURE, GALLEY

### HARDWARE, GALLEY FURNITURE

104821	SUPPORT, ROOF LOCKER 74"
115064	COUNTER TOP TRIM, ALUMINUM
115227-02	ANGLE, FORMED, 50.50"
200980-01	SILVERWARE TRAY, ALMOND 9" X 13"
201649	ACCESS COVER, LP
201673	REVERSE COVE MOLDING, WHITE
203138-05	EXTRUSION, PLASTIC, 1/2" WALL, BLACK
203388	SLIDING DOOR TRACK
203464	TRIM, PANEL, BLACK
381228	GRABBER CATCH, 3#
381228-01	GRABBER CATCH, 10#
382002	DRAWER PULL
454613	LEAF SPRING, ROOF LOCKER
965563-09	SLIDING DOOR 11.31" X 26", GALLEY ROOF LOCKER

# 2011/2012 AEU INTERNATIONAL 2.5 METRE TT

## FURNITURE, BEDROOM

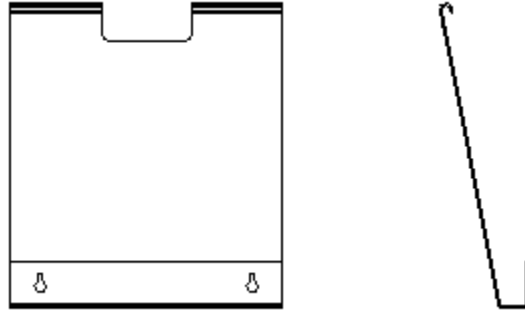
### FURNITURE HARDWARE, BEDROOM

104821	ROOFLOCKER SUPPORT
115227-02	FORMED ANGLE, LOCKER TRACK SUPPORT, 50.50" L
201673	COVE MOLDING, REVERSE
203138-05	WALL EXTRUSION ½" BLACK
203223	CUP HOLDER, BLACK
203388	TRACK, SLIDING DOOR
203464	PANEL TRIM, BLACK
381228	GRABBER CATCH, 10#
381228-01	GRABBER CATCH, 3#
382002	DRAWER PULL
454613	SPRING LEAF, ROOFLOCKER
965563-09	SLIDING DOOR, 11.31" X 26"
965563-11	SLIDING DOOR, 11.31" X 22"
99900P-117	HINGE, BED PULL OUT
99900P-386	WALL LINER, IVORY
99900P-357	PLUG, 3.5" DOME



2011/2012 AEU INTERNATIONAL 2.5 METRE TT  
FURNITURE, BEDROOM

Magazine Rack

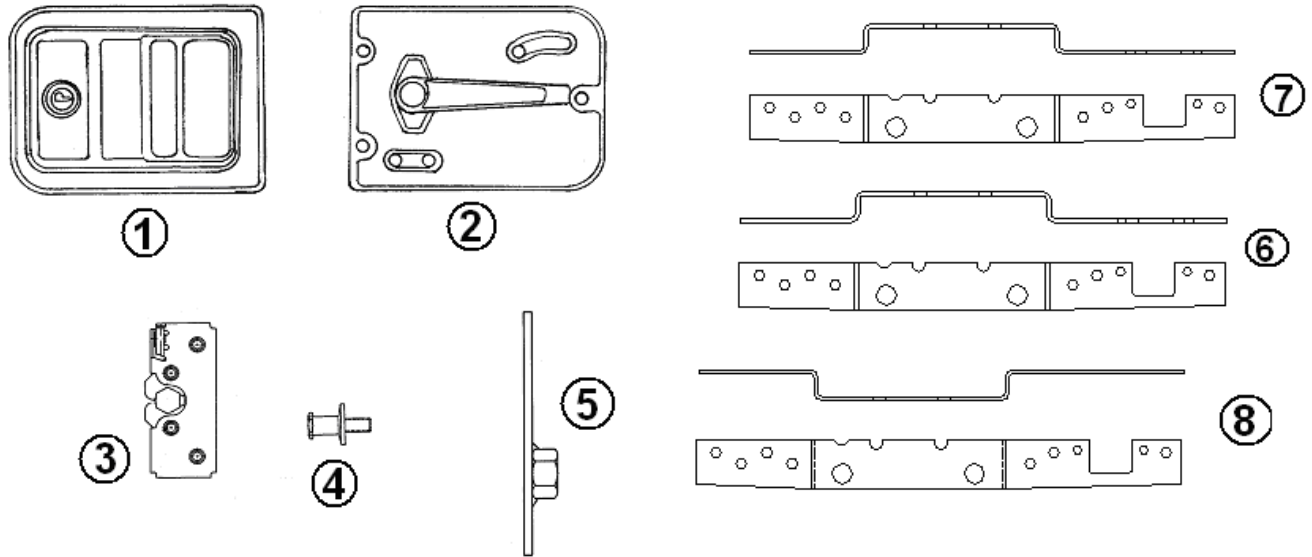


386106-01 RACK, MAGAZINE, WHITE  
386107 ROD, MAGAZINE RACK

# 2011/2012 AEU INTERNATIONAL 2.5 METRE TT

## HARDWARE

### Main Door Latch/Lock

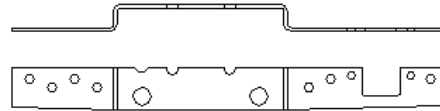
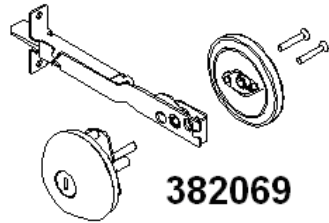


1. 381547-01 Main door lock, outside housing
2. 381547-07 Main door lock, inside plate
3. 381547-03 Double rotary latch, main door
4. 381547-04 Striker bolt w/washer, main door lock
5. 381550 Plate, striker bolt mounting
6. 382067 Outer reinforcement plate, RH/LH hinged door
7. 382066 Inner reinforcement plate, LH hinged door
8. 382068 Inner reinforcement plate, RH hinged door
- 381547-08 Screw package, main door lock
- 385595 Pocket strike, #10-10-810

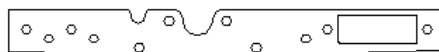
# 2011/2012 AEU INTERNATIONAL 2.5 METRE TT

## HARDWARE

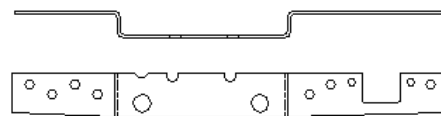
### Deadbolt Assembly, Main Door, Round, Trimark



382066



382067



382068

115413



115415

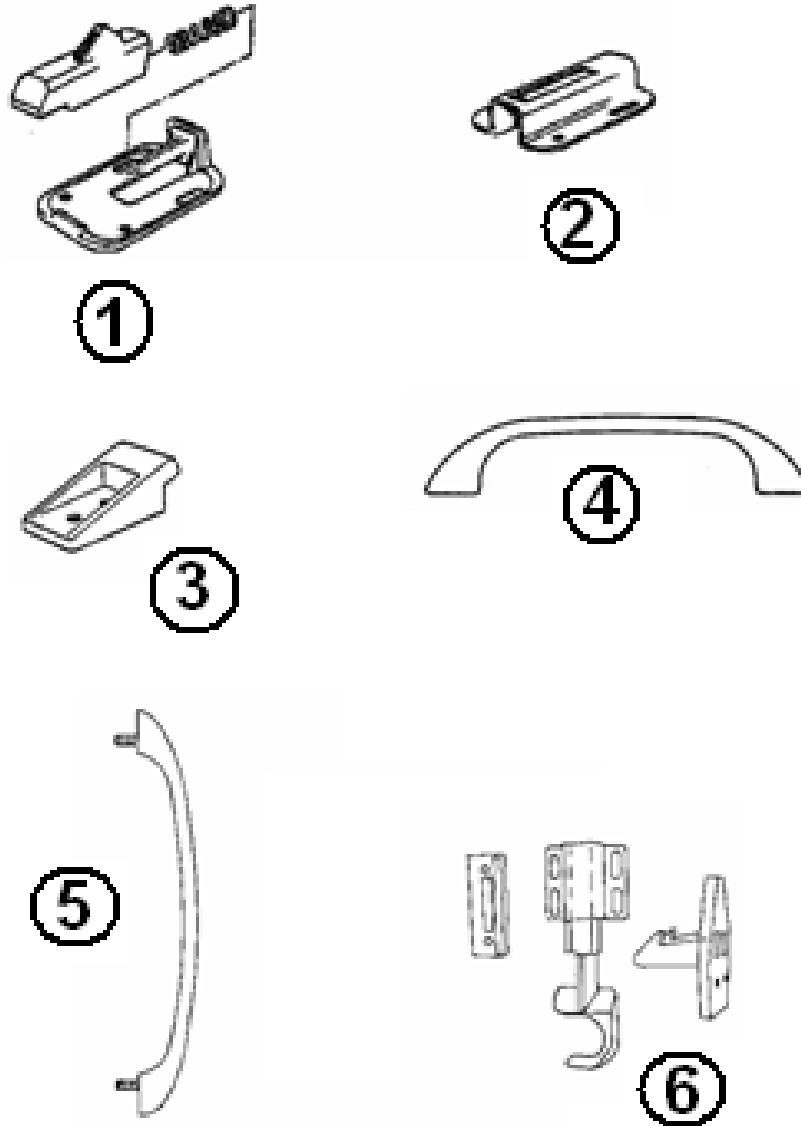
- |           |  |
|-----------|--|
| 382069    | Deadbolt assembly, round, Trimark            |
| 382066    | Inner reinforcement plate, LH hinged door    |
| 382067    | Outer reinforcement plate, RH/LH hinged door |
| 382068    | Inner reinforcement plate, RH hinged door    |
| 115413    | Door hat section                             |
| 115415    | Door hat section assembly                    |
| 201787-01 | Pocket, Deadbolt, Interior                   |

### KEY BLANKS

- |            |   |
|------------|---|
| 381547-100 | KEY BLANK FOR 381547-01, MAIN DOOR LOCK |
| 381323-100 | KEY BLANK TRI-MARK DEADBOLT (SQ. TYPE)  |
| 382069-100 | KEY BLANK FOR 382069 ROUND DEAD BOLT    |
| 99900P-023 | KNOB, COMPRESSION LATCH                 |

# 2011/2012 AEU INTERNATIONAL 2.5 METRE TT HARDWARE

## Main Door Holdback/Screen Door Handle & Latch

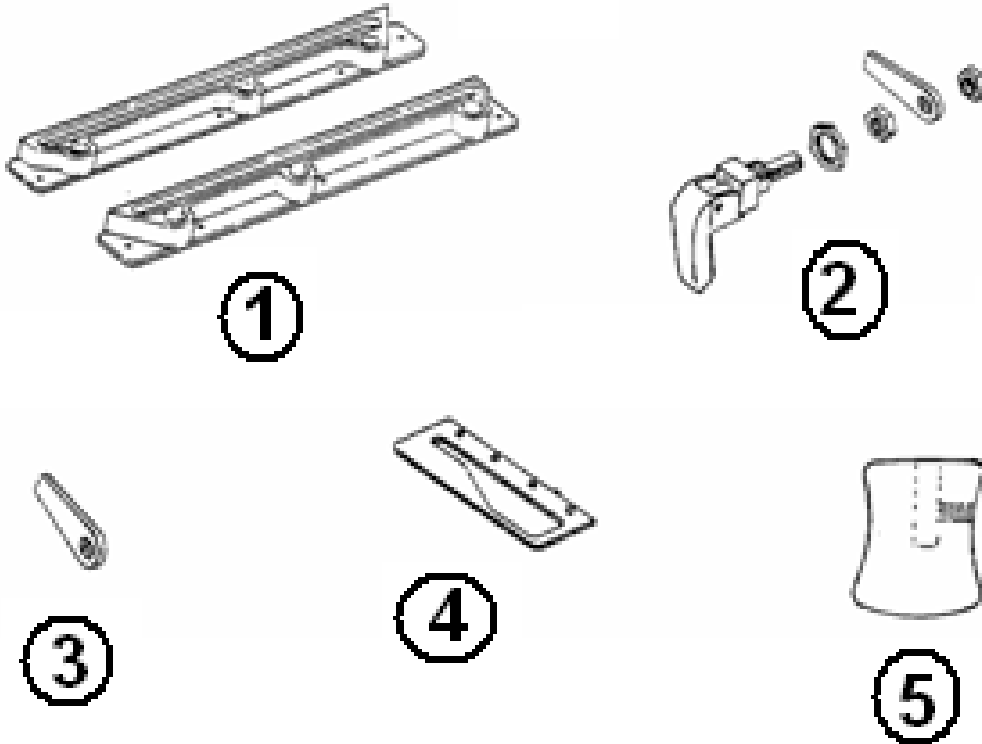


1. 380291 Main door holdback, (use w/housing #380290)
2. 380290 Latch housing,
3. 201056 Catch, main door holdback
4. 380004 Handle, screen door
5. 101171 Grab Handle, main door
6. 381454 Latch, screen door, Bullet

# 2011/2012 AEU INTERNATIONAL 2.5 METRE TT

## HARDWARE

### Window Hardware



- 1. 0802-0001 Window guide, RH
- 1. 0802-0002 Window guide, LH
- 2. 010020 Lower window latch
- 2. 195467-05 Latch w/red handle
- 3. 685123 Pawl window latch, straight
- 4. 685124 Striker plate, window latch
- 5. 380230-03 Knob, window arm
- 5. 380230-04 Knob, window arm, red
- 0703-0001 Screw 8-32 x 1/2", black
- 0703-0010 Screw 8-32 x 1/2", stainless
- 0706-0003 Washer, flat, nylon, clear
- 0706-0004 Washer, flat, nylon, black
- 0802-0004 Screw cap, black
- 0802-0005 Snap cap washer, clear

# 2011/2012 AEU INTERNATIONAL 2.5 METRE TT

## HARDWARE

### Towel Bar/Toothbrush Holder/Tissue Paper Holder

382098	Handle, 14.25", Glass Chrome (Towel bar)
345418	SCREW-#6 X .75" S.S.
300140	WASHER-1.25"OD TOWEL BAR
380034	TOILET PAPER HOLDER, CHROME
380017	TUMBLER & TOOTHBRUSH HOLDER, CHROME

### Wardrobe/Hanging Rail Clothes Rod

380046	FLANGE CHROME
380045	TUBING, 3/4", METAL
200975-04	CONDUIT, FLEXIBLE, BLACK PLASTIC

### Storage Boxes/Wastebasket

203419	STORAGE BOX, 23"L X 16.75"W X 11.88
203636	STORAGE BOX, 24.5" X 17.75" X 7.25"
381708	WASTEBASKET-11.38 X 8.25 X 12.
203439	STORAGE BOX, 17"L X 11.13"W X 6.38"
203667	STORAGE BIN, 24.5" X 17.75" X 7.25"

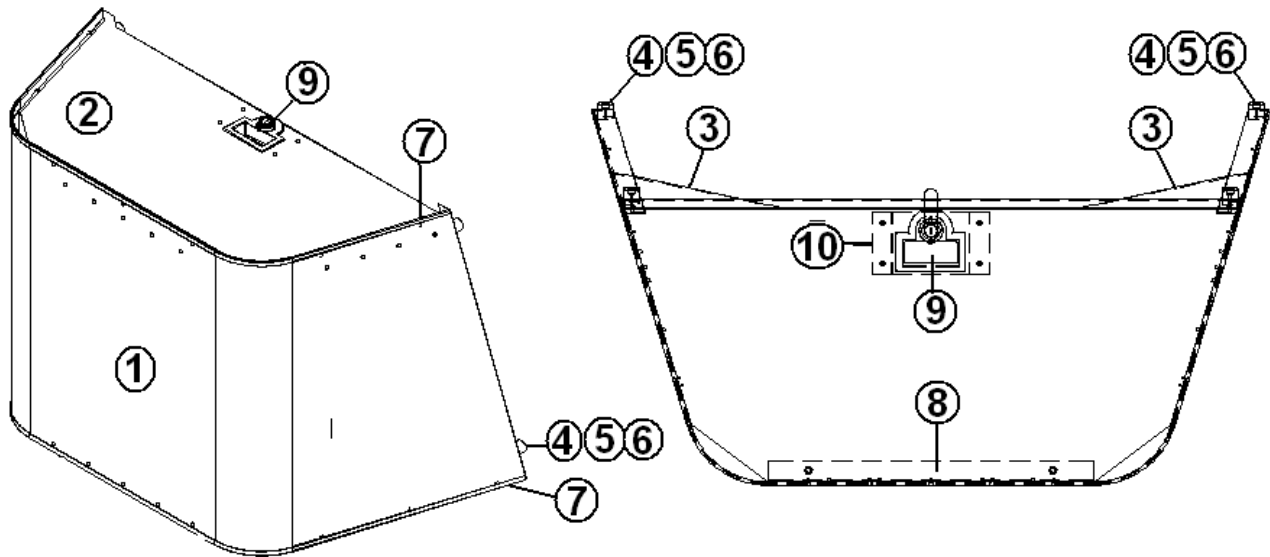
### Labels

99900P-939	LABEL-LP COVER LATCH
99900P-940	LABEL-BATTERY TYPE WARNING
99900P-941	LABEL-SOLAR PNL CONNECTION
99900P-942	LABEL-A/C PWR ON/OFF SWITCH
99900P-943	LABEL-BOILER PWR ON/OFF SWITCH
99900P-944	LABEL-AUX SWITCH
99900P-945	LABEL-INVERTER ON/OFF SWITCH
99900P-349	Vehicle Identification Plate
99900P-369	WEIGHT PLATE
386193	LABEL, WHEEL TORQUE WARNING
386123	LABEL, "POTABLE WATER ONLY"

# 2011/2012 AEU INTERNATIONAL 2.5 METRE TT

## PLUMBING, LPG

### LPG Bottle Cover



- |                |                                    |
|----------------|------------------------------------|
| 99900M-035     | COVER ASSEMBLY, LP BOTTLE          |
| 1. 99900P-024  | COVER WRAP, LP BOTTLE              |
| 2. 99900P-025  | LID, LP BOTTLE COVER               |
| 3. 114880-201  | ALUMINUM SHEET, .040" X 51"X201"   |
| 4. 381136      | RUBBER BUMPER                      |
| 5. 320029      | SCREW #8 X 3/4", PAN HEAD          |
| 6. 350008      | NUT, BRASS NICKLE PLATED, 8/32"    |
| 7. 114070      | J-TRIM EXTRUSION                   |
| 8. 99900M-249  | BRACKET, "Z", BOTTLE COVER         |
| 9. 380770      | LOCK & CASTING ASSEMBLY, BLACK     |
| 10. 99900M-044 | BRACKET, LATCH LP COVER            |
| 99900M-250     | ANGLE, 1" X 2" X 16"               |
| 203225-01      | TRIM LOK, GRAY                     |
| 325000-01      | RIVET, ANODIZED CLEAR 1/8" X 1/4"  |
| 325002-01      | RIVET, ANODIZED CLEAR, 1/8" X 3/8" |

# 2011/2012 AEU INTERNATIONAL 2.5 METRE TT

## PLUMBING, LPG

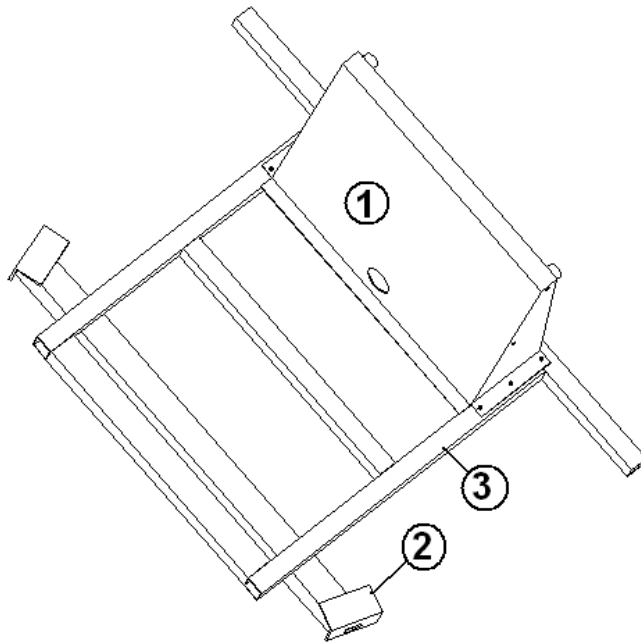
99900M-430	LP COVER BUNGEE CORD INSTALLATION
99900P-1002	HOOK, SHOCK CORD, BLACK
99900P-1001	CLIP, SHOCK CORD, BLACK
99900P-1003	MACHINE SCREW, 10-24 X 1.75" SS
350158-02	WASHER, LOCK TOOTH #10
350147-19	NUT NYLON LOCK #10-24



# 2011/2012 AEU INTERNATIONAL 2.5 METRE TT

## PLUMBING, LPG

### LPG Bottle Support



99900M-038	LP SUPPORT ASSEMBLY
1. 99900M-635	COVER, LP SUPPORT
2. 99900M-039	CROSSMEMBER, LP SUPPORT
3. 99900M-036	WELDMENT-LP SUPPORT
386018-01	GROMMET RUBBER 1.25ID 1.75 OD
381136	RUBBER BUMPER
330126-04	RIVET, POP S.S. .125" #45999
345181	SCREW, 1/4"-14 X 2" SELF-TAPPIN
345084	SCREW, 1/4"-14X1 THD.CUTTING
345269-05	BOLT, 1/2"-13 HEX HD GR.5
350147-50	NUT, NYLON LOCK, 1/2"-13

# 2011/2012 AEU INTERNATIONAL 2.5 METRE TT

## PLUMBING

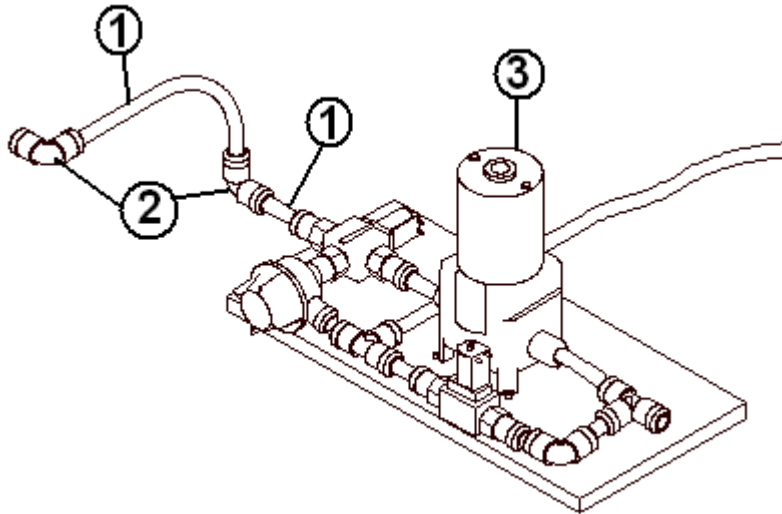
### PLUMBING PARTS & FITTINGS

99900P-032	PLUG, 1.5" C & G HOSE X MALE PIPE
99900P-034	1.5" C & G HOSE CAP X SOCKET
601636	ELBOW, 90 DEGREE, SHORT SWEEP
600035	ELBOW, LONG SWEEP 1.5"
600030	ELL ABS 45 DEGRESS LG TURN
600033	ELBOW 1.5" SHORT RADIUS
600156	TEE, SANITARY
600144	P TRAP, ABS 1.5"
600538	VENT, V-200 AUTOMATIC
600308	ADAPTER ABS FEMALE SLOAN #2891
600182	WYE, 1.5" X 1.5" X 1.5" 1/8 BEND
600431	ELBOW, 90 1 1/2"
600027	ELBOW, ABS LONG ST. 45 DEGREE
600625-01	PLUG, TRAP, 1.5" ADAPTER FEMALE
600625-02	ADAPTOR 1.5" MALE
600622	P TRAP 1 1/2" W/SLIP NUT & WASH
195362-39	STRAINER SINK 2"
600227	COUPLING, 1.5" PLASTIC
601237	ELBOW, 90D 1.25MPT X 1.25 BAR
601239-01	TUBING, 1.375" ID RIBBED W/FLATS
601240-01	TUBING, 1/2 ID X 3/32
380887	FLOOR GROMMET
380886	GROMMET, UNDERBELLY
340085-05	5/8" PIPE CLAMP
340085-11	2" PIPE CLAMP
99900P-088	DUMP VALVE, 1.5" SLIP x SLIP
601160-02	ABS PIPE, 1.5"
600662	1 1/2" Elbow, Short Radius

# 2011/2012 AEU INTERNATIONAL 2.5 METRE TT

## PLUMBING, FRESHWATER

### Water Pump/Solenoid System, 684 AEU

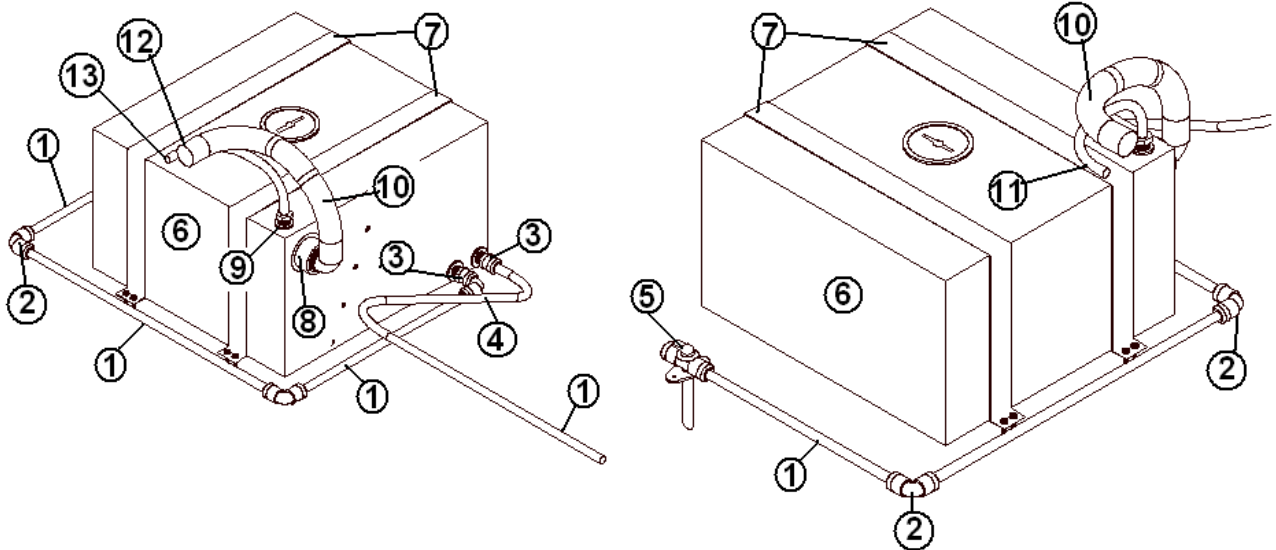


- |               |                                 |
|---------------|---------------------------------|
| 1. 99900P-104 | AQUASMART WATER DELIVERY SYSTEM |
| 2. 99900P-093 | PIPE, 12MM COLD WATER BLUE 100M |
| 3. 99900P-096 | ELBOW, 90D EQUAL 12MM           |

# 2011/2012 AEU INTERNATIONAL 2.5 METRE TT

## PLUMBING, FRESHWATER

### Water Tank, 684 AEU



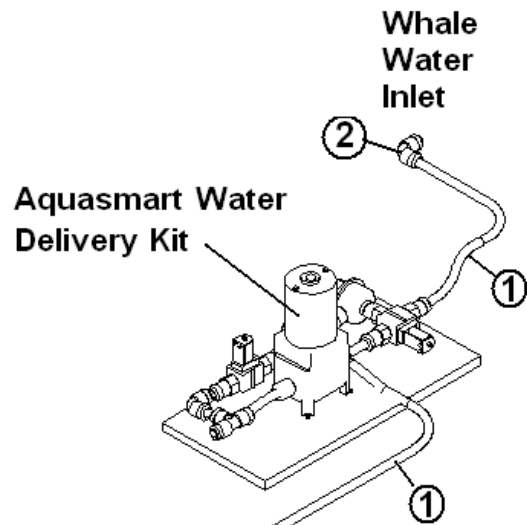
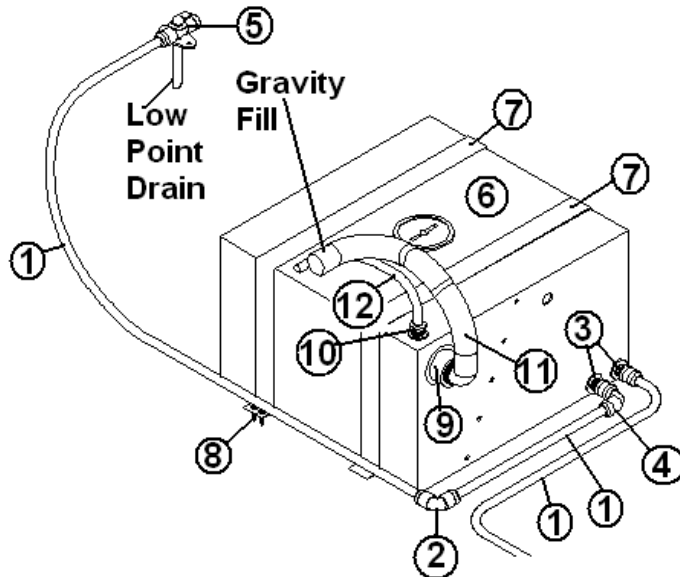
1. 99900P-093
  2. 99900P-096
  3. 99900P-103
  4. 99900P-679
  5. 99900P-098
  6. 99900P-041
  7. 99900M-051
  8. 601237
  9. 601698-02
  10. 601239-01
  11. 601240-01
  12. 0260043-20
  13. 340086
- 320006

- PIPE, 12MM, COLD WATER, BLUE, 100M  
ELBOW, 90D EQUAL, 12MM  
QUICK CONNECT, .5"MPT X 12MM  
ELBOW, 90D 12MM, STEM  
DRAIN DOWN, COLD, PRESSURE RELIEF  
TANK, FRESH WATER  
STRAP, FRESH WATER TANK  
ELBOW, 90 D, 1.25 MPT X 1.25" BARBED  
QQMC33 X 1/2" B X 1/2" MPT ADAPTOR  
TUBING, 1.375" ID RIBBED  
TUBING, 1/2" I.D. X 3/32 WALL THREAD  
WORM CLAMP #20  
MINIATURE SCREW TYPE HOSE CLAMP  
SCREW SHEET METAL, 8 X 3/4" BH PHILIPS

# 2011/2012 AEU INTERNATIONAL 2.5 METRE TT

## PLUMBING, FRESHWATER

### Water Tank Layout, 534 AEU



- |               |  |
|---------------|--|
| 1. 99900P-093 | PIPE, 12MM COLD WATER, BLUE 100MM      |
| 2. 99900P-096 | ELBOW, 90D EQUAL 12MM                  |
| 3. 99900P-102 | QUICK CONNECT, .5" MPT X 12MM          |
| 4. 99900P-095 | ELBOW, 90D 12MM STEM                   |
| 5. 99900P-098 | DRAIN DOWN, COLD PRESSURE RELIEF       |
| 6. 99900P-041 | TANK-FRESH WATER                       |
| 7. 99900M-051 | STRAP, FRESH WATER TANK                |
| 8. 320006     | SCREW SHEET METAL, 8 X 3/4" BH PHILIPS |
| 9. 601237     | ELBOW 90 D 1.25 MPT X 1.25" BARBED     |
| 10. 601698-02 | QQMC33X 1/2" B X 1/2" MPT ADAPTOR      |
| 11. 601239-01 | TUBING, 1.375" ID RIBBED               |
| 12. 601240-01 | TUBING, 1/2" I.D. X 3/32 WALL THREAD   |
| 0260043-20    | WORM CLAMP #20                         |
| 340086        | MINIATURE SCREW TYPE HOSE CLAMP        |
| 99900P-100    | COLLETS, BLUE                          |

# 2011/2012 AEU INTERNATIONAL 2.5 METRE TT

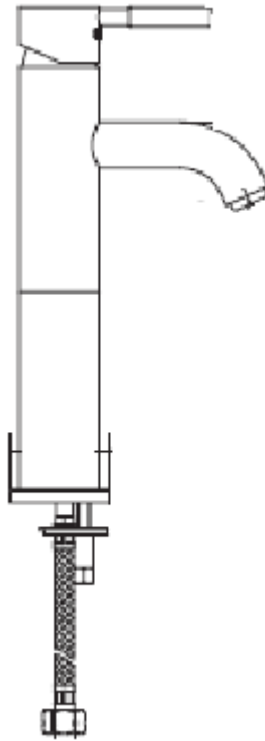
## PLUMBING, FRESHWATER

### Fresh Water Fill, Exterior

601194	WATER FILL W/LOCK, GRAY, W/LABEL
601661	NIPPLE, 1/2", BRASS HEX
381647	KEY WATER FILL CH 751
601891	TUBING, CLEAR, 1"OD

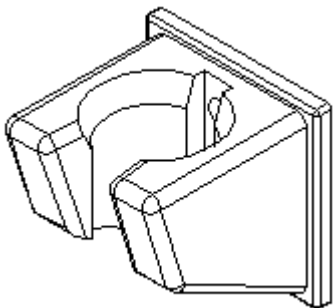
2011/2012 AEU INTERNATIONAL 2.5 METRE TT  
PLUMBING, FRESHWATER

Faucet, Lavatory, 684



99900P-403 Faucet, single handle

Faucet, Lavatory/Shower Combo, 534



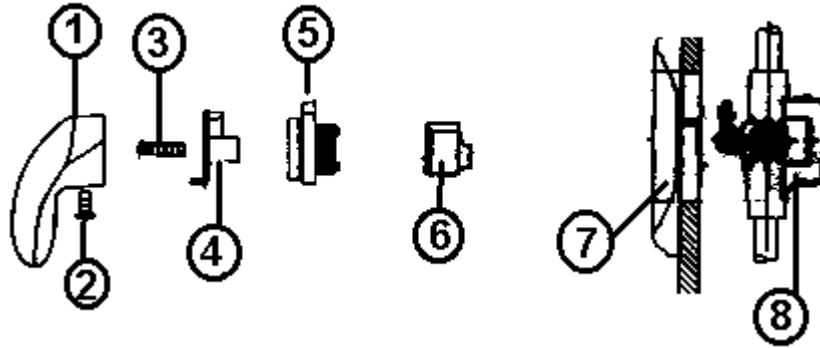
99900P-951 FAUCET-LAVY/SOWER COMBO

99900P-952 BRACKET, LAVY FAUCET

# 2011/2012 AEU INTERNATIONAL 2.5 METRE TT

## PLUMBING, FRESHWATER

Faucet/Trim Kit, Shower, 684



601829 Faucet, Shower, Chrome, Moen MDL TL2391

1. Lever handle
2. Set screw
3. Handle screw
4. Handle adaptor
5. Brake
6. Key stop
7. Escutcheon
8. 601831 4-port posi-temp valve

601358 Shower kit, includes:

Shower hose, shower head,  
Vacuum breaker, wall mounts

601185-08 PLUG, PIPE 1/2" MALE NPT, STEEL

601727 SHOWER DRAIN, 2"W/GRID TOP

601661 NIPPLE 1/2" BRASS HEX



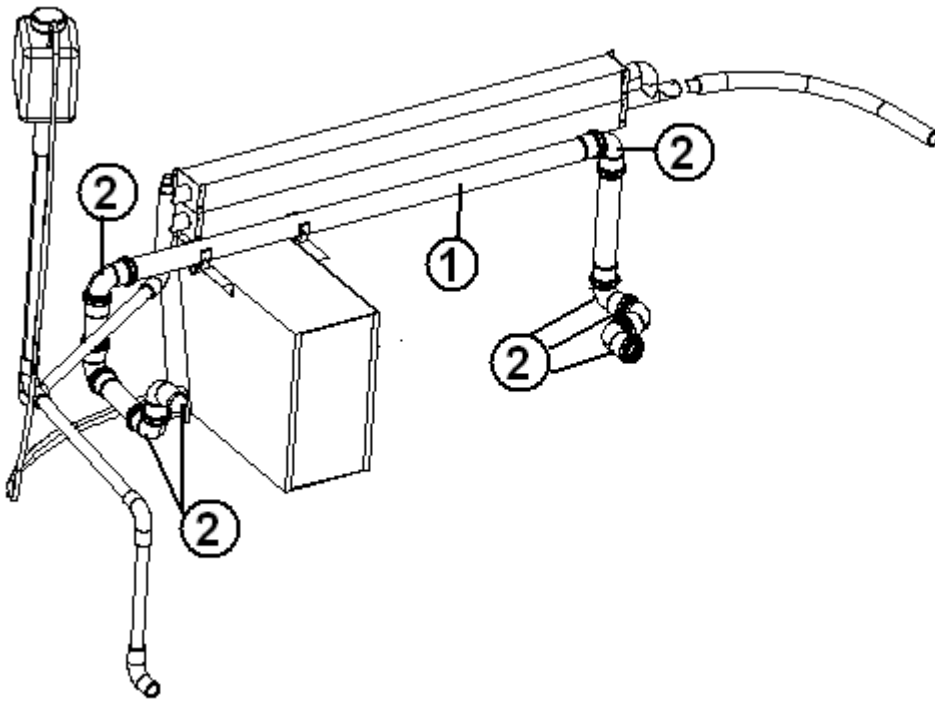
# 2011/2012 AEU INTERNATIONAL 2.5 METRE TT

## PLUMBING, DRAIN

### Sink, Lavatory

601804-01	SINK, BATH, 12" SS ROUND
600968	BASKET STRAINER
602289	SINK, OVAL SS 12" x 17"
99900P-1073	STRAINER, VESSEL SINK

### Toilet Vacuum System Plumbing, 684

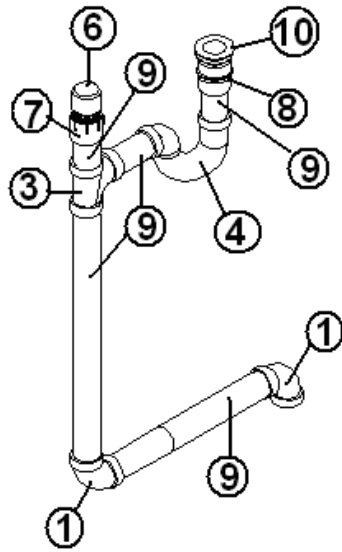


1. 99900P-109	PIPE, VACUUM WASTE 40MM
2. 99900P-110	ELBOW, VACUUM 40MM
99900P-111	CLIP, PIPE 40MM VACUUM PIPE

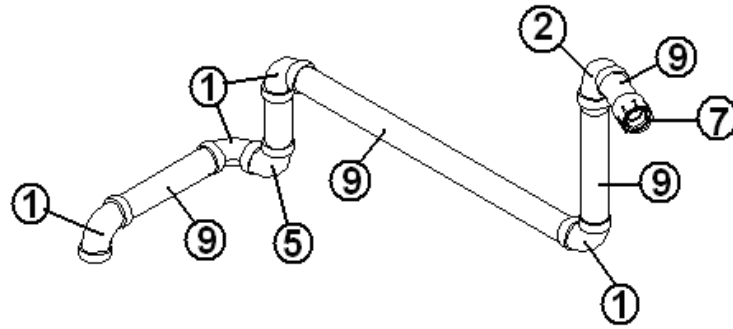
# 2011/2012 AEU INTERNATIONAL 2.5 METRE TT

## PLUMBING, DRAIN

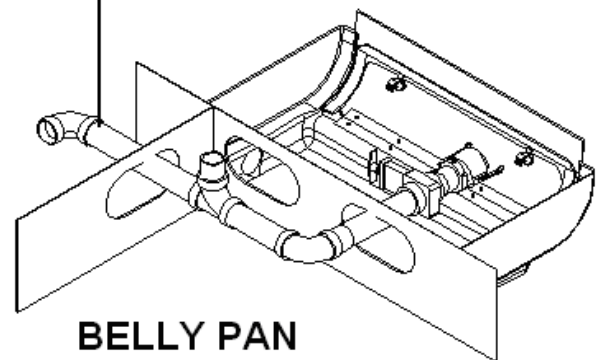
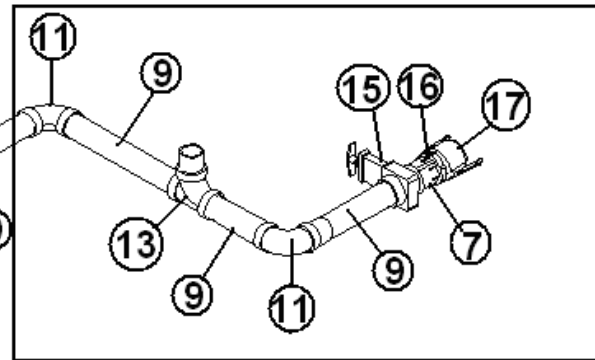
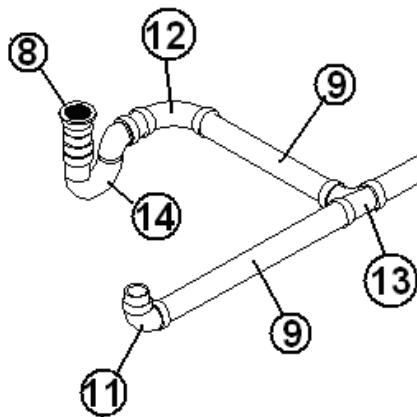
Drain System, 684 AEU



ABOVE FLOOR



BELOW FLOOR



BELLY PAN  
COMPARTMENT

Part numbers are on the next page

# 2011/2012 AEU INTERNATIONAL 2.5 METRE TT

## PLUMBING, DRAIN

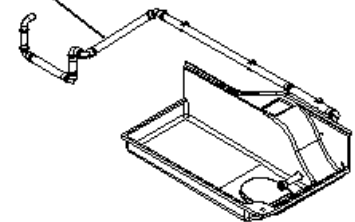
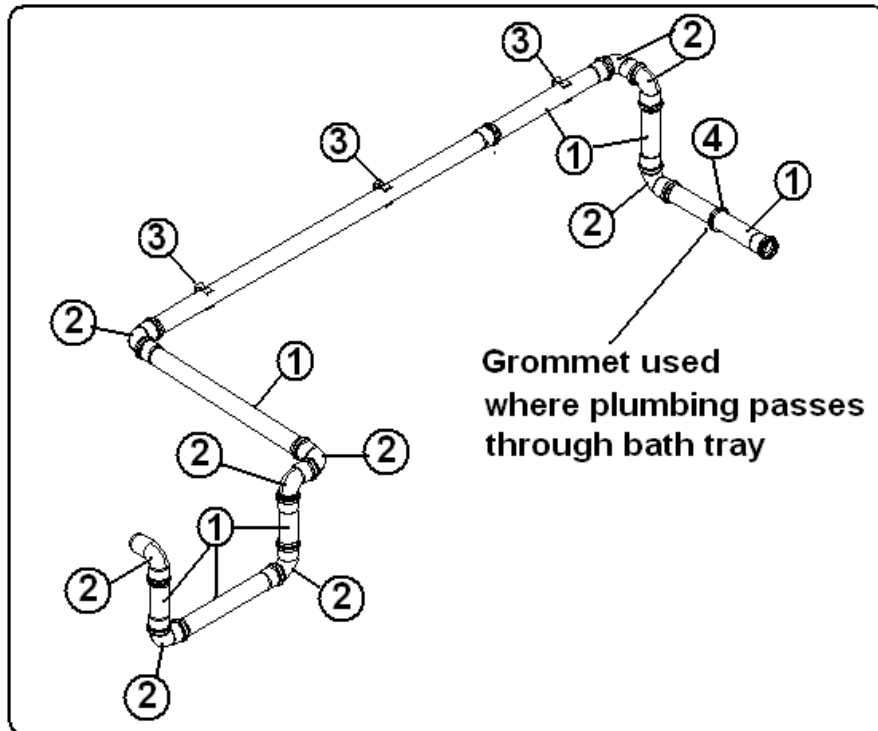
### Drain System, 684 AEU

1. 600033	ELBOW, LONG SWEEP, 1 ½"
2. 600035	ELL, ABS, LONG SWEEP 1 ½"
3. 600156	TEE, SANITARY
4. 600144	P TRAP, ABS, 1 ½"
5. 600662	ELBOW, 1.5", SHORT RADIUS
6. 600538	VENT, V-200, AUTOMATIC
7. 600308	ADAPTER, ABS, FEMALE SLOAN, #2891
8. 600625-01	PLUG, TRAP, 1½" ADAPTER, FEMALE
9. 601160-02	PIPE, ABS, DVW, 1 ½"
10. 195362-39	2" STRAINER
11. 600033	ELBOW, 1.5", 90 DEGREE
12. 600035	ELL, 1.5". EXTRA LONG SWEEP
13. 600156	TEE SANITARY
14. 600144	P TRAP ABS 1½"
15. 99900P-088	DUMP VALVE, 1.5" SLIP X SLIP
16. 99900P-032	PLUG, 1½", CAM & GROOVE HOSE X MALE PIPE
17. 99900P-034	1½" CAM & GROOVE HOSE CAP X SOCKET
99900P-119	P-TRAP COVER
99900P-132	WASTE WATER/FLOAT LEVEL SWITCH
602306	VALVE, AIR ADMITTANCE

# 2011/2012 AEU INTERNATIONAL 2.5 METRE TT

## PLUMBING, DRAIN

### Toilet Vacuum System Plumbing, 534

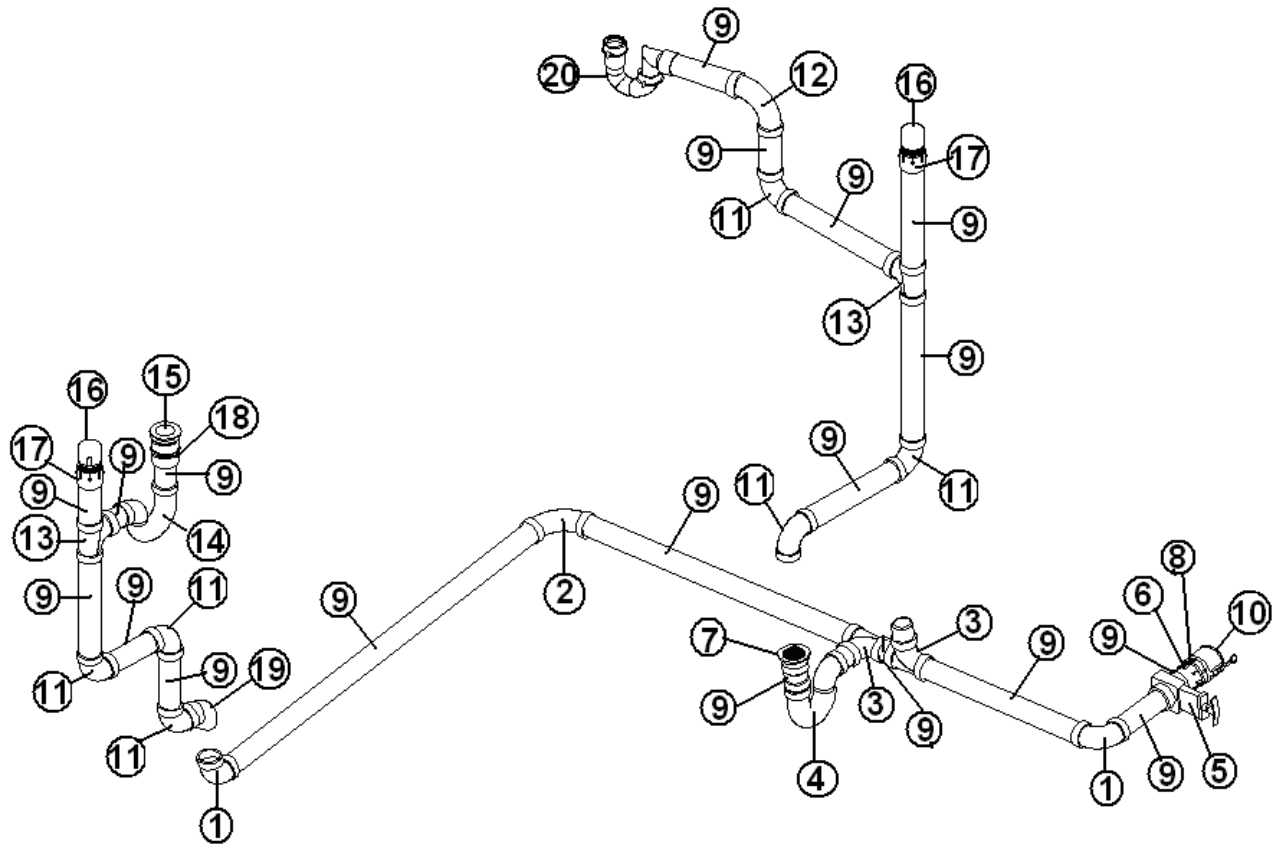


- |               |                                    |
|---------------|------------------------------------|
| 1. 99900P-109 | PIPE, VACUUM WASTE 40MM            |
| 2. 99900P-110 | ELBOW, VACUUM 40MM                 |
| 3. 99900P-111 | CLIP, PIPE 40MM VACUUM PIPE        |
| 4. 99900P-727 | GROMMET, BLACK, 1.5" ID X 2.13" OD |

# 2011/2012 AEU INTERNATIONAL 2.5 METRE TT

## PLUMBING, DRAIN

Drain System, 534 AEU



Part numbers are on the next page.

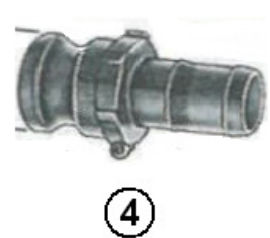
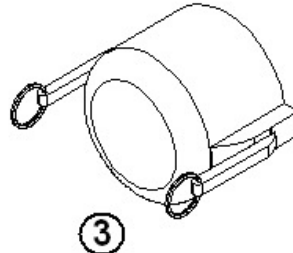
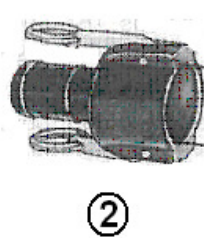
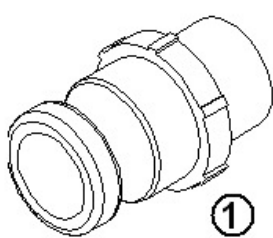
# 2011/2012 AEU INTERNATIONAL 2.5 METRE TT

## PLUMBING, DRAIN

### Drain System, 534 AEU

- |                |                                    |
|----------------|------------------------------------|
| 1. 600033      | ELBOW, VENT, 1.50", 90 DEG.        |
| 2. 600035      | ELL, ABS, LONG SWEEP, 1.5"         |
| 3. 600156      | TEE, SANITARY                      |
| 4. 600144      | P TRAP, ABS, 1.5"                  |
| 5. 99900P-088  | DUMP VALVE, 1.5", SLIP X SLIP      |
| 6. 600308      | ADAPTER, ABS, FEMALE SLOAN         |
| 7. 600625-01   | PLUG, TRAP, 1.5" ADAPTER, FEMALE   |
| 8. 99900P-032  | PLUG, 1.5" C & G HOSE X MALE PIPE  |
| 9. 601160-02   | PIPE, ABS, DVW, 1.5"               |
| 10. 99900P-034 | 1.5" C & G HOSE CAP X SOCKET       |
| 11. 600033     | ELBOW, VENT, 1.50", 90 DEG.        |
| 12. 600035     | ELL, ABS, LONG SWEEP, 1.5"         |
| 13. 600156     | TEE, SANITARY                      |
| 14. 600144     | P TRAP, ABS, 1.5"                  |
| 15. 195362-39  | 2" STRAINER                        |
| 16. 600538     | VENT, V-200, AUTOMATIC             |
| 17. 600308     | ADAPTER ABS FEMALE SLOAN #2891     |
| 18. 600625-01  | PLUG, TRAP, 1-1/2" ADAPTER, FEMALE |
| 19. 600662     | 1.5" ELBOW, SHORT RADIUS           |
| 20. 600622     | P-TRAP, 1.5", W/SLIP NUT & WASHER  |
| 602306         | VALVE, 2" AIR ADMITTANCE AYRLET    |

### Sewer Hose Connectors



- |               |                                     |
|---------------|-------------------------------------|
| 1. 99900P-032 | 1½", CAM & GROOVE HOSE X MALE PIPE  |
| 2. 99900P-033 | 1½" CAM & GROOVE HOSE BARB X SOCKET |
| 3. 99900P-034 | 1½" CAM & GROOVE HOSE CAP           |
| 4. 99900P-035 | 1½" CAM & GROOVE PLUG AND HOSE BARB |

# 2011/2012 AEU INTERNATIONAL 2.5 METRE TT

## SEALER/PAINT

### Sealer

360001	Sealant, #884058
360209	Sealant, seam
360176	Sealant, Almond, kitchen and bath
360180-04	Sealant, Sikaflex #221, black
360180	Sealant, Sika-flex, gray
360210	Sealant, Paralastic 4334-014
360283-01	SEALANT SILICONE CORIAN G. WHITE
685510	SEAM TAPE, BLACK, RUBBER 1/32 X 7/8 X 2
28174W	RV ACRYLIC TOUCH UP SPRAY
365330-01	SEAL, RTV SILICONE WHITE #4552

### Paint

360213	Paint, aluminum metallic
360151	Paint, gray metallic, Centari
360151-01	Paint, gray metallic, Centari, 16 oz. can

# 2011/2012 AEU INTERNATIONAL 2.5 METRE TT

## VENTS/FANS

### Refer Side Vent

99900P-380 REFIGERATOR VENT

### Vents, Power, Roof

99900P-028 VENT, DOMETIC, COOKER

99900P-029 HEKI, MIDI MANUAL W/FIXED VENTALATION

690266-01 VENTILATOR, POWER

511017-11 EXTERIOR VENT, GREY



