



2019 INTERSTATE NINETEEN Parts Book



2019 INTERSTATE NINETEEN

SECTION I

APPLIANCES

<u>Air Conditioner</u>	I-1
<u>Furnace/Water Heater</u>	I-1
<u>Generator</u>	I-1
<u>Microwave and Cooktop</u>	I-2
<u>Refrigerators</u>	I-2

EXTERIOR SHELL

<u>Wall, Roadside</u>	I-3
<u>Wall, Curbside</u>	I-4
<u>Medallions</u>	I-5
<u>Window Blackouts</u>	I-5
<u>Rear Bumper Protector</u>	I-5
<u>7-Way Bracket</u>	I-5
<u>SS Trim</u>	I-5
<u>Body Kit, Lower Side</u>	I-6
<u>Body Kit, Side Step and Rocker Panels</u>	I-8
<u>Hitch Cover</u>	I-9

INTERIOR SHELL

<u>Windows, Pillar, and Roof Closeouts</u>	I-10
<u>Vanity Visor Mirror</u>	I-10
<u>Dash Trim Kit</u>	I-11
<u>Floor Assembly</u>	I-12
<u>Ceiling Panels</u>	I-13
<u>Interior Panels</u>	I-13
<u>Window Box, RS</u>	I-14
<u>Window Box, CS</u>	I-15
<u>Rear Door Panels</u>	I-16

CHASSIS

<u>Driver and Passenger Steps</u>	I-17
<u>Step</u>	I-17
<u>Exhaust System</u>	I-17
<u>Step Well</u>	I-18
<u>Skid Bar Assembly</u>	I-18

2019 INTERSTATE NINETEEN

SECTION II

DOORS, WINDOWS, AWNINGS

<u>Exterior Doors</u>	II-1
<u>Slide Door Stop</u>	II-1
<u>Screen Door</u>	II-2
<u>Screen Door, Rear Power Kit</u>	II-3
<u>Windows</u>	II-4
<u>Awnings</u>	II-5

SHADES

<u>Shades</u>	II-6
<u>Cockpit Window Shades and Hardware</u>	II-6

ELECTRICAL

110 VOLT

<u>Power Converter</u>	II-7
<u>Energy Management System</u>	II-7
<u>Shoreline Hookup</u>	II-7
<u>Inverter</u>	II-7
<u>Receptacles and USB Ports</u>	II-7
<u>Breakers</u>	II-7

12 VOLT

<u>Battery</u>	II-8
<u>Fuses</u>	II-8
<u>Cable Kits, Main 12VDC</u>	II-8
<u>Switches</u>	II-8
<u>Monitor Panel</u>	II-8
<u>Interior Lights</u>	II-8
<u>Exterior Lights</u>	II-8
<u>Exterior Utility Compartment Switch Panel</u>	II-10
<u>Rearview Monitor Camera</u>	II-10
<u>Solar Panel</u>	II-10
<u>CZone System</u>	II-11

ENTERTAINMENT

<u>Audio</u>	II-12
<u>Video</u>	II-12
<u>Rear TV</u>	II-12

2019 INTERSTATE NINETEEN

SECTION III

FLOOR COVERINGS

<u>Floor Covering</u>	III-1
-----------------------------	-------

FURNITURE

INTERIOR DOORS

<u>Interior Doors</u>	III-2
-----------------------------	-------

LAVATORY

<u>Wet Bath Module</u>	III-3
<u>Shower Module</u>	III-4
<u>Lavatory Doors</u>	III-5

GALLEY

<u>Galley Top</u>	III-6
<u>Galley</u>	III-7
<u>Galley Fire Extinguisher Pocket</u>	III-9
<u>Radius Galley Panel Assembly</u>	III-9
<u>Work Station Assembly</u>	III-10
<u>Refrigerator Cabinet</u>	III-11
<u>TV Wire Closeout</u>	III-13
<u>Galley Roof Locker, CS</u>	III-14

2019 INTERSTATE NINETEEN

SECTION III

LOUNGE

<u>Ottoman Base, RS</u>	III-16
<u>Ottoman Base, CS</u>	III-17
<u>RS Vent Fuse Closeout</u>	III-18
<u>Sofas</u>	III-19
<u>Ottomans</u>	III-19
<u>Pedestal Table</u>	III-19
<u>Pedestal Table Holder</u>	III-19
<u>Roof Lockers</u>	III-20

HARDWARE

<u>Seat Belts, Cup Holders, and Brackets</u>	III-24
<u>Sofa</u>	III-24
<u>Bath Accessories</u>	III-24
<u>Shower Curtain</u>	III-24
<u>Clothesline</u>	III-24
<u>Hinges</u>	III-25
<u>Drawer Slides</u>	III-25
<u>License Plate</u>	III-25
<u>Interior Handles, Latches, and Fasteners</u>	III-26
<u>Rivets</u>	III-26

SAFETY EQUIPMENT

<u>Detectors and Fire Extinguisher</u>	III-27
--	--------

LABELS & TAGS

<u>Labels and Tags</u>	III-28
------------------------------	--------

2019 INTERSTATE NINETEEN

SECTION IV

PLUMBING

LPG SYSTEMS

<u>LPG Tank, Mounting Brackets, and Heat Shield</u>	IV-1
<u>LPG System</u>	IV-2
<u>LPG Remote Fill</u>	IV-3

FRESH WATER SYSTEMS

<u>Faucet and Sink, Galley</u>	IV-4
<u>Faucet, Wet Bath</u>	IV-4
<u>Exterior Shower</u>	IV-4
<u>City Water Hook-Up</u>	IV-4
<u>Fresh Water Tank and Water Fill</u>	IV-4
<u>Fresh Water Lines</u>	IV-5
<u>Fresh Water Fittings</u>	IV-6

DRAIN SYSTEMS

<u>Black and Gray Tanks</u>	IV-7
<u>Black Tank Flush</u>	IV-7
<u>Macerator Pump System</u>	IV-8
<u>Drain System, From Tanks to Pump</u>	IV-9
<u>Drain System, Shower Drain</u>	IV-10
<u>Drain System, Galley</u>	IV-11
<u>Drain Fittings</u>	IV-12
<u>Toilet</u>	IV-13

HEATING SYSTEM

<u>Heat System</u>	IV-14
--------------------------	-------

2019 INTERSTATE NINETEEN

SECTION IV

SEALERS AND GASKETS

<u>Sealers</u>	IV-15
<u>Gaskets</u>	IV-15
<u>Undercoating</u>	IV-15

UPHOLSTERY, ULTRALEATHER, PILLOW

<u>Captain's Chairs, Cabin</u>	IV-16
<u>Sofa, Power</u>	IV-16
<u>Ottomans</u>	IV-16
<u>Pillows</u>	IV-16
<u>Décor Boards</u>	IV-17

VENTS AND FANS

<u>Black Tank Vent</u>	IV-18
<u>Bath Vent</u>	IV-18
<u>Exhaust Fan</u>	IV-18

PANELING, EDGEBANDING, LAUAN

<u>Paneling</u>	IV-19
<u>Edgebanding</u>	IV-19
<u>Lauan</u>	IV-19
<u>Plywood</u>	IV-19

TRIMS

<u>Trim</u>	IV-20
-------------------	-------

2019 INTERSTATE NINETEEN APPLIANCES

Air Conditioner

690323-58	Air conditioner with heat Strip, 13,500 BTU, White
690699-02	Room temperature sensor
690380-10	Interior air box/shroud
601240-01	Tubing, .5"
690323-SHDSL	Shroud, A/C, Silver
690323-SHDBLK	Shroud, A/C, Black
690323-SHDWH	Shroud, A/C, White
116026	Roof AC frame

Furnace/Water Heater

690705	Combi Eco Plus, Truma
690704-03	Truma Wall Cowl
690704-05	Truma Exhaust Duct
690704-06	Truma Duct, 65mm
690704-15	Truma, Blank Cover, Heater
690704-10	Truma, End Outlet, Black
690704-09	Truma, End Outlet Nut

Generator

512585-01	Generator, LPG 2.5, Onan
512585-02	Pigtail, Remote gen
512585-03	Under floor mounting kit
512585-06	Exhaust 90° elbow and flange
455453	Tailpipe, 6.75", Generator
381509	Hanger, Tailpipe
953367	Assembly, Generator Bracket CS
953368	Assembly, Generator Bracket RS
510817-01	Single gang, Weather proof box
510817-02	Single gang, Weather proof extension ring
510562	Switch, Generator
914399	Pipe – Generator Exhaust
914398	Resonator
455451	LP Regulator Bracket

2019 INTERSTATE NINETEEN APPLIANCES

Microwave and Cooktop

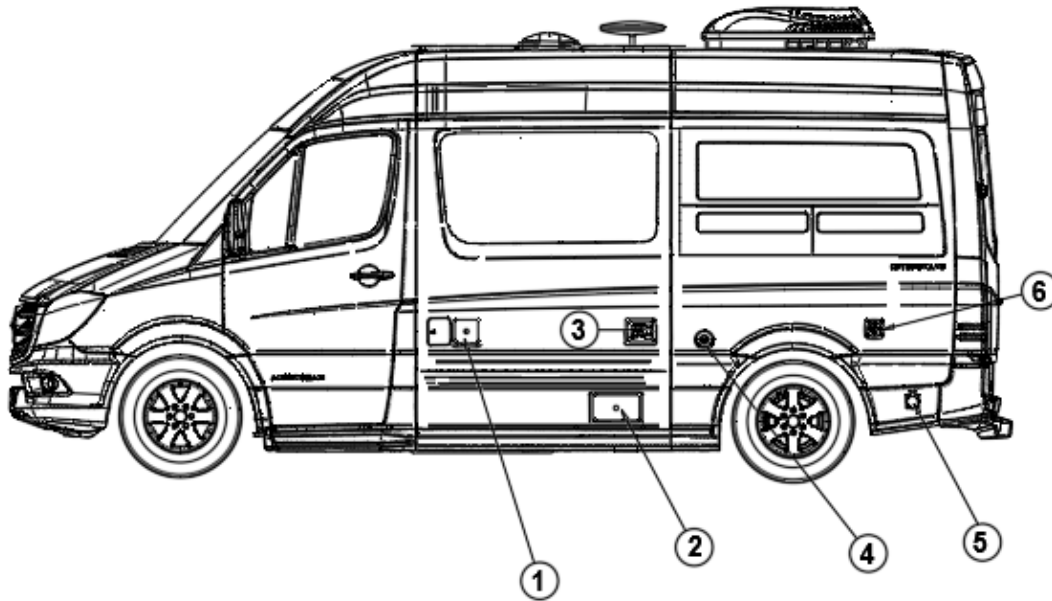
690648-02	Microwave RV 787S Contour
690648-04	Trim Kit For 690648-02
690576	Cooktop, 2-burner, Smev

Refrigerator

690713	Refrigerator, Norcold Pepe T1090
455447	Baffle, Refrigerator Vent
602728	Tubing, .25" ID .375" OD
115166-14	Insert - Refer Panel 15.47 X 34.81 Aluminum

2019 INTERSTATE NINETEEN EXTERIOR SHELL

Wall, Roadside



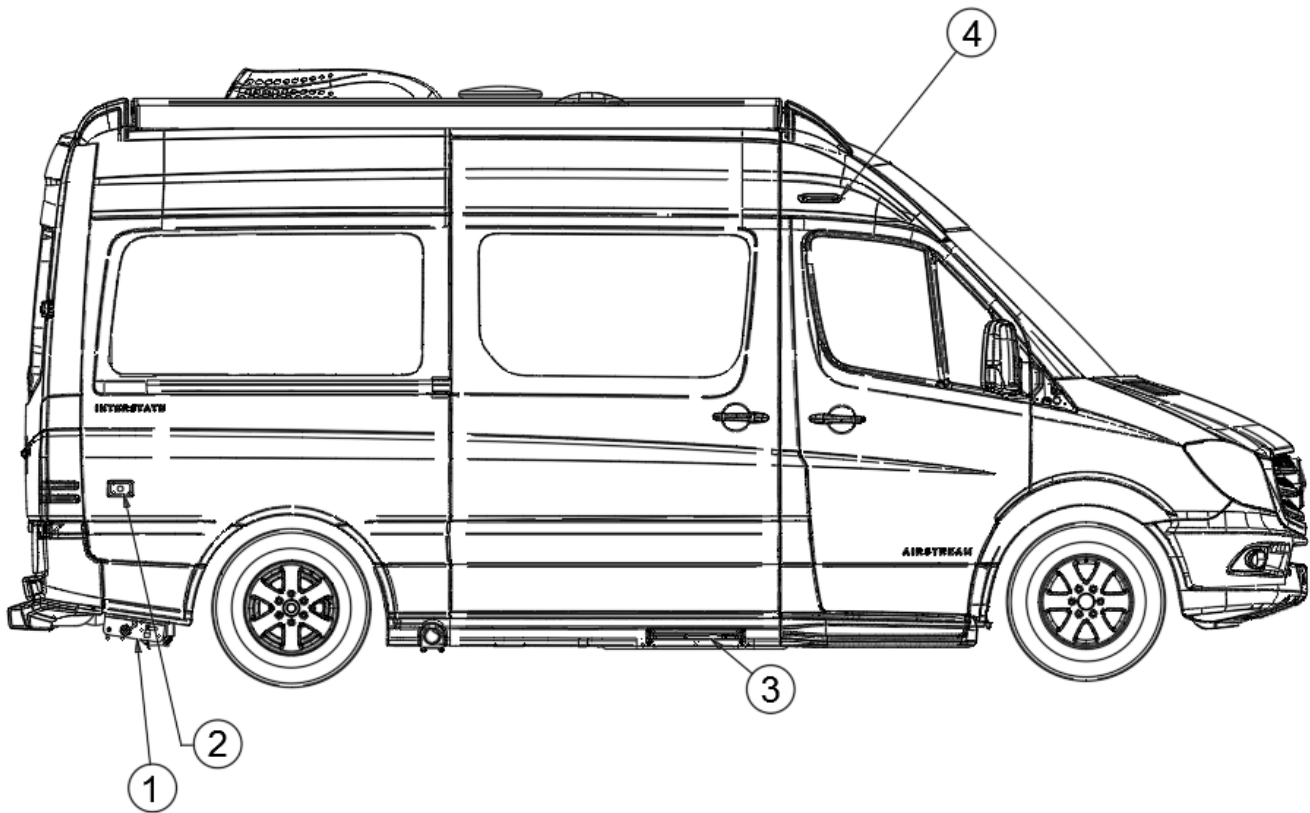
923376S

Roadside Wall

- | | |
|---------------|--------------------------------|
| 1. 602288-01S | Exterior Shower Box-Silver |
| 602288-01W | Exterior Shower Box-White |
| 602288-01B | Exterior Shower Box-Black |
| 2. 381766 | Hatch, access |
| 381766S | Hatch Access, Silver |
| 381766W | Hatch Access, White |
| 381766B | Hatch Access, Black |
| 3. 382083 | Hatch Flat Black |
| 382083S | Hatch Door, Silver |
| 382083W | Hatch Door, White |
| 382083B | Hatch Door, Black |
| 4. 690704-25 | Outlet Wall Vent, Truma System |
| 5. 513164 | Inlet Power 30 Amp |
| 6. 601392-06 | Water Fill, City |

2019 INTERSTATE NINETEEN EXTERIOR SHELL

Wall, Curbside



923376S

Curbside Wall

- | | |
|------------|-----------------------------|
| 1. 455410 | LP Remote Fill |
| 2. 512741S | Paint-Silver Cover W/Gasket |
| 512741W | Paint-White Cover W/Gasket |
| 512741B | Paint-Black Cover W/Gasket |
| 3. 513447 | Power step, Project 2000 |
| 4. 513414 | LED porch light, Chrome |

2019 INTERSTATE NINETEEN

EXTERIOR SHELL

Medallions

386255	Badge, "AIRSTREAM" Chrome
386256	Badge, "INTERSTATE" Chrome
386295	Badge, "4WD", Chrome

Window Blackouts

382579-02	Black Out-RS Rear Window
-----------	--------------------------

Rear Bumper Protector Film

204025	Rear bumper protector, 3-M film
--------	---------------------------------

7-Way Bracket

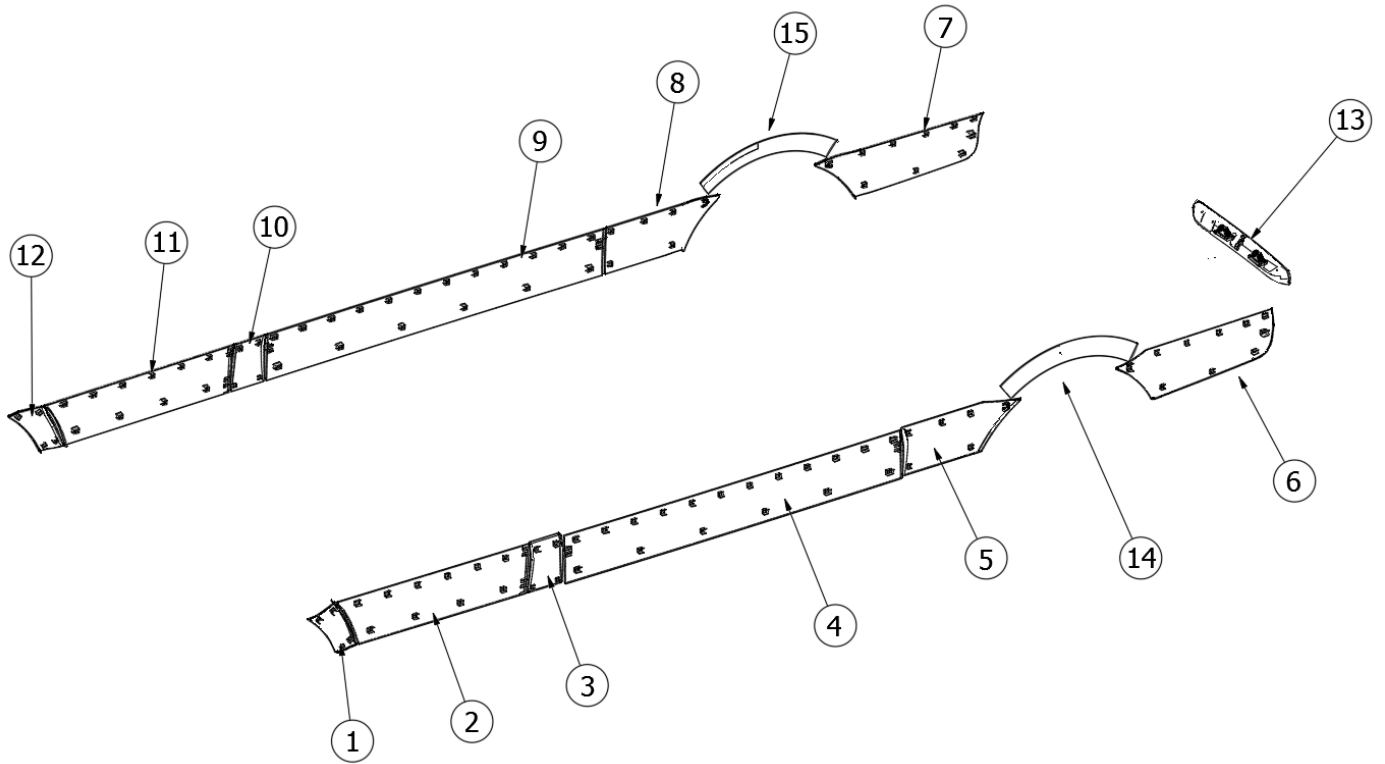
455452	Hitch Connection Bracket
--------	--------------------------

SS Trim

386362-01	Kit-Premier Wrap Over To First
386362-02	Trim-Stainless DR Door RS
386362-03	Trim-Stainless C Pillar RS
386362-04	Trim Stainless RS Mid-Section
386362-05	Trim-Stainless RS Front Rear Wheel Well
386362-06	Trim-Stainless RS Rear, Rear Wheel Well
386362-07	Trim-Stainless CS Rear, Rear Wheel Well
386362-08	Trim Stainless-CS FRT Rear Wheel Well
386362-09	Trim-Stainless CS Mid-Section
386362-10	Trim-Stainless C Pillar CS
386362-11	Trim-Stainless Pass Door CS
386362-12	Trim-License Plate

2019 INTERSTATE NINETEEN EXTERIOR SHELL

Body Kit, Lower Side



Parts Listed on Next Page

2019 INTERSTATE NINETEEN EXTERIOR SHELL

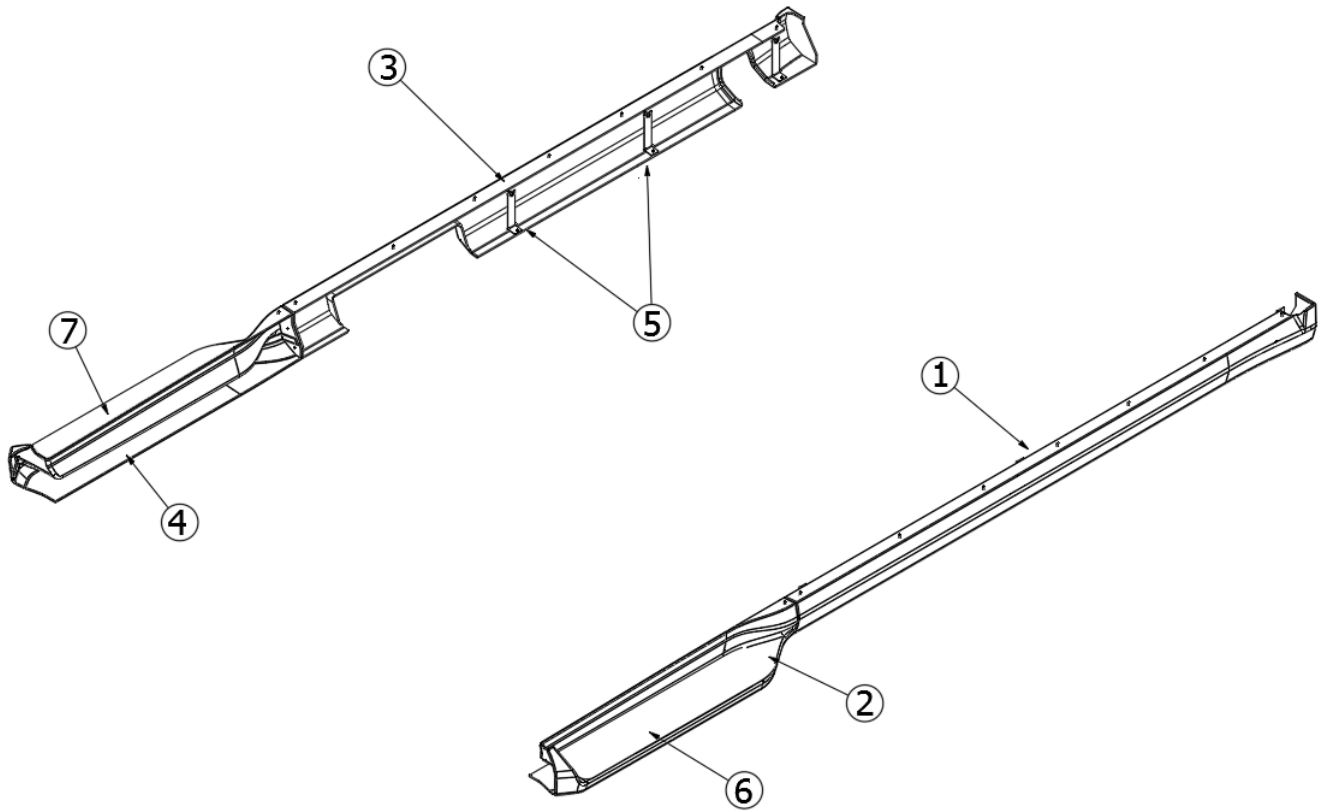
Body Kit, Lower Side

1. 204044-01B Strip, Left FRT Fender Black
204044-01S Strip, Left FRT Fender Silver
204044-01W Strip, Left FRT Fender White
2. 204044-02B Strip, LH FRT Door Black
204044-02S Strip, LH FRT Door Silver
204044-02W Strip, LH FRT Door White
3. 204044-03B Strip, Left B Pillar Black
204044-03S Strip, Left B Pillar Silver
204044-03W Strip, Left B Pillar White
4. 204044-04B Strip, Central Left Black
204044-04S Strip, Central Left Silver
204044-04W Strip, Central Left White
5. 204044-05B Strip, FWD LH Wheelhouse Black
204044-05S Strip, FWD LH Wheelhouse Silver
204044-05W Strip, FWD LH Wheelhouse White
6. 204044-06B Strip, AFT LH Wheelhouse Black
204044-06S Strip, AFT LH Wheelhouse Silver
204044-06W Strip, AFT LH Wheelhouse White
7. 204044-07B Strip, AFT RH Wheelhouse Black
204044-07S Strip, AFT RH Wheelhouse Silver
204044-07W Strip, AFT RH Wheelhouse White
8. 204044-08B Strip, FWD RH Wheelhouse Black
204044-08S Strip, FWD RH Wheelhouse Silver
204044-08W Strip, FWD RH Wheelhouse White
9. 204044-09B Strip, RH Sliding Door Black
204044-09S Strip, RH Sliding Door Silver
204044-09W Strip, RH Sliding Door White
10. 204044-10B Strip, RH B Pillar Black
204044-10S Strip, RH B Pillar Silver
204044-10W Strip, RH B Pillar White
11. 204044-11B Strip, RH FRT Door Black
204044-11S Strip, RH FRT Door Silver
204044-11W Strip, RH FRT Door White
12. 204044-12B Strip, RH FRT Fender Black
204044-12S Strip, RH FRT Fender Silver
204044-12W Strip, RH FRT Fender White
13. *204044-13B Trim, License Plate Black
*204044-13S Trim, License Plate Silver
*204044-13W Trim, License Plate White
14. 204044-14B Strip, LH Wheelhouse Black
204044-14S Strip, LH Wheelhouse Silver
204044-14W Strip, LH Wheelhouse White
15. 204044-15B Strip, RH AFT Wheelhouse Black
204044-15S Strip, RH AFT Wheelhouse Silver
204044-15W Strip, RH AFT Wheelhouse White

*204044-13 Deleted from units September 27, 2018

2019 INTERSTATE NINETEEN EXTERIOR SHELL

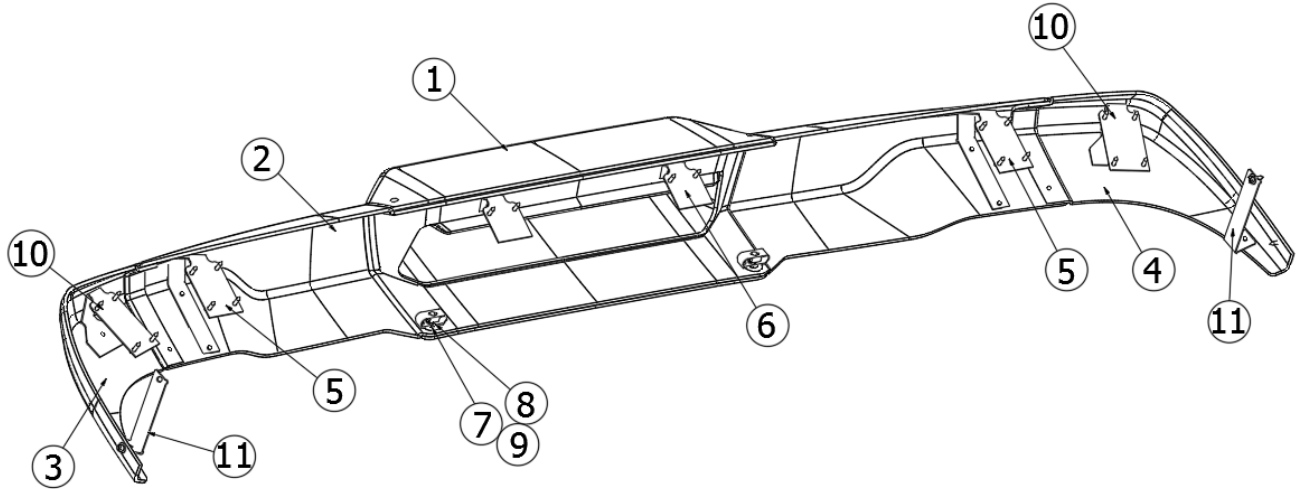
Body Kit, Side Step and Rocker Panels



- | | | |
|----|------------|-------------------------|
| 1. | 204009-01 | Panel, RS Rocker Silver |
| | 204009-01B | Panel, RS Rocker Black |
| | 204009-01W | Panel, RS Rocker White |
| 2. | 204009-12 | Panel, RS Step Silver |
| | 204009-12B | Panel, RS Step Black |
| | 204009-12W | Panel, RS Step White |
| 3. | 204009-04 | Panel, CS Rocker Silver |
| | 204009-04B | Panel, CS Rocker Black |
| | 204009-04W | Panel, CS Rocker White |
| 4. | 204009-13 | Panel, CS Step Silver |
| | 204009-13B | Panel, CS Step Black |
| | 204009-13W | Panel, CS Step White |
| 5. | 454972 | Bracket- L Trim |
| 6. | 382578-02 | Tread, RS Running Board |
| 7. | 382578-01 | Tread, CS Running Board |

2019 INTERSTATE NINETEEN EXTERIOR SHELL

Hitch Cover



- | | | |
|-----|------------|-----------------------------------|
| 1. | 204009-11 | Hitch Cover, Silver |
| | 204009-11B | Hitch Cover, Black |
| | 204009-11W | Hitch Cover, White |
| 2. | 204009-08 | Panel Hitch Cover Silver |
| | 204009-08B | Panel Hitch Cover Black |
| | 204009-08W | Panel-Hitch Cover White |
| 3. | 204009-07 | Cap, CS Hitch Cover Corner Silver |
| | 204009-07B | Cap, CS Hitch Cover Corner Black |
| | 204009-07W | Cap, CS Hitch Cover Corner White |
| 4. | 204009-09 | Cap, RS Hitch Cover Silver |
| | 204009-09B | Cap, RS Hitch Cover Black |
| | 204009-09W | Cap, RS Hitch Cover White |
| 5. | 455384-01 | Bracket, Hitch Cover |
| 6. | 455384-02 | Bracket, Hitch Cover |
| 7. | 382394-01 | Retainer |
| 8. | 382394-02 | Receptacle |
| 9. | 382394-03 | Stud |
| 10. | 455384-03 | Bracket, Hitch Cover |
| 11. | 455433 | Trim Bracket, Hitch Cover |

2019 INTERSTATE NINETEEN INTERIOR SHELL

Windows, Pillar, and Roof Closeouts

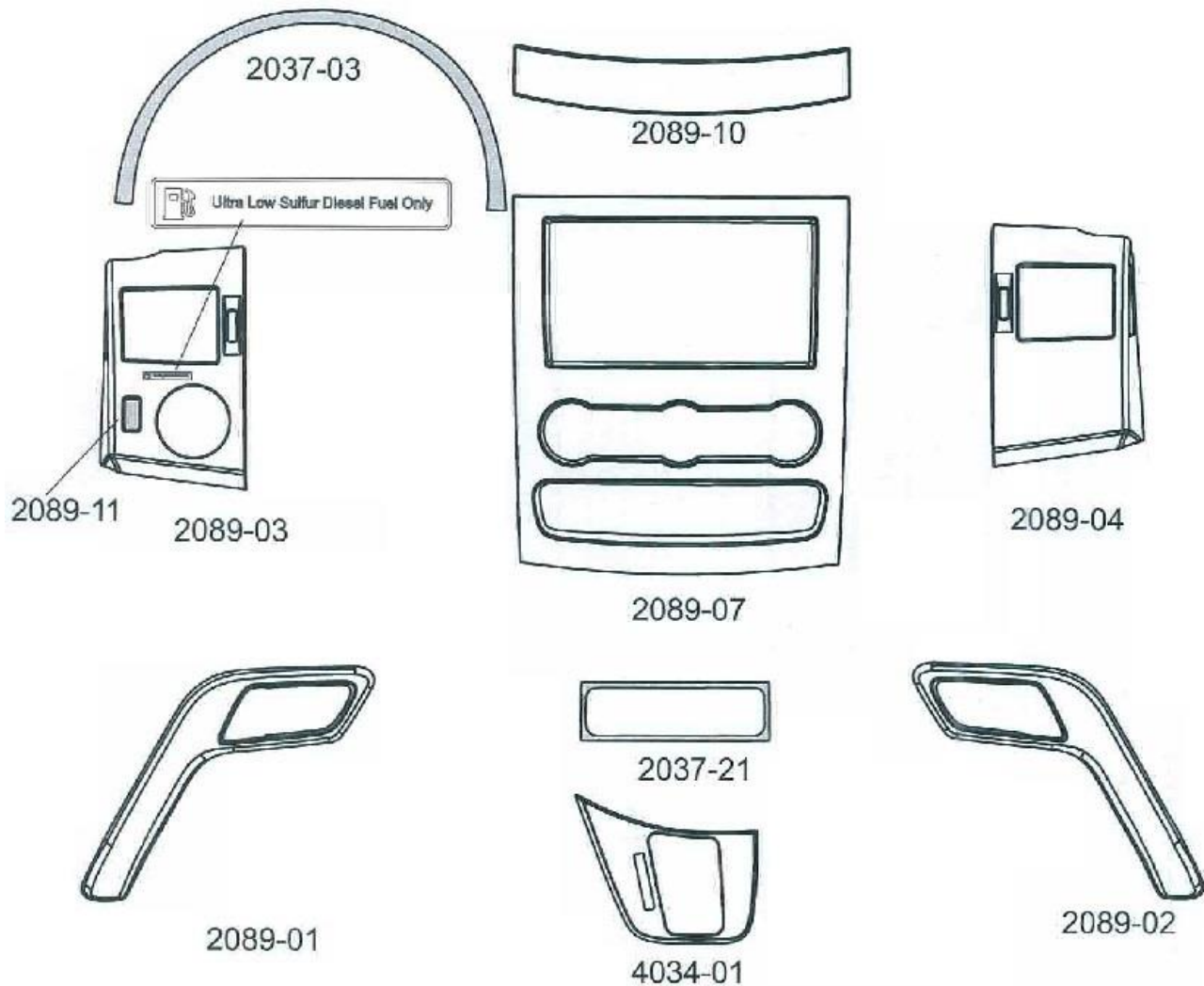
203651-01	Closeout, Curbside, "C" pillar
203651-04	Closeout, Curbside, Lower pillar
203651-10	Closeout, Roadside, Rear lower pillar
203629	Closeout, Sliding door header
203637	Pads, Sound dampener, Rear wheel wells
968898	Closeout Assembly - RS Rear
968899	Closeout Assembly Rear Center
968900	Closeout Assembly - CS Rear
968903	Assembly RS Vent Fuse Closeout
204037	Closeout, Shower
802321	Shower Closeout, RS
968790	Sofa Closeout
968799	Assembly, TV Wire Closeout
968842	Shower Closeout, RS Assembly
968874	Closeout, Step

Vanity Visor Mirror

203962	Housing, Visor vanity mirror
203963	Mirror, Vanity visor
360381	Adhesive, Bostik elastic bonding
386289	Dome bumpers, Clear

2019 INTERSTATE NINETEEN INTERIOR SHELL

Dash Trim Kit



2089-01: DRIVER DOOR PULL

2089-04: PASS. VENT

2089-11: PLUG FOR DRIVER VENT

2089-02: PASS. DOOR PULL

2089-07: RADIO-AC CONTROL SURR

2037-03: SPEREDO

2089-03: DRIVER VENT

2089-10: ABOVE RADIO CENTER STORAGE

2037-21: BELOW MAIN DASH

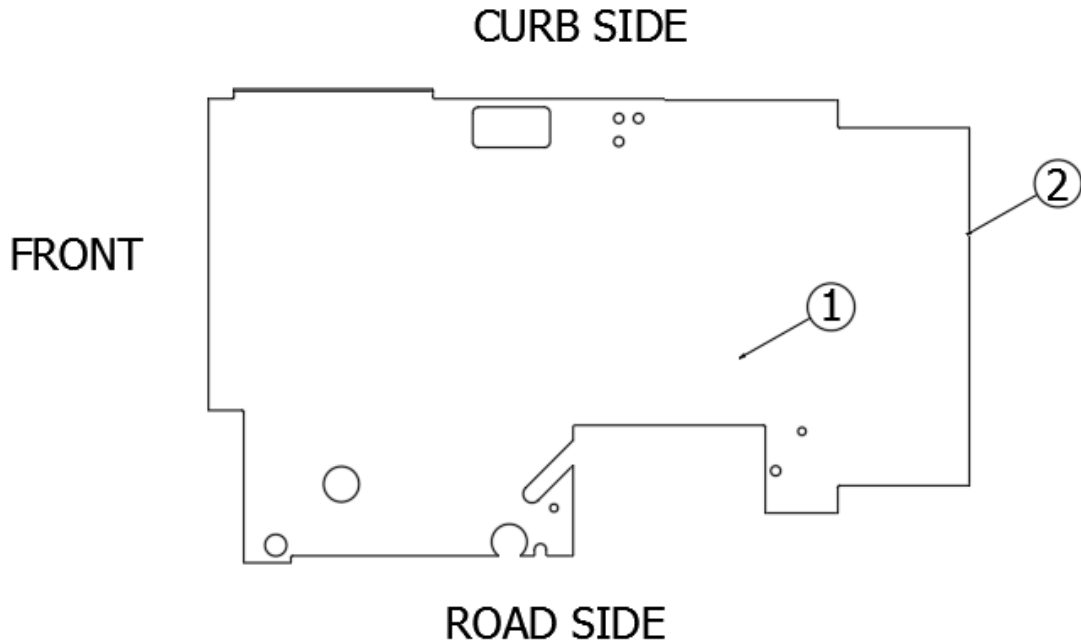
4034-01: AUTO SHIFTER SURR

365408

Kit, Dash trim combo, Greywood Black

2019 INTERSTATE NINETEEN INTERIOR SHELL

Floor Assembly



112666

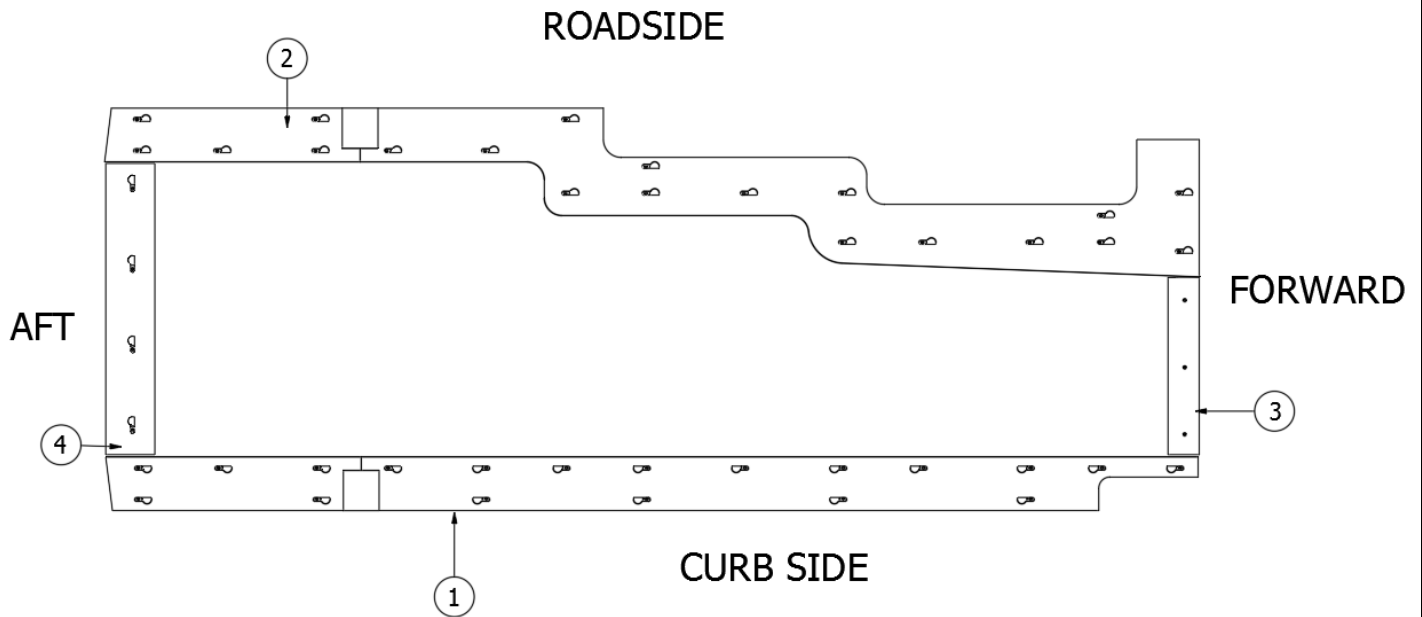
Floor Install

- 1. 704220
- 2. 923368
- 204026
- 703766-01
- 116001

Vinyl flooring, Ships deck Mahogany/Ivory
Floor, Interstate Nineteen
Plastic Strips, Floor
Adhesive, AAT-272, Super premium
Cover-C Channel Wire 36

2019 INTERSTATE NINETEEN INTERIOR SHELL

Ceiling Panels



923359 Ceiling Panels Layout

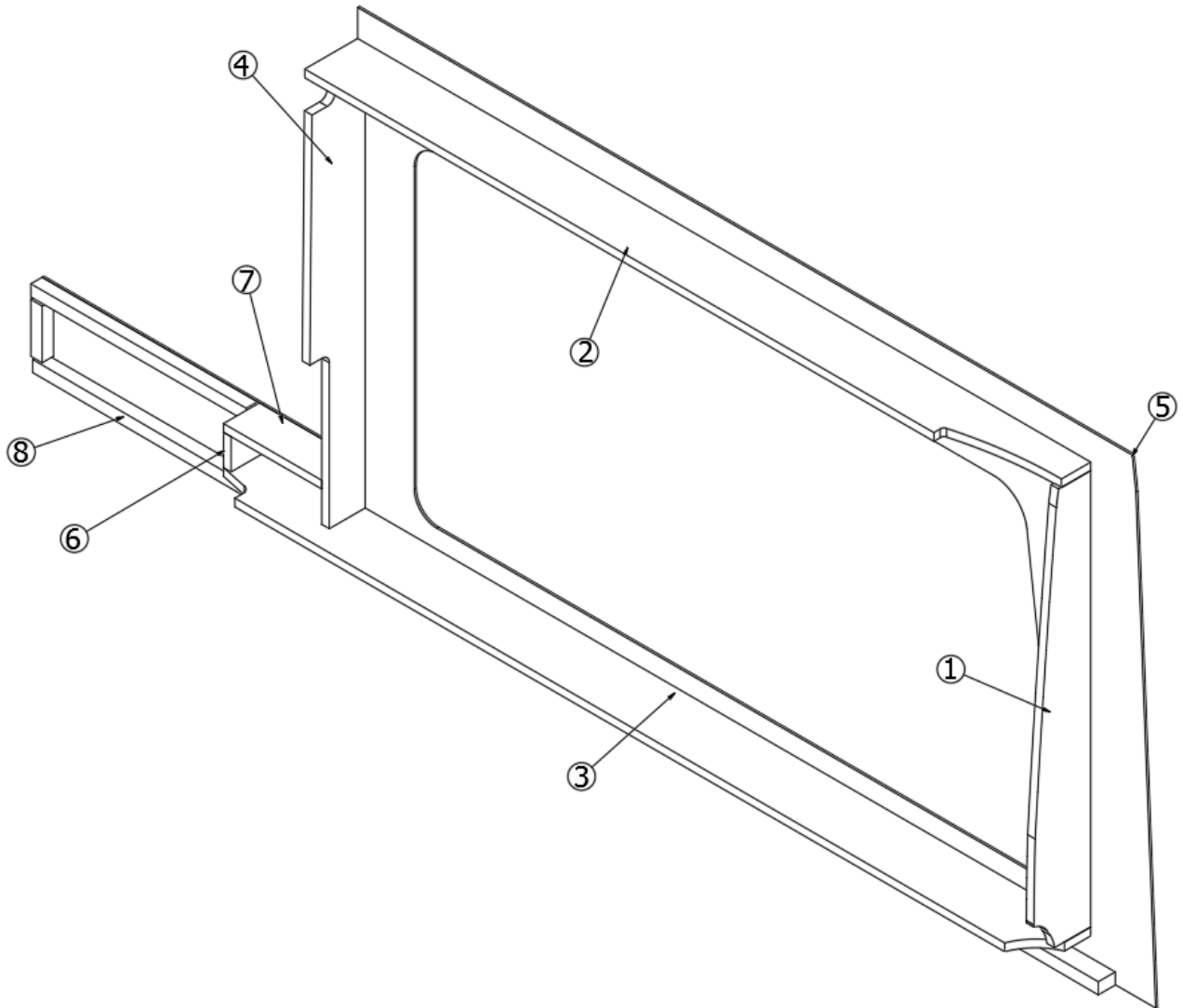
- 1. 923364 Panel, Ceiling CS Lauan
- 2. 923365 Panel, Ceiling RS Lauan
- 3. 923366 Panel, Ceiling Forward
- 4. 923367 Panel, Ceiling Aft Lauan
- 701764 Foam, 1/4"
- 704088-02 Suede Impala

Interior Panels

- 923357 Panel, Ceiling, FWD
- 923358 Panel, Ceiling, AFT
- 923361 Panel-CS Lower
- 923362 Panel-RS Lower
- 968697 Blind Box, CS Slide Door

2019 INTERSTATE NINETEEN INTERIOR SHELL

Window Box, RS

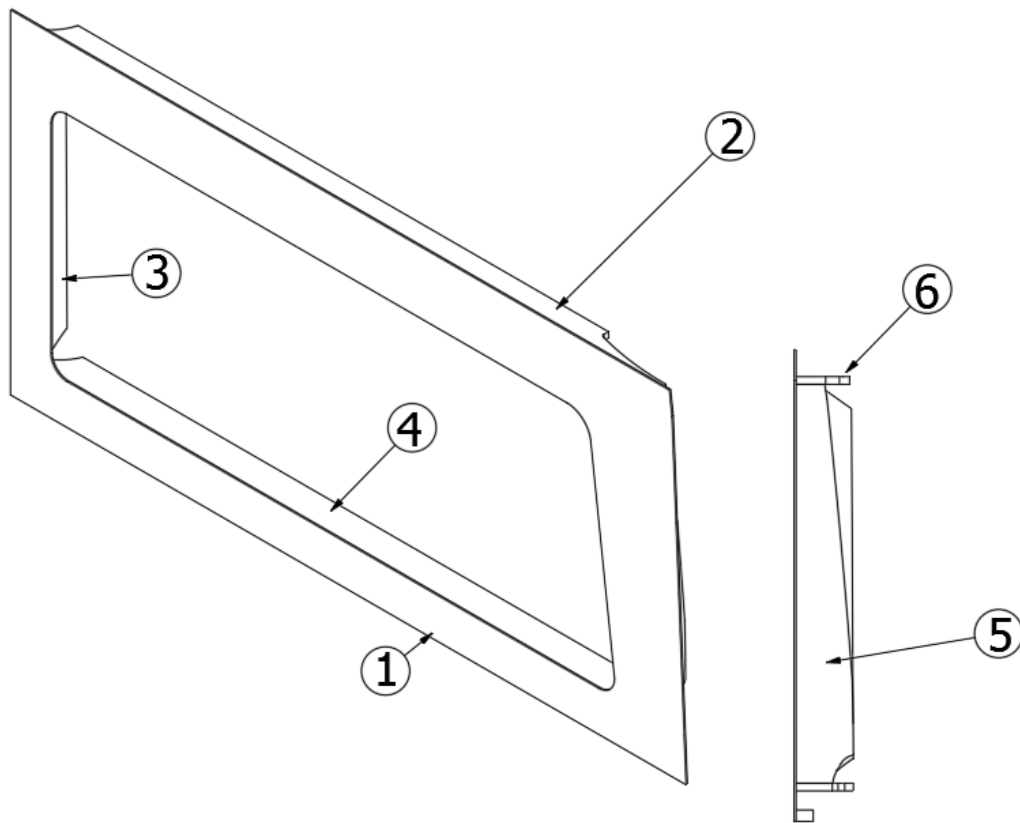


968871 Rear Window Box, RS

1. 968871&000112BB	Panel, 3.75 X 26.13
2. 968871&000212BB	Panel, 3.50 X 57.75
3. 968871&000312BB	Panel, 3.75 X 55.00
4. 968871&000412BB	Panel, 3.75 X 26.13
5. 800507-02	Rear Window Box, RS Face
6. 968871&000812BB	Panel, 3.75 X 3.44
7. 968871&000912BB	Panel, 3.75 X 6.50
8. 968871&001118BB	Panel, 2.25 X 70.88
704582-2	RS Window Box Cargo Liner
701538-01	Carpet, PSA Backed Charcoal Gray

2019 INTERSTATE NINETEEN INTERIOR SHELL

Window Box, CS

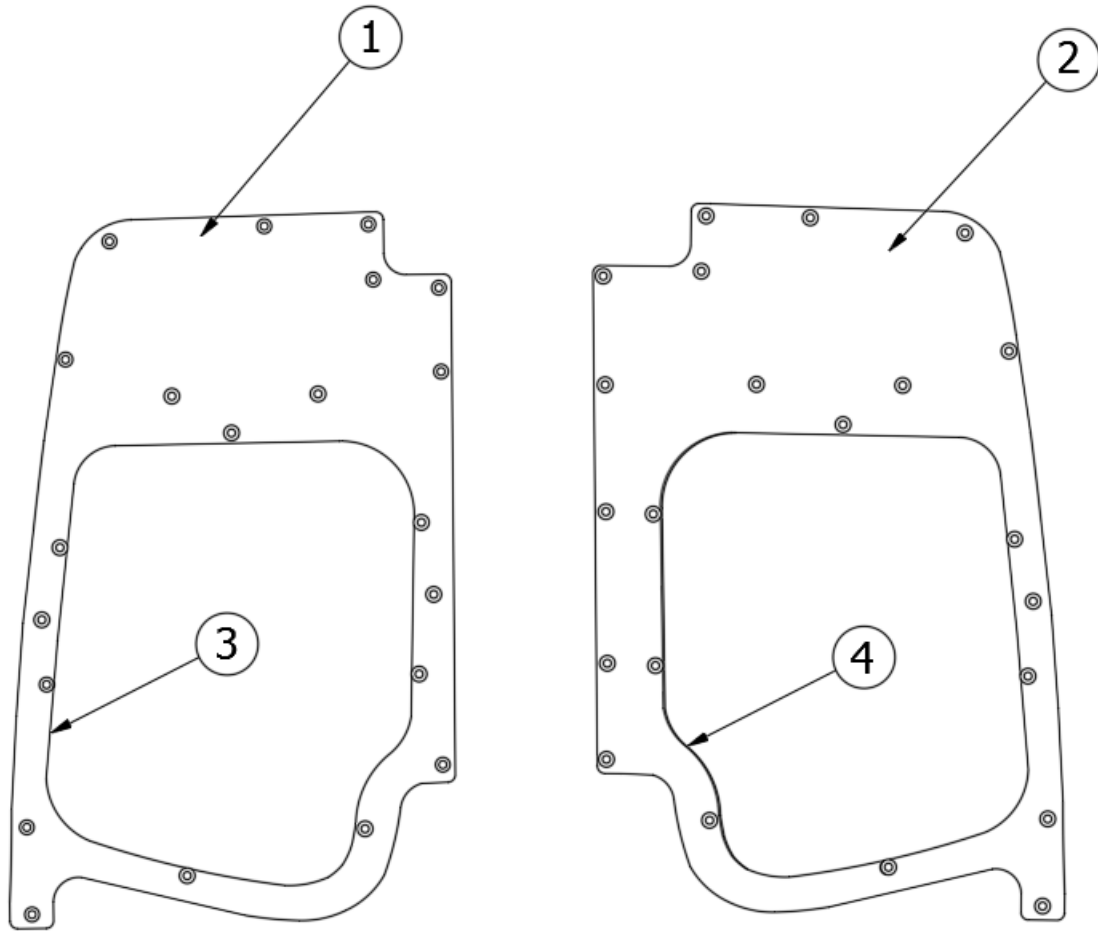


968870 Aft Window Box Assembly, CS

- | | |
|--------------------|---------------------------------|
| 1. 800507-02 | Rear Window Box CS Face |
| 2. 968870&000212BB | Panel, 3.50 X 57.75 |
| 3. 968870&000412BB | Panel, 3.75 X 26.13 |
| 4. 968870&000312BB | Panel, 3.75 X 57.75 |
| 5. 968870&000112BB | Panel, 3.75 X 26.13 |
| 6. 968870&000818BB | Panel, 2.25 X 60.00 |
| 704582-1 | Cargo Window Box Liner, CS |
| 701538-01 | Carpet PSA Backed Charcoal Gray |

2019 INTERSTATE NINETEEN INTERIOR SHELL

Rear Door Panels



- | | |
|-----------|---|
| 1. 968786 | Door Panel, Rear Door, CS |
| 2. 968785 | Door Panel, Rear Door, RS |
| 3. 968821 | Rear Door Window Frame CS |
| 4. 968784 | Rear Door Window Frame, RS |
| 382062-01 | Fastener, Finned .25" |
| 704083-01 | Carpet Black Automotive |
| 115421 | Aluminum Angle Brackets, Rear door Panels |
| 700617 | Scotchmate SJ Hook |

2019 INTERSTATE NINETEEN CHASSIS

Driver and Passenger Steps

204009-12	RS Step Assembly, Silver
204009-12B	RS Step Assembly, Black
204009-12W	RS Step Assembly, White
204009-13	CS Step Assembly, Silver
204009-13B	CS Step Assembly, Black
204009-13W	CS Step Assembly, White
382424	Step thread, Driver/passenger
455479	Weldment, Support frame driver/passenger

Step

513447	Power step, Project 2000
513567	Controller-Step Project 2000
512849	Step switch
512450-101	Relay & switch
512450-102	Step control
512450-103	Step motor only
512450-104	Step insert strip, Black
512450-105	Step plastic trim, Right side, White
512450-106	Step plastic trim, Left side, White
454789	Bracket, Step mounting
454788	Bracket, Step hanger
512301	Warning buzzer, Two tone, Step & awning
203772	Film, Step area
513505	Switch Assembly, Step Hold ON/OFF

Exhaust System

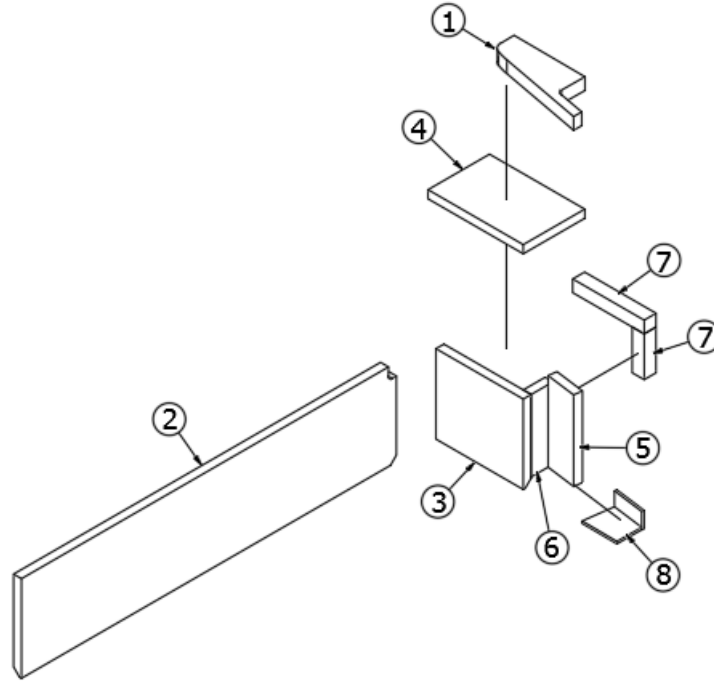
455373	Exhaust tailpipe
455457	Heat Shield, Generator Exhaust
455413	Bracket, Heat Regulator - Fresh Water
410999	Exhaust extension, 7.25"
454696-01	Wrap, Exhaust, 34" long
454696-02	Wrap, Exhaust, 14" long
340073-02	Clamp, Muffler w/nuts & saddle
340073-10	Clamp, Muffler, 2.5"
340073-15	Clamp, Muffler, 2.75"
381509	Hanger, Tailpipe

2019 INTERSTATE NINETEEN CHASSIS

Step Well

968874

Assembly, Step Closeout



- | | |
|--------------------|----------------------------|
| 1. 968874&000118BB | Panel, 0.75 X 6.33 |
| 2. 968874&000212BB | Panel, 0.50 X 23.63 X 5.44 |
| 3. 968874&000312BB | Panel, 0.50 X 5.50 X 4.94 |
| 4. 968874&000412BB | Panel, 0.50 X 3.88 X 6.00 |
| 5. 968874&000512BB | Panel, 0.50 X 1.88 X 5.00 |
| 6. 968874&000612BB | Panel, 0.50 X 1.38 X 4.50 |
| 7. 800025-01 | Pine, .75 x .75 |
| 8. 204050 | Cover, Step Closeout |
| 9. 111225 | Anti Wick |

Skid Bar Assembly

454685

Skid bar assembly

2019 INTERSTATE NINETEEN DOORS, WINDOWS, AWNINGS

Exterior Doors

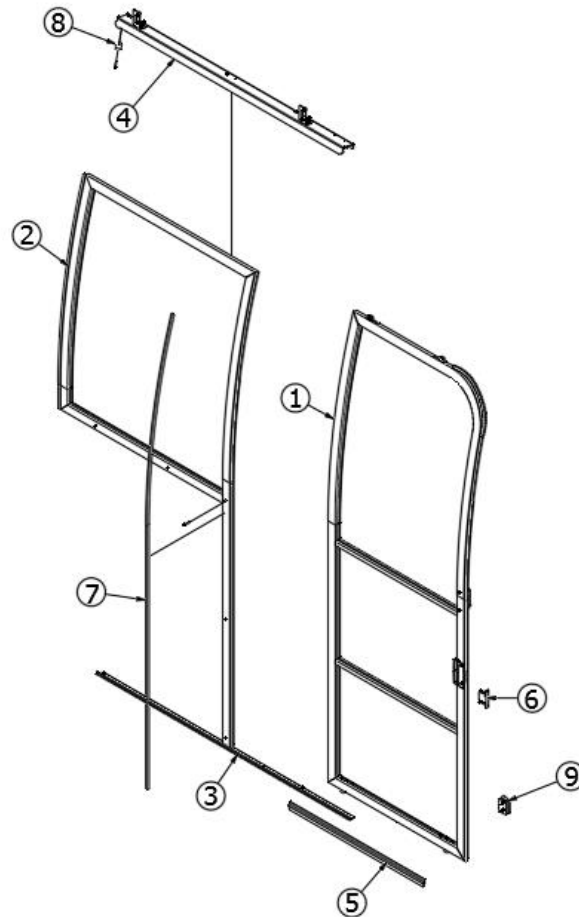
602288-01S	Exterior Shower Box-Silver
602288-01W	Exterior Shower Box-White
602288-01B	Exterior Shower Box-Black
381766	Hatch, access
381766S	Hatch Access, Silver
381766W	Hatch Access, White
381766B	Hatch Access, Black
382083	Hatch Flat Black
382083S	Hatch Door, Silver
382083W	Hatch Door, White
382083B	Hatch Door, Black
601392-06	City water fill w/regulator, Chrome

Slide Door Stop

203820	Block-Slide Door Stop
203853	Spacer Block-Slider Door Stop
320187	Screw, #14 x 2" Pan Head

2019 INTERSTATE NINETEEN DOORS, WINDOWS, AWNINGS

Screen Door



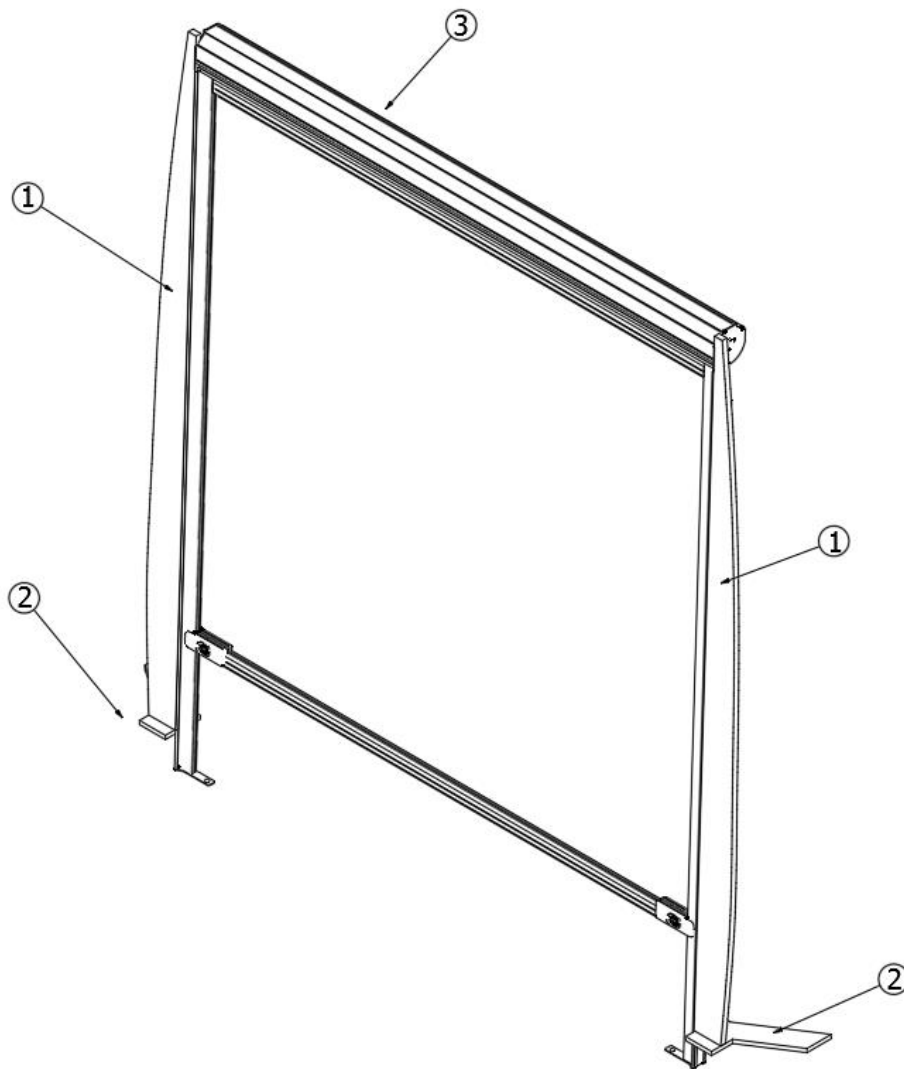
112639

Sliding Screen Door

- | | |
|--------------|------------------------------|
| 1. 115963-01 | Screen Door Fwd, Matte Black |
| 2. 115964-01 | Screen Door, Aft Matte Black |
| 3. 382277 | Lower Screen Door Track |
| 4. 968864 | Screen Door Header Assembly |
| 5. 704171 | Weather-stripping |
| 6. 381228-02 | Black Catch Grabber, 5 lb |
| 7. 703991 | Seal Pike Weather Strip |
| 8. 381136 | Rubber Bumper |
| 9. 203999-1 | GT Screen Spacer Assembly |
| 382267 | Handle, Outer Screen Door |
| 382269 | Handle, Interior Screen Door |
| 382577 | Screen Door Roller |
| 203808 | Screen Retainer Spline |
| 382268 | Screen Fabric, Black |
| 382266 | Screen Door Track |
| 203809 | Plastic Radius Header |

2019 INTERSTATE NINETEEN DOORS, WINDOWS, AWNINGS

Screen Door, Rear Power Kit



112696 Power Screen Door

- 1. 112696&000112BB Panel, 3.39 X 61.31, EB1-B01
- 2. 112696&000312BB Panel, 8.00 X 8.17
- 3. 704391 Power screen door kit, 54 x 61.25
 - 704391-100 Motor, Power screen door
 - 704393-01 RF remote

2019 INTERSTATE NINETEEN DOORS, WINDOWS, AWNINGS

Windows

372297	Window Rear RS
382117	Gasket, Rectangle post
381842	Trim lok, 1/16", Black
203225-01	Trim lok, .75", Gray

2019 INTERSTATE NINETEEN DOORS, WINDOWS, AWNINGS

Awnings

704536-01	Awning-10' Armless Silver Metallic
704536-02	Awning 10' Armless Black
704536-08	Awning 10' Armless White
203973	Base, Front awning cap
203974-01	Cover, Front awning cap, Black
203974-02	Cover, Front awning cap, White
203974-03	Cover, Front awning cap, Silver
203975	Base, Rear awning cap
203976-01	Cover, Rear awning cap, Black
203976-02	Cover, Rear awning cap, White
203976-03	Cover, Rear awning cap, Silver
704536-03	Extrusion, Roof Mount 28" Mill
704536-04	Kit-Mounting Screws Awning
704310-06	Switch, In/Out – On/Off
704310-102	LED Lights For Carefree Awning, Freedom RM
382185	Well nut, Rubber
381667	Drive ratchet, 3/8"
382109	Extension, 3/8", 3" long
382545	Socket, 3/8" x 19mm, Shallow

2019 INTERSTATE NINETEEN SHADES

Shades

112714-01	Window Box Blinds Install – Columbian Walnut/Light Camel
704539-01	Shade-Power 52x36 Hyde
704539-02	Shade-Power 56x26 Hyde
704539-03	Shade-Power 47 X 26 Hyde
704539-04	Shade-Power 41.25x23.25 Hyde
112714-02	Window Box Blinds- Beachwood
704539-05	Shade-Power 54x36 Cobble
704539-06	Shade-Power 56x26 Cobble
704539-07	Shade-Power 47x26 Cobble
704539-08	Shade-Power 41.25x23.25 Cobble

Cockpit Window Shades and Hardware

704406	Kit, Cockpit window shades
704406-01	Shade, Drivers door
704406-02	Shade, Windshield
704406-03	Shade, Passengers door
704406-04	Carrying bag
700021	Hook, Velcro, White
700020	Pile Velcro
100097	Curtain track extrusion, Sliding door curtain
700617-01	Velcro, 1" Black without sticky back

2019 INTERSTATE NINETEEN

ELECTRICAL, 110 VOLT

Power Converter

512609	Inverter/Charger-1000w/50a W/Transfer Switch
512609-01	Remote Display Module
512609-02	Sensor, Battery Temperature

Energy Management System

513455	Energy Management System
--------	--------------------------

Shoreline Hookup

513164	Power inlet, 30 amp, Stainless Steel
513127	Power cord, 30 Amp, 30', Gray

Inverter

512609	Magnum inverter/converter w/transfer switch, 1K watt
512609-01	Remote display module

Receptacles and USB Ports

512096	Receptacle w/Black cover, GFI 15 amp
511912	Wall plate, Single gang, Snap on, Chrome
511815-01	Receptacle, Duplex, Black
511287	Receptacle, Single, 15 amp
512481-02	Receptacle, 20 amp, Single, Brown
512854	USB port, Dual w/mounting plate, Black

Breakers

510564-20GFI	Breaker, Type BR, 20GFI
510564-2020	Breaker, Type BRD, BD 20-20
510564-30	Breaker, Bryant, 30AMP
510947-15	Breaker, 15A, 12V 15Amp
510947-30	Breaker, 30A, 12V 30Amp
510947-50	Breaker, 50A, 12V 50Amp
510948-04	Buss bar, Copper

2019 INTERSTATE NINETEEN

ELECTRICAL, 12 VOLT

Battery

511828	Battery, 12 Volt, Deep cycle, AGM Lifeline
513385	Battery separator w/smart control and gen sense
513490	Battery disconnect w/remote operator
455479	Step-Entry W/ Battery Tray

Fuses

512277	Fuse holder, #1 mini, CSA
512278-200	Fuse, Type BFI-32, 200 Amp
512278-150	Fuse, Type BF1-32, 150 Amp
500773-10	Fuse, ATC, 12 V DC, 10 Amp
195466-251	Fuse holder w/cover, 30 Amp
500773-07	Fuse, ATC, 12V DC, 7.5 Amp
500773-15	Fuse, ATC, 12V DC, 15 Amp
512318	Fuse holder w/1 amp AFC fuse, In-line
500773-05	Fuse, ATC, 12V DC, 5 Amp
512628	Fuse holder, AMI-mini fuse w/8M termination
512660-150	Terminal fuse, 150 Amp, Orange

Cable Kits, Main 12VDC

513515	Cable Kit, Main 12 VDC, AGM System
--------	------------------------------------

Switches

512312	Switch, Momentary, Black
511977	Switch, 1-gang, Black
512849	Switch, Magnetic, Used on step and overhead locker
513487	Switch Assembly, Ottoman
513488	Switch Momentary
513486	Switch Assembly, Battery Disconnect

2019 INTERSTATE NINETEEN

ELECTRICAL, 12 VOLT

Monitor Panel

513494	Tank Monitor System
513494-02	Tank Monitor Display
512566-02	Sender Pad, See level

Interior Lights

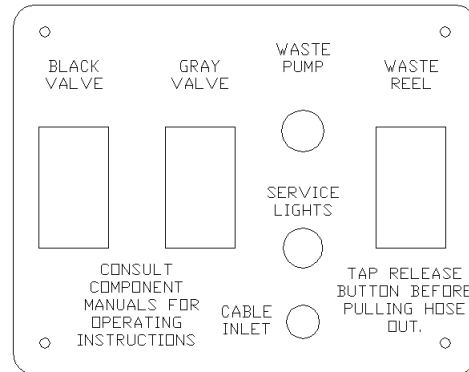
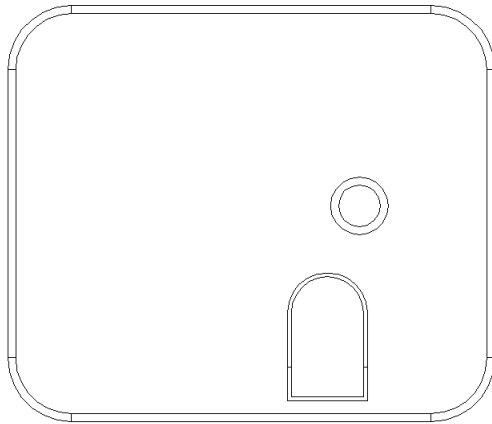
513406	Light- Eyeball Reading
512659	LED flex tape w/bullet connectors, 61"
512659-01	Tape light channel, 6'
512659-02	LED flex tape w/bullet connectors, 39"
512376	LED shower light, SS trim ring
513406	LED reading light, Eyeball w/switch, Brushed Nickel
512936	LED spot light w/frost lens
512377	Light, Courtesy w/Stainless Steel bezel
512803	LED reading light w/frosted Lens, Brushed Nickel
512736	LED light w/switch, Single
512908	LED light, 16" linear utility light w/switch
512933	LED light, 5" domed surface mount light w/switch, White
512931	LED light, 18" Linear utility light
513070	Aisle Light, Motion Activated
513422	Light 3' LED, Cool White
513544	Light-Courtesy Light - Motion Activated Chrome

Exterior Lights

512793	LED porch light, Chrome
511294	Light, License plate
512740	Awning light, LED flex tape, 112" strips
513112	Light, LED flex tape light, 124", White
203358-01	Extrusion, Black plastic
203358-02	Lens diffuser
512909-01	LED pin light, Cool White
512909-02	Black bezel for 512909-01

2019 INTERSTATE NINETEEN ELECTRICAL, 12 VOLT

Exterior Utility Compartment Switch Panel



①

②

- | | |
|--|---|
| <p>1. 382083W
382083S
382083B</p> <p>2. 386360
510623
510623-01
512410
512410-100
602205-01
513550</p> | <p>Hatch, Electrical switches, White
Hatch, Electrical switches, Silver
Hatch, Electrical switches, Black</p> <p>Control switch panel
Coax connector
Coax connector locking nut
Dump valve harness w/switch
Switch only from harness 512410
Switch, 20 Amp, Macerator
Waste water hose reel switch, Spring centered</p> |
|--|---|

Rearview Monitor Camera

- | | |
|--|---|
| <p>513101
513105
513197
512056</p> | <p>Rearview monitor/mirror, 7"
Camera kit, L/R mirror integrated w/controls and cables
Cable, 5pin to RCA power cable, 10 meter
Coupler, Barrel, RCS, Gold, F/F</p> |
|--|---|

Solar Panel

- | | |
|---|---|
| <p>513425
512805
511846
511469-01
512808
511165-01
513270</p> | <p>Panel, Solar Flex, 50 watt
Panel, Solar Flex, 100 watt
Kit, Charge controller display
Connector, Liquid tight, 90°, Plastic
Harness, Flex solar cable
Conduit, .5", Black
Harness 1 MC4 Male TO 3 MC4 Female</p> |
|---|---|

2019 INTERSTATE NINETEEN

ELECTRICAL, 12 VOLT

CZone System

513495-05	Kit-CZone 19 Ncv
513512	Board-Dometic RVC Interface
513495-A	COI- CZone - No Connectors
513495-AB	Cable-20' Custom- RVC-NMEA2K
513495-AC	Cable-4' Custom- RVC-NMEA2K
513495-B	Touch 5 Display - CZone
513495-C	Contact 6 - 12V PTC - CZone
513495-D	SI - CZone
513495-E	Airstream Wireless Interface -No Wi-Fi
513495-F	Masterbus Bridge
513495-J	Isolator - Power
513495-K	Cable - Power
513495-M	Connector- T- Two Way
513495-N	Connector- T- Four Way
513495-O	Terminator-Female
513495-P	Terminator-Male
513495-Q	Cap - Female
513495-S	NEMA2K Backbone- 2 Meters
513495-U	NEMA2K Drop Cable- 1 Meters
513495-V	NEMA2K Drop Cable- 2 Meters
513495-W	NEMA2K Drop Cable- 5 Meters

2019 INTERSTATE NINETEEN ENTERTAINMENT

Audio

513013	Fusion in-dash infotainment system
512554	Tuner Sirius XM Tuner
513066	Speaker, 2-way, 6", Fusion
512492-04	Antenna w/25' Cable, Roof Mount
513096	Radio harness, Sprinter
512309	Terminal, Sprinter radio
510844-01	Relay, Bosch
510844-02	Relay socket, Bosch
513396	Subwoofer, JBL Bass Pro
511955	Cable-6" Y Male/Male/Female RCA

Video

512657-02	TV antenna, Omni-directional, Roadstar
511635	Plate, Dual cable entry
382467-05	Gasket, Dual cable entry plate
512398	Wall plate power supply
510788-06	Antenna alarm switch
510612	Coax, 75 OHM, Standard
511534	Dual coax plate, White
510621-02	Splitter, Coax, 2-way
512405-01	Coax lead/jumper w/conn., 6"
512406	Connector, RG6 Hex compression
512407	Coax cable, RG6
512714	HDMI switcher/splitter, 2 x 4, CSA
513189	HDMI switcher/splitter, 4 x 4
512852	Wall plate, HDMI pigtail and coax

Rear TV

690682	LED HDTV, 24" Samsung
512916-01	Articulating TV mount, Tri fold, Left hand
513050	Cable, Mini coax 6', Blue
512561	Adapter, HDMI right angle
382184-01	Braided Sleeving, .5", Black
512923	Grommet, 1.5" DIA.
690627-02	Power Cord, 6' Non Polarized LED TV

2019 INTERSTATE NINETEEN FLOOR COVERINGS

Floor Covering

704220	Vinyl flooring, Ships deck Mahogany/Ivory
703968	Floor guard, Underbelly material, 102" wide, Black
203727	Foil, Single bubble flex
701538	Carpet, Econolier Velour Black w/PSA back applied
704563	Carpet Runner
704522	CNC PSA Backed Carpet
704533	Rear Carpet
704535	Floor Mat - Front 1 Pc. #962 Ebony
968881	Floor Transition Strip
382524	Carpet Bar, 12'

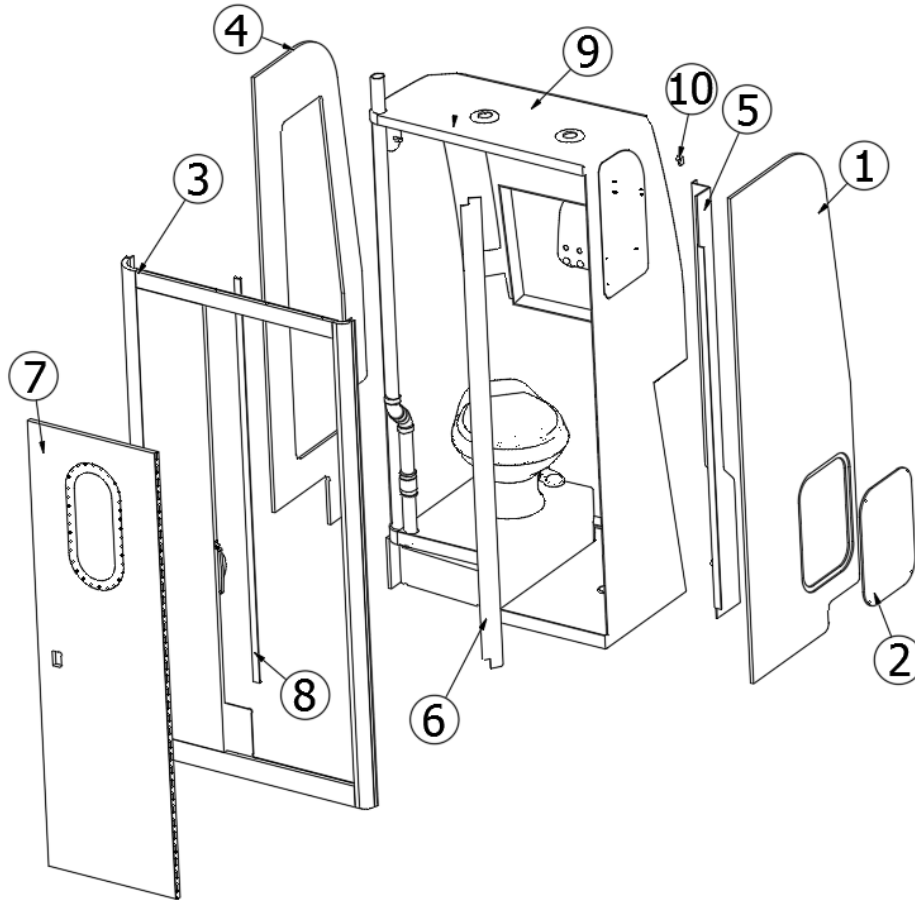
2019 INTERSTATE NINETEEN FURNITURE, INTERIOR DOORS

Interior Doors

203633-05	Sliding door, Glass, Smoked Gray
968873	Door Assembly, Wetbath
802298-0633	Door-12.38 X 27.38 Tenino Lt Wal
802298-0733	Door-12.38 X 10.75 Tenino Light
802298-0833	Door- 12.38x31.13 Beachwood
802298-0933	Door- 12.38 X6.92 R Tenino Lt
802298-0618	Door-12.38 X 27.38 - A.Sand
802298-0718	Door-12.38 X 10.75 A. Sand
802298-0818	Door - 12.38 X 31.13 A.Sand
802298-0918	Door- 12.38 X6.92 R Asian Sand
802298-062	Door-12.38 X 27.38 Col Walnut
802298-072	Door-12.38 X 10.75 Col. Walnut
802298-082	Door-12.38 X 31.13 Columbian Wal
802298-092	Door- 12.38 X6.92 R Columbian

2019 INTERSTATE NINETEEN FURNITURE, LAVATORY

Wet Bath Module



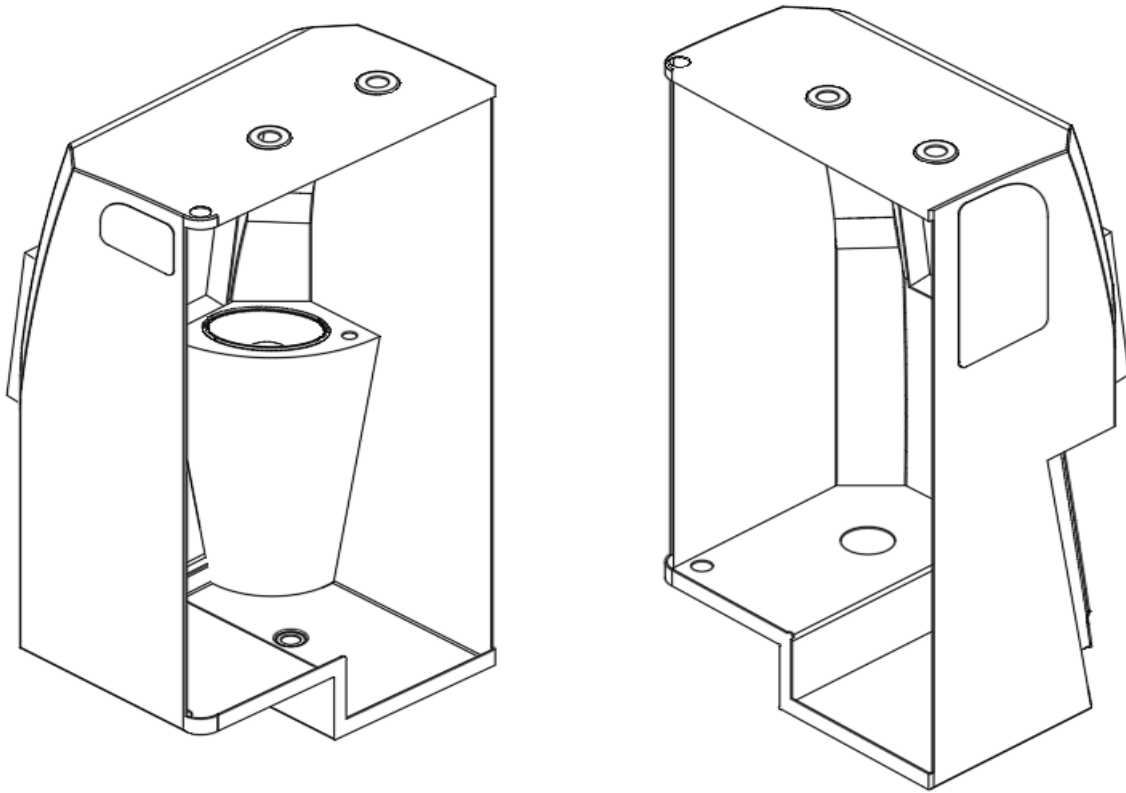
116002

Shower Install

- | | |
|--------------------|-------------------------------------|
| 1. 802329&000112BB | Panel, 29.11X74.74 |
| 2. 802329&000212BB | Panel, 13.31X22.31 |
| 3. 802328-002 | Face Frame-Shower, Columbian Walnut |
| 802328-0018 | Face Frame-Shower, Asian Sand |
| 802328-0033 | Face Frame-Shower, Beachwood |
| 4. 802330&000112BB | Panel, 25.58X74.74 |
| 5. 204037 | Closeout Shower |
| 6. 115997 | Closeout- Alum Cover |
| 7. 968873 | Assembly, Wetbath Door |
| 8. 802335 | Filler Strip, Hardwood, Shower Door |
| 9. 115999 | Shower Sub Assembly |
| 10. 385963 | Bracket Mtg. Angle Lambrequin |
| 690707 | Dometic 301 Toilet |
| 382061 | Striker, Omni Latch |
| 201666 | Molding, J 3/16 Plastic |
| 360258-12 | Caulk, White |
| 100097 | Extrusion, Aluminum Track |
| 998202 | Shower Curtain |
| 602175 | Dryroll, Toilet Roll Holder |

2019 INTERSTATE NINETEEN FURNITURE, LAVATORY

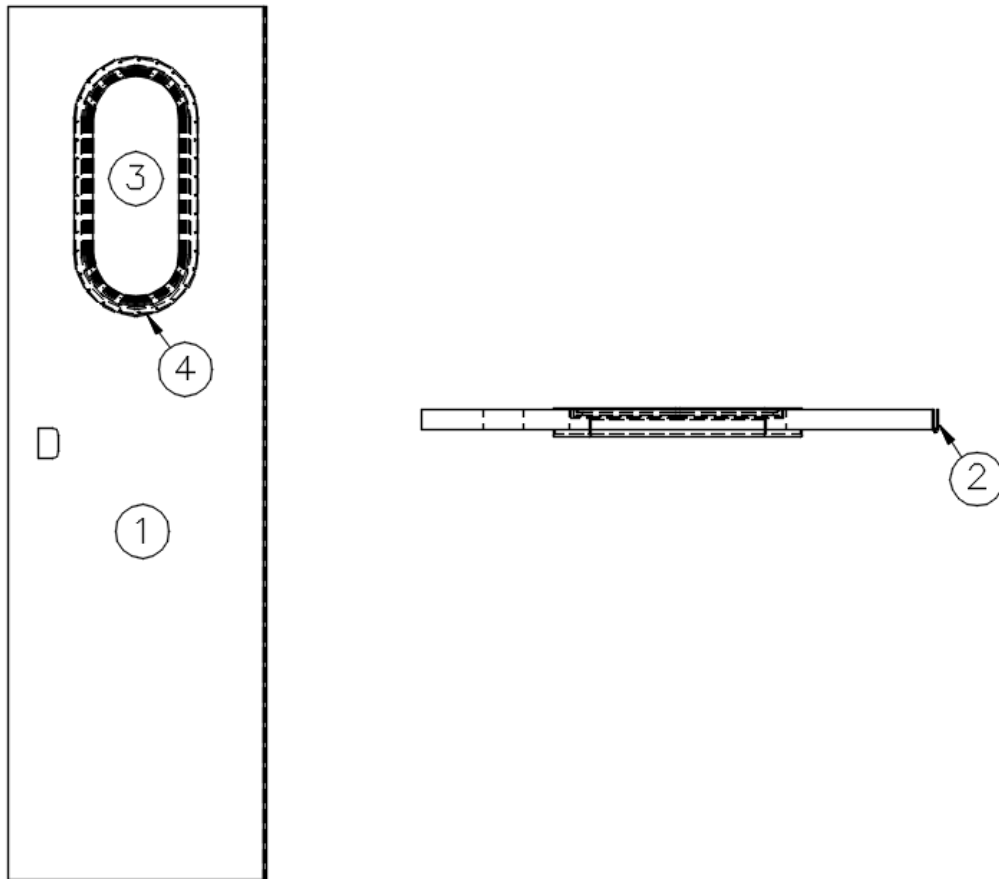
Shower Module



- | | |
|-----------|---------------------------------|
| 204030 | Shower module, Fiberglass |
| 602251 | Faucet, Pull-out |
| 195362-39 | Strainer, Sink 2" |
| 602364-01 | Hanger Clip, Chrome |
| 382063-02 | Retractable Clothesline |
| 371423-02 | Mirror, Wall Mount |
| 382076 | Soap Dispenser |
| 513544 | Motion Activated Courtesy Light |
| 998202 | Shower Curtain |

2019 INTERSTATE NINETEEN FURNITURE, LAVATORY

Door Assembly, Wetbath



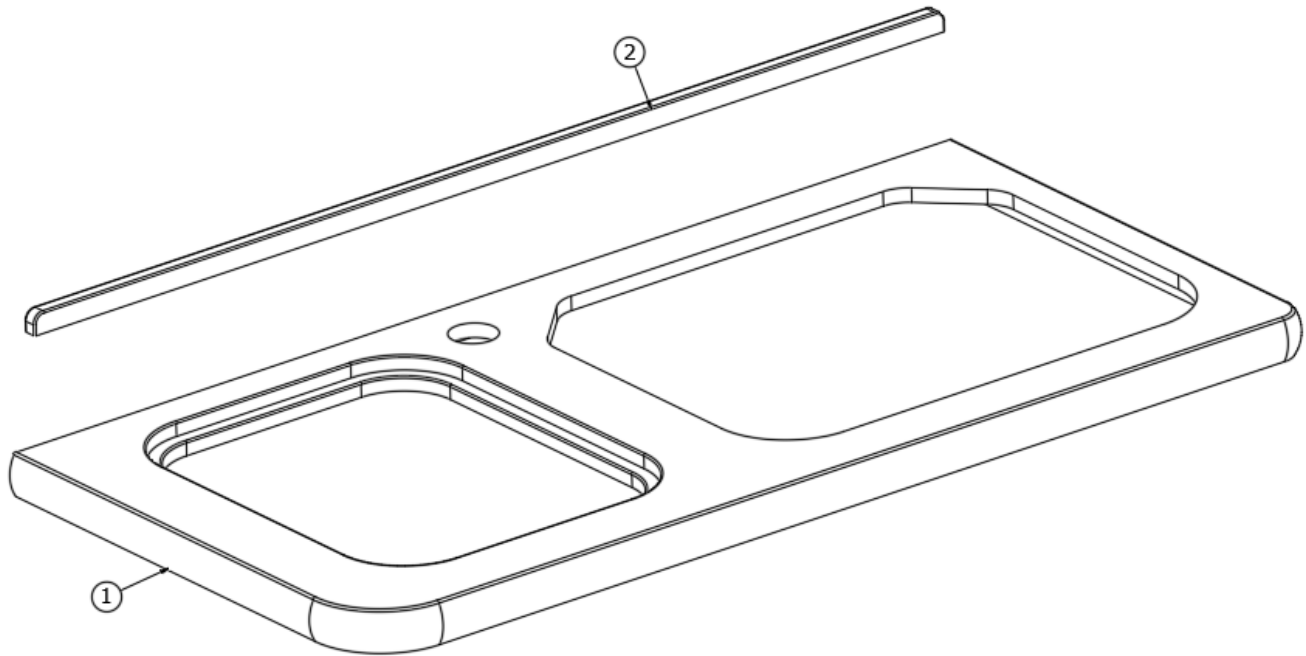
968873

Door Assembly, Wetbath

- | | |
|--------------------|------------------------------|
| 1. 968873&000118BB | Panel, 21.75 X 68.62 |
| 2. 382125 | Hinge-Piano Clear 1.25"X 72" |
| 3. 371438 | Window, Bath door |
| 4. 203761-01 | Window trim, 18" |
| 203333-02 | Glass, Bath door window |
| 382055 | Privacy latch, Omni |
| 382061 | Striker, Omni flat latch |
| 365412-02 | Edgeband 15/16" Macchiato |
| 382098 | Handle, Gloss Chrome |

2019 INTERSTATE NINETEEN FURNITURE, GALLEY

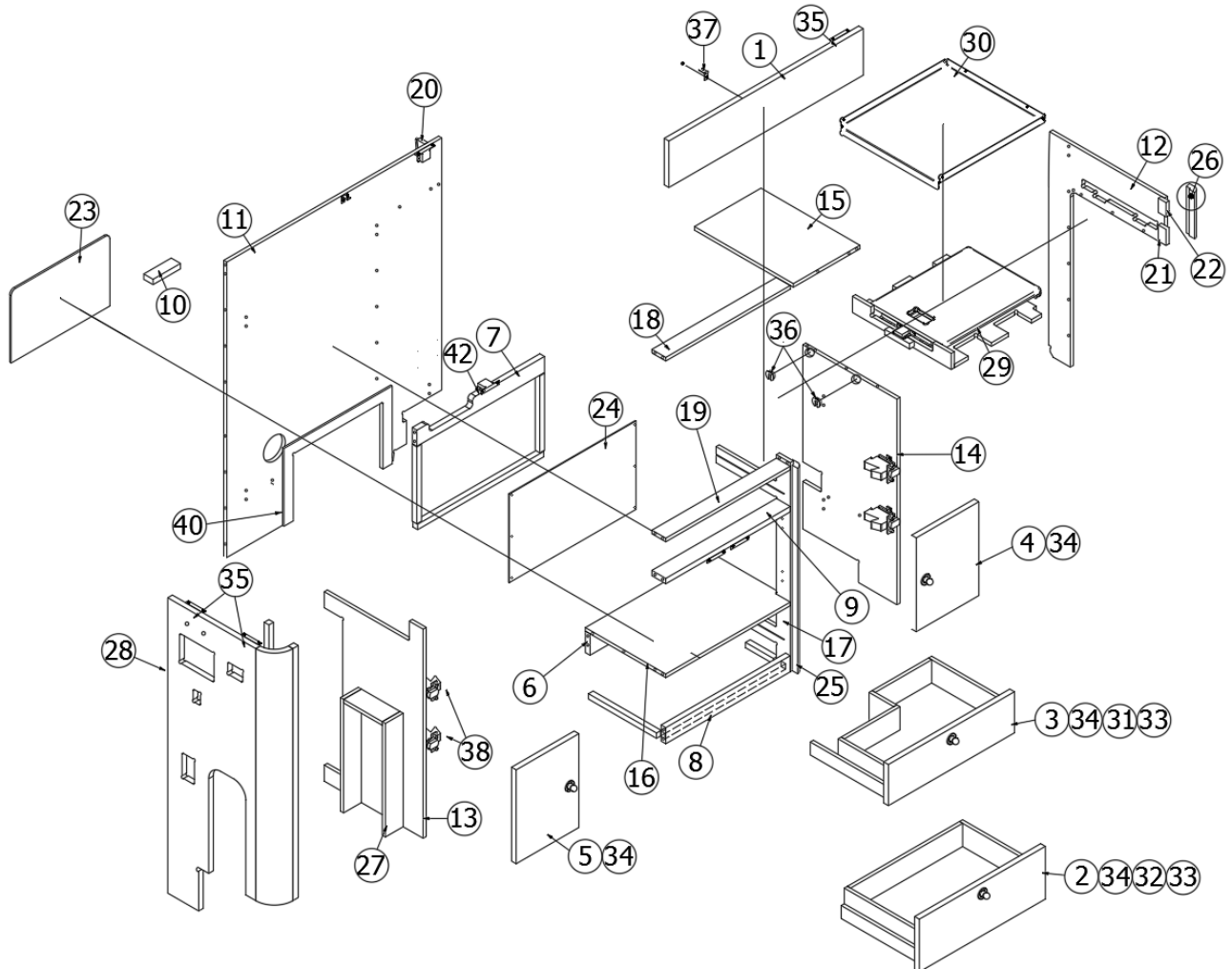
Galley Top



- | | |
|-------------|------------------------------------|
| 1. 602741-1 | Countertop Solid Surface, Hazelnut |
| 2. 602741-2 | Backsplash, Solid Surface |
| 3. 602260 | Sink SS, Single Bowl |
| 4. 602740 | Dehco Faucet, Brushed Nickel |
| 690576 | Cooktop, 2 Burner, SMEV |
| 204010-01 | Sink Cover, Black |

2019 INTERSTATE NINETEEN FURNITURE, GALLEY

Galley



Parts Listed on Next Page

2019 INTERSTATE NINETEEN FURNITURE, GALLEY

Galley

968837

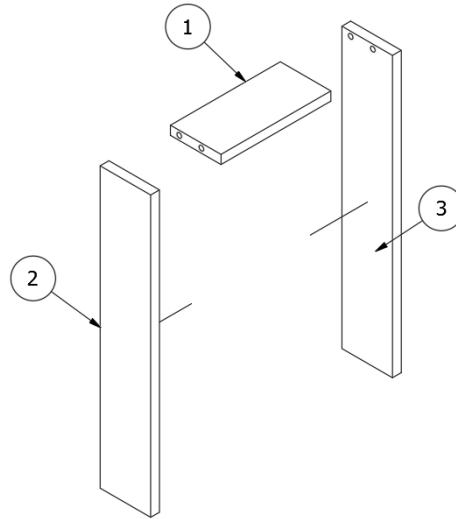
Assembly, Galley

1. 968837&000118BB	Panel, 31.44 X 6.50
2. 968837&000318BB	Panel, 20.38 X 7.38
3. 968837&000418BB	Panel, 20.38X 5.75
4. 968837&000518BB	Panel, 10.13 X 13.13
5. 968837&000618BB	Panel, 10.13 X 13.13
6. 968837&000718BB	Panel, 3.00 X 20.63
7. 968837&000818BB	Panel, 2.25 X 20.63
8. 968837&000918BB	Panel, 2.25 X 20.13
9. 968837&001018BB	Panel, 2.25 X 20.13
10. 968837&001118BB	Panel, 1.50 X 4.44
11. 968837&001212BB	Panel, 34.75 X 41.31
12. 968837&001312BB	Panel, 18.73 X 31.25
13. 968837&001412BB	Panel, 15.98 X 29.25
14. 968837&001512BB	Panel, 15.23 X 28.75
15. 968837&001612BB	Panel, 15.98 X 10.75
16. 968837&001712BB	Panel, 13.00 X 20.63
17. 968837&001812BB	Panel, 12.00 X 29.25
18. 968837&001912BB	Panel, 2.25 X 20.13
19. 968837&002012BB	Panel, 2.25 X 20.13
20. 968837&002112BB	Panel, 2.13 X 35.25
21. 968837&002212BB	Panel, 1.25 X 2.25
22. 968837&002312BB	Panel, 1.25 X 2.00
23. 968837&002406BB	Panel, 17.94 X 7.09
24. 968837&002503BE	Panel, 20.50 X 13.38
25. 968837&0032T06B	Corner Trim - 90 DEG. X 28.75
26. 968837&0033T06B	Corner Trim - 90 DEG. X 6.50
801706-002	Trim-Corner 90 D 1" Rad Walnut
801706-0018	Corner Trim-90d 1" Rad. Asian Sand
801706-0033	Corner Trim 90 Deg Rad Beachwood
27. 968800	Assembly Galley Fire Extinguisher Pocket
28. 968838	Assembly, Radius Galley Panel
29. 968792	Assembly, Work Station
30. *455417	Heat Shield, Galley
31. 968839	Drawer Box Assembly, 2.75 tall
32. 968804	Drawer Box, Assembly, 4.00 tall
33. 381400-01	Slide Drawer, 12"
34. 382449-01	Knob, Push Pull
35. 381228-02	Black Grabber Catch, 5 lb.
36. 382057	Knockdown
37. 380041	Bracket
38. 381607-14	Hinge Assembly
39. 703991	Seal, Pike Weather-strip
40. 968837&004812BB	Panel, 7.88 X 19.50
41. 111225	Anti Wick
802375	Cutlery Tray 8.75 X 20.875
382555	Wastebasket-Rubbermaid 10 X 7
969016	Assembly, Galley COI Support

*455417 Deleted from Assembly, September 25, 2018

2019 INTERSTATE NINETEEN FURNITURE, GALLEY

Assembly Galley Fire Extinguisher Pocket

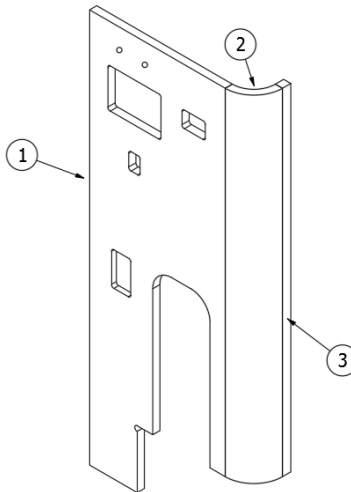


968800

Assembly Galley Fire Ext. Pocket

- | | | |
|----|-----------------|---------------------|
| 1. | 968800&000112BB | Panel, 2.88 X 6.25 |
| 2. | 968800&000212BB | Panel, 2.88 X 15.88 |
| 3. | 968800&000312BB | Panel, 2.88 X 15.88 |

Assembly Radius Galley Panel



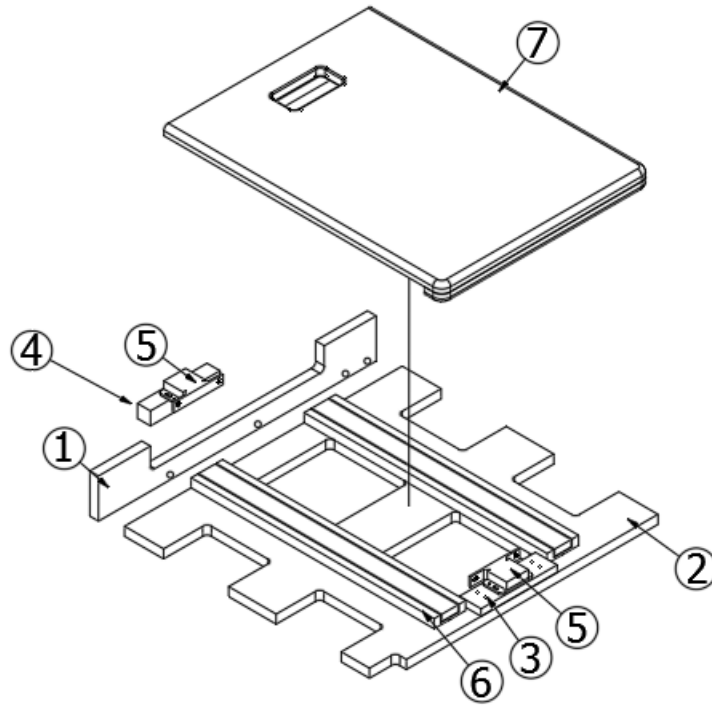
968838

Assembly Radius Galley Panel

- | | | |
|----|-----------------|--------------------------------|
| 1. | 968838&000118CE | Panel, 14.23 X 41.31 |
| 2. | 801345 | Radius Plywood |
| 3. | 968838&000218CE | Panel, 0.88 X 35.25 |
| | 968838&000401BE | Laminate |
| | 365379-02 | Edgebanding-.94" Walnut |
| | 365344-02 | Edgebanding- .94" Pearl Bisque |
| | 365398-02 | Edgebanding-.94"Lt Walnut 1MM |
| | 203440 | 3/4" T-Trim |

2019 INTERSTATE NINETEEN FURNITURE, GALLEY

Work Station Assembly



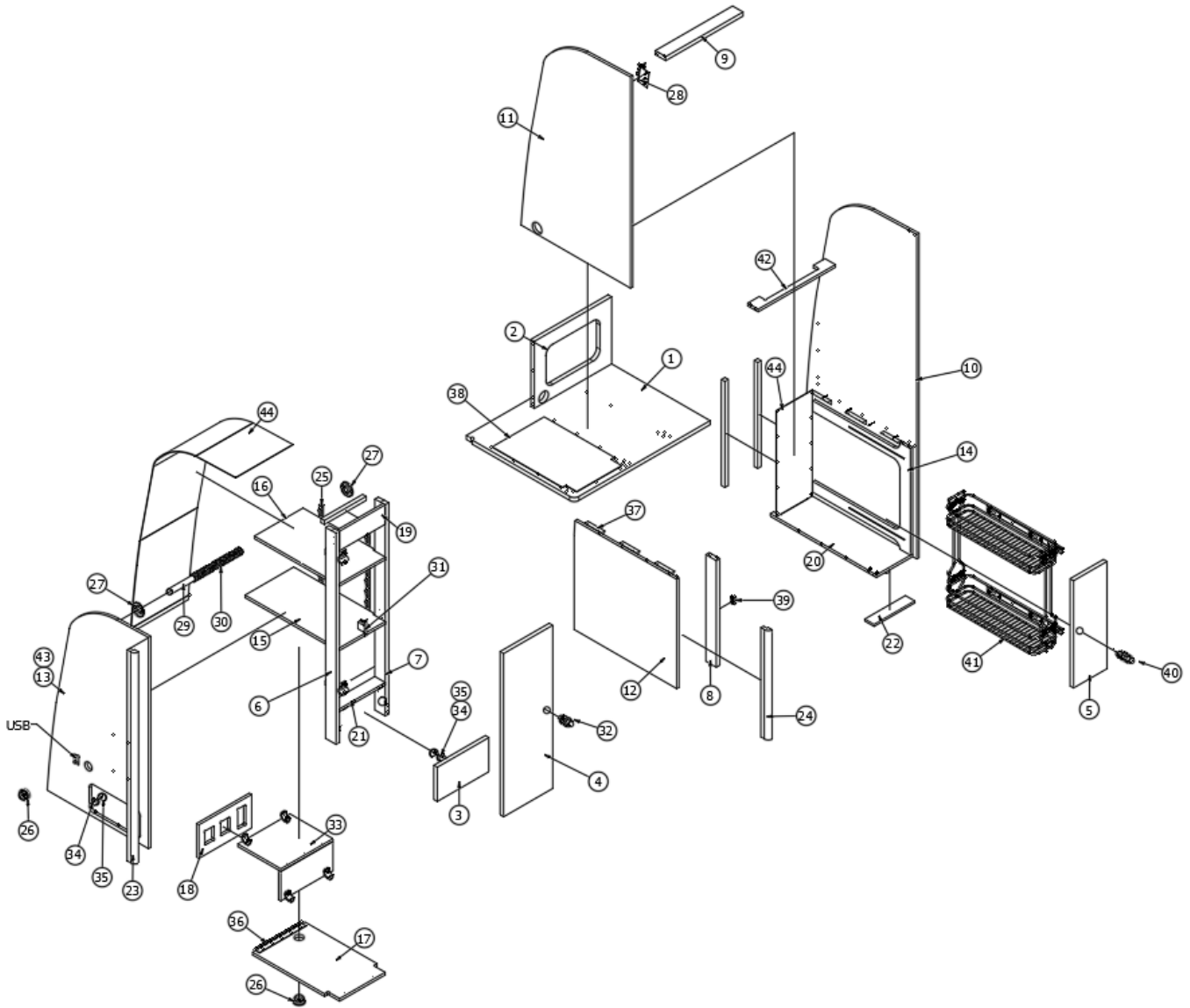
968792

Assembly Work Station

- | | |
|--------------------|-----------------------------------|
| 1. 968792&000112BB | Panel, 2.25 X 15.97 |
| 2. 968792&000212BB | Panel, 15.97 X 14.74 |
| 3. 800507-03 | Lauan, 0.38 x 1.25 x 4.38 |
| 4. 800025-01 | Pine, 0.75 x 0.75 x 4.00 |
| 5. 381228-02 | Black Catch Grabber, 5 lb |
| 6. 381400 | Drawer Slide, 14" Long |
| 7. 602742 | Workstation Galley, Solid Surface |

2019 INTERSTATE NINETEEN FURNITURE, GALLEY

Refrigerator Cabinet



968829

Assembly - Refrigerator Cabinet

- | | | |
|-----|-----------------|----------------------|
| 1. | 968829&000118BB | Panel, 29.22 X 23.47 |
| 2. | 968829&000218BB | Panel, 16.63 X 12.50 |
| 3. | 968829&000318BB | Panel, 11.09 X 6.38 |
| 4. | 968829&000418BB | Panel, 10.56 X 30.44 |
| 5. | 968829&000518BB | Panel, 7.19 X 20.00 |
| 6. | 968829&000618BB | Panel, 2.25 X 39.38 |
| 7. | 968829&000718BB | Panel, 2.25 X 39.38 |
| 8. | 968829&000818BB | Panel, 2.25 X 19.88 |
| 9. | 968829&000918BB | Panel, 2.25 X 16.63 |
| 10. | 968829&001012BB | Panel, 23.74 X 66.50 |
| 11. | 968829&001112BB | Panel, 22.25X39.38 |

Parts Continued on Next Page

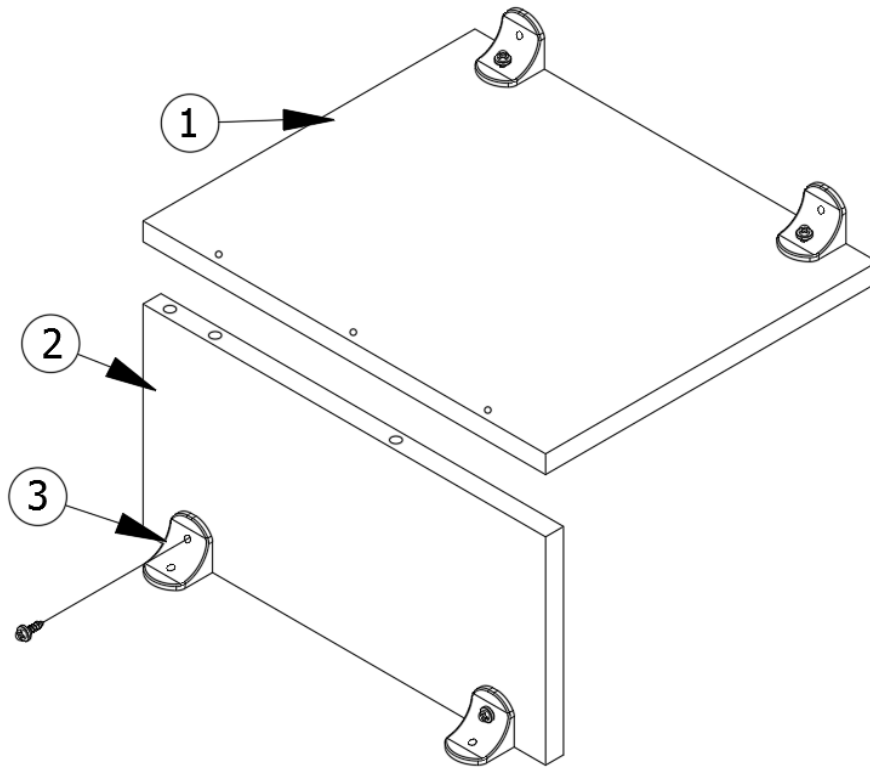
2019 INTERSTATE NINETEEN FURNITURE, GALLEY

Refrigerator Cabinet

	968829	Assembly - Refrigerator Cabinet
12.	968829&001212BB	Panel, 22.06 X 20.38
13.	968829&001312BB	Panel, 21.78 X 39.38
14.	968829&001412BB	Panel, 21.00 X 19.88
15.	968829&001512BB	Panel, 20.00 X 10.34
16.	968829&001612BB	Panel, 16.25 X 10.34
17.	968829&001712BB	Panel, 11.28 X 18.00
18.	968829&001812BB	Panel, 11.34 X 6.25
19.	968829&001912BB	Panel, 9.84 X 3.63
20.	968829&002012BB	Panel, 7.81 X 22.81
21.	968829&002112BB	Panel, 2.25 X 9.84
22.	800507-03	Lauan
23.	968829&0024T06B	Corner Trim - 90 DEG. X 39.38
24.	968829&0025T06B	Corner Trim - 90 DEG. X 20.38
	801706-002	Trim-Corner 90 D 1" Rad Walnut
	801706-0018	Corner Trim-90d 1" Rad. Asian Sand
	801706-0033	Corner Trim 90 Deg Rad Beachwood
25.	381527	Shelf Strips Speedy
26.	512923	Grommet- 1.5" Heyco
27.	380046	Flange Chrome
28.	455409	Bracket, Refrigerator Cabinet
29.	380045	Tubing 3/4" Elec Metallic
30.	200975-04	Conduit,Flexible Black Plastic
31.	381228-02	Catch Grabber Door C3-805
32.	382449-01	Knob- Push/Pull Stain Chrome
33.	968799	Assembly - TV Wire Close Out
34.	382057	Knockdown 8MM
35.	382057-02	Cap-Knockdown Gray #16278
	382057-04	Cap-Knockdown Wht #16387
	382057-03	Cap-Knockdown Dk Brn #16291
36.	380203-01	Piano Hinge 1/8" PIN Clear Anodized
37.	386279	Corner Brace
38.	704522	PSA Backed Carpet
39.	382580	Catch-Surface Mount
40.	382586	Knob-Push/Pull 1"
41.	386346	Basket-Pantry Slide Out
42.	968829&005412BB	2.25 X 16.63
43.	203445	T-Molding Blk Flexible Poly .56"
	203445-01	T-Molding - .5625" White
	203445-03	Molding-T 9/16 Tan
44.	101131-02	Aluminum, Underbelly
	365379-01	Edgebanding- .63" Walnut
	365344-01	Edgebanding-.63" Pearl Bisque
	365398-01	Edgebanding-.63"Lt.Walnut 1MM
	365379-02	Edgebanding-.94" Walnut
	365344-02	Edgebanding- .94" Pearl Bisque
	365398-02	Edgebanding-.94"Lt Walnut 1MM
	701538-01	Carpet-Econoline w/PSA Backing
	381607-11	Hinge-Self Close Overlay

2019 INTERSTATE NINETEEN FURNITURE, GALLEY

TV Wire Closeout

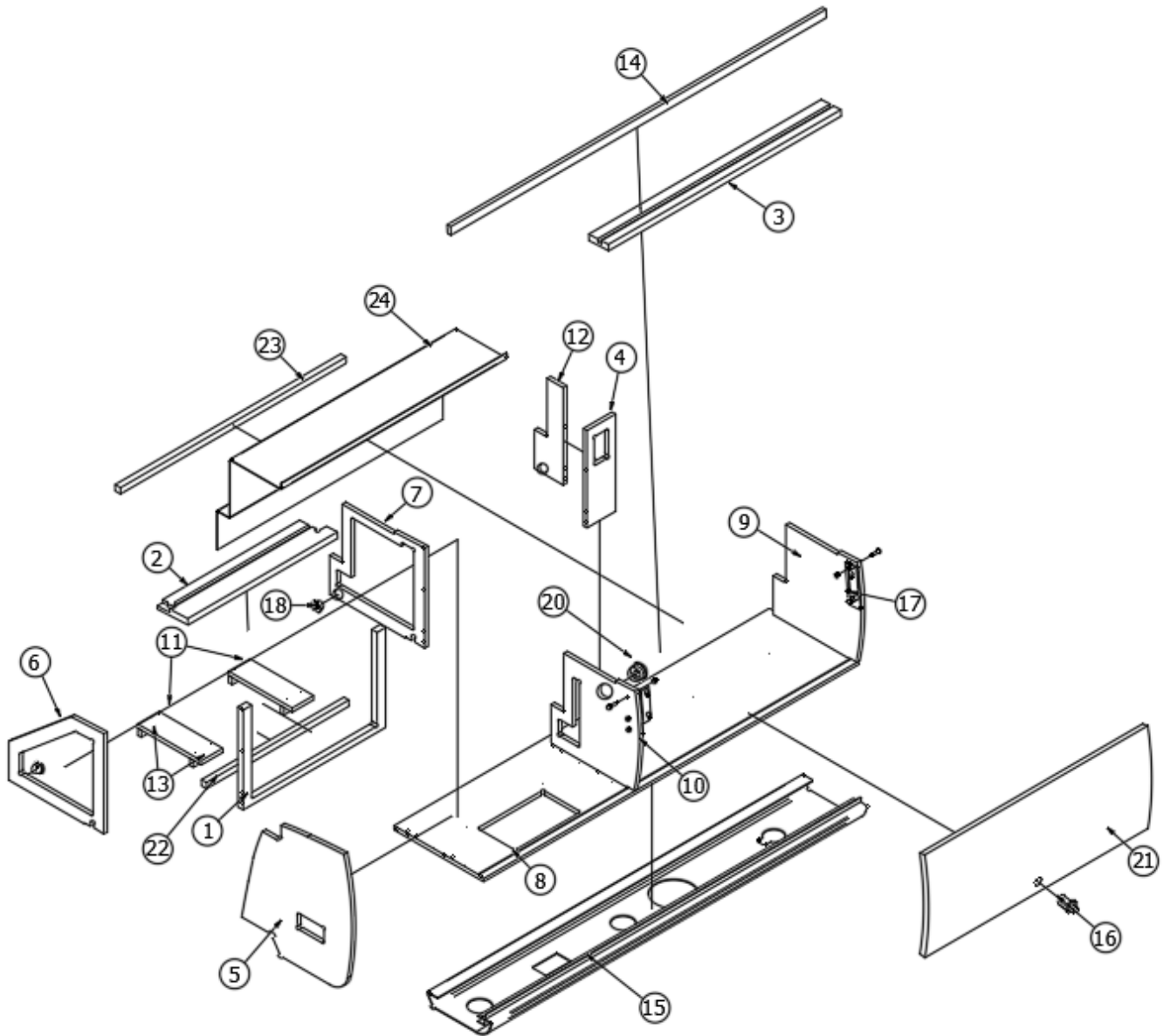


968799 Assembly, TV Wire Close Out

- | | | |
|----|-----------------|------------------------------------|
| 1. | 968799&000112BB | Panel, 9.06" X 17.50", EB2-B01 |
| 2. | 968799&000212BB | Panel, 5.00" X 17.50 |
| 3. | 385963 | Bracket, Mounting Angle Lambrequin |
| | 365379-01 | Edgebanding- .63" Walnut |
| | 365344-01 | Edgebanding-.63" Pearl Bisque |
| | 365398-01 | Edgebanding-.63"Lt.Walnut 1MM |

2019 INTERSTATE NINETEEN FURNITURE, GALLEY

Galley Roof Locker, CS



Parts Listed on Next Page

2019 INTERSTATE NINETEEN FURNITURE, GALLEY

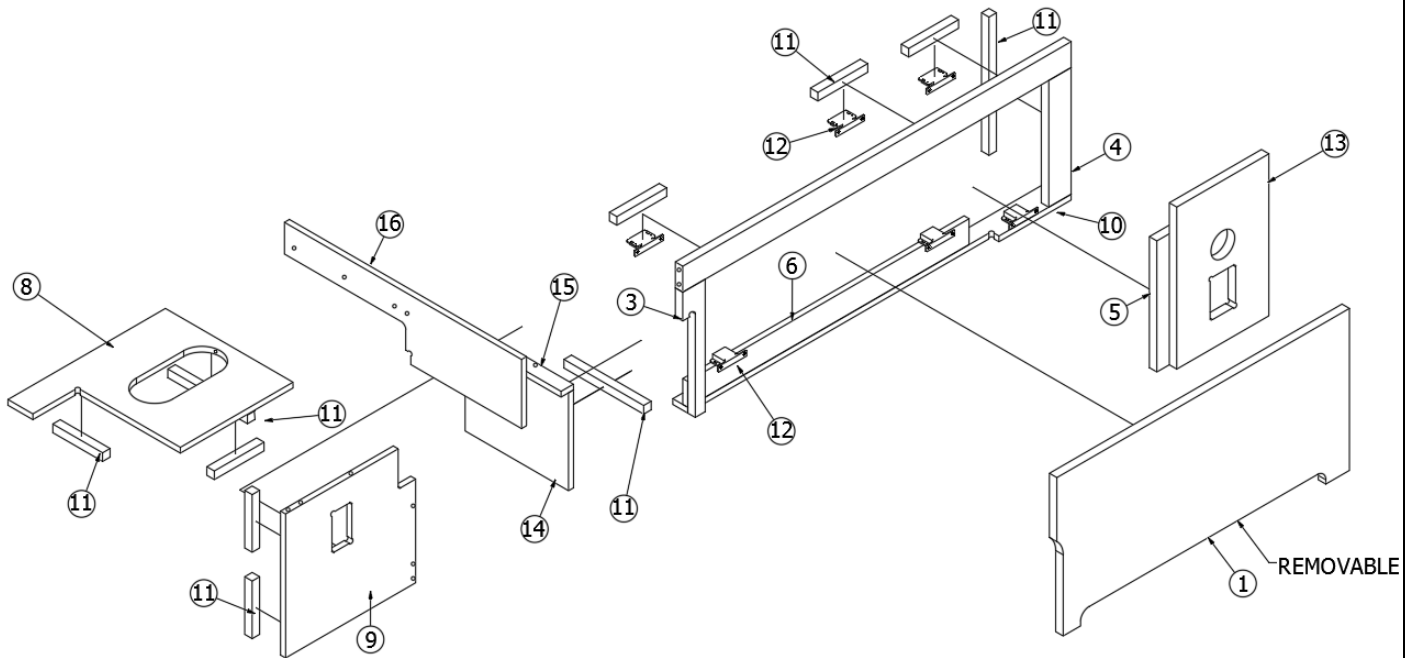
Galley Roof Locker, CS

968831 Assembly, CS Rooflocker

- | | | |
|-----|-----------------|---|
| 1. | 968831&000118BB | Panel, 19.88 X 11.94 |
| 2. | 968831&000218BB | Panel, 4.28 X 20.88 |
| 3. | 968831&000318BB | Panel, 2.75 X 32.44 |
| 4. | 968831&000412BB | Panel, 4.00 X 11.73 |
| 5. | 968831&000512BB | Panel, 15.38 X 16.65 |
| 6. | 968831&000612BB | Panel, 13.25 X 12.20 |
| 7. | 968831&000712BB | Panel, 13.25 X 12.20 |
| 8. | 968831&000912BB | Panel, 12.50 X 52.38 |
| 9. | 968831&001012BB | Panel, 12.28 X 12.12 |
| 10. | 968831&001112BB | Panel, 12.28 X 12.12 |
| 11. | 968831&001312BB | Panel, 3.00 X 10.50 |
| 12. | 968831&001412BB | Panel, 4.02 X 11.73 |
| 13. | 968831&001712BB | Panel, 1.31 X 8.75 |
| 14. | 968831&002012BB | Panel, 1.00 X 52.38 |
| 15. | 115406 | Rooflocker Extrusion |
| 16. | 382449-01 | Knob- Push/Pull |
| 17. | 382227 | Hinges, Overhead Spring Nickel |
| 18. | 382057 | Knockdown |
| 19. | 382057-02 | Cap-Knockdown Gray #16278, Columbian Walnut |
| | 382057-04 | Cap-Knockdown Wht #16387, Light Camel |
| | 382057-03 | Cap-Knockdown Dk Brn #16291, Beachwood |
| 20. | 381209-01 | Grommet W/Cap, Black |
| 21. | 802298-082 | Door, 12.38 x 31.13 Columbian Walnut |
| | 802298-0818 | Door, 12.38 x 31.13 Light Camel |
| | 802298-0833 | Door, 12.38 x 31.13 Beachwood |
| 22. | 968831&002918BB | Panel, 19.88 X 11.94 |
| 23. | 800025-01 | Pine, .75 x .75 x 31.50 |
| 24. | 115473-18 | Aluminum Roof Locker Back |
| | 365379-01 | Edgebanding- .63" Walnut |
| | 365344-01 | Edgebanding-.63" Pearl Bisque |
| | 365398-01 | Edgebanding-.63"Lt.Walnut 1MM |
| | 365379-02 | Edgebanding-.94" Walnut |
| | 365344-02 | Edgebanding- .94" Pearl Bisque |
| | 365398-02 | Edgebanding-.94"Lt Walnut 1MM |
| | 701538-01 | Carpet-Econoline w/PSA Backing |

2019 INTERSTATE NINETEEN FURNITURE, LOUNGE

Ottoman Base, RS



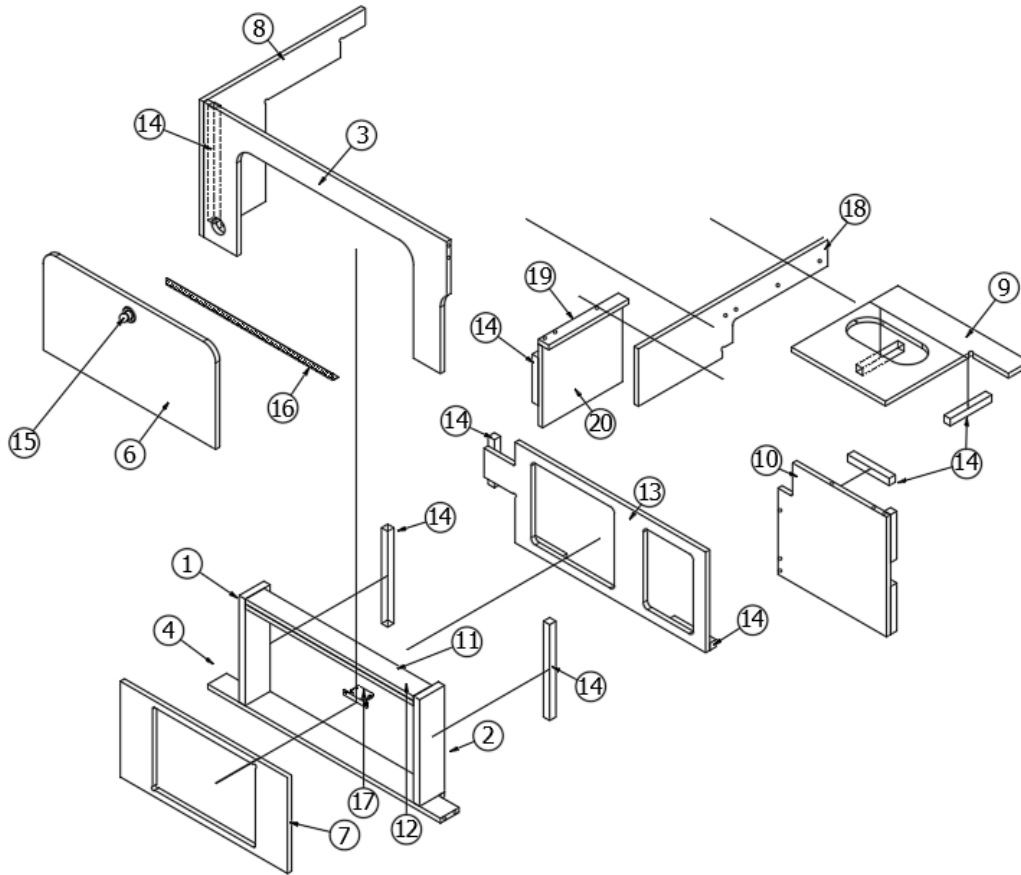
968834

Ottoman Base – RS

1. 968834&000118BB	Panel, Pre Laminate- 0.75 X 38.75 X 14.06
2. 968834&000218BB	Panel, Pre Laminate- 0.75 X 2.25 X 39.00
3. 968834&000318BB	Panel, Pre Laminate- 0.75 X 2.25 X 11.50
4. 968834&000418BB	Panel, Pre Laminate- 0.75 X 2.25 X 11.00
5. 968834&000518BB	Panel, Pre Laminate- 0.75 X 2.25 X 11.00
6. 968834&000612BB	Panel, Pre Laminate- 0.50 X 31.00 X 2.25
7. 968834&000712BB	Panel, Pre Laminate- 0.50 X 23.81 X 14.50
8. 968834&000812BB	Panel, Pre Laminate- 0.50 X 12.81 X 11.31
9. 968834&000912BB	Panel, Pre Laminate- 0.50 X 11.31 X 12.50
10. 968834&001012BB	Panel, Pre Laminate- 0.50 X 2.25 X 9.50
11. 800025-01	Pine
12. 381228-02	Black Catch Grabber
13. 968834&001518BB	Panel, Pre Laminate, 9.25 x 14.06
14. 968834&001612BB	Panel, Pre Laminate 10.38 x 8.50
15. 968834&001712BB	Panel, Pre Laminate 1.25 x 10.38
16. 968834&001812BB	Panel, Pre Laminate 23.81 x 6.00

2019 INTERSTATE NINETEEN FURNITURE, LOUNGE

Ottoman Base, CS

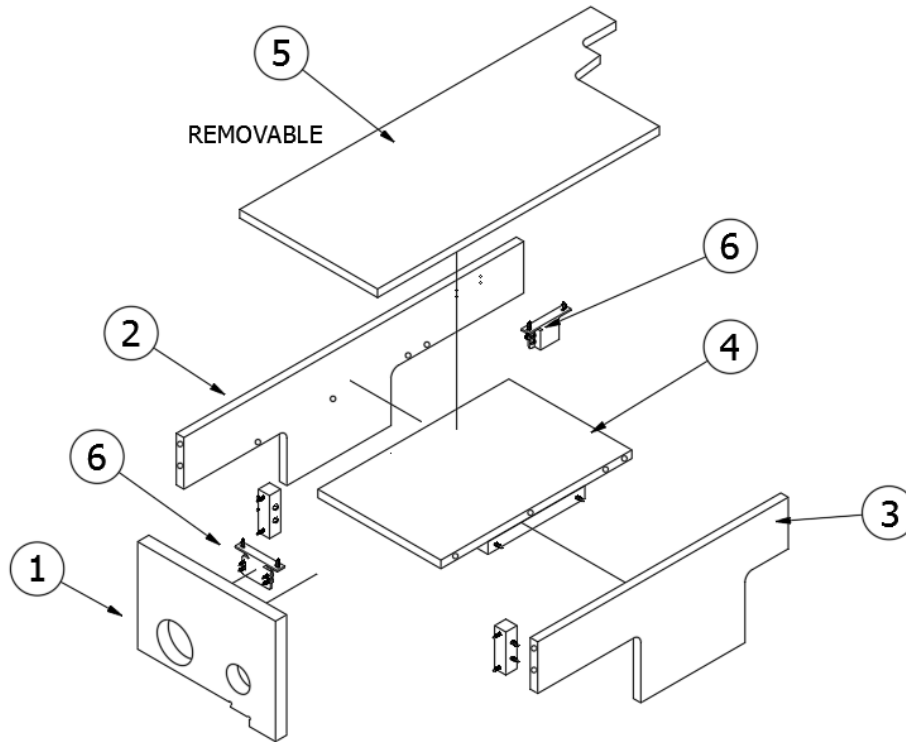


968833 Assembly - Ottoman Base CS

1.	968833&000118BB	Panel, Pre Laminate- 0.75 X 3.00 X 11.13
2.	968833&000218BB	Panel, Pre Laminate- 0.75 X 3.00 X 11.13
3.	968833&000312BB	Panel, Pre Laminate- 0.50 X 29.25 X 14.13
4.	968833&000412BB	Panel, Pre Laminate- 0.50 X 28.00 X 3.00
5.	968833&000512BB	Panel, Pre Laminate- 0.50 X 22.81 X 14.50
6.	968833&000612BB	Panel, Pre Laminate- 0.50 X 20.75 X 10.51
7.	968833&000712BB	Panel, Pre Laminate- 0.50 X 20.13 X 10.00
8.	968833&000812BB	Panel, Pre Laminate- 0.50 X 5.47 X 14.13
9.	968833&000912BB	Panel, Pre Laminate- 0.50 X 12.81 X 15.81
10.	968833&001012BB	Panel, Pre Laminate- 0.50 X 11.31 X 1
11.	968833&001112BB	Panel, Pre Laminate- 0.50 X 2.25 X 20
12.	968833&001212BB	Panel, Pre Laminate- 0.50 X 2.25 X 20
13.	800506-04	Plywood
14.	800025-01	Pine
15.	382449-01	Knob, Push/Pull
16.	382125	Hinge, Piano Clear Anodized
17.	381228-02	Black Catch Grabber, 5 Lb.
18.	968833&002012BB	Panel, Pre Laminate 22.81 X 6.00
19.	968833&002112BB	Panel, Pre Laminate .50X1.25 X 9.63
20.	968833&002212BB	Panel, Pre Laminate .50 X 9.63 X 8.5

2019 INTERSTATE NINETEEN FURNITURE, LOUNGE

RS Vent Fuse Closeout



968903 RS Vent Fuse Closeout

- | | | |
|----|---------------------|---|
| 1. | 968903&000118BB | Panel, 9.25 X 7.00 |
| 2. | 968903&000212BB | Panel, 6.25 X 22.81 |
| 3. | 968903&000312BB | Panel, 7.00 X 16.81 |
| 4. | 968903&000412BB | Panel, 8.25 X 12.81 |
| 5. | 968903&000512BB | Panel, 9.25 X 23.56 |
| 6. | 381228-02
513070 | Catch Grabber Black, 5 Lb.
Aisle Light, Motion Activated |

2019 INTERSTATE NINETEEN FURNITURE, LOUNGE

Sofas

704508BT	Sofa Power, Tar
704508MN	Sofa Power, Moon
704508OY	Sofa Power, Oyster
968790	Sofa Closeout

Ottomans

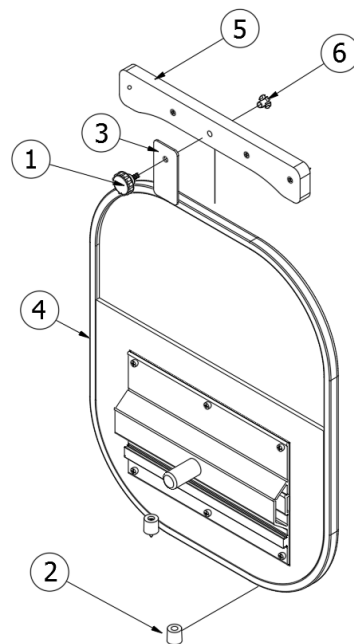
704570BT	Ottoman, RS Black Tar
704570MN	Ottoman, RS Moon
704570OY	Ottoman, RS Oyster
704571BT	Ottoman, CS Black Tar
704571MN	Ottoman, CS Moon
704571OY	Ottoman, CS Oyster
704571-02BT	Cushion Insert Ottoman CS Black Tar, Part of 704571BT
704571-02MN	Cushion Insert Ottoman CS Moon, Part of 704571MN
704571-02OY	Cushion Insert Ottoman CS Oyster Part of 704571OY

Pedestal Table

802361	Mount, Pedestal Table
382629	Lagun Table Arm Assembly
602780	Pedestal Table - Corian
968850	Holder - Pedestal Table
968892	Pedestal Table Assembly

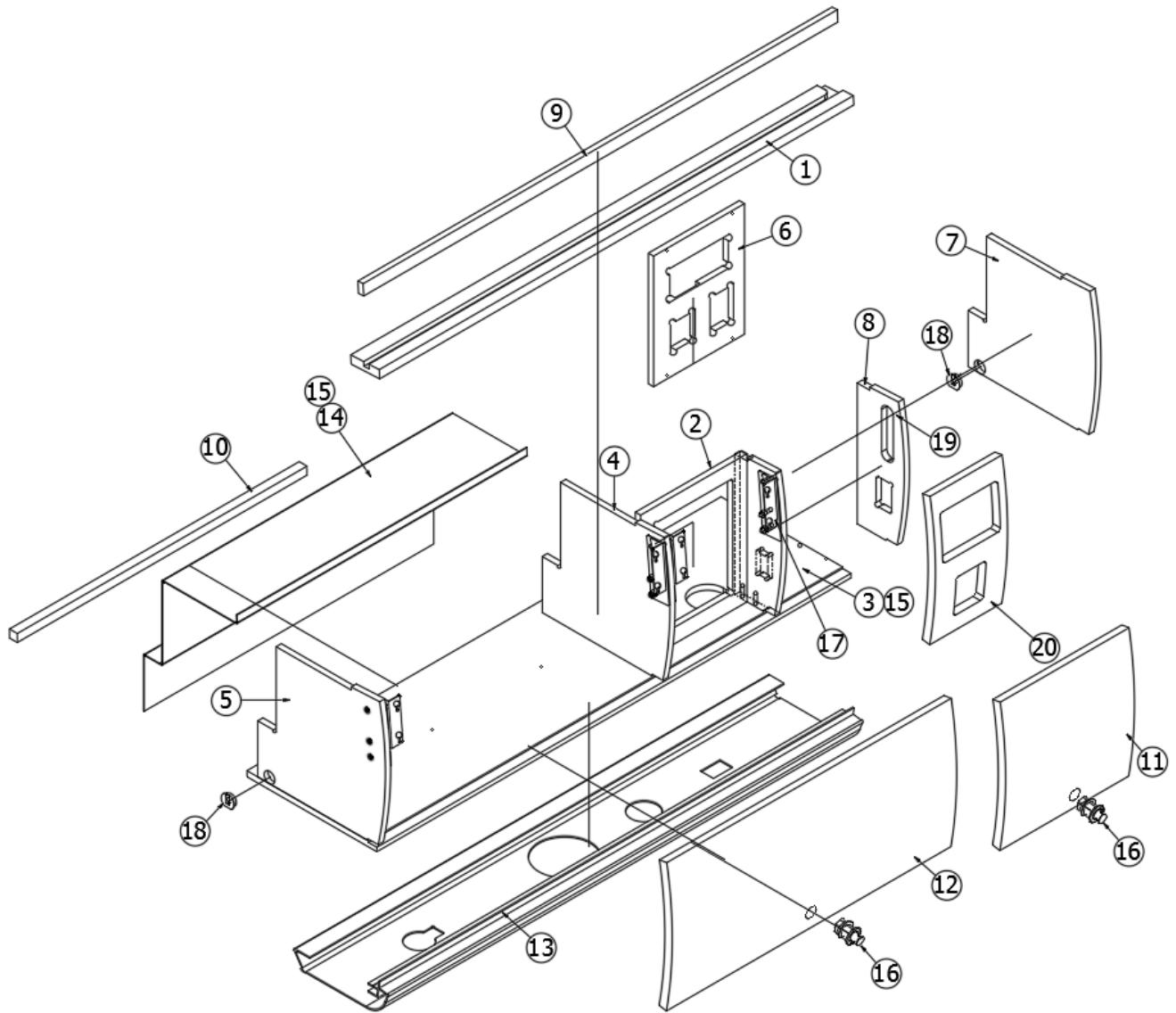
Pedestal Table Holder

382095	Knob-Knurled 1/4-20 X .50"
381136	Rubber Bumper
454721	Bracket Ped Table Storage
968892	Table Assy - Pedestal
968850	Holder- Ped Table



2019 INTERSTATE NINETEEN FURNITURE, LOUNGE

Roof Locker, RS



Parts Listed on Next Page

2019 INTERSTATE NINETEEN FURNITURE, LOUNGE

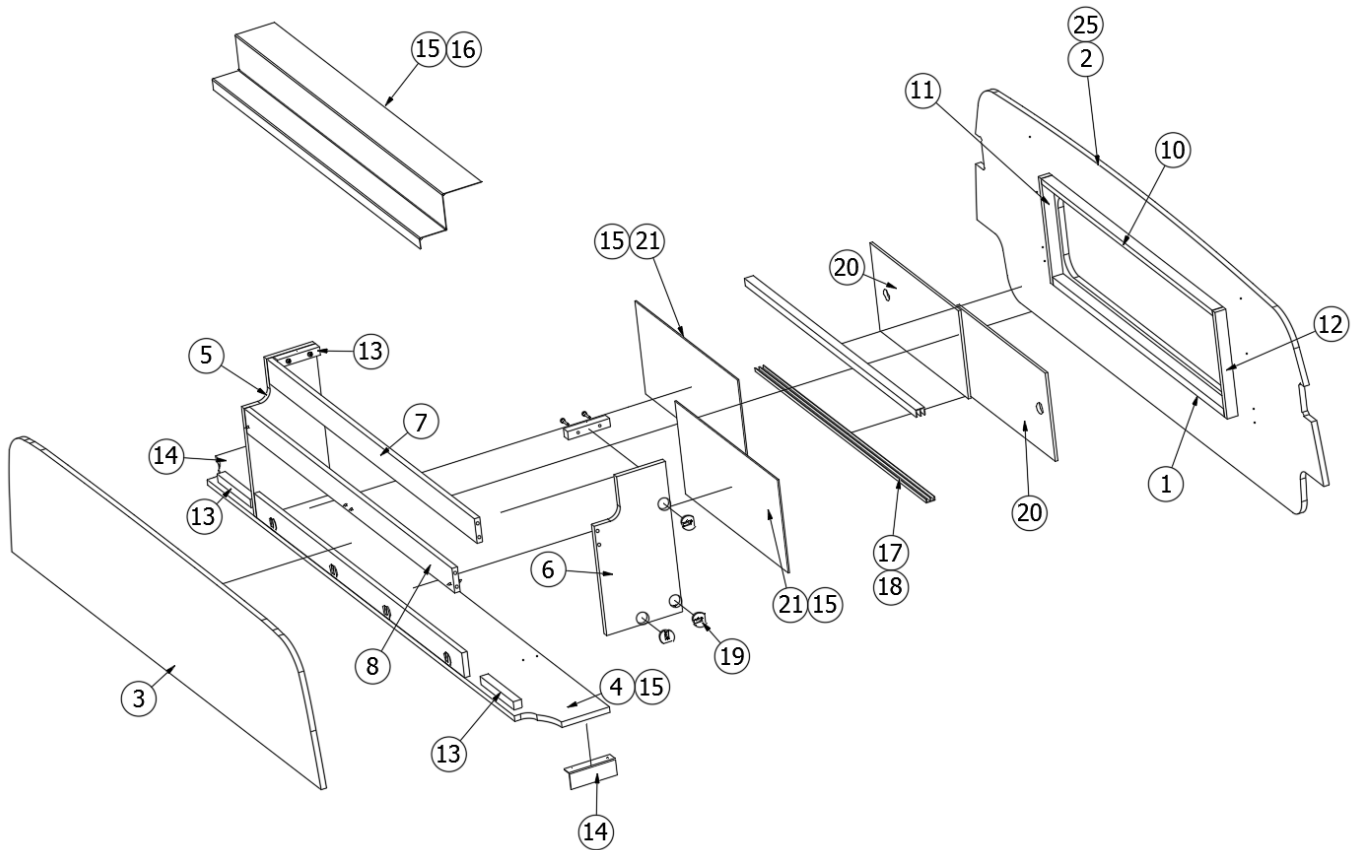
Roof Locker, RS

968830 Assembly - RS Rooflocker

- | | | |
|-----|-----------------|----------------------------------|
| 1. | 968830&000218BB | Panel, 2.75 X 45.63, EB1-B02 |
| 2. | 968830&000312BB | Panel, 10.25 X 12.34 |
| 3. | 968830&000412BB | Panel, 12.50 X 45.63 |
| 4. | 968830&000512BB | Panel, 12.28 X 12.12, EB1-B01 |
| 5. | 968830&000612BB | Panel, 12.28 X 12.12, EB1-B01 |
| 6. | 968830&000712BB | Panel, 8.75 X 10.88, EB9-B01 |
| 7. | 968830&000812BB | Panel, 12.00 X 12.14 |
| 8. | 968830&001312BB | Panel, 4.51 X 12.12, EB1-B01 |
| 9. | 968830&001412BB | Panel, 1.00 X 45.63 |
| 10. | 800025-01 | Pine, 0.75 x 0.75 x 27.88 |
| 11. | 802298-072 | Door-12.38 X 10.75 Col. Walnut |
| | 802298-0718 | Door-12.38 X 10.75 A. Sand |
| | 802298-0733 | Door-12.38 X 10.75 Tenino Light |
| 12. | 802298-062 | Door-12.38 X 27.38 Col Walnut |
| | 802298-0618 | Door-12.38 X 27.38 - A.Sand |
| | 802298-0633 | Door-12.38 X 27.38 Tenino Lt Wal |
| 13. | 115406 | Roof Locker Extrusion |
| 14. | 115473-16 | Aluminum Roof Locker Cab Back |
| 15. | 701538-01 | Carpet Ecoliner |
| 16. | 382449-01 | Knob, Push Pull |
| 17. | 382227 | Hinges Overhead Spring |
| 18. | 382057 | Knockdown, 8 mm |
| 19. | 968830&002512BB | Panel, 4.51 X 12.12 |
| 20. | 802298-092 | Door- 12.38 X6.92 R Columbian |
| | 802298-0918 | Door- 12.38 X6.92 R Asian Sand |
| | 802298-0933 | Door- 12.38 X6.92 R Tenino Lt |
| | 365379-01 | Edgebanding- .63" Walnut |
| | 365344-01 | Edgebanding-.63" Pearl Bisque |
| | 365398-01 | Edgebanding-.63"Lt.Walnut 1MM |
| | 365379-02 | Edgebanding-.94" Walnut |
| | 365344-02 | Edgebanding- .94" Pearl Bisque |
| | 365398-02 | Edgebanding-.94"Lt Walnut 1MM |

2019 INTERSTATE NINETEEN FURNITURE, LOUNGE

Roof Locker, Rear



Part Numbers Listed on Next Page

2019 INTERSTATE NINETEEN FURNITURE, LOUNGE

Roof Locker, Rear

968832 Assembly, Rear Rooflocker

- | | | |
|-----|-----------------|----------------------------------|
| 1. | 968832&000118BB | Panel, 1.00 X 31.00 |
| 2. | 968832&000212BB | Panel, 19.73 X 62.86 |
| 3. | 968832&000312BB | Panel, 12.56 X 56.02 |
| 4. | 968832&000412BB | Panel, 7.00 X 62.63 |
| 5. | 968832&000512BB | Panel, 7.00 X 13.75 |
| 6. | 968832&000612BB | Panel, 7.00 X 13.75 |
| 7. | 968832&000712BB | Panel, 2.25 X 37.63 |
| 8. | 968832&000812BB | Panel, 2.25 X 37.63 |
| 9. | 968832&000912BB | Panel, 2.25 X 37.63 |
| 10. | 968832&001012BB | Panel, 1.00 X 31.00 |
| 11. | 968832&001112BB | Panel, 1.00 X 9.75 |
| 12. | 968832&001212BB | Panel, 1.00 X 9.75 |
| 13. | 800025-01 | Pine, 0.75 x 0.75 |
| 14. | 101134 | Aluminum Angle |
| 15. | 701538-01 | Carpet Ecoliner |
| 16. | 115970 | Aluminum, Rear Locker Closeout |
| 17. | 203388-01 | Track, Sliding Door, Black |
| 18. | 703991 | Seal, Pile Weather Strip |
| 19. | 382057 | Knockdown |
| 20. | 203633-05 | Door Sliding Glass |
| 21. | 800507-01 | Lauan .13" 8.50" x 18.59" |
| | 365379-01 | Edgebanding- .63" Walnut |
| | 365344-01 | Edgebanding-.63" Pearl Bisque |
| | 365398-01 | Edgebanding-.63"Lt.Walnut 1MM |
| | 203445 | T-Molding Blk Flexible Poly .56" |
| | 203445-01 | T-Molding - .5625" White |
| | 203445-03 | Molding-T 9/16 Tan |
| | 365009 | Foam Insulation |

2019 INTERSTATE NINETEEN HARDWARE

Seat Belts, Cup Holders, and Brackets

382190-01	Seat belt, Mercedes style
382190-02	End release, Lap belt
704496	Seat belt cover, Rear lounge
455455	Plate, Center Floor Anchor
455456	Bracket, Under Floor Anchor
455334	Backer, Seat belt
455335	Backer, Seat belt center
455341	Backer, Seat belt Out Board
203977	Housing, Seat belt
203977-01	Housing, Seat belt
203610	Cup holder, Double

Sofa

455385	Bracket, Upper Sofa Hold Down
455386	Bracket, Lower Sofa Hold Down, RH
455387	Bracket, Lower Sofa Hold Down, LH
455449	Bracket, Lower Sofa Hold Down, Front LH
455450	Bracket, Lower Sofa Hold Down, Front RH

Bath Accessories

602175	Toilet roll holder, Dryroll
382076	Soap dispenser, Chrome
382098	Handle, 14.25", Glass Chrome (Towel bar)

Shower Curtain

998247	Shower curtain
703760	Fabric, Shower Shield
700021	Hook, Velcro
700020	Plie, Velcro
700044	Glides Curtain, T2 With Elastic
100097	Curtain track

Clothesline

382063	Retractable clothesline
--------	-------------------------

2019 INTERSTATE NINETEEN HARDWARE

Hinges

381607-11	Hinge, Self-close, 110° overlay
381607-04	Hinge screw, Grass
381607-14	Hinge, Self-close, 160° overlay
380203-01	Piano hinge, 10", Anodized
380203-02	Piano hinge, 72", Black Anodized
382125	Hinge, Piano Clear 1.25"X 72"
382227	Hinge, Overhead spring, Nickel
382172	Hinge, Narrow utility

Drawer Slides

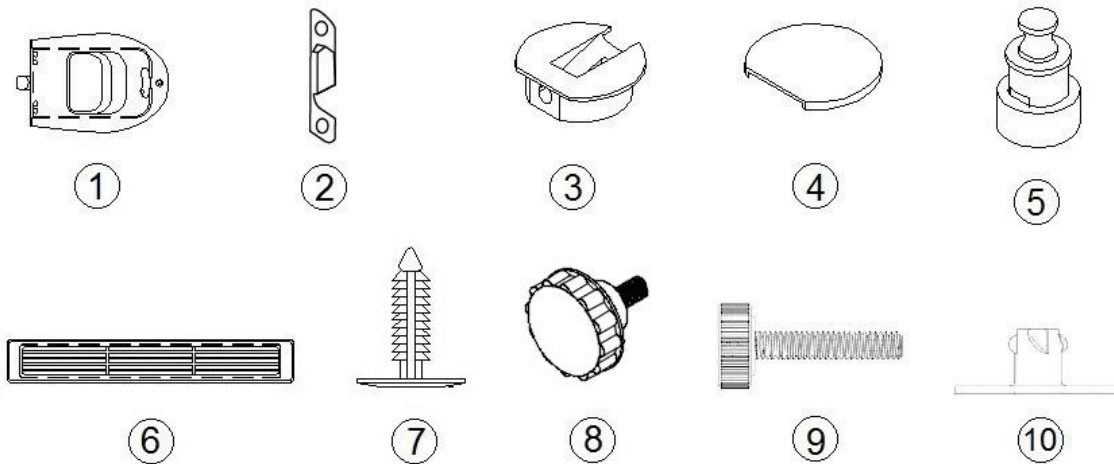
381400-01	Drawer Slide, 12" Pair
381400	Drawer slide, Pair, 14"

License Plate

382281	License plate holder, Chrome
--------	------------------------------

2019 INTERSTATE NINETEEN HARDWARE

Interior Handles, Latches, and Fasteners



- | | |
|--------------|---------------------------------------|
| 1. 382055 | Privacy latch, Lavatory door |
| 2. 382061 | Striker, Privacy latch, Lavatory door |
| 3. 382057 | Knockdown |
| 4. 382057-01 | Cap, Knockdown, Light Brown |
| 382057-03 | Cap, Knockdown, Dark Brown |
| 5. 382449-01 | Knob, Push/Pull, Satin Chrome |
| 382059-02 | Knob, Push/pull, Black Nickel |
| 6. 386206 | Vent, Louvered, Black |
| 7. 382062 | Fastener, Finned, .25" |
| 8. 382095 | Knob, Knurled |
| 9. 345539 | Thumb screw, Black plastic head |
| 10. 350201 | Tee nut without prongs |
| 382267 | Outer screen door handle |
| 382269 | Interior screen door handle |
| 968864 | Screen Door Header Assembly |
| 381228-02 | Catch, Grabber door, 5LB |
| 203473 | Screw cap cover, White |
| 203473-0118 | Screw cap cover, Asian Sand |
| 203473-0112 | Screw cap cover, Walnut |
| 382119 | Fastener-Plastic X-Mas Style |
| 381856 | Catch, Tension, 2 Ball |

Rivets

- | | |
|-----------|--|
| 330127-03 | Pop rivet, 1/8", Dome head, Aluminum |
| 330128-05 | Pop rivet, 1/8", white |
| 330149 | Pop rivet, Aluminum |
| 325130 | Rivet nut for plastics, Zinc plated |
| 325127 | Rivet, Magna-Lok, 3/8", Protruding head, Steel |
| 325128 | Rivet, Bulb-Tite, 1/4", Steel, Dome head, Recessed crown |
| 330031-03 | Rivet, Dome head |

2019 INTERSTATE NINETEEN SAFETY EQUIPMENT

Detectors and Fire Extinguisher

512260	Detector, Smoke/Carbon Monoxide
512539-01	LPG detector
690381-02	Fire extinguisher

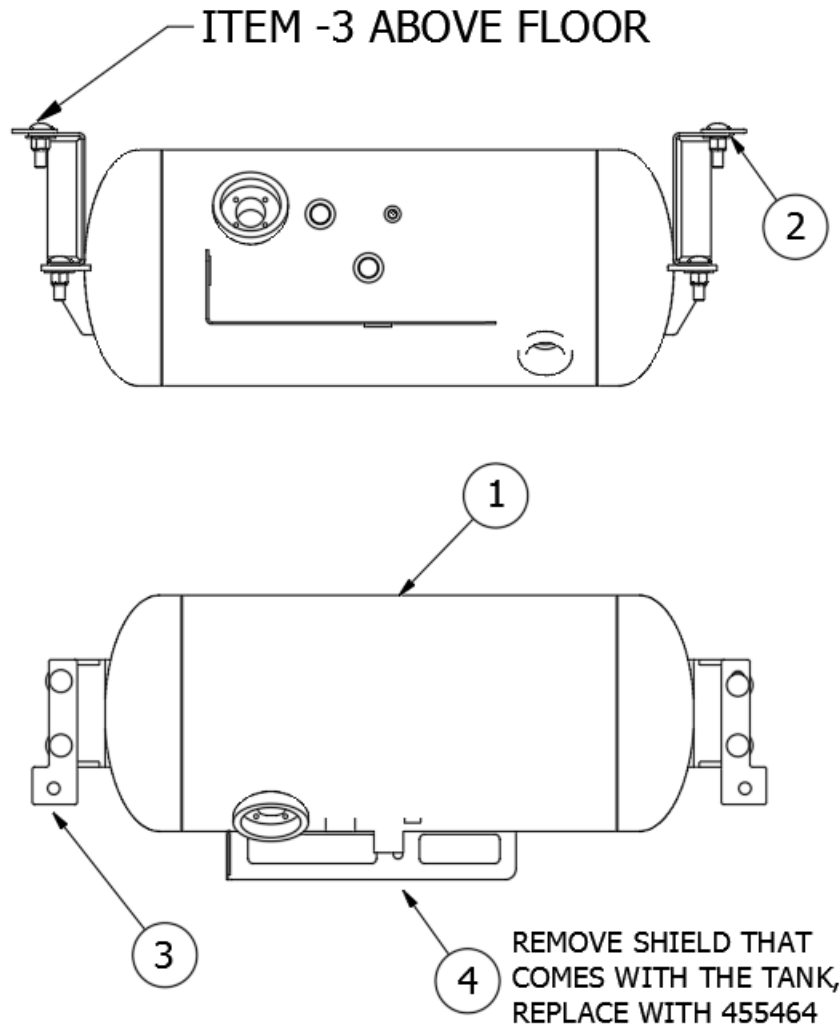
2019 INTERSTATE NINETEEN LABELS AND TAGS

Labels and Tags

386121	Label, LPG Gas Warning Label (Odor)
386122	Warning Label/Cooking Appliance
385261	Cleaning Instruction Label
386120	Label, Smoke Detector
385812	Label, Calif. Hazardous Substance
385465	Exit Label, English
386119	Label, "Do Not Store Combustible"
386124	Label, Refueling Warning
386207	Label, Caution, Door Step
386222	Sticker, Curbside Rear Door Handle
386113	Label, Rvia Gold
386123	Label, "Potable Water Only"
386118	Label, LPG Gas Warning/Fill
385062	Decal, 110-125 Voltage Ac
602205-12	Sticker, Instruction Macerator
386373	Decal, On/Off LPG Remote Fill
386227-03	Label, Hitch Weight Rating
386061	Label, Remove Panel For Access
386189	Label, Warning No Seatbelts
386237	Label, Lock/Unlock
386226	Label, RV Master Weight Label
386238	Label, LPG Systems
386291	Label, Warning Battery Ground
386019	Label, 1 Amp Fuse
386254	Label, PB battery assist
386252	Label, Hepvo waterless trap
386249	Label, No storage compartment
386263	Hang tag, Coach-net
386290	Label, Faucet operation
386311	Label, Folding Screen Warning
386306	Label-Travel Warning
386370	Warning Label - Vans
386335	Label- LPG Service Port Atlas
386366	Decal-Warning Auto Gen Start
602189-03	Decal-Exterior Shower
386372	Label, Warning Powered Ottomans

2019 INTERSTATE NINETEEN PLUMBING, LPG

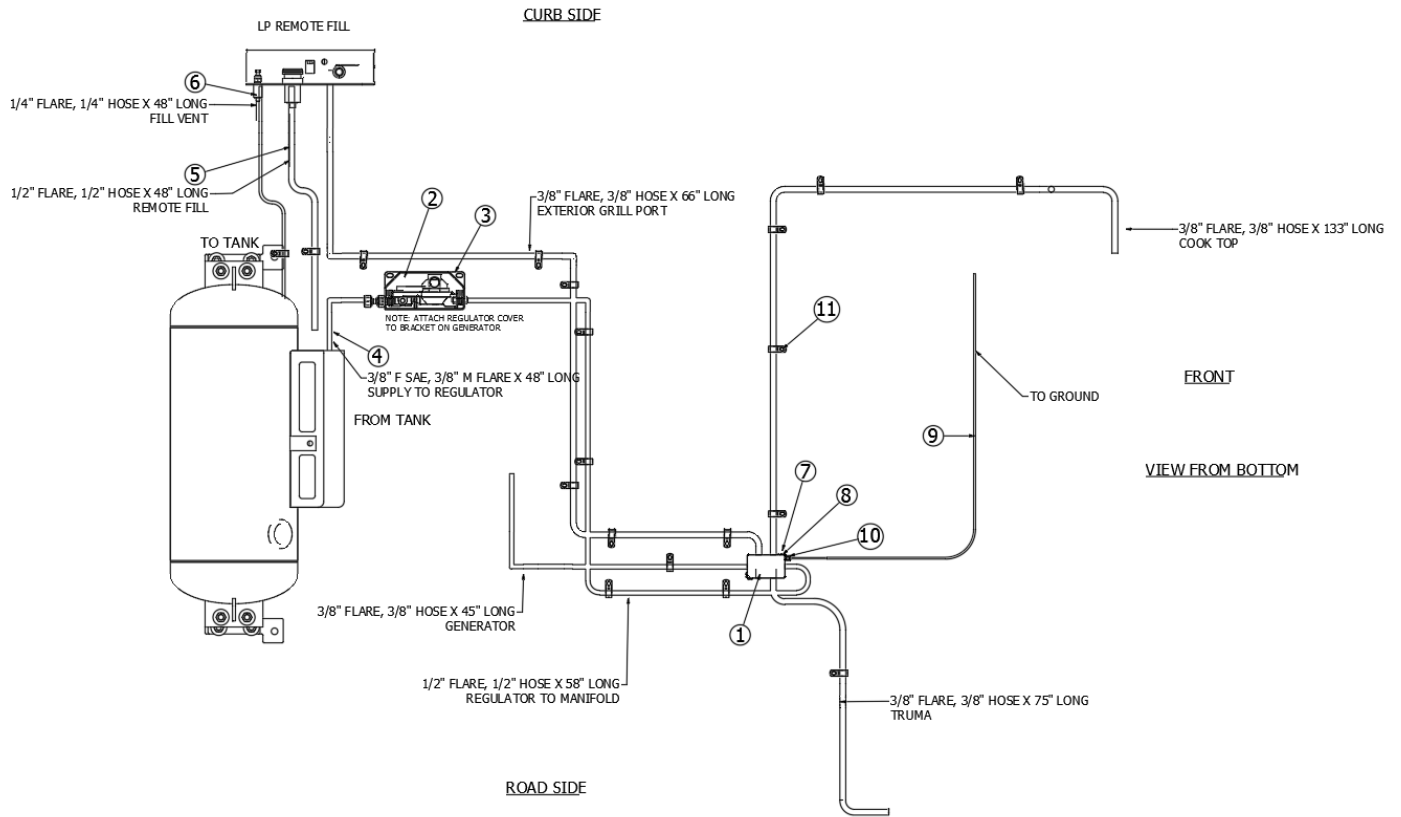
LPG Tank, Mounting Brackets, and Heat Shield



- | | |
|-----------|---------------------------|
| 1. 602753 | LPG tank |
| 2. 455388 | Mounting bracket LPG tank |
| 3. 455389 | Plate Inside Mounting |
| 4. 455464 | Heat shield, LPG tank |
| 203650 | Cover, Remote fill |
| 602753-1 | 90 OHM Sensor, Screw in |

2019 INTERSTATE NINETEEN PLUMBING, LPG

LPG System



943862

LP System

- | | |
|---------------|---|
| 1. 602729 | Flex-Tech LP |
| 2. 943833 | LP Regulator Kit |
| 3. 601875-05 | LP Regulator Cover |
| 4. 602772 | Hose-.3/8 X48" Type II 3/8 Male Flare Fitting |
| 5. 602771 | Hose-.5"X 48" Type III |
| 6. 602770 | Hose-1/4"X48" #III4C48FS4FS4 |
| 7. 350158-01 | Washer, Lock Tooth |
| 8. 320210 | Screw-Self Tap 1/4-14 X 2 HEX |
| 9. 500839 | Wire, 8 gauge, Bare Copper |
| 10. 500038 | Lug, Ground |
| 11. 340085-06 | Clamp, 5/8" Dia |
| 455451 | LP Regulator Bracket |

2019 INTERSTATE NINETEEN PLUMBING, LPG

LPG Remote Fill

455410	LP Remote Fill
203650	Cover, Remote Fill
382158-02	Rod, Threaded ¼-20 x 1.75
382158-01	Knob, Round
380203-02	Hinge Piano, Anodized 7"
386373	Decal, ON/OFF Remote Fill
512434	Switch Heavy Duty 25amp
386238	Label LP Systems

2019 INTERSTATE NINETEEN PLUMBING, FRESH WATER

Faucet and Sink, Galley

602740	Faucet-Dehco Brushed Nickel
602260	Sink SS Single Bowl 13 X 15 X 5
195362-39	Strainer, 2"

Faucet, Wet Bath

602251	Faucet, Pull-out
--------	------------------

Exterior Shower

602288-02	Hose w/sprayer, 15'
602288-01B	Exterior shower box, Black
602288-01S	Exterior shower box, Silver
602288-01W	Exterior shower box, White

City Water Hook-Up

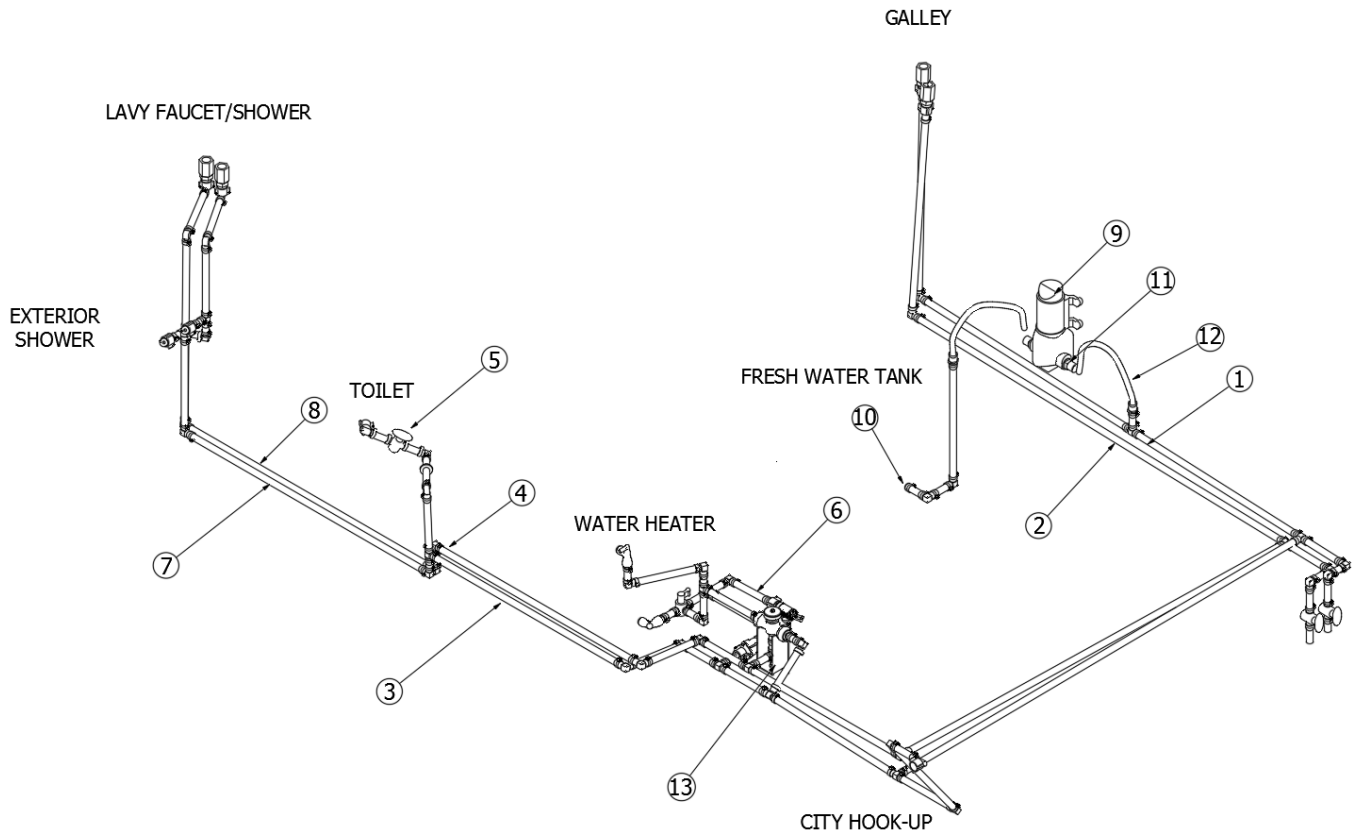
601392-06	City water fill w/regulator, Chrome
602209-04	Hose, Potable water, Clear, 3/4"

Fresh Water Tank and Water Fill

602738	Tank, Fresh water, 20 Gallon
602598-01	Fill-Valterra Gravity, Black
943874	Fresh water tank mounting Bracket Assembly
602800	Water pickup tube
602209-04	Hose, Potable water, Clear, .75" ID
511812	Heating pad
512566-02	Sender Pad, See level
601723	Filter Screen

2019 INTERSTATE NINETEEN PLUMBING, FRESH WATER

Fresh Water Lines

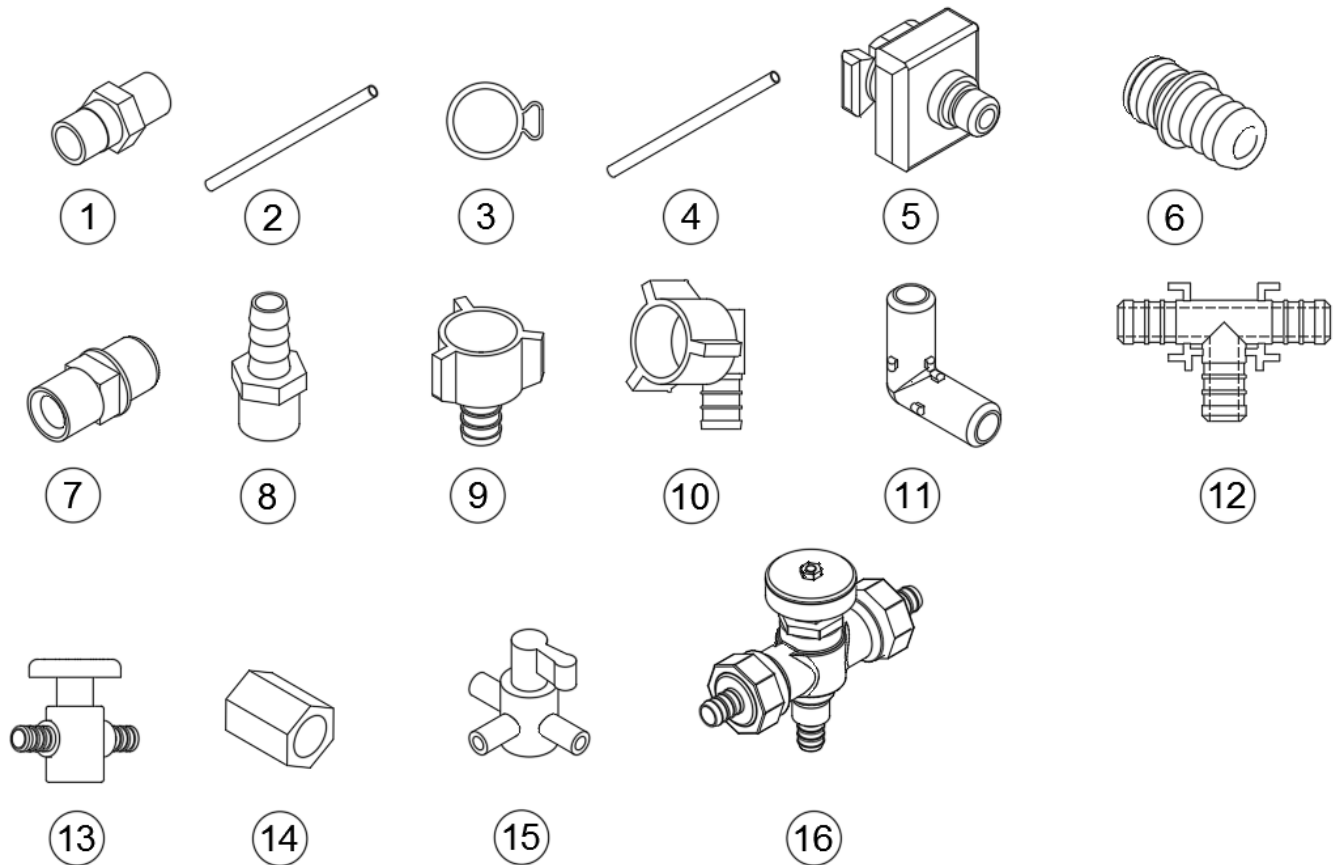


943871 Fresh Water Line System

- | | | |
|-----|-----------|-----------------------------|
| 1. | 943871-1 | Water Lines- CS Cold |
| 2. | 943871-2 | Water Lines- CS Hot |
| 3. | 943871-3 | Water Lines- RS Cold |
| 4. | 943871-4 | Water Lines- RS Hot |
| 5. | 943871-5 | Water Line- Toilet |
| 6. | 943871-6 | Bypass- Water Heater |
| 7. | 943871-7 | Water Lines-Shower Cold |
| 8. | 943871-8 | Water Lines-Shower Hot |
| 9. | 602177-01 | Water Pump, FloJet |
| 10. | 943871-9 | Fresh Water Tank Connection |
| 11. | 602177-04 | Quick Connect Pump |
| 12. | 602186 | Flex Hose, 20" Swivel |
| 13. | 455413 | Heat Regulator Bracket |

2019 INTERSTATE NINETEEN PLUMBING, FRESH WATER

Fresh Water Fittings



- | | |
|---------------|--|
| 1. 602308 | Check valve, .5" MPT x .5" MPT |
| 2. 601698-01 | E-Pex tube, .5" |
| 3. 601698-15 | Crimp ring, .5" E-Pex, .5", Black |
| 4. 601698-21 | E-Pex tube, .5", Red |
| 5. 602177-02 | Strainer, Mini |
| 6. 602177-03 | Pump port, Quick connect, .75" barb |
| 7. 602177-04 | Pump port, Quick connect, .5" barb |
| 8. 602256-02 | Coupler, .5" barb x .5" MPT |
| 9. 602256-03 | Coupler, .5" barb x .5" FPT |
| 10. 602256-05 | Elbow, .5" barb x .5" FPT |
| 11. 602256-10 | Elbow, .5" barb x .5" barb |
| 12. 602256-11 | Tee, .5" x .5" x .5" |
| 13. 602256-22 | Shut-off, .5" barb x .5" barb, Plastic |
| 14. 602256-12 | Adapter-PEX Poly Alloy Female 1/2FPT X 1/2 FPT |
| 15. 602711 | Valve-3 Way Bypass .5"PEX #32788 |
| 16. 602731 | Valve-Tempering .5" PEX Barb #LFP580-4 |
| 382101 | Grommet-Rubber .63ID .88OD#9307K65 |
| 602186 | Flex hose, 20" w/swivel connection |
| 602217 | Rubber washer, Exterior shower |

2019 INTERSTATE NINETEEN PLUMBING, DRAIN

Black and Gray Tanks

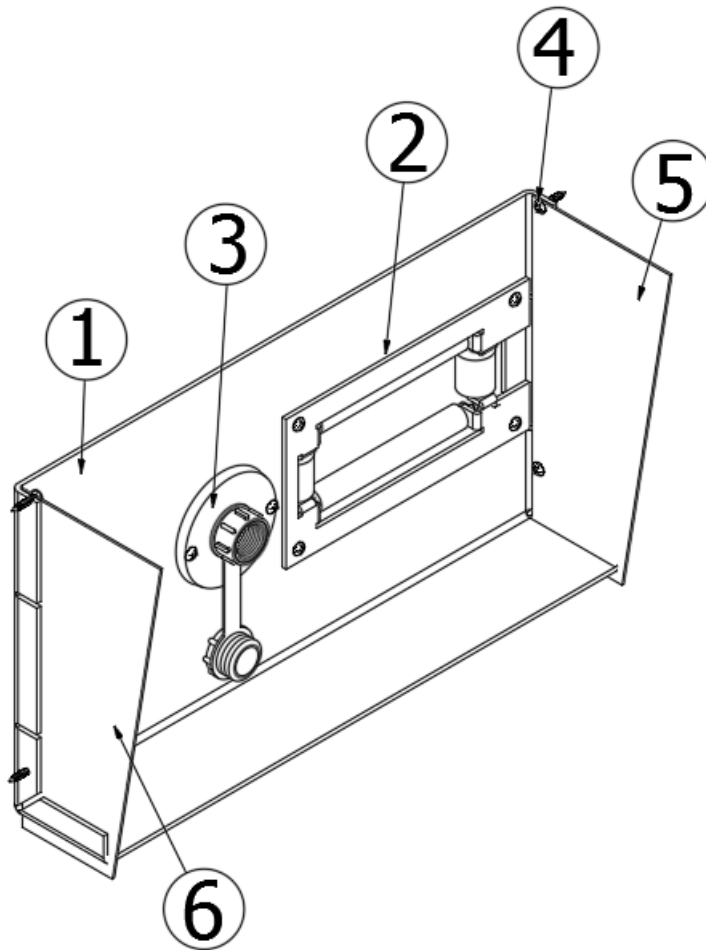
602726	Gray Holding Tank 15 Gallon
602739	Black, Tank 10 Gallon
455379-1	Bracket-Gray Tank
455379-2	Bracket-Gray Tank
455379-3	Bracket-Gray Tank
455379-4	Bracket-Gray Tank
203634	Styrofoam, 1" x 48" x 96"
203045	Styrofoam, 1/4" x 48" x 50'
511812	Heating pad, Holding Tank
513423	Heating pad, Holding Tank, Gray
513374	Waste valve, Electric, 1.5"
512566-02	Sender Pad, See level

Black Tank Flush

601441-02	Black tank flush
601441-101	Black cap w/strap
601441-102	Brass vacuum breaker and valve

2019 INTERSTATE NINETEEN PLUMBING, DRAIN

Macerator Pump System

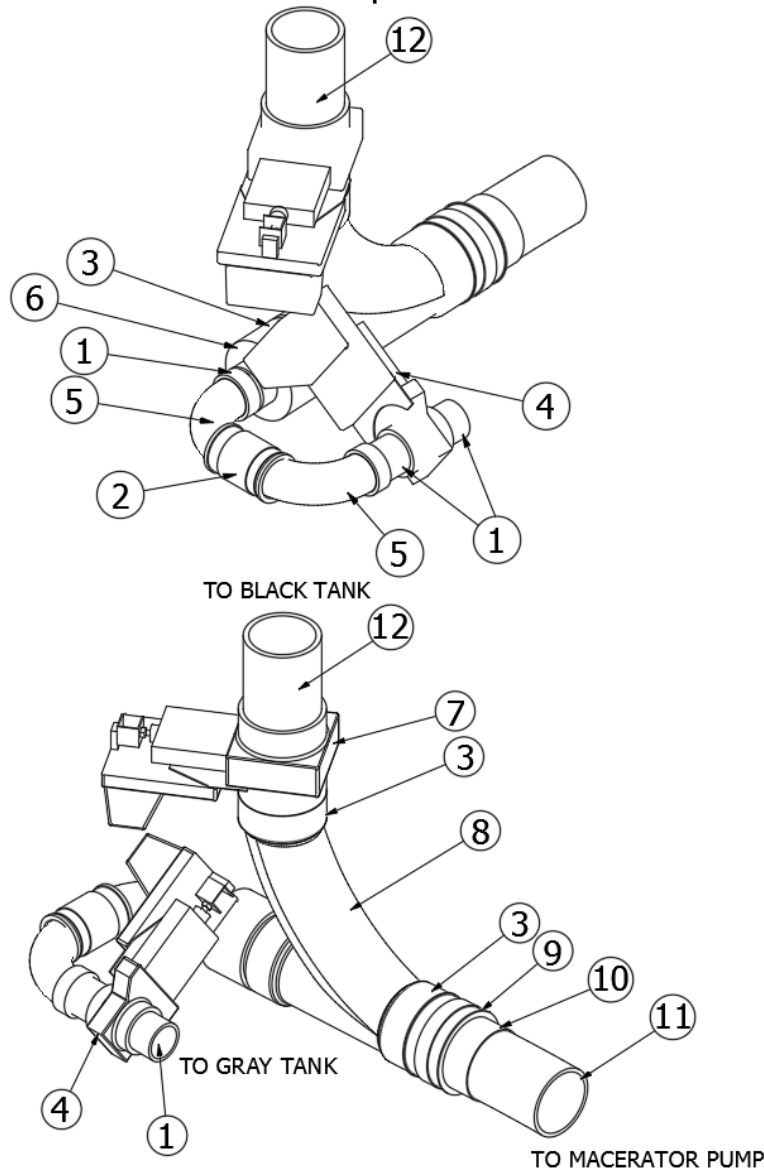


112707 Macerator Pump Closeout

- | | |
|--------------|---|
| 1. 204036 | Closeout, Macerator compartment |
| 2. 512934-02 | Roller guide |
| 3. 601197-02 | Water hook-up, Chrome |
| 4. 320029 | Screw, #8 x 3/4" SS |
| 5. 454724-01 | Side closeout, Macerator compartment |
| 6. 454724-02 | Side closeout, Macerator compartment |
| 512909-01 | Light, Pen LED |
| 512909-02 | Bezel for 512909-01 |
| 513314 | Black/Gray Tank Waste Water Hose Reel |
| 455463 | Hose reel bracket |
| 602176 | Macerator pump |
| 602205-10 | Valve, Drip proof w/2 Adaptor for Hose Reel |
| 513529 | Hose, 32" Macerator Reel Inlet |

2019 INTERSTATE NINETEEN PLUMBING, DRAIN

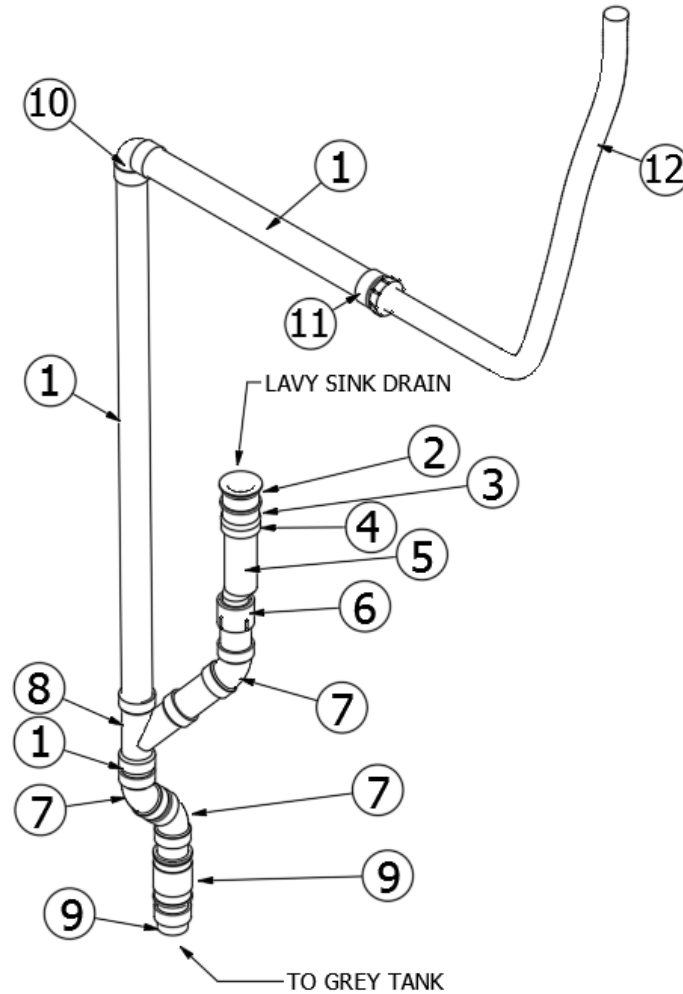
Drain System, From Tanks to Pump



- | | | |
|-----|-----------|--|
| 1. | 601160-02 | Pipe, ABS DVW, 1-1/2" |
| 2. | 602201 | Coupling-Flexible 1.5" |
| 3. | 601160-04 | Pipe, ABS DVW, 3" |
| 4. | 513374 | Dump Valve-1.5" Electric |
| 5. | 600431 | Elbow, 90, 1-1/2 In |
| 6. | 602734 | Reducer-3"X1.5"Socket Female |
| 7. | 512411 | Waste Valve Electric Barker |
| 8. | 600187 | 3"Wye, Comb & 1/8 Bend |
| 9. | 600289 | Calder Coupling 3 in |
| 10. | 602205-04 | Adapter-3" Connector Hose Macerator |
| 11. | 602205-05 | Hose-3"X3' W/Clamps Macerator |
| 12. | 601267-04 | Nipple 3" Diameter Threaded One1 End |
| | 602205-10 | Valve, drip proof, w/2 Adaptor for Reel Hose |

2019 INTERSTATE NINETEEN PLUMBING, DRAIN

Drain System, Shower Drain

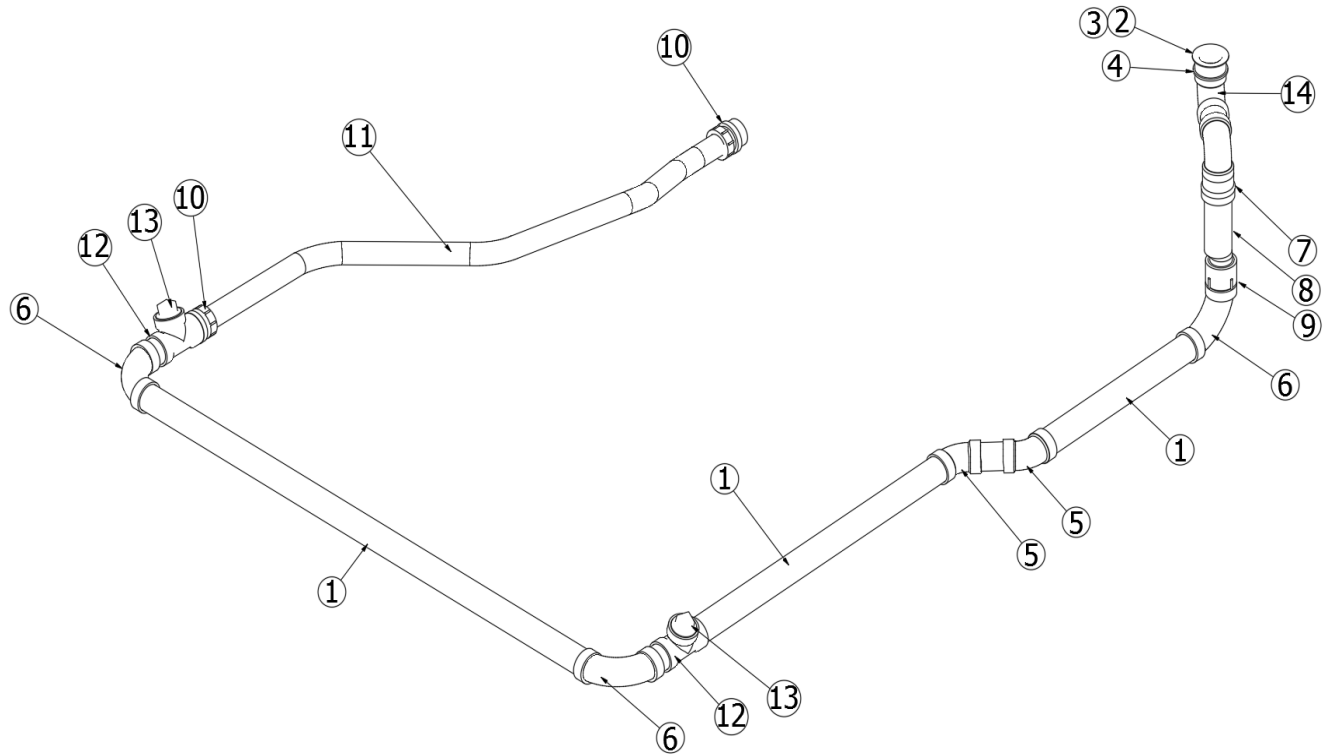


112683 Shower Sink Drain Vent Install

1.	601160-02	Pipe, ABS DVW, 1-1/2"
2.	195362-39	Strainer-Sink 2"
3.	602287-01	Adapter-Swivel 1.5"X1.5" FPT
4.	602214	Adapter-1.5"MPT X 1.5" SLIP PVC
5.	690603-01	Valve-Waste #92010
6.	602212	Adapter-1.5"FPT X 1.5" SLIP PVC
7.	600030	Elbow- ABS 45 Degrees Lg Turn
8.	600094	WYE #2301
9.	602201	Coupling-Flexible 1.5"
10.	600033	Elbow, Vent, 1.50 90 DEG.
11.	602523	Adapter-Trap 1.5" HUB
12.	602524-29	Hose-Flexhaust Flex 29"
	690700	Vent Cap

2019 INTERSTATE NINETEEN PLUMBING, DRAIN

Drain System, Galley

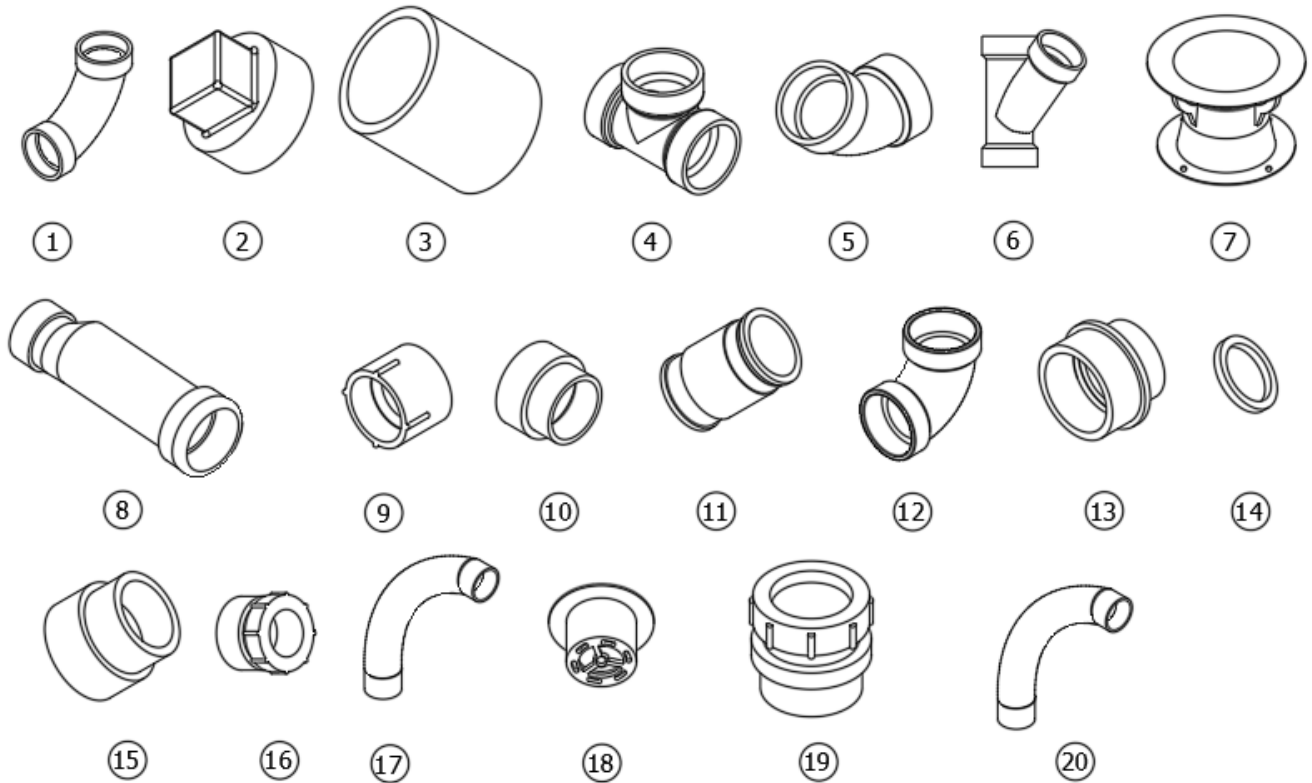


112753 Galley Drain System

- | | | |
|-----|-----------|----------------------------------|
| 1. | 601160-02 | Pipe, ABS DVW, 1-1/2" |
| 2. | 195362-39 | Strainer, Sink 2" |
| 3. | 602287-02 | Rubber Washer, Black 1/2" |
| 4. | 602287-01 | Adapter-Swivel 1.5"X1.5"FPT |
| 5. | 600030 | ELL- ABS 45 DEGREES LG TURN |
| 6. | 600035 | Elbow, 90 Degrees ABS Long Sweep |
| 7. | 602214 | Adapter-1.5"MPT X 1.5"SLIP PVC |
| 8. | 690603-01 | Valve-Waste #92010 |
| 9. | 602212 | Adapter-1.5"FPT X 1.5"SLIP PVC |
| 10. | 602522 | Trap Adapter, Spigot |
| 11. | 602524-62 | DVW Hose |
| 12. | 601318 | Tee Cleanout |
| 13. | 600155 | Cleanout Plug |
| 14. | 601636 | Elbow 90 Degrees Short Sweep |

2019 INTERSTATE NINETEEN PLUMBING, DRAIN

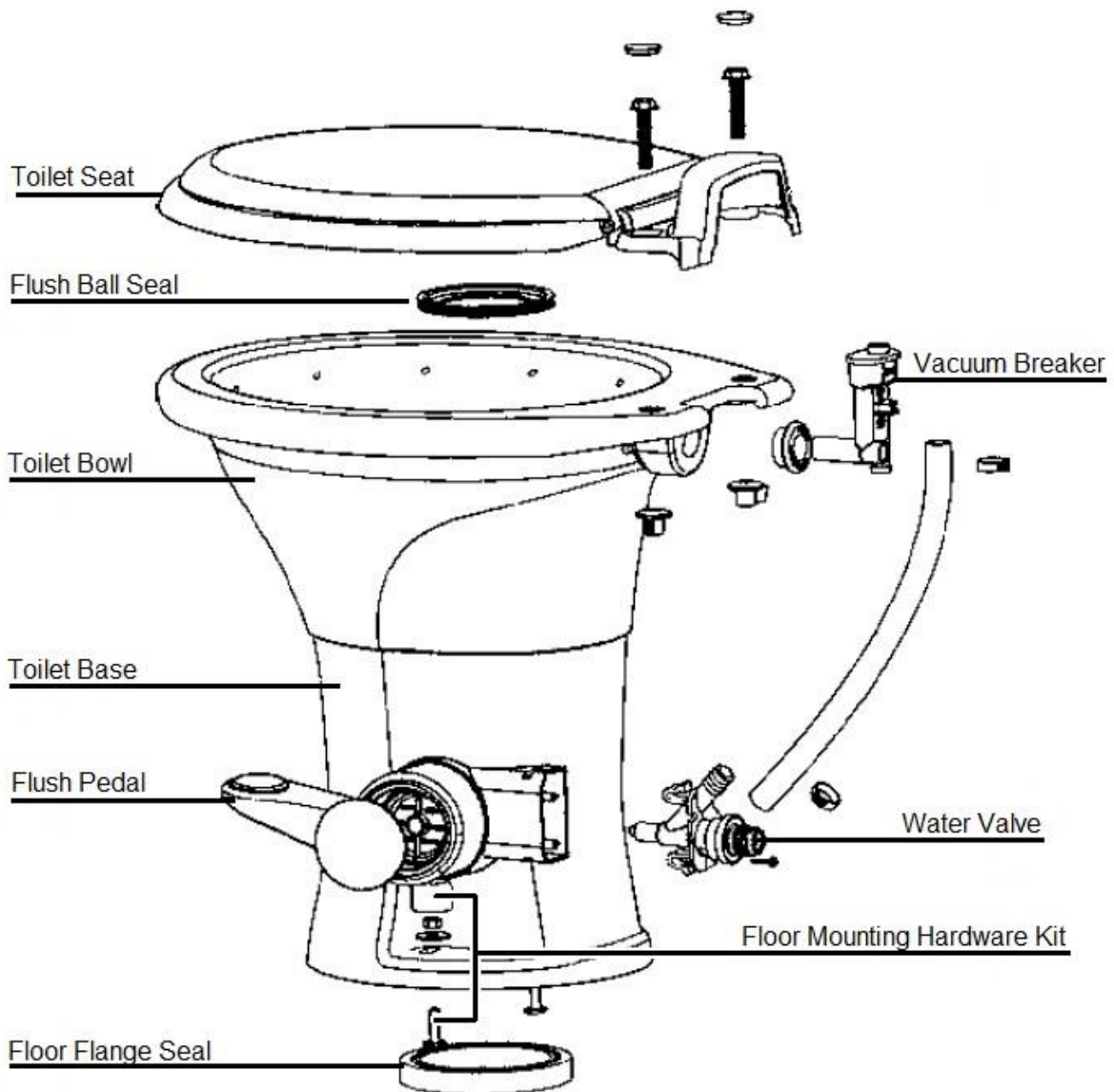
Drain Fittings



- | | | |
|-----|-----------|-------------------------------------|
| 1. | 600035 | Elbow, 1.5", 90°, Long sweep |
| 2. | 600155 | Plug, 1.5" |
| 3. | 601160-02 | Pipe, ABS DVW, 1.5" |
| 4. | 601318 | Tee, Bi-directional clean out, 1.5" |
| 5. | 600030 | Elbow, ABS, 45°, Long turn |
| 6. | 600094 | Wye |
| 7. | 690700-02 | Tank vent cap, Black |
| 8. | 690603-01 | Waste valve, Hepvo |
| 9. | 602212 | Adapter, 1.5" FPT x 1.5", Slip, PVC |
| 10. | 602214 | Adapter, 1.5" MPT x 1.5", Slip PVC |
| 11. | 602201 | Flexible coupling, 1.5" |
| 12. | 601636 | Elbow, 90°, 1.5" |
| 13. | 602287-01 | Adapter, Swivel, 1.5" x 1.5" |
| 14. | 602287-02 | Rubber washer |
| 15. | 601676 | Adapter, Threaded, 1.5" male |
| 16. | 602523 | Adapter-Trap 1.5" HUB #5801-7 |
| 17. | 602524-29 | Hose-Flexhaust Flex 29" |
| 18. | 195362-39 | 2" Strainer, Model # 7466JR |
| 19. | 602522 | Adapter- Trap 1.5" SPG #5801-2-7 |
| 20. | 602524-62 | Hose-Flexhaust Flex 62" |

2019 INTERSTATE NINETEEN PLUMBING, DRAIN

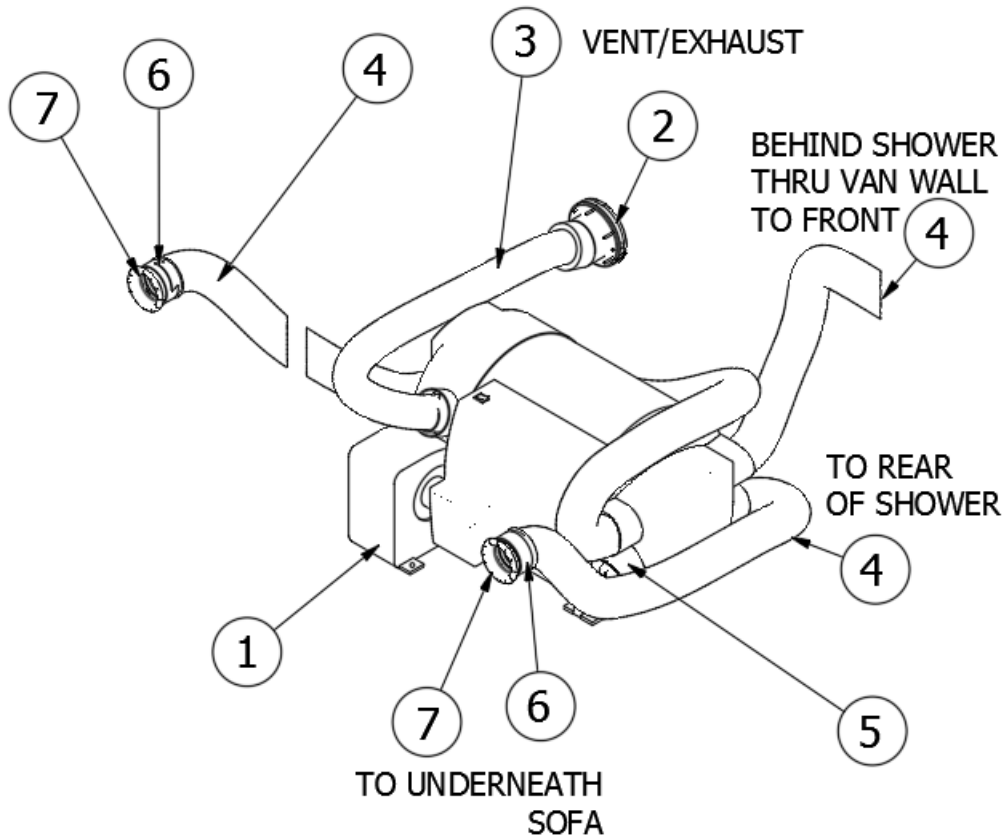
Toilet



690707 Toilet, Dometic 301, Short height, White

2019 INTERSTATE NINETEEN PLUMBING, HEATING SYSTEM

Heat System



- | | |
|--------------|----------------------------|
| 1. 690705 | Combo Eco Plus, Truma |
| 2. 690704-26 | Cowl-Wall Inner |
| 690704-27 | Cowl-Wall Outer Part Black |
| 3. 690704-05 | Truma Exhaust Duct 55mm |
| 4. 690704-06 | Truma duct, 65mm |
| 5. 690704-15 | Blank cover |
| 6. 690704-09 | End outlet nut |
| 7. 690704-10 | End outlet, Black |

2019 INTERSTATE NINETEEN SEALERS AND GASKETS

Sealers

360323	Sealant, Sikaflex, White
360323-01	Sealant, Sikaflex, Black
360324	Sika Lick, Spray bottle
360180	Adhesive Seal, Sikaflex 221
365330-01	Sealant, RTV Silicone, White
360209	Sealant, Acryl-R seam sealant, Aluminum
360209-03	Sealant, Acryl-R seam sealant, Black
365285	Seamfill, Stain stick, Cherry
360074	Sealant, GE RTV 102, White
360255-04	Sealer, Anti-wick
365356-01	Sealant, White
365356-02	Sealant, Gray

Gaskets

365433-01	Gasket-D-Seal .5 X .505
365185-20	Gasket tape, 2", Black tank
382337	Gasket, Corlon vent cap
365388	Gasket, Rear view mirror
382467	Gasket kit
382467-01	Gasket, Exhaust fan
382467-02	Gasket, Tank vent
382467-03	Gasket, Radio antenna
382467-04	Gasket, Double solar
382467-05	Gasket, Dual cable entry
382467-06	Gasket, Bath fan
382467-07	Gasket, TV antenna
382467-08	Gasket, Single solar

Undercoating

360327	Undercoating, 17 Oz. Aerosol can
--------	----------------------------------

2019 INTERSTATE NINETEEN UPHOLSTERY, ULTRALEATHER, PILLOWS

Captain's Chairs, Cabin

704572BT-D	Driver Seat, Black Tar
704572MN-D	Driver Seat, Moon
704572OY-D	Driver Seat, Oyster
704572BT-P	Passenger Seat, Black Tar
704572MN-P	Passenger Seat, Moon
704572OY-P	Passenger Seat, Oyster
704573BT	Pedestal Cover Driver, Seat Black Tar
704573MN	Pedestal Cover Driver, Seat Moon
704573OY	Pedestal Cover Driver, Seat Oyster
704574BT	Pedestal Cover Pass Seat, Black Tar
704574MN	Pedestal Cover Pass Seat, Moon
704574OY	Pedestal Cover Pass Seat, Oyster

Cab captain's chairs come with the chassis. Airstream sends the chairs out to be recovered to match the motorhome color scheme.

Sofa, Power

704508BT	Sofa Power - Tar
704508MN	Sofa Power Moon
704508OY	Sofa Power Oyster

Ottomans

704570BT	Ottoman - RS Black Tar
704570MN	Ottoman - RS Moon
704570OY	Ottoman - RS Oyster
704571BT	Ottoman - CS Black Tar
704571MN	Ottoman - CS Moon
704571OY	Ottoman - CS Oyster

Pillows

704443	Throw pillow w/trim, 17 x 17
--------	------------------------------

2019 INTERSTATE NINETEEN UPHOLSTERY, ULTRALEATHER

Décor Boards

Interior Décor

Columbian Walnut



Ultraleather® Seating Choice



Countertop



Flooring



Cabinetry

Light Camel



Ultraleather® Seating Choice



Countertop



Flooring



Cabinetry

Beach Wood



Ultraleather® Seating Choice



Countertop



Flooring



Cabinetry

2019 INTERSTATE NINETEEN VENTS AND FANS

Black Tank Vent

690700-02 Tank vent cap, Black
382337 Gasket, Vent cap

Bath Vent

690266-04 Vent w/2" White garnish
203639 Ceiling spacer, Bath vent

Exhaust Fan

513172 Fantastic fan vent, RVC
382467-01 Gasket, Exhaust fan
115403 Vent frame, Roof

2019 INTERSTATE NINETEEN PANELING, EDGEBANDING, LAUAN

Paneling

801438	Lauan, 2.7mm, Frost White/Raw
801392	Paneling, Pre-laminated, 12mm, White liner/White liner
801833-01	Laminate, Vertical, Asian Sand
801869-01	Paneling, Pre-laminated, 18mm, A. Sand/A. Sand
801841-01	Paneling, Pre-laminated, 12mm, A. Sand/A. Sand
801982-01	Laminate, Vertical, C. Walnut
801983-01	Paneling, Pre-laminated, 18mm, C. Walnut/C. Walnut
801984-01	Paneling, Pre-laminated, 12mm, C. Walnut/C. Walnut
802082	Laminate, Vertical, Lt Walnut
802086	Paneling, Pre-laminated, 12mm, Lt Walnut/Lt Walnut
802087	Paneling, Pre-laminated, 18mm, Lt Walnut/Lt Walnut

Edgebanding

365344-01	Edgebanding, .63", Pearl Bisque
365344-02	Edgebanding, .94", Pearl Bisque
365379-01	Edgebanding, .63", Walnut
365379-02	Edgebanding, .94", Walnut
365398-01	Edgebanding, .63", Light Walnut
365398-02	Edgebanding, .94", Light Walnut

Lauan

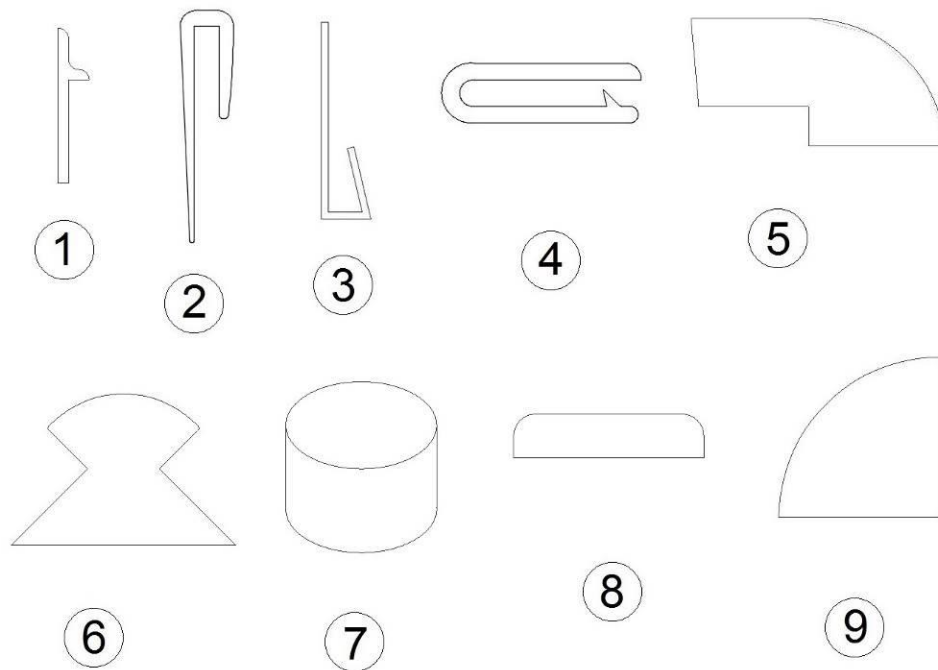
800507-01	Lauan, 1/8 x 4' x 8'
800507-02	Lauan, 1/4 x 4' x 8'
800507-03	Lauan, 3/8 x 4' x 8'

Plywood

800506-04	Plywood, .5 x 4' x 8'
801351	Plywood, Lite, .75 x 4' x 8'
801345	Radius plywood, .75 x 3" x 8'

2019 INTERSTATE NINETEEN TRIMS

Trim



- | | |
|----------------|---|
| 1. 115064 | Trim, Aluminum counter top |
| 2. 114070 | J-trim, Extrusion, Mill finish |
| 3. 201666-01 | J-molding, 3/16", White |
| 4. 203225-01 | Trim lock, .75", Gray |
| 5. 801706-0018 | Corner trim, 90°, 1" radius, Asian Sand |
| 801706-002 | Corner trim, 90°, 1" radius, Walnut |
| 801706-0033 | Corner trim, 90°, 1" radius, Beachwood |
| 6. 801415-0018 | Corner trim, 45°, 1" radius, Asian Sand |
| 801415-002 | Corner trim, 45°, 1" radius, Walnut |
| 801415-0033 | Corner trim, 45°, 1" radius, Beachwood |
| 7. 801818-0018 | Wood plug, 3/8", Tapered, Asian Sand |
| 801818-002 | Wood plug, 3/8", Tapered, Walnut |
| 801818-0033 | Wood plug, 3/8", Tapered, Beachwood |
| 8. 800573-0118 | Flat molding, Asian Sand |
| 800573-012 | Flat molding, Walnut |
| 800573-0133 | Flat molding, Beachwood |
| 9. 800638-0118 | Molding, Quarter round, .5", Asian Sand |
| 800638-0102 | Molding, Quarter round, .5", Walnut |
| 800638-0133 | Molding, Quarter round, .5", Beachwood |
| 203462-01 | Screw cap cover, PVC, Light Gray |
| 203462-0118 | Screw cap cover, PVC, Lt. Camel |
| 203462-012 | Screw cap cover, PVC, Walnut |
| 203462-0133 | Screw cap cover, PVC, Beachwood |
| 203462-02 | Screw cap cover, PVC, Dark Gray |
| 203440 | T-molding, 13/16", Black Embossed |
| 203445-01 | T-molding, 9/16", White |