

adventure, inspired by
 **AIRSTREAM**

2020 CARAVEL Parts Book



2020 CARAVEL

SECTION I

APPLIANCES

<u>Air Conditioner</u>	I-1
<u>Air Conditioner Drain Kit</u>	I-1
<u>Furnace</u>	I-1
<u>Water Heater</u>	I-1
<u>Microwaves</u>	I-2
<u>Range and Cooktop</u>	I-2
<u>Refrigerators</u>	I-2

EXTERIOR SHELL

<u>Front End Shells All Models</u>	I-3
<u>Aft End, 16'</u>	I-5
<u>Aft End, 19'</u>	I-7
<u>Aft End, 20'</u>	I-9
<u>Aft End, 22FB</u>	I-11
<u>Wall, RS, 16'</u>	I-13
<u>Wall, CS, 16'</u>	I-15
<u>Wall, RS, 19'</u>	I-17
<u>Wall, CS, 19'</u>	I-19
<u>Wall, RS, 20'</u>	I-21
<u>Wall, CS, 20'</u>	I-23
<u>Wall, RS, 22FB</u>	I-25
<u>Wall, CS, 22FB</u>	I-27
<u>Roof</u>	I-29
<u>Underbelly Skin and Wraps</u>	I-30
<u>Body and Wrap Protectors</u>	I-30

INTERIOR SHELL

<u>Interior Skin</u>	I-31
<u>Wheel Well Insulator</u>	I-31
<u>Main Door Threshold</u>	I-31
<u>Galley Backsplash</u>	I-31

2020 CARAVEL

SECTION II

CHASSIS

<u>Axles</u>	II-1
<u>Tires and Wheels</u>	II-1
<u>Hitch Coupler</u>	II-1
<u>Spare Tire Carrier</u>	II-1
<u>Entry Step</u>	II-1
<u>Hose Carrier</u>	II-2
<u>Hitch Jack</u>	II-2
<u>Stabilizing Jacks</u>	II-2

DECALS, EXTERIOR TRIM

<u>Decals, Logos, and Nameplates</u>	II-3
<u>Belt Line Trim</u>	II-3
<u>Rub Rail Trim</u>	II-3
<u>Reflectors</u>	II-3

DOORS, WINDOWS, AWNINGS

<u>Main Door, LH Hinge</u>	II-4
<u>Main Door, RH Hinge</u>	II-6
<u>Screen Door</u>	II-8
<u>Access Doors</u>	II-10
<u>Windows and Screens</u>	II-12
<u>Window Stone Guards</u>	II-12
<u>Window Trim</u>	II-13
<u>Panoramic Window Trim</u>	II-13
<u>Awnings</u>	II-14

CURTAINS AND BLINDS

<u>Curtains and Blinds</u>	II-15
<u>Curtains and Blinds Hardware</u>	II-19

2020 CARAVEL

SECTION II

ELECTRICAL

110 Volt

<u>Shore Line Cord</u>	II-20
<u>Converter</u>	II-20
<u>Breakers</u>	II-20
<u>Junction Boxes</u>	II-20
<u>Receptacles</u>	II-20

12 Volt

<u>Battery and Battery Box</u>	II-21
<u>7-Way Cable</u>	II-21
<u>Switches and USB Ports</u>	II-21
<u>Battery Disconnect</u>	II-22
<u>Breakaway Switch</u>	II-22
<u>Monitor System</u>	II-22
<u>Breakers</u>	II-22
<u>Fuses</u>	II-22
<u>Solar Panel System</u>	II-22
<u>Interior Lights</u>	II-23
<u>Exterior Lights</u>	II-23
<u>Tail Light Assembly</u>	II-23
<u>Wireless Backup Camera</u>	II-23

ENTERTAINMENT

<u>Audio</u>	II-24
<u>Video</u>	II-24
<u>TV Install</u>	II-24

2020 CARAVEL

SECTION III

FLOOR COVERING

<u>Floor Mats</u>	III-1
<u>Vinyl Flooring</u>	III-1

FURNITURE

INTERIOR DOORS

<u>Roof Lockers</u>	III-2
<u>Foldette</u>	III-2
<u>Shower</u>	III-2

BEDROOM

<u>Beds</u>	III-3
<u>Privacy Panels</u>	III-11
<u>Hamper and Headboard</u>	III-12
<u>Wardrobes</u>	III-16
<u>Roof Lockers</u>	III-23

LAVATORY

<u>Bath Module</u>	III-26
<u>Shower Compartment</u>	III-35
<u>Lavatory Cabinets</u>	III-36
<u>Medicine Cabinet</u>	III-41

2020 CARAVEL

SECTION III

GALLEY

<u>Galley Cabinets 16'</u>	III-42
<u>Galley Cabinets 19'</u>	III-45
<u>Galley Cabinets 20'</u>	III-54
<u>Galley Cabinets 22'</u>	III-61
<u>Roof Lockers</u>	III-70

LOUNGE

<u>Dinette Seats, 16'</u>	III-80
<u>Dinette Seats, 19'</u>	III-80
<u>Dinette Seats, 20'</u>	III-83
<u>Dinette Seats, 22'</u>	III-85
<u>Dinette Tables</u>	III-88
<u>Magazine Rack</u>	III-90

HARDWARE

<u>Main Door Lock</u>	III-91
<u>Exterior Latches, Locks, and Handles</u>	III-93
<u>Interior Latches and Handles</u>	III-94
<u>Head knocker, Rubber Bumpers, and Screw Caps</u>	III-95
<u>Interior Hinges</u>	III-95
<u>Exterior Hinges</u>	III-95
<u>Bathroom Accessories</u>	III-96
<u>Clothesline</u>	III-96
<u>Wardrobe Clothes Rod</u>	III-96
<u>Sewer Hose Clamp and Key Holder</u>	III-96
<u>Awning Hardware</u>	III-97
<u>Rivets</u>	III-99
<u>Screws</u>	III-99

SAFETY EQUIPMENT

<u>Detectors and Fire Extinguishers</u>	III-100
---	---------

LABELS AND TAGS

<u>Labels and Tags</u>	III-101
------------------------------	---------

2020 CARAVEL

SECTION IV

PLUMBING

LPG SYSTEM

<u>LP Tanks and Regulator</u>	IV-1
<u>LP Tank Cover</u>	IV-1
<u>Exterior Propane Port</u>	IV-2
<u>LPG Systems</u>	IV-3

FRESH WATER

<u>Faucets</u>	IV-7
<u>City Water Hook-Up</u>	IV-7
<u>Fresh Water Tank Fill</u>	IV-7
<u>Water Pump</u>	IV-7
<u>Fresh Water Tank 16'</u>	IV-7
<u>Fresh Water Tanks</u>	IV-7
<u>Fresh Water Fittings</u>	IV-8
<u>Fresh Water Systems</u>	IV-9
<u>Winterization Kit</u>	IV-13

DRAIN SYSTEM

<u>Sinks and Shower</u>	IV-14
<u>Black and Grey Tanks</u>	IV-14
<u>Black Tank Flush</u>	IV-14
<u>Drains, Above Floor</u>	IV-15
<u>Drain Valves</u>	IV-21
<u>Drain Fittings</u>	IV-25
<u>Toilets</u>	IV-26

SEALERS AND GASKETS

<u>Sealers</u>	IV-28
<u>Gaskets</u>	IV-28

2020 CARAVEL

SECTION IV

BEDDING, MATTRESSES

<u>Pillow Kits</u>	IV-29
<u>Mattress</u>	IV-29

UPHOLSTERY, FOAM, ULTRALEATHER

<u>Dinette Seat Cushions, Ultraleather Kits, 16', 19'</u>	IV-30
<u>Dinette Seat Cushions, Ultraleather Kits, 20'</u>	IV-31
<u>Dinette Seat Cushions, Ultraleather Kit, 22'</u>	IV-32
<u>Décor Boards</u>	IV-33

VENTS, FANS, SKYLIGHT

<u>Vent, Black Tank</u>	IV-35
<u>Vent, Roof</u>	IV-35
<u>Exhaust Fan</u>	IV-35

PANELING, EDGEBANDING, LAUAN

<u>Plywood</u>	IV-36
<u>Paneling</u>	IV-36
<u>Edgebanding</u>	IV-36
<u>Lauan</u>	IV-36

TRIMS

<u>Trim</u>	IV-37
-------------------	-------

2020 CARAVEL APPLIANCES

Air Conditioners

690323-47	Air conditioner w/heat pump, 13,500 BTU
690323-52	Comfort Control Center, Black #3314082
382606-01	Register-Ac - Adjustable Brushed
690380-10	Air box/shroud, Interior, White
690380-11	Duct adapter, Use w/690380-10
382341	Grill, Return air, Snap-in
382342	Filter, Wire mesh

Air Conditioner Drain Kit

203724	Kit, A/C drain
203722	Gasket, A/C drain

Furnace

690663-01	Furnace, 12K BTU, 16'
690663-02	Furnace, 16K BTU, 19'
690663-03	Furnace, 18K BTU, 20' 22'
690663-04	Direct vent kit, 16'
690663-06	Furnace exterior door & bezel, Painted Aluminum
600247	Hose, 4", Flex heat duct
600193	Hose, 2", Flex heat duct
600526	Flange, 4"
602394-01	Register w/ 4" duct
601348	Tee, Heat duct

Water Heater

690602	Water Heater-6 Gal Gas/Elec, Caravel
690489-102	Circuit Board, Combo
091160	Heating Element, Iiov, Water Heater
690671	Water heater access cover, Painted
381648	Cover latch hole, Water heater
382262	Gasket, Water heater
965935	Water heater stand, 16'
967194	Water heater stand

2020 CARAVEL APPLIANCES

Microwave

690648-03	Microwave, .7 CF, Contoure, Stainless Steel
690648-04	Microwave Bezel, Flush Mount
690683-01	Microwave- Danby .9 CF #EM925RNE – Standard
690728-01	Convection Microwave, 1.1 CF
690728-02	Trim Kit- Micro SS #TK-200S SS

Range and Cooktop

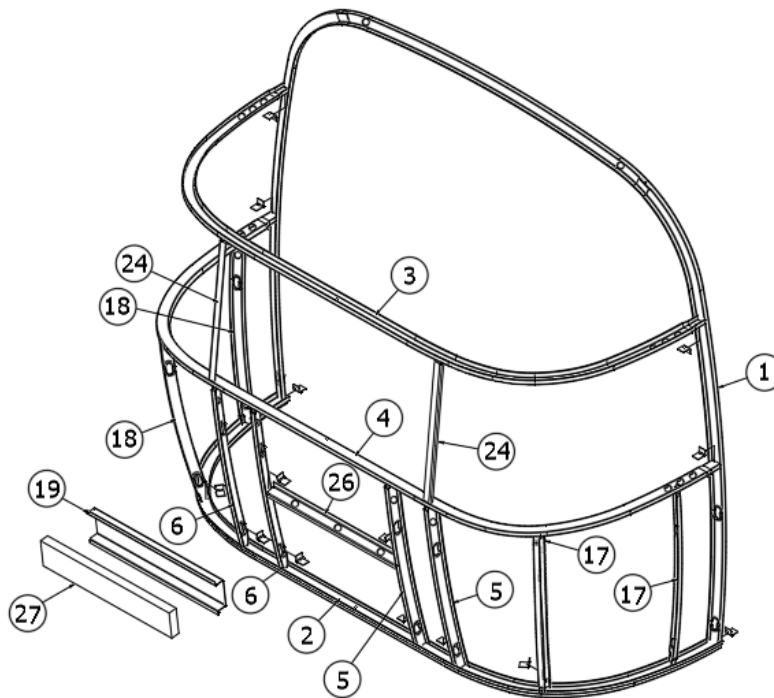
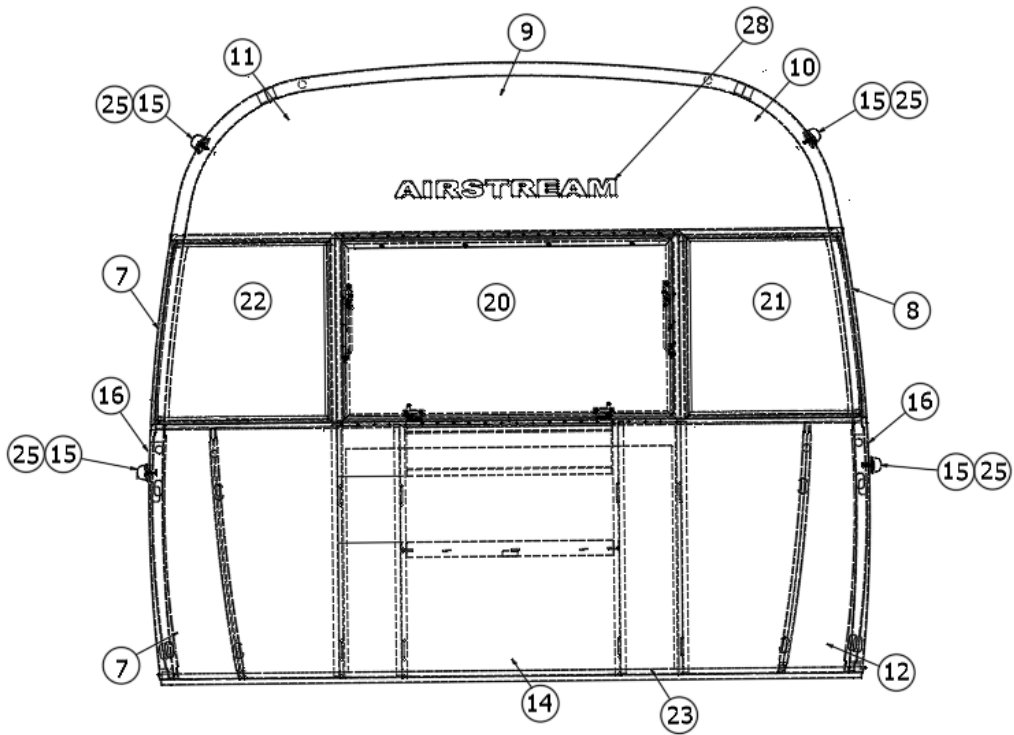
690738	Cooktop, Stove, 16', 19'
690739	Cooktop-Drop In 3 Burner - 20',22'
690744	Baraldi Swing Flat Range Hood

Refrigerators

690599-01	Refrigerator NovaKool 3.1 RH, 16' Caravel
690736-01	Refrigerator, NovaKool RH, 19'
690736	Refrigerator - Nova Kool, 4.3 CU.FT., 20', 22'
386206	Louvered Vent, Electric Refrigerator

2020 CARAVEL EXTERIOR SHELL

Front End, All Lengths



Parts Listed on Next Page

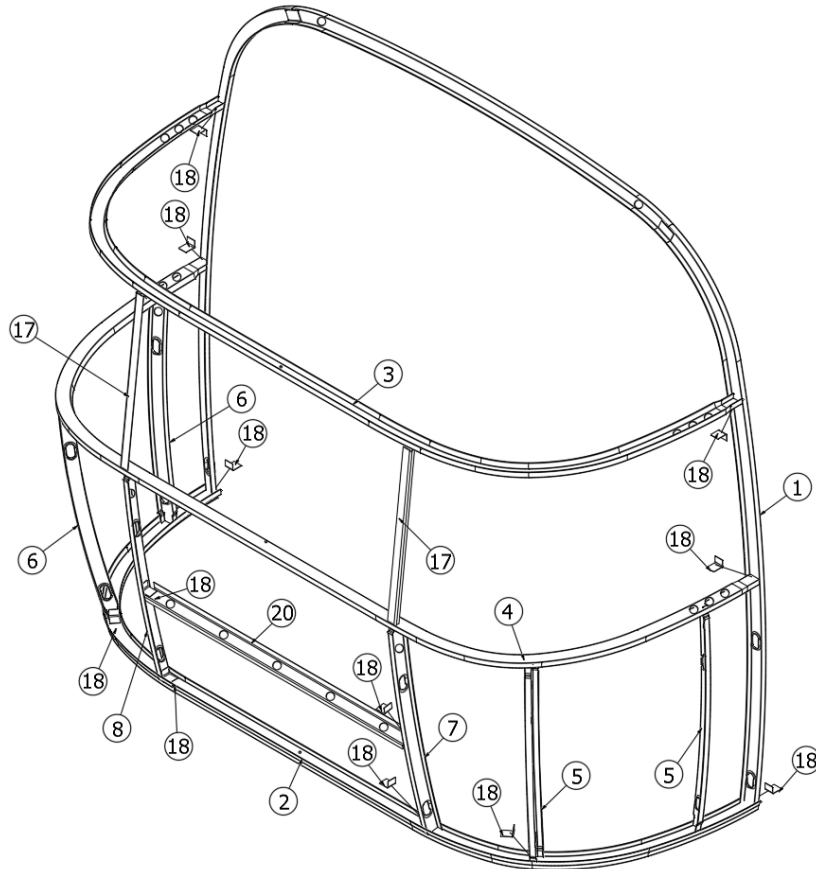
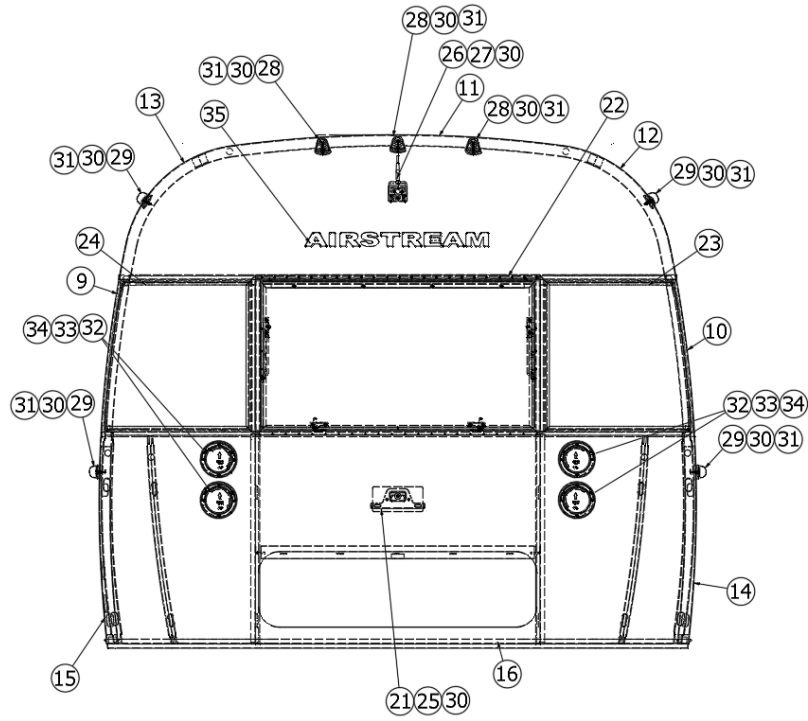
2020 CARAVEL EXTERIOR SHELL

Front End, All Lengths

1.	114994	Weldment, 0 Bow, Narrow body
2.	104463	Floor Bow, Narrow Body
3.	115480	Upper Window Bow, Narrow Body
4.	104343	Lower Window Bow, Narrow Body
5.	114505-01	Support, Lower end shell LH
6.	114505-02	Support, Lower End shell, RH
7.	114888	Segment-Center Left "Bright"
8.	114889	Segment-Center Right "Bright"
9.	114892	Segment #25 Narrow Bright
10.	114890	Segment-#26 "Bright"
11.	114891	Segment-#27 "Bright"
12.	114894	Segment-#28 "Bright"
13.	114895	Segment-#29 "Bright"
14.	116039	Exterior Plate - Front End Shell
15.	512859	Clearance Light, Amber
16.	115669	End Shell Backer Plate
17.	101315-01	Brace, Vertical, Rear LH
18.	101315-02	Brace, Vertical, Rear RH
19.	453629	Hat Section, Table Support
20.	371328	Window, Flat Narrow body Front
21.	372088	Window Corner Wrap RS Front
22.	372089	Window Corner Wrap CS Front
23.	116040	Narrow Body, Front liner
24.	454910	Support, Wrap Window
25.	382389	Clearance light Gasket
26.	116037	Z-Bar Horizontal Frame 27.25"
27.	204059	Styrofoam block, Hat Section
28.	386272	Legend, Airstream Large Black Chrome

2020 CARAVEL EXTERIOR SHELL

Aft End, 16'



Parts Listed on Next Page

2020 CARAVEL EXTERIOR SHELL

Aft End, 16'

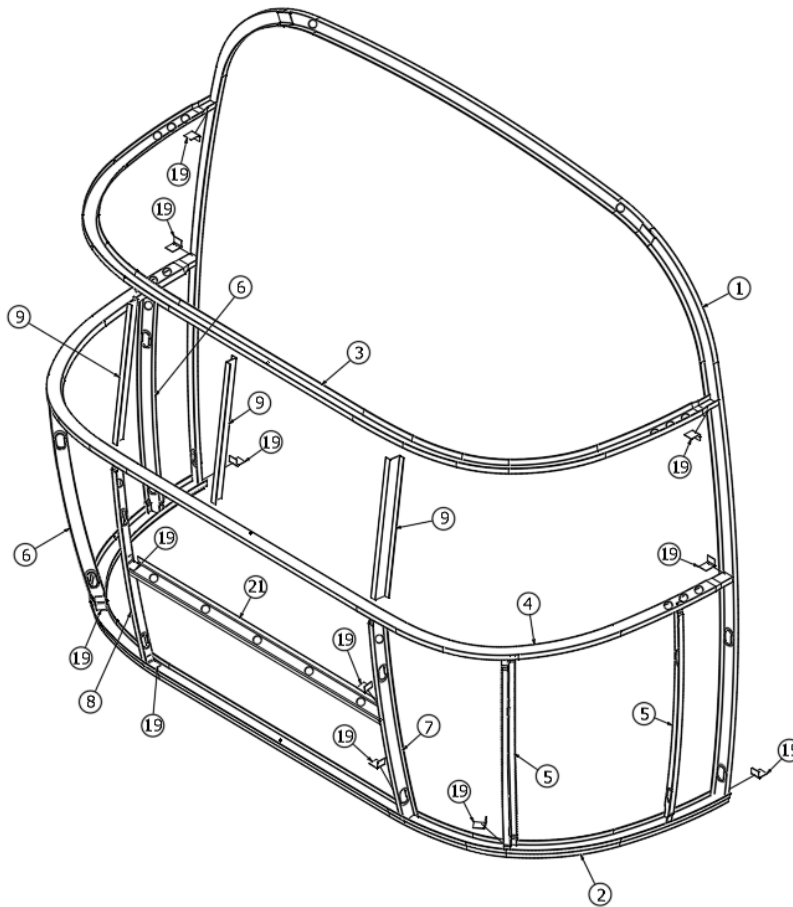
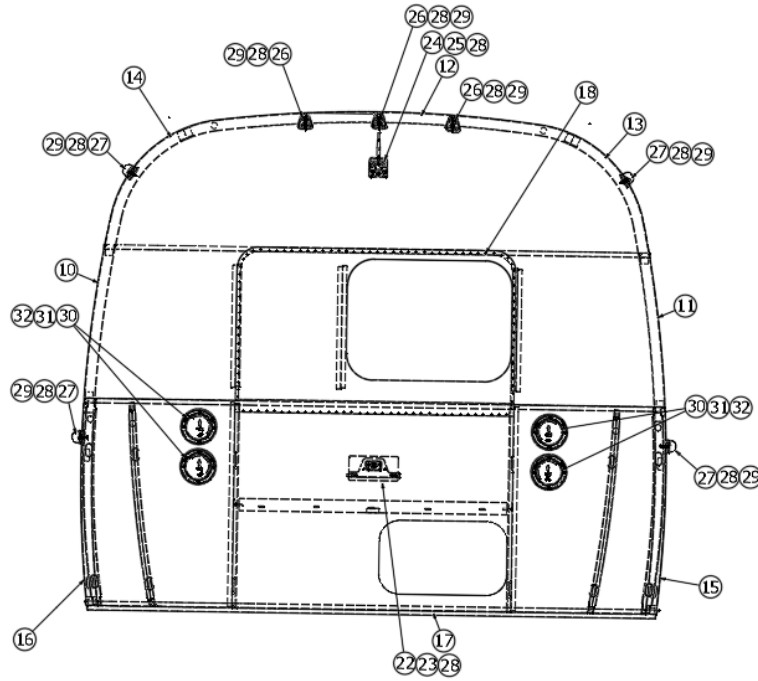
923428

End Shell, Rear

1. 114994 Zero bow, NB
2. 104463 Floor bow, NB
3. 115480 Upper window bow
4. 104343 Lower window bow
5. 101315-01 Brace, Vertical Rear, LH
6. 101315-02 Brace, Vertical Rear, RH
7. 114505-01 Support, Lower End Shell, LH
8. 114505-02 Support, Lower End Shell, RH
9. 114888 Segment, Center left
10. 114889 Segment, Center right
11. 114892 Segment, #25 narrow
12. 114890 Segment, #26
13. 114891 Segment, #27
14. 114894 Segment, #28
15. 114895 Segment, #29
16. 116071 Exterior Plate, Rear Lower, Large Door
17. 454910 Support, Wrap Window
18. 114813-01 Angle-1.00 X 1.25 X 1.50
19. 115699 End Shell Backer Plate
20. 116038 Z-Bar Horizontal Frame
21. 116045 Backer License Plate.
22. 371328-01 Window Rear Sq. Corners R. Handles
23. 372088-100 Window Corner Wrap, CS Rear
24. 372089-100 Window Corner Wrap, RS Rear
25. 512409 Holder-License Plate Led Blk, Plastic
26. 512946-01 Observation System-Digital Wireless Kit
27. 365392 Gasket-Backup Camera
28. 512928 Light-Clearance W/Curved Bezel
29. 512860 Light-Clearance Red
30. 382225 Grommet, Black 1/2" OD
31. 382389 Gasket-Clearance Light
32. 511860-01 Light-4" Led Red
33. 381873 Gasket - Taillight
34. 513099 Bezel, 4" Chrome W/Visor
35. 386272 Decal-Airstream 2.4x29.19 Black Chrome

2020 CARAVEL EXTERIOR SHELL

Aft End, 19'



Parts Listed on Next Page

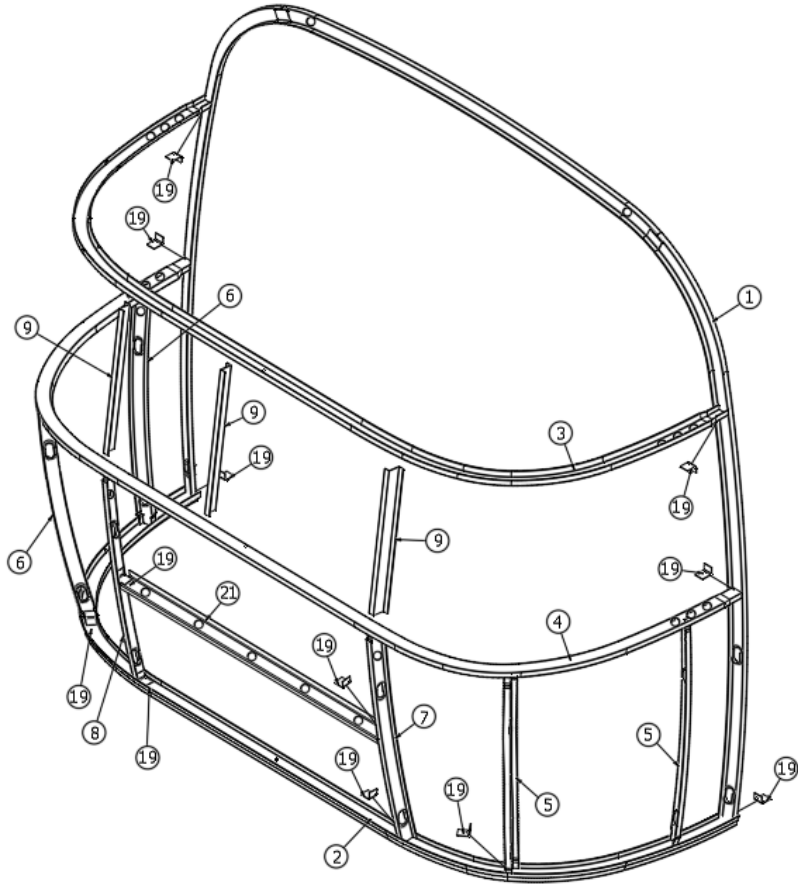
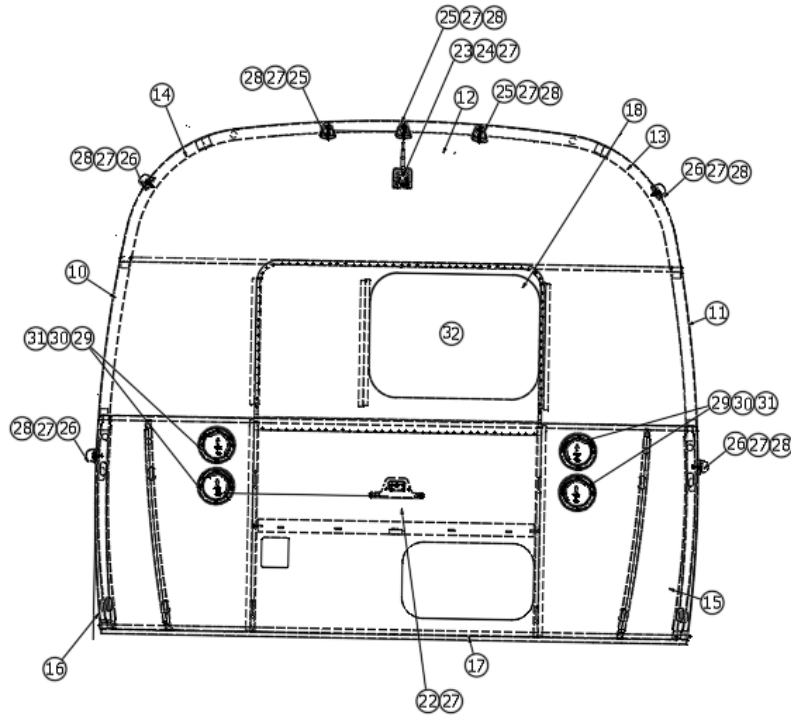
2020 CARAVEL EXTERIOR SHELL

Aft End, 19'

923427	Assembly, End Shell, Rear 19'
1. 114994	Zero bow, NB
2. 104463	Floor bow, NB
3. 115480	Upper window bow
4. 104343	Lower window bow
5. 101315-01	Brace, Vertical Rear, LH
6. 101315-02	Brace, Vertical Rear, RH
7. 114505-01	Support, Lower End Shell, LH
8. 114505-02	Support, Lower End Shell, RH
9. 116046	Exterior Z Rib 20"
10. 114888	Segment, Center left
11. 114889	Segment, Center right
12. 114892	Segment, #25 narrow
13. 114890	Segment, #26
14. 114891	Segment, #27
15. 114894	Segment, #28
16. 114895	Segment, #29
17. 116072	Exterior Plate - Rear Lower - Small Door
18. 116101	Exterior Plate - Rear End Shell
19. 114813-01	Angle-1.00 X 1.25 X 1.50
20. 115699	Plate-Backer End Shell
21. 116038	Z Bar- Horizontal Frame 43.50"
22. 116045	Backer, License Plate
23. 512409	Holder-License Plate Led Black, Plastic
24. 512946-01	Observation System-Digital Wireless Kit
25. 365392	Gasket-Backup Camera
26. 512928	Light-Clearance W/Curved Bezel
27. 512860	Light-Clearance Red
28. 382225	Grommet-Black .5 OD X .26"TK #DGB-4
29. 382389	Gasket-Clearance Light
30. 511860-01	Light-4" LED Red
31. 381873	Gasket - Taillight
32. 513099	BEZEL, 4" CHROME W/VISOR
372218-01	Window-21" X 28" Egress

2020 CARAVEL EXTERIOR SHELL

Aft End, 20'



Parts Listed on Next Page

2020 CARAVEL EXTERIOR SHELL

Aft End, 20'

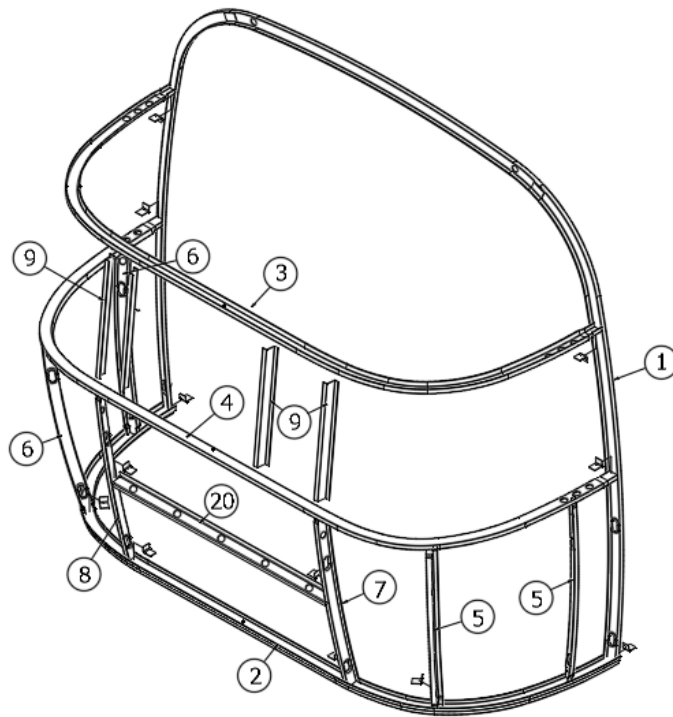
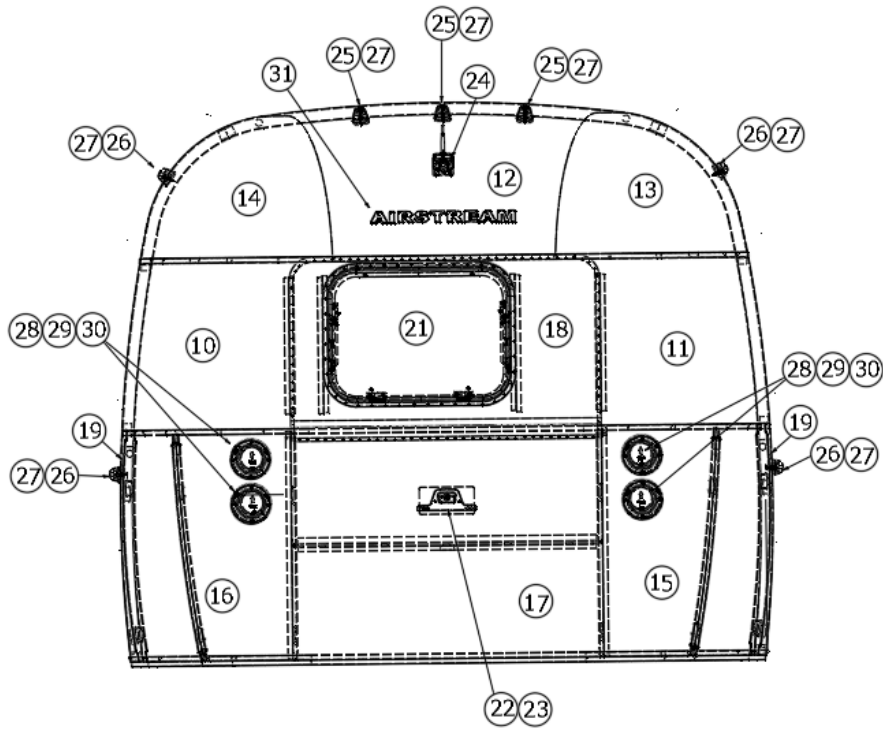
923426

Aft End, 20' Caravel

- | | |
|---|--|
| <ol style="list-style-type: none"> 1. 114994 2. 104463 3. 115480 4. 104343 5. 101315-01 6. 101315-02 7. 114505-01 8. 114505-02 9. 116046 10. 114888 11. 114889 12. 114892 13. 114890 14. 114891 15. 114894 16. 114895 17. 116098 18. 116101 19. 114813-01 20. 115699 21. 116038 22. 512409 23. 512946-01 24. 365392 25. 512928 26. 512860 27. 382225 28. 382389 29. 511860-01 30. 381873 31. 513099 32. 372218-01 | <p>Zero bow, NB</p> <p>Floor bow, NB</p> <p>Upper window bow</p> <p>Lower window bow</p> <p>Brace, Vertical Rear, LH</p> <p>Brace, Vertical Rear, RH</p> <p>Support, Lower End Shell, LH</p> <p>Support, Lower End Shell, RH</p> <p>Exterior Z Rib 20"</p> <p>Segment, Center left</p> <p>Segment, Center right</p> <p>Segment, #25 narrow</p> <p>Segment, #26</p> <p>Segment, #27</p> <p>Segment, #28</p> <p>Segment, #29</p> <p>Exterior Plate - Rear Lower - Small Door</p> <p>Exterior Plate - Rear End Shell - Offset Window</p> <p>Angle-1.00 X 1.25 X 1.50</p> <p>Plate-Backer End Shell</p> <p>Z Bar- Horizontal Frame 43.50"</p> <p>Holder-License Plate Led Black, Plastic</p> <p>Observation System-Digital Wireless Kit</p> <p>Gasket-Backup Camera</p> <p>Light-Clearance W/Curved Bezel</p> <p>Light-Clearance Red</p> <p>Grommet-Black .5 OD X .26"TK #DGB-4</p> <p>Gasket-Clearance Light</p> <p>Light-4" LED Red</p> <p>Gasket - Taillight</p> <p>BEZEL, 4" CHROME W/VISOR</p> <p>Window-21" X 28" Egress</p> <p>Fresh Water Fill</p> |
|---|--|

2020 CARAVEL EXTERIOR SHELL

Aft End, 22' Caravel



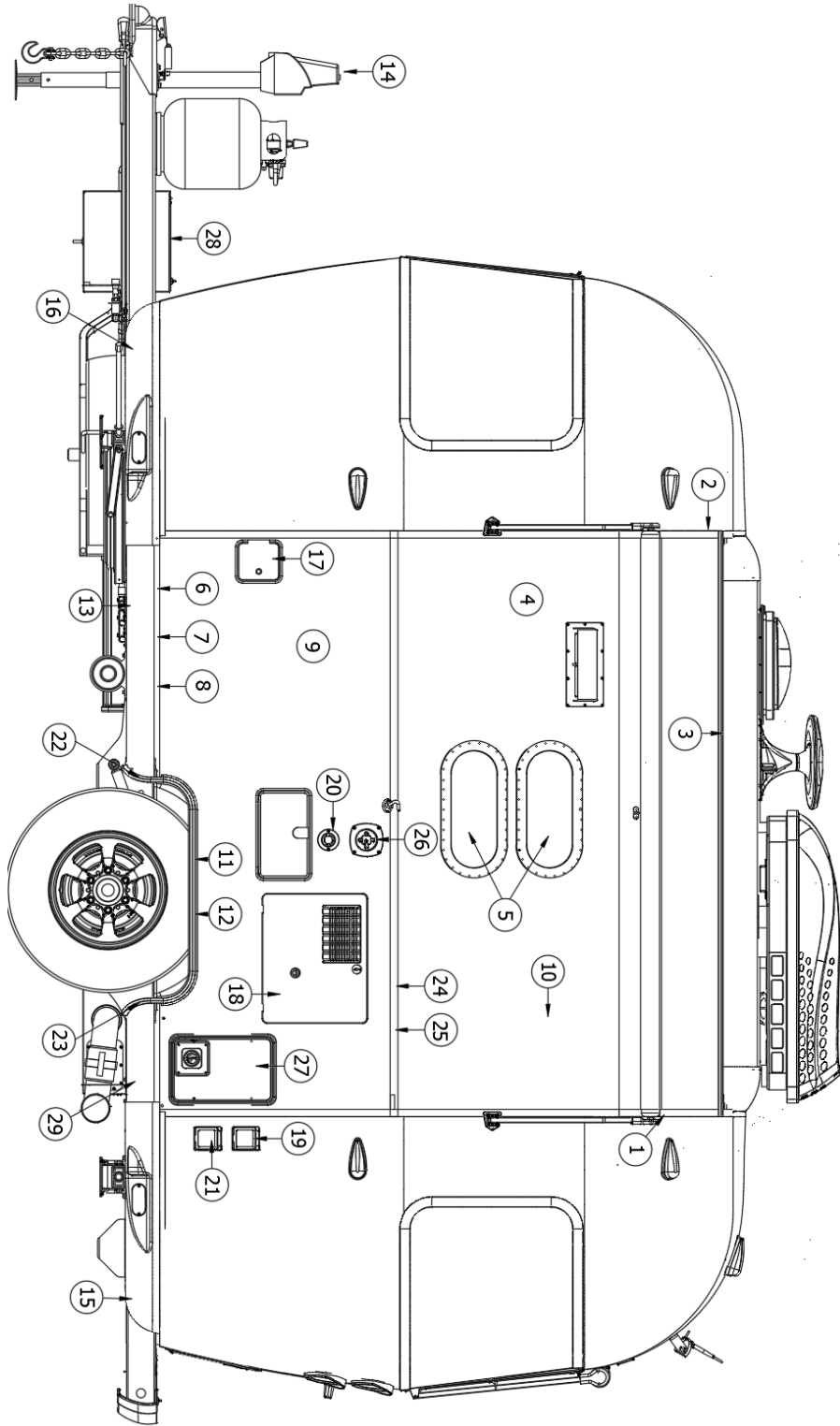
2020 CARAVEL EXTERIOR SHELL

Aft End, 22 Caravel

1. 114994 0 Bow, Narrow Body
2. 104463 Floor Bow, Narrow Body
3. 115480 Upper Window Bow, Narrow Body
4. 104343 Lower Window Bow, Narrow Body
5. 101315-01 Brace, Vertical, Rear LH
6. 101315-02 Brace, Vertical, Rear, RH
7. 114505-01 Support Lower, End Shell LH
8. 114505-02 Support Lower, End Shell RH
9. 116046 Exterior Z Rib 20.00"
10. 114888 Segment-Center Left ""Bright"" RS Rear
11. 114889 Segment-Center Right ""Bright"" CS Rear
12. 114892 Segment #25 Narrow Bright
13. 114890 Segment-#26 ""Bright"
14. 114891 Segment-#27 "Bright"
15. 114894 Segment-#28 "Bright"
16. 114895 Segment-#29 "Bright"
17. 116069 Exterior Plate - Rear End Shell
18. 116070 Exterior Plate, Rear End Shell, Offset Window
19. 115699 End Shell Backer Plate
20. 116038 Z Bar, Horizontal Frame
21. 372218 Window-21""X 28"" Opening Non Exit
22. 116045 Backer, License plate
23. 512409 License Plate Holder, LED Light
24. 512946-01 Wireless Backup Camera
- 365392 Gasket, Wireless Backup Camera
25. 512928 Clearance Light, Red, Curved Bezel
26. 512860 Clearance Light, Red
27. 382389 Clearance Light Gasket
28. 511860-01 Light, Stop, Tail, Turn LED 4"
29. 513099 Chrome Bezel, with eyebrow
30. 381873 Gasket Tail Light
31. 386272 Decal-Airstream 2.4x29.19 Black Chrome
- 382225 Grommet. Black

2020 CARAVEL EXTERIOR SHELL

Wall, Roadside, 16'



Parts Listed on Next Page

2020 CARAVEL EXTERIOR SHELL

Wall, Roadside, 16'

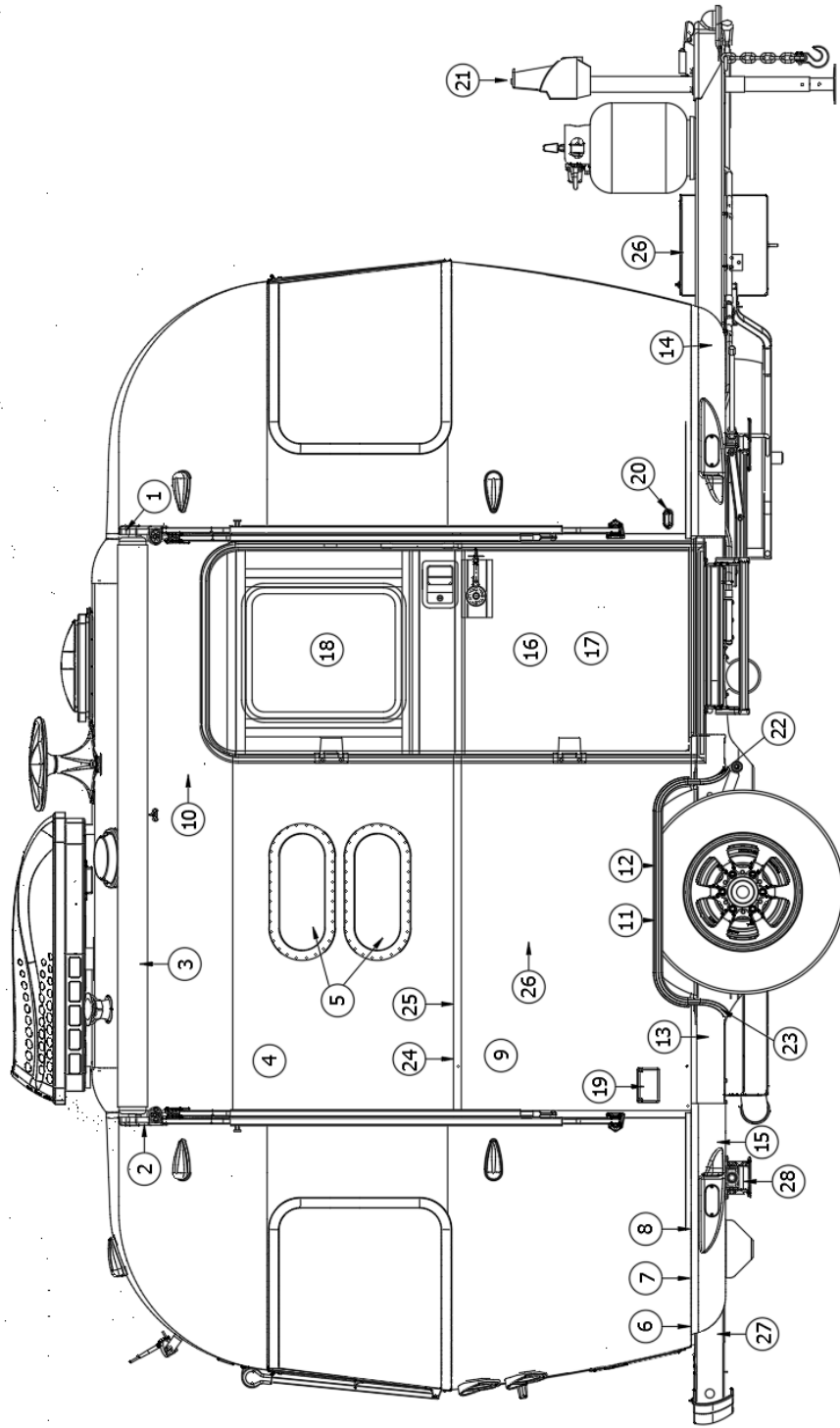
923396S

Shell assembly

1. 114290-01 Extrusion, Awning/drip rail
2. 114994 Rib, End bow
3. 104707-05 Extrusion, "I" beam
4. 114880-262 Aluminum sheet, Upper, .04 x 51 x 262"
5. 371436 Window - 18" Stacked D.Grey
6. 115546 Extrusion, Rub rail
7. 201763-100 Insert, Rub rail, Chrome, 1"
8. 100986 Floor channel
9. 114879-262 Aluminum sheet, Lower, .04 x 33 x 262"
10. 114387-02 Bow, Z-rib, LH
11. 104128 Wheel well trim, Inner, Single axle
12. 104127 Wheel well trim, Outer, Single axle
13. 203304 Underbelly roll, Black plastic
14. 400961-04-BOX Jack-Power 4000# Blk/Silver, Boxed
15. 204061-6 Banana wrap, Black, RS rear
16. 204061-2 Banana wrap, Black, RS front
17. 601392-06 City water fill, 50 PSI
18. 690209 Water heater access cover, Brushed Aluminum
19. 513645 Inlet-Male 125 Volt 30AMP - Gray
20. 601441-02 Tank flush, Black
21. 513684 Inlet, TV/satellite, Gray
22. 114466-02 Casting, Rub rail end, Wheel well, LH
23. 114466-01 Casting, Rub rail end, Wheel well, RH
24. 114328 Extrusion, Belt molding
25. 201912-100 Molding, Beltline, Chrome
26. 601194 Fresh water fill
27. 690663-06 Furnace exterior door & bezel, Painted Aluminum
28. 204111 Battery box
29. 204061-5 Wrap, Underbelly center rear
30. 602636 Access hatch, Exterior shower

2020 CARAVEL EXTERIOR SHELL

Wall, Curbside, 16'



Parts Listed on Next Page

2020 CARAVEL EXTERIOR SHELL

Wall, Curbside, 16'

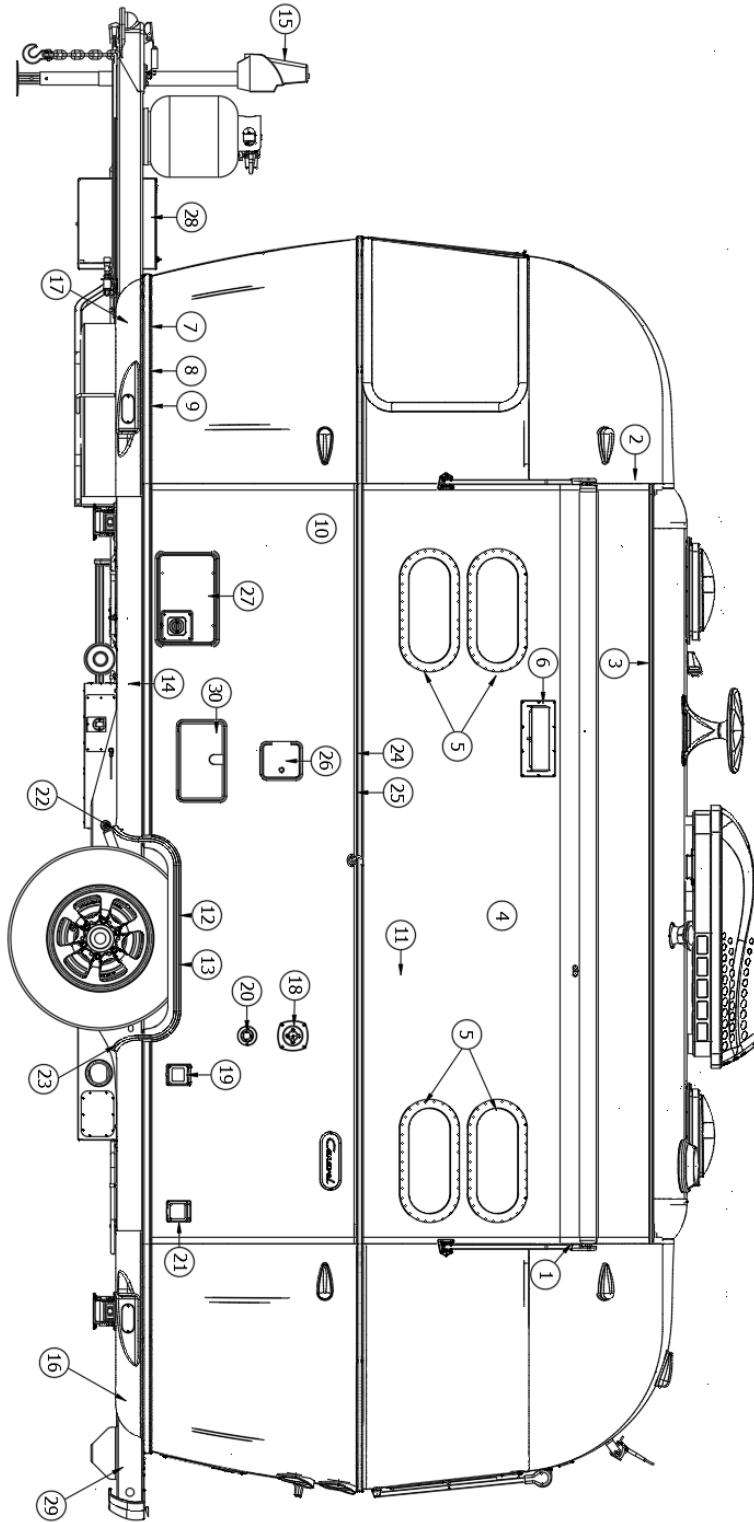
923396S

Shell assembly

1. 114290-01 Extrusion, Awning/drip rail
2. 114994 Rib, End bow
3. 104707-05 Extrusion, "I" beam
4. 114880-262 Aluminum sheet, Upper, .04 x 51 x 262"
5. 371436 Window - 18" Stacked D.Grey
6. 115546 Extrusion, Rub rail
7. 201763-100 Insert, Rub rail, Chrome, 1"
8. 100986 Floor channel
9. 114879-262 Aluminum sheet, Lower, .04 x 33 x 262"
10. 114408 Bow, Z-rib, LH
11. 104128 Wheel well trim, Inner, Single axle
12. 104127 Wheel well trim, Outer, Single axle
13. 203304 Underbelly roll, Black plastic
14. 204061-1 Banana wrap, Black, CS front
15. 204061-7 Banana wrap, Black, CS rear
16. 115207-04 Main door, LH hinge
17. 114654 Screen door, LH hinge
18. 371400-01 Window, Main door, Etched
19. 512741 W.P. cover w/ gasket
20. 513660 Step Light - 12v Directional - Chrome
21. 400961-04-BOX Jack-Power 4000# Blk/Silver, Boxed
22. 114465-01 Casting, Rub rail end, RH
23. 114465-02 Casting, Rub rail end, LH
24. 114328 Extrusion, Belt molding
25. 201912-100 Molding, Chrome, Beltline
26. 204111 Battery box
27. 204061-5 Wrap, Underbelly center rear
28. 401027-01 C-Jack-Stabilizer (1EA) 22"

2020 CARAVEL EXTERIOR SHELL

Wall, Roadside, 19'



Parts Listed on Next Page

2020 CARAVEL EXTERIOR SHELL

Wall, Roadside, 19'

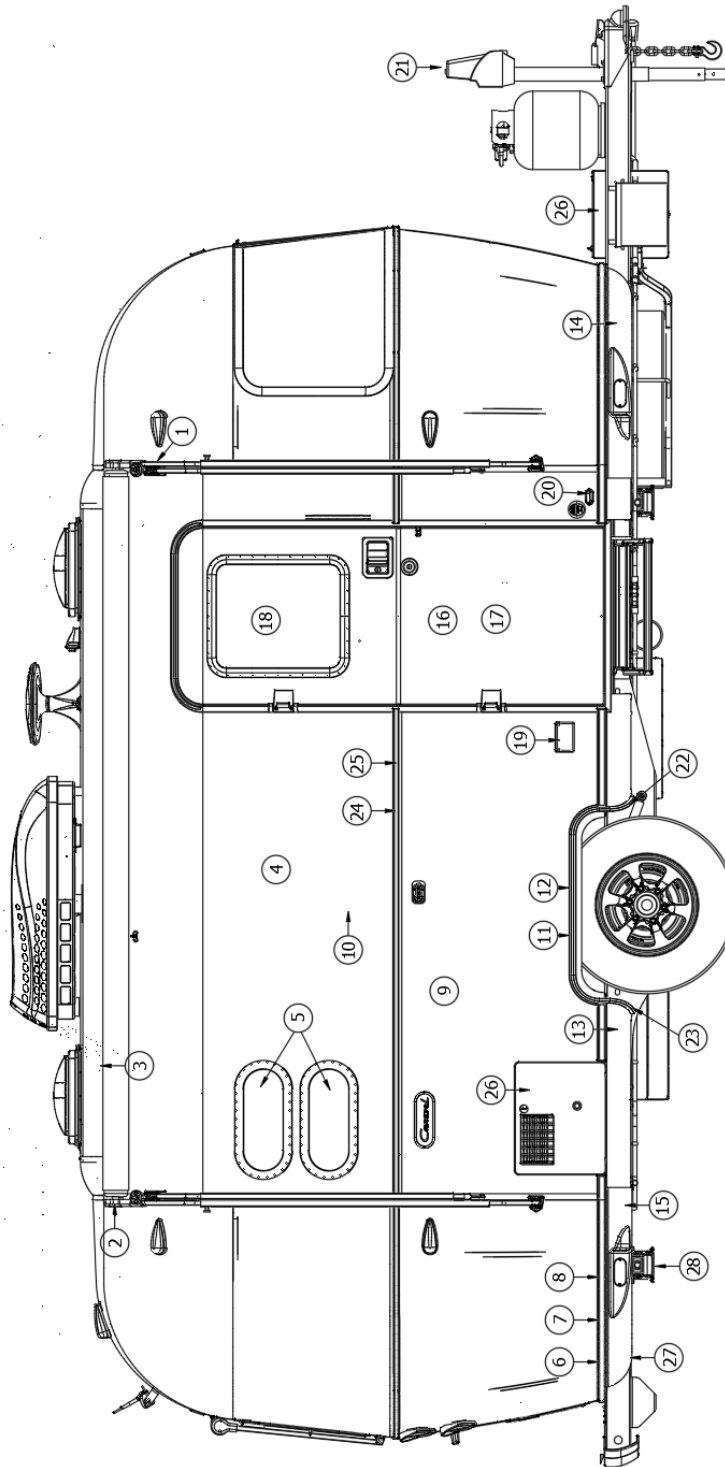
923397S

Shell Assembly, 19' Caravel

1. 114290-01 Extrusion, Awning/drip rail
2. 114994 Rib, End bow
3. 104707-05 Extrusion, "I" beam
4. 114880-262 Aluminum sheet, Upper, .04 x 51 x 262"
5. 371436 Window - 18" Stacked D.Grey
6. 511017-11 Exterior Range Vent
7. 115546 Extrusion, Rub rail
8. 201763-100 Insert, Rub rail, Chrome, 1"
9. 100986 Floor channel
10. 114879-262 Aluminum sheet, Lower, .04 x 33 x 262"
11. 114387-02 Bow, Z-rib, LH
12. 104128 Wheel well trim, Inner, Single axle
13. 104127 Wheel well trim, Outer, Single axle
14. 203304 Underbelly roll, Black plastic
15. 400961-04-BOX Jack-Power 4000# Blk/Silver, Boxed
16. 204061-6 Banana wrap, Black, RS rear
17. 204061-2 Banana wrap, Black, RS front
18. 601392-06 City water fill, 50 PSI
19. 513645 Inlet-Male 125 Volt 30AMP - Gray
20. 601441-02 Tank flush, Black
21. 513684 Inlet, TV/satellite, Gray
22. 114466-02 Casting, Rub rail end, Wheel well, LH
23. 114466-01 Casting, Rub rail end, Wheel well, RH
24. 114328 Extrusion, Belt molding
25. 201912-100 Molding, Beltline, Chrome
26. 601194 Fresh water fill
27. 690663-06 Furnace exterior door & bezel, Painted Aluminum
28. 204111 Battery box
29. 204061-5 Wrap, Underbelly center rear
30. 602636 Access hatch, Exterior shower

2020 CARAVEL EXTERIOR SHELL

Wall Curbside, 19'



Parts Listed on Next Page

2020 CARAVEL EXTERIOR SHELL

Wall, Curbside, 19'

923397S

Shell assembly

1. 114290-01 Extrusion, Awning/drip rail
2. 114994 Rib, End bow
3. 104707-05 Extrusion, "I" beam
4. 114880-262 Aluminum sheet, Upper, .04 x 51 x 262"
5. 371436 Window - 18" Stacked D.Grey
6. 115546 Extrusion, Rub rail
7. 201763-100 Insert, Rub rail, Chrome, 1"
8. 100986 Floor channel
9. 114879-262 Aluminum sheet, Lower, .04 x 33 x 262"
10. 114408 Bow, Z-rib, LH
11. 104128 Wheel well trim, Inner, Single axle
12. 104127 Wheel well trim, Outer, Single axle
13. 203304 Underbelly roll, Black plastic
14. 204061-1 Banana wrap, Black, CS front
15. 204061-7 Banana wrap, Black, CS rear
16. 115207-04 Main door, LH hinge
17. 114654 Screen door, LH hinge
18. 371400-01 Window, Main door, Etched
19. 512741 W.P. cover w/ gasket
20. 513660 Step Light - 12v Directional - Chrome
21. 400961-04-BOX Jack-Power 4000# Blk/Silver, Boxed
22. 114465-01 Casting, Rub rail end, RH
23. 114465-02 Casting, Rub rail end, LH
24. 114328 Extrusion, Belt molding
25. 201912-100 Molding, Chrome, Beltline
26. 204111 Battery box
27. 204061-5 Wrap, Underbelly center rear
28. 401027-01 C-Jack-Stabilizer (1EA) 22"
29. 690209 Water heater access cover, Brushed Aluminum

2020 CARAVEL EXTERIOR SHELL

Wall, Roadside, 20'

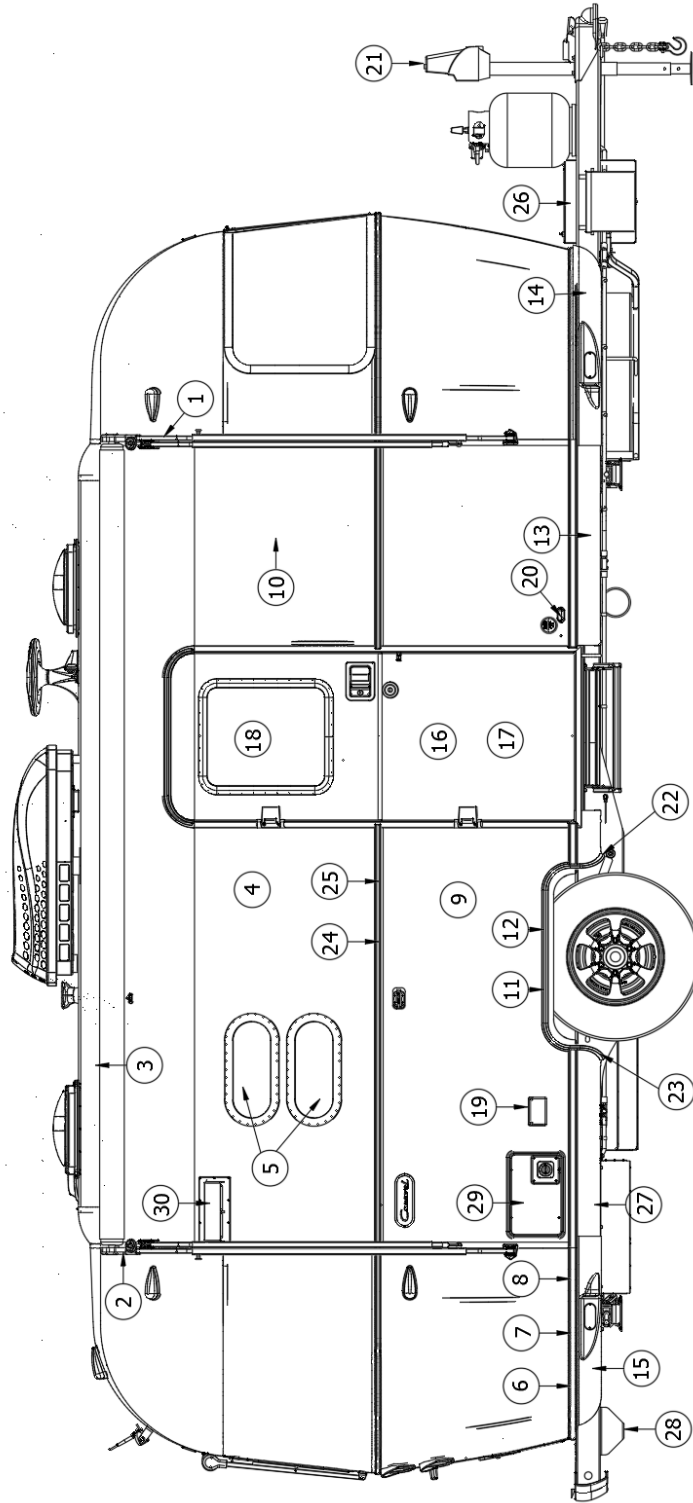
923398S

Shell Assembly, 20' Caravel

1. 114290-01 Extrusion, Awning/drip rail
2. 114994 Rib, End bow
3. 104707-05 Extrusion, "I" beam
4. 114880-307 Aluminum sheet, Upper, .04 x 51 x 262"
5. 371380 Window-Opening 30" Tall
6. 371380-01 Window Opening 30" Tall Egress
7. 371436 Window- 18" Stacked Dark Grey
8. 115546 Extrusion, Rub rail
9. 201763-100 Insert, Rub rail, Chrome, 1"
10. 100986 Floor channel
11. 114879-307 Aluminum sheet, Lower, .04 x 33 x 262"
12. 114387-02 Bow, Z-rib, LH
13. 104128 Wheel well trim, Inner, Single axle
14. 104127 Wheel well trim, Outer, Single axle
15. 203304 Underbelly roll, Black plastic
16. 400961-04-BOX Jack-Power 4000# Blk/Silver, Boxed
17. 204061-6 Banana wrap, Black, RS rear
18. 204061-2 Banana wrap, Black, RS front
19. 601392-06 City water fill, 50 PSI
20. 513645 Inlet-Male 125 Volt 30AMP - Gray
21. 601441-02 Tank flush, Black
22. 513684 Inlet, TV/satellite, Gray
23. 114466-02 Casting, Rub rail end, Wheel well, LH
24. 114466-01 Casting, Rub rail end, Wheel well, RH
25. 114328 Extrusion, Belt molding
26. 201912-100 Molding, Beltline, Chrome
27. 690209 Water heater access cover, Brushed Aluminum
28. 204111 Battery box
29. 204061-5 Wrap, Underbelly center rear
30. 602636 Access hatch, Exterior shower

2020 CARAVEL EXTERIOR SHELL

Wall, Curbside, 20'



Parts Listed on Next Page

2020 CARAVEL EXTERIOR SHELL

Wall, Curbside, 20'

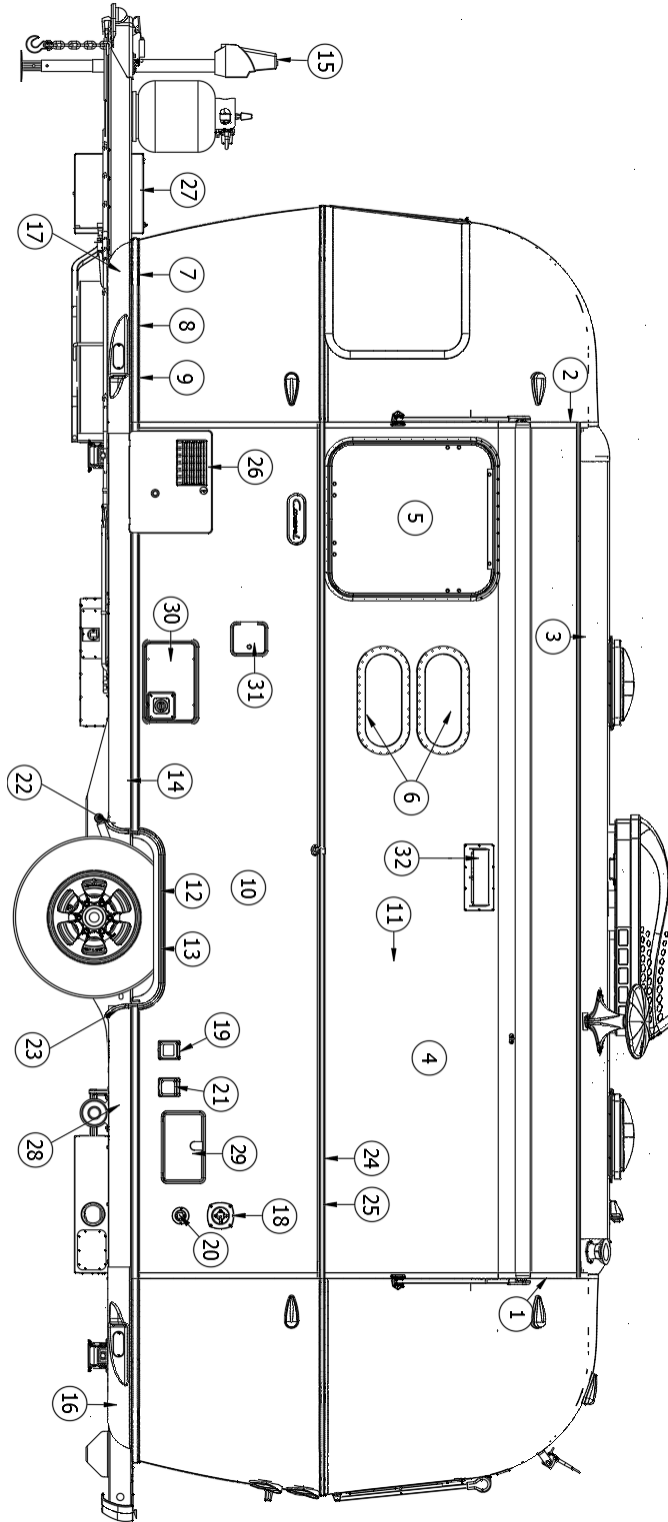
923398S

Shell assembly

1. 114290-01 Extrusion, Awning/drip rail
2. 114994 Rib, End bow
3. 104707-05 Extrusion, "I" beam
4. 114880-307 Aluminum sheet, Upper, .04 x 51 x 262"
5. 371436 Window - 18" Stacked D.Grey
6. 115546 Extrusion, Rub rail
7. 201763-100 Insert, Rub rail, Chrome, 1"
8. 100986 Floor channel
9. 114879-307 Aluminum sheet, Lower, .04 x 33 x 262"
10. 114408 Bow, Z-rib, LH
11. 104128 Wheel well trim, Inner, Single axle
12. 104127 Wheel well trim, Outer, Single axle
13. 203304 Underbelly roll, Black plastic
14. 204061-1 Banana wrap, Black, CS front
15. 204061-7 Banana wrap, Black, CS rear
16. 115207-04 Main door, LH hinge
17. 114654 Screen door, LH hinge
18. 371400-01 Window, Main door, Etched
19. 512741 W.P. cover w/ gasket
20. 513660 Step Light - 12v Directional - Chrome
21. 400961-04-BOX Jack-Power 4000# Blk/Silver, Boxed
22. 114465-01 Casting, Rub rail end, RH
23. 114465-02 Casting, Rub rail end, LH
24. 114328 Extrusion, Belt molding
25. 201912-100 Molding, Chrome, Beltline
26. 204111 Battery box
27. 204061-5 Wrap, Underbelly center rear
28. 401027-01 C-Jack-Stabilizer (1EA) 22"
29. 690663-06 Furnace exterior door & bezel, Painted Aluminum
30. 511017-11 Exterior Range Vent

2020 CARAVEL EXTERIOR SHELL

Wall, Roadside, 22'



Parts Listed on Next Page

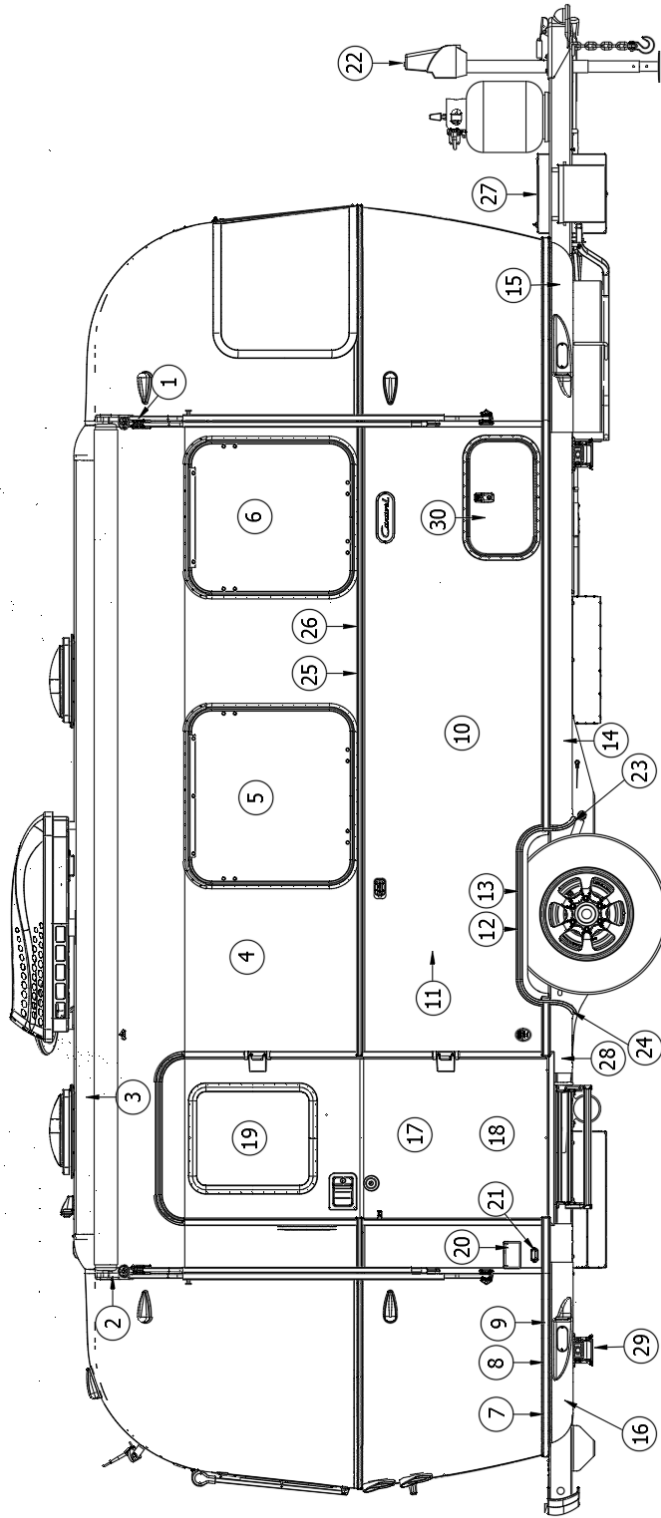
2020 CARAVEL EXTERIOR SHELL

Wall, Roadside, 22FB

923399S	Shell Assembly, 19' Caravel
1. 114290-01	Extrusion, Awning/drip rail
2. 114994	Rib, End bow
3. 104707-05	Extrusion, "I" beam
4. 114880-307	Aluminum sheet, Upper, .04 x 51 x 262"
5. 371470-01	Window- Opening 26" Tall
6. 371436	Window- 18" Stacked Dark Grey
7. 115546	Extrusion, Rub rail
8. 201763-100	Insert, Rub rail, Chrome, 1"
9. 100986	Floor channel
10. 114879-307	Aluminum sheet, Lower, .04 x 33 x 262"
11. 114387-02	Bow, Z-rib, LH
12. 104128	Wheel well trim, Inner, Single axle
13. 104127	Wheel well trim, Outer, Single axle
14. 203304	Underbelly roll, Black plastic
15. 400961-04-BOX	Jack-Power 4000# Blk/Silver, Boxed
16. 204061-6	Banana wrap, Black, RS rear
17. 204061-2	Banana wrap, Black, RS front
18. 601392-06	City water inlet, 50 PSI
19. 513645	Inlet-Male 125 Volt 30AMP - Gray
20. 601441-02	Tank flush, Black
21. 513684	Inlet, TV/satellite, Gray
22. 114466-02	Casting, Rub rail end, Wheel well, LH
23. 114466-01	Casting, Rub rail end, Wheel well, RH
24. 114328	Extrusion, Belt molding
25. 201912-100	Molding, Beltline, Chrome
26. 690209	Water heater access cover, Brushed Aluminum
27. 204111	Battery box
28. 204061-5	Wrap, Underbelly center rear
29. 602636	Access hatch, Exterior shower
30. 690663-06	Furnace exterior door & bezel, Painted Aluminum
31. 511017-11	Exterior Range Vent
32. 601194	Fresh water fill

2020 CARAVEL EXTERIOR SHELL

Wall, Curbside, 22FB



Parts Listed on Next Page

2020 CARAVEL EXTERIOR SHELL

Wall, Curbside, 22FB

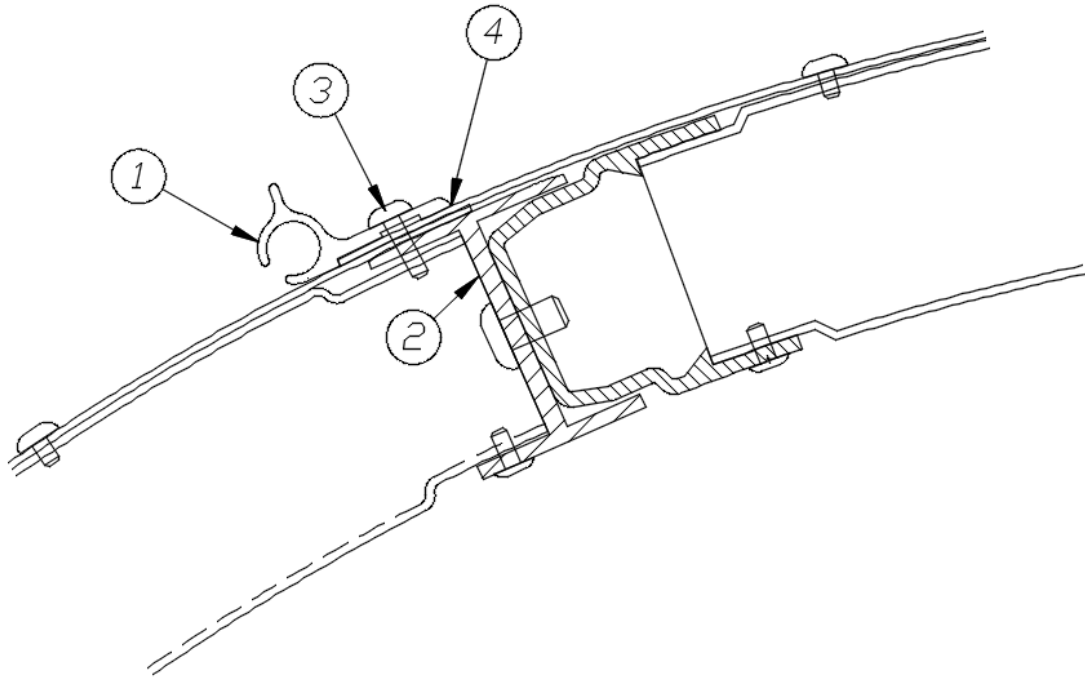
923399S

Shell assembly

1. 114290-01 Extrusion, Awning/drip rail
2. 114994 Rib, End bow
3. 104707-05 Extrusion, "I" beam
4. 114880-307 Aluminum sheet, Upper, .04 x 51 x 262"
5. 371380 Window-Opening 30" Tall
6. 371470 Window- Opening 26" Tall
7. 115546 Extrusion, Rub rail
8. 201763-100 Insert, Rub rail, Chrome, 1"
9. 100986 Floor channel
10. 114879-307 Aluminum sheet, Lower, .04 x 33 x 262"
11. 114408 Bow, Z-rib, LH
12. 104128 Wheel well trim, Inner, Single axle
13. 104127 Wheel well trim, Outer, Single axle
14. 203304 Underbelly roll, Black plastic
15. 204061-1 Banana wrap, Black, CS front
16. 204061-7 Banana wrap, Black, CS rear
17. 115207-05 Main door, RH hinge
18. 114654 Screen door, RH hinge
19. 371400-01 Window, Main door, Etched
20. 512741 W.P. cover w/ gasket
21. 513660 Step Light - 12v Directional - Chrome
22. 400961-04-BOX Jack-Power 4000# Blk/Silver, Boxed
23. 114465-01 Casting, Rub rail end, RH
24. 114465-02 Casting, Rub rail end, LH
25. 114328 Extrusion, Belt molding
26. 201912-100 Molding, Chrome, Beltline
27. 204111 Battery box
28. 204061-5 Wrap, Underbelly center rear
29. 401027-01 C-Jack-Stabilizer (1EA) 22"
30. 923467-01 Compartment Door Assy-Small

2020 CARAVEL EXTERIOR SHELL

Roof



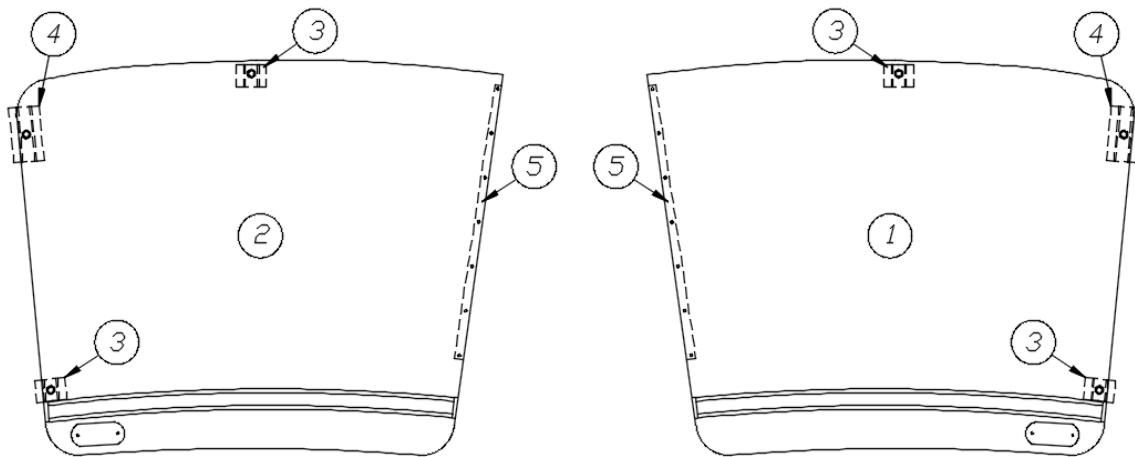
- | | | |
|----|------------|--|
| 1. | 114290-01 | Extrusion, Awning drip rail |
| 2. | 114387-01 | Box Z-rib, Roof |
| 3. | 325003-03 | Rivet, 1/8 x 7/16, White |
| 4. | 365330-05 | Adseal, Awning rail |
| | 115728-198 | Aluminum sheet- .032 x 66.75 x 198, Polar White, 16' |
| | 115728-238 | Aluminum sheet- .032X66.75X238 Polar White, 19' |
| | 115728-262 | Aluminum sheet, .032" x 66.75" x 262", White, 20', 22' |
| | 325002-03 | Rivet, 1/8 x 3/8, White |
| | 330127-03 | Rivet, 1/8, Mill |
| | 115571 | Z Rib - .060 X 3" X 48" |
| | 115654 | Transition, NB Ducted Trailer |
| | 115651 | Roof Bow Ducted AC Narrow Body |
| | 114987-01 | Extrusion-Roof Corners 194" |

2020 CARAVEL EXTERIOR SHELL

Underbelly Skin and Wraps

101131-02	Alum Underbelly .024 X 22.50 Black
115684	Alum-Underbelly .035 X 65.75 x coil
204061-1	Banana Wrap - CS Front
204061-2	Banana Wrap - RS Front
204061-6	Banana Wrap - RS Rear
204061-7	Banana Wrap - CS Rear

Body and Wrap Protectors



1. 966277	RS protector, Tall, 16'
2. 966276	CS protector, Tall, 16'
3. 114819-02	Wrap protector hold back, 2"
4. 114819-03	Wrap protector hold back, 5"
5. 381605-03	Piano hinge, Stainless Steel
100742-01	Extrusion, Mirror trim
115546	Extrusion, Rub rail
201912-100	Molding, Beltline insert, Chrome
114465-01	Casting, Rub rail, RH
114465-02	Casting, Rub rail, LH
685343	Gusset, Corner
500096	Reflector, Amber

2020 CARAVEL INTERIOR SHELL

Interior Skin

114880-201	Aluminum Sheet, .040" X 51" X 201"
114880-262	Aluminum Sheet .040" X 51" X 262"
115609-262	Aluminum Sheet- .040 X 45 X 262
114880-307	Aluminum Sheet- .040" X 51" X 307"
114880-238	Aluminum Sheet- .040" X 51" X 238"
115609-156	Aluminum Sheet- .040 X 45 X 156
203740	Insulation-Fiber 2.25 X 48" X 60'

Wheel Well Insulator

204064-1	Wheel Well-Single Axle- Outer
204064-2	Wheel Well-Single Axle- Inner
204064-3	Wheel Well-Single Axle- Insulation
201568	Foam, 3 Tufcote Acoustical

Main Door Threshold

115565	Extrusion, Main door threshold
382290-01	End cap, Threshold
382290-02	End cap, Threshold

Galley Backsplash

114879-201	Aluminum sheet, .04" x 33" x 201"
114070	J-trim, Aluminum

2020 CARAVEL CHASSIS

Axles

410980-15	Axle-Dexter 5000# Nev Lube/Adjust, 19', 20', 22'
410980-25	Axle, 4300 Lb., Narrow body, 16'
410980-102	12" LH Nev-R Adjust Brake Assembly
410980-103	12" RH Nev-R Adjust Brake Assembly

Tires and Wheels

411124	Tire/Wheel Assembly, 15" Aluminum
400923	Lug Nut, 1/2" 20 Chrome
400844-01	Cover, HUB Dust, 4" Stainless Steel

Hitch Coupler

455653	Demco 2 5/16 12.5 K Coupler
455653-100	Demco EZ-Latch 2 5/16 Coupler Repair Kit For 455653
455654	Adjustable Coupler Lock

Spare Tire Carrier

410843-02	Spare tire & wheel assembly, 15", Steel
450414	"A" frame spare tire carrier
994073	Bracket for spare tire

Entry Step

99900P-1970	Step-Manual 550MM 12V
0260100	U-Clip, 3/8 -16

2020 CARAVEL CHASSIS

Hose Carrier

602619-02	EZ hose carrier, 64", Black
104704-01	Shim, 3 x 3
454422	Spacer, Sewer hose carrier, 16'

Hitch Jack

400961-04-BOX	Jack-Power 4000# Black/Silver, Boxed
400961-02-100	Crank Handle With Drill Adapter Bit
400961-03	Drop Foot-Power Jack

Stabilizing Jacks

401027-01	C-Jack-Stabilizer (1ea) 22"
401027-02	Crank-Stabilizer C-Jack #20036
401027-03	Pad-Foot Stabilizer C-Jack
454425	Spacer, Stabilizer jack

2020 CARAVEL DECALS, EXTERIOR TRIM

Decals, Logos, and Nameplates

386387	Nameplate - Caravel - 9.00" X 3.25"
386272	Decal-Airstream 2.4x29.19 Black Chrome
386068-01	Medallion, 3" logo, "AIRSTREAM"

Belt Line Trim

114328	Extrusion, Belt line molding
201912-100	Molding, Belt line insert, Chrome
114417	Casting, Belt line closeout

Rub Rail Trim

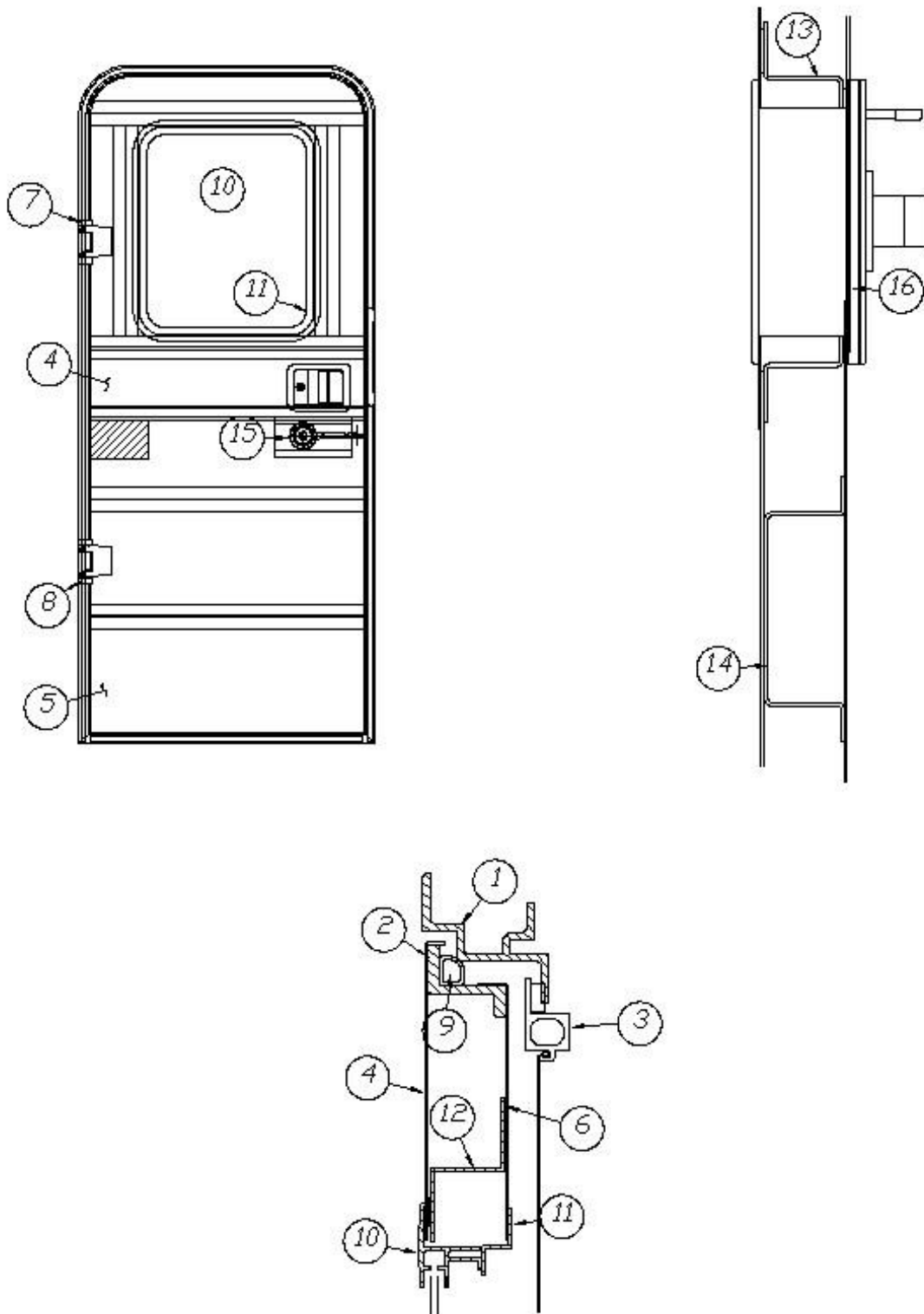
115546	Extrusion, Rub rail
201763-100	Insert, Rub rail, Chrome, 1"
114466-01	Closeout, Casting, Rub rail, Angled RH
114466-02	Closeout, Casting, Rub rail, Angled LH
114465-01	Closeout, Casting, Rub rail, RH
114465-02	Closeout, Casting, Rub rail, LH

Reflectors

513641	Reflector-2.19" Round - Amber
513642	Reflector-2.19" Round - Amber
500096	Reflector, Amber
500095	Reflector, Red
510446	Reflector, Red stick-on

2020 CARAVEL DOORS, WINDOWS, AWNINGS

Main Door, LH Hinge, 16', 19', 20'



Parts Listed on Next Page

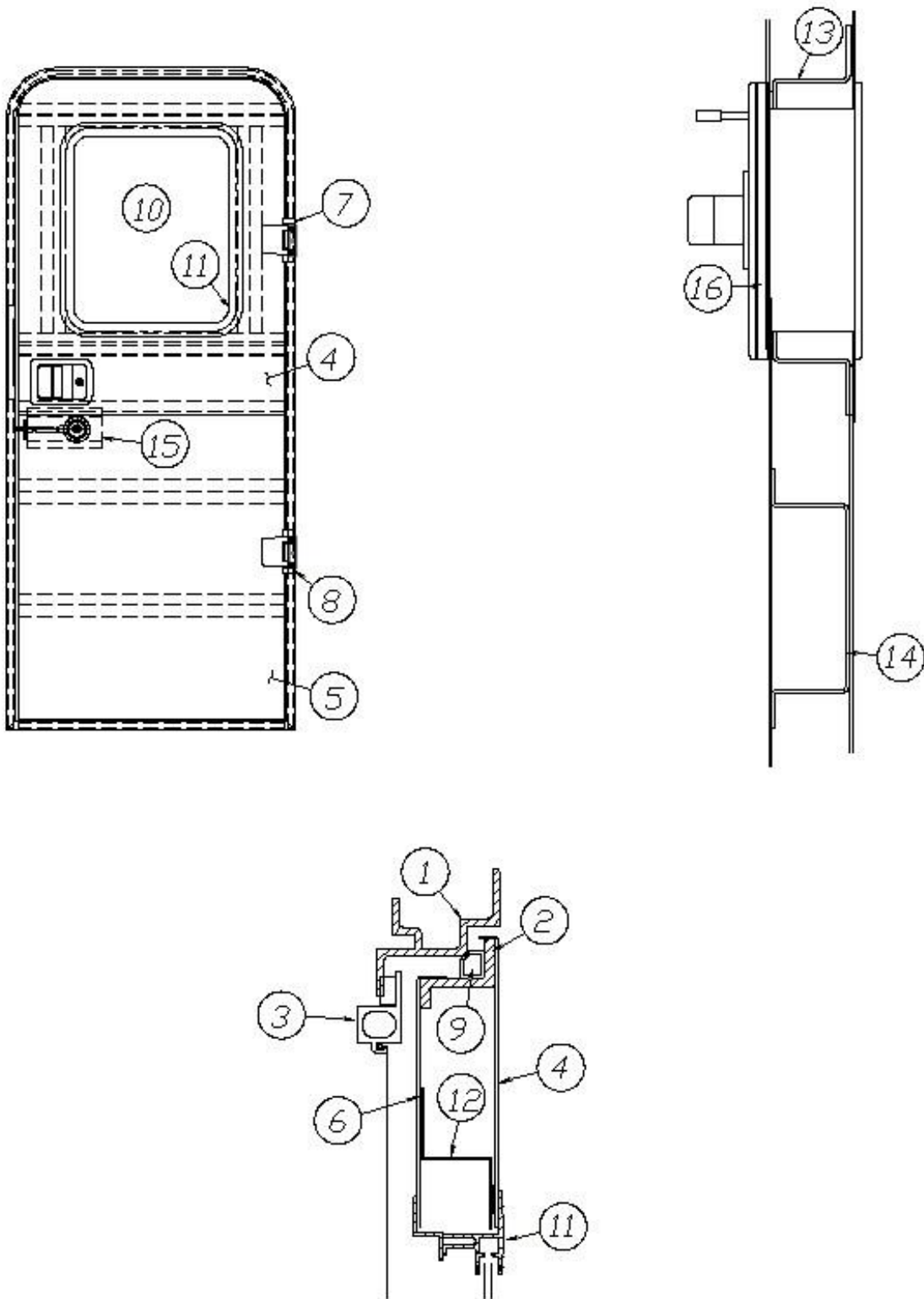
2020 CARAVEL DOORS, WINDOWS, AWNINGS

Main Door, LH Hinge, 16', 19', 20'

115207-04	Main Door, LH Hinge
1. 114652	Jamb, Main door, Pre-formed
2. 114653	Frame, Main door, Pre-formed
3. 114654	Screen door
4. 114448-03	Skin, Exterior, Upper main door
5. 114449-03	Skin, Exterior, Lower main door
6. 114475	Main door skin, Inner
7. 381552-03	Hinge, Main door, Upper
8. 381552-04	Hinge, Main door, Lower
9. 365232	Seal, Main door
10. 371400-01	Window, Main door, Etched
11. 115208	Trim ring, Main door window
12. 114658	Inner door, "Z" bar, Upper & lower
13. 114657	Hat section, Formed, Main door
14. 115413	Hat section, Round dead bolt
15. 382069	Deadbolt, Round, Trimark
16. 203370	Spacer, Deadbolt
385595	Pocket strike, Main door
381326	Striker w/Trimark deadbolt
453851	Bolt, Trimark deadbolt
114363	Drip cap, Main door
380290	Housing latch
380291	Latch
201056	Striker, Main door, Black plastic
114507-03	Trim, Main door
454898	Nut plate, Main door
365360	Gasket, Nut plate
203494	Baseplate, Door latch
382130	P-gasket w/tape backing
101171	Grab handle, Cast Aluminum
382074	Gasket, Grab handle, Main door

2020 CARAVEL DOORS, WINDOWS, AWNINGS

Main Door, RH Hinge, 22FB



Parts Listed on Next Page

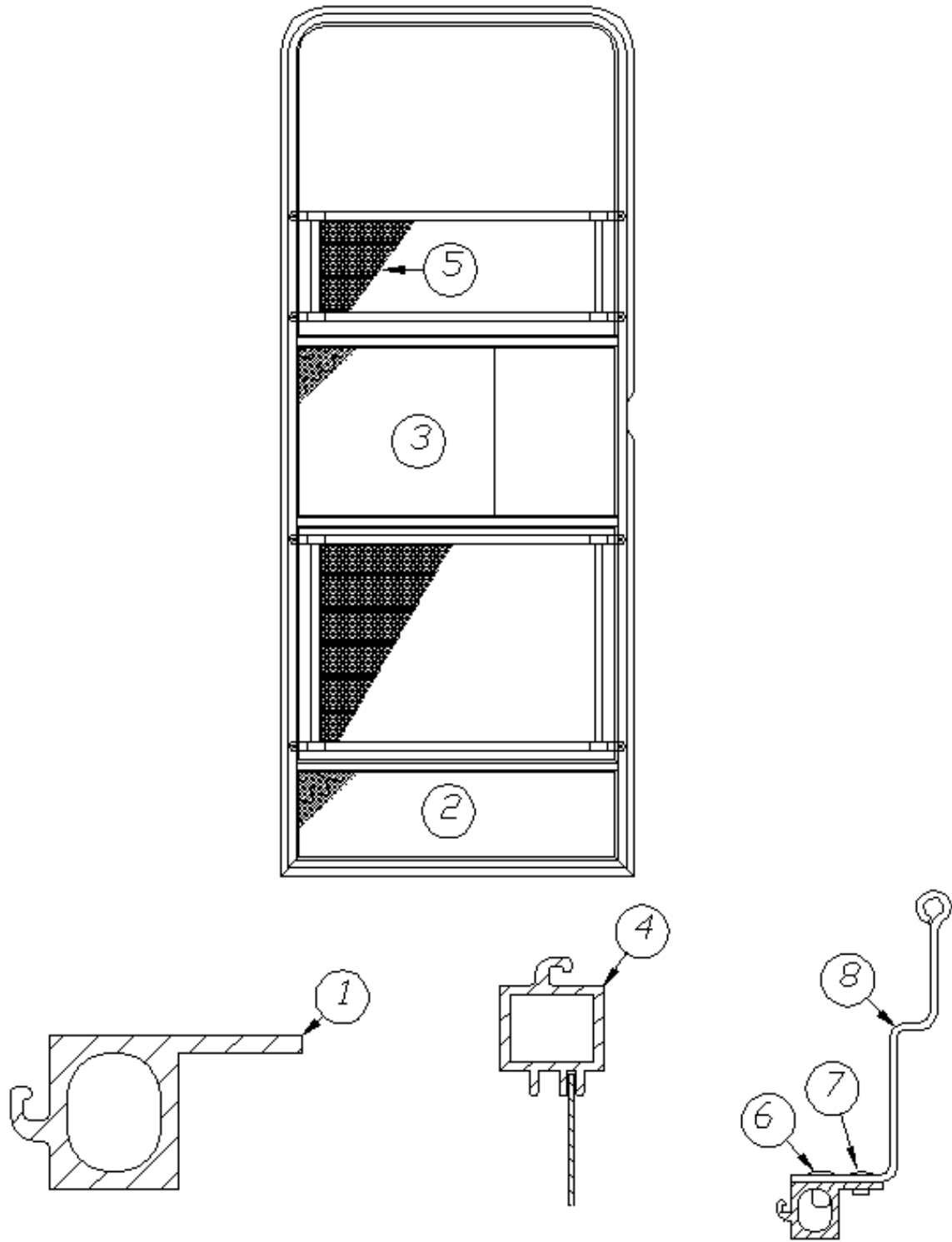
2020 CARAVEL DOORS, WINDOWS, AWNINGS

Main Door, RH Hinge, 22FB

115207-05	Main Door, RH Hinge
1. 114652-01	Jamb, Main door, Pre-formed
2. 114653-01	Frame, Main door, Pre-formed
3. 114654-01	Screen door, RH Hinge
4. 114448-03	Skin, Exterior, Upper main door
5. 114449-03	Skin, Exterior, Lower main door
6. 114475	Main door skin, Inner
7. 381552-02	Hinge, Main door, Upper
8. 381552-01	Hinge, Main door Lower
9. 365232	Seal, Main door
10. 371400-01	Window, Main door, Etched
11. 115208	Trim ring, Main door window
12. 114658	Inner door, "Z" bar, Upper & lower
13. 114657	Hat section, Formed, Main door
14. 115413	Door hat section
15. 382069	Deadbolt, Round, Trimark
16. 203370	Spacer, Trimark door Latch
385595	Pocket strike, Main door
381326	Striker w/ Trimark deadbolt
345321-12	Screw, Flat head, Black
453851	Bolt, Trimark, Deadbolt
380290	Housing latch
380291	Latch
201056	Striker, Main door, Black plastic
203494	Base plate, Door latch
114363	Drip cap, Main door
114507-03	Trim, Main door
454898	Nut plate, Main door
365360	Gasket, Nut plate
382130	P-gasket w/tape backing
101171	Grab handle, Cast Aluminum
382074	Gasket, Grab handle, Main door

2020 CARAVEL DOORS, WINDOWS, AWNINGS

Screen Door



Parts Listed on Next Page

2020 CARAVEL DOORS, WINDOWS, AWNINGS

Screen Door

114654	Screen door, LH hinge
114654-01	Screen door, RH hinge
1. 104782-186	Extrusion, Frame
2. 114648-01	Kick panel
3. 114561-01	Panel, Slider
4. 104784-78	Extrusion, Screen door stiffener
5. 380079	Screen, Gray
6. 330130-02	Rivet, 5/32, Mill finish
7. 325122	Rivet, 5/32, Brazier head
8. 385577-02	Tape, Clear, 1-7/8" wide
380004	Handle with 8/32" x 1 screw
683946	Bug seal, Edge of screen door close out
203287-02	Close out, Plastic
115171-01	Screen door guard, Top
115171-02	Screen door guard, Bottom
0404-0001	Spline, Gray
701624	Velcro, loop 5/8" wide
701625	Velcro, hook 5/8" wide
381454	Screen door hold back latch, Bullet
381531-01	Hinge, Upper
381531-02	Hinge, Lower

2020 CARAVEL DOORS, WINDOWS, AWNINGS

Access Door, Exterior Shower

602326	Exterior shower
602326-100	Shower head w/hose & mixer
602326-101	Exterior shower door
602326-102	Clip for shower head

Access Door, Water Heater

690209	Water heater access cover, Brushed Aluminum
--------	---

2020 CARAVEL DOORS, WINDOWS, AWNINGS

Access Door, Large

923468	Frame Assy-Compartment Door-Large
923468-01	Compartment Door-Large, Assy
116054	Extrusion-Compartment Door Frame
382650	Seal-Compartment Door
382230-03	Latch-Compression - Locking
382638-2	Hinge -Compartment Door - Large
381065-10	10"" Cable Support

Access Door, Side, Small

923467	Frame Assembly, Compartment Door, Small
923467-01	Compartment Door Assembly, Small
382650	Seal-Compartment Door
382638-1	Hinge, Access door
116054	Extrusion-Compartment Door Frame
365367	Tape-Foam Automotive (18 FT ROLL)
382230-03	Latch-Compression - Locking
381065-10	10"" Cable Support

Battery/Trunk Lids, Bumper

410551-06	Lid-Tool/Battery Box 12.63x17 Black
923435	Rear Trunk Assembly- Narrow Body - 22' Caravel
704518	Liner-Compartment Black #DR801
380024	Arms Support Right Hand
382289-01	End Cap - RH Bumper Black (Roadside)
382289-02	End Cap-LH Bumper Black (Curbside)
380203-02	Piano Hinge - Black Anodized 72"
381430-01	Lock-Twist Straight Cam 1.75" #TL616

2020 CARAVEL DOORS, WINDOWS, AWNINGS

Windows and Screens, Caravel

371380	Window, 30" Tall Opening, Tinted
371470	Window, 26" Tall, Opening, Tinted
371470-01	Window, 26" Tall, Egress, Tinted
371436	Assembly, Stacked Window 18"
372215-01	Screen, 30" Tall Opening Window
371472-01	Screen, 26" Tall Opening Window
371472-02	Egress Screen, 26" Tall Opening Window
115068	Trim Ring, Inner Support
380230-03	Knob, Window Arm, Plastic Gray
380230-04	Knob, Egress Window Arm, Plastic, Red
382116-03	Rubber Screw Cap
371470-05	Glass Assy - 26" Tall Window
371471-1	Glass, 26" Opening, Tall- Tinted
0501-0073	Panoramic Glass - RS
0501-0077	Panoramic Glass - CS

Window Stone Guards

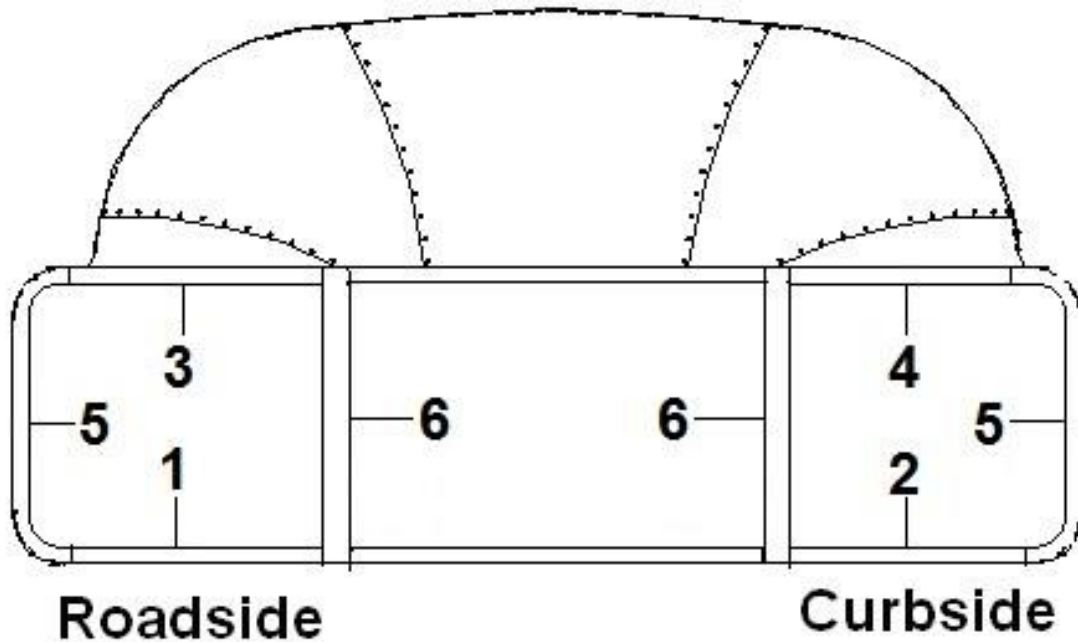
110886-01	3-Piece rockguard set
685275-101	Curbside wrap, Solar Gray stone guard
685275-102	Roadside wrap, Solar Gray stone guard
110102-05	Rock guard, Center piece only
683960	Arm support
683959	Arm support bracket
114749	Hinge "Y"
114750	Hinge "J"
685364	Bracket, Upper hinge, 45.375 stoneguard
381021-01	Latch, Draw flexible
685360	Bracket, Stone guard, Upper wrap
114815-01	Extrusion, Frame, Aluminum
685354	Front window key
685378-01	Rubber spline, 1/4"
685351	Rubber frame, Black
101401	Extrusion, Door latch housing
685355	Slip Joint, SS hinge

2020 CARAVEL DOORS, WINDOWS, AWNINGS

Window Trim

112506-15	Window trim ring, 19.38 x 22.75
112506-16	Window trim ring, 44 x 24.19
112506-11	Window trim ring, 19.38 x 22.75
112506-12	Window trim ring, 26.25 x 19.25
112506-17	Window trim ring, 28.25 x 29.75
115208	Trim ring, Main door window
203225-01	Trim Lok, Gray, Edge trim

Panoramic Window Trim



1. 201579-02	Trim ring, Lower, Aluminum
2. 201580-02	Trim ring, Lower, Aluminum
3. 201581-05	Trim ring, Upper, Aluminum
4. 201581-06	Trim ring, Upper, Aluminum
5. 201578-02	End cap, Trim ring, Aluminum
6. 110900-01	Trim formed, Aluminum, RH/LH
203225-01	Trim Lok, Aluminum .75"

2020 CARAVEL DOORS, WINDOWS, AWNINGS

Awnings, Patio

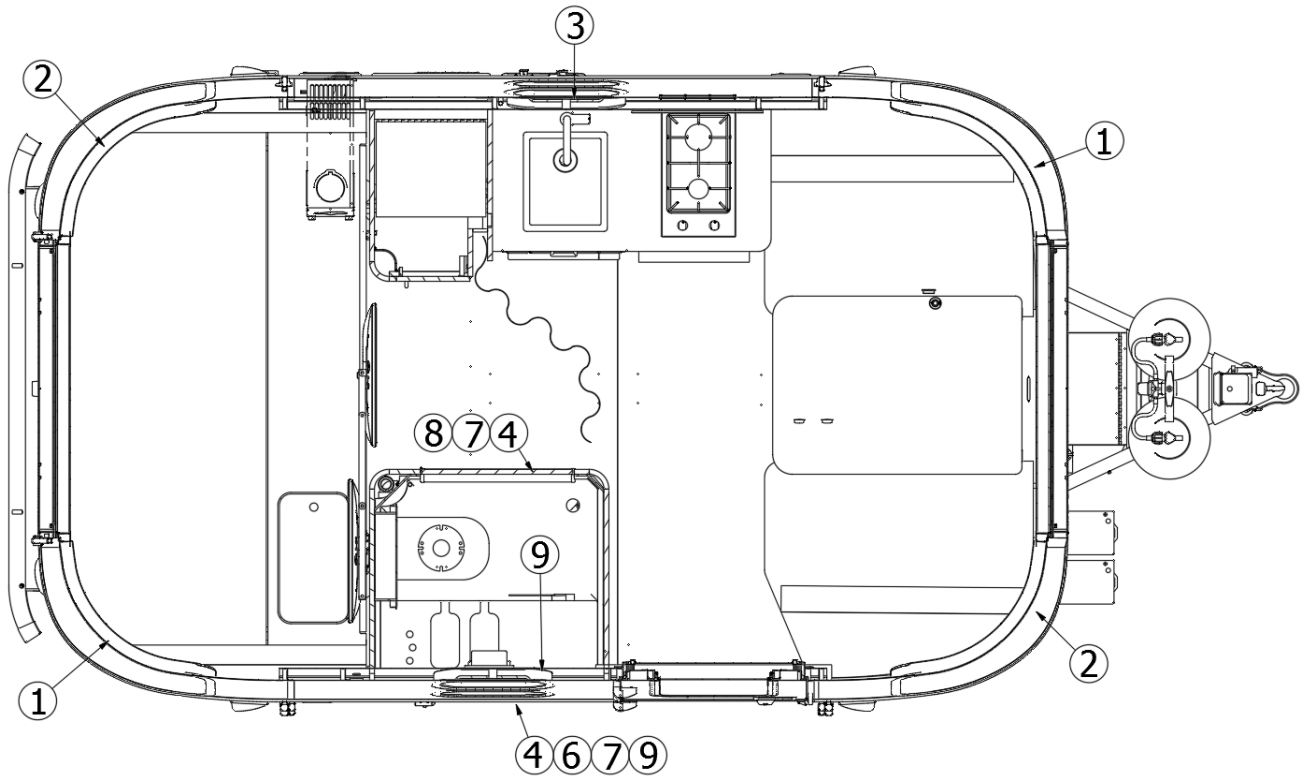
702993-59	Awning - Patio 6'-8-1/4" 16' Caravel
702993-58	Awning - Patio 9'-8" - 19' Caravel
702993-57	Awning - Patio 11'-3" - 20' Caravel
702993-56	Awning - Patio 12'-5-1/4" 22' Caravel
703727-01	Awning Hardware, Complete Package
702993	Hardware Mtg Zip Dee #HE-AS7
385577	Tape, Clear wear strip, 3.5" wide
115578	Doubler plate

Awnings, Window

703181-68	Awning-Window Rear 47" #D319 Pencil Dark Gray - 19', 20', 22'
703181-69	Awning-Window 12'-5.25" Satin #D319 Pencil Dark Gray -22'
703181-70	Awning-Window 6'-8.25" Satin #D319 Pencil Dark Gray -16'
703181-71	Awning-Window 9'-8" Satin #D319 Pencil Dark Gray -19'
703181-72	Awning-Window 11'-3.25" Satin #D319 Pencil Dark Gray -20'
703181-75	Awning, Rear Window 47", 16'

2020 CARAVEL CURTAINS AND BLINDS

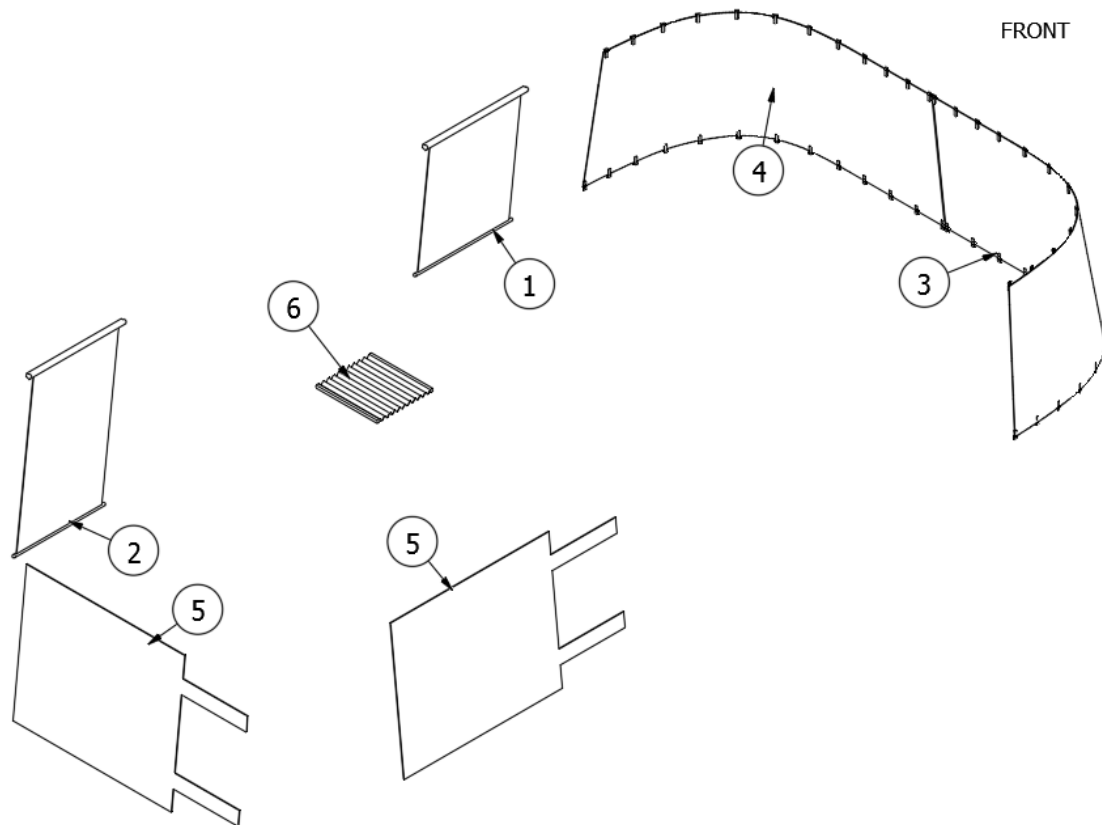
Curtains and Blinds, 16'



- | | | |
|----|-----------|---|
| 1. | 998227-01 | Panel-Curtain Blackout (Wrap Window) |
| 2. | 998227-02 | Panel-Curtain Blackout (Wrap Window) |
| 3. | 703700-07 | Shade 17.75 X 34I Oceanair Window |
| 4. | 969241 | Shower Curtain Track Assy |
| 5. | 703445-05 | Shade-Pull 21.00w X 34.00l White |
| 6. | 703467-01 | Shower Curtain 16'bambi SQ CORNERS |
| 7. | 703467-03 | Shower Curtain Strap 16' CCD (2 PER UNIT) |
| 8. | 703467-04 | Shower Curtain- 16 SP |
| 9. | 382683 | Peg Kit-Pull Shade |

2020 CARAVEL CURTAINS AND BLINDS

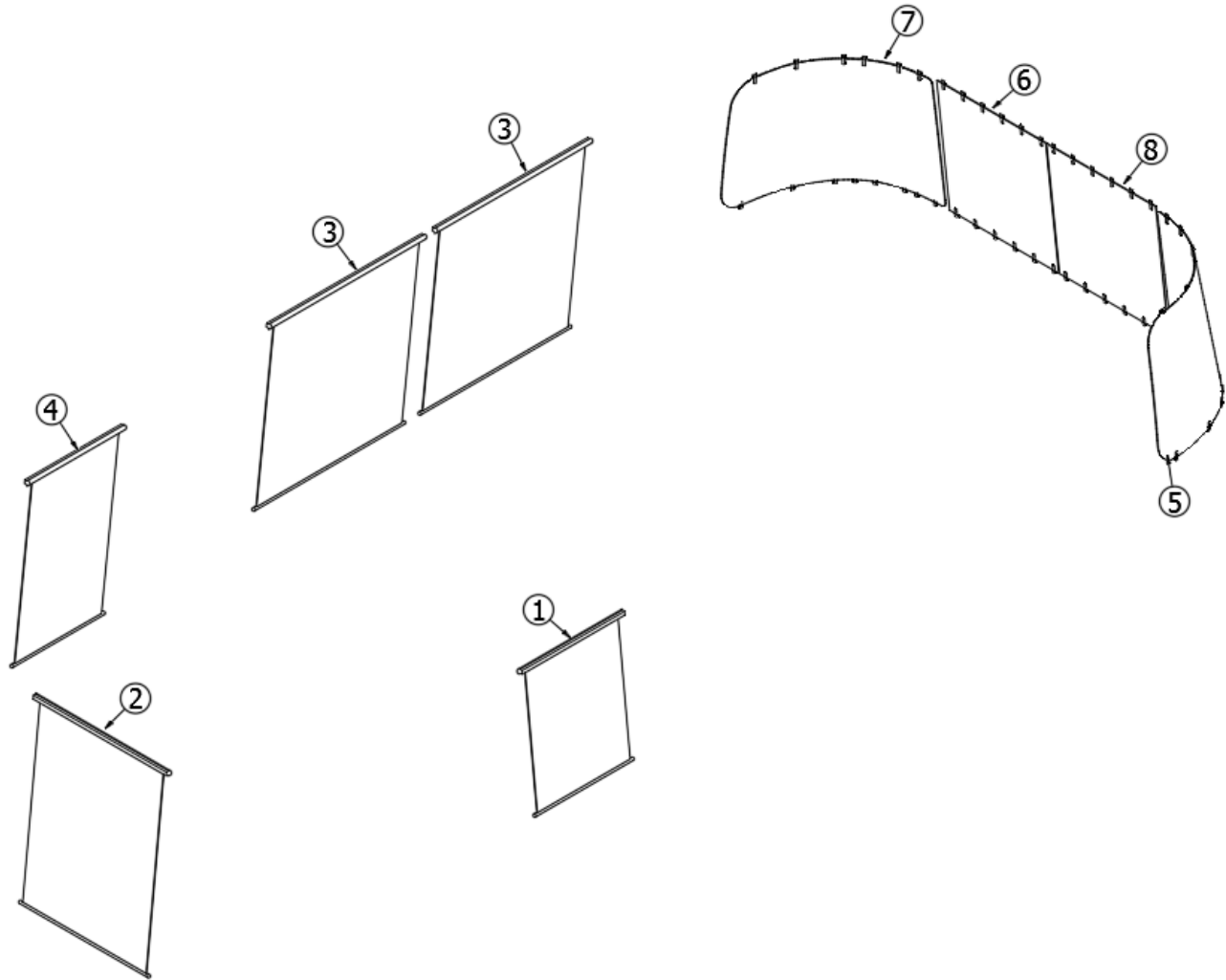
Curtains and Blinds, 19'



- | | | |
|----|-----------|------------------------------------|
| 1. | 703700-01 | Shade 19.00 X 24.00 Oceanair |
| 2. | 703700-07 | Shade 17.75 X 34 Oceanair |
| 3. | 998227-02 | Panel-Curtain Black Out (Wrap Win) |
| 4. | 998227-01 | Panel-Curtain Blackout (Wrap Wind) |
| 5. | 998144-17 | Drape W/Tieback 33 X 25.50 |
| 6. | 704546 | Shade-Fantastic Fan 13.25 X 13.25 |

2020 CARAVEL CURTAINS AND BLINDS

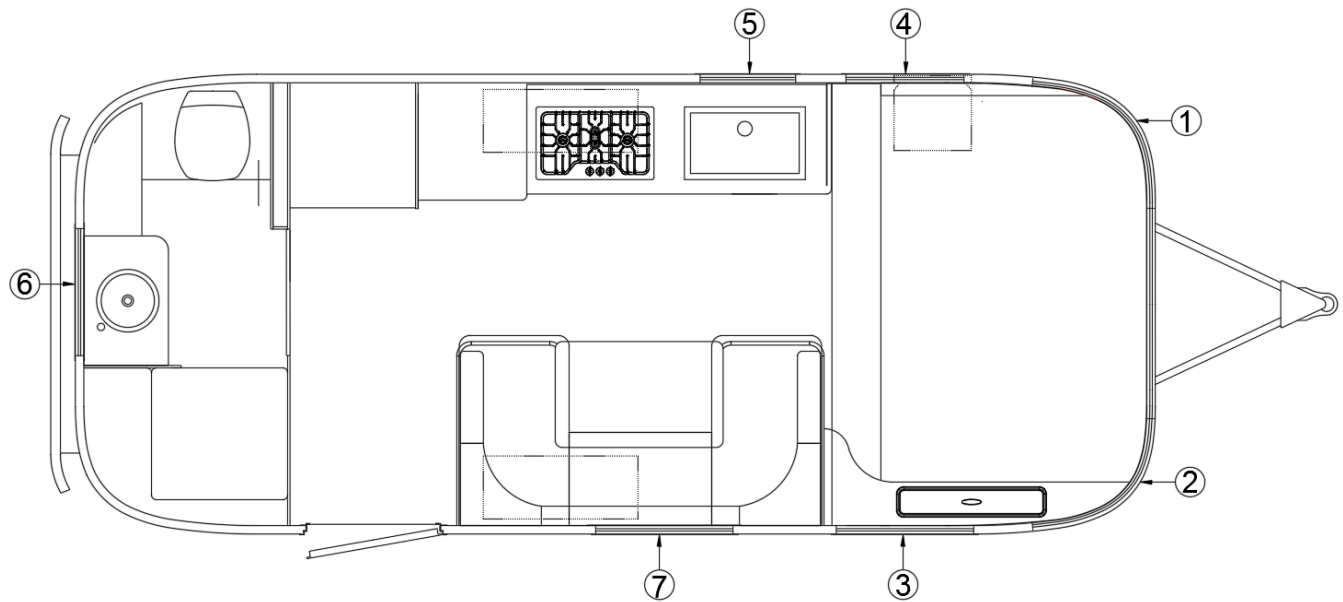
Curtains and Blinds, 20'



- | | | |
|----|-----------|--------------------------------------|
| 1. | 703700-01 | Shade 19.00 X 24.00l Oceanair Window |
| 2. | 703700-03 | Shade 25.25 X 34l Oceanair |
| 3. | 703700-04 | Shade 29.75" X 34"L Oceanair |
| 4. | 703700-07 | Shade 17.75 X 34l Oceanair |
| 5. | 998144-09 | Drape-CS Side Panel 37" X 25.5" |
| 6. | 998144-10 | Drape-CS Front Panel 23"X 25.5" |
| 7. | 998144-11 | Drape-RS Side Panel 37" X 25.5" |
| 8. | 998144-12 | Drape-RS Front Panel 23"X 25.5" |

2020 CARAVEL CURTAINS AND BLINDS

Curtains and Blinds, 22



- | | | |
|----|-----------|--------------------------------------|
| 1. | 998227-01 | Panel-Curtain Blackout (Wrap Window) |
| 2. | 998227-02 | Panel-Curtain Blackout (Wrap Window) |
| 3. | 998144-15 | Drape-Bedroom Panel CS 22 SP |
| 4. | 998144-16 | Drape-Bedroom Panel RS 22SP |
| 5. | 703700-01 | Shade 19.00 X 24.00L Oceanair |
| 6. | 703700-03 | Shade 25.25 X 34L Oceanair |
| 7. | 703700-04 | Shade 29.75" X 34"L Oceanair |
| | 704546 | Shade-Fantastic Fan 13.25 X 13.25 |

2020 CARAVEL CURTAINS AND BLINDS

Curtains and Blinds Hardware

704198	Fabric lining blackout, Ivory White
704505	Fabric-Window Duet Snow
700045	Glides, Curtain G3 w/elastic
700020	Pile, Velcro
700021	Hook, Velcro, White
101225	Extrusion, Aluminum curtain track
101217	Extrusion, Curtain track
100097	Extrusion, Curtain track
101220	Track, Stand-off, Curtain
200784	Ends, Curtain track, RH, White
200785	Ends, Curtain track, LH, White
195329-202	Hemisphere, Clear bump-on

2020 CARAVEL ELECTRICAL, 110 VOLT

Shore Line Cord

513645 Inlet-Male 125 Volt 30AMP - Gray
513127 Cord-125V 30A Twist End 30' Gray

Converter

513275 Power center, AC/DC, Black
510743 Ground bar, 3 ½" Long

Inverter

512680 Inverter w/remote, 1000W
512680-01 Fuse, 15A time-delay
512680-02 Inverter, RJ 22 4P/4C connector
512680-03 Install tool for 512680-02
512680-100 Remote ON/OFF switch w/LED indicator
513161-01 Terminal fuse block w/100A fuse
513161-02 Fuse, MRBF 100 amp fuse
500039 Ground lug

Breakers

510564-03 Breaker Bryant 15-15
510564-07 Breaker Bryant 15 GFI
510564-2020 Breaker, Type BRD, BD 20-20
510564-3020 Breaker, Type BRD, BD 30-20
510564-20GFI Breaker, Type BR, 20 GFI

Junction Boxes

511411 Junction box, 7 terminal

Receptacles

500563-03 Receptacle, Self-contained, White
500563-04 Wall plate w/screws for 500563-03, White
512562 Receptacle gasket, Neoprene w/adhesive
511287 Receptacle, 15 amp, Single
512741 W.P. cover w/gasket, Gray
512481-02 Receptacle, 20 Amp, Single, Brown
512481-03 Decorator cover plate w/screws, Brown
511534 Dual coax plate, White
511814-01 Receptacle, Duplex, Self-contained, Gray
511814-02 Plate, Decorator, 1 gang, Gray
S00417 GFI Label for Receptacle, 510888-05

2020 CARAVEL ELECTRICAL, 12 VOLT

Battery and Battery Box

511596	Battery, Deep cycle, SRM-24
511828	Battery, 12V deep cycle, AGM (when solar equipped)
204111	Battery box
381613	Cover, Black plastic for hold down wing nut
500836-02	Positive battery cable
500837	Negative battery cable
340023-01	Catch and Strike, Zinc

7-Way Cable

500886-01	7-way cable w/plug
-----------	--------------------

Switches and USB Ports

511745	Switch, Three gang, White
510658	Switch w/weather-proof boot
511672	Switch body w/cover 3 gang, Black
511975	Switch, 4 gang, Black
511999	Switch, 2 gang, Black
511665	Switch, Ceiling, White
500563-04	Plate, Decorator, 1 gang, White
500967-01	Cover, Blank, Ivory
511669	Switch, Shower, White
513133-01	USB, Front mount, Dual, Non-lighted, Black
512792	USB port pigtail
513658	Switch - Dimmer 12v
513659	Switch - Dimmer 12v-Double

2020 CARAVEL ELECTRICAL, 12 VOLT

Battery Disconnect

510626 Switch, Master battery disconnect

Breakaway Switch

0300027 Breakaway switch, Bargman
454526 Bracket, Breakaway switch

Monitor System

512566 Monitor, Tank system kit (Seelevel)
512566-01 Flush mount monitor panel only
513362-01 Sender Pad- 6" Seelevel #710JS
512566-02 Sender pad
513168 Monitor, Tank System Kit, 16'
513168-01 Flush Mount Monitor Panel Only for 513168
512951 Harness, See level pad

Breakers

510947-20 Breaker, 12V DC, Type II
510947-30 Breaker, 12V DC, Type II

Fuses

500773-03 Fuse, ATC, 12V DC, 3 Amp
512318 Fuse holder w/1 Amp AGC fuse
500883-01 Fuse 12, CSA 1 Amp
681936 AGC-1 fuse
510696 Fuse holder, In-line

Solar Panel System

513247 Kit, Charge controller display
513047-01 Solar panel, 80 watt, Zamp
513047-02 Solar panel mounting feet, Zamp
513586 Triple port solar cap
513033 Bracket, Portable solar panel port
365407 Gasket, Solar box
365409 Gasket, Solar panel bracket
340305 Solar panel wire clip
340306 C-clamp, 5/8
340308 Clip, Solar panel
115583 Plate, Solar battery spacer

2020 CARAVEL ELECTRICAL, 12 VOLT

Interior Lights

512737	Light w/switch, LED, Double
512736	Light w/switch, LED, Single
512478	Light, LED, Wet location
512462	Reading light w/frosted lens, LED
513406-01	Light-Eyeball Reading - Warm White Led

Exterior Lights

512252	Step light, LED, SS
510732-02	Utility light (by main door)
512860	LED clearance light, Red
512860-01	Flat Chrome base, Clearance light
512928	Curved bezel w/gasket, Required for 3 top lights
512928-01	Curved bezel
512859	LED clearance light, Amber
512859-01	Flat Chrome base, Clearance light
382389	Clearance light gasket
512409	License plate holder
512533	Auxiliary light, LED, Surface mount

Tail Light Assembly

511860-01	Light, 4" LED, Red
511860-02	Bezel, 4" round, Chrome w/visor
381873	Gasket, Taillight
512521	Light, Backup
114346-01	Bezel, Tail light casting, RS
114346-02	Bezel, Tail light casting, CS
511973	Light, Stop/tail/turn

Wireless Backup Camera

512946-01	Kit, Digital wireless observation
512946-02	Voyager digital autopair camera
512946-102	Voyager 5.6" LCD monitor
512946-100	Antenna
365392	Gasket, Backup camera
382225	Grommet, .5", Black
345674	Screw - M4x7x5 A2 S/S
345673	Washer - Flat M4 Black

2020 CARAVEL ENTERTAINMENT

Audio

513656	Device, Radio Source Unit - JL Audio
500913-03	Switch, T & B White
511807	AM/FM antenna, Rubber, 13"
500484-05	Antenna lead & extension, 72"
511339-01	Speaker, Audiovox, 5.25"
511339-02	Speaker grill, White, 6"
512150	Adaptor, Radio plug
512407	Cable, RG6 coax
513234	USB input cable
513654	Subwoofer - JL Audio

Video

513697	Blu-Ray Disc/DVD Player Sony
513594-01	Antenna-TV, King - White-Omni Pro Digital
382653	Gasket Plug - Cable Hole - Antenna
382652	Gasket - King Omni Pro Antenna
512398	Wall plate power supply, White
513092	AV to HDMI upscaler
512366-15	HDMI cable, 15'
510623	Connector, Coax, Male to male
511534	Dual coax plate, Satellite/TV hook-up
511375	Jack, Modular telephone
511834	Patch cord, Dual male-male, 30'
511703	Patch cord, Male-male, 2-way, 20'
511655-03	Cable, BDO/1, 20'
513088	Inlet, TV/satellite, Gray
513301-01	HDMI cable, Thin profile, 48"
513301-02	HDMI cable, Thin profile, 64"
513302	Wall plate w/HDMI & coax connections
513444	Wall plate, HDMI

TV Install, 16'

690741	TV-LED 22" CLASS 1080P
512526-01	Arm, Articulating, Tilt
512499-01	Cable, Mini Coax, 64"
382184	Sleeving-.75"Flexo Braided Split
340300	Clip-Cable Holder 1.5"#7572K18

2020 CARAVEL ENTERTAINMENT

TV Install, 19'

690741	TV-LED 22" CLASS 1080P
512526-01	Arm, Articulating, Tilt
512499-01	Cable, Mini Coax, 64"
382184	Sleeving-.75"Flexo Braided Split
340300	Clip-Cable Holder 1.5"#7572K18
968699	TV Shelf Assembly

TV Install, 20'

690741	TV-LED 22" CLASS 1080P
512526-01	Arm, Articulating, Tilt
512499-01	Cable, Mini Coax, 64"
382184	Sleeving-.75"Flexo Braided Split
340300	Clip-Cable Holder 1.5"#7572K18
969097	Flat Screen TV Support

TV Install, 22FB

690741	TV-LED 22" CLASS 1080P
512457	Arm, Articulating Moview MSDSL
340300	Clip, Cable holder
382184	Sleeve, Flexo braided split
512499	Cable, Mini coax, 48"

2020 CARAVEL FLOOR COVERING

Floor Mats

703852 Matt, Entrance, Airstream logo

Vinyl Flooring

704630 Flooring - Vinyl Tarkett, Comfort Style -Concrete
203594-02 Floor trim, Ash Grey
800976-01 Plywood, Tongue and groove, 19/32 x 97.77
115565 Extrusion, Threshold main door
100097 Extrusion, Curtain track
114869 Extrusion, Threshold compartment, Clear Anodized
203727 Foil, Single bubble flex
703766-01 Adhesive, AAT-272 Super Premium

2020 CARAVEL FURNITURE, INTERIOR DOORS

Doors, Roof Locker

204088-01 Door-Sliding-Plexiglass, 26.25
204088-02 Door-Sliding-Plexiglass, 19.125"

Door, Foldette, 16'

382674 Track-Formed - Foldette Door
704674-01 Curtain Dividing, Caravel

Door, Foldette, 19'

382295 Track-Plastic Gray Straight
704674-01 Curtain, Dividing, 51" x 76" With Tieback, Caravel

Door, Foldette, 20'

382295 Track-Plastic Gray Straight
704657-01 Curtain-Dividing 51.00" X 76.00" W/Tie Back-Caravel

Door, Shower, 22FB

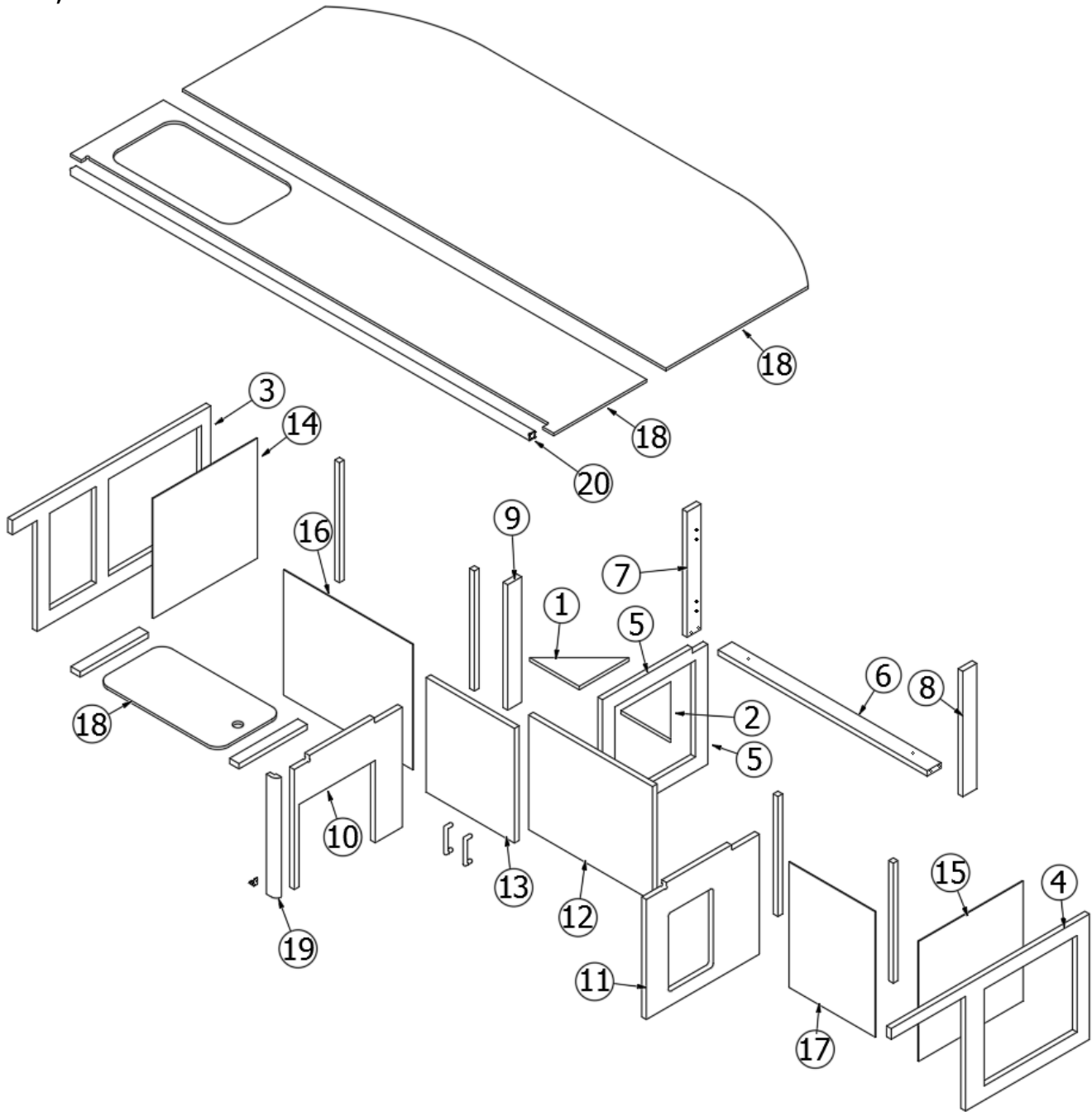
703725 Shower door
454734 Angle, Formed, 65" shower door

Drawer Boxes and Slides

968224-10 4.00" Drawer Box
382044-01 Handle, Matte Black
968022-15 Assembly - Drawer Box- 19'

2020 CARAVEL FURNITURE, BEDROOM

Bed, 16' Caravel



Parts Listed on Next Page

2020 CARAVEL FURNITURE, BEDROOM

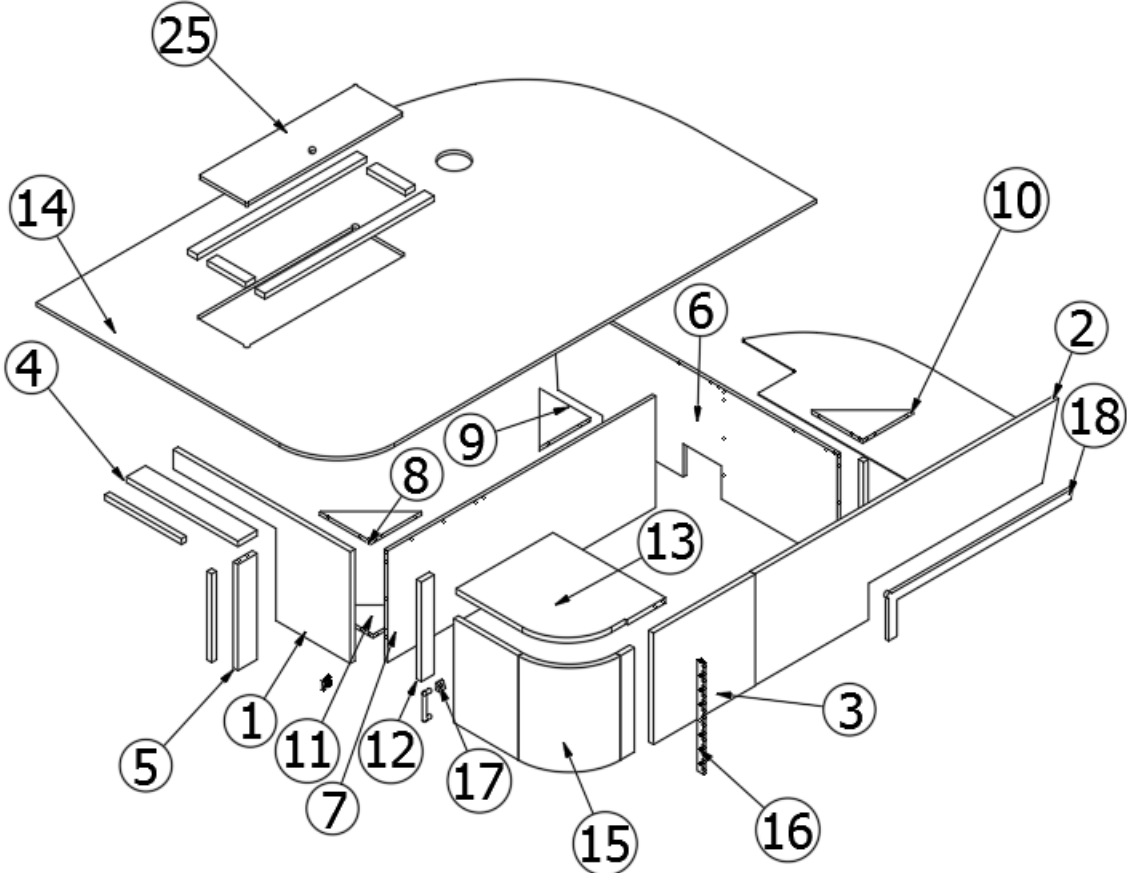
Bed, 16' Caravel

969029 Assembly - Bed Base

1.	969029&000112CC	Pre Laminate- 0.50 X 8.00 X 8.00
2.	969029&000212CC	Pre Laminate- 0.50 X 8.00 X 8.00
3.	969029&000318CC	Pre Laminate- 0.75 X 18.00 X 32.00
4.	969029&000418CC	Pre Laminate- 0.75 X 17.50 X 32.00
5.	969029&000518CC	Pre Laminate- 0.75 X 18.00 X 17.00
6.	969029&000618CC	Pre Laminate- 0.75 X 2.25 X 33.75
7.	969029&000718CC	Pre Laminate- 0.75 X 2.25 X 17.50
8.	969029&000818CC	Pre Laminate- 0.75 X 2.25 X 17.50
9.	969029&000918CC	Pre Laminate- 0.75 X 2.25 X 17.50
10.	969029&001018BC	Pre Laminate- 0.75 X 17.50 X 17.50
11.	969029&001118BC	Pre Laminate- 0.75 X 18.25 X 17.50
12.	969029&001218BC	Pre Laminate- 0.75 X 20.00 X 16.00
13.	969029&001318BC	Pre Laminate- 0.75 X 14.25 X 16.00
14.	969029&001403CE	Pre Laminate - 0.13 x 16.75 x 16.88
15.	969029&001503CE	Pre Laminate - .13 x 16.75 x 16.88
16.	969029&001603CE	Pre Laminate - .13 x 17.50 x 20.88
17.	969029&001703CE	Pre Laminate - .13 x17.50 x 13.88
18.	800507-03	Lauan,3/8"X 4'X 8'
19.	969029&0024T06B	Hardwood Radius X 16.75, 801706-0044
20.	100850	Aluminum Tube, 74.00
	380041	Brace 1" Stanley Corner
	380264	Corner Bracket #997 LGT 2IN X 5/8
	381228	Catch Grabber Door C3-810
	704128	Mattress-Pillow Top 47.5X78 SP
	382044-01	Handle - Matte Black
	381607-11	Hinge-Self Close Overlay 110D
	381607-12	Baseplate-Grass 9.5X37/32
	365481-02	Edgebanding 1MM - .93" Cool Autumn Night

2020 CARAVEL FURNITURE, BEDROOM

Bed, 19'



Parts Listed on Next Page

2020 CARAVEL FURNITURE, BEDROOM

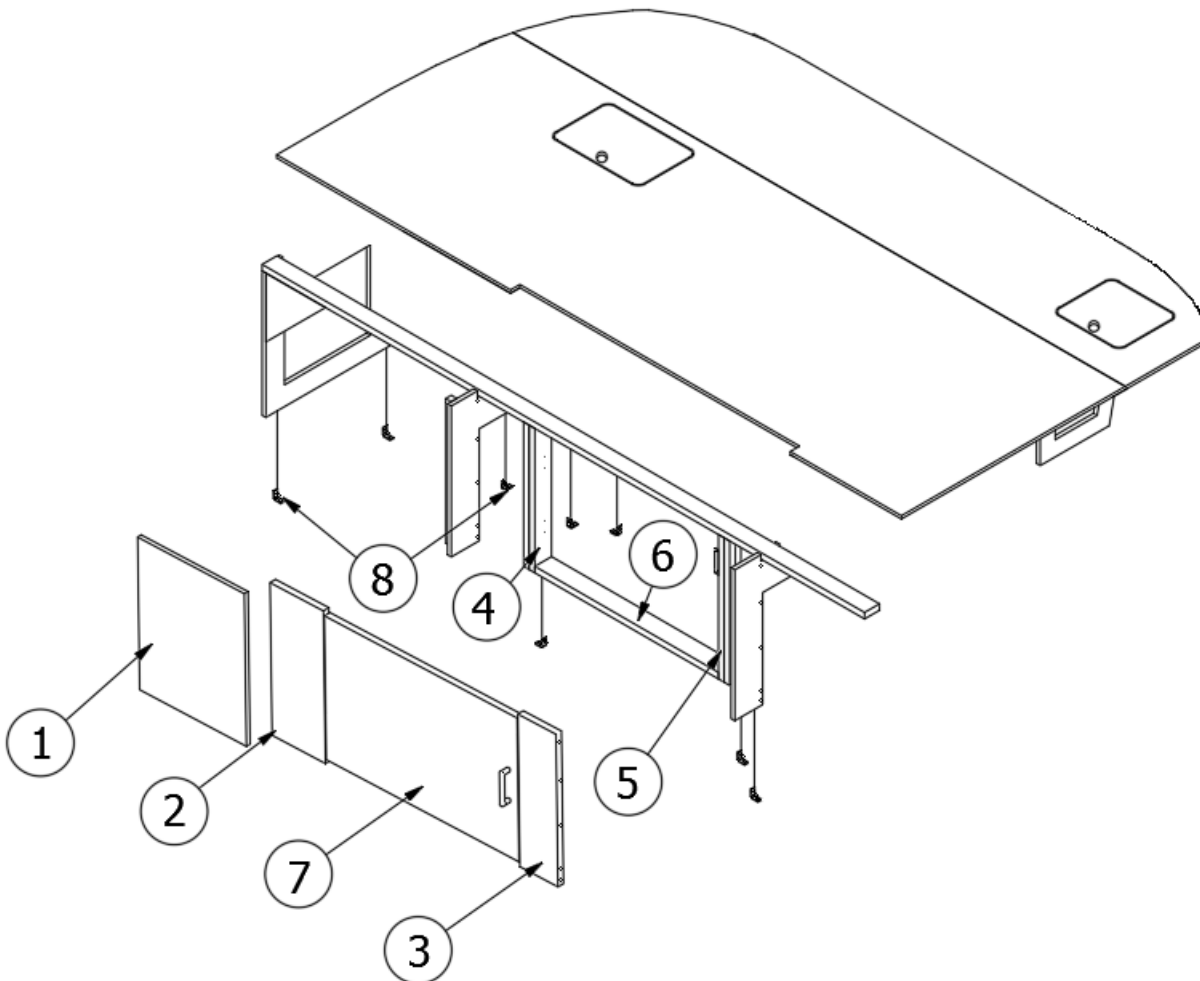
Bed, 19'

966926 Assembly "C" Bed, NB

- | | | |
|-----|-----------------|--|
| 1. | 966926&000118BC | Panel, 27.75 X 15.13 |
| 2. | 966926&000218BC | Panel, 47.63 X 15.13 |
| 3. | 966926&000318BC | Panel, 16.19 X 15.13 |
| 4. | 966926&000418BC | Panel, 3.00 X 17.50 |
| 5. | 966926&000518BC | Panel, 2.25 X 12.00 |
| 6. | 966926&000612CC | Panel, 44.75 X 15.13 |
| 7. | 966926&000712CC | Panel, 42.00 X 15.13 |
| 8. | 966926&000812CC | Panel, 8.00 X 8.00 |
| 9. | 966926&000912CC | Panel, 8.00 X 8.00 |
| 10. | 966926&001012CC | Panel, 8.00 X 8.00 |
| 11. | 966926&001112CC | Panel, 8.00 X 8.00 |
| 12. | 966926&001218CC | Panel, 13.50 X 2.00 |
| 13. | 801351 | Lite Ply-18MM (.75") 4'X 8' |
| 14. | 800507-03 | Lauan,3/8"X 4'X 8' |
| 15. | 966925 | Door Assy-Radius- Bed |
| 16. | 381853 | Hinge-Continuous Alum Piano |
| 17. | 203587 | Wedge-Radius Bed Base Door |
| 18. | 966926&003012BC | Panel, 28.87 X 6.25 |
| | 381948 | K-Catch |
| | 382044-01 | Handle - Matte Black |
| | 365481-02 | Edgebanding 1MM - .93" Cool Autumn Night |
| | 365481-01 | Edgebanding 1MM - .63" Cool Autumn Night |

2020 CARAVEL FURNITURE, BEDROOM

Bed, 20'

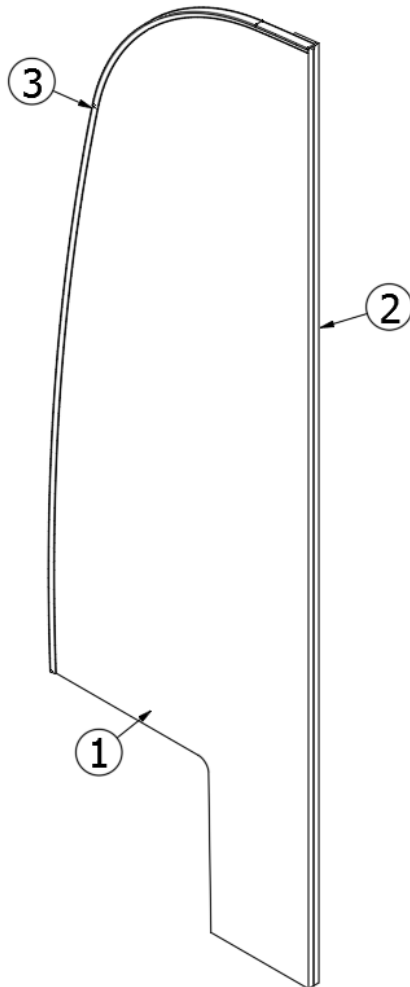


969094 Assembly, Bed

- | | | |
|----|-----------------|--|
| 1. | 969094&000312BB | Pre Laminate- 0.50 X 14.00 X 17.50 |
| 2. | 969094&000418BB | Pre Laminate-17.50 X 7.00 |
| 3. | 969094&000518BB | Pre Laminate-17.50 X 5.00 |
| 4. | 969094&000618CC | Pre Laminate-16.75 X 2.25 |
| 5. | 969094&000718CC | Pre Laminate-16.75 X 2.25 |
| 6. | 969094&000818CC | Pre Laminate-2.25 X 24.63 |
| 7. | 969094&001318BB | Pre Laminate- 0.75 X 25.25 X 16.50 |
| 8. | 380041 | Brace 1" Stanley Corner |
| | 365481-02 | Edgebanding 1MM - .93" Cool Autumn Night |
| | 382044-01 | Handle - Matte Black |
| | 381607-14 | Hinge Nickel Plated Self Closing |
| | 381228-02 | Catch Grabber Door C3-805 |

2020 CARAVEL FURNITURE, BEDROOM

Assembly Dinette/Bed Panel, 20'

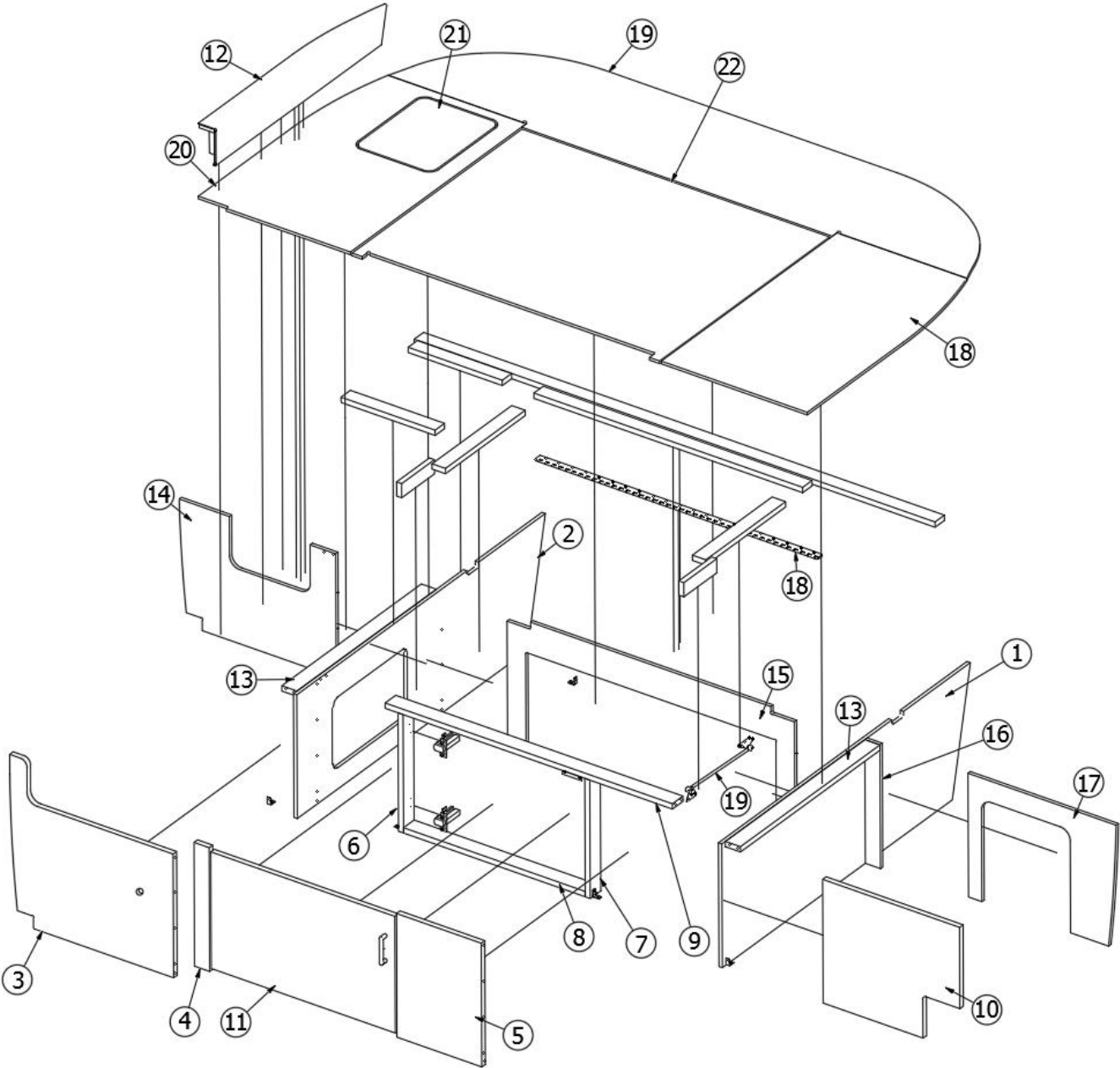


967348 Panel-Dinette/Bed 20

- | | | |
|----|-----------|---|
| 1. | 967348-1 | Panel-Dinette/Bed 19.73X77.67 |
| 2. | 967348-2 | Panel-Dinette/Bed 2.25X77.67 |
| 3. | 203138-01 | Extrusion-Plastic 1/2" Wall-White |
| | 365481-01 | Edgebanding 1MM - .63" Cool Autumn Night |
| | 365481-03 | Edgebanding 1MM - 1.25" Cool Autumn Night |

2020 CARAVEL FURNITURE, BEDROOM

Bed, 22' Caravel



Parts Listed on Next Page

2020 CARAVEL FURNITURE, BEDROOM

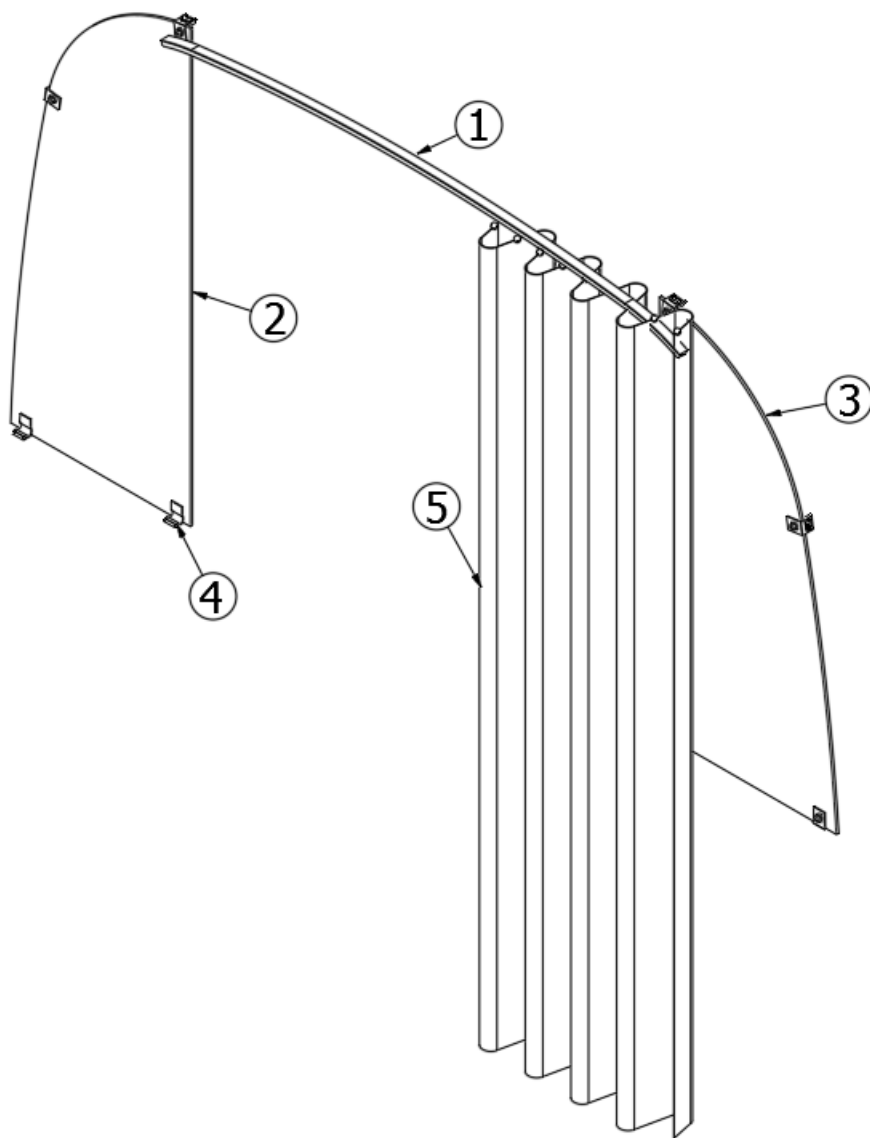
Bed, 22' Caravel

968946 Bed Base Assembly

1.	968946&000112BC	Pre Laminate- 0.50 X 53.00 X 1
2.	968946&000212BC	Pre Laminate- 0.50 X 53.00 X 1
3.	968946&000318BC	Pre Laminate- 0.75 X 24.28 X 2
4.	968946&000418BC	Pre Laminate-2.25 X 17.50
5.	968946&000518BC	Pre Laminate-12.63 X 17.50
6.	968946&000618CC	Pre Laminate-2.25 X 16.75
7.	968946&000718CC	Pre Laminate-2.25 X 16.75
8.	968946&000818CC	Pre Laminate-2.25 X 27.00
9.	968946&000918CC	Pre Laminate-2.25 X 42.75
10.	968946&001018BC	23.03 X 17.50 EB3-B02
11.	968946&001118BC	Pre Laminate- 0.75 X 27.38 X 1
12.	968483	Stand Off Assy - RS S22FB453
13.	968946&001318CC	Pre Laminate-2.25 X 29.75
14.	968946&001412CC	Pre Laminate- 0.50 X 23.29 X 1
15.	968946&001512CC	Pre Laminate-17.50 X 42.75
16.	968946&001612CC	Pre Laminate-2.25 X 17.50
17.	968946&001712CC	Pre Laminate- 0.50 X 22.04 X 1
18.	380203-02	Piano Hinge - Blk Anodized 72"
19.	381067-09	Spring, Gas 90 Pound
	381084	Ball, Stud
	382462	Bracket Assembly- Lower #LPB77
	382463	Bracket Assembly-Upper #LPB26R
	365481-01	Edgebanding 1MM - .63" Cool Autumn Night
	365481-02	Edgebanding 1MM - .93" Cool Autumn Night
	382044-01	Handle - Matte Black

2020 CARAVEL FURNITURE, BEDROOM

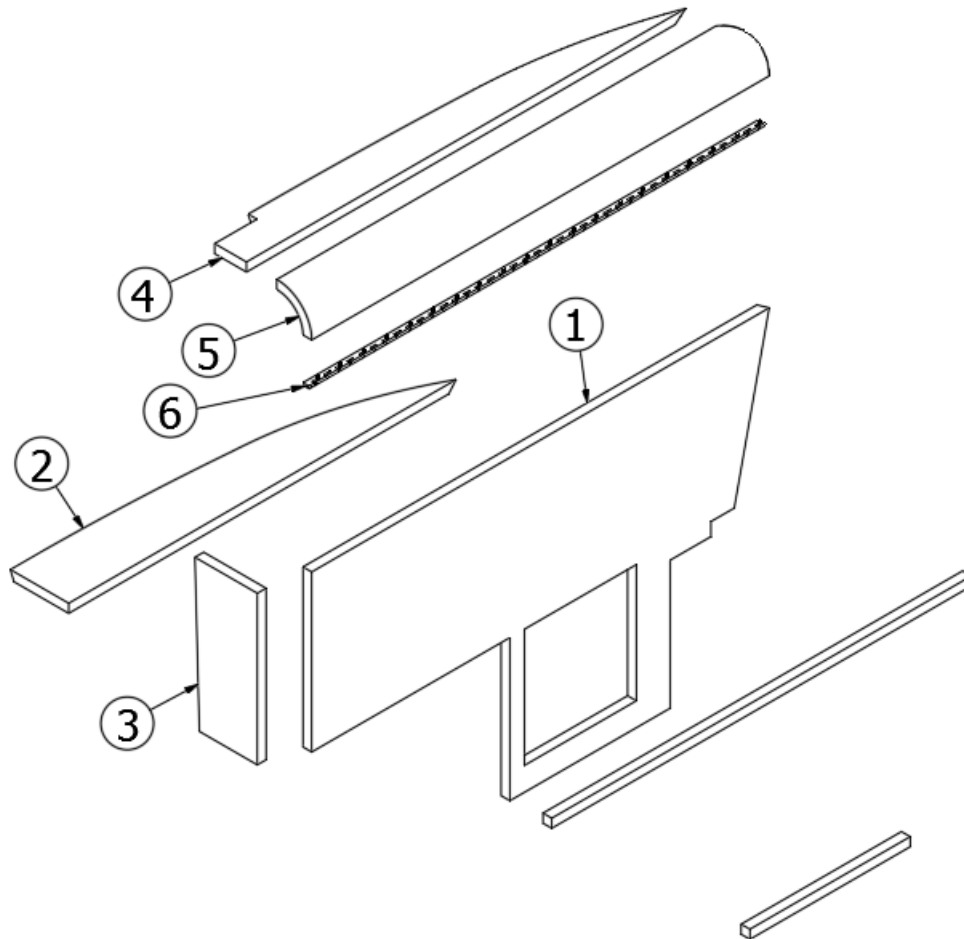
Privacy Panels, 22FB Caravel



- | | | |
|----|--------|--|
| 1. | 382295 | Track-Plastic Gray Straight |
| 2. | 204090 | Acrylic Panel Divider - CS |
| 3. | 204091 | Acrylic Panel Divider - RS |
| 4. | 381782 | Pull-Glass Door Chrome Plated |
| 5. | 704657 | Curtain-Dividing 72.00" X 76.00" W/Tieback-Caravel |

2020 CARAVEL FURNITURE, BEDROOM

Hamper, CS, 16' Caravel

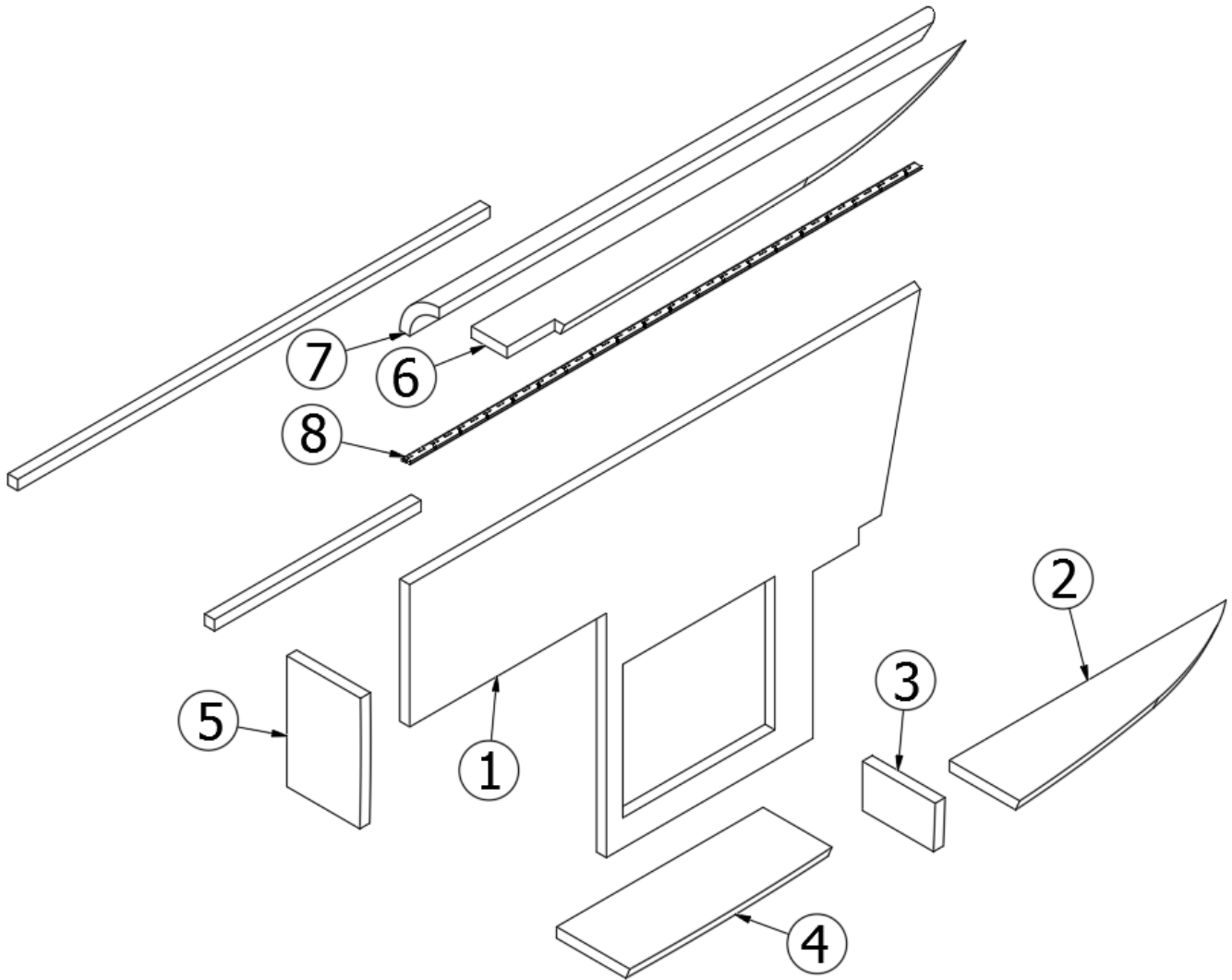


969028 Assembly - CS Hamper

- | | | |
|----|-------------------------------|---|
| 1. | 969028&000118CC | Pre Laminate- 0.75 X 26.00 X 40.00 |
| 2. | 969028&000218CC | Pre Laminate- 0.75 X 5.00 X 33.75 |
| 3. | 969028&000318CC | Pre Laminate- 0.75 X 5.50 X 12.75 |
| 4. | 969028&000418CC | Pre Laminate- 0.75 X 3.50 X 38.00 |
| 5. | 801345 | Radius Plywood .75"X 3"X 8' |
| 6. | 380458
704233
365386-02 | Hinge-Piano Copper Metallic Bake Enamel
Vinyl-Aries Soft White W/.75" Foam
Edgebanding-White Linen .94" |

2020 CARAVEL FURNITURE, BEDROOM

Hamper, RS, 16' Caravel, CS 20' Caravel

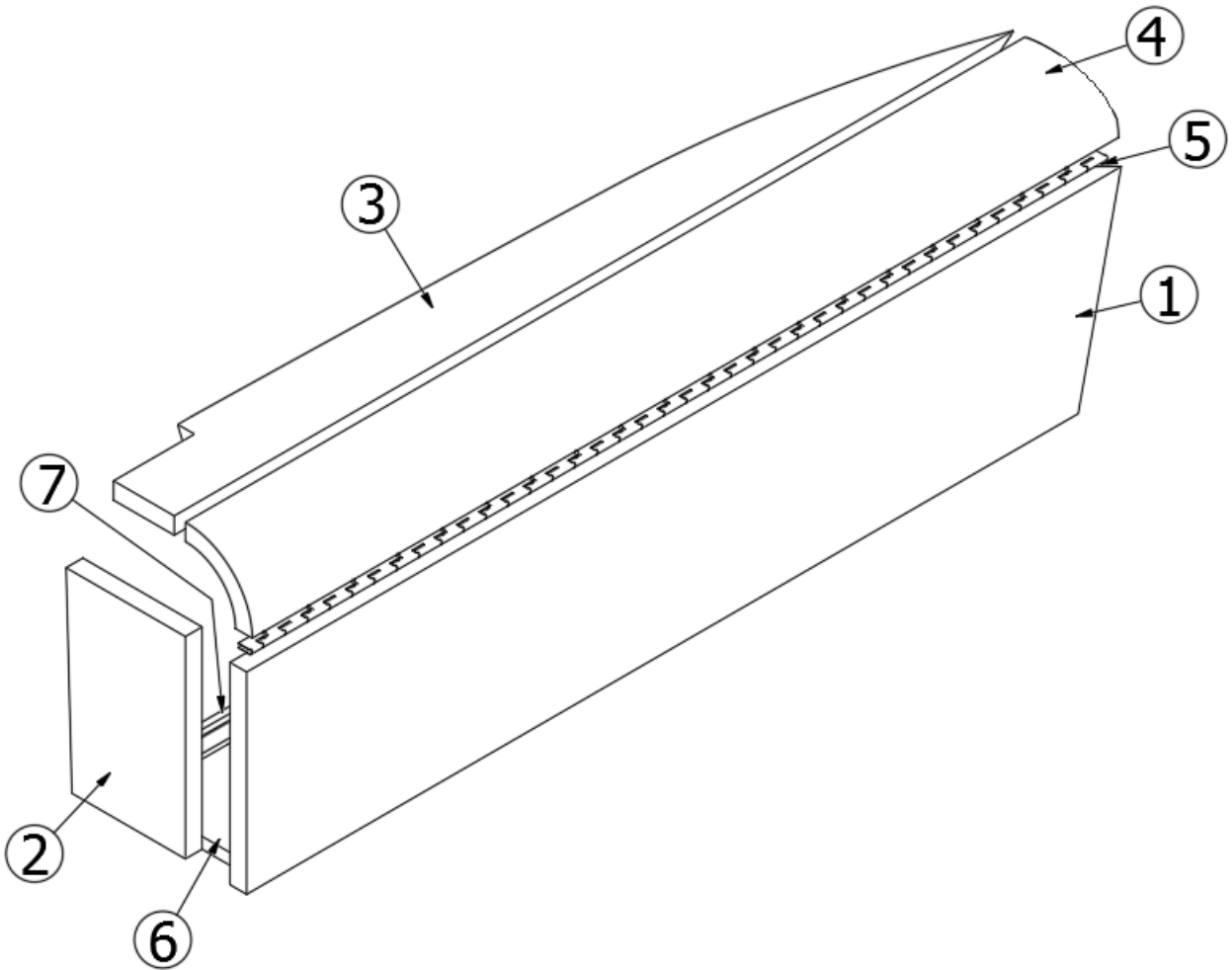


969027 Assembly - RS Hamper

- | | | |
|----|-----------------|---|
| 1. | 969027&000118CC | Pre Laminate- 0.75 X 26.00 X 39.50 |
| 2. | 969027&000218CC | Pre Laminate- 0.75 X 5.36 X 21.07 |
| 3. | 969027&000318CC | Pre Laminate- 0.75 X 3.25 X 5.75 |
| 4. | 969027&000418CC | Pre Laminate- 0.75 X 5.59 X 15.75 |
| 5. | 969027&000518CC | Pre Laminate- 0.75 X 5.62 X 8.63 |
| 6. | 969027&000618CC | Pre Laminate- 0.75 X 3.50 X 38.00 |
| 7. | 801345 | Radius Plywood .75" X 3" X 8' |
| 8. | 380458 | Hinge, Piano 3/32 Pin, 5/8in Leaf - Brown |
| | 365386-02 | Edgebanding-White Linen .94" |
| | 704233 | Vinyl-Aries Soft White W/.75" Foam |

2020 CARAVEL FURNITURE, BEDROOM

Hamper, RS, 20' Caravel

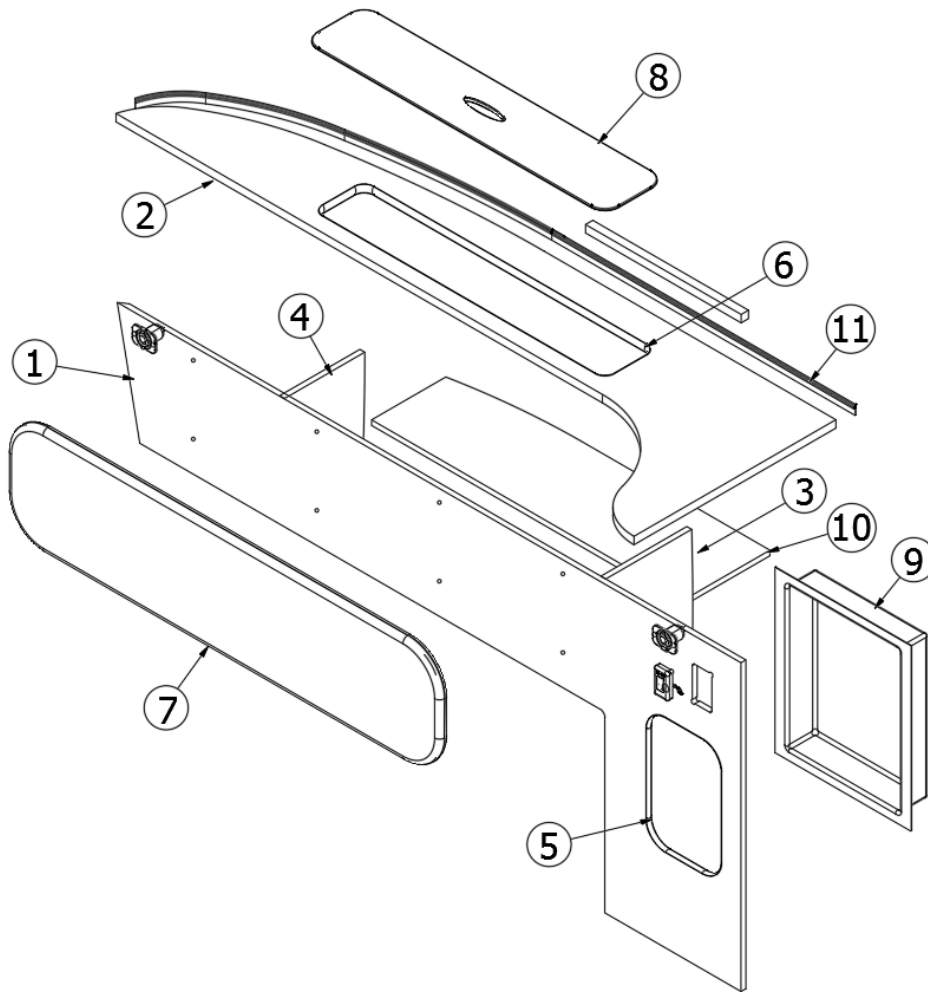


969093 RS Hamper Ass'y

- | | | |
|----|-----------------|--|
| 1. | 969093&000118CE | Pre Laminate- 0.75 X 8.63 X 39 |
| 2. | 969093&000218CE | Pre Laminate- 0.75 X 5.35 X 8. |
| 3. | 969093&000318CE | Pre Laminate- 0.75 X 3.47 X 37 |
| 4. | 801345 | Rad. Plywood .75"X 3"X 8' |
| 5. | 380458 | Hinge-Piano Copper Metallic Bake Enamel |
| 6. | 969093&000812CC | Pre Laminate- 0.50 X 5.00 X 36 |
| 7. | 201673 | Cove Molding, Ivory, Plastic |
| | 704233 | Vinyl-Aries Soft White W/.75"Foam |
| | 365481-02 | Edgebanding 1MM - .93" Cool Autumn Night |

2020 CARAVEL FURNITURE, BEDROOM

Hamper and Headboard, 22 Caravel

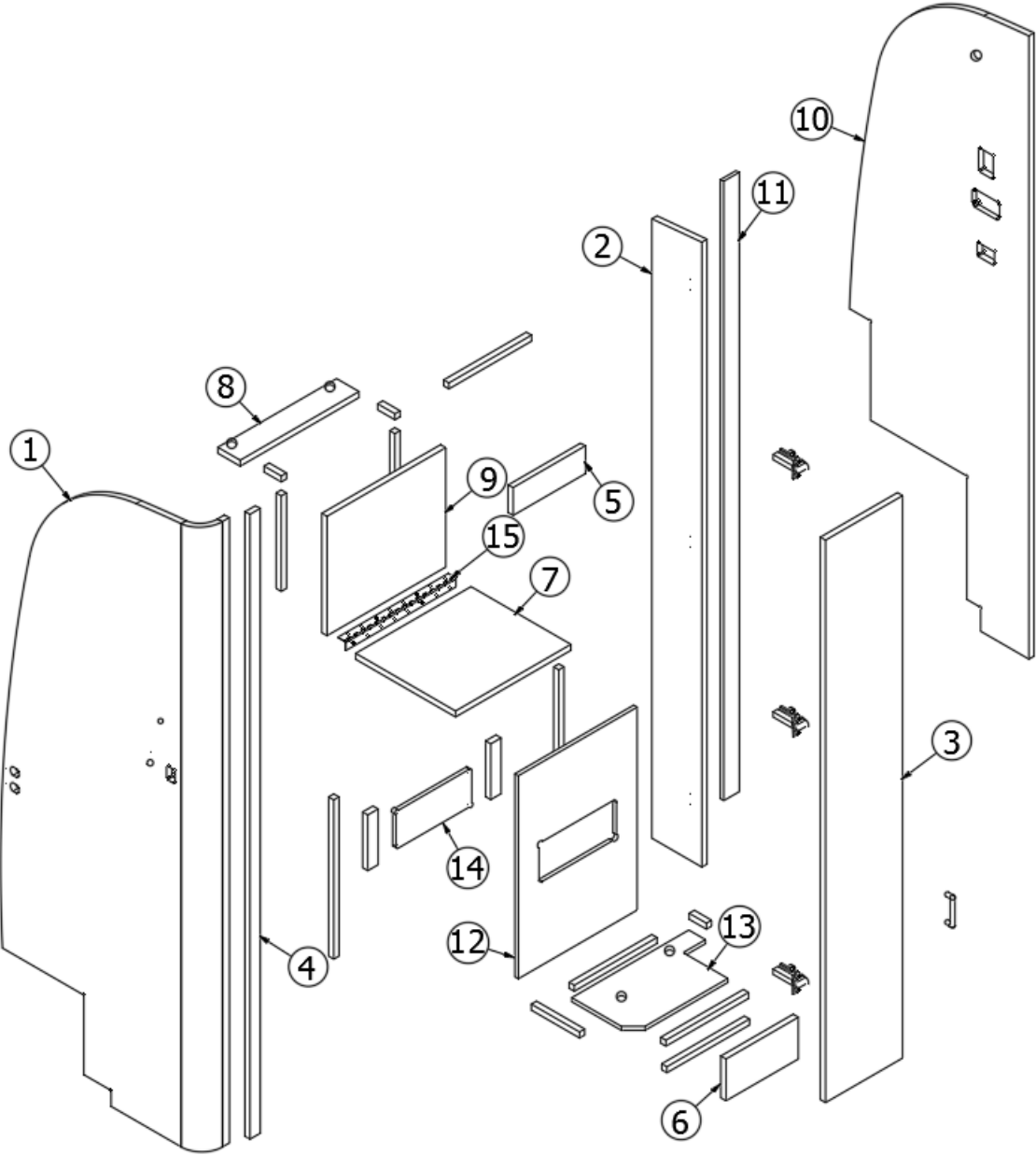


968945 Hamper Assembly

1.	968945&000112BC	Pre Laminate- 0.50 X 63.38 X 2
2.	968945&000218BC	Pre Laminate- 0.75 X 20.00 X 6
3.	968945&000312BC	Pre Laminate- 0.50 X 8.25 X 11
4.	968945&000412BC	Pre Laminate- 0.50 X 6.88 X 11
5.	203445	T-Molding Blk Flexible Poly .56"
6.	203440	T Molding-Black Embossed .8125"
7.	968982	Assembly - Bed Headrest -For 22' Caravel
8.	204081	Lid, Hamper - Acrylic
9.	203383	Rack-Magazine ABS
10.	968945&001612BC	Pre Laminate - .50 X 8.88 X 32.07
11.	116079-01 365481-02	Extrusion, Corner Nosing, 12' X 7/8", Anodized Black Edgebanding 1MM - .93" Cool Autumn Night

2020 CARAVEL FURNITURE, BEDROOM

Wardrobe, Roadside, 16' Caravel



Parts Listed on Next Page

2020 CARAVEL FURNITURE, BEDROOM

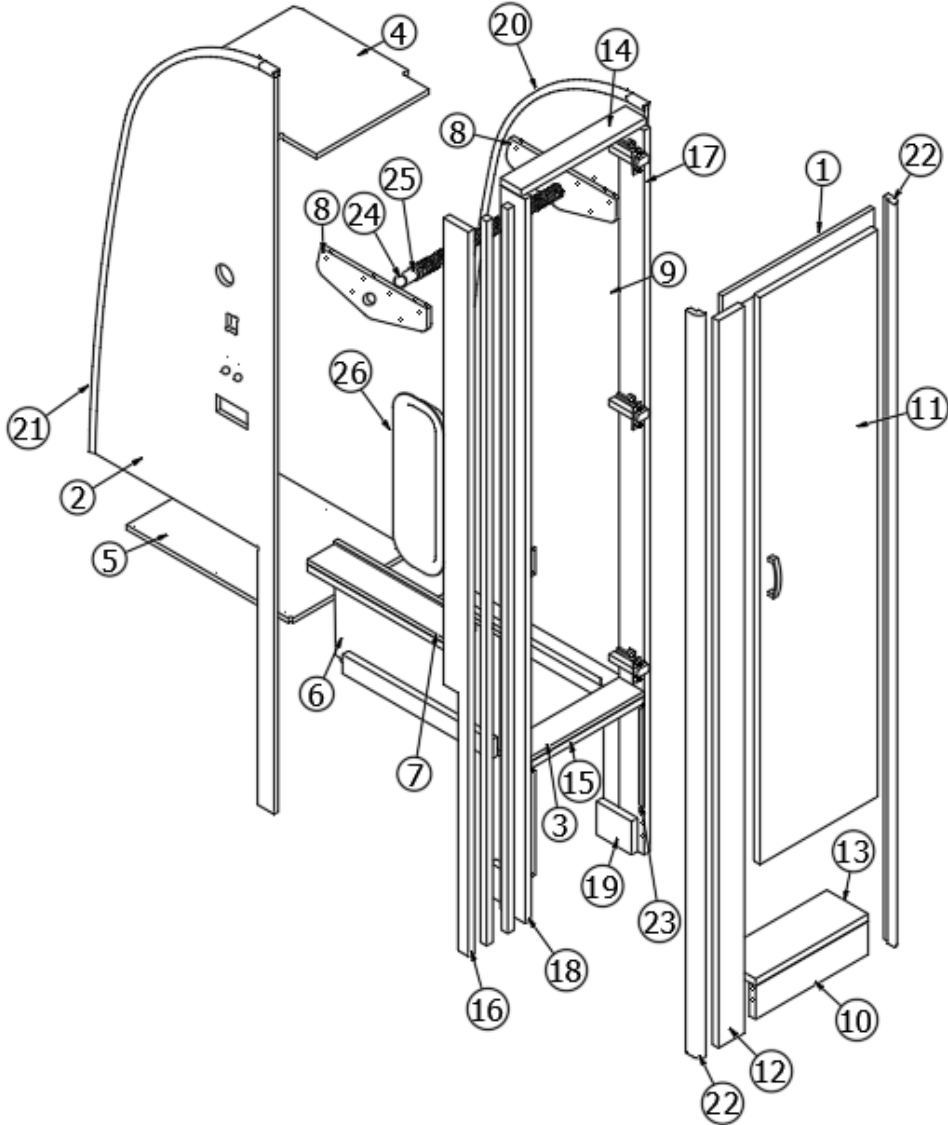
Wardrobe, Roadside, 16' Caravel

969026 Ass'y - RS Wardrobe

- | | | |
|-----|-----------------|--|
| 1. | 969058 | Sub Assembly, Aft Panel Wardrobe |
| 2. | 969026&000218BC | Pre Laminate- 0.75 X 7.25 X 79.00 |
| 3. | 969026&000318BC | Pre Laminate- 0.75 X 11.19 X 70.66 |
| 4. | 969026&000418BC | Pre Laminate- 0.75 X 1.50 X 78.50 |
| 5. | 969026&000518BC | Pre Laminate- 0.75 X 10.50 X 3.5 |
| 6. | 969026&000618BC | Pre Laminate- 0.75 X 10.50 X 5.25 |
| 7. | 969026&000718CC | Pre Laminate- 0.75 X 14.50 X 16.75 |
| 8. | 969026&000818CC | Pre Laminate- 0.75 X 3.25 X 17.25 |
| 9. | 969026&000918CC | Pre Laminate- 0.75 X 15.00 X 17.25 |
| 10. | 969026&001018HC | Pre Laminate-26.05 X 78.30 |
| 11. | 969026&001112CC | Pre Laminate- 0.50 X 2.25 X 77.82 |
| 12. | 969026&001212CC | Pre Laminate- 0.50 X 17.25 X 25.50 |
| 13. | 969026&001312CC | Pre Laminate- 0.50 X 8.92 X 17.00 |
| 14. | 969026&001412CC | Pre Laminate- 0.50 X 11.00 X 4.75 |
| 15. | 380203-01 | Piano Hinge 1/8"" Pin Clr Anodized |
| | 365481-02 | Edgebanding 1MM - .93" Cool Autumn Night |
| | 365386-02 | Edgebanding-White Linen .94" |
| | 365386-01 | Edgebanding-Linen .63" |
| | 203464-03 | Trim Panel White 3/4" |
| | 203464 | Trim, Panel Black 3/4" |
| | 382044-01 | Handle - Matte Black |
| | 381607-11 | Hinge-Self Close Overlay 110D |
| | 381607-12 | Baseplate-Grass 9.5X37/32 |

2020 CARAVEL FURNITURE, BEDROOM

Wardrobe, 19'



Parts Listed on Next Page

2020 CARAVEL FURNITURE, BEDROOM

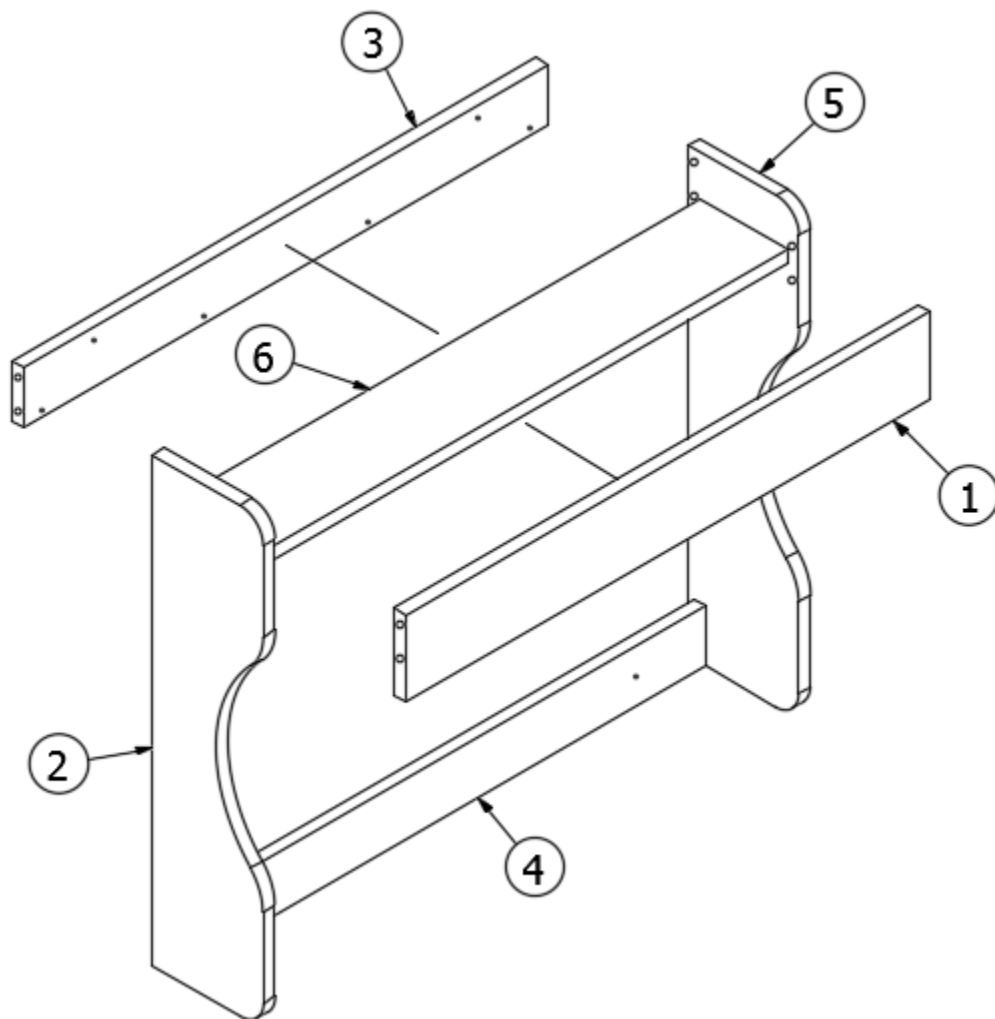
Wardrobe, 19'

969112 Wardrobe, 19'

1.	969112&000112BC	Panel, 18.38 X 1.93
2.	969112&000212BC	Panel, 22.12 X 77.64
3.	969112&000312CC	Panel, 13.63 X 3.00
4.	969112&000412CC	Panel, 18.38 X 16.88
5.	969112&000512CC	Panel, 19.88 X 14.63
6.	969112&000612CC	Panel, 20.17 X 11.84
7.	969112&000712CC	Panel, 3.25 X 17.13
8.	969112&000812CC	Pre Laminate-13.29 X 4.44
9.	969112&000912PC	Panel, 22.43 X 77.64
10.	969112&001018BC	Panel, 13.63 X 3.50
11.	969112&001118BC	Panel, 59.38 X 14.25
12.	969112&001218BC	Panel, 76.19 X 3.13
13.	969112&001318CC	Panel, 13.63 X 5.00
14.	969112&001418CC	Panel, 15.13 X 2.50
15.	969112&001518CC	Panel, 15.13 X 22.88
16.	969112&001618CC	Panel, 3.00 X 75.88
17.	969112&001718CC	Panel, 3.00 X 75.88
18.	969112&001818CC	Panel, 3.00 X 75.88
19.	969112&001918CC	Panel, 4.25 X 3.50
20.	201673	Cove Molding, Ivory, Plastic
21.	203138-01	Extrusion-Plastic 1/2" Wall-White
22.	969112&0029T06B	Corner Trim 90 Deg. 1" Radius, 801706-0044
23.	101134	Angle Alum, 1/8 X 1 X 1-1/2
24.	380045	Tubing 3/4" Elec Metallic
25.	200975-05	Conduit, Flexible Black Plastic
26.	200773	Closeout, Reading Light ABS
	365386-01	Edgebanding-Linen .63"
	365481-02	Edgebanding 1MM - .93" Cool Autumn Night
	365481-01	Edgebanding 1MM - .63" Cool Autumn Night
	382044-01	Handle - Matte Black
	381607-11	Hinge-Self Close Overlay 110D
	381607-12	Baseplate-Grass 9.5X37/32
	381228-02	Catch Grabber Door C3-805

2020 CARAVEL FURNITURE, BEDROOM

Bedroom Closeout/Shelf, 19'



968699

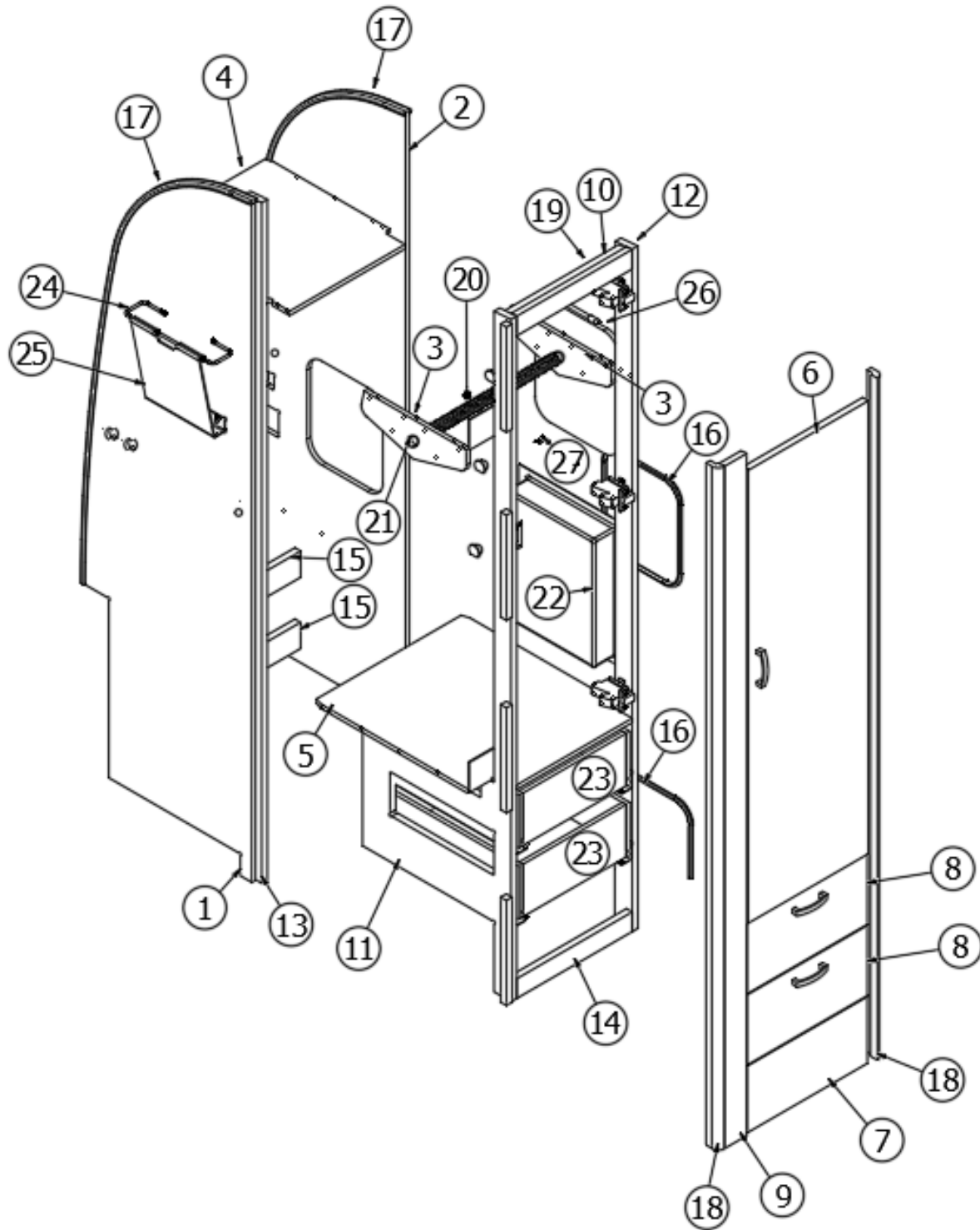
Bedroom Closeout/Shelf

1. 968699&000112BB
2. 968699&000212BB
3. 968699&000312BB
4. 968699&000412BB
5. 968699&000512BB
6. 968699&000612BB
203445

- Panel, 22.5 x 3.25
- Panel, 4.75 x 19
- Panel, 22.5 x 2.25
- Panel, 22.5 x 2.25
- Panel, 4.75 x 19
- Panel, 22.5 x 3.75
T-Molding Blk Flexible Poly .56"

2020 CARAVEL FURNITURE, BEDROOM

Wardrobe, 20'



Parts Listed on Next Page

2020 CARAVEL FURNITURE, BEDROOM

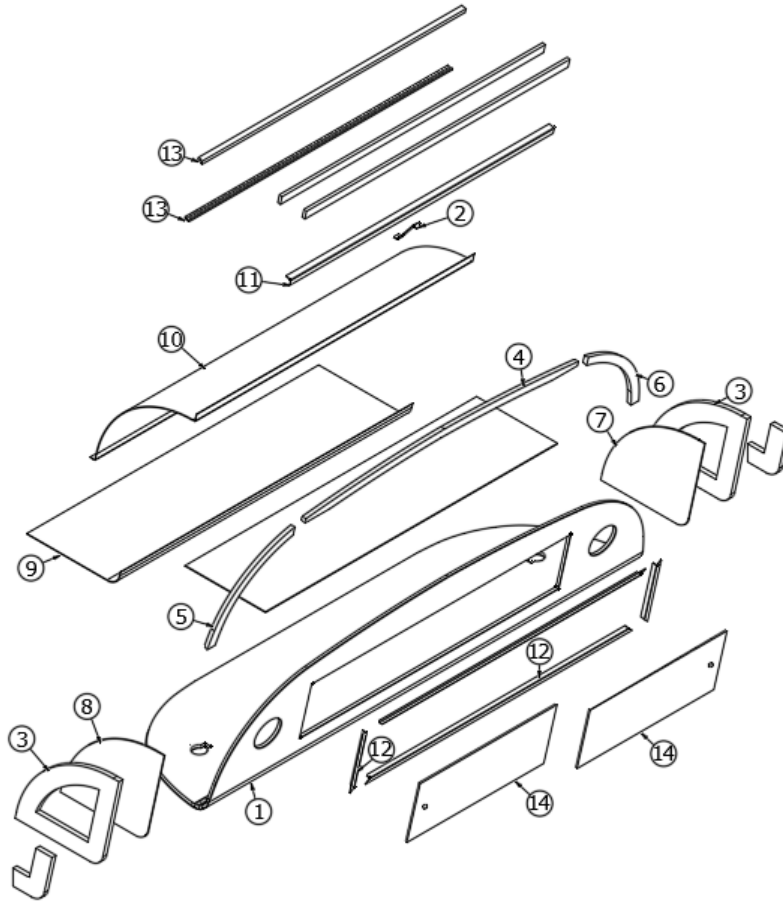
Wardrobe, 20'

969089 Ass'y - Wardrobe

1.	969089&000112BC	Pre Laminate-22.39 X 77.76
2.	969089&000212BC	Pre Laminate-22.39 X 77.76
3.	969089&000312CC	Pre Laminate-14.00 X 4.53
4.	969089&000412CC	Pre Laminate-19.69 X 19.00
5.	969089&000512CC	Pre Laminate-19.69 X 23.06
6.	969089&000618BC	Pre Laminate- 0.75 X 15.88 X 51.75
7.	969089&000718BC	Pre Laminate- 0.75 X 15.88 X 7.63
8.	969089&000818BC	Pre Laminate- 0.75 X 15.88 X 8.00
9.	969089&000918BC	Pre Laminate- 0.75 X 2.94 X 77.94
10.	969089&001018BC	Pre Laminate-2.25 X 15.25
11.	969089&001118CC	Pre Laminate- 0.75 X 19.62 X 77.94
12.	969089&001218CC	Pre Laminate- 0.75 X 19.75 X 77.94
13.	969089&001318CC	Pre Laminate- 0.75 X 2.25 X 77.75
14.	969089&001418CC	Pre Laminate-2.25 X 15.25
15.	969089&001518CC	Pre Laminate-3.00 X 15.25
16.	203440	T Molding-Black Embossed .8125"
17.	203138-05	Extrusion-Plastic 1/2" Wall Black
18.	969089&0024T06B	Hardwood Radius X 77.92, 801706-0044
19.	104821	Support, Rooflocker
20.	200975-04	Conduit, Flexible Black Plastic
21.	380045	Tubing 3/4" Elec Metallic
22.	203383	Rack-Magazine Abs
23.	968022-04	Drawer Box Assembly 6"X14.63"X18"
24.	386107	Rod-Magazine Rack
25.	386106-01	Rack-Magazine White
26.	381945	Board-Dry/Erase 11" X 14"Magnetic
27.	381834	Hook- Coat Aluminum #1760A1
	381228-02	Catch Grabber Door C3-805
	381607-11	Hinge-Self Close Overlay 110D
	381607-12	Baseplate-Grass 9.5x37/32
	382057	Knockdown 8MM
	382057-04	Cap-Knockdown Wht #16387
	382203-04	Drawer Slide 18" Tandem Plus Self Close
	382203-06	Clips Front Fixing (Right/Left)
	365386-01	Edgebanding-Linen .63"
	365481-01	Edgebanding 1MM - .63" Cool Autumn Night
	365481-02	Edgebanding 1MM - .93" Cool Autumn Night
	382044-01	Handle - Matte Black

2020 CARAVEL FURNITURE, BEDROOM

Roof Locker, Rear, 16', 20', 22' Caravel

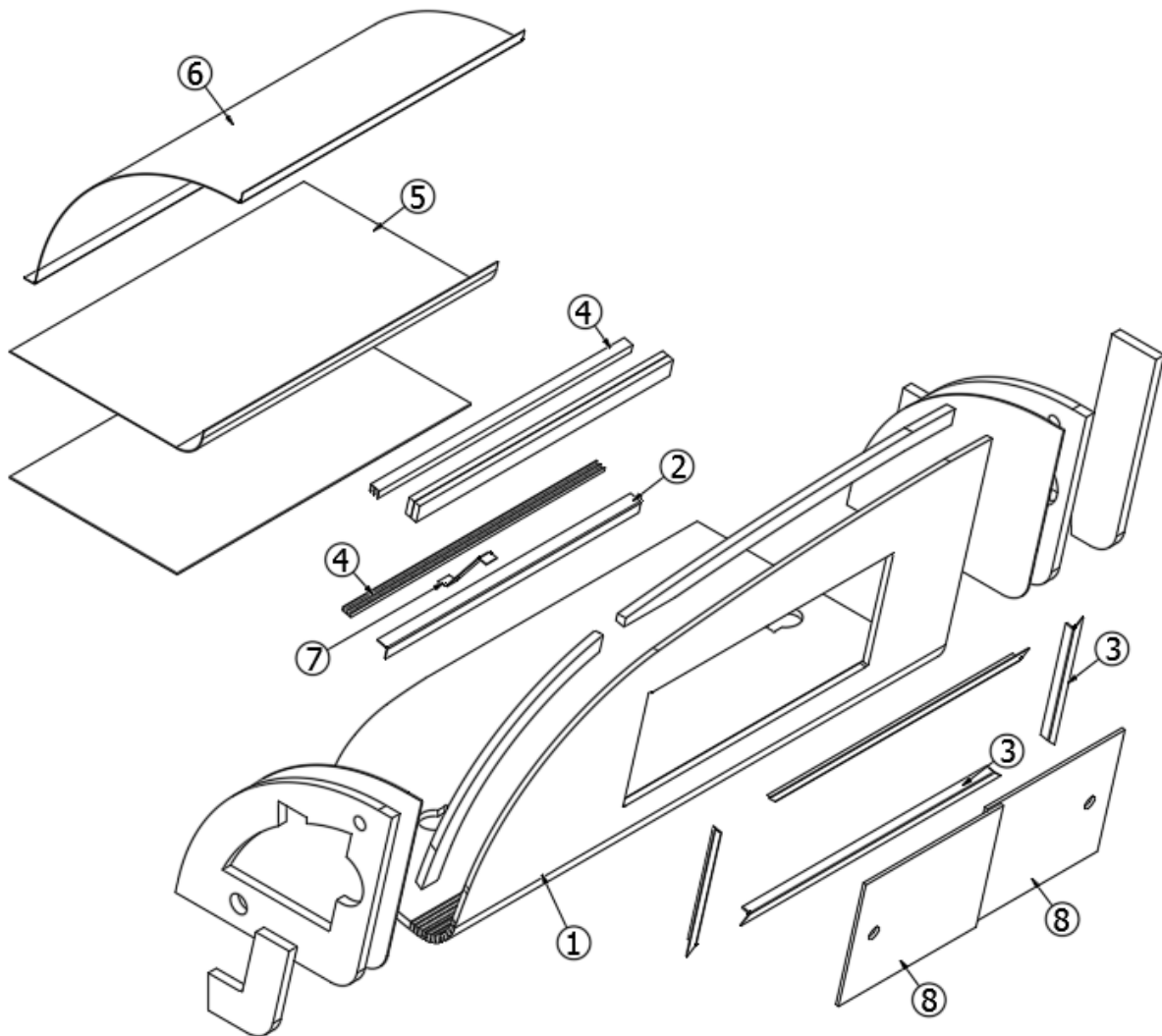


968962 Assembly - Endliner, No Entertainment Box

- | | | |
|-----|-----------------|--|
| 1. | 802407 | Front Locker Face |
| 2. | 115226 | Bracket-Formed-Locker Ctr Support |
| 3. | 801594 | Divider-Liner Locker |
| 4. | 801596-01 | Backer W/B Liner Locker Ctr |
| 5. | 801596-02 | Backer- Liner Locker Lh |
| 6. | 801596-03 | Backer- Liner Locker Rh |
| 7. | 968962&001103CE | Divider, Liner Locker W/ LAM |
| 8. | 968962&001203CE | Divider, Liner Locker W/ LAM |
| 9. | 968962&001301CE | Laminate .040 X 20.00 X 56.00 |
| 10. | 114879-238 | Aluminum Sheet |
| 11. | 114812 | Alum. Angle 1" X 1 "X 12" |
| 12. | 115483-01 | Angle-Alum .06x.75"X.75"X12' -Anodized Black |
| 13. | 203388 | Track-Sliding Door (Sold In A 12 Ft Piece) |
| | 204088-01 | Door-Sliding-Plexiglass, 26.25 |

2020 CARAVEL FURNITURE, BEDROOM

Roof Locker, Rear, 19' Caravel

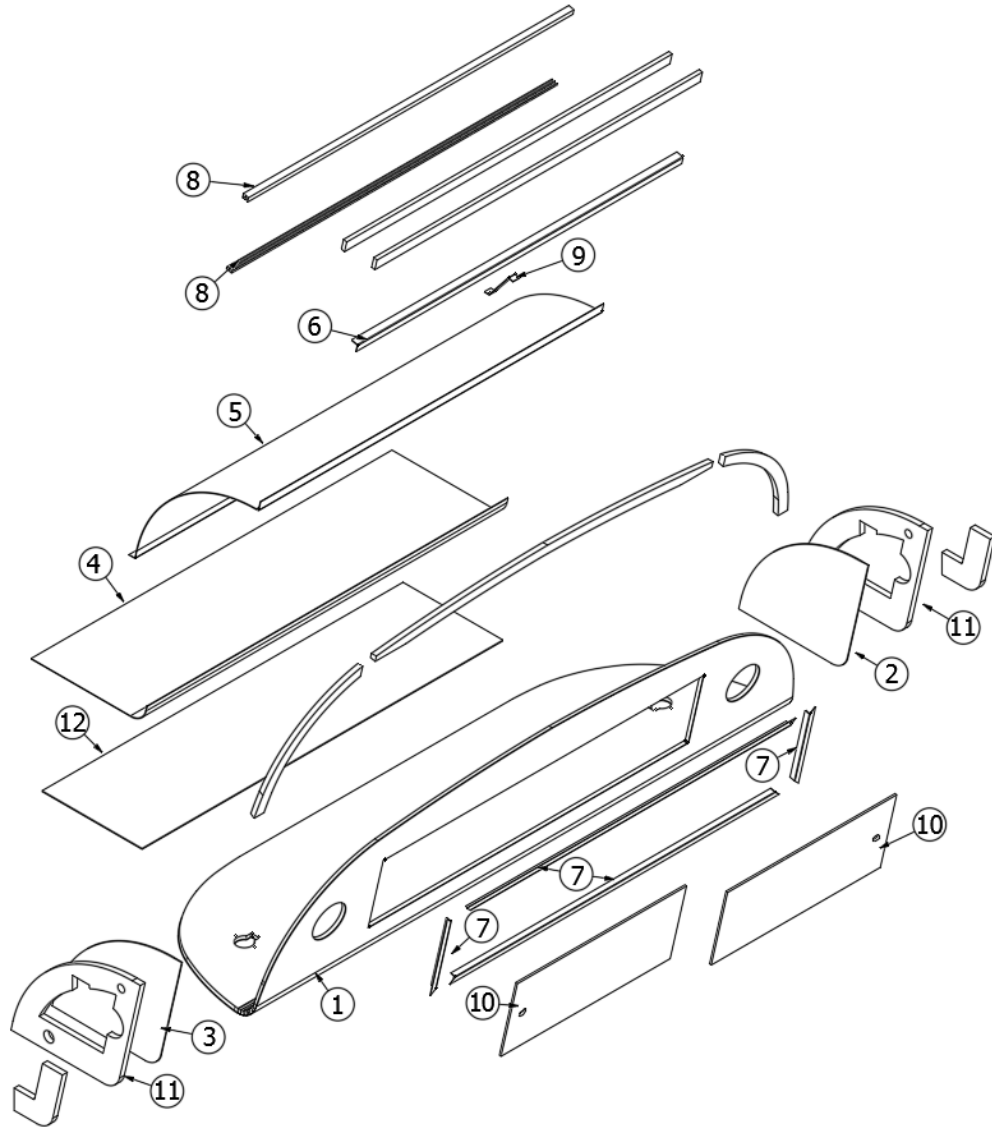


969132 Ass'y-Rear End Liner

- | | | |
|----|-----------------|--|
| 1. | 802439 | End Locker Face |
| 2. | 114812 | Alum. Angle 1" X 1 "X 12" |
| 3. | 115483-01 | Angle-Alum .06x.75"X.75"X12' -Anodized Black |
| 4. | 203388 | Track-Sliding Door |
| 5. | 969132&001101CE | Laminate .040 X 20.00 X 27.25 |
| 6. | 114879-238 | Alum. Sheet .040" X 33" X 238" |
| 7. | 115226 | Bracket-Formed-Locker Ctr Support |
| 8. | 204088-04 | Door-Sliding-Plexiglass, 12.75 |
| | 201673 | Cove Molding, Ivory, Plastic |

2020 CARAVEL FURNITURE, BEDROOM

Roof Locker, Front, 16', 19', 22 Caravel

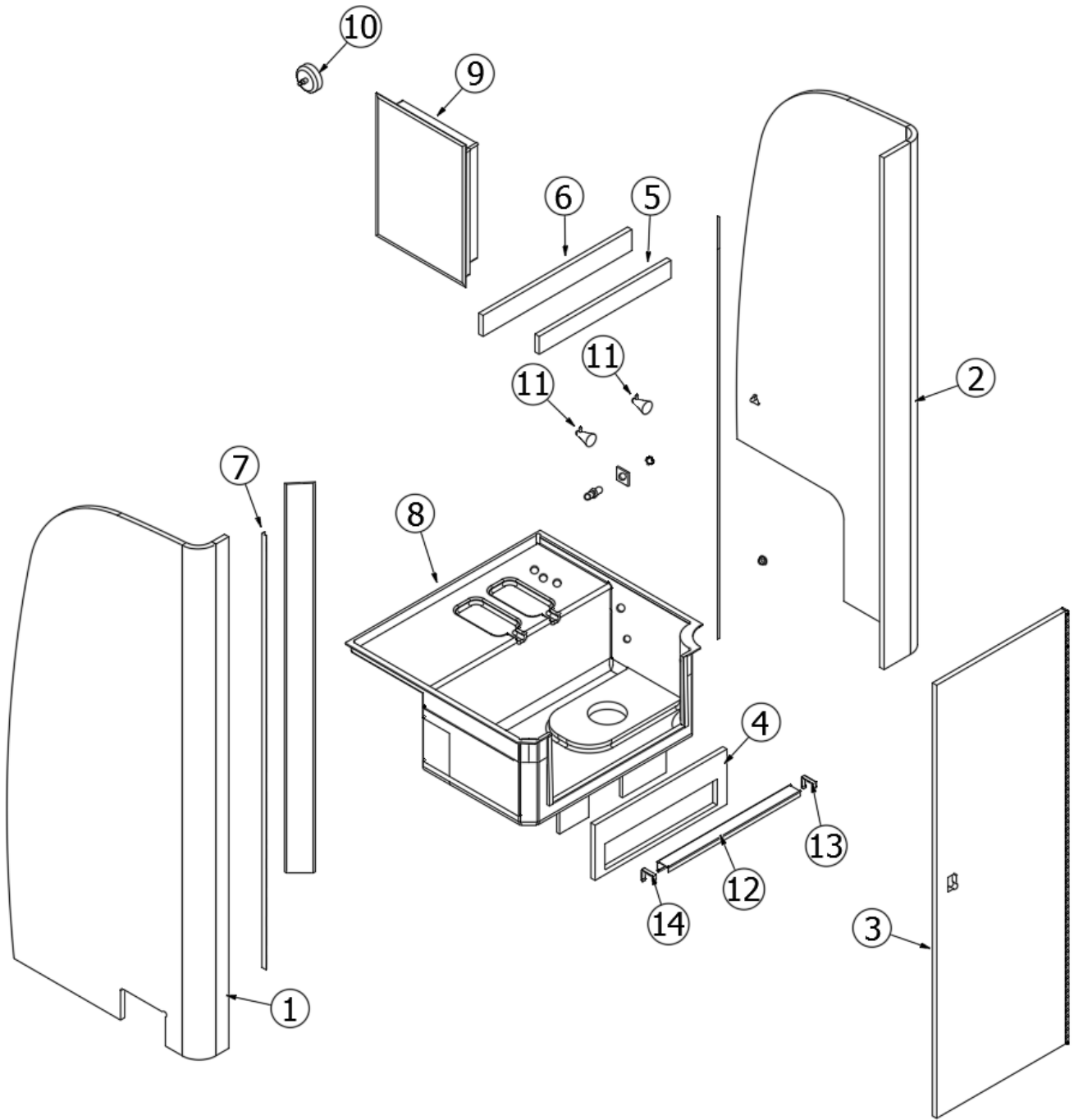


968963 Ass'y - Endliner Ent. Box Ready

- | | | |
|-----|-----------------|--|
| 1. | 802407 | Front Locker Face |
| 2. | 968963&001103CE | Divider, Liner Locker W/ LAM |
| 3. | 968963&001203CE | Divider, Liner Locker W/ LAM |
| 4. | 968963&001301CE | Laminate .040 X 19.18 X 51.37 |
| 5. | 114879-238 | Alum.Sheet .040"X33"X238" |
| 6. | 114812 | Alum. Angle 1" X 1 "X 12" |
| 7. | 115483-01 | Angle-Alum .06x.75"X.75"X12' -Anodized Black |
| 8. | 203388 | Track-Sliding Door |
| 9. | 115226 | Bracket-Formed-Locker Ctr Support |
| 10. | 204088-01 | Door-Sliding-Plexiglass, 26.25 |
| 11. | 801351 | Lite Ply, 0.75 x 20.08 x 16 |
| 12. | 800507-01 | Lauan, 0.13 x 15.50 x 56.00 |

2020 CARAVEL FURNITURE, LAVATORY

Bath Module, 16' Caravel



Parts Listed on Next Page

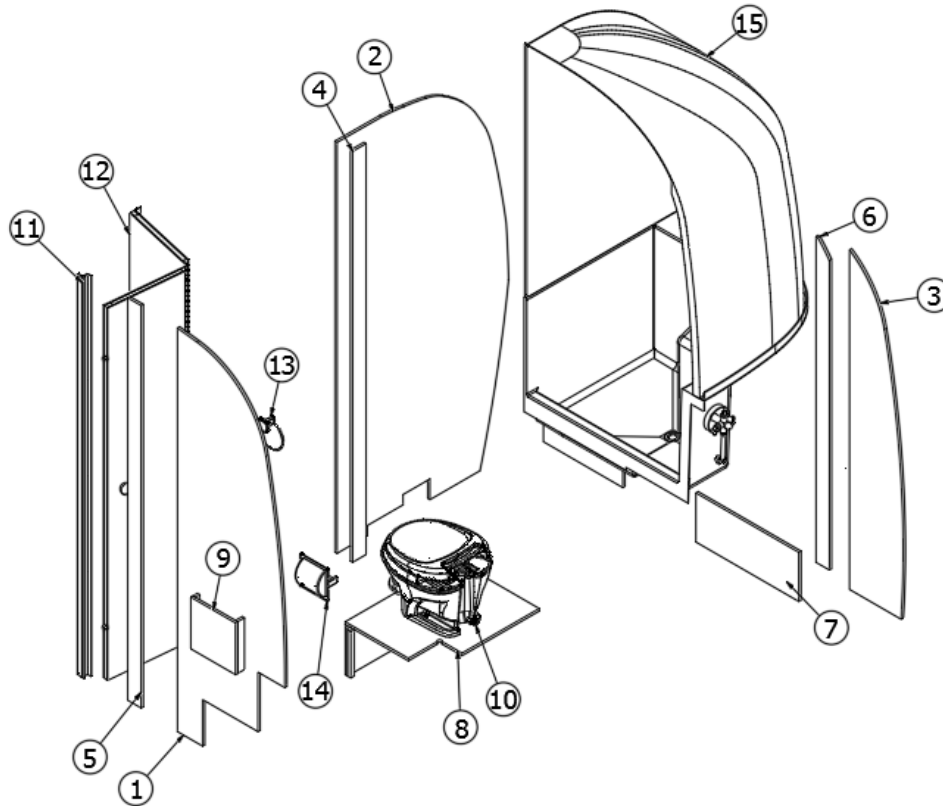
2020 CARAVEL FURNITURE, LAVATORY

Bath Module, 16' Caravel

1.	969030	Assembly - FWD Bath Wall
2.	969031	Assembly - Rear Bath Wall
3.	969032	Assembly - Door, Wet Bath
4.	116047&000418MB	Pre Laminate 8.50 x 23.50
5.	116047&000518MB	Pre Laminate 2.75 x 23.50
6.	116047&000618MB	Pre Laminate 3.25 x 26.50
7.	115538	Trim-Alum Angle .5" X .75" Need 5.58'
8.	203729-01	Shower Base- Side Entry
9.	601847	Cabinet-Med W/Mirror 16" X 22"
10.	382063-01	Retractable Clothesline
11.	382667	Towel Bar 18" Black
12.	115904	Threshold-Bath
13.	382519	Cap-Shower Threshold RH
14.	382519-1	Cap-Shower Threshold LH
	203464-03	Trim Panel White 3/4"
	365386-02	Edgebanding-White Linen .94"
	365481-02	Edgebanding 1MM - .93" Cool Autumn Night
	382057-04	Cap-Knockdown White #16387
	604877-01	Shower Valve 4 Cp W/Flt Wshr
	602329	Toilet- China High Profile White #42050
	601358	Shower Hardware Unit, Chrome
	381834	Hook- Coat Aluminum #1760A1
	381945	Board-Dry/Erase 11" X 14"Magnetic

2020 CARAVEL FURNITURE, LAVATORY

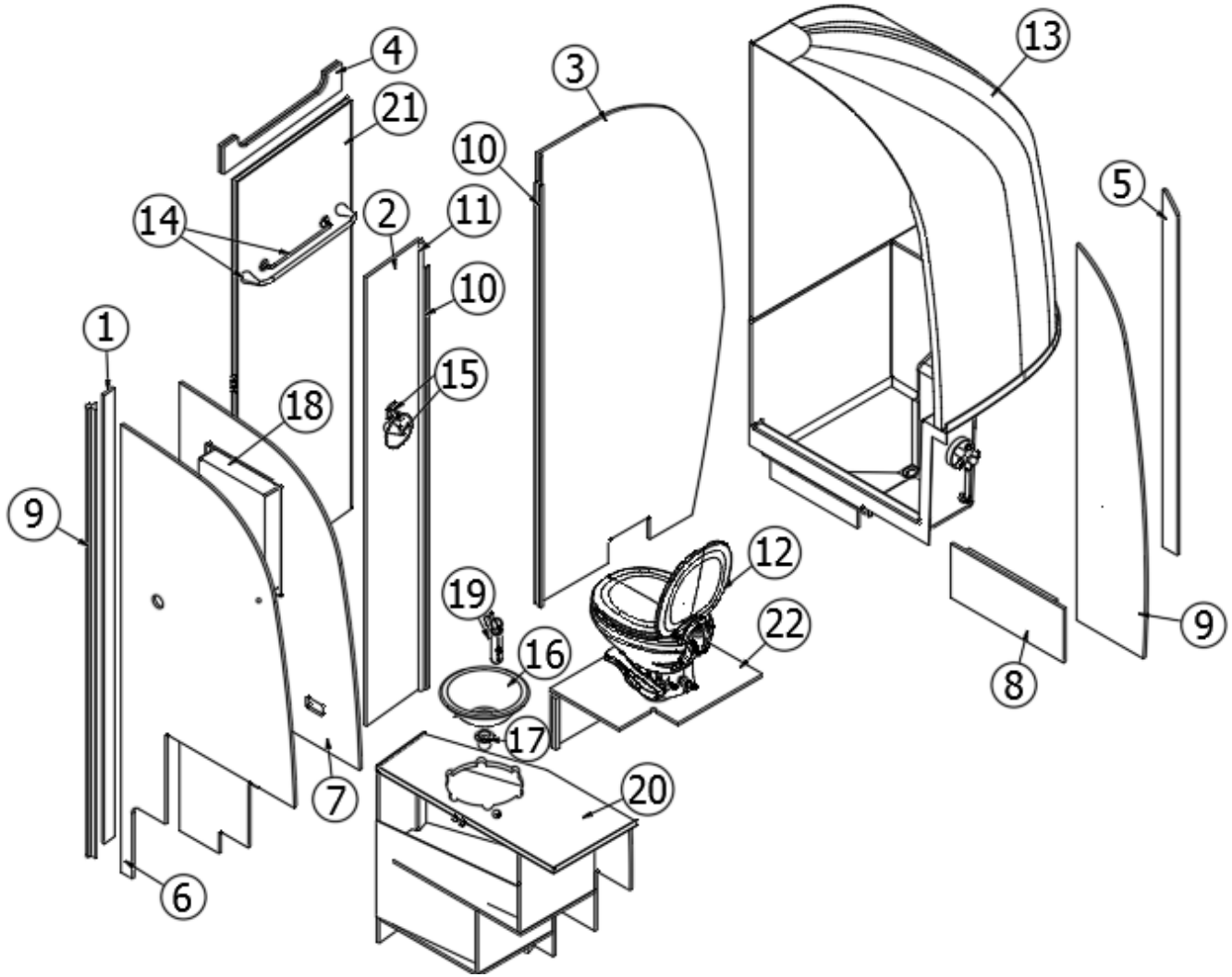
Bath Module, 19' Caravel



- | | | |
|-----|-----------------|--|
| 1. | 113026&020112BD | Pre Laminate- 24.00 x 78.06 |
| 2. | 113026&020212BD | Pre Laminate- 0.50 X 38.34 X 79.49 |
| 3. | 113026&020312DD | Pre Laminate-12.00 X 65.67 |
| 4. | 113026&020412BC | Pre Laminate- 0.50 X 3.00 X 79.49 |
| 5. | 113026&020512BC | Pre Laminate-3.00 X 77.85 |
| 6. | 113026&020612DD | Pre Laminate-3.00 X 63.00 |
| 7. | 113026&020712DD | Pre Laminate- 0.50 X 23.00 X 9.50 |
| 8. | 969080 | Ass'y - Toilet Stand |
| 9. | 968696 | Toilet Holder Closeout |
| 10. | 602334 | Toilet-Low Profile White#42051 |
| 11. | 382529-01 | Z-Bar Custom 1" Hold Black |
| 12. | 969121 | Ass'y - Bath Door Complete |
| 13. | 382668 | Robe Hook - Harney, Matte Black |
| 14. | 381299 | Holder Recessed Toilet Paper |
| 15. | 203114-02 | Pan/Cap-Shower 2 PC White |
| | 702937-06 | Shower Door-Roll Away White 62X36 |
| | 968789 | Ass'y - Travel Strap |
| | 365386-01 | Edgebanding-Linen .63" |
| | 365481-01 | Edgebanding 1MM - .63" Cool Autumn Night |
| | 600594-01 | Drain-Sink W/Wht Rubber Stop |

2020 CARAVEL FURNITURE, LAVATORY

Bath Module, 20 Caravel



Parts Listed on Next Page

2020 CARAVEL FURNITURE, LAVATORY

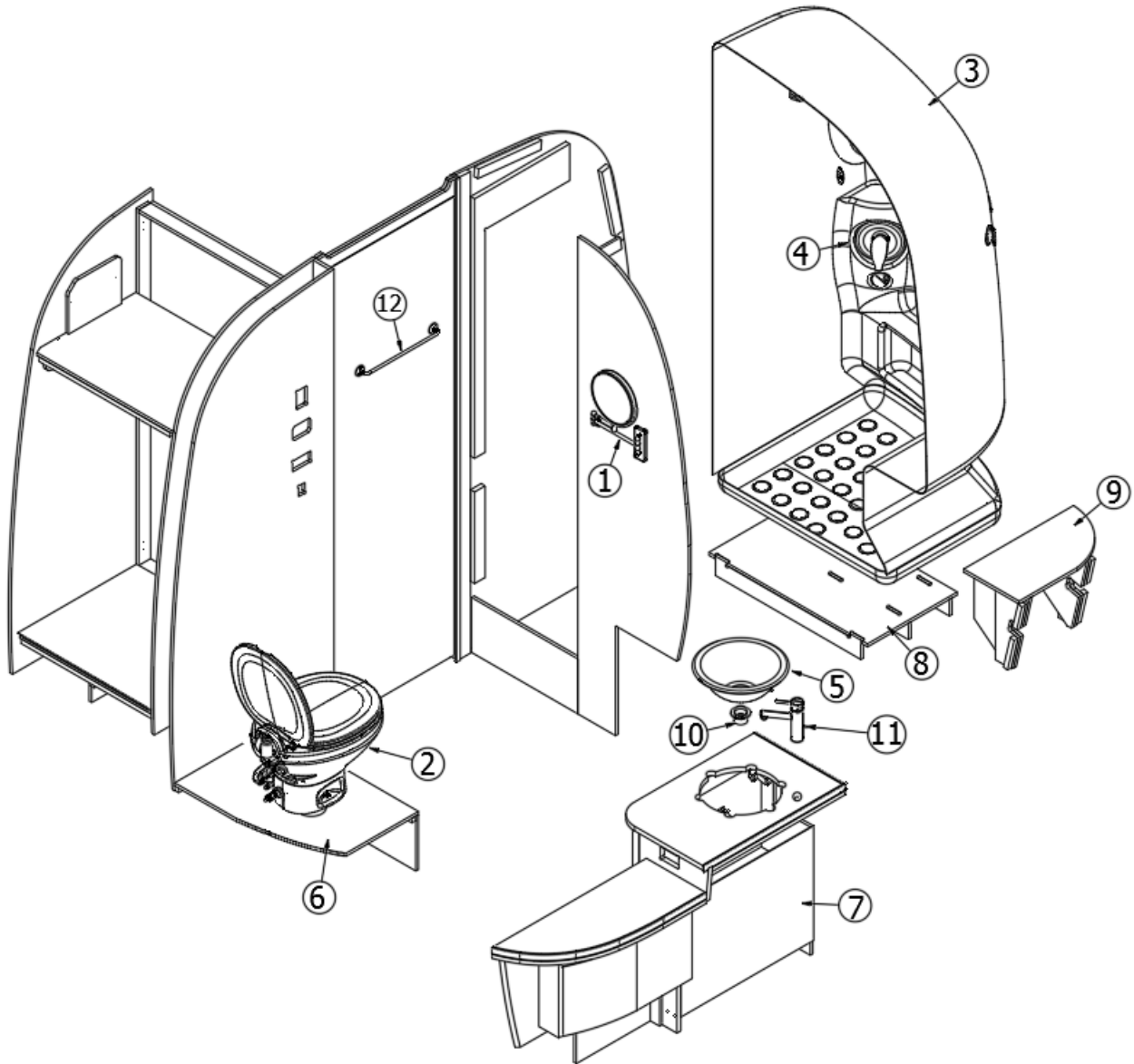
Bath Module, 20 Caravel

112980-02 Bath Module - 20' Caravel

1.	112980&000112BC	Pre Laminate- 0.50 X 2.45 X 79.12
2.	112980&000212BD	Pre Laminate- 0.50 X 12.40 X 79.12
3.	112980&000312BD	Pre Laminate-37.83 X 79.39
4.	112980&000412BD	Pre Laminate- 0.50 X 27.00 X 4.75
5.	112980&000512CC	Pre Laminate- 0.50 X 3.00 X 63.00
6.	112980&000612HC	Pre Laminate-35.32 X 78.98
7.	112980&000712MC	Pre Laminate-36.69 X 79.05
8.	112980&000812MC	Pre Laminate-14.00 x 66.32
9.	801415-0044	Corner Trim - 1" Radius - Taj Teak
10.	801665-044	L Molding Door Jamb X 74.38
11.	800638-03	Molding-.5 Quarter Rd. White
12.	602334	Toilet Low Profile, Porcelain
13.	203114-02	Pan/Cap-Shower 2 Pc White
14.	382667	Towel Bar, 18" Black, Caravel
15.	382668	Robe Hook - Harney, Matte Black
16.	601804-01	Sink 12" SS Round W/Studs
17.	601813	Tail Piece-Lift/Turn Drain
18.	601847	Cabinet-Med W/Mirror 16" X 22"
19.	602813	Faucet - Lavy Moen - Caravel
20.	969078	Lavy Assembly
21.	969079	Assembly, Bath Door
22.	969080	Assembly, Toilet Stand
	702937-06	Shower Door-Roll Away White 62X36
	203138-04	Extrusion - Plastic 1/2" Oak Wall

2020 CARAVEL FURNITURE, LAVATORY

Bath Module, 22 Caravel



Parts Listed on Next Page

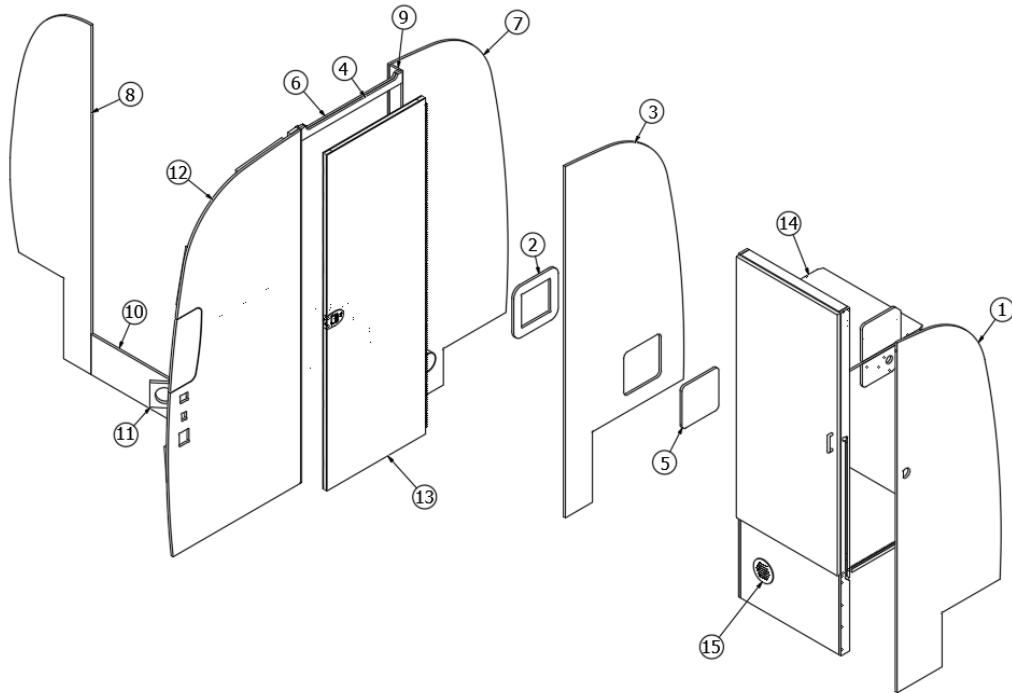
2020 CARAVEL FURNITURE, LAVATORY

Bath Module, 22 Caravel

1. 371423-04 Mirror, Wall Mount Nickel
2. 602334 Toilet, Low Profile Porcelain
3. 203615 Shower- Sport / 23fb Fc
4. 601358 Shower Hardware Unit, Chrome
5. 601804-01 Sink 12" Ss Round With Studs
6. 969101 Stand Assy - Toilet
7. 968951 Assembly, Lavy
8. 968957 Assembly Shower Stand
9. 968983 Assembly Shower Seat Support
10. 601813 Tail Piece-Lift/Turn Drain
11. 602813 Faucet Moen, 6190BL
12. 382667 Towel Bar, 18" Black
- 702937-06 Shower Door-Roll Away White 62X36
- 201666-01 Molding-J 3/16" White Plastic
- 381610-01 Cover Cap Plastic European White
- 382063 Clothesline-Retractable #Dry-01101
- 600594-01 Drain-Sink W/White Rubber Stop
- 601829 Trim Kit-Shower Chateau Chrome

2020 CARAVEL FURNITURE, LAVATORY

Bath Panels, 22 Caravel

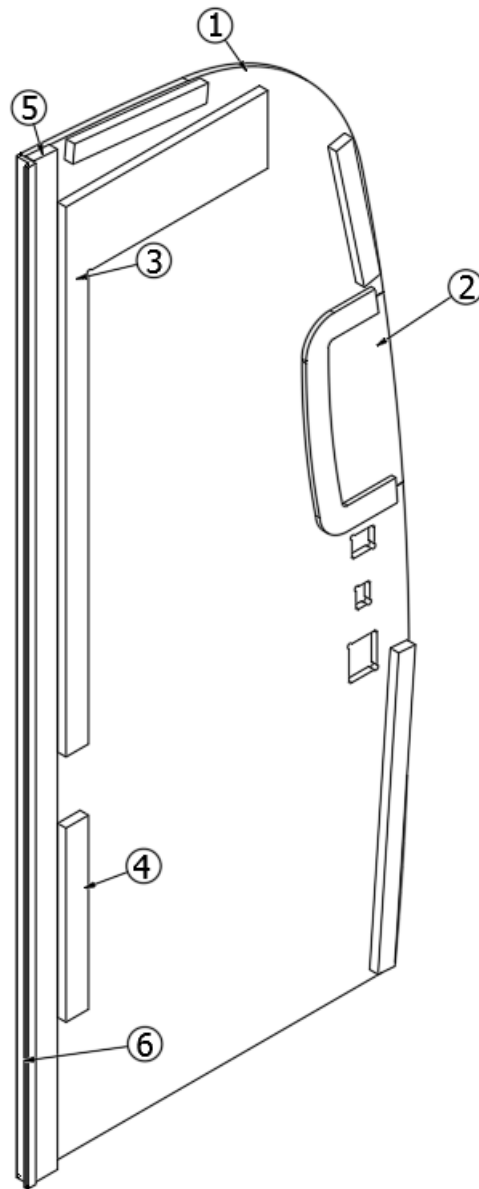


112819 Bath Panel Install

- | | | |
|-----|-----------------|--|
| 1. | 112819&000112BF | Pre Laminate-26.84 X 78.23 |
| 2. | 112819&000212CC | Pre Laminate- 0.50 X 11.50 X 11.5 |
| 3. | 112819&000312HC | Pre Laminate-30.63 X 78.55 |
| 4. | 112819&000412HC | Pre Laminate- 0.50 X 26.13 X 2.72 |
| 5. | 112819&000512HC | Pre Laminate- 0.50 X 9.50 X 9.50 |
| 6. | 112819&000612MC | Pre Laminate- 0.50 X 26.13 X 2.72 |
| 7. | 112819&000712MC | Pre Laminate-30.63 X 78.55 |
| 8. | 112819&000812NC | Pre Laminate-20.92 X 78.08 |
| 9. | 112819&000912MC | Pre Laminate- 0.50 X 3.00 X 78.55 |
| 10. | 112819&001012NC | Pre Laminate- 9.00 X 20.13 |
| 11. | 112819&001118CC | Pre Laminate- 0.75 X 5.50 X 5.50 |
| 12. | 968948 | Sub-Assembly- FWD Shower Panel |
| 13. | 968949 | Assembly Bath Door W/ Window |
| 14. | 968954 | Assembly, RS Storage Cabinet |
| 15. | 602394-03 | Register-Black 4" #HV4BK |
| | 382034 | Latch-Flush Mount |
| | 380203-02 | Piano Hinge - Blk Anodized 72" |
| | 365386-01 | Edgebanding-Linen .63" |
| | 365481-01 | Edgebanding 1MM - .63" Cool Autumn Night |
| | 203138-05 | Extrusion-Plastic 1/2" Wall Black |
| | 203138-01 | Extrusion-Plastic 1/2" Wall-White |
| | 203464 | Trim, Panel Black 3/4" |

2020 CARAVEL FURNITURE, LAVATORY

Forward Shower Wall, 22 Caravel

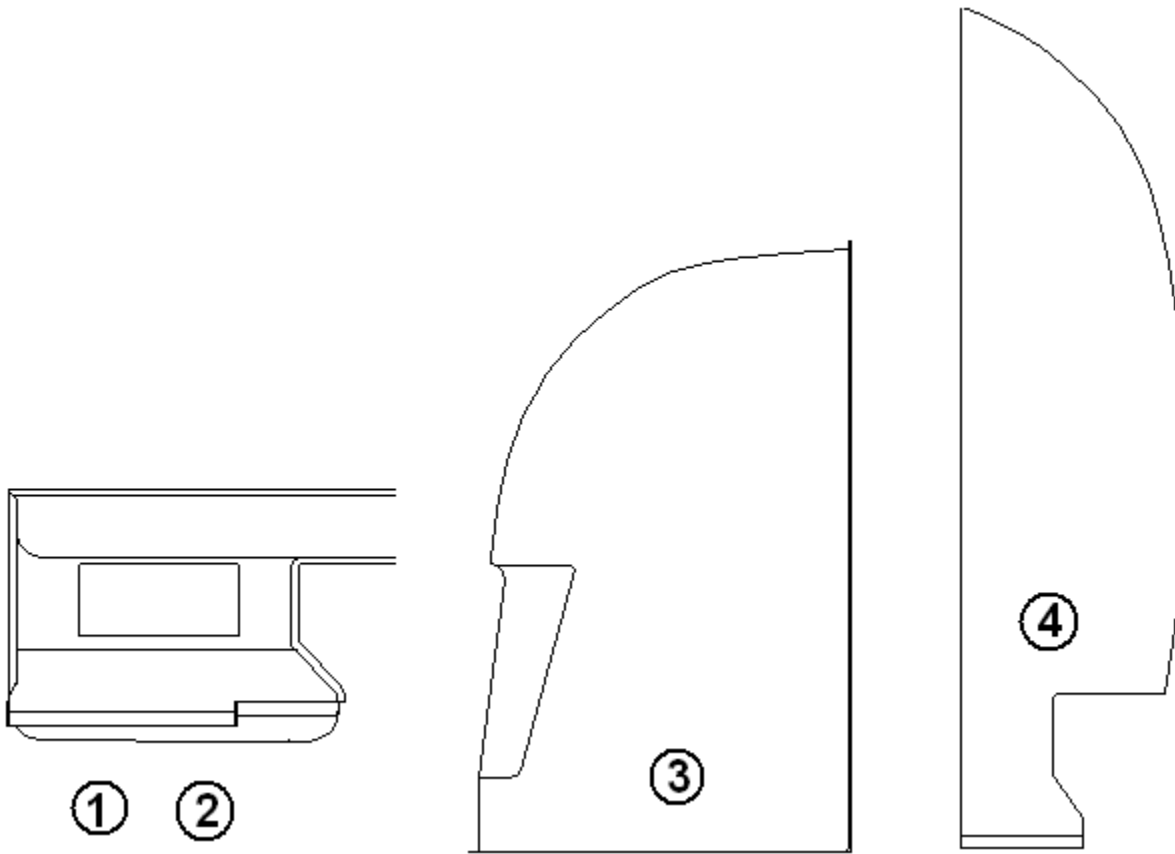


968948 Sub-Assembly - Forward Shower Panel

- | | | |
|----|-----------------|---|
| 1. | 968948&000112HC | Pre Laminate-34.23 X 78.92 |
| 2. | 968948&000212BC | Pre Laminate- 0.50 X 8.07 X 15.50 |
| 3. | 968948&000318CC | Pre Laminate- 0.75 X 18.00 X 42.50 |
| 4. | 968948&000418CC | Pre Laminate- 0.75 X 2.00 X 15.00 |
| 5. | 968948&000518DC | Pre Laminate- 0.75 X 2.13 X 79.00 |
| 6. | 801665-0044 | Molding - L Door Jamb Cool Autumn Night |

2020 CARAVEL FURNITURE, LAVATORY

Shower Compartment, 22FB



203615

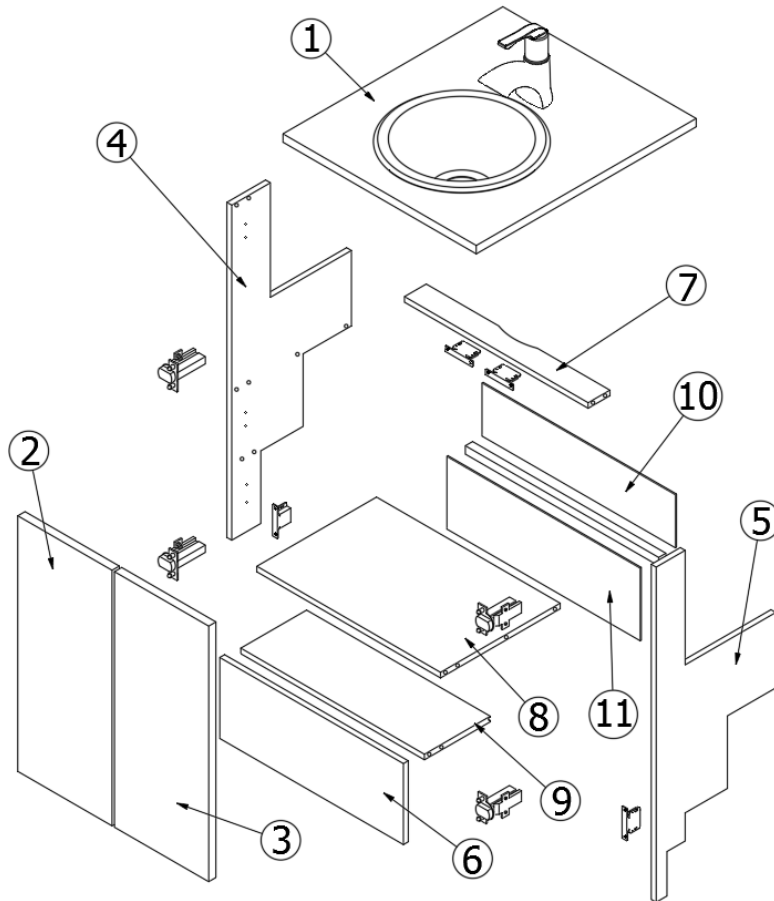
Shower

- 1. 203692 Shower base
- 2. 203615-02 Shower seat
- 3. 203615-03 Shower surround
- 4. 203615-04 Shower panel
- *203615-100 Shower pan, items 1 & 2

*Items are bonded together at the vendor before delivery.

2020 CARAVEL FURNITURE, LAVATORY

Lavatory Cabinet, 19' Caravel

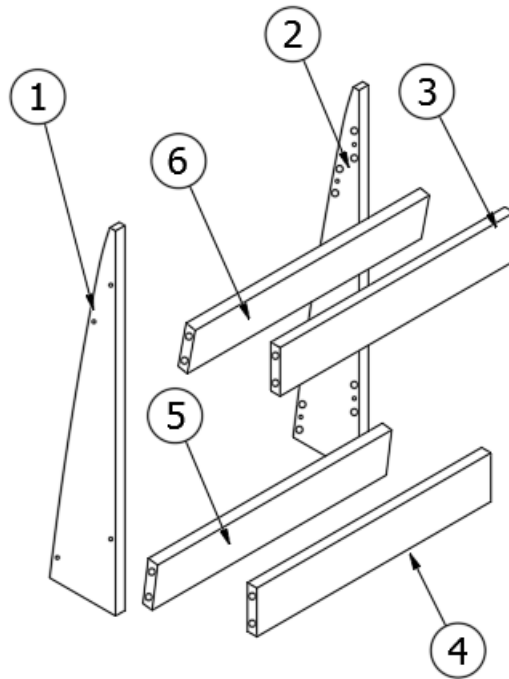


969103 Ass'y - Lavy

- | | | |
|-----|-----------------|--|
| 1. | 969115 | Assembly, Lavy Countertop |
| 2. | 969103&000118BC | Panel, 9.75 X 22.88 |
| 3. | 969103&000218BC | Panel, 9.75 X 22.88 |
| 4. | 969103&000312BC | Panel, 30.00 X 12.38 |
| 5. | 969103&000412BC | Panel, 30.00 X 12.38 |
| 6. | 969103&000512BC | Panel, 7.25 X 19.00 |
| 7. | 969103&000612CC | Panel, 2.25 X 19.00 |
| 8. | 969103&000712CC | Panel, 12.38 X 19.00 |
| 9. | 969103&000812CC | Panel, 6.81 X 19.00 |
| 10. | 969103&000903CE | Panel, 4.75 X 20.00 |
| 11. | 969103&001003CE | Panel, 6.50 X 20.00 |
| | 365481-02 | Edgebanding 1MM - .93" Cool Autumn Night |
| | 365481-01 | Edgebanding 1MM - .63" Cool Autumn Night |
| | 381228-02 | Catch Grabber Door C3-805 |
| | 381607-11 | Hinge-Self Close Overlay 110D |
| | 381607-12 | Baseplate-Grass 9.5X37/32 |

2020 CARAVEL FURNITURE, LAVATORY

Medicine Cabinet Wedge, 19' Caravel

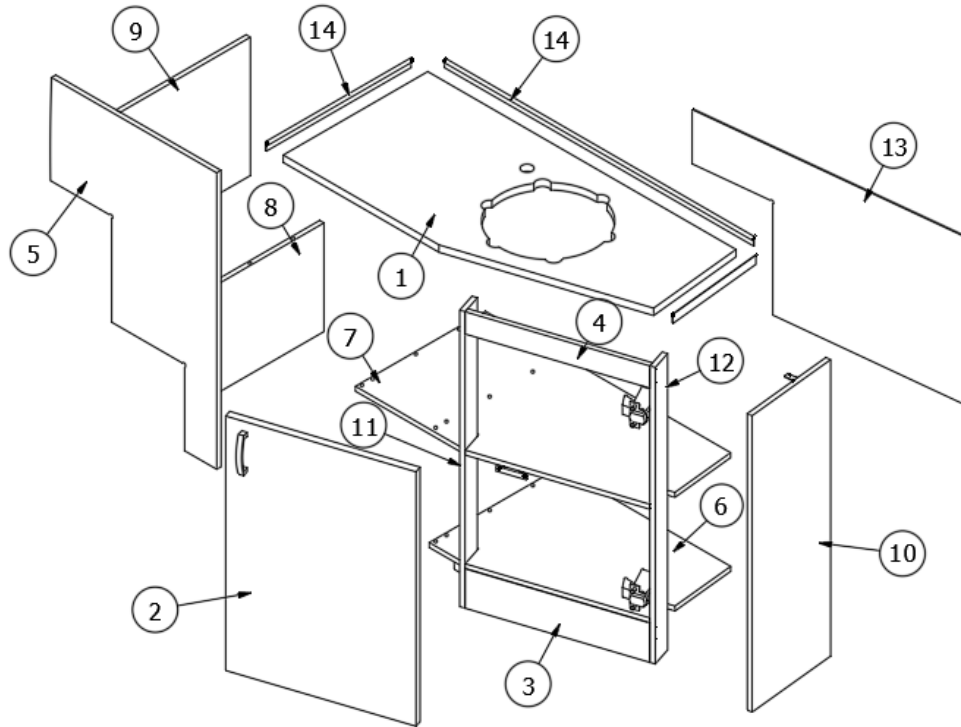


969200 Wedge Assy - Medicine Cabinet

- | | | |
|----|-----------------|------------------------|
| 1. | 969200&000112CC | Prelam 3.52 X 17.80 |
| 2. | 969200&000212CC | Prelam 3.52 X 17.80 |
| 3. | 969200&000312CC | Prelam 2.25 X 12.50 |
| 4. | 969200&000412CC | Prelam 2.25 X 12.50 |
| 5. | 969200&000512CC | Prelam 2.25 X 12.50 |
| 6. | 969200&000612CC | Prelam 2.25 X 12.50 |
| | 365386-01 | Edgebanding-Linen .63" |

2020 CARAVEL FURNITURE, LAVATORY

Lavatory Cabinet, 20' Caravel

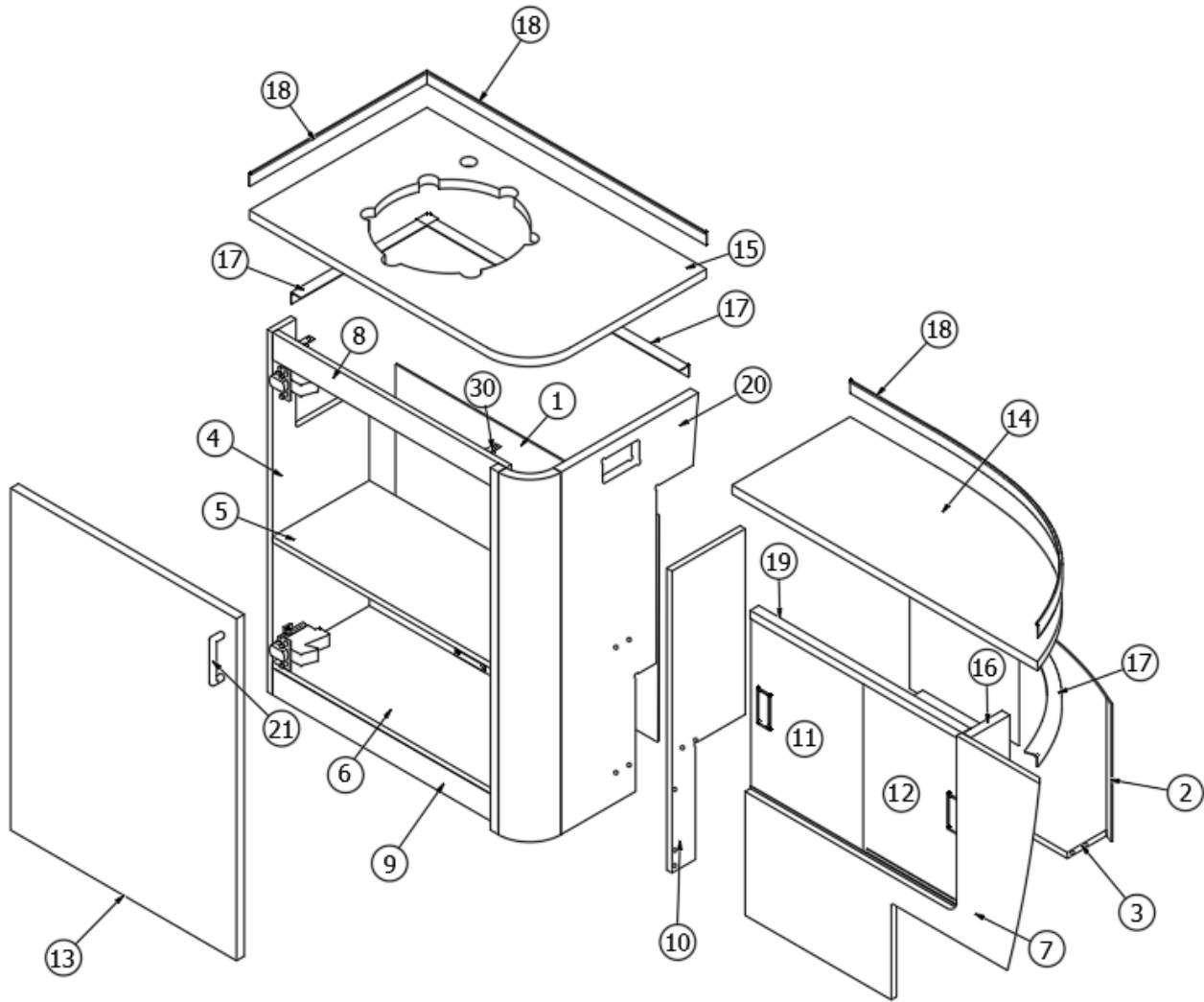


969078 Lavatory Cabinet Assembly

1.	969078&000118JC	Pre Laminate- 0.75 X 16.88 X 37.13
2.	969078&000218DC	Pre Laminate- 0.75 X 17.63 X 25.75
3.	969078&000312DC	Pre Laminate-4.00 X 17.12
4.	969078&000412DC	Pre Laminate-2.25 X 17.12
5.	969078&000512DC	Pre Laminate-19.44 X 30.00
6.	969078&000612CC	Pre Laminate- 0.50 X 20.77 X 15.24
7.	969078&000712CC	Pre Laminate- 0.50 X 29.40 X 15.24
8.	969078&000812CC	Pre Laminate-15.19 X 11.00
9.	969078&000912CC	Pre Laminate-15.19 X 14.00
10.	969078&001012CC	Pre Laminate- 0.50 X 10.33 X 30.00
11.	969078&001112CC	Pre Laminate- 0.50 X 2.25 X 30.00
12.	969078&001212CC	Pre Laminate- 0.50 X 2.25 X 30.00
13.	969078&001303CE	Pre Laminate- 0.13 X 28.96 X 17.00
14.	115064	Trim, Aluminum counter top
	380034	Toilet Paper Holder Chrome
	381228-02	Catch Grabber Door C3-803
	381607-11	Hinge-Self Close Overlay 110d
	381607-12	Baseplate-Grass 9.5x37/32
	380041	Brace 1" Stanley Corner
	365386-01	Edgebanding-Linen .63"
	365386-02	Edgebanding-White Linen .94"
	382044-01	Handle - Matte Black

2020 CARAVEL FURNITURE, LAVATORY

Lavatory Cabinet, 22FB Caravel



Parts Listed on Next Page

2020 CARAVEL FURNITURE, LAVATORY

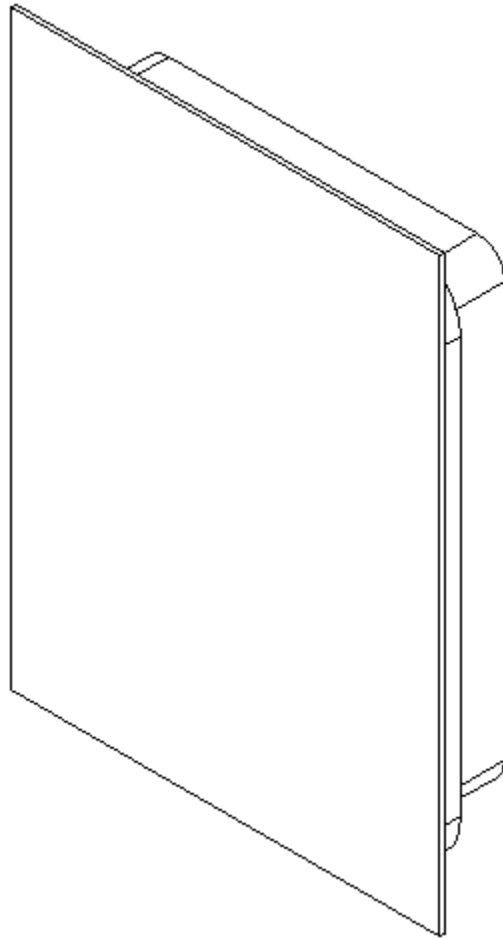
Lavatory Cabinet, 22FB Caravel

968951 Assembly, Lavy

- | | | |
|-----|-----------------|-----------------------------------|
| 1. | 968951&000103CE | Pre Laminate-25.13 X 18.75 |
| 2. | 968951&000203CE | Pre Laminate-9.73 X 7.00 |
| 3. | 968951&000312CC | Pre Laminate-20.35 X 6.52 |
| 4. | 968951&000412CC | Pre Laminate- 30.00 X 9.27 |
| 5. | 968951&000512CC | Pre Laminate-24.63 X 9.27 |
| 6. | 968951&000612CC | Pre Laminate-24.63 X 9.27 |
| 7. | 968951&000712DC | Pre Laminate- 28.96 X 25.00 |
| 8. | 968951&000812DC | Pre Laminate-2.25 X 22.38 |
| 9. | 968951&000912DC | Pre Laminate-2.25 X 22.38 |
| 10. | 968951&001012DC | Pre Laminate-25.00 X 7.02 |
| 11. | 968951&001112DC | Pre Laminate-14.50 X 10.75 |
| 12. | 968951&001212DC | Pre Laminate-14.50 X 10.75 |
| 13. | 968951&001318DC | Pre Laminate- 21.63 X 28.31 |
| 14. | 968951&001418JC | Pre Laminate-29.25 X 11.31 |
| 15. | 968951&001518JC | Pre Laminate- 26.75 X 17.00 |
| 16. | 968951&001618CC | Pre Laminate-15.38 X 3.75 |
| 17. | 114812 | Alum. Angle 1" X 1 "X 12" |
| 18. | 116079-01 | Trim-Alum Counter Top |
| 19. | 203388-01 | Track Sliding Door, Black x 20.31 |
| 20. | 968952 | Sub Ass'y Lavy Round Corner |
| 21. | 382044-01 | Handle - Matte Black |
| | 382437 | Pull-Recessed Finger Matt Blk |
| | 365386-01 | Edgebanding-Linen .63" |
| | 365386-02 | Edgebanding-White Linen .94" |
| | 381228-02 | Catch Grabber Door C3-803380041 |
| | 381607-11 | Hinge-Self Close Overlay 110D |
| | 381607-12 | Baseplate-Grass 9.5X37/32 |
| | 380034 | Toilet Paper Holder Chrome |

2020 CARAVEL
FURNITURE, LAVATORY

Medicine Cabinet with Mirror, 16', 19'

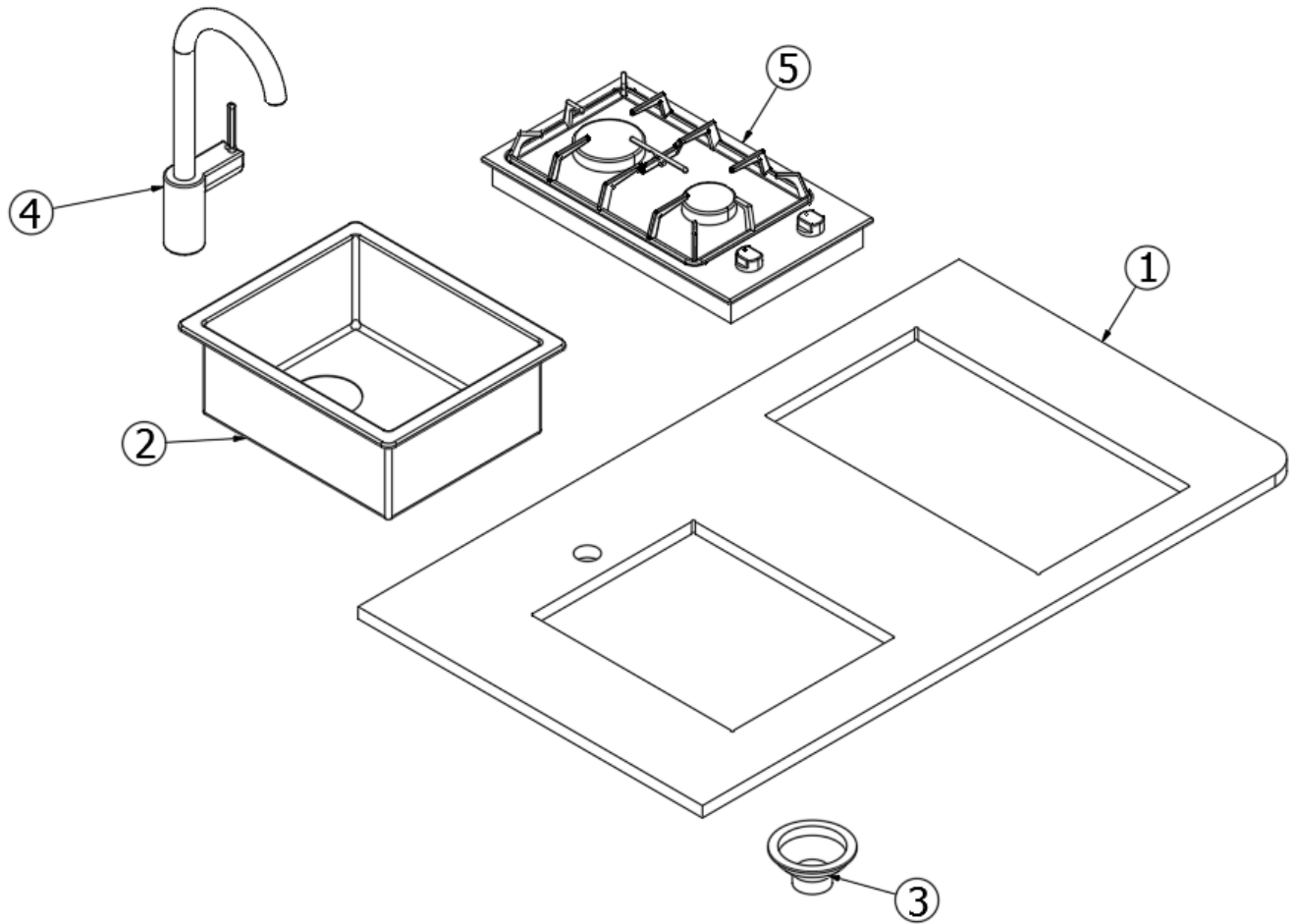


601847

Medicine cabinet w/mirror, 16 x 22

2020 CARAVEL FURNITURE, GALLEY

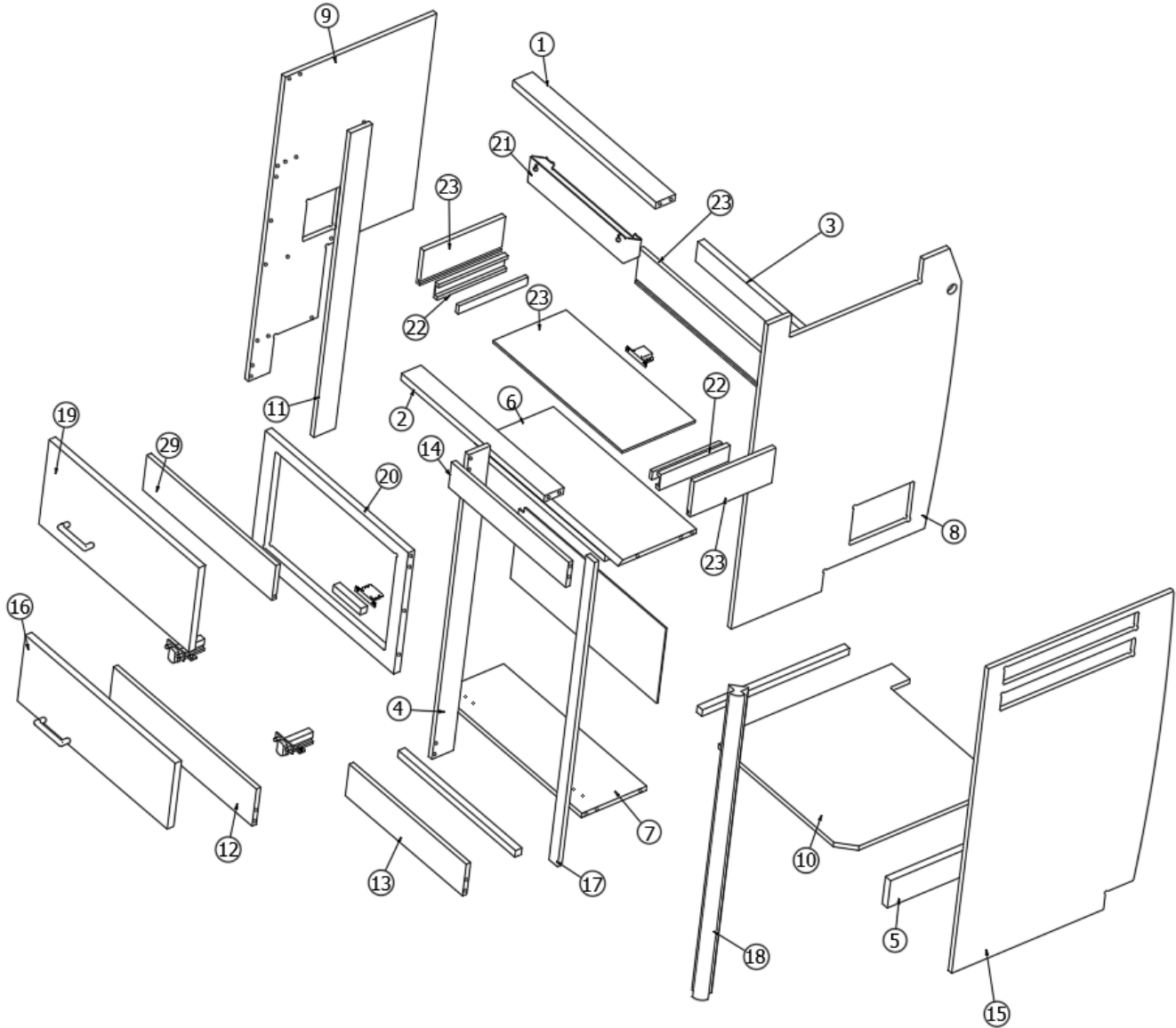
Galley Top, 16' Caravel



- | | | |
|----|-----------|---------------------------------------|
| 1. | 969036 | Assembly - Galley Top |
| 2. | 602812 | Sink, SS Single Bowl |
| 3. | 602812-02 | Strainer Basket |
| 4. | 602814 | Faucet, Moen 7565BL |
| 5. | 690738 | Cooktop Stove |
| | 204097 | Sink Cover 1/2" Natural - 16' Caravel |

2020 CARAVEL FURNITURE, GALLEY

Galley Cabinet, 16' Caravel



Parts Listed on Next Page

2020 CARAVEL FURNITURE, GALLEY

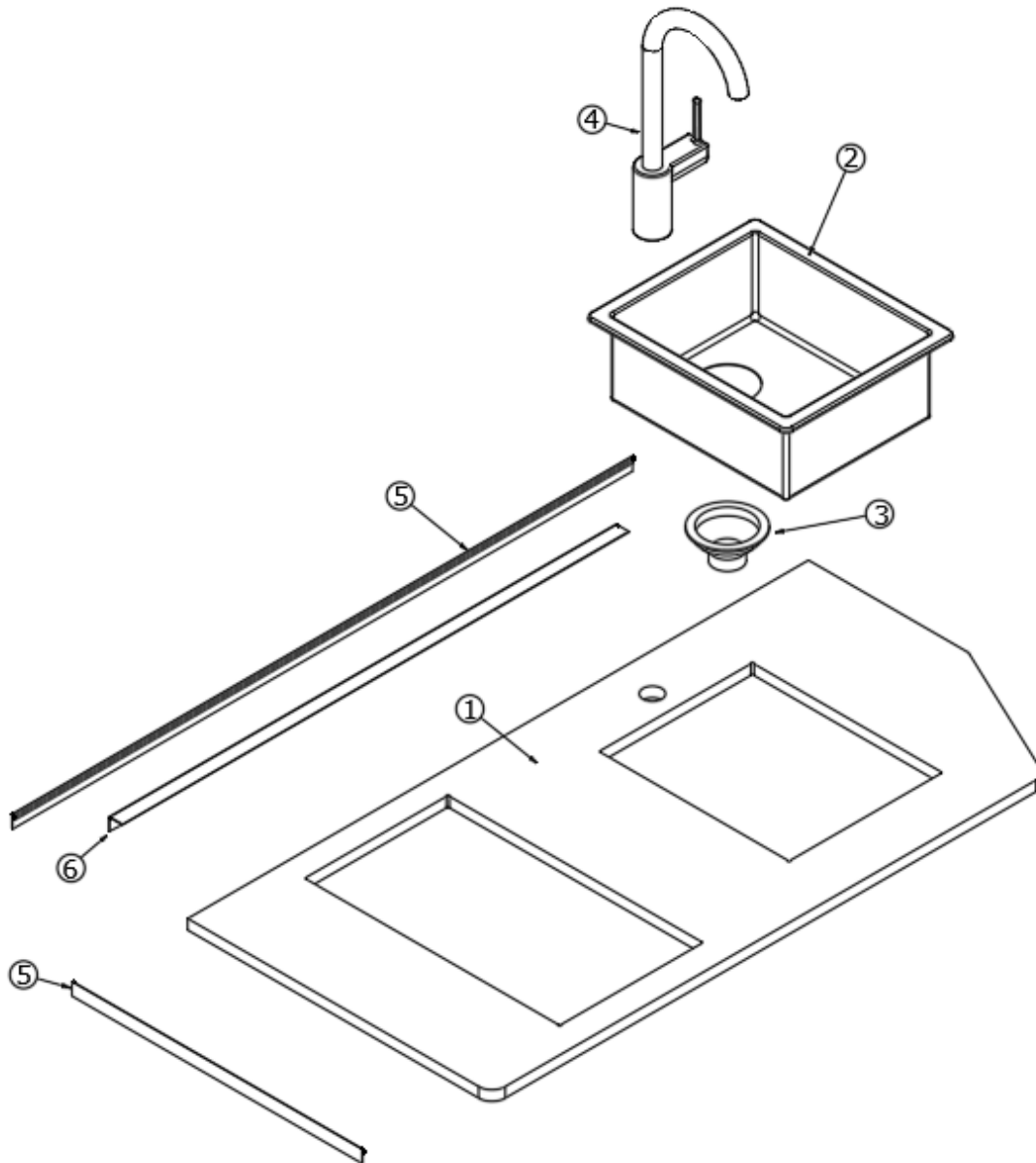
Galley Cabinet, 16' Caravel

968941 Assembly - Galley Cabinet

1. 968941&000118CC Pre Laminate-2.25 X 20.75
2. 968941&000218CC Pre Laminate-2.25 X 20.75
3. 968941&000318CC Pre Laminate-2.25 X 20.75
4. 968941&000412CC Pre Laminate- 0.50 X 2.50 X 35.00
5. 968941&000518CC Pre Laminate- 0.75 X 3.13 X 19.00
6. 968941&000612CC Pre Laminate-9.00 X 20.75
7. 968941&000712CC Pre Laminate-7.50 X 20.75
8. 968941&000812CC Pre Laminate- 0.50 X 23.50 X 35.00
9. 968941&000912CC Pre Laminate- 0.50 X 18.00 X 35.00
10. 968941&001012CC Pre Laminate- 0.50 X 20.69 X 19.18
11. 968941&001112CC Pre Laminate- 0.50 X 2.50 X 35.00
12. 968941&001212DC Pre Laminate-4.25 X 20.75
13. 968941&001312DC Pre Laminate-3.63 X 17.00
14. 968941&001412DC Pre Laminate-3.00 X 17.00
15. 968941&001512DC Pre Laminate- 0.50 X 22.00 X 35.00
16. 968941&001618DC Pre Laminate- 0.75 X 7.56 X 21.75
17. 968941&001712DC Pre Laminate- 0.50 X 1.25 X 35.00
18. 801415-0044 Corner Trim -1" Rad. Cool Autumn Night x 35.00
19. 968941&002118DC Pre Laminate- 0.75 X 9.69 X 21.75
20. 968941&002218DC Pre Laminate-13.94 X 20.75
21. 381686 Tray, Plastic, 14"
22. 381400-02 Drawer Slide, 8400 Series Full Extension
23. 968224-10 Assembly, Galley Base Drawer
- 382044-01 Handle - Matte Black
- 381228-02 Catch Grabber Door C3-803
- 381607-11 Hinge-Self Close Overlay 110D
- 381607-12 Baseplate-Grass 9.5X37/32
- 386206 Louvered Vent, Electric Refrigerator

2020 CARAVEL FURNITURE, GALLEY

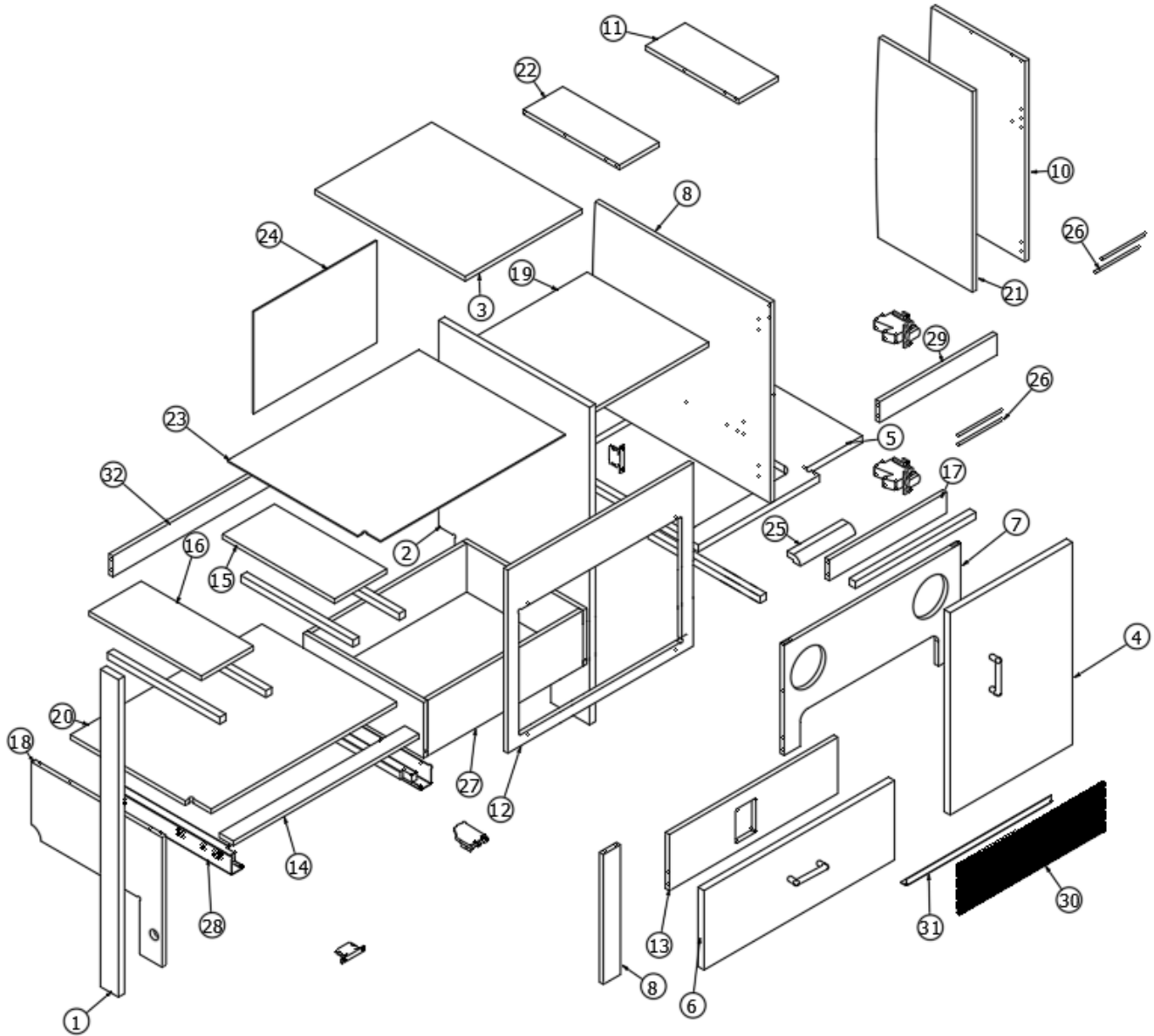
Galley Top, 19'



1. 969168&000118JC Pre Laminate – 0.75 x 22.82 x 46.56
2. 602812 Sink- Single Bowl SS 13 X 15 NQP
3. 602812-02 Drainer Basket Kit
4. 602814 Moen Faucet, Matte Black
5. 116076 Aluminum Face Nosing, 12' X 1 1/16", Anodized Black
6. 114812 Alum. Angle 1" X 1 "X 12"

2020 CARAVEL FURNITURE, GALLEY

Galley Cabinet, 19', Standard Microwave



Parts Listed on Next Page

2020 CARAVEL FURNITURE, GALLEY

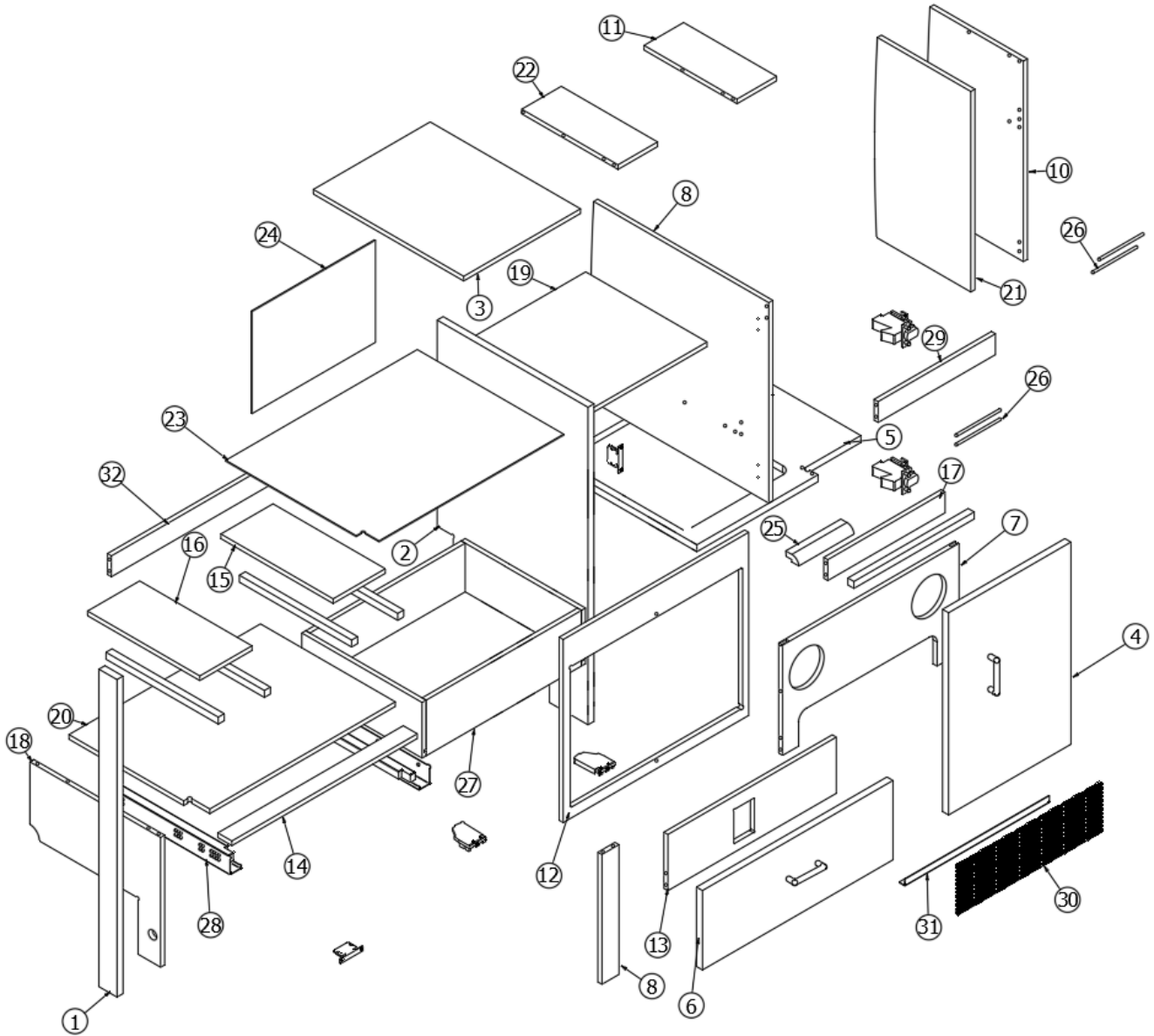
Galley Cabinet, 19', Standard Microwave

969113-01 Galley Assembly, Standard Microwave

1.	969113&010218CC	Pre Laminate-2.25 X 34.25
2.	969113&010418CC	Pre Laminate- 0.75 X 34.25 X 18.81
3.	969113&010518CC	Pre Laminate- 0.75 X 10.56 X 9.94
4.	969113&010618DC	Pre Laminate- 0.75 X 15.26 X 21.81
5.	969113&010718DC	Pre Laminate- 0.75 X 22.00 X 22.00
6.	969113&010818DC	Pre Laminate- 0.75 X 21.63 X 8.56
7.	969113&010912DC	Pre Laminate-22.00 X 11.88
8.	969113&011012DC	Pre Laminate- 0.50 X 2.13 X 14.00
9.	969113&011112DC	Pre Laminate-22.18 X 21.63
10.	969113&011312DC	Pre Laminate-12.00 X 21.63
11.	969113&011412DC	Pre Laminate-4.93 X 11.59
12.	969113&011512DC	Pre Laminate- 0.50 X 23.13 X 19.75
13.	969113&011812DC	Pre Laminate-21.00 X 6.06
14.	969113&011912CC	Pre Laminate- 0.50 X 1.75 X 23.13
15.	969113&012012CC	Pre Laminate- 0.50 X 6.50 X 14.00
16.	969113&012112CC	Pre Laminate- 0.50 X 6.50 X 14.0
17.	969113&012212CC	Pre Laminate-2.25 X 14.63
18.	969113&012312CC	Pre Laminate- 0.50 X 14.00 X 16.31
19.	969113&012412CC	Pre Laminate-15.13 X 14.63
20.	969113&012512CC	Pre Laminate- 0.50 X 23.88 X 16.81
21.	969113&012612DC	Pre Laminate- 12.00 x 21.63
22.	969113&012712GG	Pre Laminate - 4.93 x 12.00
23.	969113&012803CE	Pre Laminate- 0.13 X 18.25 X 23.88
24.	969113&012903CE	Pre Laminate- 0.13 X 15.38 X 11.00
25.	969113&0133T06A	Hardwood Radius X 6.88, 801706-WH
26.	115042	Rod-.25" Aluminum 6' Length
27.	968022-15	Drawer Box 6" 20.375 X 15.00
28.	382203-03	Drawer Slide- 15" Tandem Plus Self Close 562H
29.	969113&015512CC	Pre Laminate 2.25 X 14.63
30.	115855	Alum-Perforated .063X48X120
31.	115483	Angle-Alum .06X.75"X.75"X6'
32.	969113&005812CC	Pre Laminate 2.25 x 21.00
	382044-01	Handle - Matte Black
	365481-02	Edgebanding 1MM - .93" Cool Autumn Night
	365481-01	Edgebanding 1MM - .63" Cool Autumn Night
	382203-06	Clips Front Fixing (Right/Left)
	381607-14	Hinge Nickel Plated Self Closing
	381607-12	Baseplate-Grass 9.5X37/32
	382057	Knockdown 8MM
	381228-02	Catch Grabber Door C3-805

2020 CARAVEL FURNITURE, GALLEY

Galley Cabinet, 19', Convection Microwave



Parts Listed on Next Page

2020 CARAVEL FURNITURE, GALLEY

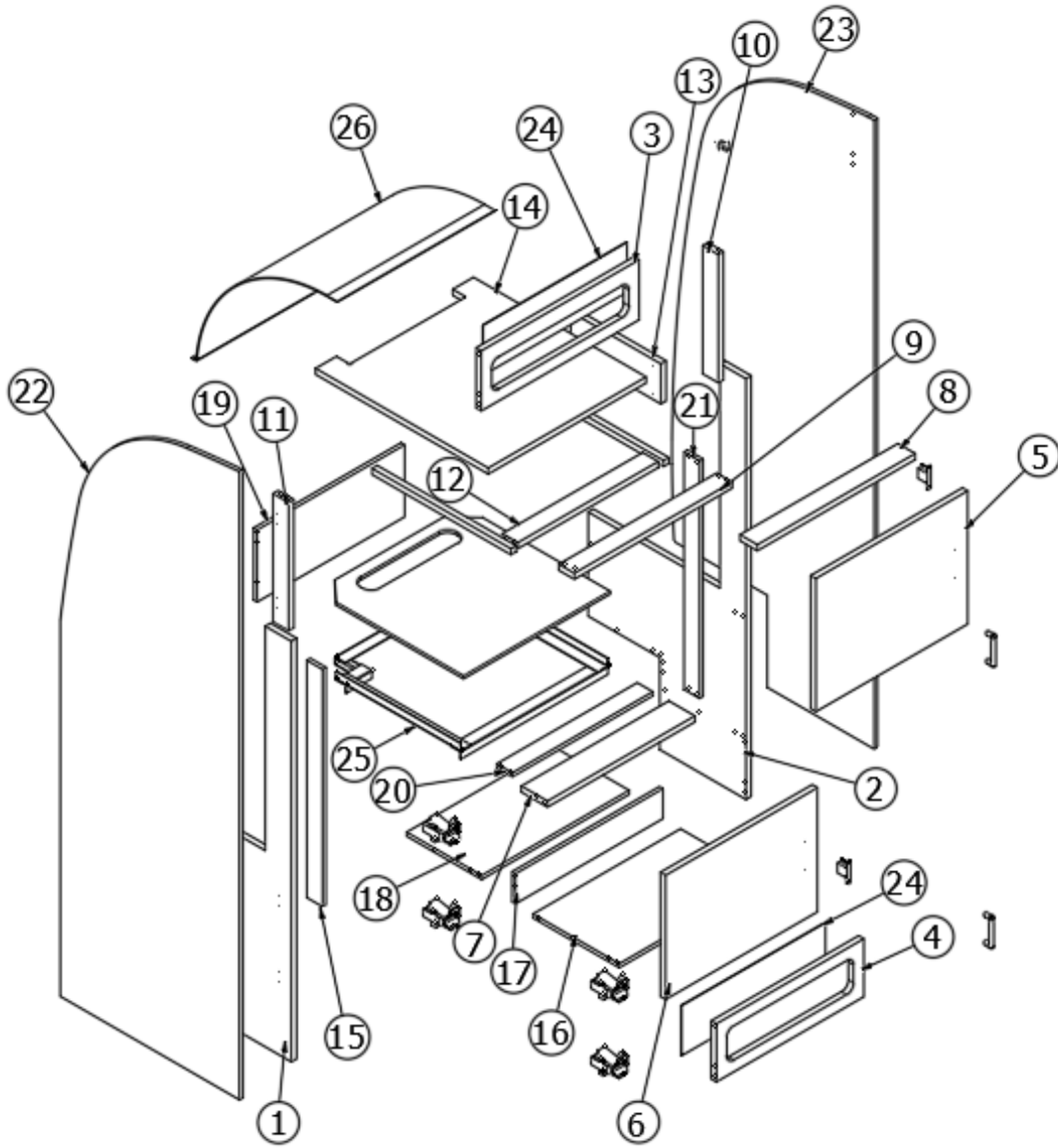
Galley Cabinet, 19', Convection Microwave

969113-02 Galley Cabinet, Convection Microwave, Option

1.	969113&020218CC	Pre Laminate-2.25 X 34.25
2.	969113&020418CC	Pre Laminate- 0.75 X 34.25 X 18.81
3.	969113&020518CC	Pre Laminate- 0.75 X 10.56 X 9.94
4.	969113&020618DC	Pre Laminate- 0.75 X 15.26 X 21.81
5.	969113&020718DC	Pre Laminate- 0.75 X 22.00 X 22.00
6.	969113&020818DC	Pre Laminate- 0.75 X 21.63 X 8.56
7.	969113&020912DC	Pre Laminate-22.00 X 11.88
8.	969113&021012DC	Pre Laminate- 0.50 X 2.13 X 14.00
9.	969113&021112DC	Pre Laminate-22.18 X 21.63
10.	969113&021312DC	Pre Laminate-12.00 X 21.63
11.	969113&021412DC	Pre Laminate-4.93 X 11.59
12.	969113&021212DC	Pre Laminate- 0.50 X 23.13 X 19.75
13.	969113&021812DC	Pre Laminate-21.00 X 6.06
14.	969113&021912CC	Pre Laminate- 0.50 X 1.75 X 23.13
15.	969113&022012CC	Pre Laminate- 0.50 X 6.50 X 14.00
16.	969113&022112CC	Pre Laminate- 0.50 X 6.50 X 14.00
17.	969113&022212CC	Pre Laminate-2.25 X 14.63
18.	969113&022312CC	Pre Laminate- 0.50 X 14.00 X 16.31
19.	969113&022412CC	Pre Laminate-15.13 X 14.63
20.	969113&022512CC	Pre Laminate- 0.50 X 23.88 X 16.81
21.	969113&022612DC	Pre Laminate- 12.00 x 21.63
22.	969113&022712GG	Pre Laminate - 4.93 x 12.00
23.	969113&022803CE	Pre Laminate- 0.13 X 18.25 X 23.88
24.	969113&022903CE	Pre Laminate- 0.13 X 15.38 X 11.00
25.	969113&0233T06A	Hardwood Radius X 6.88, 801706-WH
26.	115042	Rod-.25" Aluminum 6' Length
27.	968022-15	Drawer Box 6" 20.375 X 15.00
28.	382203-03	Drawer Slide- 15" Tandem Plus Self Close 562H
29.	969113&025512CC	Pre Laminate 2.25 X 14.63
30.	115855	Alum-Perforated .063X48X120
31.	115483	Angle-Alum .06X.75"X.75"X6'
32.	969113&025812CC	Pre Laminate 2.25 x 21.00
	382044-01	Handle - Matte Black
	365481-02	Edgebanding 1MM - .93" Cool Autumn Night
	365481-01	Edgebanding 1MM - .63" Cool Autumn Night
	382203-06	Clips Front Fixing (Right/Left)
	381607-14	Hinge Nickel Plated Self Closing
	381607-12	Baseplate-Grass 9.5X37/32
	382057	Knockdown 8MM
	381228-02	Catch Grabber Door C3-805

2020 CARAVEL FURNITURE, GALLEY

Refrigerator Cabinet, 19'



Parts Listed on Next Page

2020 CARAVEL FURNITURE, GALLEY

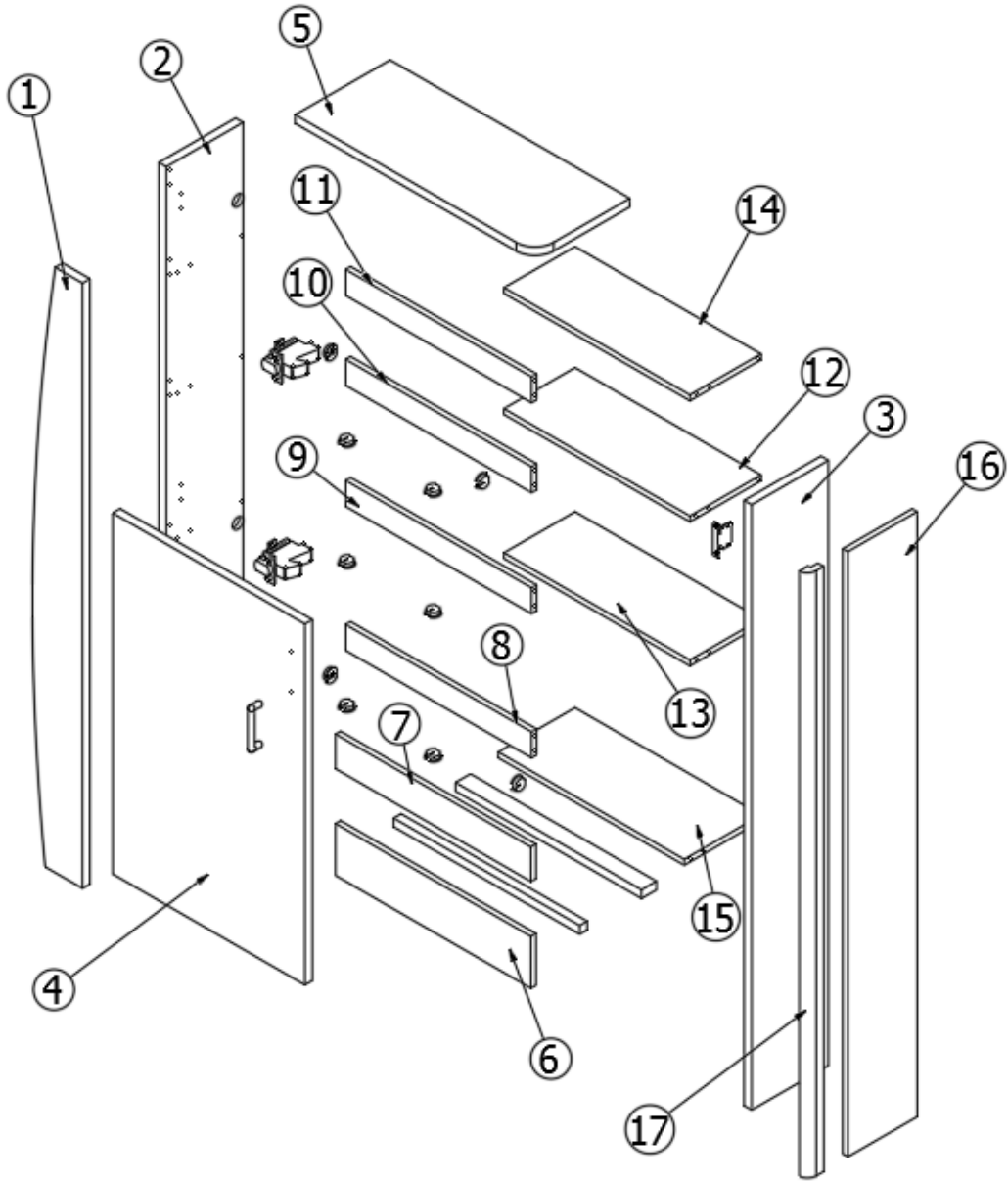
Refrigerator Cabinet, 19' Caravel

969102 Ass'y - Refer Cabinet

1.	969102&000118DC	Pre Laminate- 0.75 X 52.50 X 22.75
2.	969102&000218DC	Pre Laminate- 0.75 X 52.50 X 22.75
3.	969102&000318DC	Pre Laminate- 0.75 X 22.75 X 7.5
4.	969102&000418DC	Pre Laminate-21.25 X 7.25
5.	969102&000518DC	Pre Laminate- 0.75 X 21.88 X 16.63
6.	969102&000618DC	Pre Laminate- 0.75 X 21.88 X 15.50
7.	969102&000718DC	Pre Laminate-3.75 X 21.25
8.	969102&000818CC	Pre Laminate- 0.75 X 2.50 X 22.75
9.	969102&000918CC	Pre Laminate- 0.75 X 2.25 X 22.75
10.	969102&001018CC	Pre Laminate-2.25 X 16.00
11.	969102&001118CC	Pre Laminate-2.25 X 16.00
12.	969102&001218CC	Pre Laminate-2.25 X 20.25
13.	969102&001318CC	Pre Laminate- 0.75 X 5.00 X 13.00
14.	969102&001418GG	Pre Laminate- 0.75 x 22.75 x 24.88
15.	969102&001512CC	Pre Laminate- 0.50 X 2.25 X 29.63
16.	969102&001612CC	Pre Laminate-21.25 X 12.43
17.	969102&001712CC	Pre Laminate-21.25 X 3.75
18.	969102&001812CC	Pre Laminate-21.25 X 10.82
19.	969102&001912CC	Pre Laminate-21.25 X 9.00
20.	969102&002012CC	Pre Laminate-2.25 X 20.25
21.	969102&002112CC	Pre Laminate- 0.50 X 2.25 X 29.63
22.	969102&002212GG	Pre Laminate- 25.83 x 78.40
23.	969102&002312GG	Pre Laminate- 29.13 x 78.48
24.	116145-03	Perforated Vent Metal 6.25 X 20.75
25.	968986	Refer Stand Assy - CVL/BAM
26.	116109	Refer Cab Vent Metal
	365481-01	Edgebanding 1MM - .63" Cool Autumn Night
	365481-02	Edgebanding 1MM - .93" Cool Autumn Night
	203445	T-Molding Blk Flexible Poly .56"
	382044-01	Handle - Matte Black
	381607-14	Hinge Nickel Pltd Self Closing
	381607-12	Baseplate-Grass 9.5X37/32
	381228-02	Catch Grabber Door C3-805

2020 CARAVEL FURNITURE, GALLEY

Pantry Cabinet, 19' Caravel



Parts Listed on Next Page

2020 CARAVEL FURNITURE, GALLEY

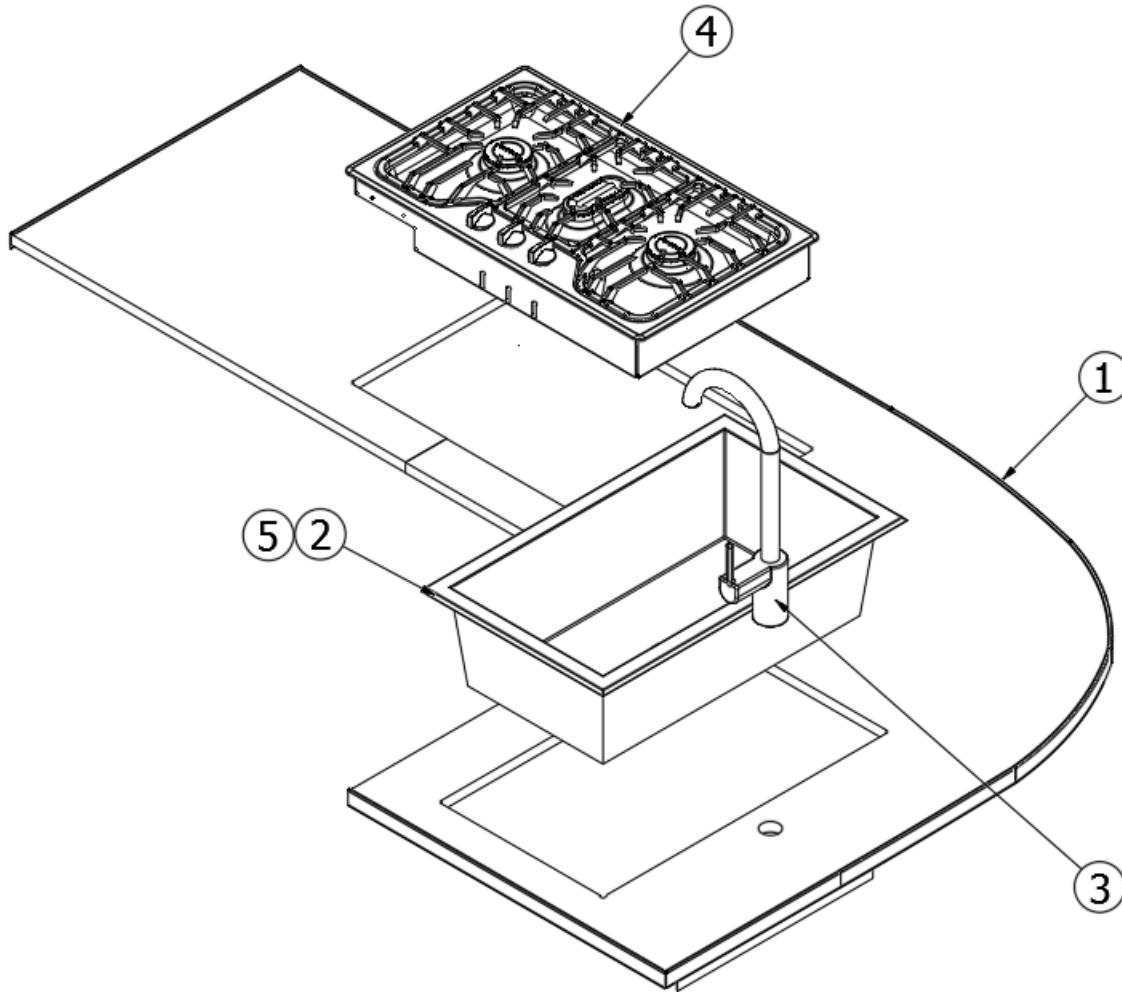
Pantry Cabinet, 19' Caravel

969116 Ass'y - Entry Shelving Unit

1.	969116&000118BC	Pre Laminate-5.00 X 52.50
2.	969116&000218BC	Pre Laminate- 0.75 X 7.69 X 52.50
3.	969116&000318BC	Pre Laminate- 0.75 X 7.69 X 52.50
4.	969116&000418BC	Pre Laminate- 0.75 X 19.25 X 31.31
5.	969116&000518JC	Pre Laminate- 0.75 X 9.50 X 24.00
6.	969116&000612BB	Pre Laminate- 0.50 X 4.50 X 19.57
7.	969116&000712BB	Pre Laminate- 0.50 X 3.00 X 19.57
8.	969116&000812BB	Pre Laminate-2.25 X 18.63
9.	969116&000912BB	Pre Laminate-2.25 X 18.63
10.	969116&001012BB	Pre Laminate-2.25 X 18.63
11.	969116&001112BB	Pre Laminate-2.25 X 18.63
12.	969116&001212BB	Pre Laminate-7.12 X 18.63
13.	969116&001312BB	Pre Laminate-7.12 X 18.63
14.	969116&001412BB	Pre Laminate-7.12 X 18.63
15.	969116&001512BB	Pre Laminate-7.69 X 18.63
16.	969116&001612BB	Pre Laminate- 0.50 X 52.50 X 6.94
17.	969116&0019T06B	Hardwood Radius X 52.50, 801706-0044
	381607-14	Hinge Nickel Plated Self Closing
	381607-12	Baseplate-Grass 9.5X37/32
	381228-02	Catch Grabber Door C3-805
	382057	Knockdown 8MM #16289B
	365481-01	Edgebanding 1MM - .63" Cool Autumn Night
	365481-02	Edgebanding 1MM - .93" Cool Autumn Night
	365483-02	Edgebanding 2MM - .93" White Cascade
	382057-03	Cap-Knockdown Dk Brn #16291
	382044-01	Handle - Matte Black

2020 CARAVEL FURNITURE, GALLEY

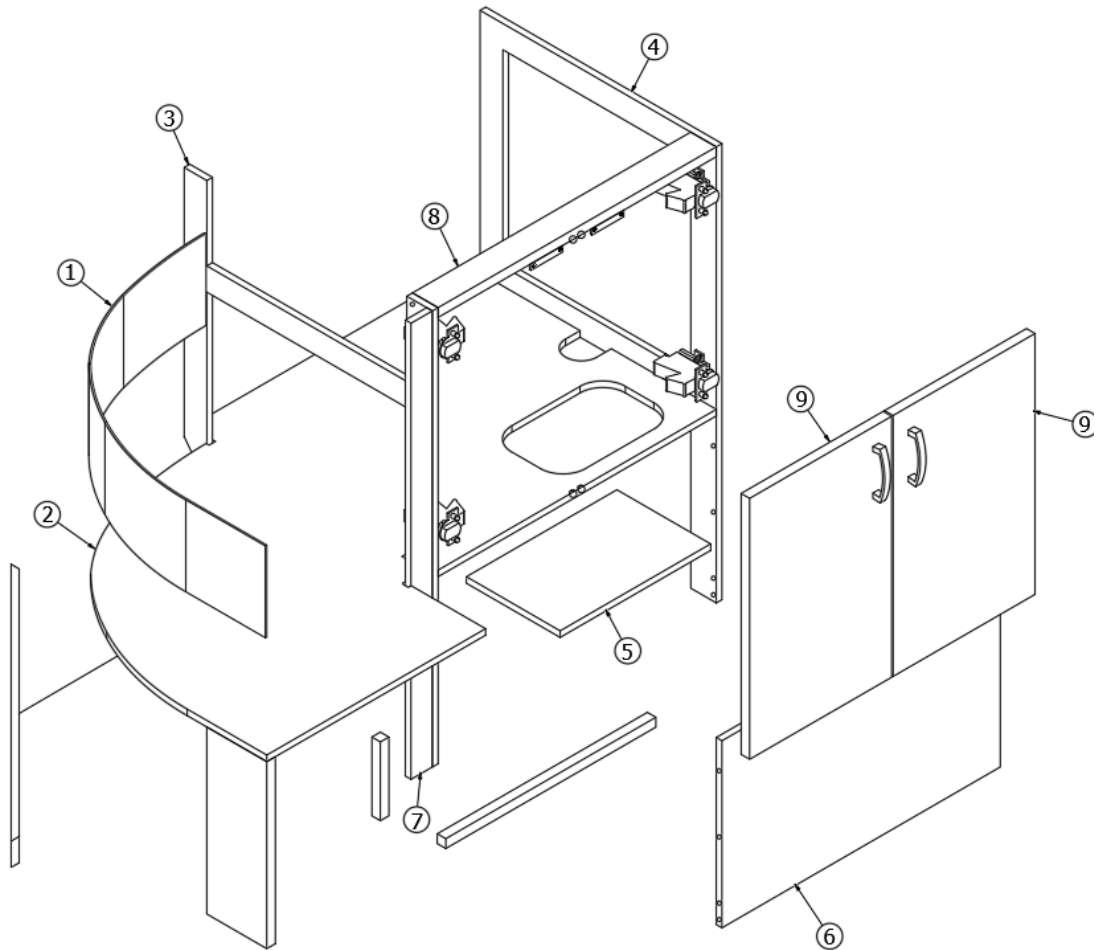
Galley Top, 20' Caravel



- | | | |
|----|-----------|--|
| 1. | 969088-02 | Galley Top Assy - 20' CVL |
| 2. | 602825 | Sink-SS Single Bowl-15X25X7 - 20',22'CVL |
| 3. | 602814 | Moen Faucet, Matte Black |
| 4. | 690739 | Cooktop - Drop In 3 Burner - 20, 22 CVL |
| 5. | 601714-01 | Tail Piece 1-1/2X4""(Galley Drain) |
| | 601714-02 | 1-1/2" Slip Nut W/Wings |
| | 601714-03 | 1-1/2" Black Rubber Washer |

2020 CARAVEL FURNITURE, GALLEY

Galley Cabinet, Aft 20' Caravel

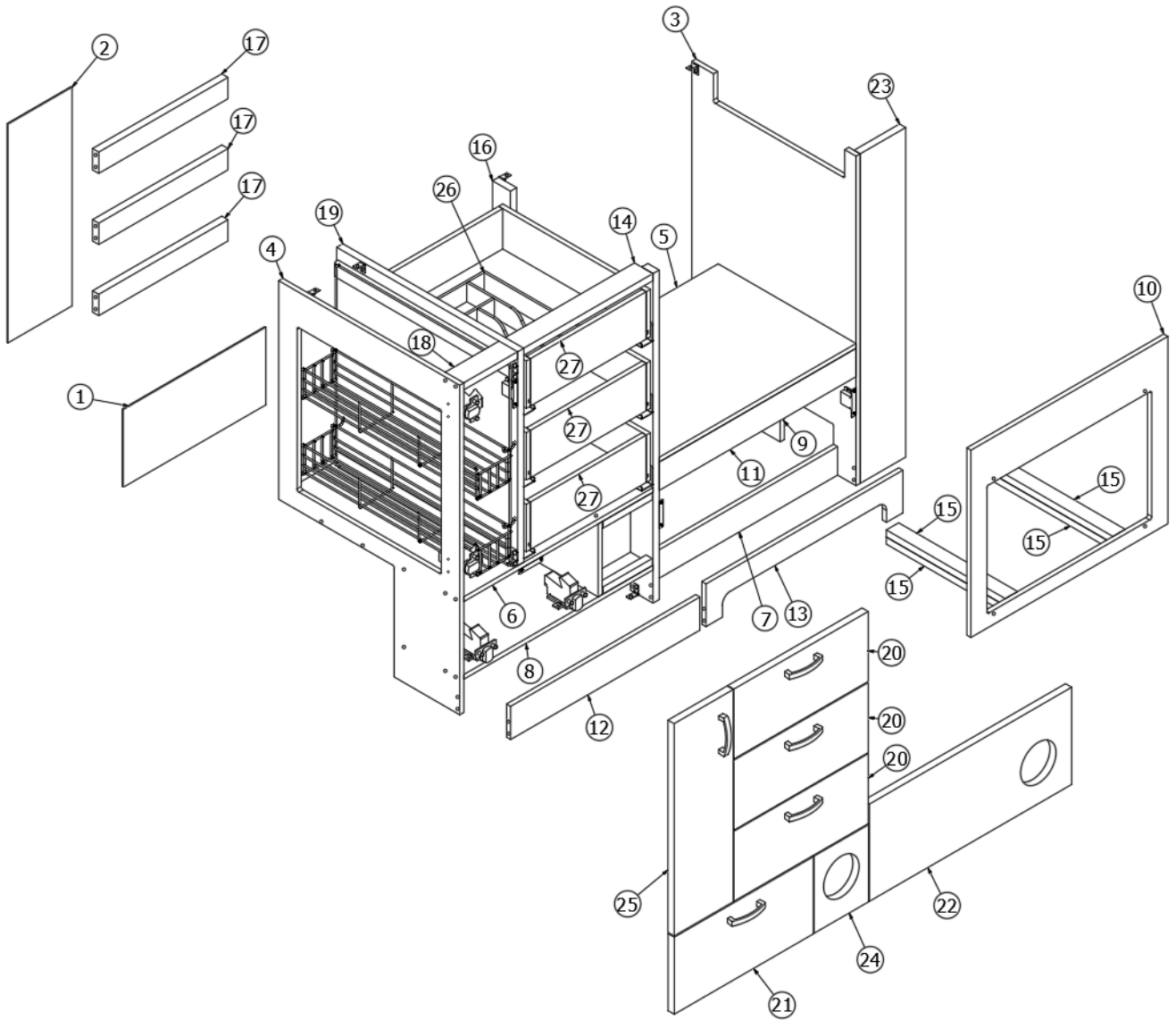


969086 Assembly, Galley Base Aft

- | | | |
|----|-----------------|------------------------------------|
| 1. | 969086&000103CE | Panel-Pre-Laminate 7.00 X 39.33 |
| 2. | 969086&000212CC | Pre Laminate-28.41 X 46.13 |
| 3. | 969086&000312CC | Pre Laminate- 0.50 X 21.86 X 34.75 |
| 4. | 969086&000412CC | Pre Laminate- 0.50 X 20.80 X 34.75 |
| 5. | 969086&000512CC | Pre Laminate- 0.50 X 13.25 X 8.25 |
| 6. | 969086&000612DC | Pre Laminate-24.50 X 14.25 |
| 7. | 969086&000712DC | Pre Laminate- 0.50 X 1.88 X 34.75 |
| 8. | 969086&000818CC | Pre Laminate-2.25 X 24.50 |
| 9. | 969086&000918DC | Pre Laminate- 0.75 X 12.50 X 19.88 |
| | 381607-14 | Hinge Nickel Plated Self Closing |
| | 381228-02 | Catch Grabber Door C3-803 |
| | 365386-01 | Edgebanding-Linen .63" |
| | 382044-01 | Handle - Matte Black |
| | 365386-02 | Edgebanding-White Linen .94" |
| | 381688 | Bumpon |

2020 CARAVEL FURNITURE, GALLEY

Galley Cabinet, Forward 20' Caravel, Standard Microwave



Parts Listed on Next Page

2020 CARAVEL FURNITURE, GALLEY

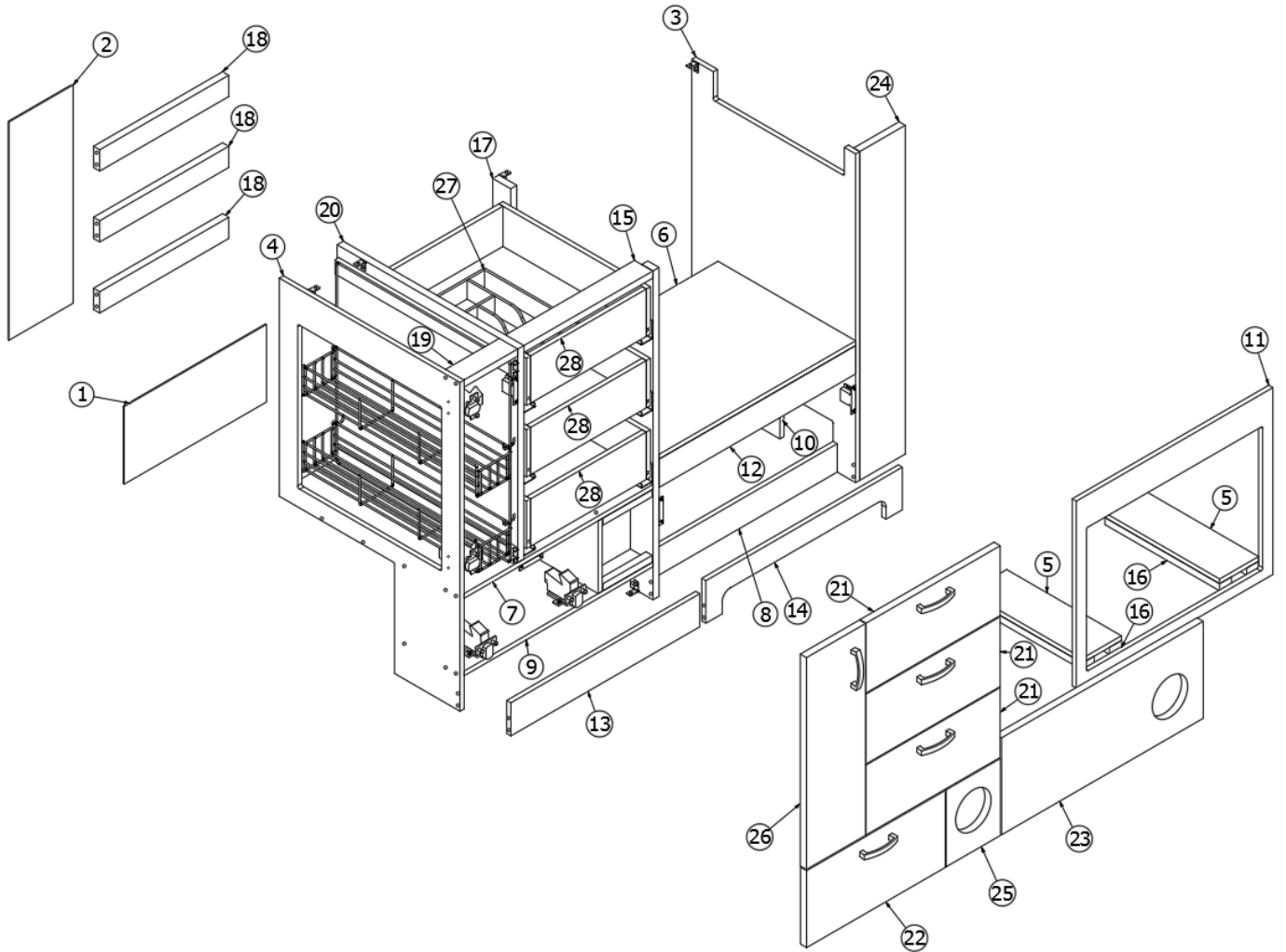
Galley Cabinet, Forward 20' Caravel, Standard Microwave

969087 Assembly, Galley Forward

1.	969087&000103CE	Pre Laminate- 0.13 X 17.38 X 8.19
2.	969087&000203CE	Pre Laminate- 0.13 X 7.81 X 23.06
3.	969087&000312CC	Pre Laminate- 0.50 X 20.01 X 34.75
4.	969087&000412CC	Pre Laminate- 0.50 X 22.06 X 34.75
5.	969087&000612CC	Pre Laminate-16.81 X 24.00
6.	969087&000712CC	Pre Laminate-22.06 X 23.06
7.	969087&000812CC	Pre Laminate-3.00 X 24.00
8.	969087&000912CC	Pre Laminate-8.00 X 23.06
9.	969087&001012CC	Pre Laminate-8.00 X 7.69
10.	969087&001212DC	Pre Laminate- 0.50 X 24.00 X 19.75
11.	969087&001312DC	Pre Laminate-3.00 X 24.00
12.	969087&001412DC	Pre Laminate-3.50 X 23.06
13.	969087&001512DC	Pre Laminate-4.50 X 24.00
14.	969087&001618CC	Pre Laminate-2.25 X 15.75
15.	969087&001818CC	Pre Laminate- 0.75 X 1.50 X 14.50
16.	969087&001918CC	Pre Laminate- 0.75 X 19.56 X 34.75
17.	969087&002018CC	Pre Laminate-2.25 X 15.75
18.	969087&002118CC	Pre Laminate-2.25 X 6.56
19.	969087&002218CC	Pre Laminate-22.06 X 22.56
20.	969087&002318DC	Pre Laminate- 0.75 X 16.38 X 7.38
21.	969087&002418DC	Pre Laminate- 0.75 X 16.94 X 8.13
22.	969087&002518DC	Pre Laminate- 0.75 X 24.63 X 10.25
23.	969087&002618DC	Pre Laminate- 0.75 X 5.55 X 34.75
24.	969087&002718DC	Pre Laminate- 0.75 X 6.63 X 8.13
25.	969087&002818DC	Pre Laminate- 0.75 X 7.19 X 22.38
26.	968024	Insert, Cutlery Drawer
27.	968020-15	Drawer Box Assy-5"X15.13X18.00
	382044-01	Handle - Matte Black
	380041	Brace 1" Stanley Corner
	381228-02	Catch Grabber Door C3-803
	381551-02	Wire Basket 4" Wide White
	381551-05	Wire Basket-Pantry 21.19X21.69
	381607-14	Hinge Nickel Plated Self Closing
	382203-04	Drawer Slide 18" Tandem Plus Self Close
	382203-06	Clips Front Fixing (Right/Left)

2020 CARAVEL FURNITURE, GALLEY

Galley Cabinet, Forward 20' Caravel, Convection Microwave



Parts Listed on Next Page

2020 CARAVEL FURNITURE, GALLEY

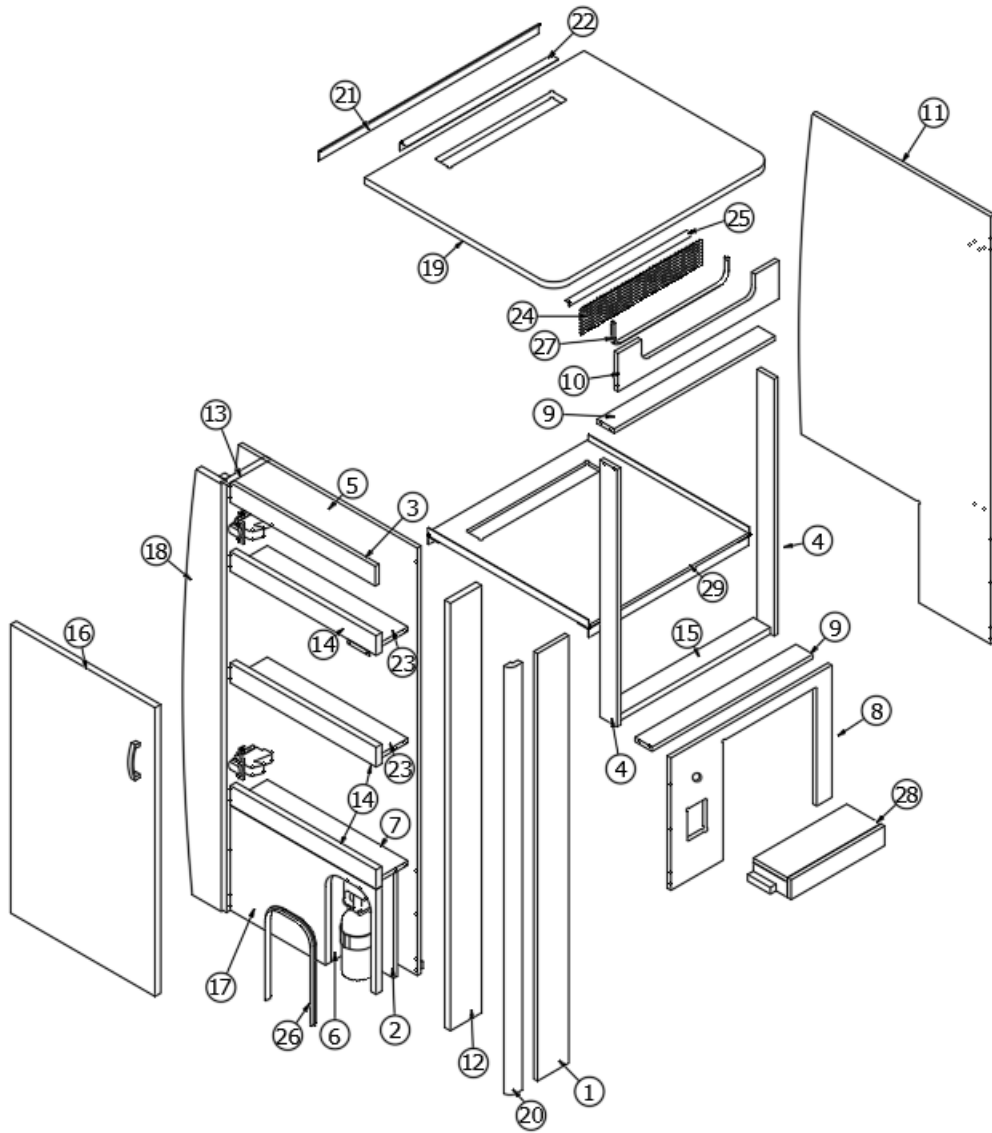
Galley Cabinet, Forward 20' Caravel, Convection Microwave

969087-01 Assembly, Galley Forward

1.	969087&010103CE	Pre Laminate- 0.13 X 17.38 X 8.19
2.	969087&010203CE	Pre Laminate- 0.13 X 7.81 X 23.06
3.	969087&010312CC	Pre Laminate- 0.50 X 20.01 X 34.75
4.	969087&010412CC	Pre Laminate- 0.50 X 22.06 X 34.75
5.	969087&010512CC	Pre Laminate- 0.50 X 4.75 X 14.00
6.	969087&010612CC	Pre Laminate-16.81 X 24.00
7.	969087&010712CC	Pre Laminate-22.06 X 23.06
8.	969087&010812CC	Pre Laminate-3.00 X 24.00
9.	969087&010912CC	Pre Laminate-8.00 X 23.06
10.	969087&011012CC	Pre Laminate-8.00 X 7.69
11.	969087&011112DC	Pre Laminate- 0.50 X 24.00 X 19.75
12.	969087&011312DC	Pre Laminate-3.00 X 24.00
13.	969087&011412DC	Pre Laminate-3.50 X 23.06
14.	969087&011512DC	Pre Laminate-4.50 X 24.00
15.	969087&011618CC	Pre Laminate-2.25 X 15.75
16.	969087&011718CC	Pre Laminate- 0.75 X 1.44 X 14.00
17.	969087&011918CC	Pre Laminate- 0.75 X 19.56 X 34.75
18.	969087&012018CC	Pre Laminate-2.25 X 15.75
19.	969087&012118CC	Pre Laminate-2.25 X 6.56
20.	969087&012218CC	Pre Laminate-22.06 X 22.56
21.	969087&012318DC	Pre Laminate- 0.75 X 16.38 X 7.38
22.	969087&012418DC	Pre Laminate- 0.75 X 16.94 X 8.13
23.	969087&012518DC	Pre Laminate- 0.75 X 24.63 X 10.25
24.	969087&012618DC	Pre Laminate- 0.75 X 5.55 X 34.75
25.	969087&012718DC	Pre Laminate- 0.75 X 6.63 X 8.13
26.	969087&012818DC	Pre Laminate- 0.75 X 7.19 X 22.38
27.	968024	Insert, Cutlery Drawer
28.	968020-15	Drawer Box Assy-5"X15.13X18.00
	382044-01	Handle - Matte Black
	380041	Brace 1" Stanley Corner
	381228-02	Catch Grabber Door C3-803
	381551-02	Wire Basket 4" Wide White
	381551-05	Wire Basket-Pantry 21.19X21.69
	381607-14	Hinge Nickel Plated Self Closing
	382203-04	Drawer Slide 18" Tandem Plus Self Close
	382203-06	Clips Front Fixing (Right/Left)

2020 CARAVEL FURNITURE, GALLEY

Refrigerator Cabinet, 20' Caravel



Parts Listed on Next Page

2020 CARAVEL FURNITURE, GALLEY

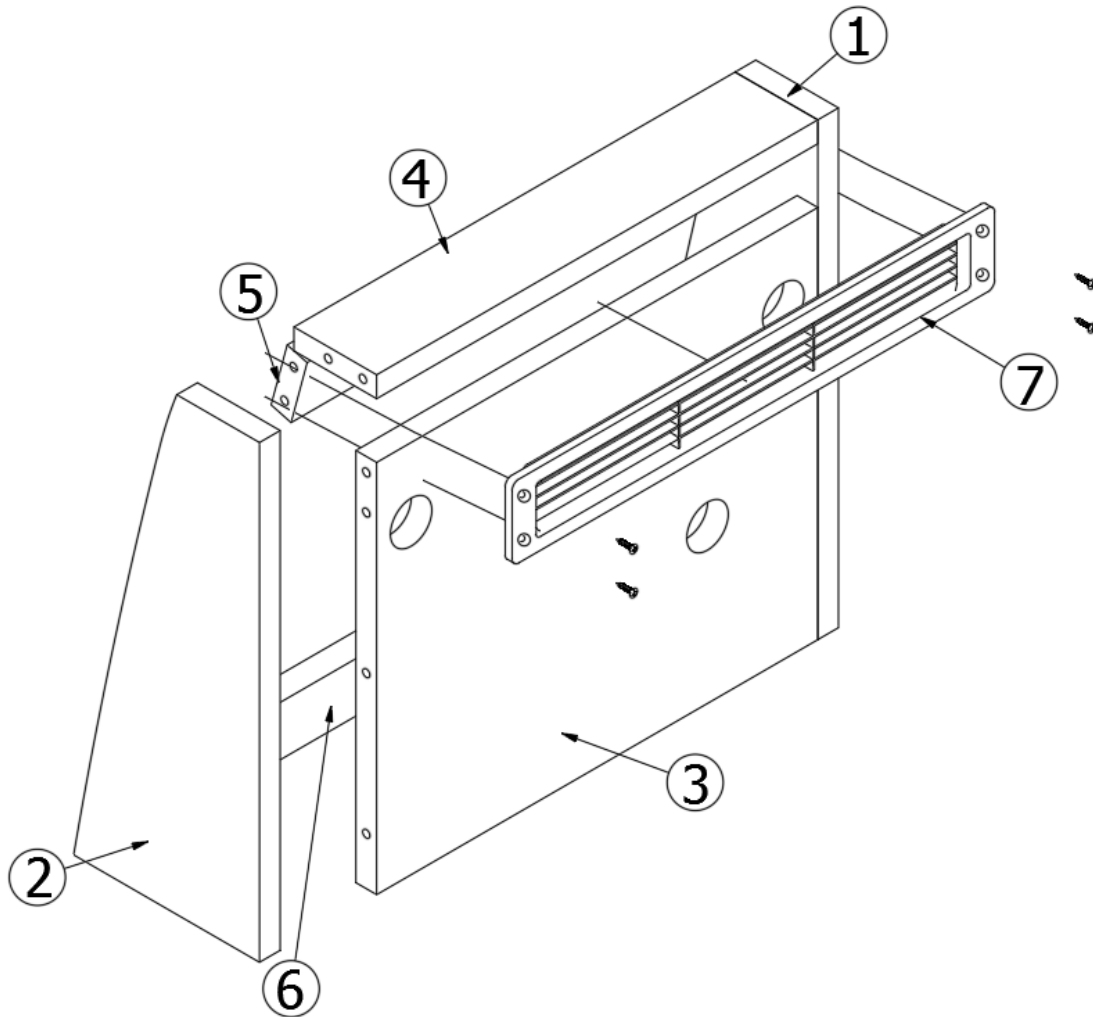
Refrigerator Cabinet, 20' Caravel

969099 Ass'y - Refer Cabinet

1.	969099&000112DC	Pre Laminate- 0.50 X 3.38 X 48.88
2.	969099&000212CC	Pre Laminate- 0.50 X 6.31 X 12.00
3.	969099&000312CC	Pre Laminate-2.25 X 19.13
4.	969099&000412CC	Pre Laminate-2.25 X 29.38
5.	969099&000512CC	Pre Laminate-25.36 X 48.88
6.	969099&000612CC	Pre Laminate-3.63 X 12.00
7.	969099&000712CC	Pre Laminate-3.63 X 18.56
8.	969099&000812DC	Pre Laminate- 0.50 X 21.25 X 15.13
9.	969099&000912DC	Pre Laminate-2.88 X 21.25
10.	969099&001012DC	Pre Laminate-21.25 X 3.88
11.	969099&001112GG	Pre Laminate-25.36 X 48.88
12.	969099&001218CC	Pre Laminate- 0.75 X 4.13 X 48.88
13.	969099&001318CC	Pre Laminate- 0.75 X 4.13 X 48.88
14.	969099&001418CC	Pre Laminate-2.25 X 18.56
15.	969099&001518CC	Pre Laminate-2.25 X 20.25
16.	969099&001718DC	Pre Laminate- 0.75 X 19.25 X 33.00
17.	969099&001818DC	Pre Laminate-12.00 X 18.56
18.	969099&001918DC	Pre Laminate-5.11 X 48.88
19.	969099&002018JC	Pre Laminate- 0.75 X 24.63 X 29.00
20.	969099&0029T06A	Hardwood Radius X 48.88, 801706-WH
21.	116079-01	Extrusion, Corner Nosing, 12' X 7/8", Anodized Black
22.	114812	Alum. Angle 1" X 1 "X 12"
23.	969099&003412CC	Pre Laminate-4.13 X 18.56
24.	203664	Grill Screen - Plastic 48X96.00
25.	114811	Alum. Angle .50 X .50
26.	203445-01	T-Molding .5625" White
27.	203445	T-Molding Blk Flexible Poly .56"
28.	968221	Ass'y Stand Power Center
29.	968986	Refer Stand Assy
	382044-01	Handle, Matte Black
	380041	Brace 1"" Stanley Corner
	381228-02	Catch Grabber Door C3-805
	381607-12	Baseplate-Grass 9.5x37/32
	381607-11	Hinge-Self Close Overlay 110D
	600162-01	Fire Extinguisher, (UL)
	365386-02	Edgebanding-White Linen .94"
	365386-01	Edgebanding-Linen .63"
	365483-02	Edgebanding 2MM - .93" White Cascade

2020 CARAVEL FURNITURE, GALLEY

Flat Screen TV Support, 20 Caravel

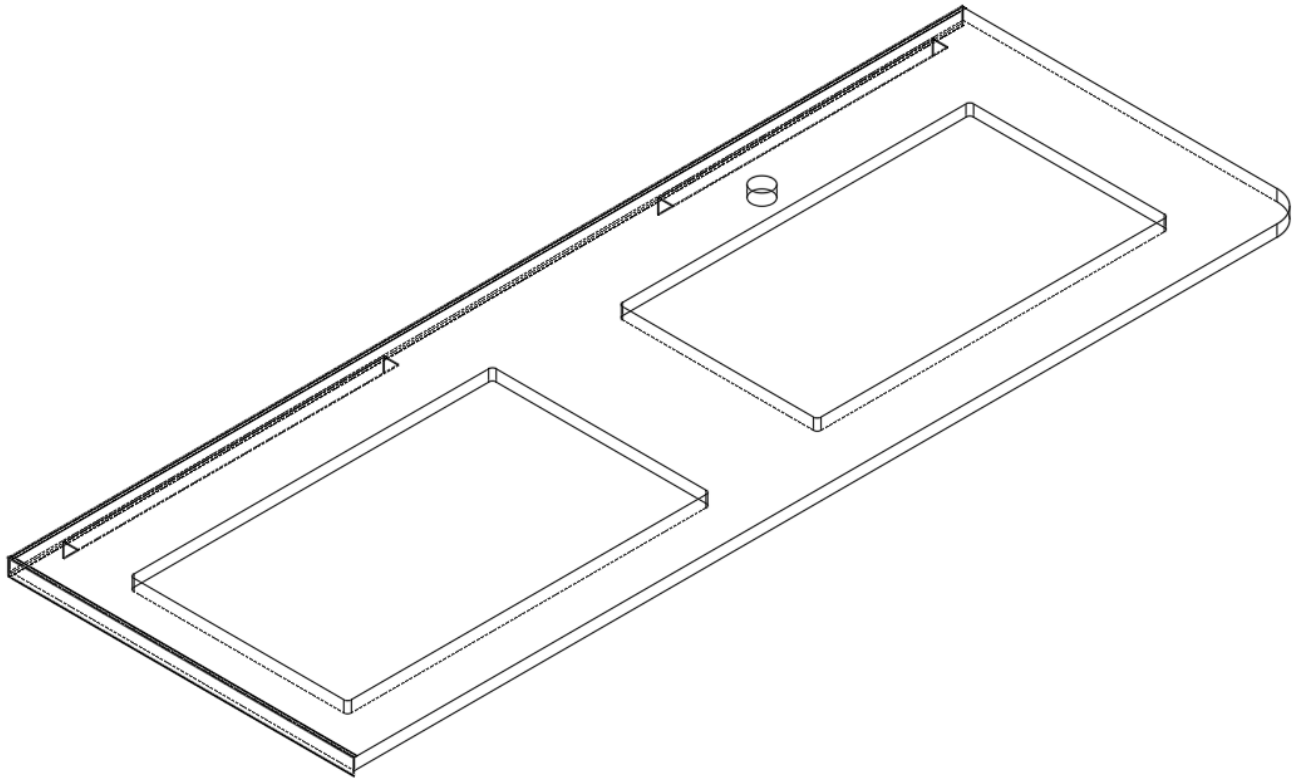


969097 Flat Screen TV Support

1.	969097&000118DC	Pre Laminate- 0.75 X 6.74 X 16.31
2.	969097&000218DC	Pre Laminate- 0.75 X 6.74 X 16.31
3.	969097&000318DC	Pre Laminate-16.00 X 13.56
4.	969097&000418DC	Pre Laminate-16.00 X 3.00
5.	969097&000518DC	Pre Laminate-16.00 X 2.25
6.	969097&000618DC	Pre Laminate-16.00 X 2.25
7.	386206	Louvered Vent
	365386-02	Edgebanding-White Linen .94"
	381209	Grommet and Cap, Putty 1.5"

2020 CARAVEL FURNITURE, GALLEY

Galley Top, 22 Caravel



969001

969001&000118JC

116076

365483-02

204092

602825

Galley Top Assy - 22'

Pre Lam. Panel - 22.59 X 62.50

Aluminum Face Nosing, 12' X 1 1/16", Anodized Black

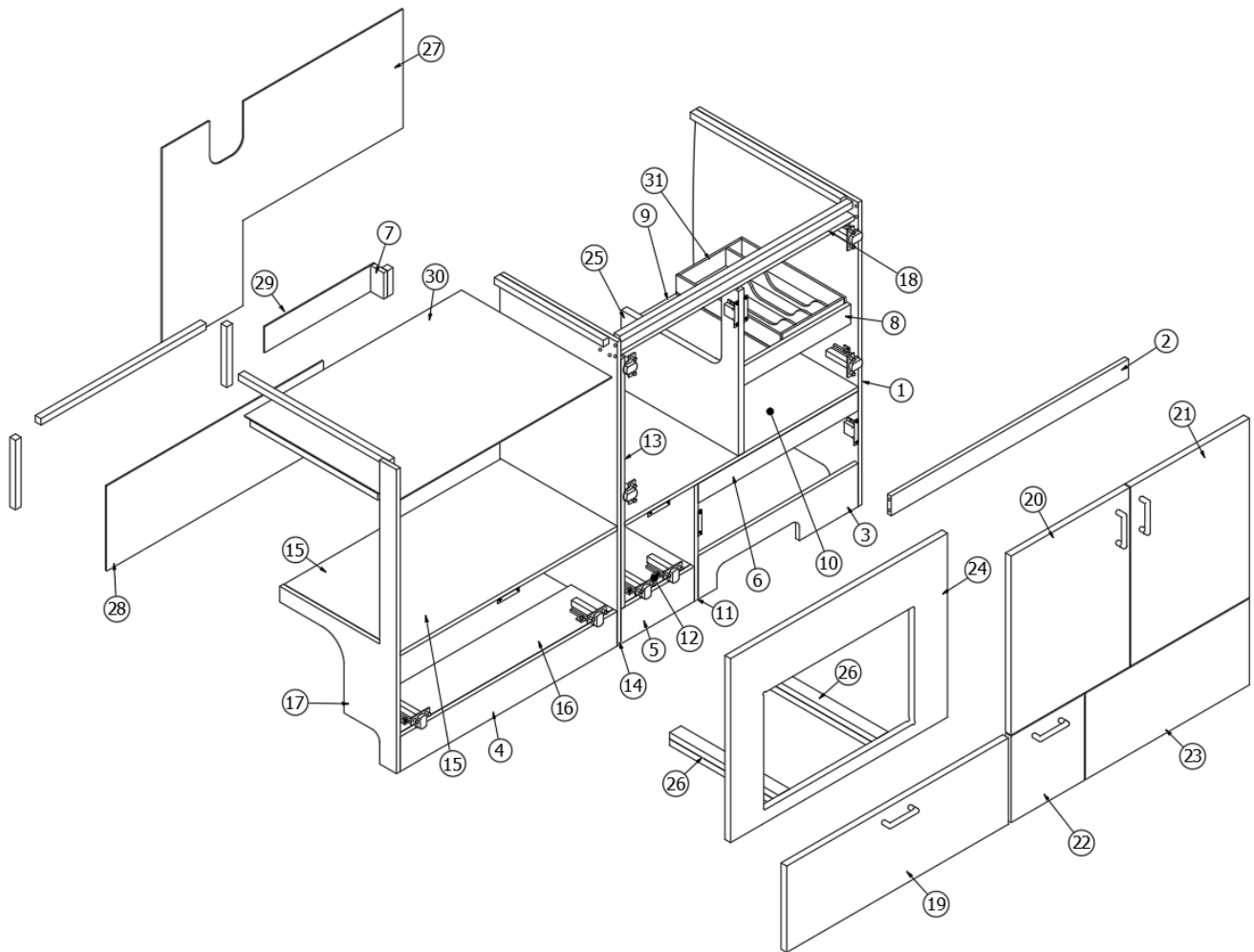
Edgebanding 2MM - .93" White Cascade

Sink Cover

Sink, SS Single Bowl 15 x 25 x 7

2020 CARAVEL FURNITURE, GALLEY

Galley, Standard Microwave 22 Caravel



Parts Listed on Next Page

2020 CARAVEL FURNITURE, GALLEY

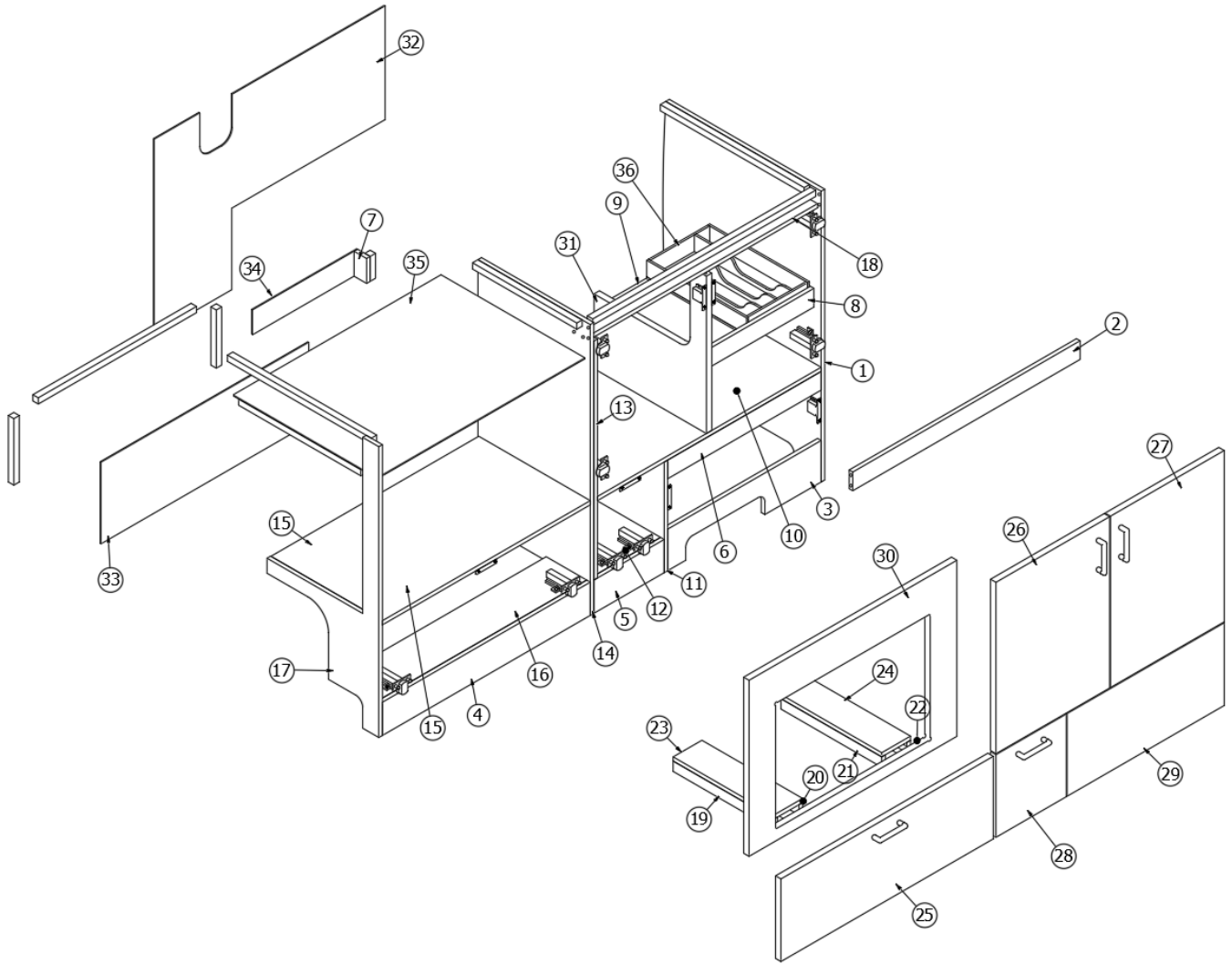
Galley, Standard Microwave 22 Caravel

968997 Galley Assembly

1.	968997&000112DC	Pre Laminate-22.00 X 35.00
2.	968997&000212DC	Pre Laminate-2.25 X 31.60
3.	968997&000312DC	Pre Laminate-5.00 X 21.33
4.	968997&000412DC	Pre Laminate-4.00 X 28.90
5.	968997&000512DC	Pre Laminate-4.00 X 9.78
6.	968997&000612DC	Pre Laminate-2.25 X 21.33
7.	968997&000712DC	Pre Laminate- 0.50 X 3.00 X 1.75
8.	968997&000812CC	Pre Laminate-2.25 X 15.21
9.	968997&000912CC	Pre Laminate-14.12 X 15.21
10.	968997&001012CC	Pre Laminate-15.62 X 31.60
11.	968997&001112CC	Pre Laminate-15.62 X 13.31
12.	968997&001212CC	Pre Laminate-15.12 X 9.78
13.	968997&001312CC	Pre Laminate- 0.50 X 2.25 X 28.75
14.	968997&001412CC	Pre Laminate- 0.50 X 15.62 X 35.00
15.	968997&001512CC	Pre Laminate-15.50 X 28.90
16.	968997&001612CC	Pre Laminate-5.63 X 28.90
17.	968997&001712CC	Pre Laminate- 0.50 X 15.55 X 35.00
18.	968997&001812CC	Pre Laminate-2.25 X 31.60
19.	968997&002518DC	Pre Laminate- 0.75 X 29.52 X 9.94
20.	968997&002618DC	Pre Laminate- 0.75 X 15.80 X 20.63
21.	968997&002718DC	Pre Laminate- 0.75 X 15.80 X 20.63
22.	968997&002818DC	Pre Laminate- 0.75 X 9.78 X 9.94
23.	968997&002918DC	Pre Laminate- 0.75 X 21.83 X 9.94
24.	968997&003118DC	Pre Laminate- 0.75 X 28.90 X 21.19
25.	968997&003218CC	Pre Laminate-15.62 X 18.94
26.	968997&003318CC	Pre Laminate- 0.75 X 1.50 X 14.50
27.	968997&003403CE	Pre Laminate- 0.13 X 32.10 X 23.50
28.	968997&003503CE	Pre Laminate- 0.13 X 28.90 X 9.81
29.	968997&003603CE	Pre Laminate- 0.13 X 3.00 X 14.63
30.	800507-01	Lauan, 0.13 x 28.90 x 20.00
31.	968024	Insert- Cutlery Drawer
	365386-01	Edgebanding-Linen .63"
	365386-02	Edgebanding-White Linen .94"
	382044-01	Handle - Matte Black
	203138-05	Extrusion-Plastic 1/2" Wall Black

2020 CARAVEL FURNITURE, GALLEY

Galley, Convection Microwave 22 Caravel



Parts Listed on Next Page

2020 CARAVEL FURNITURE, GALLEY

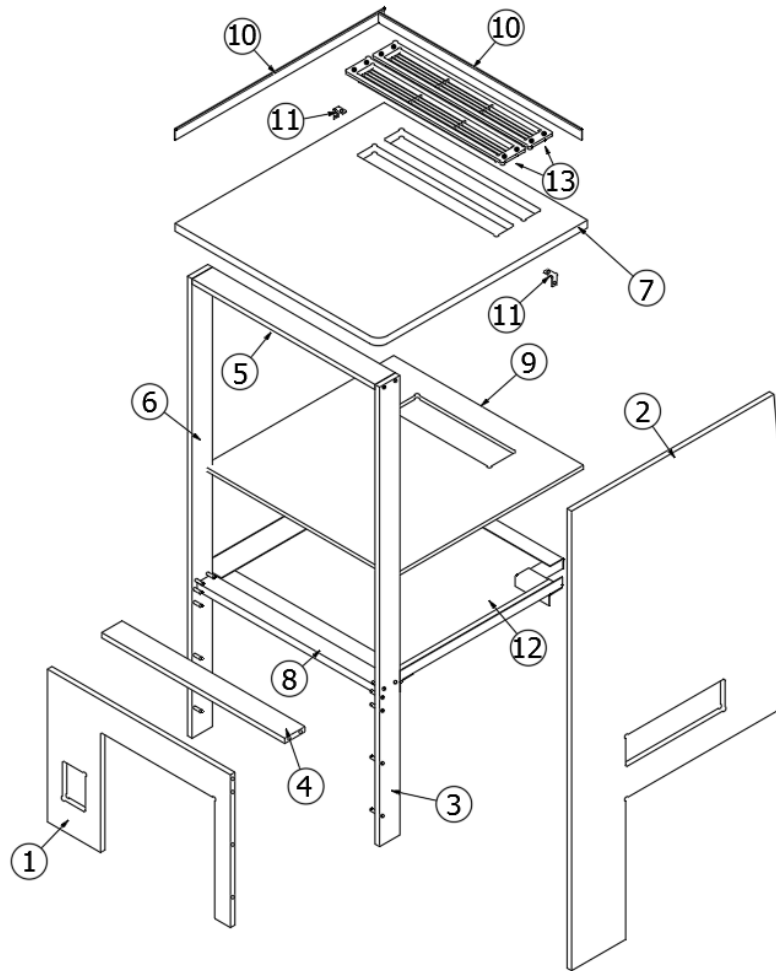
Galley, Convection Microwave 22 Caravel

968997-01 Galley Assembly, Convection Microwave

1.	968997&010112DC	Pre Laminate-22.00 X 35.00
2.	968997&010212DC	Pre Laminate-2.25 X 31.60
3.	968997&010312DC	Pre Laminate-5.00 X 21.33
4.	968997&010412DC	Pre Laminate-4.00 X 28.90
5.	968997&010512DC	Pre Laminate-4.00 X 9.78
6.	968997&010612DC	Pre Laminate-2.25 X 21.33
7.	968997&010712DC	Pre Laminate- 0.50 X 3.00 X 1.75
8.	968997&010812CC	Pre Laminate-2.25 X 15.21
9.	968997&010912CC	Pre Laminate-14.12 X 15.21
10.	968997&011012CC	Pre Laminate-15.62 X 31.60
11.	968997&011112CC	Pre Laminate-15.62 X 13.31
12.	968997&011212CC	Pre Laminate-15.12 X 9.78
13.	968997&011312CC	Pre Laminate- 0.50 X 2.25 X 28.75
14.	968997&011412CC	Pre Laminate- 0.50 X 15.62 X 35.00
15.	968997&011512CC	Pre Laminate-15.50 X 28.90
16.	968997&011612CC	Pre Laminate-5.63 X 28.90
17.	968997&011712CC	Pre Laminate- 0.50 X 15.55 X 35.00
18.	968997&011812CC	Pre Laminate-2.25 X 31.60
19.	968997&011912CC	Pre Laminate- 0.50 X 1.25 X 14
20.	968997&012012CC	Pre Laminate- 0.50 X 1.25 X 14
21.	968997&012112CC	Pre Laminate- 0.50 X 1.25 X 14
22.	968997&012212CC	Pre Laminate- 0.50 X 1.25 X 14
23.	968997&012312CC	Pre Laminate- 0.50 X 4.00 X 14
24.	968997&012412CC	Pre Laminate- 0.50 X 4.00 X 14
25.	968997&012518DC	Pre Laminate- 0.75 X 29.52 X 9.94
26.	968997&012618DC	Pre Laminate- 0.75 X 15.80 X 20.63
27.	968997&012718DC	Pre Laminate- 0.75 X 15.80 X 20.63
28.	968997&012818DC	Pre Laminate- 0.75 X 9.78 X 9.94
29.	968997&012918DC	Pre Laminate- 0.75 X 21.83 X 9.94
30.	968997&013018DC	Pre Laminate- 0.75 X 28.90 X 28.19
31.	968997&013218CC	Pre Laminate-15.62 X 18.94
32.	968997&013403CE	Pre Laminate- 0.13 X 32.10 X 2
33.	968997&013503CE	Pre Laminate- 0.13 X 28.90 X 9
34.	968997&013603CE	Pre Laminate- 0.13 X 3.00 X 14
35.	800507-01	Lauan, 0.13 x 28.90 x 20.00
36.	968024	Insert, Cutlery Tray
	365386-01	Edgebanding-Linen .63"
	365386-02	Edgebanding-White Linen .94"
	382044-01	Handle - Matte Black
	203138-05	Extrusion-Plastic 1/2" Wall Black
	381607-11	Hinge-Self Close Overlay 110D Swing
	381607-12	Baseplate-Grass 9.5X37/32
	380041	Brace 1" Stanley Corner
	381228-02	Catch Grabber Door C3-805
	381688	Bumpon

2020 CARAVEL FURNITURE, GALLEY

Refrigerator Cabinet, 22 Caravel

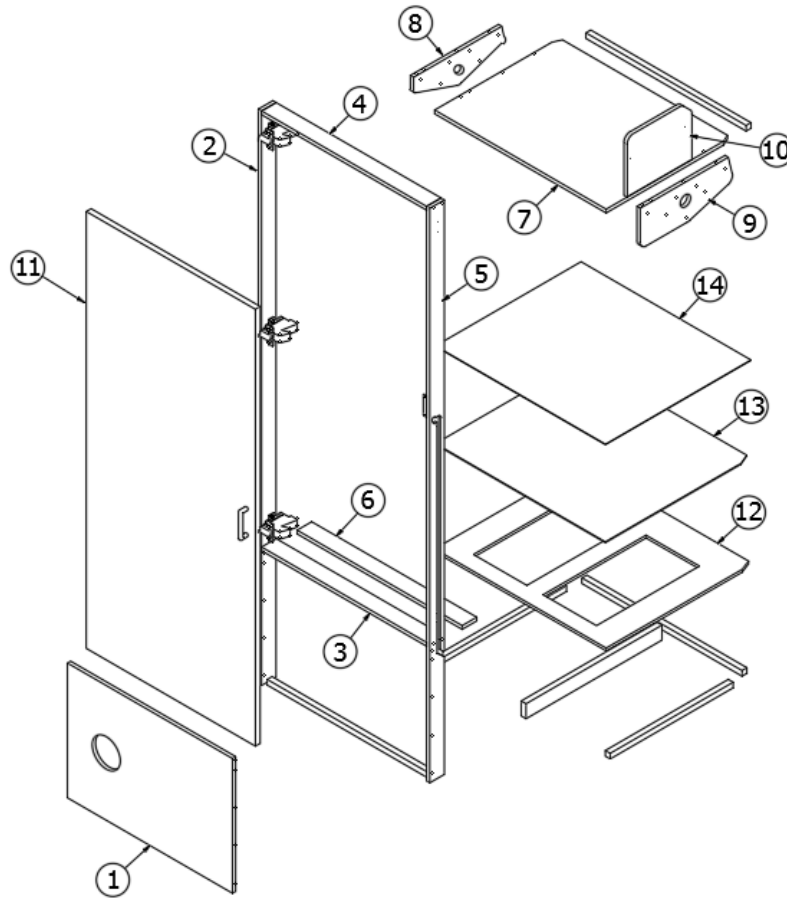


968958 Refer Cabinet - 22' Caravel

1.	968958&000112DC	Pre Laminate-20.25 X 14.63
2.	968958&000212DC	Pre Laminate-22.30 X 44.00
3.	968958&000312CC	Pre Laminate-2.25 X 44.00
4.	968958&000412CC	Pre Laminate-2.25 X 20.25
5.	968958&000512CC	Pre Laminate-2.25 X 20.25
6.	968958&000612CC	Pre Laminate-2.25 X 44.00
7.	968958&000718JC	Pre Laminate- 0.75 X 21.88 X 22.50
8.	968958&000818CC	Pre Laminate- 0.75 X 1.69 X 20.25
9.	800507-03	Luan, 0.38 x 21.00 x 21.06
10.	116076	Aluminum Counter Moulding
11.	380041	Brace 1" Stanley Corner
12.	968986	Refrigerator Stand Assembly
13.	386206	Louvered Vent
14.	365386-01	Edgebanding-Linen .63"
15.	365483-02	Edgebanding 2MM - .93" White Cascade

2020 CARAVEL FURNITURE, GALLEY

Storage Cabinet, 22 Caravel

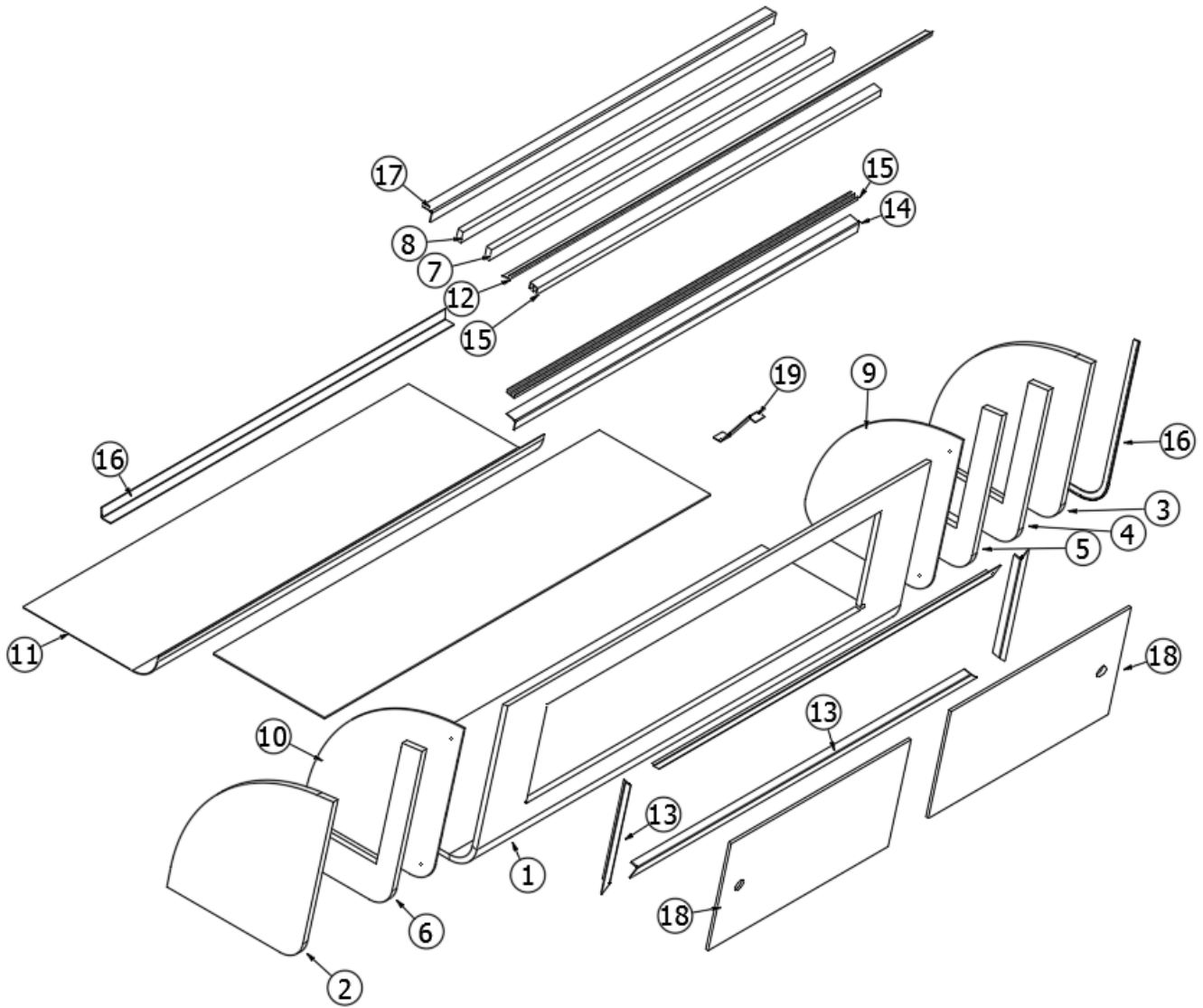


968954 RS Storage Cabinet

1.	968954&000112BC	Pre Laminate-18.00 X 25.50
2.	968954&000212CC	Pre Laminate-2.25 X 76.75
3.	968954&000312CC	Pre Laminate-2.25 X 25.50
4.	968954&000412CC	Pre Laminate-2.25 X 25.50
5.	968954&000512CC	Pre Laminate-2.25 X 76.75
6.	968954&000612CC	Pre Laminate-2.25 X 25.50
7.	968954&000712CC	Pre Laminate-26.50 X 19.25
8.	968954&000812CC	Pre Laminate- 0.50 X 14.00 X 4.49
9.	968954&000912CC	Pre Laminate- 0.50 X 14.25 X 5.50
10.	968954&001012CC	Pre Laminate-8.00 X 10.00
11.	968954&001118BC	Pre Laminate- 0.75 X 26.13 X 58.36
12.	800507-03	Lauan, 0.38 x 26.50 x 22.63
13.	800507-01	Lauan, 0.13 x 26.25 x 22.50
14.	701538-01	Carpet-Econoline W/Psa Backing
	382044-01	Handle - Matte Black
	381228	Catch Grabber Door C3-810
	381607-11	Hinge-Self Close Overlay 110D
	381607-12	Baseplate-Grass 9.5X37/32

2020 CARAVEL FURNITURE, GALLEY

Roof Locker, Galley, 16' Caravel



Parts Listed on Next Page

2020 CARAVEL FURNITURE, GALLEY

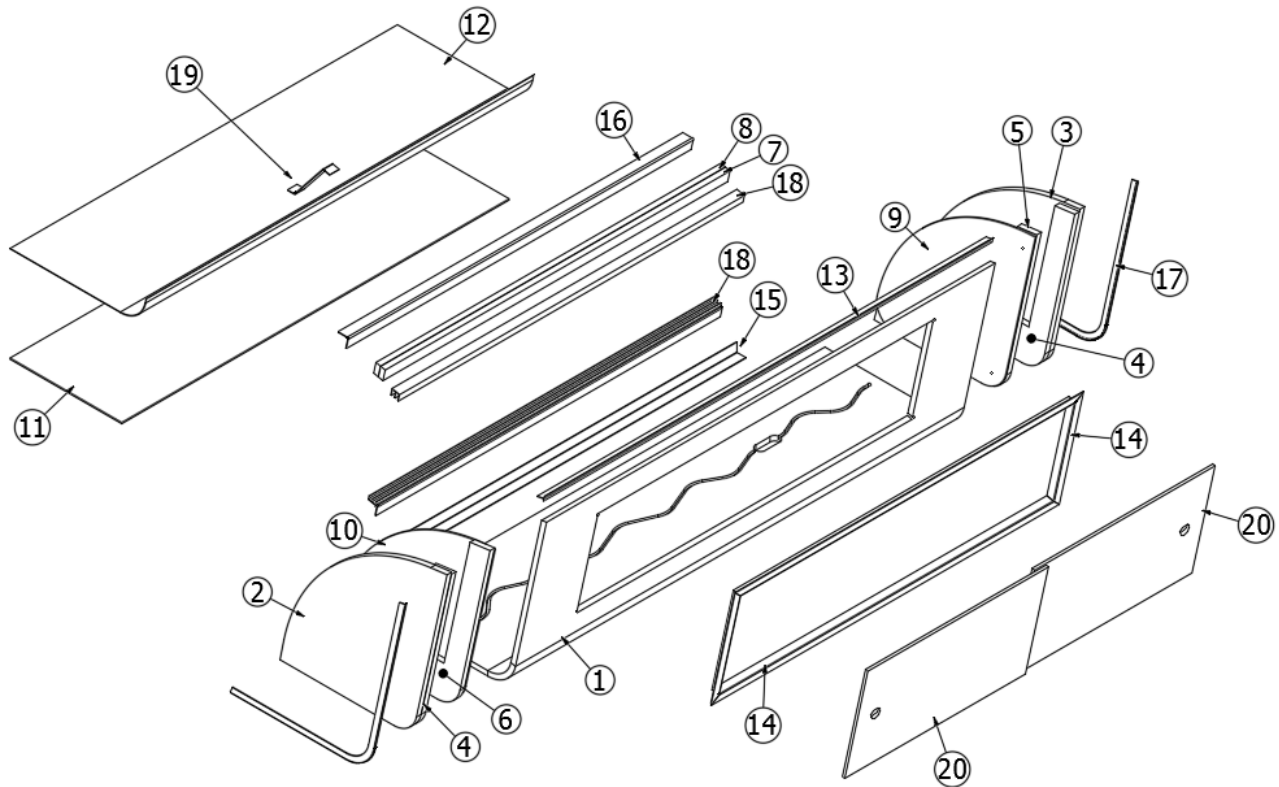
Roof Locker, Galley, 16' Caravel

968947 Assembly - Galley Roof Locker

1. 802419 Locker Face, Galley
2. 802419-2 Pre Laminate- 0.50 X 16.70 X 17.70
3. 802419-3 Pre Laminate- 0.50 X 17.70 X 16.70
4. 968947&000412CC Pre Laminate- 0.50 X 16.40 X 1
5. 968947&000512CC Pre Laminate- 0.50 X 16.40 X 1
6. 968947&000612CC Pre Laminate- 0.50 X 16.40 X 1
7. 968947&000712CC Pre Laminate- 0.50 X 1.13 X 36
8. 968947&000812CC Pre Laminate- 0.50 X 1.13 X 36
9. 968947&000903CE Pre Laminate- 0.13 X 18.00 X 1
10. 968947&001003CE Pre Laminate- 0.13 X 18.00 X 1
11. 968947&001201CE Laminate 15.12 x 51.37
12. 201673 Cove Molding, Ivory, Plastic
13. 115483 Angle-Alum .06X.75"X.75"X6'
14. 114812 Alum. Angle 1" X 1 "X 12"
15. 203388 Track-Sliding Door
16. 115375-03 Extrusion-Formed - Rh Locker
17. 104821 Support, Rooflocker
18. 204088-01 Door-Sliding-Plexiglass, 26.25
19. 115226 Bracket-Formed-Locker Ctr Support

2020 CARAVEL FURNITURE, GALLEY

Galley Roof Locker, 19'

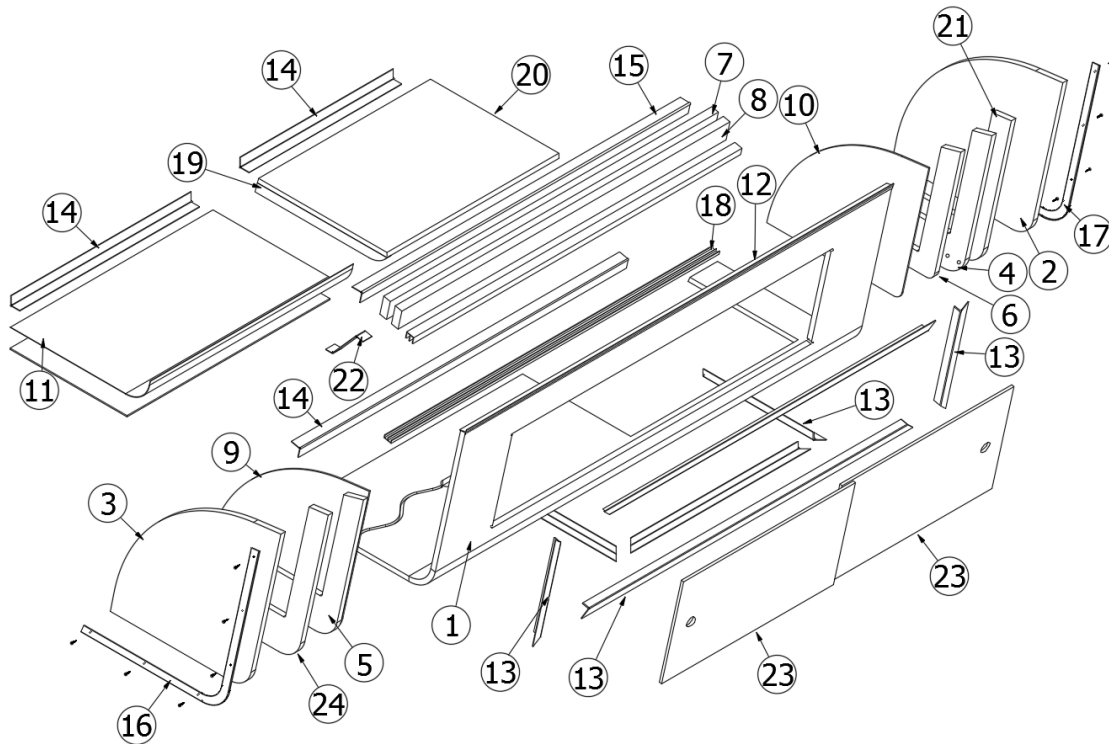


969134-01 Ass'y-Galley Roof Locker

1.	802437	Locker Face, Galley
2.	802419-2	Pre Laminate- 0.50 X 16.70 X 17.70
3.	802419-3	Pre Laminate- 0.50 X 17.70 X 16.70
4.	969134&010412CC	Pre Laminate- 0.50 X 16.40 X 17.30
5.	969134&010512CC	Pre Laminate- 0.50 X 16.40 X 17.30
6.	969134&010612CC	Pre Laminate- 0.50 X 16.40 X 17.30
7.	969134&010712CC	Pre Laminate- 0.50 X 1.13 X 36.50
8.	969134&010812CC	Pre Laminate- 0.50 X 1.13 X 36.50
9.	969134&010903CE	Pre Laminate- 0.13 X 18.00 X 18.00
10.	969134&011003CE	Pre Laminate- 0.13 X 18.00 X 18.00
11.	800507-01	Lauan, 1/8"X4'X8'
12.	969134&011201CE	Laminate 15.12 x 51.37
13.	201673	Cove Molding, Ivory, Plastic
14.	115483	Angle-Alum .06X.75"X.75"X6'
15.	114812	Alum. Angle 1" X 1 "X 12"
16.	104821	Support, Rooflocker
17.	115375-05P	Extrusion - Formed RH Locker End
18.	203388	Track-Sliding Door
19.	115226	Bracket-Formed-Locker Center Support
20.	204088-02	Door-Sliding-Plexiglass, 19.125"
	703991	Seal-Pile Weather Strip Black

2020 CARAVEL FURNITURE, GALLEY

Roof Locker, Galley, 20' Caravel

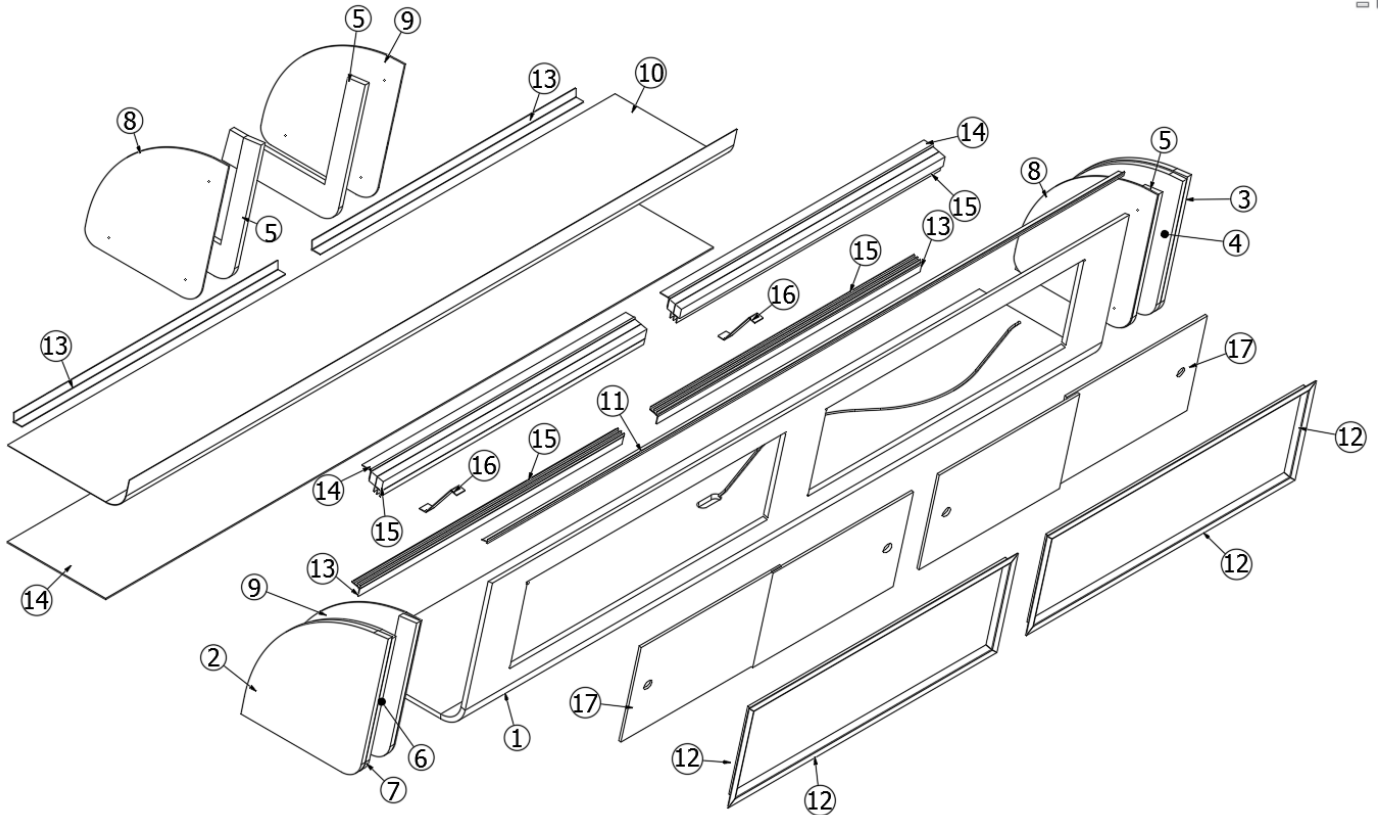


969203 Assy Galley Rooflocker

1.	802441	Locker Face, Galley
2.	969203&000212DK	Pre Laminate-18.97 X 16.92
3.	969203&000312DK	Pre Laminate-18.97 X 16.92
4.	969203&000412CC	Pre Laminate- 0.50 X 15.44 X 18.25
5.	969203&000512CC	Pre Laminate- 0.50 X 15.25 X 18.00
6.	969203&000612CC	Pre Laminate- 0.50 X 14.00 X 17.88
7.	969203&000712CC	Pre Laminate- 0.50 X 1.13 X 36.50
8.	969203&000812CC	Pre Laminate- 0.50 X 1.13 X 36.50
9.	969203&000903CE	Pre Laminate- 0.13 X 16.25 X 18.38
10.	969203&001003CE	Pre Laminate- 0.13 X 14.75 X 18.38
11.	969203&001201CE	Laminate 15.25 X 22.563
12.	201673	Cove Molding, Ivory, Plastic
13.	115483	Angle-Alum .06x.75"X.75"X6'
14.	114812	Alum. Angle 1" X 1 "X 12"
15.	104821	Support, Rooflocker
16.	115375-04	Extrusion - Formed Lh Locker End
17.	115375-05	Extrusion - Formed Rh Locker End
18.	203388	Track-Sliding Door
19.	969203&002412CC	Pre Laminate- 0.50 X 1.00 X 15.25
20.	969203&002512CC	Pre Laminate-19.13 X 14.93
21.	969203&002812CC	Pre Laminate- 0.50 X 16.00 X 18.00
22.	115226-01	Bracket, Formed Locker Ctr Support
23.	204088-02	Door-Sliding-Plexiglass, 19.125"
24.	969203&003312CC	Prelam .50 X 16.00 X 18.00

2020 CARAVEL FURNITURE, GALLEY

Roof Locker, Dinette, 20' Caravel

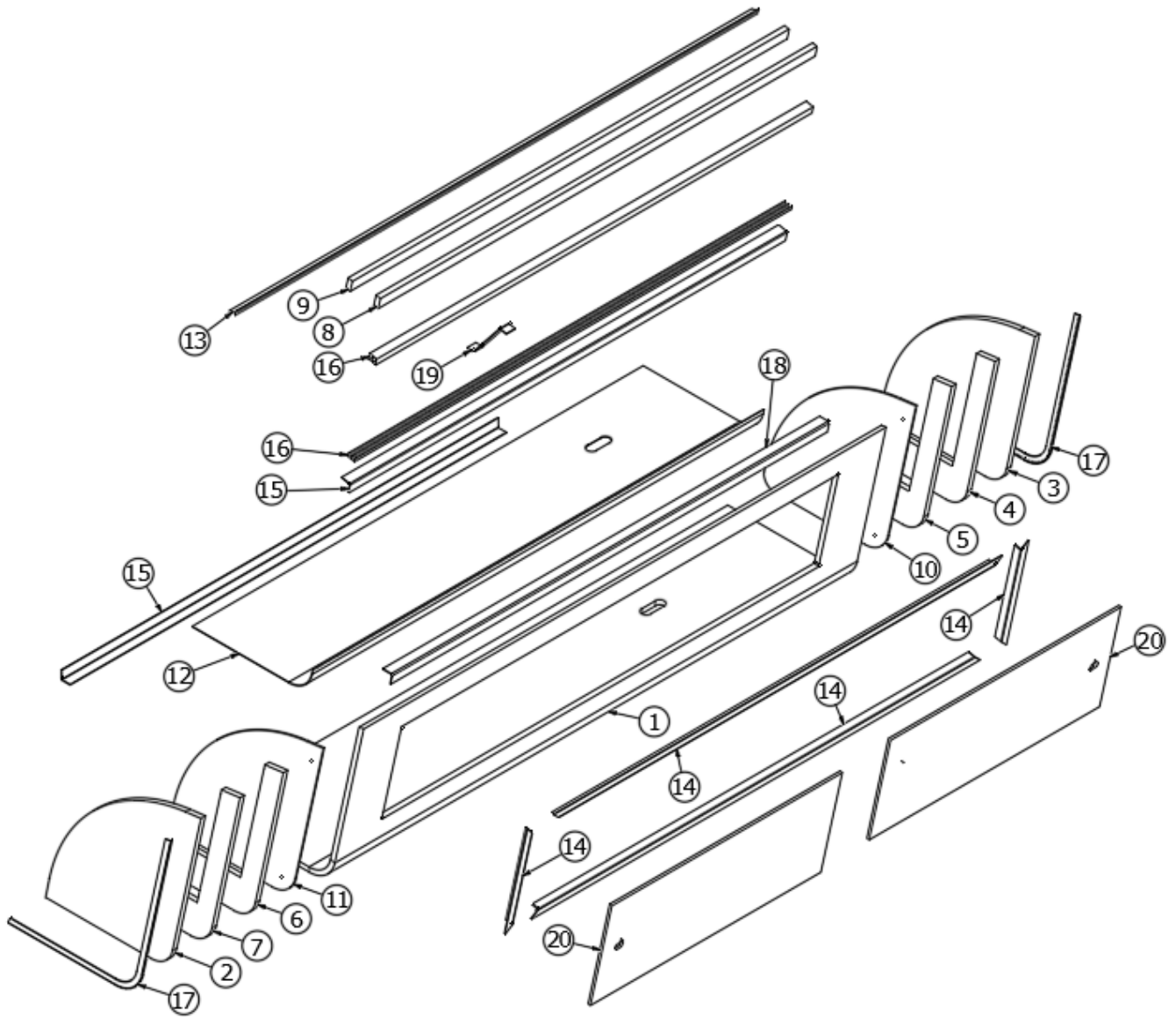


969133 Ass'y-Dinette Roof Locker

1.	802436-1	Locker Face, Dinette
2.	802436-2	Pre Laminate- 0.50 X 16.70 X 17.70
3.	802391-3	Pre Laminate- 0.50 X 17.70 X 16.70
4.	969133&000412CC	Pre Laminate- 0.50 X 16.40 X 1
5.	969133&000512CC	Pre Laminate- 0.50 X 16.40 X 1
6.	969133&000612CC	Pre Laminate- 0.50 X 16.40 X 1
7.	969133&000712CC	Pre Laminate- 0.50 X 16.40 X 1
8.	969133&000803CE	Pre Laminate- 0.13 X 18.00 X 1
9.	969133&000903CE	Pre Laminate- 0.13 X 18.00 X 1
10.	969133&001001CE	Laminate 56.00 X 16.50
11.	201673	Cove Molding, Ivory, Plastic
12.	115483-01	Angle-Alum .06x.75"X.75"X12' -Anodized Black
13.	114812	Alum. Angle 1" X 1 "X 12"
14.	104821	Support, Rooflocker
15.	203388	Track-Sliding Door
16.	115226	Bracket-Formed-Locker Ctr Support
17.	204088-03	Door-Sliding-Plexiglass, 16.875

2020 CARAVEL FURNITURE, GALLEY

Roof Locker, Galley, 22 Caravel



Parts Listed on Next Page

2020 CARAVEL FURNITURE, GALLEY

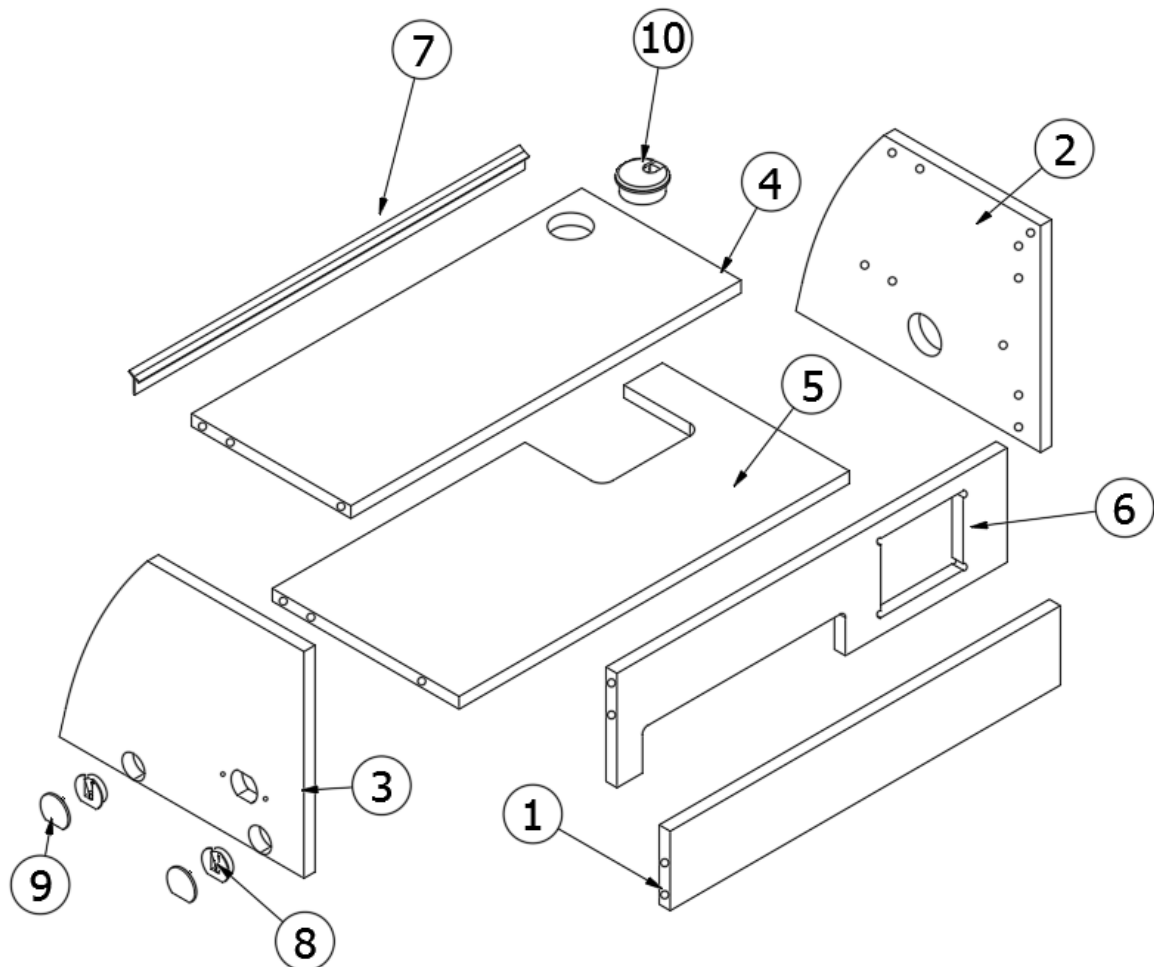
Roof Locker, Galley, 22 Caravel

968955 Ass'y - Galley Roof Locker

1.	802391	Locker Face, Galley
2.	802391-2	Pre Laminate- 0.50 X 16.70 X 17.70
3.	802391-3	Pre Laminate- 0.50 X 17.70 X 16.70
4.	968955&000412CC	Pre Laminate- 0.50 X 16.40 X 1
5.	968955&000512CC	Pre Laminate- 0.50 X 16.40 X 1
6.	968955&000612CC	Pre Laminate- 0.50 X 16.40 X 1
7.	968955&000712CC	Pre Laminate- 0.50 X 16.40 X 1
8.	968955&000812CC	Pre Laminate- 0.50 X 1.13 X 49
9.	968955&000912CC	Pre Laminate- 0.50 X 1.13 X 49
10.	968955&001003CE	Pre Laminate- 0.13 X 18.00 X 1
11.	968955&001103CE	Pre Laminate- 0.13 X 18.00 X 1
12.	968955&001201CE	Laminate 15.12 x 51.37
13.	201673	Cove Molding, Ivory, Plastic
14.	115483	Angle-Alum .06X.75"X.75"X6'
15.	114812	Alum. Angle 1" X 1 "X 12"
16.	203388	Track-Sliding Door
17.	115375-03	Extrusion-Formed - RH Locker End
18.	104821	Bracket-Angle 1.18 X 1.18 X 71
19.	115226	Bracket-Formed-Locker Center Support
20.	204088-01	Door-Sliding-Plexiglass, 26.25
	703991	Seal-Pile Weather Strip Blk #43027075BKCB

2020 CARAVEL FURNITURE, GALLEY

Entertainment Box, Roof Locker, 19' Caravel

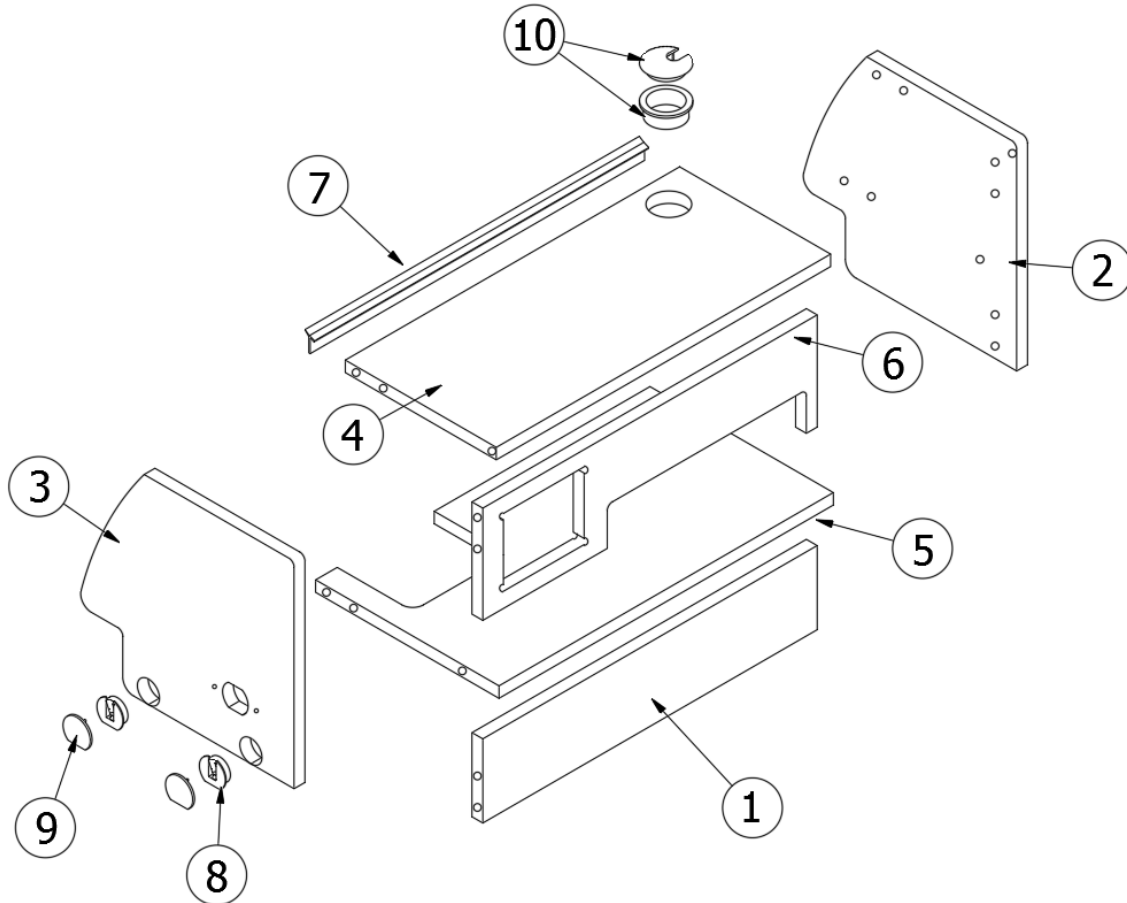


969239 Ass'y - Entertainment Box

1.	969239&000112CC	Pre Laminate- 0.50 X 3.13 X 17
2.	969239&000212CC	Pre Laminate- 0.50 X 9.00 X 12
3.	969239&000312CC	Pre Laminate- 0.50 X 9.00 X 12
4.	969239&000412CC	Pre Laminate- 0.50 X 7.25 X 17
5.	969239&000512CC	Pre Laminate- 0.50 X 8.50 X 17
6.	969239&000612CC	Pre Laminate-4.50 X 17.75
7.	201673	Cove Molding, Ivory, Plastic
8.	382057	Knockdown 8MM
9.	382057-04	Cap-Knockdown Wht #16387
10.	381209-01	Grommet-W/Cap Black 1.5""Hole
	365386-01	Edgebanding-Linen .63"

2020 CARAVEL FURNITURE, GALLEY

Entertainment Box, Roof Locker, 20' Caravel



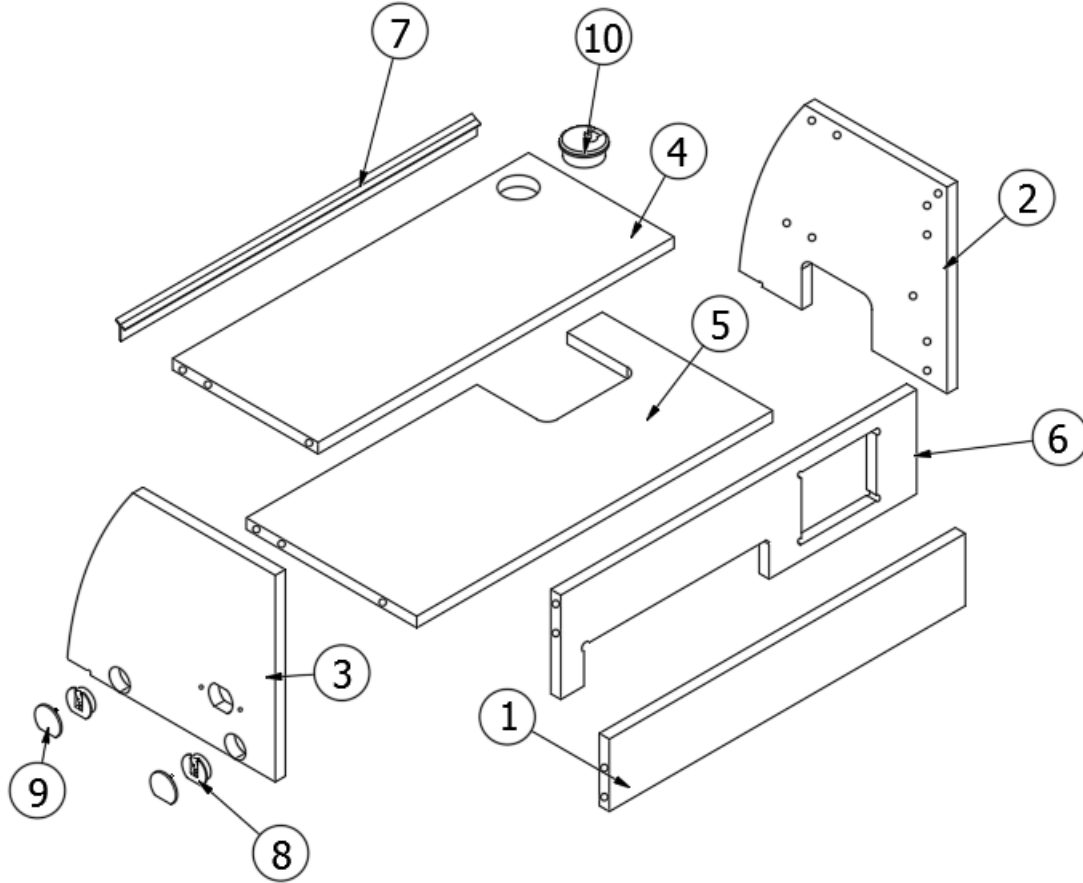
969240 Ass'y - Entertainment Box

1.	969240&000112CC	Pre Laminate- 0.50 X 3.38 X 15
2.	969240&000212CC	Pre Laminate- 0.50 X 9.00 X 10
3.	969240&000312CC	Pre Laminate- 0.50 X 9.50 X 10
4.	969240&000412CC	Pre Laminate- 0.50 X 7.00 X 15
5.	969240&000512CC	Pre Laminate- 0.50 X 8.50 X 15
6.	969240&000612CC	Pre Laminate-4.50 X 15.50
7.	201673	Cove Molding, Ivory, Plastic
8.	382057	Knockdown 8MM
9.	382057-04	Cap-Knockdown Wht #16387
10.	381209-01	Grommet-W/Cap Black 1.5""Hole
	365386-01	Edgebanding-Linen .63"

2020 CARAVEL FURNITURE, GALLEY

Entertainment Box, Roof Locker, 16', 22 Caravel

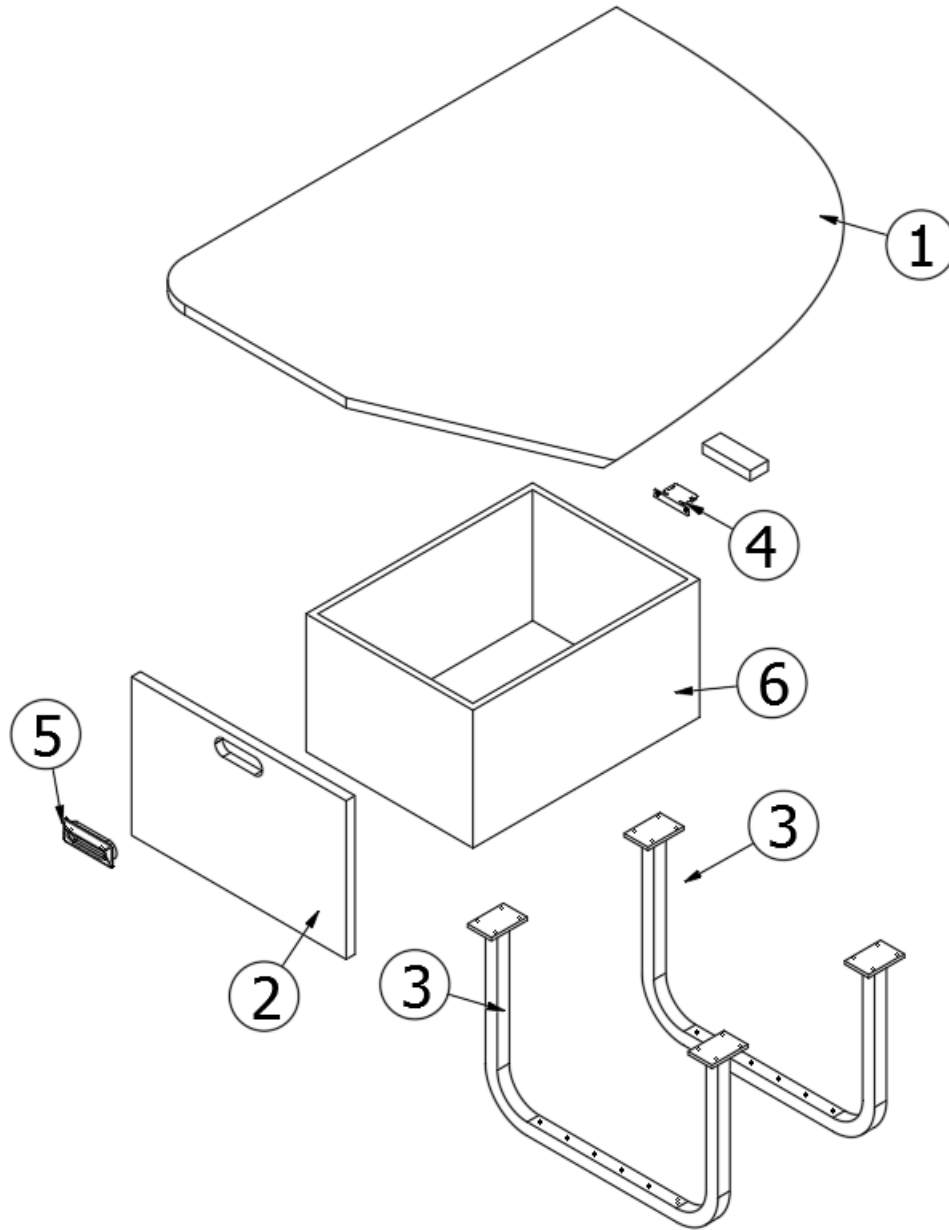
969018 Entertainment Box Assembly



- | | | |
|-----|-----------------|-----------------------------------|
| 1. | 969018&000112CC | Pre Laminate- 0.50 X 3.13 X 17.75 |
| 2. | 969018&000212CC | Pre Laminate- 0.50 X 9.00 x 10.50 |
| 3. | 969018&000312CC | Pre Laminate- 0.50 X 9.00 10.50 |
| 4. | 969018&000412CC | Pre Laminate- 0.50 X 7.25 X 17.75 |
| 5. | 969018&000512CC | Pre Laminate- 0.50 X 8.50 X 17.75 |
| 6. | 969018&001212CC | Pre Laminate - 4.50 X 17.75 |
| 7. | 201673 | Cove Molding, Ivory, Plastic |
| 8. | 382057 | Knock Down, 8mm |
| 9. | 382057-04 | Cap-Knockdown Wht #16387 |
| 10. | 381209-01 | Grommet with Cap - Black |
| | 365386-01 | Edgebanding-Linen .63" |

2020 CARAVEL FURNITURE, LOUNGE

Dinette Seat, Curbside, 16', 19' Caravel

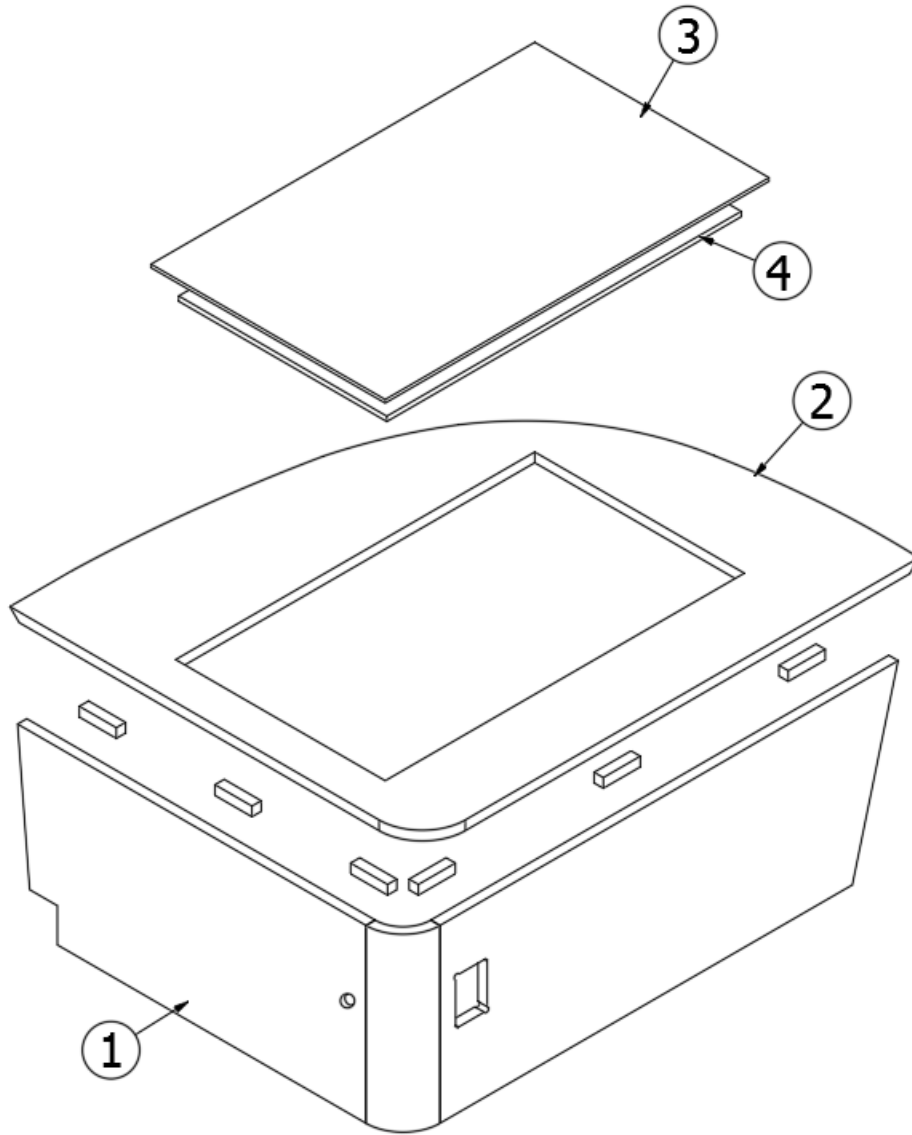


969033 Assembly – CS Dinette Base

- | | | |
|----|-----------------|------------------------------|
| 1. | 969033&000118CC | Panel, 39.68 X 32.88 |
| 2. | 969033&000218BC | Panel, 18.00 X 11.50 |
| 3. | 454177 | Leg-Dinette Aluminum |
| 4. | 381228 | Catch Grabber Door C3-810 |
| 5. | 382437 | Drawer Pull-Recessed |
| 6. | 964909 | 10.00" Drawer Box Assembly |
| | 381833 | Drawer Slide-24" Under Shelf |

2020 CARAVEL FURNITURE, LOUNGE

Dinette Seat, Roadside, 16' Caravel

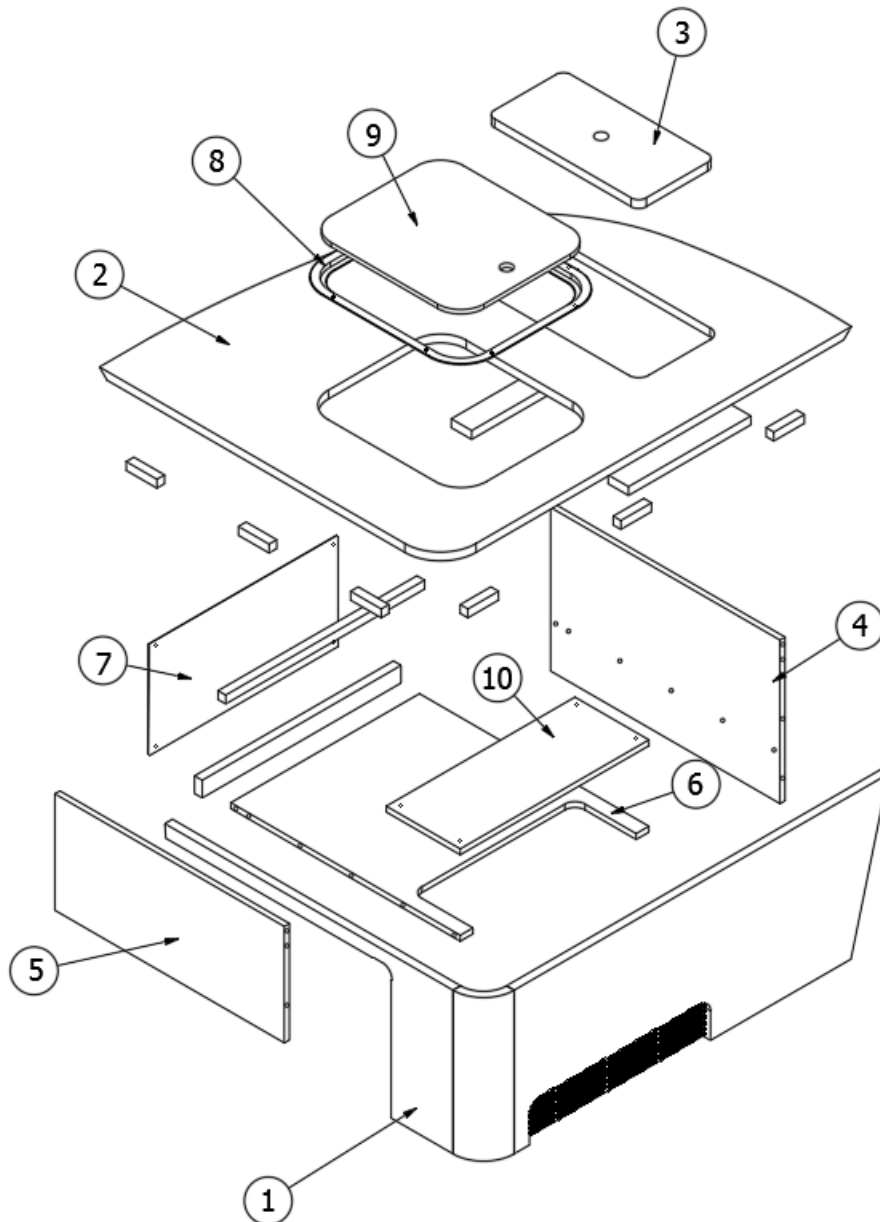


968940 Assembly - Dinette Base RS

- | | | |
|----|-----------------|--|
| 1. | 968939 | Sub Assembly, RS Dinette Base |
| 2. | 968940&000218CC | Pre Laminate- 0.75 X 33.44 X 4 |
| 3. | 800507-02 | Luan, .25 x 19 x 31.13 |
| 4. | 800507-03 | Luan, .38 x 16.88 x 28.75 |
| | 365481-02 | Edgebanding 1MM - .93" Cool Autumn Night |
| | 701538-01 | Carpet-Econolier W/PSA Back |

2020 CARAVEL FURNITURE, LOUNGE

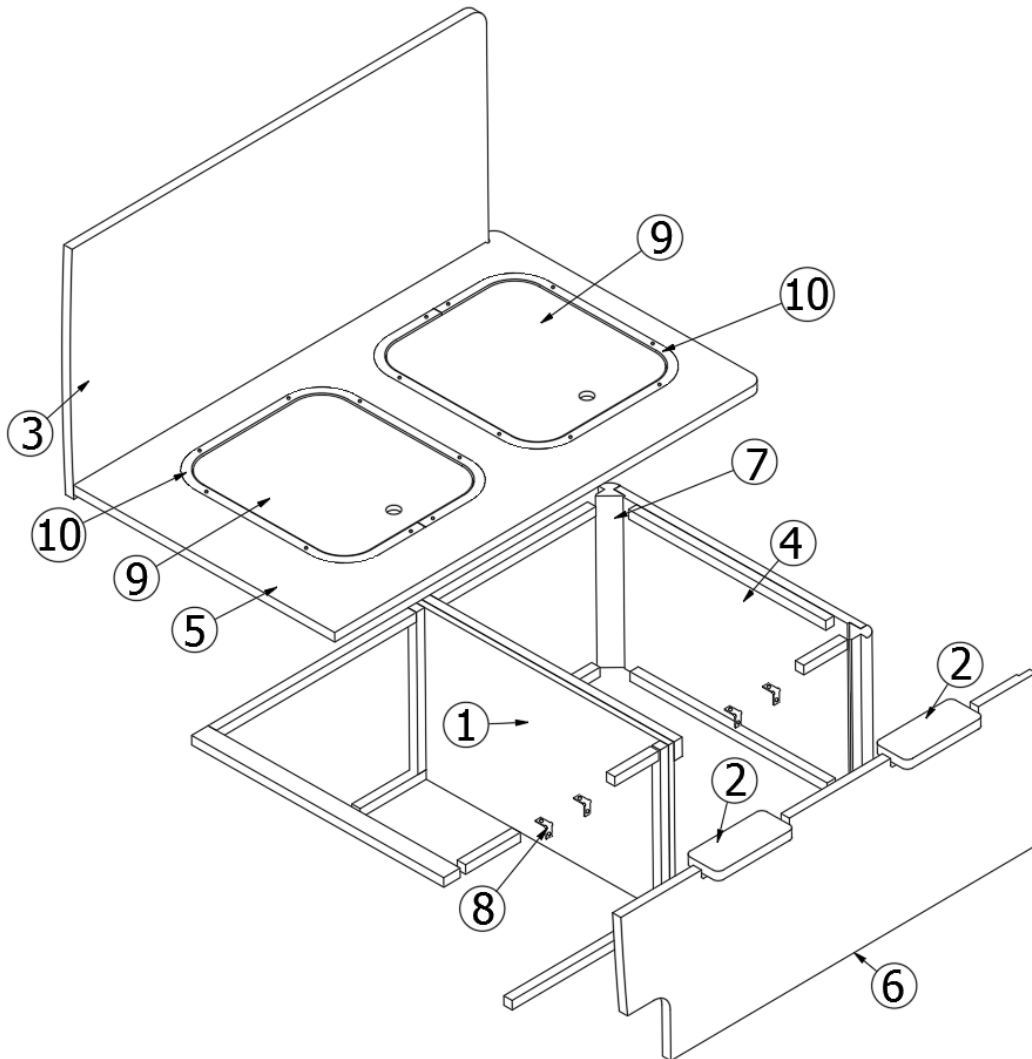
Dinette Seat, Roadside, 19' Caravel



- | | | |
|-----|------------------------------|--|
| 1. | 969126 | Sub Ass'y - Dinette Base RS |
| 2. | 969125&000218CC | Pre Laminate- 0.75 X 33.44 X 4 |
| 3. | 969125&000318CC | Pre Laminate- 0.75 X 16.00 X 8 |
| 4. | 969125&000412CC | Pre Laminate-13.88 X 22.50 |
| 5. | 969125&000512CC | Pre Laminate-9.88 X 22.50 |
| 6. | 969125&000612CC | Pre Laminate-22.50 X 18.50 |
| 7. | 969125&001003CE | Pre Laminate- 0.13 X 9.38 X 18 |
| 8. | 115812 | Trim Ring Dinette Seat |
| 9. | 969125-11 | Lauan 0.38 x 15 x 13 |
| 10. | 969125&001812CC
365481-02 | Pre Laminate .50 x 7.25 x 118.50
Edgebanding 1MM - .93" Cool Autumn Night |

2020 CARAVEL FURNITURE, LOUNGE

Dinette Seat, RH, 20'

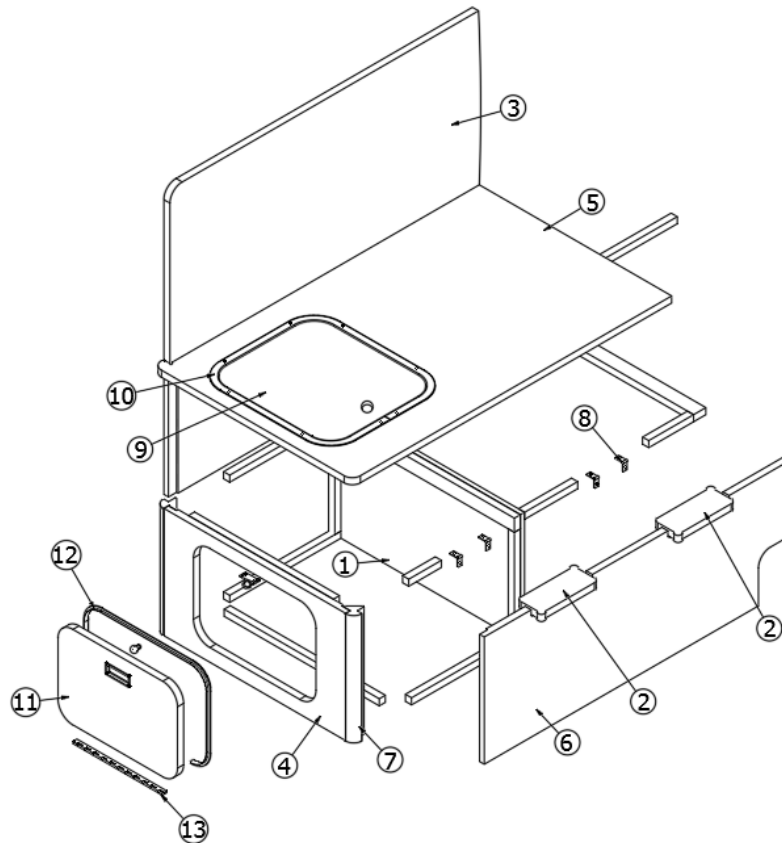


969090 Assembly RH Dinette Seat

- | | | |
|-----|-----------------|--|
| 1. | 969090&000112CC | Pre Laminate- 0.50 X 22.75 X 13.50 |
| 2. | 969090&000218BB | Pre Laminate- 0.75 X 3.00 X 7.00 |
| 3. | 969090&000318BB | Pre Laminate-38.07 X 32.75 |
| 4. | 969090&000418BC | Pre Laminate- 0.75 X 22.25 X 13.50 |
| 5. | 969090&000518BC | Pre Laminate- 0.75 X 39.13 X 24.38 |
| 6. | 969090&000618BC | Pre Laminate-37.86 X 13.50 |
| 7. | 801415-0044 | Corner Trim, 1" Radius, Autumn Night – Caravel |
| 8. | 380041 | Brace 1" Stanley Corner |
| 9. | 802156 | Lauan - .38 x 13.00 x 15.00 |
| 10. | 115812 | Trim Ring-Dinette Seat |
| | 365481-02 | Edgebanding 1MM - .93" Cool Autumn Night |

2020 CARAVEL FURNITURE, LOUNGE

Dinette Seat, LH, 20'

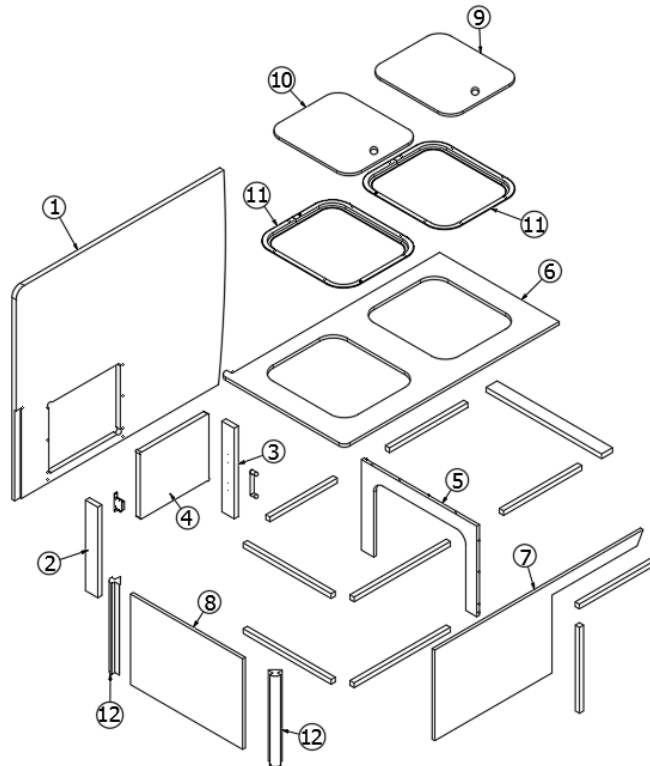


969091 Assembly LH Dinette Seat

1.	969091&000112CC	Pre Laminate- 0.50 X 22.75 X 13.50
2.	969091&000218BB	Pre Laminate- 0.75 X 3.00 X 7.00
3.	969091&000318BB	Pre Laminate-38.07 X 32.75
4.	969091&000418BC	Pre Laminate- 0.75 X 22.25 X 13.50
5.	969091&000518BC	Pre Laminate- 0.75 X 39.13 X 24.38
6.	969091&000618BC	Pre Laminate-37.86 X 13.50
7.	801415-0044	Corner Trim, 1" Radius, Autumn Night – Caravel
8.	380041	Brace 1" Stanley Corner
9.	802156	Lauan - .38 x 13.00 x 15.00
10.	115812	Trim Ring-Dinette Seat
11.	969091&002018BC	Prelam .75X14.63X10.13
12.	203440	T Molding-Black Embossed .8125"
13.	380203-02	Piano Hinge-Blk Anodized 72" (Sold In A 6 Ft Piece)
	365481-02	Edgebanding 1MM - .93" Cool Autumn Night
	382437	Pull-Recessed Finger Matt Blk
	381074	Catch Bull Dog #65s (Copper)

2020 CARAVEL FURNITURE, LOUNGE

Dinette Seat, Forward, 22FB

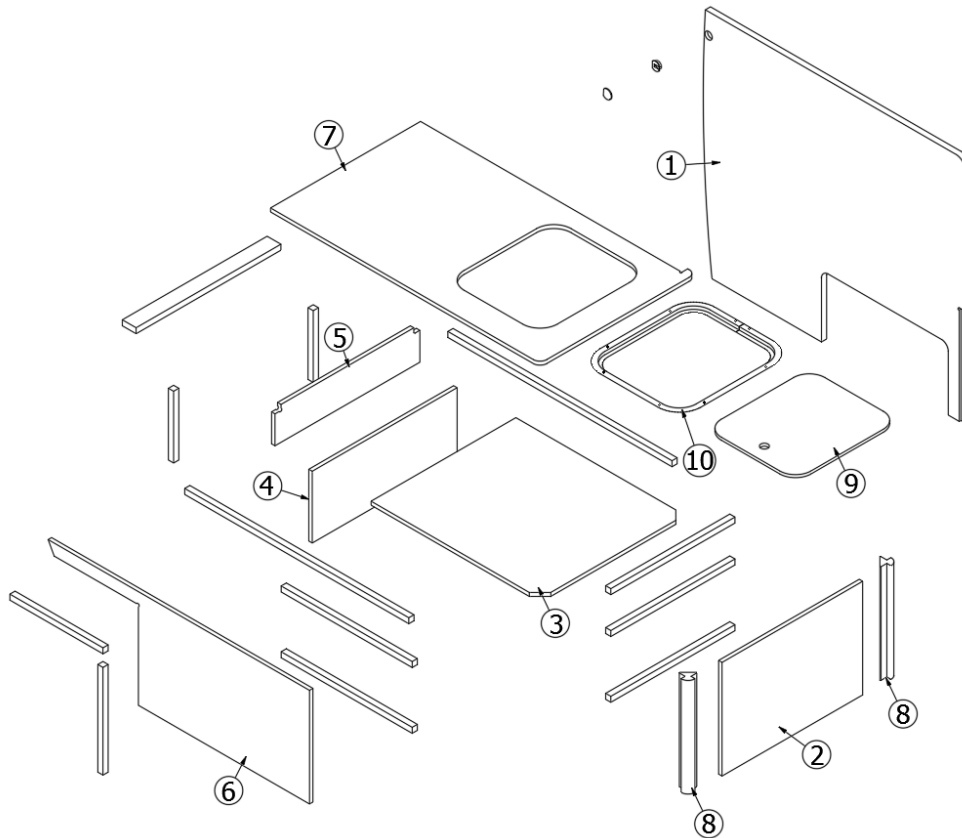


969006 Ass'y - Fwd Dinette Seat

1.	969006&000118BB	Panel, 38.09 X 33.25
2.	969006&000218CC	Pre Laminate-2.25 X 14.25
3.	969006&000318CC	Pre Laminate- 0.75 X 2.25 X 14.25
4.	969006&000418BC	Pre Laminate- 0.75 X 12.50 X 10.50
5.	969006&000512CC	Pre Laminate-21.00 X 14.25
6.	969006&000612BC	Pre Laminate- 0.50 X 22.50 X 39.08
7.	969006&000712BC	Pre Laminate- 0.50 X 37.90 X 14.25
8.	969006&000812BC	Pre Laminate- 0.50 X 20.39 X 14.25
9.	969006-9	Lauan - 0.38 x 15.00 x 13.00
10.	969006-10	Lauan - 0.38 x 15.00 x 13.00
11.	115812	Trim ring, Dinette seat
12.	801415	Corner Trim 1" Radius
	365481-01	Edgebanding 1MM - .63" Cool Autumn Night
	365481-02	Edgebanding 1MM - .93" Cool Autumn Night
	203440	T Molding-Black Embossed .8125"
	382044-01	Handle - Matte Black
	203464	Trim, Panel Black 3/4"
	381607-12	Baseplate-Grass 9.5x37/32
	381607-11	Hinge-Self Close Overlay
	381074	Catch Bull Dog #65s (Copper)

2020 CARAVEL FURNITURE, LOUNGE

Dinette Seat, Rear, 22FB



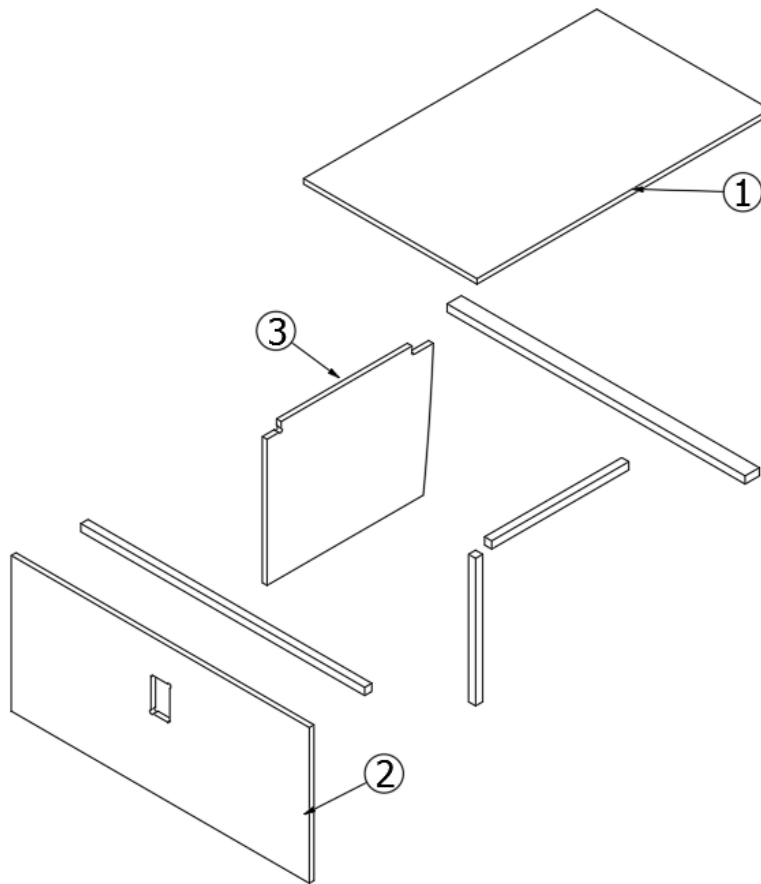
969004

Rear Dinette Seat

1.	969004&000118BB	38.06 X 33.25
2.	969004&000212BC	Pre Laminate- 0.50 X 20.39 X 14.25
3.	969004&000312CC	Pre Laminate- 0.50 X 21.00 X 24.50
4.	969004&000412CC	Pre Laminate- 0.50 X 9.00 X 21.00
5.	969004&000512CC	Pre Laminate- 0.50 X 4.75 X 21.00
6.	969004&000612BC	Pre Laminate- 0.50 X 37.90 X 14.25
7.	969004&000712BC	Pre Laminate- 0.50 X 22.50 X 39.08
8.	801415	Corner Trim 1" Radius
9.	969004-8	Lauan .38 x 15 x 13
10.	115812	Trim ring, Dinette seat
	365481-01	Edgebanding 1MM - .63" Cool Autumn Night
	365481-02	Edgebanding 1MM - .93" Cool Autumn Night
	203440	T Molding-Black Embossed .8125"
	203464	Trim, Panel Black 3/4"
	382057-03	Cap-Knockdown Dk Brn #16291
	382057	Knockdown 8MM

2020 CARAVEL FURNITURE, LOUNGE

Dinette Seat, Middle, 22FB

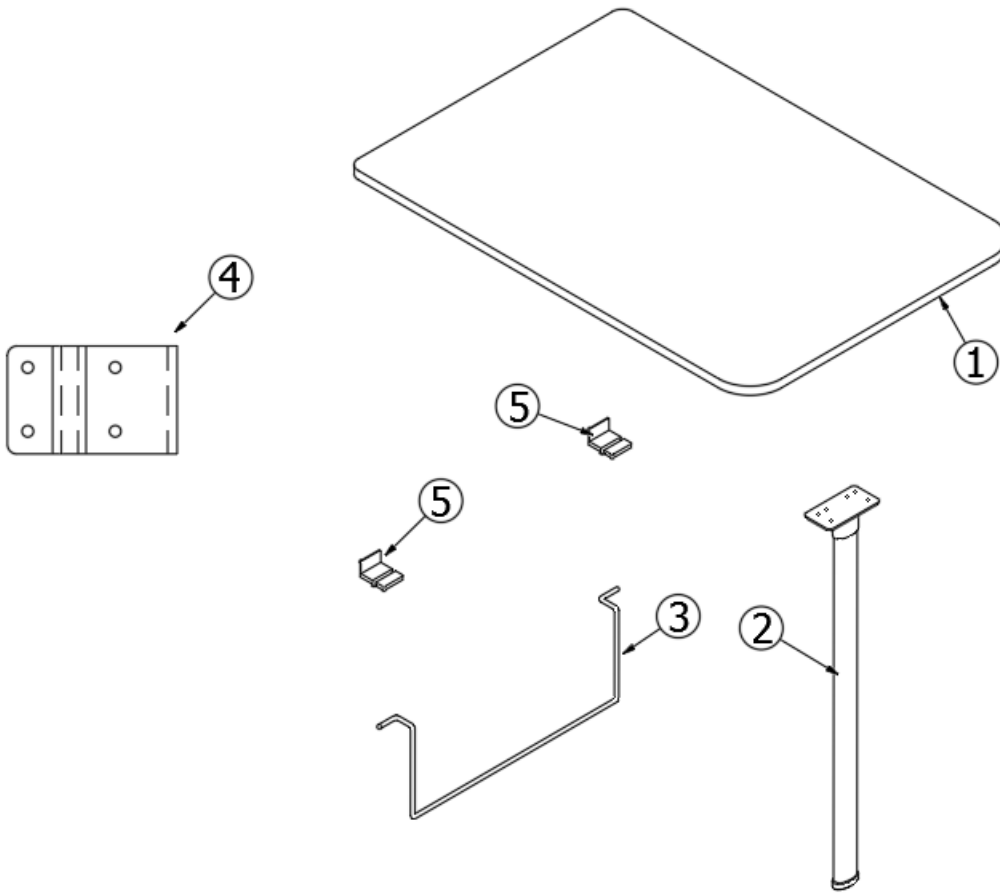


969003 Assy Middle Dinette Seat

- | | | |
|----|------------------------------|--|
| 1. | 969003&000112BC | Pre Laminate- 0.50 X 18.33 X 31.00 |
| 2. | 969003&000212BC | Pre Laminate- 0.50 X 31.50 X 14.25 |
| 3. | 969003&000312CC
365481-01 | Pre Laminate-17.58 X 14.25
Edgebanding 1MM - .63" Cool Autumn Night |

2020 CARAVEL FURNITURE, LOUNGE

Dinette Table, 16', 19', 20' Caravel

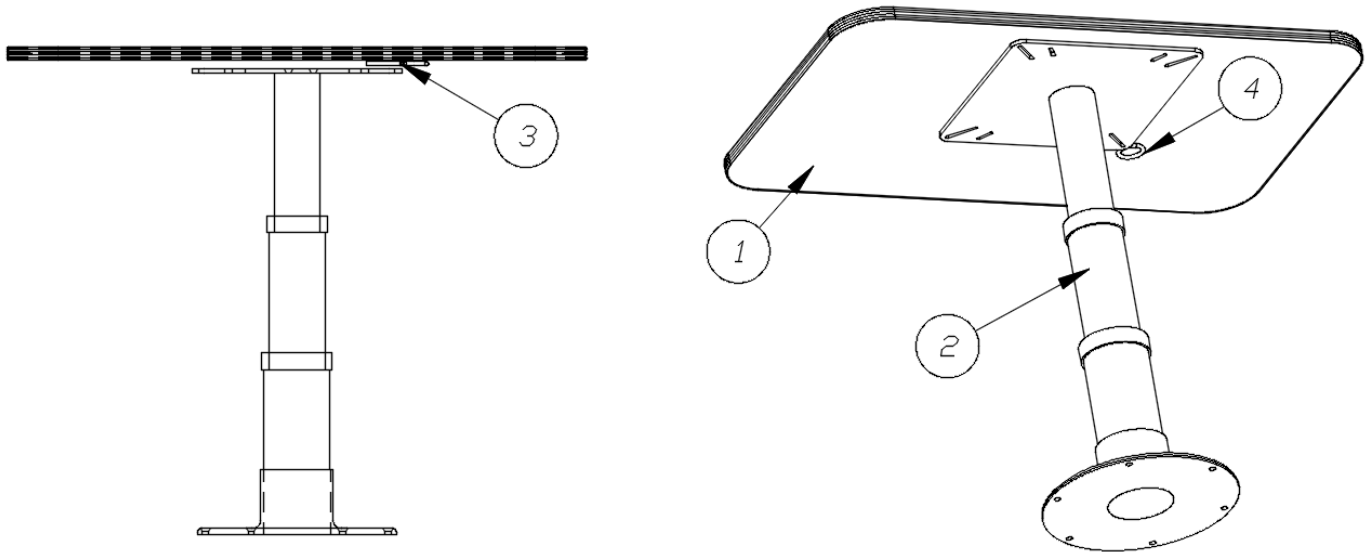


969034 Ass'y - Dinette Table

- | | | |
|----|-----------------|------------------------------------|
| 1. | 969034&000118JC | Pre Laminate- 0.75 X 26.00 X 38.00 |
| 2. | 382177 | Table Leg, Folding |
| 3. | 380284 | Table Hinge Bracket |
| 4. | 340018 | Catch Plate |
| 5. | 380284-03 | Center Hinge |

2020 CARAVEL FURNITURE, LOUNGE

Dinette Table, 22FB



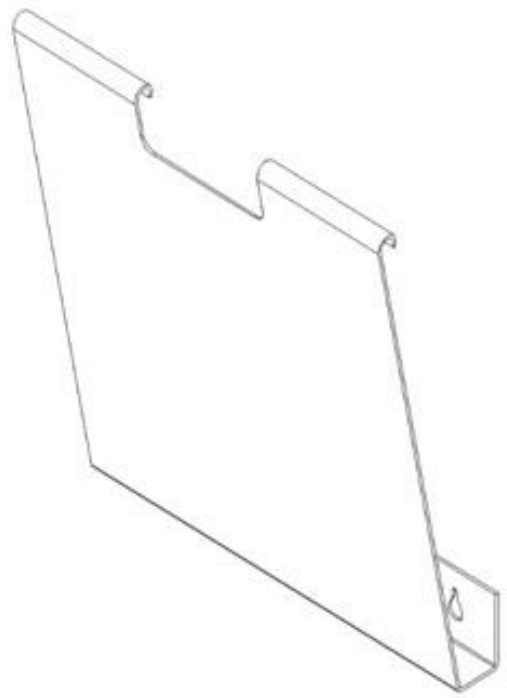
969015

Dinette Table

- 1. 969015&000118JC Pre Laminate- 0.75 X 21.00 X 3
- 2. 382073-01 Bracket, Pedestal table
- 3. 381400-01 Drawer slide, 12"
- 4. 381109-01 Bunk latch w/flat U strike
- 115472 Trim, Aluminum counter top
- 350196 Acorn nut, Self-locking
- 381136 Rubber Bumper

2020 CARAVEL
FURNITURE, LOUNGE

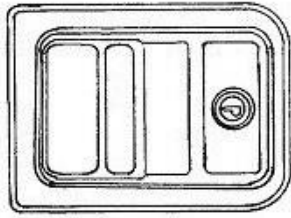
Magazine Rack, 20'



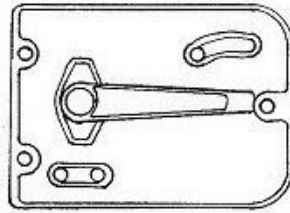
386106-01 Magazine rack, White
386107 Magazine rod

2020 CARAVEL HARDWARE

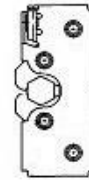
Main Door Lock, Left Hand Hinge



1



2



3



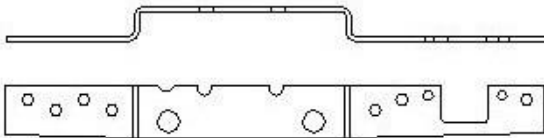
4



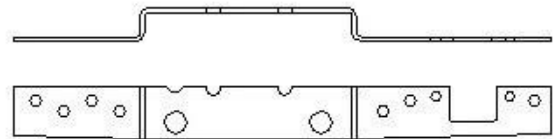
5



6



7

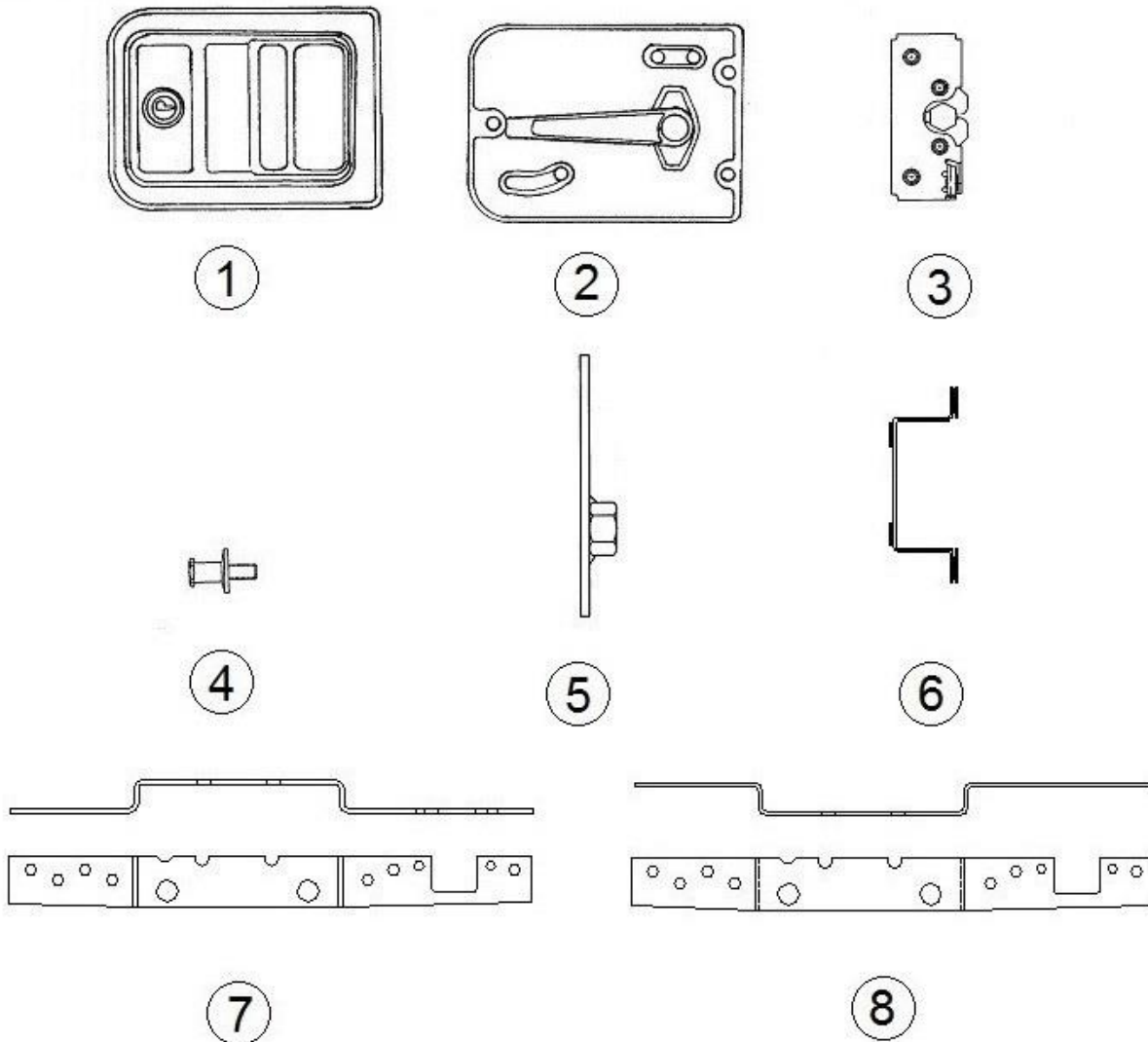


8

- | | |
|--------------|--|
| 1. 381547-01 | Main door lock, Outside housing |
| 2. 381547-07 | Main door lock, Inside plate |
| 3. 381547-03 | Double rotary latch, Main door |
| 4. 381547-04 | Striker bolt w/washer, Main door lock |
| 5. 381550 | Plate, Striker bolt mounting |
| 6. 114657 | Door hat section |
| 7. 382067 | Outer reinforcement plate, RH/LH hinged door |
| 8. 382066 | Inner reinforcement plate, LH hinged door |
| 381547-102 | Main door key, Blank |
| 381547-08 | Screw package, Main door lock |
| 385595 | Pocket strike |
| 382122 | Key chain, Airstream logo |

2020 CARAVEL HARDWARE

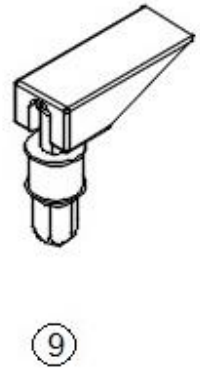
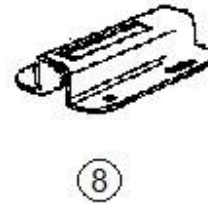
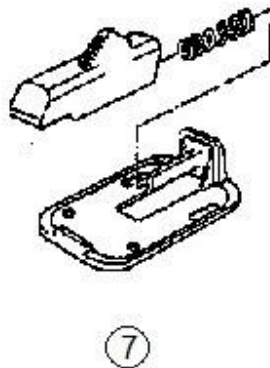
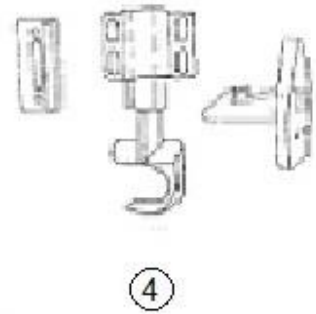
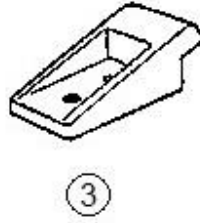
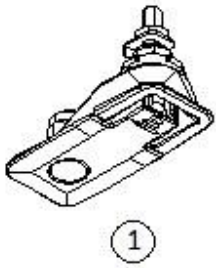
Main Door Lock, Right Hand Hinge



- | | |
|--------------|--|
| 1. 381547-09 | Main door lock, Outside housing |
| 2. 381547-11 | Main door lock, Inside plate |
| 3. 381547-10 | Double rotary latch, Main door lock |
| 4. 381547-04 | Striker bolt w/washer, Main door lock |
| 5. 381550 | Plate, Striker Bolt |
| 6. 114657 | Door hat section |
| 7. 382067 | Outer reinforcement plate, RH/LH hinged door |
| 8. 382068 | Inner reinforcement plate, RH hinged door |
| 381547-08 | Screw package, Main door lock |
| 381547-102 | Main door key, Blank |
| 385595 | Pocket strike |
| 382122 | Key chain, Airstream logo |

2020 CARAVEL HARDWARE

Exterior Latches, Locks, and Handles



- | | |
|--------------|-------------------------------|
| 1. 382230-02 | Compression latch w/key code |
| 2. 381021-01 | Rubber T handle |
| 3. 201056 | Catch, Main door hold-back |
| 4. 381454 | Latch, Screen door, Bullet |
| 5. 101171 | Grab handle |
| 6. 380004 | Handle, Screen door |
| 7. 380291 | Main door hold-back |
| 8. 380290 | Latch housing |
| 9. 382456 | Swell latch |
| 382074 | Gasket, Main door grab handle |
| 382230-03 | Compression Latch - Locking |

2020 CARAVEL HARDWARE

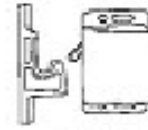
Interior Latches and Handles



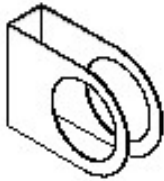
1



2



3

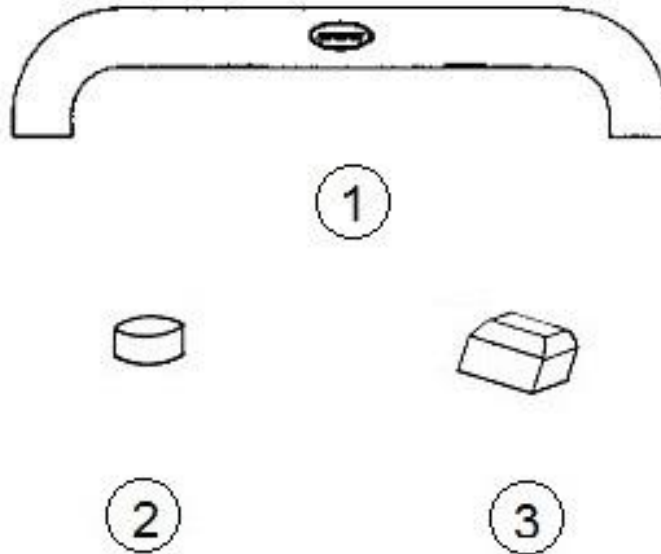


4

- | | |
|--------------|---|
| 1. 382044-01 | Handle, Drawer/door, Matte Black |
| 2. 381737-02 | Grab bar, Interior, Black |
| 3. 381228-02 | Catch, Grabber door, 5LB |
| 381228 | Catch, Grabber door, 10LB |
| 4. 454320 | Door handle cover |
| 381771 | Latch, Lever lockset, Privacy |
| 381782 | Pull, Glass door, Chrome plated |
| 382437 | Pull-Recessed Finger Matte Black, Caravel |
| 382582 | Knob, Pull Black |

2020 CARAVEL HARDWARE

Head knocker, Rubber Bumpers, and Screw Caps



- | | |
|--------------|--|
| 1. 382194 | Head knocker, White |
| 2. 360012-01 | Bumper, Rubber, Stick-on, Cylindrical, Brown |
| 3. 360016 | Bump-on, Rubber, Square, Gray |
| 195329-202 | Hemisphere, Clear bump-on |
| 381136 | Rubber Bumper |
| 381610-01 | Cover cap, Plastic, European White |
| 381610-04 | Cover cap, Plastic, Black |
| 203473 | Screw cap, PVC, White |

Interior Hinges

- | | |
|-----------|---------------------------------|
| 380203-01 | Piano hinge |
| 380988 | Hinge, Continuous |
| 380773 | Hinge, Access door |
| 381607-11 | Hinge, Self-close, 110D overlay |

Exterior Hinges

- | | |
|-----------|---|
| 381552-03 | Hinge, Main door, Upper |
| 381552-04 | Hinge, Main door, Lower |
| 381531-01 | Hinge, Screen door, Upper |
| 381531-02 | Hinge, Screen door, Lower |
| 380773 | Hinge, Exterior access door, Gas tank cover |
| 380203-01 | Piano hinge, 1/8" Pin, Battery box lid |
| 380988 | Hinge, Continuous, Refrigerator access door |

2020 CARAVEL HARDWARE

Bathroom Accessories, 16'

601358	Showerhead hardware, Chrome
604877-01	Shower valve w/flat washer
602175	Dryroll Toilet roll Holder
382668	Robe Hook
703467-01	Shower curtain, Square corner
703467-04	Shower curtain, Side entry bath
703467-03	Strap, Shower Curtain

Bathroom Accessories

601829	Shower valve, Chrome
601358	Shower hardware, Chrome
382667	Towel Bar, 18", Black
381299	Toilet paper holder
382668	Robe Hook

Clothesline

382063	Clothesline, Retractable
--------	--------------------------

Wardrobe Clothes Rod

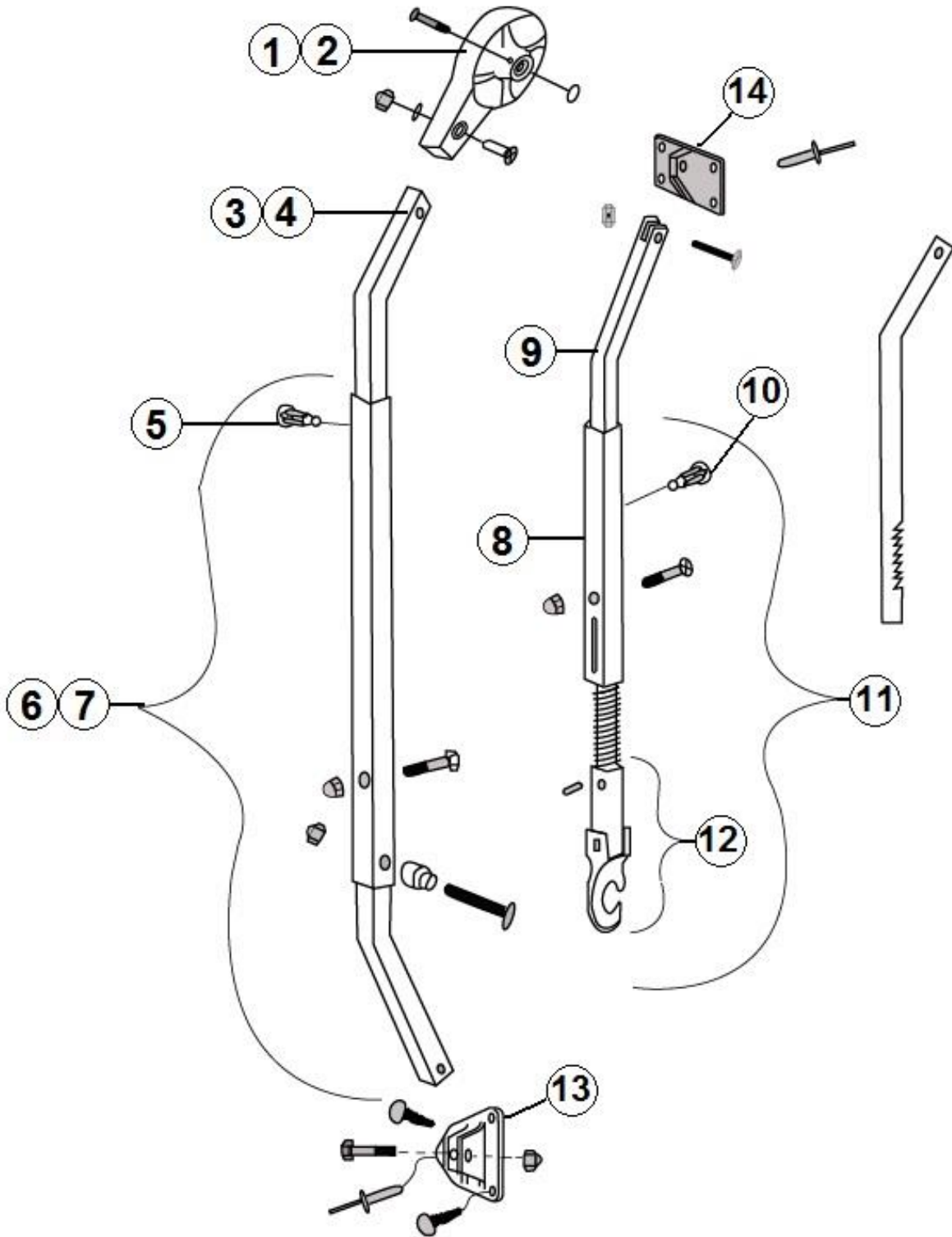
380045	Clothes rod
200975-04	Conduit, Flexible Black plastic
380046	Bracket, Clothes rod

Sewer Hose Clamp and Key Holder

340084-52	Clamp, Hose
195329-240	Sewer hose adapter, Elbow
385229	Key holder, Plastic, Airstream Blue

2020 CARAVEL HARDWARE

Awning Hardware, Patio



Parts Listed on Next Page

2020 CARAVEL HARDWARE

Awning Hardware, Patio

703727-01 Awning Hardware, Complete Package

1. 74043W-08 Front head casting
2. 74043W-09 Rear head casting
3. 74047W-13 Main arm bar, Front
4. 74047W-14 Main arm bar, Rear
5. 74054W Snap stud assembly
6. 74048WS-18 Front main tube bar assembly
7. 74048WS-19 Rear main tube bar assembly
8. 74063W-05 Rafter arm tube
9. 74061WS-09 Rafter arm bar
10. 74072W Ratchet stud
11. 74048WS-20 Rafter arm tube assembly
12. 74068W-05 Claw bar assembly
13. 74055W Base hinge
14. 74056W-02 Rafter base, Flat
- 74041W-01 Zip Dee hook, Pull rod, 52"

2020 CARAVEL HARDWARE

Rivets

325000	Rivet, 1/8 x 1/4, Solid Braizer head
325000-01	Rivet, 1/8 x 1/4, Anodized Clear
325001-01	Rivet, 1/8 x 5/16, Anodized Clear
325002-01	Rivet, 1/8 x 3/8, Anodized Clear
325003	Rivet, 1/8 x 7/16, Solid Braizer head
325003-03	Rivet, 1/8 x 7/16, Polar White
325004-01	Rivet, 1/8 x 1/2, Anodized Clear
325103-01	Rivet, Pop, 3/16, Anodized Clear
330016-08	Rivet, Pop, Closed end, Sealing
330038	Rivet, Blind, AD54ABS-LF
330152	Rivet, 1/8, Aluminum w/Steel mandrel
330155	Rivet, .125, Aluminum w/Stainless Steel mandrel
330127-03	Rivet, 1/8, AD43ABS
330127-05	Rivet, 1/8, AD45ABS
330127-08	Rivet, 1/8, AD48ABS
330126-02	Rivet, Pop, SSD43SSBS
330126-03	Rivet, Pop, SSD44SSBS
330126-04	Rivet, Pop, SSD45SSBS
330128-05	Rivet, 1/8, AD45ABS

Screws

345582	Screw, M4 x 14, PH, SS, TV bracket
345468-01	Screw, #12 x .625, PH, Black, TV bracket
320157	Screw, PH M4 x 12mm, Steel, TV bracket
320116-02	Screw, #8 x .5, PH, Black
345558	Screw, #8-32 x .5, PH, Black, Windows
345511	Screw, M5 x 20mm, Flange HD, Vibration resistant
345073-08	Screw, .25-20 x 1.375, Phil, Wafer HD, Floor
320159	Screw, M6 x 45mm, Self-drilling w/wings, Floor
320127-04	Screw, #8 x .75, Sheet metal, Quatro drive pan head, Black

2020 CARAVEL SAFETY EQUIPMENT

Detectors and Fire Extinguishers

510781	Smoke detector
512539-01	LP detector, 12V, Black
600162-01	Fire extinguisher
600162-02	Fire extinguisher, CSA
203387	Pocket, Recessed, Extinguisher Bracket
512783	Detector, Carbon Monoxide (BRK)

2020 CARAVEL LABELS AND TAGS

Labels and Tags

386250	Label, LPG Service Port
386119	Label, "Don't Use Area For Storage"
385068	Tag, Cooking Appliance Warning
386118	Label, LP Gas Warning/Fill
385517	Label, Kill Switch Warning
385521	Label, Emergency Egress Window
386122	Warning Label/Cooking Appliance
386121	Label, LP Gas Warning Label (Odor)
385465	Exit Label, English
385560	Label, Air Conditioner Rating
385812	Label, Calif. Hazardous Substance
386120	Label, Smoke Detector
385359	Label, Microwave Or Air Conditioner
385837	Label, Refrigeration Ignition
386012	Label, Warning, Water Heater
386123	Label, "Potable Water Only"
386114	Label, Rvia Silver
386192	Hang Tag, Smoke/Co Detector Battery
386193	Label, Wheel Torque Warning
386098	Label, Fuse, 12 V
385418-01	Label, Federal Registration
386019	Label, 1 Amp Fuse Max.
386226	Label, RV Master Weight Label
385020	Sticker, Self-Adhering, Jack
385062	Decal, 110-125 Voltage Ac
385565	Label, Holding Tank Flushing
386232	Label, Warning-Secure Privacy Curtain
386301	Warning label, Window Glass
386302	Label, Cooktop
386303	Warning label, Surface Cleaning
365477	Decal - Black Tank Flush
365478	Decal-City Water Inlet

2020 CARAVEL LABELS AND TAGS

Labels and Tags, CSA

385949	Label, Potable Water, CSA
385950	Label, Smoke Detector, CSA
385951	Label, Range Fresh Air, CSA
385952	Label, LP Warning, CSA
385953	Label, If You Smell Gas, CSA
385954	Label, Range Warning, CSA
386105	Label, TV/VCR Receptacle, CSA
365477	Decal - Black Tank Flush
365478	Decal-City Water Inlet

2020 CARAVEL PLUMBING, LPG SYSTEM

LP Tanks and Regulator

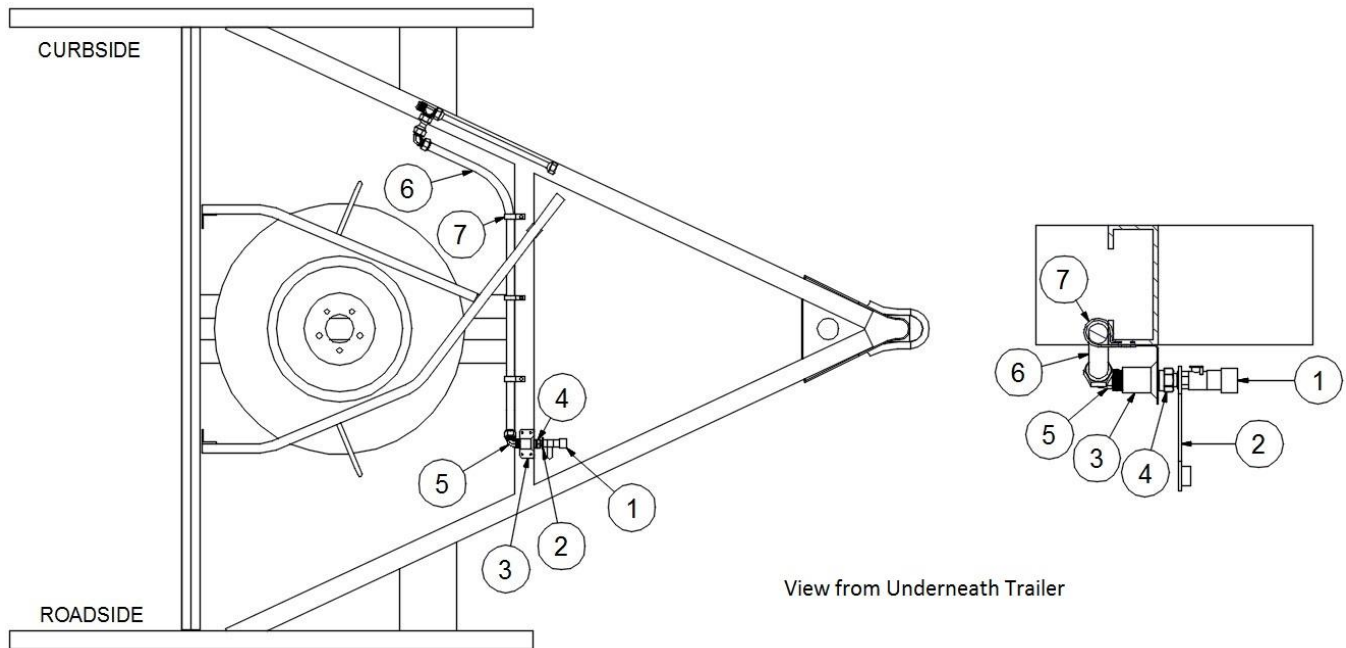
601781	LP gas tank, 20#, Steel
602332-09	Cavanaugh gas regulator w/two 11" pigtails
602332-01	Wing nut
602332-02	Black pan
602332-05	LP hose, 48"
602332-06	Hold down, Regulator
602332-07	Z-bracket for regulator
381613	Cover, LP wing handle
602109-03	LP dust plug port

LP Tank Cover

921251	Cover, LP tank
115288-05	Wrapper, LP tank cover
200841-02	Lid, LP tank cover, Black
454645	Bracket, LP cover
382091-01	Latch, Stainless Steel
382091-02	Strike, Stainless Steel
380773	Piano hinge, .5"
115290-01	Angle, LP tank cover, Forward
115290-02	Angle, LP tank cover, Aft

2020 CARAVEL PLUMBING, LPG SYSTEM

Exterior Propane Port



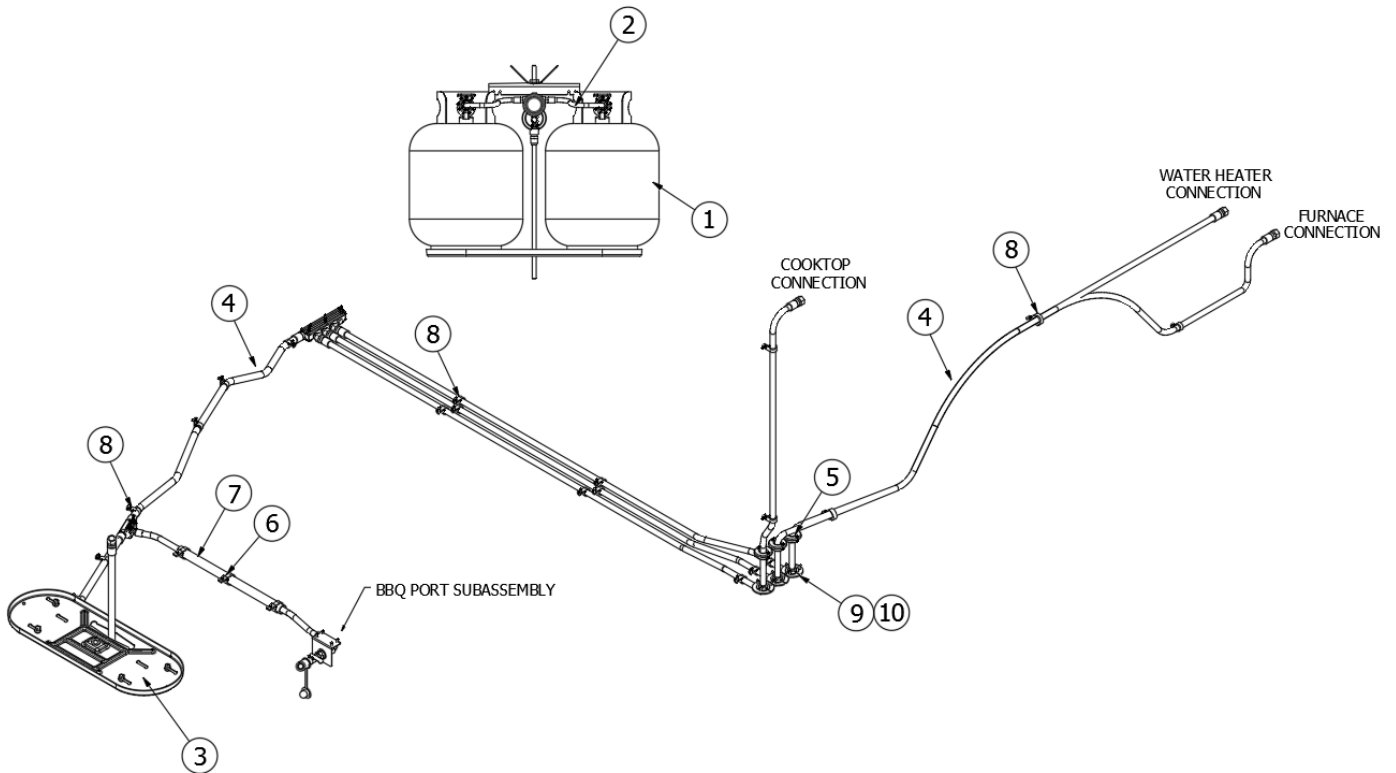
112008

Exterior Propane Port

- | | |
|--------------|-----------------------------------|
| 1. 602109-01 | Coupler, Quick disconnect |
| 2. 602109-03 | Dust plug |
| 3. 454901 | Bracket, LP quick disconnect port |
| 4. 602286 | Nipple, 1/2" MNPT x 1/4" MNPT |
| 5. 602313 | Fitting, 1/2" MPT x 1/2" FLR 90° |
| 6. 602315 | LP Hose, 1/2" FLR SWV, 36" |
| 7. 340085-07 | Loop clamp w/rub, 1", Steel |
| 201267-11 | Conduit, Convolute, 1" Dia |
| 386250 | Label, LPG service port |

2020 CARAVEL PLUMBING, LPG SYSTEM

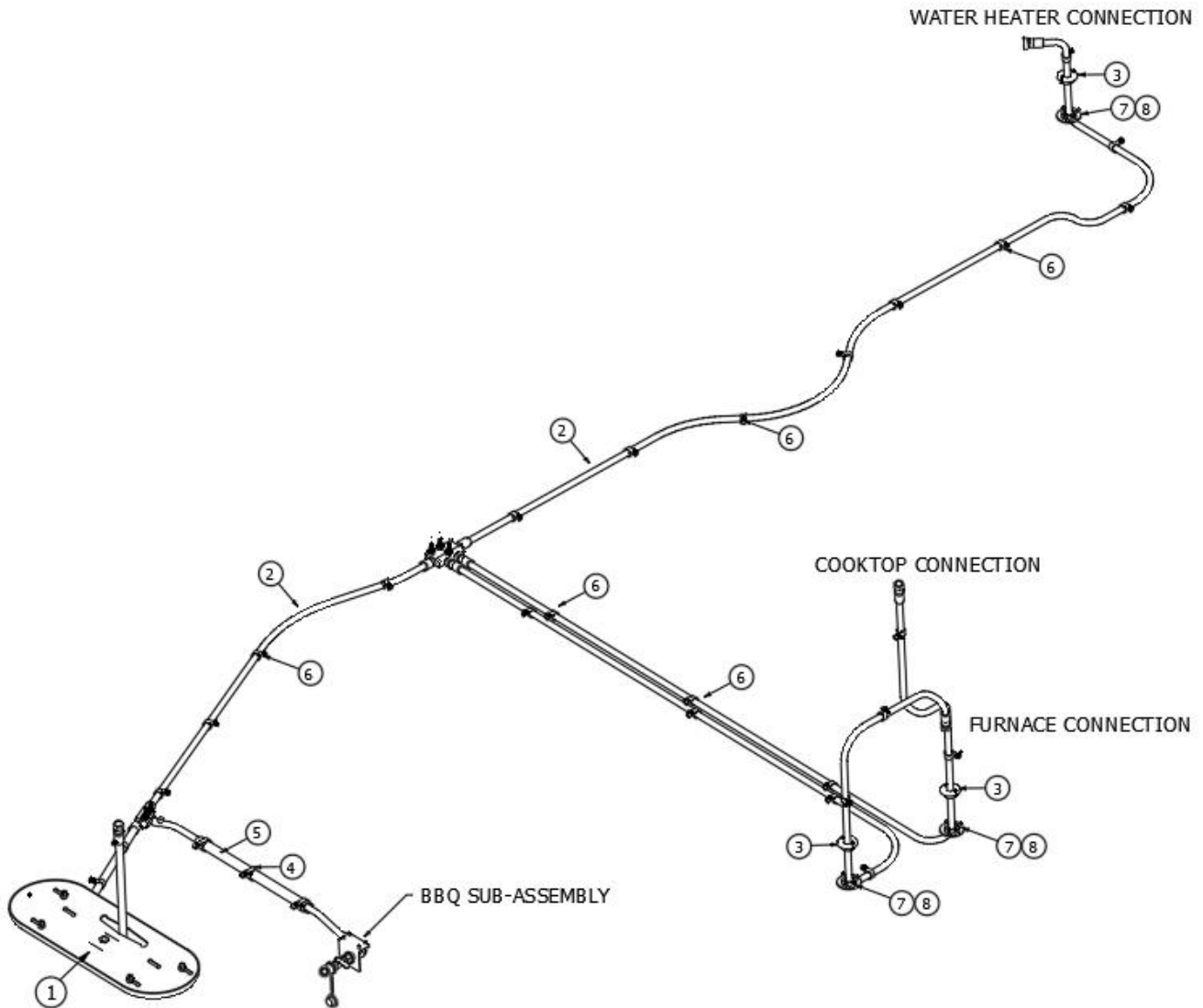
LPG System, 16'



- | | | |
|-----|-----------|-------------------------------------|
| 1. | 601781 | LP Tank-20LB Steel |
| 2. | 602332-09 | Regulator-Gas W/2 Pigtails 11" |
| 3. | 602332-02 | Pan Kit- Black #2004932 |
| 4. | 943895 | LP Flex Hose Assy - 16' |
| 5. | 382500 | Grommet- .5" Pipe Press Fit Sealing |
| 6. | 340085-07 | Clamp-Loop W/Rub.1" |
| 7. | 201267-11 | Convoluted Conduit 1" |
| 8. | 340085-06 | Clamp, Loop, Steel W/Rubber,.75 DIA |
| 9. | 382556 | Closeout- 2.38"D LP ASSY BC |
| 10. | 512412 | Bushing-Snap IN .75"ID |
| | 381613 | Plastisol Cover-LP Wing Handle |

2020 CARAVEL PLUMBING, LPG SYSTEM

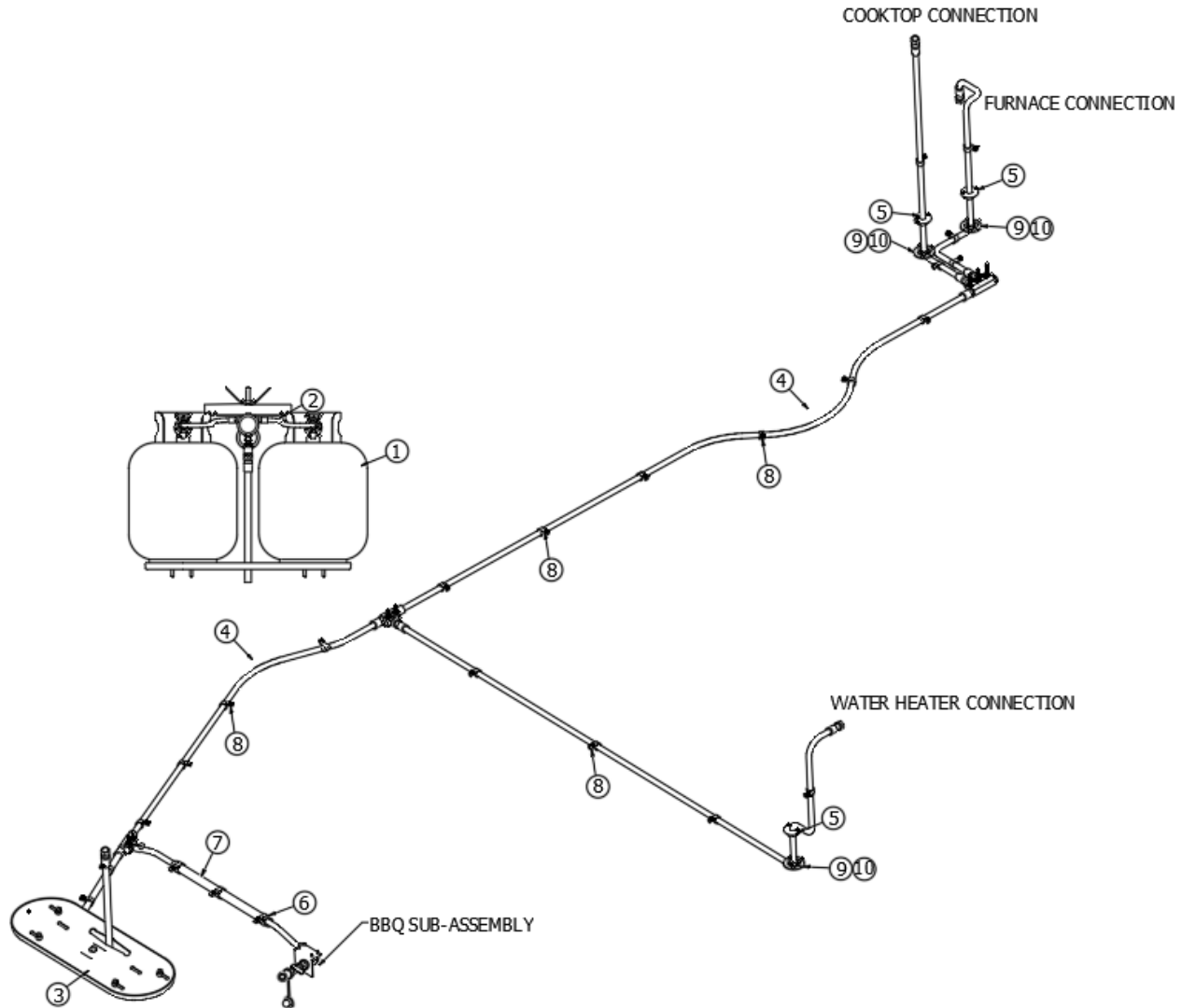
LPG System, 19'



- | | |
|---|---|
| <ul style="list-style-type: none"> 1. 602332-02 2. 943896 3. 382500 4. 340085-07 5. 201267-11 6. 340085-06 7. 382556 8. 512412 601781 602332-09 381613 | <ul style="list-style-type: none"> Pan Kit- Black #2004932 LP Flex Hose Assy - 19' CVL/BAM Grommet- .5" Pipe Press Fit Sealing Clamp-Loop W/Rub.1" Convuluted Conduit 1" Clamp, Loop, Steel W/Rubber,.75 DIA Closeout- 2.38"D LP ASSY BC Bushing-Snap IN .75"ID LP Tank-20LB Steel Regulator-Gas W/2 Pigtails 11" Plastisol Cover-LP Wing Handle |
|---|---|

2020 CARAVEL PLUMBING, LPG SYSTEM

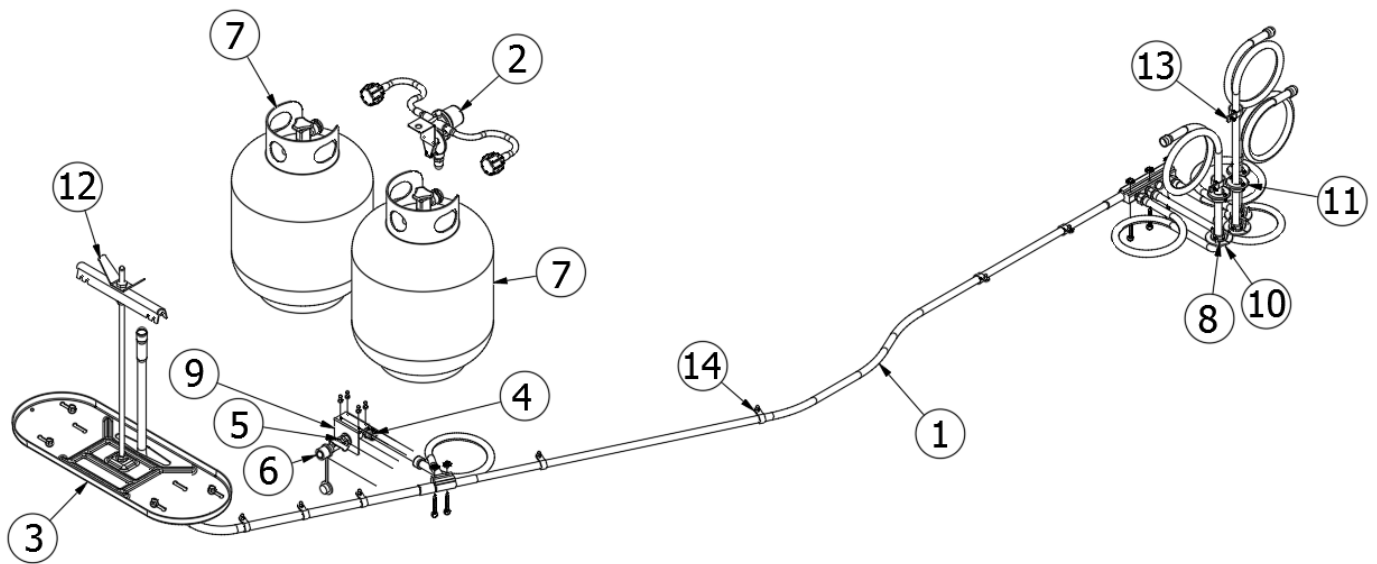
LPG System, 20'



- | | |
|--|---|
| <ul style="list-style-type: none"> 1. 601781 2. 602332-09 3. 602332-02 4. 943897 5. 382500 6. 340085-07 7. 201267-11 8. 340085-06 9. 382556 10. 512412 381613 | <ul style="list-style-type: none"> LP Tank-20LB Steel Regulator-Gas W/2 Pigtails 11" Pan Kit- Black #2004932 LP Flex Hose Assy - 20' Grommet- .5" Pipe Press Fit Sealing Clamp-Loop W/Rub.1" Convoluted Conduit 1" Clamp, Loop, Steel W/Rubber,.75 DIA Closeout- 2.38"D LP ASSY BC Bushing-Snap IN .75"ID Plastisol Cover-LP Wing Handle |
|--|---|

2020 CARAVEL PLUMBING, LPG SYSTEM

LPG System, 22



1. 943898 LP Flex Line Assembly
2. 602332-09 LP Regulator
3. 602332-02 LP Pan Kit
4. 602313 Fitting 1/2" MPT x 1/2" Flare, 90 degrees
5. 602286 Nipple, 1/2" MNPT x 1/4" MNPT
6. 602109-01 Coupler, Quick Disconnect
7. 601781 20 Lb. Steel LP Cylinder
8. 512412 Bushing, Snap in
9. 454901 Bracket, LP Port
10. 382556 LP Closeout
11. 382500 Press Fit Sealing Grommet
12. 381613 Plastisol Cover, LP Wing Handle
13. 340085-07 Clamp, Loop, Steel w Rubber 1"
14. 340085-06 Clamp, Loop, Steel w Rubber 3/4"

2020 CARAVEL PLUMBING, FRESH WATER

Faucet, Galley

602814 Faucet - Galley Moen 756BL

Faucet, Lavatory, 19', 20', 22'

602813 Faucet - Lavy Moen 6190BL

City Water Hook-Up

601392-06 City water fill w/regulator, 50 PSI, Chrome
601392-01 Plastic screw in cap
365478 Decal-City Water Inlet

Fresh Water Tank Fill

601194 Water fill w/lock, Gray
601194-02 Cap, cable, & spout
601239-01 Tubing, 1.375" ID, Flexible, Water fill hose

Water Pump

602307 Shurflo water pump, 3 GPM
601668-01 Strainer, Water pump

Fresh Water Tank, 16'

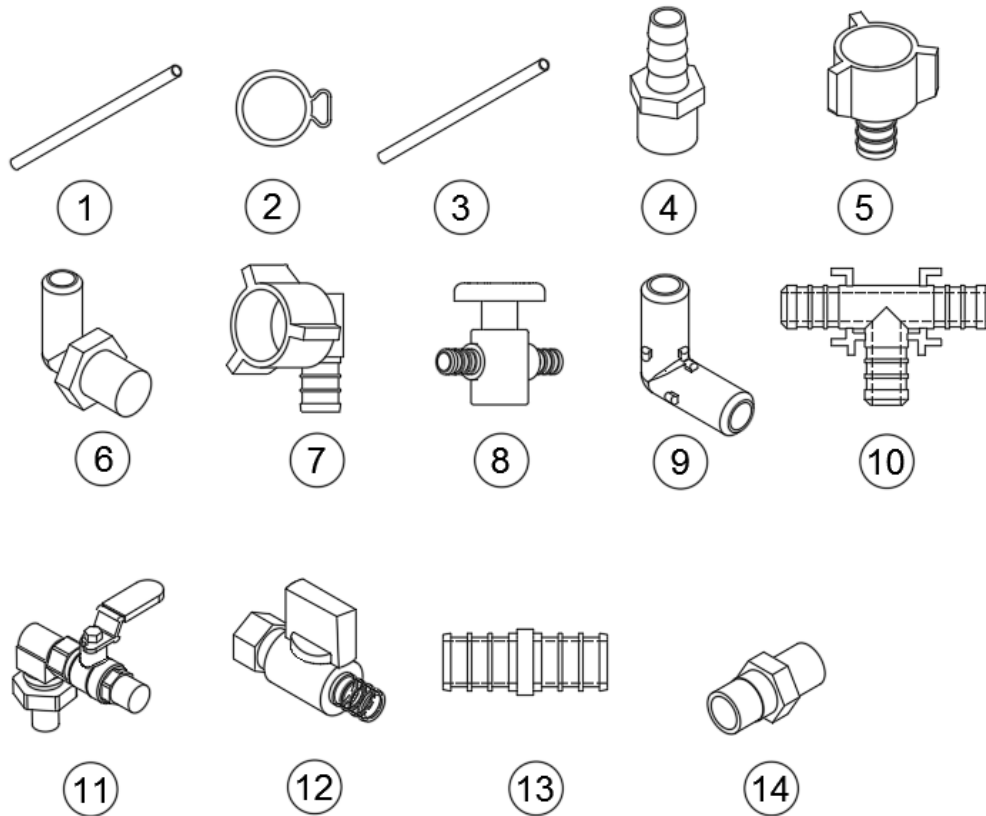
601861-01 Fresh water tank, 23 gallons
601723 Filter screen
454065 Tank Strap

Fresh Water Tanks

602785-1 Fresh water tank, 19', 22'
602785-2 Tank-Fresh Water- 20'
455507 Fresh Water Tank Pan

2020 CARAVEL PLUMBING, FRESH WATER

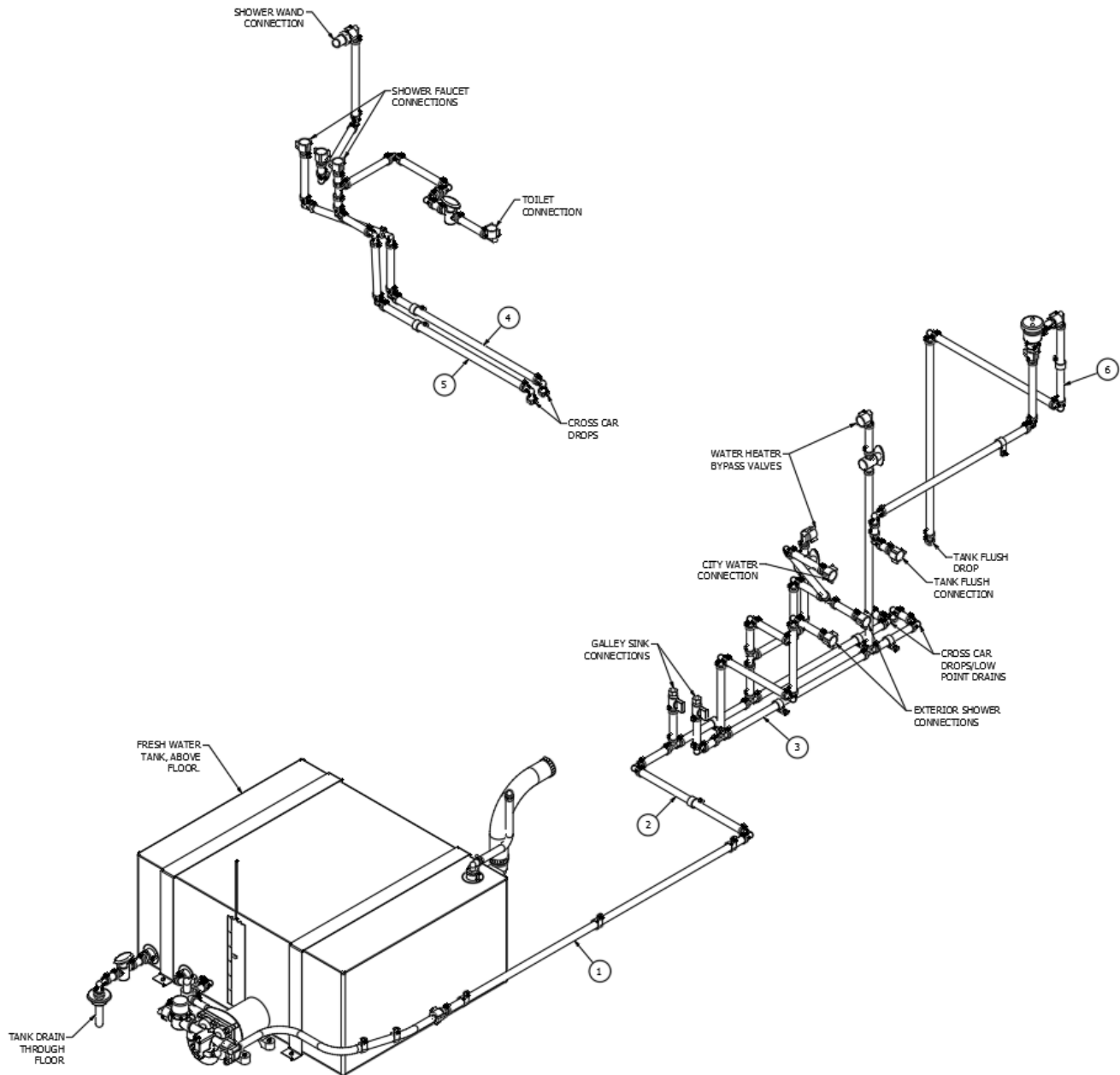
Fresh Water Fittings



- | | |
|---------------|--|
| 1. 601698-01 | E-Pex tube, 1/2" |
| 2. 601698-15 | Crimp ring, 1/2" E-Pex, 1/2", Black |
| 3. 601698-21 | E-Pex tube, 1/2", Red |
| 4. 602256-02 | Coupler, 1/2" barb x 1/2" MPT |
| 5. 602256-03 | Coupler, 1/2" barb x 1/2" FPT |
| 6. 602256-04 | Elbow, 1/2" barb x 1/2" MPT |
| 7. 602256-05 | Elbow, 1/2" barb x 1/2" FPT |
| 8. 602256-22 | Valve straight .5B X.5"B #1406 |
| 9. 602256-10 | Elbow, 1/2" barb x 1/2" barb |
| 10. 602256-11 | Tee, 1/2" x 1/2" x 1/2" |
| 11. 602185-01 | Drain valve, 90° |
| 12. 602137 | Valve-Shut Off .5"B X.38"COMP |
| 13. 602256-08 | Coupling-Poly .5 BARB |
| 14. 602308 | Valve-Check .5"MPT X .5"MPT Brass |
| 15. 601243 | Drain Cock |
| 16. 601237 | Elbow 90 degrees 1 1/4 barb-1 1/4 Male NPT |

2020 CARAVEL PLUMBING, FRESH WATER

Fresh Water System, 16'

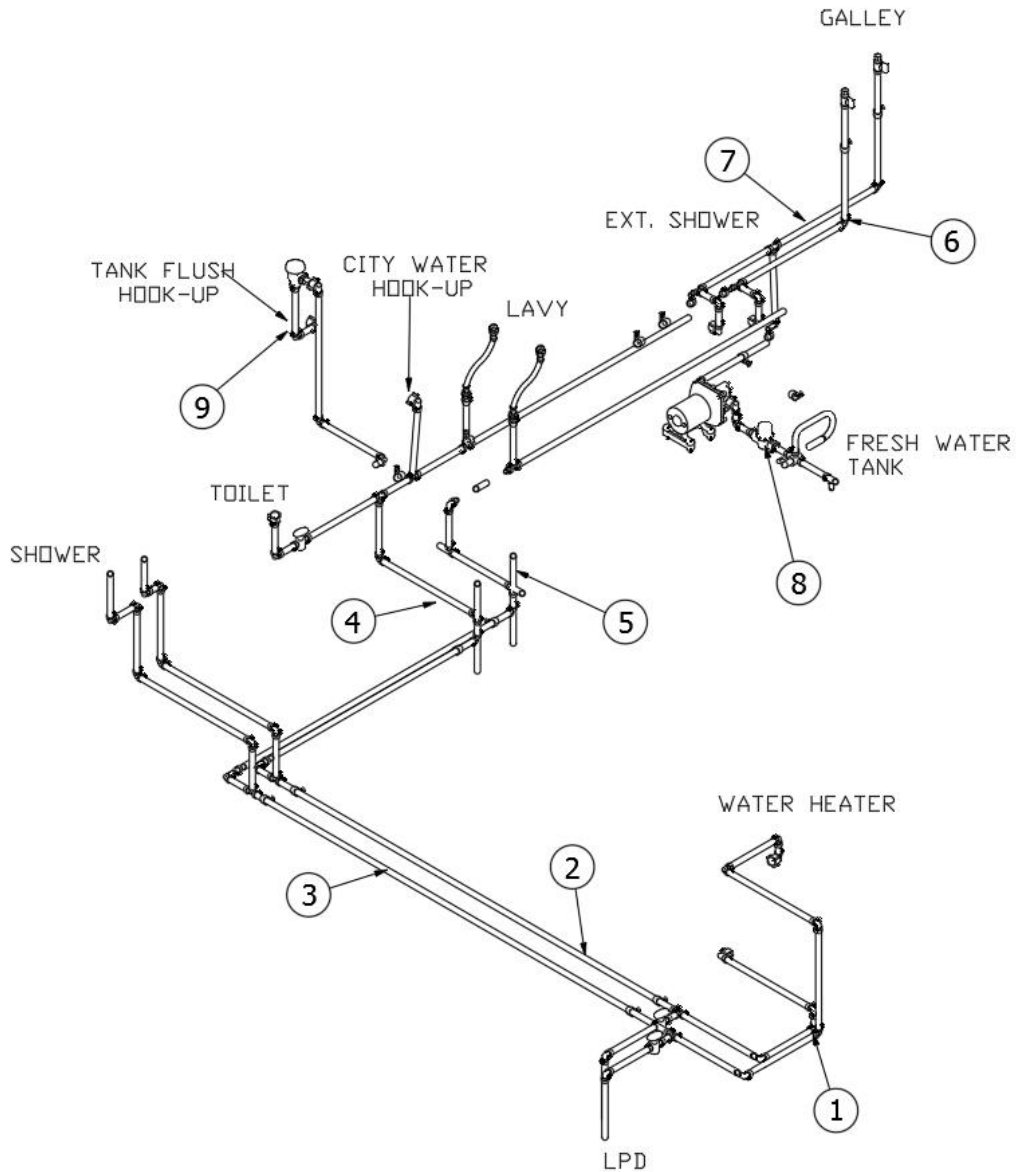


113044-02 Fresh Water Install, 16'

- | | | |
|----|-----------|-----------------------------|
| 1. | 943920-01 | Layout – Fresh Tank |
| 2. | 943920-02 | Layout – Galley Cold Supply |
| 3. | 943920-04 | Layout – Galley Hot Supply |
| 4. | 943920-06 | Layout – Wetbath Hot Supply |
| 5. | 943920-07 | Wetbath Cold Supply |
| 6. | 943920-08 | Layout – Tank Flush |

2020 CARAVEL PLUMBING, FRESH WATER

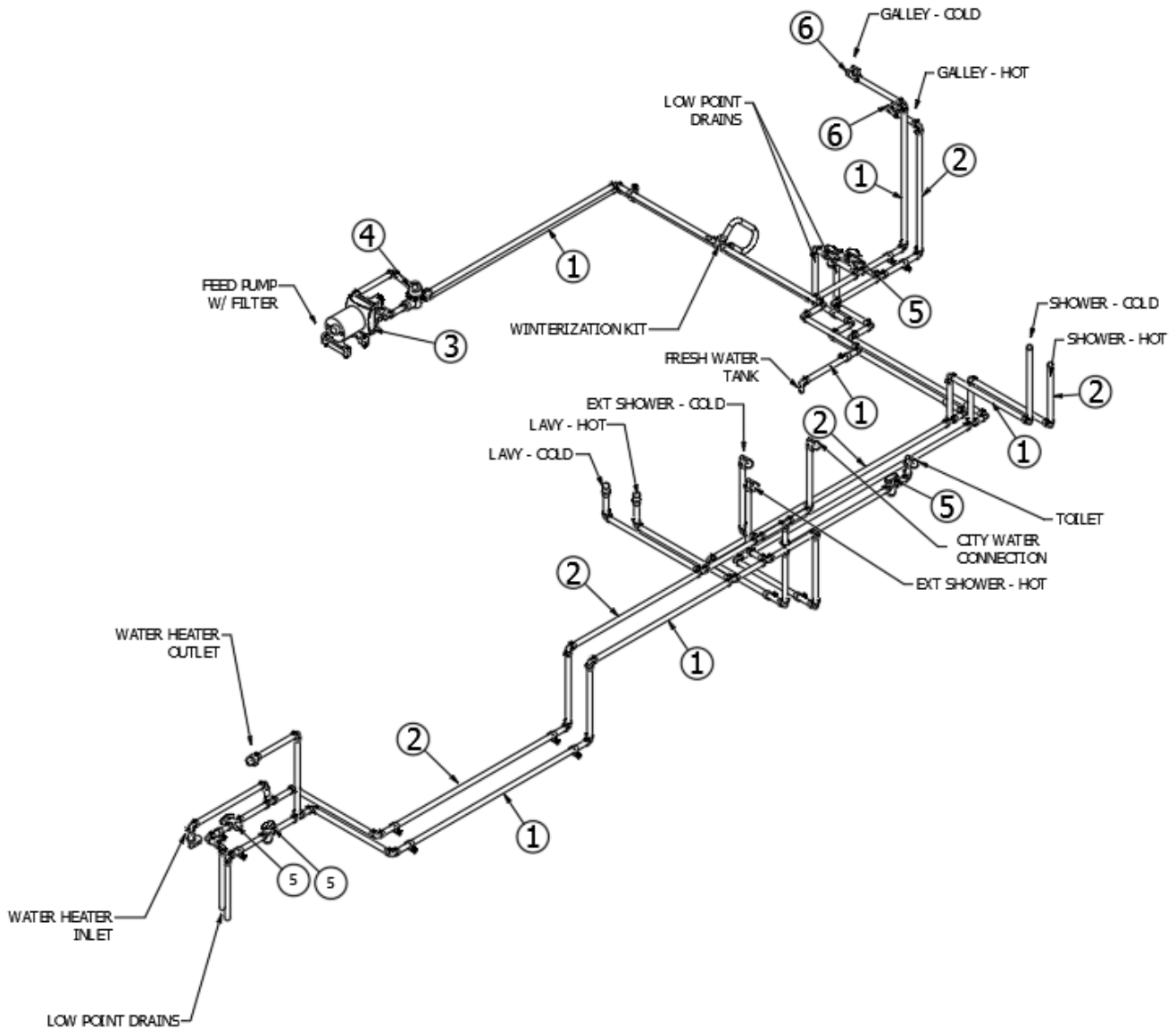
Fresh Water Lines, 19'



- | | | |
|----|-----------|-------------------------------|
| 1. | 943919-01 | Layout-Water Heater Hook-Up |
| 2. | 943919-02 | Layout - Crosscar Line - Cold |
| 3. | 943919-03 | Layout - Crosscar Line - Hot |
| 4. | 943919-04 | Layout - RS - Cold |
| 5. | 943919-05 | Layout - RS - Hot |
| 6. | 943919-06 | Layout - RS Galley - Hot |
| 7. | 943919-07 | Layout - RS Galley - Cold |
| 8. | 943919-08 | Layout - Pump Feed |
| 9. | 943919-10 | Layout - Tank Flush |

2020 CARAVEL PLUMBING, FRESH WATER

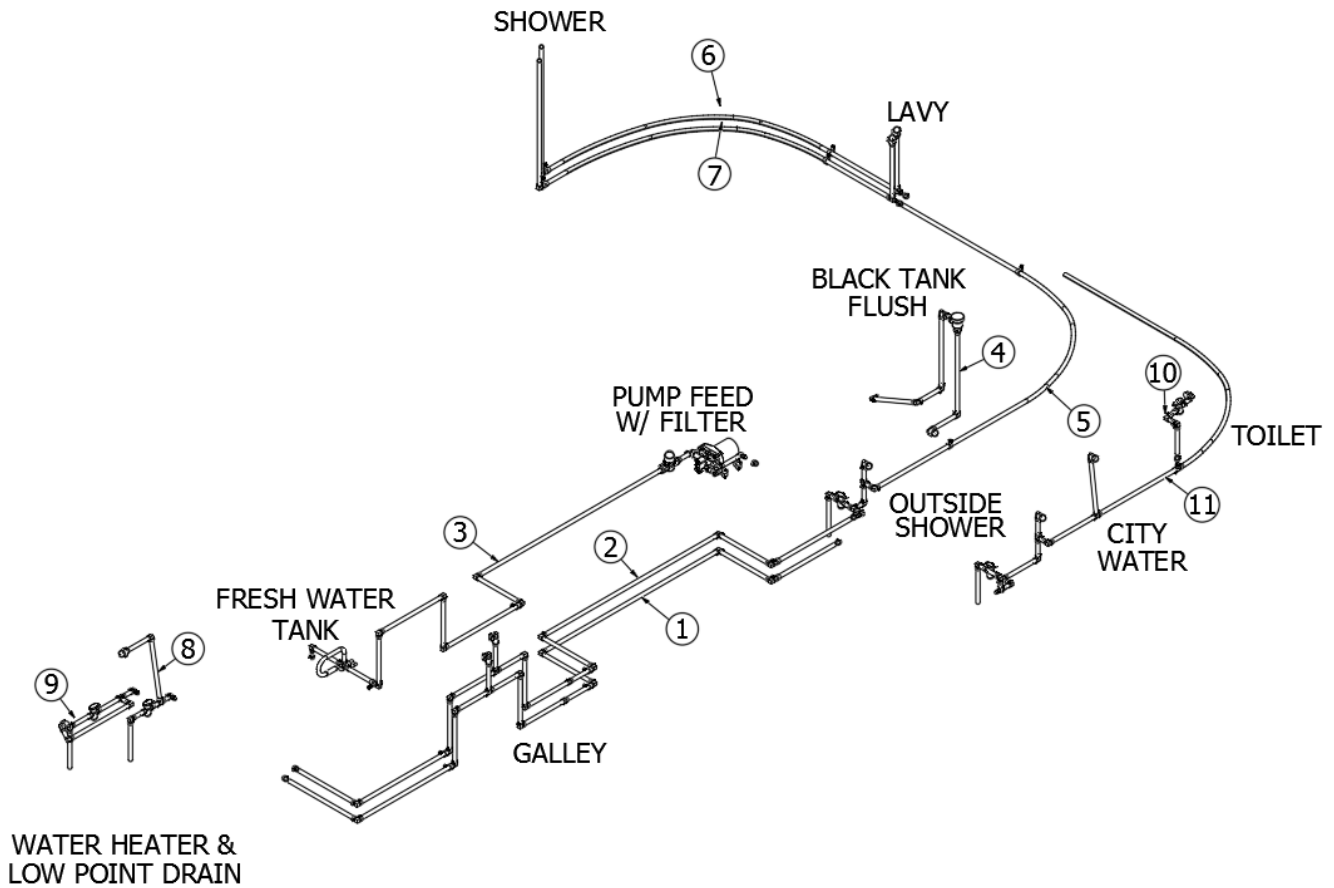
Fresh Water Lines, 20'



- | | | |
|----|-----------|---------------------------------|
| 1. | 601698-01 | E-Pex 1/2" Tubing |
| 2. | 601698-21 | Tubing E-Pex 1/2' Red |
| 3. | 602307 | Pump-Water Shurflo#4008-101-A65 |
| 4. | 601668-01 | Strainer-Fresh Water Pump |
| 5. | 602256-22 | Valve Straight .5b X.5"B #14065 |
| 6. | 602137 | Valve-Shut Off .5"Bx.38"Comp |

2020 CARAVEL PLUMBING, FRESH WATER

Fresh Water Lines, 22 Caravel



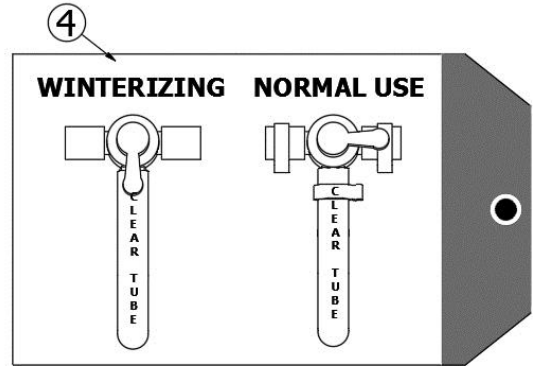
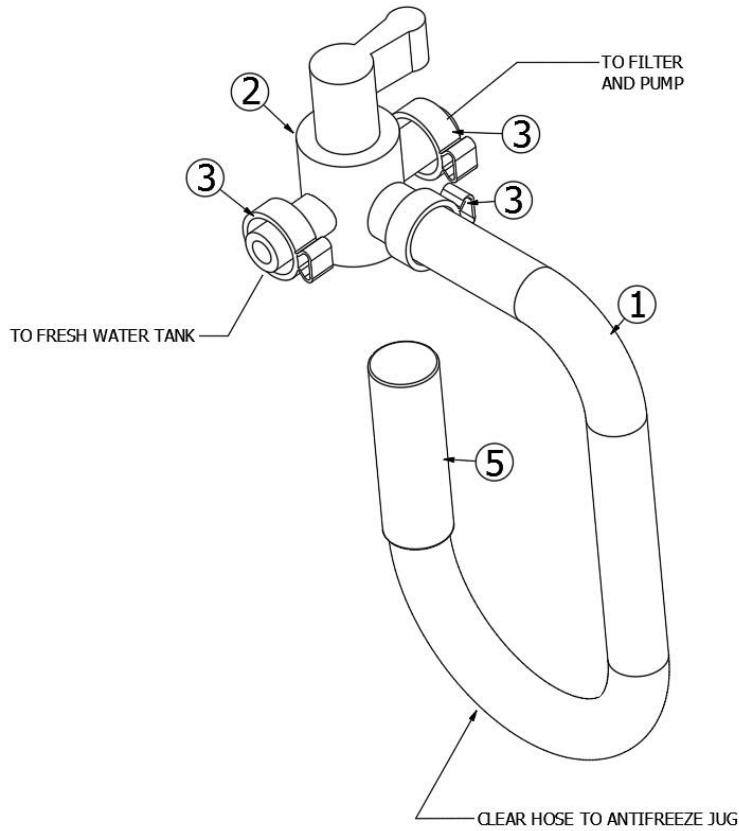
112694-02 Fresh Water Install, Caravel

- | | | |
|-----|-----------|--|
| 1. | 943903-02 | Galley Cold Water - Layout 22' Caravel |
| 2. | 943903-03 | Galley Hot Water - Layout 22' Caravel |
| 3. | 943903-04 | Fresh Water Feed-Layout 22' Caravel |
| 4. | 943903-06 | Black Tank Flush-Layout-22' Caravel |
| 5. | 943903-07 | Rear Rs Hot- Layout- 22' Caravel |
| 6. | 943903-08 | Cold Cs - Layout - 22' Caravel |
| 7. | 943903-09 | Hot Cs - Layout - 22' Caravel |
| 8. | 943903-12 | Water Heater Hot-Layout- 22' Caravel |
| 9. | 943903-13 | Fresh Water - Layout - 22' Caravel |
| 10. | 943903-14 | Toilet Line-Layout-22' Caravel |
| 11. | 943903-15 | Ext. Shower, Lpd, City Water- Caravel |

2020 CARAVEL PLUMBING, FRESH WATER

Winterization Kit

112814 Winterization Kit Installation



- | | | |
|----|-----------|-------------------------------------|
| 1. | 601240-01 | Tubing 1/2 I.D. X 3/32 Wall Thick |
| 2. | 602711 | Valve-3 Way Bypass .5" PEX #32788 |
| 3. | 601698-15 | 1/2 CRIMP RING #14785 |
| 4. | 365453 | Tag-Instruction - Winterization Kit |
| 5. | 602801 | Cap, 5/8" ID, Winterization Kit |

2020 CARAVEL PLUMBING, DRAIN SYSTEM

Sinks and Shower, 16'

602812	Sink- SS Single Bowl 13 X 15 NQP
204097	Sink cover, Natural
601358	Shower Hdw Unit,Chrome

Sinks and Shower, 19'

601804	Sink, 12" SS Round with Studs, Lavatory
602812	Sink- Single Bowl SS 13 X 15, Galley
204097	Sink Cover - 1/2" Natural
601358	Shower Hdw Unit, Chrome
203114-02	Pan/Cap-Shower 2 Pc White

Sinks and Shower, 20', 22FB

602825	Sink- SS Single Bowl 15 X 25 X 7
601804	Sink, 12" SS Round with Studs
204092	Sink Cover, Natural

Black and Grey Tanks

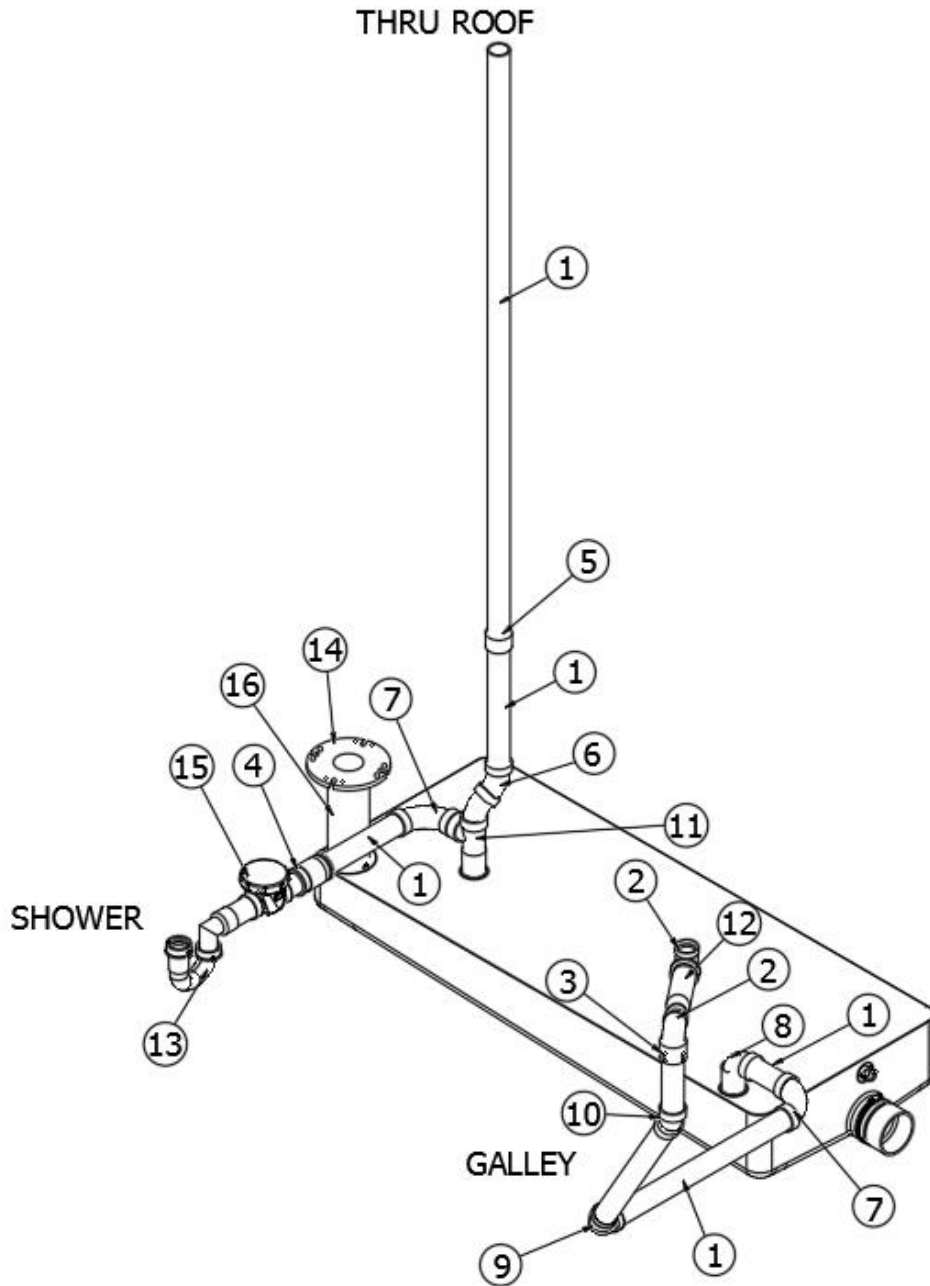
602797-4	Gray/Black Tank Water, 16'
455638	Tank Pan- Grey Water -16'
602797-3	Gray Tank, 19'
602797-2	Gray Water Tank, 20'
602797-1	Gray Water Tank, 22'
455508	Gray Tank Pan, 19' 20', 22'
602793-2	Tank - Black 18 GAL. 19'
602793-3	Tank - Black 18 GAL. 20'
602793-1	Tank - Black 18 GAL. 22'

Black Tank Flush

601441-02	Black tank flush system
601392-01	Screw in black cap
365477	Decal - Black Tank Flush

2020 CARAVEL PLUMBING, DRAIN SYSTEM

Drain, Above Floor, 16'



Parts Listed on Next Page

2020 CARAVEL PLUMBING, DRAIN SYSTEM

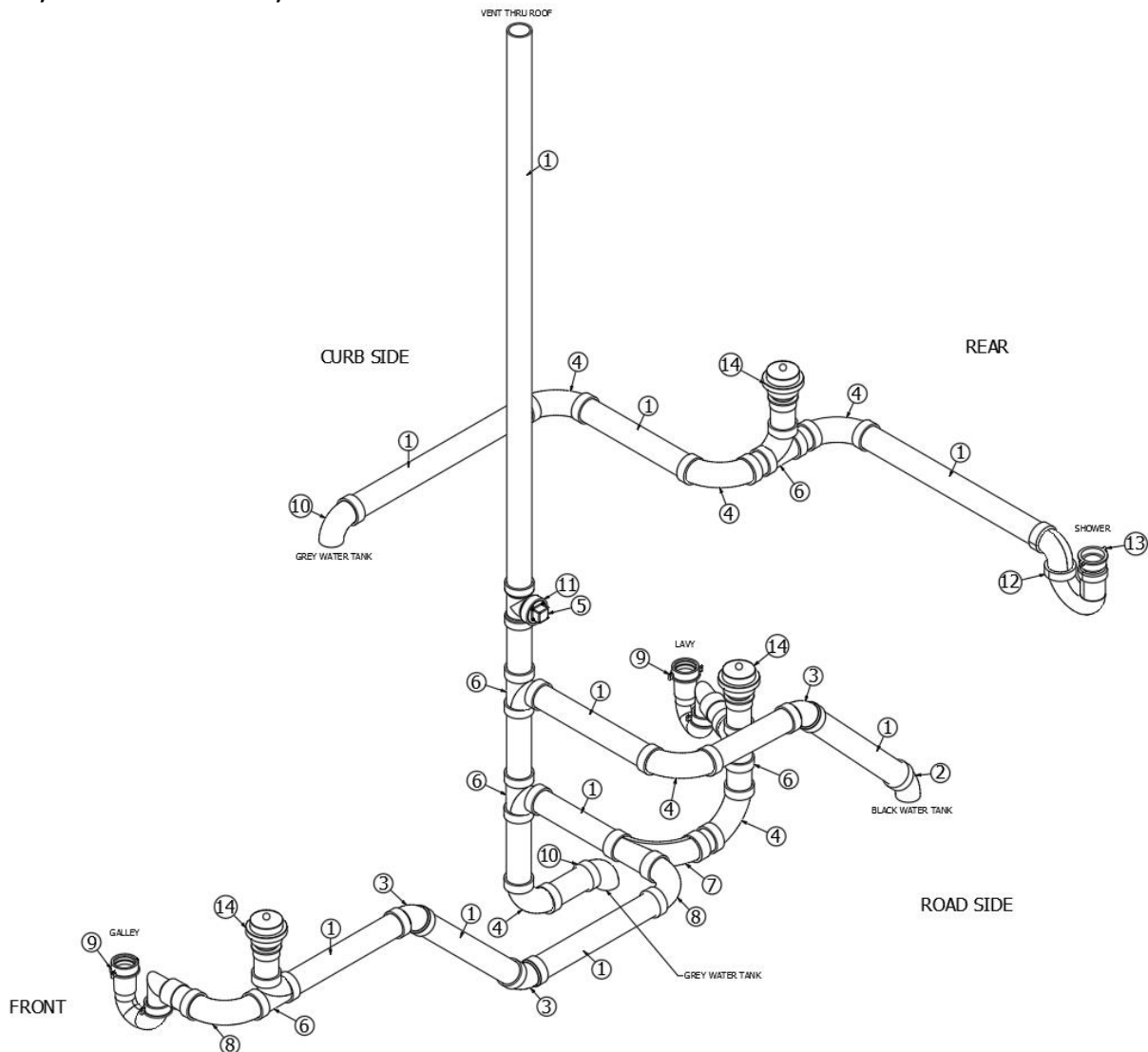
Drain, Above Floor, 16'

943889 Above Floor Drain System

1. 601160-02 Pipe, ABS, DVW, 1.5"
2. 690603-02 Adapter-Angle #92000
3. 602212 Adapter-1.5"FPT X 1.5"SLIP PVC
4. 602201 Coupling, Flexible, 1.5"
5. 600227 Plastic couplings
6. 600027 Elbow, 45°, Short
7. 600035 ELL- ABS Long Sweep 1-1/2
8. 600662 Elbow, 45°, long turn
9. 601636 Elbow, 90°, 1.5", Short
10. 600116 1 1/2 IN Corlon 22 1/2 Degree Elbow
11. 601868 Sanitary tee, SPIG x Hub x Hub
12. 690603-01 Valve-Waste #92010
13. 600622 P-trap, 1.5" w/slip nut & washer
14. 601266 Flange, 3 x 4, Slip fit
15. 602720 Backflow preventer
16. 601267-04 Nipple, 3" Dia. THD one, 10" long

2020 CARAVEL PLUMBING, DRAIN SYSTEM

Drain, Above Floor, 19' Caravel

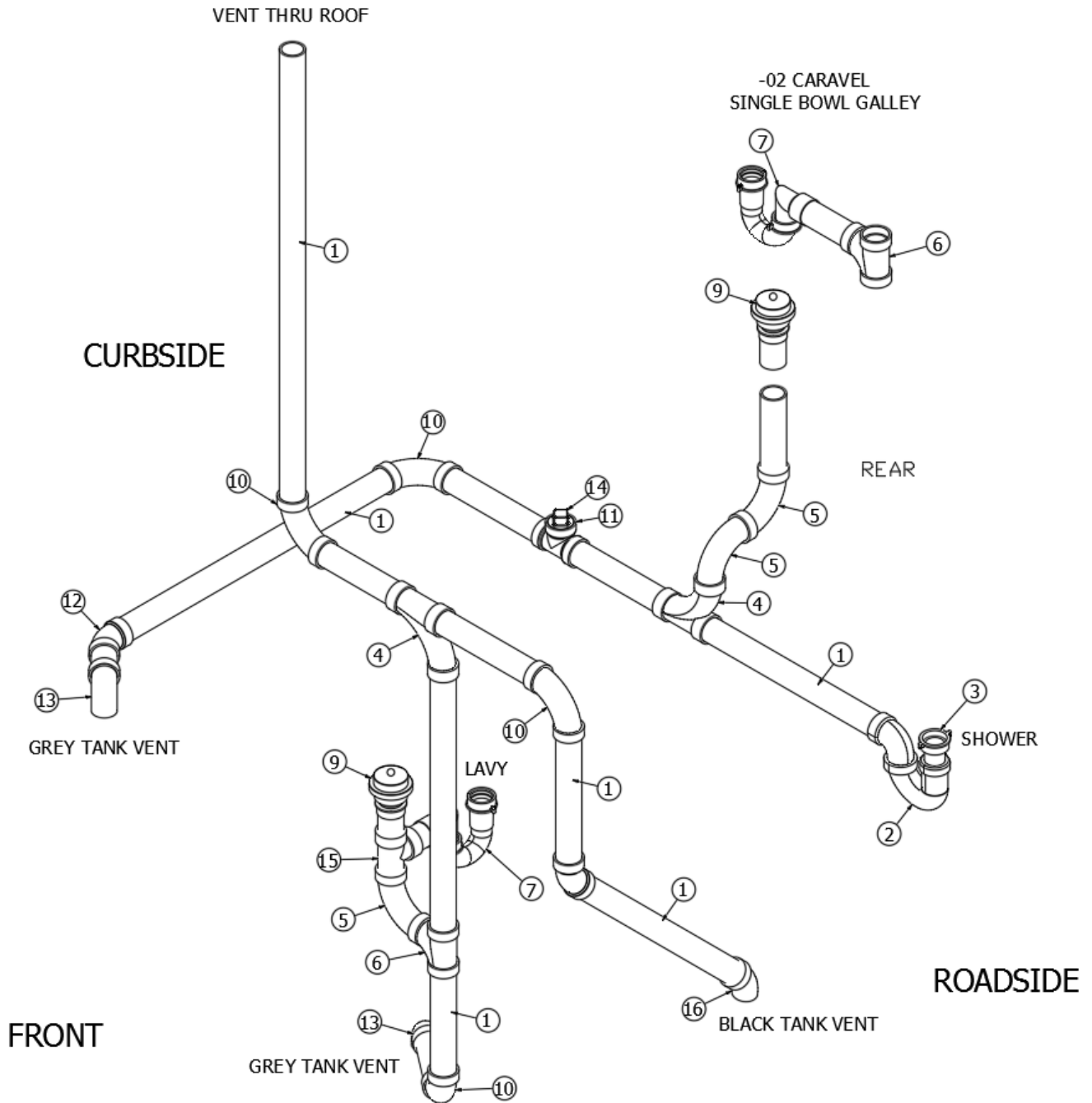


- | | | |
|-----|-----------|--------------------------------------|
| 1. | 601160-02 | Abs Pipe, 1.5in. |
| 2. | 600027 | Elbow Abs Long St 45 Degrees |
| 3. | 600030 | Ell- Abs 45 Degrees Lg Turn |
| 4. | 600035 | Ell- Abs Long Sweep 1-1/2 |
| 5. | 600155 | Plug, Cleanout 1-1/2 |
| 6. | 600156 | Tee- Sanitary 1.5" |
| 7. | 600182 | Wye, 1.5 X 1.5 X 1.5, 1/8 Bend, Abs |
| 8. | 600431 | St. Elbow, 1.5in. Xlt 90 Degree |
| 9. | 600622 | 'P' Trap - 1.5in W/Slip Nut & Washer |
| 10. | 600662 | 1 1/2" Elbow, Short Radius |
| 11. | 601318 | Tee, Bi-Directional Cleanout 1-1/2 |
| 12. | 602164-01 | P Trap W/Compression Nut 1.5" |
| 13. | 602164-02 | Tailpiece W/Nuts & Washers 1.5" |
| 14. | 602306 | Valve-2" Air Admittance Ayrlett |

2020 CARAVEL PLUMBING, DRAIN SYSTEM

Drain, Above Floor, 20' Caravel

943913-02 Layout-Above Floor Drain - 20'Caravel



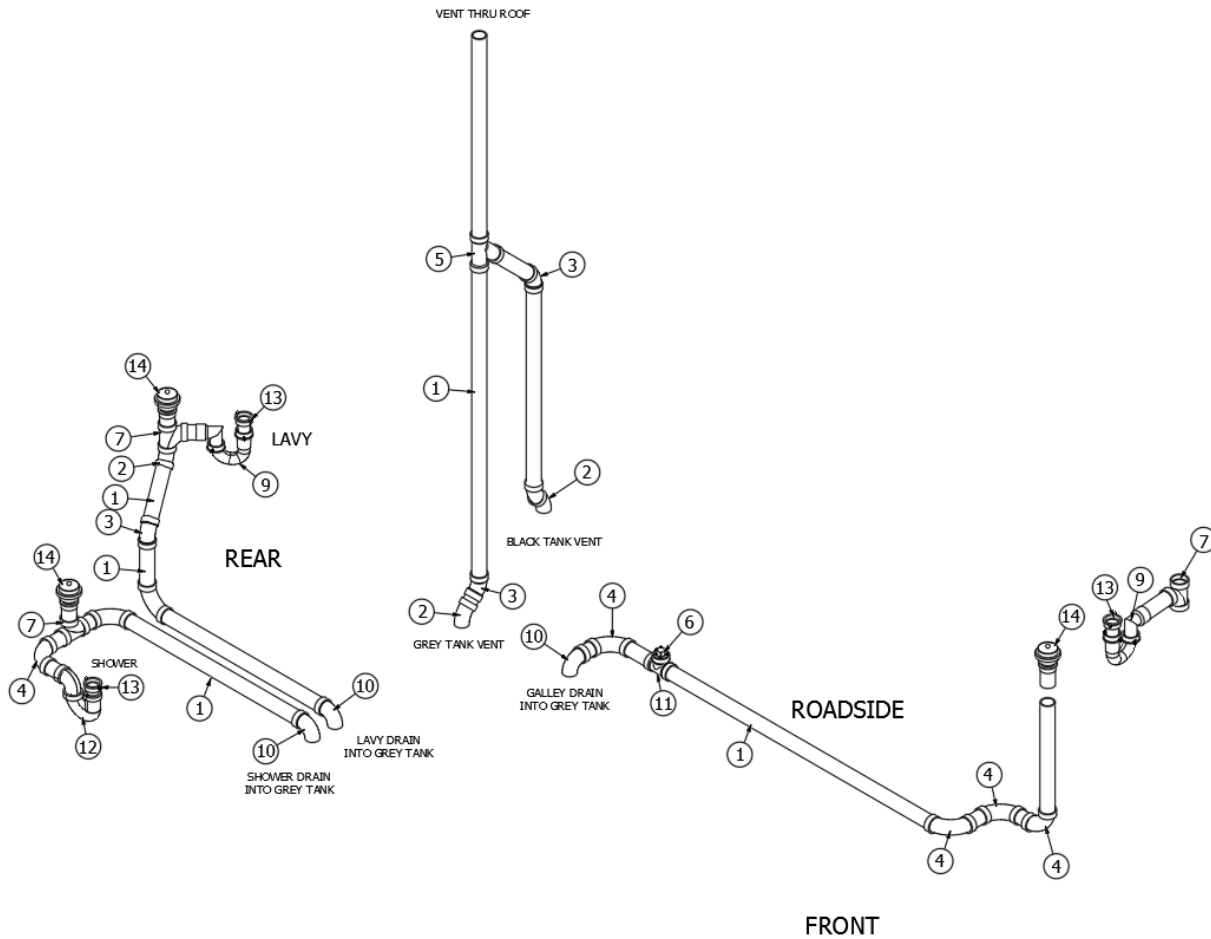
2020 CARAVEL PLUMBING, DRAIN SYSTEM

Drain, Above Floor, 20' Caravel

1. 601160-02 ABS Pipe, 1.5IN.
2. 602164-01 P Trap W/Compression Nut 1.5"
3. 602164-02 Tailpiece W/Nuts & Washers 1.5"
4. 600182 WYE, 1.5 X 1.5 X 1.5, 1/8 Bend, ABS
5. 600431 WYE, 1.5 X 1.5 X 1.5, 1/8 Bend, ABS
6. 600156 Tee, Sanitary 1.5IN X 1.5IN. X 1.5IN
7. 600622 'P' Trap - 1.5IN W/Slip Nut & Washer
8. 600378 Continuous Waste, 1-1/2IN.
9. 602306 Valve-2" Air Admittance Ayrlett
10. 600035 Elbow, 1.5 IN. XLT 90 Degree
11. 601318 Tee, Bi-Directional Cleanout 1-1/2
12. 600030 ELL- ABS 45 Degrees Long Turn
13. 600662 1 1/2" Elbow, Short Radius
14. 600155 Plug, Cleanout 1-1/2
15. 601868 Sanitary Tee-Spig X HUB X HUB
16. 600027 Elbow ABS Long St 45 Degrees

2020 CARAVEL PLUMBING, DRAIN SYSTEM

Drain, Above Floor, 22 Caravel

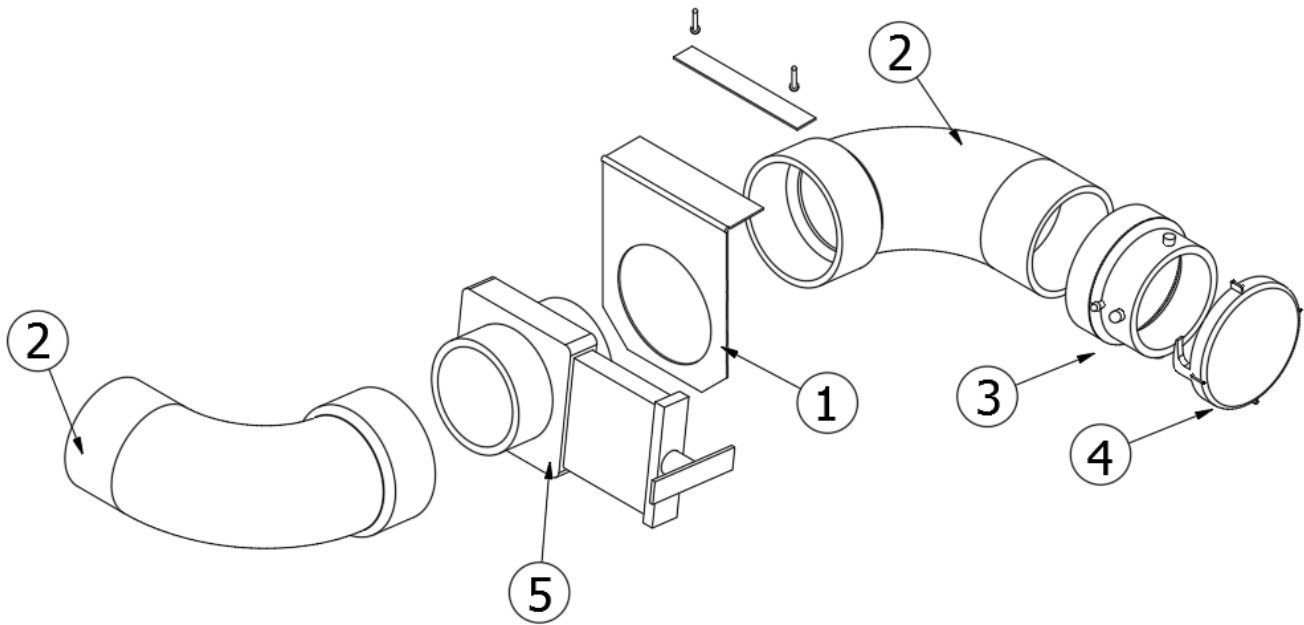


943900-02 Layout - Above Floor Drain 22' Caravel

- | | | |
|-----|-----------|--------------------------------------|
| 1. | 601160-02 | ABS PIPE, 1.5IN. |
| 2. | 600027 | Elbow ABS Long ST 45° |
| 3. | 600030 | Elbow, 1.5 IN. 45° |
| 4. | 600035 | Elbow- ABS Long Sweep 1-1/2 |
| 5. | 600094 | WYE, 45° 1-1/2IN |
| 6. | 600155 | Plug, Cleanout 1-1/2 |
| 7. | 600156 | Tee, Sanitary 1.5IN X 1.5IN. X 1.5IN |
| 8. | 600378 | Continuous Waste, 1-1/2IN. |
| 9. | 600622 | 'P' TRAP - 1.5IN W/SLIP Nut & Washer |
| 10. | 600662 | 1 1/2" Elbow, Short Radius |
| 11. | 601318 | Tee, Bi-Directional Cleanout 1-1/2 |
| 12. | 602164-01 | P Trap W/Compression Nut 1.5" |
| 13. | 602164-02 | Tailpiece W/Nuts & Washers 1.5" |
| 14. | 602306 | Valve-2" Air Admittance Ayrlett |

2020 CARAVEL PLUMBING, DRAIN SYSTEM

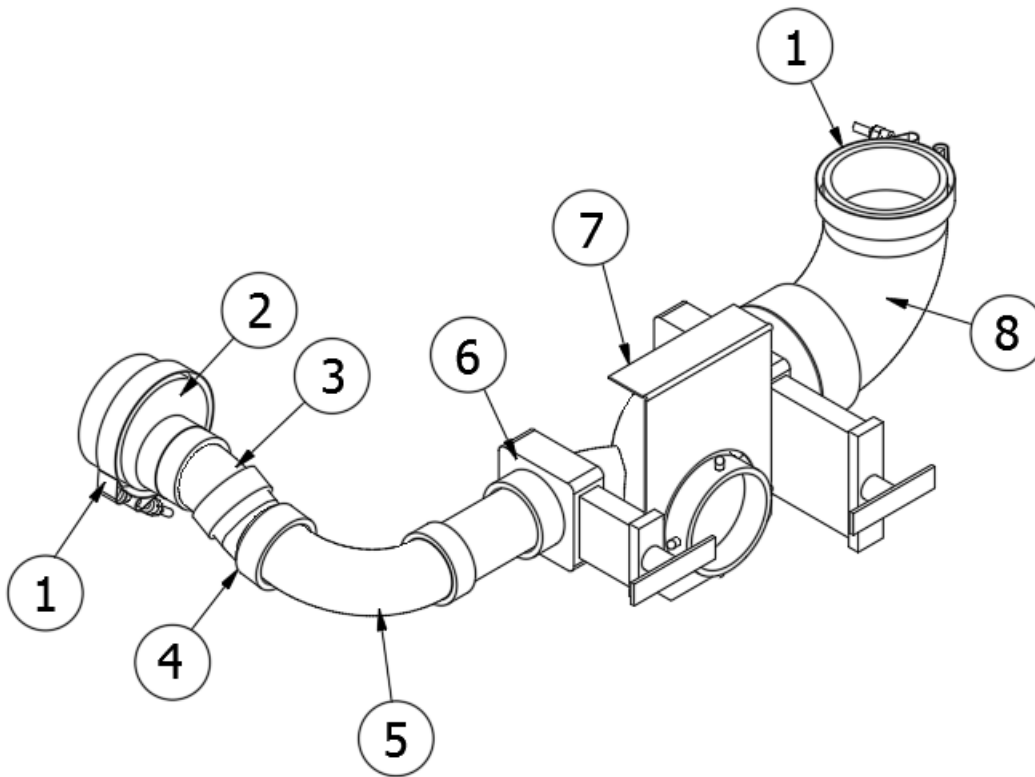
Tank Drain, 16'



- | | | |
|----|-----------|----------------------------------|
| 1. | 115555 | Bracket-Dump Valve |
| 2. | 600820 | 3" Single Socket 90 degree |
| 3. | 601607-06 | Term. Adaptor - 3" Hub X 3" Bay |
| 4. | 601607-07 | Termination Cap - 3" Bay |
| 5. | 601607-14 | Valve Assy-3"SPIG X 3"SPIG #T40A |

2020 CARAVEL PLUMBING, DRAIN SYSTEM

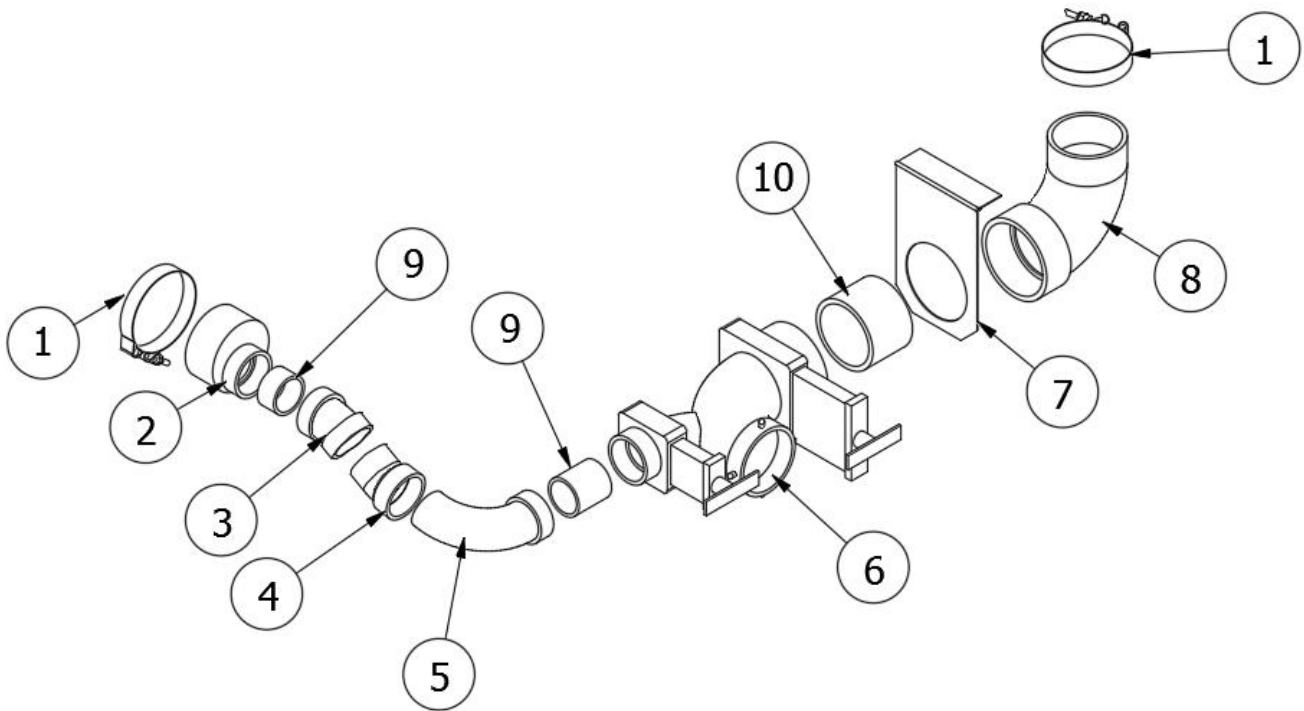
Tank Drain, 19'



- | | | |
|----|------------|-------------------------------------|
| 1. | 340092 | Clamp, Worm Type T40C-75-388-SB |
| 2. | 195329-229 | Reducer Adaptor 3" TO 1.5" |
| 3. | 600116 | 1 1/2 IN Corlon 22 1/2 Degree Elbow |
| 4. | 601800 | ST ELL- 1.5" 22.5D ABS SPIGXHUB |
| 5. | 600431 | St. Elbow, 1.5in. Xlt 90 Degree |
| 6. | 601482 | Dump Valve Rotating Assy. |
| 7. | 114916 | Bracket Dump Valve |
| 8. | 601531 | Fitting-90 Degree 3" H X ST |
| | 601160-02 | ABS Pipe, 1.5IN. |

2020 CARAVEL PLUMBING, DRAIN SYSTEM

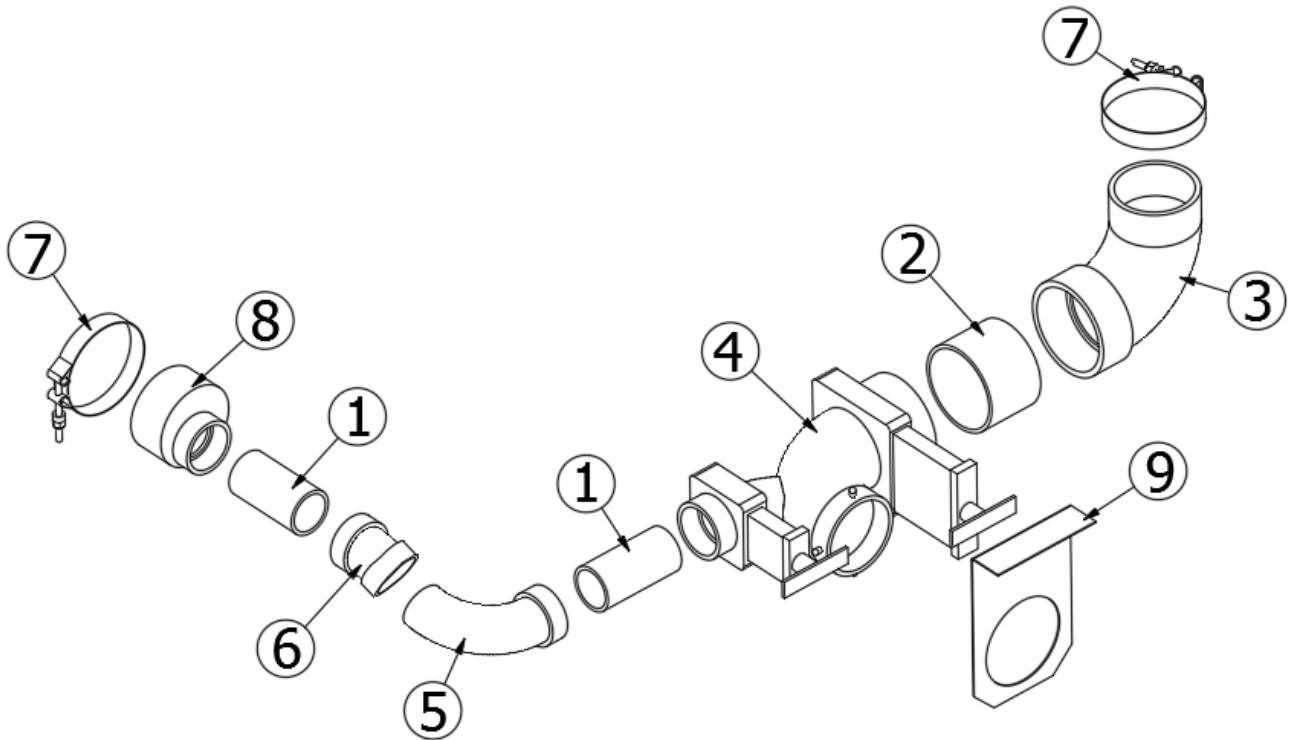
Tank Drain, 20 Caravel



- | | | |
|-----|------------|--------------------------------------|
| 1. | 340092 | Clamp, T-Bolt |
| 2. | 195329-229 | Reducer Adapter, 3" to 1 1/2" |
| 3. | 600116 | 1 1/2" Corlon, 22 1/2° Elbow |
| 4. | 601800 | Elbow, 22.5 Degrees Street, 1.5" ABS |
| 5. | 600431 | Elbow, 90° Street, ABS |
| 6. | 601482 | Dump Valve Rotating |
| 7. | 114916 | Bracket, Dump Valve |
| 8. | 601531 | Elbow 90° 3" DWV Street |
| 9. | 601160-02 | Pipe, ABS DWV 1 1/2" |
| 10. | 601160-04 | Pipe, ABS DWV 3" |

2020 CARAVEL PLUMBING, DRAIN SYSTEM

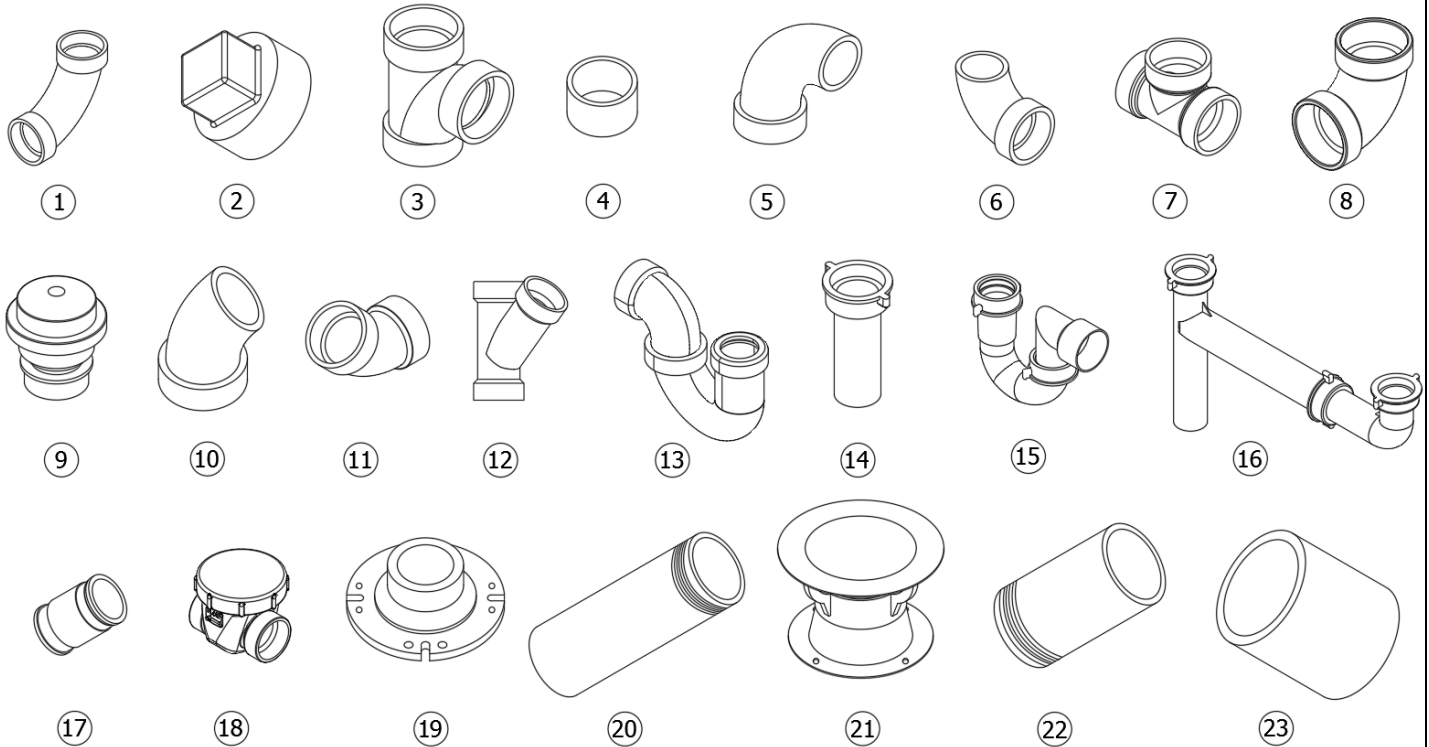
Tank Drain, 22 Caravel



- | | | |
|----|------------|-------------------------------|
| 1. | 601160-02 | Pipe, ABS DWV 1 1/2" |
| 2. | 601160-04 | Pipe, ABS DWV 3" |
| 3. | 601531 | Elbow 90° 3" DWV Street |
| 4. | 601482 | Dump Valve Rotating |
| 5. | 600431 | Elbow, 90° Street, ABS |
| 6. | 600116 | 1 1/2" Corlon, 22 1/2° Elbow |
| 7. | 340092 | Clamp, T-Bolt |
| 8. | 195329-229 | Reducer Adapter, 3" to 1 1/2" |
| 9. | 114916 | Bracket, Dump Valve |

2020 CARAVEL PLUMBING, DRAIN SYSTEM

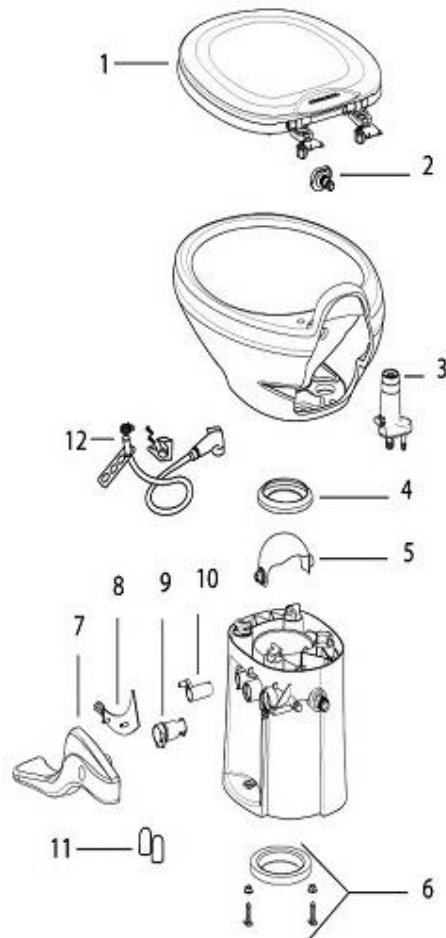
Drain Fittings



- | | |
|---------------|--|
| 1. 600035 | Elbow, 1.5", 90°, Long sweep |
| 2. 600155 | Plug, 1.5" |
| 3. 600156 | Tee, Sanitary |
| 4. 600227 | Coupling, 1.5" |
| 5. 600431 | Elbow, 90°, long street |
| 6. 600662 | Elbow, 1.5", 90°, Short radius |
| 7. 601318 | Tee, Bi-directional clean out, 1.5" |
| 8. 601636 | Elbow, 90°, Short sweep |
| 9. 602306 | Valve, Air admittance, 2" |
| 10. 600027 | Elbow, ABS, Long St, 45° |
| 11. 600030 | Elbow, ABS, 45°, Long turn |
| 12. 600094 | Wye |
| 13. 602164-01 | P-trap w/compression nut, 1.5" |
| 14. 602164-02 | Tailpiece w/nuts & washers, 1.5" |
| 15. 600622 | P-trap w/slip nut & washer, 1.5" |
| 16. 600378 | Continuous waste, 1.5" |
| 17. 602201 | Coupling-Flexible 1.5" #A256-15 |
| 18. 602720 | Valve-Sanitary Check 1.5" ABS #3281 |
| 19. 601266 | Flange, Closet, 3 X 4, SLIP FIT |
| 20. 601267-04 | Nipple 3" Diameter Threaded One end 10" LG |
| 21. 690700-01 | Cap-Tank Vent White #54062 |
| 22. 601267-02 | Nipple Threaded One End Only 6" |
| 23. 601160-02 | Pipe, ABS DVW, 1.5" |

2020 CARAVEL PLUMBING, DRAIN SYSTEM

Toilet, 16'



602329
601266

Toilet w/o Hand Spray, Aqua Magic Style II Thetford, White
Flange, 3 x 4, Slip fit

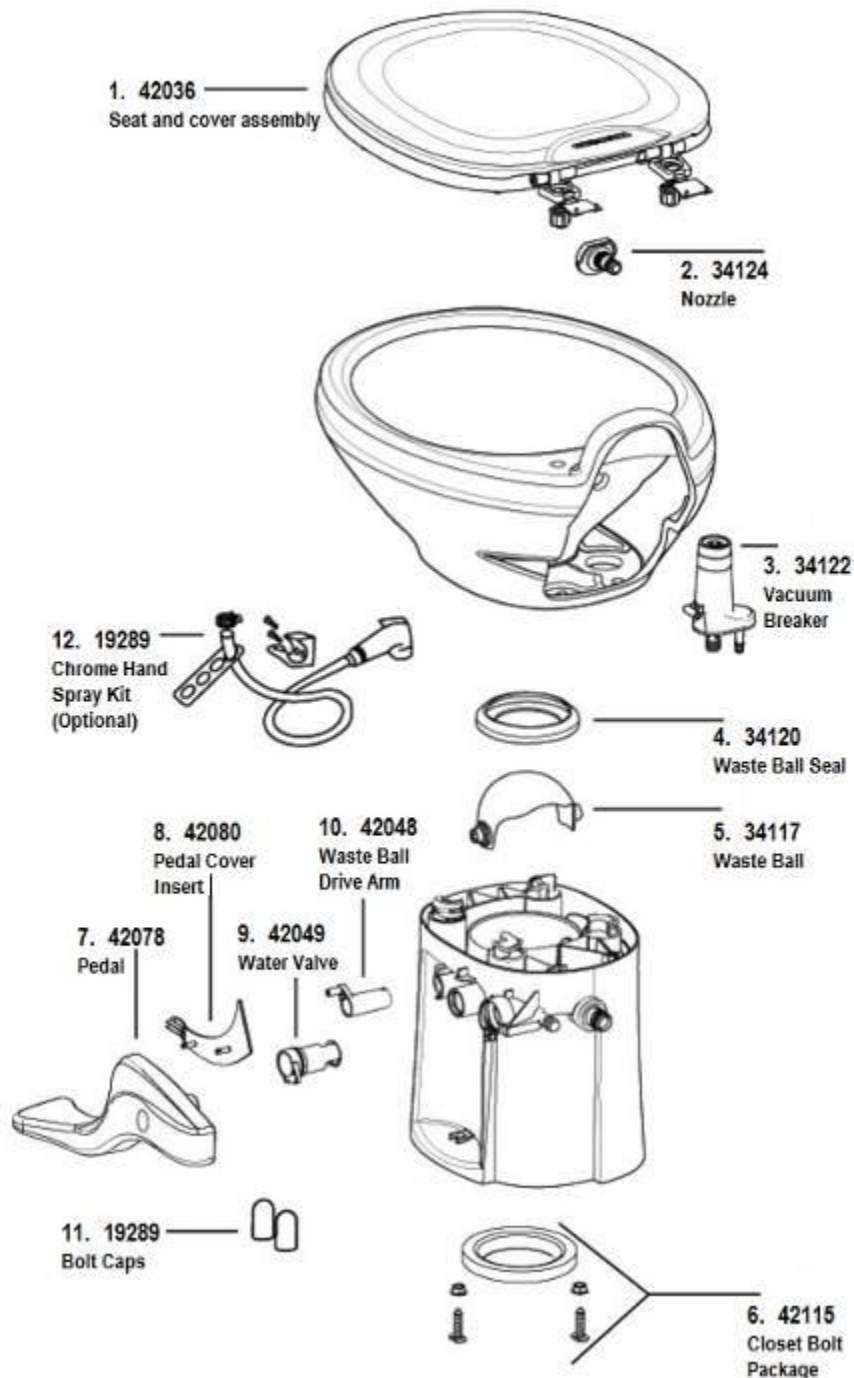
Thetford Part Numbers:

- | | |
|-----------|---------------------------|
| 1. 42036 | Seat & cover assembly |
| 2. 34124 | Nozzle, White |
| 3. 34122 | Vacuum breaker |
| 4. 34120 | Waste ball seal |
| 5. 34117 | Waste ball, White |
| 6. 42115 | Closet bolt package |
| 7. 42067 | Pedal, High, White |
| 8. 42080 | Pedal cover insert, White |
| 9. 42049 | Water valve |
| 10. 42048 | Waste ball drive arm |
| 11. 42111 | Bolt caps, White |
| 12. 19289 | Chrome hand spray kit |

2020 CARAVEL PLUMBING, DRAIN SYSTEM

Toilet 19', 20', 22'

602334 Toilet, Thetford Aqua Magic Style II China
 601266 Toilet flange, 3" x 4", Slip fit
 602137 Shut-off valve



Parts listed are Thetford part numbers

2020 CARAVEL SEALERS AND GASKETS

Sealers

360001	Sealant, #884058
360209	Sealant, seam
360176	Sealant, Almond, kitchen and bath
360180	Sealant, Sika-flex, gray
360180-04	Sealant, Sikaflex #221, black
365233	Sealant, 100% Silicone, Black
365330-01	Sealant, Adseal, White
365330-03	Sealant, Adseal, Aluminum Grey
365330-04	Sealant, Adseal, Black
365330-05	Sealant, Adseal, White self-level
360258	Sealant, Acrylic Latex Caulk
360258-03	Sealant, Latex Caulk Clear
28433W	Walbernize Super Seal
28430W-01	Sealant, Acryl-R, Gray, 16 oz. can

Gaskets

365035	Gasket Access door jamb, access doors
365013-01	Tape, Foam-screen door, charcoal
365232	Gasket main door
365208	Gasket seal, Excel Windows
382117	Gasket, Window Rectangle -
365016	Tape, foam, double face, 1/2" wide
365001	Tape, double coated foam
685510	Seam Tape, Black 1/32" X 7/8" X 200
683946	Bug Seal, edge of screen door close out
365190	Rubber seal, refrigerator compartment
382074	Gasket, grab handle, main door
365222	Tape Double Coated,.08 X 3/4"
365485	Gasket-Outdoor Receptacle Kit

2020 CARAVEL BEDDING, MATTRESSES

Pillow Kit, Tungsten, 16', 19', 20'

704639-77	Kit- Bedding & Accent Pillows - Tungsten
704639-377	Shams - Grey - 20"X26"
704639-477	Duvet - Grey - 60"X82"
704639-1	Accent Pillow 18x18
704639-2	Accent Pillow 12X20

Pillow Kit, Pewter, 16', 19', 20'

704639-78	Kit- Bedding & Accent Pillows - Pewter
704639-378	Shams - Gunmetal - 20"X26"
704639-478	Duvet - Gunmetal - 60"X82"
704639-1	Accent Pillow 18x18
704639-2	Accent Pillow 12X20

Pillow Kit, Tungsten, 22'

704638-77	Kit- Bedding & Accent Pillows - Tungsten
704638-377	Shams - Grey - 20"X26"
704638-477	Duvet - Grey - 60"X82"
704638-1	Accent Pillow 18x18
704638-2	Accent Pillow 12X20

Pillow Kit, Pewter, 22'

704638-78	Kit- Bedding & Accent Pillows - Pewter
704638-378	Shams - Gunmetal - 20"X26"
704638-478	Duvet - Gunmetal - 60"X82"
704638-1	Accent Pillow 18x18
704638-2	Accent Pillow 12X20

Pillow, Bed

703987	Pillow, Bed, Plump poly fill 20" x 30"
--------	--

Mattress

704128	Mattress, Pillowtop, Foam core, 47.5" x 78", 16', 20'
704129	Mattress-Pillow Top 48x76 Corner Double, 19'
704606	Mattress Pillow-Top, 54 X 79.65 Crossbed - 22'

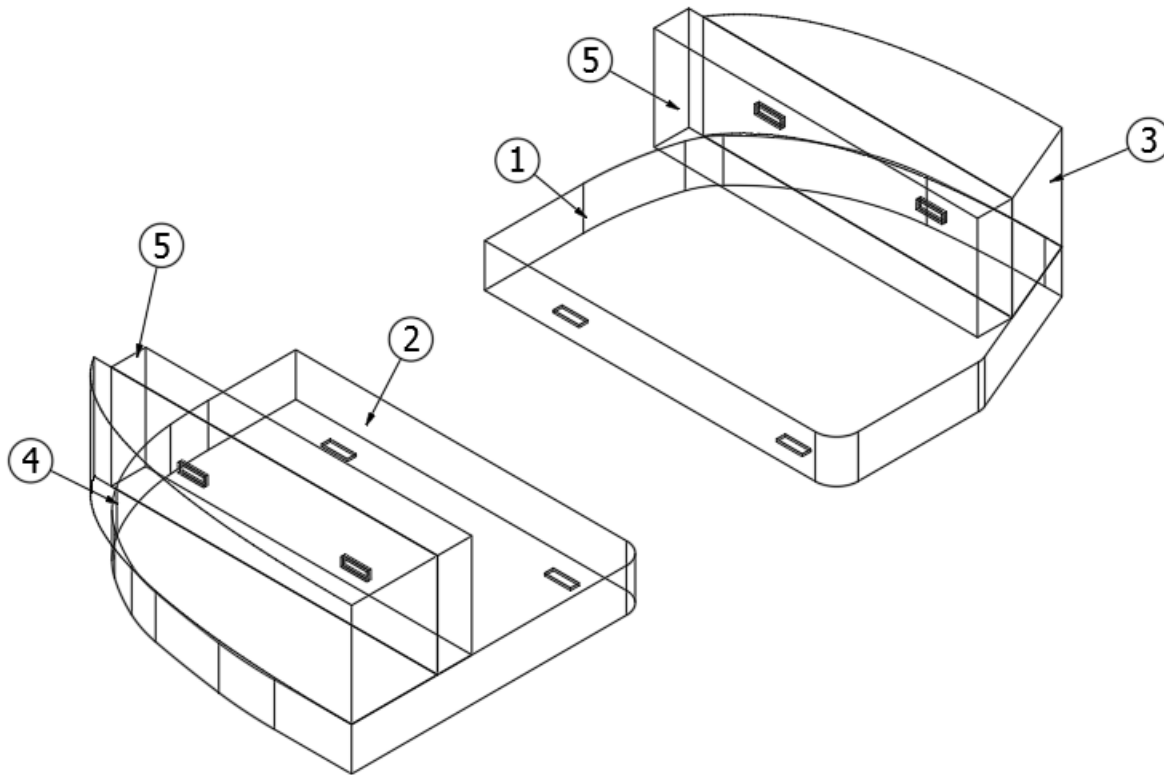
2020 CARAVEL

UPHOLSTERY, FOAM, ULTRALEATHER

Dinette Seat Cushions, Ultraleather Kits, 16' 19'

704667P
704667T

Kit-Foam/UL-Dinette Cushions Pewter
Kit-Foam/UL -Dinette Cushions- Tungsten

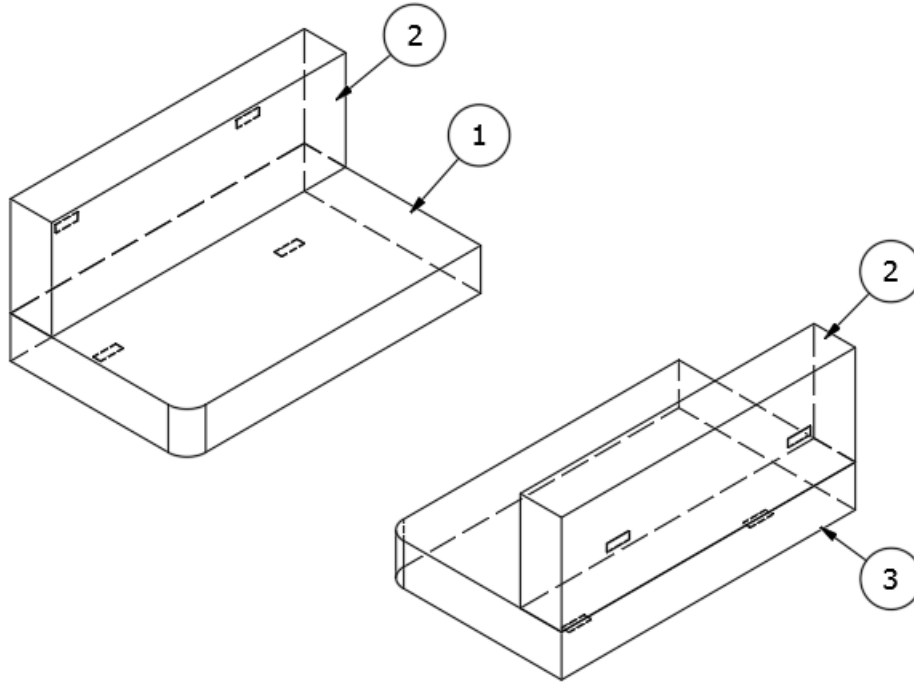


- | | | |
|----|-----------|----------------------------|
| 1. | 704667P-1 | CS Dinette Seat - Pewter |
| | 704667T-1 | CS Dinette Seat - Tungsten |
| 2. | 704667P-2 | RD Dinette Seat - Pewter |
| | 704667T-2 | RD Dinette Seat - Tungsten |
| 3. | 704667P-3 | CS Back Filler - Pewter |
| | 704667T-3 | CS Back Filler - Tungsten |
| 4. | 704667P-4 | RS Back Filler - Pewter |
| | 704667T-4 | RS Back Filler - Tungsten |
| 5. | 704667P-5 | RS/CS Back Rest - Pewter |
| | 704667T-5 | RS/CS Back Rest - Tungsten |

2020 CARAVEL

UPHOLSTERY, FOAM, ULTRALEATHER

Dinette Seat Cushions, Ultraleather Kit, 20'



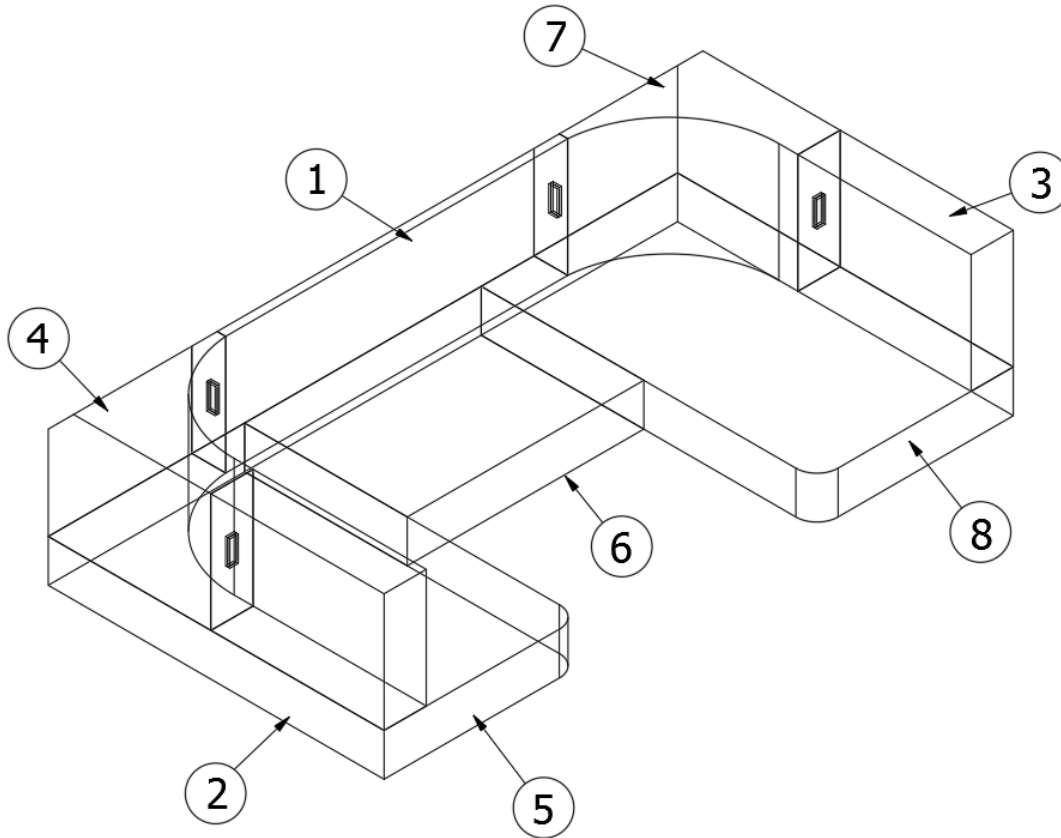
704666T Kit-Foam/ Ultraleather -Dinette- Tungsten
704666P Kit-Foam/ Ultraleather -Dinette- Pewter

- | | | |
|----|-----------|-----------------------------|
| 1. | 704666T-1 | Seat Bottom Rear - Tungsten |
| | 704666P-1 | Seat Bottom Rear- Pewter |
| 2. | 704666T-2 | Backrest - Tungsten |
| | 704666P-2 | Backrest - Pewter |
| 3. | 704666T-3 | Seat Bottom Front Tungsten |
| | 704666P-3 | Seat Bottom Front- Pewter |

2020 CARAVEL

UPHOLSTERY, FOAM, ULTRALEATHER

Dinette Seat Cushions, Ultraleather Kit, 22 Caravel



704662P Kit-Foam/Ultra Leather - U-Dinette Seat - Pewter
 704662T Kit-Foam/Ultra Leather - U-Dinette Seat - Tungsten

- | | | |
|----|-----------|----------------------------------|
| 1. | 704662P-1 | Middle Backrest - Pewter |
| | 704662T-1 | Middle Backrest - Tungsten |
| 2. | 704662P-2 | Side Backrest Fwd - Pewter |
| | 704662T-2 | Side Backrest Fwd - Tungsten |
| 3. | 704662P-3 | Side Backrest Aft - Pewter |
| | 704662T-3 | Side Backrest Aft - Tungsten |
| 4. | 704662P-4 | Corner Backrest Aft - Pewter |
| | 704662T-4 | Corner Backrest Aft - Tungsten |
| 5. | 704662P-5 | Seat Bottom - Forward - Pewter |
| | 704662T-5 | Seat Bottom - Forward - Tungsten |
| 6. | 704662P-6 | Seat Bottom - Center - Pewter |
| | 704662T-6 | Seat Bottom - Center - Tungsten |
| 7. | 704662P-7 | Corner Back Rest - Pewter |
| | 704662T-7 | Corner Back Rest - Tungsten |
| 8. | 704662P-8 | Seat Bottom - Aft - Pewter |
| | 704662T-8 | Seat Bottom - Aft - Tungsten |

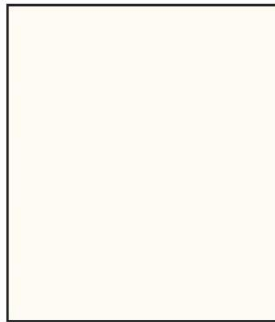
2020 CARAVEL UPHOLSTERY, FOAM, ULTRALEATHER

Décor Board, Pewter

Interior Decor PEWTER



802398 - Laminate: Cool Autumn Night, Suede finish
Where used: Furniture, Accent wall



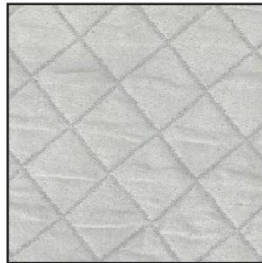
802038 - Laminate: Linen
Where used: Roof Lockers, Galley and refer cabinet, Bathwalls



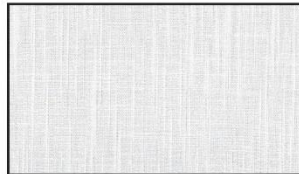
802399 - Laminate: White Cascade
Where used: Galley, Lavy, and Table
365482 & 365483 - Edgeband



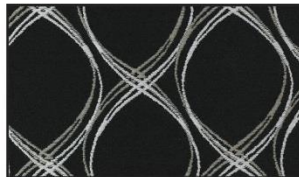
704636 - Cushion, Fusion Shimmer
389-5690, Color: Gunmetal



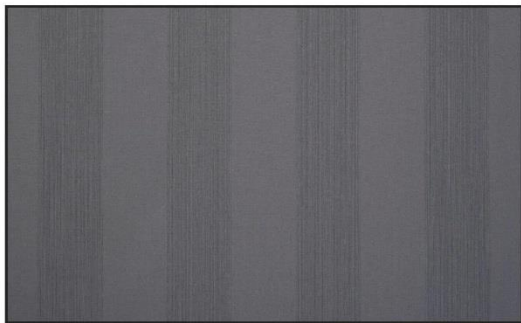
704632 - Bedding Fabric
Pattern: Milo #90, Color: Silver



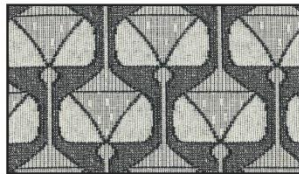
704505 - Window Covering Fabric
Pattern: Duet, Color: Snow



704640 - Dividing Curtain Fabric
Pattern: Seville, Color: SoHo



702993 - Zip Dee Awning, Fabric: Pencil Dark Grey
Where used: Awning, exterior of trailer



704635 - Accent Pillow Fabric
Pattern: Date Night, Color: City Lights



704630 - Flooring
Pattern: Concrete
Color: 38281

2020 CARAVEL UPHOLSTERY, FOAM, ULTRALEATHER

Décor Board, Tungsten

**Interior Decor
TUNGSTEN**



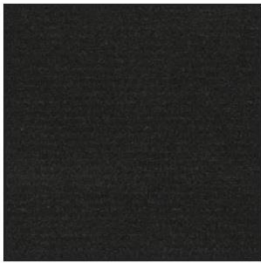
802398 - Laminate: Cool Autumn Night, Suede finish
Where used: Furniture, Accent wall



802038 - Laminate: Linen
Where used: Roof Lockers, Galley and refer cabinet, Bathwalls



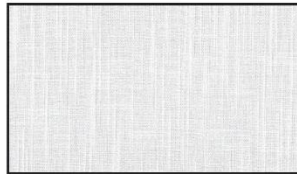
802399 - Laminate: White Cascade
Where used: Galley, Lavy, and Table
365482 & 365483 - Edgeband



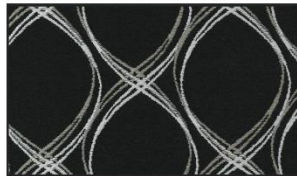
704267 - Cushion, Fusion
500-5721, Color: Caviar



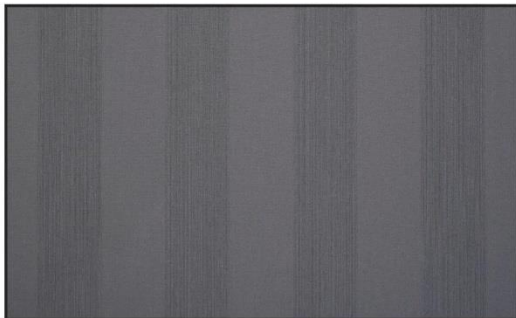
704631 - Bedding Fabric
Pattern: Milo #9, Color: Graphite



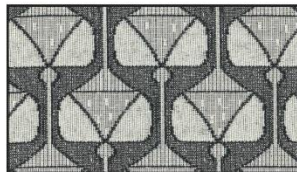
704505 - Window Covering Fabric
Pattern: Duet, Color: Snow



704640 - Dividing Curtain Fabric
Pattern: Seville, Color: SoHo



702993 - Awning Fabric: Pencil Dark Grey
Where used: Awning, exterior of trailer



704635 - Accent Pillow Fabric
Pattern: Date Night, Color: City Lights



704630 - Flooring
Pattern: Concrete
Color: 38281

2020 CARAVEL VENTS, FANS

Vent, Black Tank

690700-01 Vent pipe cover, White, 22FB
382337 Gasket, Corlon, Vent Cap, 22FB

Vent, Roof

690266-01 Ventilator-12V Power W/2" White Garnish & Black Cover
690266-02 Power ventilator w/2" garnish, CSA
690266-07 Trim ring, White
690266-08 Trim ring, Silver

Range Hood

690744 Baraldi Swing Flat Range Hood

Exhaust Fan

382240 Vent-Fastastic Fan - Exhaust Only Gray W/Smoke Dome
382467-01 Gasket, Exhaust fan

2020 CARAVEL

PANELING, EDGEBANDING, LAUAN

Plywood

800506-04	Plywood, 3/4" x 4' x 8'
800506-06	Plywood, 3/4" x 4' x 8'
800506-05	Plywood, 5/8" x 4' x 8'
800976-01	Plywood, tongue and groove, 19/32' (floor)
801351	Lite Ply-18MM (.75") 4' X 8'

Paneling

802398-01	Laminate - Cool Autumn Night Wt 880-Sd- Vertical Grade
801809	Laminate-White Liner 4' X 8' Vertical
802038-01	Laminate-Linen 4x8 Vert
802399-02	Laminate - 5x10 White Cascade
801438	Panel-Prelam White Vinyl/Raw 2.7MM
802449	Panel-Prelam 6mm Linen/Linen
802414	Prelam Cool Autumn Night / Cool Autumn Night - Vertical 12mm
802415	Prelam Cool Autumn Night/White Liner Vertical 12mm
802422	Prelam Cool Autumn Night/Linen Vertical 12mm
801392	Prelam Whtliner/Whtliner 12mm
802429	Prelam Linen/White Liner 12mm
802396	Prelam Linen/Linen 12mm
99900P-2173	12mm W/Special Grooves Sm White
802416	Prelam Cool Autumn Night/ Cool Autumn Night 18mm
802417	Prelam Cool Autumn Night/White Liner Vertical 18mm
801368	Prelam Whtliner/Whtliner 18mm
801378	Prelam Wht Liner/Gator 18mm

Edgebanding

365386-01	5/8" Edgebanding - 1mm - Linen
365386-02	15/16" Edgebanding - 1mm - Linen
365386-03	1-1/4" Edgebanding 1MM - Linen
365481-01	Edgebanding 1MM - .63" Cool Autumn Night
365481-02	Edgebanding 1MM - .93" Cool Autumn Night
365481-03	Edgebanding 1MM - 1.25" Cool Autumn Night
365482-02	Edgebanding 1mm - .93" White Cascade
365483-02	Edgebanding 2mm - .93" White Cascade

Lauan

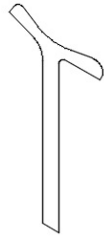
800507-01	Panel, Lauan, 1/8 x 4' x 8'
800507-02	Panel, Lauan, 1/4" x 4' x 8', raw/raw
800507-03	Panel, Lauan, 3/8" x 4' x 8', raw/raw
800507-06	Panel, Lauan, .75" x 4' x 8', raw/raw

2020 CARAVEL TRIMS

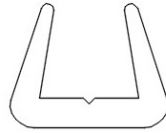
Trim



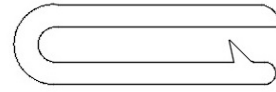
①



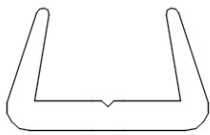
②



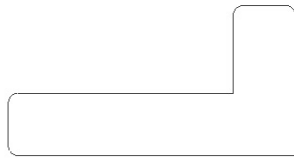
③



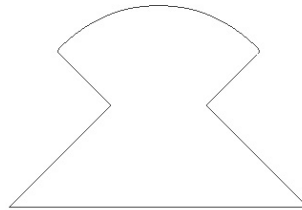
④



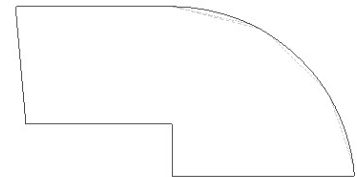
⑤



⑥



⑦



⑧

- | | |
|----------------|--|
| 1. 115064 | Trim, Aluminum counter top |
| 2. 201673 | Reverse cove molding, White |
| 201673-02 | Molding - Cove - Black |
| 3. 203138-01 | Extrusion, Panel edging, White |
| 203138-05 | Extrusion, Panel edging, Black |
| 4. 203225-01 | Trim lock, .75", Gray |
| 5. 203464-03 | Extrusion, Panel, .75", White |
| 203464 | Extrusion, Panel, .75", Black |
| 6. 801665-0044 | Molding - L Door Jamb Cool Autumn Night |
| 7. 801415-0044 | Corner Trim - 1" Radius - Taj Teak |
| 8. 801706-0044 | Corner Trim 90 Deg 1" Rad Cool Autumn Night |
| 203445-01 | T-molding, 9/16", White |
| 201728-01 | Extrusion, Ceiling trim retainer |
| 382057-03 | Knockdown Fastners - Dark Brown D-Cover Cap |
| 203445 | T-Molding Blk Flexible Poly .56" |
| 203440 | T Molding-Black Embossed .8125" |
| 116079-01 | Extrusion, Corner Nosing, 12' X 7/8", Anodized Black |
| 382529-01 | Z-Bar Custom 1" Hold Black |
| 360406-01 | Fil Stick Autumn Night |