

adventure, inspired by



**AIRSTREAM**

# **2019 Flying Cloud Parts Book**





# 2019 FLYING CLOUD

## SECTION I

### APPLIANCES

<u>Air Conditioners</u> .....	I-1
<u>Air Conditioner Drain Kit</u> .....	I-1
<u>Water Heater</u> .....	I-1
<u>Furnace</u> .....	I-2
<u>Microwaves</u> .....	I-2
<u>Range and Cooktop</u> .....	I-3
<u>Refrigerators</u> .....	I-3

### EXTERIOR SHELL

<u>Front End, 19', 20', 23CB, 23FB</u> .....	I-4
<u>Front End, 25', 28', 30'</u> .....	I-6
<u>Front End, 25FB</u> .....	I-8
<u>Front End, 26U, 27FB</u> .....	I-10
<u>Front End, 30' Bunk</u> .....	I-12
<u>Aft End, 19', 23CB</u> .....	I-14
<u>Aft End, 20'</u> .....	I-16
<u>Aft End, 23FB</u> .....	I-18
<u>Aft End, 25', 26U</u> .....	I-20
<u>Aft End, 25FB, 27FB</u> .....	I-22
<u>Aft End, 28', 30'</u> .....	I-24
<u>Aft End, 30' Bunk</u> .....	I-26
<u>Aft End, Twin Bedroom, 25', 28', 30'</u> .....	I-28
<u>RS Wall, 19'</u> .....	I-30
<u>CS Wall, 19'</u> .....	I-32
<u>RS Wall, 20'</u> .....	I-34
<u>CS Wall, 20'</u> .....	I-36
<u>RS Wall, 23CB</u> .....	I-38
<u>CS Wall, 23CB</u> .....	I-40
<u>RS Wall, 23FB</u> .....	I-42
<u>CS Wall, 23FB</u> .....	I-44
<u>RS Wall, 25'</u> .....	I-46
<u>CS Wall, 25'</u> .....	I-48
<u>RS Wall, 25FB</u> .....	I-50
<u>CS Wall, 25FB</u> .....	I-52
<u>RS Wall, 26U</u> .....	I-54
<u>CS Wall, 26U</u> .....	I-56
<u>RS Wall, 27FB</u> .....	I-58
<u>CS Wall, 27FB</u> .....	I-60
<u>RS Wall, 28'</u> .....	I-62
<u>CS Wall, 28'</u> .....	I-64

# 2019 FLYING CLOUD

## SECTION I

### EXTERIOR SHELL

<u>RS Wall, 30'</u> .....	I-66
<u>CS Wall, 30'</u> .....	I-68
<u>RS Wall, 30' Bunk</u> .....	I-70
<u>CS Wall, 30' Bunk</u> .....	I-72
<u>Roof</u> .....	I-74
<u>Wrap Protectors and Holdbacks</u> .....	I-75

### INTERIOR SHELL

<u>Interior Skin</u> .....	I-76
<u>Interior Shell Insulation</u> .....	I-76
<u>Interior Wheel Well Liner</u> .....	I-76
<u>Main Door Threshold</u> .....	I-76

### CHASSIS

<u>Axles</u> .....	I-77
<u>Shocks</u> .....	I-77
<u>Tires and Wheels</u> .....	I-77
<u>Spare Tire Carrier</u> .....	I-77
<u>Step</u> .....	I-77
<u>Stabilizing Jacks</u> .....	I-80
<u>Power Jack</u> .....	I-80
<u>Hose Carrier</u> .....	I-80
<u>Underbelly</u> .....	I-80
<u>Bumper End Caps</u> .....	I-80
<u>Hitch Coupler</u> .....	I-80
<u>Bumper and Storage, NB</u> .....	I-81
<u>Bumper and Storage, WB</u> .....	I-81

### DECALS, EXTERIOR TRIM

<u>Decals and Nameplates</u> .....	I-82
<u>Belt Line Trim</u> .....	I-82
<u>Rub Rail Trim</u> .....	I-82
<u>Reflectors</u> .....	I-82

# 2019 FLYING CLOUD

## SECTION II

### DOORS, WINDOWS, AWNINGS

<u>Main Door, LH Hinge</u> .....	II-1
<u>Main Door, RH Hinge</u> .....	II-3
<u>Screen Door</u> .....	II-5
<u>Exterior Access Doors</u> .....	II-7
<u>Windows and Screens</u> .....	II-9
<u>Vista View Window</u> .....	II-14
<u>Window Trim</u> .....	II-15
<u>Panoramic Window Trim</u> .....	II-15
<u>Window Parts Diagram</u> .....	II-16
<u>Window Stone Guards</u> .....	II-18
<u>Patio Awnings</u> .....	II-19
<u>Patio Awning Hardware and Lights</u> .....	II-19
<u>Window Awnings</u> .....	II-19

### DRAPES AND SHADES

<u>19'</u> .....	II-20
<u>19' Bunk</u> .....	II-21
<u>20'</u> .....	II-22
<u>23CB</u> .....	II-23
<u>23' Bunk</u> .....	II-24
<u>23FB</u> .....	II-25
<u>25'</u> .....	II-26
<u>25FB</u> .....	II-27
<u>26U</u> .....	II-28
<u>27FB</u> .....	II-29
<u>28'</u> .....	II-30
<u>30'</u> .....	II-31
<u>30' Bunk</u> .....	II-32
<u>Drapes and Shades Hardware</u> .....	II-33

# 2019 FLYING CLOUD

## SECTION II

### ELECTRICAL

#### 110 VOLT

<u>Shoreline Cord and Inlet</u> .....	II-34
<u>Power Converters</u> .....	II-34
<u>Breakers and Breaker Box</u> .....	II-34
<u>Inverter</u> .....	II-34
<u>Generator Prep</u> .....	II-35
<u>Junction Boxes</u> .....	II-35
<u>Receptacles</u> .....	II-35

#### 12 VOLT

<u>Battery and Battery Box</u> .....	II-36
<u>Battery Disconnect</u> .....	II-36
<u>7-Way Cable and Breakaway Switch</u> .....	II-36
<u>Tank Monitor System</u> .....	II-36
<u>Solar Panel</u> .....	II-36
<u>Breakers</u> .....	II-37
<u>Fuses</u> .....	II-37
<u>Switches and USB Ports</u> .....	II-37
<u>Wireless Backup Camera</u> .....	II-38
<u>Interior Lights</u> .....	II-38
<u>Exterior Lights</u> .....	II-38
<u>Taillight Assembly</u> .....	II-39

### ENTERTAINMENT

<u>Audio</u> .....	II-40
<u>Video</u> .....	II-40
<u>Flat Screen TV</u> .....	II-41
<u>Blu-Ray Player</u> .....	II-41

# 2019 FLYING CLOUD

## SECTION III

### FLOOR COVERING

<u>Floor Covering</u> .....	III-1
<u>Furniture and Cushion Batting</u> .....	III-1

### FURNITURE

#### INTERIOR DOORS, DRAWER BOXES, MIRRORS

<u>Roof Locker Doors</u> .....	III-2
<u>Bath Doors</u> .....	III-2
<u>Shower Doors</u> .....	III-2
<u>Foldette Doors</u> .....	III-3
<u>Drawer Boxes</u> .....	III-5
<u>Drawer Slides</u> .....	III-5
<u>Mirrors</u> .....	III-6
<u>Storage Boxes</u> .....	III-6

#### BEDROOM

<u>Queen Beds</u> .....	III-7
<u>Twin Beds</u> .....	III-18
<u>Bunk Beds</u> .....	III-25
<u>Bedroom Wall Panels</u> .....	III-28
<u>Nightstands</u> .....	III-29
<u>Credenza</u> .....	III-33
<u>Roof Lockers</u> .....	III-34
<u>Wardrobes</u> .....	III-42
<u>Hanging Wardrobes</u> .....	III-62
<u>Closets</u> .....	III-70
<u>Hamper</u> .....	III-72
<u>Storage Boxes</u> .....	III-73

# 2019 FLYING CLOUD

## SECTION III

### LAVATORY

<u>Bath Modules</u> .....	III-75
<u>Shower Compartments</u> .....	III-81
<u>Lavatory Doors</u> .....	III-96
<u>Lavatory Cabinets</u> .....	III-104
<u>Medicine Cabinets</u> .....	III-125
<u>Wardrobes</u> .....	III-129
<u>Magazine Rack</u> .....	III-142

### GALLEY

<u>Galley, 19'</u> .....	III-143
<u>Galley, 20'</u> .....	III-147
<u>Galley, 23CB</u> .....	III-152
<u>Galley, 23FB</u> .....	III-166
<u>Galley, 25'</u> .....	III-159
<u>Galley, 25FB</u> .....	III-164
<u>Galley, 26U</u> .....	III-170
<u>Galley, 27FB</u> .....	III-174
<u>Galley, 28'</u> .....	III-180
<u>Galley, 30'</u> .....	III-184
<u>Galley, 30' Bunk</u> .....	III-189
<u>Refrigerator Cabinets</u> .....	III-194
<u>Pantry Cabinets</u> .....	III-207
<u>Spice Racks</u> .....	III-225
<u>Roof Lockers</u> .....	III-227
<u>Dinette Seats</u> .....	III-239
<u>Dinette Tables</u> .....	III-250

### LOUNGE

<u>Dinette Seats</u> .....	III-254
<u>Dinette Tables</u> .....	III-268
<u>Sofas</u> .....	III-272
<u>Roof Lockers</u> .....	III-283
<u>Magazine Rack</u> .....	III-289



# 2019 FLYING CLOUD

## SECTION III

### HARDWARE`

<u>Main Door Locks</u> .....	III-290
<u>Exterior Latches, Locks, and Handles</u> .....	III-292
<u>Head knocker, Drawer Pull, and Rubber Bumpers</u> .....	III-293
<u>Exterior Hinges</u> .....	III-293
<u>Interior Latches and Handles</u> .....	III-294
<u>Interior Hinges</u> .....	III-294
<u>Window Hardware</u> .....	III-295
<u>Roof Locker Mounting Supports</u> .....	III-295
<u>Wrap Protector Holdback Latches</u> .....	III-295
<u>Bathroom Accessories</u> .....	III-296
<u>Clothes Line</u> .....	III-296
<u>Wardrobe Clothes Rod</u> .....	III-296
<u>Sewer Hose</u> .....	III-296
<u>Bed Gas Spring</u> .....	III-296
<u>Awning Hardware</u> .....	III-297
<u>Rivets</u> .....	III-298
<u>Screws</u> .....	III-298

### SAFETY EQUIPMENT

<u>Detectors and Fire Extinguishers</u> .....	III-299
-----------------------------------------------	---------

### LABELS AND TAGS

<u>Labels and Tags, USA</u> .....	III-300
<u>Labels and Tags, CSA</u> .....	III-301

# 2019 FLYING CLOUD

## SECTION IV

### PLUMBING

#### LPG SYSTEMS

<u>LPG System layouts</u> .....	IV-1
<u>LPG Tanks and Covers</u> .....	IV-12
<u>Exterior Propane Port</u> .....	IV-12

#### FRESH WATER

<u>Galley Faucet</u> .....	IV-13
<u>Lavatory Faucet</u> .....	IV-14
<u>Shower Faucet</u> .....	IV-15
<u>Fresh Water Tanks</u> .....	IV-16
<u>City Water Hookup</u> .....	IV-17
<u>Water Pump</u> .....	IV-17
<u>Fresh Water Tank Fill</u> .....	IV-17
<u>Fresh Water Lines</u> .....	IV-18
<u>Fresh Water Fittings</u> .....	IV-29
<u>Winterization Kit</u> .....	IV-30

#### DRAIN

<u>Above Floor Drain Systems</u> .....	IV-31
<u>Tank Drains</u> .....	IV-42
<u>Dump Valves</u> .....	IV-44
<u>Black and Gray Tanks</u> .....	IV-48
<u>Black Tank Flush</u> .....	IV-49
<u>Sinks and Showers</u> .....	IV-50
<u>Toilets</u> .....	IV-64

#### SEALERS AND GASKETS

<u>Sealers</u> .....	IV-68
<u>Gaskets</u> .....	IV-68
<u>Gasket Kits</u> .....	IV-69

# 2019 FLYING CLOUD SECTION IV

## BEDDING, MATTRESSES

<u>Mattresses and Bedspreads</u> .....	IV-70
<u>Mattresses and Bedspreads, Twin Beds</u> .....	IV-71
<u>Pillow Kits</u> .....	IV-71

## UPHOLSTERY, FOAM, ULTRALEATHER

<u>Dinette Cushions, 19'</u> .....	IV-72
<u>Dinette Cushions, 20'</u> .....	IV-73
<u>Dinette Cushions, 23CB</u> .....	IV-74
<u>Dinette Cushions, 23FB</u> .....	IV-75
<u>Dinette Cushions, 25'</u> .....	IV-76
<u>Dinette Cushions, 25FB, 27FB</u> .....	IV-77
<u>Dinette Cushion, 26U</u> .....	IV-78
<u>Dinette Cushions, 28', 30'</u> .....	IV-79
<u>L-Lounge Cushions, 28'</u> .....	IV-80
<u>L-Lounge Cushions, 30'</u> .....	IV-81
<u>Dinette Cushions, 30' Bunk</u> .....	IV-82
<u>Sofa Cushions, 30' Bunk</u> .....	IV-83
<u>Décor Board</u> .....	IV-84

## VENTS AND FANS

<u>Vent, Black Tank</u> .....	IV-85
<u>Vent, Bath</u> .....	IV-85
<u>Vent, Refrigerator</u> .....	IV-85
<u>Vent, Range</u> .....	IV-85
<u>Exhaust Fan</u> .....	IV-85

## SKYLIGHTS

<u>Skylights</u> .....	IV-86
------------------------	-------

## PANELING, EDGEBANDING, LAUAN

<u>Paneling</u> .....	IV-87
<u>Edgebanding</u> .....	IV-87
<u>Plywood</u> .....	IV-88
<u>Lauan</u> .....	IV-88

## TRIMS

<u>Trim</u> .....	IV-89
-------------------	-------



# 2019 FLYING CLOUD APPLIANCES

## Air Conditioners

690323-44	Comfort control center, White
690323-47	Air conditioner w/heat pump, 13,500 BTU
690323-48	Air conditioner w/heat pump, 15,000 BTU, WB trailers
104948	Air deflector, A/C to refrigerator vent
382606-01	Register-Ac - Adjustable Brushed
690380-08	Sensor cable, 20', Dual air only, WB trailers
690380-10	Air box/shroud, Interior, White
690380-11	Duct adapter, Use w/690380-10
382341	Grill, Return air, Snap-in
382342	Filter, Wire mesh

## Air Conditioner Drain Kit

203724	Kit, A/C drain
203722	Gasket, A/C drain

## Water Heater

690602	Water Heater, 6 gallon, Gas/electric
690209	Water heater access cover, Brushed Aluminum
511731-01	Switch w/Red indicator light, Black
512480-01	Switch, Water heater, Black
967194	Stand, Water heater
382262	Gasket, Water heater

## 2019 FLYING CLOUD APPLIANCES

### Furnace

690663-02	Furnace, 16K BTU, 19'
690663-03	Furnace, 18K BTU, 20', 23FB
690663-06 115658	Furnace exterior door & bezel, Painted Aluminum Cover, 16K & 18K furnace door, Aluminum
690664-01	Furnace, 25K BTU, 23CB, 25', 25FB, 26U, 27FB
690664-02	Furnace, 30K BTU, 28', 30', 30Bunk
690664-05 115659	Furnace exterior door & bezel, Painted Aluminum Cover, 25K & 30K furnace door, Aluminum
690664-100	Sail switch
690664-0100	Exhaust pipe with end vent for 690664-01
690664-0200	Exhaust pipe with end vent for 690664-02
602394-01	Register, 4", Polar White
602394-02	2" adaptor, Polar White
602394-03	Register, 4", Black
602394-04	2" adaptor, Black
203070	Register, Plastic, Brown, 2" x 10"
690429	Louver vent, 2", Round, Black
600526	Flange, 4"
600193	Hose, 2", Flex heat duct
600247	Hose, 4", Flex heat duct
114079	Duct adapter, 4" to 2"
601348	Tee, Heat duct, 4 x 4 x 2
511228	Thermostat, Furnace, Off-White
968186	Furnace stand, 19', 20', 23FB
968151	Furnace stand, 23CB, 25', 25FB, 26U, 27FB, 28', 30', 30' Bunk

### Microwaves

690683-01	Microwave w/trim kit, Black, 20', 23CB, 23FB, 25', 30', 30 Bunk
690648-02	Microwave, .7CF, Stainless Steel, Contoure, 26U, 27FB
690728-01	Convection microwave, SS, Contoure
690728-02	Trim kit, SS

## 2019 FLYING CLOUD APPLIANCES

### Range and Cooktop

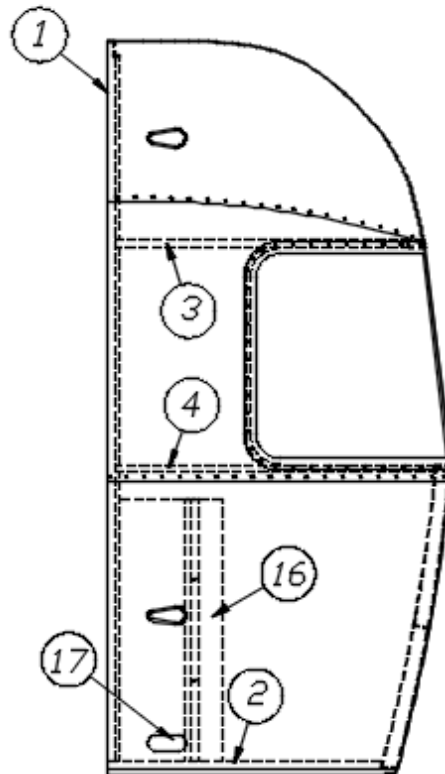
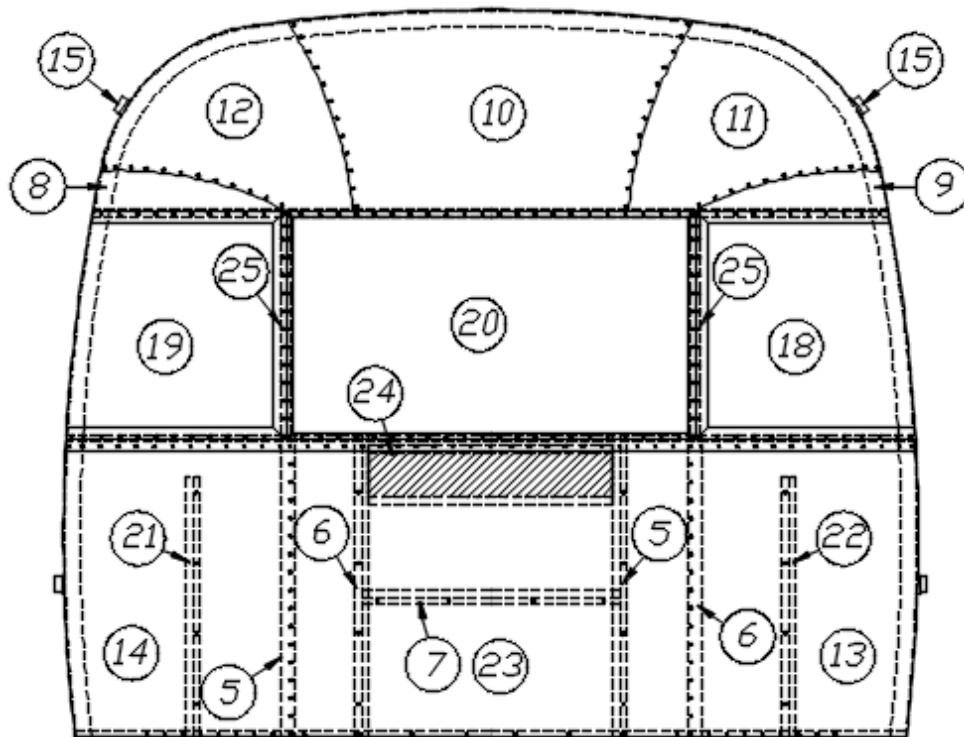
690631-01	Range, 21", Black top, Stainless Steel door
690631-02-UPS	Cooktop, 21" w/3 burners, Black
690631-0201	Burners for range and cooktop
690631-03	Bi-fold burner cover, Stainless Steel
690631-04	Bi-fold cover, Black
690631-100	Hinge kit, Bi-fold cover
512210	Range hood, Baraldi
454590	Extension, Range vent
511017-11	Exterior vent, Gray
115175	Duct, Range exhaust transition

### Refrigerators

690393-09	Refrigerator, 4 CF, RH, 19'
690393-10	Refrigerator, 4 CF, LH, 20'
690540-02	Refrigerator, 5 CF, LH, 23CB
690540-03	Refrigerator, 5 CF, RH, 23FB
690574-01	Refrigerator, 7 CF, LH, 25', 26U, 28'
690574-02	Refrigerator, 7 CF, RH, 25FB, 27FB
690609-01	Refrigerator, 8 CF, LH, 30'
690609-02	Refrigerator, 8 CF, RH, 30' Bunk
965934-02	Insert, 19', 20'
965934-03	Insert, 23CB, 23FB
965934-05	Upper insert, 25', 25FB, 26U, 27FB, 28'
965934-06	lower insert, 25', 25FB, 26U, 27FB, 28'
511836	Refrigerator fan switch, White, 19', 20'
690394	Power ventilator, refrigerator
965630	Refrigerator stand, 19'
966559	Refrigerator stand, 20'
966811	Refrigerator stand, 23CB, 23FB
968353	Refrigerator stand, 25'
966812	Refrigerator stand, 25FB, 27FB
968348	Refrigerator stand, 26U
966808	Refrigerator stand, 28'
967519	Refrigerator stand, 30'
967920	Refrigerator stand, 30' Bunk

# 2019 FLYING CLOUD EXTERIOR SHELL

Front End, 19', 20', 23CB, 23FB



Parts Listed on Next Page



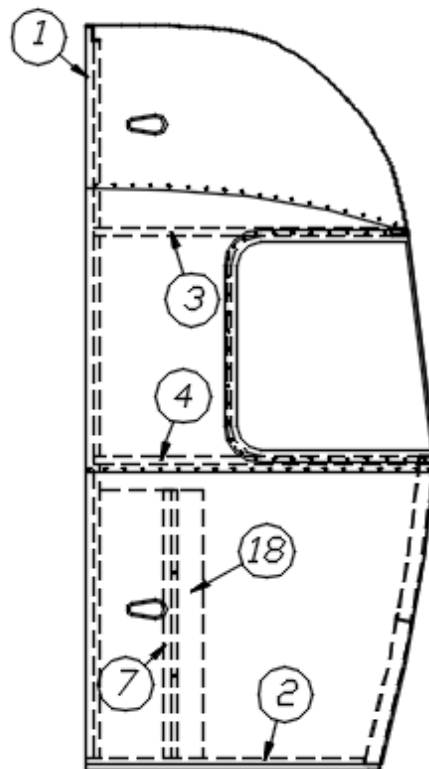
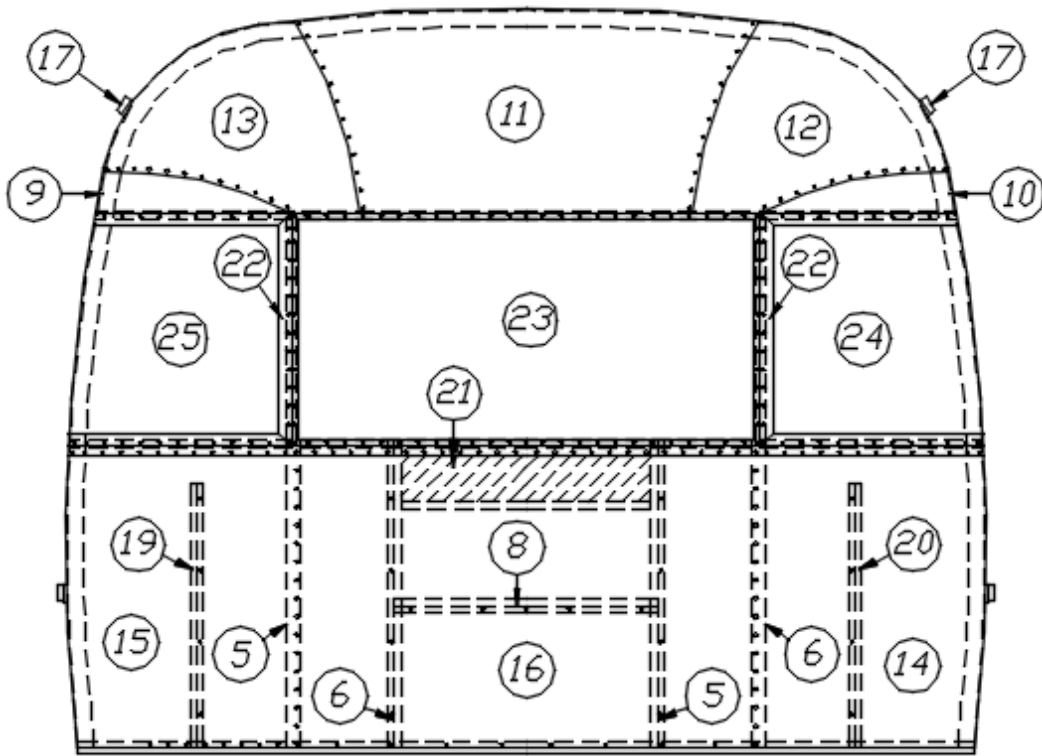
## 2019 FLYING CLOUD EXTERIOR SHELL

### Front End, 19', 20', 23CB, 23FB

922626	Front End Shell
1. 114994	Weldment, End bow, NB
2. 104463	Floor bow, Captive extrusion
3. 115480	Upper, Window bow
4. 104343	Lower, Window bow
5. 114505-01	Support, Lower end, LH
6. 114505-02	Support, Lower end, RH
7. 104408	Z-rib
8. 114888	Segment, Center left
9. 114889	Segment, Center right
10. 114892	Segment, #25, NB
11. 114890	Segment, #26
12. 114891	Segment, #27
13. 114894	Segment, #28
14. 114895	Segment, #29
15. 512859	LED clearance light, Amber
16. 115699	Plate-Backer End Shell
17. 500096	Reflector, Amber
18. 372088-101	Panoramic window, RS front
19. 372089-101	Panoramic window, CS front
20. 371328	Front window, Complete assembly
21. 101315-01	Vertical brace, Rear, LH
22. 101315-02	Vertical brace, Rear, RH
23. 114880-307	Aluminum sheet, .04" x 51" x 307"
24. 453629	Hat section, 27.25" long, Front dinette models only
25. 454910	Support, Wrap window

# 2019 FLYING CLOUD EXTERIOR SHELL

Front End, 25', 28', 30'



Parts Listed on Next Page

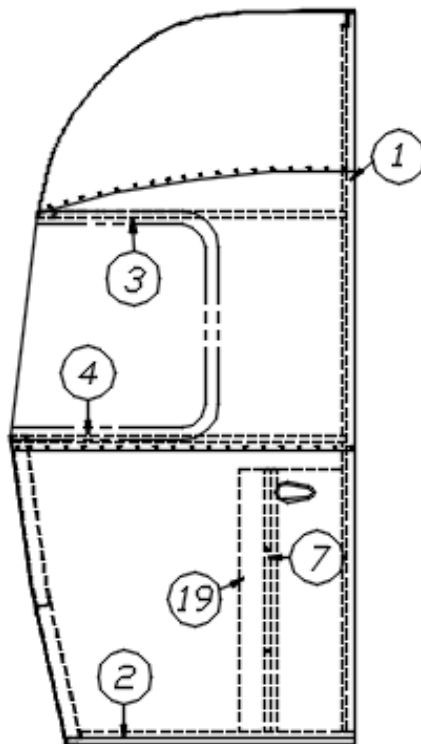
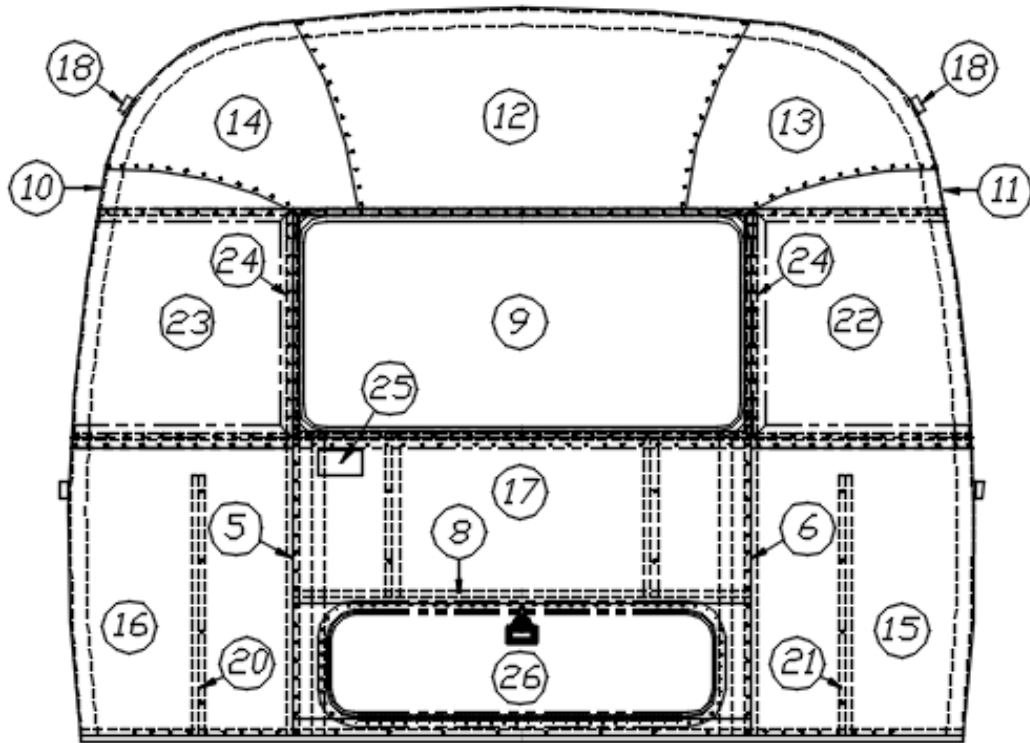
## 2019 FLYING CLOUD EXTERIOR SHELL

Front End, 25', 28', 30'

922676	Front End Shell, 28', 30'
922676-01	Front End Shell, 25'
1. 114993	Weldment, Zero bow
2. 114676	Floor bow, Altered
3. 114678	Bow, Upper window, Altered
4. 114677	Bow, Lower window Altered
5. 114505-01	Support, Lower end shell, LH
6. 114505-02	Support, Lower end shell, RH
7. 101315	Brace, Vertical rear
8. 104408	Z-rib
9. 114888	Segment, Center left
10. 114889	Segment, Center right
11. 114893	Segment, #25
12. 114890	Segment, #26
13. 114891	Segment, #27
14. 114894	Segment, #28
15. 114895	Segment, #29
16. 115699	Plate-Backer End Shell
17. 512859	LED clearance light, Amber
18. 114849-06	Aluminum sheet, .06" x 36" x 8', Black
19. 101315-01	Vertical brace, Rear, LH
20. 101315-02	Vertical brace, Rear, RH
21. 453629	Hat section, Dinette table support
22. 454910	Support, Wrap window
23. 371346-02	Front window, Flat, 48.97"
24. 372088-101	Panoramic window, RS front
25. 372089-101	Panoramic window, CS front

# 2019 FLYING CLOUD EXTERIOR SHELL

Front End, 25FB



Parts Listed on Next Page

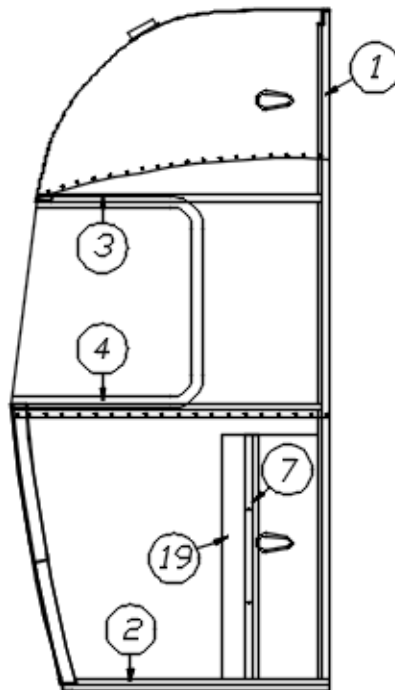
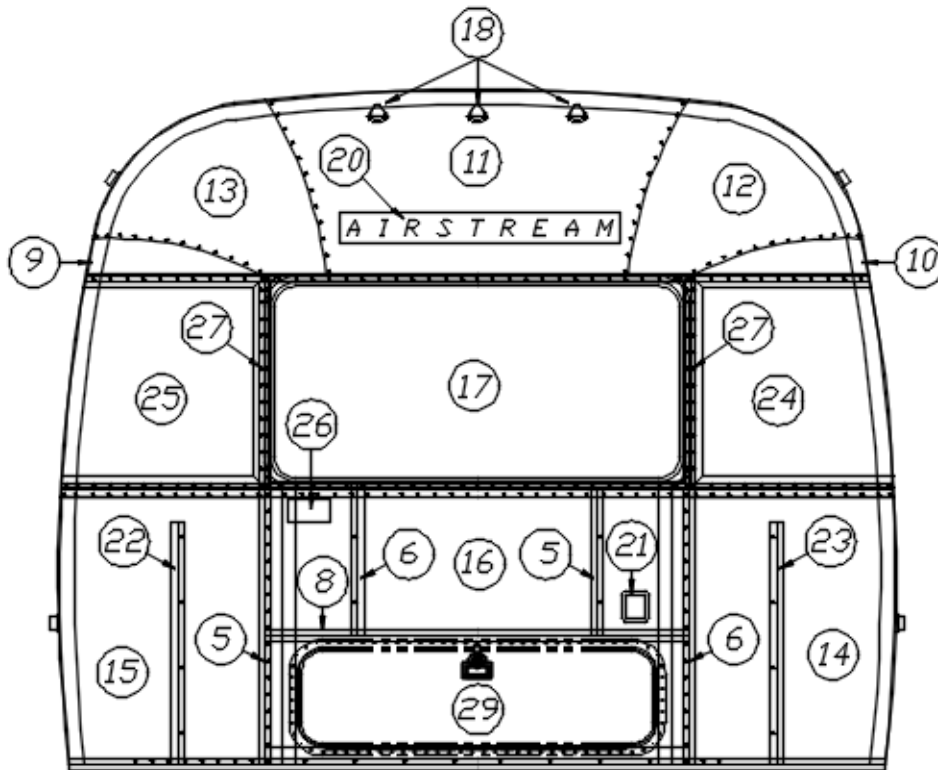
## 2019 FLYING CLOUD EXTERIOR SHELL

### Front End, 25FB

921240-01	Front Shell, 25FB
1. 114993	End bow
2. 114676	Floor bow
3. 114678	Upper window bow
4. 114677	Lower window bow
5. 114505-01	Support, Lower end, LH
6. 114505-02	Support, Lower end, RH
7. 101315	Brace, vertical rear
8. 104408	Z-rib
9. 371346-02	Front window, Flat, 48.97"
10. 114888	Segment, Center left
11. 114889	Segment, Center right
12. 114893	Segment #25
13. 114890	Segment #26
14. 114891	Segment #27
15. 114894	Segment #28
16. 114895	Segment #29
17. 114880-307	Aluminum sheet, .04 x 51" x 307
18. 512859	LED clearance light, Amber
19. 115699	Plate-Backer End Shell
20. 101315-01	Vertical brace, Rear, LH
21. 101315-02	Vertical brace, Rear, RH
22. 372088-101	Panoramic window, RS front
23. 372089-101	Panoramic window, CS front
24. 454910	Support, Wrap window
25. 386118	Label, LP Gas Tri-Warning
26. 922288-02	Trunk door w/round corners
100029	Trim, Wrap around window

# 2019 FLYING CLOUD EXTERIOR SHELL

Front End, 26U, 27FB



Parts Listed on Next Page

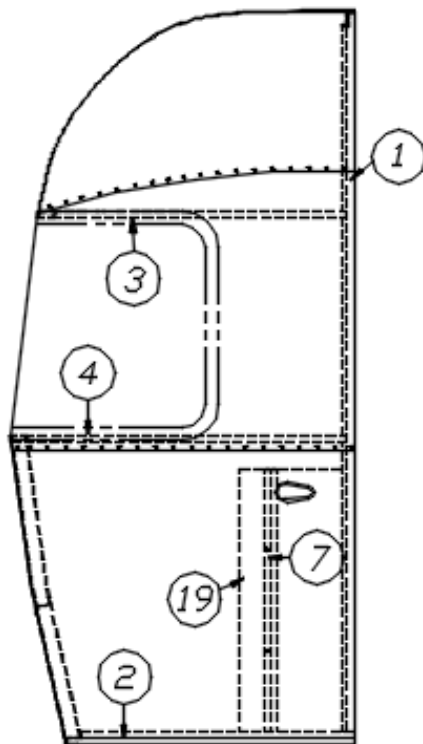
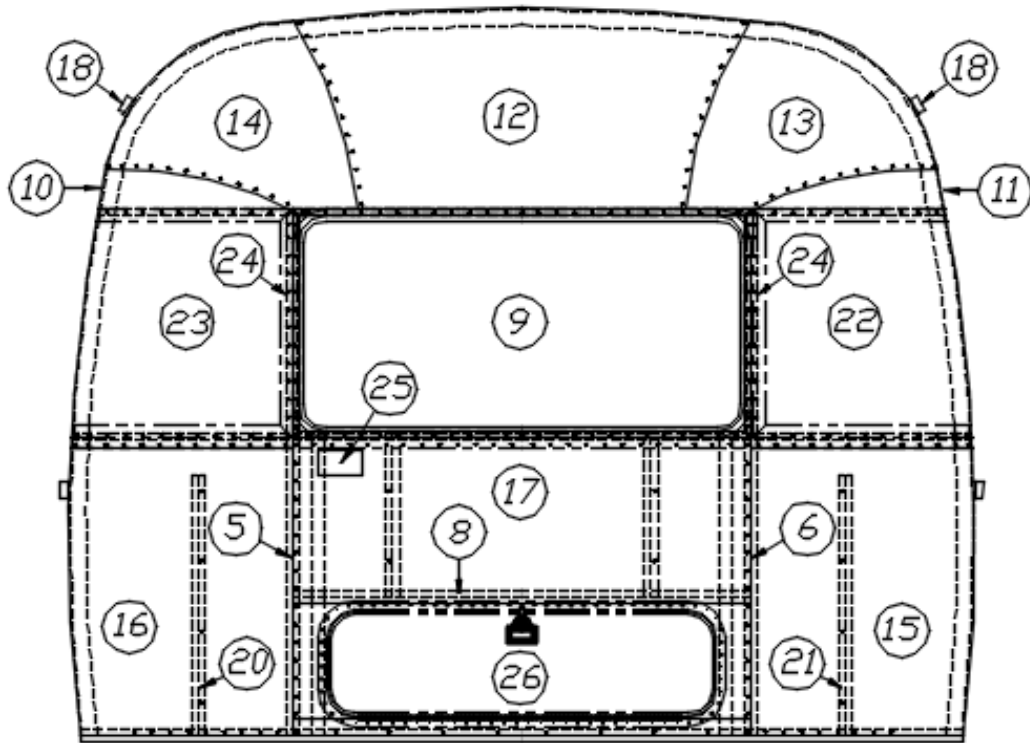
## 2019 FLYING CLOUD EXTERIOR SHELL

### Front End, 26U, 27FB

921244-01	Front Shell w/Panoramic Windows
1. 114993	Weldment, Zero bow, "WB"
2. 114676	Bow, Floor, Altered
3. 114678	Bow, Upper window, Altered
4. 114677	Bow, Lower window, Altered
5. 114505-01	Support, Lower end, LH
6. 114505-02	Support, Lower end, RH
7. 101315	Vertical brace, Rear
8. 104408	Z-rib
9. 114888	Segment, Center left
10. 114889	Segment, Center right
11. 114893	Segment, #25, WB
12. 114890	Segment, #26
13. 114891	Segment, #27
14. 114894	Segment, #28
15. 114895	Segment, #29
16. 114880-307	Aluminum sheet, .04" x 51" x 307"
17. 371346-02	Front window, Flat, 48.97"
18. 512859	LED clearance light, Amber
19. 115699	Plate-Backer End Shell
20. 386272	Decal, "AIRSTREAM", Black Chrome
21. 513087-02	Power inlet, Male, 30A, 125V, Gray
22. 101315-01	Vertical brace, LH
23. 101315-02	Vertical brace, RH
24. 372088-101	Panoramic window, RS front
25. 372089-101	Panoramic window, CS front
26. 386118	Label, LP gas tri-warning
27. 454910	Support, Wrap window
28. 922288-02	Trunk door only w/round corners
100029	Trim, Wrap around window

# 2019 FLYING CLOUD EXTERIOR SHELL

Front End, 30' Bunk



Parts Listed on Next Page



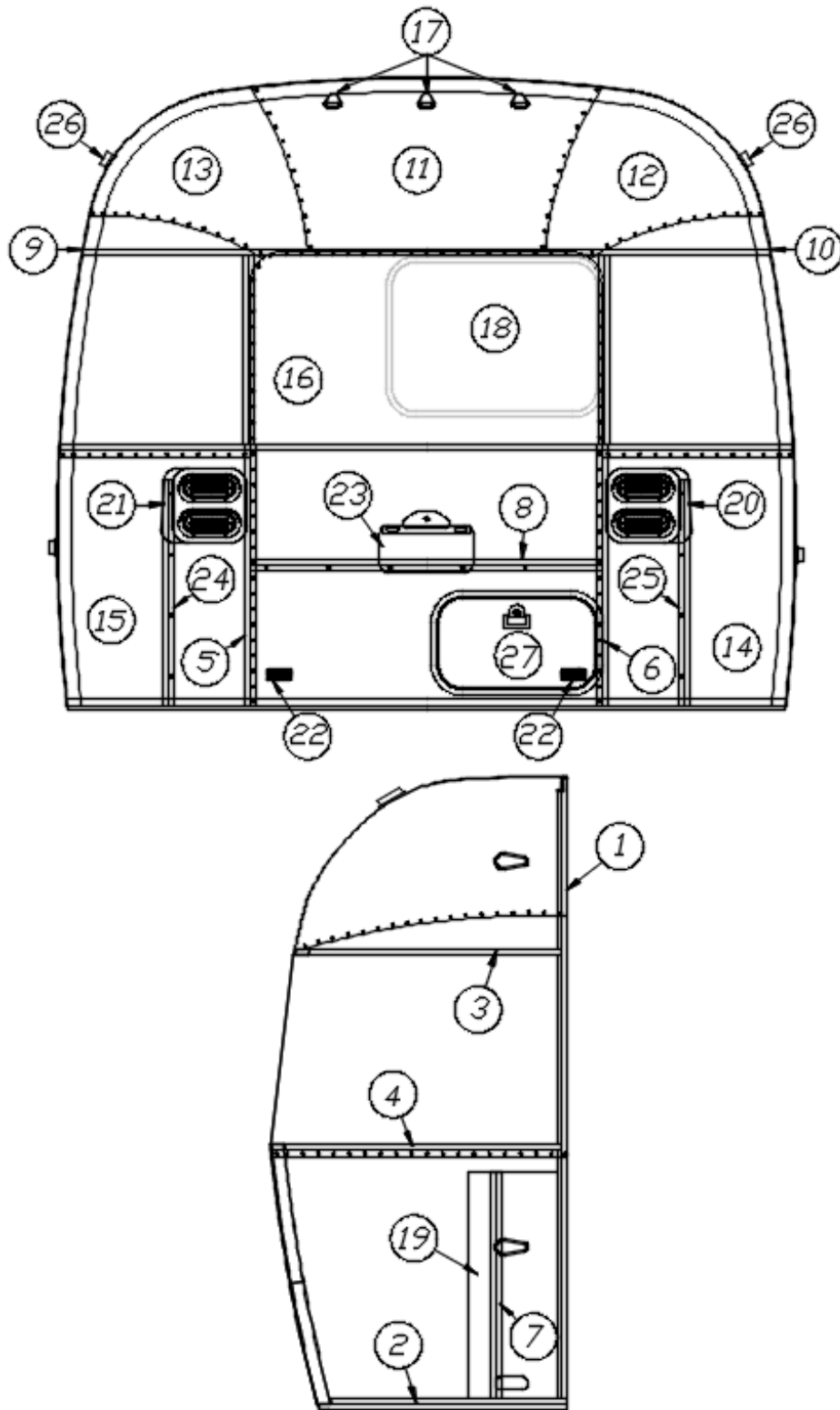
## 2019 FLYING CLOUD EXTERIOR SHELL

### Front End, 30' Bunk

921240-02	Front Shell, 30' Bunk
1. 114993	End bow
2. 114676	Floor bow
3. 114678	Upper window bow
4. 114677	Lower window bow
5. 114505-01	Support, Lower end, LH
6. 114505-02	Support, Lower end, RH
7. 101315	Brace, vertical rear
8. 104408	Z-rib
9. 371348-03	Front window w/Silver handles
10. 114888	Segment, Center left
11. 114889	Segment, Center right
12. 114893	Segment, #25
13. 114890	Segment, #26
14. 114891	Segment, #27
15. 114894	Segment, #28
16. 114895	Segment, #29
17. 114880-307	Aluminum sheet, .04 x 51" x 307
18. 512859	LED clearance light, Amber
19. 115699	Plate-Backer End Shell
20. 101315-01	Vertical brace, Rear, LH
21. 101315-02	Vertical brace, Rear, RH
22. 372088-101	Panoramic window, RS front
23. 372089-101	Panoramic window, CS front
24. 454910	Support, Wrap window
25. 386118	Label, LP gas tri-warning
26. 922288-02	Trunk door assembly w/round corners

# 2019 FLYING CLOUD EXTERIOR SHELL

Aft End, 19', 23CB



Parts Listed on Next Page

## 2019 FLYING CLOUD EXTERIOR SHELL

Aft End, 19', 23CB

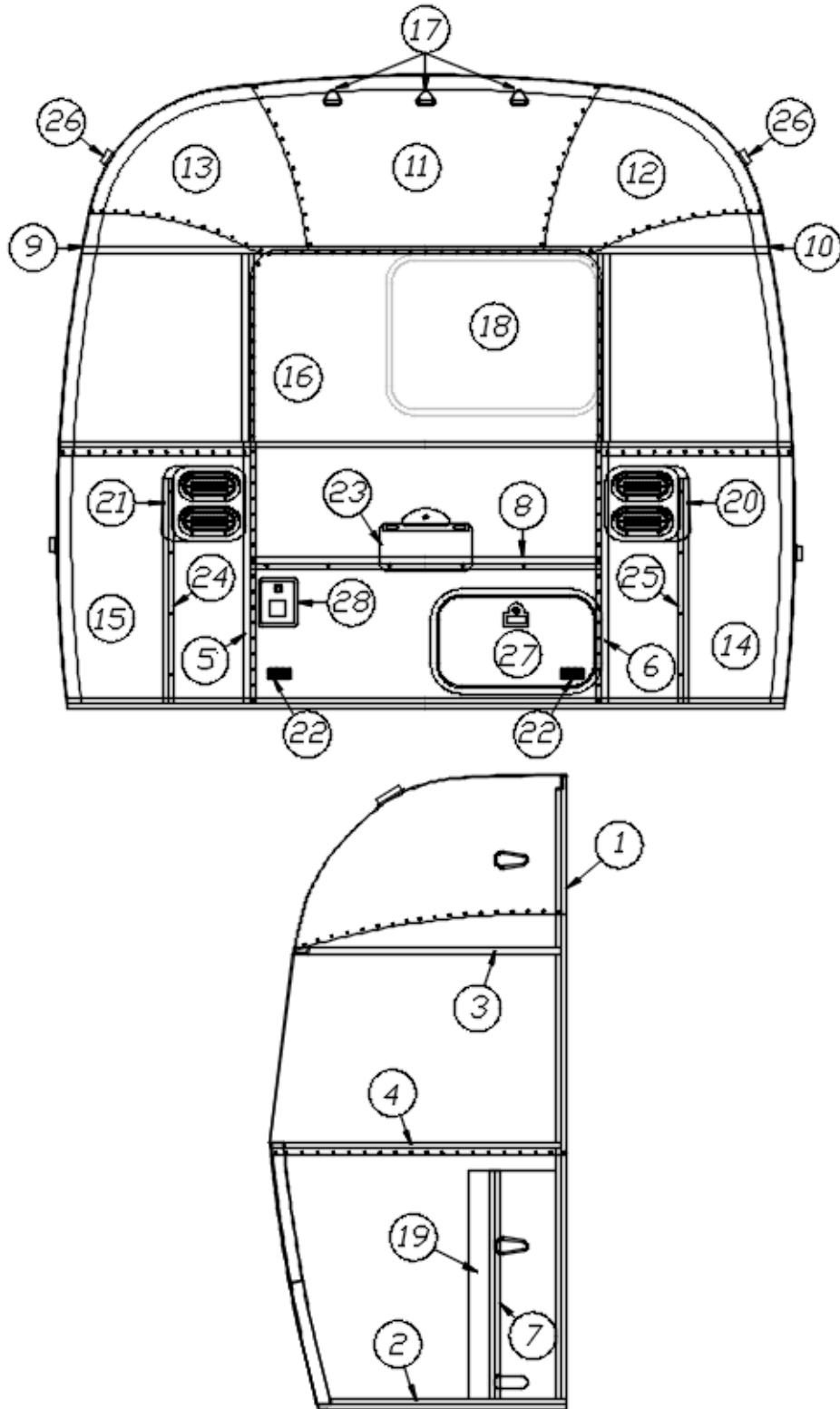
964513-08

Aft End Shell

1. 114994 End bow
2. 104463 Floor bow
3. 115480 Upper window bow
4. 104343 Lower window bow
5. 114505-01 Support, Lower end, LH
6. 114505-02 Support, Lower end, RH
7. 101315 Vertical brace, rear
8. 104408 Z-rib
9. 114888 Segment, Center left
10. 114889 Segment, Center right
11. 114892 Segment, #25
12. 114890 Segment, #26
13. 114891 Segment, #27
14. 114894 Segment, #28
15. 114895 Segment, #29
16. 114880-201 Aluminum sheet, .04" x 19" x 51"
17. 512928 Curved bezel w/gasket, Required for 3 top lights
18. 372229 Window, No arms
19. 115699 Plate-Backer End Shell
20. 952929-02 Tail light, CS
21. 952929-01 Tail light, RS
22. 510446 Reflector, Stick-on, Red
23. 512409 License plate holder
24. 101315-01 Support, Lower end shell, LH
25. 101315-02 Support, Lower end shell, RH
26. 512860 LED clearance light, Red
27. 100679-01 Door, Side access

# 2019 FLYING CLOUD EXTERIOR SHELL

Aft End, 20'



Parts Listed on Next Page

## 2019 FLYING CLOUD EXTERIOR SHELL

Aft End, 20'

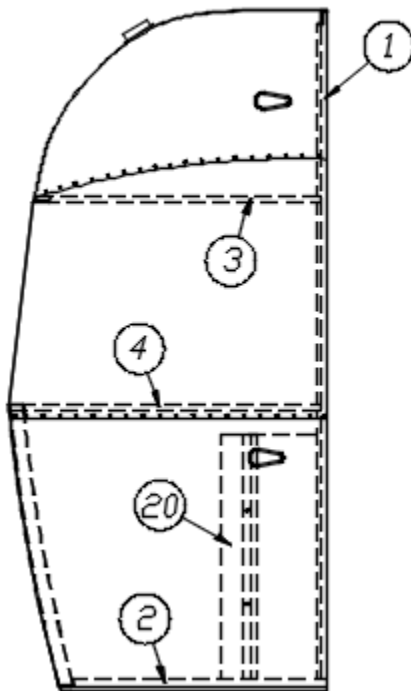
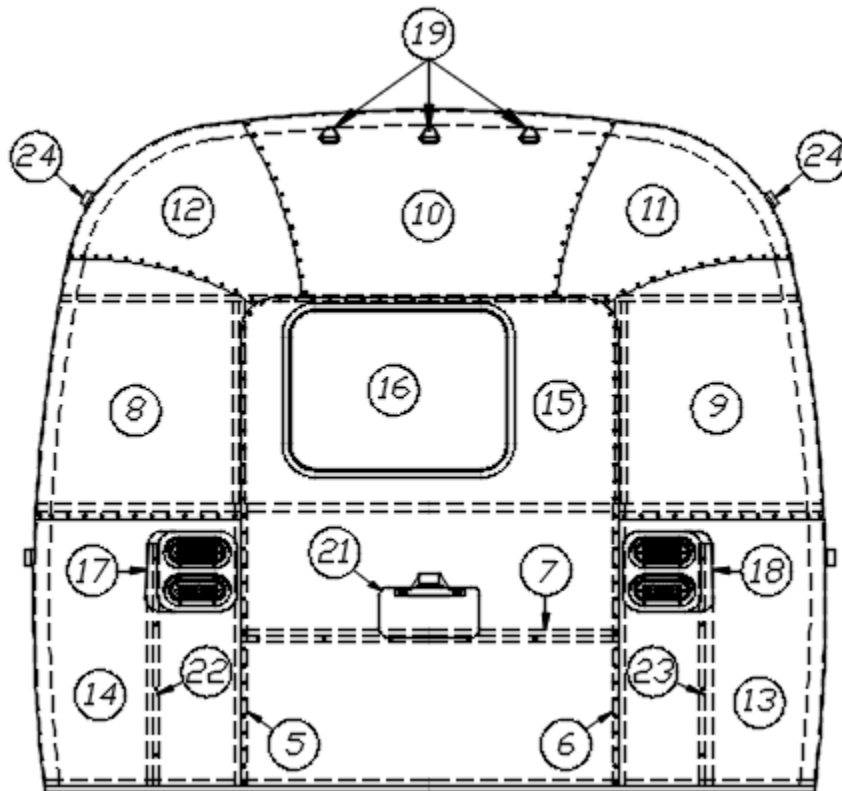
964513-07

Aft End Shell

- |                |                                                  |
|----------------|--------------------------------------------------|
| 1. 114994      | End bow                                          |
| 2. 104463      | Floor bow                                        |
| 3. 115480      | Upper window bow                                 |
| 4. 104343      | Lower window bow                                 |
| 5. 114505-01   | Support, Lower end, LH                           |
| 6. 114505-02   | Support, Lower end, RH                           |
| 7. 101315      | Vertical brace, rear                             |
| 8. 104408      | Z-rib                                            |
| 9. 114888      | Segment, Center left                             |
| 10. 114889     | Segment, Center right                            |
| 11. 114892     | Segment, #25                                     |
| 12. 114890     | Segment, #26                                     |
| 13. 114891     | Segment, #27                                     |
| 14. 114894     | Segment, #28                                     |
| 15. 114895     | Segment, #29                                     |
| 16. 114880-201 | Aluminum sheet, .04" x 19" x 51"                 |
| 17. 512928     | Curved bezel w/gasket, Required for 3 top lights |
| 18. 372229-01  | Window, 21 x 28, "Non"-emergency exit            |
| 19. 115699     | Plate-Backer End Shell                           |
| 20. 952929-02  | Tail light, CS                                   |
| 21. 952929-01  | Tail light, RS                                   |
| 22. 510446     | Reflector, Stick-on, Red                         |
| 23. 512409     | License plate holder                             |
| 24. 101315-01  | Support, Lower end shell, LH                     |
| 25. 101315-02  | Support, Lower end shell, RH                     |
| 26. 512860     | LED clearance light, Red                         |
| 27. 100679-01  | Door, Side access                                |
| 28. 601194     | Water fill w/lock, Gray                          |

# 2019 FLYING CLOUD EXTERIOR SHELL

Aft End, 23FB



Parts Listed on Next Page

## 2019 FLYING CLOUD EXTERIOR SHELL

### Aft End, 23FB

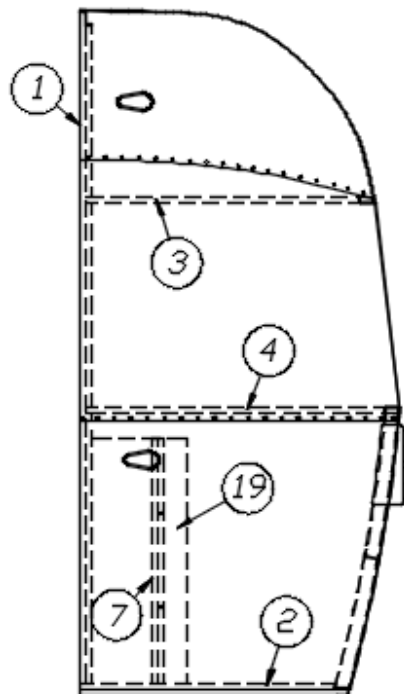
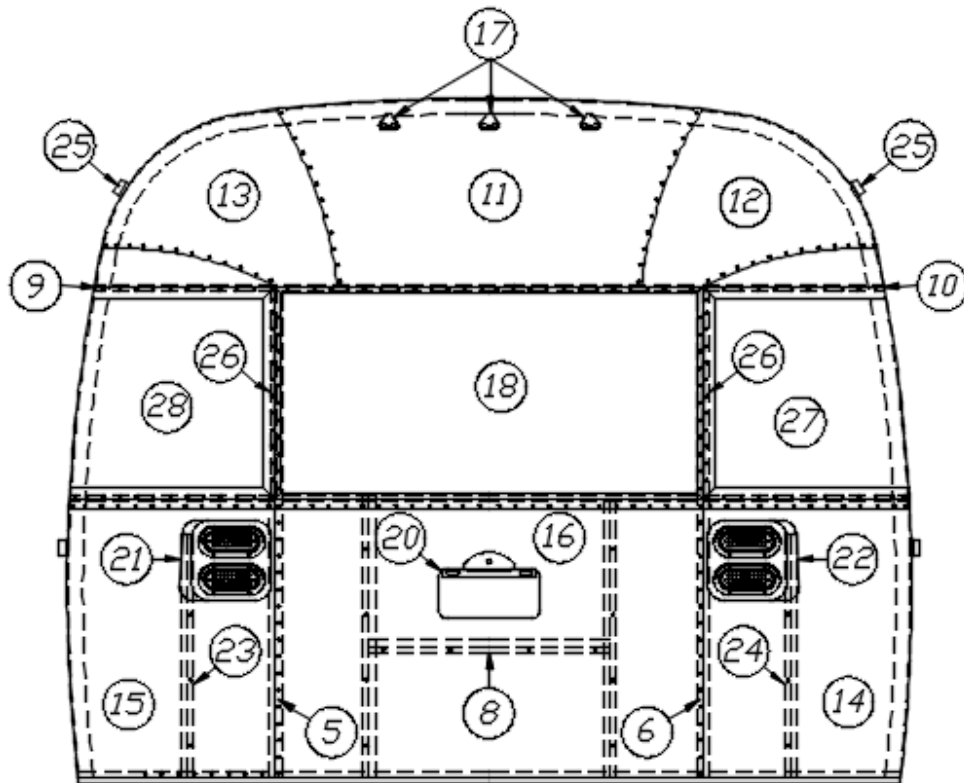
967149-01

Aft End Shell

1. 114994 End bow
2. 104463 Floor bow
3. 115480 Upper window bow
4. 104343 Lower window bow
5. 114505-01 Support, Lower end, LH
6. 114505-02 Support, Lower end, RH
7. 104408 Z-rib
8. 114888 Segment, Center left
9. 114889 Segment, Center right
10. 114892 Segment, #25, NB
11. 114890 Segment, #26
12. 114891 Segment, #27
13. 114894 Segment, #28
14. 114895 Segment, #29
15. 114880-201 Aluminum sheet, 41" x 51"
16. 372218 Window, Rear, 21" x 28", Opening
17. 952929-01 Tail light, RS
18. 952929-02 Tail light, CS
19. 512928 Curved bezel w/gasket, Required for 3 top lights
20. 115699 Plate-Backer End Shell
21. 512409 License plate holder
22. 101315-01 Support, Lower end shell, LH
23. 101315-02 Support, Lower end shell, RH
24. 512860 LED clearance light, Red

# 2019 FLYING CLOUD EXTERIOR SHELL

Aft End, 25', 26U



Parts Listed on Next Page



## 2019 FLYING CLOUD EXTERIOR SHELL

Aft End, 25', 26U

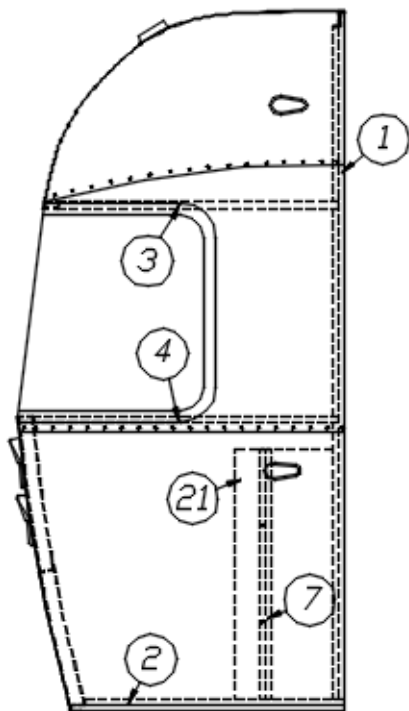
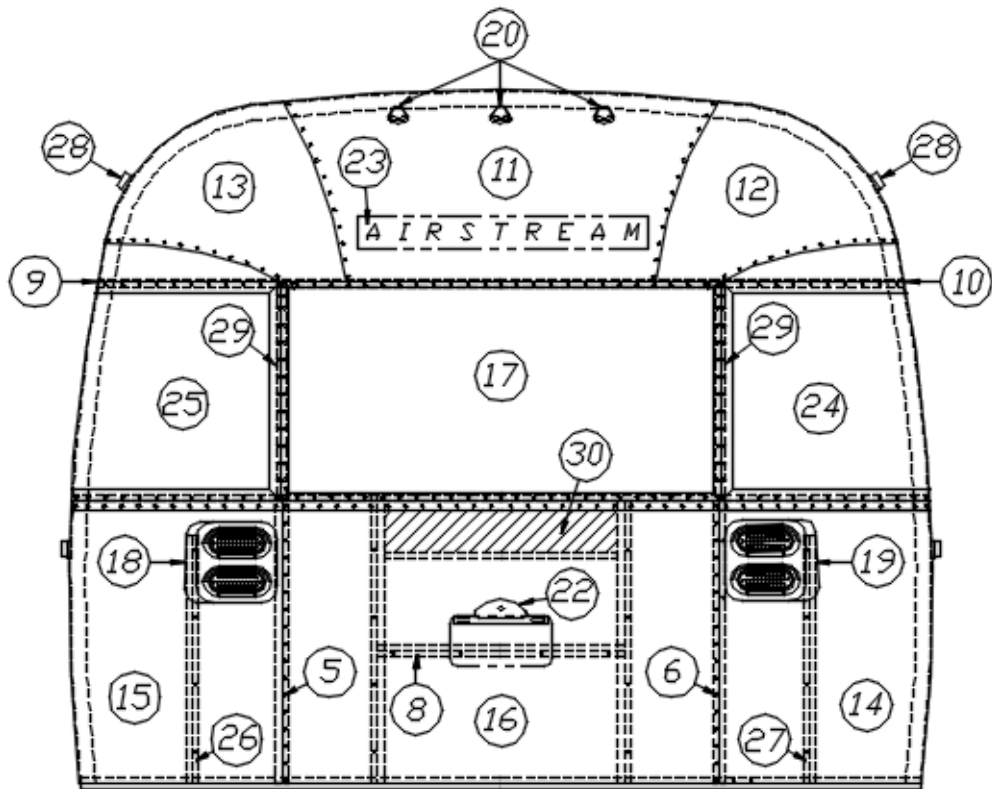
922677-01

Aft End Shell

1. 114993	End bow
2. 114676	Floor bow
3. 114678	Upper window bow
4. 114677	Lower window bow
5. 114505-01	Support, Lower end, LH
6. 114505-02	Support, Lower end, RH
7. 101315	Brace, Vertical rear
8. 104408	Z-rib
9. 114888	Segment, Center left
10. 114889	Segment, Center right
11. 114893	Segment, #25
12. 114890	Segment, #26
13. 114891	Segment, #27
14. 114894	Segment, #28
15. 114895	Segment, #29
16. 114880-307	Aluminum sheet, .04" x 51" x 307"
17. 512928	Curved bezel w/gasket, Required for 3 top lights
18. 371346-01	Window, 48.97" flat, Rear egress
19. 115699	Plate-Backer End Shell
20. 512409	License plate holder
21. 952929-01	Tail light, RS
22. 952929-02	Tail light, CS
23. 101315-01	Vertical brace, Rear, LH
24. 101315-02	Vertical brace, Rear, RH
25. 512860	LED clearance light, Red
26. 454910	Support, Wrap window
27. 372088-101	Panoramic window, CS rear
28. 372089-101	Panoramic window, RS rear
100029	Trim, Wrap-around window
500095	Red reflector, Oblong oval

# 2019 FLYING CLOUD EXTERIOR SHELL

Aft End, 25FB, 27FB



Parts Listed on Next Page

## 2019 FLYING CLOUD EXTERIOR SHELL

Aft End, 25FB, 27FB

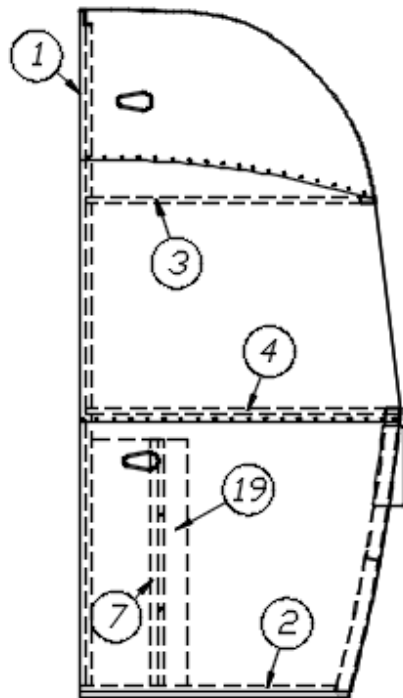
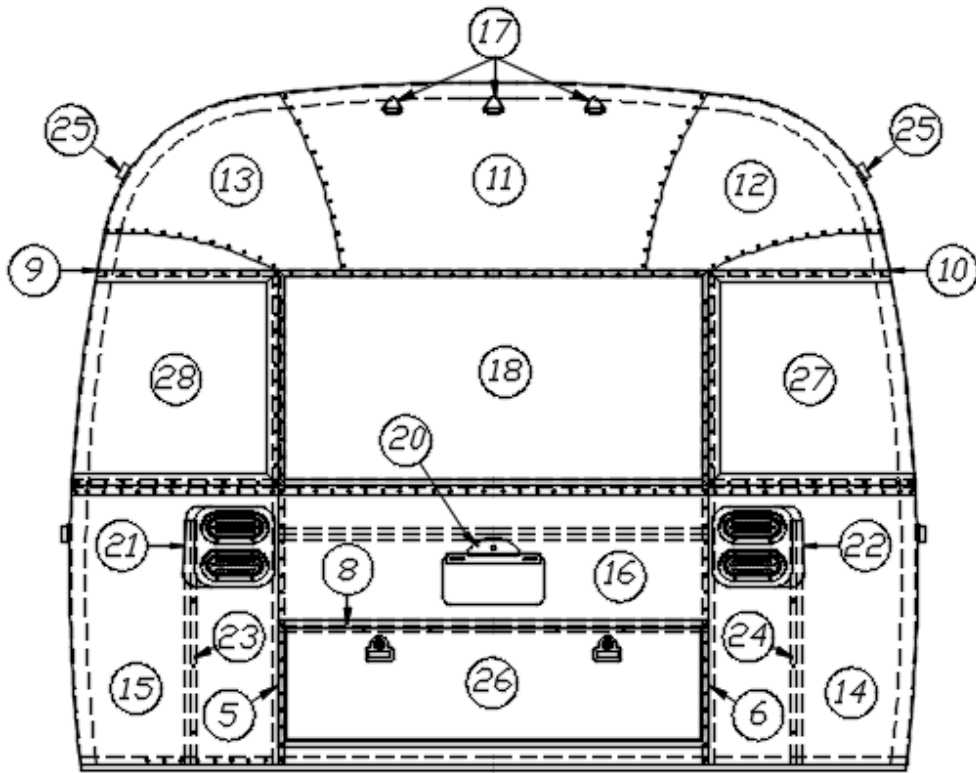
921227-01

Aft End Shell

1. 114993 End bow
2. 114676 Floor bow
3. 114678 Upper window bow
4. 114677 Lower window bow
5. 114505-01 Support, Lower end, LH
6. 114505-02 Support, Lower end, RH
7. 101315 Brace, Vertical rear
8. 104408 Extrusion rib
9. 114888 Segment, Center left
10. 114889 Segment, Center right
11. 114893 Segment, #25
12. 114890 Segment, #26
13. 114891 Segment, #27
14. 114894 Segment, #28
15. 114895 Segment, #29
16. 114880-307 Aluminum sheet, .04" x 51" x 307"
17. 371346-02 Front window, Flat, 48.97"
18. 952929-01 Tail light, Roadside
19. 952929-02 Tail light, Curbside
20. 512928 Curved bezel w/gasket, Required for 3 top lights
21. 115699 Plate-Backer End Shell
22. 512409 License plate holder
23. 386272 Decal, "AIRSTREAM", Black Chrome
24. 372088-101 Panoramic window, CS rear
25. 372089-101 Panoramic window, RS rear
26. 101315-01 Support, Lower end shell, LH
27. 101315-02 Support, Lower end shell, RH
28. 512860 LED clearance light, Red
29. 454910 Support, Wrap window
30. 453629 Hat section, Table support

# 2019 FLYING CLOUD EXTERIOR SHELL

Aft End, 28', 30'



Parts Listed on Next Page

## 2019 FLYING CLOUD EXTERIOR SHELL

Aft End, 28', 30'

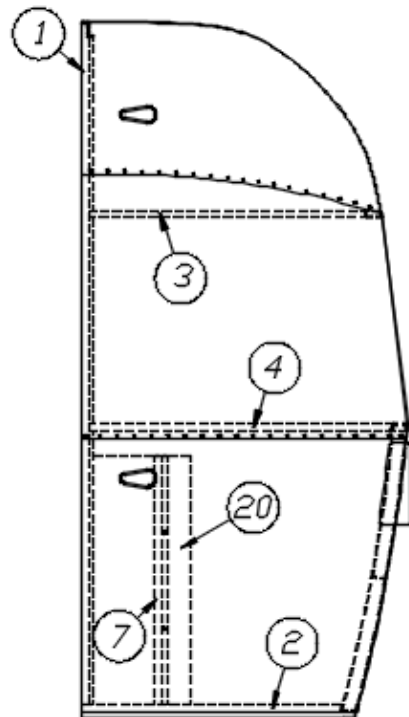
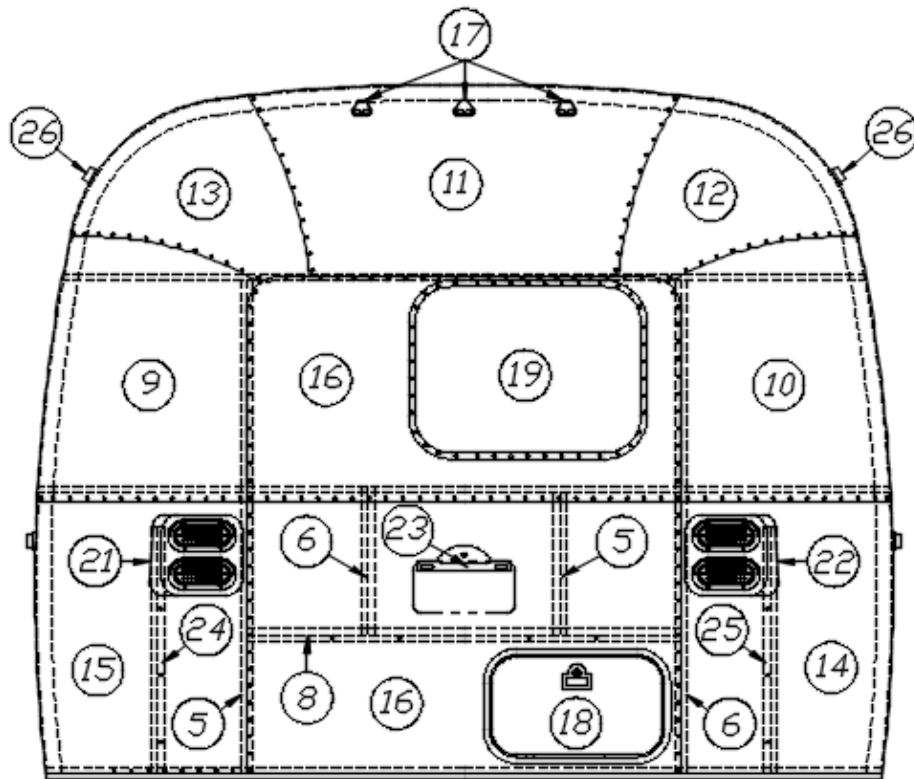
922677

Aft End Shell

1. 114993 End bow
2. 114676 Floor bow
3. 114678 Upper window bow
4. 114677 Lower window bow
5. 114505-01 Support, Lower end, LH
6. 114505-02 Support, Lower end, RH
7. 101315 Brace, Vertical rear
8. 104408 Z-rib
9. 114888 Segment, Center left
10. 114889 Segment, Center right
11. 114893 Segment, #25
12. 114890 Segment, #26
13. 114891 Segment, #27
14. 114894 Segment, #28
15. 114895 Segment, #29
16. 114880-307 Aluminum sheet, .04" x 51" x 307"
17. 512928 Curved bezel w/gasket, Required for 3 top lights
18. 371348-02 Window, Rear w/Red handles
19. 115699 Plate-Backer End Shell
20. 512409 License plate holder
21. 952929-01 Tail light, Roadside
22. 952929-02 Tail light, Curbside
23. 101315-01 Vertical brace, Rear, LH
24. 101315-02 Vertical brace, Rear, RH
25. 512860 LED clearance light, Red
26. 921159 Trunk door
27. 372088-101 Panoramic window, CS rear
28. 372089-101 Panoramic window, RS rear

# 2019 FLYING CLOUD EXTERIOR SHELL

Aft End, 30' Bunk



Parts Listed on Next Page

## 2019 FLYING CLOUD EXTERIOR SHELL

### Aft End, 30' Bunk

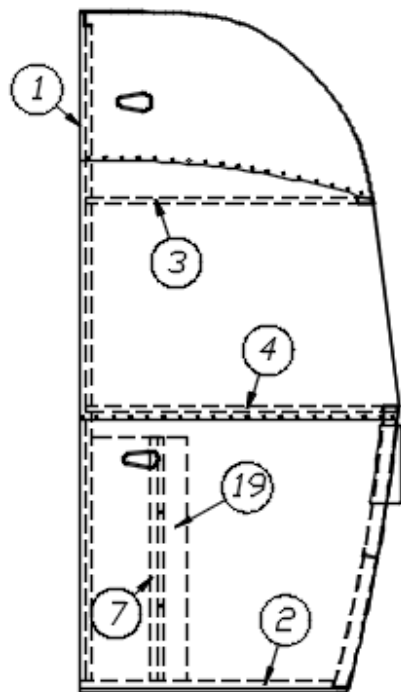
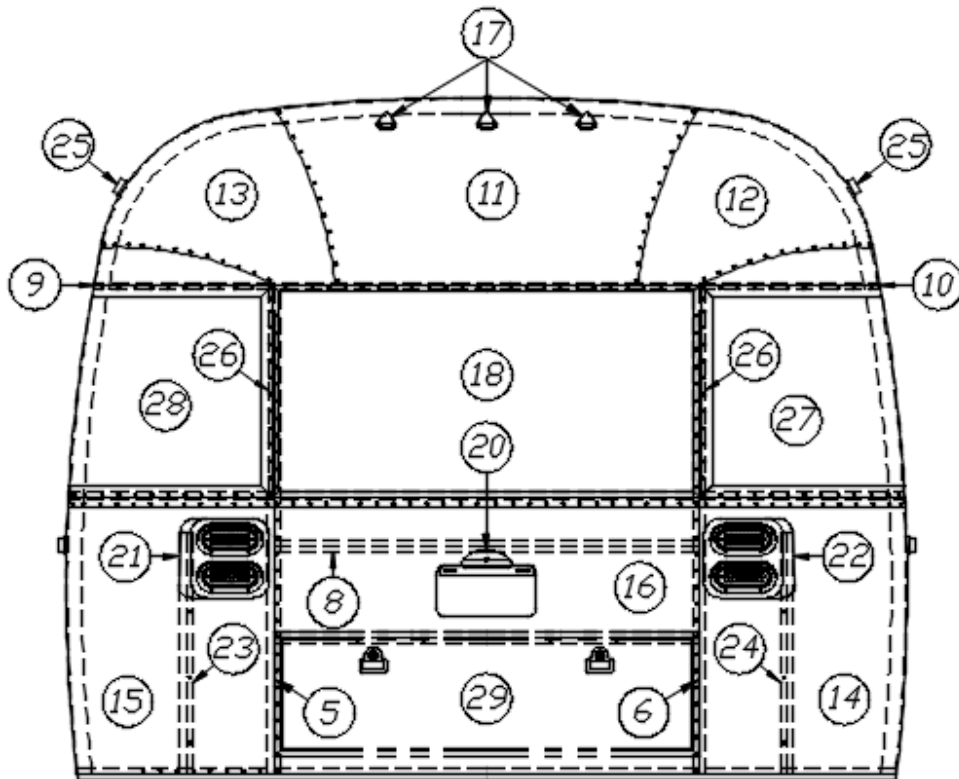
923135

#### Aft End Shell

1. 114993 End bow
2. 114676 Floor bow
3. 114678 Upper window bow
4. 114677 Lower window bow
5. 114505-01 Support, Lower end, LH
6. 114505-02 Support, Lower end, RH
7. 101315 Brace, Vertical rear
8. 104408 Z-rib
9. 114888 Segment, Center left
10. 114889 Segment, Center right
11. 114893 Segment, #25
12. 114890 Segment, #26
13. 114891 Segment, #27
14. 114894 Segment, #28
15. 114895 Segment, #29
16. 114880-307 Aluminum sheet, .04" x 51" x 307"
17. 512928 Curved bezel w/gasket, Required for 3 top lights
18. 100679-01 Door, Side access
19. 372218-01 Window, 21" x 28", Egress
20. 115699 Plate-Backer End Shell
21. 952929-01 Tail light, Roadside
22. 952929-02 Tail light, Curbside
23. 512409 License plate holder
24. 101315-01 Vertical brace, Rear, LH
25. 101315-02 Vertical brace, Rear, RH
26. 512860 LED clearance light, Red

# 2019 FLYING CLOUD EXTERIOR SHELL

Aft End, Twin Bedroom, 25', 28', 30'



Parts Listed on Next Page



## 2019 FLYING CLOUD EXTERIOR SHELL

Aft End, Twin Bedroom, 25', 28', 30'

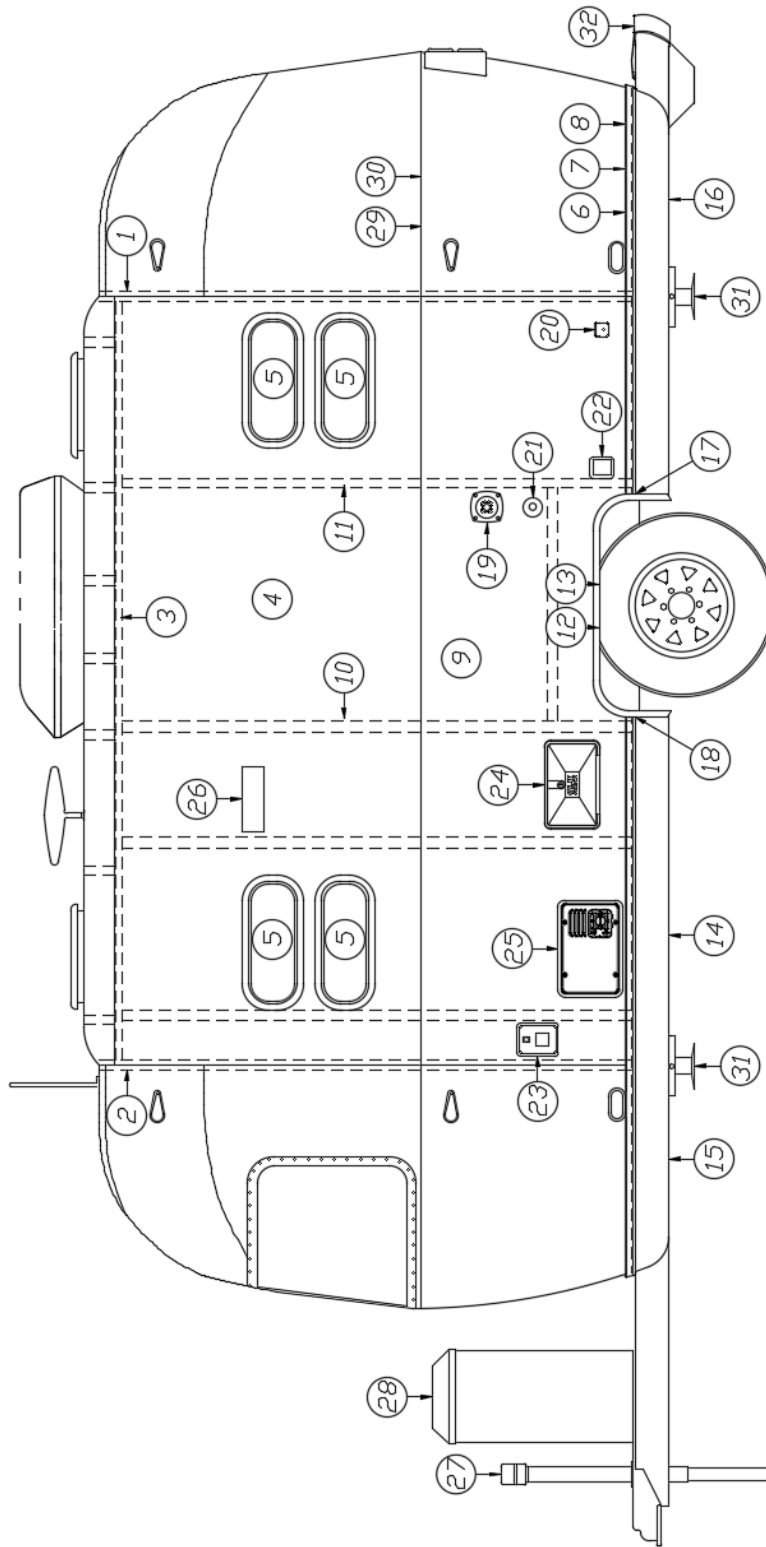
922677-02

Aft End Shell

- |                |                                                  |
|----------------|--------------------------------------------------|
| 1. 114993      | End bow                                          |
| 2. 114676      | Floor bow                                        |
| 3. 114678      | Upper window bow                                 |
| 4. 114677      | Lower window bow                                 |
| 5. 114505-01   | Support, Lower end, LH                           |
| 6. 114505-02   | Support, Lower end, RH                           |
| 7. 101315      | Brace, Vertical rear                             |
| 8. 104408      | Z-rib                                            |
| 9. 114888      | Segment, Center left                             |
| 10. 114889     | Segment, Center right                            |
| 11. 114893     | Segment, #25                                     |
| 12. 114890     | Segment, #26                                     |
| 13. 114891     | Segment, #27                                     |
| 14. 114894     | Segment, #28                                     |
| 15. 114895     | Segment, #29                                     |
| 16. 114880-307 | Aluminum sheet, .04" x 51" x 307"                |
| 17. 512928     | Curved bezel w/gasket, Required for 3 top lights |
| 18. 371346-01  | Window, 48.97" flat, Rear egress                 |
| 19. 115699     | Plate-Backer End Shell                           |
| 20. 512409     | License plate holder                             |
| 21. 952929-01  | Tail light, RS                                   |
| 22. 952929-02  | Tail light, CS                                   |
| 23. 101315-01  | Vertical brace, Rear, LH                         |
| 24. 101315-02  | Vertical brace, Rear, RH                         |
| 25. 512860     | LED clearance light, Red                         |
| 26. 454910     | Support, Wrap window                             |
| 27. 372088-101 | Panoramic window, CS rear                        |
| 28. 372089-101 | Panoramic window, RS rear                        |
| 29. 921159     | Trunk door assembly                              |
| 100029         | Trim, Wrap around window                         |

# 2019 FLYING CLOUD EXTERIOR SHELL

Wall, Roadside, 19'



Parts Listed on Next Page

## 2019 FLYING CLOUD EXTERIOR SHELL

Wall, Roadside, 19'

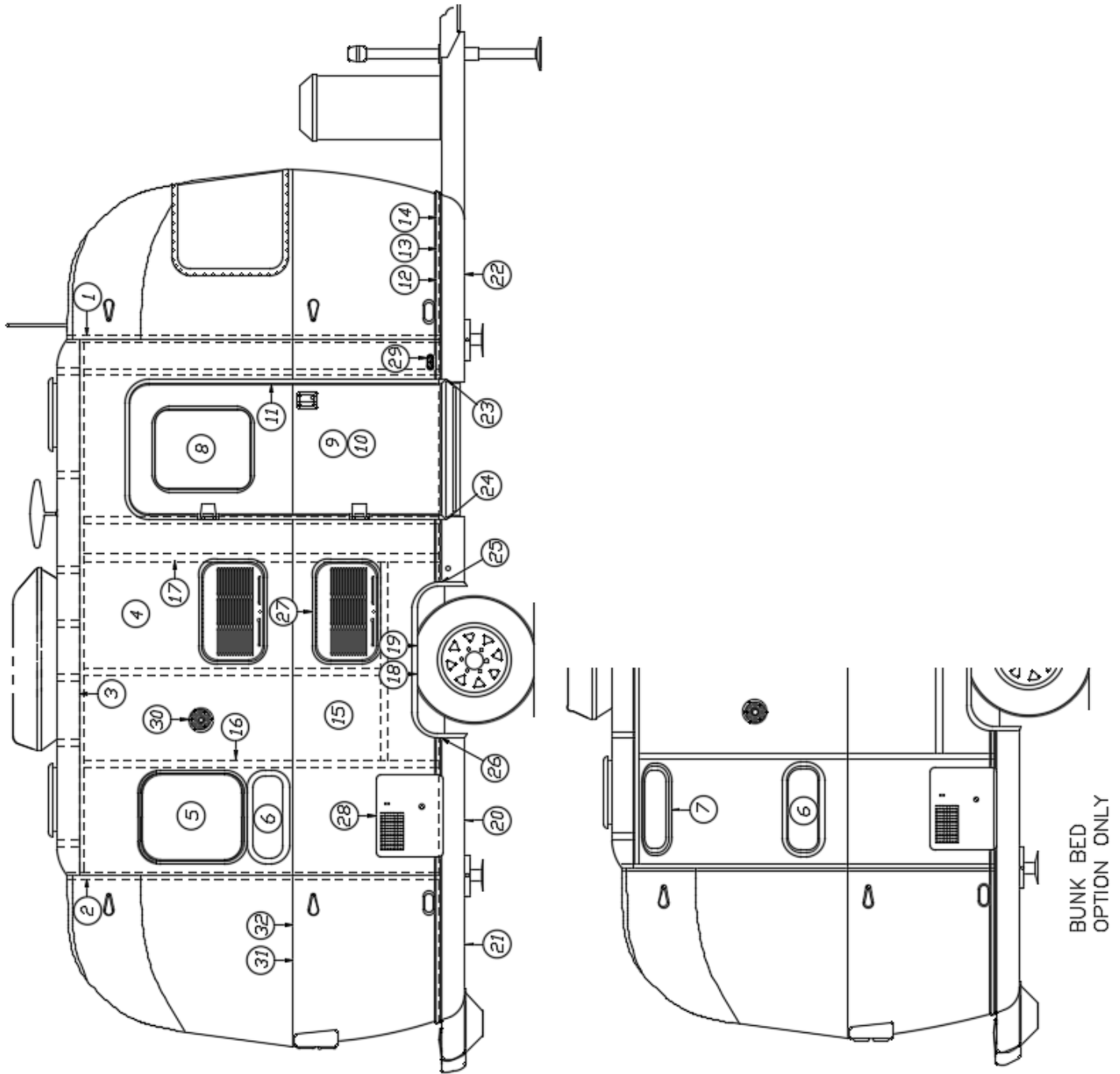
923230S-FC

Shell Assembly

1. 114290-01 Extrusion, Awning/drip rail
2. 114994 Rib, End bow
3. 104707-05 Extrusion, "I" beam
4. 114880-238 Aluminum sheet, Upper, .04" x 51" x 238"
5. 371436 Window, 18" stacked
6. 115546 Extrusion, Rub rail
7. 201763-100 Insert, Rub rail, 1", Chrome
8. 100986 Floor channel
9. 114879-238 Aluminum sheet, Lower, .04" x 33" x 238"
10. 114387-02 Bow, Z-rib, LH
11. 114387-01 Bow, Z-rib, RH
12. 114003-04 Wheel well trim, Inner, Single axle
13. 114004-04 Wheel well trim, Outer, Single axle
14. 101131-02 Underbelly wrap, .024 x 22.5, Black
15. 203303-01 Banana wrap, RS front
16. 203303-03 Banana wrap RS rear
17. 114466-01 Casting, Rub rail, Wheel well, RH
18. 114466-02 Casting, Rub rail, Wheel well, LH
19. 601392-06 City water hook-up w/regulator, Chrome
20. 513089 Dual inlet, TV/satellite, Gray
21. 601441-02 Black tank flush
22. 513087-02 Power inlet, Male, 30A, 125V, Gray
23. 601194 Water fill w/lock, Gray
24. 602326 Exterior shower
25. 690663-06 Furnace exterior door & bezel, Painted Aluminum
26. 511017-11 Exterior vent, Gray
27. 400961-04 Power jack, Atwood
28. 921246-01 LP tank cover, Black
29. 114328 Extrusion, Belt line molding
30. 201912-100 Molding, Belt line insert, Chrome
31. 401027-01 Stabilizing jack, Each
32. 411055 Bumper

# 2019 FLYING CLOUD EXTERIOR SHELL

Wall, Curbside, 19'



Parts Listed on Next Page

## 2019 FLYING CLOUD EXTERIOR SHELL

Wall, Curbside, 19'

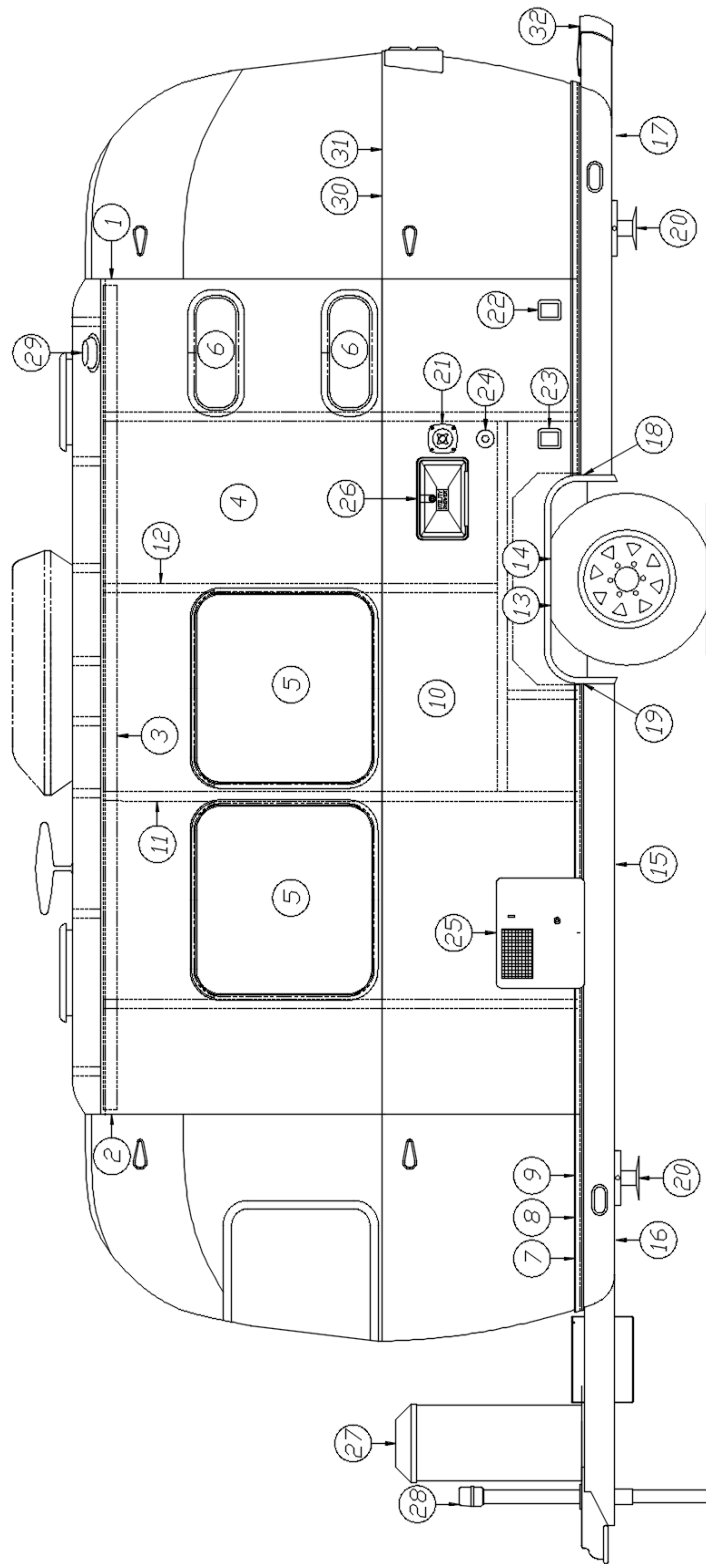
923230S-FC

Shell Assembly

1. 114290-01 Extrusion, Awning/drip rail
2. 114994 Rib, End bow
3. 104707-05 Extrusion, "I" beam
4. 114880-238 Aluminum sheet, Upper, .04" x 51" x 238"
5. 371323-01 Window, 18", Opening
6. 371436 Window, 18" stacked
7. 371437-01 Vista view window, 18"
8. 371400-01 Window, Main door
9. 115207-04 Main door
10. 114654 Screen door
11. 114652 Jamb, Main door, Pre-formed
12. 115546 Extrusion, Rub rail
13. 201763-100 Insert, Rub rail, 1", Chrome
14. 100986 Floor channel
15. 114879-238 Aluminum sheet, Lower, .04" x 33" x 238"
16. 114387-02 Bow, Z-rib, LH
17. 114387-01 Bow, Z-rib, RH
18. 114003-04 Wheel well trim, Inner, Single axle
19. 114004-04 Wheel well trim, Outer, Single axle
20. 101131-02 Underbelly wrap, .024 x 22.5, Black
21. 203303-04 Banana wrap, CS rear
22. 203303-02 Banana wrap, CS front
23. 114465-01 Casting, Rub rail, Door, RH
24. 114465-02 Casting, Rub rail, Door, LH
25. 114466-01 Casting, Rub rail, Wheel well, RH
26. 114466-02 Casting, Rub rail, Wheel well, LH
27. 923115 Refrigerator access door
28. 690209 Water heater access cover, Brushed Aluminum
29. 512252 Step light, LED, Stainless Steel
30. 512532 Utility light, LED
31. 114328 Extrusion, Belt line molding
32. 201912-100 Molding, Belt line insert, Chrome

# 2019 FLYING CLOUD EXTERIOR SHELL

Wall, Roadside, 20'



Parts Listed on Next Page

## 2019 FLYING CLOUD EXTERIOR SHELL

Wall, Roadside, 20'

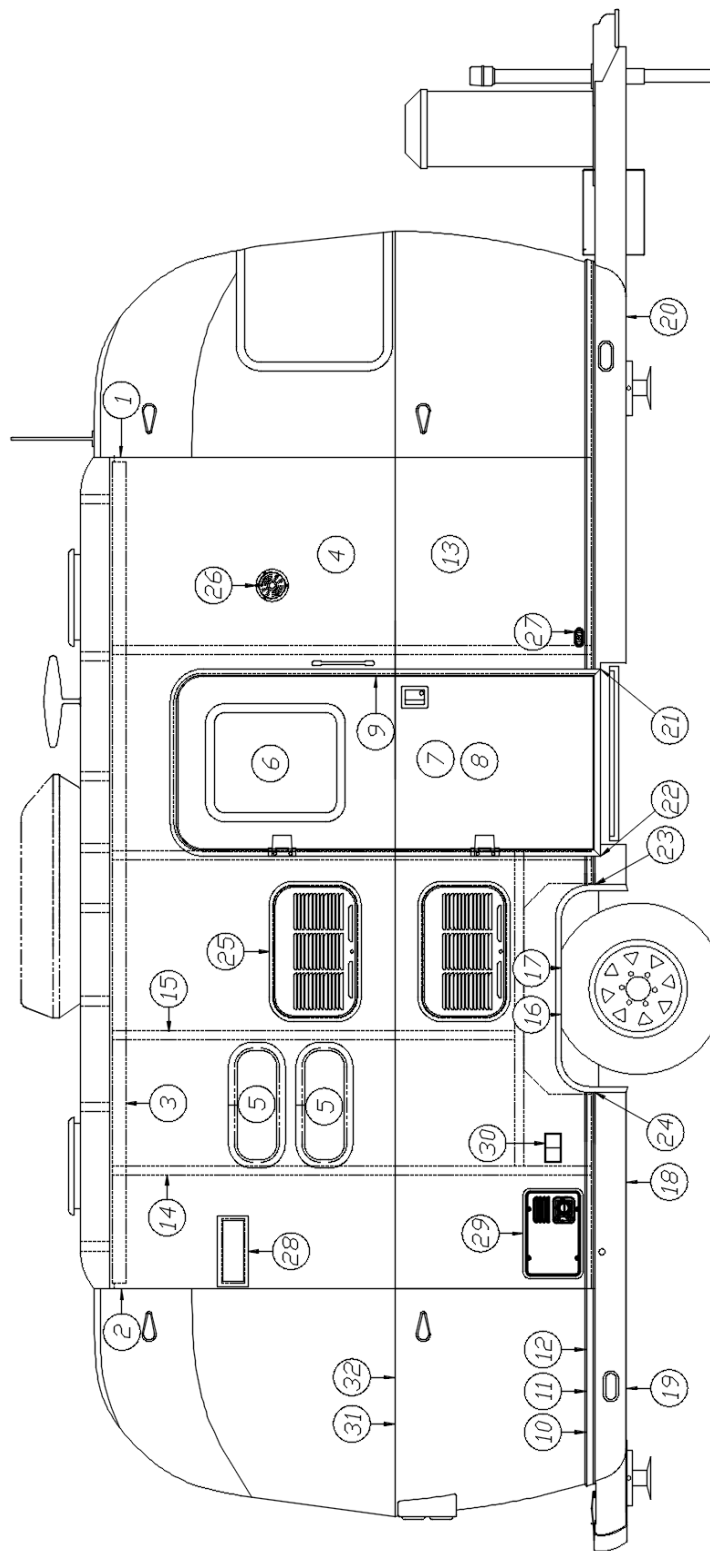
923233S-FC

Shell Assembly

1. 114290-01 Extrusion, Awning/drip rail
2. 114994 Rib, End bow
3. 104707-01 Extrusion, "I" beam
4. 114880-201 Aluminum sheet, Upper, .04" x 51" x 201"
5. 371380 Window, 30" tall, Opening
6. 371436 Window, 18" stacked
7. 115546 Extrusion, Rub rail
8. 201763-100 Insert, Rub rail, 1", Chrome
9. 100986 Floor channel
10. 114879-201 Aluminum sheet, Lower, .04" x 33" x 201"
11. 114387-02 Bow, Z-rib, LH
12. 114387-01 Bow, Z-rib, RH
13. 114003-04 Wheel well trim, Inner, Single axle
14. 114004-04 Wheel well trim, Outer, Single axle
15. 101131-02 Underbelly wrap, .024 x 22.5, Black
16. 200542-02 Banana wrap, RS front, Black
17. 200544-02 Banana wrap, RS rear, Black
18. 114466-01 Casting, Rub rail, Wheel well, RH
19. 114466-02 Casting, Rub rail, Wheel well, LH
20. 401027-01 Stabilizer jack, Each
21. 601392-06 City water hook-up w/regulator, Chrome
22. 513089 Dual inlet, TV/satellite, Gray
23. 513087-02 Power inlet, Male, 30A, 125V, Gray
24. 601441-02 Black tank flush
25. 690209 Water heater access cover, Brushed Aluminum
26. 602326 Exterior shower
27. 921246-01 LP tank cover, Black
28. 400961-04 Power jack, Atwood
29. 690266-01 Power ventilator w/garnish, White
30. 114328 Extrusion, Belt line molding
31. 201912-100 Molding, Belt line insert, Chrome
32. 411055 Bumper

# 2019 FLYING CLOUD EXTERIOR SHELL

Wall, Curbside, 20'



Parts Listed on Next Page



## 2019 FLYING CLOUD EXTERIOR SHELL

Wall, Curbside, 20'

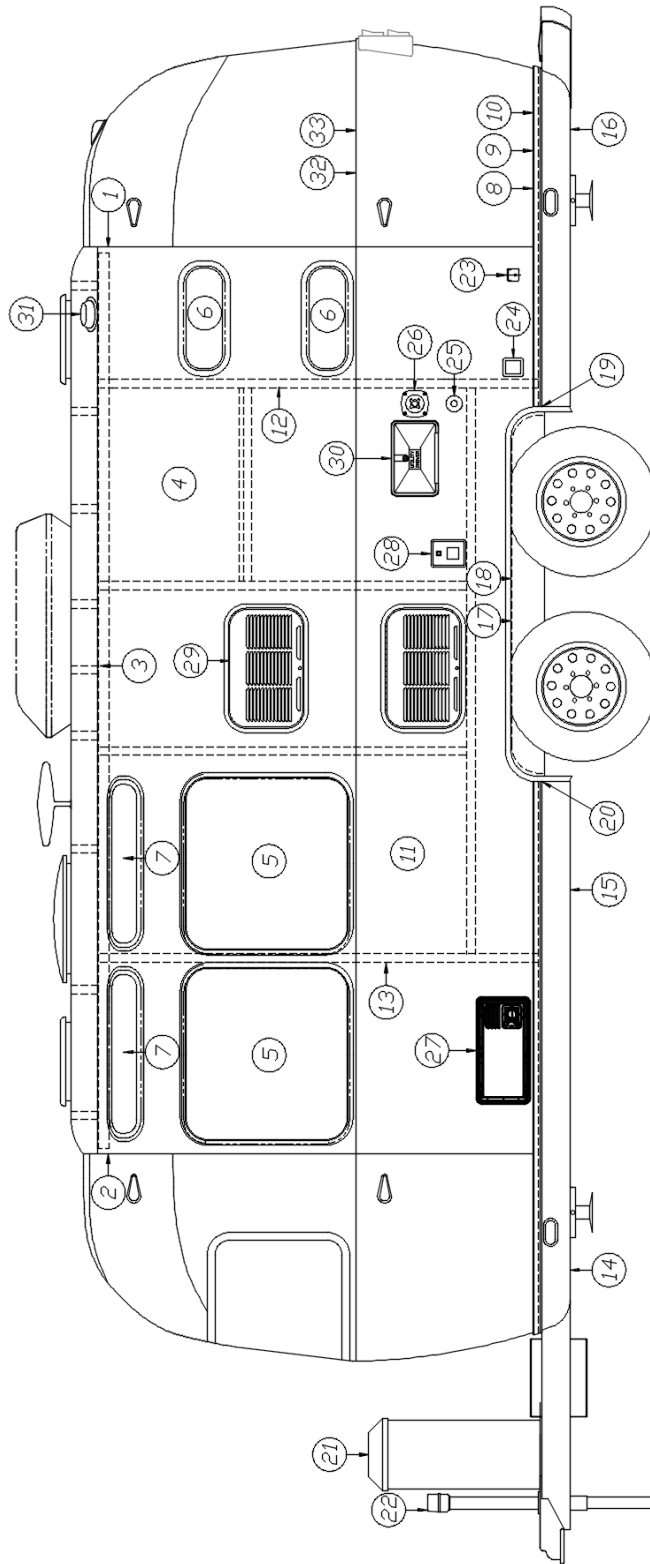
923233S-FC

Shell Assembly

1. 114290-01 Extrusion, awning/drip rail
2. 114994 Rib, End bow
3. 104707-01 Extrusion, "I" beam
4. 114880-201 Aluminum sheet, Upper, .04" x 51" x 201"
5. 371436 Window, 18" stacked
6. 371400-01 Window, Main door
7. 115207 Main door
8. 114654 Screen door
9. 114652 Jamb, Main door, Pre-formed
10. 115546 Extrusion, Rub rail
11. 201763-100 Insert, Rub rail, 1", Chrome
12. 100986 Floor channel
13. 114879-201 Aluminum sheet, Lower, .04" x 33" x 201"
14. 114387-02 Bow, Z-rib, LH
15. 114387-01 Bow, Z-rib, RH
16. 114003-04 Wheel well trim, Inner, Single axle
17. 114004-04 Wheel well trim, Outer, Single axle
18. 101131-02 Underbelly wrap, .024 x 22.5, Black
19. 200545-02 Banana wrap, CS rear, Black
20. 200543-02 Banana wrap, CS front, Black
21. 114465-01 Casting, Rub rail, Door, RH
22. 114465-02 Casting, Rub rail, Door, LH
23. 114466-01 Casting, Rub rail, Wheel well, RH
24. 114466-02 Casting, Rub rail, Wheel well, LH
25. 923115 Refrigerator access door
26. 512532 Utility light, LED
27. 512252 Step light, LED, Stainless Steel
28. 511017-11 Exterior vent, Gray
29. 690663-06 Furnace exterior door & bezel, Painted Aluminum
30. 512741 Water proof cover w/gasket, Gray
31. 114328 Extrusion, Belt line molding
32. 201912-100 Molding, Belt line insert, Chrome

# 2019 FLYING CLOUD EXTERIOR SHELL

Wall, Roadside, 23CB



Parts Listed on Next Page

## 2019 FLYING CLOUD EXTERIOR SHELL

Wall, Roadside, 23CB

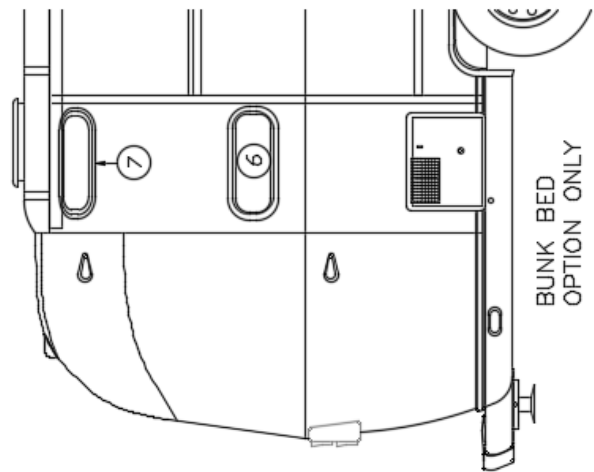
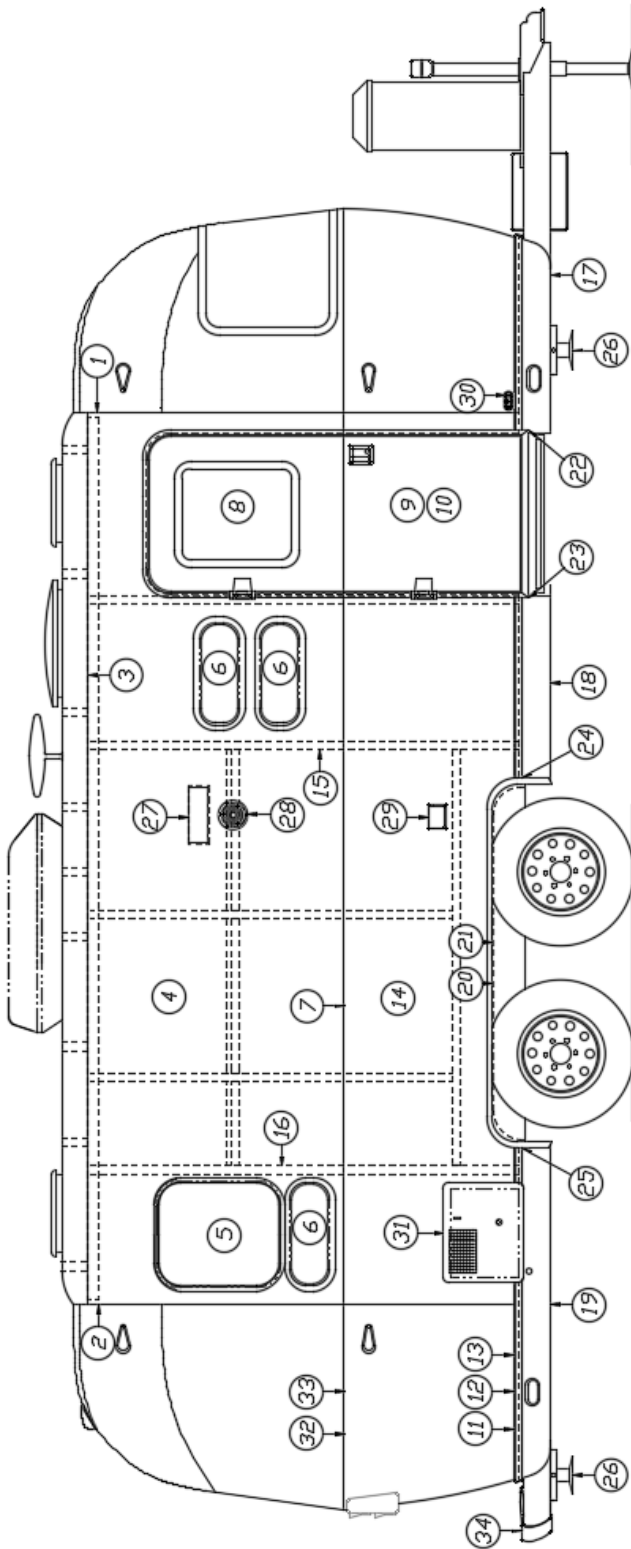
923235S

Shell Assembly

1. 114290-01 Extrusion, Awning/drip rail
2. 114994 Rib, End bow
3. 104707-01 Extrusion, "I" beam
4. 114880-201 Aluminum sheet, Upper, .04" x 51" x 201"
5. 371380 Window, 30" tall, Opening
6. 371436 Window, 18" stacked
7. 371437-02 Vista view window, 30"
8. 115546 Extrusion, Rub rail
9. 201763-100 Insert, Rub rail, 1", Chrome
10. 100986 Floor channel
11. 114879-201 Aluminum sheet, Lower, .04" x 33" x 201"
12. 114387-01 Bow, Z-rib, RH
13. 114387-02 Bow, Z-rib, LH
14. 200542-02 Banana wrap, RS front, Black
15. 203304 Roll, Underbelly, Black Plastic
16. 200544-02 Banana wrap, RS rear, Black
17. 684936 Wheel well trim, Outer, Dual axle
18. 684937 Wheel well trim, Inner, Dual axle
19. 114466-01 Casting, Rub rail, Wheel well, RH
20. 114466-02 Casting, Rub rail, Wheel well, LH
21. 921246-01 LP tank cover, Black
22. 400961-04 Power jack, Atwood
23. 513089 Dual inlet, TV/satellite, Gray
24. 513087-02 Power inlet, Male, 30A, 125V, Gray
25. 601441-02 Black tank flush
26. 601392-06 City water hook-up w/regulator, Chrome
27. 690664-05 Furnace exterior door & bezel, Painted Aluminum
28. 601194 Water fill w/lock, Gray
29. 923115 Refrigerator access door
30. 602326 Exterior shower
31. 690266-01 Power ventilator w/garnish, White
32. 114328 Extrusion, Belt line molding
33. 201912-100 Molding, Belt line insert, Chrome

# 2019 FLYING CLOUD EXTERIOR SHELL

Wall, Curbside, 23CB



Parts Listed on Next Page

## 2019 FLYING CLOUD EXTERIOR SHELL

### Wall, Curbside, 23CB

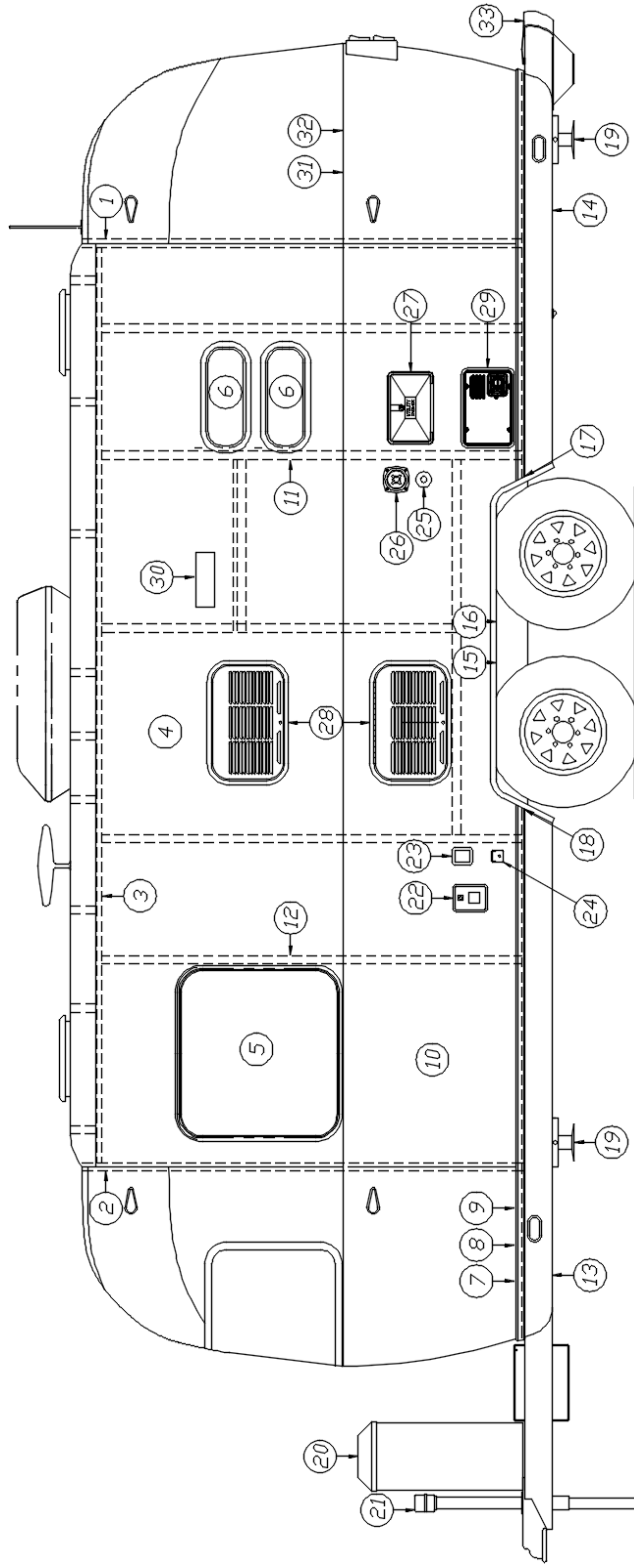
923235S

#### Shell Assembly

1. 114290-01 Extrusion, Awning/drip rail
2. 114994 Rib, End bow
3. 104707-01 Extrusion, "I" beam
4. 114880-201 Aluminum sheet, Upper, .04" x 51" x 201"
5. 371323-01 Window, 18", Opening
6. 371436 Window, 18" stacked
7. 371437-01 Vista view window, 18"
8. 371400-01 Window, Main door
9. 115207-04 Main door
10. 114654 Screen door
11. 115546 Extrusion, Rub rail
12. 201763-100 Insert, Rub rail, 1", Chrome
13. 100986 Floor channel
14. 114879-201 Aluminum sheet, Lower, .04" x 33" x 201"
15. 114387-01 Bow, Z-rib, RH
16. 114387-02 Bow, Z-rib, LH
17. 200543-02 Banana wrap, CS front, Black
18. 203304 Roll, Underbelly, Black plastic
19. 200545-02 Banana wrap, CS rear, Black
20. 684936 Wheel well trim, Outer, Dual axle
21. 684937 Wheel well trim, Inner, Dual axle
22. 114465-01 Casting, Rub rail, Door, RH
23. 114465-02 Casting, Rub rail, Door, LH
24. 114466-01 Casting, Rub rail, Wheel well, RH
25. 114466-02 Casting, Rub rail, Wheel well, LH
26. 401027-01 Stabilizer jack, Each
27. 511017-11 Exterior vent, Gray
28. 512532 Utility light, LED
29. 512741 Water proof cover w/gasket, Gray
30. 512252 Step light, LED, Stainless Steel
31. 690209 Water heater access cover, Brushed Aluminum
32. 114328 Extrusion, Belt line molding
33. 201912-100 Molding, Belt line insert, Chrome
34. 411055 Bumper

# 2019 FLYING CLOUD EXTERIOR SHELL

Wall, Roadside, 23FB



Parts Listed on Next Page

## 2019 FLYING CLOUD EXTERIOR SHELL

Wall, Roadside, 23FB

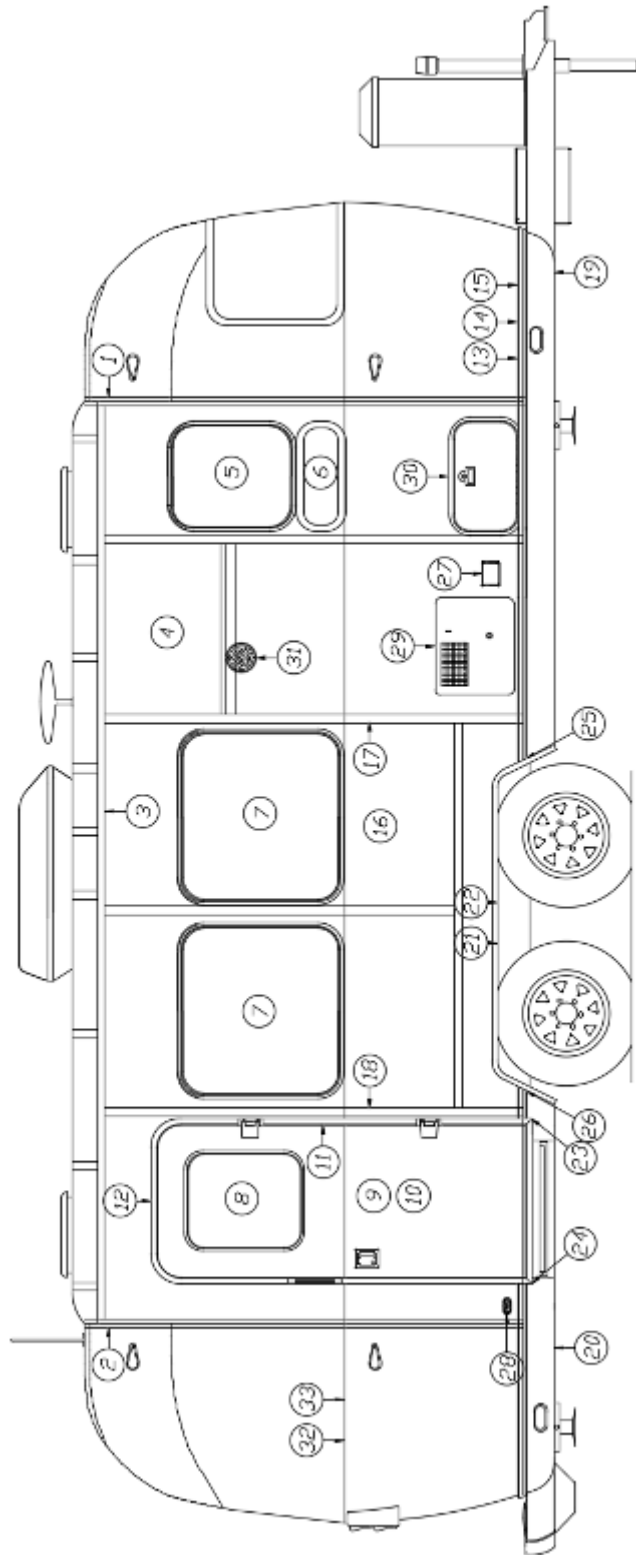
923240S-FC

Shell Assembly

1. 114290-01 Extrusion, Awning/drip rail
2. 114994 Rib, End bow
3. 104707-01 Extrusion, "I" beam
4. 114880-201 Aluminum sheet, Upper, .04" x 51" x 201"
5. 371380-01 Window, 30", Egress
6. 371436 Window, 18" stacked
7. 115546 Extrusion, Rub rail
8. 201763-100 Insert, Rub rail, 1", Chrome
9. 100986 Floor channel
10. 114879-201 Aluminum sheet, Lower, .04" x 33" x 201"
11. 114387-01 Bow, Z-rib, RH
12. 114387-02 Bow, Z-rib, LH
13. 200542-02 Banana wrap, RS front, Black
14. 200544-02 Banana wrap, RS rear, Black
15. 684936 Wheel well trim, Outer, Dual axle
16. 684937 Wheel well trim, Inner, Dual axle
17. 114466-01 Casting, Rub rail, Wheel well, RH
18. 114466-02 Casting, Rub rail, Wheel well, LH
19. 401027-01 Stabilizer jack, Each
20. 921246-01 LP tank cover, Black
21. 400961-04 Power jack, Atwood
22. 601194 Water fill w/lock, Gray
23. 513087-02 Power inlet, Male, 30A, 125V, Gray
24. 513089 Dual inlet, TV/satellite, Gray
25. 601441-02 Black tank flush
26. 601392-06 City water hook-up w/regulator, Chrome
27. 602326 Exterior shower
28. 923115 Refrigerator access door
29. 690663-06 Furnace exterior door & bezel, Aluminum painted
30. 511017-11 Exterior vent, Gray
31. 114328 Extrusion, Belt line molding
32. 201912-100 Molding, Belt line insert, Chrome
33. 411055 Bumper

# 2019 FLYING CLOUD EXTERIOR SHELL

Wall, Curbside, 23FB



Parts Listed on Next Page



# 2019 FLYING CLOUD

## EXTERIOR SHELL

Wall, Curbside, 23FB

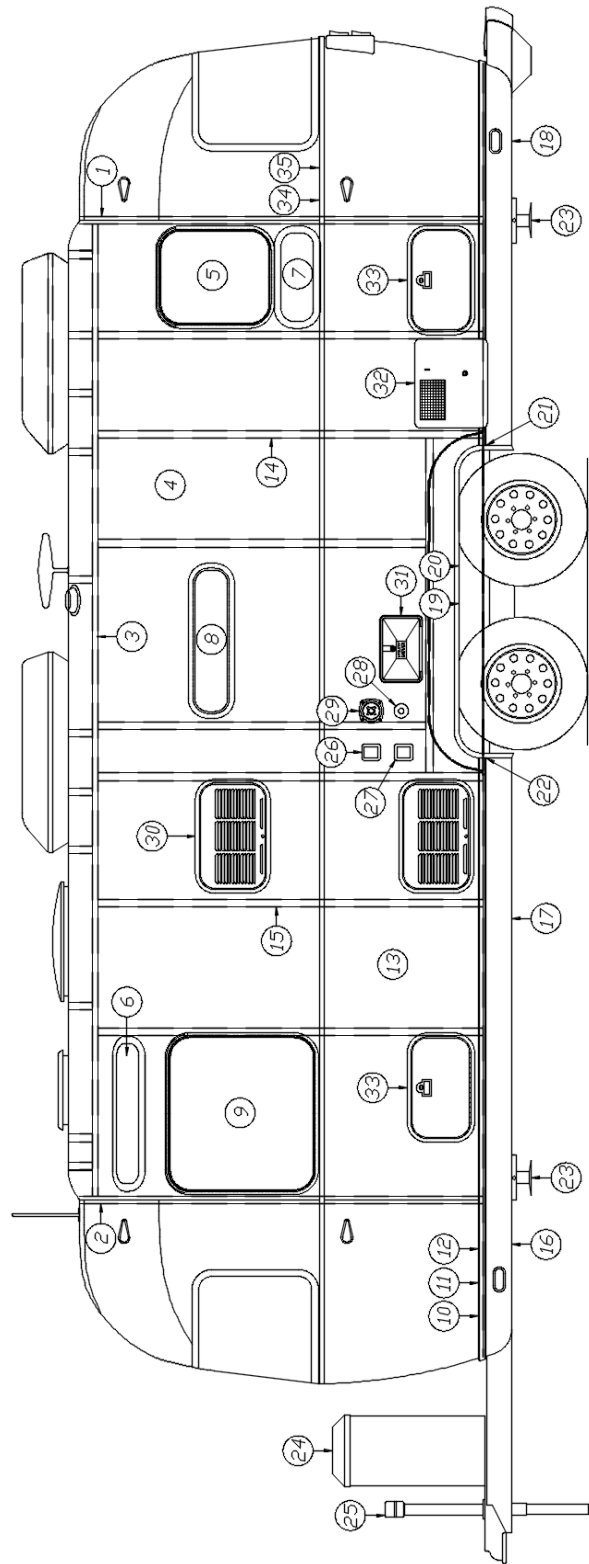
923240S-FC

Shell Assembly

1. 114290-01 Extrusion, Awning/drip rail
2. 114994 Rib, End bow
3. 104707-01 Extrusion, "I" beam
4. 114880-201 Aluminum sheet, Upper, .04" x 51" x 201"
5. 371323-01 Window, 18", Opening
6. 371436 Window 18" stacked
7. 371380 Window, 30" tall, Opening
8. 371400-01 Window, Main door
9. 115207-05 Main door
10. 114654-01 Screen door
11. 114652-01 Jamb, Main door
12. 114363 Drip cap, Main door
13. 115546 Extrusion, Rub rail
14. 201763-100 Insert, Rub rail, 1", Chrome
15. 100986 Floor channel
16. 114879-201 Aluminum sheet, Lower, .04" x 33" x 201"
17. 114387-01 Bow, Z-rib, RH
18. 114387-02 Bow, Z-rib, LH
19. 200543-02 Banana wrap, CS front, Black
20. 200545-02 Banana wrap, CS rear, Black
21. 684936 Wheel well trim, Outer, Dual axle
22. 684937 Wheel well trim, Inner, Dual axle
23. 114465-01 Casting, Rub rail, Door, RH
24. 114465-02 Casting, Rub rail, Door, LH
25. 114466-01 Casting, Rub rail, Wheel well, RH
26. 114466-02 Casting, Rub rail, Wheel well, LH
27. 512741 Water proof cover w/gasket, Gray
28. 512252 Step light, LED
29. 690209 Water heater access cover, Brushed Aluminum
30. 100679-01 Side access door
31. 512532 Utility light, LED
32. 114328 Extrusion, Belt line molding
33. 201912-100 Molding, Belt line insert, Chrome

# 2019 FLYING CLOUD EXTERIOR SHELL

Wall, Roadside, 25'



Parts Listed on Next Page

## 2019 FLYING CLOUD EXTERIOR SHELL

Wall, Roadside, 25'

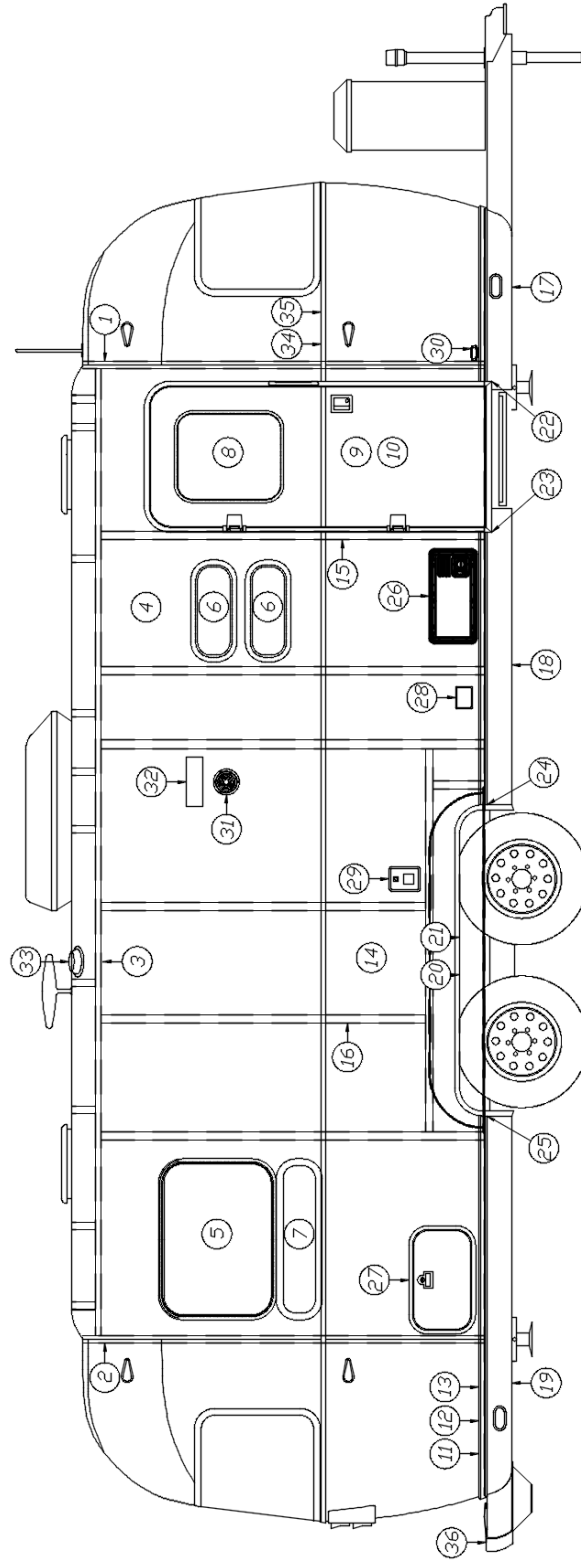
923182S

Shell Assembly

1. 114290-01 Extrusion, Awning/drip rail
2. 114993 Rib, End bow
3. 104707-01 Extrusion, "I" beam
4. 114880-307 Aluminum sheet, .04 x 51" x 307
5. 371323-01 Window, 18", Opening
6. 371437-02 Vista view window, 30"
7. 371436 Window, 18" stacked
8. 371435 Window, 30" stacked
9. 371380 Window, 30" tall, Opening
10. 115546 Extrusion, Rub rail
11. 201763-100 Insert, Rub rail, 1", Chrome
12. 100986 Floor channel
13. 114879-201 Aluminum sheet, Lower, .04" x 33" x 201"
14. 114387-01 Bow, Z-rib, RH
15. 114387-02 Bow, Z-rib, LH
16. 200542-02 Banana wrap, RS front, Black
17. 101131-02 Underbelly wrap, .024 x 22.5, Black
18. 200544-02 Banana wrap, RS rear, Black
19. 684936 Wheel well trim, Outer, Dual axle
20. 684937 Wheel well trim, Inner, Dual axle
21. 114466-01 Casting, Rub rail, Wheel well, RH
22. 114466-02 Casting, Rub rail, Wheel well, LH
23. 401027-01 Stabilizer jack, Each
24. 921246-01 LP tank cover, Black
25. 400961-04 Power jack, Atwood
26. 513089 Dual inlet, TV/satellite, Gray
27. 513087-02 Power inlet, Male, 30A, 125V, Gray
28. 601441-02 Black tank flush
29. 601392-06 City water hook-up w/regulator, Chrome
30. 923115 Refrigerator access door
31. 602326 Exterior shower
32. 690209 Water heater access cover, Brushed Aluminum
33. 100679-01 Side access door
34. 114328 Extrusion, Belt line molding
35. 201912-100 Molding, Belt line insert, Chrome

# 2019 FLYING CLOUD EXTERIOR SHELL

Wall, Curbside, 25'



Parts Listed on Next Page

## 2019 FLYING CLOUD EXTERIOR SHELL

Wall, Curbside, 25'

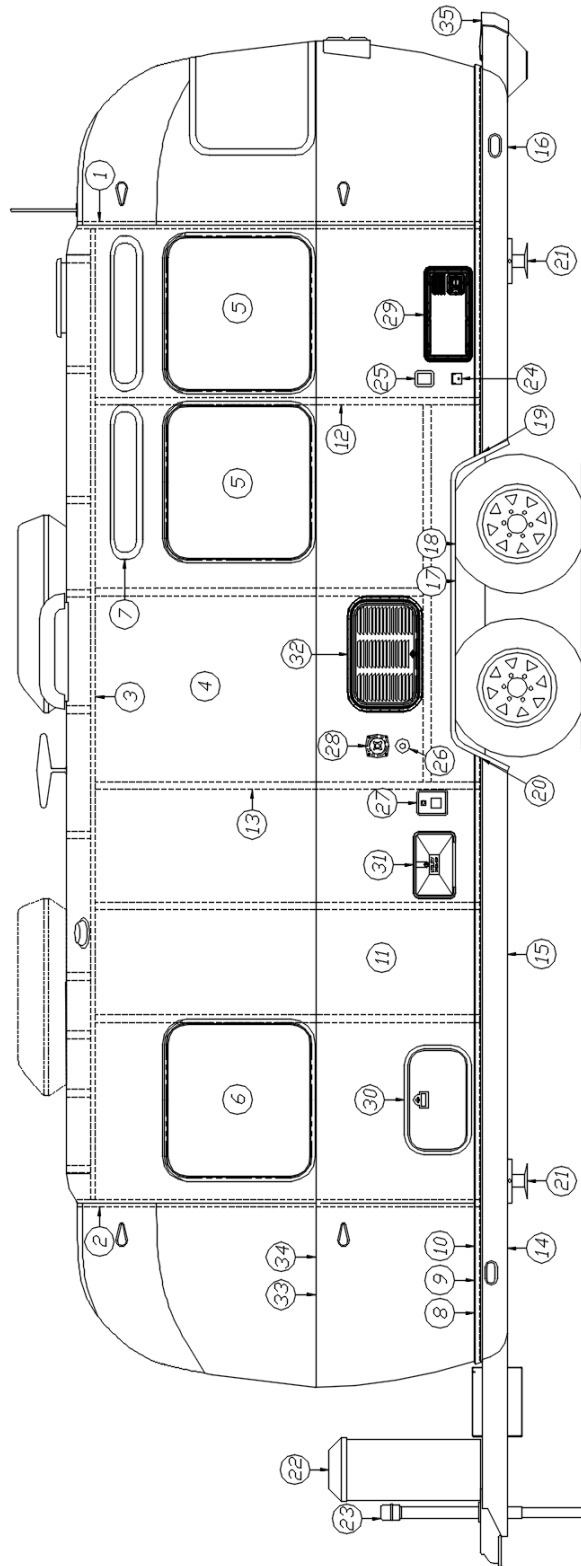
923182S

Shell Assembly

1. 114290-01 Extrusion, Awning/drip rail
2. 114993 Rib, End bow
3. 104707-01 Extrusion "I" beam
4. 114880-201 Aluminum sheet, Upper, .04" x 51" x 201"
5. 371324-02 Window, 30", Opening
6. 371436 Window, 18" stacked
7. 371435 Window, 30" stacked
8. 371400-01 Window, Main door
9. 115207 Main door
10. 114654 Screen door
11. 115546 Extrusion, Rub rail
12. 201763-100 Insert, Rub rail, 1", Chrome
13. 100986 Floor channel
14. 114879-201 Aluminum sheet, Lower, .04" x 33" x 201"
15. 114387-01 Bow, Z-rib, RH
16. 114387-02 Bow, Z-rib, LH
17. 200543-02 Banana wrap, CS front, Black
18. 101131-02 Underbelly wrap, .024 x 22.5, Black
19. 200545-02 Banana wrap, CS rear, Black
20. 684936 Wheel well trim, Outer, Dual axle
21. 684937 Wheel well trim, Inner, Dual axle
22. 114465-01 Casting, Rub rail, Door, RH
23. 114465-02 Casting, Rub rail, Door, LH
24. 114466-01 Casting, Rub rail, wheel well, RH
25. 114466-02 Casting, Rub rail, wheel well, LH
26. 690664-05 Furnace exterior door & bezel, Painted Aluminum
27. 100679-01 Side access door
28. 512741 Water proof cover w/gasket, Gray
29. 601194 Water fill w/lock, Gray
30. 512252 Step light
31. 512532 Utility light, LED
32. 511017-11 Exterior vent, Gray
33. 690266-06 Power ventilator w/o garnish
34. 114328 Extrusion, Belt line molding
35. 201912-100 Molding, Belt line insert, Chrome
36. 411054 Bumper

# 2019 FLYING CLOUD EXTERIOR SHELL

Wall, Roadside, 25FB



Parts Listed on Next Page

## 2019 FLYING CLOUD EXTERIOR SHELL

Wall, Roadside, 25FB

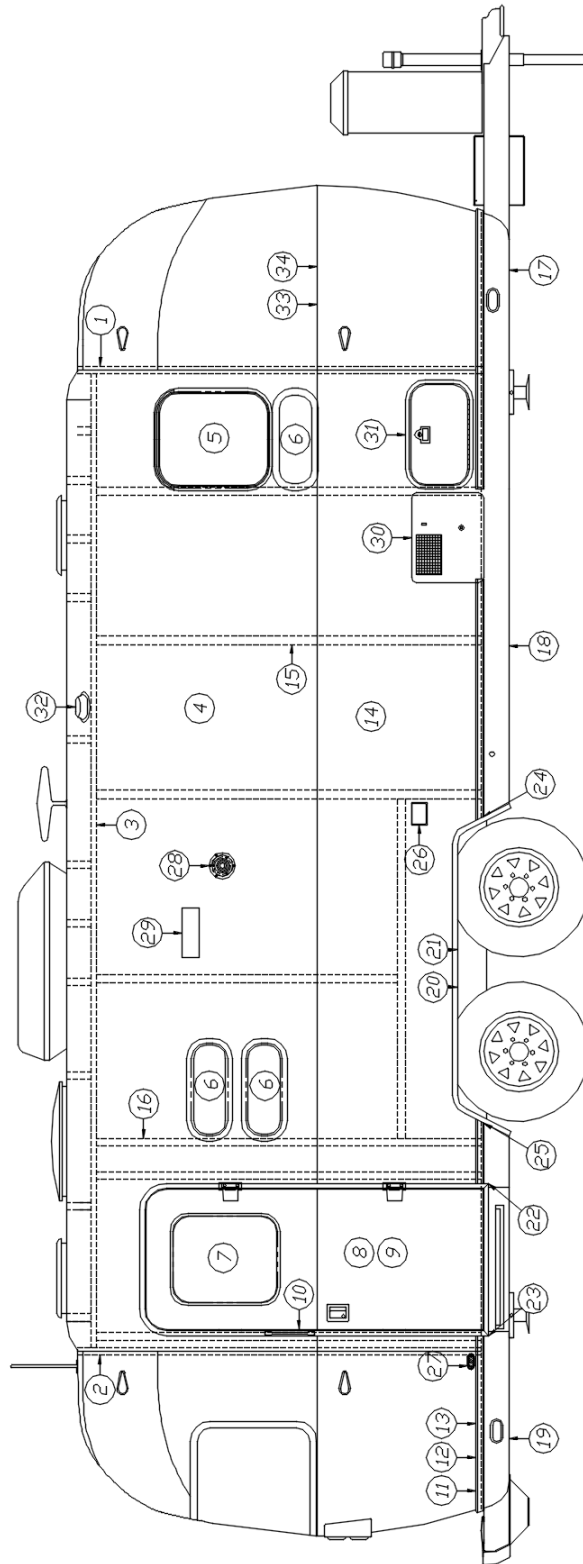
923193S

Shell Assembly

1. 114290-01 Extrusion, Awning/drip rail
2. 114993 Rib, End bow
3. 104707-01 Extrusion, "I" beam
4. 114880-201 Aluminum sheet, Upper, .04" x 51" x 201"
5. 371380 Window, 30" tall, Opening
6. 371380-01 Window, 30", Egress
7. 371437-02 Vista view window, 30"
8. 115546 Extrusion, Rub rail
9. 201763-100 Insert, Rub rail, 1", Chrome
10. 100986 Floor channel
11. 114879-201 Aluminum sheet, Lower, .04" x 33" x 201"
12. 114387-01 Bow, Z-rib, RH
13. 114387-02 Bow, Z-rib, LH
14. 200542-02 Banana wrap, RS front, Black
15. 101131-02 Underbelly wrap, .024 x 22.5, Black
16. 200544-02 Banana wrap, RS rear, Black
17. 684936 Wheel well trim, Outer, Dual axle
18. 684937 Wheel well trim, Inner, Dual axle
19. 114466-01 Casting, Rub rail, Wheel well, RH
20. 114466-02 Casting, Rub rail, Wheel well, LH
21. 401027-01 Stabilizer jack, Each
22. 921246-01 LP tank cover, Black
23. 400961-04 Power jack, Atwood
24. 513089 Dual inlet, TV/satellite, Gray
25. 513087-02 Power inlet, Male, 30A, 125V, Gray
26. 601441-02 Black tank flush
27. 601194 Water fill w/lock, Gray
28. 601392-06 City water hook-up w/regulator, Chrome
29. 690664-05 Furnace exterior door & bezel, Painted Aluminum
30. 100679-01 Side access door
31. 602326 Exterior shower
32. 923115 Refrigerator access door
33. 114328 Extrusion, Belt line molding
34. 201912-100 Molding, Belt line insert, Chrome
35. 411054 Bumper

# 2019 FLYING CLOUD EXTERIOR SHELL

Wall, Curbside, 25FB



Parts Listed on Next Page



## 2019 FLYING CLOUD EXTERIOR SHELL

### Wall, Curbside, 25FB

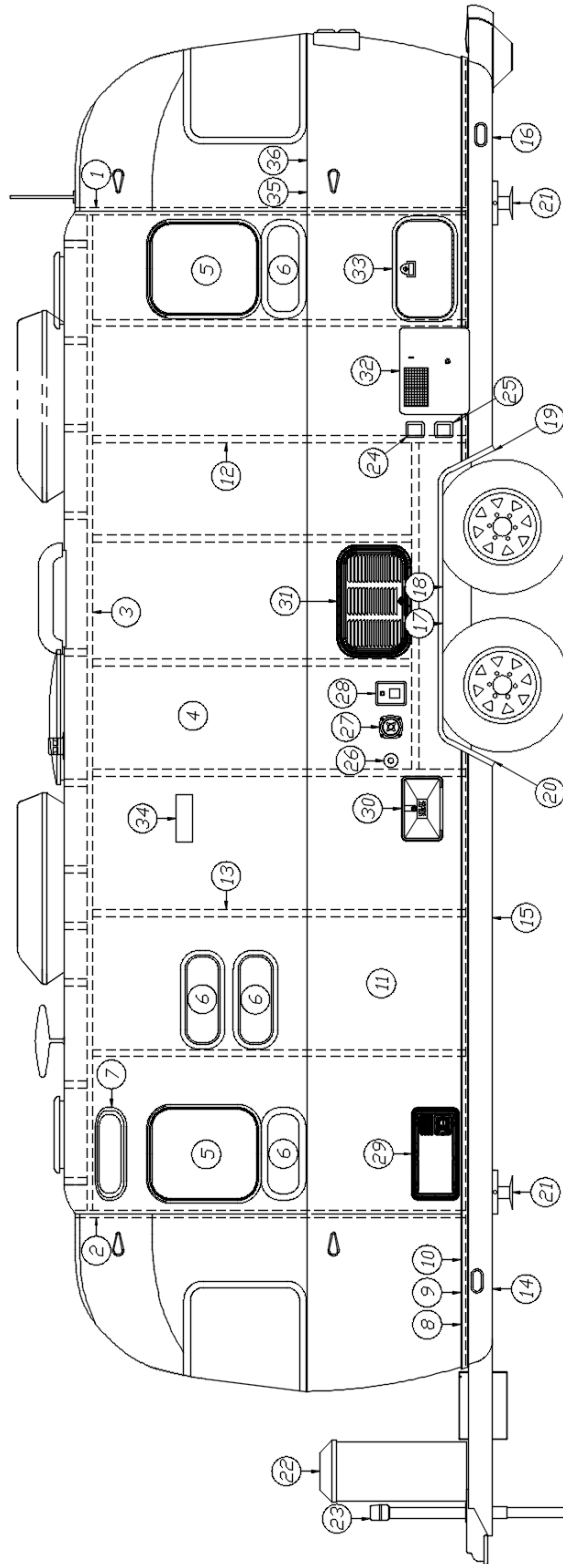
923193S

#### Shell Assembly

1. 114290-01 Extrusion, Awning/drip rail
2. 114993 Rib, End bow
3. 104707-01 Extrusion, "I" beam
4. 114880-201 Aluminum sheet, Upper, .04" x 51" x 201"
5. 371323-01 Window, 18", Opening
6. 371436 Window, 18" stacked
7. 371400-01 Window, Main door
8. 115207-05 Main door
9. 114654-01 Screen door
10. 114652-01 Jamb, Main door
11. 115546 Extrusion, Rub rail
12. 201763-100 Insert, Rub rail, 1", Chrome
13. 100986 Floor channel
14. 114879-201 Aluminum sheet, Lower, .04" x 33" x 201"
15. 114387-01 Bow, Z-rib, RH
16. 114387-02 Bow, Z-rib, LH
17. 200543-02 Banana wrap, CS front, Black
18. 101131-02 Underbelly wrap, .024 x 22.5, Black
19. 200545-02 Banana wrap, CS rear, Black
20. 684936 Wheel well trim, Outer, Dual axle
21. 684937 Wheel well trim, Inner, Dual axle
22. 114465-01 Casting, Rub rail, Door, RH
23. 114465-02 Casting, Rub rail, Door, LH
24. 114466-01 Casting, Rub rail, wheel well, RH
25. 114466-02 Casting, Rub rail, wheel well, LH
26. 512741 Water proof cover w/gasket, Gray
27. 512252 Step light, LED, Stainless Steel
28. 512532 Utility light, LED
29. 511017-11 Exterior vent, Gray
30. 690209 Water heater access cover, Brushed Aluminum
31. 100679-01 Side access door
32. 690266-06 Power ventilator w/o garnish
33. 114328 Extrusion, Belt line molding
34. 201912-100 Molding, Belt line, Chrome

# 2019 FLYING CLOUD EXTERIOR SHELL

Wall, Roadside, 26U



Parts Listed on Next Page

## 2019 FLYING CLOUD EXTERIOR SHELL

Wall, Roadside, 26U

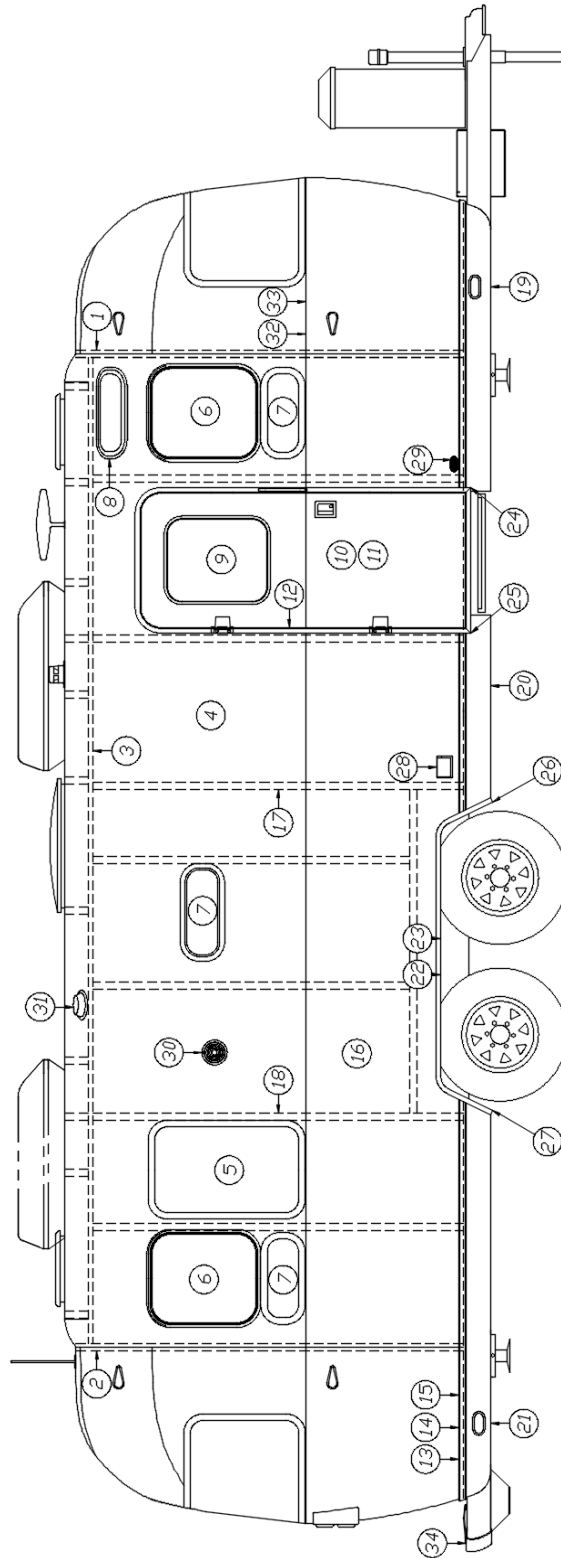
923227S

Shell Assembly

1. 114290-02 Extrusion, Awning/drip rail
2. 114993 Rib, End bow
3. 104707-01 Extrusion, "I" beam
4. 114880-238 Aluminum sheet, Upper, .04" x 51" x 238"
5. 371323-01 Window, 18", Opening
6. 371436 Window, 18" stacked
7. 371437-01 Vista view window, 18"
8. 115546 Extrusion, Rub rail
9. 201763-100 Insert, Rub rail, 1", Chrome
10. 100986 Floor channel
11. 114879-238 Aluminum sheet, Lower, .04" x 33" x 238"
12. 114387-01 Bow, Z-rib, RH
13. 114387-02 Bow, Z-rib, LH
14. 200542-02 Banana wrap, RS front, Black
15. 101131-02 Underbelly wrap, .024 x 22.5, Black
16. 200544-02 Banana wrap, RS rear, Black
17. 684936 Wheel well trim, Outer, Dual axle
18. 684937 Wheel well trim, Inner, Dual axle
19. 114466-01 Casting, Rub rail, Wheel well, RH
20. 114466-02 Casting, Rub rail, Wheel well, LH
21. 401027-01 Stabilizer jack, Each
22. 921246-01 LP tank cover, Black
23. 400961-04 Power jack, Atwood
24. 513089 Dual inlet, TV/satellite, Gray
25. 513087-02 Power inlet, Male, 30A, 125V, Gray
26. 601441-02 Black tank flush
27. 601392-06 City water hook-up w/regulator, Chrome
28. 601194 Water fill w/lock, Gray
29. 690664-05 Furnace exterior door & bezel, Painted Aluminum
30. 602326 Exterior shower
31. 923115 Refrigerator access door
32. 690209 Water heater access cover, Brushed Aluminum
33. 100679-01 Side access door
34. 511017-11 Exterior vent, Gray
35. 114328 Extrusion, Belt line molding
36. 201912-100 Molding, Belt line insert, Chrome

# 2019 FLYING CLOUD EXTERIOR SHELL

Wall, Curbside, 26U



Parts Listed on Next Page

## 2019 FLYING CLOUD EXTERIOR SHELL

Wall, Curbside, 26U

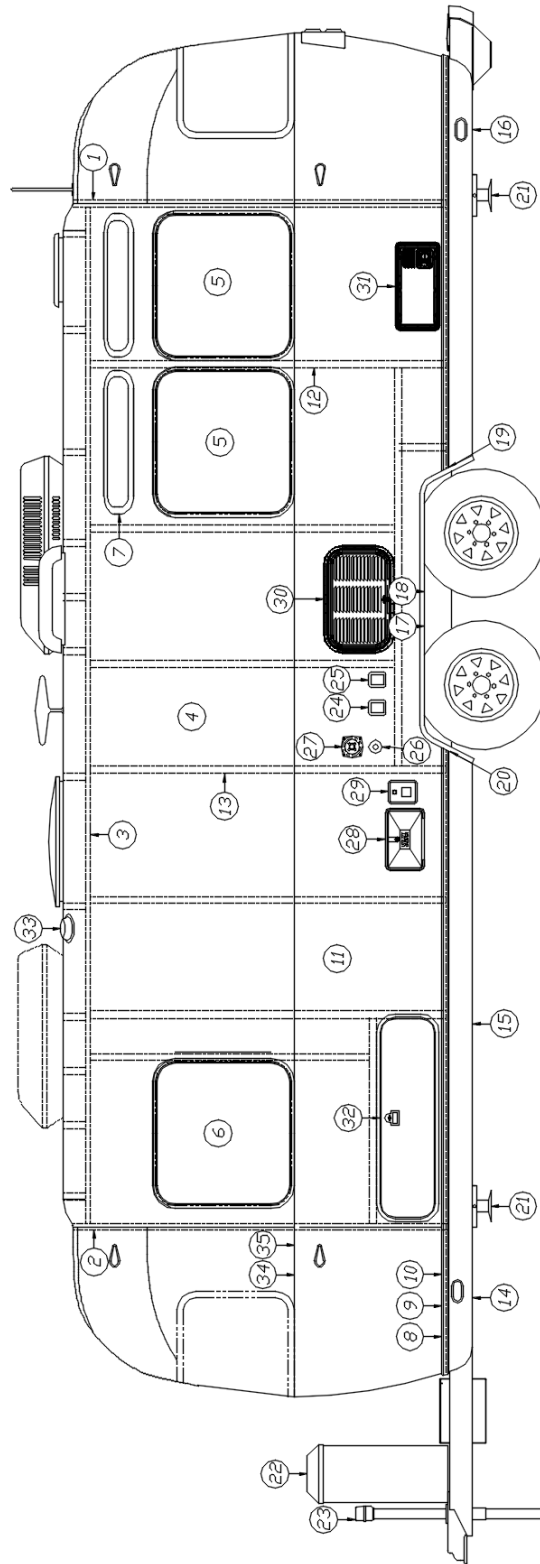
923227S

Shell Assembly

1. 114290-02 Extrusion, Awning/drip rail
2. 114993 Rib, End bow
3. 104707-01 Extrusion, "I" beam
4. 114880-238 Aluminum sheet, Upper, .04" x 51" x 238"
5. 371286-01 Window, 18" curved, Fixed
6. 371323-01 Window, 18", Opening
7. 371436 Window, 18" stacked
8. 371437-01 Vista View Window, 18"
9. 371400-01 Window, Main door
10. 115207 Main door
11. 114654 Screen door
12. 114652 Jamb, Main door
13. 115546 Extrusion, Rub rail
14. 201763-100 Insert, Rub rail, 1", Chrome
15. 100986 Floor channel
16. 114879-238 Aluminum sheet, Lower, .04" x 33 x 228"
17. 114387-01 Bow, Z-rib, RH
18. 114387-02 Bow, Z-rib, LH
19. 200543-02 Banana wrap, CS front, Black
20. 101131-02 Underbelly wrap, .024 x 22.5, Black
21. 200545-02 Banana wrap, CS rear, Black
22. 684936 Wheel well trim, Outer, Dual axle
23. 684937 Wheel well trim, Inner, Dual axle
24. 114465-01 Casting, Rub rail, Door, RH
25. 114465-02 Casting, Rub rail, Door, LH
26. 114466-01 Casting, Rub rail, wheel well, RH
27. 114466-02 Casting, Rub rail, wheel well, LH
28. 512741 Water proof cover w/gasket, Gray
29. 512252 Step light, LED, Stainless Steel
30. 512532 Utility light, LED
31. 690266-06 Power ventilator w/o garnish
32. 114328 Extrusion, Belt line molding
33. 201912-100 Molding, Belt line, Chrome
34. 411054 Bumper

# 2019 FLYING CLOUD EXTERIOR SHELL

Wall, Roadside, 27FB



Parts Listed on Next Page

## 2019 FLYING CLOUD EXTERIOR SHELL

Wall, Roadside, 27FB

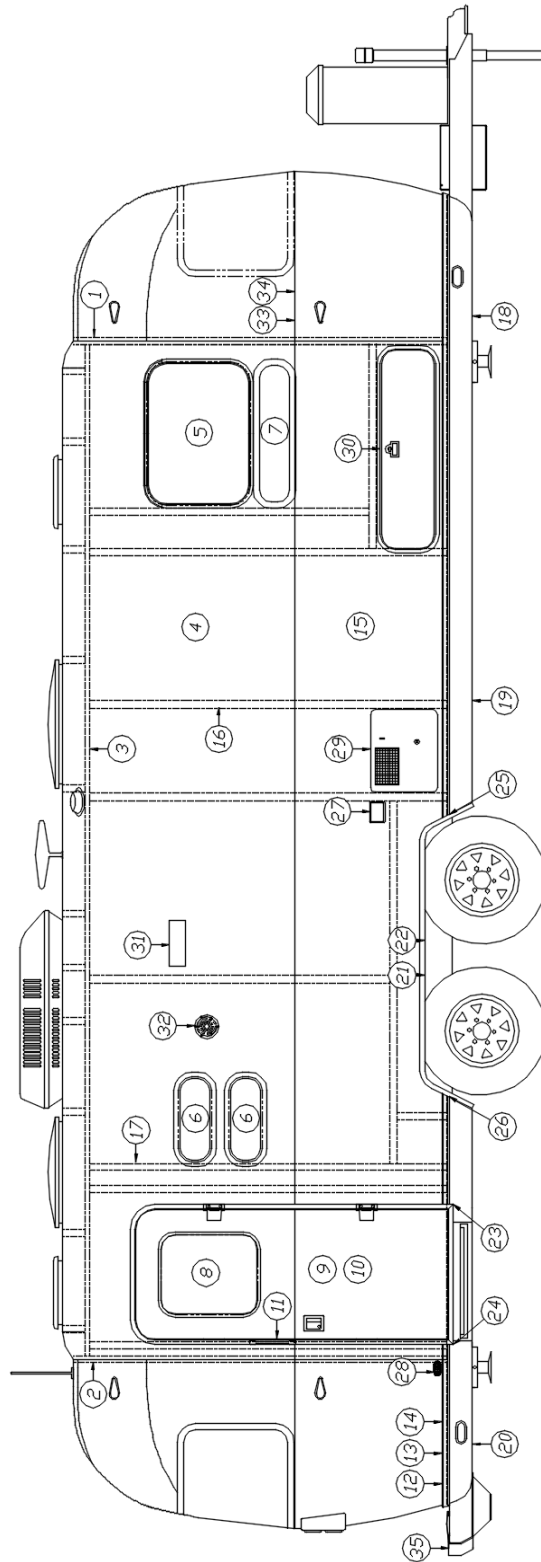
923183S

Shell Assembly

1. 114290-02 Extrusion, Awning/drip rail
2. 114993 Rib, End bow
3. 104707-01 Extrusion, "I" beam
4. 114880-238 Aluminum sheet, Upper, .04" x 51" x 238"
5. 371380 Window, 30" tall, Opening
6. 371380-01 Window, 30", Egress
7. 371437-02 Vista view window, 30"
8. 115546 Extrusion, Rub rail
9. 201763-100 Insert, Rub rail, 1", Chrome
10. 100986 Floor channel
11. 114879-238 Aluminum sheet, Lower, .04" x 33" x 238"
12. 114387-01 Bow, Z-rib, RH
13. 114387-02 Bow, Z-rib, LH
14. 200542-02 Banana wrap, RS front, Black
15. 101131-02 Underbelly wrap, .024 x 22.5, Black
16. 200544-02 Banana wrap, RS rear, Black
17. 684936 Wheel well trim, Outer, Dual axle
18. 684937 Wheel well trim, Inner, Dual axle
19. 114466-01 Casting, Rub rail, Wheel well, RH
20. 114466-02 Casting, Rub rail, Wheel well, LH
21. 401027-01 Stabilizer jack, Each
22. 921246-01 LP tank cover, Black
23. 400961-04 Power jack, Atwood
24. 513089 Dual inlet, TV/satellite, Gray
25. 513087-02 Power inlet, Male, 30A, 125V, Gray
26. 601441-02 Black tank flush
27. 601392-06 City water hook-up w/regulator, Chrome
28. 602326 Exterior shower
29. 601194 Water fill w/lock, Gray
30. 923115 Refrigerator access door
31. 690664-05 Furnace exterior door & bezel, Painted Aluminum
32. 922288 Access door
33. 690266-06 Power ventilator w/o garnish
34. 114328 Extrusion, Belt line molding
35. 201912-100 Molding, Belt line insert, Chrome

# 2019 FLYING CLOUD EXTERIOR SHELL

Wall, Curbside, 27FB



Parts Listed on Next Page



## 2019 FLYING CLOUD EXTERIOR SHELL

### Wall, Curbside, 27FB

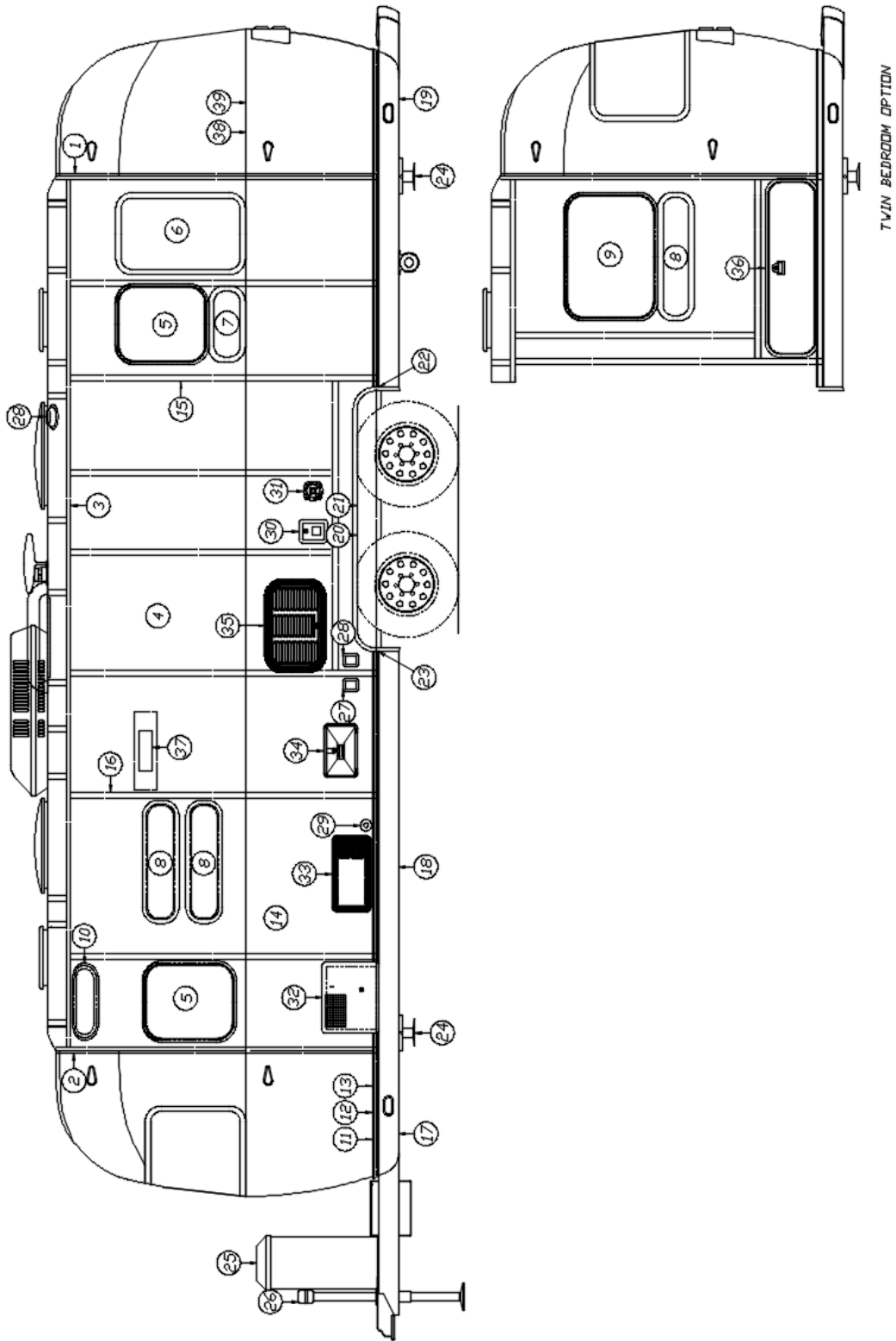
923183S

#### Shell Assembly

1. 114290-02 Extrusion, Awning/drip rail
2. 114993 Rib, End bow
3. 104707-01 Extrusion, "I" beam
4. 114880-238 Aluminum sheet, Upper, .04" x 51" x 238"
5. 371324-02 Window, 30", Opening
6. 371436 Window, 18" stacked
7. 371435 Window, 30" stacked
8. 371400-01 Window, Main door
9. 115207-05 Main door
10. 114654-01 Screen door
11. 114652-01 Jamb, Main door
12. 115546 Extrusion, Rub rail
13. 201763-100 Insert, Rub rail, 1", Chrome
14. 100986 Floor channel
15. 114879-238 Aluminum sheet, Lower, .04" x 33" x 238"
16. 114387-01 Bow, Z-rib, RH
17. 114387-02 Bow, Z-rib, LH
18. 200543-02 Banana wrap, CS front, Black
19. 101131-02 Underbelly wrap, .024 x 22.5, Black
20. 200545-02 Banana wrap, CS rear, Black
21. 684936 Wheel well trim, Outer, Dual axle
22. 684937 Wheel well trim, Inner, Dual axle
23. 114465-01 Casting, Rub rail, Door, RH
24. 114465-02 Casting, Rub rail, Door, LH
25. 114466-01 Casting, Rub rail, wheel well, RH
26. 114466-02 Casting, Rub rail, wheel well, LH
27. 512741 Water proof cover w/gasket, Gray
28. 512252 Step light, LED, Stainless Steel
29. 690209 Water heater access cover, Brushed Aluminum
30. 922288 Access door
31. 511017-11 Exterior vent, Gray
32. 512532 Utility light, LED
33. 114328 Extrusion, Belt line molding
34. 201912-100 Molding, Belt line insert, Chrome
35. 411054 Bumper

# 2019 FLYING CLOUD EXTERIOR SHELL

Wall, Roadside, 28'



Parts Listed on Next Page

## 2019 FLYING CLOUD EXTERIOR SHELL

Wall, Roadside, 28'

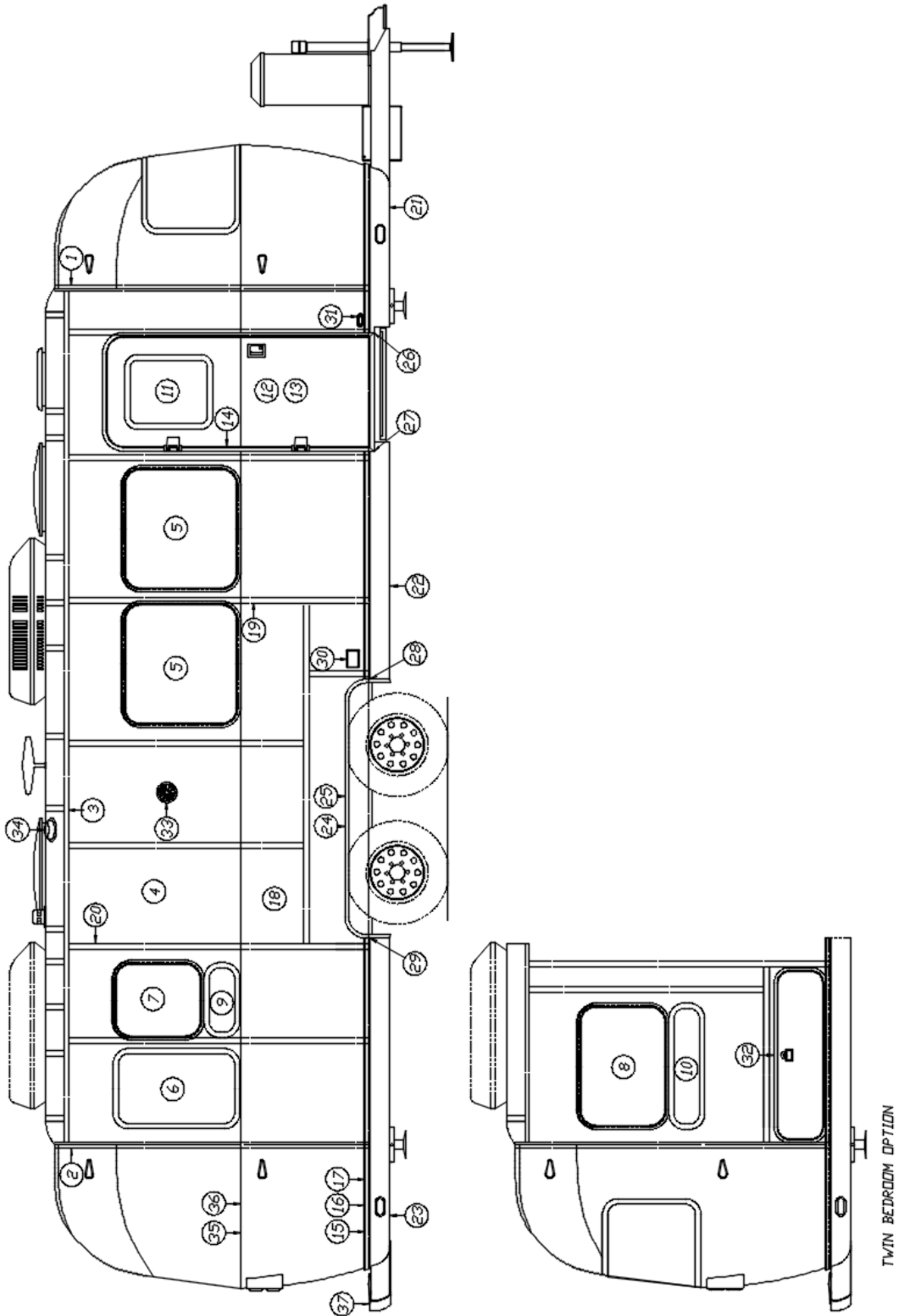
923174S

Shell Assembly

1. 114290-02 Extrusion, Awning/drip rail
2. 114993 Rib, End bow
3. 104707-01 Extrusion, "I" beam
4. 114880-238 Aluminum sheet, Upper, .04" x 51" x 238"
5. 371323-01 Window, 18", Opening
6. 371286-01 Window, 18" curved, Fixed
7. 371436 Window, 18" stacked
8. 371435 Window, 30" stacked
9. 371324-02 Window, 30", Opening
10. 371437-01 Vista view window, 18"
11. 115546 Extrusion, Rub rail
12. 201763-100 Insert, Rub rail, 1", Chrome
13. 100986 Floor channel
14. 114879-238 Aluminum sheet, Lower, .04" x 33" x 238"
15. 114387-01 Bow, Z-rib, RH
16. 114387-02 Bow, Z-rib, LH
17. 200542-02 Banana wrap, RS front, Black
18. 101131-02 Underbelly wrap, .024 x 22.5, Black
19. 200544-02 Banana wrap, RS rear, Black
20. 684936 Wheel well trim, Outer, Dual axle
21. 684937 Wheel well trim, Inner, Dual axle
22. 114466-01 Casting, Rub rail, Wheel well, RH
23. 114466-02 Casting, Rub rail, Wheel well, LH
24. 401027-01 Stabilizer jack, Each
25. 921246-01 LP tank cover, Black
26. 400961-04 Power jack, Atwood
27. 513089 Dual inlet, TV/satellite, Gray
28. 513087-02 Power inlet, Male, 30A, 125V, Gray
29. 601441-02 Black tank flush
30. 601194 Water fill w/lock, Gray
31. 601392-06 City water hook-up w/regulator, Chrome
32. 690209 Water heater access cover, Brushed Aluminum
33. 690664-05 Furnace exterior door & bezel, Painted Aluminum
34. 602326 Exterior shower
35. 923115 Refrigerator access door
36. 922288 Access door
37. 511017-11 Exterior vent, Gray
38. 114328 Extrusion, Belt line molding
39. 201912-100 Molding, Belt line insert, Chrome

# 2019 FLYING CLOUD EXTERIOR SHELL

Wall, Curbside, 28'



Parts Listed on Next Page

## 2019 FLYING CLOUD EXTERIOR SHELL

Wall, Curbside, 28'

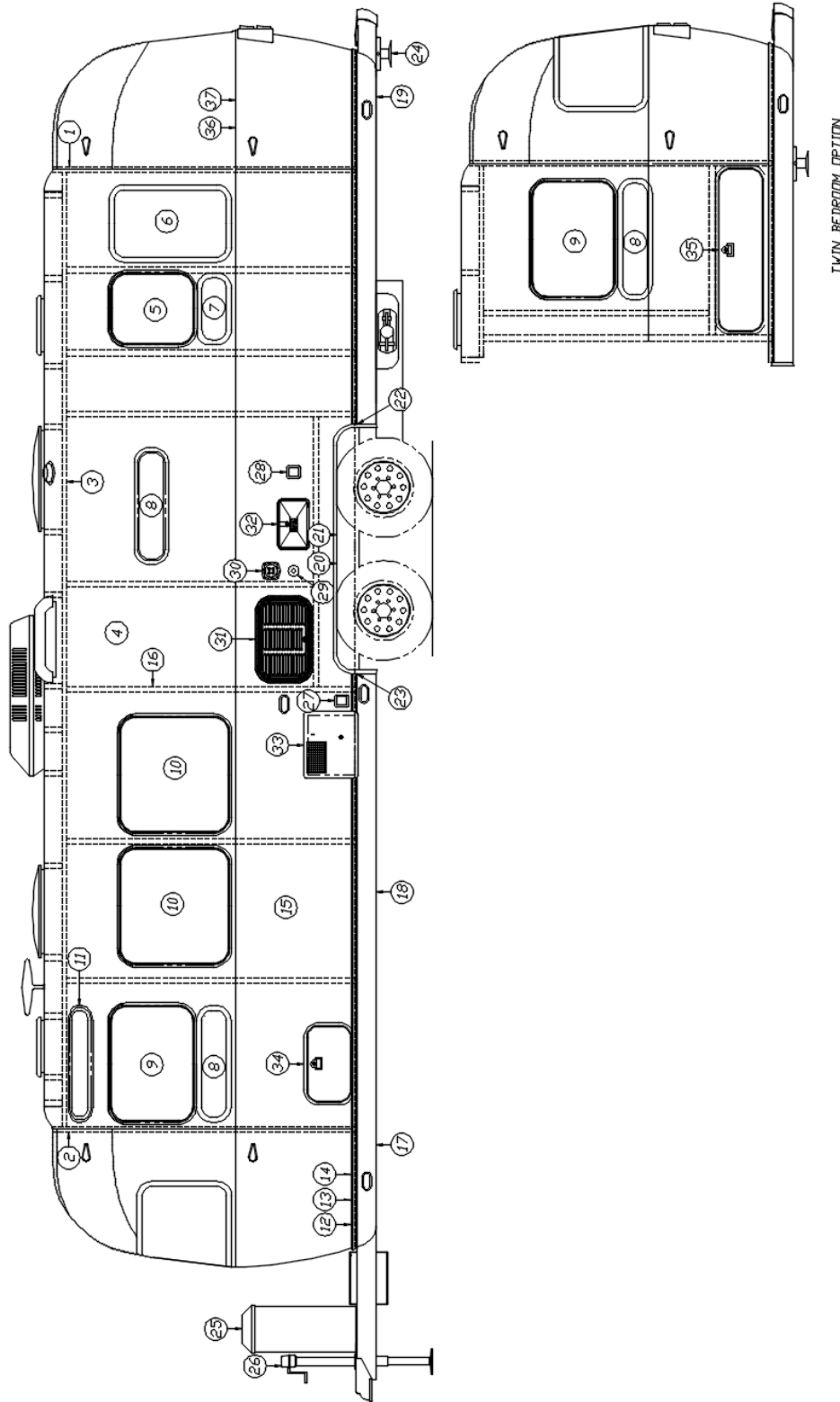
923174S

Shell Assembly

1. 114290-02 Extrusion, Awning/drip rail
2. 114993 End bow
3. 104707-01 Extrusion, "I" beam
4. 114880-238 Aluminum sheet, Upper, .04" x 51" x 238"
5. 371380 Window, 30" tall, Opening
6. 371286-01 Window, 18" curved, Fixed
7. 371323-01 Window, 18", Opening
8. 371324-02 Window, 30", Opening
9. 371436 Window, 18" stacked
10. 371435 Window, 30" stacked
11. 371400-01 Window, Main door
12. 115207 Main door
13. 114654 Screen door
14. 114652 Jamb, Main door
15. 115546 Extrusion, Rub rail
16. 201763-100 Insert, Rub rail, 1", Chrome
17. 100986 Floor channel
18. 114879-238 Aluminum sheet, Lower, .04" x 33" x 238"
19. 114387-01 Bow, Z-rib, RH
20. 114387-02 Bow, Z-rib, LH
21. 200543-02 Banana wrap, CS front, Black
22. 101131-02 Underbelly wrap, .024 x 22.5, Black
23. 200545-02 Banana wrap, CS rear, Black
24. 684936 Wheel well trim, Outer, Dual axle
25. 684937 Wheel well trim, Inner, Dual axle
26. 114465-01 Casting, Rub rail, Door, RH
27. 114465-02 Casting, Rub rail, Door, LH
28. 114466-01 Casting, Rub rail, Wheel well, RH
29. 114466-02 Casting, Rub rail, Wheel well, LH
30. 512741 Water proof cover w/gasket, Gray
31. 512252 Step light, LED, Stainless Steel
32. 922288 Access door
33. 512532 Utility light, LED
34. 690266-06 Power ventilator w/o garnish
35. 114328 Extrusion, Belt line molding
36. 201912-100 Molding, Belt line insert, Chrome
37. 411054 Bumper

# 2019 FLYING CLOUD EXTERIOR SHELL

Wall, Roadside, 30'



Parts Listed on Next Page

## 2019 FLYING CLOUD EXTERIOR SHELL

Wall, Roadside, 30'

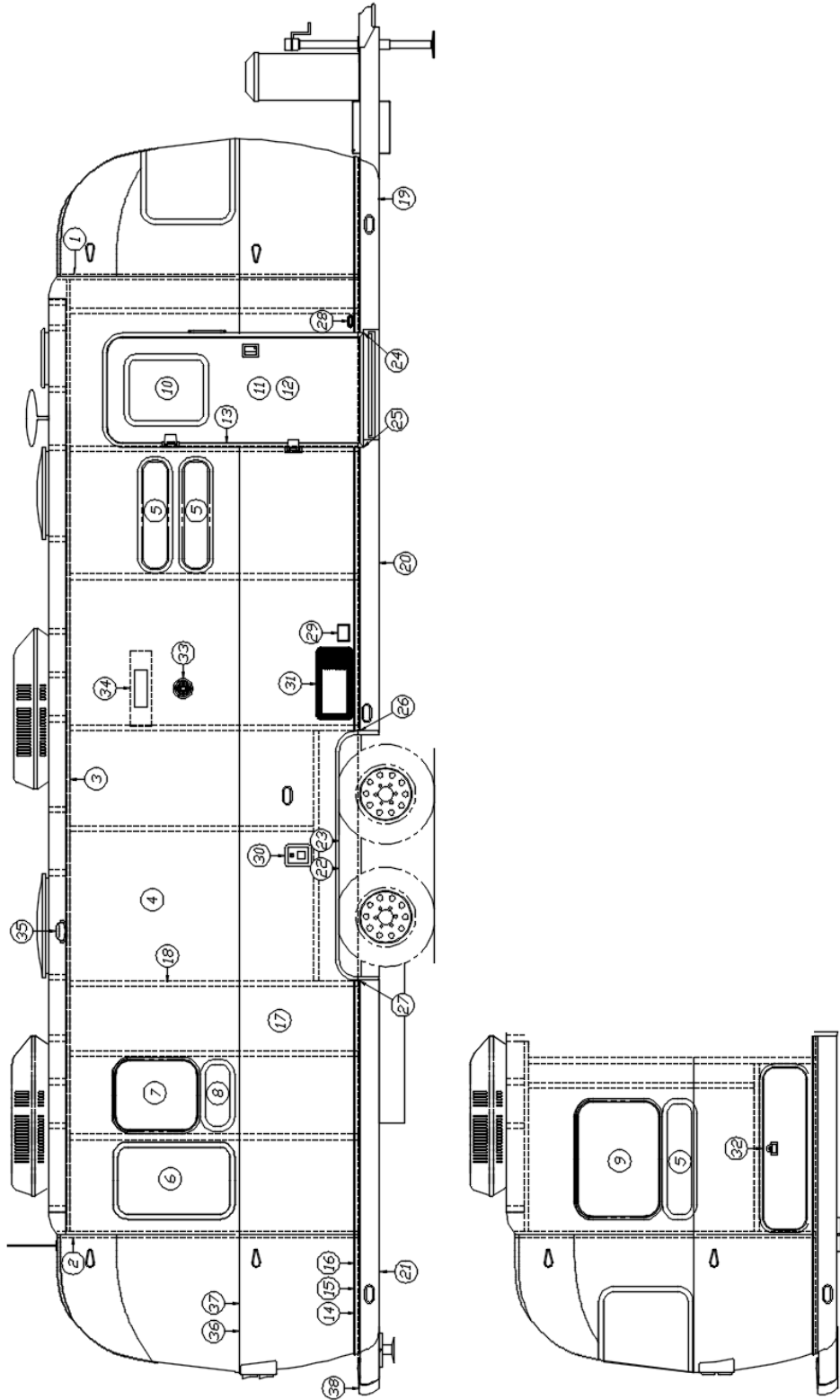
923172S

Shell Assembly

1. 114290-02 Extrusion, Awning/drip rail
2. 114993 Rib, End bow
3. 104707-01 Extrusion, "I" beam
4. 114880-262 Aluminum sheet, Upper, .04" x 51" x 262"
5. 371323-01 Window, 18", Opening
6. 371286-01 Window, 18" curved, Fixed
7. 371436 Window, 18" stacked
8. 371435 Window, 30" stacked
9. 371324-02 Window, 30", Opening
10. 371380 Window, 30" tall, Opening
11. 371437-02 Vista view window, 30"
12. 115546 Extrusion, Rub rail
13. 201763-100 Insert, Rub rail, 1", Chrome
14. 100986 Floor channel
15. 114879-262 Aluminum sheet, Lower, .04" x 33" x 262"
16. 114387-02 Bow, Z-rib, LH
17. 200542-02 Banana wrap, RS front, Black
18. 101131-02 Underbelly wrap, .024 x 22.5, Black
19. 200544-02 Banana wrap, RS rear, Black
20. 684936 Wheel well trim, Outer, Dual axle
21. 684937 Wheel well trim, Inner, Dual axle
22. 114466-01 Casting, Rub rail, Wheel well, RH
23. 114466-02 Casting, Rub rail, Wheel well, LH
24. 401027-01 Stabilizer jack, Each
25. 921246-01 LP tank cover, Black
26. 400961-04 Power jack, Atwood
27. 513089 Dual inlet, TV/satellite, Gray
28. 511149-02 Power inlet w/strain relief, Stainless Steel
29. 601441-02 Black tank flush
30. 601392-06 City water hook-up w/regulator, Chrome
31. 923115 Refrigerator access door
32. 602326 Exterior shower
33. 690209 Water heater access cover, Brushed Aluminum
34. 100679-01 Side access door
35. 922288 Access door
36. 114328 Extrusion, Belt line molding
37. 201912-100 Molding, Belt line insert, Chrome

# 2019 FLYING CLOUD EXTERIOR SHELL

Wall, Curbside, 30'



Parts Listed on Next Page



## 2019 FLYING CLOUD EXTERIOR SHELL

Wall, Curbside, 30'

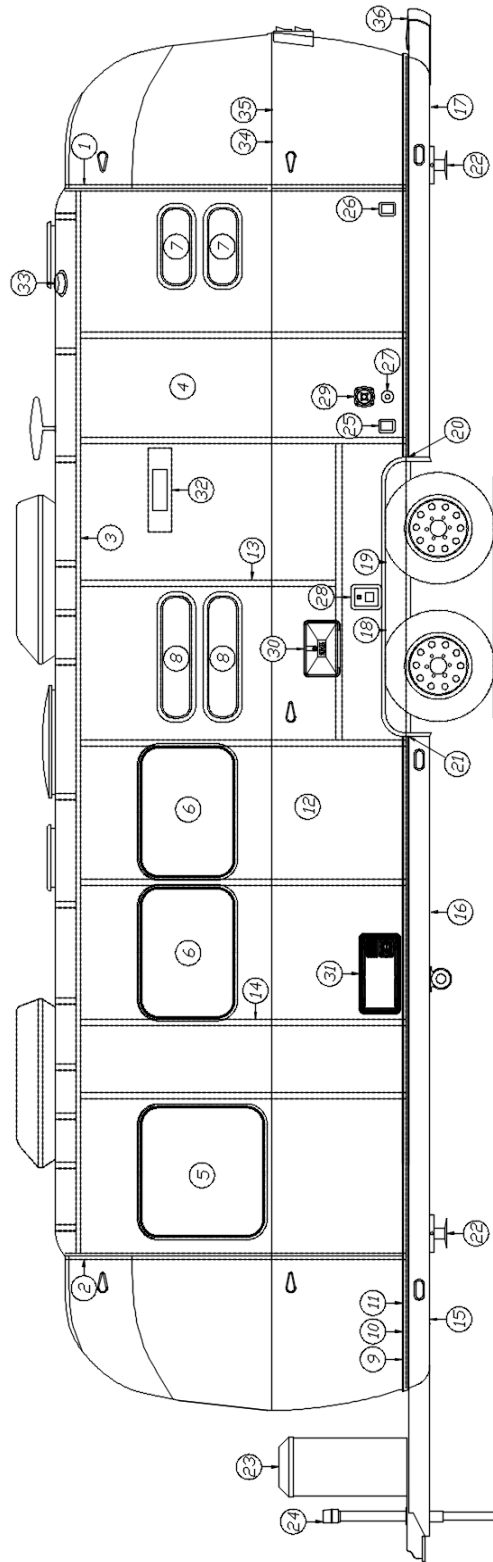
923172S

Shell Assembly

1. 114290-02 Extrusion, Awning/drip rail
2. 114993 End bow
3. 104707-01 Extrusion, "I" beam
4. 114880-262 Aluminum sheet, Upper, .04" x 51" x 262"
5. 371435 Window, 30" stack
6. 371286-01 Window, 18" curved, Fixed
7. 371323-01 Window, 18", Opening
8. 371436 Window, 18" stacked
9. 371324-02 Window, 30", Opening
10. 371400-01 Window, Main door
11. 115207 Main door
12. 114654 Screen door
13. 114652 Jamb, Main door
14. 115546 Extrusion, Rub rail
15. 201763-100 Insert, Rub rail, 1", Chrome
16. 100986 Floor channel
17. 114879-262 Aluminum sheet, Lower, .04" x 33" x 262"
18. 114387-02 Bow, Z-rib, LH
19. 200543-02 Banana wrap, CS front, Black
20. 101131-02 Underbelly wrap, .024 x 22.5, Black
21. 200545-02 Banana wrap, CS rear, Black
22. 684936 Wheel well trim, Outer, Dual axle
23. 684937 Wheel well trim, Inner, Dual axle
24. 114465-01 Casting, Rub rail, Door, RH
25. 114465-02 Casting, Rub rail, Door, LH
26. 114466-01 Casting, Rub rail, Wheel well, RH
27. 114466-02 Casting, Rub rail, Wheel well, LH
28. 512252 Step light, LED, Stainless Steel
29. 512741 Water proof cover w/gasket, Gray
30. 601194 Water fill w/lock, Gray
31. 690664-05 Furnace exterior door & bezel, Painted Aluminum
32. 922288 Access door
33. 512532 Utility light, LED
34. 511017-11 Exterior vent, Gray
35. 690266-06 Power ventilator w/o garnish
36. 114328 Extrusion, Belt line molding
37. 201912-100 Molding, Belt line insert, Chrome
38. 411054 Bumper

# 2019 FLYING CLOUD EXTERIOR SHELL

Wall, Roadside, 30' Bunk



Parts Listed on Next Page

## 2019 FLYING CLOUD EXTERIOR SHELL

### Wall, Roadside, 30' Bunk

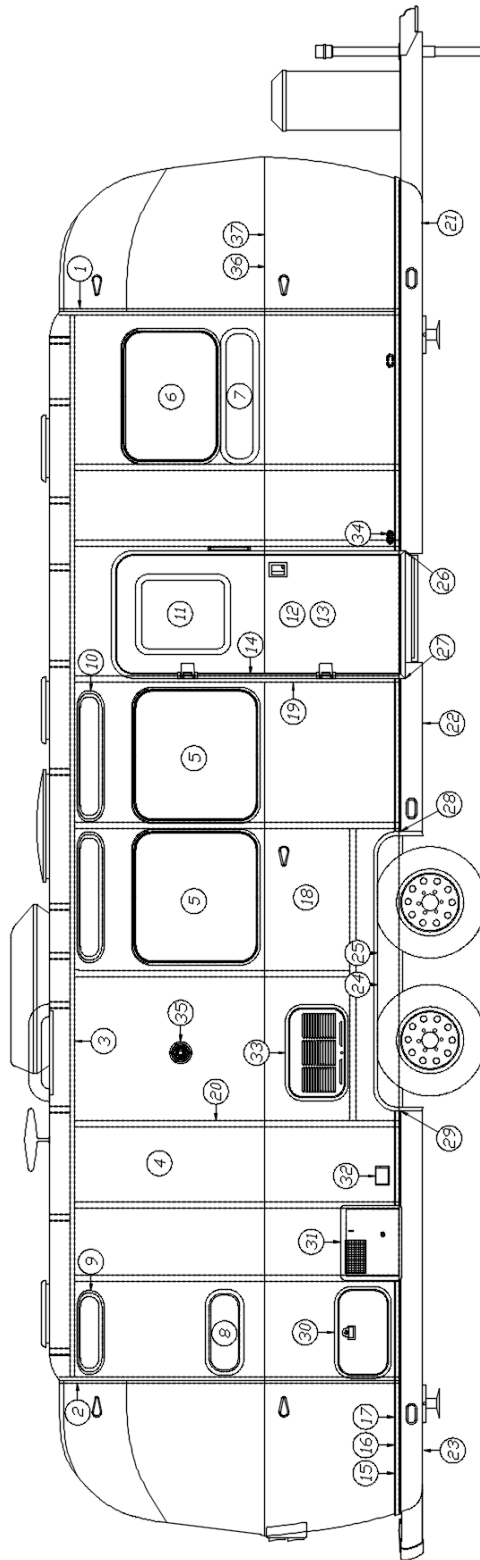
923198S

Shell Assembly

1. 114290-02 Extrusion, Awning/drip rail
2. 114993 Rib, End bow
3. 104707-01 Extrusion, "I" beam
4. 114880-262 Aluminum sheet, Upper, .04" x 51" x 262"
5. 371380-01 Window, 30", Egress
6. 371324-02 Window, 30", Opening
7. 371436 Window, 18" stacked
8. 371435 Window, 30" stacked
9. 115546 Extrusion, Rub rail
10. 201763-100 Insert, Rub rail, 1", Chrome
11. 100986 Floor channel
12. 114879-262 Aluminum sheet, Lower, .04" x 33" x 262"
13. 114387-01 Bow, Z-rib, RH
14. 114387-02 Bow, Z-rib, LH
15. 200542-02 Banana wrap, RS front, Black
16. 101131-02 Underbelly wrap, .024 x 22.5, Black
17. 200544-02 Banana wrap, RS rear, Black
18. 684936 Wheel well trim, Outer, Dual axle
19. 684937 Wheel well trim, Inner, Dual axle
20. 114466-01 Casting, Rub rail, Wheel well, RH
21. 114466-02 Casting, Rub rail, Wheel well, LH
22. 401027-01 Stabilizer jack, Each
23. 921246-01 LP tank cover, Black
24. 400961-04 Power jack, Atwood
25. 511149-02 Power inlet w/strain relief, Stainless Steel
26. 513089 Dual inlet, TV/satellite, Gray
27. 601441-02 Black tank flush
28. 601392-06 City water hook-up w/regulator, Chrome
29. 601194 Water fill w/lock, Gray
30. 602326 Exterior shower
31. 690664-05 Furnace exterior door & bezel, Painted Aluminum
32. 511017-11 Exterior vent, Gray
33. 690266-06 Power ventilator w/o garnish
34. 114328 Extrusion, Belt line molding
35. 201912-100 Molding, Belt line insert, Chrome
36. 411054 Bumper

# 2019 FLYING CLOUD EXTERIOR SHELL

Wall, Curbside, 30' Bunk



Parts Listed on Next Page

## 2019 FLYING CLOUD EXTERIOR SHELL

### Wall, Curbside, 30' Bunk

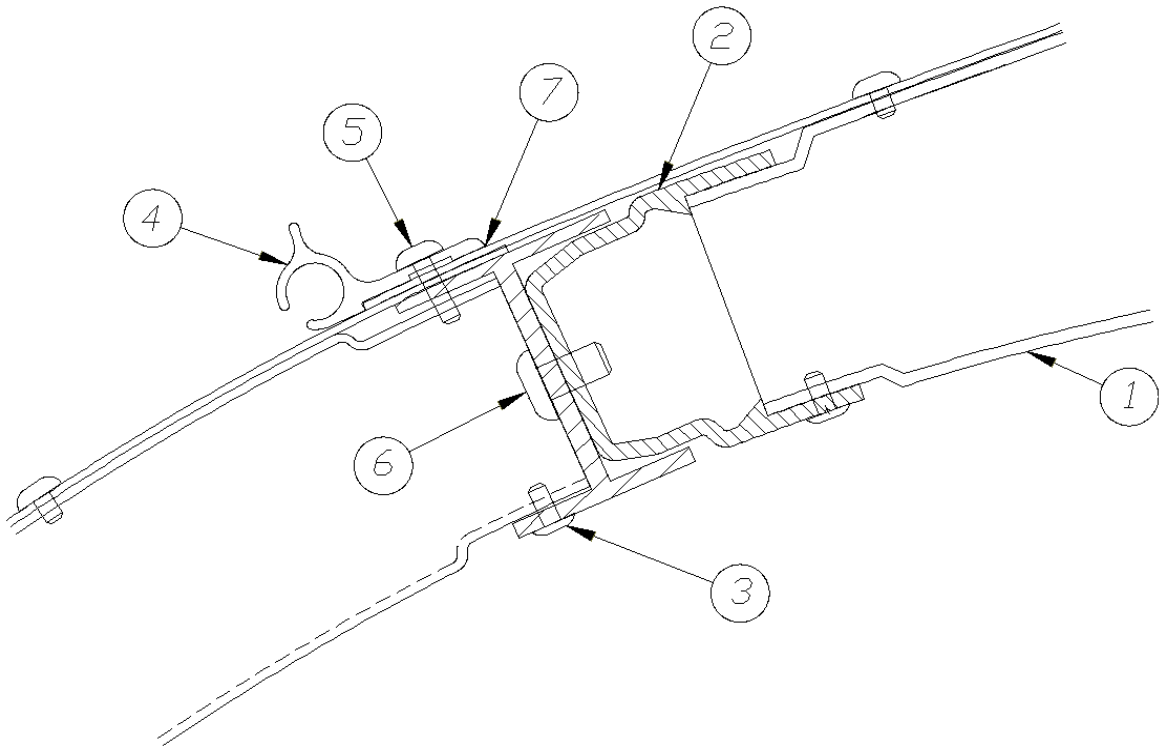
923198S

Shell Assembly

1. 114290-02 Extrusion, Awning/drip rail
2. 114993 End bow
3. 104707-01 Extrusion, "I" beam
4. 114880-262 Aluminum sheet, Upper, .04" x 51" x 262"
5. 371380 Window, 30" tall, Opening
6. 371324-02 Window, 30", Opening
7. 371435 Window, 30" stacked
8. 371436 Window, 18" stacked
9. 371437-01 Vista view window, 18"
10. 371437-02 Vista view window, 30"
11. 371400-01 Window, Main door
12. 115207 Main door
13. 114654 Screen door
14. 114652 Jamb, Main door
15. 115546 Extrusion, Rub rail
16. 201763-100 Insert, Rub rail, 1", Chrome
17. 100986 Floor channel
18. 114879-262 Aluminum sheet, Lower, .04" x 33" x 262"
19. 114387-01 Bow, Z-rib, RH
20. 114387-02 Bow, Z-rib, LH
21. 200543-02 Banana wrap, CS front, Black
22. 101131-02 Underbelly wrap, .024 x 22.5, Black
23. 200545-02 Banana wrap, CS rear, Black
24. 684936 Wheel well trim, Outer, Dual axle
25. 684937 Wheel well trim, Inner, Dual axle
26. 114465-01 Casting, Rub rail, Door, RH
27. 114465-02 Casting, Rub rail, Door, LH
28. 114466-01 Casting, Rub rail, Wheel well, RH
29. 114466-02 Casting, Rub rail, Wheel well, LH
30. 100679-01 Side access door
31. 690209 Water heater access cover, Brushed Aluminum
32. 512741 Water proof cover w/gasket, Gray
33. 923115 Refrigerator access door
34. 512252 Step light, LED, Stainless Steel
35. 512532 Utility light, LED
36. 114328 Extrusion, Belt line molding
37. 201912-100 Molding, Belt line insert, Chrome

# 2019 FLYING CLOUD EXTERIOR SHELL

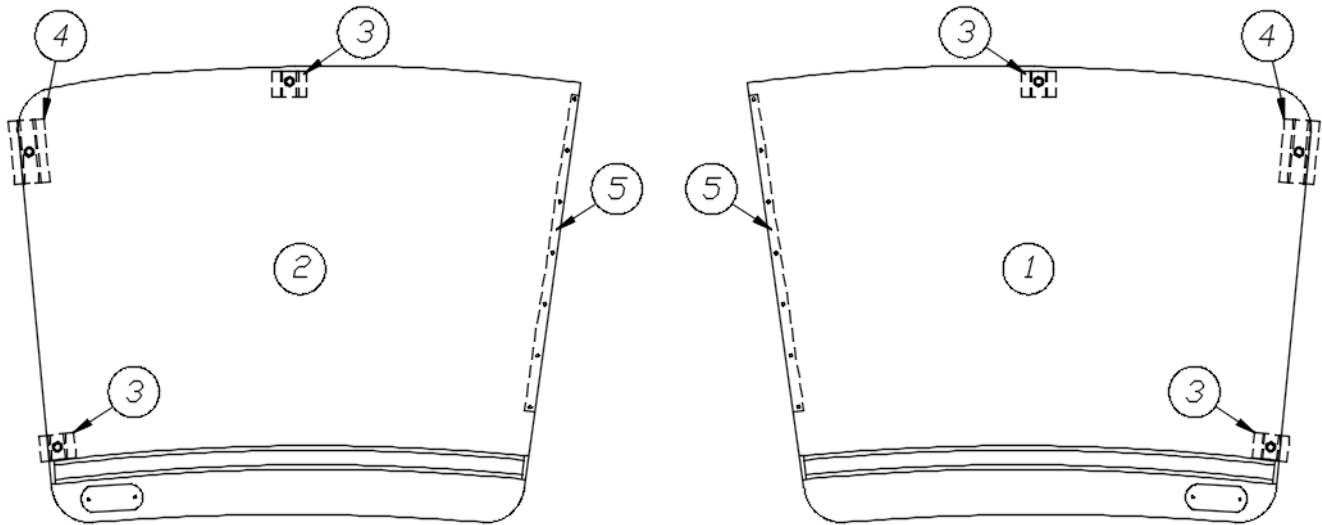
## Roof



- |              |                                                            |
|--------------|------------------------------------------------------------|
| 1. 115651    | Roof bow, NB                                               |
| 115586       | Roof bow, WB                                               |
| 2. 114987-01 | Extrusion, Roof corner, 23CB, 23FB, WB                     |
| 114987-02    | Extrusion, Roof corner, 19', 20'                           |
| 3. 330127-03 | Rivet, 1/8", (Mill) AD43ABS                                |
| 4. 114290-01 | Extrusion, Awning/drip rail, 19', 20', 23FB, 25', 25FB     |
| 114290-02    | Extrusion, Awning/drip rail, 26U, 27FB, 28', 30', 30' Bunk |
| 5. 325003-03 | Rivet, 1/8 x 7/16, White                                   |
| 6. 330139-01 | Rivet, 1/4", Magnalok SS                                   |
| 7. 365330-05 | Adseal, Awning rail, 10.3oz tube                           |
| 115727-262   | Alum sheet, .032" x 72" x 262", White                      |
| 115728-262   | Alum sheet, .032" x 66.75" x 262", White, NB               |
| 104948       | Air deflector, between roof A/C and refrigerator           |
| 115593       | Transition cap, Stretched formed, WB                       |
| 115654       | Transition cap, Stretched formed, NB                       |

# 2019 FLYING CLOUD EXTERIOR SHELL

## Wrap Protectors and Holdbacks



109325-100  
109325-02

Wrap Protector Set, Tall  
Wrap Protector Set, Short, CSA

- |              |                                |
|--------------|--------------------------------|
| 1. 966277    | Wrap Protector, Tall, RS       |
| 685366-100   | Wrap Protector, RS, Short, CSA |
| 2. 966276    | Wrap Protector, Tall, CS       |
| 685365-100   | Wrap Protector, CS, Short, CSA |
| 3. 114819-02 | Wrap protector hold back, 2"   |
| 4. 114819-03 | Wrap protector hold back, 5"   |
| 5. 381605-03 | Piano hinge, Stainless Steel   |
| 100742-01    | Extrusion, Mirror trim         |
| 115546       | Extrusion, Rub rail            |
| 201709-02    | Extrusion, Trim molding, Black |
| 114465-01    | Casting, Rub rail, RH          |
| 114465-02    | Casting, Rub rail, LH          |
| 685343       | Gusset, Corner                 |
| 500096       | Reflector, Amber               |

# 2019 FLYING CLOUD INTERIOR SHELL

## Interior Skin

114445	Aluminum sheet, .032" x 34" x coil
114879-201	Aluminum sheet, .04" x 33" x 201"
114879-238	Aluminum sheet, .04" x 33" x 238"
114879-262	Aluminum sheet, .04" x 33" x 262"
114880-201	Aluminum sheet, .04" x 51" x 201"
114880-238	Aluminum sheet, .04" x 51" x 238"
114880-262	Aluminum sheet, .04" x 51" x 262"
114890-01	Interior segment, Front CS, Rear RS
114891-01	Interior segment, Front RS, Rear CS
114892-01	Interior segment, Center narrow
114893-01	Interior segment, Center wide

## Interior Shell Insulation

108808	Interior insulation
203740	Insulation, Eco-batt fiberglass
200514	Wheel well insulator, Tandem, Black

## Interior Wheel Well Liner

200844	Wheel well, Tandem, 66.5", A.B.S
453617	Wheel well box, 19', 20'
200514	Wheel well Insulator, Plastic, Tandem

## Main Door Threshold

115565	Extrusion, Main door threshold
100097	Extrusion, Aluminum track
382290-01	End cap, Threshold, RH
382290-02	End cap, Threshold, LH



## 2019 FLYING CLOUD CHASSIS

### Axles

410980-17	Axle, 4300#, 19'
410980-15	Axle, 5000#, 20'
410980-16	Axle, 3500#, 23CB, 23FB
410980-02	Axle, 3800#, 25', 25FB, 26U, 27FB, 28'
410980-11	Axle, 4500#, 30', 30' Bunk
410980-102	12" LH Nev-R Adjust Brake Assembly
410980-103	12" RH Nev-R Adjust Brake Assembly

### Shocks

0220003	Shock absorber
0250173-15	Bolt, grade 5, 5/8"-18 x 1.5", shock mount
0130068-818	Nut, hex head flanged, 5/8"-18, shock mount

### Tires and Wheels

410987-01	Tire & wheel assembly, 15", Aluminum
410987-100	Wheel only, 15", Aluminum
411052	Tire only, 15", Goodyear Endurance
400844-01	Center cap, Stainless Steel
400923	Lug nut, .5", Acorn type

### Spare Tire Carrier

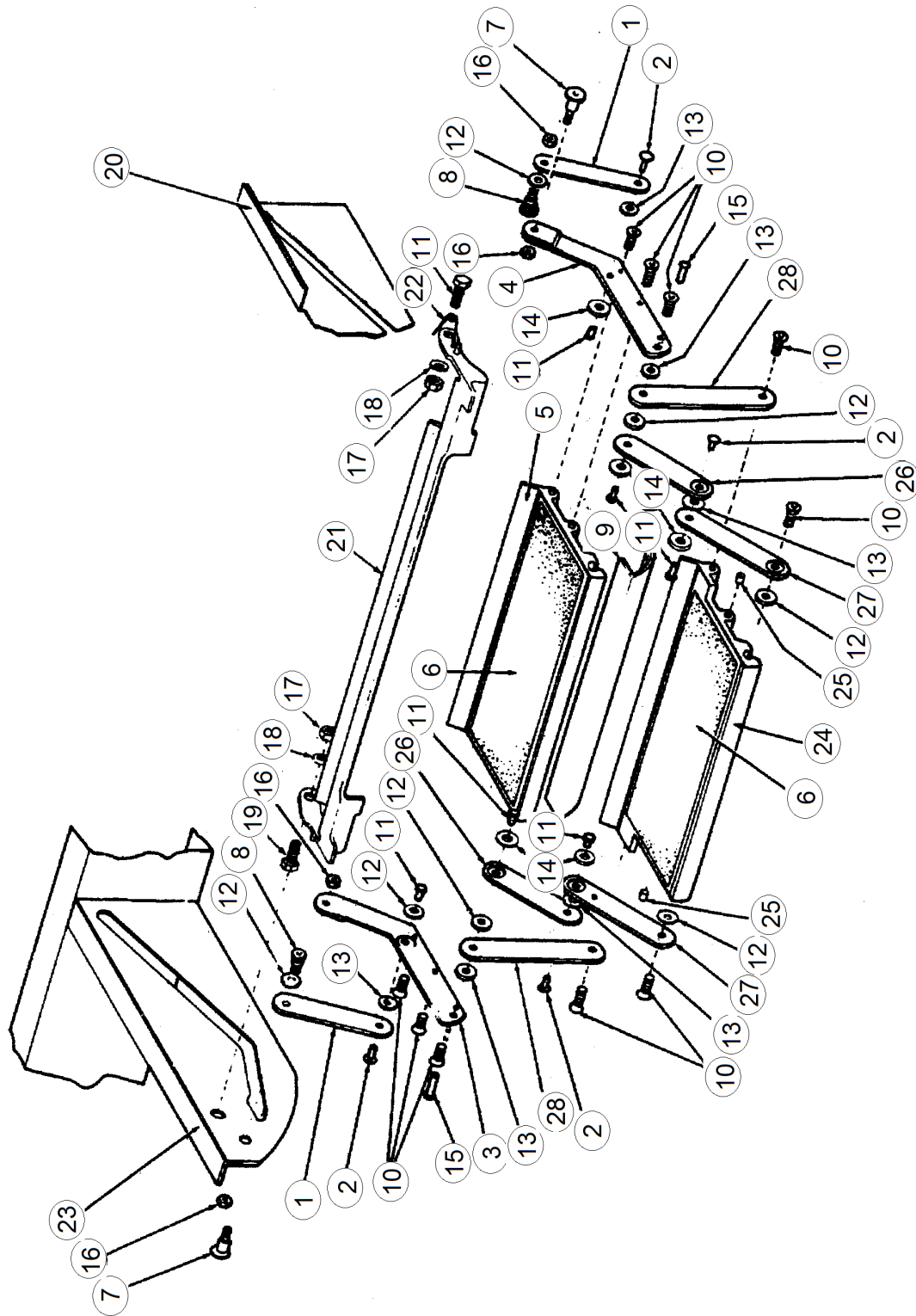
410843-02	Spare tire & wheel assembly, 15", Steel
410843-100	Wheel only, 15", Steel
450414	"A" frame spare tire carrier
994073	Spare tire carrier bracket

### Step, Single, 19'

99900P-1970	Step, Main door, Manual
0260100	U-type cage nut, 3/8-16

# 2019 FLYING CLOUD CHASSIS

Step, Double



\* Parts Listed on Next Page

## 2019 FLYING CLOUD CHASSIS

### Step

3440006	Double step assembly
1. 680213	Arm, upper support
2. 680214	Pin, hinge
3. 680215	Step bracket, left
4. 680216	Step bracket, right
5. 680217	Extrusion, step 20.5"
6. 380069	Safety tread
7. 001152	Bolt, shoulder
8. 001145	Bolt, shoulder, 3/8" thread
9. 680220	Panel
10. 680221	Screw, flat head
11. 680222	Bolt, socket head
12. 680223	Washer, bronze
13. 680224	Washer, wave
14. 680225	Washer, aluminum
15. 680226	Pin, pivot
16. 350005	Nut, hex
17. 350147-25	Nut, Nylock
18. 300005	Washer, flat
19. 345016	Screw, machine
20. 410523	Outrigger, RH (Not included with step assembly.)
21. 100298	Casting, step release
22. 0440032	Step spring
23. 410524	Outrigger, LH (Not included with step assembly.)
24. 410200	Extrusion, step, 20.0"
25. 380075	Bullet catch
26. 400004	Hinge arm, upper
27. 400003	Hinge arm, lower
28. 400005	Arm, lower support

# 2019 FLYING CLOUD CHASSIS

## Stabilizing Jacks

401027	Stabilizing jack kit, Set of 4
401027-01	Stabilizer jack, Each
401027-02	Stabilizer jack handle
401027-03	Footpad, Stabilizer jack

## Power Jack

400961-04-BOX	Power jack, Atwood
400961-03	Power jack drop foot
400961-02-100	Crank handle, Manual
500773-30	Fuse, ATC, 12V DC 30 AMP, Light Green
195466-251	30 AMP Fuse Holder W/Cover

## Hose Carrier

602619-02	EZ hose carrier, 64", Black
104704-01	Shim, 3 x 3

## Underbelly

114679	Aluminum underbelly, .019" x 65.75" x coil
101131-02	Underbelly wrap, .024 x 22.5, Black
203304	Underbelly roll, Black plastic
200542-02	Banana wrap, RS front, Black
200543-02	Banana wrap, CS front, Black
200544-02	Banana wrap, RS rear, Black
200545-02	Banana wrap, CS rear, Black
203303-01	Banana wrap, RS front, 19'
203303-02	Banana wrap, CS front, 19'
203303-03	Banana wrap RS rear, 19'
203303-04	Banana wrap, CS rear, 19'

## Bumper End Caps

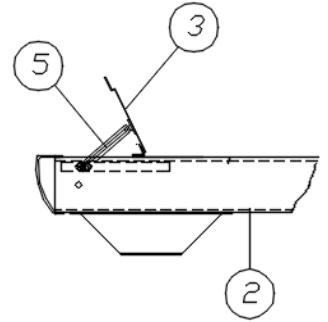
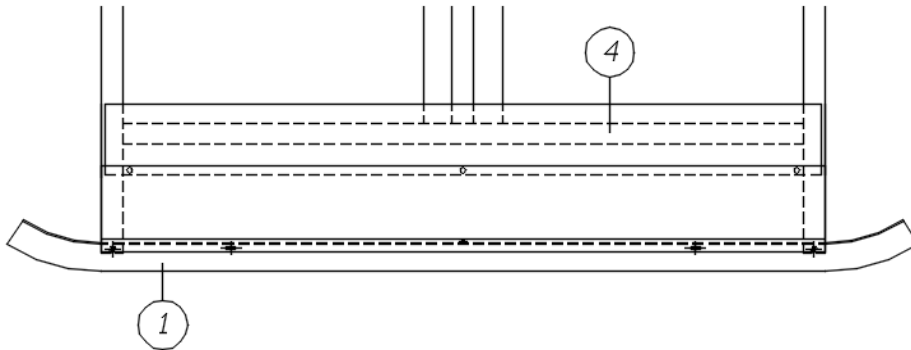
382289-01	Bumper end cap, Right hand
382289-02	Bumper end cap, Left hand

## Hitch Coupler

680343-01	Marvel coupler, 2-5/16"
680345	Coupler latch repair kit

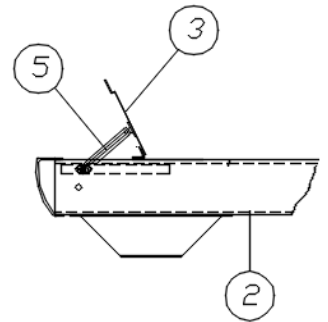
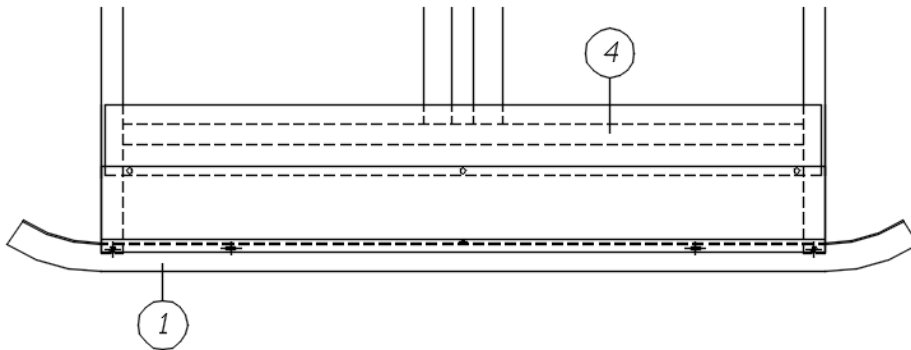
# 2019 FLYING CLOUD CHASSIS

## Bumper and Storage, NB



- |              |                                                     |
|--------------|-----------------------------------------------------|
| 1. 411055    | Bumper                                              |
| 2. 453627    | Pan, Sewer hose compartment, 19'                    |
| 454314       | Bottom, Sewer hose compartment, 20', 23CB, 23FB     |
| 3. 454214-01 | Lid, Rear hose carrier, Black                       |
| 4. 114849-06 | Aluminum sheet, .06" x 36" x 8', Black              |
| 5. 380024    | Arms support, RH                                    |
| 380203-02    | Piano hinge                                         |
| 382456       | Swell latch                                         |
| 115601-03    | Insert-Bumper Storage Tread 58.13", 19'             |
| 115601-02    | Insert-Bumper Storage Tread 60.82", 20', 23CB, 23FB |

## Bumper and Storage, WB



- |              |                                                        |
|--------------|--------------------------------------------------------|
| 1. 411054    | Rear bumper                                            |
| 2. 453538    | Bottom, Storage compartment, 25', 25FB, 26U, 27FB, 28' |
| 112671-19    | Vinyl - Compartment Liner                              |
| 454147       | Bottom, Storage compartment, 30', 30' Bunk             |
| 112671-20    | Vinyl - Compartment Liner                              |
| 3. 453497-01 | Lid, Rear hose carrier, Black                          |
| 4. 114849-06 | Aluminum sheet, .06" x 36" x 8', Black                 |
| 5. 380024    | Arms support, RH                                       |
| 380203-02    | Piano hinge                                            |
| 382456       | Swell latch                                            |

# 2019 FLYING CLOUD DECALS, EXTERIOR TRIM

## Decals and Nameplates

386126	Nameplate, "Bambi", Black/Gray, 19', 20'
386220	Nameplate, "Flying Cloud", 3" x 10"
386068-01	Medallion, 3" Logo, Airstream, Main door
386272	Decal, "AIRSTREAM", Black Chrome

## Belt Line Trim

114328	Extrusion, Belt line molding
201912-100	Molding, Belt line insert, Chrome
114417	Casting, Belt line close out

## Rub Rail Trim

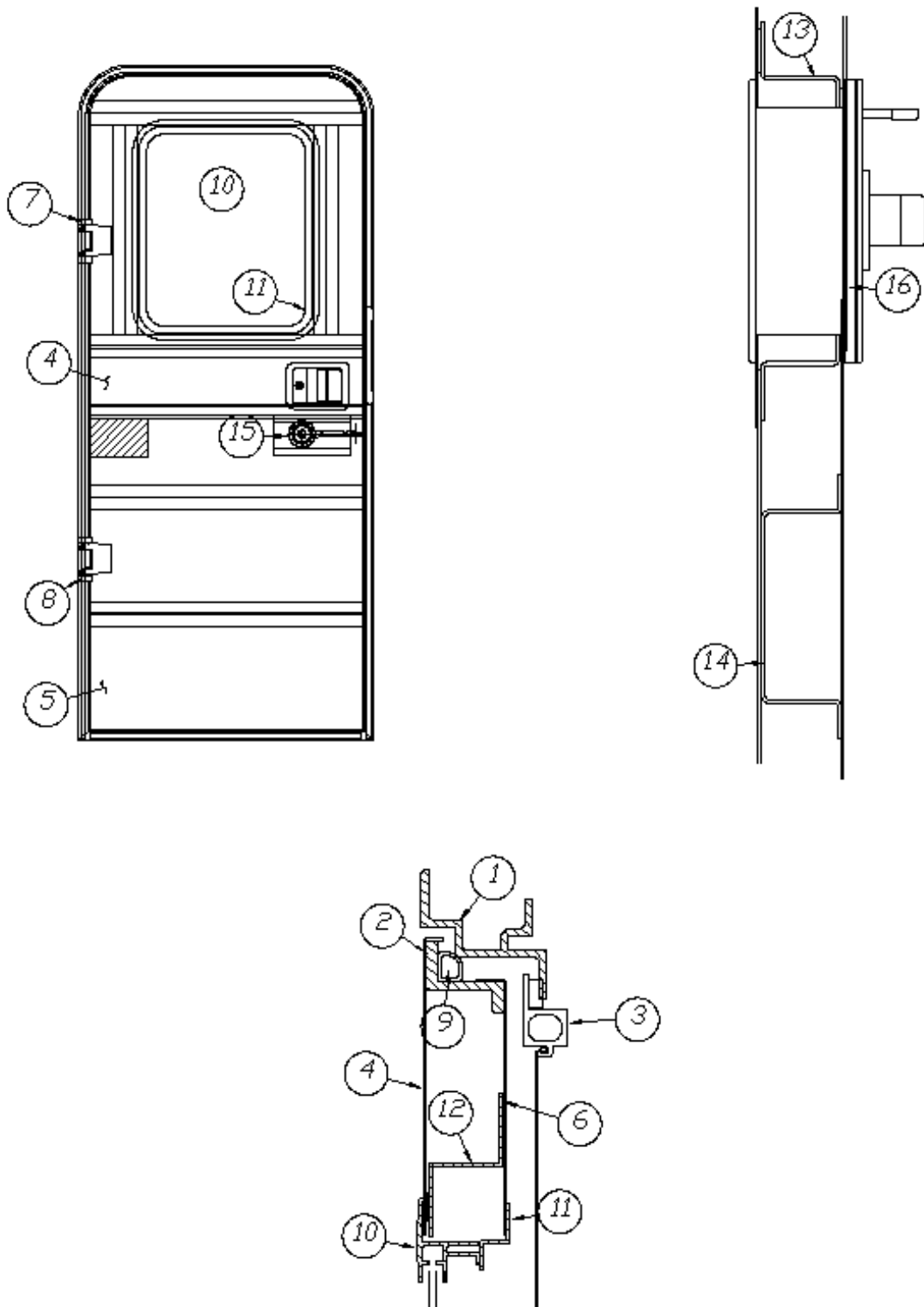
115546	Extrusion, rub rail
201763-100	Insert, rub rail, Chrome, 1"
114465-01	Closeout, Casting, Rub rail, RH
114465-02	Closeout, Casting, Rub rail, LH
114466-01	Closeout, Casting, Rub rail, Angled, RH
114466-02	Closeout, Casting, Rub rail, Angled, LH

## Reflectors

500095	Reflector, Red rectangular
500096	Reflector, Amber
510446	Reflector, Red, Stick-on

# 2019 FLYING CLOUD DOORS, EXTERIOR

## Main Door, LH Hinge



Parts Listed on Next Page

## 2019 FLYING CLOUD DOORS, EXTERIOR

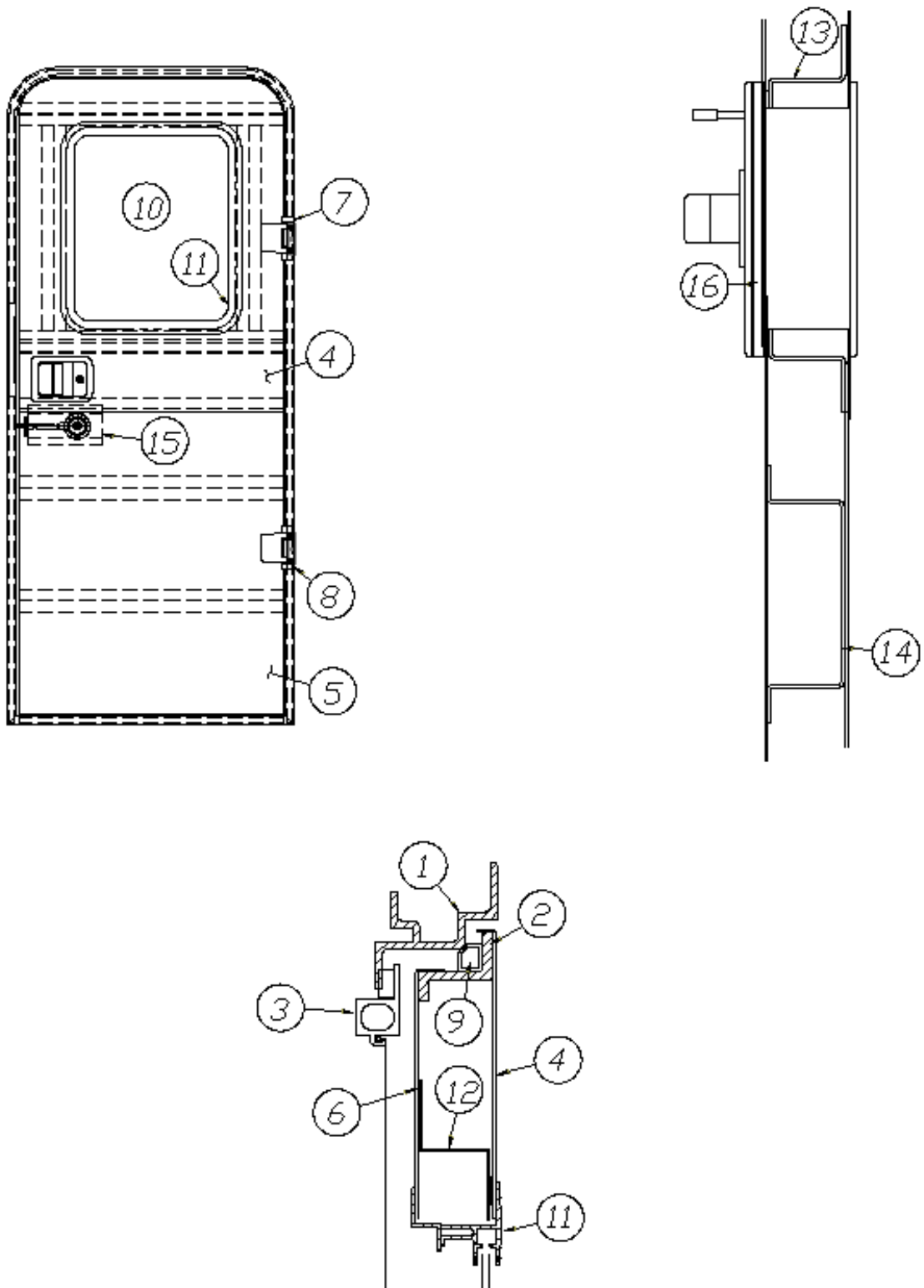
### Main Door, LH Hinge

115207	Main Door, 20', 25', 26U, 28', 30', 30' Bunk
115207-04	Main Door, 19', 23CB
1. 114652	Jamb, Main door, Pre-formed
2. 114653	Frame, Main door, Pre-formed
3. 114654	Screen door
4. 114448-03	Skin, Exterior, Upper main door
5. 114449-03	Skin, Exterior, Lower main door
6. 114475	Main door skin, Inner
7. 381552-03	Hinge, Main door, Upper
8. 381552-04	Hinge, Main door, Lower
9. 365232	Seal, Main door
10. 371400-01	Window, Main door
11. 115208	Trim ring, Main door window
12. 114658	Inner door, Z-bar, Upper & lower
13. 114657	Hat section, Formed, Main door
14. 115413	Hat section, Round dead bolt
15. 382069	Deadbolt, Round, Trimark
16. 203370	Spacer, Deadbolt
385595	Pocket strike, Main door
381326	Striker w/Trimark deadbolt
453851	Bolt, Trimark deadbolt
114363	Drip cap, Main door
380290	Housing latch
380291	Latch
201056	Striker, Main door, Black plastic
114507-03	Trim, Main door
454898	Nut plate, Main door
365360	Gasket, Nut plate
203494	Baseplate, Door latch
101171	Grab handle, Cast Aluminum
382130	P-gasket w/tape backing
382290-01	End cap, Threshold, RH
382290-02	End cap, Threshold, LH



# 2019 FLYING CLOUD DOORS, EXTERIOR

## Main Door, RH Hinge



Parts Listed on Next Page

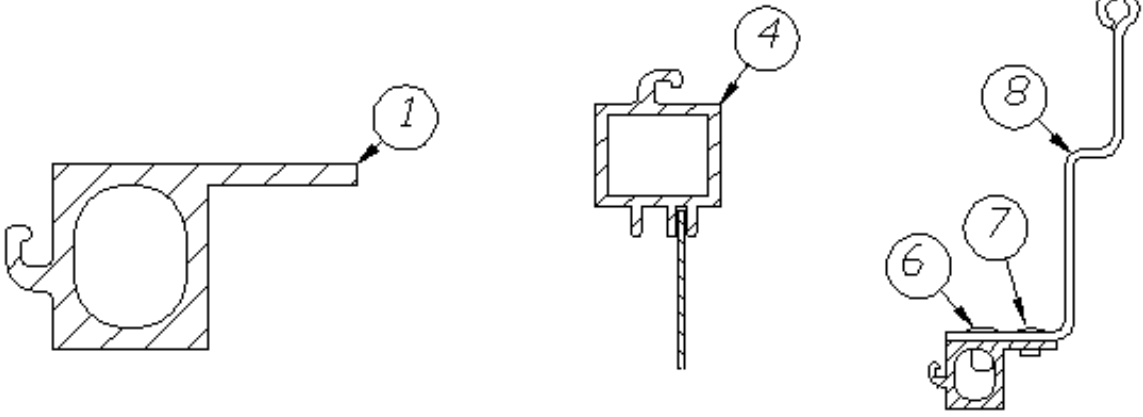
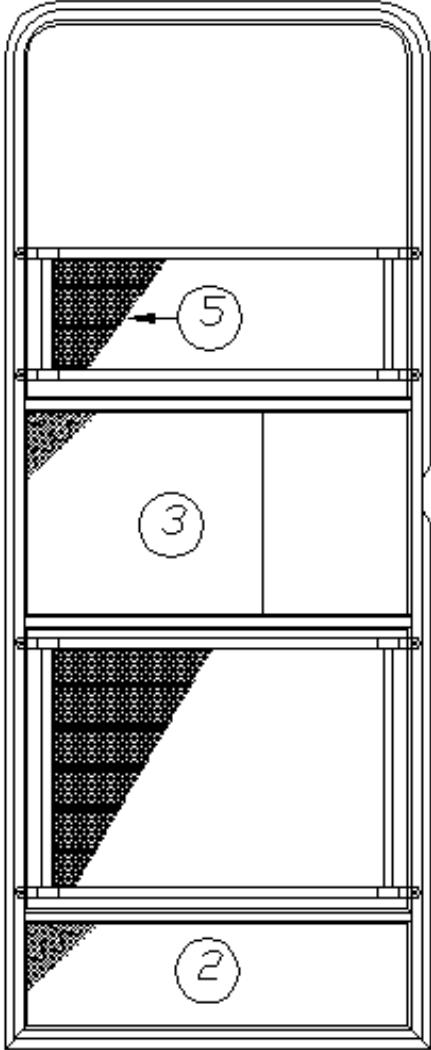
## 2019 FLYING CLOUD DOORS, EXTERIOR

### Main Door, RH Hinge

115207-05	Main Door, 23FB, 25FB, 27FB
1. 114652-01	Jamb, Main door, Pre-formed
2. 114653-01	Frame, Main door, Pre-formed
3. 114654-01	Screen door, RH Hinge
4. 114448-03	Skin, Exterior, Upper main door
5. 114449-03	Skin, Exterior, Lower main door
6. 114475	Main door skin, Inner
7. 381552-02	Hinge, Main door, Upper
8. 381552-01	Hinge, Main door Lower
9. 365232	Seal, Main door
10. 371400-01	Window, Main door
11. 115208	Trim ring, Main door window
12. 114658	Inner door, Z-bar, Upper & lower
13. 114657	Hat section, Formed, Main door
14. 115413	Door hat section
15. 382069	Deadbolt, Round, Trimark
16. 203370	Spacer, Trimark door Latch
385595	Pocket strike, Main door
381326	Striker w/Trimark deadbolt
345321-12	Screw, Flat head, Black
453851	Bolt, Trimark, Deadbolt
380290	Housing latch
380291	Latch
201056	Striker, Main door, Black plastic
454898	Nut plate, Main door
365360	Gasket, Nut plate
203494	Base plate, Door latch
114363	Drip cap, Main door
101171	Grab handle, Cast Aluminum
382130	P-gasket w/tape backing
382290-01	End cap, Threshold, RH
382290-02	End cap, Threshold, LH

# 2019 FLYING CLOUD DOORS, EXTERIOR

## Screen Door



Parts Listed on Next Page

# 2019 FLYING CLOUD DOORS, EXTERIOR

## Screen Door

114654	Screen Door, LH Hinge
114654-01	Screen Door, RH Hinge
1. 104782-186	Extrusion, Frame
2. 114648-01	Kick panel
3. 114561-01	Panel, Slider
4. 104784-78	Extrusion, Screen door stiffener
5. 380079	Screen, Gray
6. 330130-02	Rivet, 5/32, Mill finish
7. 325122	Rivet, 5/32, Brazier head
8. 385577-02	Tape, Clear, 1-7/8" wide
380004	Handle with 8/32" x 1 screw
683946	Bug seal, Edge of screen door close out
203287-02	Close out, Plastic
115171-01	Screen door guard, Top
115171-02	Screen door guard, Bottom
0404-0001	Spline, Gray
701624	Velcro, Loop 5/8" wide
701625	Velcro, Hook 5/8" wide
381454	Screen door hold back latch, Bullet
381531-01	Hinge, Upper
381531-02	Hinge, Lower

## 2019 FLYING CLOUD DOORS, EXTERIOR

### Access Door, Refrigerator

923115	Refrigerator door w/jamb
923114	Refrigerator door w/screen
104439	Louvered panel, Refrigerator access door
372264	Screen, Refrigerator door
112024	Jamb, Refrigerator access door
380988	Hinge, Continuous .5" leaf
381812	Latch, Twist Lock
203714	Trim Lok, Neoprene ES-X1012

### Access Door, Battery

410551-06	Lid, Battery box, Black
381430	Lock, Twist, Straight cam
380203-01	Piano hinge, 1/8" pin
381613	Black plastic cover, Wing handle
203756	Plug, Square, 1.25", Battery box support

### Access Door, Exterior Shower

602326	Exterior shower
602326-100	Shower head with hose & mixer
602326-101	Exterior shower door
602326-102	Clip for shower head

### Access Door, Furnace

690664-05	Furnace exterior door & bezel, Painted Aluminum
690663-06	Furnace exterior door & bezel, Painted Aluminum

### Access Door, Water Heater

690209	Water heater access cover, Brushed Aluminum
--------	---------------------------------------------

## 2019 FLYING CLOUD DOORS, EXTERIOR

### Access Door, Front and Side, 25FB, 26U, 27FB, 28', 30', 30' Bunk

922288	Trunk door
922288-01	Jamb only, Rear trunk door
922288-02	Door, Round corners, No jamb
104831	Frame, Large access door
380774-02	Hinge, Compartment door, 48"
382230-02	Compression latch w/key code
382229	Cam plate, Access door, Southco
365035	Rubber seal, Access door
381065-10	10" cable support

### Access Door, Small, Rear and Side

100679-01	Side access door, 20" x 11"
365035	Seal, Side access door
382230-02	Compression latch w/key code
382229	Cam plate, Access door, Southco
380773	Hinge, Access door
115295	Spacer, Formed, Compartment door
115296	Jamb, Formed, Compartment door

### Access Door, Trunk, 25', 28', 30', 30' Bunk

921159	Trunk door, Rear
114673	Panel, Outer trunk door
114674	Panel, Inner trunk door
365035	Seal, Access door
114675	Jamb, Rear trunk door
380203-01	Piano hinge, 1/8"
382230-02	Compression latch w/key code
382229	Cam plate, Access door, Southco
381065-10	10" cable support

## 2019 FLYING CLOUD WINDOWS, SCREENS

### Windows and Screens, 19'

371436	Window, 18" stacked
371400-01	Window, Main door
371323-01	Window, 18", Opening
371328	Window, Front w/Silver handles
372229	Window, Rear 21" x 28", Egress
372088-101	Panoramic window, RS front, CS rear
372089-101	Panoramic window, CS front, RS rear
371437-01	Vista View Window, 18"
372174-03	Screen, 18" opening window
372230-01	Screen, 21 x 28 egress, No arms
372173-02	Screen, Front window

### Windows and Screens, 20'

371436	Window, 18" stacked
371400-01	Window, Main door
371380	Window, 30" tall, Opening
371380-01	Window, 30", Egress
371328	Window, Front w/Silver handles
372088-101	Panoramic window, RS front, CS rear
372089-101	Panoramic window, CS front, RS rear
372215-01	Screen, 30" tall
372215-03	Screen, 30", Egress window
372230-02	Screen, 25" x 28", Non-egress, No arms
372173-02	Screen, Front window

## 2019 FLYING CLOUD WINDOWS, SCREENS

### Windows and Screens, 23CB

371436	Window, 18" stacked
371400-01	Window, Main door
371323-01	Window, 18", Opening
371380	Window, 30" tall, Opening
371328	Window, Front w/Silver handles
372229	Window, Rear 21" x 28", Egress
372088-101	Panoramic window, RS front, CS rear
372089-101	Panoramic window, CS front, RS rear
371437-01	Vista View Window, 18"
371437-02	Vista View Window, 30"
372174-03	Screen, 18" opening window
372215-01	Screen, 30" tall
372230-01	Screen, 21 x 28 egress, No arms
372173-02	Screen, Front window

### Windows and Screens, 23FB

371436	Window, 18" stacked
371400-01	Window, Main door
371323-01	Window, 18", Opening
371380	Window, 30" tall, Opening
371380-01	Window, 30", Egress
372218	Window, Rear, 21" x 28", Opening
371328	Window, Front w/Silver handles
372088-101	Panoramic window, RS front, CS rear
372089-101	Panoramic window, CS front, RS rear
372174-03	Screen, 18" opening window
372215-01	Screen, 30" tall
372215-03	Screen, 30", Egress window
372220-02	Screen, 21 x 28, Clear frame
372173-02	Screen, Front window



## 2019 FLYING CLOUD WINDOWS, SCREENS

### Windows and Screens, 25'

371436	Window, 18" stacked
371400-01	Window, Main door
371323-01	Window, 18", Opening
371346-02	Window, Front, Dark glass
371380	Window, 30" tall, Opening
371435	Window, 30" stacked
371324-02	Window, 30", Opening
372088-101	Panoramic window, RS front, CS rear
372089-101	Panoramic window, CS front, RS rear
371437-02	Vista View Window, 30"
371347-03	Screen, Square front window
371349-03	Screen, Rear escape
372174-03	Screen, 18" opening window
372175-04	Screen, 30" opening window
372215-01	Screen, 30" tall

### Windows and Screens, 25FB

371436	Window, 18" stacked
371400-01	Window, Main door
371323-01	Window, 18", Opening
371346-02	Window, Front, Dark glass
371380	Window, 30" tall, Opening
371380-01	Window, 30", Egress
372088-101	Panoramic window, RS front, CS rear
372089-101	Panoramic window, CS front, RS rear
371437-02	Vista View Window, 30"
371347-03	Screen, Square front window
371349-03	Screen, Rear escape
372174-03	Screen, 18" opening window
372215-01	Screen, 30" tall
372215-03	Screen, 30", Egress window

## 2019 FLYING CLOUD WINDOWS, SCREENS

### Windows and Screens, 26U

371436	Window, 18" stacked
371400-01	Window, Main door
371323-01	Window, 18", Opening
371346-02	Window, Front, Dark glass
371286-01	Window, 18" curved, Fixed
372088-101	Panoramic window, RS front, CS rear
372089-101	Panoramic window, CS front, RS rear
371437-01	Vista View Window, 18"
371347-03	Screen, Square front window
371349-03	Screen, Rear escape
372175-04	Screen, 30" opening window
372215-01	Screen, 30" tall
372215-03	Screen, 30", Egress window

### Windows and Screens, 27FB

371436	Window, 18" stacked
371400-01	Window, Main door
371346-02	Window, Front, Dark glass
371380	Window, 30" tall, Opening
371380-01	Window, 30", Egress
371435	Window, 30" stacked
371324-02	Window, 30", Opening
372088-101	Panoramic window, RS front, CS rear
372089-101	Panoramic window, CS front, RS rear
371437-02	Vista View Window, 30"
371347-03	Screen, Square front window
371349-03	Screen, Rear escape
372175-04	Screen, 30" opening window
372215-01	Screen, 30" tall
372215-03	Screen, 30", Egress window

## 2019 FLYING CLOUD WINDOWS, SCREENS

### Windows and Screens, 28'

371436	Window, 18" stacked
371400-01	Window, Main door
371323-01	Window, 18", Opening
371346-02	Window, Front, Dark glass
371380	Window, 30" tall, Opening
371348-02	Window, Rear w/Red handles
371435	Window, 30" stacked
371286-01	Window, 18" curved, Fixed
371324-02	Window, 30", Opening
372088-101	Panoramic window, RS front, CS rear
372089-101	Panoramic window, CS front, RS rear
371437-01	Vista View Window, 18"
371347-03	Screen, Square front window
371349-03	Screen, Rear escape
372174-03	Screen, 18" opening window
372175-04	Screen, 30" opening window
372215-01	Screen, 30" tall

### Windows and Screens, 30'

371436	Window, 18" stacked
371400-01	Window, Main door
371323-01	Window, 18", Opening
371346-02	Window, Front, Dark glass
371380	Window, 30" tall, Opening
371348-02	Window, Rear w/Red handles
371435	Window, 30" stacked
371286-01	Window, 18" curved, Fixed
371324-02	Window, 30", Opening
372088-101	Panoramic window, RS front, CS rear
372089-101	Panoramic window, CS front, RS rear
371437-02	Vista View Window, 30"
371347-03	Screen, Square front window
371349-03	Screen, Rear escape
372174-03	Screen, 18" opening window
372175-04	Screen, 30" opening window
372215-01	Screen, 30" tall

## 2019 FLYING CLOUD WINDOWS, SCREENS

### Windows and Screens, 30' Bunk

371436	Window, 18" stacked
371400-01	Window, Main door
371380	Window, 30" tall, Opening
371380-01	Window, 30", Egress
372218-01	Window, Emergency egress w/Red handles
371435	Window, 30" stacked
371324-02	Window, 30", Opening
371437-01	Vista View Window, 18"
371437-02	Vista View Window, 30"
371347-03	Screen, Square front window
371349-03	Screen, Rear escape
372175-04	Screen, 30" opening window
372215-01	Screen, 30" tall
372215-03	Screen, 30", Egress window

### Vista View Window, 18"

371437-01	Vista view window, 18"
203961-03	Trim ring, 18" vista view
704199-01	Shade, 19.25 x 9.5, 1" rail, Ash Grey
922772-01	Backer, Vista view blind, 18"

### Vista View Window, 30"

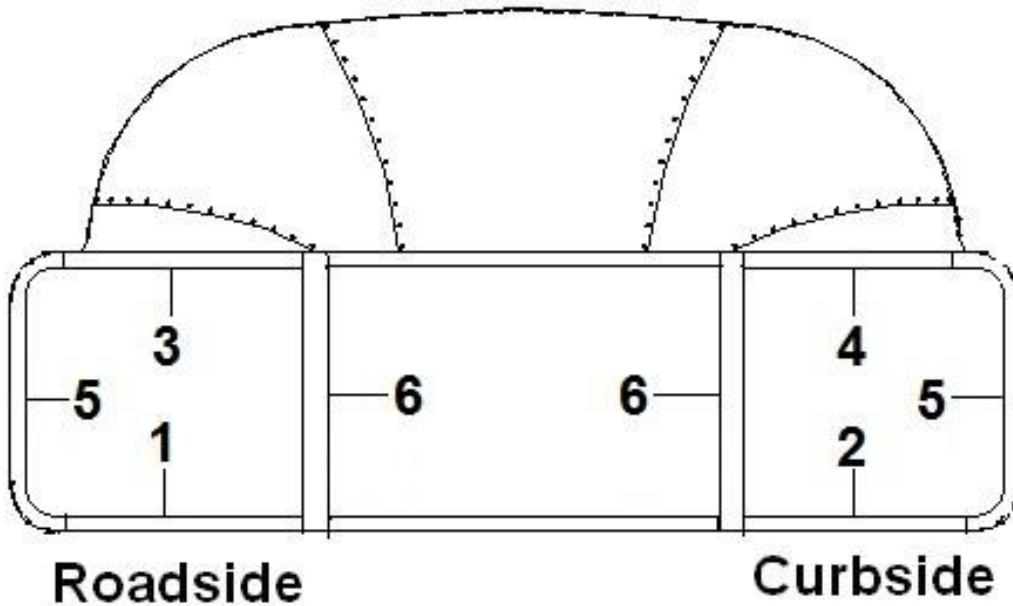
371437-02	Vista view window, 30"
203961-04	Trim ring, 30" vista view
704199-02	Shade, 31.25 x 9.5, 1" rail, Ash Grey
922772-02	Backer, Vista view blind 30"

# 2019 FLYING CLOUD WINDOWS, SCREENS

## Window Trim

372267	Trim ring, 30" stacked window, Clear
372268	Trim ring, 18" stacked window, Clear
371319-06	Trim ring, Main door
372269	Trim ring, Inner support, 30"
372270	Trim ring, Inner support, 18"
372227	Trim ring, Inner spacer, 18" x 30"
372228	Trim ring, 18" x 30" window

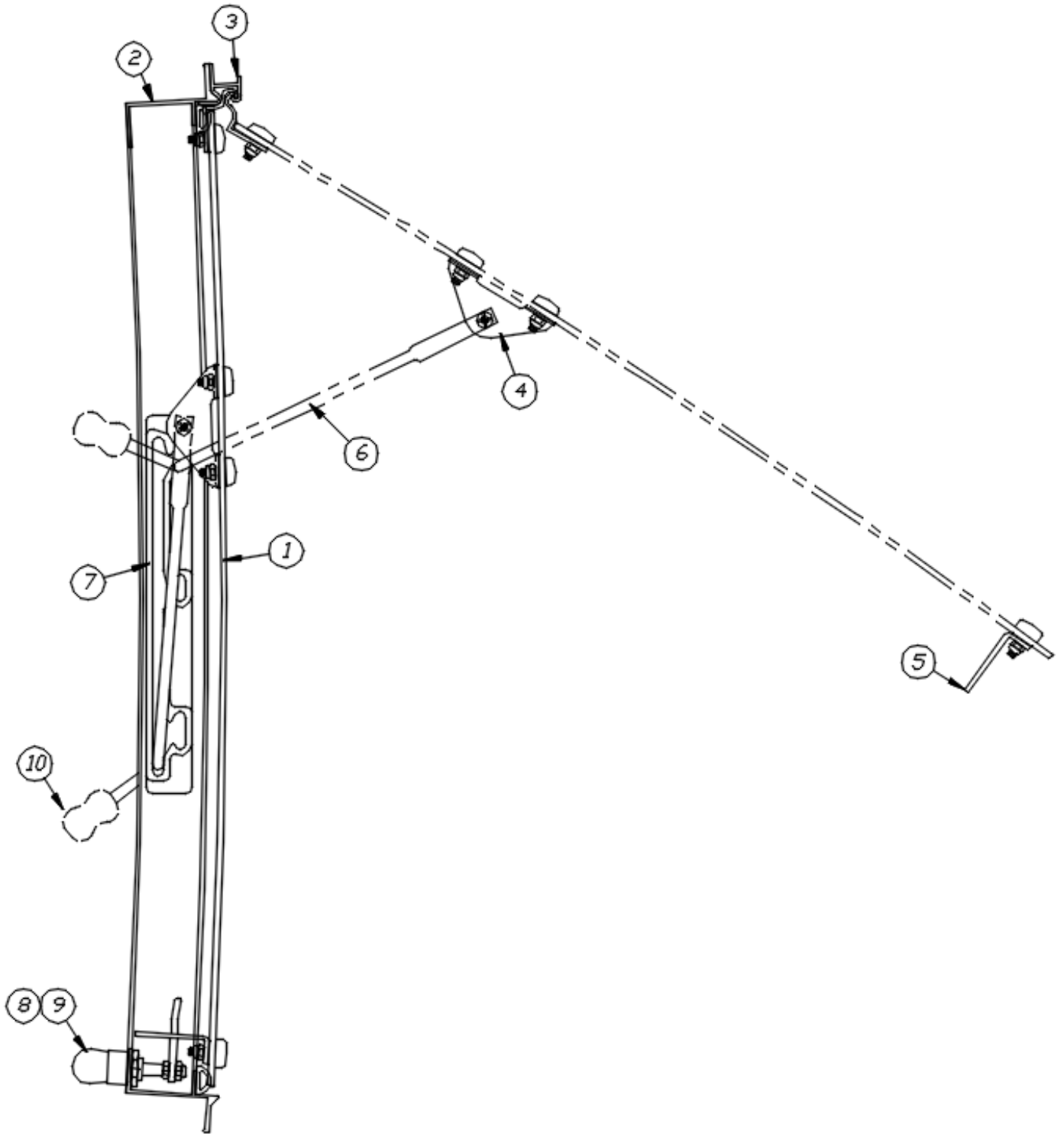
## Panoramic Window Trim



1. 201579-02	Trim ring, Lower, Gray
2. 201580-02	Trim ring, Lower, Gray
3. 201581-05	Trim ring, Upper, Gray
4. 201581-06	Trim ring, Upper, Gray
5. 201578-02	End cap, Trim ring, Gray
6. 110900-01	Trim formed, Aluminum, RH/LH
203225-01	Trim Lok, Gray, .75"

# 2019 FLYING CLOUD WINDOWS, SCREENS

## Window Parts Diagram



Parts Listed on Next Page

# 2019 FLYING CLOUD WINDOWS, SCREENS

## Window Parts Diagram

371323-01	Window, 18", Opening
371324-02	Window, 30", Opening
371380	Window, 30" tall, Opening
1. 195510-12	Glass assembly, 18" window
195510-07	Glass assembly, 30" opening window
195510-93	Glass assembly, 30" tall window
2. 371447-03	Frame assembly, 18" window
371447-02	Frame assembly, 30" window
371447-01	Frame assembly, 30" tall window
3. 371448-07	Extrusion, Window hinge eyebrow, Fixed, 18" window
371448-06	Extrusion, Window hinge eyebrow, Fixed, 30" window
371448-05	Extrusion, Window hinge eyebrow, Fixed, 30" window, Tall
4. 114478	Bracket, Window prop
5. 114479-01	Bracket, Window closer, RH
114479-02	Bracket, Window closer, LH
6. 382362	Opening arm, RH
382361	Opening arm, LH
7. 382360	Window guide, RH
382359	Window guide, LH
8. 382367-01	Latch assembly, Chrome
382367-02	Latch assembly, Egress, Red
9. 115780-01	Handle, Chrome
195467-05	Handle, Red
10. 380230-03	Knob, Window arm, Silver
380230-04	Knob, Window arm, Red
115776	Lock paw, Window latch
115770	Hinge stop
115778	Latch body, Zinc die cast
115779	Latch shaft
310030	Drive lock pin, 5/32 x 5/8

## 2019 FLYING CLOUD WINDOWS, ROCK GUARDS

### Window Stone Guards

685275-100	3 Piece Stone Guard, 19', 20', 23CB, 23FB
685275-103	Stone Guard, Center, 19', 20', 23CB, 23FB
110188-01	3 Piece Stone Guard, 25', 25FB, 26U, 27FB, 28', 30'
110102	Stone Guard, Center, 25', 25FB, 26U, 27FB, 28', 30'
685275-101	CS wrap window stone guard
685275-102	RS wrap window stone guard
110102-01	Stone Guard w/o panoramic, 30' Bunk
203472-02	Stone Guard, Center, 30' Bunk
685358	Turn fast stud
685362	Retainer, Split ring
685359	Rubber receptacle
685361	Bracket for rubber receptacle
685361-01	Bracket for rubber receptacle
685363	Slip joint hinge, SS, CS per pair
683960	Arm support
683959	Arm support bracket
114749	Y-hinge
114750	J-hinge
685364	Bracket, Upper hinge, 45.375, Stoneguard
381021-01	Latch, Draw flexible
114815-01	Extrusion, Frame, Aluminum
685354	Front window key, 90° angle
685378-01	Rubber spline, 1/4"
685351	Rubber frame, Black
290812-01	Plexi-glass sheet, 1/8" x 28" x 84"
685355	Slip joint, SS hinge
101401	Extrusion, Door latch housing
381688	Bump-on



## 2019 FLYING CLOUD AWNINGS

### Patio Awnings

702993-09	Patio awning, 9'-8", 19'
702993-16	Patio awning, 11'-3", 20'
702993-15	Patio awning, 13'-5", 23CB
702993-27	Patio awning, 14'-2", 23FB
702993-06	Patio awning, 16'-4.25", 25', 25FB
702993-47	Patio awning, 17'-4", 26U
702993-17	Patio awning, 18'-5.25", 27FB
702993-08	Patio awning, 18'-4.25", 28'
702993-28	Patio awning, 21'-4.25", 30'
702993-45	Patio awning, 21'3", 30' Bunk

### Patio Awning Hardware and Lights

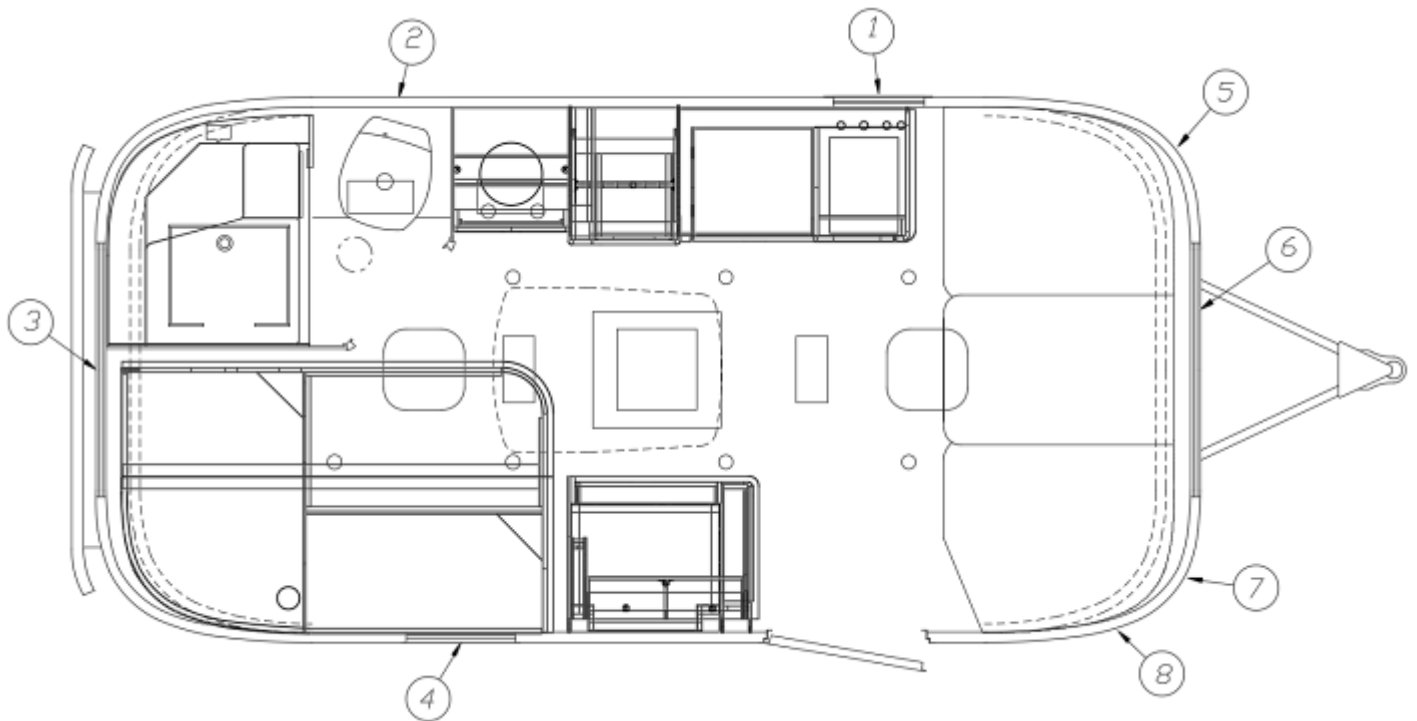
702993-37	Center rafter, Awning hardware, Satin, 30', 30' Bunk
702993	Hardware package, Zip Dee
385577	Tape, Clear, Wear strip 3.5" wide
512918-01	LED flex light strip, 19', 20'
512918-02	LED flex light strip, 23CB, 23FB, 25', 25FB
512918-03	LED flex light strip, 26U, 27FB, 28', 30', 30' Bunk

### Window Awnings

703181-13	Window awning, 9'-8", 19'
703181-17	Window awning, 11'-3.25", 20'
703181-01	Window awning, 47", 19', 20', 23CB, 23FB
703181-29	Window awning, 14'-2.25", 23FB
703181-05	Window awning, 16'-4.5", 25', 25FB
703181-20	Window awning, Rear, 52.63", 25', 25FB, 26U, 27FB
703181-58	Window awning, 17'-4", 26U
703181-21	Window awning, 18'-6.25", 27FB
703181-12	Window awning, 18'-4.5", 28'
703181-15	Window awning, 52.50", 28', 30', 30' Bunk
703181-16	Window awning, 13'-5.25", 23CB, 30' Bunk
703181-42	Window awning, 15'-11.5", 30'
703181-43	Window awning, 49", 30'
703181-30	Window awning, 3', 30' Bunk

# 2019 FLYING CLOUD DRAPES AND SHADES

## Drapes and Shades, 19'



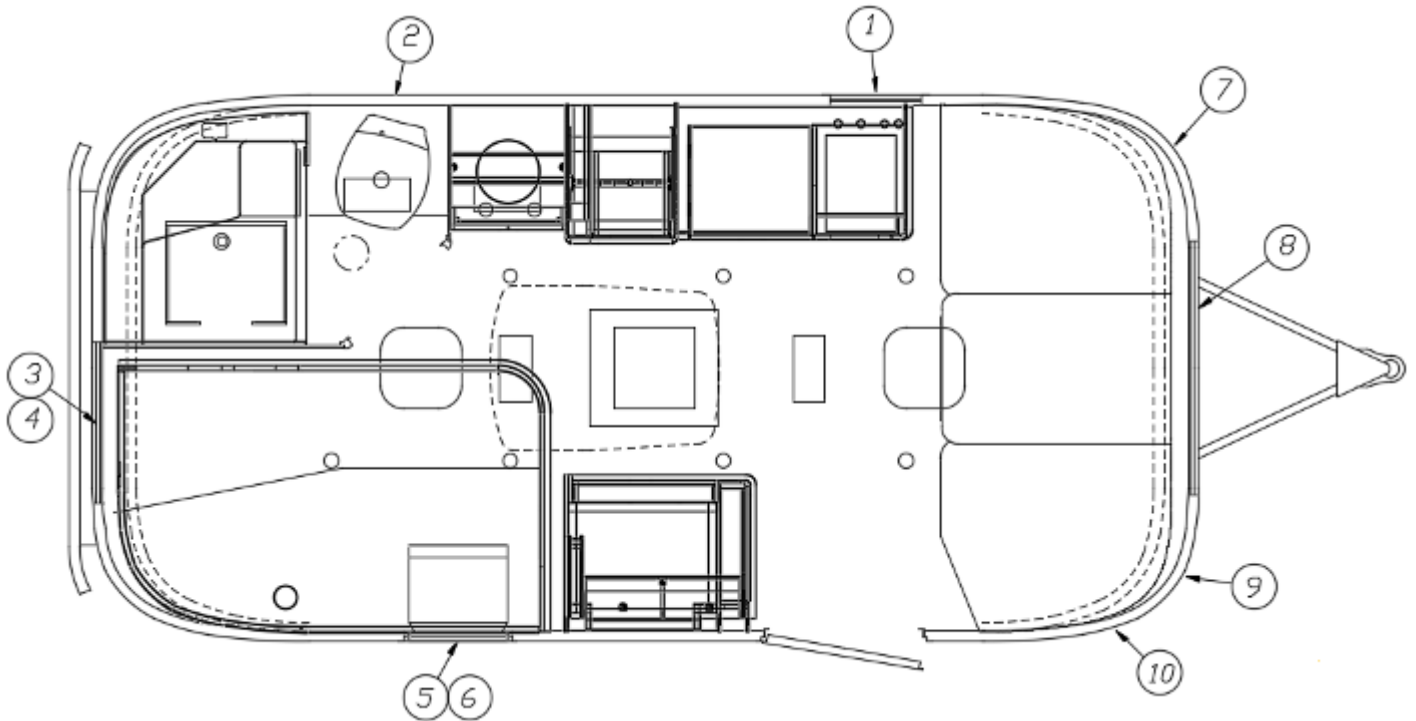
111041

### Window Coverings Install

- |              |                                  |
|--------------|----------------------------------|
| 1. 703700-01 | Shade, 19 x 24, Oceanair         |
| 2. 703700-07 | Shade, 17.75 x 34, Oceanair      |
| 3. 998144-17 | Drape, Rear window, 33 x 25.5    |
| 4. 998144-18 | Drape, Side window, 28 x 32.5    |
| 5. 998144-11 | Drape, RS side panel, 37 x 25.5  |
| 6. 998144-12 | Drape, RS front panel, 23 x 25.5 |
| 7. 998144-10 | Drape, CS front panel, 23 x 25.5 |
| 8. 998144-09 | Drape, CS side panel, 37 x 25.5  |

# 2019 FLYING CLOUD DRAPES AND SHADES

## Drapes and Shades, 19' Bunk



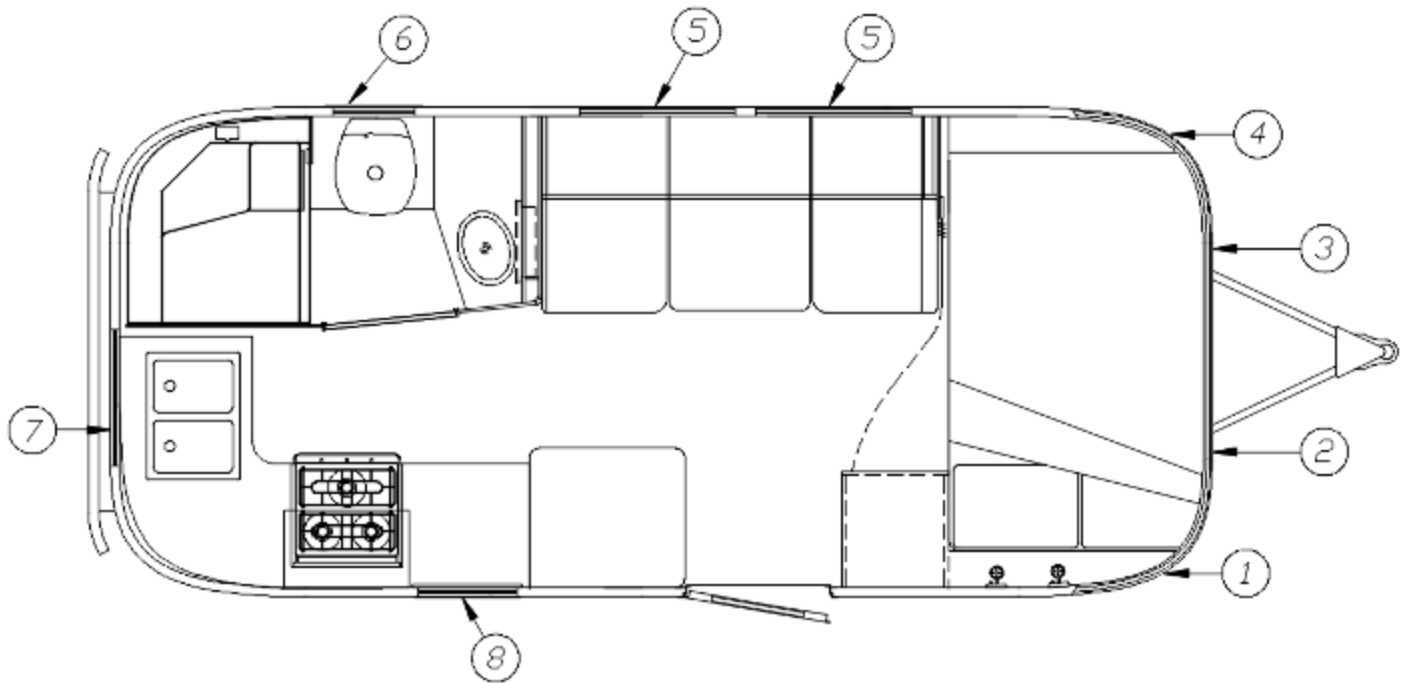
111041-02

Window Coverings Install

- |     |           |                                  |
|-----|-----------|----------------------------------|
| 1.  | 703700-01 | Shade, 19 x 24, Oceanair         |
| 2.  | 703700-07 | Shade, 17.75 x 34, Oceanair      |
| 3.  | 998218-01 | Drape, Rear RS                   |
| 4.  | 998218-02 | Drape, Rear CS                   |
| 5.  | 998218-03 | Drape, Bunk area, Forward        |
| 6.  | 998218-04 | Drape, Bunk area, Aft            |
| 7.  | 998144-11 | Drape, RS side panel, 37 x 25.5  |
| 8.  | 998144-12 | Drape, RS front panel, 23 x 25.5 |
| 9.  | 998144-10 | Drape, CS front panel, 23 x 25.5 |
| 10. | 998144-09 | Drape, CS side panel, 37 x 25.5  |

# 2019 FLYING CLOUD DRAPES AND SHADES

Drapes and Shades, 20'



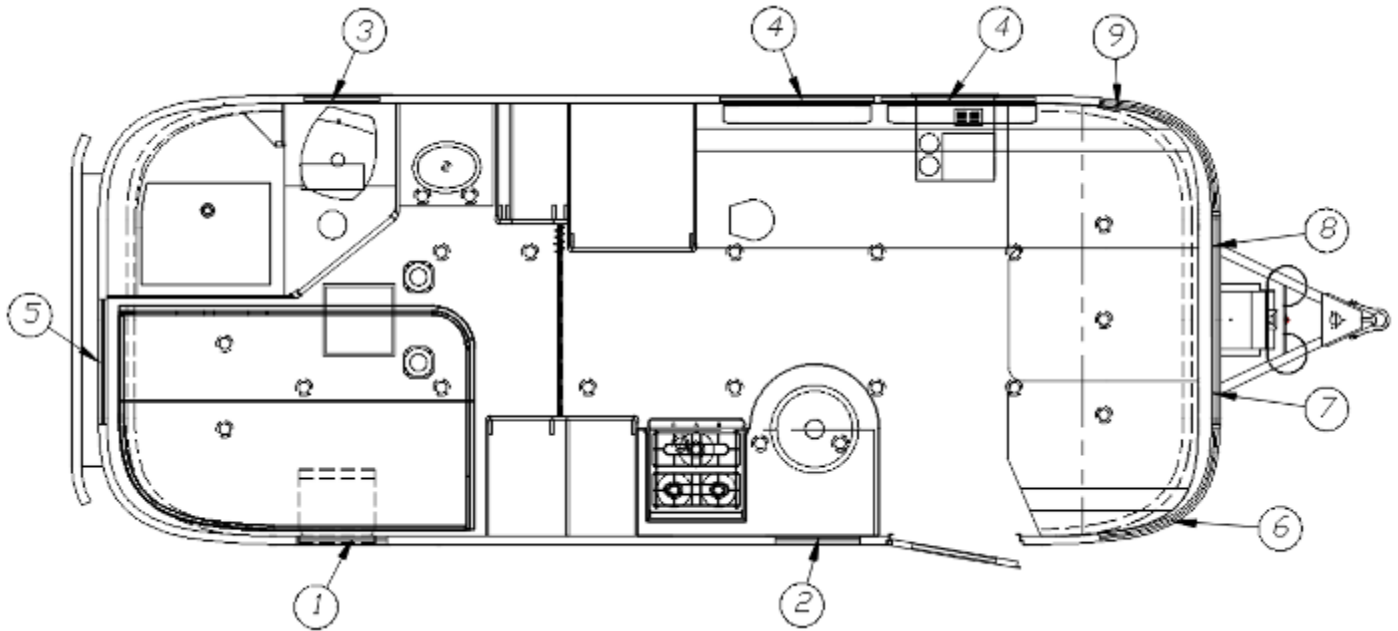
112148

## Window Coverings Install

- |              |                                  |
|--------------|----------------------------------|
| 1. 998144-09 | Drape, CS side panel, 37 x 25.5  |
| 2. 998144-10 | Drape, CS front panel, 23 x 25.5 |
| 3. 998144-12 | Drape, RS front panel, 23 x 25.5 |
| 4. 998144-11 | Drape, RS side panel, 37 x 25.5  |
| 5. 703700-04 | Shade, 29.75 x 34, Oceanair      |
| 6. 703700-07 | Shade, 17.75 x 34, Oceanair      |
| 7. 703700-03 | Shade, 25.25 x 34, Oceanair      |
| 8. 703700-01 | Shade, 19 x 24, Oceanair         |

# 2019 FLYING CLOUD DRAPES AND SHADES

## Drapes and Shades, 23CB



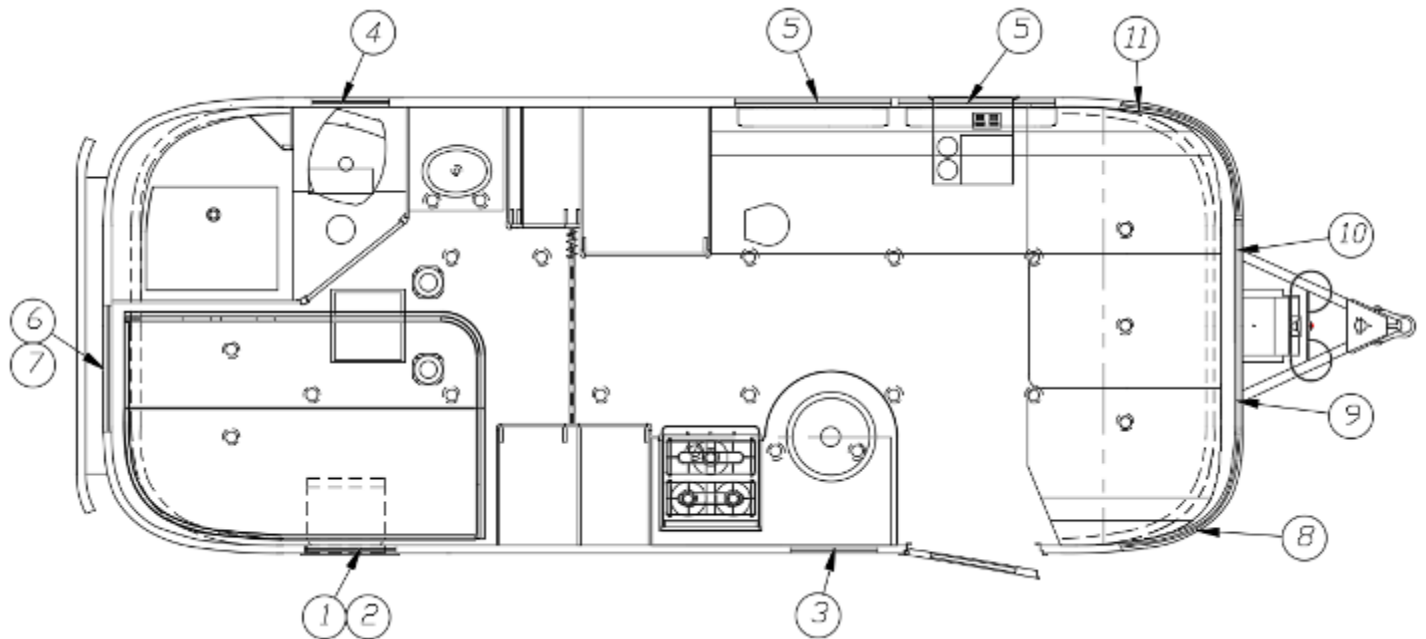
111558

### Window Coverings Install

- |              |                                                     |
|--------------|-----------------------------------------------------|
| 1. 998144-18 | Drape, Side window, 28 x 32.5                       |
| 2. 703700-01 | Shade, 19 x 24, Oceanair                            |
| 3. 703700-07 | Shade, 17.75 x 34, Oceanair                         |
| 4. 703700-04 | Shade, 29.75 x 34, Oceanair                         |
| 5. 998144-17 | Drape, Rear window, 33 x 25.5                       |
| 6. 998144-09 | Drape, CS side panel, 37 x 25.5                     |
| 7. 998144-10 | Drape, CS front panel, 23 x 25.5                    |
| 8. 998144-12 | Drape, RS front panel, 23 x 25.5                    |
| 9. 998144-11 | Drape, RS side panel, 37 x 25.5                     |
| 704199-02    | Shade, 31.25 x 9.5, 1" rail, Ash Grey               |
| 702804-03    | Shade, Skylight, Pleated, 19.25 x 20                |
| 704546       | Shade-Fantastic Fan 13.25 X 13.25 Silver W/Blackout |

# 2019 FLYING CLOUD DRAPES AND SHADES

## Drapes and Shades, 23' Bunk



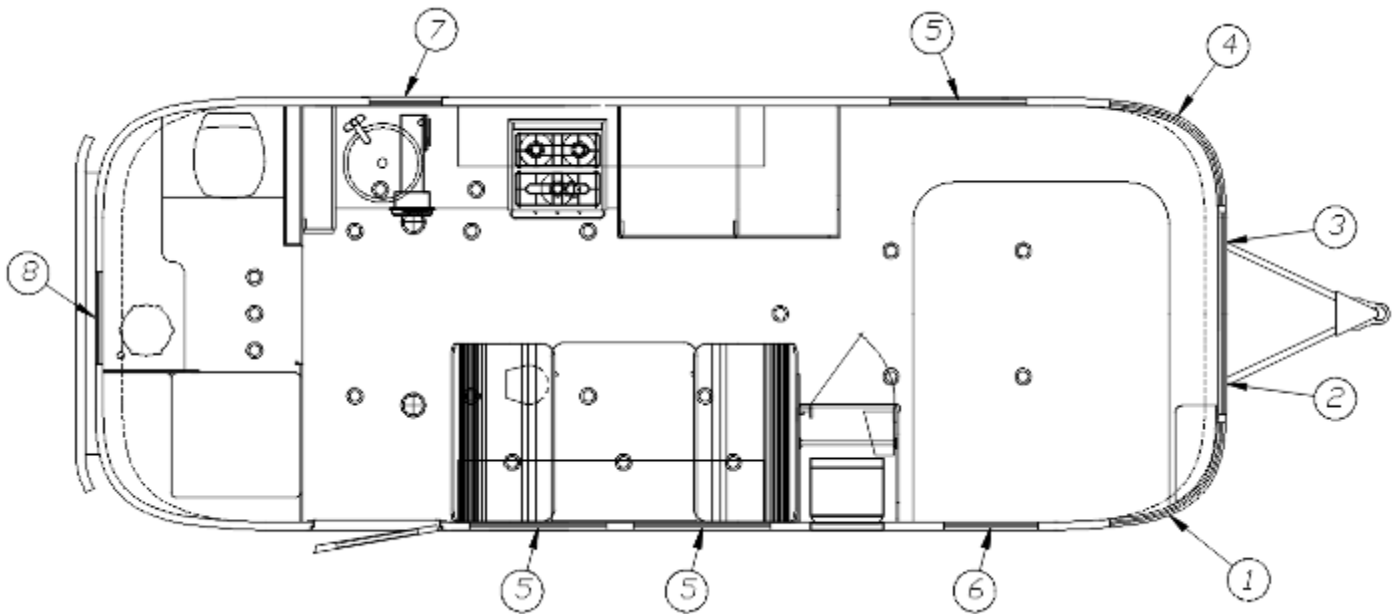
111558-02

Window Coverings Install

- |               |                                       |
|---------------|---------------------------------------|
| 1. 998218-03  | Drape, Bunk area, Forward             |
| 2. 998218-04  | Drape, Bunk area, Aft                 |
| 3. 703700-01  | Shade, 19 x 24, Oceanair              |
| 4. 703700-07  | Shade, 17.75 x 34, Oceanair           |
| 5. 703700-04  | Shade, 29.75 x 34, Oceanair           |
| 6. 998218-01  | Drape, Rear RS                        |
| 7. 998218-02  | Drape, Rear CS                        |
| 8. 998144-09  | Drape, CS side panel, 37 x 25.5       |
| 9. 998144-10  | Drape, CS front panel, 23 x 25.5      |
| 10. 998144-12 | Drape, RS front panel, 23 x 25.5      |
| 11. 998144-11 | Drape, RS side panel, 37 x 25.5       |
| 704199-02     | Shade, 31.25 x 9.5, 1" rail, Ash Grey |
| 702804-03     | Shade, Skylight, Pleated, 19.25 x 20  |

# 2019 FLYING CLOUD DRAPES AND SHADES

## Drapes and Shades, 23FB



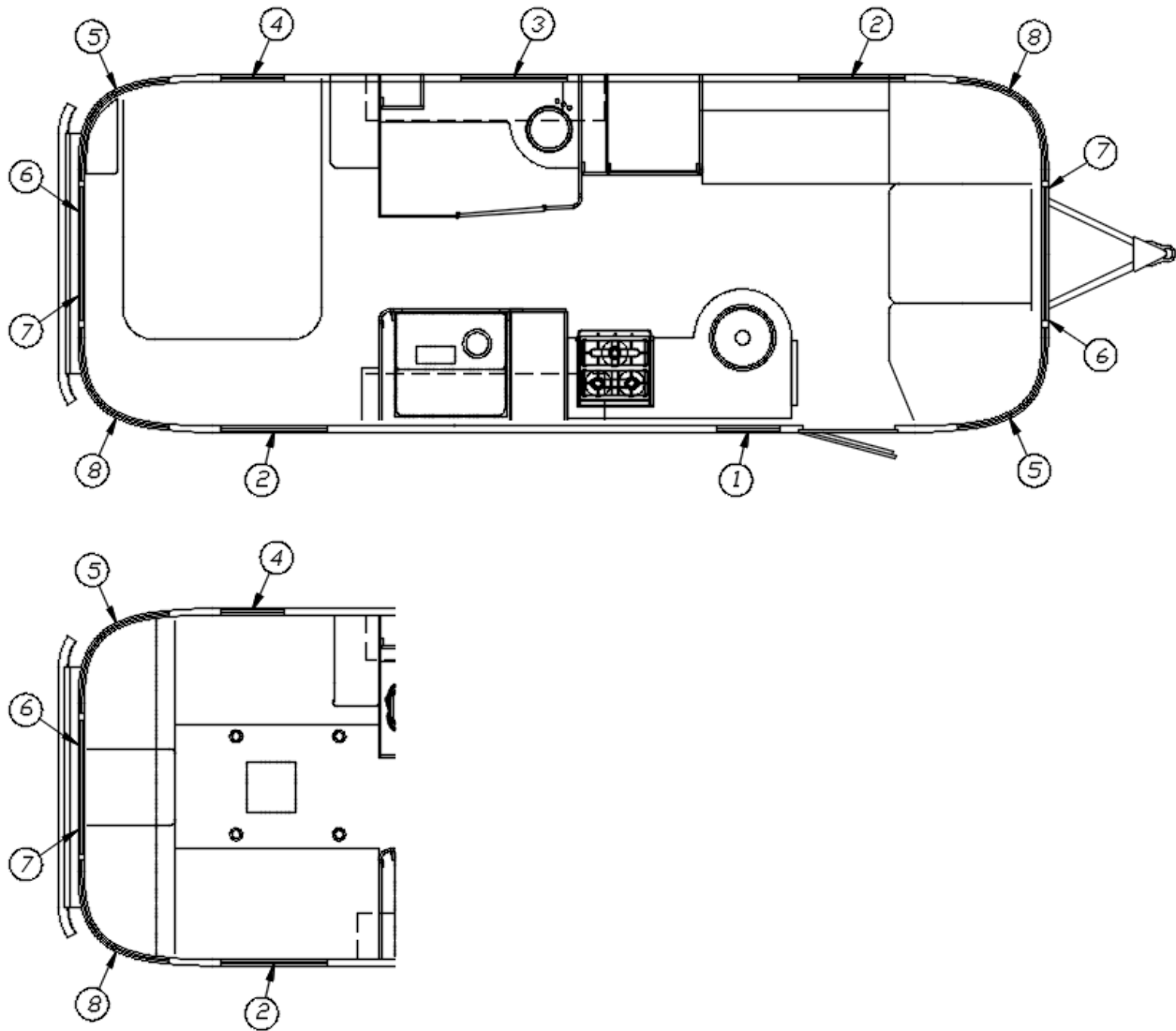
111911

### Window Coverings Install

- |              |                                  |
|--------------|----------------------------------|
| 1. 998144-09 | Drape, CS side panel, 37 x 25.5  |
| 2. 998144-10 | Drape, CS front panel, 23 x 25.5 |
| 3. 998144-12 | Drape, RS front panel, 23 x 25.5 |
| 4. 998144-11 | Drape, RS side panel, 37 x 25.5  |
| 5. 703700-04 | Shade, 29.75 x 34, Oceanair      |
| 6. 703700-07 | Shade, 17.75 x 34, Oceanair      |
| 7. 703700-01 | Shade, 19 x 24, Oceanair         |
| 8. 703700-03 | Shade, 25.25 x 34, Oceanair      |

# 2019 FLYING CLOUD DRAPES AND SHADES

Drapes and Shades, 25'



111964

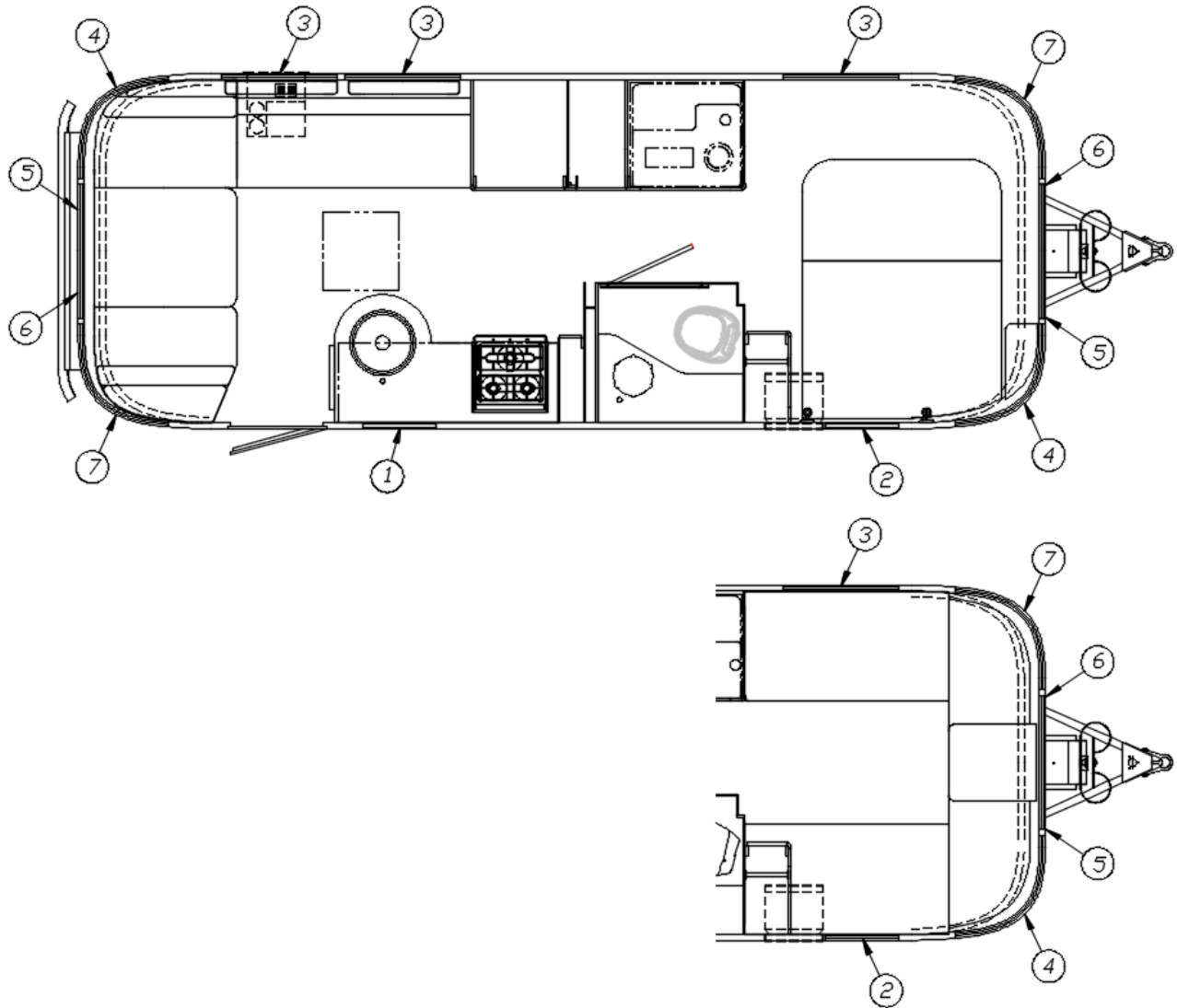
Window Coverings Install

- |              |                                                     |
|--------------|-----------------------------------------------------|
| 1. 703700-05 | Shade, 19 x 34, Oceanair                            |
| 2. 703700-04 | Shade, 29.75 x 34, Oceanair                         |
| 3. 703700-02 | Shade, 32.5 x 24, Oceanair                          |
| 4. 703700-07 | Shade, 17.75 x 34, Oceanair                         |
| 5. 998144-09 | Drape, CS side panel, 37 x 25.5                     |
| 6. 998144-05 | Drape, CS front panel, 27 x 25.5                    |
| 7. 998144-07 | Drape, RS front panel, 27 x 25.5                    |
| 8. 998144-11 | Drape, RS side panel, 37 x 25.5                     |
| 704199-02    | Shade, 31.25 x 9.5, 1" rail, Ash Grey               |
| 704120-02    | Shade, Skylight, 19.25 x 20, Grey                   |
| 704546       | Shade-Fantastic Fan 13.25 X 13.25 Silver W/Blackout |



# 2019 FLYING CLOUD DRAPES AND SHADES

## Drapes and Shades, 25FB



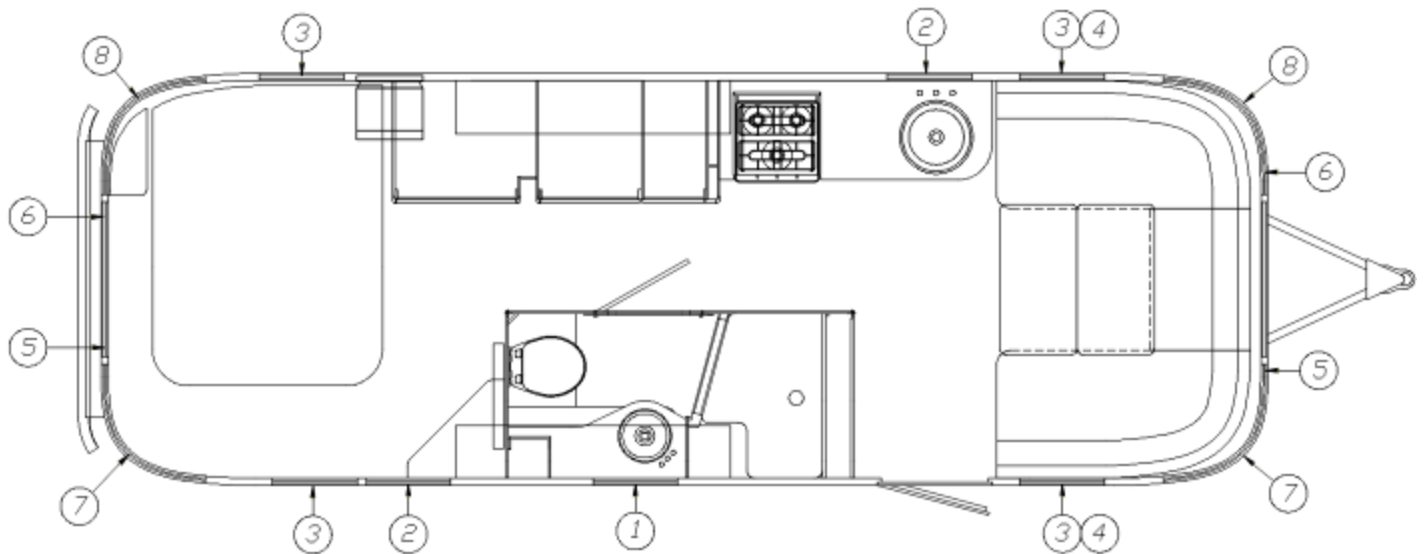
111455-01

Window Coverings Install

- |              |                                                     |
|--------------|-----------------------------------------------------|
| 1. 703700-05 | Shade, 19 x 34, Oceanair                            |
| 2. 703700-07 | Shade, 17.75 x 34, Oceanair                         |
| 3. 703700-04 | Shade, 29.75 x 34, Oceanair                         |
| 4. 998144-11 | Drape, CS side panel, 37 x 25.5                     |
| 5. 998144-05 | Drape, CS front panel, 27 x 25.5                    |
| 6. 998144-07 | Drape, RS front panel, 27 x 25.5                    |
| 7. 998144-09 | Drape, CS side panel, 37 x 25.5                     |
| 704199-02    | Shade, 31.25 x 9.5, 1" rail, Ash Grey               |
| 704120-02    | Shade, Skylight, 19.25 x 20, Grey                   |
| 704546       | Shade-Fantastic Fan 13.25 X 13.25 Silver W/Blackout |

# 2019 FLYING CLOUD DRAPES AND SHADES

## Drapes and Shades, 26U



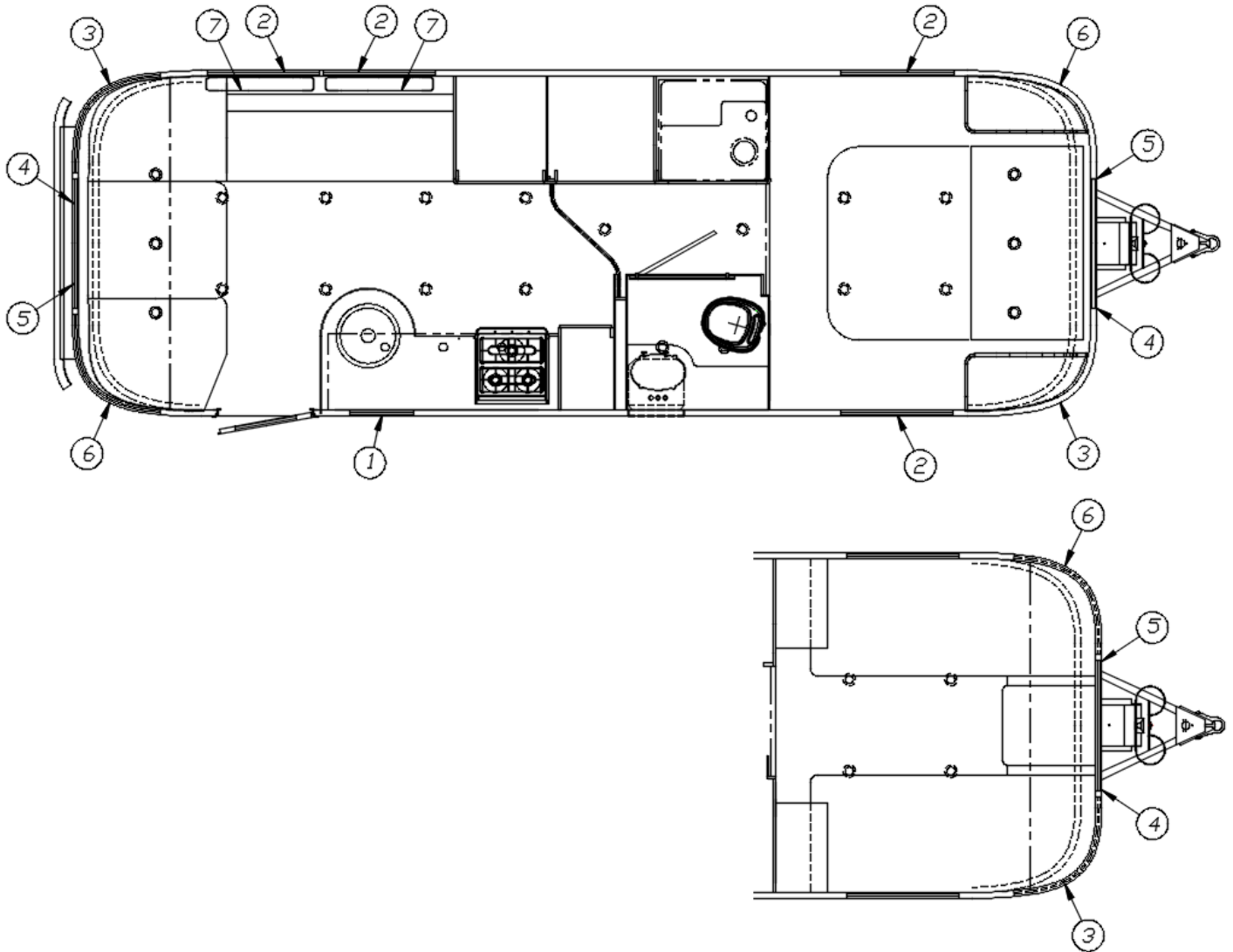
112281

### Window Coverings Install

- |              |                                                     |
|--------------|-----------------------------------------------------|
| 1. 703700-01 | Shade, 19 x 24, Oceanair                            |
| 2. 703700-05 | Shade, 19 x 34, Oceanair                            |
| 3. 703700-07 | Shade, 17.75 x 34, Oceanair                         |
| 4. 704199-01 | Pull shade, Vista view, 9.25 x 9.5, Ash Grey        |
| 5. 998144-05 | Drape, CS front panel, 27 x 25.5                    |
| 6. 998144-07 | Drape, RS front panel, 27 x 25.5                    |
| 7. 998144-09 | Drape, CS side panel, 37 x 25.5                     |
| 8. 998144-11 | Drape, CS side panel, 37 x 25.5                     |
| 704120-01    | Shade, skylight, 14.5 x 22, Grey                    |
| 704546       | Shade-Fantastic Fan 13.25 X 13.25 Silver W/Blackout |

# 2019 FLYING CLOUD DRAPES AND SHADES

## Drapes and Shades, 27FB



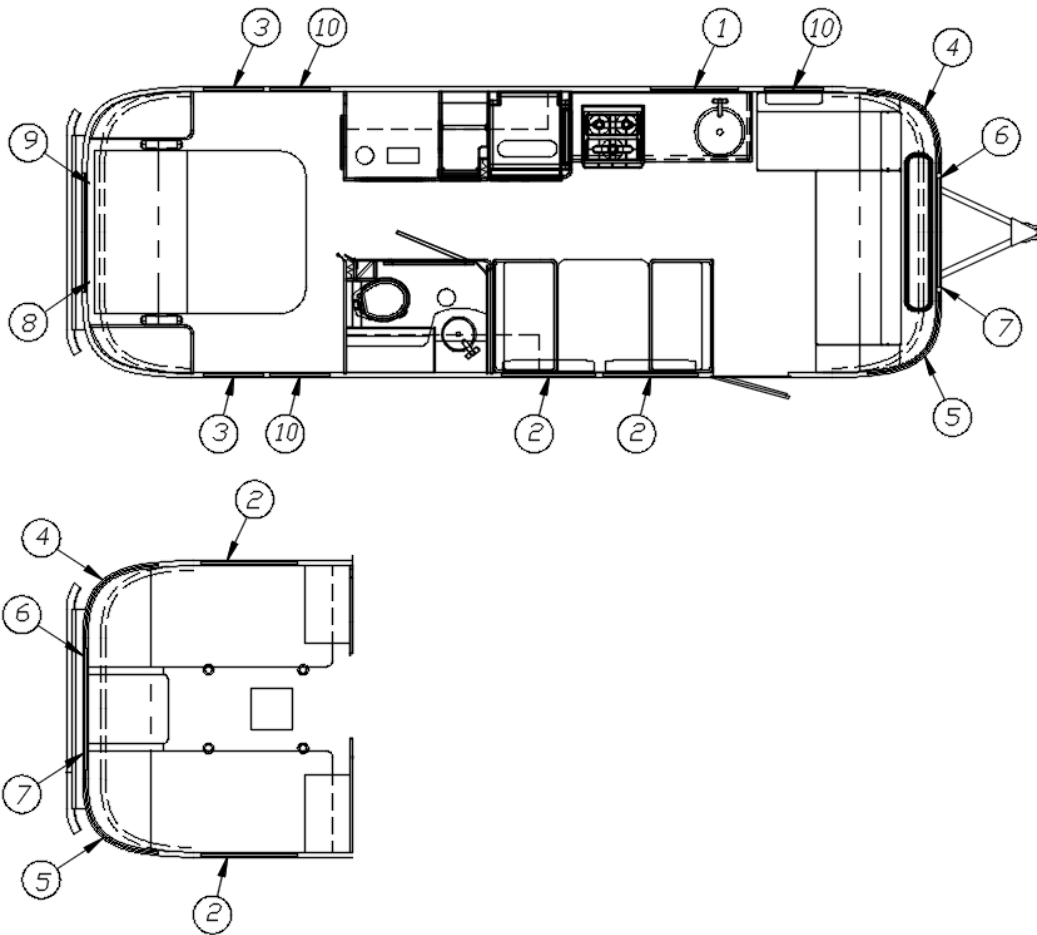
111541-01

Window Coverings Install

- |              |                                                     |
|--------------|-----------------------------------------------------|
| 1. 703700-05 | Shade, 19 x 34, Oceanair                            |
| 2. 703700-04 | Shade, 29.75 x 34, Oceanair                         |
| 3. 998144-09 | Drape, CS side panel, 37 x 25.5                     |
| 4. 998144-05 | Drape, CS front panel, 27 x 25.5                    |
| 5. 998144-07 | Drape, RS front panel, 27 x 25.5                    |
| 6. 998144-11 | Drape, RS side panel, 37 x 25.5                     |
| 7. 704199-02 | Shade, 31.25 x 9.5, 1" rail, Ash Grey               |
| 704120-01    | Shade, Skylight, 14.5 x 22, Grey                    |
| 704120-02    | Shade, Skylight, 19.25 x 20, Grey                   |
| 704546       | Shade-Fantastic Fan 13.25 X 13.25 Silver W/Blackout |

# 2019 FLYING CLOUD DRAPES AND SHADES

Drapes and Shades, 28'



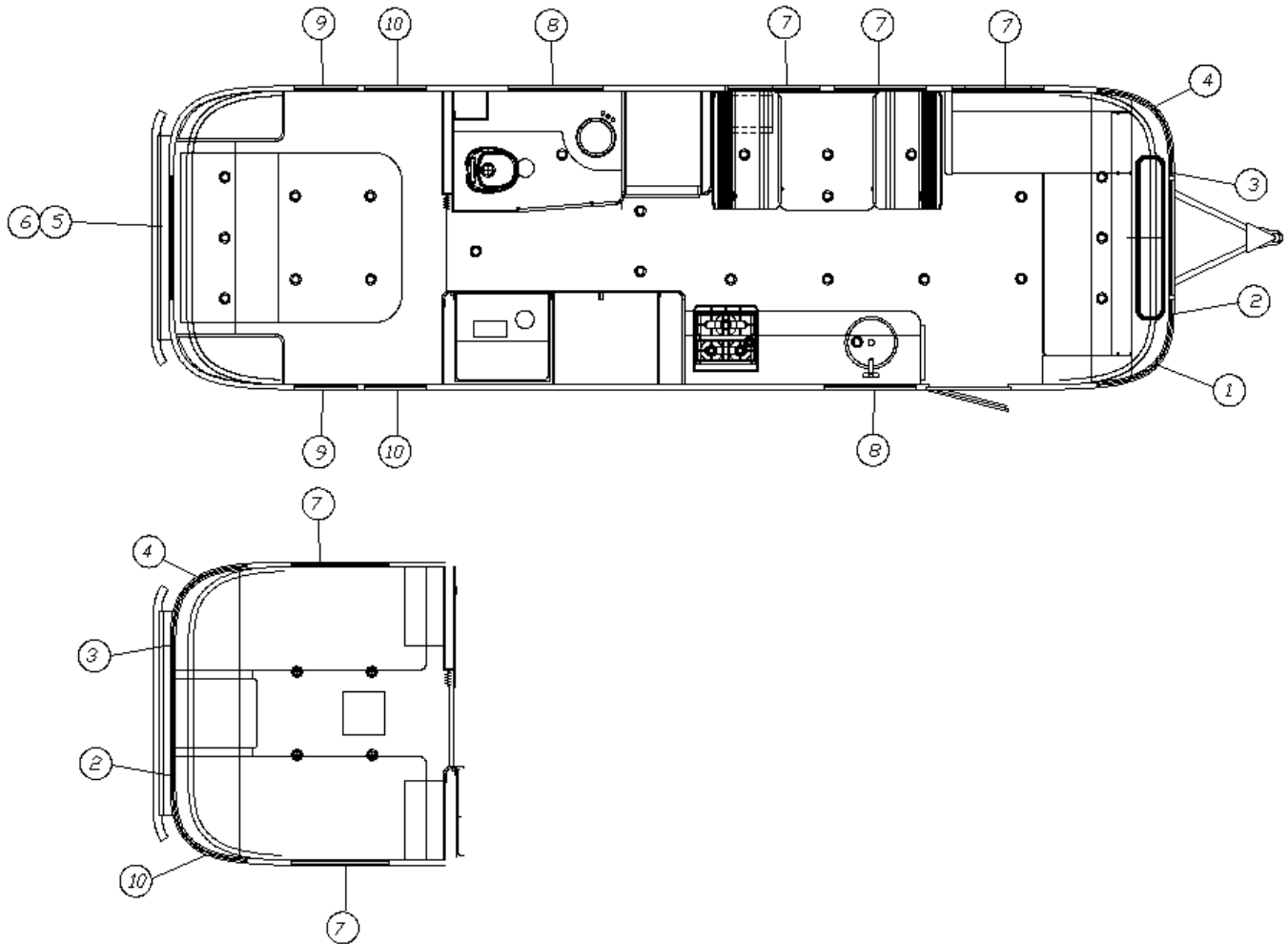
110993  
110993-02

Window Coverings Install  
Window Coverings Install, Twin

- |                                                                                                                                                                                                                                                                                                                                                                |                                                                                                                                                                                                                                                                                                                                                                                                                                                                                                                                                                                                                                        |
|----------------------------------------------------------------------------------------------------------------------------------------------------------------------------------------------------------------------------------------------------------------------------------------------------------------------------------------------------------------|----------------------------------------------------------------------------------------------------------------------------------------------------------------------------------------------------------------------------------------------------------------------------------------------------------------------------------------------------------------------------------------------------------------------------------------------------------------------------------------------------------------------------------------------------------------------------------------------------------------------------------------|
| <ul style="list-style-type: none"> <li>1. 703700-02</li> <li>2. 703700-04</li> <li>3. 703700-05</li> <li>4. 998144-01</li> <li>5. 998144-09</li> <li>6. 998144-07</li> <li>7. 998144-05</li> <li>8. 998144-06</li> <li>9. 998144-08</li> <li>10. 703700-07</li> <li>    704199-01</li> <li>    704120-01</li> <li>    704120-02</li> <li>    704546</li> </ul> | <ul style="list-style-type: none"> <li>Shade, 32.5 x 24, Oceanair</li> <li>Shade, 29.75 x 34, Oceanair</li> <li>Shade, 19 x 34, Oceanair</li> <li>Drape, CS aft panel, 29 x 24</li> <li>Drape, CS side panel, 37 x 25.5</li> <li>Drape, RS front panel, 27 x 29</li> <li>Drape, CS front panel, 27 x 29</li> <li>Drape, CS rear panel, 30 x 29</li> <li>Drape, RS rear panel, 30 x 29</li> <li>Shade, 17.75 x 34, Oceanair</li> <li>Shade, 19.25 x 9.5, 1" rail, Ash Grey</li> <li>Shade, Skylight, 14.5 x 22, Grey</li> <li>Shade, Skylight, 19.25 x 20, Grey</li> <li>Shade-Fantastic Fan 13.25 X 13.25 Silver W/Blackout</li> </ul> |
|----------------------------------------------------------------------------------------------------------------------------------------------------------------------------------------------------------------------------------------------------------------------------------------------------------------------------------------------------------------|----------------------------------------------------------------------------------------------------------------------------------------------------------------------------------------------------------------------------------------------------------------------------------------------------------------------------------------------------------------------------------------------------------------------------------------------------------------------------------------------------------------------------------------------------------------------------------------------------------------------------------------|

# 2019 FLYING CLOUD DRAPES AND SHADES

Drapes and Shades, 30'



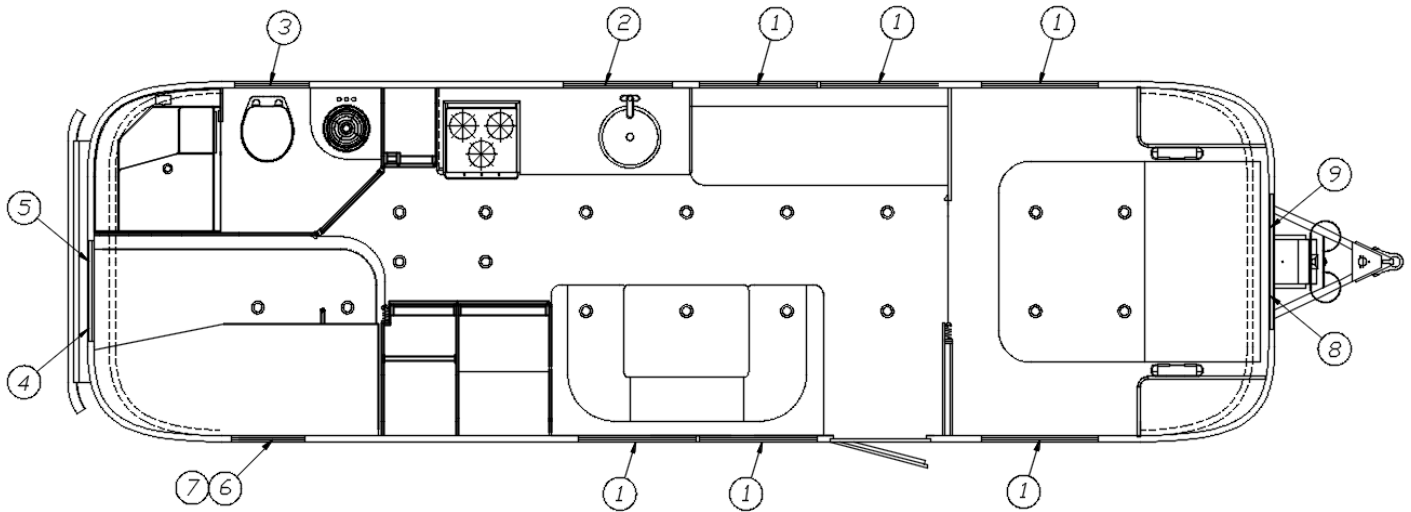
111907

Window Coverings Install

- |     |           |                                                     |
|-----|-----------|-----------------------------------------------------|
| 1.  | 998144-09 | Drape, Curbside Side Panel, 37 x 25.5               |
| 2.  | 998144-05 | Drape, Curbside Front Panel, 27 x 25.5              |
| 3.  | 998144-07 | Drape, Roadside Front Panel, 27 x 25.5              |
| 4.  | 998144-11 | Drape, Roadside Side Panel, 37 x 25.5               |
| 5.  | 998144-06 | Drape, CS Rear panel, 30 x 29                       |
| 6.  | 998144-08 | Drape, RS Rear panel, 30 x 29                       |
| 7.  | 703700-04 | Shade, 29.75 x 34, Oceanair                         |
| 8.  | 703700-02 | Shade, 32.5 x 24, Oceanair                          |
| 9.  | 703700-05 | Shade, 19 x 34, Oceanair                            |
| 10. | 703700-07 | Shade, 17.75 x 34, Oceanair                         |
|     | 704120-01 | Shade, skylight, 14.5 x 22, Grey                    |
|     | 801589-02 | Valance Assembly, 20"                               |
|     | 801589-03 | Valance Assembly, 22"                               |
|     | 704546    | Shade-Fantastic Fan 13.25 X 13.25 Silver W/Blackout |

# 2019 FLYING CLOUD DRAPES AND SHADES

## Drapes and Shades, 30' Bunk



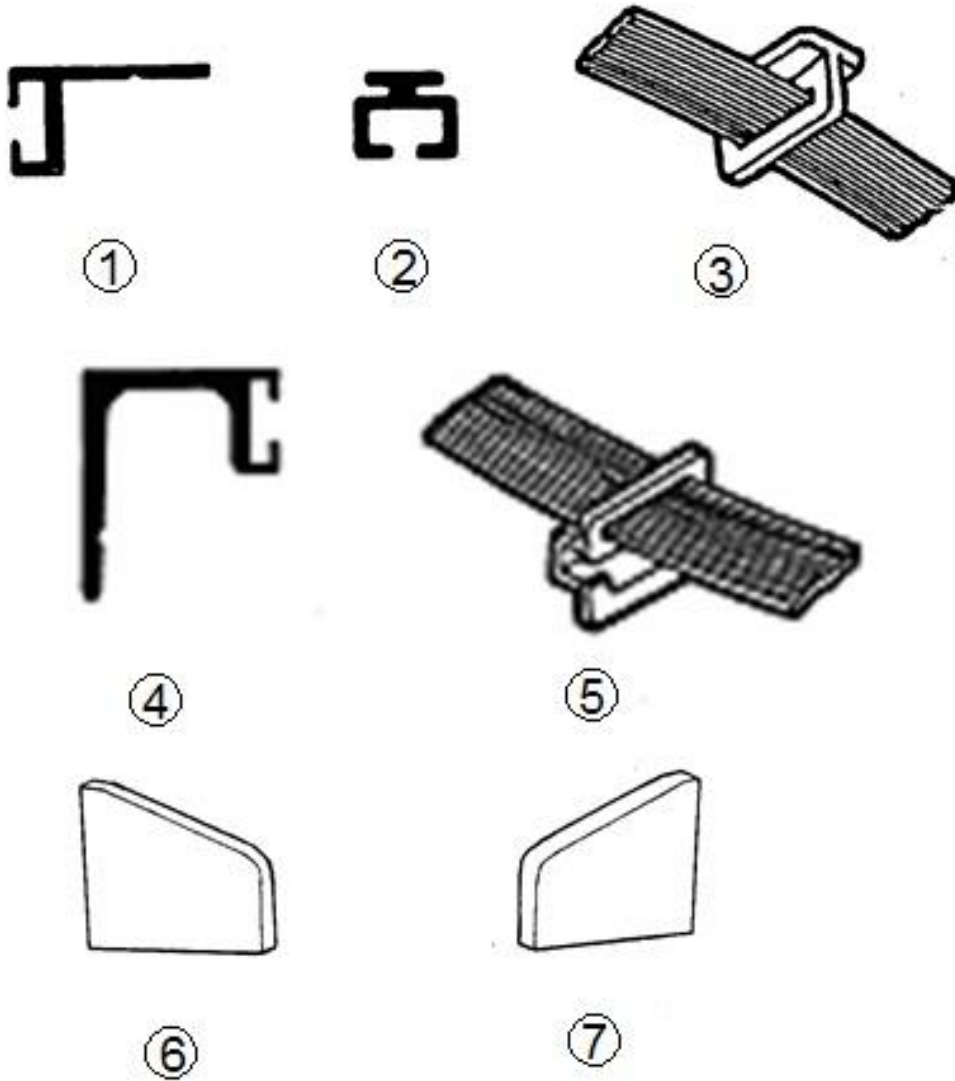
112149

### Window Coverings Install

- |              |                                                     |
|--------------|-----------------------------------------------------|
| 1. 703700-04 | Shade, 29.75 x 34, Oceanair                         |
| 2. 703700-02 | Shade, 32.5 x 24, Oceanair                          |
| 3. 703700-07 | Shade, 17.75 x 34, Oceanair                         |
| 4. 998218-01 | Drape, Rear curbside                                |
| 5. 998218-02 | Drape, Rear roadside                                |
| 6. 998218-03 | Drape, Bunk area, Forward                           |
| 7. 998218-04 | Drape, Bunk area, Aft                               |
| 8. 998144-05 | Drape, CS front panel 27" x 25.5"                   |
| 9. 998144-06 | Drape, CS rear panel 30 x 29                        |
| 704199-01    | Shade, 19.25 x 9.5, 1" rail, Ash Grey               |
| 704199-02    | Shade, 31.25 x 9.5, 1" rail, Ash Grey               |
| 704120-02    | Shade, Skylight, 19.25 x 20, Grey                   |
| 704546       | Shade-Fantastic Fan 13.25 X 13.25 Silver W/Blackout |

# 2019 FLYING CLOUD DRAPES AND SHADES

## Drapes and Shades Hardware



- |           |                                         |
|-----------|-----------------------------------------|
| 1. 101220 | Bracket, Curtain stand off              |
| 2. 101217 | Track, Curtain                          |
| 3. 700044 | Glides w/elastic, "T" type              |
| 4. 101225 | Bracket, Curtain stand off              |
| 5. 700045 | Glides w/elastic, "G" type              |
| 6. 200785 | End, Curtain track, LH                  |
| 7. 200784 | End, Curtain track, RH                  |
| 100099    | Extrusion, Aluminum, Curtain track, Top |
| 700005    | Fastener cap                            |
| 700006    | Fastener socket                         |
| 700020    | Pile, Velcro                            |
| 700021    | Hook, Velcro, White                     |

# 2019 FLYING CLOUD

## ELECTRICAL, 110 VOLT

### Shoreline Cord and Inlet

513087-01	Power cord w/swivel handle, 30A, 30', Gray, Marinco
513087-02	Power inlet, Male, 30A, 125V, Gray, Marinco
511149-05	Power cord, 50A, 36', Gray
511149-02	Power inlet w/strain relief, 50A, Stainless Steel

### Power Converters

513275	Power center, 30A AC, 55A DC, Black, NB
513283	Power center w/30A transfer switch, Black, WB
513285	Power center, 50A AC service w/15 DC circuits, Black
513286	Converter/charger used with 50A service, Deckmount

### Breakers and Breaker Box

510564-04	Breaker, 20-20, Siemans
510564-09	Breaker, 15 Amp, Bryant
510564-1515	Breaker, Type BRD, BD 15-15
510564-2020	Breaker, Type BRD, BD 20-20
510564-3020	Breaker, Type BRD, BD 30-20
510564-20GFI	Breaker, Type BR, 20GFI
510664	Breaker, Square D
510678	Breaker, Square D
510663	Breaker, 30 Amp
511336	Breaker box
453573	Mounting bracket, Breaker box
510564-15GFI	Breaker, 15GFI

### Inverter

512680	Inverter w/remote, 1000W
512680-01	Fuse, 15A time-delay
512680-02	Inverter, RJ 22 4P/4C connector
512680-03	Install tool for 512680-02
512680-100	Remote ON/OFF switch w/LED indicator
513161-01	Terminal fuse block w/100A fuse
513161-02	Fuse, MRBF 100 amp fuse
500039	Ground lug



# 2019 FLYING CLOUD

## ELECTRICAL, 110 VOLT

### Generator Prep

513087-02 Power inlet, Male, 30A, 125V, Gray, Marinco  
115155-01 Gen prep remote w/o switch

### Junction Boxes

511411 Junction box, 7 terminal  
510014 junction box, Octagon  
512308 Box, Shallow switch & outlet  
510015 Box cover  
510475 Clip, Ground  
510741 Electrical box

### Receptacles

500563-03 Receptacle, Self-contained, White  
500563-04 Wall plate w/screws for 500563-03, White  
512562 Receptacle gasket, Neoprene w/adhesive  
511287 Receptacle, 15 amp, Single  
512481-01 Receptacle, 20 Amp, Single, White  
512481-02 Receptacle, 20 amp, Single, Brown  
512481-03 Decorator cover plate w/screws, Brown  
510888-05 Receptacle w/cover, GFI, White  
510888-06 Spacer, Receptacle, GFI, White  
510888-07 Receptacle cover, White  
511814-01 Receptacle, Duplex, Self-contained, Gray  
511814-02 Plate, Decorator, 1 gang, Gray  
512369 Receptacle, 15A SLG, White  
512370 Wall plate, 1 gang, Single receptacle  
512398 Power supply, Wall plate, White  
512741 Water proof cover w/gasket, Gray

# 2019 FLYING CLOUD

## ELECTRICAL, 12 VOLT

### Battery and Battery Box

511596	Battery, Deep cycle, Interstate SRM-24
511828	Battery, 12V deep cycle AGM, Solar panel option only
410551-02	Battery box lid
203415	Battery tray
500836-02	Positive battery cable
500837	Negative Battery cable
512049-01	Cable, Red jumper
512049-02	Cable, Black jumper

### Battery Disconnect

513323-01	Bezel assembly, Black & Silver
513323-03	Cable, BDO, 20'
513323-05	Cable, BDO, 30'
513323-07	Cable, BDO, 35'
511655-02	Relay, 100 amp, 12 volt

### 7-Way Cable and Breakaway Switch

500886-01	7-Way cable w/plug
0300027	Breakaway switch, Bargman
454526	Bracket, Breakaway switch

### Tank Monitor System

512566	Tank monitoring kit, Seelevel
512566-01	Flush mount monitor panel only
512566-02	Sender pad

### Solar Panel

513247	Kit, Charge controller display
513047-01	Solar panel, 80 watt, Zamp
513047-02	Solar panel mounting feet, Zamp
513586	Triple port solar cap
513033	Bracket, Portable solar panel port
365407	Gasket, Solar box
365409	Gasket, Solar panel bracket
340305	Solar panel wire clip
340306	C-clamp, 5/8
340308	Clip, Solar panel

## 2019 FLYING CLOUD ELECTRICAL, 12 VOLT

### Breakers

510947-20	Breaker, 12V DC, Type II
510947-30	Breaker, 12V DC, Type II
510947-50	Breaker, 12V DC, Type II
510946-04	Bracket, 4-Position, Circuit breaker, 12V

### Fuses

500773-15	Fuse, ATC 12V DC, 15 amp
500883-01	Fuse, 12, CSA 1 amp
512318	Holder w/1 amp AFC fuse, In-line
513161-01	Terminal fuse block w/100A fuse
513161-02	Fuse, MRBF 100 amp fuse
500773-10	Fuse, ATC, 12V DC, 10 Amp
964082	Fuse block, 12V
452412-01	Bracket, Fuse block, 12V
511313	Block, Fuse, ATC, 12V, 6 position
511314	Universal bushing, 1" ID, Black
511345	Fuse, 30A AGU glass tube, Bussman
511969-02	110 AMP Fuse, Class 'T'

### Switches and USB Ports

500967-01	Cover, Blank, Ivory
500967-03	Cover, Blank, White
511745	Switch, 3 gang, White
511327	Switch body w/rocker, Single, White
510868-03	Switch, 4 gang, White
511566-02	Switch cover, Printed, 2 gang, White
511665	Switch, Ceiling, White
510658	Switch w/weather proof boot
511810	Switch, 4 gang, White
511836	Switch, Refrigerator fan, White
511682	Switch, 3 gang, White
511669	Switch, Shower, White
511731	Switch, Water heater
512917	Switch, Slide dimmer, Dual
512709	Switch, Slide dimmer, Black
511977	Switch, SPDT, Black
512221	Lever switch, Microwave, 300V, 10A
512792	USB port pigtail
513133-01	USB, Front mount, Dual, Non-lighted, Black
511781	Switch Assy-Lighted 2 gang Rocker, Black Tank Heaters

# 2019 FLYING CLOUD

## ELECTRICAL, 12 VOLT

### Wireless Backup Camera

512946-01	Digital wireless observation kit
512946-02	Voyager digital autopair camera
512946-03	Voyager 5.6" LCD monitor
512946-100	Antenna
365392	Gasket, Backup camera
382225	Grommet, .5", Black

### Interior Lights

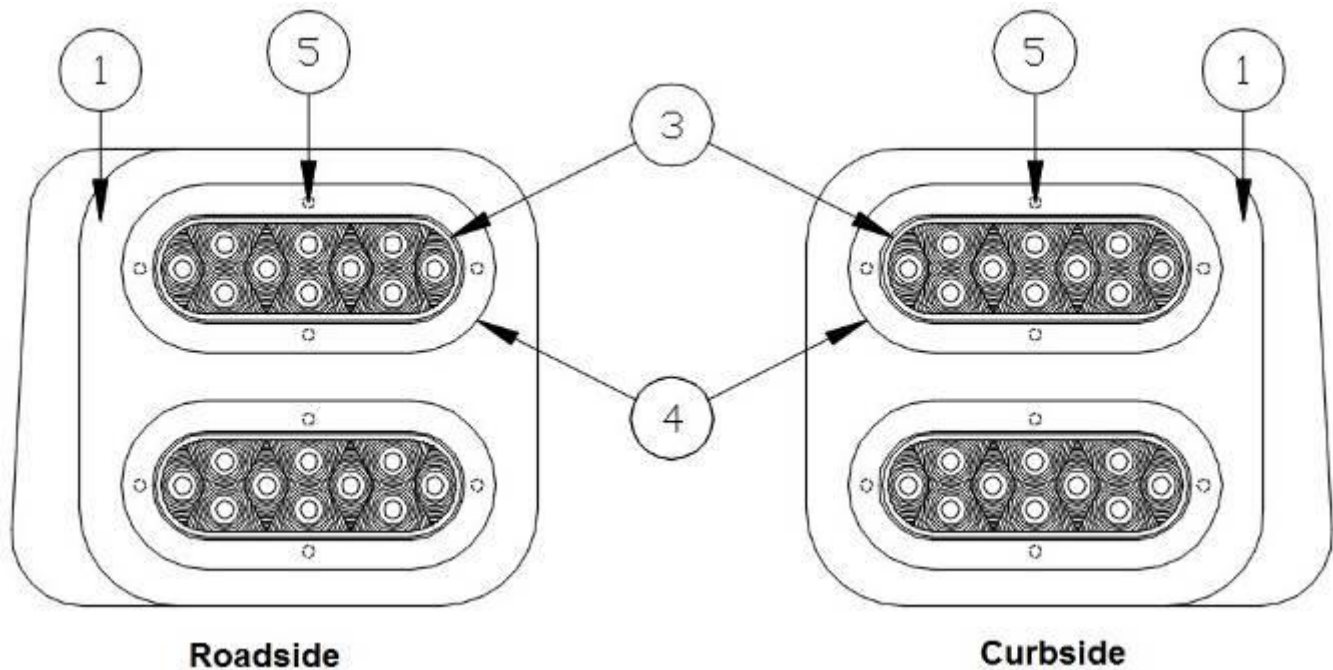
512478	Light, LED, Wet locations
512719	Reading light, Directional, LED, Nickel
512736	Light w/switch, LED, Single
512737	Light w/switch, LED, Double
512936	LED spot light w/frost lens

### Exterior Lights

512252	Step light, LED, Stainless Steel
512532	Utility light, LED, 4"
512859	LED clearance light, Amber
512859-01	Flat Chrome base, Clearance light
512860	LED clearance light, Red
512860-01	Flat Chrome base, Clearance light
512928	Curved bezel w/gasket, Required for 3 top lights
512928-01	Curved bezel
382389	Clearance light gasket
512900	Amber marker/side turn light w/Chrome teardrop base, 30'
512409	License plate holder
511294	Light, License plate
512533	Auxiliary light, LED, Surface mount
512918-01	LED flex light strip, 19', 20'
512918-02	LED flex light strip, 23CB, 23FB, 25', 25FB
512918-03	LED flex light strip, 26U, 27FB, 28', 30', 30' Bunk

# 2019 FLYING CLOUD ELECTRICAL, 12 VOLT

## Taillight Assembly



952929-01  
952929-02

LED Taillight Assembly, Roadside  
LED Taillight Assembly, Curbside

- |                                                                                                                                         |                                                                                                                                                                                                                                                                         |
|-----------------------------------------------------------------------------------------------------------------------------------------|-------------------------------------------------------------------------------------------------------------------------------------------------------------------------------------------------------------------------------------------------------------------------|
| <p>1. 511664-01<br/>2. 511664-02<br/>3. *512425<br/>4. 512425-02<br/>5. 345473<br/>512425-03<br/>115073-01<br/>115073-02<br/>115074</p> | <p>Taillight casting, Roadside<br/>Taillight casting, Curbside<br/>6" oval LED tail light kit<br/>Trim ring<br/>Screw, #6 x 3/4", Self-drilling<br/>Gasket, Taillight<br/>Bracket, Roadside taillight<br/>Bracket, Curbside taillight<br/>Bracket, Center taillight</p> |
|-----------------------------------------------------------------------------------------------------------------------------------------|-------------------------------------------------------------------------------------------------------------------------------------------------------------------------------------------------------------------------------------------------------------------------|

\*512425 Tail Light Kit Includes Tail Light, Trim Ring & Gasket.

# 2019 FLYING CLOUD ENTERTAINMENT

## Audio

512929	Radio, AM/FM/CD, Clarion
511807	Antenna, AM/FM rubber, 14"
512811	Speaker, 2-Way, 6.5", Clarion
511856	Wiring kit, 4 way flat, Ext. speaker
511822	Powered sub-woofer, 6.5", Wedge
201991	Wire cover, Subwoofer, Housing
511608	Noise suppressor, 15 amp
511834	Patch cord, Male-male, 2-Way, 30'
511703	Patch cord, Male-male, 2-Way, 20'
513234	USB input cable

## Video

513594-01	Antenna-TV, King - White-Omni Pro Digital
382653	Gasket Plug - Cable Hole - Antenna
382652	Gasket - King Omni Pro Antenna
*512657-01	Antenna, Omni-directional, White
500484-05	Antenna lead & extension, 72"
512398	Power supply, Wall plate, Amplifier w/2 TV hook-up
510612	Coax, 75 OHM, Standard
510623	Coax connector, Male-male
510623-01	Locking nut
512406	RG6 hex compression connector
512407	RG6 coax cable
511827	Wall plate, Flush mount coax, White
511534	Dual coax plate, White
513089	Dual inlet, TV/satellite, Gray
512552	HDMI switcher w/remote control
513189	HDMI switcher/splitter, 4 x 4
512528	HDMI right angle adapter
510654-01	TV jack, 12 volt w/splitter, White
512366-03	HDMI cable, Male-male, 3'
512366-20	HDMI cable, Male-male, 20'
512366-25	HDMI cable, Male-male, 25'
512366-35	HDMI cable, Male-male, 35'
513301-01	HDMI cable, Thin profile, 48"
513301-02	HDMI cable, Thin profile, 64"
513302	Wall plate w/HDMI & coax connections
513303-01	Wall Plate-HDMI W/2 RCA Ports White
510888-06	Spacer Receptacle GFI White

\*512657-01 Replaced by 513594-01 December 1, 2018

# 2019 FLYING CLOUD

## 2019 FLYING CLOUD ENTERTAINMENT

### Flat Screen TV, 24", Narrow Body Trailers

690681	LED HDTV, 24" Samsung
512526-01	Articulating arm
967125	Support, Flat screen TV, 20'
512499-01	Mini coax cable, 64"
340300	Clip, Cable holder
382184	Sleeve, Flexo braided split

### Flat Screen TV, 28", Wide Body Trailers

690669	LED HDTV, 28" Samsung
512656	TV bracket, Flush
512526-01	Articulating arm, 26U
512499	Mini coax cable, 48"
512499-01	Mini coax cable, 64"
382184	Sleeve, .75", Flexo braided split
801946-09	Spacer, TV bracket

### Bedroom TV, 24", Wide Body Trailers

690682	LED HDTV, 24" Samsung
512457	Articulating Arm
512499	Mini coax cable, 48"
512499-01	Mini coax cable, 64", 26U
511314	Universal bushing, 1" ID, Black
512501	Splitter, HDMI pass through
340300	Clip, Cable holder
382184	Sleeve, Flexo braided split

### Blu-Ray Player

512924	Blu-Ray disc player, Samsung
--------	------------------------------



## 2019 FLYING CLOUD FLOOR COVERINGS

### Floor Covering

704302	Flooring, Comfort style, Linen, Tarkett
703999-01	Tarkett DT – Quik Bond Adhesive
203594-02	Floor trim, Ash Grey
203727	Foil, Single bubble flex
703852	Matt, Entrance w/Airstream logo

### Furniture and Cushion Batting

701538-01	Carpet, Econolier w/PSA backing
-----------	---------------------------------

## 2019 FLYING CLOUD FURNITURE, INTERIOR DOORS

### Roof Locker Doors, Landmark

801786-0136	Door, 35.5 x 15.25
801786-0236	Door, 15.25 x 31.63
801786-0336	Door, 15.25 x 28.38
801786-0436	Door, 15.25 x 23.13
801786-0536	Door, 15.25 x 12.5, RH end
801786-0636	Door, 15.25 x 12.5, LH end
801786-0736	Door, 15.25 x 12.5, RH end w/radio
801786-0836	Door, 15.25 x 12.5, LH end w/radio
801786-0936	Door, 15.25 x 28.75
801786-1036	Filler, 15.25 x 4.08
801786-1136	Door, 15.25 x 23.63
801786-1236	Door, 15.25 x 31.13
801786-1336	Door, 15.25 x 38

### Bath Doors

968783	Bath Door, bi-fold, 19', 23' CB
968405-01	Bath door, 25 x 72, 25', 30'
966940-09	Bath door w/porthole, 25.5 x 72, 20'
967637-09	Bath door w/porthole, 25.5 x 75.13, 23FB
966894-09	Bath door, 25.5 x 72, 25FB, 27FB
968349	Bath door, 24.5 x 72, 26U
966994-09	Bath door, 28'
968823	Bath door, 30' Bunk

### Shower Door, 19', 20', 23CB, 26U, 30' Bunk

702937-06	Shower door, Roll away, 62 x 36, White
-----------	----------------------------------------

### Shower Door, 23FB

703911-02	Shower door, 22" x 65", Brushed Nickel
-----------	----------------------------------------

### Shower Door, 25', 25FB, 27FB, 28', 30'

703911-01	Shower door, 25.5" x 65", Brushed Nickel
-----------	------------------------------------------

## 2019 FLYING CLOUD FURNITURE, INTERIOR DOORS

### Foldette Door, 19'

702681-08 Foldette Door.- Beige 60"X 73"  
701342-01 Strap, Bedroom door holdback, 7"

### Foldette Door, 20'

702681-08 Foldette door w/straight track, 60" x 73", Beige

### Foldette Door, 23CB

702681-08 Foldette door w/straight track, 60" x 73", Beige  
701342-01 Strap, Bedroom door holdback, 7"  
381768 Track

### Foldette Door, 23FB

702681-08 Foldette door w/straight track, 60" x 73", Beige  
701342-01 Strap, Bedroom door holdback, 7"  
382056 Track  
703911-02 Track, Formed, 35.36"

### Foldette Door, 25'

702681-08 Foldette door w/straight track, 60" x 73", Beige  
381890-02 Track, Straight

### Foldette Door, 25FB

702681-08 Foldette door w/straight track, 60" x 73", Beige  
381890-01 Track, Formed  
381890-02 Track, Straight

## 2019 FLYING CLOUD FURNITURE, INTERIOR DOORS

### Foldette Door, 26U

702681-08      Foldette door w/straight track, 60" x 73", Beige  
381890-02      Track, Straight

### Foldette Door, 27FB

702681-08      Foldette door w/straight track, 60" x 73", Beige  
381890-02      Track, Straight  
382005          Track, Formed, 20"

### Foldette Door, 28'

702681-08      Foldette door w/straight track, 60 x 73, Beige

### Foldette Door, 30'

702681-08      Foldette door w/straight track, 60 x 73, Beige  
382112          Track, Formed

### Foldette Door, 30' Bunk

702681-08      Foldette door w/straight track, 60 x 73, Beige  
381860          Track, formed

# 2019 FLYING CLOUD

## FURNITURE, DRAWER BOXES AND SLIDES

### Drawer Boxes

964909-11	Drawer box, 10 x 14 x 19
968021-01	Drawer box, 2.75 x 20.38 x 15
968021-02	Drawer box, 2.75 x 22.38 x 15
968021-03	Drawer box, 2.75 x 15.63 x 15
968021-04	Drawer box, 2.75 x 23.88 x 15
968020-01	Drawer box, 5 x 20.38 x 15
968020-02	Drawer box, 5 x 9.88 x 15
968020-03	Drawer box, 5 x 8.50 x 18
968020-04	Drawer box, 5 x 15.13 x 15
968020-05	Drawer box, 5 x 17.19 x 18
968020-06	Drawer box, 5 x 11.38 x 15
968020-07	Drawer box, 5 x 23.88 x 15
968022-03	Drawer box, 6 x 17.88 x 18
968028-01	Drawer box, 8 x 17.19 x 21
968028-02	Drawer box, 8 x 15.81 x 21
968028-03	Drawer box, 8 x 10.13 x 21
968028-04	Drawer box, 8 x 10.13 x 18

### Drawer Slides

381773-03	Drawer slide, 15.75"
381773-21	Drawer slide, 8.38" x 15.75"
381826	Slide, Ball bearing, 16"
381925	Drawer slide, 24"
381944-01	Slide, 18", Per set
381192	Drawer slide, 18"
382203-03	Slide, Self-close, 15"
382203-04	Slide, Self-close, 18"
382203-05	Slide, Self-close, 21"
382203-06	Front fixing clips
381833-01	Slide, Under-shelf, 18"

# 2019 FLYING CLOUD

## FURNITURE, MIRRORS AND STORAGE BOXES

### Mirrors

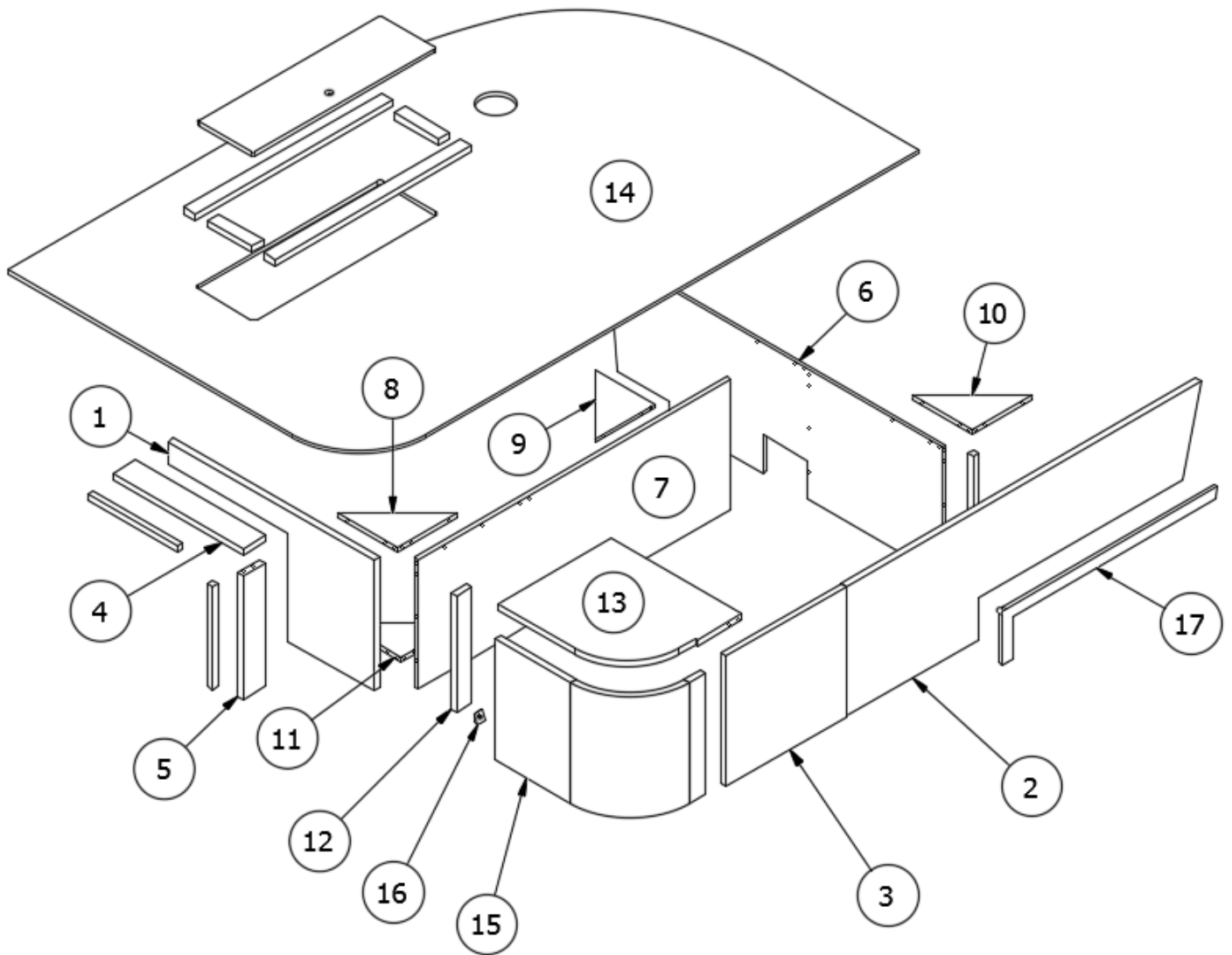
372203-05	Mirror, Safety glass, Medicine cabinet, 19" x 14", 19', 23CB
372203-24	Mirror, Safety glass, 9.5" x 20", 19', 23CB
372203-15	Mirror, Polished edges, 17" x 25.25", 28', 30'
372203-30	Mirror, Safety glass, Medicine cabinet, 30" x 14", 28'
372203-26	Mirror, Safety glass, 13.62" x 58", 28'
372203-33	Mirror, Safety, .125" x 14" x 40", 25FB, 27FB
371423-02	Mirror, Wall mount, Nickel, 23FB, 26U, 30', 30' Bunk
371423-01	Retainer clip, Mirror 1.88"
381220-01	Mirror clip, Nickel plate
381220-02	Mirror clip, Nickel plate
385940-02	Mirror pull, Chrome

### Storage Boxes

203439	Storage box, 17" x 11.13" x 6.38"
203636	Storage box, 24.5" x 17.75" x 7.25"
203667	Storage bin, 23" x 16.75" x 12.38"
203622	Storage tub

# 2019 FLYING CLOUD FURNITURE, BEDROOM

Bed, 19', 23CB, Landmark



Parts Listed on Next Page

## 2019 FLYING CLOUD FURNITURE, BEDROOM

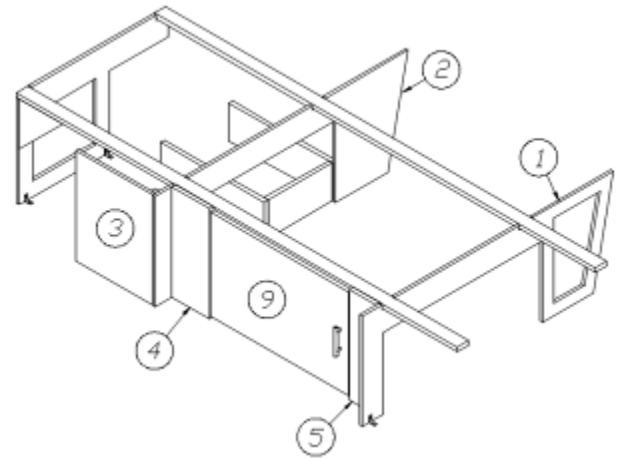
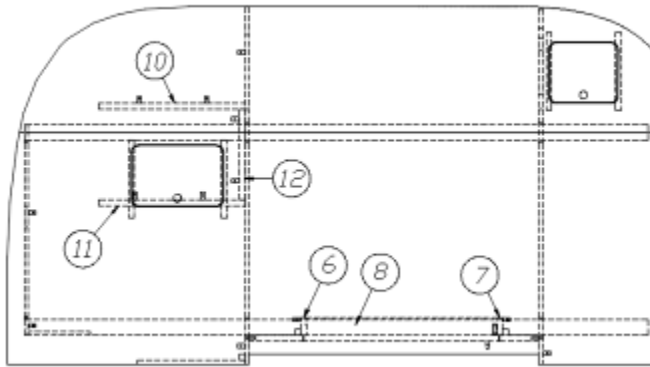
### Bed, 19', 23CB, Landmark

966926-09	Bed
1. 966926-091	Panel, 27.75 x 15.125
2. 966926-092	Panel, 47.63 x 15.125
3. 966926-093	Panel, 16.19 x 15.125
4. 966926-094	Panel, 17.5 x 3
5. 966926-095	Panel, 3 x 14.36
6. 966926-096	Panel, 44.75 x 15.125
7. 966926-097	Panel, 42 x 15.125
8. 966926-098	Panel, 8 x 8
9. 966926-099	Panel, 8 x 8
10. 966926-0910	Panel, 8 x 8
11. 966926-0911	Panel, 8 x 8
12. 966926-0912	Panel, 2 x 13.5
13. 966926-0913	Panel, 15.19 x 17.625
14. 966926-0914	Bed top, 47.14 x 75.12
15. 966925-09	Door, Radius, "C" Bed, Landmark
16. 203587	Wedge, Radius, Bed base door
17. 966926-0930	Panel, 6.25 x 28.87
381853	Piano hinge
381948	K-catch
382044	Handle, Brushed Nickel
203667	Storage bin, 23" x 16.75" x 12.38"
203439	Storage box, 17" x 11.13" x 6.38"
704129	Mattress, Corner double, 48" x 76", Pillow top
968115-09	Closeout, Bed plumbing
112671-29	Vinyl-Compartment Liner



# 2019 FLYING CLOUD FURNITURE, BEDROOM

## Bed, 20', Landmark



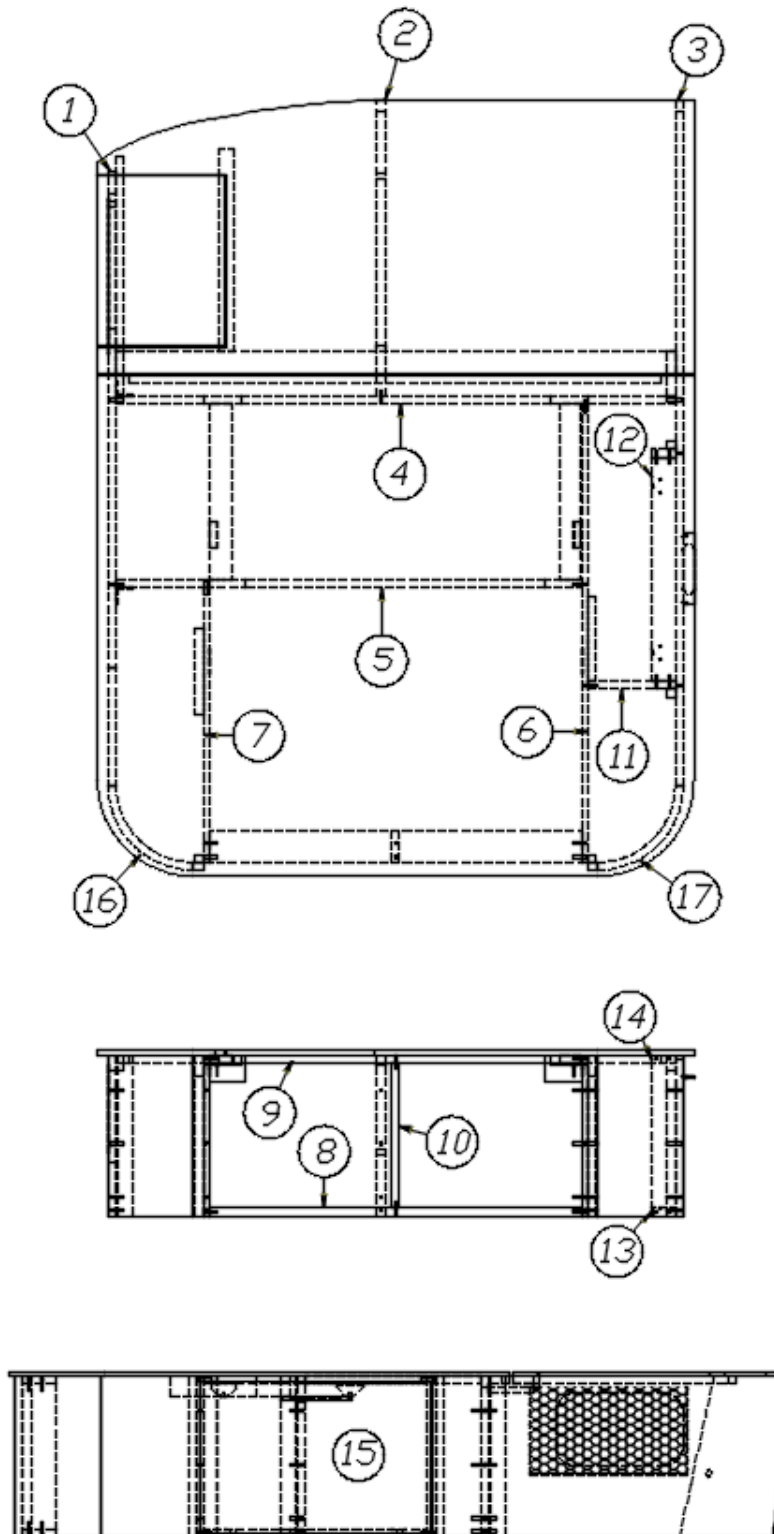
967335-09

Bed

- |                 |                                |
|-----------------|--------------------------------|
| 1. 967335-091   | Panel, 45.96 x 17.5            |
| 2. 967335-092   | Panel, 46.33 x 17.5            |
| 3. 967335-093   | Panel, 14 x 17.5               |
| 4. 967335-094   | Panel, 7 x 17.5                |
| 5. 967335-095   | Panel, 5 x 17.5                |
| 6. 967335-096   | Panel, 2.25 x 16.75            |
| 7. 967335-097   | Panel, 2.25 x 16.75            |
| 8. 967335-098   | Panel, 2.25 x 24.63            |
| 9. 967335-0913  | Door, 25.25 x 16.5             |
| 10. 967335-0920 | Panel, 19 x 6                  |
| 11. 967335-0921 | Panel, 19 x 6                  |
| 12. 967335-0922 | Panel, 11.75 x 6               |
| 380041          | Brace, 1", Stanley corner      |
| 382044          | Handle, Brushed Nickel         |
| 381607-11       | Hinge, Self-close, Self-close  |
| 381228-02       | Catch, Grabber door (5lb Pull) |
| 386304-02       | Edgebanding, .94", Landmark    |

# 2019 FLYING CLOUD FURNITURE, BEDROOM

Bed, 23FB, Landmark



Parts Listed on Next Page

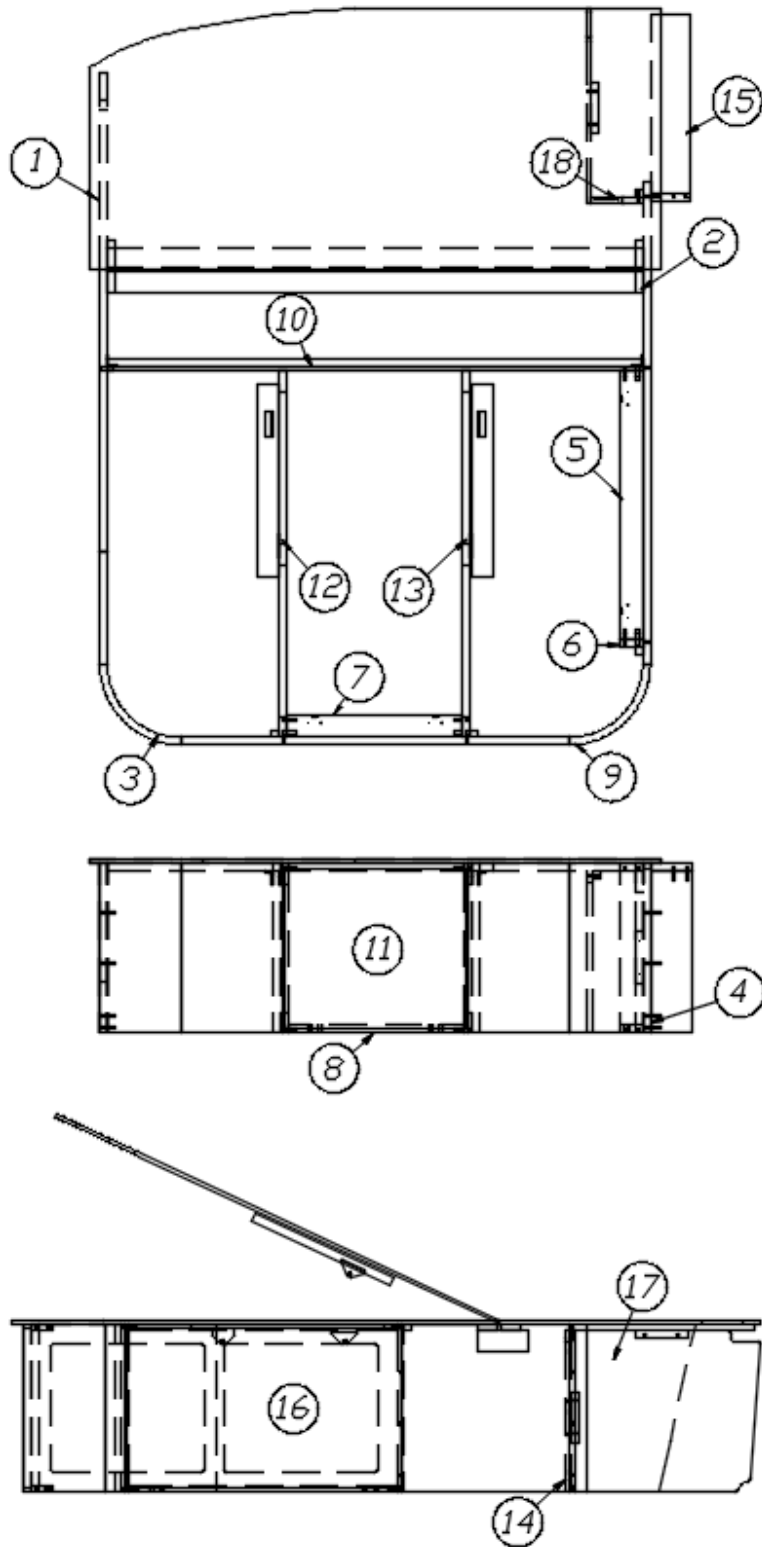
## 2019 FLYING CLOUD FURNITURE, BEDROOM

### Bed, 23FB, Landmark

967264-09	Bed
1. 967264-091	Panel, 15.13 x 46.62
2. 967264-092	Panel, 15.13 x 27.8
3. 967264-093	Panel, 15.13 x 33.11
4. 967264-094	Panel, 15.13 x 52.5
5. 967264-095	Panel, 15.13 x 43.81
6. 967264-096	Panel, 15.13 x 43
7. 967264-097	Panel, 15.13 x 25.75
8. 967264-098	Panel, 3 x 35.13
9. 967264-099	Panel, 3 x 35.13
10. 967264-0910	Panel, 3 x 13.63
11. 967264-0911	Panel, 8.19 x 15.13
12. 967264-0912	Panel, 2.25 x 15.13
13. 967264-0913	Panel, 21 x 2.25
14. 967264-0914	Panel, 21 x 2.25
15. 967264-0918	Door, 14.25 x 21.63
16. 967200-09	Sub assembly, Bed corner
17. 967265-09	Sub assembly, Bed corner
382044	Handle, Brushed Nickel
381607-11	Hinge, Self-close
381228-02	Catch, Grabber door (5lb Pull)
380203-01	Piano hinge
114812	Aluminum angle, 1 x 1
203664-01	Grille screen, Plastic
704131	Mattress, Pillowtop, 60" x 75", Queen
203667	Storage bin, 23" x 16.75" x 12.38"
381067-09	Spring, Gas 90 LBS.
382463	Bracket, Upper
382462	Bracket, Lower
381084	Ball, Stud
112671-28	Vinyl-Compartment Liner

# 2019 FLYING CLOUD FURNITURE, BEDROOM

Bed, 25', 26U, Landmark



Parts Listed on Next Page

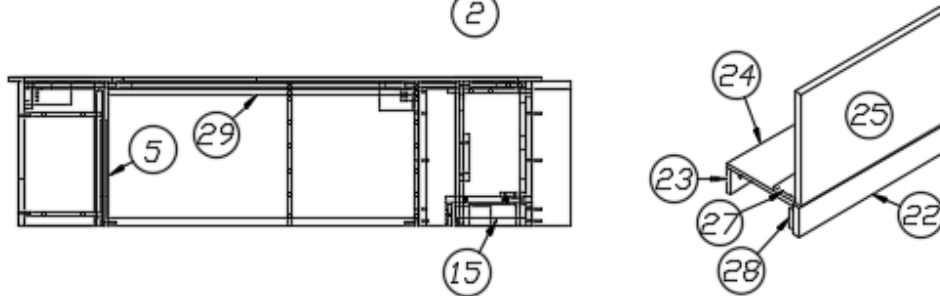
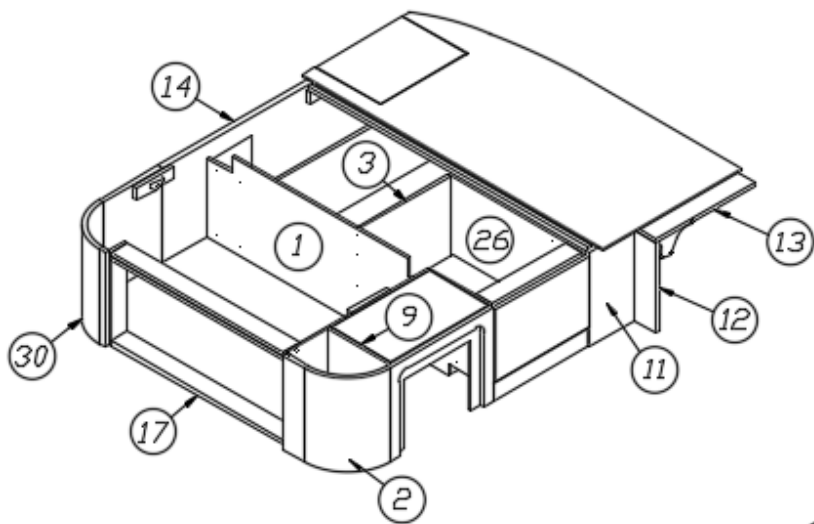
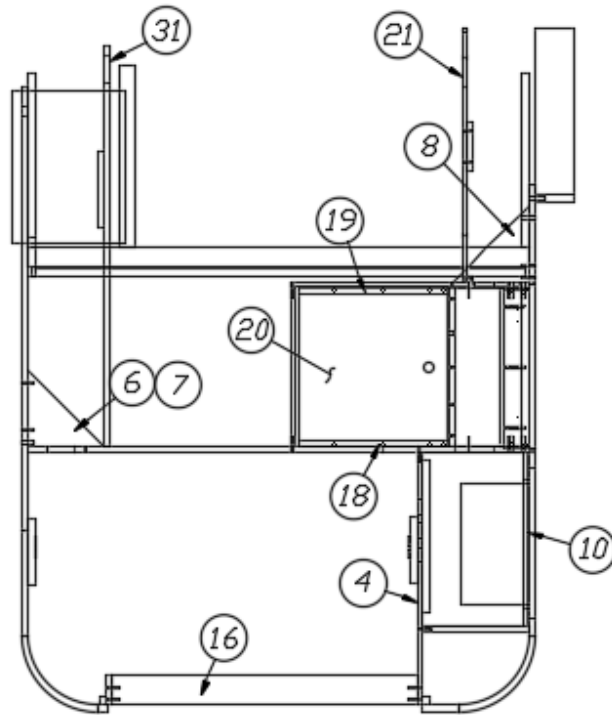
## 2019 FLYING CLOUD FURNITURE, BEDROOM

### Bed, 25', 26U, Landmark

967740-09	Bed
1. 967740-091	Panel, 43.94 x 16.63
2. 967740-092	Panel, 18.06 x 16.63
3. 967759-09	Radius, Forward
4. 967740-094	Panel, 2.25 x 26.31
5. 967740-5	Panel, 2.25 x 26.31
6. 967740-6	Panel, 16.63 x 2.25
7. 967740-7	Panel, 2.25 x 17.25
8. 967740-8	Panel, 2.25 x 17.25
9. 966864-09	Sub assembly, Bed corner
10. 967740-11	Panel, 16.63 x 52.5
11. 967740-0919	Door, 17.88 x 15.75
12. 967740-31	Panel, 36 x 16.63
13. 967740-32	Panel, 36 x 16.63
14. 967740-0938	Panel, 4 x 15.88
15. 967740-0939	Panel, 4 x 18.25
16. 967740-0940	Door, 26.94 x 15.75
17. 967740-41	Panel, 19.04 x 15.83
18. 967740-42	Panel, 15.88 x 5
382044	Handle, Brushed Nickel
381607-11	Hinge, Self-close
381228-02	Catch, Grabber door (5lb Pull)
380203-01	Piano hinge
381067-09	Gas spring, 90 LBS
381084	Ball, Stud
114812	Aluminum angle, 1 x 1
203667	Storage box, 23 x 16.75 x 12.38
704131	Mattress, Pillow top, 60 x 75, Queen
966348	Closeout, Bed base wires
112671-18	Vinyl-Compartment Liner

# 2019 FLYING CLOUD FURNITURE, BEDROOM

Bed, 25FB, Landmark



Parts Listed on Next Page

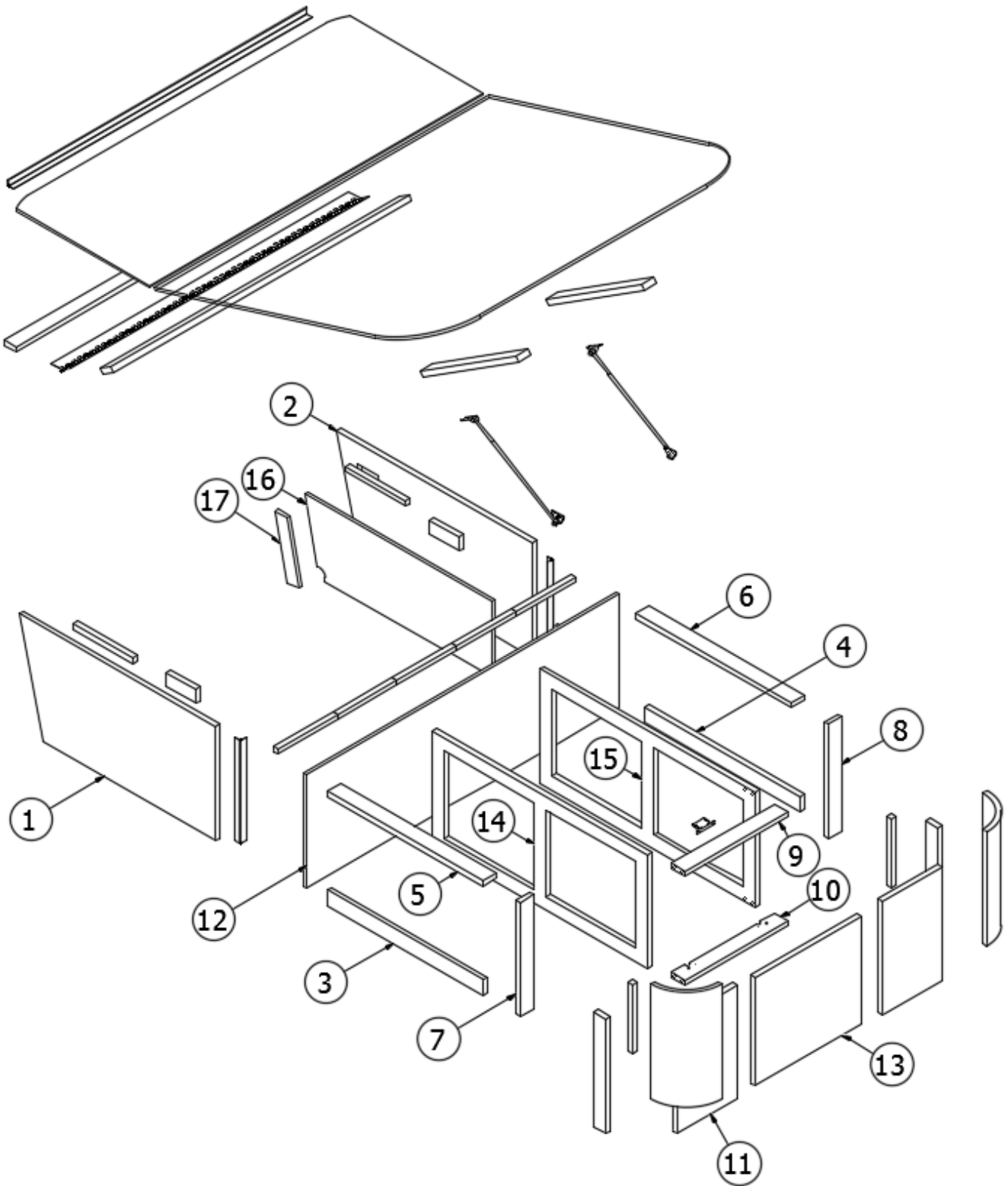
## 2019 FLYING CLOUD FURNITURE, BEDROOM

### Bed, 25FB, Landmark

967072-09	Bed
1. 967072-091	Panel, 15.13 x 52.5
2. 967069-09	Radius, Aft
3. 967072-093	Panel, 16.75 x 15.13
4. 967072-094	Panel, 26.5 x 15.13
5. 967072-095	Panel, 3 x 15.13
6. 967072-096	Panel, 8 x 8, Triangle
7. 967072-097	Panel, 8 x 8, Triangle
8. 967072-098	Panel, 8 x 8, Triangle
9. 967072-11	Panel, 11.19 x 15.13
10. 967072-0912	Panel, 11 x 18.25
11. 967072-0913	Panel, 10.31 x 15.13
12. 967072-0914	Panel, 4 x 14.38
13. 967072-0915	Panel, 4 x 18.25
14. 967072-0916	Panel, 46.62 x 15.13
15. 967072-0918	Panel, 3 x 16.75
16. 967072-0919	Panel, 3 x 35.13
17. 967072-20	Panel, 3 x 35.13
18. 967072-0943	Panel, 2.25 x 15.5
19. 967072-0944	Panel, 2.25 x 15.5
20. 967072-0945	Panel, 16.5 x 15.5
21. 967072-46	Panel, 25.625 x 15
22. 967072-0948	Panel, 17.44 x 3
23. 967072-49	Panel, 16.75 x 2.53
24. 967072-0950	Panel, 16.75 x 7.776
25. 967072-0951	Panel, 17.31 x 11.5
26. 967072-52	Panel, 25 x 15.125
27. 967072-0954	Panel, 16.75 x 2.5
28. 967072-55	Panel, 16.75 x 2.2
29. 967072-56	Panel, 3 x 32.13
30. 967070-09	Radius, Forward
31. 967071-09	Closeout, Queen bed base
967072-0917	Panel, 3 x 16.75
381607-11	Hinge, Self-close
382044	Handle, Brushed Nickel
381228-02	Catch, Grabber door
201016	Drawer, 16" x 22"
966348	Closeout, Queen bed wires
203440	T-molding, Black embossed, .8125
381607-12	Hinge bracket
115151	Angle, Bed support, 43"

# 2019 FLYING CLOUD FURNITURE, BEDROOM

Bed, 27FB, 28', 30', 30' Bunk, Landmark



Parts Listed on Next Page



## 2019 FLYING CLOUD FURNITURE, BEDROOM

Bed, 27FB, 28', 30', 30' Bunk, Landmark

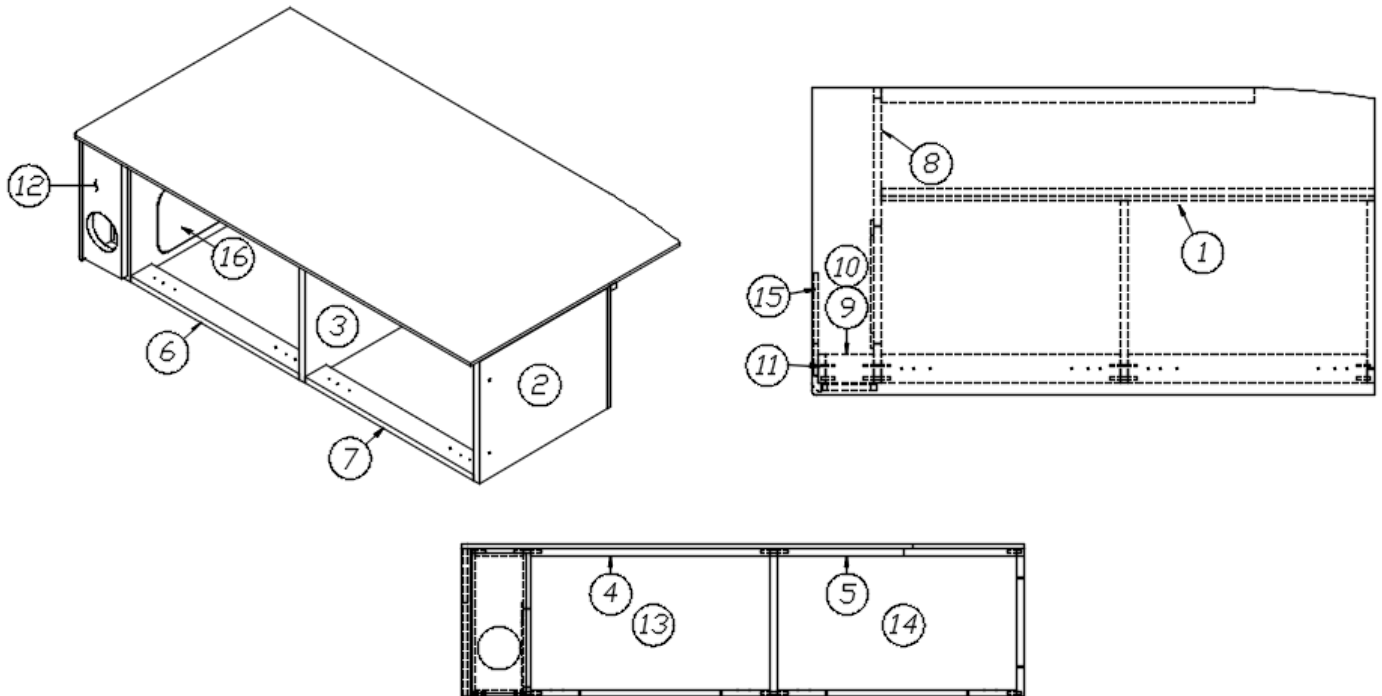
966863-09

Bed

- |                 |                                    |
|-----------------|------------------------------------|
| 1. 966863-091   | Panel, 32.75 x 16.63               |
| 2. 966863-092   | Panel, 32.75 x 16.63               |
| 3. 966863-093   | Panel, 2.25 x 26                   |
| 4. 966863-094   | Panel, 2.25 x 26                   |
| 5. 966863-095   | Panel, 2.25 x 26                   |
| 6. 966863-096   | Panel, 2.25 x 26                   |
| 7. 966863-097   | Panel, 16.63 x 2.25                |
| 8. 966863-098   | Panel, 16.83 x 2.25                |
| 9. 966863-099   | Panel, 2.25 x 17.25                |
| 10. 966863-0910 | Panel, 2.25 x 17.25                |
| 11. 966864-09   | Sub assembly, Bed corner           |
| 12. 966863-0913 | Panel, 52.5 x 16.63                |
| 13. 966863-0921 | Door, 17.88 x 15.75                |
| 14. 966863-0933 | Panel, 36 x 16.63                  |
| 15. 966863-0934 | Panel, 36 x 16.63                  |
| 16. 966863-0937 | Panel, 11 x 30.44                  |
| 17. 966863-39   | Panel, 9.75 x 2                    |
| 382044          | Handle, Brushed Nickel             |
| 381607-11       | Hinge, Self-close                  |
| 381228-02       | Catch, Grabber door, 5LB           |
| 381067-09       | Gas spring, 90 LBS.                |
| 382463          | Bracket, Upper                     |
| 382462          | Bracket, Lower                     |
| 381084          | Ball, Stud                         |
| 380203-01       | Piano hinge                        |
| 203667          | Storage bin, 23" x 16.75" x 12.38" |
| 201016          | Drawer, 16 x 22                    |
| 114812          | Aluminum angle, 1 x 1              |
| 704132          | Mattress, Pillow top, 60 x 75      |
| 386304-02       | Edgebanding, .94", Landmark        |

# 2019 FLYING CLOUD FURNITURE, BEDROOM

Bed, Twin, CS 25', RS 25FB, Landmark



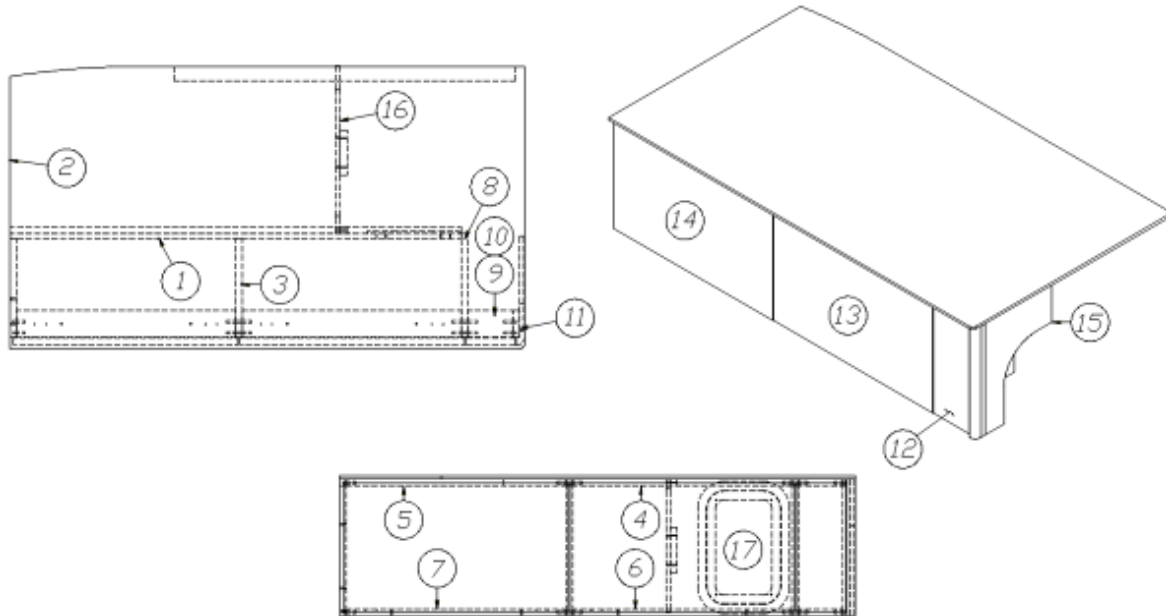
966913-09

Twin Bed

- |                 |                                       |
|-----------------|---------------------------------------|
| 1. 966913-091   | Panel, 15.13 x 50.25                  |
| 2. 966913-092   | Panel, 18.5 x 15.13                   |
| 3. 966913-093   | Panel, 18.5 x 15.13                   |
| 4. 966913-094   | Panel, 3 x 24.38                      |
| 5. 966913-095   | Panel, 3 x 24.38                      |
| 6. 966913-096   | Panel, 3 x 24.38                      |
| 7. 966913-097   | Panel, 3 x 24.38                      |
| 8. 966913-098   | Panel, 30 x 15.13                     |
| 9. 966913-099   | Panel, 3 x 4.94                       |
| 10. 966913-0910 | Panel, 3 x 4.94                       |
| 11. 966913-0911 | Panel, 3 x 15.13                      |
| 12. 966913-0912 | Panel, 5.56 x 14.25                   |
| 13. 966913-0913 | Door, 25 x 14.25                      |
| 14. 966913-0914 | Door, 25 x 14.25                      |
| 15. 966913-0915 | Panel, 10.5 x 15.13                   |
| 16. 966913-25   | Panel, 7.94 x 11.94                   |
| 381607-11       | Hinge, Self-close                     |
| 382044          | Handle, Brushed Nickel                |
| 381228-02       | Catch, Grabber door                   |
| 203667          | Storage box, 23" x 16.75" x 12.38"    |
| 801706-0036     | Corner trim, 90°, 1" radius, Landmark |

# 2019 FLYING CLOUD FURNITURE, BEDROOM

Bed, Twin, Roadside, 25', Landmark



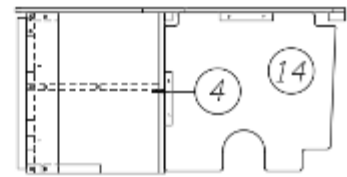
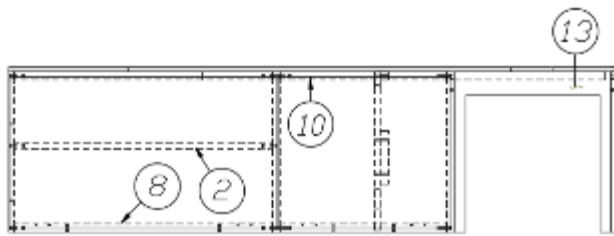
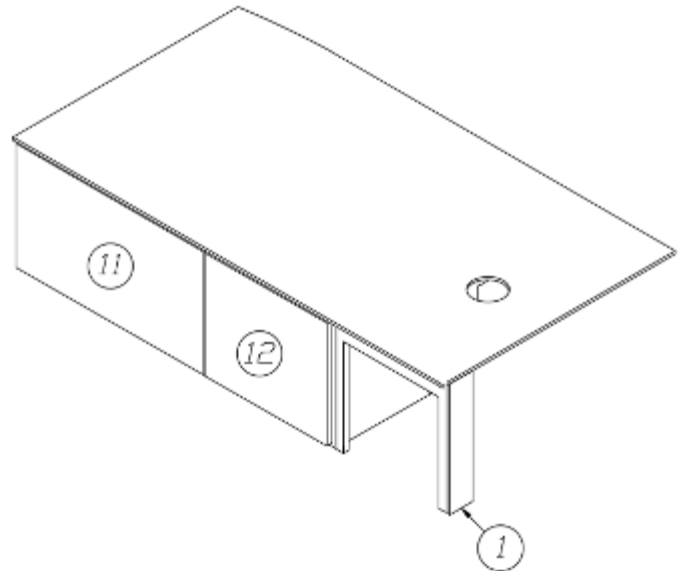
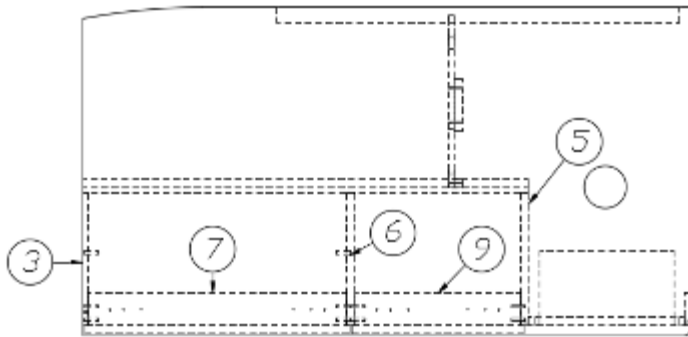
967770-09

RS Twin Bed

- |                 |                                       |
|-----------------|---------------------------------------|
| 1. 967770-091   | Panel, 15.13 x 50.25                  |
| 2. 967770-092   | Panel, 11 x 15.13                     |
| 3. 967770-093   | Panel, 11 x 15.13                     |
| 4. 967770-094   | Panel, 3 x 24.38                      |
| 5. 967770-095   | Panel, 3 x 24.38                      |
| 6. 967770-096   | Panel, 3 x 24.38                      |
| 7. 967770-097   | Panel, 3 x 24.38                      |
| 8. 967770-098   | Panel, 11.5 x 15.13                   |
| 9. 967770-099   | Panel, 3 x 4.94                       |
| 10. 967770-0910 | Panel, 3 x 4.94                       |
| 11. 967770-0911 | Panel, 3 x 15.13                      |
| 12. 967770-0912 | Panel, 5.56 x 14.25                   |
| 13. 967770-0913 | Door, 25 x 14.25                      |
| 14. 967770-0914 | Door, 25 x 14.25                      |
| 15. 967770-0915 | Panel, 10.5 x 15.13                   |
| 16. 967770-26   | Panel, 18.6 x 14.75                   |
| 17. 967770-0931 | Panel, 12.5 x 8.125                   |
| 381607-11       | Hinge, Self-close                     |
| 382044          | Handle                                |
| 381228-02       | Catch, Grabber door                   |
| 801706-0036     | Corner trim, 90°, 1" radius, Landmark |
| 386304-01       | Edgebanding, .63", Landmark           |
| 381463-03       | Cover access hatch, White             |
| 112671-01       | Vinyl - Under Bed Storage             |

# 2019 FLYING CLOUD FURNITURE, BEDROOM

Bed, Twin, Curbside, 25FB, Landmark



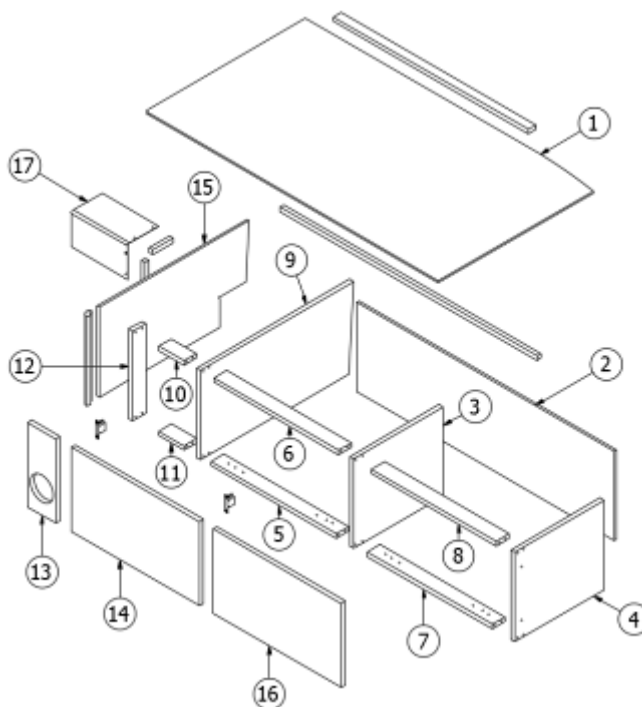
966912-09

CS Twin Bed

- |                 |                           |
|-----------------|---------------------------|
| 1. 966912-091   | Panel, 3 x 15.13          |
| 2. 966912-092   | Panel, 12.5 x 24.38       |
| 3. 966912-093   | Panel, 12.5 x 15.13       |
| 4. 966912-094   | Panel, 43.13 x 15.13      |
| 5. 966912-095   | Panel, 12.5 x 15.13       |
| 6. 966912-096   | Panel, 12.5 x 15.13       |
| 7. 966912-097   | Panel, 3 x 24.38          |
| 8. 966912-098   | Panel, 3 x 24.38          |
| 9. 966912-099   | Panel, 3 x 16.75          |
| 10. 966912-0910 | Panel, 3 x 16.75          |
| 11. 966912-0911 | Door, 25 x 14.25          |
| 12. 966912-0912 | Door, 7.38 x 14.25        |
| 13. 966912-0913 | Panel, 3 x 13.63          |
| 14. 966912-25   | Panel, 16.174 x 14.875    |
| 381607-11       | Hinge, Self-close         |
| 382044          | Handle, Brushed Nickel    |
| 201051          | Drawer, 10 x 22           |
| 381228-02       | Catch, Grabber door       |
| 112671-06       | Vinyl - Under Bed Storage |

# 2019 FLYING CLOUD FURNITURE, BEDROOM

Bed, Twin, RS 27FB, CS 30', Landmark



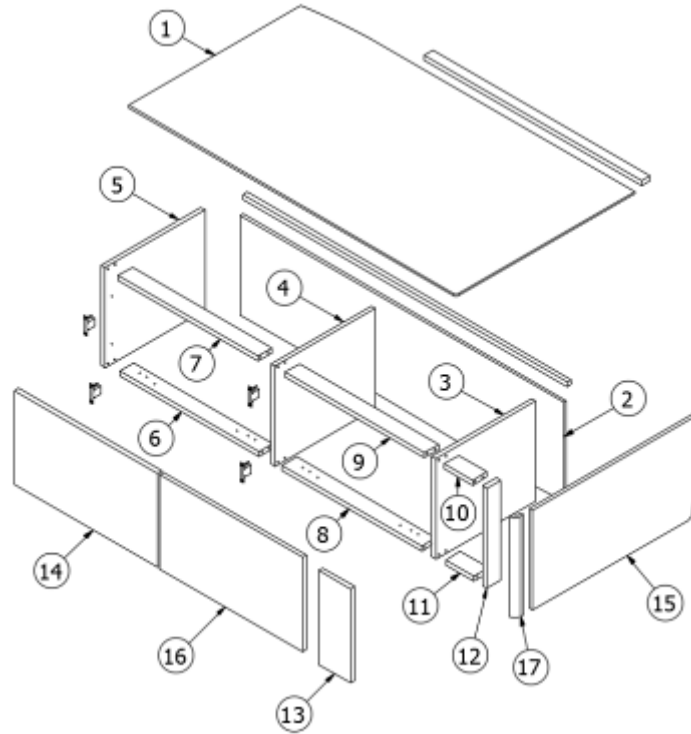
966857-09

Twin Bed

- |                 |                                       |
|-----------------|---------------------------------------|
| 1. 966857-091   | Top, 31 x 57.25                       |
| 2. 966857-092   | Panel, 50.25 x 15.13                  |
| 3. 966857-093   | Panel, 17.5 x 15.13                   |
| 4. 966857-094   | Panel, 17.5 x 15.13                   |
| 5. 966857-095   | Panel, 2.5 x 24.38                    |
| 6. 966857-096   | Panel, 2.5 x 24.38                    |
| 7. 966857-097   | Panel, 2.5 x 24.38                    |
| 8. 966857-098   | Panel, 2.5 x 24.38                    |
| 9. 966857-099   | Panel, 30 x 15.13                     |
| 10. 966857-0910 | Panel, 2.5 x 4.94                     |
| 11. 966857-0911 | Panel, 2.5 x 4.94                     |
| 12. 966857-0912 | Panel, 2.5 x 15.13                    |
| 13. 966857-0913 | Panel, 5.56 x 14.25                   |
| 14. 966857-0917 | Door, 25 x 14.25                      |
| 15. 966857-0922 | Panel, 29.5 x 15.13                   |
| 16. 966857-0926 | Door, 25 x 14.25                      |
| 17. 115905      | Closeout, Bed base                    |
| 382044          | Handle, Brushed Nickel                |
| 381607-11       | Hinge, Self-close                     |
| 381228-02       | Catch, Grabber door                   |
| 203667          | Storage bin, 23" x 16.75" x 12.38"    |
| 801706-0036     | Corner trim, 90°, 1" radius, Landmark |

# 2019 FLYING CLOUD FURNITURE, BEDROOM

Bed, Twin, CS 27FB, RS 30', Landmark



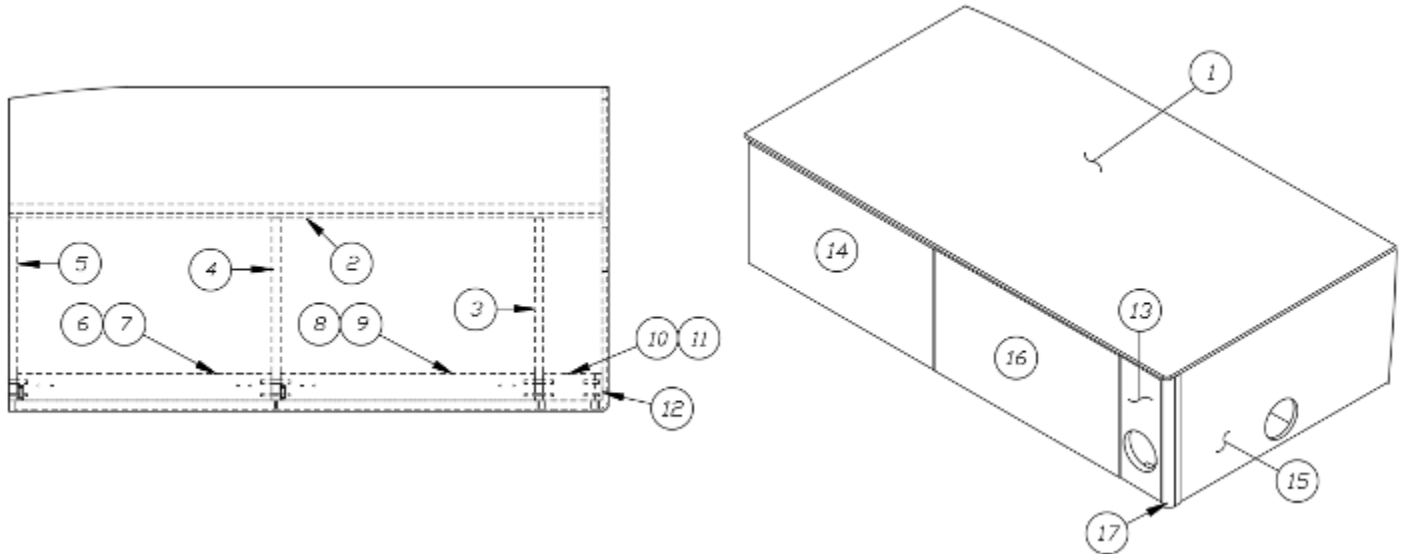
966856-09

Twin Bed

- |                 |                                       |
|-----------------|---------------------------------------|
| 1. 966856-091   | Top, 31 x 57.25                       |
| 2. 966856-092   | Panel, 56.69 x 15.13                  |
| 3. 966856-093   | Panel, 17.5 x 15.13                   |
| 4. 966856-094   | Panel, 17.5 x 15.13                   |
| 5. 966856-095   | Panel, 17.5 x 15.13                   |
| 6. 966856-096   | Panel, 2.5 x 24.38                    |
| 7. 966856-097   | Panel, 2.5 x 24.38                    |
| 8. 966856-098   | Panel, 2.5 x 24.38                    |
| 9. 966856-099   | Panel, 2.5 x 24.38                    |
| 10. 966856-0910 | Panel, 2.5 x 4.94                     |
| 11. 966856-0911 | Panel, 2.5 x 4.94                     |
| 12. 966856-0912 | Panel, 2.5 x 15.13                    |
| 13. 966856-0913 | Panel, 5.56 x 14.25                   |
| 14. 966856-0917 | Door, 25 x 14.25                      |
| 15. 966856-0922 | Panel, 29.13 x 15.13                  |
| 16. 966856-0925 | Door, 25 x 14.25                      |
| 17. 801706-0036 | Corner trim, 90°, 1" radius, Landmark |
| 381607-11       | Hinge, Self-close                     |
| 382044          | Handle, Brushed Nickel                |
| 381228-02       | Catch, Grabber door                   |

# 2019 FLYING CLOUD FURNITURE, BEDROOM

## Bed, Twin, Roadside, 28', Landmark



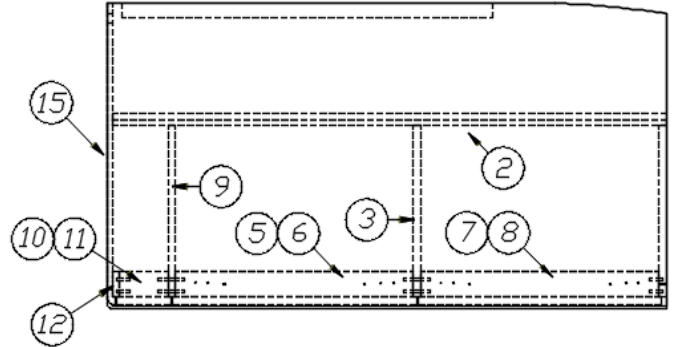
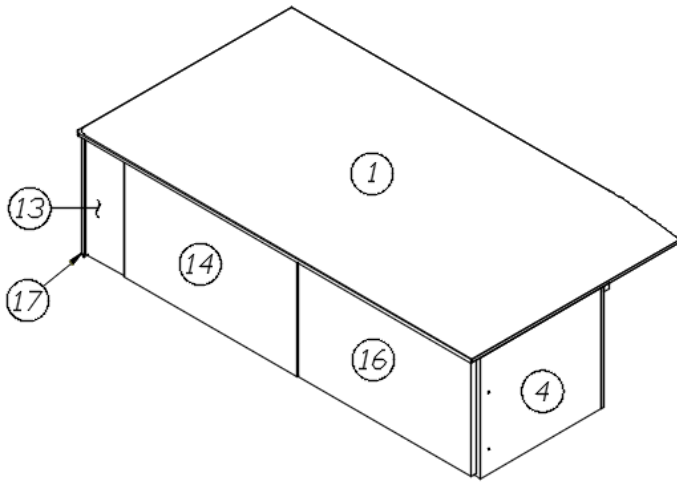
967856-09

RS Twin Bed

- |                 |                                       |
|-----------------|---------------------------------------|
| 1. 967856-1     | Panel, 31 x 57.25                     |
| 2. 967856-2     | Panel, 15.13 x 56.69                  |
| 3. 967856-3     | Panel, 17.5 x 15.13                   |
| 4. 967856-4     | Panel, 17.5 x 15.13                   |
| 5. 967856-5     | Panel, 17.5 x 15.13                   |
| 6. 967856-6     | Panel, 2.5 x 24.38                    |
| 7. 967856-7     | Panel, 2.5 x 24.38                    |
| 8. 967856-8     | Panel, 2.5 x 24.38                    |
| 9. 967856-9     | Panel, 2.5 x 24.38                    |
| 10. 967856-10   | Panel, 2.5 x 4.94                     |
| 11. 967856-11   | Panel, 2.5 x 4.94                     |
| 12. 967856-12   | Panel, 2.5 x 15.13                    |
| 13. 967856-13   | Panel, 5.56 x 14.25                   |
| 14. 967856-17   | Door, 25 x 14.25                      |
| 15. 967856-22   | Panel, 29.3 x 15.13                   |
| 16. 967856-25   | Door, 25 x 14.25                      |
| 17. 801706-0036 | Corner trim, 90°, 1" radius, Landmark |
| 382044          | Handle, Brushed Nickel                |
| 381607-11       | Hinge, Self-close                     |
| 381228-02       | Catch, Grabber door, 5LB              |
| 386304-02       | Edgebanding, .94", Landmark           |

# 2019 FLYING CLOUD FURNITURE, BEDROOM

## Bed, Twin, Curbside, 28', Landmark



967925

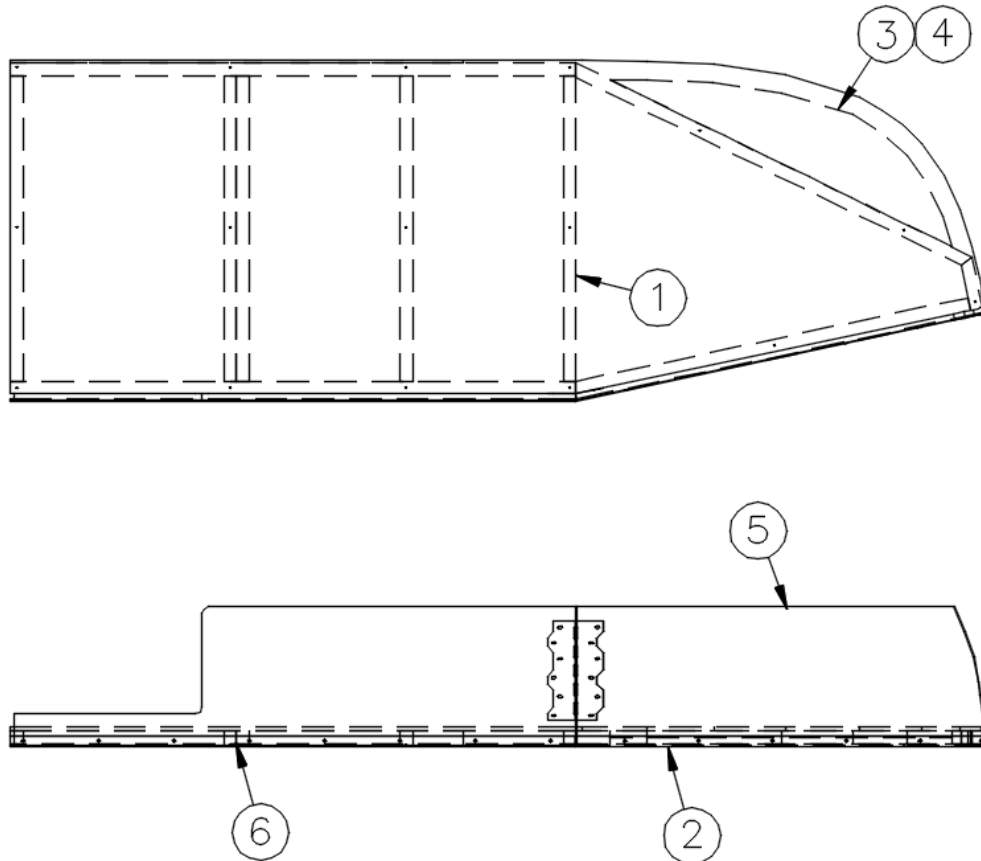
CS Twin Bed

- |                 |                                       |
|-----------------|---------------------------------------|
| 1. 967925-1     | Panel, 31 x 57.25                     |
| 2. 967925-2     | Panel, 15.13 x 56.69                  |
| 3. 967925-3     | Panel, 17.5 x 15.13                   |
| 4. 967925-4     | Panel, 17.5 x 15.13                   |
| 5. 967925-5     | Panel, 2.5 x 24.38                    |
| 6. 967925-6     | Panel, 2.5 x 24.38                    |
| 7. 967925-7     | Panel, 2.5 x 24.38                    |
| 8. 967925-8     | Panel, 2.5 x 24.38                    |
| 9. 967925-9     | Panel, 17.5 x 15.13                   |
| 10. 967925-10   | Panel, 2.5 x 4.94                     |
| 11. 967925-11   | Panel, 2.5 x 4.94                     |
| 12. 967925-12   | Panel, 2.5 x 15.13                    |
| 13. 967925-13   | Panel, 5.56 x 14.25                   |
| 14. 967925-17   | Door, 25 x 14.25                      |
| 15. 967925-22   | Panel, 29.5 x 15.13                   |
| 16. 967925-26   | Door, 25 x 14.25                      |
| 17. 801706-0036 | Corner trim, 90°, 1" radius, Landmark |
| 114879-201      | Aluminum sheet, 33" x 198"            |
| 382044          | Handle, Brushed Nickel                |
| 381607-11       | Hinge, Self-close                     |
| 381228-02       | Catch, Grabber door, 5LB              |
| 386304-02       | Edgebanding, .94", Landmark           |
| 112671-07       | Vinyl - Under Bed Storage             |



# 2019 FLYING CLOUD FURNITURE, BEDROOM

Bed, Upper Bunk, 19', 23', Landmark



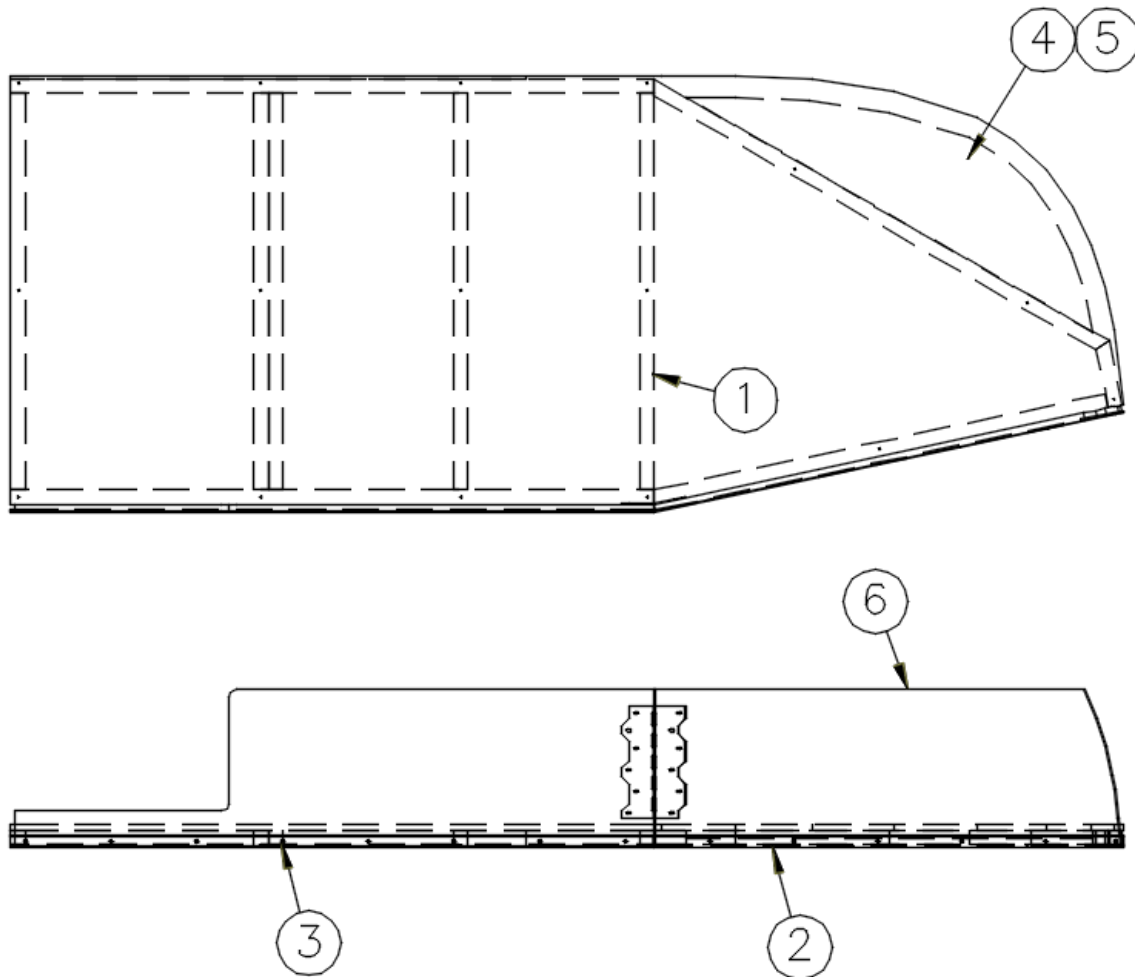
968107

Upper Bunk Bed

- |                                                                                                                                                                  |                                                                                                                                                                                                                                                                                                                                           |
|------------------------------------------------------------------------------------------------------------------------------------------------------------------|-------------------------------------------------------------------------------------------------------------------------------------------------------------------------------------------------------------------------------------------------------------------------------------------------------------------------------------------|
| <ul style="list-style-type: none"> <li>1. 916075</li> <li>2. 968107-2</li> <li>3. 968107-4</li> <li>4. 968107-5</li> <li>5. 967930</li> <li>6. 115134</li> </ul> | <ul style="list-style-type: none"> <li>Weldment, Upper bunk</li> <li>Panel, 26.5 x 77.48</li> <li>Panel, 30.38 x 5.96</li> <li>Panel, 30.38 x 5.96</li> <li>Bunk rail assembly</li> <li>Extrusion, Laminate trim</li> <li>Support, Upper bunk bed</li> <li>Step, Bunk bed</li> <li>Mat, Non-skid</li> <li>Mattress, Upper bunk</li> </ul> |
|------------------------------------------------------------------------------------------------------------------------------------------------------------------|-------------------------------------------------------------------------------------------------------------------------------------------------------------------------------------------------------------------------------------------------------------------------------------------------------------------------------------------|

# 2019 FLYING CLOUD FURNITURE, BEDROOM

## Bed, Upper Bunk, 30' Bunk, Landmark

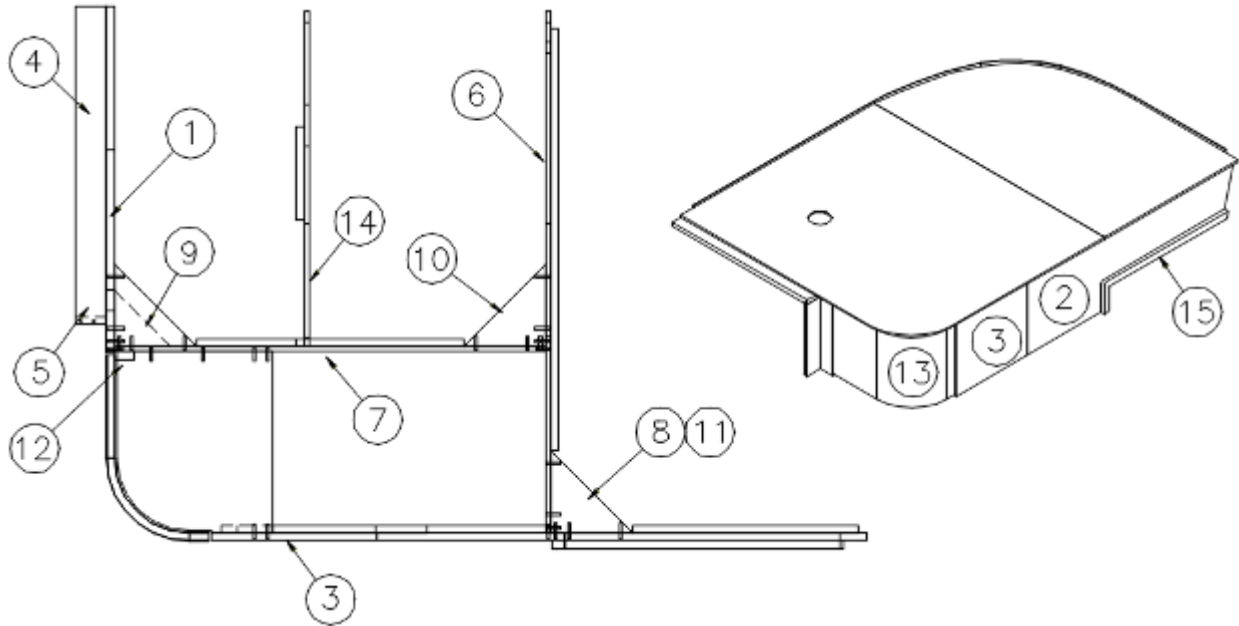


967929 Upper Bunk Bed

- |                                                                                                                                                                                                                                                                                  |                                                                                                                                                                                                                                                                                                                                                                                                                                     |
|----------------------------------------------------------------------------------------------------------------------------------------------------------------------------------------------------------------------------------------------------------------------------------|-------------------------------------------------------------------------------------------------------------------------------------------------------------------------------------------------------------------------------------------------------------------------------------------------------------------------------------------------------------------------------------------------------------------------------------|
| <ul style="list-style-type: none"> <li>1. 916061</li> <li>2. 967929-2</li> <li>3. 115134</li> <li>4. 967929-4</li> <li>5. 967929-5</li> <li>6. 967930</li> <li>382188</li> <li>382187</li> <li>365209</li> <li>703451</li> <li>704050</li> <li>382226</li> <li>704110</li> </ul> | <ul style="list-style-type: none"> <li>Weldment, Upper bunk</li> <li>Panel, 30 x 77.89</li> <li>Extrusion, Laminate trim</li> <li>Panel, 16 x 5</li> <li>Panel, 16 x 5</li> <li>Bunk rail assembly</li> <li>Bracket, Set your own angle</li> <li>Support, Upper bunk bed</li> <li>Foam tape</li> <li>Mattress, 30" x 78", Top bunk</li> <li>Foam, .025 x 11" x 82", Black</li> <li>Step, Bunk bed</li> <li>Mat, Non-skid</li> </ul> |
|----------------------------------------------------------------------------------------------------------------------------------------------------------------------------------------------------------------------------------------------------------------------------------|-------------------------------------------------------------------------------------------------------------------------------------------------------------------------------------------------------------------------------------------------------------------------------------------------------------------------------------------------------------------------------------------------------------------------------------|

# 2019 FLYING CLOUD FURNITURE, BEDROOM

## Bed, Lower Bunk, 30' Bunk, Landmark



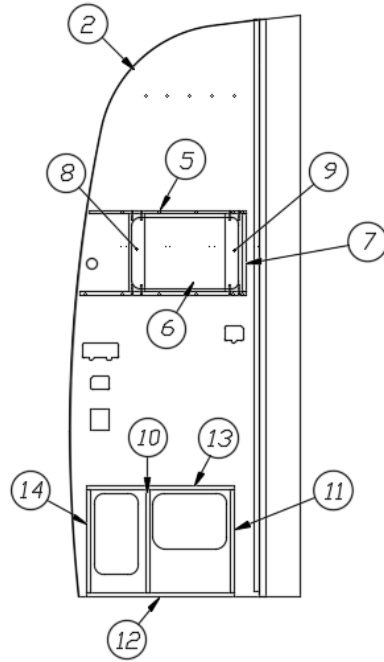
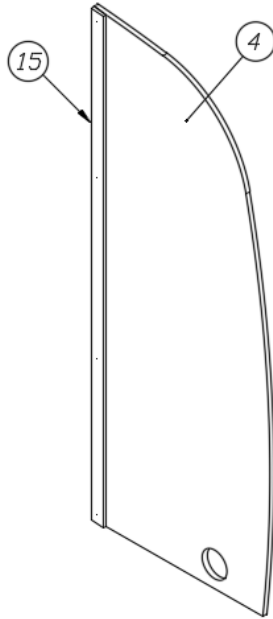
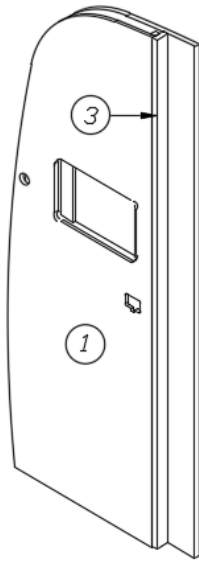
967926

Lower Bunk Bed

- |               |                                             |
|---------------|---------------------------------------------|
| 1. 967926-1   | Panel, 33.75 x 15.125                       |
| 2. 967926-2   | Panel, 47.63 x 15.125                       |
| 3. 967926-3   | Panel, 16.19 x 15.125                       |
| 4. 967926-4   | Panel, 31 x 3                               |
| 5. 967926-5   | Panel, 3 x 14.36                            |
| 6. 967926-6   | Panel, 50.75 x 15.125                       |
| 7. 967926-7   | Panel, 42 x 15.125                          |
| 8. 967926-8   | Panel, 8 x 8                                |
| 9. 967926-9   | Panel, 5.5 x 5.5                            |
| 10. 967926-10 | Panel, 8 x 8                                |
| 11. 967926-11 | Panel, 8 x 8                                |
| 12. 967926-12 | Panel, 2 x 13.5                             |
| 13. 966925-09 | Radius door                                 |
| 14. 967926-26 | Panel, 15.13 x 32.63                        |
| 15. 967926-27 | Panel, 6.25 x 28.87                         |
| 381853        | Piano hinge, Continuous                     |
| 203587        | Wedge, Radius bed base door                 |
| 381948        | K-catch                                     |
| 382044        | Handle, Brushed Nickel                      |
| 203419        | Storage box, 23" x 16.75" x 11.88"          |
| 203439        | Storage box, 17" x 11.13" x 6.38"           |
| 704127        | Mattress, Corner double, Pillowtop, 54 x 76 |
| 967950        | Closeout assembly                           |
| 112671-09     | Vinyl - Under Bed Storage                   |
| 112671-10     | Vinyl - Under Bed Storage                   |

# 2019 FLYING CLOUD FURNITURE, BEDROOM

## Bedroom Wall Panels, 30' Bunk, Landmark



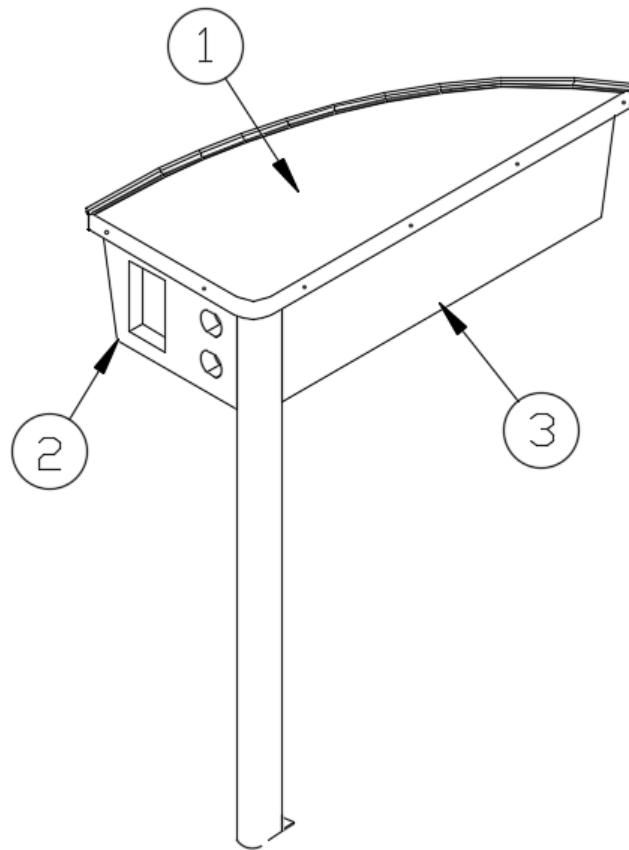
### 112044

### Bedroom Panels

- |               |                                 |
|---------------|---------------------------------|
| 1. 112044-1   | Panel, 78.35 x 25.82            |
| 2. 112044-2   | Panel, 78.84 x 28.34            |
| 3. 112044-3   | Panel, 77.34 x 2                |
| 4. 112044-4   | Panel, 78.84 x 31.34            |
| 5. 112044-6   | Panel, 1.5 x 21.25              |
| 6. 112044-7   | Panel, 1.5 x 22.25              |
| 7. 112044-8   | Panel, 10.56 x 1.5              |
| 8. 112044-9   | Panel, 10.56 x 2.25             |
| 9. 112044-10  | Panel, 10.56 x 2.25             |
| 10. 112044-17 | Panel, 12.5 x 1.5               |
| 11. 112044-18 | Panel, 12.5 x 1.5               |
| 12. 112044-19 | Panel, 12 x 1.5                 |
| 13. 112044-20 | Panel, 12 x 1.5                 |
| 14. 112044-21 | Panel, 14 x 1.5                 |
| 15. 112044-22 | Panel, 78.84 x 2.25             |
| 702681-08     | Foldette door, 36" x 73", Beige |
| 203647        | Molding-T 13/16" Chamois Yellow |
| 381945        | Dry erase board, 11" x 14"      |
| 381834        | Aluminum coat hooks             |

# 2019 FLYING CLOUD FURNITURE, BEDROOM

Nightstand, 23FB, 25', 25FB, 26U, Landmark



966899-09

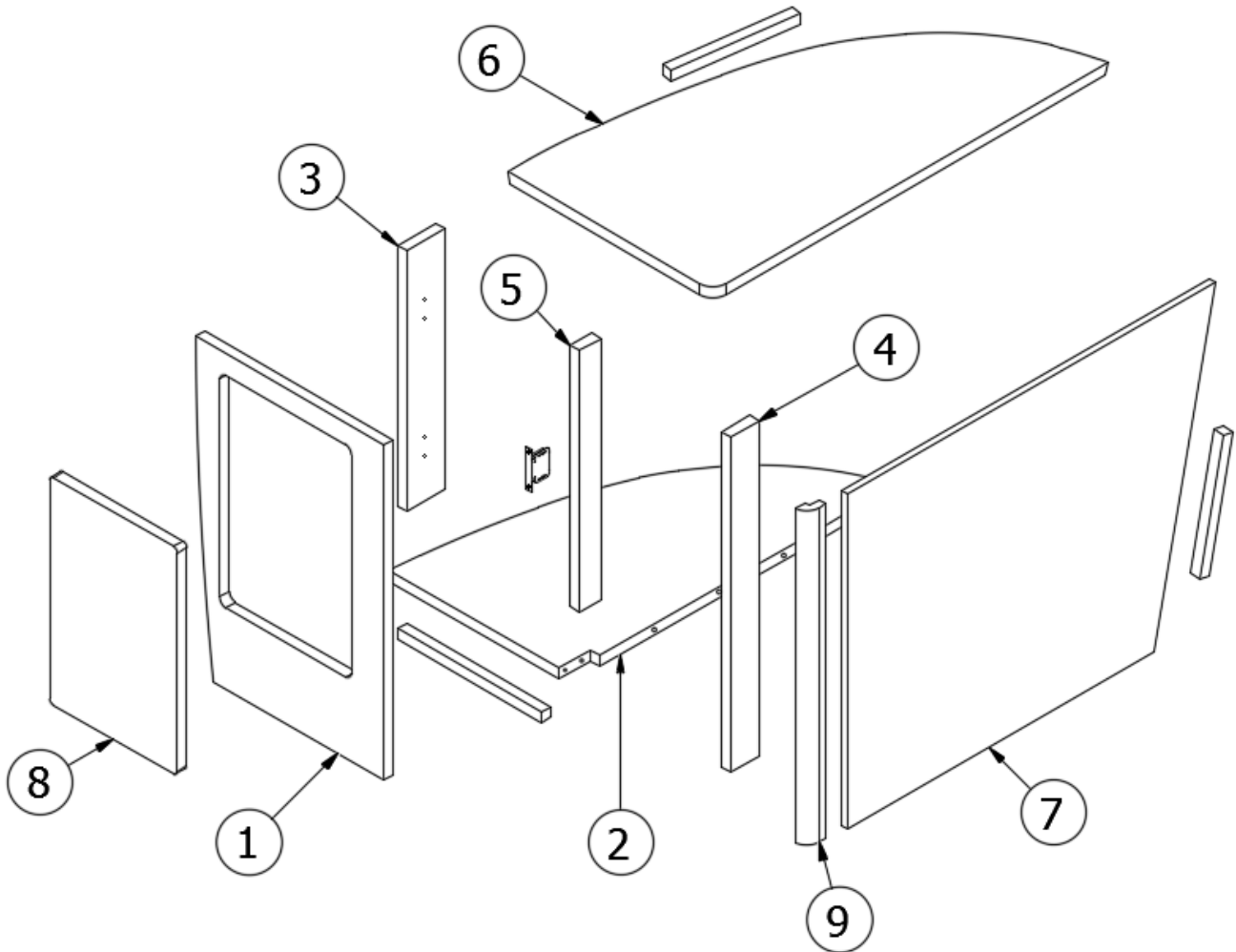
Nightstand

- 1. 966899-091
- 2. 966899-092
- 3. 966899-093
- 801706-0036
- 201673-01
- 380041

- Top, 9.28 x 21.19
- Panel, 7.63 x 5
- Panel, 18.75 x 5
- Corner trim, 90°, 1" radius, Landmark
- Reverse cove molding, .43", Oak
- Corner brace, 1", Stanley

# 2019 FLYING CLOUD FURNITURE, BEDROOM

Nightstand, Roadside, 27FB, Landmark



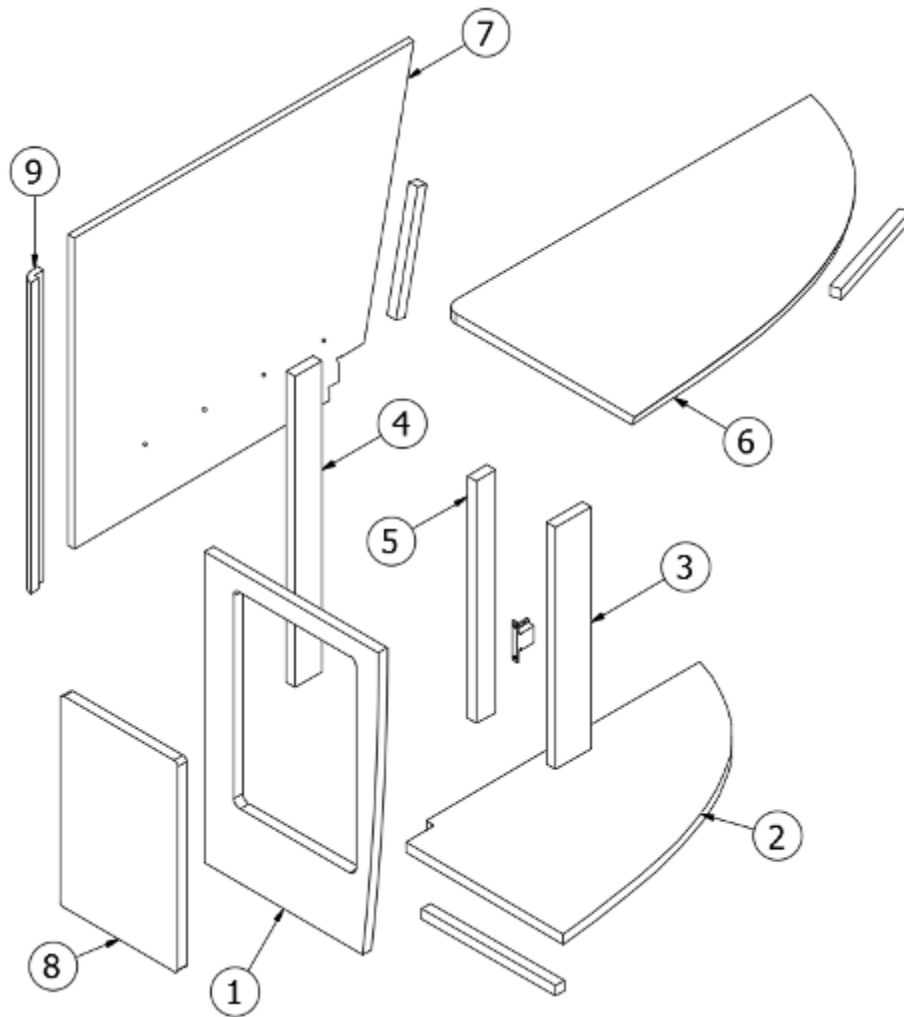
966868-09

RS Nightstand

- |                |                                       |
|----------------|---------------------------------------|
| 1. 966868-091  | Panel, 14.78 x 22.75                  |
| 2. 966868-092  | Panel, 27.69 x 14.13                  |
| 3. 966868-093  | Panel, 3 x 17.75                      |
| 4. 966868-094  | Panel, 2.25 x 22.75                   |
| 5. 966868-095  | Panel, 3 x 1.63                       |
| 6. 966868-096  | Panel, 16.09 x 31.06                  |
| 7. 966868-097  | Panel, 28.84 x 22.75                  |
| 8. 966868-098  | Door, 7 x 15.31                       |
| 9. 801706-0036 | Corner trim, 90°, 1" radius, Landmark |
| 382044         | Pull, Brushed Nickel                  |
| 381607-11      | Hinge, Self-close                     |
| 381228-02      | Catch, Grabber door, 5LB              |
| 201673         | Reverse cove molding, White           |

# 2019 FLYING CLOUD FURNITURE, BEDROOM

## Nightstand, Curbside, 27FB, Landmark

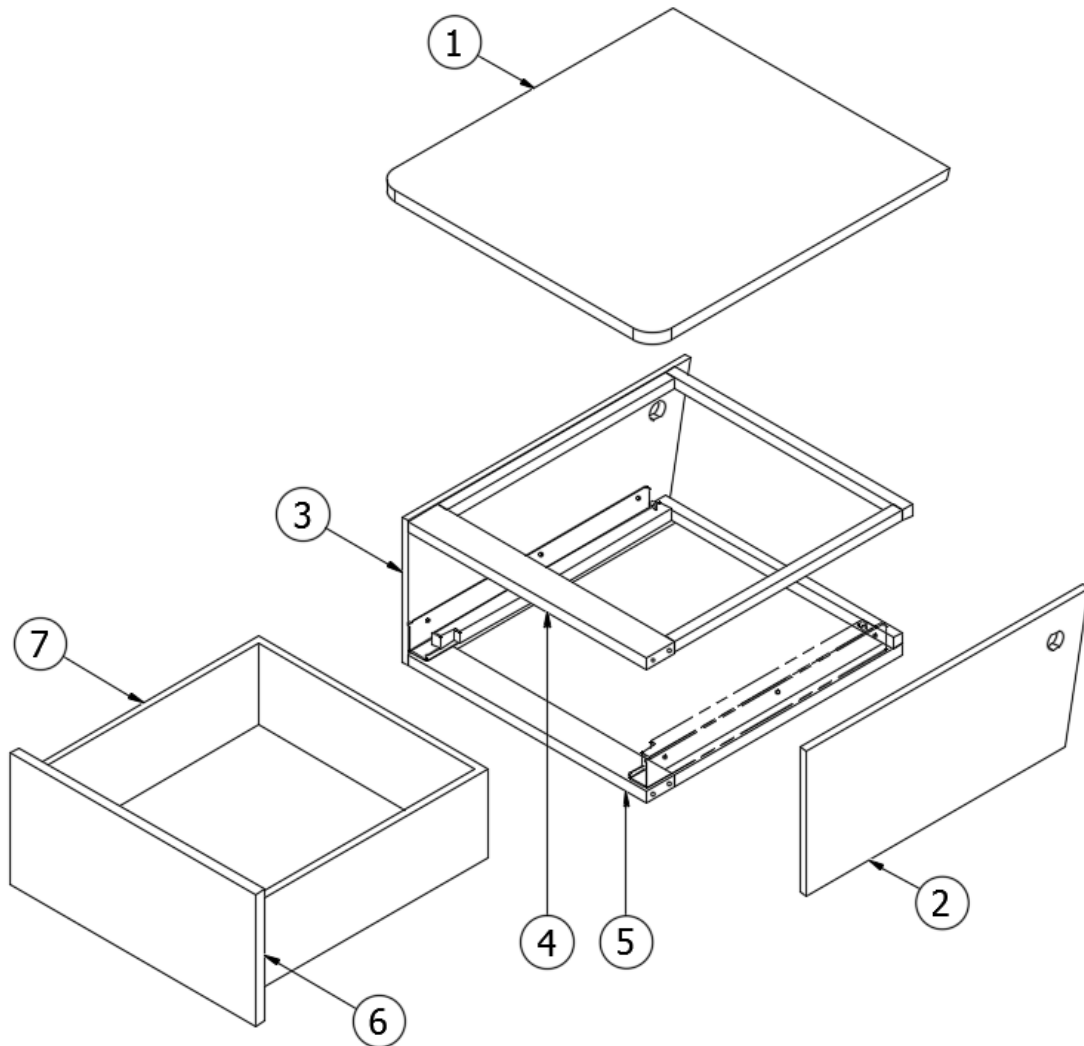


966851-09 CS Nightstand

- |                |                                       |
|----------------|---------------------------------------|
| 1. 966851-091  | Panel, 14.78 x 22.75                  |
| 2. 966851-092  | Panel, 27.69 x 14.13                  |
| 3. 966851-093  | Panel, 3 x 17.75                      |
| 4. 966851-094  | Panel, 2.25 x 22.75                   |
| 5. 966851-095  | Panel, 3 x 1.63                       |
| 6. 966851-096  | Panel, 16.09 x 31.06                  |
| 7. 966851-097  | Panel, 28.84 x 22.75                  |
| 8. 966851-098  | Door, 7 x 15.31                       |
| 9. 801706-0036 | Corner trim, 90°, 1" radius, Landmark |
| 382044         | Pull, Brushed Nickel                  |
| 381607-11      | Hinge, Self-close                     |
| 381228-02      | Catch, Grabber door, 5LB              |
| 201673         | Reverse cove molding, White           |

# 2019 FLYING CLOUD FURNITURE, BEDROOM

Nightstand, Twin, 25', 25FB, 27FB, 28', 30', Landmark



968030-09

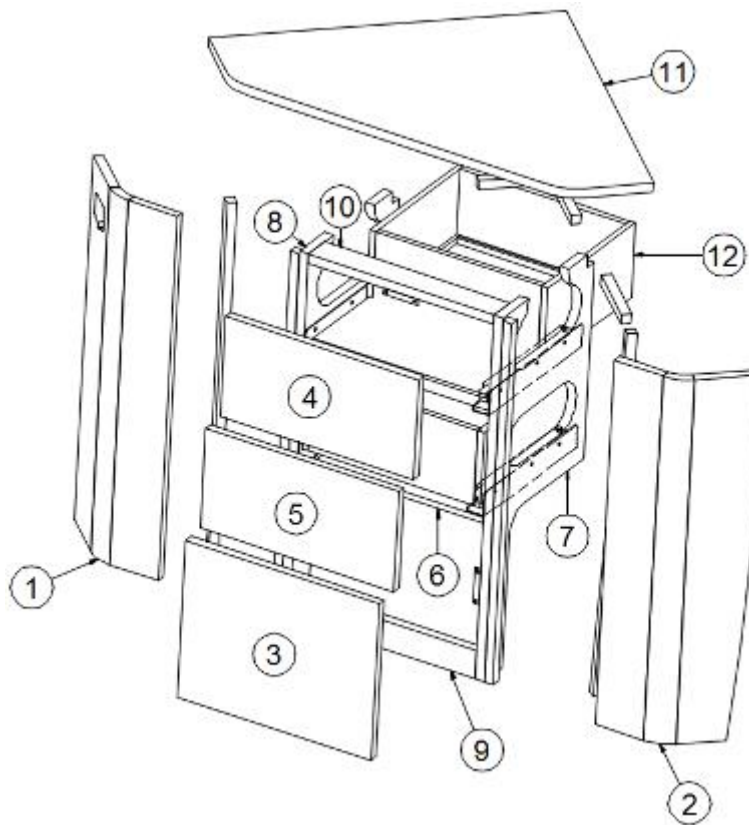
Nightstand

- |               |                                           |
|---------------|-------------------------------------------|
| 1. 966860-091 | Panel, Top, Twin nightstand, Gold Alchemy |
| 2. 968030-092 | Panel, 22 x 9.75                          |
| 3. 968030-093 | Panel, 22 x 9.75                          |
| 4. 968030-094 | Panel, 18.5 x 2.5                         |
| 5. 968030-095 | Panel, 18.5 x 2.5                         |
| 6. 968030-097 | Door, 19.13 x 8.88                        |
| 7. 968022-03  | Drawer box, 6" x 17.88" x 18"             |
| 382044        | Handle, Brushed Nickel                    |
| 381228-02     | Catch, Grabber door (5lb Pull)            |
| 386304-01     | Edgebanding, .63", Landmark               |
| 382203-04     | Drawer slide, Self-close, 18"             |
| 382203-06     | Clips, Front fixing                       |



# 2019 FLYING CLOUD FURNITURE, BEDROOM

## Credenza, 26U, Landmark



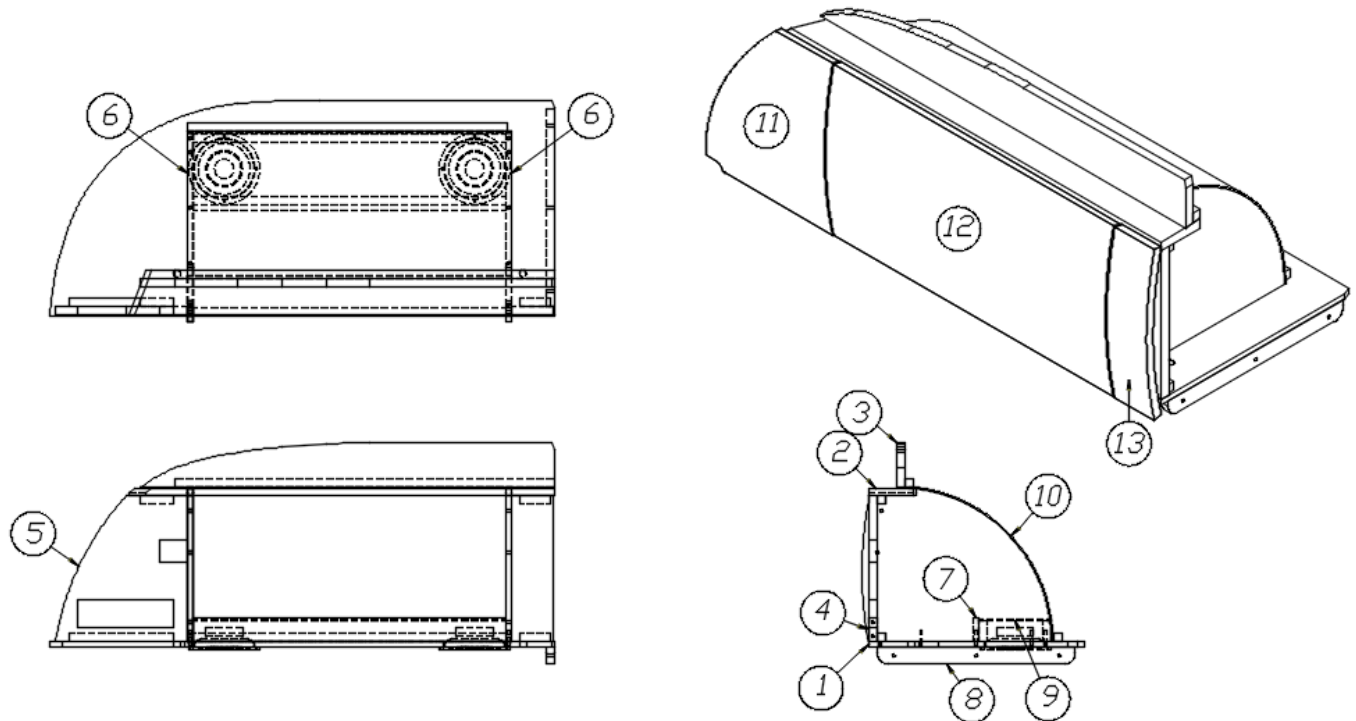
968323

### Credenza Cabinet

- |               |                           |
|---------------|---------------------------|
| 1. 802040     | Credenza sub assembly, LH |
| 2. 802041     | Credenza sub assembly, RS |
| 3. 968323-3   | Panel, 16 x 12.56         |
| 4. 968323-4   | Panel, 16 x 8             |
| 5. 968323-5   | Panel, 16 x 8             |
| 6. 968323-6   | Panel, 15.375 x 20.938    |
| 7. 968323-7   | Panel, 12.5 x 29.25       |
| 8. 968323-8   | Panel, 12.5 x 29.25       |
| 9. 968323-9   | Panel, 15.375 x 2.25      |
| 10. 968323-10 | Panel, 15.375 x 2.25      |
| 11. 968323-11 | Panel, 36.77 x 22.99      |
| 12. 968022-08 | Drawer box, 14.75 x 12    |
| 382203-02     | Drawer slide, 12'         |
| 381228        | Catch, Grabber door, 10LB |
| 381228-02     | Catch, Grabber door, 5LB  |
| 382044        | Handle, Brushed Nickel    |
| 382203-06     | Front fixing clips        |

# 2019 FLYING CLOUD FURNITURE, BEDROOM

## Roof Locker, Rear Endliner, 19', Landmark

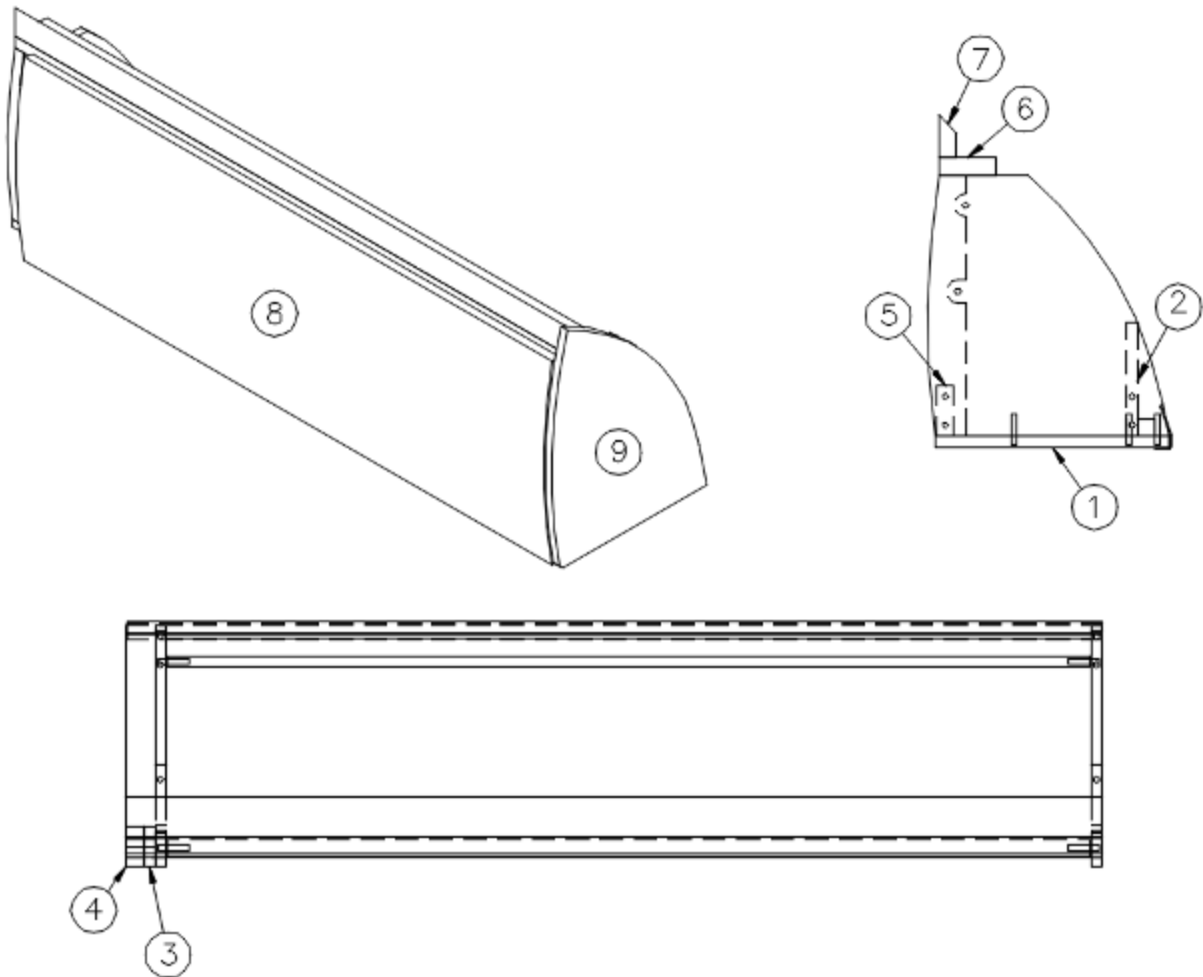


### 967369-09 Rear Endliner Roof Locker

- |                 |                                   |
|-----------------|-----------------------------------|
| 1. 967365-09    | Bottom                            |
| 2. 967366-09    | Top                               |
| 3. 967367-09    | Header                            |
| 4. 967290-09    | Stile                             |
| 5. 967283       | Support                           |
| 6. 967277-01    | Divider                           |
| 7. 967369-098   | Panel, 2.25 x 28.35               |
| 8. 967369-099   | Panel, 1.5 x 18                   |
| 9. 967369-0910  | Panel, 6.5 x 28.35                |
| 10. 967369-0911 | Panel, 22 x 29.38                 |
| 11. 801786-0636 | Door, 15.25 x 12.50, LH, Landmark |
| 12. 801786-0936 | Door, 15.25 x 28.75, Landmark     |
| 13. 801786-1036 | Filler, 15.25 x 4.08, Landmark    |
| 201673-01       | Reverse cove molding, .43", Oak   |
| 381840-01       | Hinge, Overhead spring, LH        |
| 381840-02       | Hinge, Overhead spring, RH        |
| 382070          | Rubber Dots, Black                |

# 2019 FLYING CLOUD FURNITURE, BEDROOM

## Roof Locker, Twin Bedroom, 19', 25', 25FB, Landmark

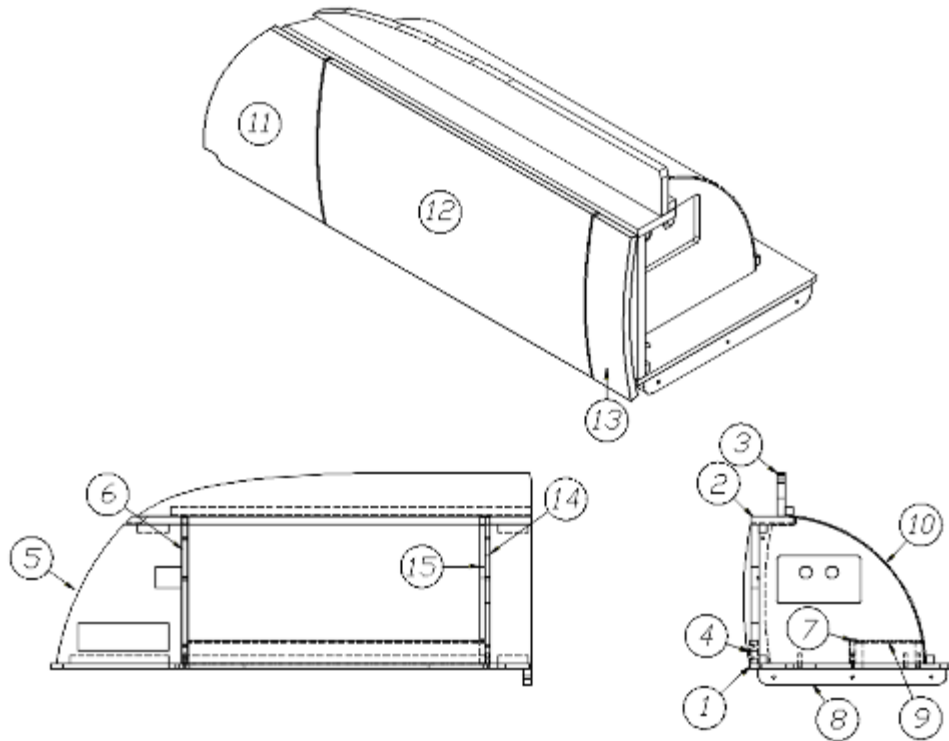


967312-09      Twin Bedroom Roof Locker

- |                |                            |
|----------------|----------------------------|
| 1. 967312-091  | Panel, 10.25 x 42.88       |
| 2. 967312-092  | Panel, 5 x 40.59           |
| 3. 967312-093  | Panel, 1.73 x 11.5         |
| 4. 967312-094  | Panel, 1.73 x 11.5         |
| 5. 967312-095  | Panel, 2.25 x 40.59        |
| 6. 967312-096  | Panel, 2.5 x 42.88         |
| 7. 967312-097  | Panel, 1.88 x 42.88        |
| 8. 801789-0136 | Door, 13.75 x 41, Landmark |
| 9. 967360      | End cap                    |
| 967311-01      | Divider                    |
| 115085         | Aluminum angle             |
| 381840-01      | Hinge, Overhead spring, LH |
| 381840-02      | Hinge, Overhead spring, RH |
| 382070         | Rubber dots, Black         |

# 2019 FLYING CLOUD FURNITURE, BEDROOM

## Roof Locker, Rear Endliner, 23CB, Landmark

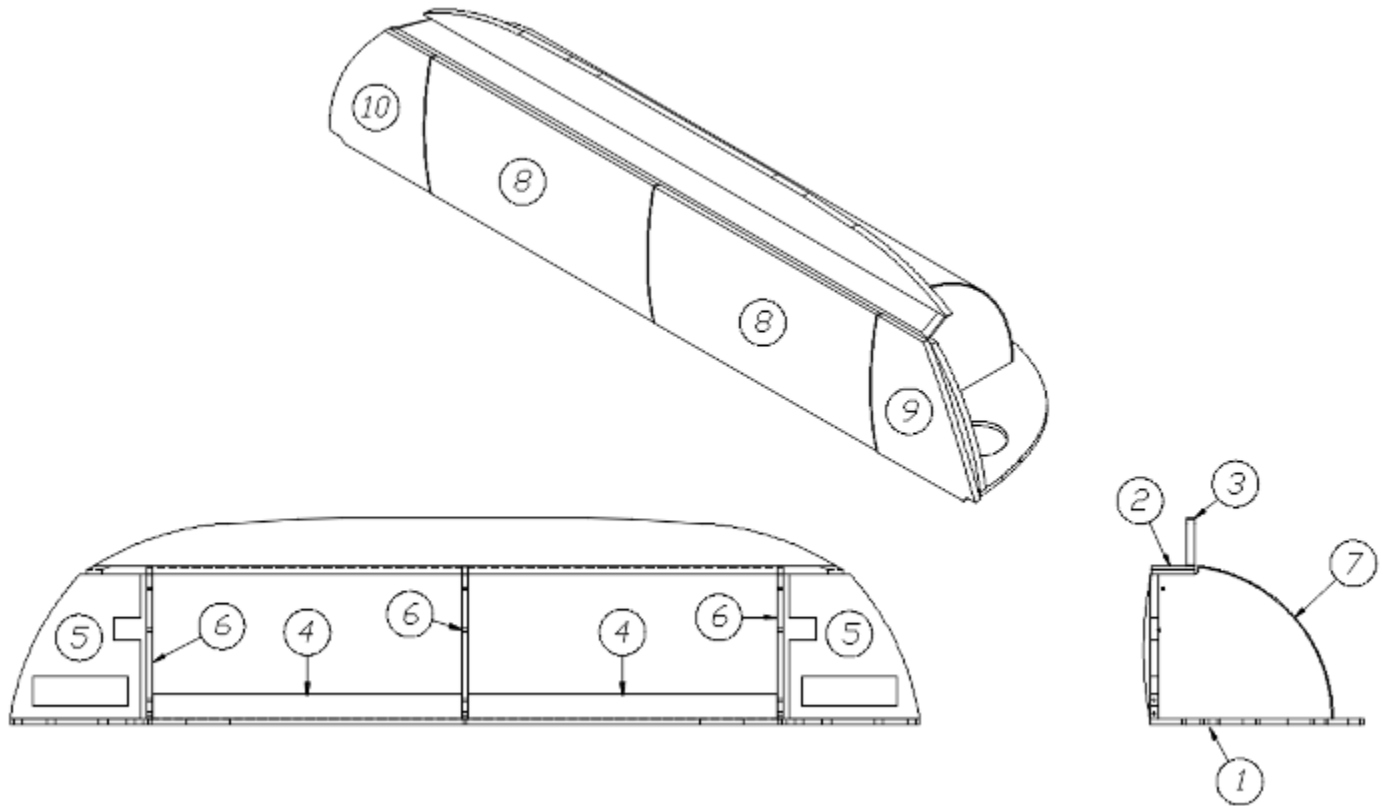


### 968132-09      Rear Endliner Roof Locker

- |                                                                                                                                                                                                                                                                                                                                                                                                                                                                                              |                                                                                                                                                                                                                                                                                                                                                                                                                                                                                                                                                                                            |
|----------------------------------------------------------------------------------------------------------------------------------------------------------------------------------------------------------------------------------------------------------------------------------------------------------------------------------------------------------------------------------------------------------------------------------------------------------------------------------------------|--------------------------------------------------------------------------------------------------------------------------------------------------------------------------------------------------------------------------------------------------------------------------------------------------------------------------------------------------------------------------------------------------------------------------------------------------------------------------------------------------------------------------------------------------------------------------------------------|
| <ul style="list-style-type: none"> <li>1. 967365-09</li> <li>2. 967366-09</li> <li>3. 967367-09</li> <li>4. 967290-09</li> <li>5. 967283</li> <li>6. 967277-01</li> <li>7. 968132-098</li> <li>8. 968132-099</li> <li>9. 968132-10</li> <li>10. 968132-11</li> <li>11. 801786-0636</li> <li>12. 801786-0936</li> <li>13. 801786-1036</li> <li>14. 967277-06</li> <li>15. 967277-07</li> <li>201673-01</li> <li>381840-01</li> <li>381840-02</li> <li>386304-01</li> <li>386304-02</li> </ul> | <ul style="list-style-type: none"> <li>Bottom</li> <li>Top</li> <li>Header</li> <li>Stile</li> <li>End support</li> <li>Divider</li> <li>Panel, 2.25 x 28.35</li> <li>Panel, 1.5 x 18</li> <li>Panel, 6.5 x 28.35</li> <li>Panel, 22 x 29.38</li> <li>Door, Landmark</li> <li>Door, 28.75, Landmark</li> <li>Filler, 4.08, Landmark</li> <li>Divider w/cutout</li> <li>Divider w/USB</li> <li>Reverse cove molding, .43", Oak</li> <li>Hinge, Overhead spring, LH</li> <li>Hinge, Overhead spring, RH</li> <li>Edgebanding, .63", Landmark</li> <li>Edgebanding, .94", Landmark</li> </ul> |
|----------------------------------------------------------------------------------------------------------------------------------------------------------------------------------------------------------------------------------------------------------------------------------------------------------------------------------------------------------------------------------------------------------------------------------------------------------------------------------------------|--------------------------------------------------------------------------------------------------------------------------------------------------------------------------------------------------------------------------------------------------------------------------------------------------------------------------------------------------------------------------------------------------------------------------------------------------------------------------------------------------------------------------------------------------------------------------------------------|

# 2019 FLYING CLOUD FURNITURE, BEDROOM

Roof Locker, Front Endliner, 20', 23FB, Landmark

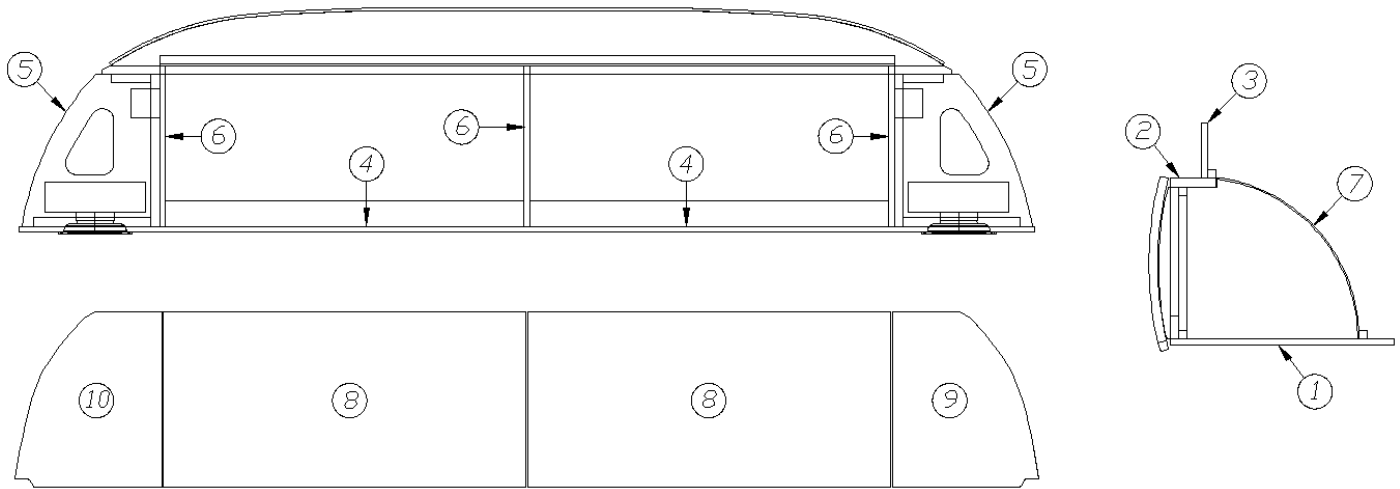


967291-09                      Front Endliner Roof Locker

- |                                                                                                                                                                                                                                                                                                                                    |                                                                                                                                                                                                                                                                                                                                                                                                                                                                          |
|------------------------------------------------------------------------------------------------------------------------------------------------------------------------------------------------------------------------------------------------------------------------------------------------------------------------------------|--------------------------------------------------------------------------------------------------------------------------------------------------------------------------------------------------------------------------------------------------------------------------------------------------------------------------------------------------------------------------------------------------------------------------------------------------------------------------|
| <ul style="list-style-type: none"> <li>1. 967294-09</li> <li>2. 967288-09</li> <li>3. 967289-09</li> <li>4. 967290-09</li> <li>5. 967283</li> <li>6. 967277-01</li> <li>7. 967291-099</li> <li>8. 801786-0936</li> <li>9. 801786-0536</li> <li>10. 801786-0636</li> <li>381840-01</li> <li>381840-02</li> <li>201673-01</li> </ul> | <ul style="list-style-type: none"> <li>Bottom</li> <li>Top</li> <li>Header</li> <li>Stile</li> <li>End support, 12 x 13.25</li> <li>Divider, RH, .33 x 13.93</li> <li>Panel, 22 x 58.25</li> <li>Door, Radius, 15.25 x 28.38, Landmark</li> <li>Door, RH end, Radius, 15.25 x 12.5, Landmark</li> <li>Door, LH end, Radius, 15.25 x 12.5, Landmark</li> <li>Hinge, Overhead spring, LH</li> <li>Hinge, Overhead spring, RH</li> <li>Reverse cove molding, Oak</li> </ul> |
|------------------------------------------------------------------------------------------------------------------------------------------------------------------------------------------------------------------------------------------------------------------------------------------------------------------------------------|--------------------------------------------------------------------------------------------------------------------------------------------------------------------------------------------------------------------------------------------------------------------------------------------------------------------------------------------------------------------------------------------------------------------------------------------------------------------------|

# 2019 FLYING CLOUD FURNITURE, BEDROOM

Roof Locker, Front Endliner, 25', 25FB, 27FB, 28', 30', Landmark



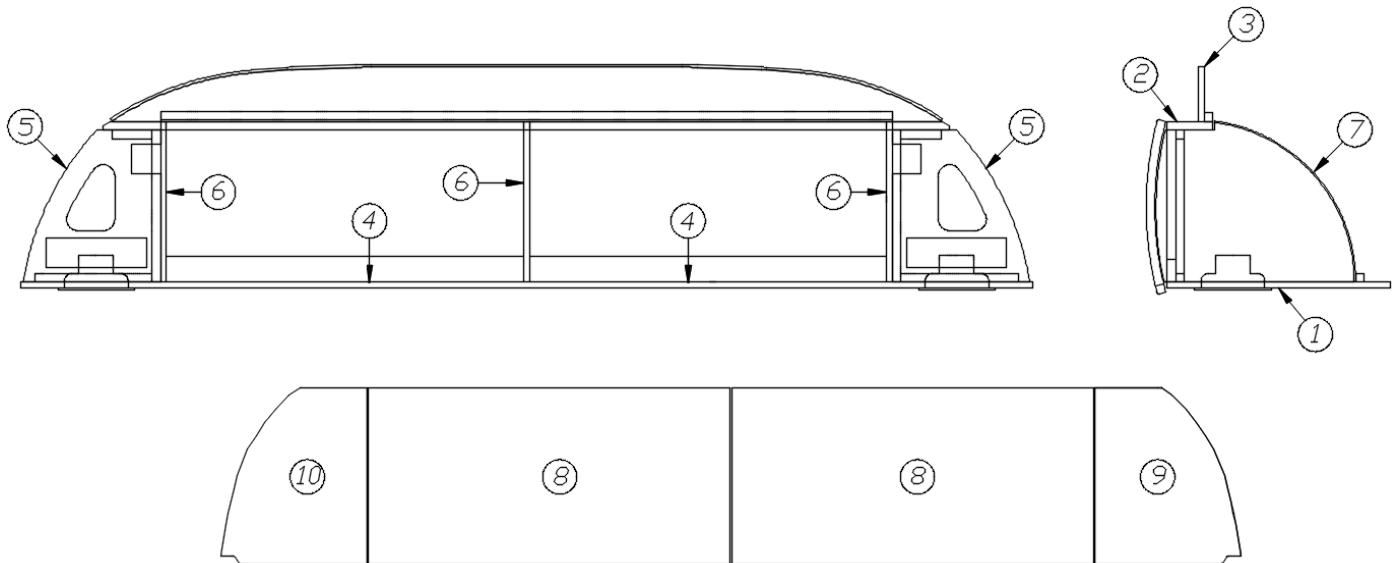
967284-09

Front Endliner Roof locker, No Radio

- |                 |                                  |
|-----------------|----------------------------------|
| 1. 967278       | Bottom, 19.5 x 89                |
| 2. 967280       | Top, 4 x 75                      |
| 3. 967281       | Header, 4.75 x 73.5              |
| 4. 967282       | Stile, 2.25 x 31.22              |
| 5. 967283       | Support, 12 x 13.25              |
| 6. 967277-01    | Divider, RH, 17.33 x 13.93       |
| 7. 967284-099   | Panel, 22 x 64                   |
| 8. 801786-0236  | Door, 15.25 x 31.63, Landmark    |
| 9. 801786-0536  | Door, 15.25 x 12.5, RH, Landmark |
| 10. 801786-0636 | Door, 15.25 x 12.5, LH, Landmark |
| 381840-01       | Hinge, Overhead spring, LH       |
| 381840-02       | Hinge, Overhead spring, RH       |
| 201673-01       | Reverse cove molding, .43", Oak  |

# 2019 FLYING CLOUD FURNITURE, BEDROOM

## Roof Locker, Endliner, 25FB, 26U, Landmark



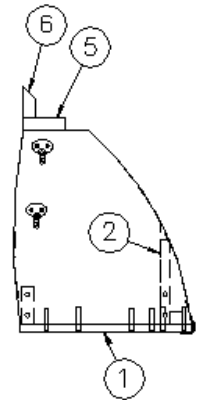
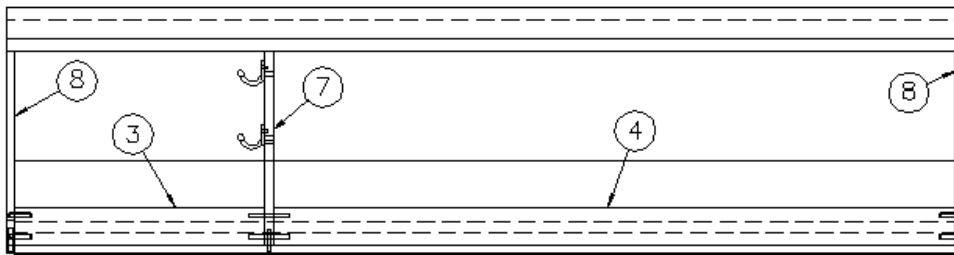
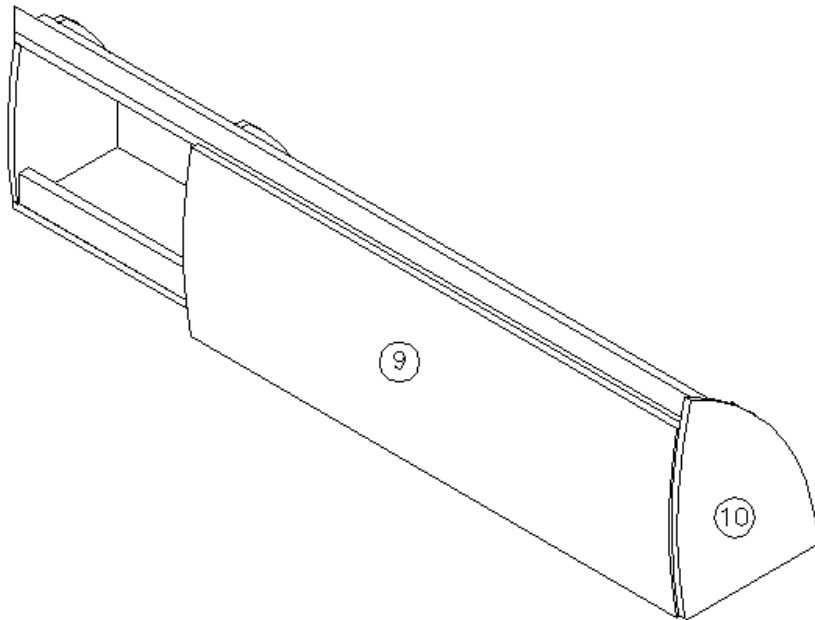
967760-09

Endliner Roof Locker, No Radio

- |                                                                                                                                                                                                                                                             |                                                                                                                                                                                                                                                                                                                                                                                                                                                         |
|-------------------------------------------------------------------------------------------------------------------------------------------------------------------------------------------------------------------------------------------------------------|---------------------------------------------------------------------------------------------------------------------------------------------------------------------------------------------------------------------------------------------------------------------------------------------------------------------------------------------------------------------------------------------------------------------------------------------------------|
| <ul style="list-style-type: none"> <li>1. 967761</li> <li>2. 967280</li> <li>3. 967281</li> <li>4. 967282</li> <li>5. 967283</li> <li>6. 967277-01</li> <li>7. 967760-9</li> <li>8. 801786-0236</li> <li>9. 801786-0536</li> <li>10. 801786-0636</li> </ul> | <ul style="list-style-type: none"> <li>Bottom</li> <li>Top</li> <li>Header</li> <li>Stile</li> <li>End Support</li> <li>Divider</li> <li>Panel, 22 x 64</li> <li>Door, 31.63, Landmark</li> <li>Door, RH end, Landmark</li> <li>Door, LH end, Landmark</li> <li>Hinge, Overhead spring, LH</li> <li>Hinge, Overhead spring, RH</li> <li>Reverse cove molding, .43", Oak</li> <li>Edgebanding, .63", Landmark</li> <li>Cap, Kreg pocket screw</li> </ul> |
|-------------------------------------------------------------------------------------------------------------------------------------------------------------------------------------------------------------------------------------------------------------|---------------------------------------------------------------------------------------------------------------------------------------------------------------------------------------------------------------------------------------------------------------------------------------------------------------------------------------------------------------------------------------------------------------------------------------------------------|

# 2019 FLYING CLOUD FURNITURE, BEDROOM

## Roof Locker with Shelf, Twin, 26U



968363-36

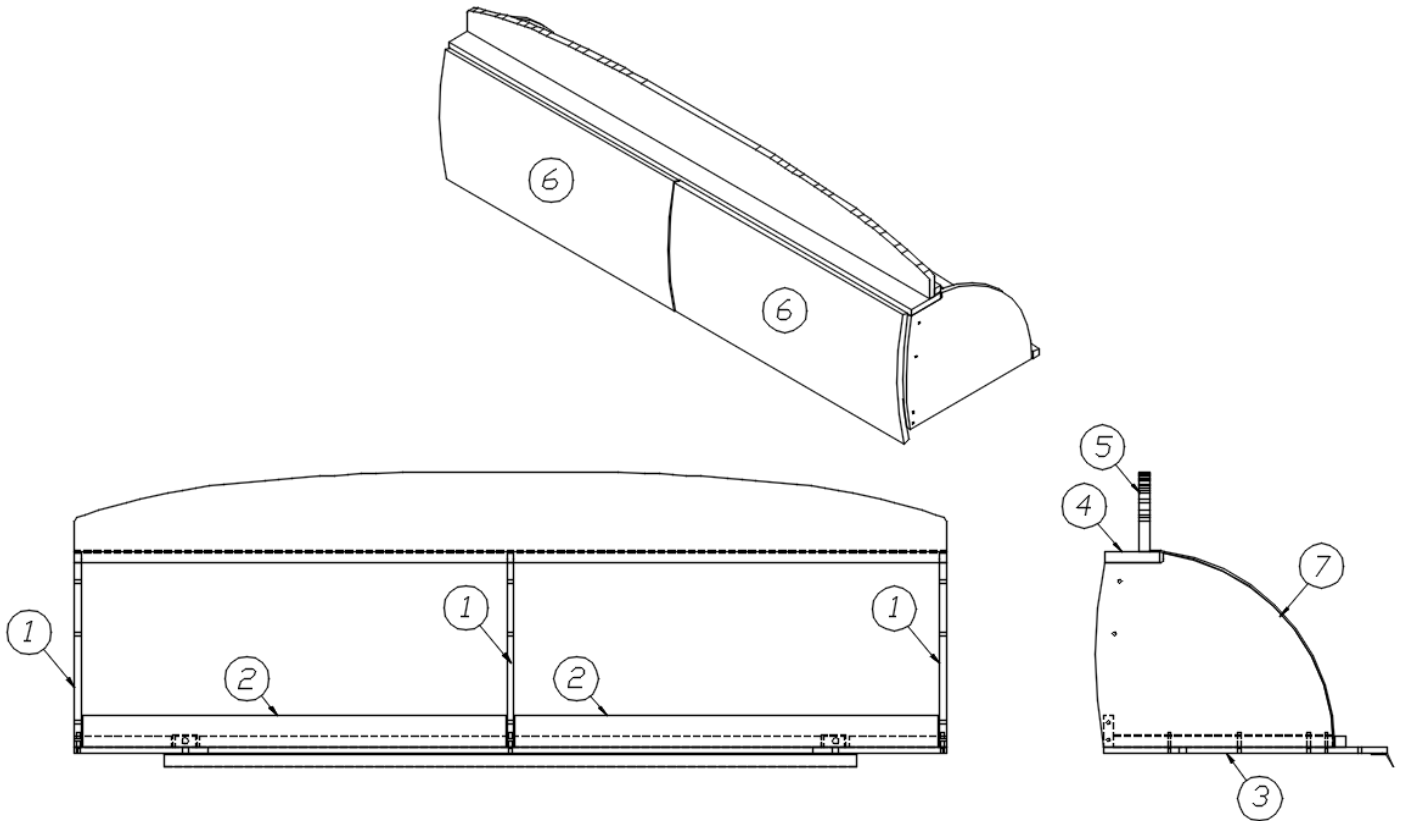
Roof Locker with Shelf, Twin Bedroom

- |                |                            |
|----------------|----------------------------|
| 1. 968363-361  | Panel, 10.25 x 57          |
| 2. 968363-362  | Panel, 5 x 56              |
| 3. 968363-363  | Panel, 2.25 x 14.88        |
| 4. 968363-364  | Panel, 2.25 x 40.63        |
| 5. 968363-365  | Panel, 2.5 x 57            |
| 6. 968363-366  | Panel, 1.88 x 57           |
| 7. 967311-03   | Divider, Center            |
| 8. 967311-01   | Divider, Ends              |
| 9. 801789-0136 | Door, 13.75 x 41, Landmark |
| 10. 967360     | End cap                    |
| 381840-01      | Hinge, Overhead spring, LH |
| 381840-02      | Hinge, Overhead spring, RH |
| 115085         | Aluminum angle             |



# 2019 FLYING CLOUD FURNITURE, BEDROOM

Roof Locker, Center, 28', 30', 30' Bunk, Landmark



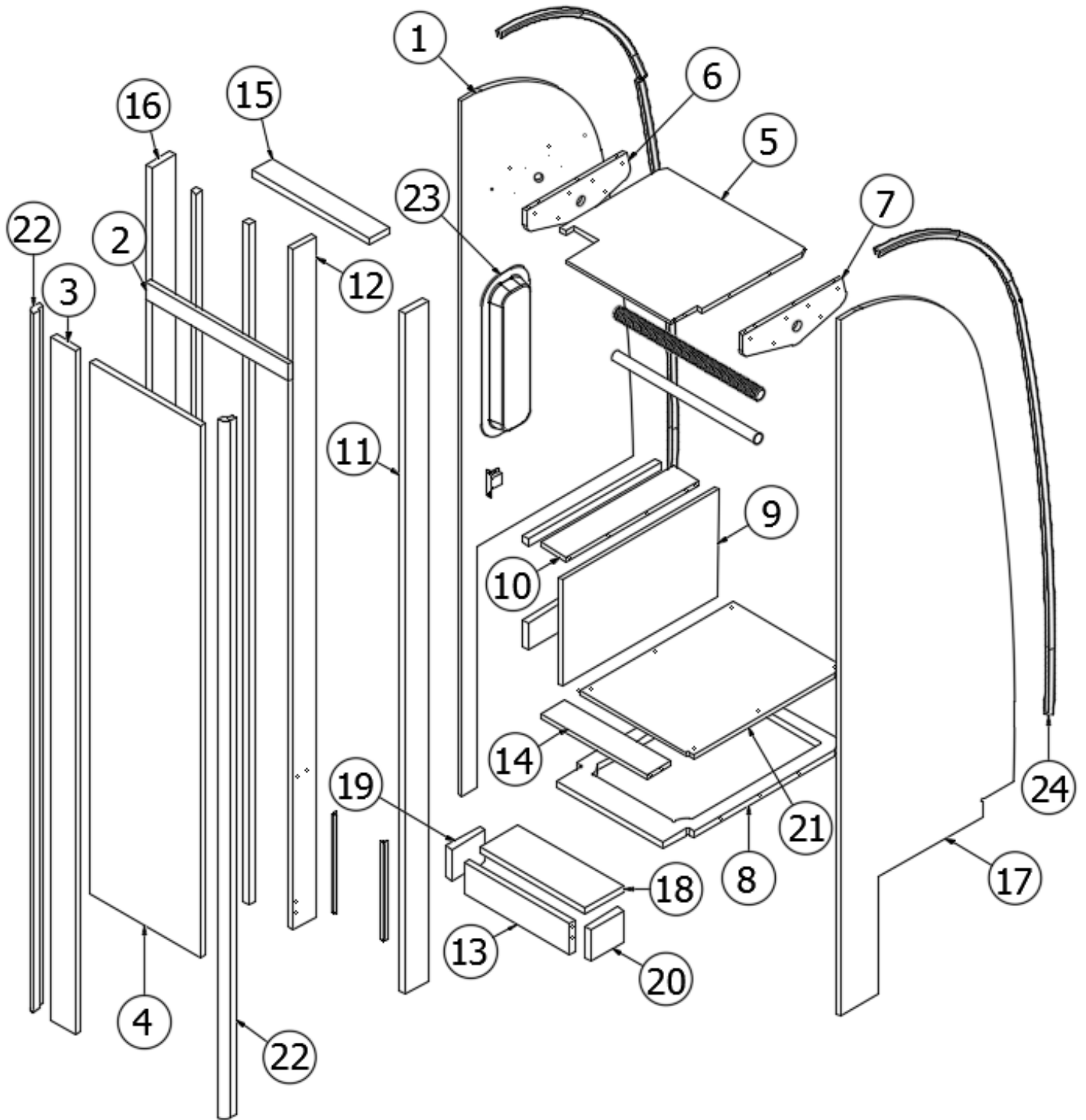
967329-09

Rear End Roof locker

- |                |                                 |
|----------------|---------------------------------|
| 1. 967277-01   | Divider, 17.33 x 13.93          |
| 2. 967428-09   | Stile, 2.25 x 31.22             |
| 3. 967330      | Bottom                          |
| 4. 967331      | Top                             |
| 5. 967332      | Header                          |
| 6. 801786-1236 | Door, 15.25 x 31.63, Landmark   |
| 7. 967329-097  | Panel, 22 x 64                  |
| 104829         | Support                         |
| 381840-01      | Hinge, Overhead spring, LH      |
| 381840-02      | Hinge, Overhead spring, RH      |
| 201673-01      | Reverse cove molding, .43", Oak |

# 2019 FLYING CLOUD FURNITURE, BEDROOM

Wardrobe, Roadside, 19', Landmark



Parts Listed on Next Page

## 2019 FLYING CLOUD FURNITURE, BEDROOM

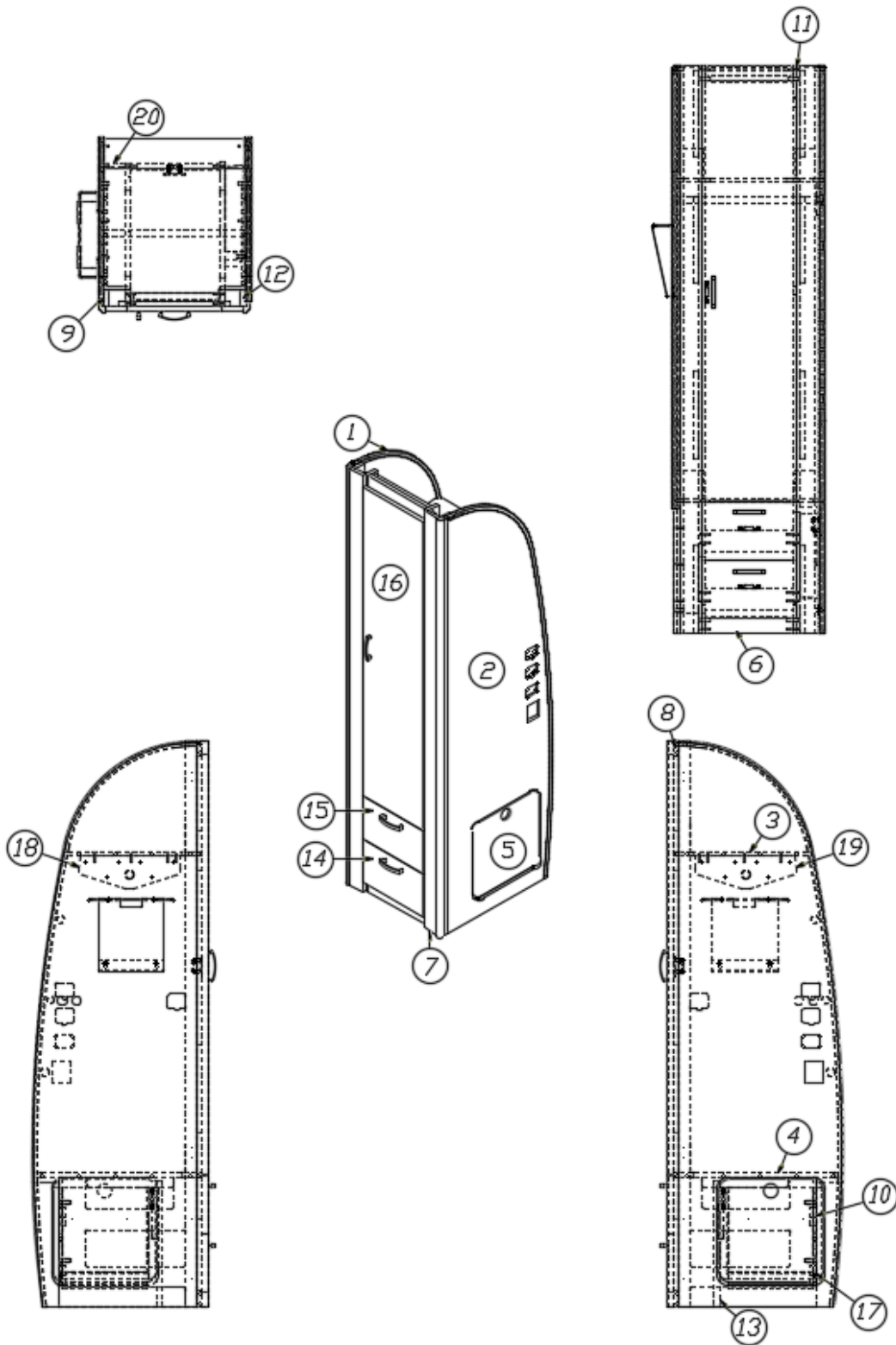
### Wardrobe, Roadside, 19', Landmark

968223-09                      RS Wardrobe

- |                 |                                       |
|-----------------|---------------------------------------|
| 1. 968223-091   | Panel, 22.38 x 77.75                  |
| 2. 968223-092   | Panel, 2.06 x 18.38                   |
| 3. 968223-093   | Panel, 3.13 x 76.19                   |
| 4. 968223-094   | Door, 14.25 x 59.38                   |
| 5. 968223-5     | Panel, 16.88 x 18.38                  |
| 6. 968223-6     | Panel, 14 x 4.5                       |
| 7. 968223-7     | Panel, 14 x 4.5                       |
| 8. 968223-8     | Panel, 15.12 x 22.88                  |
| 9. 968223-9     | Panel, 11.84 x 20.17                  |
| 10. 968223-10   | Panel, 3.25 x 17.13                   |
| 11. 968223-11   | Panel, 3 x 75.88                      |
| 12. 968223-12   | Panel, 3 x 75.88                      |
| 13. 968223-13   | Panel, 3.5 x 13.63                    |
| 14. 968223-14   | Panel, 3 x 13.63                      |
| 15. 968223-15I  | Panel, 2.5 x 15.13                    |
| 16. 968223-16   | Panel, 3 x 75.88                      |
| 17. 968223-0930 | Panel, 77.75 x 22.5                   |
| 18. 968223-35   | Panel, 13.63 x 5                      |
| 19. 968223-36   | Panel, 3.5 x 4.25                     |
| 20. 968223-37   | Panel, 3.5 x 4.25                     |
| 21. 968223-38   | Panel, 14.56 x 19.88                  |
| 22. 801706-0036 | Corner trim, 90°, 1" radius, Landmark |
| 23. 200773      | Closeout, Reading light               |
| 24. 203138-04   | Extrusion, Plastic, .5", Oak          |
| 380045          | Tubing, .75" metal                    |
| 200975-04       | Conduit, Flexible Black plastic       |
| 381607-11       | Hinge, Self-close                     |
| 382044          | Handle, Brushed Nickel                |
| 381228-02       | Catch, Grabber door (5lb Pull)        |
| 114811          | Aluminum angle, .5" x .5"             |

# 2019 FLYING CLOUD FURNITURE, BEDROOM

Wardrobe, 20', Landmark



Parts Listed on Next Page

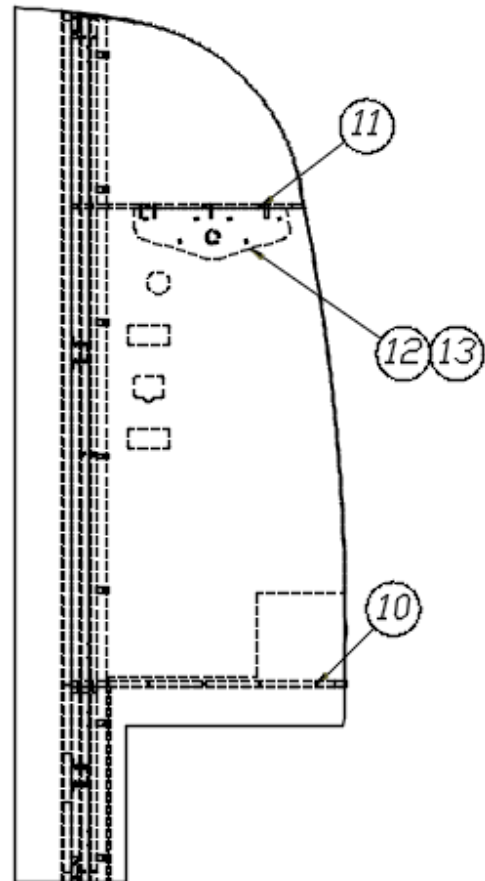
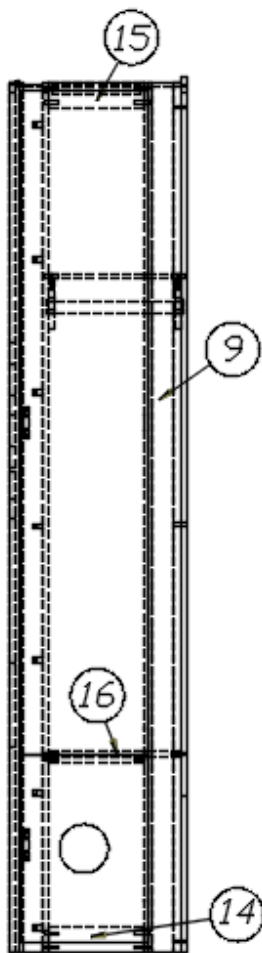
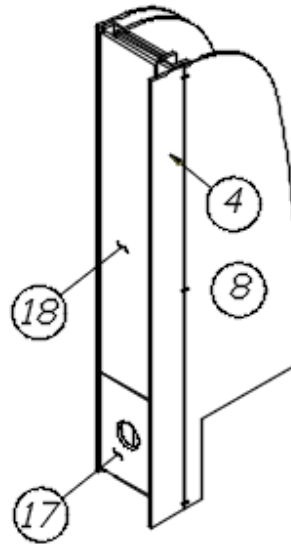
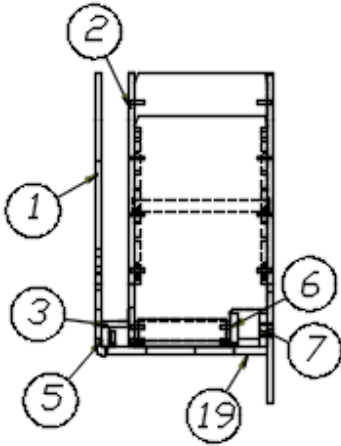
## 2019 FLYING CLOUD FURNITURE, BEDROOM

### Wardrobe, 20', Landmark

968306	Wardrobe
1. 968306-1	Panel, 22.39 x 77.75
2. 968306-2	Panel, 22.39 x 77.75
3. 968306-3	Panel, 19.69 x 19
4. 968306-4	Panel, 19.69 x 23.06
5. 968306-5	Panel, 14.25 x 14
6. 968306-6	Panel, 2.25 x 15.25
7. 968306-7	Panel, 2.94 x 77.94
8. 968306-8	Panel, 2.25 x 15.25
9. 968306-10	Panel, 19.62 x 77.94
10. 968306-11	Panel, 3 x 15.25
11. 968306-12	Panel, 19.25 x 77.94
12. 968306-13	Panel, 77.75 x 2.25
13. 968306-14	Panel, 2.94 x 17.25
14. 968306-15	Drawer face, 12.88 x 8
15. 968306-16	Drawer face, 12.88 x 8
16. 968306-21	Door, 12.88 x 57.75
17. 968306-46	Panel, 3 x 15.25
18. 968306-47	Panel, 14 x 4.5
19. 968306-48	Panel, 14 x 4.5
20. 968306-49	Panel, 3 x 15.25
386106-01	Magazine rack, White
386107	Rod, Magazine rack
801706-0036	Corner trim, 90°, 1" radius, Landmark
104821	Support, Roof locker, 74"
203138-04	Extrusion, Plastic, .5", Oak
380045	Tubing, .75" metal
200975-04	Conduit, Flexible Black, plastic
203647	Molding-T 13/16" Chamois Yellow
968022-07	Drawer box
382203-04	Drawer slide, Self-close, 18"
382026	Finger pull, Flush, Stainless Steel
382044	Handle, Brushed Nickel
381228-02	Catch, Grabber door (5lb Pull)
381607-11	Hinge, Self-close
381951	Piano hinge
381065-10	10" cable support
382203-06	Clips, Front fixing

# 2019 FLYING CLOUD FURNITURE, BEDROOM

Wardrobe, Roadside, 23CB, Landmark



Parts Listed on Next Page

# 2019 FLYING CLOUD FURNITURE, BEDROOM

## Wardrobe, Roadside, 23CB, Landmark

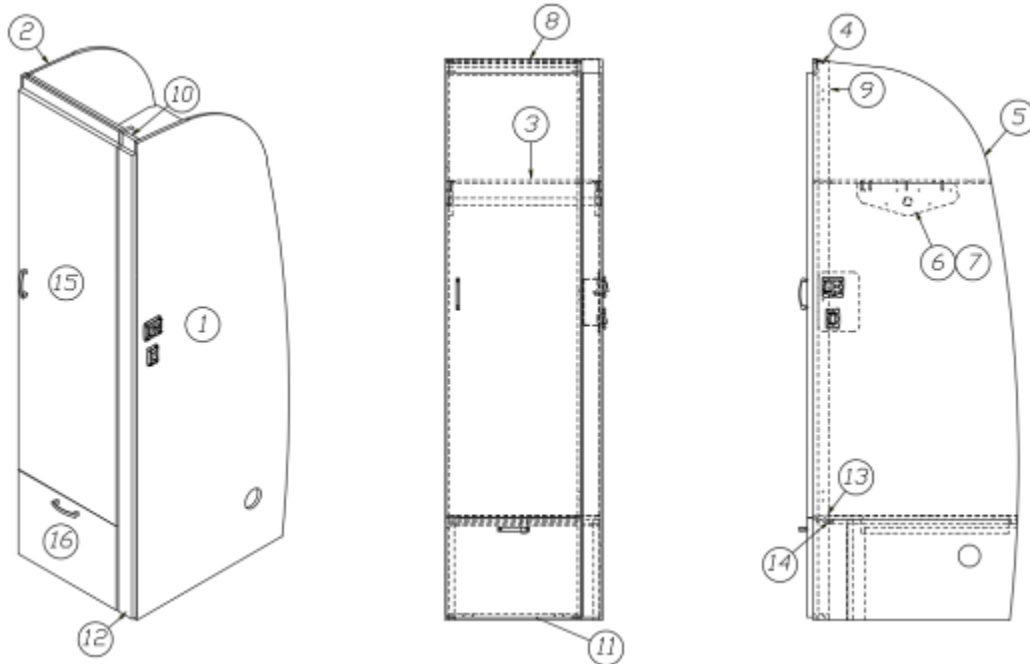
966949-09

RS Wardrobe

1. 966949-091 Panel, 23.78 x 77.82
2. 966949-092 Panel, 24.56 x 78.06
3. 966949-093 Panel, 2.5 x 77.8
4. 966949-094 Panel, 6.6 x 78.53
5. 966949-095 Panel, 2.25 x 78.06
6. 966949-096 Panel, 3 x 78.06
7. 966949-097 Panel, 3 x 78.06
8. 966949-098 Panel, 23.05 x 77.83
9. 966949-099 Panel, 1.87 x 12
10. 966949-0911 Panel, 11.89 x 24.59
11. 966949-0912 Panel, 11.89 x 20.74
12. 966949-0913 Panel, 14 x 4.49
13. 966949-0914 Panel, 14 x 4.49
14. 966949-0915 Panel, 8.51 x 2.25
15. 966949-0916 Panel, 8.51 x 2.25
16. 966949-0917 Panel, 2.25 x 8.51
17. 966949-0918 Door, 11.38 x 16.68
18. 966949-0919 Door, 11.38 x 59.5
19. 966949-0935 Panel, 2.94 x 78
- 801706-0036 Corner trim, 90°, 1" radius, Landmark
- 382044 Handle, Brushed Nickel
- 381607-11 Hinge, Self-close
- 381228-02 Catch, Grabber door (5lb Pull)
- 380045 Tubing, .75", Metal
- 200975-04 Conduit, Flexible Black plastic
- 203138-04 Extrusion, Plastic, .5", Oak
- 203138-01 Extrusion, Plastic, .5", White
- 115085 Aluminum angle

# 2019 FLYING CLOUD FURNITURE, BEDROOM

Wardrobe, Roadside, 23FB, Landmark



967308-09

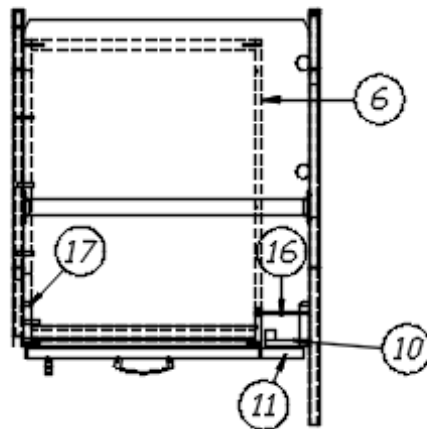
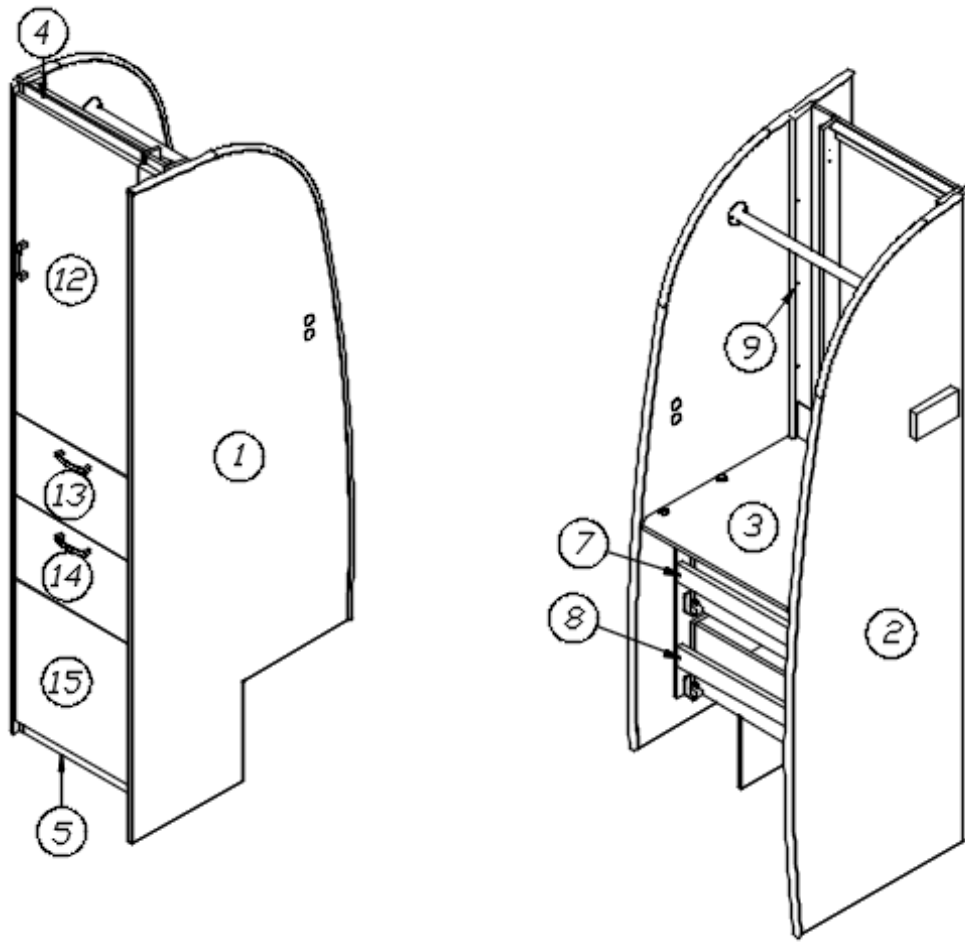
Wardrobe

- |                 |                                 |
|-----------------|---------------------------------|
| 1. 967308-091   | Panel, 28.79 x 78.24            |
| 2. 967308-092   | Panel, 28.79 x 78.24            |
| 3. 967308-093   | Panel, 24.88 x 21               |
| 4. 104821       | Support, Roof locker            |
| 5. 203138-04    | Extrusion, Plastic, .5"         |
| 6. 967308-096   | Panel, 14 x 4.5                 |
| 7. 967308-097   | Panel, 14 x 4.5                 |
| 8. 967308-098   | Panel, 2.25 x 18.06             |
| 9. 967308-099   | Panel, 2.25 x 78.28             |
| 10. 967308-0910 | Panel, 2.44 x 78.38             |
| 11. 967308-0911 | Panel, 2.25 x 18.06             |
| 12. 967308-0912 | Panel, 2.69 x 76.88             |
| 13. 967308-0913 | Panel, 2.25 x 18.06             |
| 14. 967308-0914 | Panel, 2.25 x 18.06             |
| 15. 967308-0921 | Door, 18.69 x 62.56             |
| 16. 967308-0922 | Door, 18.69 x 13                |
| 380045          | Tubing, .75"                    |
| 200975-04       | Conduit, Flexible Black plastic |
| 381228-02       | Catch, Grabber door (5lb Pull)  |
| 701538          | Carpet, Econolier, Velour Black |
| 381607-11       | Hinge, Self-close               |
| 382044          | Handle, Brushed Nickel          |



# 2019 FLYING CLOUD FURNITURE, BEDROOM

Wardrobe, Curbside, 23FB, Landmark



Parts Listed on Next Page

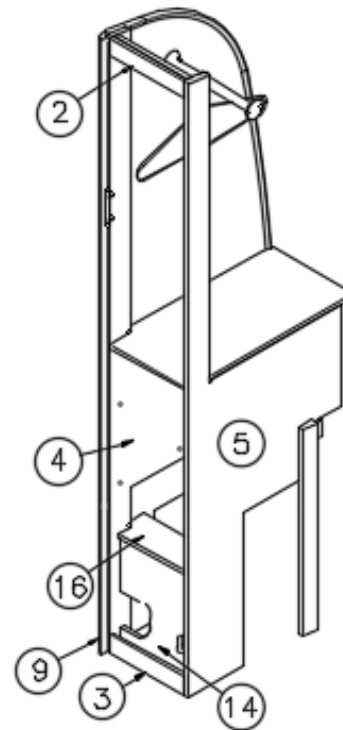
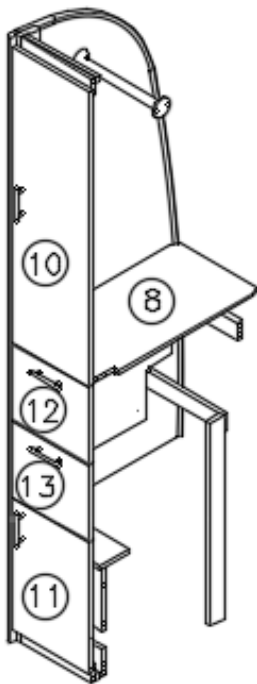
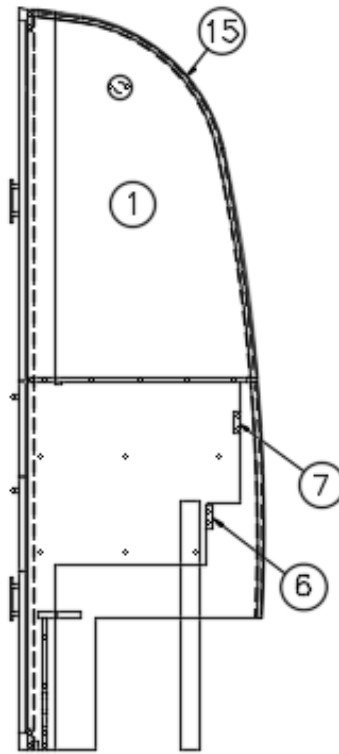
## 2019 FLYING CLOUD FURNITURE, BEDROOM

### Wardrobe, Curbside, 23FB, Landmark

968031-09	Wardrobe
1. 968031-091	Panel, 32.47 x 78.51
2. 968031-092	Panel, 23.98 x 77.77
3. 968031-3	Panel, 24 x 21.75
4. 968031-094	Panel, 2.25 x 16.44
5. 968031-095	Panel, 2.25 x 16.44
6. 968031-6	Panel, 22.25 x 77.96
7. 968031-7	Panel, 17.94 x 2.25
8. 968031-8	Panel, 17.94 x 2.25
9. 968031-9	Panel, 2.25 x 77.96
10. 968031-0910	Panel, 3.06 x 77.96
11. 968031-0911	Panel, 3.19 x 75.25
12. 968031-0912	Door, 17.06 x 38.13
13. 968031-0913	Door, 17.06 x 9.88
14. 968031-0914	Door, 17.06 x 9.88
15. 968031-0915	Door, 17.06 x 17
16. 968031-16	Panel, 4 x 3.31
17. 968031-30	Panel, 22.56x 77.96
801706-0036	Corner trim, 90°, 1" radius, Landmark
968028-02	Drawer box, 8 x 15.81 x 21
382203-05	Drawer slide, Self-close, 21"
381228	Catch, Grabber door (10lb pull)
381228-02	Catch, Grabber door (5lb pull)
382044	Handle, Brushed Nickel
381607-11	Hinge, Self-close
380045	Tubing, .75"
200975-04	Conduit, Flexible Black plastic
380046	Flange, Chrome
203138-04	Extrusion, Plastic, .5", Oak
104821	Support, Roof locker
382203-06	Clips, Front fixing
382057	Knockdown
382057-04	Cap, Knockdown, White

# 2019 FLYING CLOUD FURNITURE, BEDROOM

Wardrobe, 25', Landmark



Parts Listed on Next Page

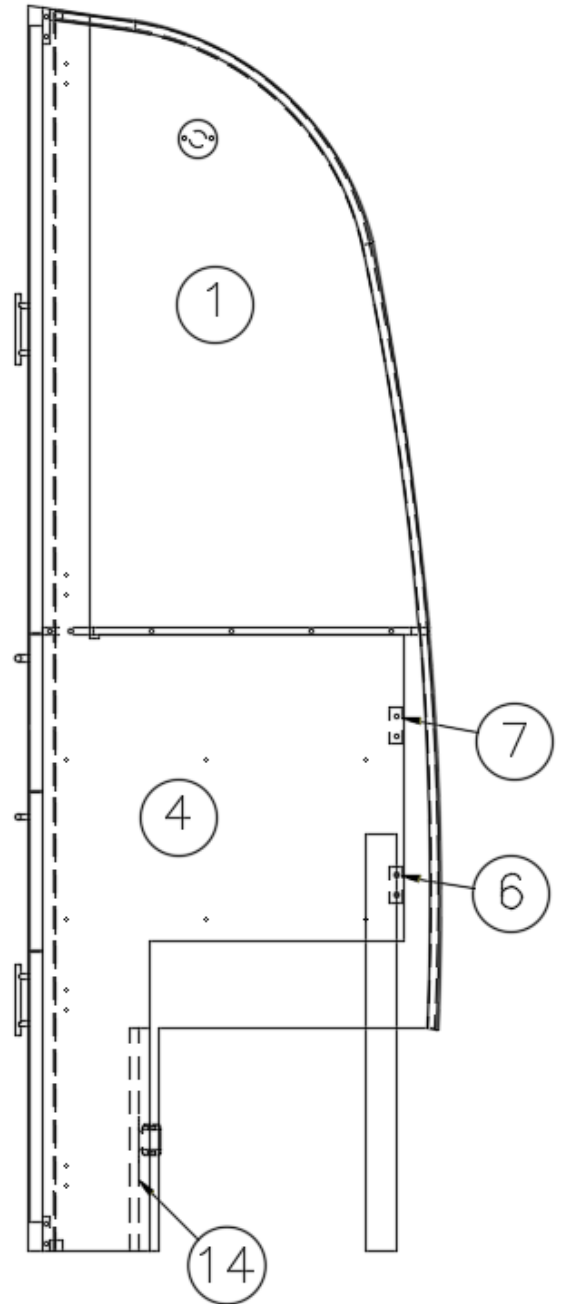
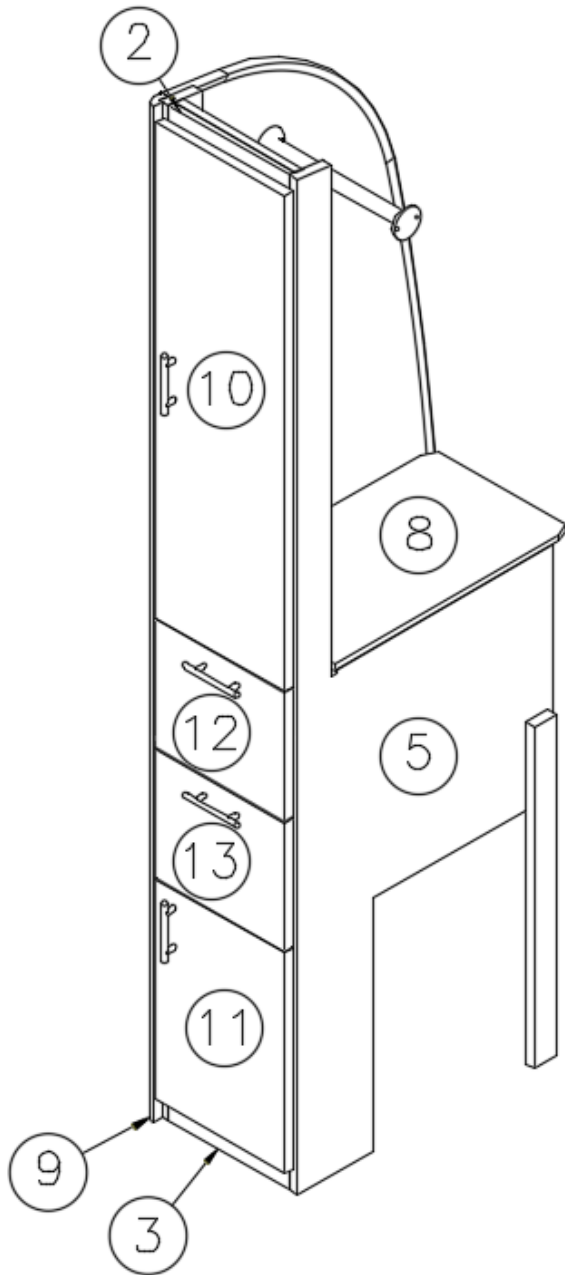
## 2019 FLYING CLOUD FURNITURE, BEDROOM

### Wardrobe, 25', Landmark

968033-09	Wardrobe
1. 968033-091	Panel, 24.09 x 77.95
2. 968033-092	Panel, 2.25 x 10.75
3. 968033-093	Panel, 2.25 x 10.75
4. 968033-4	Panel, 3 x 78.18
5. 968033-5	Panel, 22.25 x 78.18
6. 968033-6	Panel, 2.25 x 12.25
7. 968033-7	Panel, 2.25 x 12.25
8. 968033-8	Panel, 24.31 x 12.25
9. 801706-0036	Corner trim, 90°, 1" radius, Landmark
10. 968033-0915	Door, 11.38 x 38.13
11. 968033-0916	Door, 11.38 x 17
12. 968033-0917	Drawer face, 11.38 x 9.88
13. 968033-0918	Drawer face, 11.38 x 9.88
14. 968033-26	Panel, 11.5 x 14
15. 203138-04	Extrusion, Plastic, .5" Wall, Oak
16. 968033-29	Panel, 11.5 x 4.38
968028-03	Drawer box, 8" x 10.13" x 21"
968028-04	Drawer box, 8" x 10.13 x 18"
382203-04	Drawer slide, Self-close, 18"
382203-05	Drawer slide, Self-close, 21"
382203-06	Front fixing clips (PR)
382044	Handle, Brushed Nickel
381228-02	Catch, Grabber door (5lb Pull)
381607-11	Hinge, Self-close
380046	Flange, Chrome
380045	Tubing, .75", Electric Metallic
200975-04	Conduit, Flexible Black plastic

# 2019 FLYING CLOUD FURNITURE, BEDROOM

Wardrobe, 25FB, Landmark



Parts Listed on Next Page

# 2019 FLYING CLOUD FURNITURE, BEDROOM

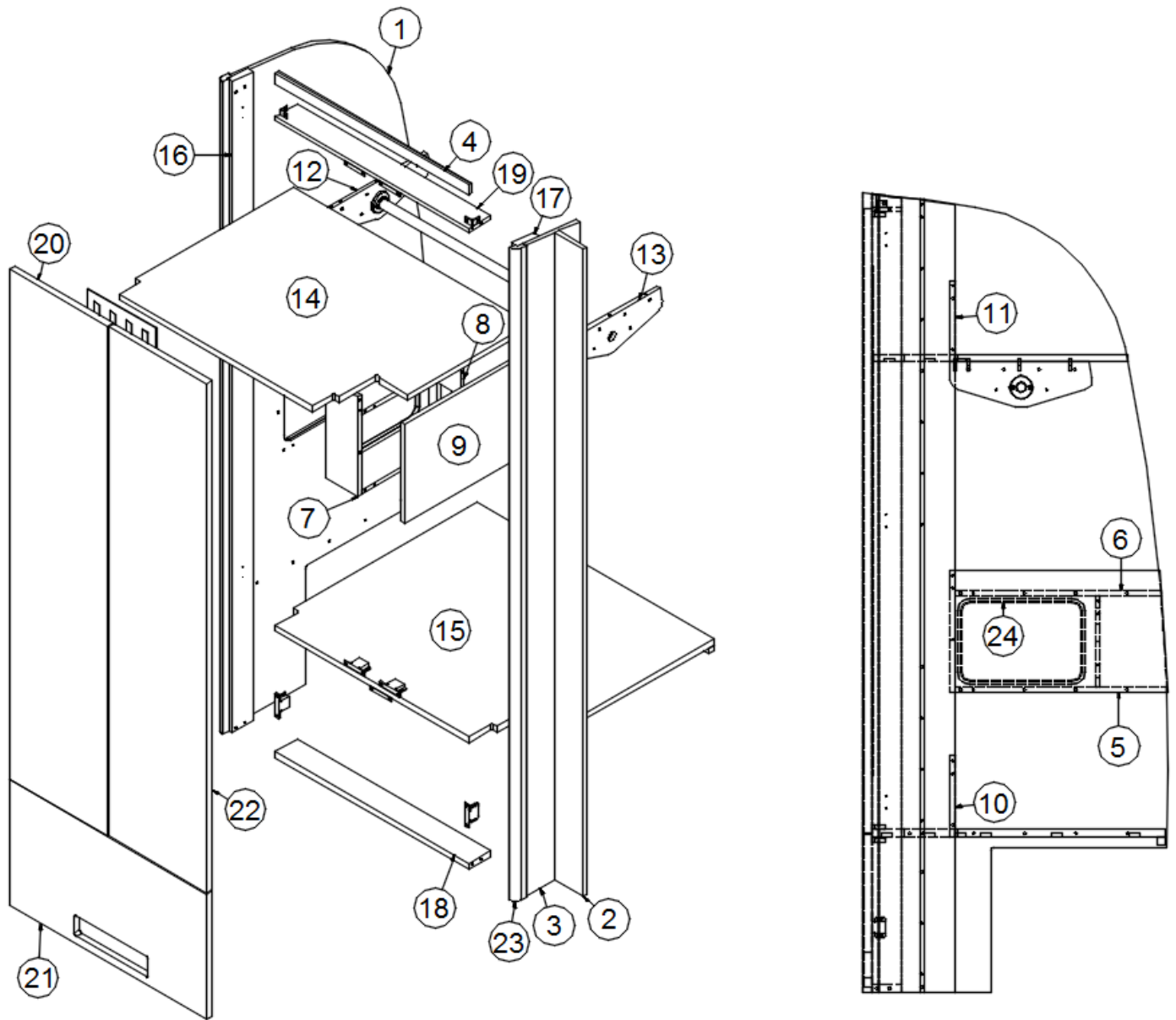
## Wardrobe, 25FB, Landmark

968037-09      Wardrobe

1. 968037-091      Panel, 24.09 x 77.95
2. 968037-092      Panel, 10.75 x 2.25
3. 968037-093      Panel, 10.75 x 2.25
4. 968037-4      Panel, 22.63 x 78.18
5. 968037-5      Panel, 22.63 x 78.18
6. 968037-6      Panel, 2.25 x 10.75
7. 968037-7      Panel, 2.25 x 10.75
8. 968037-8      Panel, 24.31 x 12.25
9. 801706-0036      Corner trim, 90°, 1" radius, Landmark
10. 968037-0915      Door, 11.38 x 38.13
11. 968037-0916      Door, 11.38 x 17
12. 968037-0917      Door, 11.38 x 9.88
13. 968037-0918      Door, 11.38 x 9.88
14. 968037-26      Panel, 11.38 x 14
- 203138-04      Extrusion, Plastic .5" wall, Oak
- 968028-03      Drawer box, 8 x 10.13 x 21
- 382203-05      Drawer slide, Self-close, 21"
- 382203-06      Front fixing clips (PR)
- 382044      Handle, Brushed Nickel
- 381228-02      Catch, Grabber door
- 381607-11      Hinge, Self-close
- 380046      Flange, Chrome
- 380045      Tubing, .75", Metallic
- 200975-04      Conduit, Flexible Black plastic

# 2019 FLYING CLOUD FURNITURE, BEDROOM

Wardrobe, 26U, Landmark



Parts Listed on Next Page

## 2019 FLYING CLOUD FURNITURE, BEDROOM

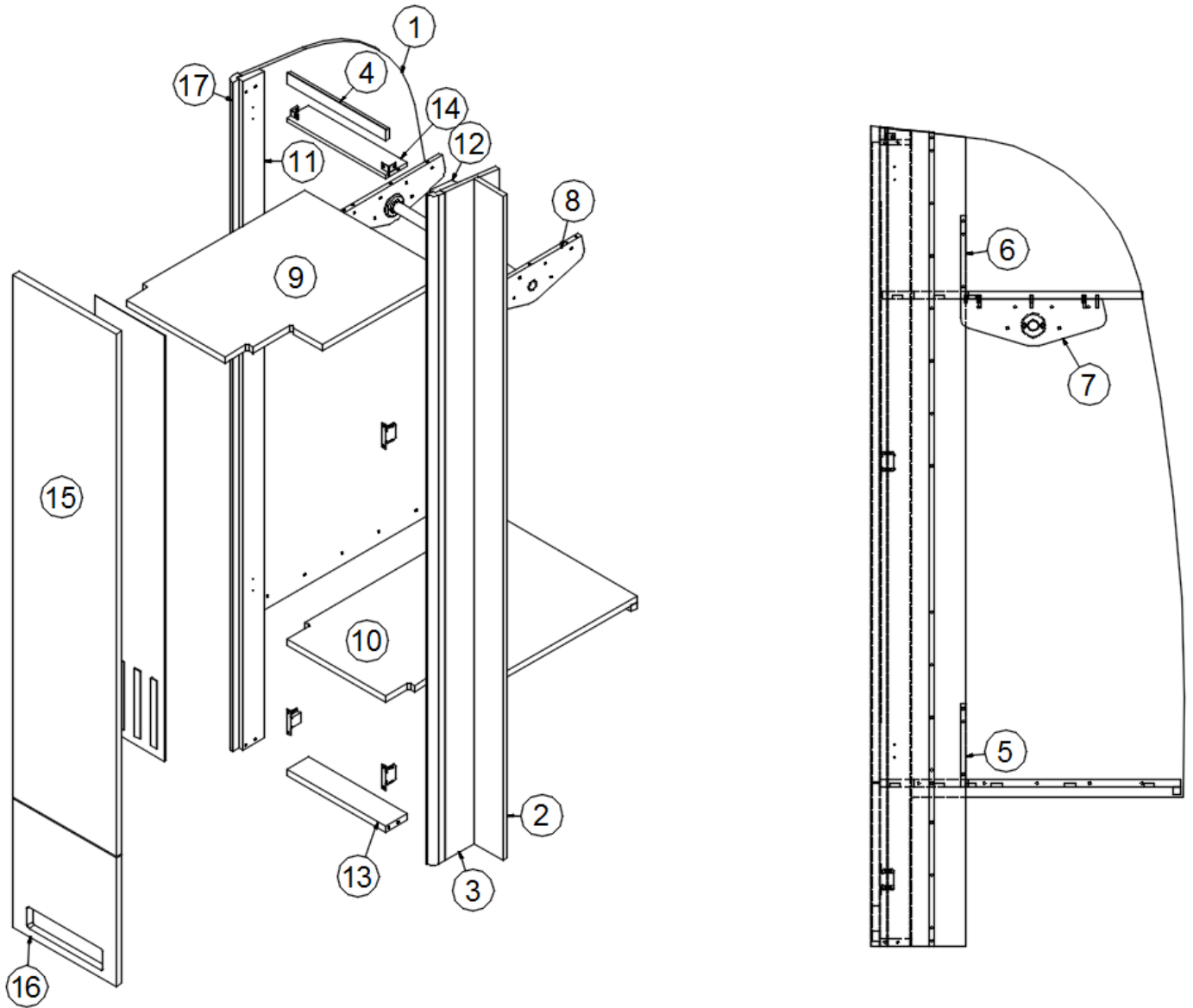
### Wardrobe, 26U, Landmark

968294	Wardrobe
1. 968294-1	Panel, 28.5 x 78.45
2. 968294-2	Panel, 4 x 78
3. 968294-3	Panel, 7.5 x 78.42
4. 968294-4	Panel, 1.25 x 26.88
5. 968294-5	Panel, 20.75 x 4.5
6. 968294-6	Panel, 20.25 x 4.5
7. 968294-7	Panel, 4.5 x 12
8. 968294-8	Panel, 4.5 x 9
9. 968294-9	Panel, 21.41 x 12
10. 968294-10	Panel, 4 x 8
11. 968294-11	Panel, 4 x 8
12. 968294-12	Panel, 14 x 4.5
13. 968294-13	Panel, 14 x 4.5
14. 968294-14	Panel, 32.88 x 25
15. 968294-15	Panel, 32.88 x 25.88
16. 968294-16	Panel, 3 x 78.5
17. 968294-17	Panel, 3 x 78.5
18. 968294-18	Panel, 3 x 26.88
19. 968294-19	Panel, 3 x 26.88
20. 968294-20	Door, 13.69 x 61.38
21. 968294-21	Door, 27.5 x 15.13
22. 968294-38	Door, 13.69 x 61.38
23. 801706-0036	Corner trim, 90°, 1" radius, Landmark
24. 203647	Molding-T 13/16" Chamois Yellow
380045	Tubing, .75"
200975-04	Conduit, Flexible Black plastic
380046	Flange, Chrome
382044	Handle, Brushed Nickel
381607-11	Hinge, Self-close
382057-04	Cap, Knockdown, White
372203-37	Mirror, Safety glass, 9.5 x 50
386304-01	Edgebanding, .63", Landmark
386304-02	Edgebanding, .94", Landmark



# 2019 FLYING CLOUD FURNITURE, BEDROOM

Wardrobe, 26U, Twin Landmark



Parts Listed on Next Page

## 2019 FLYING CLOUD FURNITURE, BEDROOM

### Wardrobe, 26U, Landmark

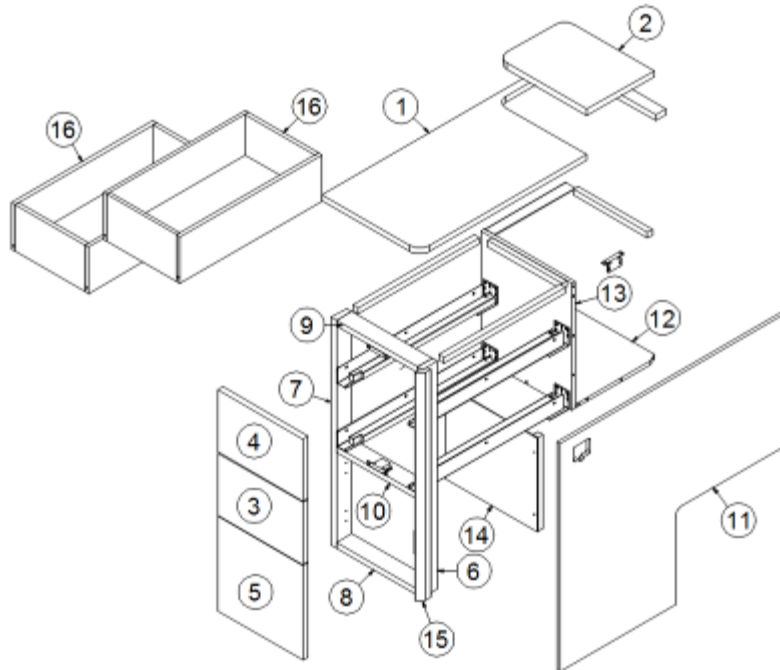
968359-36

Wardrobe Cabinet, Twin Bedroom

1. 968359-361 Panel, 28.5 x 78.45
2. 968359-362 Panel, 4 x 78
3. 968359-363 Panel, 7.5 x 78.42
4. 968359-364 Panel, 1.25 x 13.38
5. 968359-5 Panel, 4 x 8
6. 968359-6 Panel, 4 x 8
7. 968359-7 Panel, 14 x 4.5
8. 968359-8 Panel, 14 x 4.5
9. 968359-9 Panel, 19.38 x 25
10. 968359-10 Panel, 28.88 x 19.38
11. 968359-11 Panel, 3 x 78.5
12. 968359-12 Panel, 3 x 78.5
13. 968359-13 Panel, 3 x 13.38
14. 968359-14 Panel, 3 x 13.38
15. 968359-3615 Door, 14 x 61.38
16. 968359-3616 Door, 14 x 15.13
17. 801706-0036 Corner trim, 90°, 1" radius, Landmark
- 380045 Tubing, ¾"
- 380046 Flange, Chrome
- 200975-04 Conduit, Flexible Black plastic
- 382044 Handle, Brushed Nickel
- 381607-11 Hinge, Self-close
- 382057-04 Cap, Knockdown, White
- 372203-37 Mirror, Safety glass, 9.5 x 50
- 386304-01 Edgebanding, .63", Landmark
- 386304-02 Edgebanding, .94", Landmark

# 2019 FLYING CLOUD FURNITURE, BEDROOM

## Cabinet with Drawers, Twin, 26U, Landmark



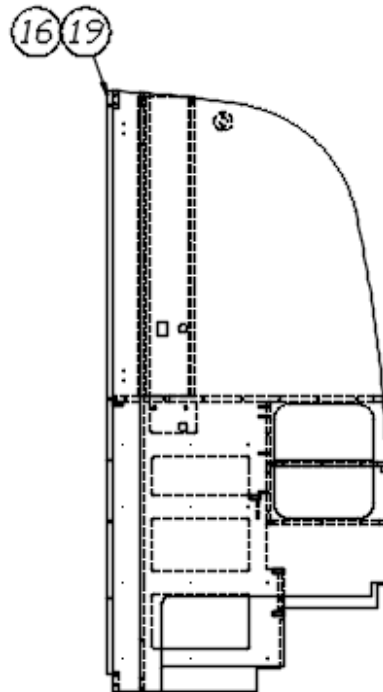
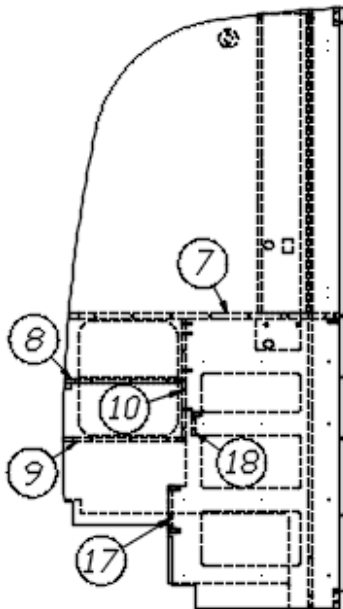
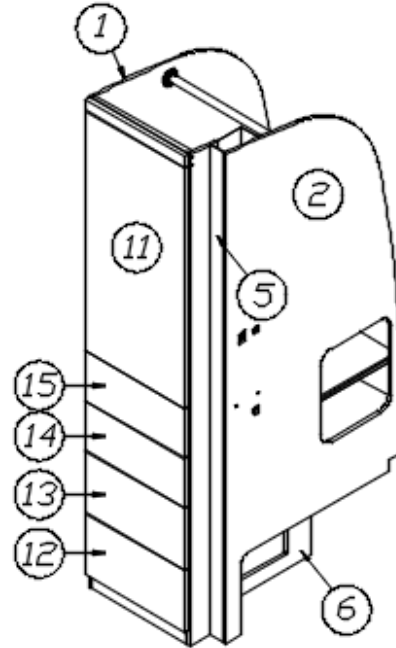
968361-36

Cabinet with Drawers

- |                 |                                       |
|-----------------|---------------------------------------|
| 1. 968361-361   | Panel, 14.5 x 36.5                    |
| 2. 968361-2     | Panel, 13.25 x 9.94                   |
| 3. 968361-3     | Panel, 12.63 x 8                      |
| 4. 968361-4     | Panel, 12.63 x 8                      |
| 5. 968361-5     | Panel, 12.63 x 12.13                  |
| 6. 968361-6     | Panel, 2.25 x 29.25                   |
| 7. 968361-7     | Panel, 2.25 x 29.25                   |
| 8. 968361-8     | Panel, 2.25 x 12                      |
| 9. 968361-9     | Panel, 2.25 x 12                      |
| 10. 968361-10   | Panel, 2.25 x 12                      |
| 11. 968361-3611 | Panel, 34.28 x 29.25                  |
| 12. 968361-12   | Panel, 12.25 x 13.5                   |
| 13. 968361-13   | Panel, 16.25 x 13.5                   |
| 14. 968361-3614 | Panel, 13.5 x 12                      |
| 15. 801706-0036 | Corner trim, 90°, 1" radius, Landmark |
| 16. 968022-10   | Drawer box assembly, 11.38 x 21       |
| 382203-05       | Drawer slide, Self-close, 21"         |
| 381228-02       | Catch grabber, 5LB                    |
| 382044          | Handle, Brushed Nickel                |
| 382203-06       | Front fixing clips                    |

# 2019 FLYING CLOUD FURNITURE, BEDROOM

Wardrobe, 30' Bunk, Landmark



Parts Listed on Next Page

## 2019 FLYING CLOUD FURNITURE, BEDROOM

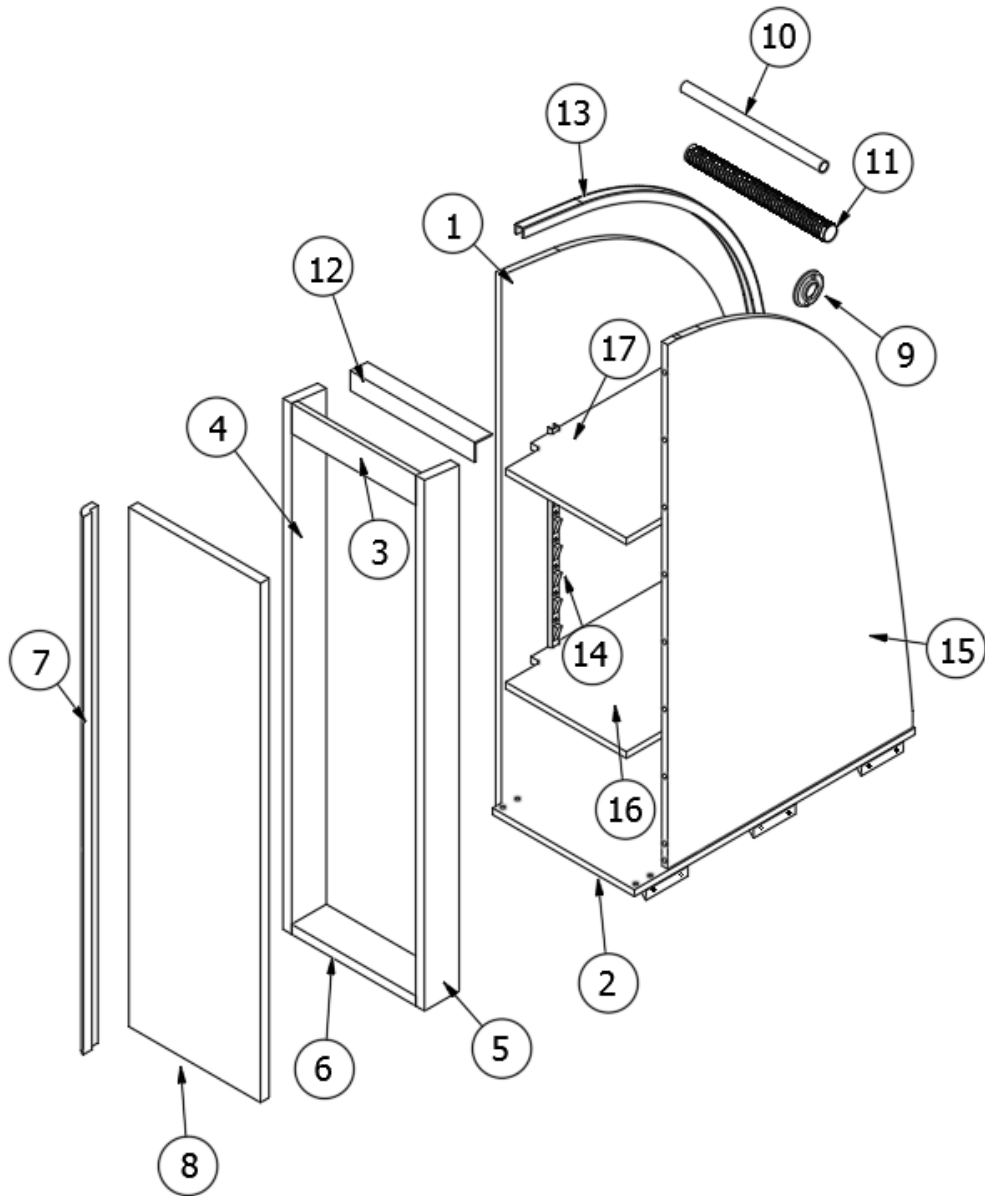
### Wardrobe, 30' Bunk, Landmark

968027                      Wardrobe

1. 968027-1	Panel, 78.69 x 36.08
2. 968027-2	Panel, 78.35 x 32.58
3. 968027-3	Panel, 17.81 x 2.25
4. 968027-4	Panel, 17.81 x 2.68
5. 968027-5	Panel, 2.5 x 78.25
6. 968027-6	Panel, 78.68 x 22.42
7. 968027-7	Panel, 20.81 x 35.38
8. 968027-8	Panel, 20.81 x 15.25
9. 968027-9	Panel, 20.81 x 15.46
10. 968027-10	Panel, 20.81 x 16
11. 968027-11	Door, 18.44 x 38.38
12. 968027-12	Drawer face, 18.44 x 9.89
13. 968027-13	Drawer face, 18.44 x 9.89
14. 968027-14	Drawer face, 18.44 x 7.87
15. 968027-15	Drawer face, 18.44 x 7.87
16. 968027-29	Panel, 18.44 x 1.82
17. 968027-32	Panel, 5 x 17.81
18. 968027-33	Panel, 5 x 17.81
19. 968027-35	Panel, 1.5 x 18
968028-01	Drawer box, 8" x 17.19" x 21"
968020-05	Drawer box, 5" x 17.19" x 18"
382203-04	Drawer slide, Self-close, 18"
382044	Handle, Brushed Nickel
381228-02	Catch, Grabber door, 5LB
381607-11	Hinge, Self-close
380046	Flange, Chrome
380045	Tubing, .75", Elec. Metallic
200975-04	Conduit, Flexible Black plastic
201666-01	J-molding, 3/16", Plastic, White
115579	Closeout, Plumbing
382203-06	Front fixing clips Pair
800572-0136	Molding, Hardwood flat, .72", Landmark
203647	Molding-T 13/16" Chamois Yellow

# 2019 FLYING CLOUD FURNITURE, BEDROOM

Hanging Wardrobe, Twin, RS 25' 26U, & 28', CS 25FB & 27FB



Part Numbers Listed on Next Page

## 2019 FLYING CLOUD FURNITURE, BEDROOM

### Hanging Wardrobe, Twin, RS 25', 26U, & 28', CS 25FB & 27FB

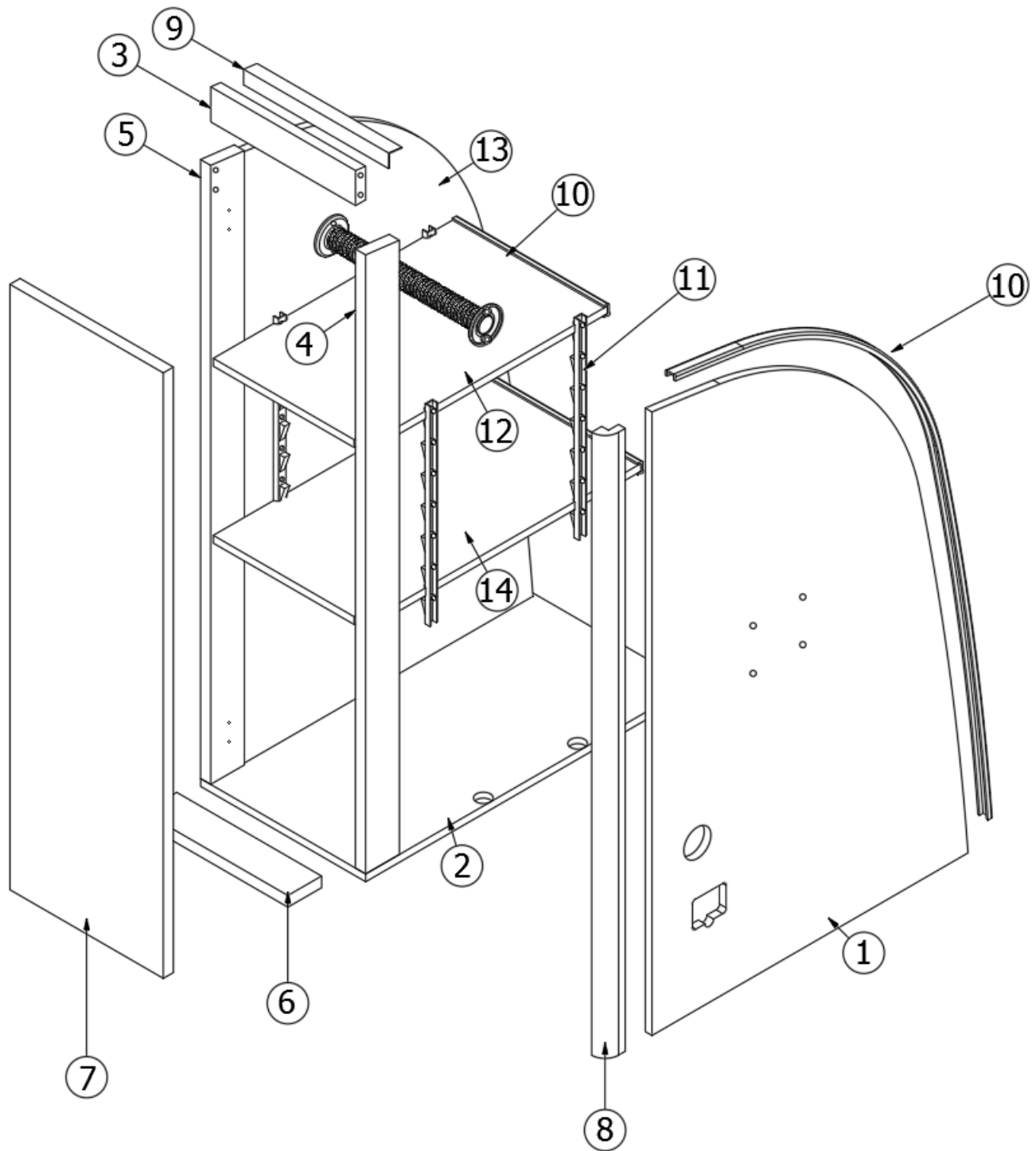
968859

Hanging Wardrobe

- |                     |                                 |
|---------------------|---------------------------------|
| 1. 968859&000112BC  | Panel, 23.45 x 40.04            |
| 2. 968859&000212BC  | Panel, 24.27 x 12.25            |
| 3. 968859&000312BC  | Panel, 2.25 x 10.75             |
| 4. 968859&000418CC  | Panel, 3 x 39.75                |
| 5. 968859&000518CC  | Panel, 3 x 39.75                |
| 6. 968859&000618CC  | Panel, 3 x 10.75                |
| 7. 801706-0036      | Trim-Corner 90d Landmark        |
| 8. 968859&000918BC  | Door, 11.38 x 38.88             |
| 9. 380046           | Flange, Chrome                  |
| 10. 380045          | Tubing, .75"                    |
| 11. 200975-04       | Conduit, Flexible Black plastic |
| 12. 115085          | Aluminum angle                  |
| 13. 203138-04       | Extrusion, Plastic, .5", Oak    |
| 14. 381527          | Shelf Strip, Speedy             |
| 15. 968859&002512BC | Panel, 21.202 x 39.245          |
| 16. 968859&002612CC | Panel, 20.50 x 11.25            |
| 17. 968859&002712CC | Panel, 18.00 x 11.25            |
| 365340-02           | Edgebanding-.94" Frosty White   |
| 386304-02           | Edgeband Landmark Wood 15/16"   |
| 381607-11           | Hinge, Self-close               |
| 382057              | Knockdown                       |
| 382057-04           | Cap, Knockdown, White           |
| 382044              | Handle, Brushed Nickel          |

# 2019 FLYING CLOUD FURNITURE, BEDROOM

Hanging Wardrobe, Twin, RS 27FB, CS 28', Landmark



Parts Listed on Next Page



## 2019 FLYING CLOUD FURNITURE, BEDROOM

### Hanging Wardrobe, Twin, RS 27FB, CS 28', Landmark

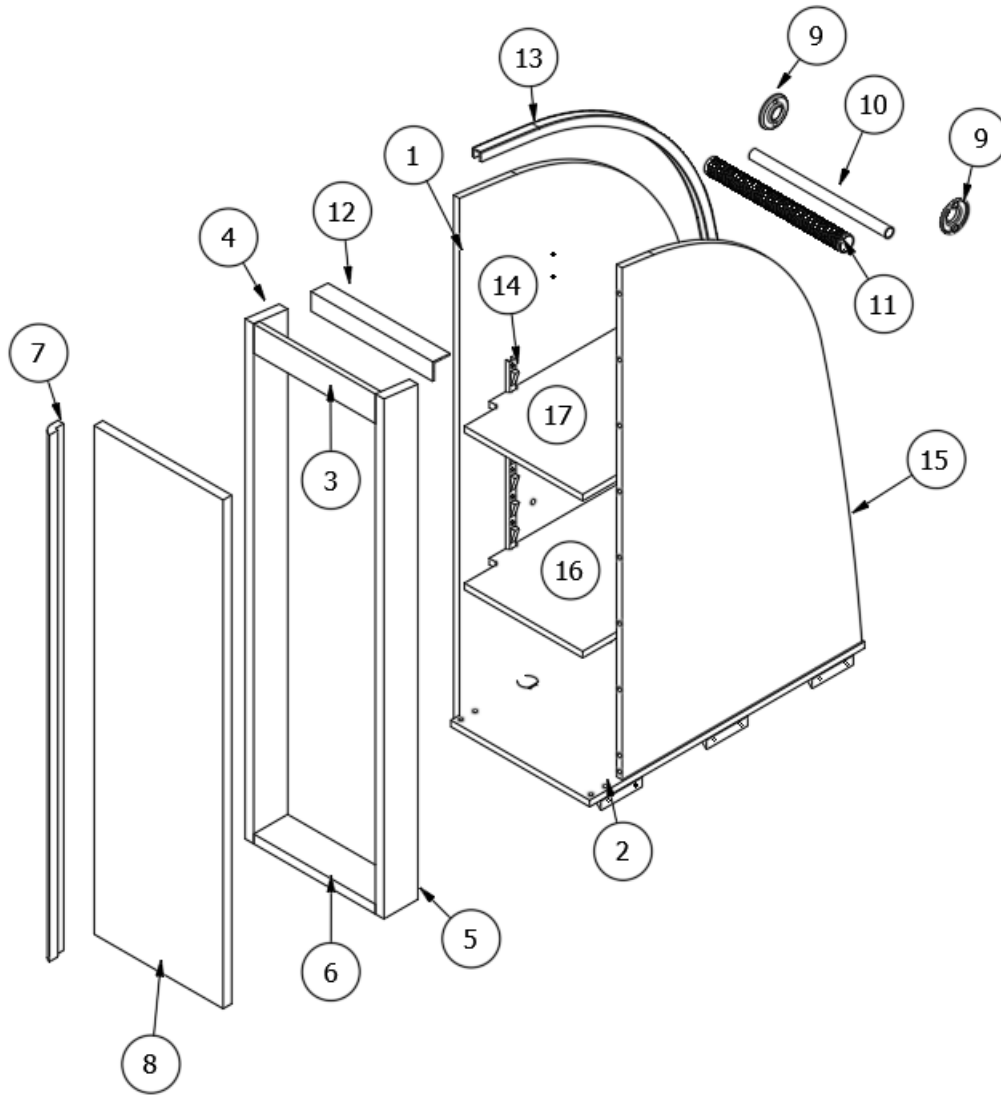
968860

Hanging Linen Cabinet

1. 968860&000112BC Panel, 23.45 x 40.04
2. 968860&000212BC Panel, 12.25 x 24.25
3. 968860&000318BC Panel. 2.50 x 10.75
4. 968860&000618CC Panel. 2.50 x 39.75
5. 968860&002718CC Panel 2.50 x 39.75
6. 968860&000818CC Panel, 2.50 x 10.75
7. 968860&000918BC Panel, 11.38 x 38.88
8. 801706-0036 Trim-Corner 90d Landmark
9. 115085 Angle Aluminum – Roof locker
10. 203138-04 Extrusion - Plastic 1/2" Oak Wall
11. 381527 Shelf Strip Speedy
12. 968860&002512CC Panel, 18.00 x 11.25
13. 968860&002612BC Panel 21.54 x 39.29
14. 968860&002912CC Panel, 20.50 x 11.25
- 380046 Flange, Chrome
- 380045 Tubing, 3/4" Electrical Metallic
- 200975-05 Conduit, Flexible Black Plastic
- 386279 Corner Brace
- 386304-01 Edgeband Landmark Wood 5/8" 1MM
- 386304-02 Edgeband Landmark Wood 15/16" 1MM
- 382044 Handle, Brushed Nickel
- 381607-11 Hinge, Self-close
- 381228-01 Catch Grabber
- 382057 Knockdown, 8mm
- 382057-04 Knockdown Cap, White

# 2019 FLYING CLOUD FURNITURE, BEDROOM

Hanging Wardrobe, Twin, RS 30', Landmark



Part numbers on next page

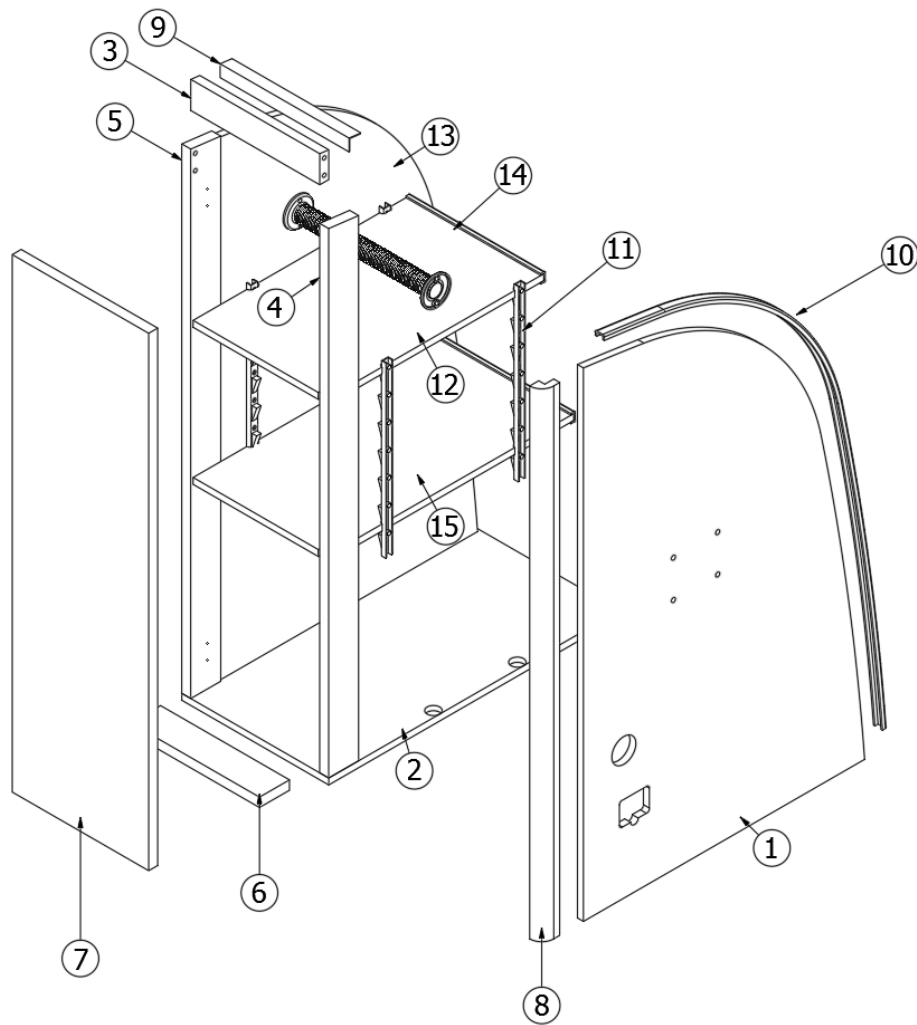
## 2019 FLYING CLOUD FURNITURE, BEDROOM

### Hanging Wardrobe, Twin, RS 30', Landmark

	968861	Assembly - Hanging Wardrobe
1.	968861&000112BC	23.45 X 40.04 EB3-B01
2.	968861&000212BC	12.25 X 24.27 EB1-B01
3.	968861&000312BC	2.25 X 10.75 EB1-B01
4.	968861&000418CC	3.00 X 39.75 EB2-B02
5.	968861&000518CC	3.00 X 39.75 EB2-B02
6.	968861&000618CC	10.75 X 3.00 EB2-B02
7.	801706-0036	Corner Trim - 90deg, 1" Radius
8.	968861&000918BC	11.38 X 38.88 EB9-B02, DOOR
9.	380046	Flange Chrome
10.	380045	Tubing, 3/4" Electric Metallic
11.	200975-04	Conduit, Flexible Black
12.	115085	24" Aluminum Angle Roof Locker
13.	203138-04	Extrusion - Plastic 1/2" Oak Wal
14.	381527	Shelf Strip Speedy
15.	968861&002112BC	23.45 X 40.04 EB3-B01
16.	968861&002012CC	Shelf, Wardrobe 18.00 x 11.25
17.	968861&002612CC	Shelf, Wardrobe 20.50 x 11.25
	386304-01	Edgeband Landmark Wood 5/8" 1MM
	386304-02	Edgeband Landmark Wood 15/16" 1MM
	382057-04	Cap-Knockdown White #16387
	382044	Handle, Brushed Nickel
	381607-11	Hinge, Self-close
	381228-01	Catch Grabber

# 2019 FLYING CLOUD FURNITURE, BEDROOM

Hanging Wardrobe, Twin, CS 30', Landmark



Part numbers on next page

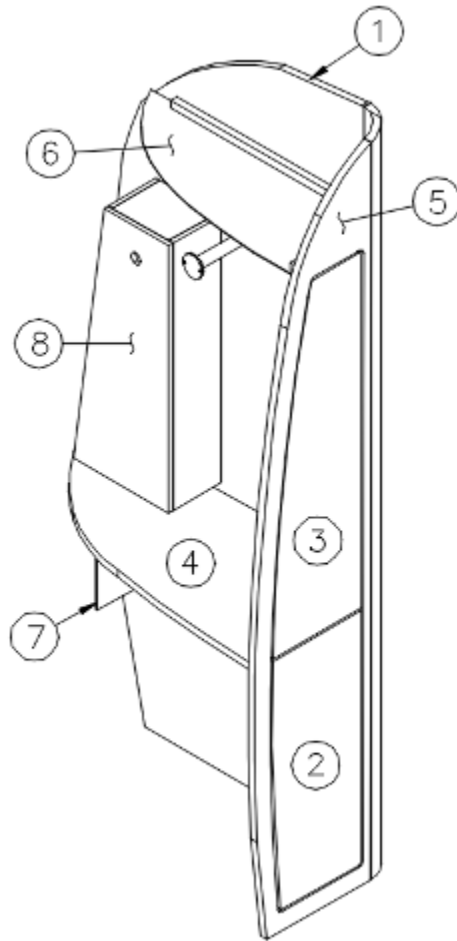
## 2019 FLYING CLOUD FURNITURE, BEDROOM

### Hanging Wardrobe, Twin, CS 30', Landmark

968860	Assembly - Hanging Linen Cabinet
1. 968860&000112BC	Panel, 23.45 X 40.04 EB3-B01
2. 968860&000212BC	Panel, 12.25 X 24.25 EB1-B01
3. 968860&000318BC	Panel, 2.25 X 10.75 EB1-B02
4. 968860&000618CC	Panel, 2.50 X 39.75 EB2-B02
5. 968860&002718CC	Panel, 2.50 X 39.75 EB2-B02
6. 968860&000818CC	2.50 X 10.75 EB2-B02
7. 968860&000918BC	11.38 X 38.88 EB9-B02
8. 801706-0036	Corner Trim - 90deg, 1" Radius
9. 115085	Angle aluminum
10. 203138-04	Extrusion - Plastic 1/2" Oak Wal
11. 381527	Shelf Strip Speedy
12. 968860&002512CC	Shelf 18.00 X 11.25 EB3-B01
13. 968860&002612BC	21.54 X 39.29 EB3-B01
14. 968860&002912CC	20.50 X 11.25 EB3-B01
382057	Knockdown
382057-04	Cap, Knockdown, White
382044	Handle, Brushed Nickel
381228-02	Catch, Grabber door
381607-11	Hinge, Self-close
380046	Flange Chrome
380045	Tubing, 3/4" Electric Metallic
200975-04	Conduit, Flexible Black
386304-01	Edgeband Landmark Wood 5/8" 1MM
386304-02	Edgeband Landmark Wood 15/16" 1MM

# 2019 FLYING CLOUD FURNITURE, BEDROOM

Closet, CS Rear, 28', 30', 30' Bunk, Landmark



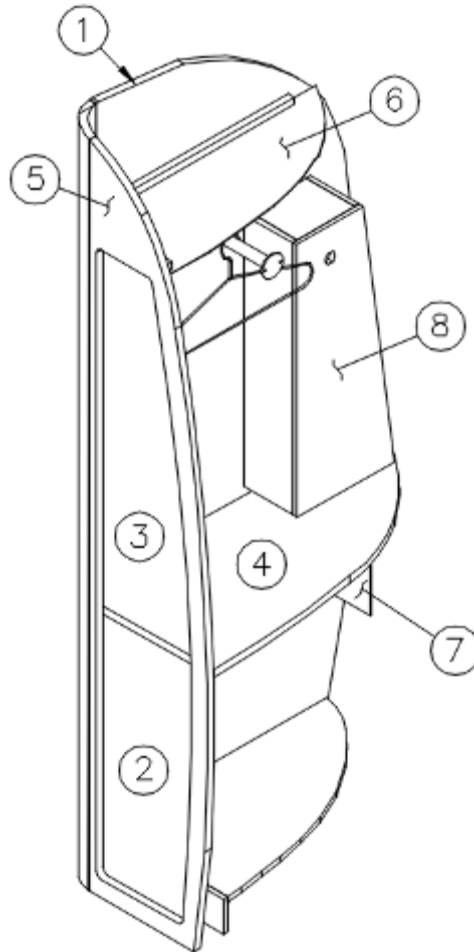
966871-09

CS Rear Closet

- |                |                             |
|----------------|-----------------------------|
| 1. 966871-091  | Panel, 32.25 x 76.61        |
| 2. 966871-092  | Door, 10.49 x 25.88         |
| 3. 966871-093  | Door, 10.41 x 36.31         |
| 4. 966871-094  | Panel, 34.35 x 15.92        |
| 5. 966871-095  | Panel, 13.69 x 75.65        |
| 6. 966871-096  | Panel, 29 x 10.81           |
| 7. 966871-0919 | Panel, 5 x 13.78            |
| 8. 966875-09   | Bookshelf, Aft wardrobe, LH |
| 386106-01      | Magazine rack, White        |
| 386107         | Rod, Magazine rack          |
| 380046         | Flange, Chrome              |
| 382044         | Handle, Brushed Nickel      |
| 381607-11      | Hinge, Self-close           |
| 381228-02      | Catch, Grabber door, 5LB    |

# 2019 FLYING CLOUD FURNITURE, BEDROOM

Closet, RS Rear, 28', 30', 30' Bunk, Landmark



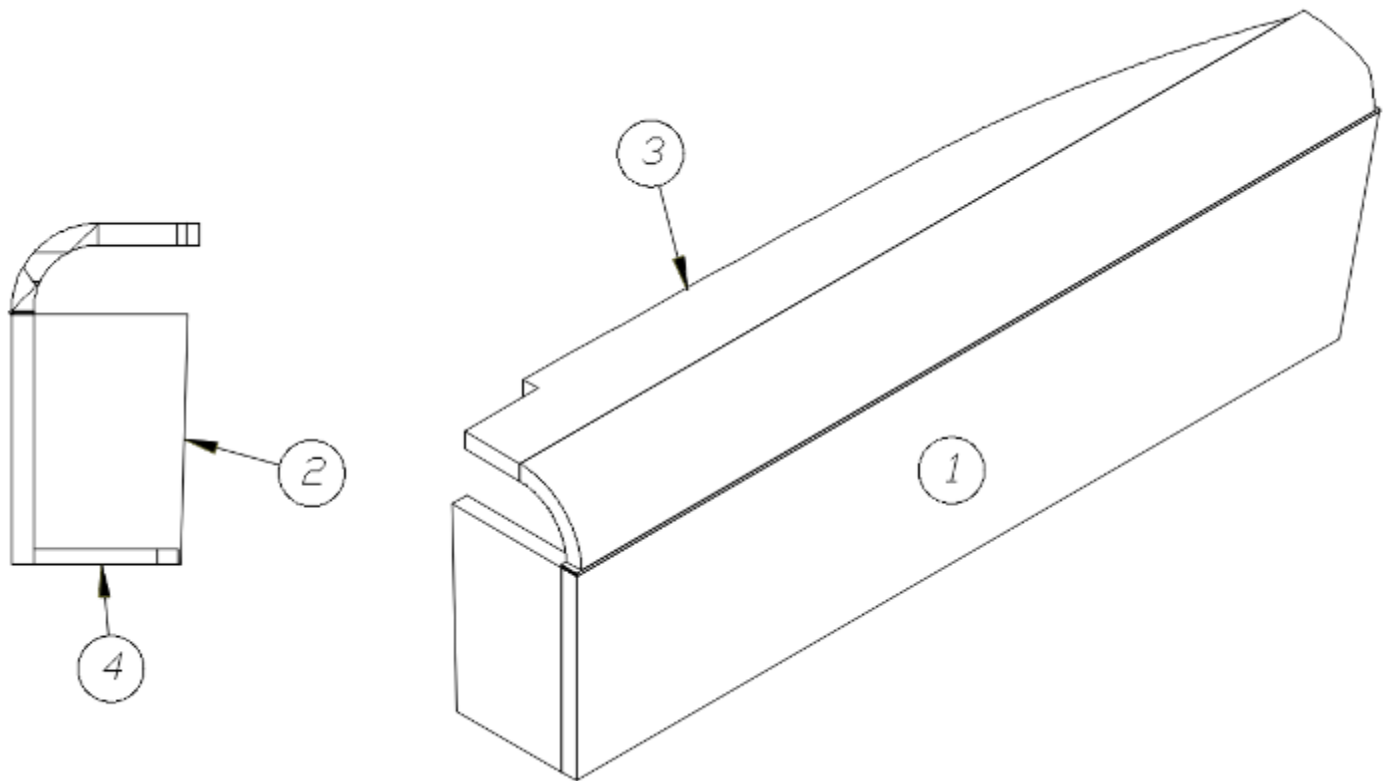
966872-09

RS Rear Closet

- |                |                             |
|----------------|-----------------------------|
| 1. 966872-091  | Panel, 34.79 x 76.61        |
| 2. 966872-092  | Door, 10.49 x 25.88         |
| 3. 966872-093  | Door, 10.41 x 36.31         |
| 4. 966872-094  | Panel, 34.35 x 15.75        |
| 5. 966872-095  | Panel, 13.69 x 75.65        |
| 6. 966872-096  | Panel, 27.38 x 10.50        |
| 7. 966872-0919 | Panel, 5 x 13.78            |
| 8. 966874-09   | Bookshelf, Aft wardrobe, RH |
| 386106-01      | Magazine rack, White        |
| 386107         | Rod, Magazine rack          |
| 380046         | Flange, Chrome              |
| 382044         | Handle, Brushed Nickel      |
| 381607-11      | Hinge, Self-close           |
| 381228-02      | Catch, Grabber door, 5LB    |

# 2019 FLYING CLOUD FURNITURE, BEDROOM

Hamper, Roadside, 20', Landmark



967336-09

RS Hamper

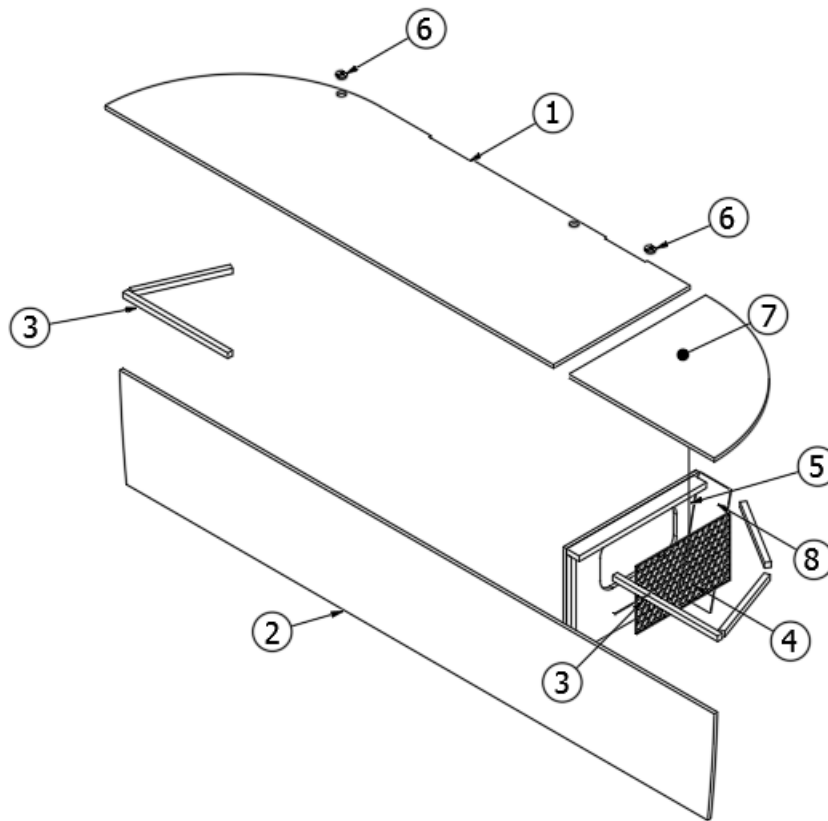
- 1. 967336-091
- 2. 967336-092
- 3. 967336-093
- 4. 967336-098
- 380458
- 704233
- 201673

Panel, 8.62 x 39.25  
Panel, 5.35 x 8.63  
Panel, 3.47 x 37.68  
Panel, 5 x 36.25  
Piano hinge, Copper  
Vinyl, Aries Soft White w/.75" foam  
Reverse cove molding, White



# 2019 FLYING CLOUD FURNITURE, BEDROOM

Storage Box, Front, Twin, 25FB, 27FB, 30', Landmark



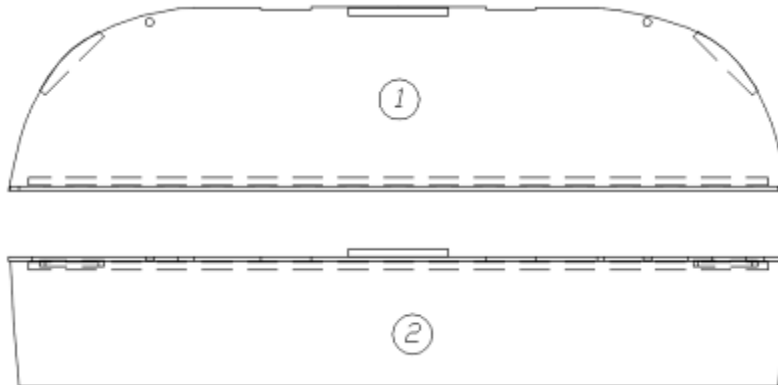
966858

Storage Box

1. 966858&000112BC	Panel, 21.5 x 93.5
2. 966858&000212BC	Panel, 15 x 93.5
3. 800025-01	Pine, .75 x .75 x 16.50
4. 203664-01	Grill, Screen Plastic 9.25 x 14.80
5. 966858&000812CC	Panel, 15.00 x 20.93
6. 382057	Knock Down, 8mm
7. 966858&001512BC	Panel, 21.50 x 23.63
8. 966858&001803CE	Panel Front White, 15.50 x 5
100067	Aluminum Angle
701538	Carpet, Econoliner Velour Black
112671-16	Vinyl, Under Bed Storage
386304-01	Edgeband Landmark Wood 5/8" 1MM

# 2019 FLYING CLOUD FURNITURE, BEDROOM

Storage Box, Rear, Twin, 25', 28', Landmark



967769-09  
967769-01

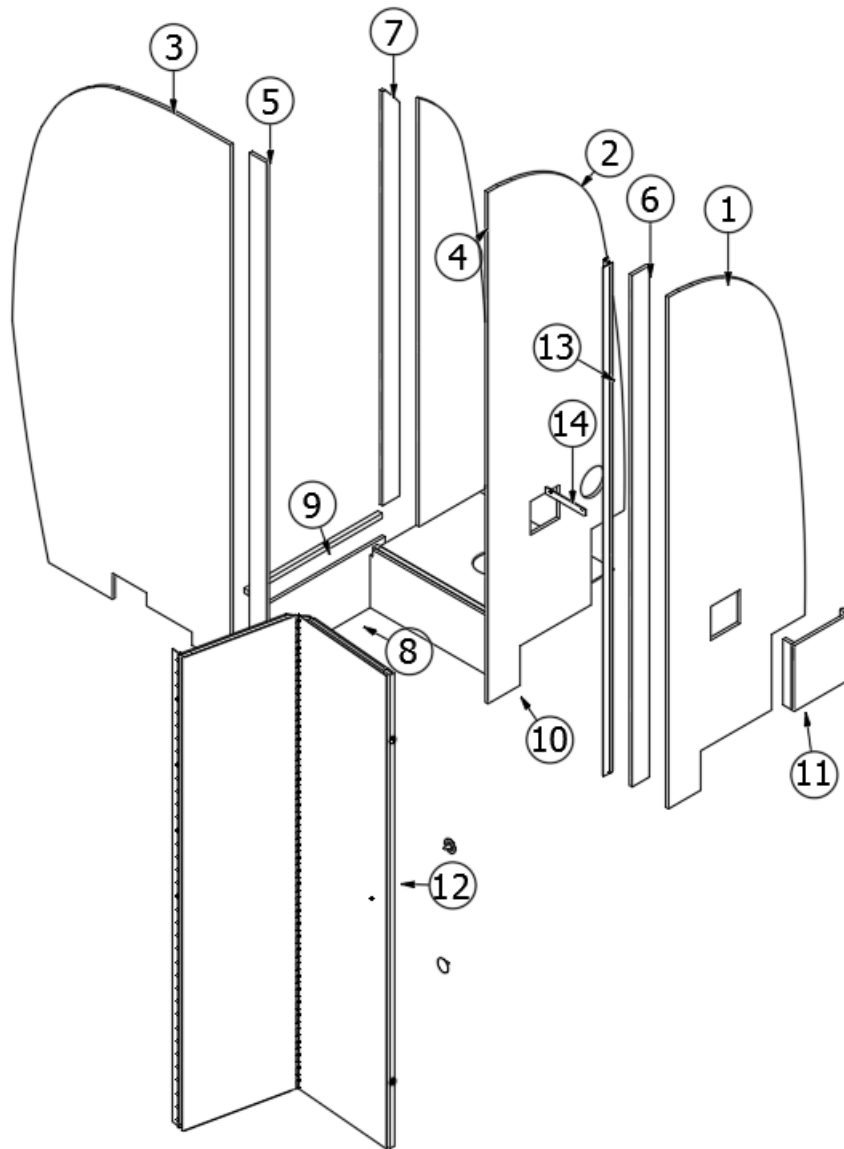
Rear Storage Box, 25'  
Rear Storage Box, 28'

1. 967769-091  
2. 967769-092  
114812  
701538  
382057  
112671-02

Panel, 21.5 x 93.5  
Panel, 15 x 93.5  
Aluminum angle  
Carpet, Econolier Velour Black  
Knockdown  
Vinyl - Under Bed Storage

# 2019 FLYING CLOUD FURNITURE, LAVATORY

Bath Module 19'



Parts Listed on Next Page

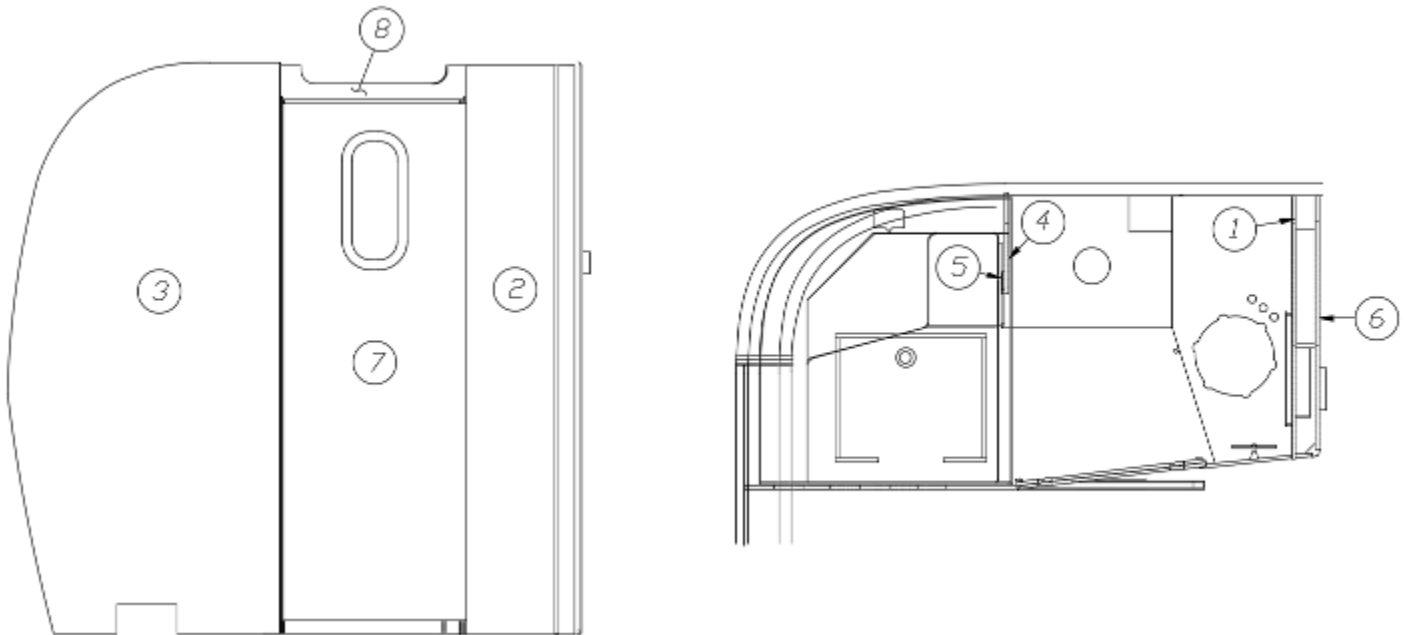
## 2019 FLYING CLOUD FURNITURE, LAVATORY

### Bath Module 19'

	112652	Ducted Shower Module
1.	112652&000112BD	24.01 X 77.85
2.	112652&000212BD	24.01 X 77.85
3.	112652&000312DD	12.00 X 65.17
4.	112652&000412DD	12.00 X 65.17
5.	112652&000512BD	79.49 X 3.00
6.	112652&000612BD	77.85 X 3.00
7.	112652&000712DD	63.00 X 3.00
8.	112652&000812DD	9.50 X 23.00
9.	800025-01	Pine 0.75 x 0.75 x 23.50
10.	966941	Toilet Stand Assembly
11.	968696	Toilet Holder Closeout
12.	968783	Bath Door Assembly
13.	382529	Z-Bar Holdback
14.	968786	Travel Strap
	203114-02	Shower, 2 Piece Fiberglass
	702937-06	Shower Door Rollaway
	381776	Robe Hook, Double, Chrome
	382063	Clothesline, Retractable
	386106-01	Magazine Rack
	386304-01	Edgeband Landmark Wood 5/8" 1MM
	365340-01	Edgebanding- .63" Frosty White

# 2019 FLYING CLOUD FURNITURE, LAVATORY

## Bath Module, 20', Landmark



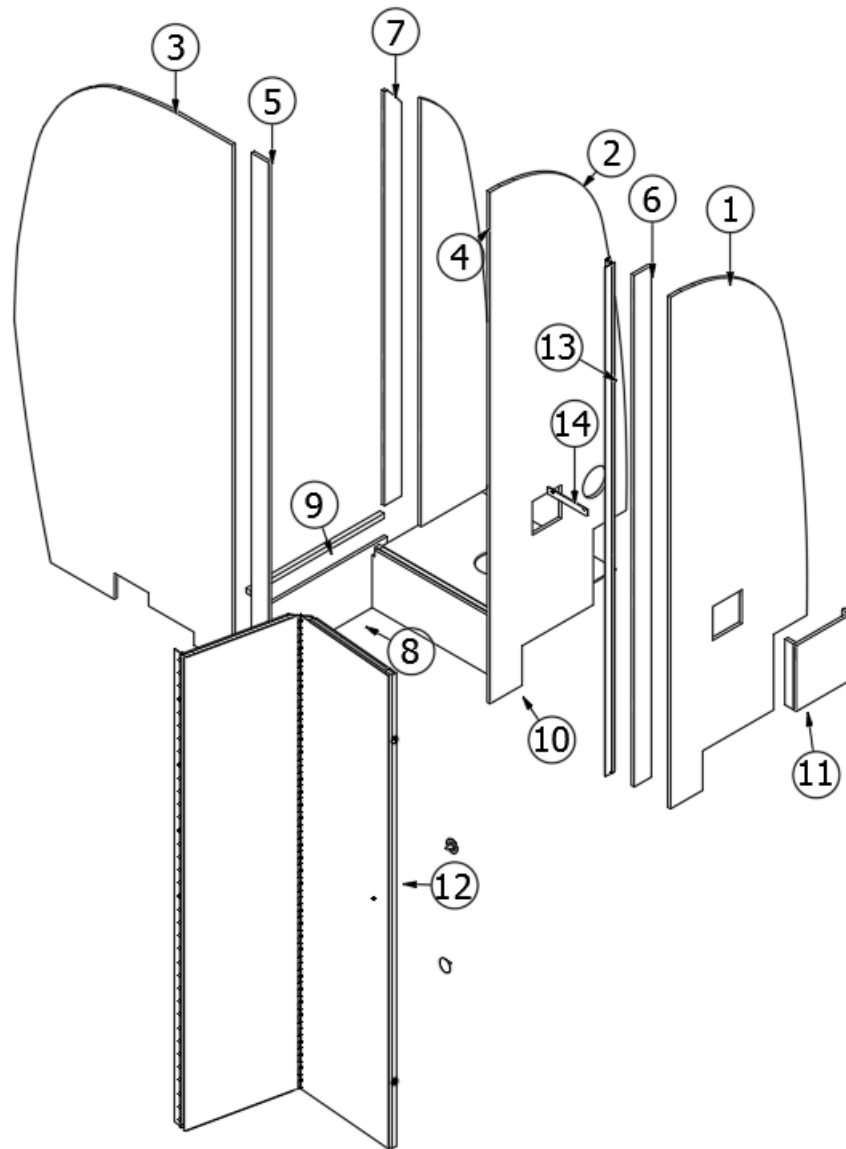
111740-09

Bath Module

- |               |                                          |
|---------------|------------------------------------------|
| 1. 111740-091 | Panel, 36.69 x 79.04                     |
| 2. 111740-092 | Panel, 15.31 x 79.12                     |
| 3. 111740-093 | Panel, 39.83 x 79.38                     |
| 4. 111740-094 | Panel, 14 x 67.69                        |
| 5. 111740-095 | Panel, 3 x 63                            |
| 6. 967351-09  | Panel, Aft dinette                       |
| 7. 966940-09  | Door, Bath                               |
| 8. 967350-09  | Header, Bath door                        |
| 967342-09     | Lavatory cabinet                         |
| 601847        | Medicine cabinet w/mirror, 16" x 22"     |
| 203114-02     | Pan/cap shower, 2 piece, White           |
| 702937-06     | Shower door, Roll away, 62" x 36", White |
| 966941        | Stand, Toilet                            |
| 382550        | Towel bar                                |
| 382551        | Towel ring                               |
| 801415-0036   | Corner trim, 1" radius, Landmark         |
| 801665-0036   | Molding, Door jamb, Landmark             |
| 203138-04     | Extrusion, Plastic, .5"                  |

# 2019 FLYING CLOUD FURNITURE, LAVATORY

Bath Module, 23CB



Parts Listed on Next Page

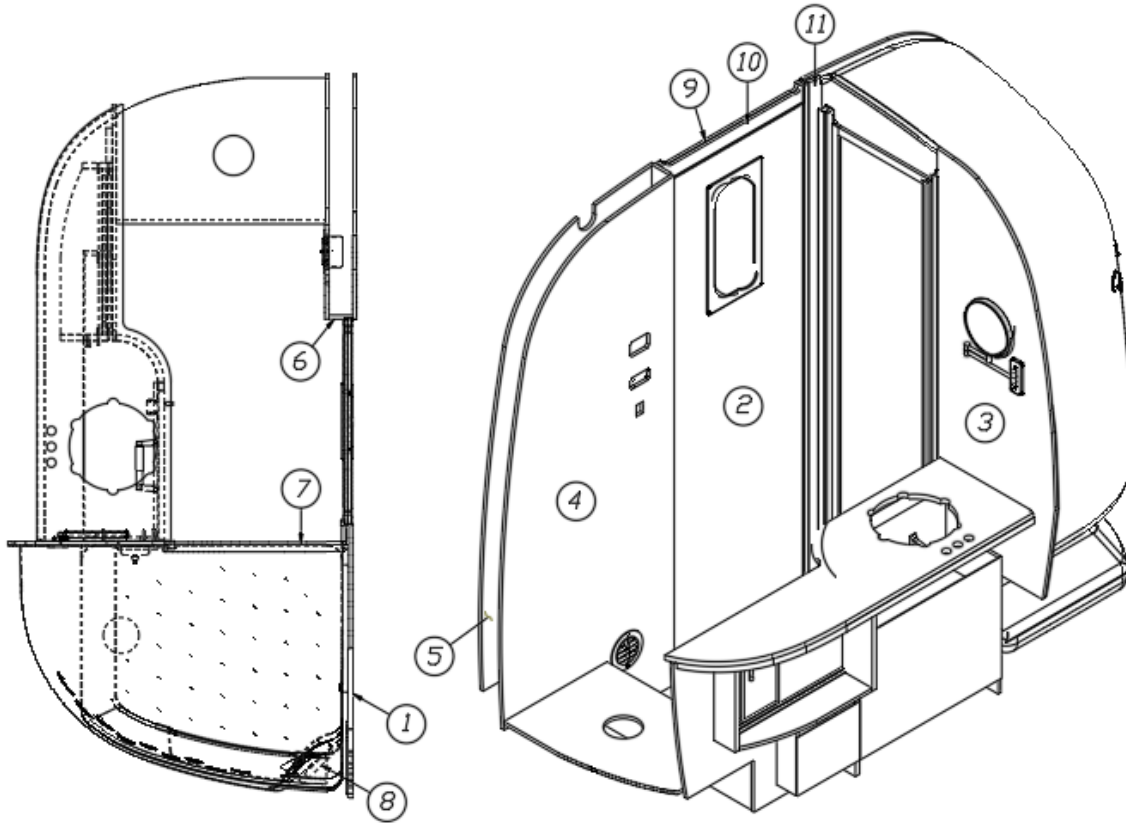
## 2019 FLYING CLOUD FURNITURE, LAVATORY

### Bath Module, 23CB

	112652-01	Ducted Shower Module
1.	112652&010112BD	24.01 X 77.85
2.	112652&010212BD	24.01 X 77.85
3.	112652&010312DD	12.00 X 65.17
4.	112652&010412DD	12.00 X 65.17
5.	112652&010512BD	79.49 X 3.00
6.	112652&010612BD	77.85 X 3.00
7.	112652&010712DD	63.00 X 3.00
8.	112652&010812DD	9.50 X 23.00
9.	800025-01	Pine 0.75 x 0.75 x 23.50
10.	966941	Toilet Stand Assembly
11.	968696	Toilet Holder Closeout
12.	968783	Bath Door Assembly
13.	382529	Z-Bar Holdback
14.	968789	Travel Strap
	203114-02	Shower, 2 Piece Fiberglass
	702937-06	Shower Door Rollaway
	381776	Robe Hook, Double, Chrome
	382063	Clothesline, Retractable
	386106-01	Magazine Rack
	386304-01	Edgeband Landmark Wood 5/8" 1MM
	365340-01	Edgebanding- .63" Frosty White

# 2019 FLYING CLOUD FURNITURE, LAVATORY

## Bath Module, 23FB, Landmark



111730-09

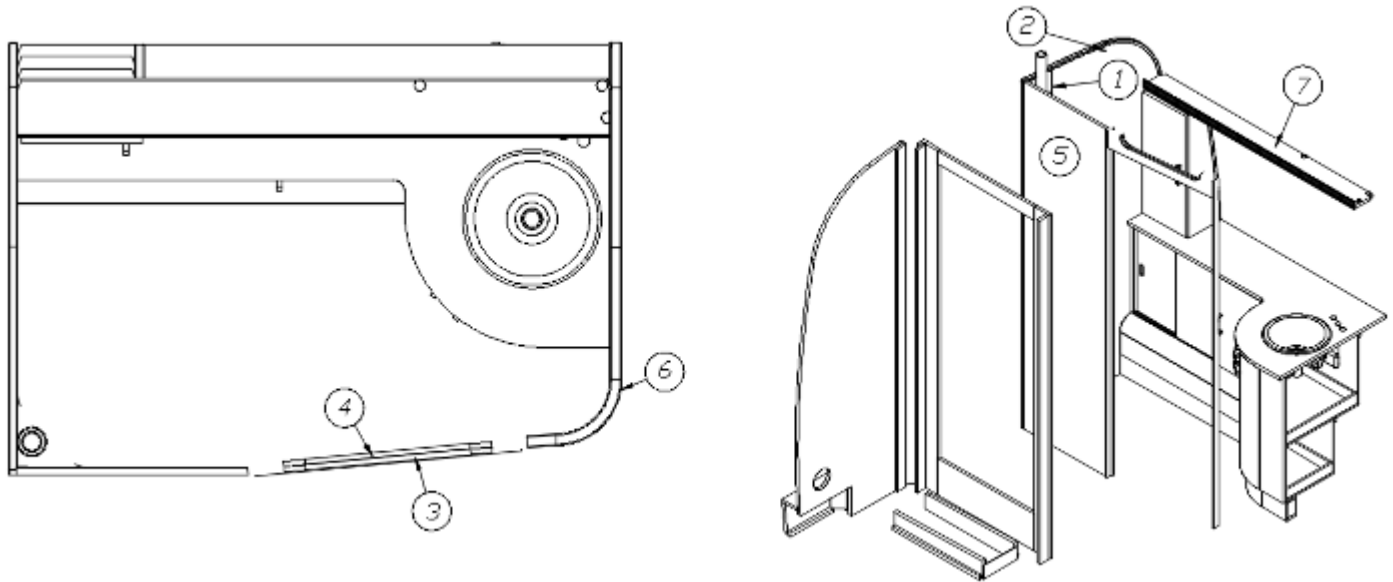
Bath Module

- |                 |                            |
|-----------------|----------------------------|
| 1. 967325-09    | Forward panel sub assembly |
| 2. 967637-09    | Door w/porthole            |
| 3. 111730-093   | Panel, 20.92 x 78.08       |
| 4. 111730-094   | Panel, 30.76 x 78.39       |
| 5. 111730-095   | Panel, 30.76 x 78.39       |
| 6. 111730-096   | Panel, 3 x 78.55           |
| 7. 111730-097   | Panel, 21.5 x 7.75         |
| 8. 111730-0913  | Panel, 5.5 x 5.5           |
| 9. 111730-0917  | Panel, 26 x 2.76           |
| 10. 111730-0918 | Panel, 26 x 2.76           |
| 11. 111730-0919 | Panel, 1.75 x 79.25        |
| 967321-09       | Lavatory assembly          |
| 967455-09       | Toilet stand               |
| 203138-04       | Wall extrusion, Oak        |
| 602394-03       | Register, 4", Round, Black |
| 203615          | Shower                     |
| 801665-0036     | L-molding, Landmark        |



# 2019 FLYING CLOUD FURNITURE, LAVATORY

## Bath Module, 25', Landmark



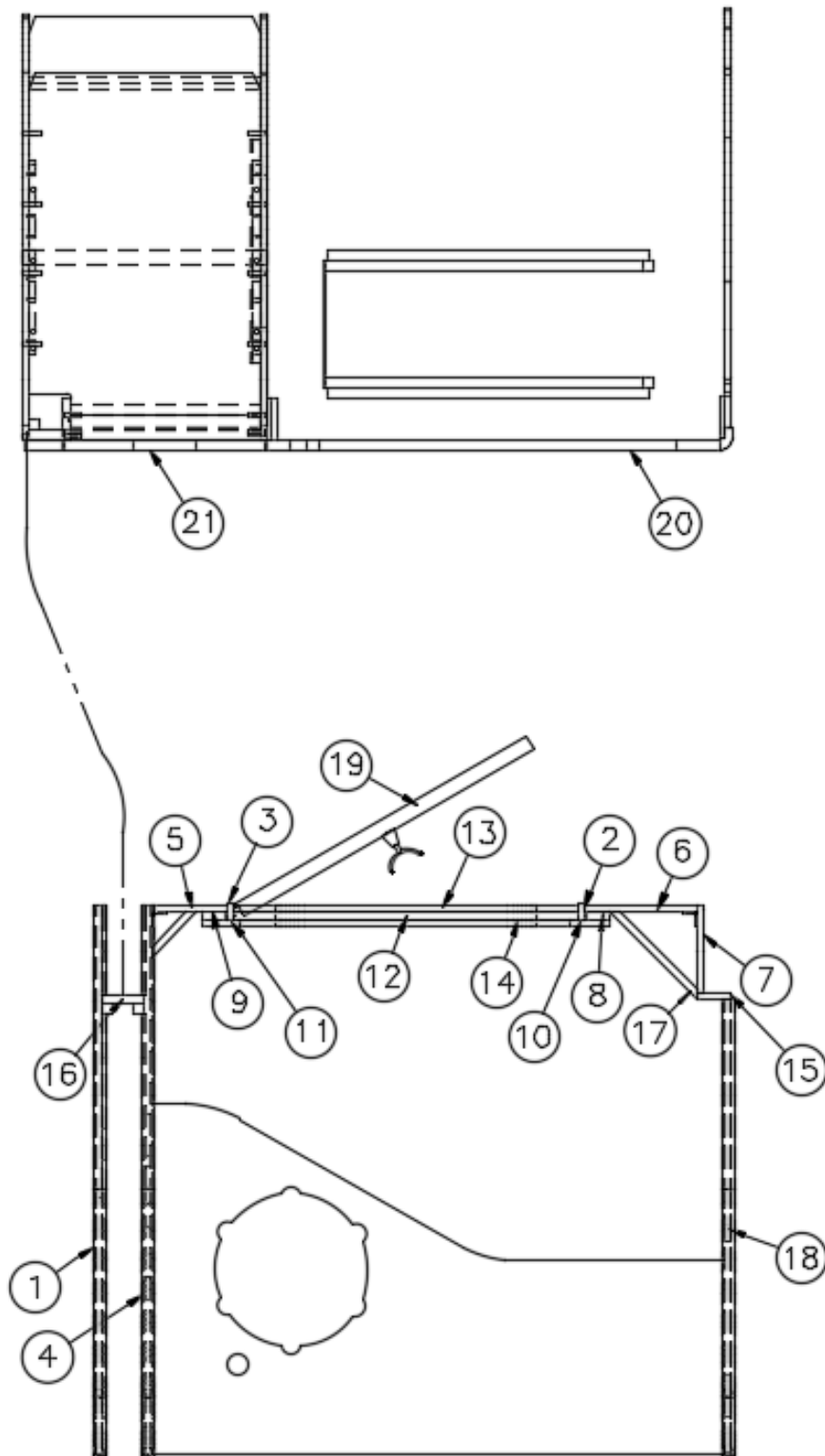
111950-09

Bath Module

- |               |                                 |
|---------------|---------------------------------|
| 1. 111950-091 | Panel, 9.13 x 78.26             |
| 2. 111950-092 | Panel, 39.58 x 79.32            |
| 3. 111950-093 | Panel, 4.01 x 26                |
| 4. 111950-094 | Panel, 4.01 x 26                |
| 5. 111950-095 | Panel, 21.25 x 79.32            |
| 6. 967896-09  | Sub assembly, Radius bath panel |
| 7. 967526-09  | Shelf, Upper lavy               |
| 968405-01     | Bath door, 25 x 72              |
| 967521-09     | Cabinet, Lavy                   |
| 967525-09     | Cabinet, Upper lavy             |
| 967527-09     | Shower compartment              |
| 967719-09     | Closeout, Wheel well            |
| 203464-01     | Wall extrusion, .75", Oak       |
| 203138-04     | Wall extrusion, .5", Oak        |
| 801665-0036   | L-molding, Landmark             |

# 2019 FLYING CLOUD FURNITURE, LAVATORY

Bath Module, 25FB, Landmark



Parts Listed on Next Page

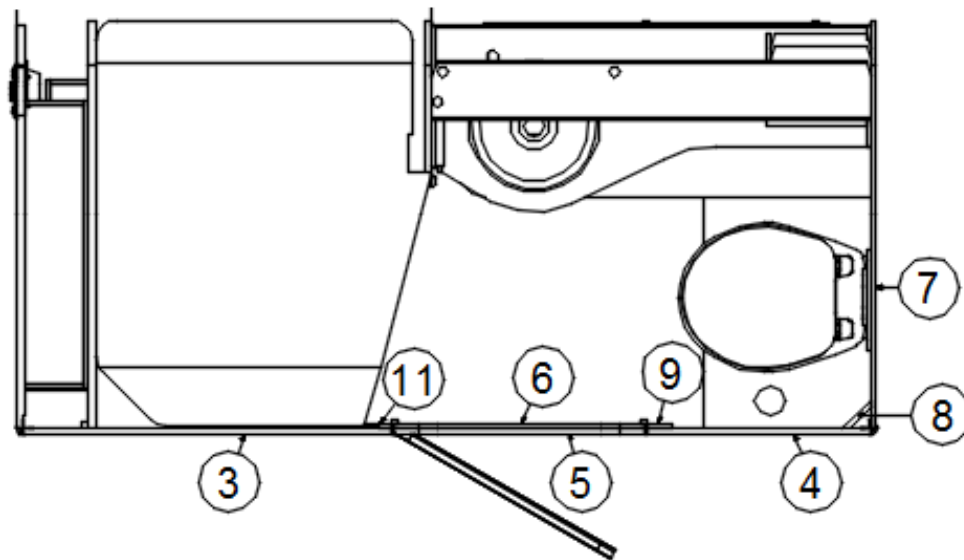
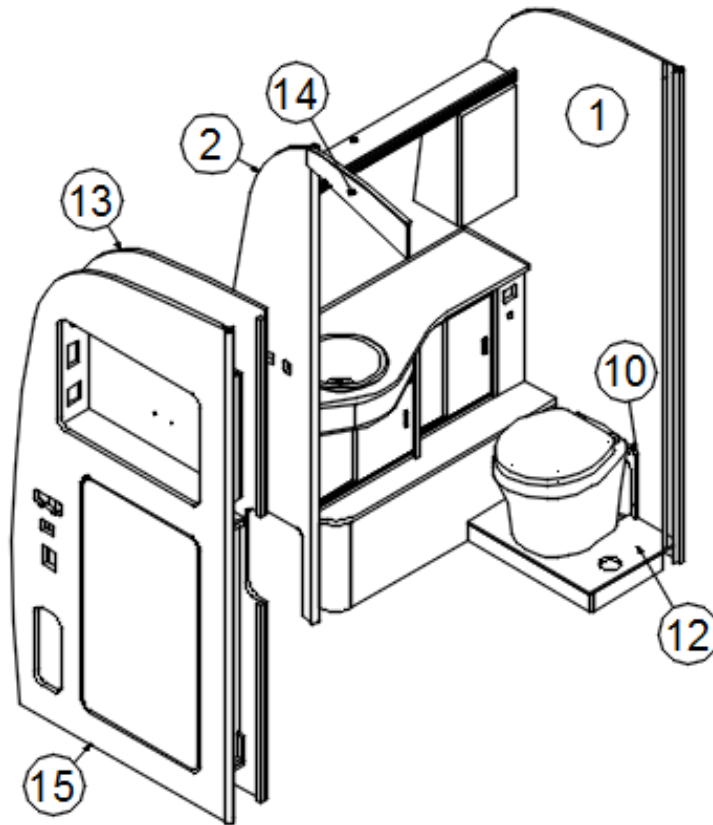
## 2019 FLYING CLOUD FURNITURE, LAVATORY

### Bath Module, 25FB, Landmark

111565-09	Bath Module
1. 111565-091	Panel, 39.5 x 79.44
2. 111565-092	Panel, 1.13 x 79.42
3. 111565-093	Panel, 1.13 x 79.42
4. 111565-094	Panel, 39.5 x 79.44
5. 111565-095	Panel, 5.375 x 79.5
6. 111565-096	Panel, 8 x 79.5
7. 111565-097	Panel, 6 x 79.5
8. 111565-098	Panel, 1.75 x 79.5
9. 111565-099	Panel, 1.75 x 79.5
10. 111565-0910	Panel, 2.75 x 79.5
11. 111565-0911	Panel, 2.75 x 79.5
12. 111565-0912	Panel, 24.625 x 3.5
13. 111565-0913	Panel, 24.625 x 3.75
14. 111565-0914	Panel, 23.625 x 3.75
15. 111565-0915	Panel, 2.5 x 79.25
16. 111565-0916	Panel, 3 x 79.13
17. 111565-0917	Panel, 8 x 79.13
18. 111565-0918	Panel, 79 x 33
19. 966894-09	Door, 24 x 72
20. 966879-09	Shower compartment
21. 966905-09	Wardrobe
966902-09	Lavatory cabinet
703911-01	Shower door, Brushed Nickel
702681-08	Foldette door, Beige
381890-01	Foldette track, Formed
381890-02	Foldette track, Straight

# 2019 FLYING CLOUD FURNITURE, LAVATORY

Bath Module, 26U, Landmark



Parts Listed on Next Page

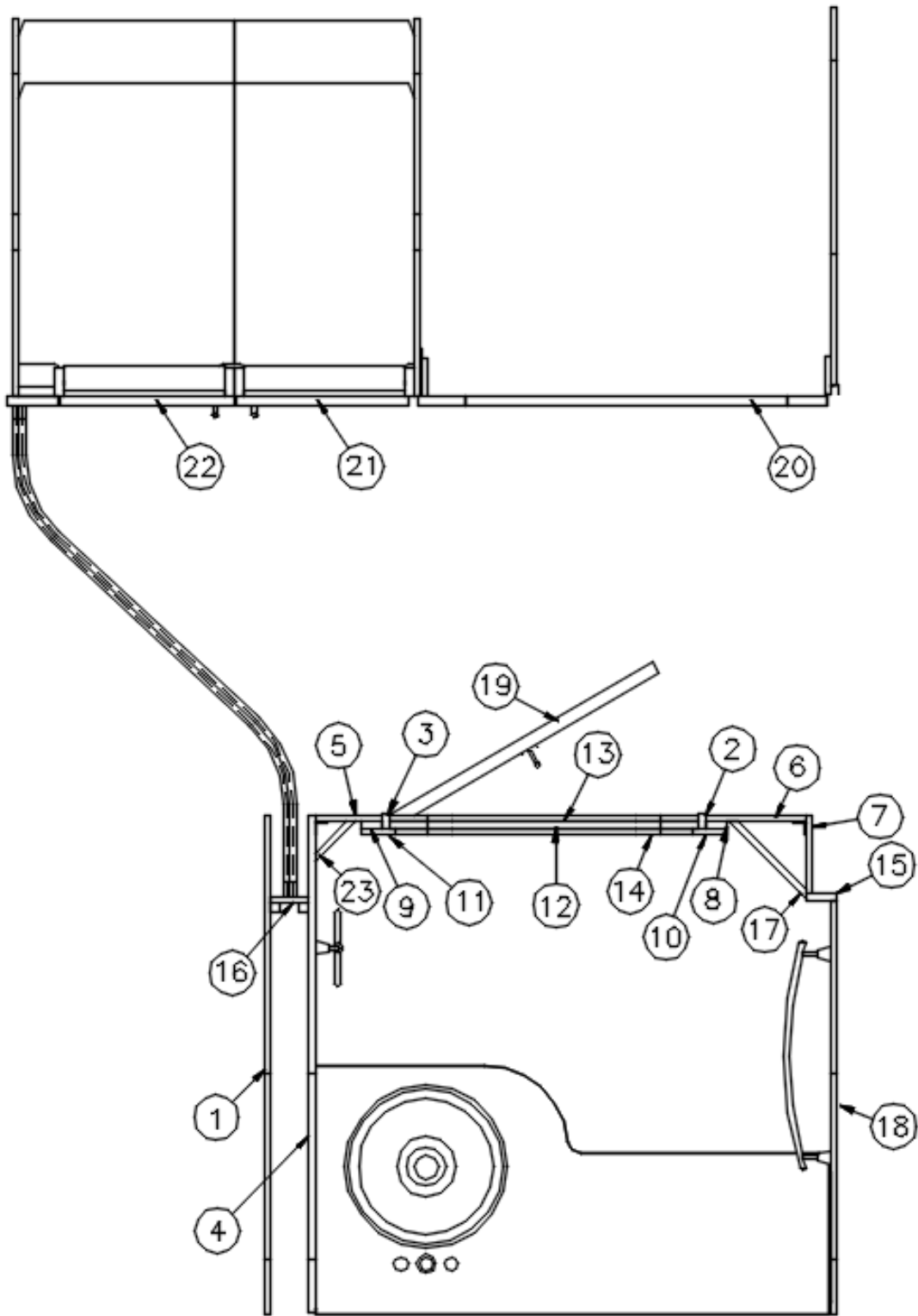
# 2019 FLYING CLOUD FURNITURE, LAVATORY

## Bath Module, 26U, Landmark

112278	Bath Module
1. 112278-1	Panel, 40.19 x 79.28
2. 112278-2	Panel, 16 x 76.12
3. 112278-3	Panel, 36.25 x 79.29
4. 112278-4	Panel, 22 x 79.29
5. 112278-5	Panel, 24.81 x 4
6. 112278-6	Panel, 24.81 x 4
7. 112278-7	Panel, 5.44 x 10.94
8. 112278-8	Panel, 4 x 76.03
9. 112278-9	Panel, 2.5 x 79.29
10. 112278-10	Panel, 10 x 11
11. 112278-11	Panel, 2.5 x 79.29
12. 112278-12	Panel, 3 x 2.25
13. 112278-13	Panel, 40.19 x 79.28
14. 112278-34	Panel, 25.125 x 5.125
15. 968334	Entry cabinet
115584	Extrusion, Outside corner, .5"
801665-0036	L-molding, Landmark
968339	Closeout, Toilet support
800575-0136	Hardwood corner molding, Landmark
203814	Shower stall
968349	Bath door, 24.5 x 72
602302-08	Toilet, Low profile, Macerator
968340	Lavy cabinet
968338	Upper lavy cabinet
968337	Upper lavy shelf
702681-08	Foldette Door.- Beige 60"X 73"
371423-02	Mirror, Wall mount

# 2019 FLYING CLOUD FURNITURE, LAVATORY

Bath Module, 27FB, Landmark



Parts Listed on Next Page

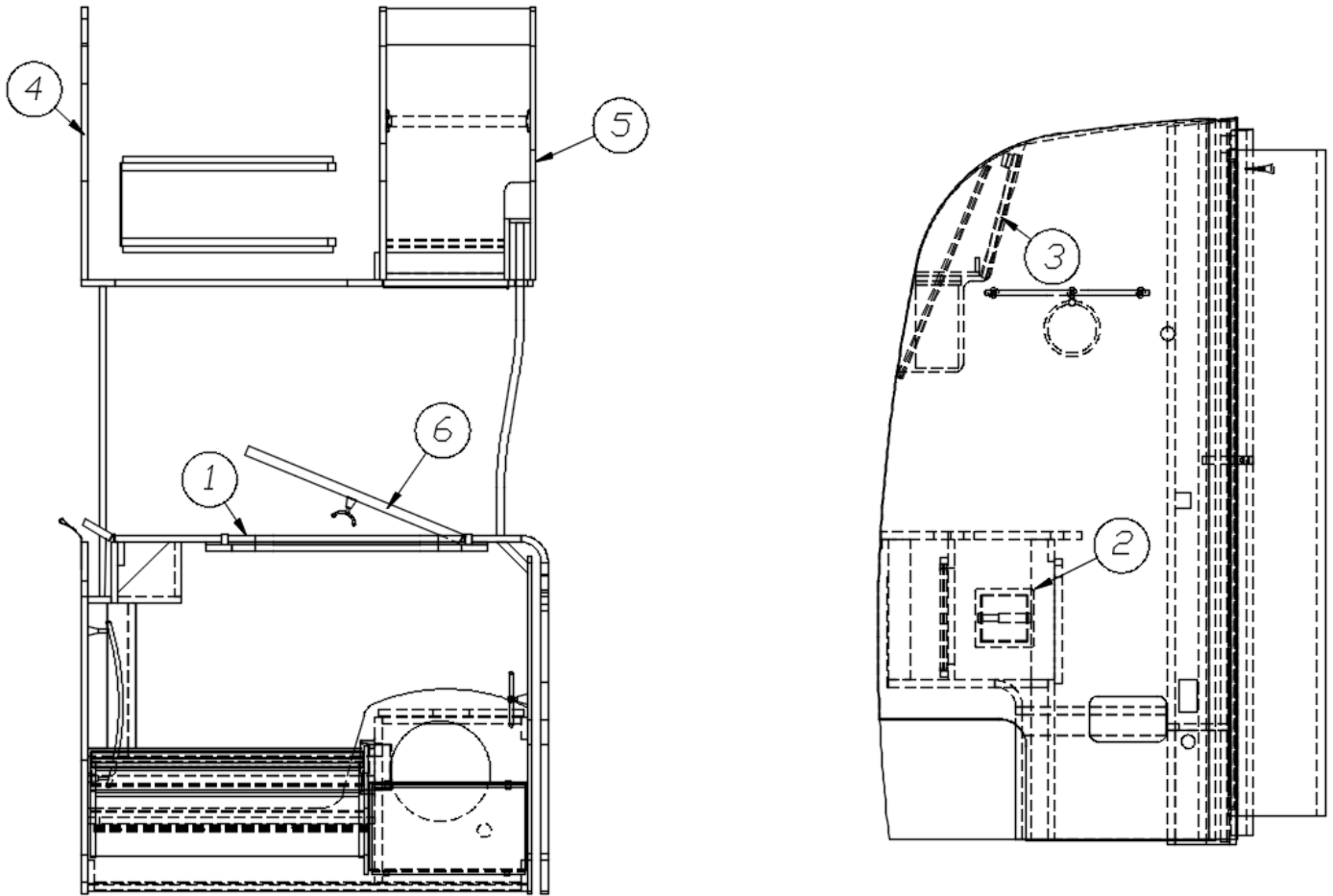
# 2019 FLYING CLOUD FURNITURE, LAVATORY

## Bath Module, 27FB, Landmark

111533-09	Bath Module
1. 111533-091	Panel, 79.25 x 39.5
2. 111533-092	Panel, 1.13 x 79.38
3. 111533-093	Panel, 1.13 x 79.38
4. 111533-094	Panel, 79.25 x 39.5
5. 111533-095	Panel, 5.375 x 79.38
6. 111533-096	Panel, 8 x 79.38
7. 111533-097	Panel, 6.25 x 79.38
8. 111533-098	Panel, 1.69 x 79.36
9. 111533-099	Panel, 1.69 x 79.36
10. 111533-0910	Panel, 2.75 x 79.33
11. 111533-0911	Panel, 2.75 x 79.33
12. 111533-0912	Panel, 24.625 x 3.5
13. 111533-0913	Panel, 24.625 x 3.5
14. 111533-0914	Panel, 23.625 x 3.75
15. 111533-0915	Panel, 2.5 x 79.02
16. 111533-0916	Panel, 3 x 78.94
17. 111533-0917	Panel, 8.71 x 79.36
18. 111533-0918	Panel, 78.86 x 32.76
19. 966894-09	Door, 25.5 x 72
20. 966879-09	Shower compartment
21. 966880-09	Wardrobe, forward
22. 966881-09	Wardrobe, aft
23. 111533-0932	Panel, 4.5 x 79.36
966884-09	Lavatory cabinet
114812	Aluminum angle, 1 x 1

# 2019 FLYING CLOUD FURNITURE, LAVATORY

## Bath Module, 28', Landmark



111582-09

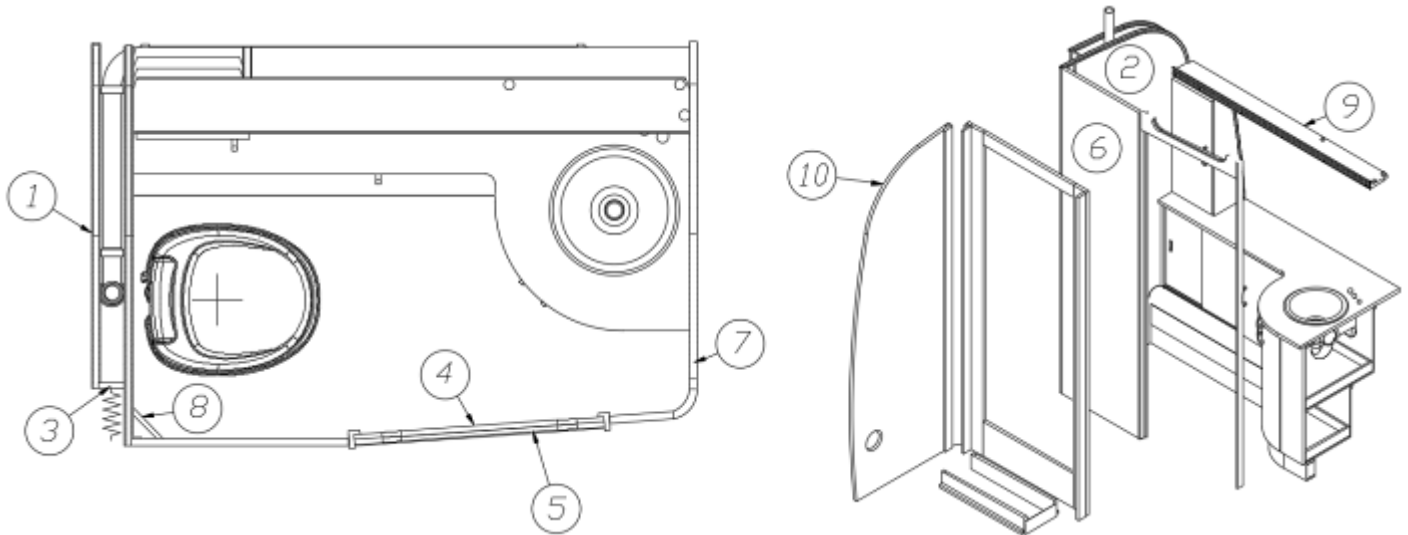
Bath Module

- |                                                                                                                                                         |                                                                                                                                                                                                                         |
|---------------------------------------------------------------------------------------------------------------------------------------------------------|-------------------------------------------------------------------------------------------------------------------------------------------------------------------------------------------------------------------------|
| <p>1. 966990-09<br/>2. 967394-09<br/>3. 967003-09<br/>4. 966967-09<br/>5. 966969-09<br/>6. 966994-09<br/>690621<br/>372203-15<br/>382550<br/>382551</p> | <p>Front wall assembly, Latrine<br/>Lavatory cabinet<br/>Medicine cabinet, Upper, 30"<br/>Shower compartment<br/>Wardrobe, RS<br/>Bath door<br/>Toilet, Dometic<br/>Mirror, 17 x 25.25<br/>Towel bar<br/>Towel ring</p> |
|---------------------------------------------------------------------------------------------------------------------------------------------------------|-------------------------------------------------------------------------------------------------------------------------------------------------------------------------------------------------------------------------|



# 2019 FLYING CLOUD FURNITURE, LAVATORY

## Bath Module, 30', Landmark



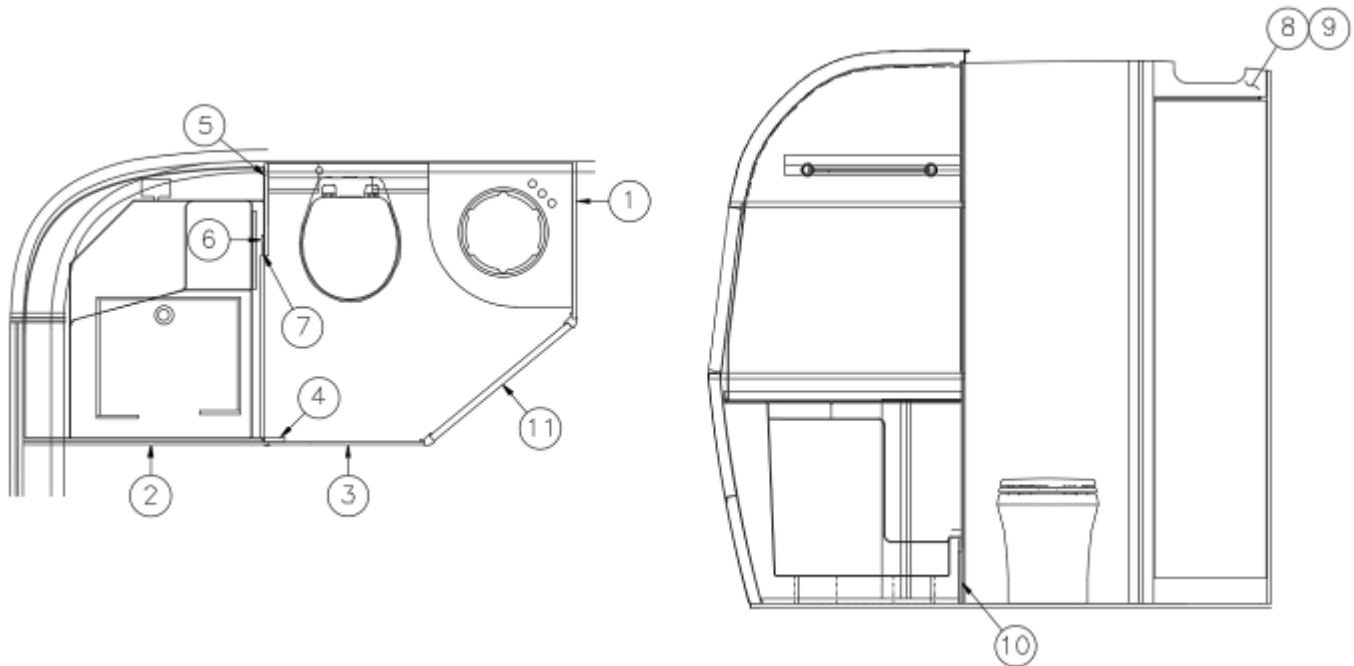
111838-09

Bath Module

- |                |                                 |
|----------------|---------------------------------|
| 1. 111838-091  | Panel, 34.06 x 78.99            |
| 2. 111838-092  | Panel, 39.58 x 79.32            |
| 3. 111838-093  | Panel, 2.75 x 78.99             |
| 4. 111838-094  | Panel, 4.01 x 26                |
| 5. 111838-095  | Panel, 4.01 x 26                |
| 6. 111838-096  | Panel, 21.25 x 79.32            |
| 7. 967524-09   | Sub assembly, Radius bath panel |
| 8. 111838-0917 | Panel, 4.5 x 79.36              |
| 9. 967526-09   | Upper lavy shelf                |
| 10. 967527-09  | Shower compartment              |
| 968405-01      | Bath door, 25 x 72              |
| 967521-09      | Lavy cabinet                    |
| 967525-09      | Upper lavy cabinet              |
| 801665-0036    | L-molding, Landmark             |
| 203464-01      | Wall extrusion, .75", Oak       |
| 203138-04      | Wall extrusion, .5", Oak        |

# 2019 FLYING CLOUD FURNITURE, LAVATORY

## Bath Module, 30' Bunk, Landmark



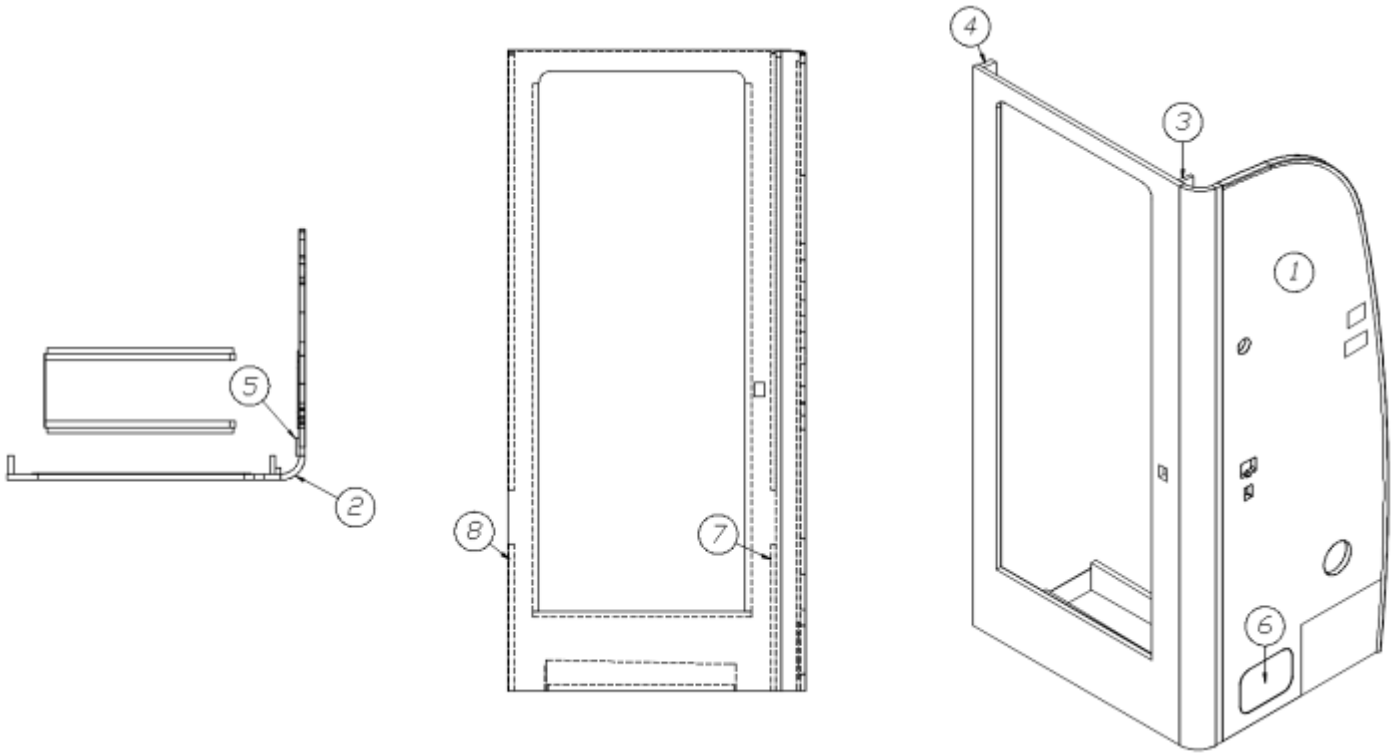
### 112045

### Bath Module

- |               |                                       |
|---------------|---------------------------------------|
| 1. 112045-1   | Panel, 23 x 77.81                     |
| 2. 112045-2   | Panel, 36.14 x 79.5                   |
| 3. 112045-3   | Panel, 23 x 79.5                      |
| 4. 112045-4   | Panel, 3 x 79.5                       |
| 5. 112045-5   | Panel, 14 x 75.82                     |
| 6. 112045-6   | Panel, 3 x 61                         |
| 7. 112045-7   | Panel, 3 x 7.75                       |
| 8. 112045-8   | Panel, 26.13 x 4.75                   |
| 9. 112045-9   | Panel, 26.13 x 4.75                   |
| 10. 112045-10 | Panel, 9.5 x 30                       |
| 11. 968823    | Door, 25.5 x 72                       |
| 967928        | Lavy cabinet                          |
| 115572-01     | Closeout, Forward Toilet              |
| 115572-02     | Closeout, Aft toilet                  |
| 371423        | Mirror, Wall mount, Nickel            |
| 602285        | Towel ring, Stainless Steel           |
| 381259-01     | Towel bar, Chrome                     |
| 203114        | Shower, 2 piece, Fiberglass           |
| 702937-06     | Shower door, Roll away                |
| 382143        | Gasket, White                         |
| 801394-0036   | Corner trim, 45°, 2" radius, Landmark |
| 203440        | T-molding, .8125, Black embossed      |

# 2019 FLYING CLOUD FURNITURE, LAVATORY

## Shower Compartment, 25', 30', Landmark



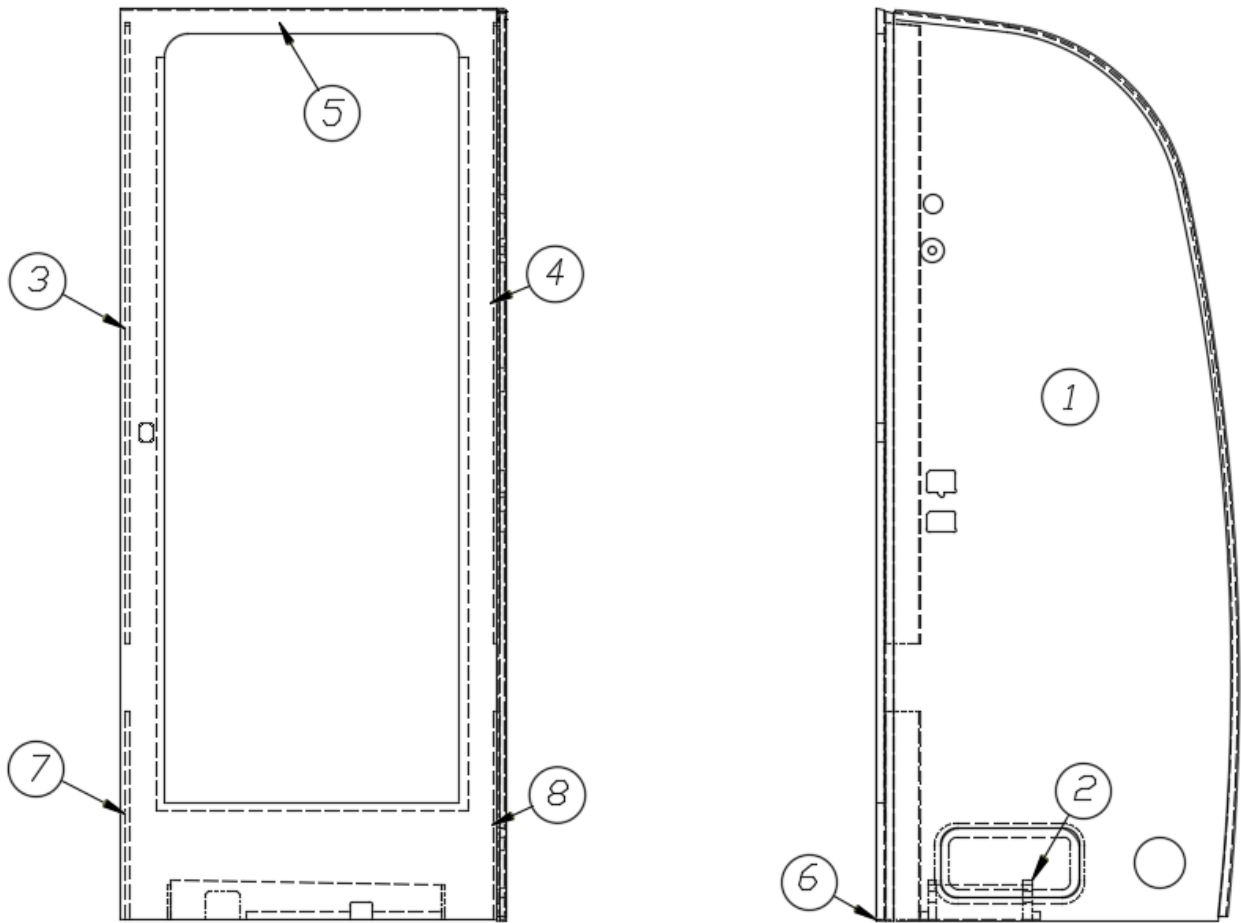
967527-09

Shower Compartment

- |               |                                        |
|---------------|----------------------------------------|
| 1. 967527-091 | Panel, 26.84 x 78.27                   |
| 2. 967528-09  | Sub assembly, Shower compartment       |
| 3. 967527-3   | Panel, 2.25 x 53.91                    |
| 4. 967527-4   | Panel, 2.25 x 53.91                    |
| 5. 967527-5   | Panel, 2.25 x 77.5                     |
| 6. 967527-096 | Panel, 21.44 x 6.44                    |
| 7. 967527-15I | Panel, 2.25 x 18                       |
| 8. 967527-16  | Panel, 2.25 x 18                       |
| 203081-01     | Shower stall, 2 piece, Fiberglass      |
| 703911-01     | Shower door, 25.5 x 65, Brushed Nickel |
| 961916        | Shower stand                           |
| 203464-01     | Wall extrusion, .75", Oak              |
| 454727-01     | Angle, Shower frame, 27"               |
| 454727-02     | Angle, Shower frame, 63.5"             |
| 203647        | T-molding, 13/16", Chamois Yellow      |

# 2019 FLYING CLOUD FURNITURE, LAVATORY

## Shower Compartment, 25FB, 27FB, Landmark



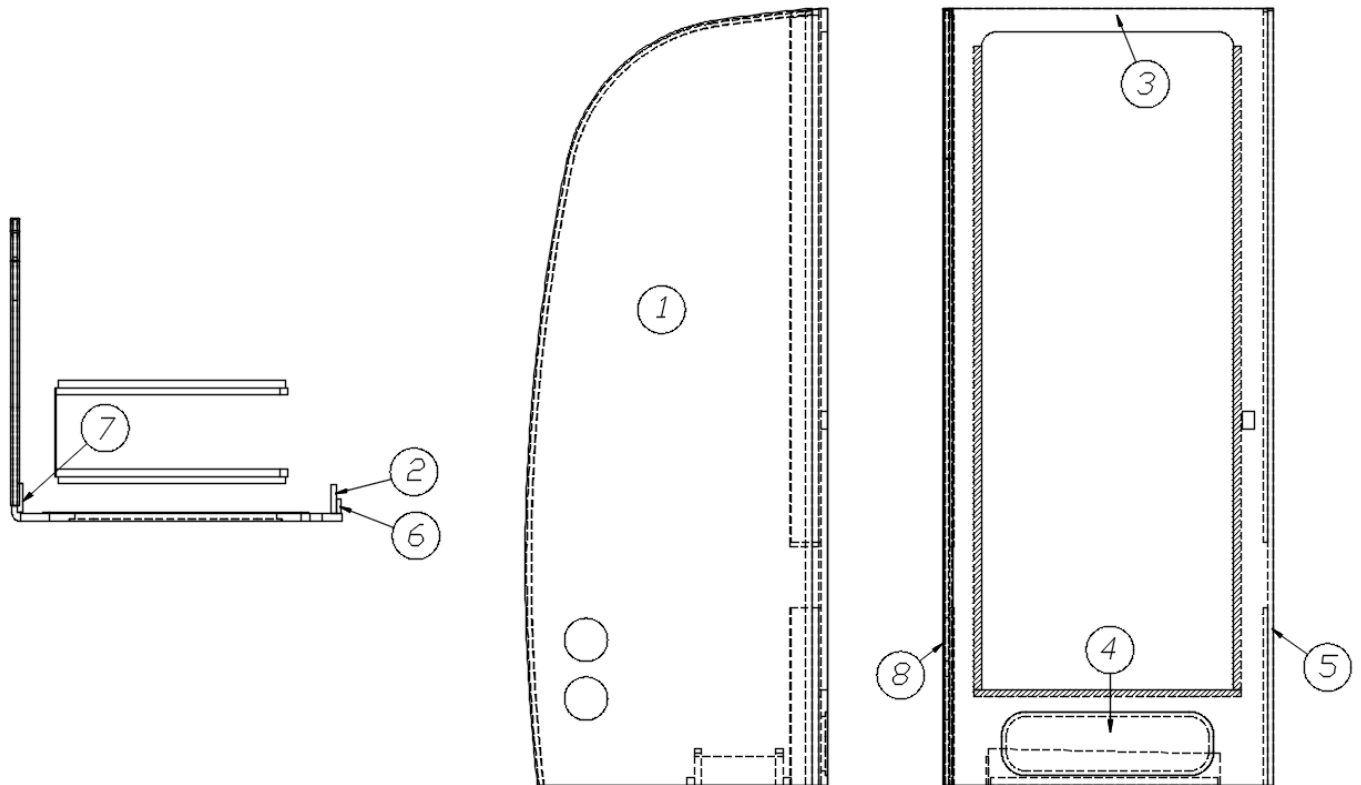
966879-09

Shower compartment

- |                |                                        |
|----------------|----------------------------------------|
| 1. 966879-091  | Panel, 29.72 x 78.75                   |
| 2. 961916      | Shower stand                           |
| 3. 966879-093  | Panel, 3 x 78.94                       |
| 4. 966879-094  | Panel, 3 x 78.94                       |
| 5. 966879-095  | Panel, 32.5 x 79                       |
| 6. 801706-0036 | Corner trim, 90°, 1" radius, Landmark  |
| 7. 966879-0914 | Panel, 3 x 18                          |
| 8. 966879-0915 | Panel, 3 x 18                          |
| 203081-02      | Shower stall, 2 piece, Fiberglass      |
| 703911-01      | Shower door, 25.5 x 65, Brushed Nickel |
| 203138-04      | Extrusion, Plastic, .5", Oak           |
| 203440         | T-molding, .8125, Black Embossed       |

# 2019 FLYING CLOUD FURNITURE, LAVATORY

## Shower Compartment, 28', Landmark



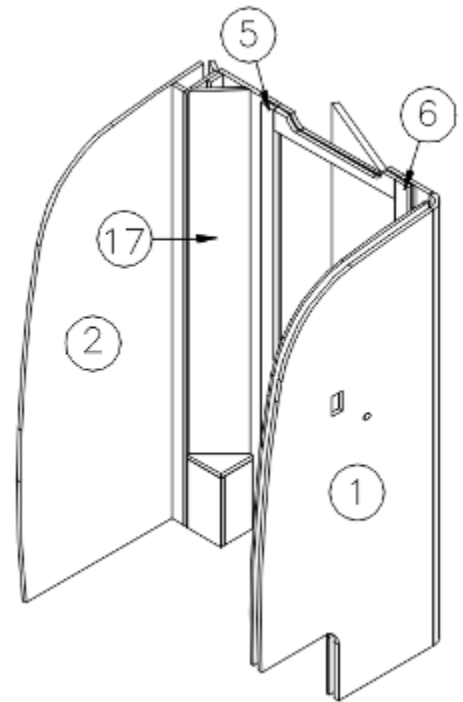
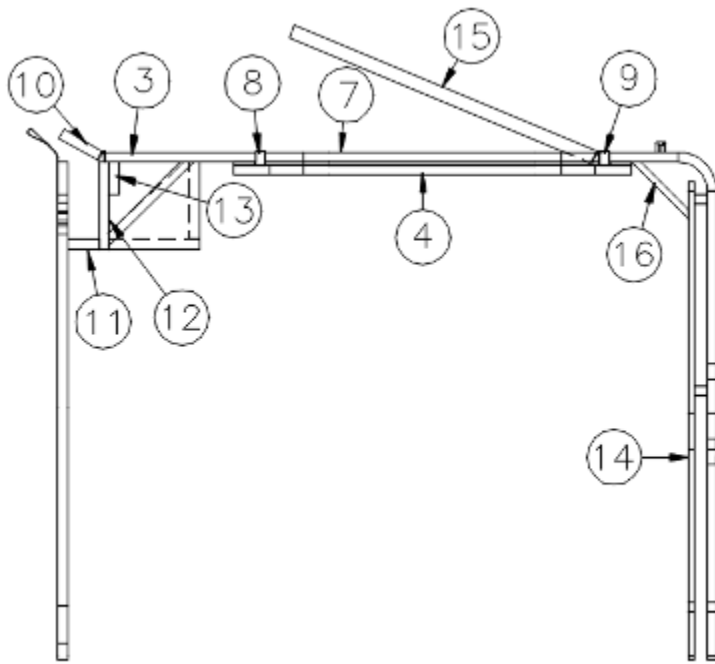
966967-09

Shower Compartment

- |               |                                        |
|---------------|----------------------------------------|
| 1. 966967-091 | Panel, 29.89 x 78.65                   |
| 2. 966967-092 | Panel, 3 x 54                          |
| 3. 966967-093 | Panel, 33.06 x 78.71                   |
| 4. 966967-094 | Panel, 21.44 x 6.44                    |
| 5. 966967-12  | Panel, 3 x 18                          |
| 6. 966967-13  | Panel, 1.5 x 54                        |
| 7. 966967-14  | Panel, 1.5 x 54                        |
| 8. 966967-17  | Panel, 3 x 18                          |
| 961916        | Shower stand                           |
| 203081-01     | Shower stall, 2 piece, Fiberglass      |
| 703911-01     | Shower door, 25.5 x 65, Brushed Nickel |
| 203647        | T-molding, 13/16", Chamois Yellow      |

# 2019 FLYING CLOUD FURNITURE, LAVATORY

## Latrine, Front Wall, 28', Landmark



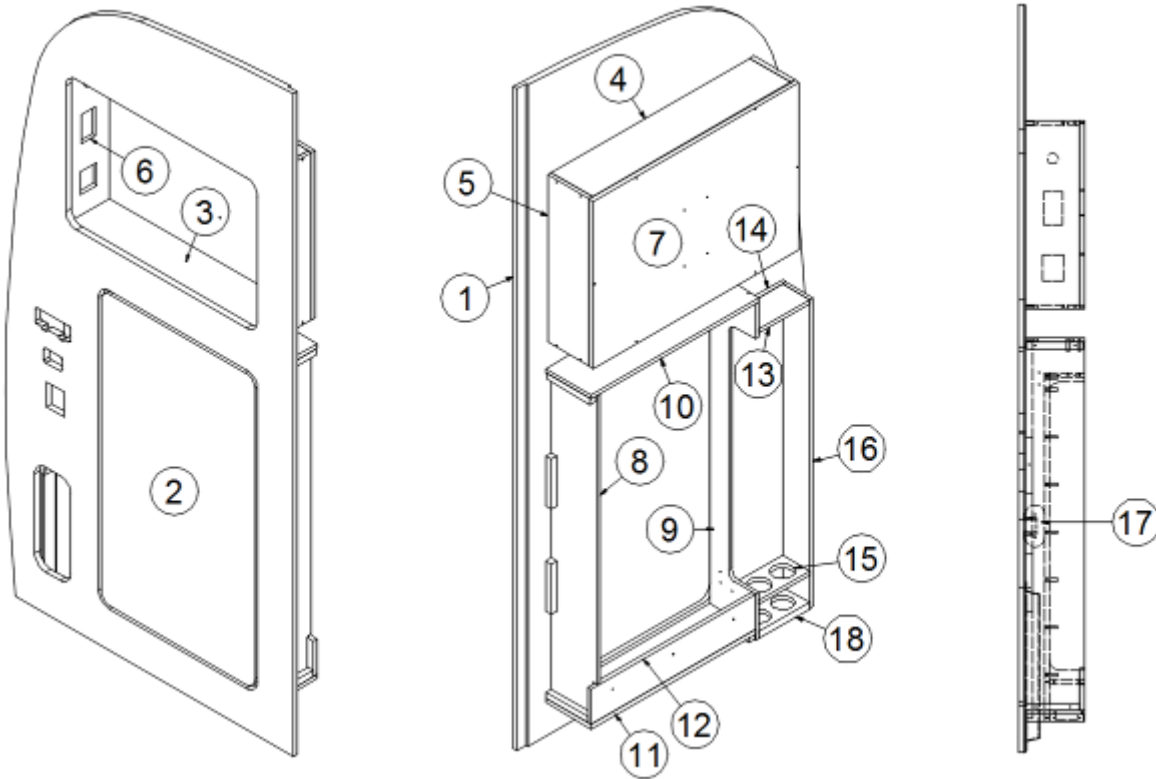
966990-09

Front Wall Latrine

- |                 |                                  |
|-----------------|----------------------------------|
| 1. 966991-09    | Forward latrine wall             |
| 2. 966990-092   | Panel, 38.58 x 79.22             |
| 3. 966990-093   | Panel, 11.69 x 79.5              |
| 4. 966990-094   | Panel, 25.25 x 3.75              |
| 5. 966990-095   | Panel, 2.88 x 79.32              |
| 6. 966990-096   | Panel, 2.88 x 79.32              |
| 7. 966990-097   | Panel, 26 x 3.41                 |
| 8. 966990-098   | Panel, 1.06 x 79.42              |
| 9. 966990-099   | Panel, 1.06 x 79.42              |
| 10. 966990-0910 | Door, 4.19 x 77.41               |
| 11. 966990-0911 | Panel, 3.25 x 78.82              |
| 12. 966990-0912 | Panel, 6.75 x 79.34              |
| 13. 966990-0913 | Panel, 2.5 x 79.38               |
| 14. 966990-0914 | Panel, 37.08 x 79.15             |
| 15. 966994-09   | Bath door                        |
| 16. 966990-0922 | Panel, 6.18 x 79.195             |
| 17. 966996      | Closeout, Black tank vent        |
| 702681-08       | Door, Foldette, 60" x 73", Beige |
| 381802-01       | Tap cap, White                   |
| 380203-01       | Piano hinge, 1/8" pin            |

# 2019 FLYING CLOUD FURNITURE, LAVATORY

## Entry Cabinet, 26U, Landmark



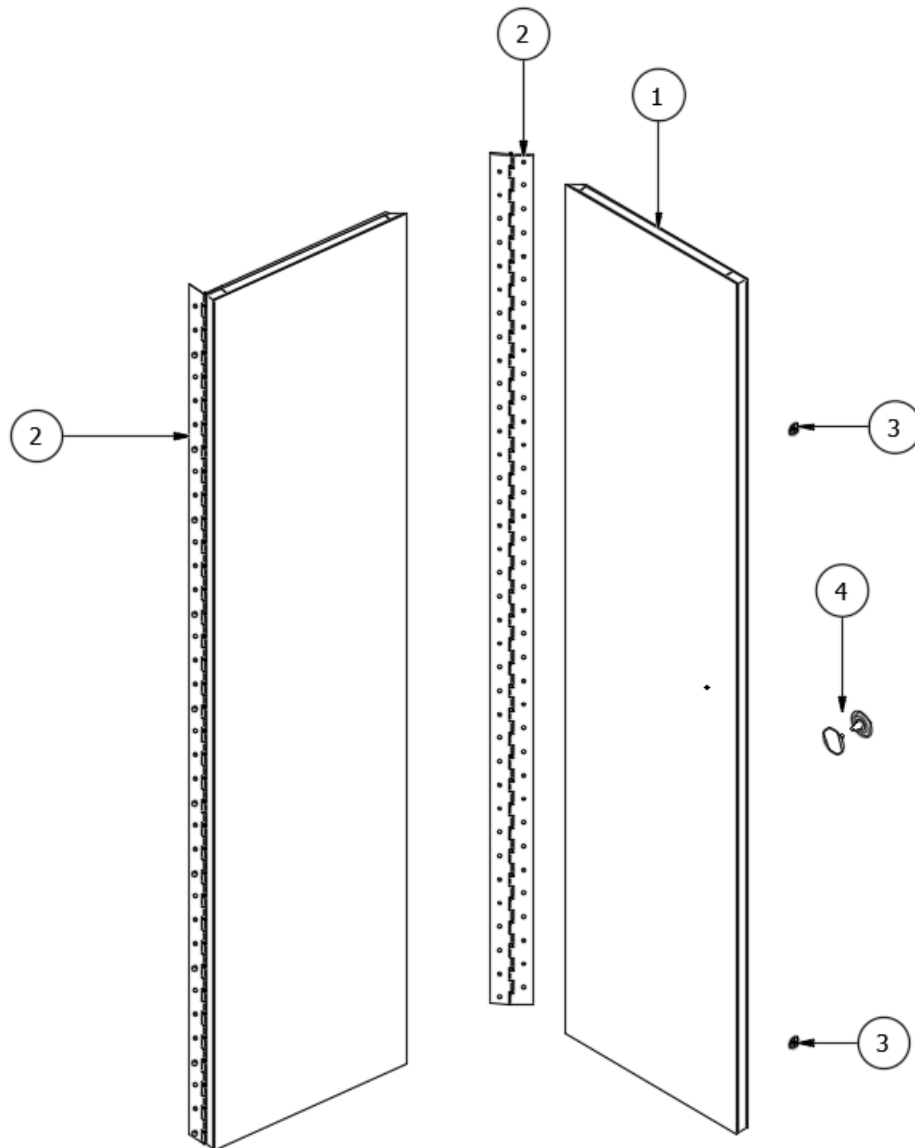
968334

Entry Cabinet

- |               |                      |
|---------------|----------------------|
| 1. 968334-1   | Panel, 39.88 x 79.25 |
| 2. 968334-2   | Panel, 21.25 x 37.25 |
| 3. 968334-3   | Panel, 5.75 x 27.5   |
| 4. 968334-4   | Panel, 5.75 x 27.38  |
| 5. 968334-5   | Panel, 6.25 x 20.75  |
| 6. 968334-6   | Panel, 6.25 x 20.75  |
| 7. 968334-7   | Panel, 27.5 x 19.5   |
| 8. 968334-8   | Panel, 6.25 x 39.5   |
| 9. 968334-9   | Panel, 6.25 x 40.25  |
| 10. 968334-10 | Panel, 6.25 x 23.25  |
| 11. 968334-11 | Panel, 5.75 x 21.5   |
| 12. 968334-12 | Panel, 5.5 x 22.75   |
| 13. 968334-13 | Panel, 3.75 x 7      |
| 14. 968334-14 | Panel, 7.5 x 37      |
| 15. 968334-15 | Panel, 3.75 x 7      |
| 16. 968334-16 | Panel, 3.75 x 37     |
| 17. 968334-17 | Panel, 4.5 x 2       |
| 18. 968334-28 | Panel, 3.75 x 7      |
| 203647        | T-molding, 13/16"    |

# 2019 FLYING CLOUD FURNITURE, LAVATORY

Bath Door, 19', 23CB, Landmark



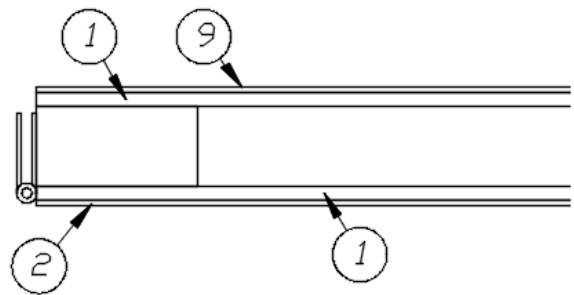
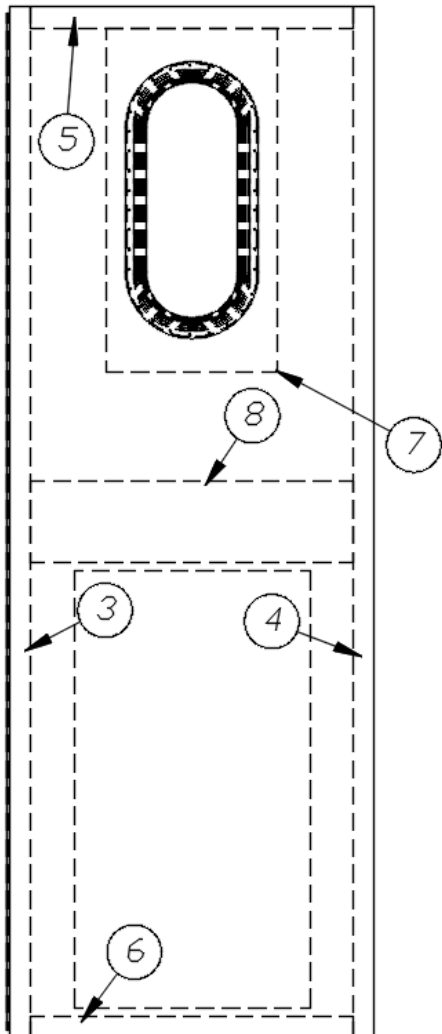
968783 Bath Door, Bi-fold

- 1. 968730 Bath Door panel
- 2. 382518 Piano Hinge, 3" Open
- 3. 382527 Magnet - 7/8 dia.
- 4. 382582 Knob, Bathroom Door



# 2019 FLYING CLOUD FURNITURE, LAVATORY

## Bath Door, 20', Landmark



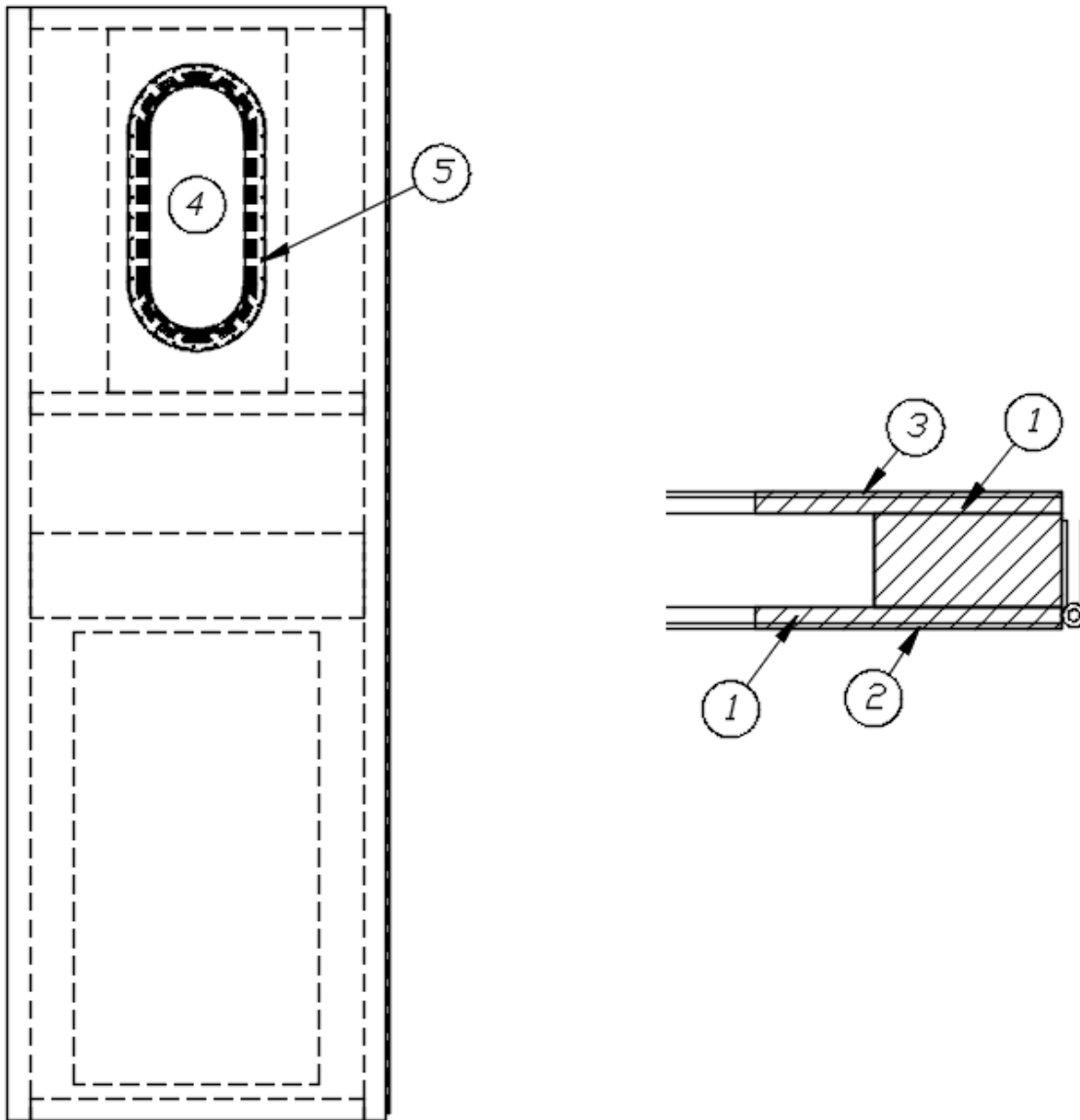
966940-09

Bath Door W/Porthole

- |              |                       |
|--------------|-----------------------|
| 1. 801917-01 | Panel, MDF, 26" x 76" |
| 2. 802130-01 | Laminate, Landmark    |
| 3. 966940-4  | Panel, 1.5 x 72.5     |
| 4. 966940-5  | Panel, 1.5 x 72.5     |
| 5. 966940-6  | Panel, 1.5 x 23.25    |
| 6. 966940-8  | Panel, 1.5 x 23.25    |
| 7. 966940-9  | Panel, 12 x 24        |
| 8. 966940-10 | Panel, 5.69 x 23.25   |
| 9. 801355-01 | Laminate, Frost White |
| 371438       | Window                |
| 203761-02    | Window trim, 18"      |
| 380203-01    | Piano hinge, 1/8 pin  |

# 2019 FLYING CLOUD FURNITURE, LAVATORY

Bath Door, 23FB, Landmark



967637-09

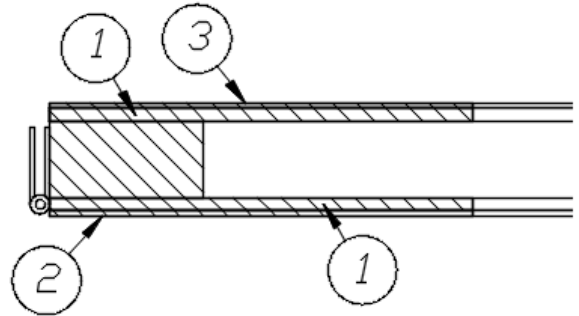
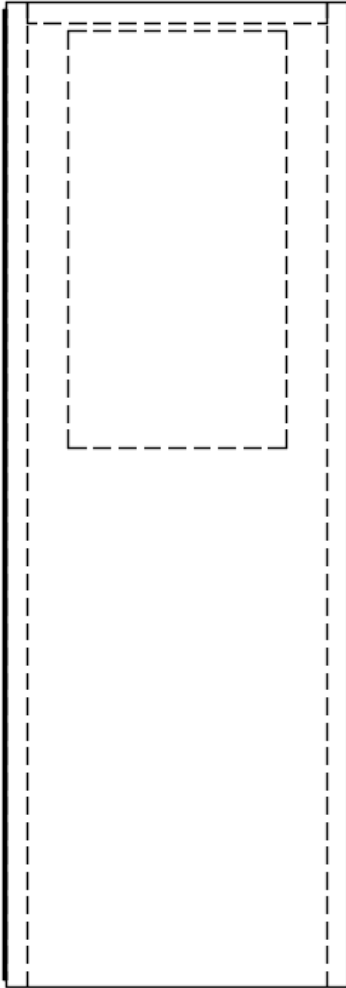
Bath Door w/Porthole

- 1. 801917-01
- 2. 802130-01
- 3. 801809
- 4. 371438
- 5. 203761-02
- 381771
- 380203-01
- 454320

- Panel, MDF, 26 x 76
- Laminate, Landmark
- Laminate, White liner
- Window, 18"
- Window trim, 18"
- Latch, Lever lockset
- Piano hinge, 1/8" Pin, Clear Anodized
- Door handle cover

# 2019 FLYING CLOUD FURNITURE, LAVATORY

Bath Door, 25', 30', Landmark



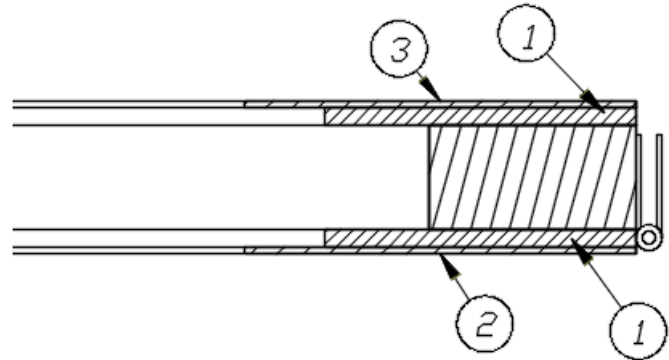
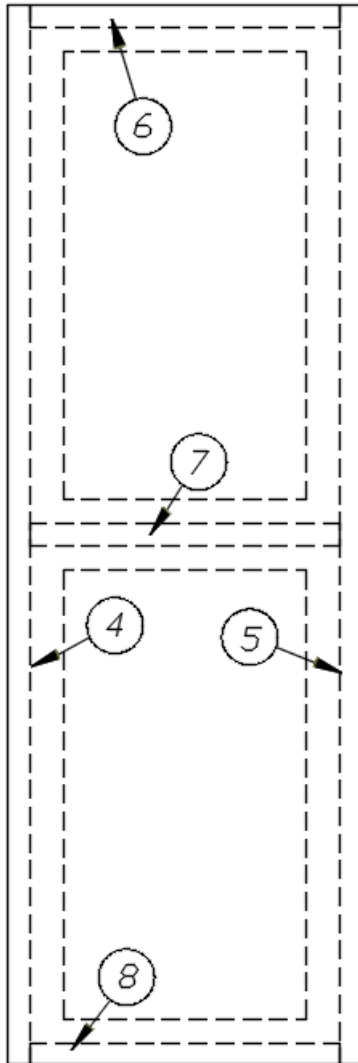
968405-01

Bath Door

- 1. 801917-01 Panel, MDF, 26" x 76"
- 2. 802130-01 Laminate, Landmark
- 3. 801355-01 Laminate, Frosty White
- 380203-01 Piano hinge
- 382034 Latch, Flush mount

# 2019 FLYING CLOUD FURNITURE, LAVATORY

Bath Door, 25FB, 27FB, Landmark



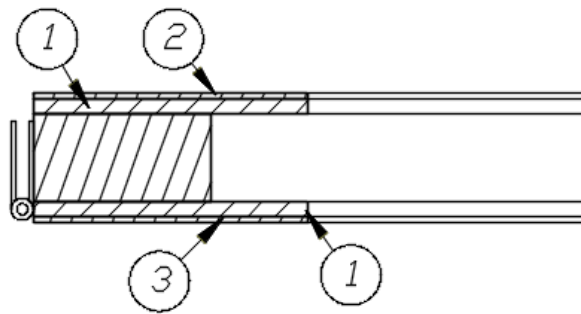
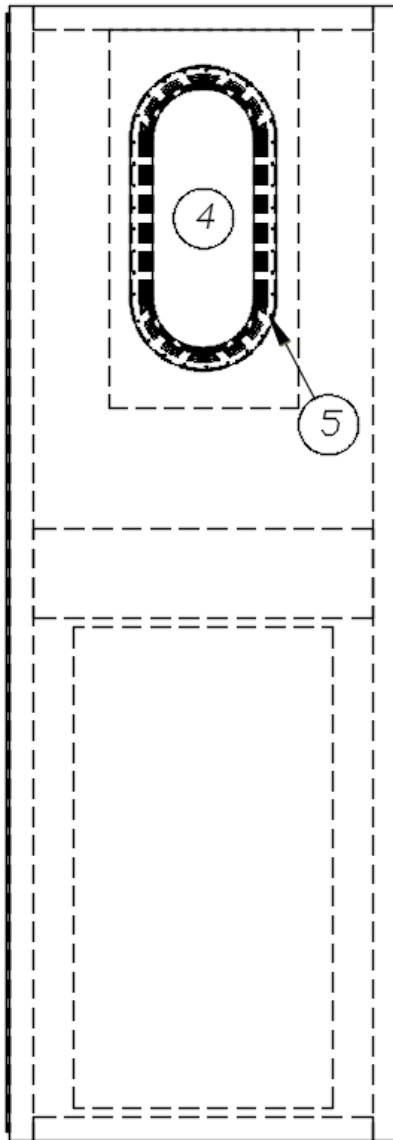
966894-09

Bath Door

- |                                                                                                                                                                                                                                                                         |                                                                                                                                                                                                                                                                                                                                                          |
|-------------------------------------------------------------------------------------------------------------------------------------------------------------------------------------------------------------------------------------------------------------------------|----------------------------------------------------------------------------------------------------------------------------------------------------------------------------------------------------------------------------------------------------------------------------------------------------------------------------------------------------------|
| <ul style="list-style-type: none"> <li>1. 801917-01</li> <li>2. 802130-01</li> <li>3. 801355-01</li> <li>4. 966894-4</li> <li>5. 966894-5</li> <li>6. 966894-6</li> <li>7. 966894-8</li> <li>8. 966894-10</li> <li>381771</li> <li>380203-01</li> <li>454320</li> </ul> | <ul style="list-style-type: none"> <li>Panel, MDF, 26 x 76</li> <li>Laminate, Landmark</li> <li>Laminate, Frost White</li> <li>Panel, 1.5 x 72.5</li> <li>Panel, 1.5 x 72.5</li> <li>Panel, 1.5 x 21.75</li> <li>Panel, 1.5 x 21.75</li> <li>Panel, 1.5 x 21.75</li> <li>Latch, lever lockset</li> <li>Piano hinge</li> <li>Door handle cover</li> </ul> |
|-------------------------------------------------------------------------------------------------------------------------------------------------------------------------------------------------------------------------------------------------------------------------|----------------------------------------------------------------------------------------------------------------------------------------------------------------------------------------------------------------------------------------------------------------------------------------------------------------------------------------------------------|

# 2019 FLYING CLOUD FURNITURE, LAVATORY

## Bath Door, 26U, Landmark



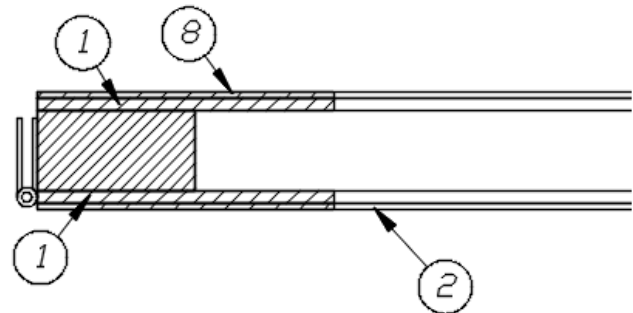
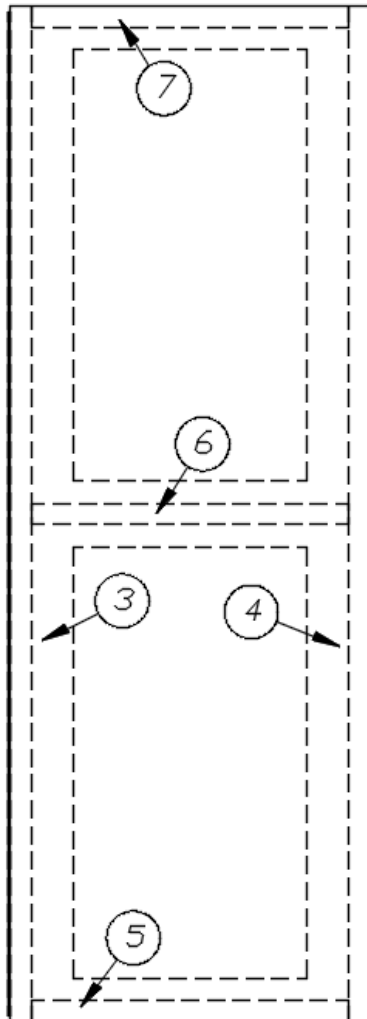
968349

Bath Door w/Porthole

- |              |                            |
|--------------|----------------------------|
| 1. 801917-01 | Panel, MDF, 26 x 76        |
| 2. 801355-01 | Laminate, Frosted White    |
| 3. 802130-01 | Laminate, Landmark         |
| 4. 371438    | Window, 9.25 x 19.31       |
| 5. 203761-02 | Window trim, 18"           |
| 382034       | Latch, Flush mount         |
| 380203-01    | Piano hinge                |
| 386304-02    | Edgebanding .94", Landmark |

# 2019 FLYING CLOUD FURNITURE, LAVATORY

Bath Door, 28', Landmark



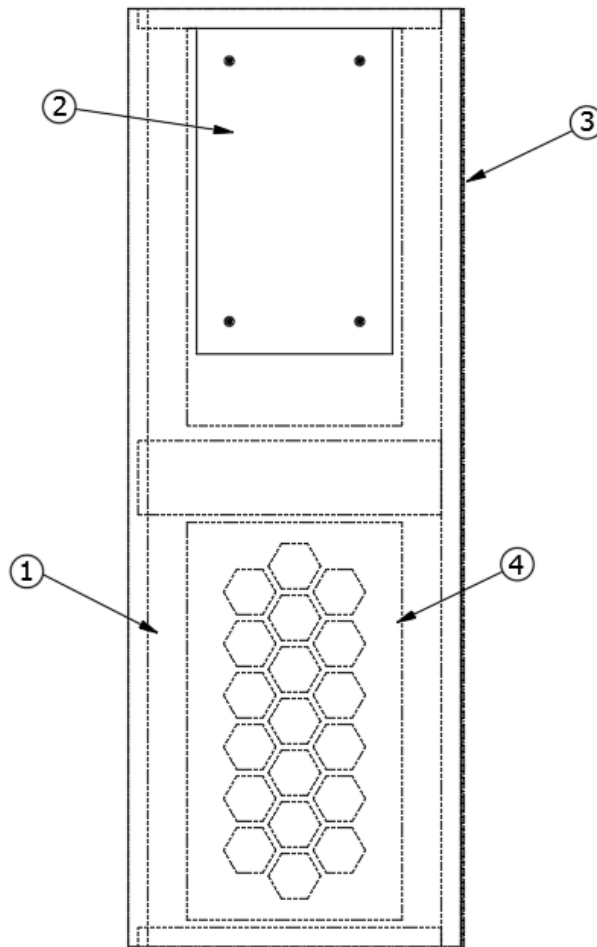
966994-09

Bath Door

- |                                                                                                                                                                                                                                                                           |                                                                                                                                                                                                                                                                                                                                                                  |
|---------------------------------------------------------------------------------------------------------------------------------------------------------------------------------------------------------------------------------------------------------------------------|------------------------------------------------------------------------------------------------------------------------------------------------------------------------------------------------------------------------------------------------------------------------------------------------------------------------------------------------------------------|
| <ul style="list-style-type: none"> <li>1. 801917-01</li> <li>2. 802130-01</li> <li>3. 966994-3</li> <li>4. 966994-4</li> <li>5. 966994-5</li> <li>6. 966994-7</li> <li>7. 966994-9</li> <li>8. 801355-01</li> <li>381771</li> <li>386304-03</li> <li>380203-01</li> </ul> | <ul style="list-style-type: none"> <li>Panel, MDF, 26 x 76</li> <li>Laminate, Landmark</li> <li>Panel, 1.5 x 72.5</li> <li>Panel, 1.5 x 72.5</li> <li>Panel, 1.5 x 22.5</li> <li>Panel, 1.5 x 22.5</li> <li>Panel, 1.5 x 22.5</li> <li>Laminate, Frost White</li> <li>Lockset, Latch/lever</li> <li>Edgebanding, 1.25", Landmark</li> <li>Piano hinge</li> </ul> |
|---------------------------------------------------------------------------------------------------------------------------------------------------------------------------------------------------------------------------------------------------------------------------|------------------------------------------------------------------------------------------------------------------------------------------------------------------------------------------------------------------------------------------------------------------------------------------------------------------------------------------------------------------|

# 2019 FLYING CLOUD FURNITURE, LAVATORY

## Bath Door, 30' Bunk, Landmark



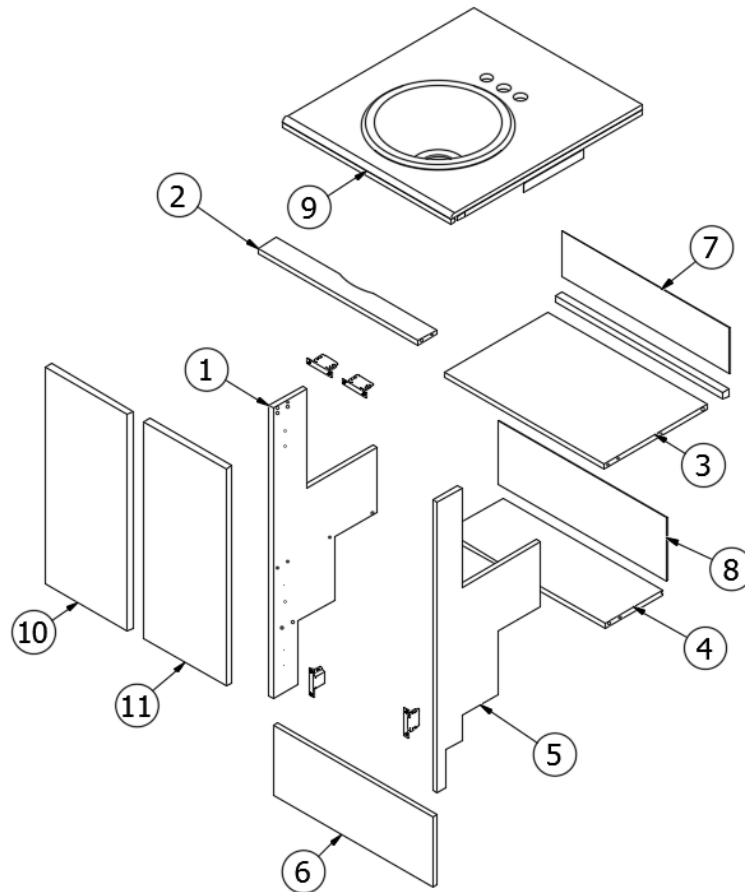
968823

Bath Door

- |                                                                                                                                         |                                                                                                                                                                                                                                                                                 |
|-----------------------------------------------------------------------------------------------------------------------------------------|---------------------------------------------------------------------------------------------------------------------------------------------------------------------------------------------------------------------------------------------------------------------------------|
| <ol style="list-style-type: none"> <li>1. 968823&amp;000201DE</li> <li>2. 371467</li> <li>3. 380203-01</li> <li>4. 801916-01</li> </ol> | <p>Laminate Panel<br/>Mirror<br/>Piano Hinge<br/>Honeycomb, 7.3 x 16.5 x 30.5<br/>Pine Support<br/>Door Support Pine<br/>Door Window Support<br/>Door Support<br/>Laminate<br/>Latch Flush Mount<br/>Latch-Lever Lockset<br/>Edgeband Landmark Wood 15/16" 1MM<br/>Laminate</p> |
|-----------------------------------------------------------------------------------------------------------------------------------------|---------------------------------------------------------------------------------------------------------------------------------------------------------------------------------------------------------------------------------------------------------------------------------|

# 2019 FLYING CLOUD FURNITURE, LAVATORY

## Lavatory Cabinet, 19', 23CB, Landmark



966919-09

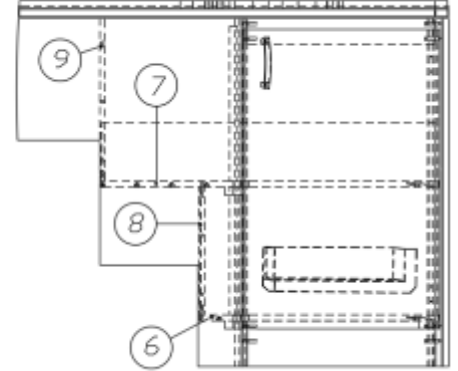
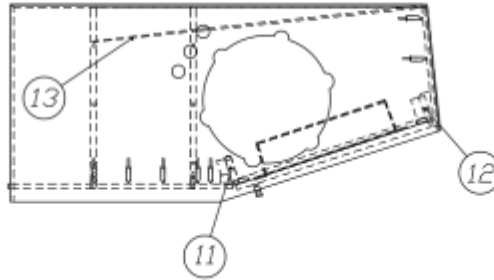
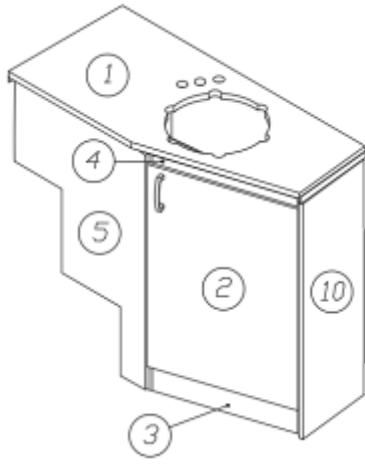
Lavatory Cabinet

- |                 |                                |
|-----------------|--------------------------------|
| 1. 966919-091   | Panel, 12.38 x 30              |
| 2. 966919-092   | Panel, 2.25 x 19               |
| 3. 966919-093   | Panel, 12.38 x 19              |
| 4. 966919-094   | Panel, 6.81 x 19               |
| 5. 966919-095   | Panel, 12.38 x 30              |
| 6. 966919-096   | Panel, 19 x 7.25               |
| 7. 966919-097   | Panel, 4.75 x 20               |
| 8. 966919-098   | Panel, 6.5 x 20                |
| 9. 967364-09    | Lavatory top                   |
| 10. 966919-0913 | Door, 9.75 x 22.88             |
| 11. 966919-0914 | Door, 9.75 x 22.88             |
| 114812          | Aluminum angle, 1 x 1          |
| 381607-12       | Hinge bracket                  |
| 381607-11       | Hinge, Self-close              |
| 382044          | Handle, Brushed Nickel         |
| 381228-02       | Catch, Grabber door (5lb Pull) |



# 2019 FLYING CLOUD FURNITURE, LAVATORY

## Lavatory Cabinet, 20', Landmark



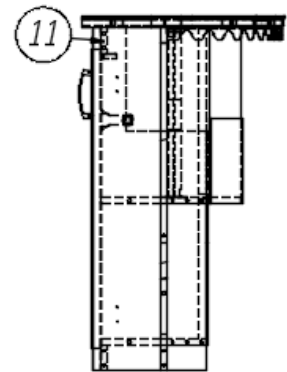
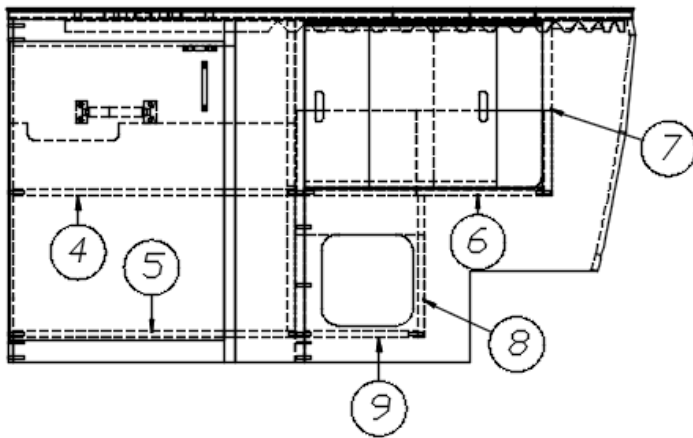
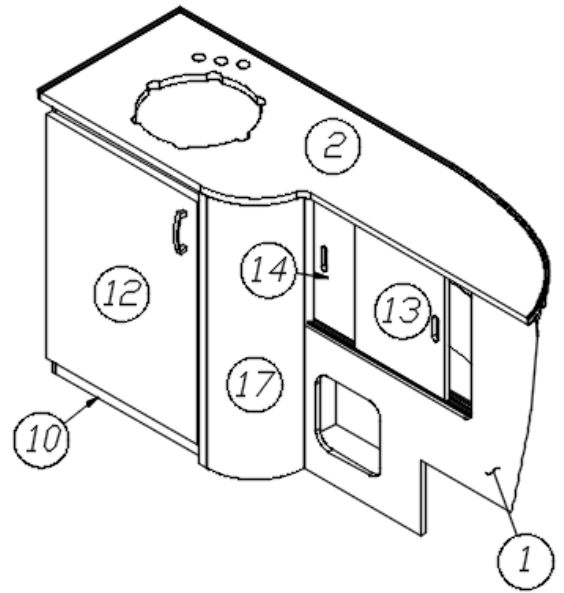
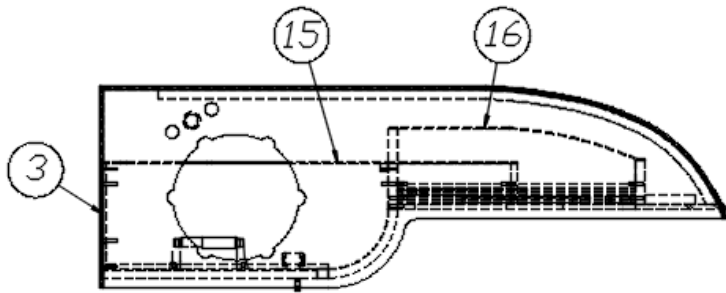
967342-09

Lavatory Cabinet

- |                 |                                |
|-----------------|--------------------------------|
| 1. 967342-091   | Top, 37.13 x 16.88             |
| 2. 967342-092   | Door, 17.63 x 24.75            |
| 3. 967342-093   | Panel, 4 x 17.13               |
| 4. 967342-094   | Panel, 2.25 x 17.13            |
| 5. 967342-095   | Panel, 19.44 x 30              |
| 6. 967342-096   | Panel, 20.77 x 15.19           |
| 7. 967342-097   | Panel, 29.4 x 15.19            |
| 8. 967342-098   | Panel, 11 x 15.19              |
| 9. 967342-099   | Panel, 14 x 15.19              |
| 10. 967342-0910 | Panel, 10.33 x 30              |
| 11. 967342-0911 | Panel, 2.25 x 30               |
| 12. 967342-0912 | Panel, 2.25 x 30               |
| 13. 967342-0913 | Panel, 29.13 x 17              |
| 382044          | Handle, Brushed Nickel         |
| 381228-02       | Catch, Grabber door (5lb Pull) |
| 381607-11       | Hinge, Self-close              |
| 203383          | Magazine rack                  |
| 201673          | Reverse cove molding, White    |
| 380034          | Toilet paper holder, Chrome    |

# 2019 FLYING CLOUD FURNITURE, LAVATORY

## Lavatory Cabinet, 23FB, Landmark



Parts Listed on Next Page

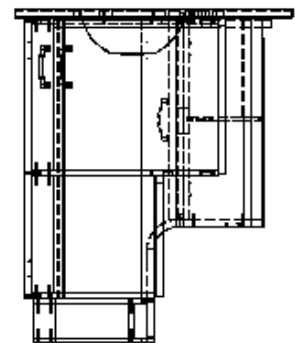
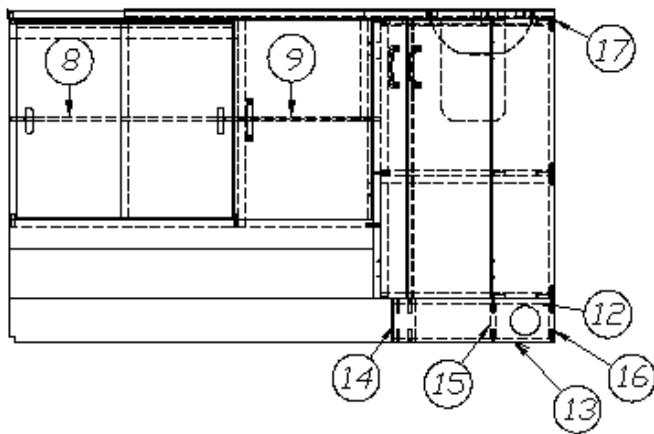
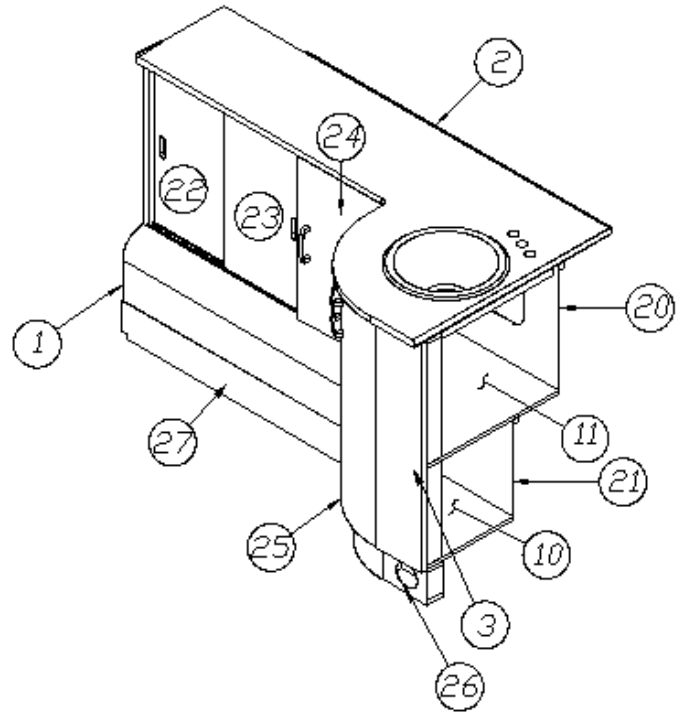
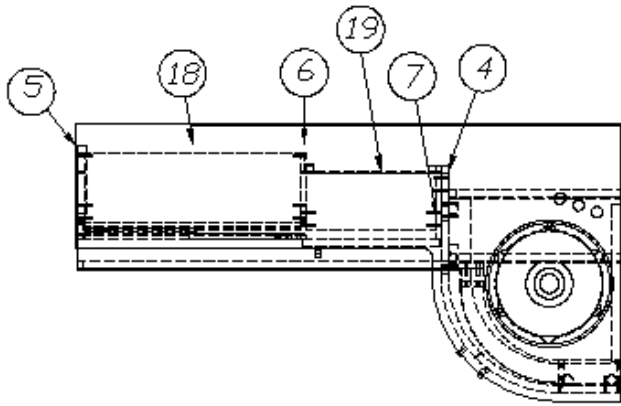
## 2019 FLYING CLOUD FURNITURE, LAVATORY

### Lavatory Cabinet, 23FB, Landmark

967321-09	Lavatory Cabinet
1. 967321-091	Panel, 26.87 x 30
2. 967321-092	Top, 54.48 x 17.5
3. 967321-093	Panel, 9.27 x 30
4. 967321-094	Panel, 9.27 x 24.64
5. 967321-095	Panel, 9.27 x 24.64
6. 967321-096	Panel, 7.02 x 20.85
7. 967321-097	Panel, 3.75 x 15.38
8. 967321-098	Panel, 3.5 x 12.88
9. 967321-099	Panel, 3.5 x 10
10. 967321-0910	Panel, 2.25 x 19.42
11. 967321-0911	Panel, 2.25 x 19.42
12. 967321-0912	Door, 18.67 x 26.13
13. 967321-0913	Door, 11.25 x 14.5
14. 967321-0914	Door, 11.25 x 14.5
15. 967321-0915	Panel, 25.17 x 18.75
16. 967321-0917	Panel, 22.38 x 7.5
17. 967198-09	Lavy sub assembly, Radius
380034	Toilet paper holder, Chrome
381607-11	Hinge, Self-close
382044	Pull bar, Brush Nickel
382030	Pull, Recessed finger
381228-02	Catch, Grabber door (5lb Pull)
115374	Extrusion, Sliding door track, .5"
114812	Aluminum angle, 1 x 1
201673	Reverse cove molding, White
203445	Molding, .5", Black flexible poly

# 2019 FLYING CLOUD FURNITURE, LAVATORY

Lavatory Cabinet, 25', Landmark



Parts Listed on Next Page

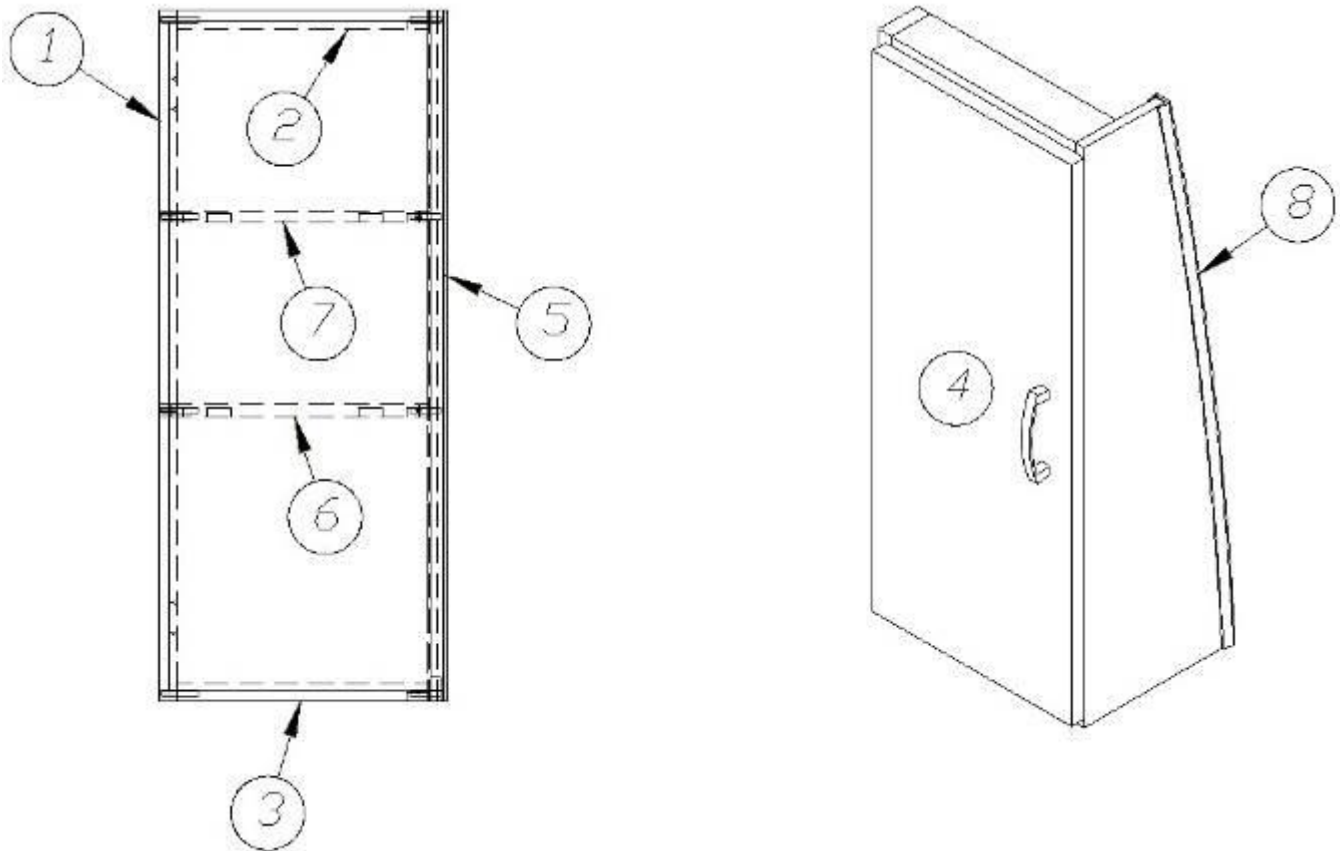
## 2019 FLYING CLOUD FURNITURE, LAVATORY

### Lavatory Cabinet, 25', Landmark

967521-09	Lavatory Cabinet
1. 967522-09	Lavy base sub assembly
2. 967538-09	Lavatory top
3. 967521-093	Panel, 6.44 x 28.5
4. 967521-094	Panel, 10.3 x 28.5
5. 967521-095	Panel, 9.5 x 20.5
6. 967521-096	Panel, 9.5 x 20.5
7. 967521-7	Panel, 7.55 x 20.5
8. 967521-8	Panel, 7.5 x 22.19
9. 967521-9	Panel, 4.49 x 13.25
10. 967521-10	Panel, 12.5 x 17.75
11. 967521-11	Panel, 19 x 17.75
12. 967521-12	Panel, 11.56 x 16.5
13. 967521-13	Panel, 11.56 x 16.5
14. 967521-14	Panel, 2.25 x 3.5
15. 967521-0915	Panel, 2.25 x 3.5
16. 967521-16	Panel, 2.25 x 3.5
17. 967521-21	Panel, 19 x 17.75
18. 967521-22	Panel, 23.44 x 19.25
19. 967521-23	Panel, 13.75 x 11
20. 967521-24	Panel, 16 x 17.75
21. 967521-25	Panel, 17.75 x 12.5
22. 967521-0926	Door, 11.34 x 20.13
23. 967521-0927	Door, 11.34 x 20.13
24. 967521-0928	Door, 13.88 x 20.25
25. 801788-0136	Door, 9.18 x 28.25, Landmark
26. 115438-03	Toekick, 23.75"
27. 115438-04	Toekick, 39.13"
967521-41	Panel, 10 x 13.22
382030	Pull, Recessed finger
381607-10	Hinge, Self-close
381228-02	Catch, Grabber door (5lb Pull)
381808-01	Hinge bracket
382044	Handle, Brushed Nickel

## 2019 FLYING CLOUD FURNITURE, LAVATORY

### Lavatory Cabinet, Upper, 25', Landmark



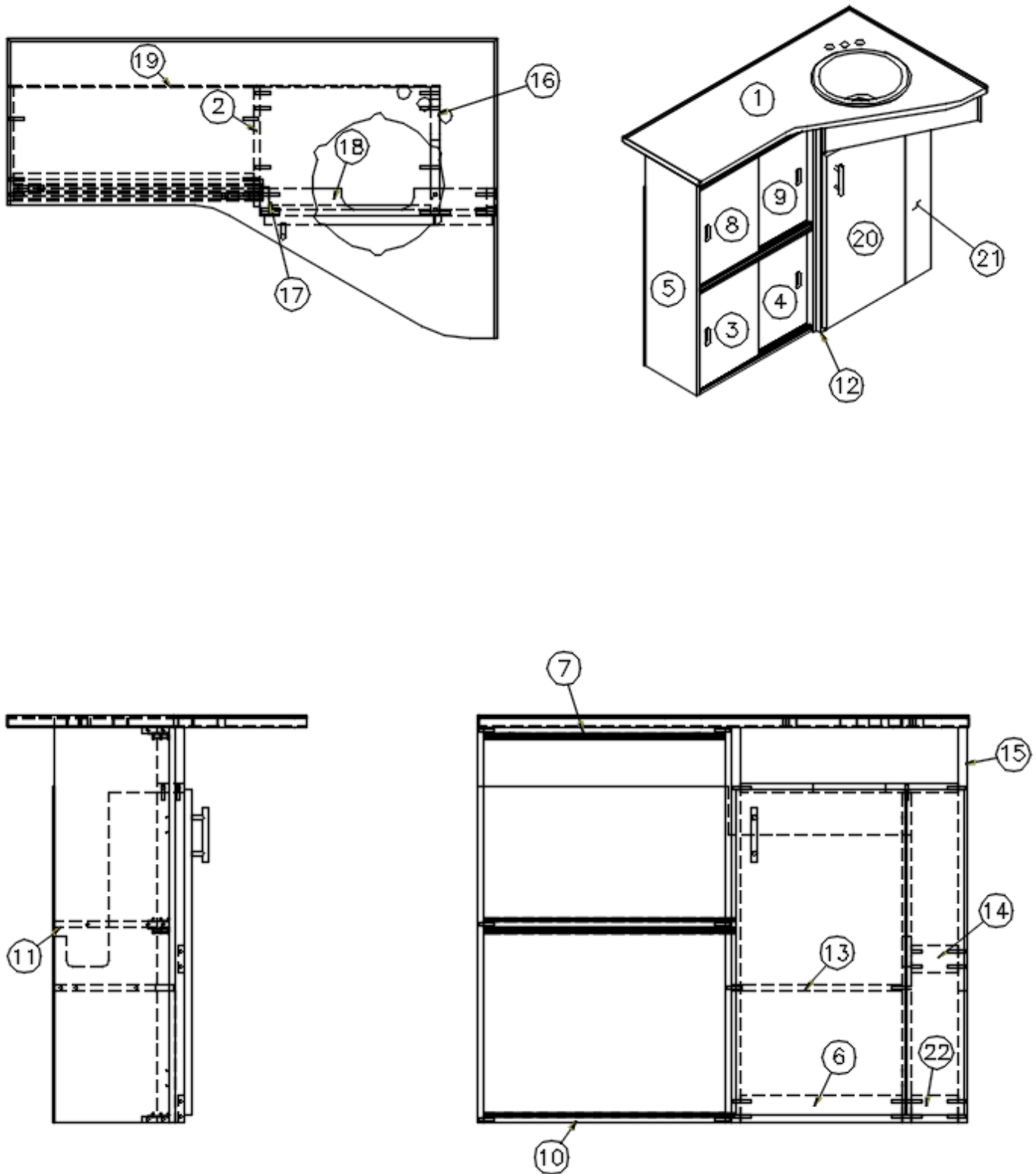
967525-09

Upper Lavatory Cabinet

- |               |                                |
|---------------|--------------------------------|
| 1. 967525-1   | Panel, 2.25 x 28.5             |
| 2. 967525-2   | Panel, 2.25 x 10.5             |
| 3. 967525-3   | Panel, 2.25 x 10.5             |
| 4. 967525-094 | Panel, 11.31 x 27.63           |
| 5. 967525-095 | Panel, 8.29 x 28.5             |
| 6. 967525-6   | Panel, 11.25 x 7.13            |
| 7. 967525-7   | Panel, 11.25 x 6               |
| 8. 203138-04  | Extrusion, Plastic .5" , Oak   |
| 967526-09     | Shelf, Upper Lavy              |
| 382044        | Handle, Brushed Nickel         |
| 381607-11     | Hinge, Self-close              |
| 381228-02     | Catch, Grabber door (5lb Pull) |
| 382057        | Knockdown                      |
| 382057-04     | Cap, Knockdown, White          |

# 2019 FLYING CLOUD FURNITURE, LAVATORY

Lavatory Cabinet, 25FB, Landmark



Parts Listed on Next Page

# 2019 FLYING CLOUD FURNITURE, LAVATORY

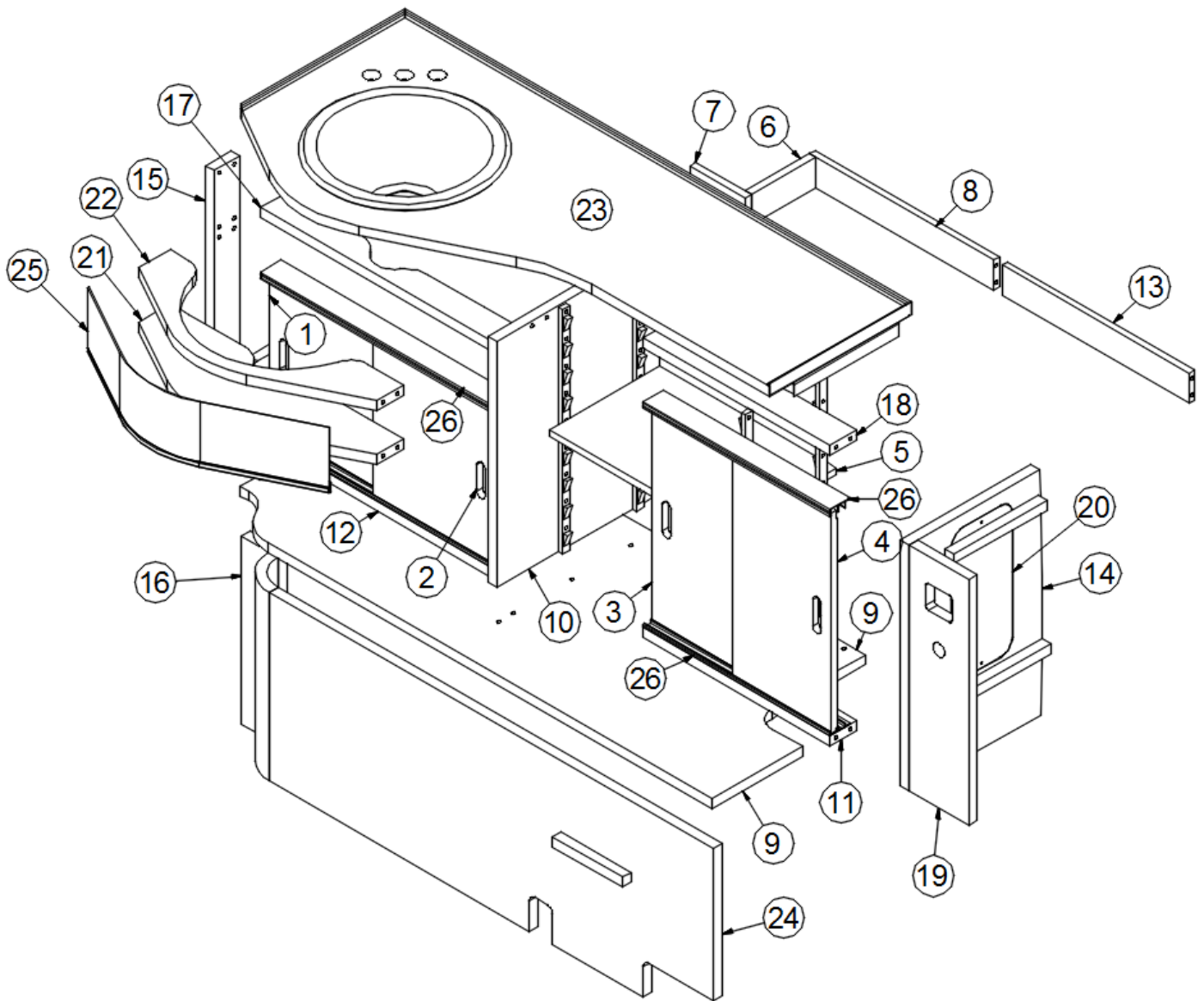
## Lavatory Cabinet, 25FB, Landmark

966902-09	Lavatory Cabinet
1. 966903-09	Lavatory top
2. 966902-092	Panel, 10 x 33
3. 966902-093	Panel, 10.81 x 31.5
4. 966902-094	Panel, 10.81 x 31.5
5. 966902-095	Panel, 9.5 x 33
6. 966902-096	Panel, 2.25 x 13.5
7. 966902-097	Panel, 2.25 x 20.12
8. 966902-098	Panel, 2.25 x 20.12
9. 966902-099	Panel, 2.25 x 20.12
10. 966902-0910	Panel, 2.25 x 20.12
11. 966902-0911	Panel, 7.5 x 20.12
12. 801706-0036	Corner trim, 90°, 1" radius, Landmark
13. 966902-0913	Panel, 7.5 x 14.25
14. 966902-14	Panel, 2.25 x 4.12
15. 966902-0915	Panel, 2.25 x 20.5
16. 966902-0916	Panel, 10.75 x 27.5
17. 966902-0917	Panel, 2.25 x 33
18. 966902-18	Panel, 2.25 x 18.38
19. 966902-0919	Panel, 28 x 36.12
20. 966902-0923	Panel, 14.13 x 27.13
21. 966902-0931	Panel, 4.75 x 27.12
22. 966902-32	Panel, 2.25 x 3.94
454225	Closeout, Lavatory
115374	Sliding door track, .5"
382030	Pull, Recessed finger
382044	Handle, Brushed Nickel
381228-02	Catch, Grabber door (5lb Pull)
381607-11	Hinge, Self-close



# 2019 FLYING CLOUD FURNITURE, LAVATORY

## Lavatory Cabinet, 26U, Landmark



Parts Listed on Next Page

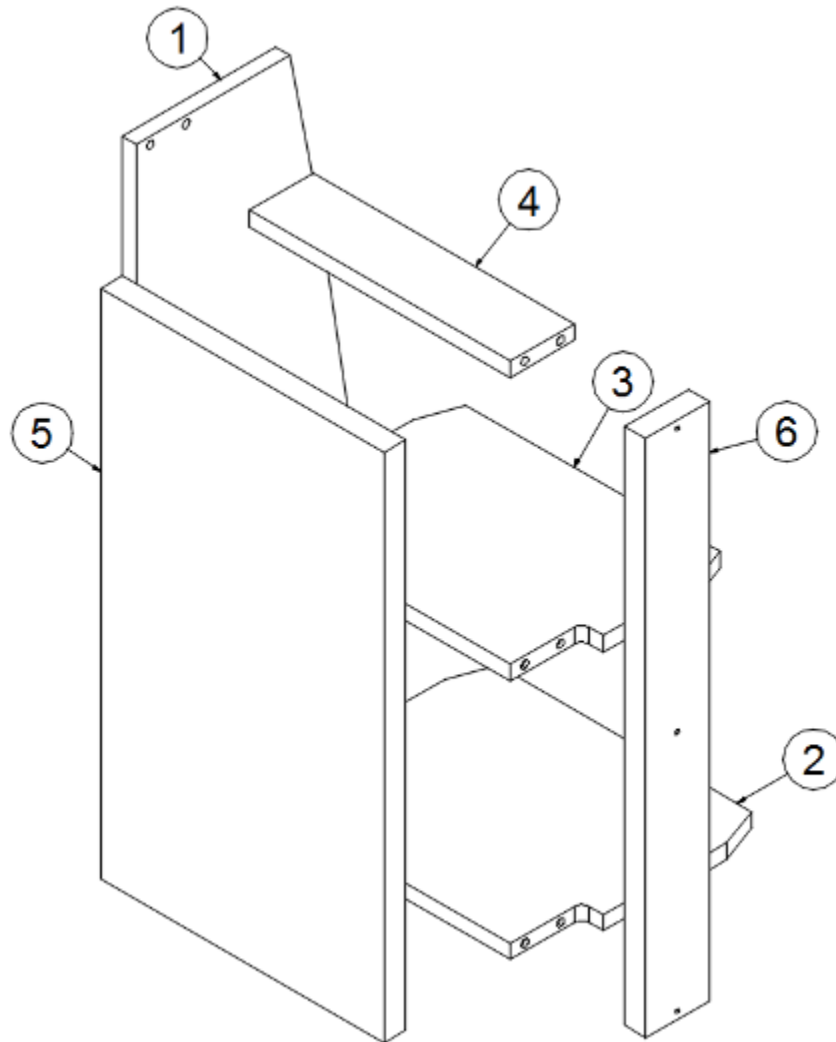
# 2019 FLYING CLOUD FURNITURE, LAVATORY

## Lavatory Cabinet, 26U, Landmark

968340	Lavatory Cabinet
1. 968340-1	Door, 10.5 x 11.63
2. 968340-2	Door, 10.5 x 11.63
3. 968340-3	Door, 8.5 x 16.38
4. 968340-4	Door, 8.5 x 16.38
5. 968340-5	Panel, 9.5 x 15.13
6. 968340-6	Panel, 2.25 x 5.5
7. 968340-7	Panel, 2.25 x 4.75
8. 968340-8	Panel, 2.25 x 15.75
9. 968340-9	Panel, 17.25 x 43.38
10. 968340-10	Panel, 13.95 x 18.25
11. 968340-11	Panel, 2.25 x 16
12. 968340-12	Panel, 2.25 x 20
13. 968340-13	Panel, 2.25 x 16
14. 968340-14	Panel, 11.45 x 18.25
15. 968340-15	Panel, 7.25 x 18.25
16. 968340-16	Panel, 3.13 x 14
17. 968340-17	Panel, 2.25 x 20
18. 968340-18	Panel, 2.25 x 16
19. 968340-19	Panel, 5.13 x 18.25
20. 968340-20	Panel, 5.19 x 11.19
21. 968340-21	Panel, 6.73 x 20
22. 968340-22	Panel, 6.73 x 20
23. 968341	Lavatory top
24. 968342	Lavy radius panel
25. 114879-201	Aluminum sheet, .04 x 4.75 x 22.75
26. 115374	Extrusion, Sliding door track, .5"
114070	Extrusion, J-trim, Mill finish
381527	Shelf strip, Speedy, 18"
382030	Pull, Recessed finger
602216-01	Faucet, Chateau

# 2019 FLYING CLOUD FURNITURE, LAVATORY

## Lavatory Cabinet, Upper, 26U, Landmark

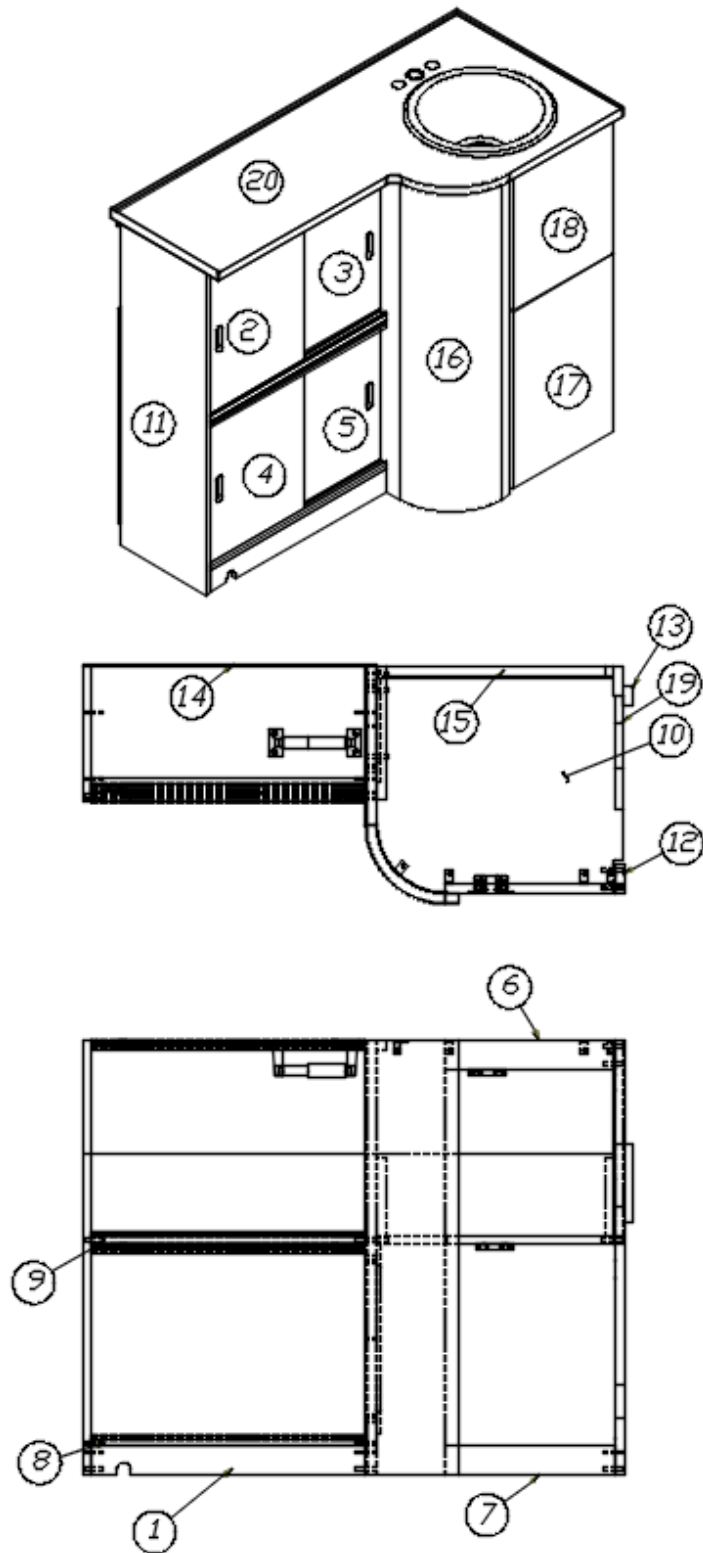


### 968338 Upper Lavatory Cabinet

- |             |                             |
|-------------|-----------------------------|
| 1. 968338-1 | Panel, 8.27 x 18.25         |
| 2. 968338-2 | Panel, 8.25 x 9.94          |
| 3. 968338-3 | Panel, 7.13 x 9.94          |
| 4. 968338-4 | Panel, 2.25 x 9.19          |
| 5. 968338-5 | Door, 10 x 18               |
| 6. 968338-6 | Panel, 2.25 x 18.25         |
| 382044      | Handle, Brushed Nickel      |
| 381607-11   | Hinge, Self-close           |
| 382057      | Knockdown                   |
| 382057-04   | Cap, Knockdown, White       |
| 386304-01   | Edgebanding, .63", Landmark |
| 386304-02   | Edgebanding, .94", Landmark |

# 2019 FLYING CLOUD FURNITURE, LAVATORY

Lavatory Cabinet, 27FB, Landmark



Parts Listed on Next Page

## 2019 FLYING CLOUD FURNITURE, LAVATORY

### Lavatory Cabinet, 27FB, Landmark

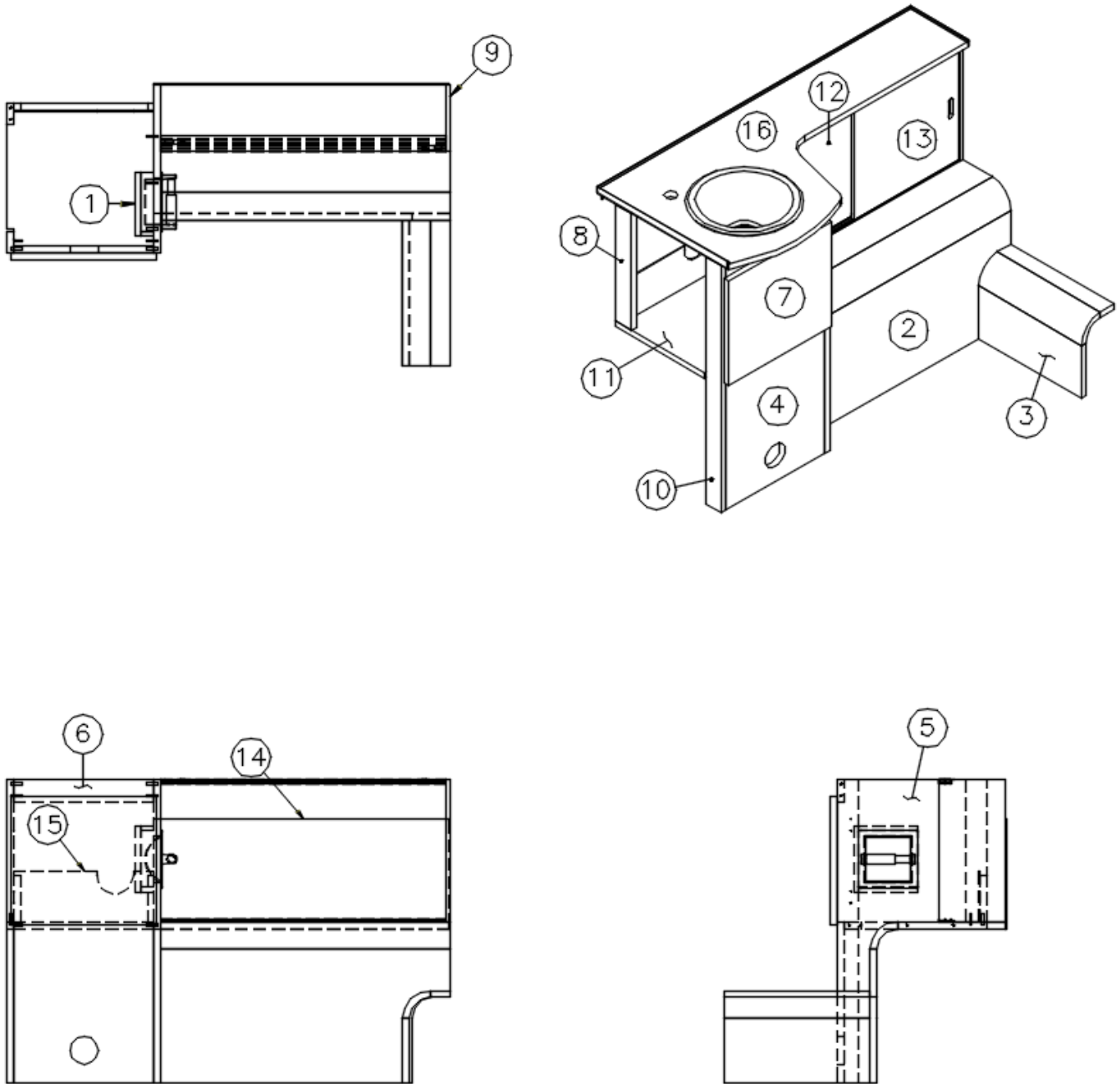
966884-09

Lavatory Cabinet

1. 966884-091 Panel, 20.85 x 2.25
2. 966884-092 Panel, 11.25 x 14.5
3. 966884-093 Panel, 11.25 x 14.5
4. 966884-094 Panel, 11.25 x 14.5
5. 966884-095 Panel, 11.25 x 14.5
6. 966884-096 Panel, 12.87 x 2.25
7. 966884-097 Panel, 12.87 x 2.25
8. 966884-098 Panel, 10.25 x 20.85
9. 966884-099 Panel, 10.25 x 20.85
10. 966884-0910 Panel, 18.87 x 16.19
11. 966884-0911 Panel, 10.25 x 33
12. 966884-0912 Panel, 2.25 x 33
13. 966884-0913 Panel, 2.25 x 14.87
14. 966884-0914 Panel, 22.13 x 22.13
15. 966884-0915 Panel, 18.12 x 6.25
16. 966893-09 Radius sub assembly
17. 966884-0917 Door, 11.87 x 16.69
18. 966884-0918 Door, 11.87 x 12.31
19. 966884-31I Panel, 7 x 8.5
20. 967270 Lavatory top
- 381228-02 Catch, Grabber door (5lb Pull)
- 382044 Handle, Brushed Nickel
- 382030 Pull, Recessed finger
- 115374 Extrusion, Sliding door track, .5"
- 381607-11 Hinge, Self-close
- 114812 Aluminum angle, 1 x 1

# 2019 FLYING CLOUD FURNITURE, LAVATORY

Lavatory Cabinet, 28', Landmark



Parts Listed on Next Page

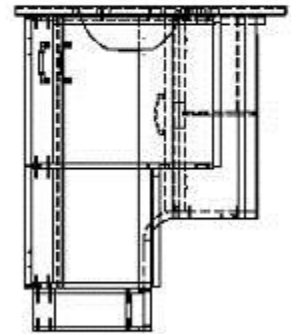
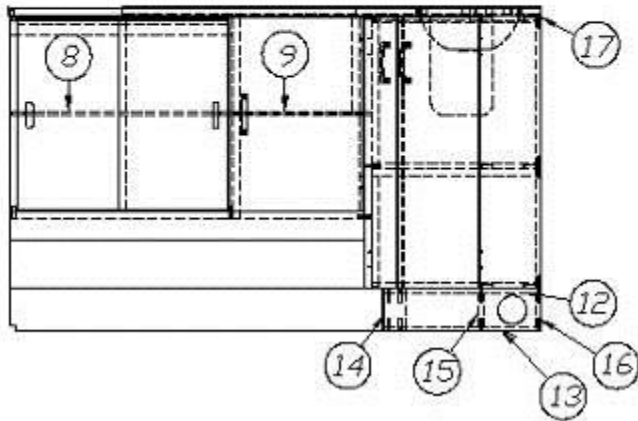
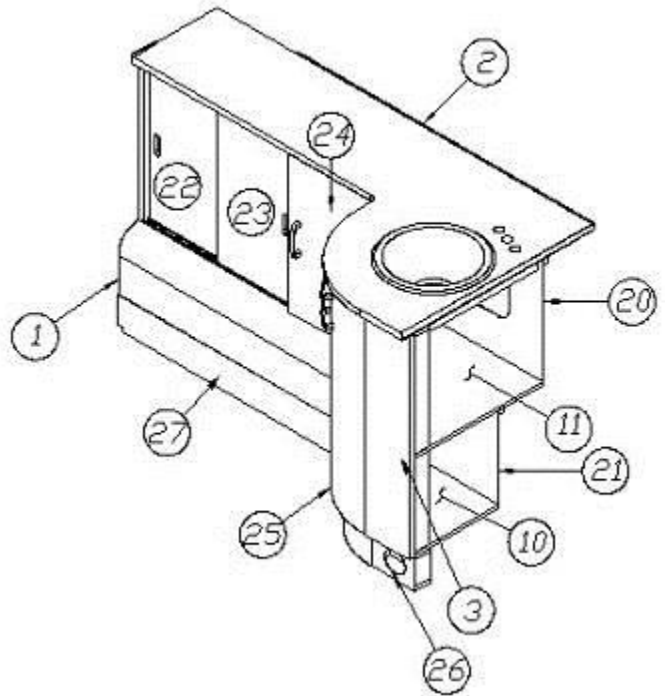
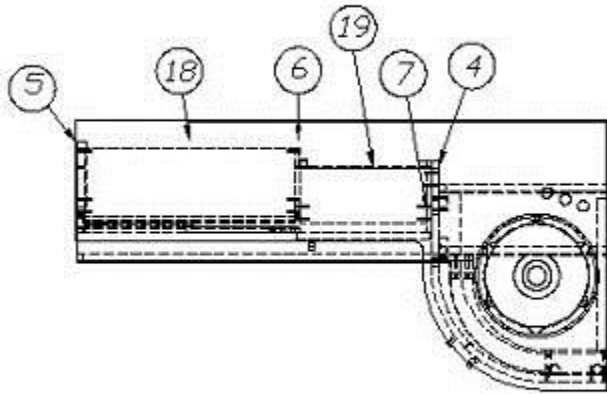
## 2019 FLYING CLOUD FURNITURE, LAVATORY

### Lavatory Cabinet, 28', Landmark

967394-09	Lavatory Cabinet
1. 967006	Paper holder closeout
2. 966999-09	Lavy base closeout
3. 967002-09	Plumbing closeout
4. 967394-094	Panel, 15.25 x 17.5
5. 967394-095	Panel, 18.25 x 33
6. 967394-096	Panel, 2.25 x 15.25
7. 967394-097	Door, 15.88 x 13.63
8. 967394-098	Panel, 2.25 x 15.5
9. 967394-099	Panel, 7.25 x 15.5
10. 967394-0910	Panel, 2.25 x 33
11. 967394-0911	Panel, 16 x 15.5
12. 967394-0912	Door, 16 x 15.13
13. 967394-0913	Door, 16 x 15.13
14. 967394-0914	Panel, 12 x 32.13
15. 967394-0915	Panel, 15.25 x 5.5
16. 967396	Lavatory top
115374	Extrusion, Sliding door track
382030	Pull, Recessed finger
381607-11	Hinge, Self-close
381228-02	Catch, Grabber door (5lb Pull)
381299	Holder recessed toilet paper
602216-01	Faucet, Lavatory
601804-01	Lavatory sink, Round

# 2019 FLYING CLOUD FURNITURE, LAVATORY

Lavatory Cabinet, 30', Landmark



Parts Listed on Next Page



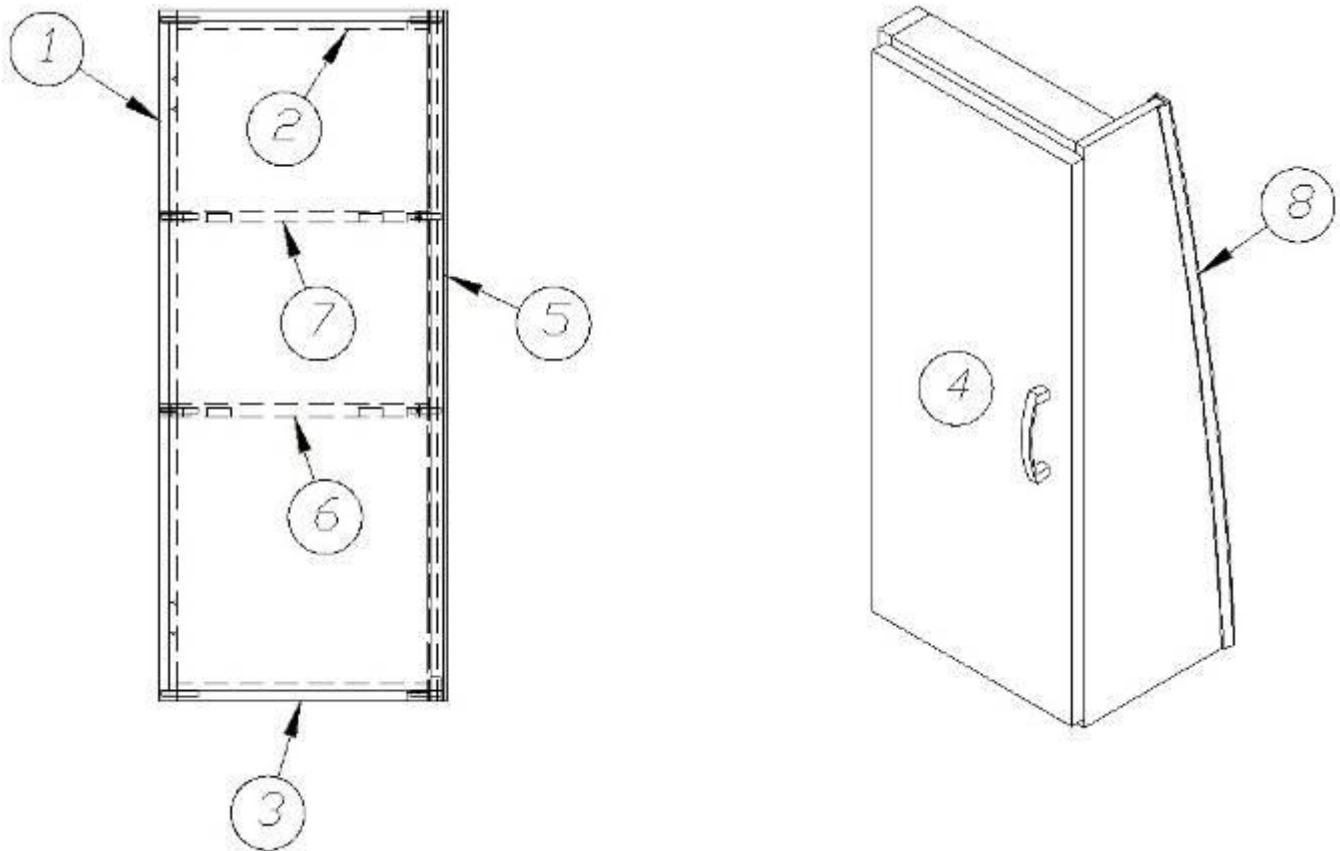
## 2019 FLYING CLOUD FURNITURE, LAVATORY

### Lavatory Cabinet, 30', Landmark

967521-09	Lavatory Cabinet
1. 967522-09	Lavy base sub assembly
2. 967538	Lavatory top
3. 967521-093	Panel, 6.44 x 28.5
4. 967521-094	Panel, 10.3 x 28.5
5. 967521-095	Panel, 9.5 x 20.5
6. 967521-096	Panel, 9.5 x 20.5
7. 967521-7	Panel, 7.55 x 20.5
8. 967521-8	Panel, 7.5 x 22.19
9. 967521-9	Panel, 4.49 x 13.25
10. 967521-10	Panel, 12.5 x 17.75
11. 967521-11	Panel, 19 x 17.75
12. 967521-12	Panel, 11.56 x 16.5
13. 967521-13	Panel, 11.56 x 16.5
14. 967521-14	Panel, 2.25 x 3.5
15. 967521-0915	Panel, 2.25 x 3.5
16. 967521-16	Panel, 2.25 x 3.5
17. 967521-21	Panel, 19 x 17.75
18. 967521-22	Panel, 23.44 x 19.25
19. 967521-23	Panel, 13.75 x 11
20. 967521-24	Panel, 16 x 17.75
21. 967521-25	Panel, 17.75 x 12.5
22. 967521-0926	Door, 11.34 x 20.13
23. 967521-0927	Door, 11.34 x 20.13
24. 967521-0928	Door, 13.88 x 20.25
25. 801788-0136	Door, 9.18 x 28.25, Landmark
26. 115438-03	Toekick, 23.75"
27. 115438-04	Toekick, 39.13"
967521-41	Panel, 10 x 13.22
382030	Pull, Recessed finger
381607-10	Hinge, Self-close
381228-02	Catch, Grabber door (5lb Pull)
381808-01	Hinge bracket
382044	Handle, Brushed Nickel

# 2019 FLYING CLOUD FURNITURE, LAVATORY

## Lavatory Cabinet, Upper, 30', Landmark



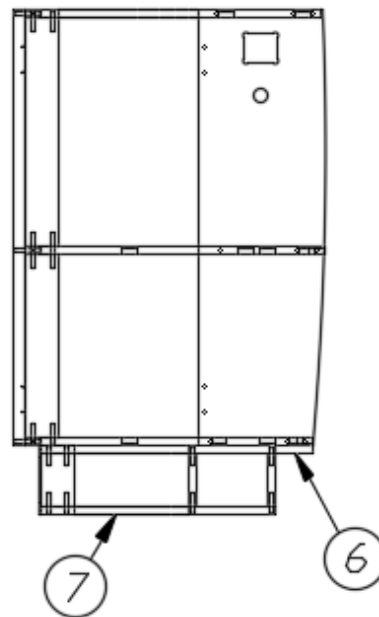
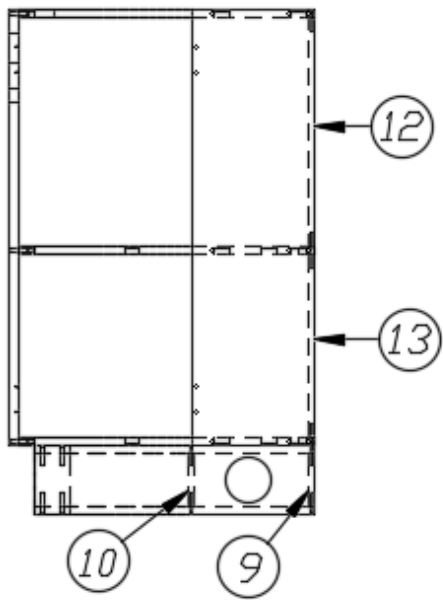
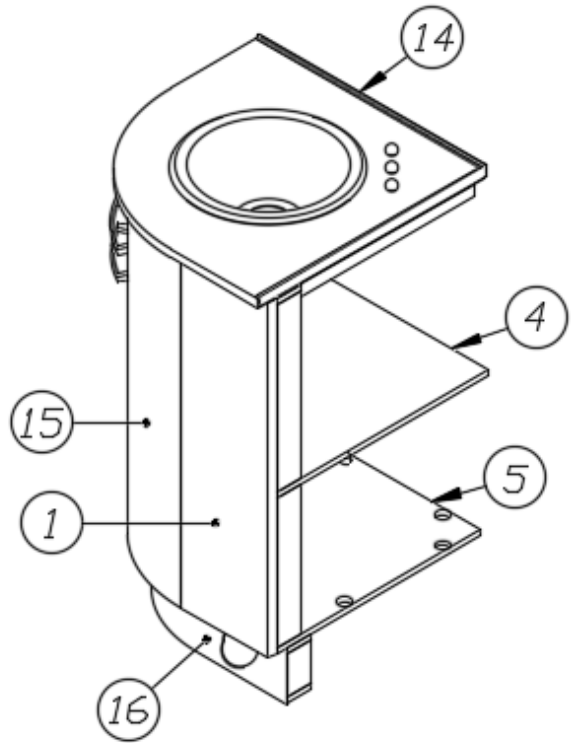
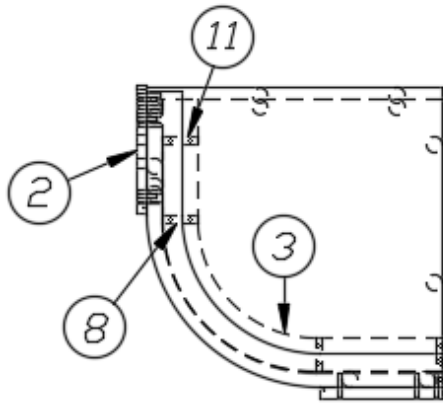
967525-09

Upper Lavatory Cabinet

- |               |                                |
|---------------|--------------------------------|
| 1. 967525-1   | Panel, 2.25 x 28.5             |
| 2. 967525-2   | Panel, 2.25 x 10.5             |
| 3. 967525-3   | Panel, 2.25 x 10.5             |
| 4. 967525-094 | Panel, 11.31 x 27.63           |
| 5. 967525-095 | Panel, 8.29 x 28.5             |
| 6. 967525-6   | Panel, 11.25 x 7.13            |
| 7. 967525-7   | Panel, 11.25 x 6               |
| 8. 203138-04  | Extrusion, Plastic, .5", Oak   |
| 967526-09     | Shelf, Upper Lavy              |
| 382044        | Handle, Brushed Nickel         |
| 381607-11     | Hinge, Self-close              |
| 381228-02     | Catch, Grabber door (5lb Pull) |
| 382057        | Knockdown                      |
| 382057-04     | Cap, Knockdown, White          |

# 2019 FLYING CLOUD FURNITURE, LAVATORY

Lavatory Cabinet, 30' Bunk, Landmark



Parts Listed on Next Page

## 2019 FLYING CLOUD FURNITURE, LAVATORY

### Lavatory Cabinet, 30' Bunk, Landmark

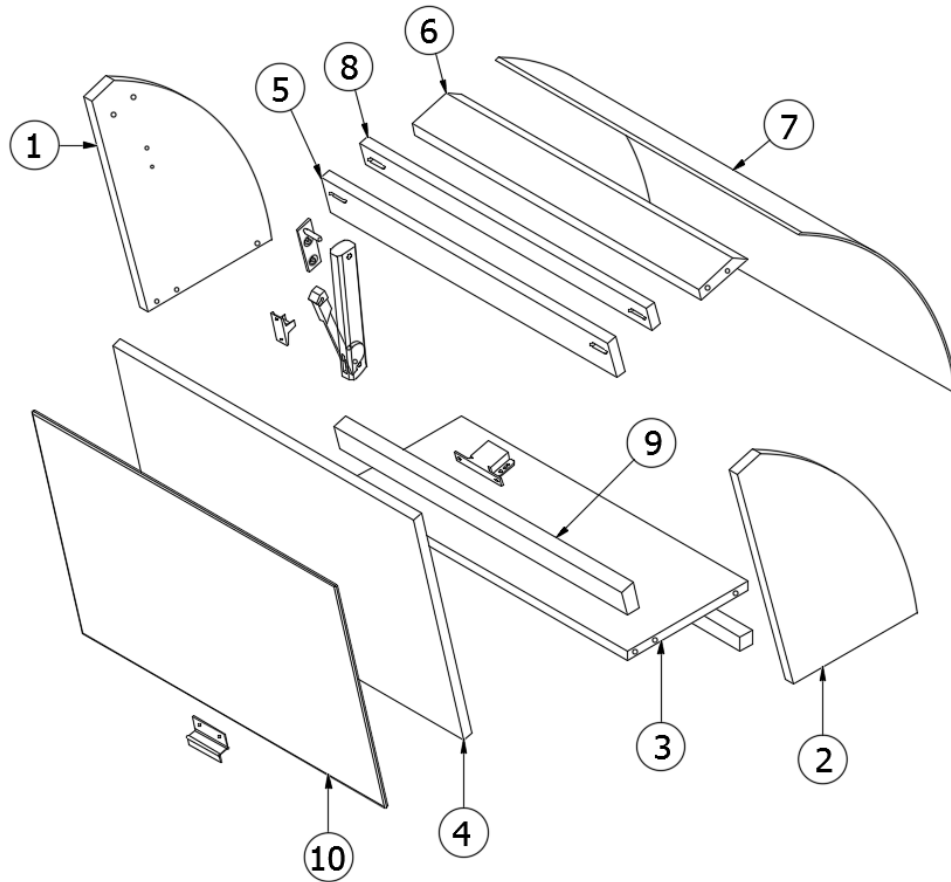
967928

Lavatory Cabinet

1. 967928-1 Panel, 8.06 x 28.5
2. 967928-2 Panel, 8.4 x 28.5
3. 967928-3 Panel, 19.38 x 19.38
4. 967928-4 Panel, 19.38 x 19.63
5. 967928-5 Panel, 19.38 x 18.88
6. 967928-6 Panel, 18.38 x 17.88
7. 967928-7 Panel, 18.38 x 15.38
8. 967928-8 Panel, 2.25 x 3.5
9. 967928-9 Panel, 2.25 x 3.5
10. 967928-10 Panel, 2.25 x 3.5
11. 967928-11 Panel, 2.25 x 3.5
12. 967928-12 Panel, 2.25 x 15
13. 967928-13 Panel, 2.25 x 12
14. 967927 Lavatory top
15. 801788-0136 Door, 9.18 x 28.25, Landmark
16. 115438-05 Toekick, Aluminum
- 380034 Toilet paper holder
- 382044 Handle, Brushed Nickel
- 381607-10 Hinge, Self-close
- 381808-01 Bracket, Face mount hinge
- 381228-02 Catch, Grabber door (5lb Pull)
- 382057 Knockdown

# 2019 FLYING CLOUD FURNITURE, LAVATORY

## Medicine Cabinet, Upper, 19', 23CB Landmark



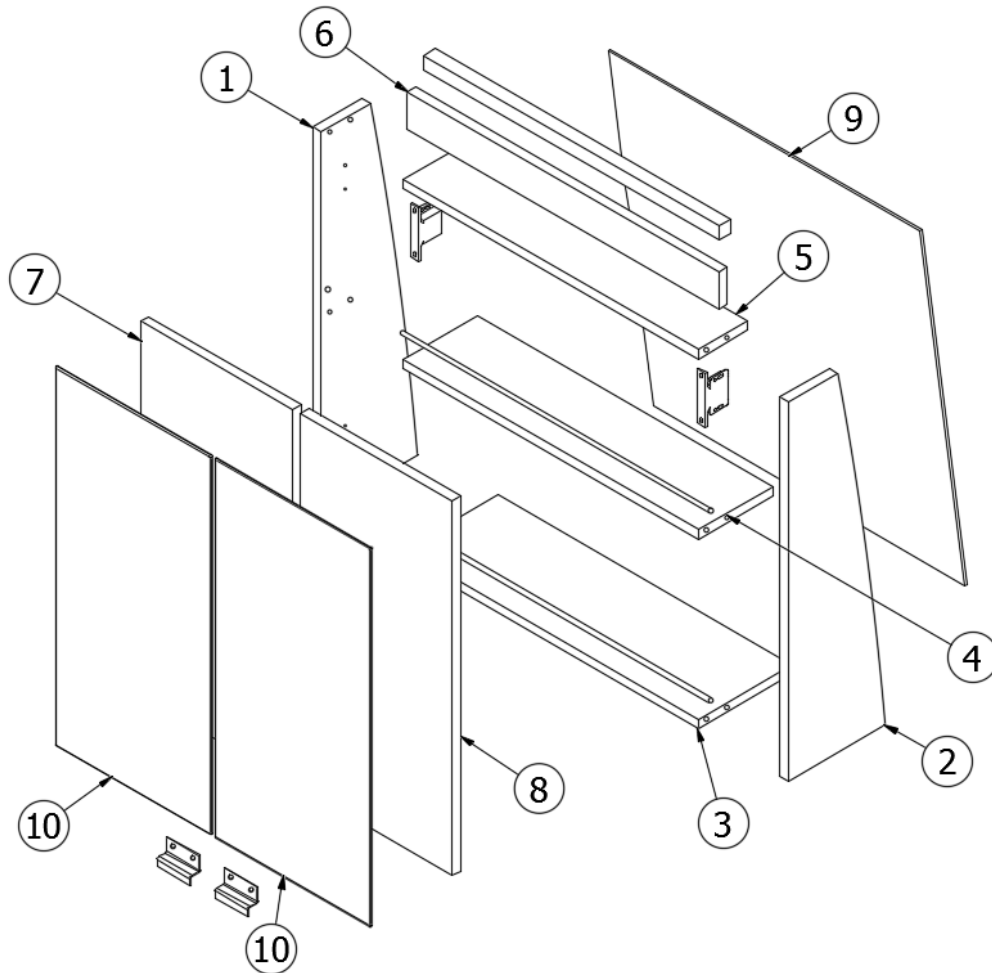
966921-09

Upper Medicine Cabinet

- |                    |                                |
|--------------------|--------------------------------|
| 1. 966921-091      | Panel, 13.56 x 11.29           |
| 2. 966921-092      | Panel, 13.56 x 11.29           |
| 3. 966921-093      | Panel, 17.97 x 7.58            |
| 4. 966921-094      | Panel, 18.88 x 13.88           |
| 5. 966921-095      | Panel, 2.25 x 17.97            |
| 6. 966921-096      | Panel, 17.97 x 3               |
| 7. 966921-097      | Panel, 16.25 x 19              |
| 8. 966921&002012CC | Panel, 1.38 x 17.97            |
| 9. 966921&002118CC | Panel, 1.63 x 17.97            |
| 10. 372203-05      | Mirror, Safety glass, 19 x 14  |
| 385940-02          | Mirror pull, Chrome            |
| 382159             | Pivot hinge, Nickel            |
| 381228-02          | Catch, Grabber door (5lb Pull) |
| 382466-01          | Lid stay, Compartment door     |
| 382466-02          | Lid stay, Side bracket         |
| 382466-03          | Lid stay, Door bracket         |

# 2019 FLYING CLOUD FURNITURE, LAVATORY

## Medicine Cabinet, Lower, 19', 23CB Landmark



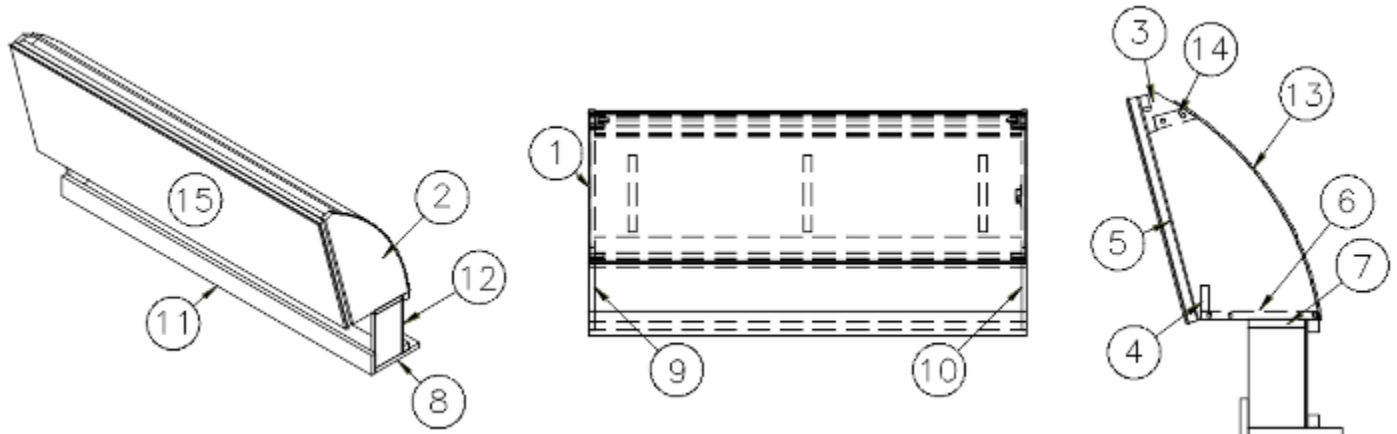
966922-09

Lower Medicine Cabinet

- |               |                                  |
|---------------|----------------------------------|
| 1. 966922-091 | Panel, 5.89 x 20                 |
| 2. 966922-092 | Panel, 5.89 x 20                 |
| 3. 966922-093 | Panel 5.75 x 17.97               |
| 4. 966922-094 | Panel, 4.56 x 17.97              |
| 5. 966922-095 | Panel, 3 x 17.97                 |
| 6. 966922-096 | Panel, 2 x 19                    |
| 7. 966922-097 | Door, 9.25 x 19.75               |
| 8. 966922-098 | Door, 9.25 x 19.75               |
| 9. 966922-099 | Panel, 20.25 x 19                |
| 10. 372203-24 | Mirror, Polished edges, 9.5 x 20 |
| 115042        | Aluminum rod, 6'                 |
| 382159        | Pivot hinge, Nickel              |
| 381228-02     | Catch, Grabber door (5lb Pull)   |
| 385940-02     | Mirror pull, Chrome              |

# 2019 FLYING CLOUD FURNITURE, LAVATORY

## Medicine Cabinet, 25FB, 27FB, Landmark



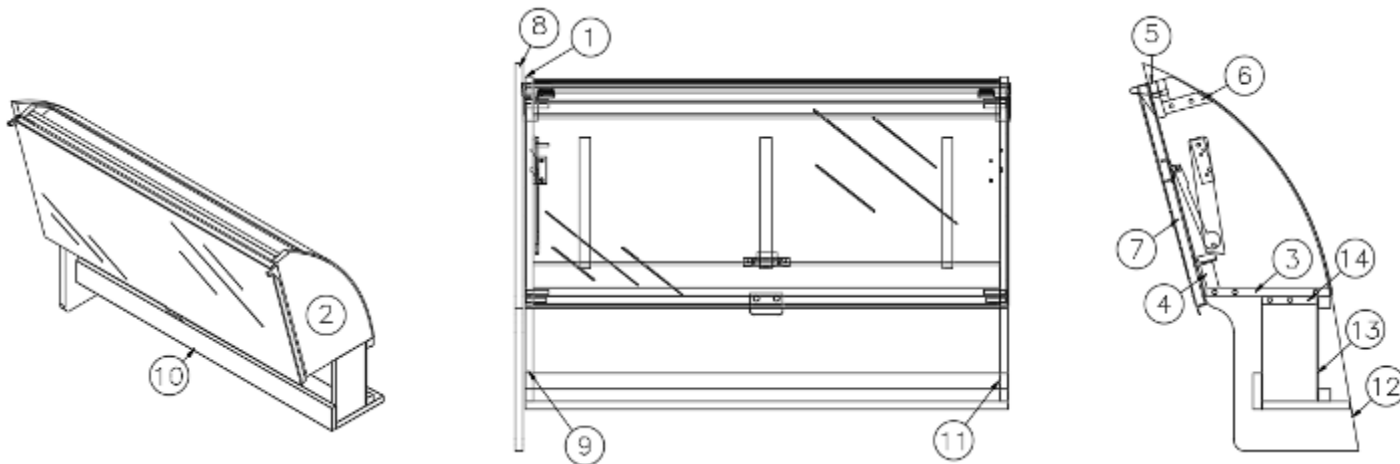
966896-09

Medicine Cabinet

- |                 |                                         |
|-----------------|-----------------------------------------|
| 1. 966896-091   | Panel, 10.81 x 13.56                    |
| 2. 966896-092   | Panel, 10.81 x 13.56                    |
| 3. 966896-093   | Panel, 2.25 x 39                        |
| 4. 966896-094   | Panel, 1.5 x 39                         |
| 5. 966896-095   | Panel, 13.88 x 39.88                    |
| 6. 966896-096   | Panel, 7 x 39                           |
| 7. 966896-097   | Panel, 3.42 x 40                        |
| 8. 966896-098   | Panel, 5.67 x 40                        |
| 9. 966896-099   | Panel, 3.42 x 6                         |
| 10. 966896-0910 | Panel, 3.42 x 6                         |
| 11. 966896-0911 | Panel, 2.25 x 40                        |
| 12. 966896-0912 | Panel, 6.5 x 40                         |
| 13. 966896-0913 | Panel, 16.25 x 40                       |
| 14. 966896-0923 | Panel, 3 x 39                           |
| 15. 372203-33   | Mirror, Safety glass, .125" x 14" x 40" |
| 382159          | Pivot hinge, Nickel                     |
| 381228-02       | Catch, Grabber door (5lb Pull)          |
| 385940-02       | Mirror pull, Chrome                     |
| 365001          | Tape, Double coated foam                |
| 360180          | Adhesive seal, Sikaflex 221, Gray       |
| 382466-01       | Lid stay, Compartment door              |
| 382466-02       | Lid stay, Side bracket                  |
| 382466-03       | Lid stay, Door bracket                  |

# 2019 FLYING CLOUD FURNITURE, LAVATORY

## Medicine Cabinet, 28', Landmark



967003-09

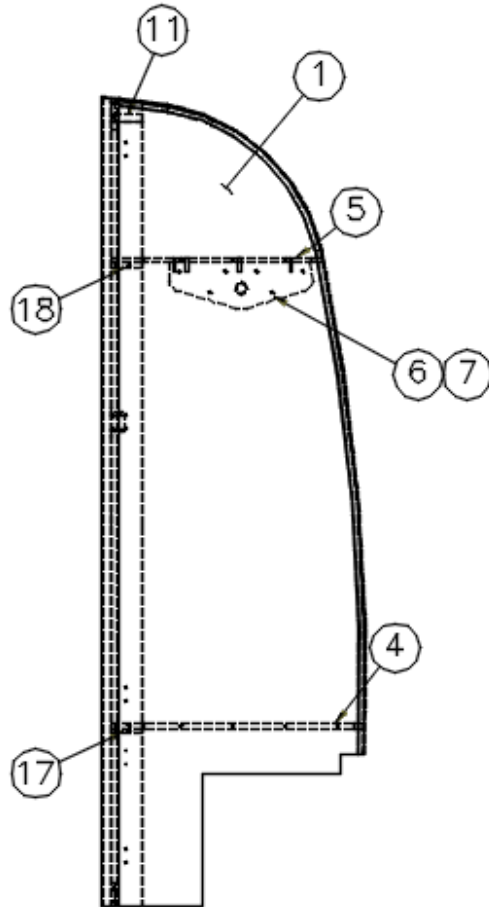
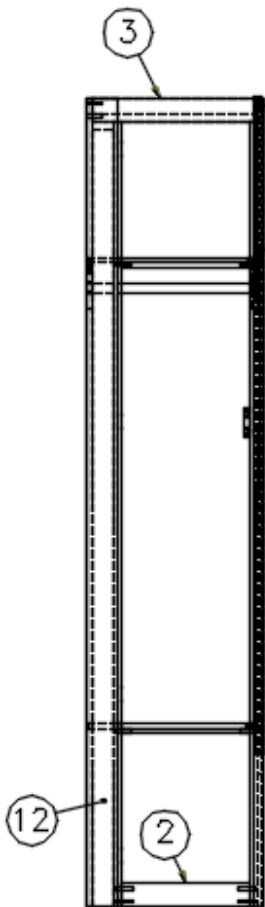
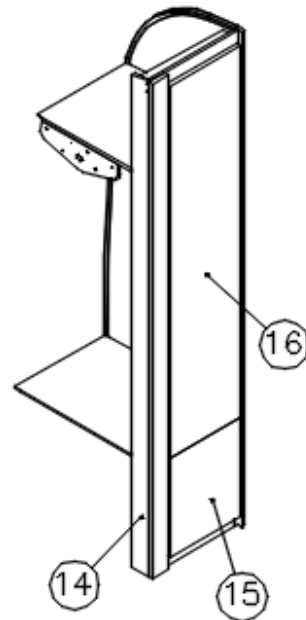
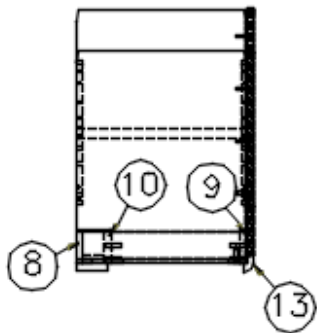
Medicine Cabinet

- |                 |                                 |
|-----------------|---------------------------------|
| 1. 967003-091   | Panel, 10.81 x 13.56            |
| 2. 967003-092   | Panel, 10.81 x 13.56            |
| 3. 967003-093   | Panel, 7 x 28.97                |
| 4. 967003-094   | Panel, 1.5 x 28.97              |
| 5. 967003-095   | Panel, 2.25 x 28.97             |
| 6. 967003-096   | Panel, 2.5 x 28.97              |
| 7. 967003-097   | Panel, 16.13 x 30               |
| 8. 967005       | Closeout, Medicine cabinet      |
| 9. 967003-0915  | Panel, 3.42 x 6.5               |
| 10. 967003-0916 | Panel, 2.25 x 29.97             |
| 11. 967003-0917 | Panel, 3.42 x 6.5               |
| 12. 967003-0918 | Panel, 5.5 x 29.97              |
| 13. 967003-0920 | Panel, 6.5 x 29.97              |
| 14. 967003-0921 | Panel, 3.42 x 28.97             |
| 372203-30       | Mirror, Safety glass, 14" x 30" |
| 385940-02       | Mirror pull, Chrome             |
| 195329-202      | Hemisphere, Clear bump-on       |
| 381228-02       | Catch, Grabber door (5lb Pull)  |
| 382159          | Pivot hinge, Nickel             |



# 2019 FLYING CLOUD FURNITURE, LAVATORY

Wardrobe, Curbside, 23CB, Landmark



Parts Listed on Next Page

# 2019 FLYING CLOUD FURNITURE, LAVATORY

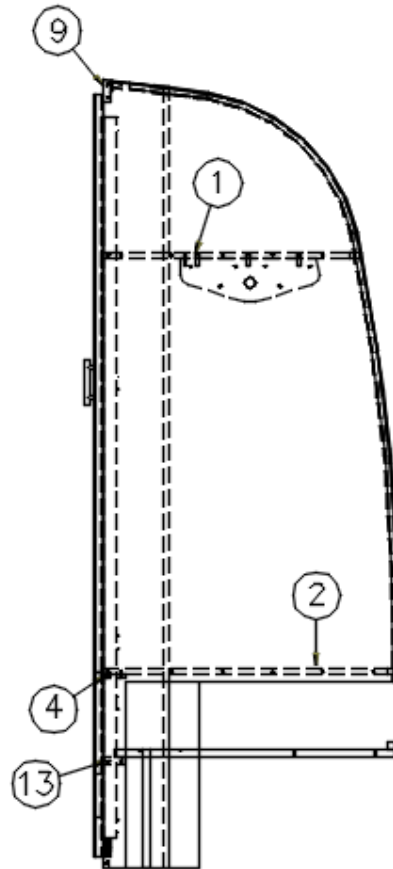
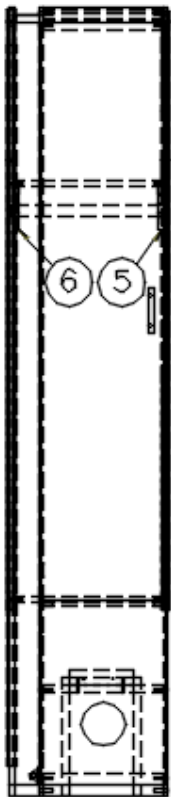
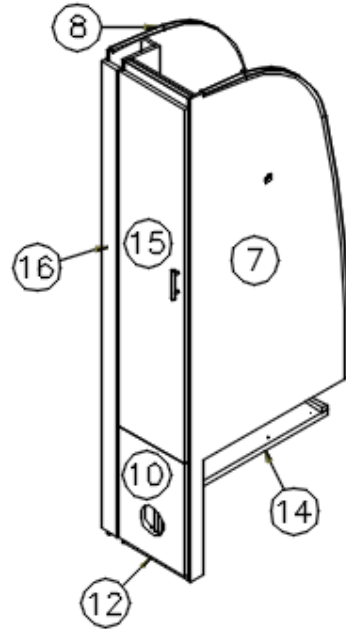
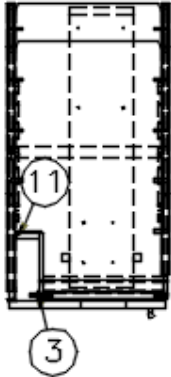
## Wardrobe, Curbside, 23CB, Landmark

966934-09 CS Wardrobe

1. 966934-091 Panel, 23.8 x 77.9
2. 966934-092 Panel, 12.315 x 2.25
3. 966934-093 Panel, 16 x 2.25
4. 966934-4 Panel, 16.5 x 24.47
5. 966934-5 Panel, 16.5 x 20.47
6. 966934-6 Panel, 4.48 x 14
7. 966934-7 Panel, 4.48 x 14
8. 966934-098 Panel, 3 x 78.14
9. 966934-9 Panel, 3 x 75.88
10. 966934-10 Panel, 3 x 75.88
11. 966934-11 Panel, 2.5 x 16
12. 966934-12 Panel, 2.18 x 12
13. 801706-0036 Corner trim, 90°, 1" radius, Landmark
14. 966934-0915 Panel, 2.88 x 78.14
15. 966934-0916 Door, 12.94 x 15.5
16. 966934-0917 Door, 12.94 x 58.63
17. 966934-30 Panel, 3 x 12.31
18. 966934-31 Panel, 3 x 12.31
- 382044 Handle, Brushed Nickel
- 381607-11 Hinge, Self-close
- 381228-02 Catch, Grabber door (5lb Pull)
- 380045 Tubing, .75", Metallic
- 200975-04 Conduit, Flexible Black plastic
- 203138-04 Extrusion, Plastic, .5", Oak

# 2019 FLYING CLOUD FURNITURE, LAVATORY

Wardrobe, 25', Landmark



Parts Listed on Next Page

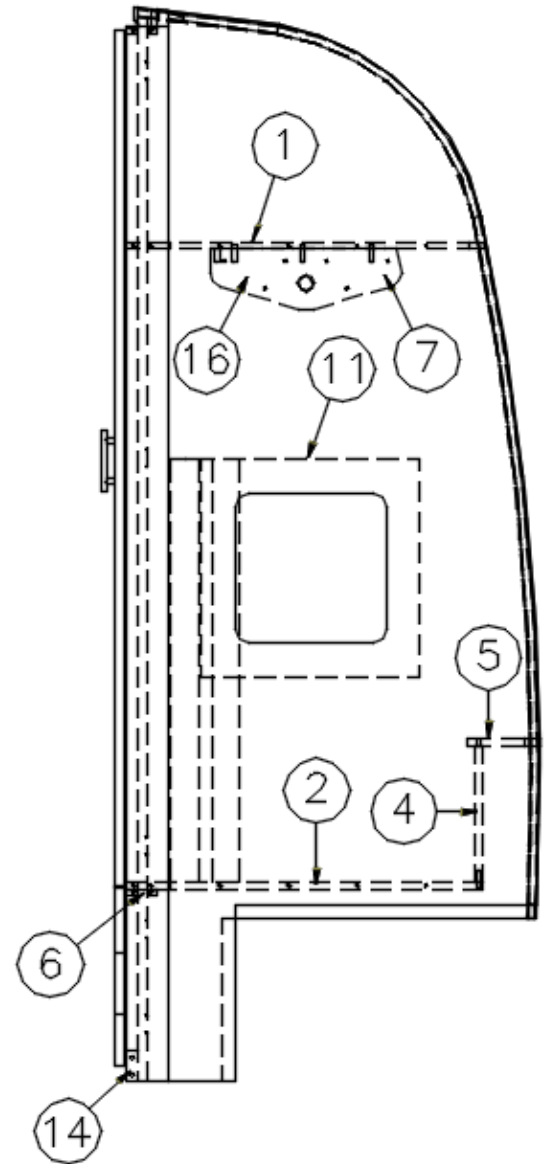
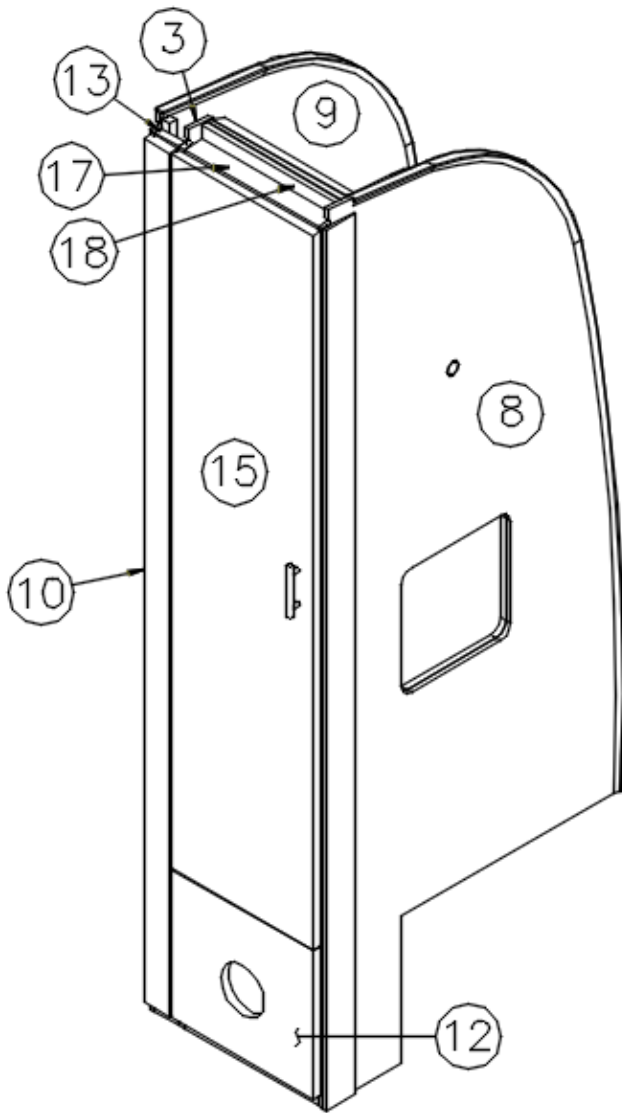
# 2019 FLYING CLOUD FURNITURE, LAVATORY

## Wardrobe, 25', Landmark

967738-09	Wardrobe
1. 967738-1	Panel, 14.88 x 25.72
2. 967738-2	Panel, 14.88 x 29.56
3. 967738-3	Panel, 6.5 x 78.74
4. 967738-4	Panel, 2.25 x 11.94
5. 967738-5	Panel, 4.49 x 14
6. 967738-6	Panel, 4.49 x 14
7. 967738-7	Panel, 29.44 x 78.74
8. 967738-098	Panel, 29.44 x 78.74
9. 967738-099	Panel, 2.25 x 11.94
10. 967738-0910	Panel, 12.56 x 18.25
11. 967738-11	Panel, 2.44 x 78.08
12. 967738-0912	Panel, 2.25 x 11.94
13. 967738-13	Panel, 2.25 x 11.94
14. 967738-14	Panel, 6.44 x 27
15. 967738-0915	Panel, 12.56 x 57.81
16. 967738-0916	Panel, 3.06 x 76.19
382044	Handle, Brushed Nickel
381228-02	Catch, Grabber door (5lb Pull)
203138-04	Extrusion, Plastic, .5", Oak
381847	Piano hinge, Angle
381074	Bulldog latch
380045	Tubing, .75", Elec. Metallic
200975-04	Conduit, Flexible Black plastic
104821	Support, 74"

# 2019 FLYING CLOUD FURNITURE, LAVATORY

Wardrobe, 25FB, Landmark



Parts Listed on Next Page

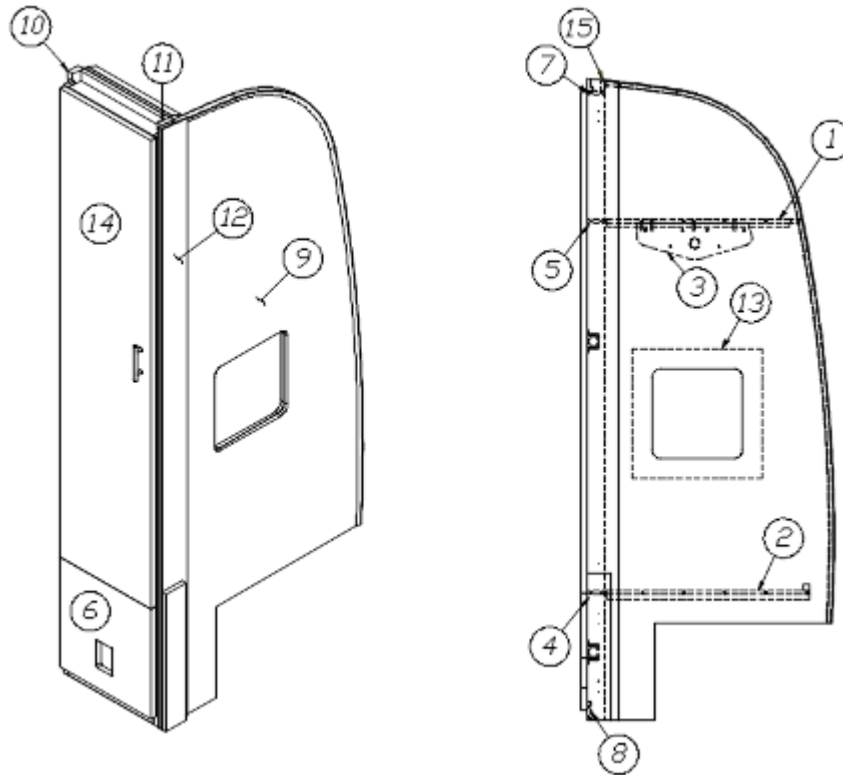
# 2019 FLYING CLOUD FURNITURE, LAVATORY

## Wardrobe, 25FB, Landmark

966905-09	Wardrobe
1. 966905-091	Panel, 16.56 x 26.25
2. 966905-092	Panel, 16.56 x 26
3. 966905-093	Panel, 3 x 78.88
4. 966905-094	Panel, 10 x 16.56
5. 966905-095	Panel, 5.25 x 16.56
6. 966905-096	Panel, 2.25 x 13.63
7. 966905-097	Panel, 4.5 x 14
8. 966905-098	Panel, 30.09 x 78.88
9. 966905-099	Panel, 30.09 x 78.88
10. 966905-0910	Panel, 2.69 x 76.19
11. 966883-09	Wardrobe closeout
12. 966905-0912	Panel, 14.25 x 13
13. 966905-0913	Panel, 2.44 x 78.74
14. 966905-0914	Panel, 2.25 x 13.63
15. 966905-0915	Door, 14.25 x 62.75
16. 966905-0930	Panel, 4.5 x 14
17. 966905-0931	Panel, 13.625 x 2.25
18. 966905-0932	Panel, 13.625 x 1.25
200975-04	Conduit, Flexible Black plastic
380045	Tubing, .75", Metal
380046	Flange, Chrome
382044	Handle, Brushed Nickel
381607-11	Hinge, Self-close
381228-02	Catch, Grabber door (5lb Pull)
203138-04	Extrusion, Plastic, .5", Oak
104821	Support, 74"

# 2019 FLYING CLOUD FURNITURE, LAVATORY

## Wardrobe, Forward, 27FB, Landmark



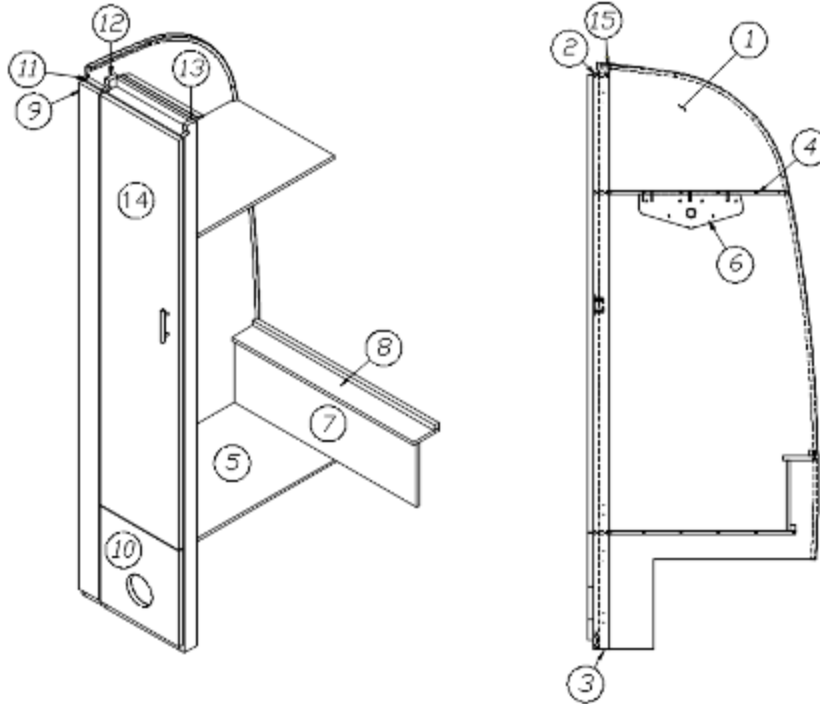
966880-09

Forward Wardrobe

- |                 |                                |
|-----------------|--------------------------------|
| 1. 966880-091   | Panel, 26 x 14.25              |
| 2. 966880-092   | Panel, 27.25 x 14.25           |
| 3. 966880-093   | Panel, 14 x 7                  |
| 4. 966880-094   | Panel, 2.25 x 24.75            |
| 5. 966880-095   | Panel, 2.25 x 22.25            |
| 6. 966880-096   | Panel, 13.75 x 14.38           |
| 7. 966880-097   | Panel, 2.25 x 12.75            |
| 8. 966880-098   | Panel, 2.25 x 12.75            |
| 9. 966880-099   | Panel, 30.11 x 78.74           |
| 10. 966880-0910 | Panel, 2.25 x 78.74            |
| 11. 966880-0911 | Panel, 2.25 x 78.74            |
| 12. 966880-12   | Panel, 78.54 x 3.81            |
| 13. 966883-09   | Wardrobe closeout              |
| 14. 966880-0914 | Door, 13.75 x 61.38            |
| 15. 966880-26   | Panel, 1.25 x 12.75            |
| 382044          | Handle, Brushed Nickel         |
| 381607-11       | Hinge, Self-close              |
| 381228-02       | Catch, Grabber door (5lb Pull) |
| 104821          | Support, 74"                   |
| 203138-04       | Extrusion, Plastic, .5", Oak   |

# 2019 FLYING CLOUD FURNITURE, LAVATORY

Wardrobe, Aft, 27FB, Landmark



966881-09

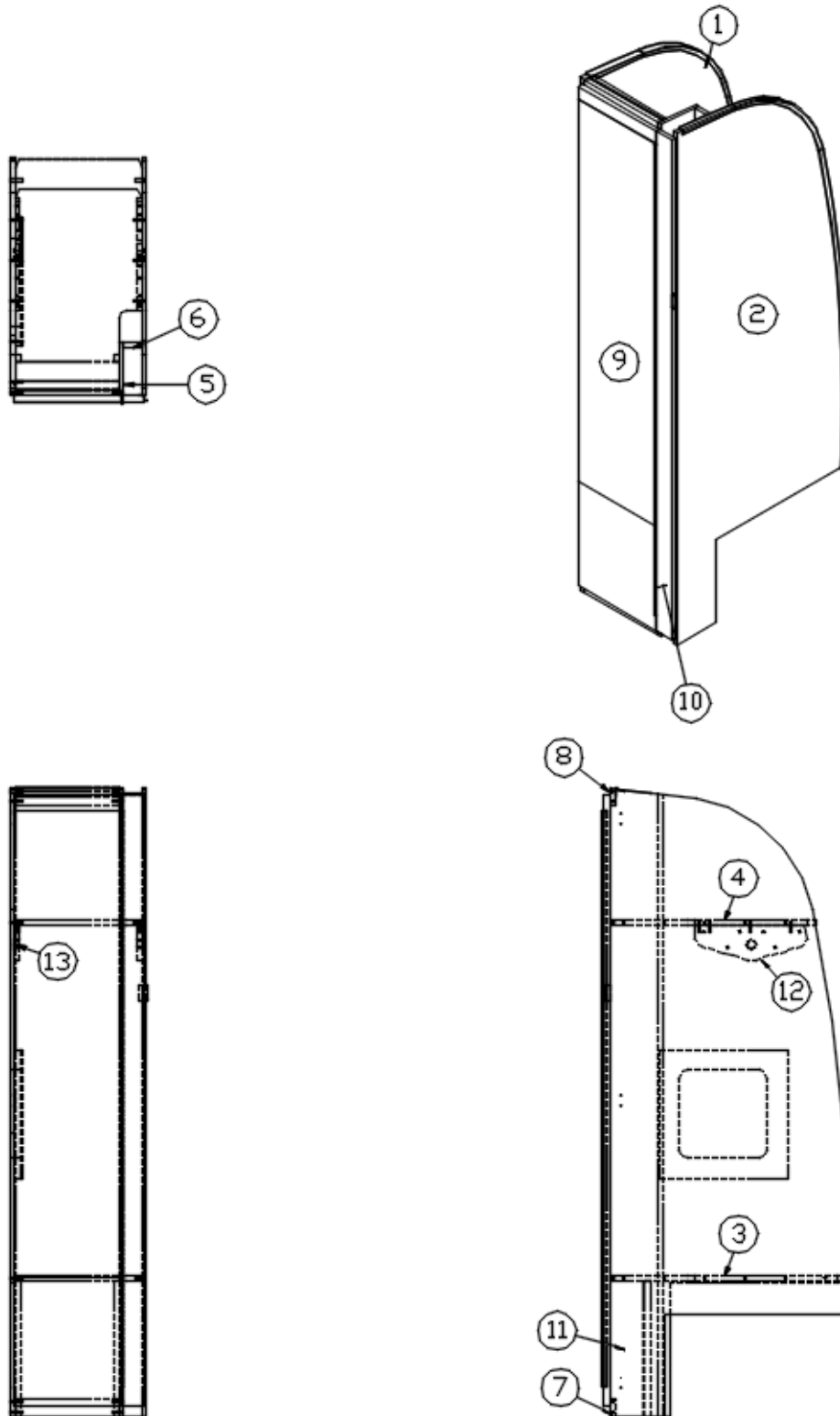
Aft Wardrobe

- |                 |                                 |
|-----------------|---------------------------------|
| 1. 966881-091   | Panel, 30.11 x 78.69            |
| 2. 966881-092   | Panel, 2.25 x 12.75             |
| 3. 966881-093   | Panel, 2.25 x 12.75             |
| 4. 966881-094   | Panel, 26 x 17.19               |
| 5. 966881-095   | Panel, 27.25 x 17.19            |
| 6. 966881-096   | Panel, 14 x 7                   |
| 7. 966881-097   | Panel, 9.5 x 31.44              |
| 8. 966881-098   | Panel, 4.31 x 31.44             |
| 9. 966881-099   | Panel, 3.44 x 75.87             |
| 10. 966881-0910 | Panel, 13.75 x 14.38            |
| 11. 966881-0911 | Panel, 2.94 x 77.25             |
| 12. 966881-0912 | Panel, 2.25 x 78.69             |
| 13. 966881-0913 | Panel, 2.25 x 78.69             |
| 14. 966881-0914 | Door, 13.75 x 61.38             |
| 15. 966881-0928 | Panel, 1.25 x 12.75             |
| 382044          | Handle, Brushed Nickel          |
| 381607-11       | Hinge, Self-close               |
| 381228-02       | Catch, Grabber door (5lb Pull)  |
| 380045          | Tubing, .75", Metal             |
| 200975-04       | Conduit, Flexible Black plastic |
| 104821          | Support, 74"                    |
| 203138-04       | Extrusion, Plastic, .5", Oak    |



# 2019 FLYING CLOUD FURNITURE, LAVATORY

Wardrobe, Roadside, 28', Landmark



Parts Listed on Next Page

# 2019 FLYING CLOUD FURNITURE, LAVATORY

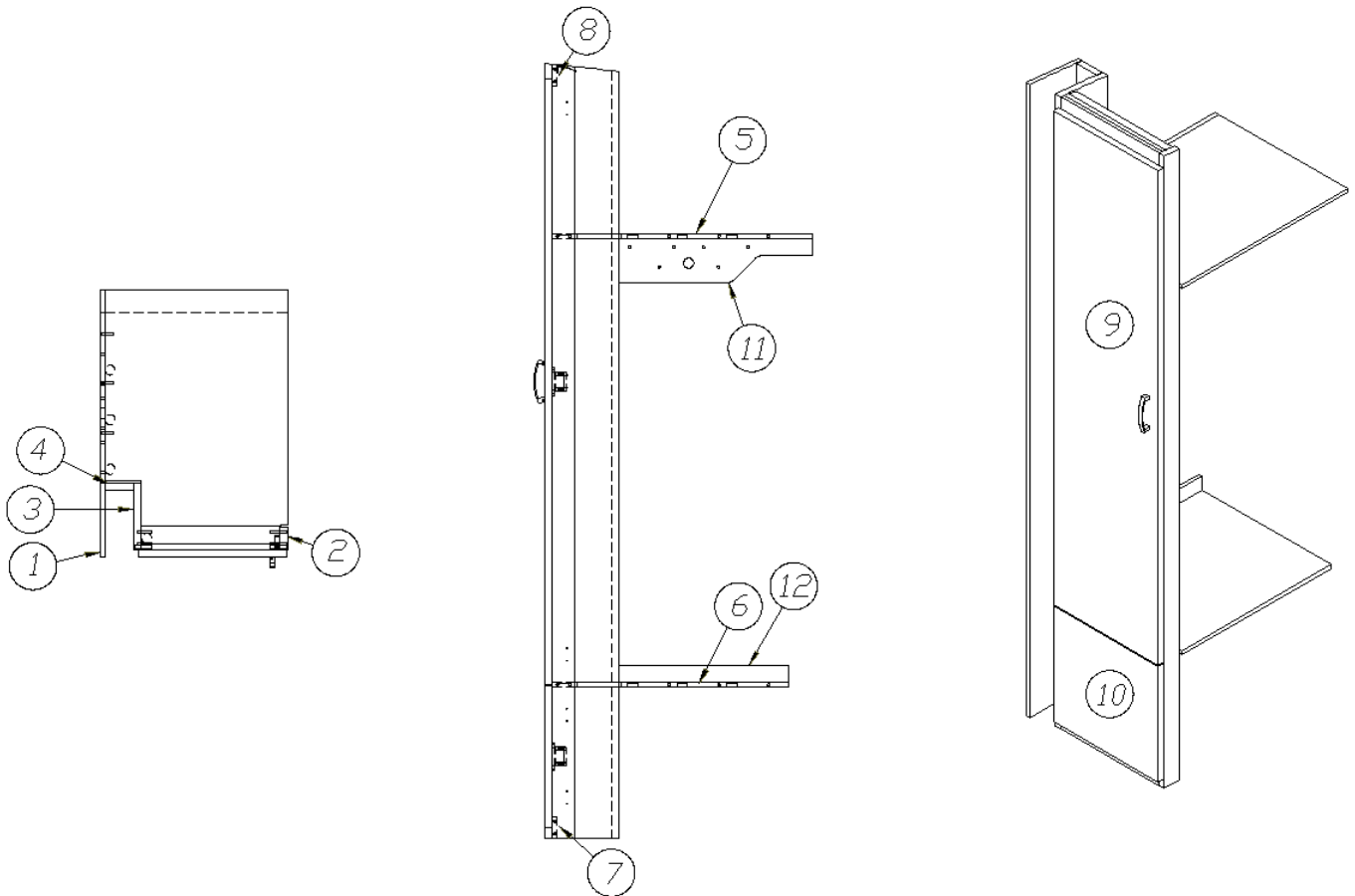
## Wardrobe, Roadside, 28', Landmark

966969-09 RS Wardrobe

1. 966969-091	Panel, 29.85 x 78.59
2. 966969-092	Panel, 29.58 x 78.59
3. 966969-093	Panel, 29.63 x 15.81
4. 966969-094	Panel, 25.79 x 15.81
5. 966969-095	Panel, 6.75 x 78.55
6. 966969-6	Panel, 2.31 x 77.89
7. 966969-097	Panel, 2.25 x 13
8. 966969-098	Panel, 2.25 x 13
9. 966969-099	Door, 13.63 x 76.56
10. 966969-0910	Door, 2.77 x 76.56
11. 966969-0911	Panel, 17 x 13
12. 966969-27	Panel, 14 x 4.5
13. 966969-28	Panel, 14 x 4.5
372203-26	Mirror, 13.62 x 58.5
380203-01	Piano hinge, 1/8" pin
381228-02	Catch, Grabber door (5lb Pull)
380046	Flange, Chrome
380045	Tubing, .75", Metallic
200975-04	Conduit, Flexible Black plastic
381607-11	Hinge, Self-close
966883	Wardrobe closeout
203138-04	Extrusion, Plastic, .5", Oak
203464-01	Trim panel, .75", Oak
104821	Support, 74"

# 2019 FLYING CLOUD FURNITURE, LAVATORY

## Wardrobe, Forward, 30', Landmark



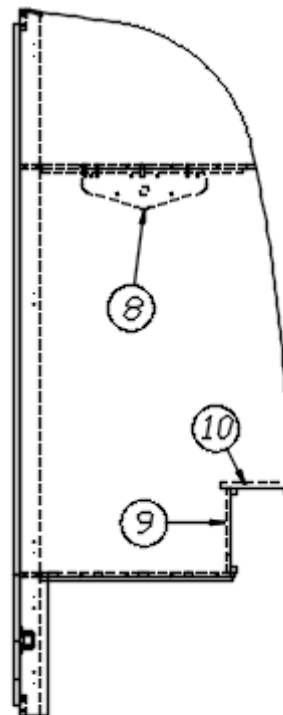
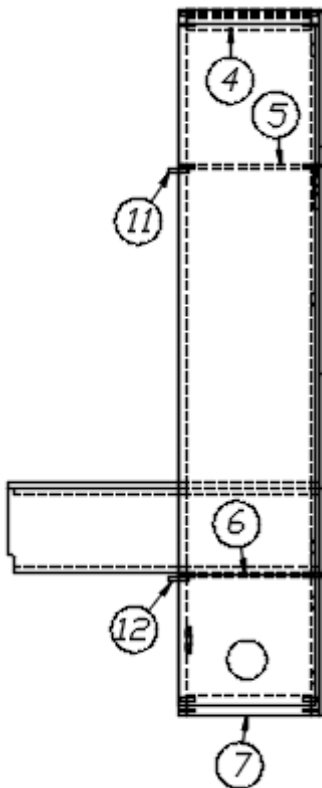
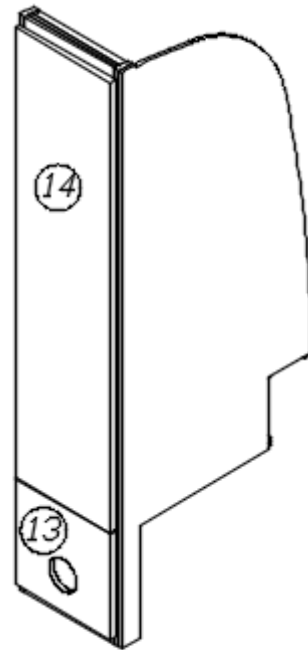
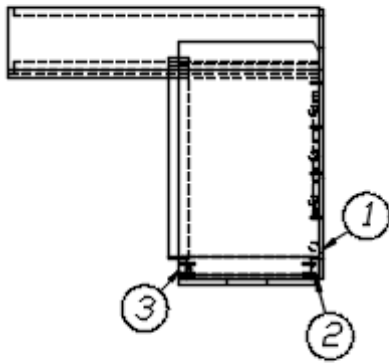
967533-09

Forward Wardrobe

- |                 |                        |
|-----------------|------------------------|
| 1. 967533-091   | Panel, 78.77 x 7.5     |
| 2. 967533-092   | Panel, 78.7 x 2.25     |
| 3. 967533-093   | Panel, 78.7 x 6.75     |
| 4. 967533-094   | Panel, 78.06 x 2.94    |
| 5. 967533-095   | Panel, 18.5 x 26.38    |
| 6. 967533-096   | Panel, 18.5 x 24       |
| 7. 967533-097   | Panel, 2.25 x 14.06    |
| 8. 967533-098   | Panel, 2.25 x 14.06    |
| 9. 967533-099   | Door, 15.06 x 61.5     |
| 10. 967533-0910 | Door, 15.06 x 14.41    |
| 11. 967533-0917 | Panel, 5 x 19.63       |
| 12. 967533-0918 | Panel, 2.25 x 17.25    |
| 382044          | Handle, Brushed Nickel |
| 381607-11       | Hinge, Self-close      |
| 104821          | Support, 74"           |
| 381228          | Catch, Grabber door    |

# 2019 FLYING CLOUD FURNITURE, LAVATORY

Wardrobe, Rear, 30', Landmark



Parts Listed on Next Page

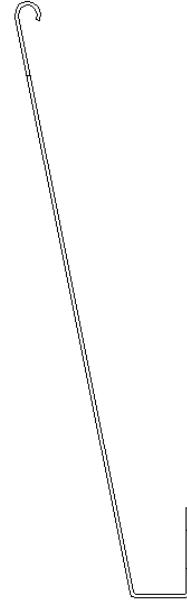
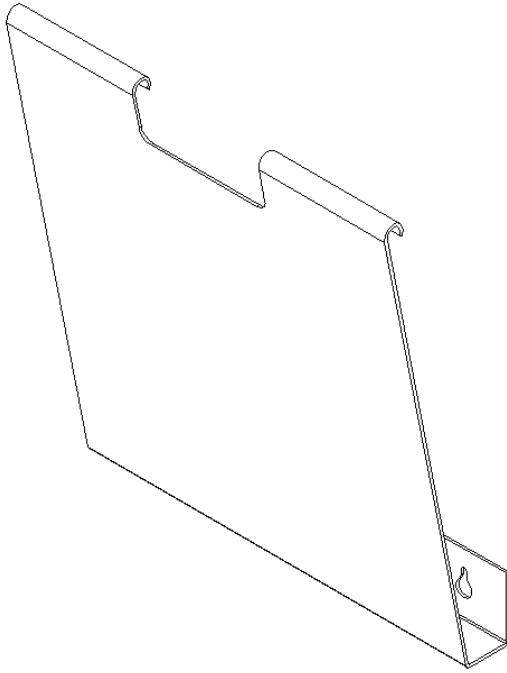
## 2019 FLYING CLOUD FURNITURE, LAVATORY

### Wardrobe, Rear, 30', Landmark

967534-09	Rear Wardrobe
1. 967534-091	Panel, 78.7 x 30.07
2. 967534-092	Panel, 78.7 x 2.25
3. 967534-093	Panel, 78.7 x 2.25
4. 967534-094	Panel, 2.25 x 14.06
5. 967534-095	Panel, 15.56 x 26.38
6. 967534-096	Panel, 15.56 x 24
7. 967534-097	Panel, 2.25 x 14.06
8. 967534-098	Panel, 14 x 4.5
9. 967534-099	Panel, 9.5 x 34.56
10. 967534-0910	Panel, 7.75 x 34.56
11. 967534-0911	Panel, 2.25 x 22.25
12. 967534-0912	Panel, 2.25 x 21.5
13. 967534-0913	Door, 15.06 x 14.41
14. 967534-0914	Door, 15.06 x 61.5
104821	Support, 74"
203138-01	Extrusion, Plastic, White
382044	Handle, Brushed Nickel
381607-11	Hinge, Self-close
381228	Catch, Grabber door
380045	Tubing, .75", Electric Metallic
200975-04	Conduit, Flexible Black plastic
380046	Flange, Chrome
386304-01	Edgebanding, .63", Landmark
386304-02	Edgebanding, .94", Landmark
365340-01	Edgebanding, .63", Frosty White

2019 FLYING CLOUD  
FURNITURE, LAVATORY

Magazine Rack

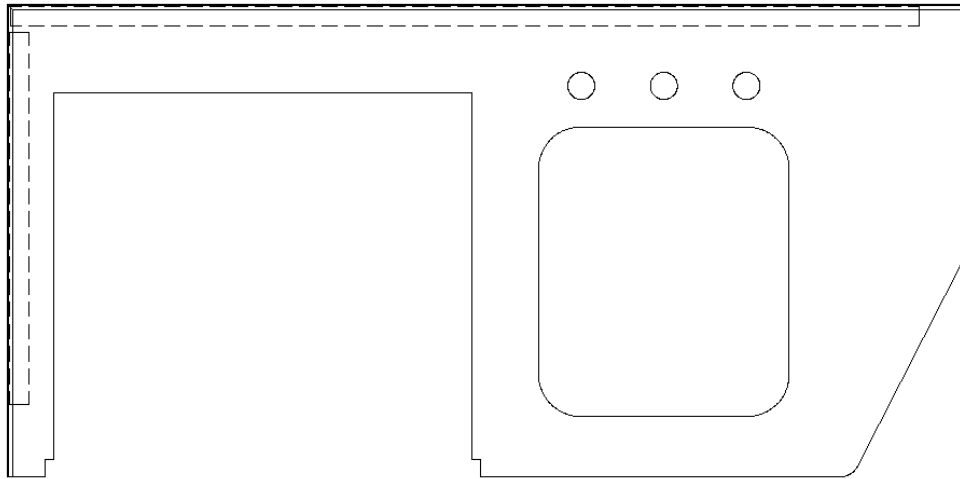


386106-01  
386107

Magazine rack, White  
Rod, Magazine rack

# 2019 FLYING CLOUD FURNITURE, GALLEY

Galley Top, 19'



968367

Galley Top

968367-1

Panel, 22.88 x 46.56

602250

Galley sink, Single bowl, Stainless Steel

600968

Strainer, 4"

203673

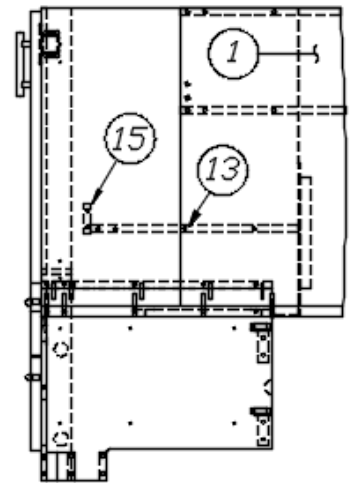
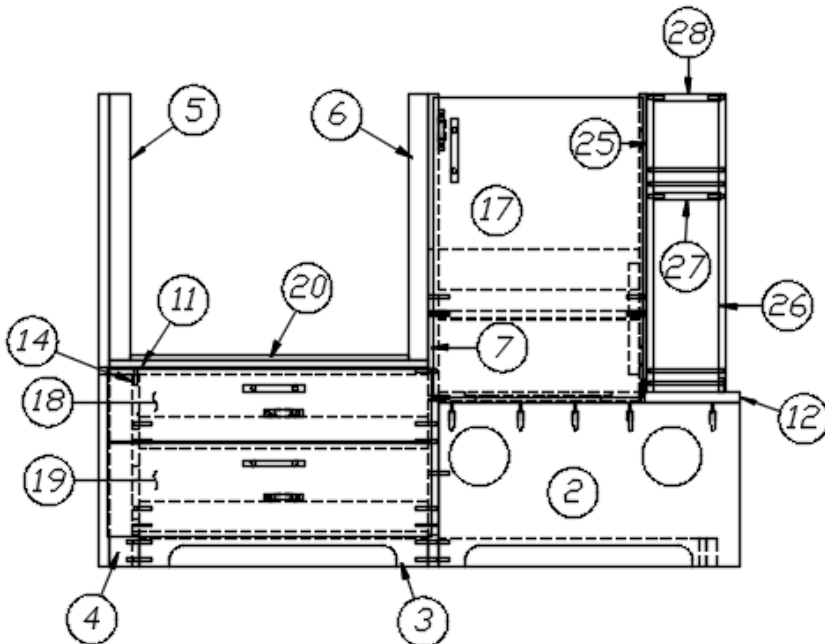
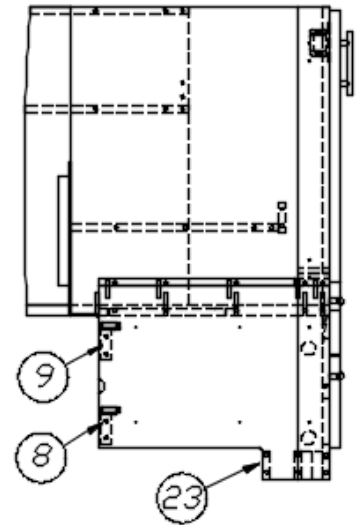
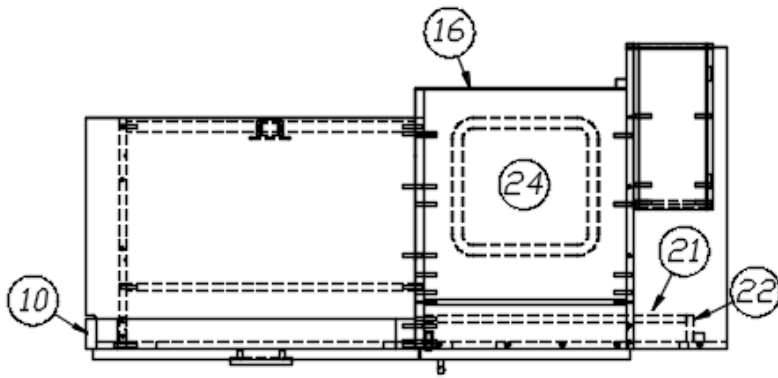
Sink cover, .5", Natural

602327

Galley faucet w/spray, Moen Camerist

# 2019 FLYING CLOUD FURNITURE, GALLEY

Galley, With Oven, 19', Landmark



Parts Listed on Next Page



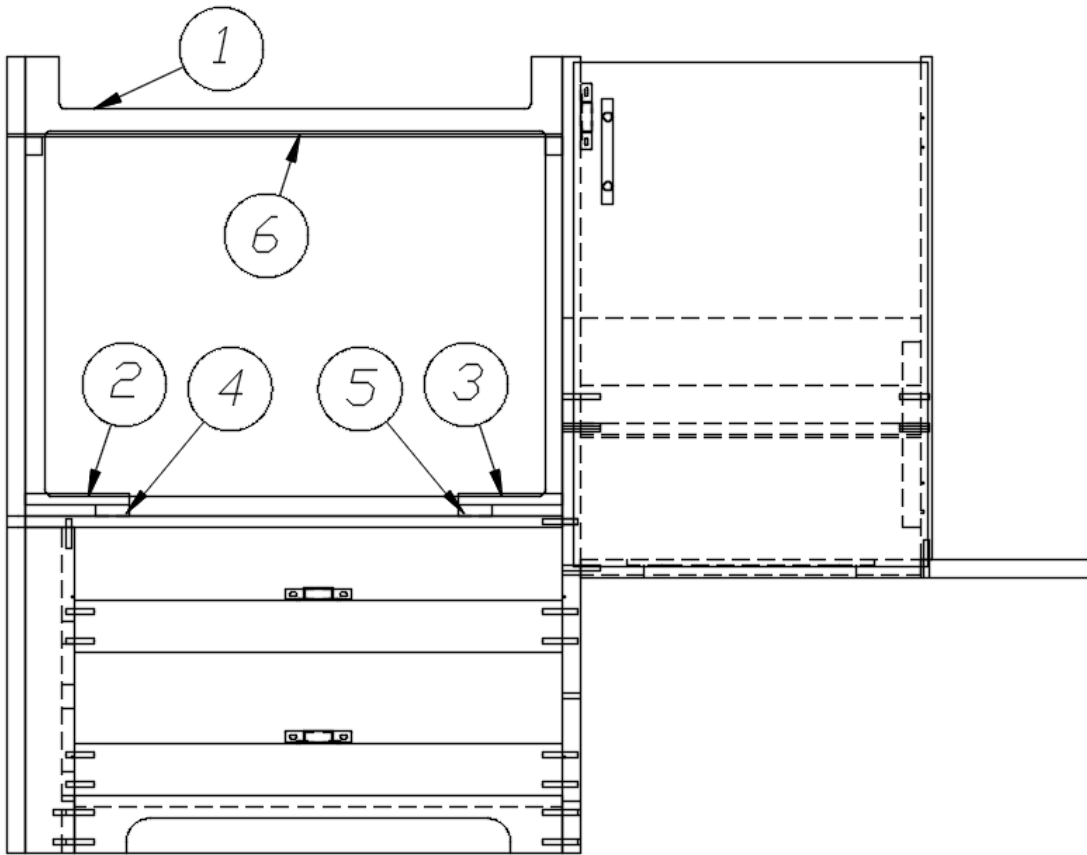
## 2019 FLYING CLOUD FURNITURE, GALLEY

### Galley, With Oven, 19', Landmark

968194-09	Galley Cabinet
1. 968194-091	Panel, 22.18 x 21.63
2. 968194-092	Panel, 22 x 11.88
3. 968194-093	Panel, 2.5 x 21
4. 968194-094	Panel, 2.13 x 14
5. 968194-095	Panel, 1.5 x 19.25
6. 968194-096	Panel, 1.37 x 19.25
7. 968194-099	Panel, 18.81 x 34.25
8. 968194-0910	Panel, 2.25 x 21
9. 968194-0911	Panel, 2.25 x 21
10. 968194-0912	Panel, 2.25 x 34.25
11. 968194-0913	Panel, 16.81 x 23.88
12. 968194-0914	Panel, 22 x 22
13. 968194-0915	Panel, 15.12 x 14.62
14. 968194-0916	Panel, 16.31 x 14
15. 968194-0917	Panel, 2.25 x 14.62
16. 968194-0922	Panel, 11 x 15.38
17. 968194-0925	Door, 15.25 x 21.5
18. 968194-0926	Drawer face, 23.63 x 5.25
19. 968194-0927	Drawer face, 23.63 x 6.75
20. 968194-0936	Panel, 23.13 x 2.25
21. 968194-0940	Panel, 2 x 19
22. 968194-0941	Panel, 2 x 2
23. 968194-0948	Panel, 2 x 21
24. 968194-0949	Panel, 9.94 x 10.56
25. 968194-0950	Panel, 9.94 x 10.56
26. 968194-0951	Panel, 9.94 x 10.56
27. 968194-0952	Panel, 9.94 x 10.56
28. 968194-0953	Panel, 9.94 x 10.56
115042	Aluminum rod, .25"
382044	Handle, Brushed Nickel
381228-02	Catch, Grabber door, 5LB
381607-11	Hinge, Self-close
968020-01	Drawer box, Self-close, 5"
968021-01	Drawer box, Self-close, 2.75"
386304-02	Edgebanding, .94", Landmark
386304-01	Edgebanding, .63", Landmark
382203-03	Slide drawer, Self-close, 15"
382203-06	Front fixing clips
968024	Insert, Cutlery drawer
382057	Knockdown
381610-01	Cap cover, European White

# 2019 FLYING CLOUD FURNITURE, GALLEY

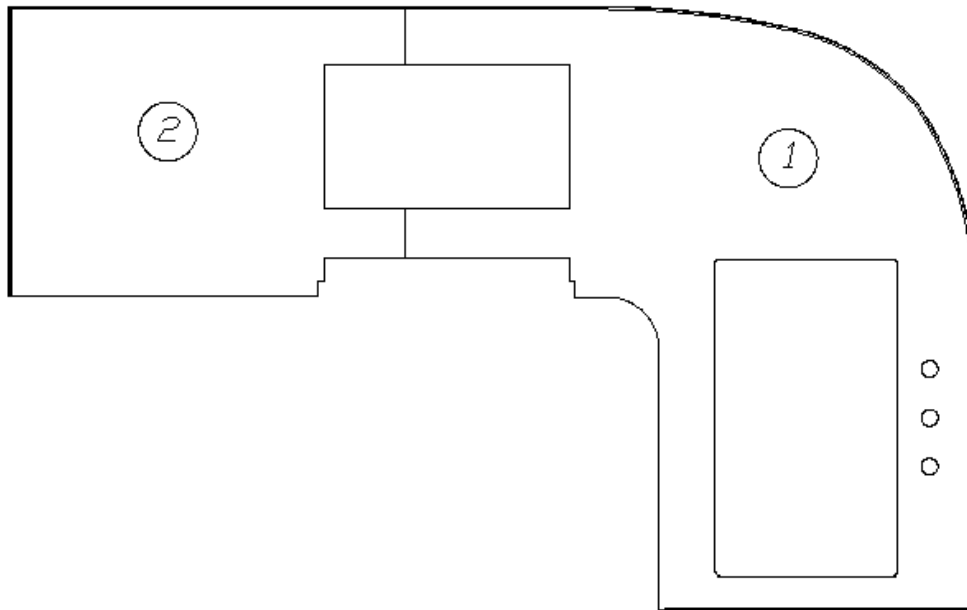
Galley, Convection Microwave Section, 19', Landmark



- |                |                      |
|----------------|----------------------|
| 1. 968194-097  | Panel, 23.13 x 19.75 |
| 2. 968194-0918 | Panel, 4.5 x 14      |
| 3. 968194-0919 | Panel, 4.5 x 14      |
| 4. 968194-0920 | Panel, 1.44 x 14     |
| 5. 968194-0921 | Panel, 1.44 x 14     |
| 6. 968194-0937 | Panel, 23.88 x 18.25 |

# 2019 FLYING CLOUD FURNITURE, GALLEY

Galley Top, 20'



967808-09

Galley Top

1. 967808-091

Panel, 47 x 49.48

2. 967808-092

Panel, 32.44 x 23.81

602172

Galley sink, Stainless steel

203736

Sink cover, .5", Natural

600968

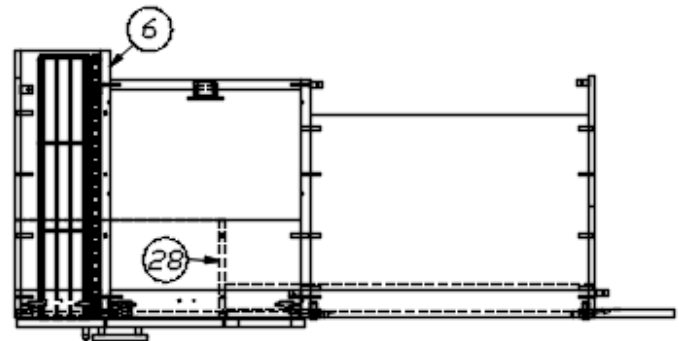
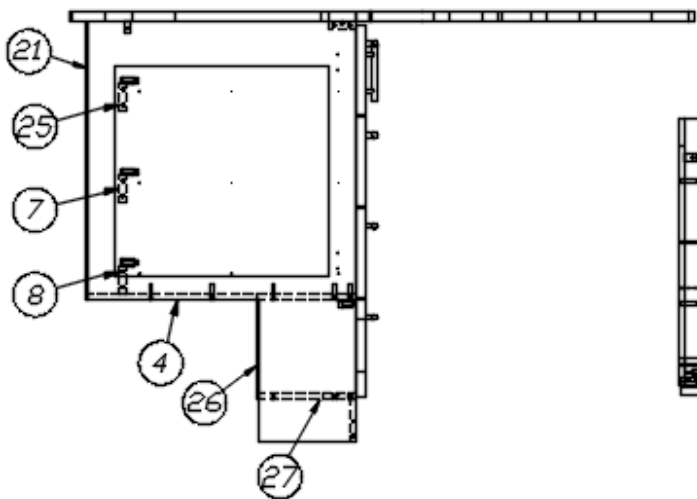
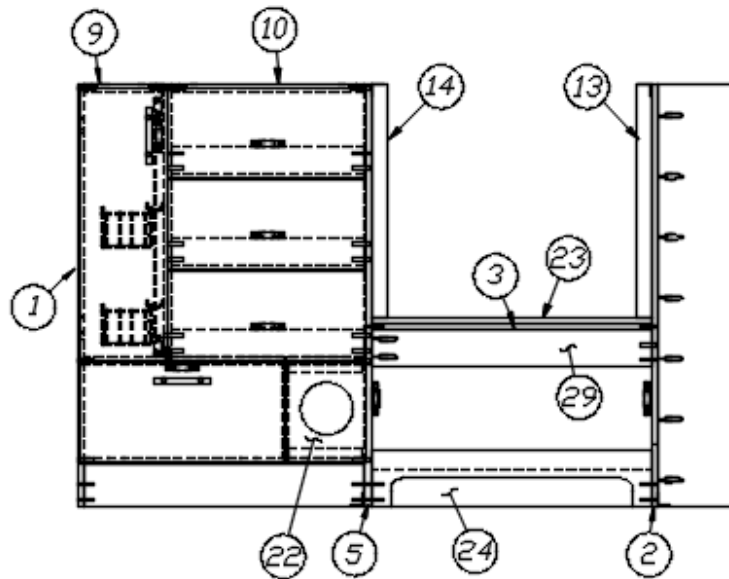
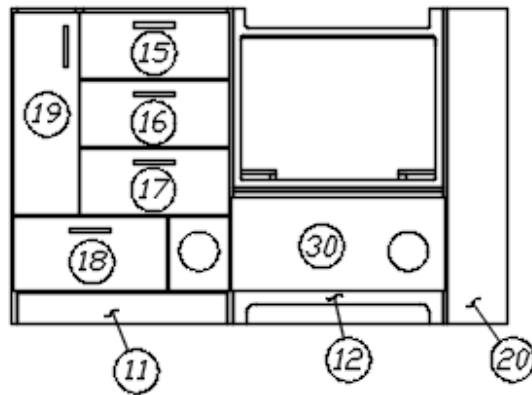
Strainer, 4"

602327

Galley faucet w/spray, Moen Camerist

# 2019 FLYING CLOUD FURNITURE, GALLEY

Galley, Forward Section, 20', Landmark



Parts Listed on Next Page

## 2019 FLYING CLOUD FURNITURE, GALLEY

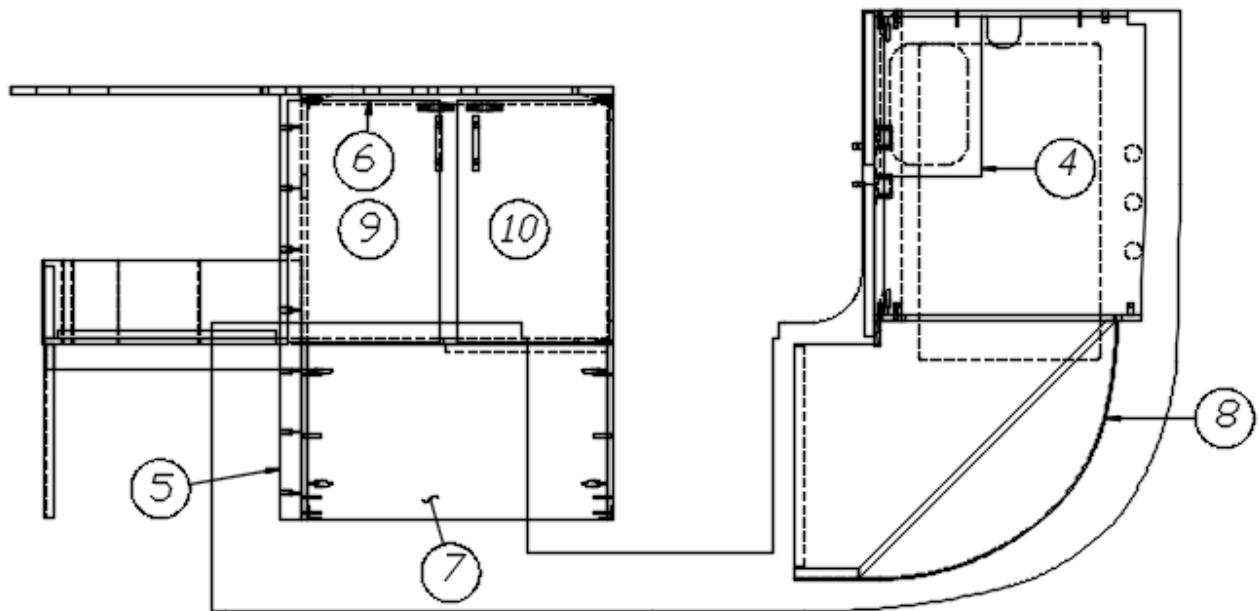
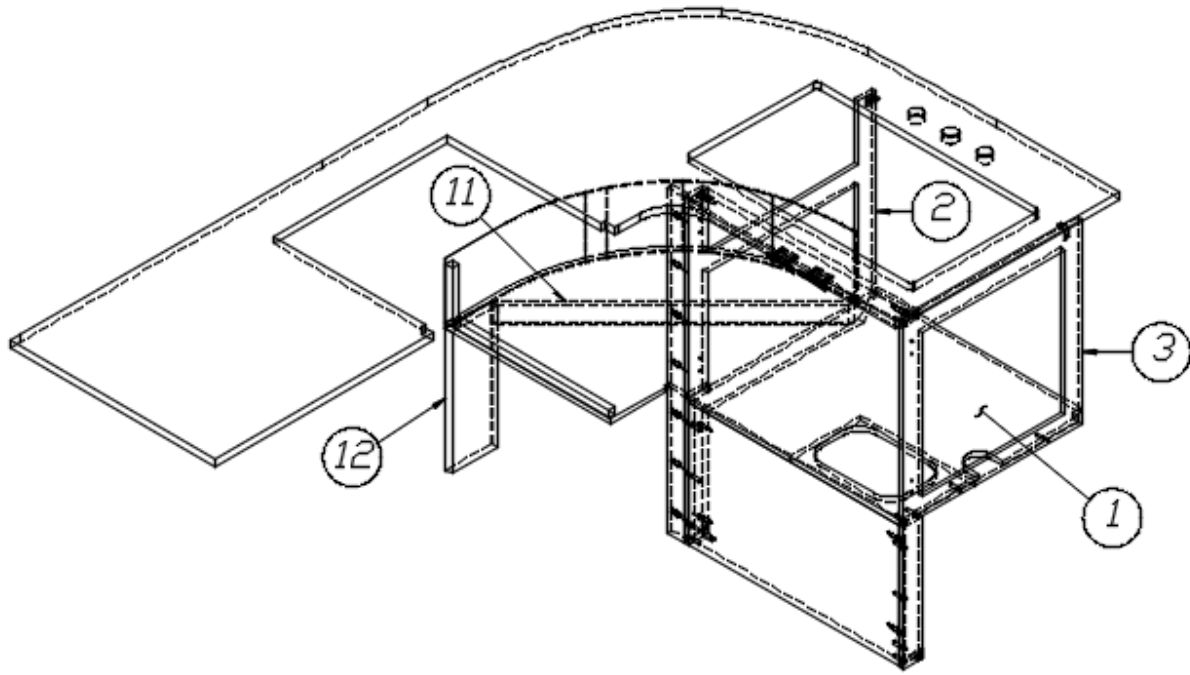
### Galley, Forward Section, 20', Landmark

968197 Forward Galley Cabinet

1. 968197-1	Panel, 22.06 x 34.75
2. 968197-2	Panel, 20 x 34.75
3. 968197-3	Panel, 23 x 16.81
4. 968197-4	Panel, 23.06 x 22.06
5. 968197-9	Panel, 19.56 x 34.75
6. 968197-10	Panel, 22.06 x 22.56
7. 968197-11	Panel, 2.25 x 15.75
8. 968197-12	Panel, 2.25 x 15.75
9. 968197-14	Panel, 2.25 x 6.56
10. 968197-15	Panel, 2.25 x 15.75
11. 968197-16	Panel, 23.06 x 3.5
12. 968197-17	Panel, 23 x 4.5
13. 968197-18	Panel, 1.25 x 19.25
14. 968197-19	Panel, 1.25 x 19.25
15. 968197-21	Drawer, 16.38 x 7.38
16. 968197-22	Drawer, 16.38 x 7.38
17. 968197-23	Drawer, 16.38 x 7.38
18. 968197-24	Door, 16.94 x 8.13
19. 968197-25	Door, 7.19 x 22.38
20. 968197-26	Panel, 6.55 x 34.75
21. 968197-27	Panel, 7.81 x 23.06
22. 968197-29	Panel, 6.63 x 8.13
23. 968197-40	Panel, 2.25 x 23
24. 968197-42	Panel, 23 x 3
25. 968197-46	Panel, 2.25 x 15.75
26. 968197-57	Panel, 17.38 x 8.19
27. 968197-58	Panel, 8 x 23.06
28. 968197-59	Panel, 7.69 x 8
29. 968197-60	Panel, 23 x 3
30. 968197-61	Panel, 23.63 x 10.25
968020-15	Drawer box, 5 x 15.13 x 18
382203-04	Slide drawer, Self-close, 18"
382044	Handle, Brushed Nickel
381228-02	Catch, Grabber door, 5LB
386304-02	Edgebanding, .94", Landmark
386304-01	Edgebanding, .63", Landmark
968024	Cutlery Insert
382203-06	Front fixing clips

# 2019 FLYING CLOUD FURNITURE, GALLEY

Galley, Aft Section, 20', Landmark



Parts Listed on Next Page

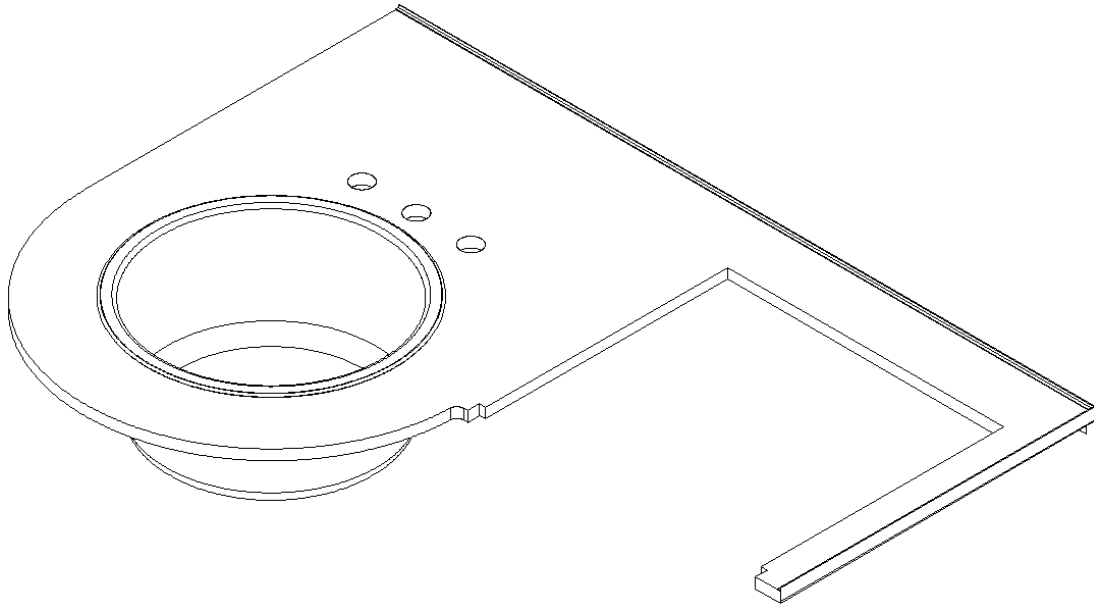
## 2019 FLYING CLOUD FURNITURE, GALLEY

### Galley, Aft Section, 20', Landmark

967810	Aft Galley Cabinet
1. 967810-1	Panel, 28.41 x 46.13
2. 967810-2	Panel, 21.86 x 34.75
3. 967810-3	Panel, 20.8 x 34.75
4. 967810-4	Panel, 8.75 x 13.25
5. 967810-5	Panel, 1.875 x 34.75
6. 967810-7	Panel, 2.25 x 24.5
7. 967810-8	Panel, 14.25 x 24.5
8. 967810-10	Panel, 39.375 x 7
9. 967810-11	Door, 12.5 x 19.88
10. 967810-12	Door, 12.5 x 19.88
11. 967810-20	Panel, 2 x 29.83
12. 967810-21	Panel, 5.29 x 14.24
380041	Brace 1", Stanley Corner
382044	Handle, Brushed Nickel
381228-02	Catch, Grabber door (5lb Pull)
381607-11	Hinge, Self-close
386304-02	Edgebanding, .94", Landmark
386304-01	Edgebanding, .63", Landmark

# 2019 FLYING CLOUD FURNITURE, GALLEY

## Galley Top, 23CB

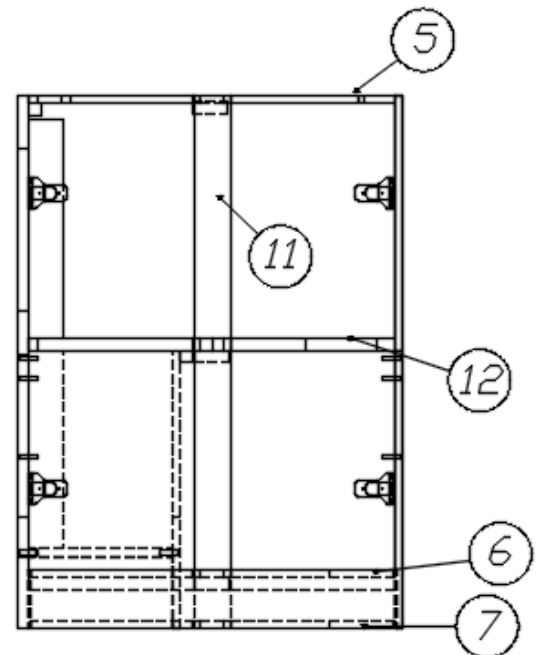
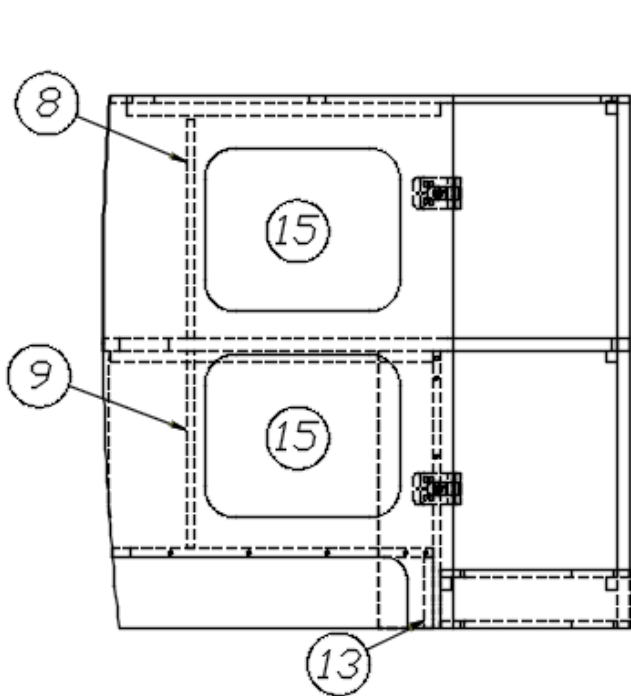
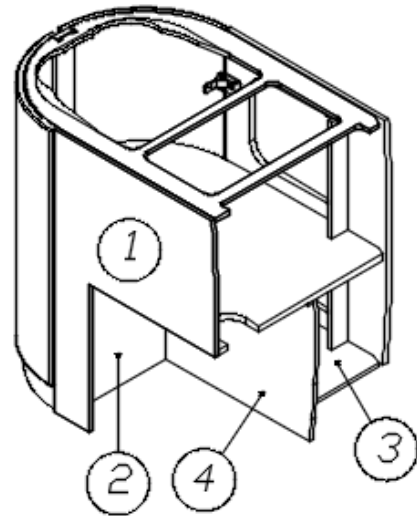
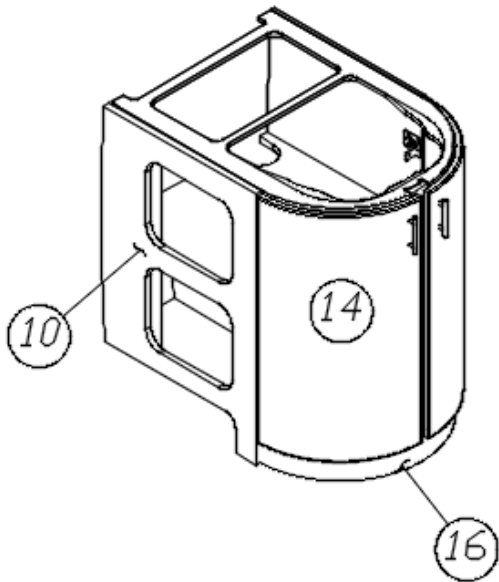


967812	Galley Top
967812-1	Panel, 36.61 x 51
601806	Galley sink, Round, Stainless Steel
203483	Sink cover, Round, Natural
600968	Strainer, 4"
602327	Galley faucet w/spray, Moen Camerist



# 2019 FLYING CLOUD FURNITURE, GALLEY

Galley, Forward Section, 23CB, Landmark



Parts Listed on Next Page

## 2019 FLYING CLOUD FURNITURE, GALLEY

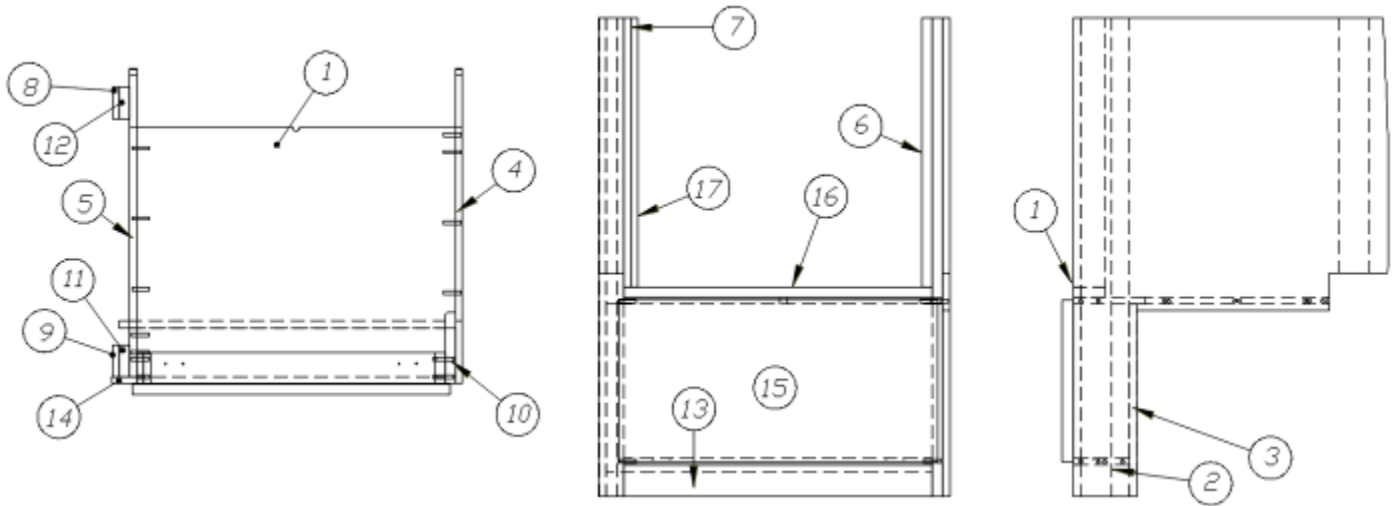
### Galley, Forward Section, 23CB, Landmark

967974-09 Galley Forward Cabinet

1. 967974-1 Panel 22.58 x 34.75
2. 967974-2 Panel 23.54 x 18.38
3. 967974-3 Panel 20.6 x 9.25
4. 967974-4 Panel 17.88 x 20.82
5. 967974-5 Panel 24.91 x 33.87
6. 967974-6 Panel 23.27 x 12.19
7. 967974-7 Panel 23.27 x 12.19
8. 967974-8 Panel 2.25 x 14.13
9. 967974-9 Panel 2.25 x 12.75
10. 967974-0910 Panel 22.57 x 34.25
11. 967974-0911 Panel 2.40 x 35.5
12. 967974-12 Panel 24.91 x 33.87
13. 967974-28 Panel 4.56 x 9.25
14. 801787-0136 Door, 16.97 x 31, Landmark
15. 371432 Door, Glass, 12.06 x 9.81
16. 115309 Toe kick, Aluminum
17. 203647 Molding-T 13/16" Chamois Yellow
- 382029-00 Handle bar, 7.48"
- 381607-10 Hinge, Self-close
- 381808-01 Bracket, Face mount hinge
- 381856 Catch, Tension 2-ball, Chrome
- 381654 Hinge, Black
- 381707 Strike w/pull, Black
- 386304-02 Edgebanding, .94", Landmark
- 386304-01 Edgebanding, .63", Landmark
- 365340-01 Edgebanding, .63", Frosty White

# 2019 FLYING CLOUD FURNITURE, GALLEY

## Galley, Aft Section, 23CB, Landmark



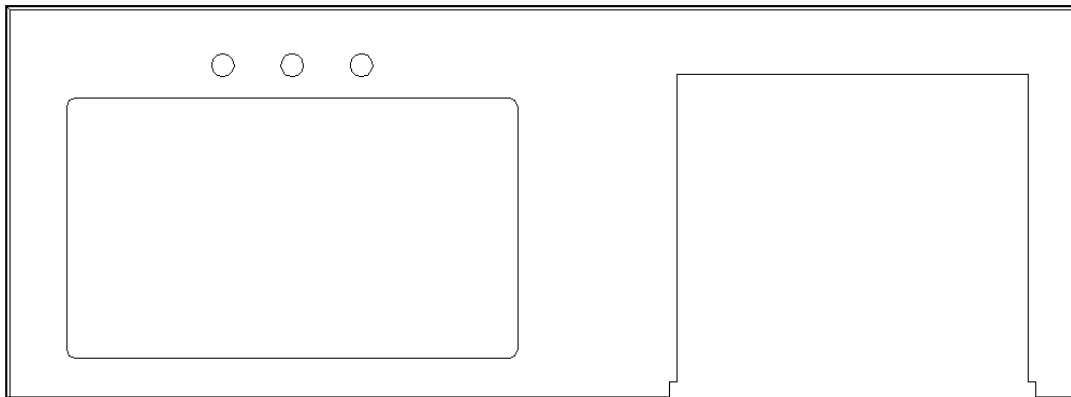
967980-09

Aft Galley Cabinet

- |                 |                                |
|-----------------|--------------------------------|
| 1. 967980-1     | Panel, 18.36 x 22.87           |
| 2. 967980-2     | Panel, 4 x 22.13               |
| 3. 967980-3     | Panel, 23.38 x 15              |
| 4. 967980-4     | Panel, 22.58 x 34.25           |
| 5. 967980-5     | Panel, 22.08 x 34.25           |
| 6. 967980-6     | Panel, 2.25 x 19.25            |
| 7. 967980-7     | Panel, 2.25 x 19.25            |
| 8. 967980-8     | Panel, 2.25 x 18.25            |
| 9. 967980-9     | Panel, 2.25 x 34.25            |
| 10. 967980-10   | Panel, 4 x 34.25               |
| 11. 967980-11   | Panel, 2.25 x 34.75            |
| 12. 967980-12   | Panel, 2.25 x 18.25            |
| 13. 967980-0913 | Panel, 2.25 x 22.13            |
| 14. 967980-0914 | Panel, 1.75 x 34.25            |
| 15. 967980-0915 | Door, 22.81 x 11.63            |
| 16. 967980-0921 | Panel 2.25 x 21.13             |
| 17. 967980-22   | Panel 2.25 x 19.25             |
| 381607-11       | Hinge, Self-close              |
| 381228-02       | Catch, Grabber door (5lb Pull) |
| 382029-05       | Handle bar                     |

# 2019 FLYING CLOUD FURNITURE, GALLEY

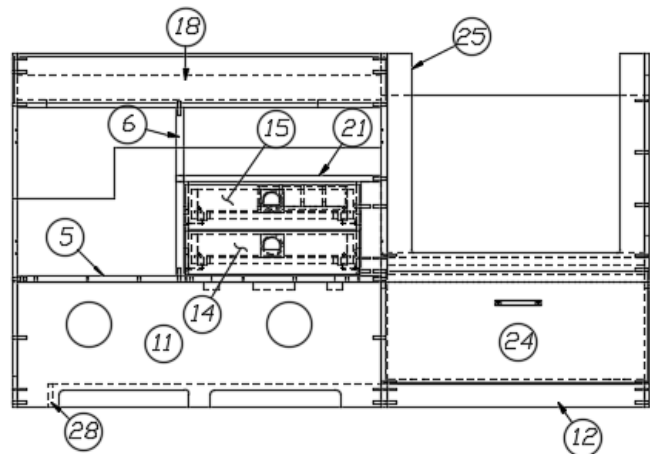
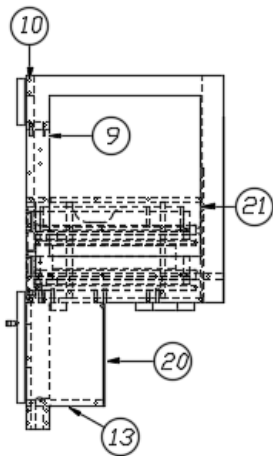
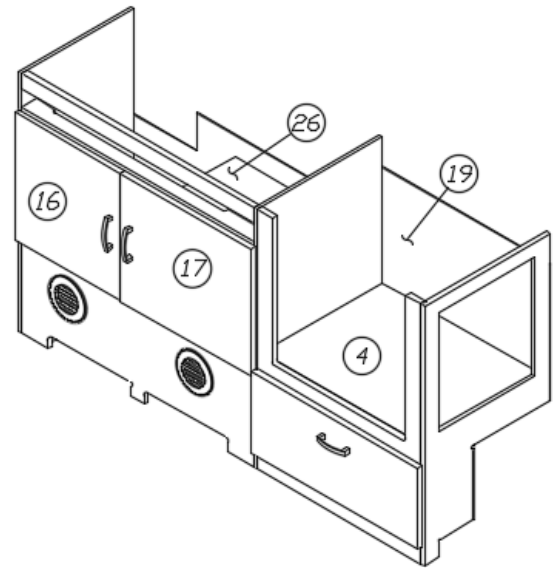
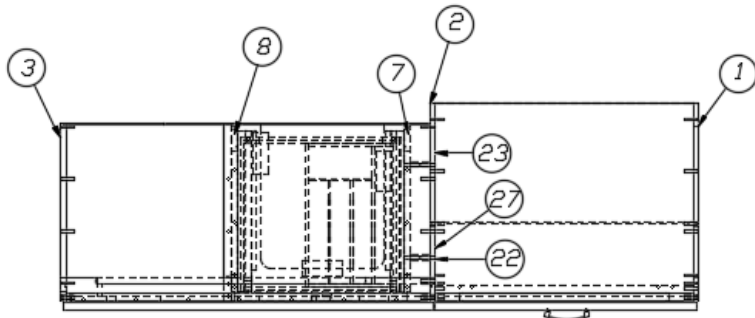
## Galley Top, 23FB



- |            |                                      |
|------------|--------------------------------------|
| 967817-09  | Galley Top                           |
| 967817-091 | Panel, 22.5 x 61.75                  |
| 602327     | Galley faucet w/spray, Moen Camerist |
| 602172     | Galley sink, Stainless steel         |
| 203736     | Sink cover, Natural                  |

# 2019 FLYING CLOUD FURNITURE, GALLEY

Galley, 23FB, Landmark



Parts Listed on Next Page

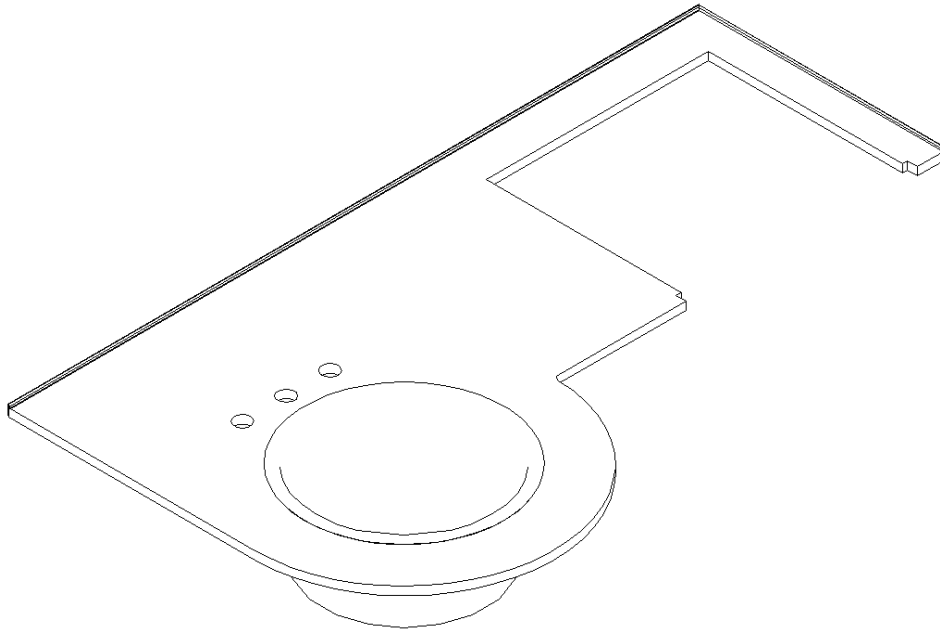
# 2019 FLYING CLOUD FURNITURE, GALLEY

## Galley, 23FB, Landmark

968199-09	Galley Cabinet
1. 968199-1	Panel, 19.13 x34.25
2. 968199-2	Panel, 19.13 x 34.25
3. 968199-3	Panel, 17.13 x 34.25
4. 968199-4	Panel, 18.38 x 25
5. 968199-5	Panel, 17.13 x 35.38
6. 968199-6	Panel, 17.13 x 16.31
7. 968199-7	Panel, 16.13 x 9.22
8. 968199-8	Panel, 16.13 x 9.22
9. 968199-9	Panel, 2.25 x 35.38
10. 968199-0910	Panel, 2 x 35.38
11. 968199-0911	Panel, 35.38 x 12.19
12. 968199-0912	Panel, 25 x 2.25
13. 968199-13	Panel, 7.5 x 25
14. 968199-0916	Panel, 16.88 x 4.25
15. 968199-0917	Panel, 16.88 x 4.25
16. 968199-0918	Door, 16 x 16.81
17. 968199-0919	Door, 19.88 x 16.81
18. 968199-0920	Panel, 36 x 4.5
19. 968199-21	Panel, 17.63 x 26
20. 968199-22	Panel, 9.88 x 26
21. 968199-23	Panel, 17.13 x 20
22. 968199-24	Panel, 2 x 9.22
23. 968199-25	Panel, 2 x 9.22
24. 968199-0926	Door, 25.38 x 10.75
25. 968199-0933	Panel, 25 x 21.38
26. 968199-34	Panel, 35.88 x 12.98
27. 968199-0938	Panel, 32.38 x 2.25
28. 968199-0946	Panel, 1.25 x 2.25
968021-03	Drawer box, 2.75 x 15
382203-03	Slide drawer, Self-close
382044	Handle, Brushed Nickel
381607-11	Hinge, Self-close
381228-02	Catch, Grabber door, 5LB
386304-01	Edgebanding, .63", Landmark
386304-02	Edgebanding, .94", Landmark
382203-06	Front fixing clips
381708	Wastebasket

# 2019 FLYING CLOUD FURNITURE, GALLEY

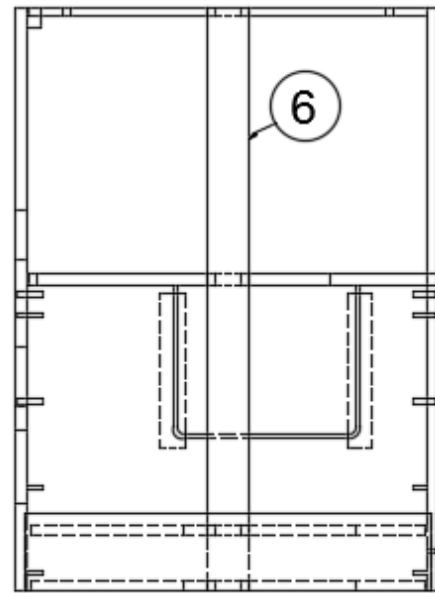
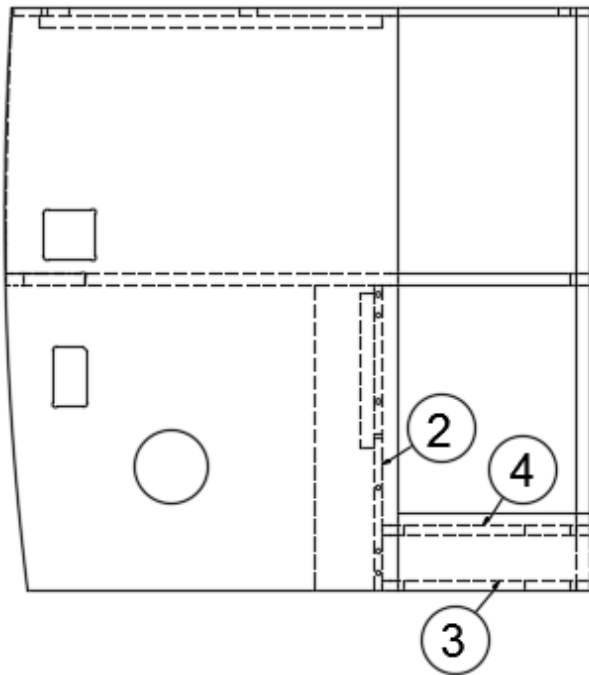
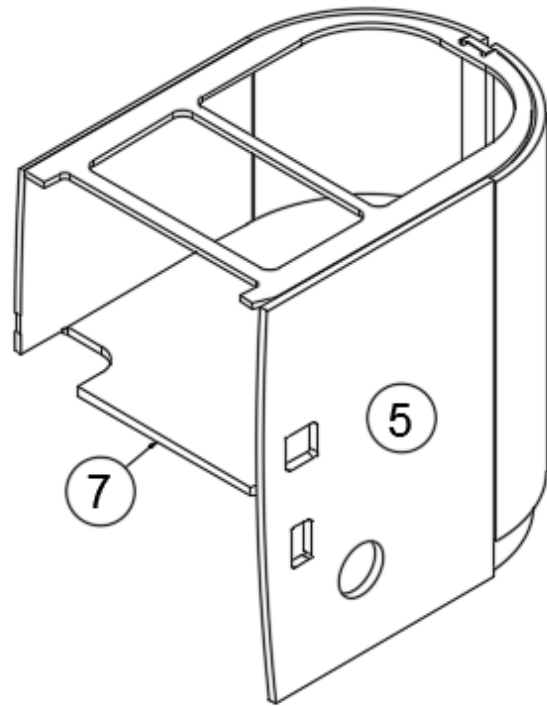
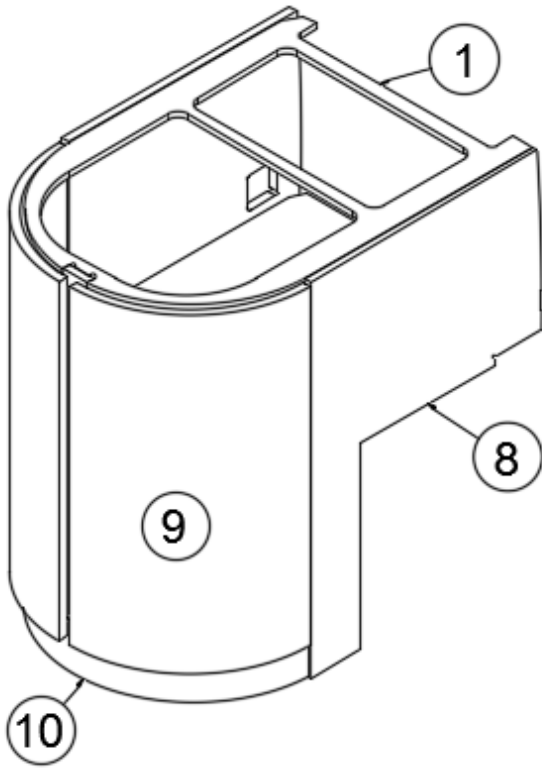
Galley Top, 25'



967826	Galley Top
967826-1	Panel, 22.5 x 61.75
601806	Galley sink, Round, Stainless Steel
203483	Sink cover, Round, Natural
600968	Strainer, 4"
602327	Galley faucet w/spray, Moen Camerist

# 2019 FLYING CLOUD FURNITURE, GALLEY

Galley, Forward Section, 25', Landmark



Parts Listed on Next Page



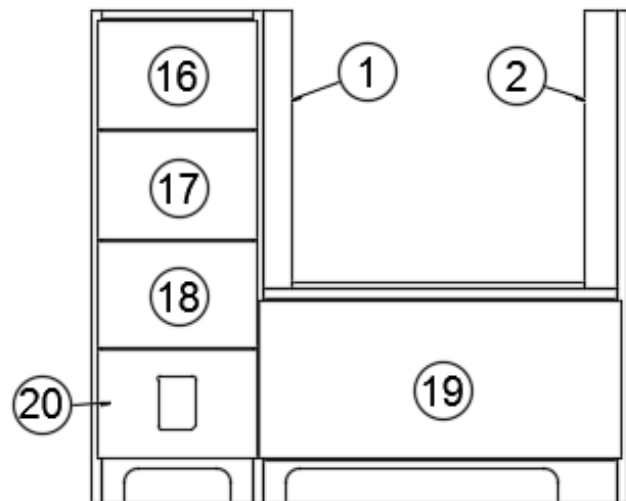
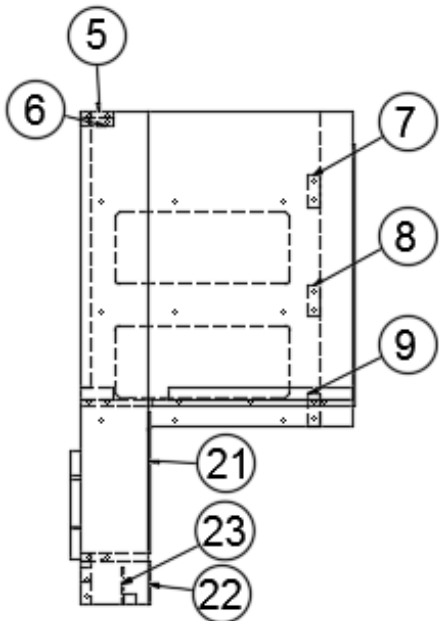
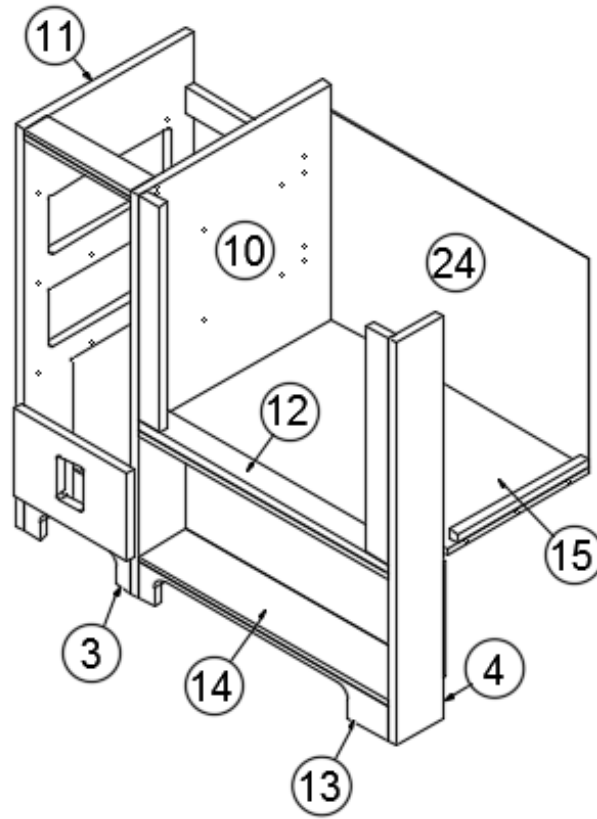
## 2019 FLYING CLOUD FURNITURE, GALLEY

### Galley, Forward Section, 25', Landmark

967986-09	Forward Galley Cabinet
1. 967986-1	Panel, 23.5 x 33.91
2. 967986-2	Panel, 23.54 x 17.88
3. 967986-3	Panel, 23.27 x 12.18
4. 967986-4	Panel, 23.27 x 12.18
5. 967986-096	Panel, 23.04 x 34.25
6. 967986-097	Panel, 2.4 x 34.25
7. 967986-8	Panel, 23.5 x 34.38
8. 967986-099	Panel, 23.04 x 34.25
9. 801787-0136	Door, Radius, 16.97 x 31, Landmark
10. 115309	Toe kick, Aluminum
967986-24	Panel, 10.5 x 8.75
203464-01	Trim panel, .75", Oak
386304-01	Edgebanding, .63", Landmark
386304-02	Edgebanding, .94", Landmark
381808-01	Bracket, Face mount hinge
381607-10	Hinge, Self-close
382044	Handle, Brushed Nickel
203483	Sink cover, Round
381708	Wastebasket

# 2019 FLYING CLOUD FURNITURE, GALLEY

Galley, Oven Section, 25', Landmark



Parts Listed on Next Page

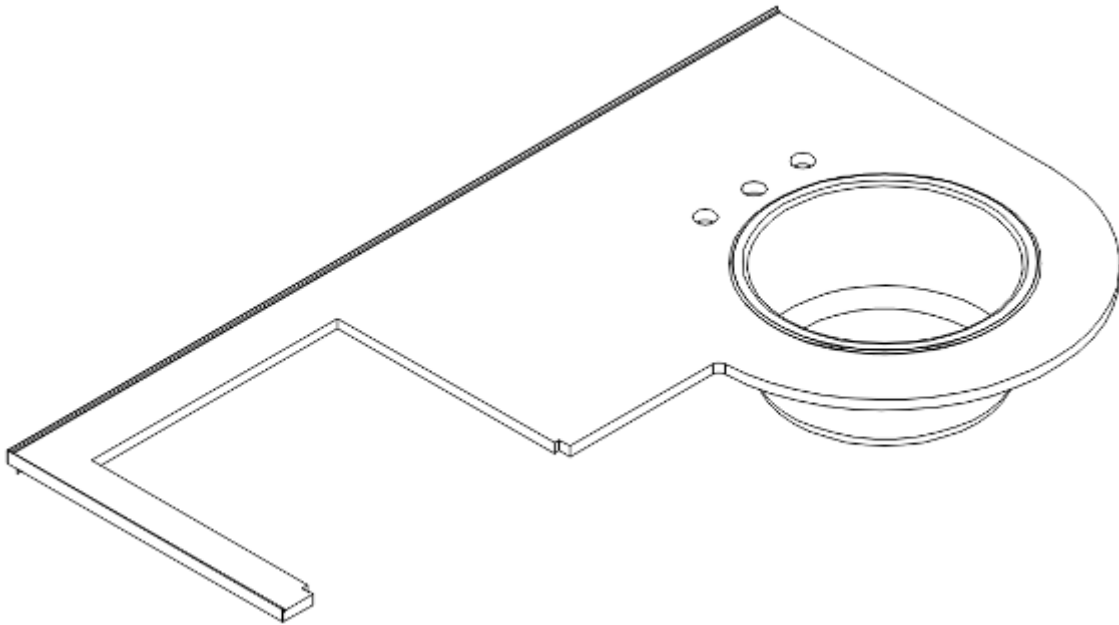
# 2019 FLYING CLOUD FURNITURE, GALLEY

## Galley, Oven Section, 25', Landmark

967987-09	Galley Oven Cabinet
1. 967987-091	Panel 2.01 x 19.25
2. 967987-092	Panel 2.24 x 19.25
3. 967987-093	Panel 3.5 x 10.5
4. 967987-4	Panel 4.69 x 34.25
5. 967987-5	Panel 2.25 x 10.5
6. 967987-6	Panel 2.25 x 10.5
7. 967987-7	Panel 2.25 x 10.5
8. 967987-8	Panel 2.25 x 10.5
9. 967987-9	Panel 2.25 x 10.5
10. 967987-10	Panel 18.88 x 34.25
11. 967987-11	Panel 16.44 X 34.25
12. 967987-12	Panel 2.25 x 24.5
13. 967987-0914	Panel 3 x 24
14. 967987-15I	Panel 4.69 x 24.5
15. 967987-16	Panel 18.88 x 25.25
16. 967987-0917	Door 11.13 x 7.5
17. 967987-0918	Door 11.13 x 7.5
18. 967987-0919	Door 11.13 x 7.5
19. 967987-0920	Door 25.13 x 10.88
20. 967987-0921	Panel, 11.13 x 7.5
21. 967987-22	Panel, 26 x 9.81
22. 967987-30	Panel 12 x 3
23. 967987-31	Panel, 23.5 x 2.5
24. 967987-0934	Panel, 26 x 18.25
968020-02	Drawer box, 9.88 x 15
382044	Handle, Brushed Nickel
381228-02	Catch, Grabber door (5lb Pull)
203647	T-molding, Chamois Yellow
968024	Insert, Cutlery drawer
382203-03	Drawer slide, 15"
382203-06	Front fixing clips
386304-01	Edgebanding, .63", Landmark
386304-02	Edgebanding, .94", Landmark

# 2019 FLYING CLOUD FURNITURE, GALLEY

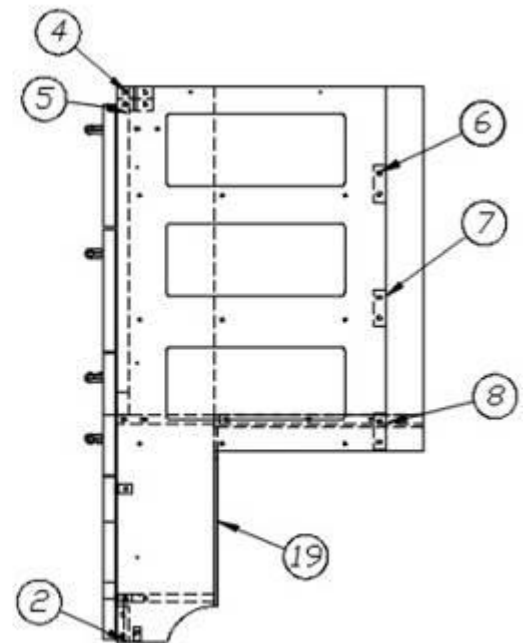
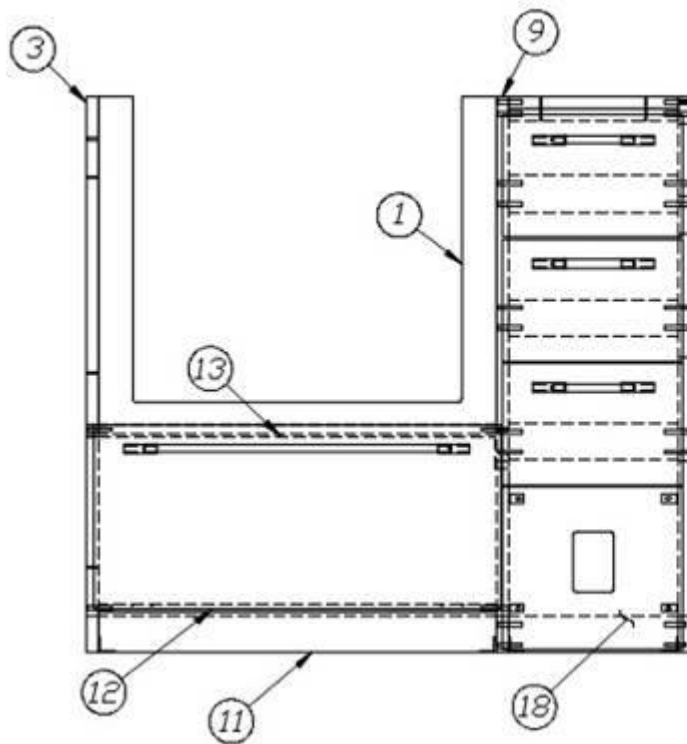
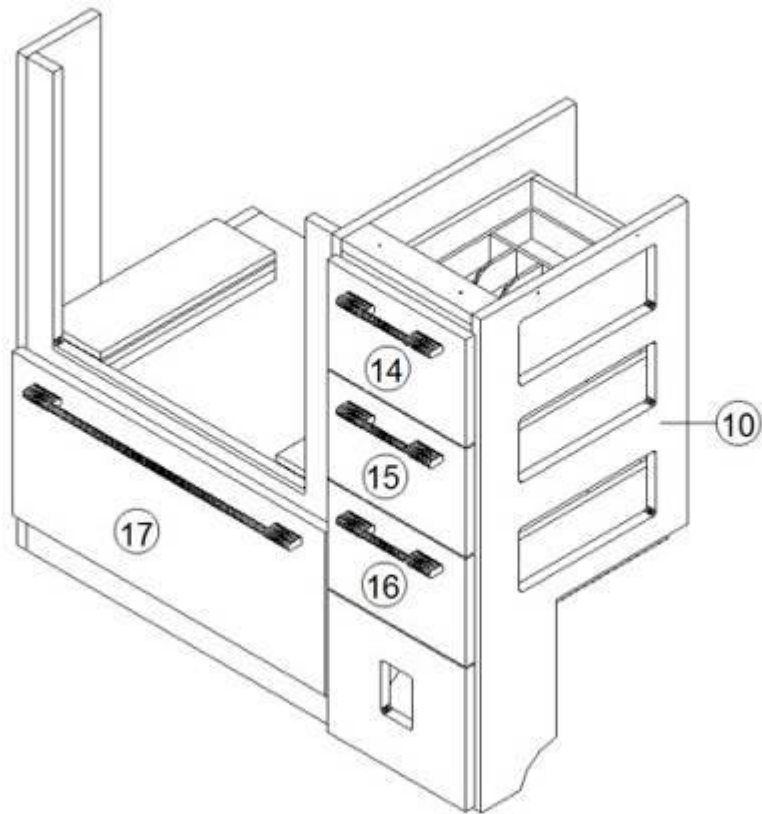
Galley Top, 25FB



- |            |                                      |
|------------|--------------------------------------|
| 967830-09  | Galley Top                           |
| 967830-091 | Panel, 36.13 x 63.04                 |
| 601806     | Galley sink, Round, Stainless Steel  |
| 203483     | Sink cover, Round, Natural           |
| 600968     | Strainer, 4"                         |
| 602327     | Galley faucet w/spray, Moen Camerist |

# 2019 FLYING CLOUD FURNITURE, GALLEY

Galley, Oven Section, 25FB, Landmark



Parts Listed on Next Page

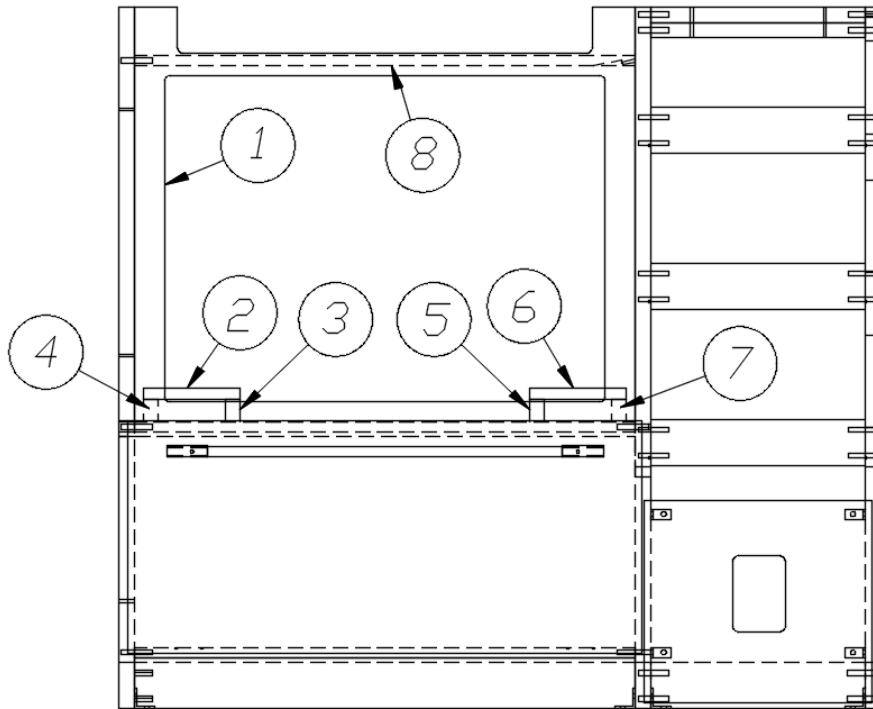
## 2019 FLYING CLOUD FURNITURE, GALLEY

### Galley, Oven Section, 25FB, Landmark

967992-09	Galley Oven Cabinet
1. 967992-091	Panel, 24.5 x 20.25
2. 967992-093	Panel, 2.25 x 10.5
3. 967992-4	Panel, 6 x 34.25
4. 967992-5	Panel, 2.25 x 10.5
5. 967992-6	Panel, 2.25 x 10.5
6. 967992-7	Panel, 2.25 x 10.5
7. 967992-8	Panel, 2.25 x 10.5
8. 967992-9	Panel, 2.25 x 10.5
9. 967992-10	Panel, 18.88 x 34.25
10. 967992-11	Panel, 16.56 x 34.25
11. 967992-0914	Panel, 24.5 x 3
12. 967992-15I	Panel, 6 x 24.5
13. 967992-16	Panel, 18.88 x 25.25
14. 967992-0917	Door, 11.13 x 7.5
15. 967992-0918	Door, 11.13 x 7.5
16. 967992-0919	Door, 11.13 x 7.5
17. 967992-0920	Door, 25.13 x 11.38
18. 967992-0921	Panel, 11.13 x 9.92
19. 967992-22	Panel, 26 x 11.06
382044	Handle, Brushed Nickel
381607-11	Hinge, Self-close
968024	Insert, Cutlery drawer
382203-03	Drawer slide, Self-close, 15"
968020-02	Drawer box, 5" x 15"
381228-02	Catch, Grabber door (5lb Pull)
382203-06	Front fixing clips (Pair)

# 2019 FLYING CLOUD FURNITURE, GALLEY

Galley, Microwave Option, 25FB, Landmark



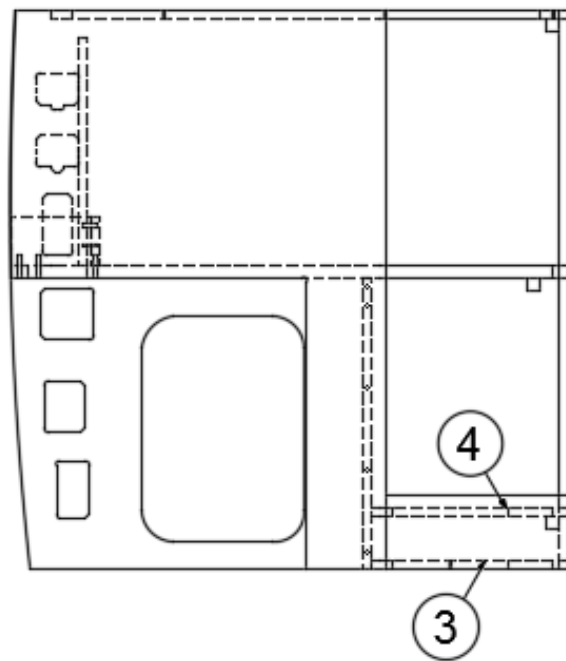
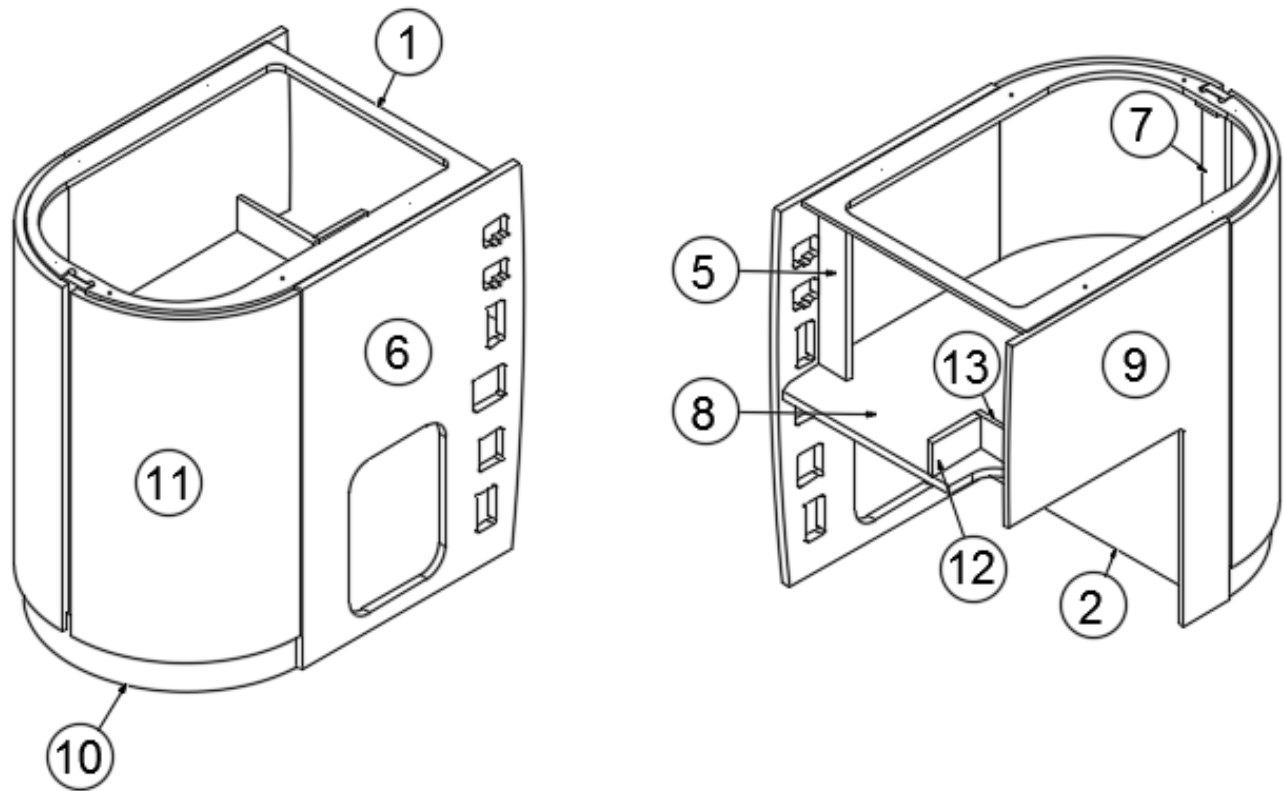
967992-02

Galley Microwave Option Section

- |                |                     |
|----------------|---------------------|
| 1. 967992-0232 | Panel, 24.5 x 20.25 |
| 2. 967992-33   | Panel, 4.75 x 14    |
| 3. 967992-34   | Panel, 1.44 x 14    |
| 4. 967992-35   | Panel, 1.44 x 14    |
| 5. 967992-36   | Panel, 1.44 x 14    |
| 6. 967992-37   | Panel, 4.75 x 14    |
| 7. 967992-38   | Panel, 1.44 x 14    |
| 8. 967992-39   | Panel, 24.5 x 17.13 |

# 2019 FLYING CLOUD FURNITURE, GALLEY

Galley, Aft Section, 25FB, Landmark



Parts Listed on Next Page



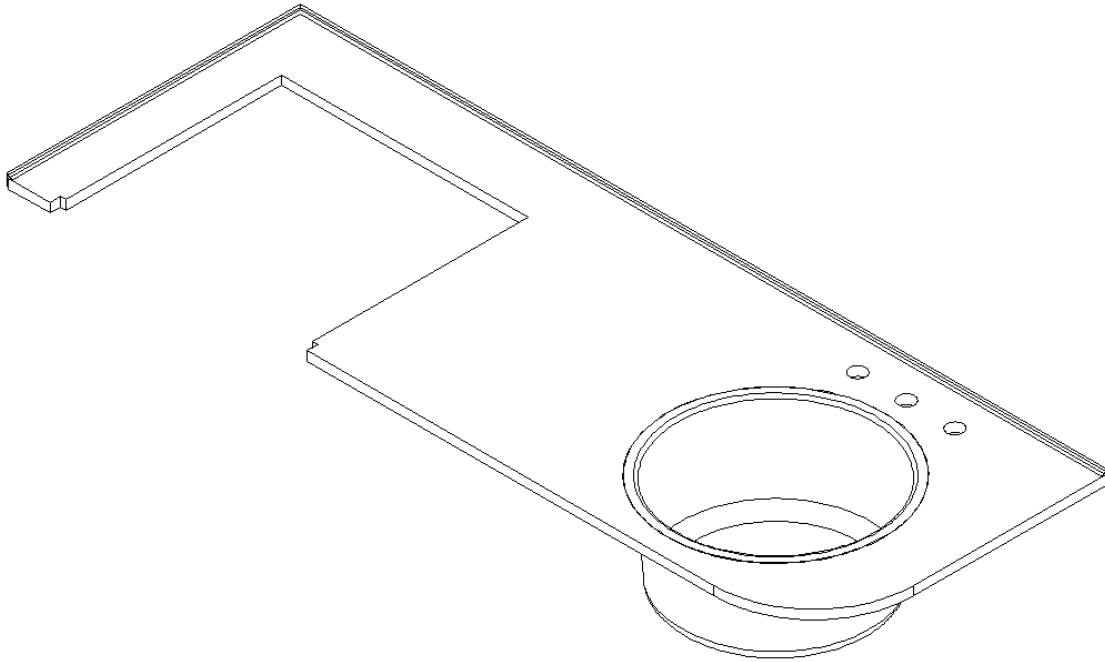
## 2019 FLYING CLOUD FURNITURE, GALLEY

### Galley, Aft Section, 25FB, Landmark

967991-09	Galley Aft Cabinet
1. 967991-1	Panel, 23.5 x 33.94
2. 967991-2	Panel, 23.54 x 17.88
3. 967991-3	Panel, 23.27 x 12.18
4. 967991-4	Panel, 23.27 x 12.18
5. 967991-5	Panel, 3 x 14
6. 967991-096	Panel, 23.04 x 34.25
7. 967991-097	Panel, 2.4 x 34.25
8. 967991-8	Panel, 23.5 x 34.4
9. 967991-099	Panel, 23.04 x 34.25
10. 115309	Toe kick, Aluminum
11. 801787-0136	Door, 16.26 x 31, Landmark
12. 967991-32	Panel, 3 x 5
13. 967991-33	Panel, 3 x 6.5
966910-09	Galley flip-up shelf
381808-01	Bracket, Face mount hinge
381607-10	Hinge, Self-close
382044	Handle, Brushed Nickel
203483	Sink cover, Round, 17.75"
203464	Trim, .75", Black
203383	Magazine rack
115042	Aluminum rod, 6' Length
381856	Catch, Tension 2-ball, Chrome
381708	Wastebasket
203138-01	Extrusion, Plastic, White
203440	T-molding, .8125, Black Embossed

# 2019 FLYING CLOUD FURNITURE, GALLEY

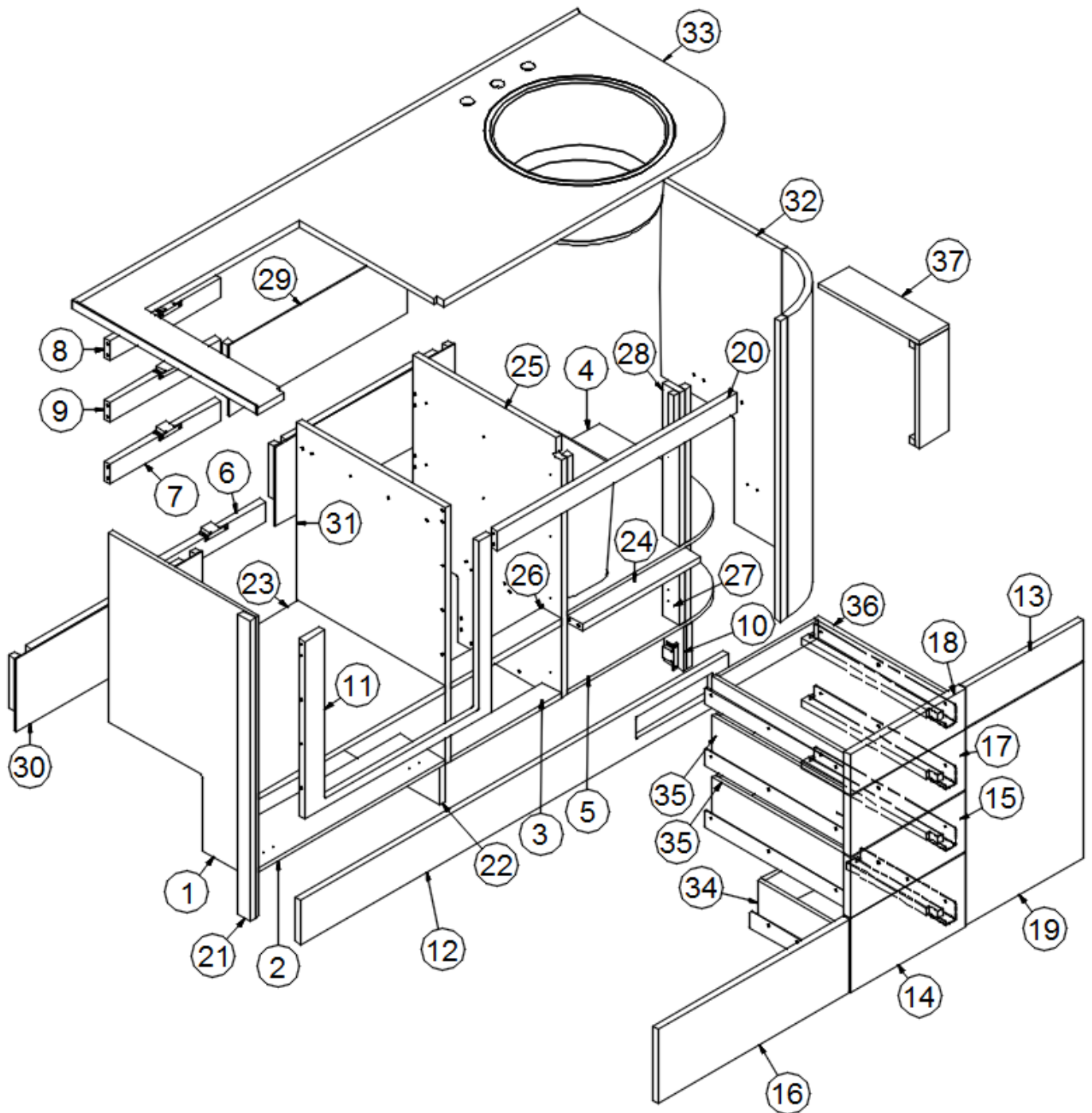
## Galley Top, 26U



968319	Galley Top
968319-1	Panel, 24 x 66.25
601806	Galley sink, Round, Stainless Steel
203483	Sink cover, Round, Natural
600968	Strainer, 4"
602327	Galley faucet w/spray, Moen Camerist

# 2019 FLYING CLOUD FURNITURE, GALLEY

Galley, 26U, Landmark



Parts Listed on Next Page

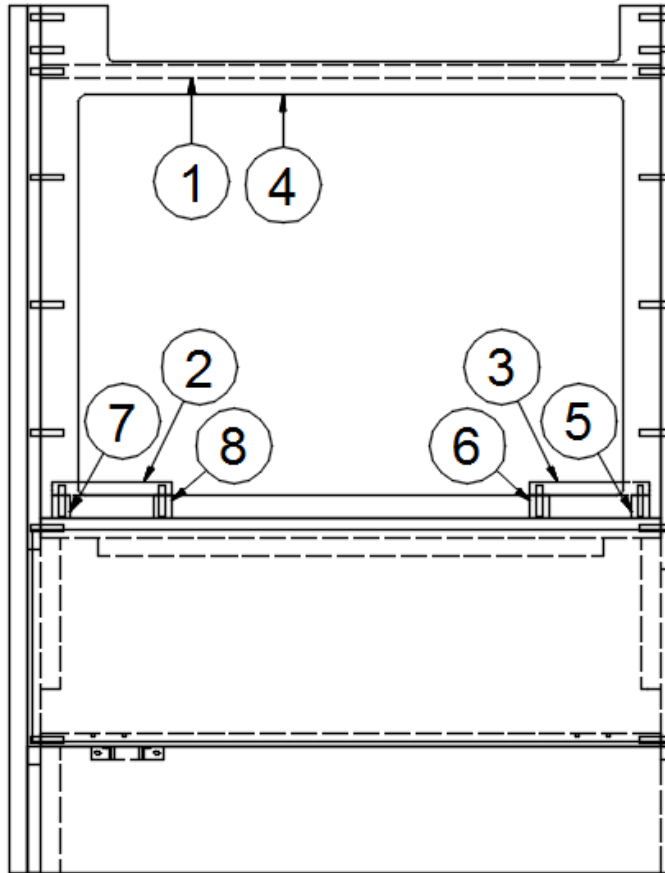
# 2019 FLYING CLOUD FURNITURE, GALLEY

## Galley, 26U, Landmark

968315	Galley Cabinet
1. 968315-1	Panel, 19.31 x 34.25
2. 968315-2	Panel, 6 x 24.5
3. 968315-3	Panel, 2.5 x 14.5
4. 968315-4	Panel, 19.31 x 23.5
5. 968315-5	Panel, 12.31 x 23.5
6. 968315-6	Panel, 2.25 x 14.5
7. 968315-7	Panel, 2.25 x 14.5
8. 968315-8	Panel, 2.25 x 14.5
9. 968315-9	Panel, 2.25 x 14.5
10. 968315-15	Panel, 2.5 x 5
11. 968315-16	Panel, 24.5 x 20.25
12. 968315-18	Panel, 55.75 x 5
13. 968315-19	Door, 15.38 x 4.63
14. 968315-20	Door, 15.13 x 8.38
15. 968315-21	Door, 15.13 x 6.88
16. 968315-22	Door, 25.13 x 8.38
17. 968315-23	Door, 15.13 x 6.88
18. 968315-24	Door, 15.13 x 4.63
19. 968315-25	Door, 15.38 x 22.38
20. 968315-26	Panel, 31.5 x 2.25
21. 968315-27	Panel, 1.5 x 34.25
22. 968315-28	Panel, 19.31 x 34.25
23. 968315-29	Panel, 19.31 x 24.5
24. 968315-30	Panel, 12.44 x 15.5
25. 968315-31	Panel, 19.31 x 34.25
26. 968315-32	Panel, 2.5 x 14.5
27. 968315-37	Panel, 2.25 x 7.75
28. 968315-38	Panel, 2.25 x 17.5
29. 968315-58	Panel, 8 x 23.5
30. 968315-59	Panel, 8.25 x 34.5
31. 968315-60	Panel, 9 x 23.5
32. 968318	Galley radius panel
33. 968319	Galley top
34. 968020-17	Drawer box, 13.88 x 12 x 5
35. 968020-18	Drawer box, 13.88 x 18 x 5
36. 968021-09	Drawer box, 2.75 x 13.88 x 18
37. 968336	Dinette closeout assembly
382203-04	Drawer slide, Self-close, 18"
382203-02	Drawer slide, 12"
382029-00	Handle, Chrome
381607-11	Hinge, Self-close

# 2019 FLYING CLOUD FURNITURE, GALLEY

Galley, Convection Microwave Option, 26U, Landmark



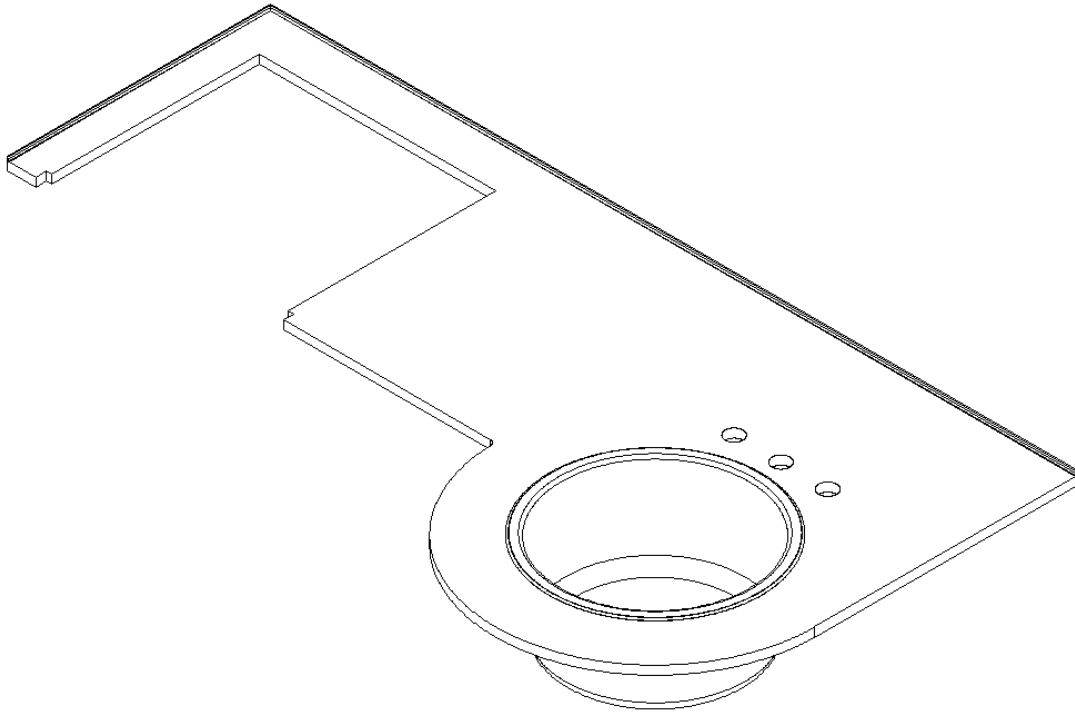
968315-01

Galley w/Convection Microwave Option

- |              |                     |
|--------------|---------------------|
| 1. 968315-10 | Panel, 24.5 x 18.56 |
| 2. 968315-11 | Panel, 4.75 x 14    |
| 3. 968315-14 | Panel, 4.75 x 14    |
| 4. 968315-17 | Panel, 24.5 x 20.25 |
| 5. 968315-33 | Panel, 1.44 x 14    |
| 6. 968315-34 | Panel, 1.44 x 14    |
| 7. 968315-35 | Panel, 1.44 x 14    |
| 8. 968315-36 | Panel, 1.44 x 14    |

# 2019 FLYING CLOUD FURNITURE, GALLEY

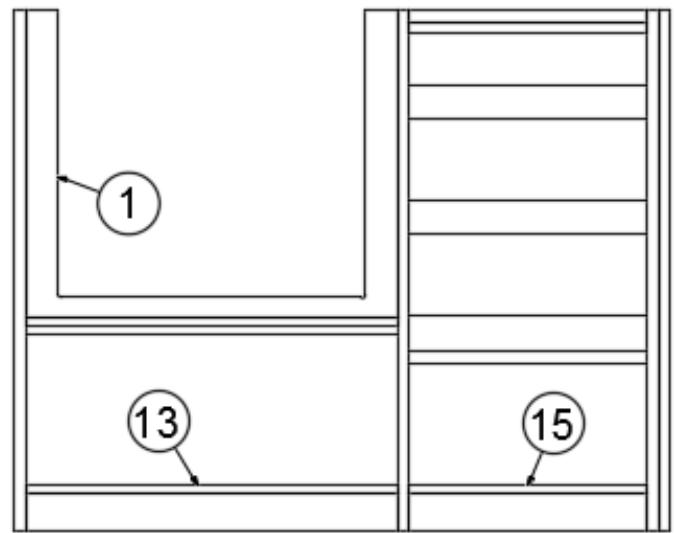
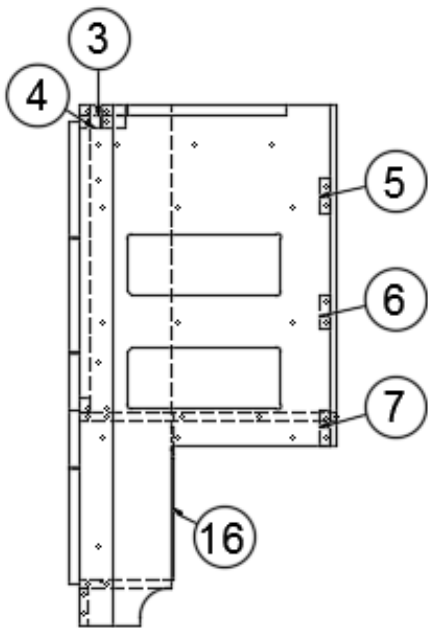
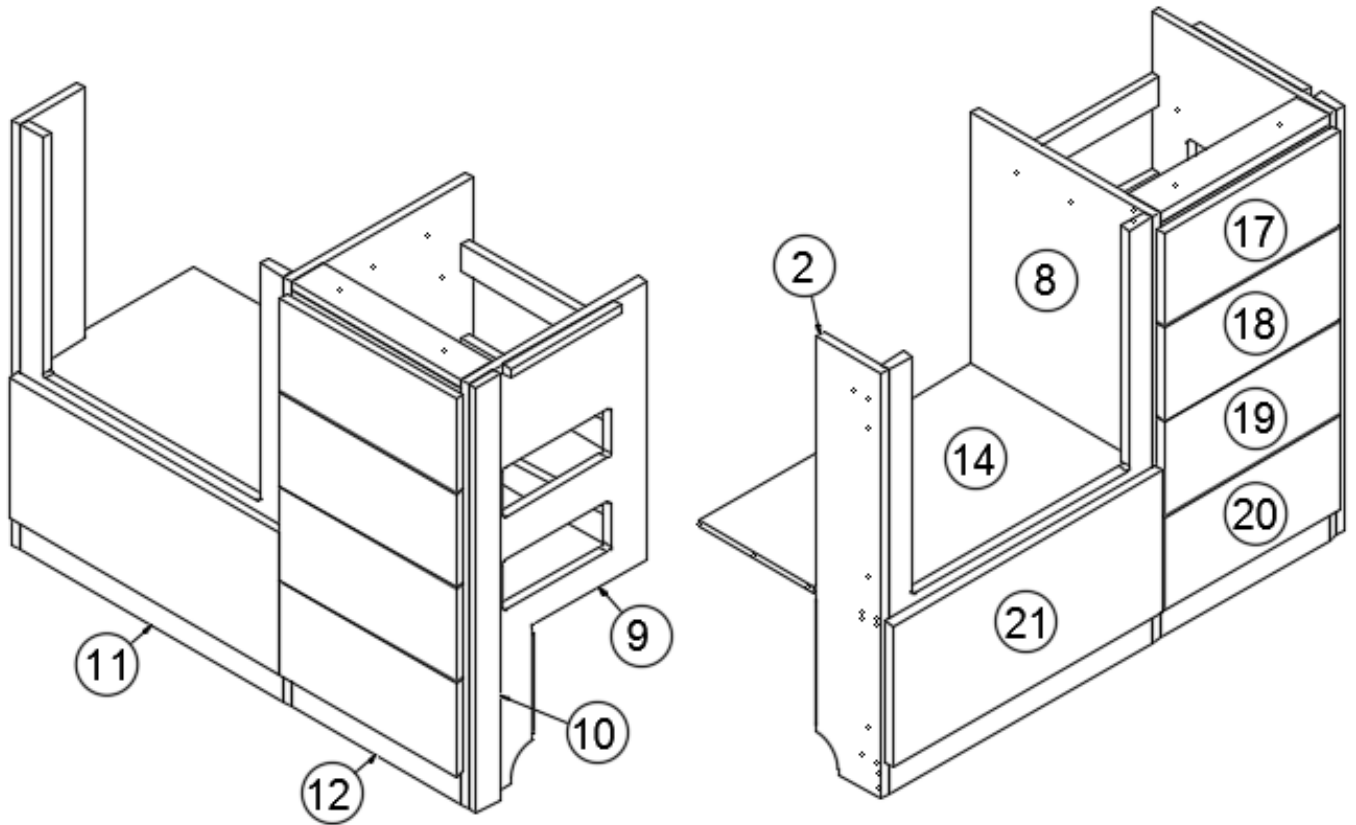
Galley Top, 27FB



967887	Galley Top
967887-1	Panel, 36.13 x 69
601806	Galley sink, Round, Stainless Steel
203483	Sink cover, Round, Natural
600968	Strainer, 4"
602327	Galley faucet w/spray, Moen Camerist

# 2019 FLYING CLOUD FURNITURE, GALLEY

Galley, Oven Section, 27FB, Landmark



Parts Listed on Next Page

# 2019 FLYING CLOUD FURNITURE, GALLEY

## Galley, Oven Section, 27FB, Landmark

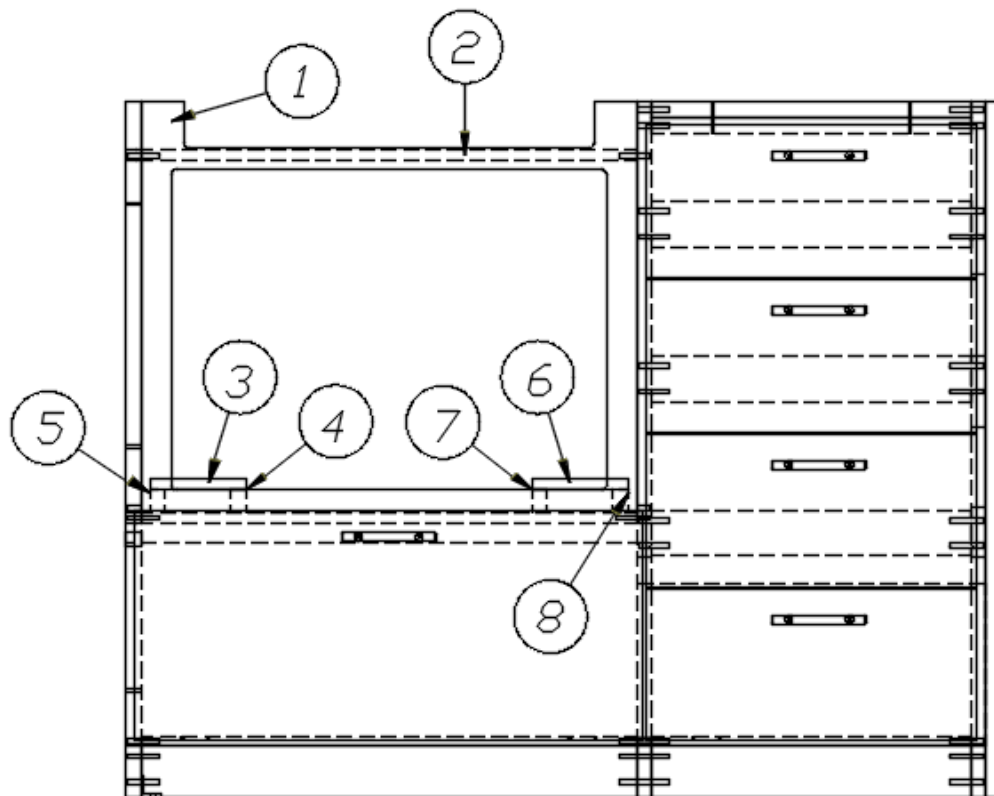
967995-09 Galley Oven Cabinet

1. 967995-091 Panel, 24.5 x 20.25
  2. 967995-3 Panel, 6 x 34.25
  3. 967995-4 Panel, 15.75 x 3
  4. 967995-5 Panel, 15.75 x 3
  5. 967995-6 Panel, 2.25 x 15.75
  6. 967995-7 Panel, 2.25 x 15.75
  7. 967995-8 Panel, 2.25 x 15.75
  8. 967995-9 Panel, 16.88 x 34.25
  9. 967995-10 Panel, 16.56 x 34.25
  10. 967995-12 Panel, 2.25 x 34.25
  11. 967995-0914 Panel, 24.5 x 3.5
  12. 967995-0915 Panel, 15.75 x 2.5
  13. 967995-16 Panel, 6 x 24.5
  14. 967995-17 Panel, 16.88 x 25.25
  15. 967995-18 Panel, 6 x 15.75
  16. 967995-19 Panel, 42.5 x 10
  17. 967995-0921 Drawer face, 16.38 x 7.5
  18. 967995-0922 Drawer face, 16.38 x 7.5
  19. 967995-0923 Drawer face, 16.38 x 7.5
  20. 967995-0924 Door, 16.38 x 7.5
  21. 967995-0925 Door, 25.13 x 11.63
- 382044 Handle, Brushed Nickel
- 381228-02 Catch, Grabber door (5lb Pull)
- 968020-04 Drawer box, Self-close, 5 x 15.13 x 5
- 381607-11 Hinge, Self-close
- 382203-03 Drawer slide, Self-close, 15"
- 382203-06 Front fixing clips
- 968024 Insert, Cutlery drawer



# 2019 FLYING CLOUD FURNITURE, GALLEY

Galley, Microwave Option, 27FB, Landmark



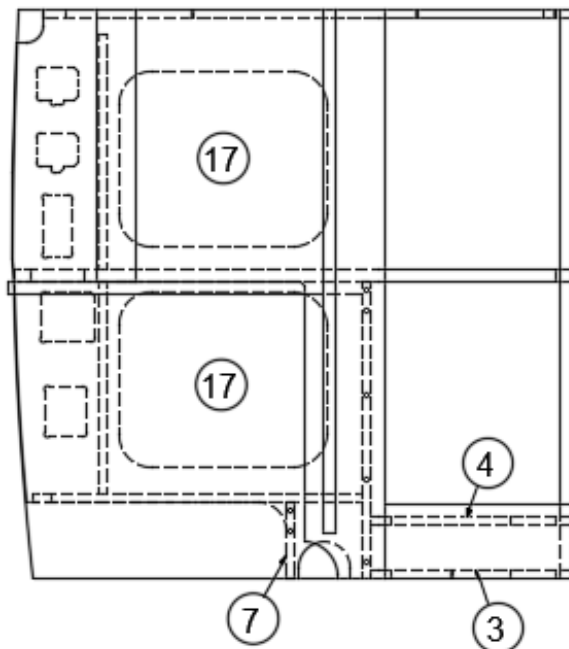
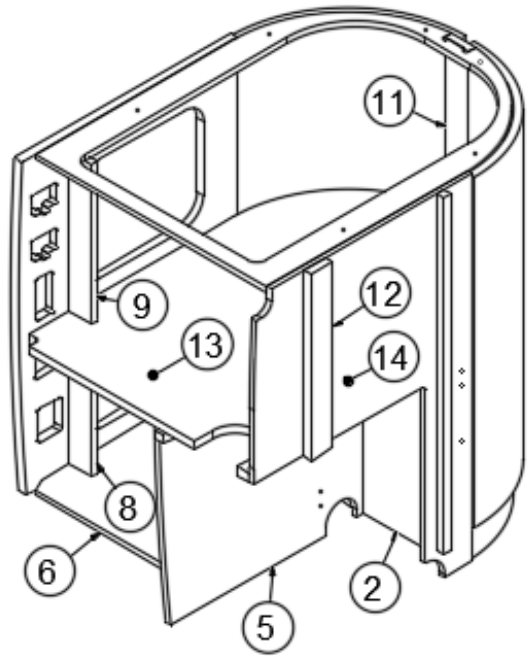
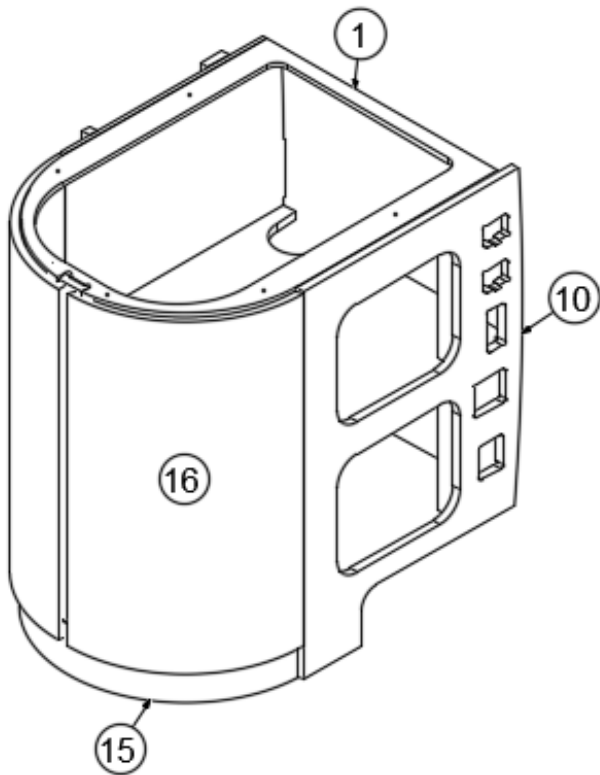
967995-02

Galley Microwave Option

- |              |                      |
|--------------|----------------------|
| 1. 967995-34 | Panel, 24.5 x 20.25  |
| 2. 967995-35 | Panel, 25.25 x 16.13 |
| 3. 967995-36 | Panel, 4.75 x 14     |
| 4. 967995-37 | Panel, 1.15 x 14     |
| 5. 967995-38 | Panel, 1.15 x 14     |
| 6. 967995-39 | Panel, 4.75 x 14     |
| 7. 967995-40 | Panel, 1.15 x 14     |
| 8. 967995-41 | Panel, 1.15 x 14     |

# 2019 FLYING CLOUD FURNITURE, GALLEY

Galley, Aft Section, 27FB, Landmark



Parts Listed on Next Page

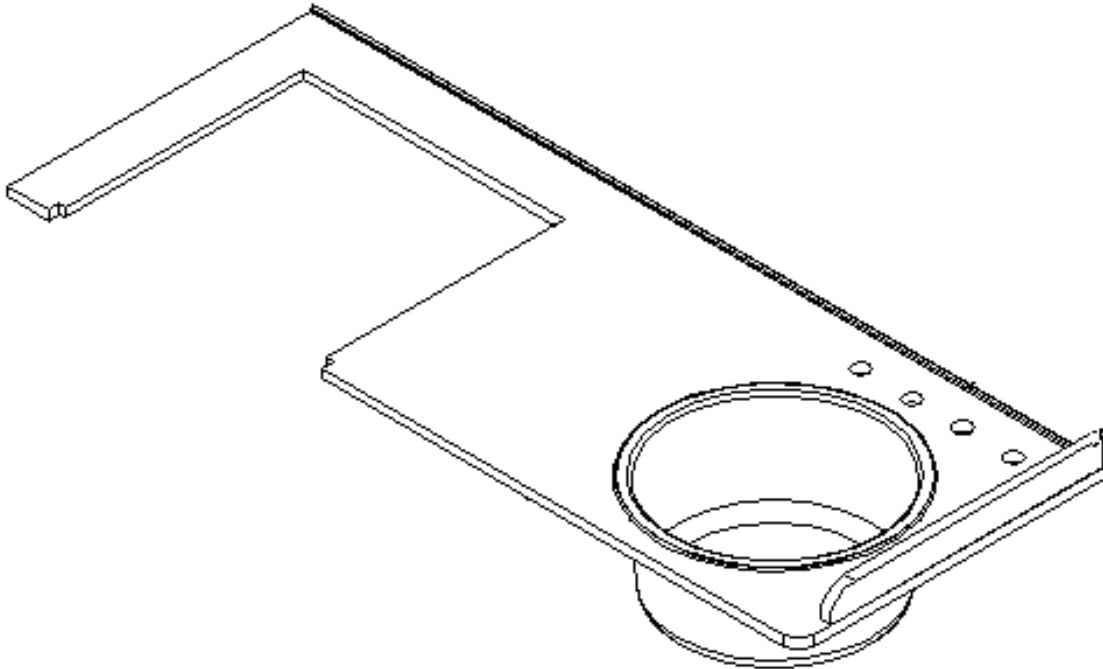
## 2019 FLYING CLOUD FURNITURE, GALLEY

### Galley, Aft Section, 27FB, Landmark

967996-09	Galley Aft Cabinet
1. 967996-1	Panel, 23.5 x 33.44
2. 967996-2	Panel, 23.54 x 17.88
3. 967996-3	Panel, 23.27 x 12.18
4. 967996-4	Panel, 23.27 x 12.18
5. 967996-5	Panel, 17.88 x 20.82
6. 967996-6	Panel, 19.85 x 13.25
7. 967996-7	Panel, 4.63 x 13.75
8. 967996-8	Panel, 12.75 x 2.25
9. 967996-9	Panel, 14.13 x 2.25
10. 967996-0910	Panel, 34.25 x 22.57
11. 967996-0911	Panel, 2.4 x 34.25
12. 967996-0912	Panel, 2.25 x 16.38
13. 967996-13	Panel, 23.5 x 33.62
14. 967996-0914	Panel, 22.45 x 34.25
15. 115309	Toe kick, Aluminum
16. 801787-0136	Door, Radius, 16.81 x 31, Landmark
17. 371432	Door, Glass, 11.56 x 13.06
203647	T-molding, .8125, Chamois Yellow
381654	Hinge, Black
381707	Strike w/pull, Black
381808-01	Bracket, Face mount hinge
381607-10	Hinge, Self-close
382044	Handle, Brushed Nickel
381856	Catch, Tension, 2-ball
381708	Wastebasket
203483	Sink cover, Round

# 2019 FLYING CLOUD FURNITURE, GALLEY

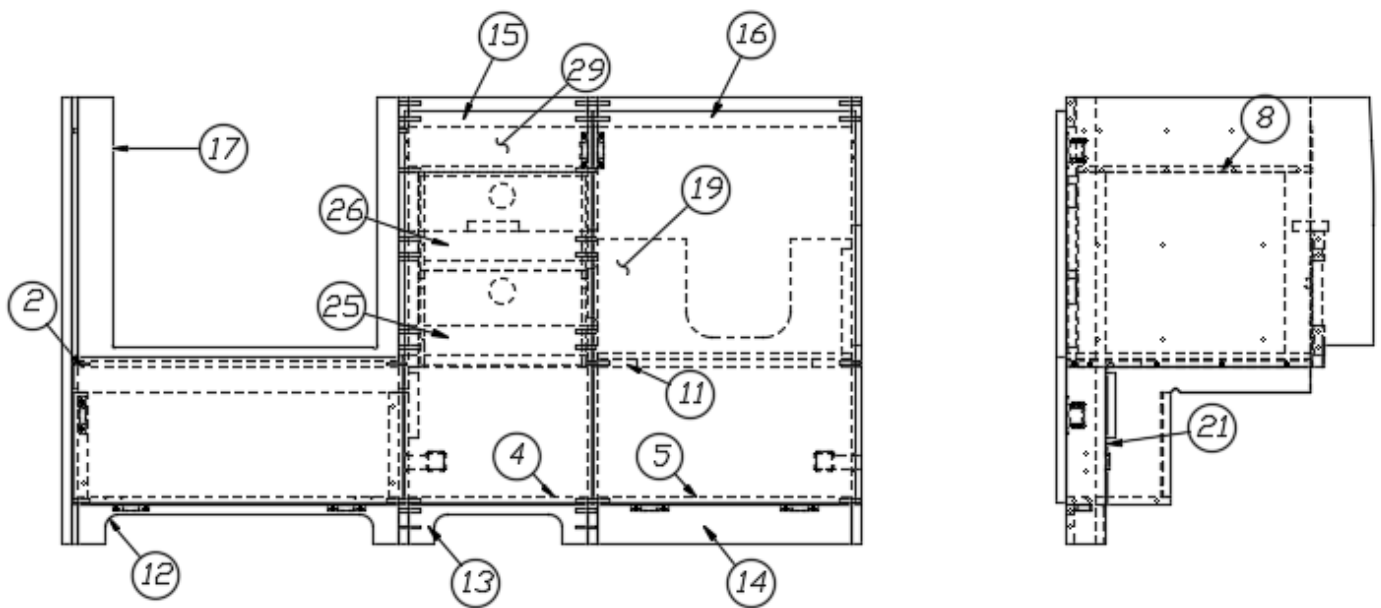
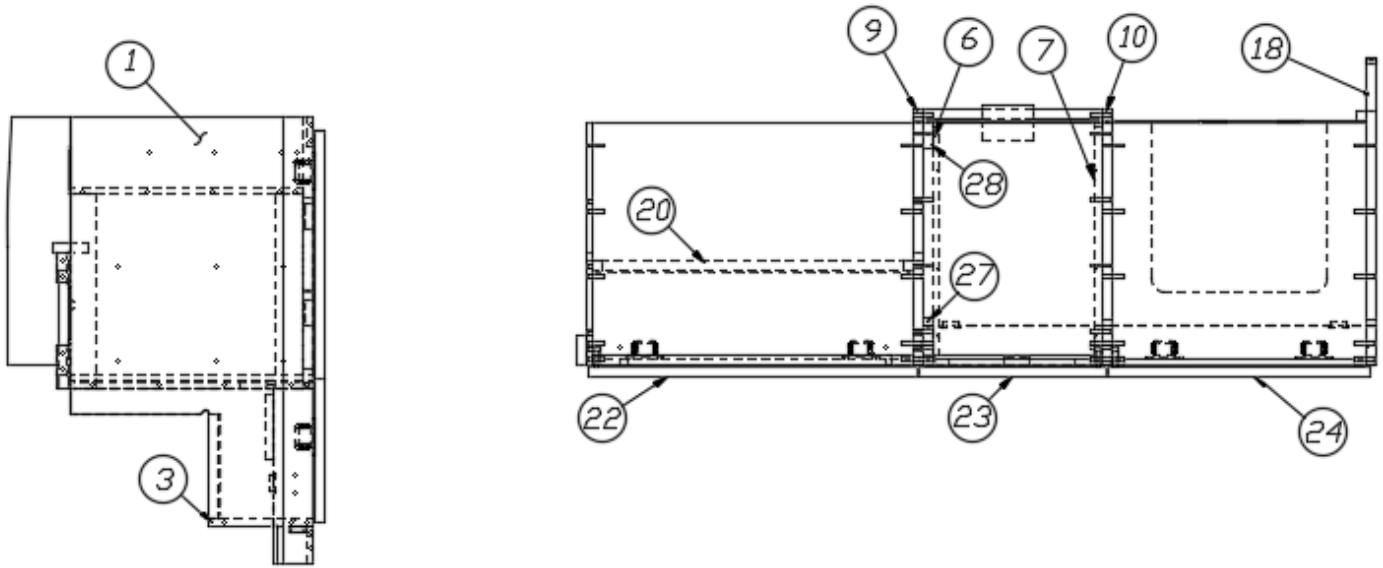
Galley Top, 28'



967851	Galley Top
967851-1	Panel, 24 x 62.25
967007-09	Backsplash, 21.15
601806	Galley sink, Round, Stainless Steel
203483	Sink cover, Round, Natural
600968	Strainer, 4"
602327	Galley faucet w/spray, Moen Camerist

# 2019 FLYING CLOUD FURNITURE, GALLEY

Galley, Oven, 28', Landmark



Parts Listed on Next Page

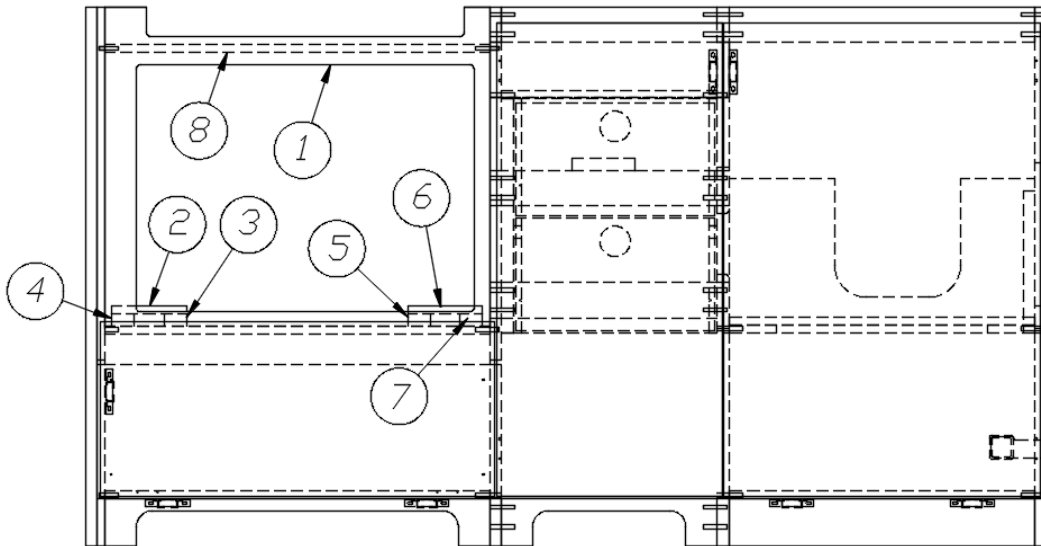
# 2019 FLYING CLOUD FURNITURE, GALLEY

## Galley, Oven, 28', Landmark

967999-01	Galley Cabinet
1. 967999-1	Panel, 18.63 x 34.75
2. 967999-2	Panel, 18.63 x 24.5
3. 967999-3	Panel, 8 x 24.5
4. 967999-4	Panel, 3 x 13.75
5. 967999-5	Panel, 3 x 19.5
6. 967999-6	Panel, 17.75 x 14.84
7. 967999-7	Panel, 17.75 x 14.84
8. 967999-8	Panel, 19.63 x 13.75
9. 967999-9	Panel, 19.63 x 34.75
10. 967999-10	Panel, 19.63 x 34.75
11. 967999-11	Panel, 18.63 x 19.5
12. 967999-0112	Panel, 3.5 x 24.5
13. 967999-0113	Panel, 3.5 x 13.75
14. 967999-0114	Panel, 3.5 x 19.5
15. 967999-0115	Panel, 2.25 x 13.75
16. 967999-0116	Panel, 2.25 x 19.5
17. 967999-0117	Panel, 24.5 x 20.25
18. 967999-0120	Panel, 23.51 x 34.75
19. 967999-21	Panel, 20.25 x 11.75
20. 967999-22	Panel, 8.56 x 25.75
21. 967999-23	Panel, 8.56 x 34.75
22. 967999-0124	Door, 25.12 x 8.69
23. 967999-0125	Door, 14.38 x 30
24. 967999-0126	Door, 20.13 x 30
25. 967999-0127	Drawer face, 12.63 x 7.17
26. 967999-0128	Drawer face, 12.63 x 7.17
27. 967999-0142	Panel, 2 x 14.84
28. 967999-0143	Panel, 2 x 14.84
29. 967999-44	Panel, 4.75 x 15.25
968020-06	Drawer box, Self-close, 5 x 11.38 x 15
381228-02	Catch, Grabber door, (5lb Pull)
382044	Handle, Brushed Nickel
380041	Brace, 1" Stanley corner
381607-11	Hinge, Self-close
968024	Insert, Cutlery drawer
195329-202	Hemisphere, Clear bump-on
203776	Plug, Square, White

# 2019 FLYING CLOUD FURNITURE, GALLEY

Galley, Convection Microwave Option, 28', Landmark



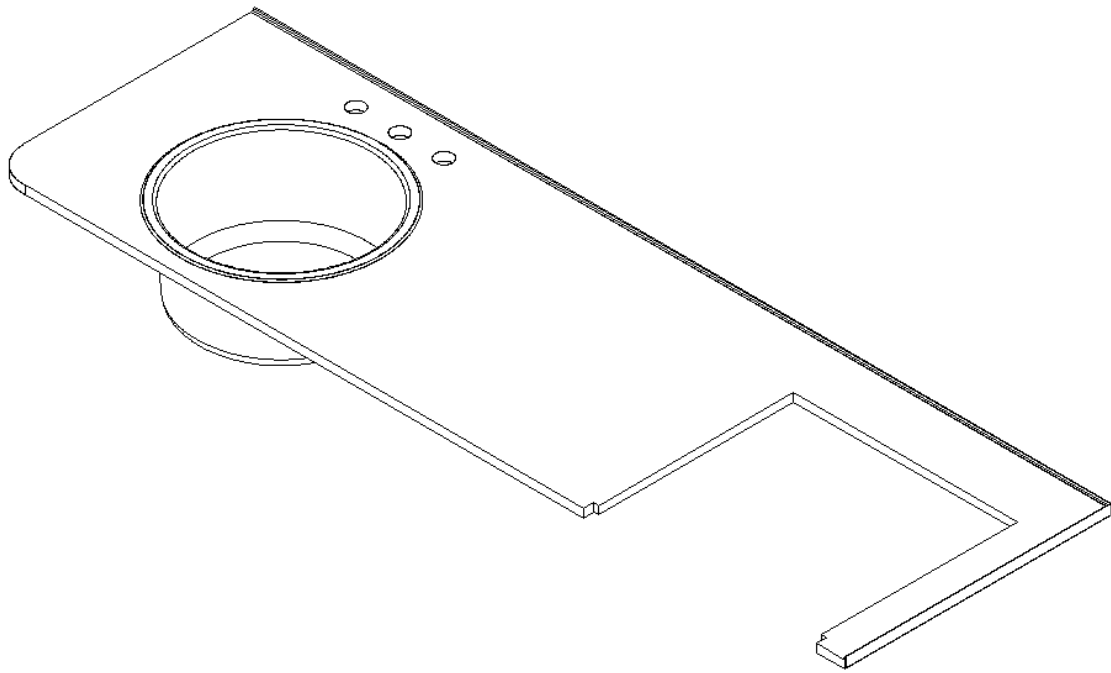
967999-02

Galley Convection Microwave Option

- |                |                     |
|----------------|---------------------|
| 1. 967999-0246 | Panel, 24.5 x 20.25 |
| 2. 967999-47   | Panel, 4.75 x 14    |
| 3. 967999-48   | Panel, 1.44 x 14    |
| 4. 967999-49   | Panel, 1.44 x 14    |
| 5. 967999-50   | Panel, 1.44 x 14    |
| 6. 967999-51   | Panel, 4.75 x 14    |
| 7. 967999-52   | Panel, 1.44 x 14    |
| 8. 967999-53   | Panel, 24.5 x 17.62 |

# 2019 FLYING CLOUD FURNITURE, GALLEY

Galley Top, 30'



967843

Galley Top

967843-1

Panel, 24 x 77.69

601806

Galley sink, Round, Stainless Steel

203483

Sink cover, Round, Natural

600968

Strainer, 4"

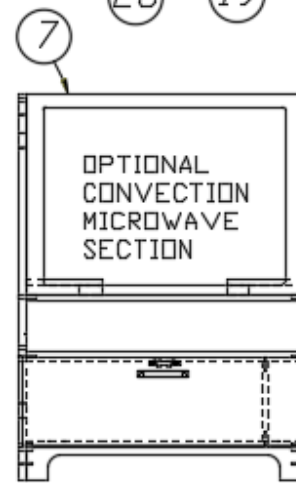
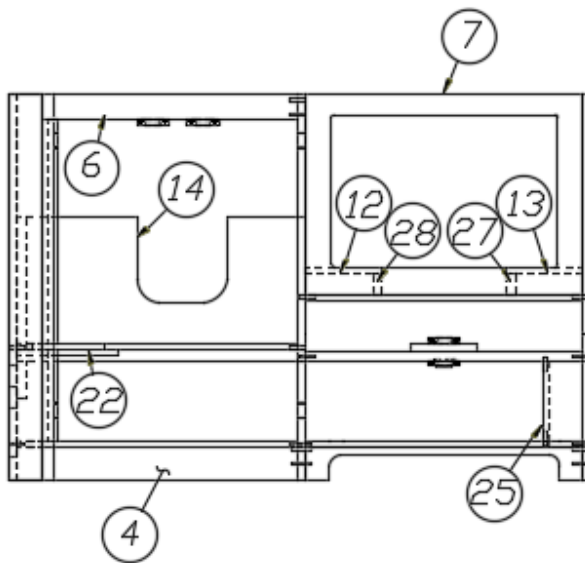
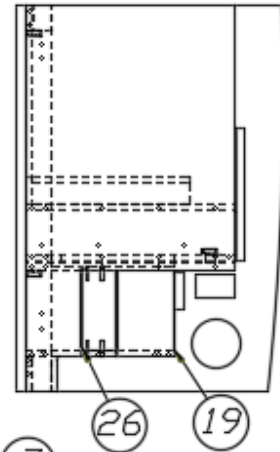
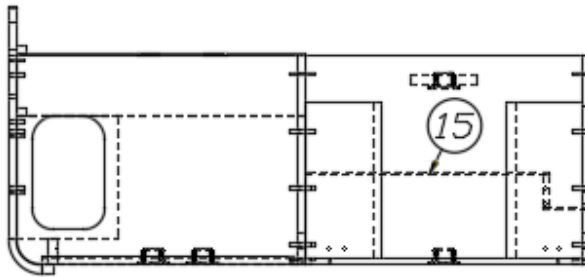
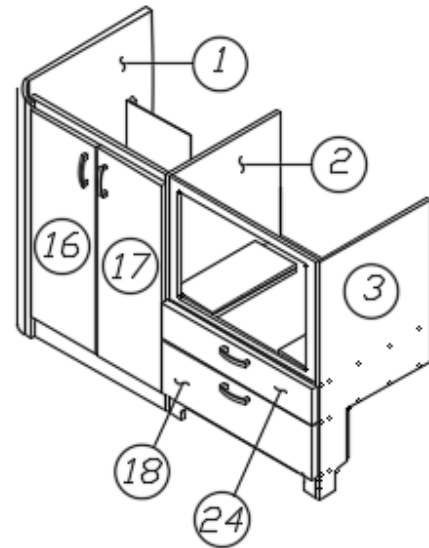
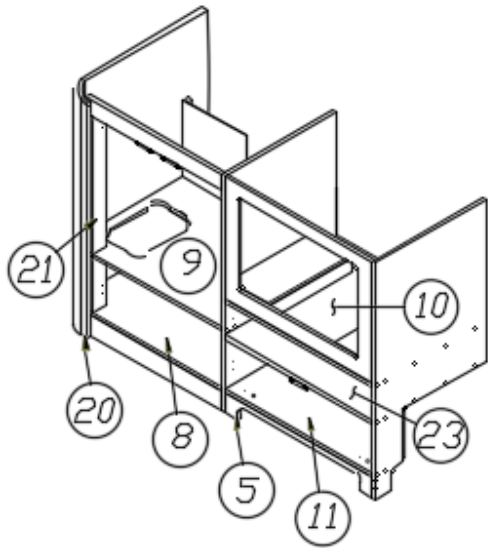
602327

Galley faucet w/spray, Moen Camerist



# 2019 FLYING CLOUD FURNITURE, GALLEY

Galley, Forward Section, 30', Landmark



Parts Listed on Next Page

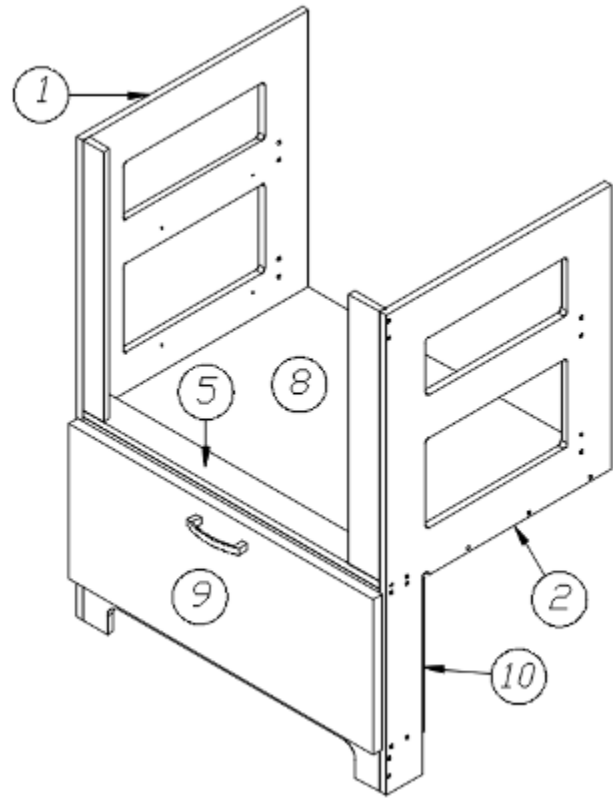
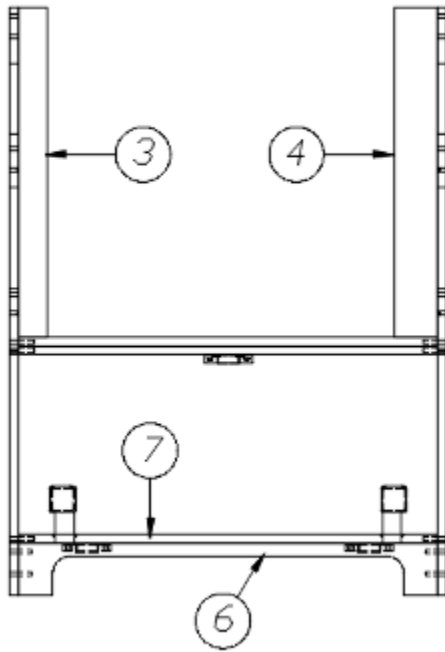
## 2019 FLYING CLOUD FURNITURE, GALLEY

### Galley, Forward Section, 30', Landmark

968002-09	Galley Forward Cabinet
968002-0109	Galley Forward Cabinet w/Convection Microwave
1. 968013-09	Galley sub assembly
2. 968002-2	Panel, 18.63 x 34.25
3. 968002-3	Panel, 18.63 x 34.25
4. 968002-094	Panel, 3 x 22.63
5. 968002-095	Panel, 3 x 24.5
6. 968002-096	Panel, 2.25 x 22.63
7. 968002-097	Panel, 24.5 x 17.75, Standard microwave
968002-0927	Panel, 24.5 x 17.75, Convection microwave
8. 968002-8	Panel, 13.17 x 24.88
9. 968002-9	Panel, 18.63 x 24.88
10. 968002-10	Panel, 18.63 x 24.5
11. 968002-11	Panel, 8 x 24.5
12. 968002-13	Panel, 5.69 x 14
13. 968002-15I	Panel, 5.69 x 14
14. 968002-16	Panel, 25.63 x 11.75
15. 968002-17	Panel, 25 x 7.63
16. 968002-0918	Door, 10.88 x 30
17. 968002-0919	Door, 10.88 x 30
18. 968002-0920	Door, 25.13 x 7.69
19. 968002-28	Panel, 3 x 7.13
20. 968002-29	Panel, 4 x 7.13
21. 968002-30	Panel, 1.94 x 14
22. 968002-31	Panel, 10.88 x 9
23. 968002-32	Panel, 18.63 x 24.5
24. 968002-33	Door 25.13 x 5.25
25. 968002-40	Panel, 3 x 7.13
26. 968002-41	Panel, 4 x 7.13
27. 968002-42	Panel, 1.94 x 14
28. 968002-43	Panel, 1.94 x 14
968021-04	Drawer box, 2.75 x 23.88 x 15
968024	Insert, Cutlery drawer
382203-03	Drawer slide, Self-close
381228-02	Catch, Grabber door (5lb Pull)
382044	Handle, Brushed Nickel
381607-11	Hinge, Self-close
382203-06	Front fixing clips

# 2019 FLYING CLOUD FURNITURE, GALLEY

Galley, Aft With Oven, 30', Landmark



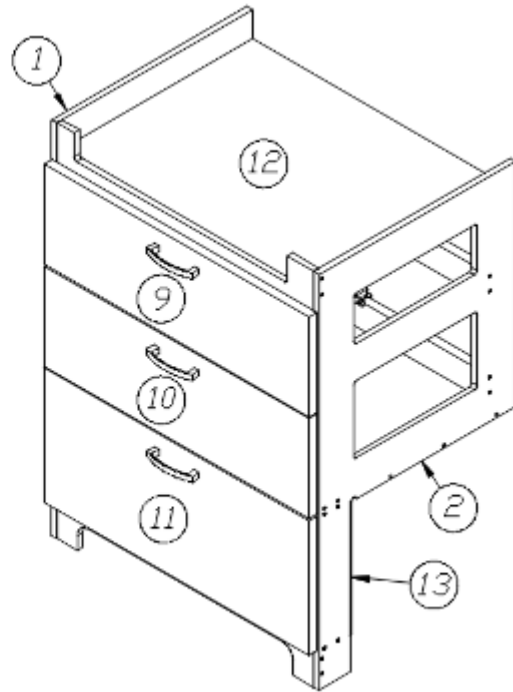
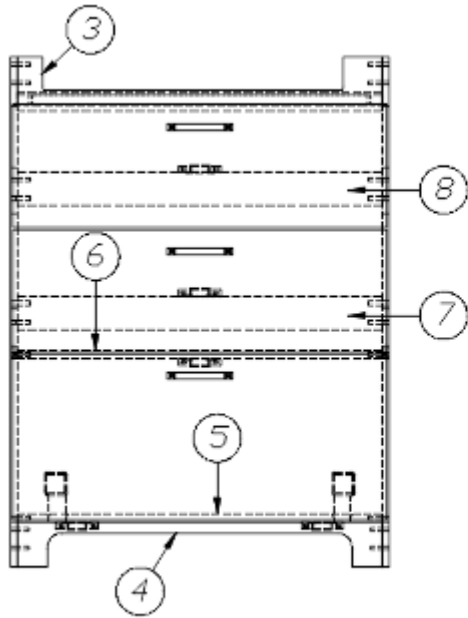
968003-09

Aft Galley with Oven

- |               |                                |
|---------------|--------------------------------|
| 1. 968003-1   | Panel, 18.63 x 34.25           |
| 2. 968003-2   | Panel, 18.63 x 34.25           |
| 3. 968003-093 | Panel, 1.69 x 19.25            |
| 4. 968003-094 | Panel, 2.56 x 19.25            |
| 5. 968003-5   | Panel, 24.5 x 2.25             |
| 6. 968003-096 | Panel, 3 x 24.5                |
| 7. 968003-7   | Panel, 3 x 24.5                |
| 8. 968003-8   | Panel, 18.63 x 24.5            |
| 9. 968003-099 | Door, 25.13 x 11.13            |
| 10. 968003-10 | Panel, 11 x 25.5               |
| 381228-02     | Catch, Grabber door (5lb Pull) |
| 382044        | Handle, Brushed Nickel         |
| 381607-11     | Hinge, Self-close              |
| 203776        | Plug, Square, White            |

# 2019 FLYING CLOUD FURNITURE, GALLEY

## Galley, Aft with Convection Microwave, 30', Landmark



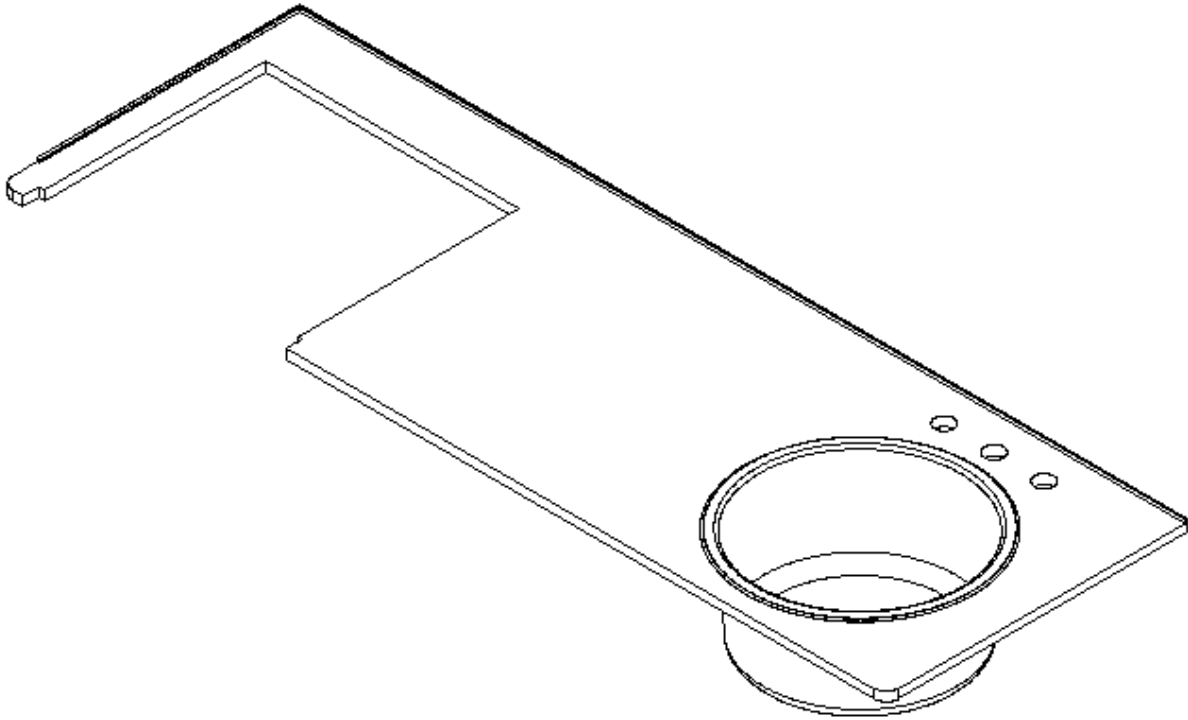
968004-09

Aft Galley with Convection Microwave Option

- |                 |                                |
|-----------------|--------------------------------|
| 1. 968004-1     | Panel, 18.63 x 34.75           |
| 2. 968004-2     | Panel, 18.63 x 34.75           |
| 3. 968004-093   | Panel, 3.63 x 24.5             |
| 4. 968004-094   | Panel, 3.5 x 24.5              |
| 5. 968004-5     | Panel, 3 x 24.5                |
| 6. 968004-6     | Panel, 18.63 x 24.5            |
| 7. 968004-7     | Panel, 2.25 x 24.5             |
| 8. 968004-8     | Panel, 2.25 x 24.5             |
| 9. 968004-099   | Door, 25.13 x 8.25             |
| 10. 968004-0910 | Door, 25.13 x 8.25             |
| 11. 968004-0911 | Panel, 25.13 x 11.13           |
| 12. 968004-12   | Panel, 18.13 x 24.5            |
| 13. 968004-13   | Panel, 11 x 25.5               |
| 381228-02       | Catch, Grabber door (5lb Pull) |
| 382044          | Handle, Brushed Nickel         |
| 381607-11       | Hinge, Self-close              |
| 386304-01       | Edgebanding, .63", Landmark    |
| 386304-02       | Edgebanding, .94", Landmark    |
| 968020-07       | Drawer box, 5 x 23.88 x 15     |
| 382203-03       | Drawer slide, Self-close       |

# 2019 FLYING CLOUD FURNITURE, GALLEY

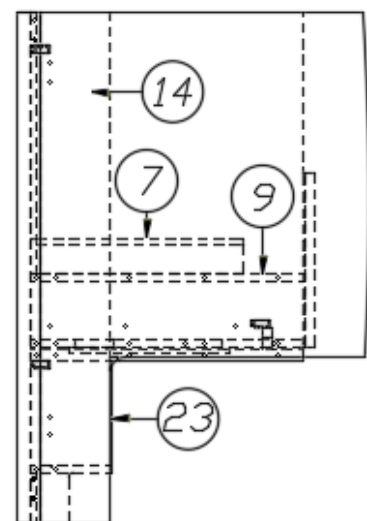
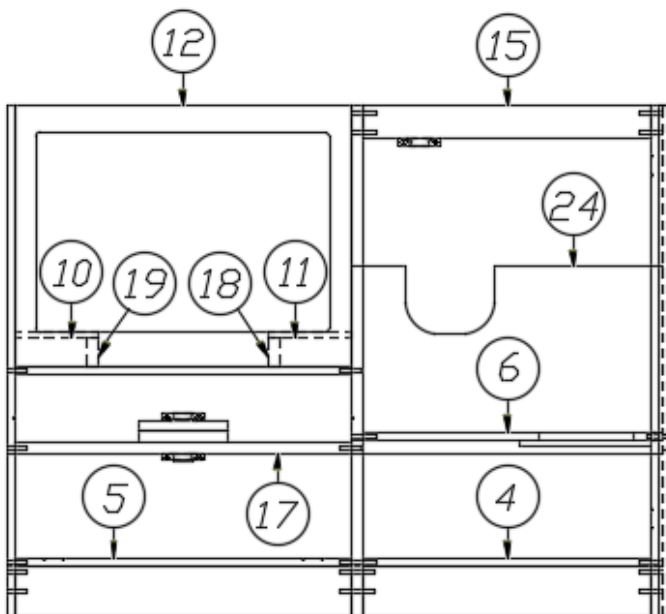
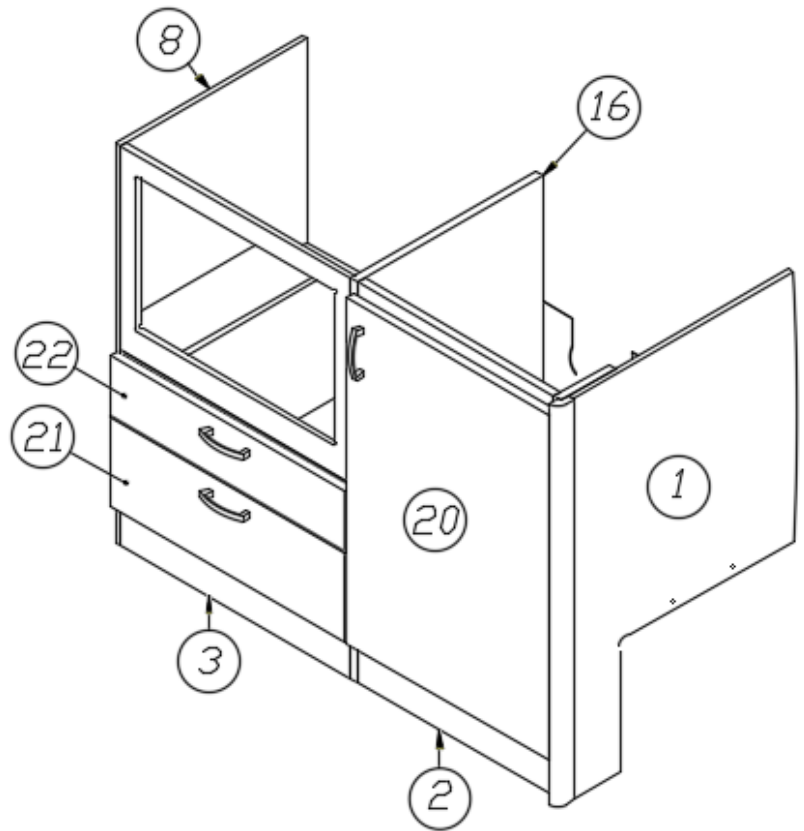
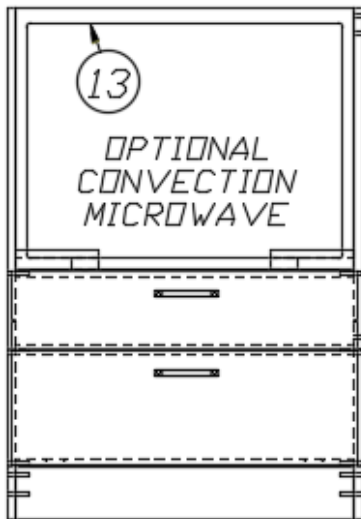
## Galley Top, 30' Bunk



967916	Galley Top
967916-1	Panel, 24 x 70.94
601806	Galley sink, Round, Stainless Steel
203483	Sink cover, Round, Natural
600968	Strainer, 4"
602327	Galley faucet w/spray, Moen Camerist

# 2019 FLYING CLOUD FURNITURE, GALLEY

Galley, 30' Bunk, Landmark



Parts Listed on Next Page

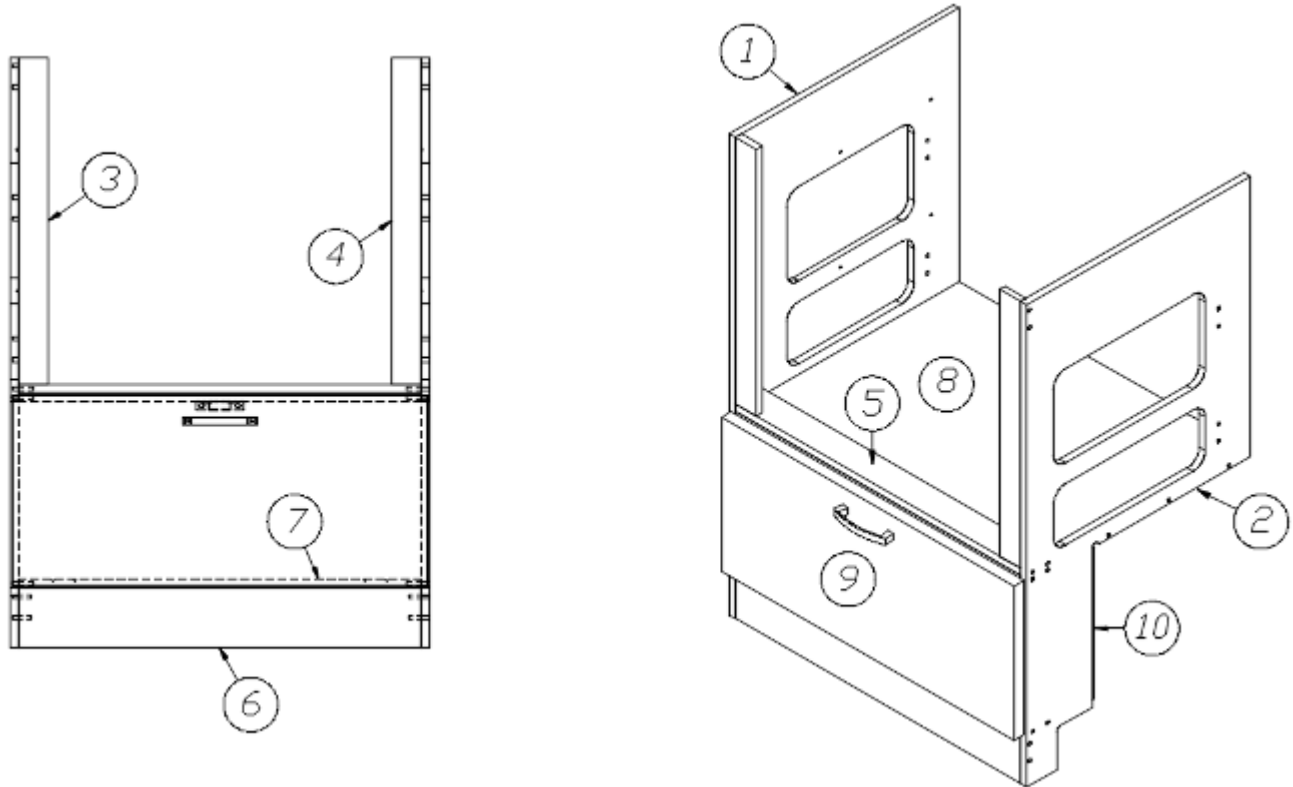
## 2019 FLYING CLOUD FURNITURE, GALLEY

### Galley, 30' Bunk, Landmark

968025	Galley Cabinet
968025-01	Galley Cabinet w/Convection Microwave
1. 968025-1	Panel 22.3 x 34.75
2. 968025-2	Panel 19.69 x 3.5
3. 968025-3	Panel 23 x 3.5
4. 968025-4	Panel 19.69 x 5.5
5. 968025-5	Panel 23 x 5.5
6. 968025-6	Panel 18.63 x 20.44
7. 968025-7	Panel 11 x 9
8. 968025-8	Panel 18.63 x 34.75
9. 968025-9	Panel 18.63 x 23
10. 968025-10	Panel 5.69 x 14
11. 968025-11	Panel 5.69 x 14
12. 968025-12	Panel 23 x 17.75, Standard cabinet
13. 968025-13	Panel 23 x 17.75, Microwave cabinet
14. 968025-14	Panel 5.5 x 34.75
15. 968025-15	Panel 19.69 x 2.25
16. 968025-16	Panel 18.63 x 34.75
17. 968025-17	Panel 18.63 x 23
18. 968025-39	Panel 1.92 x 14
19. 968025-40	Panel 1.92 x 14
20. 968025-20	Panel 20.31 x 30
21. 968025-21	Panel 23.63 x 7.75
22. 968025-22	Panel 23.63 x 5.25
23. 968025-23	Panel 44.69 x 7.63
24. 968025-24	Panel 21.19 x 11.75
801706-0036	Corner trim, 90°, 1" radius, Landmark
968021-02	Drawer box, 2.75 x 22.38 x 15
968024	Cutlery drawer insert
381228-02	Catch, Grabber door (5lb pull)
382044	Handle, Brushed Nickel
381607-11	Hinge, Self-close
381708	Waste basket
382203-03	Drawer slide, Self-close, 15"
382203-06	Front fixing clips

# 2019 FLYING CLOUD FURNITURE, GALLEY

## Galley, Forward With Oven, 30' Bunk, Landmark



967917

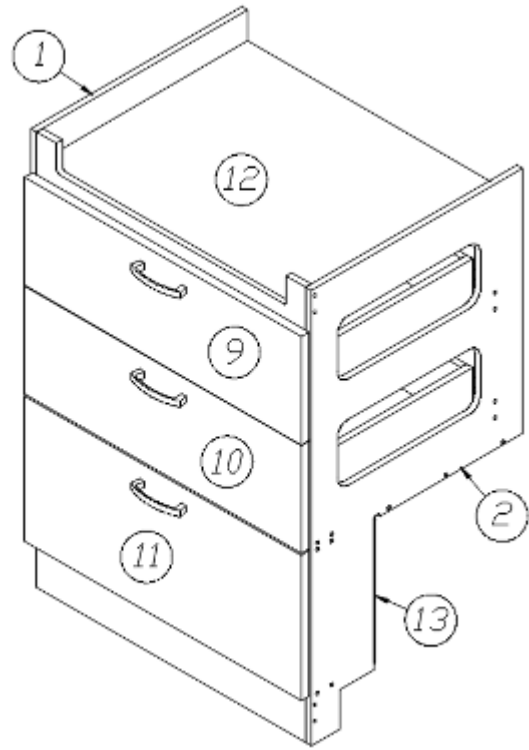
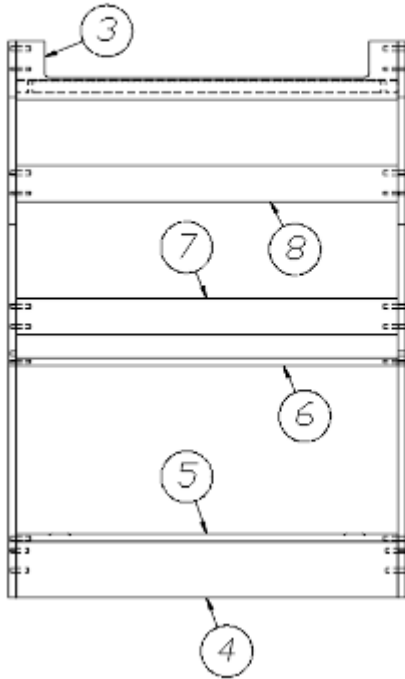
Forward Galley with Oven

- |               |                                |
|---------------|--------------------------------|
| 1. 967917-1   | Panel, 18.63 x 34.75           |
| 2. 967917-2   | Panel, 18.63 x 34.75           |
| 3. 967917-3   | Panel, 1.72 x 19.25            |
| 4. 967917-4   | Panel, 1.75 x 19.25            |
| 5. 967917-5   | Panel, 1.75 x 19.25            |
| 6. 967917-6   | Panel, 3.5 x 23.75             |
| 7. 967917-7   | Panel, 5.5 x 23.75             |
| 8. 967917-8   | Panel, 18.63 x 23.75           |
| 9. 967917-9   | Door, 24.38 x 11.13            |
| 10. 967917-10 | Panel, 11 x 24.75              |
| 381228-02     | Catch, Grabber door (5lb Pull) |
| 382044        | Handle, Brushed Nickel         |
| 381607-11     | Hinge, Self-close              |



# 2019 FLYING CLOUD FURNITURE, GALLEY

## Galley, Forward With Drawers, 30' Bunk, Landmark



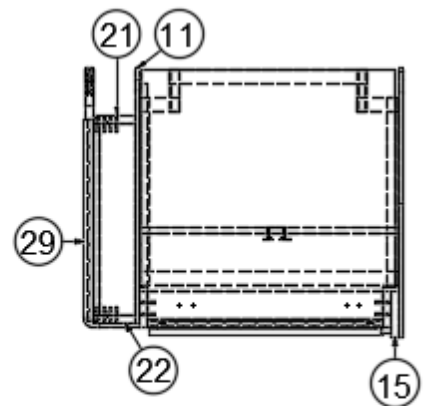
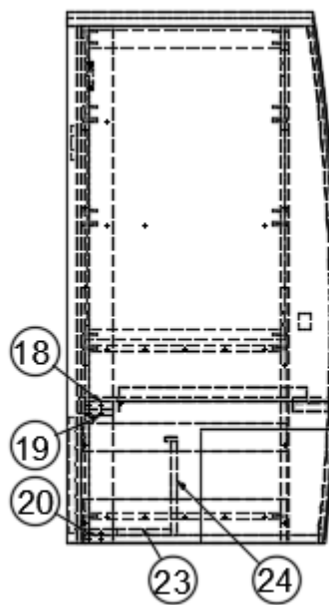
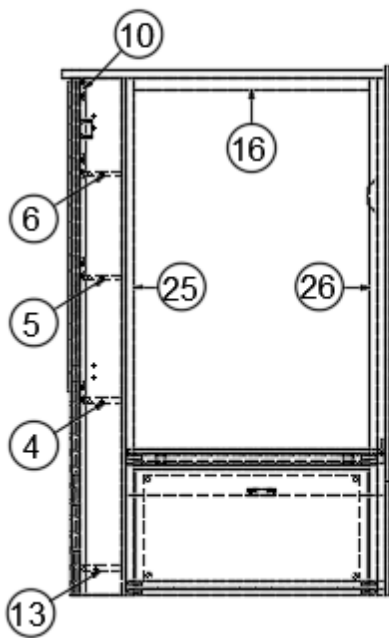
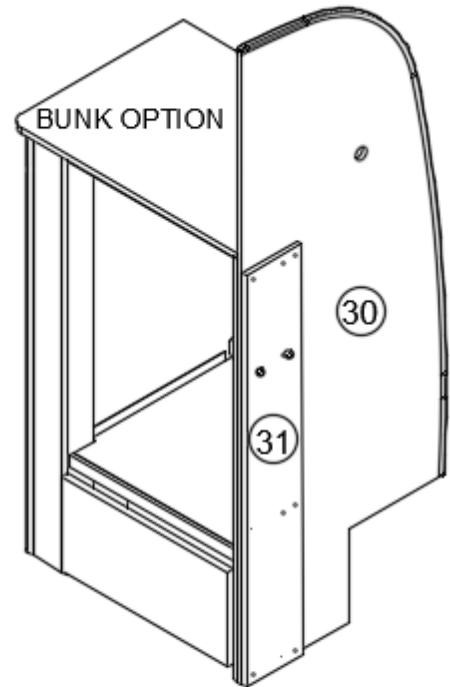
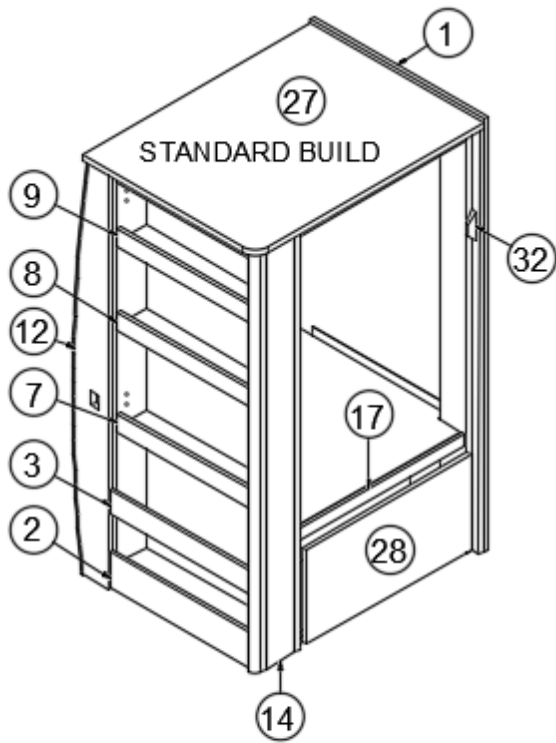
968023

Forward Galley with Drawers

- |               |                                |
|---------------|--------------------------------|
| 1. 968023-1   | Panel, 18.63 x 34.75           |
| 2. 968023-2   | Panel, 18.63 x 34.75           |
| 3. 968023-3   | Panel, 3.63 x 23.75            |
| 4. 968023-4   | Panel, 3.5 x 23.75             |
| 5. 968023-5   | Panel, 5.5 x 23.75             |
| 6. 968023-6   | Panel, 18.63 x 23.75           |
| 7. 968023-7   | Panel, 2.25 x 23.75            |
| 8. 968023-8   | Panel, 2.25 x 23.75            |
| 9. 968023-9   | Panel, 24.38 x 8.25            |
| 10. 968023-10 | Panel, 24.38 x 8.25            |
| 11. 968023-11 | Door, 24.38 x 11.13            |
| 12. 968023-12 | Panel, 18.13 x 23.75           |
| 13. 968023-13 | Panel, 11 x 24.75              |
| 381228-02     | Catch, Grabber door (5lb Pull) |
| 382044        | Handle, Brushed Nickel         |
| 968020-13     | Drawer box, 5 x 23.13 x 15     |
| 382203-03     | Drawer slide, Self-close, 15"  |
| 382203-06     | Front fixing clips             |
| 381607-11     | Hinge, Self-close              |

# 2019 FLYING CLOUD FURNITURE, GALLEY

## Refrigerator Cabinet, 19', Landmark



Parts Listed on Next Page

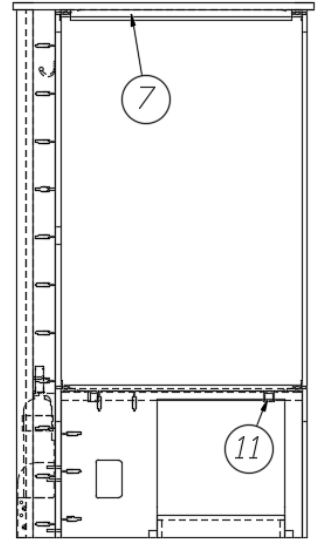
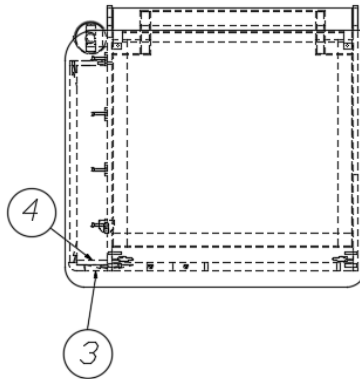
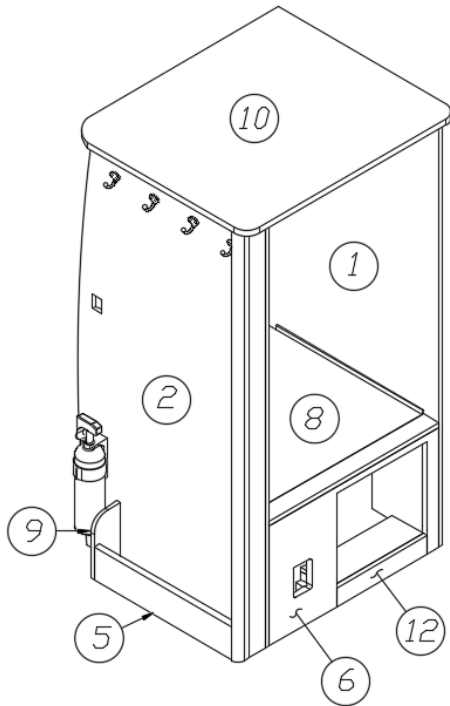
## 2019 FLYING CLOUD FURNITURE, GALLEY

### Refrigerator Cabinet, 19', Landmark

966952-09	Refrigerator Cabinet
966952-01	Refrigerator Cabinet, Bunk Option
1. 966952-091	Panel, 27.33 x 53.75
2. 966952-092	Panel, 4.5 x 20.5
3. 966952-093	Panel, 3 x 20.5
4. 966952-094	Panel, 3.68 x 19.5
5. 966952-095	Panel, 3.68 x 19.5
6. 966952-096	Panel, 3.68 x 19.5
7. 966952-097	Panel, 2.5 x 19.5
8. 966952-098	Panel, 2.5 x 19.5
9. 966952-099	Panel, 2.5 x 19.5
10. 966952-0910	Panel, 2.5 x 19.5
11. 966952-0911	Panel, 25.83 x 52.5
12. 966952-0912	Panel, 5.14 x 52.5
13. 966952-0913	Panel, 4.25 x 19.5
14. 966952-0914	Panel, 4.12 x 52.5
15. 966952-0915	Panel, 4.75 x 52.5
16. 966952-0916	Panel, 1.44 x 23.94
17. 966952-0917	Panel, 1.5 x 23.94
18. 966952-0918	Panel, 2.94 x 23.94
19. 966952-0919	Panel, 2.94 x 23.94
20. 966952-0920	Panel, 2.94 x 23.94
21. 966952-0921	Panel, 4.25 x 52.5
22. 966952-0922	Panel, 4.25 x 52.5
23. 966952-0923	Panel, 8.69 x 26.19
24. 966952-0924	Panel, 9.5 x 26.19
25. 966952-0925	Panel, 3.75 x 52.5
26. 966952-0926	Panel, 3.75 x 52.5
27. 966952-0931	Top, 24.88 x 32.75
28. 966952-0932	Door, 23.63 x 11.75
29. 966952-0933	Door, 20 x 31.31
30. 966952-090145	Panel, 29.13 x 78.48
31. 966952-090146	Panel, 51 x 8
32. 964519-0036	Block, Pocket door latch
966956-09	Closeout shelf
382044	Handle, Brushed Nickel
381607-11	Hinge, Self-close
381228-02	Catch, Grabber door (5lb Pull)
965630	Refrigerator stand
114883-01	Baffle, Lower, 25.5"
203138-04	Plastic wall extrusion, .5"
801706-0036	Corner trim, 90°, 1" radius, Landmark

# 2019 FLYING CLOUD FURNITURE, GALLEY

## Refrigerator Cabinet, 20', Landmark



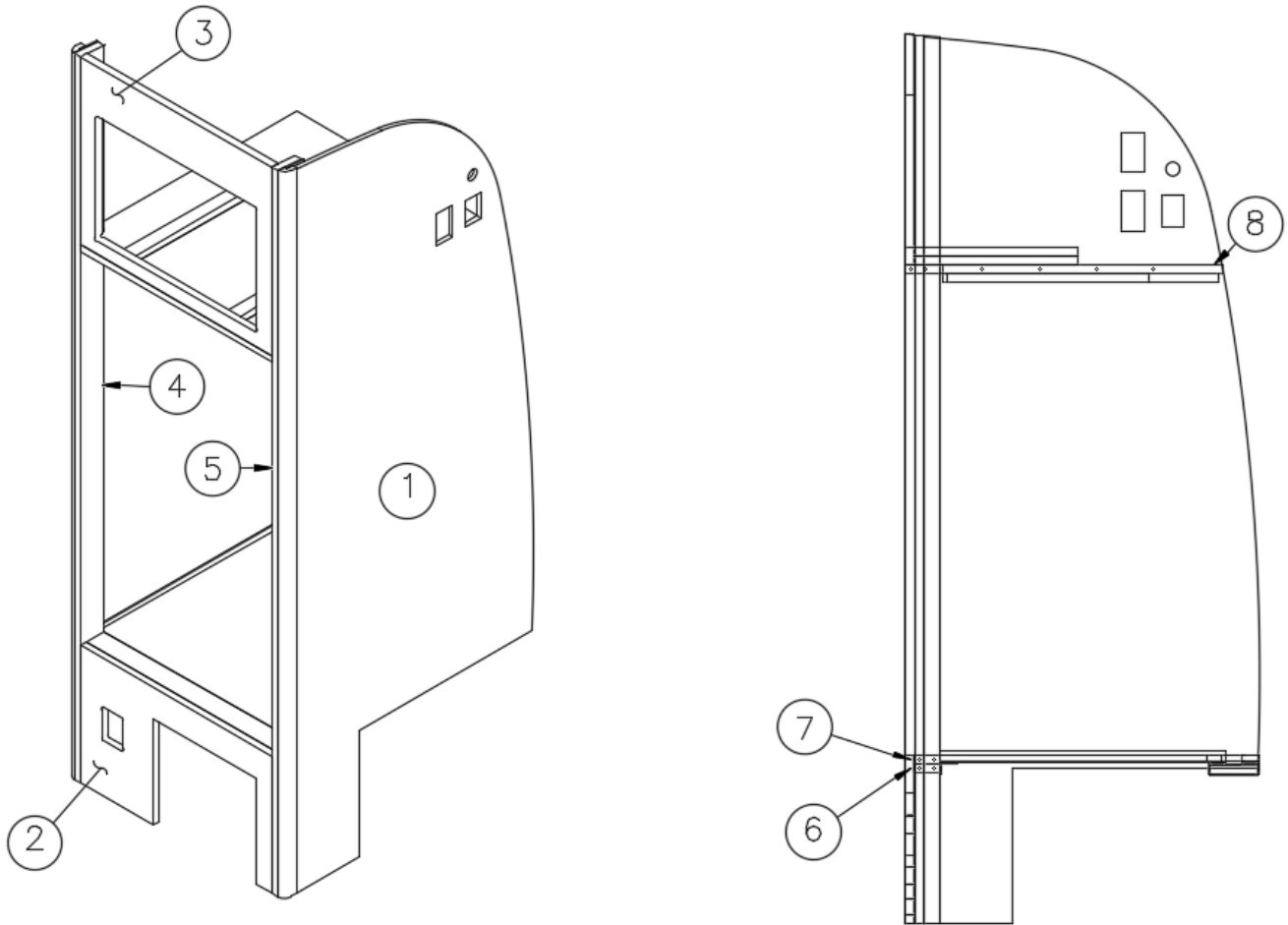
967347-09

Refrigerator cabinet

- |                 |                                       |
|-----------------|---------------------------------------|
| 1. 967347-091   | Panel, 26.33 x 52.43                  |
| 2. 967347-092   | Panel, 26.33 x 52.43                  |
| 3. 967347-093   | Panel, 2.25 x 52.43                   |
| 4. 967347-094   | Panel, 3 x 52.43                      |
| 5. 967347-095   | Panel, 4 x 19.5                       |
| 6. 967347-096   | Panel, 24 x 14.63                     |
| 7. 967347-097   | Panel, 2.25 x 24                      |
| 8. 967347-098   | Panel, 2.25 x 24                      |
| 9. 967347-099   | Panel, 3.75 x 7.5                     |
| 10. 967347-0910 | Top, 29.94 x 24.56                    |
| 11. 966559      | Refrigerator stand                    |
| 12. 968221      | Power center stand                    |
| 380041          | Brace, 1", Stanley corner             |
| 114812          | Aluminum angle, 1 x 1                 |
| 381834          | Aluminum coat hook                    |
| 800422          | Dowel Pin, .25" x 1.25"               |
| 203138-04       | Extrusion, plastic, .5"               |
| 801706-0036     | Corner trim, 90°, 1" radius, Landmark |

# 2019 FLYING CLOUD FURNITURE, GALLEY

## Refrigerator and Microwave Cabinet, 23CB, Landmark



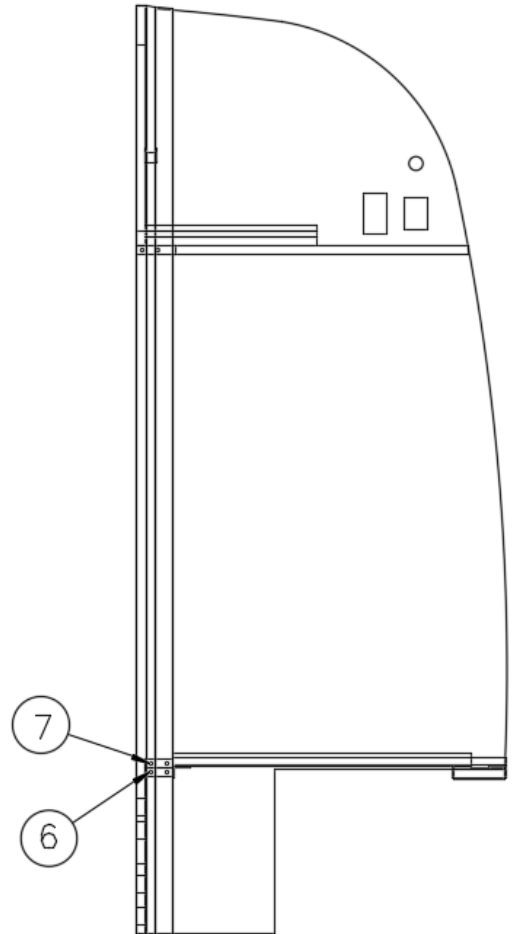
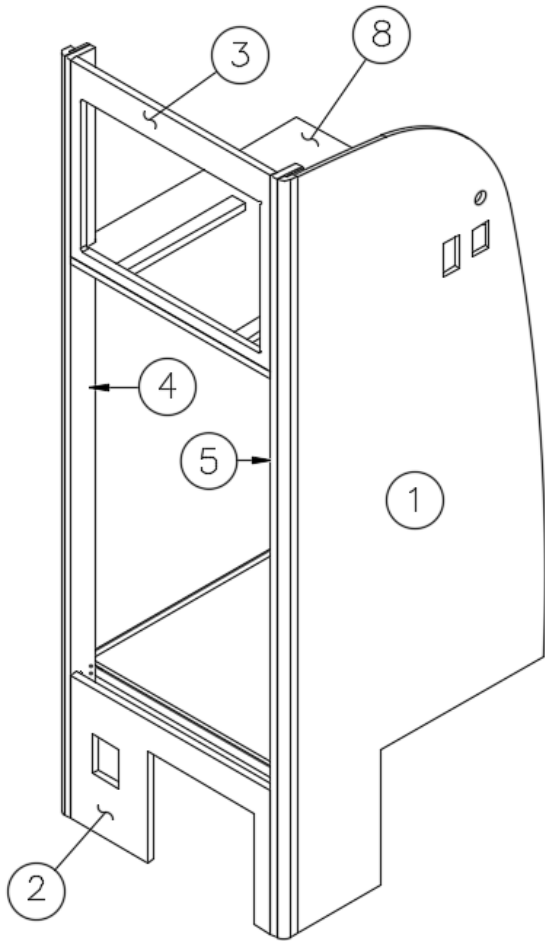
966948-09

Refrigerator Cabinet with Standard Microwave

- |               |                                       |
|---------------|---------------------------------------|
| 1. 966948-091 | Panel, 29.65 x 78.37                  |
| 2. 966948-092 | Panel, 23.94 x 14.88                  |
| 3. 966948-093 | Panel, 23.94 x 20.39                  |
| 4. 966948-4   | Panel, 3 x 78.65                      |
| 5. 966948-5   | Panel, 3 x 78.65                      |
| 6. 966948-6   | Panel, 2.25 x 23.94                   |
| 7. 966948-7   | Panel, 2.25 x 23.94                   |
| 8. 966948-8   | Panel, 25.94 x 285                    |
| 801706-0036   | Corner trim, 90°, 1" radius, Landmark |
| 203138-04     | Extrusion, Plastic, .5", Oak          |
| 966811        | Refrigerator stand                    |
| 381209-01     | Grommet w/cap, 1.5", Black            |

# 2019 FLYING CLOUD FURNITURE, GALLEY

## Refrigerator and Convection Microwave Cabinet, 23CB, Landmark



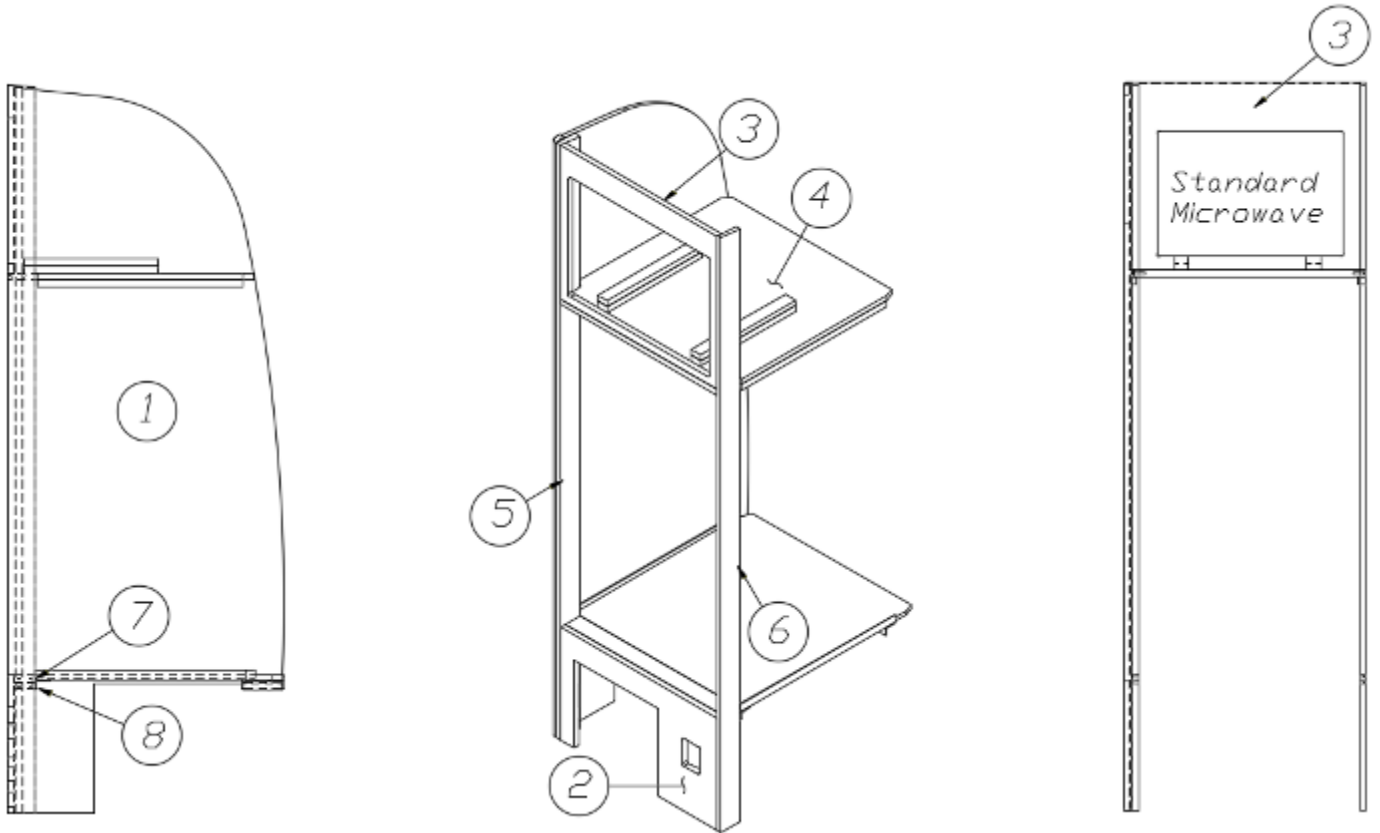
967226

Refrigerator Cabinet with Convection Microwave

- |              |                                       |
|--------------|---------------------------------------|
| 1. 967226-1  | Panel, 29.65 x 78.37                  |
| 2. 967226-22 | Panel, 23.94 x 14.88                  |
| 3. 967226-3  | Panel, 23.94 x 20.39                  |
| 4. 967226-4  | Panel, 3 x 78.65                      |
| 5. 967226-5  | Panel, 3 x 78.6                       |
| 6. 967226-6  | Panel, 2.25 x 23.94                   |
| 7. 967226-7  | Panel, 2.25 x 23.94                   |
| 8. 967226-8  | Panel, 25.94 x 285                    |
| 203138-05    | Extrusion, Plastic, .5", Black        |
| 801706-0036  | Corner trim, 90°, 1" radius, Landmark |
| 966811       | Refrigerator stand                    |
| 381209-01    | Grommet w/cap, 1.5", Black            |

# 2019 FLYING CLOUD FURNITURE, GALLEY

## Refrigerator and Microwave Cabinet, 23FB, Landmark



967310-03  
967310-09

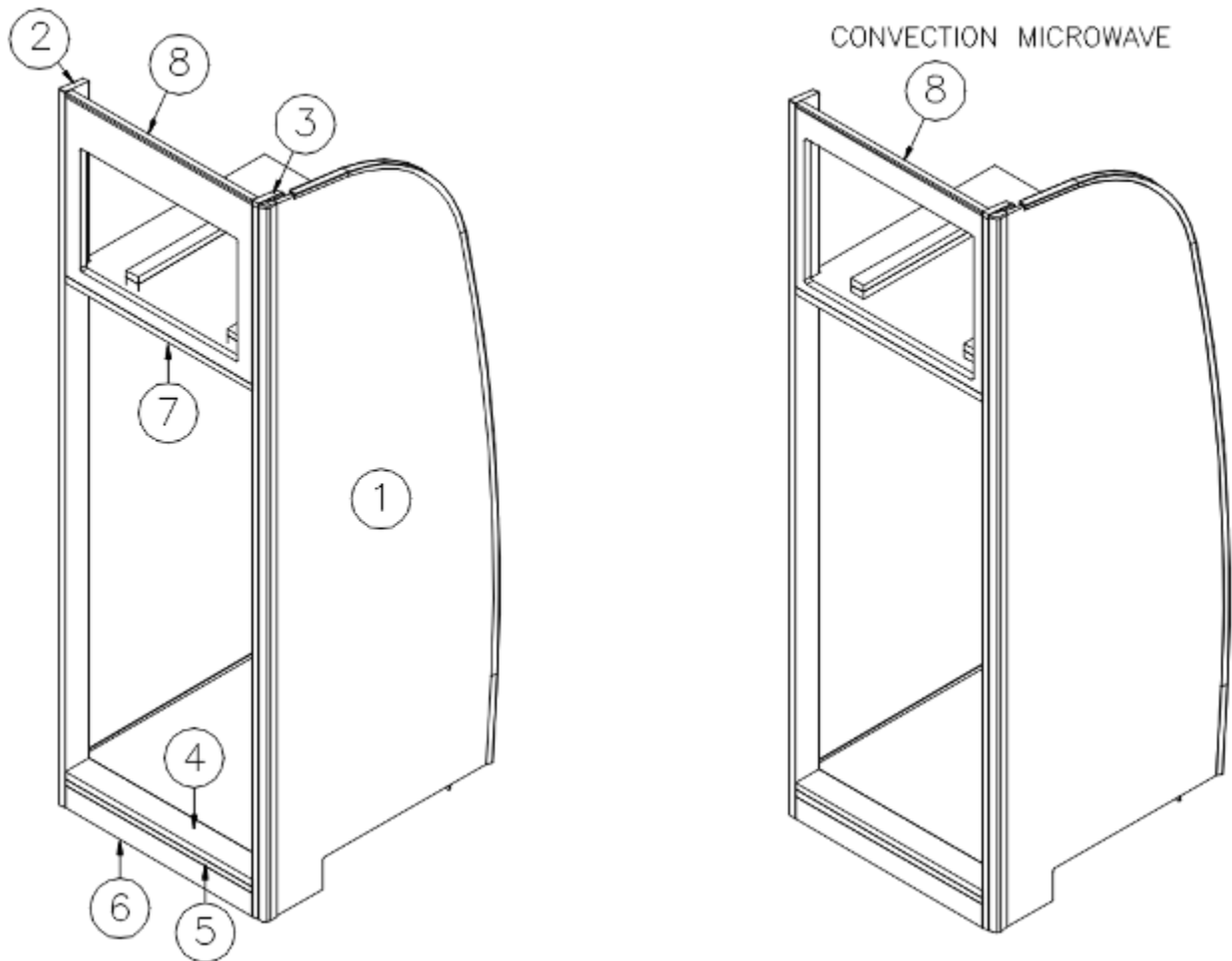
Refrigerator Cabinet with Standard Microwave  
Refrigerator Cabinet with Convection Microwave

- 1. 967310-091
- 2. 967310-0923
- 3. 967310-0924  
967310-093
- 4. 967310-094
- 5. 967310-095
- 6. 967310-096
- 7. 967310-097
- 8. 967310-098  
968352  
801706-0036  
203138-04

- Panel, 27.22 x 78.1
- Panel, 23.94 x 14.88
- Panel, 23.94 x 20.14, Standard microwave  
Panel, 23.94 x 20.16, Convection microwave
- Panel, 25.56 x 25.5
- Panel, 3 x 78.39
- Panel, 3 x 78.39
- Panel, 2.25 x 23.94
- Panel, 2.25 x 23.94  
Refrigerator stand  
Corner trim, 90°, 1" radius, Landmark  
Extrusion, Plastic, .5", Oak

# 2019 FLYING CLOUD FURNITURE, GALLEY

## Refrigerator Cabinet, 25', Landmark



967724-09

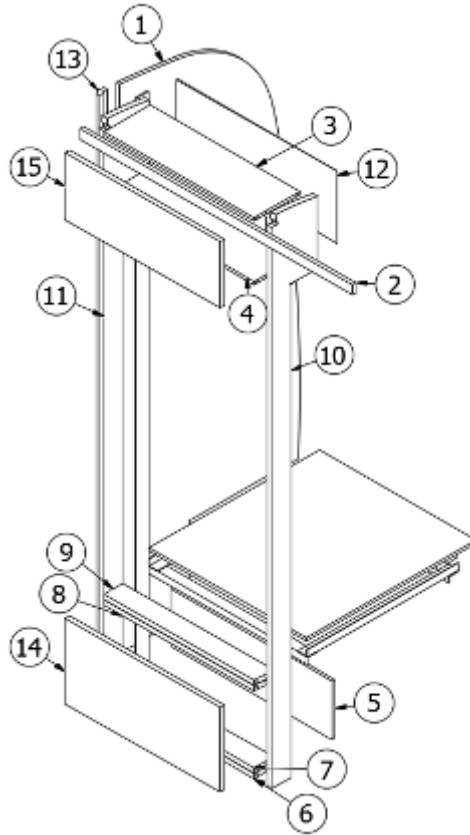
Refrigerator Cabinet

- |                                                                                                                                                                                                                                                                                                        |                                                                                                                                                                                                                                                                                                                                                                                                                                                                |
|--------------------------------------------------------------------------------------------------------------------------------------------------------------------------------------------------------------------------------------------------------------------------------------------------------|----------------------------------------------------------------------------------------------------------------------------------------------------------------------------------------------------------------------------------------------------------------------------------------------------------------------------------------------------------------------------------------------------------------------------------------------------------------|
| <ul style="list-style-type: none"> <li>1. 967724-091</li> <li>2. 967724-2</li> <li>3. 967724-3</li> <li>4. 967724-094</li> <li>5. 967724-095</li> <li>6. 967724-6</li> <li>7. 967724-7</li> <li>8. 967724-0910</li> <li>967724-0919</li> <li>801706-0036</li> <li>203138-04</li> <li>968353</li> </ul> | <ul style="list-style-type: none"> <li>Panel, 25.75 x 78.06</li> <li>Panel, 3 x 78.24</li> <li>Panel, 3 x 78.24</li> <li>Panel, 3 x 23.81</li> <li>Panel, 3 x 23.81</li> <li>Panel, 2.5 x 23.81</li> <li>Panel, 23.86 x 25.56</li> <li>Panel, 23.81 x 19.74, Standard microwave</li> <li>Panel, 23.81 x 20.2, Convection microwave</li> <li>Corner trim, 90°, 1" radius, Landmark</li> <li>Extrusion, Plastic, .5", Oak</li> <li>Refrigerator stand</li> </ul> |
|--------------------------------------------------------------------------------------------------------------------------------------------------------------------------------------------------------------------------------------------------------------------------------------------------------|----------------------------------------------------------------------------------------------------------------------------------------------------------------------------------------------------------------------------------------------------------------------------------------------------------------------------------------------------------------------------------------------------------------------------------------------------------------|



# 2019 FLYING CLOUD FURNITURE, GALLEY

## Refrigerator Cabinet, 25FB, 27FB, Landmark



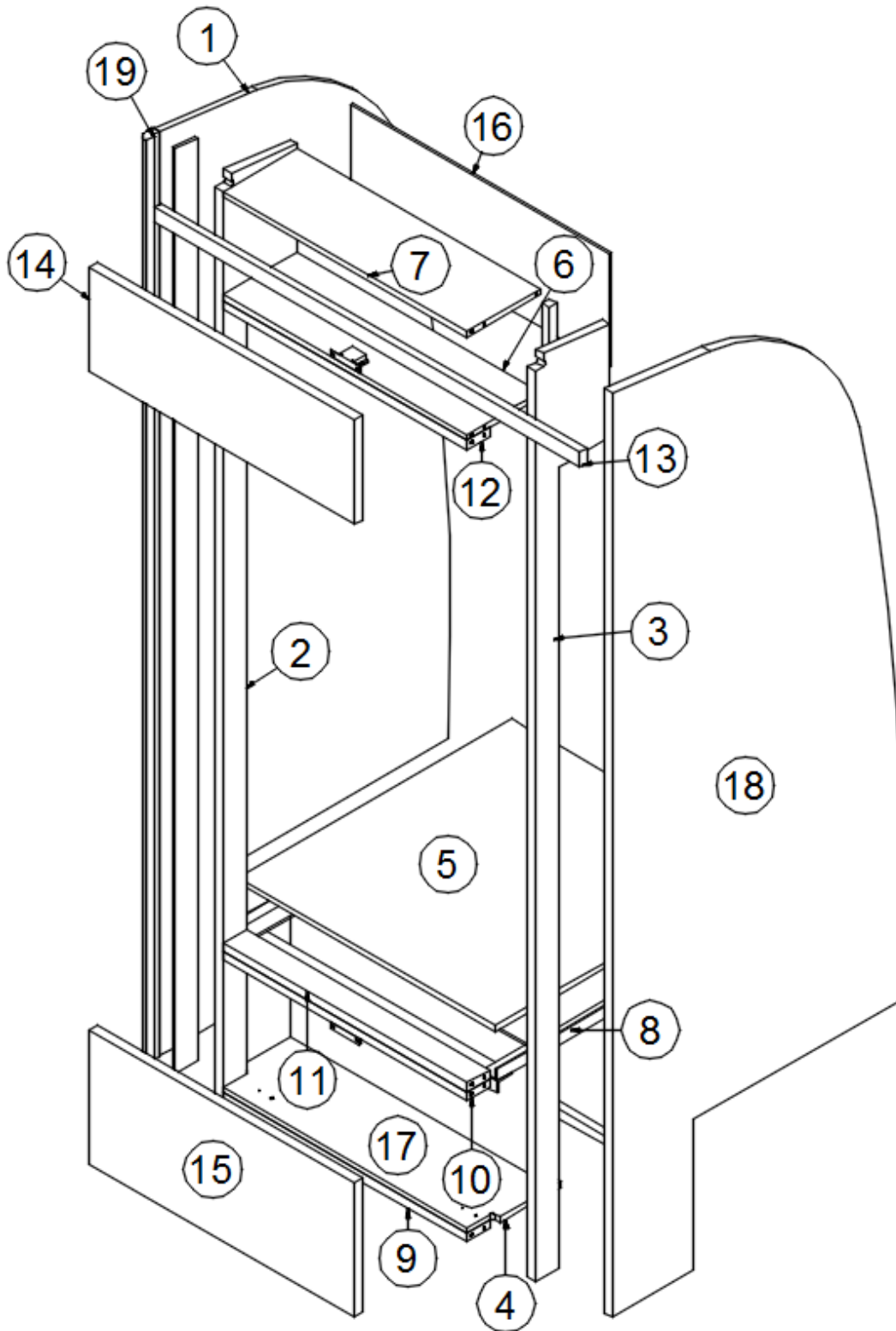
966853-09

Refrigerator Cabinet

- |                 |                                       |
|-----------------|---------------------------------------|
| 1. 966853-091   | Panel, 28.64 x 78.45                  |
| 2. 966853-092   | Panel, 1.49 x 23.8                    |
| 3. 966853-093   | Panel, 7.25 x 23.81                   |
| 4. 966853-094   | Panel, 7.25 x 23.81                   |
| 5. 966853-095   | Panel, 8 x 25.5                       |
| 6. 966853-096   | Panel, 3 x 23.81                      |
| 7. 966853-097   | Panel, 3 x 23.81                      |
| 8. 966853-098   | Panel, 3 x 23.81                      |
| 9. 966853-099   | Panel, 3 x 23.81                      |
| 10. 966853-0911 | Panel, 7.25 x 78.74                   |
| 11. 966853-0912 | Panel, 7.25 x 78.74                   |
| 12. 966853-15I  | Panel, 10 x 24.81                     |
| 13. 801706-0036 | Corner trim, 90°, 1" radius, Landmark |
| 14. 966853-0918 | Door, 24.44 x 11.69                   |
| 15. 966853-0919 | Door, 24.44 x 9.18                    |
| 382044          | Handle, Brushed Nickel                |
| 381607-11       | Hinge, Self-close                     |
| 381228-02       | Catch, Grabber door (5lb Pull)        |
| 966812          | Refrigerator stand                    |

# 2019 FLYING CLOUD FURNITURE, GALLEY

## Refrigerator Cabinet, 26U, Landmark



Parts Listed on Next Page

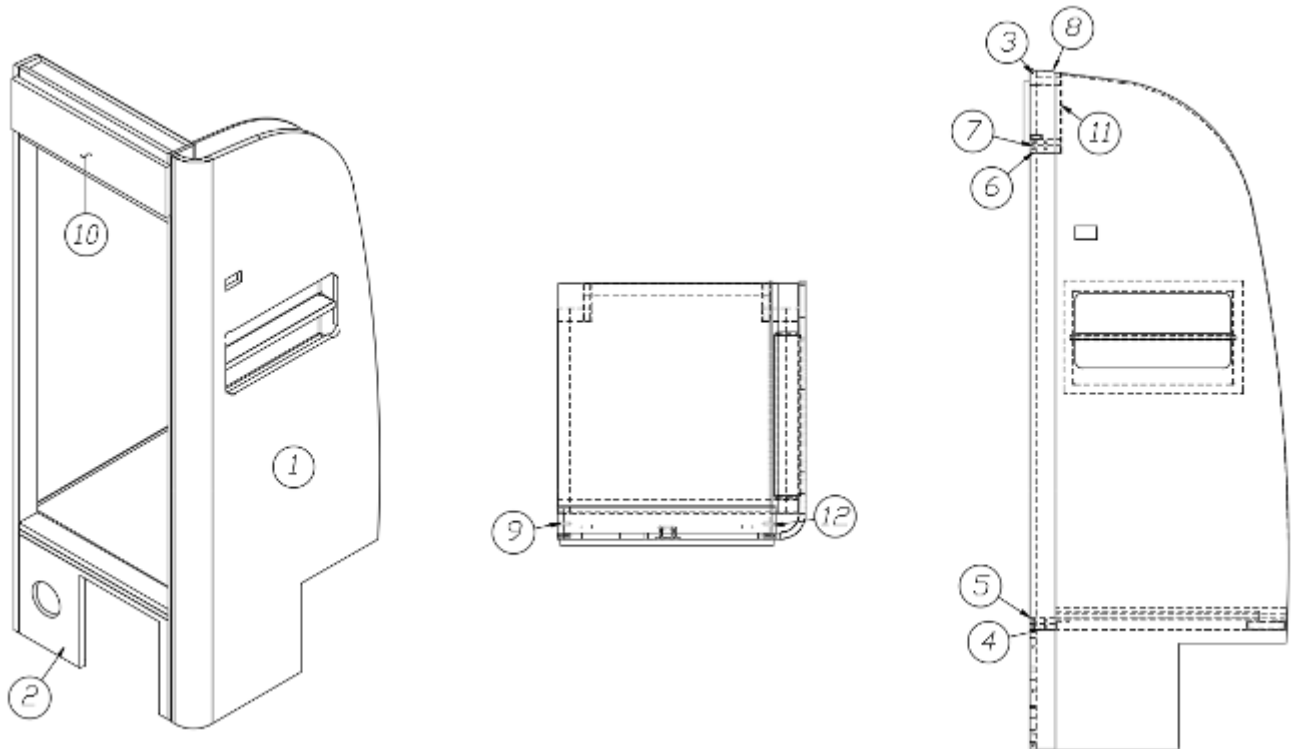
# 2019 FLYING CLOUD FURNITURE, GALLEY

## Refrigerator Cabinet, 26U, Landmark

968283	Refrigerator Cabinet
1. 968283-1	Panel, 28.5 x 78.456
2. 968283-2	Panel, 7.25 x 78.5
3. 968283-3	Panel, 7.25 x 78.5
4. 968283-4	Panel, 25.56 x 8.5
5. 968283-5	Panel, 25.18 x 26.88
6. 968283-6	Panel, 23.81 x 7.25
7. 968283-7	Panel, 23.81 x 7.25
8. 968348	Refrigerator stand
9. 968283-9	Panel, 2.25 x 23.81
10. 968283-10	Panel, 2.25 x 23.81
11. 968283-11	Panel, 2.25 x 23.81
12. 968283-12	Panel, 2.25 x 23.81
13. 968283-13	Panel, 40.56 x 1.25
14. 968283-14	Door, 25.19 x 8.95
15. 968283-15	Door, 25.94 x 11.38
16. 968283-19	Panel, 24.81 x 9.63
17. 968283-20	Panel, 25.56 x 10.75
18. 968283-33	Panel, 28.5 x 78.45
19. 801706-0036	Corner trim, 90°, 1" radius, Landmark
382044	Handle, Brushed Nickel
381607-11	Hinge, Self-close
381228-02	Catch, Grabber door, 5LB
386304-01	Edgebanding, .63", Landmark
386304-02	Edgebanding, .94", Landmark

# 2019 FLYING CLOUD FURNITURE, GALLEY

## Refrigerator Cabinet, 28', Landmark



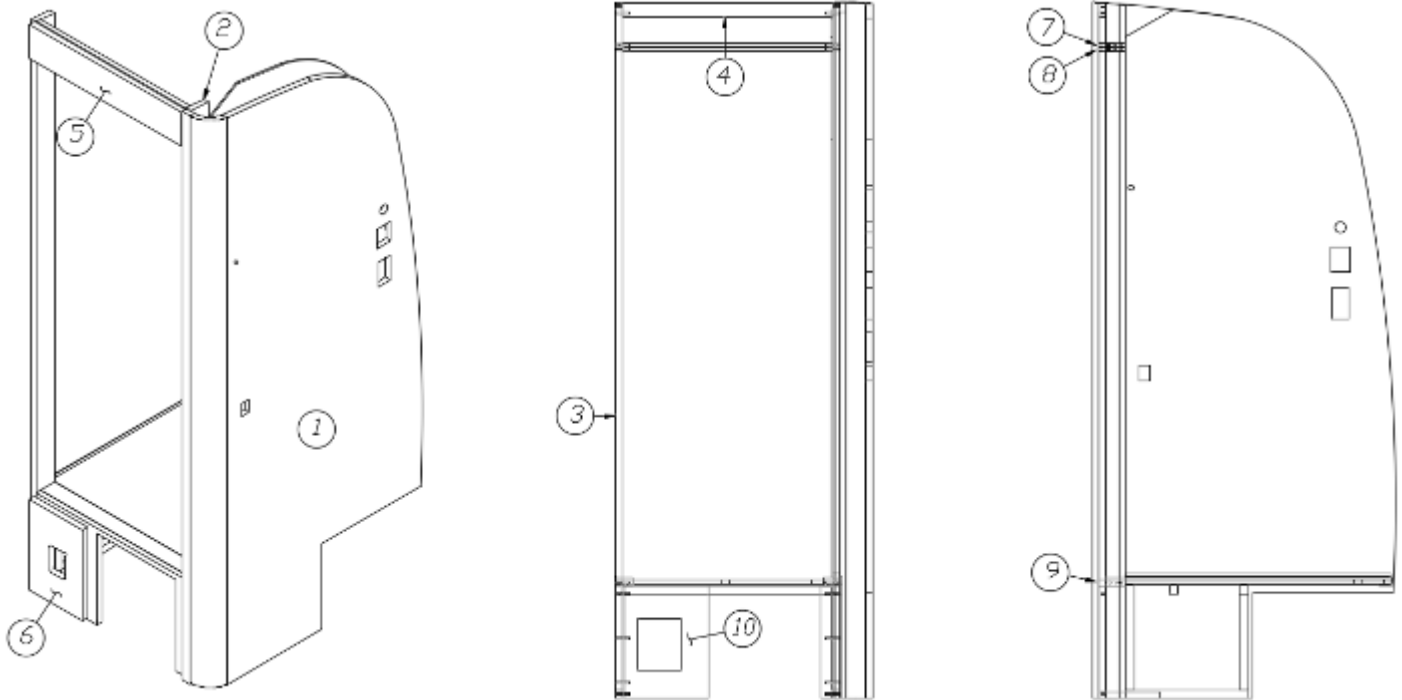
968213-09

Refrigerator Cabinet

- |                 |                             |
|-----------------|-----------------------------|
| 1. 966993-09    | Refrigerator panel assembly |
| 2. 968213-092   | Panel, 13.75 x 24.06        |
| 3. 968213-093   | Panel, 1.71 x 24.06         |
| 4. 968213-4     | Panel, 3 x 24.06            |
| 5. 968213-5     | Panel, 3 x 24.06            |
| 6. 968213-6     | Panel, 3.63 x 24.06         |
| 7. 968213-7     | Panel, 3.63 x 24.06         |
| 8. 968213-8     | Panel, 2.88 x 24.06         |
| 9. 968213-9     | Panel, 3.63 x 78.581        |
| 10. 968213-0911 | Door, 24.69 x 7             |
| 11. 968213-12   | Panel, 9.21 x 25.31         |
| 12. 968213-13   | Panel, 3.63 x 78.581        |
| 966808          | Refrigerator stand          |
| 203384          | Spice rack                  |
| 203385          | F-trim, Self-edging, Clear  |
| 203476          | Refrigerator shelf          |
| 382044          | Handle, Brushed Nickel      |
| 381607-11       | Hinge, Self-close           |
| 381228-02       | Catch, Grabber door, 5LB    |
| 386304-01       | Edgebanding, .63", Landmark |
| 386304-02       | Edgebanding, .94", Landmark |

# 2019 FLYING CLOUD FURNITURE, GALLEY

## Refrigerator Cabinet, 30', Landmark



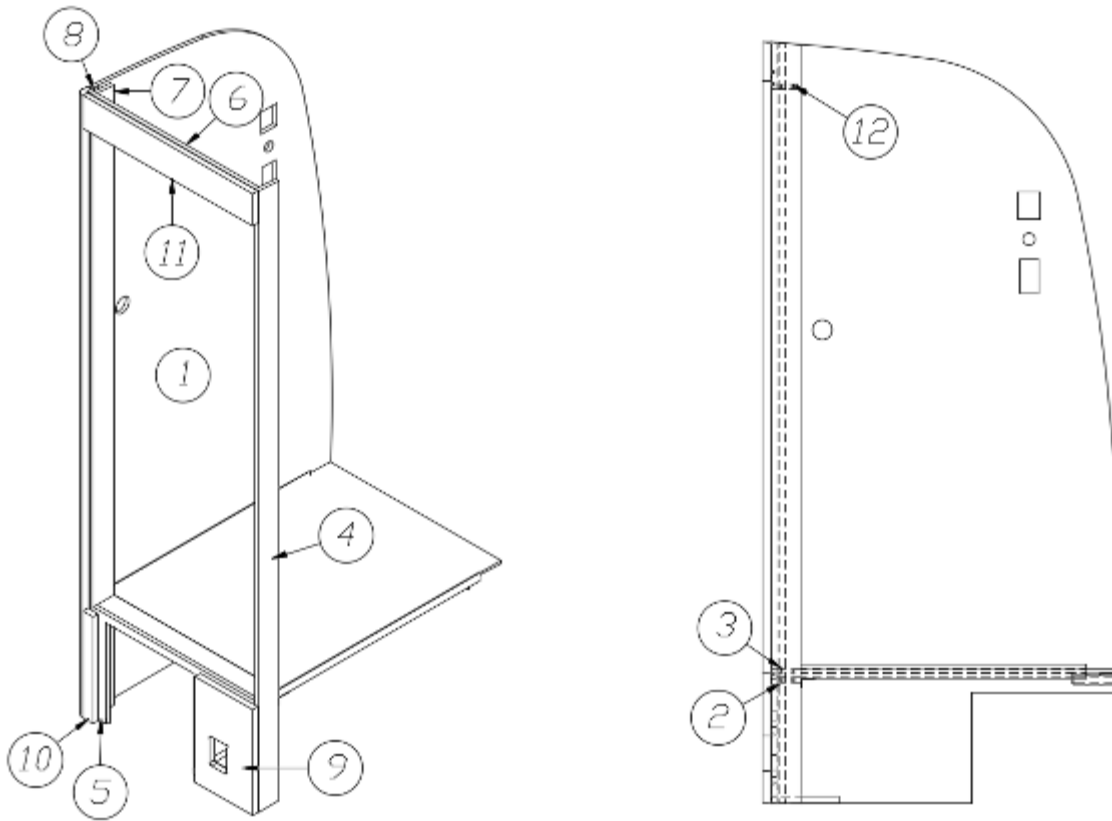
967520-09

Refrigerator Cabinet

- |                 |                             |
|-----------------|-----------------------------|
| 1. 967523-09    | Refrigerator sub assembly   |
| 2. 967520-2     | Panel, 3 x 79.12            |
| 3. 967520-3     | Panel, 3 x 79.12            |
| 4. 967520-094   | Panel, 24.06 x 1.75         |
| 5. 967520-095   | Panel, 24.5 x 4.75          |
| 6. 967520-096   | Panel, 10.06 x 12.63        |
| 7. 967520-7     | Panel, 3 x 24.06            |
| 8. 967520-8     | Panel, 3 x 24.06            |
| 9. 967520-9     | Panel, 3 x 24.06            |
| 10. 967520-0928 | Panel, 24.06 x 13.5         |
| 967519          | Refrigerator stand          |
| 454736          | Refrigerator baffle         |
| 386304-01       | Edgebanding, .63", Landmark |
| 386304-02       | Edgebanding, .94", Landmark |

# 2019 FLYING CLOUD FURNITURE, GALLEY

## Refrigerator Cabinet, 30' Bunk, Landmark

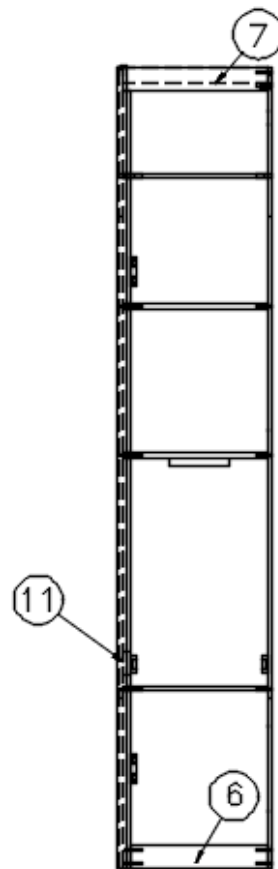
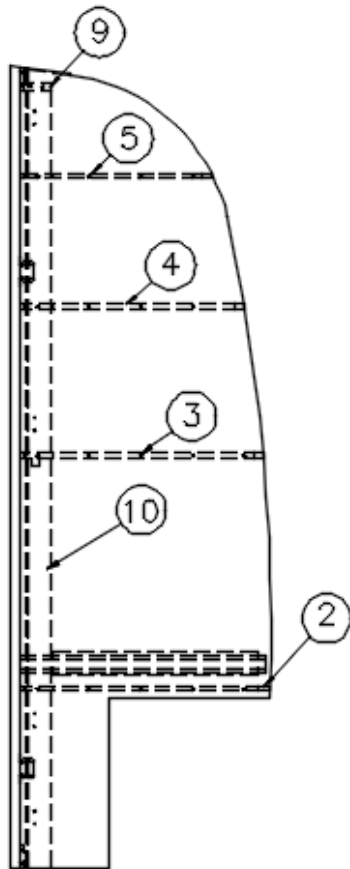
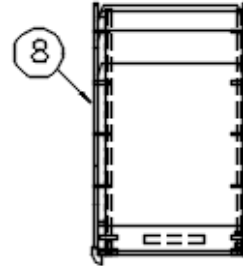
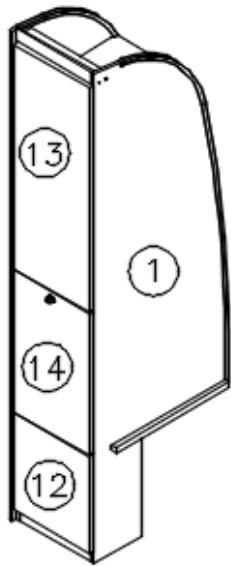


### 967915 Refrigerator Cabinet

- |               |                                       |
|---------------|---------------------------------------|
| 1. 967915-1   | Panel, 78.69 x 35.19                  |
| 2. 967915-2   | Panel, 2.5 x 23.69                    |
| 3. 967915-3   | Panel, 2.5 x 23.69                    |
| 4. 967915-4   | Panel, 3 x 78.76                      |
| 5. 967915-5   | Panel, 23.69 x 13.93                  |
| 6. 967915-6   | Panel, 23.69 x 4.83                   |
| 7. 967915-7   | Panel, 3 x 78.76                      |
| 8. 967915-8   | Panel, 1.5 x 78.76                    |
| 9. 967915-10  | Panel, 8.44 x 13.93                   |
| 10. 967915-11 | Panel, 1.44 x 13.93                   |
| 11. 967915-13 | Panel, 25 x 4.1                       |
| 12. 967915-19 | Panel, 2.25 x 23.69                   |
| 967915-20     | Panel, 1 x 12.5                       |
| 967915-21     | Panel, 7.5 x 12.5                     |
| 967915-22     | Panel, 3 x 24                         |
| 967920        | Refrigerator stand                    |
| 110898-30     | Baffle assembly                       |
| 801706-0036   | Corner trim, 90°, 1" radius, Landmark |

# 2019 FLYING CLOUD FURNITURE, GALLEY

Pantry, 23CB, Landmark



Parts Listed on Next Page

## 2019 FLYING CLOUD FURNITURE, GALLEY

### Pantry, 23CB, Landmark

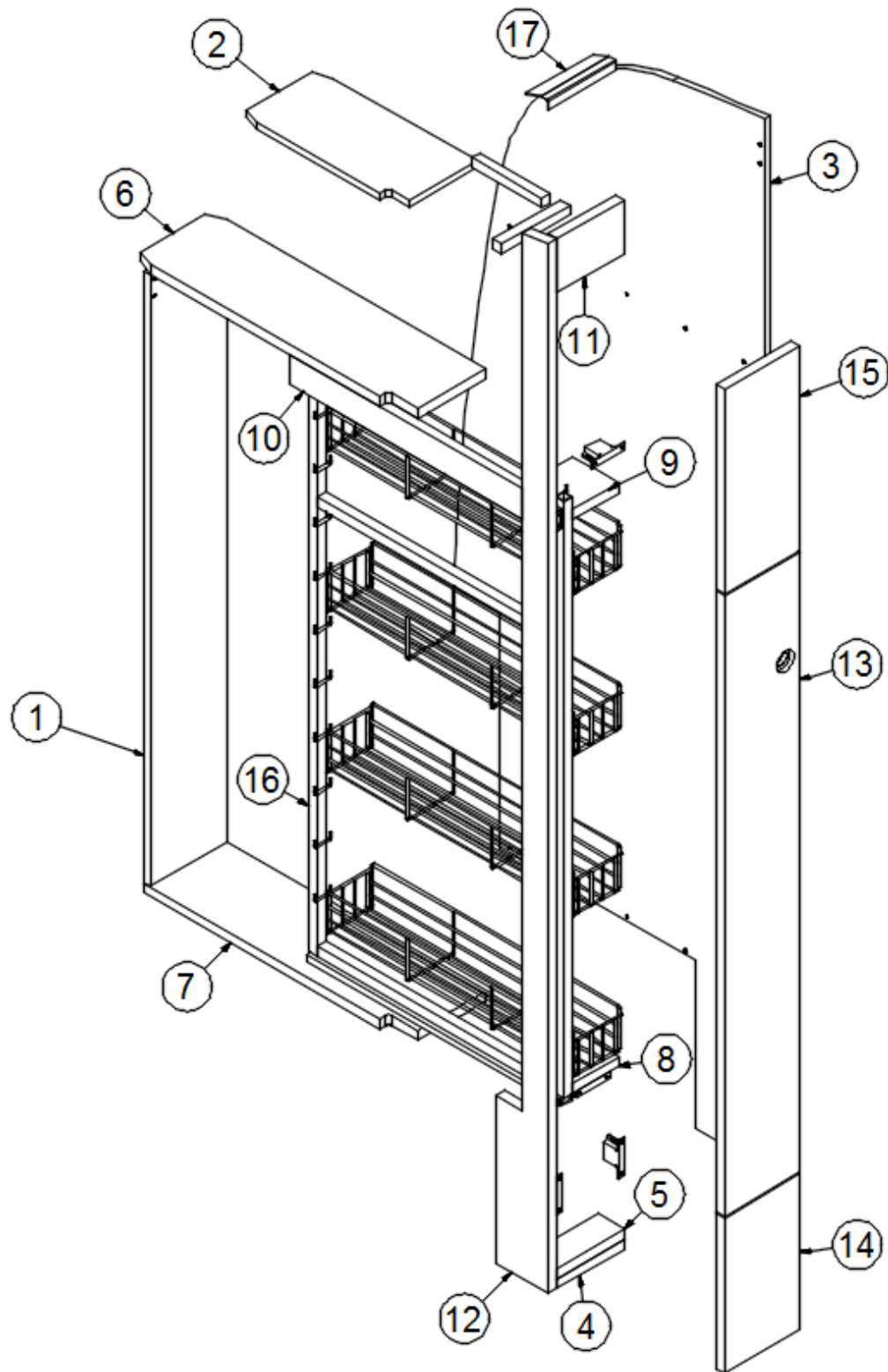
966936-09 Pantry Cabinet

1. 966936-1 Panel, 24.55 x 78.14
2. 966936-2 Panel, 14.01 x 24.27
3. 966936-3 Panel, 14.01 x 23.84
4. 966936-4 Panel, 14.01 x 21.96
5. 966936-5 Panel, 14.01 x 18.71
6. 966936-096 Panel, 13.26 x 2.25
7. 966936-097 Panel, 14.01 x 2.26
8. 966936-098 Panel, 23.79 x 77.9
9. 966936-9 Panel, 2.5 x 14.01
10. 966936-10 Panel, 3 x 75.88
11. 966936-11 Panel, 2.5 x 20
12. 966936-0912 Door, 13.88 x 15.5
13. 966936-0913 Door, 13.88 x 35.88
14. 966935-09 Slide-out pantry
- 801706-0036 Corner trim, 90°, 1" radius, Landmark
- 203138-01 Extrusion, Plastic, White
- 203138-04 Extrusion, Plastic, .5", Oak
- 381408 Lock, Push button style, Black
- 381925 Drawer slide, 24"
- 382044 Handle, Brushed Nickel
- 381607-11 Hinge, Self-close
- 381228-02 Catch, Grabber door (5lb Pull)



# 2019 FLYING CLOUD FURNITURE, GALLEY

Pantry, 23FB, Landmark



Parts Listed on Next Page

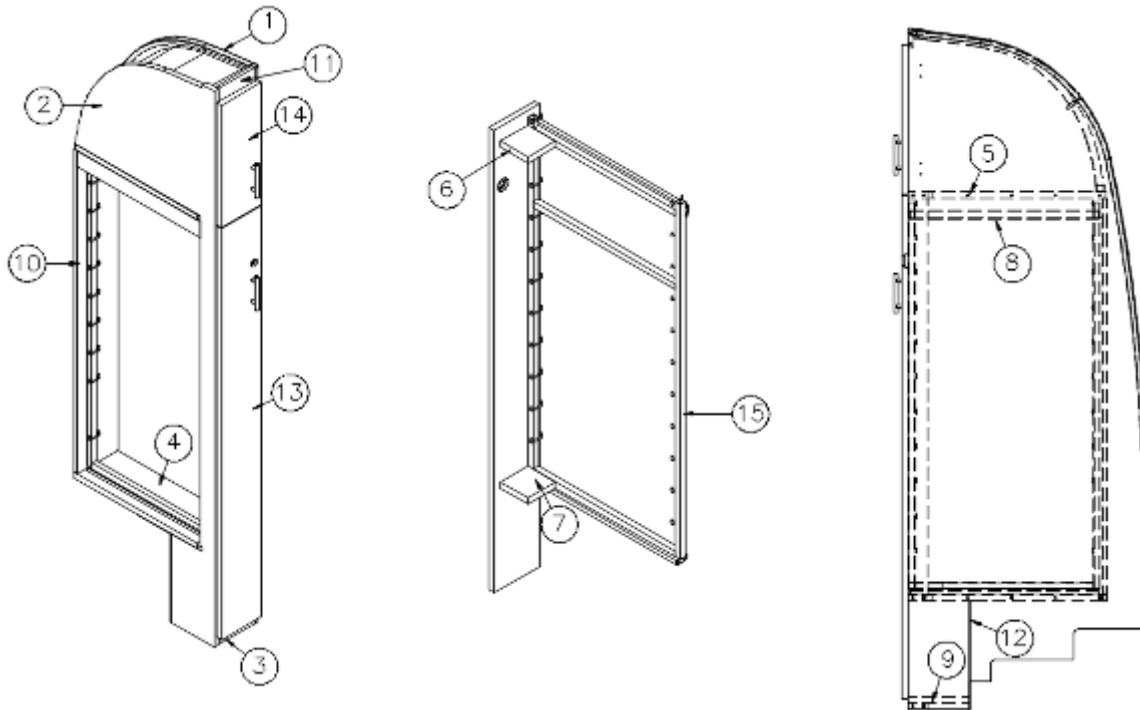
## 2019 FLYING CLOUD FURNITURE, GALLEY

### Pantry, 23FB, Landmark

968347-09	Pantry Cabinet
1. 968347-091	Pantry, 6.63 x 45.63
2. 968347-092	Pantry, 5.88 x 13.75
3. 968347-093	Pantry, 26.87 x 78.25
4. 968347-094	Pantry, 2.25 x 5.88
5. 968347-095	Pantry, 2.25 x 5.88
6. 968347-096	Pantry, 23.63 x 6.63
7. 968347-097	Pantry, 6.63 x 22.75
8. 968347-098	Pantry, 4 x 4
9. 968347-099	Pantry, 4 x 4
10. 968347-0910	Pantry, 20 x 2.25
11. 968347-0911	Pantry, 4 x 5.88
12. 968347-0912	Pantry, 4.5 x 78.25
13. 968347-0913	Door, 6.5 x 46.25
14. 968347-0914	Door, 6.5 x 11.63
15. 968347-0915	Door, 6.5 x 15.25
16. 381551-01	Pantry pull-out
17. 104821	Support, 74'
381551-02	Wire basket
381408	Lock, Push button style, Black
381607-11	Hinge, Self-close
382044	Handle, Brushed Nickel
381228	Catch, Grabber door, 10LB
381228-02	Catch, Grabber door, 5LB
203138-04	Extrusion, .5", Oak

# 2019 FLYING CLOUD FURNITURE, GALLEY

## Pantry, 25', Landmark



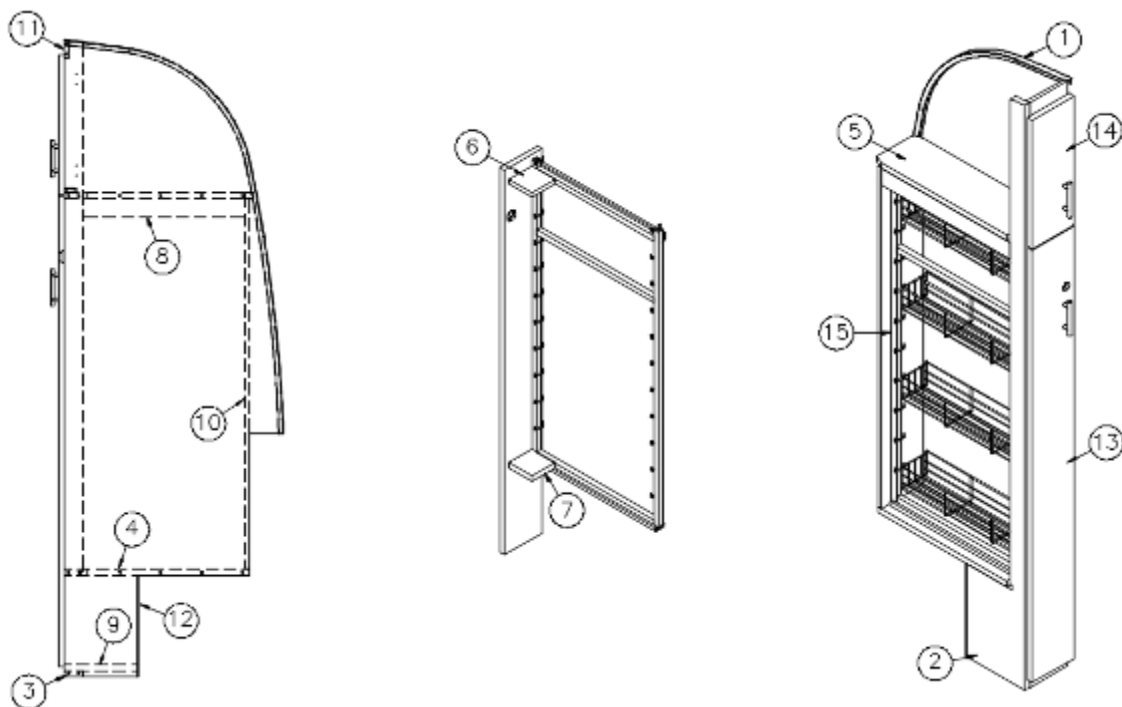
967726-09

Pantry Cabinet

- |                 |                                |
|-----------------|--------------------------------|
| 1. 967726-091   | Panel, 27.25 x 78.39           |
| 2. 967726-2     | Panel, 22.63 x 78.43           |
| 3. 967726-3     | Panel, 2.25 x 5.88             |
| 4. 967726-4     | Panel, 6.63 x 22.75            |
| 5. 967726-5     | Panel, 6.63 x 22.63            |
| 6. 967726-6     | Panel, 4 x 4                   |
| 7. 967726-7     | Panel, 4 x 4                   |
| 8. 967726-8     | Panel, 2.25 x 20               |
| 9. 967726-9     | Panel, 7 x 5.88                |
| 10. 967726-10   | Panel, 6.63 x 45.63            |
| 11. 967726-0911 | Panel, 2.25 x 5.88             |
| 12. 967726-0912 | Panel, 6.63 x 12.5             |
| 13. 967726-0913 | Door, 6.5 x 58                 |
| 14. 967726-0914 | Door, 6.5 x 17.25              |
| 15. 381551-01   | Pantry rack, White             |
| 382044          | Handle, Brushed Nickel         |
| 381228-02       | Catch, Grabber door (5lb Pull) |
| 381408          | Lock, Push button style, Black |
| 203138-04       | Extrusion, Plastic, .5", Oak   |
| 381607-11       | Hinge, Self-close              |
| 381551-02       | Wire basket, 4", White         |

# 2019 FLYING CLOUD FURNITURE, GALLEY

## Pantry, 25FB, Landmark



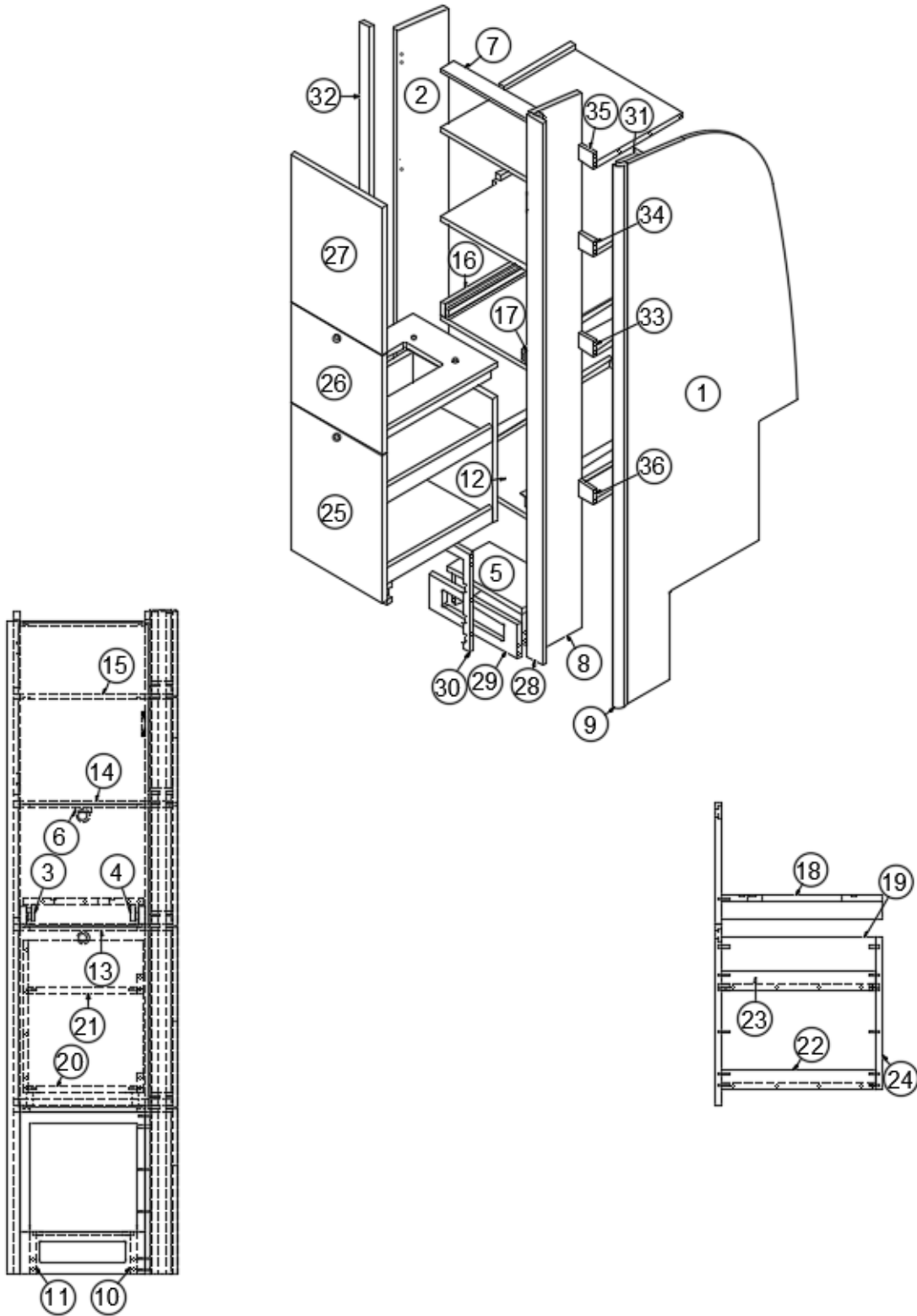
966904-09

Pantry Cabinet

- |                 |                                |
|-----------------|--------------------------------|
| 1. 966904-091   | Panel, 26.94 x 78.29           |
| 2. 966904-092   | Panel, 9 x 78.43               |
| 3. 966904-093   | Panel, 2.25 x 5.88             |
| 4. 966904-094   | Panel, 6.63 x 22.75            |
| 5. 966904-095   | Panel, 6.63 x 23.38            |
| 6. 966904-096   | Panel, 4 x 4                   |
| 7. 966904-097   | Panel, 4 x 4                   |
| 8. 966904-098   | Panel, 2.25 x 20               |
| 9. 966904-099   | Panel, 7.50 x 5.88             |
| 10. 966904-0910 | Panel, 6.63 x 45.63            |
| 11. 966904-0911 | Panel, 2.25 x 5.88             |
| 12. 966904-0912 | Panel, 7.13 x 12.5             |
| 13. 966904-0913 | Door, 6.5 x 58                 |
| 14. 966904-0914 | Door, 6.5 x 17                 |
| 15. 381551-01   | Pantry rack, White             |
| 382044          | Handle, Brushed Nickel         |
| 381228-02       | Catch, Grabber door (5lb Pull) |
| 381607-11       | Hinge, Self-close              |
| 381551-02       | Wire basket, 4", White         |
| 381408          | Lock, Push button style, Black |
| 203138-04       | Extrusion, Plastic, .5", Oak   |

# 2019 FLYING CLOUD FURNITURE, GALLEY

Pantry, With Microwave, 26U, Landmark



Parts Listed on Next Page

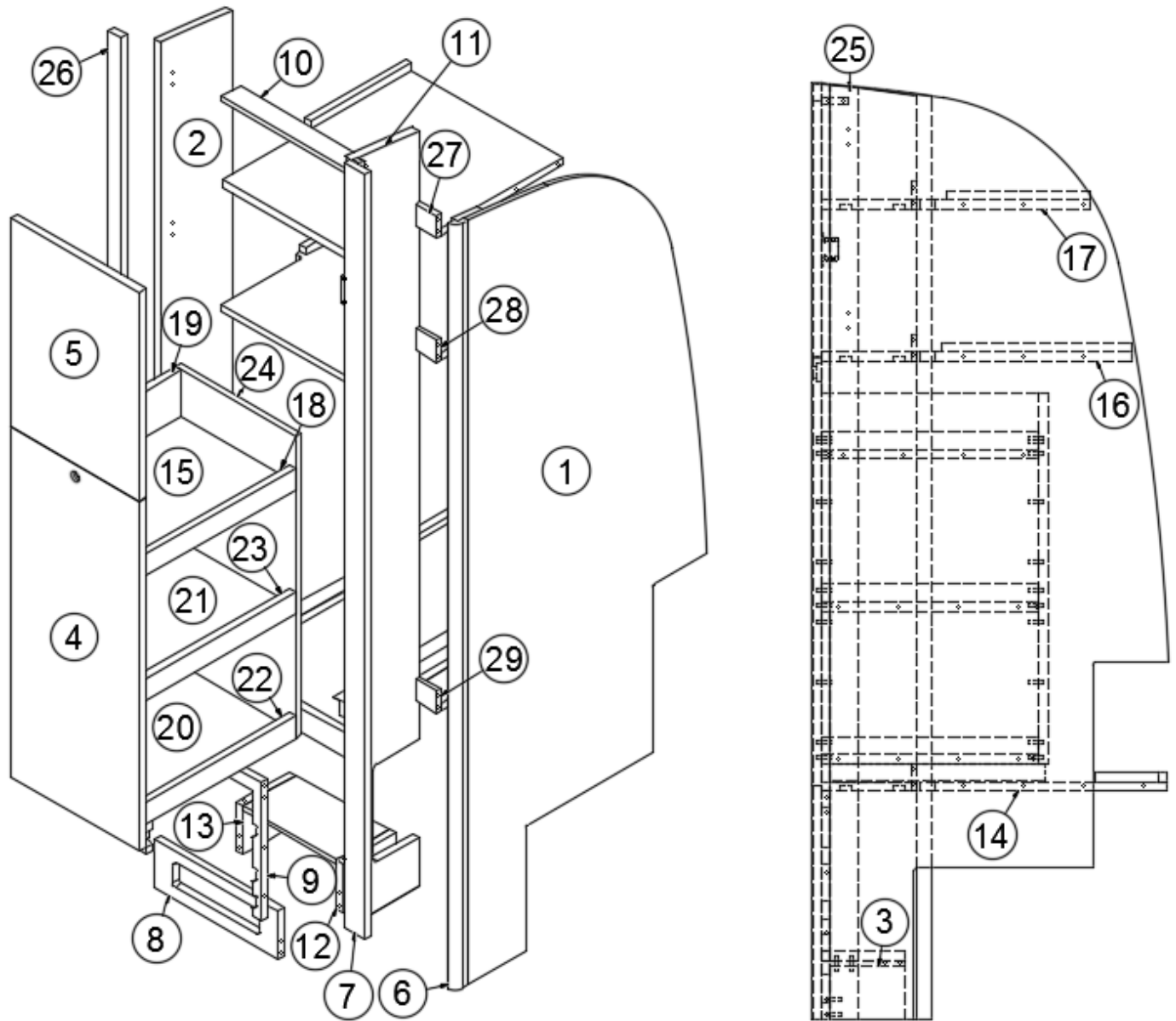
# 2019 FLYING CLOUD FURNITURE, GALLEY

## Pantry, With Microwave, 26U, Landmark

968284	Pantry Cabinet w/Microwave
1. 968284-1	Panel, 28.5 x 78.45
2. 968284-2	Panel, 28.5 x 78.45
3. 968284-3	Panel, 2 x 19
4. 968284-4	Panel, 2 x 19
5. 968284-5	Panel, 6.25 x 11.13
6. 968284-6	Panel, 2 x 17
7. 968284-7	Panel, 2.25 x 14.75
8. 968284-8	Panel, 8 x 77.52
9. 801706-0036	Corner trim, 90°, 1" radius, Landmark
10. 968284-10	Panel, 6.25 x 5
11. 968284-11	Panel, 6.25 x 5
12. 968284-12	Panel, 18 x 29
13. 968284-13	Panel, 18 x 28
14. 968284-14	Panel, 18 x 26
15. 968284-15	Panel, 18 x 22.5
16. 968284-16	Panel, 2 x 19
17. 968284-17	Panel, 2 x 19
18. 968284-18	Panel, 14.25 x 19
19. 968284-19	Panel, 18.25 x 18
20. 968284-20	Panel, 18.25 x 12.75
21. 968284-21	Panel, 18.25 x 12.75
22. 968284-22	Panel, 18.25 x 2.25
23. 968284-23	Panel, 18.25 x 2.25
24. 968284-24	Panel, 14.25 x 18
25. 968284-25	Door, 15.38 x 21.38
26. 968284-26	Door, 15.38 x 14.38
27. 968284-28	Door, 15.38 x 21.41
28. 968284-29	Panel, 2.5 x 78.63
29. 968284-30	Panel, 14.75 x 5
30. 968284-31	Panel, 14.75 x 14.22
31. 968284-48	Panel, 3 x 77.5
32. 968284-49	Panel, 1.5 x 77.25
33. 968284-50	Panel, 2.25 x 2.5
34. 968284-51	Panel, 2.25 x 2.5
35. 968284-52	Panel, 2.25 x 2.5
36. 968284-53	Panel, 2.25 x 2.5
381944-01	Slide, 18"
381192	Slide drawer, 18"
381408	Lock, Push button style, Black
382029-00	Handle bar, 7.48"
381607-11	Hinge, Self-close

# 2019 FLYING CLOUD FURNITURE, GALLEY

Pantry, Without Microwave, 26U, Landmark



Parts Listed on Next Page

## 2019 FLYING CLOUD FURNITURE, GALLEY

### Pantry, Without Microwave, 26U, Landmark

968322

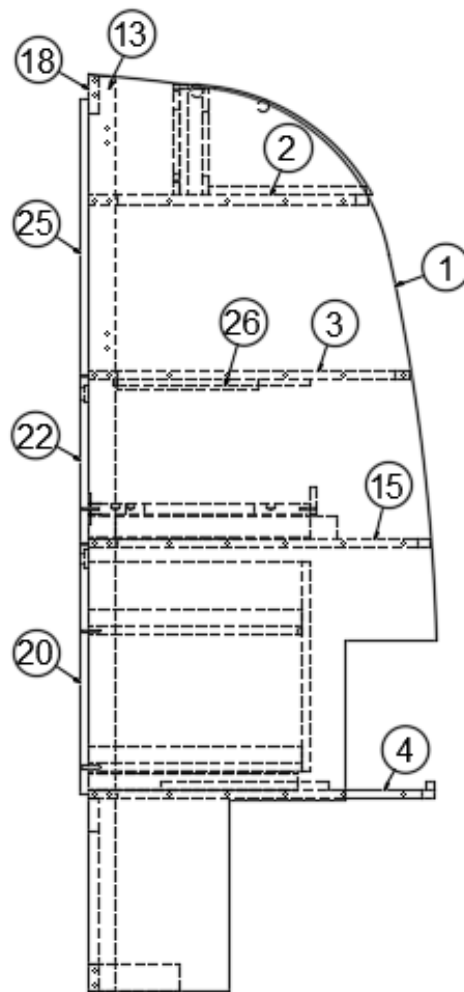
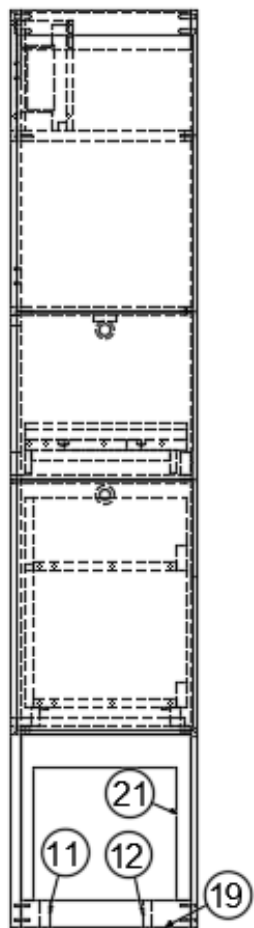
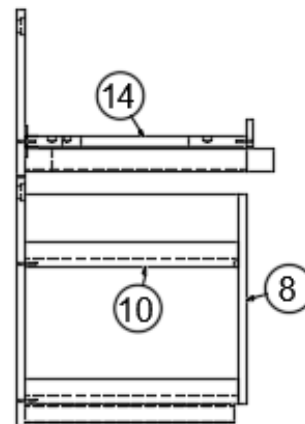
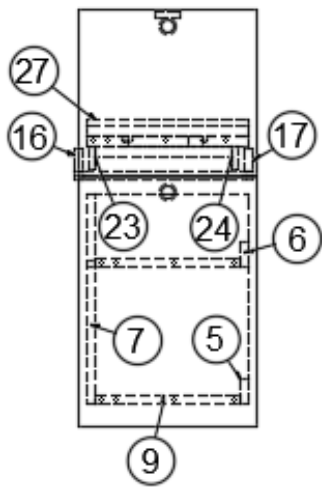
Pantry Cabinet without Microwave

1. 968322-1	Panel, 28.5 x 78.45
2. 968322-2	Panel, 28.5 x 78.45
3. 968322-3	Panel, 6.25 x 11.13
4. 968322-4	Door, 15.38 x 35.88
5. 968322-5	Door, 15.38 x 21.41
6. 801706-0036	Corner trim, 90°, 1" radius, Landmark
7. 968322-7	Panel, 2.5 x 78.5
8. 968322-8	Panel, 14.75 x 5
9. 968322-9	Panel, 14.75 x 14.22
10. 968322-11	Panel, 2.25 x 14.75
11. 968322-12	Panel, 8 x 78.5
12. 968322-13	Panel, 6.25 x 5
13. 968322-14	Panel, 6.25 x 5
14. 968322-15	Panel, 18 x 29
15. 968322-16	Panel, 18.75 x 12.75
16. 968322-17	Panel, 18 x 26
17. 968322-18	Panel, 18 x 22.5
18. 968322-19	Panel, 18.25 x 2.25
19. 968322-20	Panel, 18.25 x 31
20. 968322-21	Panel, 18.25 x 12.75
21. 968322-22	Panel, 18.25 x 12.75
22. 968322-23	Panel, 18.25 x 2.25
23. 968322-24	Panel, 18.25 x 2.25
24. 968322-25	Panel, 14.25 x 31
25. 968322-40	Panel, 3 x 78.5
26. 968322-41	Panel, 1.5 x 77.25
27. 968322-42	Panel, 2.25 x 2.25
28. 968322-43	Panel, 2.25 x 2.25
29. 968322-44	Panel, 2.25 x 2.25
381228-02	Catch, Grabber door, 5LB
381944-01	Slide, 18"
382044	Handle, Brushed Nickel
381607-11	Hinge, Self-close
386304-01	Edgebanding, .63", Landmark
386304-02	Edgebanding, .94", Landmark



# 2019 FLYING CLOUD FURNITURE, GALLEY

Pantry, With Microwave, 27FB, Landmark



Parts Listed on Next Page

## 2019 FLYING CLOUD FURNITURE, GALLEY

### Pantry, With Microwave, 27FB, Landmark

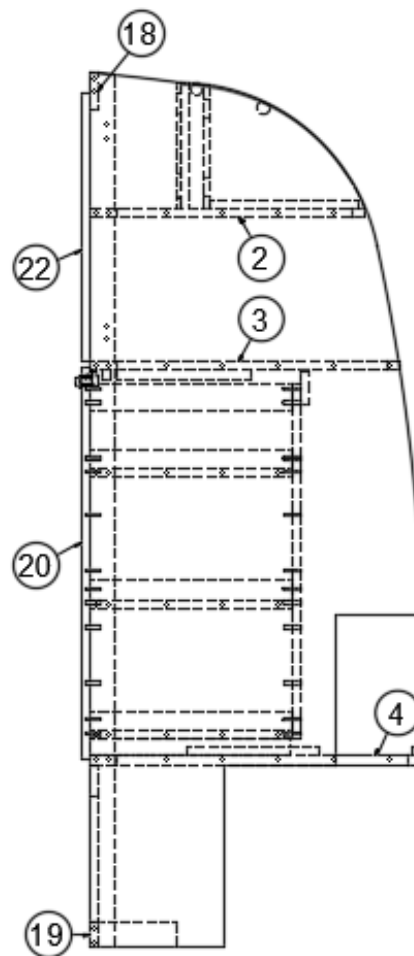
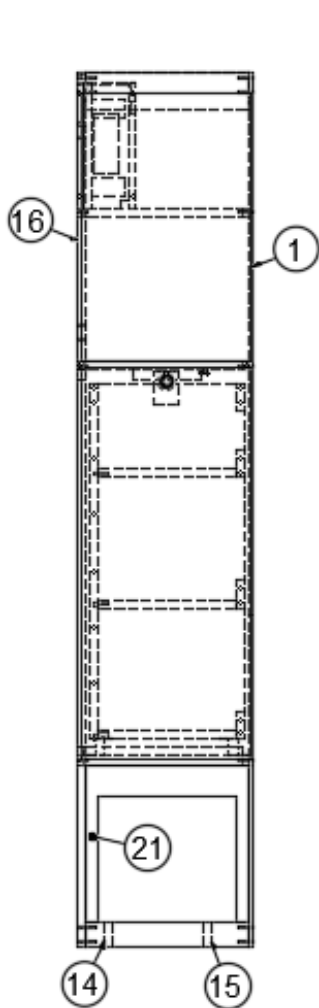
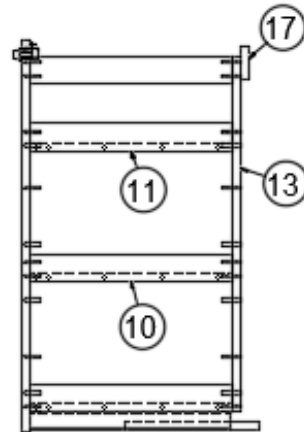
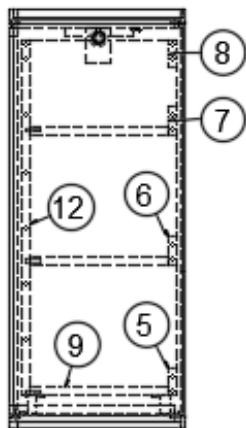
966898-09

Pantry Cabinet w/Microwave

1. 966898-091	Panel, 29.87 x 78.7
2. 966898-092	Panel, 24 x 15.38
3. 966898-093	Panel, 27.5 x 15.38
4. 966898-094	Panel, 29.75 x 15.38
5. 966898-095	Panel, 2.25 x 18.25
6. 966898-096	Panel, 2.25 x 18.25
7. 966898-097	Panel, 18 x 18.25
8. 966898-098	Panel, 18 x 13.88
9. 966898-099	Panel, 12.38 x 18.25
10. 966898-0910	Panel, 12.38 x 18.25
11. 966898-0911	Panel, 2.25 x 7
12. 966898-0912	Panel, 2.25 x 7
13. 966898-0913	Panel, 2.25 x 78.25
14. 966898-0914	Panel, 19 x 13.88
15. 966898-0915	Panel, 26.31 x 15.38
16. 966898-0916	Panel, 2 x 19
17. 966898-0917	Panel, 2 x 19
18. 966898-0918	Panel, 14.63 x 2.25
19. 966898-0919	Panel, 14.63 x 2.25
20. 966898-0920	Door, 21.38 x 15.25
21. 966898-0921	Panel, 1 x 11.31
22. 966898-0924	Door, 13.81 x 15.25
23. 966898-0925	Panel, 2 x 19
24. 966898-0926	Panel, 2 x 19
25. 966898-0927	Door, 15.25 x 24.13
26. 966898-0942	Panel, 2 x 17
27. 966898-54	Panel, 2.25 x 13.88
381408	Lock, Push button style, Black
381944-01	Slide, 18", Per set
382044	Handle, Brushed Nickel
381607-11	Hinge, Self-close
381228-02	Catch, Grabber door (5lb Pull)
203445	Molding, Flexible, .5", Black
381192	Drawer slide, 18"

# 2019 FLYING CLOUD FURNITURE, GALLEY

Pantry, Without Microwave, 27FB, Landmark



Parts Listed on Next Page

## 2019 FLYING CLOUD FURNITURE, GALLEY

### Pantry, Without Microwave, 27FB, Landmark

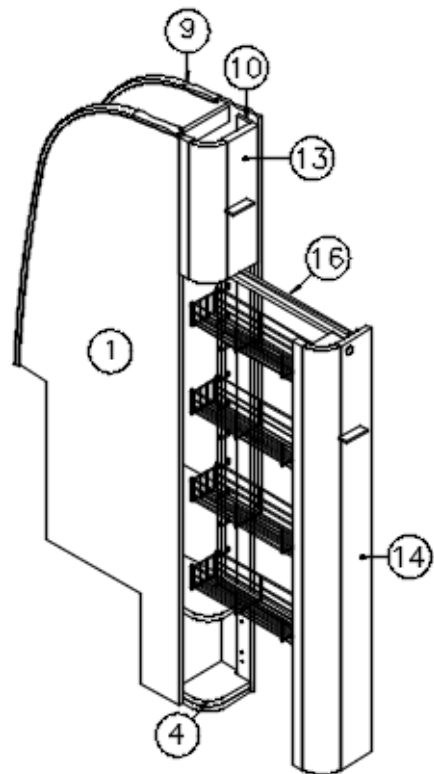
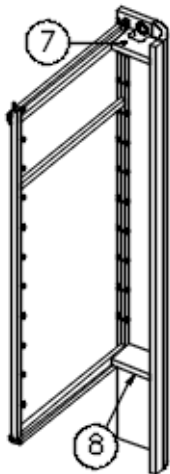
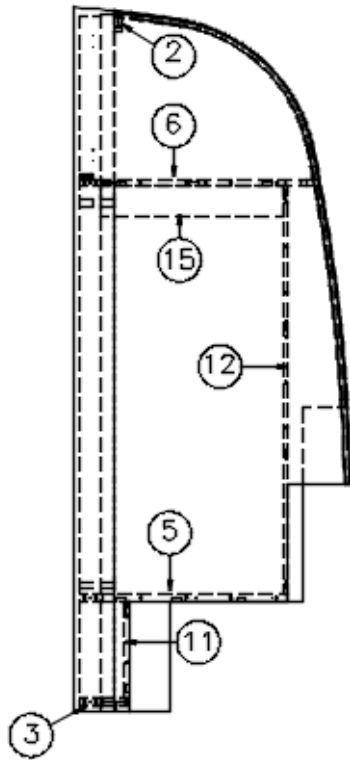
966886-09

Pantry Cabinet without Microwave

1. 966886-091	Panel, 26.87 x 78.09
2. 966886-092	Panel, 21.75 x 15.38
3. 966886-093	Panel, 24.75 x 15.38
4. 966886-094	Panel, 26.75 x 15.38
5. 966886-095	Panel, 2.5 x 18.25
6. 966886-096	Panel, 2.5 x 18.25
7. 966886-097	Panel, 2.5 x 18.25
8. 966886-098	Panel, 2.5 x 18.25
9. 966886-099	Panel, 18.25 x 12.38
10. 966886-0910	Panel, 18.25 x 12.38
11. 966886-0911	Panel, 18.25 x 12.38
12. 966886-0912	Panel, 18.25 x 32
13. 966886-0913	Panel, 13.88 x 32
14. 966886-0914	Panel, 2.25 x 7
15. 966886-0915	Panel, 2.25 x 7
16. 966886-16	Panel, 2.25 x 78.25
17. 966886-0917	Panel, 2.25 x 3
18. 966886-0918	Panel, 2.25 x 14.63
19. 966886-0919	Panel, 2.25 x 14.63
20. 966886-0920	Door, 15.25 x 35.31
21. 966886-0921	Panel, 1 x 11.31
22. 966886-0924	Door, 15.25 x 24.13
381944-01	Drawer slide, 18"
382044	Handle, Brushed Nickel
381607-11	Hinge, Self-close
381408	Lock, Push button style, Black
381228-02	Catch, Grabber door (5lb Pull)
203445	Molding, .5", Black flexible poly

# 2019 FLYING CLOUD FURNITURE, GALLEY

Pantry, Slide-Out, 30', Landmark



Parts Listed on Next Page

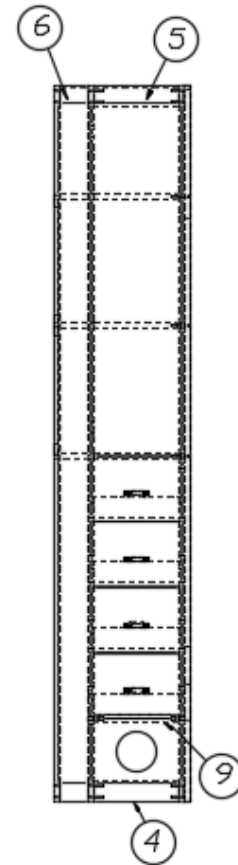
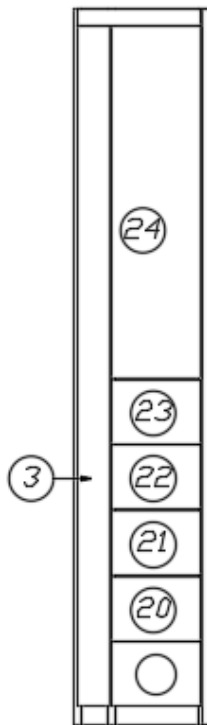
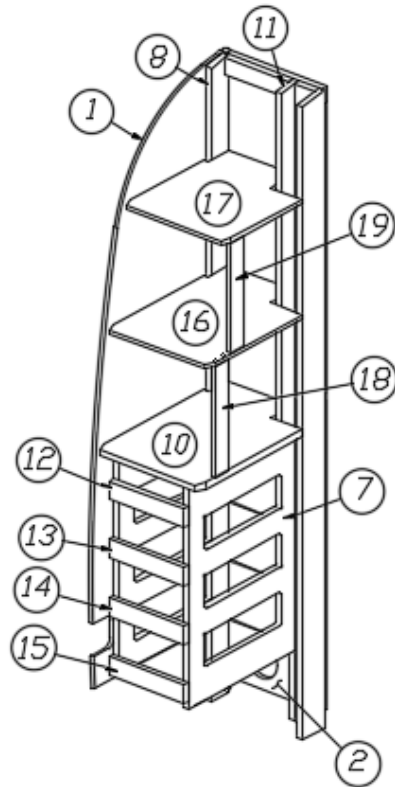
## 2019 FLYING CLOUD FURNITURE, GALLEY

### Pantry, Slide-Out, 30', Landmark

967529-09	Slide-Out Pantry Cabinet
1. 967529-091	Panel, 25.88 x 78.17
2. 967529-092	Panel, 7.25 x 2.25
3. 967529-3	Panel, 4 x 6.75
4. 967529-4	Panel, 13.5 x 7.25
5. 967529-5	Panel, 23.25 x 7.25
6. 967529-6	Panel, 25.5 x 7.25
7. 967529-7	Panel, 5.38 x 3.75
8. 967529-8	Panel, 5.38 x 3.75
9. 967529-099	Panel, 30.82 x 78.77
10. 967529-0910	Panel, 2.25 x 77.75
11. 967529-11	Panel, 7.25 x 10.88
12. 967529-12	Panel, 7.25 x 45.63
13. 967304-01	Door, Radius, 18.75"
14. 967304-02	Door, Radius, 58"
15. 967529-27	Panel, 3.5 x 20.5
16. 381551-01	Pantry rack, White
381551-02	Wire basket, 4", White
382044	Handle, Brushed Nickel
381228-02	Catch, Grabber door (5lb Pull)
381607-11	Hinge, Self-close
381408	Lock, Push button style, Black
386304-01	Edgebanding, .63", Landmark
386304-02	Edgebanding, .94", Landmark
203138-04	Extrusion, Plastic, .5", Oak
203464-01	Trim Panel, .75", Oak
382057	Knockdown

# 2019 FLYING CLOUD FURNITURE, GALLEY

Pantry, 30' Bunk, Landmark



Parts Listed on Next Page

# 2019 FLYING CLOUD FURNITURE, GALLEY

## Pantry, 30' Bunk, Landmark

968026

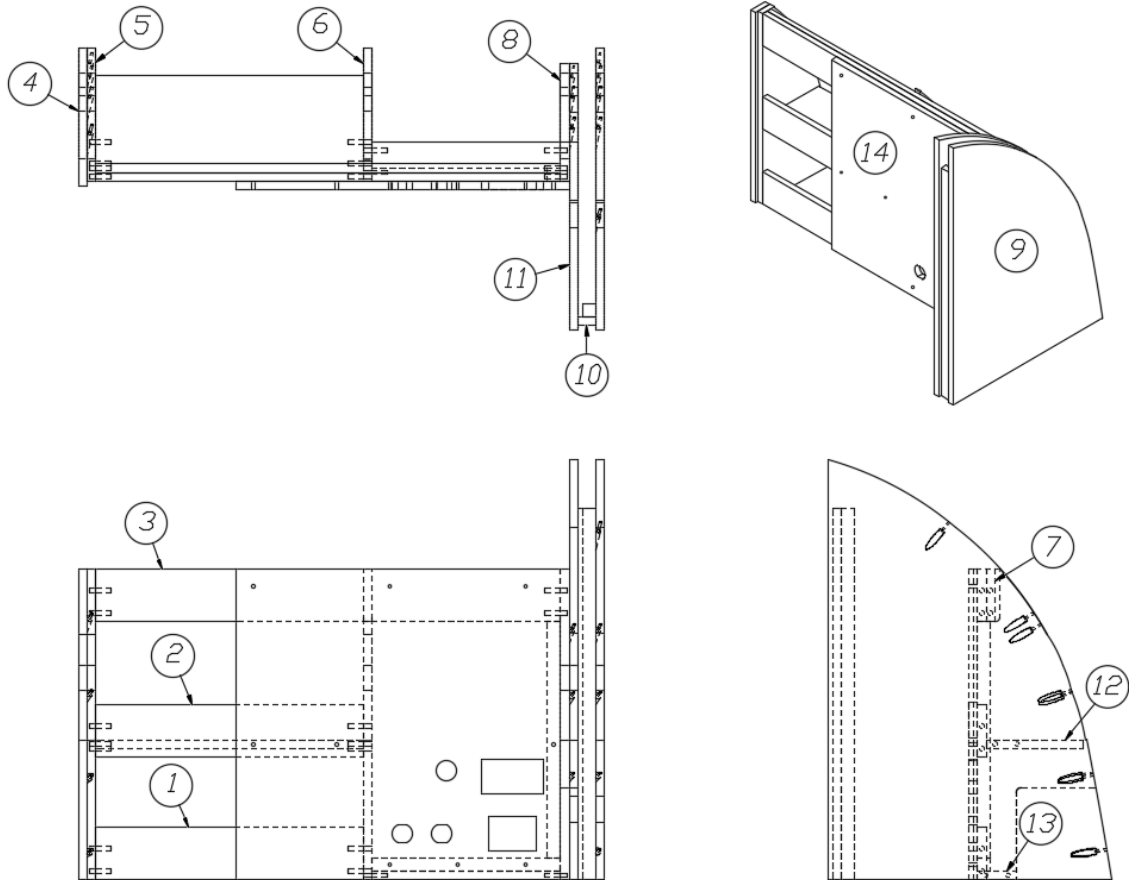
Pantry Cabinet

1. 968026-1 Panel, 77.56 x 21.58
  2. 968026-2 Panel, 9.75 x 7
  3. 968026-3 Panel, 3.63 x 73.75
  4. 968026-4 Panel, 9.13 x 2.25
  5. 968026-6 Panel, 9.13 x 2.25
  6. 968026-7 Panel, 2.94 x 77.63
  7. 968026-8 Panel, 18.81 x 77.63
  8. 968026-9 Panel, 18.81 x 77.63
  9. 968026-10 Panel, 3 x 9.13
  10. 968026-11 Panel, 14.31 x 21.63
  11. 968026-12 Panel, 3.75 x 66.63
  12. 968026-13 Panel, 2.25 x 10.63
  13. 968026-14 Panel, 2.25 x 10.63
  14. 968026-15 Panel, 2.25 x 10.63
  15. 968026-16 Panel, 2.25 x 10.63
  16. 968026-17 Panel, 14.31 x 20
  17. 968026-18 Panel, 14.31 x 17.25
  18. 968026-19 Panel, 2.25 x 13.5
  19. 968026-20 Panel, 2.25 x 13.5
  20. 968026-21 Panel, 9.75 x 7
  21. 968026-22 Panel, 9.75 x 7
  22. 968026-23 Panel, 9.75 x 7
  23. 968026-24 Panel, 9.75 x 7
  24. 968026-25 Panel, 9.75 x 38.13
- 801706-0036 Corner trim, 90°, 1" radius, Landmark
- 968020-03 Drawer box, 5", 8.5 x 18
- 382044 Handle, Brushed Nickel
- 381228-02 Catch, Grabber door (5lb Pull)
- 381607-11 Hinge, Self-close
- 382203-04 Drawer slide, Self-close, 18"
- 382203-06 Front fixing clips



# 2019 FLYING CLOUD FURNITURE, GALLEY

## Spice Rack, 19', Landmark



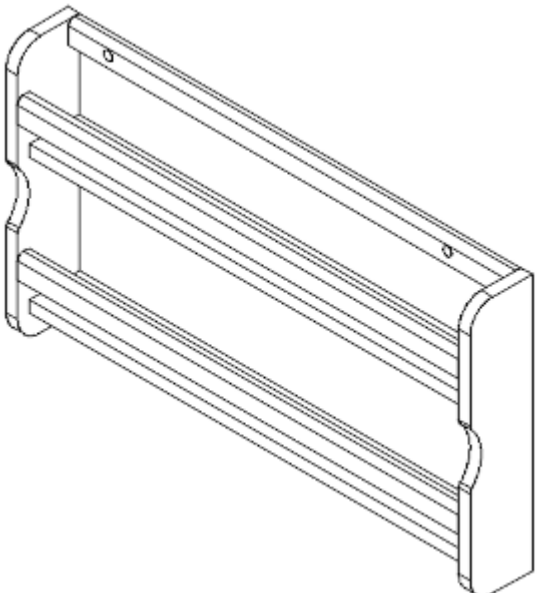
968242-09

Spice Rack

- |                 |                             |
|-----------------|-----------------------------|
| 1. 968242-091   | Panel, 3 x 15.25            |
| 2. 968242-092   | Panel, 3 x 15.25            |
| 3. 968242-093   | Panel, 3 x 26.5             |
| 4. 968242-094   | Panel, 7.88 x 18            |
| 5. 968242-095   | Panel, 7.63 x 17.75         |
| 6. 968242-096   | Panel, 7.63 x 17.75         |
| 7. 968242-097   | Panel, 3 x 26.5             |
| 8. 968242-098   | Panel, 6.75 x 17.75         |
| 9. 968242-099   | Panel, 16.12 x 23.98        |
| 10. 968242-0910 | Panel, 1 x 21.25            |
| 11. 968242-0911 | Panel, 15.25 x 23.98        |
| 12. 968242-0912 | Panel, 5.56 x 26.5          |
| 13. 968242-0913 | Panel, 2.25 x 10.75         |
| 14. 968242-0914 | Panel, 17.75 x 19           |
| 386304-01       | Edgebanding, .63", Landmark |
| 381209-01       | Grommet w/cap, 1.5", Black  |

2019 FLYING CLOUD  
FURNITURE, GALLEY

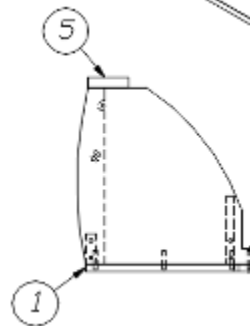
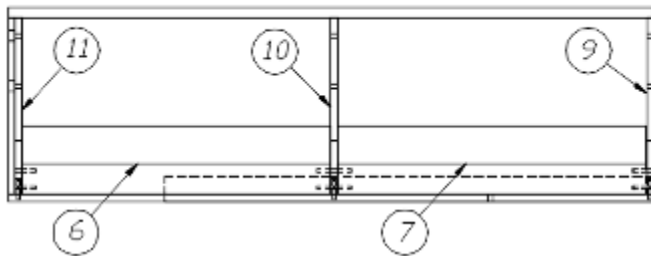
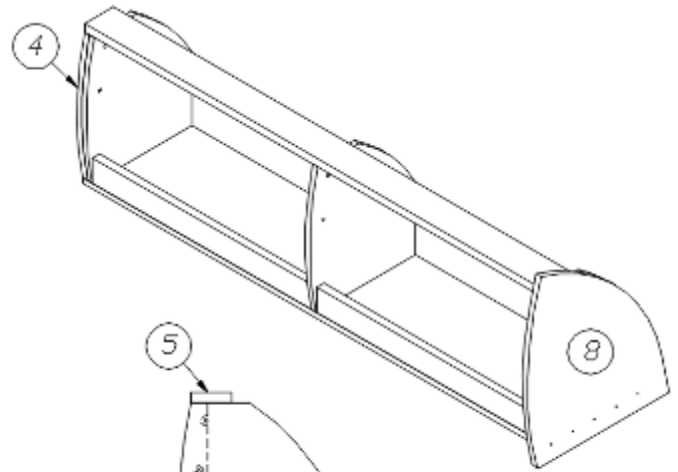
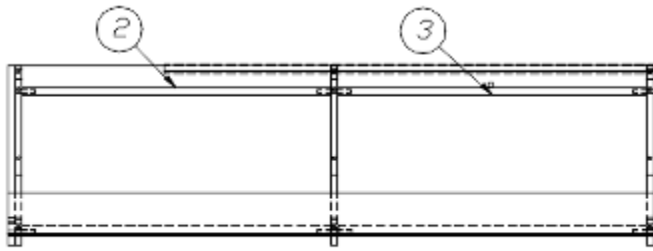
Spice Rack, 30', 30' Bunk



963991-0036      Spice rack, Landmark

# 2019 FLYING CLOUD FURNITURE, GALLEY

## Roof Locker, Galley, 19', 20', Landmark



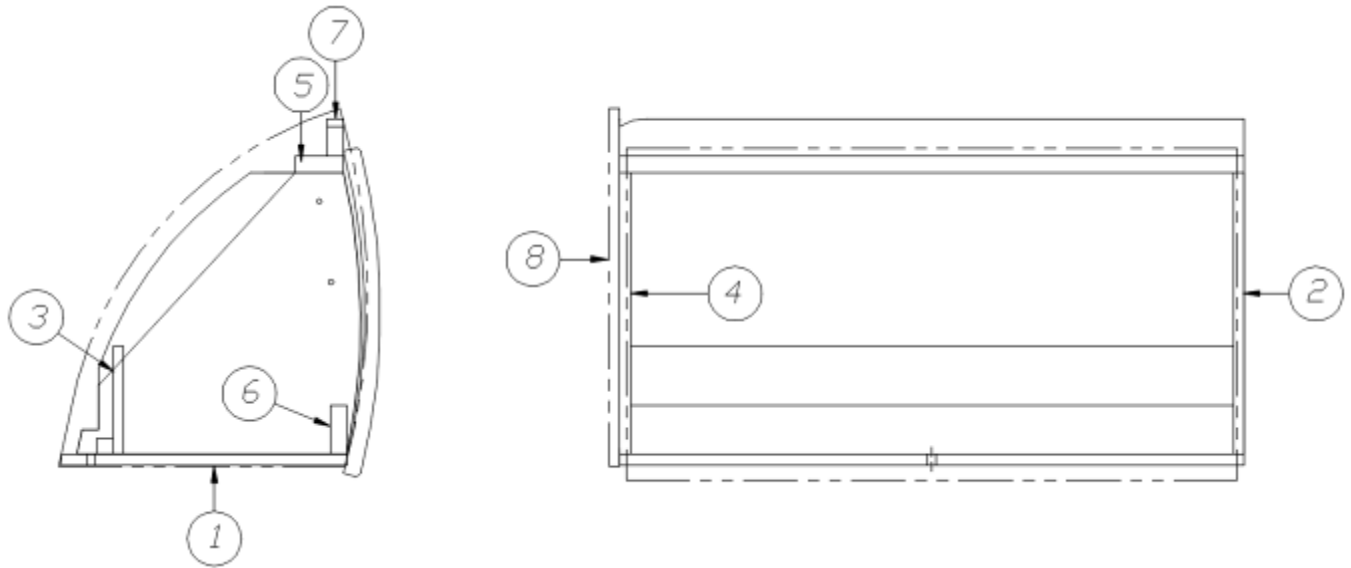
967361-09

Galley Roof locker

- |               |                               |
|---------------|-------------------------------|
| 1. 967361-091 | Panel, 12.5 x 47.5            |
| 2. 967361-092 | Panel, 5 x 22.72              |
| 3. 967361-093 | Panel, 5 x 22.72              |
| 4. 967361-094 | Panel, 2 x 13                 |
| 5. 967361-096 | Panel, 3 x 47.5               |
| 6. 967361-097 | Panel, 2.25 x 22.72           |
| 7. 967361-098 | Panel, 2.25 x 22.72           |
| 8. 967275-01  | End cap                       |
| 9. 967274-01  | Divider, RH, 12.53 x 13       |
| 10. 967274-03 | Divider, Center, 12.53 x 13   |
| 11. 967274-02 | Divider, LH, 12.53 x 13       |
| 801786-0436   | Door, 15.25 x 23.13, Landmark |
| 381840-01     | Hinge, Overhead spring, LH    |
| 381840-02     | Hinge, Overhead spring, RH    |
| 115085        | Aluminum angle                |

# 2019 FLYING CLOUD FURNITURE, GALLEY

## Roof Locker, Rear Galley, 20', Landmark

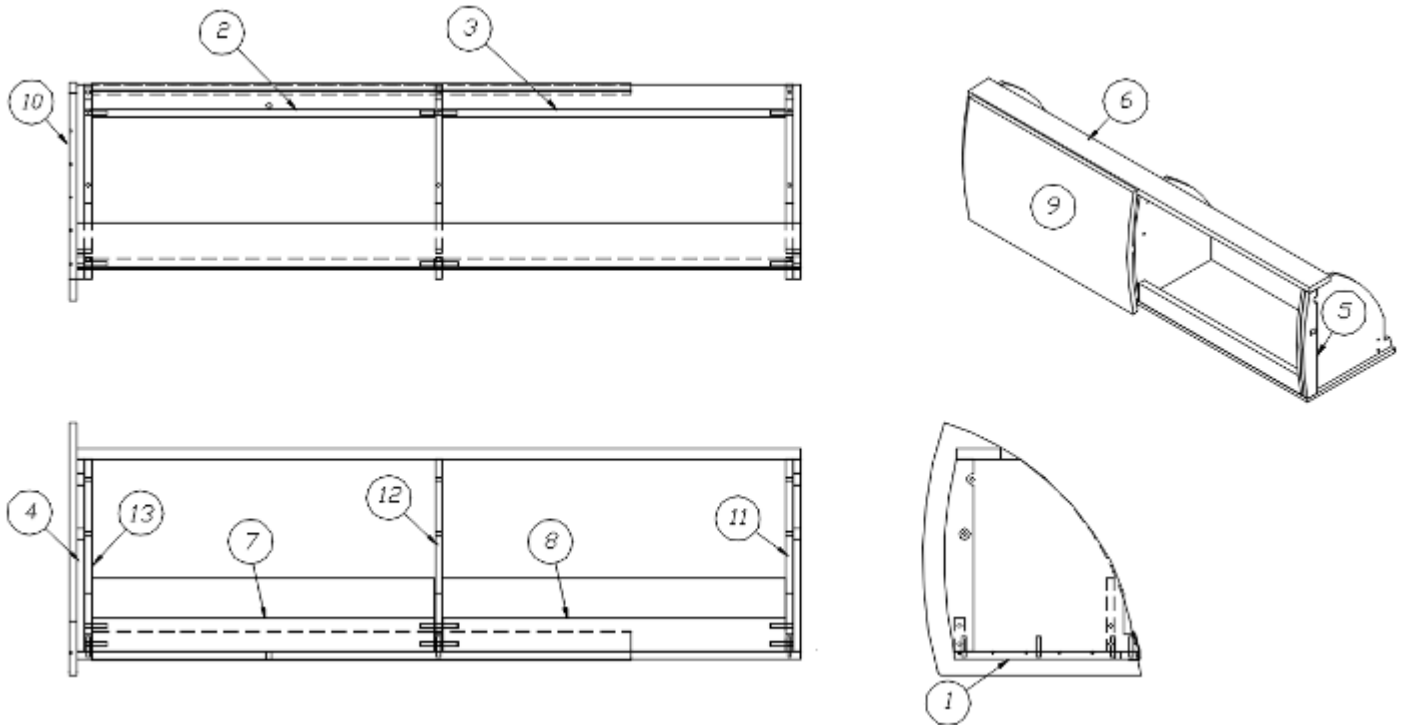


967349-09                      Rear Galley Roof locker

- |               |                               |
|---------------|-------------------------------|
| 1. 967349-091 | Panel, 13.25 x 29             |
| 2. 967274-01  | Divider, RH, 12.53 x 13       |
| 3. 967349-093 | Panel, 5 x 27.94              |
| 4. 967274-02  | Divider, LH, 12.53 x 13       |
| 5. 967349-095 | Panel, 3 x 29                 |
| 6. 967349-096 | Panel, 2.25 x 27.94           |
| 7. 967349-097 | Panel, 1.75 x 29              |
| 8. 967548     | End Cap, 15.79 x 18.02        |
| 801786-0336   | Door, 15.25 x 28.38, Landmark |
| 381840-01     | Hinge, Overhead spring, LH    |
| 381840-02     | Hinge, Overhead spring, RH    |

# 2019 FLYING CLOUD FURNITURE, GALLEY

## Roof Locker, Galley, 23CB, Landmark



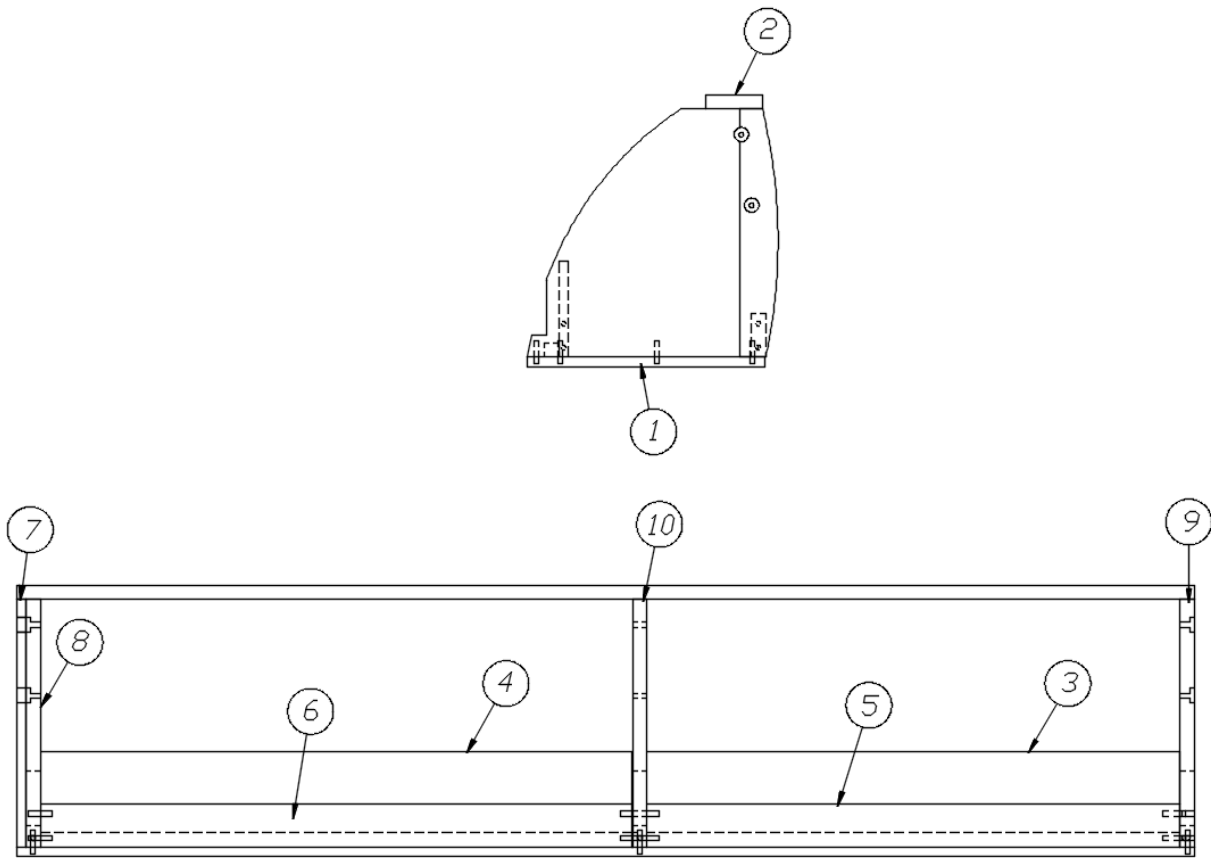
967390-09

Galley Roof Locker

- |                |                               |
|----------------|-------------------------------|
| 1. 967390-091  | Panel, 12.5 x 49              |
| 2. 967390-092  | Panel, 5 x 23.19              |
| 3. 967390-093  | Panel, 5 x 23.19              |
| 4. 967390-094  | Panel, 2 x 13                 |
| 5. 967390-095  | Panel, 2 x 13                 |
| 6. 967390-096  | Panel, 3 x 49                 |
| 7. 967390-097  | Panel, 2.25 x 23.19           |
| 8. 967390-098  | Panel, 2.25 x 23.19           |
| 9. 801786-1136 | Door, 15.25 x 23.63, Landmark |
| 10. 967275     | End cap, 14.76 x 17.07        |
| 11. 967274-01  | Divider, RH, 12.53 x 13       |
| 12. 967274-03  | Divider, Center, 12.53 x 13   |
| 13. 967274-02  | Divider, LH, 12.53 x 13       |
| 381840-01      | Hinge, Overhead spring, LH    |
| 381840-02      | Hinge, Overhead spring, RH    |
| 115085         | Aluminum angle                |

# 2019 FLYING CLOUD FURNITURE, GALLEY

Roof locker, Galley, 23FB, Landmark



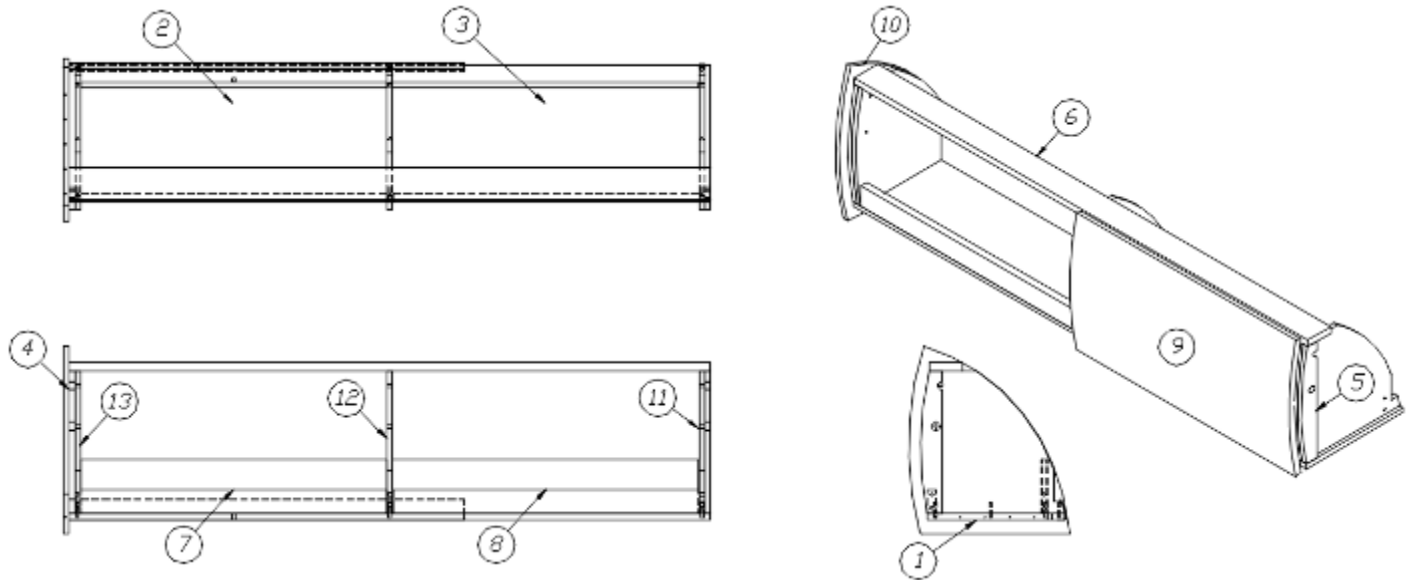
967315-09

Galley Roof Locker

- |                 |                               |
|-----------------|-------------------------------|
| 1. 967315-091   | Panel, 12.5 x 61.88           |
| 2. 967315-092   | Panel, 3 x 61.88              |
| 3. 967315-093   | Panel, 27.97 x 5              |
| 4. 967315-094   | Panel, 31.1 x 5               |
| 5. 967315-095   | Panel, 27.97 x 2.25           |
| 6. 967315-096   | Panel, 31.1 x 2.25            |
| 7. 967315-097   | Panel, 2 x 13                 |
| 8. 967315-098   | Panel, 13.18 x 13             |
| 9. 967315-099   | Panel, 13.18 x 13             |
| 10. 967315-0910 | Panel, 11.68 x 13             |
| 801786-0336     | Door, 15.25 x 31.63, Landmark |
| 801786-0236     | Door, 15.25 x 28.38, Landmark |
| 381840-01       | Hinge, Overhead spring, LH    |
| 381840-02       | Hinge, Overhead spring, RH    |
| 115085          | Aluminum angle                |
| 511227-01       | Raceway wiring, White         |

# 2019 FLYING CLOUD FURNITURE, GALLEY

## Roof Locker, Galley, 25', Landmark



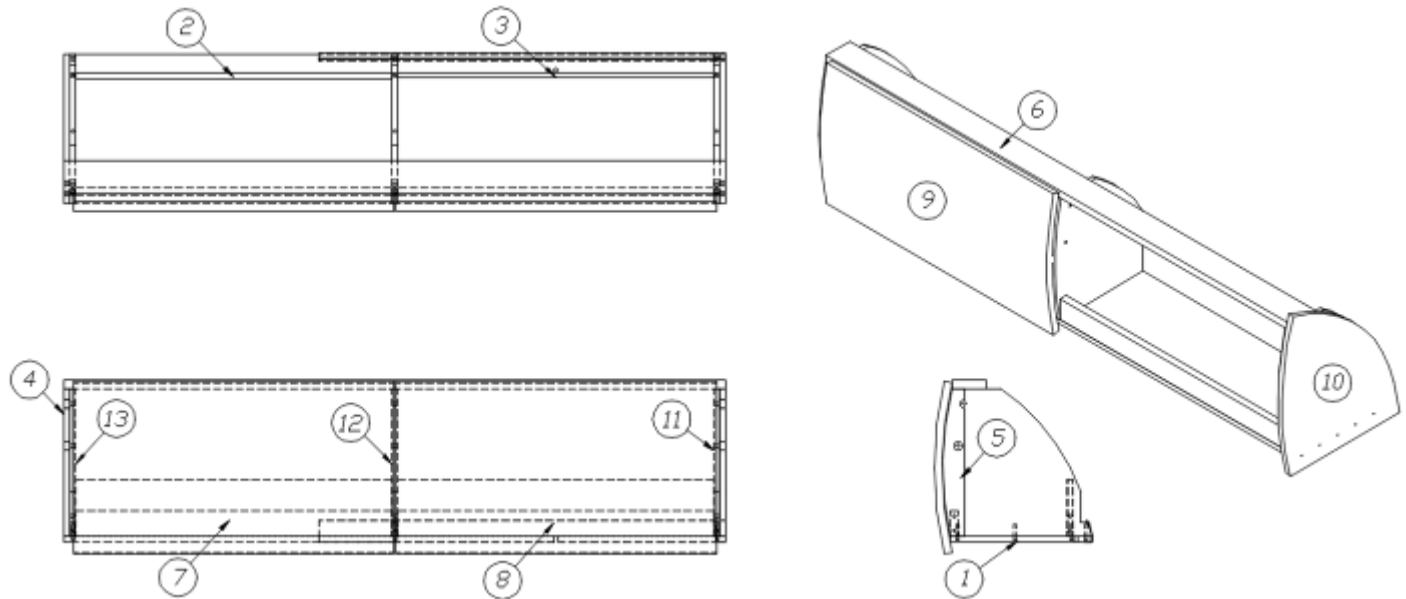
967757

Galley Roof Locker

- |                |                                 |
|----------------|---------------------------------|
| 1. 967757-1    | Panel 12.5 x 58.5               |
| 2. 967757-2    | Panel 5 x 27.97                 |
| 3. 967757-3    | Panel 5 x 27.97                 |
| 4. 967757-4    | Panel 2 x 13                    |
| 5. 967757-5    | Panel 2 x 13                    |
| 6. 967757-6    | Panel 3 x 58.5                  |
| 7. 967757-7    | Panel 2.25 x 27.97              |
| 8. 967757-8    | Panel 2.25 x 27.97              |
| 9. 801786-0336 | Door, 15.25 x 28.38, Landmark   |
| 10. 967275     | End cap, 14.76 x 17.07          |
| 11. 967274-01  | Divider, RH, 12.53 x 13         |
| 12. 967274-03  | Divider, Center, 12.53 x 13     |
| 13. 967274-02  | Divider, LH, 12.53 x 13         |
| 381840-01      | Hinge, Overhead spring, LH      |
| 381840-02      | Hinge, Overhead spring, RH      |
| 115085         | Aluminum angle                  |
| 381902         | Hook, Screw-in, Stainless Steel |

# 2019 FLYING CLOUD FURNITURE, GALLEY

## Roof Locker, Galley, 25FB, Landmark



967302-09

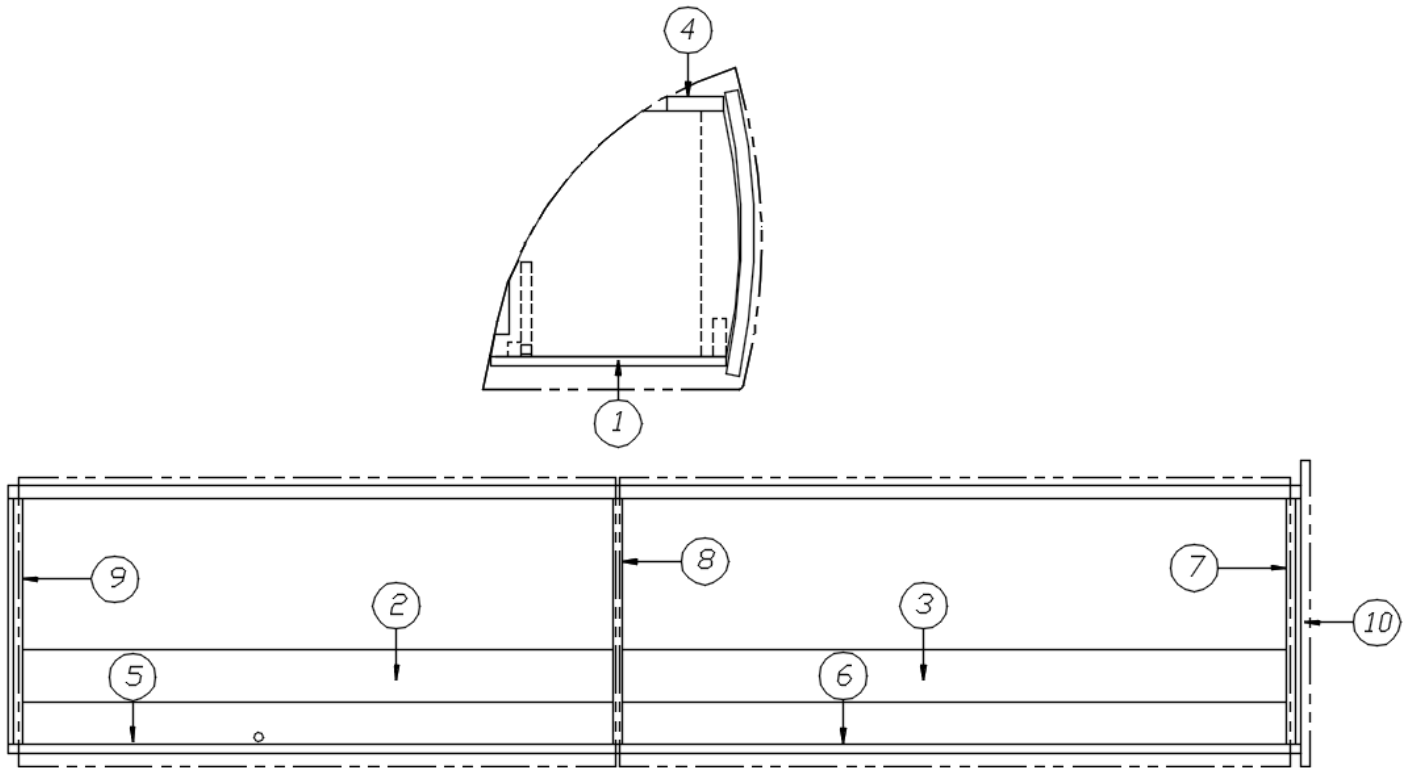
Galley Roof Locker

- |                |                                 |
|----------------|---------------------------------|
| 1. 967302-091  | Panel, 12.5 x 58.5              |
| 2. 967302-092  | Panel, 5 x 27.97                |
| 3. 967302-093  | Panel, 5 x 27.97                |
| 4. 967302-094  | Panel, 2 x 13                   |
| 5. 967302-095  | Panel, 2 x 13                   |
| 6. 967302-096  | Panel, 3 x 58.5                 |
| 7. 967302-097  | Panel, 2.25 x 27.97             |
| 8. 967302-098  | Panel, 2.25 x 27.97             |
| 9. 801786-0336 | Door, 15.25 x 28.38, Landmark   |
| 10. 967275     | End cap, 14.76 x 17.07          |
| 11. 967274-01  | Divider, RH, 12.53 x 13         |
| 12. 967274-03  | Divider, Center, 12.53 x 13     |
| 13. 967274-02  | Divider, LH, 12.53 x 13         |
| 381840-01      | Hinge, Overhead spring, LH      |
| 381840-02      | Hinge, Overhead spring, RH      |
| 115085         | Aluminum angle                  |
| 381902         | Hook, Screw-in, Stainless Steel |



# 2019 FLYING CLOUD FURNITURE, GALLEY

Roof Locker, Galley, 26U, 27FB, Landmark



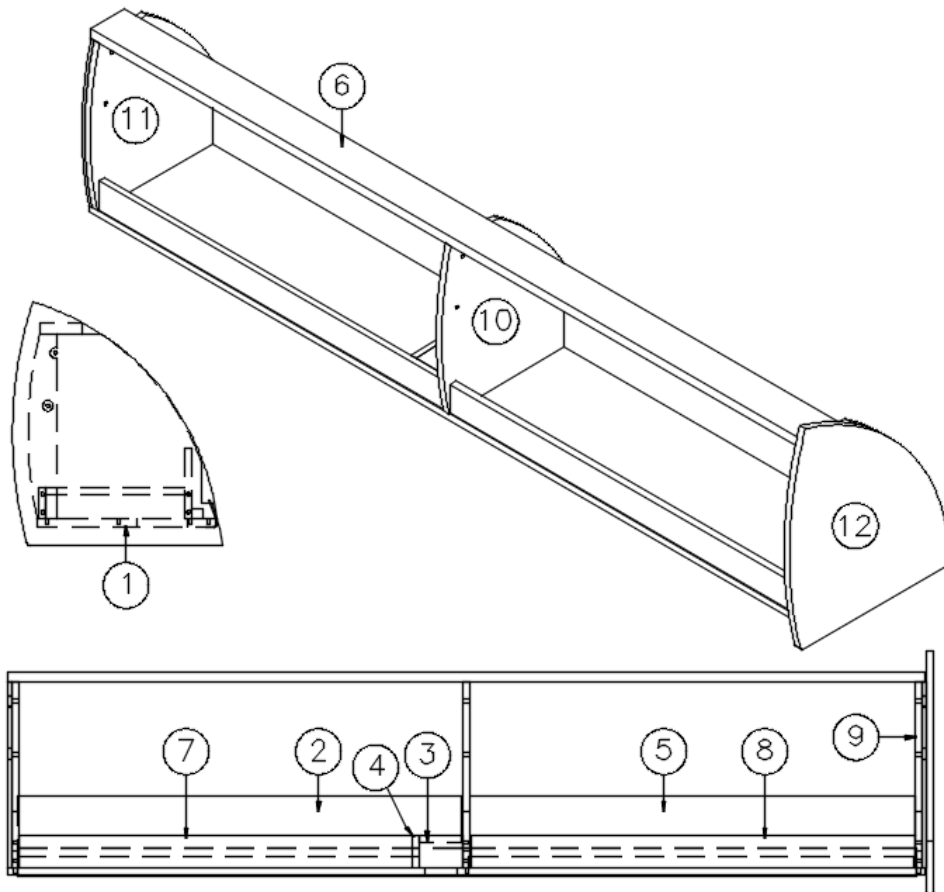
967276-09

Galley Roof Locker

- |               |                                 |
|---------------|---------------------------------|
| 1. 967276-091 | Panel, 12.5 x 68.5              |
| 2. 967276-092 | Panel, 5 x 31.29                |
| 3. 967276-093 | Panel, 5 x 35.16                |
| 4. 967276-094 | Panel, 3 x 68.5                 |
| 5. 967276-095 | Panel, 2.25 x 31.38             |
| 6. 967276-096 | Panel, 2.25 x 35.16             |
| 7. 967274-01  | Divider, RH, 12.53 x 13         |
| 8. 967274-03  | Divider, Center, 12.53 x 13     |
| 9. 967274-02  | Divider, LH, 12.53 x 13         |
| 10. 967275-01 | End cap, 14.76 x 17.07          |
| 801786-0136   | Door, 35.5 x 15.25, Landmark    |
| 801786-0236   | Door, 15.25 x 31.63, Landmark   |
| 381840-01     | Hinge, Overhead spring, LH      |
| 381840-02     | Hinge, Overhead spring, RH      |
| 115085        | Aluminum angle                  |
| 381902        | Hook, Screw-in, Stainless Steel |

# 2019 FLYING CLOUD FURNITURE, GALLEY

## Roof Locker, Galley, 28', Landmark



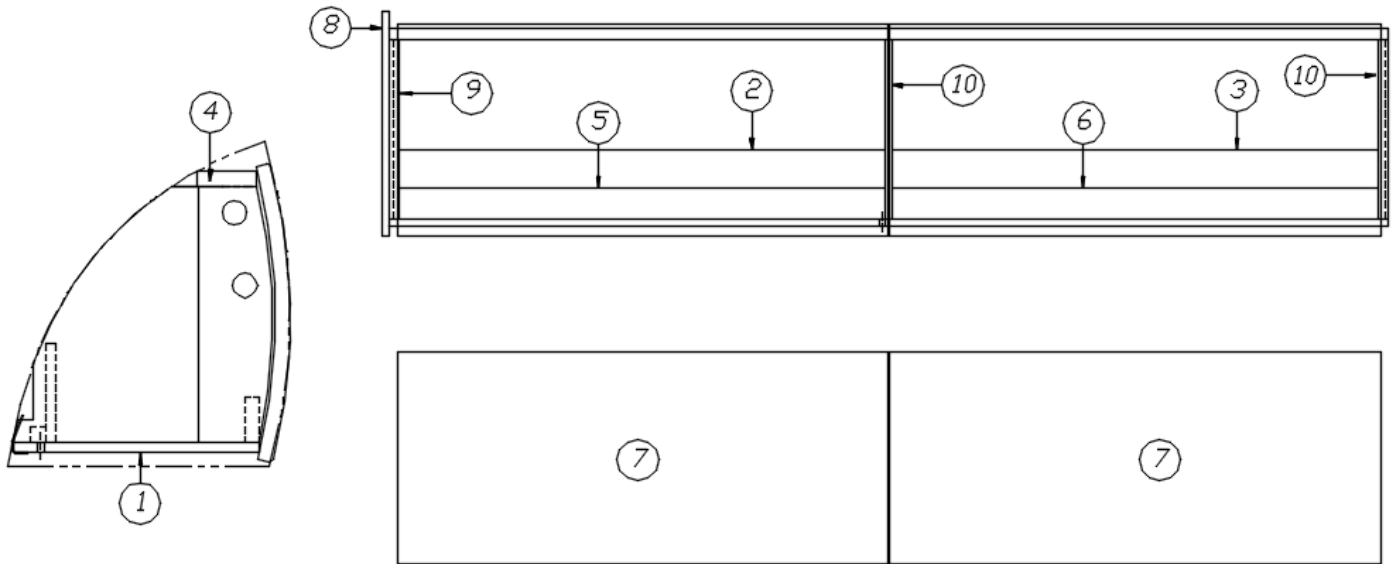
967397-09

Galley Roof Locker

- |               |                               |
|---------------|-------------------------------|
| 1. 967397-091 | Panel, 12.5 x 64.5            |
| 2. 967397-092 | Panel, 5 x 31.22              |
| 3. 967397-093 | Panel, 3 x 9.44               |
| 4. 967397-094 | Panel, 2.25 x 9.44            |
| 5. 967397-095 | Panel, 5 x 31.22              |
| 6. 967397-096 | Panel, 3 x 64.5               |
| 7. 967397-097 | Panel, 2.25 x 31.22           |
| 8. 967397-098 | Panel, 2.25 x 31.22           |
| 9. 967274-01  | Divider, RH, 12.53 x 13       |
| 10. 967274-03 | Divider, Center, 12.53 x 13   |
| 11. 967274-02 | Divider, LH, 12.53 x 13       |
| 12. 967275-02 | End cap, 14.76 x 17.07        |
| 801786-0236   | Door, 15.25 x 31.63, Landmark |
| 381840-01     | Hinge, Overhead spring, LH    |
| 381840-02     | Hinge, Overhead spring, RH    |
| 115085        | Aluminum angle                |

# 2019 FLYING CLOUD FURNITURE, GALLEY

## Roof Locker, Dinette, 28', Landmark



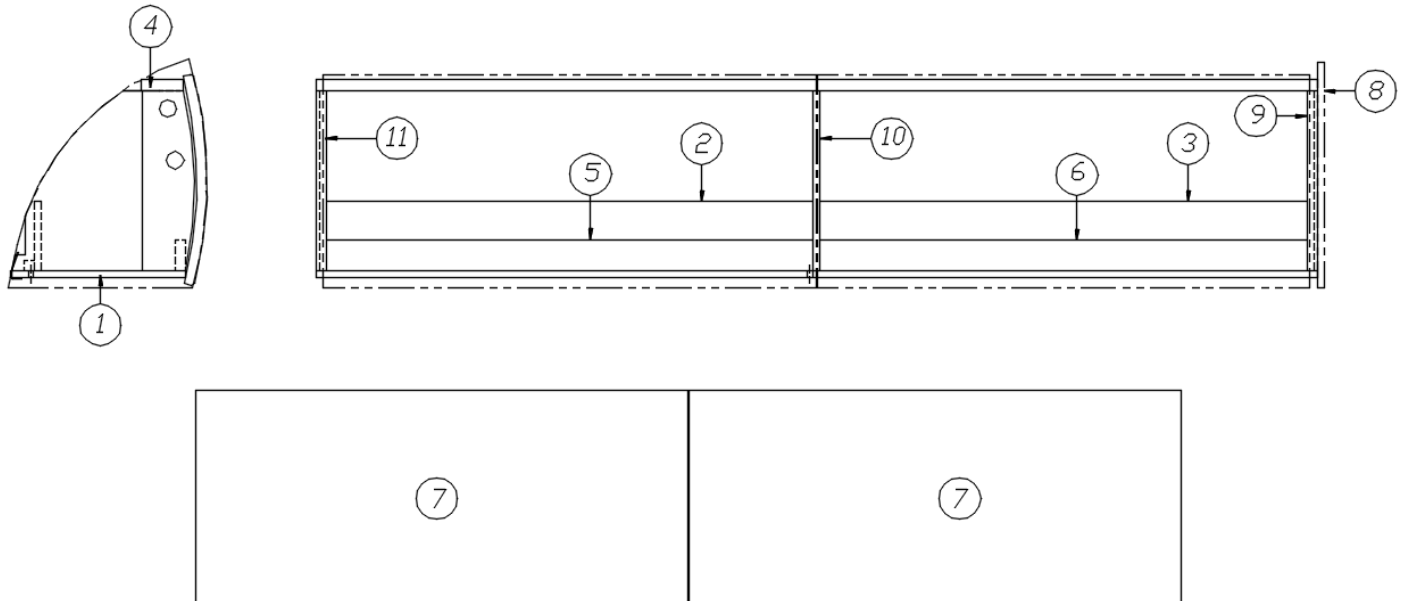
967395-09

Dinette Roof locker

- |                                                                                                                                                                                                                                                                                                                                     |                                                                                                                                                                                                                                                                                                                                                                                                                                                              |
|-------------------------------------------------------------------------------------------------------------------------------------------------------------------------------------------------------------------------------------------------------------------------------------------------------------------------------------|--------------------------------------------------------------------------------------------------------------------------------------------------------------------------------------------------------------------------------------------------------------------------------------------------------------------------------------------------------------------------------------------------------------------------------------------------------------|
| <ul style="list-style-type: none"> <li>1. 967395-091</li> <li>2. 967395-092</li> <li>3. 967395-093</li> <li>4. 967395-094</li> <li>5. 967395-095</li> <li>6. 967395-096</li> <li>7. 801786-0136</li> <li>8. 967275</li> <li>9. 967274-02</li> <li>10. 967274-03</li> <li>115085-01</li> <li>381840-01</li> <li>381840-02</li> </ul> | <ul style="list-style-type: none"> <li>Panel, 12.5 x 72.25</li> <li>Panel, 5 x 35.16</li> <li>Panel, 5 x 35.16</li> <li>Panel, 3 x 72.25</li> <li>Panel, 2.25 x 35.16</li> <li>Panel, 2.25 x 35.16</li> <li>Door, 35.5 x 15.25, Landmark</li> <li>End cap, 14.76 x 17.07</li> <li>Divider, LH, 12.53 x 13</li> <li>Divider, Center LH, 12.53 x 13</li> <li>Aluminum angle</li> <li>Hinge, Overhead spring, LH</li> <li>Hinge, Overhead spring, RH</li> </ul> |
|-------------------------------------------------------------------------------------------------------------------------------------------------------------------------------------------------------------------------------------------------------------------------------------------------------------------------------------|--------------------------------------------------------------------------------------------------------------------------------------------------------------------------------------------------------------------------------------------------------------------------------------------------------------------------------------------------------------------------------------------------------------------------------------------------------------|

# 2019 FLYING CLOUD FURNITURE, GALLEY

## Roof Locker, Dinette, 30', Landmark



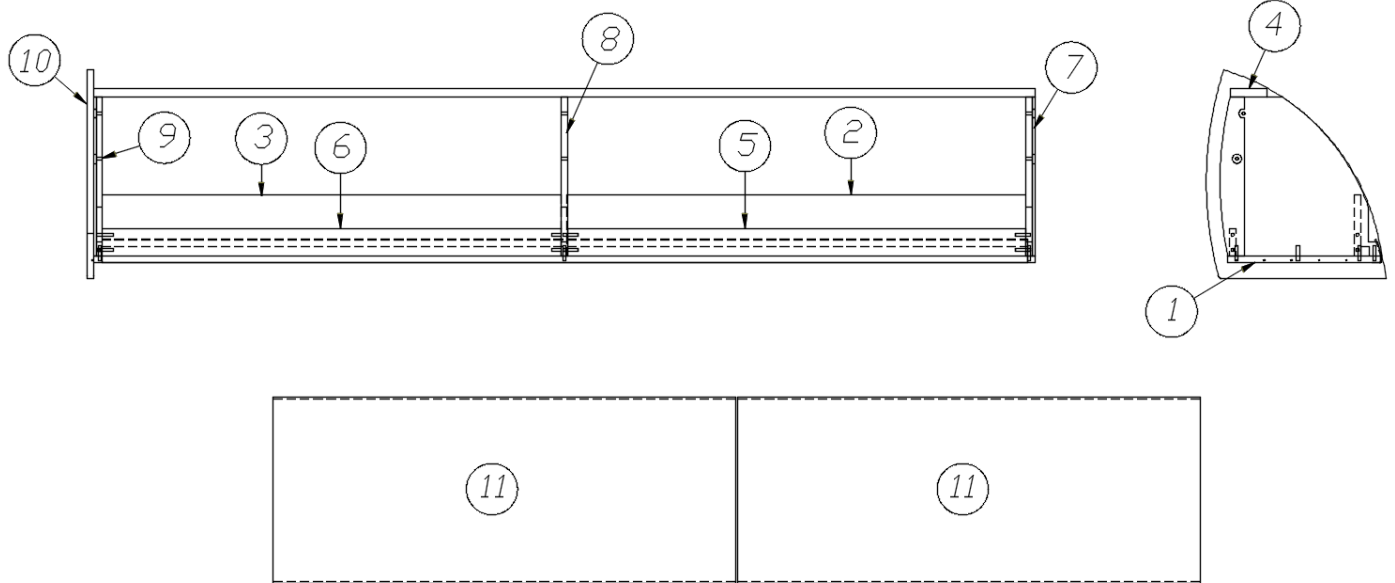
967539-09

Dinette Roof Locker

- |                |                              |
|----------------|------------------------------|
| 1. 967539-091  | Panel, 12.5 x 72.25          |
| 2. 967539-092  | Panel, 5 x 35.16             |
| 3. 967539-093  | Panel, 5 x 35.16             |
| 4. 967539-094  | Panel, 3 x 72.25             |
| 5. 967539-095  | Panel, 2.25 x 35.16          |
| 6. 967539-096  | Panel, 2.25 x 35.16          |
| 7. 801786-0136 | Door, 35.5 x 15.25, Landmark |
| 8. 967275-02   | End cap, 14.76 x 17.07       |
| 9. 967274-01   | Divider, RH, 12.53 x 13      |
| 10. 967274-03  | Divider, Center, 12.53 x 13  |
| 11. 967274-02  | Divider, LH, 12.53 x 13      |
| 115085-01      | Aluminum angle               |
| 381840-01      | Hinge, Overhead spring, LH   |
| 381840-02      | Hinge, Overhead spring, RH   |

# 2019 FLYING CLOUD FURNITURE, GALLEY

## Roof Locker, Galley, 30', Landmark



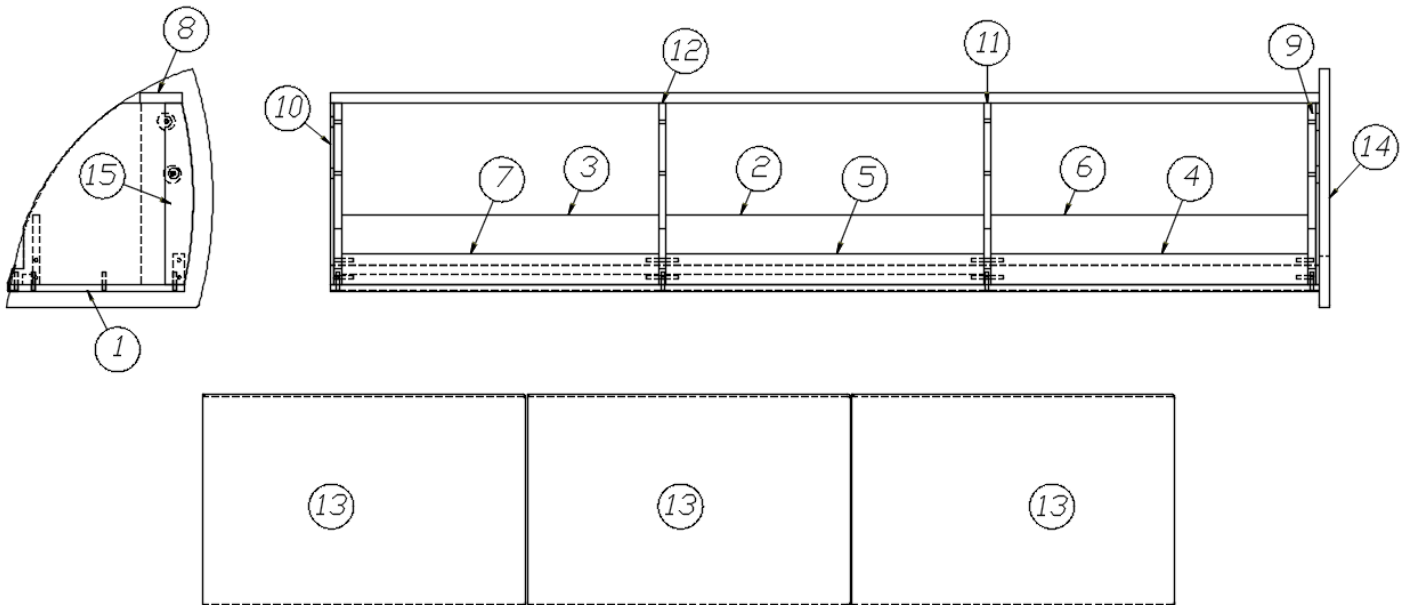
967535-09

Galley Roof Locker

- |                 |                             |
|-----------------|-----------------------------|
| 1. 967535-091   | Panel, 12.5 x 77.25         |
| 2. 967535-092   | Panel, 5 x 37.6             |
| 3. 967535-093   | Panel, 5 x 37.6             |
| 4. 967535-094   | Panel, 3 x 77.25            |
| 5. 967535-095   | Panel, 2.25 x 37.6          |
| 6. 967535-096   | Panel, 2.25 x 37.6          |
| 7. 967274-01    | Divider, RH, 12.53 x 13     |
| 8. 967274-03    | Divider, Center, 12.53 x 13 |
| 9. 967274-02    | Divider, LH, 12.53 x 13     |
| 10. 967275      | End cap, 14.76 x 17.07      |
| 11. 801786-1336 | Door, 15.25 x 38, Landmark  |
| 115085-02       | Aluminum angle              |
| 381840-01       | Hinge, Overhead spring, LH  |
| 381840-02       | Hinge, Overhead spring, RH  |

# 2019 FLYING CLOUD FURNITURE, GALLEY

## Roof Locker, Galley, 30' Bunk, Landmark



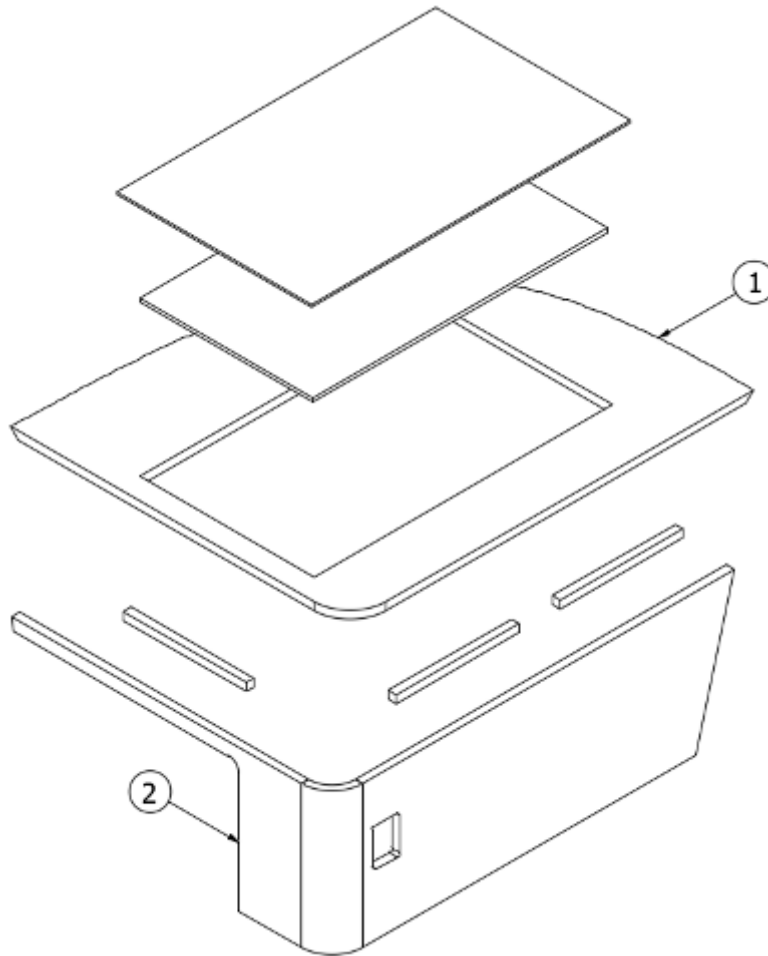
967907

Galley Roof Locker

- |                 |                                      |
|-----------------|--------------------------------------|
| 1. 967907-1     | Panel, 12.5 x 70.75                  |
| 2. 967907-2     | Panel, 5 x 22.75                     |
| 3. 967907-3     | Panel, 5 x 22.75                     |
| 4. 967907-4     | Panel, 2.25 x 22.75                  |
| 5. 967907-5     | Panel, 2.25 x 22.75                  |
| 6. 967907-6     | Panel, 5 x 22.75                     |
| 7. 967907-7     | Panel, 2.25 x 2.75                   |
| 8. 967907-8     | Panel, 3 x 70.75                     |
| 9. 967907-9     | Panel, 13.18 x 13                    |
| 10. 967907-10   | Panel, 13.18 x 13                    |
| 11. 967907-11   | Panel, 13.18 x 13                    |
| 12. 967907-12   | Panel, 13.18 x 13                    |
| 13. 801786-0436 | Door, 15.25 x 23.18, Landmark        |
| 14. 967907-25   | Panel, 14.77 x 17.07                 |
| 15. 967907-27   | Panel, 3.75 x 13                     |
| 381840-01       | Hinge, Overhead spring, LH           |
| 381840-02       | Hinge, Overhead spring, RH           |
| 511227-01       | Raceway type L wit, White            |
| 115085          | Aluminum angle                       |
| 115448-01       | Extrusion, Roof locker support, 22.5 |

# 2019 FLYING CLOUD FURNITURE, GALLEY

Dinette Seat, Roadside, 19', Landmark



968714-09

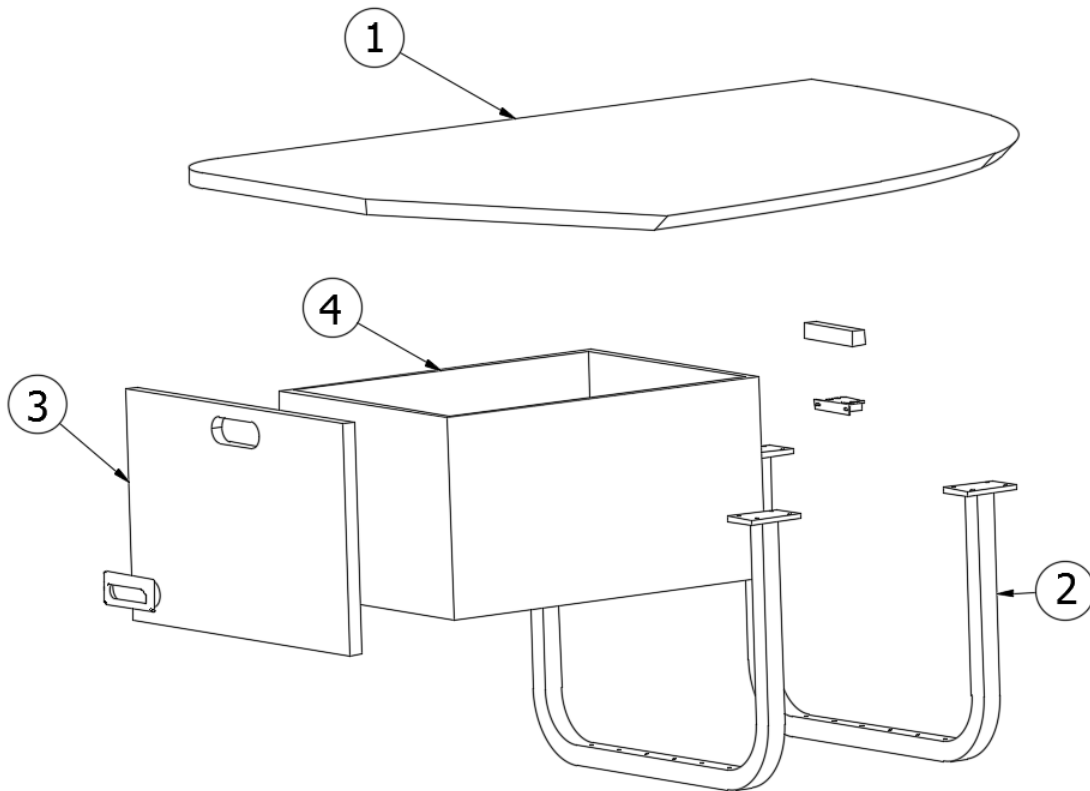
RS Dinette Seat

- 1. 968714-1
- 2. 968185-09
- 386304-02
- 701538-01

Panel, 39.41 x 33.17  
RS dinette sub assembly  
Edgebanding .94", Landmark  
Carpet, Econolier w/PSA back

# 2019 FLYING CLOUD FURNITURE, GALLEY

## Dinette Seat, Curbside, 19', Landmark



966961-09

CS Dinette Seat

1. 966961-091

Panel, 33.38 x 40.19

2. 454177

Leg, Aluminum

3. 966961-094

Drawer face, 18 x 11.5

4. 964909-11

Drawer box, 10" x 14 x 19

381228

Catch, Grabber door (10lb pull)

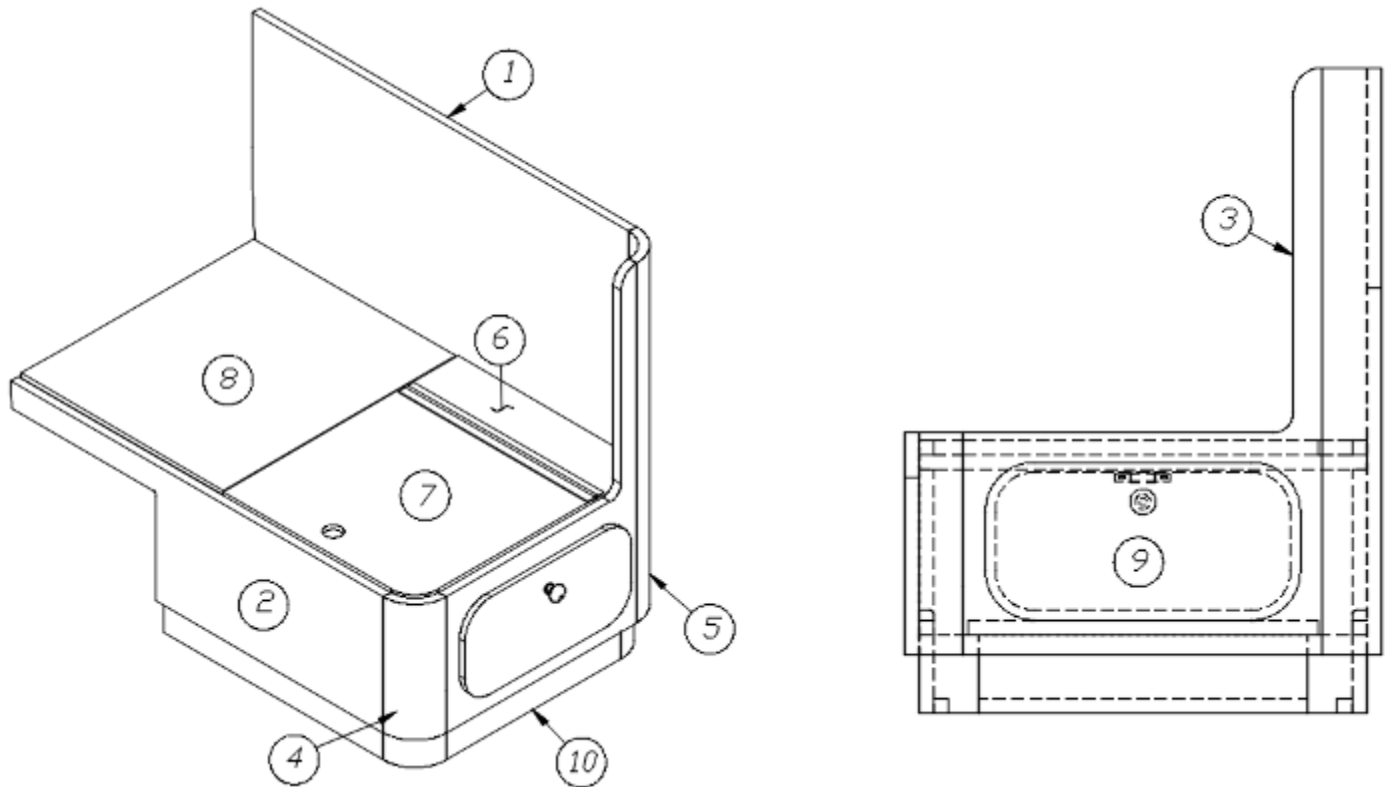
381833-01

Drawer slide, 18"



# 2019 FLYING CLOUD FURNITURE, GALLEY

## Dinette Seat, RH, 23FB, Landmark



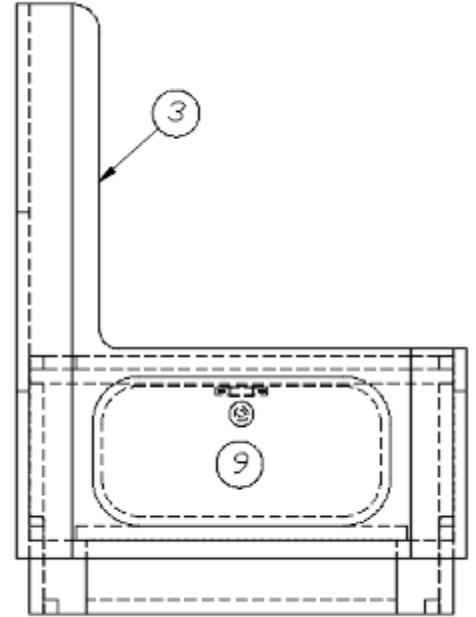
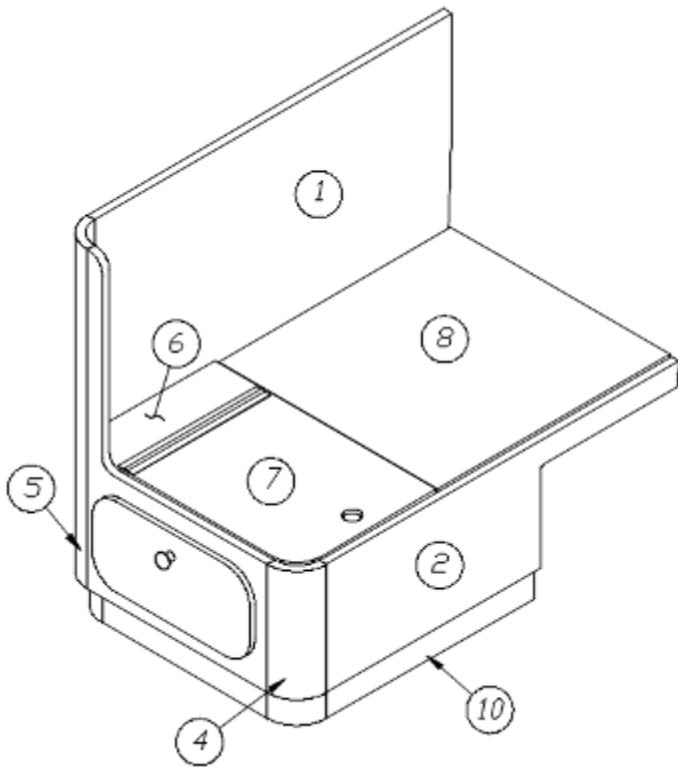
967660-01

RH Dinette Seat

- |              |                                 |
|--------------|---------------------------------|
| 1. 967660-1  | Panel, 29.75 x 36.14            |
| 2. 967660-2  | Panel, 11.25 x 35.75            |
| 3. 967660-3  | Panel, 18.25 x 29.75            |
| 4. 967660-4  | Panel, Radius corner, 3 x 10.25 |
| 5. 967660-5  | Panel, Radius corner, 3 x 29.75 |
| 6. 967660-6  | Panel, 4.75 x 18.65             |
| 7. 967660-7  | Panel, 17.25 x 18.04            |
| 8. 967660-8  | Panel, 22.25 x 19.34            |
| 9. 967661-01 | Door                            |
| 10. 967658   | Toe kick                        |
| 380458       | Piano hinge, Copper Metallic    |
| 381228-02    | Catch, Grabber door (5lb pull)  |

# 2019 FLYING CLOUD FURNITURE, GALLEY

## Dinette Seat, LH, 23FB, Landmark



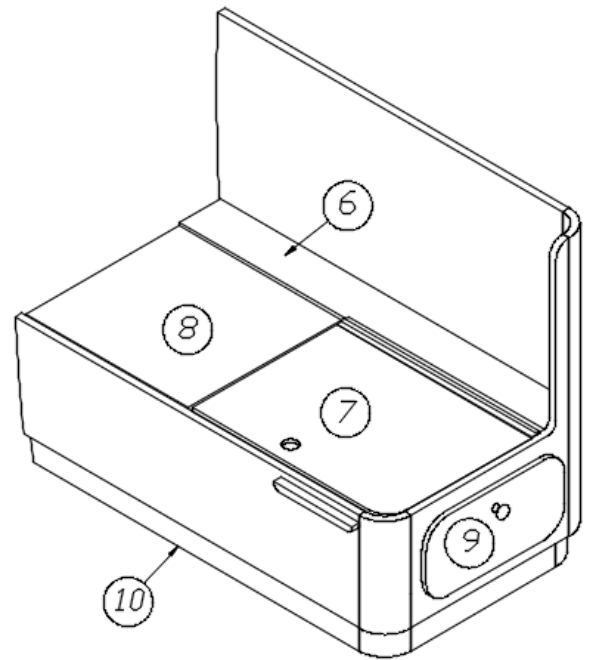
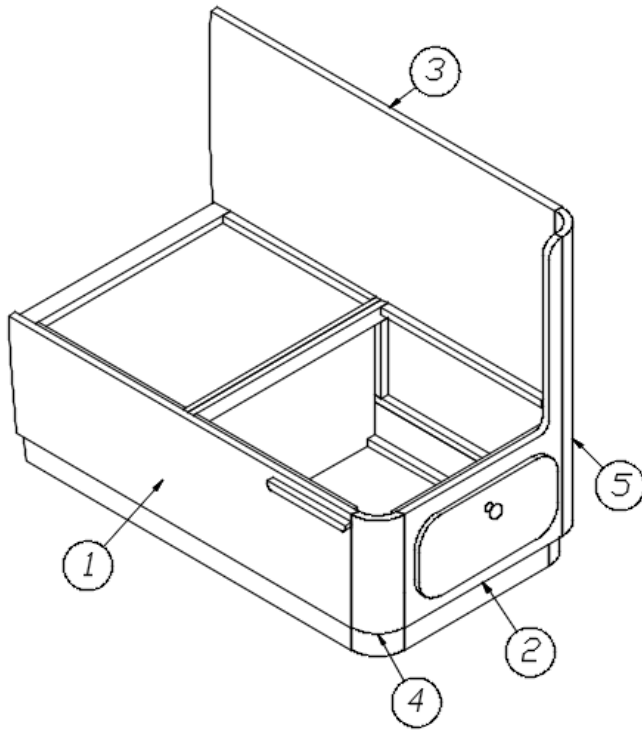
967659-01

LH Dinette Seat

- |              |                                 |
|--------------|---------------------------------|
| 1. 967659-1  | Panel, 29.75 x 36.14            |
| 2. 967659-2  | Panel, 11.25 x 35.75            |
| 3. 967659-3  | Panel, 18.25 x 29.75            |
| 4. 967659-4  | Panel, Radius corner, 3 x 10.25 |
| 5. 967659-5  | Panel, Radius corner, 3 x 29.75 |
| 6. 967659-6  | Panel, 4.75 x 14.4              |
| 7. 967659-7  | Panel, 17.25 x 14.15            |
| 8. 967659-8  | Panel, 22.25 x 23.59            |
| 9. 967661-01 | Door, Gold Ultraleather         |
| 10. 967657   | Toe kick                        |
| 967662-01    | Cover, LH inner back            |
| 380458       | Piano hinge, Copper Metallic    |
| 381228-02    | Catch, Grabber door (5lb pull)  |
| 381796       | Knob, Hollow, 1.25"             |

# 2019 FLYING CLOUD FURNITURE, GALLEY

## Dinette Seats, RH, 28', Landmark



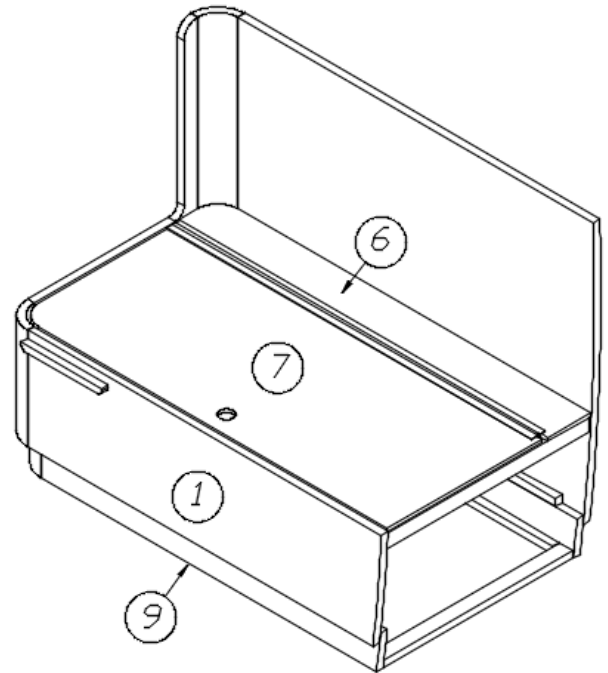
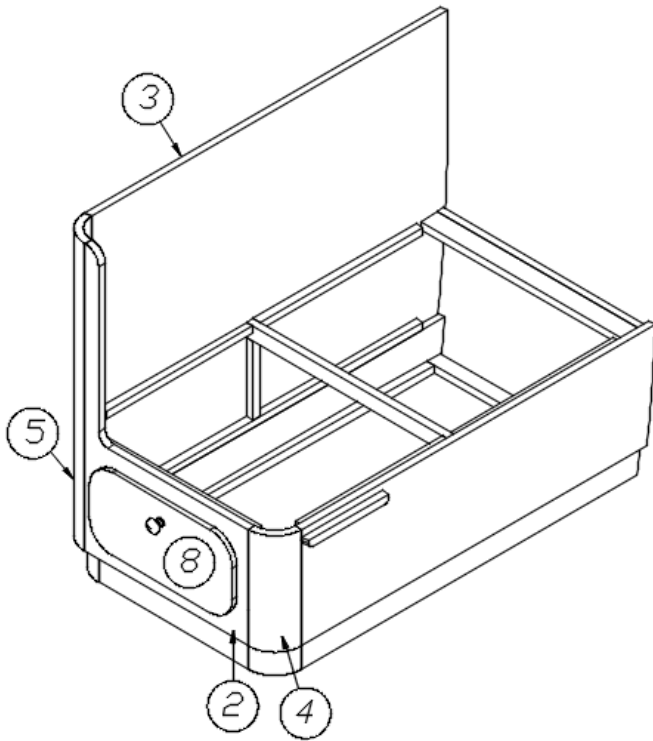
967670-01

RH Dinette Seat

- |              |                           |
|--------------|---------------------------|
| 1. 967670-1  | Panel, 39.5 x 11.25       |
| 2. 967670-2  | Panel, 18.25 x 29.75      |
| 3. 967670-3  | Panel, 39.89 x 29.75      |
| 4. 967670-4  | Corner radius, 3 x 10.25  |
| 5. 967670-5  | Corner radius, 3 x 29.75  |
| 6. 967670-6  | Panel, 41.75 x 4.75       |
| 7. 967670-7  | Panel, 22.5 x 17.25       |
| 8. 967670-8  | Panel, 18.75 x 17.63      |
| 9. 967661-01 | Door                      |
| 10. 967668   | Toe kick, RH dinette seat |
| 380458       | Piano hinge, Brown        |
| 381228-02    | Catch, Grabber door, 5LB  |
| 381796       | Knob, Hollow, 1.25"       |

# 2019 FLYING CLOUD FURNITURE, GALLEY

## Dinette Seats, LH, 28', Landmark



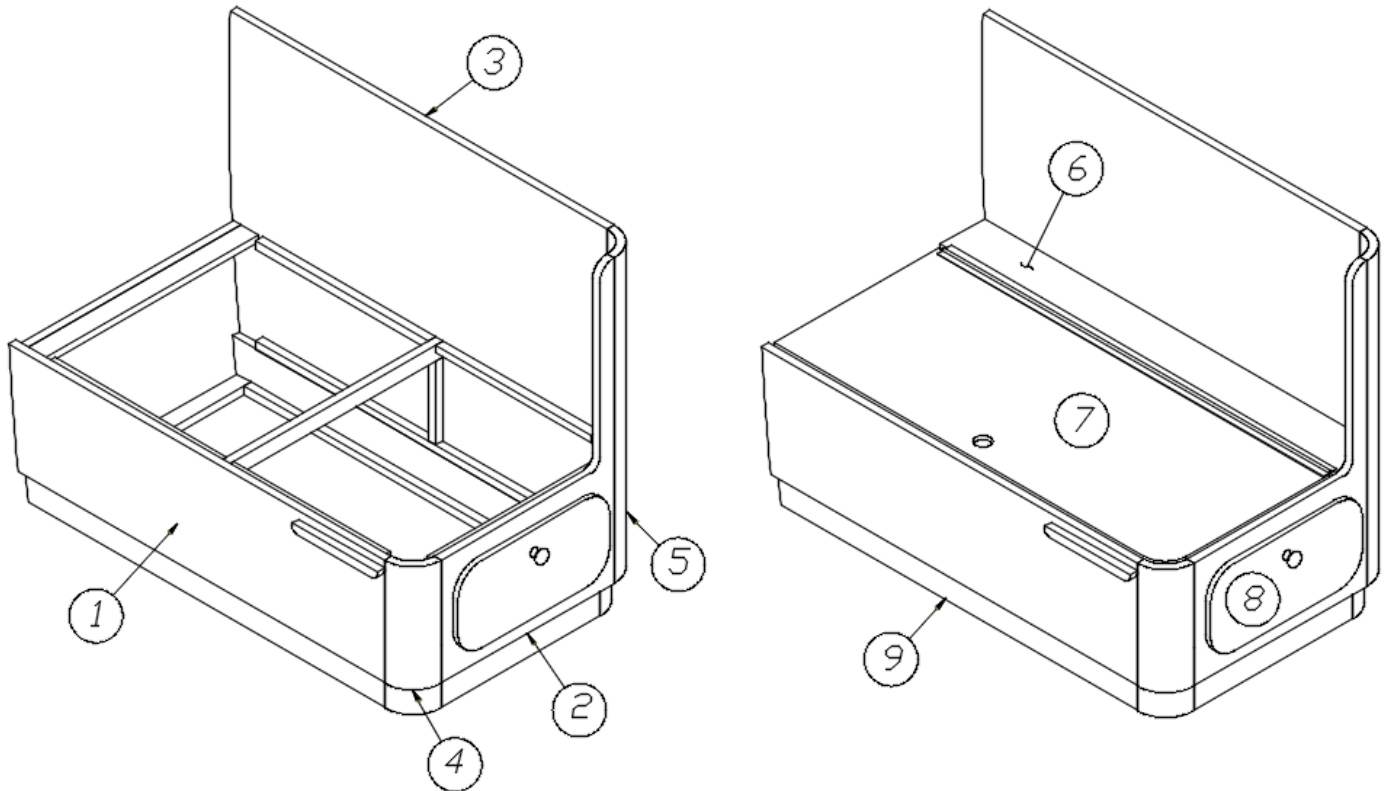
967669-01

LH Dinette Seat

- |              |                           |
|--------------|---------------------------|
| 1. 967669-1  | Panel, 39.5 x 11.25       |
| 2. 967669-2  | Panel, 18.25 x 29.75      |
| 3. 967669-3  | Panel, 39.89 x 29.75      |
| 4. 967669-4  | Corner radius, 3 x 10.25  |
| 5. 967669-5  | Corner radius, 3 x 29.75  |
| 6. 967669-6  | Panel, 41.75 x 4.75       |
| 7. 967669-7  | Panel, 41.25 x 17.25      |
| 8. 967661-01 | Door                      |
| 9. 967667    | Toe kick, LH dinette seat |
| 380458       | Piano hinge, Brown        |
| 381228-02    | Catch, Grabber door, 5LB  |
| 381796       | Knob, Hollow, 1.25"       |

# 2019 FLYING CLOUD FURNITURE, GALLEY

## Dinette Seat, RH, 30', Landmark



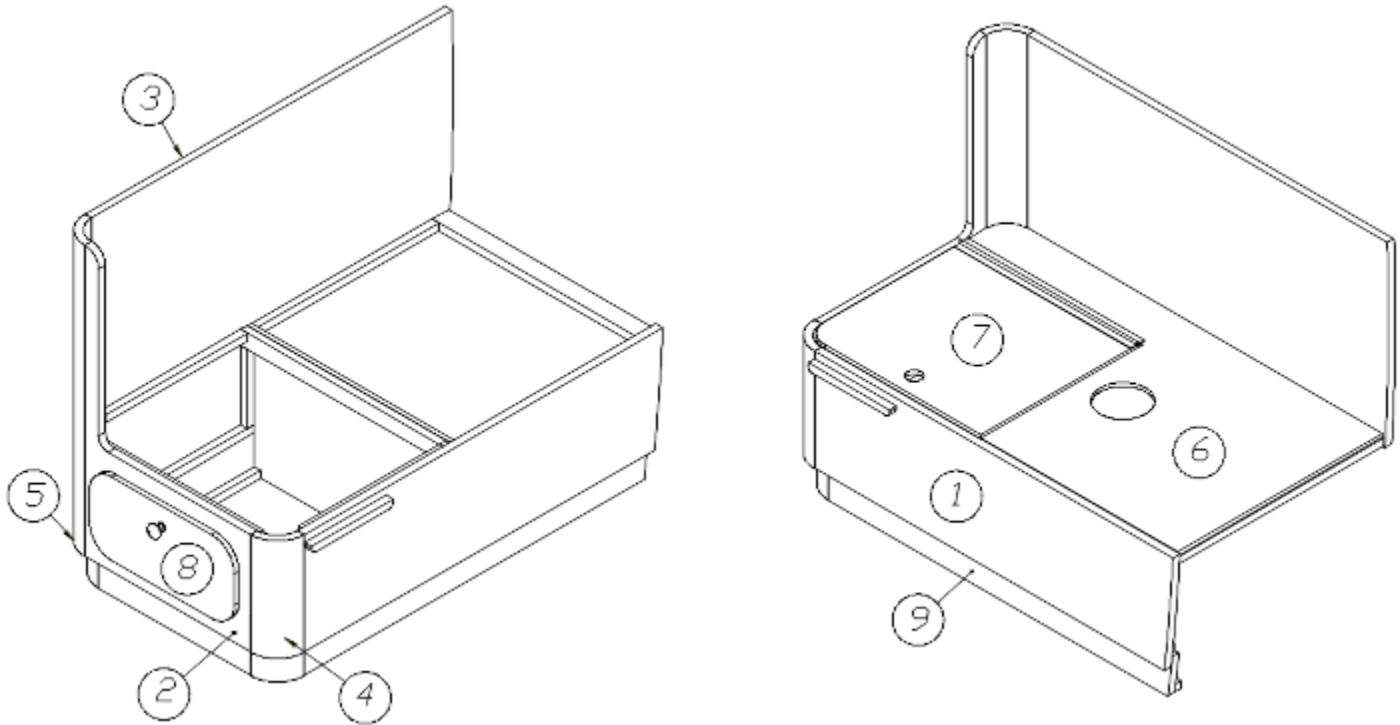
967666-01

RH Dinette Seat

- |              |                                |
|--------------|--------------------------------|
| 1. 967666-1  | Panel, 39.50 x 11.25           |
| 2. 967666-2  | Panel, 18.25 x 29.75           |
| 3. 967666-3  | Panel, 39.89 x 29.75           |
| 4. 967666-4  | Corner radius, 3 x 10.25       |
| 5. 967666-5  | Corner radius, 3 x 29.75       |
| 6. 967666-6  | Panel, 41.75 x 4.75            |
| 7. 967666-7  | Panel, 41.25 x 17.25           |
| 8. 967661-01 | Door                           |
| 9. 967664    | Toekick, RH dinette seat       |
| 380458       | Piano hinge, Copper Metallic   |
| 800470-0036  | Stop, Landmark                 |
| 381796       | Knob, Hollow, 1.25"            |
| 381228-02    | Catch, Grabber door (5lb Pull) |
| 967662-02    | Cover, RH inner back           |

# 2019 FLYING CLOUD FURNITURE, GALLEY

## Dinette Seat, LH, 30', Landmark



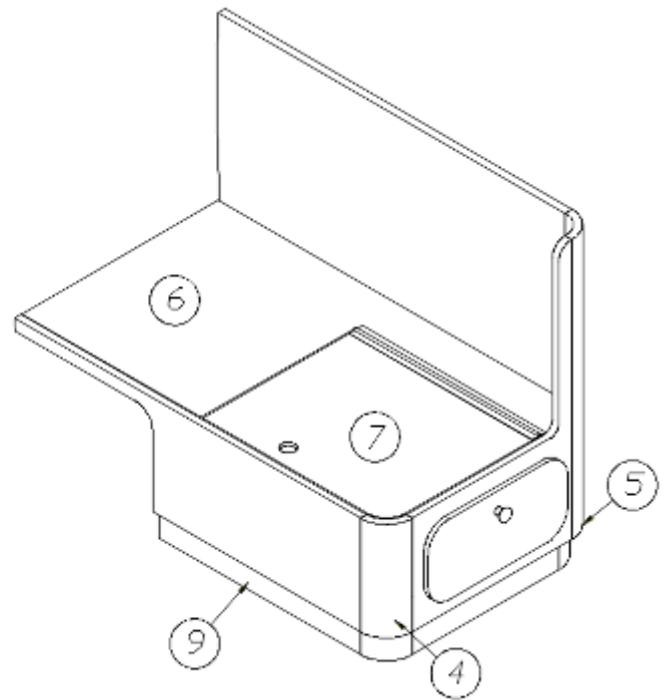
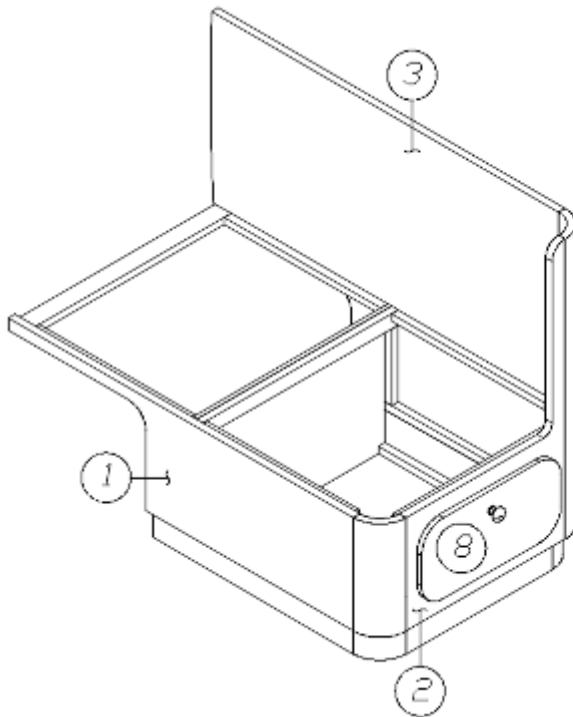
967665-01

LH Dinette Seat

- |              |                              |
|--------------|------------------------------|
| 1. 967665-1  | Panel, 39.58 x 11.25         |
| 2. 967665-2  | Panel, 18.25 x 29.75         |
| 3. 967665-3  | Panel, 39.89 x 29.75         |
| 4. 967665-4  | Corner radius, 3 x 10.25     |
| 5. 967665-5  | Corner radius, 3 x 29.75     |
| 6. 967665-6  | Panel, 41.5 x 22.63          |
| 7. 967665-7  | Panel, 19.5 x 17.25          |
| 8. 967661-01 | Door, Gold Ultraleather      |
| 9. 967663    | Toekick, LH dinette seat     |
| 380458       | Piano hinge, Copper Metallic |
| 800470-0036  | Stop, Landmark               |
| 381796       | Knob, Hollow, 1.25"          |
| 967662-01    | Cover, LH inner back         |

# 2019 FLYING CLOUD FURNITURE, GALLEY

## Dinette Seat, RH, 30' Bunk, Landmark



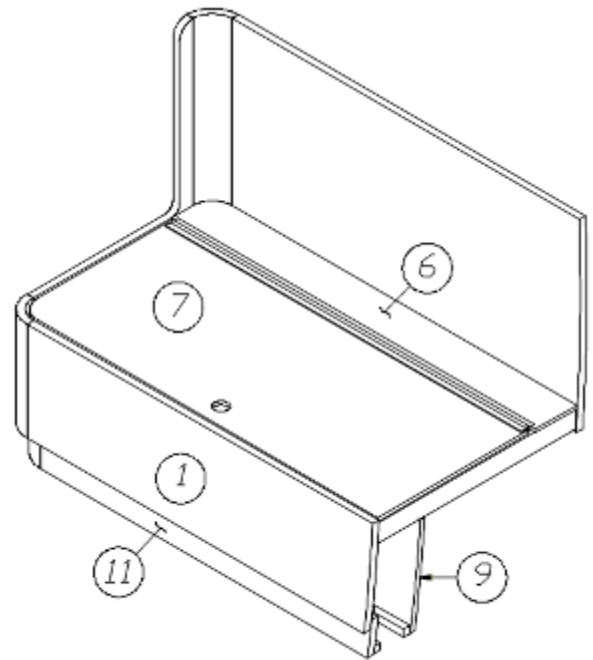
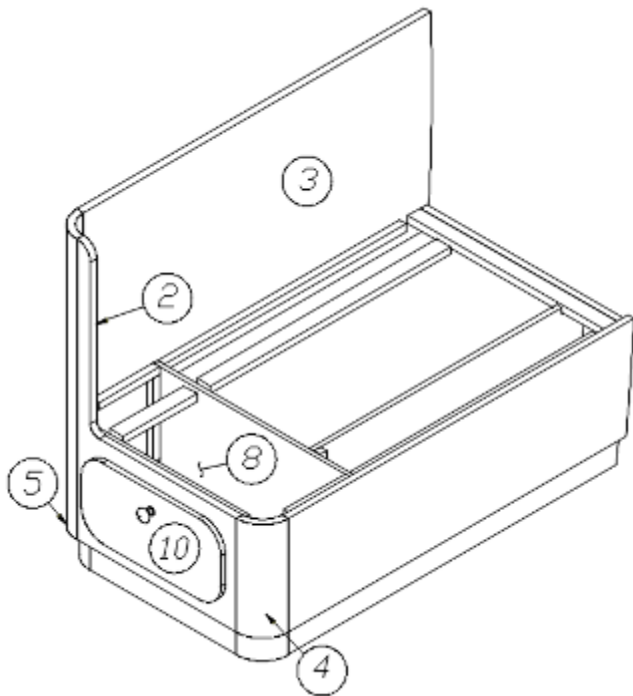
967909-01

RH Dinette Seat

- |              |                                |
|--------------|--------------------------------|
| 1. 967909-1  | Panel, 39.58 x 11.25           |
| 2. 967909-2  | Panel, 18.25 x 29.75           |
| 3. 967909-3  | Panel, 39.89 x 29.75           |
| 4. 967909-4  | Corner radius, 3 x 11.25       |
| 5. 967909-5  | Corner radius, 3 x 29.75       |
| 6. 967909-6  | Panel, 41.75 x 22.5            |
| 7. 967909-7  | Panel, 21 x 17.25              |
| 8. 967661-01 | Door                           |
| 9. 967922    | Toe kick, Dinette seat         |
| 380458       | Piano hinge, Copper Metallic   |
| 967662-02    | Cover, RH inner back           |
| 381228-02    | Catch, Grabber door (5lb Pull) |

# 2019 FLYING CLOUD FURNITURE, GALLEY

## Dinette Seat, LH, 30' Bunk, Landmark



967910-01

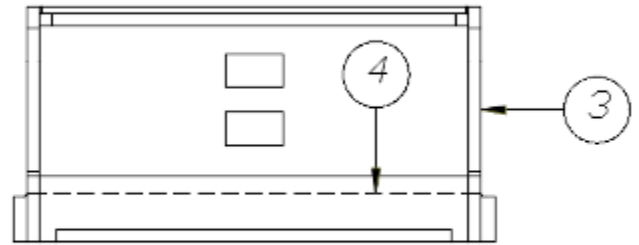
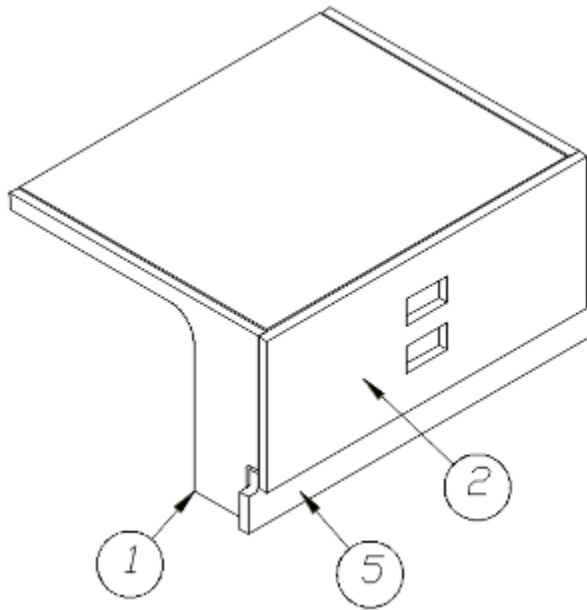
LH Dinette Seat

- |               |                                |
|---------------|--------------------------------|
| 1. 967910-1   | Panel, 39.58 x 11.25           |
| 2. 967910-2   | Panel, 18.25 x 29.75           |
| 3. 967910-3   | Panel, 39.89 x 29.75           |
| 4. 967910-4   | Corner radius, 3 x 11.25       |
| 5. 967910-5   | Corner radius, 3 x 29.75       |
| 6. 967910-6   | Panel, 41.75 x 4.75            |
| 7. 967910-7   | Panel, 41.25 x 17.25           |
| 8. 967910-19  | Panel, 22.62 x 13.88           |
| 9. 967910-20  | Panel, 30.93 x 13.88           |
| 10. 967661-01 | Door                           |
| 11. 967923    | Toe kick, Dinette seat         |
| 380458        | Piano hinge, Copper Metallic   |
| 967662-01     | Cover, LH inner back           |
| 381228-02     | Catch, Grabber door (5lb Pull) |
| 381796        | Knob, Hollow, 1.25"            |



# 2019 FLYING CLOUD FURNITURE, GALLEY

## Dinette Seat, Center, 30' Bunk, Landmark



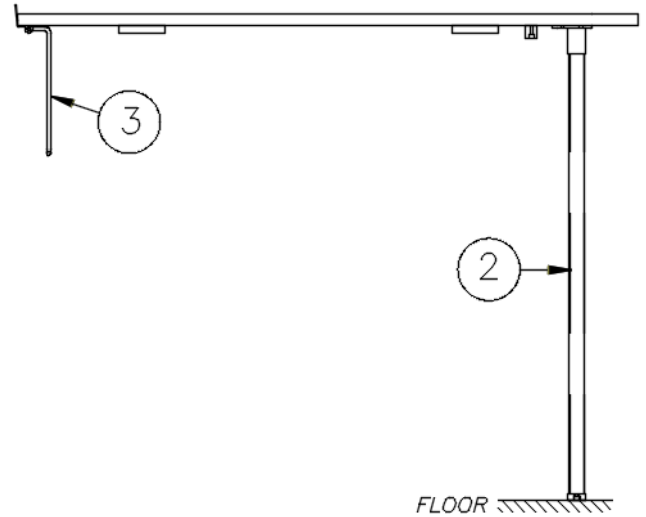
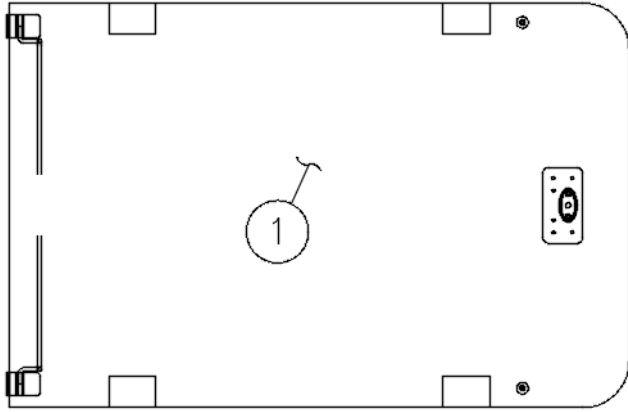
967911-01

Center Dinette Seat

- |             |                      |
|-------------|----------------------|
| 1. 967911-1 | Panel, 14.25 x 21.33 |
| 2. 967911-2 | Panel, 11.25 x 27.5  |
| 3. 967911-3 | Panel, 14.25 x 21.33 |
| 4. 967911-4 | Panel, 1.84 x 26     |
| 5. 967911-6 | Panel, 4 x 29.25     |

# 2019 FLYING CLOUD FURNITURE, GALLEY

## Dinette Table, 19'



967153-09

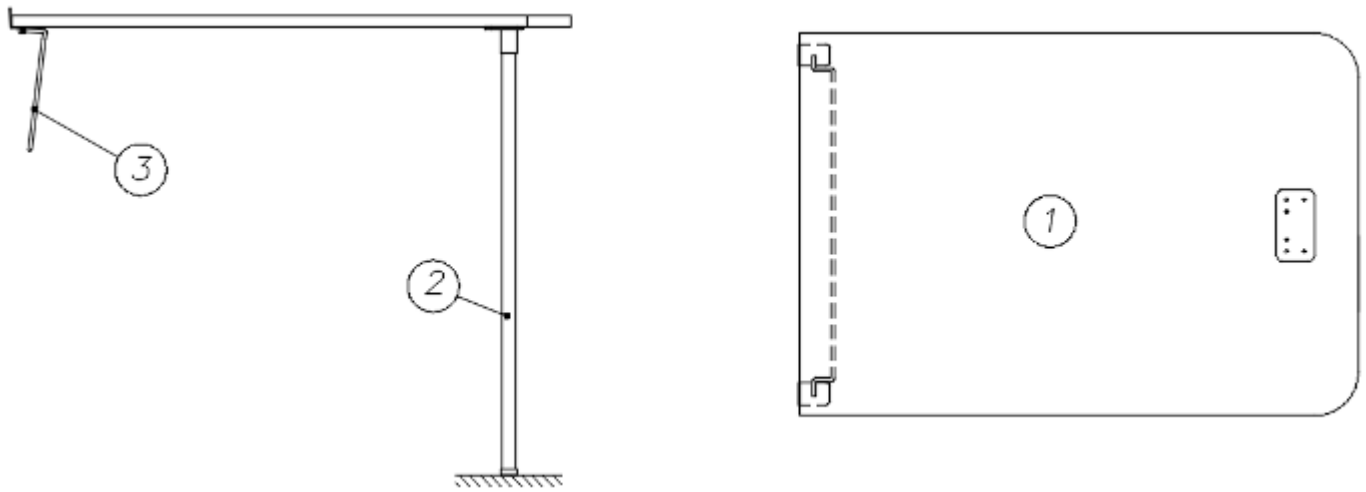
Dinette Table

1. 967153-091
2. 382177
3. 380284-02  
380284-03  
381136

Panel, Dinette top, 26 x 40  
Leg, Folding table  
Bracket, Table hinge assembly kit  
Table hinge brackets  
Rubber bumper

# 2019 FLYING CLOUD FURNITURE, GALLEY

## Dinette Table, 20'



967373-09

Dinette Table

1. 967373-091

Panel, Dinette top, 26 x 38

2. 382177

Leg, Folding table

3. 380284-02

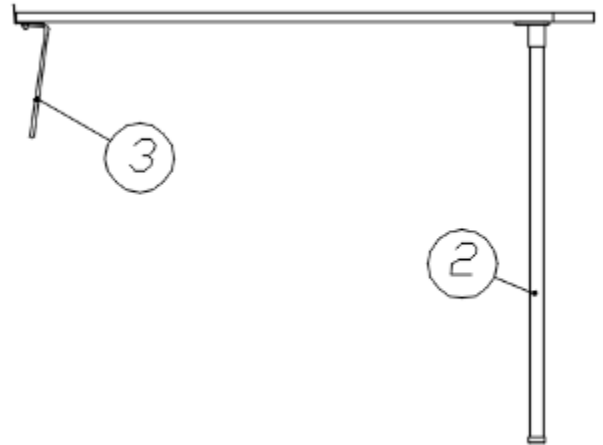
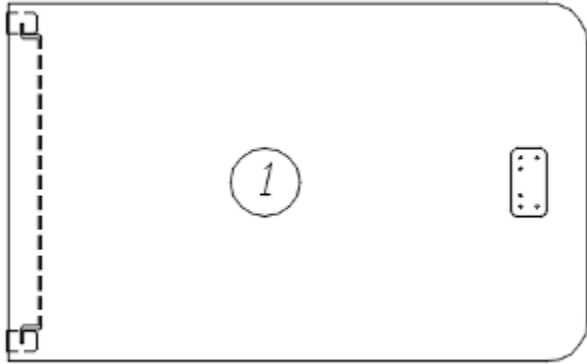
Bracket, Table hinge assembly kit

380284-03

Table hinge brackets

# 2019 FLYING CLOUD FURNITURE, GALLEY

Dinette Table, 28', 30'



967398-09

Dinette Table

1. 967398-091

Panel, Dinette top, 26 x 42

2. 382177

Leg, Folding table

3. 380284-02

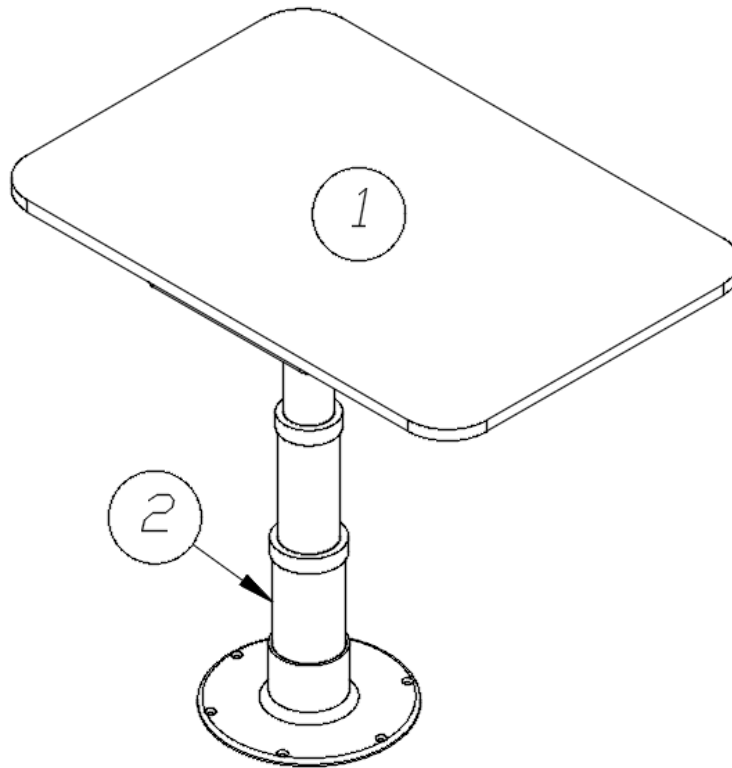
Bracket, Table hinge assembly kit

380284-03

Table hinge brackets

# 2019 FLYING CLOUD FURNITURE, GALLEY

Dinette Table, Pedestal, 30' Bunk



967924-09

Pedestal Table

1. 967924-091

Panel, Dinette top, 35 x 24

2. 382073-01

Bracket, Pedestal table

381400-01

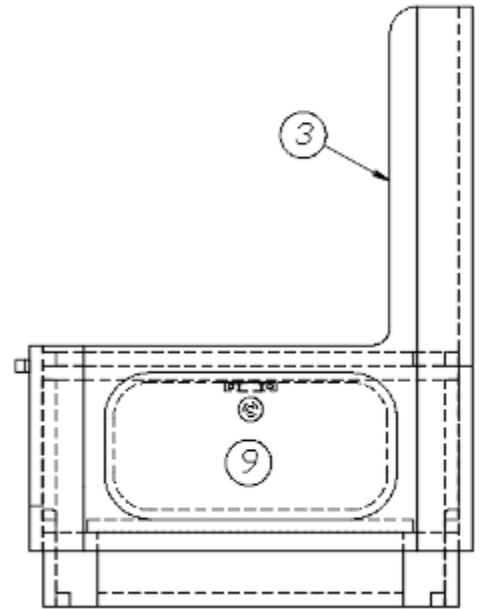
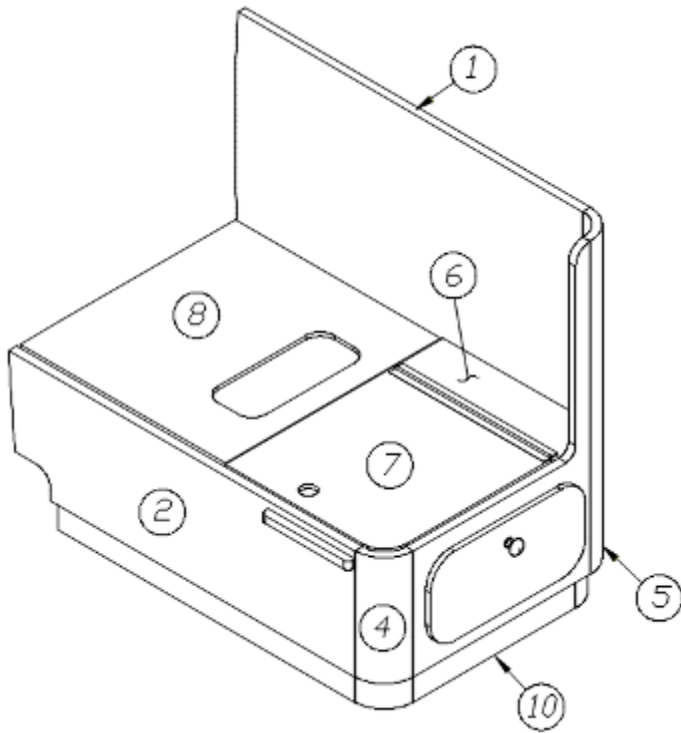
Drawer slide

381109-01

Latch w/flat U-strike

# 2019 FLYING CLOUD FURNITURE, LOUNGE

Dinette Seat, RH, 20', Landmark



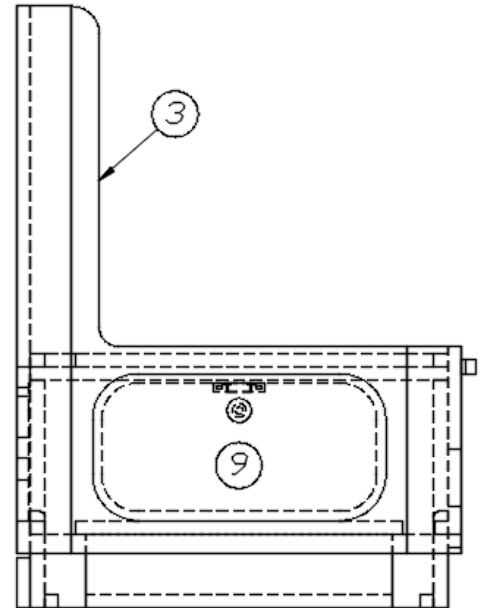
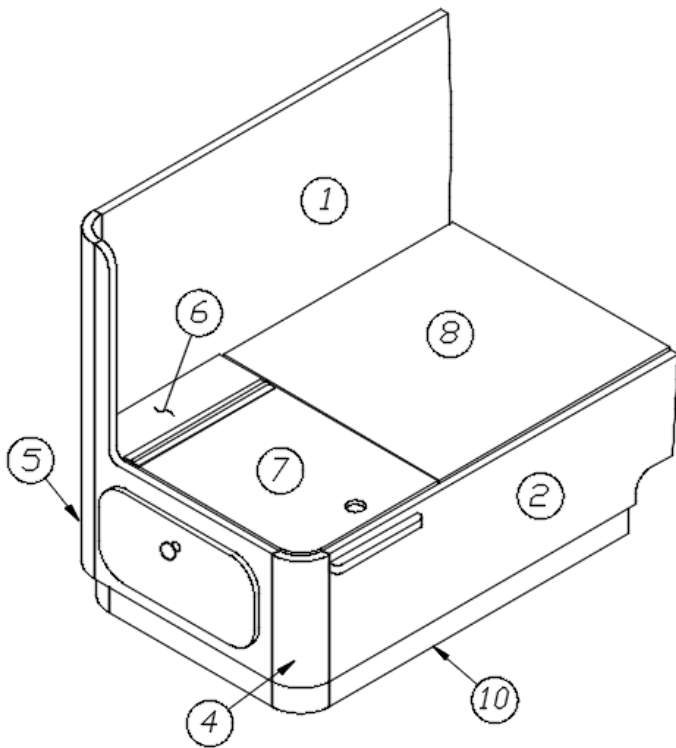
967674-01

RH Dinette Seat

- |              |                                 |
|--------------|---------------------------------|
| 1. 967674-1  | Panel, 29.75 x 35.64            |
| 2. 967674-2  | Panel, 11.25 x 35.75            |
| 3. 967674-3  | Panel, 18.25 x 29.75            |
| 4. 967674-4  | Panel, Radius corner, 3 x 10.25 |
| 5. 967674-5  | Panel, Radius corner, 3 x 29.75 |
| 6. 967674-6  | Panel, 4.75 x 16.65             |
| 7. 967674-7  | Panel, 17.25 x 16.4             |
| 8. 967674-8  | Panel, 22.25 x 21.23            |
| 9. 967661-01 | Door                            |
| 10. 967672   | Toekick                         |
| 800470-0036  | Stop, Landmark                  |
| 380458       | Piano hinge, Copper Metallic    |
| 967662-02    | Cover, RH inner back            |
| 381228-02    | Catch, Grabber door (5lb Pull)  |
| 967676       | Closeout, Dinette seat          |

# 2019 FLYING CLOUD FURNITURE, LOUNGE

Dinette Seat, LH, 20', Landmark



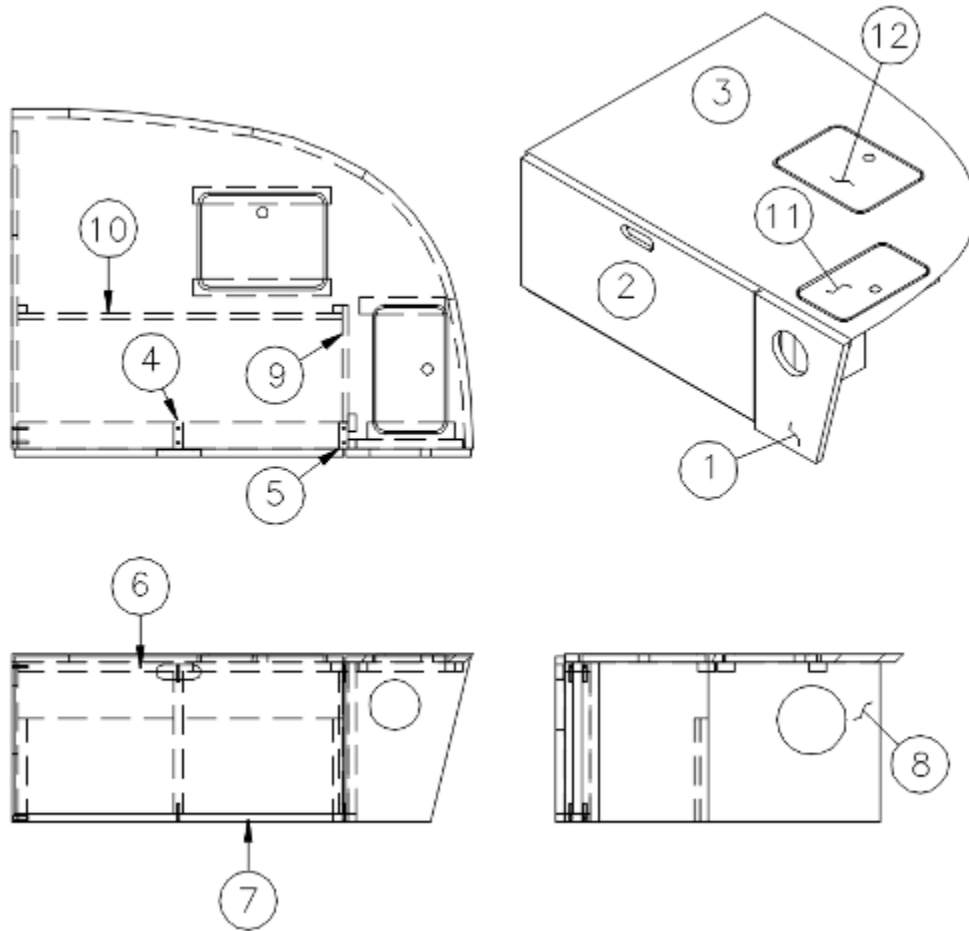
967673-01

LH Dinette Seat

- |              |                                 |
|--------------|---------------------------------|
| 1. 967673-1  | Panel, 29.75 x 36.14            |
| 2. 967673-2  | Panel, 11.25 x 35.75            |
| 3. 967673-3  | Panel, 18.25 x 29.75            |
| 4. 967673-4  | Panel, Radius corner, 3 x 10.25 |
| 5. 967673-5  | Panel, Radius corner, 3 x 29.75 |
| 6. 967673-6  | Panel, 4.75 x 14.4              |
| 7. 967673-7  | Panel, 17.25 x 14.15            |
| 8. 967673-8  | Panel, 22.25 x 23.59            |
| 9. 967661-01 | Door                            |
| 10. 967671   | Toekick                         |
| 800470-0036  | Stop, Landmark                  |
| 380458       | Piano hinge, Copper Metallic    |
| 967662-01    | Cover, LH inner back            |
| 381228-02    | Catch, Grabber door (5lb pull)  |

# 2019 FLYING CLOUD FURNITURE, LOUNGE

## Dinette Seat, Roadside, 23CB, Landmark



966930-09

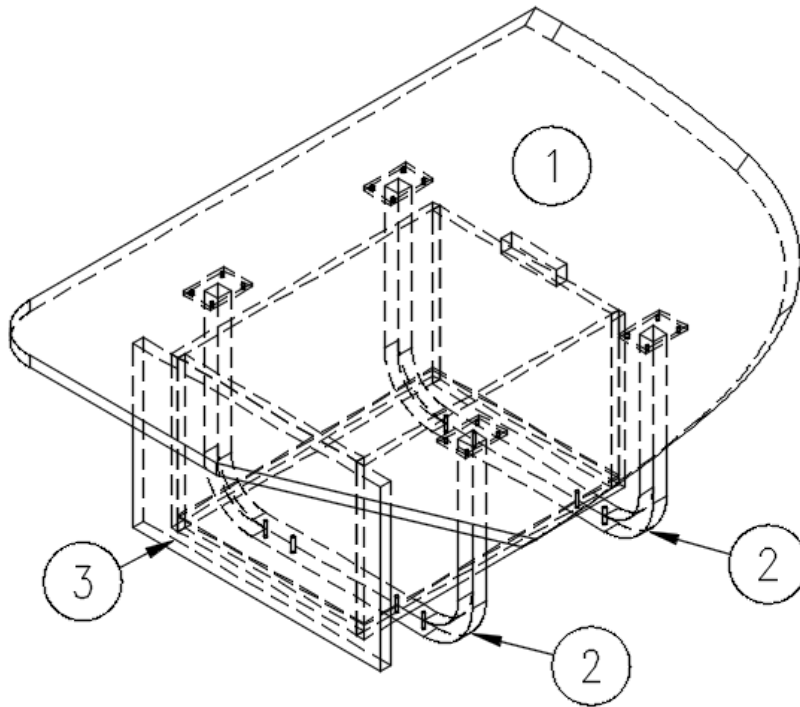
RS Dinette Seat

- |               |                                |
|---------------|--------------------------------|
| 1. 966930-091 | Panel, 8.88 x 14.38            |
| 2. 966930-092 | Panel, 30.63 x 13.63           |
| 3. 966930-3   | Panel, 29.5 x 40.19            |
| 4. 966930-4   | Panel, 2.25 x 12.38            |
| 5. 966930-5   | Panel, 2.25 x 12.38            |
| 6. 966930-6   | Panel, 2.25 x 30.75            |
| 7. 966930-7   | Panel, 2.25 x 30.75            |
| 8. 966930-8   | Panel, 27.5 x 13.88            |
| 9. 966930-15I | Panel, 10.25 x 13.88           |
| 10. 966930-17 | Panel, 9 x 30.25               |
| 11. 966930-18 | Panel, 6 x 10.75               |
| 12. 966930-19 | Panel, 8 x 10.75               |
| 381775        | Drawer pull                    |
| 381072-01     | Hinge, 3 x 2", Open            |
| 381228-02     | Catch, Grabber door (5lb pull) |



# 2019 FLYING CLOUD FURNITURE, LOUNGE

Dinette Seat, Curbside, 23CB, Landmark



966928-09

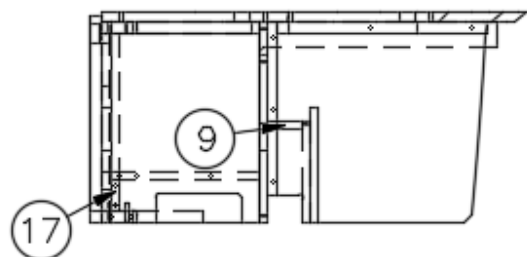
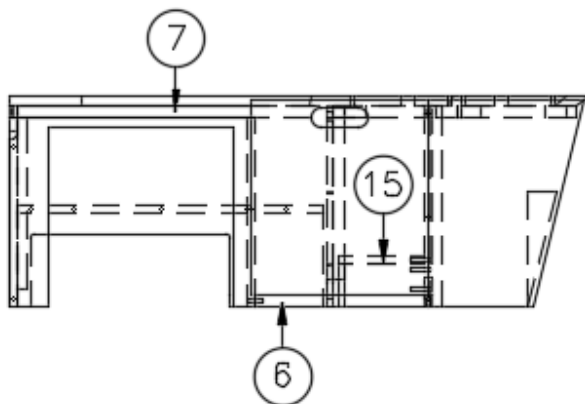
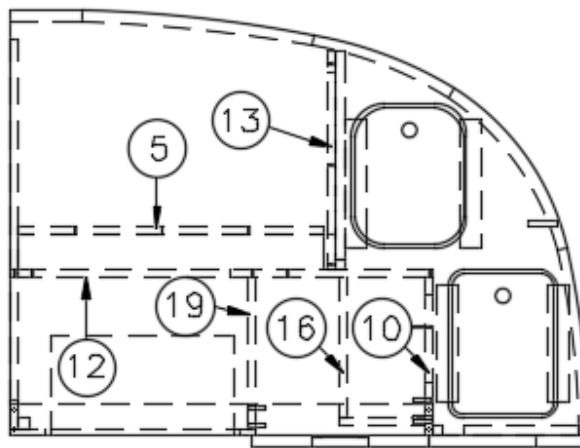
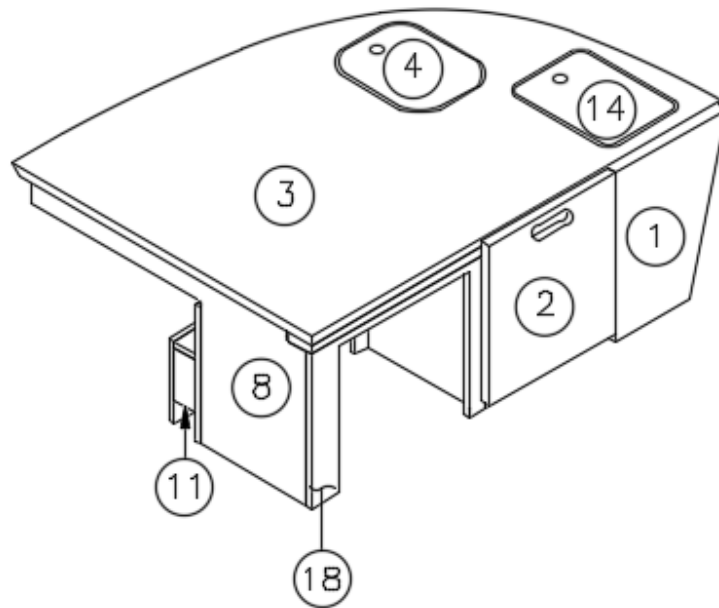
CS Dinette Seat

- 1. 966928-1
- 2. 454177
- 3. 966928-094
- 964909-11
- 381833-01
- 381074
- 381775

Panel, 33.38 x 40.18  
Aluminum legs  
Door, 11.5 x 18  
Drawer box  
Drawer slide, 18"  
Bull dog catch  
Drawer pull, Flush

# 2019 FLYING CLOUD FURNITURE, LOUNGE

\*Dinette Seat, Roadside, 25', Landmark



Parts Listed on Next Page

## 2019 FLYING CLOUD FURNITURE, LOUNGE

### Dinette Seat, Roadside, 25', Landmark

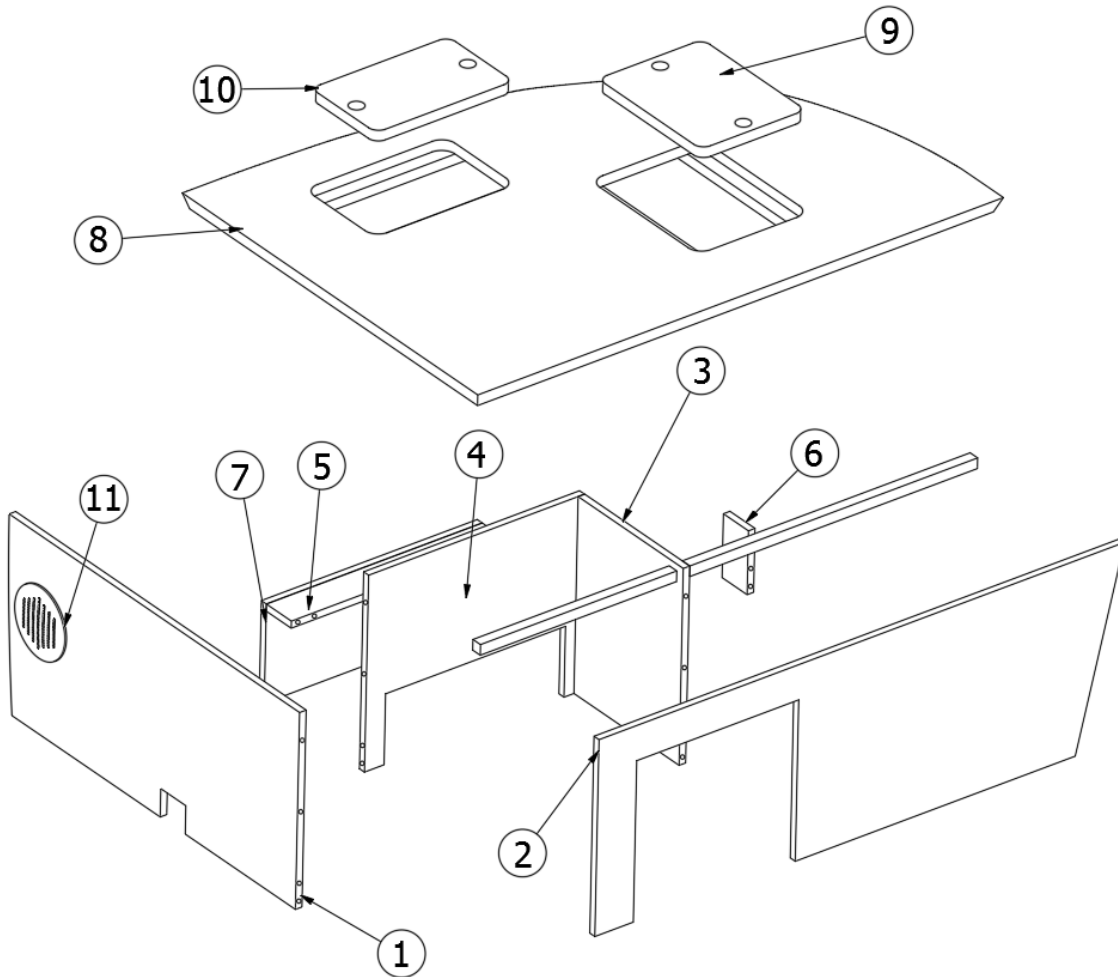
\*968182-09                      Roadside Dinette Seat

1. 968182-091	Panel, 14.38 x 10.87
2. 968182-092	Panel, 12.32 x 13.63
3. 968182-3	Panel, 29.5 x 40.19
4. 968182-4	Panel, 7.5 x 9.5
5. 968182-5	Panel, 21.25 x 7
6. 968182-6	Panel, 2.25 x 12.82
7. 968182-7	Panel, 2.25 x 29.31
8. 968182-8	Panel, 13.88 x 27
9. 968182-9	Panel, 21.25 x 2.5
10. 968182-10	Panel, 12.5 x 13.88
11. 968182-11	Panel, 4.5 x 2.5
12. 968182-12	Panel, 13.88 x 29.31
13. 968182-13	Panel, 13.88 x 15.27
14. 968182-22	Panel, 5.5 x 9.75
15. 968182-23	Panel, 10.25 x 6
16. 968182-24	Panel, 3 x 9.75
17. 968182-25	Panel, 2.25 x 6
18. 968182-0926	Panel, 17 x 13.13
19. 968182-28	Panel, 13.3 x 10.5
381775	Drawer pull, Flush Satin
381072-01	Hinge, 3 x 2", Open
381228-02	Catch, Grabber door, 5LB
386304-02	Edgebanding, .94", Landmark
386304-01	Edgebanding, .63", Landmark

\*968182-09 Replaced by 969039 January, 2019

# 2019 FLYING CLOUD FURNITURE, LOUNGE

New Dinette Seat, Roadside, 25', Landmark

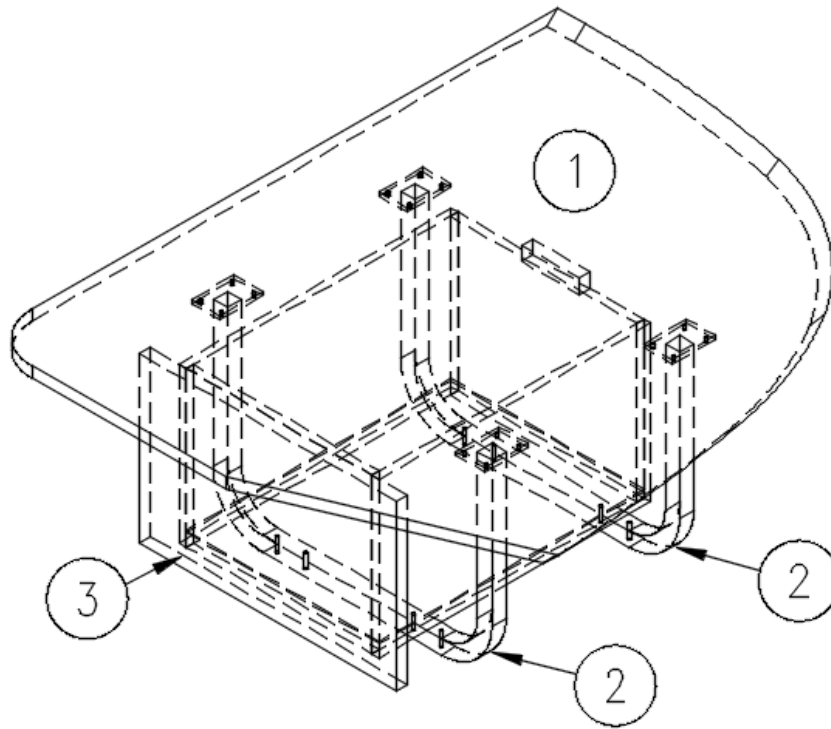


## 969039 Assembly RS Dinette

1.	969039&000112CC	Pre Laminate- 0.50 X 13.88 X 2
2.	969039&000212BC	Pre Laminate- 0.50 X 13.88 X 4
3.	969039&000312CC	Pre Laminate- 0.50 X 13.88 X 1
4.	969039&000412CC	Pre Laminate- 0.50 X 16.50 X 1
5.	969039&000512CC	Pre Laminate- 0.50 X 2.50 X 16
6.	969039&000612CC	Pre Laminate- 0.50 X 2.50 X 4.
7.	969039&000712CC	Pre Laminate- 0.50 X 7.00 X 16
8.	969039&000818CC	Pre Laminate- 0.75 X 29.50 X 4
9.	969039&000918CC	Pre Laminate- 0.75 X 8.00 X 10
10.	969039&001018CC	Pre Laminate- 0.75 X 6.50 X 10
11.	602394-03	Register, 4" Directional
	386304-02	Edgebanding, .94", Landmark
	386304-01	Edgebanding, .63", Landmark

# 2019 FLYING CLOUD FURNITURE, LOUNGE

Dinette Seat, Curbside, 25', Landmark



966928-09

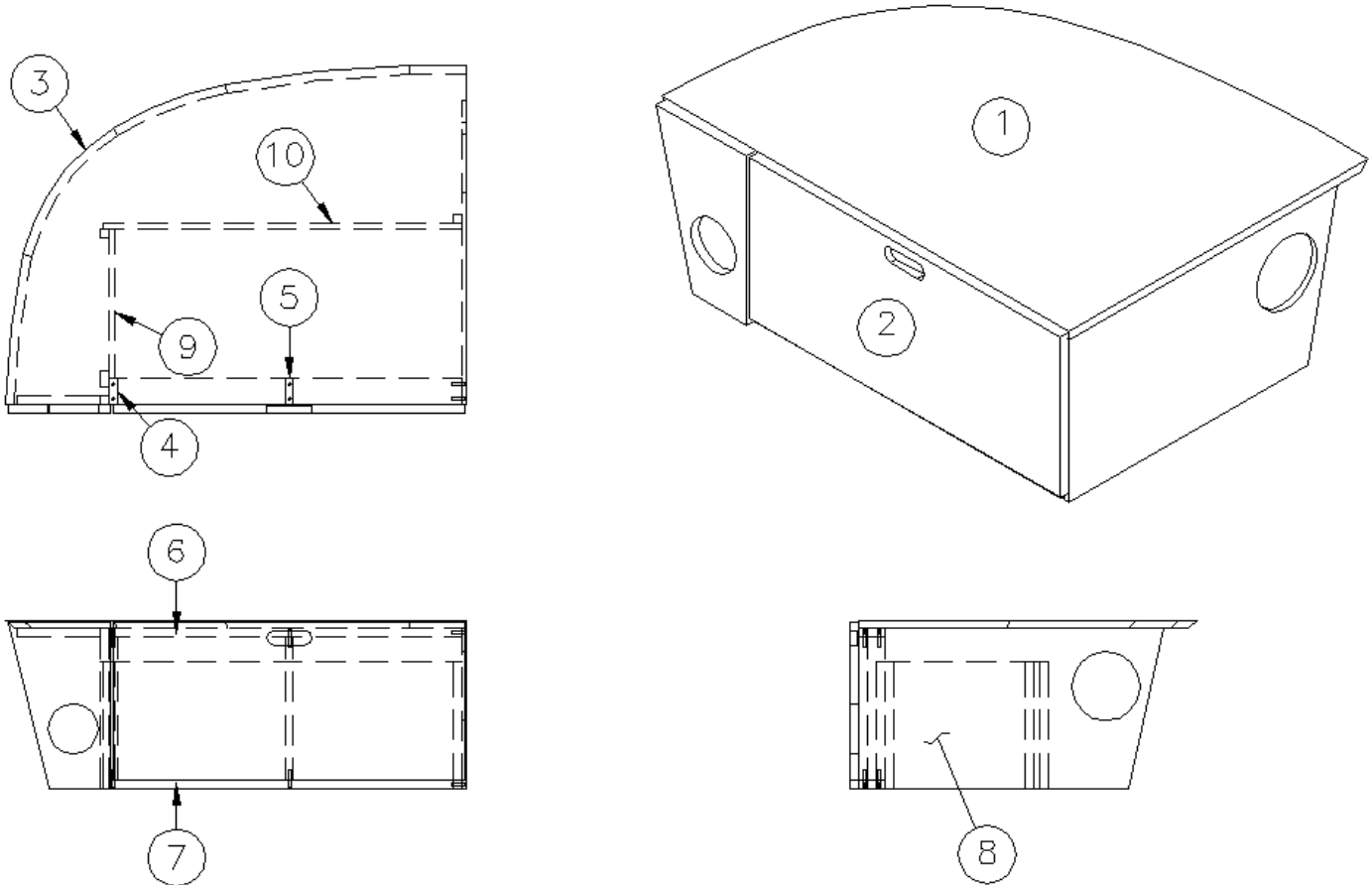
CS Dinette Seat

- 1. 966928-1
- 2. 454177
- 3. 966928-094
- 964909-11
- 381833-01
- 381074
- 381775

Panel, 33.38 x 40.18  
Aluminum legs  
Door, 11.5 x 18  
Drawer box  
Drawer slide, 18"  
Bull dog catch  
Drawer pull, Flush

# 2019 FLYING CLOUD FURNITURE, LOUNGE

Dinette Seat, Roadside, 25FB, 27FB, Landmark



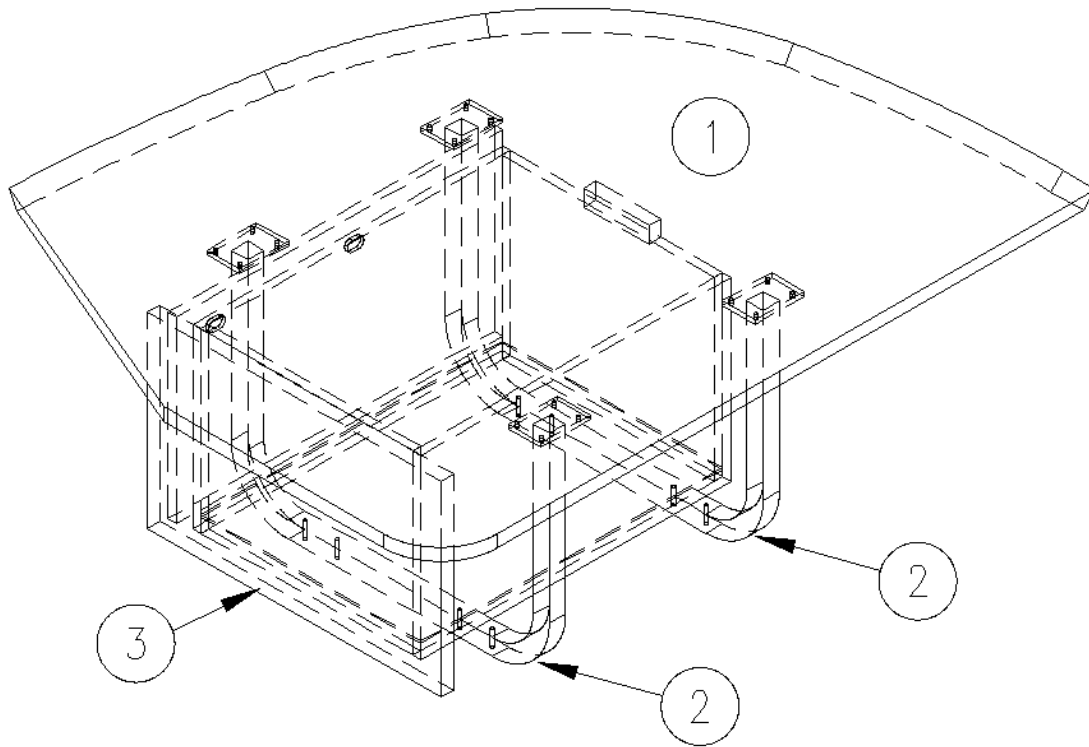
966890-09

RH Dinette Seat

- |               |                                |
|---------------|--------------------------------|
| 1. 966890-091 | Panel, 14.38 x 8.88            |
| 2. 966890-092 | Panel, 13.63 x 30.63           |
| 3. 966890-093 | Panel, 29.5 x 40.19            |
| 4. 966890-094 | Panel, 2.25 x 12.38            |
| 5. 966890-095 | Panel, 2.25 x 12.38            |
| 6. 966890-096 | Panel, 2.25 x 30.75            |
| 7. 966890-097 | Panel, 2.25 x 30.75            |
| 8. 966890-098 | Panel, 27.5 x 13.88            |
| 9. 966890-16  | Panel, 13 x 11                 |
| 10. 966890-17 | Panel, 31.25 x 11              |
| 381775        | Drawer pull, Flush Satin       |
| 381072-01     | Hinge, 3 x 2", Open            |
| 381228-02     | Catch, Grabber door (5lb pull) |

# 2019 FLYING CLOUD FURNITURE, LOUNGE

Dinette Seat, Curbside, 25FB, 27FB, Landmark



966889-09

CS Dinette Seat

1. 966889-091

Panel, 33.38 x 40.18

2. 454177

Leg, Aluminum

3. 966889-094

Door, 11.5 x 18

964909-11

Drawer box, 10 x 14 x 19

381833-01

Drawer slide, 18"

381074

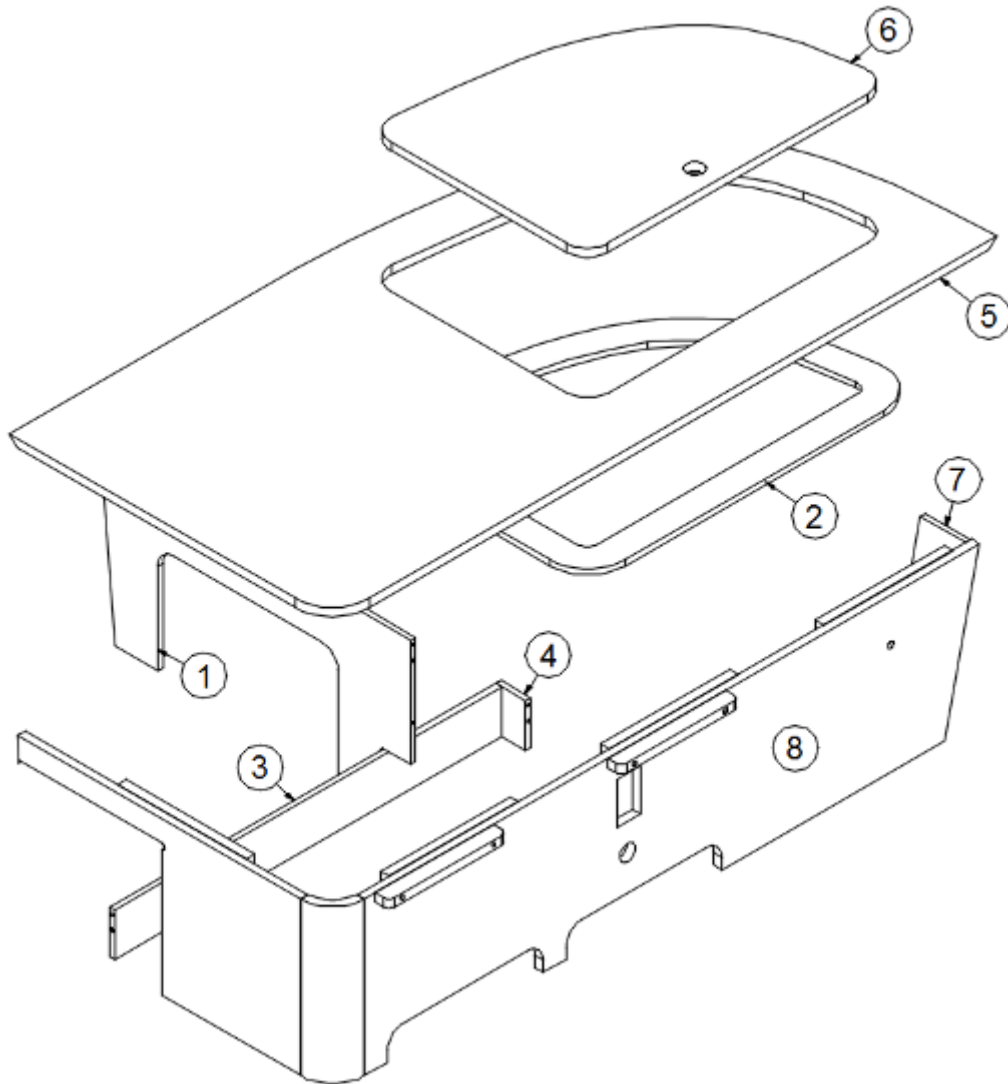
Bulldog catch

381775

Drawer pull

# 2019 FLYING CLOUD FURNITURE, LOUNGE

Dinette Seat, Roadside, 26U, Landmark



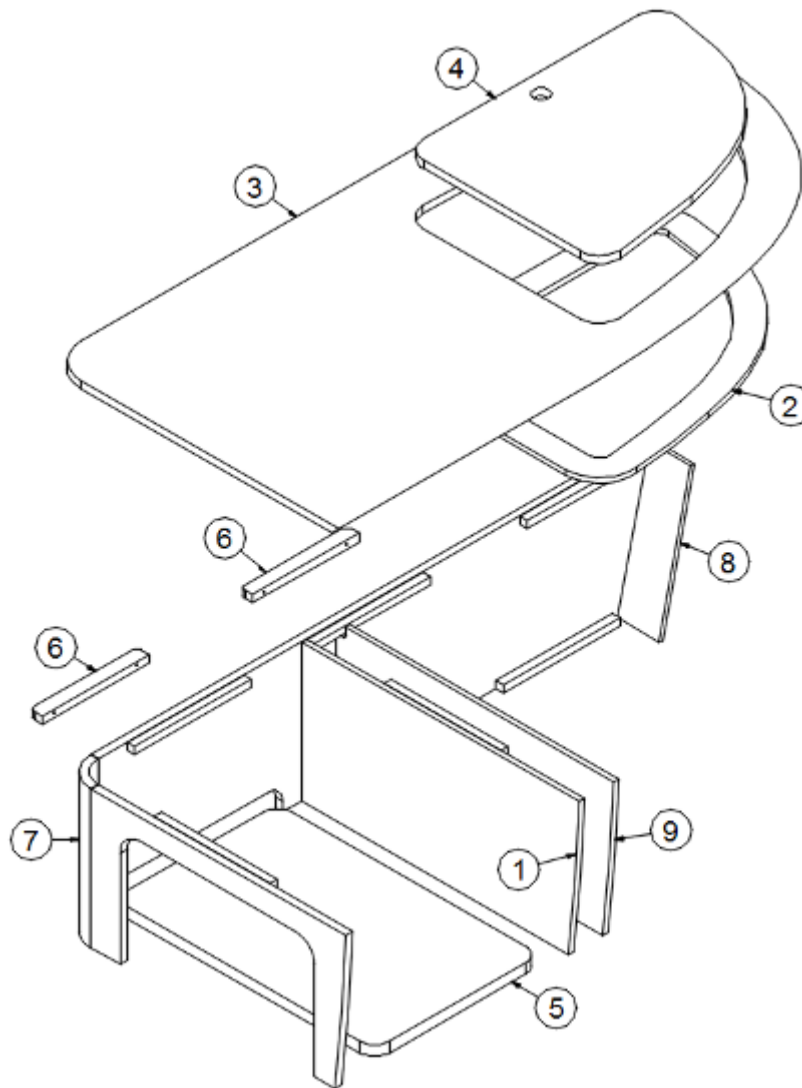
968330 Roadside Dinette Seat

- |              |                              |
|--------------|------------------------------|
| 1. 968330-1  | Panel, 14.25 x 28.6          |
| 2. 968330-2  | Panel, 23.34 x 31.09         |
| 3. 968330-3  | Panel, 4 x 36                |
| 4. 968330-4  | Panel, 2.75 x 4              |
| 5. 968330-5  | Panel, 30.09 x 61.9          |
| 6. 968330-6  | Panel, 20.22 x 29.98         |
| 7. 968330-11 | Panel, 4.25 x 14.5           |
| 8. 968331    | RS dinette seat radius panel |
| 800470-0036  | Stop, Landmark               |
| 386304-02    | Edgebanding .94", Landmark   |



# 2019 FLYING CLOUD FURNITURE, LOUNGE

## Dinette Seat, Curbside, 26U, Landmark



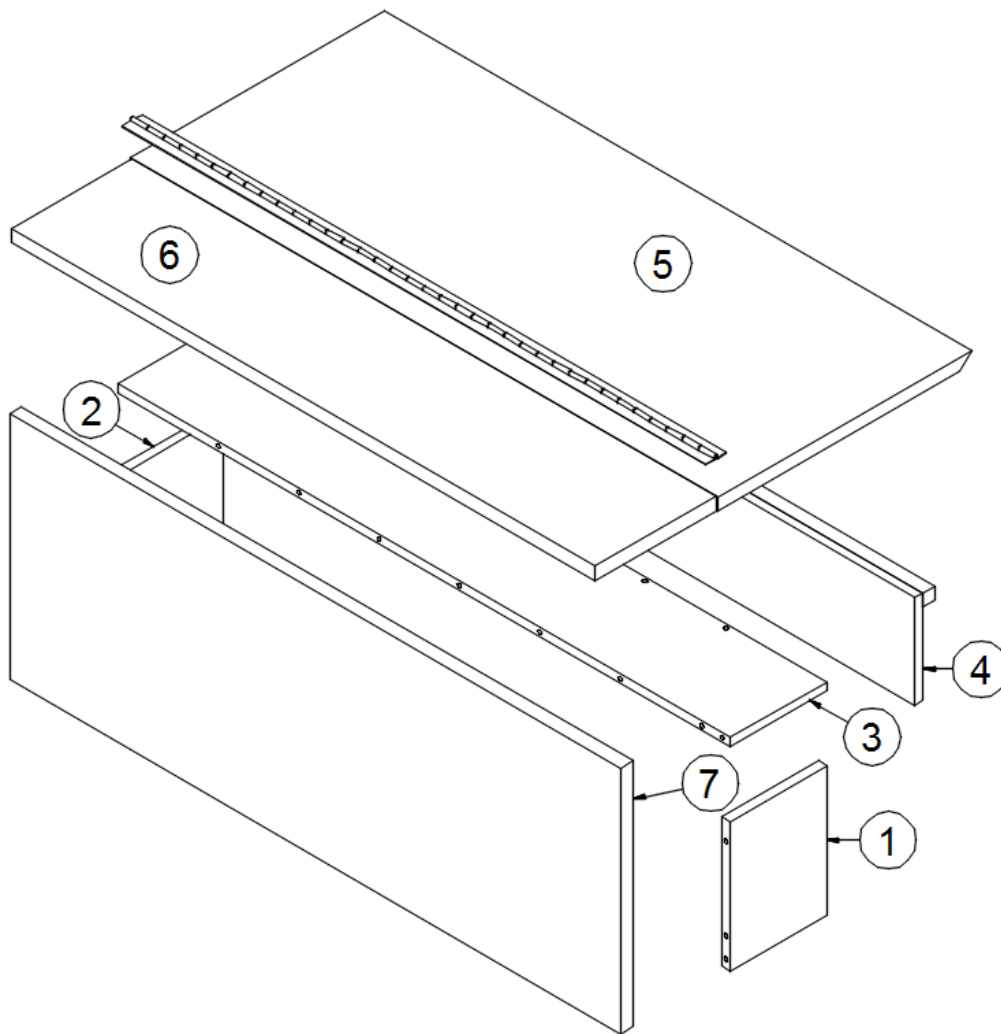
968328

Curbside Dinette Seat

- |                |                              |
|----------------|------------------------------|
| 1. 968328-1    | Panel, 28.6 x 14.25          |
| 2. 968328-2    | Panel, 23.17 x 29.09         |
| 3. 968328-3    | Panel, 30.1 x 61.9           |
| 4. 968328-4    | Panel, 20.05 x 25.98         |
| 5. 203755      | Shoe tray, Black poly        |
| 6. 800470-0036 | Stop, Landmark               |
| 7. 968329      | CS dinette seat radius panel |
| 8. 968328-11   | Panel, 4.25 x 14.5           |
| 9. 968328-12   | Panel, 28.6 x 14.25          |
| 701538-01      | Carpet, Econolier w/PSA back |
| 386304-02      | Edgebanding .94", Landmark   |

# 2019 FLYING CLOUD FURNITURE, LOUNGE

## Dinette Seat, Center, 26U, Landmark



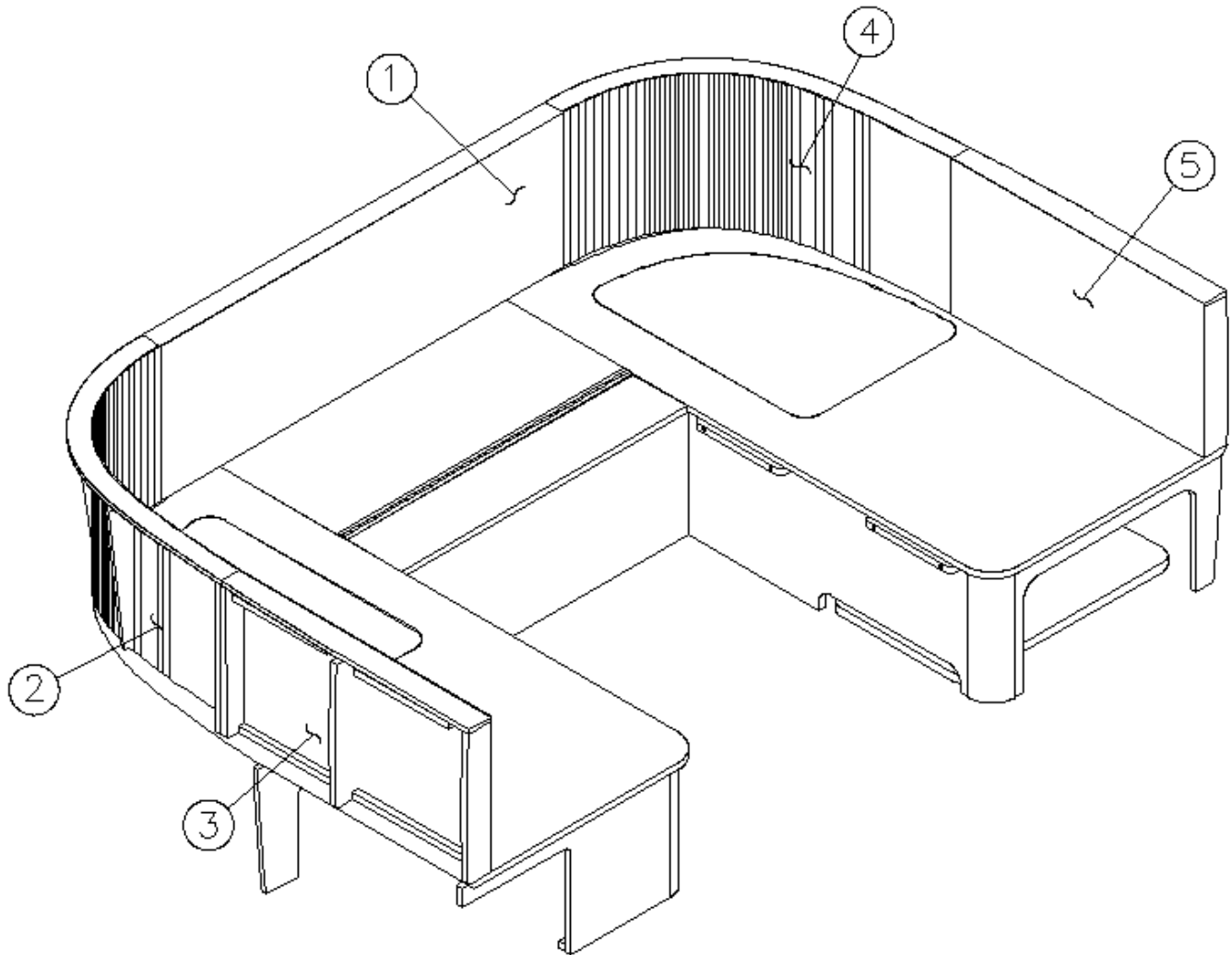
968333

Center Dinette Seat

- |             |                              |
|-------------|------------------------------|
| 1. 968333-1 | Panel, 6 x 8                 |
| 2. 968333-2 | Panel, 6 x 8                 |
| 3. 968333-3 | Panel, 6 x 38                |
| 4. 968333-4 | Panel, 5.75 x 38             |
| 5. 968333-5 | Panel, 36.5 x 15.75          |
| 6. 968333-6 | Panel, 36.25 x 7.5           |
| 7. 968333-7 | Panel, 14.25 x 38            |
| 382125      | Piano hinge, Clear           |
| 701538-01   | Carpet, Econolier w/PSA back |
| 386304-01   | Edgebanding, .63", Landmark  |
| 386304-02   | Edgebanding, .94", Landmark  |
| 112671-11   | Vinyl - Compartment Liner    |

# 2019 FLYING CLOUD FURNITURE, LOUNGE

## Dinette Seat, Seat Backs, 26U



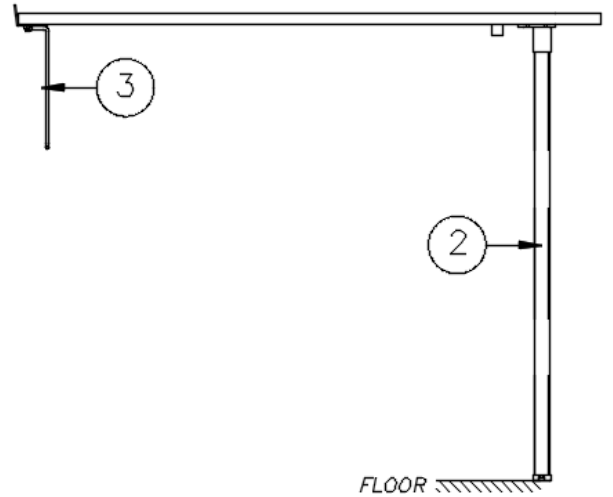
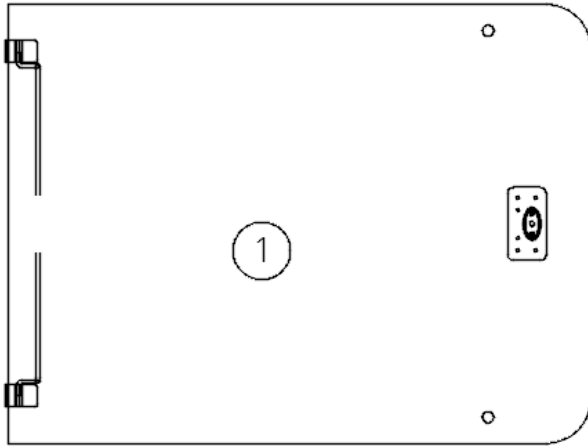
112109-01

Dinette Seat Backs

- |           |                              |
|-----------|------------------------------|
| 1. 968325 | Center section seat back     |
| 2. 968109 | RS forward section seat back |
| 3. 968110 | RS rear section seat back    |
| 4. 968111 | CS forward section seat back |
| 5. 968112 | CS rear section seat back    |

# 2019 FLYING CLOUD FURNITURE, LOUNGE

## Dinette Table, 23CB



967154-09

Dinette Table

1. 967154-091

Panel, Dinette top, 29.5 x 40

2. 382177

Leg, Folding table

3. 380284-02

Bracket, Table hinge assembly kit

380284-03

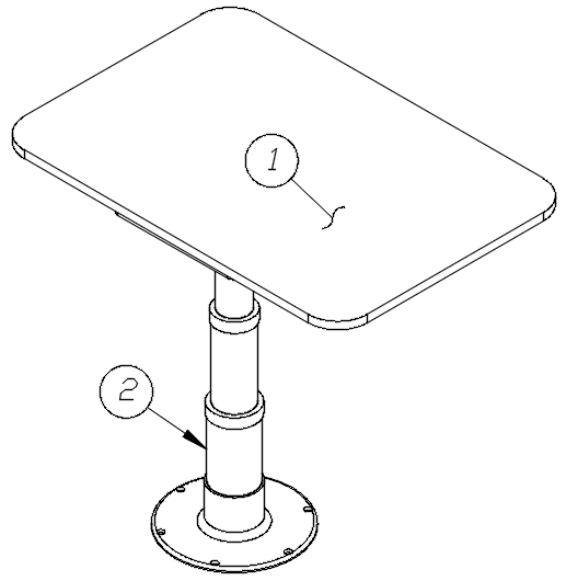
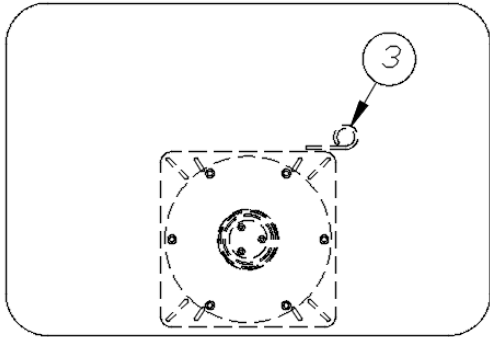
Table hinge brackets

381136

Rubber bumper

# 2019 FLYING CLOUD FURNITURE, LOUNGE

## Dinette Table, 23FB



967924-09

Dinette Table

1. 967924-091

Panel, Dinette top, 24 x 35

2. 382073-01

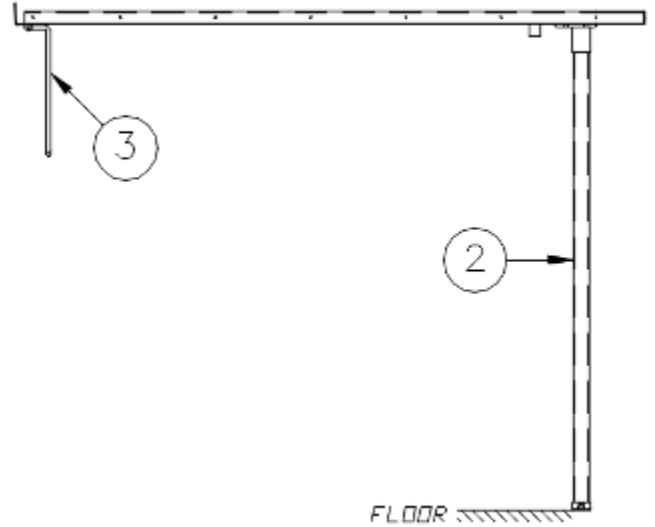
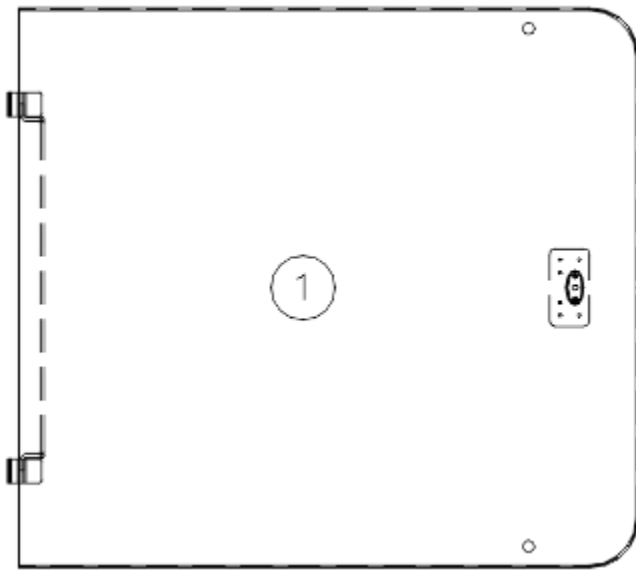
Bracket, Pedestal table

3. 381109-01

Bunk latch w/flat U-strike

# 2019 FLYING CLOUD FURNITURE, LOUNGE

Dinette Table, 25', 25FB, 27FB



967156-09

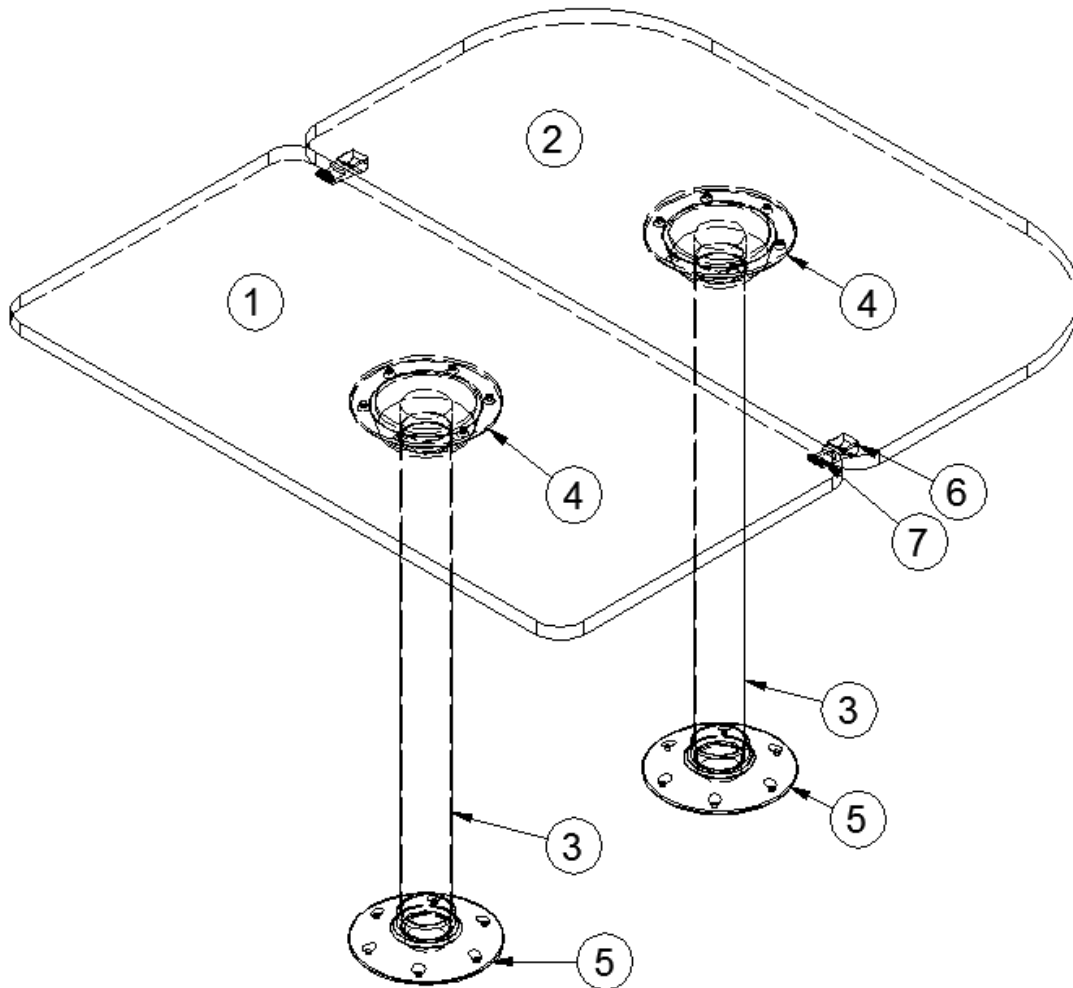
Dinette Table

1. 967156-091
2. 382177
3. 380284-02  
380284-03  
381136

Panel, Dinette top, 35 x 39  
Leg, Folding table  
Bracket, Table hinge assembly kit  
Table hinge brackets  
Rubber bumper

# 2019 FLYING CLOUD FURNITURE, LOUNGE

## Dinette Table, 26U



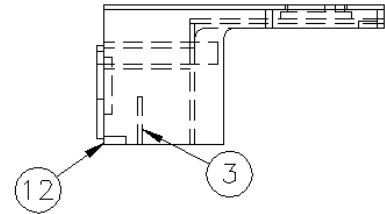
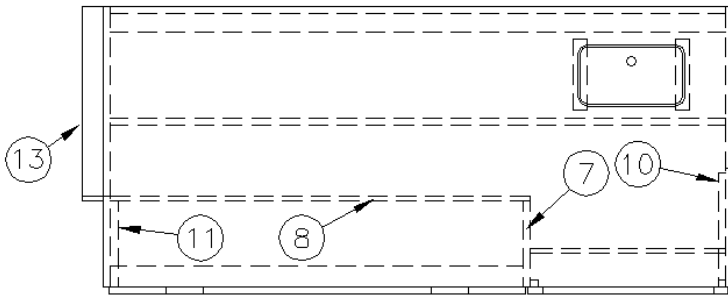
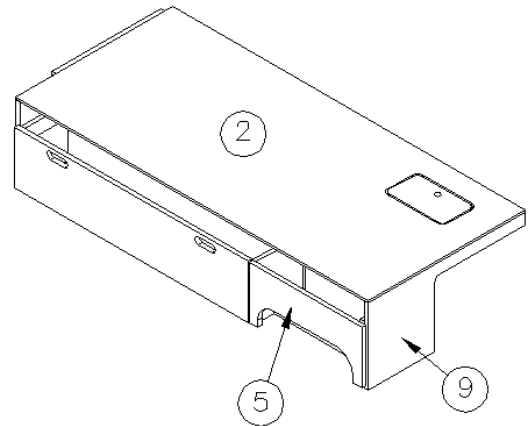
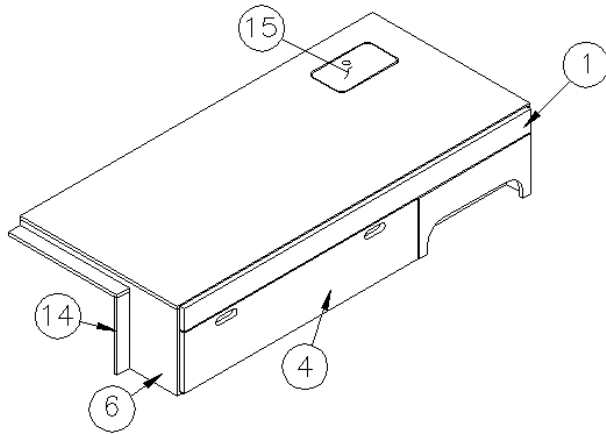
968335

Dinette Table

- |              |                                |
|--------------|--------------------------------|
| 1. 968335-1  | Panel, Dinette top, 19 x 36.25 |
| 2. 968335-2  | Panel, Dinette top, 19 x 36.25 |
| 3. 381974-01 | Leg, Pedestal, Thread lock     |
| 4. 381975    | Socket, Table                  |
| 5. 381976    | Socket, Floor                  |
| 6. 382603    | Latch, Interior                |
| 7. 382603-01 | Keeper, Latch                  |

# 2019 FLYING CLOUD FURNITURE, LOUNGE

## Sofa, 23CB, Landmark



966929-09

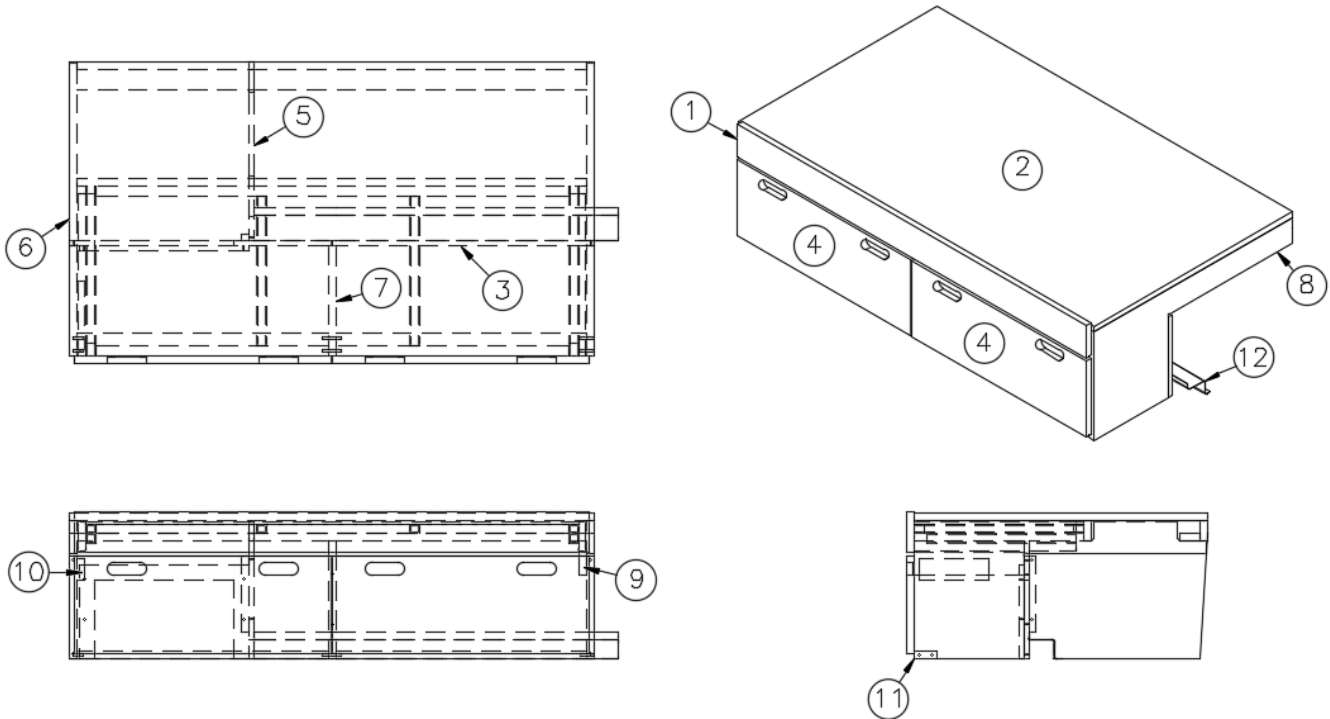
Sofa

- |                 |                                |
|-----------------|--------------------------------|
| 1. 966888-09    | Sofa bed assembly              |
| 2. 966929-2     | Panel, 66.19 x 29.5            |
| 3. 966929-093   | Panel, 20.5 x 5                |
| 4. 966929-094   | Panel, 43.88 x 9.88            |
| 5. 966929-095   | Panel, 21.13 x 9.88            |
| 6. 966929-6     | Panel, 14.13 x 29.5            |
| 7. 966929-097   | Panel, 10.13 x 9               |
| 8. 966929-8     | Panel, 10.13 x 44              |
| 9. 966929-099   | Panel, 14.13 x 29.5            |
| 10. 966929-10   | Panel, 2.25 x 12               |
| 11. 966929-11   | Panel, 2.25 x 9                |
| 12. 966929-15I  | Panel, 2.25 x 43.44            |
| 13. 966929-0925 | Panel, 2.25 x 20.5             |
| 14. 966929-0926 | Panel, 12.63 x 2.25            |
| 15. 966929-27   | Panel, 10.75 x 6               |
| 381775          | Drawer pull                    |
| 381072-01       | Hinge, 3 x 2", Open            |
| 381228-02       | Catch, Grabber door (5lb pull) |



# 2019 FLYING CLOUD FURNITURE, LOUNGE

## Sofa, 25', Landmark



\*968183-09

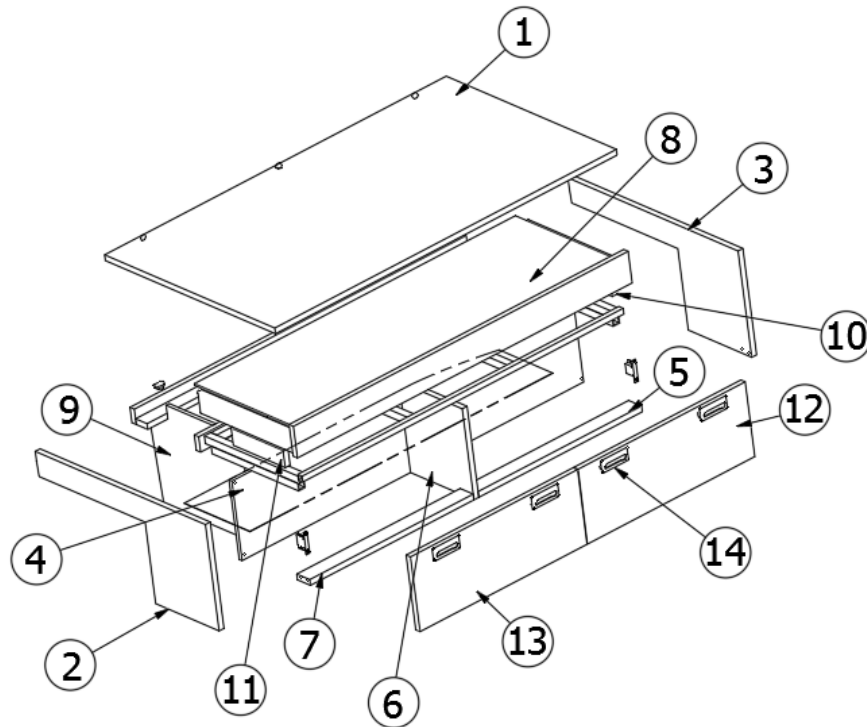
Sofa

- |               |                                  |
|---------------|----------------------------------|
| 1. 968184-09  | Sofa bed assembly                |
| 2. 968183-2   | Panel, 52.81 x 29.5              |
| 3. 968183-3   | Panel, 25.28 x 10.38             |
| 4. 968183-094 | Panel, 9.88 x 25.844             |
| 5. 968183-5   | Panel, 17.96 x 13.75             |
| 6. 968183-7   | Panel, 14.13 x 29.5              |
| 7. 968183-8   | Panel, 11 x 11.88                |
| 8. 968183-9   | Panel, 14.13 x 29.5              |
| 9. 968183-10  | Panel, 2.25 x 9                  |
| 10. 968183-11 | Panel, 2.25 x 9                  |
| 11. 968183-12 | Panel, 2.25 x 25.28              |
| 12. 114506-08 | Wire closeout, Dinette area, 36" |
| 381775        | Drawer pull, Flush Satin         |
| 381072-01     | Hinge, 3 x 2", Open              |
| 381228-02     | Catch, Grabber door (5lb pull)   |
| 382057        | Knockdown                        |
| 382057-04     | Cap, Knockdown, White            |
| 386304-01     | Edgebanding, .63", Landmark      |
| 386304-02     | Edgebanding, .94", Landmark      |

\*968183-09 replaced by 969040, January 2019

# 2019 FLYING CLOUD FURNITURE, LOUNGE

New Sofa, 25

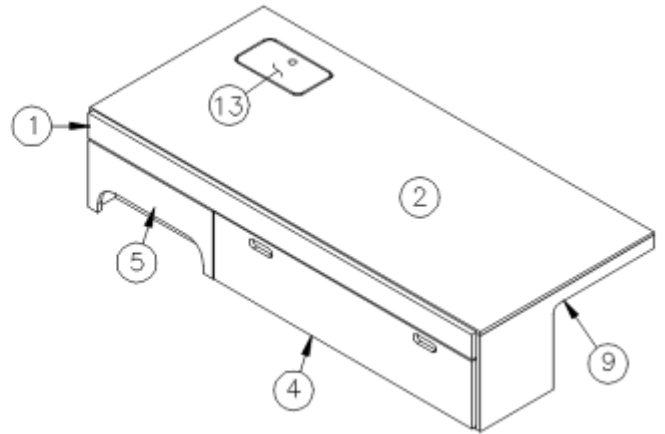
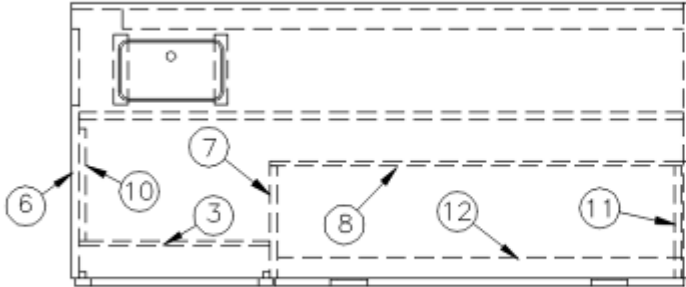


## 969040 Sofa Assembly

1.	969040&000118CE	Pre Laminate- 0.75 X 29.50 X 52.81
2.	969040&000618BC	Pre Laminate- 0.75 X 13.88 X 29.50
3.	969040&000818CC	Pre Laminate- 0.75 X 13.88 X 29.50
4.	969040&000212CC	Pre Laminate- 0.50 X 10.38 X 52.81
5.	969040&001118CC	Pre Laminate- 0.75 X 2.25 X 25.28
6.	969040&000718CC	Pre Laminate- 0.75 X 11.88 X 11
7.	969040&001218CC	Pre Laminate- 0.75 X 2.25 X 25.28
8.	968184	Assembly, Sofa Bed
9.	969040&000512CC	Pre Laminate- 0.50 X 13.75 X 17.96
10.	969040&000918CC	Pre Laminate- 0.75 X 2.25 X 9.00
11.	969040&001018CC	Pre Laminate- 0.75 X 2.25 X 9.00
12.	969040&000318BC	Pre Laminate- 0.75 X 9.75 X 25.84
13.	969040&000418BC	Pre Laminate- 0.75 X 9.75 X 25.84
14.	381775	Drawer Pull, Flush Satin
	382057-04	Cap-Knockdown White #16387
	386304-01	Edgeband Landmark Wood 5/8" 1MM
	386304-02	Edgeband Landmark Wood 15/16"
	115685	Wire Closeout
	381228-01	Black Catch Grabber, 3 lb.
	381072	Hinge, 3 x 1 7/8" Open Gold
	365009	Foam Urethane, insulation
	701538	Carpet, Ecoliner Velour Black

# 2019 FLYING CLOUD FURNITURE, LOUNGE

Sofa, 25FB, 27FB, Landmark



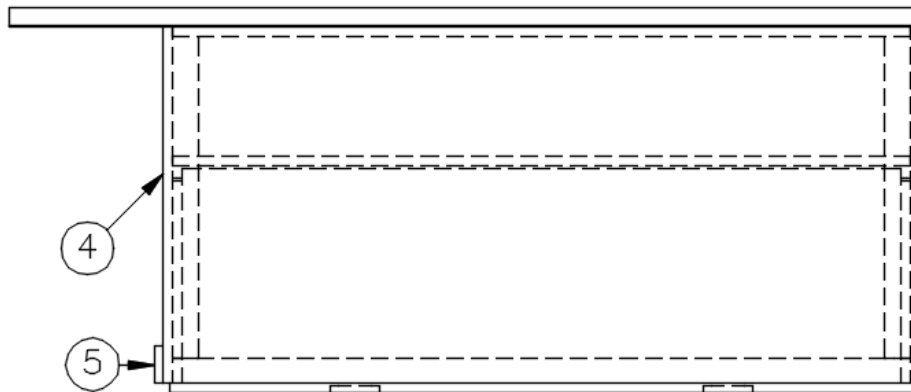
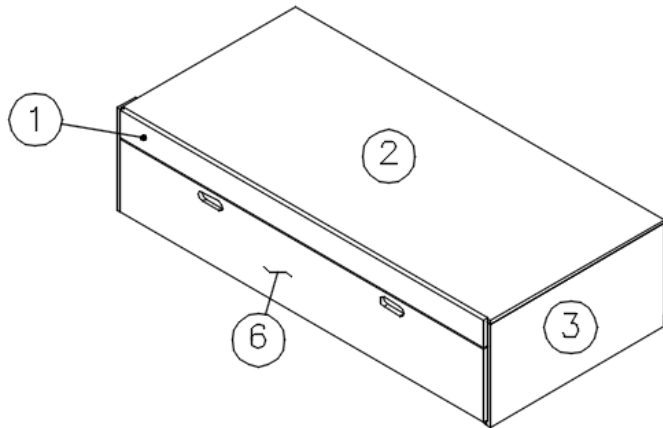
966887-09

Sofa

- |                 |                                |
|-----------------|--------------------------------|
| 1. 966888-09    | Sofa bed assembly              |
| 2. 966887-092   | Panel, 29.5 x 66               |
| 3. 966887-093   | Panel, 20.5 x 5                |
| 4. 966887-094   | Panel, 9.88 x 43.88            |
| 5. 966887-095   | Panel, 9.88 x 21.13            |
| 6. 966887-096   | Panel, 14.13 x 29.5            |
| 7. 966887-097   | Panel, 10.13 x 12              |
| 8. 966887-098   | Panel, 10.13 x 44              |
| 9. 966887-099   | Panel, 14.13 x 29.5            |
| 10. 966887-0910 | Panel, 2.25 x 12               |
| 11. 966887-0911 | Panel, 2.25 x 12               |
| 12. 966887-0915 | Panel, 2.25 x 43.25            |
| 13. 966887-25   | Panel, 10.75 x 6               |
| 381775          | Drawer pull, Flush Satin       |
| 381072-01       | Hinge, 3 x 2", Open            |
| 381228-02       | Catch, Grabber door (5lb Pull) |
| 382057          | Knockdown                      |
| 382057-04       | Cap, Knockdown, White          |

# 2019 FLYING CLOUD FURNITURE, LOUNGE

Sofa, 28', 30', Landmark



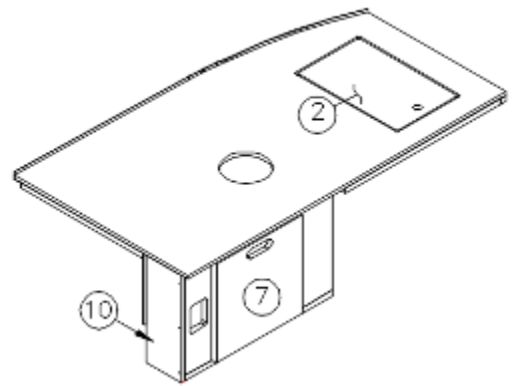
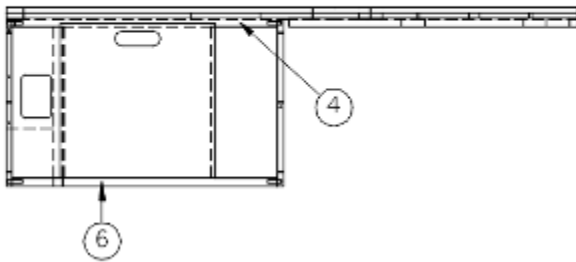
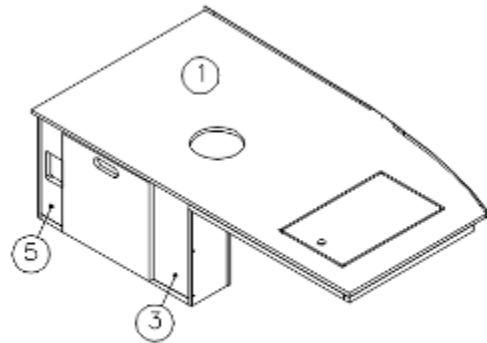
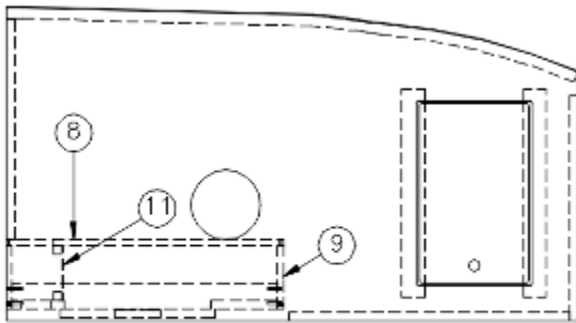
966970-09

Sofa

- |               |                                |
|---------------|--------------------------------|
| 1. 966971-09  | Bed assembly                   |
| 2. 966970-2   | Panel, 60 x 28.25              |
| 3. 966970-093 | Panel, 14.5 x 28.25            |
| 4. 966970-094 | Panel, 14.5 x 28.25            |
| 5. 966970-095 | Panel, 14.5 x 3                |
| 6. 966970-096 | Door, 10.25 x 59.13            |
| 382044        | Handle, Brushed Nickel         |
| 381607-11     | Hinge, Self-close              |
| 381228-02     | Catch, Grabber door (5lb Pull) |
| 114809        | Aluminum angle, 1.5 x 1.5      |
| 382057        | Knockdown                      |
| 382057-04     | Cap, Knockdown, White          |

# 2019 FLYING CLOUD FURNITURE, LOUNGE

## Sofa, L-Section, 28', Landmark



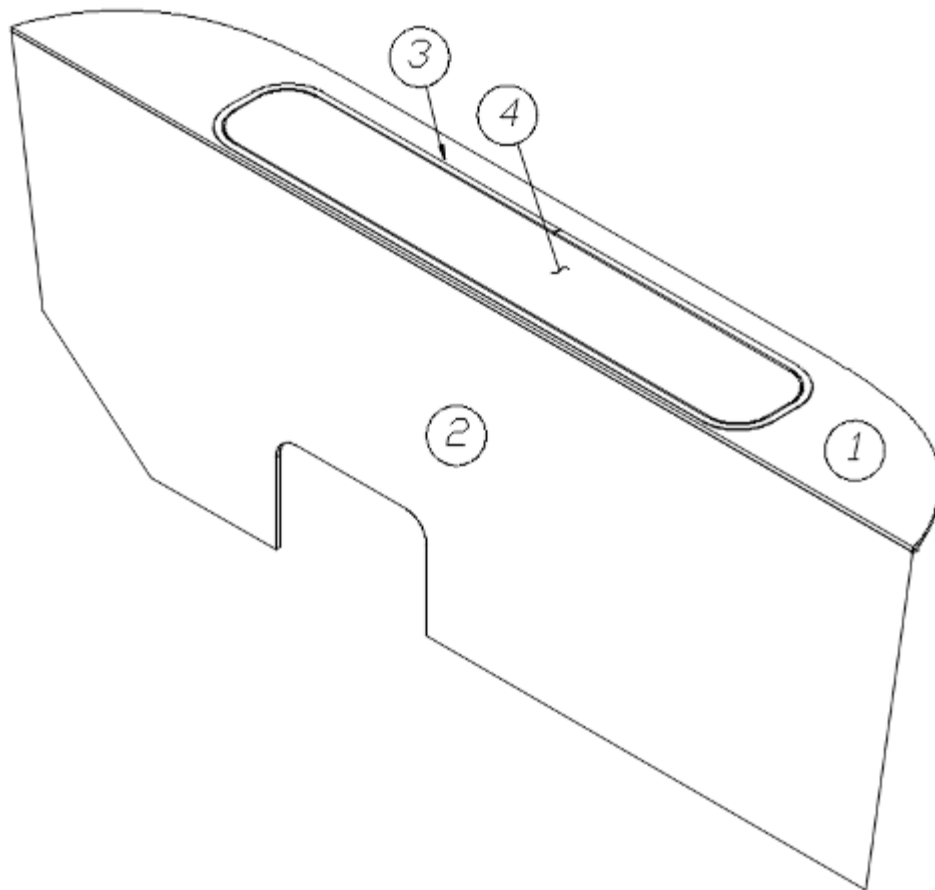
968214-09

Sofa L-Section

- |                |                             |
|----------------|-----------------------------|
| 1. 968214-1    | Panel, 26.5 x 49.5          |
| 2. 968214-2    | Panel, 9.5 x 15.5           |
| 3. 968214-093  | Panel, 13 x 5.75            |
| 4. 968214-094  | Panel, 2.25 x 23            |
| 5. 968214-0910 | Panel, 13 x 4.5             |
| 6. 968214-11   | Panel, 2.25 x 23            |
| 7. 968214-0912 | Panel, 13.31 x 13.38        |
| 8. 968214-13   | Panel, 14.5 x 24            |
| 9. 968214-14   | Panel, 5.5 x 14.5           |
| 10. 968214-15I | Panel, 5.5 x 14.5           |
| 11. 968214-16  | Panel, 4.75 x 13.75         |
| 381607-11      | Hinge, Self-close           |
| 382044         | Handle, Brushed Nickel      |
| 381228-02      | Catch, Grabber door, 5LB    |
| 114812         | Aluminum angle, 1 x 1       |
| 386304-01      | Edgebanding, .63", Landmark |
| 386304-02      | Edgebanding, .94", Landmark |

# 2019 FLYING CLOUD FURNITURE, LOUNGE

Sofa, Back Section, 28'



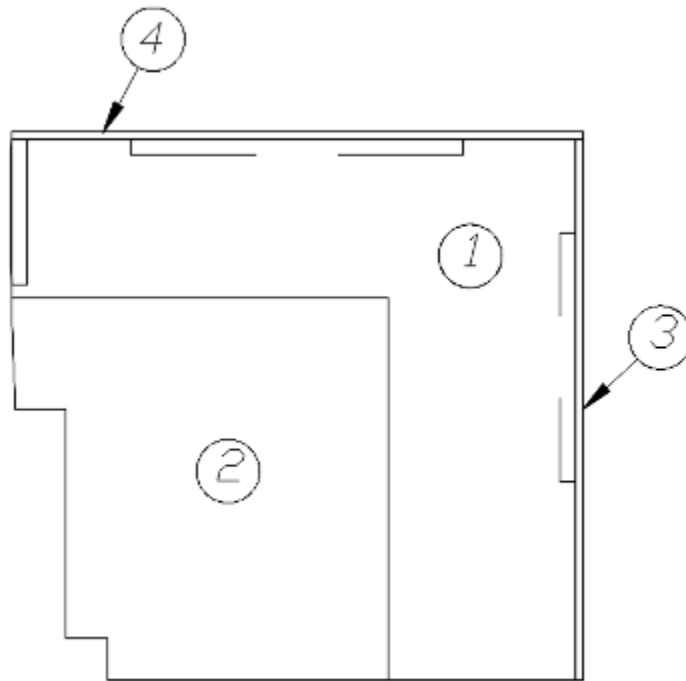
966973

Sofa Back

- |             |                         |
|-------------|-------------------------|
| 1. 966973-1 | Panel, 12.25 x 90.06    |
| 2. 966973-2 | Panel, 31.63 x 90.06    |
| 3. 115203   | Door jamb               |
| 4. 966134   | Door, Sofa back         |
| 381847-01   | Piano hinge, .88" x 46" |
| 700414      | Foam, 3/8"              |
| 203622      | Storage tub, L-lounge   |

# 2019 FLYING CLOUD FURNITURE, LOUNGE

Sofa Armrest, L-Lounge, 28'

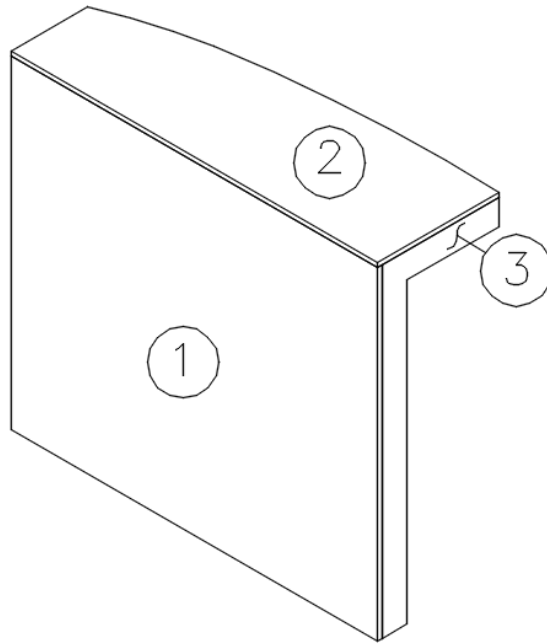


967230 L-Lounge Armrest

- |             |                   |
|-------------|-------------------|
| 1. 967230-1 | Panel, 27.19 x 26 |
| 2. 967230-2 | Panel, 27.19 x 26 |
| 3. 967230-3 | Panel, 2 x 26     |
| 4. 967230-4 | Panel, 2 x 27.5   |
| 700414      | Foam, 3/8"        |

# 2019 FLYING CLOUD FURNITURE, LOUNGE

Sofa Armrest, 28', 30'



966974

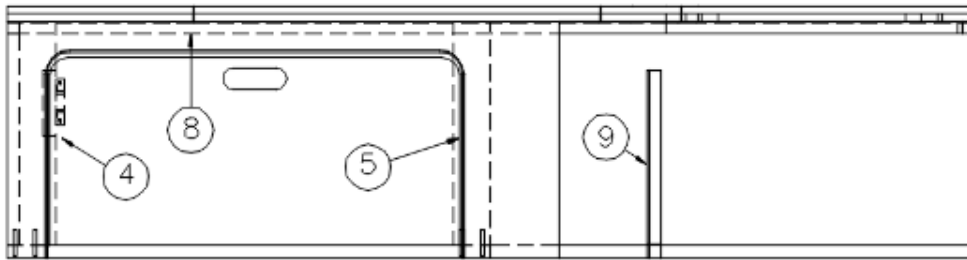
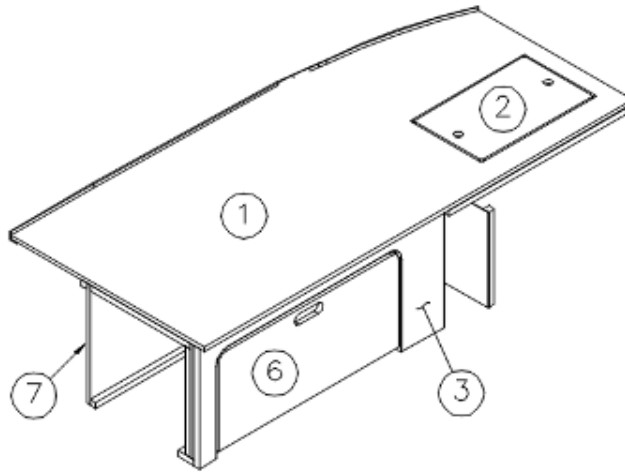
Sofa Armrest

- |             |                     |
|-------------|---------------------|
| 1. 966974-1 | Panel, 25.63 x 29   |
| 2. 966974-2 | Panel, 9.63 x 29    |
| 3. 966974-3 | Panel, 25.63 x 9.25 |



# 2019 FLYING CLOUD FURNITURE, LOUNGE

Sofa, L-Section, 30', Landmark



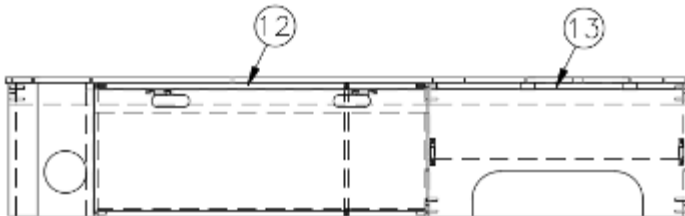
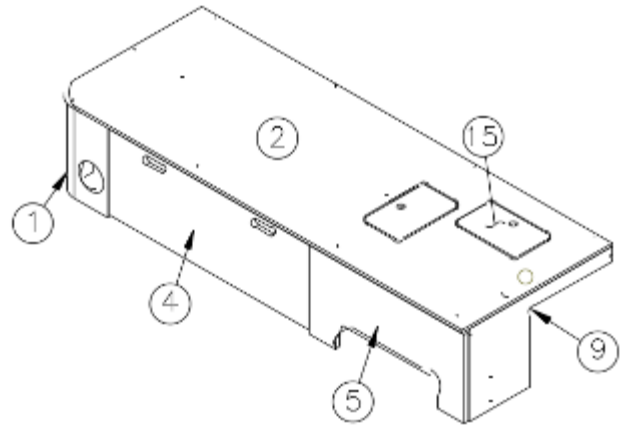
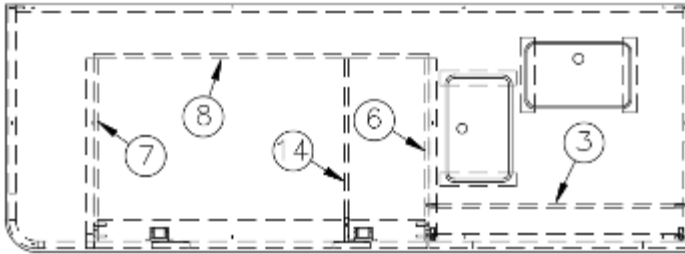
967621-09  
967621-0901

Sofa L-Section  
L-Section Sofa Assembly, Inverter Option

- |                |                                   |
|----------------|-----------------------------------|
| 1. 967621-091  | Panel, 27 x 59.5                  |
| 2. 967621-092  | Panel, 9.5 x 15.5                 |
| 3. 967621-093  | Panel, 14.5 x 34                  |
| 4. 967621-094  | Panel, 3 x 13.75                  |
| 5. 967621-096  | Panel, 2.25 x 13.75               |
| 6. 967621-097  | Door, 11.56 x 25.13               |
| 7. 967621-8    | Panel, 14.5 x 59.5                |
| 8. 967621-10   | Panel, 2.25 x 29.75               |
| 9. 967621-0921 | Panel, 11.5 x 16, Inverter option |
| 114812         | Aluminum angle, 1 x 1             |
| 381228-02      | Catch, Grabber door, (5lb Pull)   |
| 381775         | Drawer pull, Flush Satin          |
| 381072-01      | Hinge, 3 x 2", Open               |
| 386304-01      | Edgebanding, .63", Landmark       |
| 386304-02      | Edgebanding, .94", Landmark       |
| 203440         | T-molding, Black Embossed         |
| 112671-08      | Vinyl - Compartment Liner         |

# 2019 FLYING CLOUD FURNITURE, LOUNGE

## Sofa, 30' Bunk, Landmark



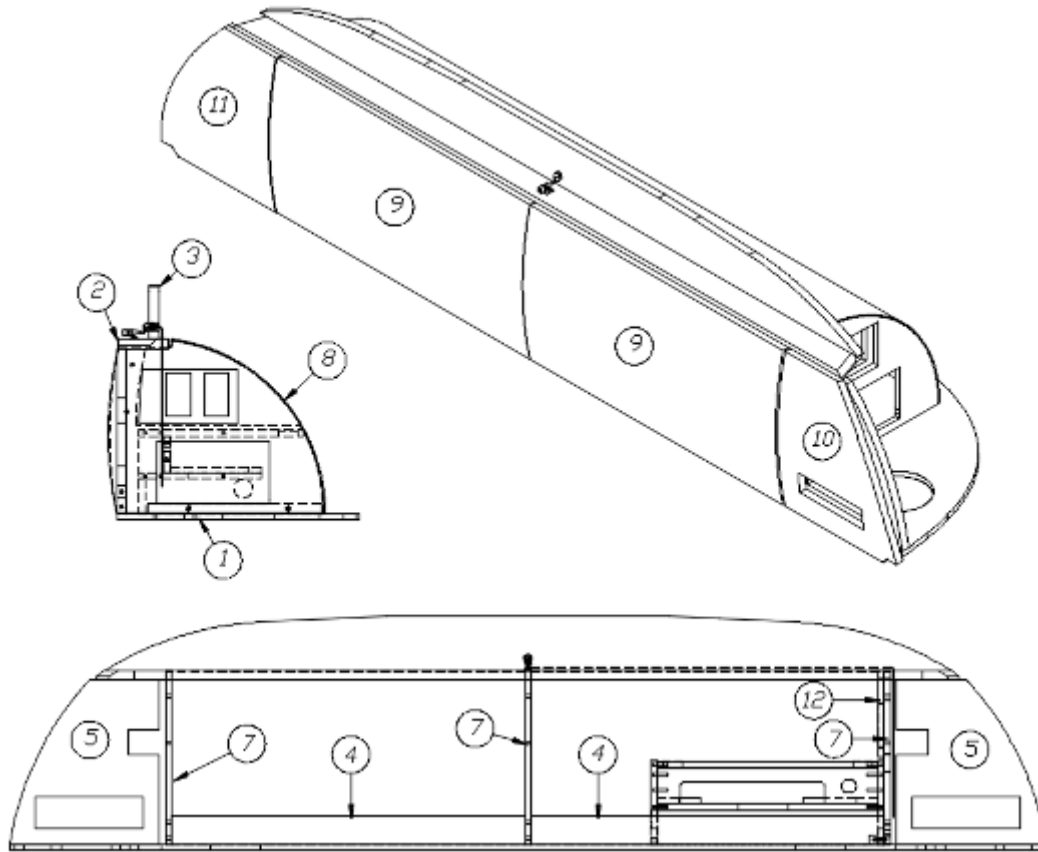
967908

Sofa

- |               |                                 |
|---------------|---------------------------------|
| 1. 967913     | Sofa sub assembly               |
| 2. 967908-2   | Panel, 72 x 26.25               |
| 3. 967908-3   | Panel, 26.81 x 6                |
| 4. 967908-4   | Panel, 35.13 x 13               |
| 5. 967908-5   | Panel, 27.1 x 13.5              |
| 6. 967908-6   | Panel, 14.13 x 19.25            |
| 7. 967908-7   | Panel, 14.13 x 19.25            |
| 8. 967908-8   | Panel, 11 x 35.5                |
| 9. 967908-9   | Panel, 14.13 x 25               |
| 10. 967908-10 | Panel, 2.25 x 70.5              |
| 11. 967908-11 | Panel, 2.25 x 34.5              |
| 12. 967908-20 | Panel, 2.25 x 34.5              |
| 13. 967908-21 | Panel, 28.81 x 2.25             |
| 14. 967908-22 | Panel, 14.13 x 19.25            |
| 15. 967908-24 | Panel, 10.75 x 6.5              |
| 386304-02     | Edgebanding, .94", Landmark     |
| 386304-01     | Edgebanding, .63", Landmark     |
| 381228        | Catch, Grabber door (10lb pull) |
| 381228-02     | Catch, Grabber door (5lb pull)  |
| 381775        | Drawer pull, Flush Satin        |
| 381072-01     | Hinge, 3 x 2", Open             |
| 382057        | Knockdown                       |
| 382057-04     | Cap, Knockdown, White           |

# 2019 FLYING CLOUD FURNITURE, LOUNGE

Roof Locker, Front Endliner, 19', 23CB, Landmark

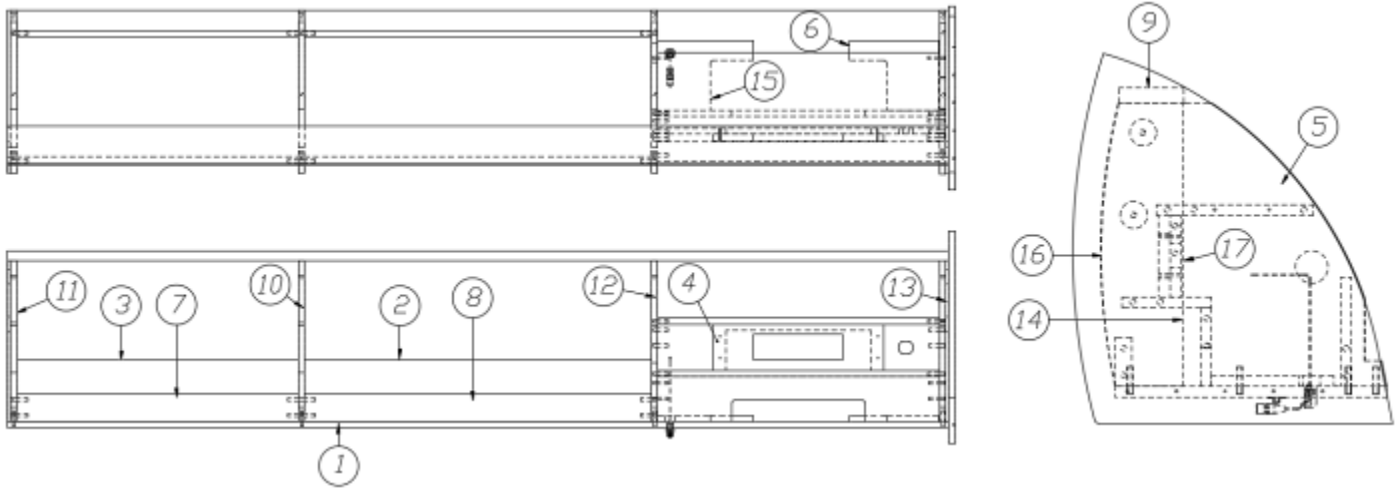


967293-09                      Front Endliner Roof Locker

- |     |             |                                   |
|-----|-------------|-----------------------------------|
| 1.  | 967292-09   | Bottom                            |
| 2.  | 967288-09   | Top                               |
| 3.  | 967289-09   | Header                            |
| 4.  | 967290-09   | Stile                             |
| 5.  | 967283      | Support, 12 x 13.25               |
| 6.  | 967277-03   | Divider w/cut out                 |
| 7.  | 967277-01   | Divider, RH 17.33 x 13.93         |
| 8.  | 967293-099  | Panel, 22 x 58.25                 |
| 9.  | 801786-0936 | Door, 15.25 x 28.75, Landmark     |
| 10. | 801786-0736 | Door, RH, 15.25 x 12.5, Landmark  |
| 11. | 801786-0636 | Door, LH, 15.25 x 12.5 , Landmark |
| 12. | 967277-05   | Divider, Closeout w/Blu-ray       |
|     | 201673-01   | Reverse cove molding, .43", Oak   |
|     | 968344      | Blu-ray shelf                     |
|     | 381840-01   | Hinge, Overhead spring, LH        |
|     | 381840-02   | Hinge, Overhead spring, RH        |
|     | 512577      | Bushing, Strain relief            |

# 2019 FLYING CLOUD FURNITURE, LOUNGE

Roof Locker, Dinette, Audio & Video Upgrade, 20', 23FB, Landmark



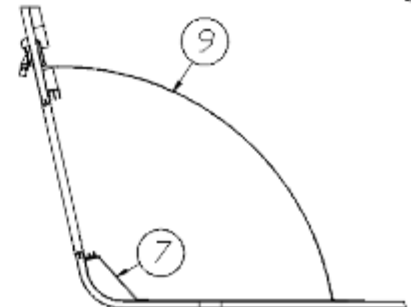
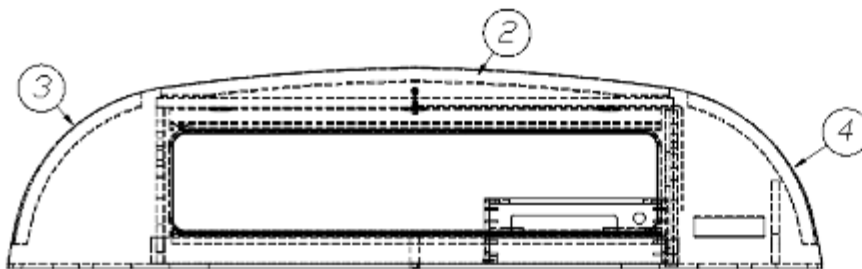
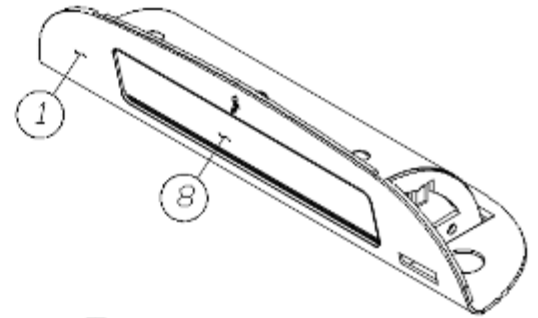
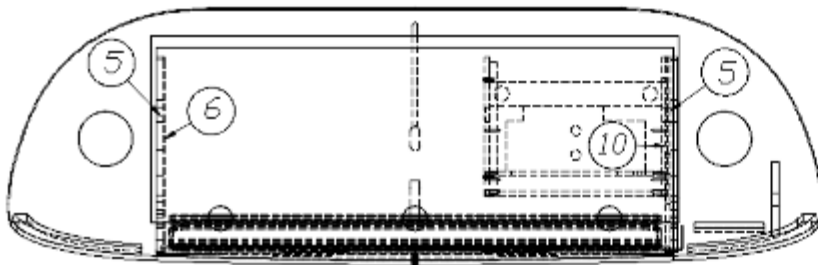
968055  
968055-0109

Dinette Roof Locker w/AV Upgrade, 20'  
Dinette Roof Locker w/AV Upgrade, 23FB

- |                 |                               |
|-----------------|-------------------------------|
| 1. 968055-091   | Panel, 12.3 x 76              |
| 2. 968055-092   | Panel 5 x 28                  |
| 3. 968055-093   | Panel 5 x 22.75               |
| 4. 968055-094   | Panel 13.75 x 3.75            |
| 5. 968055-095   | Panel 7.25 x 22.75            |
| 6. 968055-096   | Panel 5.63 x 7.25             |
| 7. 968055-097   | Panel 2.25 x 22.75            |
| 8. 968055-098   | Panel 2.25 x 28               |
| 9. 968055-099   | Panel 3 x 76                  |
| 10. 968055-0910 | Panel 13.18 x 13              |
| 11. 968055-0911 | Panel 13.18 x 13              |
| 12. 968055-0912 | Panel 13.18 x 13              |
| 13. 968055-0913 | Panel 13.18 x 13              |
| 14. 968055-0925 | Panel 22.75 x 3.62            |
| 15. 968055-0926 | Panel 5.63 x 7.74             |
| 16. 968055-0927 | Panel 4.13 x 22.75            |
| 17. 968055-0928 | Panel 22.75 x 3.75            |
| 965587-01       | End cap, 23FB only            |
| 801786-0436     | Door, 15.25 x 23.13, Landmark |
| 801786-0336     | Door, 15.25 x 28.38, Landmark |
| 381209-01       | Grommet w/cap, Black          |
| 512577          | Bushing, Strain relief, Heyco |

# 2019 FLYING CLOUD FURNITURE, LOUNGE

## Roof Locker, Front, 23CB, Landmark



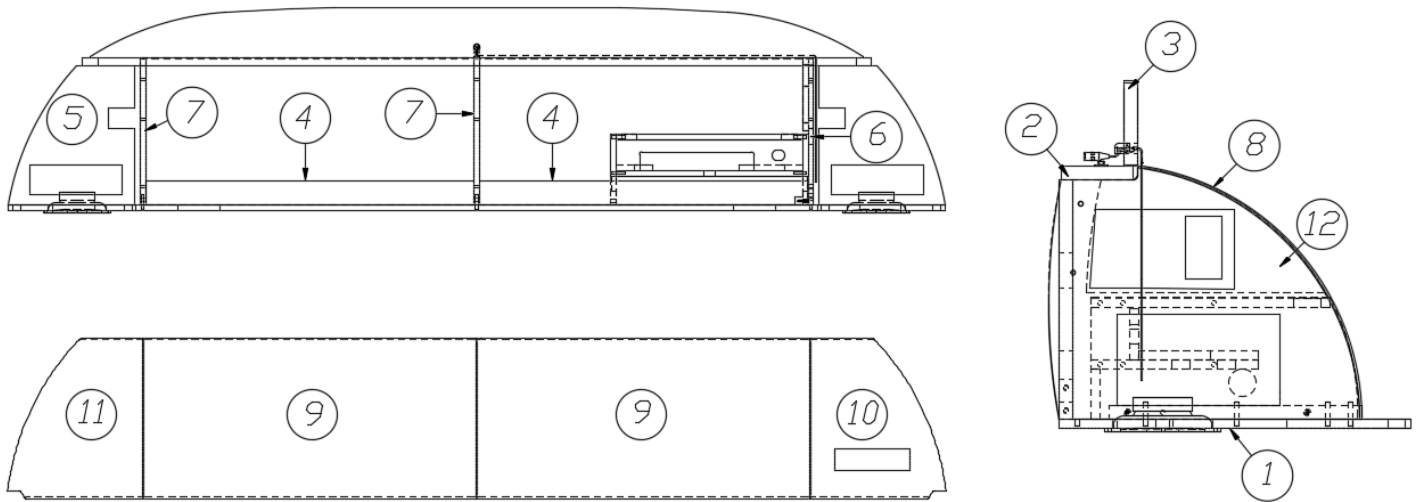
966942

Front Roof Locker

- |                                                                                                                                                                                                                                                              |                                                                                                                                                                                                                                                                                                                                                                                                                                                                                                                           |
|--------------------------------------------------------------------------------------------------------------------------------------------------------------------------------------------------------------------------------------------------------------|---------------------------------------------------------------------------------------------------------------------------------------------------------------------------------------------------------------------------------------------------------------------------------------------------------------------------------------------------------------------------------------------------------------------------------------------------------------------------------------------------------------------------|
| <ul style="list-style-type: none"> <li>1. 801731</li> <li>2. 801596-01</li> <li>3. 801596-02</li> <li>4. 801596-03</li> <li>5. 801594</li> <li>6. 801595</li> <li>7. 115226-01</li> <li>8. 203749-09</li> <li>9. 115264-02</li> <li>10. 801911-02</li> </ul> | <ul style="list-style-type: none"> <li>Face, NB front</li> <li>Backer, Center</li> <li>Backer, LH</li> <li>Backer, RH</li> <li>Divider</li> <li>Divider w/laminate</li> <li>Bracket, Formed</li> <li>Door, Plexiglass, 11.31 x 26.25</li> <li>Pan, Liner locker</li> <li>Divider, Liner w/Blu-ray player</li> <li>Blu-ray shelf</li> <li>Angle, Formed, Track support</li> <li>T-molding, 9/16", Black</li> <li>Track, Sliding door</li> <li>Reverse cove molding, White</li> <li>Universal bushing, 1", Black</li> </ul> |
|--------------------------------------------------------------------------------------------------------------------------------------------------------------------------------------------------------------------------------------------------------------|---------------------------------------------------------------------------------------------------------------------------------------------------------------------------------------------------------------------------------------------------------------------------------------------------------------------------------------------------------------------------------------------------------------------------------------------------------------------------------------------------------------------------|

# 2019 FLYING CLOUD FURNITURE, LOUNGE

Roof Locker, Endliner w/Radio, 25', 26U, 28', 30', Landmark



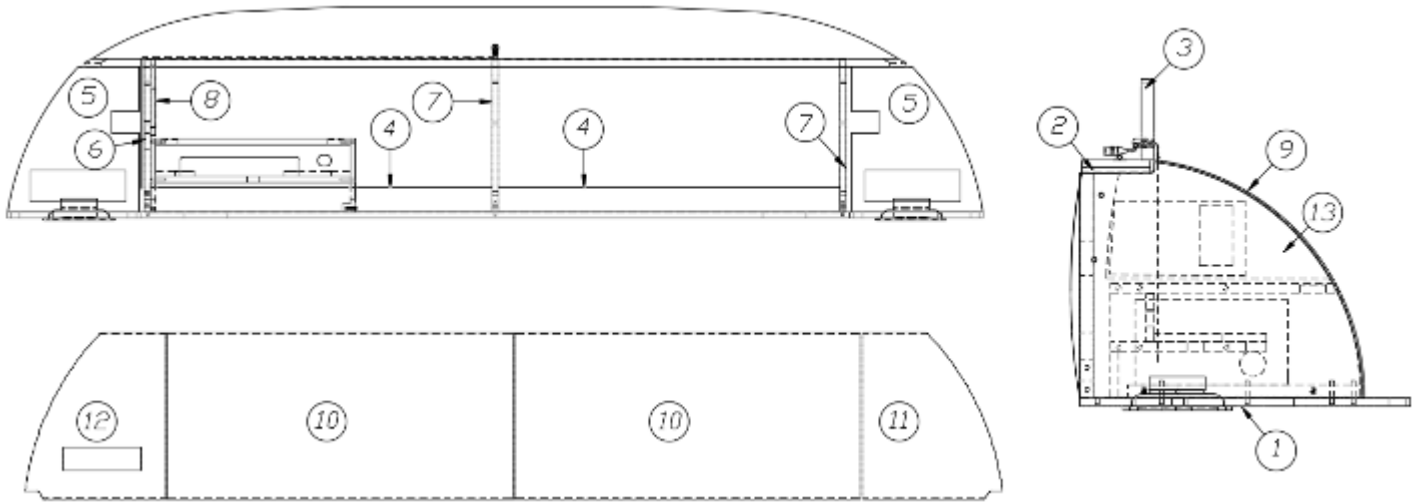
967286-09

RH Roof locker w/Radio

- |                                                                                                                                                                                                                                                                           |                                                                                                                                                                                                                                                                                                                                                                                              |
|---------------------------------------------------------------------------------------------------------------------------------------------------------------------------------------------------------------------------------------------------------------------------|----------------------------------------------------------------------------------------------------------------------------------------------------------------------------------------------------------------------------------------------------------------------------------------------------------------------------------------------------------------------------------------------|
| <p>1. 967278<br/>2. 967280<br/>3. 967281<br/>4. 967282<br/>5. 967283<br/>6. 967277-03<br/>7. 967277-01<br/>8. 967286-099<br/>9. 801786-0236<br/>10. 801786-0736<br/>11. 801786-0636<br/>12. 967277-05<br/>968344<br/>512577<br/>381840-01<br/>381840-02<br/>201673-01</p> | <p>Bottom<br/>Top,<br/>Header<br/>Stile<br/>Support<br/>Divider w/cutout<br/>Divider<br/>Panel, 22 x 64<br/>Door, 15.25 x 31.63, Landmark<br/>Door, RH, 15.25 x 12.5, Landmark<br/>Door, LH, 15.25 x 12.5, Landmark<br/>Divider w/Blu-ray<br/>Blu-ray shelf<br/>Bushing, Strain relief<br/>Hinge, Overhead spring, LH<br/>Hinge, Overhead spring, RH<br/>Reverse cove molding, .43", Oak</p> |
|---------------------------------------------------------------------------------------------------------------------------------------------------------------------------------------------------------------------------------------------------------------------------|----------------------------------------------------------------------------------------------------------------------------------------------------------------------------------------------------------------------------------------------------------------------------------------------------------------------------------------------------------------------------------------------|

# 2019 FLYING CLOUD FURNITURE, LOUNGE

## Roof Locker, Endliner w/Radio, 25FB, 27FB, Landmark



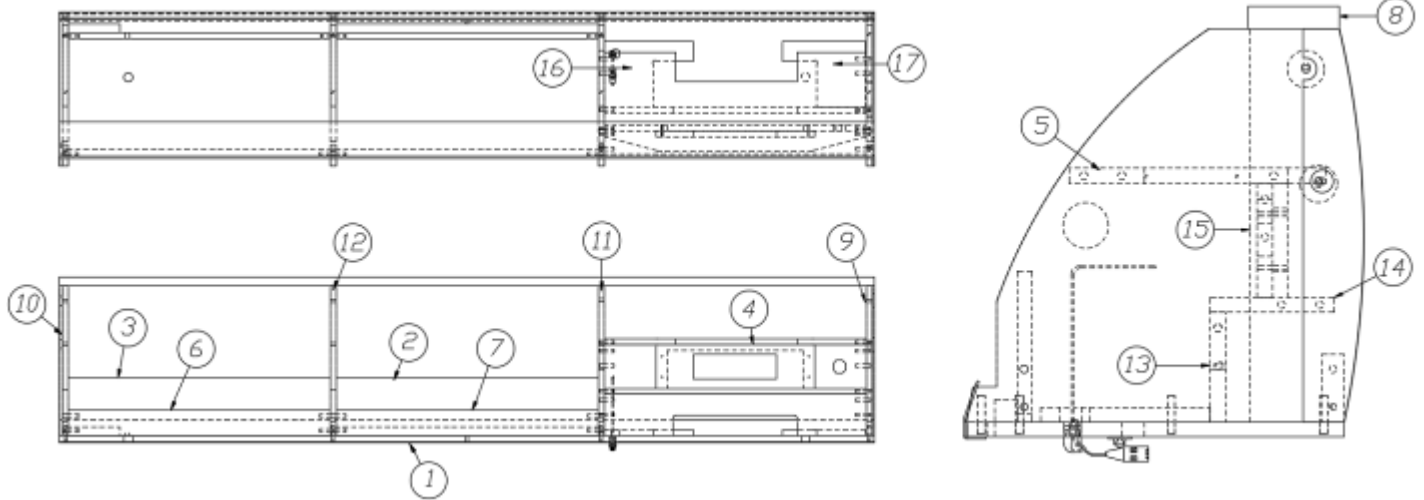
967285-09

Endliner Roof locker w/Radio

- |                 |                                  |
|-----------------|----------------------------------|
| 1. 967278       | Bottom                           |
| 2. 967280       | Top                              |
| 3. 967281       | Header                           |
| 4. 967282       | Stile                            |
| 5. 967283       | Support                          |
| 6. 967277-03    | Divider w/Blu-ray                |
| 7. 967277-01    | Divider                          |
| 8. 967285-098   | Panel, LH w/radio                |
| 9. 967285-099   | Panel, 22 x 64                   |
| 10. 801786-0236 | Door, 15.25 x 31.63, Landmark    |
| 11. 801786-0536 | Door, RH, 15.25 x 12.5, Landmark |
| 12. 801786-0836 | Door, LH, 15.25 x 12.5, Landmark |
| 13. 967277-04   | Divider closeout, LH w/Blu-ray   |
| 968344          | Blu-ray shelf                    |
| 512577          | Bushing, Strain relief           |
| 381840-01       | Hinge, Overhead spring, LH       |
| 381840-02       | Hinge, Overhead spring, RH       |
| 201673-01       | Reverse cove molding, .43", Oak  |
| 382070          | Rubber dots, Black               |

# 2019 FLYING CLOUD FURNITURE, LOUNGE

## Roof Locker, Lounge, 30' Bunk, Landmark



967906

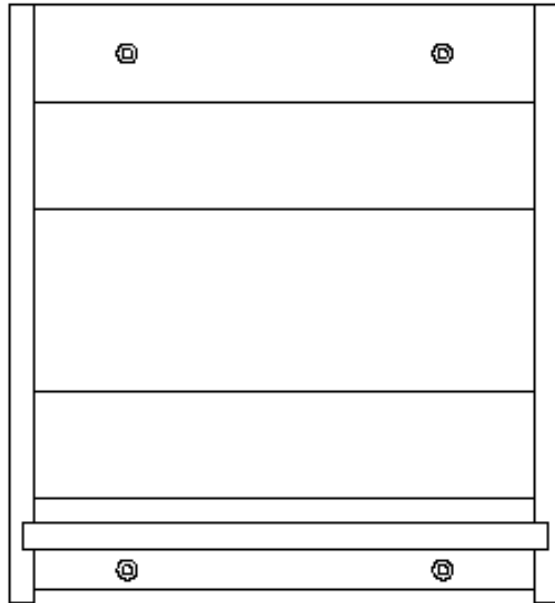
Lounge Roof Locker

- |               |                               |
|---------------|-------------------------------|
| 1. 967906-1   | Panel, 12.5 x 70.75           |
| 2. 967906-2   | Panel, 5 x 22.75              |
| 3. 967906-3   | Panel, 5 x 22.75              |
| 4. 967906-4   | Panel, 3.75 x 13.75           |
| 5. 967906-5   | Panel, 8.5 x 22.75            |
| 6. 967906-7   | Panel, 2.25 x 22.75           |
| 7. 967906-8   | Panel, 2.25 x 22.75           |
| 8. 967906-9   | Panel, 3 x 70.75              |
| 9. 967906-10  | Panel, 13.18 x 13             |
| 10. 967906-11 | Panel, 13.18 x 13             |
| 11. 967906-12 | Panel, 13.18 x 13             |
| 12. 967906-13 | Panel, 13.18 x 13             |
| 13. 967906-26 | Panel, 22.75 x 3.62           |
| 14. 967906-28 | Panel, 7.13 x 22.75           |
| 15. 967906-33 | Panel, 22.75 x 3.75           |
| 16. 967906-38 | Panel, 5.63 x 7.74            |
| 17. 967906-39 | Panel, 5.63 x 7.24            |
| 801786-0436   | Door, 15.25 x 23.13, Landmark |
| 115085        | Aluminum angle                |
| 512577        | Bushing, Strain relief        |
| 381840-01     | Hinge, Overhead spring, LH    |
| 381840-02     | Hinge, Overhead spring, RH    |



2019 FLYING CLOUD  
FURNITURE, LOUNGE

Magazine Rack, 25', 26U, 28', 30', 30' Bunk

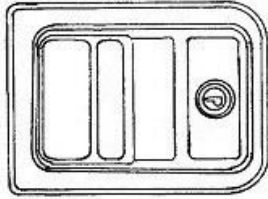


963990-0036

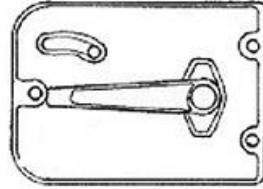
Magazine rack, Landmark

# 2019 FLYING CLOUD HARDWARE

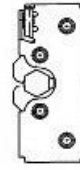
## Main Door Lock, LH Hinge



1



2



3



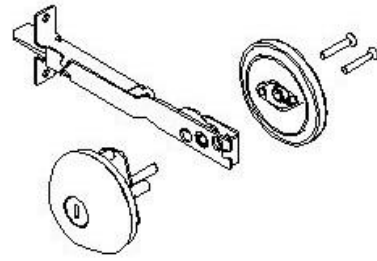
4



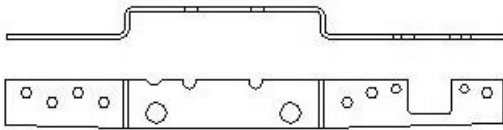
5



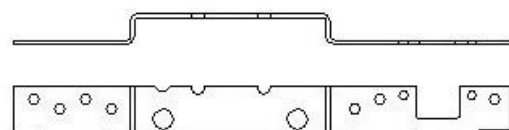
6



7



8

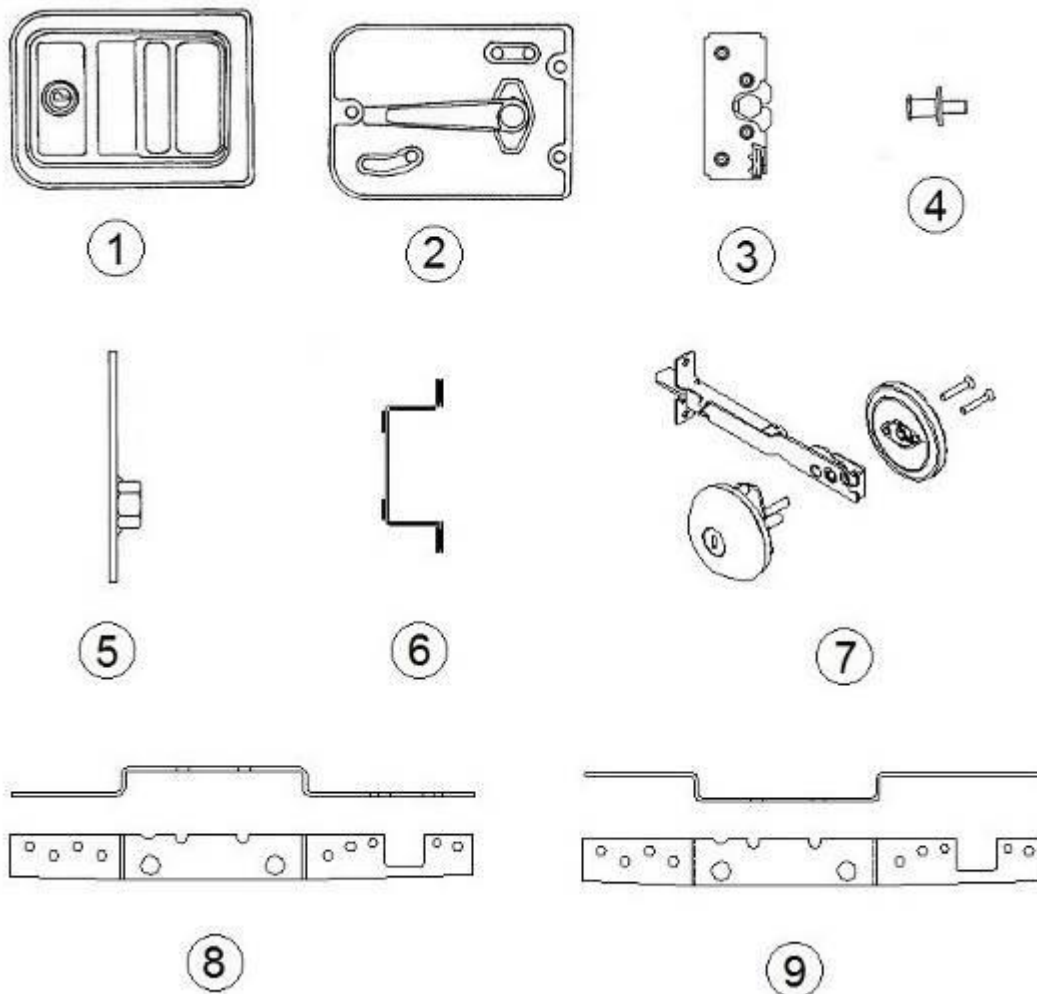


9

- |                                                                                                                                                                                                                           |                                                                                                                                                                                                                                                                                                                                                                                                                                                                                             |
|---------------------------------------------------------------------------------------------------------------------------------------------------------------------------------------------------------------------------|---------------------------------------------------------------------------------------------------------------------------------------------------------------------------------------------------------------------------------------------------------------------------------------------------------------------------------------------------------------------------------------------------------------------------------------------------------------------------------------------|
| <p>1. 381547-01<br/>2. 381547-07<br/>3. 381547-03<br/>4. 381547-04<br/>5. 381550<br/>6. 115413<br/>7. 382069<br/>8. 382067<br/>9. 382066<br/>382069-100<br/>381547-102<br/>381547-08<br/>385595<br/>382122<br/>381901</p> | <p>Main door lock, Outside housing<br/>Main door lock, Inside plate<br/>Double rotary latch, Main door<br/>Striker bolt w/washer, Main door lock<br/>Plate, Striker bolt mounting<br/>Door hat section<br/>Deadbolt, Round, Trimark<br/>Outer reinforcement plate, RH/LH hinged door<br/>Inner reinforcement plate, LH hinged door<br/>Deadbolt key, Blank<br/>Main door key, Blank<br/>Screw package, Main door lock<br/>Pocket strike<br/>Key chain, Airstream logo<br/>Key rack, 25'</p> |
|---------------------------------------------------------------------------------------------------------------------------------------------------------------------------------------------------------------------------|---------------------------------------------------------------------------------------------------------------------------------------------------------------------------------------------------------------------------------------------------------------------------------------------------------------------------------------------------------------------------------------------------------------------------------------------------------------------------------------------|

# 2019 FLYING CLOUD HARDWARE

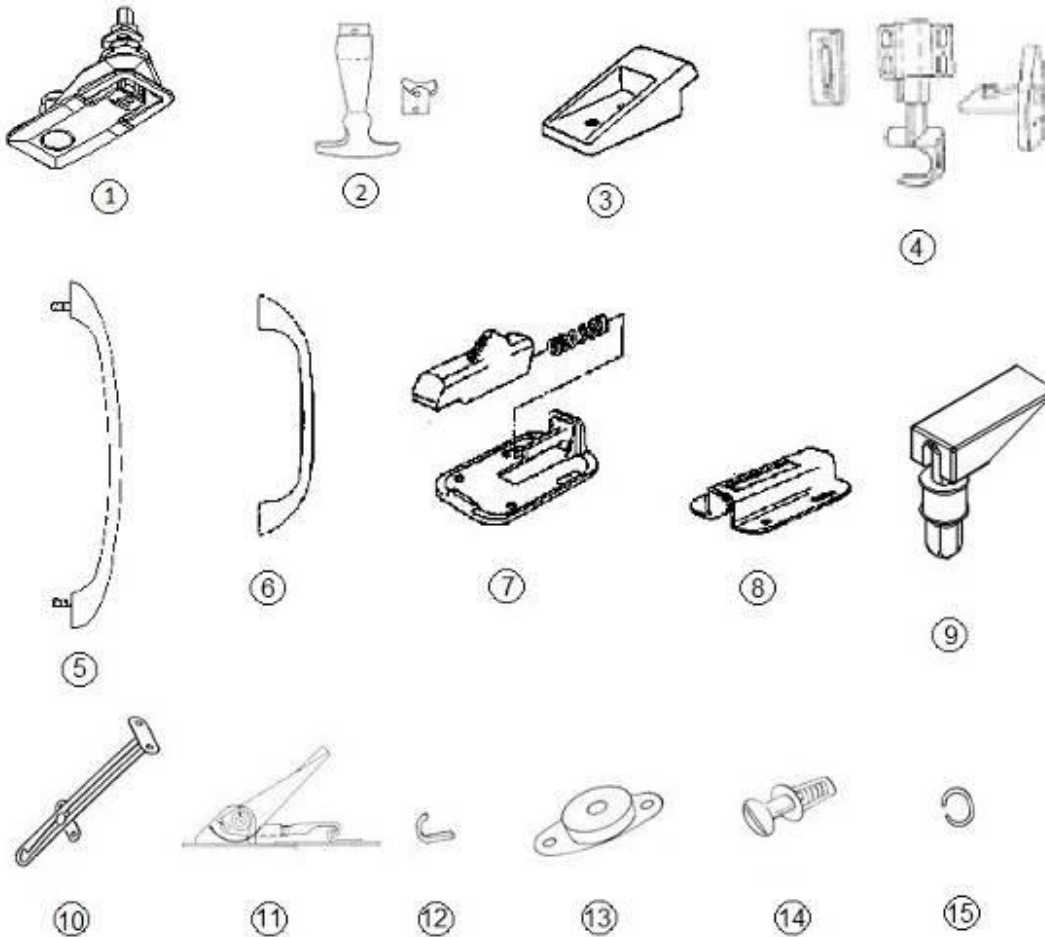
## Main Door Lock, RH Hinge



- |    |            |                                              |
|----|------------|----------------------------------------------|
| 1. | 381547-09  | Main door lock, Outside housing              |
| 2. | 381547-11  | Main door lock, Inside plate                 |
| 3. | 381547-10  | Double rotary latch, Main door lock          |
| 4. | 381547-04  | Striker bolt w/washer, Main door lock        |
| 5. | 381550     | Plate, Striker bolt                          |
| 6. | 115413     | Door hat section                             |
| 7. | 382069     | Deadbolt, Round, Trimark                     |
| 8. | 382067     | Outer reinforcement plate, RH/LH hinged door |
| 9. | 382068     | Inner reinforcement plate, RH hinged door    |
|    | 382069-100 | Deadbolt key, Blank                          |
|    | 381547-102 | Main door key, Blank                         |
|    | 381547-08  | Screw package, Main door lock                |
|    | 385595     | Pocket strike                                |
|    | 382122     | Key chain, Airstream logo                    |
|    | 381901     | Key rack, 25', 25FB                          |

# 2019 FLYING CLOUD HARDWARE

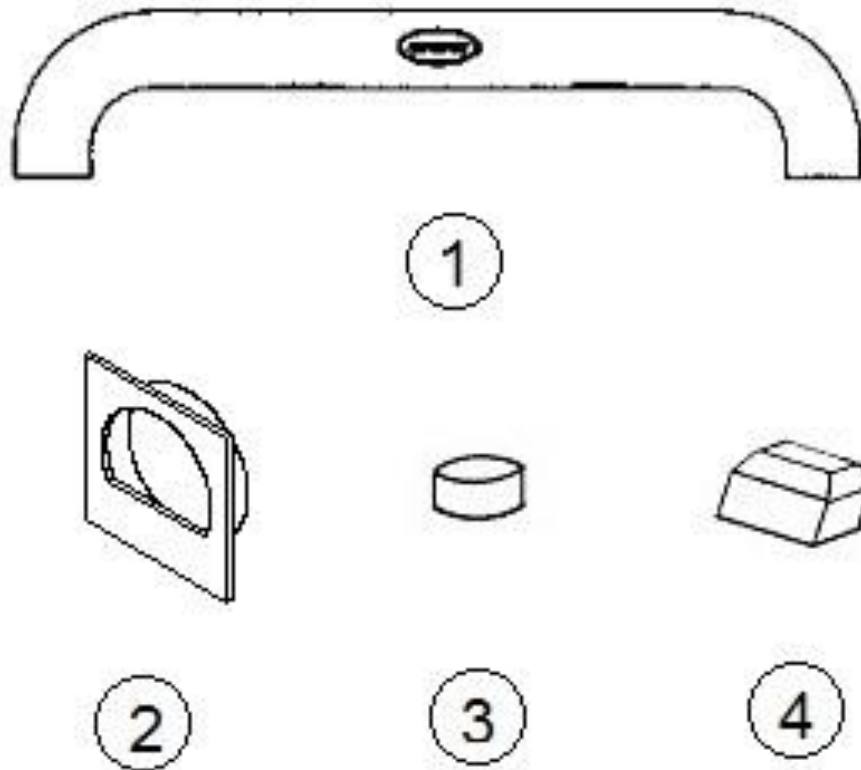
## Exterior Latches, Locks, and Handles



- |               |                                            |
|---------------|--------------------------------------------|
| 1. 382230-02  | Compression latch w/key code               |
| 2. 381021-01  | T-handle, Rubber                           |
| 3. 201056     | Catch, Main door hold-back                 |
| 4. 381454     | Latch, Screen door, Bullet                 |
| 5. 101171     | Grab handle                                |
| 6. 380004     | Handle, Screen door                        |
| 7. 380291     | Main door hold-back                        |
| 8. 380290     | Latch housing                              |
| 9. 382456     | Swell latch                                |
| 10. 380024    | Support arm, Bumper lid                    |
| 11. 382603    | Latch, Interior                            |
| 12. 382603-01 | Keeper, Latch                              |
| 13. 685359    | Rubber receptacle, 1/4 turn latch, Southco |
| 14. 685358    | Stud, 1/4 turn latch, Southco              |
| 15. 685362    | Retaining ring, 1/4 turn stud              |
| 382074        | Gasket, Main door grab handle              |

# 2019 FLYING CLOUD HARDWARE

## Head knocker, Drawer Pull, and Rubber Bumpers



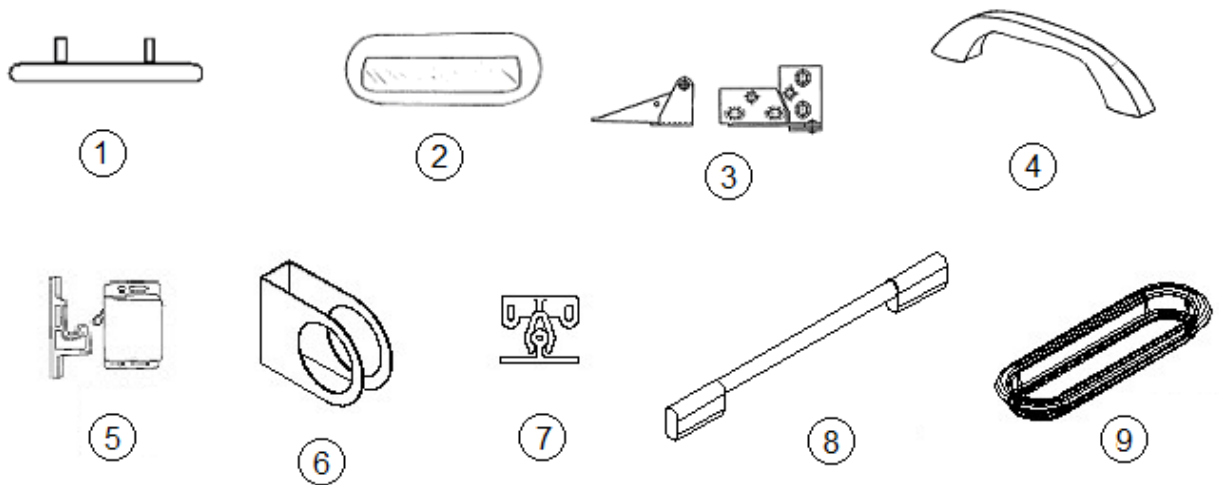
- 1. 382194 Head knocker, White
- 2. 382026 Finger pull, Recessed, Stainless Steel
- 3. 360012 Rubber bumper, White  
360012-01 Rubber bumper, Brown
- 4. 360016 Rubber bump-on, Square, Gray  
381610-01 Cover cap, Plastic, European White  
381610-03 Cover cap, Plastic, European Pine  
381610-04 Cover cap, Plastic, Black

## Exterior Hinges

- 381552-03 Hinge, Main door, Upper
- 381552-04 Hinge, Main door, Lower
- 381531-01 Hinge, Screen door, Upper
- 381531-02 Hinge, Screen door, Lower
- 380988 Hinge, Continuous
- 380773 Hinge, Access door
- 380203-01 Piano hinge
- 380203-02 Piano hinge, Black

# 2019 FLYING CLOUD HARDWARE

## Interior Latches and Handles



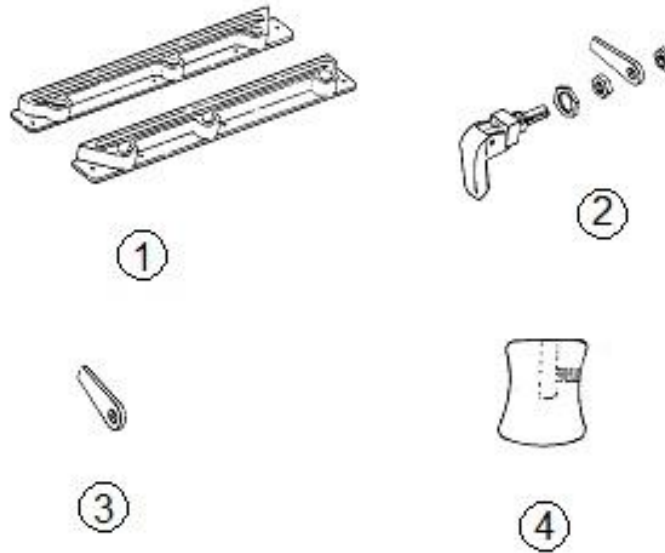
- |              |                                       |
|--------------|---------------------------------------|
| 1. 382044    | Handle, Drawer/door, Chrome           |
| 2. 381775    | Pull handle, Chrome                   |
| 3. 382159    | Pivot hinge, Nickel                   |
| 4. 381737-02 | Grab bar, Interior, Black             |
| 5. 381228    | Catch, Grabber door, 10lb             |
| 381228-02    | Catch, Grabber door, 5LB              |
| 6. 454320    | Door handle cover                     |
| 7. 381948    | K-catch                               |
| 8. 382029-00 | Handle, Chrome                        |
| 9. 382030    | Pull, Recessed finger                 |
| 381607-04    | Hinge screw                           |
| 381771       | Latch, Lever lockset, Privacy         |
| 382034       | Latch, Flush mount, Corner bath doors |
| 385940-02    | Mirror pull, Chrome                   |

## Interior Hinges

- |           |                                      |
|-----------|--------------------------------------|
| 380458    | Piano hinge, Brown                   |
| 382159    | Pivot hinge, Nickel                  |
| 381840-01 | Hinge, Overhead spring, LH           |
| 381840-02 | Hinge, Overhead spring, RH           |
| 381072-01 | Hinge, 3 x 2", Open                  |
| 381847-01 | Piano hinge, Angle, 46"              |
| 381951    | Hinge, Formed, .5"                   |
| 381479-02 | Cabinet hinge, 2" x 1.38", Brass     |
| 381607-10 | Hinge, Self-close, 110° half overlay |
| 381607-11 | Hinge, Self-close, 110° overlay      |
| 381607-12 | Baseplate, Grass                     |

# 2019 FLYING CLOUD HARDWARE

## Window Hardware



- |              |                                 |
|--------------|---------------------------------|
| 1. 382360    | Window guide, RH                |
| 382359       | Window guide, LH                |
| 2. 382367-01 | Lower window latch, Chrome      |
| 195467-05    | Lower window latch, Red         |
| 3. 115776    | Lock paw, Window latch assembly |
| 4. 380230-03 | Knob, Window arm, Silver        |
| 380230-04    | Knob, Window arm, Red           |
| 1101-0011    | Bracket, LH window striker      |
| 1101-0012    | Bracket, RH window striker      |
| 382116-03    | Cap-Screw Rubber 5/32 X .5'     |

## Roof Locker Mounting Supports

- |           |                                      |
|-----------|--------------------------------------|
| 115448-01 | Roof locker mounting support, 22.50" |
| 115448-02 | Roof locker mounting support, 27.75" |
| 115448-03 | Roof locker mounting support, 29.75" |
| 115448-04 | Roof locker mounting support, 40.38" |

## Wrap Protector Holdback Latches

- |           |                                      |
|-----------|--------------------------------------|
| 114819-01 | Wrap protector hold back, 1.62"      |
| 114819-02 | Wrap protector hold back, 2.5"       |
| 114819-03 | Wrap protector hold back, 5"         |
| 382230-02 | Compression latch w/key code         |
| 382230-01 | Gasket, Compression Latch            |
| 345511    | Screw, Flange HD vibration resistant |

# 2019 FLYING CLOUD HARDWARE

## Bathroom Accessories

381299	Recessed toilet paper holder
380034	Toilet paper holder, Chrome
382551	Towel ring
382550	Towel bar
601829	Trim kit, Shower, Chateau, Chrome
601358	Shower hardware, Chrome
600594	Strainer w/white rubber stopper

## Clothes Line

382063	Retractable clothesline
--------	-------------------------

## Wardrobe Clothes Rod

380045	Clothes rod
200975-04	Conduit, Flexible, Black
380046	Flange, Chrome

## Sewer Hose

340084-52	Clamp, Sewer hose
195329-240	Sewer hose adapter, Elbow

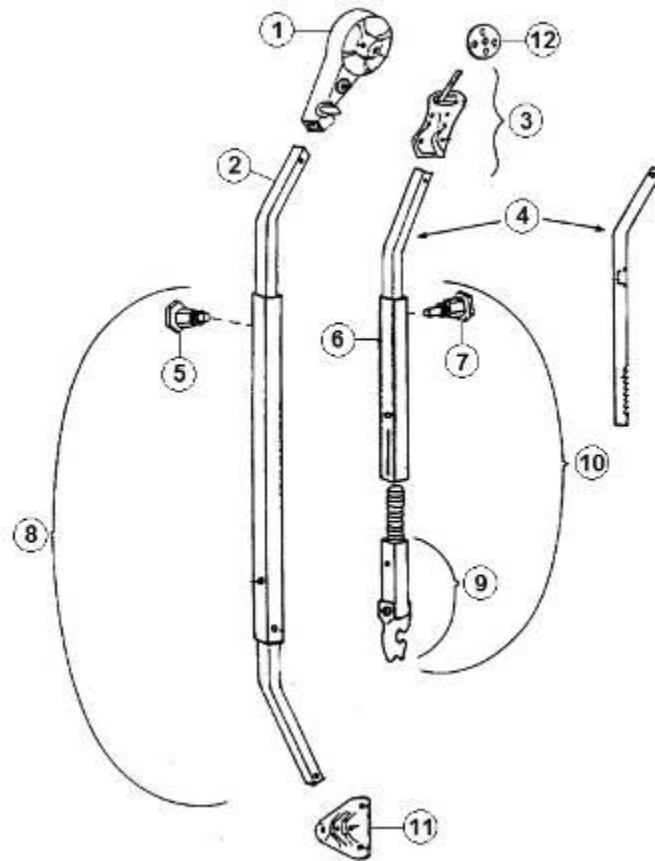
## Bed Gas Spring

381067-09	Gas spring, 90 LBS
382463	Bracket, Upper
382462	Bracket, Lower
381084	Ball, Stud



# 2019 FLYING CLOUD HARDWARE

## Awning Hardware



702993

### Awning Hardware

- |                |                             |
|----------------|-----------------------------|
| 1. 74043W-06   | Front head                  |
| 74043W-07      | Rear head                   |
| 2. 74047W-11   | Front main arm bar          |
| 74047W-12      | Rear main arm bar           |
| 3. 74056W      | Clamp, Front, Curved        |
| 74056W-01      | Clamp, Rear, Curved         |
| 4. 74061WS-08  | Rafter arm bar, Satin       |
| 5. 74054W      | Snap stud                   |
| 6. 74063W-04   | Rafter arm tube, Satin      |
| 7. 74072W      | Ratchet stud                |
| 8. 74048WS-15  | Front main arm tube         |
| 74048WS-16     | Rear main arm tube          |
| 9. 74068W-04   | Claw bar                    |
| 10. 74048WS-17 | Rafter arm                  |
| 11. 74055W     | Base hinge, Rib mount       |
| 12. 74060W     | Clamp wheel                 |
| 74041W-01      | Zip Dee hook, Pull rod, 52" |

## 2019 FLYING CLOUD HARDWARE

### Rivets

325000	Rivet, 1/8 x 1/4, Solid Braizer head
325000-01	Rivet, 1/8 x 1/4, Anodized Clear
325002-01	Rivet, 1/8 x 3/8, Anodized Clear
325002-03	Rivet, 1/8 x 3/8, Polar White
325003	Rivet, 1/8 x 7/16, Solid Braizer head
325003-01	Rivet, 1/8 x 7/16, Anodized Clear
325003-03	Rivet, 1/8 x 7/16, Polar White
325004-01	Rivet, 1/8 x 1/2, Anodized Clear
325043	Rivet, 1/8 x 1/4 length (hard)
325103-01	Rivet, Pop, 3/16, Anodized Clear
330016-08	Rivet, Pop, Closed end, Sealing
330038	Rivet, Blind, AD54ABS-LF
330152	Rivet, 1/8, Aluminum w/Steel mandrel
330155	Rivet, .125, Aluminum w/Stainless Steel mandrel
330127-03	Rivet, 1/8, AD43ABS
330127-05	Rivet, 1/8, AD45ABS
330127-08	Rivet, 1/8, AD48ABS
330126-02	Rivet, Pop, SSD43SSBS
330126-03	Rivet, Pop, SSD44SSBS
330126-04	Rivet, Pop, SSD45SSBS
330128-05	Rivet, 1/8, AD45ABS
330128-08	Rivet, 1/8, AD48ABS

### Screws

345582	Screw, M4 x 14, PH, SS, TV bracket
345468-01	Screw, #12 x .625, PH, Black, TV bracket
320177	Screw, #8 x 1, Hex washer head, TV bracket
320116-06	Screw, #8 x 1, PH, Black
345558	Screw, #8-32 x .5, PH, Black, Windows
345511	Screw, M5 x 20mm, Flange HD, Vibration resistant
345473	Screw, #6 x .75, Self-drilling, Taillights
345073-08	Screw, .25-20 x 1.375, Phil, Wafer HD, Floor
320159	Screw, M6 x 45mm, Self-drilling w/wings, Floor
345326-06	Screw, Tapping, #10 SST. PPH. 1.25", Awning hardware
345084	Screw, .25-14 x 1 thread cutting, solar panel install
381607-04	Screw, Hinge

# 2019 FLYING CLOUD SAFETY EQUIPMENT

## Detectors and Fire Extinguishers

510781	Smoke detector
512539-01	LP detector, Black
512783	Carbon Monoxide detector
600162-01	Fire extinguisher
600162-02	Fire extinguisher, CSA

## 2019 FLYING CLOUD LABELS AND TAGS

### Labels and Tags, USA

386119	Label, "Don't Use Area for Storage"
385068	Tag, cooking appliance warning
386118	Label, LP gas tri-warning label
385517	Label, kill switch warning
385521	Label, emergency egress window
386122	Label, "Comfort Heating"
386121	Label, "If you smell gas"
385465	Exit label, English
385560	Label, air conditioner rating
385812	Label, Calif. hazardous substance
386120	Label, smoke detector
385837	Label, refrigeration ignition
386012	Label warning, water heater
386123	Label, "Potable water only"
386192	Hang tag, Smoke/CO detector battery
386193	Label, wheel torque warning
386098	Label, fuse 12 volt
386142	Label, Check wheel lug
386114	Label, RVIA Silver
385418-01	Label, Federal registration
385062	Decal, 110-125 voltage AC
385565	Label, holding tank flushing
386263	Hang Tag, Coach-Net Roadside Assistance
385101	Tag, aux. tank dump valve handle
385099	Tag, main tank dump valve handle
386019	Label, 1 amp fuse max.
385020	Sticker, self-adhering, jack
386159	Label, flat screen TV
386250	Label, LPG Service Port
386257	Label, Cable & Satellite Inlet
386260	Quick Operating Tips, A/V
386081	Label, Max Weight
386301	Warning label, Window Glass
386302	Label, Cooktop
386303	Warning label, Surface Cleaning
365477	Decal - Black Tank Flush
365478	Decal-City Water Inlet

## 2019 FLYING CLOUD LABELS AND TAGS

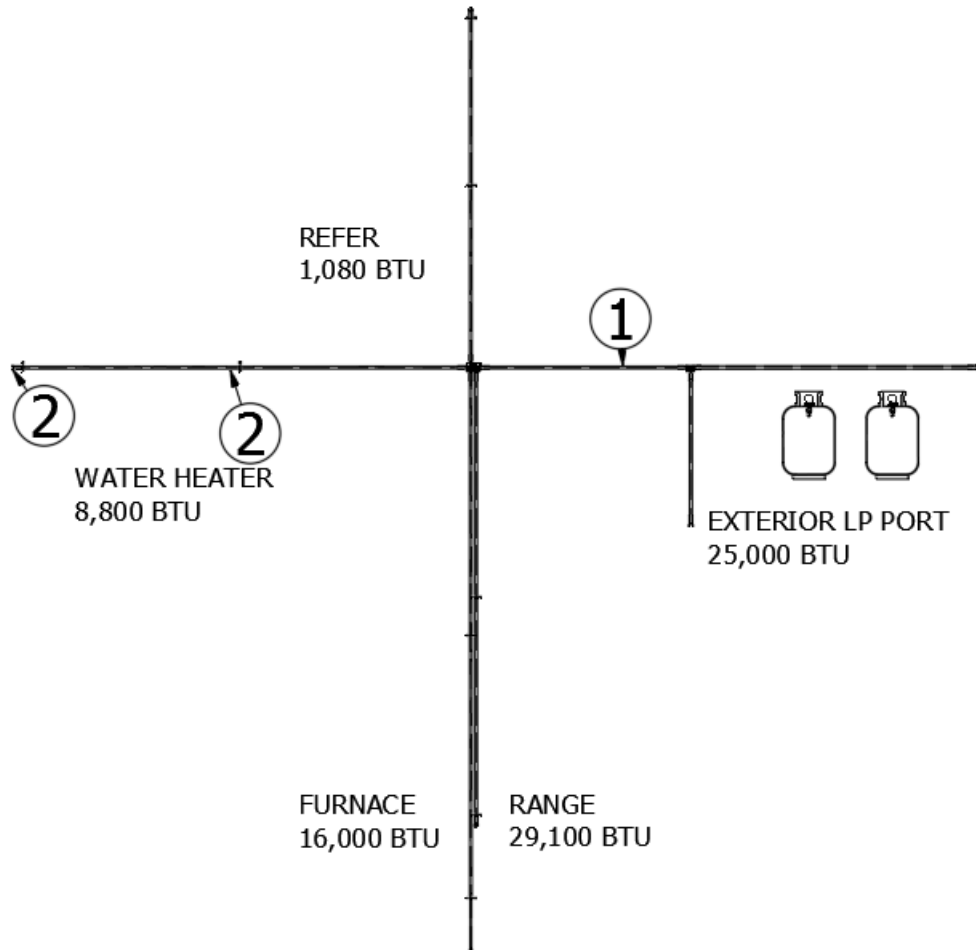
### Labels and Tags, CSA

385949	Label, "Potable water"
385950	Label, "Smoke detector"
385951	Label, "Range fresh air"
385952	Label, "LP Warning"
385953	Label, "If you smell gas"
385954	Label, "Range warning"
385466	Label, Exit (French)
386105	Label, TV/VCR Receptacle
385971	Label, fuse, exterior light
365477	Decal - Black Tank Flush
365478	Decal-City Water Inlet



# 2019 FLYING CLOUD PLUMBING, LPG SYSTEM

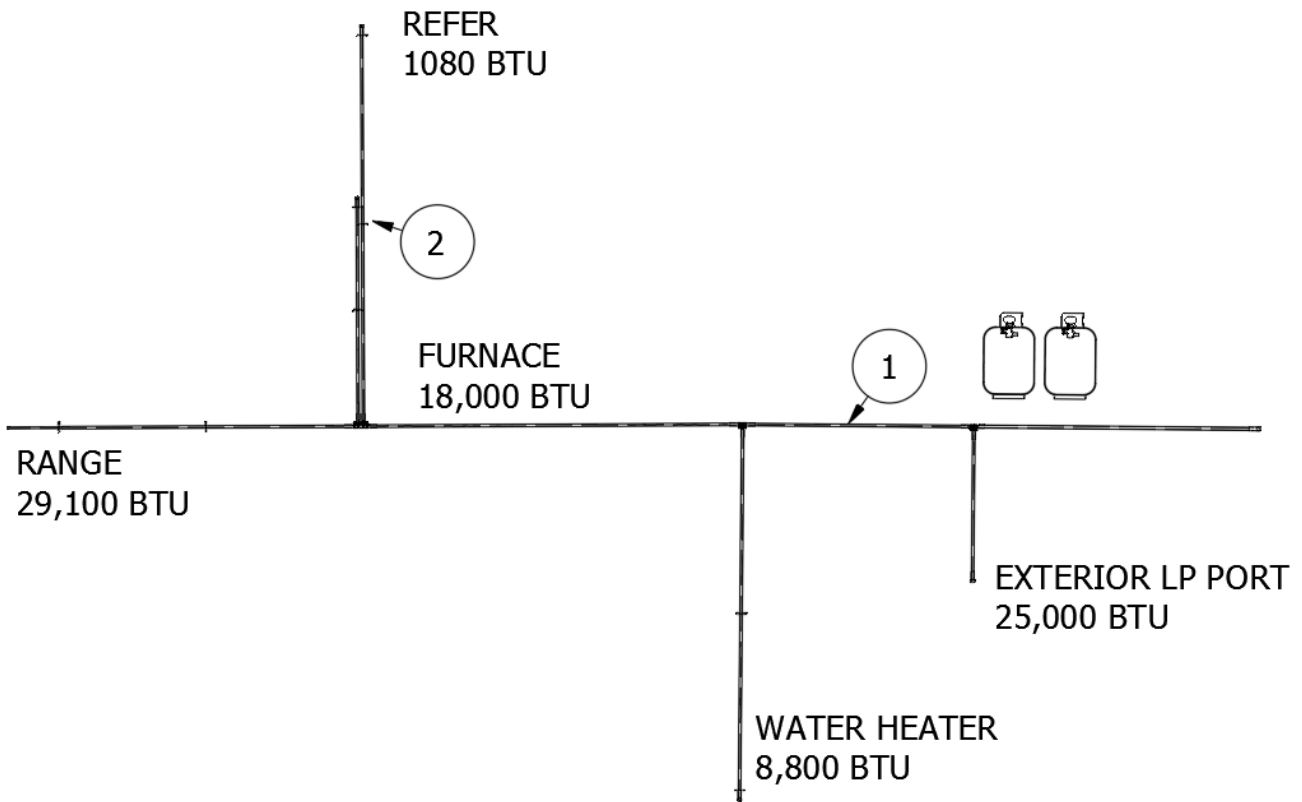
LPG System, 19'



- |                                                                                                                                   |                                                                                                                                                                                                                                            |
|-----------------------------------------------------------------------------------------------------------------------------------|--------------------------------------------------------------------------------------------------------------------------------------------------------------------------------------------------------------------------------------------|
| <p>943843-01</p> <p>1. 943843</p> <p>382160</p> <p>2. 382556</p> <p>112038-04</p> <p>602332-09</p> <p>601710-01</p> <p>921246</p> | <p>LP Flex Line Assembly</p> <p>LP Flex Line Assembly</p> <p>Grommet, Rubber</p> <p>LP Closeout</p> <p>Install LP Regulator</p> <p>Cavanaugh gas regulator w/two 11" pigtails</p> <p>LP cylinder, Steel 30#</p> <p>LP Bottle Cover 30#</p> |
|-----------------------------------------------------------------------------------------------------------------------------------|--------------------------------------------------------------------------------------------------------------------------------------------------------------------------------------------------------------------------------------------|

# 2019 FLYING CLOUD PLUMBING, LPG SYSTEM

LPG System, 20'

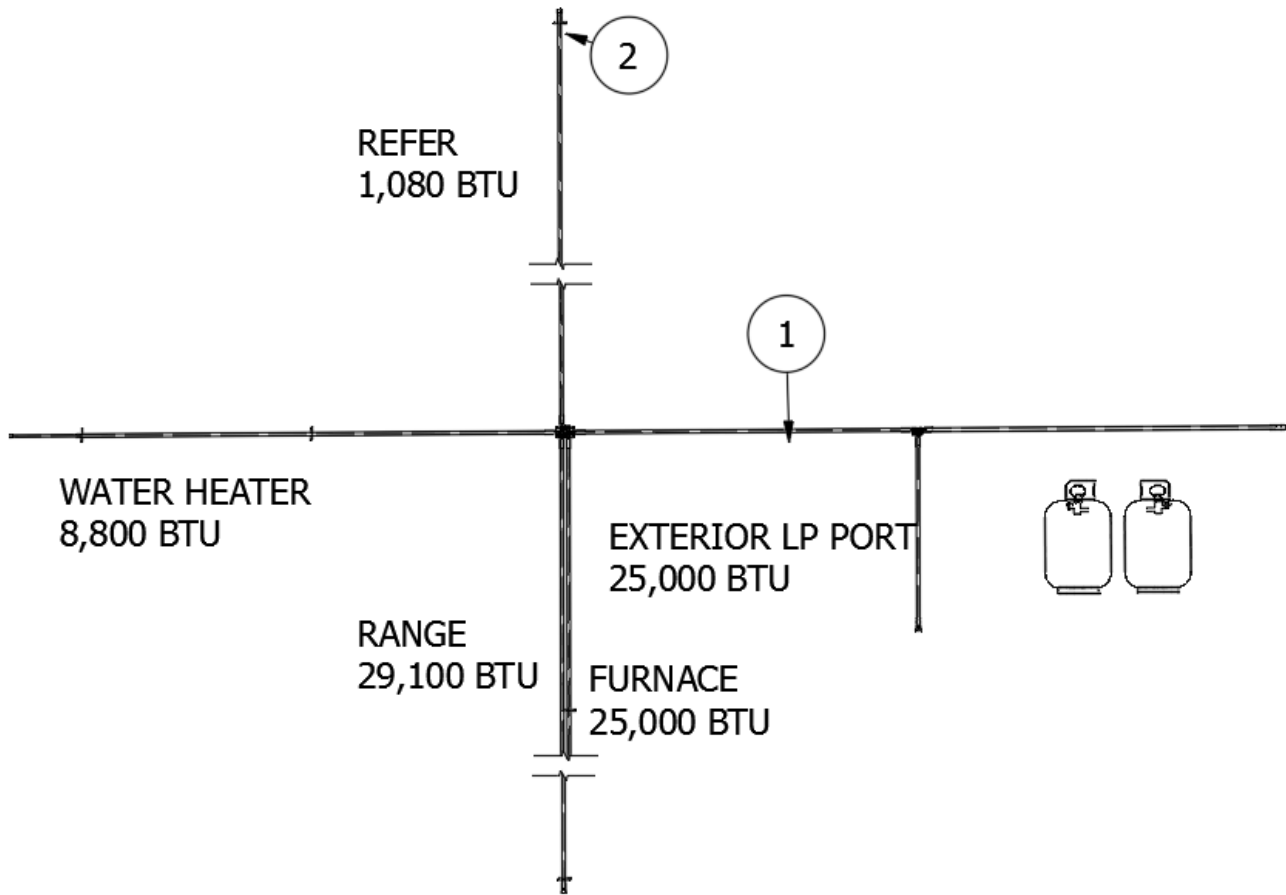


- |                                                                                                                                   |                                                                                                                                                                                                                                            |
|-----------------------------------------------------------------------------------------------------------------------------------|--------------------------------------------------------------------------------------------------------------------------------------------------------------------------------------------------------------------------------------------|
| <p>943844-01</p> <p>1. 943844</p> <p>382160</p> <p>2. 382556</p> <p>112038-04</p> <p>602332-09</p> <p>601710-01</p> <p>921246</p> | <p>LP Flex Line Assembly</p> <p>LP Flex Line Assembly</p> <p>Grommet, Rubber</p> <p>LP Closeout</p> <p>Install LP Regulator</p> <p>Cavanaugh gas regulator w/two 11" pigtails</p> <p>LP cylinder, Steel 30#</p> <p>LP Bottle Cover 30#</p> |
|-----------------------------------------------------------------------------------------------------------------------------------|--------------------------------------------------------------------------------------------------------------------------------------------------------------------------------------------------------------------------------------------|



# 2019 FLYING CLOUD PLUMBING, LPG SYSTEM

LPG System, 23CB

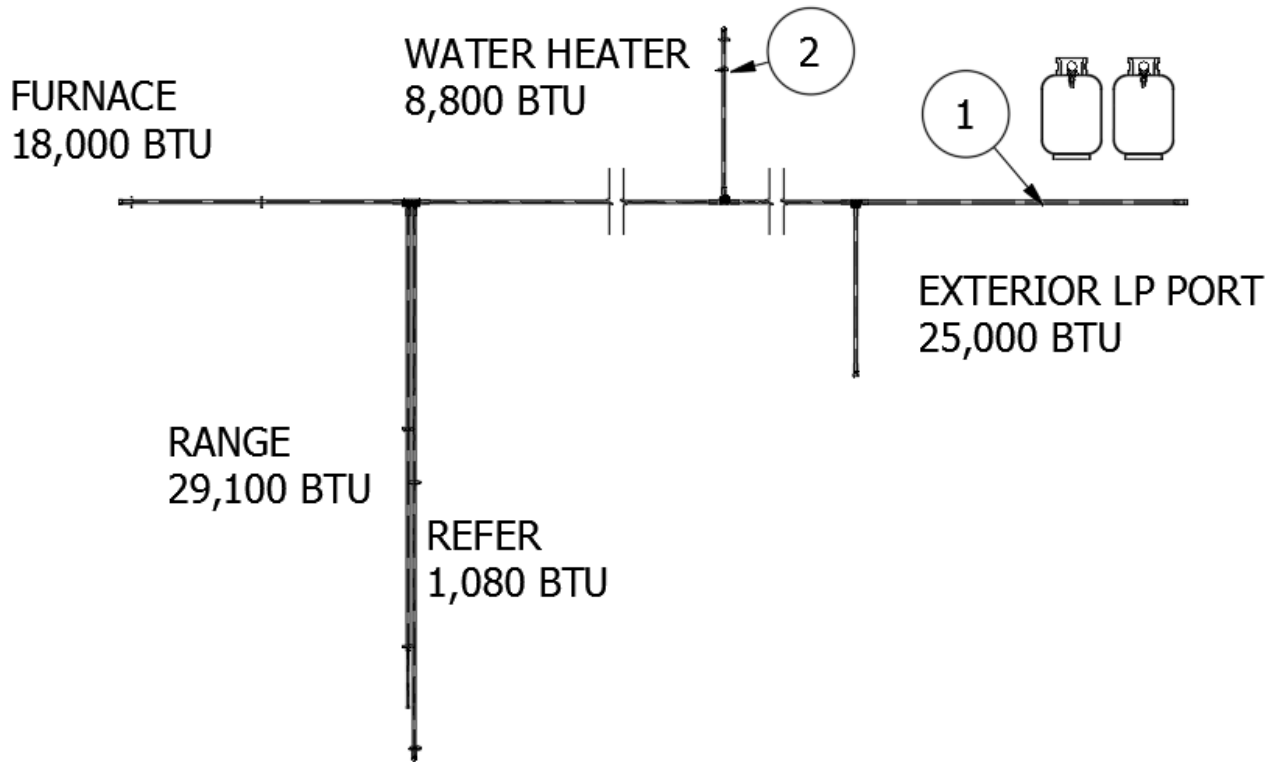


943845-01      LPG Flex Line Assembly

- |                                                                                                               |                                                                                                                                                                                                                                              |
|---------------------------------------------------------------------------------------------------------------|----------------------------------------------------------------------------------------------------------------------------------------------------------------------------------------------------------------------------------------------|
| <p>1. 943845<br/>382160</p> <p>2. 382556</p> <p>112038-04</p> <p>602332-09</p> <p>601710-01</p> <p>921246</p> | <p>LPG Flex Line Assembly</p> <p>LPG Flex Line Assembly</p> <p>Grommet, Rubber</p> <p>LP Closeout</p> <p>Install LP Regulator</p> <p>Cavanaugh gas regulator w/two 11" pigtails</p> <p>LP cylinder, Steel 30#</p> <p>LP Bottle Cover 30#</p> |
|---------------------------------------------------------------------------------------------------------------|----------------------------------------------------------------------------------------------------------------------------------------------------------------------------------------------------------------------------------------------|

# 2019 FLYING CLOUD PLUMBING, LPG SYSTEM

LPG System, 23FB



943846-01

LPG Flex Line Assembly

1. 943846

382160

LPG Flex Line Assembly

Grommet, Rubber

2. 382556

112038-04

602332-09

601710-01

921246

LP Closeout

Install LP Regulator

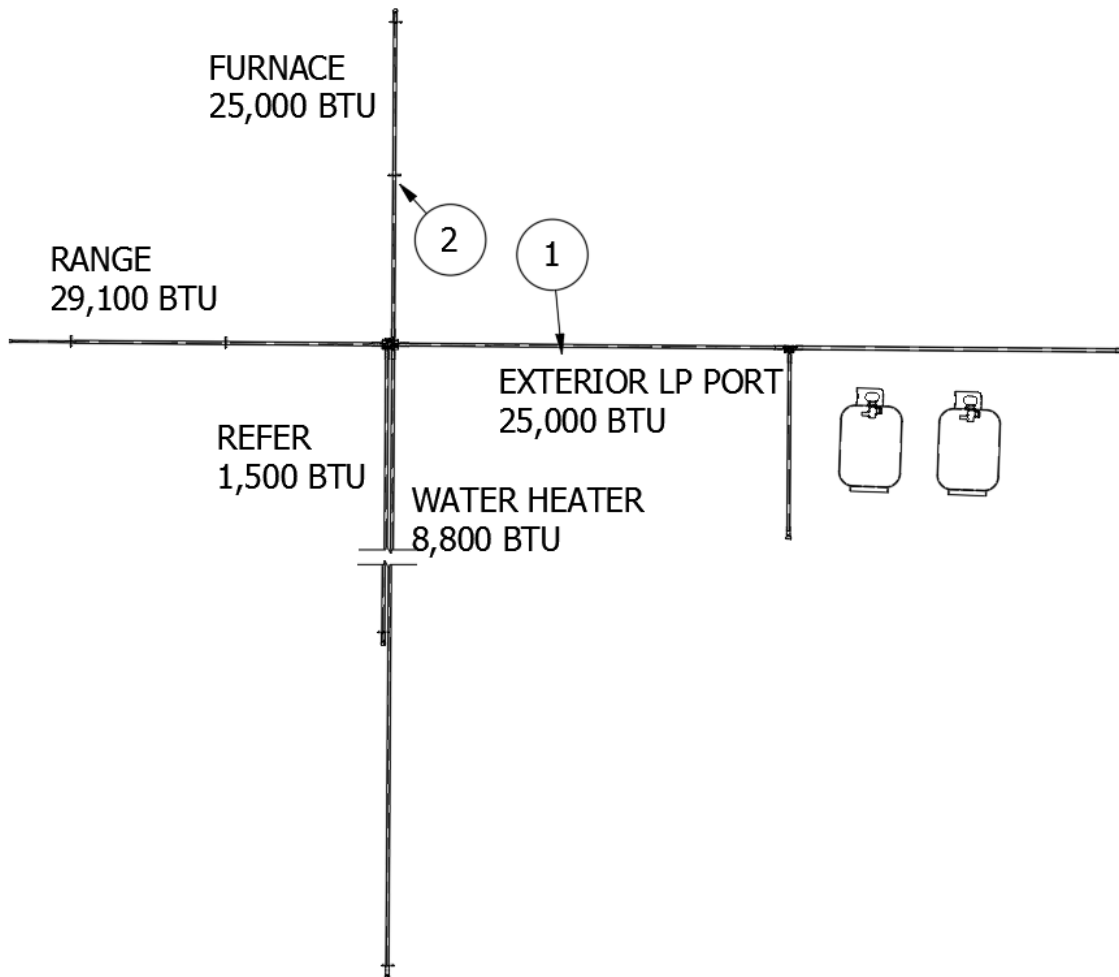
Cavanaugh gas regulator w/two 11" pigtails

LP cylinder, Steel 30#

LP Bottle Cover 30#

# 2019 FLYING CLOUD PLUMBING, LPG SYSTEM

LPG System, 25'

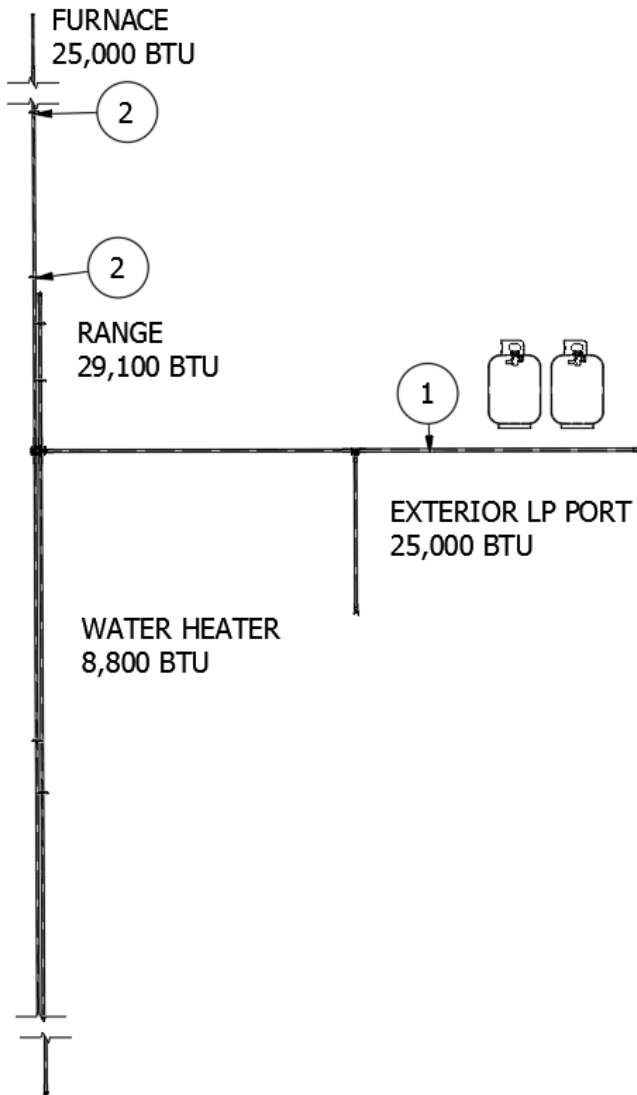


943847-01            LPG Flex Line Assembly

- 1. 943847            LPG Flex Line Assembly
- 382160            Grommet, Rubber
- 2. 382556            LP Closeout
- 112038-04        Install LP Regulator
- 602332-09        Cavanaugh gas regulator w/two 11" pigtails
- 601710-01        LP cylinder, Steel 30#
- 921246            LP Bottle Cover 30#

# 2019 FLYING CLOUD PLUMBING, LPG SYSTEM

## LPG System, 25FB



943848-01

LPG Flex Line Assembly

1. 943848

LPG Flex Line Assembly

382160

Grommet, Rubber

2. 382556

LP Closeout

112038-04

Install LP Regulator

602332-09

Cavanaugh gas regulator w/two 11" pigtails

601710-01

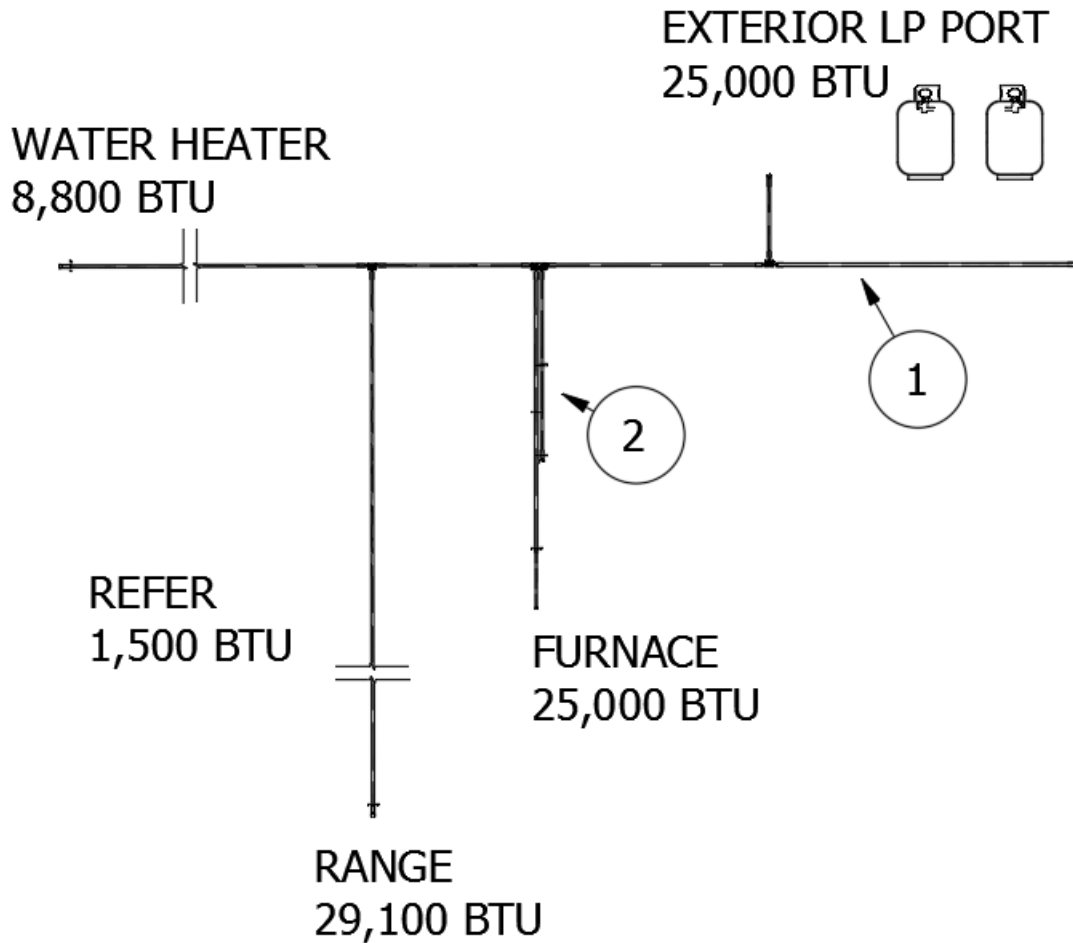
LP cylinder, Steel 30#

921246

LP Bottle Cover 30#

# 2019 FLYING CLOUD PLUMBING, LPG SYSTEM

LPG System, 26U

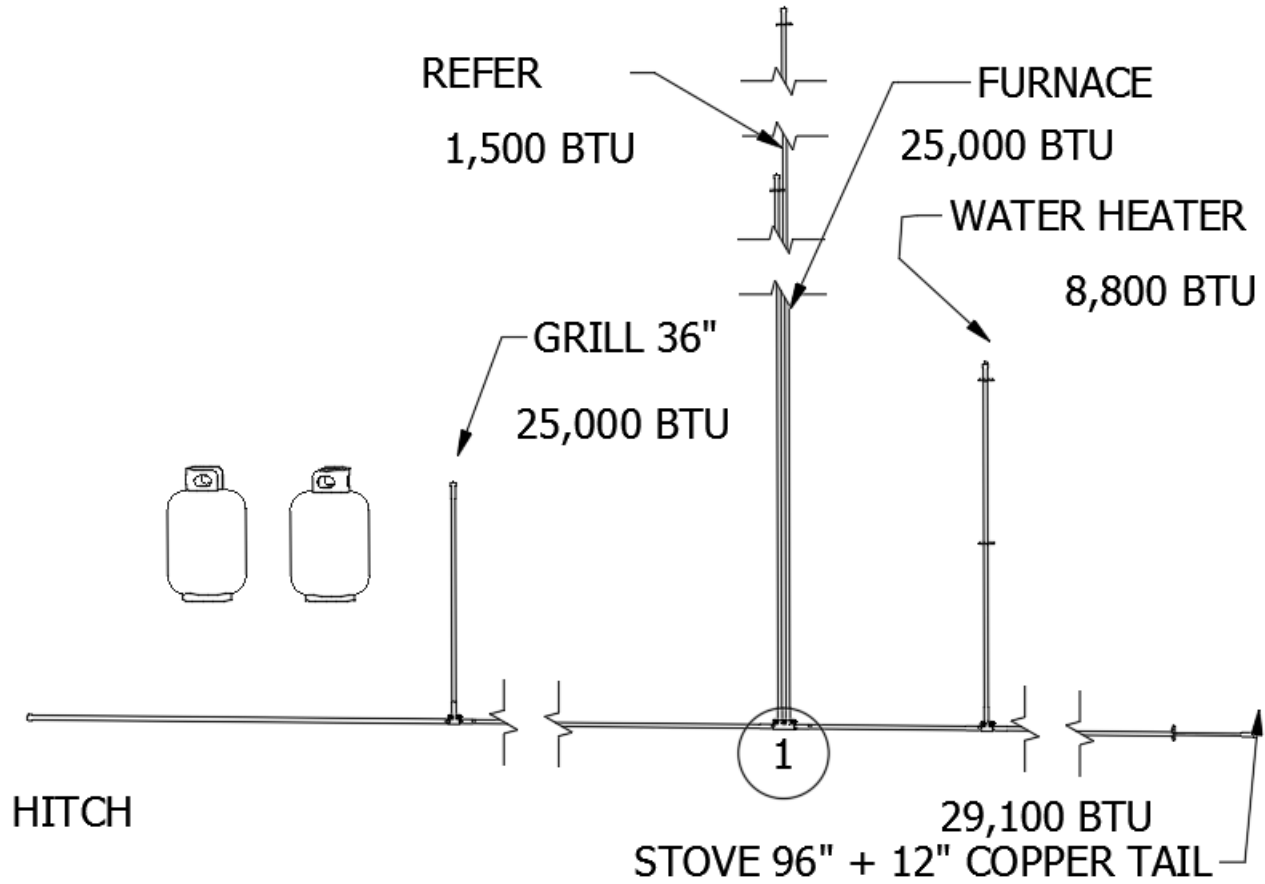


943849-01                    LPG Flex Line Assembly

- 1. 943849                    LPG Flex Line Assembly
- 382160                    Grommet, Rubber
- 2. 382556                    LP Closeout
- 112038-04                Install LP Regulator
- 602332-09                Cavanaugh gas regulator w/two 11" pigtails
- 601710-01                LP cylinder, Steel 30#
- 921246                    LP Bottle Cover 30#

# 2019 FLYING CLOUD PLUMBING, LPG SYSTEM

LPG System, 27FB



943850-01

LPG Flex Line Assembly

1. 943850

LPG Flex Line Assembly

382160

Grommet, Rubber

2. 382556

LP Closeout

112038-03

Install LP Regulator

602332-09

Cavanaugh gas regulator w/two 11" pigtails

601710-01

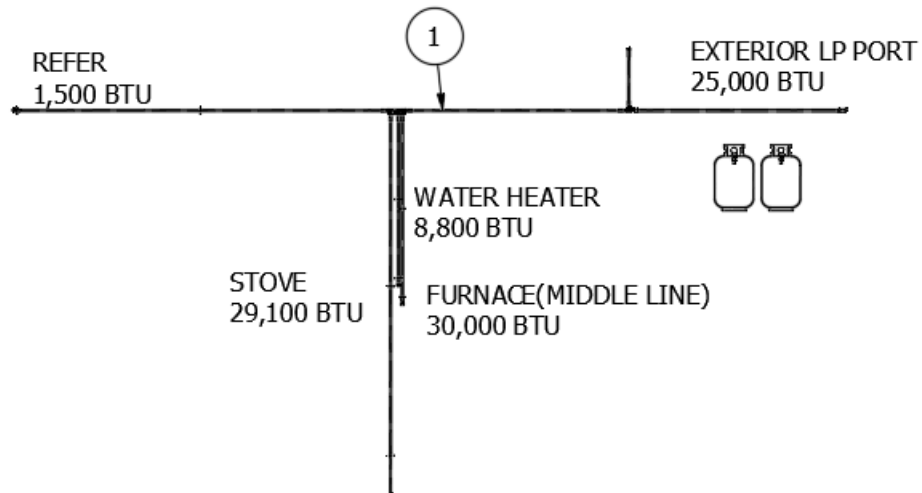
LP cylinder, Steel 30#

921246

LP Bottle Cover 30#

# 2019 FLYING CLOUD PLUMBING, LPG SYSTEM

LPG System, 28'

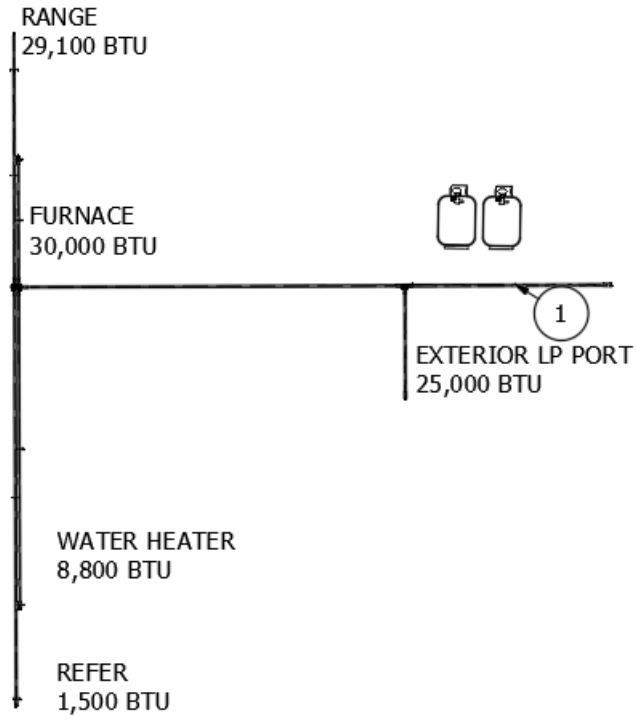


943851-01                    LPG Flex Line Assembly

- |                                                                                                               |                                                                                                                                                                                                                |
|---------------------------------------------------------------------------------------------------------------|----------------------------------------------------------------------------------------------------------------------------------------------------------------------------------------------------------------|
| <p>1. 943851<br/>382160</p> <p>2. 382556</p> <p>112038-04</p> <p>602332-09</p> <p>601710-01</p> <p>921246</p> | <p>LPG Flex Line Assembly</p> <p>Grommet, Rubber</p> <p>LP Closeout</p> <p>Install LP Regulator</p> <p>Cavanaugh gas regulator w/two 11" pigtails</p> <p>LP cylinder, Steel 30#</p> <p>LP Bottle Cover 30#</p> |
|---------------------------------------------------------------------------------------------------------------|----------------------------------------------------------------------------------------------------------------------------------------------------------------------------------------------------------------|

# 2019 FLYING CLOUD PLUMBING, LPG SYSTEM

LPG System, 30'



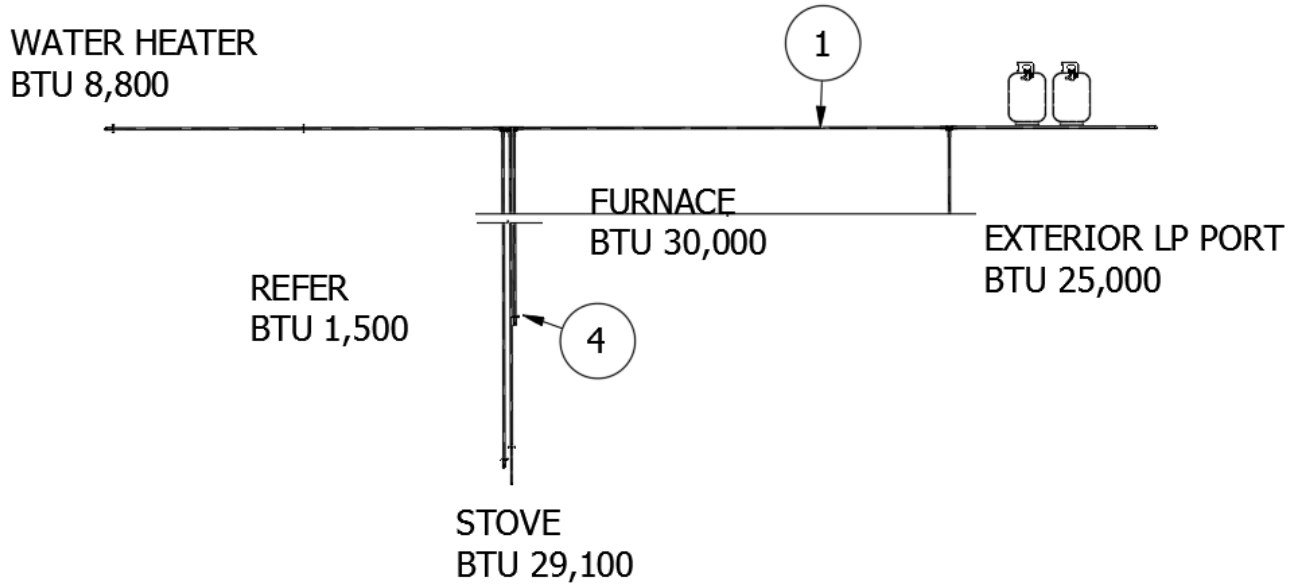
943852-01      LPG Flex Line Assembly

- |                                                                                                                                                                                        |                                                                                                                                                                                                                                                                       |
|----------------------------------------------------------------------------------------------------------------------------------------------------------------------------------------|-----------------------------------------------------------------------------------------------------------------------------------------------------------------------------------------------------------------------------------------------------------------------|
| <ul style="list-style-type: none"> <li>1. 943852</li> <li>   382160</li> <li>2. 382556</li> <li>   112038-04</li> <li>   602332-09</li> <li>   601710-01</li> <li>   921246</li> </ul> | <ul style="list-style-type: none"> <li>LPG Flex Line Assembly</li> <li>Grommet, Rubber</li> <li>LP Closeout</li> <li>Install LP Regulator</li> <li>Cavanaugh gas regulator w/two 11" pigtails</li> <li>LP cylinder, Steel 30#</li> <li>LP Bottle Cover 30#</li> </ul> |
|----------------------------------------------------------------------------------------------------------------------------------------------------------------------------------------|-----------------------------------------------------------------------------------------------------------------------------------------------------------------------------------------------------------------------------------------------------------------------|



# 2019 FLYING CLOUD PLUMBING, LPG SYSTEM

## LPG System, 30' Bunk



943853-01                    LPG Flex Line Assembly

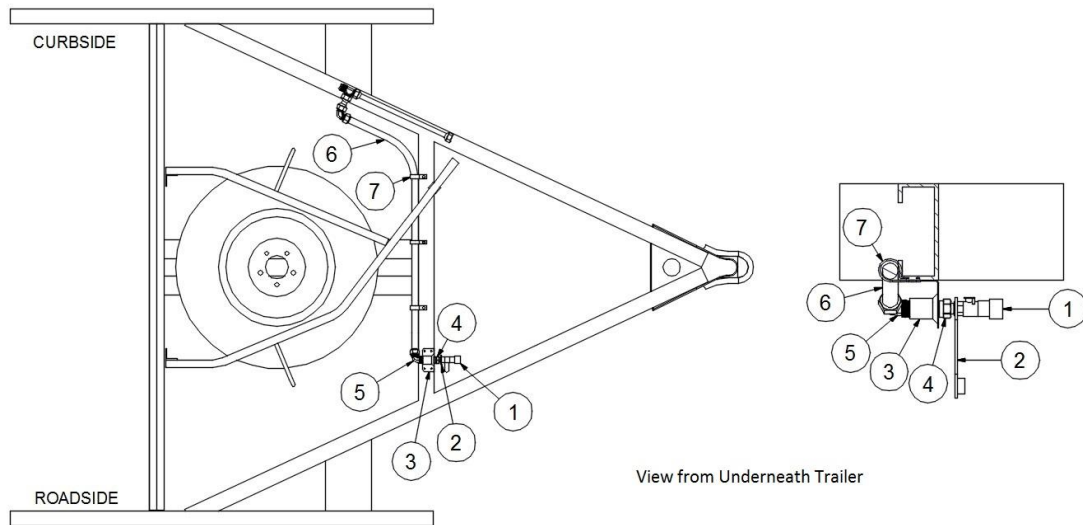
- 1. 943853                    LPG Flex Line Assembly
- 382160                    Grommet, Rubber
- 2. 382556                    LP Closeout
- 112038-04                Install LP Regulator
- 602332-09                Cavanaugh gas regulator w/two 11" pigtails
- 601710-01                LP cylinder, Steel 30#
- 921246                    LP Bottle Cover 30#

# 2019 FLYING CLOUD PLUMBING, LPG SYSTEM

## LPG Tanks and Covers

601710-01	LP cylinder, Steel
921246-01	LP tank cover, Black
602332-09	Cavanaugh gas regulator w/two 11" pigtails
602332-01	Wing nut
602332-02	Black pan
602332-05	48" LP hose, 3/8" x 1/2" female flare
602332-06	Hold down
602332-07	Z-bracket for regulator
381613	Plastisol cover, LP wing handle
115289-05	Cross bar, LP bottle cover, 5.31"
200841-02	Lid, LP tank cover
382091-01	Latch
382091-02	Strike

## Exterior Propane Port



112008	Exterior Propane Port
112008-01	Exterior Propane Port, 28'

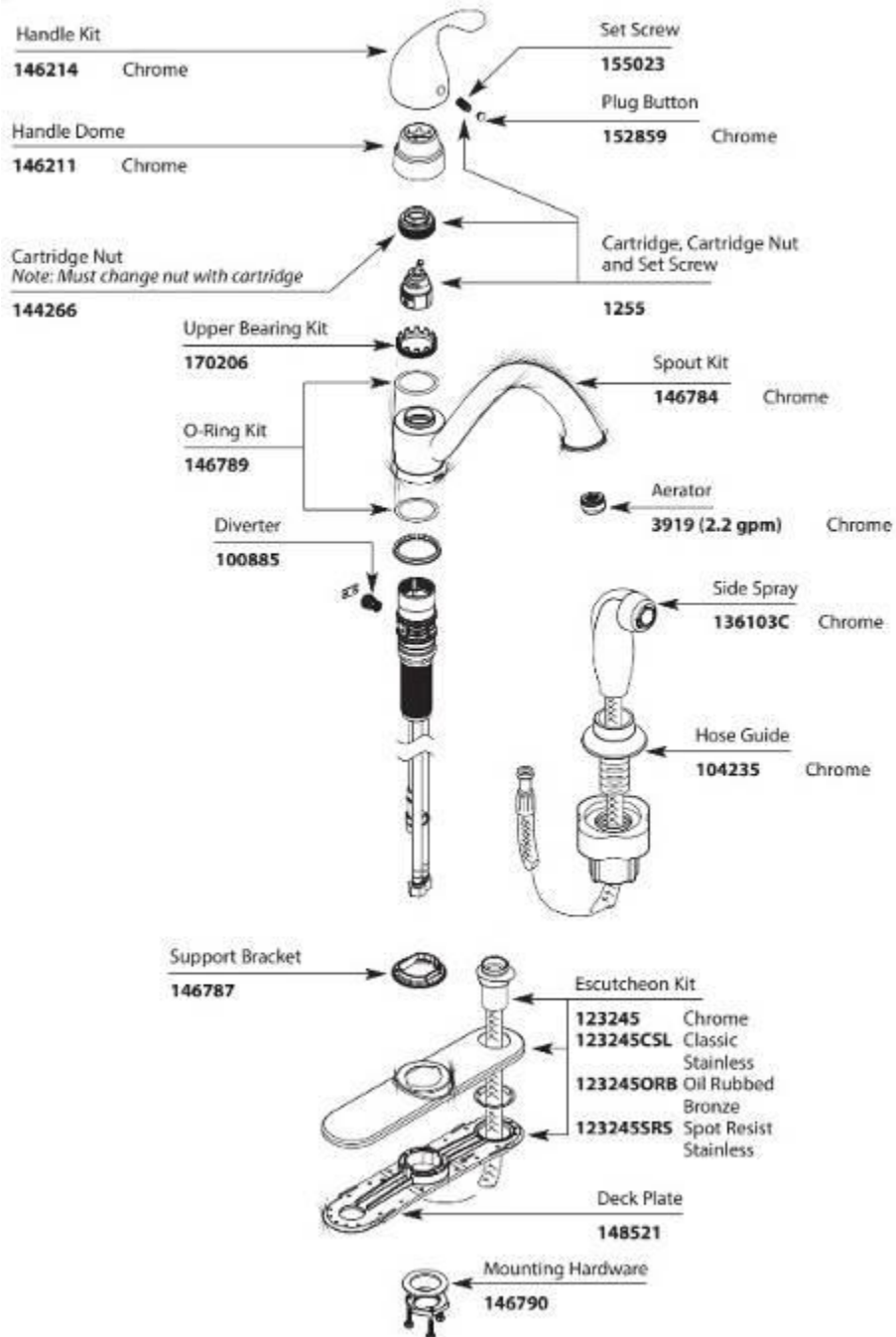
1. 602109-01	Coupler, Quick disconnect
2. 602109-03	Dust plug
3. 454901	Bracket, LP quick disconnect port
4. 602286	Nipple, .5" MNPT, .25" MNPT
5. 602313	Fitting, .5" MPT x .5" FLR, 90°
6. 602315	LP hose, .5" FLR SWV, 36"
602315-01	LP hose, 18", (28' only)
7. 340085-07	Clamp, Loop, Steel w/rubber, 1"
201267-11	Conduit, Convolted, 1" Dia.

# 2019 FLYING CLOUD PLUMBING, FRESH WATER

## Faucet, Galley

602327 Galley faucet w/spray, Moen Camerist  
602327-102 Replacement cartridge

Moen Model #7835



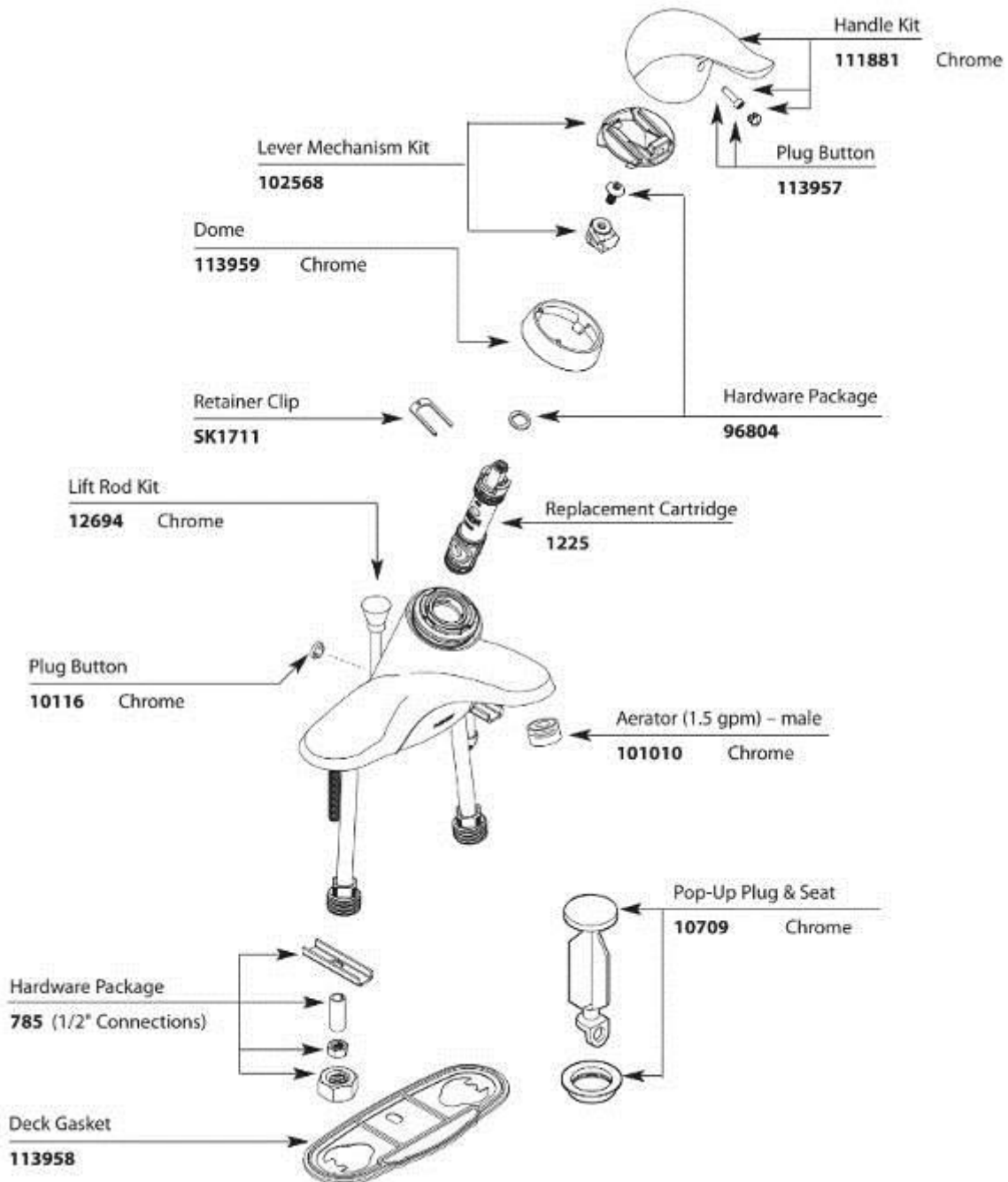
All Parts Listed Are Moen Part Numbers

# 2019 FLYING CLOUD PLUMBING, FRESH WATER

## Faucet, Lavatory

602216-01 Lavatory faucet, Moen Chateau  
602216-100 Replacement cartridge

Moen Model #L4601



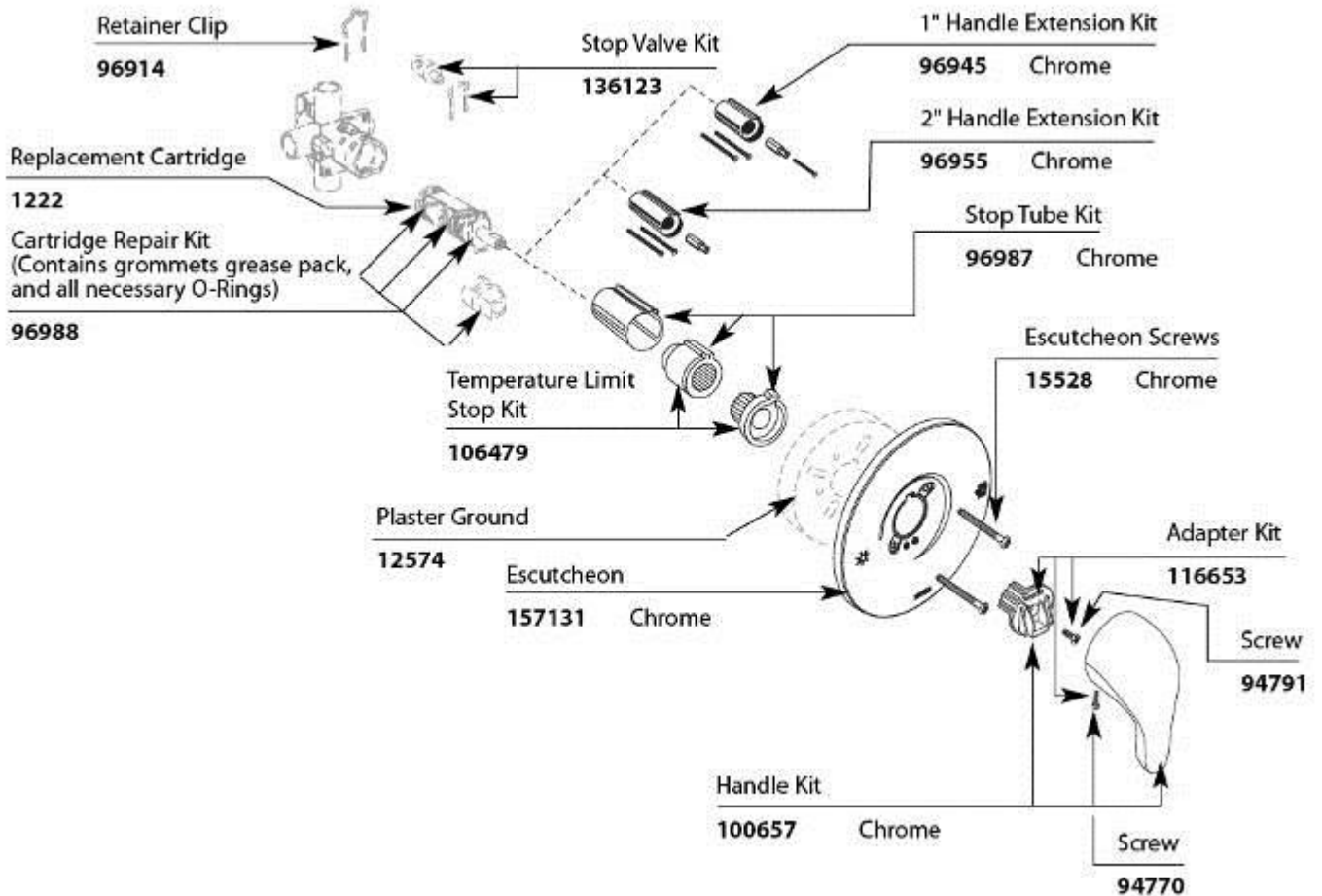
All Parts Listed Are Moen Part Numbers

# 2019 FLYING CLOUD PLUMBING, FRESH WATER

## Faucet, Shower

- 601829 Chrome shower faucet trim kit, Moen Valetta
- 601358 Kit, Hand shower unit, Wall mount, Chrome
- 601358-100 Shower head
- 601358-101 Wall plate w/pin
- 601358-102 Swivel w/shower hook
- 601358-103 Swivel connector
- 601358-104 Shower supply elbow

Moen Model #TL181



All Parts Listed Are Moen Part Numbers

## 2019 FLYING CLOUD PLUMBING, FRESH WATER

### Fresh water Tank, 19'

601861-01	Tank, Fresh water, 23 gallon
964478	Slope pad, Fresh tank
454065	Strap, Fresh water tank
453712	Shield, Fresh water tank drain
601723	Filter screen

### Fresh Water Tank, 20'

602101	Tank, Fresh water, 23 gallon
454489	Tank pan, Galvanized
511780	Pad, Tank heating
601723	Filter screen

### Fresh Water Tank, 23CB, 23FB

601863-02	Tank, Fresh water, 39 gallon
966288	Tank pan
601723	Filter screen

### Fresh Water Tank, 25', 25FB, 28'

601863-01	Tank, Fresh water, 39 gallon
602520	Tank pan, Fresh water
601243	Drain cock, Fresh water
453493	Hanger strap, Tank pan
600155	Plug, Cleanout, 1.5"
601723	Filter screen

### Fresh Water Tank, 26U, 27FB

601863-01	Tank, Fresh water, 39 gallon
601620	Tank pan, Fresh water
601243	Drain cock
600155	Plug, Cleanout, 1.5"
601723	Filter screen

### Fresh Water Tank, 30', 30' Bunk

601864-01	Tank, Fresh water, 54.5 gallon
601620	Tank pan, Fresh water
600155	Plug, Cleanout, 1.5"

## 2019 FLYING CLOUD PLUMBING, FRESH WATER

### City Water Hookup

601392-06	City water hook-up w/regulator, 50 PSI, Chrome
601392-01	Plastic screw in cap
365478	Decal-City Water Inlet

### Water Pump

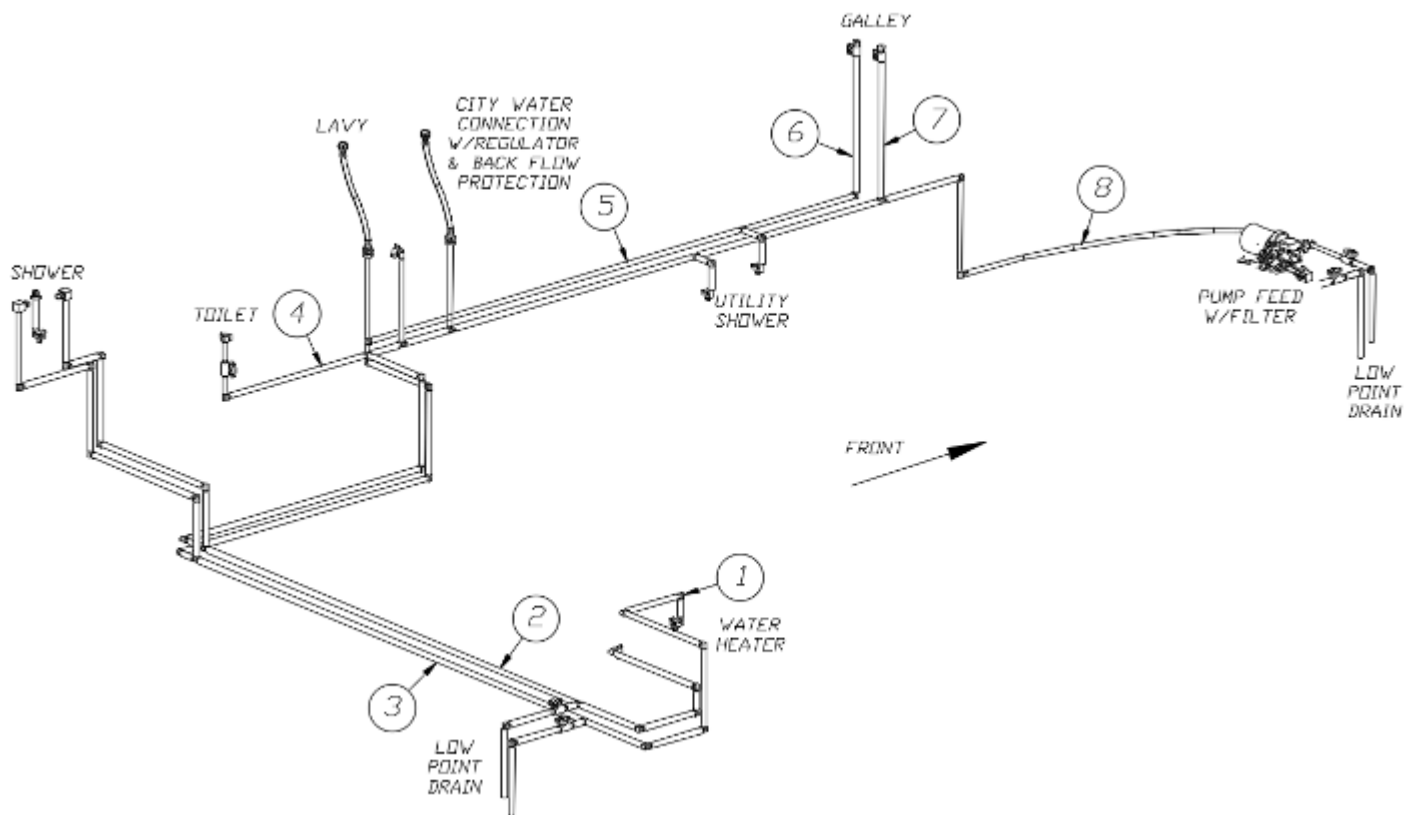
602307	Shurflo water pump, 3 GPM
601668-01	Strainer, Water pump

### Fresh Water Tank Fill

601194	Water fill w/lock, Gray
601194-02	Cap, cable, and spout
601239-01	Tubing, 1.375", Ribbed
601240-01	Tubing, .5", 3/32" wall thickness
381647	Key, Water fill

# 2019 FLYING CLOUD PLUMBING, FRESH WATER

Fresh Water Lines, 19'



943518-FC

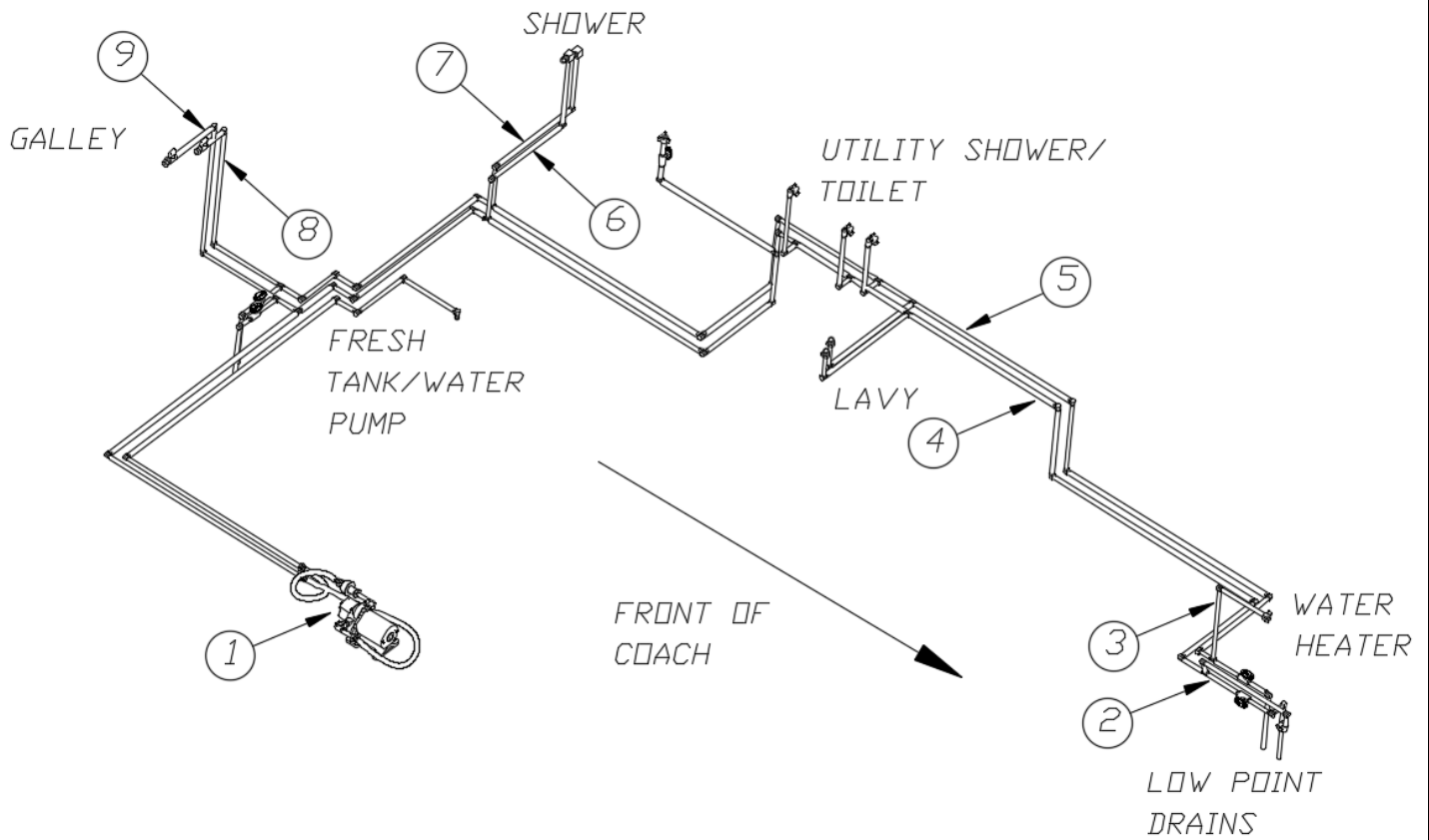
Fresh Water Layout

- |              |                      |
|--------------|----------------------|
| 1. 943518-01 | Water heater hook-up |
| 2. 943518-02 | Cross-car, Cold      |
| 3. 943518-03 | Cross-car, Hot       |
| 4. 943518-04 | RS cold              |
| 5. 943518-05 | RS hot               |
| 6. 943518-06 | Galley, Hot          |
| 7. 943518-07 | Galley, Cold         |
| 8. 943744-01 | Water pump layout    |
| 943565       | Tank flush           |



# 2019 FLYING CLOUD PLUMBING, FRESH WATER

Fresh Water Lines, 20'



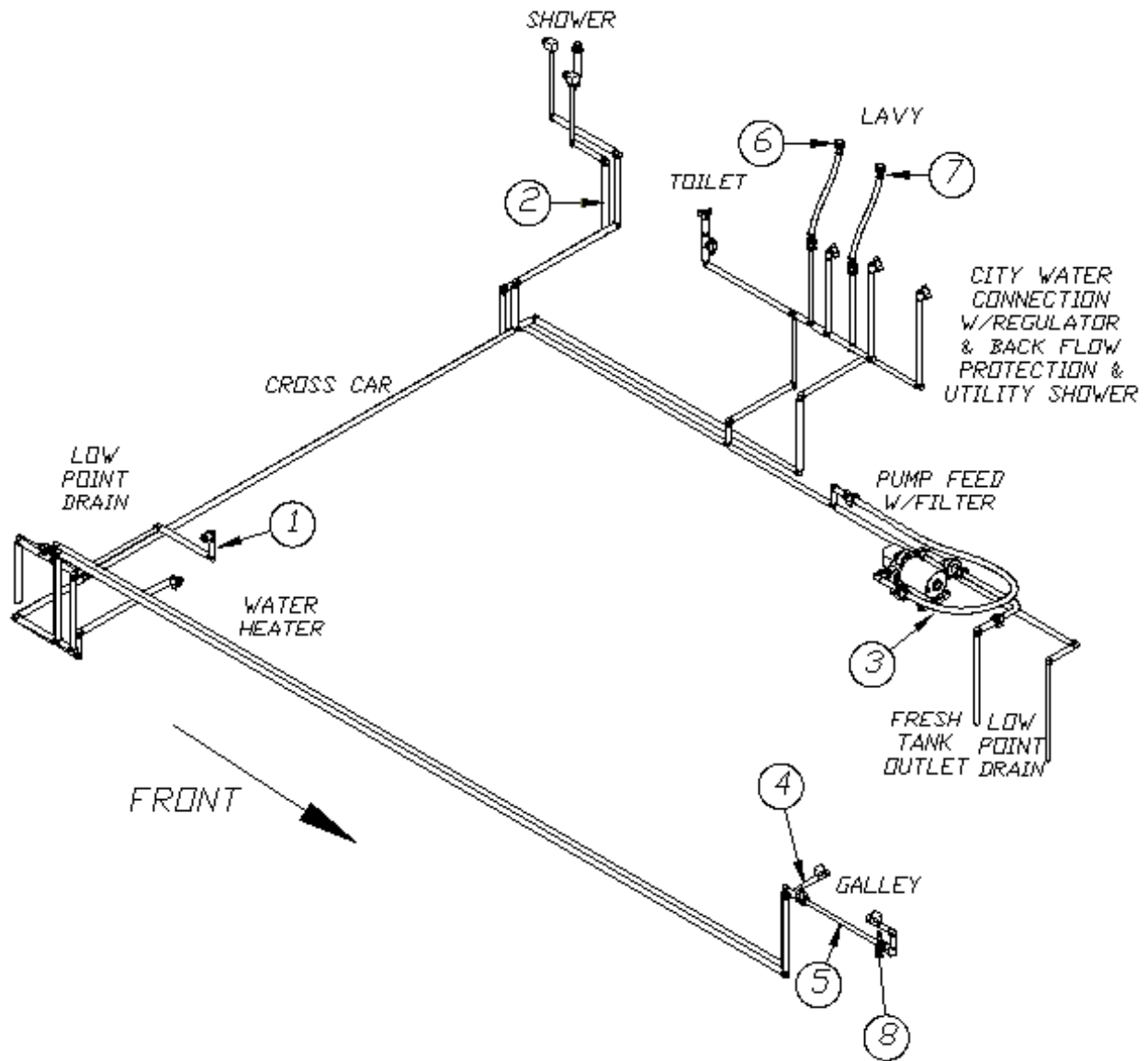
943658

Fresh Water Layout

- |              |                            |
|--------------|----------------------------|
| 1. 943658-01 | Water pump/fresh tank      |
| 2. 943658-02 | Water heater by-pass, Cold |
| 3. 943658-03 | Water heater by-pass, Hot  |
| 4. 943658-04 | Lavy/toilet, Cold          |
| 5. 943658-05 | Lavy/toilet, Hot           |
| 6. 943658-06 | Shower, Cold               |
| 7. 943658-07 | Shower, Hot                |
| 8. 943658-08 | Galley, Cold               |
| 9. 943658-09 | Galley, Hot                |
| 943565-01    | Tank flush                 |

# 2019 FLYING CLOUD PLUMBING, FRESH WATER

## Fresh Water Lines, 23CB

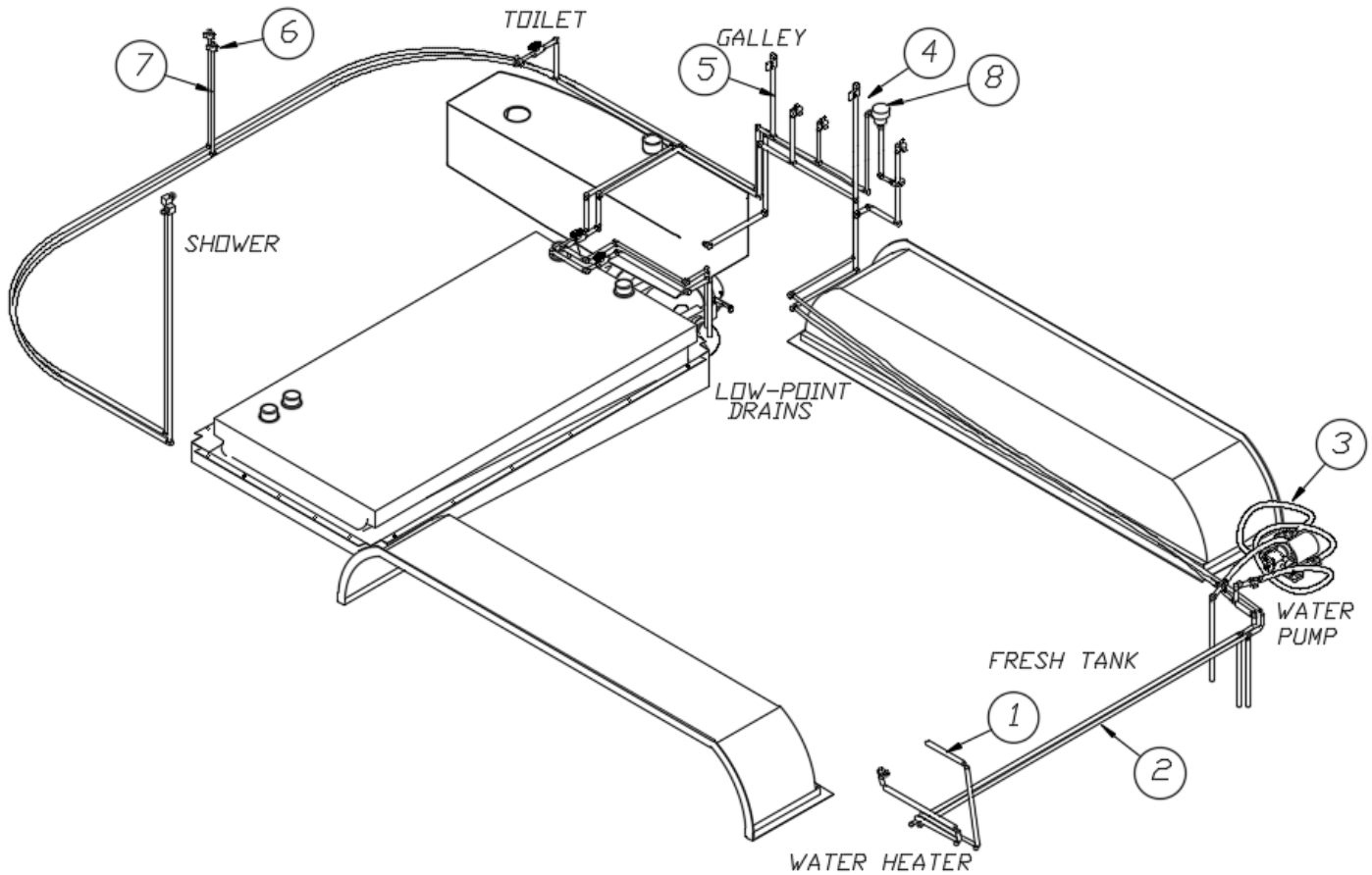


### 943686-FC Fresh Water Layout

- |              |                              |
|--------------|------------------------------|
| 1. 943686-01 | Water heater hook-up         |
| 2. 943686-04 | Cross-car cold lines         |
| 3. 943686-08 | water pump connect           |
| 4. 943686-09 | CS hot                       |
| 5. 943686-10 | CS cold                      |
| 6. 943686-11 | RS cold                      |
| 7. 943686-12 | RS hot                       |
| 8. 340093-06 | "J" clip, Vinyl coated, .75" |
| 943565-01    | Tank flush                   |

# 2019 FLYING CLOUD PLUMBING, FRESH WATER

## Fresh Water Lines, 23FB



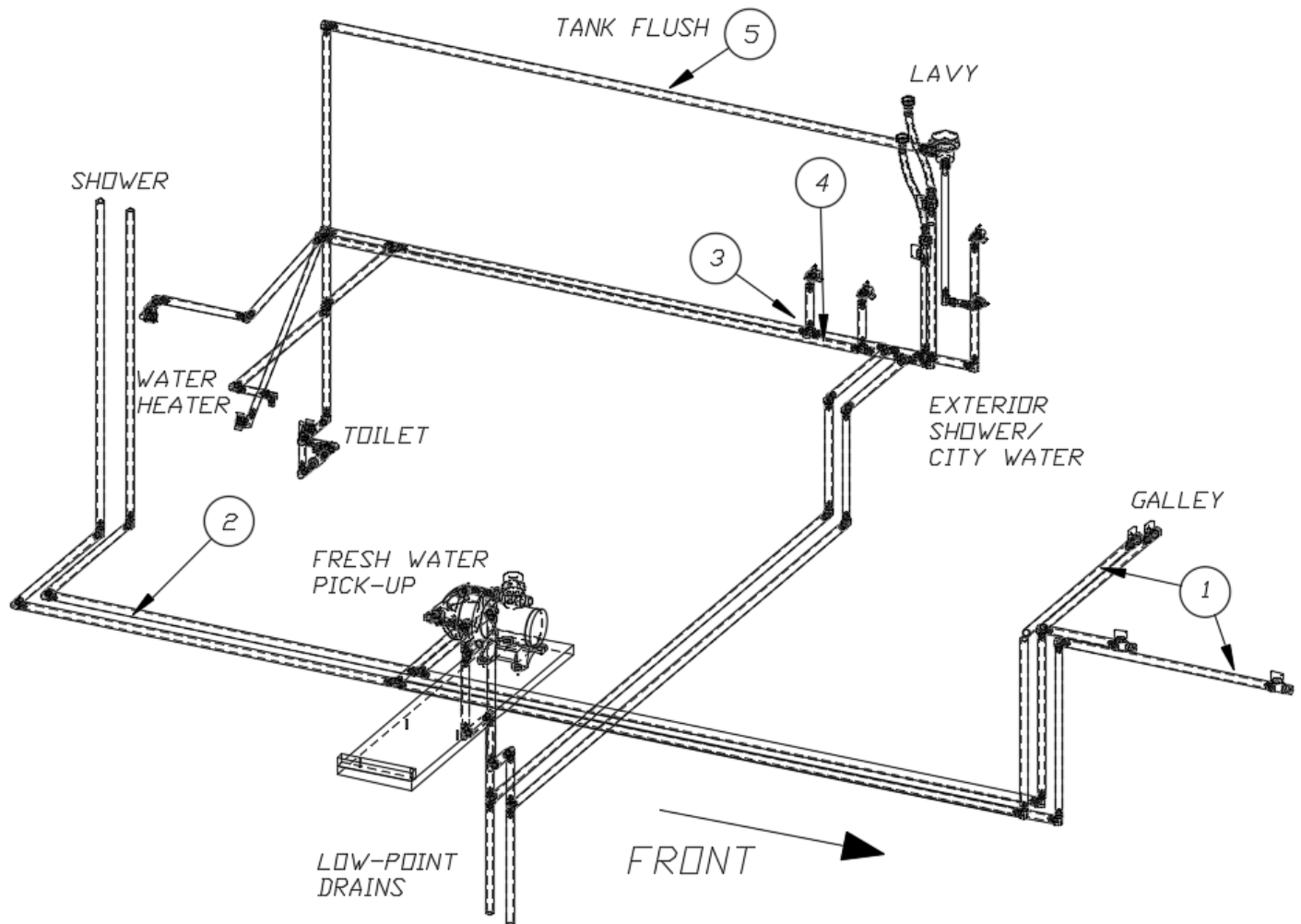
943698-100

Fresh Water Layout

- |              |                        |
|--------------|------------------------|
| 1. 943698-01 | Water heater by-pass   |
| 2. 943698-02 | Fresh water tank lines |
| 3. 943698-03 | Water pump lines       |
| 4. 943698-04 | RS cold                |
| 5. 943698-05 | RS hot                 |
| 6. 943698-06 | Rear hot               |
| 7. 943698-07 | Rear cold              |
| 8. 943698-08 | Black tank flush       |

# 2019 FLYING CLOUD PLUMBING, FRESH WATER

Fresh Water Lines, 25'



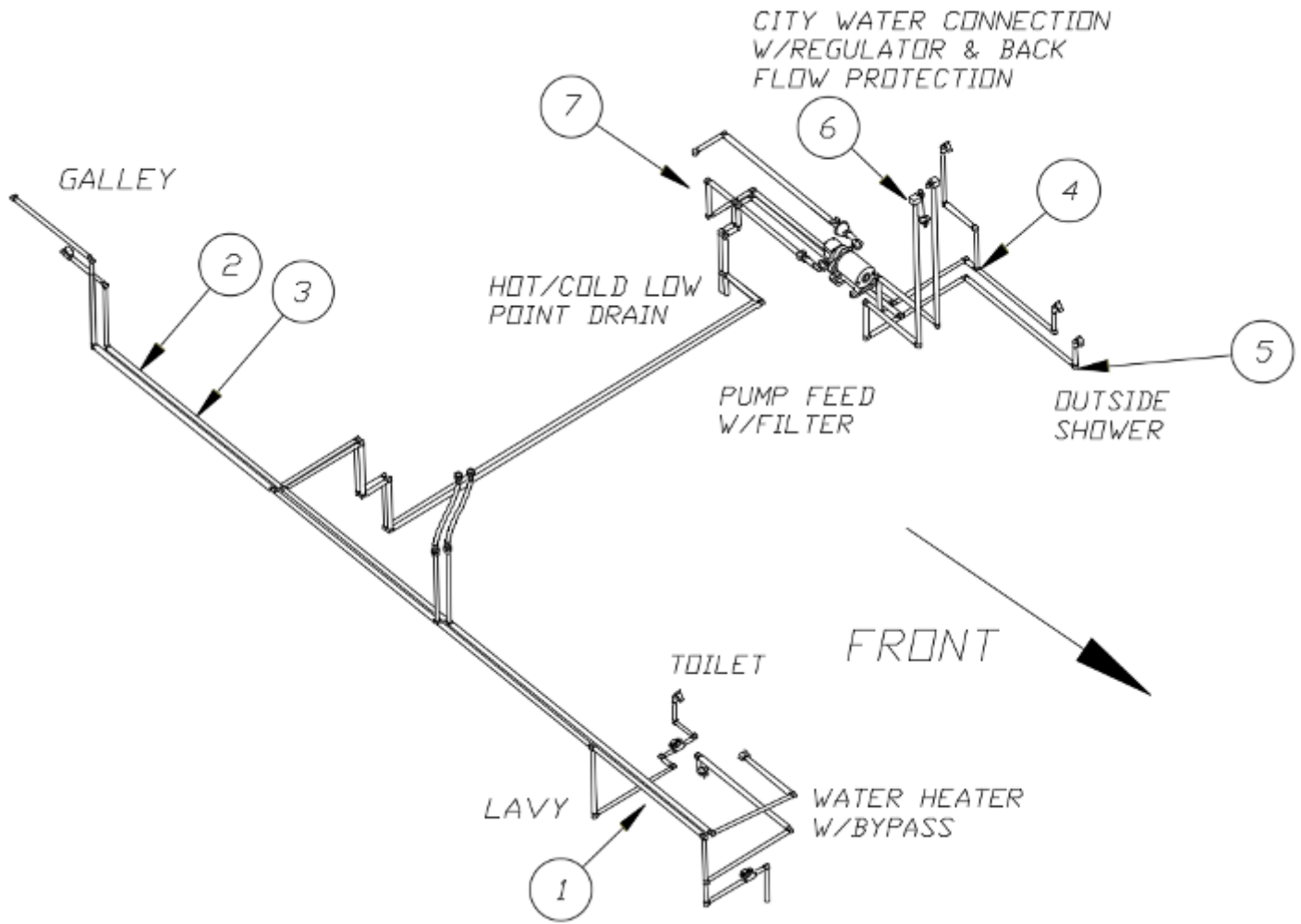
943732

Fresh Water Layout

- |              |                              |
|--------------|------------------------------|
| 1. 943732-01 | CS cold                      |
| 2. 943732-02 | CS hot                       |
| 3. 943732-03 | RS cold                      |
| 4. 943732-04 | RS hot                       |
| 5. 943732-05 | Tank flush lines             |
| 340093-06    | "J" clip, Vinyl coated, .75" |

# 2019 FLYING CLOUD PLUMBING, FRESH WATER

## Fresh Water Lines, 25FB



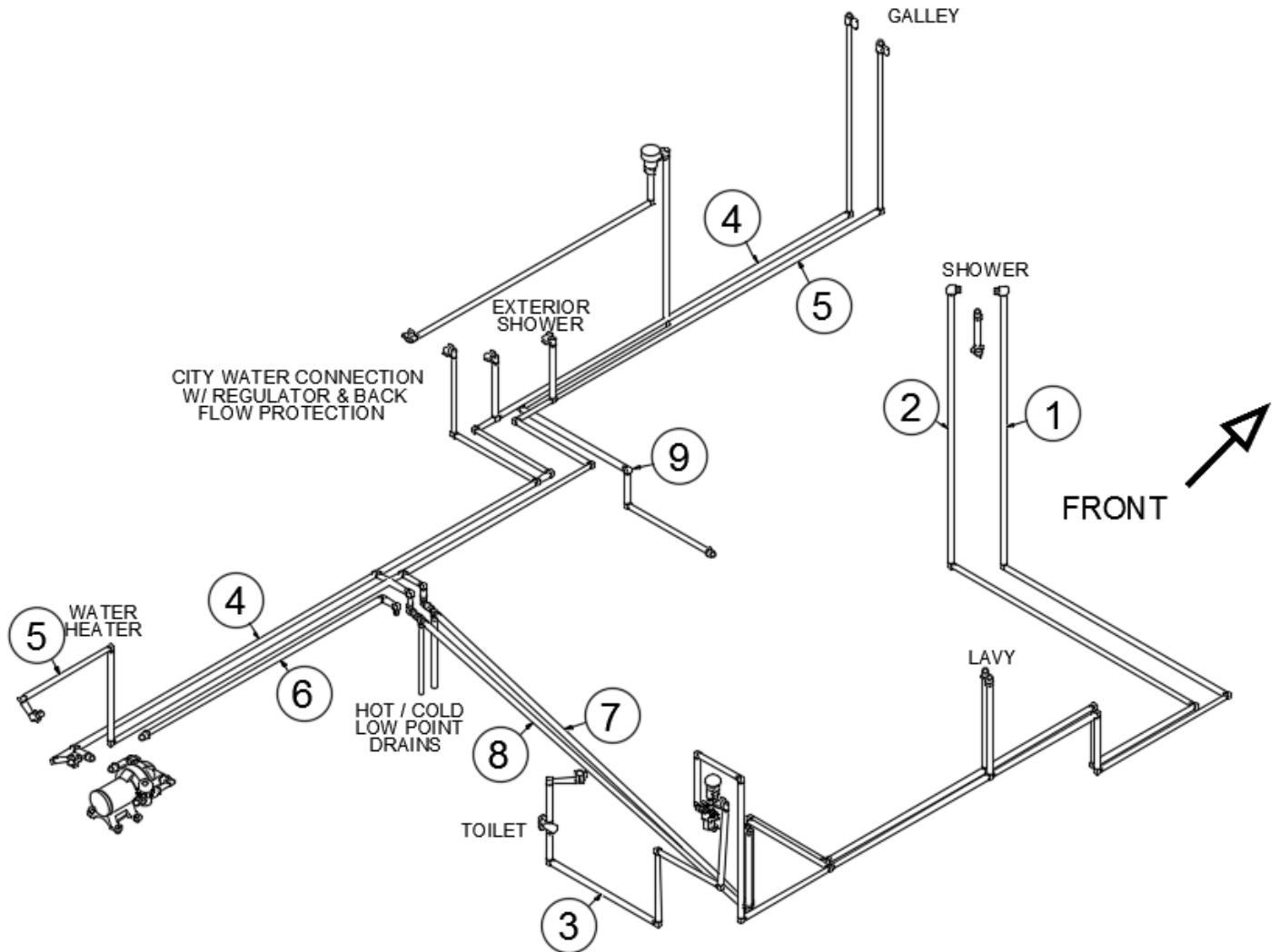
943633-100

Fresh Water Layout

- |              |                      |
|--------------|----------------------|
| 1. 943633-01 | Water heater by-pass |
| 2. 943633-02 | CS hot               |
| 3. 943633-03 | CS cold              |
| 4. 943633-04 | RS cold              |
| 5. 943633-05 | RS hot               |
| 6. 943633-06 | Shower control valve |
| 7. 943633-07 | Water pump connect   |

# 2019 FLYING CLOUD PLUMBING, FRESH WATER

## Fresh Water Lines, 26U



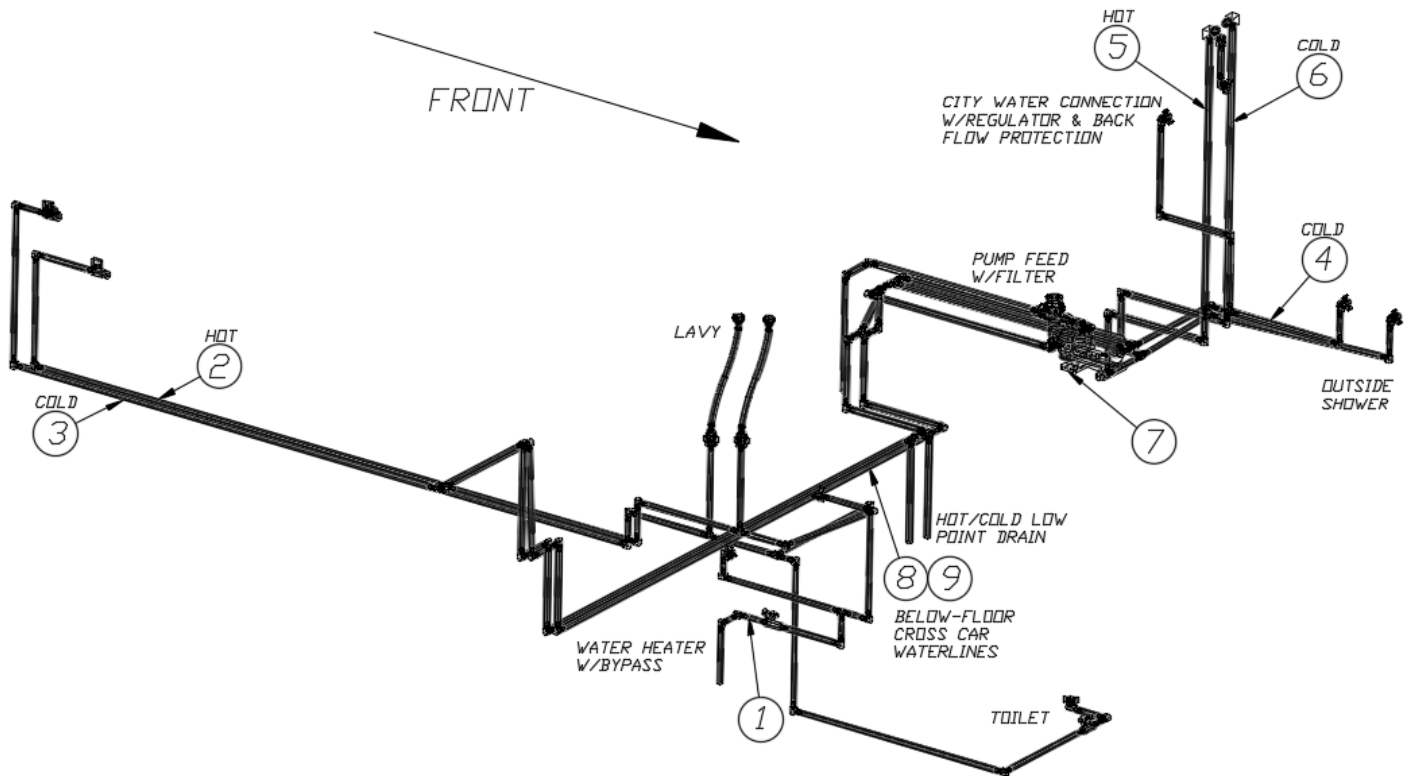
943793

Fresh Water Layout, Queen

- |              |                      |
|--------------|----------------------|
| 1. 943793-01 | CS cold              |
| 2. 943793-02 | CS hot               |
| 3. 943793-03 | Toilet connect       |
| 4. 943793-04 | RS cold              |
| 5. 943793-05 | RS hot               |
| 6. 943793-06 | Pump layout, Queen   |
| 943793-12    | Pump layout, Twin    |
| 7. 943617-02 | Crossover line, Cold |
| 8. 943617-09 | Crossover line, Hot  |
| 9. 943793-07 | Tank flush           |

# 2019 FLYING CLOUD PLUMBING, FRESH WATER

## Fresh Water Lines, 27FB



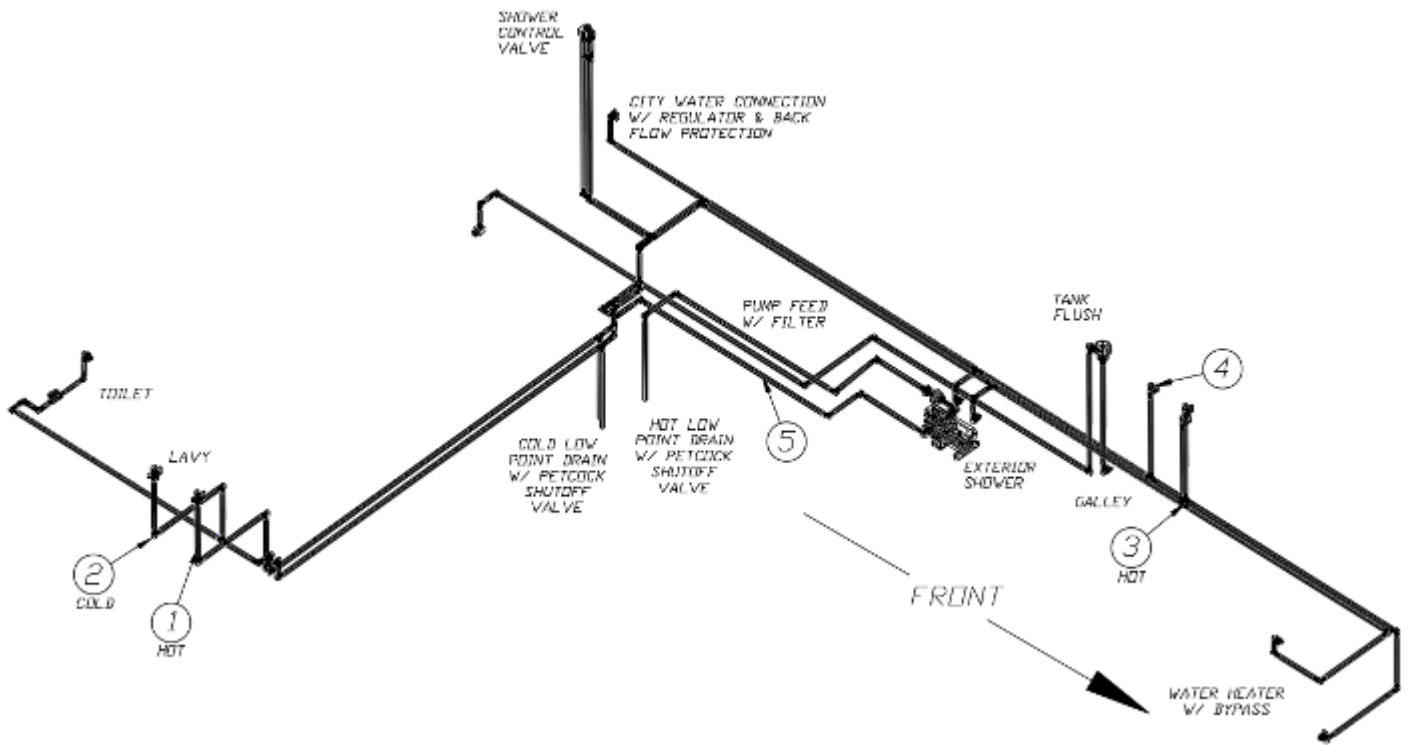
943670

### Fresh Water Layout

- |              |                      |
|--------------|----------------------|
| 1. 943670-01 | Water heater by-pass |
| 2. 943670-02 | CS hot               |
| 3. 943670-03 | CS cold              |
| 4. 943670-04 | RS cold              |
| 5. 943670-05 | RS hot               |
| 6. 943670-06 | Shower control valve |
| 7. 943670-07 | Water pump connect   |
| 8. 943617-01 | Crossover line, Cold |
| 9. 943617-08 | Crossover line, Hot  |

# 2019 FLYING CLOUD PLUMBING, FRESH WATER

Fresh Water Lines, 28'



943600

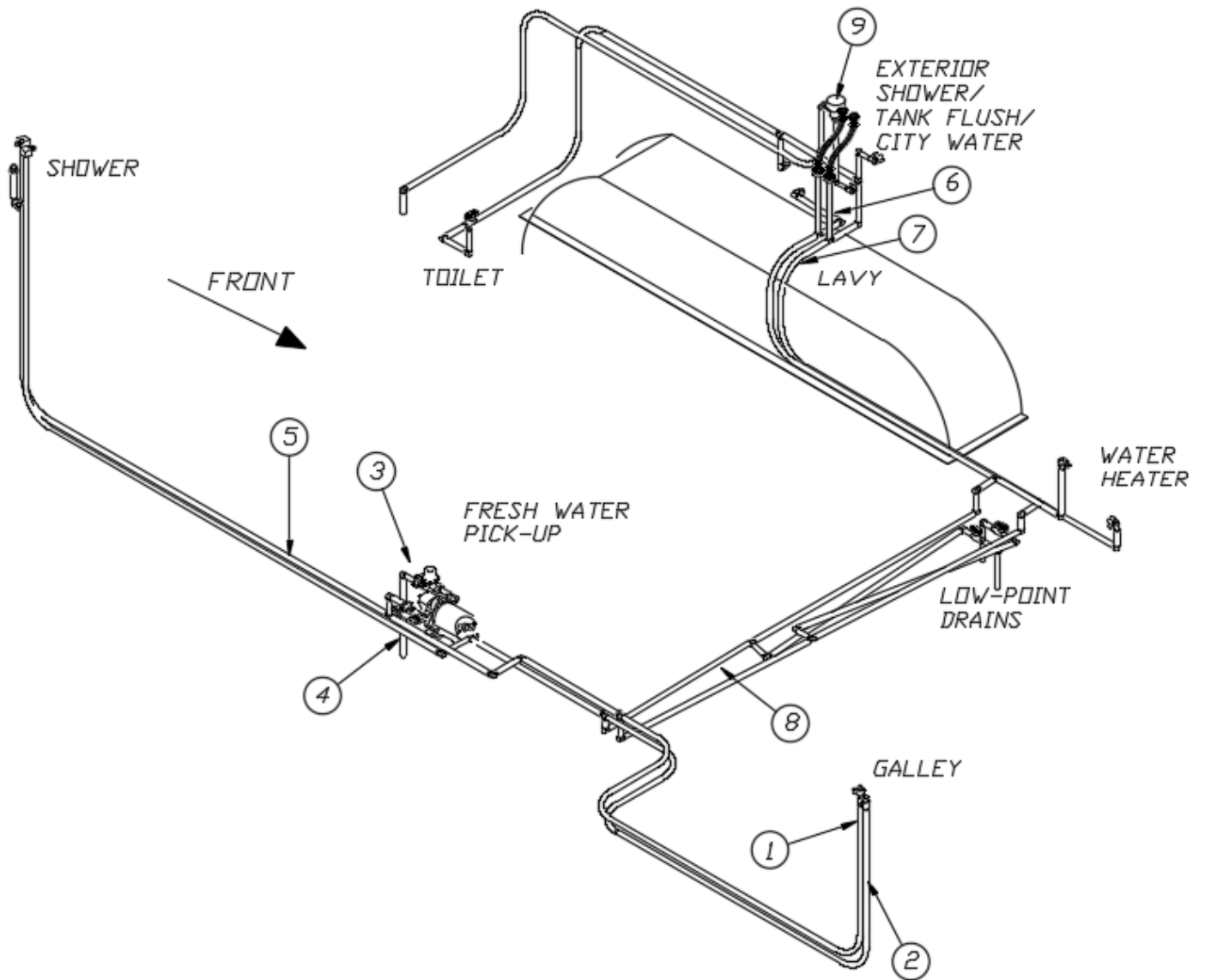
Fresh Water Layout

- |              |                             |
|--------------|-----------------------------|
| 1. 943600-01 | CS hot                      |
| 2. 943600-02 | CS cold                     |
| 3. 943600-03 | RS hot                      |
| 4. 943600-04 | RS cold                     |
| 5. 943600-05 | Water pump connect          |
| 340085-06    | Clamp, Steel w/rubber, .75" |



# 2019 FLYING CLOUD PLUMBING, FRESH WATER

Fresh Water Lines, 30'



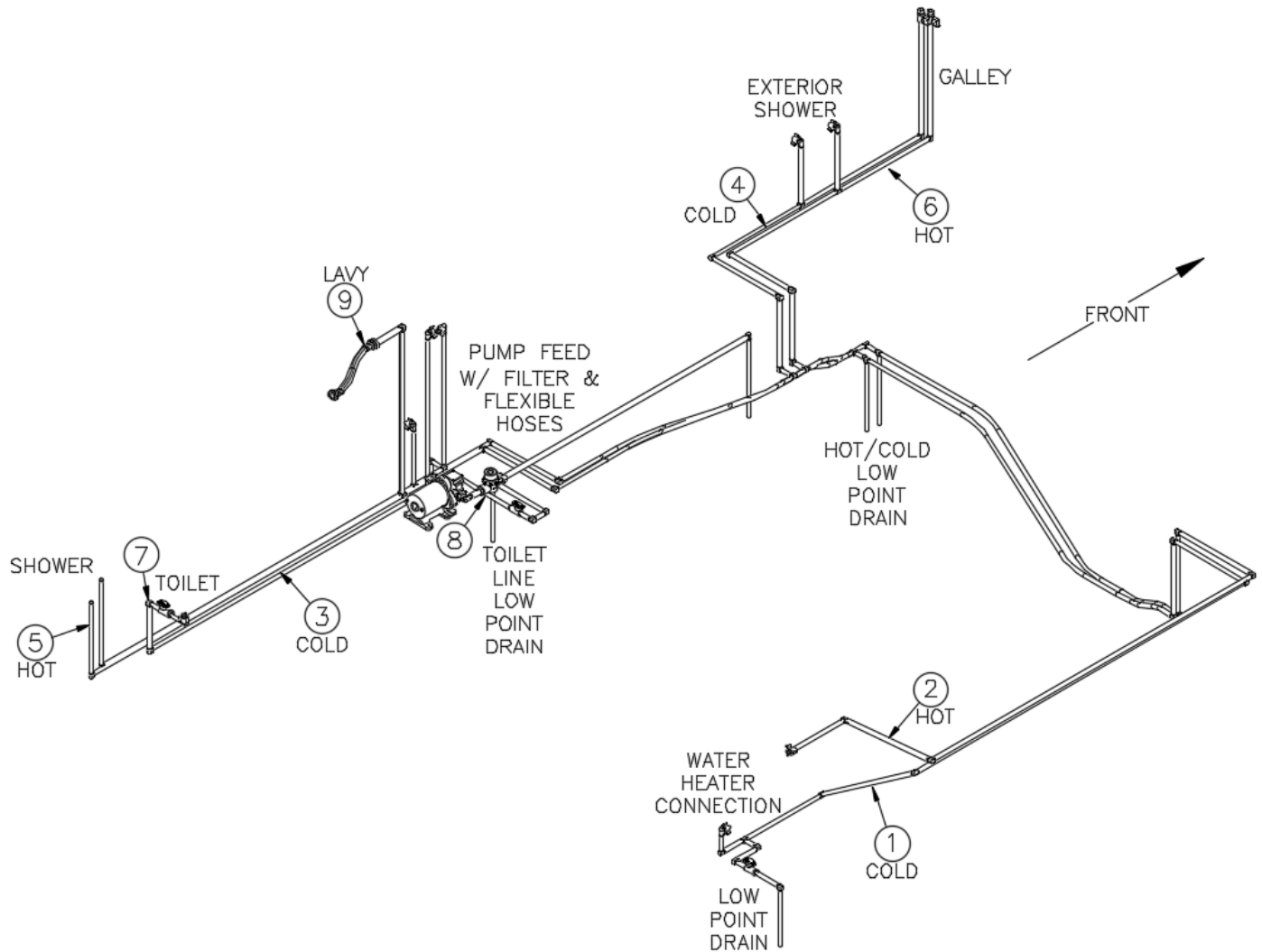
943721-100

Fresh Water System

- |              |                       |
|--------------|-----------------------|
| 1. 943721-01 | Galley, Cold          |
| 2. 943721-02 | Galley, Hot           |
| 3. 943721-03 | Pick-up, Cold         |
| 4. 943721-04 | CS, Hot               |
| 5. 943721-05 | CS, Cold              |
| 6. 943721-06 | RS, Cold              |
| 7. 943721-07 | RS, Hot               |
| 8. 943721-08 | Cross-car water lines |
| 9. 943721-09 | Tank flush            |

# 2019 FLYING CLOUD PLUMBING, FRESH WATER

## Fresh Water Lines, 30' Bunk



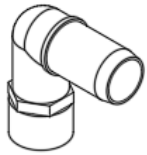
943761

### Fresh Water Layout

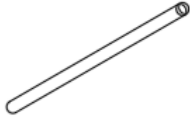
- |              |                           |
|--------------|---------------------------|
| 1. 943761-01 | CS cold                   |
| 2. 943761-02 | CS hot                    |
| 3. 943761-03 | RS aft cold               |
| 4. 943761-04 | RS forward cold           |
| 5. 943761-05 | RS aft hot                |
| 6. 943761-06 | RS forward hot            |
| 7. 943761-07 | Toilet feed               |
| 8. 943761-09 | Water pump connect        |
| 9. 601659    | Riser, .5" FPT x 12" CPVC |

# 2019 FLYING CLOUD PLUMBING, FRESH WATER

## Fresh Water Fittings



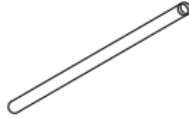
1



2



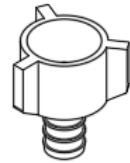
3



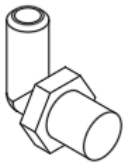
4



5



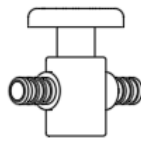
6



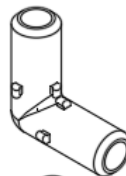
7



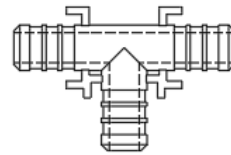
8



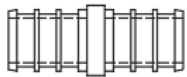
9



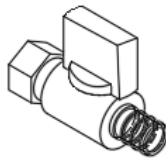
10



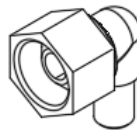
11



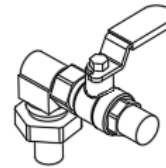
12



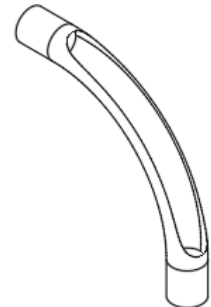
13



14



15



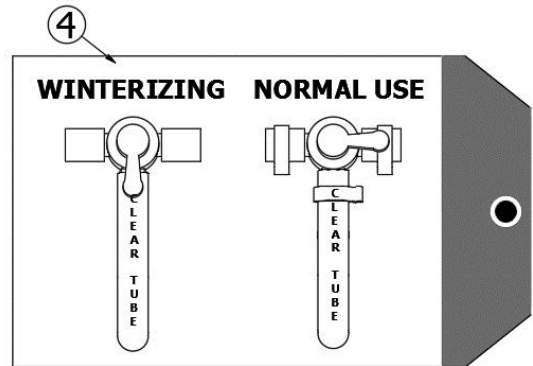
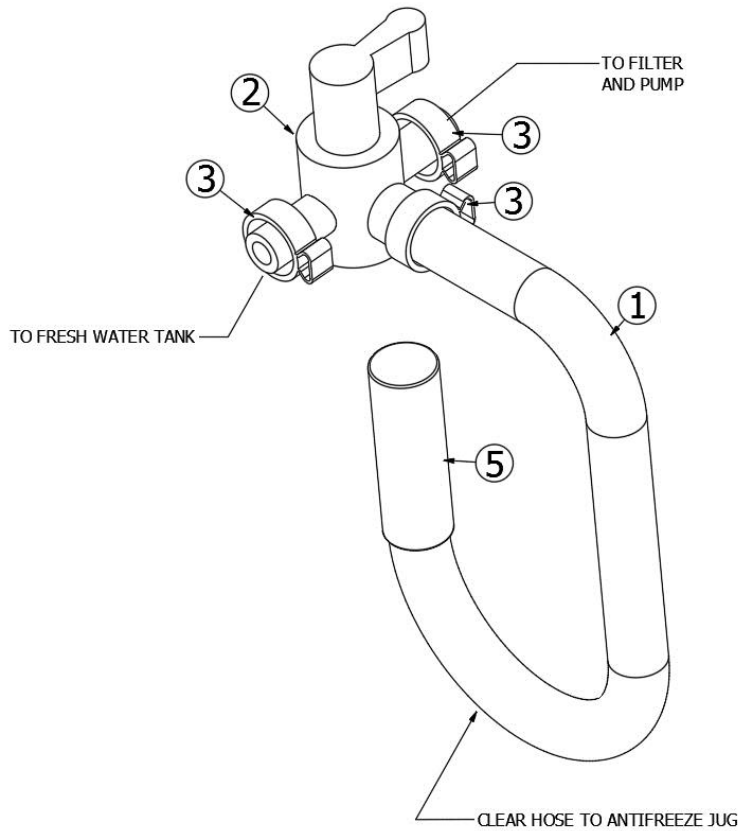
16

- |                                                                                                                                                                                                                                                                                          |                                                                                                                                                                                                                                                                                                                                                                                                                                                                                                                         |
|------------------------------------------------------------------------------------------------------------------------------------------------------------------------------------------------------------------------------------------------------------------------------------------|-------------------------------------------------------------------------------------------------------------------------------------------------------------------------------------------------------------------------------------------------------------------------------------------------------------------------------------------------------------------------------------------------------------------------------------------------------------------------------------------------------------------------|
| <p>1. 601237<br/>2. 601698-01<br/>3. 601698-15<br/>4. 601698-21<br/>5. 602256-02<br/>6. 602256-03<br/>7. 602256-04<br/>8. 602256-05<br/>9. 602256-22<br/>10. 602256-10<br/>11. 602256-11<br/>12. 602256-08<br/>13. 602137<br/>14. 602669<br/>15. 602185-01<br/>16. 601774<br/>601659</p> | <p>Elbow, 90°, 1.25 MPT x 1.25 Bar<br/>E-Pex tube, .5"<br/>Crimp ring, .5" E-Pex, .5", Black<br/>E-Pex tube, .5", Red<br/>Coupler, .5" barb x .5" MPT<br/>Coupler, .5" barb x .5" FPT<br/>Elbow, .5" barb x .5" MPT<br/>Elbow, .5" barb x .5" FPT<br/>Shut-off, .5" barb x .5" barb<br/>Elbow, .5" barb x .5" barb<br/>Tee, .5" x .5" x .5"<br/>Coupler, .5" x .5" barb<br/>Valve-Shut Off .5"Bx.38"Comp<br/>Valve-Brass Elbow #26585<br/>Drain valve, 90°<br/>Elbow Support-90D 1/2"<br/>Riser, .5" FPT x 12" CPVC</p> |
|------------------------------------------------------------------------------------------------------------------------------------------------------------------------------------------------------------------------------------------------------------------------------------------|-------------------------------------------------------------------------------------------------------------------------------------------------------------------------------------------------------------------------------------------------------------------------------------------------------------------------------------------------------------------------------------------------------------------------------------------------------------------------------------------------------------------------|

# 2019 FLYING CLOUD PLUMBING, FRESH WATER

## Winterization Kit

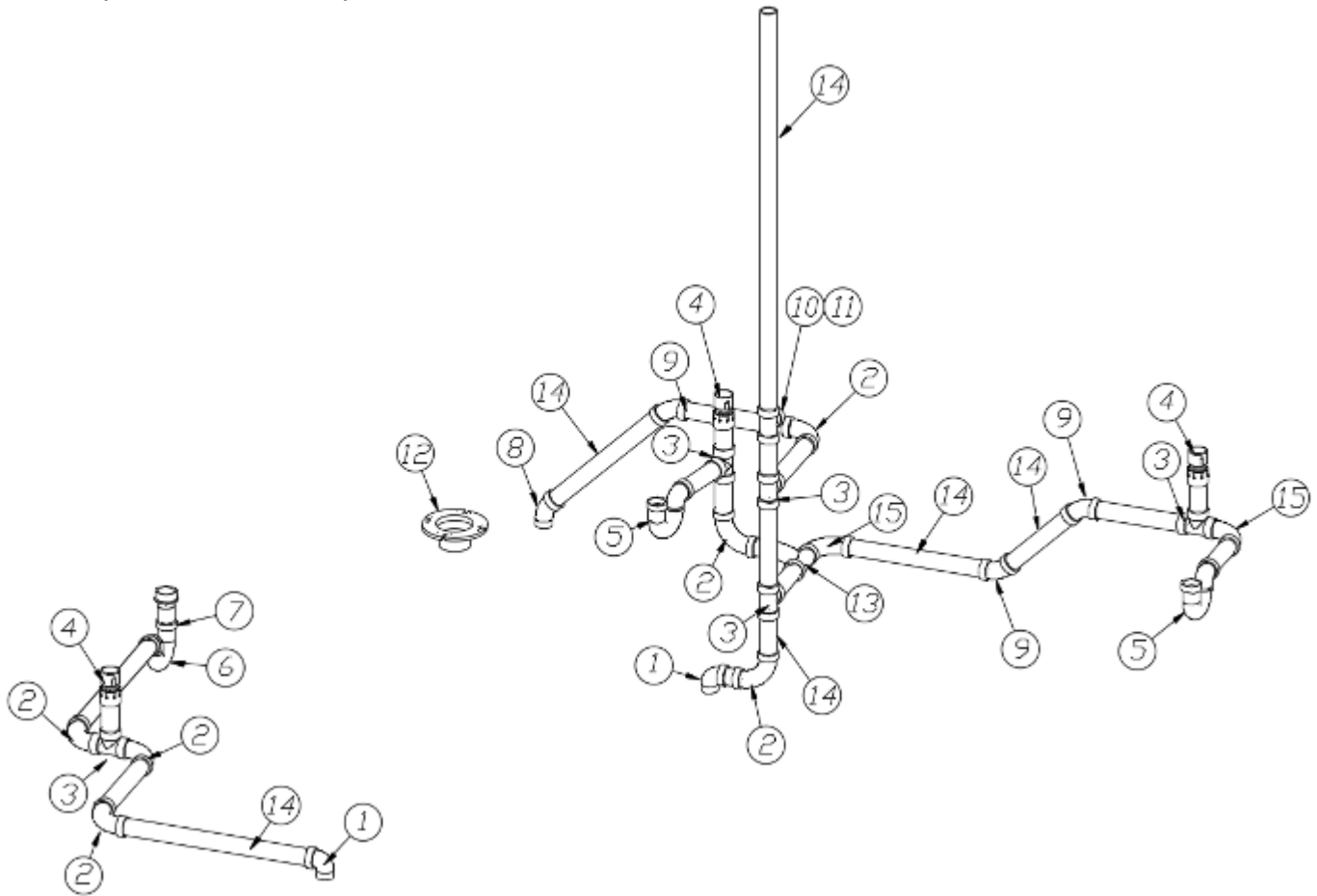
### 112814 Winterization Kit Installation



- |    |           |                                     |
|----|-----------|-------------------------------------|
| 1. | 601240-01 | Tubing 1/2 I.D. X 3/32 Wall Thick   |
| 2. | 602711    | Valve-3 Way Bypass .5" PEX #32788   |
| 3. | 601698-15 | 1/2 CRIMP RING #14785               |
| 4. | 365453    | Tag-Instruction - Winterization Kit |
| 5. | 602801    | Cap, 5/8" ID, Winterization Kit     |

# 2019 FLYING CLOUD PLUMBING, DRAIN

Drain, Above Floor, 19'



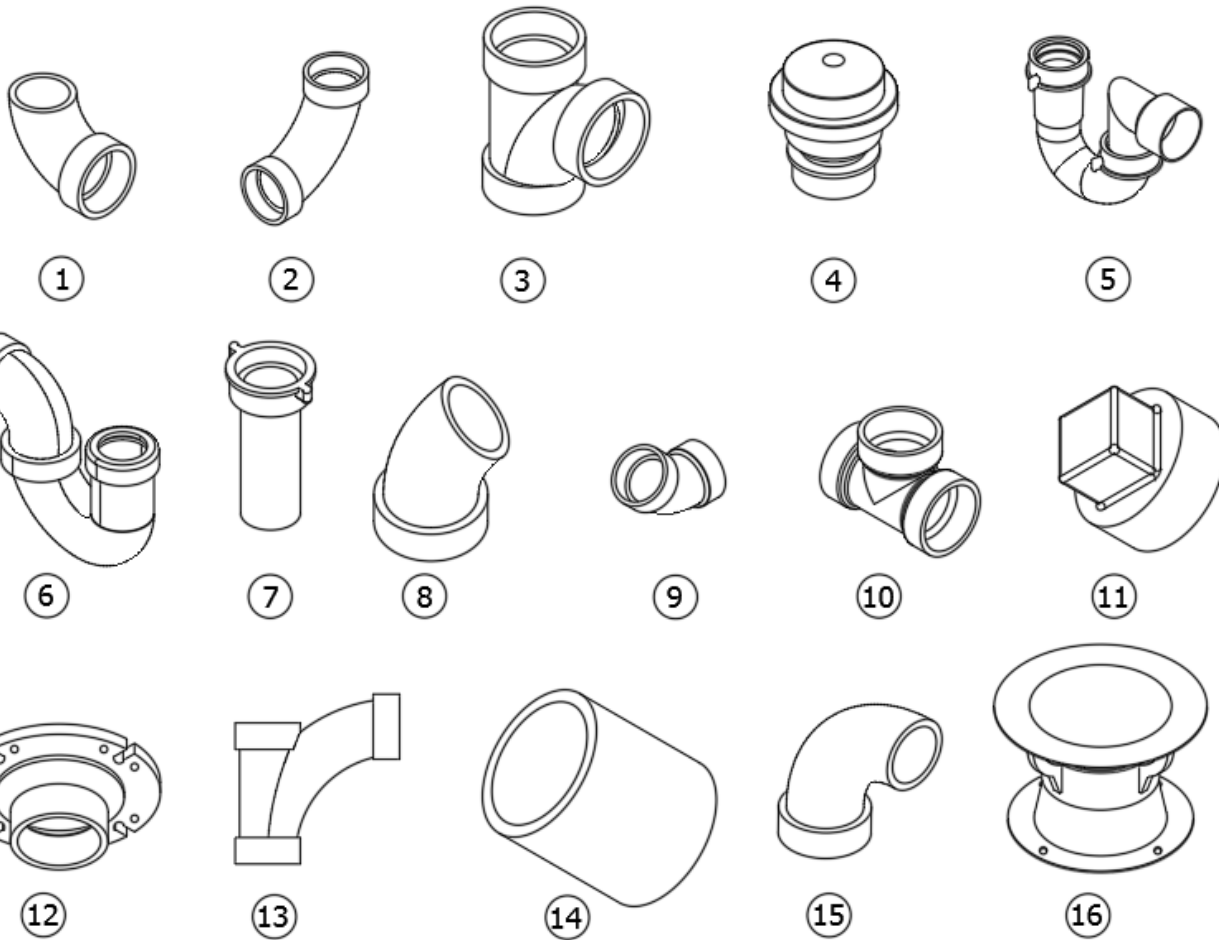
943519-01

Above Floor Drain System

- |     |           |                                  |
|-----|-----------|----------------------------------|
| 1.  | 600662    | Elbow, Short radius, 1.5"        |
| 2.  | 600035    | Ell, ABS, Long sweep, 1.5"       |
| 3.  | 600156    | Tee, Sanitary                    |
| 4.  | 602306    | Valve, 2" Air admittance         |
| 5.  | 600622    | P-trap, 1.5" w/slip nut & washer |
| 6.  | 602164-01 | P-trap w/compression nut, 1.5"   |
| 7.  | 602164-02 | Tailpiece w/nuts & washers, 1.5" |
| 8.  | 600027    | Elbow, ABS, Long sweep, 45°      |
| 9.  | 600030    | Ell, ABS, 45°, Long turn         |
| 10. | 601318    | Tee, Bi-directional              |
| 11. | 600155    | Plug, 1.5"                       |
| 12. | 600065    | Flange, Threaded                 |
| 13. | 600182    | Wye, 1/8" bend                   |
| 14. | 601160-02 | Pipe, ABS, 1.5"                  |
| 15. | 600431    | Elbow, 90°, 1.5"                 |
|     | 690700-01 | Vent cap cover, White            |

# 2019 FLYING CLOUD PLUMBING, DRAIN

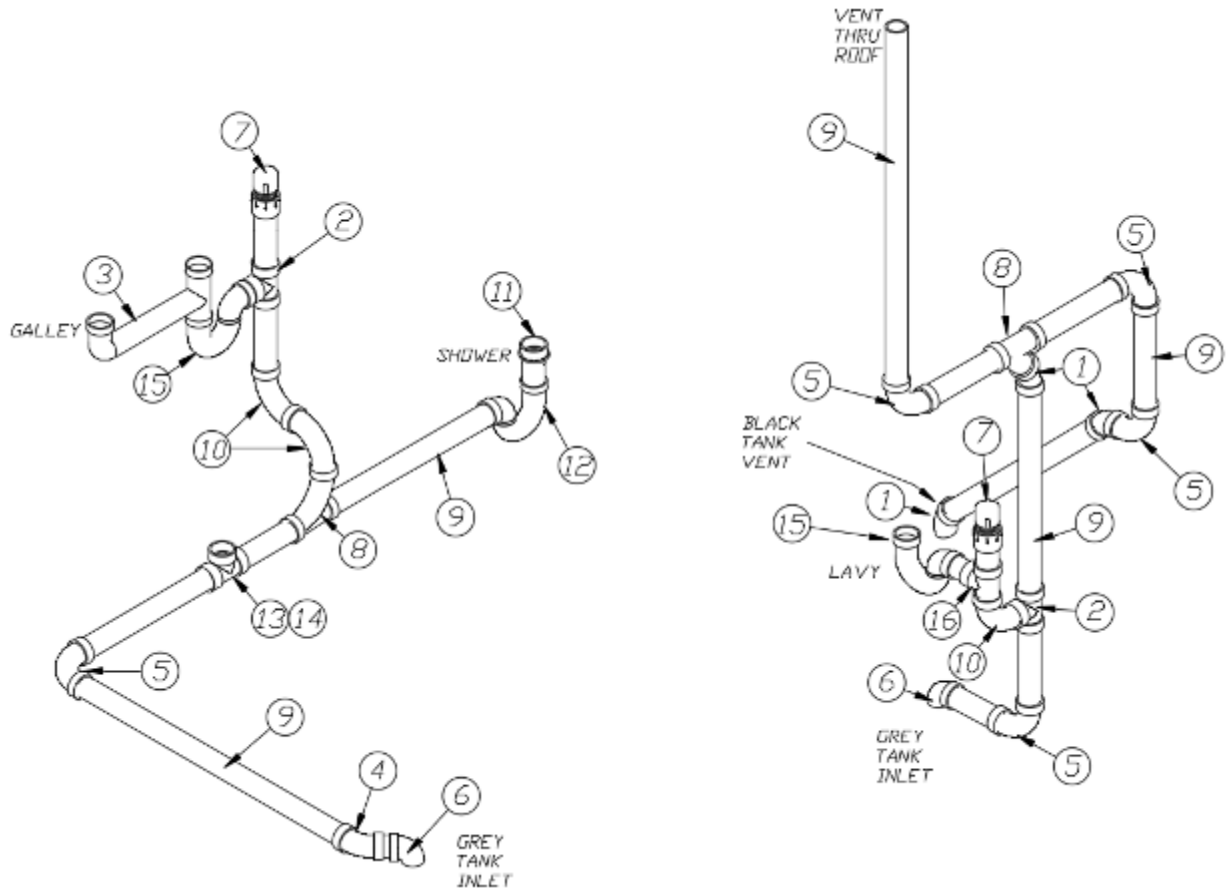
## Drain Fittings, 19'



- |     |           |                                  |
|-----|-----------|----------------------------------|
| 1.  | 600662    | Elbow, Short radius, 1.5"        |
| 2.  | 600035    | Ell, ABS, Long sweep, 1.5"       |
| 3.  | 600156    | Tee, Sanitary                    |
| 4.  | 602306    | Valve, 2" Air admittance         |
| 5.  | 600622    | P-trap, 1.5" w/slip nut & washer |
| 6.  | 602164-01 | P-trap w/compression nut, 1.5"   |
| 7.  | 602164-02 | Tailpiece w/nuts & washers, 1.5" |
| 8.  | 600027    | Elbow, ABS, Long sweep, 45°      |
| 9.  | 600030    | Ell, ABS, 45°, Long turn         |
| 10. | 601318    | Tee, Bi-directional              |
| 11. | 600155    | Plug, 1.5"                       |
| 12. | 600065    | Flange, Threaded                 |
| 13. | 600182    | Wye, 1/8" bend                   |
| 14. | 601160-02 | Pipe, ABS, 1.5"                  |
| 15. | 600431    | Elbow, 90°, 1.5"                 |
| 16. | 690700-01 | Vent cap cover, White            |

# 2019 FLYING CLOUD PLUMBING, DRAIN

Drain, Above Floor, 20'

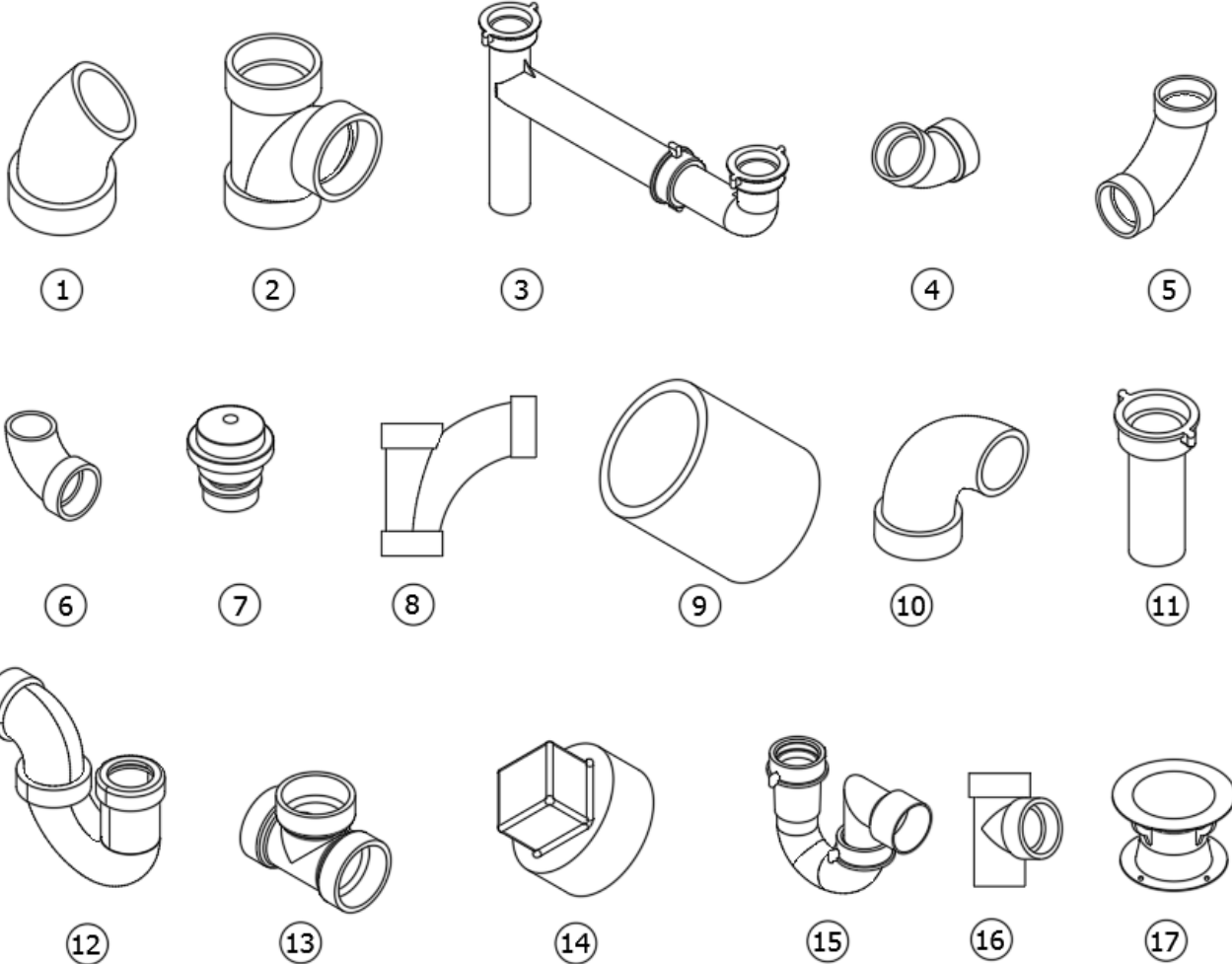


943659 Above Floor Drain System

- |     |           |                                  |
|-----|-----------|----------------------------------|
| 1.  | 600027    | Elbow, ABS, Long sweep, 45°      |
| 2.  | 600156    | Tee, Sanitary                    |
| 3.  | 600378    | Continuous waste, 1.5"           |
| 4.  | 600030    | Ell, ABS, 45°, Long turn         |
| 5.  | 600035    | Ell, ABS, Long sweep, 1.5"       |
| 6.  | 600662    | Elbow, Short radius, 1.5"        |
| 7.  | 602306    | Valve, 2" Air admittance         |
| 8.  | 600182    | Wye, 1/8" bend                   |
| 9.  | 601160-02 | Pipe, ABS, 1.5"                  |
| 10. | 600431    | Elbow, 90°, 1.5"                 |
| 11. | 602164-02 | Tailpiece w/nuts & washers, 1.5" |
| 12. | 602164-01 | P-trap w/compression nut, 1.5"   |
| 13. | 601318    | Tee, Bi-directional              |
| 14. | 600155    | Plug, 1.5"                       |
| 15. | 600622    | P-trap, 1.5" w/slip nut & washer |
| 16. | 601868    | Tee, Sanitary                    |
|     | 690700-01 | Vent cap cover, White            |

## 2019 FLYING CLOUD PLUMBING, DRAIN

### Drain Fittings, 20'

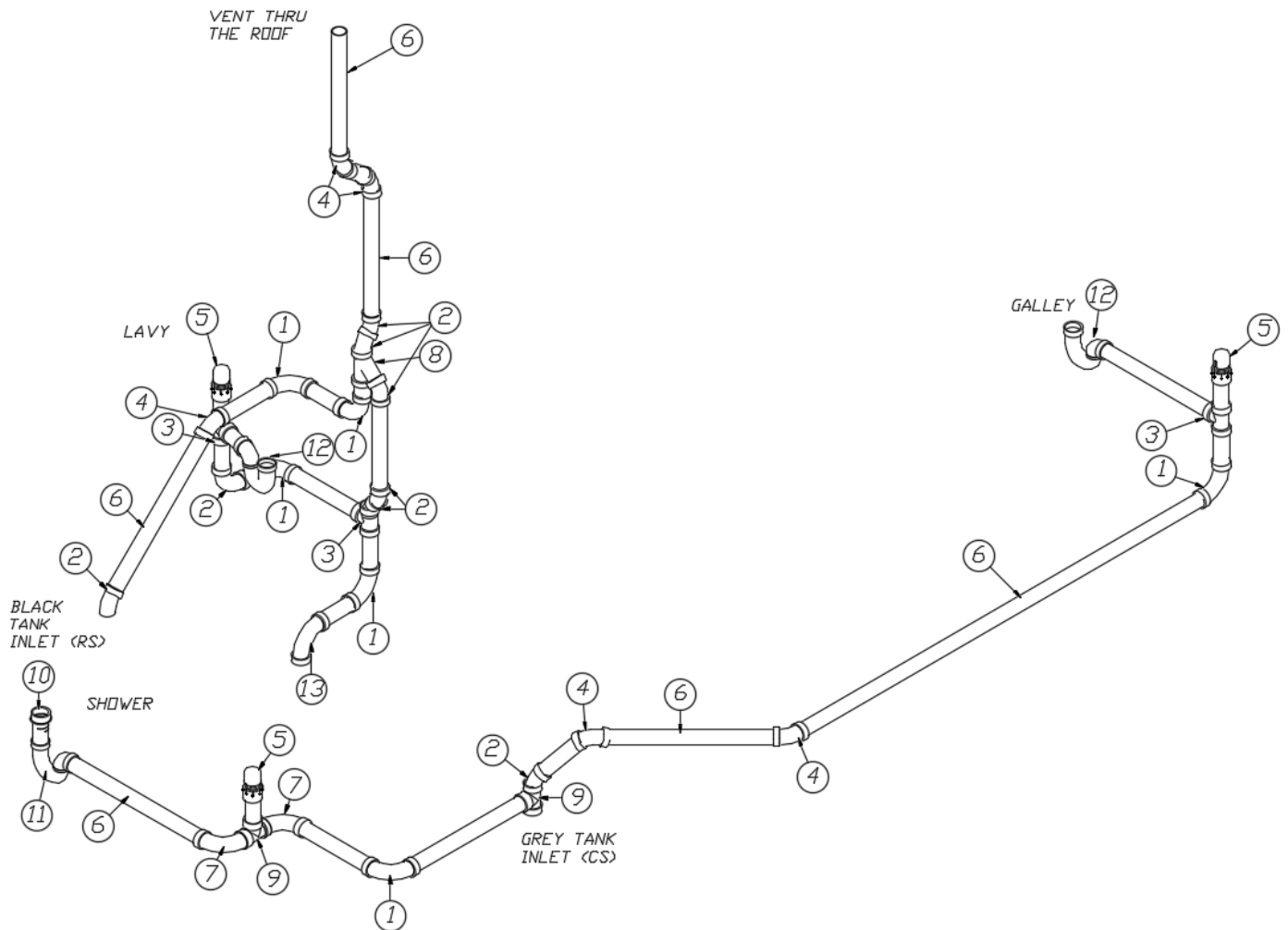


- |     |           |                                  |
|-----|-----------|----------------------------------|
| 1.  | 600027    | Elbow, ABS, Long sweep, 45°      |
| 2.  | 600156    | Tee, Sanitary                    |
| 3.  | 600378    | Continuous waste, 1.5"           |
| 4.  | 600030    | Ell, ABS, 45°, Long turn         |
| 5.  | 600035    | Ell, ABS, Long sweep, 1.5"       |
| 6.  | 600662    | Elbow, Short radius, 1.5"        |
| 7.  | 602306    | Valve, 2" Air admittance         |
| 8.  | 600182    | Wye, 1/8" bend                   |
| 9.  | 601160-02 | Pipe, ABS, 1.5"                  |
| 10. | 600431    | Elbow, 90°, 1.5"                 |
| 11. | 602164-02 | Tailpiece w/nuts & washers, 1.5" |
| 12. | 602164-01 | P-trap w/compression nut, 1.5"   |
| 13. | 601318    | Tee, Bi-directional              |
| 14. | 600155    | Plug, 1.5"                       |
| 15. | 600622    | P-trap, 1.5" w/slip nut & washer |
| 16. | 601868    | Tee, Sanitary                    |
| 17. | 690700-01 | Vent cap cover, White            |



# 2019 FLYING CLOUD PLUMBING, DRAIN

## Drain, Above Floor, 23CB



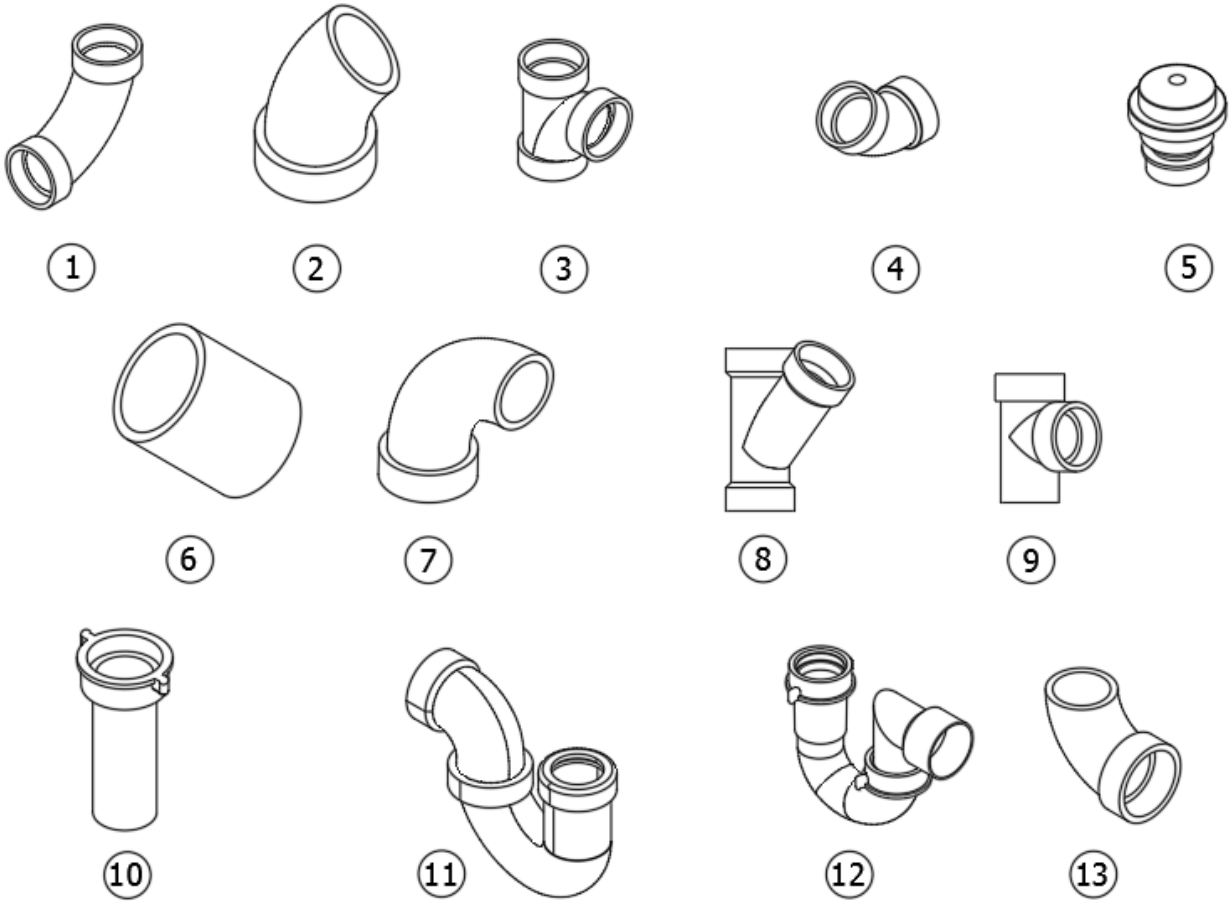
943685

### Above Floor Drain System

- |     |           |                                  |
|-----|-----------|----------------------------------|
| 1.  | 600035    | El, ABS, Long sweep, 1.5"        |
| 2.  | 600027    | Elbow, ABS, Long sweep, 45°      |
| 3.  | 600156    | Tee, Sanitary                    |
| 4.  | 600030    | El, ABS, 45°, Long turn          |
| 5.  | 602306    | Valve, 2" Air admittance         |
| 6.  | 601160-02 | Pipe, ABS, 1.5"                  |
| 7.  | 600431    | Elbow, 90°, 1.5"                 |
| 8.  | 600094    | Wye                              |
| 9.  | 601868    | Tee, Sanitary                    |
| 10. | 602164-02 | Tailpiece w/nuts & washers, 1.5" |
| 11. | 602164-01 | P-trap w/compression nut, 1.5"   |
| 12. | 600622    | P-trap, 1.5" w/slip nut & washer |
| 13. | 600662    | Elbow, Short radius, 1.5"        |
| 14. | 690700-01 | Vent cap cover, White            |

# 2019 FLYING CLOUD PLUMBING, DRAIN

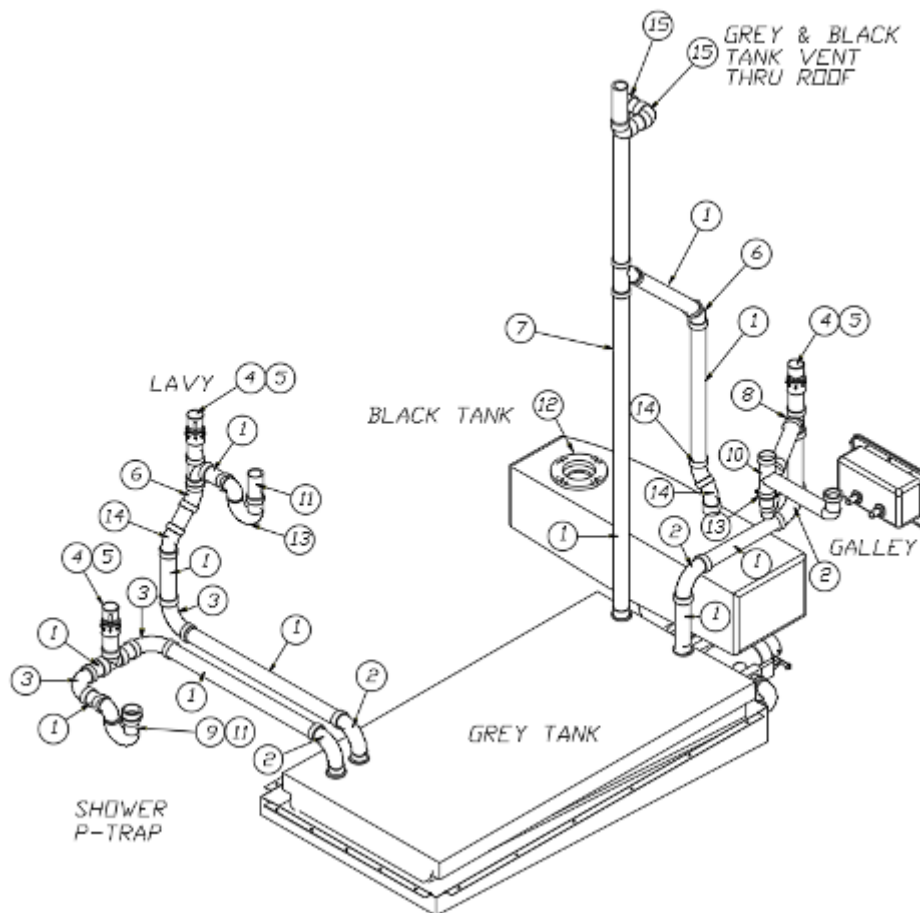
## Drain Fittings, 23CB



- |     |           |                                  |
|-----|-----------|----------------------------------|
| 1.  | 600035    | El, ABS, Long sweep, 1.5"        |
| 2.  | 600027    | Elbow, ABS, Long sweep, 45°      |
| 3.  | 600156    | Tee, Sanitary                    |
| 4.  | 600030    | El, ABS, 45°, Long turn          |
| 5.  | 602306    | Valve, 2" Air admittance         |
| 6.  | 601160-02 | Pipe, ABS, 1.5"                  |
| 7.  | 600431    | Elbow, 90°, 1.5"                 |
| 8.  | 600094    | Wye                              |
| 9.  | 601868    | Tee, Sanitary                    |
| 10. | 602164-02 | Tailpiece w/nuts & washers, 1.5" |
| 11. | 602164-01 | P-trap w/compression nut, 1.5"   |
| 12. | 600622    | P-trap, 1.5" w/slip nut & washer |
| 13. | 600662    | Elbow, Short radius, 1.5"        |
| 14. | 690700-01 | Vent cap cover, White            |

# 2019 FLYING CLOUD PLUMBING, DRAIN

## Drain, Above Floor, 23FB



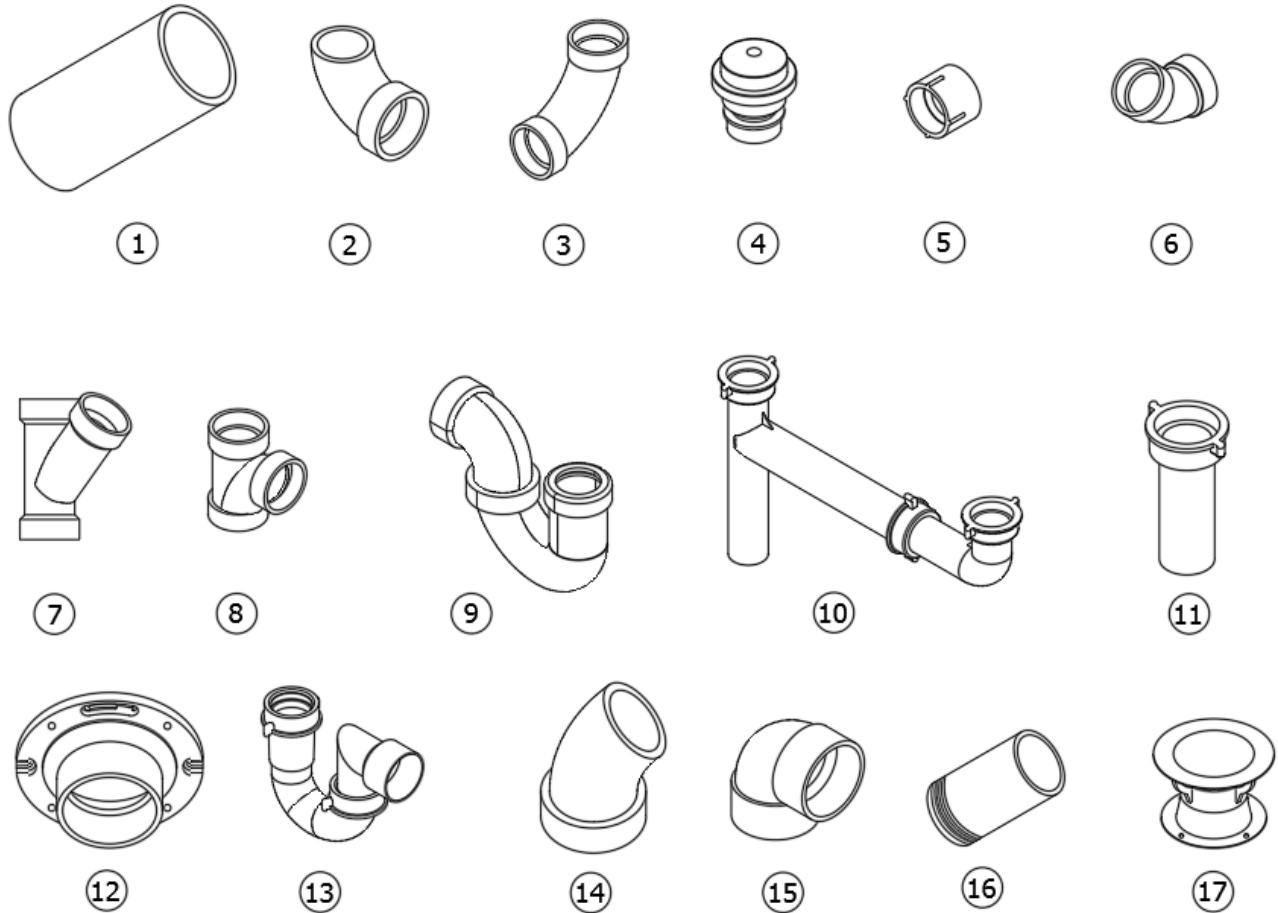
943790

### Above Floor Drain System

- |     |           |                                   |
|-----|-----------|-----------------------------------|
| 1.  | 601160-02 | Pipe, ABS, 1.5"                   |
| 2.  | 600662    | Elbow, Short radius, 1.5"         |
| 3.  | 600035    | Ell, ABS, Long sweep, 1.5"        |
| 4.  | 602306    | Vent, V-200 automatic             |
| 5.  | 600308    | Adapter, ABS female               |
| 6.  | 600030    | Ell, ABS, 45°, Long turn          |
| 7.  | 600094    | Wye                               |
| 8.  | 600156    | Tee, Sanitary                     |
| 9.  | 602164-01 | P-trap w/compression nut, 1.5"    |
| 10. | 600378    | Continuous waste, 1.5"            |
| 11. | 602164-02 | Tailpiece w/nuts & washers, 1.5"  |
| 12. | 601266    | Flange, Slip fit                  |
| 13. | 600622    | P-trap, 1.5" w/slip nut & washer  |
| 14. | 600027    | Elbow, ABS, Long sweep, 45°       |
| 15. | 600033    | Elbow, Vent, 1.5", 90°            |
| 16. | 601267-02 | Nipple, Threaded one end only, 6" |
|     | 690700-01 | Vent cap cover, White             |

# 2019 FLYING CLOUD PLUMBING, DRAIN

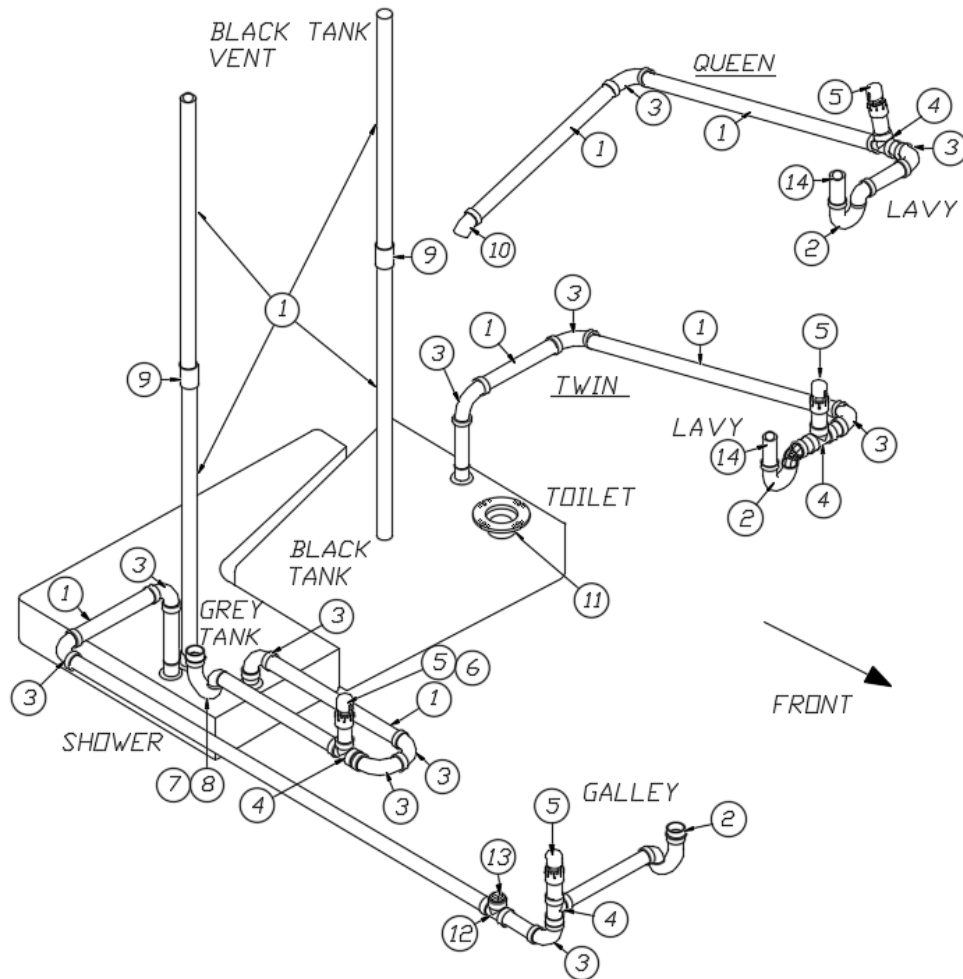
## Drain Fittings, 23FB



- |     |           |                                   |
|-----|-----------|-----------------------------------|
| 1.  | 601160-02 | Pipe, ABS, 1.5"                   |
| 2.  | 600662    | Elbow, Short radius, 1.5"         |
| 3.  | 600035    | Ell, ABS, Long sweep, 1.5"        |
| 4.  | 602306    | Vent, V-200 automatic             |
| 5.  | 600308    | Adapter, ABS female               |
| 6.  | 600030    | Ell, ABS, 45°, Long turn          |
| 7.  | 600094    | Wye                               |
| 8.  | 600156    | Tee, Sanitary                     |
| 9.  | 602164-01 | P-trap w/compression nut, 1.5"    |
| 10. | 600378    | Continuous waste, 1.5"            |
| 11. | 602164-02 | Tailpiece w/nuts & washers, 1.5"  |
| 12. | 601266    | Flange, Slip fit                  |
| 13. | 600622    | P-trap, 1.5" w/slip nut & washer  |
| 14. | 600027    | Elbow, ABS, Long sweep, 45°       |
| 15. | 600033    | Elbow, Vent, 1.5", 90°            |
| 16. | 601267-02 | Nipple, Threaded one end only, 6" |
| 17. | 690700-01 | Vent cap cover, White             |

# 2019 FLYING CLOUD PLUMBING, DRAIN

## Drain, Above Floor, 25'



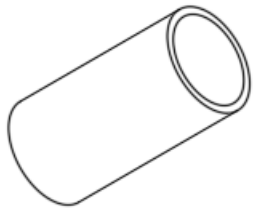
943733

### Above Floor Drain System

- |     |           |                                  |
|-----|-----------|----------------------------------|
| 1.  | 601160-02 | Pipe, ABS 1.5"                   |
| 2.  | 600622    | P-trap, 1.5" w/slip nut & washer |
| 3.  | 600035    | Elbow, Extra-long sweep          |
| 4.  | 600156    | Tee, Sanitary                    |
| 5.  | 602306    | Valve, 2" air admittance Ayrlet  |
| 6.  | 600308    | Adapter, ABS, Female             |
| 7.  | 602164-01 | P-trap w/compression nut, 1.5"   |
| 8.  | 602164-02 | Tailpiece w/nuts & washers, 1.5" |
| 9.  | 600227    | Plastic coupling                 |
| 10. | 600027    | Elbow, ABS, Long sweep, 45°      |
| 11. | 600065    | Flange, Floor threaded           |
| 12. | 601318    | Tee, Bi-directional cleanout     |
| 13. | 600155    | Plug, Cleanout, 1.5"             |
| 14. | 601714-01 | Tailpiece                        |
|     | 690700-01 | Vent cap cover, White            |

# 2019 FLYING CLOUD PLUMBING, DRAIN

## Drain Fittings, 25'



1



2



3



4



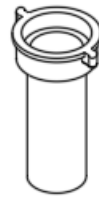
5



6



7



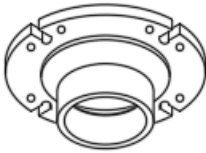
8



9



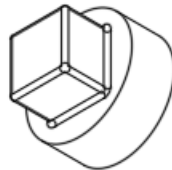
10



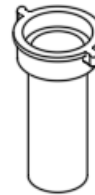
11



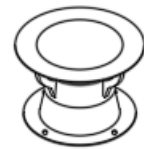
12



13



14

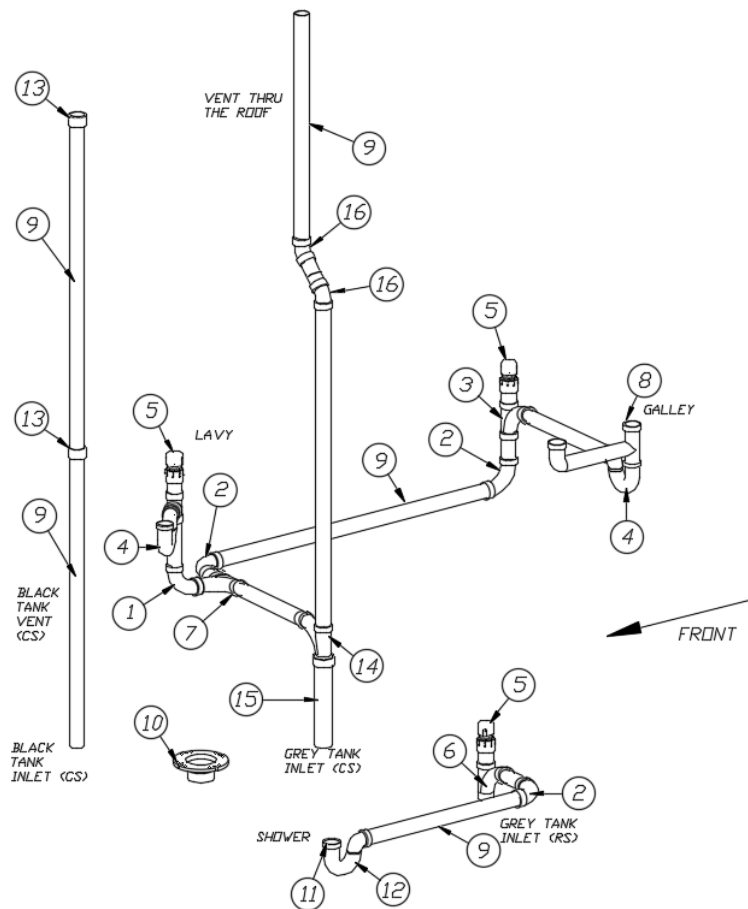


15

- |     |           |                                  |
|-----|-----------|----------------------------------|
| 1.  | 601160-02 | Pipe, ABS 1.5"                   |
| 2.  | 600622    | P-trap, 1.5" w/slip nut & washer |
| 3.  | 600035    | Elbow, Extra-long sweep          |
| 4.  | 600156    | Tee, Sanitary                    |
| 5.  | 602306    | Valve, 2" air admittance Ayrlet  |
| 6.  | 600308    | Adapter, ABS, Female             |
| 7.  | 602164-01 | P-trap w/compression nut, 1.5"   |
| 8.  | 602164-02 | Tailpiece w/nuts & washers, 1.5" |
| 9.  | 600227    | Plastic coupling                 |
| 10. | 600027    | Elbow, ABS, Long sweep, 45°      |
| 11. | 600065    | Flange, Floor threaded           |
| 12. | 601318    | Tee, Bi-directional cleanout     |
| 13. | 600155    | Plug, Cleanout, 1.5"             |
| 14. | 601714-01 | Tailpiece                        |
| 15. | 690700-01 | Vent cap cover, White            |

# 2019 FLYING CLOUD PLUMBING, DRAIN

## Drain, Above Floor, 25FB



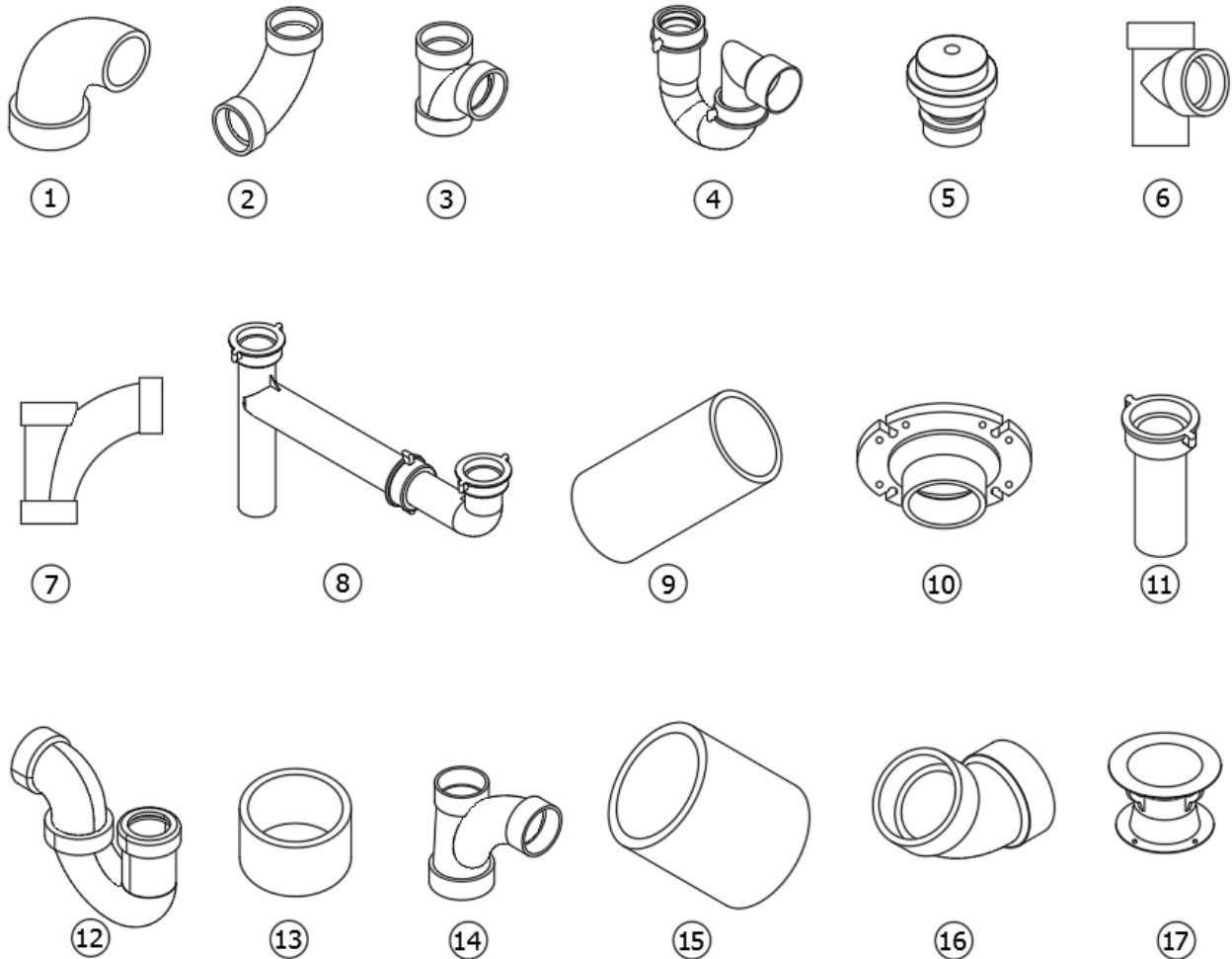
943632

### Above Floor Drain System

- |     |           |                                  |
|-----|-----------|----------------------------------|
| 1.  | 600431    | Elbow, 90°, 1.5"                 |
| 2.  | 600035    | Ell, ABS, Long sweep, 1.5"       |
| 3.  | 600156    | Tee, Sanitary                    |
| 4.  | 600622    | P-trap, 1.5" w/slip nut & washer |
| 5.  | 602306    | Valve, 2" air admittance         |
| 6.  | 601868    | Tee, Sanitary                    |
| 7.  | 600182    | Wye, 1/8" bend                   |
| 8.  | 600378    | Continuous waste, 1.5"           |
| 9.  | 601160-02 | Pipe, ABS, 1.5"                  |
| 10. | 600065    | Flange, Floor threaded           |
| 11. | 602164-02 | Tailpiece w/nuts & washers, 1.5" |
| 12. | 602164-01 | P-trap w/compression nut, 1.5"   |
| 13. | 600227    | Plastic coupling                 |
| 14. | 602072    | Tee, Sanitary, Reducing          |
| 15. | 601160-03 | Pipe, ABS, 2"                    |
| 16. | 600030    | Ell, ABS, 45°, Long turn         |
| 17. | 690700-01 | Vent cap cover, White            |

# 2019 FLYING CLOUD PLUMBING, DRAIN

## Drain Fittings, 25FB

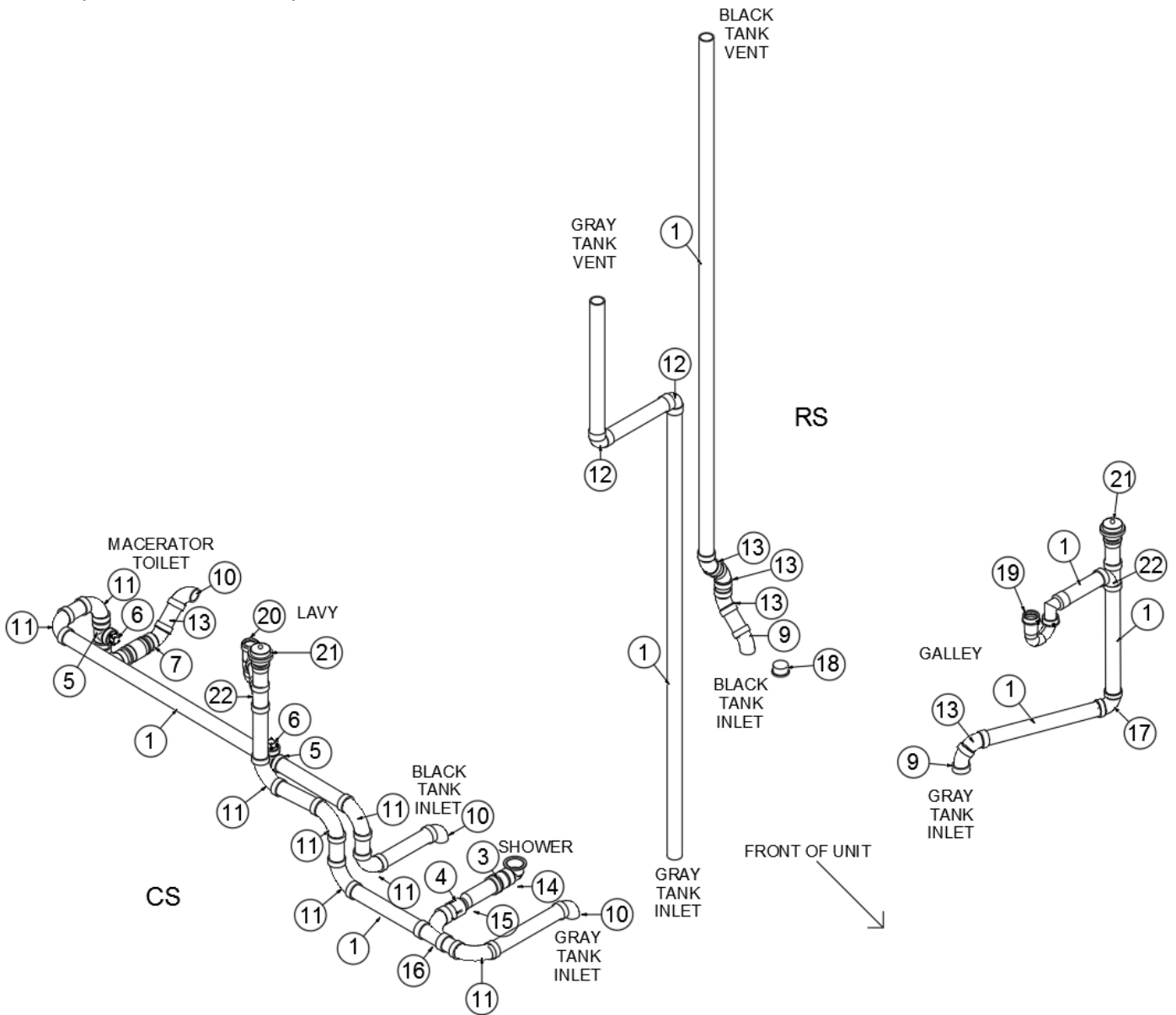


- |     |           |                                  |
|-----|-----------|----------------------------------|
| 1.  | 600431    | Elbow, 90°, 1.5"                 |
| 2.  | 600035    | Ell, ABS, Long sweep, 1.5"       |
| 3.  | 600156    | Tee, Sanitary                    |
| 4.  | 600622    | P-trap, 1.5" w/slip nut & washer |
| 5.  | 602306    | Valve, 2" air admittance         |
| 6.  | 601868    | Tee, Sanitary                    |
| 7.  | 600182    | Wye, 1/8" bend                   |
| 8.  | 600378    | Continuous waste, 1.5"           |
| 9.  | 601160-02 | Pipe, ABS, 1.5"                  |
| 10. | 600065    | Flange, Floor threaded           |
| 11. | 602164-02 | Tailpiece w/nuts & washers, 1.5" |
| 12. | 602164-01 | P-trap w/compression nut, 1.5"   |
| 13. | 600227    | Plastic coupling                 |
| 14. | 602072    | Tee, Sanitary, Reducing          |
| 15. | 601160-03 | Pipe, ABS, 2"                    |
| 16. | 600030    | Ell, ABS, 45°, Long turn         |
| 17. | 690700-01 | Vent cap cover, White            |



# 2019 FLYING CLOUD PLUMBING, DRAIN

## Drain, Above Floor, 26U



Parts Listed on Next Page

# 2019 FLYING CLOUD PLUMBING, DRAIN

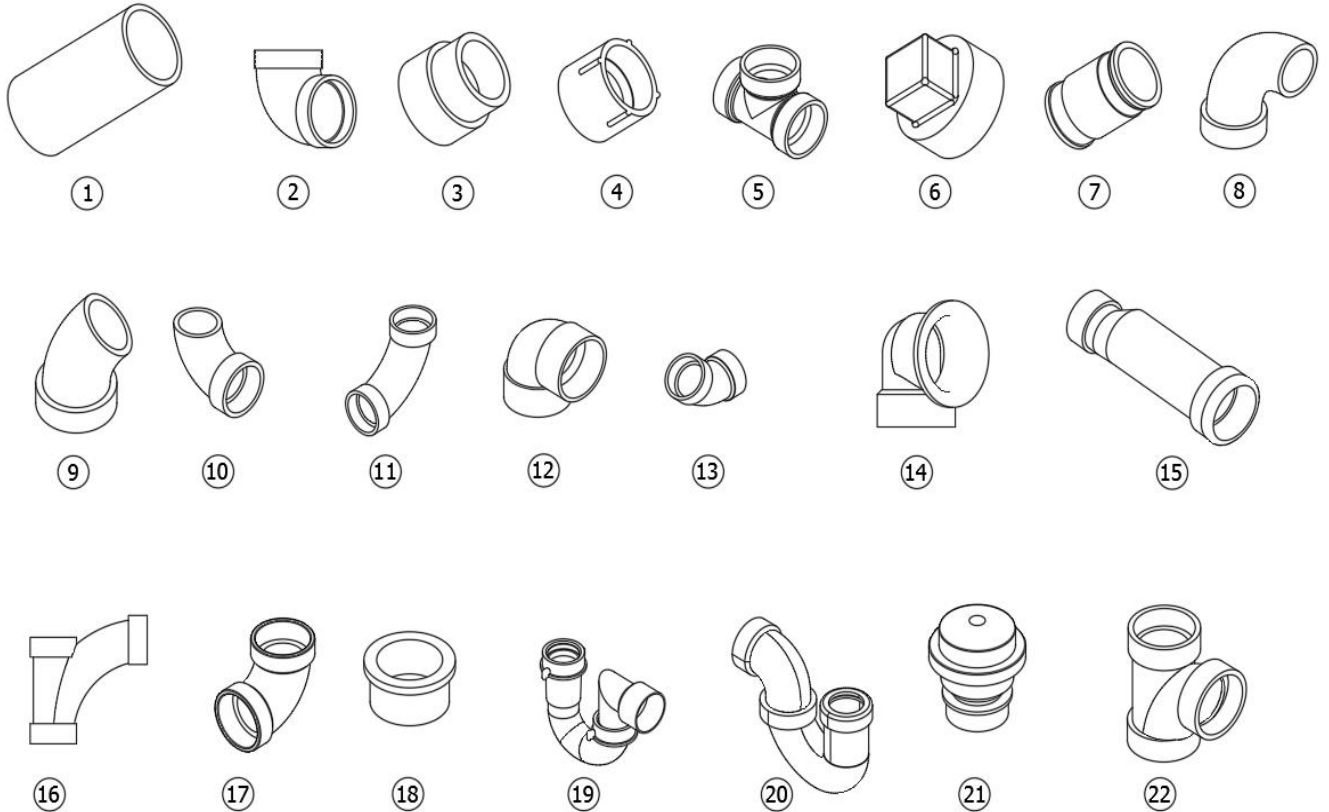
## Drain, Above Floor, 26U

943791 Above Floor Drain System

1. 601160-02 Pipe, ABS, 1.5"
2. 690603-02 Adapter, Angle, Hepvo
3. 601676 Adapter, 1.5" spigot x 1.5" MPT
4. 602212 Adapter, ABS
5. 601318 Tee, Sanitary
6. 600155 Cleanout plug, 1.5"
7. 602201 Coupling, Flexible, 1.5"
8. 600431 Elbow, 90°, 1.5"
9. 600027 Elbow, ABS, Long sweep, 45°
10. 600662 Elbow, 90°, Short sweep
11. 600035 Ell, ABS, Long sweep, 1.5"
12. 600033 Elbow vent, 90°
13. 600030 Ell, ABS, 45°, Long turn
14. 602265 Tub shoe elbow, 1.5"
15. 690603-01 Waste valve, Hepvo
16. 600182 Wye
17. 601636 Elbow, 90°, Short sweep
18. 602357 Plug, ABS 1.5" Spigot
19. 600622 P-Trap 1-1/2 W/Slip Nut & Washer
20. 602164-01 P Trap W/Compression Nut 1.5"
21. 602306 Valve-2" Air Admittance Ayrlett
22. 600156 Tee- Sanitary 1.5"

# 2019 FLYING CLOUD PLUMBING, DRAIN

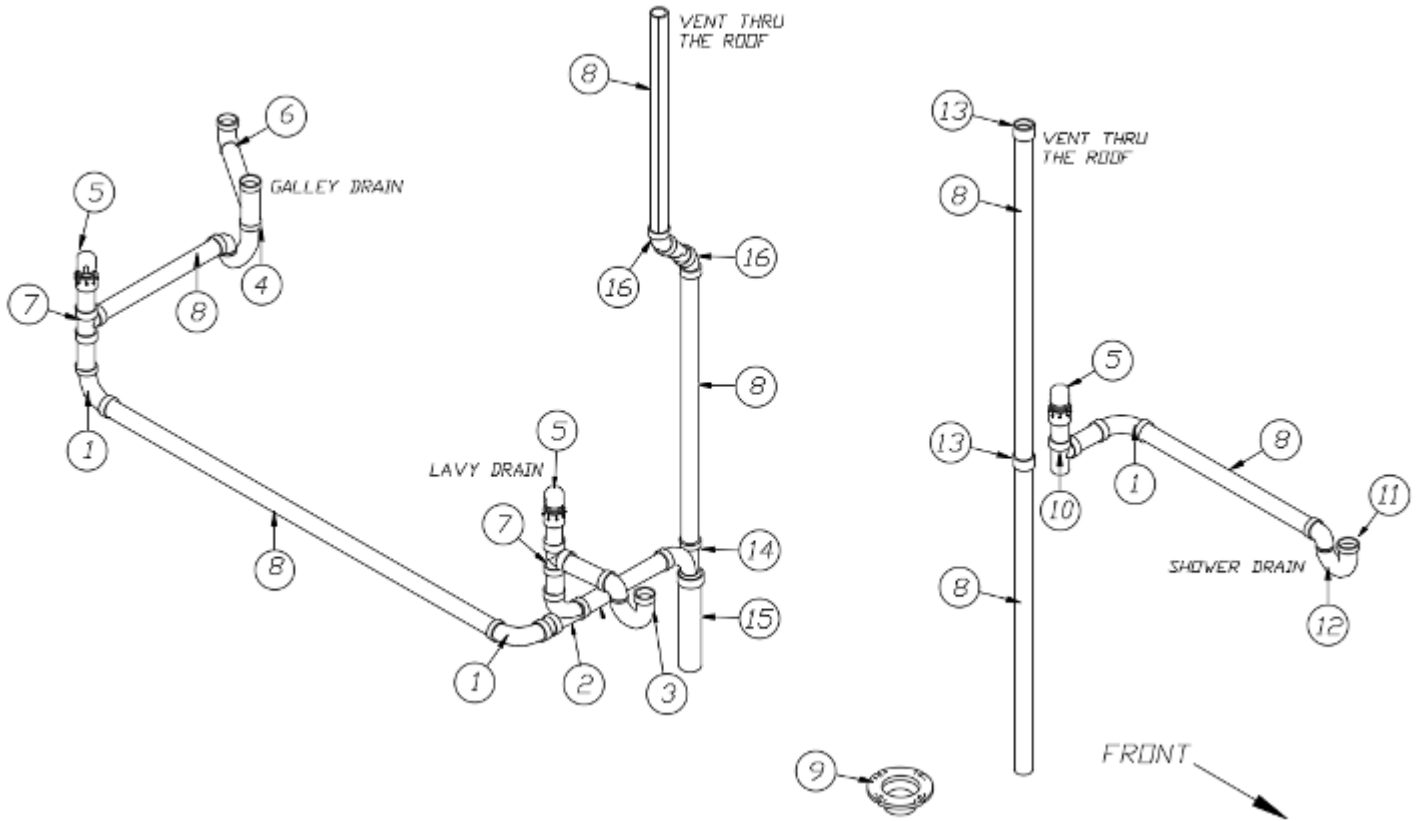
## Drain Fittings, 26U



- |     |           |                                  |
|-----|-----------|----------------------------------|
| 1.  | 601160-02 | Pipe, ABS, 1.5"                  |
| 2.  | 690603-02 | Adapter, Angle, Hepvo            |
| 3.  | 601676    | Adapter, 1.5" spigot x 1.5" MPT  |
| 4.  | 602212    | Adapter, ABS                     |
| 5.  | 601318    | Tee, Sanitary                    |
| 6.  | 600155    | Cleanout plug, 1.5"              |
| 7.  | 602201    | Coupling, Flexible, 1.5"         |
| 8.  | 600431    | Elbow, 90°, 1.5"                 |
| 9.  | 600027    | Elbow, ABS, Long sweep, 45°      |
| 10. | 600662    | Elbow, 90°, Short sweep          |
| 11. | 600035    | Ell, ABS, Long sweep, 1.5"       |
| 12. | 600033    | Elbow vent, 90°                  |
| 13. | 600030    | Ell, ABS, 45°, Long turn         |
| 14. | 602265    | Tub shoe elbow, 1.5"             |
| 15. | 690603-01 | Waste valve, Hepvo               |
| 16. | 600182    | Wye                              |
| 17. | 601636    | Elbow, 90°, Short sweep          |
| 18. | 602357    | Plug, ABS 1.5" Spigot            |
| 19. | 600622    | P-Trap 1-1/2 W/Slip Nut & Washer |
| 20. | 602164-01 | P Trap W/Compression Nut 1.5"    |
| 21. | 602306    | Valve-2" Air Admittance Ayrlett  |
| 22. | 600156    | Tee- Sanitary 1.5"               |

# 2019 FLYING CLOUD PLUMBING, DRAIN

## Drain, Above Floor, 27FB



943672

### Above Floor Drain System

- |     |           |                                  |
|-----|-----------|----------------------------------|
| 1.  | 600035    | Ell, ABS, Long sweep, 1.5"       |
| 2.  | 600182    | Wye                              |
| 3.  | 600144    | P-trap, ABS, 1.5"                |
| 4.  | 600622    | P-trap, 1.5" w/slip nut & washer |
| 5.  | 602306    | Valve, 2" air admittance         |
| 6.  | 600378    | Continuous waste, 1.5"           |
| 7.  | 600156    | Tee, Sanitary                    |
| 8.  | 601160-02 | Pipe, ABS, 1.5"                  |
| 9.  | 600065    | Flange, Floor threaded           |
| 10. | 601868    | Tee, Sanitary                    |
| 11. | 602164-02 | Tailpiece w/nuts & washers, 1.5" |
| 12. | 602164-01 | P-trap w/compression nut, 1.5"   |
| 13. | 600227    | Plastic coupling                 |
| 14. | 602072    | Tee, Sanitary, Reducing          |
| 15. | 601160-03 | Pipe, ABS, 2"                    |
| 16. | 600030    | Ell, ABS, 45°, Long turn         |
|     | 690700-01 | Vent cap cover, White            |

# 2019 FLYING CLOUD PLUMBING, DRAIN

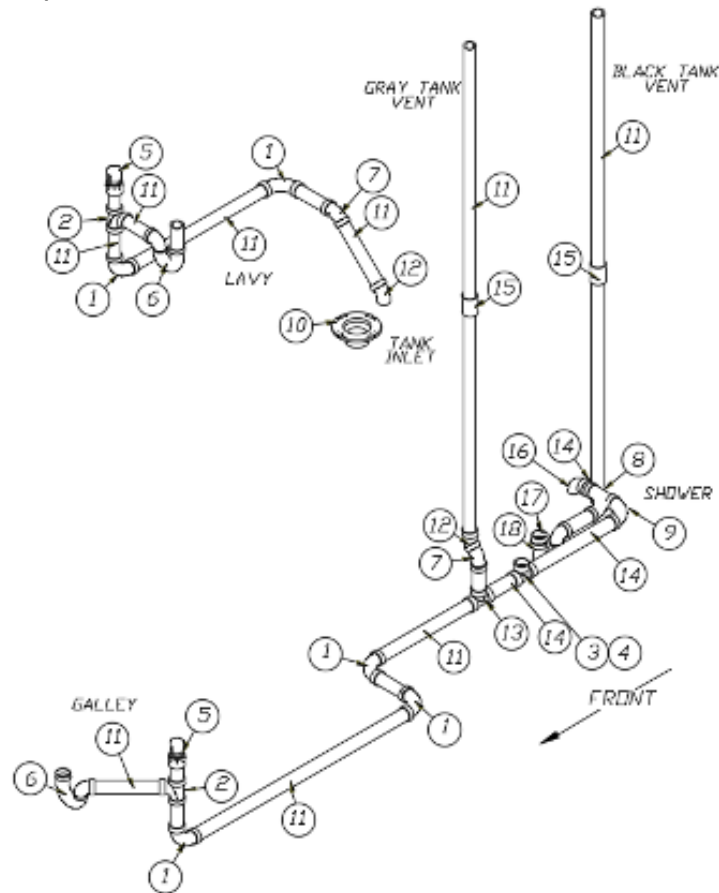
## Drain Fittings, 27FB



- |     |           |                                  |
|-----|-----------|----------------------------------|
| 1.  | 600035    | El, ABS, Long sweep, 1.5"        |
| 2.  | 600182    | Wye                              |
| 3.  | 600144    | P-trap, ABS, 1.5"                |
| 4.  | 600622    | P-trap, 1.5" w/slip nut & washer |
| 5.  | 602306    | Valve, 2" air admittance         |
| 6.  | 600378    | Continuous waste, 1.5"           |
| 7.  | 600156    | Tee, Sanitary                    |
| 8.  | 601160-02 | Pipe, ABS, 1.5"                  |
| 9.  | 600065    | Flange, Floor threaded           |
| 10. | 601868    | Tee, Sanitary                    |
| 11. | 602164-02 | Tailpiece w/nuts & washers, 1.5" |
| 12. | 602164-01 | P-trap w/compression nut, 1.5"   |
| 13. | 600227    | Plastic coupling                 |
| 14. | 602072    | Tee, Sanitary, Reducing          |
| 15. | 601160-03 | Pipe, ABS, 2"                    |
| 16. | 600030    | El, ABS, 45°, Long turn          |
| 17. | 690700-01 | Vent cap cover, White            |

# 2019 FLYING CLOUD PLUMBING, DRAIN

Drain, Above Floor, 28'



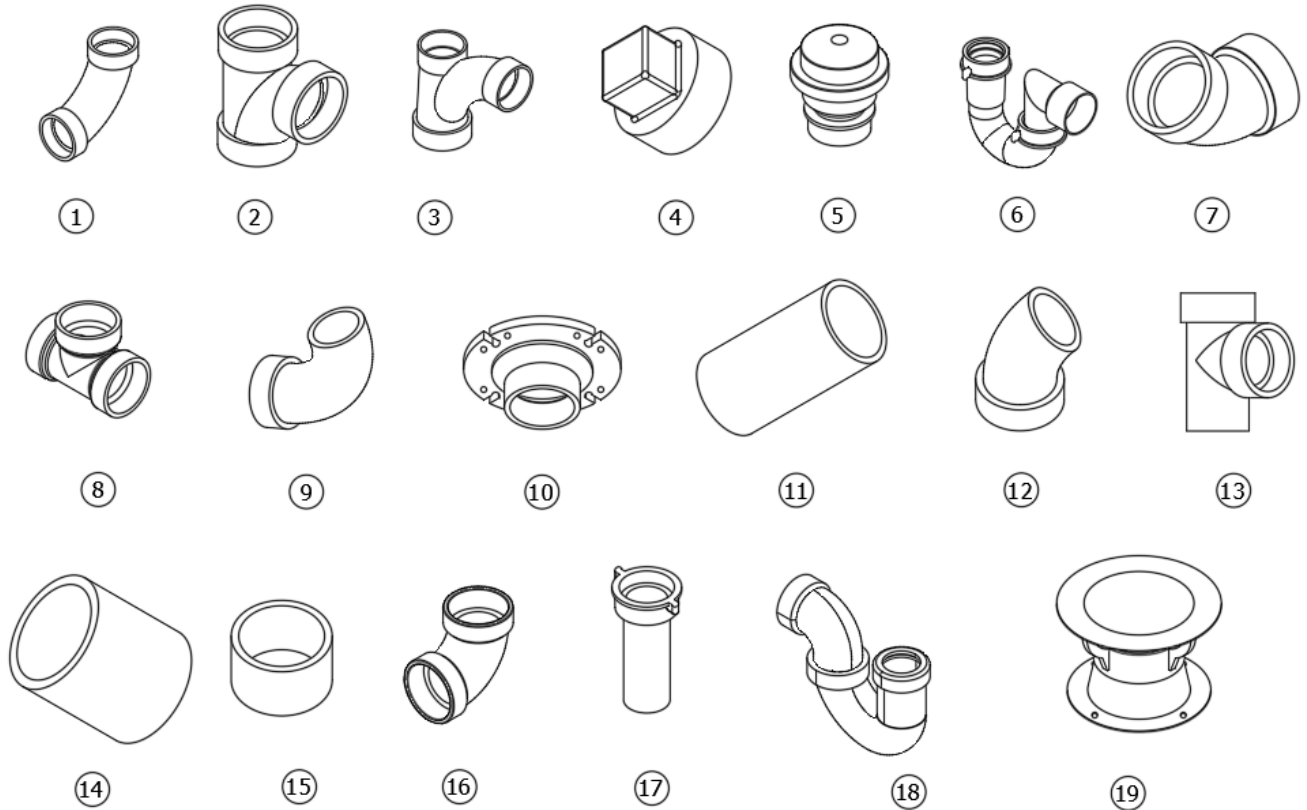
943599-01

Above Floor Drain System

- |                                                                                                                                                                                                                                                                                                                                                                                                                                        |                                                                                                                                                                                                                                                                                                                                                                                                                                                                                                                                                                                                                                                                                             |
|----------------------------------------------------------------------------------------------------------------------------------------------------------------------------------------------------------------------------------------------------------------------------------------------------------------------------------------------------------------------------------------------------------------------------------------|---------------------------------------------------------------------------------------------------------------------------------------------------------------------------------------------------------------------------------------------------------------------------------------------------------------------------------------------------------------------------------------------------------------------------------------------------------------------------------------------------------------------------------------------------------------------------------------------------------------------------------------------------------------------------------------------|
| <ul style="list-style-type: none"> <li>1. 600035</li> <li>2. 600156</li> <li>3. 602073</li> <li>4. 600155</li> <li>5. 602306</li> <li>6. 600622</li> <li>7. 600030</li> <li>8. 600318</li> <li>9. 600372</li> <li>10. 600065</li> <li>11. 601160-02</li> <li>12. 600027</li> <li>13. 602072</li> <li>14. 601160-03</li> <li>15. 600227</li> <li>16. 602112</li> <li>17. 602164-02</li> <li>18. 602164-01</li> <li>690700-01</li> </ul> | <ul style="list-style-type: none"> <li>Ell, ABS, Long sweep, 1.5"</li> <li>Tee, Sanitary</li> <li>Fixture tee, 2 x 2 x 1.5</li> <li>Cleanout plug, 1.5"</li> <li>Valve, 2" air admittance</li> <li>P-trap, 1.5" w/slip nut &amp; washer</li> <li>Ell, ABS, 45°, Long turn</li> <li>Wye, Long turn, 2 x 2 x 1.5</li> <li>Elbow, 90°, 2"</li> <li>Flange, Floor threaded</li> <li>Pipe, ABS, 1.5"</li> <li>Elbow, ABS, Long sweep, 45°</li> <li>Tee, Sanitary, Reducing</li> <li>Pipe, ABS, 2"</li> <li>Plastic coupling</li> <li>Elbow, 90°, Short sweep, 2"</li> <li>Tailpiece w/nuts &amp; washers, 1.5"</li> <li>P-trap w/compression nut, 1.5"</li> <li>Vent cap cover, White</li> </ul> |
|----------------------------------------------------------------------------------------------------------------------------------------------------------------------------------------------------------------------------------------------------------------------------------------------------------------------------------------------------------------------------------------------------------------------------------------|---------------------------------------------------------------------------------------------------------------------------------------------------------------------------------------------------------------------------------------------------------------------------------------------------------------------------------------------------------------------------------------------------------------------------------------------------------------------------------------------------------------------------------------------------------------------------------------------------------------------------------------------------------------------------------------------|

## 2019 FLYING CLOUD PLUMBING, DRAIN

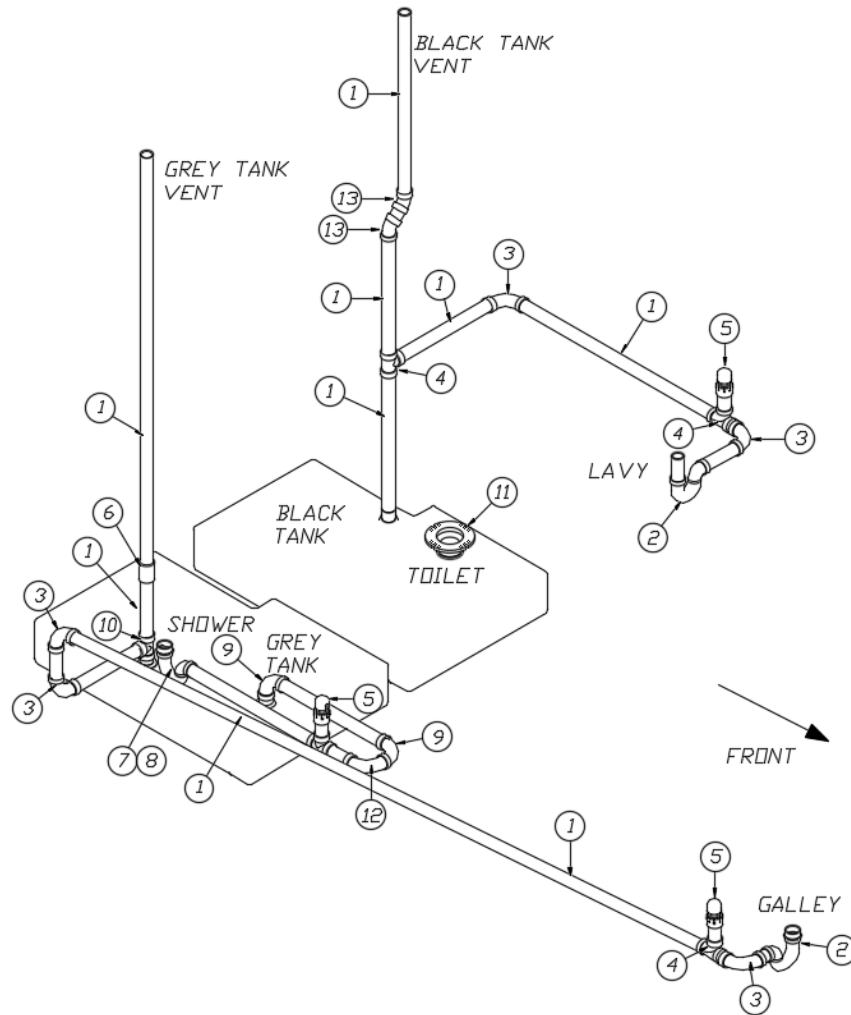
### Drain Fittings, 28'



- |     |           |                                  |
|-----|-----------|----------------------------------|
| 1.  | 600035    | El, ABS, Long sweep, 1.5"        |
| 2.  | 600156    | Tee, Sanitary                    |
| 3.  | 602073    | Fixture tee, 2 x 2 x 1.5         |
| 4.  | 600155    | Cleanout plug, 1.5"              |
| 5.  | 602306    | Valve, 2" air admittance         |
| 6.  | 600622    | P-trap, 1.5" w/slip nut & washer |
| 7.  | 600030    | El, ABS, 45°, Long turn          |
| 8.  | 600318    | Wye, Long turn, 2 x 2 x 1.5      |
| 9.  | 600372    | Elbow, 90°, 2"                   |
| 10. | 600065    | Flange, Floor threaded           |
| 11. | 601160-02 | Pipe, ABS, 1.5"                  |
| 12. | 600027    | Elbow, ABS, Long sweep, 45°      |
| 13. | 602072    | Tee, Sanitary, Reducing          |
| 14. | 601160-03 | Pipe, ABS, 2"                    |
| 15. | 600227    | Plastic coupling                 |
| 16. | 602112    | Elbow, 90°, Short sweep, 2"      |
| 17. | 602164-02 | Tailpiece w/nuts & washers, 1.5" |
| 18. | 602164-01 | P-trap w/compression nut, 1.5"   |
| 19. | 690700-01 | Vent cap cover, White            |

# 2019 FLYING CLOUD PLUMBING, DRAIN

Drain, Above Floor, 30'



943722

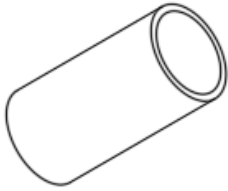
Above Floor Drain System

- |     |           |                                  |
|-----|-----------|----------------------------------|
| 1.  | 601160-02 | Pipe, ABS DWG, 1.5"              |
| 2.  | 600622    | P-trap, 1.5" w/slip nut & washer |
| 3.  | 600035    | Ell, ABS long sweep, 1.5         |
| 4.  | 600156    | Tee, Sanitary                    |
| 5.  | 602306    | Valve, 2" air admittance         |
| 6.  | 600227    | Coupling, 1.5"                   |
| 7.  | 602164-01 | P-trap w/compression nut, 1.5"   |
| 8.  | 602164-02 | Tailpiece w/nuts & washers, 1.5" |
| 9.  | 600662    | Elbow, 1.5", 90°, Short radius   |
| 10. | 601868    | Sanitary tee                     |
| 11. | 600065    | Floor flange, Threaded           |
| 12. | 600431    | Elbow, 90°, 1.5"                 |
| 13. | 600030    | Ell, ABS, 45°, Long turn         |
|     | 690700-01 | Vent cap cover, White            |



## 2019 FLYING CLOUD PLUMBING, DRAIN

### Drain Fittings, 30'



①



②



③



④



⑤



⑥



⑦



⑧



⑨



⑩



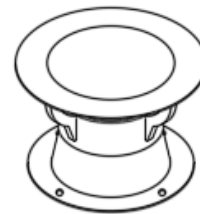
⑪



⑫



⑬

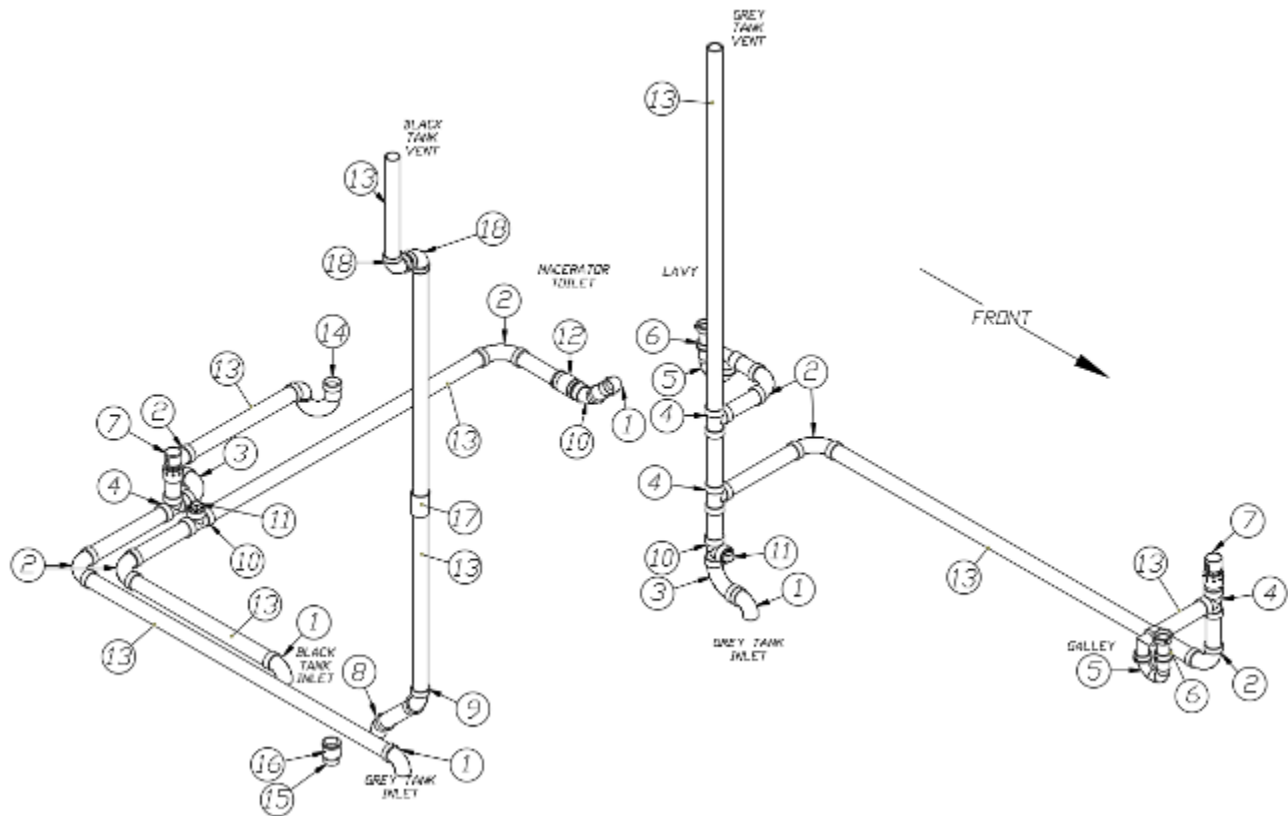


⑭

- |     |           |                                  |
|-----|-----------|----------------------------------|
| 1.  | 601160-02 | Pipe, ABS DWG, 1.5"              |
| 2.  | 600622    | P-trap, 1.5" w/slip nut & washer |
| 3.  | 600035    | Ell, ABS long sweep, 1.5         |
| 4.  | 600156    | Tee, Sanitary                    |
| 5.  | 602306    | Valve, 2" air admittance         |
| 6.  | 600227    | Coupling, 1.5"                   |
| 7.  | 602164-01 | P-trap w/compression nut, 1.5"   |
| 8.  | 602164-02 | Tailpiece w/nuts & washers, 1.5" |
| 9.  | 600662    | Elbow, 1.5", 90°, Short radius   |
| 10. | 601868    | Sanitary tee                     |
| 11. | 600065    | Floor flange, Threaded           |
| 12. | 600431    | Elbow, 90°, 1.5"                 |
| 13. | 600030    | Ell, ABS, 45°, Long turn         |
| 14. | 690700-01 | Vent cap cover, White            |

# 2019 FLYING CLOUD PLUMBING, DRAIN

## Drain, Above Floor, 30' Bunk



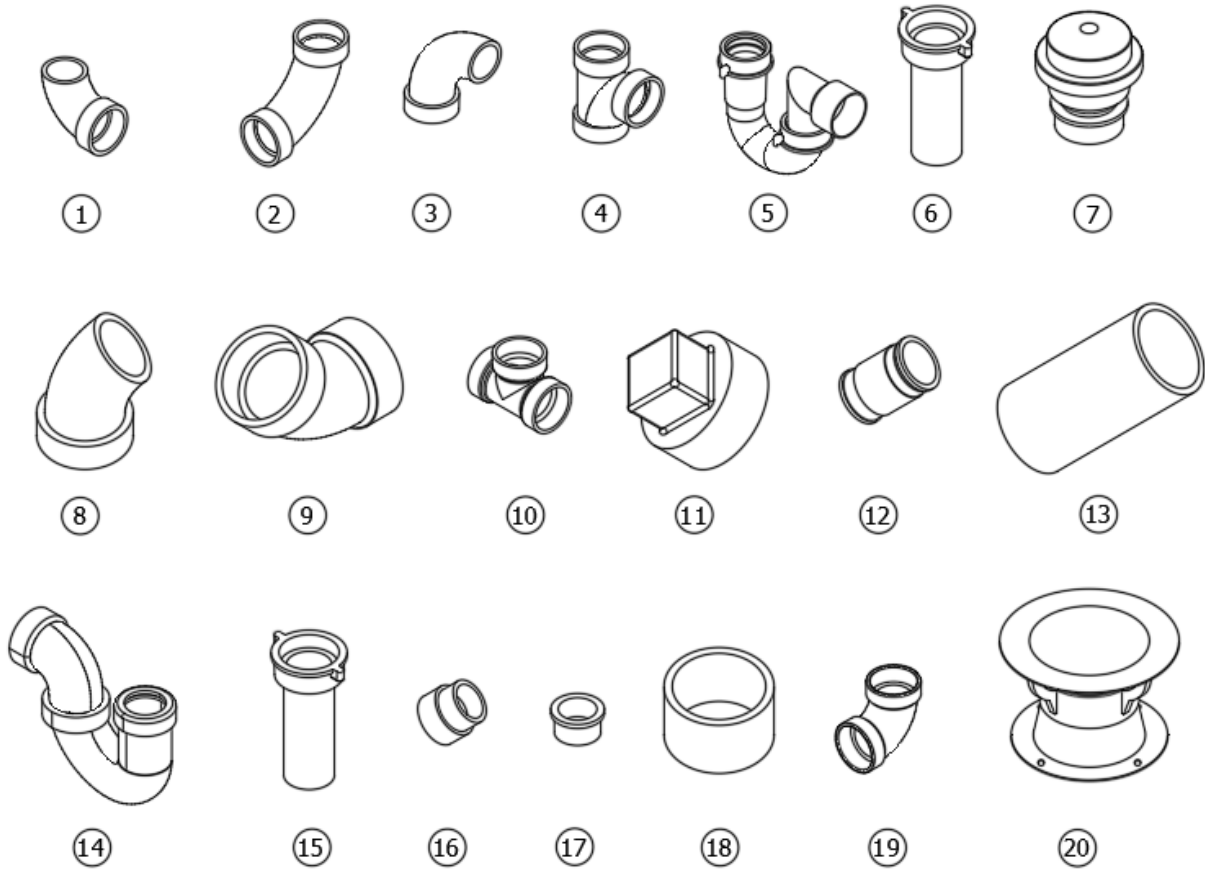
943760

### Above Floor Drain System

- |     |           |                                     |
|-----|-----------|-------------------------------------|
| 1.  | 600662    | Elbow, 1.5", 90°, Short radius      |
| 2.  | 600035    | Elbow, 1.5", 90°, Long sweep        |
| 3.  | 600431    | Elbow, 90, 1.5"                     |
| 4.  | 600156    | Tee, Sanitary                       |
| 5.  | 600622    | P-trap w/slip nut & washer, 1.5"    |
| 6.  | 601714-02 | Tail piece, 1.5 x 4                 |
| 7.  | 602306    | Valve, Air admittance, 2"           |
| 8.  | 600027    | Elbow, ABS, Long St, 45°            |
| 9.  | 600030    | Elbow, ABS, 45°, Long turn          |
| 10. | 601318    | Tee, Bi-directional clean out, 1.5" |
| 11. | 600155    | Plug, 1.5"                          |
| 12. | 602201    | Coupling, Flexible, 1.5"            |
| 13. | 601160-02 | Pipe, ABS, 1.5"                     |
| 14. | 602164-01 | P-trap w/Compression nut, 1.5"      |
| 15. | 601676    | Adapter, Threaded, 1.5", Male       |
| 16. | 602357    | Plug, ABS 1.5" Spigot               |
| 17. | 600227    | Coupling, 1.5"                      |
| 18. | 601636    | Elbow, 90°, Short sweep             |
|     | 690700-01 | Vent cap cover, White               |

# 2019 FLYING CLOUD PLUMBING, DRAIN

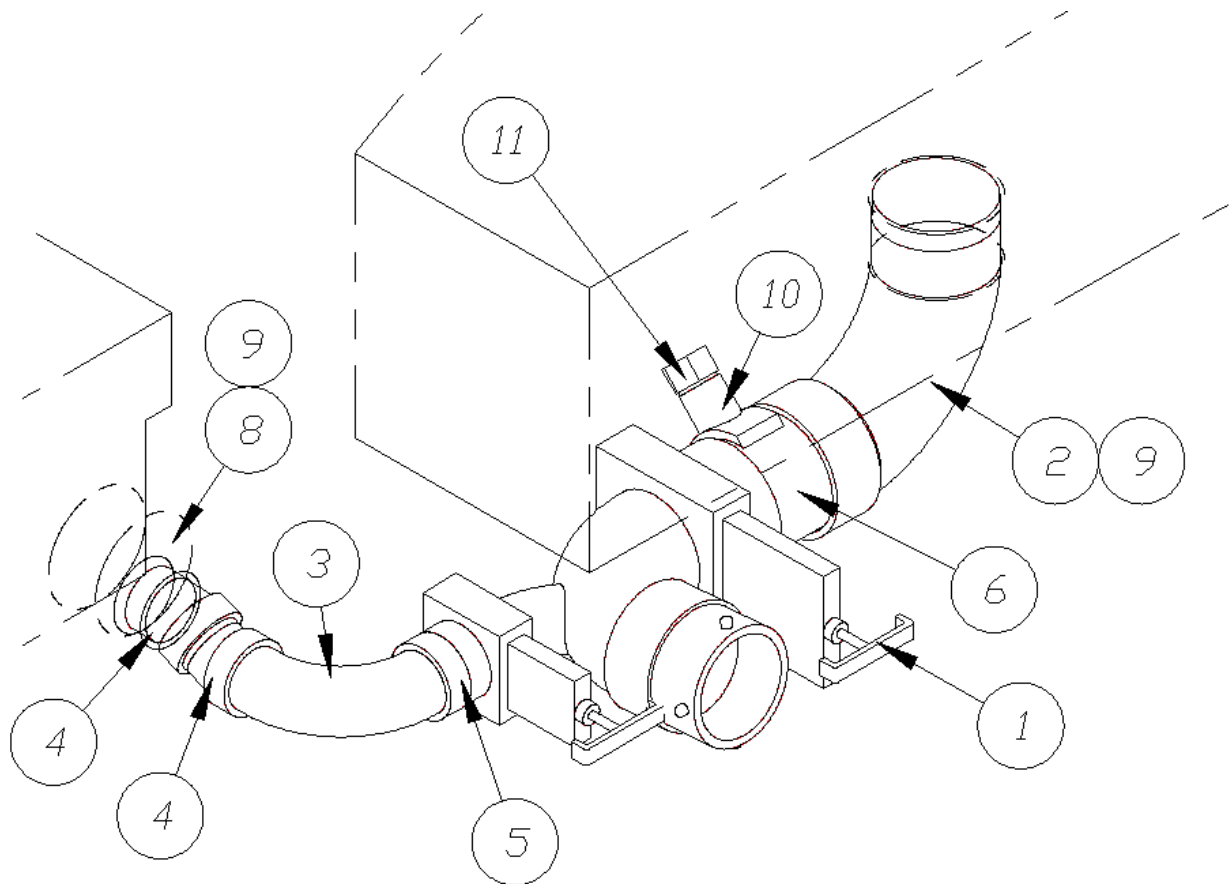
## Drain Fittings, 30' Bunk



- |     |           |                                     |
|-----|-----------|-------------------------------------|
| 1.  | 600662    | Elbow, 1.5", 90°, Short radius      |
| 2.  | 600035    | Elbow, 1.5", 90°, Long sweep        |
| 3.  | 600431    | Elbow, 90, 1.5"                     |
| 4.  | 600156    | Tee, Sanitary                       |
| 5.  | 600622    | P-trap w/slip nut & washer, 1.5"    |
| 6.  | 601714-02 | Tail piece, 1.5 x 4                 |
| 7.  | 602306    | Valve, Air admittance, 2"           |
| 8.  | 600027    | Elbow, ABS, Long St, 45°            |
| 9.  | 600030    | Elbow, ABS, 45°, Long turn          |
| 10. | 601318    | Tee, Bi-directional clean out, 1.5" |
| 11. | 600155    | Plug, 1.5"                          |
| 12. | 602201    | Coupling, Flexible, 1.5"            |
| 13. | 601160-02 | Pipe, ABS, 1.5"                     |
| 14. | 602164-01 | P-trap w/Compression nut, 1.5"      |
| 15. | 602164-02 | Tailpiece W/Nuts & Washers 1.5"     |
| 16. | 601676    | Adapter, Threaded, 1.5", Male       |
| 17. | 602357    | Plug, ABS 1.5" Spigot               |
| 18. | 600227    | Coupling, 1.5"                      |
| 19. | 601636    | Elbow, 90°, Short sweep             |
| 20. | 690700-01 | Vent cap cover, White               |

# 2019 FLYING CLOUD PLUMBING, DRAIN

Tank Drain, 19', 20', 23CB, 23FB



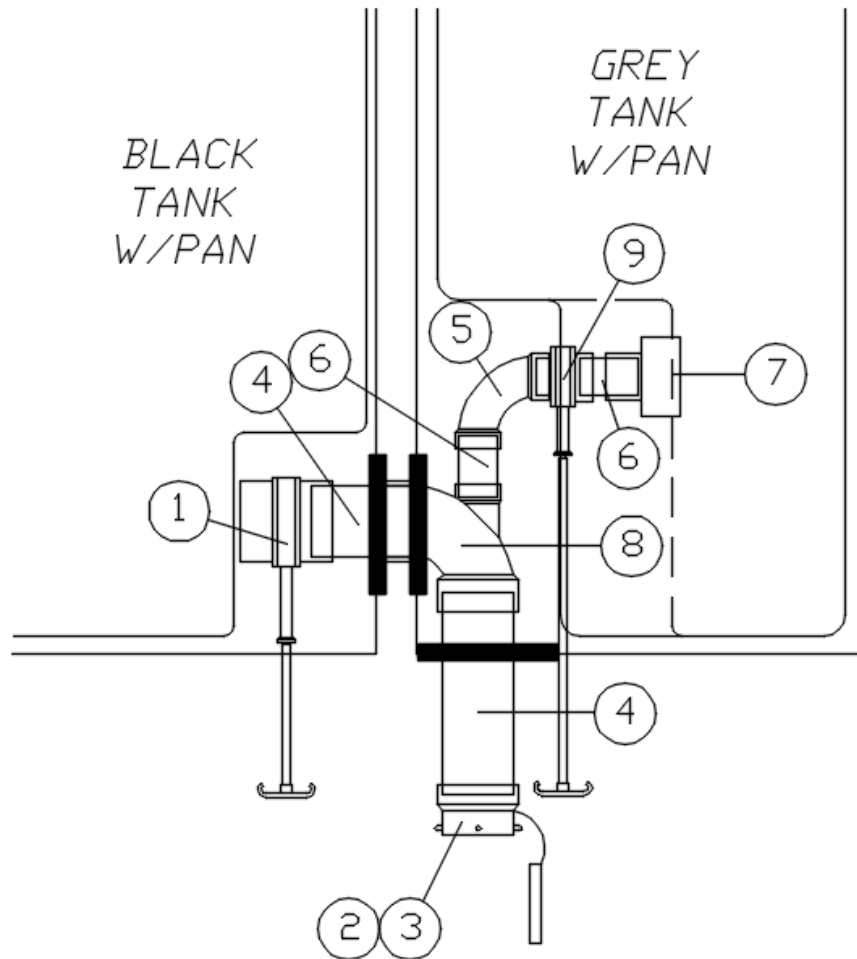
943574

## Tank Drain Install

- |               |                                          |
|---------------|------------------------------------------|
| 1. 601482     | Dump valve rotating assembly             |
| 2. 600820     | 3" single socket, 90°                    |
| 3. 600431     | Elbow, 90°, 1.5"                         |
| 4. 601800     | Street ell, 22.5°, ABS, SPIG x HUB, 1.5" |
| 5. 601160-02  | Pipe, ABS DVW, 1.5"-2" long              |
| 6. 601160-04  | Pipe, ABS DVW, 3"- 4" long               |
| 7. 114916     | Bracket, Dump valve                      |
| 8. 195329-229 | Reducer adaptor, 3" to 1.5"              |
| 9. 340092     | Clamp, Worm type                         |
| 10. 601846    | Adaptor, 3" pipe, Catcon                 |
| 11. 512566    | Tank monitoring kit, Seelevel            |

# 2019 FLYING CLOUD PLUMBING, DRAIN

Tank Drain, 25', 28'



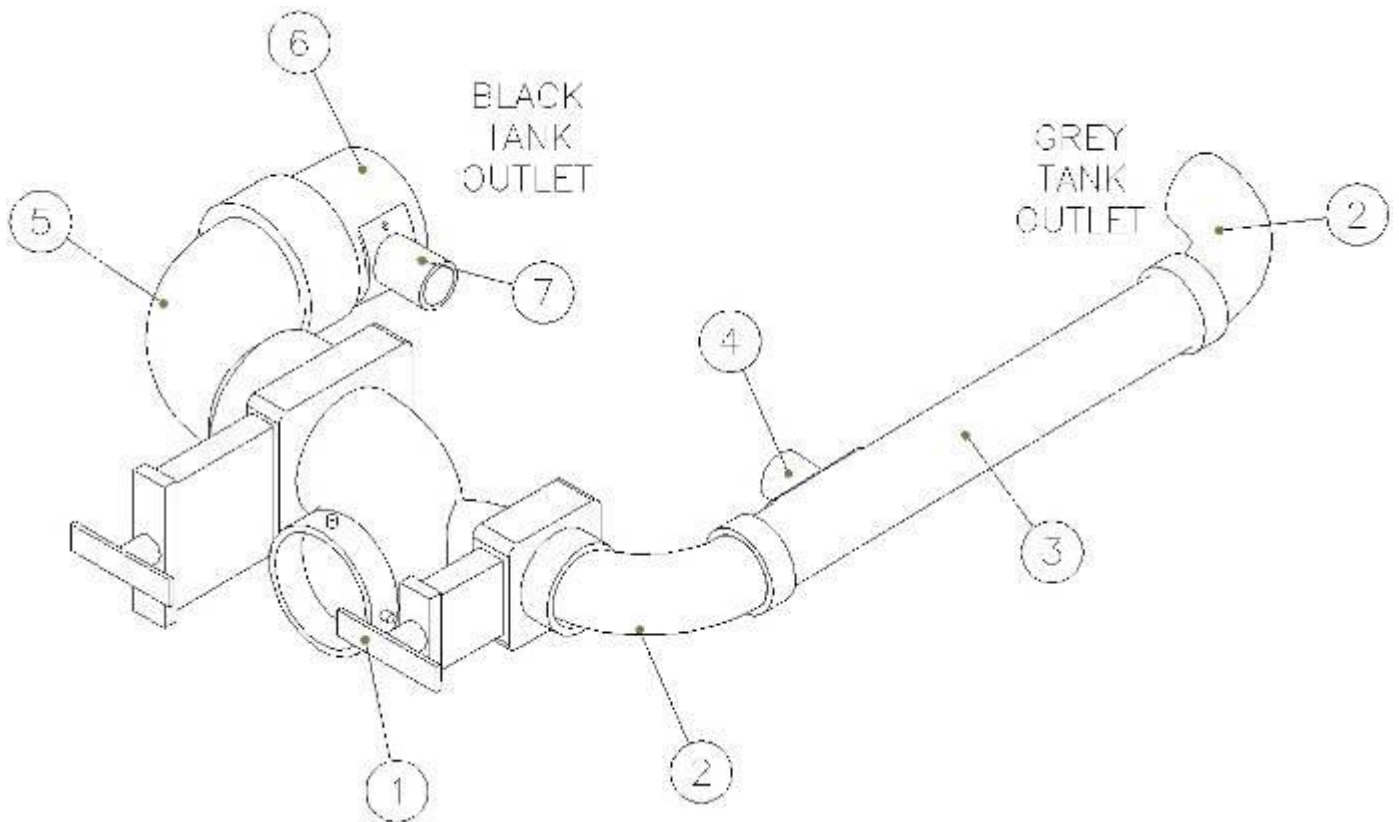
110541

Tank Drain Install

- |                                                                                                                                                                                                                                                           |                                                                                                                                                                                                                                                                                                                                                                     |
|-----------------------------------------------------------------------------------------------------------------------------------------------------------------------------------------------------------------------------------------------------------|---------------------------------------------------------------------------------------------------------------------------------------------------------------------------------------------------------------------------------------------------------------------------------------------------------------------------------------------------------------------|
| <ul style="list-style-type: none"> <li>1. 601607-11</li> <li>2. 601607-06</li> <li>3. 601607-07</li> <li>4. 601160-04</li> <li>5. 600035</li> <li>6. 601160-02</li> <li>7. 195329-229</li> <li>8. 601716</li> <li>9. 601607-12</li> <li>340092</li> </ul> | <ul style="list-style-type: none"> <li>Valve, 3" spigot x 3" spigot</li> <li>Termination adaptor</li> <li>Termination cap</li> <li>Pipe, ABS DVW, 3"</li> <li>Ell, ABS, Long sweep, 1.5"</li> <li>Pipe, ABS DVW, 1.5"</li> <li>Reducer adaptor, 3" to 1.5"</li> <li>Ell w/low heel, 90°</li> <li>Valve, 1.5" HUB x 1.5" spigot</li> <li>Clamp, Worm type</li> </ul> |
|-----------------------------------------------------------------------------------------------------------------------------------------------------------------------------------------------------------------------------------------------------------|---------------------------------------------------------------------------------------------------------------------------------------------------------------------------------------------------------------------------------------------------------------------------------------------------------------------------------------------------------------------|

# 2019 FLYING CLOUD PLUMBING, DRAIN

## Dump Valve, 25'



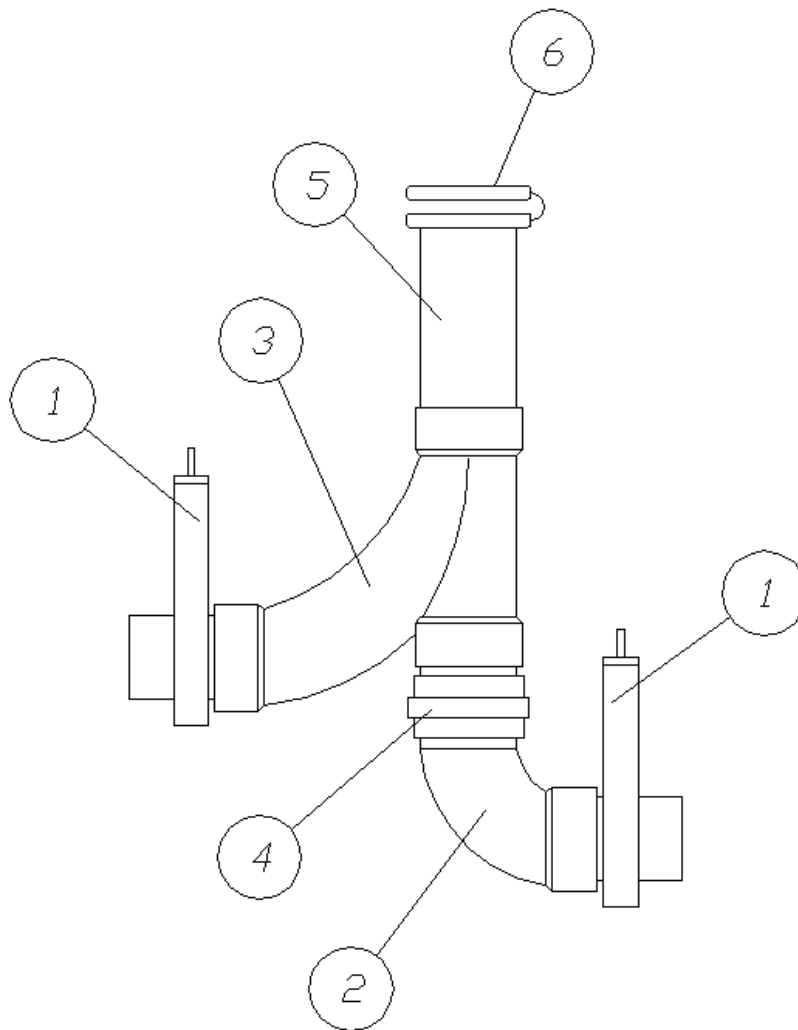
943741

### Dump Valve Assembly

- |              |                              |
|--------------|------------------------------|
| 1. 601482    | Dump valve rotating assembly |
| 2. 600431    | Elbow, 90°, 1.5"             |
| 3. 601160-02 | Pipe, ABS DVW, 1.5"          |
| 4. 601845    | Adaptor, 1.5" pipe Catcon    |
| 5. 600820    | Single socket, 3", 90°       |
| 6. 601160-04 | Pipe, ABS DVW, 3"            |
| 7. 601846    | Adaptor, 3" pipe Catcon      |

# 2019 FLYING CLOUD PLUMBING, DRAIN

Dump Valve, 25FB, 26U, 27FB, 30' Bunk



110191

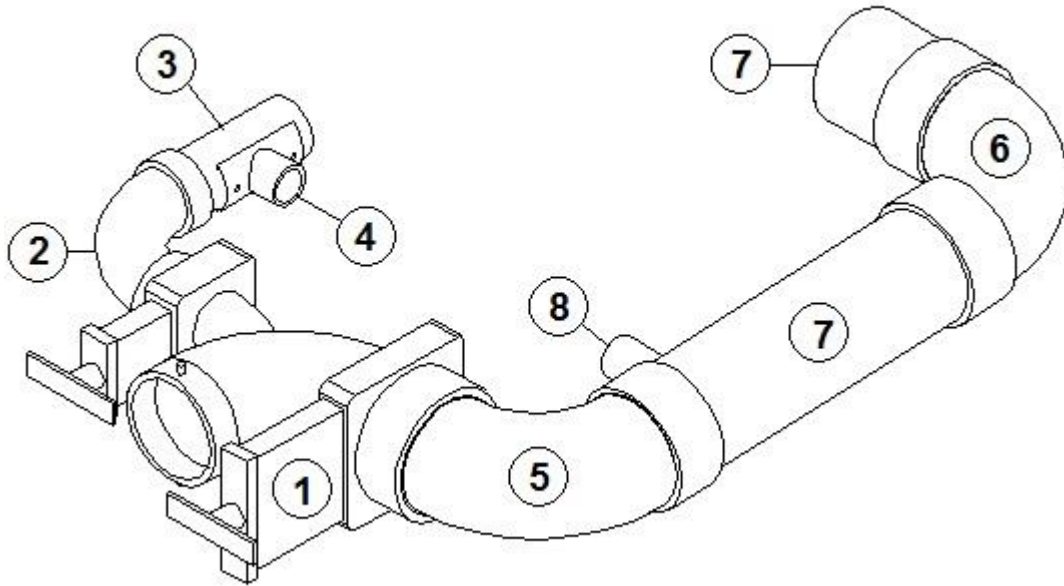
Dump Valve Install

1. 601607-11
2. 600820
3. 600187
4. 600289
5. 601160-04
6. 601607-07

Valve assembly, 3" spigot x 3" spigot  
Single socket, 3", 90°  
Wye, 3" combination & 1/8" bend  
Calder coupler, 3"  
ABS pipe, 3"  
Termination cap

# 2019 FLYING CLOUD PLUMBING, DRAIN

## Dump Valve, 28'



943621

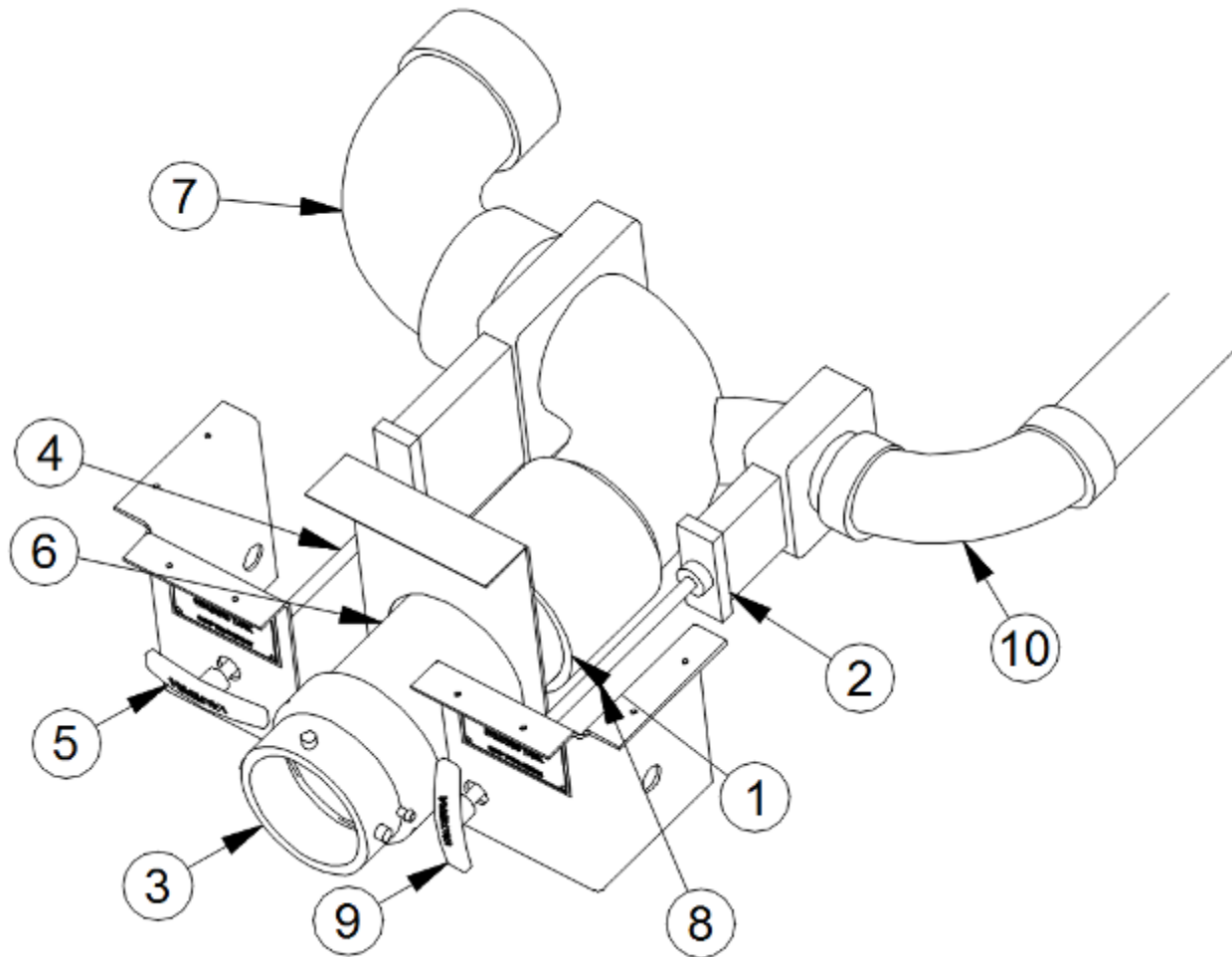
Dump Valve Assembly

- |              |                              |
|--------------|------------------------------|
| 1. 601482    | Dump valve rotating assembly |
| 2. 600431    | Elbow, 90°, 1.5"             |
| 3. 601160-02 | Pipe, ABS DVW, 1.5"          |
| 4. 601845    | Adaptor, 1.5", pipe, Catcon  |
| 5. 600820    | Single socket, 3", 90°       |
| 6. 600183    | Ell, long sweep, ABS, 3"     |
| 7. 601160-04 | Pipe, ABS DVW, 3"            |
| 8. 601846    | Adaptor, 3" pipe, Catcon     |
| 200954       | Slope pad, Holding tanks     |



# 2019 FLYING CLOUD PLUMBING, DRAIN

## Dump Valve, 30'



943720

### Dump Valve Assembly

- |              |                        |
|--------------|------------------------|
| 1. 600253    | Coupler, 3"            |
| 2. 601607-16 | Dump valve, No handles |
| 3. 601607-06 | Termination adaptor    |
| 4. 601607-19 | Threaded extension, 6" |
| 5. 601607-17 | Black tank handle      |
| 6. 601160-04 | Pipe, ABS DWV, 3"      |
| 7. 600820    | Single socket, 3", 90° |
| 8. 601607-20 | Threaded extension, 8" |
| 9. 601607-18 | Grey tank handle       |
| 10. 600035   | Elbow, 90°, Long sweep |

## 2019 FLYING CLOUD PLUMBING, DRAIN

### Black and Gray Tanks, 19'

601854-01	Black tank, 17.3 gallon
601844-01	Gray tank, 21 gallon
601717	Pan, Gray tank

### Black and Gray Tanks, 20'

601854-01	Black tank, 17.3 gallon
601844-03	Gray tank, 21 gallon
602052	Pan, Gray tank

### Black and Gray Tanks, 23CB

601854-01	Black tank, 17.3 gallon
601844-01	Gray tank, 21 gallon
602052	Pan, Gray tank

### Black and Gray Tanks, 23FB

601854-03	Black tank, 17.3 gallon
602173	Gray tank, 30 gallon
454649	Pan, Gray tank

### Black and Gray Tanks, 25'

601890-03	Black tank, 37 gallon
601889-04	Gray tank, 35 gallon
601895	Pan, Black/Grey tank

### Black and Gray Tanks, 25FB, 27FB

601848-12	Black tank, 39 gallon
601850-04	Grey tank, 37 gallon
601626	Pan, Waste holding tanks

## 2019 FLYING CLOUD PLUMBING, DRAIN

### Black and Gray Tanks, 26U

601850-10	Black tank, 37 gallon
601848-15	Grey tank, 39 gallon
601626	Pan, Waste holding tanks

### Black and Gray Tanks, 28'

601889-03	Black tank, 35 gallon
601890-02	Gray tank, 37 gallon
601895	Pan, Black/Grey tank

### Black and Gray Tanks, 30'

602245-01	Black tank, 39.3 gallon
602245-02	Grey tank, 39.3 gallon
602248	Pan, Black/Grey tank

### Black and Gray Tanks, 30' Bunk

601850-07	Black tank, 37 gallon
601848-08	Grey tank, 39 gallon
601626	Pan, Waste holding tanks

### Black Tank Flush

601441-02	Black tank flush
601392-01	Plastic screw in cap
365477	Decal - Black Tank Flush

## 2019 FLYING CLOUD PLUMBING, DRAIN

### Sinks and Shower, 19'

602250	Galley sink, Single bowl, 13 x 15, Stainless Steel
601804-01	Lavy sink, 12" round, Stainless Steel
601813	Tail piece, Lift and turn drain
600968	Strainer, Sink, 4"
203673	Sink cover, 12.25 x 14.25
203114-02	Shower, 2 piece fiberglass, White
702937-06	Shower door, Roll away, 62 x 36, White
600594	Strainer w/White rubber stopper

### Sinks and Shower, 20'

602172	Galley sink, 16" x 27", Stainless steel
601804-01	Lavy sink, 12" round, Stainless Steel
601813	Tail piece, Lift and turn drain
203736	Sink cover, .5", Natural
600968	Strainer, Sink, 4"
203114-02	Shower, 2 piece fiberglass, White
702937-06	Shower door, Roll away, 62 x 36, White

### Sinks and Shower, 23CB

601806	Galley sink, Round, Stainless Steel
601804-01	Lavy sink, 12" round, Stainless Steel
601813	Tail piece, Lift and turn drain
203483	Sink cover, Round, Natural
702937-06	Shower door, Roll away, 62 x 36, White
203114-02	Shower, 2 piece fiberglass, White

### Sinks and Shower, 23FB

602172	Galley sink, 16" x 27", Stainless steel
601804-01	Lavy sink, 12" round, Stainless Steel
601813	Tail piece, Lift and turn drain
203736	Sink cover, Natural
203615	Shower stall
703911-02	Shower door w/travel latch, 22 x 65, Brown
600594	Strainer w/White rubber stopper

## 2019 FLYING CLOUD PLUMBING, DRAIN

### Sinks and Shower, 25', 28', 30'

601806	Galley sink, Round, Stainless Steel
601804-01	Lavy sink, 12" round, Stainless Steel
203483	Sink cover, Round, Natural
203081-01	Shower stall, 2 piece fiberglass, White
703911-01	Shower door, Brushed Nickel
600594	Tub strainer w/rubber stopper

### Sinks and Shower, 25FB, 27FB

601806	Galley sink, Round, Stainless Steel
601804-01	Lavy sink, 12" round, Stainless Steel
203483	Sink cover, Round, Natural
203081-02	Shower stall, 2 piece fiberglass, White
703911-01	Shower door, Brushed Nickel
600594	Tub strainer w/rubber stopper

### Sinks and Shower, 26U

601806	Galley sink, Round, Stainless Steel
601804-01	Lavy sink, 12" round, Stainless Steel
203483	Sink cover, Round, Natural
203814	Shower stall, 2 piece, Angled
600594	Strainer w/White rubber stopper

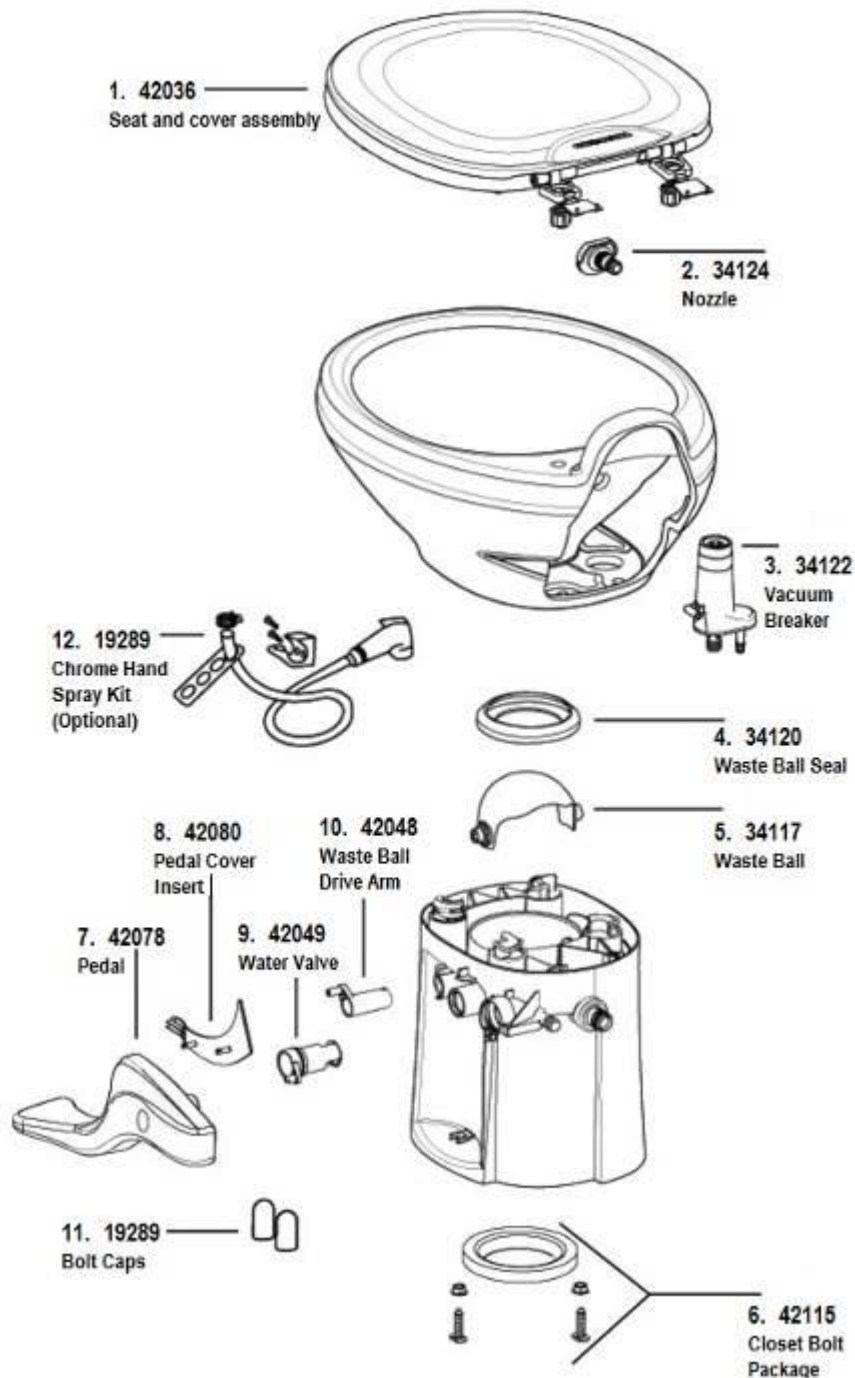
### Sinks and Shower, 30' Bunk

601806	Galley sink, Round, Stainless Steel
601804-01	Lavy sink, 12" round, Stainless Steel
203483	Sink cover, Round, Natural
203114-02	Shower, 2 piece fiberglass, White
702937-06	Shower door, Roll away, 62 x 36, White

# 2019 FLYING CLOUD PLUMBING, TOILET

Toilet, 19', 20', 23CB, 23FB

602334 Toilet, Thetford Aqua Magic Style II China  
 601266 Toilet flange, 3" x 4", Slip fit  
 602137 Shut-off valve

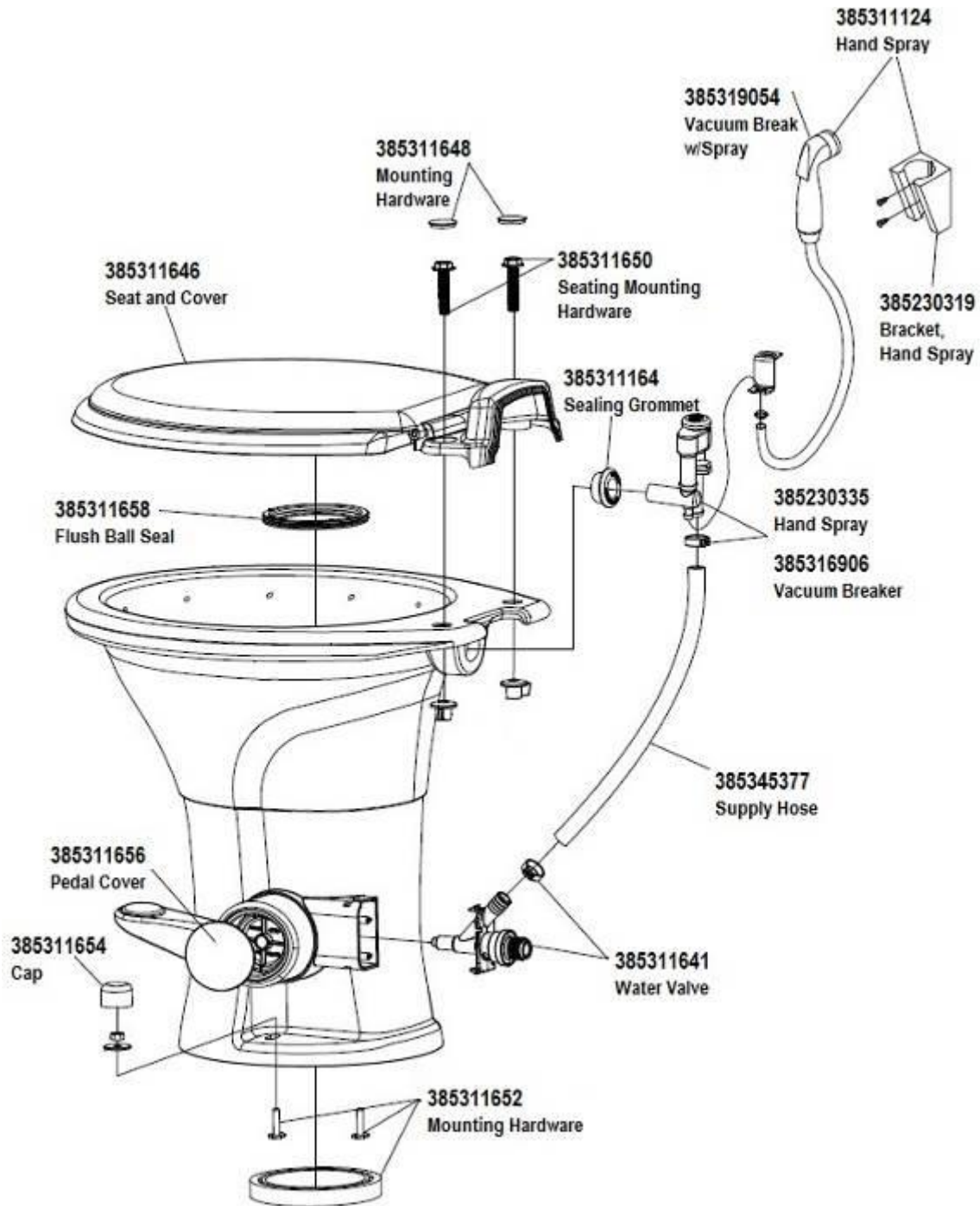


Parts listed are Thetford part numbers

# 2019 FLYING CLOUD PLUMBING, TOILET

Toilet, 25', 25FB, 27FB, 28', 30'

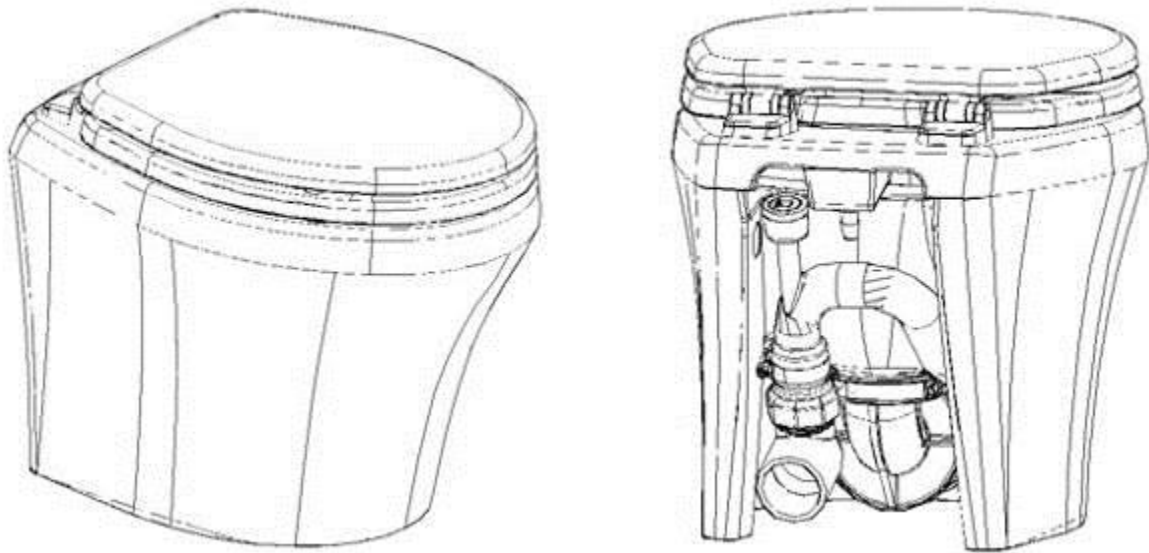
690621 Toilet, China, Dometic  
 601266 Toilet flange, Slip fit  
 602137 Shut off valve



Parts listed are Dometic part numbers

# 2019 FLYING CLOUD PLUMBING, TOILET

Toilet, 26U



HARDWARE KIT

602302-03

602302-07



602302-05

602302-06

602302-04

602302-08 Toilet Kit, Macerator, Low, White

602302-09 Toilet, Low, White, Macerator

602302-02 Wooden seat

602302-03 Remote mount vacuum breaker/water valve assembly

602302-04 Relay w/bracket & 12" wires

602302-05 Panel, 2-switch flush/add water

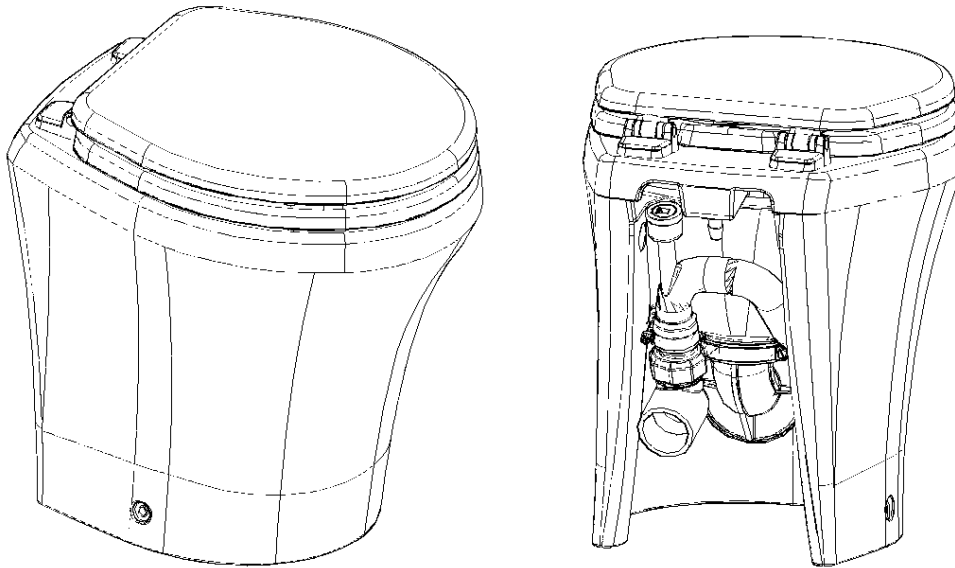
602302-06 Tank full panel

602302-07 Tank full probe



# 2019 FLYING CLOUD PLUMBING, TOILET

## Toilet, 30' Bunk



HARDWARE KIT

602302-03

602302-07



602302-05

602302-06

602302-04

- 602302 Toilet Kit, Macerator, High, White
- 602302-01 Toilet, Tall, White, Macerator
- 602302-02 Wooden seat
- 602302-03 Remote mount vacuum breaker/water valve assembly
- 602302-04 Relay w/bracket & 12" wires
- 602302-05 Panel, 2-switch flush/add water
- 602302-06 Tank full panel
- 602302-07 Tank full probe

## 2019 FLYING CLOUD SEALERS AND GASKETS

### Sealers

360002	Sealant, Vulkem, 11.5 oz. tube
6000360	Sealant, Butyl
360209	Sealant, Seam
360176	Sealant, Almond
360180	Sealant, Sika-Flex, Gray
360259	Sealant, Silicone glazing
365330-01	Sealant, RTV silicone, White
365330-02	Sealant, RTV silicone, Gray
365330-03	Sealant, RTV silicone, Aluminum Gray
365330-04	Sealant, RTV silicone, Black
365330-05	Sealant, RTV silicone, Self-level, White
365233-01	Sealant, 100% silicone, Clear
360255-04	Sealant, Anti-wick
28433W	Walbernize Super Seal
28430W-01	Sealant, Acryl-R, Gray, 16 oz. can
28430W-04	Sealant, Acryl-R, White, 16 oz. can
28430W-06	Sealant, Acryl-R, Clear, 16 oz. can

### Gaskets

365013-01	Gasket, Screen Door
365035	Gasket, Access door jamb
365232	Gasket, Main door
382117	Gasket, Window seal
365208	Gasket, Window frame to glass
365016	Tape, Foam, Double face, .5" wide
365001	Tape, Double sided foam
685510	Seam tape, Rubber, Black
685510-01	Seam tape, Exterior metal, Rubber, .5", Black
381830	Gasket wiper, L-section, 1.12" x 20"
381589	Rubber, Floor wiper
683946	Bug seal, Edge of screen door close out
382074	Gasket, Main door grab handle
382130	Gasket-P, w/ Tape Backing
365367	Automotive foam tape
512477	Gasket, Neoprene, 1/8" thick, Black

## 2019 FLYING CLOUD SEALERS AND GASKETS

### Gasket Kits

365336 Gasket Kit #1, not sold separately:

Exterior shower gasket, 1 Ea.  
City water fill gasket, 1 Ea.  
Step light gasket, 1 Ea.  
Awning lockdown (AS5 & AS7 Kit), 4 Ea.  
Lower awning foot (AS7 Kit), 4 Ea.  
Awning foot (Rear W/Pan Kit), 4 Ea.  
Lower awning foot (AS5 Kit), 4 Ea.

365337 Gasket Kit #2, not sold separately:

Small furnace exhaust/intake, 1 Ea.  
Gravity water fill, 1 Ea.  
Range vent gasket, 1 Ea.  
Awning lockdown (LW7 Kit), 4 Ea.  
Awning classic center post, 4 Ea.  
AEU BBQ point, 1 Ea.  
AEU upper indicator light, 2 Ea.  
AEU city water hookup, 1 Ea.

365338 Gasket Kit #3, not sold separately:

Scare light domestic units, 1 Ea.  
Black tank flush gasket, 1 Ea.  
Awning travel latch gasket, 4 Ea.  
AEU fog/backup lamp housing, 2 Ea.  
AEU fog/backup lamp bezel, 2 Ea.  
Scare light AEU units, 1 Ea.  
Awning hook gasket, 4 Ea.  
Awning prop foot gasket, 4 Ea.

## 2019 FLYING CLOUD BEDDING, MATTRESSES

### Mattresses and Bedspreads, 19' Bunk, 23' Bunk

704265-617	Bedspread, Sandpiper
704265-627	Bedspread, Wild Honey
704265-647	Bedspread, Truffle
704317-617	Duvet, Bunk mattress, Sandpiper
704317-627	Duvet, Bunk mattress, Wild Honey
704129	Mattress, Pillow top, 48 x 76

### Mattresses and Bedspreads, 19', 23CB

704265-617	Bedspread, Sandpiper
704265-627	Bedspread, Wild Honey
704265-647	Bedspread, Truffle
704129	Mattress, Pillow top, 48 x 76

### Mattresses and Bedspreads, 20'

704265-617	Bedspread, Sandpiper
704265-627	Bedspread, Wild Honey
704265-647	Bedspread, Truffle
704128	Mattress, Pillow top, 47.5 x 78

### Mattresses and Bedspreads, 23FB, 25', 25FB, 26U

704266-617	Bedspread, Sandpiper
704266-627	Bedspread, Wild Honey
704266-647	Bedspread, Truffle
704131	Mattress, Pillow top, 60x 75

## 2019 FLYING CLOUD BEDDING, MATTRESSES

### Mattresses and Bedspreads, 27FB, 28', 30'

704266-617	Bedspread, Sandpiper
704266-627	Bedspread, Wild Honey
704266-647	Bedspread, Truffle
704132	Mattress, Pillow top, 60 x 75

### Mattresses and Bedspreads, 30' Bunk

704265-617	Bedspread, Rear Corner Bed, Sandpiper
704265-627	Bedspread, Rear Corner Bed, Wild Honey
704265-647	Bedspread, Rear Corner Bed, Truffle
704266-617	Bedspread, Queen, Sandpiper
704266-627	Bedspread, Queen, Wild Honey
704266-647	Bedspread, Queen, Truffle
704132	Mattress, Pillow top, 60 x 75, "J"
703451	Mattress, Foam, 4" x 29" x 78", Top bunk
704127	Mattress, Pillow top, 54 x 76, Corner double
704317-617	Duvet, Bunk mattress, Sandpiper
704317-627	Duvet, Bunk mattress, Wild Honey

### Mattresses and Bedspreads, Twin Beds

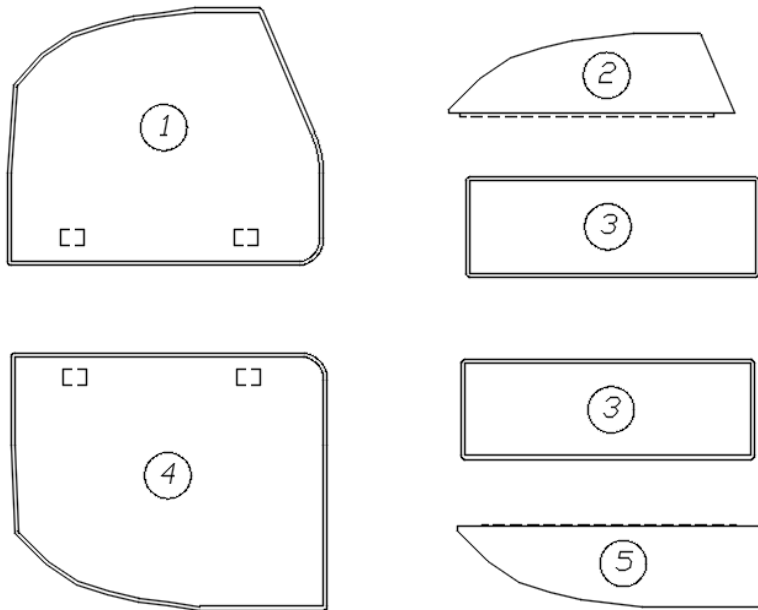
704264-617	Bedspread, Sandpiper
704264-627	Bedspread, Wild Honey
704264-647	Bedspread, Truffle
704130-01	Mattress, CS twin, Pillow top, 34 x 80
704130-02	Mattress, RS twin, Pillow top, 34 x 80

### Pillow Kits

704259-05	Pillow kit, 19', 23CB
704259-06	Pillow kit, 30' Bunk
704259-07	Pillow kit, Queen beds
704259-08	Pillow kit, Twin beds
703987	Pillow, Bed plump poly, 20" x 30"
704259-01	Pillow shams
704259-02	Bedroom accent pillows
704259-03	Lumbar pillows
704259-04	Lounge accent pillows

# 2019 FLYING CLOUD UPHOLSTERY, FOAM, ULTRALEATHER

## Dinette Cushions, 19'



704283S  
704283WH  
704283T  
703368

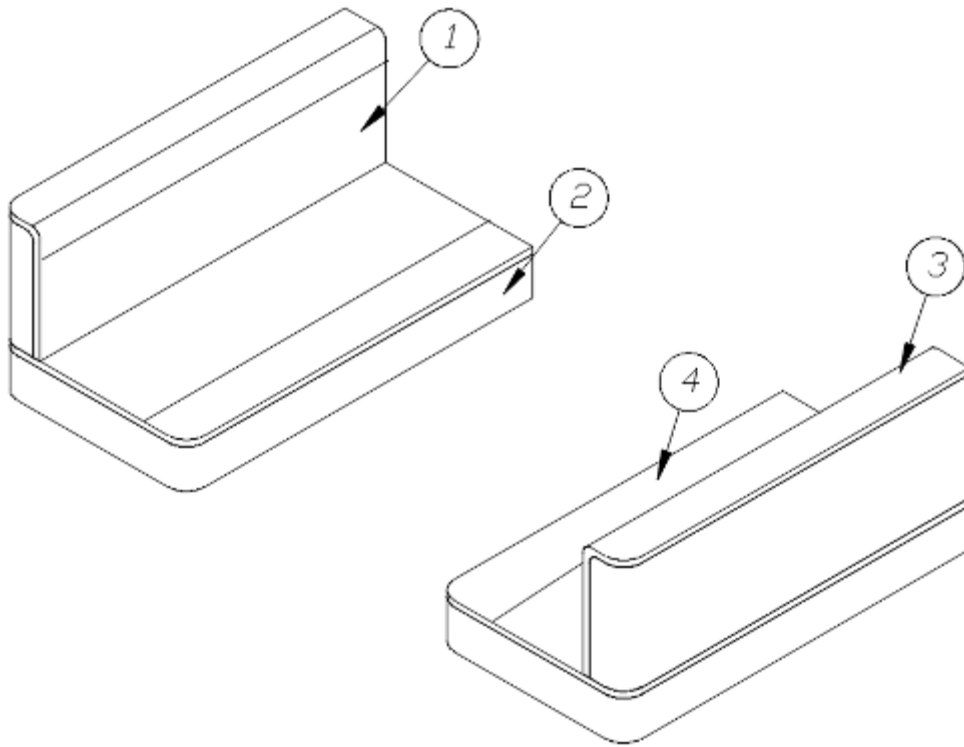
Kit, Dinette Cushions, Sandpiper Ultraleather  
Kit, Dinette Cushions, Wild Honey Ultraleather  
Kit, Dinette Cushions, Truffle Ultraleather  
Kit, Foam

- |                            |                                          |
|----------------------------|------------------------------------------|
| 1. 704283x-01<br>703368-01 | CS dinette seat<br>Foam, CS dinette seat |
| 2. 704283x-02<br>703368-02 | CS back filler<br>Foam, CS back filler   |
| 3. 704283x-06<br>703368-06 | RS/CS backrest<br>Foam, RS/CS backrest   |
| 4. 704283x-04<br>703368-04 | RS dinette seat<br>Foam, RS dinette seat |
| 5. 704283x-05<br>703368-05 | RS back filler<br>Foam, RS back filler   |

\*Substitute "S", "T", or "WH" for "X" when ordering 704283 Ultraleather

# 2019 FLYING CLOUD UPHOLSTERY, FOAM, ULTRALEATHER

## Dinette Cushions, 20'



704284S  
704284WH  
704284T  
703309

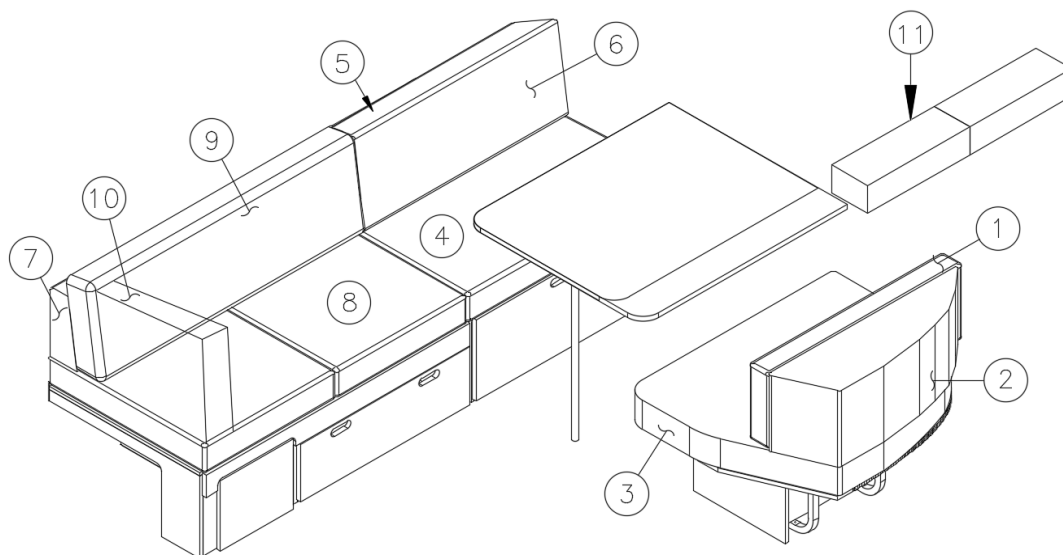
Kit, Dinette Cushions, Sandpiper Ultraleather  
Kit, Dinette Cushions, Wild Honey Ultraleather  
Kit, Dinette Cushions, Truffle Ultraleather  
Kit, Foam

- |    |                         |                                                  |
|----|-------------------------|--------------------------------------------------|
| 1. | 704284x-01<br>703309-04 | Left side backrest<br>Foam, Left side backrest   |
| 2. | 704284x-02<br>703309-06 | Left side seat cushion<br>Foam, seat bottom      |
| 3. | 704284x-03<br>703309-05 | Right side backrest<br>Foam, Right side backrest |
| 4. | 704284x-04<br>703309-06 | Right side seat cushion<br>Foam, seat bottom     |

\*Substitute "S", "T", or "WH" for "X" when ordering 704284 Ultraleather

# 2019 FLYING CLOUD UPHOLSTERY, FOAM, ULTRALEATHER

## Dinette Cushions, 23CB



704286S	Kit, Sofa/Dinette Cushions, Sandpiper Ultraleather
704286WH	Kit, Sofa/Dinette Cushions, Wild Honey Ultraleather
704286T	Kit, Sofa/Dinette Cushions, Truffle Ultraleather
703682	Kit, Foam

- |                |                         |
|----------------|-------------------------|
| 1. 704286x-01  | CS backrest             |
| 703682-03      | Foam                    |
| 2. 704286x-02  | CS back filler          |
| 703682-02      | Foam                    |
| 3. 704286x-03  | CS dinette seat         |
| 703682-01      | Foam                    |
| 4. 704286x-04  | RS dinette seat         |
| 703682-04      | Foam                    |
| 5. 704286x-05  | RS back filler          |
| 703682-05      | Foam                    |
| 6. 704286x-06  | RS backrest             |
| 703682-06      | Foam                    |
| 7. 704286x-07  | Lounge wedge            |
| 703682-10      | Foam, Bed wedge, 40"    |
| 703682-11      | Foam, Lounge wedge, 26" |
| 8. 704286x-08  | Lounge seat cushion     |
| 703682-08      | Foam                    |
| 9. 704286x-09  | Lounge backrest         |
| 703682-09      | Foam                    |
| 10. 704286x-10 | Side armrest            |
| 703850         | Foam, Side armrest      |
| 11. 704286x-11 | Bed filler              |
| 703682-12      | Foam, Bed filler        |

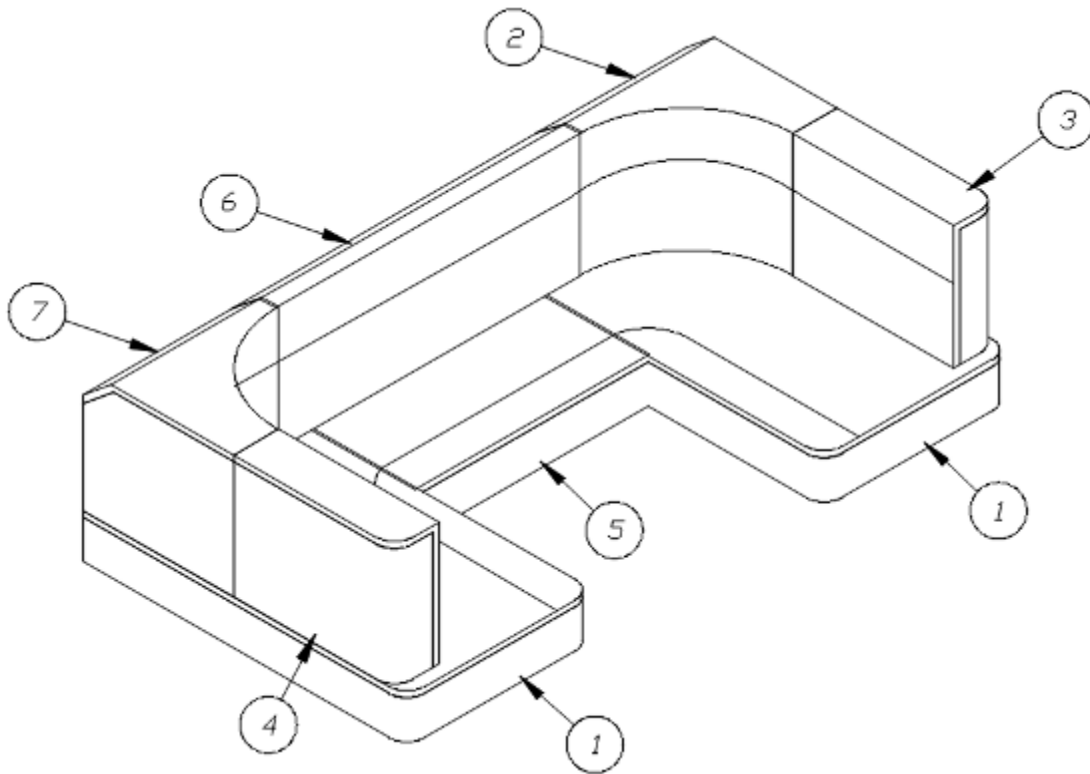
\*Substitute "S", "T", or "WH" for "X" when ordering 704286 Ultraleather



# 2019 FLYING CLOUD

## UPHOLSTERY, FOAM, ULTRALEATHER

### Dinette Cushions, 23FB



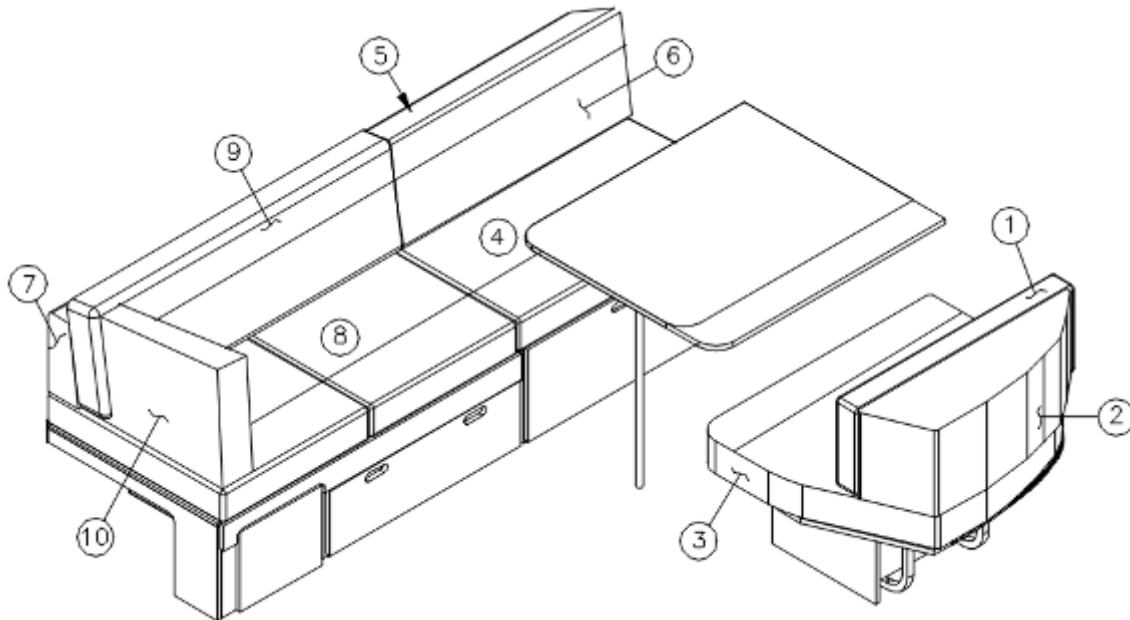
704445S	Kit, U-Dinette Cushions, Sandpiper Ultraleather
704445WH	Kit, U-Dinette Cushions, Wild Honey Ultraleather
704445T	Kit, U-Dinette Cushions, Truffle Ultraleather
704047	Kit, Foam

- |               |                                       |
|---------------|---------------------------------------|
| 1. 704445x-01 | Forward/aft seat cushion              |
| 704047-01     | Foam, Forward/aft seat cushion        |
| 2. 704445x-02 | Forward backrest corner cushion       |
| 704047-02     | Foam, Forward backrest corner cushion |
| 3. 704445x-03 | Forward backrest cushion              |
| 704047-03     | Foam, Forward backrest cushion        |
| 4. 704445x-04 | Aft backrest cushion                  |
| 704047-04     | Foam, Aft backrest cushion            |
| 5. 704445x-05 | Center seat cushion                   |
| 704047-05     | Foam, Center seat cushion             |
| 6. 704445x-06 | Center backrest cushion               |
| 704047-06     | Foam, Center backrest cushion         |
| 7. 704445x-07 | Aft backrest corner cushion           |
| 704047-07     | Foam, Aft backrest corner cushion     |

\*Substitute "S", "T", or "WH" for "X" when ordering 704445 Ultraleather

# 2019 FLYING CLOUD UPHOLSTERY, FOAM, ULTRALEATHER

## Dinette Cushions, 25'



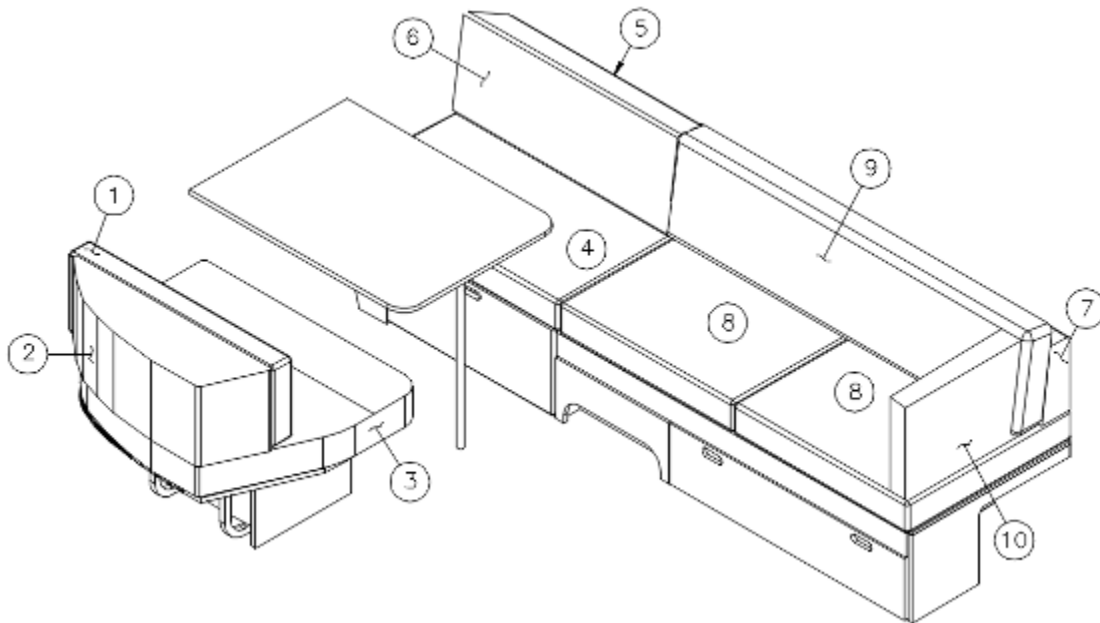
704287S	Kit, Sofa/Dinette Cushions, Sandpiper Ultraleather
704287WH	Kit, Sofa/Dinette Cushions, Wild Honey Ultraleather
704287T	Kit, Sofa/Dinette Cushions, Truffle Ultraleather
703942	Kit, Foam

- |                |                     |
|----------------|---------------------|
| 1. 704287x-01  | CS backrest         |
| 703942-03      | Foam                |
| 2. 704287x-02  | CS back filler      |
| 703942-02      | Foam                |
| 3. 704287x-03  | CS dinette seat     |
| 703942-01      | Foam                |
| 4. 704287x-04  | RS dinette seat     |
| 703942-04      | Foam                |
| 5. 704287x-05  | RS back filler      |
| 703942-05      | Foam                |
| 6. 704287x-06  | RS backrest         |
| 703942-06      | Foam                |
| 7. 704287x-07  | Lounge wedge filler |
| 703942-07      | Foam                |
| 8. 704287x-08  | Lounge seat cushion |
| 703942-08      | Foam                |
| 9. 704287x-09  | Lounge backrest     |
| 703942-09      | Foam                |
| 10. 704287x-10 | Side armrest        |
| 703850         | Foam, armrest       |

\*Substitute "S", "T", or "WH" for "X" when ordering 704287 Ultraleather

# 2019 FLYING CLOUD UPHOLSTERY, FOAM, ULTRALEATHER

## Dinette Cushions, 25FB, 27FB



704288S	Kit, Sofa/Dinette Cushions, Sandpiper Ultraleather
704288WH	Kit, Sofa/Dinette Cushions, Wild Honey Ultraleather
704288T	Kit, Sofa/Dinette Cushions, Truffle Ultraleather
703486	Kit, Foam

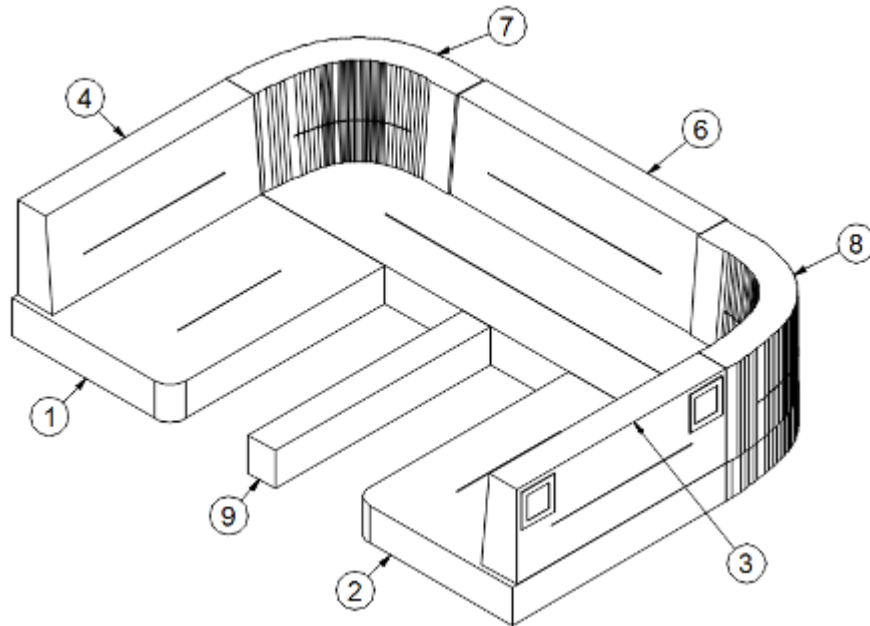
- |                            |                                                   |
|----------------------------|---------------------------------------------------|
| 1. 704288x-01<br>703486-03 | CS Backrest<br>Foam, CS backrest                  |
| 2. 704288x-02<br>703486-02 | CS wedge filler<br>Foam, CS wedge filler          |
| 3. 704288x-03<br>703486-01 | CS dinette Seat<br>Foam, CS seat                  |
| 4. 704288x-04<br>703486-04 | RS dinette seat<br>Foam, RS seat                  |
| 5. 704288x-05<br>703486-05 | RS wedge filler<br>Foam, RS wedge filler          |
| 6. 704288x-06<br>703486-06 | RS backrest<br>Foam, RS backrest                  |
| 7. 704288x-07<br>703486-07 | Lounge wedge filler<br>Foam, Lounge wedge filler  |
| 8. 704288x-08<br>703486-08 | Lounge seat cushions<br>Foam, Lounge seat cushion |
| 9. 704288x-09<br>703486-09 | Lounge backrest<br>Foam, Lounge backrest          |
| 10. 704288x-10<br>703850   | Side armrest<br>Foam, Armrest                     |

\*Substitute "S", "T", or "WH" for "X" when ordering 704288 Ultraleather

# 2019 FLYING CLOUD

## UPHOLSTERY, FOAM, ULTRALEATHER

### Dinette Cushion, 26U



704219S  
704219WH  
704219T  
704218

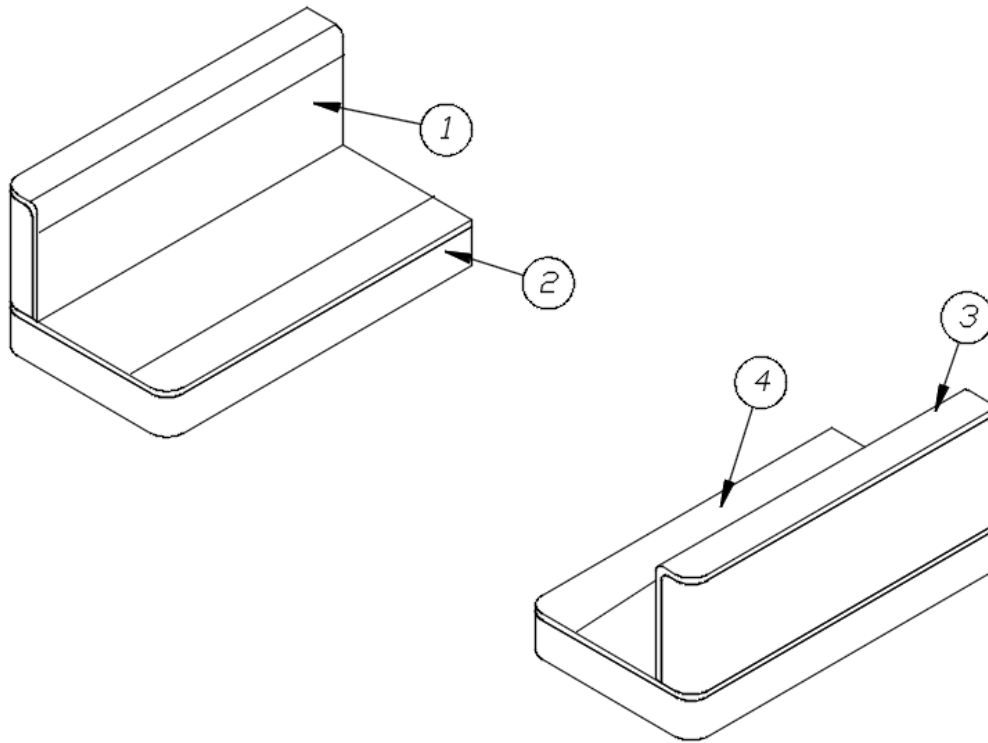
Kit, U-Dinette Cushions, Sandpiper Ultraleather  
Kit, U-Dinette Cushions, Wild Honey Ultraleather  
Kit, U-Dinette Cushions, Truffle Ultraleather  
Kit, Foam

- |                            |                                                          |
|----------------------------|----------------------------------------------------------|
| 1. 704219x-01<br>704218-01 | RS rear seat<br>Foam, RS rear seat                       |
| 2. 704219x-02<br>704218-02 | CS rear seat<br>Foam, CS rear seat                       |
| 3. 704219x-03<br>704218-03 | CS rear backrest<br>Foam, CS rear backrest               |
| 4. 704219x-04<br>704218-04 | RS rear backrest<br>Foam, RS rear backrest               |
| 5. 704219x-05<br>704218-05 | Center seat<br>Foam, Center seat                         |
| 6. 704219x-06<br>704218-06 | Center forward backrest<br>Foam, Center forward backrest |
| 7. 704219x-07<br>704218-07 | RS forward backrest<br>Foam, RS forward backrest         |
| 8. 704219x-08<br>704218-08 | CS forward backrest<br>Foam, CS forward backrest         |
| 9. 704219x-09<br>704218-09 | Filler for bed<br>Foam, Filler for bed                   |

\*Substitute "S", "T" or "WH" for "X" when ordering 704219 Ultraleather

# 2019 FLYING CLOUD UPHOLSTERY, FOAM, ULTRALEATHER

Dinette Cushions, 28', 30'



704433S  
704433WH  
704433T  
703309

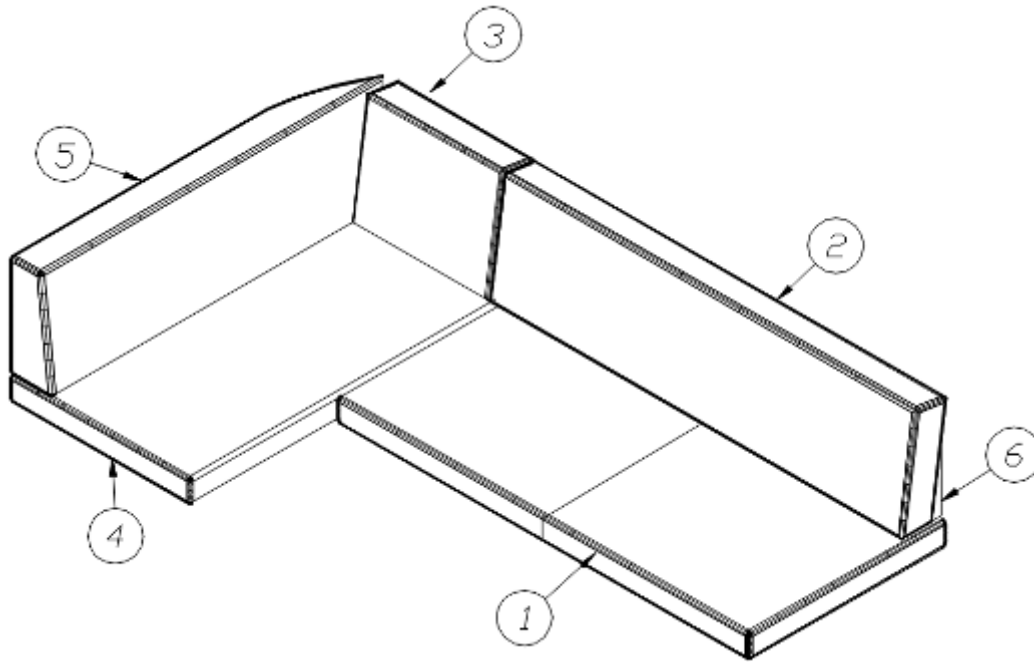
Kit, Dinette Seat Cushions, Sandpiper Ultraleather  
Kit, Dinette Seat Cushions, Wild Honey Ultraleather  
Kit, Dinette Seat Cushions, Truffle Ultraleather  
Kit, Foam

- |               |                      |
|---------------|----------------------|
| 1. 704433x-01 | Backrest, LH         |
| 703309-01     | Foam, LH backrest    |
| 2. 704433x-02 | Seat cushion, LH     |
| 703309-03     | Foam, LH seat bottom |
| 3. 704433x-03 | Backrest, RH         |
| 703309-02     | Foam, RH backrest    |
| 4. 704433x-04 | Seat cushion, RH     |
| 703309-03     | Foam, RH seat bottom |

\*Substitute "S", "T", or "WH" for "X" when ordering 704433 Ultraleather

# 2019 FLYING CLOUD UPHOLSTERY, FOAM, ULTRALEATHER

## L-Lounge Cushions, 28'



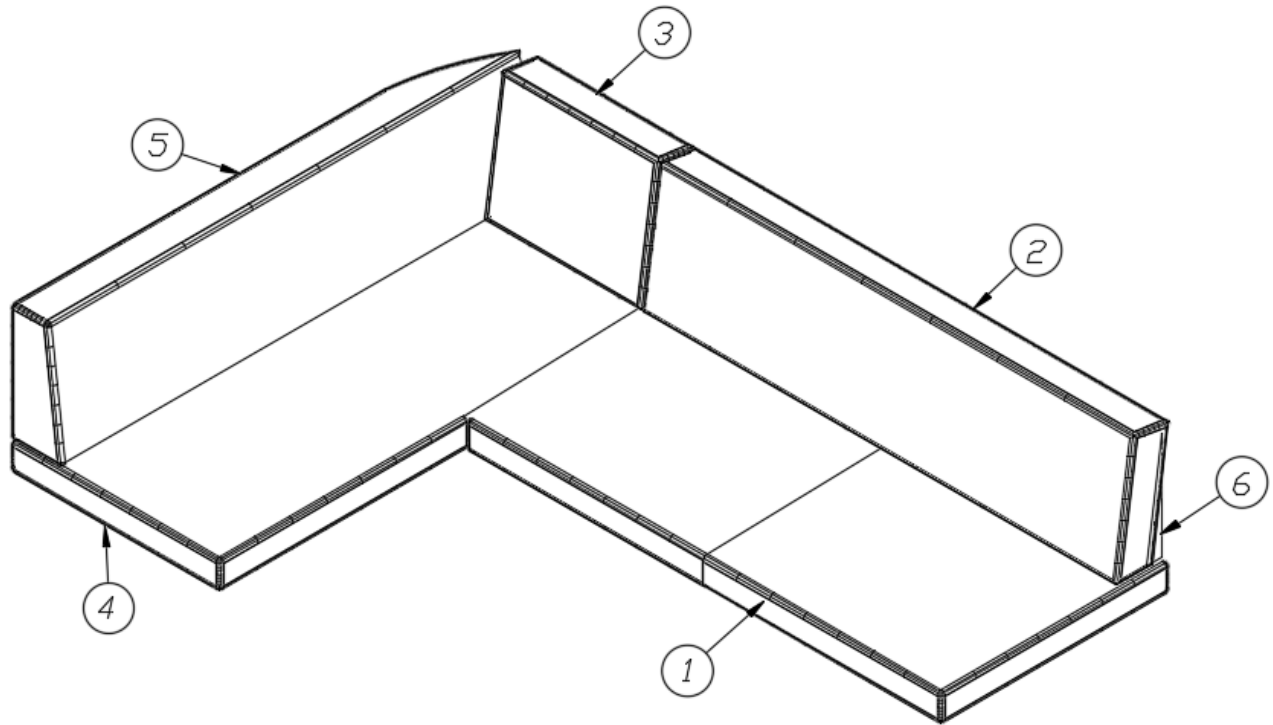
704437S	Kit, L-Lounge Cushions, Sandpiper Ultraleather
704437WH	Kit, L-Lounge Cushions, Wild Honey Ultraleather
704437T	Kit, L-Lounge Cushions, Truffle Ultraleather
703340	Kit, Foam

- |                            |                                                    |
|----------------------------|----------------------------------------------------|
| 1. 704437x-01<br>703340-01 | Forward seat cushion<br>Foam, Forward seat cushion |
| 2. 704437x-02<br>703340-02 | Forward backrest<br>Foam, Forward backrest         |
| 3. 704437x-03<br>703340-03 | Small backrest<br>Foam, Small backrest             |
| 4. 704437x-04<br>703340-04 | Side seat cushion<br>Foam, Side seat cushion       |
| 5. 704437x-05<br>703340-05 | Side backrest<br>Foam, Side backrest               |
| 6. 704437x-06<br>703340-06 | Wedge<br>Foam, Wedge                               |

\*Substitute "S", "T", or "WH" for "X" when ordering 704437 Ultraleather

# 2019 FLYING CLOUD UPHOLSTERY, FOAM, ULTRALEATHER

## L-Lounge Cushions, 30'



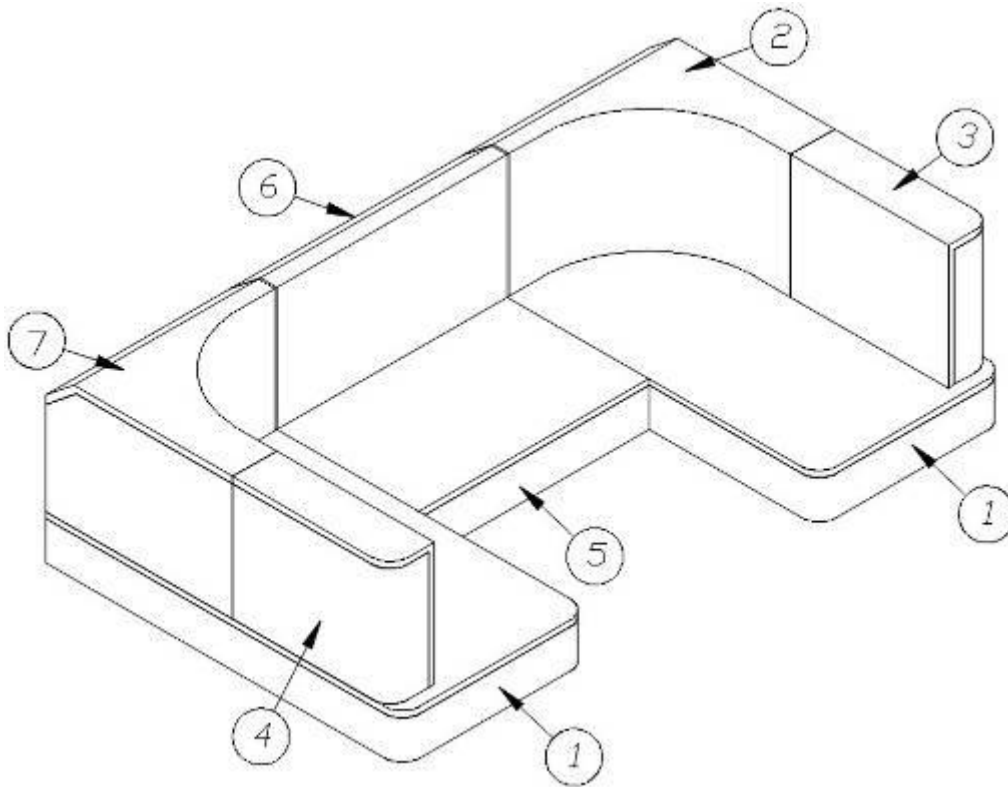
704434S	Kit, L-Lounge Cushions, Sandpiper Ultraleather
704434WH	Kit, L-Lounge Cushions, Wild Honey Ultraleather
704434T	Kit, L-Lounge Cushions, Truffle Ultraleather
703909	Kit, Foam

- |                            |                                                       |
|----------------------------|-------------------------------------------------------|
| 1. 704434x-01<br>703909-08 | Base front seat cushion<br>Foam, Forward seat cushion |
| 2. 704434x-02<br>703909-02 | Main backrest cushion<br>Foam, Forward backrest       |
| 3. 704434x-03<br>703909-03 | Small backrest cushion<br>Foam, Small backrest        |
| 4. 704434x-04<br>703909-09 | Base side seat cushion<br>Foam, Aft side seat cushion |
| 5. 704434x-06<br>703909-06 | Side backrest cushion<br>Foam, Side backrest          |
| 6. 704434x-07<br>703909-07 | Wedge<br>Foam, Wedge                                  |

\*Substitute "S", "T", or "WH" for "X" when ordering 704434 Ultraleather

# 2019 FLYING CLOUD UPHOLSTERY, FOAM, ULTRALEATHER

## Dinette Cushions, 30' Bunk



704435S  
704435WH  
704435T  
704011

Kit, U-Dinette Cushions, Sandpiper Ultraleather  
Kit, U-Dinette Cushions, Wild Honey Ultraleather  
Kit, U-Dinette Cushions, Truffle Ultraleather  
Kit, Foam

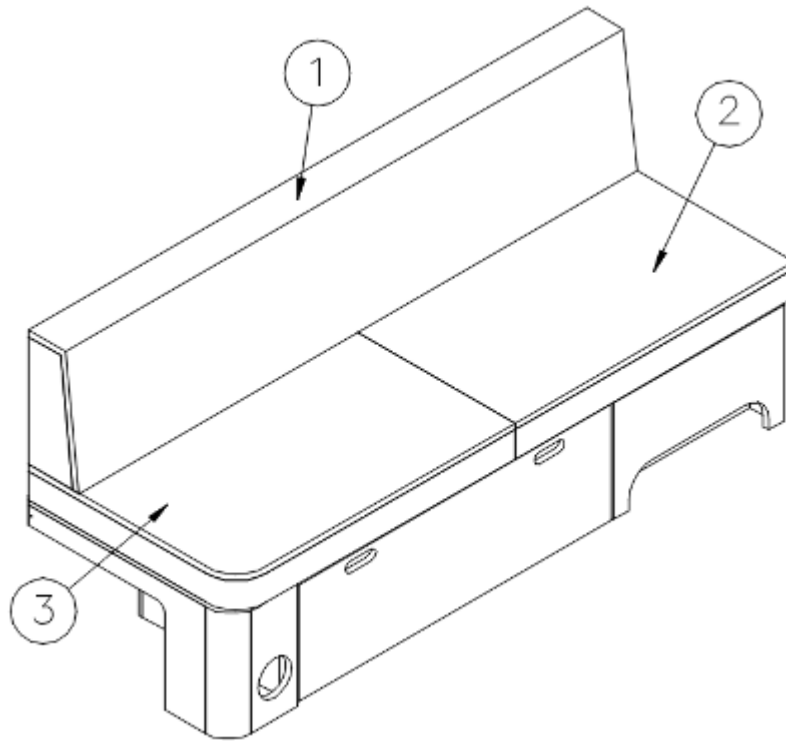
- |               |                                       |
|---------------|---------------------------------------|
| 1. 704435x-01 | Forward/aft seat cushion              |
| 704011-01     | Foam, Forward/aft seat cushion        |
| 2. 704435x-02 | Forward backrest corner cushion       |
| 704011-02     | Foam, Forward backrest corner cushion |
| 3. 704435x-03 | Forward backrest cushion              |
| 704011-03     | Foam, Forward backrest cushion        |
| 4. 704435x-04 | Aft backrest cushion                  |
| 704011-04     | Foam, Aft backrest cushion            |
| 5. 704435x-05 | Center seat cushion                   |
| 704011-05     | Foam, Center seat cushion             |
| 6. 704435x-06 | Center backrest cushion               |
| 704011-06     | Foam, Center backrest cushion         |
| 7. 704435x-07 | Aft backrest corner cushion           |
| 704011-07     | Foam, Aft backrest corner cushion     |

\*Substitute "S", "T", or "WH" for "X" when ordering 704435 Ultraleather



# 2019 FLYING CLOUD UPHOLSTERY, FOAM, ULTRALEATHER

## Sofa Cushions, 30' Bunk



704436S  
704436WH  
704436T  
704008

Kit, Sofa Cushions, Sandpiper Ultraleather  
Kit, Sofa Cushions, Wild Honey Ultraleather  
Kit, Sofa Cushions, Truffle Ultraleather  
Kit, Foam

1. 704436x-01  
704008-01
2. 704436x-02  
704008-03
3. 704436x-03  
704008-02

Sofa back  
Foam, Sofa back  
RH bottom seat cushion  
Foam, RH bottom seat cushion  
LH bottom seat cushion  
Foam, LH bottom seat cushion

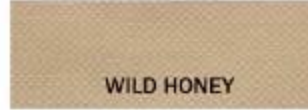
\*Substitute "S", "T", or "WH" for "X" when ordering 704436 Ultraleather

# 2019 FLYING CLOUD UPHOLSTERY, FOAM, ULTRALEATHER

## Décor Board



### SEATING



### FLOORING



### BEDSPREAD



### AWNING



### CABINETRY



### COUNTERTOPS



### ACCENT FABRIC



## 2019 FLYING CLOUD VENTS AND FANS

### Vent, Black Tank

690700-01	Vent pipe cover, White
382337	Gasket, Corlon, Vent Cap
380228	Wire hardware cloth

### Vent, Bath

690266-02	Power ventilator w/garnish, White, CSA
690266-06	Power ventilator w/o garnish
690266-07	Trim ring, White
690266-08	Trim ring, Silver

### Vent, Refrigerator

100341	Refrigerator roof vent collar, Large
101394	Cover, Refrigerator roof vent, Large
380228	Wire hardware cloth

### Vent, Range

512210	Range hood, Baraldi
454590	Extension, Range vent
511017-11	Vent cover, Exterior, Gray
115175	Duct, Range exhaust transition

### Exhaust Fan

382240	Vent, Fantastic fan, Exhaust only
382467-01	Gasket, Exhaust fan
704546	Shade-Fantastic Fan 13.25 X 13.25 Silver W/Blackout

## 2019 FLYING CLOUD SKYLIGHTS

### Skylight, 23CB

381318-05	Skylight, 19.5 x 19.5
702804-03	Shade, Pleated, 19.25 x 20
203785	Trim ring, 19 x 19
114485	Mounting frame, 19 x 19

### Skylight, 25', 25FB, 27FB, 28', 30', 30' Bunk

381318-05	Skylight, 19.5 x 19.5
704120-02	Shade, Skylight, 19.25 x 20, Grey
203785	Trim ring, 19 x 19
115619	Mounting frame, 19 x 19

### Skylight, 26U, 27FB, 28', 30'

381318-06	Skylight, 14.5 x 22.5
704120-01	Shade, Skylight, 14.5 x 22.75, Grey
203786	Trim ring, 14 x 22, White
115620	Mounting frame, 14.5 x 22

## 2019 FLYING CLOUD PANELING, EDGEBANDING, LAUAN

### Paneling

801355-01	Laminate, Vertical, Frosty White
802118	Laminate, Jeweled Ivory
802129	Laminate, Horizontal, Verdicts In
802130-01	Laminate, Vertical, Landmark Wood
802187	Laminate, Horizontal, 4' x 8', Veto Proof
802188	Laminate, Horizontal, 5' x 10', Veto Proof
801368	Pre-laminated panel, 18mm, White/White
801369	Pre-laminated panel, 18mm, Frosty White/White
801378	Pre-laminated panel, 18mm, White liner/Gator
801392	Pre-laminated panel, 12mm, White liner/White liner
801438	Panel, 2.7mm, Frost White Vinyl/Raw
801703-01	Pre-laminated panel, 12mm, Liner/Frosty White
801725	Pre-laminated panel, 2.7mm, Brushed Stainless Steel/raw
802136-01	Pre-laminated panel, 18mm, Landmark/White Liner
802137-01	Pre-laminated panel, 18mm, Landmark/Landmark
802138-01	Pre-laminated panel, 12mm, Landmark/White Liner
802139-01	Pre-laminated panel, 12mm, Landmark/Landmark
802142-01	Pre-laminated panel, 12mm, Landmark/Frosty White
802143-01	Pre-laminated panel, 18mm, Landmark/Frosty White

### Edgebanding

365329	Edgebanding, .94", Luna Frost
365406-02	Edgebanding, .94", Verdicts In
365340-01	Edgebanding, .63", Frosty White
365340-02	Edgebanding, .94", Frosty White
365415-02	Edgebanding, .94", Veto Proof
386304-01	Edgebanding, .63", Landmark
386304-02	Edgebanding, .94", Landmark
386304-03	Edgebanding, 1.25", Landmark
365466-02	Edgebanding-2MM Frosty White
365467-02	Edgeband 15/16 2MM Verdicts In
365468-02	Edgeband 15/16 2MM Veto Proof

## 2019 FLYING CLOUD PANELING, EDGEBANDING, LAUAN

### Plywood

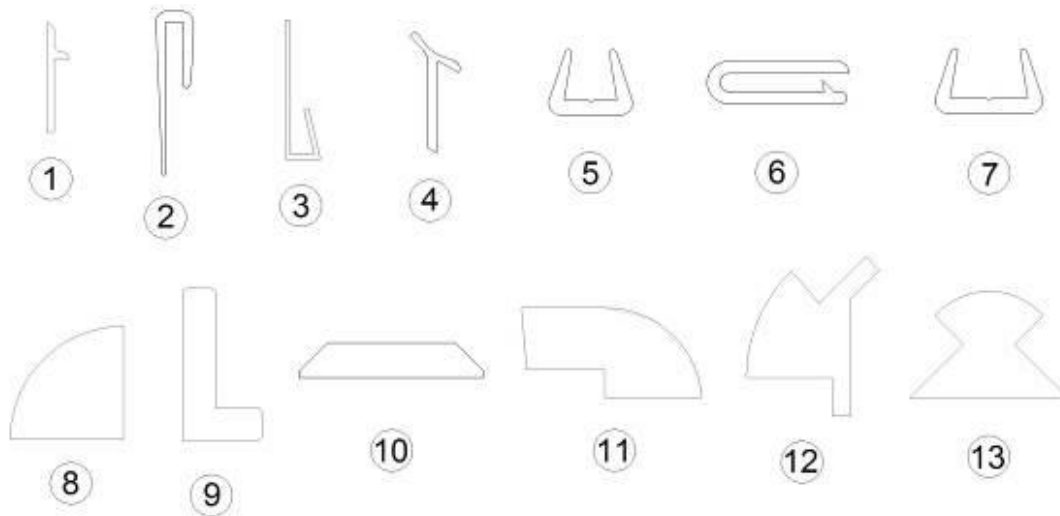
800506-04	Plywood, .5" x 4' x 8'
800506-05	Plywood, 5/8" x 4' x 8'
800506-06	Plywood, .75" x 4' x 8'
800976-01	Plywood, Tongue and groove, 19/32'
801351	Plywood, Lite, .75" x 4' x 8'
801345	Radius plywood, .75" x 3" x 8'
801348	Radius plywood, .75" x 8" x 6'

### Lauan

800507-01	Lauan, 1/8 x 4' x 8'
800507-02	Lauan, .25" x 4' x 8'
800507-03	Lauan, 3/8" x 4' x 8'
800507-06	Lauan, .75" x 4' 8'

# 2019 FLYING CLOUD TRIMS

## Trim



- |                 |                                         |
|-----------------|-----------------------------------------|
| 1. 115064       | Trim, Aluminum counter top              |
| 2. 114070       | J-molding, Mill Finish                  |
| 3. 201666-01    | J-molding, 3/16", White                 |
| 4. 201673       | Reverse cove molding, White             |
| 201673-01       | Reverse cove molding, Oak               |
| 201673-02       | Reverse cove molding, Black             |
| 5. 203138-01    | Extrusion, Panel edging, White          |
| 203138-04       | Extrusion, Panel edging, Oak            |
| 203138-05       | Extrusion, Panel edging, Black          |
| 6. 203225-01    | Trim lock, .75", Gray                   |
| 7. 203464-01    | Extrusion, Panel, Oak                   |
| 8. 800638-0136  | Molding, Quarter round, .5", Landmark   |
| 9. 801665-0036  | Molding, Door jamb, Landmark Wood       |
| 10. 801178-07   | Flat molding, .81", Frosty White        |
| 11. 801706-0036 | Corner trim, 90°, 1" radius, Landmark   |
| 12. 801394-0036 | Corner trim 45°, 2" radius              |
| 13. 801415-0036 | Corner trim, 1" radius, Landmark        |
| 800572-0136     | Hardwood flat molding, .72, Landmark    |
| 800575-0136     | Hardwood corner molding, Landmark       |
| 801172-08       | Corner molding, Cream                   |
| 801172-10       | Corner molding, Butler White            |
| 801173-046      | Header molding, Flat radius, 1.13", Oak |
| 115565          | Extrusion, Threshold, Main door         |
| 100097          | Extrusion, Aluminum track curtain       |
| 201728-01       | Extrusion, Ceiling trim retainer        |
| 201728-03       | Extrusion, Ceiling trim                 |
| 203445          | T-molding, 9/16", Black                 |
| 203440          | T-molding, 13/16", Black Embossed       |
| 203647          | T-molding, 13/16", Chamois Yellow       |