



2018 TOMMY BAHAMA Travel Trailer Parts Book



2018 TOMMY BAHAMA TT

SECTION I

APPLIANCE

<u>Air Conditioners</u>	I-1
<u>Air Conditioner Drain Kit</u>	I-1
<u>Furnace</u>	I-1
<u>Water Heater</u>	I-1
<u>Range and Cooktop</u>	I-2
<u>Microwave</u>	I-2
<u>Refrigerator</u>	I-2
<u>Ice Maker</u>	I-2

EXTERIOR SHELL

<u>Front End</u>	I-3
<u>Aft End</u>	I-7
<u>Wall, Roadside, 19'</u>	I-11
<u>Wall, Curbside, 19'</u>	I-13
<u>Wall, Roadside, 27FB.</u>	I-15
<u>Wall, Curbside, 27FB.</u>	I-17
<u>Roof</u>	I-19
<u>Wrap Protectors and Holdbacks</u>	I-20

INTERIOR SHELL

<u>Interior Skin</u>	I-21
<u>Interior Shell Insulation</u>	I-21
<u>Wheel Well Liner</u>	I-21
<u>Main Door Threshold</u>	I-21

CHASSIS

<u>Axles</u>	I-22
<u>Shocks</u>	I-22
<u>Tires and Wheels</u>	I-22
<u>Spare Tire Carrier</u>	I-22
<u>Hitch Coupler</u>	I-22
<u>Power Jack</u>	I-23
<u>Power Stabilizing Jacks</u>	I-23
<u>Steps</u>	I-23
<u>Battery Box</u>	I-26
<u>Hose carrier</u>	I-26
<u>Underbelly</u>	I-26
<u>Bumper End Caps</u>	I-26
<u>Bumper and Storage</u>	I-27

2018 TOMMY BAHAMA TT

SECTION II

DECALS, EXTERIOR TRIM

<u>Decals and Nameplates</u>	II-1
<u>Belt Line Trim</u>	II-1
<u>Rub Rail Trim</u>	II-1
<u>Reflectors</u>	II-1

DOORS, WINDOWS, AWNINGS

<u>Main Door, LH Hinge</u>	II-2
<u>Main Door, RH Hinge</u>	II-4
<u>Screen Door</u>	II-6
<u>Refrigerator Access Door</u>	II-8
<u>Battery Access Door</u>	II-8
<u>Exterior Shower Access Door</u>	II-8
<u>Furnace Access Door</u>	II-8
<u>Water Heater Access Door</u>	II-8
<u>Water Fill Access Door</u>	II-8
<u>Front Access Door, Long</u>	II-9
<u>Rear Access Door, Small</u>	II-9
<u>Hatch Door</u>	II-10
<u>Hatch Door Struts</u>	II-12
<u>Screen Door, Rear</u>	II-12
<u>Windows and Screens, 19'</u>	II-13
<u>Windows and Screens, 27FB</u>	II-13
<u>Vista View Windows</u>	II-13
<u>Window Trims</u>	II-14
<u>Panoramic Window Trim</u>	II-14
<u>Window Parts Diagram</u>	II-15
<u>Window Stone guards</u>	II-17
<u>Awnings, Windows</u>	II-18
<u>Awnings, Patio</u>	II-18
<u>Power Awnings, Patio</u>	II-18

DRAPES AND SHADES

<u>Drapes and Shades, 19'</u>	II-19
<u>Drapes and Shades, 27FB</u>	II-20
<u>Drapes and Shades Hardware</u>	II-21

2018 TOMMY BAHAMA TT

SECTION II

ELECTRICAL

110 Volt

<u>Shoreline Cord and Inlet</u>	II-22
<u>Power Converters</u>	II-22
<u>Generator Prep</u>	II-22
<u>Breakers</u>	II-22
<u>Junction Boxes</u>	II-22
<u>Inverter</u>	II-23
<u>Receptacles</u>	II-23

ELECTRICAL

12 Volt

<u>Battery and Battery Box</u>	II-24
<u>Battery Disconnect</u>	II-24
<u>7-way Cable and Breakaway Switch</u>	II-24
<u>Tank Monitor System</u>	II-24
<u>Wireless Backup Camera</u>	II-24
<u>Solar Panel</u>	II-25
<u>Fuses</u>	II-25
<u>Breakers</u>	II-25
<u>Door Bell</u>	II-25
<u>Switches and USB Ports</u>	II-26
<u>Exterior Lights</u>	II-26
<u>Interior Lights</u>	II-27
<u>Taillight Assembly</u>	II-27

ENTERTAINMENT

<u>Audio</u>	II-28
<u>Video</u>	II-28
<u>Bedroom TV, 19'</u>	II-29
<u>Bedroom TV, 27FB</u>	II-29
<u>Lounge TV, 27FB</u>	II-29
<u>Blu-Ray Player</u>	II-29

2018 TOMMY BAHAMA TT

SECTION III

FLOOR COVERING

<u>Floor Coverings</u>	III-1
<u>Furniture and Cushion Batting</u>	III-1

FURNITURE

INTERIOR DOORS, DRAWER BOXES, MIRRORS

<u>Shower Doors</u>	III-2
<u>Foldette Door</u>	III-2
<u>Wardrobe Doors</u>	III-2
<u>Dividing Curtain</u>	III-2
<u>Mirrors</u>	III-3
<u>Drawer Boxes</u>	III-3
<u>Drawer Slides</u>	III-3

BEDROOM

<u>Bed, 19'</u>	III-4
<u>Bed, 27FB</u>	III-6
<u>Dividing Curtain, 19'</u>	III-8
<u>Dividing Curtain, 27FB</u>	III-9
<u>Night Stands</u>	III-10
<u>Bedroom Closeouts</u>	III-12
<u>Roof Lockers</u>	III-14

LAVATORY

<u>Bath Module, 19'</u>	III-16
<u>Bath Module, 27FB</u>	III-17
<u>Shower Compartment, 27FB</u>	III-19
<u>Bath Doors</u>	III-20
<u>Lavatory, 19'</u>	III-22
<u>Lavatory, 27FB</u>	III-24
<u>Medicine Cabinets</u>	III-27
<u>Wardrobes</u>	III-30

2018 TOMMY BAHAMA TT

SECTION III

GALLEY

<u>Galley, 19'</u>	III-34
<u>Galley, 27FB</u>	III-39
<u>Flip-Up Shelf</u>	III-43
<u>Roof Lockers</u>	III-44
<u>Refrigerator Cabinets</u>	III-46
<u>Pantry</u>	III-49

LOUNGE

<u>Lounge Bar</u>	III-52
<u>Dinette Tables</u>	III-55
<u>Dinette Seats</u>	III-57
<u>Sofa</u>	III-61
<u>Roof Lockers</u>	III-62

HARDWARE

<u>Main Door Locks</u>	III-65
<u>Exterior Latches, Locks, and Handles</u>	III-67
<u>Hatch Door Lock and Hinge</u>	III-68
<u>Window</u>	III-69
<u>Interior Latches and Handles</u>	III-70
<u>Interior Hinges</u>	III-71
<u>Exterior Hinges</u>	III-71
<u>Bath Accessories</u>	III-71
<u>Wardrobe Cabinet</u>	III-72
<u>Clothes Line</u>	III-72
<u>Galley Cabinet</u>	III-72
<u>Keys and Key Holder</u>	III-72
<u>Tommy Bahama Product Package</u>	III-72
<u>Cooler</u>	III-72
<u>Awning Hardware</u>	III-73
<u>Rivets</u>	III-74
<u>Screws</u>	III-74

SAFETY EQUIPMENT

<u>Detectors and Fire Extinguishers</u>	III-75
---	--------

LABELS AND TAGS

<u>Labels and Tags</u>	III-76
------------------------------	--------

2018 TOMMY BAHAMA TT

SECTION IV

PLUMBING

LPG SYSTEMS

<u>LPG System, 19'</u>	IV-1
<u>LPG System, 27FB</u>	IV-2
<u>LP Tanks and Covers</u>	IV-3
<u>Exterior Propane Port</u>	IV-3

FRESH WATER

<u>Fresh Water Tanks</u>	IV-4
<u>Fresh Water Tank Fill</u>	IV-4
<u>City Water Hook-Up</u>	IV-4
<u>Water Pump</u>	IV-4
<u>Faucets</u>	IV-5
<u>Fresh Water Lines, 19'</u>	IV-10
<u>Fresh Water Lines, 27FB</u>	IV-11
<u>Fresh Water Fittings</u>	IV-12

DRAIN SYSTEMS

<u>Black and Gray Tanks</u>	IV-13
<u>Black Tank Flush</u>	IV-13
<u>Toilet Flange</u>	IV-13
<u>Sinks and Showers</u>	IV-13
<u>Drain, Above Floor, 19'</u>	IV-14
<u>Drain, Above Floor, 27FB</u>	IV-15
<u>Tank Drain</u>	IV-16
<u>Dump Valve</u>	IV-17
<u>Drain Fittings</u>	IV-18
<u>Toilets</u>	IV-19

SEALERS AND GASKETS

<u>Sealers</u>	IV-21
<u>Gaskets</u>	IV-21
<u>Gasket Kits</u>	IV-22

2018 TOMMY BAHAMA TT

SECTION IV

BEDDING, MATTRESSES

<u>Mattress and Sheet Set, 19'</u>	IV-23
<u>Mattress and Sheet Set, 27FB</u>	IV-23
<u>Pillows</u>	IV-23
<u>Tommy Bahama Bed and Bath Package</u>	IV-23

UPHOLSTERY, FOAM, ULTRALEATHER

<u>Dinette Cushions, 19'</u>	IV-24
<u>Dinette Cushions, 27FB</u>	IV-25

VENTS AND FANS

<u>Vent, Black Tank</u>	IV-26
<u>Vent, Bathroom</u>	IV-26
<u>Vent, Range</u>	IV-26
<u>Vent, Refrigerator</u>	IV-26
<u>Exhaust Fan</u>	IV-26

SKYLIGHTS

<u>Skylight, Lounge</u>	IV-27
<u>Skylight, Bath</u>	IV-27

PANELING, EDGEBANDING, LAUAN

<u>Paneling</u>	IV-28
<u>Edgebanding</u>	IV-28
<u>Lauan</u>	IV-28
<u>Plywood</u>	IV-28

TRIMS

<u>Trim</u>	IV-29
-------------------	-------

2018 TOMMY BAHAMA TT APPLIANCES

Air Conditioner

690323-44	Comfort control center II thermostat, White
690323-47	Air conditioner, 13,500 BTU w/heat pump
690323-48	Air conditioner, 15,000 BTU w/heat pump, 27FB
690323-481	Upper Circuit Board for 690323-47, -48, -49
690323-480	Shroud Only For A/C 690323-46,-47 & -48, Polar White Only
690323-471	Fan Motor Only For A/C 690323-47
104948	Air deflector, A/C to refrigerator vent
382606-01	Register, AC, Adjustable Brushed
*382276-01	Register, Adjustable direction, Brushed Stainless Steel
382160	Grommet, Flexible vinyl
115635	Bracket, Short, A/C mounting
115634	Bracket, Long, A/C mounting
382341	Grill, Return air, Snap in
382342	Filter, Wire mesh

* Replaced by 382606-01 January 2018

Air Conditioner Drain Kit

203724	Kit, A/C drain
203722	Gasket, A/C drain

Furnace

690663-02	Furnace, 16K BTU, 19'
690663-06	Furnace exterior door & bezel, Painted Aluminum
690663-0301	Circuit Board For 690663-03
690663-100	Sail switch for 690663-03
690664-102	Limit Switch For 690664-03
115658	Cover, 16K & 18K furnace door, Aluminum
690664-01	Furnace, 25K BTU, Hydro Flame, 27FB
690664-05	Furnace exterior door & bezel, Painted Aluminum
115659	Cover, 25K & 30K furnace door, Aluminum
602394-03	Register, 4", Black
602394-04	2" Adapter, Black
690429	2" round louver, Black
600526	Flange, 4"
600193	2" duct, flexible hose
600247	4" hose, Heat duct
968186	Furnace stand, 19'
968151	Furnace stand, 27FB

Water Heater

690602	Water Heater, 6 gallon, Gas/electric
690209	Water heater access cover, Brushed Aluminum
512480-01	Water heater switch, Black
967194	Water heater stand
382262	Gasket, Water heater

2018 TOMMY BAHAMA TT APPLIANCES

Range and Cooktop

690672-01	Cooktop w/glass top, 3 burner, Stainless Steel
690672-02	Oven w/glass top, 3 burner, Stainless Steel
512210	Range hood, Baraldi
511017-11	Exterior vent, Gray
115175	Duct, Range exhaust transition
454590	Extension, Range vent

Microwave

*690728-01	Microwave-Convection 1.1 CF SS #RV-200S-CON
*690728-02	Trim Kit- Microwave SS #TK-200S SS
690657-08	Convection microwave, SS, Contoure, 19'
690657-06	Trim kit, SS
690648-02	Microwave, .7 CF, Stainless Steel, Contoure, 27FB
690605-03	Microwave, Convection, Cuisinart, SS, 27FB
690605-04	Trim ring, SS

*Replaced 690605 & 690657 in March 2018

Refrigerator

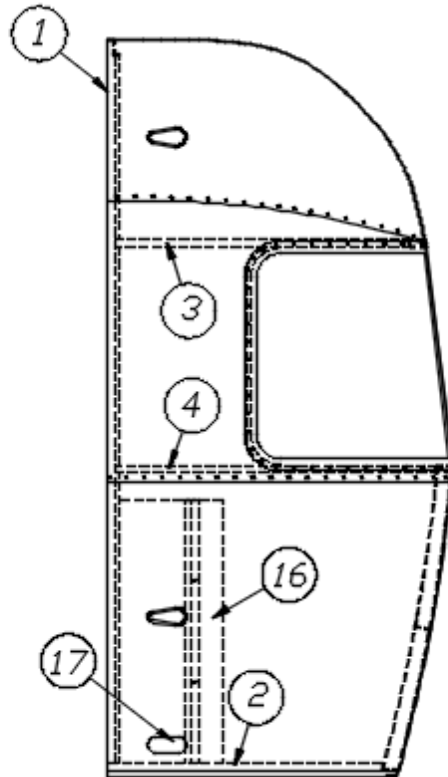
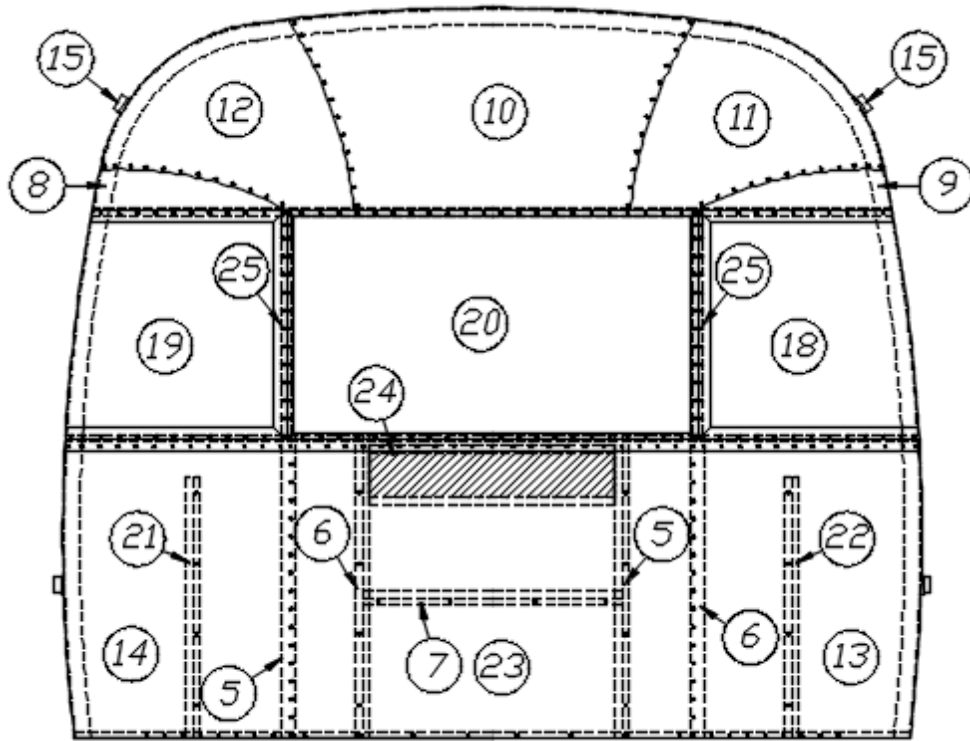
690393-09	Refrigerator, 4 CF, RH, 19'
690574-02	Refrigerator, 7 CF, RH, 27FB
101394	Cover, Refrigerator vent, Large
100341	Collar, Refrigerator vent, Large
381830	Wiper, Rubber, 1.125" x 2"
801728-03	Insert, 20.62 x 32.62, 19'
965934-05	Insert, Upper, 23.75 x 17, 27FB
965934-06	Insert, Lower, 23.75 x 32.38, 27FB
690394	Power ventilator

Ice Maker

690709	Portable ice maker, Contoure
--------	------------------------------

2018 TOMMY BAHAMA TT EXTERIOR SHELL

Front End, 19'



Parts Listed on Next Page

2018 TOMMY BAHAMA TT EXTERIOR SHELL

Front End, 19'

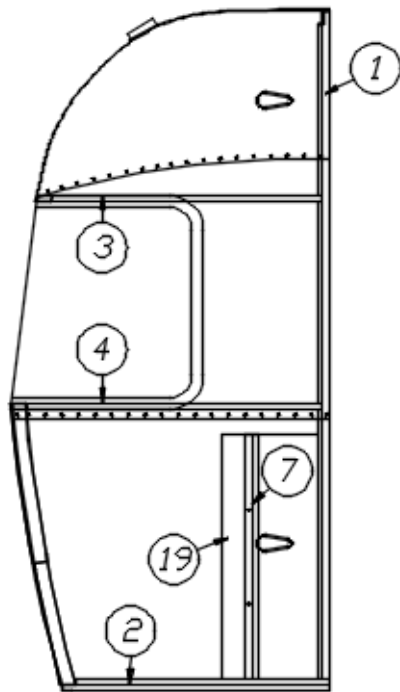
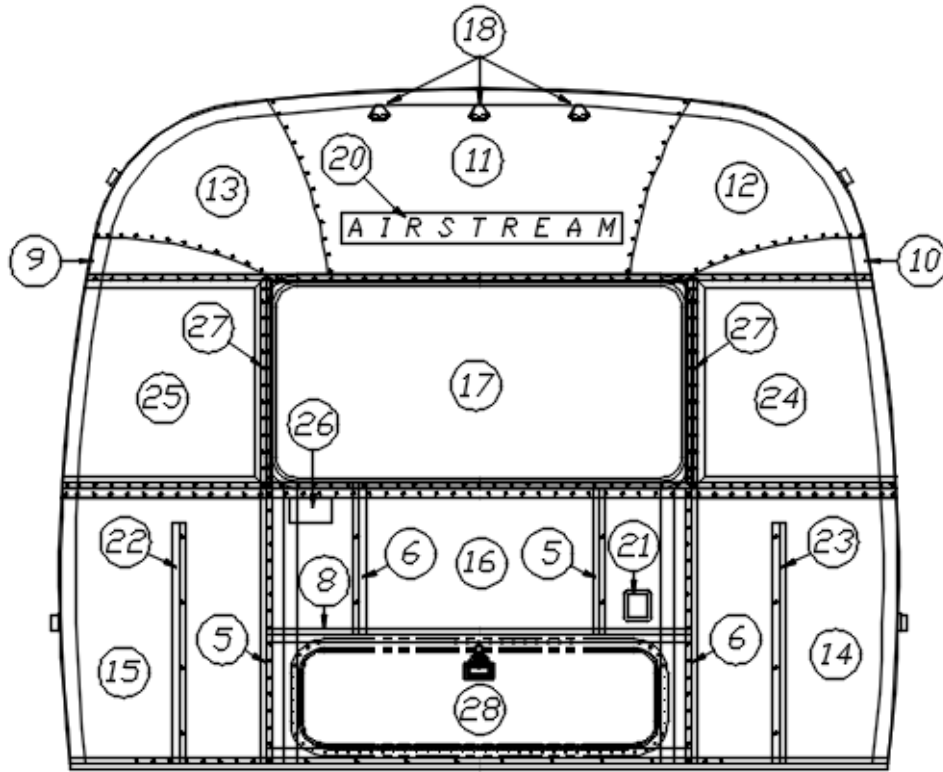
922626

Front End Shell

1. 114994 Weldment, End bow, NB
2. 104463 Floor bow, Captive extrusion
3. 115480 Upper, Window bow
4. 104343 Lower, Window bow
5. 114505-01 Support, Lower end, LH
6. 114505-02 Support, Lower end, RH
7. 104408 Z-rib
8. 114888 Segment, Center left
9. 114889 Segment, Center right
10. 114892 Segment, #25, NB
11. 114890 Segment, #26
12. 114891 Segment, #27
13. 114894 Segment, #28
14. 114895 Segment, #29
15. 512859 LED clearance light, Amber
16. 114849-06 Aluminum sheet, .06" x 36" x 8', Black
17. 500096 Reflector, Amber
18. 372088-101 Panoramic window, RS front
19. 372089-101 Panoramic window, CS front
20. 371328 Front window, Complete assembly
21. 101315-01 Vertical brace, Rear, LH
22. 101315-02 Vertical brace, Rear, RH
23. 114880-307 Aluminum sheet, .04" x 51" x 307"
24. 453629 Hat section, 27.25" long, Front dinette models only
25. 454910 Support, Wrap window

2018 TOMMY BAHAMA TT EXTERIOR SHELL

Front End, 27FB



Parts Listed on Next Page

2018 TOMMY BAHAMA TT

EXTERIOR SHELL

Front End, 27FB

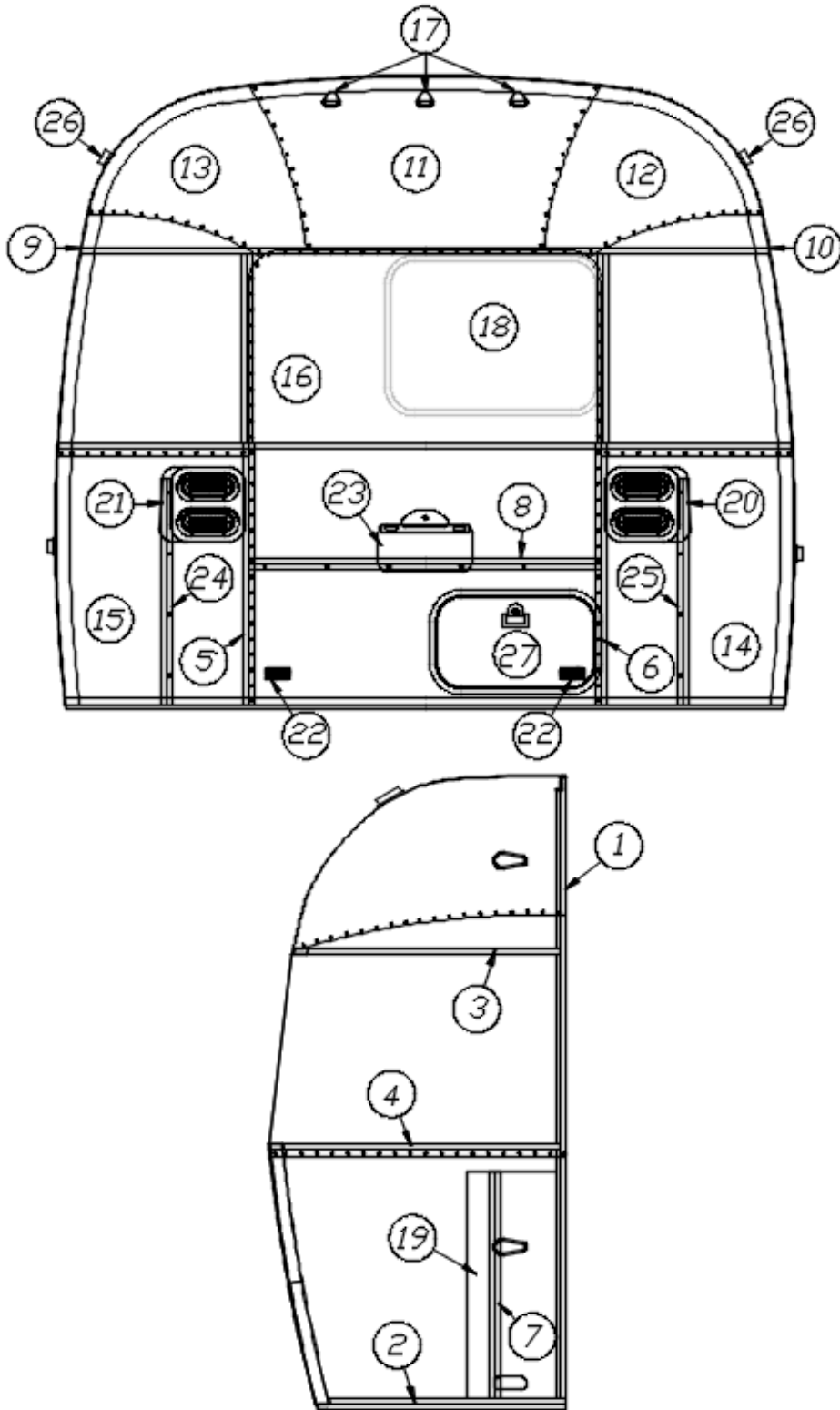
921244-01

Front Shell w/Panoramic Windows

1. 114993 Weldment, Zero bow, "WB"
2. 114676 Bow, Floor, Altered
3. 114678 Bow, Upper window, Altered
4. 114677 Bow, Lower window, Altered
5. 114505-01 Support, Lower end, LH
6. 114505-02 Support, Lower end, RH
7. 101315 Vertical brace, Rear
8. 104408 Z-rib
9. 114888 Segment, Center left
10. 114889 Segment, Center right
11. 114893 Segment, #25, WB
12. 114890 Segment, #26
13. 114891 Segment, #27
14. 114894 Segment, #28
15. 114895 Segment, #29
16. 114880-307 Aluminum sheet, .04" x 51" x 307"
17. 371346-02 Window, 49.63" x 24.19", Silver handles
18. 512859 LED clearance light, Amber
19. 114849-06 Aluminum sheet, .06" x 26" x 8', Black
20. 386272 Decal, "AIRSTREAM", Black Chrome
21. 513087-02 Gen prep power inlet, Male, 30A, 125V, Gray
22. 101315-01 Vertical brace, LH
23. 101315-02 Vertical brace, RH
24. 372088-101 Panoramic window, RS front
25. 372089-101 Panoramic window, CS front
26. 386118 Label, LP gas tri-warning
27. 454910 Support, Wrap window
28. 922288-02 Trunk door only w/round corners
- 100029 Trim, Wrap around window

2018 TOMMY BAHAMA TT EXTERIOR SHELL

Aft End, 19'



Parts Listed on Next Page

2018 TOMMY BAHAMA TT EXTERIOR SHELL

Aft End, 19'

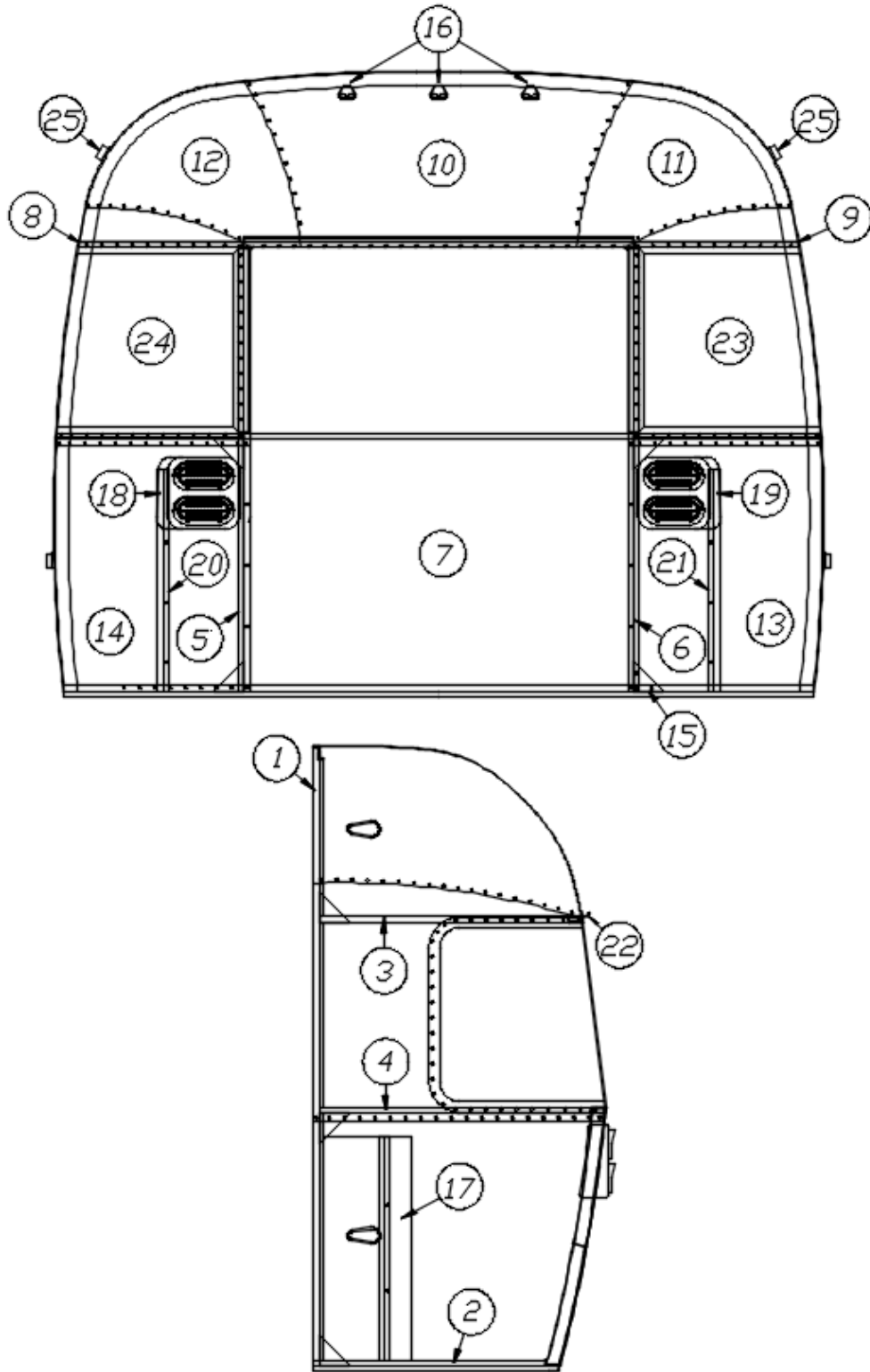
964513-08

Aft End Shell

- | | |
|----------------|--|
| 1. 114994 | End bow |
| 2. 104463 | Floor bow |
| 3. 115480 | Upper window bow |
| 4. 104343 | Lower window bow |
| 5. 114505-01 | Support, Lower end, LH |
| 6. 114505-02 | Support, Lower end, RH |
| 7. 101315 | Vertical brace, rear |
| 8. 104408 | Z-rib |
| 9. 114888 | Segment, Center left |
| 10. 114889 | Segment, Center right |
| 11. 114892 | Segment, #25 |
| 12. 114890 | Segment, #26 |
| 13. 114891 | Segment, #27 |
| 14. 114894 | Segment, #28 |
| 15. 114895 | Segment, #29 |
| 16. 114880-201 | Aluminum sheet, .04" x 19" x 51" |
| 17. 512928 | Curved bezel w/gasket, Required for 3 top lights |
| 18. 372229 | Window, No arms |
| 19. 114849-06 | Aluminum sheet, .06" x 36" x 8', Black |
| 20. 952929-02 | Tail light assembly, CS |
| 21. 952929-01 | Tail light assembly, RS |
| 22. 510446 | Reflector, Stick-on, Red |
| 23. 512409 | License plate holder |
| 24. 101315-01 | Support, Lower end shell, LH |
| 25. 101315-02 | Support, Lower end shell, RH |
| 26. 512860 | LED clearance light, Red |
| 27. 100679-01 | Door, Side access |

2018 TOMMY BAHAMA TT EXTERIOR SHELL

Aft End, 27FB



Parts Listed on Next Page

2018 TOMMY BAHAMA TT EXTERIOR SHELL

Aft End, 27FB

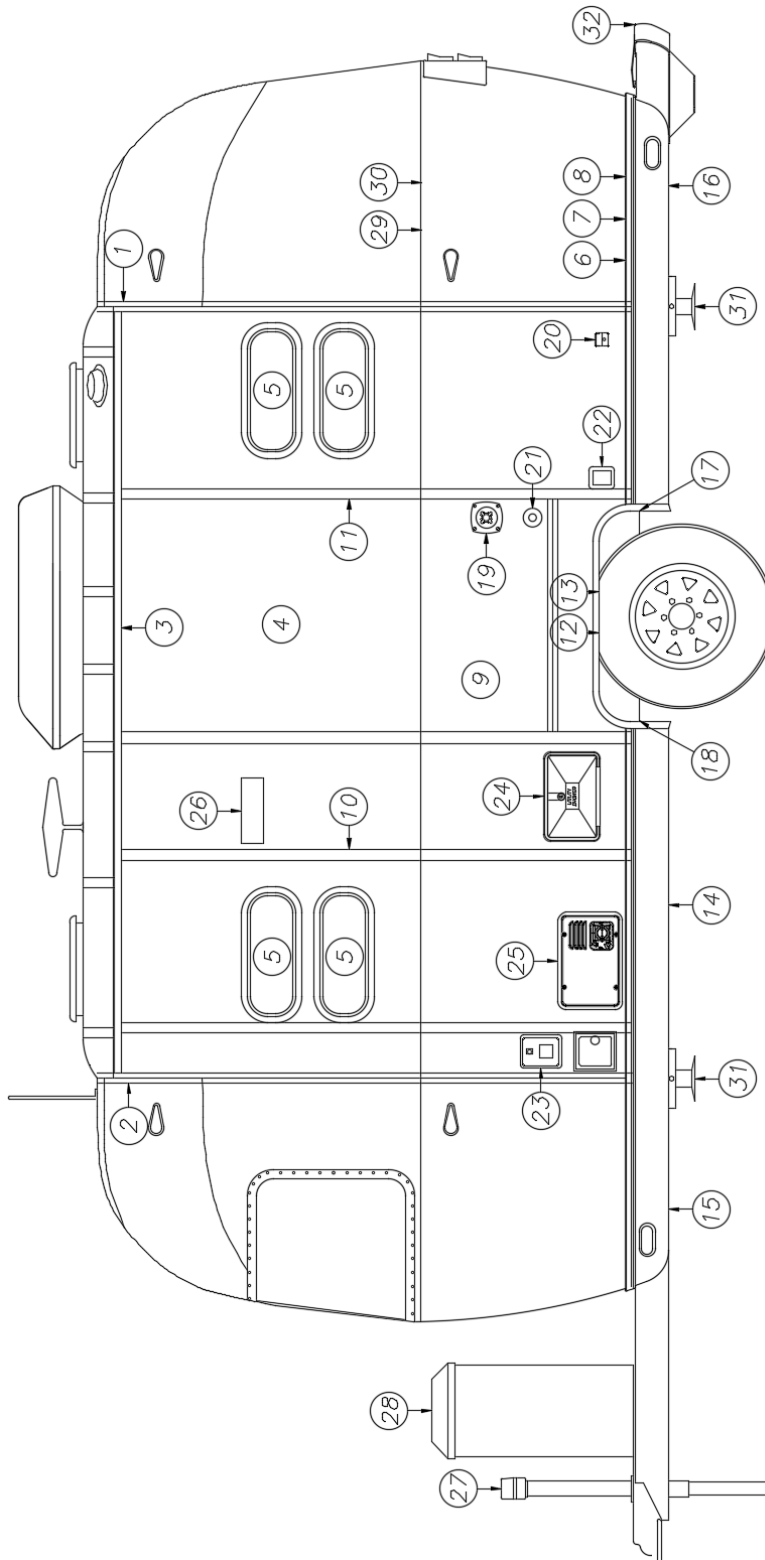
923059

Aft End Shell

1. 114993 End bow
2. 114676 Floor bow
3. 114678 Upper window bow
4. 114677 Lower window bow
5. 114505-01 Support, Lower end, LH
6. 114505-02 Support, Lower end, RH
7. 967683 Hatch door
8. 114888 Segment, Center left
9. 114889 Segment, Center right
10. 114893 Segment, #25
11. 114890 Segment, #26
12. 114891 Segment, #27
13. 114894 Segment, #28
14. 114895 Segment, #29
15. 454711 Gusset, Rear
16. 512928 Curved bezel w/gasket, Required for 3 top lights
17. 114849-06 Aluminum sheet, .06" x 26" x 8', Black
18. 952929-01 Tail light assembly, RS
19. 952929-02 Tail light assembly, CS
20. 101315-01 Vertical brace, Rear, LH
21. 101315-02 Vertical brace, Rear, RH
22. 104837 Aluminum extrusion, Drip cap
23. 372088-101 Panoramic window, CS rear
24. 372089-101 Panoramic window, RS rear
25. 512860 Red LED clearance light

2018 TOMMY BAHAMA TT EXTERIOR SHELL

Wall, Roadside, 19'



Parts Listed on Next Page

2018 TOMMY BAHAMA TT EXTERIOR SHELL

Wall, Roadside, 19'

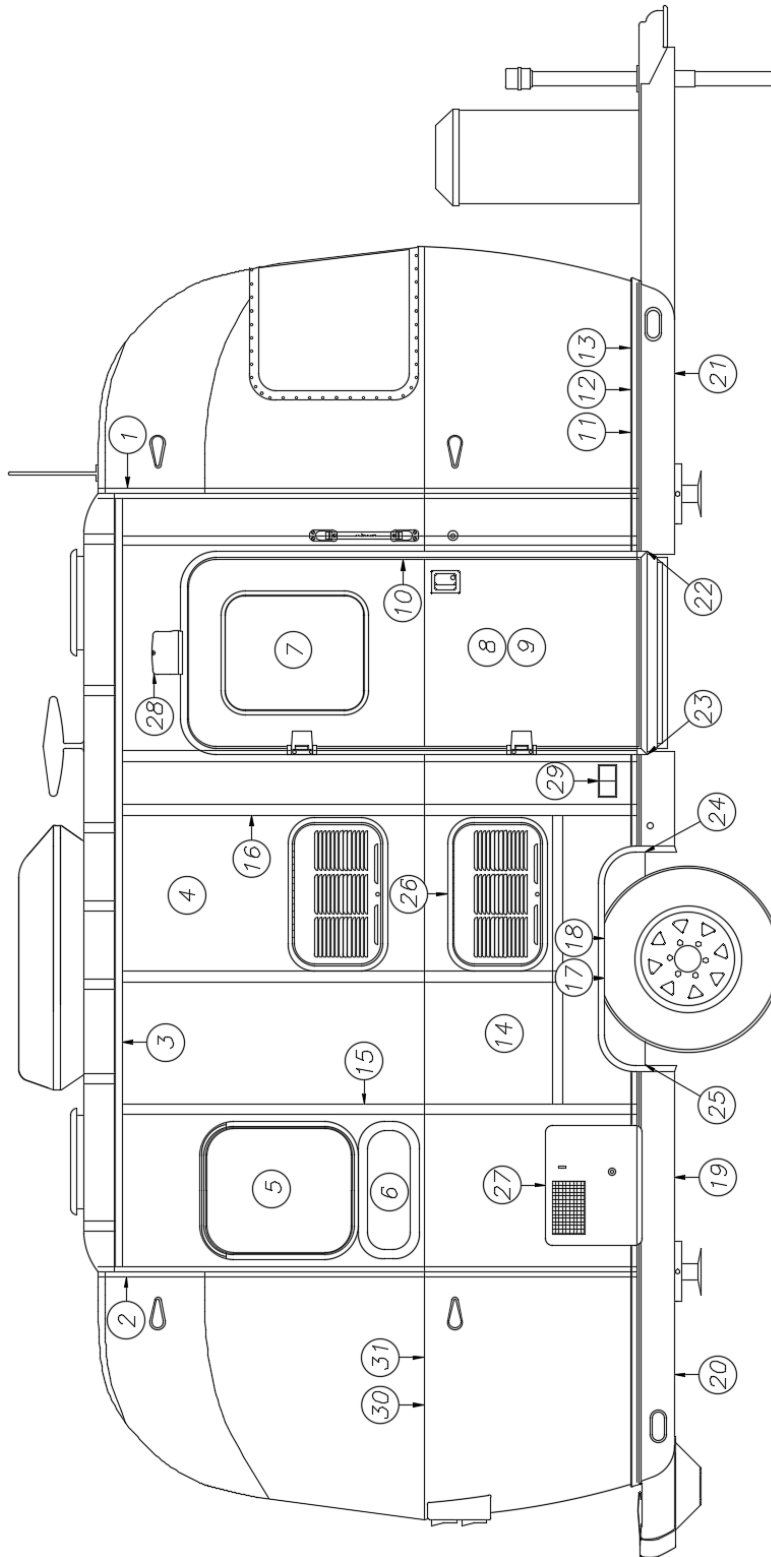
923332S

Shell Assembly

1. 114290-01 Extrusion, Awning/drip rail
2. 114994 Rib, End bow
3. 104707-05 Extrusion, "I" beam
4. 114880-238 Aluminum sheet, Upper, .04" x 51" x 238"
5. 371436 Window, 18" stacked
6. 115546 Extrusion, Rub rail
7. 201763-100 Insert, Rub rail, 1", Chrome
8. 100986 Floor channel
9. 114879-238 Aluminum sheet, Lower, .04" x 33" x 238"
10. 114387-02 Bow, Z-rib, LH
11. 114387-01 Bow, Z-rib, RH
12. 114003-04 Wheel well trim, Inner, Single axle
13. 114004-04 Wheel well trim, Outer, Single axle
14. 101131-02 Underbelly wrap, .024 x 22.5, Black
15. 203303-01 Banana wrap, RS front
16. 203303-03 Banana wrap RS rear
17. 114466-01 Casting, Rub rail, Wheel well, RH
18. 114466-02 Casting, Rub rail, Wheel well, LH
19. 601392-06 City water hook-up w/regulator, Chrome
20. 513089 Dual inlet, TV/satellite, Gray
21. 601441-02 Black tank flush
22. 513087-02 Power inlet, Male, 30A, 125V, Gray
23. 601194 Water fill w/lock, Gray
24. 602326 Exterior shower
25. 690663-06 Furnace exterior door & bezel, Painted Aluminum
26. 511017-11 Exterior vent, Gray
27. 400961-04 Power jack, Atwood
28. 921246-01 LP tank cover, Black
29. 114328 Extrusion, Belt line molding
30. 201912-100 Molding, Belt line insert, Chrome
31. 401027-01 Stabilizing jack, Each
32. 411055 Bumper

2018 TOMMY BAHAMA TT EXTERIOR SHELL

Wall, Curbside, 19'



Parts Listed on Next Page

2018 TOMMY BAHAMA TT EXTERIOR SHELL

Wall, Curbside, 19'

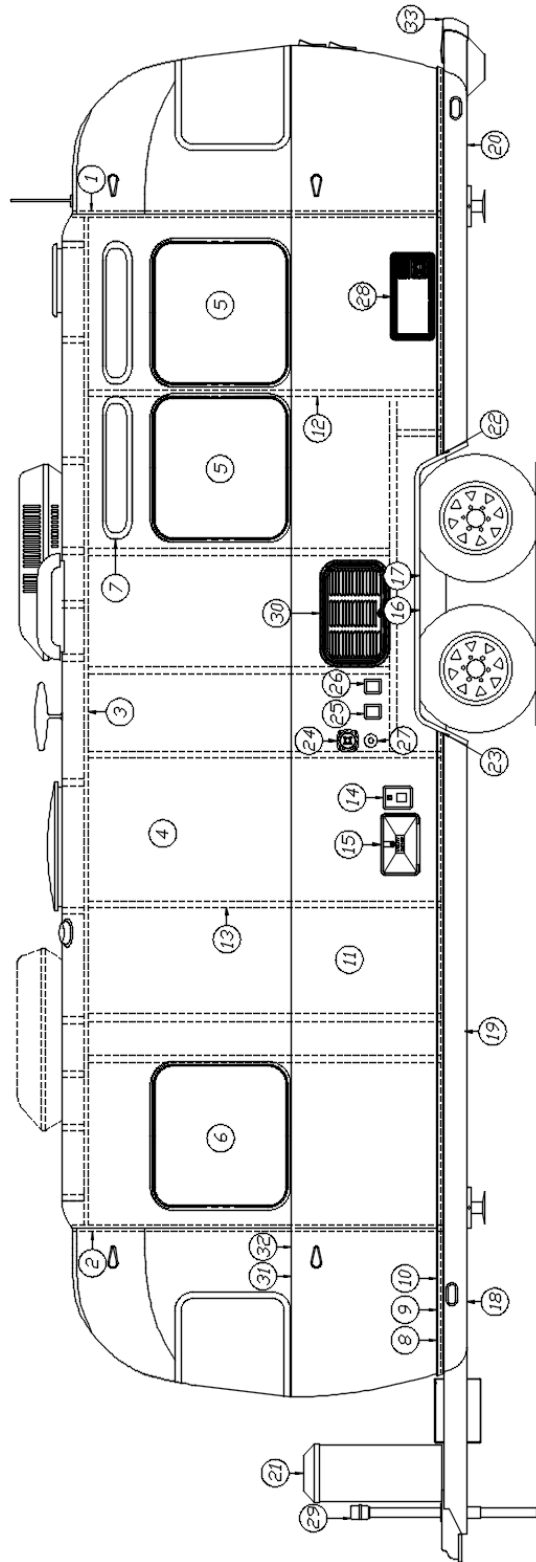
923332S

Shell Assembly

1. 114290-01 Extrusion, Awning/drip rail
2. 114994 Rib, End bow
3. 104707-05 Extrusion, "I" beam
4. 114880-238 Aluminum sheet, Upper, .04" x 51" x 238"
5. 371323-01 Window, 18", Opening
6. 371436 Window, 18" stacked
7. 371400-01 Window, Main door
8. 115207 Main door
9. 114654 Screen door
10. 114652 Jamb, Main door, Pre-formed
11. 115546 Extrusion, Rub rail
12. 201763-100 Insert, Rub rail, 1", Chrome
13. 100986 Floor channel
14. 114879-238 Aluminum sheet, Lower, .04" x 33" x 238"
15. 114387-02 Bow, Z-rib, LH
16. 114387-01 Bow, Z-rib, RH
17. 114003-04 Wheel well trim, Inner, Single axle
18. 114004-04 Wheel well trim, Outer, Single axle
19. 101131-02 Underbelly wrap, .024 x 22.5, Black
20. 203303-04 Banana wrap, CS rear
21. 203303-02 Banana wrap, CS front
22. 114465-01 Casting, Rub rail, Door, RH
23. 114465-02 Casting, Rub rail, Door, LH
24. 114466-01 Casting, Rub rail, Wheel well, RH
25. 114466-02 Casting, Rub rail, Wheel well, LH
26. 923115 Refrigerator access door
27. 690209 Water heater access cover, Brushed Aluminum
28. 994165 Entrance light
29. 512741 Water proof cover w/gasket, Gray
30. 114328 Extrusion, Belt line molding
31. 201912-100 Molding, Belt line insert, Chrome

2018 TOMMY BAHAMA TT EXTERIOR SHELL

Wall, Roadside, 27FB



Parts Listed on Next Page

2018 TOMMY BAHAMA TT EXTERIOR SHELL

Wall, Roadside, 27FB

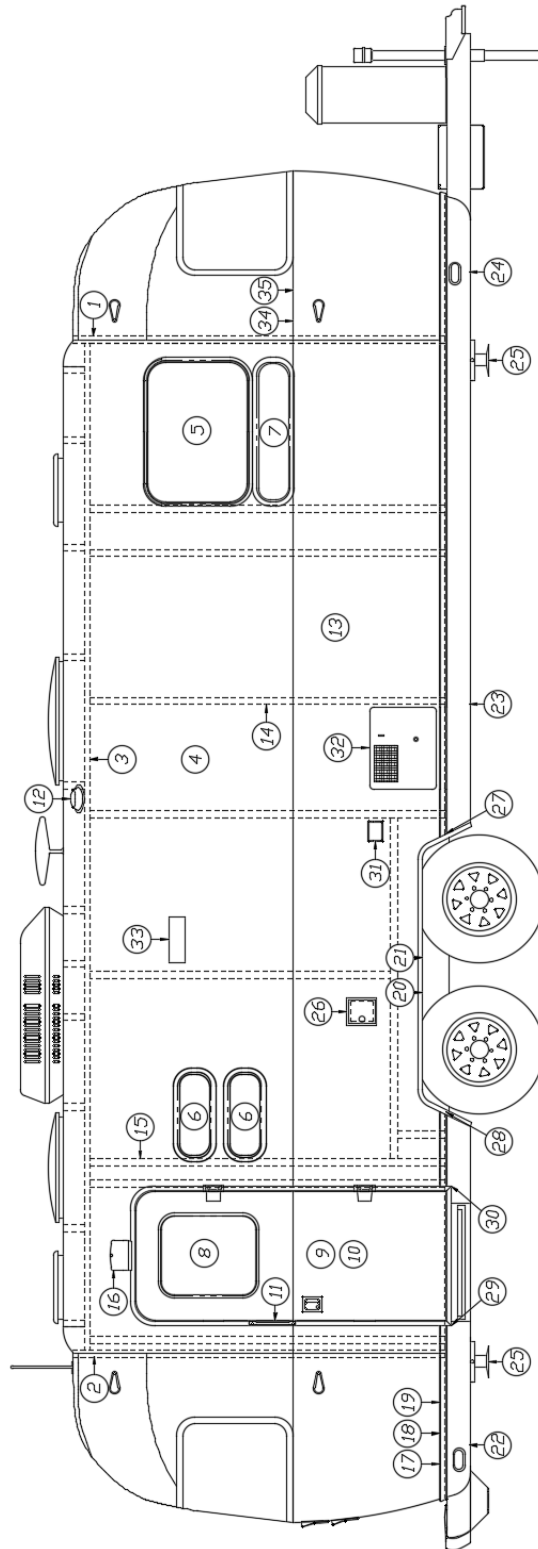
923307S

Shell Assembly

1. 114290-01 Extrusion, Awning/drip rail
2. 114993 Rib, End bow
3. 104707-01 Extrusion, "I" beam
4. 114880-238 Aluminum sheet, Upper, .04" x 51" x 238"
5. 371380 Window, 30" opening, Tall
6. 371380-01 Window, 30" egress
7. 371437-02 Vista view window, 30"
8. 115546 Extrusion, Rub rail
9. 201763-100 Insert, Rub rail, 1", Chrome
10. 100986 Floor channel
11. 114879-238 Aluminum sheet, Lower, .04" x 33" x 238"
12. 114387-01 Bow, Z-rib, RH
13. 114387-02 Bow, Z-rib, LH
14. 601194 Water fill w/lock, Gray
15. 602326 Exterior shower
16. 684936 Wheel well trim, Outer, Dual axle
17. 684937 Wheel well trim, Inner, Dual axle
18. 200542-02 Banana wrap, RS front, Black
19. 101131-02 Underbelly wrap, .024" x 22.5", Black
20. 200544-02 Banana wrap, RS rear, Black
21. 921246-01 LP tank cover, Black
22. 114466-01 Casting, Rub rail, Wheel well, RH
23. 114466-02 Casting, Rub rail, Wheel well, LH
24. 601392-06 City water hook-up w/regulator, Chrome
25. 513170 Dual inlet, TV/satellite, Stainless Steel
26. 513087-02 Power inlet, Male, 30A, 125V, Gray
27. 601441-02 Black tank flush
28. 690664-05 Furnace exterior door & bezel, Painted Aluminum
29. 400961-04 Power jack, Silver
30. 923115 Refrigerator access door
31. 114328 Extrusion, Belt line molding
32. 201912-100 Molding, Belt line insert, Chrome
33. 411054 Rear bumper

2018 TOMMY BAHAMA TT EXTERIOR SHELL

Wall, Curbside, 27FB



Parts Listed on Next Page

2018 TOMMY BAHAMA TT EXTERIOR SHELL

Wall, Curbside, 27FB

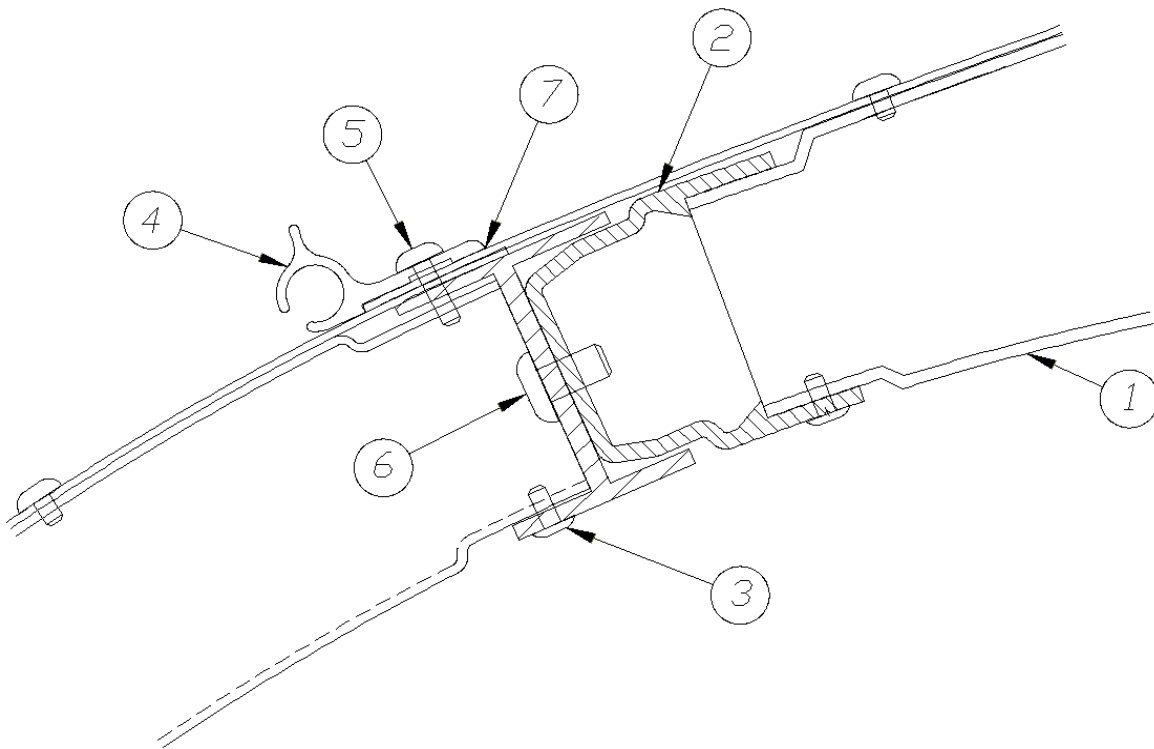
923307S

Shell Assembly

1. 114290-01 Extrusion, Awning/drip rail
2. 114993 Rib, End bow
3. 104707-01 Extrusion, "I" beam
4. 114880-238 Aluminum sheet, Upper, .04" x 51" x 238"
5. 371324-02 Window, 30" opening
6. 371436 Window, 18" stack
7. 371435 Window, 30" stack
8. 371400-01 Window, Main door
9. 114654-01 Screen door
10. 115207-05 Main door
11. 114652-01 Jamb, main door
12. 690266-06 Power roof vent w/o garnish
13. 114879-238 Aluminum sheet, Lower, .04" x 33" x 238"
14. 114387-01 Bow, Z-rib, RH
15. 114387-02 Bow, Z-rib, LH
16. 994165 Entrance light
17. 115546 Extrusion, Rub rail
18. 201763-100 Insert, Rub rail, 1", Chrome
19. 100986 Floor channel
20. 684936 Wheel well trim, Outer, Dual axle
21. 684937 Wheel well trim, Inner, Dual axle
22. 200545-02 Banana wrap, CS rear, Black
23. 101131-02 Underbelly wrap, .024" x 22.5, Black
24. 200543-02 Banana wrap, CS front, Black
25. 401014 Power stabilizing jacks w/switch
26. 115640 Stabilizer jack switch box
27. 114466-01 Casting, Rub rail, Wheel well, RH
28. 114466-02 Casting, Rub rail, Wheel well, LH
29. 114465-02 Casting, Rub rail, Door, LH
30. 114465-01 Casting, Rub rail, Door, RH
31. 512741 Water proof cover w/gasket, Gray
32. 690209 Water heater access cover, Brushed Aluminum
33. 511017-11 Exterior vent, Gray
34. 114328 Extrusion, Belt line molding
35. 201912-100 Molding, Belt line insert, Chrome

2018 TOMMY BAHAMA TT EXTERIOR SHELL

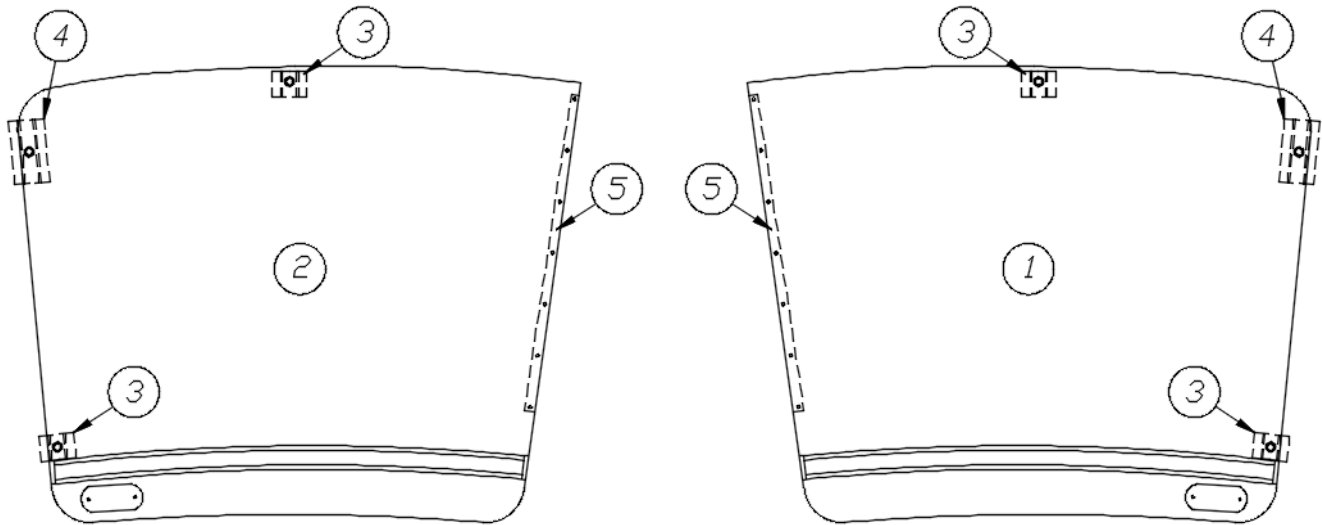
Roof



- | | |
|--------------|--|
| 1. 115651 | Roof bow, NB |
| 115586 | Roof bow, WB |
| 2. 114987-01 | Extrusion, Roof Corner, 27FB |
| 114987-02 | Extrusion, Roof corner, 19' |
| 3. 330127-03 | Rivet 1/8" (Mill) AD43ABS |
| 4. 114290-01 | Extrusion, Awning/Drip Rail, 197" |
| 5. 325003-03 | Rivet, 1/8 x 7/16, White |
| 6. 330139-01 | Rivet, Magnalok SS 1/4" |
| 7. 365330-05 | Adseal, Awning rail, 10.3oz tube |
| 115727-262 | Aluminum sheet, .032" x 72" x 262", White |
| 115728-262 | Alum sheet, .032" x 66.75" x 262", White, NB |
| 115571 | Z rib, 3" |
| 104948 | Air deflector, between roof A/C and refrigerator |
| 115593 | Transition cap, Stretched formed, WB |
| 115654 | Transition cap, Stretched formed, NB |

2018 TOMMY BAHAMA TT EXTERIOR SHELL

Wrap Protectors and Holdbacks



109325-100
109325-02

Wrap Protector Set, Tall
Wrap Protector Set, Short, CSA

- | | |
|--------------|--------------------------------|
| 1. 966277 | Wrap Protector, Tall, RS |
| 685366-100 | Wrap Protector, RS, Short, CSA |
| 2. 966276 | Wrap Protector, Tall, CS |
| 685365-100 | Wrap Protector, CS, Short, CSA |
| 3. 114819-02 | Wrap protector hold back, 2" |
| 4. 114819-03 | Wrap protector hold back, 5" |
| 5. 381605-03 | Piano hinge, Stainless Steel |
| 100742-01 | Extrusion, Mirror trim |
| 115546 | Extrusion, Rub rail |
| 201709-02 | Extrusion, Trim molding, Black |
| 114465-01 | Casting, Rub rail, RH |
| 114465-02 | Casting, Rub rail, LH |
| 685343 | Gusset, Corner |
| 500096 | Reflector, Amber |

2018 TOMMY BAHAMA TT

INTERIOR SHELL

Interior Skin

114879-201	Aluminum sheet, .04" x 33" x 201"
114879-262	Aluminum sheet, .04" x 33" x 262"
114880-201	Aluminum sheet, .04" x 51" x 201"
114880-238	Aluminum sheet, .04" x 51" x 238"
114880-262	Aluminum sheet, .04" x 51" x 262"
115609-238	Aluminum sheet, .04" x 45" x 238"
114890-01	Interior segment, Front CS, Rear RS
114891-01	Interior segment, Front RS, Rear CS
114892-01	Interior segment, Center narrow
114893-01	Interior segment, Center wide

Interior Shell Insulation

108808	Interior insulation
203740	Insulation, Eco-batt fiberglass

Wheel Well Liner

453617	Wheel well box, 19'
200514	Wheel well insulator, Interior, Tandem, 27FB
203740	Insulation, Fiberglass

Main Door Threshold

115565	Extrusion, Main door threshold
100097	Extrusion, Aluminum track
382290-01	End cap, Threshold, RH
382290-02	End cap, Threshold, LH

2018 TOMMY BAHAMA TT CHASSIS

Axles

410980-14	Axle, 5000#, 19'
410980-02	Axle, 3800#, 27FB
410980-102	12" LH Nev-R Adjust Brake Assembly
410980-103	12" RH Nev-R Adjust Brake Assembly

Shocks

0220003	Shock absorber
0250173-15	Bolt, Grade 5, 5/8"-18 x 1.5", Shock mount
0130068-818	Nut, Hex head, Flanged, 5/8", 18, Shock mount

Tires and Wheels

410840-02	Tire and Wheel assembly, "E" range
410840-100	Wheel only, 15", Aluminum
411052	Tire only, ST225/75R15, Goodyear Endurance
400844-01	Center cap, Stainless Steel
400923	Lug nut, .5", Acorn type

Spare Tire Carrier

410843-02	Spare tire and wheel assembly, 15" "E"
410843-100	Wheel, 15", Steel
450414	"A" frame spare tire carrier
994073	Spare tire carrier bracket

Hitch Coupler

*680343-01	Marvel coupler, 2-5/16"
455653	Demco 2 5/16 12.5 K Coupler
455653-100	Demco EZ-Latch 2 5/16 Coupler Repair Kit For 455653
455654	Adjustable Coupler Lock

*680343-01 is NLA, will have to replace with Demco Coupler 455653

2018 TOMMY BAHAMA TT CHASSIS

Power Jack

400961-04-BOX	Power jack, Atwood
400961-03	Power jack drop foot
400961-110	Crank handle
400961-02-100	Crank handle, Manual

Power Stabilizing Jacks, 19'

401027-04	Kit, Power stabilizing jacks
401027-02	Jack handle
401027-03	Foot pads w/bolts
401027-05	Power stabilizer jack w/motor
401027-06	Add on bracket/motor kit
513311	Switch, Stabilizer jack

Power Stabilizing Jacks, 27FB

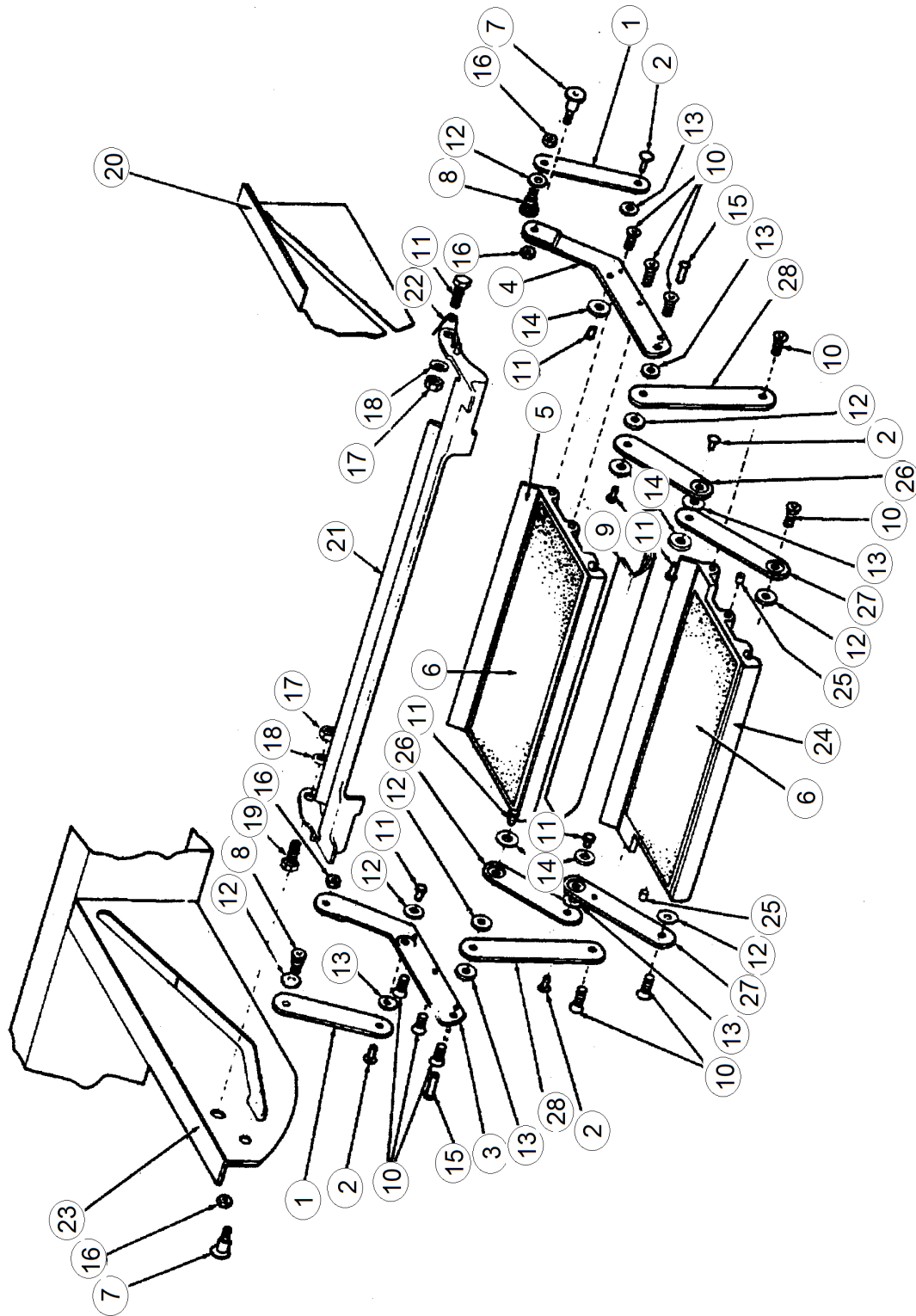
401014	Power stabilizing jacks w/switch
401014-100	Crank handle
401014-101	Motor
401014-102	Switch, Extend/retract
115640	Switch box, Stabilizer jacks, Lockable

Step, Single, 19'

99900P-1970	Step, Main door, Manual
0260100	U-type cage nut, 3/8-16

2018 TOMMY BAHAMA TT CHASSIS

Step, Double



* Parts Listed on Next Page

2018 TOMMY BAHAMA TT CHASSIS

Step

3440006	Double step assembly
1. 680213	Arm, upper support
2. 680214	Pin, hinge
3. 680215	Step bracket, left
4. 680216	Step bracket, right
5. 680217	Extrusion, step 20.5"
6. 380069	Safety tread
7. 001152	Bolt, shoulder
8. 001145	Bolt, shoulder, 3/8" thread
9. 680220	Panel
10. 680221	Screw, flat head
11. 680222	Bolt, socket head
12. 680223	Washer, bronze
13. 680224	Washer, wave
14. 680225	Washer, aluminum
15. 680226	Pin, pivot
16. 350005	Nut, hex
17. 350147-25	Nut, Nylock
18. 300005	Washer, flat
19. 345016	Screw, machine
20. 410523	Outrigger, RH (Not included with step assembly.)
21. 100298	Casting, step release
22. 0440032	Step spring
23. 410524	Outrigger, LH (Not included with step assembly.)
24. 410200	Extrusion, step, 20.0"
25. 380075	Bullet catch
26. 400004	Hinge arm, upper
27. 400003	Hinge arm, lower
28. 400005	Arm, lower support

2018 TOMMY BAHAMA TT CHASSIS

Battery Box

410551-02	Lid, Battery box
380203-01	Piano Hinge, 1/8"
381430	Lock, Twist straight cam 1.75"

Hose carrier

602619-02	EZ hose carrier, 64", Black
104704-01	Shim, 3" x 3"

Underbelly

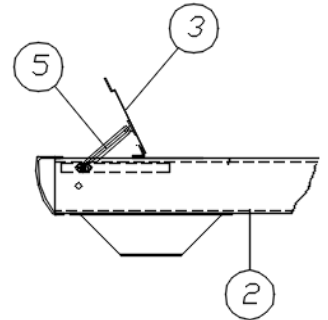
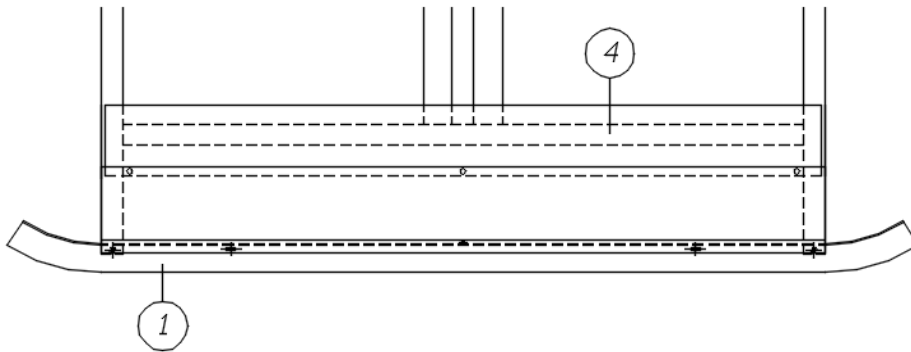
115684	Aluminum underbelly, .035" x 65.75", coil
101131-02	Underbelly wrap, .024" x 22.5, Black
203303-01	Banana wrap, RS front, 19'
203303-02	Banana wrap, CS front, 19'
203303-03	Banana wrap RS rear, 19'
203303-04	Banana wrap, CS rear, 19'
200542-02	Banana wrap, RS front, Black
200543-02	Banana wrap, CS front, Black
200544-02	Banana wrap, RS rear, Black
200545-02	Banana wrap, CS rear, Black

Bumper End Caps

382289-01	Bumper end cap, Right hand
382289-02	Bumper end cap, Left hand

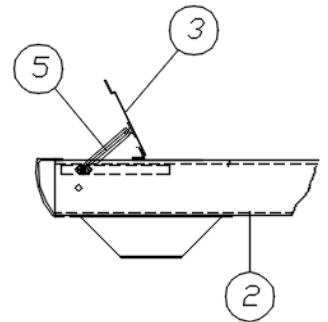
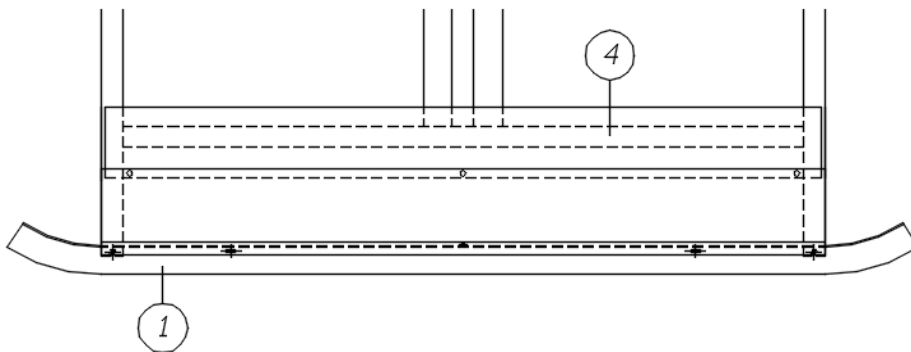
2018 TOMMY BAHAMA TT CHASSIS

Bumper and Storage, NB



- | | |
|--------------|--|
| 1. 411055 | Bumper |
| 2. 453627 | Pan, Sewer hose compartment |
| 3. 454214-01 | Lid, Rear hose carrier, Black |
| 4. 114849-06 | Aluminum sheet, .06" x 36" x 8', Black |
| 5. 380024 | Arms support, RH |
| 380203-02 | Piano hinge |
| 382456 | Swell latch |

Bumper and Storage, WB



- | | |
|--------------|--|
| 1. 411054 | Rear bumper |
| 2. 453538 | Bottom, Sewer hose compartment |
| 3. 453497-01 | Lid, Rear hose carrier, Black |
| 4. 114849-06 | Aluminum sheet, .06" x 36" x 8', Black |
| 5. 380024 | Arm support, RH |
| 380203-02 | Piano Hinge |
| 382456 | Swell latch |
| 112671-19 | Vinyl, Compartment Liner |

2018 TOMMY BAHAMA TT DECALS, EXTERIOR TRIM

Decals and Nameplates

386068-01	Medallion, 3" Logo, Airstream, Main door
386320	Nameplate, "Tommy Bahama"
386272	Decal, "AIRSTREAM", Black Chrome
386317	Kit, Perf film, Tommy Bahama scene
386317-01	Perf film, RS window
386317-02	Perf film, Center window
386317-03	Perf film, CS window

Belt Line Trim

114328	Extrusion, Beltline molding
201912-100	Molding, Beltline insert, Chrome
114417	Casting, Beltline closeout

Rub Rail Trim

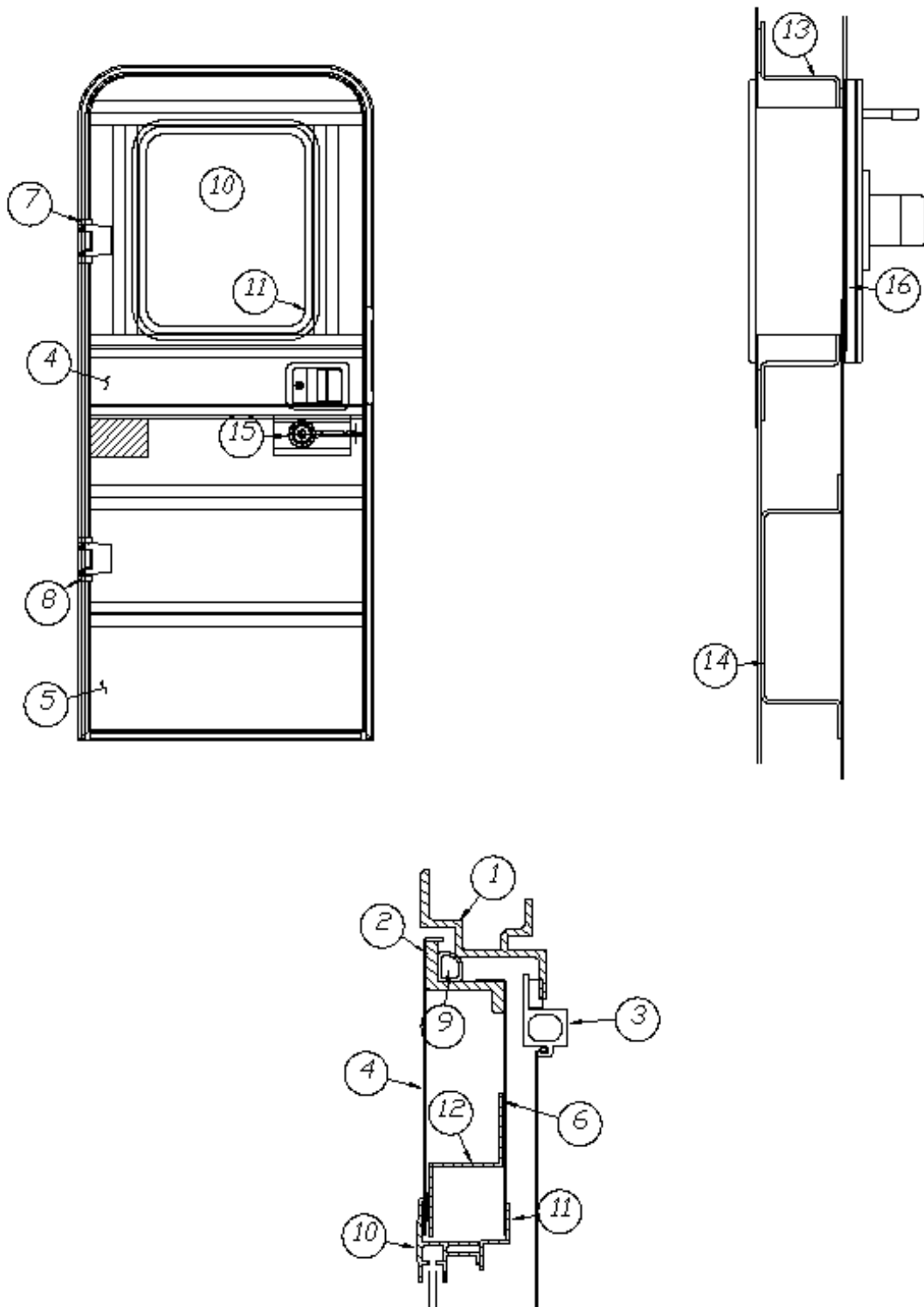
115546	Extrusion, Rub rail
201763-100	Insert, Rub rail, 1", Chrome
114466-01	Closeout, Casting, Rub rail, Angled, RH
114466-02	Closeout, Casting, Rub rail, Angled, LH
114465-01	Closeout, Casting, Rub rail, RH
114465-02	Closeout, Casting, Rub rail, LH

Reflectors

500095	Reflector, Red rectangular
500096	Reflector, Amber
510446	Reflector, Red, Stick-on

2018 TOMMY BAHAMA TT DOORS, EXTERIOR

Main Door, LH Hinge



Parts Listed on Next Page

2018 TOMMY BAHAMA TT

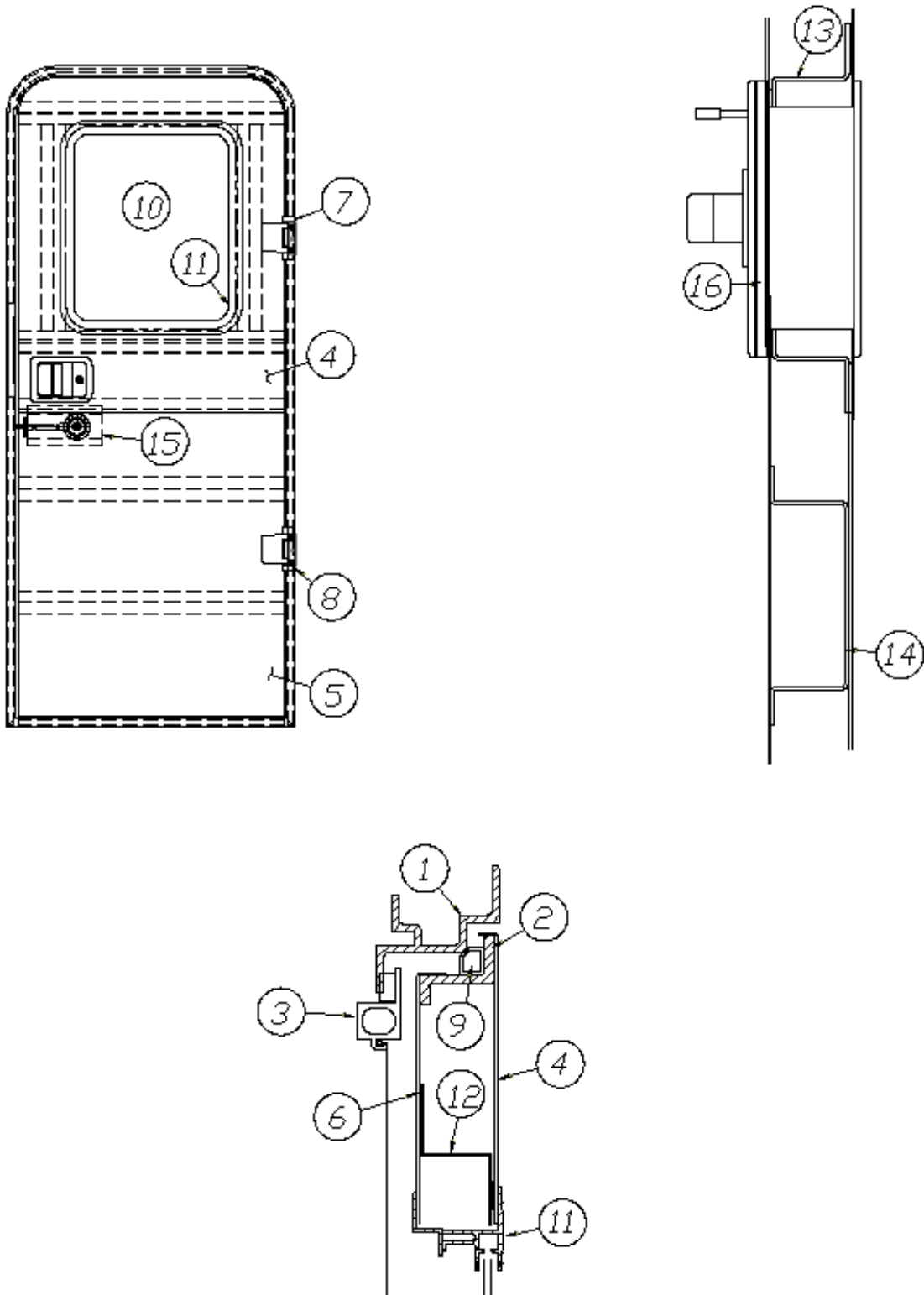
DOORS, EXTERIOR

Main Door, LH Hinge

115207	Main Door, 19'
1. 114652	Jamb, Main door, Pre-formed
2. 114653	Frame, Main door, Pre-formed
3. 114654	Screen door
4. 114448-03	Skin, Exterior, Upper main door
5. 114449-03	Skin, Exterior, Lower main door
6. 114475	Main door skin, Inner
7. 381552-03	Hinge, Main door, Upper
8. 381552-04	Hinge, Main door, Lower
9. 365232	Seal, Main door
10. 371400-01	Window, Main door
11. 115208	Trim ring, Main door window
12. 114658	Inner door, Z-bar, Upper & lower
13. 114657	Hat section, Formed, Main door
14. 115413	Hat section, Round dead bolt
15. 382069	Deadbolt, Round, Trimark
16. 203370	Spacer, Deadbolt
385595	Pocket strike, Main door
381326	Striker w/Trimark deadbolt
453851	Bolt, Trimark deadbolt
114363	Drip cap, Main door
380290	Housing latch
380291	Latch
201056	Striker, Main door, Black plastic
114507-03	Trim, Main door
454898	Nut plate, Main door
365360	Gasket, Nut plate
203494	Baseplate, Door latch
511344-06	Grab handle w/White LED bulb
382130	P-gasket w/tape backing
382290-01	End cap, Threshold, RH
382290-02	End cap, Threshold, LH

2018 TOMMY BAHAMA TT DOORS, EXTERIOR

Main Door, RH Hinge



Parts Listed on Next Page

2018 TOMMY BAHAMA TT

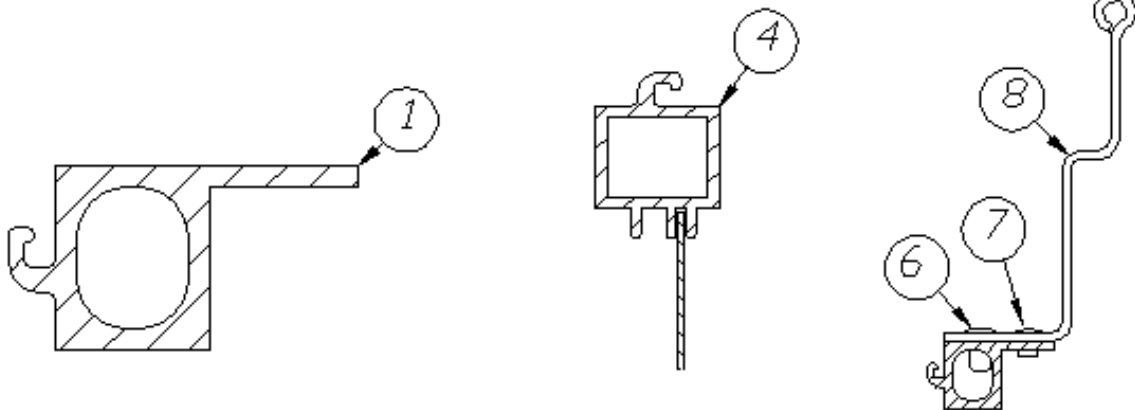
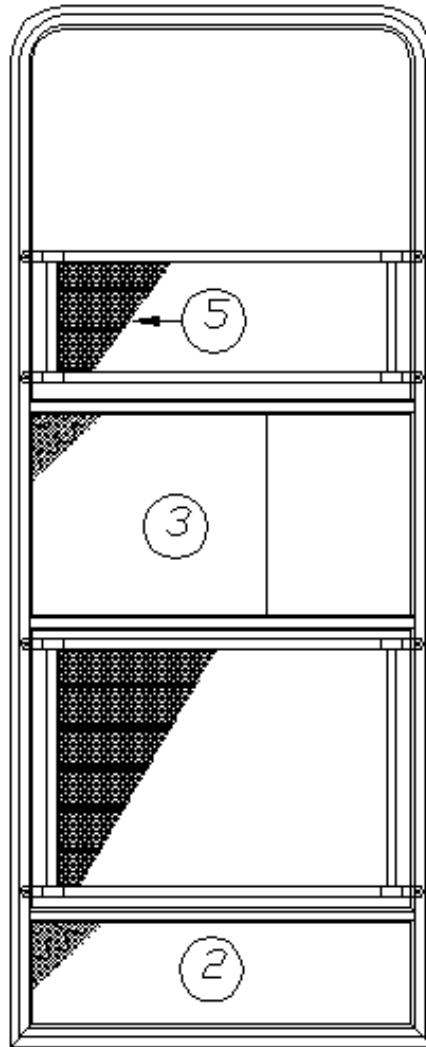
DOORS, EXTERIOR

Main Door, RH Hinge

115207-05	Main Door, 27FB
1. 114652-01	Jamb, Main door, Pre-formed
2. 114653-01	Frame, Main door, Pre-formed
3. 114654-01	Screen door, RH Hinge
4. 114448-03	Skin, Exterior, Upper main door
5. 114449-03	Skin, Exterior, Lower main door
6. 114475	Main door skin, Inner
7. 381552-02	Hinge, Main door, Upper
8. 381552-01	Hinge, Main door Lower
9. 365232	Seal, Main door
10. 371400-01	Window, Main door
11. 115208	Trim ring, Main door window
12. 114658	Inner door, Z-bar, Upper & lower
13. 114657	Hat section, Formed, Main door
14. 115413	Door hat section
15. 382069	Deadbolt, Round, Trimark
16. 203370	Spacer, Trimark door Latch
385595	Pocket strike, Main door
381326	Striker w/ Trimark deadbolt
453851	Bolt, Trimark, deadbolt
114363	Drip cap, Main door
380290	Housing latch
380291	Latch
201056	Striker, Main door, Black plastic
114507-03	Trim, Main door
454898	Nut plate, Main door
365360	Gasket, Nut plate
203494	Base plate, Door latch
382130	P-gasket w/tape backing
511344-06	Grab handle w/White LED bulb
382290-01	End cap, Threshold, RH
382290-02	End cap, Threshold, LH

2018 TOMMY BAHAMA TT DOORS, EXTERIOR

Screen Door



Parts Listed on Next Page

2018 TOMMY BAHAMA TT DOORS, EXTERIOR

Screen Door

114654	Screen Door, LH Hinge
114654-01	Screen Door, RH Hinge
1. 104782-186	Extrusion, Frame
2. 114648-01	Kick panel
3. 114561-01	Panel, Slider
4. 104784-78	Extrusion, Screen door stiffener
5. 380079	Screen, Gray
6. 330130-02	Rivet, 5/32, Mill finish
7. 325122	Rivet, 5/32, Brazier head
8. 385577-02	Tape, Clear, 1-7/8" wide
380004	Handle with 8/32 x 1 screw
683946	Bug seal, Edge of screen door closeout
203287-02	Closeout, Plastic
115835-01	Screen door guard, Top
115835-02	Screen door guard, Bottom
0404-0001	Spline, Gray
381454	Screen door hold back latch, Bullet
386068-01	Medallion, 3" Logo, Airstream, Main door
381531-01	Hinge, Upper
381531-02	Hinge, Lower

2018 TOMMY BAHAMA TT DOORS, EXTERIOR

Access Door, Refrigerator

923114	Refrigerator door w/screen
923115	Refrigerator door w/frame
372264	Screen, Refrigerator door
112024	Jamb, Refrigerator door
380988	Hinge, .5 Leaf, 16"
203714	Trim Lock Neoprene
381812	Twist latch, Chrome

Access Door, Battery

410551-06	Lid, Battery box, Black
381430	Lock, Twist, Straight cam
380203-01	Piano hinge, 1/8" pin
381613	Black plastic cover, Wing handle
203756	Plug, Square, 1.25", Battery box support

Access Door, Exterior Shower

602326	Exterior shower
602326-100	Shower head with hose and mixer
602326-101	Exterior shower door
602326-102	Clip for shower head

Access Door, Furnace

690663-06	Furnace exterior door & bezel, Painted Aluminum, 19'
690664-05	Furnace exterior door & bezel, Painted Aluminum, 27FB

Access Door, Water Heater

690209	Water heater access cover, Brushed Aluminum
--------	---

Access Door, Water Fill

601194	Water fill door w/pocket & lock
601194-02	Cap, Cable and spout
381647	Key, Water fill CH 751

2018 TOMMY BAHAMA TT DOORS, EXTERIOR

Access Door, Front, Long

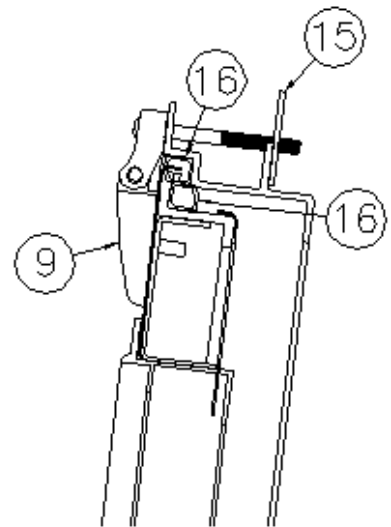
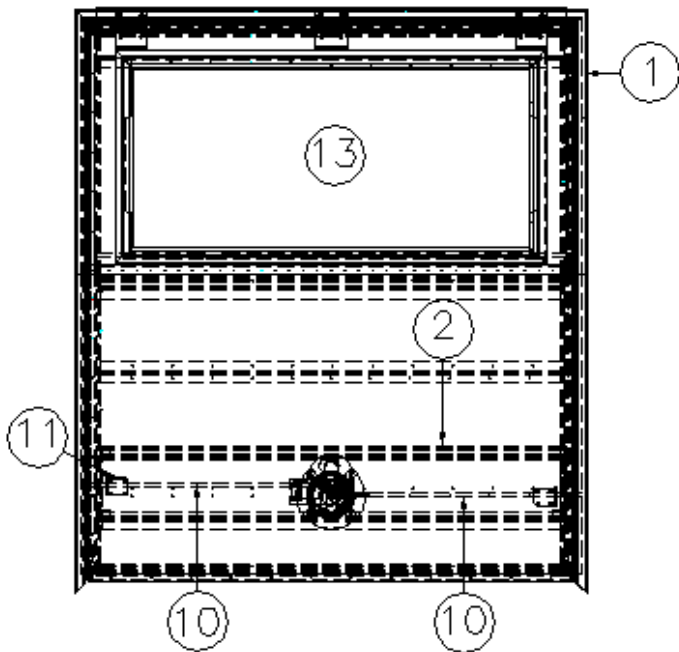
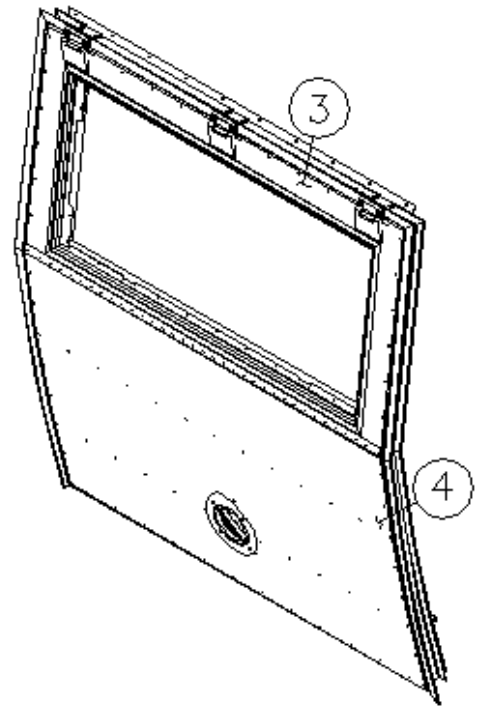
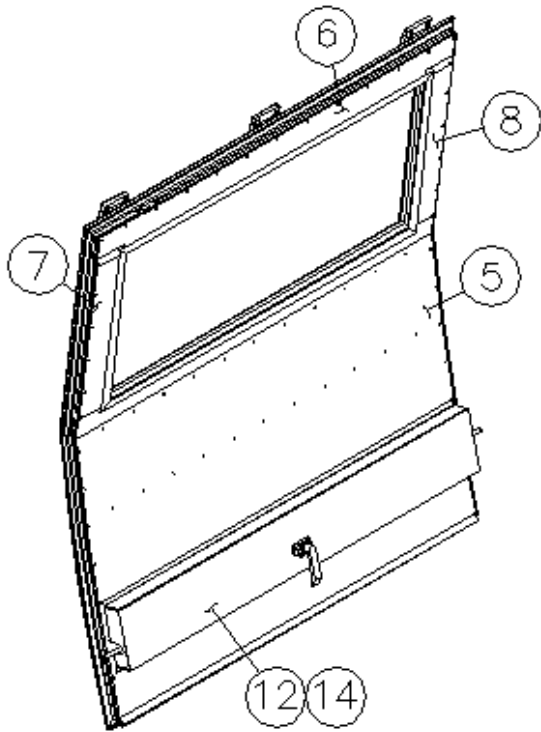
922288-02	Trunk door only w/round corners
104833	Jamb, long side access door
381065-10	10" cable support
104831	Frame, Front access door
382230-02	Compression Latch w/key code
365035	Rubber seal, access door
380774-02	Hinge, Compartment door, 48.00"

Access Door, Rear, Small

100679-01	Side access door, 20" x 11"
365035	Seal, Side access door
382230-02	Compression latch w/key code
382229	Cam plate, Access door, Southco
380773	Hinge, Access door
115295	Spacer, Formed, Compartment door
115296	Jamb, Formed, Compartment door

2018 TOMMY BAHAMA TT DOORS, EXTERIOR

Hatch Door



Parts Listed on Next Page

2018 TOMMY BAHAMA TT DOORS, EXTERIOR

Hatch Door

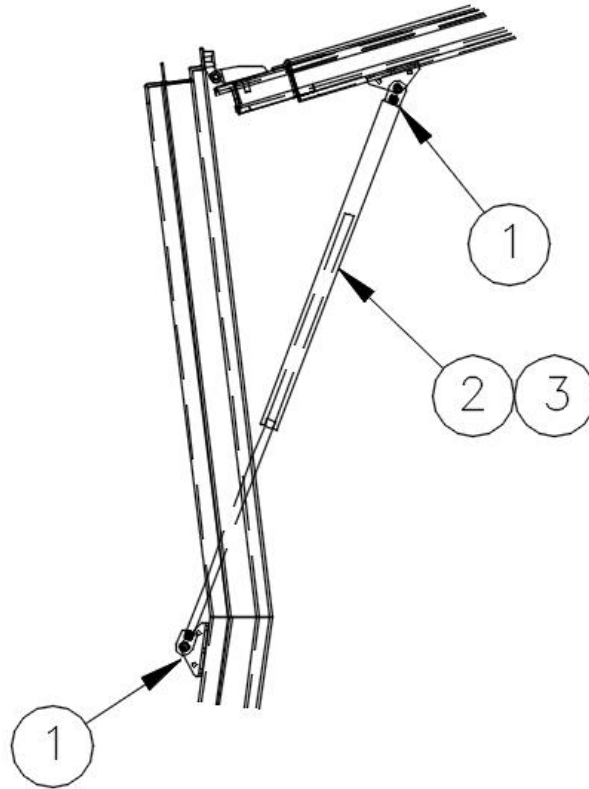
967683

Hatch Door

- | | |
|---------------|------------------------|
| 1. 115517 | Jamb, Hatch Door |
| 2. 115518 | Weldment, Frame |
| 3. 115523 | Outer skin, Upper |
| 4. 115524 | Outer skin, Lower |
| 5. 115525 | Inner skin, Lower |
| 6. 115526-01 | Inner skin, Upper |
| 7. 115526-02 | Inner skin, CS, Upper |
| 8. 115526-03 | Inner skin, RS, Upper |
| 9. 382065 | Hinge, Rear |
| 10. 382018-07 | Rods, 48" Sq. D-rings |
| 11. 382018-06 | Grommet rod guide |
| 12. 115521 | Closeout, Latch |
| 13. 371430 | Window, 40.97 |
| 14. 454862 | Cover, Finish |
| 15. 115529 | Backer, Hinge |
| 16. 365232 | Seal, Baggage door |
| 372263 | Screen, 42 x 20.5 |
| 512409 | License plate holder |
| 365355-01 | Gasket, Hinge |
| 512472 | Kit, Door jamb contact |
| 203655 | Block, Rod guide |
| 382017 | Gasket, .60" bulb seal |

2018 TOMMY BAHAMA TT DOORS, EXTERIOR

Hatch Door Struts



- | | |
|--------------|------------------------------|
| 1. 382462 | Bracket, Prop w/ball |
| 2. 382084-04 | Gas spring, M8, Male thread |
| 3. 382084-02 | Socket, Gas rod |
| 330031-01 | Rivet, 3/16 x 5/8, Ssd68ssbs |

Screen Door, Rear

- | | |
|-----------|--------------------------------|
| 382150 | Screen, Pull-down retractable |
| 454859 | Closeout, Rear screen door |
| 203138-04 | Extrusion, Plastic, 1/2", Oak |
| 365232 | Seal, Baggage door |
| 382151 | Plug, Snap-in, .5" Dia., Black |

2018 TOMMY BAHAMA TT WINDOWS, SCREENS

Windows and Screens, 19'

371436	Window, 18" stacked
371400-01	Window, Main door
371323-01	Window, 18", Opening
371328	Window, Front w/Silver handles
372229	Window, Rear 21" x 28", Egress
372088-101	Panoramic window, RS front, CS rear
372089-101	Panoramic window, CS front, RS rear
372174-03	Screen, 18" opening window
372230-01	Screen, 21 x 28 egress, No arms
372173-02	Screen, Front window

Windows and Screens, 27FB

371436	Window, 18" stacked
371400-01	Window, Main door
371346-02	Window, Front, Dark glass
371380	Window, 30" tall, Opening
371380-01	Window, 30", Egress
371435	Window, 30" stacked
371324-02	Window, 30", Opening
372088-101	Panoramic window, RS front, CS rear
372089-101	Panoramic window, CS front, RS rear
371437-02	Vista View Window, 30"
371347-03	Screen, Square front window
371349-03	Screen, Rear escape
372175-04	Screen, 30" opening window
372215-01	Screen, 30" tall
372215-03	Screen, 30", Egress window

Vista View Windows, 30"

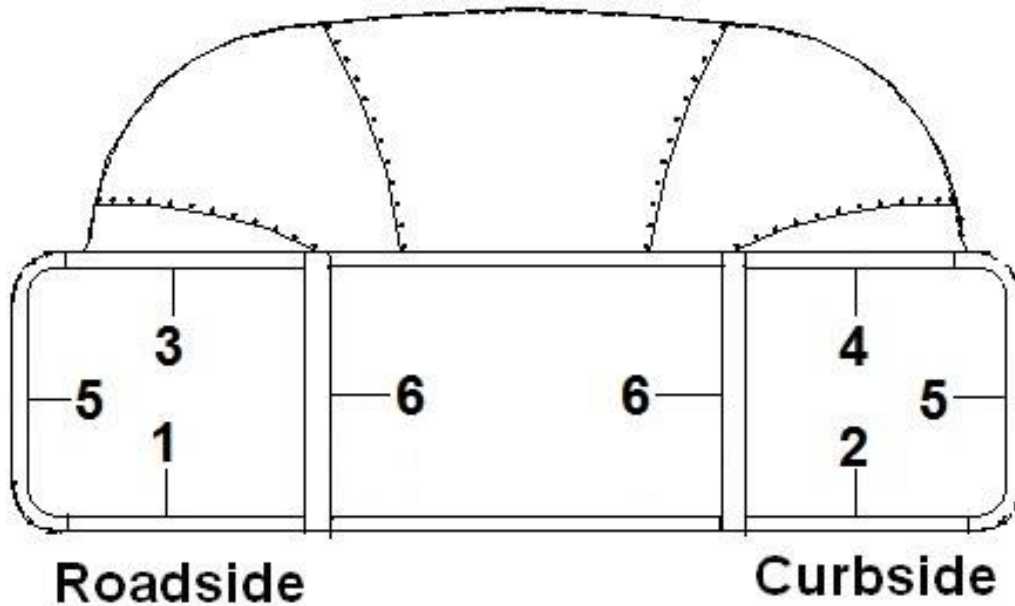
371437-02	Vista view window, 30"
203961-04	Trim ring, 30" Vista View
372271-02	Glass, Vista view window
372272-02	Sash, 30" Vista View
922772-02	Backer, Vista View blind, 30"
704199-02	Shade, 31.25 x 9.5, Ash Grey

2018 TOMMY BAHAMA TT WINDOWS, SCREENS

Window Trims

372267	Trim ring, 30" stack window, Clear
372268	Trim ring, 18" stack window, Clear
115208	Trim ring, Main door window
372269	Trim ring, Inner support, 30"
372270	Trim ring, Inner support, 18"
203225-01	Trim, Gray flexible
203714	Trim lok, Neoprene

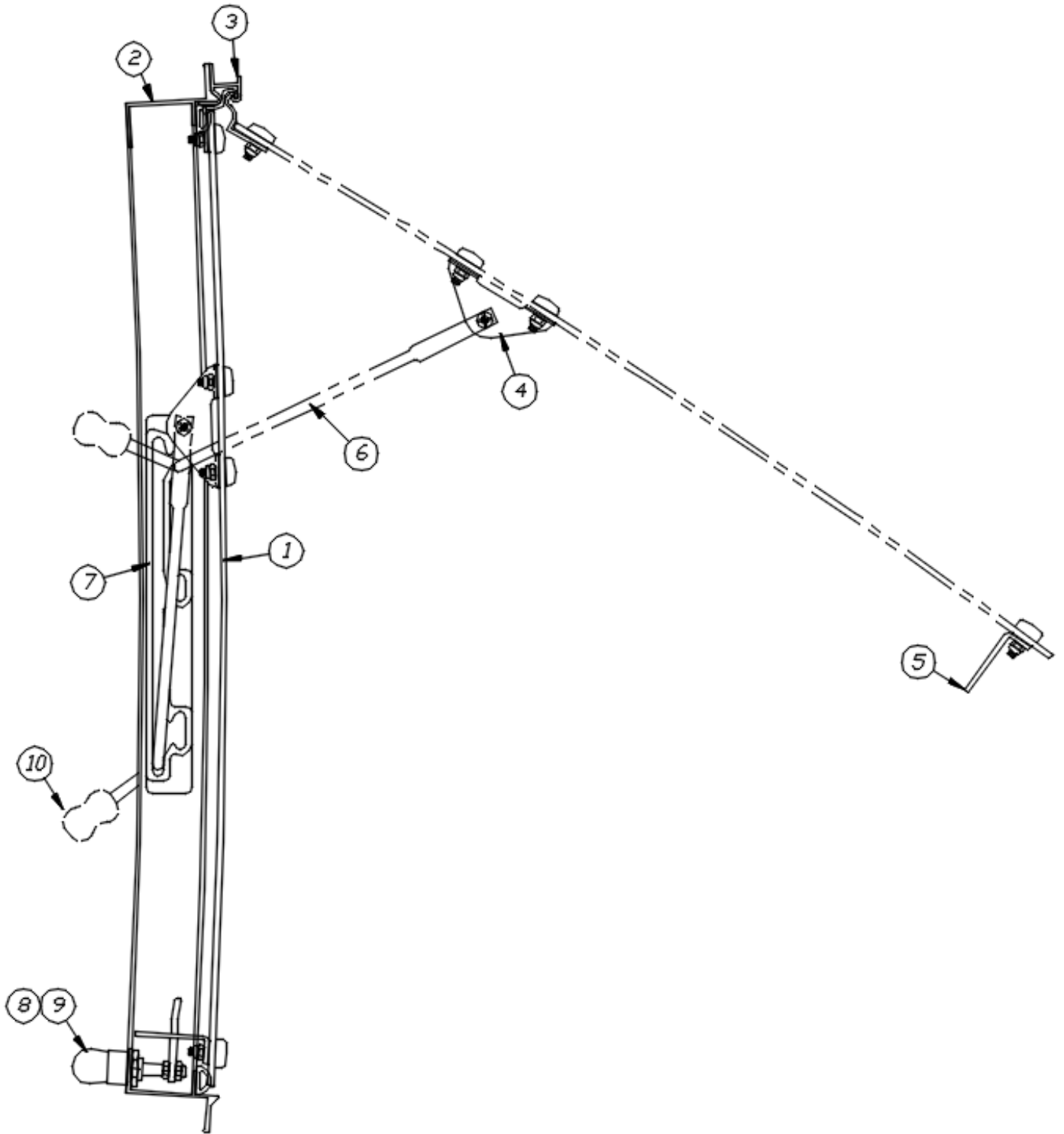
Panoramic Window Trim



1. 201579-02	Trim ring, Lower, Gray
2. 201580-02	Trim ring, Lower, Gray
3. 201581-05	Trim ring, Upper, Gray
4. 201581-06	Trim ring, Upper, Gray
5. 201578-02	End cap, Trim ring Gray
6. 110900-01	Trim formed, Aluminum, RH/LH
203225-01	Trim lok, Gray .75"

2018 TOMMY BAHAMA TT WINDOWS, SCREENS

Window Parts Diagram



Parts Listed on Next Page

2018 TOMMY BAHAMA TT WINDOWS, SCREENS

Window Parts Diagram

371323-01	Window, 18", Opening
371324-02	Window, 30", Opening
371380	Window, 30" tall, Opening
1. 195510-12	Glass assembly, 18" window
195510-07	Glass assembly, 30" opening window
195510-93	Glass assembly, 30" tall window
2. 371447-03	Frame assembly, 18" window
371447-02	Frame assembly, 30" window
371447-01	Frame assembly, 30" tall window
3. 371448-07	Extrusion, Window hinge eyebrow, Fixed, 18" window
371448-06	Extrusion, Window hinge eyebrow, Fixed, 30" window
371448-05	Extrusion, Window hinge eyebrow, Fixed, 30" window, Tall
4. 114478	Bracket, Window prop
5. 114479-01	Bracket, Window closer, RH
114479-02	Bracket, Window closer, LH
6. 382362	Opening arm, RH
382361	Opening arm, LH
7. 382360	Window guide, RH
382359	Window guide, LH
8. 382367-01	Latch assembly, Chrome
382367-02	Latch assembly, Egress, Red
9. 115780-01	Handle, Chrome
195467-05	Handle, Red
10. 380230-03	Knob, Window arm, Silver
380230-04	Knob, Window arm, Red
115776	Lock paw, Window latch
115770	Hinge stop
115778	Latch body, Zinc die cast
115779	Latch shaft
310030	Drive lock pin, 5/32 x 5/8

2018 TOMMY BAHAMA TT WINDOWS, STONE GUARDS

Window Stone Guards

685275-100	3 Piece Stone Guard, 19'
685275-103	Stone Guard, Center, 19'
110188-01	3 Piece Stone Guard, 27FB
110102	Stone guard, Center piece only, 27FB
685275-101	CS wrap window stone guard
685275-102	RS wrap window stone guard
386317	Kit, Perf film, Tommy Bahama scene
386317-01	Perf film, RS window
386317-02	Perf film, Center window
386317-03	Perf film, CS window
685358	Turn fast stud
685362	Retainer, Split ring
685359	Rubber receptacle
685361	Bracket for rubber receptacle
685361-01	Bracket for rubber receptacle
685363	Slip joint hinge, SS, CS per pair
683960	Arm support
683959	Arm support bracket
114749	Y-hinge
114750	J-hinge
685364	Bracket, Upper hinge, 45.375, Stoneguard
381021-01	Latch, Draw flexible
114815-01	Extrusion, Frame, Aluminum
685354	Front window key, 90° angle
685378-01	Rubber spline, 1/4"
685351	Rubber frame, Black
290812-01	Plexi-glass sheet, 1/8" x 28" x 84"
685355	Slip joint, SS hinge
101401	Extrusion, Door latch housing
381688	Bump-on

2018 TOMMY BAHAMA TT AWNINGS

Awnings, Windows

703181-63	Window awning, 47", 19'
703181-64	Window awning, 9-8", 19'
703181-61	Window awning, 52.63", 27FB
703181-62	Window awning, 18'-6.25", 27FB
385577	Wear tape, clear, 3½" wide
74041W-01	Zip Dee hook, Pull rod, 52"

Awnings, Patio

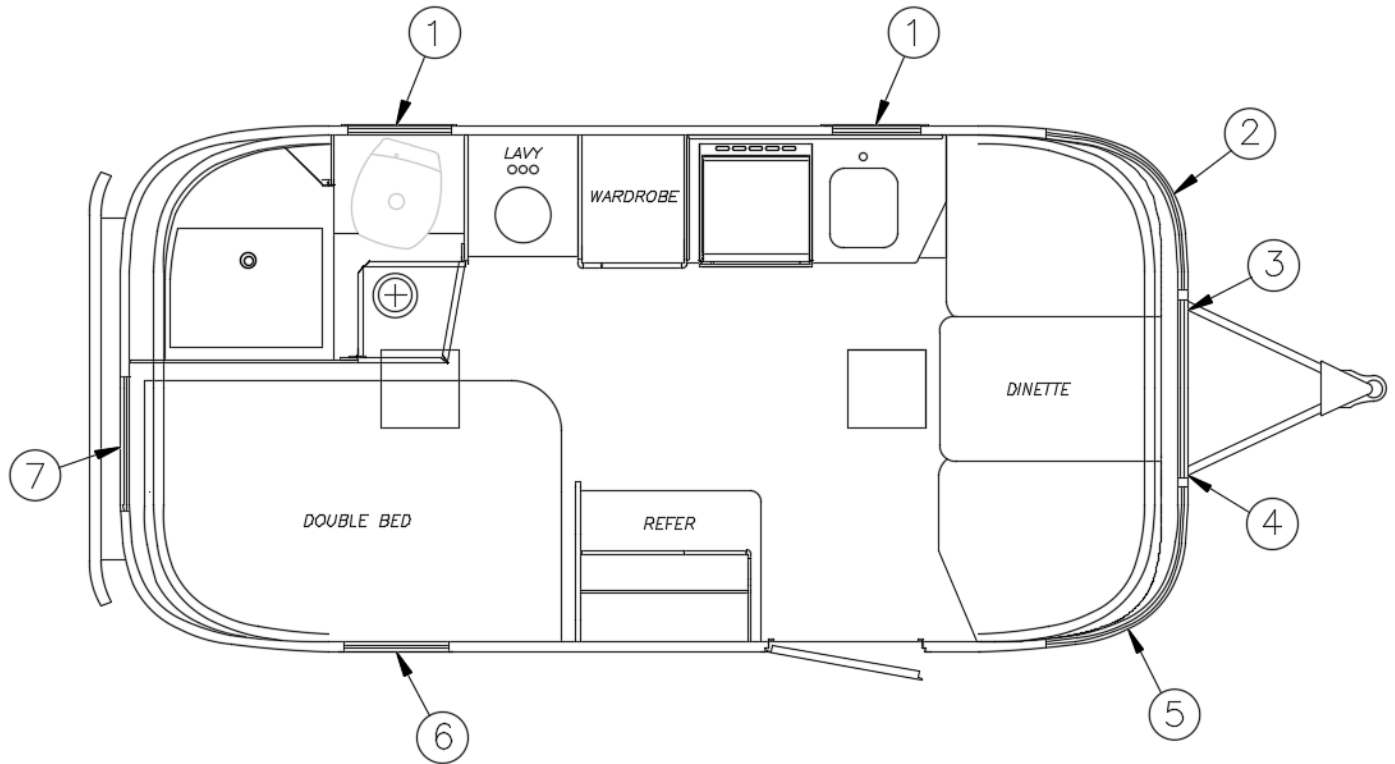
702993-54	Awning, Patio, 9-8", Tommy Aloe, 19'
702993-53	Awning, Patio, 18'-5.25", Tommy Aloe, 27FB
702993	Patio awning hardware
512918-01	LED flex light strip, 19'
512918-03	LED flex light strip, 27FB
115578	Doubler plate, Trailer awning

Power Awnings, Patio

704049-34	Power awning, Patio, 9'-8", Tommy Aloe, 19'
704049-28	Power awning, Patio, 18'-5.25", Tommy Aloe, 27FB
704049-33	Hardware kit, 19'
704049-25	Hardware kit, 65", 27FB
513049-01	Clip, Strain relief, .125"
513049-02	Clip, Strain relief, .25"
365369	Gasket, Power awning
382199	Plug, 1" hole, Nickel
382199-03	Hole cover, 2"
382202	Grommet, Liquid Tight
512652	Power cable, Relax awning
512918-01	LED flex light strip, 19'
512918-03	LED flex light strip, 27FB
385577	Tape, Clear wear strip
382614	Awning Upper Bracket Gasket kit, sheet of 10

2018 TOMMY BAHAMA TT DRAPES AND SHADES

Drapes and Shades, 19'



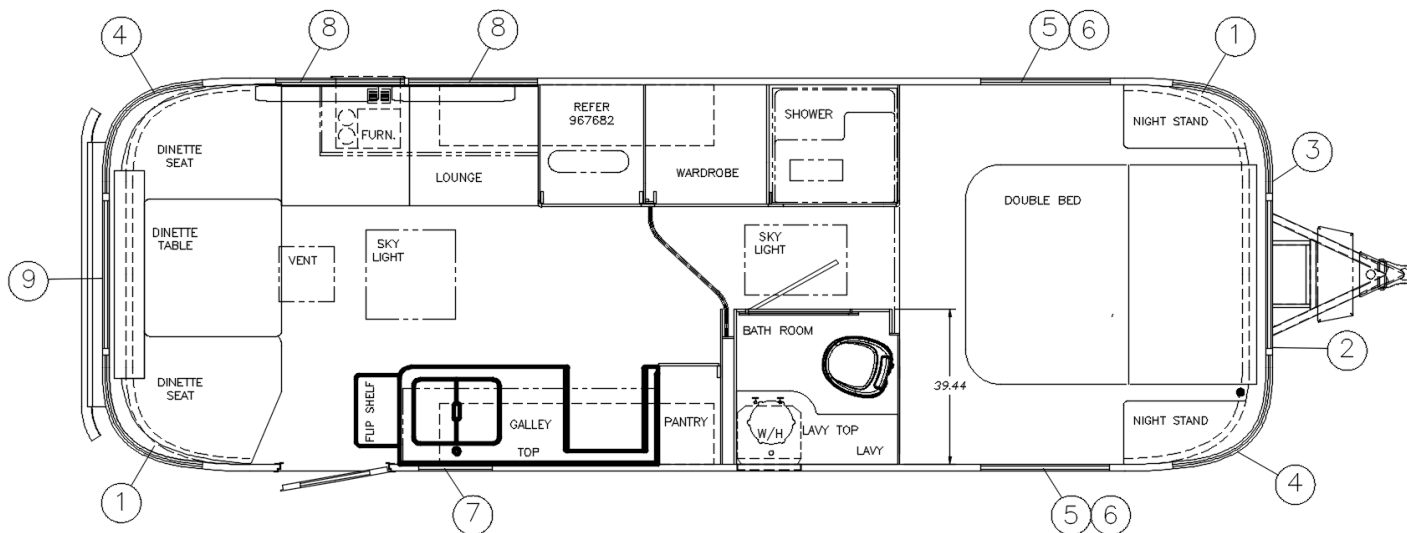
112533

Window Coverings Install

- | | |
|--------------|----------------------------|
| 1. 704353-02 | Shade, 20 x 22.5 |
| 2. 998239-02 | Drape, CS side panel |
| 3. 998239-04 | Drape, CS center panel |
| 4. 998239-03 | Drape, RS center panel |
| 5. 998239-01 | Drape, RS side panel |
| 6. 998239-06 | Drape, 28 x 32.5 w/tieback |
| 7. 998239-05 | Drape, 33 x 25.5 w/tieback |

2018 TOMMY BAHAMA TT DRAPES AND SHADES

Drapes and Shades, 27FB



115843

Window Coverings Install

- | | |
|--------------|---|
| 1. 998235-03 | Drape, Side panel, 44 x 29 |
| 2. 998235-01 | Drape, Front panel, 34 x 29 |
| 3. 998235-02 | Drape, Front panel, 34 x 29 |
| 4. 998235-04 | Drape, Side panel, 44 x 29 |
| 5. 998235-06 | Drape, Left side, 19 x 34.5, Oceanair |
| 6. 998235-05 | Drape, Right side, 19 x 34.5, Oceanair |
| 7. 704353-02 | Shade, Venetians, 20 x 22.5, Wood Classic, Walnut |
| 8. 704353-01 | Shade, Venetians, 34 x 30, Wood Classic, Walnut |
| 9. 703700-08 | Shade, 40.5 x 34, Oceanaire |
| 704199-02 | Shade, 30" vista view, Ash Grey |
| 802221 | Valance spacer |

2018 TOMMY BAHAMA TT DRAPES AND SHADES

Drapes and Shades Hardware



①



②

- | | |
|-----------|----------------------------------|
| 1. 101225 | Bracket, curtain standoff |
| 2. 700045 | Glides w/elastic, "G" type |
| 100097 | Extrusion Aluminum Curtain Track |
| 700005 | Fastener, Cap |
| 700006 | Fastener Socket |
| 700020 | Pile Velcro |
| 700021 | Hook, Velcro, White |
| 340030 | Fastener Stud, Nickel Plated |

2018 TOMMY BAHAMA TT

ELECTRICAL, 110 VOLT

Shoreline Cord and Inlet

513087-01	Power cord w/swivel handle, 30A, 30', Gray, Marinco
513087-02	Power inlet, Male, 30A, 125V, Gray, Marinco
511149-02	Power inlet w/strain relief, 50A, Stainless Steel
511149-05	Power cord w/swivel handle, 50A, 36'

Power Converters

513275	Power center, 30A AC, 55A DC, Black, 19'
513283	Power center w/30A transfer switch, Black, 27FB
513285	Power center, 50A AC service w/15 DC circuits, Black
513286	Converter/charger used with 50A service, Deckmount

Generator Prep

513087-02	Power inlet, Male, 30A, 125V, Gray, Marinco
115155-01	Gen prep remote w/o switch

Breakers

510564-03	Breaker, 15-15
510564-04	Breaker, 20-20, Bryant
510564-05	Breaker, 30-20
510564-07	Breaker, 15 GFI
510564-09	Breaker, 15 Amp, Bryant
510564-1515	Breaker, Type BRD, BD 15-15
510564-20	Breaker, 20 amp, Bryant
510564-15GFI	Breaker, 15GFI, Bryant
510564-20GFI	Breaker, Type BR, 20GFI
510564-2020	Breaker, Type BRD, BD 20-20
510564-3020	Breaker, Type BRD, BD 30-20
453573	Mounting bracket, Breaker box

Junction Boxes

511411	Junction box, 7-way cable
510014	Junction box, Octagon
512308	Box, Shallow switch and outlet
512940	Work box, Plastic, 1-gang, Flanged
513219	Switch/outlet box, 1-gang
510015	Box cover

2018 TOMMY BAHAMA TT ELECTRICAL, 110 VOLT

Inverter

512680	Inverter w/remote, 1000W
512680-01	Fuse, 15A time-delay
512680-02	Inverter, RJ 22 4P/4C connector
512680-03	Install tool for 512680-02
512680-100	Remote ON/OFF switch w/LED indicator
513161-01	Terminal fuse block w/100A fuse
513161-02	Fuse, MRBF 100 amp fuse
500039	Ground lug

Receptacles

500563-03	Receptacle, Self-contained, White
500563-04	Wall plate w/screws for 500563-03, White
512562	Receptacle gasket, Neoprene w/adhesive
511287	Receptacle, 15 amp, Single
512481-01	Receptacle, 20 Amp, Single, White
512481-02	Receptacle, 20 amp, Single, Brown
512481-03	Decorator cover plate w/screws, Brown
510888-05	Receptacle w/cover, GFI, White
S00417	GFI Label for Receptacle, 510888-05
510888-06	Spacer, Receptacle, GFI, White
510888-07	Receptacle cover, White
511814-01	Receptacle, Duplex, Self-contained, Gray
511814-02	Plate, Decorator, 1 gang, Gray
512369	Receptacle, 15A SLG, White
512370	Wall plate, 1 gang, Single receptacle
511815-01	Receptacle, Duplex, Self-contained, Black
511815-02	Receptacle decorator plate, Black
511912	Receptacle plate, Stainless Steel
512986	Receptacle, Pop-up
512096	Receptacle, GFCI, Black
512186	Extension ring, GFCI, Black
512741	Water proof cover w/gasket, Gray

2018 TOMMY BAHAMA TT

ELECTRICAL, 12 VOLT

Battery and Battery Box

511596	Battery, Deep cycle, Interstate SRM-24
511828	Battery, 12V deep cycle AGM, Solar panel option only
410551-02	Battery box lid
500836-02	Positive battery cable, 72"
500837	Negative battery cable
203415	Battery tray
512049-01	Cable, Red jumper
512049-02	Cable, Black jumper

Battery Disconnect

513323-01	Bezel assembly, Black & Silver
511655-02	Relay, 100 amp, 12 volt
513323-03	Cable, BDO, 20'
513323-05	Cable, BDO, 30'

7-way Cable and Breakaway Switch

500886-01	7-Way cable w/plug
0300027	Breakaway Switch, Bargman
454526	Bracket, Breakaway switch

Tank Monitor System

512566	Tank monitoring kit, Seelevel
512566-01	Flush mount monitor panel only
512566-02	Sender pad

Wireless Backup Camera

512946-01	Digital wireless observation kit
512946-02	Voyager digital autopair camera
512946-102	Voyager 5.6" LCD monitor
512946-100	Antenna
365392	Gasket, Backup camera
382225	Grommet, .5", Black
345674	Screw - M4x7x5 A2 S/S
345673	Washer - Flat M4 Black

2018 TOMMY BAHAMA TT

ELECTRICAL, 12 VOLT

Solar Panel

513247	Kit, Charge controller display
513047-01	Solar panel, 80 watt, Zamp
513047-02	Solar panel mounting feet, Zamp
513586	Cap-Solar Triple Port
*513043	Triple port solar cap
513033	Bracket, Portable solar panel port
*365407	Gasket, Solar box
365409	Gasket, Solar panel bracket
340305	Solar panel wire clip
340306	C-clamp, 5/8
340308	Clip, Solar panel
511851	Cable, CAT 5E, blue
511852	Connector, RJ45E
115583	Plate, Solar Battery Spacer

*513043 replaced by 513586, no gasket is needed

Fuses

500883-01	Fuse 12, CSA 1 amp
512318	Holder w/1 amp AFC fuse, In-line
513161-01	Terminal fuse block w/100A fuse
513161-02	Fuse, MRBF 100 amp fuse
964082	Fuse block, 12V
452412	Bracket, Fuse block, 12V
452412-01	Bracket, Fuse block, 12V, CSA
511313	Block, Fuse, ATC, 12V, 6 position
511345	Fuse, 30A AGU Glass Tube, Bussman

Breakers

510947-20	Breaker, 12V DC, Type II
510946-04	Bracket, 4-Position, Circuit breaker, 12V

Door Bell

511966	Doorbell, Battery powered, White/Brown
511957	Doorbell bezel, Round
511958	Doorbell switch w/6" leads

2018 TOMMY BAHAMA TT

ELECTRICAL, 12 VOLT

Switches and USB Ports

511327	Switch body w/rocker, 1 gang, white
511566-02	Switch cover, 2 gang, White
511567-01	Switch body w/rocker switches, 2 gang, Black
512709	Slide dimmer switch, 12V, Black
511999	Switch, 2 gang, Black
510658	Switch w/weather proof boot
512917	Switch, Slide dimmer, Dual
512480-01	Switch, Black
511665	Switch, Ceiling, White
511669	Switch, Shower, White
511958	Switch, Doorbell
511672	Switch body w/cover, 3 gang
513300	Switch w/bezel, 2 gang, Black
513337	Switch w/harness, Electric jack
512792	USB port pigtail
513133-01	USB, Front mount, Dual, Non-lighted, Black

Exterior Lights

512859	LED clearance light, Amber
512859-01	Flat Chrome base, Clearance light
512859-02	Chrome base
512860	LED clearance light, Red
512860-01	Flat Chrome base, Clearance light
512860-02	Chrome base
512928	Curved bezel w/gasket, Required for 3 top lights
512928-01	Curved bezel
512533	Auxiliary light, LED
512409	License plate holder
512918-01	LED flex light strip, 19'
512918-03	LED flex light strip, 27FB
994165	Entrance light
101323	Casting, Polished Aluminum
201185	Lens, Step light
512490	Bulb, 25 Diode, Entry light

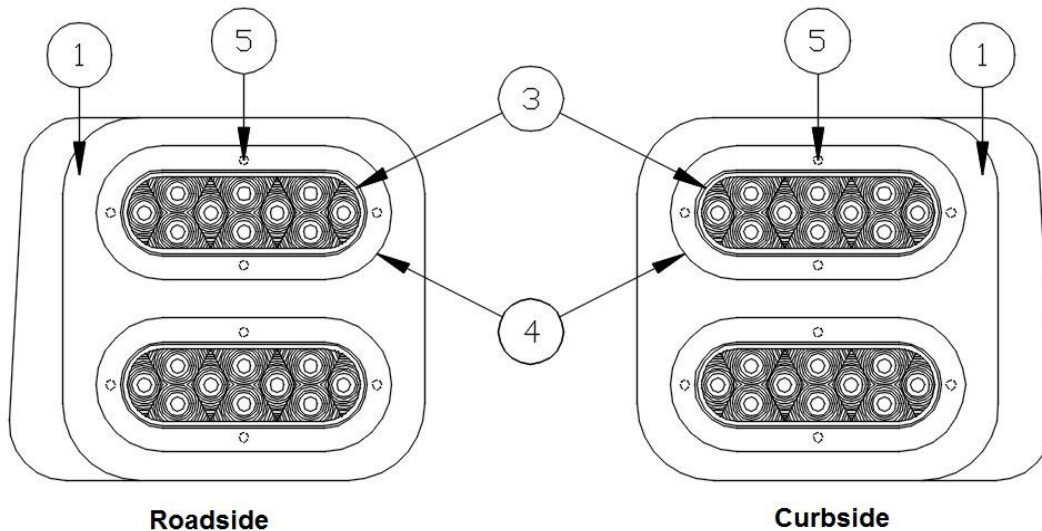
2018 TOMMY BAHAMA TT

ELECTRICAL, 12 VOLT

Interior Lights

512736	Light w/switch, LED, Single
512719	Reading light, Directional, LED, Nickel
512478	Light, LED, Wet location
513129	LED reading light, Switched
513130	LED reading light
513132	LED spot light w/frosted lens, Surface mount
513136	LED spot light w/frosted lens
513176	LED pin light
513297-06	Luna diffused LED linear rope light & track, 6"
513297-19	Luna diffused LED linear rope light & track, 1'-7"

Taillight Assembly



952929-01	LED Taillight Assembly, Roadside
952929-02	LED Taillight Assembly, Curbside

1. 511664-01	Taillight casting, Roadside
2. 511664-02	Taillight casting, Curbside
3. 512425	Kit, 6" oval LED tail light
4. 512425-02	Trim ring
5. 345473	Screw, #6 x 3/4", Self-drilling
512425-03	Gasket, Taillight
115073-01	Bracket, Roadside taillight
115073-02	Bracket, Curbside taillight
115074	Bracket, Center taillight

*512425 Tail Light Kit Includes Tail Light, Trim Ring & Gasket.

2018 TOMMY BAHAMA TT ENTERTAINMENT

Audio

512835-01	Audio System w/2 head units, Polk
512835-02	Wired remote w/display
512835-03	Y-cable
512835-04	18' extension cable
512835-05	Sirius/XM tuner, no antenna
512835-06	Sirius/XM Antenna
512835-07	USB input port
512834	Speaker, Coaxial, 6.5", Polk
203934	Ring, Speaker
511807	Antenna, AM/FM, rubber, 14"
511822	Sub-woofer, powered, 6.5" wedge
513215	Low pass filter
513234	USB input cable

Video

512657-01	Antenna, Omni-directional, White
512398-01	Power supply, Wall plate, Black
500484-04	Antenna, lead and extension, 48"
500484-05	Antenna lead & extension, 72"
500484-07	Antenna lead & extension, 144"
510623	Connector, Coax, Male-male
510616	"F" connector, Coax, 75 OHM
513170	Dual inlet, TV/satellite, Stainless Steel
104619	Mounting plate, Exterior telephone & TV jack
511827	Wall plate, Flush mount coax, White
511534	Dual coax plate, White
512406	RG6 hex compression connector, (Satellite Prewire)
512407	RG6 coax cable
512366-03	HDMI cable, Male-male, 3'
512366-35	HDMI cable, Male-male, 35'
512561	HDMI right angle adapter, Right side
513301-02	HDMI cable, Thin profile, 64"
513302	Wall plate w/HDMI & coax connections
513303-01	Wall plate, HDMI w/2 RCA ports, White

2018 TOMMY BAHAMA TT ENTERTAINMENT

Bedroom TV, 19'

690681	LED HDTV, 24", Samsung
512526	Wall bracket, Articulating arm
512499-01	Cable, Mini Coax 64"
340300	Clip, Cable Holder
382184	Sleeving, Flexo Braided Split
513301-02	HDMI cable, Thin profile, 64"
968699	Shelf assembly

Bedroom TV, 27FB

690682	LED HDTV, 24", Samsung
512457	Articulating arm
512499	Cable, Mini Coax 48"
512501	Splitter, HDMI pass through
340300	Clip, Cable Holder
382184	Sleeving, Flexo Braided Split
512366-03	Cable, HDMI, Male to Male, 3'

Lounge TV, 27FB

690669	LED HDTV, 28" Samsung
512656	TV bracket, Flush
512499	Cable, Mini coax, 48"
801946	Spacer, TV bracket
382184	Sleeve, .75", Flexo braided split

Blu-Ray Player

513135	Blu-Ray disc player, Samsung
--------	------------------------------

2018 TOMMY BAHAMA TT FLOOR COVERING

Floor Coverings

701538	Carpet, Velour-compartment liner
701538-01	Carpet, Econolier w/PSA back
203594-03	Floor trim, UN1275, Magnolia
704351	Flooring, Teak
703852	Entrance mat w/Airstream logo
703938	Rear door mat, Grey w/Black accent
203727	Foil, Single bubble flex

Furniture and Cushion Batting

701538-01	Carpet, Econolier w/PSA backing
-----------	---------------------------------

2018 TOMMY BAHAMA TT FURNITURE, INTERIOR DOORS

Door, Shower

702937-06 Shower door, Rollaway, 19'
703911-03 Shower door w/aqua glass & travel latch, Bronze, 27FB

Door, Foldette

704166 Foldette door, Black, 60 x 73
382005 Formed track, Foldette door
381890-02 Straight track, Foldette door

Door, Wardrobe

802248-0039 Door, Louvered, 14.25 x 59.38, Macchiato, 19'
802164-0039 Door, Louvered, 13.75 x 61.38, Macchiato, 27FB

Dividing Curtain

704352 Dividing curtain w/tieback

2018 TOMMY BAHAMA TT

FURNITURE, MIRRORS, DRAWER BOXES AND SLIDES

Mirrors

372203-05	Mirror, Safety glass, 19" x 14"
372203-24	Mirror, Safety glass, 9.5" x 20"
372203-33	Mirror, Safety glass, 14" x 40"
381220-02	Mirror clip, Nickel Plate
385940-02	Mirror pull, Chrome

Drawer Boxes

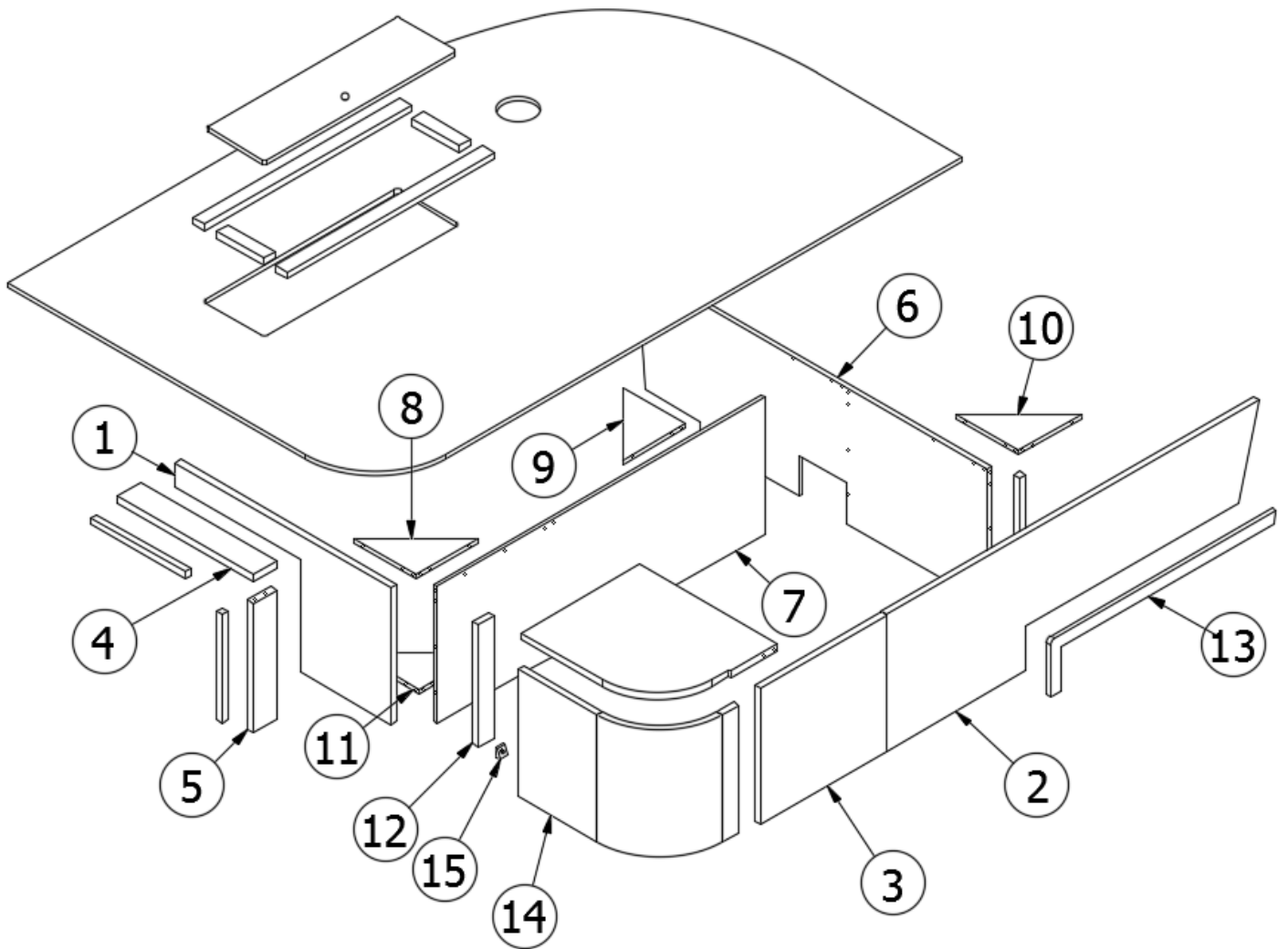
968021-11	Drawer box, 14 x 15 x 2.75, 19' galley
968020-01	Drawer box, Self-close, 5", 19' galley
968021-01	Drawer box, Self-close, 2.75", 19' galley
964909-11	Drawer box, 10 x 14 x 19, 19' dinette seat
968022-09	Drawer box, 6", 27FB galley
968022-11	Drawer box, 6", Lounge bar
968224-02	Drawer box, 4", 27FB galley
968224-05	Drawer box, 4", Lounge bar
968028-14	Drawer box, 8", 27FB dinette seat

Drawer Slides

382203-03	Drawer slide, Self-close, 15"
382203-04	Drawer slide, Self-close, 18"
382203-05	Drawer slide, Self-close, 21", Lounge bar
381400-01	Drawer slide, 12", Lounge bar
381192	Drawer slide, 18"
381944-01	Slide, 18", Per set
381833-01	Drawer slide, 18", 19' dinette seat

2018 TOMMY BAHAMA TT FURNITURE, BEDROOM

Bed, 19'



Parts Listed on Next Page

2018 TOMMY BAHAMA TT FURNITURE, BEDROOM

Bed, 19'

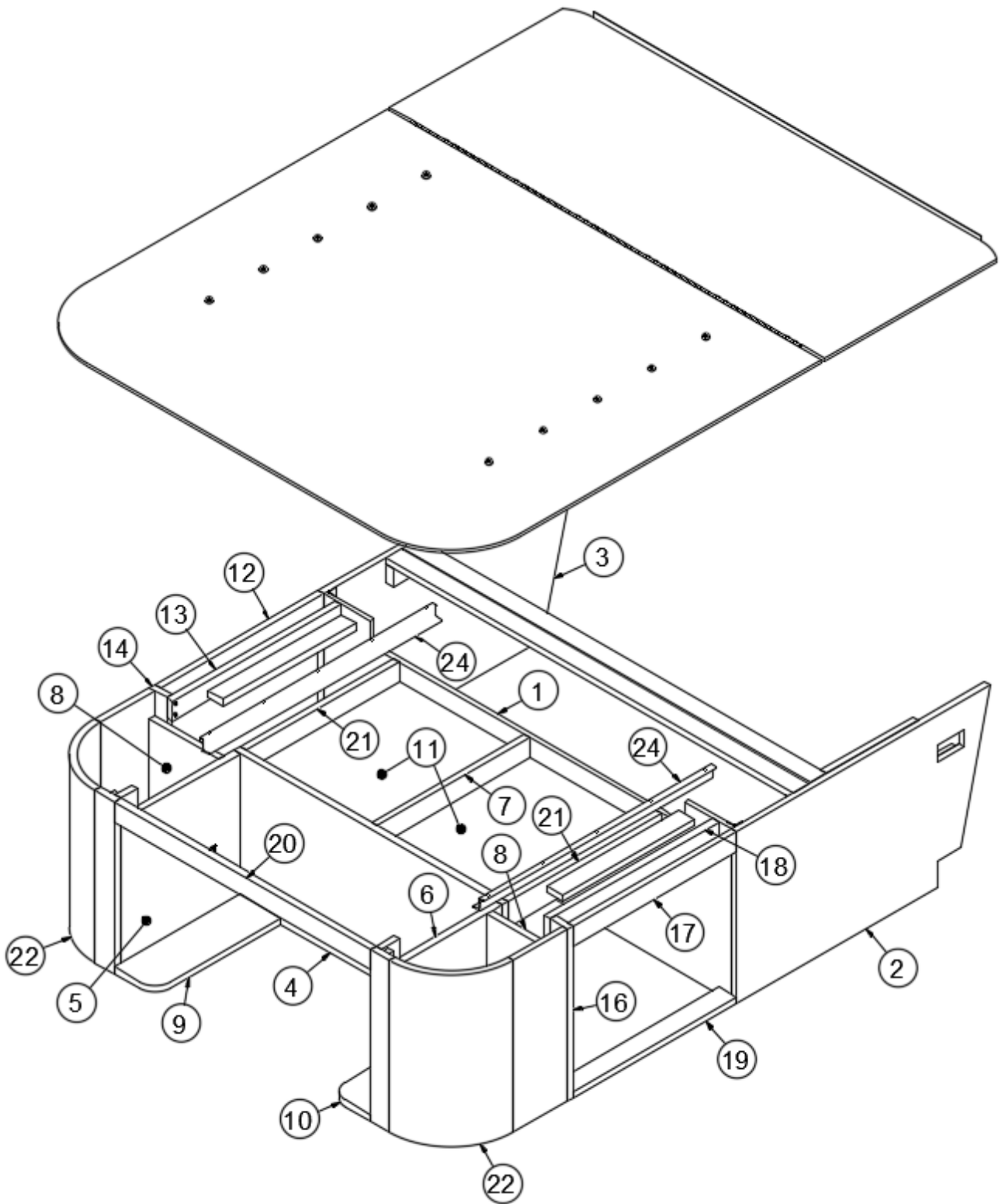
966926

Corner Bed

- | | |
|---------------------|------------------------------------|
| 1. 966926&000118BC | Panel, 27.75 x 15.13 |
| 2. 966926&000218BC | Panel, 47.63 x 15.13 |
| 3. 966926&000318BC | Panel, 16.19 x 15.13 |
| 4. 966926&000418BC | Panel, 3 x 17.5 |
| 5. 966926&000518BC | Panel, 2.25 x 12 |
| 6. 966926&000612CC | Panel, 44.75 x 15.13 |
| 7. 966926&000712CC | Panel, 42 x 15.13 |
| 8. 966926&000812CC | Panel, 8 x 8 |
| 9. 966926&000912CC | Panel, 8 x 8 |
| 10. 966926&001012CC | Panel, 8 x 8 |
| 11. 966926&001112CC | Panel, 8 x 8 |
| 12. 966926&001218CC | Panel, 13.5 x 2 |
| 13. 966926&003012BC | Panel, 28.87 x 6.25 |
| 14. 966925 | Door, Radius, "C" Bed |
| 15. 203587 | Wedge, Radius, Bed base door |
| 381853 | Piano hinge |
| 381948 | K-catch |
| 382413-02 | Leather strap, Antique Bronze |
| 381607-11 | Hinge, Self-close |
| 203419 | Storage box, 23 x 16.75 x 11.88 |
| 203439 | Storage box, 17 x 11.13 x 6.38 |
| 701538-01 | Carpet, Econolier W/PSA back |
| 968115 | Closeout, Bed plumbing |
| 704129 | Mattress, 48" x 76", Corner double |
| 365412-01 | Edgebanding, .63, Macchiato |
| 365412-02 | Edgebanding, .94, Macchiato |

2018 TOMMY BAHAMA TT FURNITURE, BEDROOM

Bed, 27FB



Parts Listed on Next Page

2018 TOMMY BAHAMA TT FURNITURE, BEDROOM

Bed, 27FB

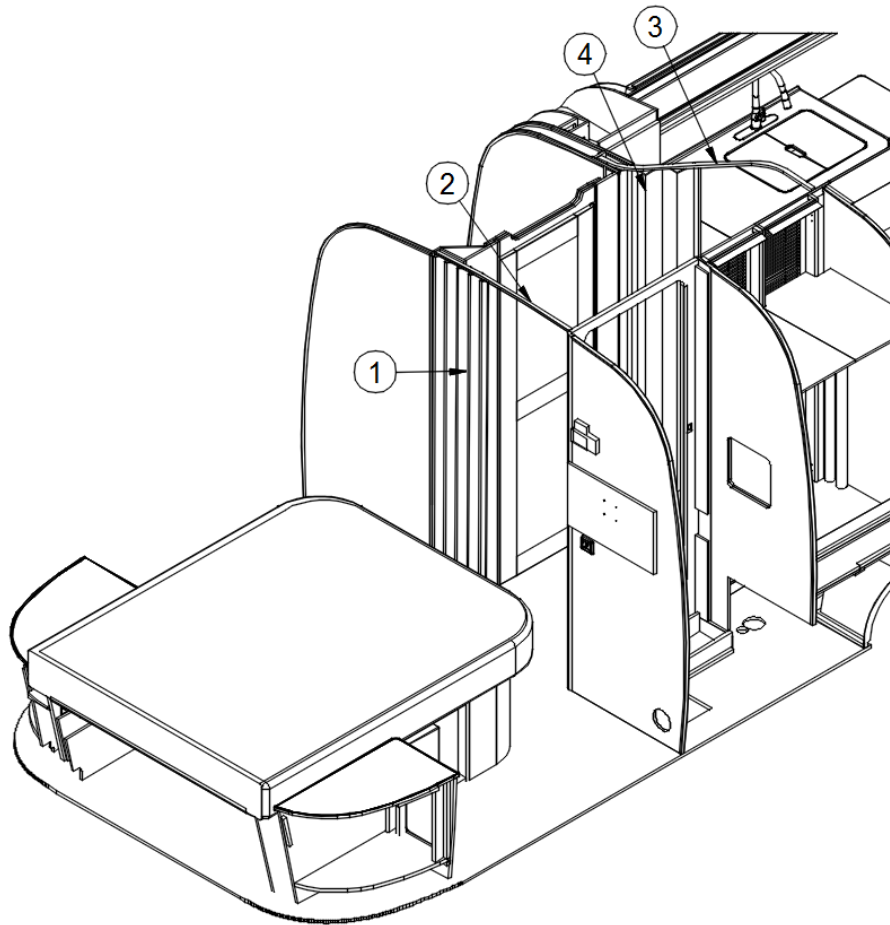
968512-39

Queen Bed

1. 968512-1	Panel, 19.25 x 52.5
2. 968512-2	Panel, 32.75 x 19.25
3. 968512-3	Panel, 32.75 x 19.25
4. 968512-4	Panel, 16.5 x 34.5
5. 968512-5	Panel, 15.5 x 19.26
6. 968512-6	Panel, 15.5 x 19.26
7. 968512-7	Panel, 19.75 x 16.5
8. 968512-8	Panel, 9 x 16.5
9. 968512-9	Panel, 5.5 x 15.5
10. 968512-10	Panel, 5.5 x 15.5
11. 968512-11	Panel, 16.13 x 19.75
12. 968512-12	Panel, 2.25 x 21
13. 968512-13	Panel, 2.25 x 21.75
14. 968512-14	Panel, 2.25 x 19.25
15. 968512-15	Panel, 2.25 x 21
16. 968512-16	Panel, 2.25 x 19.25
17. 968512-17	Panel, 2.25 x 21
18. 968512-18	Panel, 2.25 x 21.75
19. 968512-19	Panel, 2.25 x 21
20. 968512-20	Panel, 2.25 x 33
21. 968512-21	Panel, 3 x 19.75
22. 968513	Bed corner sub assembly
23. 968512-23	Panel, 31.44 x 11
24. 454872	Support, Pedestal table storage
381566	Loop, Footman, Steel
801947	Panel, 12V distribution
114812	Aluminum angle, 1 x 1
380203-01	Piano hinge
704374-01	Strap, Cooler loop
704132	Mattress, 60 x 75, Quilt top
112671-15	Vinyl, Compartment Liner

2018 TOMMY BAHAMA TT FURNITURE, BEDROOM

Dividing Curtain, 19'

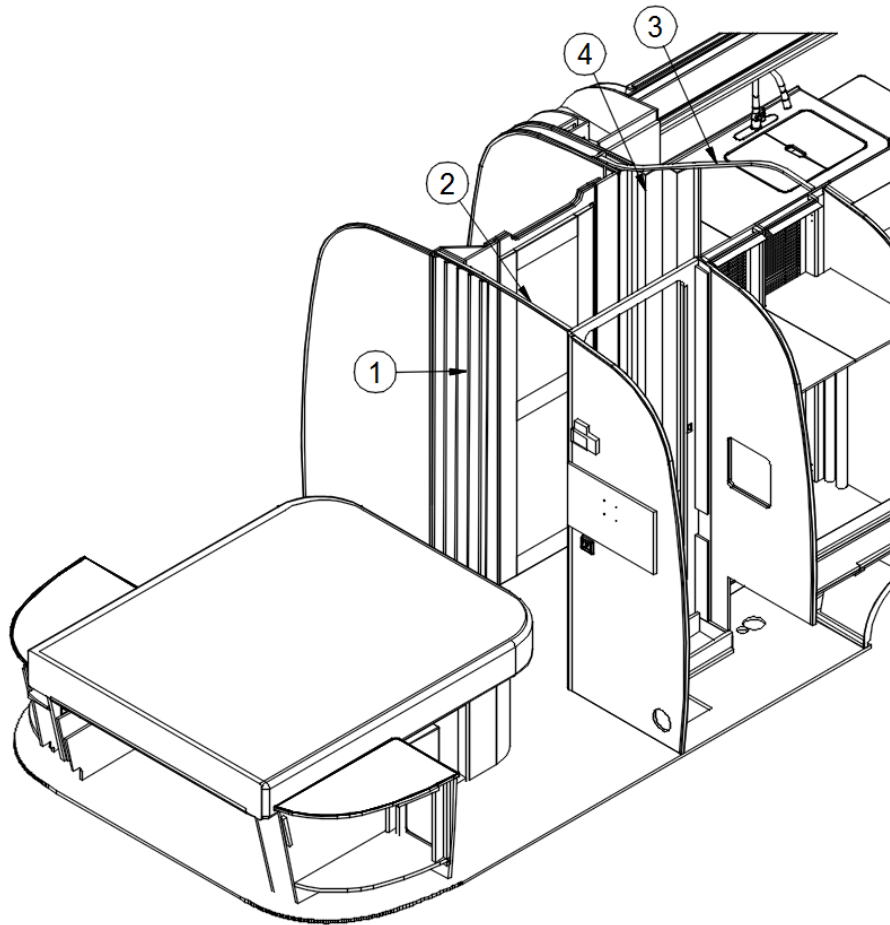


112575 Dividing Curtain Install

- 1. 704352 Dividing curtain w/tieback, 41 x 77.5
- 2. 382295 Track, Plastic, Gray
- 382418 Single prong hook, Orb

2018 TOMMY BAHAMA TT FURNITURE, BEDROOM

Dividing Curtain, 27FB

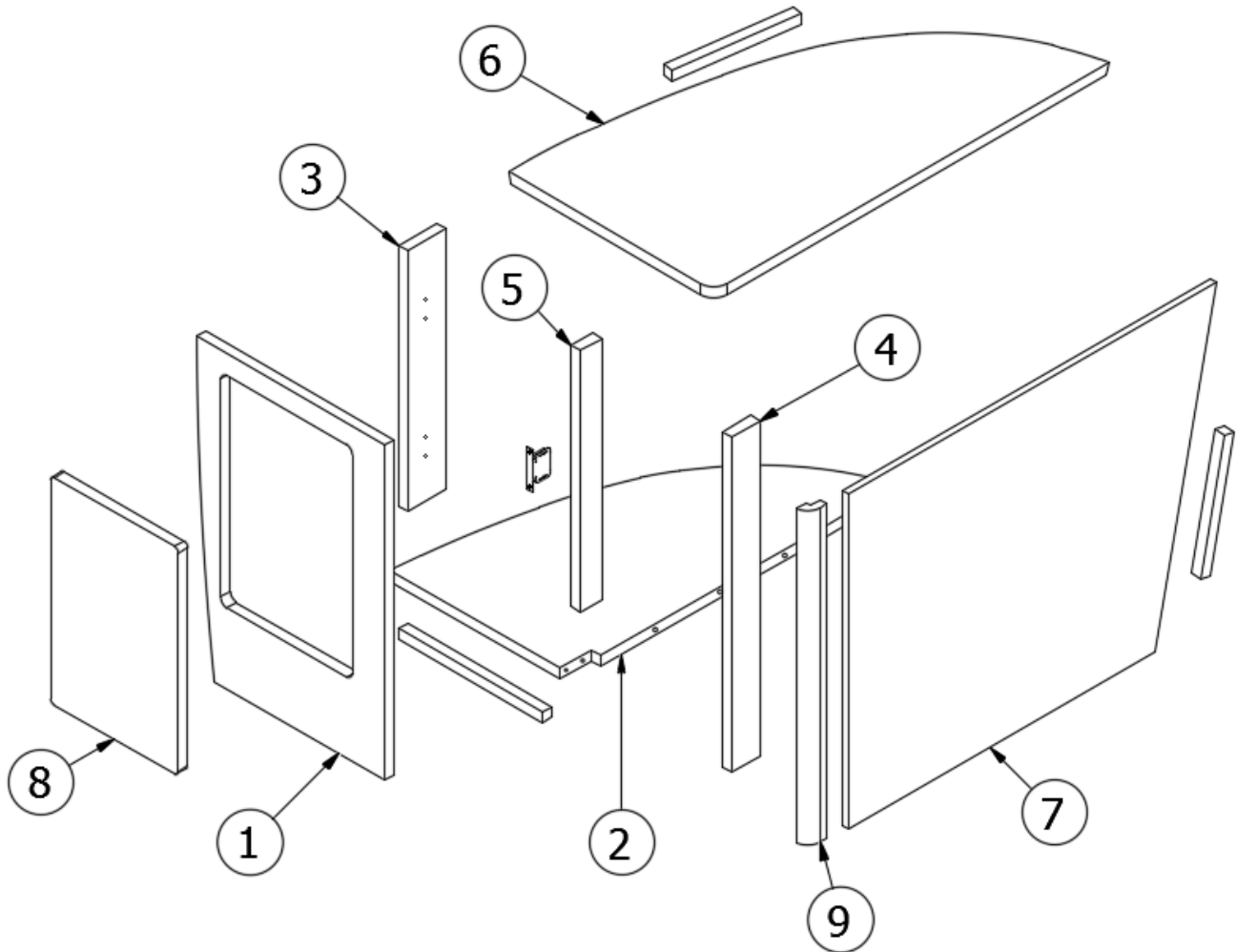


112416 Dividing Curtain Install

1. 704352 Dividing curtain w/tieback, 41 x 77.5
2. 382295 Track, Plastic, Gray
3. 382005 Foldette track, Formed, 20"
4. 704166 Foldette door, Black, 60 x 73
- 382418 Single prong hook, Orb

2018 TOMMY BAHAMA TT FURNITURE, BEDROOM

Nightstand, Roadside, 27FB



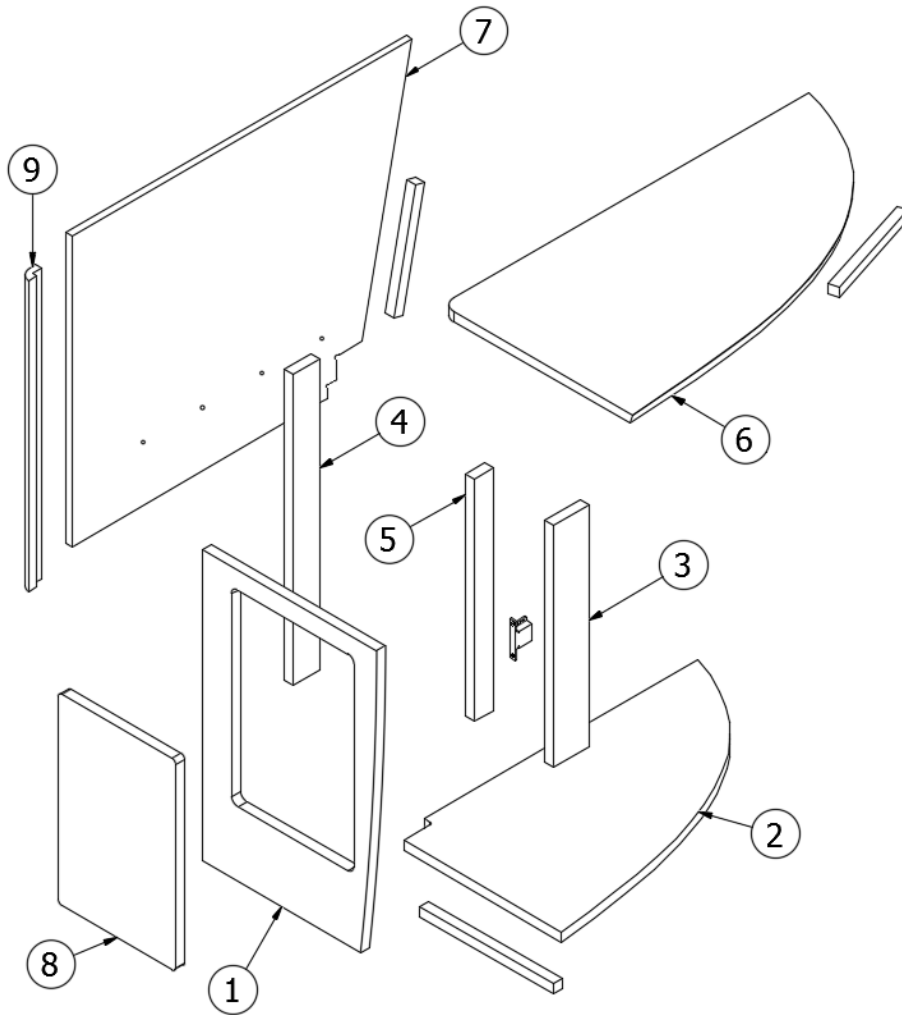
966868-39

RS Nightstand

- | | |
|----------------|---------------------------------------|
| 1. 966868-391 | Panel, 14.78 x 22.75 |
| 2. 966868-2 | Panel, 27.69 x 14.13 |
| 3. 966868-3 | Panel, 3 x 17.75 |
| 4. 966868-4 | Panel, 2.25 x 22.75 |
| 5. 966868-5 | Panel, 17.75 x 1.63 |
| 6. 966868-396 | Panel, 16.09 x 31.06 |
| 7. 966868-397 | Panel, 28.84 x 22.75 |
| 8. 966868-398 | Door, 10 x 15.44 |
| 9. 801706-0039 | Corner trim, 90°, 1 radius, Macchiato |
| 382413-02 | Leather strap, Antique Bronze |
| 381607-11 | Hinge, Self-close |
| 381228-02 | Catch, Grabber door, (5lb Pull) |
| 201673-01 | Reverse cove molding, Oak |

2018 TOMMY BAHAMA TT FURNITURE, BEDROOM

Nightstand, Curbside, 27FB



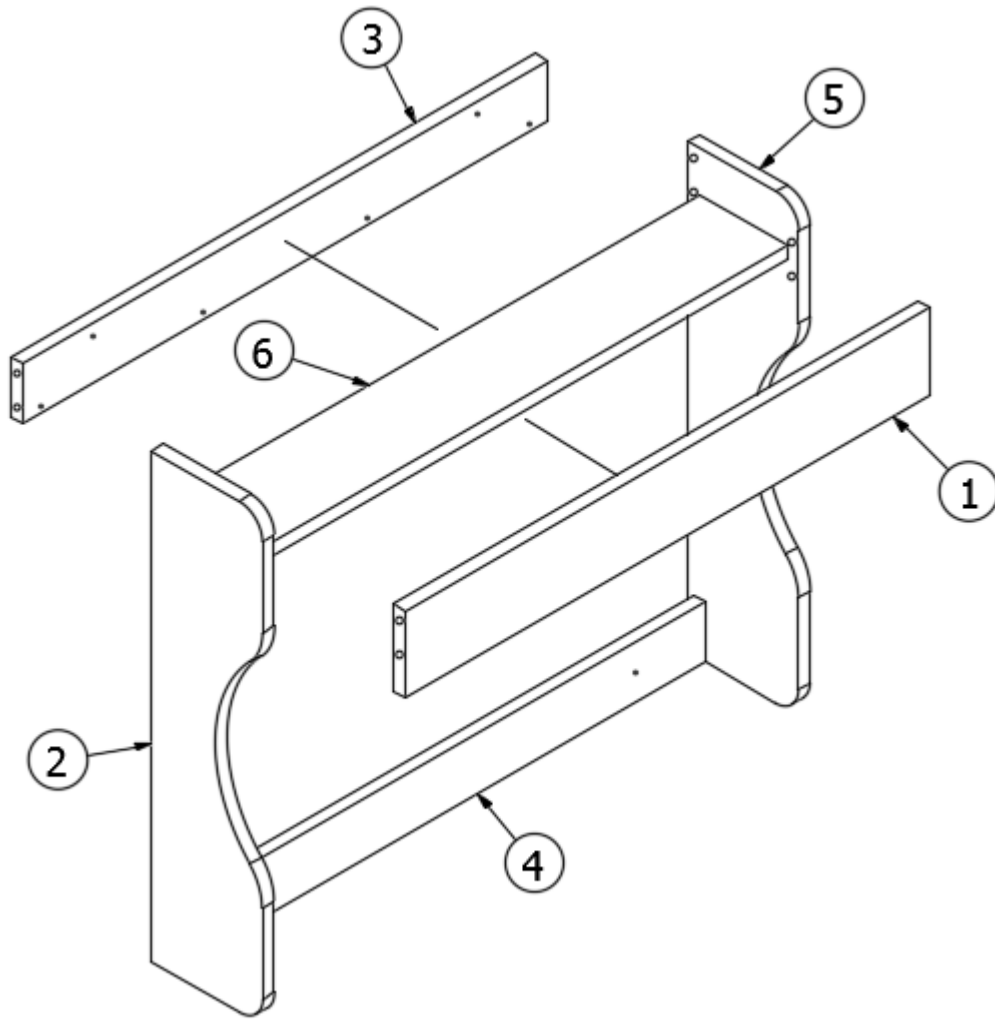
966851-39

CS Nightstand

- | | |
|----------------|---------------------------------------|
| 1. 966851-391 | Panel, 14.78 x 22.75 |
| 2. 966851-2 | Panel, 27.69 x 14.13 |
| 3. 966851-3 | Panel, 3 x 17.75 |
| 4. 966851-4 | Panel, 2.25 x 27.75 |
| 5. 966851-5 | Panel, 17.75 x 1.63, |
| 6. 966851-396 | Panel, 16.09 x 31.06 |
| 7. 966851-397 | Panel, 28.84 x 22.75 |
| 8. 966851-398 | Door, 10 x 15.44 |
| 9. 801706-0039 | Corner trim, 90°, 1 radius, Macchiato |
| 382413-02 | Leather strap, Antique Bronze |
| 381607-11 | Hinge, Self-close |
| 381228-02 | Catch, Grabber door, (5lb Pull) |
| 201673-01 | Reverse cove molding, Oak |

2018 TOMMY BAHAMA TT FURNITURE, BEDROOM

Bedroom Closeout/Shelf, 19'



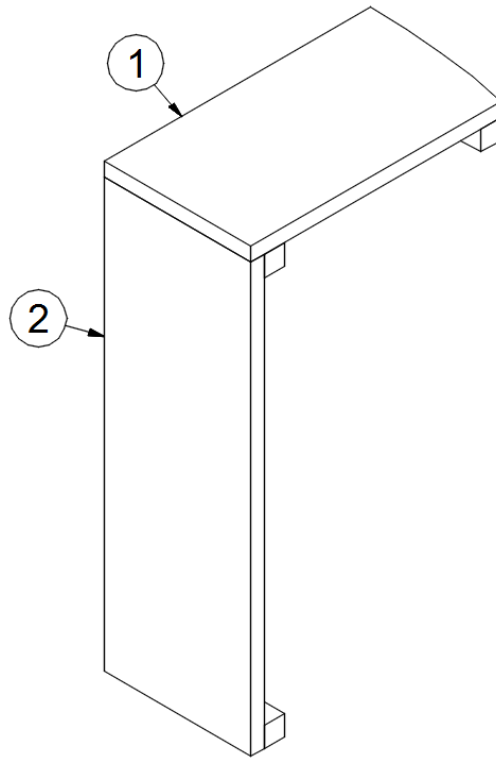
968699

Bedroom Closeout/Shelf

- | | |
|--------------------|--------------------|
| 1. 968699&000112BB | Panel, 22.5 x 3.25 |
| 2. 968699&000212BB | Panel, 4.75 x 19 |
| 3. 968699&000312BB | Panel, 22.5 x 2.25 |
| 4. 968699&000412BB | Panel, 22.5 x 2.25 |
| 5. 968699&000512BB | Panel, 4.75 x 19 |
| 6. 968699&000612BB | Panel, 22.5 x 3.75 |
| 968699&0007T01A | T-molding |

2018 TOMMY BAHAMA TT
FURNITURE, BEDROOM

Bedroom Closeout, 27FB



968357-39

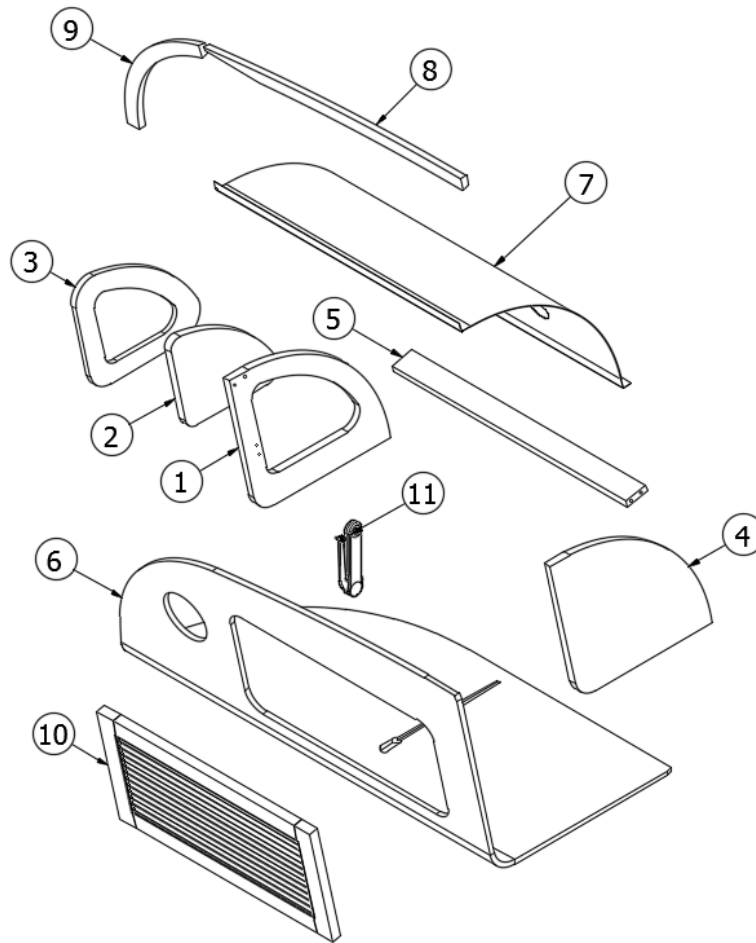
Bedroom Closeout

- 1. 968357-391
- 2. 968357-392
- 365412-02

Panel, 5.5 x 10
Panel, 5.5 x 16
Edgebanding, .94", Macchiato

2018 TOMMY BAHAMA TT FURNITURE, BEDROOM

Roof Locker, Rear Corner, 19'



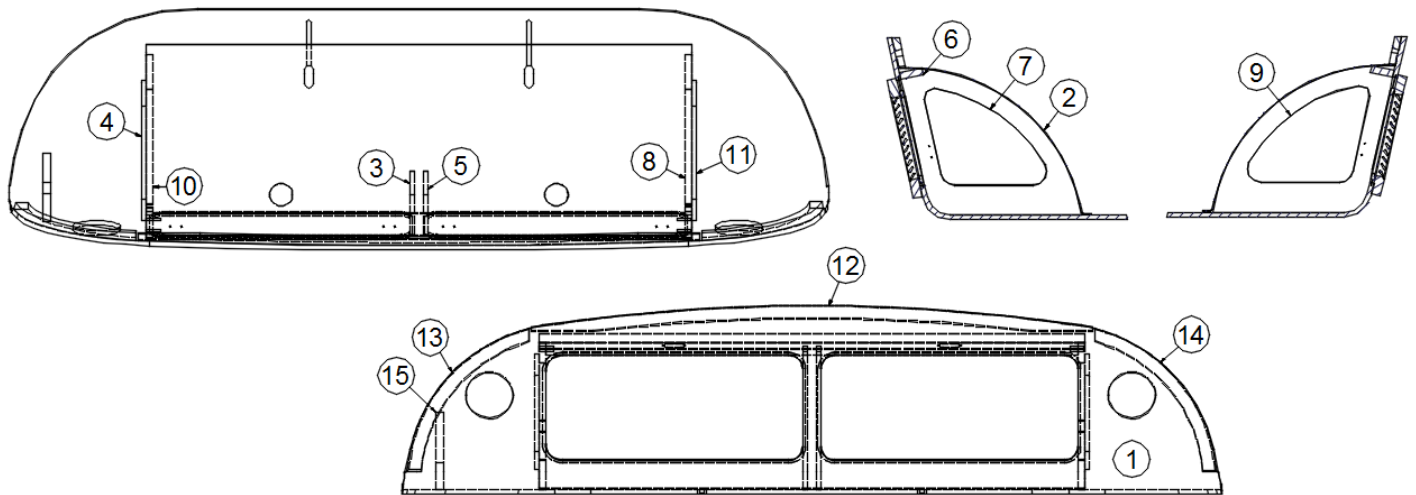
968676

Rear Corner Liner Locker

- | | |
|--------------------|--------------------------------|
| 1. 968676&000118CC | Panel, 16 x 19.38 |
| 2. 968676&000218CC | Panel, 10.54 x 13.29 |
| 3. 968676&000312CC | Panel, 12.6 x 17.44 |
| 4. 968676&000418CC | Panel, 16 x 19.38 |
| 5. 968676&000518CC | Panel, 2.5 x 25.06 |
| 6. 802232 | Face, Rear corner |
| 7. 115903 | Pan, Rear |
| 8. 801596-01 | Backer, Center |
| 9. 801596-02 | Backer, LH |
| 10. 802166-0439 | Door, Louvered |
| 11. 382242 | Stay set, Lid |
| 114879-238 | Aluminum sheet, .04 x 33 x 238 |
| 381607-11 | Hinge, Self-close |
| 968676&0014T01A | T-trim, 9/16" |
| 968676&0015T02A | Reverse cove molding, Oak |

2018 TOMMY BAHAMA TT FURNITURE, BEDROOM

Roof Locker, Liner Locker with Speakers, 27FB



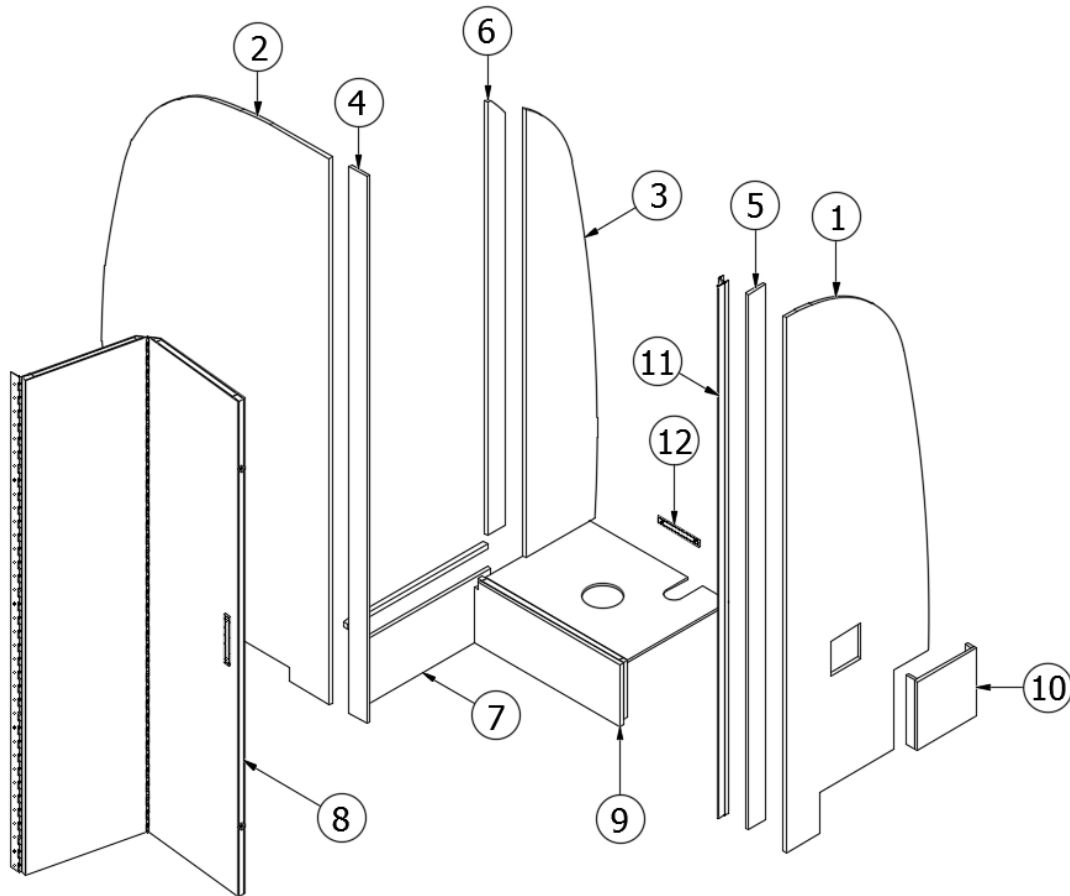
968522-39

Roof Locker w/Speakers

- | | |
|-----------------|---------------------------------|
| 1. 802170 | Face, Liner locker w/speakers |
| 2. 115834 | Pan, WB front |
| 3. 968522-393 | Panel, 7.03 x 15.74 |
| 4. 968522-394 | Panel, 12.6 x 15.37 |
| 5. 968522-395 | Panel, 7.03 x 15.75 |
| 6. 968522-396 | Panel, 2.5 x 58 |
| 7. 968522-397 | Panel, 10.78 x 14.53 |
| 8. 968522-398 | Panel, 16 x 19.94 |
| 9. 968522-399 | Panel, 10.78 x 14.53 |
| 10. 968522-3910 | Panel, 16 x 19.94 |
| 11. 968522-3911 | Panel, 12.6 x 15.37 |
| 12. 801596-01 | Backer, WB center |
| 13. 801596-02 | Backer, LH |
| 14. 801596-03 | Backer, RH |
| 15. 801710 | Support divider |
| 802166-0239 | Door, Louvered, LH |
| 802166-0139 | Door, Louvered, RH |
| 114879-238 | Aluminum sheet, .04 x 33 x 238 |
| 382242 | Stay set, Lid |
| 381607-11 | Hinge, Self-close |
| 201673-01 | Reverse cove molding, .43", Oak |
| 203710 | T-molding, Almond |
| 512438 | LED reading light |

2018 TOMMY BAHAMA TT FURNITURE, LAVATORY

Bath Module, 19'



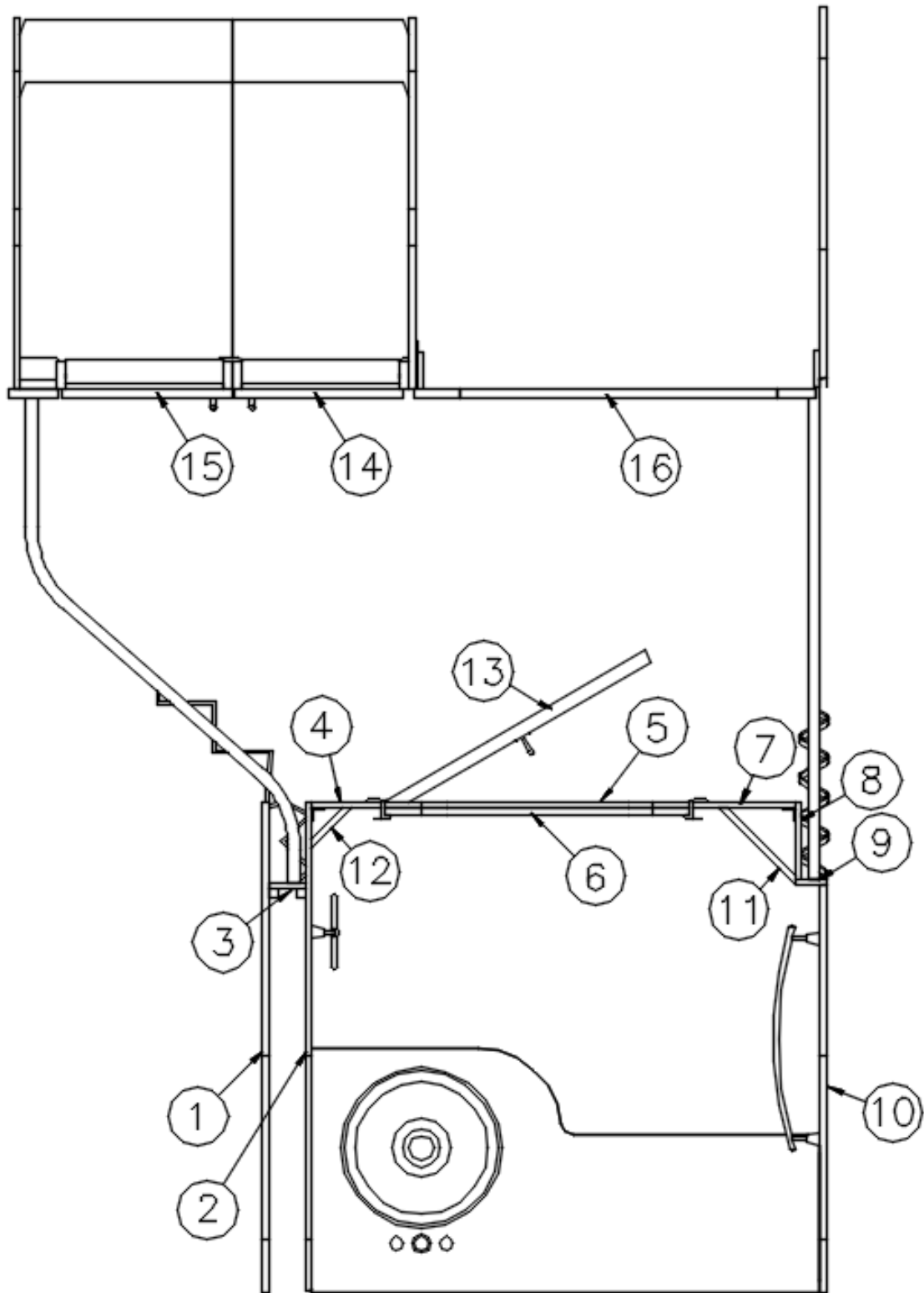
112516

Bath Module Install

- | | |
|--------------------|--|
| 1. 112516&000112BM | Panel, 24.01 x 77.85 |
| 2. 112516&000212BB | Panel, 38.34 x 79.49 |
| 3. 112516&000312DM | Panel, 12 x 65.17 |
| 4. 112516&000412BB | Panel, 79.49 x 3 |
| 5. 112516&000512BB | Panel, 77.85 x 3 |
| 6. 112516&000612DM | Panel, 63 x 3 |
| 7. 112516&000712DM | Panel, 9.5 x 23 |
| 8. 968732 | Bath door |
| 9. 966941-2 | Toilet stand |
| 10. 968696 | Toilet holder closeout |
| 11. 382529 | Custom Z-bar, 1" hold, Bronze |
| 12. 968736 | Travel strap |
| 203114-02 | Shower, 2 piece fiberglass |
| 702937-06 | Shower door, Rollaway |
| 382143 | P-gasket w/H2 adhesive |
| 800638-0139 | Molding, Quarter round, .5", Macchiato |

2018 TOMMY BAHAMA TT FURNITURE, LAVATORY

Bath Module, 27FB



Parts Listed on Next Page

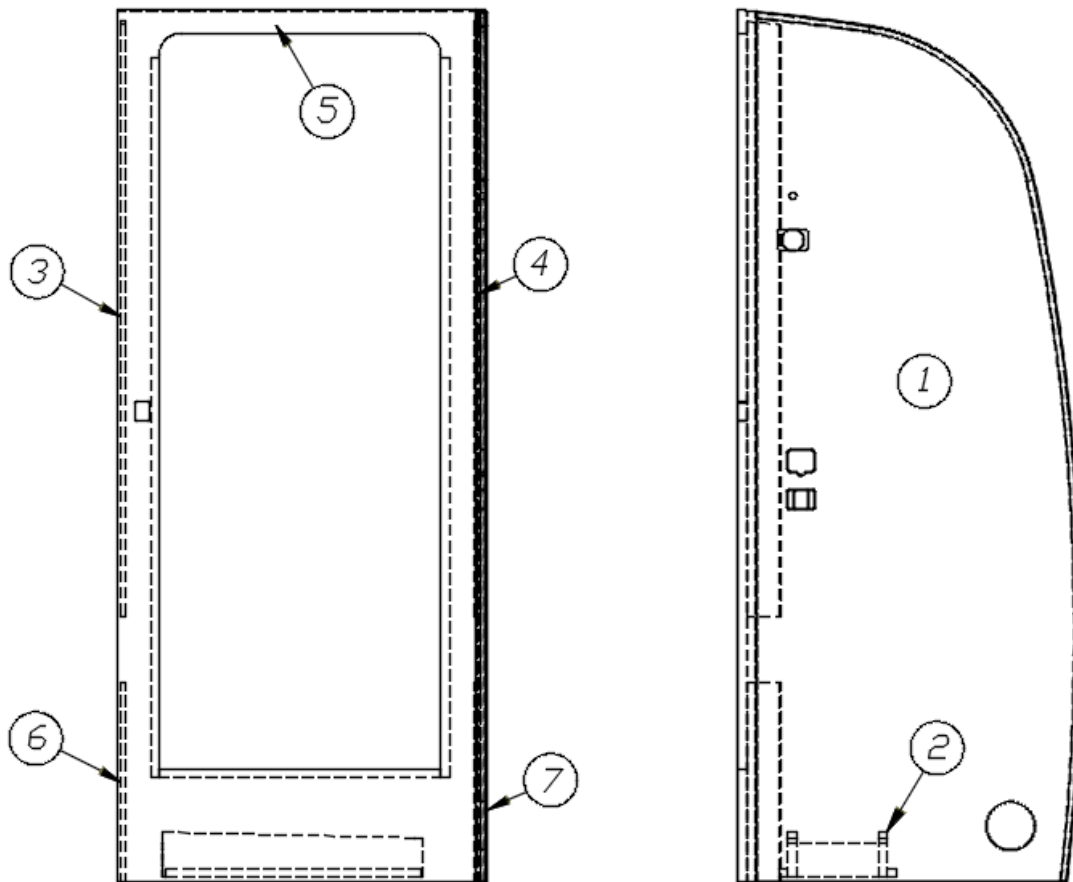
2018 TOMMY BAHAMA TT FURNITURE, LAVATORY

Bath Module, 27FB

112410	Bath Module Install
1. 112410-1	Panel, 39.53 x 79.28
2. 112410-2	Panel, 39.38 x 79.29
3. 112410-3	Panel, 3 x 78.94
4. 112410-4	Panel, 5.56 x 79.37
5. 112410-5	Panel, 24.63 x 3.5
6. 112410-6	Panel, 24.63 x 3.5
7. 112410-7	Panel, 8.19 x 79.37
8. 112410-8	Panel, 6.25 x 79.38
9. 112410-9	Panel, 2.5 x 79.02
10. 112410-10	Panel, 32.76 x 78.83
11. 112410-11	Panel, 8.71 x 79.36
12. 112410-12	Panel, 4.5 x 79.36
13. 802165-0039	Bath door, Louvered
14. 968523-39	Wardrobe, Forward
15. 968525-39	Wardrobe, Aft
16. 966879-39	Shower compartment
966884-39	Lavatory cabinet
690621	Toilet
203138-04	Extrusion, Plastic, 1/2", Oak
704166	Foldette door, Black, 60 x 73
382005	Foldette track, Formed
381890-02	Foldette track, Straight
114812	Aluminum angle, 1 x 1
800573-0139	Molding, Hardwood flat door edge, Macchiato
801977-0039	Corner trim, Bathroom, Macchiato
801665-0039	L-molding, Door jamb, Macchiato

2018 TOMMY BAHAMA TT FURNITURE, LAVATORY

Shower Compartment, 27FB



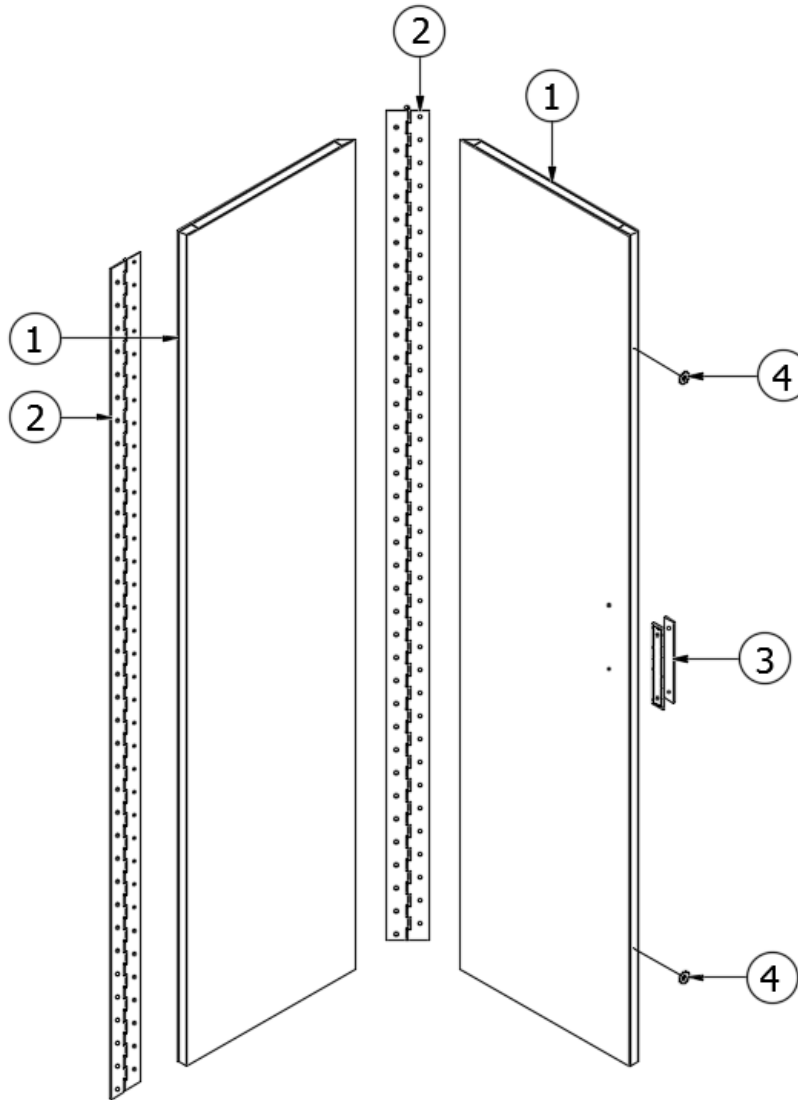
966879-39

Shower Compartment

- | | |
|----------------|---|
| 1. 966879-391 | Panel, 29.25 x 78.52 |
| 2. 961916 | Shower stand |
| 3. 966879-3 | Panel, 3 x 53.79 |
| 4. 966879-4 | Panel, 3 x 53.79 |
| 5. 966879-395 | Panel, 32.5 x 78.81 |
| 6. 966879-14 | Panel, 3 x 18 |
| 7. 966879-3915 | Panel, 3 x 18 |
| 203081-02 | Shower stall, 2 piece fiberglass, White |
| 703911-03 | Shower door, Bronze |
| 801706-0039 | Corner trim, 90°, 1" radius, Macchiato |
| 203138-04 | Extrusion, Plastic, Oak |
| 203440 | T-molding, 13/16", Black Embossed |
| 454727-01 | Angle, shower frame, 27" |
| 454727-02 | Angle, shower frame, 64.75" |
| 201666-01 | J-molding, 3/16 plastic, White |
| 381081-01 | Snap cap w/ washer, Antique White |

2018 TOMMY BAHAMA TT FURNITURE, LAVATORY

Bath Door, 19'



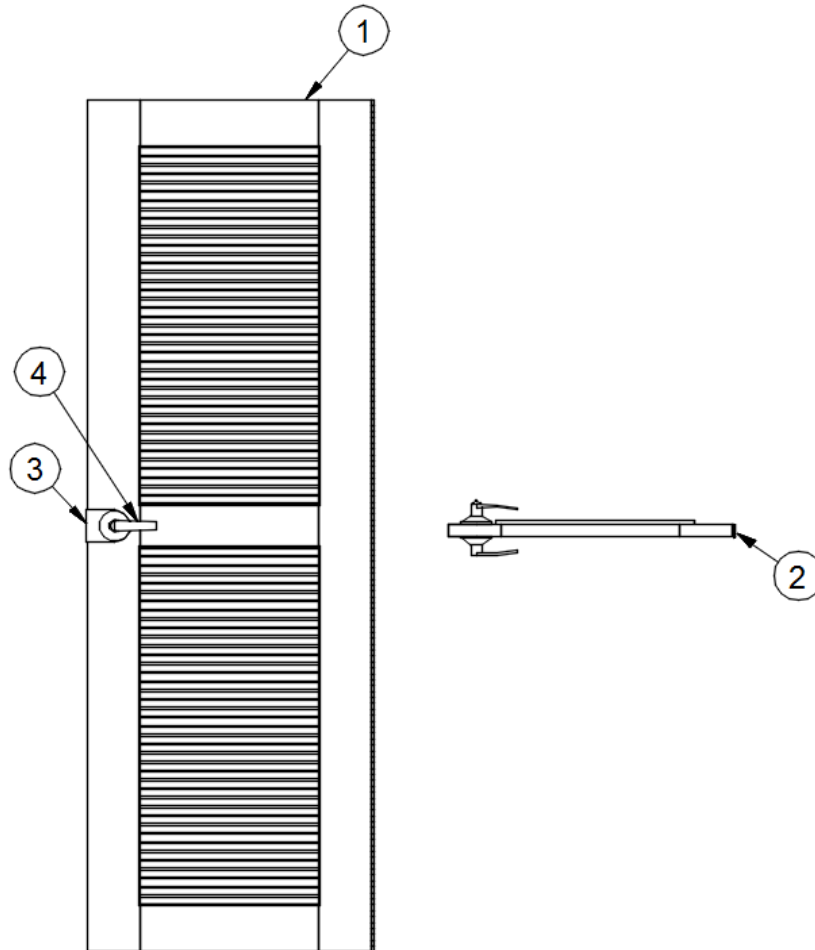
968732

Bath Door

- | | |
|--------------|-----------------------------------|
| 1. 968730 | Bath Door assembly |
| 2. 382518-BR | Piano hinge, 3" open |
| 3. 382413-02 | Leather strap, Antique Bronze |
| 4. 382527 | Magnet w/mounting hole, 8 LB pull |
| 382413-04 | Hardware |
| 602217 | Rubber washer |
| 345627 | Brass insert |

2018 TOMMY BAHAMA TT FURNITURE, LAVATORY

Bath Door, 27FB



968575

Louvered Bath Door

1. 802165-0039

Bath door, Louvered

2. 380203BR

Piano hinge, Bronze

3. 454320-01

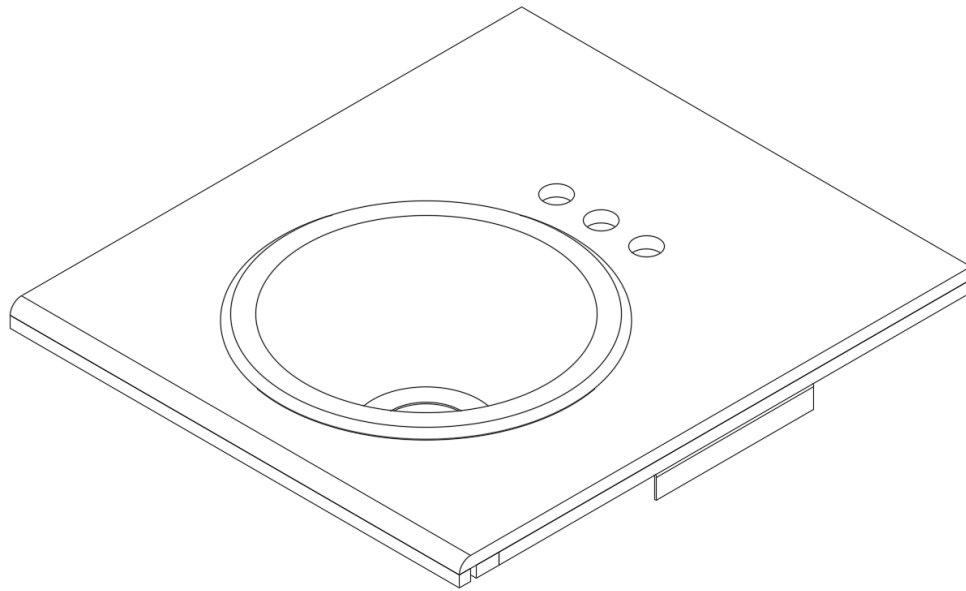
Handle cover, Brown

4. 381771-01

Latch, Lever lockset, Bronze

2018 TOMMY BAHAMA TT FURNITURE, LAVATORY

Lavatory Top, 19'



968695

Lavy Top Assembly

602694

Lavy top, Solid Surface, Terni

601804-01

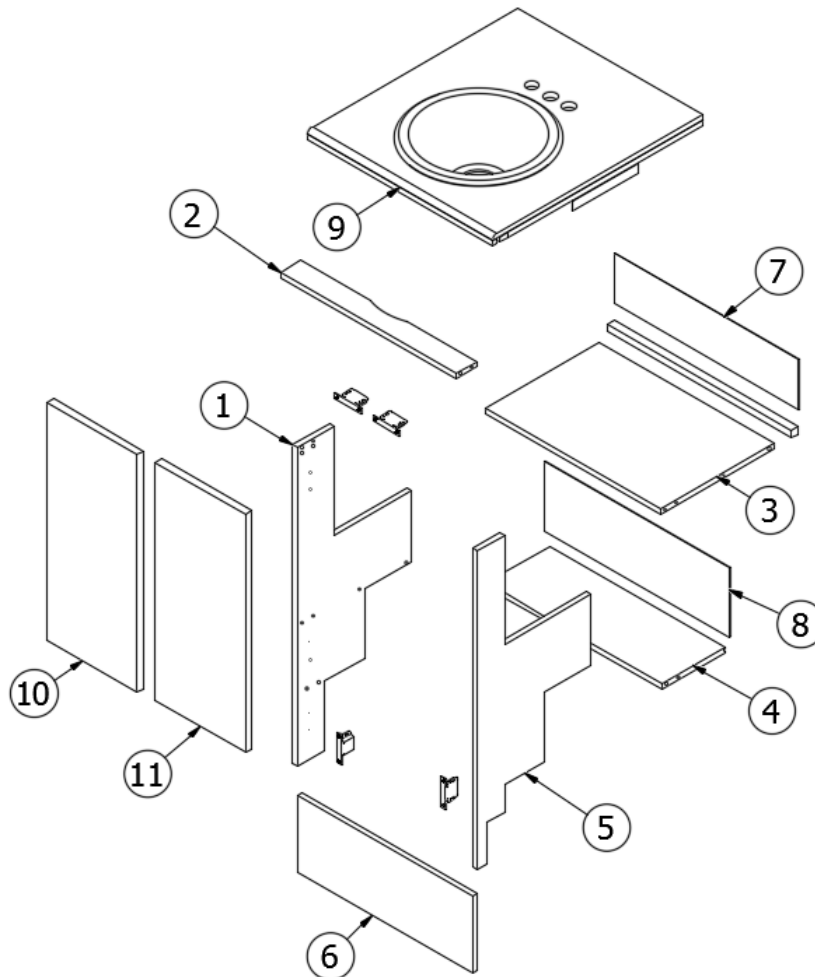
Sink, 12" round w/studs, Stainless Steel

602635

Faucet, Single handle

2018 TOMMY BAHAMA TT FURNITURE, LAVATORY

Lavatory Cabinet, 19'



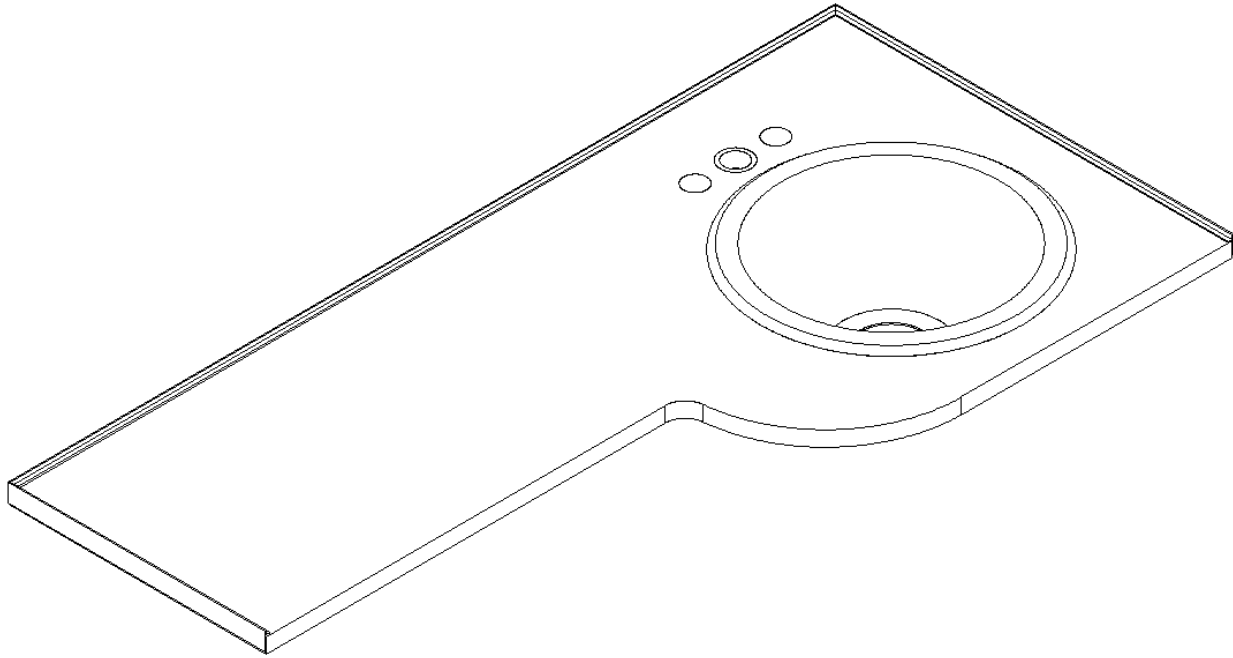
966919-39

Lavatory Cabinet

- | | |
|---------------------|--------------------------------|
| 1. 966919&020112CC | Panel, 30 x 12.38 |
| 2. 966919&020212CC | Panel, 2.25 x 19 |
| 3. 966919&020312CC | Panel, 12.38 x 19 |
| 4. 966919&020412CC | Panel, 6.81 x 19 |
| 5. 966919&020512CC | Panel, 30 x 12.38 |
| 6. 966919&020612BC | Panel, 7.25 x 19 |
| 7. 966919&020703CE | Panel, 4.75 x 20 |
| 8. 966919&020803CE | Panel, 6.5 x 20 |
| 9. 968695 | Lavy top |
| 10. 966919&021118MC | Door, 9.75 x 22.88 |
| 11. 966919&021218MC | Door, 9.75 x 22.88 |
| 381607-11 | Hinge, Self-close |
| 382413-02 | Leather strap, Antique Bronze |
| 381228-02 | Catch, Grabber door (5lb Pull) |

2018 TOMMY BAHAMA TT
FURNITURE, LAVATORY

Lavatory Top, 27FB



968529

Lavy Top Assembly

602626

Lavy top, Solid surface, Terni

602635

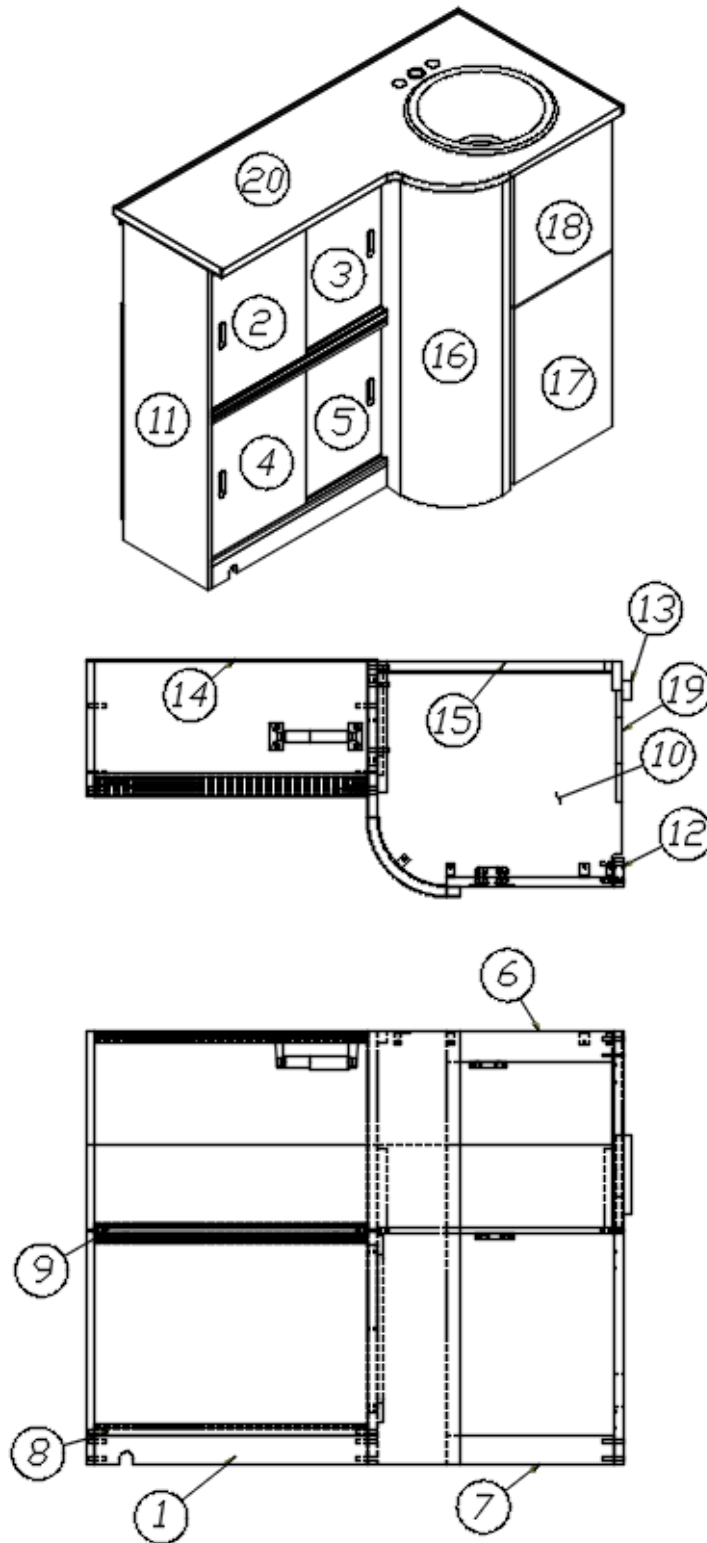
Faucet, Single handle, Bronze, Kohler

601804-01

Lavy sink, 12" round, SS

2018 TOMMY BAHAMA TT FURNITURE, LAVATORY

Lavatory Cabinet, 27FB



Parts Listed on Next Page

2018 TOMMY BAHAMA TT

FURNITURE, LAVATORY

Lavatory Cabinet, 27FB

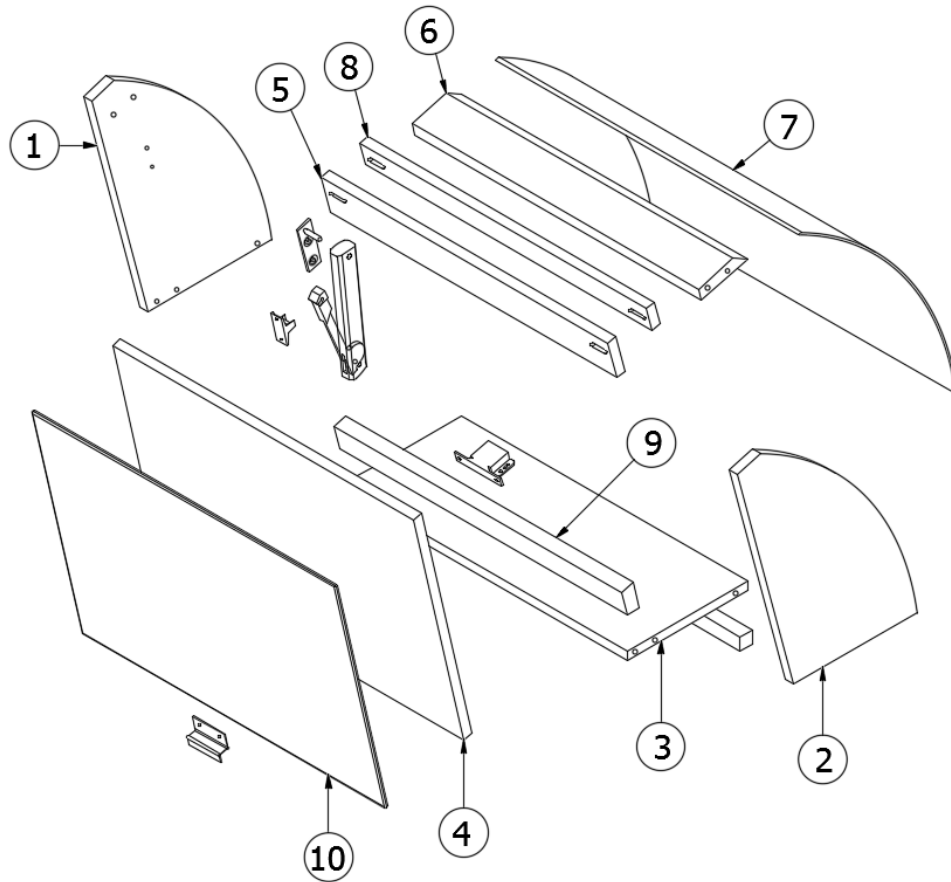
966884-39

Lavatory Cabinet

1. 966884-391 Panel, 20.85 x 2.25
2. 966884-392 Door, 11.25 x 14.5
3. 966884-393 Door, 11.25 x 14.5
4. 966884-394 Door, 11.25 x 14.25
5. 966884-395 Door, 11.25 x 14.5
6. 966884-396 Panel, 12.87 x 2.25
7. 966884-397 Panel, 12.87 x 2.25
8. 966884-398 Panel, 10.25 x 20.85
9. 966884-399 Panel, 10.25 x 20.85
10. 966884-3910 Panel, 18.68 x 17.19
11. 966884-3911 Panel, 10.25 x 33
12. 966884-3912 Panel, 2.25 x 33
13. 966884-3913 Panel, 2.25 x 14.87
14. 966884-3914 Panel, 22.13 x 22.13
15. 966884-3915 Panel, 17.94 x 6.25
16. 966893-39 Lavy radius sub assembly
17. 966884-3917 Door, 11.87 x 18.19
18. 966884-3918 Door, 11.87 x 13.5
19. 966884-3931 Panel, 8.5 x 7
20. 602626 Lavy top, Solid surface, Terni
- 381228-02 Catch, Grabber door (5lb Pull)
- 382413-02 Leather strap, Antique Bronze
- 382437 Finger pull, Matt Black
- 115374BR Extrusion, Sliding door track
- 381607-11 Hinge, Self-close

2018 TOMMY BAHAMA TT FURNITURE, LAVATORY

Medicine Cabinet, Upper, 19'

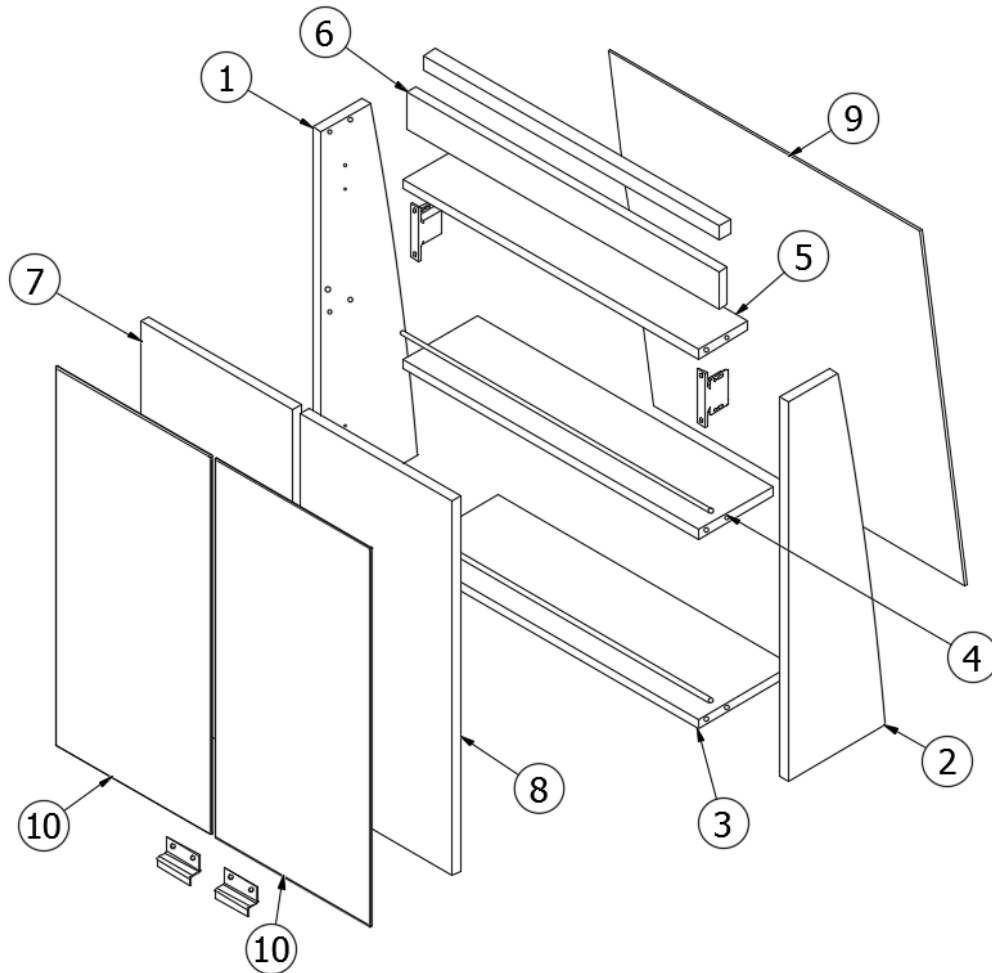


966921 Upper Medicine Cabinet

- | | |
|--------------------|--------------------------------|
| 1. 966921-1 | Panel, 13.56 x 11.29 |
| 2. 966921-2 | Panel, 13.56 x 11.29 |
| 3. 966921-3 | Panel, 17.97 x 7.58 |
| 4. 966921-4 | Panel, 18.88 x 13.88 |
| 5. 966921-5 | Panel, 2.25 x 17.97 |
| 6. 966921-6 | Panel, 17.97 x 3 |
| 7. 966921-7 | Panel, 16.25 x 19 |
| 8. 966921&002012CC | Panel, 1.38 x 17.97 |
| 9. 966921&002118CC | Panel, 1.63 x 17.97 |
| 10. 372203-05 | Mirror, Safety glass, 19 x 14 |
| 385940-02 | Mirror pull, Chrome |
| 382159 | Pivot hinge, Nickel |
| 381228-02 | Catch, Grabber door (5lb Pull) |
| 382466-01 | Lid stay, Compartment door |
| 382466-02 | Lid stay, Side bracket |
| 382466-03 | Lid stay, Door bracket |

2018 TOMMY BAHAMA TT FURNITURE, LAVATORY

Medicine Cabinet, Lower, 19'



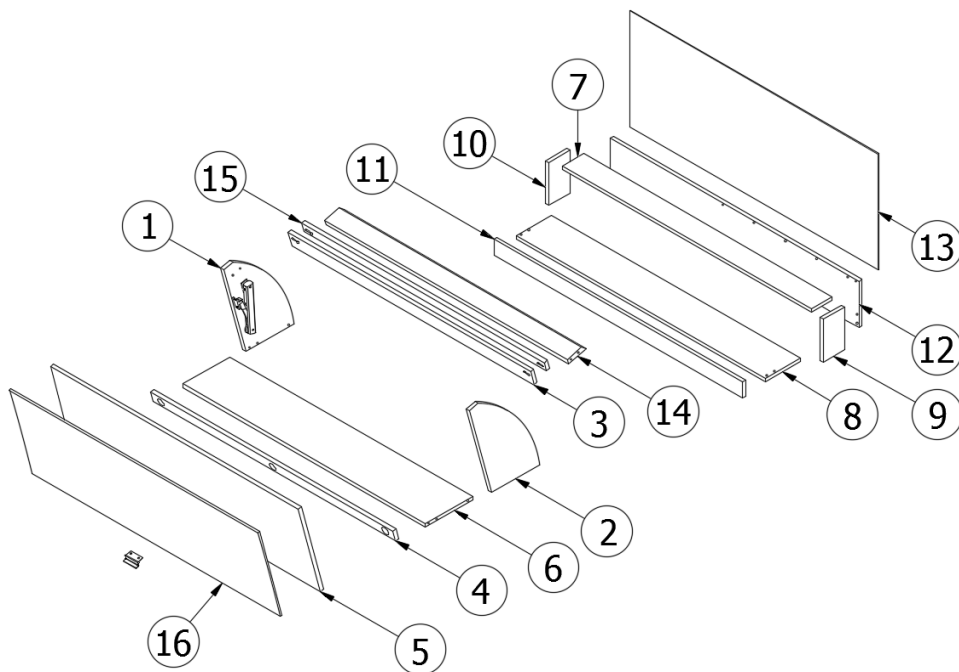
966922

Lower Medicine Cabinet

- | | |
|---------------|--------------------------------|
| 1. 966922-1 | Panel, 5.89 x 20 |
| 2. 966922-2 | Panel, 5.89 x 20 |
| 3. 966922-3 | Panel, 5.75 x 17.97 |
| 4. 966922-4 | Panel, 4.56 x 17.97 |
| 5. 966922-5 | Panel, 3 x 17.97 |
| 6. 966922-6 | Panel, 19 x 2 |
| 7. 966922-7 | Panel, 9.25 x 19.75 |
| 8. 966922-8 | Panel, 9.25 x 19.75 |
| 9. 966922-9 | Panel, 20.25 x 19 |
| 10. 372203-24 | Mirror, Safety glass, 9.5 x 20 |
| 115042 | Aluminum rod, 6' Length |
| 382159 | Pivot hinge, Nickel |
| 381228-02 | Catch, Grabber door (5lb Pull) |
| 385940-02 | Mirror pull, Chrome |

2018 TOMMY BAHAMA TT FURNITURE, LAVATORY

Medicine Cabinet, 27FB



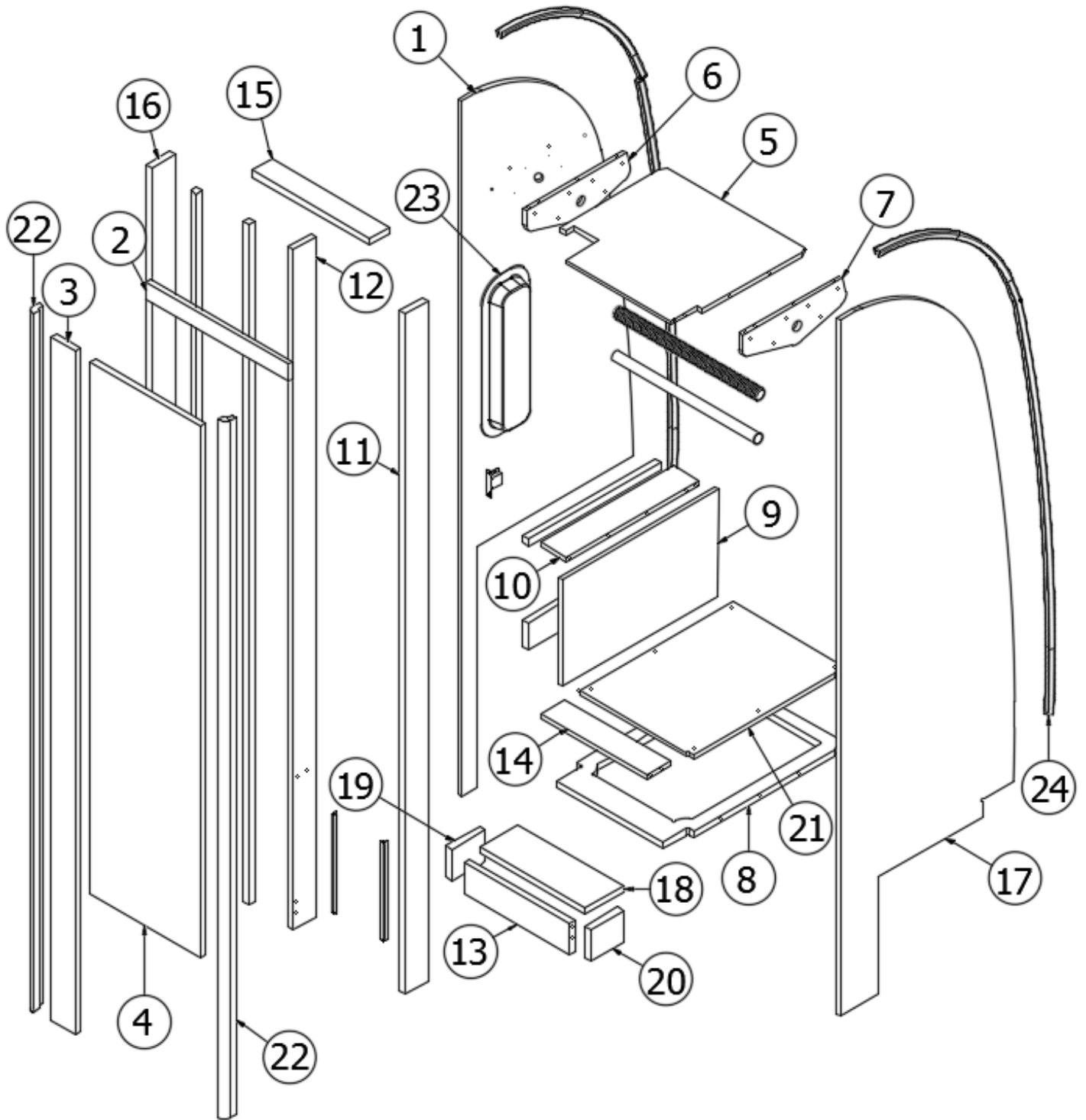
968574-39

Medicine Cabinet

- | | |
|---------------------|---------------------------------|
| 1. 968574-391 | Panel, 11.29 x 13.56 |
| 2. 968574-392 | Panel, 11.29 x 13.56 |
| 3. 968574-393 | Panel, 2.25 x 39 |
| 4. 968574-394 | Panel, 1.5 x 39 |
| 5. 968574-395 | Panel, 13.88 x 39.88 |
| 6. 968574-396 | Panel, 7.5 x 39 |
| 7. 968574-397 | Panel, 3.42 x 40 |
| 8. 968574-398 | Panel, 5.67 x 40 |
| 9. 968574-399 | Panel, 3.42 x 6 |
| 10. 968574-3910 | Panel, 3.42 x 6 |
| 11. 968574-3911 | Panel, 2.25 x 40 |
| 12. 968574-3912 | Panel, 6.5 x 40 |
| 13. 968574-3913 | Panel, 16.25 x 40 |
| 14. 968574-3922 | Panel, 3 x 39 |
| 15. 968574&002512CC | Panel, 1.38 x 39 |
| 16. 372203-33 | Mirror, Safety glass, 14" x 40" |
| 382466-01 | Lid stay, Compartment door |
| 382466-02 | Lid stay, Side bracket |
| 382466-03 | Lid stay, Door bracket |
| 382159 | Pivot hinge, Nickel |
| 381228-02 | Catch, Grabber door (5lb Pull) |
| 365340-01 | Edgebanding, .63", Frosty White |
| 385940-02 | Mirror pull, Chrome |

2018 TOMMY BAHAMA TT FURNITURE, LAVATORY

Wardrobe, Roadside, 19'



Parts Listed on Next Page

2018 TOMMY BAHAMA TT FURNITURE, LAVATORY

Wardrobe, Roadside, 19'

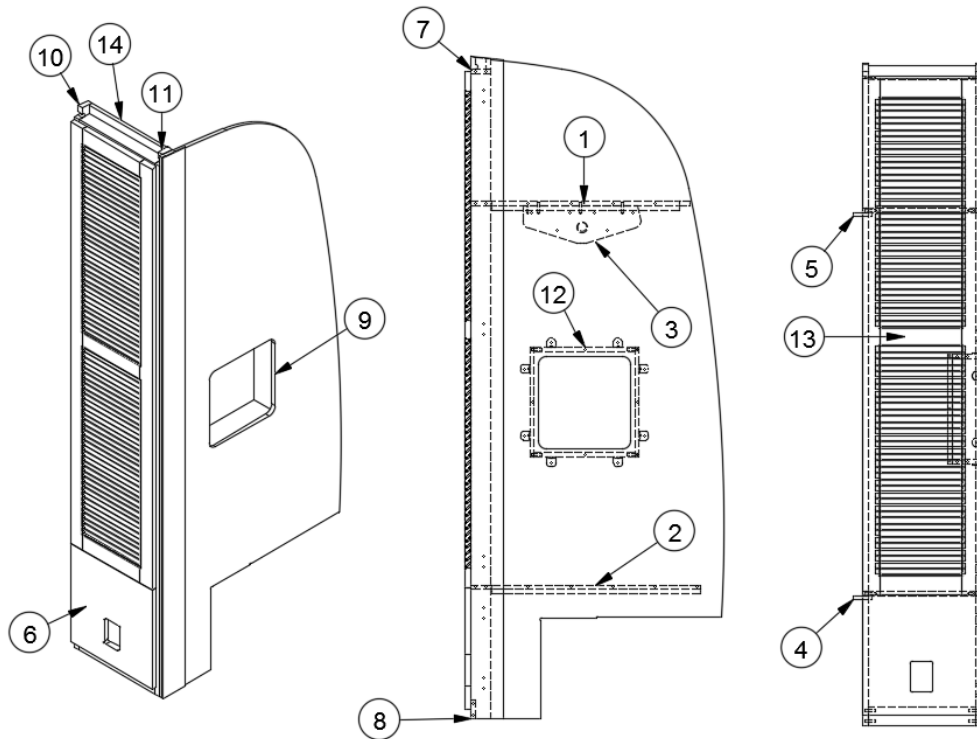
968223-39

RS Wardrobe

- | | |
|---------------------|--|
| 1. 968223&000112BC | Panel, 22.12 x 77.64 |
| 2. 968223&000212BC | Panel, 18.38 x 1.93 |
| 3. 968223&000318BC | Panel, 76.19 x 3.13 |
| 4. 802248-0039 | Door, Wardrobe louvered |
| 5. 968223&000512CC | Panel, 18.38 x 16.88 |
| 6. 968223&000612CC | Panel, 13.27 x 4.5 |
| 7. 968223&000712CC | Panel, 13.27 x 4.5 |
| 8. 968223&000818CC | Panel, 15.13 x 22.88 |
| 9. 968223&000912CC | Panel, 20.17 x 11.84 |
| 10. 968223&001012CC | Panel, 3.25 x 17.13 |
| 11. 968223&001118CC | Panel, 3 x 75.88 |
| 12. 968223&001218CC | Panel, 3 x 75.88 |
| 13. 968223&001318BC | Panel, 13.63 x 3.5 |
| 14. 968223&001412CC | Panel, 13.63 x 3 |
| 15. 968223&001518CC | Panel, 15.13 x 2.5 |
| 16. 968223&001618CC | Panel, 3 x 75.88 |
| 17. 968223&003012HC | Panel, 22.43 x 77.64 |
| 18. 968223&003518CC | Panel, 13.63 x 5 |
| 19. 968223&003618CC | Panel, 4.25 x 3.5 |
| 20. 968223&003718CC | Panel, 4.25 x 3.5 |
| 21. 968223&003812CC | Panel, 14.56 x 19.88 |
| 22. 801706-0039 | Corner trim, 90°, 1" radius, Macchiato |
| 23. 200773 | Closeout, Reading light |
| 24. 203138-04 | Extrusion, Plastic, .5", Oak |
| 101134 | Aluminum angle |
| 380045 | Tubing, 3/4", Metallic |
| 200975-04 | Conduit, Flexible Black plastic |
| 381607-11 | Hinge, Self-close |
| 382413-02 | Leather strap, Antique Bronze |
| 381228-02 | Catch, Grabber door (5lb Pull) |

2018 TOMMY BAHAMA TT FURNITURE, LAVATORY

Wardrobe, Forward, 27FB



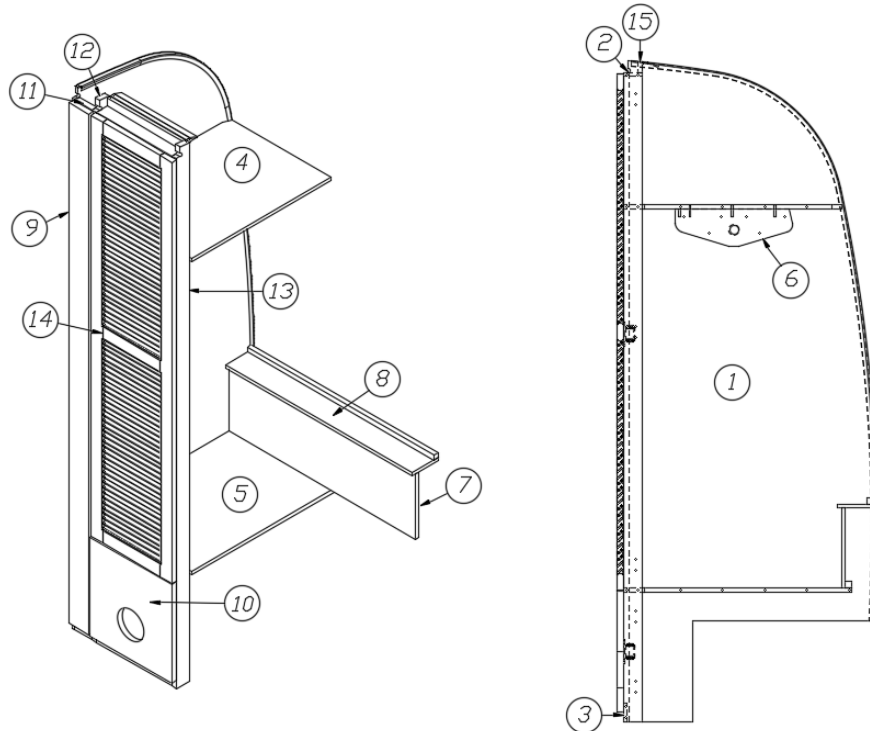
968523-39

Forward Wardrobe

- | | |
|-----------------|--------------------------------|
| 1. 968523-391 | Panel, 26 x 14.25 |
| 2. 968523-392 | Panel, 27.25 x 14.25 |
| 3. 968523-393 | Panel, 14 x 4.49 |
| 4. 968523-394 | Panel, 2.25 x 24.75 |
| 5. 968523-395 | Panel, 2.25 x 22.25 |
| 6. 968523-396 | Door, 13.75 x 14.38 |
| 7. 968523-397 | Panel, 2.25 x 12.75 |
| 8. 968523-398 | Panel, 2.25 x 12.75 |
| 9. 968523-399 | Panel, 30.11 x 78.74 |
| 10. 968523-3910 | Panel, 2.25 x 78.74 |
| 11. 968523-3911 | Panel, 2.25 x 78.74 |
| 12. 968360 | Wardrobe closeout |
| 13. 802164-0039 | Door, Louvered, Macchiato |
| 14. 968523-3926 | Panel, 1.25 x 12.75 |
| 382413-02 | Leather strap, Antique Bronze |
| 381607-11 | Hinge, Self-close |
| 381228-02 | Catch, Grabber door (5lb Pull) |
| 104821 | Support, Roof locker |
| 365340-01 | Edgebanding .63", Frosty White |
| 365412-01 | Edgebanding, .63, Macchiato |
| 365412-02 | Edgebanding, .94, Macchiato |

2018 TOMMY BAHAMA TT FURNITURE, LAVATORY

Wardrobe, Aft, 27FB



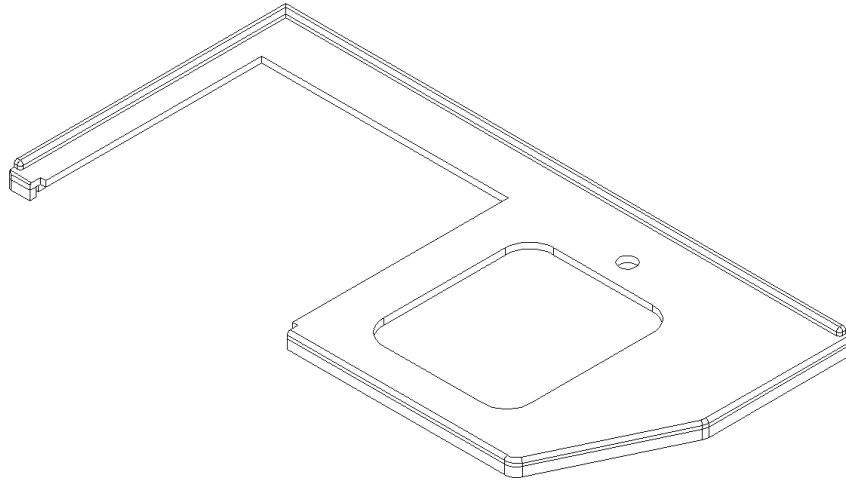
968525-39

Aft Wardrobe

- | | |
|-----------------|---------------------------------|
| 1. 968525-391 | Panel, 30.11 x 78.69 |
| 2. 968525-392 | Panel, 2.25 x 12.75 |
| 3. 968525-393 | Panel, 2.25 x 12.75 |
| 4. 968525-394 | Panel, 26 x 17.19 |
| 5. 968525-395 | Panel, 27.25 x 17.19 |
| 6. 968525-396 | Panel, 14 x 4.49 |
| 7. 968525-397 | Panel, 9.5 x 31.44 |
| 8. 968525-398 | Panel, 4.31 x 31.44 |
| 9. 968525-399 | Panel, 3.44 x 75.87 |
| 10. 968525-3910 | Panel, 13.75 x 14.38 |
| 11. 968525-3911 | Panel, 2.94 x 77.25 |
| 12. 968525-3912 | Panel, 2.25 x 78.69 |
| 13. 968525-3913 | Panel, 2.25 x 78.69 |
| 14. 802164-0039 | Door, Louvered, Macchiato |
| 15. 968525-3928 | Panel, 1.25 x 12.75 |
| 382413-02 | Leather strap, Antique Bronze |
| 381607-11 | Hinge, Self-close |
| 381228-02 | Catch, Grabber door (5lb Pull) |
| 104821 | Support, Roof locker |
| 380045 | Tubing, 3/4" |
| 200975-04 | Conduit, Flexible Black plastic |

2018 TOMMY BAHAMA TT FURNITURE, GALLEY

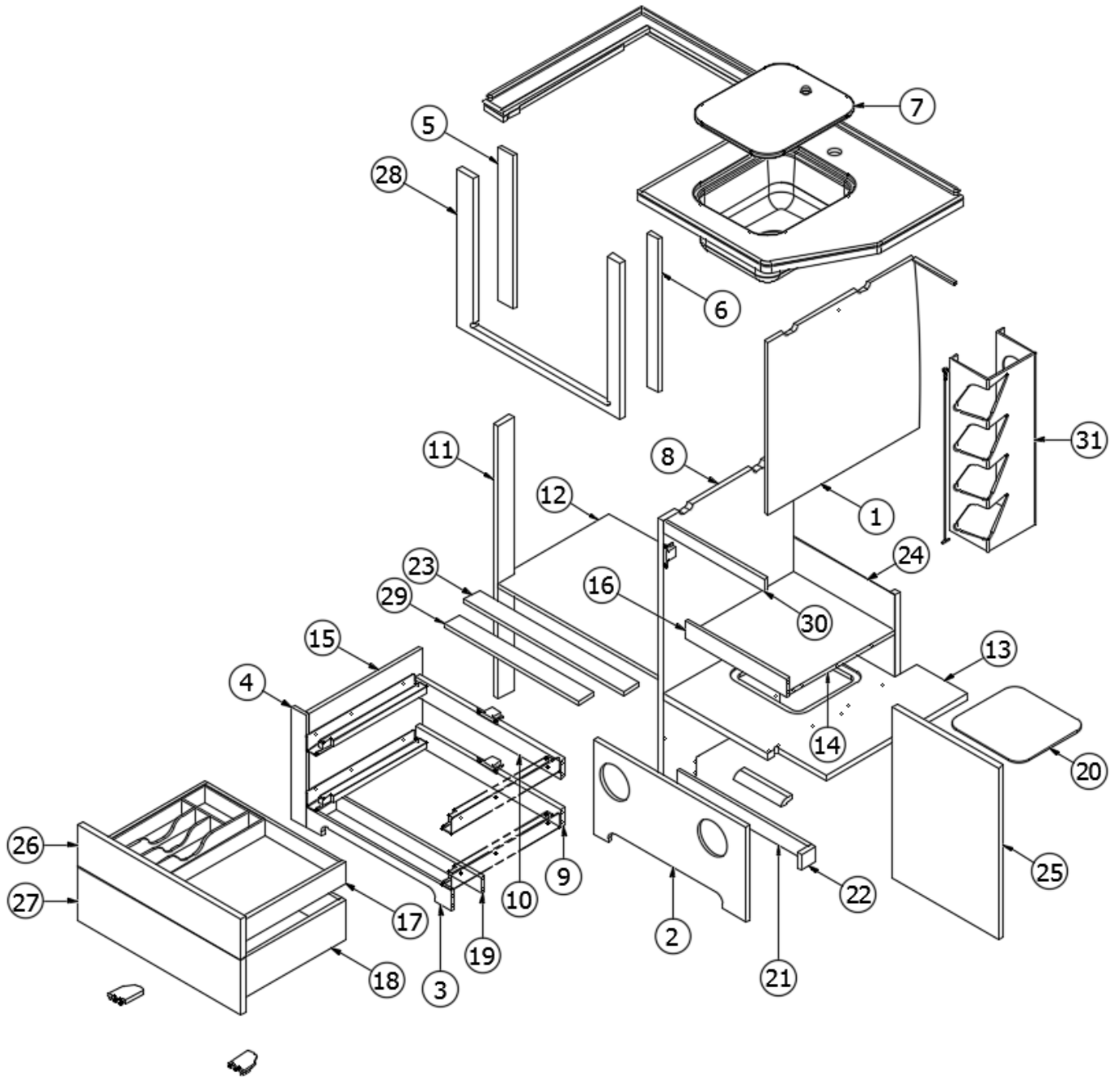
Galley Top, 19'



968698	Galley Top Assembly
602687	Galley Top, Solid Surface, Terni
602250	Sink, Stainless Steel
602695	Sink cover, Terni
602634	Faucet, Single hole, Pull down, Simplice
600968	Basket strainer

2018 TOMMY BAHAMA TT FURNITURE, GALLEY

Galley, with Oven, 19'



Parts Listed on Next Page

2018 TOMMY BAHAMA TT FURNITURE, GALLEY

Galley, with Oven, 19'

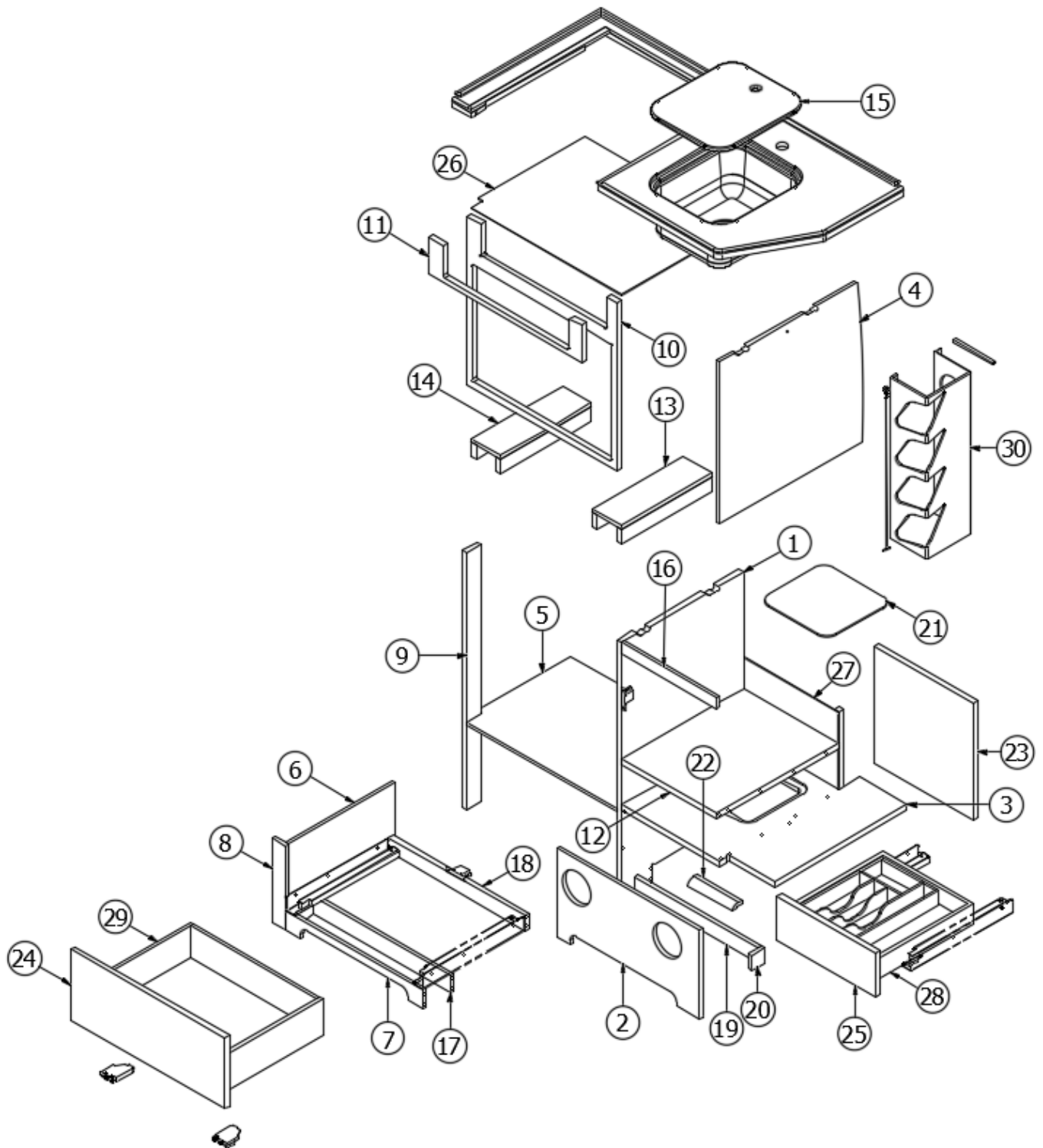
968673-01

Galley Cabinet

1. 968673&000112BC	Panel, 21.94 x 21.63
2. 968673&000212BC	Panel, 22 x 11.88
3. 968673&000312BC	Panel, 21 X 2.5
4. 968673&000412BC	Panel, 2.13 x 14
5. 968673&000512BC	Panel, 2.15 x 19.25
6. 968673&000612BC	Panel, 1.54 x 19.25
7. 602695	Sink cover
8. 968673&000818CC	Panel, 18.81 x 34.25
9. 968673&000918CC	Panel, 2.25 x 21
10. 968673&001018CC	Panel, 2.25 x 21
11. 968673&001118CC	Panel, 34.25 x 2.25
12. 968673&001212CC	Panel, 23.88 x 16.81
13. 968673&001318BC	Panel, 22 x 22
14. 968673&001412CC	Panel, 14.63 x 15.13
15. 968673&001512CC	Panel, 16.31 x 14
16. 968673&001612CC	Panel, 14.63 x 2.25
17. 968021-01	Drawer box, Self-close, 2.75"
18. 968020-01	Drawer box, Self-close, 5"
19. 968673&001912BC	Panel, 21 x 2
20. 968673&002018BC	Panel, 9.94 x 10.56
21. 968673&002112BC	Panel, 19 x 2
22. 968673&002212BC	Panel, 2 x 2
23. 968673&002312CC	Panel, 23.13 x 2.25
24. 968673&002403CE	Panel, 15.38 x 11
25. 968673&002518BC	Panel, 15.25 x 21.5
26. 968673&002618BC	Panel, 23.63 x 5.13
27. 968673&002718BC	Panel, 23.63 x 6.75
28. 968673&003418BC	Panel, 23.63 x 19.69
29. 968673&003512CC	Panel, 19.44 x 2.25
30. 968673&003612BC	Panel, 14.63 x 1.5
31. 203965	Wine rack, Acrylic
382413-02	Leather strap, Antique Bronze
381607-11	Hinge, Self-close
381228-02	Catch, Grabber door (5lb Pull)
801706-0039	Corner trim, 90°, 1" radius, Macchiato
382203-03	Drawer slide, Self-close, 15"
382203-06L	Drawer locking clip, Left
382203-06R	Drawer locking clip, Right
968024	Cutlery insert
968673&0053B01	Edgebanding, .63", Ebony Woods
968673&0054B02	Edgebanding, .94", Ebony Woods

2018 TOMMY BAHAMA TT FURNITURE, GALLEY

Galley, with Microwave, 19'



Parts Listed on Next Page

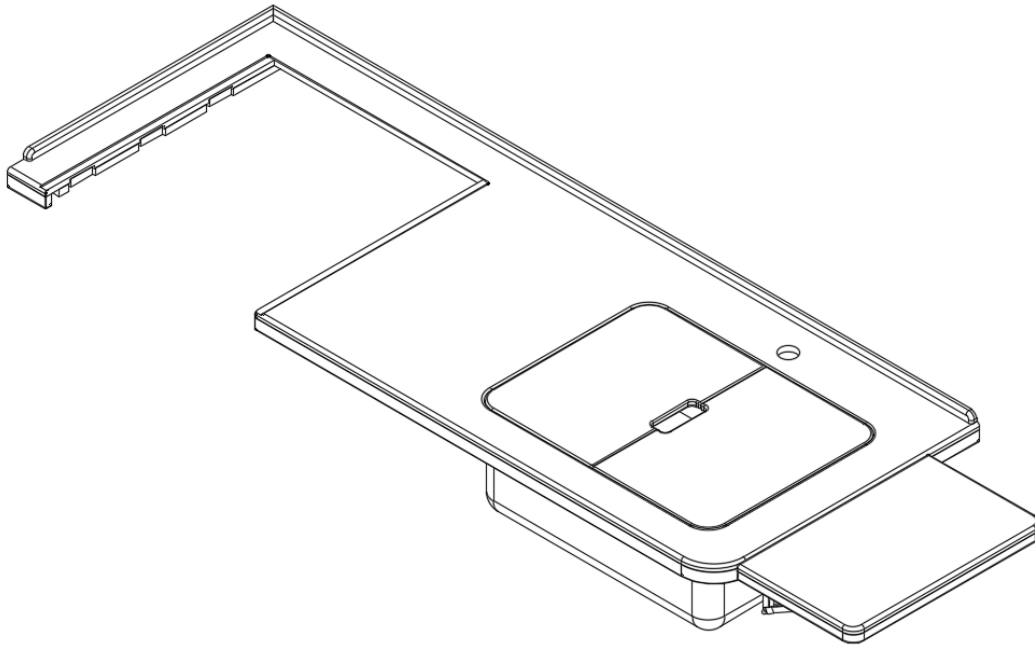
2018 TOMMY BAHAMA TT FURNITURE, GALLEY

Galley, with Microwave, 19'

968759	Galley Cabinet
1. 968759&000118CC	Panel, 18.81 x 34.25
2. 968759&000212BC	Panel, 22 x 11.88
3. 968759&000318BC	Panel, 22 X 22
4. 968759&000412BC	Panel, 21.94 x 21.63
5. 968759&000512CC	Panel, 23.88 x 16.81
6. 968759&000612CC	Panel, 16.31 x 11.25
7. 968759&000712BC	Panel, 21 x 2.5
8. 968759&000812BC	Panel, 2.13 x 11.25
9. 968759&000918CC	Panel, 34.25 x 2.25
10. 968759&001018BC	Panel, 22.5 x 24.5
11. 968759&001118BC	Panel, 25.13 x 5
12. 968759&001218CC	Panel, 14.63 x 18.82
13. 968759&001312CC	Panel, 4.5 x 14
14. 968759&001412CC	Panel, 4.5 x 14
15. 602695	Sink cover
16. 968759&001612CC	Panel, 14.63 x 1.5
17. 968759&001712CC	Panel, 2.25 x 21
18. 968759&001818BC	Panel, 21 x 2
19. 968759&001912BC	Panel, 19 x 2
20. 968759&002012BC	Panel, 2 x 2
21. 968759&002118BC	Panel, 9.94 x 10.56
22. 801706-0039	Corner trim, 90°, 1" radius, Macchiato
23. 968759&002318BC	Panel, 15.25 x 15.75
24. 968759&002418BC	Panel, 23.78 x 9.38
25. 968759&002518BC	Panel, 15.25 x 5.88
26. 968759&002603CE	Panel, 23.88 x 18.25
27. 968759&002703CE	Panel, 15.38 x 11
28. 968021-11	Drawer box, 14 x 15 x 2.75
29. 968020-01	Drawer box, Self-close, 5"
30. 203965	Wine rack, Acrylic
382413-02	Leather strap, Antique Bronze
381607-11	Hinge, Self-close
381228-02	Catch, Grabber door (5lb Pull)
382203-03	Drawer slide, Self-close, 15"
382203-06L	Drawer locking clip, Left
382203-06R	Drawer locking clip, Right
968024	Cutlery insert
968759&0047B01	Edgebanding, .63", Macchiato
968759&0048B02	Edgebanding, .94", Macchiato
513297-06	Kit, Luna light and track
382528	Bungee w/J-hook, 13.5", Tan

2018 TOMMY BAHAMA TT FURNITURE, GALLEY

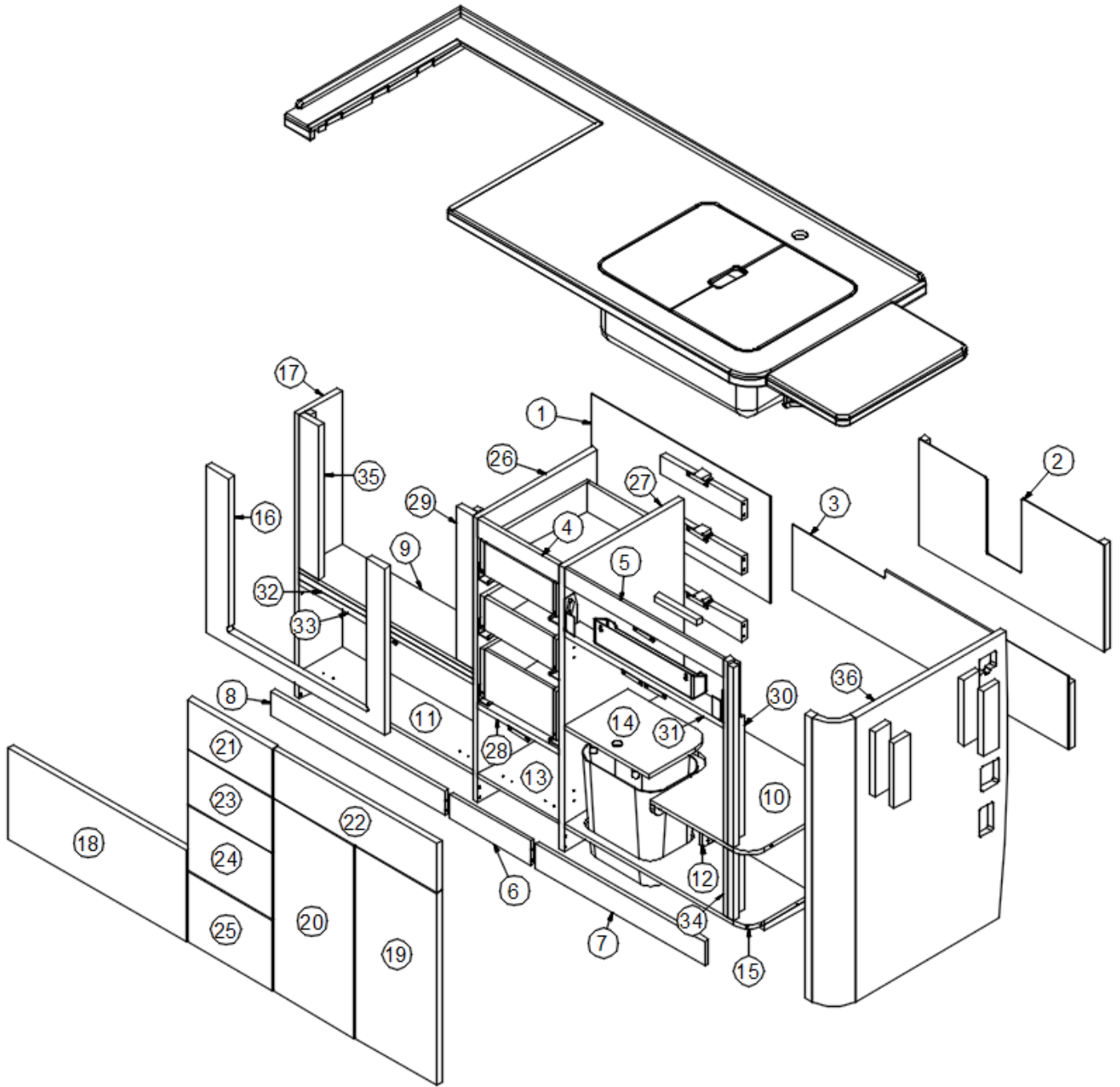
Galley Top, 27FB



968528	Galley Top Assembly
602627	Galley top, Solid surface, Terni
967989-06	Galley flip shelf, Terni
602628	Sink cover, Terni
602396	Sink, Undertone, Single bowl, Kohler
602388	Sink clip
602634	Faucet, Pull down, Bronze, Kohler
602397	Sink strainer w/tailpiece, Vibrant Stainless

2018 TOMMY BAHAMA TT FURNITURE, GALLEY

Galley, Standard Microwave, 27FB



Parts Listed on Next Page

2018 TOMMY BAHAMA TT FURNITURE, GALLEY

Galley, Standard Microwave, 27FB

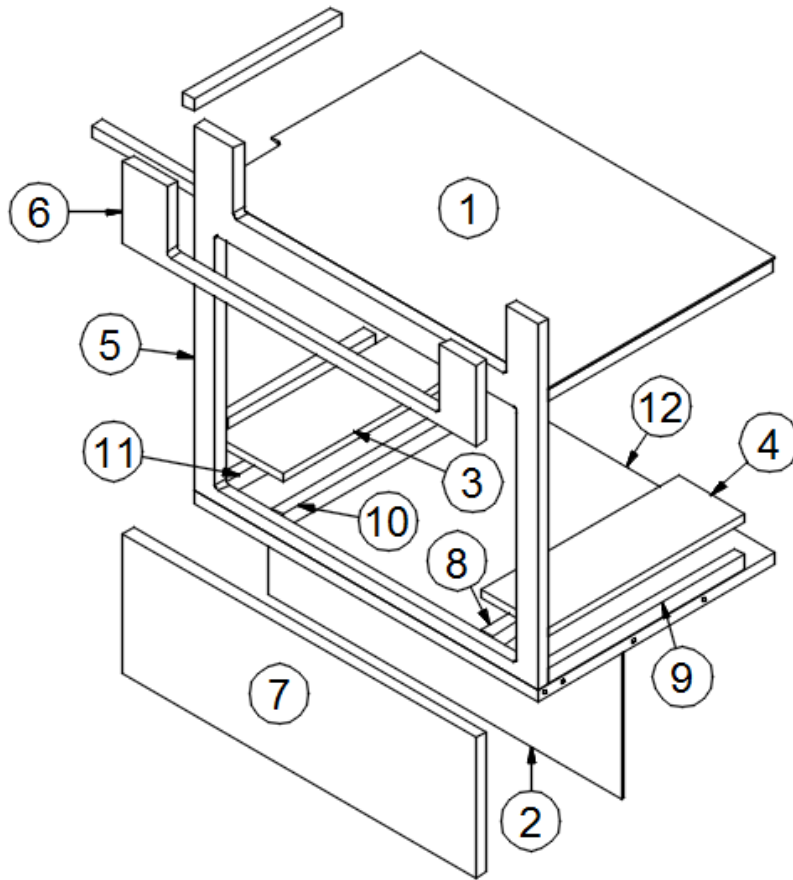
968527-39

Galley Cabinet

- | | |
|-----------------|-------------------------------|
| 1. 968527-391 | Panel, 13 x 25.25 |
| 2. 968527-392 | Panel, 13 x 26.13 |
| 3. 968527-394 | Panel, 8 x 39 |
| 4. 968527-396 | Panel, 2.25 x 11.38 |
| 5. 968527-397 | Panel, 2.25 x 22.44 |
| 6. 968527-398 | Panel, 3 x 11.375 |
| 7. 968527-399 | Panel, 3 x 23.88 |
| 8. 968527-3910 | Panel, 3 x 24.5 |
| 9. 968527-3911 | Panel, 6 x 24.5 |
| 10. 968527-3912 | Panel, 15 x 26.13 |
| 11. 968527-3915 | Panel, 6 x 24.5 |
| 12. 968527-3916 | Panel, 8.5 x 9.13 |
| 13. 968527-3917 | Panel, 9.13 x 11.38 |
| 14. 968527-3918 | Panel, 9.13 x 12.13 |
| 15. 968527-3919 | Panel, 9.13 x 26.13 |
| 16. 968527-3920 | Panel, 20.31 x 25.13 |
| 17. 968527-3923 | Panel, 6 x 34.75 |
| 18. 968527-3929 | Door, 11.13 x 25.13 |
| 19. 968527-3930 | Door, 23.5 x 11.47 |
| 20. 968527-3931 | Door, 23.5 x 11.47 |
| 21. 968527-3932 | Door, 6 x 12 |
| 22. 968527-3933 | Door, 6 x 23.06 |
| 23. 968527-3934 | Door, 6.63 x 12 |
| 24. 968527-3935 | Door, 8 x 12 |
| 25. 968527-3936 | Door, 8.63 x 12 |
| 26. 968527-3942 | Panel, 16.88 x 34.75 |
| 27. 968527-3943 | Panel, 16.88 x 34.75 |
| 28. 968527-3947 | Panel, 2.25 x 11.38 |
| 29. 968527-3948 | Panel, 2.25 x 18.75 |
| 30. 968527-3949 | Panel, 2.25 x 22.25 |
| 31. 968527-3950 | Panel, 2.25 x 22.44 |
| 32. 968527-3951 | Panel, 2.25 x 24.5 |
| 33. 968527-3952 | Panel, 2.25 x 24.5 |
| 34. 968527-3953 | Panel, 2.25 x 8.5 |
| 35. 968527-3954 | Panel, 2.81 x 18.75 |
| 36. 968276-39 | Radius sub assembly |
| 382203-03 | Drawer slide, Self-close, 15" |
| 968022-09 | Drawer box, 6" |
| 968224-02 | Drawer box, 4" |
| 381685-01 | Hinge, Scissor tray |
| 381686 | Tray, 14", Plastic |
| 382413-02 | Leather strap, Antique Bronze |
| 381607-11 | Hinge, Self-close |
| 381708 | Wastebasket, Rubbermaid |
| 968024 | Insert, Cutlery drawer |

2018 TOMMY BAHAMA TT FURNITURE, GALLEY

Galley, Convection Microwave Section, 27FB



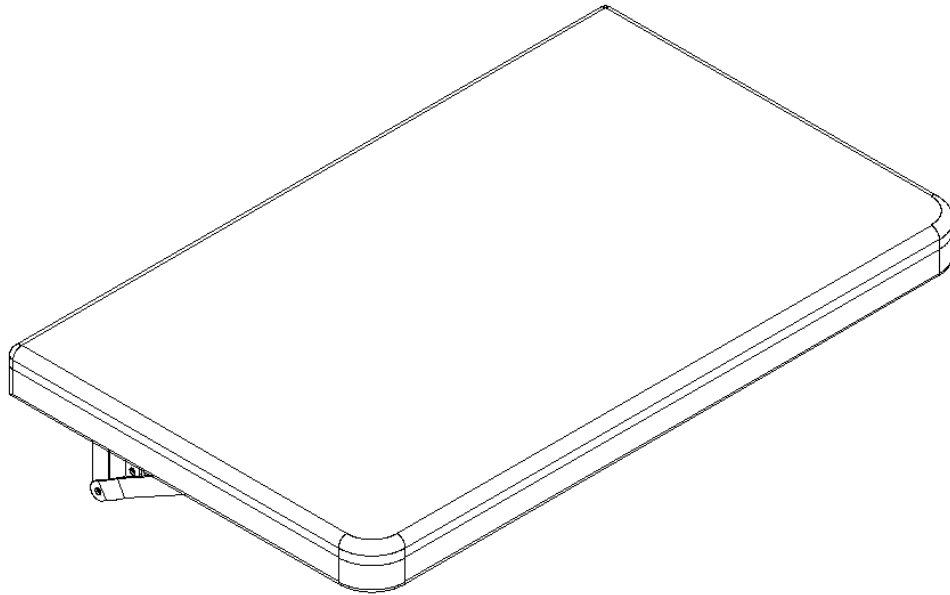
968527-3901

Galley Convection Cabinet

- | | |
|-----------------|----------------------|
| 1. 968527-393 | Panel, 16 x 25.25 |
| 2. 968527-395 | Panel, 9 x 25.25 |
| 3. 968527-3913 | Panel, 4.75 x 14 |
| 4. 968527-3914 | Panel, 4.75 x 14 |
| 5. 968527-3921 | Panel, 24.5 x 22.5 |
| 6. 968527-3922 | Panel, 5 x 25.13 |
| 7. 968527-3928 | Panel, 8.63 x 25.13 |
| 8. 968527-3937 | Panel, .94 x 14 |
| 9. 968527-3938 | Panel, .94 x 14 |
| 10. 968527-3939 | Panel, .94 x 14 |
| 11. 968527-3940 | Panel, .94 x 14 |
| 12. 968527-3941 | Panel, 16.88 x 25.25 |

2018 TOMMY BAHAMA TT
FURNITURE, GALLEY

Galley Flip-Up Shelf

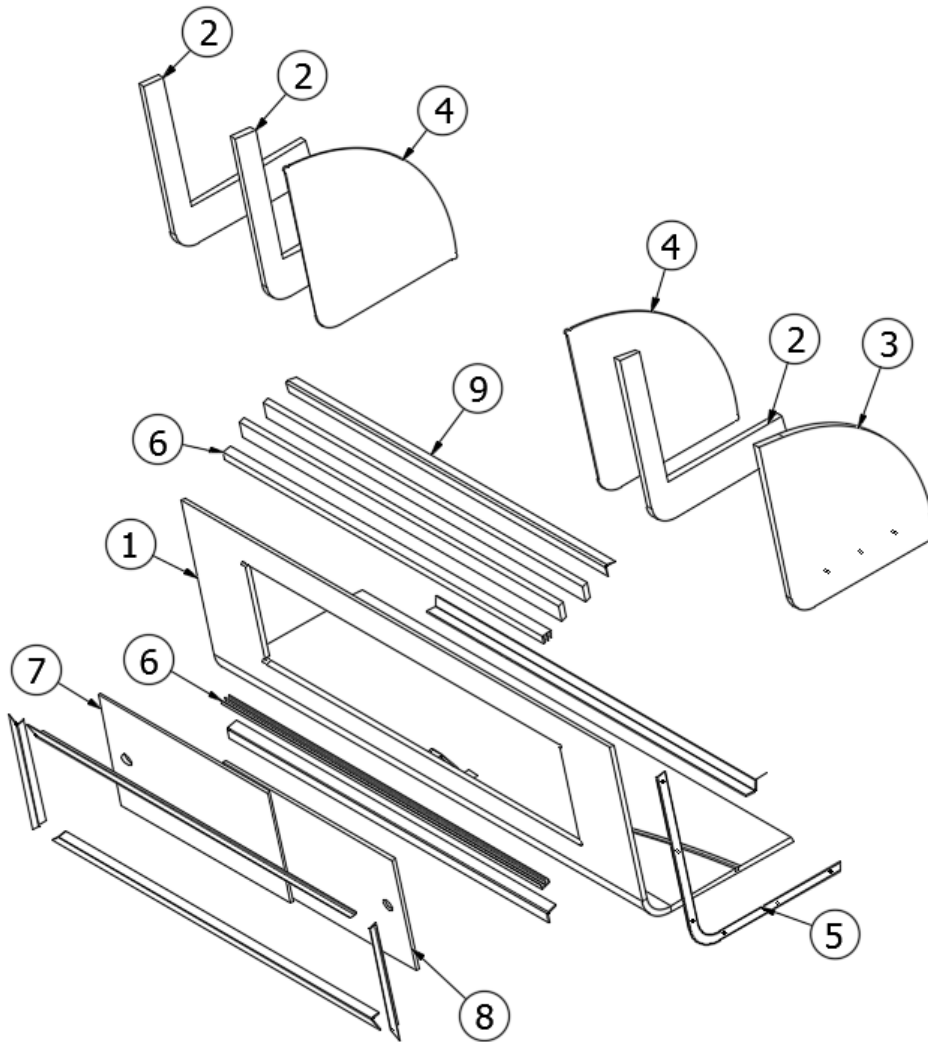


967989-06
602629
382092

Galley flip shelf
Flip shelf top, Solid surface, Terni
Bracket, Hinged spring, 88 LB

2018 TOMMY BAHAMA TT FURNITURE, GALLEY

Roof Locker, Galley, 19'

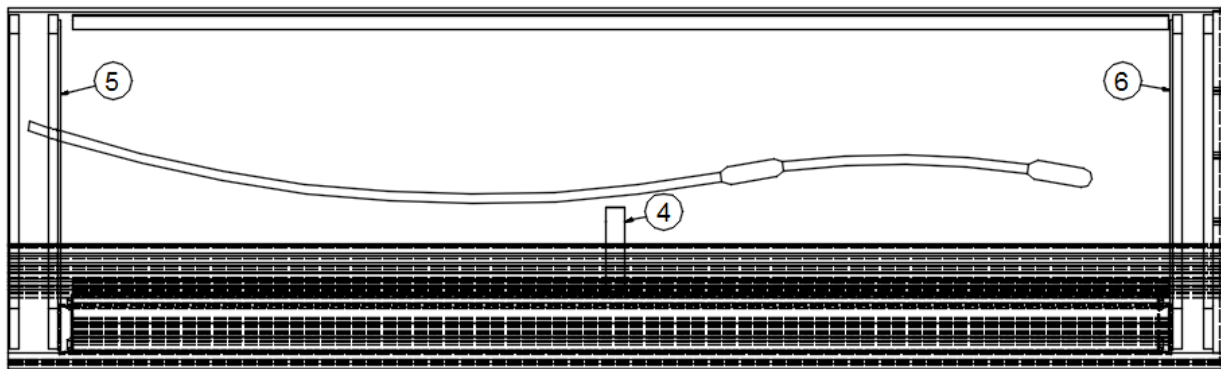
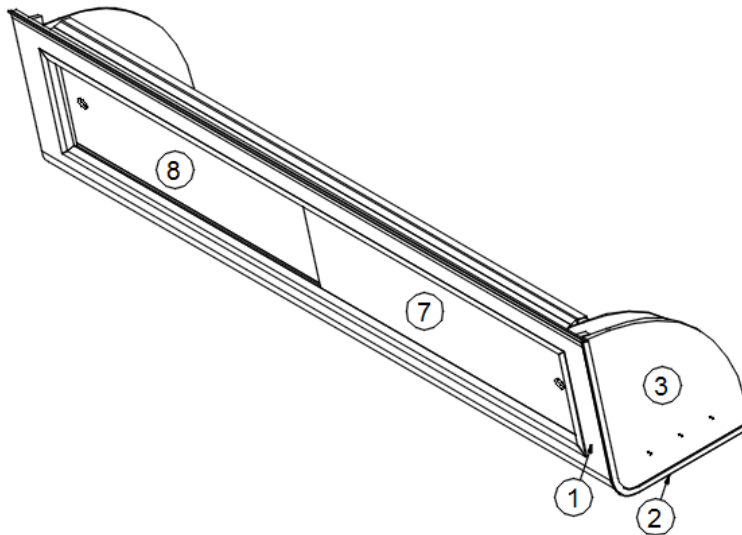


968701 Galley Roof Locker

- | | |
|-----------------|--|
| 1. 802284 | Galley locker face |
| 2. 801545-02 | Divider, Partial |
| 3. 802073-02 | End cap |
| 4. 801539-01 | Divider, LH |
| 5. 115375-02 | Formed extrusion, End cap |
| 6. 203388-01 | Sliding door track, Black |
| 7. 203982-01 | Sliding door, Plexiglass, Left |
| 8. 203982-02 | Sliding door, Plexiglass, Right |
| 9. 104821 | Roof locker support |
| 115226 | Bracket, Formed, Locker center support |
| 968701&0022T02A | Reverse cove molding, White |
| 114812 | Aluminum angle |

2018 TOMMY BAHAMA TT FURNITURE, GALLEY

Roof Locker, Galley, 27FB



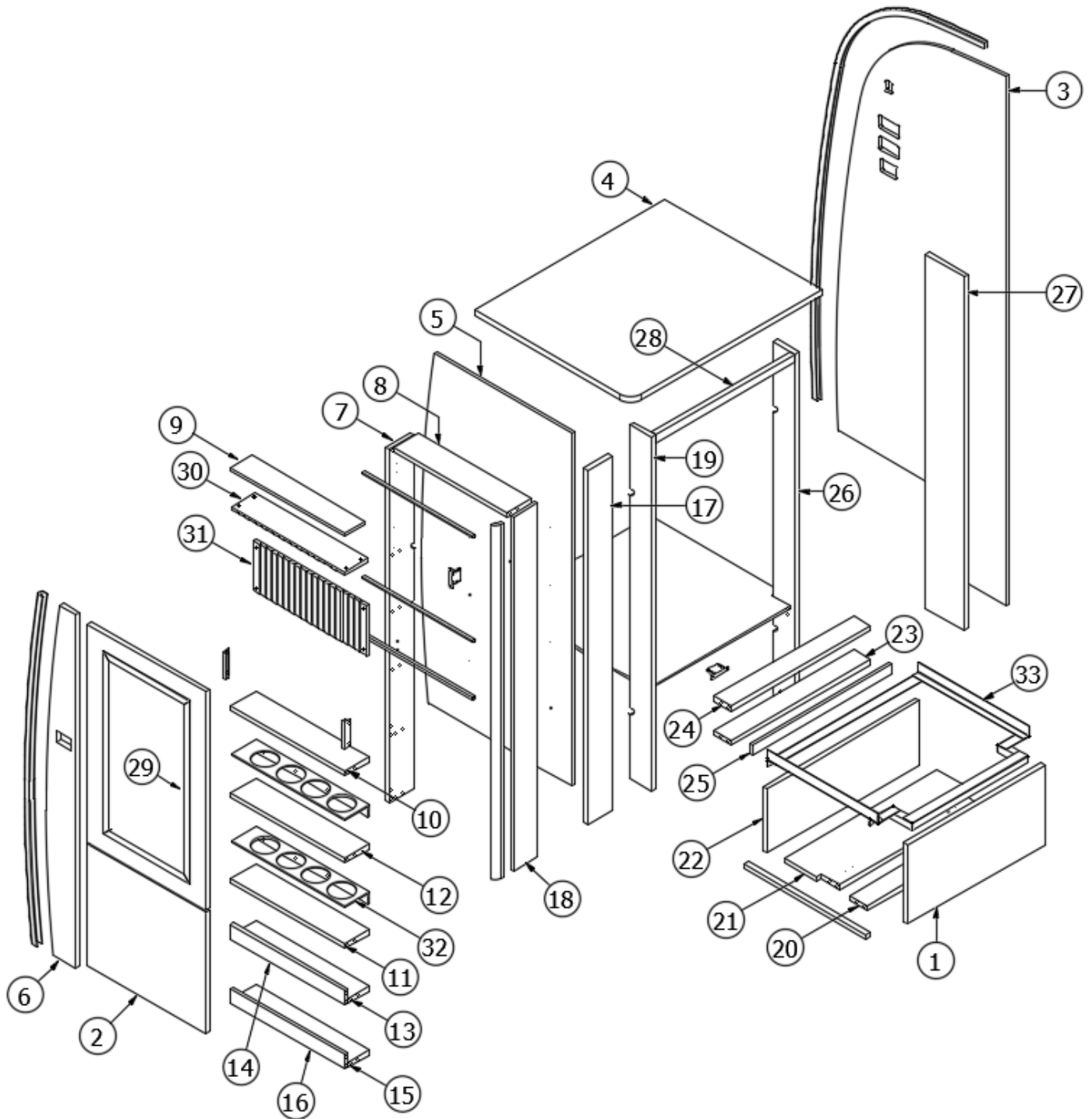
968518-39

Galley Roof Locker

- | | |
|----------------|--|
| 1. 802163 | Locker face, Galley |
| 2. 115375-02 | Formed extrusion, End cap |
| 3. 802073-0239 | End cap |
| 4. 115226 | Bracket, Formed, Locker center support |
| 5. 801539-01 | Divider, LH |
| 6. 801539-02 | Divider, RH |
| 7. 203915-01 | Door, Plexiglass w/etching, RH |
| 8. 203915-02 | Door, Plexiglass w/etching, LH |
| 203388 | Sliding door track, White |
| 201673-01 | Reverse cove molding, .43", Oak |
| 115227-01 | Angle, Formed |
| 104821 | Roof locker support |

2018 TOMMY BAHAMA TT FURNITURE, GALLEY

Refrigerator Cabinet, 19'



Parts Listed on Next Page

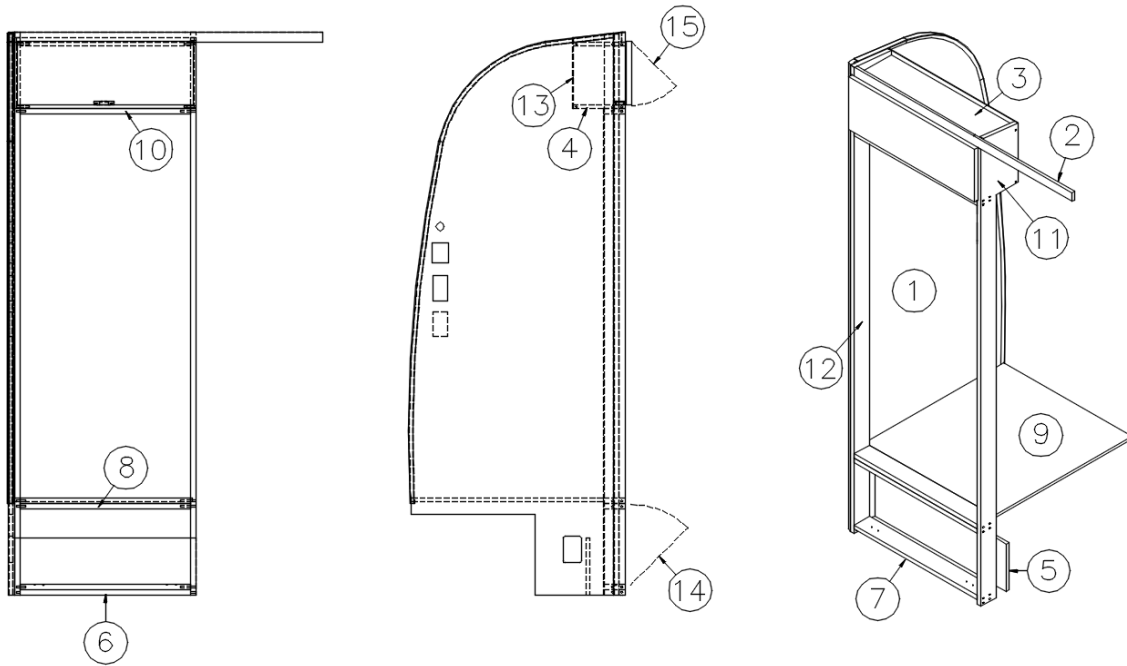
2018 TOMMY BAHAMA TT FURNITURE, GALLEY

Refrigerator Cabinet, 19'

968674	Refrigerator Cabinet
1. 968674&000118BC	Door, 23.63 x 11.75
2. 968674&000218BC	Door, 20.19 x 18
3. 968674&000312BH	Panel, 29.1 x 78.56
4. 968674&000418JC	Panel, 26.88 x 32.75
5. 968674&000512FC	Panel, 25.83 x 52.5
6. 968674&000618BC	Panel, 5 x 52.5
7. 968674&000718BC	Panel, 52.5 x 4.25
8. 968674&000818BB	Panel, 4.25 x 19.5
9. 968674&000912BB	Panel, 3.5 x 19.5
10. 968674&001018BB	Panel, 19.5 x 4.25
11. 968674&001118BB	Panel, 19.5 x 4.25
12. 968674&001218BB	Panel, 19.5 x 4.25
13. 968674&001318BB	Panel, 3.75 x 19.5
14. 968674&001412BB	Panel, 2.25 x 19.5
15. 968674&001518BB	Panel, 19.5 x 3.75
16. 968674&001612BB	Panel, 2.25 x 19.5
17. 968674&001718BC	Panel, 52.5 x 4.25
18. 968674&001812BB	Panel, 52.5 x 4.12
19. 968674&001918CC	Panel, 52.5 x 3.75
20. 968674&002018BC	Panel, 2.94 x 23.94
21. 968674&002118CC	Panel, 8.69 x 26.19
22. 968674&002218CC	Panel, 9.5 x 26.19
23. 968674&002318BC	Panel, 2.94 x 23.94
24. 968674&002418BC	Panel, 2.94 x 23.94
25. 968674&002512BC	Panel, 1.5 x 23.94
26. 968674&002618CC	Panel, 52.5 x 3.75
27. 968674&002718BC	Panel, 52.5 x 6.75
28. 968674&002818BC	Panel, 1.19 x 23.94
29. 968677	Pantry door
30. 203967	Insert, Slotted divider top
31. 203968	Insert, Slotted divider back
32. 203971	Insert, Shelf tumbler
33. 965630	Refrigerator stand
203966	Glass door
801706-0039	Corner trim, 90°, 1" radius, Macchiato
115831-01	F-channel, Oil Rubbed Bronze
382413-02	Leather strap, Antique Bronze
381607-11	Hinge, Self-close
381228-02	Catch, Grabber door (5lb Pull)
365412-01	Edgebanding, .63, Macchiato
365412-02	Edgebanding, .94, Macchiato
513297-19	Kit, Luna light and track, 19"

2018 TOMMY BAHAMA TT FURNITURE, GALLEY

Refrigerator Cabinet, 27FB



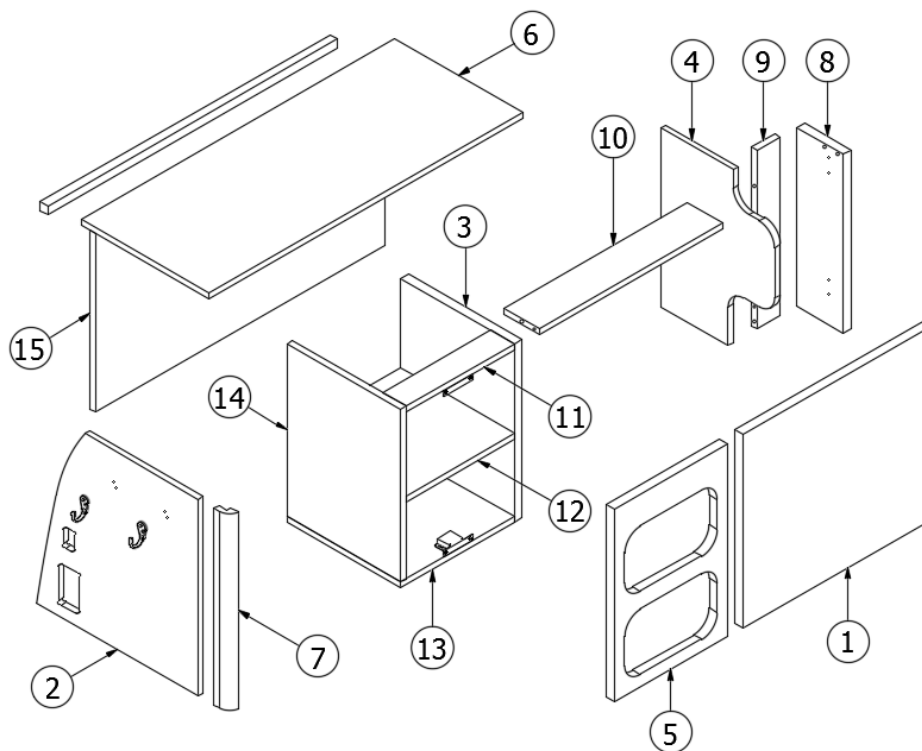
967682-39

Refrigerator Cabinet

- | | |
|-----------------|--|
| 1. 967682-391 | Panel, 28.5 x 78.45 |
| 2. 967682-3929 | Panel, 1.49 x 56.75 |
| 3. 967682-193 | Panel, 7.25 x 23.81 |
| 4. 967682-194 | Panel, 7.25 x 23.81 |
| 5. 967682-195 | Panel, 8 x 25.5 |
| 6. 967682-196 | Panel, 3 x 23.81 |
| 7. 967682-197 | Panel, 3 x 23.81 |
| 8. 967682-198 | Panel, 3 x 23.81 |
| 9. 967682-199 | Panel, 3 x 23.81 |
| 10. 967682-1910 | Panel, 3 x 23.81 |
| 11. 967682-1911 | Panel, 7.25 x 78.74 |
| 12. 967682-1912 | Panel, 7.25 x 78.74 |
| 13. 967682-3915 | Panel, 9.92 x 24.81 |
| 14. 967682-3918 | Door, 24.44 x 11.69 |
| 15. 967682-3919 | Door, 24.44 x 8.88 |
| 801706-0039 | Corner trim, 90°, 1" radius, Macchiato |
| 966812 | Refrigerator stand |
| 382413-02 | Leather strap, Antique Bronze |
| 381607-11 | Hinge, Self-close |
| 381228-02 | Catch, Grabber door (5lb Pull) |
| 365412-01 | Edgebanding, .63, Macchiato |
| 365412-02 | Edgebanding, .94, Macchiato |

2018 TOMMY BAHAMA TT FURNITURE, GALLEY

Pantry, Upper, 19'



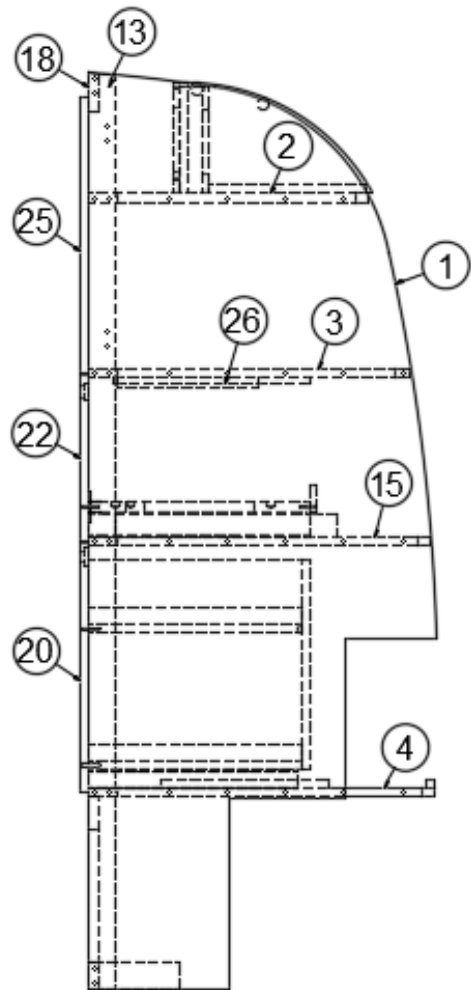
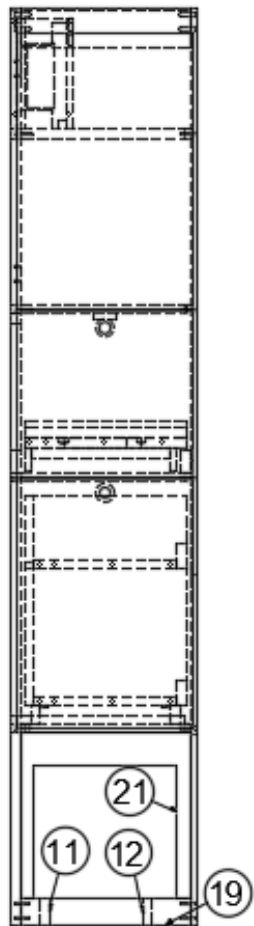
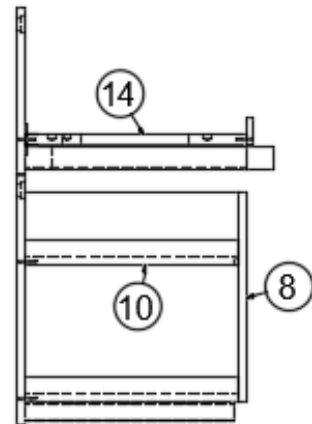
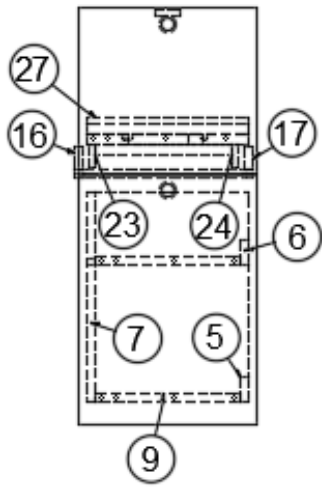
968679

Upper Pantry

- | | |
|---------------------|--|
| 1. 968679&000118BC | Panel, 18.38 x 16.25 |
| 2. 968679&000212BB | Panel, 15.63 x 16.5 |
| 3. 968679&000318BC | Panel, 11 x 15 |
| 4. 968679&000412CC | Panel, 11 x 15 |
| 5. 968679&000518BC | Panel, 10.94 x 16.16 |
| 6. 968679&000612BC | Panel, 12.38 x 30.31 |
| 7. 968679&0015T02A | Corner trim, 90°, 1" radius, Macchiato |
| 8. 968679&000818BC | Panel, 4.5 x 15 |
| 9. 968679&000912CC | Panel, 2.25 x 15 |
| 10. 968679&001012CC | Panel, 3.5 x 17.75 |
| 11. 968679&001112BB | Panel, 2.25 x 10.5 |
| 12. 968679&001212BB | Panel, 11 x 10.5 |
| 13. 968679&001312BB | Panel, 11 x 11 |
| 14. 968679&001412BB | Panel, 11 x 14.5 |
| 15. 968679&001712CC | Panel, 28 x 15 |
| 382413-02 | Leather strap, Antique Bronze |
| 381607-11 | Hinge, Self-close |
| 381228-02 | Catch, Grabber door (5lb Pull) |
| 382418 | Single prong hook, Orb |
| 968679&0026T05A | T-molding, .8125 |

2018 TOMMY BAHAMA TT FURNITURE, GALLEY

Pantry with Microwave, 27FB



Parts Listed on Next Page

2018 TOMMY BAHAMA TT FURNITURE, GALLEY

Pantry with Microwave, 27FB

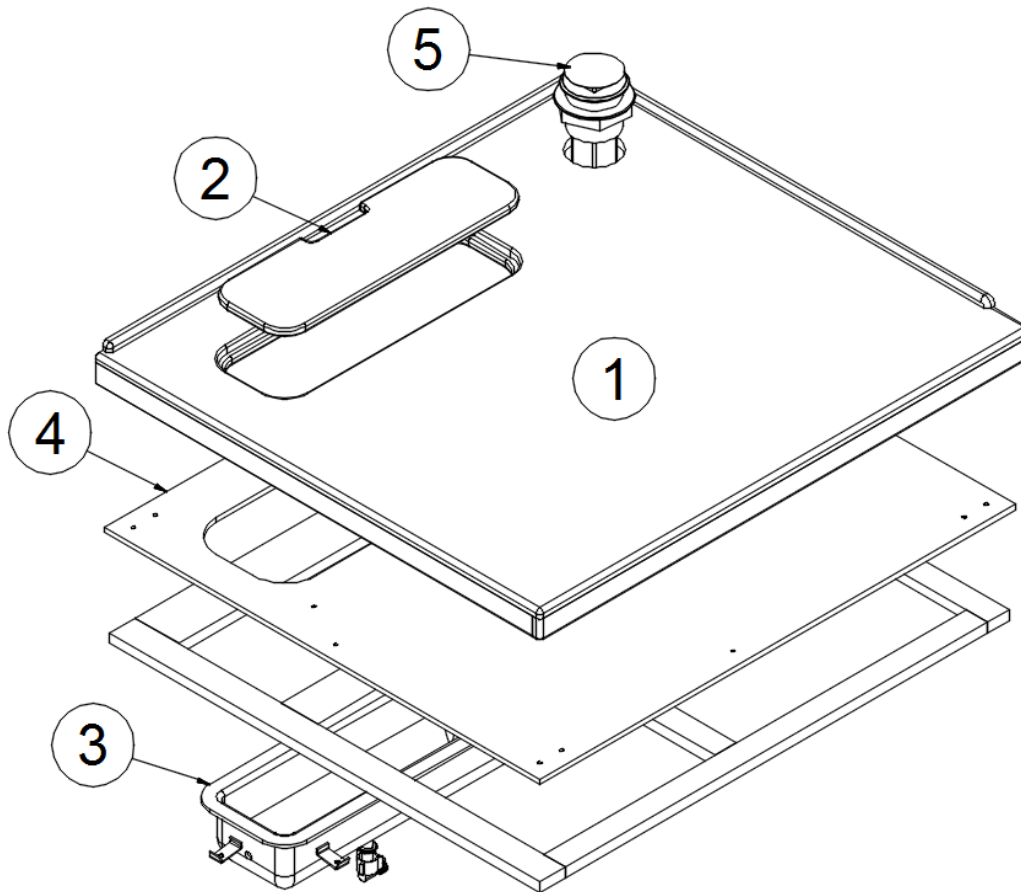
966898-39

Pantry Cabinet with Microwave

1. 966898-391	Panel, 29.87 x 78.7
2. 966898-2	Panel, 24 x 15.38
3. 966898-3	Panel, 27.5 x 15.38
4. 966898-4	Panel, 29.75 x 15.38
5. 966898-5	Panel, 2.25 x 18.25
6. 966898-6	Panel, 2.25 x 18.25
7. 966898-7	Panel, 18 x 18.25
8. 966898-8	Panel, 18 x 13.88
9. 966898-9	Panel, 12.38 x 18.25
10. 966898-10	Panel, 12.38 x 18.25
11. 966898-11	Panel, 2.25 x 7
12. 966898-12	Panel, 2.25 x 7
13. 966898-13	Panel, 2.25 x 78.63
14. 966898-14	Panel, 19 x 13.88
15. 966898-15I	Panel, 29.31 x 15.38
16. 966898-16	Panel, 2 x 19
17. 966898-17	Panel, 2 x 19
18. 966898-3918	Panel, 3.27 x 14.63
19. 966898-3919	Panel, 2.25 x 14.63
20. 966898-3920	Door, 21.38 x 15.25
21. 966898-3921	Panel, 14.63 x 14.22
22. 966898-3924	Door, 14.31 x 15.25
23. 966898-25	Panel, 2 x 19
24. 966898-26	Panel, 2 x 19
25. 966898-3927	Door, 15.25 x 23.63
26. 966898-42	Panel, 20 x 17
27. 966898-54	Panel, 2.25 x 13.88
381944-01	Slide, 18", Per set
381408	Lock, Push button, Black
203710	T-molding, Almond
114812	Aluminum angle, 1" x 1"
381192	Drawer slide, 18", Pair
382413-02	Leather strap, Antique Bronze
381607-11	Hinge, Self-close
381228-02	Catch, Grabber door (5lb Pull)

2018 TOMMY BAHAMA TT FURNITURE, LOUNGE

Lounge Bar Top

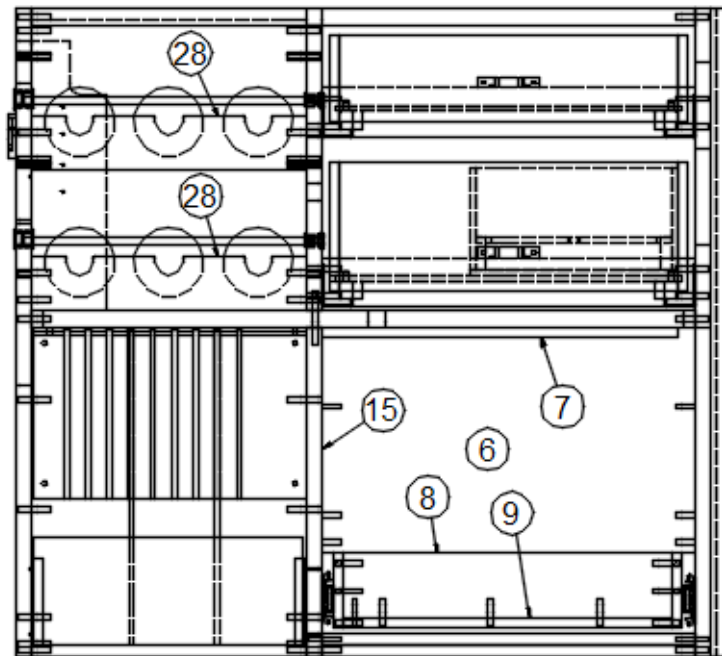
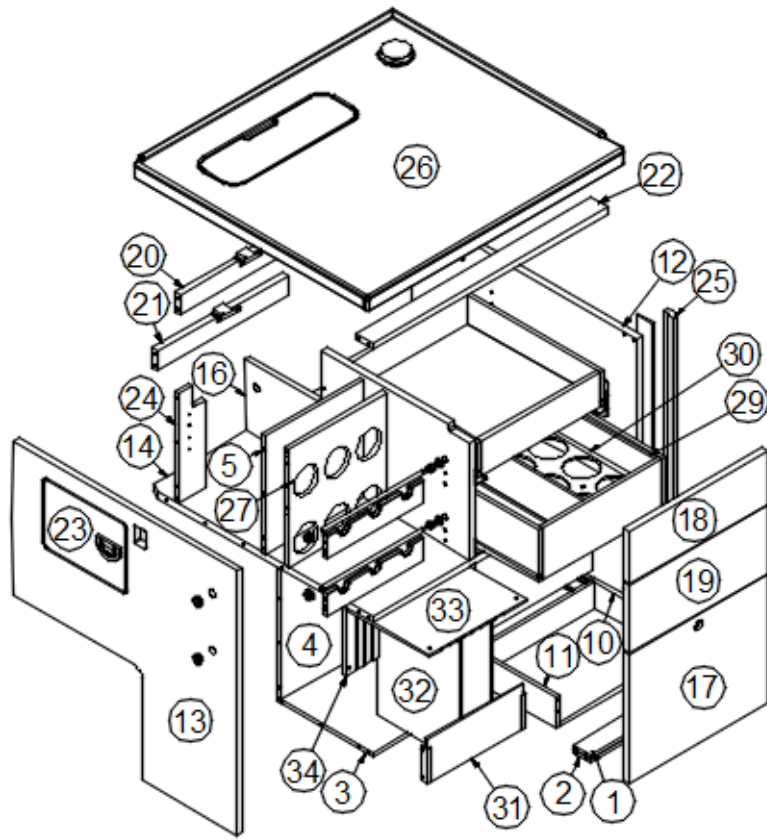


968530 Bar Top Assembly

- 1. 602625 Bar top, Corian
- 2. 602630 Ice trough cover
- 3. 203916 Ice trough
- 4. 513165 Lit panel
- 5. 512986 Receptacle, Pop-up
- 602658 Drain, Ice trough
- 453833 Clip, Sink mount
- 513176 LED pin light
- 513165-01 Controller, Preset to color
- 382457 Gasket, Bar sink

2018 TOMMY BAHAMA TT FURNITURE, LOUNGE

Lounge Bar



Parts Listed on Next Page

2018 TOMMY BAHAMA TT

FURNITURE, LOUNGE

Lounge Bar

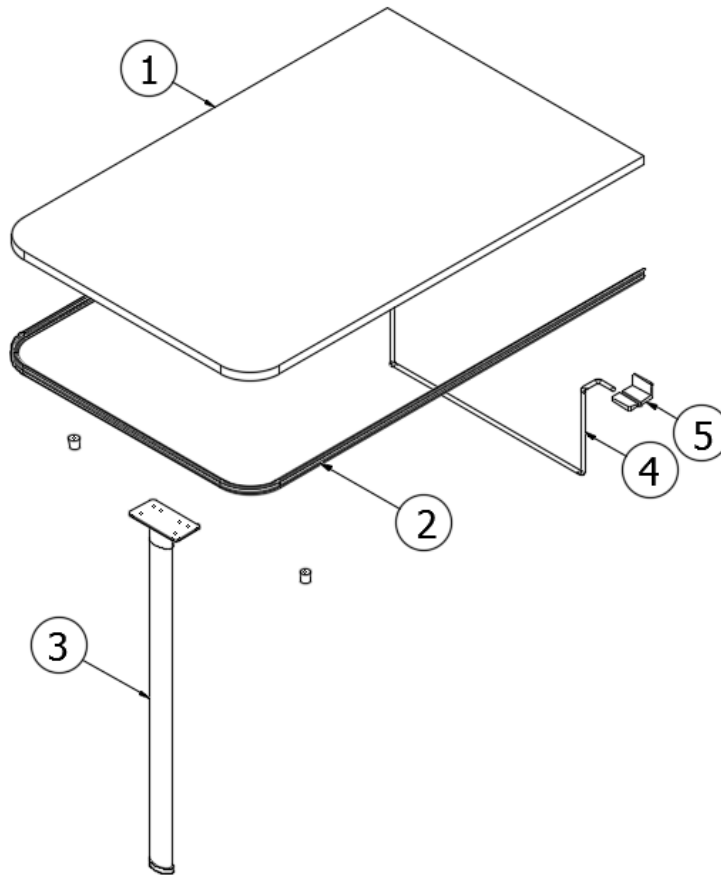
968511-39

Bar

1. 968511-1	Panel, 2.25 x 17.25
2. 968511-2	Panel, 2.25 x 17.25
3. 968511-393	Panel, 12.75 x 12
4. 968511-394	Panel, 12.75 x 15.25
5. 968511-395	Panel, 12.75 x 13.5
6. 968511-6	Panel, 17.25 x 10.5
7. 968511-7	Panel, 2.25 x 16.5
8. 968511-8	Panel, 3 x 15.19
9. 968511-9	Panel, 15.19 x 11
10. 968511-10	Panel, 3.5 x 11
11. 968511-11	Panel, 3.5 x 11
12. 968511-12	Panel, 29.53 x 30
13. 968511-3913	Panel, 29.53 x 30
14. 968511-3914	Panel, 30.75 x 29.31
15. 968511-3915	Panel, 12.5 x 15.25
16. 968511-3916	Panel, 29.53 x 14
17. 968511-3917	Panel, 18.13 x 14.63
18. 968511-3918	Panel, 18.13 x 6
19. 968511-3919	Panel, 18.13 x 7.75
20. 968511-3920	Panel, 2.25 x 17.25
21. 968511-3921	Panel, 2.25 x 17.25
22. 968511-3922	Panel, 2.25 x 30.75
23. 968511-3923	Panel, 10.63 x 7.63
24. 968511-55	Panel, 3.5 x 12.5
25. 801706-0039	Corner trim, 90°, 1" radius, Macchiato
26. 968530	Bar top assembly
27. 802167-0039	Wine bottle holder
28. 802168-0039	Wine bottle front support
29. 968519	Insert, Glass box
30. 203907	Insert, Drawer tumbler w/legs
31. 203908	Insert, Front divider bar
32. 203909	Insert, Divider bar
33. 203911	Insert, Slotted divider top
34. 203910	Insert, Slotted divider back
381228-02	Catch, Grabber door, 5LB
345571	Threaded rod
382425	Bushing, Pry out
382435	Bushing, Snap
381607-15	Hinge, Self-close
382413-02	Leather strap, Antique Bronze
382410	Drawer pull, Flush
381408	Lock, Push button, Black

2018 TOMMY BAHAMA TT FURNITURE, LOUNGE

Dinette Table, 19'



968723

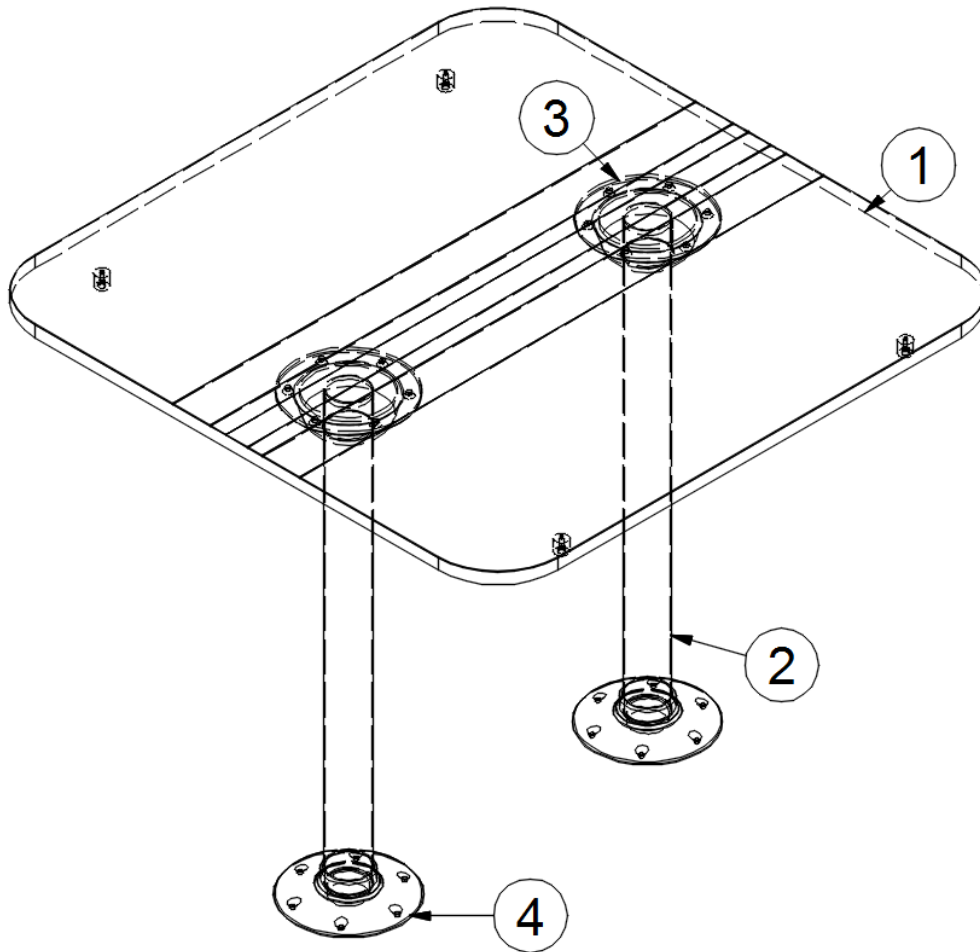
Dinette Table

- 1. 968723&000118PC
- 2. 115472BR
- 3. 382177
- 4. 380284-02
- 5. 380284-03
- 340018
- 381136

- Panel, 26 x 40
- Trim, Counter top, Aluminum
- Leg, Folding
- Hinge bracket
- Center hinge
- Catch plate J-1
- Rubber bumper

2018 TOMMY BAHAMA TT FURNITURE, LOUNGE

Dinette table, 27FB

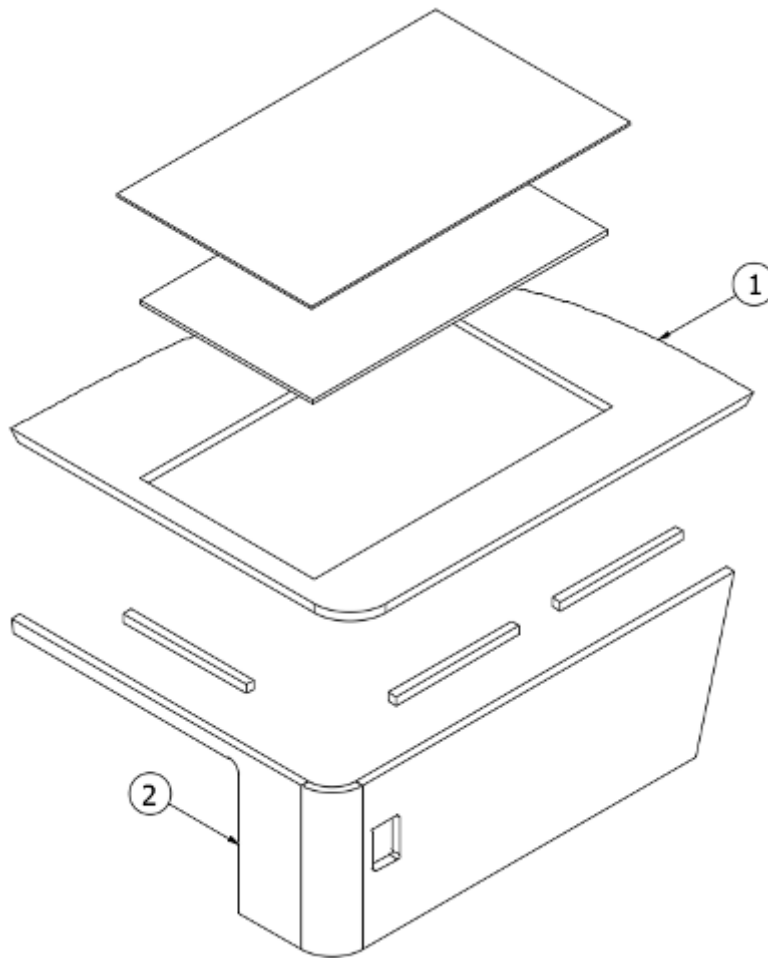


968526-39 Pedestal Table

- 1. 968526-391 Table top, 35 x 35
- 2. 381974 Pedestal leg
- 3. 381975 Socket, Table
- 4. 381976 Socket, Floor
- 381136 Rubber bumper
- 381581 Strap, Clear plastic
- 700005 Fastener, Cap
- 700006 Fastener socket
- 115472 Trim, Counter top, Aluminum

2018 TOMMY BAHAMA TT FURNITURE, LOUNGE

Dinette Seat, Roadside, 19'



968714

Roadside Dinette Seat

1. 968714-1

Panel, 39.41 x 33.17

2. 968185

RS dinette sub assembly

701538-01

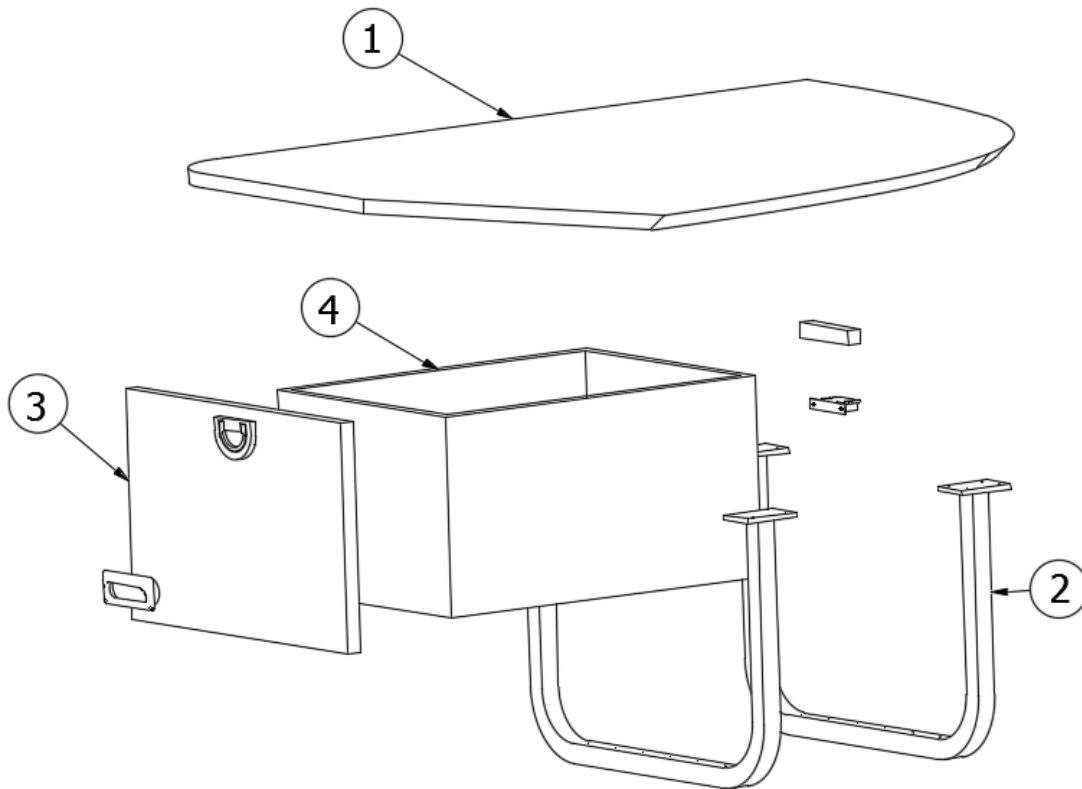
Trunk liner

365412-02

Edgebanding, .94, Macchiato

2018 TOMMY BAHAMA TT FURNITURE, LOUNGE

Dinette Seat, Curbside, 19'



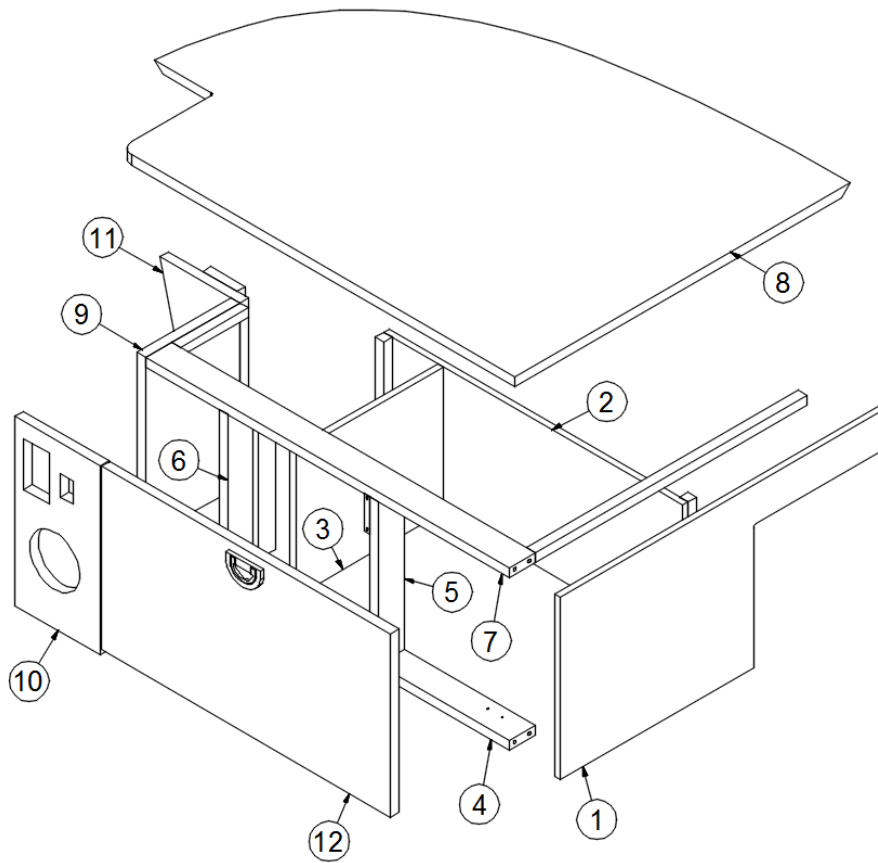
966961

Curbside Dinette Seat

- | | |
|--------------|---------------------------------|
| 1. 966961-1 | Panel, 39.68 x 32.88 |
| 2. 454177 | Legs, Aluminum |
| 3. 966961-4 | drawer face, 18 x 11.5 |
| 4. 964909-11 | Drawer box, 10 x 14 x 19 |
| 381833-01 | Drawer slide, 18" |
| 381228 | Catch, Grabber door (10lb Pull) |
| 382410 | Drawer pull, Flush orb |

2018 TOMMY BAHAMA TT FURNITURE, LOUNGE

Dinette Seat, Roadside, 27FB



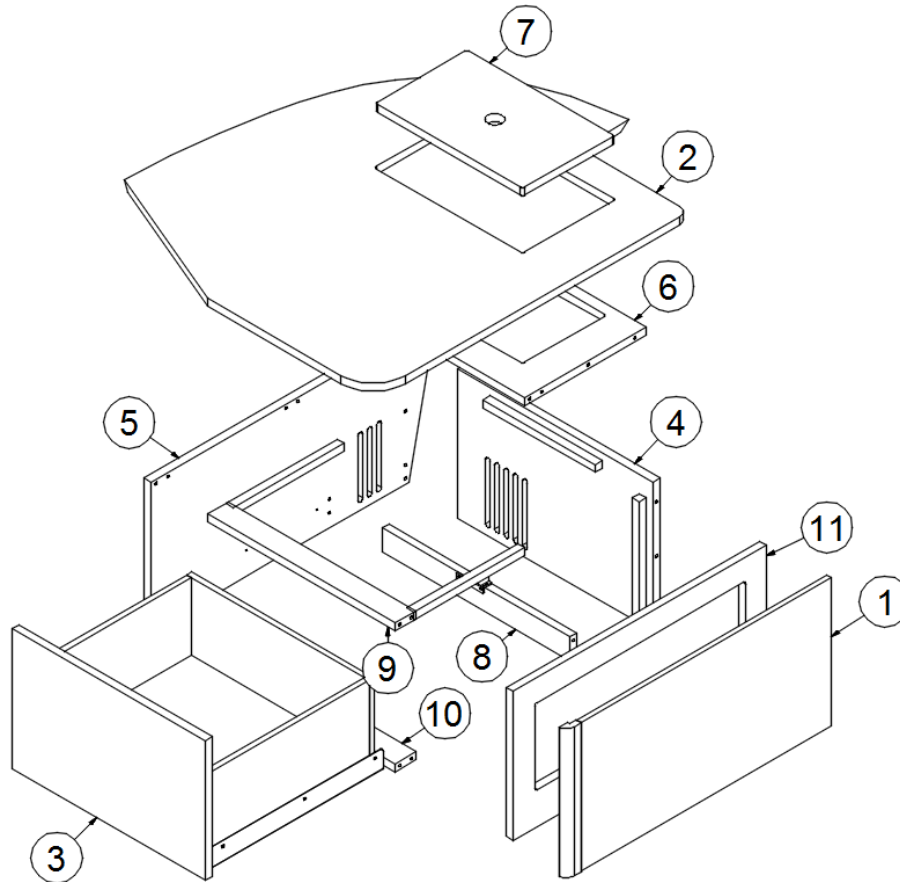
968524-39

Roadside Dinette Seat

- | | |
|-----------------|--------------------------------|
| 1. 968524-391 | Panel, 26.5 x 13.88 |
| 2. 968524-392 | Panel, 11 x 27.31 |
| 3. 968524-393 | Panel, 11 x 13 |
| 4. 968524-394 | Panel, 2.25 x 32 |
| 5. 968524-395 | Panel, 2.25 x 12.38 |
| 6. 968524-396 | Panel, 2.25 x 12.38 |
| 7. 968524-397 | Panel, 2.25 x 33 |
| 8. 968524-398 | Panel, 29.5 x 40.19 |
| 9. 968524-399 | Panel, 10.62 x 13.88 |
| 10. 968524-3910 | Panel, 7.5 x 14.38 |
| 11. 968524-3911 | Panel, 5.75 x 13.88 |
| 12. 968524-3912 | Door, 25.44 x 13.94 |
| 381228-02 | Catch, Grabber door (5lb Pull) |
| 381607-11 | Hinge, Self-close |
| 382410 | Drawer pull, Flush |
| 365412-01 | Edgebanding, .63, Macchiato |
| 365412-02 | Edgebanding, .94, Macchiato |

2018 TOMMY BAHAMA TT FURNITURE, LOUNGE

Dinette Seat, Curbside, 27FB



968281-39

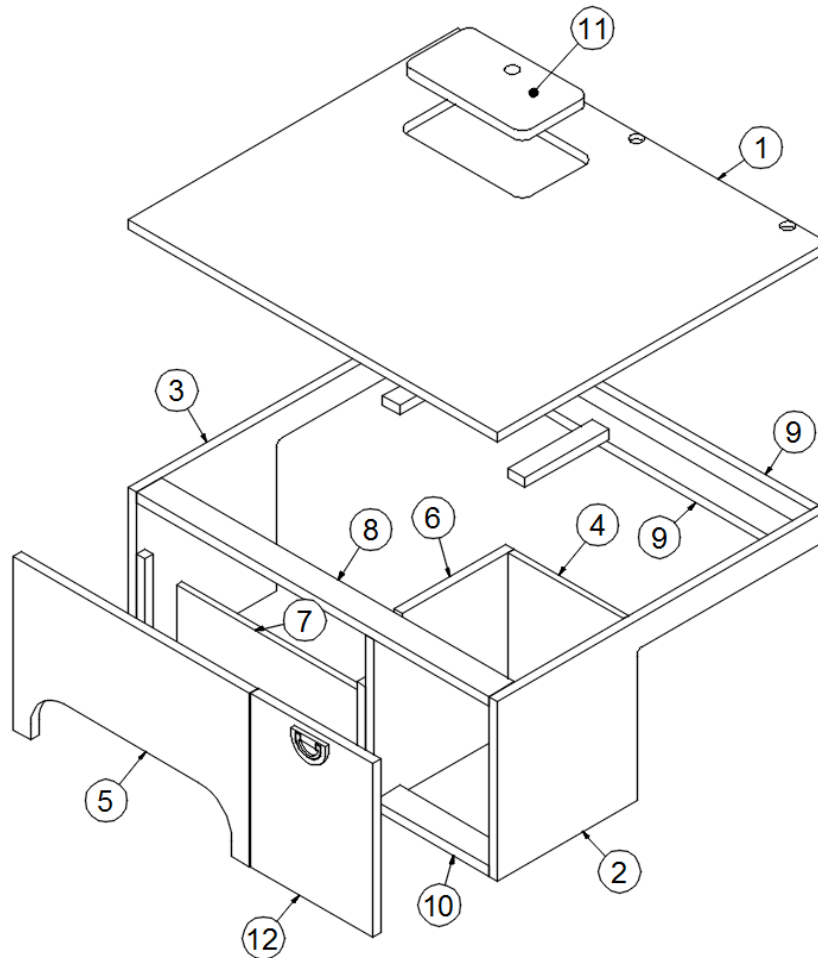
Curbside Dinette Seat

- | | |
|-----------------|--|
| 1. 968281-391 | Panel, 27.26 x 13.88 |
| 2. 968281-392 | Panel, 33.37 x 39.61 |
| 3. 968281-393 | Door, 20.88 x 13 |
| 4. 968281-394 | Panel, 21 x 13.88 |
| 5. 968281-395 | Panel, 31.2 x 13.88 |
| 6. 968281-396 | Panel, 13 x 20.25 |
| 7. 968281-397 | Panel, 9.88 x 15.88 |
| 8. 968281-398 | Panel, 2.25 x 20.25 |
| 9. 968281-399 | Panel, 2.25 x 20.25 |
| 10. 968281-3910 | Panel, 2.25 x 20.25 |
| 11. 968281-3911 | Panel, 27.75 x 13.88 |
| 381228-02 | Catch, Grabber door (5lb Pull) |
| 382203-04 | Drawer slide, Self-close, 18" |
| 968028-14 | Drawer box, 8" |
| 801706-0039 | Corner trim, 90°, 1" radius, Macchiato |
| 382410 | Drawer pull, Flush |

2018 TOMMY BAHAMA TT

FURNITURE, LOUNGE

Sofa, 27FB



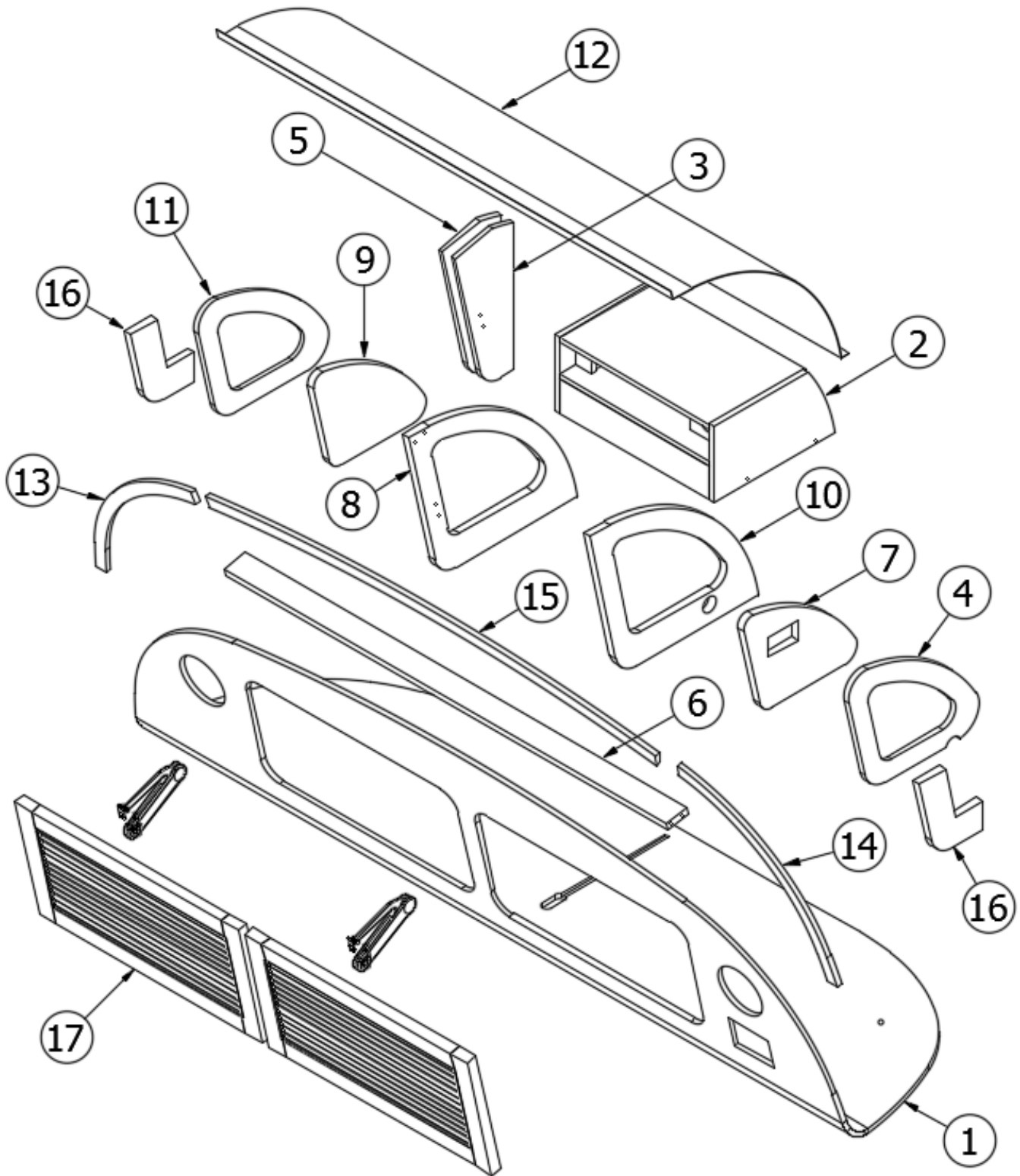
968510-39

Sofa Assembly

- | | |
|-----------------|----------------------|
| 1. 968510-391 | Panel, 33 x 29.5 |
| 2. 968510-392 | Panel, 13.88 x 29.5 |
| 3. 968510-393 | Panel, 13.88 x 29.5 |
| 4. 968510-394 | Panel, 11 x 13.88 |
| 5. 968510-395 | Panel, 21.13 x 13.94 |
| 6. 968510-396 | Panel, 11.75 x 13.88 |
| 7. 968510-397 | Panel, 5 x 20.5 |
| 8. 968510-398 | Panel, 2.25 x 31.5 |
| 9. 968510-399 | Panel, 2.25 x 31.5 |
| 10. 968510-3910 | Panel, 2.25 x 10.25 |
| 11. 968510-3911 | Panel, 10.75 x 6 |
| 12. 968510-3912 | Panel, 10.88 x 13.94 |
| 382410 | Drawer pull, Flush |
| 381607-11 | Hinge, Self-close |

2018 TOMMY BAHAMA TT FURNITURE, LOUNGE

Roof Locker, Front, 19'



Parts Listed on Next Page

2018 TOMMY BAHAMA TT FURNITURE, LOUNGE

Roof Locker, Front, 19'

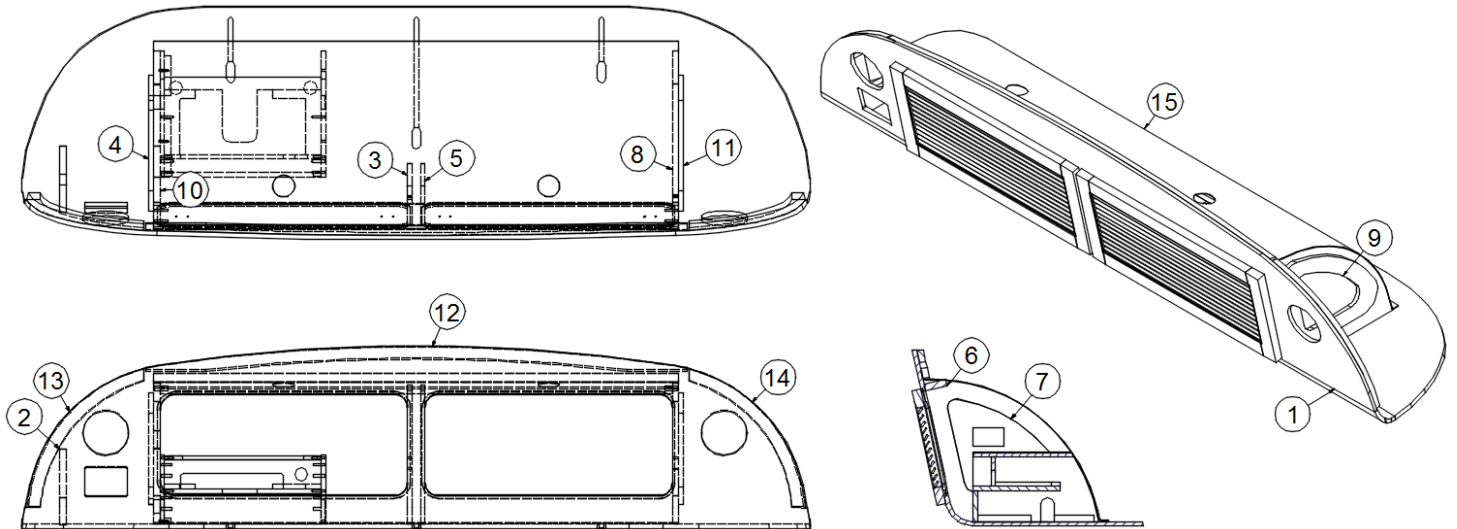
968675

Front Roof Locker

- | | |
|--|---|
| <ul style="list-style-type: none"> 1. 802231 2. 968366 3. 968675&000312CC 4. 968675&000412CC 5. 968675&000512CC 6. 968675&000618CC 7. 968675&000718CC 8. 968675&000818CC 9. 968675&000918CC 10. 968675&001018CC 11. 968675&001112CC 12. 115900 13. 801596-01 14. 801596-02 15. 801596-03 16. 801710 17. 802166-0439 382242 381607-11 968675&002701DE 968675&0025T01A 968675&0026T02A 512438 513129 114879-238 511314 | <ul style="list-style-type: none"> Face, Front roof locker w/radio Blu-ray shelf Panel, 6.92 x 15.73 Panel, 12.6 x 17.44 Panel, 6.92 x 15.73 Panel, 2.5 x 52.38 Panel, 10.54 x 13.29 Panel, 16 x 19.38 Panel, 10.54 x 13.29 Panel, 16 x 19.38 Panel, 12.6 x 17.45 Pan, Liner locker Backer, Center Backer, LH Backer, RH Support, Divider Door, Louvered Stay set, Lid Hinge, Self-close Laminate, Frost White T-molding, .5625", Almond Reverse cove molding, Oak LED reading light LED reading light, Switched Aluminum sheet, .04 x 33 x 238 Bushing, Universal, 1", Black |
|--|---|

2018 TOMMY BAHAMA TT FURNITURE, LOUNGE

Roof Locker with Radio and Speakers, 27FB



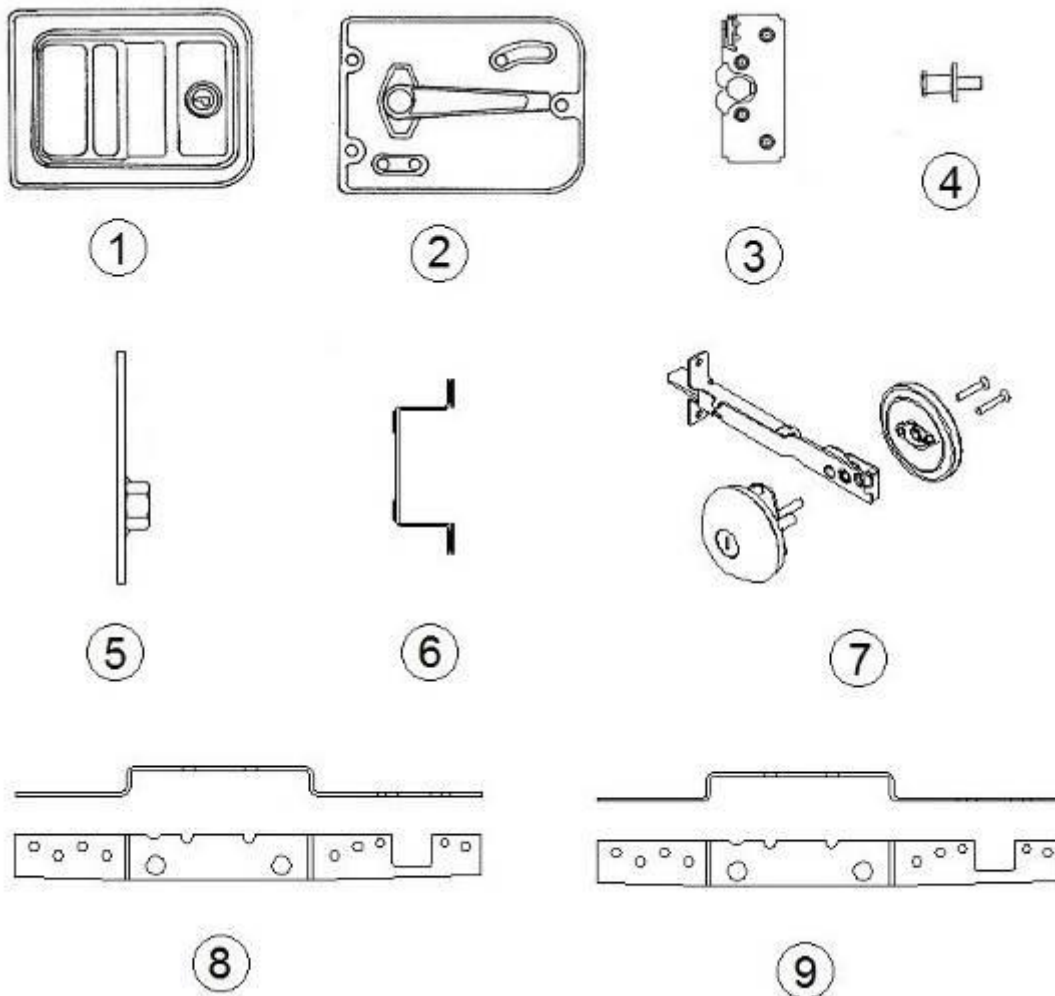
968521-39

Roof Locker with Radio & Speakers

- | | |
|-----------------|---------------------------------------|
| 1. 802169 | Face, Liner locker w/radio & speakers |
| 2. 801710 | Support Divider |
| 3. 968521-393 | Panel, 7.03 x 15.74 |
| 4. 968521-394 | Panel, 12.6 x 15.37 |
| 5. 968521-395 | Panel, 7.03 x 15.74 |
| 6. 968521-396 | Panel, 2.5 x 58 |
| 7. 968521-397 | Panel, 10.78 x 14.53 |
| 8. 968521-398 | Panel, 16 x 19.94 |
| 9. 968521-399 | Panel, 10.78 x 14.53 |
| 10. 968521-3910 | Panel, 16 x 19.94 |
| 11. 968521-3911 | Panel, 12.6 x 15.37 |
| 12. 801596-01 | Backer, Center |
| 13. 801596-02 | Backer, LH |
| 14. 801596-03 | Backer, RH |
| 15. 115834 | Pan, WB front |
| 802166-0139 | Door, Louvered, RH |
| 382242 | Stay set, Lid |
| 968343 | Blu-Ray shelf |
| 801355-01 | Laminate, Frost White |
| 203710 | T-molding, .5625", Almond |
| 201673-01 | Reverse cove molding, Oak |
| 512438 | LED reading light |
| 513129 | LED reading light, Switched |
| 114879-238 | Aluminum sheet, .04 x 33 x 238 |

2018 TOMMY BAHAMA TT HARDWARE

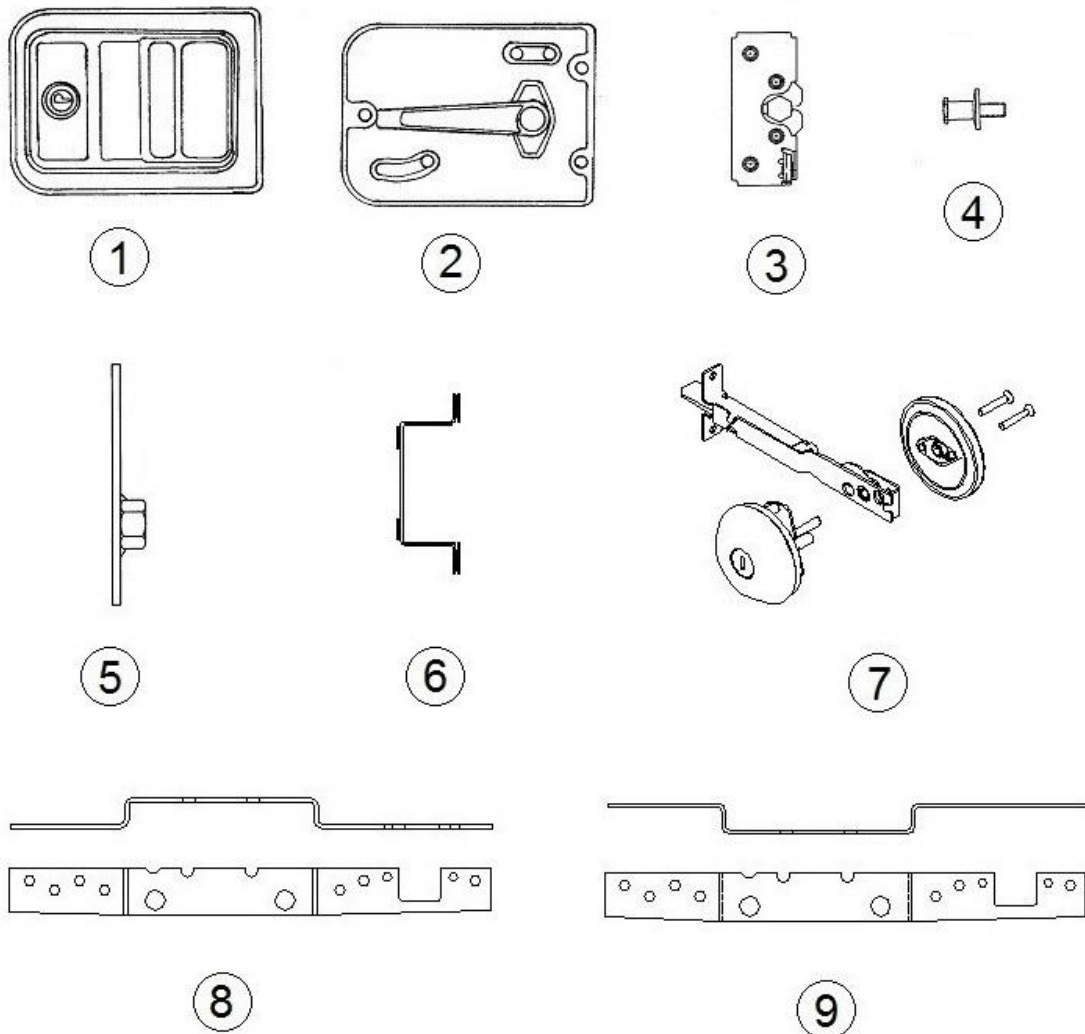
Main Door Lock, LH Hinge



- | | | |
|----|------------|--|
| 1. | 381547-01 | Main door lock, Outside housing |
| 2. | 381547-07 | Main door lock, Inside plate |
| 3. | 381547-03 | Double rotary latch, Main door |
| 4. | 381547-04 | Striker bolt w/washer, Main door lock |
| 5. | 381550 | Plate, Striker bolt mounting |
| 6. | 115413 | Door hat section |
| 7. | 382069 | Deadbolt, Round, Trimark |
| 8. | 382067 | Outer reinforcement plate, RH/LH hinged door |
| 9. | 382066 | Inner reinforcement plate, LH hinged door |
| | 382069-100 | Deadbolt key, Blank |
| | 381547-102 | Main door key, Blank |
| | 381547-08 | Screw package, Main door lock |
| | 385595 | Pocket strike |
| | 382122 | Key chain, Airstream logo |

2018 TOMMY BAHAMA TT HARDWARE

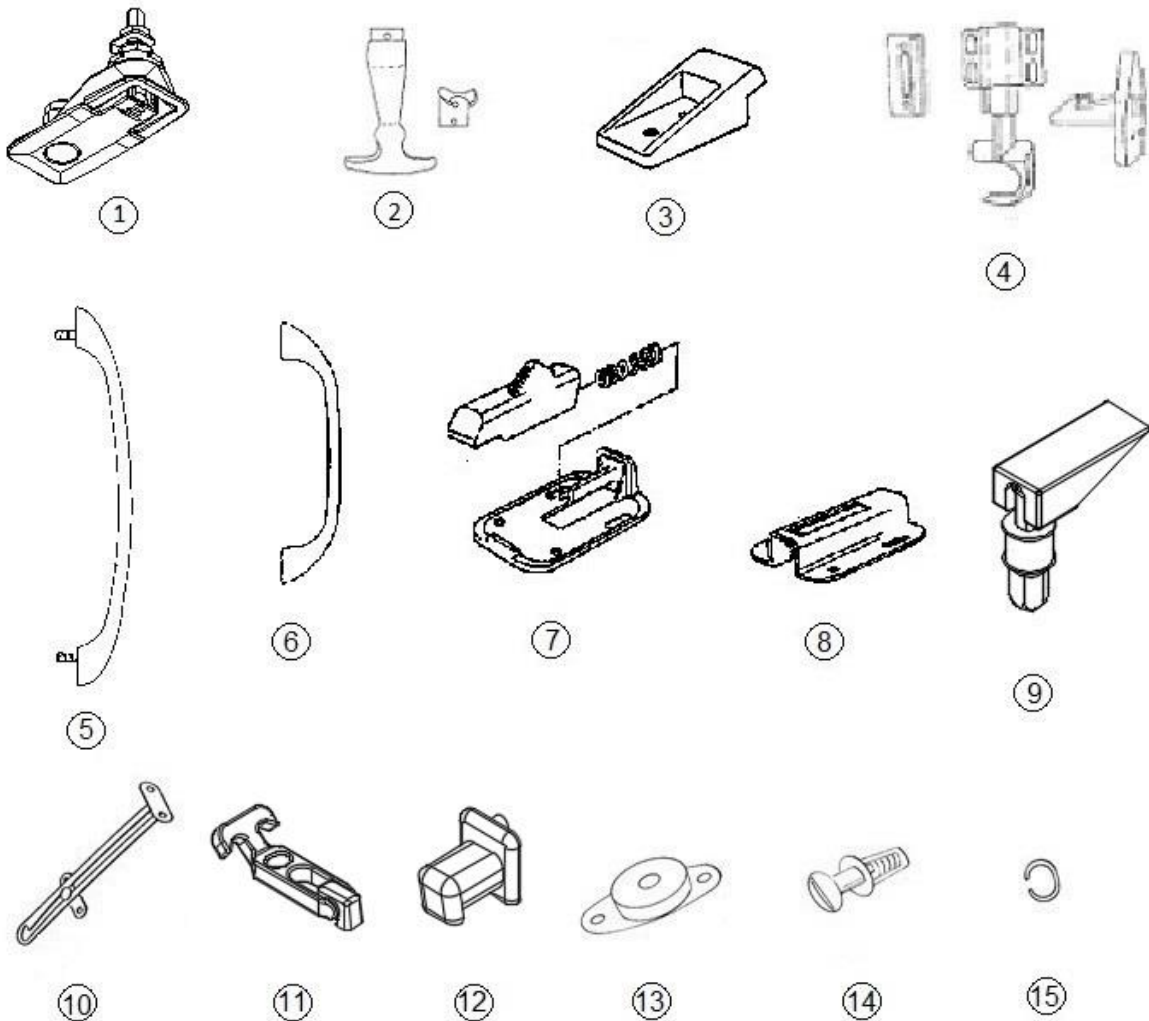
Main Door Lock, Right Hand Hinge



- | | |
|--|--|
| <ul style="list-style-type: none"> 1. 381547-09 2. 381547-11 3. 381547-10 4. 381547-04 5. 381550 6. 115413 7. 382069 8. 382067 9. 382068 382069-100 381547-102 381547-08 385595 | <ul style="list-style-type: none"> Main door lock, Outside housing Main door lock, Inside plate Double rotary latch, Main door lock Striker bolt w/washer, Main door lock Plate, Striker bolt Door hat section Deadbolt, Round, Trimark Outer reinforcement plate, RH/LH hinged door Inner reinforcement plate, RH hinged door Deadbolt key, Blank Main door key, Blank Screw package, Main door lock Pocket strike |
|--|--|

2018 TOMMY BAHAMA TT HARDWARE

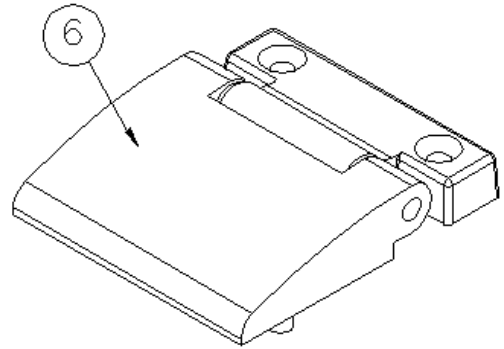
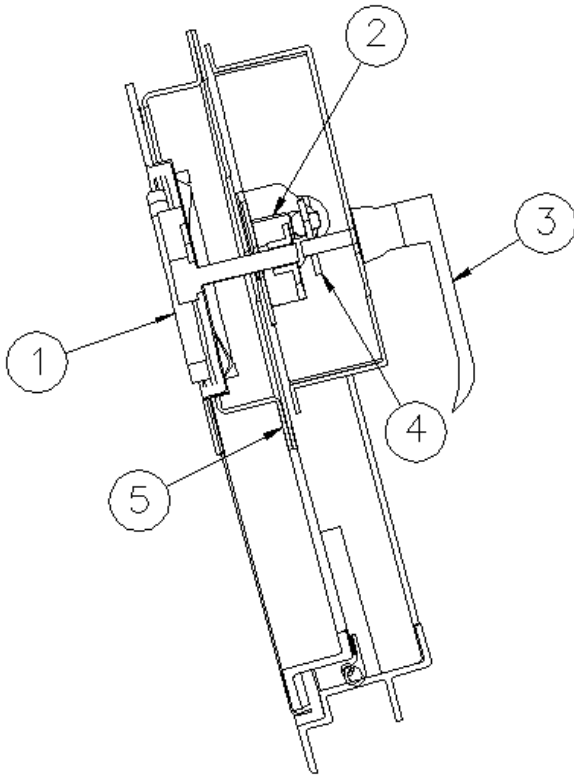
Exterior Latches, Locks, and Handles



- | | |
|---------------|--|
| 1. 382230-02 | Compression latch w/key code |
| 2. 381021-01 | Rubber T-handle |
| 3. 201056 | Catch, main door hold-back |
| 4. 381454 | Latch, Screen door, Bullet |
| 5. 511344-06 | Grab handle w/White LED bulb |
| 6. 380004 | Handle, Screen door |
| 7. 380291 | Main door hold-back |
| 8. 380290 | Latch housing |
| 9. 382456 | Swell latch |
| 10. 380024 | Support arm, Bumper lid |
| 11. 382562 | Latch, Rubber |
| 12. 382562-01 | Keeper, Rubber latch |
| 13. 685359 | Rubber receptacle, 1/4 turn latch, Southco |
| 14. 685358 | Stud, 1/4 turn latch, Southco |
| 15. 685362 | Retaining ring, 1/4 turn stud |
| 382249 | Gasket, Main Door Grab handle |

2018 TOMMY BAHAMA TT HARDWARE

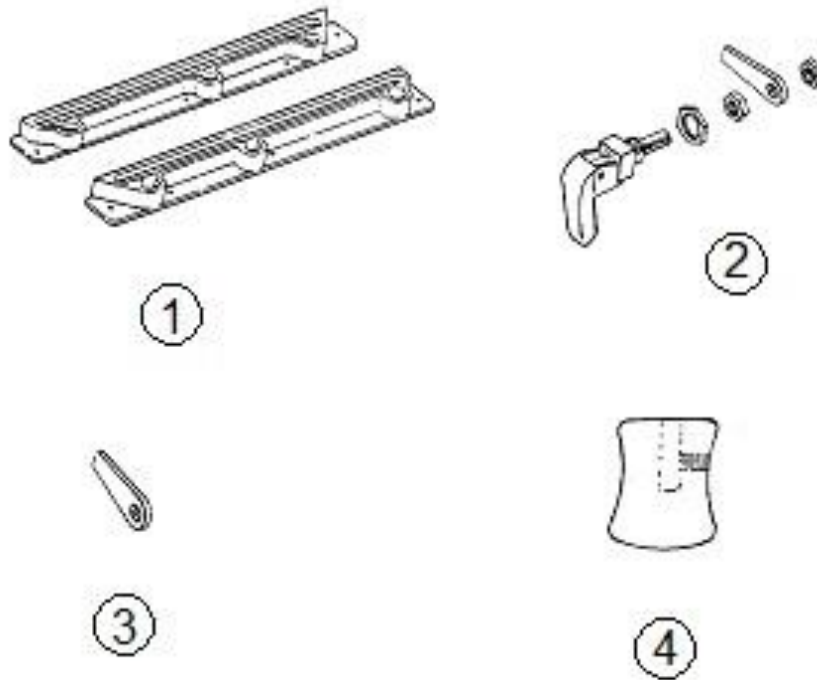
Hatch Door Lock and Hinge



- | | |
|--------------|---------------------------|
| 1. 382018-10 | Handle, locking D-ring |
| 2. 382018-04 | Center case w/override |
| 3. 382018-08 | Handle-L, Non-locking |
| 4. 454577 | Adaptor, Latch release |
| 5. 115522 | Plate, Latch cover 45.81" |
| 6. 382065 | Hinge, Rear hatch door |

2018 TOMMY BAHAMA TT HARDWARE

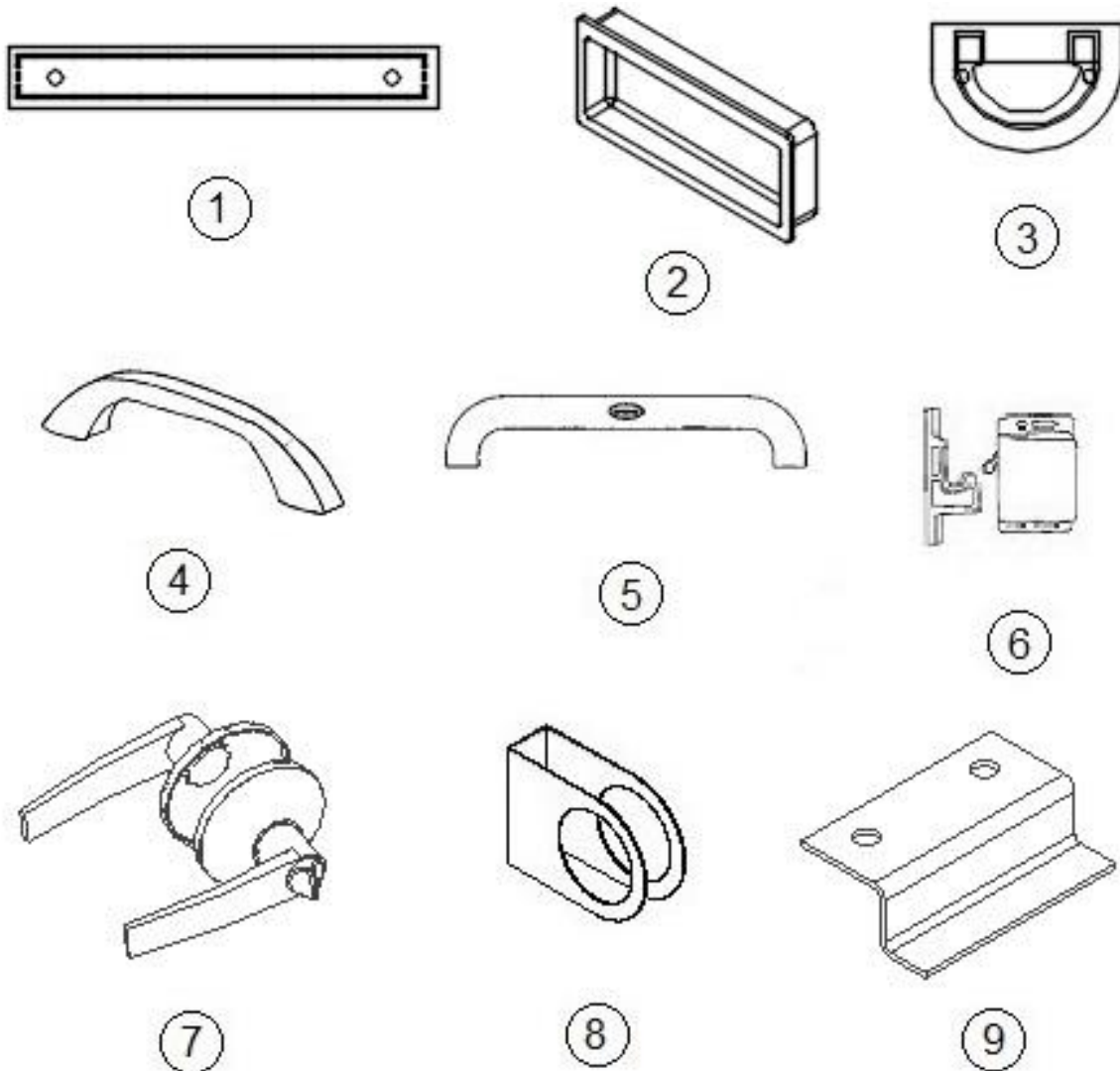
Windows



- | | |
|--------------|----------------------------------|
| 1. 382360 | Window guide, RH |
| 382359 | Window guide, LH |
| 2. 382367-01 | Lower window latch, Chrome |
| 195467-05 | Lower window latch, w/red handle |
| 3. 115776 | Lock paw, Window latch assembly |
| 4. 380230-03 | Knob window arm, silver |
| 380230-04 | Knob, window arm, red |
| 1101-0011 | Bracket, LH window striker |
| 1101-0012 | Bracket, RH window striker |
| 382116-03 | Cap-Screw Rubber 5/32 X .5' |

2018 TOMMY BAHAMA TT HARDWARE

Interior Latches and Handles



- | | |
|--------------|---|
| 1. 382413 | Kit, Leather strap, 2 30mm screws, 2 acorn nuts, and 2 caps |
| 382413-02 | Leather strap only, Bronze/Brown |
| 382413-03 | Screw, Acorn nut, Flat washer, and Bronze cap, (2 per handle) |
| 2. 382437 | Finger pull, Recessed, Matt Black |
| 3. 382410 | Drawer pull, Flush, Bronze |
| 4. 381737-02 | Grab bar, Interior, Black |
| 5. 382194 | Head knocker, White |
| 6. 381228-02 | Catch, grabber door, 5LB |
| 7. 381771-01 | Latch, Lever lockset, Bronze |
| 8. 454320-01 | Door handle cover, Brown |
| 9. 385940-02 | Mirror pull, Chrome |

2018 TOMMY BAHAMA TT HARDWARE

Interior Hinges

382159	Pivot hinge, Nickel
380203-01	Piano hinge
380203-02	Piano hinge, Black
380988	Hinge, Continuous
380773	Hinge, Access door
381607-11	Hinge, Self-close
381607-15	Hinge, Soft-close

Exterior Hinges

381552-02	Hinge, Main door, Upper
381552-01	Hinge, Main door, Lower
381531-01	Hinge, Screen door, Upper
381531-02	Hinge, Screen door, Lower
380773	Hinge, Exterior access door, Gas tank cover
380203-01	Piano hinge, 1/8" Pin, Battery box lid
380203-02	Piano hinge, Hose carrier lid, 72", Black
380988	Hinge, Continuous, Refrigerator access door
381605-03	Hinge, piano, wrap protectors,
380774-02	Hinge, 48.00", compartment door, trunk door
114749	Hinge, "Y" Assembly, Rockguard
114750	Hinge, "J", Rockguard

Bath Accessories

386332	Toilet paper holder, Recessed, Bronze, 19'
380034	Toilet paper holder, chrome, 27FB
600594	Strainer with White rubber stopper
382417	Towel bar, 18", Bronze
602639	Towel ring, Alteo, Bronze
382418	Robe Hook

2018 TOMMY BAHAMA TT HARDWARE

Wardrobe Cabinet

380045	Clothes rod
200975-04	Conduit, Flexible, Black
601266	Closet flange, Chrome

Clothes Line

382063	Retractable clothes line
--------	--------------------------

Galley Cabinet

381708	Waste basket
--------	--------------

Keys and Key Holder

381647	Key, water fill CH 751
385229	Key Holder, Plastic, Airstream Blue
382069-100	Deadbolt key, Blank
381547-102	Main door key, Blank

Tommy Bahama Product Package

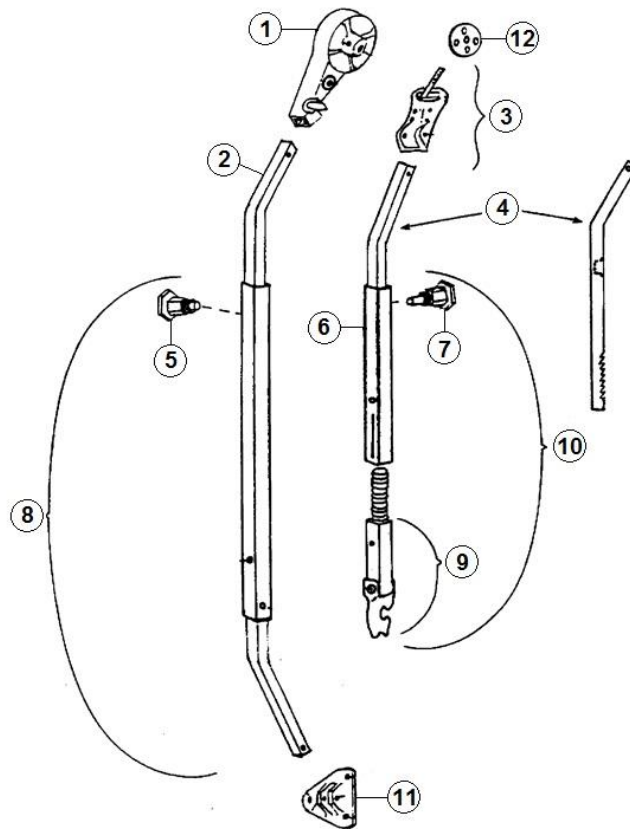
704356-01	Stainless steel cooler, 54 QT.
704356-02	Padded event chair
704356-03	Whisky Stones, Set of 6
704356-04	Marlin bottle opener
704356-05	Parrot bottle opener and corkscrew in lime
704356-06	Etched palm stem less wine glass, Set of 2
704356-07	Etched palm double old fashioned glass, Set of 2
704356-08	Marlin mug
704356-09	Island blend large jar candle
704356-11	Maui Mango hand soap

Cooler

704356-01	Stainless steel cooler, 54 QT.
704374-01	Cooler strap

2018 TOMMY BAHAMA TT HARDWARE

Awning Hardware



702993

Awning Hardware

- | | | |
|-----|------------|-----------------------------|
| 1. | 74043W-06 | Front head |
| | 74043W-07 | Rear head |
| 2. | 74047W-11 | Front main arm bar |
| | 74047W-12 | Rear main arm bar |
| 3. | 74056W | Clamp, Front, Curved |
| | 74056W-01 | Clamp, Rear, Curved |
| 4. | 74061WS-08 | Rafter arm bar, Satin |
| 5. | 74054W | Snap stud |
| 6. | 74063W-04 | Rafter arm tube, Satin |
| 7. | 74072W | Ratchet stud |
| 8. | 74048WS-15 | Front main arm tube |
| | 74048WS-16 | Rear main arm tube |
| 9. | 74068W-04 | Claw bar |
| 10. | 74048WS-17 | Rafter arm |
| 11. | 74055W | Base hinge, Rib mount |
| 12. | 74060W | Clamp wheel |
| | 74041W-01 | Zip Dee hook, Pull rod, 52" |

2018 TOMMY BAHAMA TT HARDWARE

Rivets

325000-01	Rivet, 1/8 x 1/4, Anodized Clear
325002-01	Rivet, 1/8 x 3/8, Anodized Clear
325002-03	Rivet, 1/8 x 3/8, Polar White
325003	Rivet, 1/8 x 7/16, Solid Braizer head
325003-03	Rivet, 1/8 x 7/16, Polar White
325004-01	Rivet, 1/8 x 1/2, Anodized Clear
325103-01	Rivet, Pop, 3/16, Anodized Clear
330016-08	Rivet, Pop, Closed end, Sealing
330152	Rivet, 1/8, Aluminum w/Steel mandrel
330155	Rivet, .125, Aluminum w/Stainless Steel mandrel
330127-03	Rivet, 1/8, AD43ABS
330127-05	Rivet, 1/8, AD45ABS
330127-08	Rivet, 1/8, AD48ABS
330126-02	Rivet, Pop, SSD43SSBS
330126-03	Rivet, Pop, SSD44SSBS
330126-04	Rivet, Pop, SSD45SSBS
330128-08	Rivet, 1/8, AD48ABS

Screws

345582	Screw, M4 x 14, PH, SS, TV bracket
345468-01	Screw, #12 x .625, PH, Black, TV bracket
320177	Screw, #8 x 1, Hex washer head, TV bracket
320116-06	Screw, #8 x 1, PH, Black
345558	Screw, #8-32 x .5, PH, Black, Windows
345511	Screw, M5 x 20mm, Flange HD, Vibration resistant
345473	Screw, #6 x .75, Self-drilling, Taillights
345073-08	Screw, .25-20 x 1.375, Phil, Wafer HD, Floor
320159	Screw, M6 x 45mm, Self-drilling w/wings, Floor
382413-03	Screw, Acorn nut, Flat washer, and Bronze cap, (2 per handle)
382413-04	Screw, .5" dia., Counter-sink, Antique Bronze cap, Bath door

2018 TOMMY BAHAMA TT SAFETY EQUIPMENT

Detectors and Fire Extinguishers

510781	Smoke detector
512539-01	LP detector, Black
512783	Detector, Carbon Monoxide
600162-01	Fire extinguisher
600162-02	Fire extinguisher, CSA

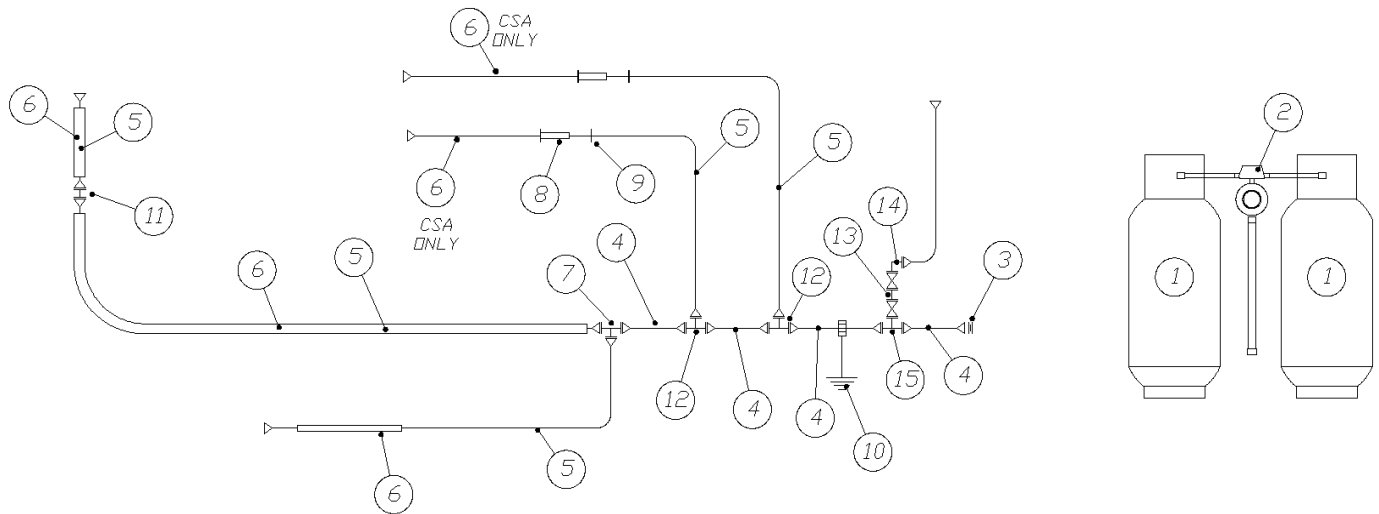
2018 TOMMY BAHAMA TT LABELS AND TAGS

Labels and Tags

386250	Label, LPG Service Port
386119	Label, do not store combustible
385068	Tag, cooking appliance warning
386118	Label, LP gas, tri-warning
386122	Label, comfort heating
386121	Label, "if you smell gas"
385465	Exit label, English
385560	Label, air-conditioner rating
385812	Label, California hazardous substance
386120	Label, smoke alarm warning
385359	Label, microwave or air-conditioner
385837	Label, refrigeration ignition
386098	Label Fuse, 12 V.
386123	Label, potable water only
386192	Hang tag, smoke/CO detector
386193	Label, wheel torque warning
386114	Label, RVIA, silver
385062	Decal, 110-125 voltage AC
386226	Label, RV master weight
385101	Tag, aux., dump valve
385099	Tag, Black tank dump
386019	Label, 1 amp. Fuse max.
385020	Sticker, self-adhering, jack placement
386257	Label, Cable & Satellite Inlet
386263	Hang Tag, Coach-Net Roadside Assistance
386284	Label, Warning-Do not use a dolly wheel

2018 TOMMY BAHAMA TT PLUMBING, LPG SYSTEM

LPG System, 19'



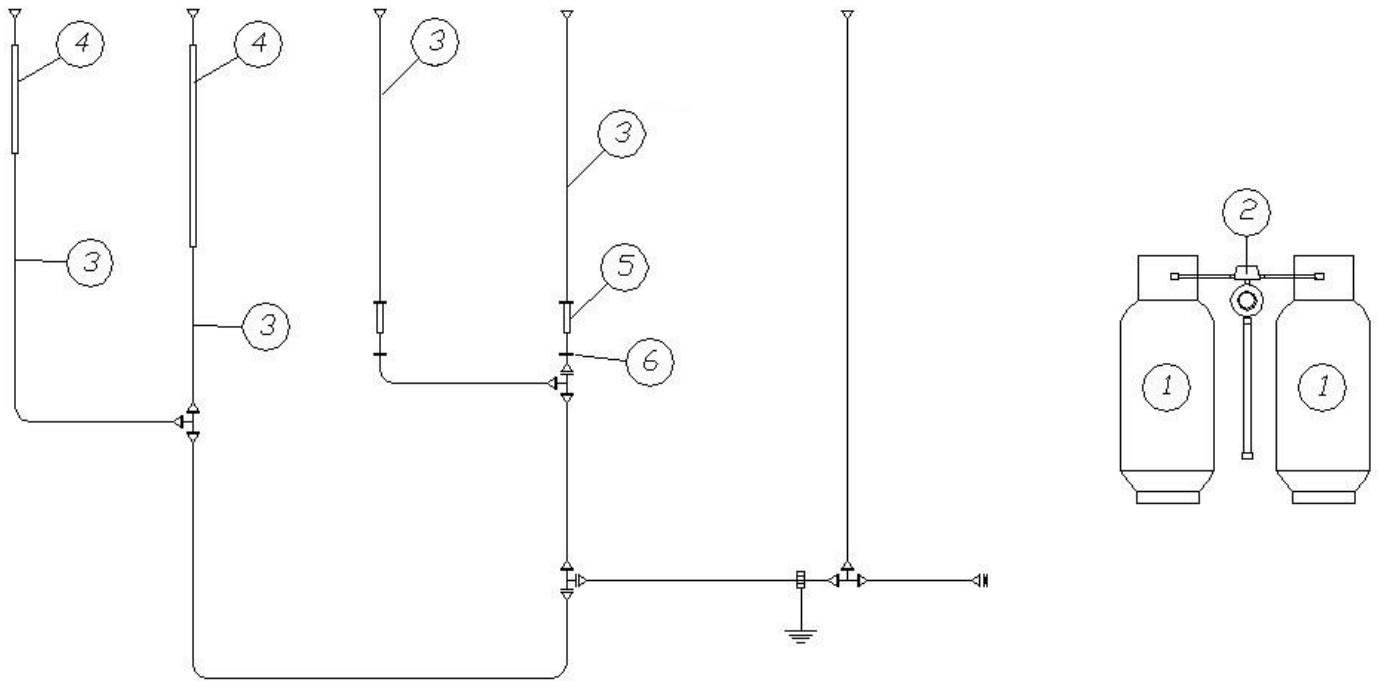
943520

LPG System

- | | |
|--------------|--|
| 1. 601710-01 | LP cylinder, Steel |
| 2. 602332-03 | Cavanaugh gas regulator w/two 11" pigtails |
| 3. 600468 | Union flare, 5/8 x 5/8 |
| 4. 600004 | Tubing, 5/8 OD, Copper |
| 5. 600008 | Tubing, 3/8 OD, Copper |
| 6. 601698-01 | Tubing, .5" E-Pex |
| 7. 600003 | Tee, 5/8 x 3/8 x 3/8 |
| 8. 380887 | Floor grommet |
| 9. 380886 | Floor grommet |
| 10. 600661 | Grounding clamp, .5"-1" |
| 11. 600238 | Flare union, 3/8" |
| 12. 600000 | Tee, Brass, 5/8 x 5/8 x 3/8 |
| 13. 602314 | Fitting, 5/8 flr x 5/8 flr union |
| 14. 602312 | Fitting, 5/8 flr x .5 flr, 90° |
| 15. 601281 | Tee, Brass union, 5/8 x 5/8 x 5/8 |
| 500839 | Wire, 8 gauge, Bare Copper |
| 500038 | Lug ground |
| 600436 | Forged flare nuts, 5/8" |
| 600435 | Forged flare nuts, 3/8" |
| 340085-05 | Clamp, 5/8" Dia |
| 340085-07 | Clamp, Loop, Steel w/rubber, CSA |

2018 TOMMY BAHAMA TT PLUMBING, LPG SYSTEM

LPG System, 27FB



943669

LPG System

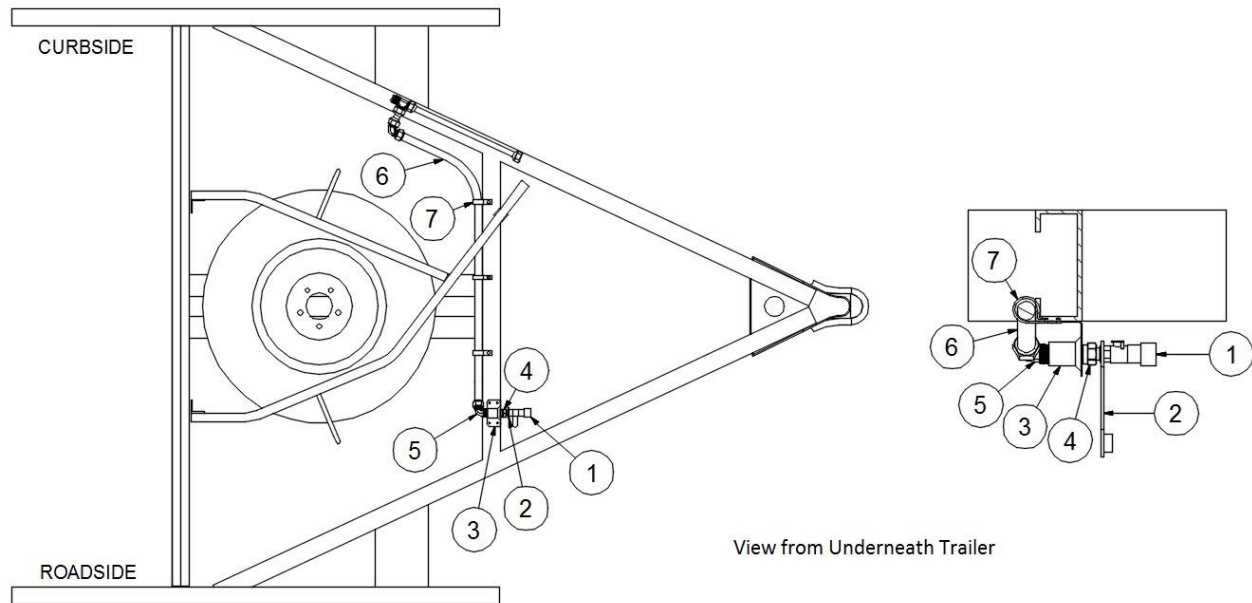
- | | |
|--------------|---|
| 1. 601710-01 | LP cylinder, Steel |
| 2. 602332-03 | Cavanaugh gas regulator w/two 11" pigtailed |
| 3. 600008 | Tubing, 3/8" OD, Copper |
| 4. 601698-01 | E-Pex tubing, 1/2" |
| 5. 380887 | Floor grommet |
| 6. 380886 | Underbelly grommet |
| 602332-05 | 48" LP hose, 3/8" x 1/2" female flare |
| 340085-05 | Clamp, 5/8" Dia |
| 600238 | Flare union, 3/8" |
| 600435 | Forged flare nuts, 3/8" |
| 381613 | Plastisol cover, LP wing handle |

2018 TOMMY BAHAMA TT PLUMBING, LPG SYSTEM

LP Tanks and Covers

601710-01	LP tank, 30#, Steel
921246-01	LP tank cover, Black
115288-01	Wrapper, LP tank cover, Short
200841-02	Lid, LP tank cover, Black
602332-03	Cavanaugh gas regulator w/two 11" pigtails
602332-02	Pan kit, Black
602332-05	48" LP hose, 3/8" x 1/2" female flare
602332-06	Hold down
602332-07	Z-bracket for regulator
382562	Latch, Rubber
382562-01	Keeper, Rubber latch
380773	Piano hinge, 18"
115289-05	Cross bar, LP bottle cover, 5.31"

Exterior Propane Port



112008 Exterior Propane Port

1. 602109-01	Coupler, Quick disconnect
2. 602109-03	Dust plug
3. 454901	Bracket, LP quick disconnect port
4. 602286	Nipple, 1/2" MNPT, 1/4" MNPT
5. 602313	Fitting, 1/2" MPT x 1/2" FLR 90°
6. 602315	LP hose, 1/2" FLR SWV, 36"
7. 340085-07	Clamp, Loop, Steel w/rubber, 1"
201267-11	Conduit, Convolved, 1" Dia.
386250	Label, LPG service port

2018 TOMMY BAHAMA TT

PLUMBING, FRESH WATER

Fresh water Tank, 19'

601861-01	Tank, Fresh water, 23 gallon
964478	Slope pad, Fresh tank
454065	Strap, Fresh water tank
453712	Shield, Fresh water tank drain
601723	Filter screen

Fresh Water Tank, 27FB

601863-01	Tank, Fresh water, 39 gallon
601620	Tank pan, Fresh water
601243	Drain cock
600155	Plug, Cleanout, 1.5"
453712	Shield, Fresh water tank drain
601723	Filter screen

Fresh Water Tank Fill

601194	Water fill w/lock, Gray
601194-02	Cap, cable, and spout
601239-01	Tubing, 1.375" ID, Ribbed
601240-01	Tubing, .5" ID, 3/32" wall thickness
381647	Key, Water fill

City Water Hook-Up

601392-06	City water hook-up w/regulator, Chrome
601392-01	Plastic cap, Shurflow

Water Pump

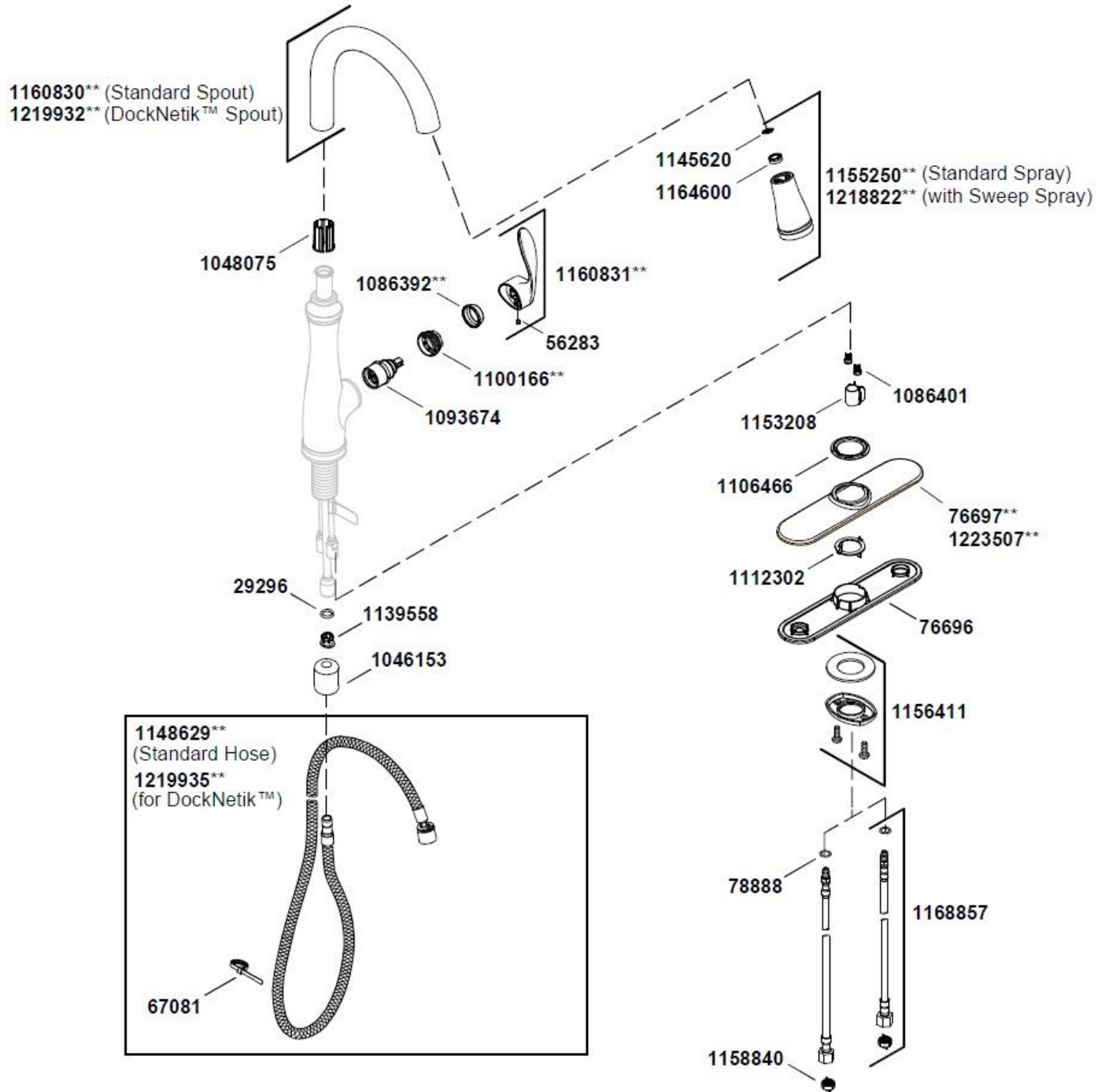
602307	Shurflo water pump, 3 GPM
601668-01	Strainer, Water pump

2018 TOMMY BAHAMA TT PLUMBING, FRESH WATER

Faucet, Galley

602634

Faucet, Pull down, Bronze, Kohler



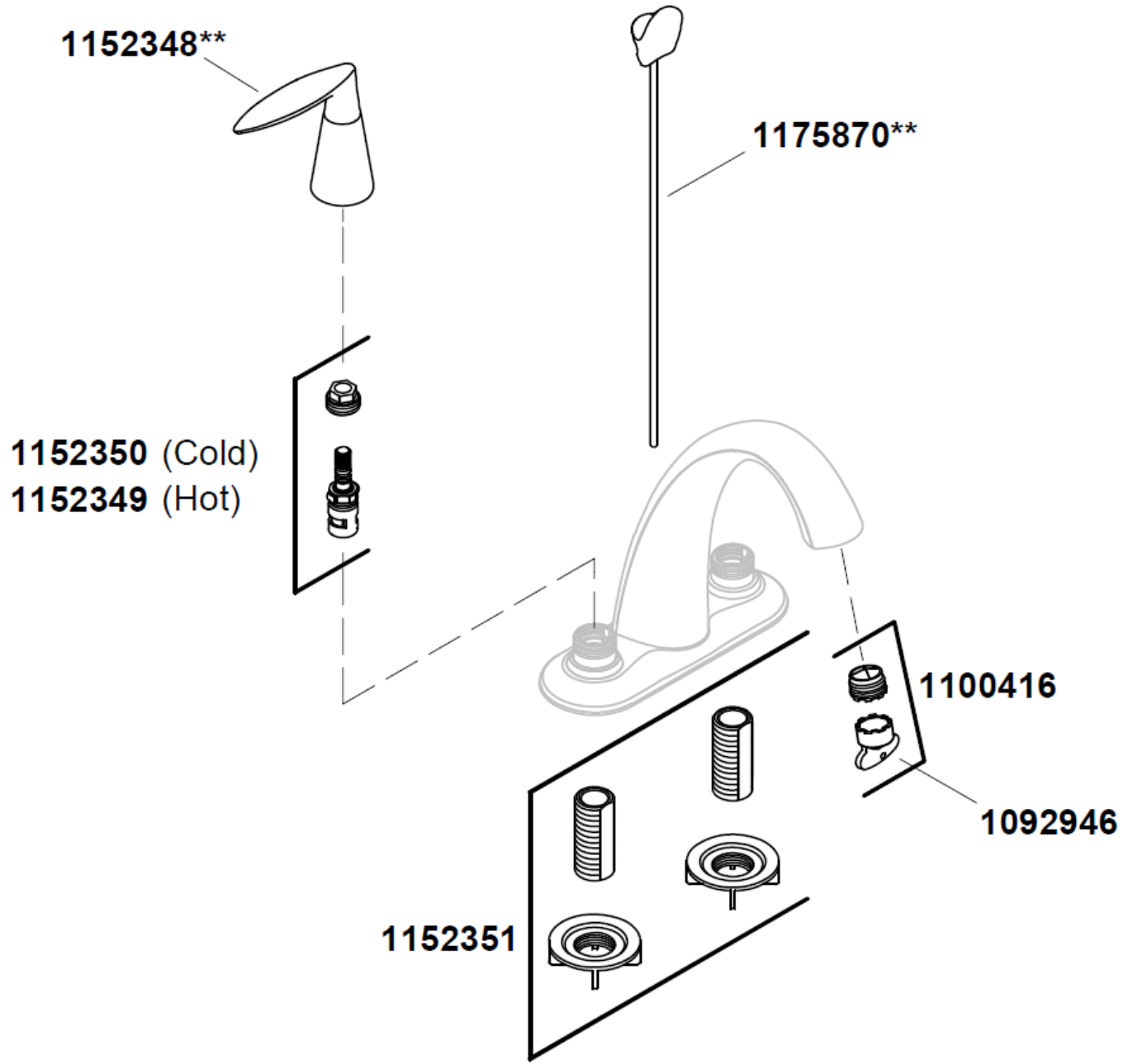
Kohler - model #K560-2BZ

2018 TOMMY BAHAMA TT PLUMBING, FRESH WATER

Faucet, Lavatory

602635

Faucet, Single handle, Bronze, Kohler

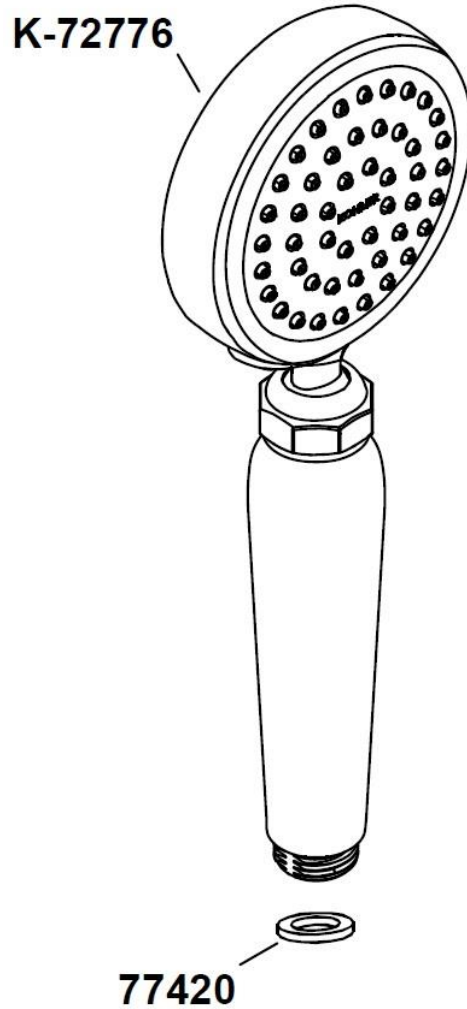


Kohler - model #K45100-4-2BZ

2018 TOMMY BAHAMA TT
PLUMBING, FRESH WATER

Faucet, Hand shower

- 602636 Hand shower w/water sense, Bronze, Kohler
- 602641 Bracket, Wall mount, Bronze
- 602638 Elbow, Wall mount supply elbow w/check valve, Bronze
- 602637 Hose, 60", Bronze

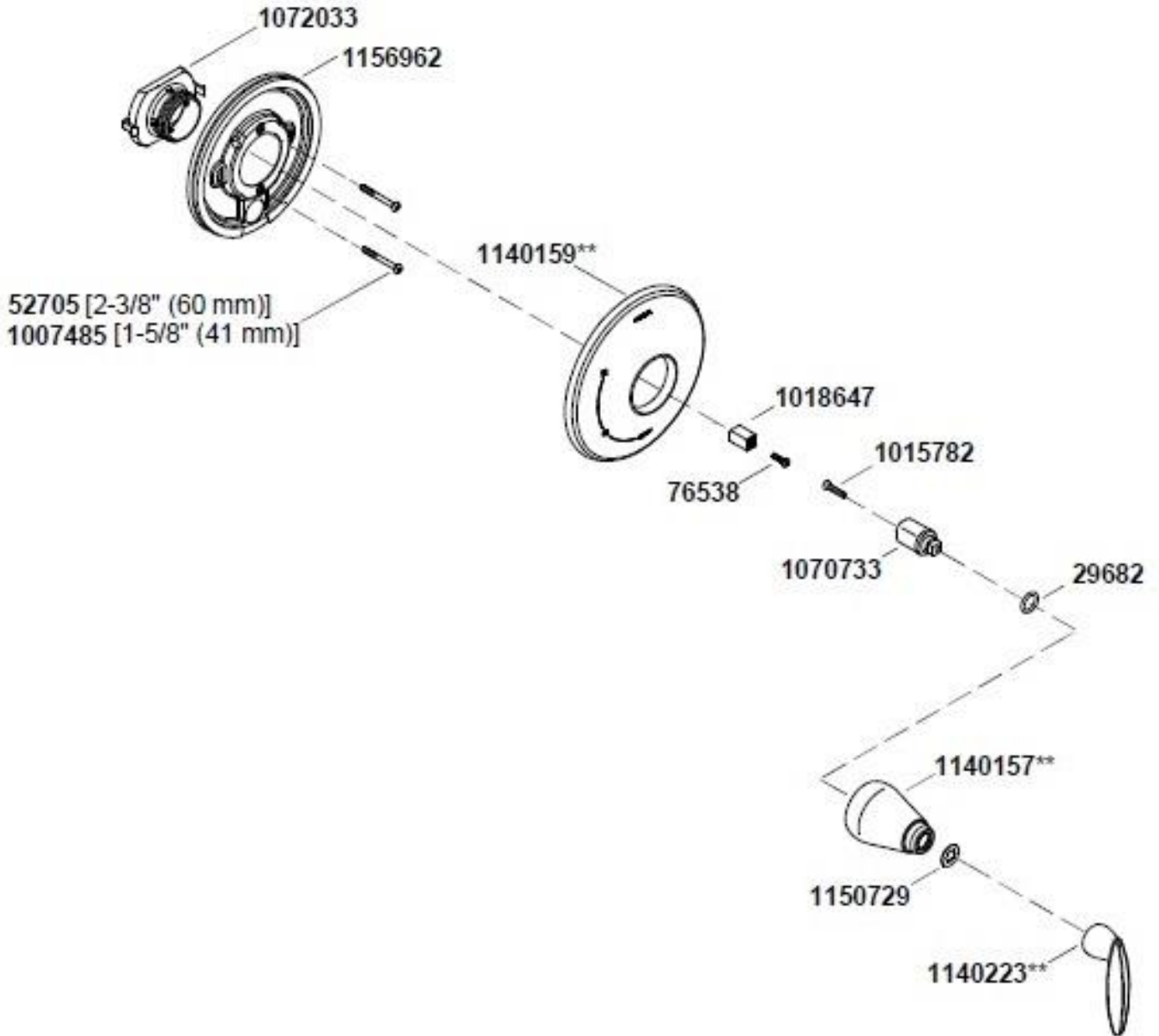


Kohler - model #K72776-2BZ, Hand shower

2018 TOMMY BAHAMA TT PLUMBING, FRESH WATER

Faucet, Shower Handle

602640 Valve Trim Kit, Alteo, Bronze, Kohler

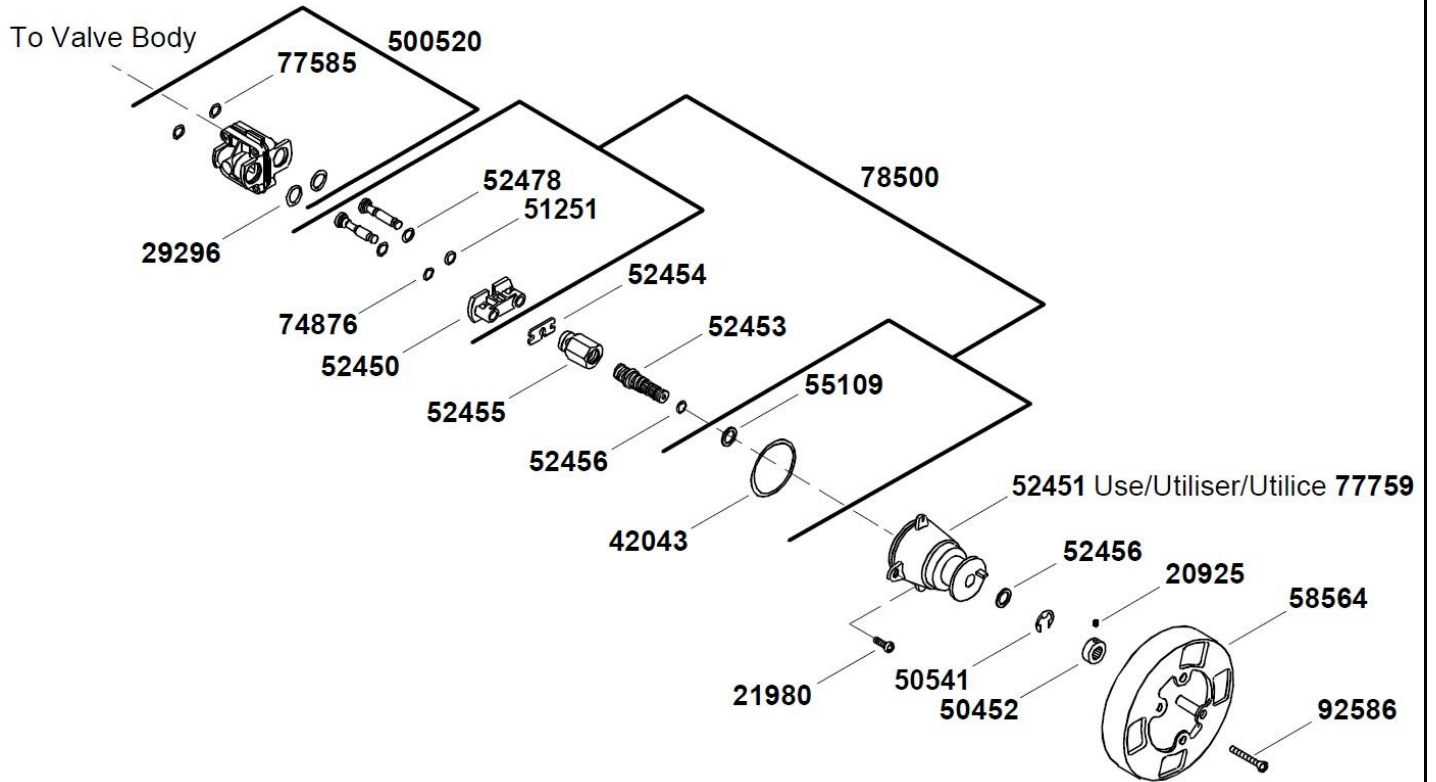


Kohler - model #KTS-45110-4-2BZ, Valve trim kit

2018 TOMMY BAHAMA TT PLUMBING, FRESH WATER

Faucet, Valve

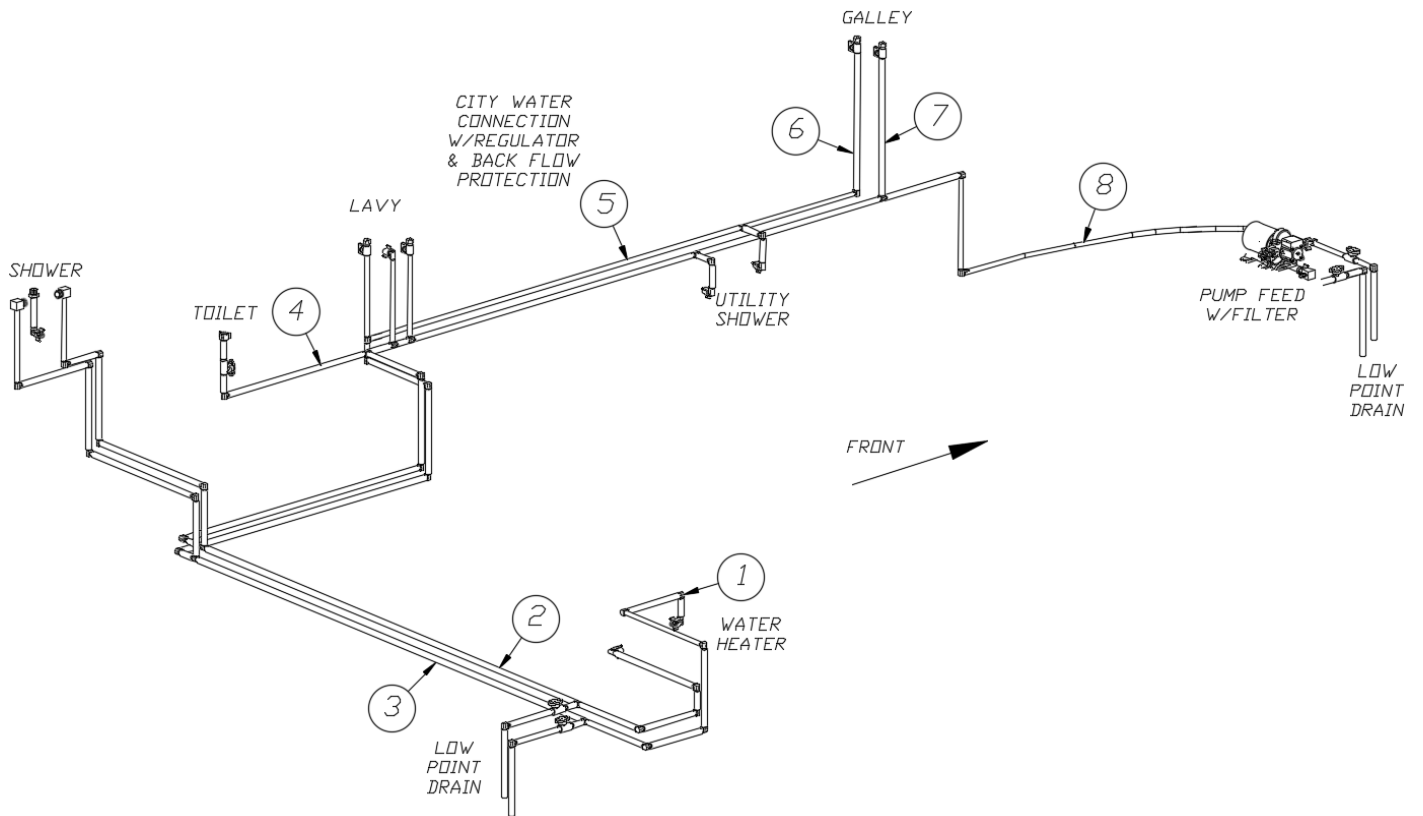
602401 Valve, Rite-Temp, 1/2" Pressure Balance
602632-01 Flow controller with on/off switch



Kohler - model #K-304-PX-NA

2018 TOMMY BAHAMA TT PLUMBING, FRESH WATER

Fresh Water Lines, 19'



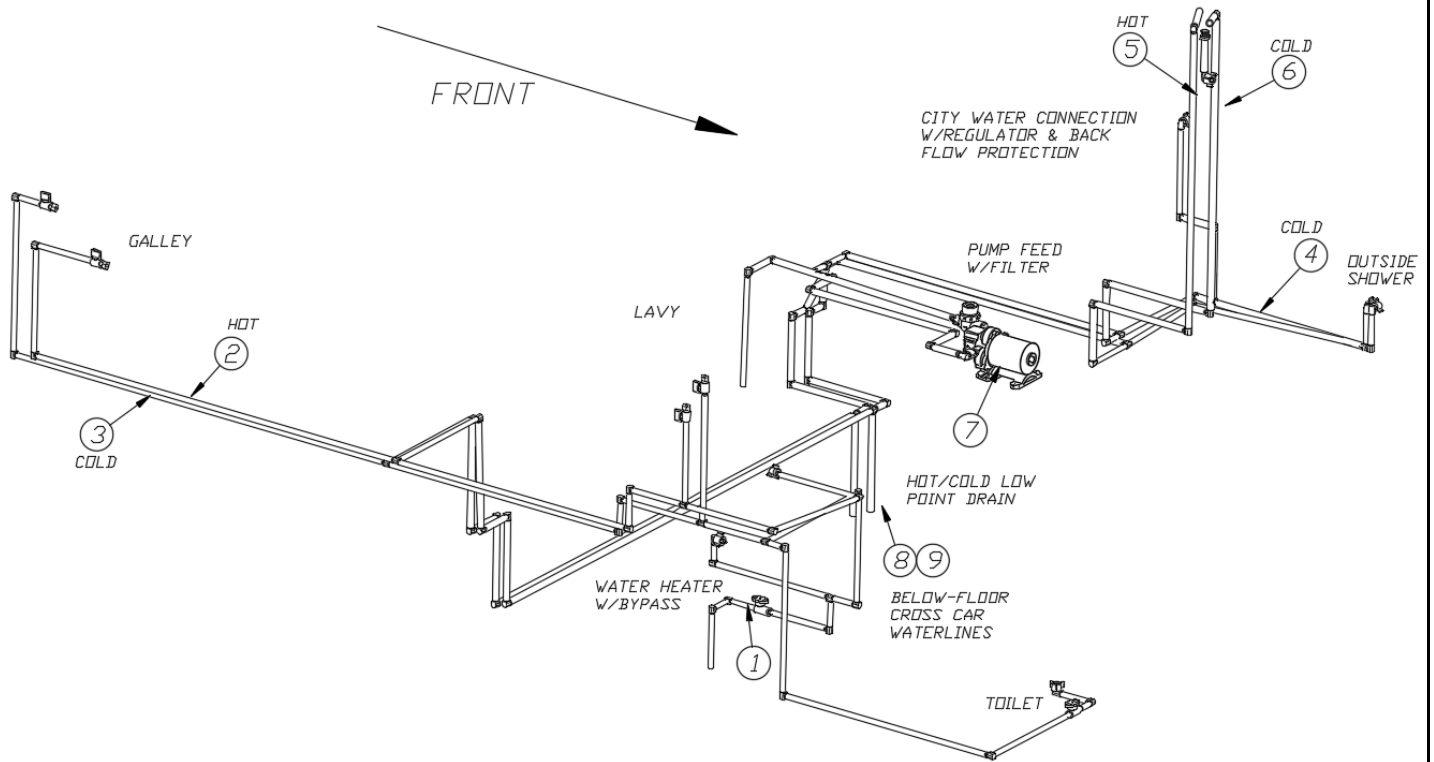
943518-INT

Fresh Water Layout

- | | |
|--------------|----------------------|
| 1. 943518-01 | Water heater hook-up |
| 2. 943518-02 | Cross-car, Cold |
| 3. 943518-03 | Cross-car, Hot |
| 4. 943518-09 | RS cold |
| 5. 943518-10 | RS hot |
| 6. 943518-06 | Galley, Hot |
| 7. 943518-07 | Galley, Cold |
| 8. 943744-01 | Water pump layout |
| 943565 | Tank flush |

2018 TOMMY BAHAMA TT PLUMBING, FRESH WATER

Fresh Water Lines, 27FB



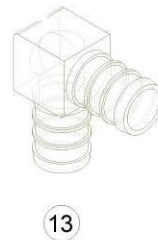
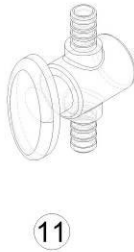
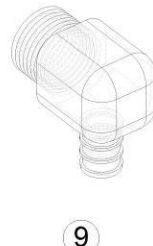
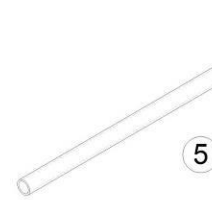
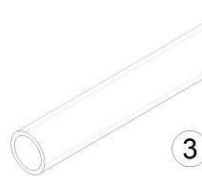
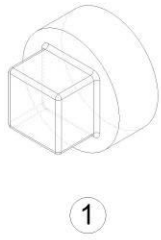
943746

Fresh Water System

- | | |
|--------------|----------------------|
| 1. 943746-01 | Water heater by-pass |
| 2. 943746-02 | CS, Hot |
| 3. 943746-03 | CS, Cold |
| 4. 943746-04 | RS, Cold |
| 5. 943746-05 | RS, Hot |
| 6. 943746-06 | Shower control valve |
| 7. 943746-07 | Water pump connect |
| 8. 943617-01 | Cold crossover line |
| 9. 943617-08 | Hot crossover line |

2018 TOMMY BAHAMA TT PLUMBING, FRESH WATER

Fresh Water Fittings



- | | |
|---------------|---------------------------------------|
| 1. 600155 | Cleanout plug, 1.5" |
| 2. 601237 | Elbow, 90°, 1.25 MPT x 1.25 Bar |
| 3. 601698-01 | E-Pex tube, .5" |
| 4. 601698-15 | Crimp ring, .5" E-Pex, .5", Black |
| 5. 601698-21 | E-Pex tube, .5", Red |
| 6. 602256-01 | Nipple, Poly .5" MPT x .5" MPT |
| 7. 602256-02 | Coupler, .5" barb x .5" MPT |
| 8. 602256-03 | Coupler, .5" barb x .5" FPT |
| 9. 602256-04 | Elbow, .5" barb x .5" MPT |
| 10. 602256-05 | Elbow, .5" barb x .5" FPT |
| 11. 602256-22 | Shut-off, .5" barb x .5" barb |
| 12. 602256-08 | Coupler, .5" x .5" barb |
| 13. 602256-10 | Elbow, .5" barb x .5" barb |
| 14. 602256-11 | Tee, .5" x .5" x .5" |
| 600836 | Elbow, 3/8" MPT x .5" barb, Copper |
| 601239-01 | Tubing, 1.375 ID, w/flats every 9" |
| 601240 | Tubing, 3/8" ID x 3/32 wall clearance |
| 602185-01 | Drain valve, 90° |
| 601659 | Riser, .5" FPT x 12" CPVC |

2018 TOMMY BAHAMA TT PLUMBING, DRAIN SYSTEM

Black and Gray Tanks, 19'

601854-01	Black tank, 17.3 gallon
601844-01	Gray tank, 21 gallon
601717	Pan, Gray tank

Black and Gray Tanks, 27FB

601850-04	Gray holding tank, 37 gallon
601848-12	Black holding tank, 39 gallon
601626	Pan, Waste holding tank
601228	Closeout, Septic pan

Black Tank Flush

601441-02	Tank flush, No-fuss
601392-01	Plastic screw in cap

Toilet Flange

601266	Flange, 3 x 4, Slip fit
--------	-------------------------

Sinks and Shower, 19'

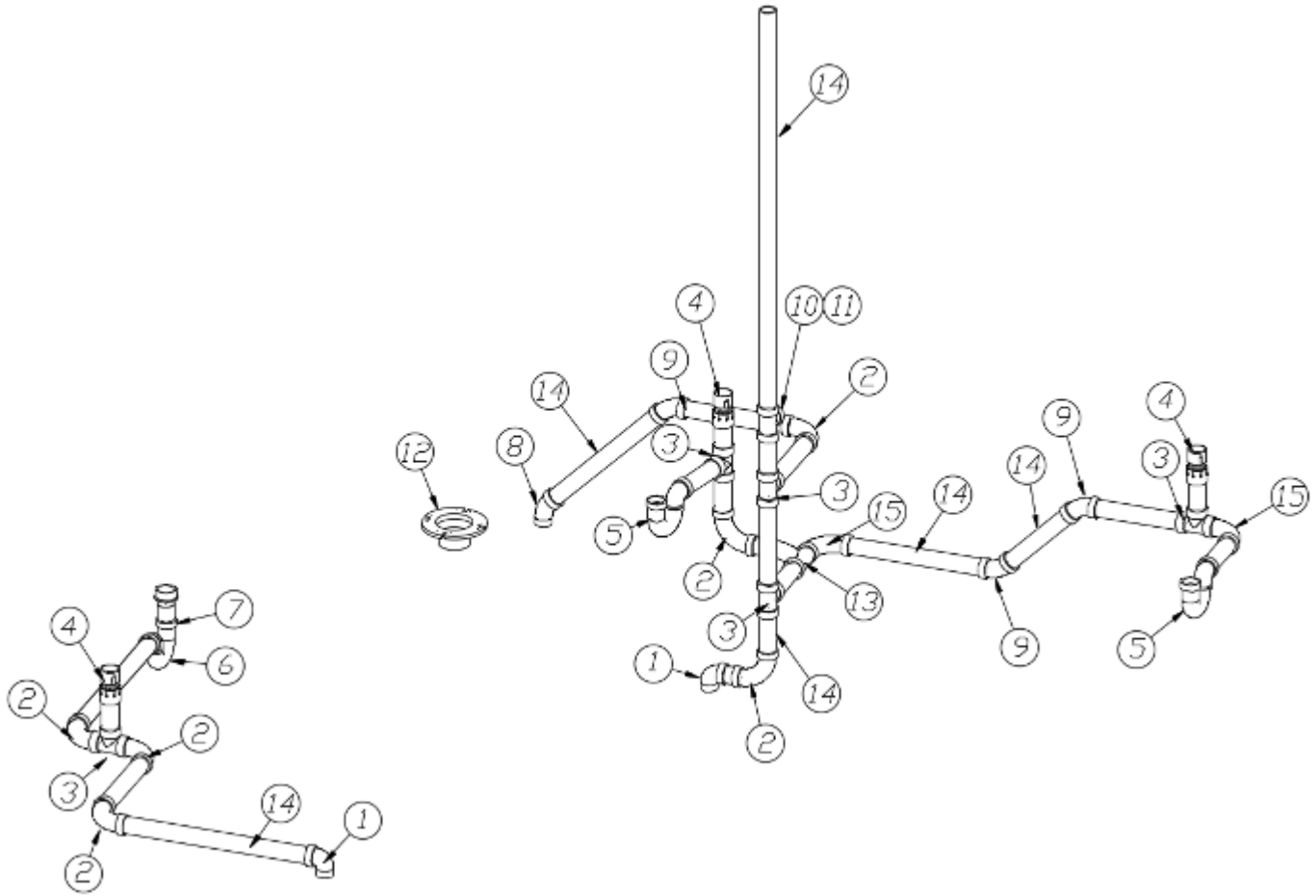
602250	Galley sink, Stainless Steel
602695	Sink cover, Terni
600968	Basket strainer
601804-01	Lavy sink, 12" round, Stainless Steel
203114-02	Shower, 2 piece fiberglass
702937-06	Shower door, Rollaway
600594	Strainer with rubber stopper

Sinks and Shower, 27FB

602396	Galley sink, Undertone, Single bowl, Kohler
602628	Sink cover, Terni
602397	Sink strainer w/tailpiece, Vibrant Stainless
601804-01	Lavy sink, 12" round, Stainless Steel
203081-02	Shower stall, 2 piece
703911-03	Shower door, Bronze
600594	Strainer with rubber stopper

2018 TOMMY BAHAMA TT PLUMBING, DRAIN SYSTEM

Drain, Above Floor, 19'



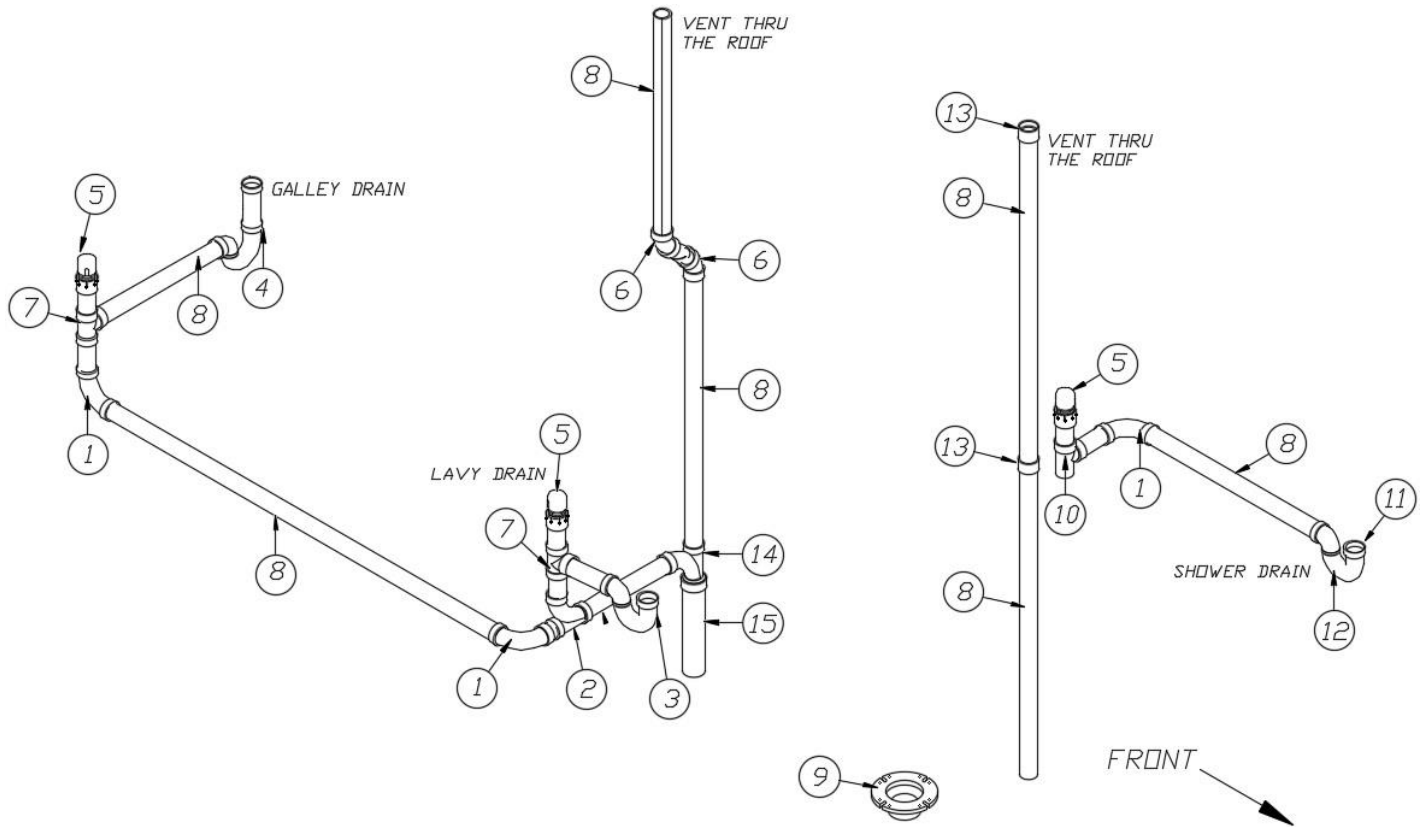
943519-01

Above Floor Drain System

- | | |
|---------------|----------------------------------|
| 1. 600662 | Elbow, Short radius, 1.5" |
| 2. 600035 | Ell, ABS, Long sweep, 1.5" |
| 3. 600156 | Tee, Sanitary |
| 4. 602306 | Valve, 2" Air admittance |
| 5. 600622 | P-trap, 1.5" w/slip nut & washer |
| 6. 602164-01 | P-trap w/compression nut, 1.5" |
| 7. 602164-02 | Tailpiece w/nuts & washers, 1.5" |
| 8. 600027 | Elbow, ABS, Long sweep, 45° |
| 9. 600030 | Ell, ABS, 45°, Long turn |
| 10. 601318 | Tee, Bi-directional |
| 11. 600155 | Plug, 1.5" |
| 12. 600065 | Flange, Threaded |
| 13. 600182 | Wye, 1/8" bend |
| 14. 601160-02 | Pipe, ABS, 1.5" |
| 15. 600431 | Elbow, 90°, 1.5" |
| 690700-01 | Vent cap cover, White |

2018 TOMMY BAHAMA TT PLUMBING, DRAIN SYSTEM

Drain, Above Floor, 27FB



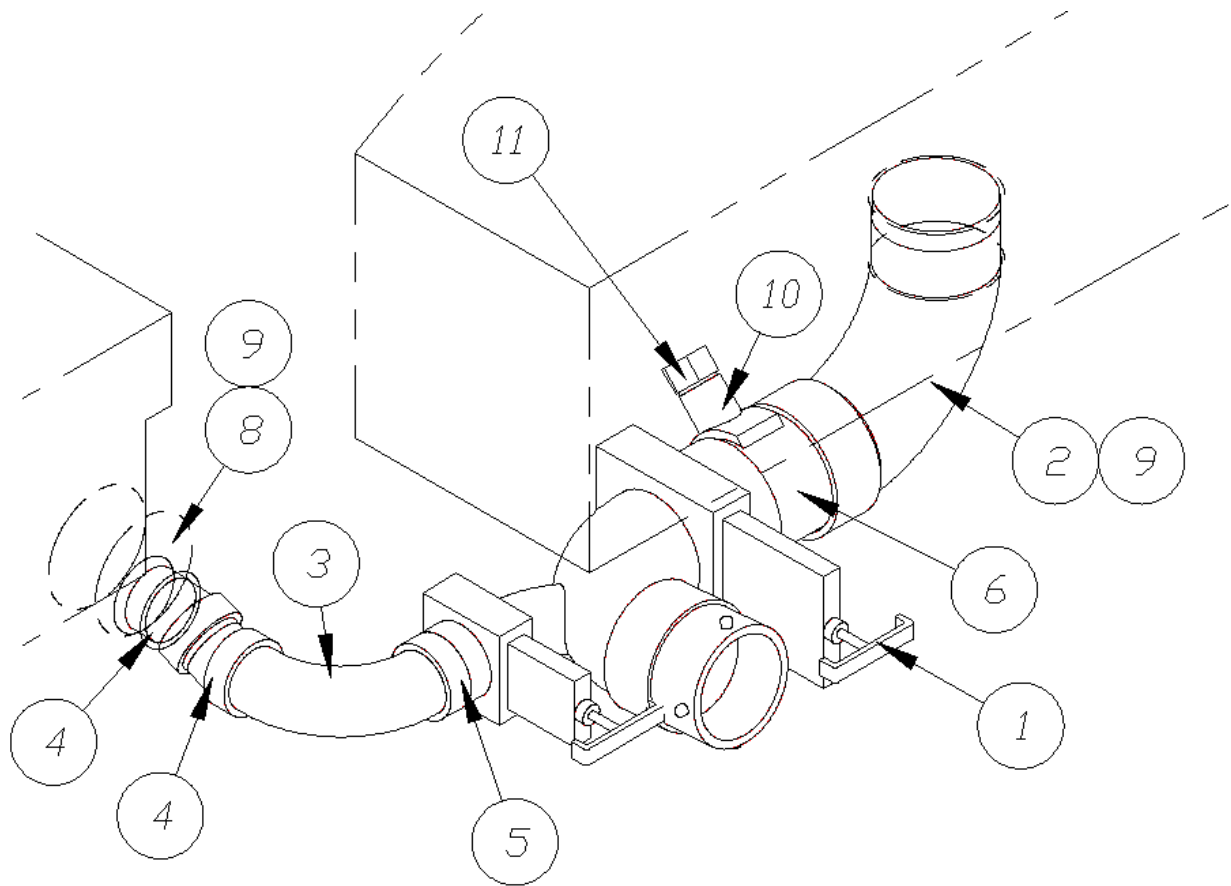
943672-01

Above Floor Drain System

- | | |
|---------------|----------------------------------|
| 1. 600035 | Ell, ABS, Long sweep, 1.5" |
| 2. 600182 | Wye |
| 3. 600144 | P-trap, ABS, 1.5" |
| 4. 600622 | P-trap, 1.5" w/slip nut & washer |
| 5. 602306 | Valve, 2" air admittance |
| 6. 600030 | Ell, ABS, 45°, Long turn |
| 7. 600156 | Tee, Sanitary |
| 8. 601160-02 | Pipe, ABS, 1.5" |
| 9. 600065 | Flange, Floor Threaded |
| 10. 601868 | Tee, Sanitary |
| 11. 602164-02 | Tailpiece w/nuts & washers, 1.5" |
| 12. 602164-01 | P-trap w/compression nut, 1.5" |
| 13. 600227 | Plastic coupling |
| 14. 602072 | Tee, Sanitary, Reducing |
| 15. 601160-03 | Pipe, ABS, 2" |

2018 TOMMY BAHAMA TT PLUMBING, DRAIN SYSTEM

Tank Drain, 19'



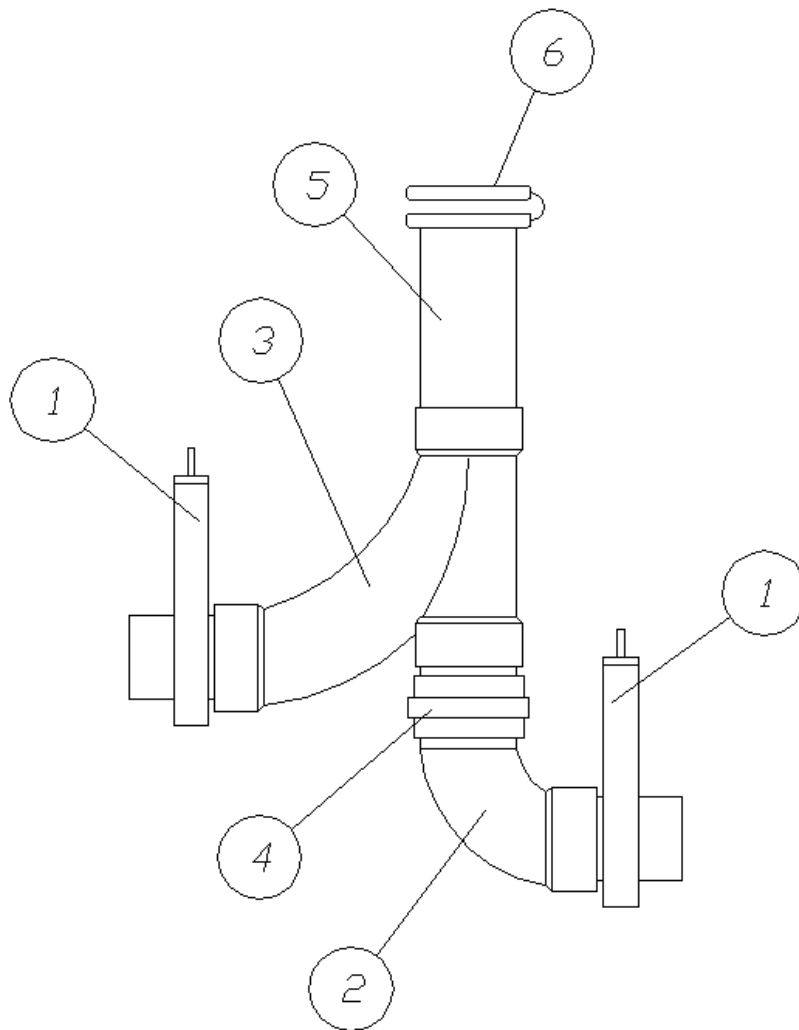
943574

Tank Drain Install

- | | |
|---------------|--|
| 1. 601482 | Dump valve rotating assembly |
| 2. 600820 | 3" single socket, 90° |
| 3. 600431 | Elbow, 90°, 1.5" |
| 4. 601800 | Street ell, 22.5°, ABS, SPIG x HUB, 1.5" |
| 5. 601160-02 | Pipe, ABS DVW, 1.5"-2" long |
| 6. 601160-04 | Pipe, ABS DVW, 3"- 4" long |
| 7. 114916 | Bracket, Dump valve |
| 8. 195329-229 | Reducer adaptor, 3" to 1.5" |
| 9. 340092 | Clamp, Worm type |
| 10. 601846 | Adaptor, 3" pipe, Catcon |
| 11. 512566 | Tank monitoring kit, Seelevel |

2018 TOMMY BAHAMA TT PLUMBING, DRAIN SYSTEM

Dump Valve, 27FB



110191

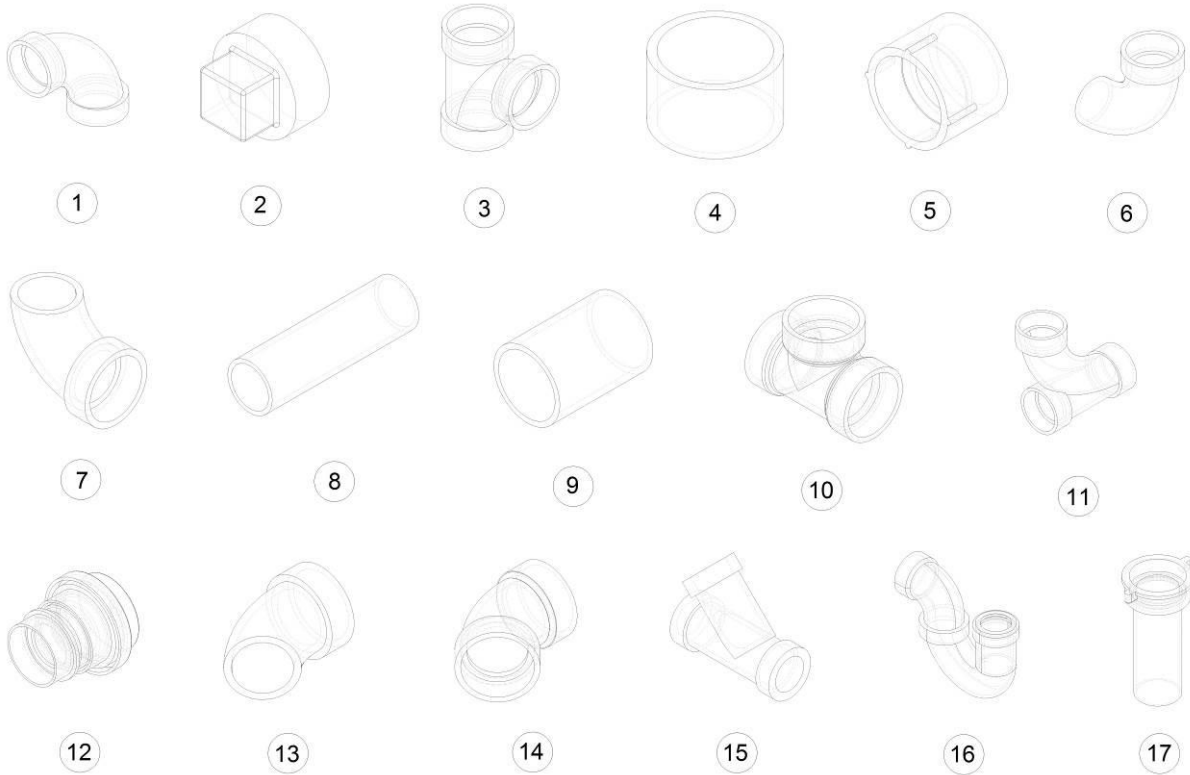
Dump Valve Install

- 1. 601607-11
- 2. 600820
- 3. 600187
- 4. 600289
- 5. 601160-04
- 6. 601607-07

- Valve assembly, 3" spigot x 3" spigot
- Single socket, 3", 90°
- 3" Wye, combination & 1/8" bend
- Calder coupler, 3"
- 3" ABS pipe
- Termination cap

2018 TOMMY BAHAMA TT PLUMBING, DRAIN SYSTEM

Drain Fittings

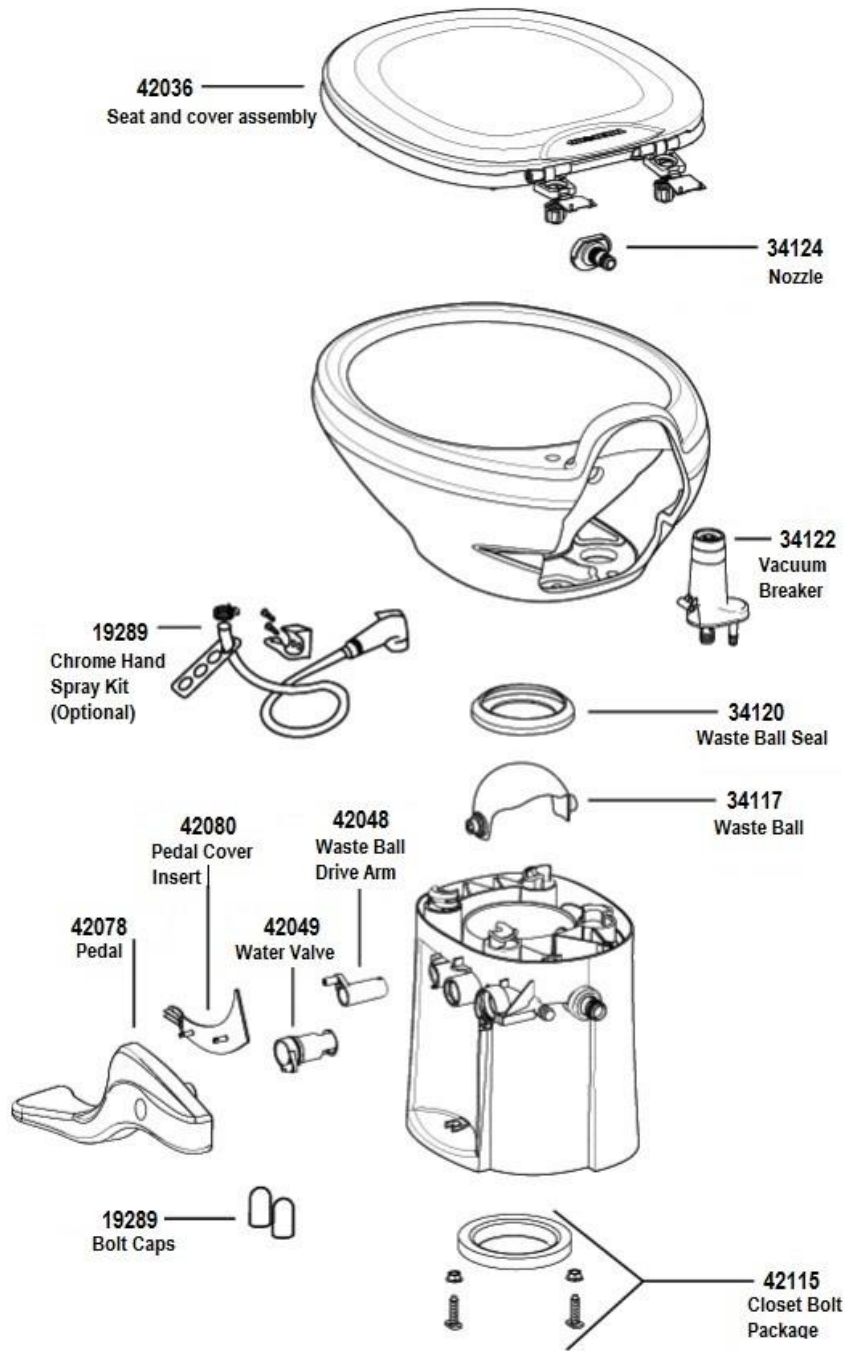


- | | |
|---------------|-------------------------------------|
| 1. 600035 | Elbow, 1.5", 90°, Long sweep |
| 2. 600155 | Plug, 1.5" |
| 3. 600156 | Tee, Sanitary |
| 4. 600227 | Coupling, 1.5" |
| 5. 600308 | Adapter, ABS |
| 6. 600431 | Elbow, 90°, 1.5" |
| 7. 600662 | Elbow, 1.5", 90°, Short radius |
| 8. 601160-02 | Pipe, ABS DVW, 1.5" |
| 9. 601160-04 | Pipe, ABS DVW, 3" |
| 10. 601318 | Tee, Bi-directional clean out, 1.5" |
| 11. 600182 | Wye, 1.5", 1/8" bend |
| 12. 602306 | Valve, Air admittance, 2" |
| 13. 600027 | Elbow, ABS, Long St, 45° |
| 14. 600030 | Elbow, ABS, 45°, Long turn |
| 15. 600094 | Wye |
| 16. 602164-01 | P-trap w/compression nut, 1.5" |
| 17. 602164-02 | Tailpiece w/nuts & washers, 1.5" |
| 600622 | P-trap w/slip nut & washer, 1.5" |
| 600378 | Continuous waste, 1.5" |
| 601868 | Sanitary tee |
| 602185-01 | Drain valve, 90° turn, Lead free |

2018 TOMMY BAHAMA TT PLUMBING, TOILET

Toilet, 19'

602334 Toilet, Thetford Aqua Magic Style II China
 601266 Toilet flange, 3" x 4", Slip fit
 602137 Shut-off valve

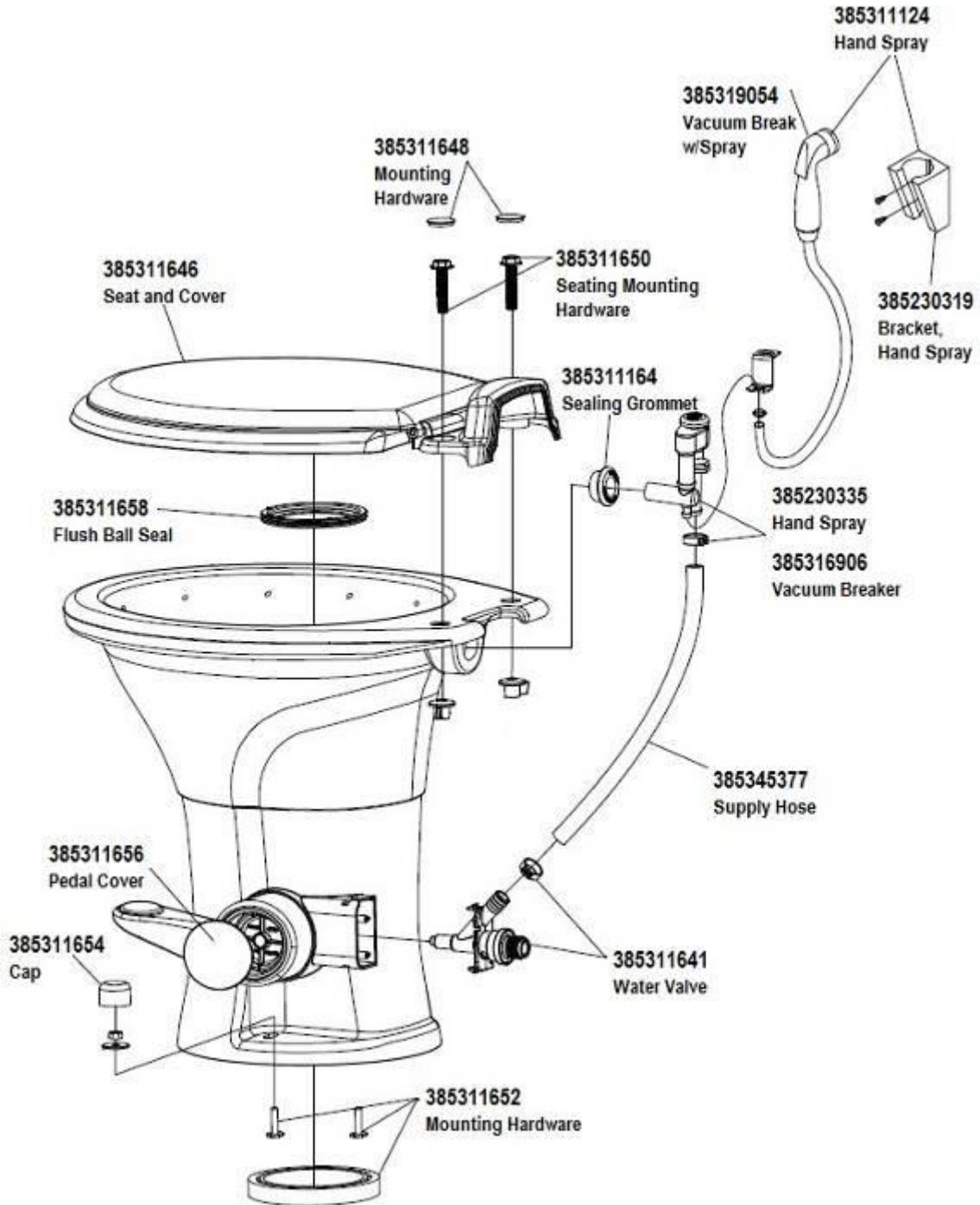


Parts listed are Thetford part numbers

2018 TOMMY BAHAMA TT PLUMBING, DRAIN SYSTEM

Toilet, 27FB

690621 Toilet, China, Dometic
 601266 Toilet flange, Slip fit
 602137 Shut off valve



Parts listed are Dometic part numbers

2018 TOMMY BAHAMA TT SEALERS AND GASKETS

Sealers

360002	Sealant, Vulkem 11.5 oz. tube
360209	Sealant, Seam
360176	Sealant, Almond
360180	Sealant, Sika-Flex, Gray
360180-04	Sealant, Sika-Flex, Black
360301-13	Caulk, Seamfil, Macchiato
360358-11	Sealant, Colorflex II, Macchiato
365330-01	Sealant, RTV silicone, White
365330-02	Sealant, RTV silicone, Gray
365330-03	Sealant, RTV silicone, Aluminum Gray
365330-04	Sealant, RTV silicone, Black
365330-05	Sealant, RTV silicone, Self-level, White
365233-01	Sealant, 100% silicone, Clear
360255-04	Sealant, Anti-wick
28430W-01	Sealant, Acryl-R, Gray, 16 oz. can

Gaskets

365232	Gasket, Main door
382117	Gasket, Window seal
365035	Gasket, Access door jamb
381830	Gasket wiper, L-section, 1.12" x 20"
381663	Gasket, D-seal, PDM sponge, Door bell
365351	Washer, Sealing, Main door hinge
365367	Automotive foam tape
685510	Seam tape, Rubber, Black
685510-01	Seam tape, Exterior metal, Rubber, .5", Black
382074	Gasket, Main door grab handle
512477	Gasket, Neoprene, 1/8" thick, Black
365221	Tape, Double coated, 1/32 urethane
365222	Tape, Double coated, .08" x 3/4"
365016	Tape, Foam, Double face, 1/2" wide
365001	Tape, Double coated foam
382614	Awning Upper Bracket Gasket kit, sheet of 10

2018 TOMMY BAHAMA TT SEALERS AND GASKETS

Gasket Kits

- 365336 Gasket Kit #1, not sold separately:
- Exterior shower gasket, 1 Ea.
 - City water fill gasket, 1 Ea.
 - Step light gasket, 1 Ea.
 - Awning lockdown (AS5 & AS7 Kit), 4 Ea.
 - Lower awning foot (AS7 Kit), 4 Ea.
 - Awning foot (Rear W/Pan Kit), 4 Ea.
 - Lower awning foot (AS5 Kit), 4 Ea.
- 365337 Gasket Kit #2, not sold separately:
- Small furnace exhaust/intake, 1 Ea.
 - Gravity water fill, 1 Ea.
 - Range vent gasket, 1 Ea.
 - Awning lockdown (LW7 Kit), 4 Ea.
 - Awning classic center post, 4 Ea.
 - AEU BBQ point, 1 Ea.
 - AEU upper indicator light, 2 Ea.
 - AEU city water hookup, 1 Ea.
- 365338 Gasket Kit #3, not sold separately:
- Scare light domestic units, 1 Ea.
 - Black tank flush gasket, 1 Ea.
 - Awning travel latch gasket, 4 Ea.
 - AEU fog/backup lamp housing, 2 Ea.
 - AEU fog/backup lamp bezel, 2 Ea.
 - Scare light AEU units, 1 Ea.
 - Awning hook gasket, 4 Ea.
 - Awning prop foot gasket, 4 Ea.

2018 TOMMY BAHAMA TT BEDDING, MATTRESSES

Mattress and Sheet Set, 19'

704129 Mattress, Pillowtop, Foam core, 48" x 76", Corner double
704004-03 Sheet set, Custom fit

Mattress and Sheet Set, 27FB

704132 Mattress, Pillow top, 60 x 75
704004-02 Sheet set, Custom fit

Pillows

704359 Pillow kit, Tommy Bahama, Contains;
704359-01 Pillow, Kiwi
704359-02 Pillow, Aran Isle
704359-03 Pillow, Villa Fronds

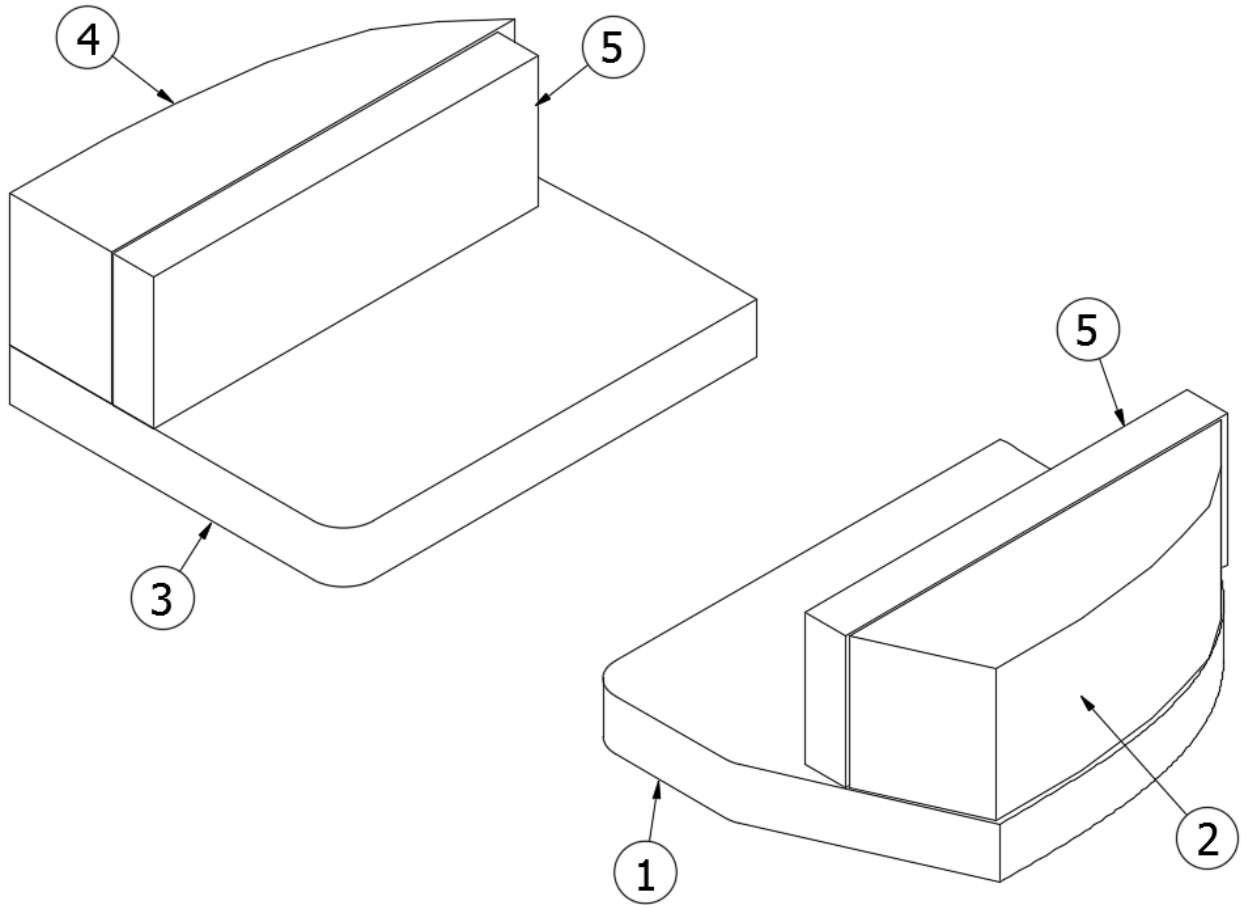
Tommy Bahama Bed and Bath Package

704357-01 Cuba Cabana 4 piece comforter set
704357-02 Throw pillow, 12 x 16, Natural
704357-03 Throw pillow, 16 x 16, Floral
704357-04 Throw pillow, 18 x 18, Striped
704357-05 Cypress Bay bath towel set, Ice Turq

2018 TOMMY BAHAMA TT

UPHOLSTERY, FOAM, ULTRALEATHER

Dinette Cushions, 19'



704452
703368

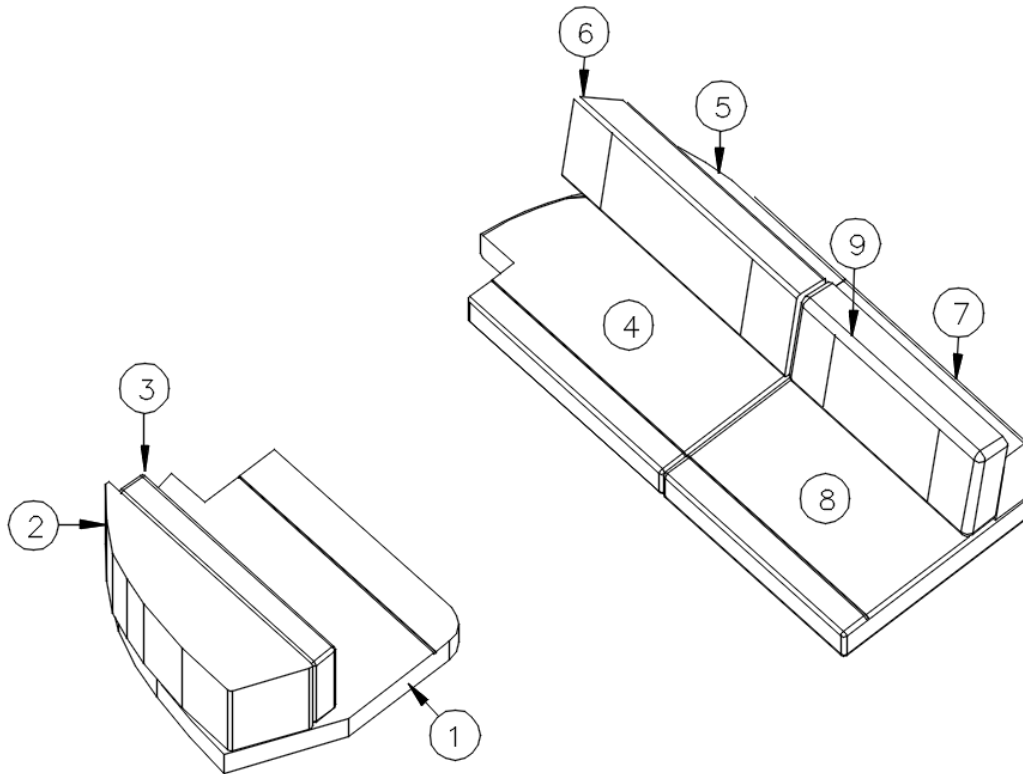
Kit, Dinette Cushion, UL & Foam
Kit, Foam

- | | |
|--------------|-----------------------|
| 1. 704452-01 | CS dinette seat |
| 703368-01 | Foam, CS dinette seat |
| 2. 704452-02 | CS back filler |
| 703368-02 | Foam, CS back filler |
| 3. 704452-04 | RS dinette seat |
| 703368-04 | Foam, RS dinette seat |
| 4. 704452-05 | RS back filler |
| 703368-05 | Foam, RS back filler |
| 5. 704452-06 | RS/CS back rest |
| 703368-06 | Foam, RS/CS back rest |

2018 TOMMY BAHAMA TT

UPHOLSTERY, FOAM, ULTRALEATHER

Dinette Cushions, 27FB



704333
704334

Kit, Din/Lounge Cushions, UL & Foam, Tommy Bahama
Kit, Foam

- | | |
|--------------|--------------------------------------|
| 1. 704333-01 | CS dinette seat, Ultraleather |
| 704334-01 | Foam, CS dinette seat |
| 2. 704333-02 | CS back filler, Ultraleather |
| 704334-02 | Foam, CS back filler |
| 3. 704333-03 | CS back rest, Fabric |
| 704334-03 | Foam, CS back rest |
| 4. 704333-04 | RS dinette seat, Ultraleather |
| 704334-04 | Foam, RS dinette seat |
| 5. 704333-05 | RS back filler, Ultraleather |
| 704334-05 | Foam, RS back filler |
| 6. 704333-06 | RS back rest, Fabric |
| 704334-06 | Foam, RS back rest |
| 7. 704333-07 | Lounge wedge, Ultraleather |
| 704334-07 | Foam, Lounge wedge |
| 8. 704333-08 | Lounge bottom cushions, Ultraleather |
| 704334-08 | Foam, Lounge bottom cushions |
| 9. 704333-09 | Back rest, Fabric |
| 704334-09 | Foam, Back rest |

2018 TOMMY BAHAMA TT VENTS AND FANS

Vent, Black Tank

690700-01	Vent pipe cover, White
382337	Gasket, Corlon, Vent Cap
380228	Wire hardware cloth

Vent, Bathroom

690266-02	Power ventilator w/garnish, White, CSA
690266-06	Power ventilator w/o garnish
690266-07	Trim ring, White
690266-08	Trim ring, Silver

Vent, Range

512210	Range hood, Baraldi
454590	Extension, Range vent
511017-11	Vent cover, Exterior, Gray
115175	Duct, Range exhaust transition

Vent, Refrigerator

100341	Refrigerator roof vent collar, Large
101394	Cover, Refrigerator roof vent, Large
380228	Wire hardware cloth

Exhaust Fan

382240	Fantastic fan, Exhaust only
382467-01	Gasket, Exhaust fan

2018 TOMMY BAHAMA TT SKYLIGHTS

Skylight, Lounge

381318-05	Skylight, 19.5" x 19.5"
704120-02	Shade, Skylight, 19.25 x 20, Grey
203785	Trim ring, 19" x 19"
115619	Mounting frame, 19 x 19

Skylight, Bath

381318-06	Skylight, 14.5 x 22.5
704120-01	Shade, Skylight, 14.5 x 22.75, Grey
203786	Trim ring, 14 x 22, White
115620	Mounting frame, 14.5 x 22

2018 TOMMY BAHAMA TT

PANELING, EDGEBANDING, LAUAN

Paneling

801368	Paneling, White liner/White liner 18MM
801392	Paneling, White liner/White liner 12MM
802160	Panel, Pre-laminated, 18mm, Striped/Liner
802161	Laminate, Striped
802176	Panel, Pre-laminated, 12mm, Macchiato leaf/Liner
802177	Panel, Pre-laminated, 12mm, Macchiato/custom colored leaf
802180	Panel, 12mm, Macchiato w/grooves
802178	Panel, Pre-laminated, 12mm, Macchiato/White Liner
802179	Panel, Pre-laminated, 18mm, Macchiato/White Liner
802181	Panel, Pre-laminated, 12mm, Macchiato/Frosty White
802182	Panel, Pre-laminated, 12mm, Macchiato/Macchiato
802171-01	Laminate, Macchiato
802172-01	Laminate, Macchiato w/leaf pattern
802173-01	Laminate, Colored leaf pattern
802277	Panel, Pre-laminated, 12mm, Macchiato w/leaf
802278	Panel, Pre-laminated, 12mm, Brushed SS/White Liner
802279	Panel, Pre-laminated, 12mm, Frosty White, Custom leaf

Edgebanding

365412-01	Edgebanding, .63, Macchiato
365412-02	Edgebanding, .94, Macchiato
365412-03	Edgebanding, 1.25, Macchiato
365340-01	Edgebanding, .63, Frosty White

Lauan

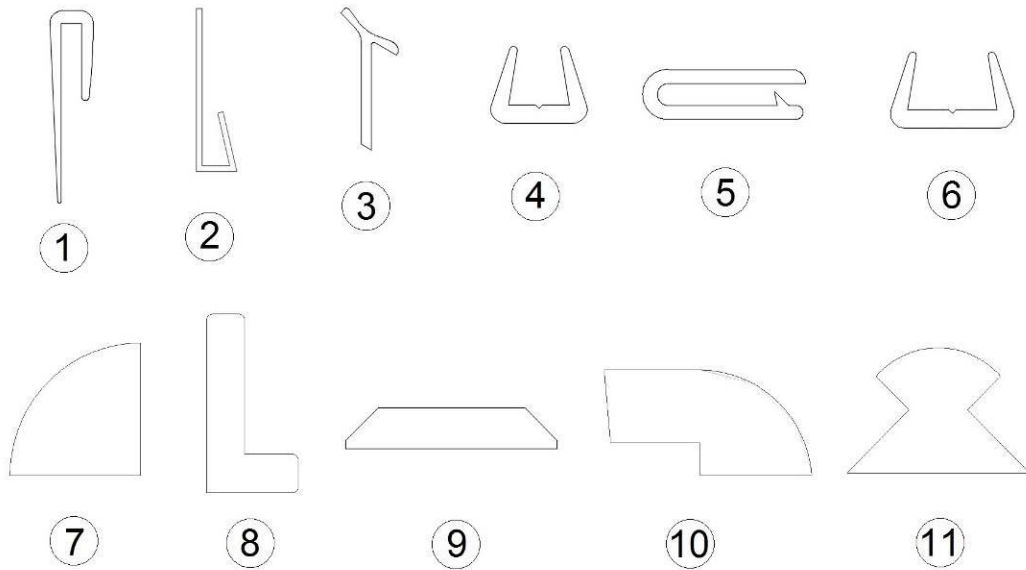
800507-01	Lauan, 1/8" x 4' x 8'
800507-02	Lauan, 1/4" x 4' x 8'
800507-03	Lauan, 3/8" x 4' x 8'

Plywood

800506-04	Plywood, 1/2" x 4' x 8'
800506-05	Plywood, 5/8" x 4' x 8'
800506-06	Plywood, 3/4" x 4' x 8'
800976-01	Plywood, tongue and groove, 19/32'
801351	Lite Ply, 18mm (.75") 4' x 8'
801345	Radius plywood, .75" x 3" x 8'
801348	Radius plywood, .75" x 8" x 6'

2018 TOMMY BAHAMA TT TRIMS

Trim



- | | |
|-----------------|---|
| 1. 114070 | J-molding, Mill Finish |
| 2. 201666-01 | J-molding, 3/16", White |
| 3. 201673 | Reverse cove molding, White |
| 201673-01 | Reverse cove molding, .43", Oak |
| 4. 203138-04 | Extrusion, Panel edging, Oak |
| 5. 203225-01 | Trim lock, .75", Gray |
| 6. 203464-01 | Extrusion, Panel, Oak |
| 7. 800638-0139 | Molding, Quarter round, .5", Macchiato |
| 8. 801665-0039 | L-molding, Door jamb, Macchiato |
| 9. 801178-07 | Molding, flat, .81", Frosty White |
| 10. 801706-0039 | Corner trim, 90°, 1" radius, Macchiato |
| 11. 801415-0039 | Corner trim, 1" radius, Macchiato |
| 801172-10 | Molding, corner Butler White |
| 115565 | Extrusion, Threshold, Main Door |
| 100097 | Extrusion, Alum. Track Curtain |
| 800571-0139 | Hardwood flat molding, .52, Macchiato |
| 800572-0139 | Hardwood flat molding, .72, Macchiato |
| 800573-0139 | Molding, Hardwood flat door edge, Macchiato |
| 801977-0039 | Corner trim, Bathroom, Macchiato |
| 115134BR | Extrusion, Laminate trim, Bronze |
| 115375-02 | Formed extrusion, RH locker end, Bronze |
| 115472BR | Trim, Aluminum counter top, Bronze |
| 115483BR | Angle, Aluminum anodized, Bronze |
| 115831BR | F-channel, Bronze |
| 115374BR | Extrusion, Sliding door track, .5" |
| 203440 | T-molding, 13/16", Black Embossed |