

AIRSTREAM®

2023 Pottery Barn Parts Book



TABLE OF CONTENTS

APPLIANCES	1
AIR CONDITIONER	1
WATER HEATER.....	1
FURNACE.....	2
MICROWAVE.....	2
RANGE AND COOKTOP	3
REFRIGERATOR	3
EXTERIOR SHELL	4
FRONT END	4
FRONT END	5
AFT END	6
AFT END	7
EXTERIOR COMPONENTS, ROADSIDE.....	8
EXTERIOR COMPONENTS, ROADSIDE.....	9
WALL FRAMING, ROADSIDE, QUEEN.....	10
WALL FRAMING, ROADSIDE, QUEEN.....	11
WALL FRAMING, ROADSIDE, TWIN.....	12
WALL FRAMING, ROADSIDE, TWIN.....	13
EXTERIOR COMPONENTS, CURBSIDE	14
EXTERIOR COMPONENTS, CURBSIDE	15
WALL FRAMING, CURBSIDE, QUEEN	16
WALL FRAMING, CURBSIDE, QUEEN	17
WALL FRAMING, CURBSIDE, TWIN	18
WALL FRAMING, CURBSIDE, TWIN	19
ROOF.....	20
WRAP PROTECTORS AND HOLDBACKS.....	21
INTERIOR SHELL	22
INTERIOR SKIN, QUEEN	22
INTERIOR SKIN, QUEEN	23
INTERIOR SKIN, TWIN	24
INTERIOR SKIN, TWIN	25
INTERIOR WHEEL WELL LINER.....	25
CHASSIS	26
AXLES	26
SHOCKS.....	26
TIRES AND WHEELS	26
SPARE TIRE AND CARRIER	26
HITCH COUPLER.....	26
STEP ASSEMBLY	27
BUMPER AND STORAGE.....	29
STABILIZING JACKS.....	30
HITCH JACK.....	30
HOSE CARRIER.....	30
UNDERBELLY	30
BUMPER END CAPS	30

DECALS, EXTERIOR TRIM	31
DECALS AND MEDALLIONS	31
BELT LINE TRIM	31
RUB RAIL TRIM.....	31
REFLECTORS.....	31
DOORS, EXTERIOR	32
MAIN DOOR, LH HINGE.....	32
MAIN DOOR, LH HINGE.....	33
SCREEN DOOR.....	34
SCREEN DOOR.....	35
ACCESS DOOR, BATTERY	36
ACCESS DOOR, FURNACE.....	36
ACCESS DOOR, WATER HEATER.....	36
ACCESS DOOR, EXTERIOR SHOWER.....	36
COMPARTMENT DOORS	36
WINDOWS, SCREENS	37
WINDOW, FLAT, FRONT AND REAR	37
WINDOWS, FLAT, FRONT AND REAR.....	38
WINDOWS, PANORAMIC	39
WINDOWS, ROADSIDE, CURBSIDE	39
WINDOWS, BATH	39
WINDOWS, SCREENS.....	39
WINDOW PARTS, VISTA WINDOWS.....	39
WINDOW PARTS, OPENING WINDOWS.....	40
WINDOW PARTS, OPENING WINDOWS.....	41
MAIN DOOR WINDOW TRIM RING.....	42
WINDOW TRIM	42
PANORAMIC WINDOW TRIM.....	42
WINDOWS, ROCK GUARDS.....	43
WINDOW ROCK GUARDS.....	43
AWNINGS	44
POWER AWNING	44
SIDE AWNING	44
WINDOW AWNING, REAR	44
AWNING INSTALLATION PARTS	44
DRAPES AND SHADES.....	45
DRAPES AND SHADES.....	45
DRAPES AND SHADES, HARDWARE	46
VALANCES	46
ELECTRICAL, 110 VOLT.....	47
SMARTPLUG.....	47
POWER CENTER.....	47
BREAKERS, 110V.....	47
INVERTER AND CONVERTER	47
RECEPTACLES	48

ELECTRICAL, 12 VOLT49

BATTERY AND BATTERY BOX..... 49
7-WAY CABLE AND BREAKAWAY SWITCH 49
TANK MONITOR SYSTEM 49
SOLAR SYSTEM 50
BREAKERS, 12V..... 50
FUSES 51
SWITCHES AND USB PORTS 51
WIRELESS BACKUP CAMERA..... 52
EXTERIOR LIGHTS 52
INTERIOR LIGHTS..... 52
TAILLIGHT ASSEMBLY 53
CZONE SYSTEM COMPONENTS 54
CZONE SYSTEM COMPONENTS 55
CZONE CONFIGURATION FILES..... 55
CZONE SWITCH CONTROLS 56
SMART RV SYSTEM 57

ENTERTAINMENT58

AUDIO 58
VIDEO..... 58
TV, QUEEN BEDROOM, TV, 24” 59
TV, TWIN BEDROOM, TV, 24” 59
TV, BATH, 27” 59

FLOOR COVERINGS.....60

FLOOR COVERINGS 60
CARPET..... 60

FURNITURE, INTERIOR DOORS AND MIRRORS61

DOORS, ROOF LOCKERS 61
DOOR, FOLDETTE..... 61
MIRRORS 61

FURNITURE, DRAWER BOXES AND SLIDES.....62

DRAWER BOXES..... 62
DRAWER SLIDES..... 62

FURNITURE, BEDROOM63

BED, QUEEN 63
BED, QUEEN 64
BED, TWIN, ROADSIDE 65
BED, TWIN, ROADSIDE 66
BED, TWIN, CURBSIDE 67
BED, TWIN, CURBSIDE 68
NIGHTSTAND, QUEEN, ROADSIDE..... 69
NIGHTSTAND, QUEEN, ROADSIDE..... 70
NIGHTSTAND, QUEEN, CURBSIDE 71
NIGHTSTAND, QUEEN, CURBSIDE 72
NIGHTSTAND, TWIN 73
NIGHTSTAND, TWIN 74
REAR STORAGE BOX, TWIN..... 75

HANGING WARDROBE, ROADSIDE.....	76
HANGING WARDROBE, ROADSIDE.....	77
HANGING WARDROBE, CURBSIDE	78
HANGING WARDROBE, CURBSIDE	79
ROOF LOCKER, BEDROOM	80

FURNITURE, LAVATORY82

BATH MODULE.....	82
BATH MODULE.....	83
SHOWER COMPARTMENT	84
BATH, FORWARD WALL	85
BATH DOOR.....	86
MEDICINE CABINET	87
LAVATORY CABINET	88
LAVATORY CABINET	89
WARDROBE	90
WARDROBE	91

FURNITURE, GALLEY92

PARTY LEDGE	92
GALLEY TOP.....	93
GALLEY CABINET, STANDARD OVEN.....	94
GALLEY CABINET, STANDARD OVEN.....	95
GALLEY CABINET, CONVECTION MICROWAVE OPTION	96
GALLEY CABINET, CONVECTION MICROWAVE OPTION	97
GALLEY CABINET, HARDWARE	98
REFRIGERATOR CABINET.....	99
REFRIGERATOR CABINET.....	100
ROOF LOCKER, GALLEY.....	101
ROOF LOCKER, GALLEY.....	102
DINETTE SEAT, FORWARD.....	103
DINETTE SEAT, FORWARD.....	104
DINETTE SEAT, AFT	105
DINETTE SEAT, AFT	106
DINETTE TABLE.....	106

FURNITURE, LOUNGE 107

ROOF LOCKER, LOUNGE	107
RADIO SHELF, ROOF LOCKER	109
SOFA BASE, FRONT	110
SOFA BASE, RS.....	111
SOFA BACK, FRONT	112
SOFA BACK, RS	113
SOFA ARM.....	114

HARDWARE..... 115

MAIN DOOR LOCK, LEFT HAND HINGE.....	115
WINDOW HARDWARE	116
EXTERIOR LATCHES, LOCKS, AND HANDLES.....	117
HEAD KNOCKER	118
EXTERIOR HINGES	118
INTERIOR HINGES.....	118
INTERIOR LATCHES, HANDLES, HOOKS.....	119

POTTERY BARN GOODY BOX, QUEEN.....	120
POTTERY BARN GOODY BOX, TWIN.....	120
BATHROOM ACCESSORIES.....	121
CLOTHESLINE.....	121
BED GAS SPRINGS.....	121
AWNING HARDWARE, POWER AWNING.....	122
AWNING HARDWARE, OTHER.....	123
RIVETS.....	124
SCREWS.....	125
SAFETY EQUIPMENT.....	126
DETECTORS AND FIRE EXTINGUISHERS.....	126
LABELS AND TAGS.....	127
LABELS AND TAGS, USA.....	127
LABELS AND TAGS, CSA.....	128
PLUMBING, LPG SYSTEM.....	129
LPG SYSTEM.....	129
LPG TANK COVER.....	130
PLUMBING, FRESH WATER.....	131
FAUCET, GALLEY.....	131
FAUCET, LAVATORY.....	131
FAUCET, SHOWER.....	131
CITY WATER HOOK-UP.....	132
FRESH WATER TANK FILL.....	132
WATER PUMP.....	132
FRESH WATER TANK.....	133
FRESH WATER FITTINGS.....	134
FRESH WATER LINES.....	135
WINTERIZATION KIT.....	136
PLUMBING, DRAIN.....	137
BLACK AND GREY TANK.....	137
DUMP VALVE.....	137
DRAIN, ABOVE FLOOR.....	138
DRAIN, ABOVE FLOOR.....	139
DRAIN FITTINGS.....	140
PLUMBING, TOILET.....	141
TOILET.....	141
SEALERS AND GASKETS.....	142
SEALERS.....	142
GASKETS.....	142
GASKET KITS.....	143
BEDDING, MATTRESSES.....	144
PILLOW KITS.....	144
MATTRESS AND BEDSPREAD.....	144

UPHOLSTERY, FOAM 145

DINETTE CUSHIONS 145

SOFA CUSHIONS 145

DECOR BOARDS 146

DECOR BOARD, LAMINATE, SURFACE 146

DECOR BOARD, GALLEY 147

DECOR BOARD, BATH, FIXTURES 148

DECOR BOARD, BATH, SHOWER 149

DECOR BOARD, BATH HARDWARE 150

DECOR BOARD, LOUNGE, DINETTE 151

DECOR BOARD, BEDROOM 152

DECOR BOARD, LIGHTING 153

DECOR BOARD, PILLOW KITS, DIVIDER CURTAINS 154

DECOR BOARD, POTTERY BARN GOODY BOX 155

DECOR BOARD, EXTERIOR ELEMENTS 156

VENTS AND FANS 157

VENT, BLACK TANK 157

VENT, BATH 157

EXHAUST FAN 157

HEAT DUCT 157

SKYLIGHTS 158

SKYLIGHT, FORWARD 158

SKYLIGHT, AFT 158

PANELING, EDGEBANDING, LAUAN 159

PANELING 159

EDGEBANDING 159

LAUAN 160

PLYWOOD 160

FILL STICKS, STAIN MARKERS, AND SEAMFIL 160

TRIMS 161

TRIM 161

APPLIANCES

Air Conditioner

690779-01	Air conditioner, Coleman Mach, 8HP, 15K BTU
690779-02	Air conditioner, Coleman Mach, 8HP, 13.5K BTU
690779-05	Control box unit, A/C, Coleman
690779-06	Gateway network, A/C, Coleman
690782	Sensor, Coleman A/C, black
204161-1	Transition plenum, Duct, A/C
204161-2	Transition plenum, Duct, A/C
365502	Gasket, A/C supply
365517	Gasket, Plenum/duct transition
455816	Mounting plate, A/C install
113557	Assy, Return grill
204253-01	Frame, A/C return air grill
382766-01	Filter, sponge, A/C return grill
116357	Filter, merv8, A/C return grill
382606-01	Register, A/C, Adjustable, Brushed

Water Heater

690769-01	Water Heater, Tankless, Girard
690769-02	Control Panel
690769-03	Water heater door, Grey
382742	Gasket kit, Water heater
116308-1	Bracket, Water heater
967194	Stand, Water heater

APPLIANCES

Furnace

113109-01	Install, Furnace Door & Bezel
690732-02	Furnace, 30,000 BTU w/exterior door
690732-0200	Sail Switch, For 690732-02
116206	Door Cover, Furnace
690808	Furnace Door and Bezel
602394-03	Register, 4", Black
690429	Louver vent, 2", Round, Black
600526	Flange, 4"
600193	Hose, 2", Flex heat duct
600247	Hose, 4", Flex heat duct
114079	Duct adapter, 4" to 2"
601348	Tee, Heat duct, 4 x 4 x 2
968151	Furnace stand

Microwave

690728-01	Convection Microwave 1.1 CF, Stainless steel
690728-02	Trim kit, Stainless steel
690728-100	Black Tray, Microwave
690728-101	Glass plate, Microwave
690728-102	Wire Rack, Microwave
690728-103	Turntable ring, Microwave
690728-104	Turntable coupler, Microwave
690728-105	Cover Shield, Square, Microwave

APPLIANCES

Range and Cooktop

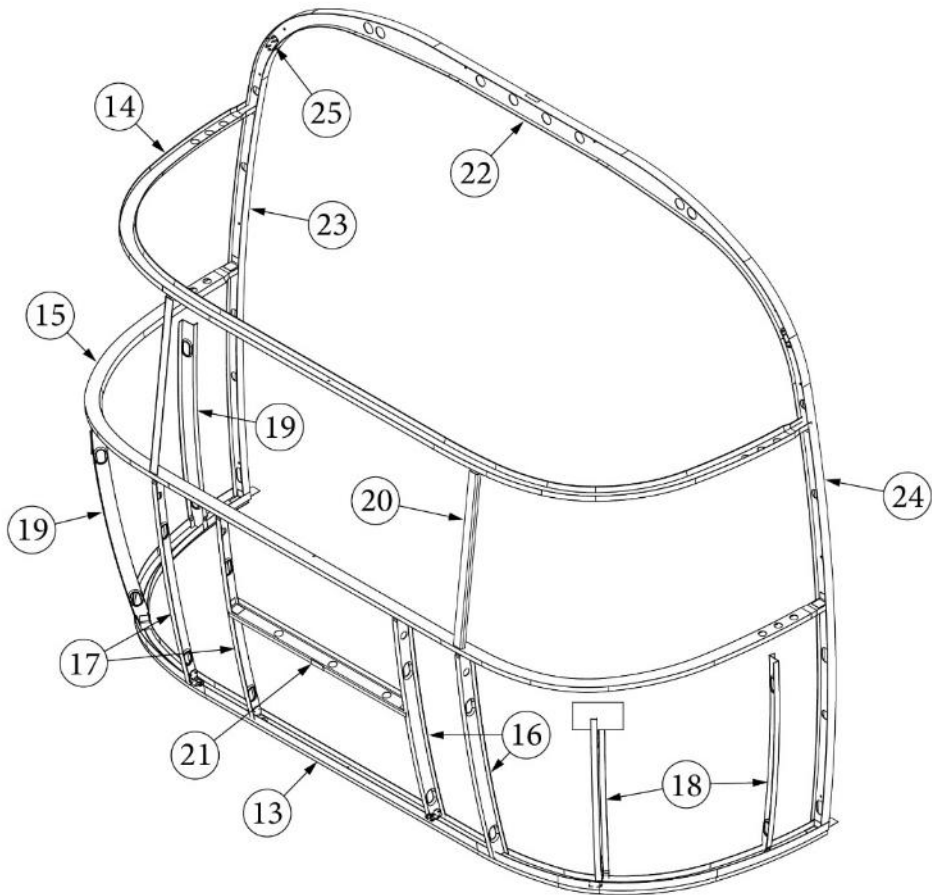
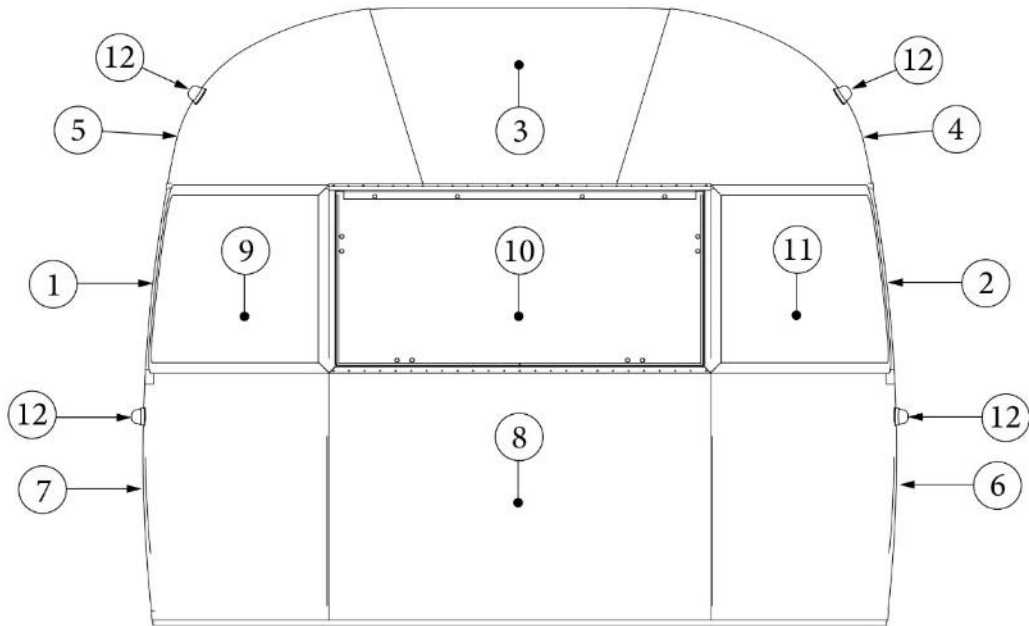
690734-01	Range W/Oven
690734-0100	Bi-fold glass cover
690734-02	Cooktop, 3 Burner
690734-100	Oven door, 21"
690734-101	Light switch
690734-102	Range knob
690734-103	FRONT PANEL MODULE SS FOR 6907
690734-104	Wired Grill
690734-105	Cooking grate, Cast iron
690734-106	Glass top, Tray module
690734-107	Ignition knob
690734-108	oven burner
690734-109	Gasket for Cooktop
690734-110	Ignitor
690734-111	Front Panel Module
690734-112	Pilot Flame
690734-113	Left Burner Module For Cooktop
690734-114	Glass Cover Middle Hinge Modul
690734-115	Ignition Knob Module For 69
690734-116	Middle Burner Module For 69073
690734-117	Oven Temperature Knob Module W
512210	Range hood, Baraldi
454590	Extension, Range vent
511017-11	Exterior vent, Gray
115175	Duct, Range exhaust transition

Refrigerator

690771-01	Refrigerator, LH, 8.2CF
969646	Refrigerator stand
969645-01	Refer Panel

EXTERIOR SHELL

Front End



Parts Listed on Next Page

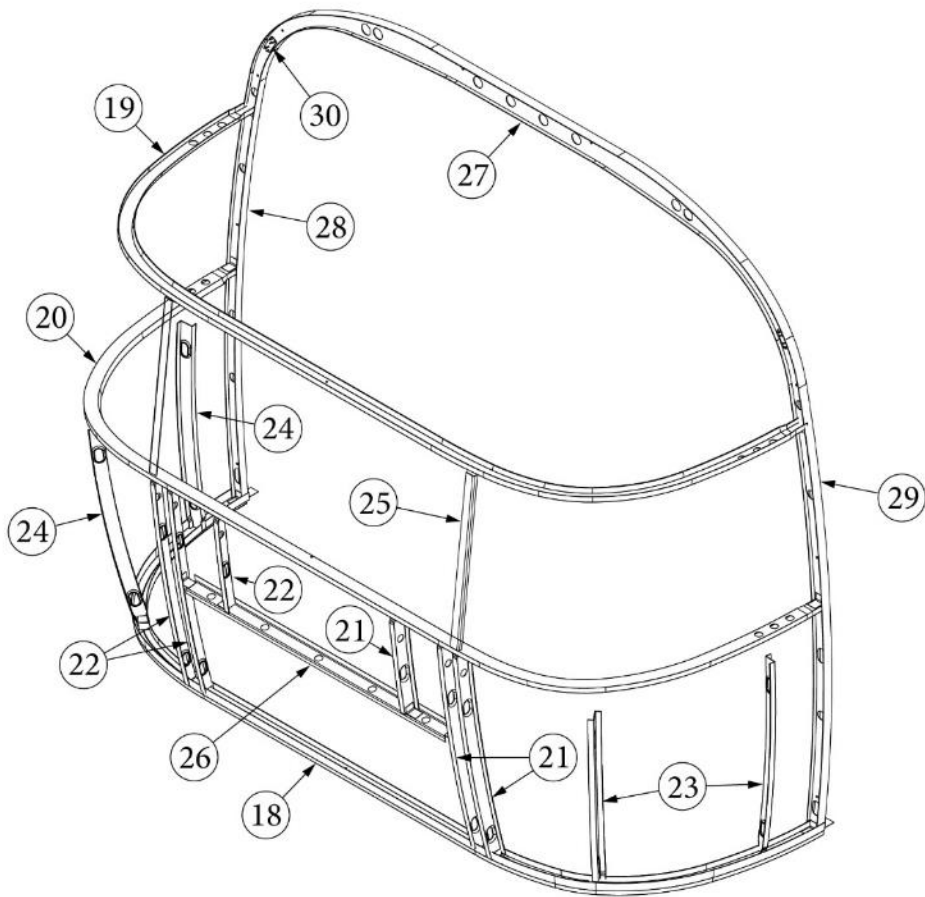
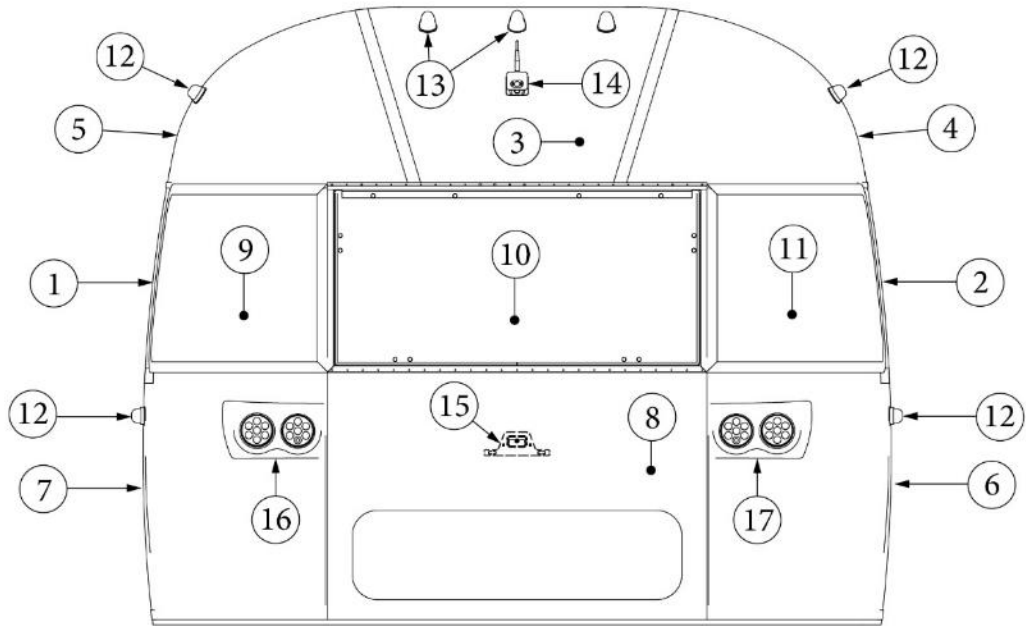
EXTERIOR SHELL

Front End

923506-01	Front End Shell
1. 114888	Segment, Center left
2. 114889	Segment, Center right
3. 114893	Segment, #25
4. 114890	Segment, #26
5. 114891	Segment, #27
6. 114894	Segment, #28
7. 114895	Segment, #29
8. 116344	Exterior plate, Front lower
9. 372089-101	Panoramic window, CS
10. 371346-02	Center window, Front
11. 372088-101	Panoramic window, RS
12. 512859	LED clearance light, Amber
382389	Gasket, clearance light
13. 116333	Bow, floor
14. 114678	Bow, upper window
15. 114677	Bow, lower window
16. 114505-01	Support, lower end shell, LH
17. 114505-02	Support, lower end shell, RH
18. 101315-01	Brace, vertical rear, LH
19. 101315-02	Brace, vertical rear, RH
20. 454910	Support, window wrap
21. 116037-01	Z Bar, horizontal frame, 29.5"
22. 116381-01	0 Bow, Roof
23. 116383-01	0 Bow, Wall, RH
24. 116383-02	0 Bow, Wall, LH
25. 116384-01	0 Bow, Plate
114813-01	Angle, 1 x 1.25 x 1.5"
114813-02	Angle, 1.25 x 2 x 2.5"
115699	Backer plate, End shell
455754	End shell support bracket

EXTERIOR SHELL

Aft End



Parts Listed on Next Page

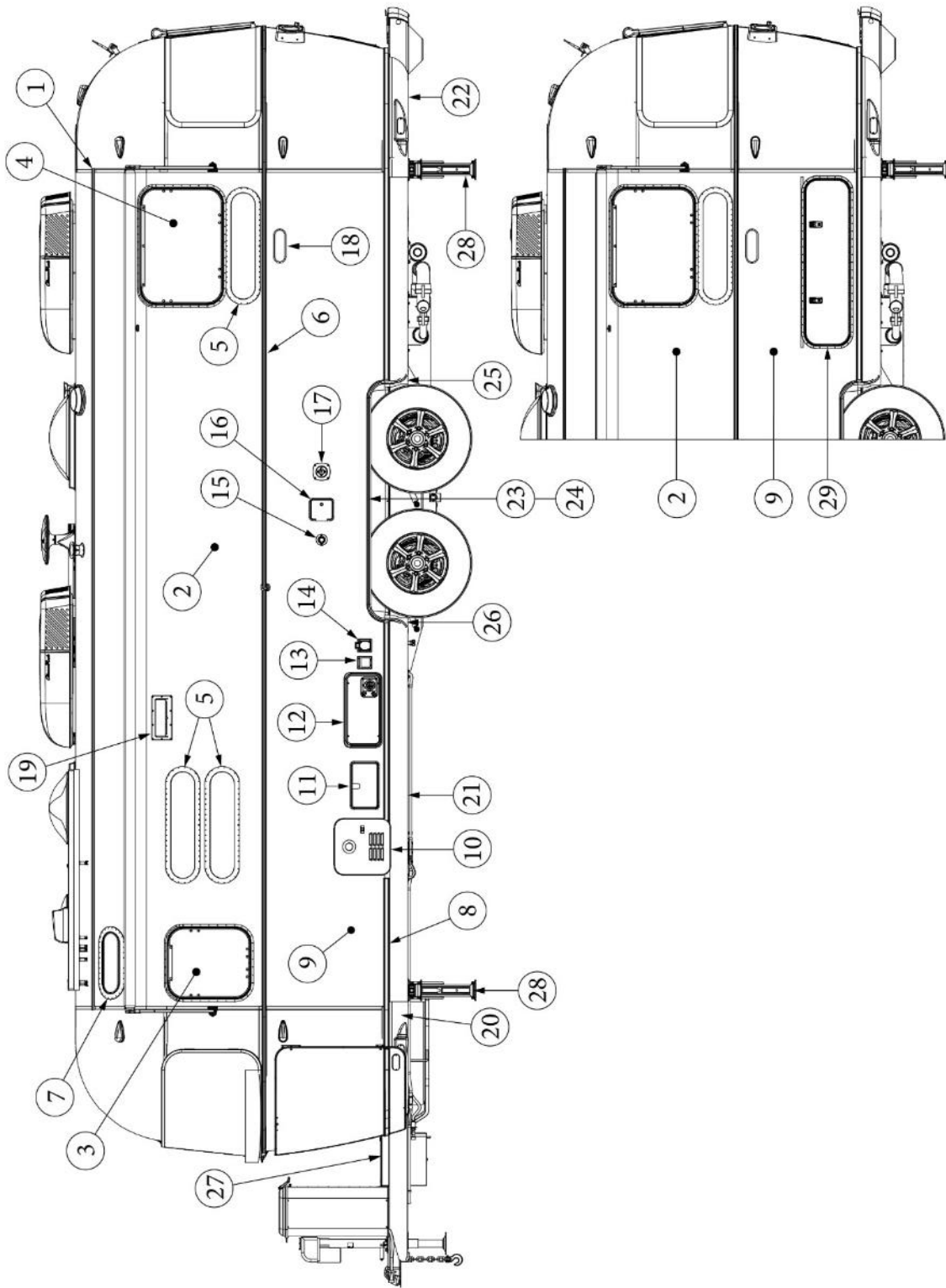
EXTERIOR SHELL

Aft End

923507-05	Aft End Shell
1. 114888	Segment, Center left
2. 114889	Segment, Center right
3. 114893	Segment, #25
4. 114890	Segment, #26
5. 114891	Segment, #27
6. 114894	Segment, #28
7. 114895	Segment, #29
8. 116341	Exterior plate, Rear lower, large door
9. 372089-101	Panoramic window, CS (installed RS rear)
10. 371346-01	Center window, Rear
11. 372088-101	Panoramic window, RS (installed CS rear)
12. 512860	Clearance light, Red
13. 512928	Clearance light, Red, curved bezel
14. 512946-01	Wireless backup camera
365392	Gasket, Wireless backup camera
15. 514065	License plate holder/light
514065-01	Light only, License plate
16. 968188-02	Taillight assembly, RS
17. 968188-01	Taillight assembly, CS
18. 116333	Bow, floor
19. 114678	Bow, upper window
20. 114677	Bow, lower window
21. 114505-01	Support, lower end shell, LH
22. 114505-02	Support, lower end shell, RH
23. 101315-01	Brace, vertical rear, LH
24. 101315-02	Brace, vertical rear, RH
25. 454910	Support, window wrap
26. 116038	Z Bar, horizontal frame, 43.5"
27. 116381-01	0 Bow, Roof
28. 116383-01	0 Bow, Wall, RH
29. 116383-02	0 Bow, Wall, LH
30. 116384-01	0 Bow, Plate
114813-01	Angle, 1 x 1.25 x 1.5"
114813-02	Angle, 1.25 x 2 x 2.5"
115699	Backer plate, End shell
382389	Gasket, clearance light

EXTERIOR SHELL

Exterior Components, Roadside



Parts Listed on Next Page

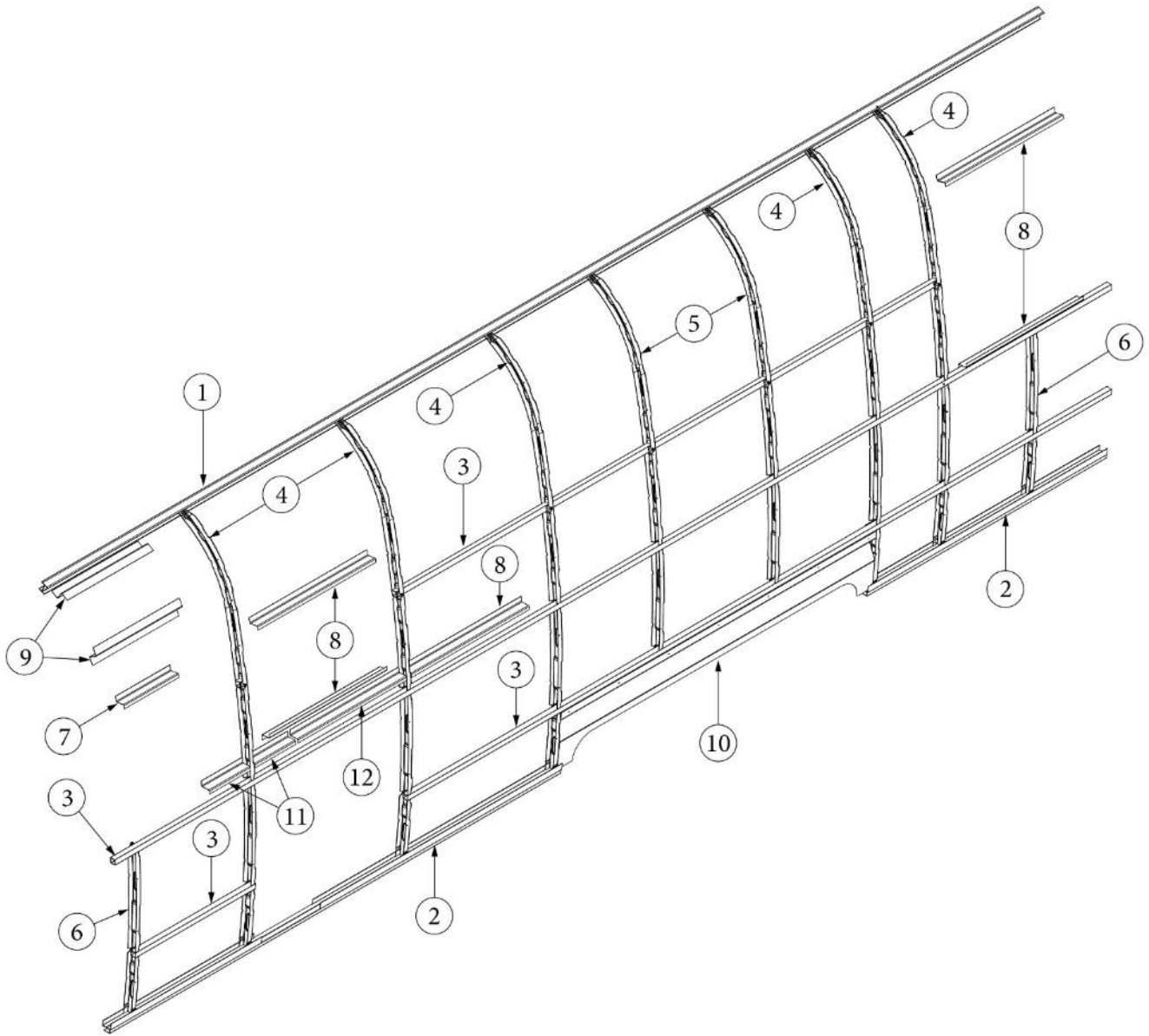
EXTERIOR SHELL

Exterior Components, Roadside

1. 114290-02 Extrusion, Awning/drip rail, 261"
2. 114880-03 Exterior Skin, Upper, RS, 224.75"
3. 371323-01 Window, 18" opening
4. 371324-02 Window, 30" opening
5. 371435 Window, 30" stacked
6. 116420 Extrusion, Belt line molding
- 201912-100 Molding, Belt line insert, Chrome
7. 371437-01 Vista view window, 18"
8. 116421 Extrusion, Rub rail
- 201763-100 Insert, Rub rail, 1", Chrome
9. 114879-03 Exterior Skin, Lower, RS, 224.75"
10. 690769-03 Water heater door, Grey
11. 602326 Exterior shower
12. 116206 Furnace door cover
- 690808 Furnace Door and Bezel
13. 513685 Dual inlet, TV/satellite, Gray
14. 513581 Inlet, 50A, Smartplug
15. 601441-02 Black tank flush
16. 601194 Water fill w/lock, Gray
17. 601392-06 Water fill, City, W/regulator, 50PSI
18. 386449 Nameplate, Pottery Barn
19. 511017-11 Exterior vent, Gray
20. 204254-02 Banana wrap, Front, RS
21. 116167-01 Underbelly wrap, Sheet Aluminum, .23 x 30 x 144"
22. 204254-04 Banana wrap, Rear, RS
23. 114004-02 Wheel well trim, Outer, Dual axle
24. 116376-02 Wheel well trim, Inner, Dual axle
25. 114466-01 Casting, Rub rail, Wheel well, RH
26. 114466-02 Casting, Rub rail, Wheel well, LH
27. 410551-11 Lid, Battery box
- 382659-1 Hinge, Battery box lid
28. 401027-04 Power Stabilizer Jack
29. 923468-01 Compartment door assembly, Large

EXTERIOR SHELL

Wall Framing, Roadside, Queen



Parts Listed on Next Page

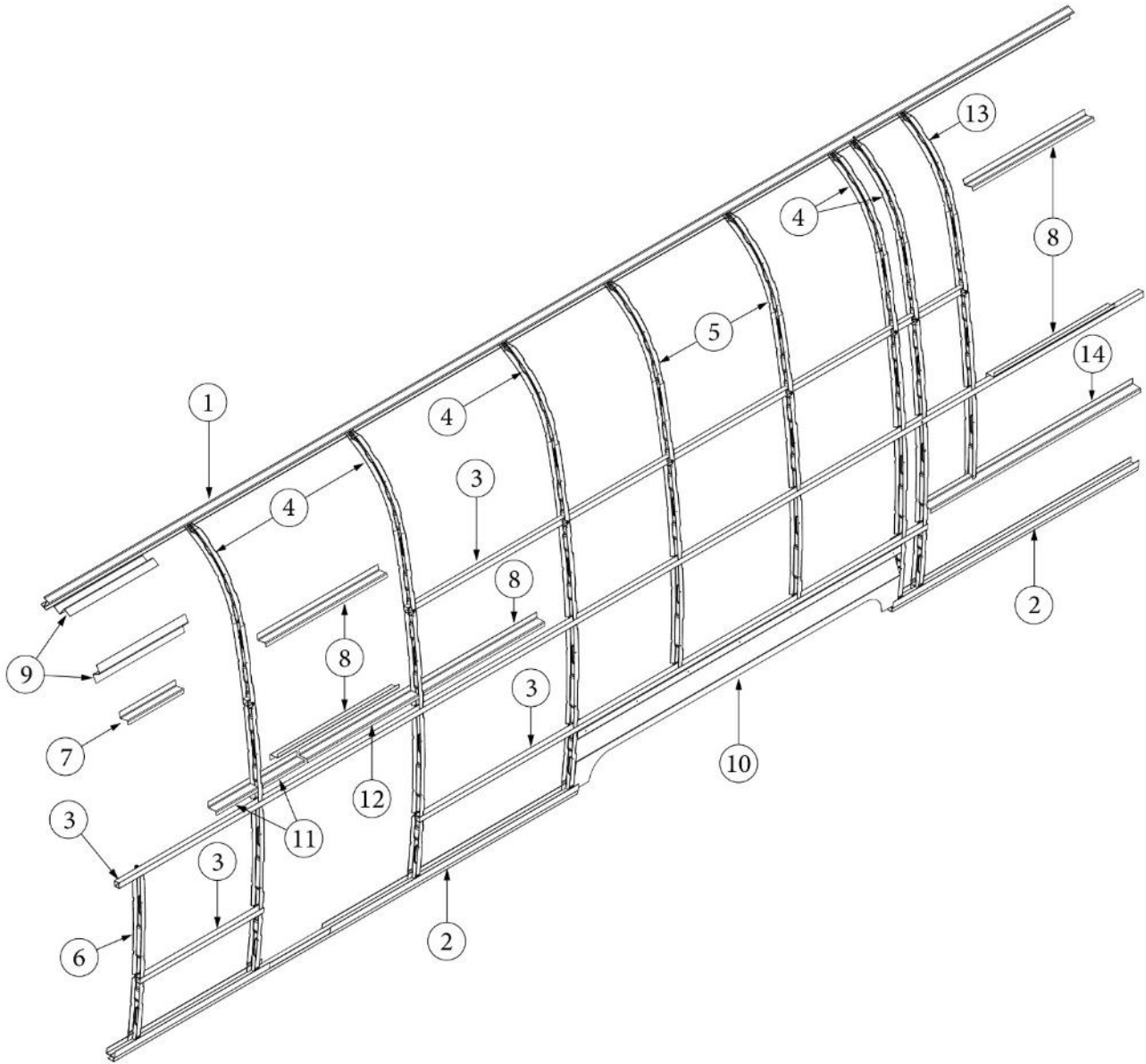
EXTERIOR SHELL

Wall Framing, Roadside, Queen

923537-01	Assembly, RS Wall, Queen
1. 104707-06	Extrusion, "I" section, 258"
2. 116221	Extrusion, Floor channel, 192"
3. 116131	Tube, Shell frame, 1" x 1" x 24'
4. 116130-01	Wall bow, Standard
5. 116130-02	Wall bow, Wheel well
6. 116130-04	Wall bow, Window
7. 116219-02	Z Bar, Window header, 12"
8. 116219-01	Z Bar, Window header, 26"
9. 116219-05	Z Bar, Window header, Vista view, 18"
10. 116312-01	Header, Wheel well, dual axle
11. 116219-09	Z Bar, Countertop backer, 10"
12. 116219-03	Z Bar, Door header
114879-03	Exterior Skin, Lower, RS, 224.75"
114880-03	Exterior Skin, Upper, RS, 224.75"
116131-01	Filler tube, Shell frame
114813-03	Angle, 1.13 x 1.5 x 3.5
114813-02	Angle, 1.25 x 2 x 2.5

EXTERIOR SHELL

Wall Framing, Roadside, Twin



Parts Listed on Next Page

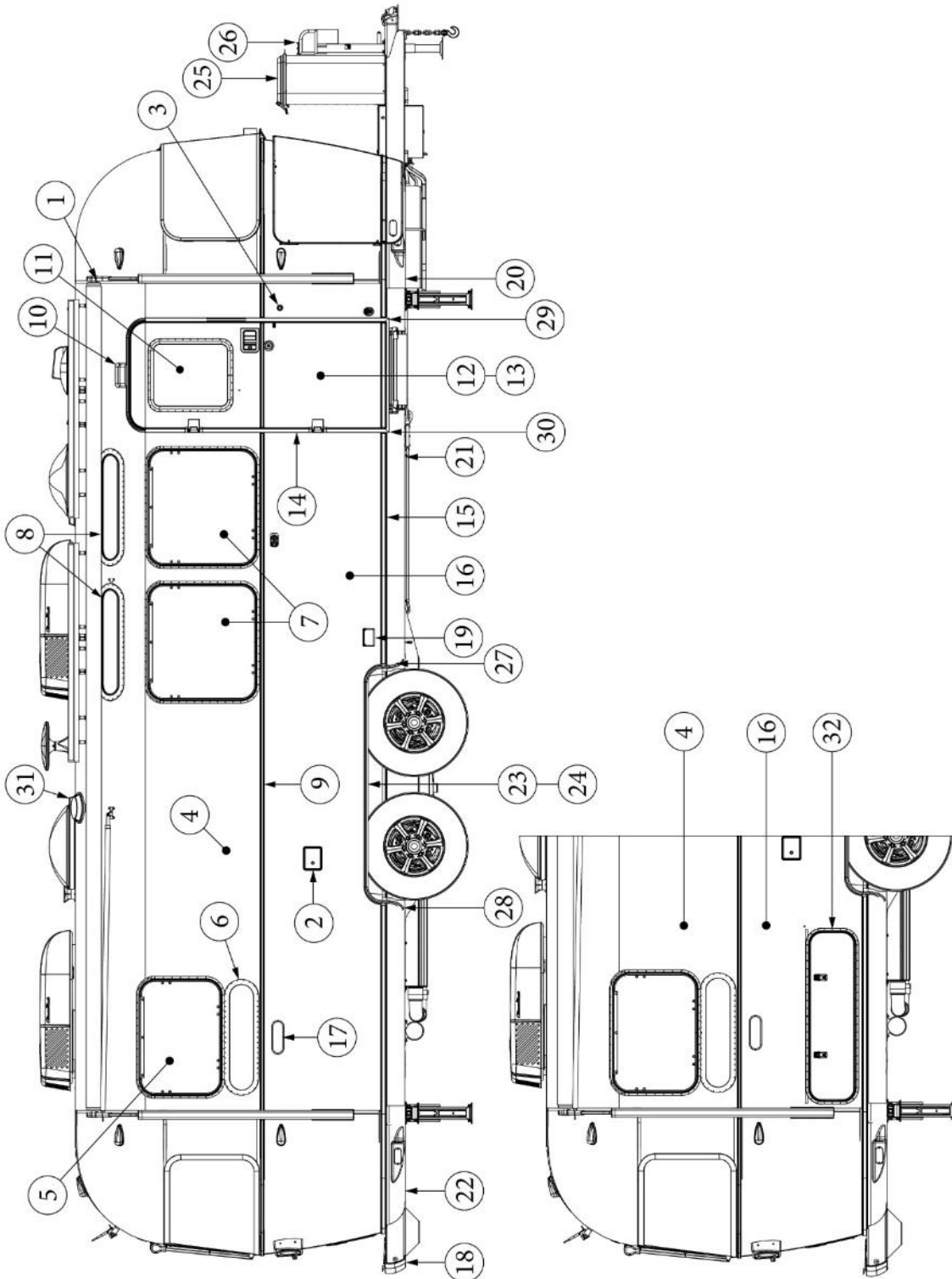
EXTERIOR SHELL

Wall Framing, Roadside, Twin

923537-02	Assembly, RS Wall, Twin
1. 104707-06	Extrusion, "I" section, 258"
2. 116221	Extrusion, Floor channel, 192"
3. 116131	Tube, Shell frame, 1" x 1" x 24'
4. 116130-01	Wall bow, Standard
5. 116130-02	Wall bow, Wheel well
6. 116130-04	Wall bow, Window
7. 116219-02	Z Bar, Window header, 12"
8. 116219-01	Z Bar, Window header, 26"
9. 116219-05	Z Bar, Window header, Vista view, 18"
10. 116312-01	Header, Wheel well, dual axle
11. 116219-09	Z Bar, Countertop backer, 10"
12. 116219-03	Z Bar, Door header
13. 116130-05	Wall bow, Compartment door
14. 116219-06	Z Bar, Compartment header
114879-03	Exterior Skin, Lower, RS, 224.75"
114880-03	Exterior Skin, Upper, RS, 224.75"
116131-01	Filler tube, Shell frame
114813-03	Angle, 1.13 x 1.5 x 3.5
114813-02	Angle, 1.25 x 2 x 2.5

EXTERIOR SHELL

Exterior Components, Curbside



Parts Listed on Next Page

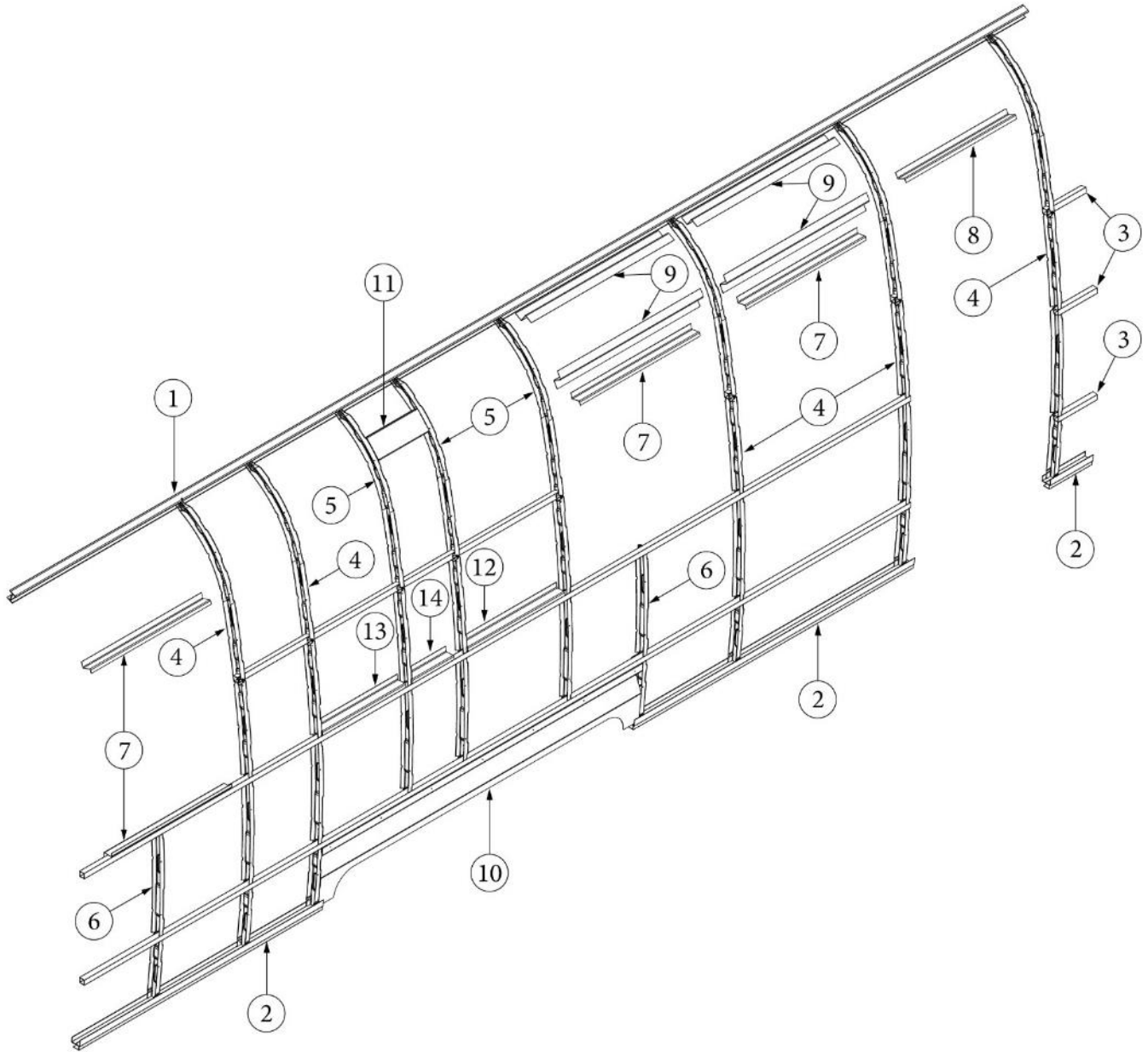
EXTERIOR SHELL

Exterior Components, Curbside

1. 114290-02 Extrusion, Awning/drip rail, 261"
2. 513305 Switch, Multi hitch power jack
- 382560 Gasket, Power jack switch
3. 511958 Switch, doorbell
- 511957 Bezel, doorbell switch
4. 114880-03 Exterior Skin, Upper, CS, 224.75"
5. 371324-02 Window, 30" Opening
6. 371435 Window, 30" stacked
7. 371380 Window, 30" tall, Opening
8. 371437-02 Vista view window, 30"
9. 116420 Extrusion, Belt line molding
- 201912-100 Molding, Belt line insert, Chrome
10. 101323 Casting, Main door light
- 201185 Lens, Main door light
11. 371400-01 Window, Main door
12. 115207 Main door
13. 114654 Screen door
14. 114652 Main door jamb, Formed
15. 116421 Extrusion, Rub rail
- 201763-100 Insert, Rub rail, 1", Chrome
16. 114879-03 Exterior Skin, Lower, CS, 224.75"
17. 386449 Nameplate, Pottery Barn
18. 411054 Rear bumper
19. 500563-03 Receptacle, 15A, 120V
- 514185 Receptacle cover, Weatherproof
20. 204254-01 Banana wrap, CS front
21. 116167-02 Underbelly wrap, Sheet Aluminum, .23 x 30 x 160"
22. 204254-03 Banana wrap, CS Rear
23. 114004-02 Wheel well trim, Outer, Dual axle
24. 116376-02 Wheel well trim, Inner, Dual axle
25. 921260 Assembly, LP Bottle Cover, Aluminum
26. 401075-01 Jack, Power, 3500#
27. 114466-01 Casting, Rub rail, Wheel well, RH
28. 114466-02 Casting, Rub rail, Wheel well, LH
29. 114465-01 Casting, Rub rail, Door, RH
30. 114465-02 Casting, Rub rail, Door, LH
31. 514039 Maxxfan, Dome Plus
32. 923468-01 Compartment door assembly, Large

EXTERIOR SHELL

Wall Framing, Curbside, Queen



Parts Listed on Next Page

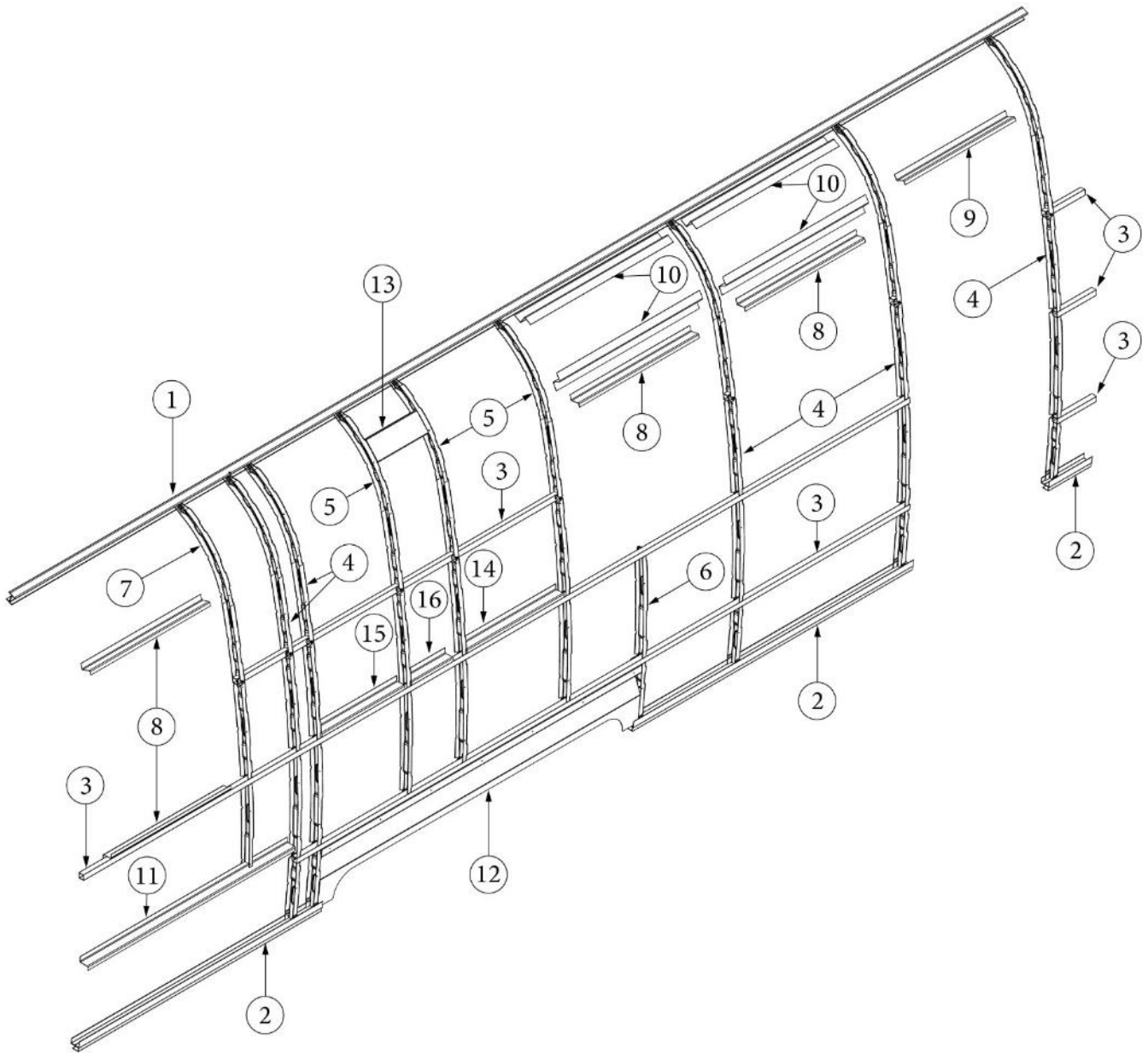
EXTERIOR SHELL

Wall Framing, Curbside, Queen

923538-01	Assembly, CS Wall, Queen
1. 104707-06	Extrusion, "I" section, 258"
2. 116221	Extrusion, Floor channel, 192"
3. 116131	Tube, Shell frame, 1" x 1" x 24'
4. 116130-01	Wall bow, Standard
5. 116130-02	Wall bow, Wheel well
6. 116130-04	Wall bow, Window
7. 116219-01	Z Bar, Window header, 26"
8. 116219-03	Z Bar, Door header
9. 116219-04	Z Bar, Window header, Vista view, 30"
10. 116312-01	Header, Wheel well, dual axle
11. 454931-08	Backer, Side wall, Power awning
12. 116219-07	Z Bar, Countertop backer, 21"
13. 116219-08	Z Bar, Countertop backer, 18"
14. 116219-09	Z Bar, Countertop backer, 10"
114879-03	Exterior Skin, Lower, CS, 224.75"
114880-03	Exterior Skin, Upper, CS, 224.75"
116131-01	Filler tube, Shell frame
114813-03	Angle, 1.13 x 1.5 x 3.5
114813-02	Angle, 1.25 x 2 x 2.5

EXTERIOR SHELL

Wall Framing, Curbside, Twin



Parts Listed on Next Page

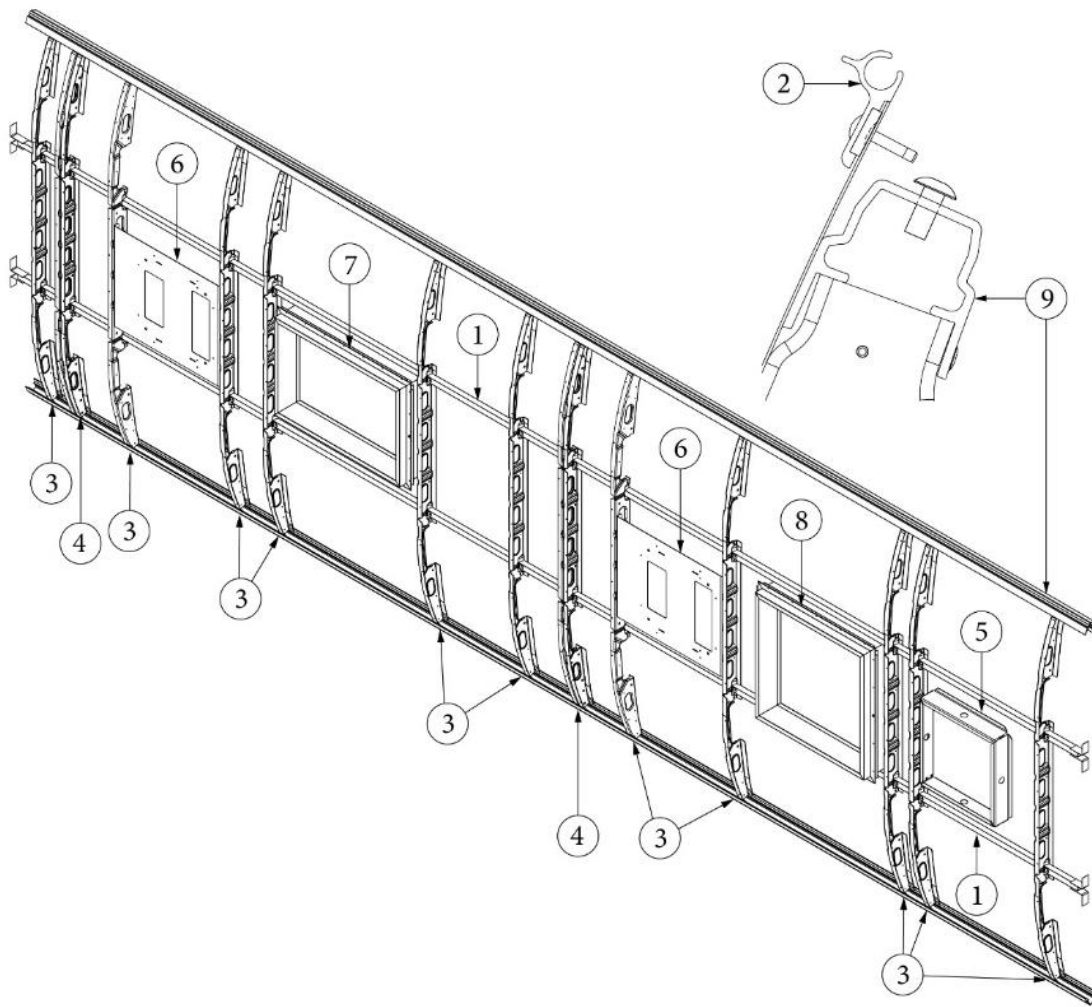
EXTERIOR SHELL

Wall Framing, Curbside, Twin

923538-02	Assembly, CS Wall, Twin
1. 104707-06	Extrusion, "I" section, 258"
2. 116221	Extrusion, Floor channel, 192"
3. 116131	Tube, Shell frame, 1" x 1" x 24'
4. 116130-01	Wall bow, Standard
5. 116130-02	Wall bow, Wheel well
6. 116130-04	Wall bow, Window
7. 116130-05	Wall bow, Compartment door
8. 116219-01	Z Bar, Window header, 26"
9. 116219-03	Z Bar, Door header
10. 116219-04	Z Bar, Window header, Vista view, 30"
11. 116219-06	Z Bar, Compartment header, 45"
12. 116312-01	Header, Wheel well, dual axle
13. 454931-08	Backer, Side wall, Power awning
14. 116219-07	Z Bar, Countertop backer, 21"
15. 116219-08	Z Bar, Countertop backer, 18"
16. 116219-09	Z Bar, Countertop backer, 10"
114879-03	Exterior Skin, Lower, CS, 224.75"
114880-03	Exterior Skin, Upper, CS, 224.75"
116131-01	Filler tube, Shell frame
114813-03	Angle, 1.13 x 1.5 x 3.5
114813-02	Angle, 1.25 x 2 x 2.5

EXTERIOR SHELL

Roof



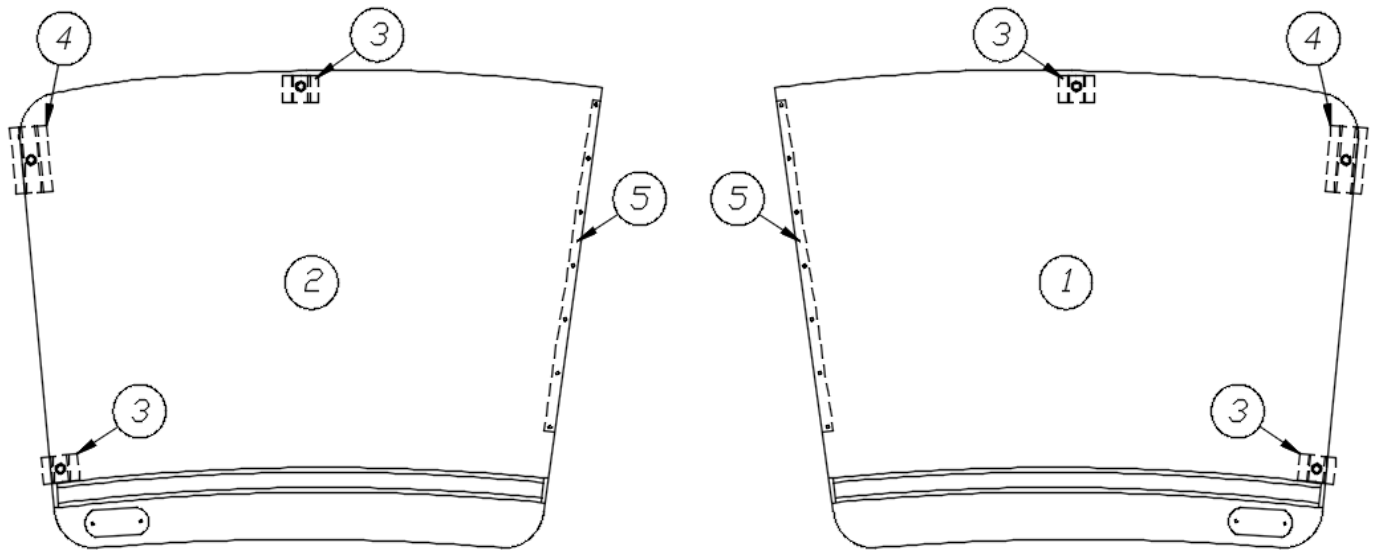
923539-02

Assembly, Roof

- | | | |
|----|-----------|-------------------------------------|
| 1. | 116131 | Tube, Shell frame, 1" x 1" x 24' |
| 2. | 114290-02 | Extrusion, Awning/drip rail |
| 3. | 116128-02 | Roof bow, Wide body |
| 4. | 116368 | Roof I-beam, Wide body |
| 5. | 116217-01 | Assembly, Exhaust fan frame |
| 6. | 455816 | Mounting plate, AC install |
| 7. | 116356 | Assembly, Skylight frame, 14" x 20" |
| | 115600-02 | Backer plate, Skylight, 17" |
| | 115600-03 | Backer plate, Skylight, 26" |
| 8. | 116355 | Assembly, Skylight frame, 19" x 19" |
| | 115600-01 | Backer plate, Skylight, 22" |
| 9. | 116401-02 | Extrusion, Roof channel, 258" |

EXTERIOR SHELL

Wrap Protectors and Holdbacks



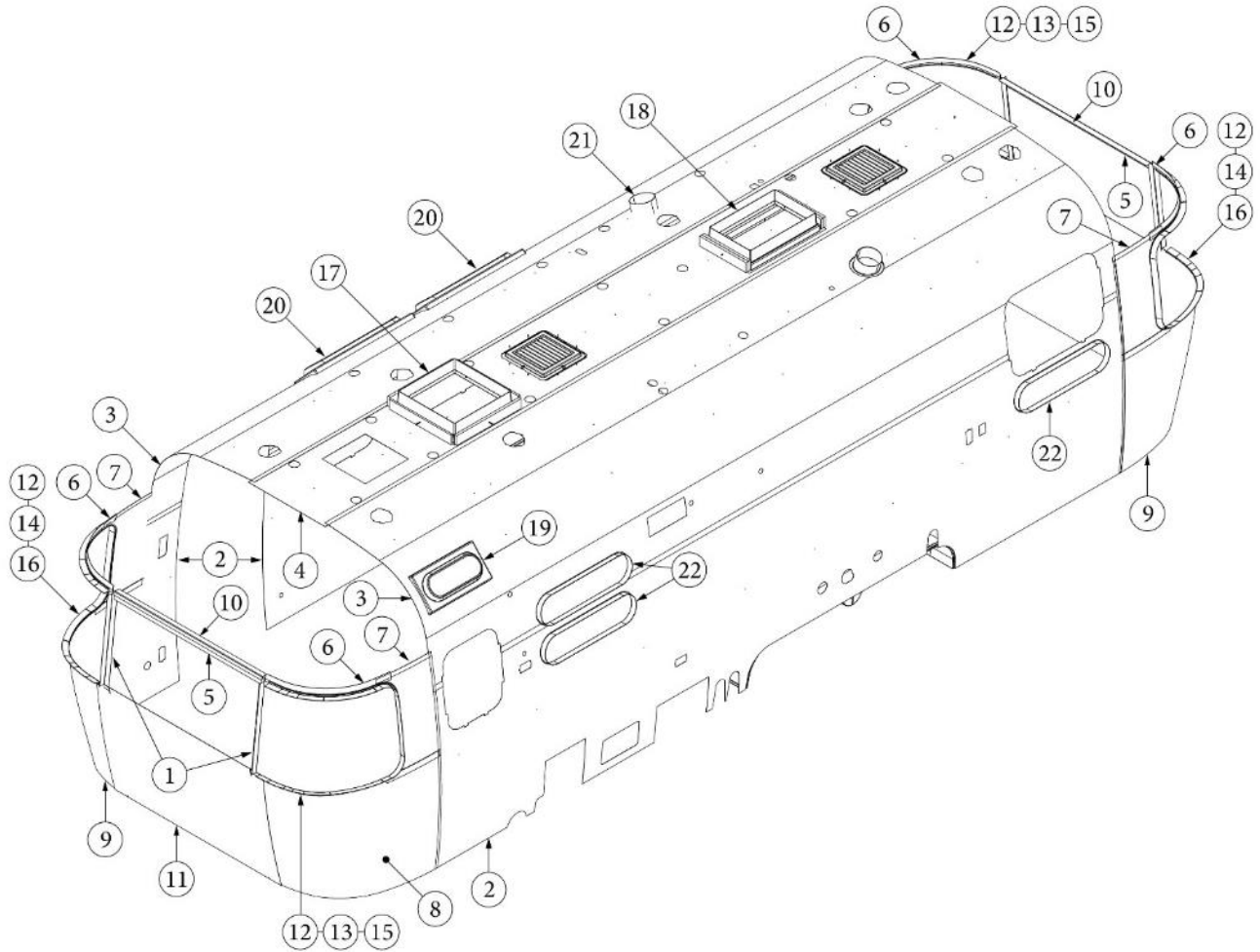
109325-100
109325-02

Wrap Protector Set, Tall
Wrap Protector Set, Short, CSA

- | | |
|--------------|--|
| 1. 966277 | Wrap Protector, Tall, RS |
| 685366-100 | Wrap Protector, RS, Short, CSA |
| 2. 966276 | Wrap Protector, Tall, CS |
| 685365-100 | Wrap Protector, CS, Short, CSA |
| 3. 114819-02 | Wrap protector hold back, 2" |
| 4. 114819-03 | Wrap protector hold back, 5" |
| 5. 381605-03 | Piano hinge, Stainless Steel |
| 100742-01 | Extrusion, Mirror trim |
| 116421 | Extrusion, Rub rail |
| 201709-02 | Extrusion, Trim molding, Black |
| 201763-100 | Extrusion, Trim molding, Chrome Insert |
| 114465-01 | Casting, Rub rail, RH |
| 114465-02 | Casting, Rub rail, LH |
| 685343 | Gusset, Corner |
| 500096 | Reflector, Amber |

INTERIOR SHELL

Interior Skin, Queen



Parts Listed on Next Page

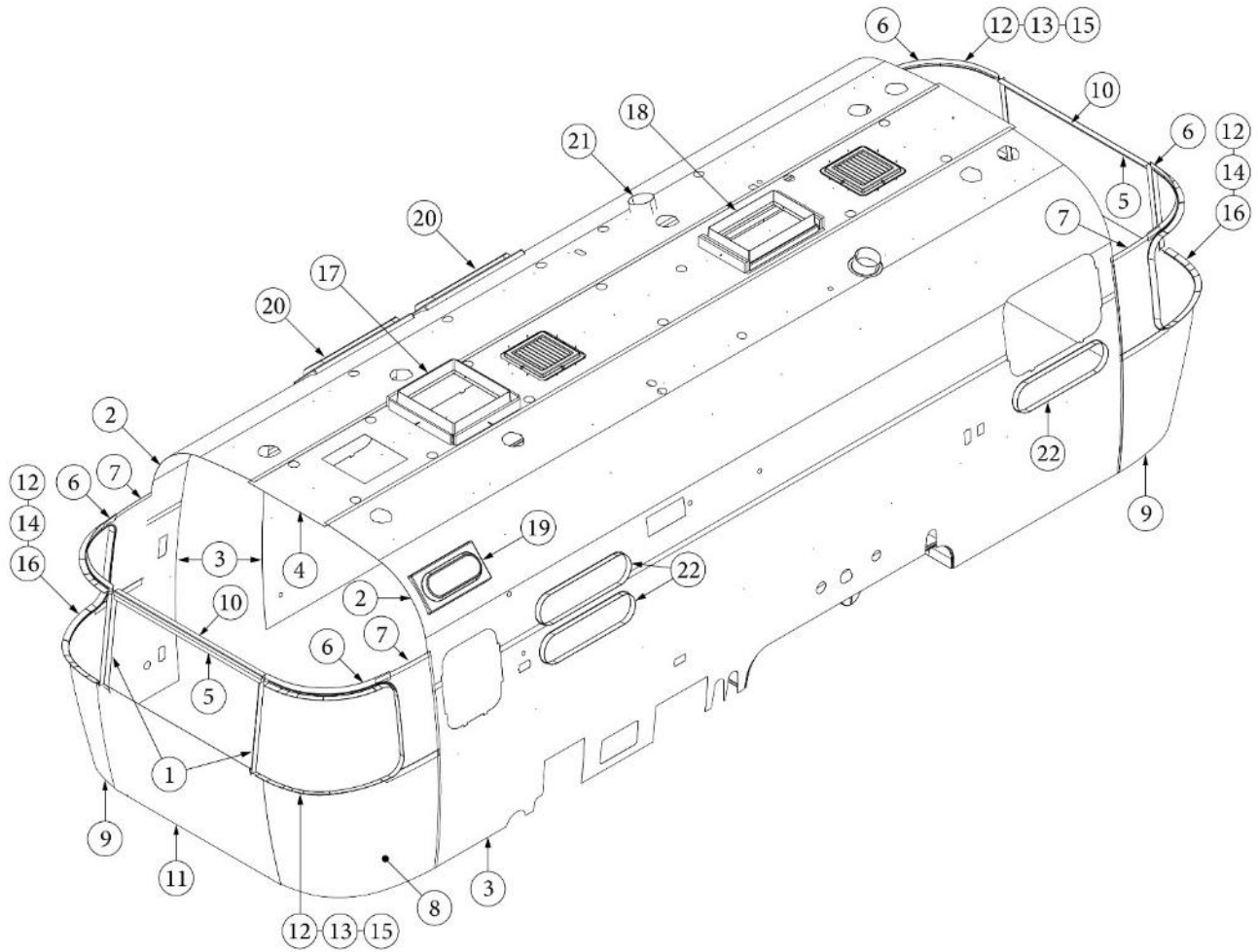
INTERIOR SHELL

Interior Skin, Queen

113560-02	Install, Interior skins
1. 110900	Interior trim, Front/Rear window
2. 114880-03	Interior skin, Lower, 224.75"
3. 116222-03	Interior skin, Upper, 2 AC, 222.75"
4. 116223-03	Interior skin, roof, 224.75"
5. 116148-01	Trim sheet, End locker, WB
6. 116148-03	Interior skin, Window trim
7. 116151	Interior skin, Panoramic side trim
8. 116152	Interior skin, Lower end shell skin, Left
9. 116153	Interior skin, Lower end shell skin, Right
10. 116154	Bracket, Roof locker
11. 116343	Interior plate, Wide body
12. 201578-02	End cap, Trim ring, Gray
13. 201579-02	Trim ring, Lower RS, Gray
14. 201580-02	Trim ring, Lower CS, Gray
15. 201581-05	Trim ring, Upper RS, Gray
16. 201581-06	Trim ring, Upper CS, Gray
17. 203785-01	Trim ring, Skylight, Low Profile, 14 x 22
18. 203786-02	Trim ring, Skylight, Low Profile, 14 x 22
19. 203961-03	Trim ring, Interior, Vista view 18
20. 203961-04	Trim ring, Interior, Vista view 30
21. 690266-08	Trim ring, Bath exhaust
22. 372267	Trim ring, Portal window, 30"
112179&000818CC	Pre laminate, 2.75 x 15
112180&000818CC	Pre laminate, 2.75 x 21
112180&000912CC	Pre laminate, 2.75 x 20

INTERIOR SHELL

Interior Skin, Twin



Parts Listed on Next Page

INTERIOR SHELL

Interior Skin, Twin

113560-04	Install, Interior skins/trim
1. 110900	Interior trim, Front/Rear window
2. 116222-03	Interior skin, Upper, 2 AC, 222.75"
3. 114880-03	Interior skin, Lower, 224.75"
4. 116223-03	Interior skin, roof, 224.75"
5. 116148-01	Trim sheet, End locker, WB
6. 116148-03	Interior skin, Window trim
7. 116151	Interior skin, Panoramic side trim
8. 116152	Interior skin, Lower end shell skin, Left
9. 116153	Interior skin, Lower end shell skin, Right
10. 116154	Bracket, Roof locker
11. 116343	Interior plate, Wide body
12. 201578-02	End cap, Trim ring, Gray
13. 201579-02	Trim ring, Lower RS, Gray
14. 201580-02	Trim ring, Lower CS, Gray
15. 201581-05	Trim ring, Upper RS, Gray
16. 201581-06	Trim ring, Upper CS, Gray
17. 203785-01	Trim ring, Skylight, Low Profile, 14 x 22
18. 203786-02	Trim ring, Skylight, Low Profile, 14 x 22
19. 203961-03	Trim ring, Interior, Vista view 18
20. 203961-04	Trim ring, Interior, Vista view 30
21. 690266-08	Trim ring, Bath exhaust
22. 372267	Trim ring, Portal window, 30"
112179&000818CC	Pre laminate, 2.75 x 15
112180&000818CC	Pre laminate, 2.75 x 21
112180&000912CC	Pre laminate, 2.75 x 20

Interior Wheel Well Liner

204217-02	Wheel well, Inner liner, Dual axle
204218-01	Insulation, Wheel well, Dual axle, A
204218-02	Insulation, Wheel well, Dual axle, B

CHASSIS

Axles

410980-02 Axle, 3800 LB, Nev-R-Adjust
410980-102 12" LH Nev-R Adjust Brake Assembly
410980-103 12" RH Nev-R Adjust Brake Assembly

Shocks

0220003 Shock absorber
0250173-20 Screw, Grade 5, 5/8"-18 x 2", Shock mount
0130068-818 Nut, Hex head, Flanged, 5/8", 18, Shock mount

Tires and Wheels

411190 Tire & wheel assembly
400844-01 Center cap, Stainless Steel
400923 Lug nut, .5", Acorn type

Spare Tire and Carrier

112901 Install, Spare Tire Carrier

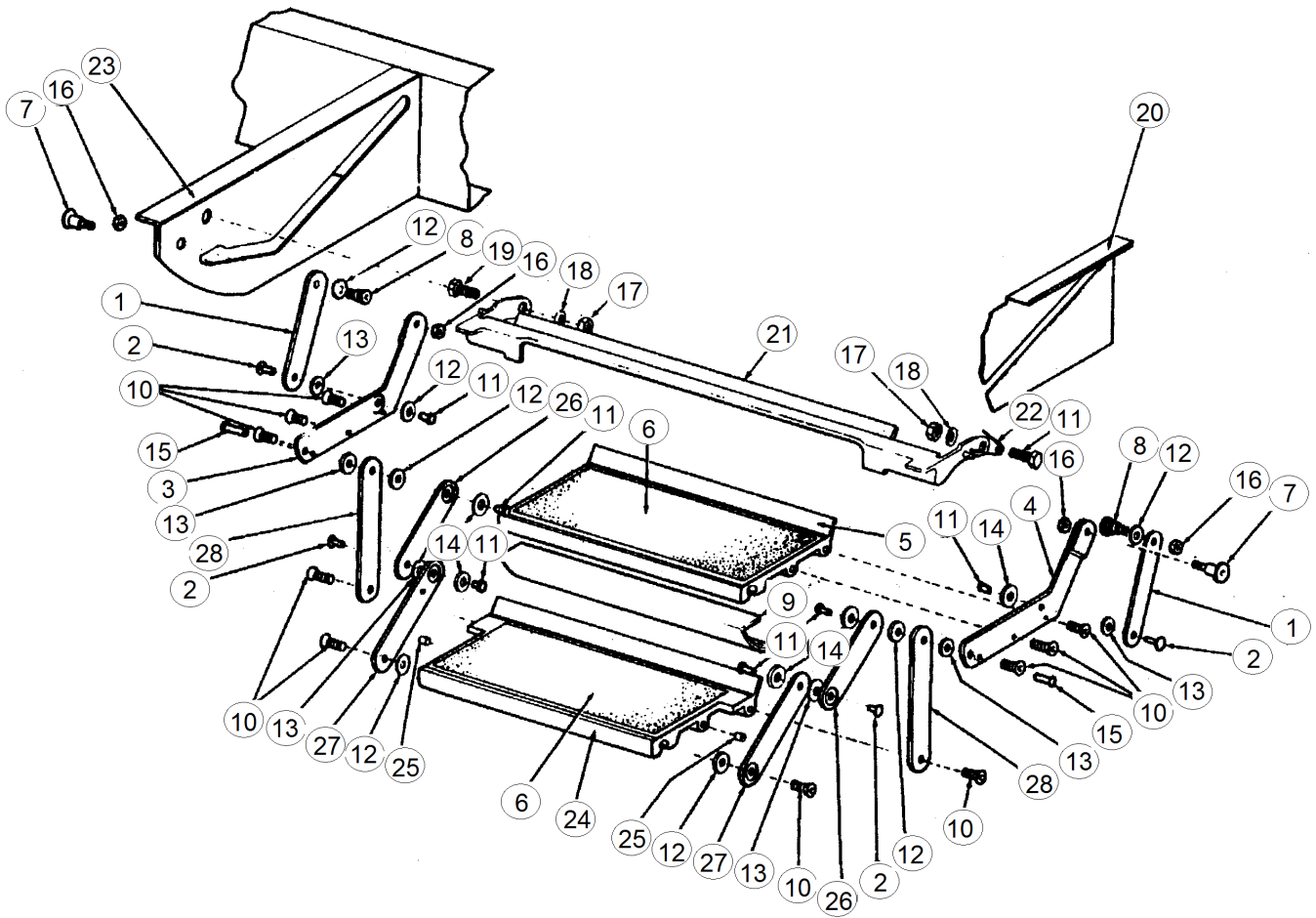
455888 Spare tire Carrier
455644 Spare tire/Wheel Assembly, with TPMS
0360501 Pin, Clevis, 3/8 x 1-3/4, #0360501
0360502 Hairpin, Cotter, .38 x 1.88, #0360502
345251 Bolt, Hex Head, 1/2-13 x 1-1/2, Gr 5
345279-04 Bolt, Hex. Head, 5/16-18 x 1in
350147-31 Nut, Nylon Lock, 5/16-18

Hitch Coupler

455653 Demco 2 5/16 12.5 K Coupler
455654 Adjustable Coupler Lock
513905 Tow Cable, 7-Way, Siliconized
410612 Safety Chain, 33"
451324 Loop, Safety Chain

CHASSIS

Step Assembly



Parts Listed on Next Page

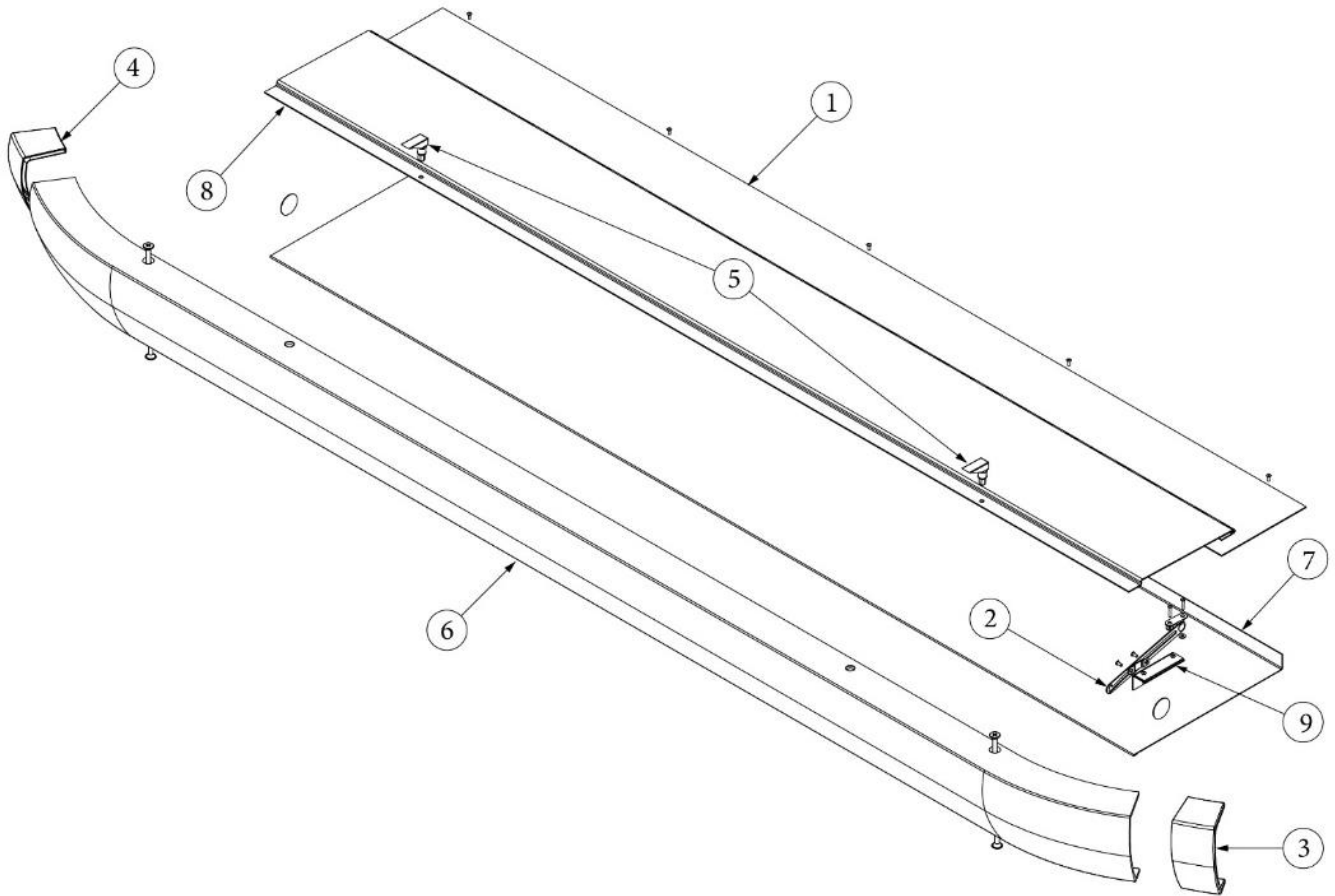
CHASSIS

Step Assembly

3440006	Double step assembly
1. 680213	Arm, upper support
2. 680214	Pin, hinge
3. 680215	Step bracket, left
4. 680216	Step bracket, right
5. 680217	Extrusion, step 20.5"
6. 380069	Safety tread
7. 382998	Slider stud, Aluminum step
8. 001145	Bolt, shoulder, 3/8" thread
9. 680220	Panel
10. 680221	Screw, flat head
11. 680222	Bolt, socket head
12. 680223	Washer, bronze
13. 680224	Washer, wave
14. 680225	Washer, aluminum
15. 680226	Pin, pivot
16. 350290	Locking Nut, Prevailing Torque, Grade C, 3/8-16
17. 350147-25	Nut, Nylock
18. 300005	Washer, flat
19. 345016	Screw, machine
20. 410523	Outrigger, RH (Not included with step assembly.)
21. 100298	Casting, step release
22. 0440032	Step spring
23. 400455	Outrigger, LH (Not included with step assembly.)
24. 410200	Extrusion, step, 20.0"
25. 380075	Bullet catch
26. 400004	Hinge arm, upper
27. 400003	Hinge arm, lower
28. 400005	Arm, lower support
116167-01	Underbelly wrap, Sheet Aluminum, .23 x 30 x 144"
454616	Step support strip
365001	Tape, Foam, Double Sided, White

CHASSIS

Bumper and Storage



113696

Install, Trunk and Bumper

- | | |
|--------------|--|
| 1. 114849-06 | Aluminum sheet, .06" x 36" x 8', Black |
| 2. 380024 | Arms support, Trunk lid, RH |
| 3. 382289-01 | End cap, Bumper, CS |
| 4. 382289-02 | End cap, Bumper, RS |
| 5. 382456 | Swell latch |
| 6. 411054 | Rear bumper |
| 7. 453538 | Sewer hose compartment, bottom |
| 8. 453497-01 | Lid, Rear hose carrier, Black |
| 380203-02 | Piano hinge |
| 9. 114812 | Aluminum Angel, 1 x 1 x 3" |
| 112671-19 | Vinyl - Compartment Liner |

CHASSIS

Stabilizing Jacks

401027-04 Stabilizer jack kit
513311 Switch, Stabilizer jack, DPDT

Hitch Jack

401075-01 Jack-Electric-3500#
401075-0100 Crank Handle
401075-0101 Level
513305 Multi-hitch, Power jack switch

Hose Carrier

602619-02 EZ hose carrier, 64", Black

Underbelly

116167-01 Underbelly wrap, Sheet Aluminum, .23 x 30 x 144"
115684 Underbelly, Aluminum, .035 x 65.75

Bumper End Caps

382289-01 Bumper end cap, Right hand
382289-02 Bumper end cap, Left hand

DECALS, EXTERIOR TRIM

Decals and Medallions

386449	Nameplate, Pottery Barn
386272	Decal, Airstream, Black chrome
386479	Logo for window guard, Pottery Barn

Belt Line Trim

116420	Extrusion, Belt line molding
201912-100	Molding, Belt line insert, Chrome
114417	Casting, Belt line closeout

Rub Rail Trim

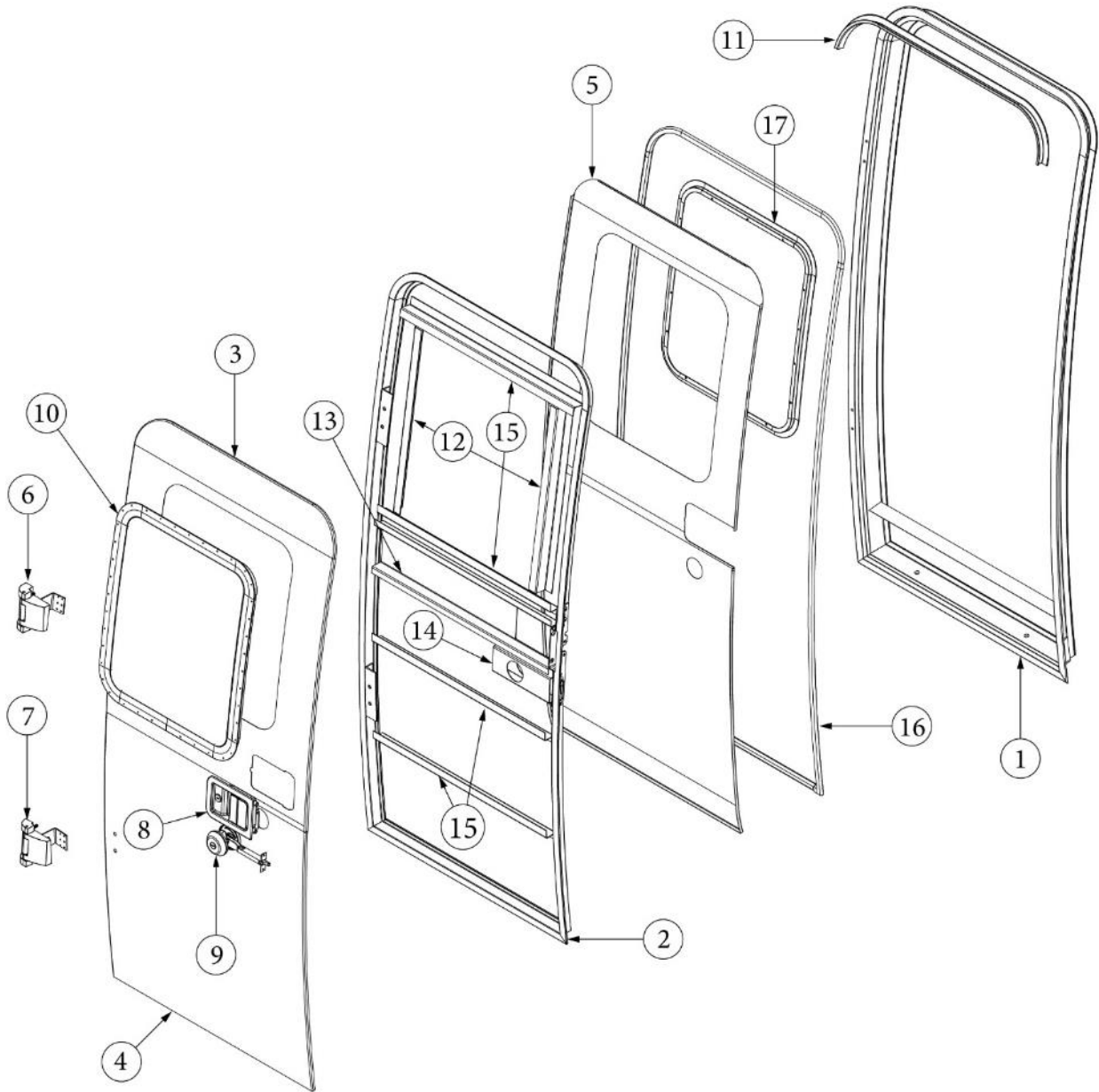
116421	Extrusion, Rub rail
201763-100	Insert, Rub rail, 1", Chrome
114466-01	Closeout, Casting, Rub rail, Angled, RH
114466-02	Closeout, Casting, Rub rail, Angled, LH
114465-01	Closeout, Casting, Rub rail, RH
114465-02	Closeout, Casting, Rub rail, LH

Reflectors

500095	Reflector, Red rectangular
500096	Reflector, Amber
513641	Reflector, Amber, Round, 2.19"
513642	Reflector, Red, Round, 2.19"

DOORS, EXTERIOR

Main Door, LH Hinge



Parts Listed on Next Page

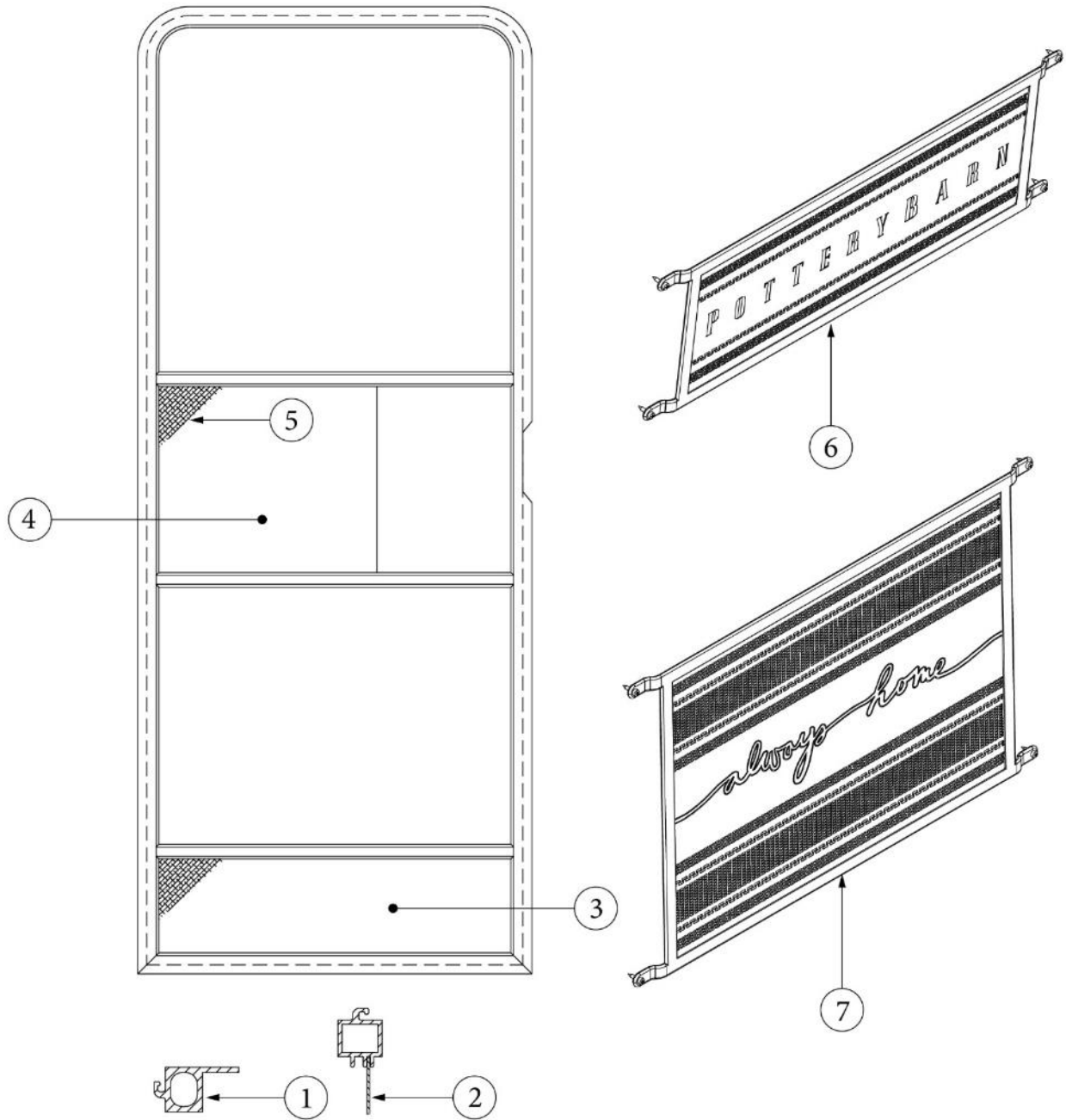
DOORS, EXTERIOR

Main Door, LH Hinge

115207	Main door, LH hinge
1. 114652	Formed jam, Main door
2. 114653	Formed frame, Main door, LH hinge
3. 114448-03	Outer skin, Main door, Upper
4. 114449-03	Outer skin, Main door, Lower
5. 114475	Inner skin, Main door
6. 381552-03	Hinge assembly, Main door, Upper, LH
7. 381552-04	Hinge assembly, Main door, Lower, LH
8. 381547-04	Striker bolt w/washer, Main door lock
385595	Pocket strike, Main door
9. 382069	Deadbolt assembly, Trimark
10. 371400-01	Window assembly, Main door
11. 114363	Drip cap, Main door
12. 114658	Z Bar, Inner door, Vertical
13. 114657	Hat section, Main door
14. 115413	Hat section, Dead bolt, Main door
15. 114658-03	Z Bar, Inner door, Horizontal
16. 365232	Seal, Main door
17. 115208	Inner window frame, Main door
203370	Spacer, Deadbolt
380290	Housing latch, Door stay
380291	Latch assembly set, Door stay
201056	Striker, Main door, Black plastic
203620	Spacer, Striker, Main door
114507-03	Trim, Main door
454898	Nut plate, Main door
115207-8	Window stiffener, Main door
203494	Baseplate, Door latch
101171-02	Grab handle, Silver
382074	Gasket, Grab handle
382194	Headnocker, Main door
195616	Chalk board, Door

DOORS, EXTERIOR

Screen Door



Parts Listed on Next Page

DOORS, EXTERIOR

Screen Door

114654	Screen Door, LH Hinge
1. 104782-186	Extrusion, Frame
2. 104784-78	Extrusion, Screen door stiffener
3. 114648-01	Kick panel
4. 114561-01	Panel, Slider
5. 380079	Screen, Gray
6. 116366-01	Top Guard, Screen door, Pottery Barn
7. 116366-02	Bottom Guard, Screen door, Always Home
380004	Handle with 8/32" x 1 screw
203287-02	Close out, Plastic
701624	Velcro, loop 5/8" wide
701625	Velcro, hook 5/8" wide
381454	Screen door hold back latch, Bullet

DOORS, EXTERIOR

Access Door, Battery

410551-11	Lid, Battery box
382659-1	Hinge, Battery box lid

Access Door, Furnace

116206	Furnace door cover, Large
690808	Furnace Door and Bezel

Access Door, Water Heater

690769-03	Water heater door, Grey
-----------	-------------------------

Access Door, Exterior Shower

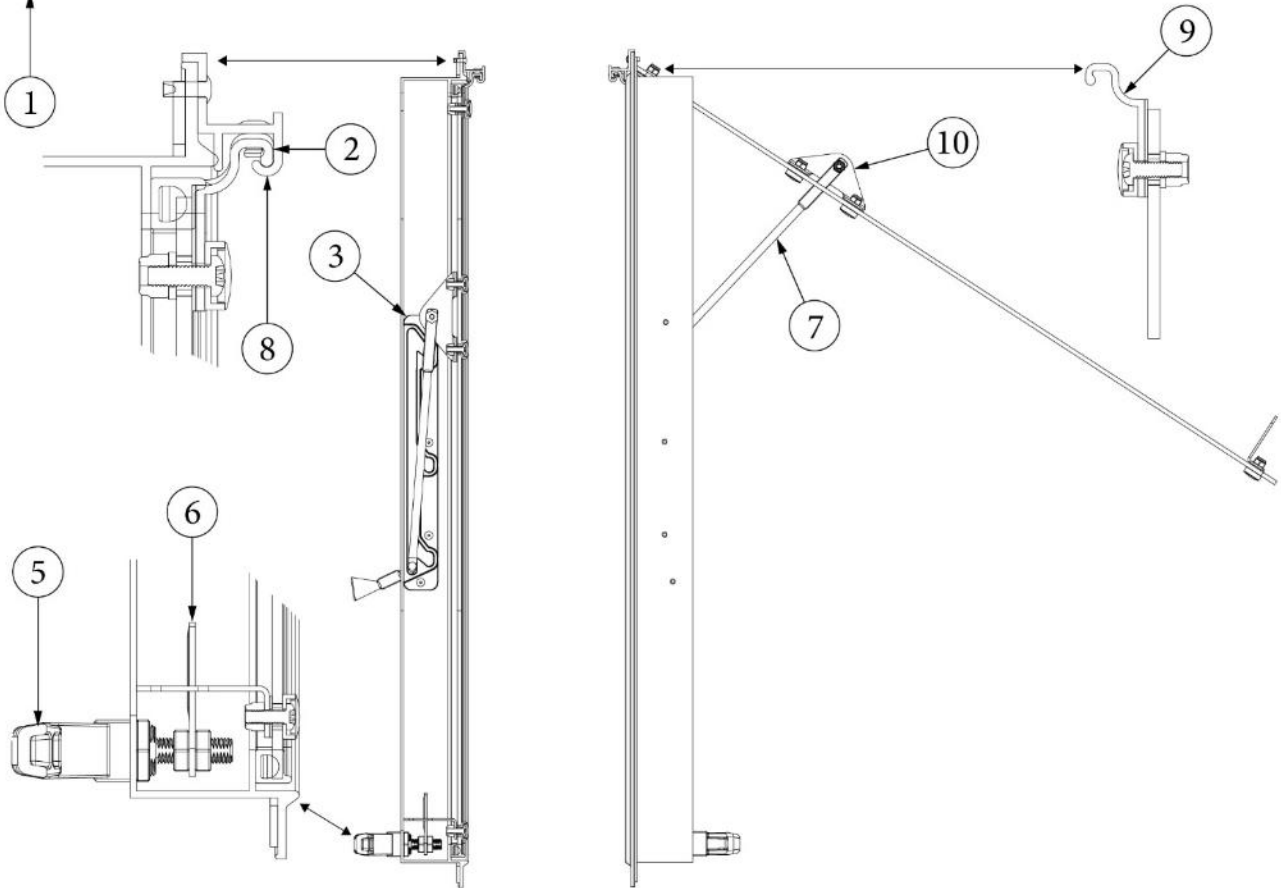
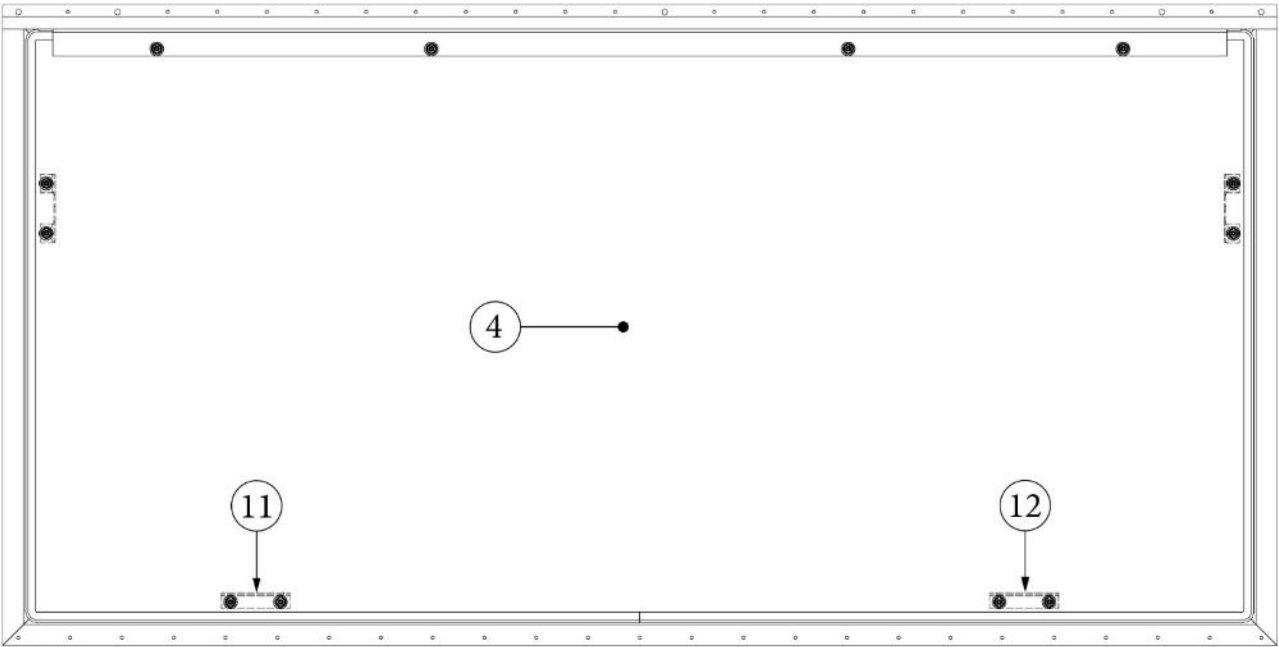
602326	Exterior shower
602326-100	Shower head with hose & mixer
602326-101	Exterior shower door
602326-101P	Pin for shower door
602326-101S	Spring for shower door
602326-102	Clip for shower head

Compartment Doors

923468	Frame Assembly, Compartment Door, Large
923468-01	Compartment Door-Large, Assy
116055-2	Frame- Compartment Door-Large
382650	Seal-Compartment Door
382230-03	Latch-Compression - Locking
382638-2	Hinge-Compartment Door, Large
381065-10	10"" Cable Support
382737	Gasket-Compartment Door Closeout

WINDOWS, SCREENS

Window, Flat, Front and Rear



Parts Listed on Next Page

WINDOWS, SCREENS

Windows, Flat, Front and Rear

371346-02	Window, Front, Flat
371346-01	Window, Rear, Flat, Egress
1. 371446-02	Extrusion, Exterior window frame
2. 115770	Hinge stop
3. 382359	Opening window guide, LH, Black Nylon
382360	Opening window guide, RH, Black Nylon
4. 195510-24	Assembly, Rear window glass
5. 382367-01	Assembly, Window latch (non-emergency)
382367-02	Assembly, Window latch (emergency)
6. 115776	Lock Paw, Window latch assembly
7. 382361	Window opening arm, LH
382362	Window opening arm, RH
8. 371449-01	Extrusion, Window hinge, Fixed, 51"
9. 371450-04	Extrusion, Window hinge, Glass, 47"
10. 114478	Bracket, Window prop
11. 114479-01	Bracket, Window closer, Right
12. 114479-02	Bracket, Window closer, Left
371355	Glass only, Flat window
115780-01	Latch handle (non-emergency)
115780-02	Latch handle (emergency)
115779	Latch shaft
310030	Drive lock pin (latch shaft)
115778	Latch body
382356	Latch spring
382358	Snap cap, Screw cover

WINDOWS, SCREENS

Windows, Panoramic

372088-101 Panoramic window, RS front, CS rear
372089-101 Panoramic window, CS front, RS rear

Windows, Roadside, Curbside

371323-01 Window, Opening, 18"
371324-02 Window, Opening, 30"
371380 Window, Opening, Tall, 30"
371435 Window, Stacked, 30"
371437-01 Window, Vista view, 18"
371437-02 Window, Vista view, 30"
371400-01 Window, Main door

Windows, Bath

372321 Window, Bath door
204259 Glass only, Bath door

Windows, Screens

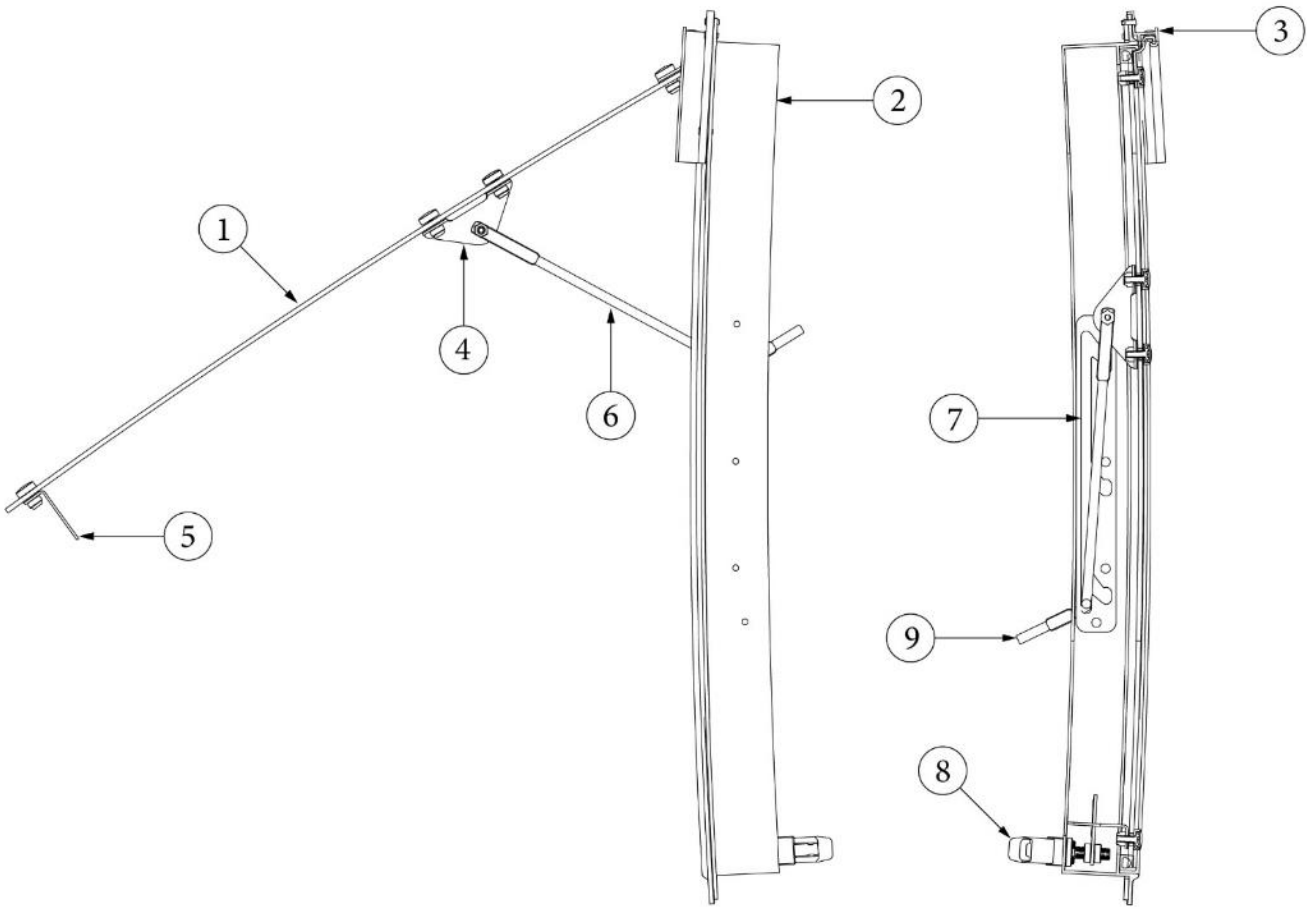
371347-03 Screen, Flat, Front, 50"
371347-04 Screen, Flat, Rear, 50"
372175-04 Screen, Opening window, 30"
372215-01 Screen, Opening window, Tall, 30"
372174-03 Screen, Opening window, 18"
380079 Screen, Gray
195507-13 Adhesive, Rubber & Gasket
0402-0001 Seal, Fuzz Black (Screen)
0404-0001 Seal, Spline, .135 Hollow Rib

Window Parts, Vista Windows

371437-01 Vista view window, 18"
203961-03 Trim ring, Vista view, 18"
704199-01 Shade, 19.25 x 9.5, 1" rail, Ash Grey
371437-02 Vista view window, 30"
203961-04 Trim ring, 30" vista view
704199-02 Shade, 31.25 x 9.5, 1" rail, Ash Grey

WINDOWS, SCREENS

Window Parts, Opening Windows



Parts Listed on Next Page

WINDOWS, SCREENS

Window Parts, Opening Windows

371323-01	Window, 18", Opening
371324-02	Window, 30", Opening
371380	Window, 30" tall, Opening
1. 195510-12	Glass assembly, 18" window
195510-07	Glass assembly, 30" opening window
195510-93	Glass assembly, 30" tall window
2. 371447-03	Frame assembly, 18" window
371447-02	Frame assembly, 30" window
371447-01	Frame assembly, 30" tall window
3. 371448-07	Extrusion, Window hinge eyebrow, Fixed, 18" window
371448-06	Extrusion, Window hinge eyebrow, Fixed, 30" window
371448-05	Extrusion, Window hinge eyebrow, Fixed, 30" window, Tall
4. 114478	Bracket, Window prop
5. 114479-01	Bracket, Window closer, RH
114479-02	Bracket, Window closer, LH
6. 382362	Opening arm, RH
382361	Opening arm, LH
7. 382360	Window guide, RH
382359	Window guide, LH
8. 382367-01	Latch assembly, Chrome
115780-01	Handle, Chrome
9. 380230-03	Knob, Window arm, Silver
380230-04	Knob, Window arm, Red
115776	Lock paw, Window latch
115770	Hinge stop
115778	Latch body, Zinc die cast
115779	Latch shaft
310030	Drive lock pin, 5/32 x 5/8

WINDOWS, SCREENS

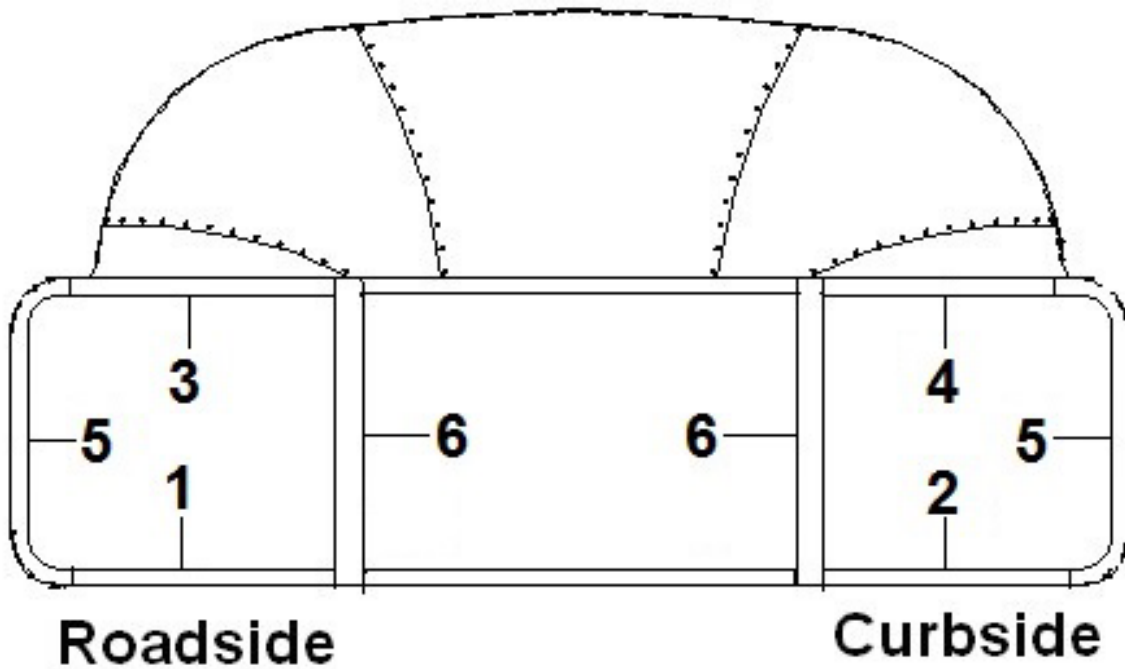
Main Door Window Trim Ring

115208 Trim ring, Main door window

Window Trim

372269 Trim ring, Inner support, 30"
203961-03 Trim ring, Vista view, 18"
203961-04 Trim ring, Vista view, 30"
372267 Trim ring, 30" stack window, Clear

Panoramic Window Trim



1. 201579-02	Trim ring, Lower, Gray
2. 201580-02	Trim ring, Lower, Gray
3. 201581-05	Trim ring, Upper, Gray
4. 201581-06	Trim ring, Upper, Gray
5. 201578-02	End cap, Trim ring Gray
6. 110900	Trim formed, Aluminum, RH/LH

WINDOWS, ROCK GUARDS

Window Rock Guards

110188-01	3-piece stone, Panoramic windows, Wide body
110102	Stone guard, Center piece only, Wide body
685275-101	CS wrap protector, Solar Grey, Stone guard
685275-102	RS wrap protector, Solar Grey, Stone guard
685358	Turn fast stud
685362	Retainer, Split ring
685359	Rubber receptacle
685361	Bracket for rubber receptacle
685361-01	Bracket for rubber receptacle
685363	Slip joint hinge, SS, CS per pair
683960	Arm support
114749	Y-hinge
114750	J-hinge
381021-01	Latch, Draw flexible
114815-01	Extrusion, Frame, Aluminum
685354	Front window key, 90° angle
685378-01	Rubber spline, 1/4"
685351	Rubber frame, Black
685355	Slip joint, SS hinge
101401	Extrusion, Door latch housing

AWNINGS

Power Awning

704825-16 Power awning, 18'

Side Awning

704826-42 Window awning, side, 18' 6-1/4"

Window Awning, Rear

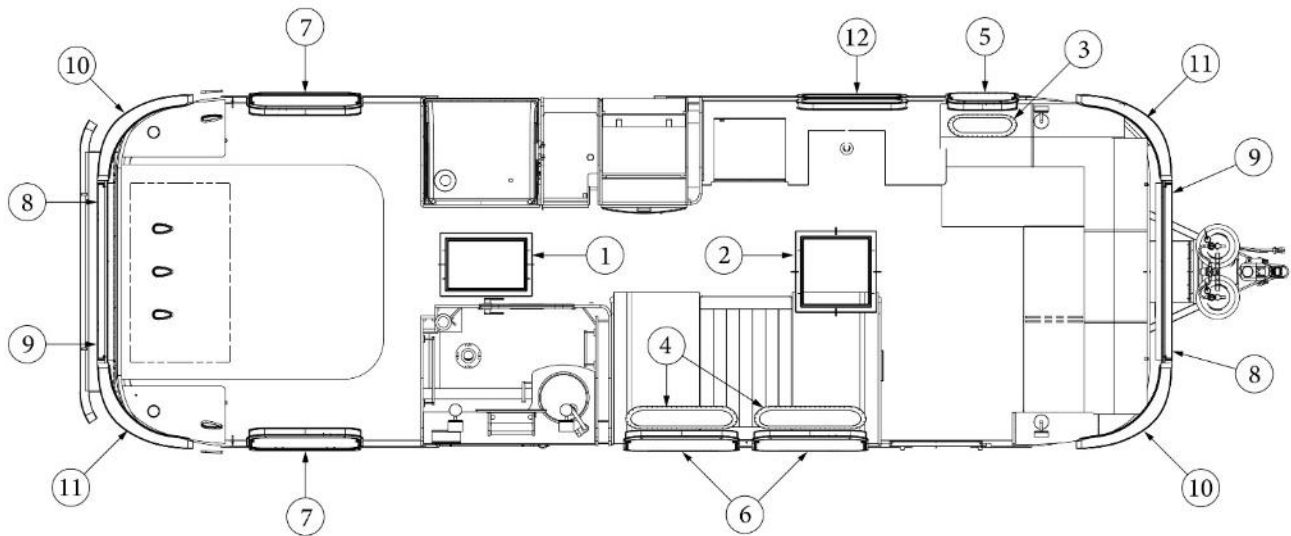
704826-43 Window awning, rear, 52-5/8"

Awning Installation Parts

704825-02 Hardware kit, 79.63" support arm
365336-05 Lower Awning foot, Side awning
365336-06 Awning foot, Rear, w/Pan kit
365338-03 Gasket, Awning travel latch
365338-07 Gasket, Awning hook
365338-08 Gasket, Awning prop foot
365369-02 Gasket, Power awning, Main support
382614 Gasket, Power awning bracket
382202 Grommet, Liquid tight
382225 Grommet, Black, 1/2" OD
382199-03 Hole cover, 2"
385577 Tape, Clear, Wear strip, 3.5" wide
512652 Power cable, Relax awning

DRAPES AND SHADES

Drapes and Shades



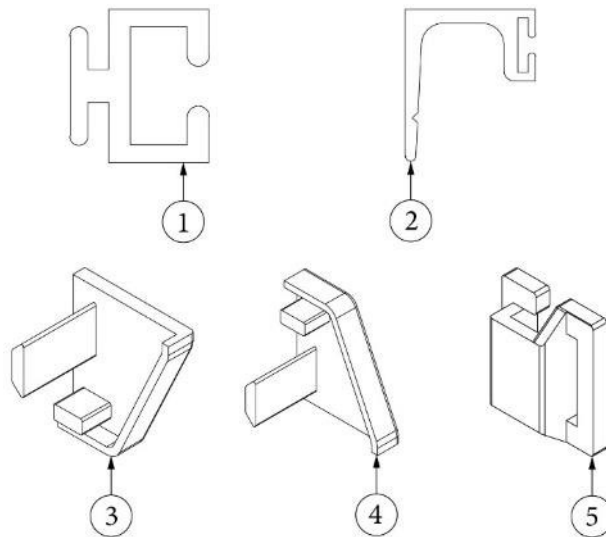
113699

Install, Drapes and Shades

- | | |
|---------------|---------------------------------------|
| 1. 704120-01 | Shade, Skylight, 14.5" x 22.75", Grey |
| 2. 704120-02 | Shade, Skylight, 19.25" x 20", Grey |
| 3. 704199-01 | Shade, 19.25" x 9.25", Ash |
| 4. 704199-02 | Shade, 31.25" x 9.5", Ash |
| 5. 704900-01 | Roman Shade, 22" x 23" |
| 6. 704900-02 | Roman Shade, 34.5" x 29.5" |
| 7. 704900-03 | Roman Shade, 34.5" x 35" |
| 8. 998144-05 | Drape, CS front panel, 27" x 29" |
| 9. 998144-07 | Drape, RS front panel, 27" x 29" |
| 10. 998144-09 | Drape, CS side panel, 37" x 25.5" |
| 11. 998144-11 | Drape, RS panel, 40" x 25.5" |
| 12. 703700-02 | Shade, 32.5" x 24", Oceanair |

DRAPES AND SHADES

Drapes and Shades, Hardware



- | | |
|-----------|-------------------------------------|
| 1. 101217 | Track, Curtain |
| 2. 101225 | Bracket, Curtain stand off |
| 3. 200785 | End, Curtain track, LH |
| 4. 200784 | End, Curtain track, RH |
| 5. 700045 | Glides w/elastic "G" type |
| 704896 | Fabric, Emery Drape, Oatmeal |
| 704198 | Fabric lining blackout, Ivory White |
| 700005 | Fastener, Cap |
| 700006 | Fastener, Socket |
| 700020 | Pile Velcro |
| 700021 | Hook, Velcro, White |

Valances

- | | |
|-----------|---------------------------|
| 969693-01 | Valance assembly, Dinette |
| 969693-02 | Valance assembly, Bedroom |
| 969693-03 | Valance assembly, Lounge |

ELECTRICAL, 110 VOLT

Smartplug

513581 Inlet, 50A, Smartplug
513582 Cord, 50A, Smartplug

Power Center

513533 Distribution Center, 50A, AC service w/15DC circuits

Breakers, 110V

510564-01 Breaker, Bryant, 20 Amp
510564-06 Breaker, Type BR, 20GFI
510564-09 Breaker, Bryant, 15 Amp
511885 Breaker, 2P 120/240V, AC-5

Inverter and Converter

513807 Inverter, 1000W, Progressive Dynamics
513807-100 Remote switch, Inverter
514104 Power Converter/charger, 55A service, Deckmount

ELECTRICAL, 110 VOLT

Receptacles

500563-03	Receptacle, Self-contained, White
500563-04	Wall plate w/screws for 500563-03, White
512562	Receptacle gasket, Neoprene w/adhesive
514185	Receptacle Cover, Weatherproof
512642-06	Receptacle, 15A, Single, Self-contained
511815-01	Receptacle, Duplex, Self-contained, Black
511815-02	Plate, Décor, 1-Gang, Black
511815-03	Receptacle, White, 15A, 120V
511912	Place, Receptacle
512398	Power supply, Wall plate, White
510888-07	Receptacle cover, White
365485	Gasket, Outdoor receptacle kit

ELECTRICAL, 12 VOLT

Battery and Battery Box

113769	Install, Lithium Batteries
513862	Battery, Lithium, 12V, Battle Born
410551-11	Lid, Battery box
500836-02	Positive battery cable, 72"
513985	Negative battery cable, 86"
204148	Battery hold down
512049-01	Cable, Red jumper Bat. 6GA 7.75"
512049-02	Cable, Black jumper Bat. 6GA 7.75"
381814	Wing nut, Battery
386419	Label, Lithium Battery Box
512661-01	Terminal Fuse Block, Terminal Stud
512660-50	Fuse, Terminal 50 Amp, Red
512660-100	Terminal Fuse, 100A, Yellow
513588-04	Tubing, Heat Shrink, 1" Diameter
386367	Label, Smart Unit Battery Heater
514009	Rocker Switch, Battery Heater

7-Way Cable and Breakaway Switch

500886-01	7-Way cable w/plug, 12'
454526	Bracket, Breakaway switch

Tank Monitor System

513494-05	Tank Monitor, NMEA2000
514051-01	Senser Pad, Seelevel
512565	Harness, 3 tank interface

ELECTRICAL, 12 VOLT

Solar System

513475-01	Charge controller, BlueSolar
513475-08	Display, Control, Blue Solar Charger
514042	Solar Panel, 100W, Merlin
365409	Gasket, Solar panel bracket
340308	Clip, Solar panel
513926	Cerbo GX, Victron
386560	Label, Smart Unit Cerbo GX
513899	Smart Shunt, Victron
514071	Solar Port, 3 Position
382834	Gasket, Solar Port
514203	Solar Port, External
382832	Foot mounting kit, Merlin
386477	Label, Solar Prewire

Breakers, 12V

510947-20	Breaker, 12V DC, Type II, 20A
510947-30	Breaker, 12V DC, Type II, 30A
510947-50	Breaker, 12V DC, Type II, 50A
510946-04	Bracket, 4-Position, Circuit breaker, 12V

ELECTRICAL, 12 VOLT

Fuses

500883-01	Fuse 12, CSA 1 amp
513839	Fuse Holder, Maxi Blade
500773-15	Fuse, 12V DC, 15A
500773-01	Fuse, 12V DC, 1A
500773-20	Fuse, 12V DC, 20A
500773-30	Fuse, 12V DC, 30A
513346	Fuse, Bussman, GMA, 1A
512661-01	Terminal Fuse Block, Terminal Stud
512660-50	Fuse, Terminal 50 Amp, Red
512660-100	Terminal Fuse, 100A, Yellow

Switches and USB Ports

511958	Switch, doorbell
513469	Key switch, 24 Hour Power
514009	Rocker switch, Battery heater
513305	Switch, Multi-hitch, Power jack
513311	Switch, Stabilizer jack, DPTP
513707	Switch, Light, LED Single
514047	USB port, Dual, Surface Mount
513234	Adapter, USB Aux

ELECTRICAL, 12 VOLT

Wireless Backup Camera

512946-01	Digital wireless observation kit
512946-04	Digital wireless monitor, Voyager, 7"
512946-05	Camera, Digital Wireless Autopairing, Voyager
512946-100	Antenna
365392	Gasket, Backup camera
382225	Grommet, .5", Black

Exterior Lights

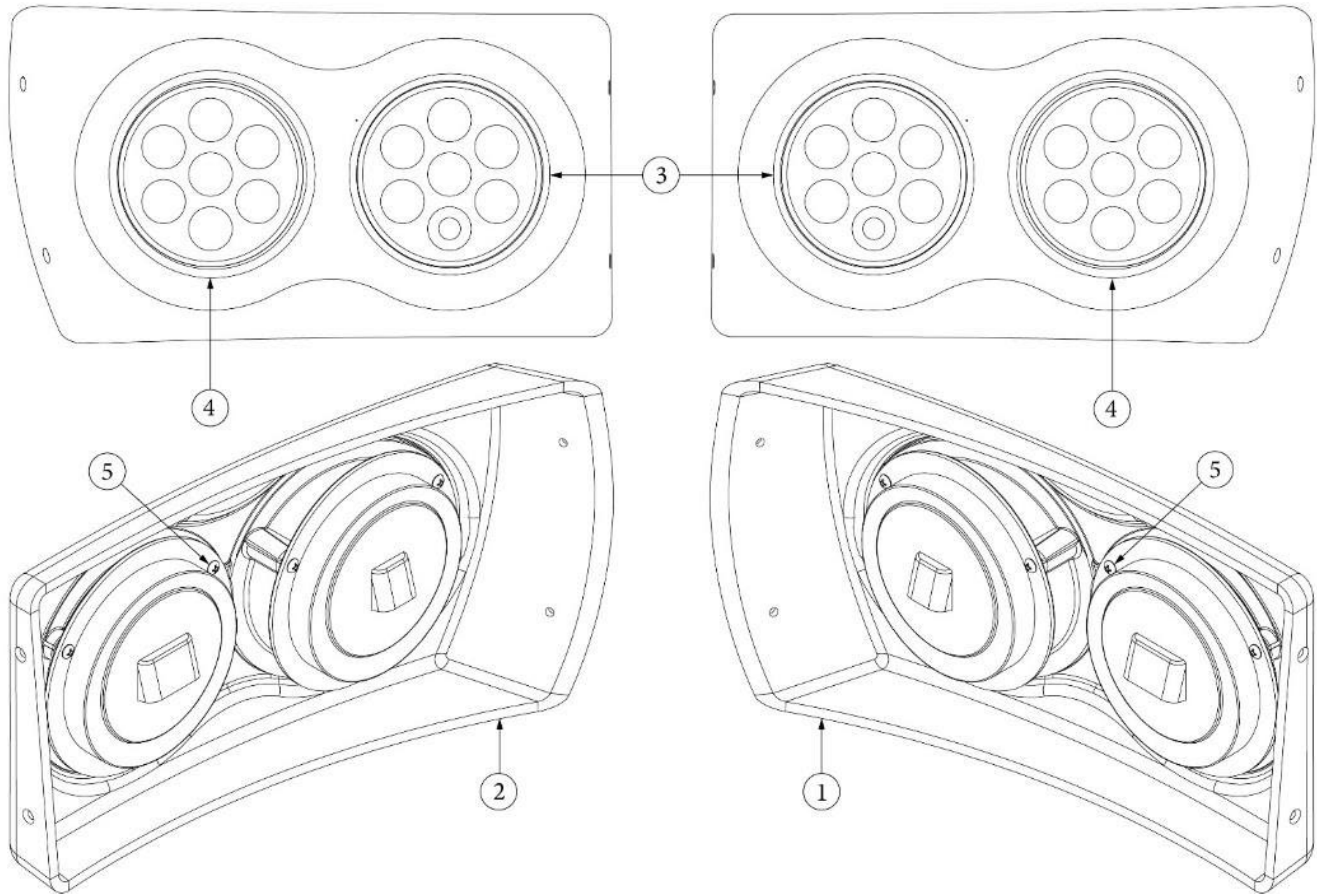
514065	License plate holder/light
514065-01	Light only, License plate
512860	LED clearance light, Red
512860-01	Flat Chrome base, Clearance light
512860-02	Gasket, Clearance Light
512928	Light, w/Curved bezel, required for top 3 lights
512928-01	Curved bezel
512928-02	Gasket, curbed bezel light
512859	LED clearance light, Amber
512859-01	Clearance light, Flat Chrome base
512859-02	Gasket, Amber Clearance light
513752	Light, Push Lens, LED, Courtesy
994165	Entrance light above main door
101323	Casting, Step light, Polished Aluminum
201185	Lens, Step light
512490	Bulb, 25 Diode, Entry light
512918-02	LED flex light strip, 460CM

Interior Lights

513707	Light w/switch, Pancake light
513961	Light, Shower, LED
513927	Sconce, Light, Lounge
513928	Sconce, Light, Bath
513929	Lamp, Nightstand, LED
513930	Reading Light, Overhead lockers, Bedroom, Lounge
513942	Puck Lights, Galley
513136	Spotlight w/frosted lens
512478	Light, Wet location, LED
513972	Edison Bulb, LED
512702	Track Light, Medicine cabinet, Luna light, 59"
513297-19	Light, Locker, LED, Kit

ELECTRICAL, 12 VOLT

Taillight Assembly



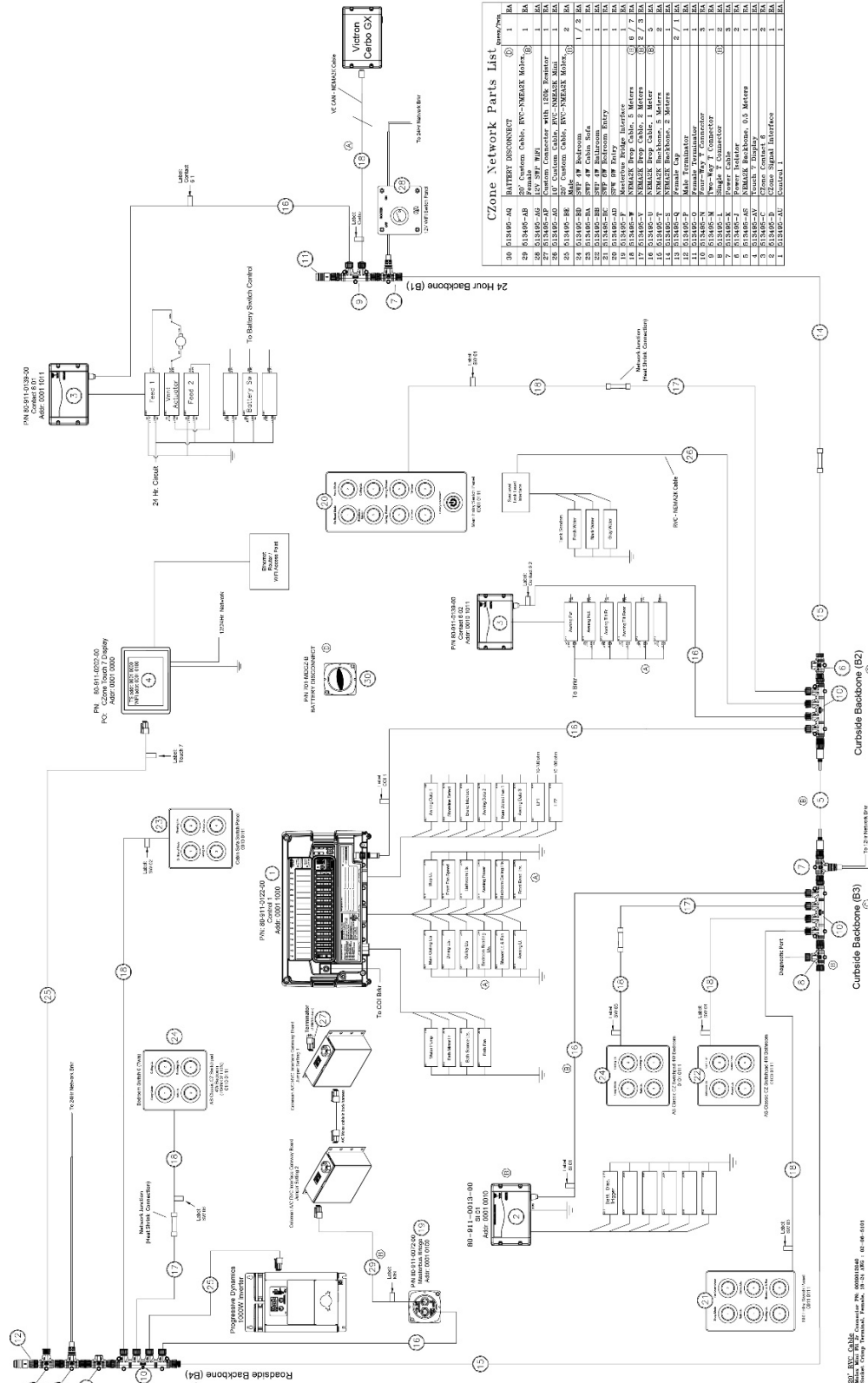
968188-02
968188-01

Taillight assembly, RS
Taillight assembly, CS

- | | |
|--------------|---------------------------------------|
| 1. 115758-01 | Casting, Taillight, CS |
| 2. 115758-02 | Casting, Taillight, RS |
| 3. 512820 | Taillight, Backup |
| 4. 512821 | Taillight |
| 5. 320229 | Screw, Threading type F, #8-32 x 3/8" |
| 115629 | Bracket, Taillight, Outside |
| 115630 | Bracket, Taillight, Inside |
| 203797-01 | Gasket, Taillight, CS |
| 203797-02 | Gasket, Taillight, RS |

ELECTRICAL, 12 VOLT

CZone System Components



Part No.	Description	Qty
10	BATTERY DISCONNECT	1
11	20' Custom Cable, RVC-NM2XK Motor	1
12	20' Custom Cable, RVC-NM2XK Motor	1
13	20' Custom Cable, RVC-NM2XK Motor	1
14	20' Custom Cable, RVC-NM2XK Motor	1
15	20' Custom Cable, RVC-NM2XK Motor	1
16	20' Custom Cable, RVC-NM2XK Motor	1
17	20' Custom Cable, RVC-NM2XK Motor	1
18	20' Custom Cable, RVC-NM2XK Motor	1
19	20' Custom Cable, RVC-NM2XK Motor	1
20	20' Custom Cable, RVC-NM2XK Motor	1
21	20' Custom Cable, RVC-NM2XK Motor	1
22	20' Custom Cable, RVC-NM2XK Motor	1
23	20' Custom Cable, RVC-NM2XK Motor	1
24	20' Custom Cable, RVC-NM2XK Motor	1
25	20' Custom Cable, RVC-NM2XK Motor	1
26	20' Custom Cable, RVC-NM2XK Motor	1
27	20' Custom Cable, RVC-NM2XK Motor	1
28	20' Custom Cable, RVC-NM2XK Motor	1
29	20' Custom Cable, RVC-NM2XK Motor	1
30	20' Custom Cable, RVC-NM2XK Motor	1
31	20' Custom Cable, RVC-NM2XK Motor	1
32	20' Custom Cable, RVC-NM2XK Motor	1
33	20' Custom Cable, RVC-NM2XK Motor	1
34	20' Custom Cable, RVC-NM2XK Motor	1
35	20' Custom Cable, RVC-NM2XK Motor	1
36	20' Custom Cable, RVC-NM2XK Motor	1
37	20' Custom Cable, RVC-NM2XK Motor	1
38	20' Custom Cable, RVC-NM2XK Motor	1
39	20' Custom Cable, RVC-NM2XK Motor	1
40	20' Custom Cable, RVC-NM2XK Motor	1
41	20' Custom Cable, RVC-NM2XK Motor	1
42	20' Custom Cable, RVC-NM2XK Motor	1
43	20' Custom Cable, RVC-NM2XK Motor	1
44	20' Custom Cable, RVC-NM2XK Motor	1
45	20' Custom Cable, RVC-NM2XK Motor	1
46	20' Custom Cable, RVC-NM2XK Motor	1
47	20' Custom Cable, RVC-NM2XK Motor	1
48	20' Custom Cable, RVC-NM2XK Motor	1
49	20' Custom Cable, RVC-NM2XK Motor	1
50	20' Custom Cable, RVC-NM2XK Motor	1
51	20' Custom Cable, RVC-NM2XK Motor	1
52	20' Custom Cable, RVC-NM2XK Motor	1
53	20' Custom Cable, RVC-NM2XK Motor	1
54	20' Custom Cable, RVC-NM2XK Motor	1
55	20' Custom Cable, RVC-NM2XK Motor	1
56	20' Custom Cable, RVC-NM2XK Motor	1
57	20' Custom Cable, RVC-NM2XK Motor	1
58	20' Custom Cable, RVC-NM2XK Motor	1
59	20' Custom Cable, RVC-NM2XK Motor	1
60	20' Custom Cable, RVC-NM2XK Motor	1
61	20' Custom Cable, RVC-NM2XK Motor	1
62	20' Custom Cable, RVC-NM2XK Motor	1
63	20' Custom Cable, RVC-NM2XK Motor	1
64	20' Custom Cable, RVC-NM2XK Motor	1
65	20' Custom Cable, RVC-NM2XK Motor	1
66	20' Custom Cable, RVC-NM2XK Motor	1
67	20' Custom Cable, RVC-NM2XK Motor	1
68	20' Custom Cable, RVC-NM2XK Motor	1
69	20' Custom Cable, RVC-NM2XK Motor	1
70	20' Custom Cable, RVC-NM2XK Motor	1
71	20' Custom Cable, RVC-NM2XK Motor	1
72	20' Custom Cable, RVC-NM2XK Motor	1
73	20' Custom Cable, RVC-NM2XK Motor	1
74	20' Custom Cable, RVC-NM2XK Motor	1
75	20' Custom Cable, RVC-NM2XK Motor	1
76	20' Custom Cable, RVC-NM2XK Motor	1
77	20' Custom Cable, RVC-NM2XK Motor	1
78	20' Custom Cable, RVC-NM2XK Motor	1
79	20' Custom Cable, RVC-NM2XK Motor	1
80	20' Custom Cable, RVC-NM2XK Motor	1
81	20' Custom Cable, RVC-NM2XK Motor	1
82	20' Custom Cable, RVC-NM2XK Motor	1
83	20' Custom Cable, RVC-NM2XK Motor	1
84	20' Custom Cable, RVC-NM2XK Motor	1
85	20' Custom Cable, RVC-NM2XK Motor	1
86	20' Custom Cable, RVC-NM2XK Motor	1
87	20' Custom Cable, RVC-NM2XK Motor	1
88	20' Custom Cable, RVC-NM2XK Motor	1
89	20' Custom Cable, RVC-NM2XK Motor	1
90	20' Custom Cable, RVC-NM2XK Motor	1
91	20' Custom Cable, RVC-NM2XK Motor	1
92	20' Custom Cable, RVC-NM2XK Motor	1
93	20' Custom Cable, RVC-NM2XK Motor	1
94	20' Custom Cable, RVC-NM2XK Motor	1
95	20' Custom Cable, RVC-NM2XK Motor	1
96	20' Custom Cable, RVC-NM2XK Motor	1
97	20' Custom Cable, RVC-NM2XK Motor	1
98	20' Custom Cable, RVC-NM2XK Motor	1
99	20' Custom Cable, RVC-NM2XK Motor	1
100	20' Custom Cable, RVC-NM2XK Motor	1

Parts Listed on Next Page

© 2011 Progressive Dynamics, Inc. All rights reserved. Progressive Dynamics, Inc. 10000 Progressive Drive, Dallas, TX 75243-1000. P/N: 00-0013-00 Rev. 01/11

ELECTRICAL, 12 VOLT

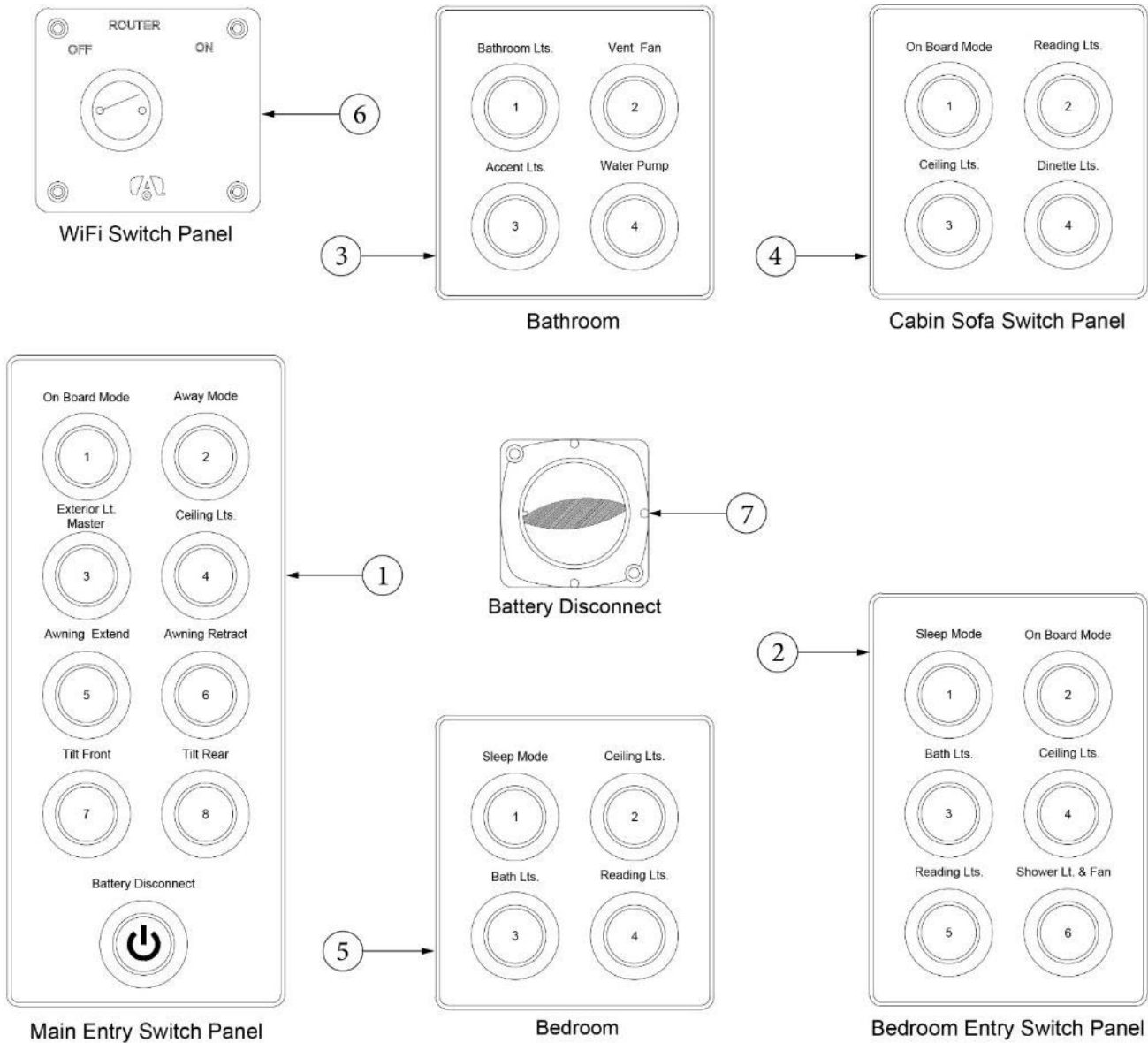
CZone System Components

513495-AU	Control 1
513495-D	CZone signal interface
513495-C	CZone contact 6
513495-AV	Touch 7 display
513495-AS	NEMA2K backbone, .5 meters
513495-J	Power isolator
513495-K	Power cable
513495-L	Single T connector
513495-M	Two-way T connector
513495-N	Four-way T connector
513495-O	Female terminator
513495-P	Male terminator
513495-Q	Female cap
513495-S	NEMA2K backbone, 2 meters
513495-T	NEMA2K backbone, 5 meters
513495-U	NEMA2K drop cable, 1 meter
513495-V	NEMA2K drop cable, 2 meters
513495-W	NEMA2K drop cable, 5 meters
513495-F	Masterbus bridge interface
513495-BE	Custom cable, 20', RVC-NMEA2K Molex, Male
513495-AO	Custom cable, 10', RVC-NMEA2K Mini
513495-AP	Custom connector, 120k resistor
513495-AB	Custom cable, 20', RVC-NMEA2K Molex, Female

CZone Configuration Files

513976	Code, CZone configuration
513977	Code, Favorites package

ELECTRICAL, 12 VOLT



CZone Switch Controls

513495-16
513495-17

CZone kit, Queen
CZone kit, Twin

- | | |
|---|---|
| <p>1. 513495-AD
2. 513495-BC
3. 513495-BB
4. 513495-BA
5. 513495-BD
6. 513495-AG
7. 513495-AQ</p> | <p>Switch panel, Entry, 9W
Switch panel, Bedroom entry, 6W
Switch panel, Bathroom, 4W
Switch panel, Cabin sofa, 4W
Switch panel, Bedroom, 4W
Switch panel, WiFi, 12V
Battery disconnect</p> |
|---|---|

ELECTRICAL, 12 VOLT

Smart RV System

514123	Router, Pepwave, Cat12 Transit Pro, (Nano Sims)
513637-01	Antenna, WiFi, GPS, Cellular
382660	Gasket, Smart RV WiFi skin antenna
513637-13	Harness, 5M, 2 Wi-Fi, 1 GPS, 2 CE
513469	Key switch
513506	Disconnect, Low voltage
116378-01	Box, WiFi router
116378-02	Bracket, WiFi router
116378-03	Cover, WiFi router
116220	Backer plate

ENTERTAINMENT

Audio

513618	Radio, Fusion Apollo RA770
513618-02	Harness, Power and Speaker
513618-100	Side clip, Fusion Radio
513955	Speaker, Flush mount
513710-01	Tuner, Sirius XM
513710-02	Antenna, Sirius XM
513654	Powered subwoofer, 6.5"
513234	USB input cable

Video

513594-03	Antenna-TV, King - White-Omni Pro Digital
382653	Gasket Plug - Cable Hole - Antenna
382652	Gasket - King Omni Pro Antenna
115634-1	Bracket, Antenna mount
513789	Adapter, Coaxial F-style
512398	Power supply, Wall plate, Amplifier w/2 TV hook-up
513685	Dual inlet, TV/satellite, Gray
513302	Wall plate w/HDMI & coax connections
512501	Splitter, HDMI pass through
512499-01	Cable, Mini coax, 64"
513700-02	Wall plate, Passive jack W/F CO
512366-03	Cable, HDMI, Male to Male, 3'
514124	Wall Plate, Bring your own device
513701-01	HDMI/Cat6 Splitter

ENTERTAINMENT

TV, Queen Bedroom, TV, 24"

690596	TV, Connexx, 12V, 24"
512457	Articulating Arm
512499	Mini coax cable, 48"
512499-01	Mini coax cable, 64"
381136	Spacer bumpers, TV bracket
340300	Clip, Cable holder
382184	Sleeve, Flexo braided split

TV, Twin Bedroom, TV, 24"

690596	TV, Connexx, 12V, 24"
512457	Articulating Arm
511314	Universal bushing, 1" ID, Black
512499	Cable, Mini coax, 48"
340300	Clip, Cable holder
382184	Sleeve, Flexo braided split

TV, Bath, 27"

690811	TV, Connexx, 12V, 27"
512526-01	Articulating arm, LED TV
512997	Pass through, Wall plate
512499	Cable, Mini coax, 48"
512499-01	Mini coax cable, 64"
382184	Sleeve, .75", Flexo braided split

FLOOR COVERINGS

Floor Coverings

704892	Flooring, Vinyl, Bowen silver
203594-02	Trim, Floor, Ash Grey
360409	3M, Dent filler compound
360404	Adhesive, Weather seal hybrid
998263-04	Doormat, Airstream, Always Home
203727	Foil, Single bubble flex

Carpet

701538-01	Carpet, Econolier w/PSA backing
-----------	---------------------------------

FURNITURE, INTERIOR DOORS AND MIRRORS

Doors, Roof Lockers

802575-011007	Door, Roof locker, 14.75 x 29.25
802575-021007	Door, Roof locker, 13.75 x 29.25

Door, Foldette

704898	Divider curtain, 54"
381890-02	Track, Straight foldette

Mirrors

371482	Mirror, Medicine cabinet, 20"
372320	Mirror, Wardrobe, 9 x 68.94"

FURNITURE, DRAWER BOXES AND SLIDES

Drawer Boxes

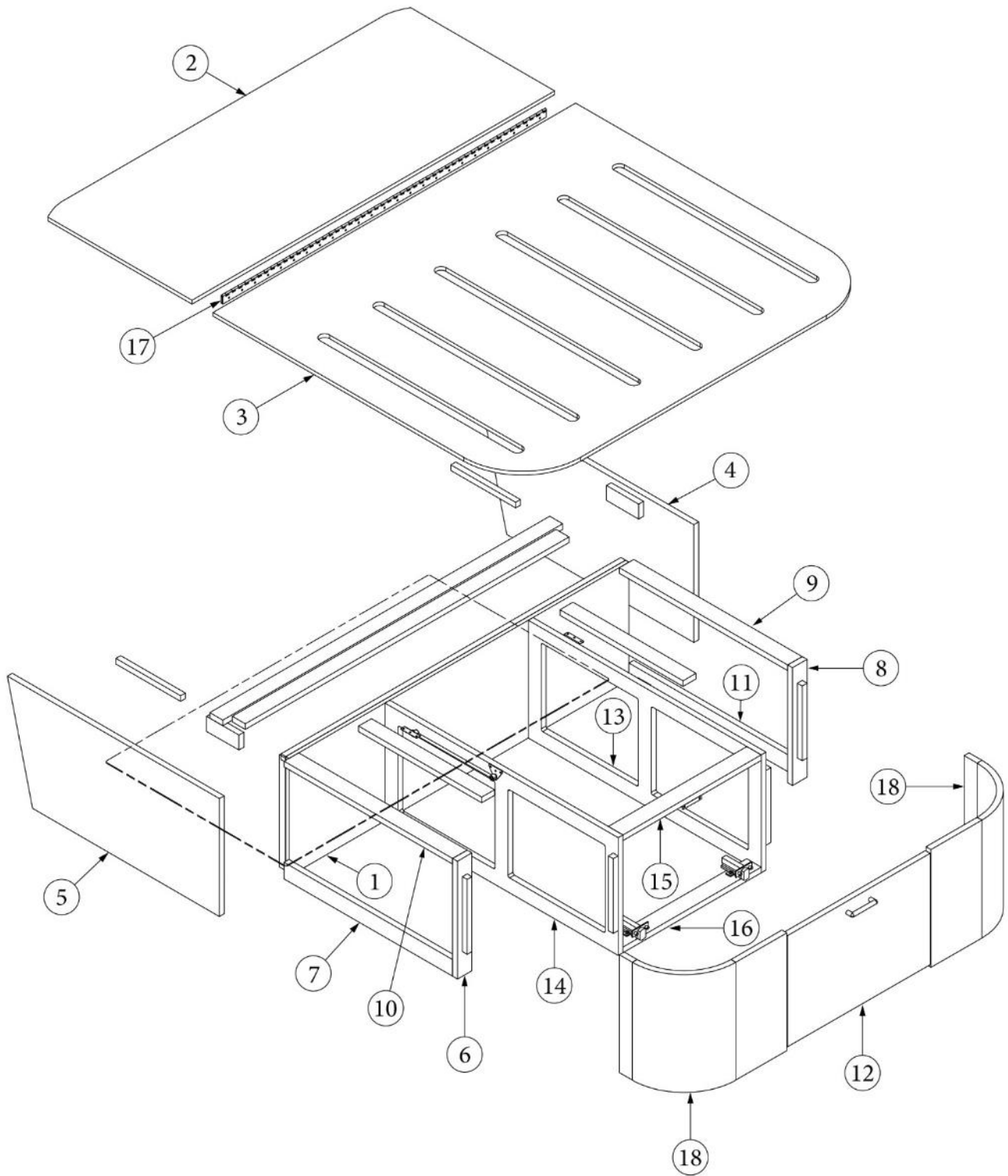
969704-07	Drawer box, 2.75 x 15 x 12.13
969705-05	Drawer box, 4 x 15 x 12.13
969706-07	Drawer box, 5 x 15 x 13.5
969706-16	Drawer box, 5 x 22 x 23.81

Drawer Slides

382807-07	Drawer slide, pair, 15"
381400-03	Drawer slide, pair, 16"
382807-09	Drawer slide, pair, 21"
382807-01	Clip, Left front fixing
382807-02	Clip, Right front fixing

FURNITURE, BEDROOM

Bed, Queen



Parts Listed on Next Page

FURNITURE, BEDROOM

Bed, Queen

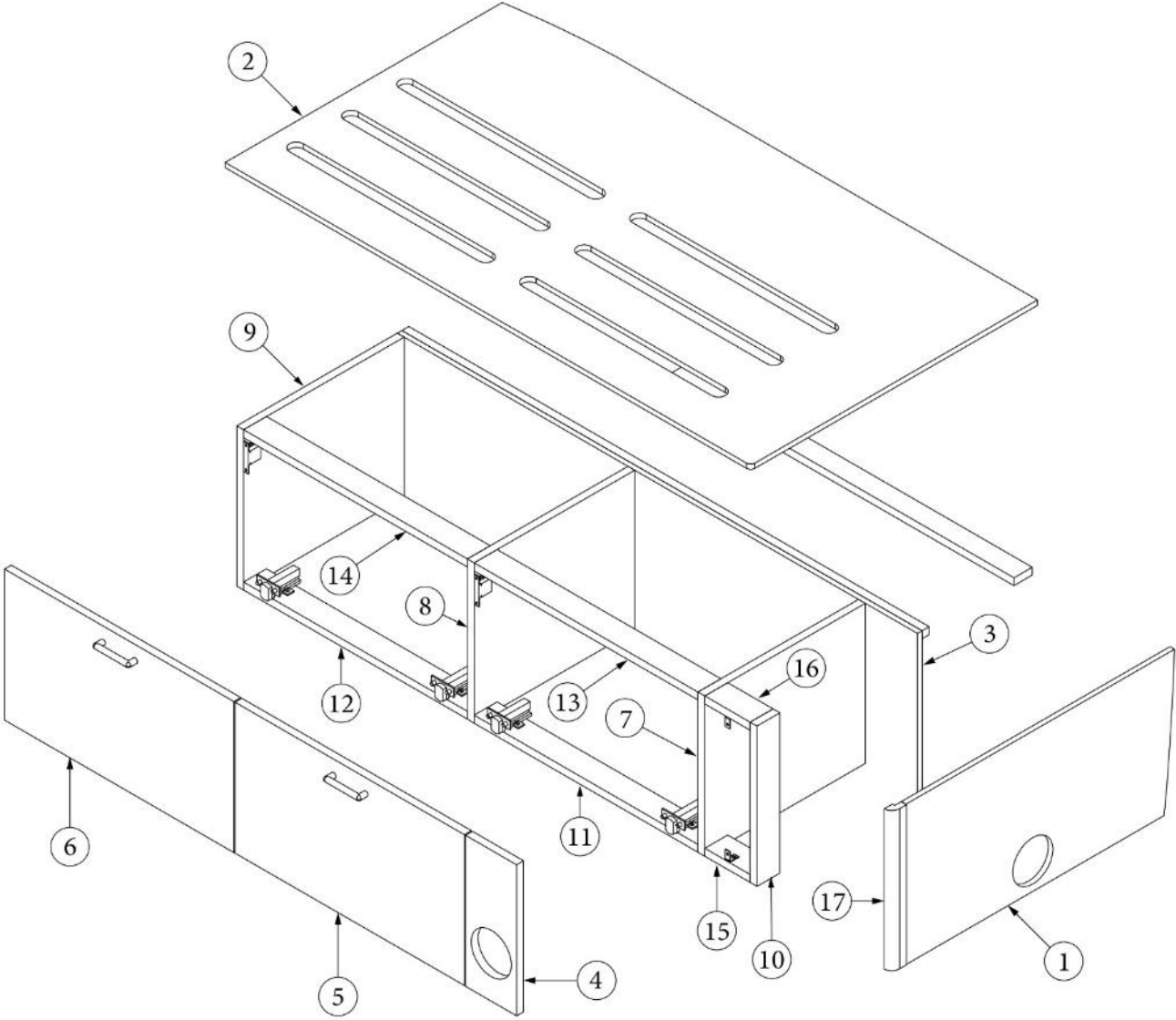
969634-01

Assy, Bed Base, Queen

- | | |
|---------------------|------------------------------------|
| 1. 969634&000112CC | Pre laminate, .5 x 52.5 x 15.75" |
| 2. 969634&000212CC | Pre laminate, .5 x 23.25 x 56" |
| 3. 969634&000312CC | Pre laminate, .5 x 42.75 x 56" |
| 4. 969634&000418BC | Pre laminate, .75 x 32.75 x 15.75" |
| 5. 969634&000518BC | Pre laminate, .75 x 32.75 x 15.75" |
| 6. 969634&000618BC | Pre laminate, .75 x 2.25 x 15.75" |
| 7. 969634&000718BC | Pre laminate, .75 x 26 x 2.25" |
| 8. 969634&000818BC | Pre laminate, .75 x 2.25 x 15.75" |
| 9. 969634&000918BC | Pre laminate, .75 x 26 x 2.25" |
| 10. 969634&001018BC | Pre laminate, .75 x 26 x 2.25" |
| 11. 969634&001118BC | Pre laminate, .75 x 26 x 2.25" |
| 12. 969634&001218BC | Pre laminate, .75 x 22 x 14.88" |
| 13. 969634&001318CC | Pre laminate, .75 x 36 x 15.75" |
| 14. 969634&001418CC | Pre laminate, .75 x 36 x 15.75" |
| 15. 969634&001518CC | Pre laminate, .75 x 21.38 x 2.25" |
| 16. 969634&001618CC | Pre laminate, .75 x 21.38 x 2.25" |
| 17. 380203-01 | Piano Hinge, 50" |
| 18. 969633 | Sub Assy, Bed corner |
| 802280 | Headboard, Ply-bendable |
| 704487-01 | Foam, Headboard, 17 x 44" |
| 704487-02 | Foam, Headboard, 17 x 58" |
| 704895 | Fabric, Headboard |
| 704497 | Mattress |
| 365505-02 | Edgebanding, 15/16" |
| 203445 | T-Trim, 9/16" |
| 382786 | Pull, Bed base |
| 381228-02 | Catch, Grabber door, (5lb Pull) |
| 381607-11 | Hinge, Self-close |
| 381607-12 | Baseplate, Hinge |
| 986715 | Gas spring |
| 114812 | Aluminum angle, 1 x 1 x 15" |
| 998263-08 | Canvas Bin, 12 x 12 x 8" |
| 998263-09 | Canvas Bin, 30 x 20 x 5.5" |

FURNITURE, BEDROOM

Bed, Twin, Roadside



Parts Listed on Next Page

FURNITURE, BEDROOM

Bed, Twin, Roadside

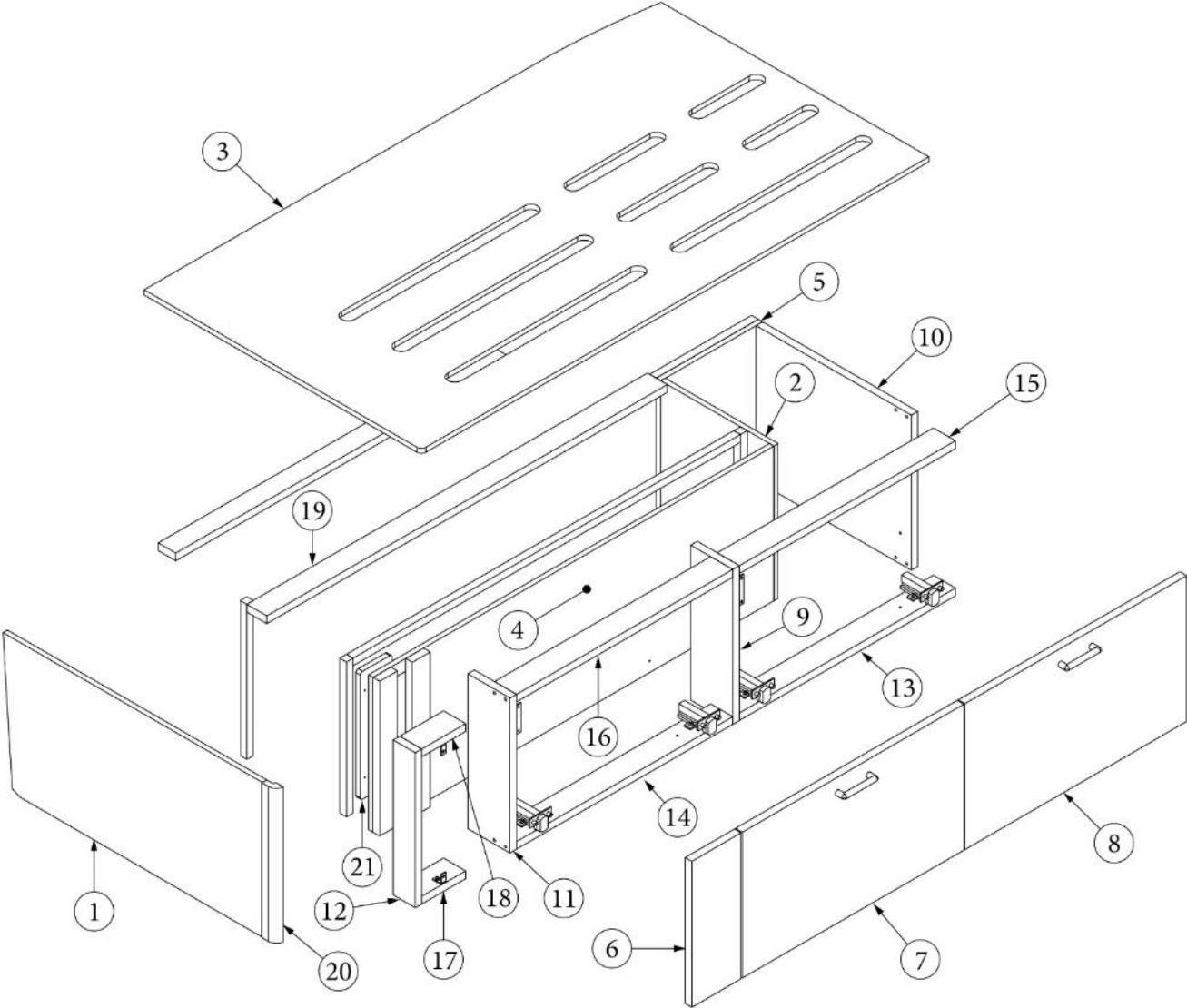
969666-01

Assy, Twin Bed, RS

1. 969666&000112BC	Pre laminate, .5 x 29.25 x 15.13"
2. 969666&000212CC	Pre laminate, .5 x 57.25 x 31.25"
3. 969666&000312CC	Pre laminate, .5 x 56.69 x 15.13"
4. 969666&000418BC	Pre laminate, .75 x 5.56 x 14.25"
5. 969666&000518BC	Pre laminate, .75 x 25 x 14.25"
6. 969666&000618BC	Pre laminate, .75 x 25 x 14.25"
7. 969666&000718CC	Pre laminate, .75 x 17.5 x 15.13"
8. 969666&000818CC	Pre laminate, .75 x 17.5 x 15.13"
9. 969666&000918CC	Pre laminate, .75 x 17.5 x 15.13"
10. 969666&001018CC	Pre laminate, .75 x 2.5 x 15.13"
11. 969666&001118CC	Pre laminate, .75 x 24.38 x 2.5"
12. 969666&001218CC	Pre laminate, .75 x 24.38 x 2.5"
13. 969666&001318CC	Pre laminate, .75 x 24.38 x 2.5"
14. 969666&001418CC	Pre laminate, .75 x 24.38 x 2.5"
15. 969666&001518CC	Pre laminate, .75 x 4.94 x 2.5"
16. 969666&001618CC	Pre laminate, .75 x 4.94 x 2.5"
17. 801706-1008	Corner Trim, Radius, Hardwood, 15.13"
967857&000112BC	Pre laminate, 6 x 11.5, Closeout, Twin
967857&000212BC	Pre laminate, 6 x 20.18, Closeout, Twin
802280	Ply-bendable, Headboard
704487-01	Foam, Headboard, 17 x 44"
704487-02	Foam, Headboard, 17 x 58"
704895	Fabric, Headboard
704498-02	Mattress, RS
365505-01	Edgebanding, 5/8"
365505-02	Edgebanding, 15/16"
382786	Pull, Bed base
381228-02	Catch, Grabber door, (5lb Pull)
381607-11	Hinge, Self-close
381607-12	Baseplate, Hinge
998263-08	Canvas Bin, 12 x 12 x 8"
380041	Bracket, 90-degree, 1 x 1"

FURNITURE, BEDROOM

Bed, Twin, Curbside



Parts Listed on Next Page

FURNITURE, BEDROOM

Bed, Twin, Curbside

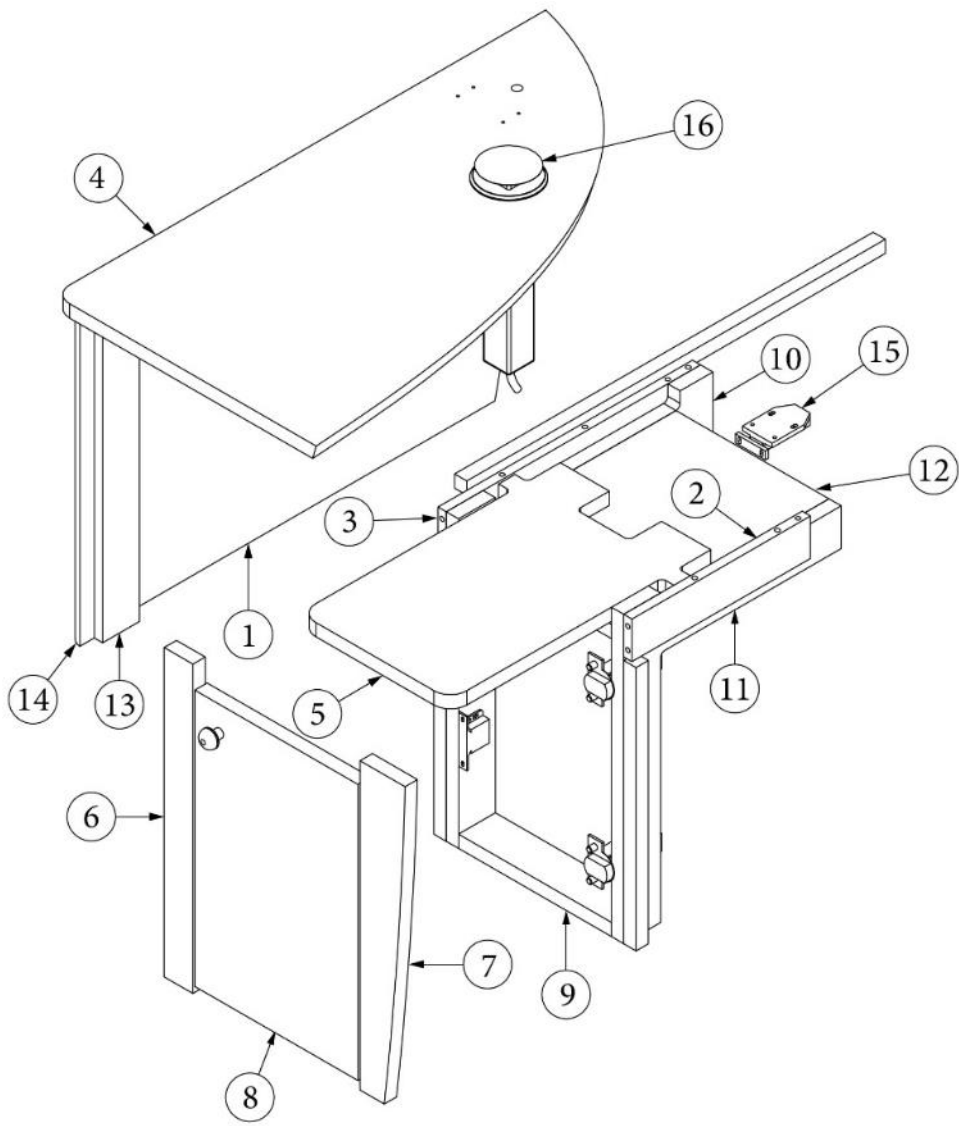
969667-01

Assy, Twin Bed, CS

1. 969667&000112BC	Pre laminate, .5 x 29.25 x 15.13"
2. 969667&000212CC	Pre laminate, .5 x 12.75 x 15.13"
3. 969667&000312CC	Pre laminate, .5 x 52.75 x 31.25"
4. 969667&000412CC	Pre laminate, .5 x 45.19 x 15.13"
5. 969667&000512CC	Pre laminate, .5 x 11.5 x 15.13"
6. 969667&000618BC	Pre laminate, .75 x 5.56 x 14.25"
7. 969667&000718BC	Pre laminate, .75 x 25 x 14.25"
8. 969667&000818BC	Pre laminate, .75 x 25 x 14.25"
9. 969667&000918CC	Pre laminate, .75 x 4.75 x 15.13"
10. 969667&001018CC	Pre laminate, .75 x 17.5 x 15.13"
11. 969667&001118CC	Pre laminate, .75 x 4.75 x 15.13"
12. 969667&001218CC	Pre laminate, .75 x 2.5 x 15.13"
13. 969667&001318CC	Pre laminate, .75 x 24.38 x 2.5"
14. 969667&001418CC	Pre laminate, .75 x 24.38 x 2.5"
15. 969667&001518CC	Pre laminate, .75 x 24.38 x 2.5"
16. 969667&001618CC	Pre laminate, .75 x 24.38 x 2.5"
17. 969667&001718CC	Pre laminate, .75 x 4.94 x 2.5"
18. 969667&001818CC	Pre laminate, .75 x 4.94 x 2.5"
19. 969667&001918CC	Pre laminate, .75 x 2.25 x 45.19"
20. 801706-1008	Corner Trim, Radius, Hardwood, 15.13"
802280	Ply-bendable, Headboard
704487-01	Foam, Headboard, 17 x 44"
704487-02	Foam, Headboard, 17 x 58"
704895	Fabric, Headboard
704498-01	Mattress, CS
365386-01	Edgebanding, .63"
365505-01	Edgebanding, 5/8"
365505-02	Edgebanding, 15/16"
382786	Pull, Bed base
381228-02	Catch, Grabber door, (5lb Pull)
381607-11	Hinge, Self-close
381607-12	Baseplate, Hinge
998263-08	Canvas Bin, 12 x 12 x 8"
380041	Bracket, 90-degree, 1 x 1"

FURNITURE, BEDROOM

Nightstand, Queen, Roadside



Parts Listed on Next Page

FURNITURE, BEDROOM

Nightstand, Queen, Roadside

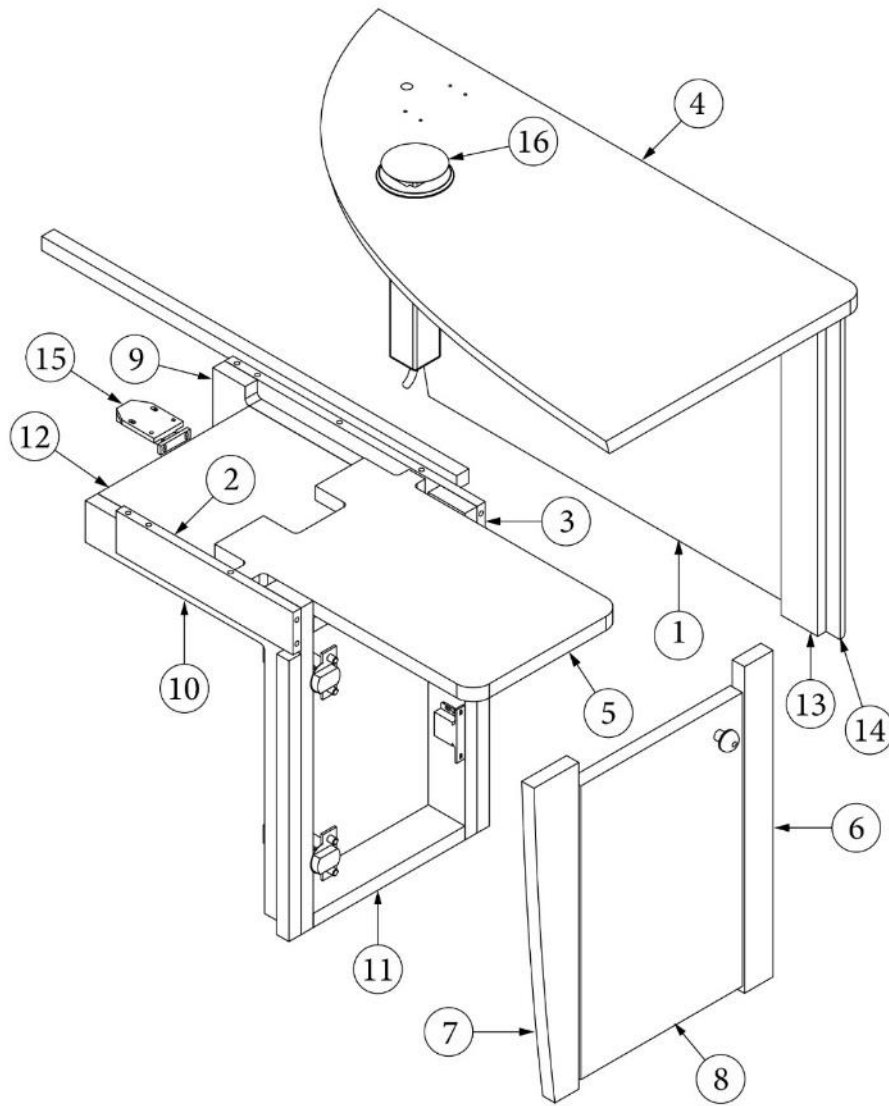
969649-01

Assy, Nightstand, Roadside, RH

1. 969649&000112BC Pre laminate, .5 x 27.66 x 17.38"
2. 969649&000212CC Pre laminate, .5 x 10.88 x 2.25"
3. 969649&000312CC Pre laminate, .5 x 15.5 x 2.25"
4. 969649&000418JC Pre laminate, .75 x 16.01 x 30"
5. 969649&000518JC Pre laminate, .75 x 10.69 x 15.88"
6. 969649&000618BC Pre laminate, .75 x 1.75 x 17.38"
7. 969649&000718BC Pre laminate, .75 x 2.75 x 17.38"
8. 969649&000818BC Pre laminate, .75 x 9.94 x 15.63"
9. 969649&000918CC Pre laminate, .75 x 9.31 x 2.25"
10. 969649&001018CC Pre laminate, .75 x 15.5 x 17.38"
11. 969649&001118CC Pre laminate, .75 x 13.25 x 17.38"
12. 969649&001218CC Pre laminate, .75 x 9.31 x 13.25"
13. 969649&001318CC Pre laminate, .75 x 2.25 x 17.38"
14. 801706-1008 Corner Trim, Radius, Hardwood, 15.13"
15. 382778 Touch Latch, Magnetic
16. 512986 Outlet, Pop-up
- 365505-02 Edgebanding, 15/16"
- 382787 Knob, w/Baseplate
- 381228-02 Catch, Grabber door, (5lb Pull)
- 381607-11 Hinge, Self-close
- 381607-12 Baseplate, Hinge
- 701538-01 Carpet, Econolier, w/PSA backing

FURNITURE, BEDROOM

Nightstand, Queen, Curbside



Parts Listed on Next Page

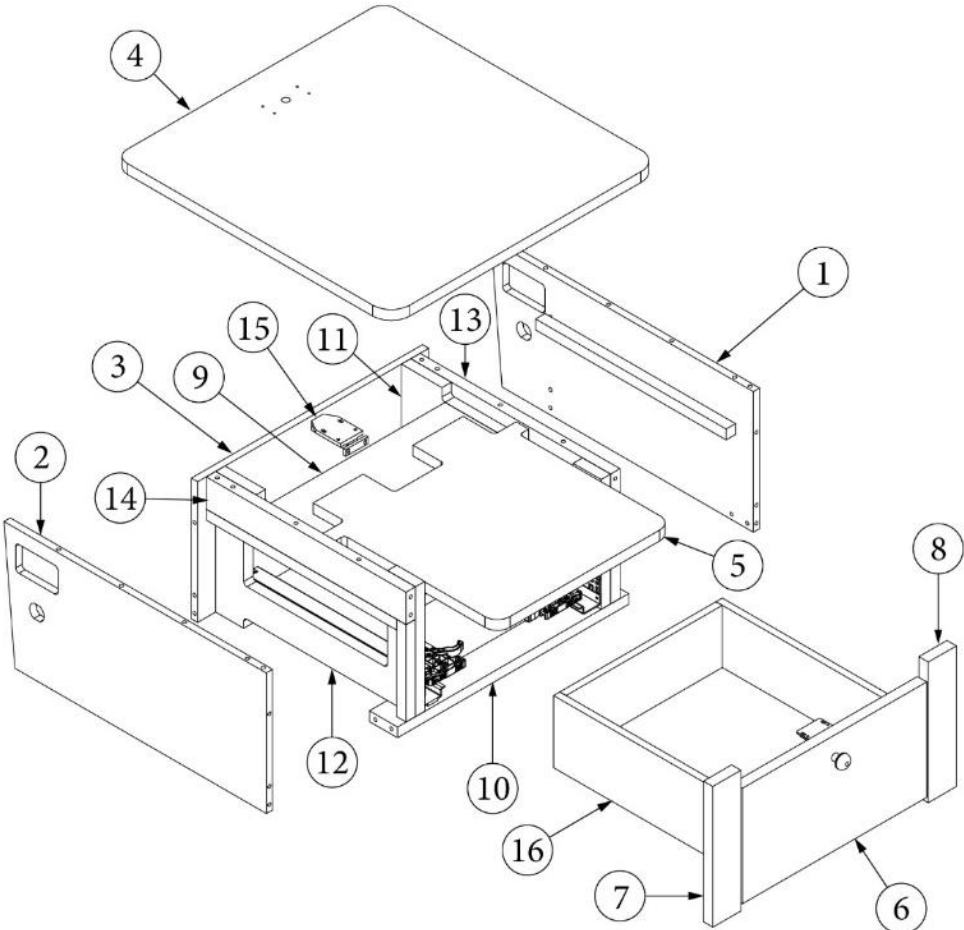
FURNITURE, BEDROOM

Nightstand, Queen, Curbside

969650-01	Assy, Nightstand, Curbside, LH
1. 969650&000112BC	Pre laminate, .5 x 27.66 x 17.38"
2. 969650&000212CC	Pre laminate, .5 x 10.88 x 2.25"
3. 969650&000312CC	Pre laminate, .5 x 15.50 x 2.25"
4. 969650&000418JC	Pre laminate, .75 x 16.01 x 30"
5. 969650&000518JC	Pre laminate, .75 x 10.69 x 15.88"
6. 969650&000618BC	Pre laminate, .75 x 1.75 x 17.38"
7. 969650&000718BC	Pre laminate, .75 x 2.75 x 17.38"
8. 969650&000818BC	Pre laminate, .75 x 9.94 x 15.63"
9. 969650&000918CC	Pre laminate, .75 x 15.5 x 17.38"
10. 969650&001018CC	Pre laminate, .75 x 13.25 x 17.38"
11. 969650&001118CC	Pre laminate, .75 x 9.31 x 2.25"
12. 969650&001218CC	Pre laminate, .75 x 9.31 x 13.25"
13. 969650&001318CC	Pre laminate, .75 x 2.25 x 17.38"
14. 801706-1008	Corner Trim, Radius, Hardwood, 17.38"
15. 382778	Touch Latch, Magnetic
16. 512986	Outlet, Pop-up
365505-02	Edgebanding, 15/16"
382787	Knob, w/Baseplate
381228-02	Catch, Grabber door, (5lb Pull)
381607-11	Hinge, Self-close
381607-12	Baseplate, Hinge
701538-01	Carpet, Econolier, w/PSA backing

FURNITURE, BEDROOM

Nightstand, Twin



Parts Listed on Next Page

FURNITURE, BEDROOM

Nightstand, Twin

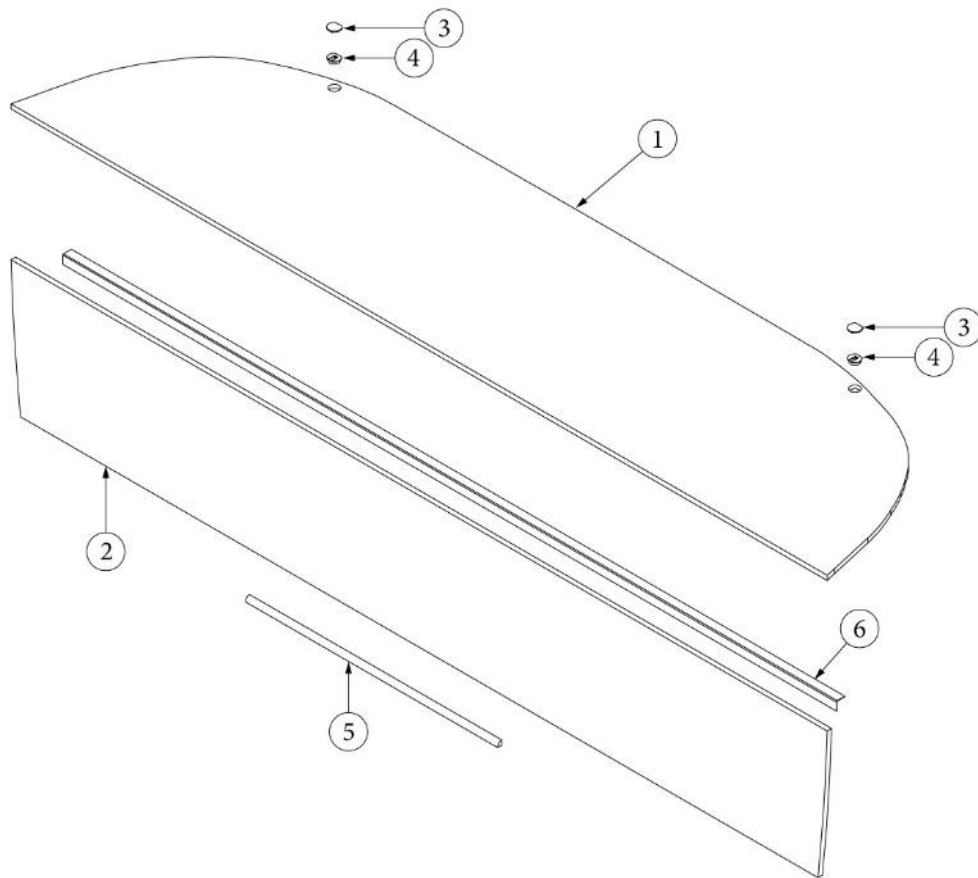
969664-01

Assy, Nightstand, Twin

- | | |
|---------------------|-----------------------------------|
| 1. 969664&000112BC | Pre laminate, .5 x 9.75 x 21" |
| 2. 969664&000212BC | Pre laminate, .5 x 9.75 x 21" |
| 3. 969664&000312CE | Pre laminate, .5 x 18.5 x 9.75" |
| 4. 969664&000418JC | Pre laminate, .75 x 22.13 x 21.5" |
| 5. 969664&000518JC | Pre laminate, .75 x 15.75 x 15.5" |
| 6. 969664&000618BC | Pre laminate, .75 x 8 x 14.75" |
| 7. 969664&000718BC | Pre laminate, .75 x 9.75 x 2.25" |
| 8. 969664&000818BC | Pre laminate, .75 x 9.75 x 2.25" |
| 9. 969664&000918CC | Pre laminate, .75 x 14.13 x 12.5" |
| 10. 969664&001018CC | Pre laminate, .75 x 2.25 x 18.5" |
| 11. 969664&001118CC | Pre laminate, .75 x 16 x 9.75" |
| 12. 969664&001218CC | Pre laminate, .75 x 16 x 9.75" |
| 13. 969664&001318CC | Pre laminate, .75 x 2.25 x 16" |
| 14. 969664&001418CC | Pre laminate, .75 x 2.25 x 16" |
| 15. 382778 | Touch Latch, Magnetic |
| 16. 969706-07 | Drawer box, 5 x 15 x 13.5" |
| 382807-07 | Drawer slide, Self-close, 15" |
| 382807-01 | Clip, Left front fixing |
| 382807-02 | Clip, Right front fixing |
| 365505-02 | Edgebanding, 15/16" |
| 365506 | Edgebanding, 15-16", 2mm |
| 382787 | Knob, w/Baseplate |
| 381228-02 | Catch, Grabber door, (5lb Pull) |
| 701538-01 | Carpet, Econolier, w/PSA backing |

FURNITURE, BEDROOM

Rear Storage Box, Twin



969668-01

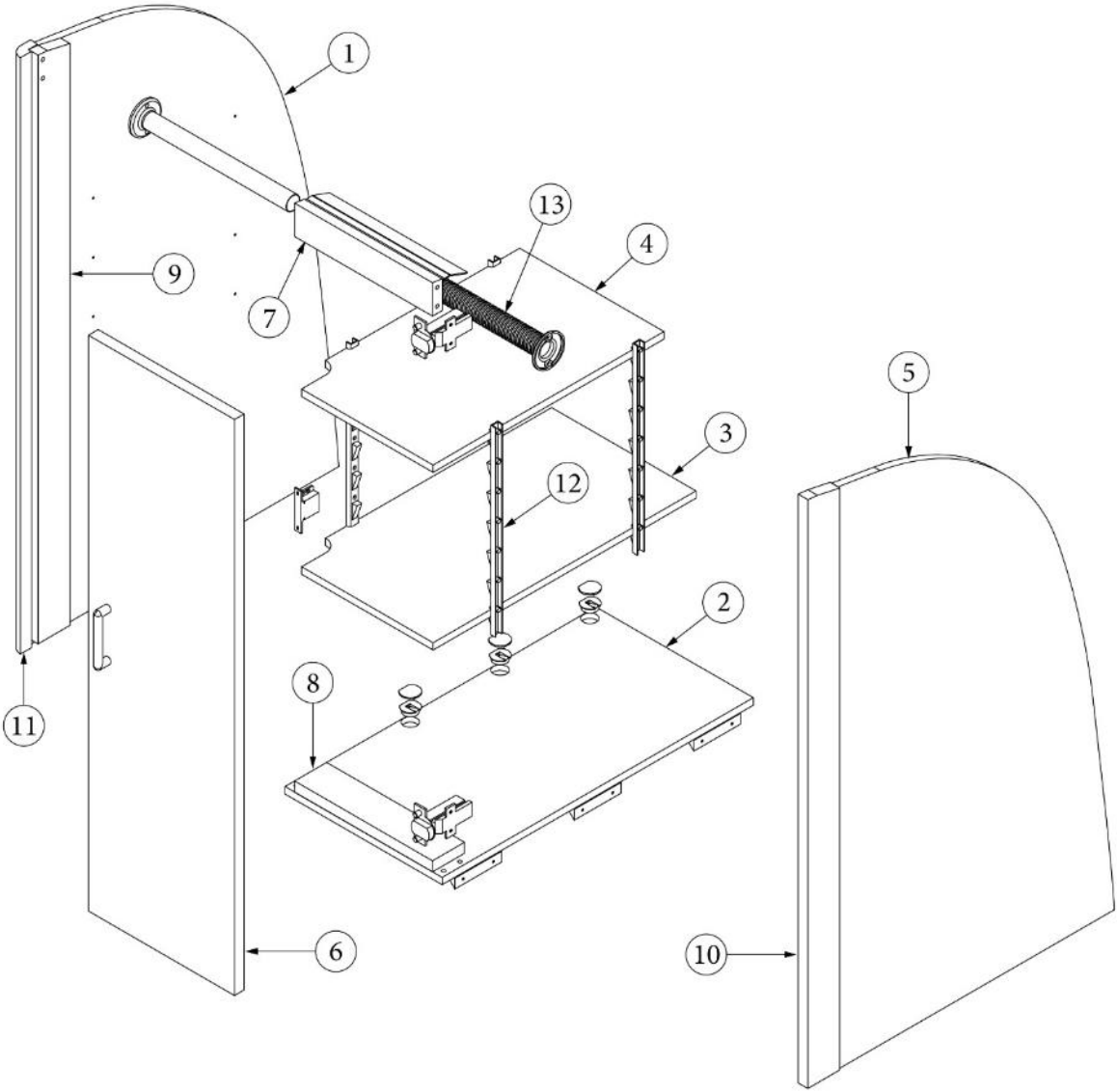
Assy, Rear Storage Box, Twin

- 1. 969668&000112BC
- 2. 969668&000212BC
- 3. 382057-04
- 4. 382057
- 5. 800638-1008
- 6. 114812
- 365505-01
- 701538

- Pre laminate, .5 x 22 x 93.88"
- Pre laminate, .5 x 15.13 x 93.88"
- Cover caps, Knockdown
- Knock down, 8mm
- Molding, 1/4" round
- Aluminum angle, 1 x 1 x 89"
- Edgebanding, 5/8"
- Carpet, Econolier, Velour black

FURNITURE, BEDROOM

Hanging Wardrobe, Roadside



Parts Listed on Next Page

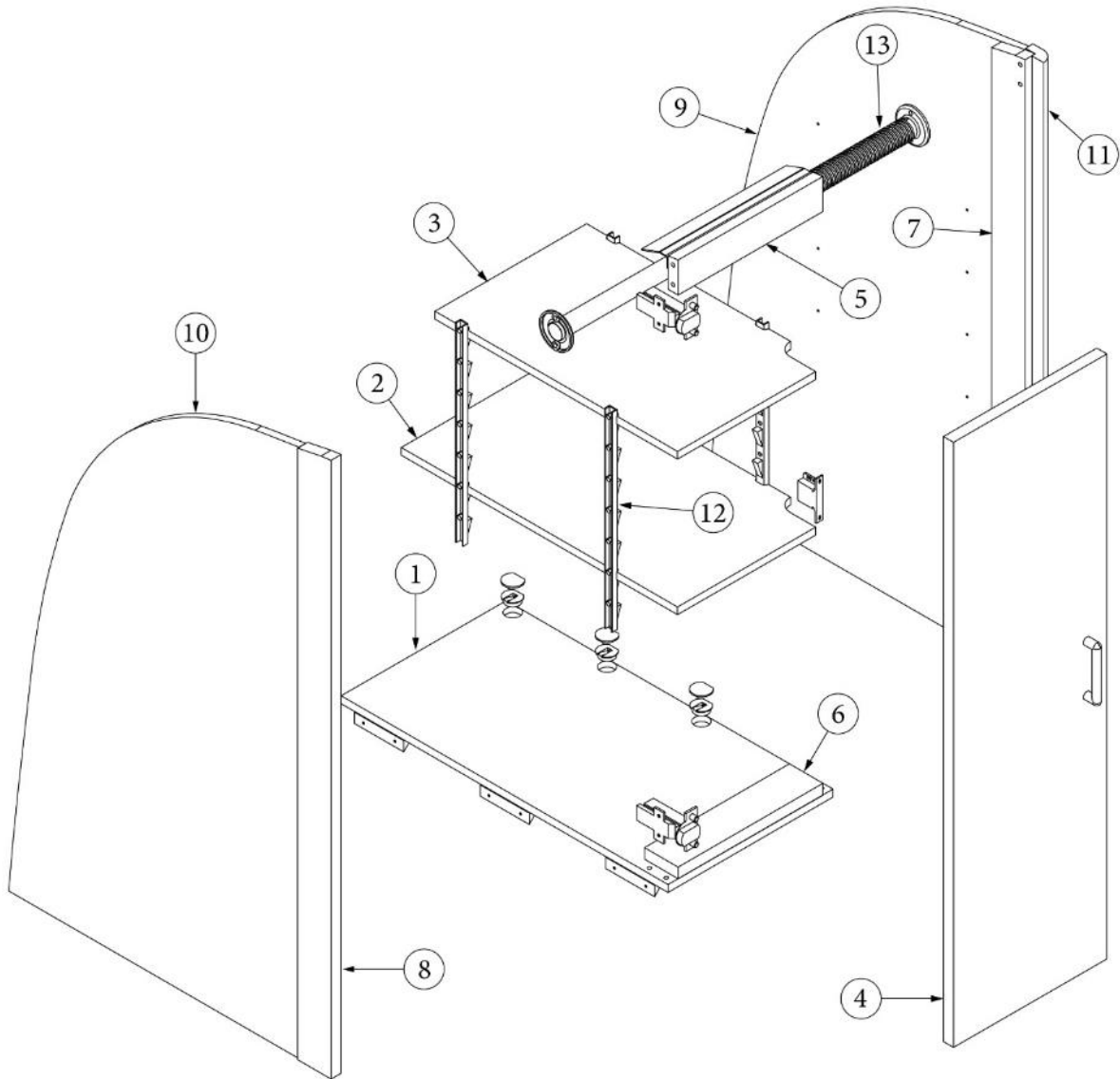
FURNITURE, BEDROOM

Hanging Wardrobe, Roadside

969698-01	Assy, Hanging Wardrobe
1. 969698&000112BC	Pre laminate, 23.45 x 40.04"
2. 969698&000212BC	Pre laminate, .5 x 12.25 x 24.25"
3. 969698&000312CC	Pre laminate, .5 x 11.25 x 20.50"
4. 969698&000412CC	Pre laminate, .5 x 11.25 x 18"
5. 969698&000512CC	Pre laminate, 21.54 x 39.29"
6. 969698&000618BC	Pre laminate, .75 x 11.38 x 38.88"
7. 969698&000718BC	Pre laminate, .75 x 2.25 x 10.75"
8. 969698&000818CC	Pre laminate, .75 x 10.75 x 2.5"
9. 969698&000918CC	Pre laminate, .75 x 2.5 x 39.75"
10. 969698&001018CC	Pre laminate, .75 x 2.5 x 39.75"
11. 801706-1008	Corner trim, 90-degree
12. 381527	Speedy strips, shelf
13. 200975-04	Conduit, Flexible black plastic
382057	Knockdown, 8mm
382057-04	Cap, Knockdown, White
382786	Pull
365505-01	Edgebanding, 5/8"
365505-02	Edgebanding, 15/16"
386279	Brace, Corner
381607-11	Hinge, Self-close
381607-12	Baseplate
115085	Aluminum angle
380045	Tubing, 11.36"
380046	Flange, Chrome

FURNITURE, BEDROOM

Hanging Wardrobe, Curbside



Parts Listed on Next Page

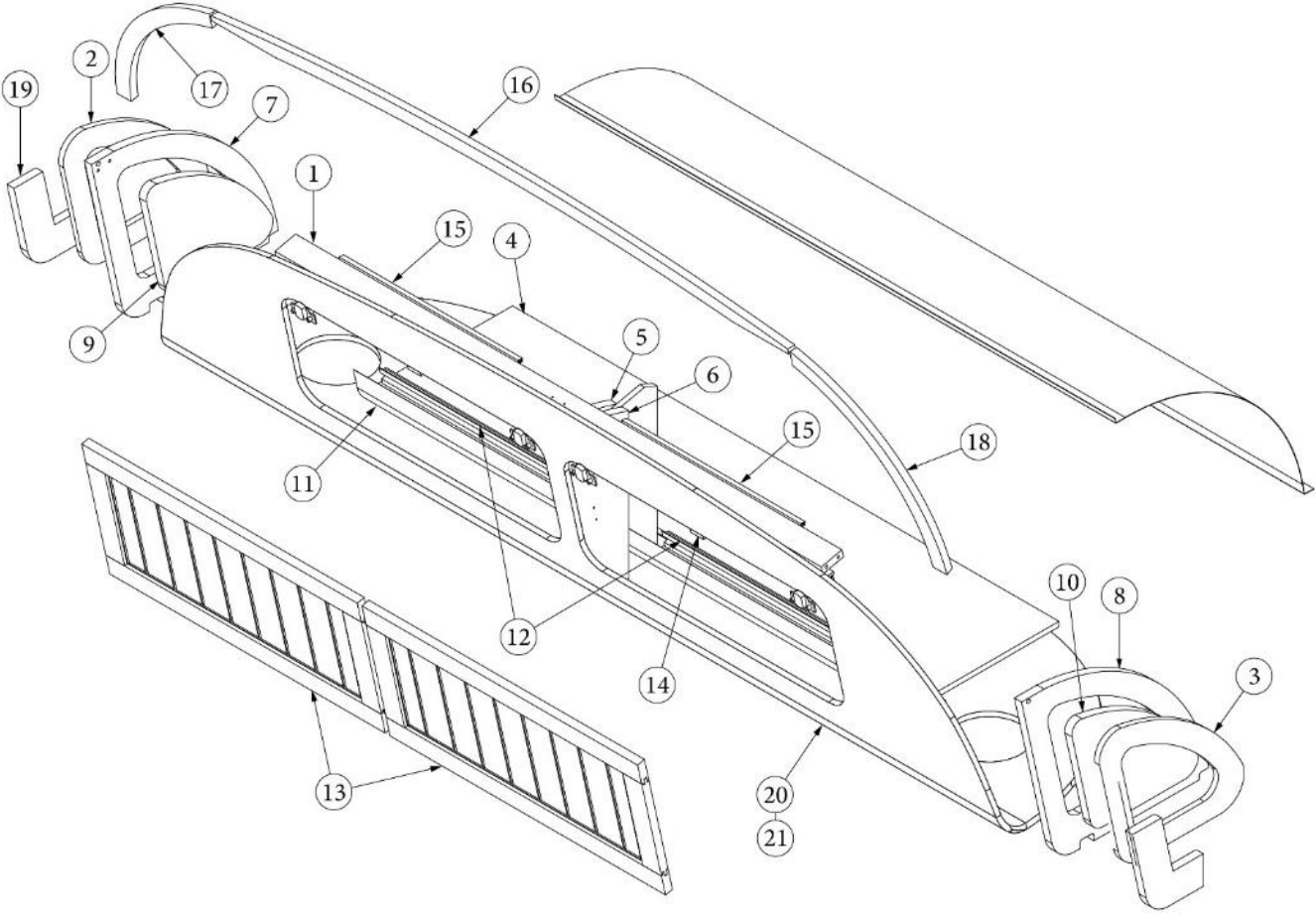
FURNITURE, BEDROOM

Hanging Wardrobe, Curbside

969663-01	Assy, Hanging Wardrobe
1. 969663&000212BC	Pre laminate, .5 x 12.25 x 24.25"
2. 969663&000312CC	Pre laminate, .5 x 11.25 x 20.5"
3. 969663&000412CC	Pre laminate, .5 x 11.25 x 18"
4. 969663&000618BC	Pre laminate, .75 x 11.38 x 38.88"
5. 969663&000718BC	Pre laminate, .75 x 2.25 x 10.75"
6. 969663&000818CC	Pre laminate, .75 x 10.75 x 2.5"
7. 969663&000918CC	Pre laminate, .75 x 2.5 x 39.75"
8. 969663&001018CC	Pre laminate, .75 x 2.5 x 39.75"
9. 969663&002812BC	Pre laminate, 23.45 x 40.04"
10. 969663&002912CC	Pre laminate, 21.54 x 39.29"
11. 801706-1008	Corner trim, 90-degree
12. 381527	Speedy strips, shelf
13. 200975-04	Conduit, Flexible black plastic
382057	Knockdown, 8mm
382057-04	Cap, Knockdown, White
382786	Pull
365505-01	Edgebanding, 5/8"
365505-02	Edgebanding, 15/16"
386279	Brace, Corner
381607-11	Hinge, Self-close
381607-12	Baseplate
115085	Aluminum angle
380045	Tubing, 11.36"
380046	Flange, Chrome

FURNITURE, BEDROOM

Roof Locker, Bedroom



Parts Listed on Next Page

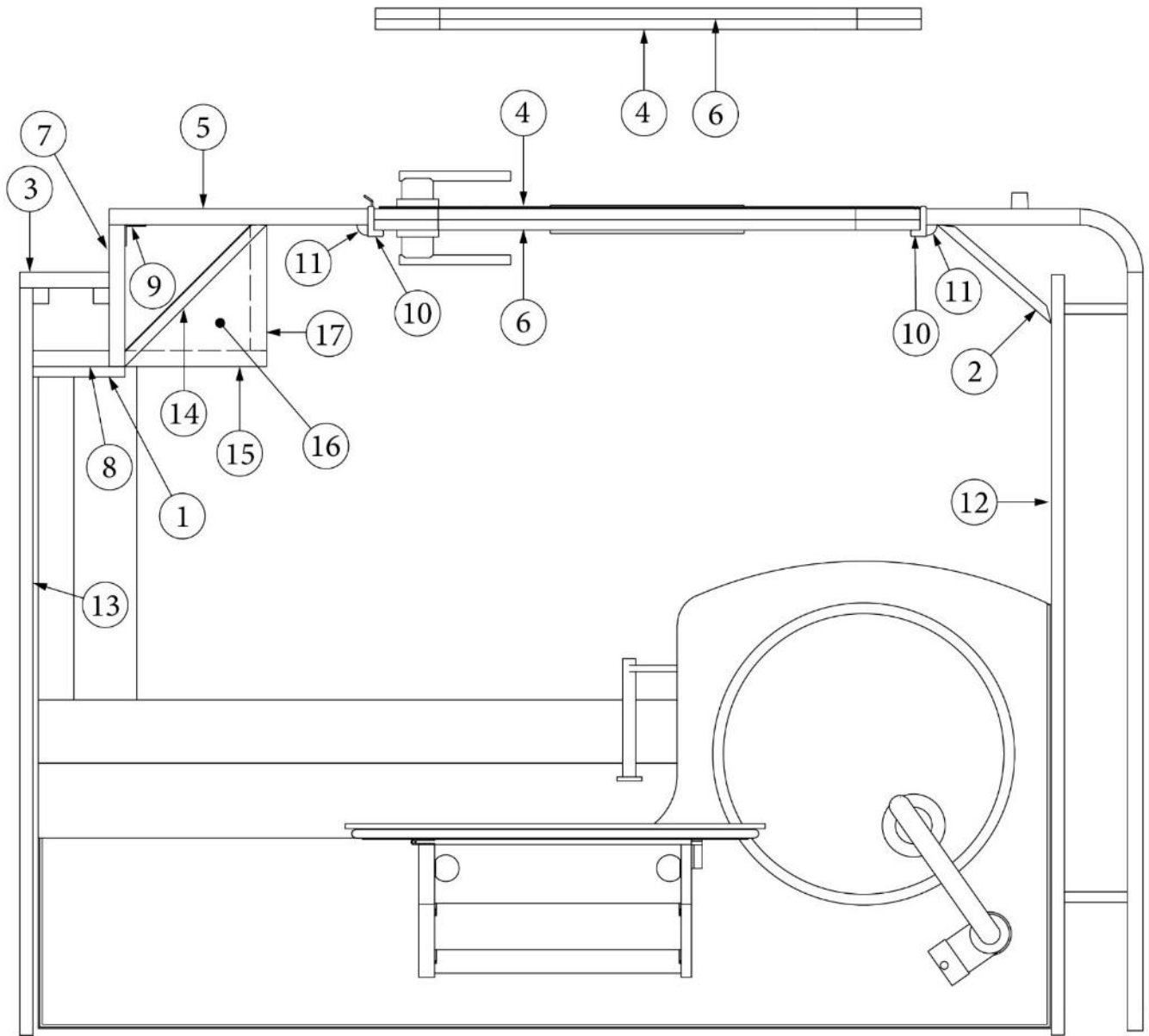
FURNITURE, BEDROOM

Roof Locker, Bedroom

969644-01	Assy, Liner Locker, w/Speakers, Queen
969644-02	Assy, Liner Locker, w/Speakers, Twin
1. 969644&000118CE	Pre laminate, .75 x 2.25 x 58"
2. 969644&000212CE	Pre laminate, .5 x 15.38 x 13.18"
3. 969644&000312CE	Pre laminate, .5 x 15.38 x 13.18"
4. 969644&000412CE	Pre laminate, .5 x 16.19 x 58"
5. 969644&000518CC	Pre laminate, .75 x 6.79 x 16.13"
6. 969644&000618CC	Pre laminate, .75 x 6.79 x 16.13"
7. 969644&000718CE	Pre laminate, .75 x 19.94 x 16.58"
8. 969644&000818CE	Pre laminate, .75 x 19.94 x 16.58"
9. 969644&000918CE	Pre laminate, .75 x 13.54 x 11.02"
10. 969644&001018CE	Pre laminate, .75 x 13.54 x 11.02"
11. 969644&001101CE	Pre laminate, 7.31 x 58"
12. 101401	Extrusion, Door latch housing, 25"
13. 802575-021007	Door, Locker
14. 513259	Magnet Switch
15. 513297-19	Luna Light, Kit, 3000K, 19"
16. 801596-01	Backer, Liner locker, Center
17. 801596-02	Backer, Liner locker, LH
18. 801596-03	Backer, Liner locker, RH
19. 801710	Support, Divider, Liner locker
20. 802577	Face, Liner locker, w/Speakers, Queen
21. 802578	Face, Liner locker, w/Speakers, Twin
22. 115264-11	Pan, Liner locker
365386-02	Edgebanding, White Linen .94"
203445	Trim, Black, .56"
201673	Reverse cove molding, White
116430	Shroud, Locker
381607-11	Hinge, Self-close
381607-12	Baseplate, Hinge
382242	Stay set, Lid

FURNITURE, LAVATORY

Bath Module



Parts Listed on Next Page

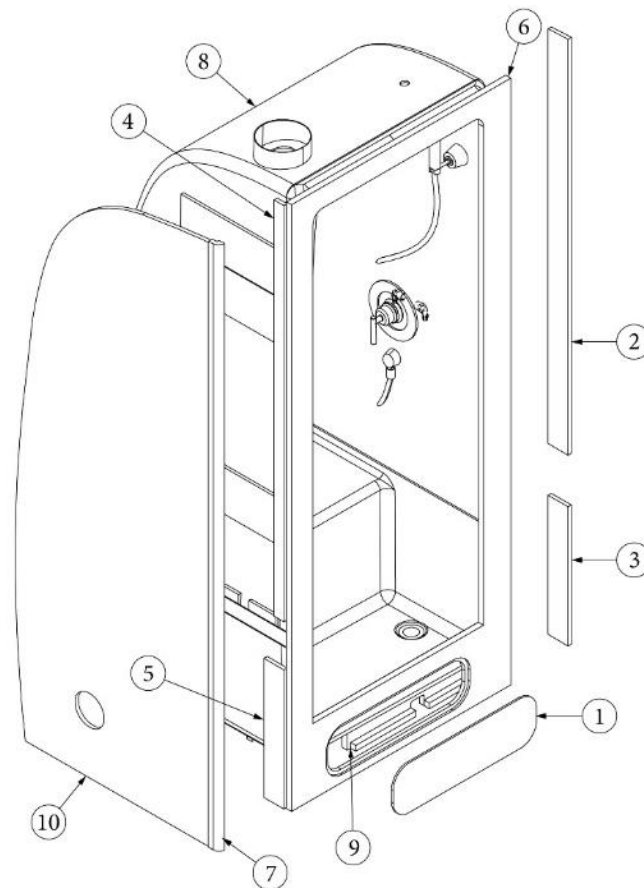
FURNITURE, LAVATORY

Bath Module

113687-01	Assy, Bath Module, Twin
113687-02	Assy, Bath Module, Queen
969659-01	Assy, Closeout, Black Tank Vent
1. 113687&000212HC	Pre laminate, .5 x 4.38 x 68.95"
2. 113687&000312HC	Pre laminate, .5 x 7.19 x 78.75"
3. 113687&000618BC	Pre laminate, .75 x 4.25 x 79"
4. 113687&000712BC	Pre laminate, .5 x 26 x 3.5"
5. 113687&000818BH	Pre laminate, .75 x 4.25 x 79"
6. 113687&000912BH	Pre laminate, .5 x 26 x 3.5"
7. 113687&001218BH	Pre laminate, .75 x 6.75 x 79"
8. 113687&001418CC	Pre laminate, .75 x 3.63 x 78.75"
9. 114812	Aluminum Angle, 1 x 1 x 72"
10. 113687&0044T07A	L Molding, Door jamb, 79"
11. 113687&0045T14A	L Molding, Door jamb, 79"
12. 113687&004712BG	Pre laminate, 36.2 x 78.63"
13. 113687&004812BG	Pre laminate, 35.58 x 78.88", Twin
113687&004912BG	Pre laminate, 35.58 x 78.88", Queen
14. 969659&000112HE	Pre laminate, .5 x 9.55 x 67.5"
15. 969659&000218HE	Pre laminate, .75 x 6.75 x 11.25"
16. 969659&000318HE	Pre laminate, .75 x 6.75 x 6.75"
17. 969659&000418HE	Pre laminate, .75 x 6 x 11.25"
365386-01	Edgebanding, Linen, .63"
365386-02	Edgebanding, Linen, .94"
365505-01	Edgebanding, Countryside oak, 5/8"
365505-02	Edgebanding, Countryside oak, 15-16"
203138-01	Extrusion, Plastic wall, White
203464-01	Trim, Oak, 3/4"
115374	Extrusion, Sliding door track
111921	Leaf spring, Lavy door install
381136	Rubber bumper
381581	Strap, Clear plastic, .75"
381609-02	Screw, Hafele, European #9
381610-01	Cover cap, Plastic, European white
381610-03	Cover cap, Plastic, European pine
700811	Button cap, Handy #36
700812	Button bottom, Handy #36
704897	Hinge, Reeded shower door, Adjustable

FURNITURE, LAVATORY

Shower Compartment



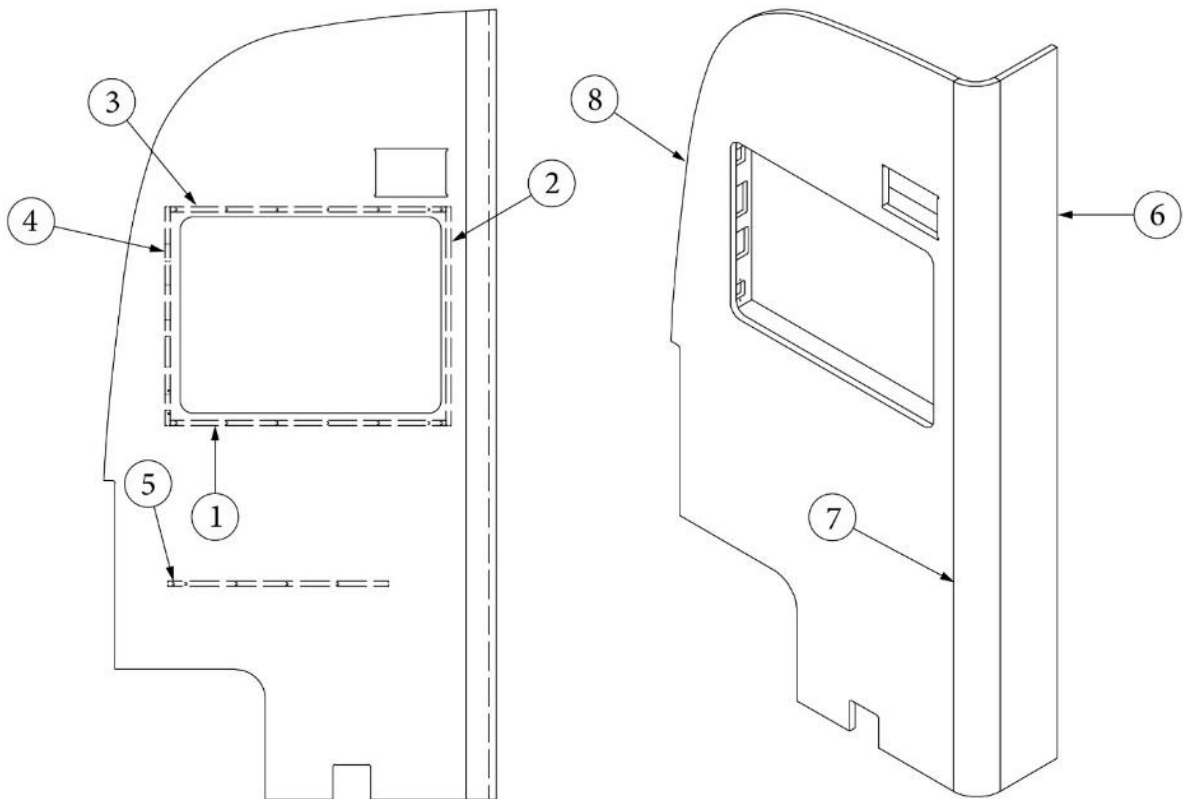
969648-01

Assy, Shower Compartment

- | | |
|---------------------|------------------------------------|
| 1. 969648&000212BC | Pre laminate, .5 x 21.44 x 6.44" |
| 2. 969648&000312CC | Pre laminate, .5 x 3 x 53.81" |
| 3. 969648&000412CC | Pre laminate, .5 x 3 x 18" |
| 4. 969648&000512CC | Pre laminate, .5 x 1.5 x 53.85" |
| 5. 969648&000612CC | Pre laminate, .5 x 3 x 18" |
| 6. 969648&000718BC | Pre laminate, .75 x 32.75 x 78.5" |
| 7. 801706-1008 | Hardwood radius, 78.5" |
| 8. 203081-01 | Shower stall |
| 9. 961917 | Shower stand assembly |
| 10. 969648&001512BC | Pre laminate, 28.89 x 78.19" |
| 365505-02 | Edgebanding, 15/16" |
| 203138-04 | Extrusion, Plastic, oak wall, 1/2" |
| 512478 | Light, wet location |
| 602896 | Assy, Shower hardware, Matte Black |
| 690266-08 | Trim ring, Bath exhaust |
| 943882 | Shower valve assembly |

FURNITURE, LAVATORY

Bath, Forward Wall



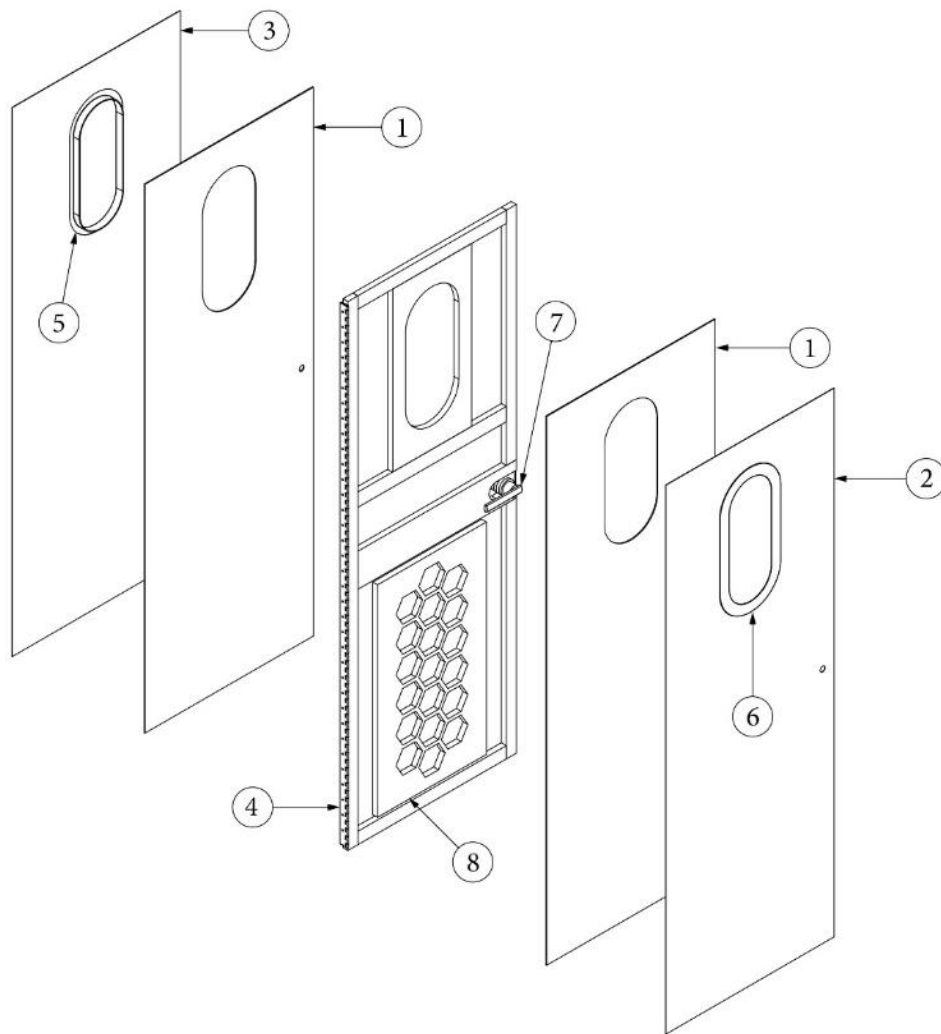
969660-01

Assy, Forward Bath Wall

- | | |
|--------------------|-----------------------------------|
| 1. 969660&010112BC | Pre laminate, 27.5 x 3" |
| 2. 969660&010212BC | Pre laminate, 3 x 21.75" |
| 3. 969660&010312BC | Pre laminate, 27.5 x 3" |
| 4. 969660&010412BC | Pre laminate, .5 x 3 x 21.75" |
| 5. 969660&010512CE | Pre laminate, 22 x 3" |
| 6. 969660&010718CE | Pre laminate, .75 x 7.32 x 78.63" |
| 7. 801345 | Radius, Plywood, .75 x 3 x 78.63" |
| 8. 969660&001118CE | Pre laminate, 36.33 x 78.5" |
| 801809 | Laminate, White liner, 4' x 8' |
| 801868-01 | Laminate Backer, 4' x 8' |
| 203942-03 | T-Molding, Black, 13/16" |

FURNITURE, LAVATORY

Bath Door



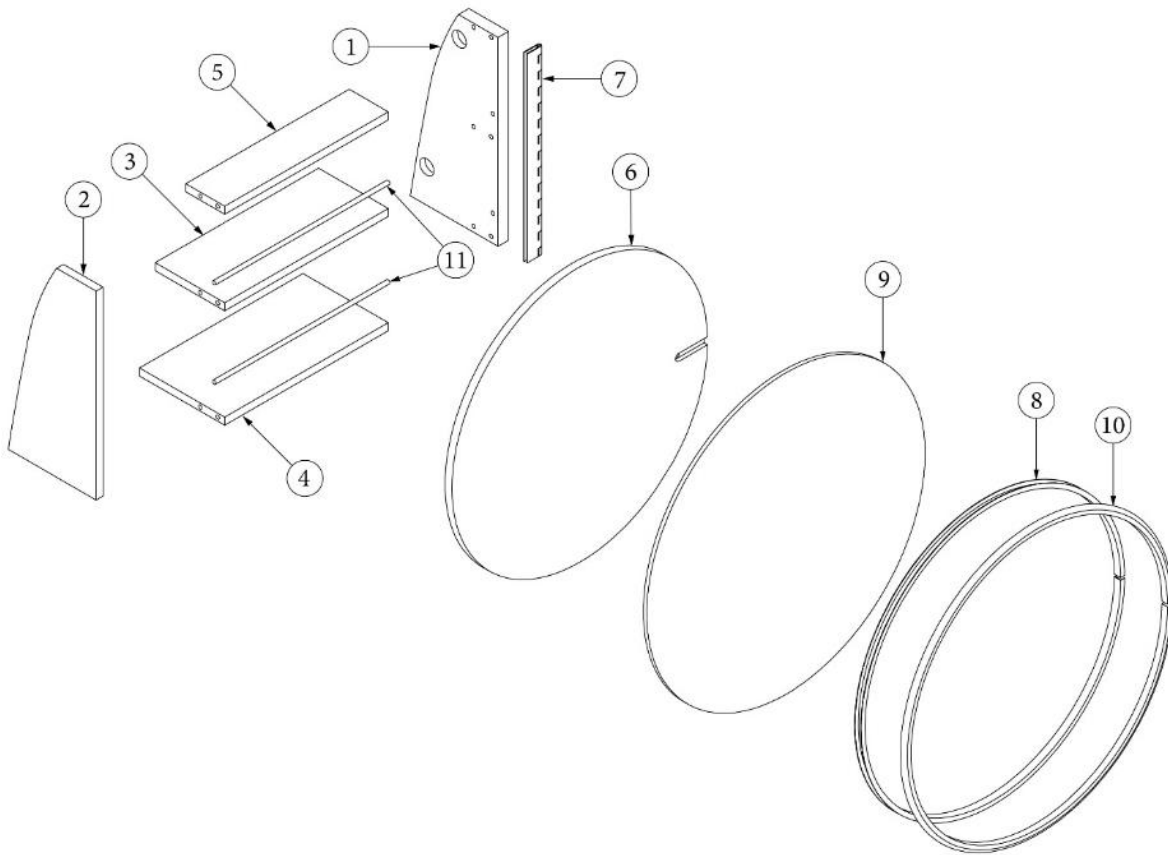
969658-01

Assy, Bath Door, w/Porthole

- | | |
|--------------------|--------------------------------------|
| 1. 801917-01 | Panel, MDF, 26 x 76" |
| 2. 969658&000201BE | Pre laminate, 4' x 8' |
| 3. 969658&000301HE | Pre laminate, 4' x 8' |
| 4. 380203-02 | Piano Hinge, 72" |
| 5. 203761-02 | Trim, Bath window, 18" |
| 6. 372321 | Window, Bath door |
| 7. 382783 | Bath door latch, Kit |
| 8. 801916-01 | Honeycomb, .73 x 16.5 x 30.5" |
| 365505-03 | Edgebanding, Countryside oak, 1-1/4" |
| 116360-01 | Window frame, Stacked, 18" |

FURNITURE, LAVATORY

Medicine Cabinet



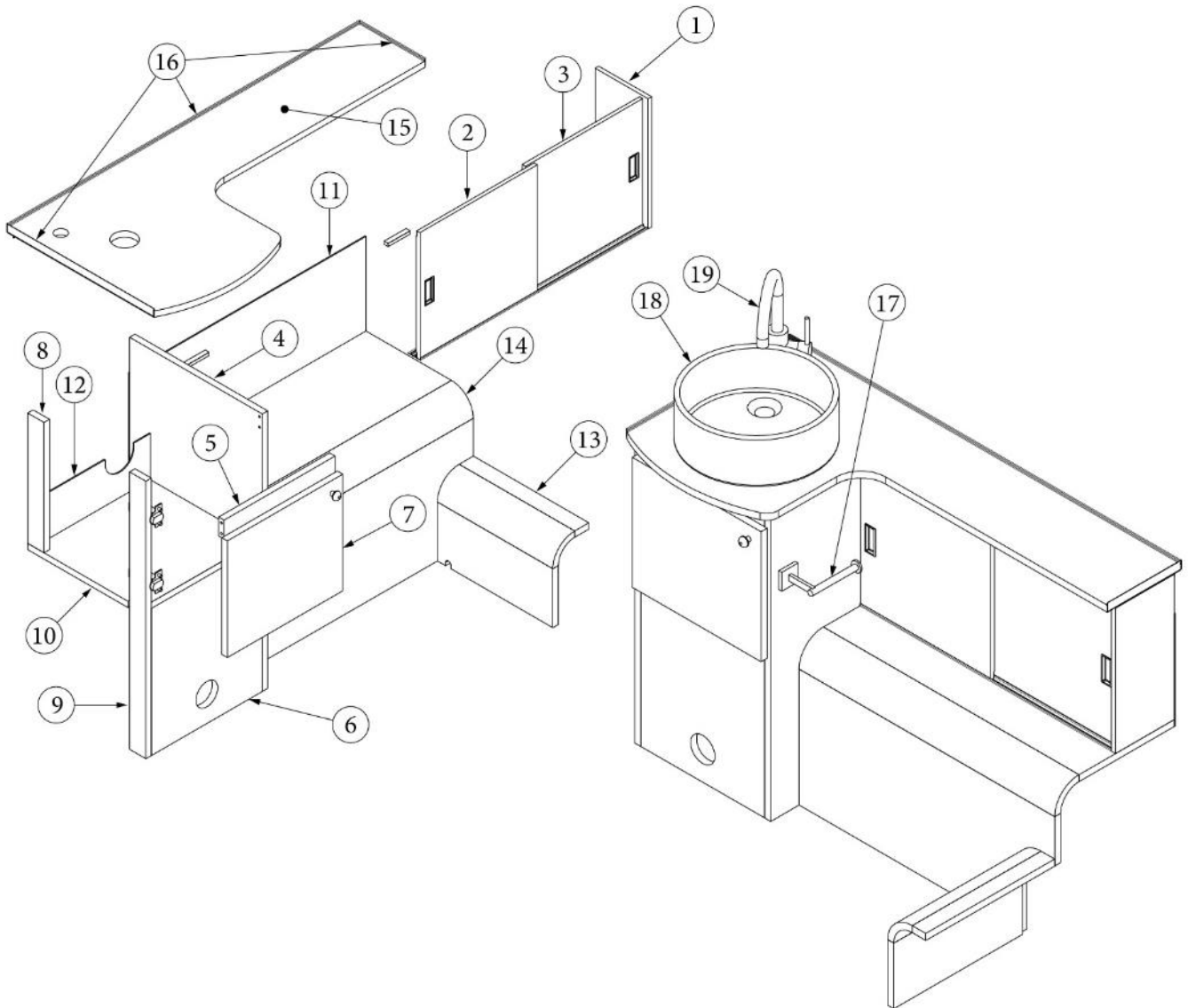
969691

Assy, Medicine Cabinet

1. 969691&000118BB	Pre laminate, 6.31 x 13"
2. 969691&000212BB	Pre laminate, 6.31 x 13"
3. 969691&000312BB	Pre laminate, .5 x 5 x 11.75"
4. 969691&000412BB	Pre laminate, .5 x 6.13 x 11.75"
5. 969691&000512BB	Pre laminate, .5 x 2.8 x 11.75"
6. 969691&000612BC	Pre laminate, .5 x 18.5 x 18.5"
7. 380203-02	Hinge, Piano, 13"
8. 512702	Track, Luna Light, 59"
9. 371482	Mirror, 20"
10. 513960	Light, Luna, 59"
11. 116372	Aluminum rod, Matte black, 12.5"
382057	Knock down, 8mm
382057-01	Cap, Knock down
381228	Grabber catch, Black, 10lb
365505-01	Edgebanding, Country oak, 5/8"
365505-02	Edgebanding, Country oak, 15/16"

FURNITURE, LAVATORY

Lavatory Cabinet



Parts Listed on Next Page

FURNITURE, LAVATORY

Lavatory Cabinet

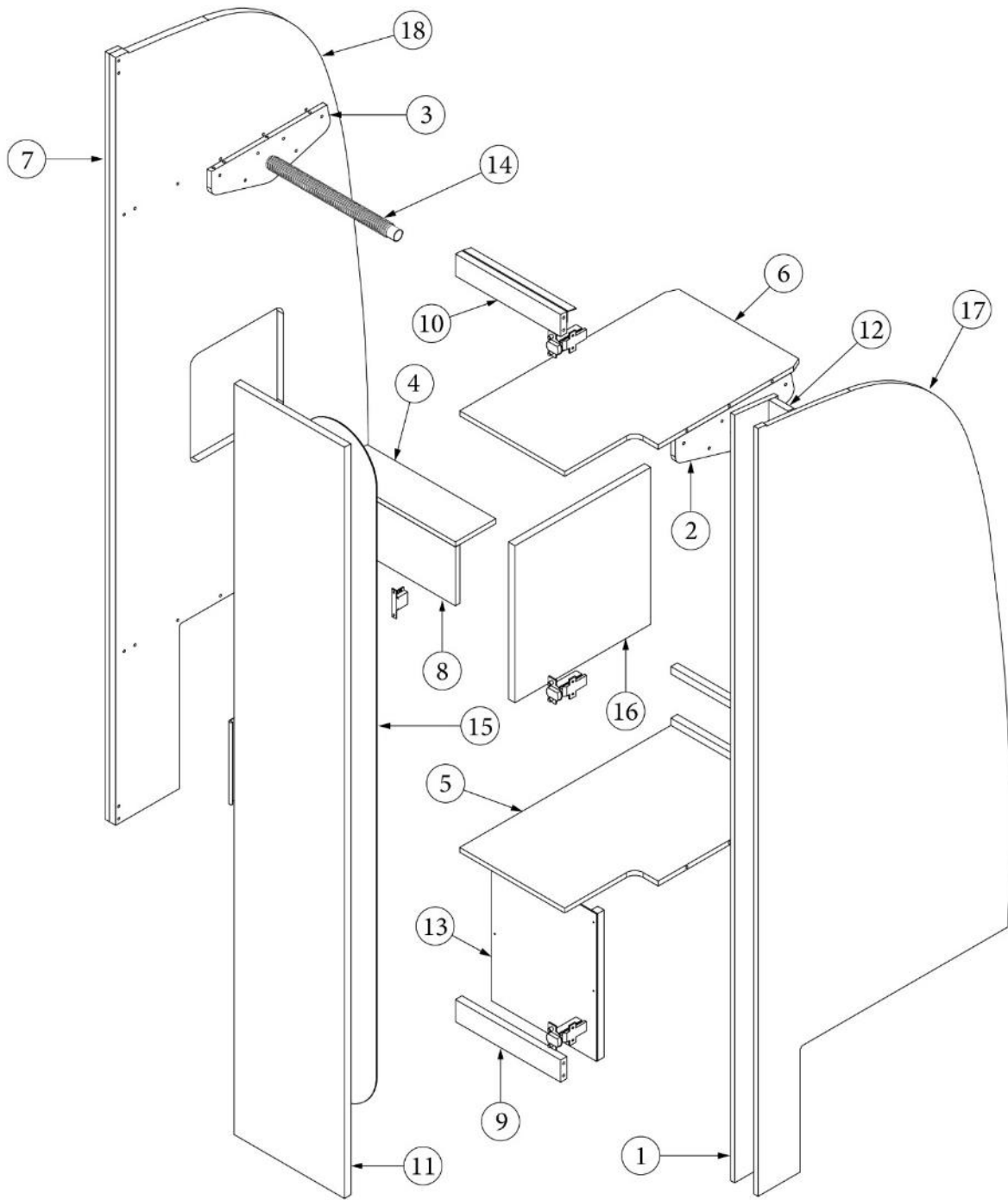
113683
969657-01

Install, Lavatory Fixtures
Assembly, Lavatory Cabinet

- | | |
|---------------------|---|
| 1. 969657&000112BC | Pre laminate, .5 x 7.25 x 15.5" |
| 2. 969657&000212BC | Pre laminate, .5 x 16.13 x 15.13" |
| 3. 969657&000312BC | Pre laminate, .5 x 16.13 x 15.13" |
| 4. 969657&000418BC | Pre laminate, .75 x 18.25 x 33" |
| 5. 969657&000518BC | Pre laminate, .75 x 15.25 x 2.25" |
| 6. 969657&000618BC | Pre laminate, .75 x 15.25 x 17.5" |
| 7. 969657&000718BC | Pre laminate, .75 x 15.88 x 13.88" |
| 8. 969657&000818CC | Pre laminate, .75 x 2.25 x 15.5" |
| 9. 969657&000918CC | Pre laminate, .75 x 2.25 x 33" |
| 10. 969657&001018CC | Pre laminate, .75 x 16 x 15.5" |
| 11. 969657&001103CE | Pre laminate, .13 x 32.5 x 12" |
| 12. 969657&001203CE | Pre laminate, .13 x 15.25 x 5.5" |
| 13. 969506-01 | Sub-Assy, Close out, Plumbing Lavy |
| 14. 969655-01 | Sub-Assy, Close out, Base, Lavy |
| 15. 969656&000118JC | Pre laminate, .75 x 22.19 x 48.38 |
| 16. 115064 | Counter molding, Aluminum |
| 17. 382779 | TP holder, Moen, Triva |
| 18. 602862 | Vessel Sink, Annod |
| 19. 602867 | Lavy faucet, Kingston Concord |
| 602799 | Drain pop |
| 382787 | Knob, w/Baseplate |
| 382437 | Pull, Recessed, Matte black |
| 115374 | Extrusion, Sliding track, .5" |
| 365505-01 | Edgebanding, Countryside oak, 5/8" |
| 365505-02 | Edgebanding, Countryside oak, 15/16" |
| 365506 | Edgebanding, Countryside oak, 2mm, 15/16" |
| 111921 | Leaf spring |
| 381228-02 | Catch grabber, 5lb |
| 381607-11 | Hinge, self-close |
| 381607-12 | Baseplate, Hinge |
| 114812 | Aluminum angle, 1" x 1" x 3.89' |

FURNITURE, LAVATORY

Wardrobe



Parts Listed on Next Page

FURNITURE, LAVATORY

Wardrobe

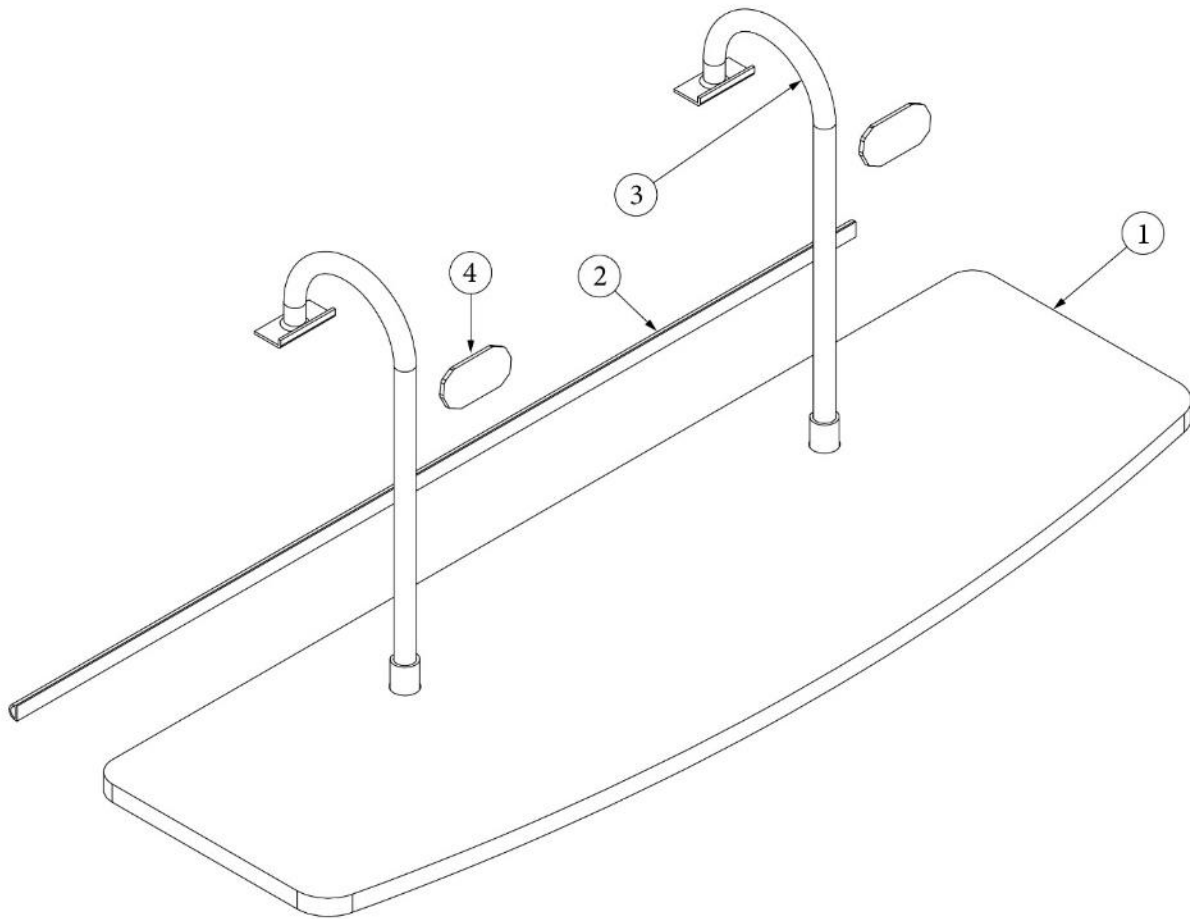
969637-01

Assy, Wardrobe

- | | |
|--|---|
| <ol style="list-style-type: none"> 1. 969637&000212BC 2. 969637&000312CC 3. 969637&000412CC 4. 969637&000512CC 5. 969637&000612CC 6. 969637&000712CC 7. 969637&000812CC 8. 969637&000912CC 9. 969637&001018BC 10. 969637&001118BC 11. 969637&001218BC 12. 969637&001318BC 13. 969637&001503CE 14. 200975-04 15. 372320 16. 966883 17. 969637&003412BC 18. 969637&003518CC <p>380045
104821
365505-01
365505-02
365386-01
365386-02
203138-04
203464-01
381228
381607-11
381607-12
382785</p> | <p>Pre laminate, .5 x 5.13 x 78.25"
Pre laminate, .5 x 14 x 4.49"
Pre laminate, .5 x 14 x 4.49"
Pre laminate, .5 x 15.13 x 4.75"
Pre laminate, .5 x 15.13 x 25.63"
Pre laminate, .5 x 15.13 x 25.29"
Pre laminate, .5 x 1.5 x 78.25"
Pre laminate, .5 x 15.13 x 6"
Pre laminate, .75 x 2.25 x 12.38"
Pre laminate, .75 x 2.25 x 12.38"
Pre laminate, .75 x 13 x 76.56"
Pre laminate, .75 x 2.25 x 77.79"
Pre laminate, .13 x 12.38 x 15"
Conduit, Flexible, Black Plastic
Mirror, 9 x 68.94"
Close out, Wardrobe
Pre laminate, 29.72 x 78.25"
Pre laminate, 29.72 x 78.25"
Tubing, 15.88"
Aluminum angle, 1.13 x 1.13 x 12.38"
Edgebanding, Countryside oak, 5/8"
Edgebanding, Countryside oak, 15/16"
Edgebanding, Linen, .63"
Edgebanding, Linen, .94"
Extrusion, Plastic, oak wall, 1/2"
Trim Panel, Oak, 3/4"
Catch grabber, 10lb
Hinge, self-close
Baseplate, Hinge
Pull Handle, Waterfall</p> |
|--|---|

FURNITURE, GALLEY

Party Ledge



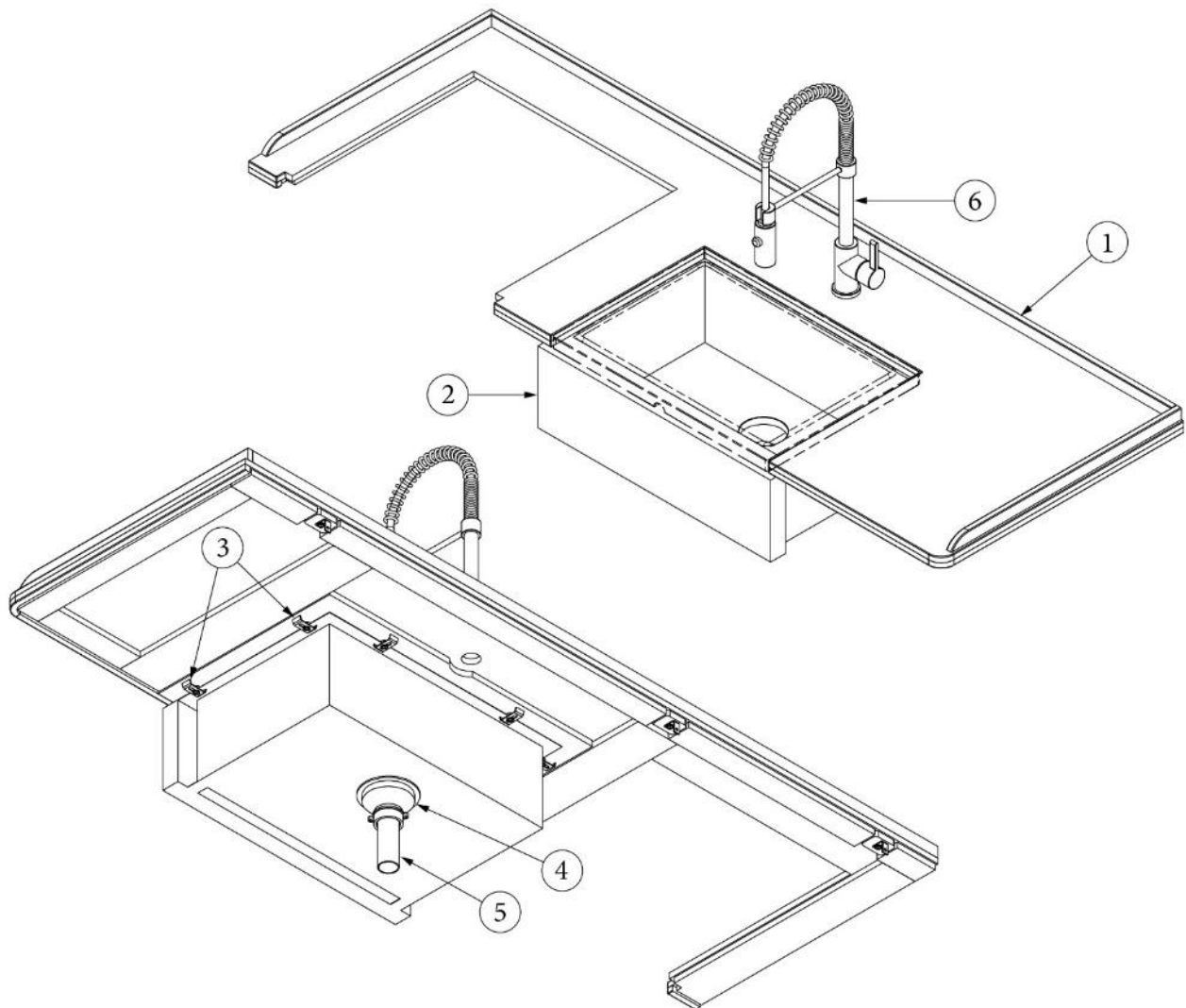
113712

Install, Party Ledge

- | | |
|--------------------|--------------------------------|
| 1. 113712&000118FF | Pre laminate, .75 x 15 x 42" |
| 2. 365458 | Rubber seal |
| 3. 455843 | Bent arm, Party ledge |
| 4. 365336-07 | Foot gasket, Lower awning |
| 365510 | Edgebanding, 15/16" |
| 386561 | Label, Warning, Shelf capacity |
| 704936 | Bag, Party ledge |
| 195617 | Foam block, Ledge arm |

FURNITURE, GALLEY

Galley Top



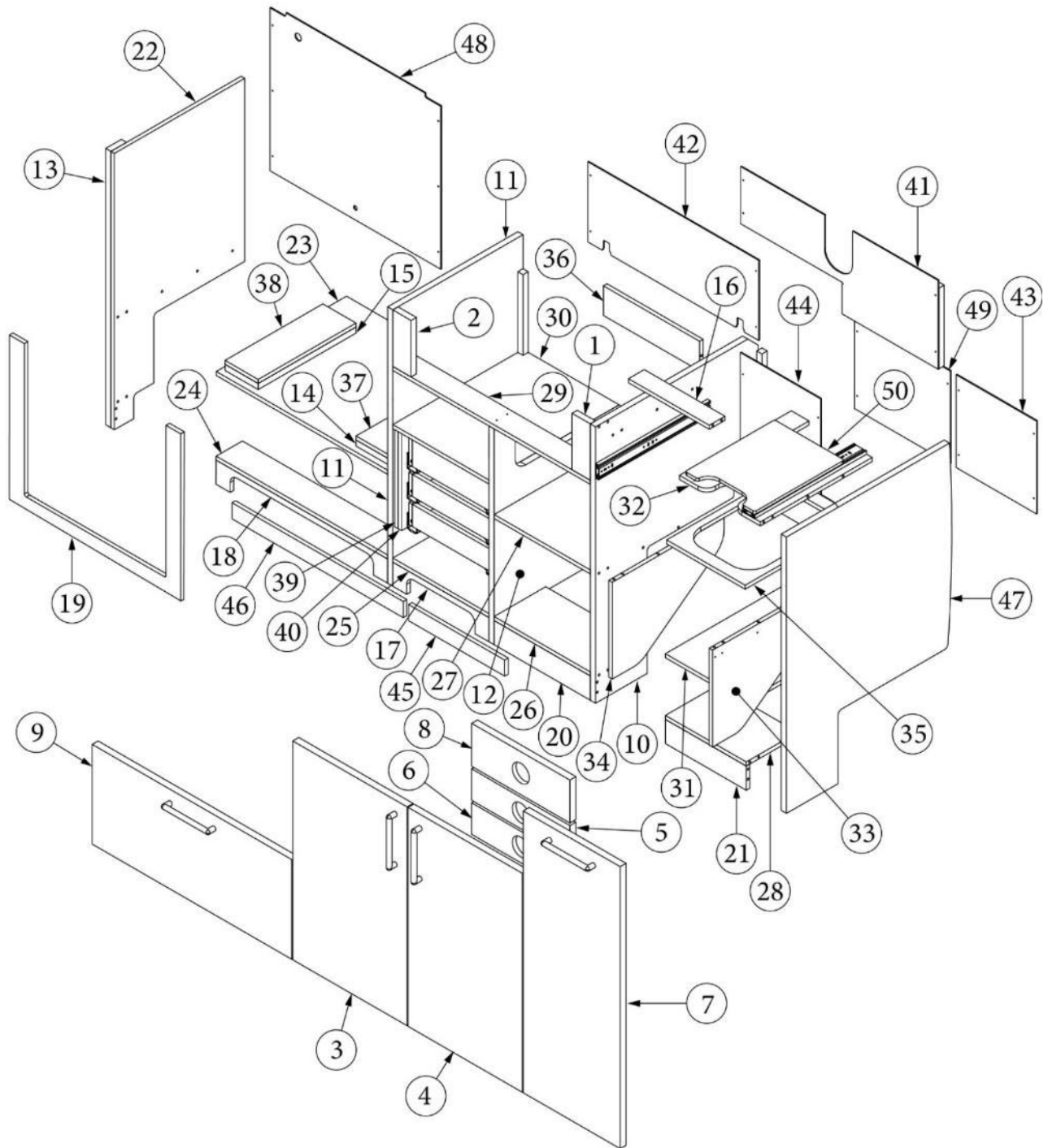
969631

Assy, Galley Top

- | | |
|--------------|----------------------------------|
| 1. 602863 | Galley top, Corian |
| 2. 602464 | Sink, Stainless steel, Farmhouse |
| 3. 602388 | Sink clip |
| 4. 602812-02 | Drainer basket kit |
| 5. 602164-02 | Tailpiece, w/nuts & washers |
| 6. 602868 | Galley faucet, Kingston brass |

FURNITURE, GALLEY

Galley Cabinet, Standard Oven



Parts Listed on Next Page

FURNITURE, GALLEY

Galley Cabinet, Standard Oven

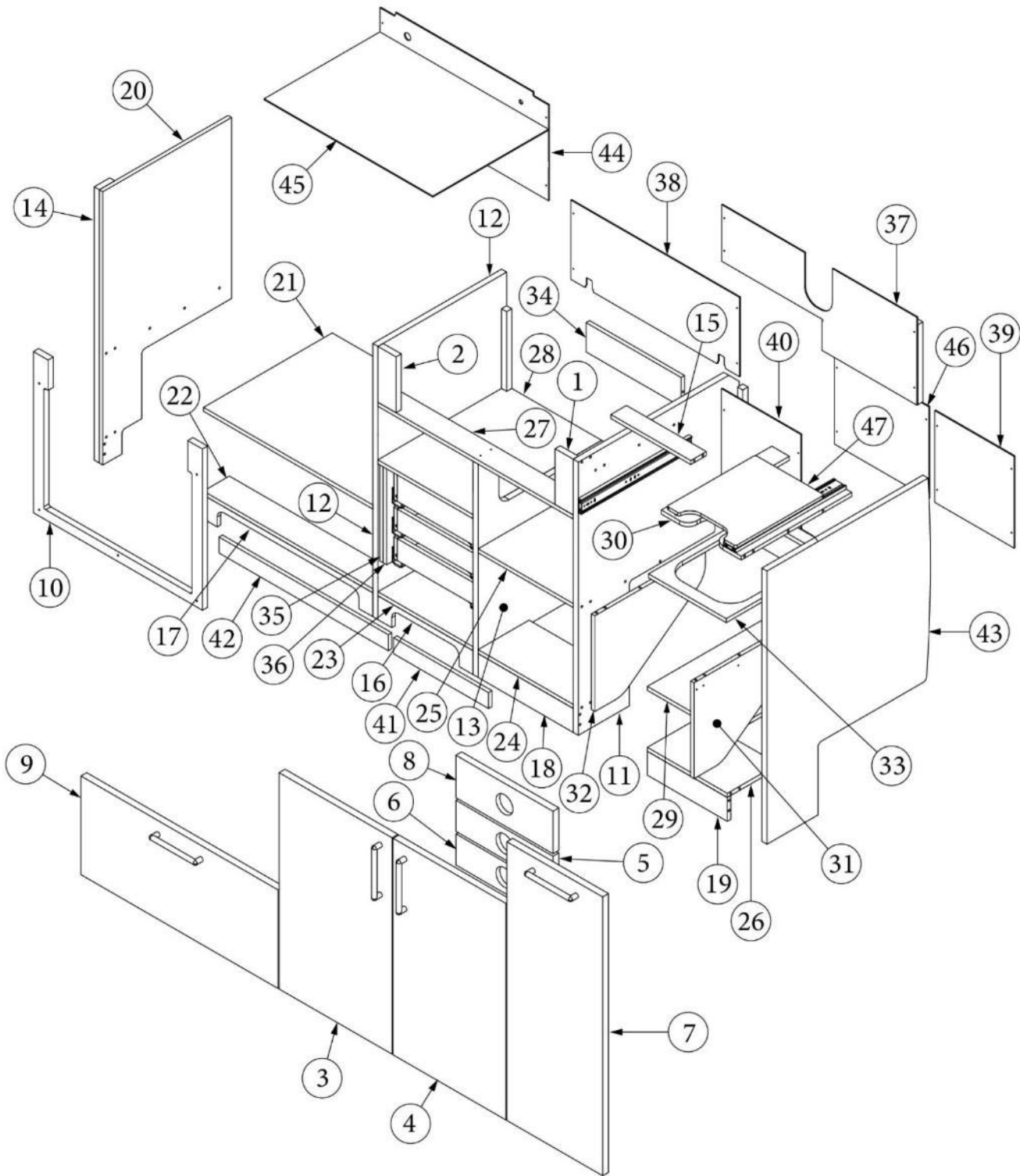
969630-01

Assy, Galley Base, Standard Oven

1. 969630&000218FC	Pre laminate, .75 x 2.62 x 7"
2. 969630&000318FC	Pre laminate, .75 x 2.62 x 7"
3. 969630&000418FC	Pre laminate, .75 x 14.38 x 23.88"
4. 969630&000518FC	Pre laminate, .75 x 14.38 x 23.88"
5. 969630&000618FC	Pre laminate, .75 x 12.38 x 3.44"
6. 969630&000718FC	Pre laminate, .75 x 12.38 x 3.44"
7. 969630&000818FC	Pre laminate, .75 x 12.19 x 30.75"
8. 969630&000918FC	Pre laminate, .75 x 12.38 x 4.69"
9. 969630&001018FC	Pre laminate, .75 x 25.13 x 10.87"
10. 969630&001218CC	Pre laminate, .75 x 23.28 x 34.25"
11. 969630&001318CC	Pre laminate, .75 x 18.63 x 34.25"
12. 969630&001418CC	Pre laminate, .75 x 18.63 x 26.75"
13. 969630&001518CC	Pre laminate, .75 x 2.25 x 34.25"
14. 969630&001618CC	Pre laminate, .75 x 4.75 x 14"
15. 969630&001718CC	Pre laminate, .75 x 4.75 x 14"
16. 969630&001812FC	Pre laminate, 11.56 x 2.25"
17. 969630&001912FC	Pre laminate, 13.75 x 3"
18. 969630&002012FC	Pre laminate, 24.5 x 3"
19. 969630&002112FC	Pre laminate, .5 x 24.5 x 20.25"
20. 969630&002212FC	Pre laminate, 13.75 x 3"
21. 969630&002312FC	Pre laminate, 11.56 x 3"
22. 969630&002412CC	Pre laminate, .5 x 18.63 x 34.25"
23. 969630&002512CC	Pre laminate, 24.5 x 18.63"
24. 969630&002612CC	Pre laminate, 24.5 x 3.75"
25. 969630&002712CC	Pre laminate, 18.63 x 13.75"
26. 969630&002812CC	Pre laminate, 7.38 x 13.75"
27. 969630&002912CC	Pre laminate, .5 x 18.63 x 13.75"
28. 969630&003012CC	Pre laminate, 7.38 x 11.56"
29. 969630&003112CC	Pre laminate, 3 x 28.24"
30. 969630&003212CC	Pre laminate, 13.75 x 18.63"
31. 969630&003312CC	Pre laminate, 11.56 x 19.16"
32. 969630&003412CC	Pre laminate, 11.56 x 16"
33. 969630&003512CC	Pre laminate, 16 x 12"
34. 969630&003612CC	Pre laminate, 16 x 12"
35. 969630&003712CC	Pre laminate, 11.25 x 16.6"
36. 969630&003812CC	Pre laminate, 3.67 x 13.75"
37. 969630&003912CC	Pre laminate, .5 x 4.75 x 14"
38. 969630&004012CC	Pre laminate, .5 x 4.75 x 14"
39. 969630&004512CC	Pre laminate, .5 x 16.56 x 12.3"
40. 969630&004612CC	Pre laminate, .5 x 16.56 x 12.3"
41. 969630&004803CE	Pre laminate, .13 x 28.25 x 11"
42. 969630&004903CE	Pre laminate, .5 x 24.44 x 9.94"
43. 969630&005003CE	Pre laminate, .13 x 11.5 x 11.5"
44. 969630&005103CE	Pre laminate, .13 x 11.5 x 17"
45. 969630&007712FC	Pre laminate, .5 x 2 x 13.75"
46. 969630&007812FC	Pre laminate, .5 x 2 x 24.5"
47. 969630&007918FC	Pre laminate, 23.63 x 34.25"
48. 969630&008003CE	Pre laminate, .13 x 20.7 x 24.4"
49. 969630&008903CE	Pre laminate, .13 x 13.69 x 11.5"
50. 204261	Cutting board slide

FURNITURE, GALLEY

Galley Cabinet, Convection Microwave Option



Parts Listed on Next Page

FURNITURE, GALLEY

Galley Cabinet, Convection Microwave Option

969630-02

Assy, Galley Base, Convection Oven

1. 969630&000218FC	Pre laminate, .75 x 2.62 x 7"
2. 969630&000318FC	Pre laminate, .75 x 2.62 x 7"
3. 969630&000418FC	Pre laminate, .75 x 14.38 x 23.88"
4. 969630&000518FC	Pre laminate, .75 x 14.38 x 23.88"
5. 969630&000618FC	Pre laminate, .75 x 12.38 x 3.44"
6. 969630&000718FC	Pre laminate, .75 x 12.38 x 3.44"
7. 969630&000818FC	Pre laminate, .75 x 12.19 x 30.75"
8. 969630&000918FC	Pre laminate, .75 x 12.38 x 4.69"
9. 969630&001018FC	Pre laminate, .75 x 25.13 x 10.87"
10. 969630&001118FC	Pre laminate, .75 x 24.5 x 20.25"
11. 969630&001218CC	Pre laminate, .75 x 23.28 x 34.25"
12. 969630&001318CC	Pre laminate, .75 x 18.63 x 34.25"
13. 969630&001418CC	Pre laminate, .75 x 18.63 x 26.75"
14. 969630&001518CC	Pre laminate, .75 x 2.25 x 34.25"
15. 969630&001812FC	Pre laminate, 11.56 x 2.25"
16. 969630&001912FC	Pre laminate, 13.75 x 3"
17. 969630&002012FC	Pre laminate, 24.5 x 3"
18. 969630&002212FC	Pre laminate, 13.75 x 3"
19. 969630&002312FC	Pre laminate, 11.56 x 3"
20. 969630&002412CC	Pre laminate, .5 x 18.63 x 34.25"
21. 969630&002512CC	Pre laminate, 24.5 x 18.63"
22. 969630&002612CC	Pre laminate, 24.5 x 3.75"
23. 969630&002712CC	Pre laminate, 18.63 x 13.75"
24. 969630&002812CC	Pre laminate, 7.38 x 13.75"
25. 969630&002912CC	Pre laminate, .5 x 18.63 x 13.75"
26. 969630&003012CC	Pre laminate, 7.38 x 11.56"
27. 969630&003112CC	Pre laminate, 3 x 28.24"
28. 969630&003212CC	Pre laminate, 13.75 x 18.63"
29. 969630&003312CC	Pre laminate, 11.56 x 19.16"
30. 969630&003412CC	Pre laminate, 11.56 x 16"
31. 969630&003512CC	Pre laminate, 16 x 12"
32. 969630&003612CC	Pre laminate, 16 x 12"
33. 969630&003712CC	Pre laminate, 11.25 x 16.6"
34. 969630&003812CC	Pre laminate, 3.67 x 13.75"
35. 969630&004512CC	Pre laminate, .5 x 16.56 x 12.3"
36. 969630&004612CC	Pre laminate, .5 x 16.56 x 12.3"
37. 969630&004803CE	Pre laminate, .13 x 28.25 x 11"
38. 969630&004903CE	Pre laminate, .5 x 24.44 x 9.94"
39. 969630&005003CE	Pre laminate, .13 x 11.5 x 11.5"
40. 969630&005103CE	Pre laminate, .13 x 11.5 x 17"
41. 969630&007712FC	Pre laminate, .5 x 2 x 13.75"
42. 969630&007812FC	Pre laminate, .5 x 2 x 24.5"
43. 969630&007918FC	Pre laminate, 23.63 x 34.25"
44. 969630&008203CE	Pre laminate, .13 x 12.5 x 24.4"
45. 969630&008303CE	Pre laminate, .13 x 16.75 x 24.4"
46. 969630&008903CE	Pre laminate, .13 x 13.69 x 11.5"
47. 204261	Cutting board slide

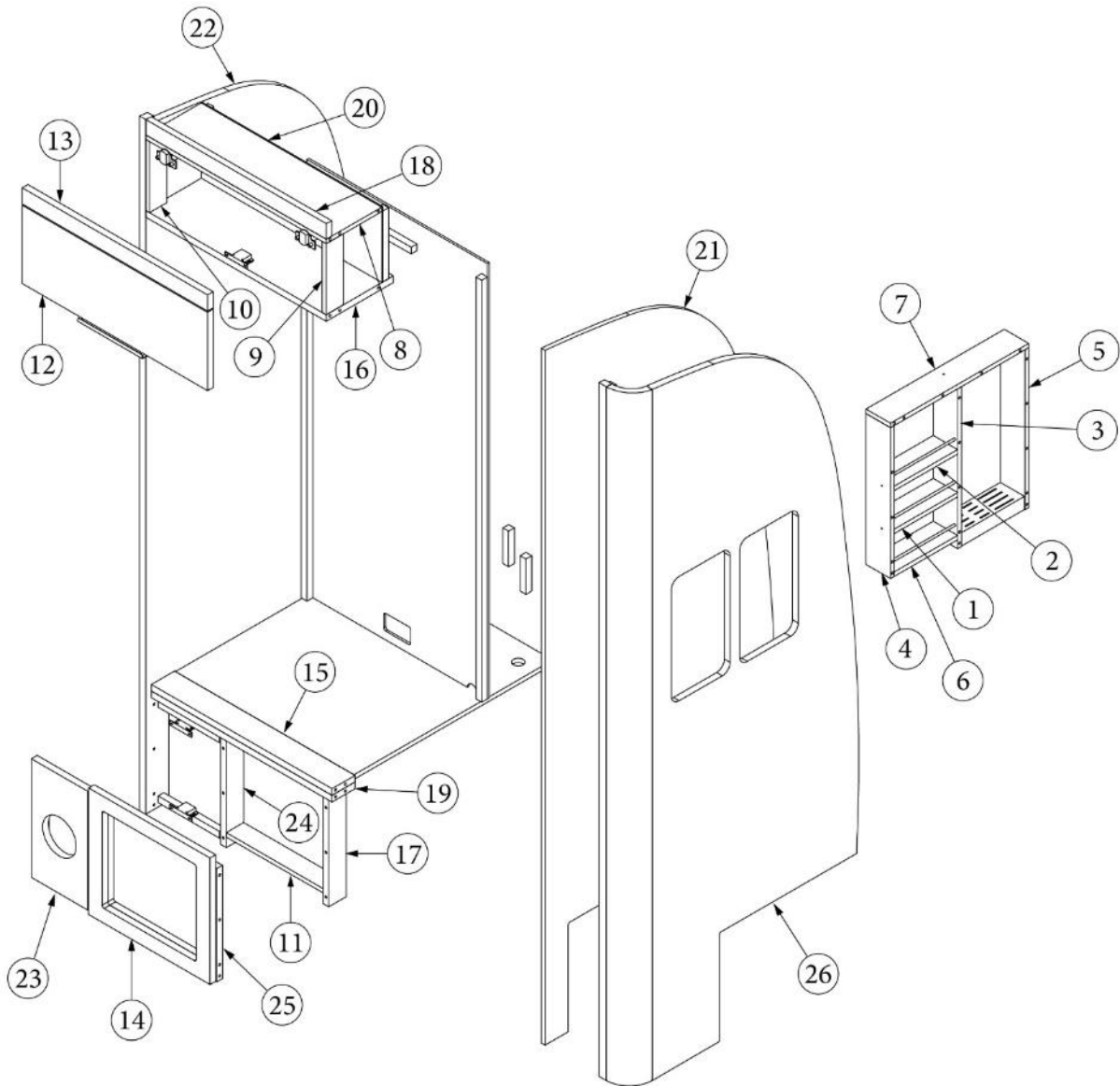
FURNITURE, GALLEY

Galley Cabinet, Hardware

365505-01	Edgebanding, Countryside oak, 5/8"
365505-02	Edgebanding, Countryside oak, 15/16"
381228-02	Catch grabber, 5lb
381607-11	Hinge, self-close
381607-12	Baseplate, Hinge
382786	Pull Handle
382797	Finger pull, Matte black
382807-07	Drawer slide, pair, 15"
381400-03	Drawer slide, pair, 16"
382807-01	Clip, Left front fixing
382807-02	Clip, Right front fixing
969705-05	Drawer box, 4 x 15 x 12.13
969706-07	Drawer box, 5 x 15 x 13.5

FURNITURE, GALLEY

Refrigerator Cabinet



Parts Listed on Next Page

FURNITURE, GALLEY

Refrigerator Cabinet

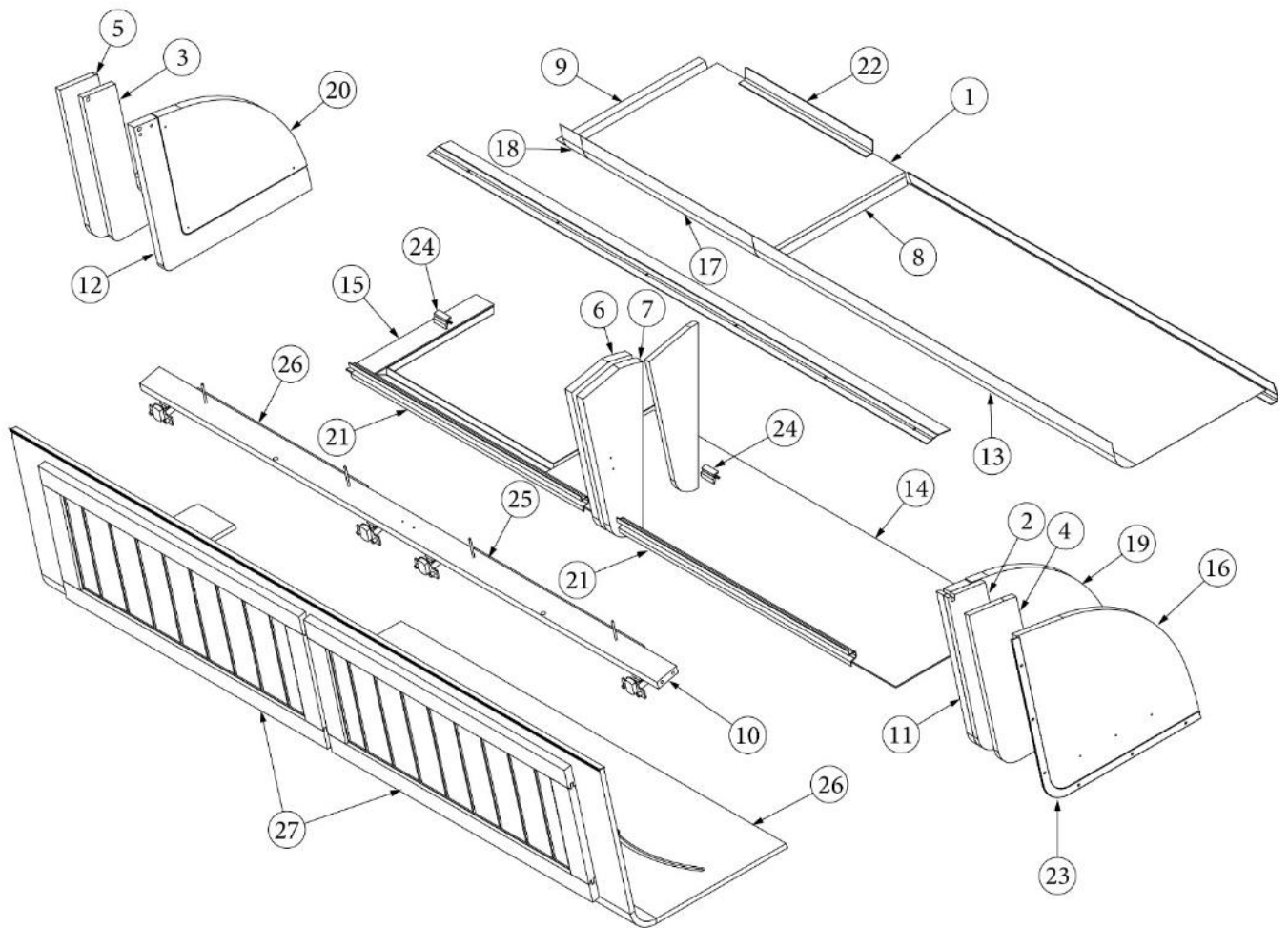
969647-01

Assy, Refrigerator Cabinet

1. 969647&000112BB	Pre laminate, .5 x 8.25 x 3.19"
2. 969647&000212BB	Pre laminate, .5 x 8.25 x 3.19"
3. 969647&000312BB	Pre laminate, .5 x 3.19 x 18"
4. 969647&000512BC	Pre laminate, .5 x 3.19 x 17"
5. 969647&000612BC	Pre laminate, .5 x 3.19 x 18"
6. 969647&000712BC	Pre laminate, .5 x 8.25 x 3.19"
7. 969647&000812BC	Pre laminate, .5 x 18 x 3.19"
8. 969647&000912CC	Pre laminate, .5 x 23.5 x 7.25"
9. 969647&001012CC	Pre laminate, .5 x 2.25 x 8"
10. 969647&001112CC	Pre laminate, .5 x 2.25 x 8"
11. 969647&001212CC	Pre laminate, .5 x 22.59 x 2.25"
12. 969647&001318BC	Pre laminate, .75 x 24.13 x 8.84"
13. 969647&001418BC	Pre laminate, .75 x 24.13 x 1.81"
14. 969647&001518BC	Pre laminate, .75 x 15.81 x 14.25"
15. 969647&001618BC	Pre laminate, .75 x 23.5 x 3"
16. 969647&001818CC	Pre laminate, .75 x 23.5 x 8.75"
17. 969647&001918CC	Pre laminate, .75 x 2.25 x 12.75"
18. 969647&002118CC	Pre laminate, .75 x 23.5 x 1.75"
19. 969647&002218CC	Pre laminate, .75 x 23.5 x 3"
20. 969647&002303CE	Pre laminate, .13 x 23.5 x 8.5"
21. 969647&004312BC	Pre laminate, 29.89 x 78.25"
22. 969647&004418CC	Pre laminate, 29.14 x 78.25"
23. 969647&004518BC	Pre laminate, .75 x 7.31 x 13.38"
24. 969647&004618CC	Pre laminate, .75 x 2.25 x 12.75"
25. 969647&004918BC	Pre laminate, .75 x 23.5 x 12.75"

FURNITURE, GALLEY

Roof Locker, Galley



Parts Listed on Next Page

FURNITURE, GALLEY

Roof Locker, Galley

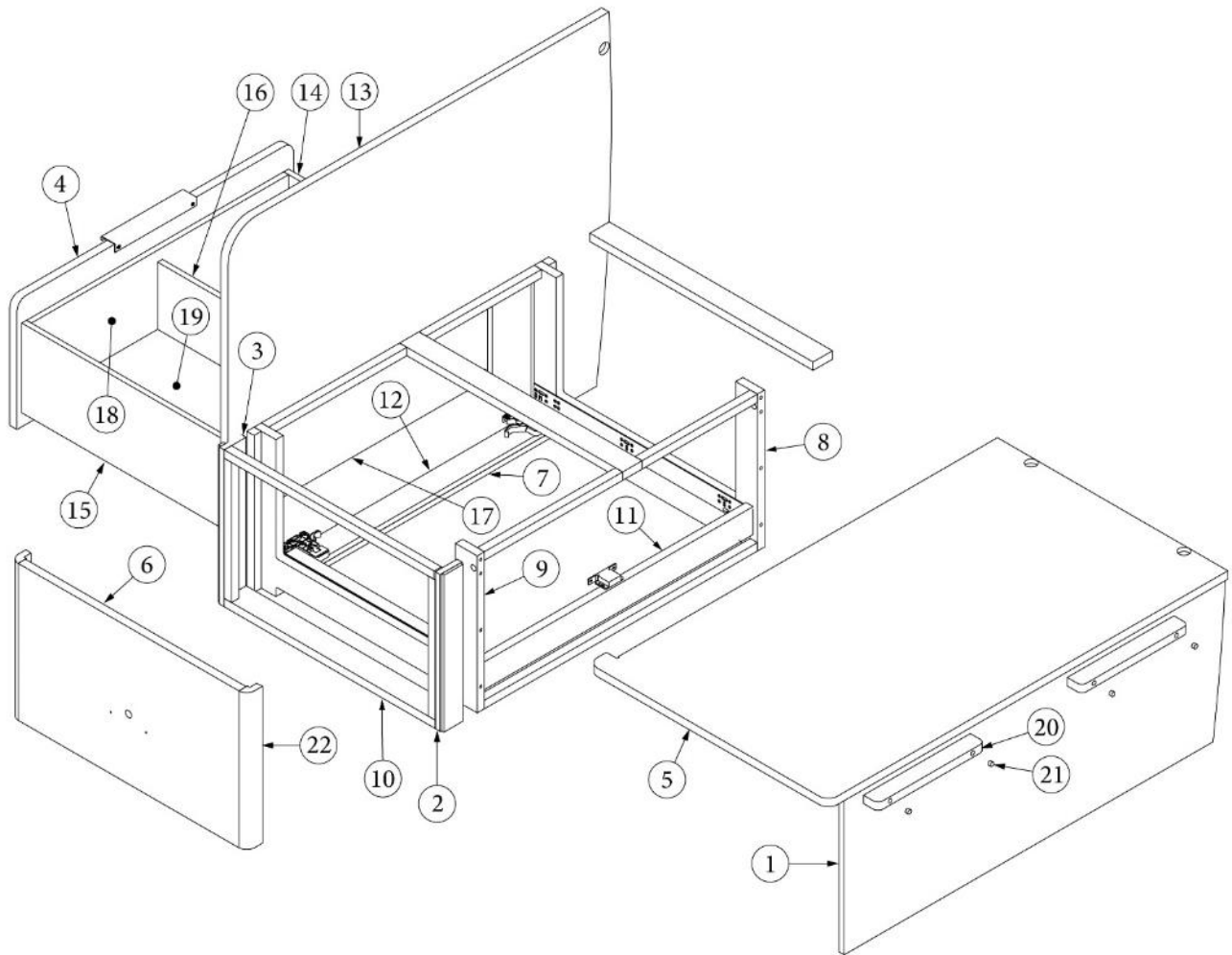
969641-01

Assy, Roof Locker, Galley

1. 969641&000112CC	Pre laminate, .5 x 21.09 x 16.24"
2. 969641&000212CE	Pre laminate, 20.06 x 17.38"
3. 969641&000312CE	Pre laminate, 19.63 x 15.94"
4. 969641&000412CE	Pre laminate, 19.59 x 16.83"
5. 969641&000512CE	Pre laminate, 19.59 x 16.83"
6. 969641&000618CC	Pre laminate, .75 x 6.75 x 16.75"
7. 969641&000718CC	Pre laminate, .75 x 6.75 x 16.75"
8. 969641&000818CC	Pre laminate, .75 x .92 x 16.25"
9. 969641&000918CC	Pre laminate, .75 x .92 x 16.25"
10. 969641&001018CE	Pre laminate, .75 x 2.25 x 58"
11. 969641&001118CE	Pre laminate, 20.06 x 17.38"
12. 969641&001218CE	Pre laminate, 19.93 x 15.92"
13. 969641&001501CE	Pre laminate, 19.5 x 40.41"
14. 969641&001603CE	Pre laminate, .13 x 13.25 x 40.41"
15. 969641&001703CE	Pre laminate, .13 x 14.52 x 2"
16. 802574&000112DK	Pre laminate, 20.55 x 17.66
17. 969641&002901CE	Pre laminate, 6.99 x 19.19"
18. 969641&003001CE	Pre laminate, 19.5 x 2.28"
19. 969641&005018CE	Pre laminate, 16.3 x 13.98"
20. 969641&005118CE	Pre laminate, 16.72 x 13.02"
21. 101401	Extrusion, Door latch housing
22. 115227-07	Locker track support, Angle, Formed
23. 116396-01	Trim, Locker end
24. 513259	Magnetic switch
25. 513297-19	Track light, Luna, Kit, 19"
26. 802574	Locker Face, Galley
27. 802575-011007	Door, Locker
115483	Angle, Aluminum, .06" x .75" x 6'
365386-01	Edgebanding, White Linen .63"
365386-02	Edgebanding, White Linen .94"
203445	Trim, Black, .56"
201673	Reverse cove molding, White
381607-11	Hinge, Self-close
381607-12	Baseplate, Hinge

FURNITURE, GALLEY

Dinette Seat, Forward



Parts Listed on Next Page

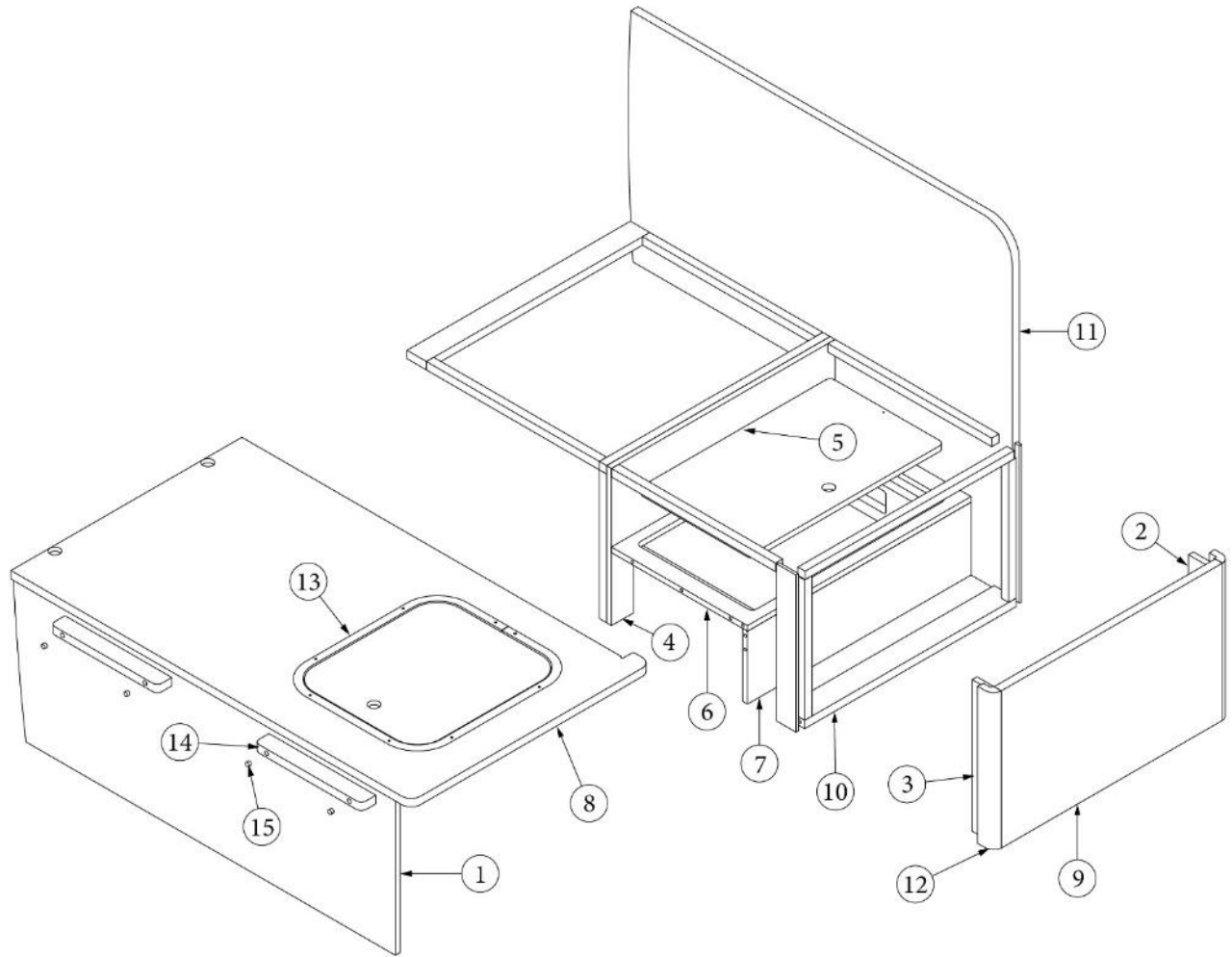
FURNITURE, GALLEY

Dinette Seat, Forward

969652-01	Assy, Forward Dinette Seat
969688	Assy, Custom Drawer Box
1. 969652&000112BC	Pre laminate, .5 x 39.30 x 14"
2. 969652&000212CC	Pre laminate, .5 x 2.25 x 14"
3. 969652&000312CC	Pre laminate, .5 x 2.25 x 14"
4. 969652&000518BC	Pre laminate, .75 x 28.5 x 11.5"
5. 969652&000618BC	Pre laminate, .75 x 24.75 x 41.18"
6. 969652&000718BC	Pre laminate, .75 x 22.76 x 14"
7. 969652&000812CC	Pre laminate, .5 x 28.13 x 2.25"
8. 969652&000918CC	Pre laminate, .75 x 23 x 14"
9. 969652&001018CC	Pre laminate, .75 x 23 x 14"
10. 969652&001118CC	Pre laminate, .75 x 21.76 x 2.25"
11. 969652&001218CC	Pre laminate, .75 x 28.13 x 2.25"
12. 969652&002712CC	Pre laminate, .5 x 28.13 x 2.25"
13. 969652&003618BB	Pre laminate, 39.51 x 32.75"
14. 969688&000112BB	Pre laminate, .5 x 21 x 8"
15. 969688&000212BB	Pre laminate, .5 x 21 x 8"
16. 969688&000312BB	Pre laminate, .5 x 20 x 6"
17. 969688&000412BB	Pre laminate, .5 x 26.5 x 8"
18. 969688&000512BC	Pre laminate, .5 x 26.5 x 8"
19. 969688&000612BC	Pre laminate, .5 x 26.5 x 20"
20. 802582-1008	Stop, Countryside oak
21. 802583-1008	Stop plug, Countryside oak
22. 801706-1008	Corner trim, 90-degree, 1" radius
704885	Cushion kit
382785	Handle, Waterfall pull
382057-04	Cap, Knockdown
382057	Knockdown
381228	Catch grabber, Black, 10lb
365505-01	Edgebanding, Countryside oak, 5/8"
365505-02	Edgebanding, Countryside oak, 15/16"
365505-03	Edgebanding, Countryside oak, 1-1/4"
203942-03	T-Molding, Black, 13/16"
969747-05	Undermounting hardware, 21"
382807-09	Drawer slide, Self-close, 21"
382807-01	Clip, Left front fixing
382807-02	Clip, Right front fixing

FURNITURE, GALLEY

Dinette Seat, Aft



Parts Listed on Next Page

FURNITURE, GALLEY

Dinette Seat, Aft

969651-01

Assy, Aft Dinette Seat

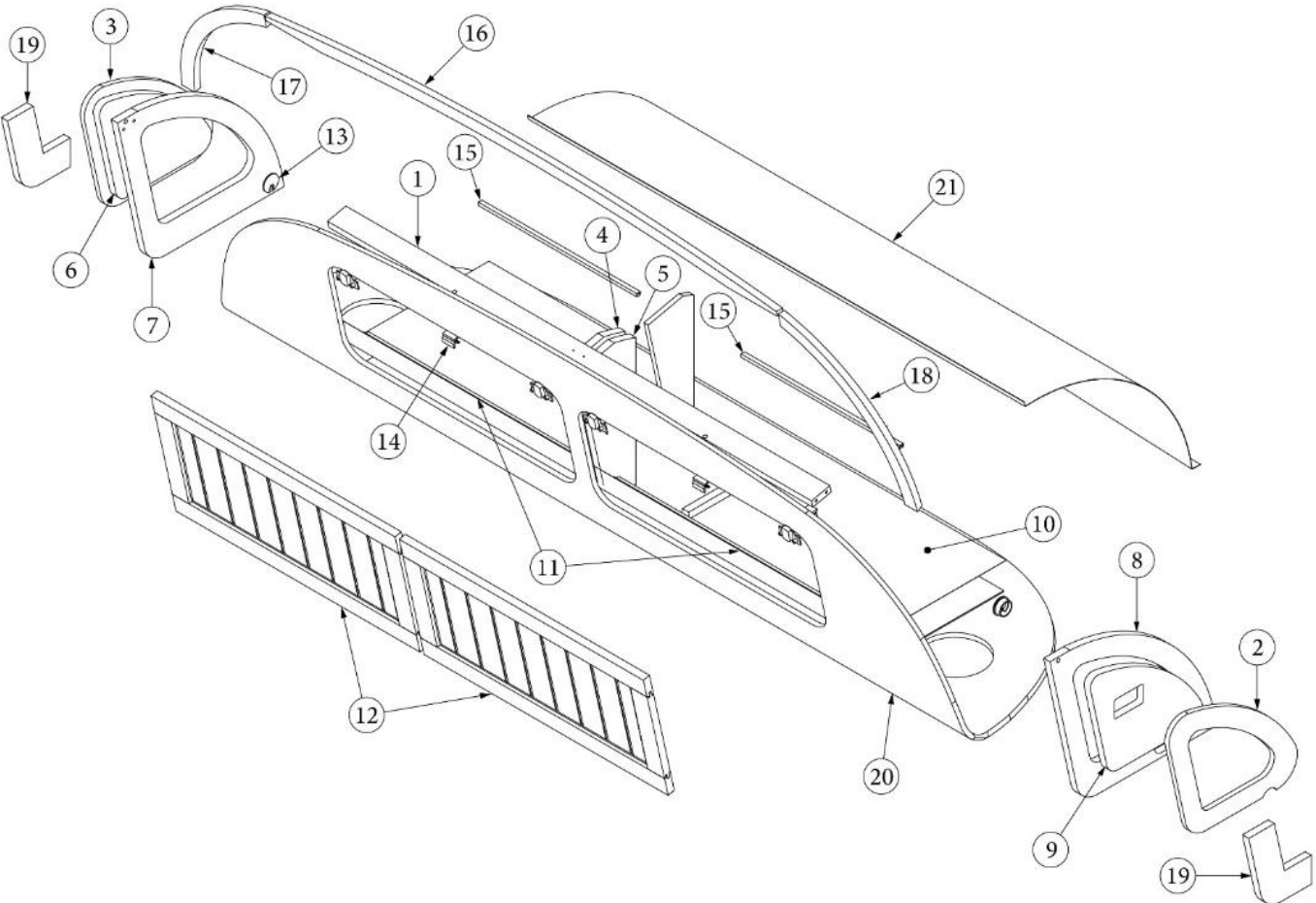
- | | |
|---------------------|---|
| 1. 969651&000112BC | Pre laminate, .5 x 39.30 x 14" |
| 2. 969651&000212CC | Pre laminate, .5 x 2.25 x 13.5" |
| 3. 969651&000312CC | Pre laminate, .5 x 2.25 x 13.5" |
| 4. 969651&000412CC | Pre laminate, .5 x 23 x 14" |
| 5. 969651&000512CC | Pre laminate, .5 x 19.75 x 11.75" |
| 6. 969651&000612CE | Pre laminate, .5 x 23 x 14" |
| 7. 969651&000712CE | Pre laminate, .5 x 23 x 6.5" |
| 8. 969651&000918BC | Pre laminate, .75 x 24.75 x 41.18" |
| 9. 969651&001018BC | Pre laminate, .75 x 22.76 x 14" |
| 10. 969651&001118CC | Pre laminate, .75 x 21.76 x 2.25" |
| 11. 969651&002918BB | Pre laminate, 39.51 x 32.75" |
| 12. 801706-1008 | Corner trim, 90-degree, 1" radius |
| 13. 115812 | Trim ring, Dinette seat |
| 14. 802582-1008 | Stop, Countryside oak |
| 15. 802583-1008 | Stop plug, Countryside oak |
| 704885 | Cushion kit |
| 802584 | Component board, electrical, under seat |
| 382057-04 | Cap, Knockdown |
| 382057 | Knockdown |
| 365505-02 | Edgebanding, Countryside oak, 15/16" |
| 365386-01 | Edgebanding, Linen, .63" |

Dinette Table

- | | |
|-------------|-------------------|
| 802571-1009 | Tabletop, Dinette |
| 382777 | Pedestal, Table |

FURNITURE, LOUNGE

Roof Locker, Lounge



Parts Listed on Next Page

FURNITURE, LOUNGE

Roof Locker, Lounge

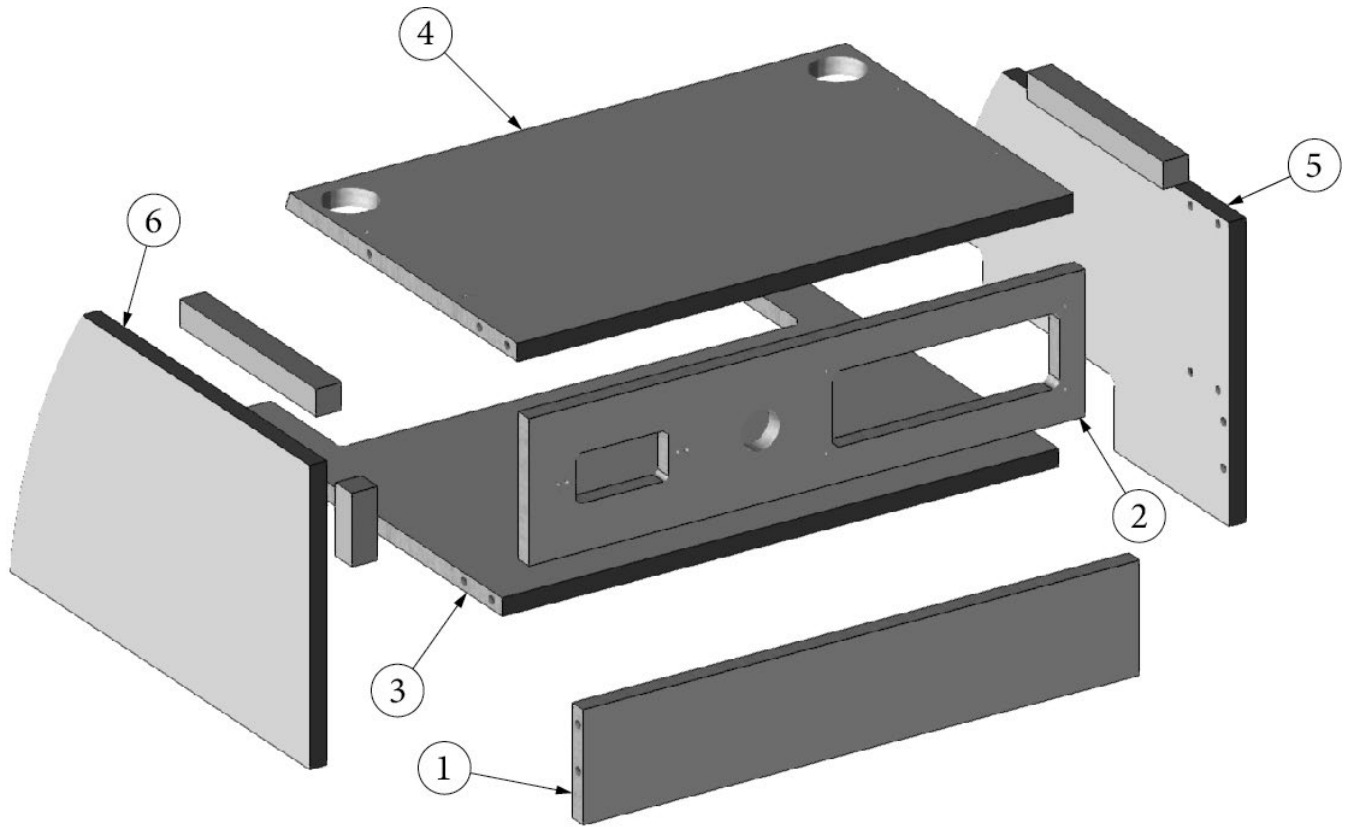
969643-01

Assy, Liner Locker, w/Radio and Speakers

1. 969643&000118CE Pre laminate, .75 x 2.25 x 58"
2. 969643&000212CE Pre laminate, .5 x 15.38 x 13.18"
3. 969643&000312CE Pre laminate, .5 x 15.38 x 13.18"
4. 969643&000418CC Pre laminate, .75 x 6.79 x 16"
5. 969643&000518CC Pre laminate, .75 x 6.79 x 16"
6. 969643&000618CE Pre laminate, .75 x 13.45 x 11.02"
7. 969643&000718CE Pre laminate, .75 x 19.94 x 16.58"
8. 969643&000818CE Pre laminate, .75 x 19.94 x 16.58"
9. 969643&000918CE Pre laminate, .75 x 13.54 x 11.02"
10. 969643&001001CE Pre laminate, .75 x 19.94 x 16.58"
11. 101401 Extrusion, Door latch housing, 25"
12. 802575-021007 Door, Locker
13. 381209-01 Grommet, Black cap, 1.5" hole
14. 513259 Magnet Switch
15. 513297-19 Luna Light, Kit, 3000K, 19"
16. 801596-01 Backer, Liner locker, Center
17. 801596-02 Backer, Liner locker, LH
18. 801596-03 Backer, Liner locker, RH
19. 801710 Support, Divider, Liner locker
20. 802576 Face, Liner locker
21. 115264-11 Pan, Liner locker
- 365386-02 Edgebanding, White Linen .94"
- 203445 Trim, Black, .56"
- 201673 Reverse cove molding, White
- 116430 Shroud, Locker
- 381607-11 Hinge, Self-close
- 381607-12 Baseplate, Hinge
- 382242 Stay set, Lid

FURNITURE, LOUNGE

Radio Shelf, Roof Locker



969825-02

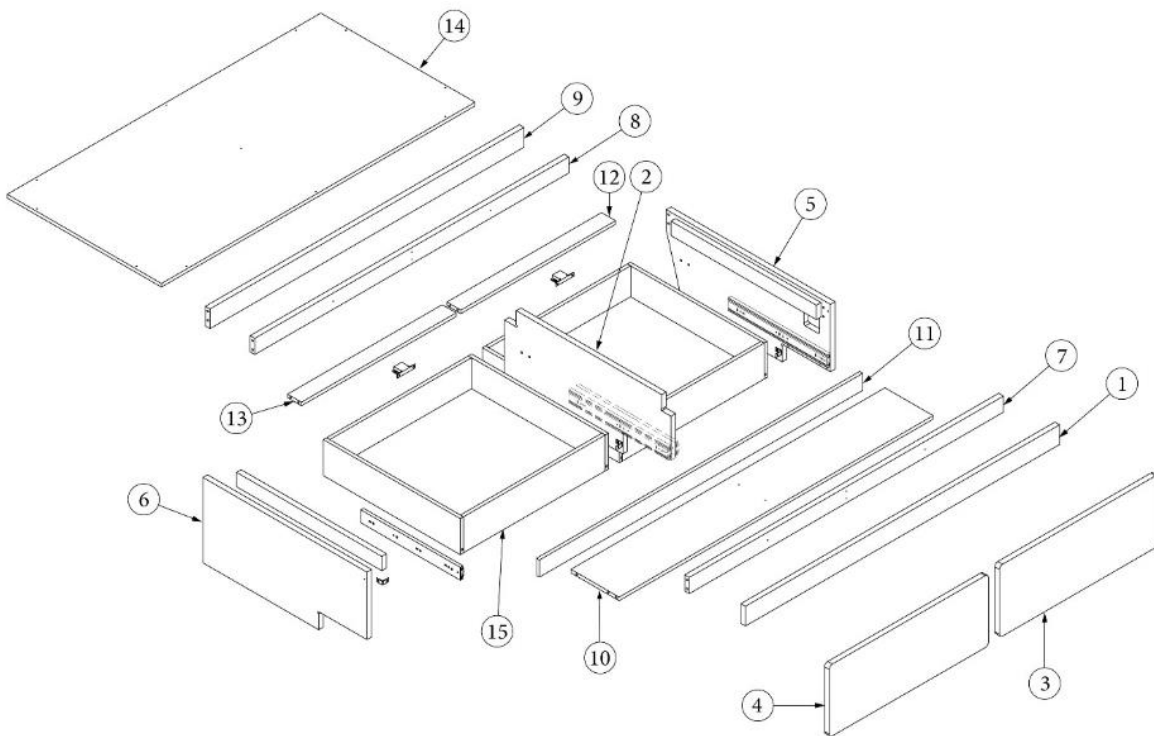
Assembly, Radio Shelf, Bedroom

1. 969825&020112CC
 2. 969825&020212CC
 3. 969825&020312CC
 4. 969825&020412CC
 5. 969825&020712CC
 6. 969825&020812CC
- 365386-01

- Pre laminate, .50 x 16.25 x 3.13"
Pre laminate, .50 x 16.25 x 4"
Pre laminate, .50 x 16.25 x 12.97"
Pre laminate, .50 x 16.25 x 10.63"
Pre laminate, .50 x 13.04 x 8.25"
Pre laminate, .50 x 13.75 x 8.25"
Edgebanding, Linen, .63"

FURNITURE, LOUNGE

Sofa Base, Front



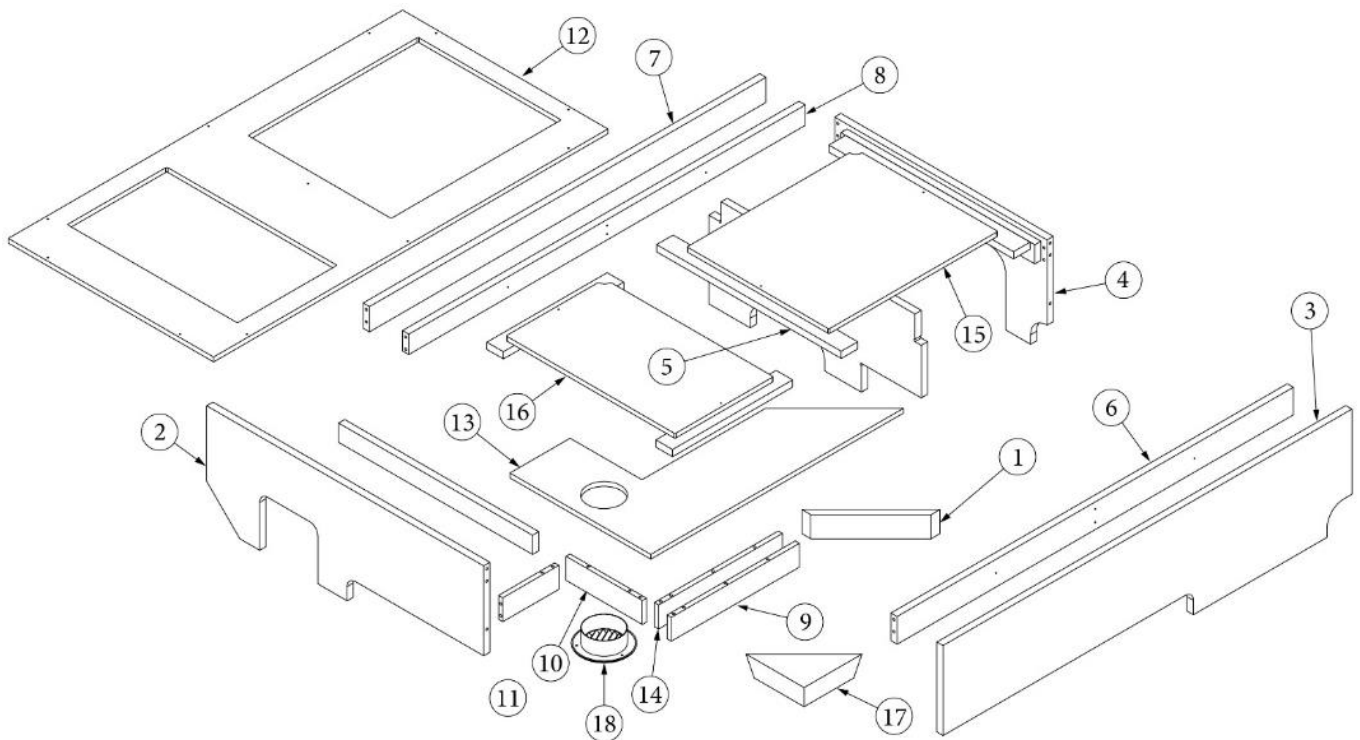
969622

Assy, Sofa Base Front

1. 969622&000118BE	Pre laminate, .75 x 2.75 x 50.5"
2. 969622&000218CC	Pre laminate, .75 x 26.75 x 11.88"
3. 969622&000318CE	Pre laminate, .75 x 25.59 x 10"
4. 969622&000418CE	Pre laminate, .75 x 25.59 x 10"
5. 969622&000518CE	Pre laminate, .75 x 26.75 x 11.88"
6. 969622&000618CE	Pre laminate, .75 x 26.75 x 11.88"
7. 969622&000718CE	Pre laminate, .75 x 2.25 x 50.5"
8. 969622&000818CE	Pre laminate, .75 x 2.25 x 50.5"
9. 969622&000918CE	Pre laminate, .75 x 2.25 x 50.5"
10. 969622&001012BC	Pre laminate, .5 x 7.75 x 50.5"
11. 969622&001112BE	Pre laminate, .5 x 2.38 x 52"
12. 969622&001212CE	Pre laminate, 2.25 x 24.88"
13. 969622&001312CE	Pre laminate, 2.25 x 24.88"
14. 969622&001412CE	Pre laminate, .5 x 24.81 x 50.44"
15. 969706-16	Drawer box, 5 x 22 x 23.82"
381400-03	Drawer slide, 16"
381228	Catch grabber, 10lb
365505-01	Edgebanding, Countryside oak, 5/8"
365505-02	Edgebanding, Countryside oak, 15/16"
380041	Corner brace, 1"

FURNITURE, LOUNGE

Sofa Base, RS



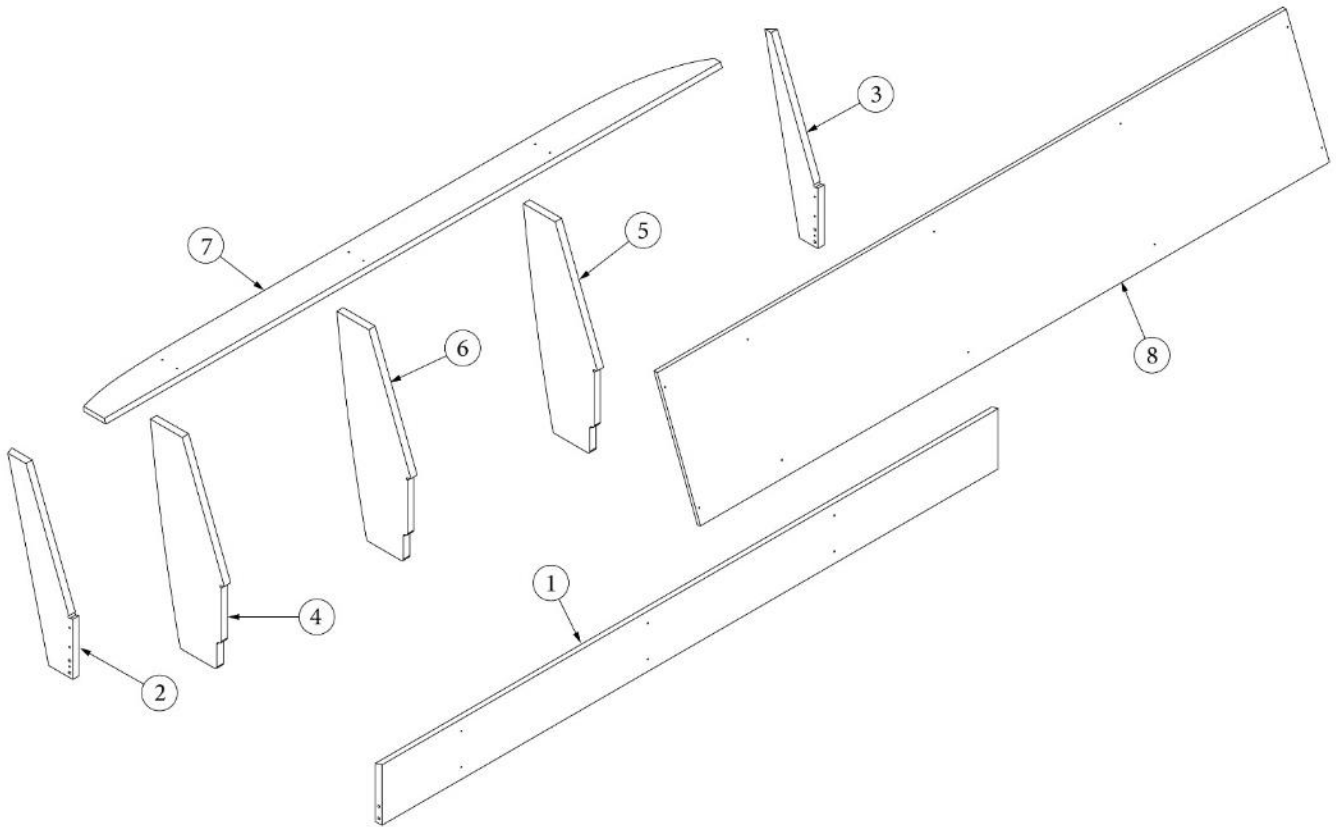
969623

Assy, Sofa Base, RS

1. 969623&000118BE	Pre laminate, .75 x 2.5 x 11.75"
2. 969623&000218CE	Pre laminate, .75 x 34.15 x 11.88"
3. 969623&000318CE	Pre laminate, .75 x 49.3 x 11.88"
4. 969623&000418CE	Pre laminate, .75 x 27.15 x 11.88"
5. 969623&000518CE	Pre laminate, .75 x 25.63 x 11.88"
6. 969623&000618CE	Pre laminate, .75 x 2.88 x 47.8"
7. 969623&000718CE	Pre laminate, .75 x 2.63 x 47.8"
8. 969623&000818CE	Pre laminate, .75 x 2.13 x 47.8"
9. 969623&000912BE	Pre laminate, .5 x 2.5 x 15.44"
10. 969623&001012BE	Pre laminate, .5 x 2.5 x 9.21"
11. 969623&001112BE	Pre laminate, .5 x 2.5 x 6.75"
12. 969623&001212CE	Pre laminate, .5 x 24.75 x 47.56"
13. 969623&001312CE	Pre laminate, .5 x 16.96 x 31.68"
14. 969623&001412CE	Pre laminate, .5 x 2.5 x 14.94"
15. 969623&001512CE	Pre laminate, .5 x 11.88 x 20.38"
16. 969623&002312CE	Pre laminate, .5 x 11.88 x 20.38"
17. 802585-1009	Sofa foot
18. 602394-03	Register, Directional, Black, 4"

FURNITURE, LOUNGE

Sofa Back, Front



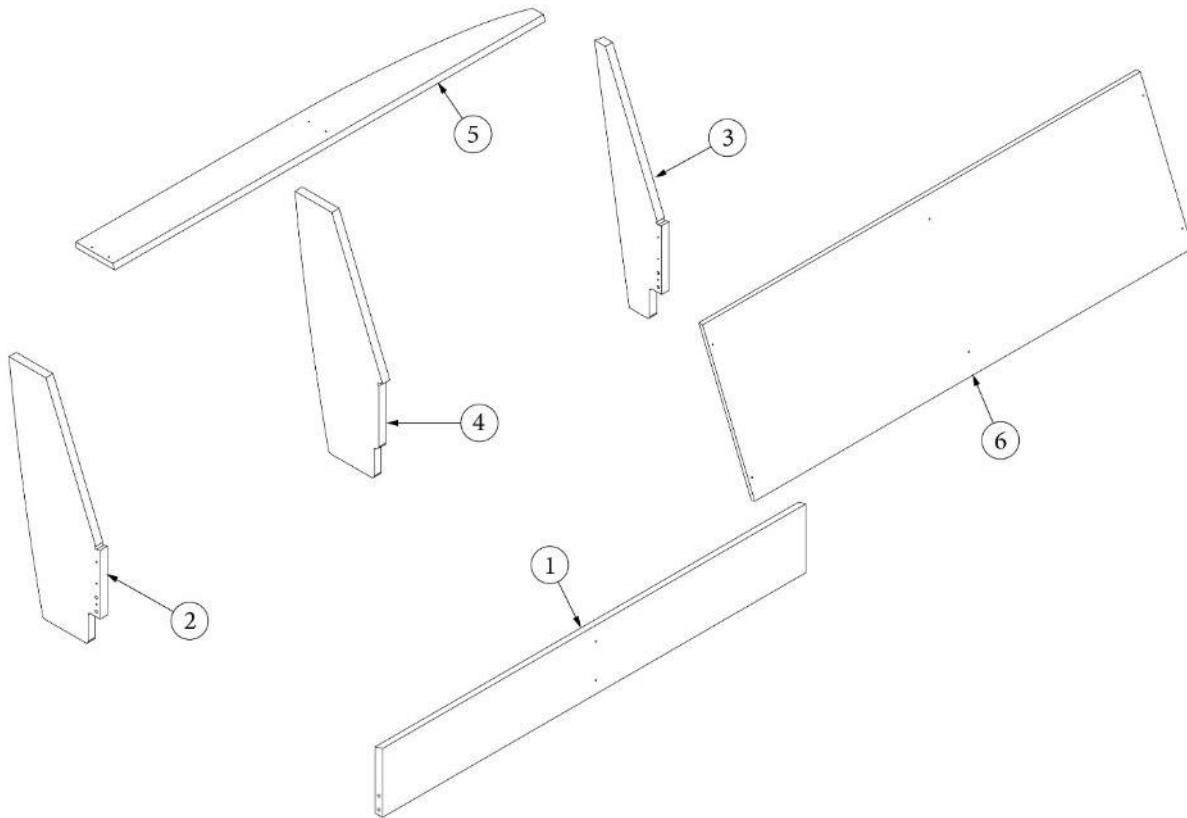
969624

Assy, Sofa Back, Front

- | | |
|--------------------|-----------------------------------|
| 1. 969624&000118CE | Pre laminate, .75 x 6.19 x 73.13" |
| 2. 969624&000218CE | Pre laminate, .75 x 39 x 32" |
| 3. 969624&000318CE | Pre laminate, .75 x 39 x 32" |
| 4. 969624&000418CE | Pre laminate, .75 x 10 x 32" |
| 5. 969624&000518CE | Pre laminate, .75 x 10 x 32" |
| 6. 969624&000618CE | Pre laminate, .75 x 10 x 32" |
| 7. 969624&000712CE | Pre laminate, .5 x 5.26 x 73.13" |
| 8. 800507-03 | Lauan, .38 x 14.26 x 74.63" |
| 9. 380041 | Bracket, 90-degree, 1" x 1" |

FURNITURE, LOUNGE

Sofa Back, RS



969625

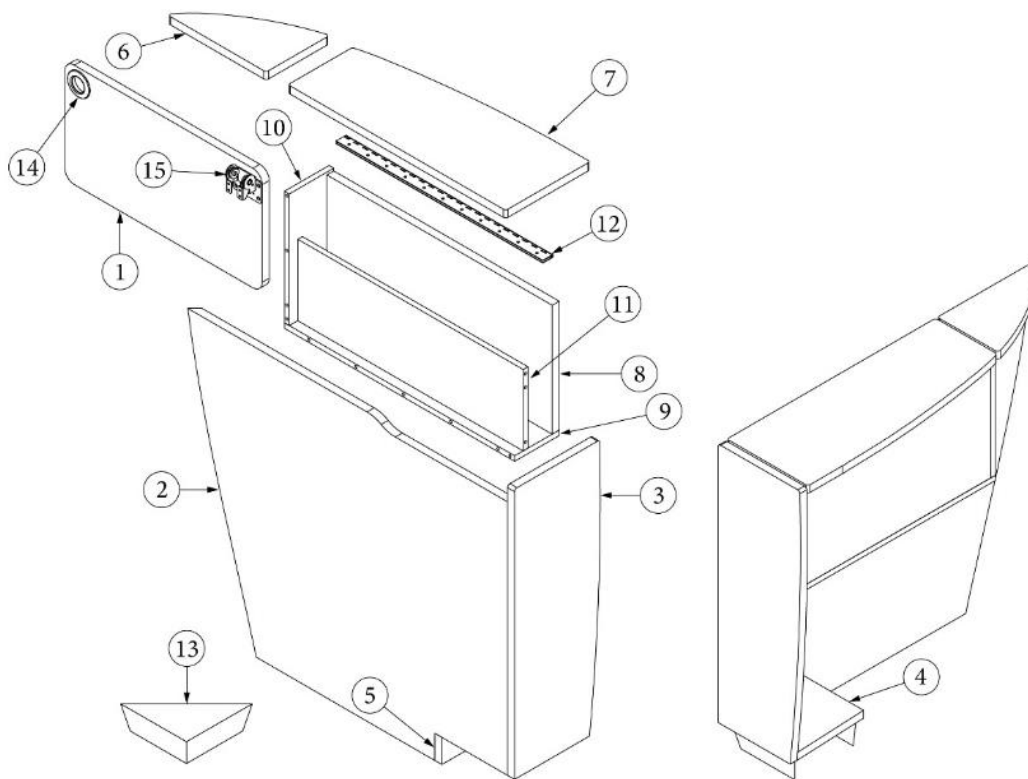
Assy, Sofa Back, RS

1. 969625&000118CE
2. 969625&000218CE
3. 969625&000318CE
4. 969625&000418CE
5. 969625&000512CE
6. 800507-03
380041

- Pre laminate, .75 x 6.19 x 44"
Pre laminate, .75 x 43 x 32"
Pre laminate, .75 x 39 x 32"
Pre laminate, .75 x 43 x 32"
Pre laminate, .5 x 4.13 x 45.75"
Luan, .38 x 14.37 x 45.5"
Bracket, 90-degree, 1" x 1"

FURNITURE, LOUNGE

Sofa Arm



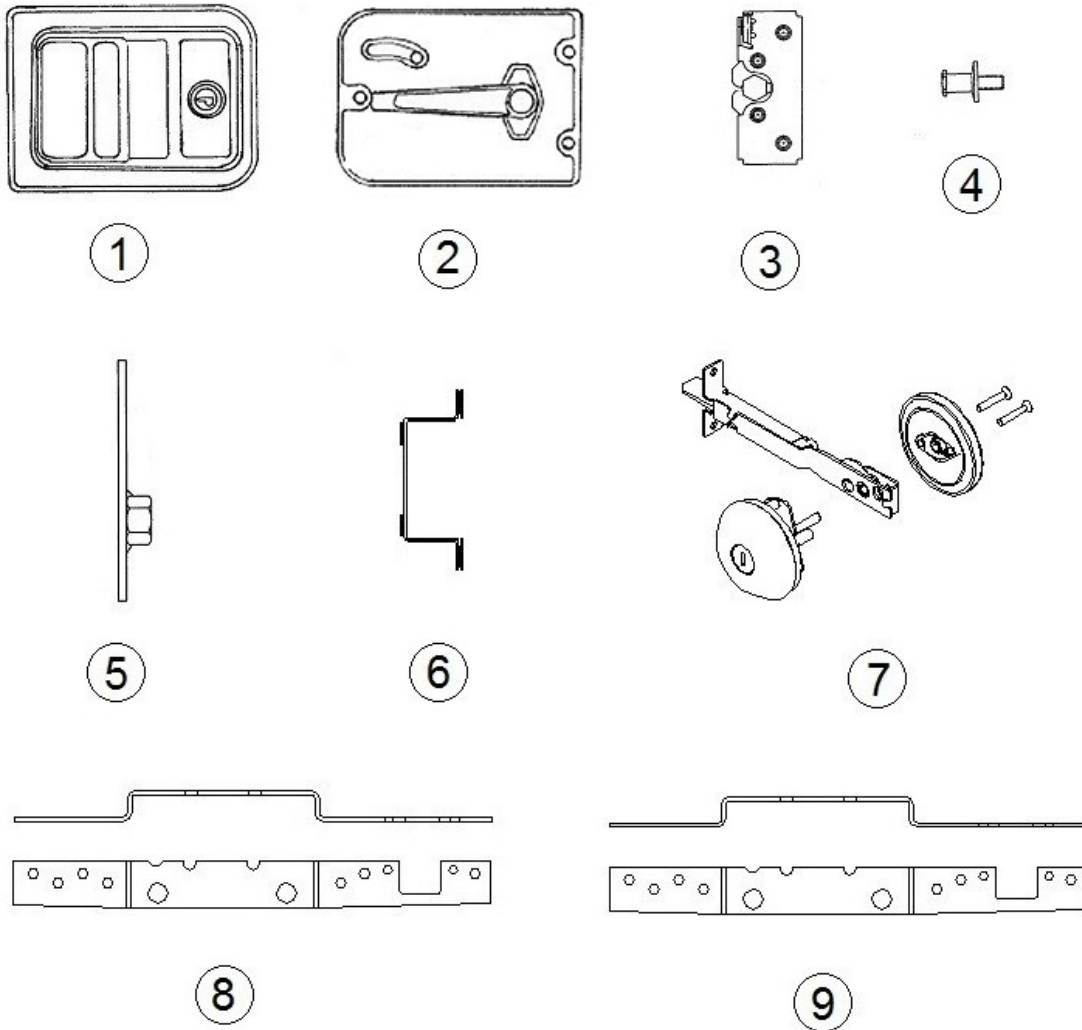
969697

Assy, Sofa Arm

1. 969697&000118JC	Pre laminate, .75 x 11 x 21"
2. 969697&000218CE	Pre laminate, .75 x 37.63 x 28.5"
3. 969697&000318CE	Pre laminate, .75 x 9.25 x 29.25"
4. 969697&000418CE	Pre laminate, .75 x 7.25 x 7.75"
5. 969697&000518CE	Pre laminate, .75 x 2.5 x 8"
6. 969697&000618CE	Pre laminate, .75 x 7.5 x 10.69"
7. 969697&000718CE	Pre laminate, .75 x 9 x 23.18"
8. 969697&000818CE	Pre laminate, 11.88 x 24"
9. 969697&000912CE	Pre laminate, .5 x 4.75 x 24.5"
10. 969697&001012CE	Pre laminate, .5 x 4.75 x 12.13"
11. 969697&001112CC	Pre laminate, .5 x 7.5 x 24"
12. 380203-02	Hinge, Piano
13. 802585-1009	Foot, Sofa
14. 382797	Finger pull, Matte black
15. 382784	Hinge, Dual axis
365386-01	Edgebanding, Linen, .63"
365386-02	Edgebanding, White Linen, .94"
365505-02	Edgebanding, Countryside oak, 15/16"
382057	Knockdown, 8mm

HARDWARE

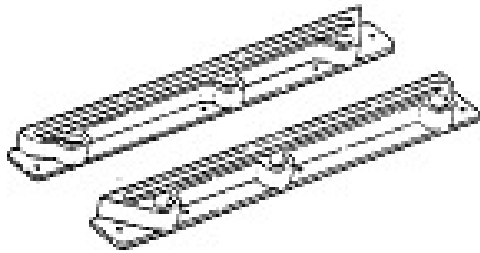
Main Door Lock, Left Hand Hinge



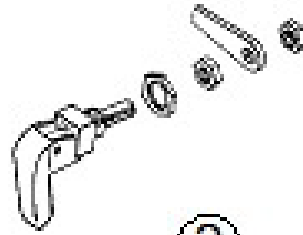
- | | |
|--------------|--|
| 1. 381547-01 | Main door lock, Outside housing |
| 2. 381547-07 | Main door lock, Inside plate |
| 3. 381547-03 | Double rotary latch, Main door |
| 4. 381547-04 | Striker bolt w/washer, Main door lock |
| 5. 381550 | Plate, Striker bolt mounting |
| 6. 115413 | Door hat section |
| 7. 382069 | Deadbolt, Round, Trimark |
| 8. 382067 | Outer reinforcement plate, RH/LH hinged door |
| 9. 382066 | Inner reinforcement plate, LH hinged door |
| 382069-100 | Deadbolt key, Blank |
| 381547-102 | Main door key, Blank |
| 381547-08 | Screw package, Main door lock |
| 385595 | Pocket strike |
| 382122 | Key chain, Airstream logo |

HARDWARE

Window Hardware



①



②



③

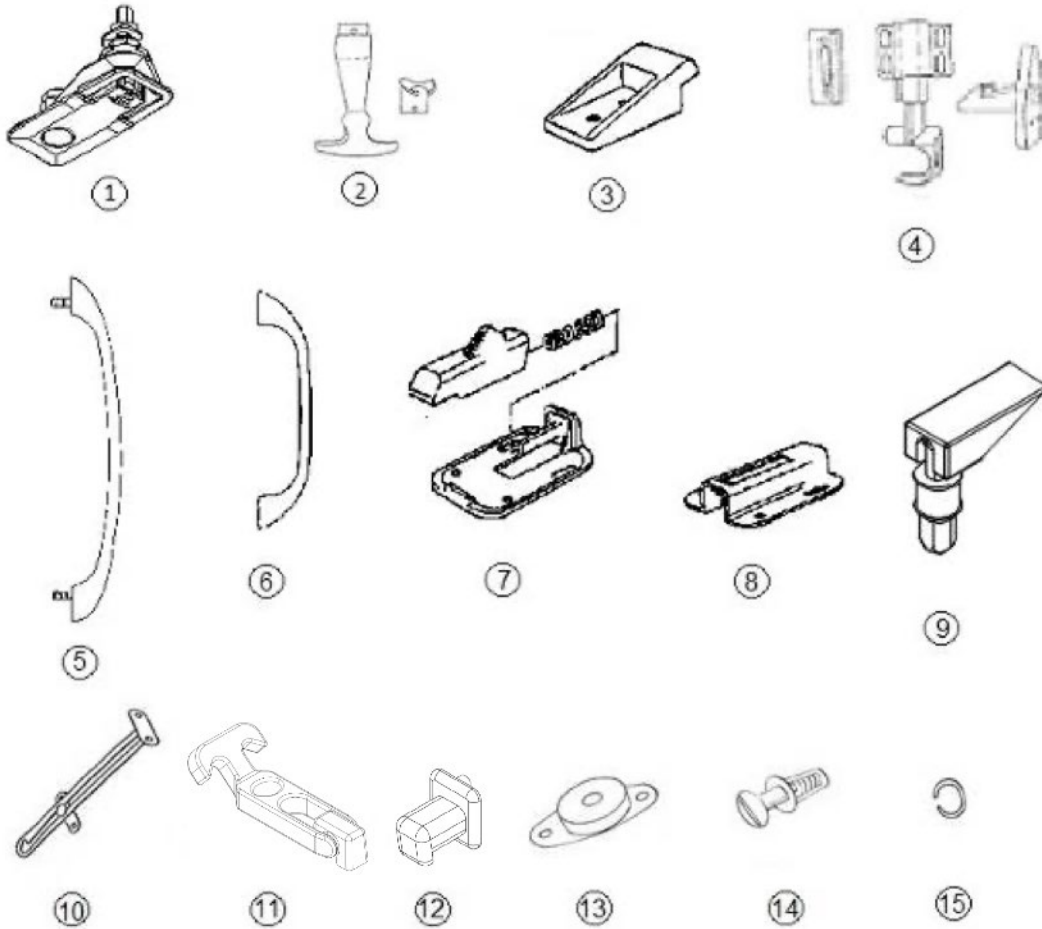


④

- | | |
|--------------|---------------------------------|
| 1. 382360 | Window guide, RH |
| 382359 | Window guide, LH |
| 2. 382367-01 | Lower window latch, Chrome |
| 382367-02 | Lower window latch, Red |
| 3. 115776 | Lock paw, Window latch assembly |
| 4. 380230-03 | Knob, Window arm, Silver |
| 380230-04 | Knob, Window arm, Red |
| 382116-03 | Cap-Screw Rubber 5/32 X .5' |

HARDWARE

Exterior Latches, Locks, and Handles



- | | |
|---------------|--|
| 1. 382230-03 | Compression latch, Locking |
| 2. 381021-01 | Rubber T-handle |
| 3. 201056 | Catch, main door hold-back |
| 4. 381454 | Latch, Screen door, Bullet |
| 5. 101171-02 | Grab handle |
| 6. 380004 | Handle, Screen door |
| 7. 380291 | Main door hold-back |
| 8. 380290 | Latch housing |
| 9. 382456 | Swell latch |
| 10. 380024 | Support arm, Bumper lid |
| 11. 382562 | Latch, Rubber |
| 12. 382562-01 | Keeper, Rubber |
| 13. 685359 | Rubber receptacle, 1/4 turn latch, Southco |
| 14. 685358 | Stud, 1/4 turn latch, Southco |
| 15. 685362 | Retaining ring, 1/4 turn stud |
| 382783 | Latch, Bath door, kit |
| 382074 | Gasket, Main door grab handle |

HARDWARE

Head knocker

382194 Head knocker, White
381610-01 Cover cap, Plastic, European White

Exterior Hinges

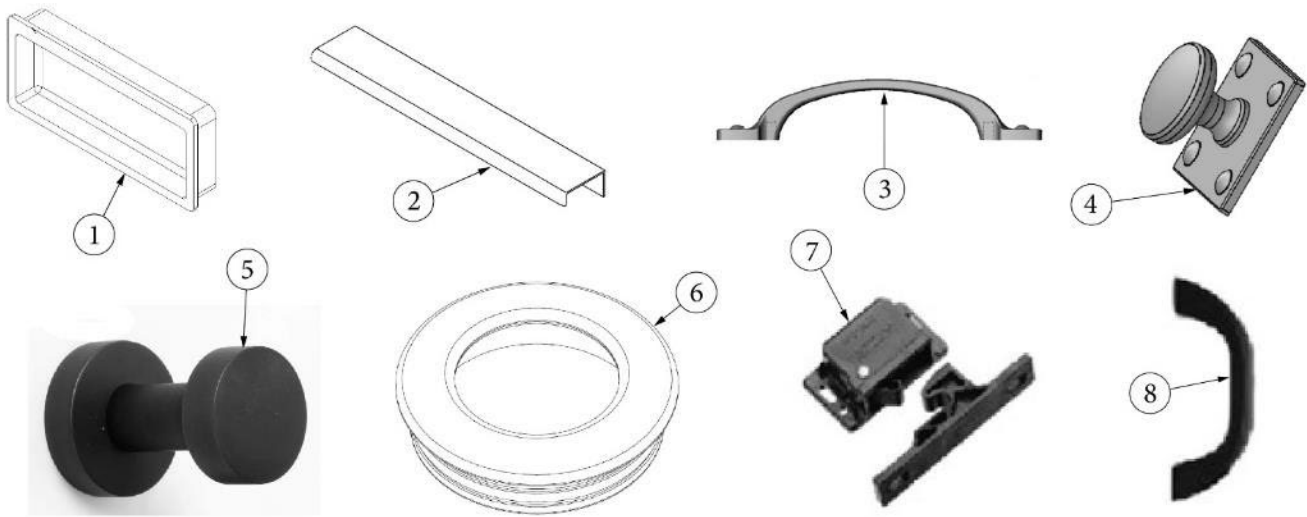
381552-03 Hinge, Main door, Upper
381552-04 Hinge, Main door, Lower
380203-01 Piano hinge, 1/8" Pin, Battery box lid
380203-02 Piano hinge, Hose carrier lid, 72", Black
380988 Hinge, Continuous, Refrigerator access door

Interior Hinges

380203-01 Piano hinge
380203-02 Piano hinge, Black
380988 Hinge, Continuous
381607-11 Hinge, Self-close, 110° overlay
382784 Hinge, Dual axis

HARDWARE

Interior Latches, Handles, Hooks



1. 382437 Pull, Recessed finger, Black
2. 382785 Pull, Handle, Waterfall, Matte Black
3. 382786 Pull, Matte black
4. 382787 Knob, w/Baseplate, Matte black
5. 382788 Coat hook, Dark bronze
6. 382797 Pull, Finger, Matte black
7. 381228 Catch, grabber door, 10lb
381228-02 Catch, grabber door, 5lb
8. 381737-02 Grab bar, Interior, Black

HARDWARE

Pottery Barn Goody Box, Queen

998263-20	Pottery Barn Goody Box Kit, Queen
998263-01	Dinnerware, Mason, 16 Piece set
998263-02	Flatware set, Mason, 20 Piece set
998263-03	Marble cheese knives, 4 Piece set
998263-04	Airstream Always Home doormat
998263-05	Airstream salt & pepper set
998263-06	Airstream folding chair, set of 2
998263-07	Airstream folding bistro table
998263-08	Canvas storage bin, 4 each, 12 x 12 x 8"
998263-09	Canvas storage in, 2 Each, 30 x 20 x 5.5"
998263-10	Comforter, Belgian flax, Queen
998263-11	Standard Shams, Belgian Flax, 2 Each
998263-13	Sheet Set & Pillowcases, Queen
998263-15	Throw, Colossal Handknit
998263-16	Cutting Board, Food-Grade Oil

Pottery Barn Goody Box, Twin

998263-21	Pottery Barn Goody Box Kit, Twin
998263-01	Dinnerware, Mason, 16 Piece set
998263-02	Flatware set, Mason, 20 Piece set
998263-03	Marble cheese knives, 4 Piece set
998263-04	Airstream Always Home doormat
998263-05	Airstream salt & pepper set
998263-06	Airstream folding chair, set of 2
998263-07	Airstream folding bistro table
998263-08	Canvas storage bin, 4 each, 12 x 12 x 8"
998263-11	Standard Shams, Belgian Flax, 2 Each
998263-12	Comforter, Belgian flax, Twin, 2 each
998263-14	Sheet Set & Pillowcases, Twin, 2 each
998263-15	Throw, Colossal Handknit
998263-16	Cutting Board, Food-Grade Oil

HARDWARE

Bathroom Accessories

382781	Towel bar, Matt black, 9"
382782	Towel bar, Matte black, 18"
382779	Toilet paper holder
382793	Robe hook
382783	Latch kit, Bath door
455834	Ledge, Formed, bath wall
602896	Assy, Shower hardware, Matte Black

Clothesline

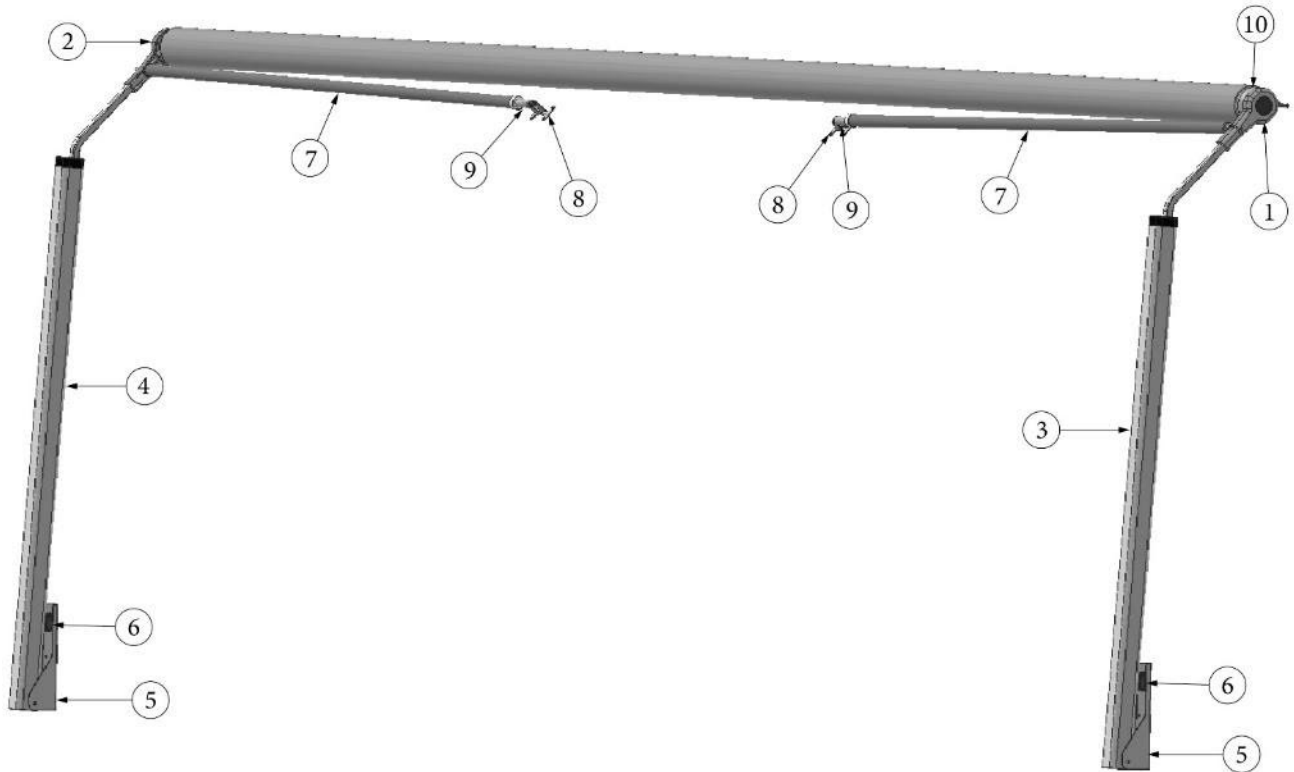
382063	Retractable clothesline
--------	-------------------------

Bed Gas Springs

381067-09	Spring, Gas 90 LBS
382463	Bracket, Upper
382462	Bracket, Lower

HARDWARE

Awning Hardware, Power Awning



704825-02

Awning Hardware Kit

- | | | |
|-----|-------------|----------------------------------|
| 1. | 704049-111 | Head casting, Front |
| 2. | 704049-110 | Head casting, Rear |
| 3. | 704049-100 | Arm assembly, Front |
| 4. | 704049-101 | Arm assembly, Rear |
| 5. | 704049-102 | Hinge assembly |
| 6. | 704049-115 | Tubus Bumper, 6mm mount hole |
| 7. | 704049-108 | Gas rafter assembly |
| 8. | 704049-108B | Bracket, New style |
| 9. | 704049-114 | Universal joint |
| 10. | 704049-106 | Motor assembly, w/Drive adapter |
| | 513100 | Interface Board, Power Awning |
| | 704049-119 | Control board, Wired w/enclosure |
| | 704049-109 | Control board only, Wired |
| | 704049-116 | Spring change |
| | 704049-112 | Emergency kit, Power awning |
| | 704049-113 | Hex head tool |
| | 512649-02 | Ethernet patch cable, Cat5e, 2' |

HARDWARE

Awning Hardware, Other

73376W	Travel latch, Window awning
73376W-100	Loop only, Travel latch
74041W-01	Pull rod, 52"
74095W	Head casting, Window awning
74097W	Support arm, Window awning
74105W	Strap hook, Window
74108W	Spring, Window awning, 2-1/4"
74109W	Spring, Window awning, 2-1/2"
74094W	Idle end assembly
74055W	Base hinge, Triangular
74055W-01	Base hinge, Rectangular
74001W-02	Awning Tube, 2-1/2"
74001W-03	Awning Tube, 2-1/4"

HARDWARE

Rivets

325001-01	Rivet, Anodized Clear, 1/8 x 5/16"
325002-01	Rivet, Anodized Clear, 1/8 x 3/8"
325003-01	Rivet, Anodized, Clear, 1/8
325004-01	Rivet, Anodized, Clear, 1/8 x 1/2"
325035	Rivet, Chicago
325044-01	Rivet, Solid BR head, 1/8 x 5/8"
325134	Rivet, Blind dome, 1/8"
330142	Rivet, Pop, Open end, Aluminum, 3/16"
325103-01	Rivet, Pop, Anodized Clear, 3/16"
330011	Rivet, Blind, Black
330038	Rivet, Grip Blind, 5/32" 188-.250
330031-01	Rivet, 3/16 x 5/8"
330151	Rivet, Multi Grip, Blind, 5/32"
330155	Rivet, Aluminum w/Stainless Steel mandrel, .125"
330156	Rivet, Black, Pop, #44
330157	Rivet, Oval, Tubular, 11/32"
330127-05	Rivet, AD45ABS, 1/8"
330126-02	Rivet, Pop, SSD43SSBS
330126-03	Rivet, Pop, SSD44SSBS
330137-02	Rivet, Blind pop, Black
330139-01	Rivet, Magnalok SS, 1/4"

HARDWARE

Screws

320005	Screw, Sheet metal, 8 x 1BH
320006	Screw, Panhead, Zinc, Sofa arm, #8 x 3/4"
320035	Screw, Pan head, Phillips, Wood, Awning #8 x 1/2"
320078	Screw, 8 x 3/8"
320111	Screw, Awning, #8-18 x 3/4"
320116-04	Screw, Sheet metal, Panhead, Black, #8
320166	Screw, Zinc, #8 x 1"
320214	Screw, Plastic tap, #8 x 3/4"6
320229	Screw, #8-32 x 3/8"
320238	Screw, Wood, Flat head, Zinc, Sofa arm, #8 x 3/4"
320244	Screw, Panhead, Phillips, #8 x 1/2"
345276-04	Screw, Hex HD cap, 1/4-20 x 1"
345181	Screw, Self-tapping, 1/4-14 x 2"
345355	Screw, PH FH, #8 x 3/4"
345468-01	Screw, #12 x .625, PH, Black, TV bracket
345558	Screw, #8-32 x .5, PH, Black, Windows
345473	Screw, #6 x .75, Self-drilling, Taillights
345073-08	Screw, .25-20 x 1.375, Phil, Wafer HD, Floor
345084	Screw, .25-14 x 1 thread cutting, solar panel install
381607-04	Screw, Hinge
382562-02	Screw, #2 x 5/8"

SAFETY EQUIPMENT

Detectors and Fire Extinguishers

510781	Smoke detector
690381-02	Fire extinguisher

LABELS AND TAGS

Labels and Tags, USA

386119	Label, "Don't Use Area for Storage"
386118	Label, LP Gas Warning/Fill
385521	Label, Emergency Egress Window
386122	Warning Label, Cooking Appliance
385465	Exit Label, English
385560	Label, Air Conditioner Rating
386120	Label, Smoke Detector
385359	Label, Microwave or Air Conditioner
385837	Label, Refrigerator Ignition
386123	Label "Potable Water Only"
386114	Label, Rvia Silver
385062	Decal, 110-125 Voltage AC
385565	Label, Holding Tank Flushing
385941	Label, Wastewater holding tank
385942	Label, Sewage holding tank
385943	Label, Cap must be in place
386012	Label, Water heater
386192	Hang, Tag, Smoke/Co Detector Battery
386193	Label, Wheel Torque Warning
385020	Sticker, Self-Adhering, "Jack"
386098	Label, Fuse, 12V.
386226	Label, RV Master Weight Label
386110	Label, Ok to Ship Inspected
386121	Label, "If You Smell Gas"
386267-01	Front Label, Power Awning Cable
386267-02	Rear Label, Power Awning Cable
386284	Warning label, "Do not use a dolly wheel"
386301	Warning label, Window Glass
386302	Label, Cooktop
386303	Warning label, Surface Cleaning
386560	Label, Smart Unit Cerbo GX
386367	Label, Smart Unit Battery Heater

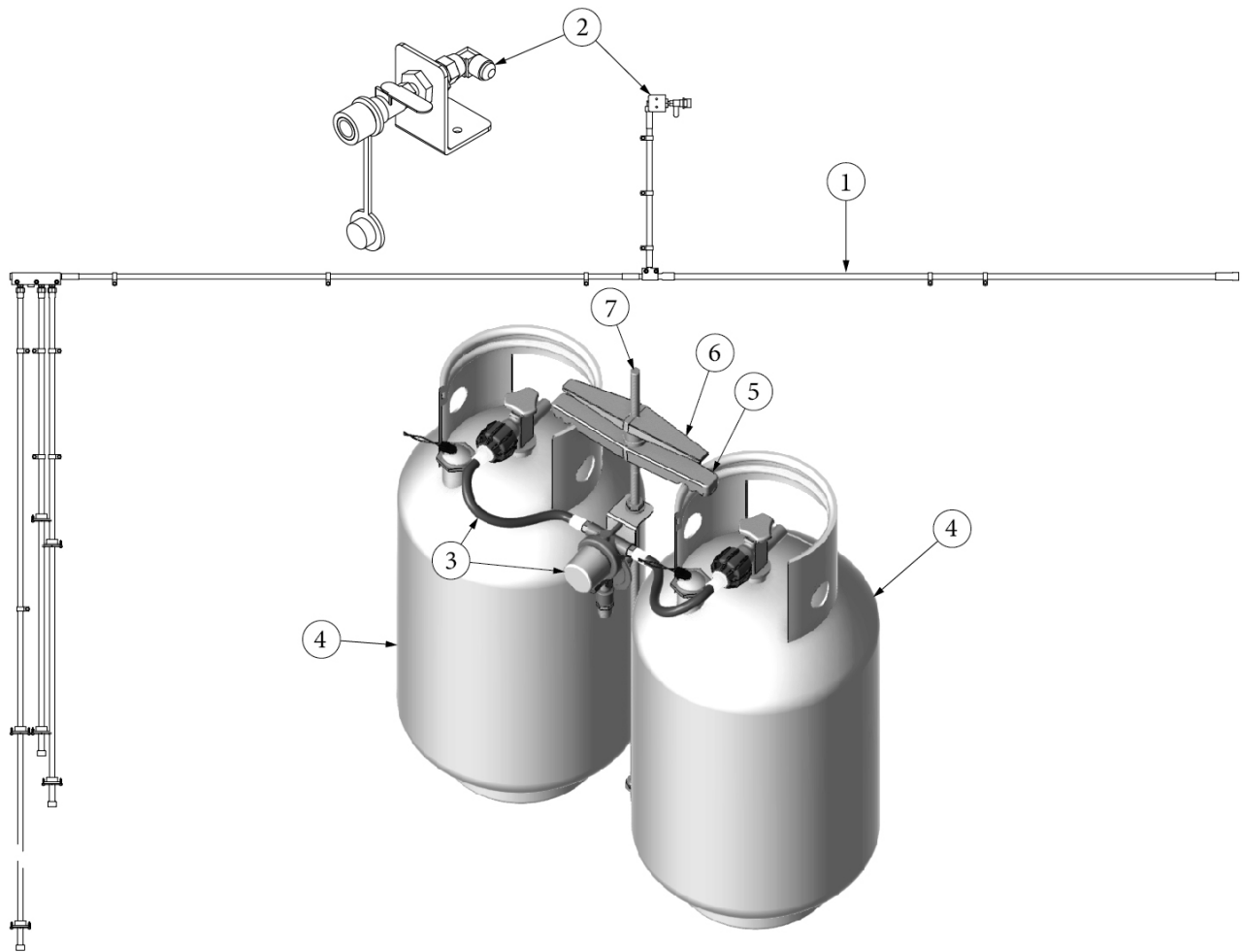
LABELS AND TAGS

Labels and Tags, CSA

385950	Label, "Smoke Detector"
385951	Label, "Range Fresh Air"
385952	Label, "LP Warning"
385953	Label, "If You Smell Gas"
386120	Label, Smoke Alarm Warning
386118	Label, LP Gas Tri-warning
386121	Label, "If You Smell Gas"
386122	Label, "Comfort Heating"

PLUMBING, LPG SYSTEM

LPG System



113653
113718-03

Install, LP System
Install, LP Tanks/Regulator, 30lb, Aluminum, w/Gauge

- | | |
|--------------|---|
| 1. 943961 | Assy, LP flex line |
| 2. 602465 | Exterior propane port assembly |
| 3. 602870 | Regulator, LP gas, Dual 11" pigtails |
| 4. 601711 | Tank, LP Cylinder, Aluminum, with Gauge |
| 5. 100949 | Bracket, Gas Bottle |
| 6. 410238 | Wingnut, LP Bottle |
| 7. 345375-08 | Threaded Rod, 1/2-13 x 30.5" |
| 350132 | Flange nut, Serrated, 1/2-13 UNC |
| 382556 | LP closeout |
| 382500 | Sealing grommet, Press fit, 1/2" pipe |

PLUMBING, LPG SYSTEM

LPG Tank Cover

921260	Assembly, LP Bottle Cover
115288-01	Wrapper, LP Bottle Cover
382562	Latch, Rubber
382562-01	Keeper, Rubber
382562-02	Screw, Rubber Latch
921257-01	Cross Bar Assembly
114070	Extrusion, J-trim, Mill Finish
380988	Hinge, Continuous, .5" x 18"
200845-02	Lid, LP tank cover

PLUMBING, FRESH WATER

Faucet, Galley

602868 Galley faucet, Single handle, Spring spout, Matte black

Faucet, Lavatory

602867 Lavy faucet, Single handle, Matte black

Faucet, Shower

602896 Shower kit, Matte black

PLUMBING, FRESH WATER

City Water Hook-Up

601392-06 City water hook-up w/regulator, 50 PSI, Chrome
601392-01 Plastic screw in cap

Fresh Water Tank Fill

601194 Water fill w/lock, Gray
601194-02 Cap, cable, and spout
601239-01 Tubing, 1.375" ID, Ribbed
601240-01 Tubing, .5" ID, 3/32" wall thickness

Water Pump

602307 Shurflo water pump, 3 GPM
601668-01 Strainer, Water pump

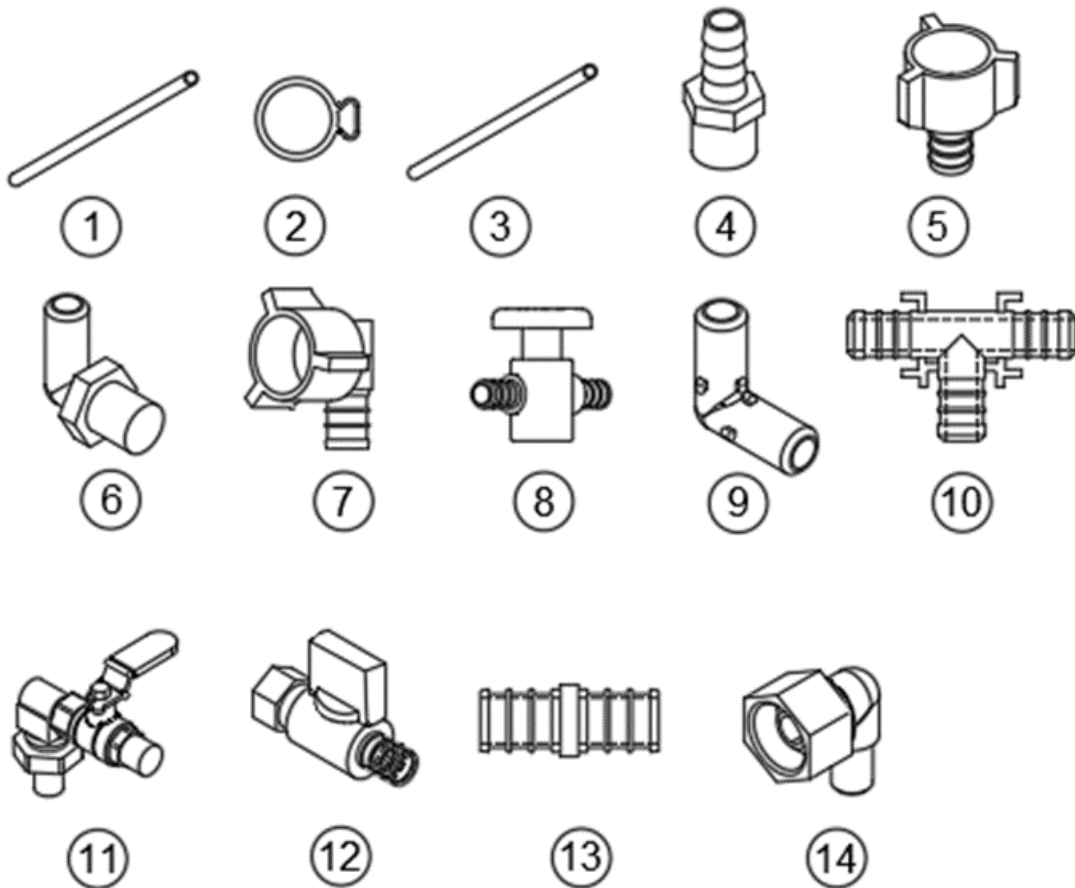
PLUMBING, FRESH WATER

Fresh Water Tank

113568	Install, Fresh Tank
601239-01	Tubing, Ribbed water fill hose, 1.375" ID
601240-01	Tubing, 1/2" ID
600103	Spring
200507	Styrofoam, 1 x 25 x 55"
200152	Styrofoam, .5 x 6 x 42"
114879-05	Aluminum Sheet, 33 x 173.56"
514051-01	Senser Pad, Seelevel
513494-05	Tank Monitor, NMEA2000
601237	Elbow, 90°, 1-1/4"
602905	Ball valve, Nickel Plated
601295	Plug, 1-1/4"
601723	Filter screen
601863-01	Tank, Fresh water, 39 gallons
602185-01	Drain valve, 90°
602256-04	Elbow, Poly, .5" barb, .5" MPT
602256-10	Elbow, 90°, Poly
602520	Pan, Fresh water tank
365493	Protective Gasket, Sensor pad
512565	Harness, 3 Tank Interface

PLUMBING, FRESH WATER

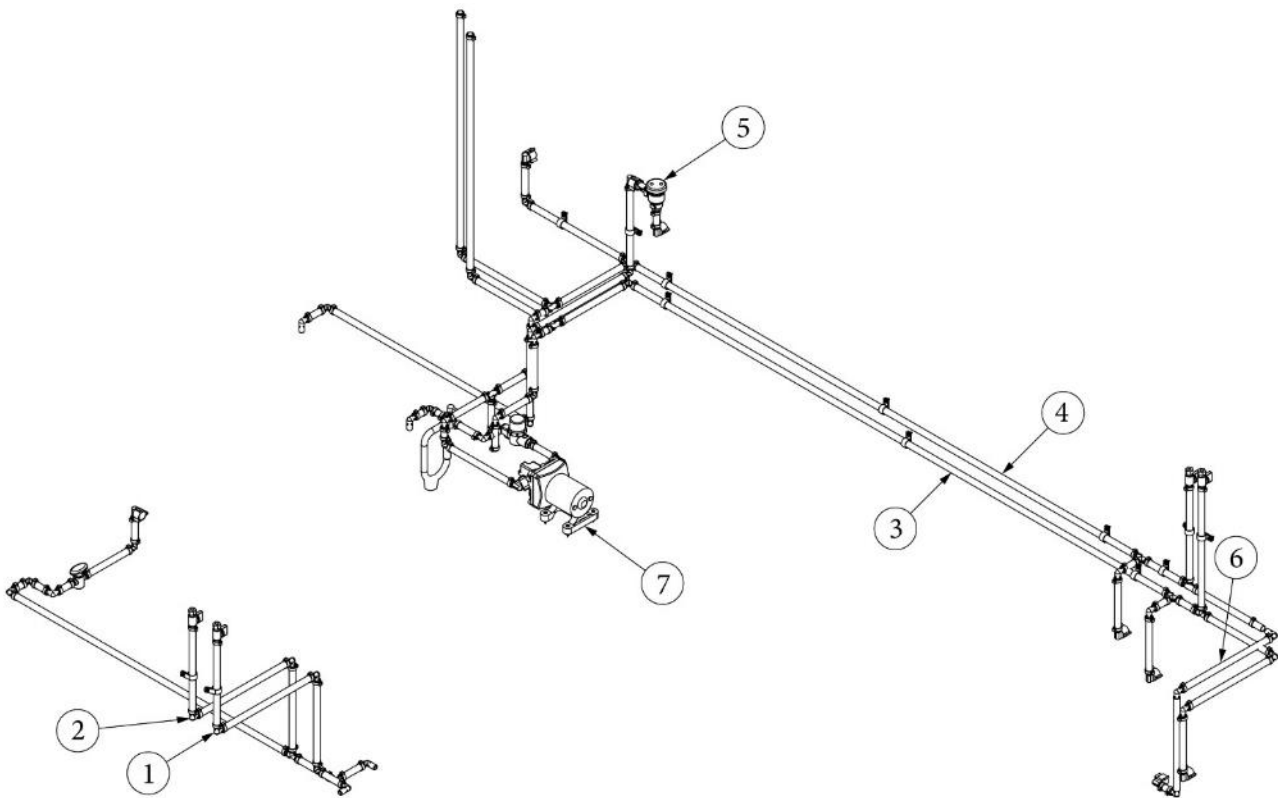
Fresh Water Fittings



- | | |
|---------------|-------------------------------------|
| 1. 601698-01 | E-Pex tube, 1/2" |
| 2. 601698-15 | Crimp ring, 1/2" E-Pex, 1/2", Black |
| 3. 601698-21 | E-Pex tube, 1/2", Red |
| 4. 602256-02 | Coupler, 1/2" barb x 1/2" MPT |
| 5. 602256-03 | Coupler, 1/2" barb x 1/2" FPT |
| 6. 602256-04 | Elbow, 1/2" barb x 1/2" MPT |
| 7. 602256-05 | Elbow, 1/2 barb x 1/2" FPT |
| 8. 602256-22 | Valve, .5 barb x .5 straight |
| 9. 602256-10 | Elbow, 1/2" barb x 1/2" barb |
| 10. 602256-11 | Tee, 1/2" x 1/2" x 1/2" |
| 11. 602185-01 | Drain valve, 90° |
| 12. 602137 | Valve-Shut Off .5"B x.38"Comp |
| 13. 602256-08 | Coupling-Poly .5 Barb |
| 14. 602669 | Valve-Brass Elbow #26585 |

PLUMBING, FRESH WATER

Fresh Water Lines



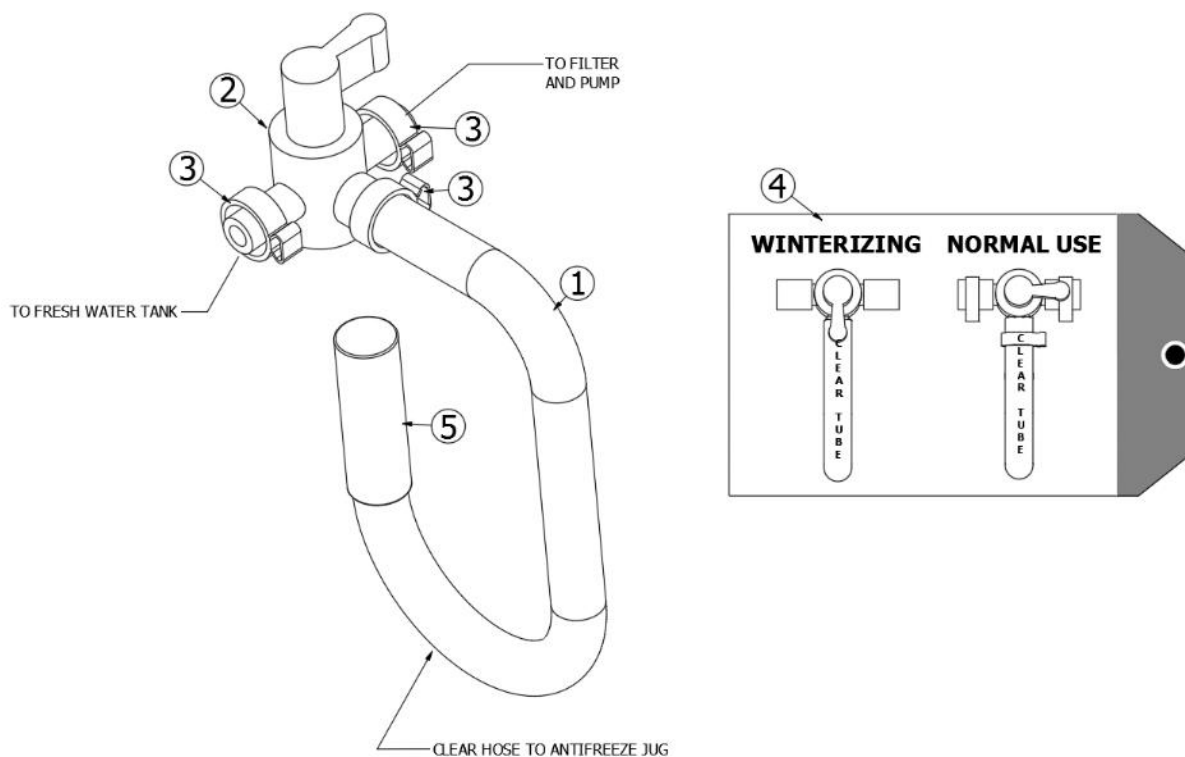
113651

Install, Fresh Water System

- | | |
|-----------|--------------------------------------|
| 1. 943964 | Layout, CS hot |
| 2. 943965 | Layout, CS cold |
| 3. 943966 | Layout, RS hot |
| 4. 943967 | Layout, RS cold |
| 5. 943968 | Layout, Tank flush |
| 6. 943969 | Layout, Water heater |
| 7. 943970 | Layout, Water pump connect |
| 602137 | Valve, shut off |
| 602256-22 | Valve, Poly, .5" barb x .5" straight |
| 601441-02 | Check valve, Breaker, CSA Required |
| 602307 | Water pump, Shurflo, 3GPM |
| 601668-01 | Vacuum filter, Water pump, Shurflo |

PLUMBING, FRESH WATER

Winterization Kit



112814

Winterization Kit Installation

1. 601240-01
2. 602711
3. 601698-15
4. 365453
5. 602801

Tubing 1/2 I.D. X 3/32 Wall Thick
Valve-3 Way Bypass .5" PEX #32788
1/2 CRIMP RING #14785
Tag-Instruction - Winterization Kit
Cap, 5/8" ID, Winterization Kit

PLUMBING, DRAIN

Black and Grey Tank

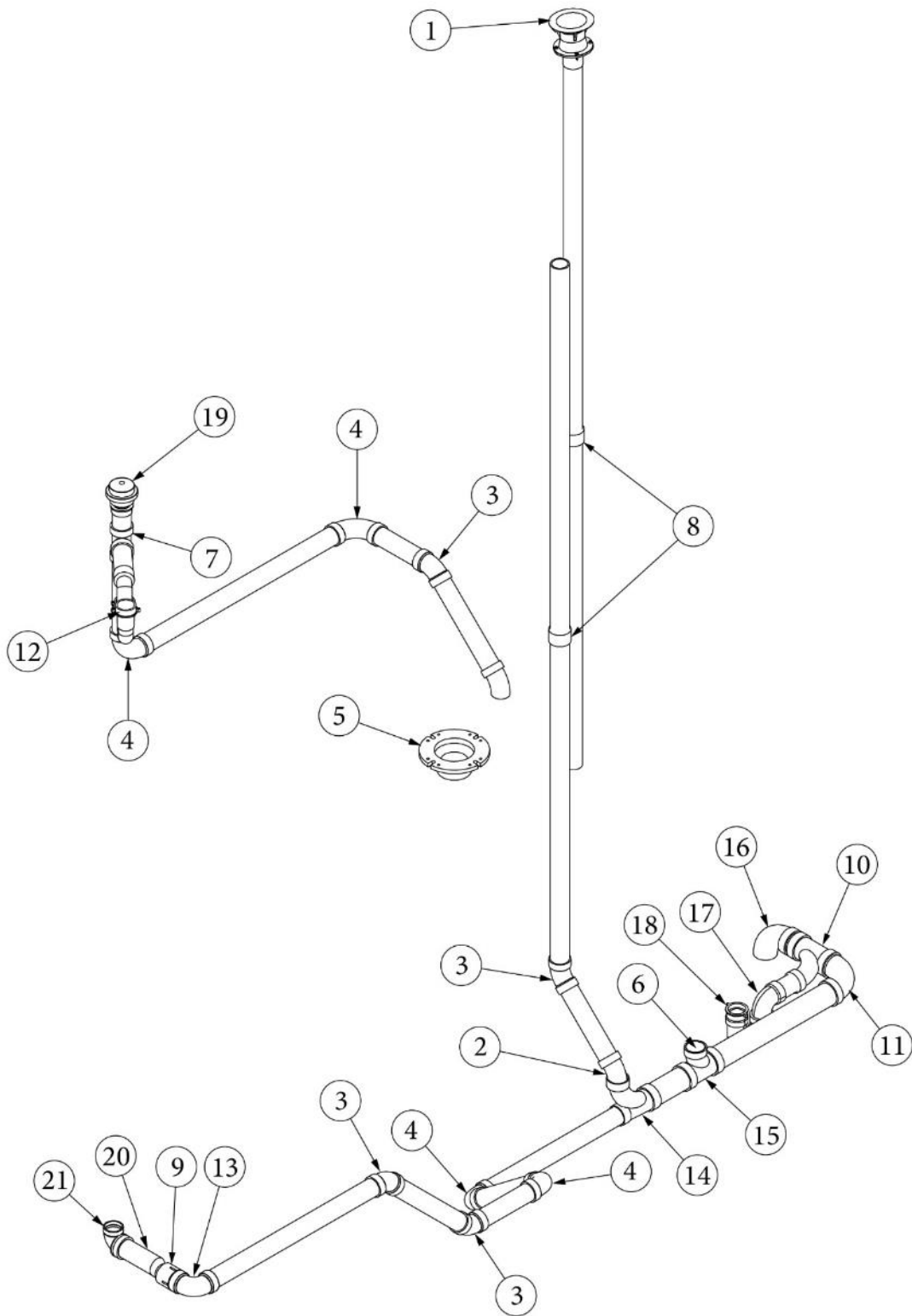
113569	Install, Black & Grey Tank
601889-05	Black Tank
601890-02	Grey Tank
601895	Pan, Black and Grey Tank
514051-09	Tank Sensor, Seelevel
601228	Closeout, Pan
195329-229	Reducer Adapter
340092	Clamp, T-Bold, 3-5/8" x 3-15/16"
454178-01	Tank Strap, 51.38"
454178-02	Tank Strap, 50.19"
454178-05	Tank Strap, 48.69"
454178-06	Tank Strap, 47.875"
602256-02	Adapter, Male, Poly, .5 Barb x .5 MPT
200152	Styrofoam, .5 x 6 x 42"
200954	Styrofoam, 1 x 22.75 x 55"

Dump Valve

943621	Assy, Dump Valve
601482	Dump valve, Rotating Assy
600431	Elbow, 90-degree, 1-1/2"
600820	Single socket, 90-degree, 3"
600183	Elbow, long sweep, 3"
601160-02	Pipe, ABS, 1-1/2"
601160-04	Pipe, ABS, 3"

PLUMBING, DRAIN

Drain, Above Floor



Parts Listed on Next Page

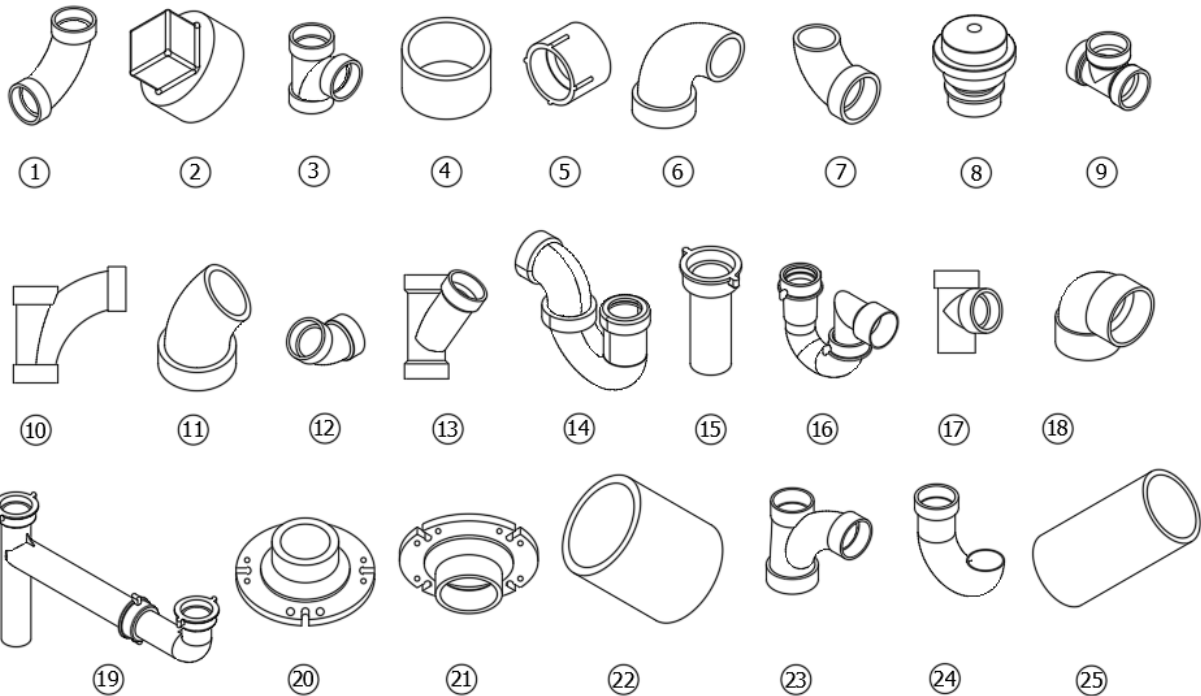
PLUMBING, DRAIN

Drain, Above Floor

113659	Install, Drainage System
943971	Layout, Above Floor Drain
1. 109067	Vent pipe cover
2. 600027	Elbow, ABS, Long sweep, 45°
3. 600030	Ell, ABS, 45°, Long turn
4. 600035	Ell, ABS, Long sweep, 1.5"
5. 600065	Flange, Floor threaded
6. 600155	Cleanout plug, 1.5"
7. 600156	Tee, Sanitary
8. 600227	Plastic coupling
9. 600308	Adapter, ABS female sloan
10. 600318	Wye, Long turn, 2 x 2 x 1.5"
11. 600372	Elbow, 90°, 2"
12. 600622	P-trap, 1.5" w/slip nut & washer
13. 601636	Elbow, Short sweep, 90°
14. 602072	WYE, 2 x 2 x 1.5"
15. 602073	Fixture tee, 2 x 2 x 1.5"
16. 602112	Elbow, 90°, Short sweep, 2"
17. 602164-01	P-trap w/compression nut, 1.5"
18. 602164-02	Tailpiece w/nuts & washers, 1.5"
19. 602306	Valve, 2" air admittance
20. 690603-01	Waste valve, Hepvo, Hygienic
21. 690603-02	Adapter, Angle, Hepvo
601160-02	Pipe, ABS, DVW, 1-1/2"
601160-03	Pipe, ABS, DVW, 2"

PLUMBING, DRAIN

Drain Fittings



600035	Elbow, 1.5", 90°, Long sweep
600155	Plug, 1.5"
600156	Tee, Sanitary
600227	Coupling, 1.5"
600308	Adapter, ABS
600431	Elbow, 90°, long street
600662	Elbow, 1.5", 90°, Short radius
602306	Valve, Air admittance, 2"
601318	Tee, Bi-directional clean out, 1.5"
600182	Wye, 1.5", 1/8" bend
600027	Elbow, ABS, Long St, 45°
600030	Elbow, ABS, 45°, Long turn
600094	Wye
602164-01	P-trap w/compression nut, 1.5"
602164-02	Tailpiece w/nuts & washers, 1.5"
600622	P-trap w/slip nut & washer, 1.5"
601868	Sanitary tee
600033	Elbow, Vent, 1.50 90 DEG.
600378	Continuous waste, 1.5"
601266	Flange, Closet, 3 X 4, Slip Fit
600065	Flange, Floor, Threaded
601160-03	Pipe, ABS DVW, 2"
602072	Tee-Sanitary Reducing 2X1.5X1.5
600144	P Trap ABS 1-1/2 IN
601160-02	Pipe, ABS DVW, 1.5"

PLUMBING, TOILET

Toilet

690621	Toilet, China white
600065	Flange, floor
602137	Shut off valve

SEALERS AND GASKETS

Sealers

360209	Sealant, Seam
360180	Sealant, Sika-Flex, Gray
365330-01	Sealant, RTV silicone, White
365330-03	Sealant, RTV silicone, Aluminum Gray
365330-04	Sealant, RTV silicone, Black
365233-01	Sealant, 100% silicone, Clear

Gaskets

365232	Gasket, Main door
382117	Gasket, Window seal
382737	Gasket, compartment door
365016	Tape, Foam, Double face, .5" wide
685510	Seam tape, Rubber, Black
365001	Tape, Double coated foam
382074	Gasket, Main door grab handle
365367	Automotive foam tape
382614	Awning Upper Bracket Gasket kit, sheet of 10
365336-07	Gasket, Lower awning, foot
382337	Gasket, Corlon vent cap
365409	Gasket, Solar panel bracket
382742	Gasket kit, Water heater
382560	Gasket, Power jack switch
382834	Gasket, Solar Port
512860-02	Gasket, Clearance Light
512928-02	Gasket, curbed bezel light
512859-02	Gasket, Amber Clearance light

SEALERS AND GASKETS

Gasket Kits

365336 Gasket Kit #1, not sold separately:

Exterior shower gasket, 1 Ea.
City water fill gasket, 1 Ea.
Step light gasket, 1 Ea.
Awning lockdown (AS5 & AS7 Kit), 4 Ea.
Lower awning foot (AS7 Kit), 4 Ea.
Awning foot (Rear W/Pan Kit), 4 Ea.
Lower awning foot (AS5 Kit), 4 Ea.

365337 Gasket Kit #2, not sold separately:

Small furnace exhaust/intake, 1 Ea.
Gravity water fill, 1 Ea.
Range vent gasket, 1 Ea.
Awning lockdown (LW7 Kit), 4 Ea.
Awning classic center post, 4 Ea.
AEU BBQ point, 1 Ea.
AEU upper indicator light, 2 Ea.
AEU city water hookup, 1 Ea.

365338 Gasket Kit #3, not sold separately:

Scare light domestic units, 1 Ea.
Black tank flush gasket, 1 Ea.
Awning travel latch gasket, 4 Ea.
AEU fog/backup lamp housing, 2 Ea.
AEU fog/backup lamp bezel, 2 Ea.
Scare light AEU units, 1 Ea.
Awning hook gasket, 4 Ea.
Awning prop foot gasket, 4 Ea.

BEDDING, MATTRESSES

Pillow Kits

704894	Pillow Kit
704894-1	Pillow shams, Bedroom, Woven path, Twilight, 24 x 20"
704894-2	Lumbar pillows, Bedroom, Painted texture, shell, 20 x 12"
704894-3	Toss pillows, Lounge, Weekend stripe, Seagrass, 18 x 18"
704894-4	Toss pillows, Lounge, Seri Basket, Chambray, 18 x 18"
998263-11	Standard Shams, Belgian Flax, 2 Each

Mattress and Bedspread

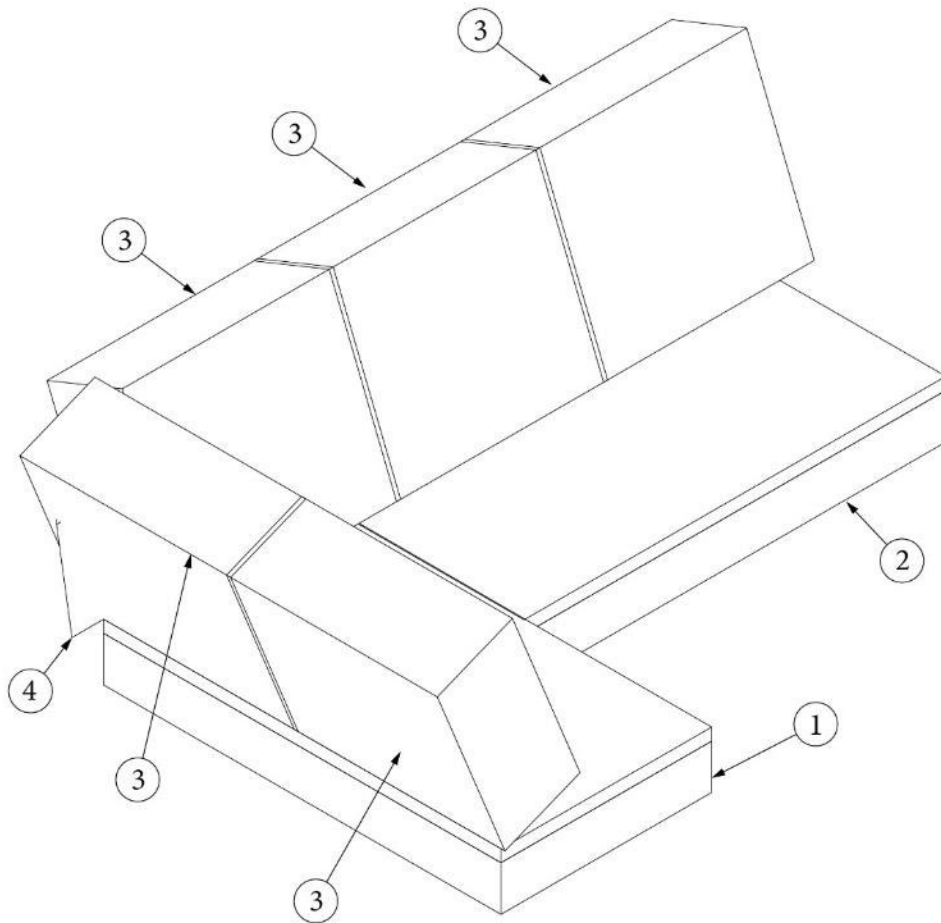
704497	Mattress, Queen
704498-01	Mattress, Twin, CS
704498-02	Mattress, Twin, RS
998263-10	Comforter, Belgian flax, Queen
998263-13	Sheet Set & Pillowcases, Queen
998263-12	Comforter, Belgian flax, Twin, 2 each
998263-14	Sheet Set & Pillowcases, Twin, 2 each
998263-15	Throw, Colossal Handknit

UPHOLSTERY, FOAM

Dinette Cushions

704885	Dinette Cushion Kit
704885-1	Dinette seat, Rear
704885-2	Dinette seat, Forward
704885-3	Dinette back, Forward
704885-4	Dinette back, Rear

Sofa Cushions



704886 Sofa Cushion Kit

1. 704886-1	Sofa seat, RS
2. 704886-2	Sofa seat, Front
3. 704886-3	Cushion, Sofa back
4. 704886-4	Corner wedge, Sofa

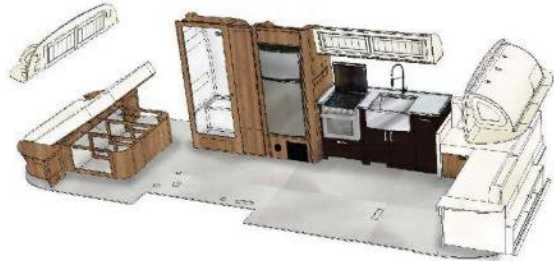
DECOR BOARDS

Decor Board, Laminate, Surface

AIRSTREAM X POTTERY BARN



28RB POTTERY BARN - QUEEN FLOOR PLAN



28RB POTTERY BARN - TWIN FLOOR PLAN



Main Laminate: 802581
(vertical grade)
Name: Countryside Oak from Decotone
PB Name: 'Light Seadrift'
Where used: Main Furniture & panels

Horizontal Laminate: 802581-01
Where used: Tops of Lavy, Nightstands, Airplane table top within sofa arm



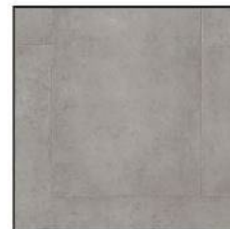
Galley Accent Laminate: 802580 (vertical grade)
Name: Blackened Legno from Formica
PB Name: 'Blackened Oak'
Where used: Galley ONLY



Galley Solid Surface: 602863
Name: Mt. Carrara by Meganite
PB Name: 'Mt. Carrara'?
Where used: Galley Countertop



Roof Locker: 802574 (kerf-core locker face) 969641 ASSY
Name: Smoky White from Nevamar
PB Name: 'Dutch White'
Where used: All Roof Locker Faces



Vinyl Flooring: 704892
Name: Bowen-Silver 38311 by Tarkett
PB Name: 'Bowen-Silver'?
Where used: Flooring throughout



Hardwood Locker Beadboard Doors: 802575 969641 ASSY
Match to Smoky White
PB Name: 'Dutch White'
Where used: All Roof Lockers, 2 per Locker



Chalkboard Laminate: 802604
Name: Black Chalkable
PB Name: ?
MNF: Formica
Where used: Riveted insert on inside of entry door

DECOR BOARDS

Decor Board, Galley

AIRSTREAM X POTTERY BARN



Galley Faucet: 602868
Description: Gourmetier LS8770CTL Continental Single-Handle, Pre-Rinse, Spring Spout Kitchen Faucet, Matte Black
MNF: Kingston Brass



Galley Sink: 602464
Description: 23" X 16-1/2" X 7", 21 ga Single Bowl Sink With Straight Apron, Stainless Steel
MNF: Dehco



APPLIANCES
Conv Micro: 690734
Description: Convection Microwave, 1.1 CUF
MNF: Furrion/Contour

NOT PICTURED LARGER
Norcold Refer: 690771-01
Description: 8.2 CUF, LH Hinge



Refer Panel - Knife Block: 802570
 Modified Cubbies in Refer panel for Knife Storage Block & Spice Racks
SEE: 969647 Refer Panel ASSY



Walnut Flat-Grain Butcher Block Sink Cover: 802572 with PB logo engraving & finger-hole
Where used: Galley Sink Cover on Stainless Steel Apron-Front Sink
****NEEDS STOWED IN WARDROBE OR LOUNGE DRAWER FOR TRANSIT****



Walnut, Flat-Grain Breadboard: 802573, bottom side shown facing upward, fits on top of 204261 poly board into drawer slides in galley cabinet, above trash can
Where used: Galley Cabinet, above Trash Can Receptacle



Small Key Hooks: 382788
Where used: Galley End Cap & CS Bedroom Wall in Queen

These parts are being developed specifically for Pottery Barn for the proto unit we will only have 3D printed knobs & backplates while tooling is being made—estimated tooling samples mid-to-late May 2021



Hardware Pulls: 382786 & Hardware Knobs with Backplates: 382787

Counts: Queen

Pulls: 4 galley, 1 bedroom base, ***ABOVE REFER changed to Edgepull 382785**
 Knobs: 2 nightstands, 1 lavy cab door

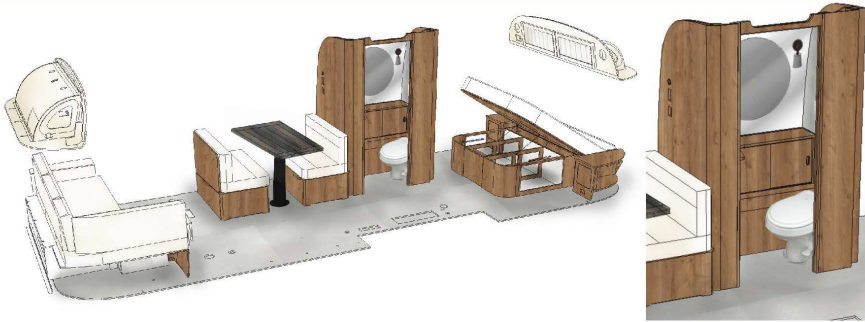
Counts: Twin

Pulls: 4 galley, 6 bedroom (2 hang wardrobe, 4 bed bases), ***ABOVE REFER changed to Edgepull 382785**
 Knobs: 1 nightstand, 1 lavy cab door

DECOR BOARDS

Decor Board, Bath, Fixtures

AIRSTREAM X POTTERY BARN



Lavy Faucet: 602867
Description: Fauceture LS8230DL Concord Single-Handle Vessel Faucet, Matte Black
MNF: Kingston Brass / Treaty Supply



Lavy Vessel Sink: 602862
Description: Vessel Sink, Annod



Tile Accent Laminate: 802470
Name: Subway Tile
Where used: 2 Accent Lavy Walls Only



Pop-Up Drain for Vessel Sink: 602799



Bath Sconce Lighting: 513928
Custom developed to 12V for PB lavy
MNF: Dave Carter
Where: Mounted on aluminum, both sides of 20" round mirror in lavy



20" Diameter Round Mirror with 1/4" flat polished edge: 371482
 See 969661 ASSY
Description: 20" diameter Back-lit/Stand-off Mirror with operable 2-shelf medicine cabinet
MNF: CMG



DECOR BOARDS

Decor Board, Bath, Shower

AIRSTREAM X POTTERY BARN



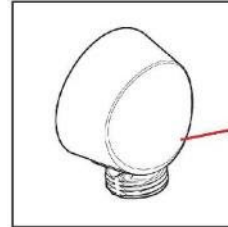
602896 Shower Kit :
Gibson Matte Black Posi-Temp® Valve Trim
MNF: Moen/Treaty Supply
Moen Part Number:
T2901BL



602896 Shower Kit :
Moen Wrought Iron Shower Hose
MNF: Moen/Treaty Supply
Moen Part Number:
A726WR



602896 Shower Kit :
Moen Matte Black Round Handshower Wand
MNF: Moen/Treaty Supply
Moen Part Number:
155891BL
****NO push button / pause on shower wand****



602896 Shower Kit :
Moen Wrought Iron Circular Drop Ellbow for hose (2.4" L X 1.7" W X 2.5" H)
MNF: Moen/Treaty Supply
Moen Part Number:
A725WR

Need Rubber gasket to secure to Fiberglass wall in shower



602896 Shower Kit :
Moen Wrought Iron Handshower Bracket
MNF: Moen/Treaty Supply
Moen Part Number:
114348WR



602896 Shower Kit :
Sink Plug With 3-Prong Strainer in Matte Black
MNF: TTTT (Trim To The Trade) / Treaty Supply
TTTT Part Number:
4T-240-20



602896 Shower Kit :
Moen Parts- Matte Black, installed image
MNF: Moen/Treaty Supply



Shower Door: 704897
Oil-rubbed Bronze (looks black) Frame with Reeded Glass
MNF: SEA/Praxis
Where: RS Shower

DECOR BOARDS

Decor Board, Bath Hardware

AIRSTREAM X POTTERY BARN



18" Towel Bar: 382782
Moen Triva 18" Bar in matte black
MNF: Moen/Treaty Supply
Moen Part Number: BP1818BL
Where: tile-wall behind toilet- towards rear



9" Hand Towel Bar: 382781 Moen Triva 9" hand towel bar in matte black
MNF: Moen/Treaty Supply
Moen Part Number: BP1886BL
Where: tile-wall FWD



Toilet Paper Holder: 382779 Moen Triva Single-Post Design TP Holder
MNF: Moen/Treaty Supply
Moen Part Number: BP1808BL
Where: Exterior of lavy cab



Robe Hook: 382793 Moen Triva Robe Hook
MNF: Moen/Treaty Supply
Moen Part Number: BP1803BL
Where: Small jut-out lam wall, above toilet



Formed Ledge-Bath Wall: 455834
MNF: Shaffer Metal
Where: Aluminum wall off-set towards rear under 20" medicine cabinet mirror



Bath Door Latch Kit: 382783
Matte Black finish
MNF: Baldacci



ASS'Y Bath Door with Port-hole: 969658
Utilize: 365249 TAPE ONLY FOR GLASS ASSY, NO SCREWS OR RIVETS



Bath Glass ASS'Y: 969658 / 372321
Reeded Glass-204259
Matte Black Frame-372321
****MATTE BLACK IS CORRECT FINISH FOR FRAME****

365249 TAPE ONLY FOR GLASS ASSY, NO SCREWS OR RIVETS



DECOR BOARDS

Decor Board, Lounge, Dinette

AIRSTREAM X POTTERY BARN



Sofa Cushion Kit: 704886

Fabric: 704895 Performance Boucle, Oatmeal

SEE: 113622 Sofa ASSY

Description:

- Sofa seats are constructed using Marshall units (pocketed spring coils) within the foam cushions
- Sofa backs are loose filled granulated foam to replicate down fill
- 969622 Pull-out drawers have fabric wrapped fronts ***SOFA DOES NOT FORM INTO A BED***

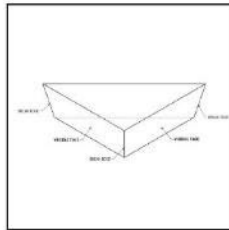
MNF: Kinninger's for cushion kit

****Fire Extinguisher installed on dinette base near entry****

Photos for references only



Fabric: 704895 Performance Boucle, Oatmeal
Where used: Lounge cushion kit, lounge wrapped parts, dinette cushion kit, headboard in bedroom



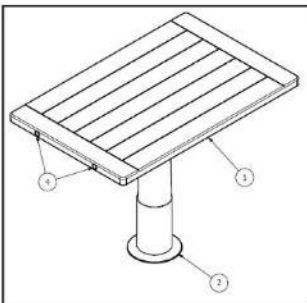
Hardwood Sofa Feet: 802585
Color Match: Blackened Legno
Where used: 3 each bottom, outward-facing corners of sofa



Lounge Sconce Lighting: 513927
Custom developed to 12V for PB lounge
MNF: Dave Carter
Where: In front end ears, either side of end liner locker in lounge



Airplane Table in CS Sofa Arm: 969697
Fabric: 704895 Performance Boucle, Oatmeal
Laminate: 802581-01 Countryside Oak HORZ
Where: CS Sofa Arm



Hardwood Dinette Tabletop: 969632 ASSY
Color Match: Blackened Legno
ADD 2 BOLTS PER TOP ON AISLE FACING SIDE: 320234, pre-drilled holes per Eckhart
Top: 802571
Telescoping Table Leg: 382777
PB Name: 'Blackened Oak'
Where used: Dinette



Dinette Cushion Kit: 704885
Fabric: 704895 Performance Boucle, Oatmeal
SEE: 969651 AFT & 969652 FWD* - Dinette Seat Base ASSY's
MNF: Kinninger's for the cushion kit

*969652 Dinette Base, features pull-out drawer with 382785 edge pull

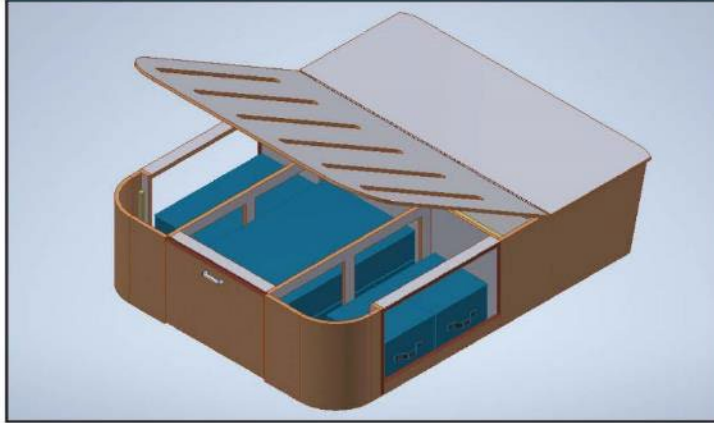


Edge pull, matte black: 382785 by Schwinn
Where: FWD Dinette Seat Base Pull-Out drawer, RS Wardrobe Door AND above Refer in main aisle-way

DECOR BOARDS

Decor Board, Bedroom

AIRSTREAM X POTTERY BARN



New Under bed Storage with Canvas Bins

Airstream 'Essential' Canvas Bins:

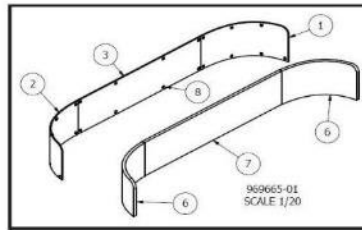
998263-08 | 12W x 12D x 8HT

998263-09 | 30W x 20D x 5.5HT

SEE: 998263-TAB Pottery Barn Goody Box Kit



Fabric: 704895 Performance Boucle, Oatmeal
Where: Lounge cushion kit, lounge wrapped parts, dinette cushion kit, head-board(s) in bedroom



Fabric-Wrapped Head-board(s): 969665
 -01: Queen
 -02: Twin
 Wrapped in 704895 Performance Boucle



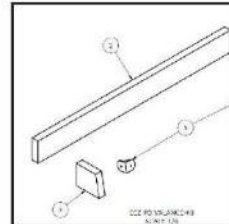
Roman Shades in 704896 Emery Drape fabric:

- 704900-01 Lounge (Small) 1 per unit
- 704900-02 Dinette Windows 2 per unit
- 704900-03 RS/CS Bedroom 2 per unit

Include In-house Made Fabric Wrapped Valances:

SEE 113743 INSTALL

- 969693-01 Dinette Valance 72.50" W - 1 per unit
- 969693-02 Bdrm Valances 37.50" W - 2 per unit
- 969693-03 Lounge Valance 24.50" - 1 per unit



Valances: Made in-house, wrapped in 704896 Emery Drape
 SEE 113743 INSTALL

Where: All Windows and Panos except Galley, galley remains standard Dometic roller 703700-02



Surface-Mounted Table Lamp on Nightstands:

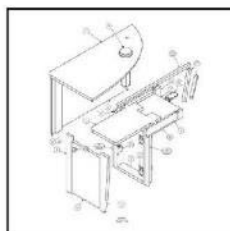
513929

Custom developed to 12V for PB bedroom

MNF: Dave Carter

Where: Surface-mounted on each nightstand

- 1 for queen
- 2 for twin



Nightstands with pull-out Breadboard:

969649: RH

969650: LH

Where: Queen Bedroom
 *Power Outlet Pop-up shown above

****NOTE KNOB WITH BACKPLATE IS INSTALLED OFFSET, TOP CORNER 1/4 OF DOOR****



Fabric: 704896 Emery Drape, Oatmeal

Where: Panos, Divider Curtains, All Roman Shades and Valances

DECOR BOARDS

Decor Board, Lighting

AIRSTREAM X POTTERY BARN

Lighting Re Engineered to 12V specs within unit—include slanted backplates on sconces to allow lighting to fit curvature of shell



Lounge Sconce Lighting:
513927

Custom developed to 12V for PB lounge

MNF: Dave Carter

Where: In front end ears, either side of end liner locker in lounge
• 2 per unit



Bath Sconce Lighting:
513928

Custom developed to 12V for PB lavy

MNF: Dave Carter

Where: Mounted on aluminum, both sides of 20" round mirror in lavy
• 2 per unit



Surface-Mounted Table Lamp on Nightstands:
513929

Custom developed to 12V for PB bedroom

MNF: Dave Carter

Where: Surface-mounted on each nightstand
• 1 for queen
• 2 for twin



Reading Lights: 513930

Matte Black

MNF: ITC

Where: On underside of end liner overhead lockers (bedroom & lounge)
• 4 per unit



Galley Puck Lights:
513942

Matte Black

MNF: ITC

Where: On underside of galley overhead lockers
• 2 per unit

Other decorative lighting within unit

DECOR BOARDS

Decor Board, Pillow kits, Divider Curtains

AIRSTREAM X POTTERY BARN

ITEMS

PART NO.	LOCATION	ITEM	DESCRIPTION	FABRIC NAME-COLOR	KIT CONTAINS
704894-1	BEDROOM	PILLOW SHAMS	24" X 20" SHAMS	WOVEN PATH-TWILIGHT	2
704894-2	BEDROOM	LUMBAR PILLOWS	20" X 12" LUMBAR PILLOWS	PAINTED TEXTURE-SHELL	2
704894-3	LOUNGE	TOSS PILLOWS	18" X 18" TOSS PILLOWS	WEEKEND STRIPE-SEAGLASS	2
704894-4	LOUNGE	TOSS PILLOWS	18" X 18" TOSS PILLOWS	SERI BASKET-CHAMBRAY	2
704894-5	ALL PILLOWS	LABEL	ADDED LABEL, SEE BELOW	FROM PB VENDOR AVERY-DENNISON	8

REVISIONS

NO.	DATE	DESCRIPTION
1	01/11/2022	ISSUED FOR PURCHASE

REVISIONS OF DRAWING

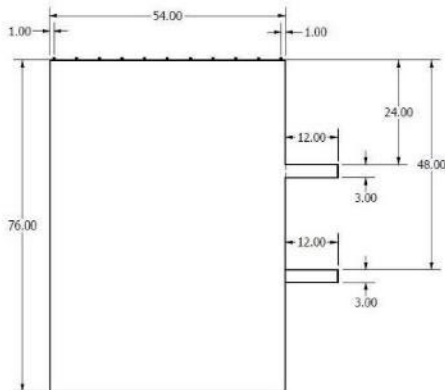
DATE: 01/11/2022
 DRAWN BY: J. J. JONES
 CHECKED BY: J. J. JONES
 APPROVED BY: J. J. JONES

AIRSTREAM



Pillow Kit: 704894

PILLOW KIT - SOFT GOODS PB-28RB					
PART NO.	LOCATION	ITEM	DESCRIPTION	FABRIC NAME-COLOR	KIT CONTAINS
704894-1	BEDROOM	PILLOW SHAMS	24" X 20" SHAMS	WOVEN PATH-TWILIGHT	2
704894-2	BEDROOM	LUMBAR PILLOWS	20" X 12" LUMBAR PILLOWS	PAINTED TEXTURE-SHELL	2
704894-3	LOUNGE	TOSS PILLOWS	18" X 18" TOSS PILLOWS	WEEKEND STRIPE-SEAGLASS	2
704894-4	LOUNGE	TOSS PILLOWS	18" X 18" TOSS PILLOWS	SERI BASKET-CHAMBRAY	2
704894-5	ALL PILLOWS	LABEL	ADDED LABEL, SEE BELOW	FROM PB VENDOR AVERY-DENNISON	8



704898

DIVIDING CURTAIN WITH (2) TIE-BACKS
 FINISH SIZE: 54.00"W x 76.00"HT
 10 CLEAR GLIDES SPACED 1" FROM EACH END AND EQUALLY ALONG TOP EDGE (APPROX. 5.2" SPACING)
 FABRIC PATTERN: 704896 EMERY DRAPE, COLOR: OATMEAL

SEWING INSTRUCTIONS

2 - SIDED CURTAIN - WITH 1.00" TURNED OVER/FINISHED EDGE
 TIE-BACKS @ 12.00" LONG X 3.00" WIDE

FIRST USAGE: POTTERY BARN MY2022 - 28RB

54"W DIVIDER CURTAIN - POTTERY BARN	
UNIT	QUANTITY IN EACH UNIT
PBN 28RB	(2) EA - FRONT & REAR

DECOR BOARDS

Decor Board, Pottery Barn Goody Box

AIRSTREAM X POTTERY BARN



Pottery Barn Goody Box Contents Listing: 998263-20 Queen and 998263-21 Twin - 1 per unit

998263-20 Queen PB Goody Box Kit:

- 998263-01- 1 Each- Mason Dinnerware: 16 Piece Set
- 998263-02- 1 Each- Mason Flatware Set: 20 Piece Set
- 998263-03- 1 Each- Marble Cheese Knives: 4 Piece Set
- 998263-04- 1 Each- Airstream Always Home Doormat
- 998263-05- 1 Each- Airstream Salt & Pepper Set
- 998263-06- 1 Each- Airstream Folding Chair Set Of 2
- 998263-07- 1 Each- Airstream Folding Bistro Table
- 998263-08- 4 Each- 12x12x8 Canvas Storage Bin
- 998263-09- 2 Each- 30x20x5.5 Canvas Storage Bin
- 998263-10- 1 Each- Belgian Flax Queen Comforter
- 998263-11- 2 Each- Standard Shams: Belgian Flax
- 998263-13- 1 Each- Queen Sheet Set & Pillowcases
- 998263-15- 1 Each- Colossal Handknit Throw
- 998263-16- 1 Each- Cutting Board Food-Grade Oil

998263-21 Twin PB Goody Box Kit:

- 998263-01- 1 Each- Mason Dinnerware: 16 Piece Set
- 998263-02- 1 Each- Mason Flatware Set: 20 Piece Set
- 998263-03- 1 Each- Marble Cheese Knives: 4 Piece Set
- 998263-04- 1 Each- Airstream Always Home Doormat
- 998263-05- 1 Each- Airstream Salt & Pepper Set
- 998263-06- 1 Each- Airstream Folding Chair Set Of 2
- 998263-07- 1 Each- Airstream Folding Bistro Table
- 998263-08- 4 Each- 12x12x8 Canvas Storage Bin
- 998263-12- 2 Each- Belgian Flax Twin Comforter
- 998263-11- 2 Each- Standard Shams: Belgian Flax
- 998263-14- 2 Each- Twin Sheet Set & Pillowcases
- 998263-15- 1 Each- Colossal Handknit Throw
- 998263-16- 1 Each- Cutting Board Food-Grade Oil

DECOR BOARDS

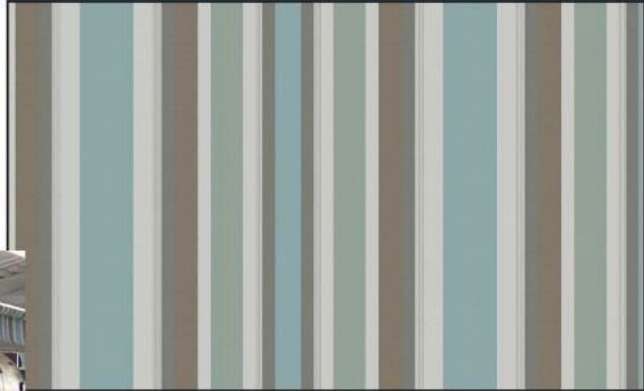
Decor Board, Exterior Elements

AIRSTREAM X POTTERY BARN

Pottery Barn Awning

- 704825-16 – Power Awning – 18’ 5-1/4” – 2339 Dayren
- 704826-42 – Window Awning – 18’ 6-1/4” – 2339 Dayren
- 704816-43 – Rear Window Awning – 52-5/8” – 2339 Dayren

No embroidery, 6” drop, Pottery Barn exclusive fabric ‘re-colored’ specifically for awning application.
Custom Sunbrella fabric ~ proprietary to PB



PDTB56655GM Aluminum Wheels



Pottery Barn Badge
(Earlier version badge is pictured, but is correct color)



Party Ledge: 113712 Install

Specific piece exclusive to Pottery Barn unit, serves as exterior dining / serving piece on CS of unit.

Top created with same Blackened Oak laminate as utilized on galley. Matte black, formed stainless 3/4 diameter arms with a collar at the table surface.

To remove the arms from the top there is a simple release button on the back of each of the arms. Very light for lifting out of the window frame.

Stows in rear exterior storage compartment (both twin and queen), with a separate padded storage case for the arms

VENTS AND FANS

Vent, Black Tank

690700-01 Vent pipe cover, White
382337 Gasket, Corlon, Vent Cap

Vent, Bath

514039 Maxxfan, Dome Plus
382831 Gasket kit, Bath exhaust fan
690266-08 Trim ring, Silver

Exhaust Fan

513172 Exhaust vent, Fantastic fan
382467-01 Gasket, Exhaust fan
513172-100 Fan motor, Exhaust fan
513172-101 Lift motor, Exhaust fan
513172-102 Screen pop, Lock, Exhaust fan
513172-103 Trim ring, Grey, Vent
513172-104 Fan blade, Exhaust fan

Heat Duct

600193 Heat duct, Flex, 2"
600247 Heat duct, Flex, 4"
600526 Duct flange, 4"
114079 HVAC Reducer, 4" x 2"
601348 Tee, Galvanized, 4 x 4 x 2"
690429 Louver, Black, Round, 2"
602394-03 Register, Directional, Black, 4"

SKYLIGHTS

Skylight, Forward

381318-05	Skylight, 19.5" x 19.5"
704120-02	Shade, Skylight, 19.25 x 20, Grey
116355	Assembly, Skylight frame, 19" x 19"

Skylight, Aft

381318-06	Skylight, 14.5 x 22.5
704120-01	Shade, Skylight, 14.5 x 22.75, Grey
116356	Assembly, Skylight frame, 14" x 20"

PANELING, EDGEBANDING, LAUAN

Paneling

802581	Pre laminate, Countryside oak, Main laminate
802581-01	Pre laminate, Countryside oak, Horizontal grade
801355-01	Laminate, Vertical, Frosty White
801809	Laminate, Vertical, White Liner
801392	Pre laminate, 12mm, White liner/White liner
801703	Pre laminate, 12mm, Frosty White/White
801698	Pre laminate, 12mm, White/Raw
801368	Pre laminate, 18mm, White/White
801438	Pre laminate, White Vinyl/Raw 2.7MM

Edgebanding

365505-01	Edgebanding, Countryside oak, 1mm, 5/8"
365505-02	Edgebanding, Countryside oak, 1mm, 15/16"
365505-03	Edgebanding, Countryside oak, 1mm, 1-1/4"
365506	Edgebanding, Countryside oak, 2mm, 15/16"
365507-02	Edgebanding, Blackened Legno, 1mm, 15/16"

PANELING, EDGEBANDING, LAUAN

Lauan

800507-01	Lauan, 1/8 x 4' x 8'
800507-02	Lauan, 1/4" x 4' x 8', Raw/Raw
800507-03	Lauan, 3/8" x 4' x 8', Raw/Raw
800507-06	Lauan, .75" x 4' x 8'
801438	Lauan, 2.7mm, Frost White Vinyl/Raw

Plywood

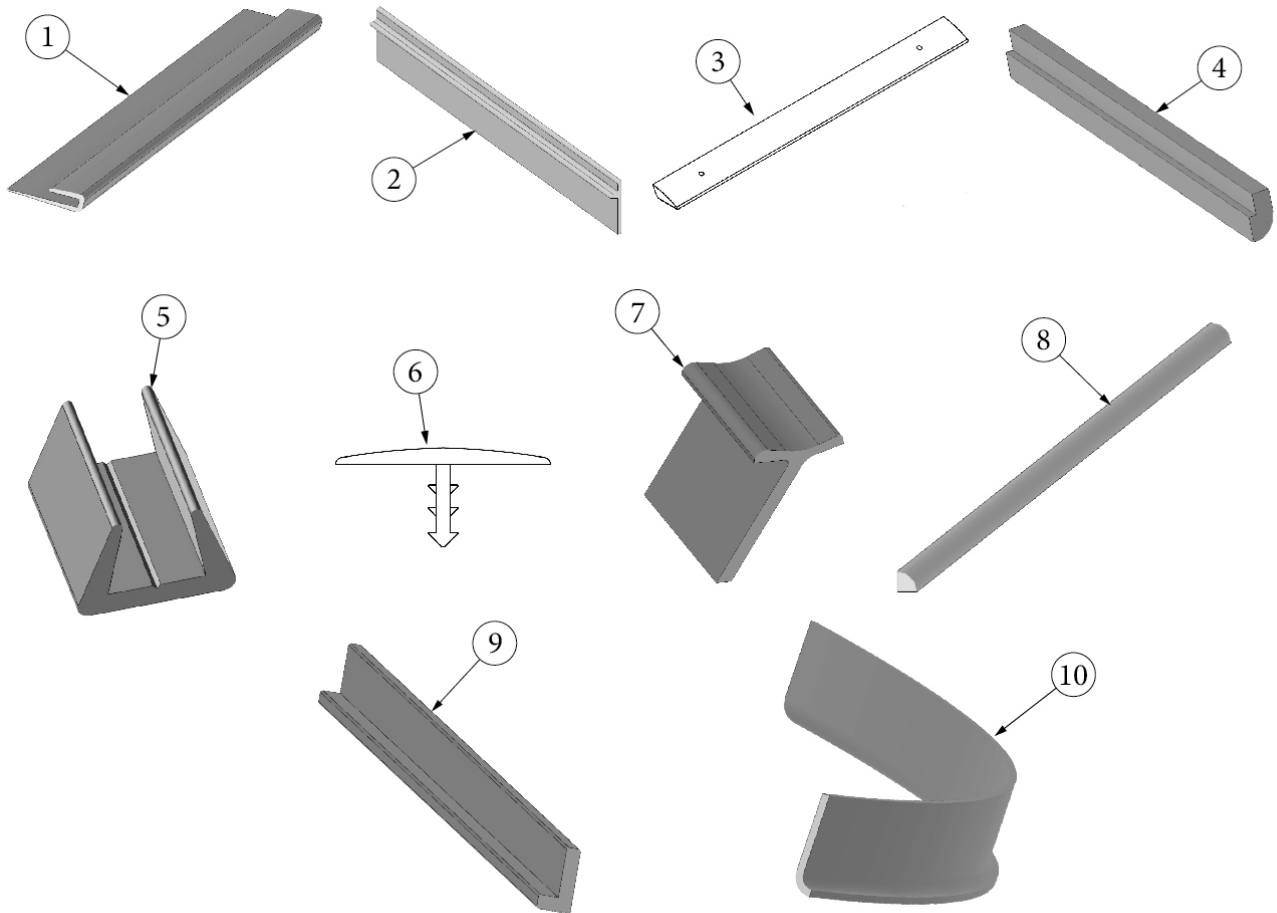
800506-04	Plywood, 1/2" x 4' x 8'
800506-06	Plywood, 3/4" x 4' x 8'
801351	Lite Ply, 18mm (.75") 4' x 8'
801345	Radius plywood, .75" x 3" x 8'
801348	Radius plywood, .75" x 8" x 6'

Fill Sticks, Stain Markers, and Seamfil

360406-01	Fil Stick, Kona Mocha, Blackened Legno
360406-10	Fil Stick, Caramel, Country Side Oak
365504-05	Stain Marker, Country Side Oak
365504-10	Stain Marker, Blackened Legno
360301-39	Seamfil, Country Side Oak
360301-40	Seamfil, Blackened Legno
360301-02	Seamfil, White
360301-04	Seamfil, Black
360301-18	Seamfil, Grey

TRIMS

Trim



- | | |
|----------------|--|
| 1. 114070 | J-molding, Mill finish |
| 2. 115064 | Trim, Aluminum countertop |
| 3. 203594-02 | Trim, Floor |
| 4. 801706-1008 | Corner trim, 90-degree, 1" |
| 5. 203138-01 | Extrusion, Trim panel, White, .75" |
| 203138-04 | Extrusion, Plastic, Oak, 1/2" |
| 203464-01 | Extrusion, Trim Panel, Oak, .75" |
| 6. 203942-03 | T-Molding, Black, 13/16" |
| 7. 201673 | Reverse cove molding, White |
| 8. 800638-1008 | Molding, Countryside oak, 1/4 round, .5" |
| 9. 801665-1008 | Molding, Door jamb, Oak |
| 10. 114507-03 | Extrusion, Door trim |