

AIRSTREAM[®]

2024 AEU

International 534,

684, and 251B

Parts Book

TABLE OF CONTENTS

APPLIANCES	1
BOILER/WATER HEATER & CONTROL PANEL, ALL UNITS	1
ALDE SYSTEM INSTALL.....	1
RANGE/COOKER, ALL UNITS	1
GALLEY EXTRACT FAN, 534 & 684	1
GALLEY EXTRACT FAN, 25IB	1
REFRIGERATOR, 534	1
REFRIGERATOR, 684 & 25IB	1
EXTERIOR SHELL	2
FRONT END, 534.....	2
FRONT END, 684.....	4
FRONT END, 25IB.....	6
AFT END, 534.....	8
AFT END, 684.....	10
AFT END, 25IB	12
EXTERIOR COMPONENTS, ROADSIDE, 534	14
EXTERIOR COMPONENTS, CURBSIDE, 534	16
EXTERIOR COMPONENTS, ROADSIDE, 684	18
EXTERIOR COMPONENTS, CURBSIDE, 684	20
EXTERIOR COMPONENTS, ROADSIDE, 25IB.....	22
EXTERIOR COMPONENTS, CURBSIDE, 25IB	24
ROOF, 534, 684, 25IB	26
ROOF SHEET METAL, 534	26
ROOF SHEET METAL, 684	26
ROOF SHEET METAL, 25IB	26
FRONT WRAP PROTECTORS	27
RAIN FLAP, 534, 684.....	27
RAIN FLAP, 25IB	27
GRAB RAIL, 534	27
GRAB RAIL, 684, 25IB	27
INTERIOR SHELL	28
INTERIOR SKINS, 534.....	28
INTERIOR SKINS, 684.....	28
INTERIOR SKINS, 25IB	29
WHEEL WELL LINER, 534.....	31
WHEEL WELL LINER, 684.....	31
WHEEL WELL LINER, 25IB.....	31
MAIN DOOR THRESHOLD, 534, 684	31
MAIN DOOR THRESHOLD, 25IB.....	31
CHASSIS	32
AXLES, 25IB	32
SHOCKS, 25IB.....	32
TIRES AND WHEELS, 534	33
TIRES AND WHEELS, 684	33
TIRES AND WHEELS, 25IB	33
SPARE WHEEL CARRIER, 534 & 684	33

SPARE WHEEL CARRIER, 251B	33
HITCHES AND JACKS, 534 & 684	34
FRONT STABILIZER JACKS	35
REAR STABILIZER JACKS	36
JACKS AND HITCH, 251B	37
STEP	37
BUMPER, 534	37
BUMPER, 684	37
BUMPER AND REFLECTORS, 251B	38
UNDERBELLY WRAPS/SKINS, 534, 684	39
UNDERBELLY WRAPS/SKINS, 251B	39
UNDERBELLY COMPARTMENT, 534, 684	39
HATCH ACCESS COVER, OUTLET ACCESS, 534, 684	39

DECALS, EXTERIOR TRIM40

DECALS AND MEDALLIONS	40
BELTLINE TRIM	40
RUB RAIL TRIM	40
REFLECTORS	40

EXTERIOR DOORS41

MAIN DOOR, RH HINGE, OLD STYLE	41
MAIN DOOR, RH HINGE, NEW STYLE	43
MAIN DOOR, LH HINGE, OLD STYLE	45
MAIN DOOR, LH HINGE, NEW STYLE	47
SCREEN DOOR, OLD STYLE	49
SCREEN DOOR, NEW STYLE	51
ACCESS DOOR, SIDES 534/684, REAR AND CURBSIDE 251B	53
ACCESS DOOR, ROADSIDE, 251B	53
ACCESS DOOR, REFRIGERATOR VENT	53
ACCESS DOOR, REAR, 534	53
ACCESS DOOR, REAR, 684	54
ACCESS DOOR, EXTERIOR SHOWER	54

WINDOWS55

WINDOWS AND SCREENS, 534	55
WINDOWS AND SCREENS, 684	55
WINDOWS AND SCREENS, 251B	56
VISTA VIEW WINDOWS, 18"	57
VISTA VIEW WINDOW, 30"	57
WINDOW TRIM	57
PANORAMIC WINDOW TRIM	58
WINDOW PARTS, FRONT AND REAR	59
WINDOW PARTS, OPENING WINDOWS	61
STONE GUARDS, FRONT WINDOW	63

AWNINGS64

PATIO AWNING AND MOUNTING HARDWARE KIT, 534	64
PATIO AWNING AND MOUNTING HARDWARE KIT, 684	64
PATIO AWNING AND MOUNTING HARDWARE KIT, 251B	64

WINDOW COVERINGS65

DRAPES AND SHADES, 534	65
------------------------------	----

DRAPES AND SHADES, 684	66
DRAPES AND SHADES, 25IB	67
DRAPES AND SHADES HARDWARE	68

ELECTRICAL69

POWER SYSTEM, 25IB	69
POWER SYSTEM, 534 & 684	69
SHORELINE CORD AND INLET, 534, 684.....	69
SHORELINE CORD AND INLET, 25IB	69
OUTLETS/RECEPTACLES, 534, 684	69
OUTLETS/RECEPTACLES, 25IB	69
FRESH WATER TANK SENSOR, 534, 684	70
TANK SENSOR, AND HEATERS, 25IB	70
SOLAR, 25IB.....	70
BREAKER PANEL AND BREAKERS, 25IB	70
SWITCHES, 25IB.....	71
INTERIOR LIGHTS, 534	71
INTERIOR LIGHTS, 684	71
INTERIOR LIGHTS, 25IB.....	72
EXTERIOR LIGHTS AND TRIANGLE REFLECTORS, 534, 684	73
EXTERIOR LIGHTS AND TRIANGLE REFLECTORS, 25IB	73
EXTERIOR LIGHTS, LICENSE PLATE LIGHT	74
TAILLIGHT ASSEMBLY, 534, 684, 25IB.....	75

ENTERTAINMENT76

AUDIO	76
VIDEO.....	76

FLOOR COVERINGS.....77

FLOOR COVERING	77
----------------------	----

FURNITURE, INTERIOR DOORS AND MIRRORS78

ROOF LOCKER DOORS	78
BATH DOOR, 534	78
BATH DOOR, 684	78
BATH DOOR, 25IB	78
SHOWER DOOR, 534.....	78
SHOWER DOOR, 684.....	78
SHOWER DOOR, 25IB	78
MIRRORS	78

FURNITURE, DRAWER BOXES AND SLIDES.....79

DRAWER BOXES.....	79
DRAWER SLIDES.....	79

FURNITURE, BEDROOM80

BED, 534	80
BED, 684	82
BED, 25IB.....	84
CREDENZA, 25IB	86
NIGHTSTAND, 684	88
NIGHTSTAND, 25IB.....	89

MAGAZINE RACK	91
ROOF LOCKER, BEDROOM, 684.....	92
ROOF LOCKER, 25IB.....	93

FURNITURE, LAVATORY 95

WETBATH ASSEMBLY AND LAVY, 534	95
BATH MODULE, 534.....	96
LAVY, 684.....	97
BATH MODULE, 684.....	98
BATH MODULE, 25IB.....	99
LAVY TOP, 25IB	101
LAVY CABINET, CS, 25IB.....	102
LAVY CABINET, RS, 25IB.....	104
MEDICINE CABINET, 534	106
MEDICINE CABINET, 684	107
MEDICINE CABINET, 25IB	108
WARDROBE, 534	110
WARDROBE, 684	112
TOILET CLOSEOUT, 25IB	114
ROOF LOCKER ABOVE REFRIGERATOR, 534.....	115

FURNITURE, GALLEY 116

GALLEY TOP, 534	116
GALLEY TOP, 684	117
GALLEY TOP, 25IB	118
GALLEY CABINET, 534	119
GALLEY CABINET, 684	121
GALLEY CABINET, 25IB	123
REFRIGERATOR CABINET, 534.....	126
REFRIGERATOR CABINET, 684.....	127
REFRIGERATOR CABINET, 25IB.....	128
ENTRANCE CABINET, 25IB.....	130
WARDROBE CABINET, 25IB	132
CONTROL RACK, 534.....	134
SPICE RACK, 534	135
ROOF LOCKER, GALLEY, 534.....	136
ROOF LOCKER, GALLEY, 684.....	137
ROOF LOCKER, GALLEY, 25IB.....	138

FURNITURE, LOUNGE 140

DINETTE SEATS, 534	140
DINETTE SEATS, 684	142
CS DINETTE SEAT, 25IB	144
RS DINETTE SEAT, 25IB.....	146
DINETTE BACKS, 25IB	148
FRONT PANEL, DINETTE, 25IB	149
DINETTE TABLE, 534.....	151
DINETTE TABLE, 684.....	152
DINETTE TABLE, 25IB.....	153
ENTRANCE DRAWERS, 684.....	154
ROOF LOCKER, LOUNGE, 534.....	155
ROOF LOCKER, ENTRANCE FURNITURE, 684.....	156
LINER LOCKER, 684, 25IB.....	157

HARDWARE.....	159
MAIN DOOR LOCK, LH, OLD STYLE	159
MAIN DOOR LOCK, RH, OLD STYLE.....	160
MAIN DOOR LOCK, NEW STYLE	161
WINDOW HARDWARE	162
HEAD KNOCKER, RUBBER BUMPERS, AND CAPS	163
EXTERIOR LATCHES, LOCKS, AND HANDLES.....	164
INTERIOR LATCHES AND HANDLES	166
EXTERIOR HINGES	167
INTERIOR HINGES.....	167
BATHROOM ACCESSORIES, 534	168
BATHROOM ACCESSORIES, 684	168
BATHROOM ACCESSORIES, 25IB.....	168
AWNING HARDWARE.....	169
RIVETS.....	170
SAFETY EQUIPMENT	171
ALARM, 25IB.....	171
LABELS AND TAGS	172
LABELS AND PLATES, 584	172
LABELS AND PLATES, 684	172
LABELS AND PLATES, 25IB.....	173
PLUMBING, HEATING SYSTEM	174
ALDE SYSTEM, 534	174
ALDE SYSTEM, 684	175
ALDE SYSTEM, 25IB.....	176
PLUMBING, LPG SYSTEM	177
LPG SYSTEM, 534 & 684.....	177
LPG SYSTEM, 25IB	178
LP SUPPORT BRACKET, 25IB.....	179
LPG TANK COVER, 534, 684	180
LPG TANK COVER, 25IB	182
PLUMBING, FRESH WATER SYSTEM	183
FRESH WATER TANK, 534.....	183
FRESH WATER TANK, 684.....	184
FRESH WATER TANK, 25IB.....	185
WATER HOOK-UP, 534, 684	187
CITY WATER HOOK-UP, 25IB	187
FRESH WATER TANK FILL, 25IB.....	187
FAUCET, GALLEY	187
FAUCET, LAVATORY, 534, 25IB	187
FAUCET, LAVATORY, 684	187
SHOWER HARDWARE, 534, 684	187
ONBOARD FRESH WATER PUMP TRAY LAYOUT (534 AND 684 ONLY).....	188
FRESH WATER LAYOUT, 534.....	189
FRESH WATER LAYOUT, 684.....	190
FRESH WATER LAYOUT, 25IB.....	191

PLUMBING, DRAIN SYSTEM	192
ABOVE FLOOR DRAIN, 534	192
BELOW FLOOR DRAIN AND DUMP VALVE, 534	193
ABOVE FLOOR DRAIN, 684	194
BELOW FLOOR DRAIN AND DUMP VALVE, 684	195
DRAINAGE SYSTEM, 25IB	196
GRAY TANK AND DUMP VALVE, 25IB	197
TOILET	198
SEALERS AND GASKETS.....	199
SEALERS	199
GASKETS	199
GASKET KITS	200
BEDDING, PILLOWS	201
MATTRESS AND BEDSPREAD, 534	201
MATTRESS AND BEDSPREAD, 684	201
MATTRESS AND BEDSPREAD, 25IB	201
PILLOW KIT, AEU TRAVEL TRAILERS	201
UPHOLSTERY	202
DINETTE SEAT CUSHIONS, 534	202
DINETTE SEAT CUSHIONS, 684	203
DINETTE SEAT CUSHIONS, 25IB	204
DÉCOR BOARDS	205
DÉCOR BOARD, MATERIALS, LAMINATES, HARDWARE	205
DÉCOR BOARD, FIXTURES AND AWNING.....	206
DÉCOR BOARD, CUSHIONS, PILLOWS, BEDDING.....	207
VENTS, FANS, SKYLIGHTS.....	208
EXHAUST VENT, 25IB.....	208
REFRIGERATOR VENT, 534	208
REFRIGERATOR VENT, 684, 25IB	208
POWER BATH VENT.....	208
ROOF VENT/SKYLIGHT	208
COOKER VENT/RANGE HOOD VENT	208
VENTS, OTHER	208
PANELING, EDGEBANDING, LAUAN.....	209
PANELING.....	209
EDGEBANDING	209
LAUAN.....	209
PLYWOOD	209
TRIMS AND TOUCH-UP	210
TRIMS.....	210
FILL STICKS, STAIN MARKERS, AND SEAMFIL.....	212

APPLIANCES

Boiler/Water Heater & Control Panel, All Units

99900P-092 Boiler, Alde, 3020, 240V, 3kW
99900P-2071 Control panel, Color, Alde

Alde System Install

99900P-2209 Alde install, 534
99900M-485 Alde install, 684
943945 Alde install, 25IB

NOTE: See Plumbing Section for additional parts of each Alde System Install

Range/Cooker, All Units

690737-02 Thetford Triplex Cooker

Galley Extract Fan, 534 & 684

99900P-028 Cooker vent, Dometic, 30 Watt, w/Halogen Light

Galley Extract Fan, 25IB

512210 Range Hood, Baraldi, 12V
115175 Duct, Range Exhaust Transition, For Baraldi Vent
511017-11 Range Vent, Exterior, Grey, For Baraldi Vent

Refrigerator, 534

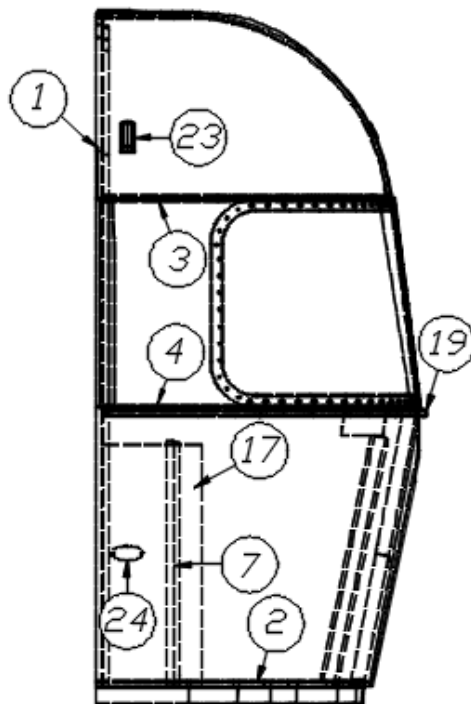
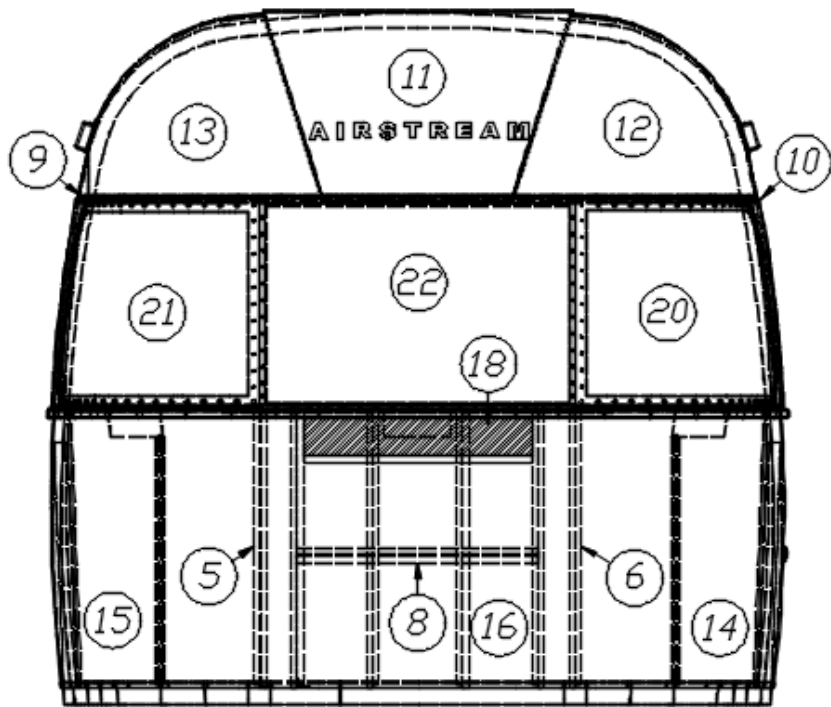
690788 Refrigerator, Dometic, RM10.5S-R-W01-AN

Refrigerator, 684 & 25IB

690790 Refrigerator, Thetford N-4175-A

EXTERIOR SHELL

Front End, 534



Parts Listed on Next Page

EXTERIOR SHELL

Front End, 534

99900M-593

Front End Shell

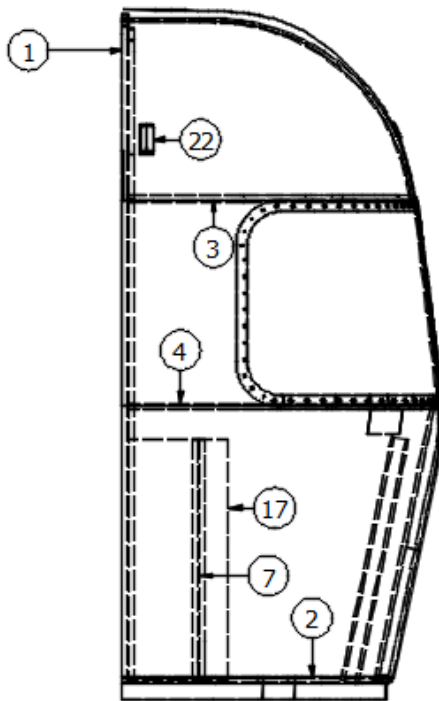
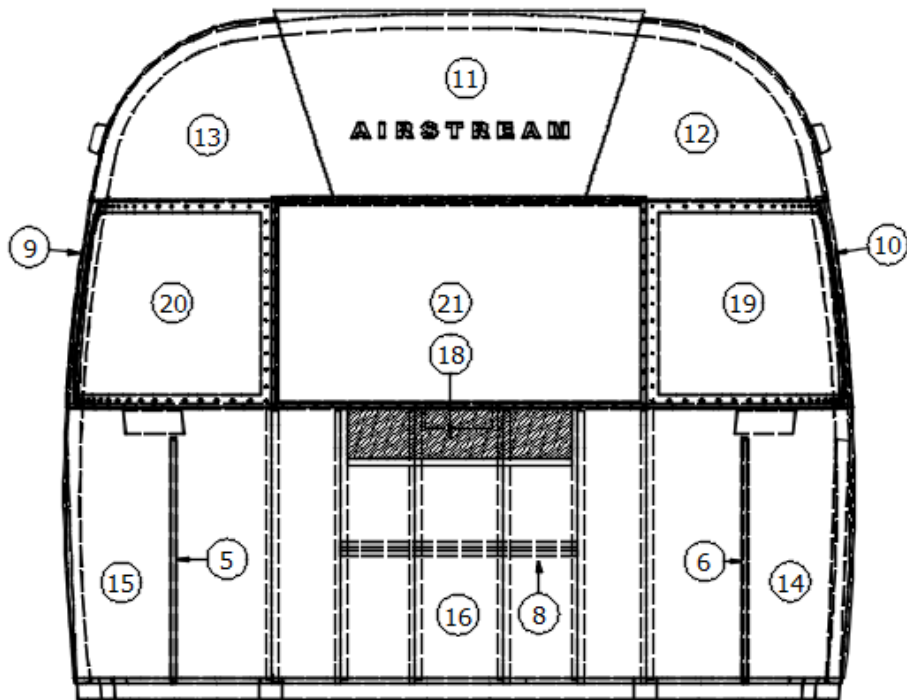
1. 99900M-015 Weldment, Zero bow
2. 99900M-018 Bowl, Floor
3. 99900M-016 Bowl, Upper window
4. 99900M-017 Bowl, Lower window
5. 114505-01 Support, Lower end, LH
6. 114505-02 Support, Lower end, RH
7. 101315 Brace, Vertical rear
8. 104408 Extrusion, Z-rib
9. 114888 Segment, Center left
10. 114889 Segment, Center right
11. 99900M-049 Segment, Center end shell
12. 114890 Segment, #26
13. 114891 Segment, #27
14. 114894 Segment, #28
15. 114895 Segment, #29
16. 114880-06 Aluminum sheet .040" x 51" x 152.5"
17. 101115 Aluminum sheet, .060 x 48 x 120
18. 453629 Hat section, Table support
19. 99900P-001 Grab rail, Stainless Steel
20. 372088-101 Panoramic window, RS front
21. 372089-101 Panoramic window, CS front
22. 99900P-049 Front window w/square corners
23. 99900P-014* Light, End liner marker
24. 99900P-015 LED side marker light

***This part is being replaced as part of a new lighting arrangement, mid-model year 2024. (see Exterior Lights in the Electrical section of this parts book for additional part numbers).**

99900P-014 (end liner marker) is **replaced by 513540-02** (front outline marker, LED).

EXTERIOR SHELL

Front End, 684



Parts Listed on Next Page

EXTERIOR SHELL

Front End, 684

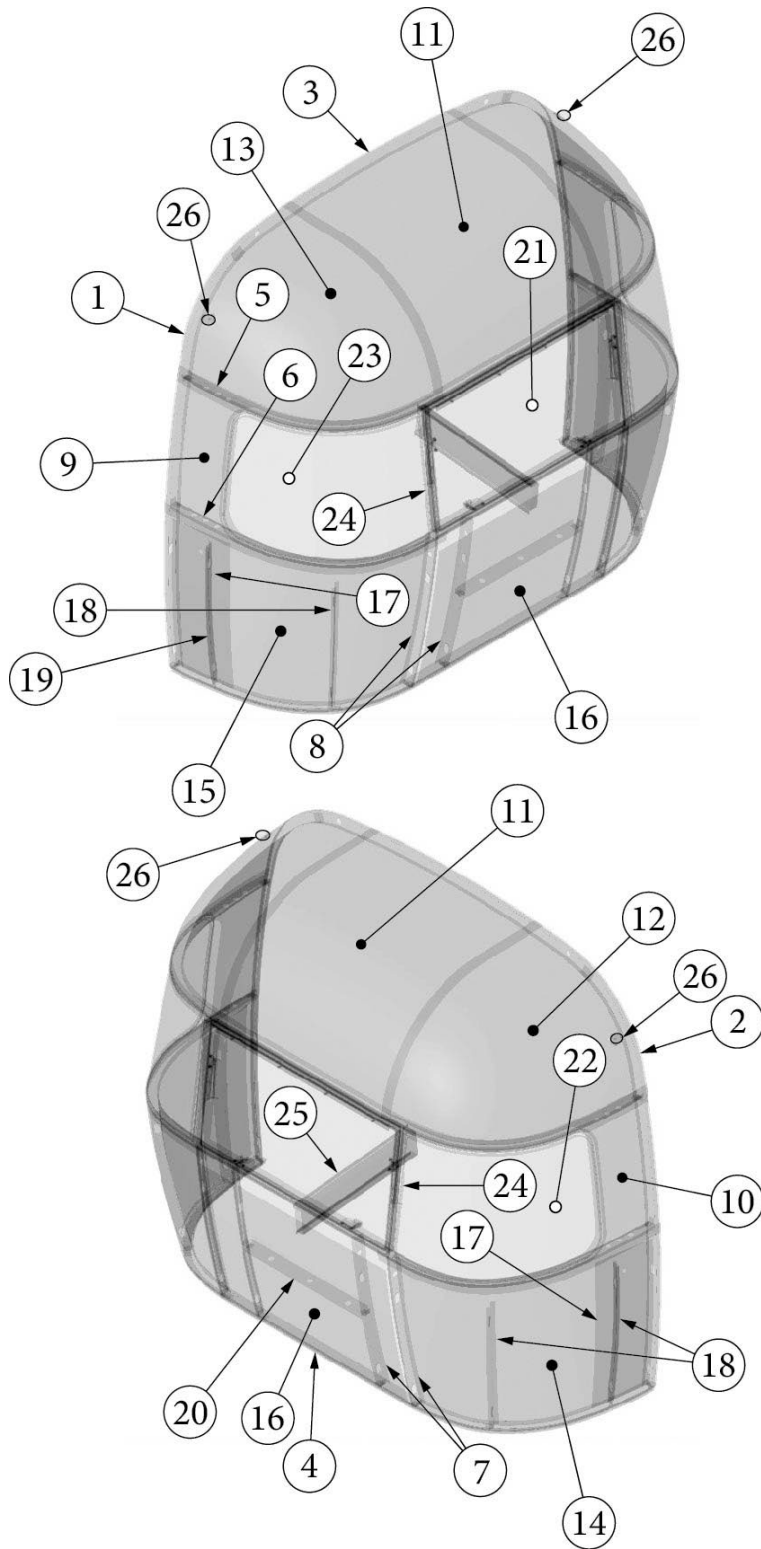
99900M-661	Front End Shell
1. 114994	Weldment, Zero bow
2. 99900M-216	Bow, Floor
3. 104351	Bow, Upper window
4. 104343	Bow, Lower window
5. 114505-01	Support, Lower end, LH
6. 114505-02	Support, Lower end, RH
7. 101315	Brace, Vertical rear
8. 104408	Extrusion, Z-rib
9. 114888	Segment, Center left
10. 114889	Segment, Center right
11. 114892	Segment, Center end shell
12. 114890	Segment, #26
13. 114891	Segment, #27
14. 114894	Segment, #28
15. 114895	Segment, #29
16. 114880-06	Aluminum sheet .040" x 51" x 152.5"
17. 101115	Aluminum sheet, .060 x 48 x 120
18. 453629	Hat section, Table support
19. 372088-101	Panoramic window, RS front
20. 372089-101	Panoramic window, CS front
21. 371328-01	Front window, Flat
22. 99900P-014*	Light, End liner marker
99900P-396	Grab rail, Stainless Steel

***This part is being replaced as part of a new lighting arrangement, mid-model year 2024. (see Exterior Lights in the Electrical section of this parts book for additional part numbers).**

99900P-014 (end liner marker) is **replaced by 513540-02** (front outline marker, LED).

EXTERIOR SHELL

Front End, 25IB



Parts Listed on Next Page

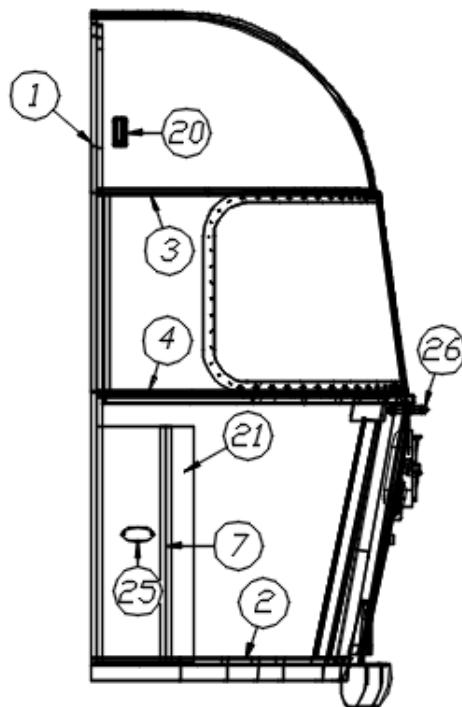
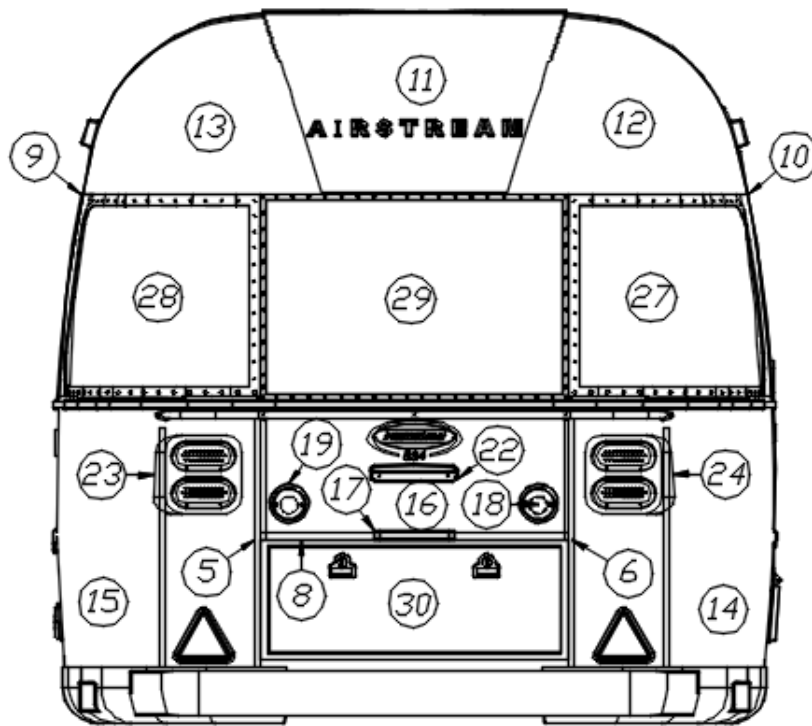
EXTERIOR SHELL

Front End, 25IB

923514	Front End Shell
1. 114387-04	Z-Rib, Right
2. 114387-05	Z-Rib, Left
3. 114996	O Bow, Upper
4. 104463	Floor Bow, Narrow Body
5. 116569-02	Upper Window Bow, Narrow Body
6. 104343	Lower Window Bow, Narrow Body
7. 114505-01	Support, Lower end shell LH
8. 114505-02	Support, Lower End shell, RH
9. 114888	Segment-Center Left "Bright"
10. 114889	Segment-Center Right "Bright"
11. 114892	Segment #25 Narrow Bright
12. 114890	Segment-#26 "Bright"
13. 114891	Segment-#27 "Bright"
14. 114894	Segment-#28 "Bright"
15. 114895	Segment-#29 "Bright"
16. 116405	Exterior Plate, Front End Shell
116040	Front Liner, Narrow Body
17. 115699	End shell backer plate
18. 101315-01	Brace, Vertical, Rear LH
19. 101315-02	Brace, Vertical, Rear RH
20. 116037	Z-Bar Horizontal Frame 27.25"
21. 371328	Window, Flat Narrow body Front
22. 372088-101	Window Corner Wrap RS Front
23. 372089-101	Window Corner Wrap CS Front
24. 454910	Support, Wrap Window
25. 453629	Hat Section, Table Support
26. 513540-02	Marker Light, Front, W25
114997	Weld Plate, O Bow
114813-01	Angle, 1 x 1.25 x 1.5"
382225	Grommet, Black, 1/2"

EXTERIOR SHELL

Aft End, 534



Parts Listed on Next Page

EXTERIOR SHELL

Aft End, 534

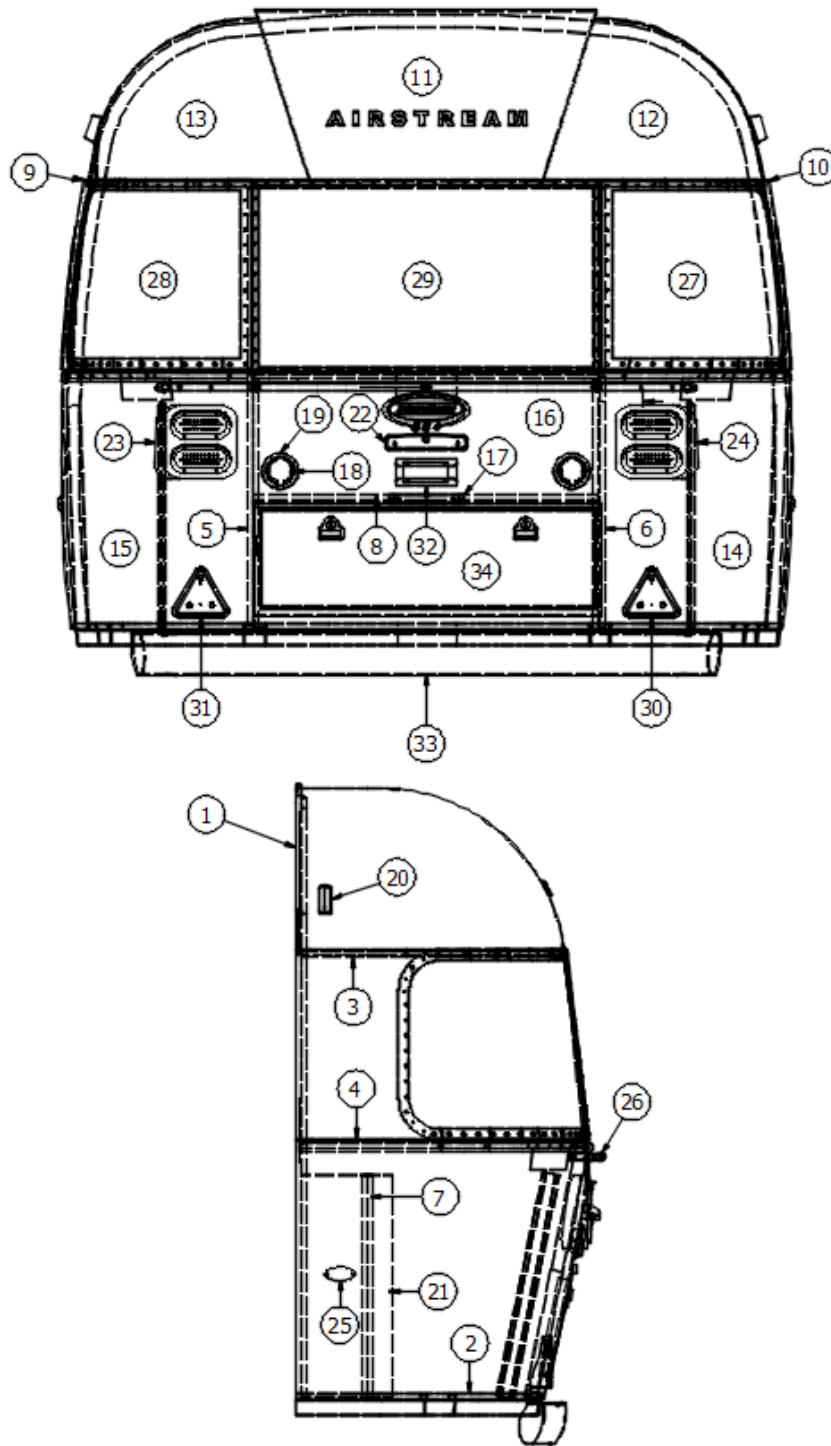
99900M-475	Rear End Shell
1. 99900M-015	Weldment, Zero bow
2. 99900M-018	Bowl, Floor
3. 99900M-016	Bowl, Upper window
4. 99900M-017	Bowl, Lower window
5. 114505-01	Support, Lower end, LH
6. 114505-02	Support, Lower end, RH
7. 101315	Brace, Vertical rear
8. 104408	Extrusion, Z-rib
9. 114888	Segment, Center left
10. 114889	Segment, Center right
11. 99900M-049	Segment, Center end shell
12. 114890	Segment, #26
13. 114891	Segment, #27
14. 114894	Segment, #28
15. 114895	Segment, #29
16. 114880-06	Aluminum sheet .040" x 51" x 152.5"
17. 99900P-1783*	LED fog light strip
18. 99900P-012*	LED light, Reverse
19. 99900P-013*	Light ring, Chrome
20. 99900P-014*	Light, End liner marker
21. 101115	Aluminum sheet, .060 x 48 x 120"
22. 99900P-010*	Lamp, Number plate
23. 99900M-042	Taillight, Roadside
24. 99900M-043	Taillight, Curbside
25. 99900P-015	LED light, Side marker
26. 99900P-001	Grab rail, Stainless Steel
27. 372088-101	Panoramic window, CS rear
28. 372089-101	Panoramic window, RS rear
29. 99900P-049	Rear window w/sq. corners
30. 99900M-163	Access door, 36"

***This part is being replaced as part of a new lighting arrangement, mid-model year 2024. (see Exterior Lights in the Electrical section of this parts book for additional part numbers).**

- 99900P-1783, 99900P-012, and 99900P-013 lighting is **replaced by 513795** (Fog/Reverse Light)
- 99900P-010 (number plate lamp) is **replaced by 513794** (license plate lamp)
- 99900P-014 (end liner marker) is **replaced by 513540-01** (red marker light)

EXTERIOR SHELL

Aft End, 684



Parts Listed on Next Page

EXTERIOR SHELL

Aft End, 684

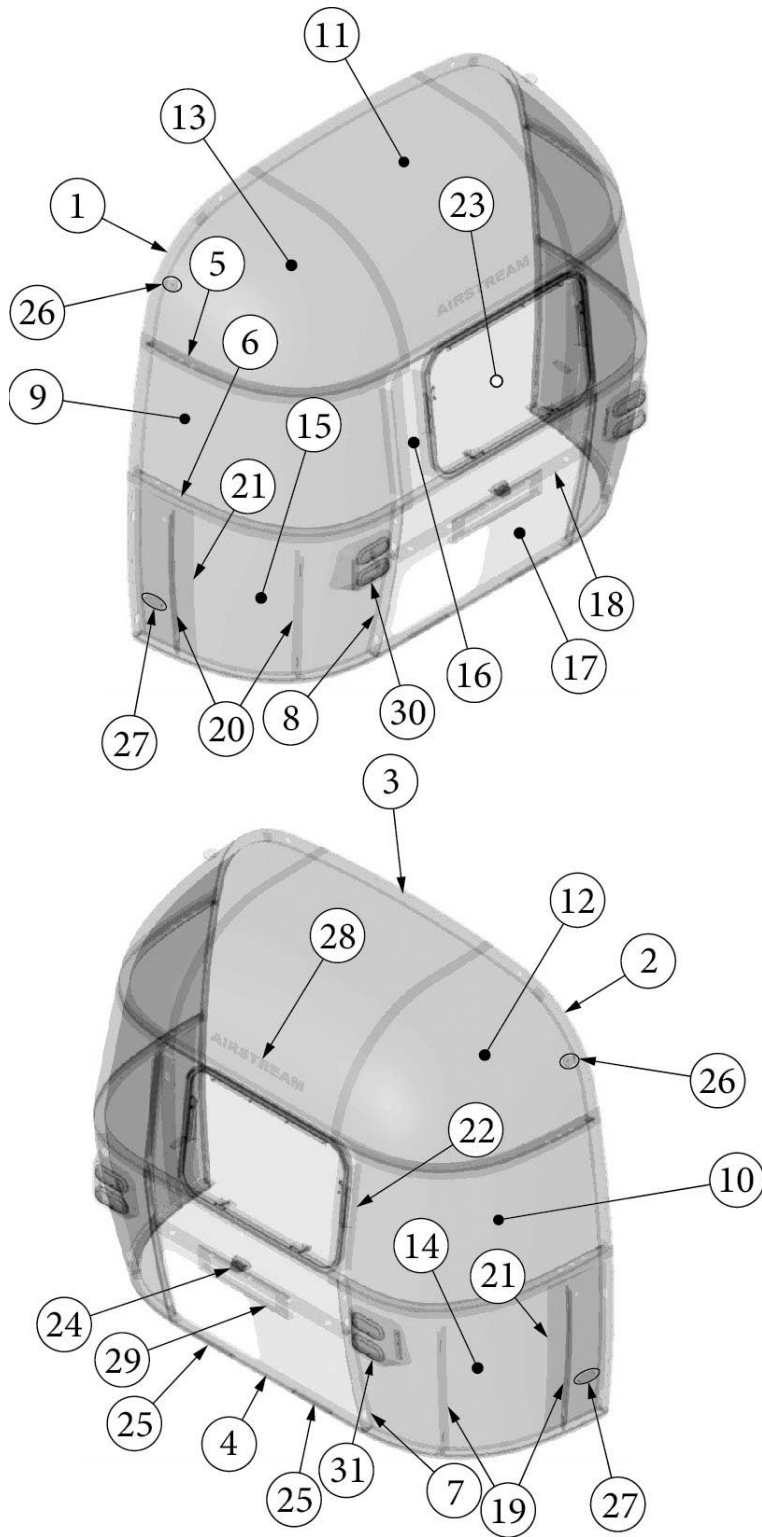
99900M-455	Rear End Shell
1. 114994	Weldment, Zero bow
2. 99900M-216	Bow, Floor
3. 104351	Bow, Upper window
4. 104343	Bow, Lower window
5. 114505-01	Support, Lower end, LH
6. 114505-02	Support, Lower end, RH
7. 101315	Brace, Vertical rear
8. 104408	Extrusion, Z-rib
9. 114888	Segment, Center left
10. 114889	Segment, Center right
11. 114892	Segment, Center end shell
12. 114890	Segment, #26
13. 114891	Segment, #27
14. 114894	Segment, #28
15. 114895	Segment, #29
16. 114880-06	Aluminum sheet .040" x 51" x 152.5"
17. 99900P-1783*	LED fog light strip
18. 99900P-012*	LED light, Reverse
19. 99900P-013*	Light ring, Chrome
20. 99900P-014*	Light, End liner marker
21. 101115	Aluminum sheet, .060 x 48 x 120
22. 99900P-010*	Lamp, Number plate
23. 99900M-042	Taillight, Roadside
24. 99900M-043	Taillight, Curbside
25. 99900P-015	LED side marker light
26. 99900P-396	Grab rail, Stainless Steel
27. 372088-101	Panoramic window, CS rear
28. 372089-101	Panoramic window, RS rear
29. 371328-01	Rear window, Flat
30. 99900P-030	Base - CS rear reflector
31. 99900P-031	Base - RS rear reflector
99900P-019	Reflector-Rear
32. 99900P-1888	Number plate bracket
33. 99900M-395	Rear bumper
34. 922711	Access door

***This part is being replaced as part of a new lighting arrangement, mid-model year 2024. (see Exterior Lights in the Electrical section of this parts book for additional part numbers).**

- 99900P-1783, 99900P-012, and 99900P-013 lighting is **replaced by 513795** (Fog/Reverse Light)
- 99900P-010 (number plate lamp) is **replaced by 513794** (license plate lamp)
- 99900P-014 (end liner marker) is **replaced by 513540-01** (red marker light)

EXTERIOR SHELL

Aft End, 25IB



Parts Listed on Next Page

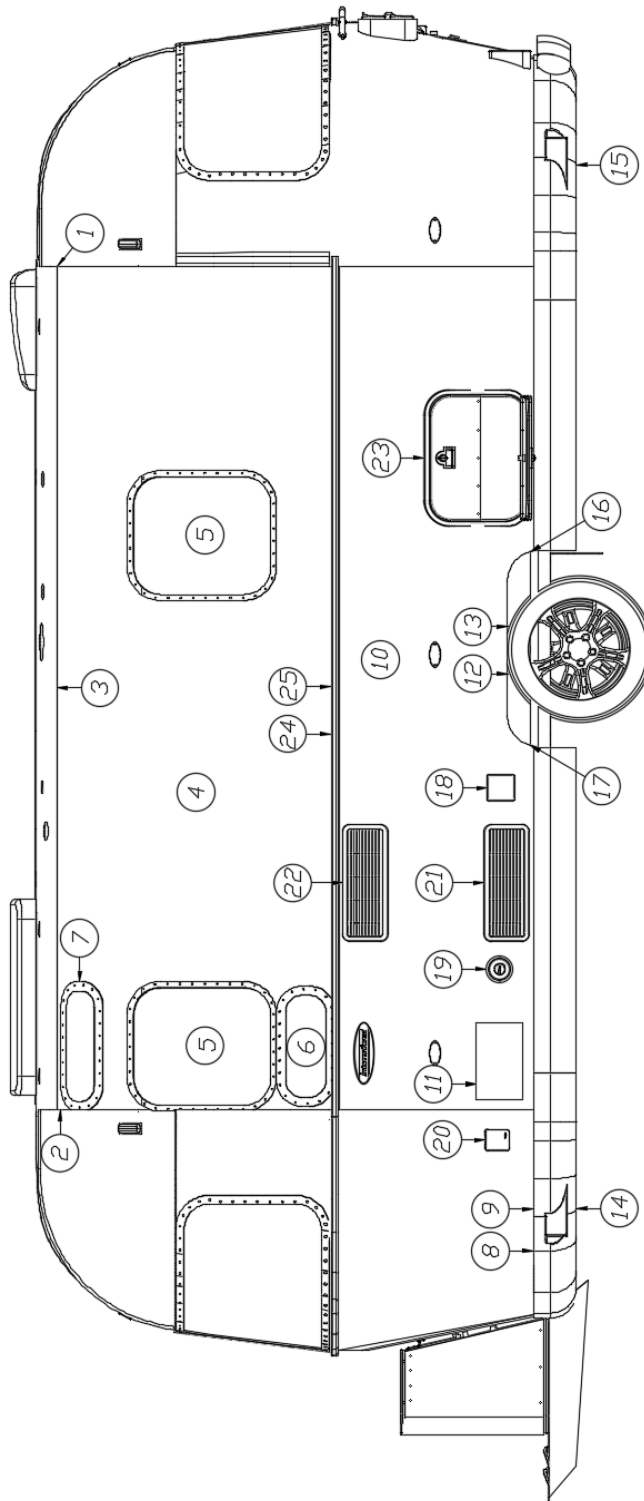
EXTERIOR SHELL

Aft End, 25IB

923515	Aft End Shell
1. 114387-04	Z-Rib, Right
2. 114387-05	Z-Rib, Left
3. 114996	0 Bow, Upper
4. 104463	Floor Bow, Narrow Body
5. 116569-02	Upper Window Bow, Narrow Body
6. 104343	Lower Window Bow, Narrow Body
7. 114505-01	Support, Lower end shell LH
8. 114505-02	Support, Lower End shell, RH
9. 114888	Segment-Center Left "Bright"
10. 114889	Segment-Center Right "Bright"
11. 114892	Segment #25 Narrow Bright
12. 114890	Segment-#26 "Bright"
13. 114891	Segment-#27 "Bright"
14. 114894	Segment-#28 "Bright"
15. 114895	Segment-#29 "Bright"
16. 116123	Exterior Plate, Upper
17. 116263	Exterior Plate, Lower, Small Door
18. 116038	Z-Bar, Horizontal Frame, 43.5"
19. 101315-01	Brace, Vertical, Rear LH
20. 101315-02	Brace, Vertical, Rear RH
21. 115699	End shell backer plate
22. 116046	Exterior Z-Rib, 20"
23. 99900P-051-01	Window, Aft, Egress
24. 513794	Light, License Plate, (light only)
25. 513795	Light, Fog/Reverse
26. 513540-01	Marker Light, Rear, W25
27. 99900P-015	Side Marker Lamp, LED
28. 386205-01	Decal, "AIRSTREAM", 1.75" x 21.5", Black Chrome
29. 99900P-1888	Bracket, Number Plate
30. 99900M-042	Taillight, Roadside
31. 99900M-043	Taillight, Curbside
115073-01	Bracket, Taillight Assembly, RS
115073-02	Bracket, Taillight Assembly, CS
115074	Bracket, Taillight Assembly, Center

EXTERIOR SHELL

Exterior Components, Roadside, 534



Parts Listed on Next Page

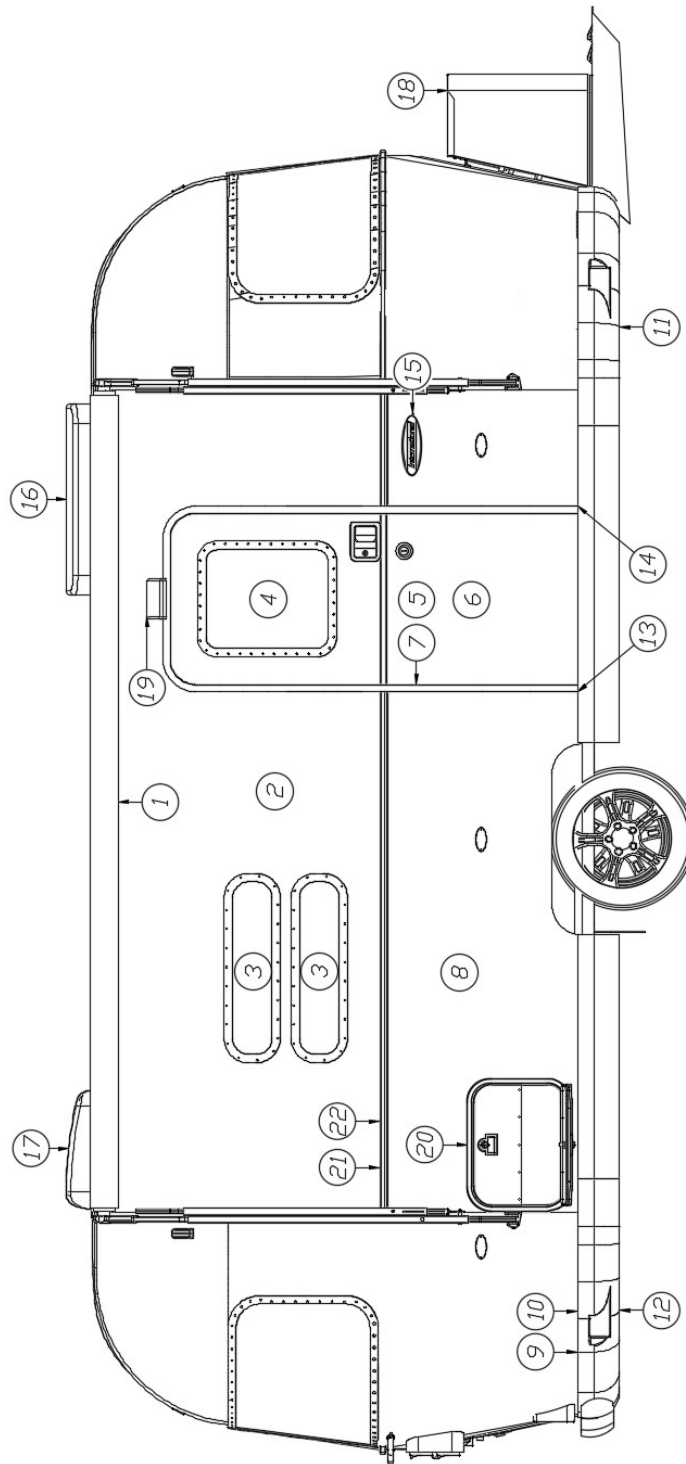
EXTERIOR SHELL

Exterior Components, Roadside, 534

99900M-533	Shell Assembly
99900M-535	RS Wall Assembly
1. 114290-01	Extrusion, Awning/drip rail
2. 114994	Rib, End bow
3. 104707-05	Extrusion, "I" beam
4. 114880-02	Aluminum sheet, Upper, .04" x 51" x 284.5"
5. 371323-01	Window, 18" opening
6. 371436	Window, 18" stacked
7. 371437-01	Vista view window, 18"
8. 116421	Extrusion, Rub Rail
9. 201763-100	Insert, Rub rail, 1", Chrome
10. 114879-02	Aluminum sheet, Lower, .04" x 33" x 284"
11. 602326	Exterior shower
12. 99900M-121	Wheel well trim, Outer, Formed
13. 114003-03	Wheel well trim, Outer, Formed
14. 99900P-2226	Banana wrap, RS front, Black
15. 200543-02	Banana wrap, RS rear, Black
16. 114466-01	Casting, Rub rail end, Wheel well, RH
17. 114466-02	Casting, Rub rail end, Wheel well, LH
18. 99900P-153	Electrical inlet, 230v
19. 99900P-075	Alde wall flue w/clips
20. 99900P-2275	Water inlet socket, with pressure switch
99900P-2276	Water inlet socket lid, grey
21. 99900P-106	Vent, Refrigerator, Lower
22. 99900P-107	Vent, Refrigerator, Upper
23. 99900M-082	Access door
24. 116420	Extrusion, Belt line molding
25. 201912-01	Molding, Belt line insert, Black
114387-01	Bow, Z-rib, RH
114387-02	Bow, Z-rib, LH

EXTERIOR SHELL

Exterior Components, Curbside, 534



Parts Listed on Next Page

EXTERIOR SHELL

Exterior Components, Curbside, 534

99900M-533	Shell Assembly
99900M-534	CS Wall Assembly
1. 704824-16	Patio awning, Charcoal Tweed, 11'-4.75"
2. 114880-02	Aluminum sheet, Upper, .04" x 51" x 284.5"
3. 371435	Window, 30" stack
4. 371400-01	Window, Main door
5. 116516-02*	Screen Door, LH Hinge
6. 116515-02*	Main door, LH Hinge
7. 116508-02*	Jamb, LH Hinge
8. 114879-02	Aluminum sheet, Lower, .04" x 33" x 284"
9. 116421	Extrusion, Rub Rail
10. 201763-100	Insert, Rub rail, 1", Chrome
11. 99900P-2227	Banana wrap, CS front, Black
12. 200542-02	Banana wrap, CS rear, Black
13. 114465-02	Casting, Rub rail, Door, LH
14. 114465-01	Casting, Rub rail, Door, RH
15. 386385	Nameplate, International
16. 99900P-029	Heki midi w/fixed ventilation
17. 99900P-999	Heki mini w/fixed ventilation
18. 99900M-930	LPG tank cover
19. 101323	Casting, Main door light
20. 99900M-082	Access door
21. 116420	Extrusion, Belt line molding
22. 201912-01	Molding, Belt line insert, Black
114387-01	Bow, Z-rib, RH
114387-02	Bow, Z-rib, LH

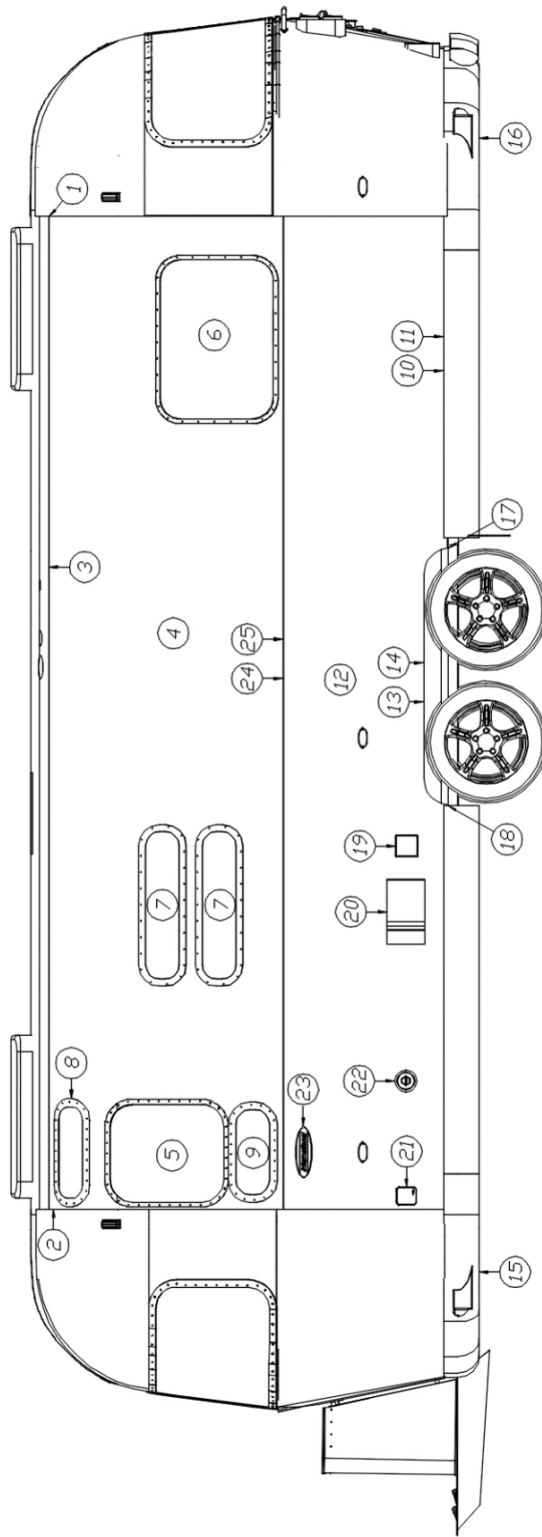
*116516-02 (screen door) replaced 114654 (Screen door) Mid model year

*116515-02 (main door) replaced 115207-04 (main door) Mid model year

*116508-02 (door jamb) replaced 114652 (door jamb) Mid model year

EXTERIOR SHELL

Exterior Components, Roadside, 684



Parts Listed on Next Page

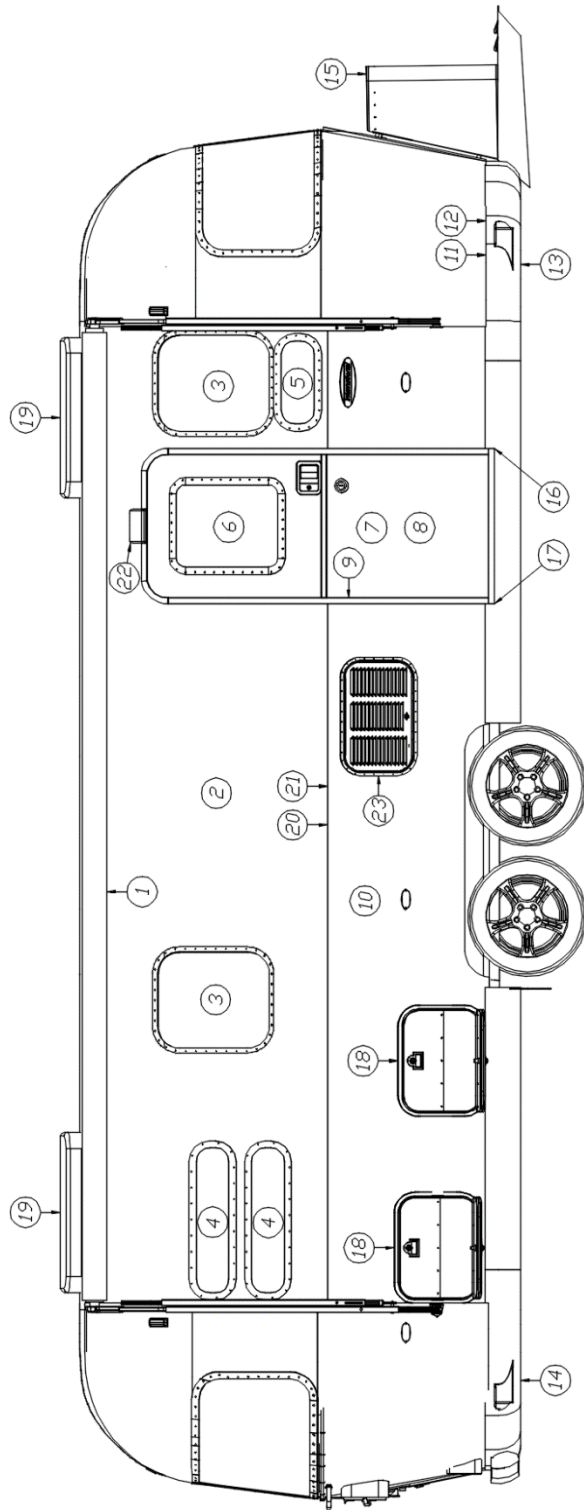
EXTERIOR SHELL

Exterior Components, Roadside, 684

99900M-470S	Shell Assembly
99900M-522	RS Wall Assembly
1. 114290-01	Extrusion, Awning/drip rail
2. 114994	Rib, End bow
3. 104707-01	Extrusion, "I" beam
4. 114880-04	Aluminum sheet, Upper, .04" x 51" x 199.25"
5. 371323-01	Window, 18" opening
6. 371324-02	Window, 30" opening
7. 371435	Window, 30" stacked
8. 371437-01	Vista view window, 18"
9. 371436	Window, 18" stacked
10. 116421	Extrusion, Rub Rail
11. 201763-100	Insert, Rub rail, 1", Chrome
12. 114879-04	Aluminum sheet, Lower, .04" x 33" x 199.25"
13. 99900M-175	Wheel well trim, Outer, Formed
14. 99900M-176	Wheel well trim, Inner, Formed
15. 99900P-2226	Banana wrap, RS front, Black
16. 200543-02	Banana wrap, RS rear, Black
17. 114466-01	Casting, Rub rail end, Wheel well, RH
18. 114466-02	Casting, Rub rail end, Wheel well, LH
19. 99900P-153	Electrical inlet, 230v
20. 602326	Exterior shower
21. 99900P-2275	Water inlet socket, with pressure switch
99900P-2276	Water inlet socket lid, grey
22. 99900P-075	Alde wall flue w/clips
23. 386385	Nameplate, International
24. 116420	Extrusion, Belt line molding
25. 201912-01	Molding, Belt line insert, Black
114387-01	Bow, Z-rib, RH
114387-02	Bow, Z-rib, LH

EXTERIOR SHELL

Exterior Components, Curbside, 684



Parts Listed on Next Page

EXTERIOR SHELL

Exterior Components, Curbside, 684

99900M-470S	Shell Assembly
99900M-453	CS Wall Assembly
704824-06	Patio awning, Silica Gravel, 16'-4.25"
114880-04	Aluminum sheet, Upper, .04" x 51" x 199.25"
371323-01	Window, 18" opening
371435	Window, 30" stack
371436	Window, 18" stacked
371400-01	Window, Main door
116516-02*	Screen Door, LH Hinge
116515-02*	Main door, LH Hinge
116508-02*	Jamb, LH Hinge
114879-04	Aluminum sheet, Lower, .04" x 33" x 199.25"
116421	Extrusion, Rub Rail
201763-100	Insert, Rub rail, 1", Chrome
99900P-2227	Banana wrap, CS front, Black
200542-02	Banana wrap, CS rear, Black
99900M-930	LPG tank cover
114465-01	Casting, Rub rail, Door, RH
114465-02	Casting, Rub rail, Door, LH
99900M-082	Access door
99900P-029	Heki midi w/fixed ventilation
116420	Extrusion, Belt line molding
201912-01	Molding, Belt line insert, Black
101323	Casting, Main door light
923114	Door, Refrigerator vent
99900P-1970	Step, Manual
114387-01	Bow, Z-rib, RH
114387-02	Bow, Z-rib, LH

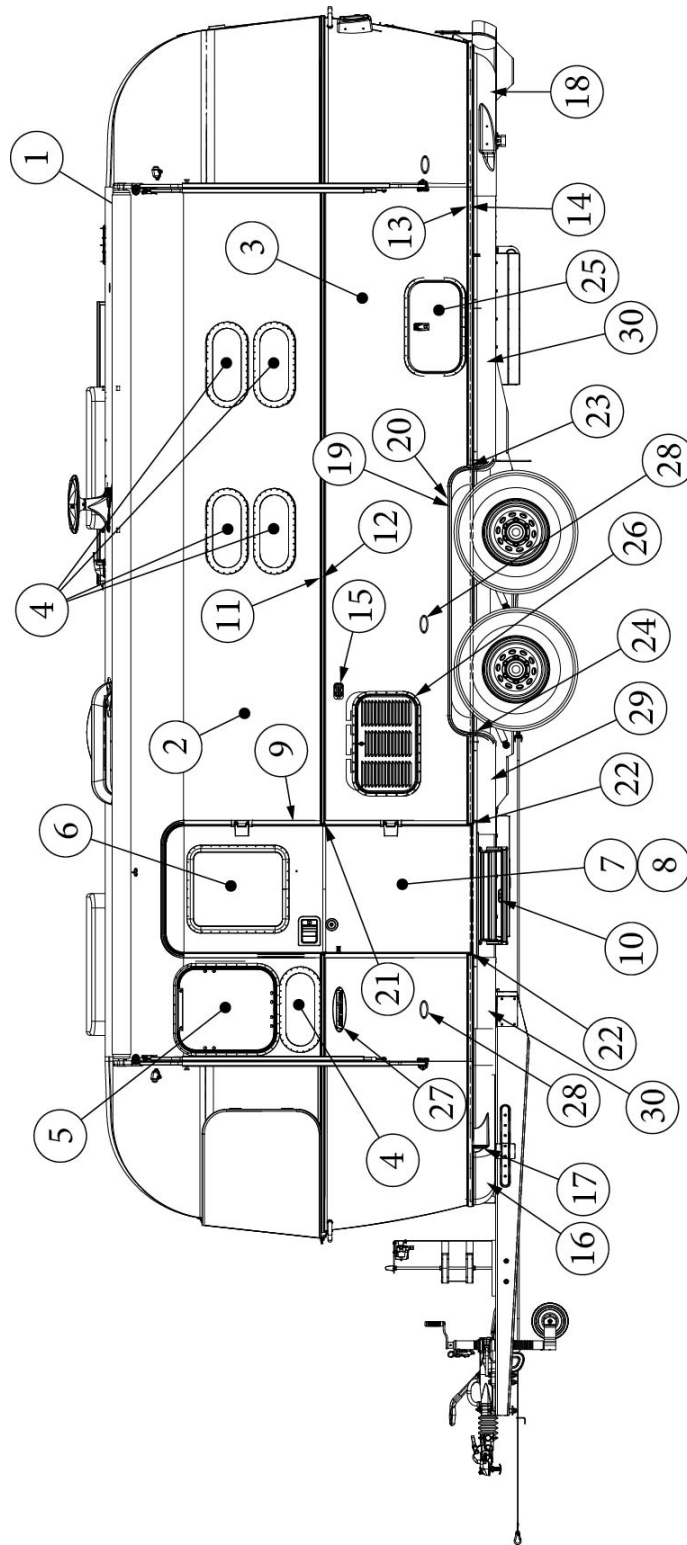
*116516-02 (screen door) replaced 114654 (Screen door) Mid model year

*116515-02 (main door) replaced 115207-04 (main door) Mid model year

*116508-02 (door jamb) replaced 114652 (door jamb) Mid model year

EXTERIOR SHELL

Exterior Components, Roadside, 25IB



Parts Listed on Next Page

EXTERIOR SHELL

Exterior Components, Roadside, 25IB

923519S	Shell Assembly
1. 114290-01	Extrusion, Awning/drip rail
2. 114880-04	Aluminum sheet, Upper, .04" x 51" x 199.25"
3. 114879-04	Aluminum sheet, Lower, .04" x 33" x 199.25"
4. 371436	Window, 18" stacked
5. 371323-01	Window, 18" opening
6. 371400-01	Window, Main door
7. 116515-01*	Main door, RH
8. 116516-01*	Screen door, RH
9. 116508-01*	Jamb, Main door, RH
10. 513391	LED Step Light, 570 Lumens, 3" x 1 .5"
11. 116421	Extrusion, Rub Rail
12. 201763-100	Insert, Rub rail, 1", Chrome
13. 116420	Extrusion, Belt line molding
14. 201912-100	Molding, Belt line insert, Chrome
15. 380291	Hold-back, Latch only, Main door
16. 99900P-2226	Banana wrap, RS front, Black
17. 99900P-018	Front Marker Lamp
18. 204254-04	Banana wrap, RS Rear, Black
19. 114003-03	Wheel well trim, Inner
20. 114004-06	Wheel well trim, Outer
21. 114417	Casting, Belt line close out
22. 114465-01	Casting, Rub rail, Door, RH
23. 114466-01	Casting, Rub rail, Wheel well, RH
24. 114466-02	Casting, Rub rail, Wheel well, LH
25. 100679-01	Assembly, Access Door
26. 923114	Assembly, Refer Door, w/Screen
27. 386385	Nameplate, International
28. 99900P-015	Side Marker Lamp, LED
29. 116167-01	Underbelly wrap, Sheet Aluminum, .23 x 30 x 144"
30. 116167-02	Underbelly wrap, Sheet Aluminum, .23 x 30 x 160"

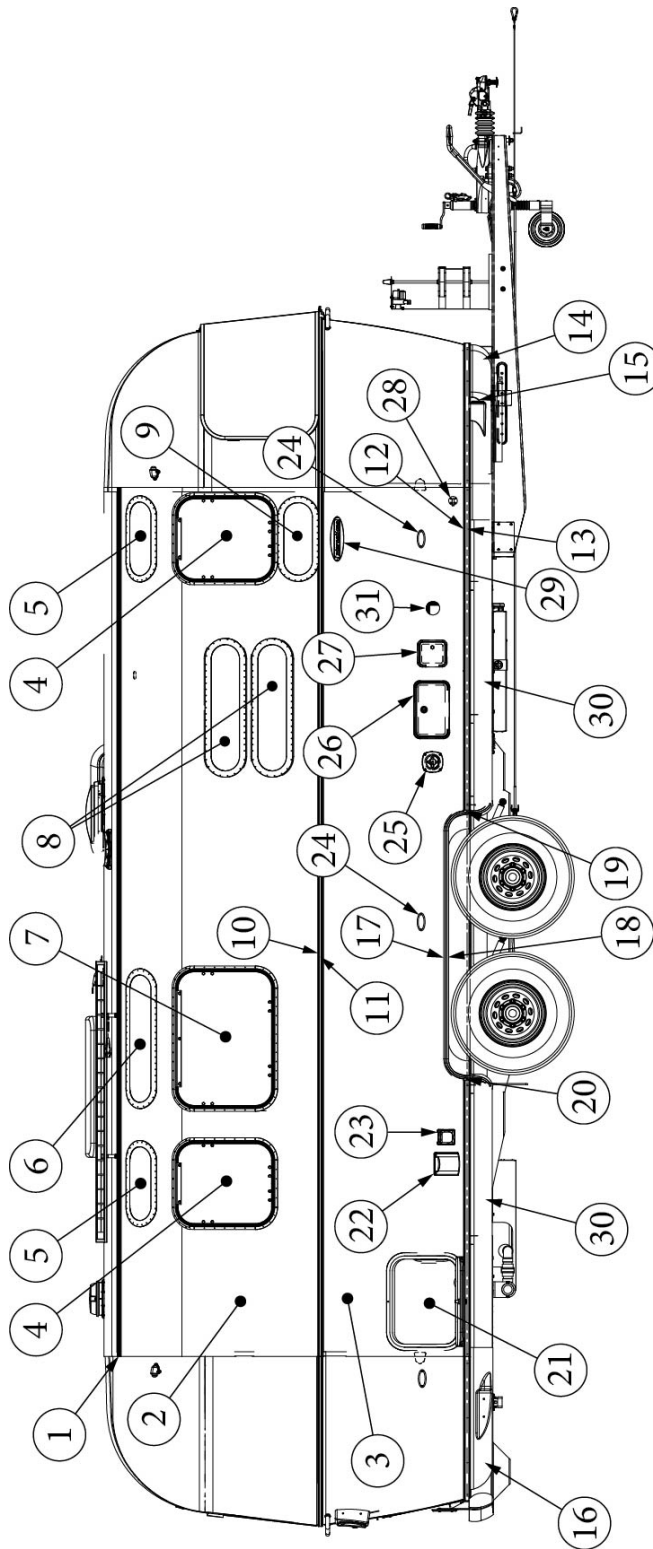
*116515-01 (main door) replaced 115207-05 (main door) Mid model year

*116516-01 (screen door) replaced 114654-01 (Screen door) Mid model year

*116508-01 (door jamb) replaced 114652 (door jamb) Mid model year

EXTERIOR SHELL

Exterior Components, Curbside, 25IB



Parts Listed on Next Page

EXTERIOR SHELL

Exterior Components, Curbside, 25IB

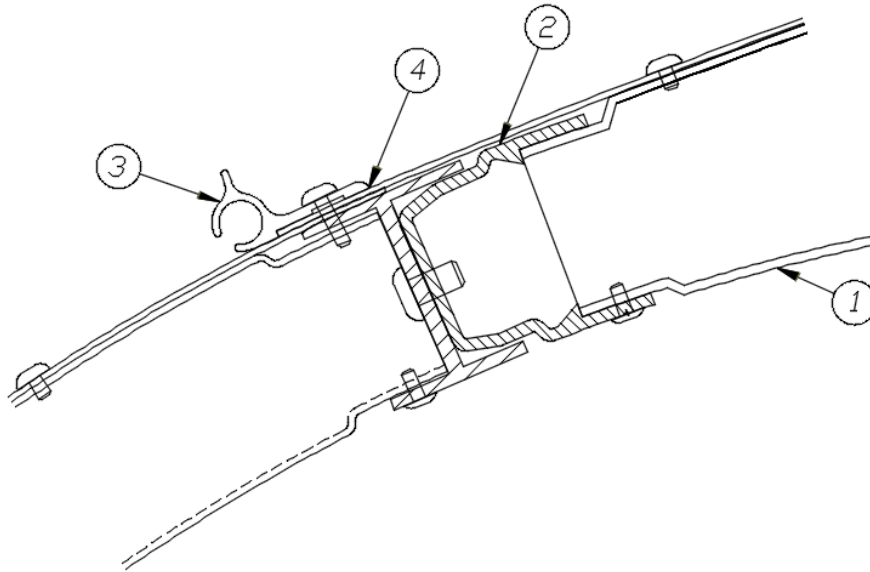
923519S

Shell Assembly

1. 114290-01 Extrusion, Awning/drip rail
2. 114880-04 Aluminum sheet, Upper, .04" x 51" x 199.25"
3. 114879-04 Aluminum sheet, Lower, .04" x 33" x 199.25"
4. 371323-01 Window, 18" opening
5. 371437-01 Vista view window, 18"
6. 371437-02 Vista view window, 30"
7. 371324-02 Window, 30" opening
8. 371435 Window, 30" stacked
9. 371436 Window, 18" stacked
10. 116421 Extrusion, Rub Rail
11. 201763-100 Insert, Rub rail, 1", Chrome
12. 116420 Extrusion, Belt line molding
13. 201912-100 Molding, Belt line insert, Chrome
14. 99900P-2227 Banana wrap, CS front, Black
15. 99900P-018 Front Marker Lamp
16. 204254-03 Banana wrap, CS Rear, Black
17. 114003-03 Wheel well trim, Inner
18. 114004-06 Wheel well trim, Outer
19. 114466-01 Casting, Rub rail, Wheel well, RH
20. 114466-02 Casting, Rub rail, Wheel well, LH
21. 99900M-082 Door w/jamb
22. 513726-18 Electrical inlet, 230V
23. 513684 Inlet, TV/Satellite, Grey
24. 99900P-015 Side Marker Lamp, LED
25. 601392-06 Water Fill, City, w/Regulator
26. 602744-06 Exterior Shower
27. 601194 Water fill w/lock, Gray
28. 513120 Solar Port, Zamp
29. 386385 Nameplate, International
30. 116167-01 Underbelly wrap, Sheet Aluminum, .23 x 30 x 144"
31. 99900P-075 Wall Flue, Alde

EXTERIOR SHELL

Roof, 534, 684, 25IB



Roof Assembly

1. 99900M-001	Roof bow
2. 114987-02	Extrusion, Roof corner
3. 114290-01	Extrusion, Awning/Drip Rail, 197"
4. 365334	Tape, Sealfoam w/PSA one side
330127-03	Rivet 1/8" (Mill) AD43ABS
325000-01	Rivet, 1/8 x 1/4, Anodized, White
104408	Z-rib
101828	Extrusion, Aluminum window stiffener

Roof Sheet Metal, 534

115728-02 Aluminum sheet, White, .032 x 66.75" x 170"

Roof Sheet Metal, 684

115727-02 Aluminum sheet, White, .032 x 72" x 220"

Roof Sheet Metal, 25IB

115727-02 Aluminum sheet, White, .032 x 72" x 220"

EXTERIOR SHELL

Front Wrap Protectors

99900M-669	Curbside wrap protector
99900M-670	Roadside wrap protector
685343	Gusset, Wrap protector corner, SS
100742-01	Extrusion, Aluminum trim
381605-03	Piano hinge, Stainless Steel
114819-02	Wrap protector hold back, 2"
114819-03	ADM wrap protector hold back, 5"

Rain Flap, 534, 684

99900P-1784	Mud Guard, Black
-------------	------------------

Rain Flap, 25IB

365446	Mud Guard, Black
--------	------------------

Grab Rail, 534

99900P-001	Grab rail, Stainless Steel
99900P-004	Nut, 1/4-20, rivet
99900P-006	Screw, 1/4-20 x 1.5" socket HD
99900P-044	Screw, 1/4-20x3.5" socket cap
365222	Tape double coated .08 x 3/4"
360180	Adhesive seal Sikaflex 221, Gray

Grab Rail, 684, 25IB

99900P-396	Grab Rail, Stainless Steel
99900P-004	Nut, 1/4-20, Rivet
99900P-006	Screw, 1/4-20 X 1.5" Socket Hd
99900P-044	Screw, 1/4-20 x 3.5" Socket Cap
365222	Tape, Double Coated .08 X 3/4"
360180	Adhesive Seal Sikaflex 221, Gray
99900P-1033	Washer, Santoprene, Sealing, .375

INTERIOR SHELL

Interior Skins, 534

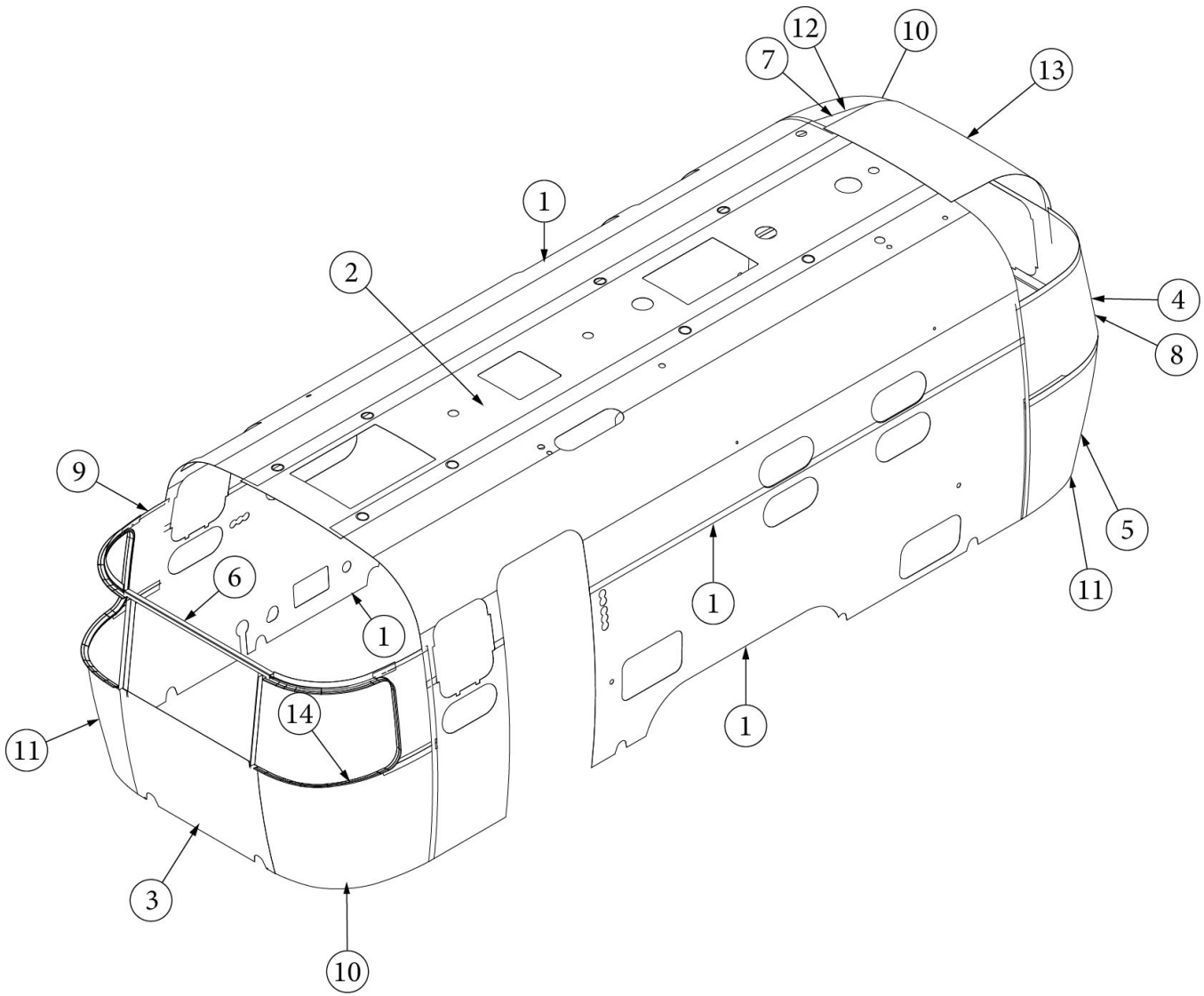
114880-06	Aluminum sheet .040" x 51" x 152.5"
114890-01	Interior segment #26
114891-01	Interior segment #27
114893-01	Interior Segment #25

Interior Skins, 684

114880-05	Aluminum sheet .040" x 51" x 173.5"
114880-04	Aluminum sheet, .04" x 51" x 199.25"
114879-04	Aluminum sheet, .04" x 33" x 199.25"

INTERIOR SHELL

Interior Skins, 25IB



Parts Listed on Next Page

INTERIOR SHELL

Interior Skins, 25IB

113313	Interior Skins (not for order/see parts below)
1. 114880-04	Aluminum sheet, .04 x 51 x 201"
2. 114879-04	Aluminum sheet, .04" x 33" x 199.25"
3. 116169	Interior Plate, Front Lower
4. 116124	Interior Plate, Rear Upper
5. 116119	Interior Plate, Rear Lower, Small Door
6. 116148	Interior Skin, Window Trim
7. 116149	Interior Skin, Window Side Trim, Right
8. 116150	Interior Skin, Window Side Trim, Left
9. 116151	Interior Skin, Panoramic Side Trim
10. 116152	Interior Skin, Lower End Shell, Left
11. 116153	Interior Skin, Lower End Shell, Right
12. 114891-01	Interior segment #27
13. 114893-01	Interior Segment #25
14. 201578-02	End cap, Trim ring, Gray
201579-02	Trim ring, Lower RS, Gray
201581-05	Trim ring, Upper RS, Gray
201580-02	Trim ring, Lower CS, Gray
201581-06	Trim ring, Upper CS, Gray
203225-01	Trim Lock, Gray

INTERIOR SHELL

Wheel Well Liner, 534

203289 Wheel well liner

Wheel Well Liner, 684

99900P-397 Wheel well liner

Wheel Well Liner, 25IB

204094 Wheel well liner

Main Door Threshold, 534, 684

99900P-407 Main door threshold

Main Door Threshold, 25IB

455811 Main door threshold

CHASSIS

Axles, 25IB

411156 Axle, Autoflex Knott, 15"

Shocks, 25IB

0220003 Shock assembly

0250173-20 Screw, Grade 5, 5/8"-18 x 2", Shock mount

0130068-818 Nut, Hex head, Flanged, 5/8", 18, Shock mount

CHASSIS

Tires and Wheels, 534

99900P-764	Alloy wheel and tire assembly, 205/70 R15
386371-01	Gel Badge - Plastic Center Cap
386371-02	Plastic Center Cap
99900P-2096	Steel spare wheel & tire assembly, 205/70 R15
99900P-2148	Bolt, M12 Spherical

Tires and Wheels, 684

99900P-2270	Alloy wheel and tire assembly, 165R14C
386371-01	Gel Badge - Plastic Center Cap
386371-02	Plastic Center Cap
99900P-2271	Steel spare wheel & tire assembly, 165R14C
99900P-2148	Bolt, M12 Spherical

Tires and Wheels, 25IB

411100	Alloy wheel and tire assembly, 225/70R15
411101	Steel spare wheel & tire assembly, 225/70R15
411099	Tire only, 225/70R15 GT Maxmiler Pro 112R GT
400923	Lug Nut, 1/2 X 20, Chrome, 13/16
400844-01	Cap, Center Stainless Steel
455635	Lug Wrench, 4-way

Spare Wheel Carrier, 534 & 684

99900P-1971	Pull out metal carrier for spare wheel & tire
-------------	---

Spare Wheel Carrier, 25IB

204095	Through floor spare wheel carrier (plastic)
--------	---

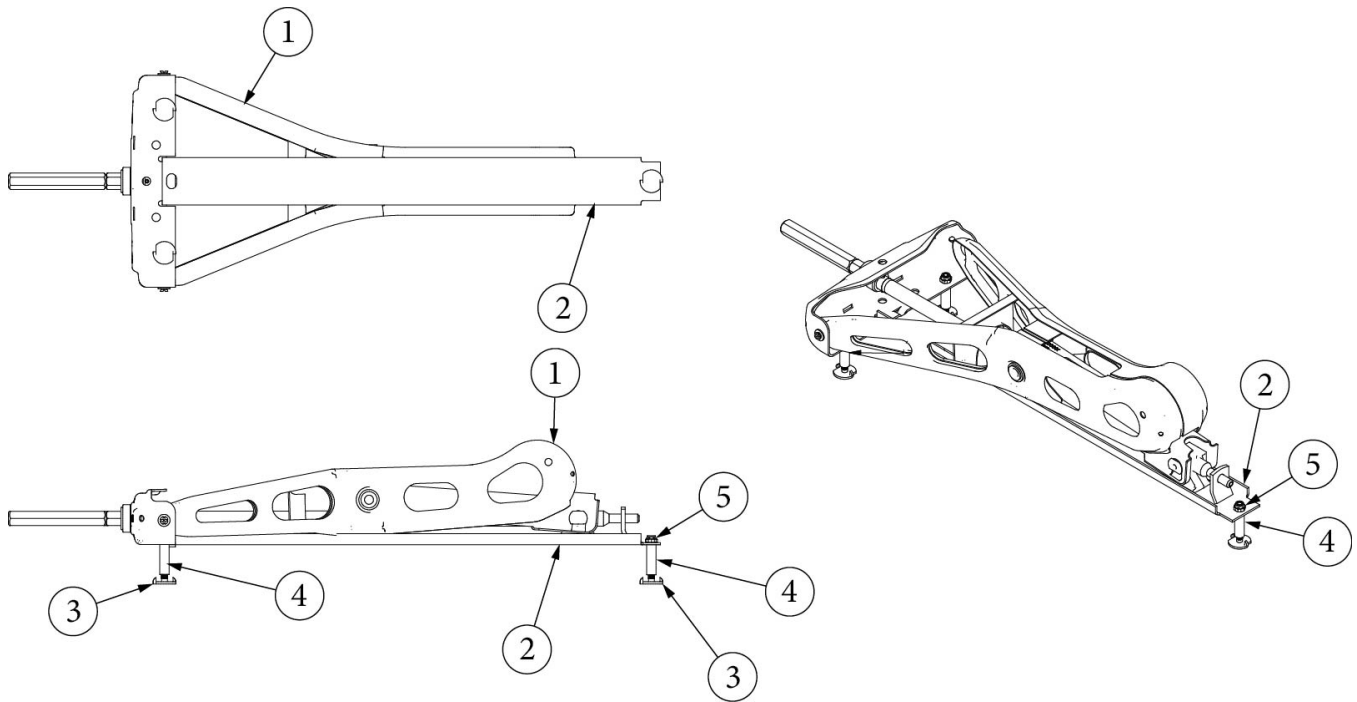
CHASSIS

Hitches and Jacks, 534 & 684

99900P-2196	Overrun hitch, 534 (rated to 2000kg)
99900P-2251	Overrun hitch, 684 (rated to 3000kg)
99900P-2243	Front Cover for Coupling, Black
99900P-2244	Front Bumper for Coupling, Black
99900P-1739	Hitch Cover
99900P-2229	A frame cover
99900P-2207	Jockey wheel (transit)
99900P-1738	Ribbed Jockey Wheel

CHASSIS

Front Stabilizer Jacks



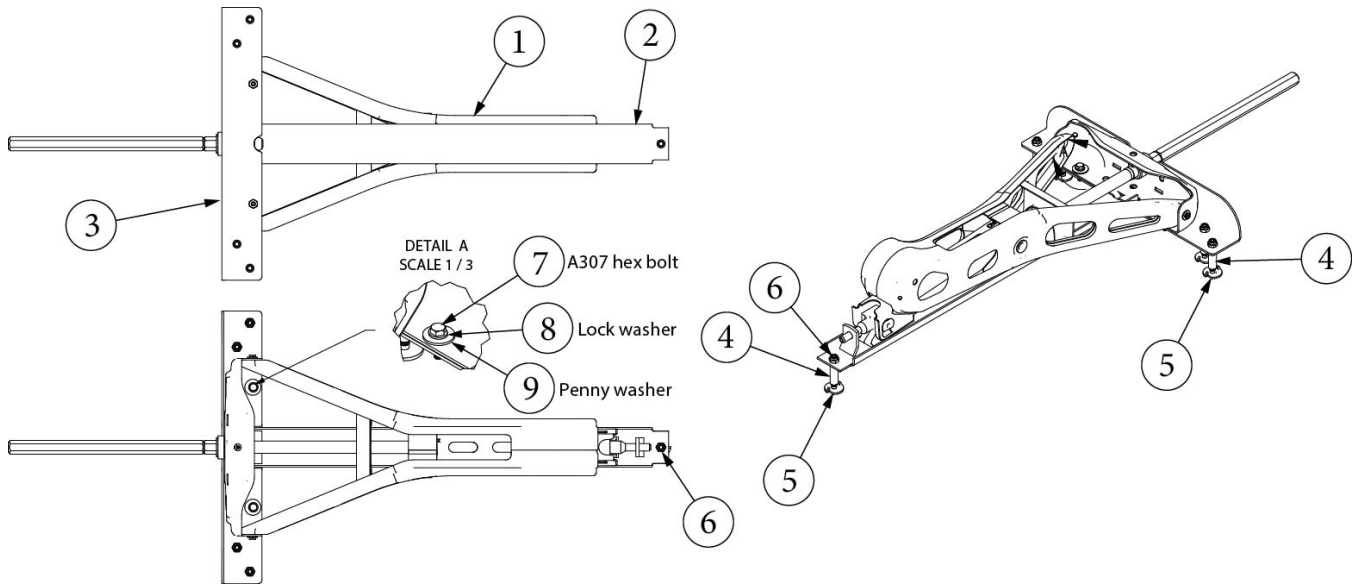
113843

Install, Front Stabilizer Jacks (not for order/see parts below)

- | | |
|-----------------|------------------------------|
| 1. 99900P-2266B | Stabilizer Jack, short |
| 2. 99900P-2269A | Stabilizer Jack, holder |
| 3. 345778 | Fang Bolt, 5/16" x 2.5" |
| 4. 382830 | Sleeve Tube, .5" OD x 2.5" |
| 5. 350174 | Nylock Nut, SS, 5/16" |
| 99900P-2113 | Winder Handle, Corner Steady |

CHASSIS

Rear Stabilizer Jacks



113844

Install, Rear Stabilizer Jacks (not for order/see parts below)

- | | |
|-----------------|--|
| 1. 99900P-2266A | Stabilizer Jack, Long |
| 2. 99900P-2269A | Stabilizer Jack, Holder |
| 3. 455889 | Mounting Plate, Al-Ko, stabilizer jack |
| 4. 382830 | Sleeve Tube, .5" OD x 2.5" |
| 5. 382778 | Fang Bolt, 5/16" x 2.5" |
| 6. 350174 | Nylock Nut, SS, 5/16" |
| 7. 345779 | Low Strength hex bolt, 1/4-20 x 1" |
| 8. 300052 | Washer, Flat, 3/8" |
| 9. 300072-05 | Washer Lock, 5/16 OD x 19/32 OD |
| 99900P-2113 | Winder Handle, Corner Steady |

CHASSIS

Jacks and Hitch, 25IB

400914-03	Stabilizer Jack, Lightweight, 20"
411161-01	Overrun hitch, KFG35D-GF 12
411161-02	Jockey Wheel, TK48-205/50H AC
411161-07	Assembly Kit, For Overrun Device
411161-06	Brake Rod M10x3800 150/500
411161-05	Balance Bar Cpl., For Tandem Axle
411161-03	Brake Cable, 1030/1220
411161-04	Brake Cable, 1430/1620
456038	Bracket, Brake Rod

Step

99900P-1970	Step, Manual
-------------	--------------

Bumper, 534

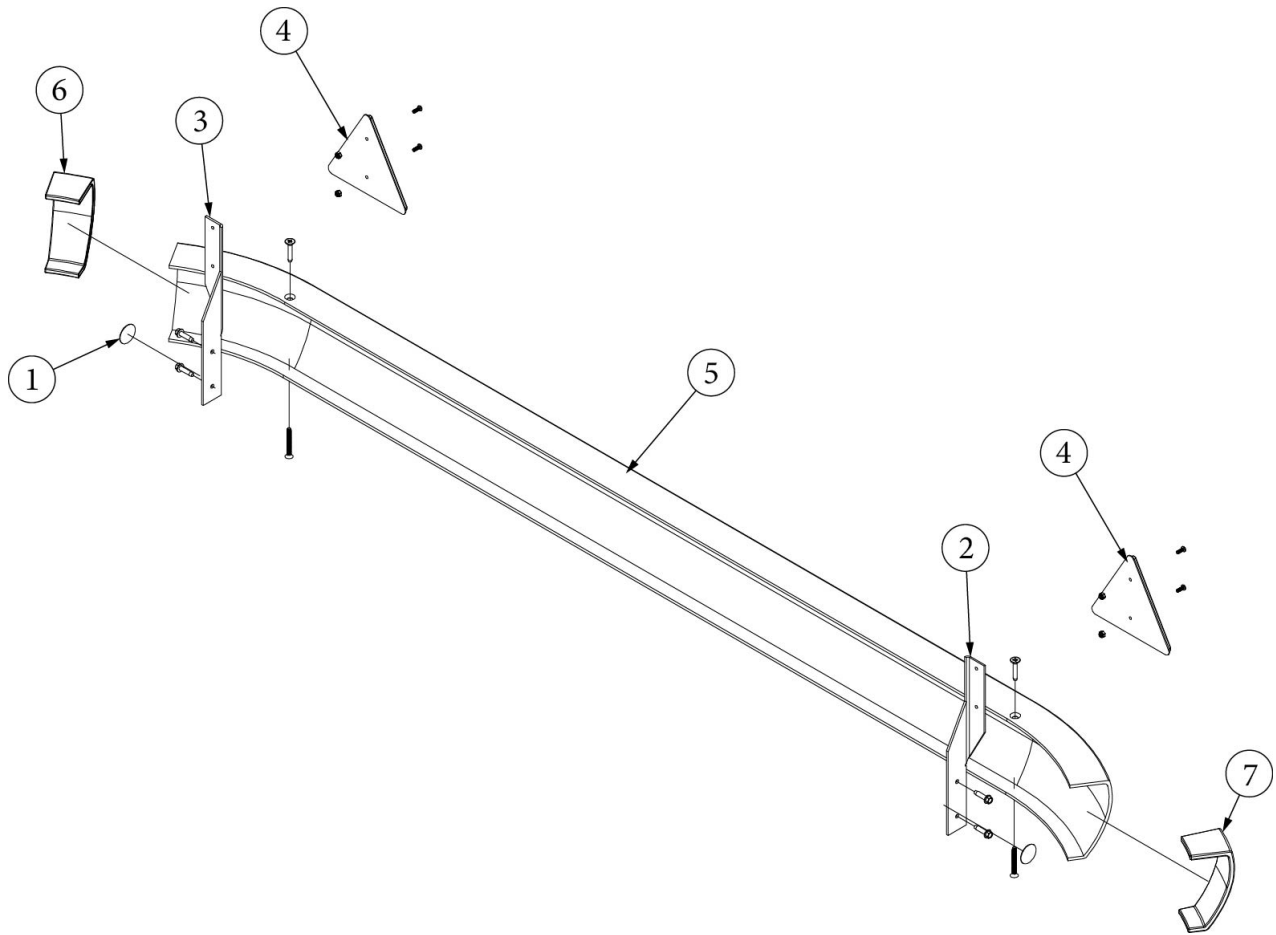
99900M-002	Bumper, Rear
345073-08	Screw, 1/4-20 x 1 3/8 wafer HD
99900P-347	Bumper end cap
382289-01	Bumper end cap, Right hand
382289-02	Bumper end cap, Left hand

Bumper, 684

99900M-395	Bumper, Rear
99900P-347	Bumper end cap
382289-01	Bumper end cap, Right hand
382289-02	Bumper end cap, Left hand

CHASSIS

Bumper and Reflectors, 25IB



113378

Install, Reflectors/Bumper (not for order/see parts below)

- | | |
|---------------|---|
| 1. 382261 | Decal, Hole Cover, 1.25 x 1.25, Black |
| 2. 454089-01 | Rear Reflector Mounting Bracket, RS |
| 3. 454089-02 | Rear Reflector Mounting Bracket, CS |
| 4. 99900P-019 | Reflector, Rear, Triangle |
| 5. 411189 | Bumper, Rear, NB, 2 Hole |
| 6. 382289-01 | End Cap, RH, Bumper, Black |
| 7. 382289-02 | End Cap, LH, Bumper, Black |
| 345084 | Screw, Self-Tapping, 1/4-14 x 1 |
| 345558 | Screw, #8-32 x 1/2 Phillips pan head, Black |
| 350204 | Nylock Nut, #8-32, Black |
| 345073-08 | Screw, 1/4-20 X 1 3/8, Wafer Hd. |
| 320075-01 | Screw, 1/4 x 14 x 2, Blunt End Tap |

CHASSIS

Underbelly Wraps/Skins, 534, 684

99900P-2226	Banana wrap, RS front, Black
99900P-2227	Banana wrap, CS front, Black
200543-02	Banana wrap, RS rear, Black
200542-02	Banana wrap, CS rear, Black
116167-02	Underbelly wrap, Sheet Aluminum, .23 x 30 x 160"

Underbelly Wraps/Skins, 25IB

99900P-2226	Banana wrap, RS front, Black
204254-04	Banana wrap, RS Rear, Black
99900P-2227	Banana wrap, CS front, Black
204254-03	Banana wrap, CS Rear, Black
99900P-018	Front Marker Lamp
116167-01	Underbelly wrap, Sheet Aluminum, .23 x 30 x 144"
116167-02	Underbelly wrap, Sheet Aluminum, .23 x 30 x 160"

Underbelly Compartment, 534, 684

99900P-2228	Underbelly compartment
99900P-023	Knob, Compression latch
330038	Rivet, Blind AD 54 ABS-IF
380203-01	Piano hinge, 1/8" pin, Clear Anodized

Hatch Access Cover, Outlet Access, 534, 684

381435-01	Hatch, Access cover, Round, Grey
-----------	----------------------------------

DECALS, EXTERIOR TRIM

Decals and Medallions

386385	Nameplate – International
386205-01	Decal, "AIRSTREAM", 1.75" x 21.5", Black Chrome
386068-01	Medallion, 3" Logo, Airstream, Main door

Beltline Trim

116420	Extrusion, Belt line molding
201912-01	Molding, Belt line insert, Black
114417	Casting, Belt line closeout

Rub Rail Trim

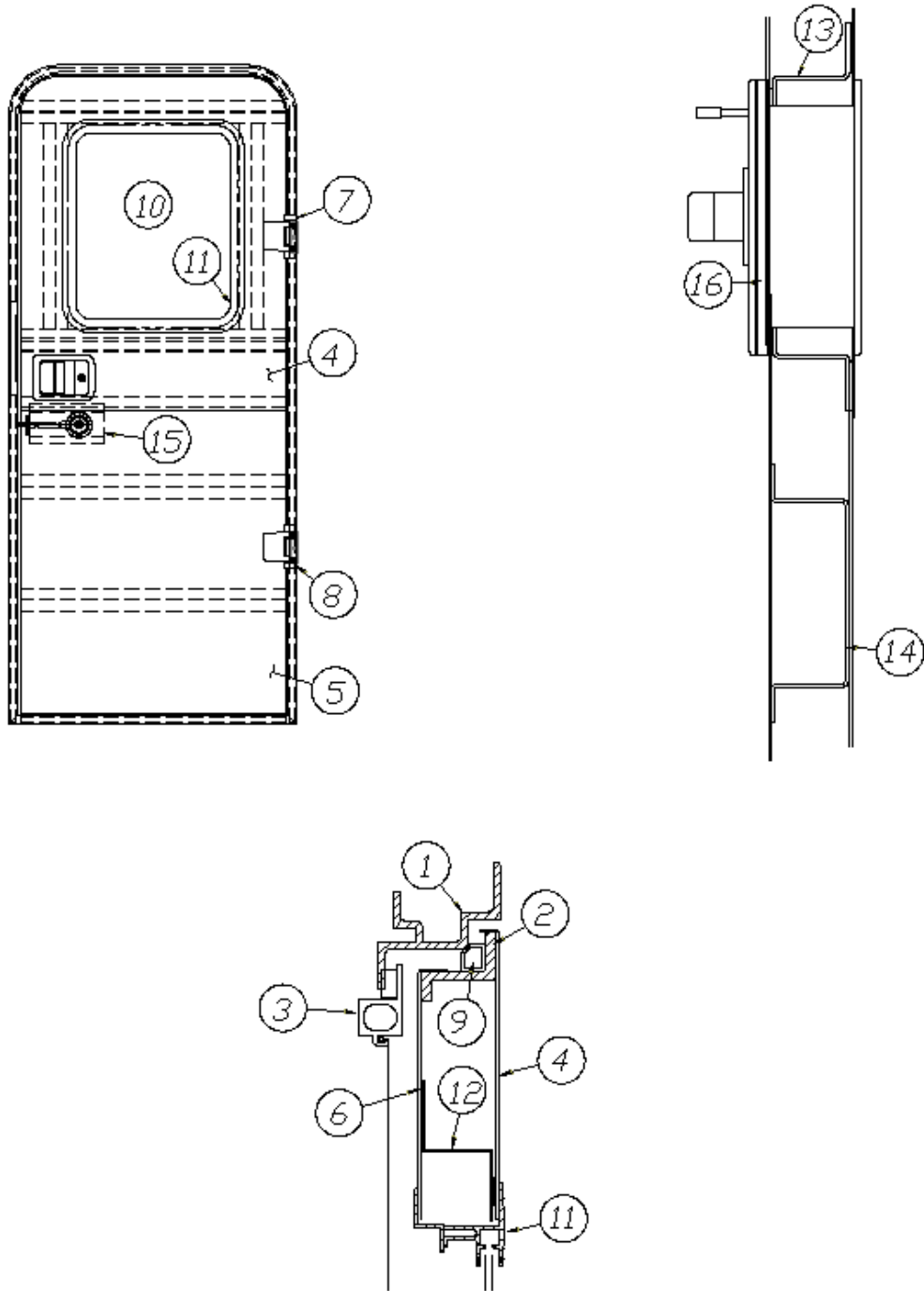
116421	Extrusion, Rub Rail
201763-100	Insert, Rub rail, 1", Chrome
114466-01	Closeout, Casting, Rub rail, Angled, RH
114466-02	Closeout, Casting, Rub rail, Angled, LH
114465-01	Closeout, Casting, Rub rail, RH
114465-02	Closeout, Casting, Rub rail, LH

Reflectors

99900P-030	Base, Curbside rear reflector
99900P-031	Base, Roadside rear reflector
99900P-019	Reflector, Rear triangle

EXTERIOR DOORS

Main Door, RH Hinge, Old Style



Parts Listed on Next Page

EXTERIOR DOORS

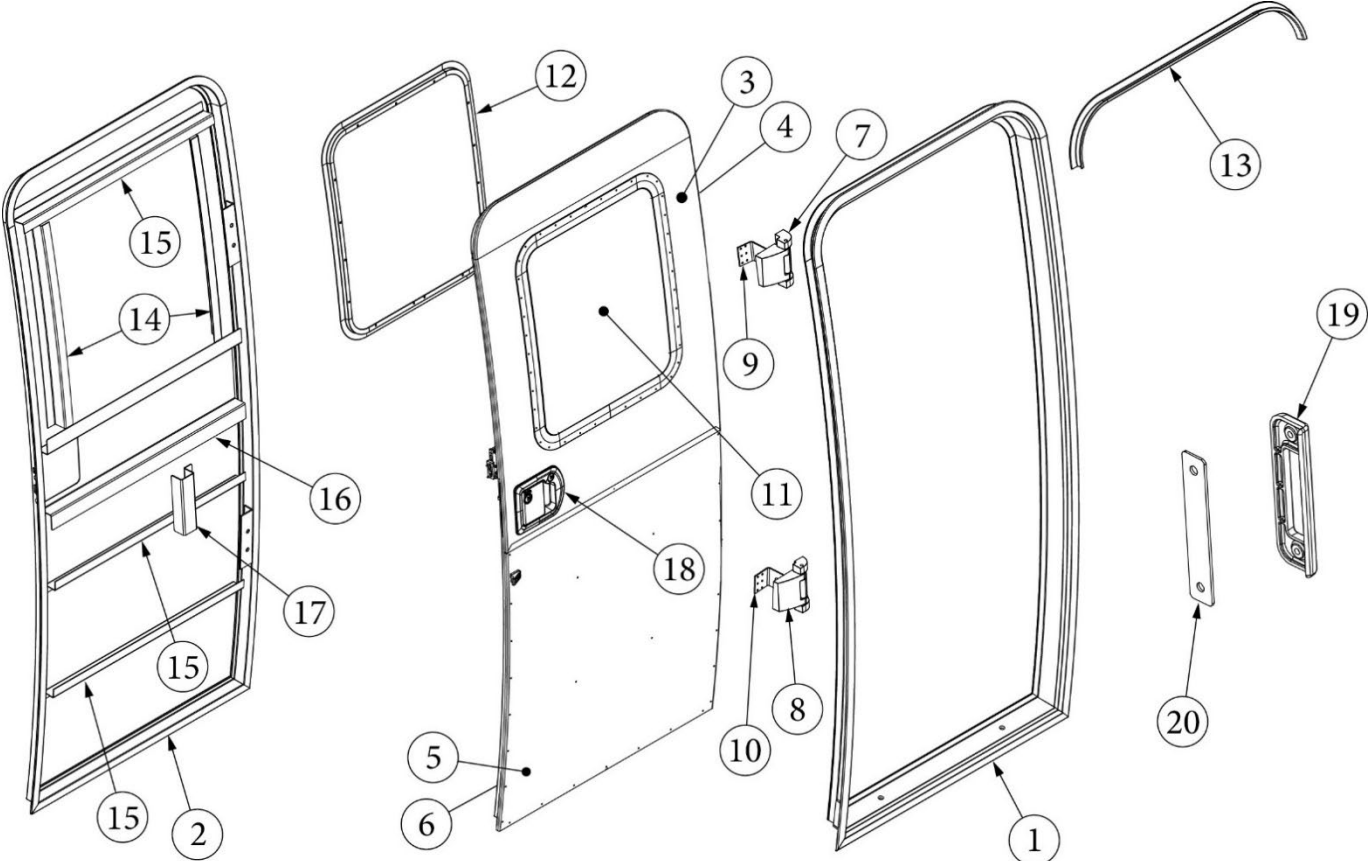
Main Door, RH Hinge, Old Style

115207-05*	Main Door
1. 114652	Jamb, Main door
2. 114653-01	Frame, Main door, Pre-formed
3. 114654-01	Screen door, RH Hinge
4. 114448-03	Skin, Exterior, Upper main door
5. 114449-03	Skin, Exterior, Lower main door
6. 114475	Main door skin, Inner
7. 381552-02	Hinge, Main door, Upper
8. 381552-01	Hinge, Main door Lower
9. 365232	Seal, Main door
10. 371400-01	Window, Main door
11. 115208	Trim ring, Main door window
12. 114658	Inner door, Z-bar, Upper & lower
13. 114657	Hat section, Formed, Main door
14. 115413	Door hat section
15. 382069	Deadbolt, Round, Trimark
16. 203370	Spacer, Trimark door Latch
385595	Pocket strike, Main door
380290	Housing latch
380291	Latch
201056	Striker, Main door, Black plastic
454898	Nut plate, Main door
203494	Base plate, Door latch
114363	Drip cap, Main door
101171-02	Grab handle, Cast Aluminum, Painted Silver
382130	P-gasket w/tape backing
382290-01	End cap, Threshold, RH
382290-02	End cap, Threshold, LH

*116515-01 (main door) replaced 115207-05 (main door) Mid model year

EXTERIOR DOORS

Main Door, RH Hinge, New Style



Parts Listed on Next Page

EXTERIOR DOORS

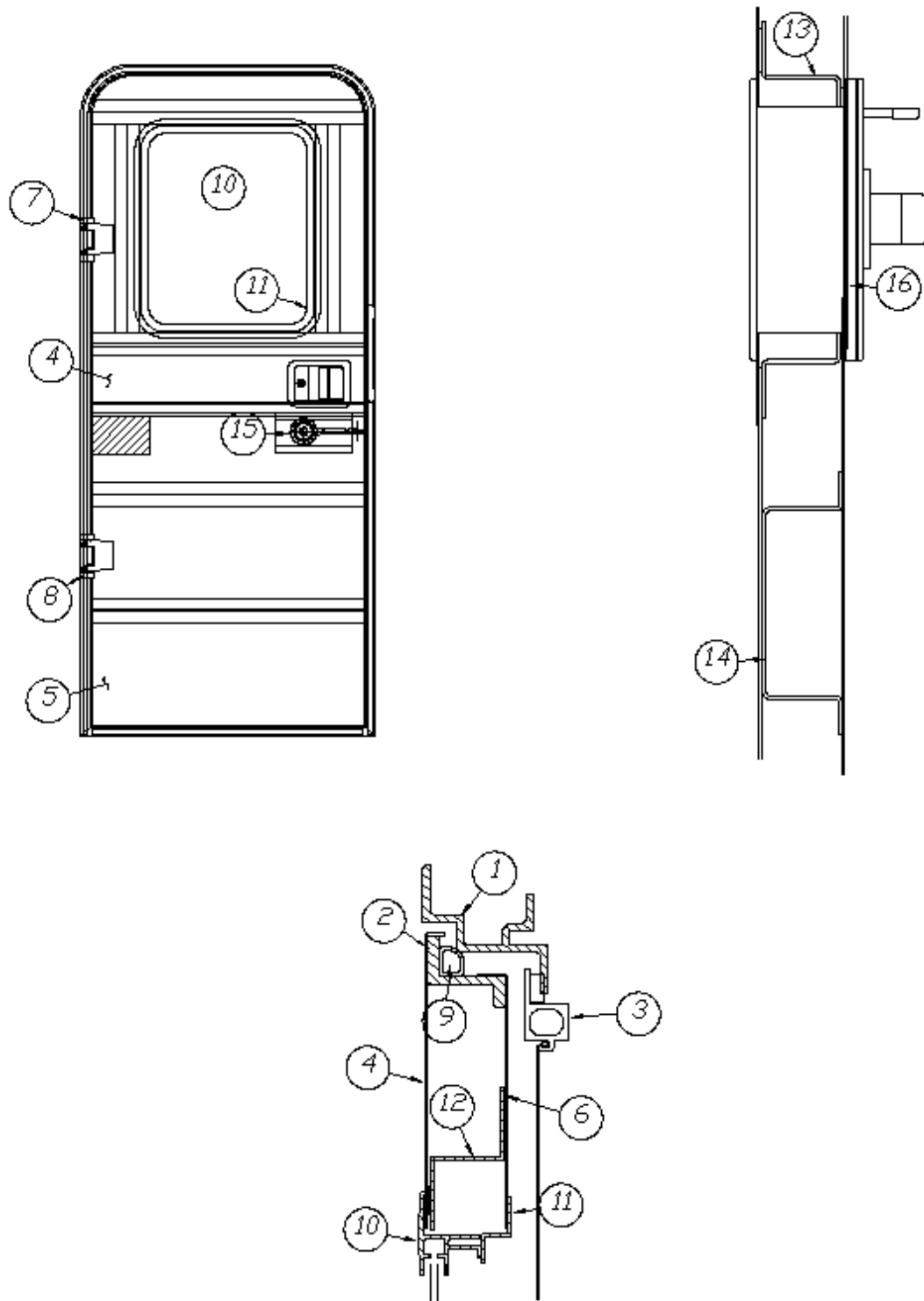
Main Door, RH Hinge, New Style

116515-01*	Main Door
1. 116508-01	Weldment, Jamb, Main Door, RH
2. 116507-01	Weldment, Frame, Main Door, RH
3. 116531-01	Skin, Entry Door, Exterior, Upper
4. 116532-01	Skin, Entry Door, Interior, Upper
5. 116531-03	Skin, Entry Door, Exterior, Lower
6. 116532-02	Skin, Entry Door, Interior, Lower
7. 381552-02	Hinge, Main door, Upper
8. 381552-01	Hinge, Main door, Lower
9. 381531-01	Hinge, Screen Door, Upper
10. 381531-02	Hinge, Screen Door, Lower
11. 371400-01	Window, Main door
12. 115208	Window Frame, Main Door, Interior
13. 114363	Drip cap, Main door
14. 114658	Z-Section, Main Door, Vertical
15. 114658-03	Z Section, Main Door, Horizontal
16. 116275	Hat Section, Main Entry Door
17. 116517	Latch Brace, Entry Door Latch
18. 383017-01	Outer Latch Assembly, W/Deadbolt
383017-02	Inner Latch Assembly, W/Deadbolt
383017-03	Screw Kit, Inside Handle Mounting
19. 116274	Striker Catch, Main Door
20. 116509	Backer Plate, Striker Catch, Main Door
454898	Nut plate, Hinge, Main door
201056	Catch, Striker, main door hold-back
203620	Spacer, Striker, main door hold-back
380291	Main Door Hold-Back
203494	Base Plate, Main Door Hold-Back
365232	Seal, Main door
365013	Seal Foam Tape, Screen Door
365222-02	Tape, VHB, Double Sided, Grey
365001	Tape, Double Coated, Foam
365334	Sealfoam Tape, 7#, w/PSA, 1/8" x 9/16"
203740-01	Insulation, Eco-Batt, Fiberglass
365335	Tape, Sealfoam, w/PSA, .75"
365016	Tape, Double Coated, Foam, 1/2"
382130	P-Gasket, w/3M Tape

*116515-01 (RH main door) replaced 115207-05 (RH main door) Mid model year

EXTERIOR DOORS

Main Door, LH Hinge, Old Style



Parts Listed on Next Page

EXTERIOR DOORS

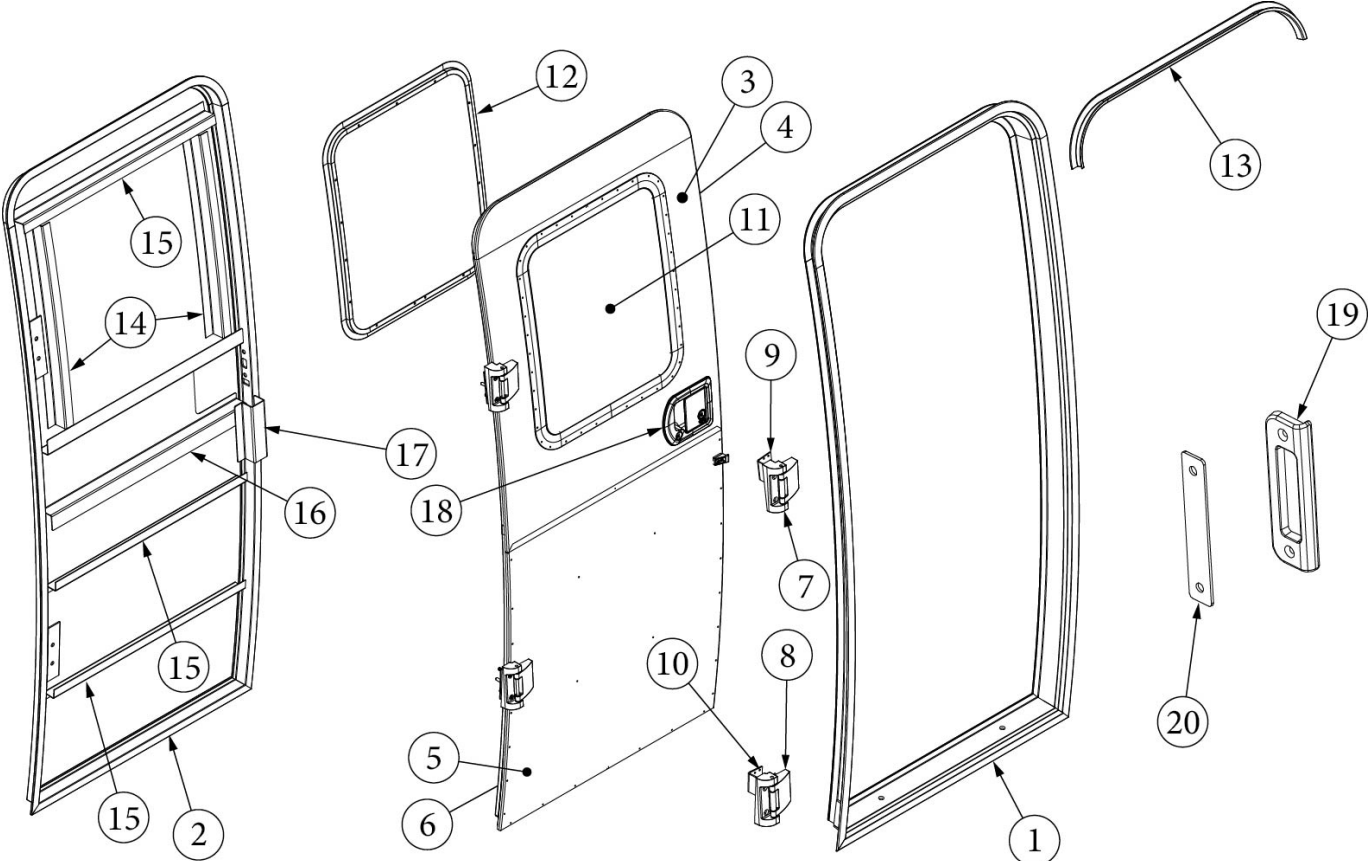
Main Door, LH Hinge, Old Style

115207-04*	Main Door
1. 114652	Jamb, Main door, Pre-formed
2. 114653	Frame, Main door, Pre-formed
3. 114654	Screen door
4. 114448-03	Skin, Exterior, Upper main door
5. 114449-03	Skin, Exterior, Lower main door
6. 114475	Main door skin, Inner
7. 381552-03	Hinge, Main door, Upper
8. 381552-04	Hinge, Main door, Lower
9. 365232	Seal, Main door
10. 371400-01	Window, Main door
11. 115208	Trim ring, Main door window
12. 114658	Inner door, Z-bar, Upper & lower
13. 114657	Hat section, Formed, Main door
14. 115413	Hat section, Round dead bolt
15. 382069	Deadbolt, Round, Trimark
16. 203370	Spacer, Deadbolt
385595	Pocket strike, Main door
381326	Striker w/Trimark deadbolt
453851	Bolt, Trimark deadbolt
114363	Drip cap, Main door
380290	Housing latch
380291	Latch
201056	Striker, Main door, Black plastic
114507-03	Trim, Main door
454898	Nut plate, Main door
203494	Baseplate, Door latch
101171-02	Grab handle, Cast Aluminum, Painted Silver
382130	P-gasket w/tape backing
382290-01	End cap, Threshold, RH
382290-02	End cap, Threshold, LH

*116515-02 (main door) replaced 115207-04 (main door) Mid model year

EXTERIOR DOORS

Main Door, LH Hinge, New Style



Parts Listed on Next Page

EXTERIOR DOORS

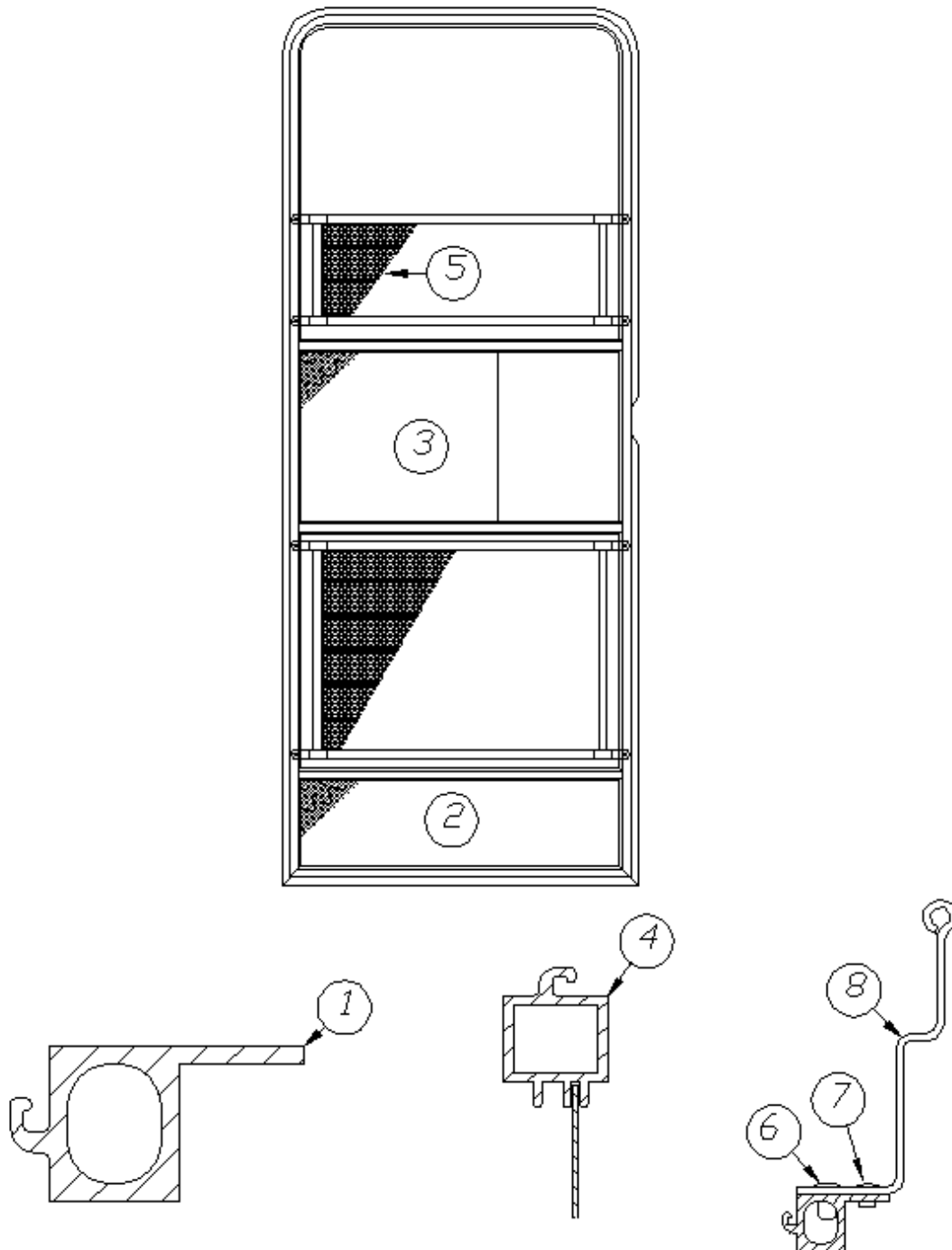
Main Door, LH Hinge, New Style

116515-02*	Main Door
1. 116508-02	Weldment, Jamb, Main Door, RH
2. 116507-02	Weldment, Frame, Main Door, RH
3. 116531-02	Skin, Entry Door, Exterior, Upper
4. 116532-03	Skin, Entry Door, Interior, Upper
5. 116531-04	Skin, Entry Door, Exterior, Lower
6. 116532-04	Skin, Entry Door, Interior, Lower
7. 381552-03	Hinge, Main door, Upper
8. 381552-04	Hinge, Main door, Lower
9. 381531-01	Hinge, Screen Door, Lower
10. 381531-02	Hinge, Screen Door, Upper
11. 371400-01	Window, Main door
12. 115208	Window Frame, Main Door, Interior
13. 114363	Drip cap, Main door
14. 114658	Z-Section, Main Door, Vertical
15. 114658-03	Z Section, Main Door, Horizontal
16. 116275	Hat Section, Main Entry Door
17. 116517	Latch Brace, Entry Door Latch
18. 383017-01	Outer Latch Assembly, W/Deadbolt
383017-02	Inner Latch Assembly, W/Deadbolt
383017-03	Screw Kit, Inside Handle Mounting
19. 116274	Striker Catch, Main Door
20. 116509	Backer Plate, Striker Catch, Main Door
454898	Nut plate, Hinge, Main door
201056	Catch, Striker, main door hold-back
203620	Spacer, Striker, main door hold-back
380291	Main Door Hold-Back
203494	Base Plate, Main Door Hold-Back
365232	Seal, Main door
365013	Seal Foam Tape, Screen Door
365222-02	Tape, VHB, Double Sided, Grey
365001	Tape, Double Coated, Foam
365334	Sealfoam Tape, 7#, w/PSA, 1/8" x 9/16"
203740-01	Insulation, Eco-Batt, Fiberglass
365335	Tape, Sealfoam, w/PSA, .75"
365016	Tape, Double Coated, Foam, 1/2"
382130	P-Gasket, w/3M Tape

*116515-02 (LH main door) replaced 115207-04 (LH main door) Mid model year

EXTERIOR DOORS

Screen Door, Old Style



Parts Listed on Next Page

EXTERIOR DOORS

Screen Door, Old Style

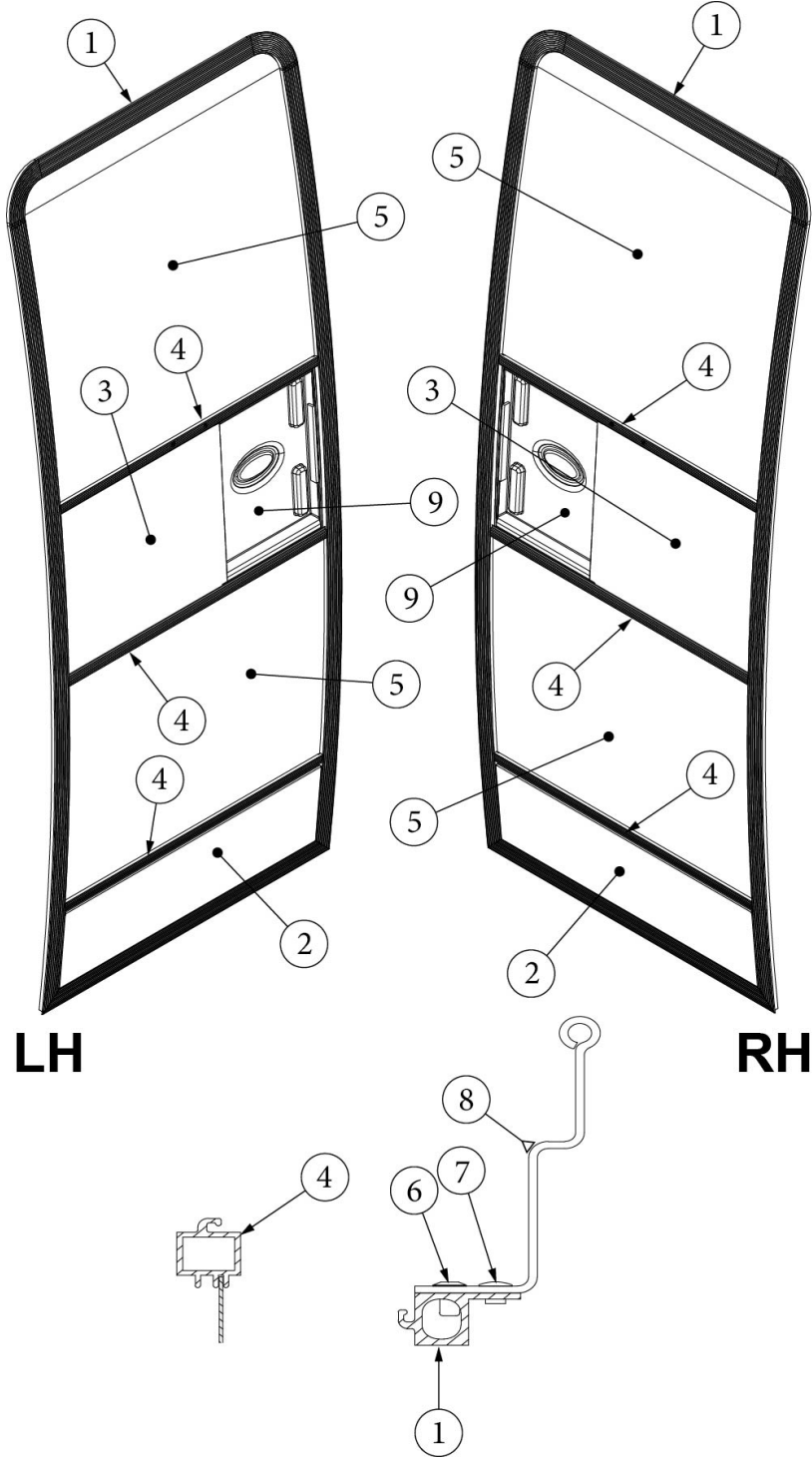
114654*	Screen Door, LH Hinge
114654-01*	Screen Door, RH Hinge
1. 104782-186	Extrusion, Frame
2. 114648-01	Kick panel
3. 114561-01	Pre laminate, Slider
4. 104784-78	Extrusion, Screen door stiffener
5. 380079	Screen, Gray
6. 330153	Rivet, 5/32, Mill finish
7. 325122	Rivet, 5/32, Brazier head
8. 385577-02	Tape, Clear, 1-7/8" wide
380004	Handle with 8/32" x 1 screw
203287-02	Close out, Plastic
115171-01	Screen door guard, Top
115171-02	Screen door guard, Bottom
0404-0001	Spline, Gray
701624	Velcro, Loop 5/8" wide
701625	Velcro, Hook 5/8" wide
381531-01	Hinge, Upper
381531-02	Hinge, Lower

*116516-01 (RH screen door) replaced 114654-01 (RH Screen door) Mid model year

*116516-02 (LH screen door) replaced 114654 (LH screen door) Mid model year

EXTERIOR DOORS

Screen Door, New Style



Parts Listed on Next Page

EXTERIOR DOORS

Screen Door, New Style

116516-01*	Screen door, RH
116516-02*	Screen Door, LH
1. 104782-186	Extrusion, Frame
2. 114648-01	Kick panel
3. 114561-01	Pre laminate, Slider
4. 104784-78	Extrusion, Screen door stiffener
5. 380079	Screen, Gray
6. 330153	Rivet, 5/32, Mill finish
7. 325122	Rivet, 5/32, Brazier head
8. 385577-02	Tape, Clear, 1-7/8" wide
9. 203287-02	Close out, Plastic
365013	Seal Foam Tape, Screen Door
380004	Handle with 8/32" x 1 screw
115171-01	Screen door guard, Top
115171-02	Screen door guard, Bottom
0404-0001	Spline, Gray
381531-01	Hinge, Screen Door, Upper
381531-02	Hinge, Screen Door, Lower
383024	Latch, Screen Door, RH
383025	Latch, Screen Door, LH
383026-01	Striker Plate, Screen Door
386068-01	Medallion, 3" Logo, Airstream, Main door

*116516-01 (RH screen door) replaced 114654-01 (RH Screen door) Mid model year

*116516-02 (LH screen door) replaced 114654 (LH screen door) Mid model year

EXTERIOR DOORS

Access Door, Sides 534/684, Rear and Curbside 25IB

99900M-082	Door w/jamb
99900M-083	Door only w/o latch, 20" x 15.25"
99900M-084	Jamb, Access door, 20 x 15.25
365035	Rubber seal, Access door
382230-02	Compression latch w/key code
381065-10	Cable support, 10"
380773	Hinge, access door

Access Door, Roadside, 25IB

100679-01	Assembly, Access Door
100686-01	Panel Rear Access Door 20 x 11.5
100685-01	Panel Front, Access Door 20 x 11
115295	Spacer Formed
100627	Access Door Frame
382229	Plate, Cam Access Door
382230-02	Latch, Compression #62-99-1146
345511	Screw, Flange HD, M5x20mm
382638-1	Hinge, Compartment Door - Small
115296	Jamb Formed, Door
365035	Rubber Seal, Access Door
381065-10	Support, Cable, #3684D/3-83, 10"

Access Door, Refrigerator Vent

923115	Assembly, Refer Door w/Frame
923114	Door only, Refer
112024	Jam, Refer Door
380988	Hinge, Refer Door, .5 leaf
381812	Latch, Twist, Chrome

Access Door, Rear, 534

99900M-163	Trunk door
99900M-234	Jamb, Trunk door
380774-02	Hinge, Compartment door
382230-02	Compression latch w/key code
365035	Rubber seal, Access door
381065-10	Cable support, 10"

EXTERIOR DOORS

Access Door, Rear, 684

922711	Access door
115157	Jamb, Trunk door
380203-01	Piano hinge, 1/8" pin, Clear Anodized
382230-02	Compression latch
365035	Rubber seal, Access door
381065-10	Cable support, 10"

Access Door, Exterior Shower

602326	Exterior shower
602326-100	Shower head with hose & mixer
602326-101	Exterior shower door
602326-102	Clip for shower head

WINDOWS

Windows and Screens, 534

99900P-049	Window, Front/Rear w/square corners
372088-101	Panoramic window, RS front, CS rear
372089-101	Panoramic window, CS front, RS rear
371323-01	Window, 18", Opening
371435	Window, 30" stack
371436	Window, 18" stacked
371400-01	Main door window
371384	Bath door window
99900P-052	Screen, Front window

Windows and Screens, 684

371328-01	Window, Front/Rear, Flat
371324-02	window, 30", Opening
371323-01	Window, 18", Opening
371435	Window, 30" stack
371436	Window, 18" stacked
372088-101	Panoramic window, RS front, CS rear
372089-101	Panoramic window, CS front, RS rear
371400-01	Main door window
371384	Bath door window
372173-03	Screen, Front window
99900P-053	Screen, Rear escape
372174-03	Screen, 18" opening window

WINDOWS

Windows and Screens, 25IB

371328	Window, Front, Flat
371437-01	Vista view window, 18"
371323-01	Window, 18" opening
371437-02	Vista view window, 30"
371324-02	Window, 30" opening
371435	Window, 30" stacked
371436	Window, 18" stacked
99900P-051-01	Window, Aft, Egress
371400-01	Window, Main door
372088-101	Panoramic window, RS front, CS rear
372089-101	Panoramic window, CS front, RS rear
372174-03	Screen, 18" opening window
372175-03	Screen, 30" opening window
372173-03	Screen, Front Window
372254	Screen, Rear Escape
372269	Trim Ring, Inner Support, 30"
372270	Trim Ring, Inner Support, 18"
380230-03	Knob, Window Arm, Plastic, Grey
382116-03	Screw Cap, Rubber

WINDOWS

Vista View Windows, 18"

371437-01	Vista view, 18"
203961-03	Trim ring, 18" vista view
922772-01	Backer, Vista view blind, 18"
704199-01	Shade, 19.25 x 9.5, 1" rail, Ash Grey

Vista View Window, 30"

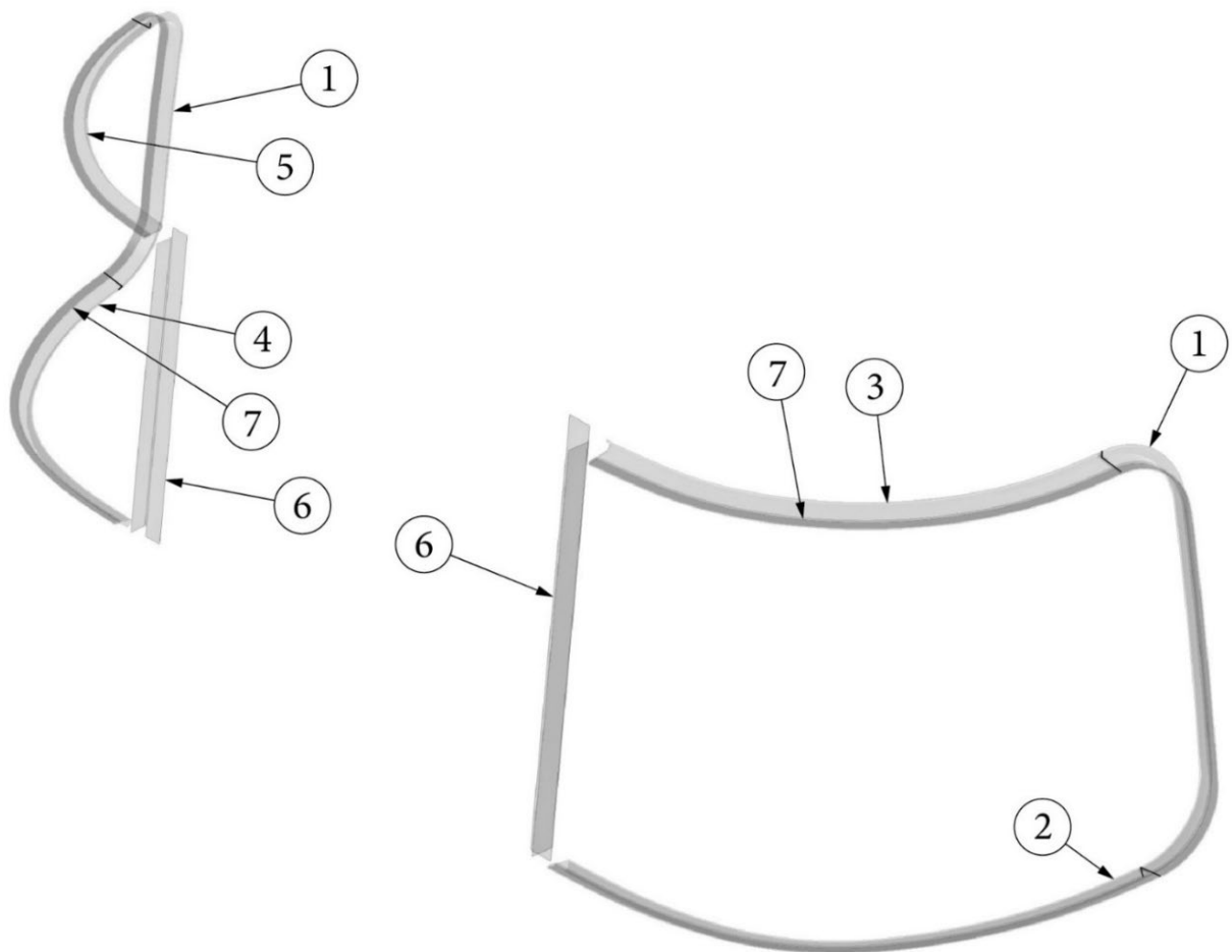
371437-02	Vista view window, 30"
704199-02	Shade, 31.25 x 9.5, 1" rail, Ash Grey

Window Trim

372269	Trim ring, Inner support, 30"
372270	Trim ring, Inner support, 18"
372267	Trim ring, 30" stack window, Clear
372268	Trim ring, 18" stack window, Clear
203225-01	Trim, Gray flexible

WINDOWS

Panoramic Window Trim



135394
135395

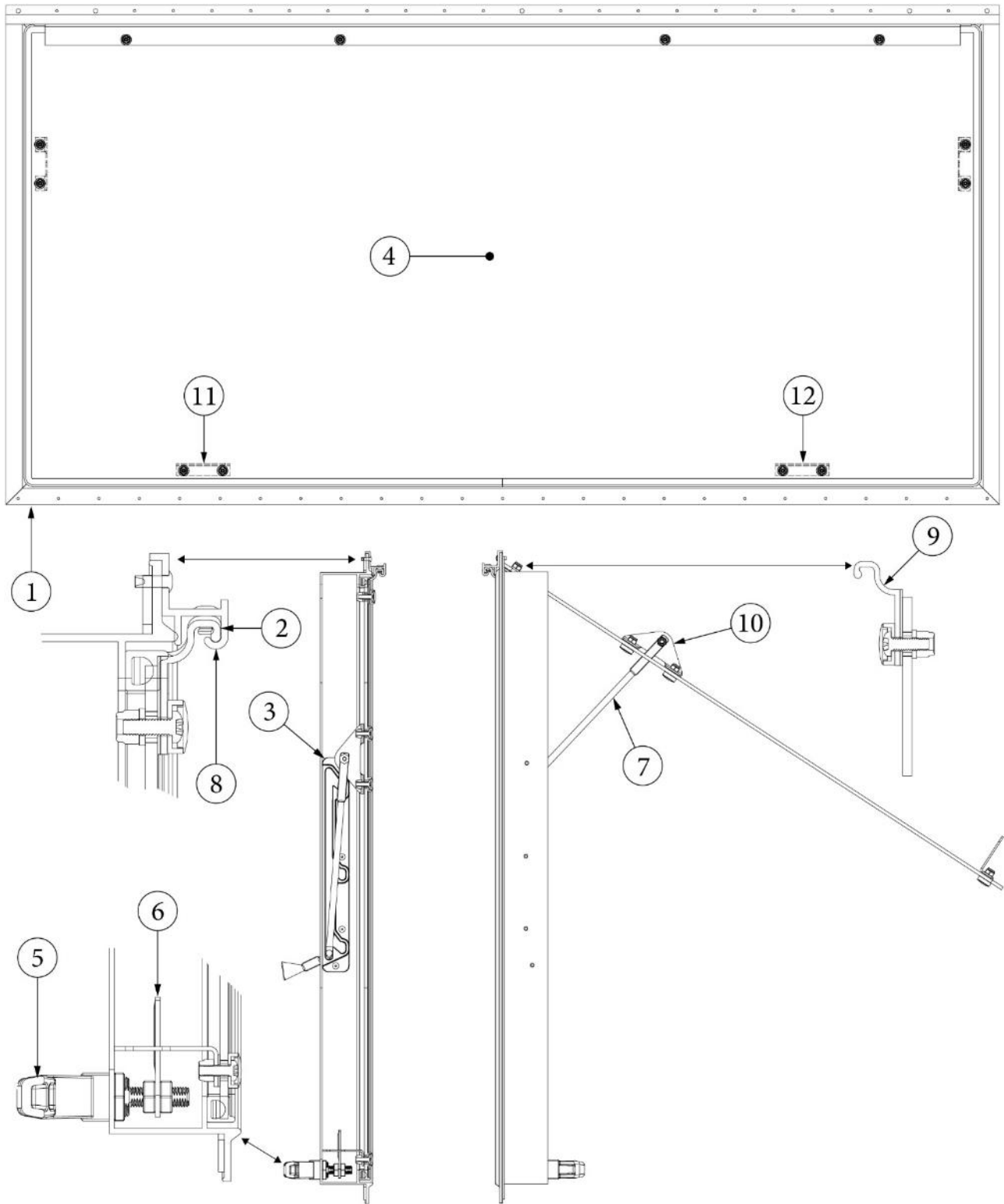
Install, Panoramic Window Trim, CS
Install, Panoramic Window Trim, RS

- 1. 201578-02
- 2. 201579-02
- 3. 201581-05
- 4. 201580-02
- 5. 201581-06
- 6. 110900
- 7. 203225-01

End cap, Trim ring, Aluminum
Trim ring, Lower, Aluminum
Trim ring, Upper, Aluminum
Trim ring, Lower, Aluminum
Trim ring, Upper, Aluminum
Trim formed, Aluminum.
Trim Lok, Gray, .75" #1375-1/8, G-7

WINDOWS

Window Parts, Front and Rear



Parts Listed on Next Page

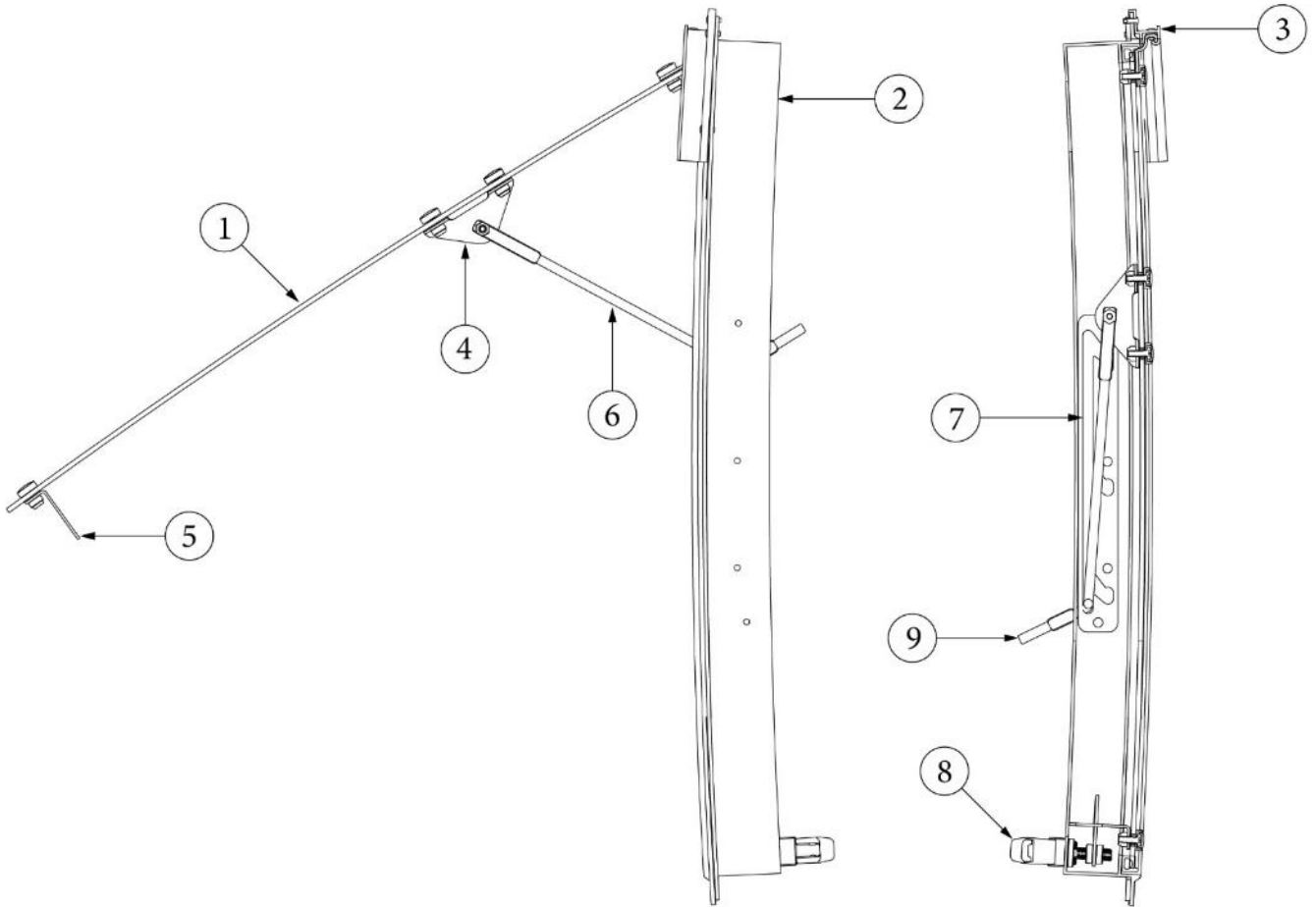
WINDOWS

Window Parts, Front and Rear

99900P-049	Window, Front/Rear, Flat, 534
371328-01	Window, Front/Rear, Flat, 684
371328	Window, Front, Flat, 25IB
1. 371446-01	Extrusion, Exterior Window Frame, 37.68"
2. 371446-04	Extrusion, Exterior Window Frame, 45.38"
3. 115770	Hinge stop
4. 382359	Opening window guide, LH, Black Nylon
5. 382360	Opening window guide, RH, Black Nylon
6. 195510-95	Assembly, Glass, 534
7. 195510-34	Assembly, Glass, 684, 25IB
8. 99900P-039	Glass Only, 534
9. 371327	Glass Only, 684, 25IB
10. 382367-01	Assembly, Window latch (non-emergency)
11. 382367-02	Assembly, Window latch (emergency)
12. 115776	Lock Paw, Window latch assembly
13. 382361	Window opening arm, LH
14. 382362	Window opening arm, RH
15. 371449-02	Extrusion, Window hinge, Fixed, 37.68"
16. 371449-04	Extrusion, Window Hinge, Fixed, 45.38"
17. 371450-10	Extrusion, Window hinge, Glass, 40.25"
18. 371450-08	Extrusion, Window hinge, Glass, 32.5"
19. 114478	Bracket, Window prop
20. 114479-01	Bracket, Window closer, Right
21. 114479-02	Bracket, Window closer, Left
115780-01	Latch handle (non-emergency)
115780-02	Latch handle (emergency)
115779	Latch shaft
310030	Drive lock pin (latch shaft)
115778	Latch body
382356	Latch spring
0802-0004	Snap cap, Screw cover
380230-03	Knob, Window arm, plastic, Silver
380230-04	Knob, Window arm, plastic, Red
382833	Gasket Extrusion, Ripped
360339	Weather Strip and Gasket Adhesive, 3M
360367	Grease, Window

WINDOWS

Window Parts, Opening Windows



Parts Listed on Next Page

WINDOWS

Window Parts, Opening Windows

371323-01	Window, 18", Opening
371324-02	Window, 30", Opening, Chrome Handle, Tinted
99900P-051-01	Window, Rear, Aft Egress
1. 195510-12	Glass assembly, 18" window
195510-07	Glass assembly, 30", Opening, Chrome Handle, Tinted
195510-96	Glass Assembly, Rear Window, Aft Egress
371321	Glass Only, 18" Window, Tinted
371322	Glass Only, 30" Window, Tinted
99900P-040	Glass Only, Rear Window, Aft Egress
2. 371447-03	Frame Extrusion, 18" window
371447-02	Frame Extrusion, 30" window
3. 371448-07	Extrusion, Window hinge eyebrow, Fixed, 18" window
371448-06	Extrusion, Window hinge eyebrow, Fixed, 30" window
371448-03	Extrusion, Window Hinge Eyebrow, Fixed, Rear/Aft Egress
4. 114478	Bracket, Window prop
5. 114479-01	Bracket, Window closer, RH
114479-02	Bracket, Window closer, LH
6. 382362	Opening arm, RH
382361	Opening arm, LH
7. 382360	Window guide, RH
382359	Window guide, LH
8. 382367-01	Latch assembly, Chrome
382367-02	Latch assembly, Egress, Red
9. 115780-01	Handle, Chrome
10. 380230-03	Knob, Window arm, Silver
380230-04	Knob, Window arm, Red
115776	Lock paw, Window latch
115770	Hinge stop
115778	Latch body, Zinc die cast
115779	Latch shaft
310030	Drive lock pin, 5/32 x 5/8

WINDOWS

Stone Guards, Front Window

110102-03	Assembly, Stone Guard, Center, 47.38" (for 684 & 25IB)
110102-05	Assembly, Stone Guard, Center, 39.62" (for 534)
685275-101	CS Wrap Solar Gray Stone Guard
685275-102	RS Wrap Solar Gray Stone Guard
203472-06	Stone Guard, Center Window, 46.5"
203472-08	Stone Guard, Center Window, 38.8"
685361	Bracket, Rubber Receptacle, Wrap, Stone Guard
685361-01	Bracket, Rubber Receptacle
685354	Front window key, 90° angle
203472-04	Stone Guard, Wrap 30.12" X 36.24"
685358	Turn Fast Stud, #82-11-100-16
685362	Retainer, Split Ring
683960	Arm Support, Rockguard Each
685359	Rubber receptacle
685363	Slip joint hinge, SS, CS per pair
685355	Slip joint hinge, SS, RS per pair
114749	Y-hinge
114750	J-hinge
381021-01	Rubber T-handle
114815-01	Extrusion, Frame, Aluminum
685378-01	Rubber spline, ¼"
685351	Rubber frame, Black
101401	Extrusion, Door latch housing

AWNINGS

Patio Awning and Mounting Hardware Kit, 534

704824-16	Patio awning, Charcoal Tweed, 11'-4.75"
704824-03	Kit, Mounting Hardware, w/SS Bar
345803	Caps, Round Vinyl Plastic
385577	Tape, Clear, Wear strip, 3.5" wide

Patio Awning and Mounting Hardware Kit, 684

704824-06	Patio awning, Silica Gravel, 16'-4.25"
704824-03	Kit, Mounting Hardware, w/SS Bar
385577	Tape, Clear, Wear strip, 3.5" wide702993-36

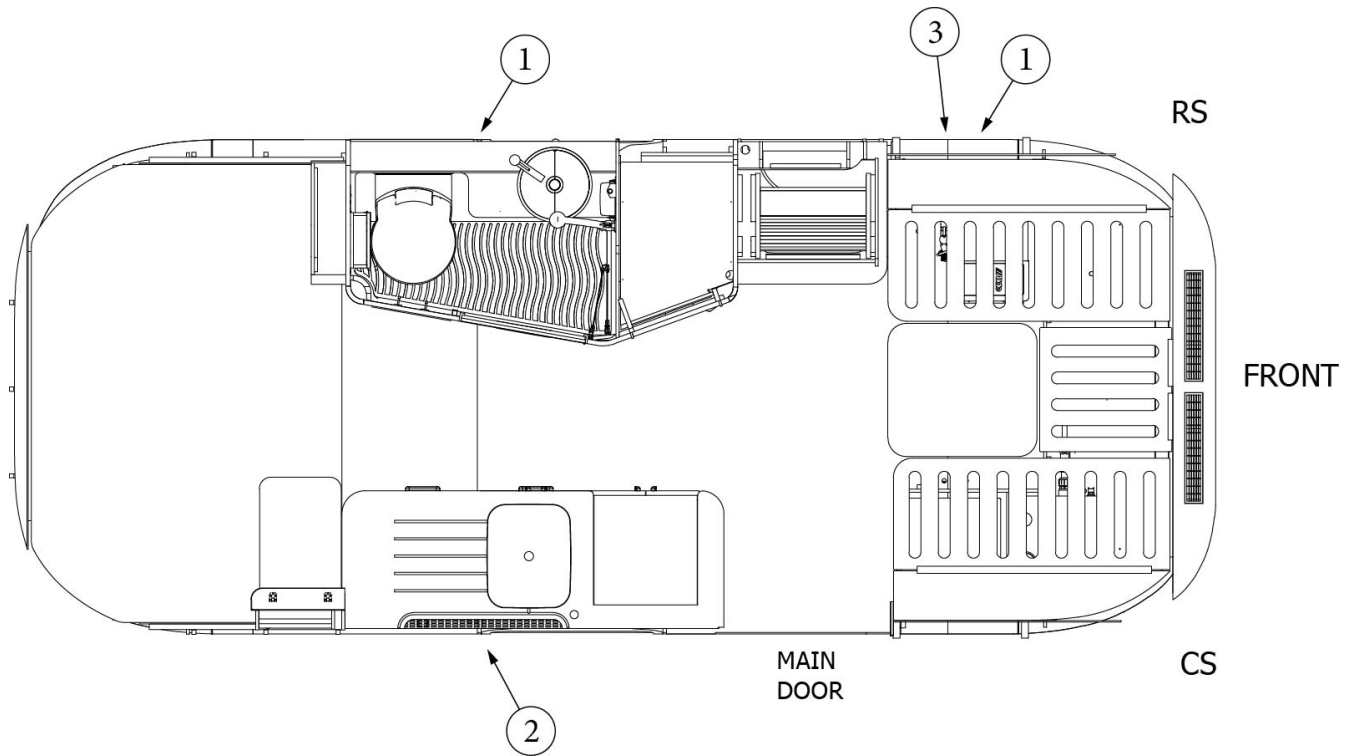
Patio Awning and Mounting Hardware Kit, 25IB

704824-18	Awning, Charcoal Tweed, 16' 1.25"
704824-03	Kit, Mounting Hardware, w/SS Bar
345803	Caps, Round Vinyl Plastic
385577	Tape, Clear, Wear strip, 3.5" wide

NOTE: For awning additional hardware parts please see, Awning Hardware, in the Hardware section of this parts book.

WINDOW COVERINGS

Drapes and Shades, 534



99900M-942

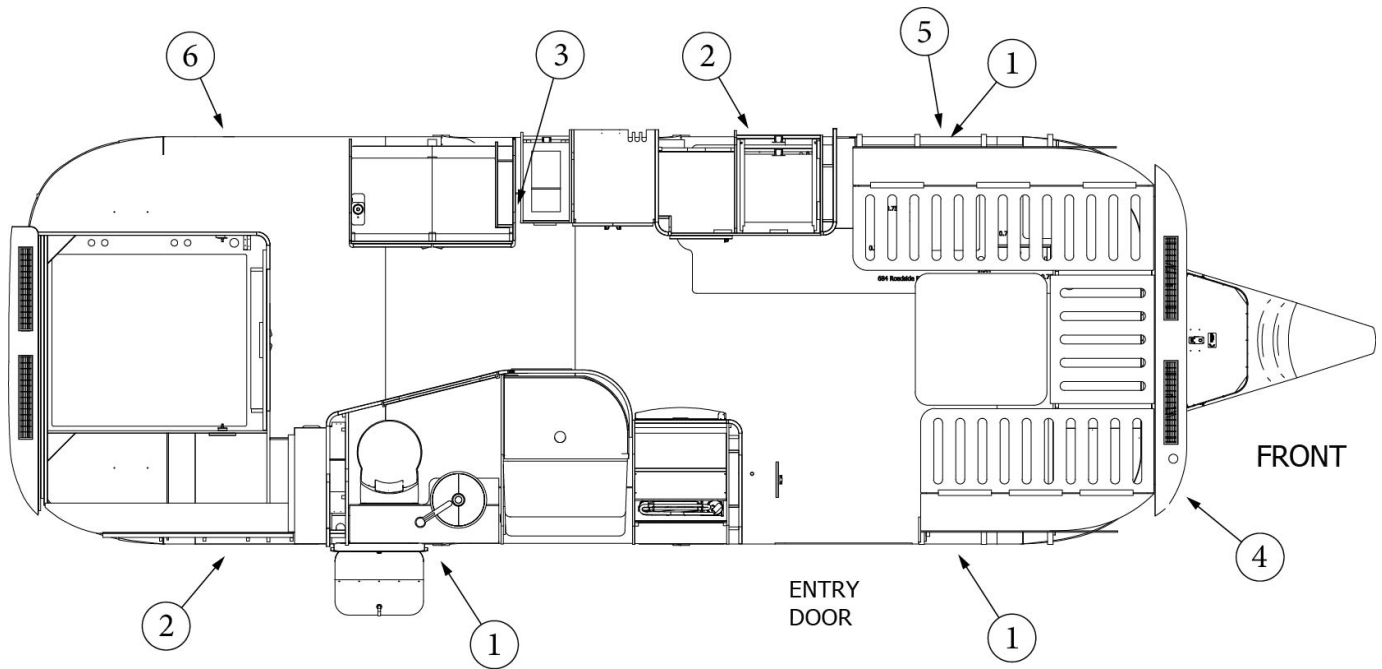
Window Coverings Install (Not for order/see parts below)

1. 703700-07
2. 703700-02
3. 99900P-2089
4. 704199-01

- Shade, Oceanair, 17.75 x 34"
- Shade, Oceanair, 32.5 x 24"
- Shade, Oceanair, 360 x 575
- Shade, Vista view, 19.25 x 9.5, 1", Ash Grey

WINDOW COVERINGS

Drapes and Shades, 684



99900M-707

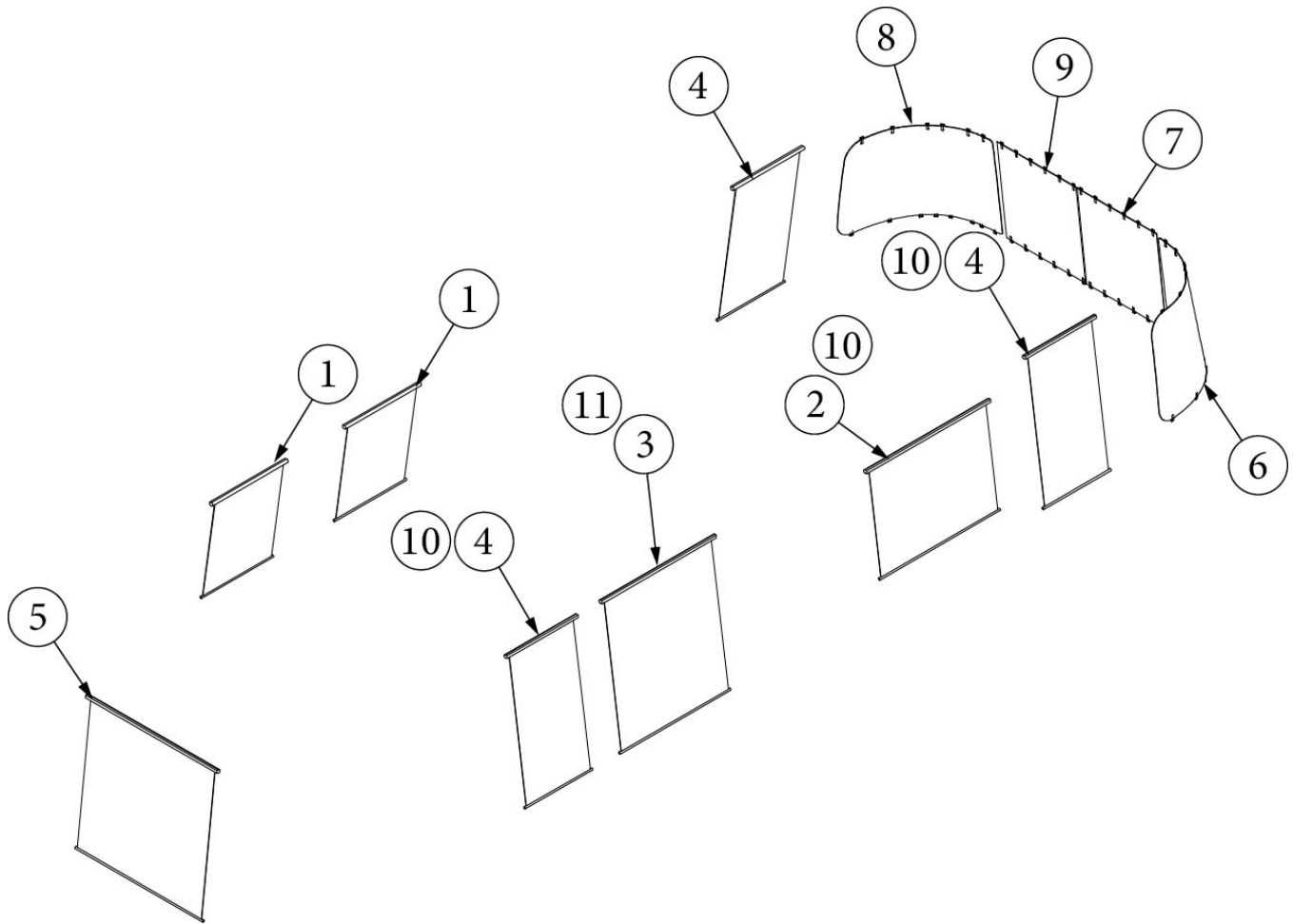
Window Coverings Install (Not for order/see parts below)

- 1. 703700-07
- 2. 998171-26
- 3. 99900P-2089
- 4. 99900M-848
- 5. 704199-01
- 6. 998171-25

- Shade, Oceanair, 17.75 x 34"
- Curtain Assembly, 19.5" x 25.50"
- Shade, Oceanair, 360 x 575
- Assembly, Panoramic Window Curtains
- Shade, Vista view, 19.25 x 9.5, 1", Ash Grey
- Curtain Assembly, 19.5" x 29.5"

WINDOW COVERINGS

Drapes and Shades, 25IB



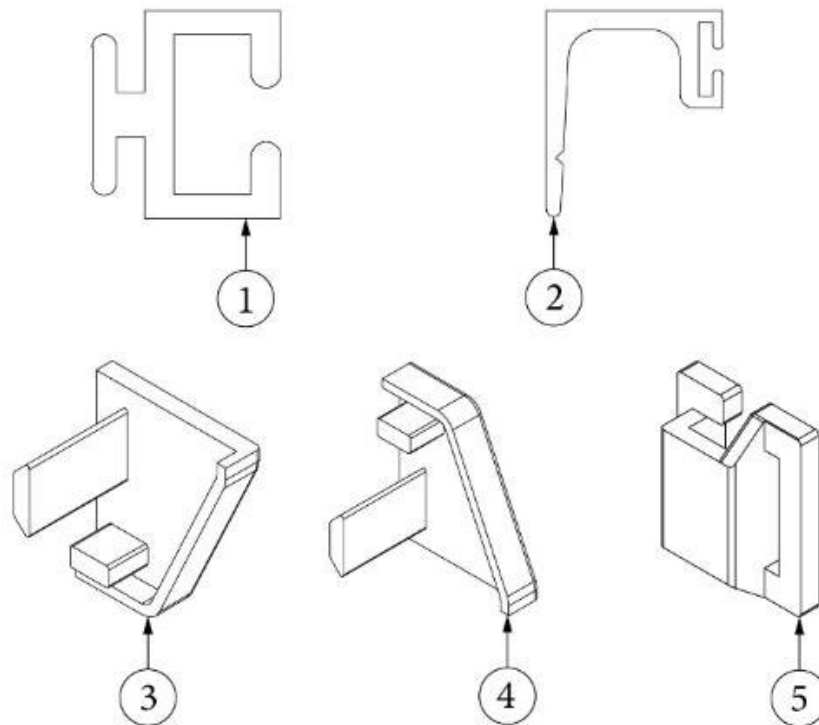
113207

Window Coverings Install (Not for order/see parts below)

- | | |
|---------------|--|
| 1. 703700-01 | Shade, Oceanair, 19 x 24" |
| 2. 703700-02 | Shade, Oceanair, 32.5 x 24" |
| 3. 703700-04 | Shade, Oceanair, 29.75 x 34" |
| 4. 703700-07 | Shade, Oceanair, 17.75 x 34" |
| 5. 703700-12 | Shade, Oceanair, 34.5 x 34" |
| 6. 998144-09 | Drape, CS Side Panel 37 x 25.5" |
| 7. 998144-10 | Drape, CS Front Panel 23 x 25.5" |
| 8. 998144-11 | Drape, RS Side Panel 37 x 25.5" |
| 9. 998144-12 | Drape, RS Front Panel 23 x 25.5" |
| 10. 704199-01 | Shade, Vista view, 19.25 x 9.5, 1", Ash Grey |
| 11. 704199-02 | Shade, Vista view, 31.25 x 9.5, 1", Ash Grey |

WINDOW COVERINGS

Drapes and Shades Hardware



- | | |
|-----------|---|
| 1. 101217 | Track, Curtain |
| 2. 101225 | Bracket, Curtain stand off |
| 3. 200785 | End, Curtain track, LH |
| 4. 200784 | End, Curtain track, RH |
| 5. 700045 | Glides w/elastic "G" type |
| 100099 | Extrusion, Aluminum, Curtain track, Top |
| 700005 | Fastener cap |
| 700006 | Fastener socket |
| 700020 | Pile, Velcro |
| 700021 | Hook, Velcro, White |
| 381519 | Screw Stud, Fasnap |

ELECTRICAL

Power System, 25IB

513959	Battery Management System, BP35-II-HA
513997	Control panel, Trek3
513428-03	Cable, Data, For Control Panel
455833	Battery Box

Power System, 534 & 684

99900P-2161	Power supply unit, EC500
99900P-2159	Control panel w/full color TFT display
99900P-2160	Battery charger, PX300
99900P-1687	Battery box

Shoreline Cord and Inlet, 534, 684

99900P-2106	Electrical mains hook-up lead, 25m
99900P-153	Inlet box, Electrical mains

Shoreline Cord and Inlet, 25IB

99900P-2106	Electrical mains hook-up lead, 25m
513726-18	Electrical Inlet, 230V

Outlets/Receptacles, 534, 684

99900P-1976	Socket, 230V, 2 Wire, EU Spec
99900P-1977	Socket, 230V, 1 Wire, EU Spec
99900P-1978	Socket, 230V, 2 Wire, UK Spec
99900P-1979	Socket, 230V, 1 Wire, UK Spec

Outlets/Receptacles, 25IB

512582-01	Outlet, EXT Power, WP, 10amp, Black
513817	Plug, 230V/16A, European Schuko
512398	Plate, Wall Power Supply, White
513700-01	Passive Jack Wall Plate
513726-14	Double USB, 2 x 2.5a, 12-24V

ELECTRICAL

Fresh Water Tank Sensor, 534, 684

99900P-2144 Fresh water tank sensor

Tank Sensor, and Heaters, 25IB

513430-01 Dipper, Tank Arm Sensor
513430-02 Dipper, 7.5 Meter Cable
511780 Pad, Tank Heating, 6.5" X 18"

Solar, 25IB

513247 Kit, Combo Charge Controller, Digital Display
514042 Solar Panel, 100W, Merlin
382832 Foot Mounting Kit, Merlin, FTSW310
514071 Solar Port, Merlin, Three Position
513120 Solar Port, Zamp
340308 Clip, Solar Panel

Breaker Panel and Breakers, 25IB

513725-01 Clipsal Breaker Panel
513725-02 Clipsal Breaker Panel Copper B
514025-01 Mini Circuit Breaker, 6A
514025-02 Mini Circuit Breaker, 10A
514025-03 Mini Circuit Breaker, 16A
510947-15 Breaker, 12V DC Type II #12V15A
510947-30 Breaker, 12V DC Type II #12V30A
510947-40 Breaker, 12V DC Type II #12V40A
510947-50 Breaker, 12V DC Type II #12V50A
510947-06 Breaker, 12V DC Type II #12V6A
513813-02 Breaker, SGL POLE 230V

ELECTRICAL

Switches, 25IB

513726-01	On/Off Switch, Single Pole
513726-02	On/Off Switch, Two Pole
513726-03	3 Way Switch
513726-04	Double Switch, 2 Current Paths
513726-05	Blank Finger Plate, Black
513726-06	Blank Double Finger Plate, Black
513726-08	Single Frame, Matte Chrome
513726-09	Double Frame, Matte Chrome
513726-10	Tripple Frame, Matte Chrome
513726-13	Security Cap
513726-21	Double Distance Frame, Black
513726-22	Triple Distance Frame, Black

Interior Lights, 534

99900M-899	Lights and switches, 12V
99900P-1974*	Reading light, Halogen, Flexible Arm, Brushed Nickel
514257*	Reading Light, LED, Rotating Swivel Head, Brushed Nickel
512936	Spotlight, Surface mount, Halogen, Brushed Nickel

***NOTE:** 514257 replaced 99900P-1974 mid-model year 2024

Interior Lights, 684

99900P-1974*	Reading light, Halogen, Flexible Arm, Brushed Nickel
514257*	Reading Light, LED, Rotating Swivel Head, Brushed Nickel
512936	Spotlight w/frosted lens, Brushed Nickel
512736	LED light w/switch, Single
513660	Step Light, LED, SS

***NOTE:** 514257 replaced 99900P-1974 mid-model year 2024

ELECTRICAL

Interior Lights, 25IB

512478	LED Light, 12v, Wet Location
513297-19	Kit, Luna Light, 3000k, Track, 1' 7"
513297-50	Kit, Luna Light, 3000k, Track, 4' 2"
513297-58	Kit, Luna Light, 3000k, Track, 4' 10"
512736	Light, 12v W/Switch LED Sng#L95
513136	Light, Spot W/Frosted Lens, LED
514257	Light, LED Reading Brushed Nickel
512737	Light, 12v LED, W/Switch Dbl# L95
513433	Light, Bath Ceiling

ELECTRICAL

Exterior Lights and Triangle Reflectors, 534, 684

99900P-1888	Bracket, Number plate
513795*	Rear LED Fog/Reverse light
513540-02*	End outline marker light, Front, White
513540-01*	End outline marker light, Rear, Red
99900P-015	Side marker light & reflector
99900P-018	Front position LED lamp & reflector
101323	Entrance light casting, Polished Aluminum
201185	Lens, Entrance light
99900P-019	Triangular rear reflector
99900P-030	Base, Curbside rear reflector
99900P-031	Base, Roadside rear reflector
365529**	Gasket Kit, AEU Trailers, Wall Mechanicals

Exterior Lights and Triangle Reflectors, 25IB

99900P-1888	Bracket, Number plate
513795*	Rear LED Fog/Reverse light
513540-02*	End outline marker light, Front, White
513540-01*	End outline marker light, Rear, Red
99900P-015	Side marker light & reflector
99900P-018	Front position LED lamp & reflector
513752	Light, Push Lens, .99" diameter
513391	LED Step Light, 570 Lumens, 3" x 1 .5"
99900P-019	Triangular rear reflector
365529**	Gasket Kit, AEU Trailers, Wall Mechanicals

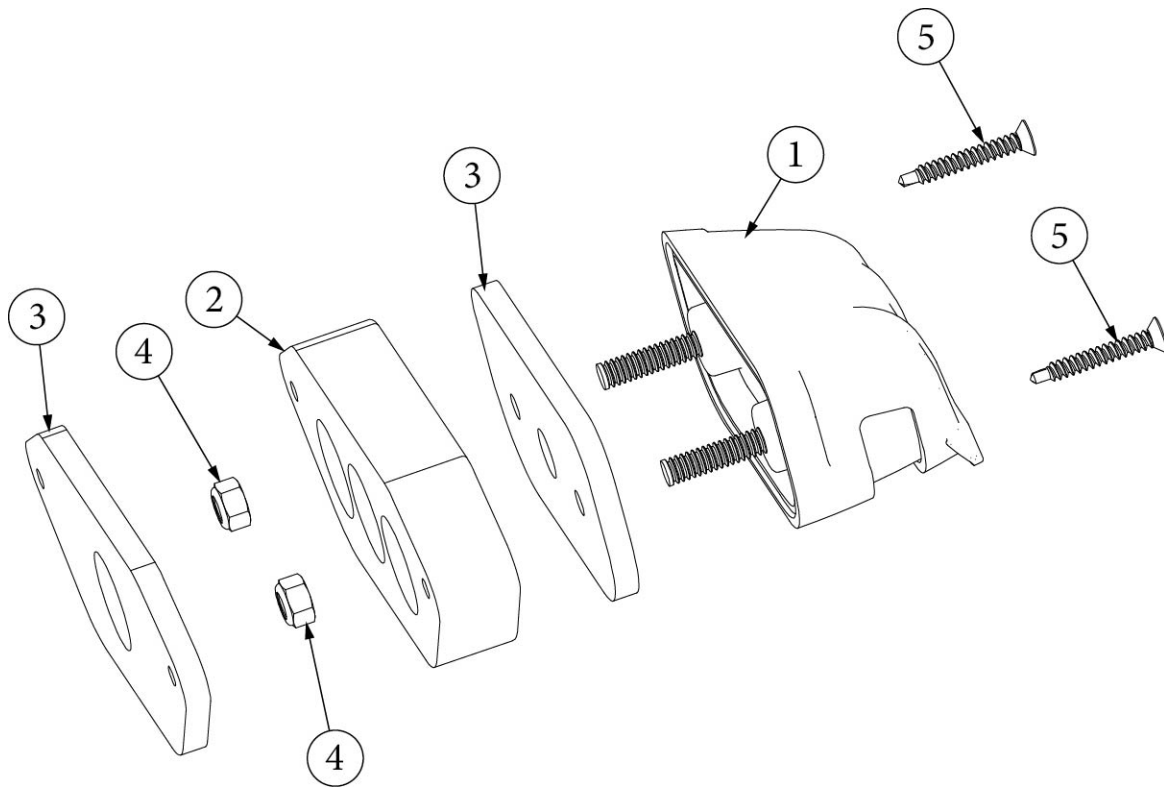
***This part replaces the parts listed below as part of a new lighting arrangement, mid-model year 2024. (see Exterior Lights in the Electrical section of this parts book for additional part numbers).**

- 99900P-1783, 99900P-012, and 99900P-013 lighting is **replaced by 513795** (Fog/Reverse Light)
- 99900P-014 (end outliner marker) is **replaced by 513540-01** (red marker light) and **513540-02** (white marker light).

****Use this gasket kit in conjunction with the 25IB, and with the 534/684 new style lighting arrangement for mid-2024.**

ELECTRICAL

Exterior Lights, License Plate Light



113359 Install, License Plate Light (not for order/see parts below)

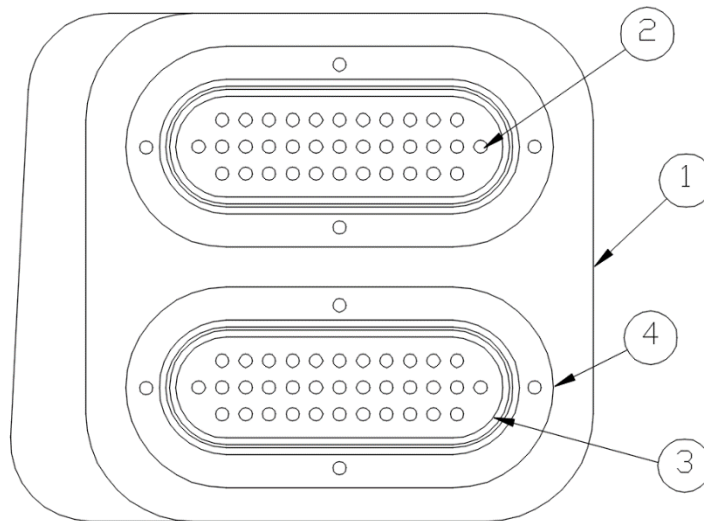
- 1. 513794* License Plate Light
- 2. 204380 Spacer, License Plate Light
- 3. 365529 Gasket Kit, Contains License Plate Light Gaskets
- 4. 345734 M5 x.8 Nylon-Insert Locknut
- 5. 345419 Screw-#6 X 1" S.S., #410

***This part replaces the parts listed below as part of a new lighting arrangement, mid-model year 2024. (see Exterior Lights in the Electrical section of this parts book for additional part numbers).**

- 99900P-010 (number plate lamp) **replaced by 513794** (license plate lamp)

ELECTRICAL

Taillight Assembly, 534, 684, 251B



99900M-042
99900M-043

LED taillight, Roadside
LED taillight, Curbside

- | | |
|---------------------------|--|
| 1. 511664-01
511664-02 | Taillight casting, Roadside
Taillight casting, Curbside |
| 2. 99900P-387 | LED, Stop/tail/turn, Red |
| 3. 99900P-388 | LED, Turn/auxiliary, Amber |
| 4. 99900P-389 | Bezel, 6" oval, Chrome |
| 115073-01 | Bracket, Roadside |
| 115073-02 | Bracket, Curbside |

ENTERTAINMENT

Audio

513716	Radio-Fusion Ms-Ra60 (25IB only)
513655	Speaker, 6.5", JI Audio
513720	Speaker Grill, Black Mesh
511339-01	Speaker-Audiovox 5.25" 110-303
511339-02	Grill, Speaker White 6" #1990
203792	Spacer-Speaker White

Video

513684	Inlet, Tv, Grey
99900P-1975	Antenna, TV/Fm, Roof (534 & 684 only)
512561	HDMI Right Angle Adapter, Right Side
513594-03	Antenna, Tv, King, White Omni (25IB only)
512366-20	Cable, HDMI Male To Male (20 F
513699-25	Cable-Connexx 25' Cat6 Ivory
602541-44	3020 Control Cable 9 Meter
512528	Adapter HDMI Right Angle
512508	Adapter-Coaxial - Right Angle
513726-16	HDMI Connector
513726-17	HDMI Base
513726-15	Combination Tv Socket

FLOOR COVERINGS

Floor Covering

704160	Flooring, Raffia, 1520 CC, Color 2
203594-02	Floor trim, Ash Grey
203727	Foil, Single bubble flex
360404	Adhesive, Flooring, Weatherseal
704942	Entry Mat, Airstream Logo

FURNITURE, INTERIOR DOORS AND MIRRORS

Roof locker Doors

203749-07	Door, Sliding, 24"
203749-09	Door, Plexiglass, 26.25"
203749-11	Door, Plexiglass, 22"
99900P-2181	Door, Tambour

Bath Door, 534

99900M-863	Bath door
371438	Bath door window

Bath Door, 684

99900M-768	Bath door w/window
371438	Bath door window

Bath Door, 25IB

969410	Bath Door, 25.5" X 74"
380203-01	Piano Hinge, 1/8" pin
382034	Latch, Flush Mount

Shower Door, 534

99900P-1543	Shower door, Folding, Remis
-------------	-----------------------------

Shower Door, 684

99900P-1091	Shower door, Folding, Remis
-------------	-----------------------------

Shower Door, 25IB

704783-01	Door, Shower, 25.5 X 65"
-----------	--------------------------

Mirrors

99900P-634	Mirror, 15.94 x 13.78
372203-26	Mirror, Polished edges, 13.62 x 58

FURNITURE, DRAWER BOXES AND SLIDES

Drawer Boxes

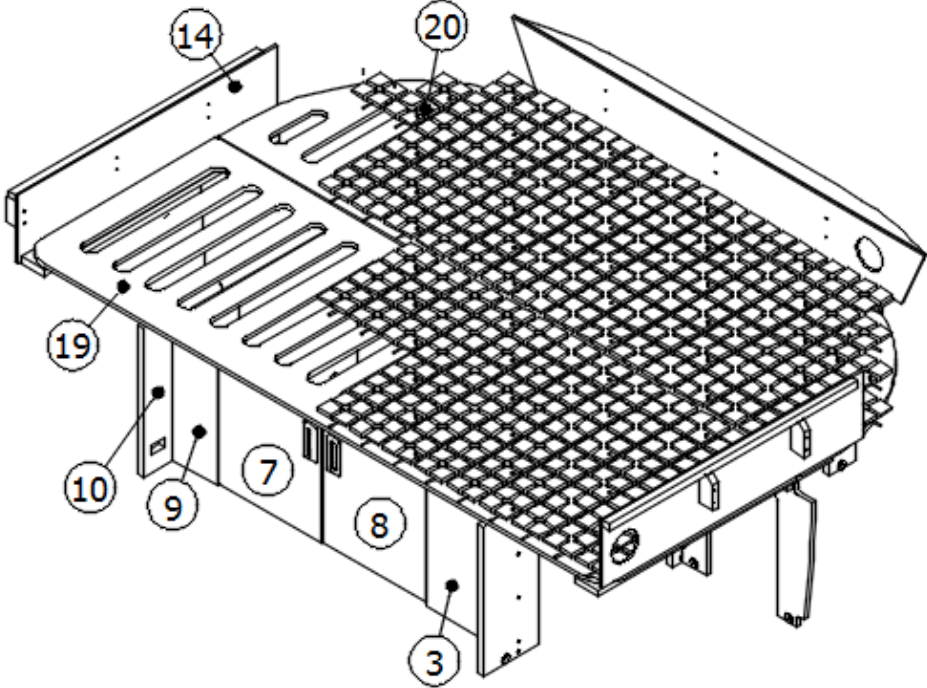
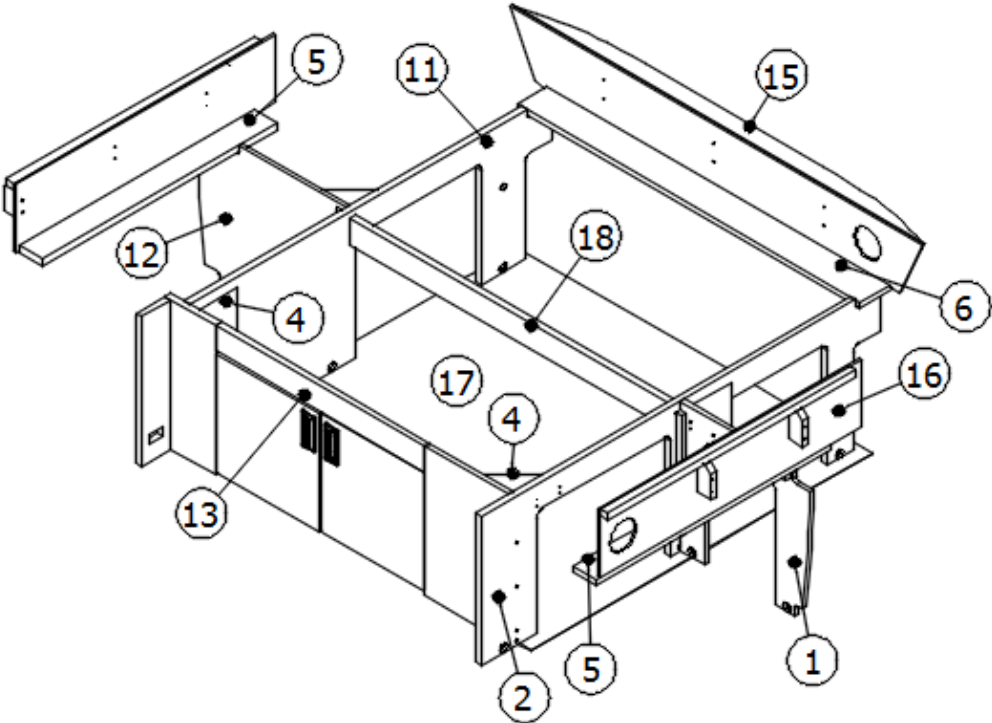
968021-08	Drawer Box, 2.75 x 9.88 x 18"
969163	Drawer Box, Special, 8"
969706-17	Drawer Box, 5 X 18 X 4.75"
969705-08	Drawer Box, 4 x 16.75 x 21"
969707-10	Drawer Box, 6 X 12 X 21.13"
969707-12	Drawer Box, 6 x 21 x 15"
969708-14	Drawer Box, 8 x 18 x 16.75"

Drawer Slides

382203-03	Tandem Slide, Self-Close, 15"
382203-04	Tandem Slide, Self-Close, 18"
382203-05	Tandem Slide, Self-Close, 21"
382807-06	Drawer Slide, 12" Self-Close
382807-08	Drawer Slide, 18" Self-Close
382807-01	Left Front Fixing Clip
382807-02	Right Front Fixing Clip
382807-09	Drawer Slide, 21", Self-Close
381090	Slide, Drawer, 22" (1 Pair)

FURNITURE, BEDROOM

Bed, 534



Parts Listed on Next Page

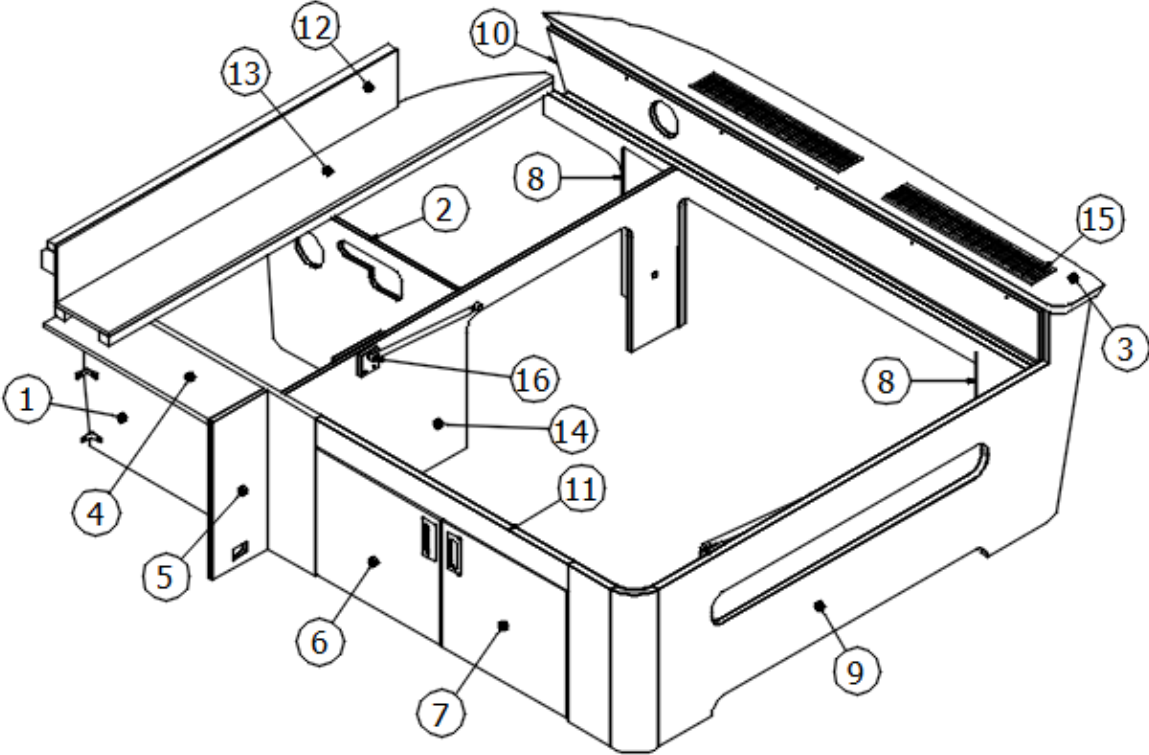
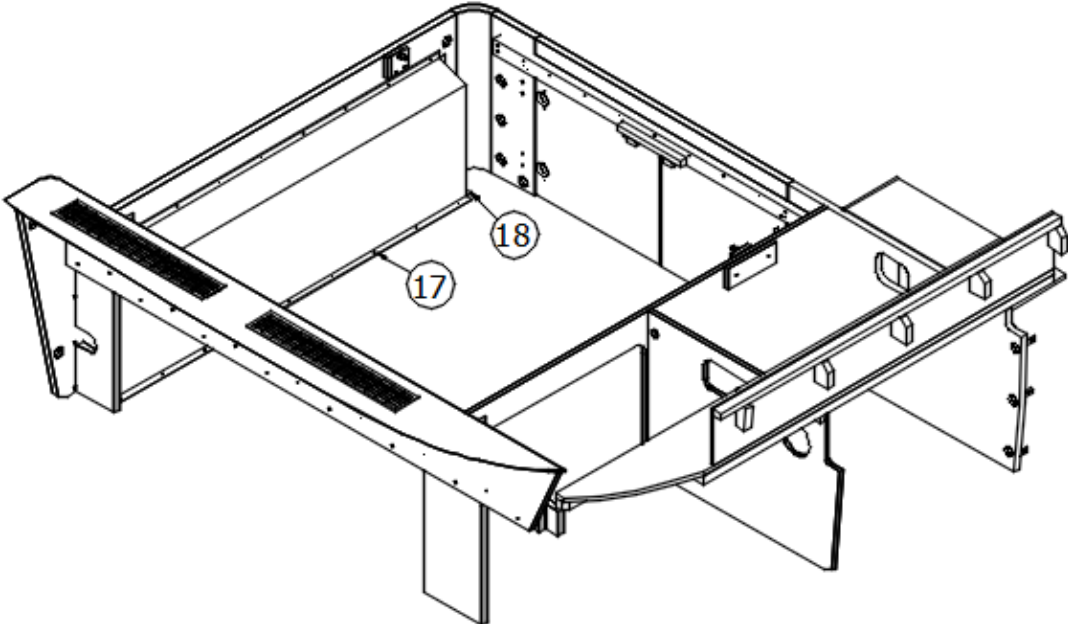
FURNITURE, BEDROOM

Bed, 534

99900M-865	Bed
1. 99900M-865-1	Divider panel
2. 99900M-865-2	Right plinth
3. 99900M-865-3	Right side panel
4. 99900M-865-4	Corner support
5. 99900M-865-5	Side frame support
6. 99900M-865-6	Rear frame support
7. 99900M-865-7	Left door
8. 99900M-865-8	Right door
9. 99900M-865-9	Left side panel
10. 99900M-865-10	Left stile
11. 99900M-865-11	Left plinth
12. 99900M-865-12	Divider panel
13. 99900M-870	Bed door header
14. 99900M-867	RS mattress standoff
15. 99900M-868	Rear mattress standoff
16. 99900M-866	CS mattress standoff
17. 112729-06	Compartment Liner
18. 99900M-865-13	Central support
19. 99900M-938	Bed top
20. 99900P-2224	Froli spring mat
99900M-865-14	Door stile, Left
99900M-865-15	Door stile, Bottom
99900M-865-16	Door stile, Right
381607-11	Hinge, Self-close

FURNITURE, BEDROOM

Bed, 684



Parts Listed on Next Page

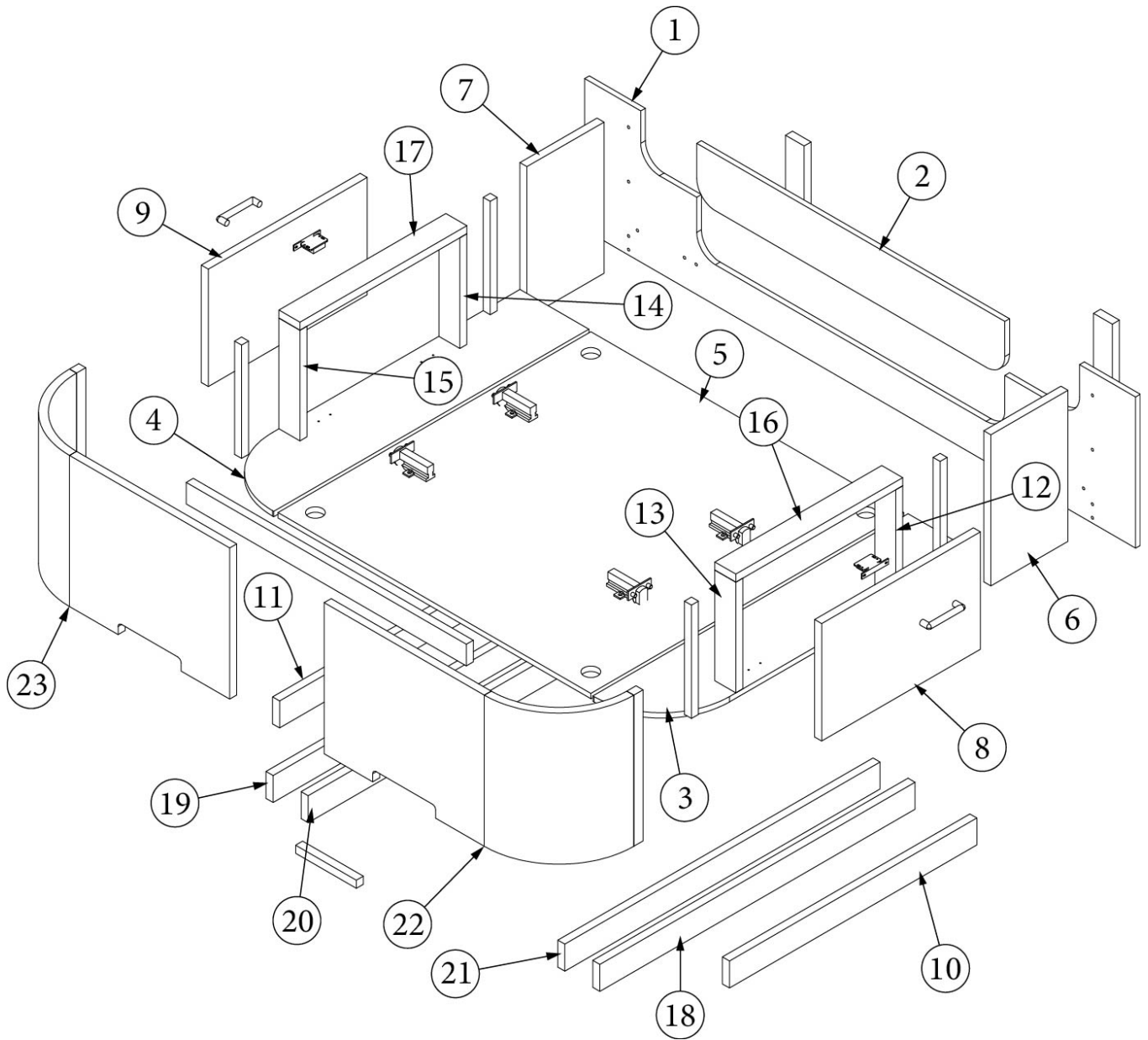
FURNITURE, BEDROOM

Bed, 684

99900M-749	Bed
1. 99900M-749-1	Left battery plinth
2. 99900M-749-2	Right battery plinth
3. 99900M-749-3	Rear shelf
4. 99900M-749-4	Horizontal float panel
5. 99900M-749-5	Vertical float panel
6. 99900M-749-6	Left door
7. 99900M-749-7	Right door
8. 99900M-749-8	Triangular bed brace
9. 99900M-750	Right plinth
10. 99900M-751	Rear support
11. 99900M-752	Bed doors header
12. 99900M-753	Mattress standoff
13. 99900M-754	Mattress head panel
14. 99900M-755	Plinth behind battery assembly
15. 99900P-1905	Rectangular vent, Aluminum
16. 99900P-1883-2	Gas strut plate bed
17. 99900M-185	Bed baffle, Front
18. 99900M-186	Bed baffle, End
99900M-749-10	Door stile, Right
99900M-749-11	Door stile, Left
99900M-749-12	Door stile, Bottom
99900P-1883	Slatted bed frame
381775	Drawer pull, Flush Satin
381607-11	Hinge, Self-close
381228-01	Catch, Grabber door
112729-01	Liner-Compartment Black Vinyl
203464-02	Trim, U-Channel, White, 3/4"
512441	Light, LED, Single Switch, L50-0042
340324	Retainer ring, External, OD 5/16"

FURNITURE, BEDROOM

Bed, 25IB



Parts Listed on Next Page

FURNITURE, BEDROOM

Bed, 25IB

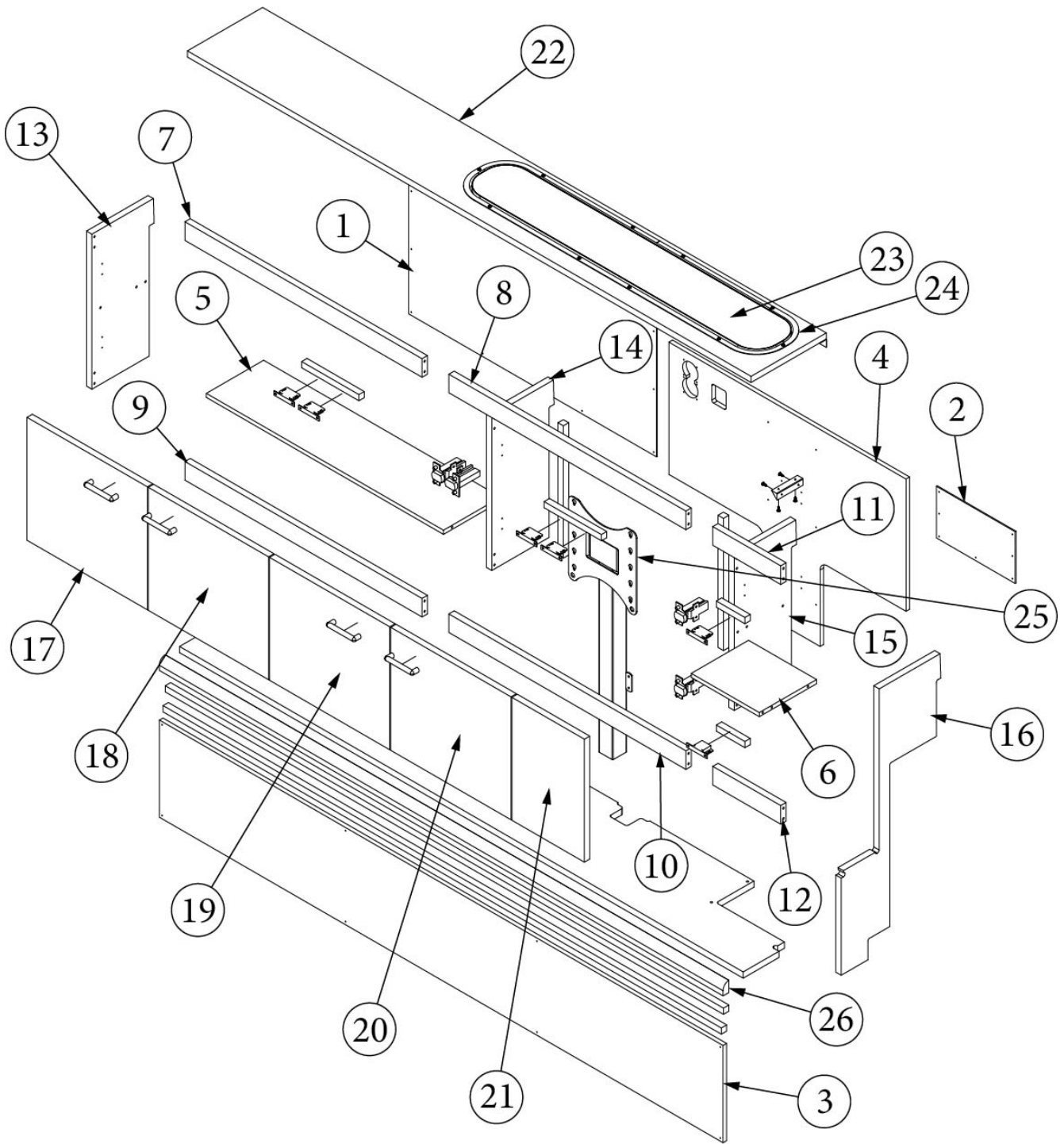
113387
969083

Install, Bed Module (not for order/see parts below)
Bed Assembly

1. 969083&000112BC	Pre laminate, 14.00 X 59"
2. 969083&000212BC	Pre laminate, 5.25 X 33"
3. 969083&000312CC	Pre laminate, .50 X 7.38 X 33"
4. 969083&000412CC	Pre laminate, .50 X 7.38 X 33"
5. 969083&000512CC	Pre laminate, .50 X 34.06 X 3"
6. 969083&000618BC	Pre laminate, .75 X 8.25 X 14"
7. 969083&000718BC	Pre laminate, .75 X 8.25 X 14"
8. 969083&000818BC	Pre laminate, .75 X 17.00 X 1"
9. 969083&000918BC	Pre laminate, .75 X 17.00 X 1"
10. 969083&001018BC	Pre laminate, 26.50 X 2.5"
11. 969083&001118BC	Pre laminate, 26.50 X 2.5"
12. 969083&001218CC	Pre laminate, 2.25 X 10.25"
13. 969083&001318CC	Pre laminate, 2.25 X 10.25"
14. 969083&001418CC	Pre laminate, 2.25 X 10.25"
15. 969083&001518CC	Pre laminate, 2.25 X 10.25"
16. 969083&001618CC	Pre laminate, .75 X 2.25 X 17"
17. 969083&001718CC	Pre laminate, .75 X 2.25 X 17"
18. 969083&001818CC	Pre laminate, 33.75 X 2.5"
19. 969083&001918CC	Pre laminate, 33.75 X 2.5"
20. 969083&003518CC	Pre laminate, .75 X 2.50 X 33.75"
21. 969083&003618CC	Pre laminate, .75 X 2.50 X 33.75"
22. 969082-01	Bed Base Front Corner
23. 969082-02	Bed Base Front Corner
382044	Handle, Brushed Nickel
203942-03	T-Molding Black, 13/16"
365364-01	Edgebanding, 1mm, Ebony Woods, 5/8"
365364-02	Edgebanding, 1mm, Ebony Woods, 15/16
690752	Adjustable Bed Frame
99900P-1992	Vent, Through Floor Beige
386289	Bumper Dome, .25" Diameter X .0625"
381607-11	Hinge, Self-Close Overlay, 110 degree
381607-12	Baseplate, Grass, 9.5 x 37/32
381607-04	Hinge Screw, Grass, #6 x 5/8 FHP, N
381228-02	Catch Grabber, Door C3-805
801348	Radius Plywood, .75" X 8" X 6'

FURNITURE, BEDROOM

Credenza, 25IB



Parts Listed on Next Page

FURNITURE, BEDROOM

Credenza, 25IB

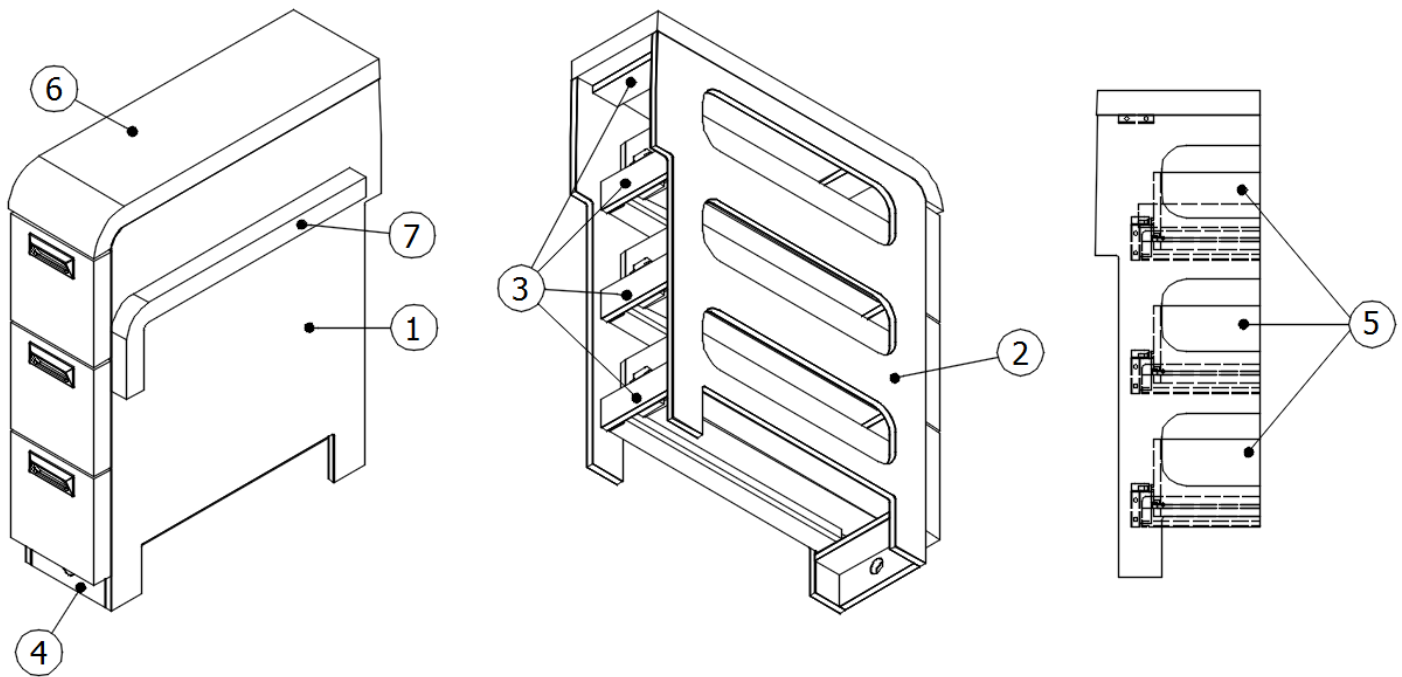
113387
969201-01

Install, Bed Module (not for order/see parts below)
Credenza Assembly

1. 969201&000103CE	Pre laminate, .13 X 16 X 3"
2. 969201&000203CE	Pre laminate, .13 X 6.25 X 11"
3. 969201&000312BC	Pre laminate, .50 X 11.63 X 7"
4. 969201&000412CC	Pre laminate, 26.25 X 33.13"
5. 969201&000512CC	Pre laminate, .50 X 8 X 33"
6. 969201&000612CC	Pre laminate, 0.50 X 8 X 9"
7. 969201&000818BC	Pre laminate, 2.25 X 33.13"
8. 969201&000918BC	Pre laminate, 2.25 X 33.13"
9. 969201&001018BC	Pre laminate, 2.25 X 33.13"
10. 969201&001118BC	Pre laminate, 2.25 X 33.13"
11. 969201&001218BC	Pre laminate, 2.25 X 9.5"
12. 969201&001318BC	Pre laminate, 2.25 X 9.5"
13. 969201&001418CC	Pre laminate, 8.69 X 18.75"
14. 969201&001518CC	Pre laminate, 8.69 X 18.75"
15. 969201&001618CC	Pre laminate, 8.69 X 18.75"
16. 969201&001718CC	Pre laminate, 13.87 X 32"
17. 969201&001918DC	Pre laminate, .75 X 16.81 x 14.88"
18. 969201&002018DC	Pre laminate, .75 x 16.81 x 14.88"
19. 969201&002118DC	Pre laminate, .75 x 16.81 x 14.88"
20. 969201&002218DC	Pre laminate, .75 x 16.81 x 14.88"
21. 969201&002318DC	Pre laminate, .75 x 10.13 x 14.88"
22. 970253&000118DC	Pre laminate, .75 X 10.50 X 78.75"
23. 970253&000312DC	Pre laminate, .50 X 41.38 X 6.38"
24. 116143	Door Jamb, Trim, Credenza
25. 382775	TV Mount, Push-To-Lift
26. 801977-0024	Corner T rim, Bath, Ebony, 80"
99900P-1905	Vent, Rectangle, 480mm X 80mm
114812	Aluminum Angle, 1 X 1 X 12'
365013	Tape, Charcoal, Low Density Foam
381847-03	Hinge, Piano, Angle, 32"
705062	Hamper Strap
381607-11	Hinge, Self-Close Overlay, 110 degree
381607-12	Baseplate, Grass, 9.5 x 37/32
381607-04	Hinge Screw, Grass, #6 x 5/8 FHP, N
381228-02	Catch Grabber, Door C3-805
386279	Brace, Corner, .75 X .75 X 3.5"
382044	Handle, Brushed Nickel
365364-01	Edgebanding, 1mm, Ebony Woods, 5/8"
365364-02	Edgebanding, 1mm, Ebony Woods, 15/16
365466-02	Edgebanding, 2mm, Frosty White
365340-02	Edgebanding, Frosty White, .94"

FURNITURE, BEDROOM

Nightstand, 684



99900M-779

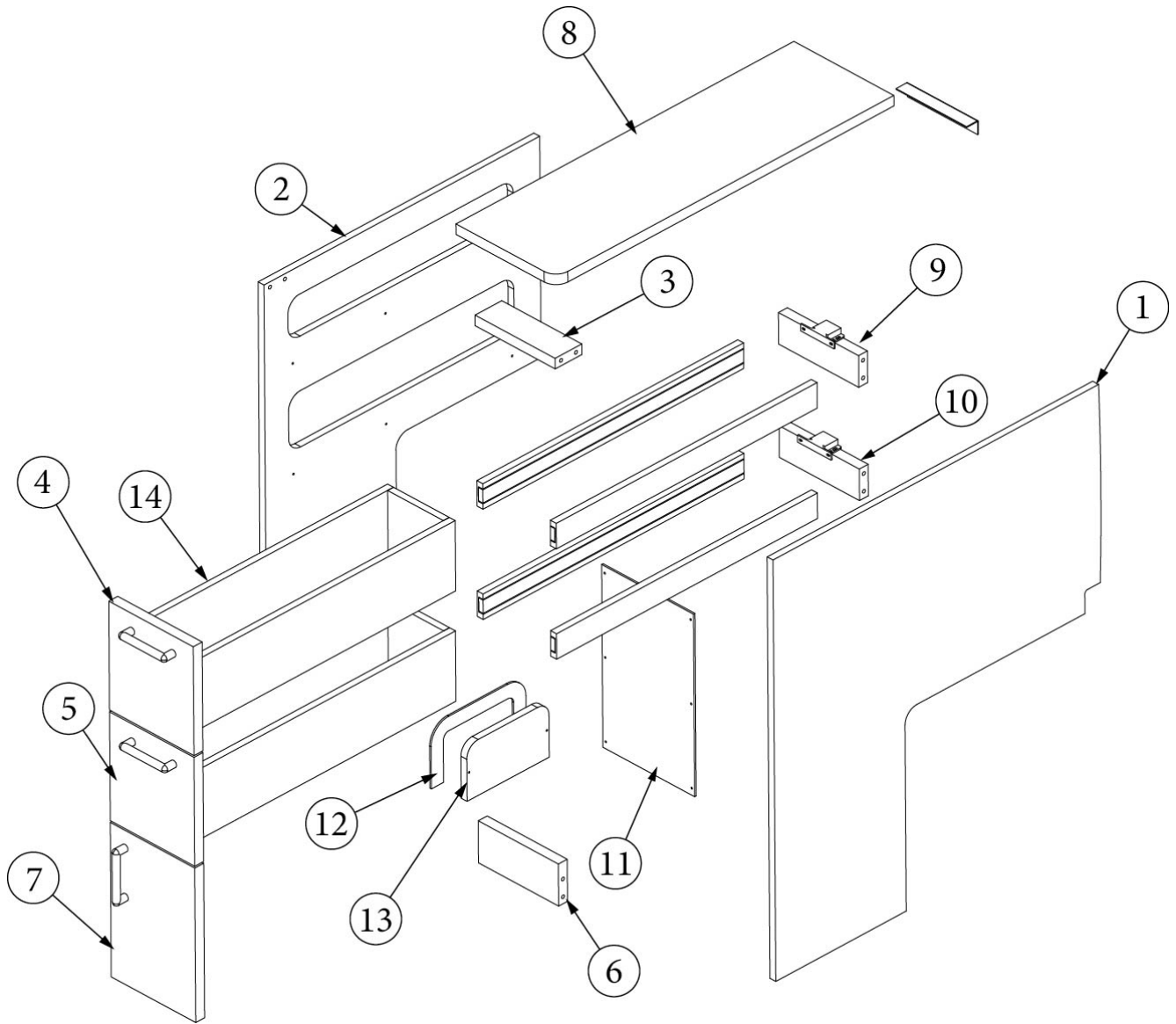
Nightstand

1. 99900M-779-1
2. 99900M-779-2
3. 99900M-779-3
4. 99900M-779-4
5. 969784
6. 99900P-1095
7. 99900P-1102
- 381228-02
- 381090
- 513660

- Right side panel
- Left side panel
- Nightstand rail
- Nightstand plinth
- Nightstand drawer assembly
- Nightstand worktop
- Mattress space off
- Catch, Grabber door
- Drawer Slide, 22", Pair
- Step Light, LED, SS

FURNITURE, BEDROOM

Nightstand, 25IB



Parts Listed on Next Page

FURNITURE, BEDROOM

Nightstand, 25IB

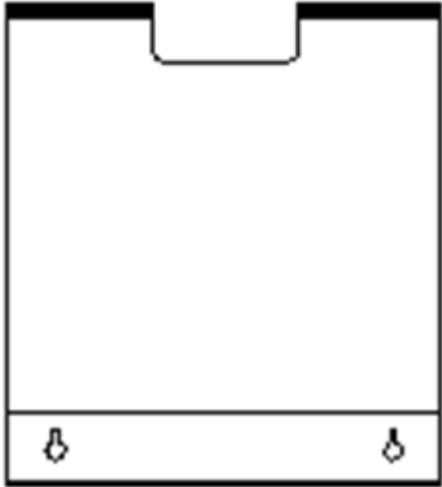
113387
969081

Install, Bed Module (not for order/see parts below)
Nightstand Assembly

1. 969081&000112BC	Pre laminate, 27.59 x 30"
2. 969081&000212CC	Pre laminate, 23.25 x 30"
3. 969081&000318BC	Pre laminate, 2.25 x 6.81"
4. 969081&000418DC	Pre laminate, .75 x 7.19 x 7.75"
5. 969081&000518DC	Pre laminate, .75 x 7.19 x 7.75"
6. 969081&000618BC	Pre laminate, 3 x 6.81"
7. 969081&000718DC	Pre laminate, .75 x 7.19 x 11"
8. 969081&000818JC	Pre laminate, .75 x 8.50 x 28"
9. 969081&000918CC	Pre laminate, 2.25 X 7"
10. 969081&001018CC	Pre laminate, 2.25"
11. 969081&001703CE	Pre laminate, .13 x 7.81 x 13"
12. 969081&001803CE	Pre laminate, .13 X 8"
13. 969081&001912CC	Pre laminate, .50 X 6.94 X 3"
14. 969706-17	Drawer Box, 5 X 18 X 4.75"
382044	Handle, Brushed Nickel
381090	Slide, Drawer, 22" (1 Pair)
381228-02	Catch Grabber, Door C3-805
381607-11	Hinge, Self-Close Overlay, 110 degree
381607-12	Baseplate, Grass, 9.5 x 37/32
381607-04	Hinge Screw, Grass, #6 x 5/8 FHP, N
201673	Reverse cove molding, White
365364-01	Edgebanding, 1mm, Ebony Woods, 5/8"
365364-02	Edgebanding, 1mm, Ebony Woods, 15/16
365466-02	Edgebanding, 2mm, Frosty White
365340-02	Edgebanding, Frosty White, .94"

FURNITURE, BEDROOM

Magazine Rack

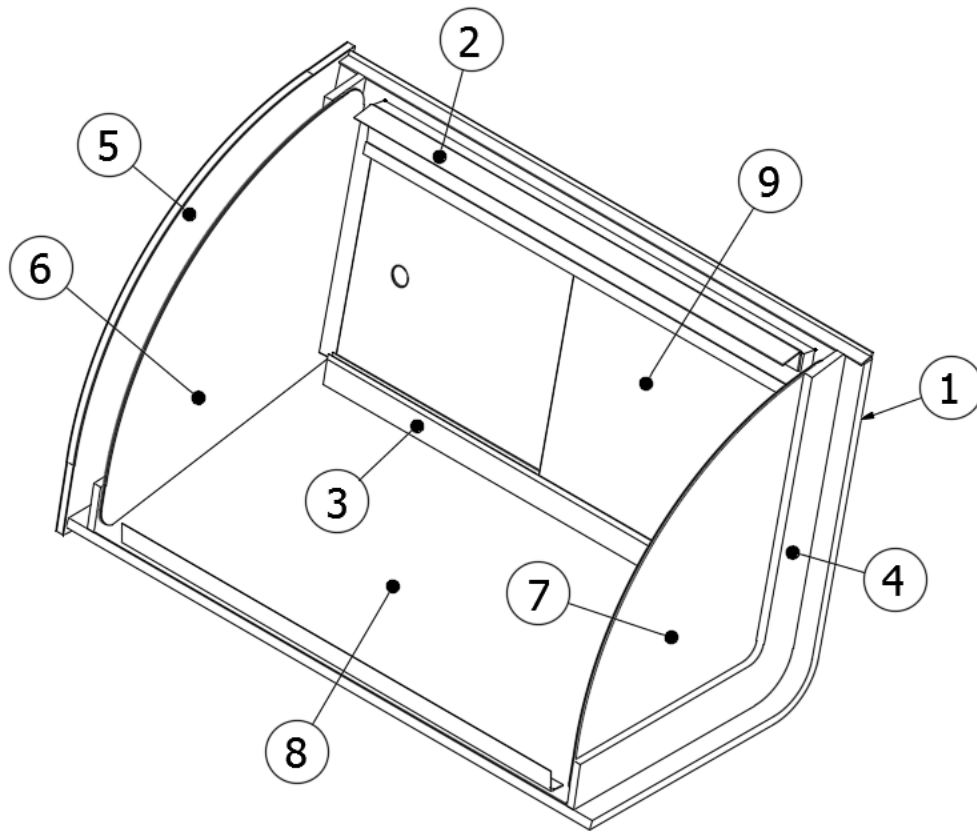


386106-01
386107

Magazine rack, White
Rod, Magazine rack

FURNITURE, BEDROOM

Roof Locker, Bedroom, 684



99900M-781

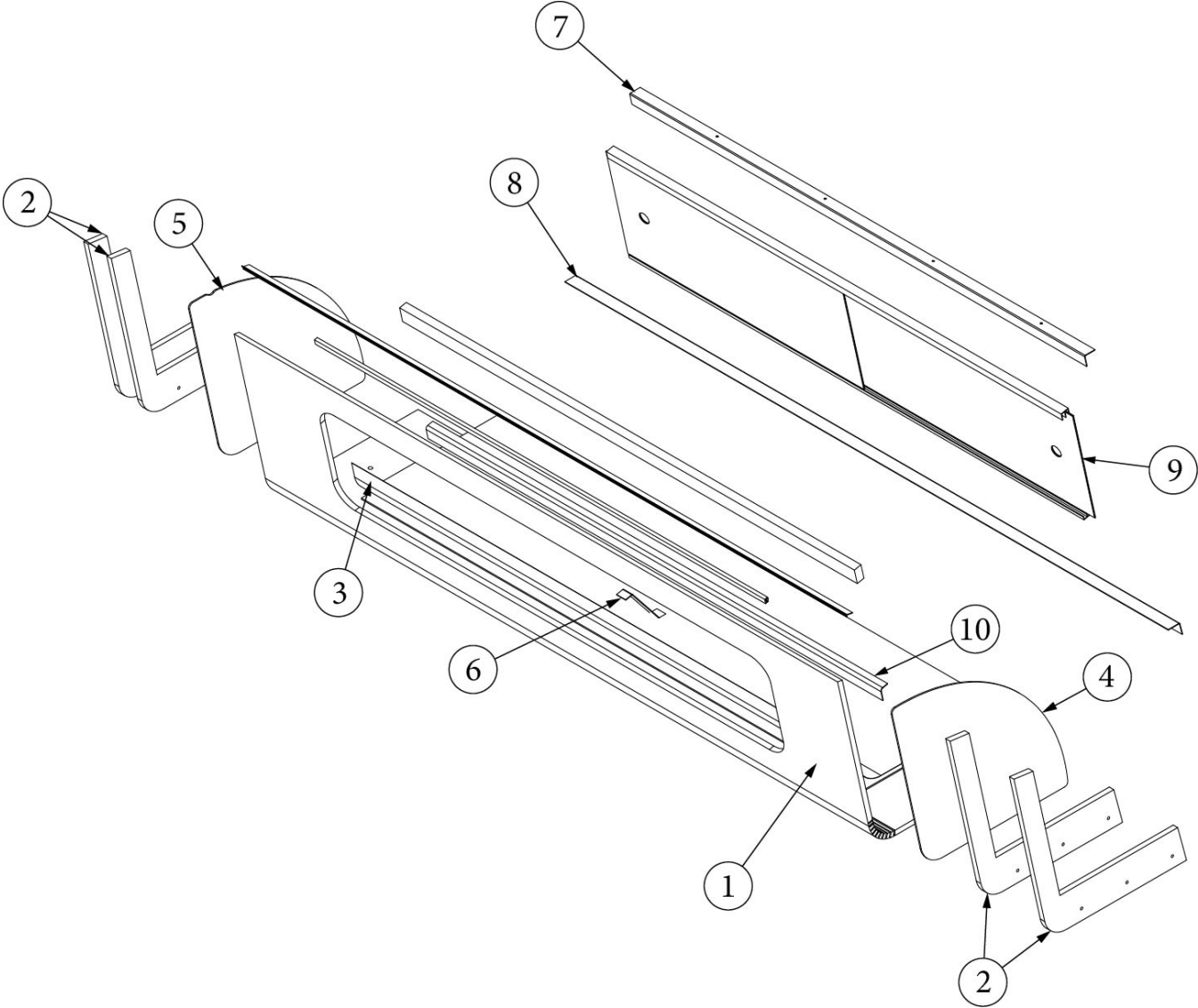
Bedroom Roof Locker

- 1. 99900M-781-1
- 2. 99900M-781-2
- 3. 99900M-781-3
- 4. 99900M-781-4
- 5. 99900M-781-5
- 6. 99900M-781-6
- 7. 99900M-781-7
- 8. 99900M-781-8
- 203749-03
- 203388
- 203445-01
- 201673
- 104821
- 115227-03
- 703991

- Front frame
- Upper batten
- Lower batten
- Rib
- End panel
- Right side panel
- Left side panel
- Bottom laminate
- Door, Sliding, 15"
- Sliding door track
- White Trim, 9/16"
- Reverse cove molding, White
- Roof locker support
- Angle, Formed, 33"
- Pile Seal, Weatherstrip

FURNITURE, BEDROOM

Roof Locker, 25IB



Parts Listed on Next Page

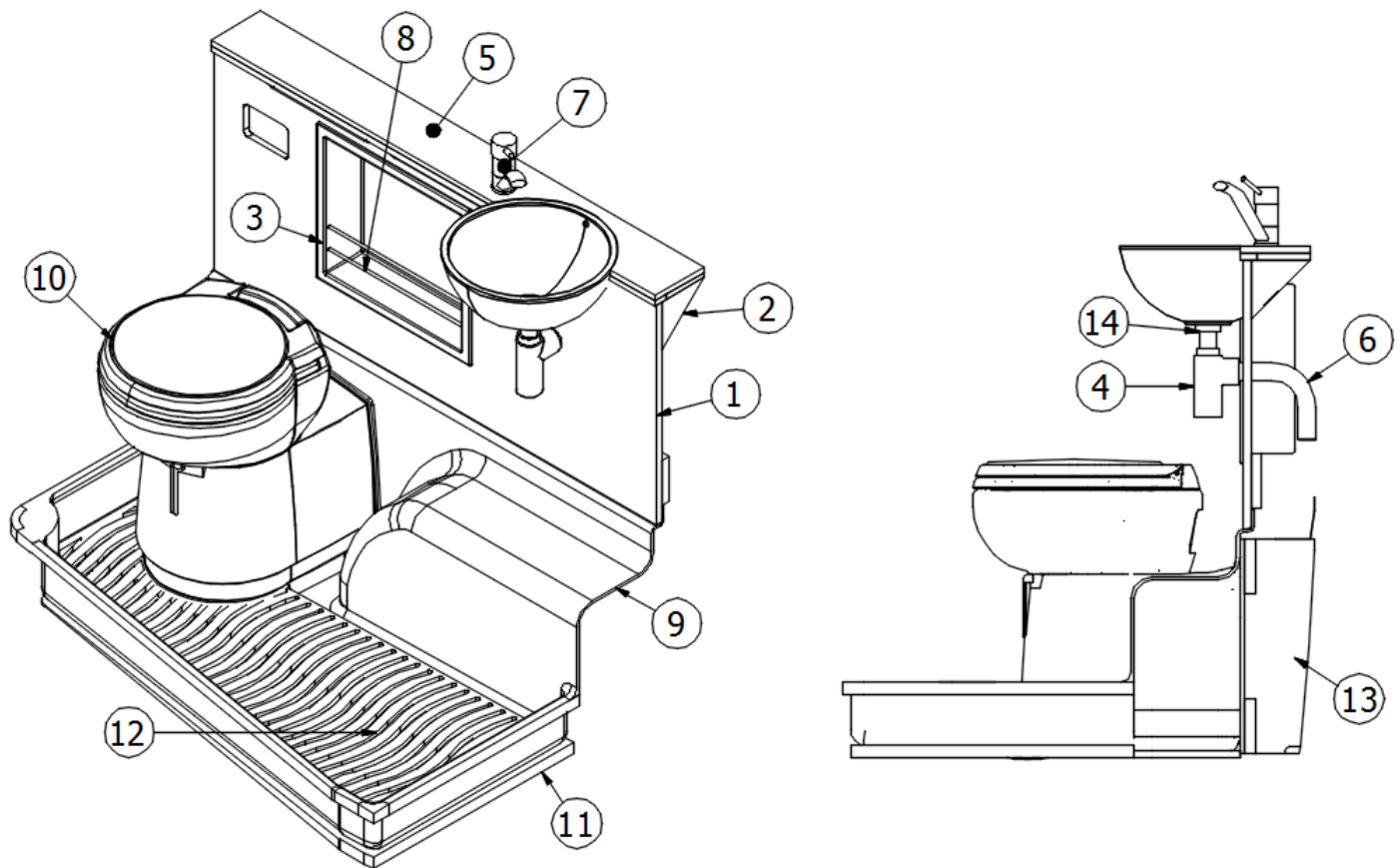
FURNITURE, BEDROOM

Roof Locker, 25IB

113387	Install, Bed Module (not for order/see parts below)
970233	Roof Locker Assembly
1. 802744	Locker Face, Bedroom
2. 802744-1	Galley Locker Face Support
3. 970233&000301CE	Pre laminate, 18.32 X 57.3"8
4. 970233&000403ME	Pre laminate, 15.31 X 16.63"
5. 970233&000503ME	Pre laminate, 15.31 X 16.63"
6. 115226	Bracket, Locker Center Support
7. 101115	Sheet, Aluminum, .060 X 48 X 120"
8. 116134-07	Locker Support, 67"
9. 203749-09	Door, Locker, Plexi
10. 115227-02	Angle, Formed, Locker Track Support
201673	Reverse Cove Molding, White,
203388	Sliding door track
513297-50	Kit, Luna Light, LED
203445-01	White Trim, 9/16"
201673	Reverse cove molding, White
104821	Roof locker support
115227-03	Angle, Formed, 33"
703991	Pile Seal, Weatherstrip
802544-01	Edgebanding, 1mm, Mouse Grey, 5/8"
203445-01	T-Trim, White, .5625"

FURNITURE, LAVATORY

Wetbath Assembly and Lavy, 534



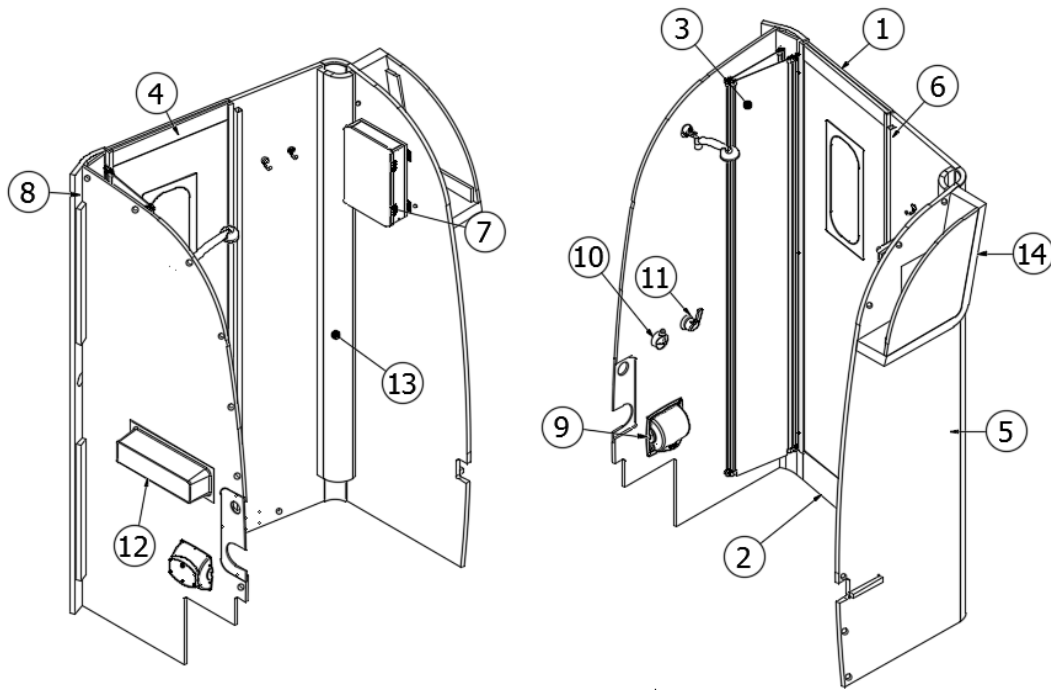
99900M-889

Lavy

- | | |
|-----------------|---|
| 1. 99900M-889-1 | Front panel |
| 2. 99900M-889-2 | Back gusset |
| 3. 99900P-629 | Pan lavy |
| 4. 99900P-2076 | Chrome plated bottle trap |
| 5. 99900P-1702 | Corian lavy top with seamless Corian bowl |
| 6. 99900P-1388 | Waste pipe elbow, Polished Steel |
| 7. 99900P-1894 | Faucet, Stilo single lever tap |
| 8. 115042 | Alloy rod |
| 9. 99900P-1540 | Bath tray |
| 10. 99900P-1969 | Toilet, Cassette china bowl, Thetford |
| 11. 99900P-1732 | Bath tray support |
| 12. 99900P-1745 | Bath mat |
| 13. 99900M-864 | Toilet lining assembly |
| 14. 99900P-2075 | Sprung basin waste, Slotted |

FURNITURE, LAVATORY

Bath Module, 534



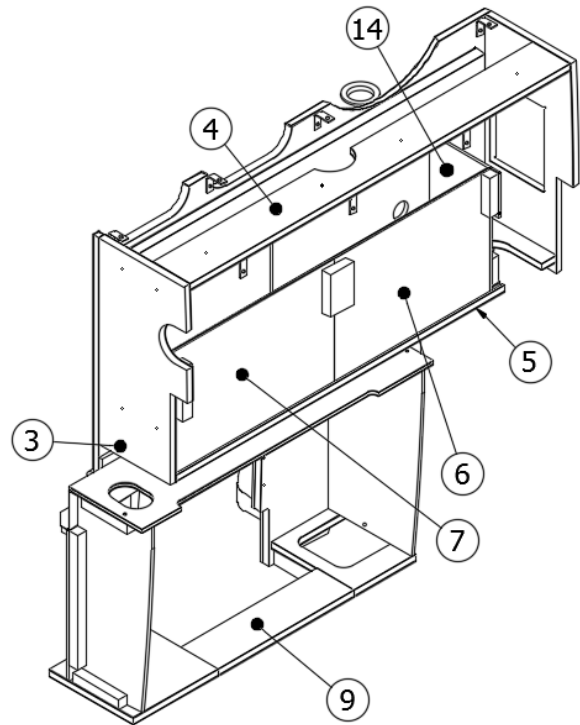
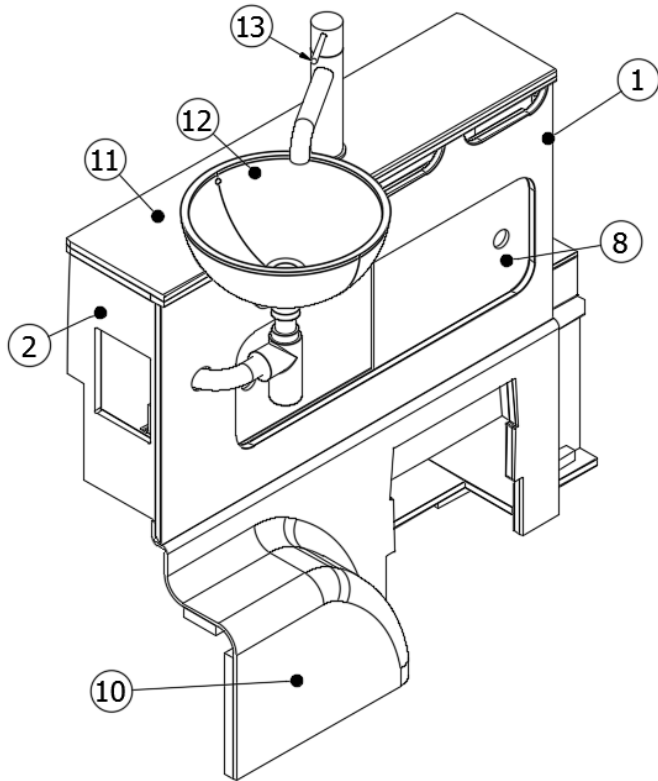
99900M-861

Bath Module

- | | |
|-----------------|-----------------------------------|
| 1. 99900M-861-1 | Bath door header, Outer |
| 2. 99900M-861-2 | Bath door bottom stile |
| 3. 99900P-1543 | Shower folding door |
| 4. 99900M-861-4 | Bath door header, Inner |
| 5. 99900M-862 | Rear bath wall sub assembly |
| 6. 99900P-2074 | Shower door spacer tube |
| 7. 99900M-879 | Medicine cabinet |
| 8. 99900M-877 | Shower panel |
| 9. 602175 | Dryroll toilet roll holder, White |
| 10. 99900P-1898 | Shower lower outlet |
| 11. 99900P-1893 | Shower thermo valve |
| 12. 99900P-1733 | Hose tails cover |
| 13. 99900M-929 | Bathroom closeout |
| 14. 99900M-885 | Roof locker |
| 99900M-863 | Bath door |
| 99900P-1892 | Shower bracket |
| 99900P-1896 | Shower head |
| 99900P-1891 | Shower hose |
| 99900P-2073 | Shower door catch |
| 381834 | Coat hook, Aluminum |
| 513660 | Step Light, LED, SS |

FURNITURE, LAVATORY

Lavy, 684



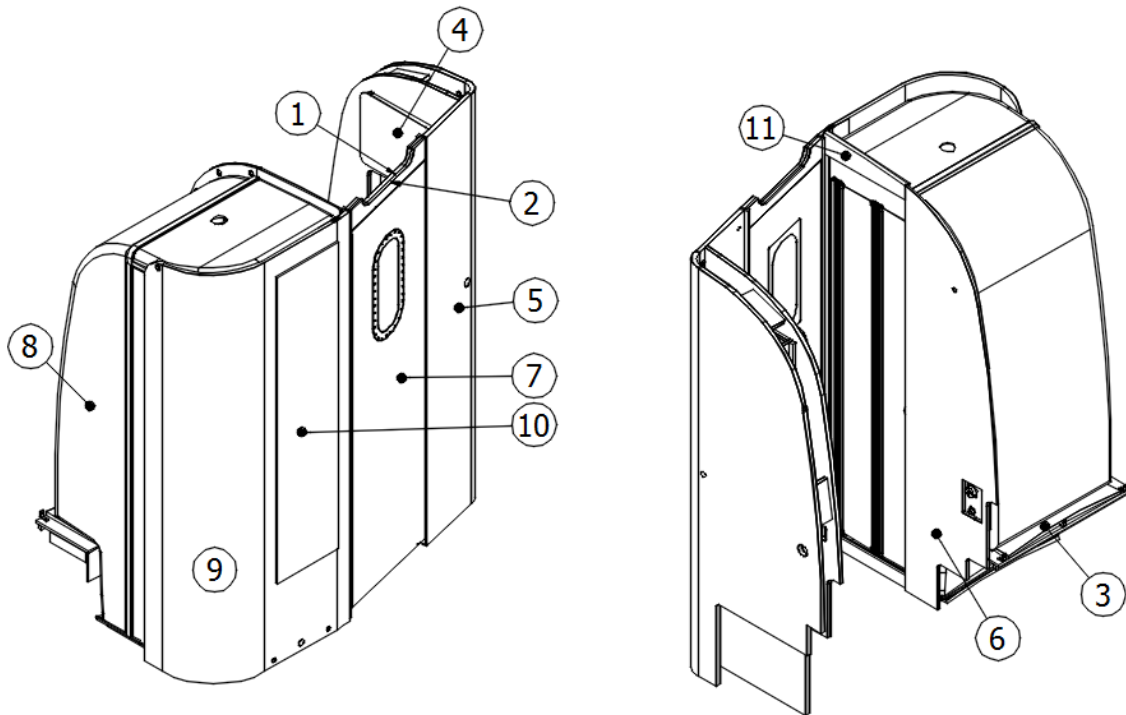
99900M-742

Lavatory

- | | |
|-------------------|---------------------------------------|
| 1. 99900M-742-1 | Lavy front panel |
| 2. 99900M-742-2 | Lavy LH side |
| 3. 99900M-742-3 | Lavy RH side |
| 4. 99900M-742-4 | Lavy top strut |
| 5. 99900M-742-5 | Lavy shelf |
| 6. 99900M-742-6 | Lavy back panel, Left |
| 7. 99900M-742-7 | Lavy back panel, Right |
| 8. 99900M-742-8 | Lavy sliding door |
| 9. 99900M-743 | Toilet compartment linings |
| 10. 99900P-1043 | Wheel arch cover |
| 11. 99900P-1757 | Corian lavy worktop |
| 12. 99900P-2145 | Corian bowl, Vivari |
| 13. 99900P-1897 | Faucet, Single lever |
| 14. 99900M-742-10 | Lavy cupboard side lining |
| 203388 | Sliding door track |
| 99900M-742-9 | Sliding door top track support |
| 99900P-1092 | Sink support bracket, Stainless Steel |
| 99900P-2075 | Sprung basin waste, Slotted |
| 99900P-1969 | Toilet, China bowl, Thetford |
| 99900P-1044 | Corian toilet plinth |

FURNITURE, LAVATORY

Bath Module, 684



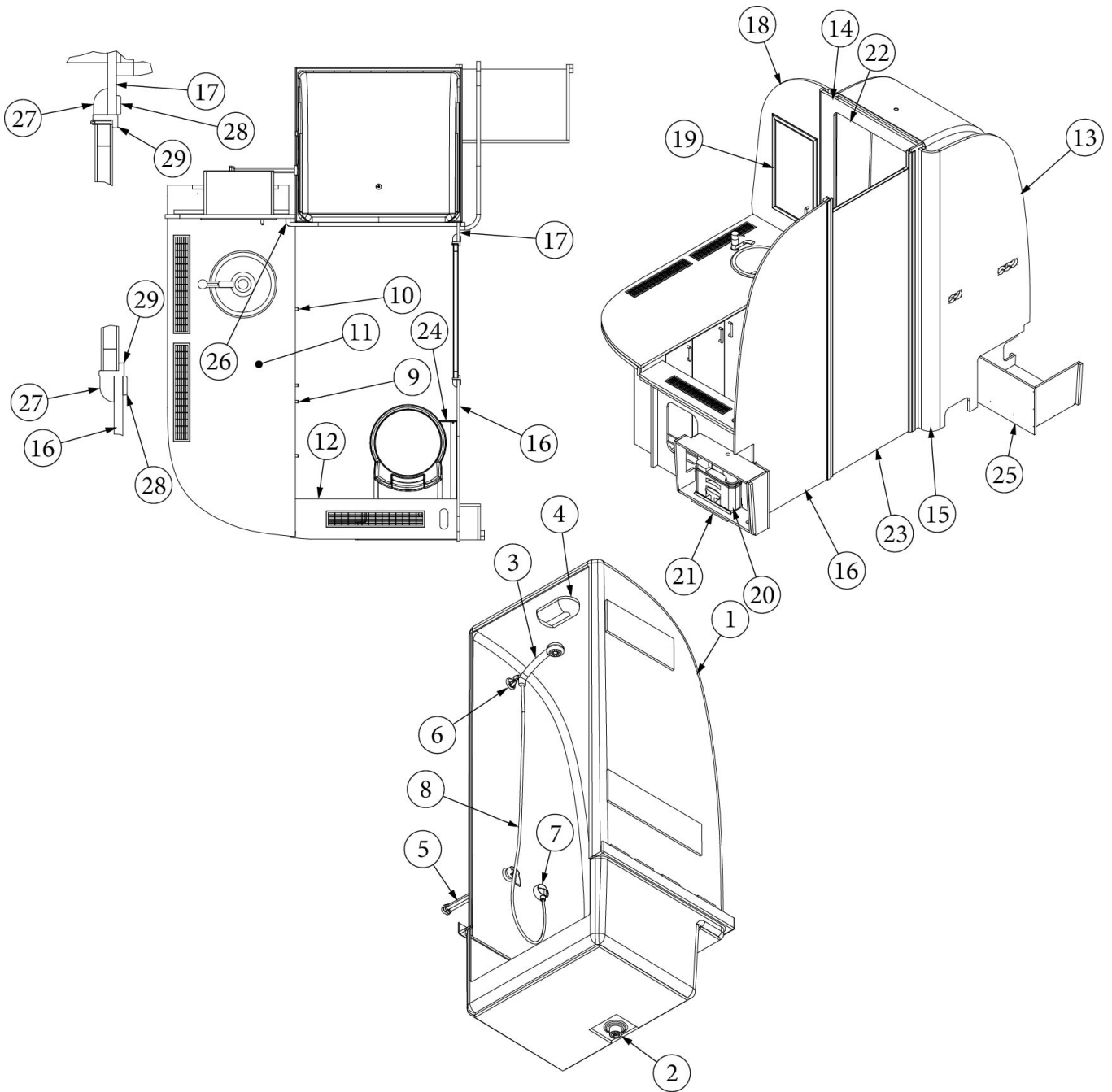
99900M-734

Bath Module

- | | |
|------------------|--------------------------------------|
| 1. 99900M-734-1 | Bath door header, Inner |
| 2. 99900M-734-2 | Bath door header, Outer |
| 3. 99900M-736 | Shower seat support |
| 4. 99900M-737 | Medicine cabinet |
| 5. 99900M-738 | Bath right side panels |
| 6. 99900M-741 | Shower to lavy side panel |
| 7. 99900M-768 | Bathroom door |
| 8. 99900M-680 | Shower assembly |
| 9. 99900P-2068 | Shower left curved panel |
| 10. 372203-26 | Mirror, Polished edges, 13.62 x 58.5 |
| 11. 99900M-734-3 | Shower door header |
| 99900P-1091 | Shower door, Remis |
| 99900P-2073 | Shower door catch |
| 99900P-1520 | Shower mat |
| 99900P-1892 | Shower wall holder with stick |
| 99900P-2069 | Heated towel rail |
| 381834 | Coat hook, Aluminum |
| 99900P-1036 | Shower tray |
| 601727 | Strainer w/grid top, 2" |

FURNITURE, LAVATORY

Bath Module, 25IB



Parts Listed on Next Page

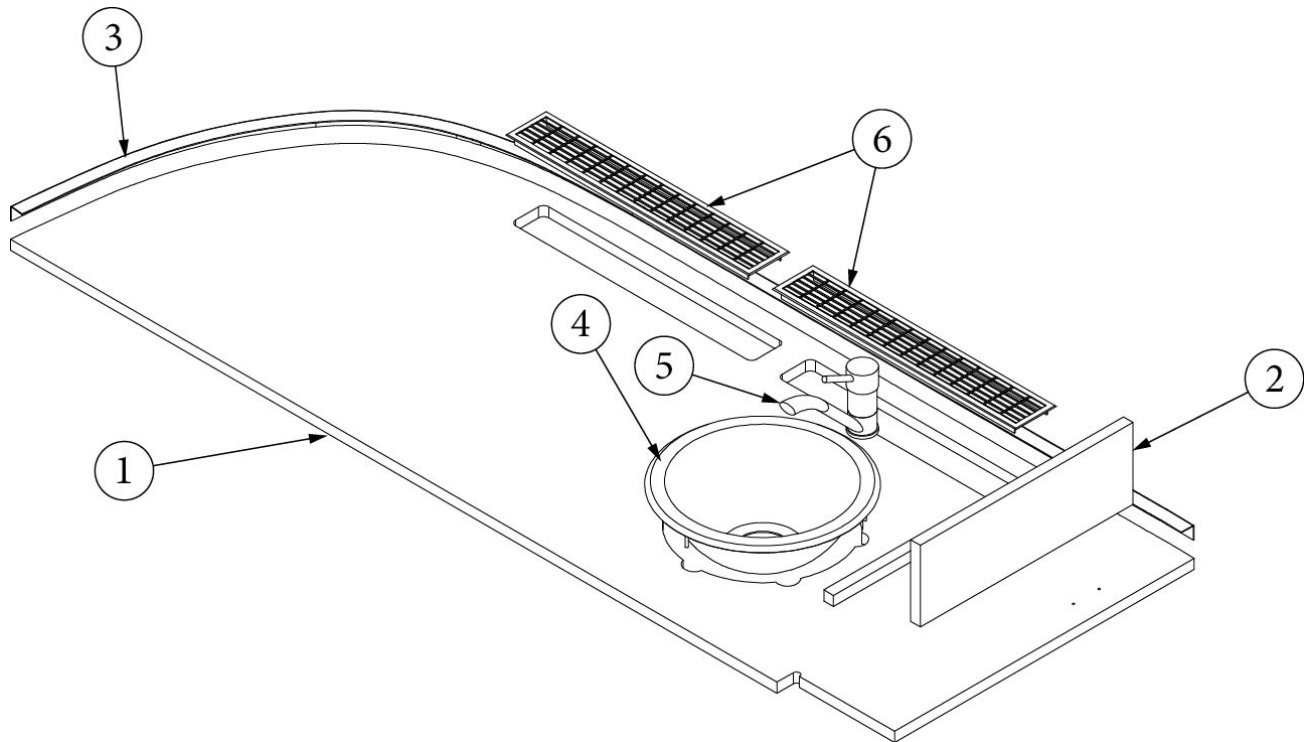
FURNITURE, LAVATORY

Bath Module, 25IB

<p>113290 113056</p>	<p>Install, Bath Module (not for order/see parts below) Install, Shower (not for order/see parts below)</p>
<p>1. 203081-04 203081-0400 203081-103</p>	<p>Shower Assembly, No Seat Shower Bottom Section, No Seat Shower Upper Section</p>
<p>2. 600594-01</p>	<p>Drain, Sink, W/White Rubber Stop</p>
<p>3. 99900P-1896</p>	<p>Head, Shower & Angled Hinge</p>
<p>4. 512478</p>	<p>Light, LED, Wet Location, 12V</p>
<p>5. 99900P-1898</p>	<p>Valve, Shower Mixer Wall Ducale</p>
<p>6. 99900P-1892</p>	<p>Holder, Shower Head Wall</p>
<p>7. 99900P-1893</p>	<p>Connector, Wall Shower Mixer</p>
<p>8. 99900P-1891</p>	<p>Hose, Shower Articulated Chrome</p>
<p>9. 969494</p>	<p>CS Lavy Cabinet Assembly</p>
<p>10. 969180</p>	<p>RS Lavy Cabinet Assembly</p>
<p>11. 969395</p>	<p>Lavy Top Assembly</p>
<p>12. 969222-01</p>	<p>Toilet Closeout Assembly</p>
<p>13. 969307&000118CE</p>	<p>Pre laminate, 29.34 X 78.28" (shower panel)</p>
<p>14. 969307&000218BC</p>	<p>Pre laminate, 0.75 X 35.75 X 78.44" (shower panel)</p>
<p>15. 801345</p>	<p>Plywood Radius, .75" X 3" X 8' (shower panel)</p>
<p>16. 113290&000112DD</p>	<p>Pre laminate, 23.59 X 77.77"</p>
<p>17. 113290&000212DD</p>	<p>Pre laminate, 3.75 X 79.5"</p>
<p>18. 113290&000318BC</p>	<p>Pre laminate, .75 X 25 X 47.5"</p>
<p>19. 969184</p>	<p>Lavy Insert, Medicine Cabinet Assembly</p>
<p>20. 99900P-1969</p>	<p>Toilet, China, Thetford, C263S</p>
<p>21. 99900P-1044</p>	<p>Plinth, Toilet, Corian</p>
<p>22. 704783-01</p>	<p>Door, Shower, 25.5 X 65"</p>
<p>23. 969410</p>	<p>Bath Door Assembly</p>
<p>24. 970264</p>	<p>Closeout, Plumbing</p>
<p>25. 969662</p>	<p>Storage Box Assembly</p>
<p>26. 801977-0024</p>	<p>Corner Trim, Bath, Ebony, 80"</p>
<p>27. 801977-1013</p>	<p>Corner Trim, Bath, Mouse, 80"</p>
<p>28. 800573-1013</p>	<p>Molding, Flat, Door Edge, Mouse</p>
<p>29. 801665-1013</p>	<p>L- Molding, Door Jam, Soft Maple</p>
<p>969313</p>	<p>Shower Stand Assembly</p>
<p>203138-01</p>	<p>Extrusion, Plastic, Wall, White</p>
<p>601804-01</p>	<p>Sink, Round, SS, w/Studs, SS</p>
<p>99900P-1894</p>	<p>Faucet, Single Lever</p>
<p>454727-01</p>	<p>Angle, Shower Frame, 27"</p>
<p>454727-02</p>	<p>Angle, Shower Frame, 63.5"</p>
<p>201666-01</p>	<p>J-Molding, Plastic, White, 3/16"</p>
<p>381081-01</p>	<p>Cap, Snap, Bottom, Clear, #8</p>
<p>204280</p>	<p>Shower Door Spacer Block</p>

FURNITURE, LAVATORY

Lavy Top, 25IB



969395

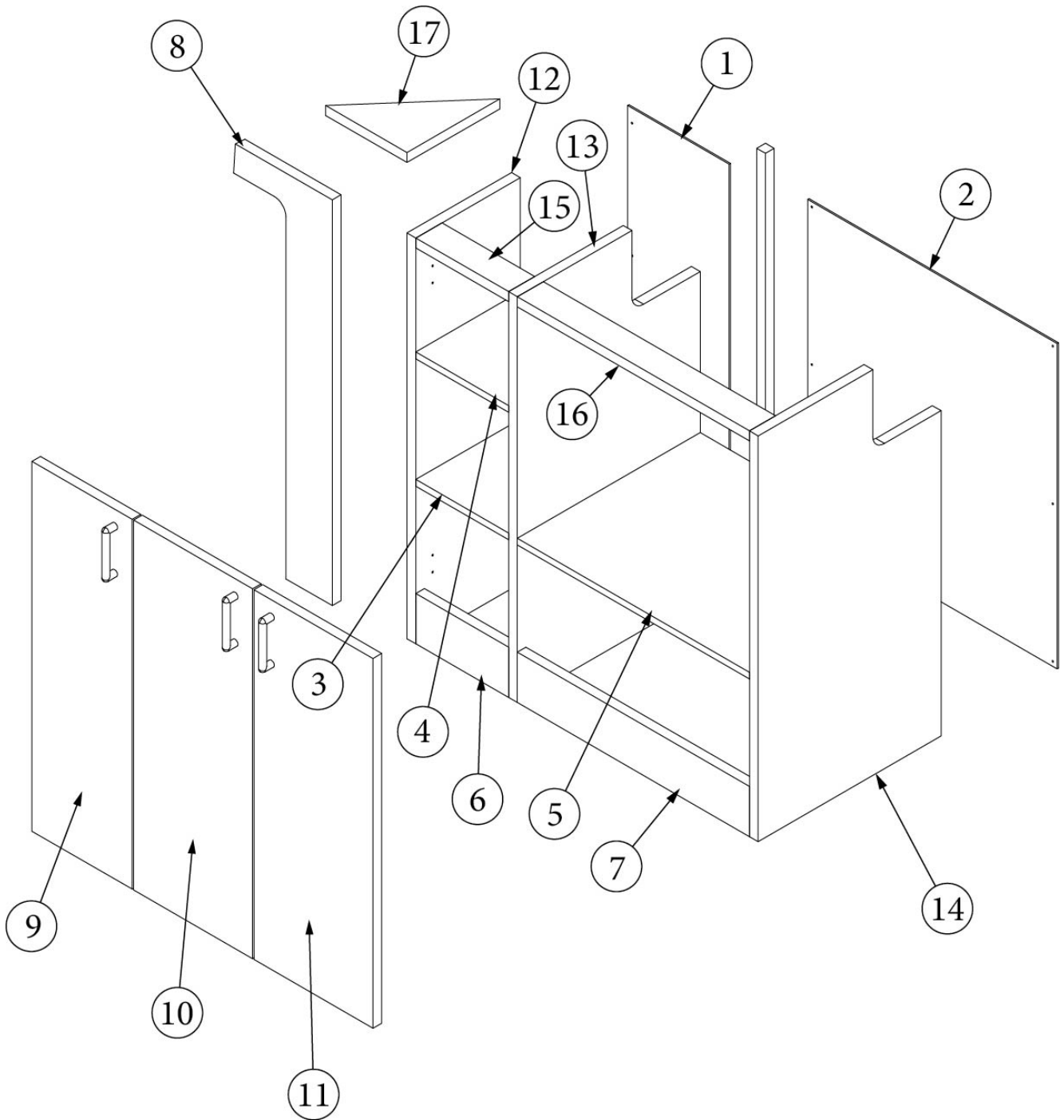
Lavy Top Assembly

1. 969395&000118JC
2. 969395&000218CC
3. 114812
4. 601804-01
5. 99900P-1894
6. 99900P-1905
- 513546
- 201673
- 365466-02

- Pre laminate, 25.50 X 67.75"
Pre laminate, .75 X 16.50 X 5.5"
Aluminum Angle, 1" X 1" X 12'
Sink, SS, Round w/Studs, 12"
Faucet, Single Lever
Vent, Rectangular, 480mm X 80mm
Pigtail Sink Ground, Green/Yellow
Reverse Cove Molding, Plastic, White
Edgebanding, 2mm, Frosty White

FURNITURE, LAVATORY

Lavy Cabinet, CS, 25IB



Parts Listed on Next Page

FURNITURE, LAVATORY

Lavy Cabinet, CS, 25IB

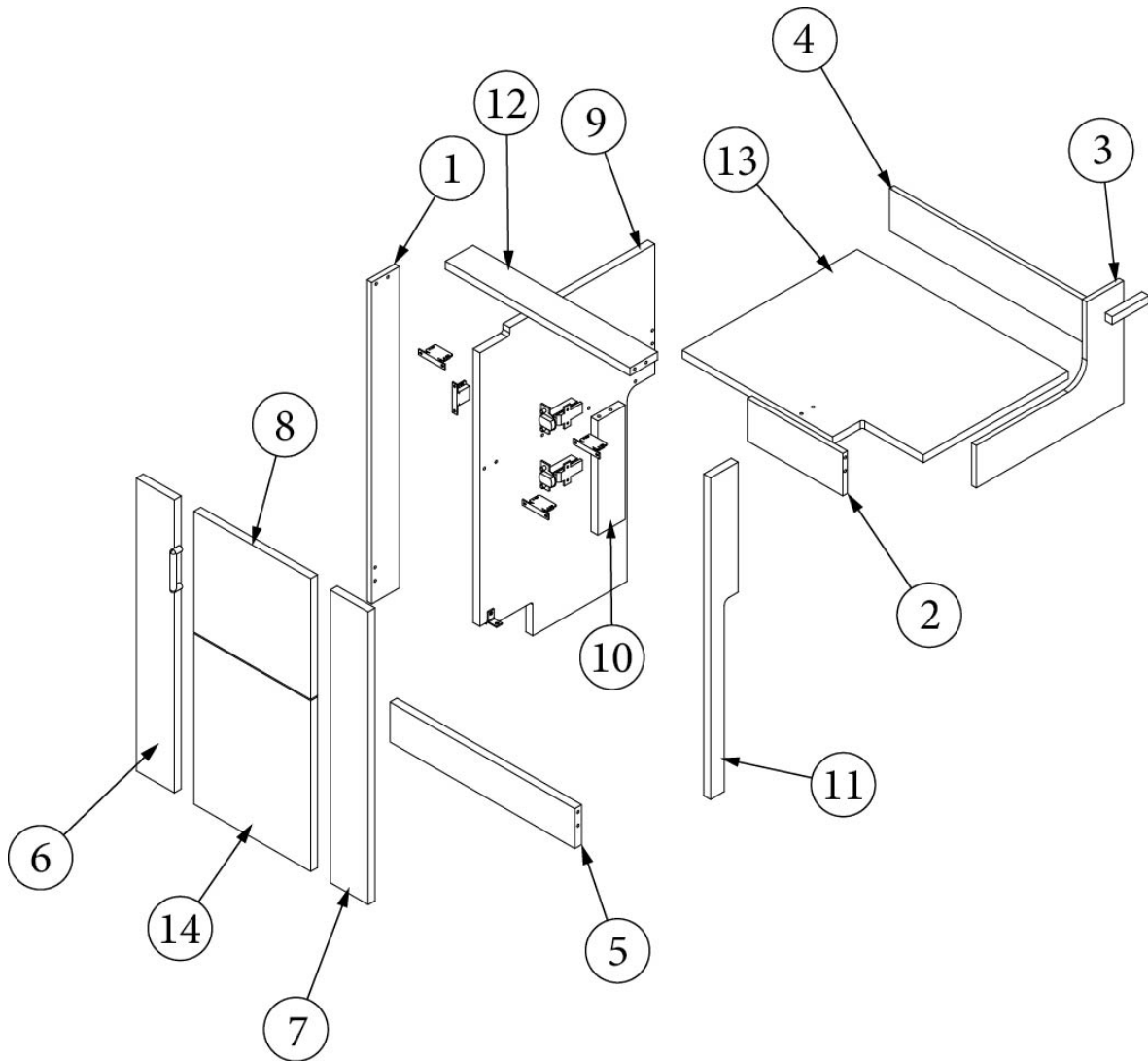
969494

CS Lavy Cabinet Assembly

1. 969494&000103CE	Pre laminate, .13 x 8.75 x 30.25"
2. 969494&000203CE	Pre laminate, .13 x 8.75 x 30.25"
3. 969494&000312CC	Pre laminate, 8 x 9"
4. 969494&000412CC	Pre laminate, 8 x 9"
5. 969494&000512CC	Pre laminate, 20 x 15.75"
6. 969494&000618BC	Pre laminate, 3.75 x 8"
7. 969494&000718BC	Pre laminate, 3.75 x 20"
8. 969494&000818BC	Pre laminate, .75 x 8.50 x 30.25"
9. 969494&000918DC	Pre laminate, .75 x 8.63 x 27.56"
10. 969494&001018DC	Pre laminate, .75 x 27.56 x 10.25"
11. 969494&001118DC	Pre laminate, .75 x 27.56 x 10.25"
12. 969494&001218CC	Pre laminate, 9.00 x 30.25"
13. 969494&001318CC	Pre laminate, 15.75 x 30.25"
14. 969494&001418CC	Pre laminate, 15.75 x 30.25"
15. 969494&001518CC	Pre laminate, 2.25 x 8"
16. 969494&001618CC	Pre laminate, 2.25 x 20"
17. 969494&001718CC	Pre laminate, .75 x 7 x 8"
382044	Handle, Brushed Nickel
365364-01	Edgebanding, 1mm, Ebony Woods, 5/8"
365364-02	Edgebanding, 1mm, Ebony Woods, 15/16
365340-02	Edgebanding, Frosty White, .94"
381607-11	Hinge, Self-Close Overlay, 110 degree
381607-12	Baseplate, Grass, 9.5 x 37/32
381228	Catch Grabber, Door, C3-810

FURNITURE, LAVATORY

Lavy Cabinet, RS, 25IB



Parts Listed on Next Page

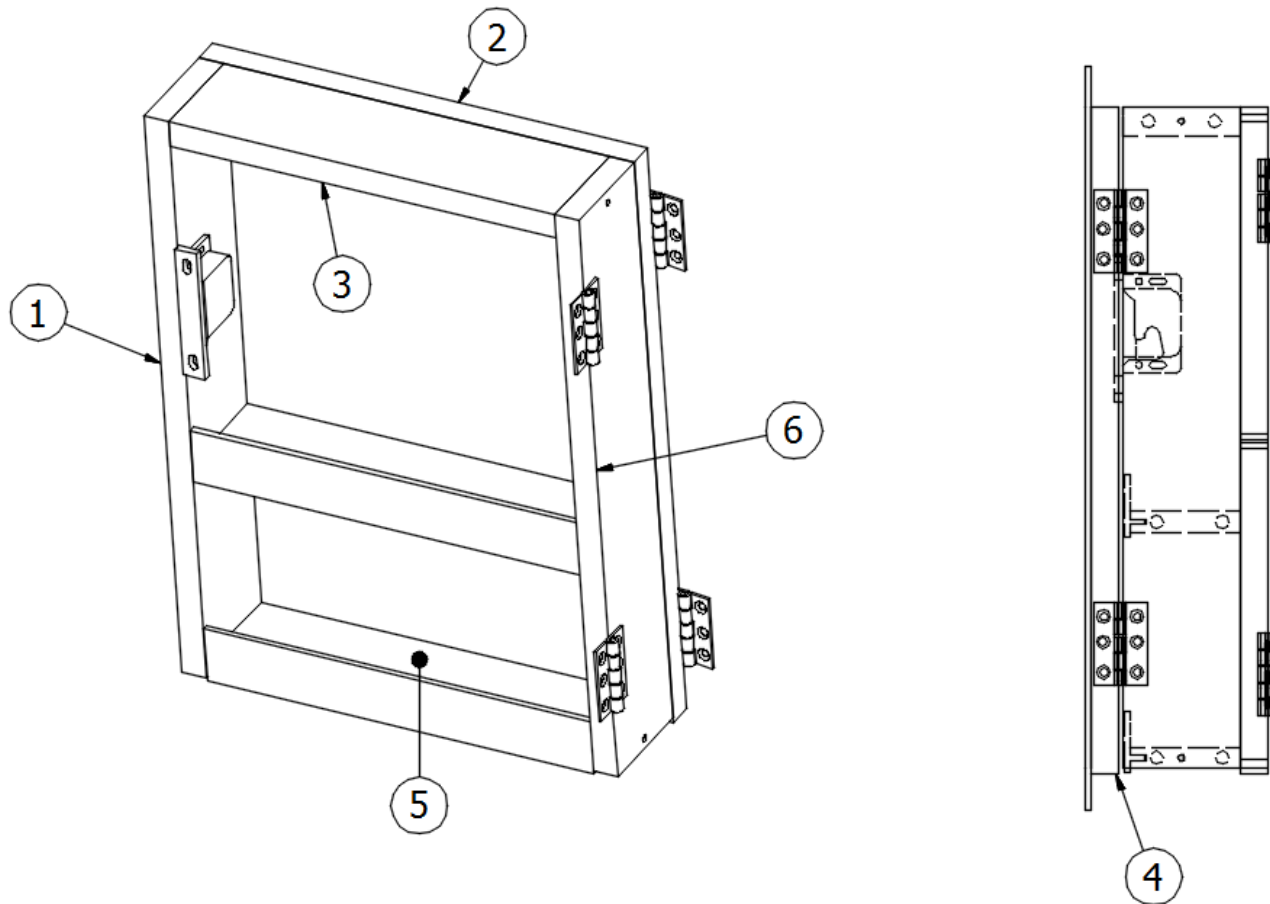
FURNITURE, LAVATORY

Lavy Cabinet, RS, 25IB

969180	RS Lavy Cabinet Assembly
1. 969180&000112CC	Pre laminate, 3 x 30.25"
2. 969180&000312CC	Pre laminate, 10.38 x 4"
3. 969180&000412CC	Pre laminate, 16 x 11.5"
4. 969180&000512CC	Pre laminate, 22.44 x 4"
5. 969180&000618BC	Pre laminate, 3 x 20.06"
6. 969180&000718DC	Pre laminate, .75 x 4.13 x 27.56"
7. 969180&000818BC	Pre laminate, .75 x 4.13 x 28"
8. 969180&000918DC	Pre laminate, .75 x 12.69 x 11.38"
9. 969180&001118CC	Pre laminate, 19 x 30.25"
10. 969180&001218CC	Pre laminate, 3 x 10.75"
11. 969180&001318CC	Pre laminate, 3 x 30.25"
12. 969180&001418CC	Pre laminate, 3 x 20.06"
13. 969180&001518CC	Pre laminate, 22.94 x 19"
14. 969180&002218DC	Pre laminate, .75 x 12.69 x 16.06"
382044	Handle, Brushed Nickel
365364-01	Edgebanding, 1mm, Ebony Woods, 5/8"
365364-02	Edgebanding, 1mm, Ebony Woods, 15/16
365340-02	Edgebanding, Frosty White, .94"
381607-11	Hinge, Self-Close Overlay, 110 degree
381607-12	Baseplate, Grass, 9.5 x 37/32
381228	Catch Grabber, Door, C3-810
380041	Brace, Corner, Stanely, 1"

FURNITURE, LAVATORY

Medicine Cabinet, 534



99900M-879

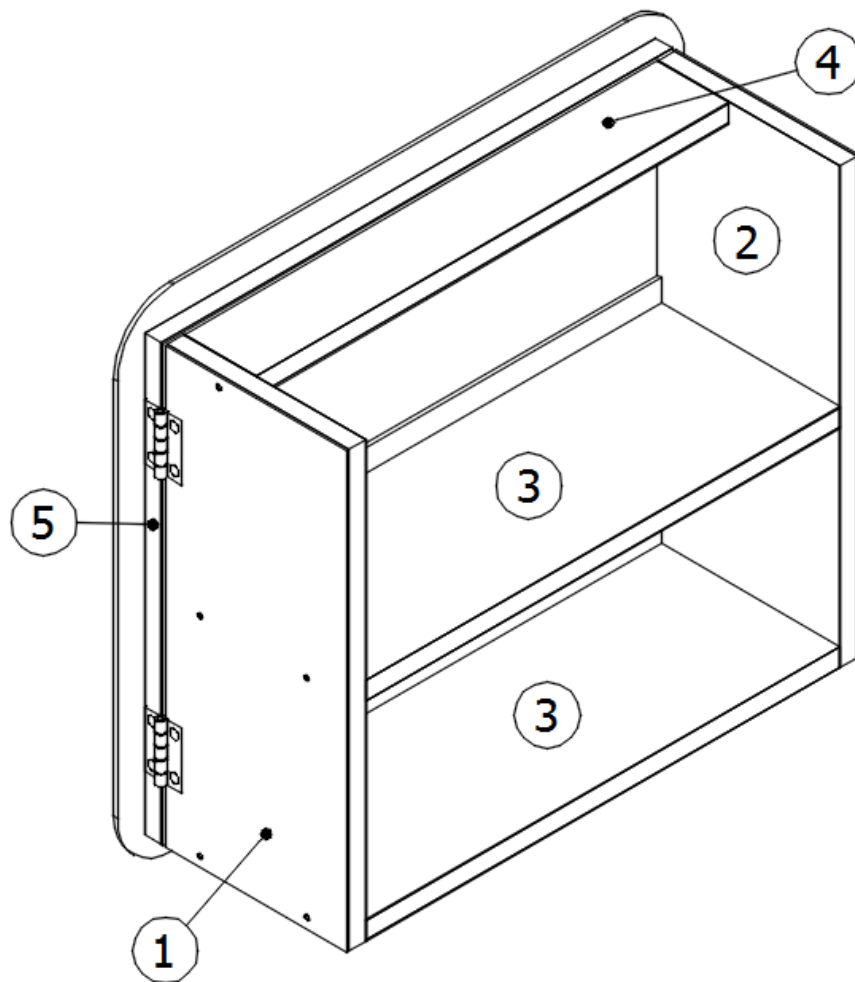
Medicine Cabinet

- 1. 99900M-879-1
- 2. 99900M-879-2
- 3. 99900M-879-3
- 4. 99900M-879-4
- 5. 99900M-879-5
- 6. 99900M-879-6
- 99900P-1927
- 99900P-1714
- 99900P-2152
- 381228-02

- Side panel
- Back panel
- Top
- Front panel
- Bottom
- Side panel, RH
- Butt hinge, 1.5 x 7/8"
- Mirror, Medicine cabinet
- T-molding, White
- Catch, Grabber door (5lb Pull)

FURNITURE, LAVATORY

Medicine Cabinet, 684



99900M-737

Medicine Cabinet

- 1. 99900M-737-1
- 2. 99900M-737-2
- 3. 99900M-737-3
- 4. 99900M-737-4
- 5. 99900M-737-5

Right side

Left side

Shelf

Top rail

Door

99900P-634

Mirror, Medicine cabinet

99900P-1927

Butt hinge, 1.5 x 7/8"

99900P-2152

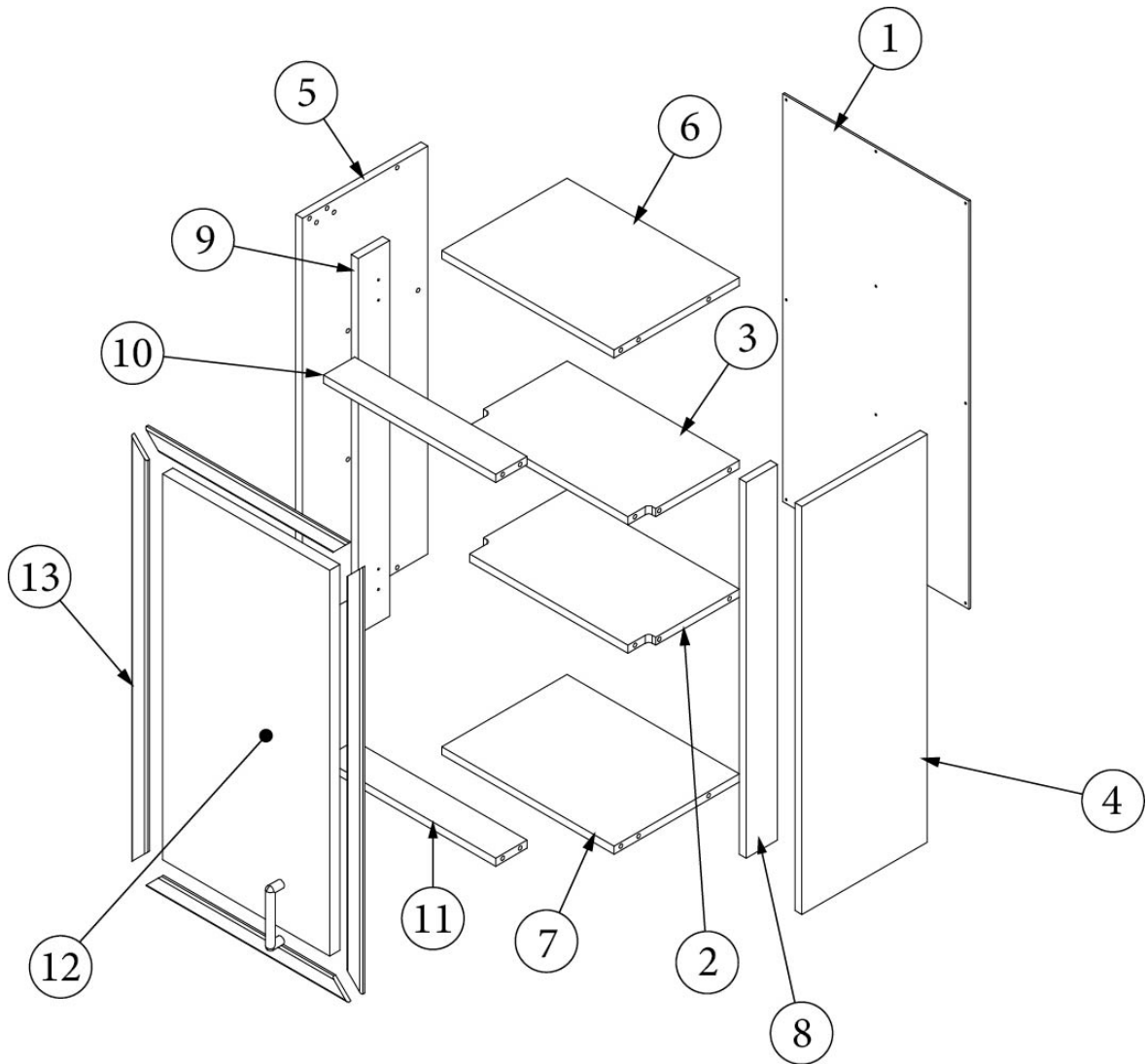
T-molding, White

381228-02

Catch, Grabber door (5lb Pull)

FURNITURE, LAVATORY

Medicine Cabinet, 25IB



Parts Listed on Next Page

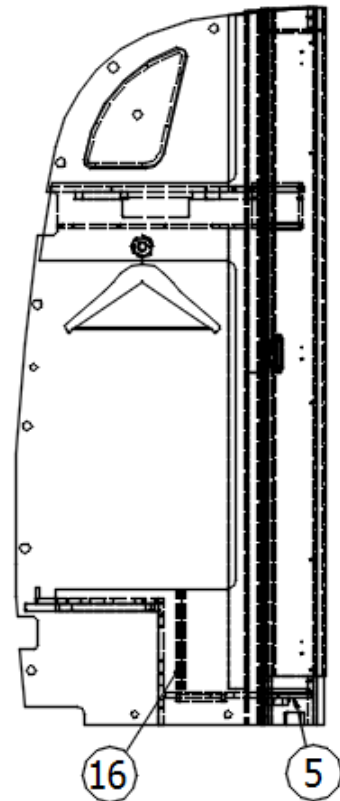
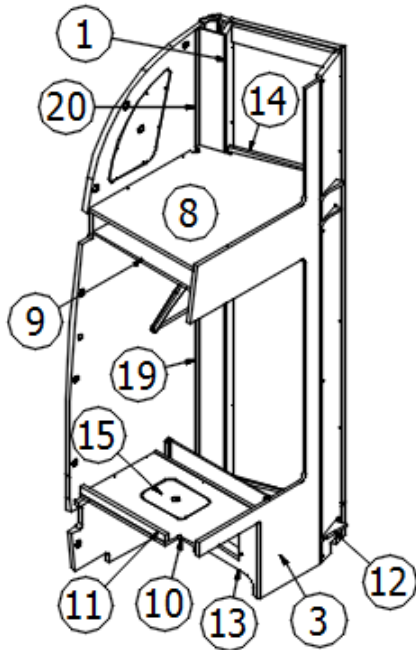
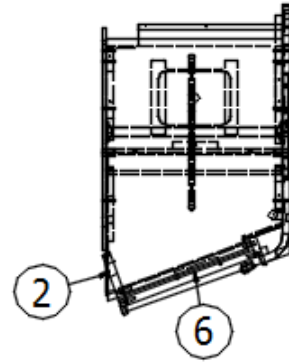
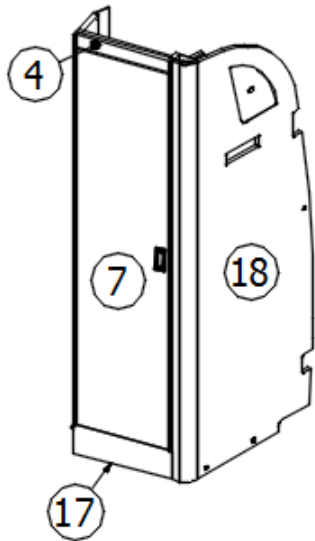
FURNITURE, LAVATORY

Medicine Cabinet, 25IB

969184	Lavy Insert, Medicine Cabinet Assembly
1. 969184&000103CE	Pre laminate, 0.13 X 13.38 X 2"
2. 969184&000212BB	Pre laminate, 12.38 X 7.5"
3. 969184&000312BB	Pre laminate, 12.38 X 7.5"
4. 969184&000412BC	Pre laminate, 9.00 X 25.38"
5. 969184&000512BC	Pre laminate, 9.00 X 25.38"
6. 969184&000612BC	Pre laminate, 9.00 X 12.38"
7. 969184&000712BC	Pre laminate, 9.00 X 12.38"
8. 969184&000812BC	Pre laminate, 2.25 X 23.38"
9. 969184&000912BC	Pre laminate, 2.25 X 23.38"
10. 969184&001012BC	Pre laminate, 2.25 X 12.38"
11. 969184&001112BC	Pre laminate, 2.25 X 12.38"
12. 969184&001218BB	Pre laminate, 0.75 X 12"
13. 800573-0024	Trim, Flat, Molding, Ebony Woods
382044	Handle, Brushed Nickel
365364-01	Edgebanding, 1mm, Ebony Woods, 5/8"
365364-02	Edgebanding, 1mm, Ebony Woods, 15/16
381607-11	Hinge, Self-Close Overlay, 110 degree
381607-12	Baseplate, Grass, 9.5 x 37/32
381228	Catch Grabber, Door, C3-810

FURNITURE, LAVATORY

Wardrobe, 534



Parts Listed on Next Page

FURNITURE, LAVATORY

Wardrobe, 534

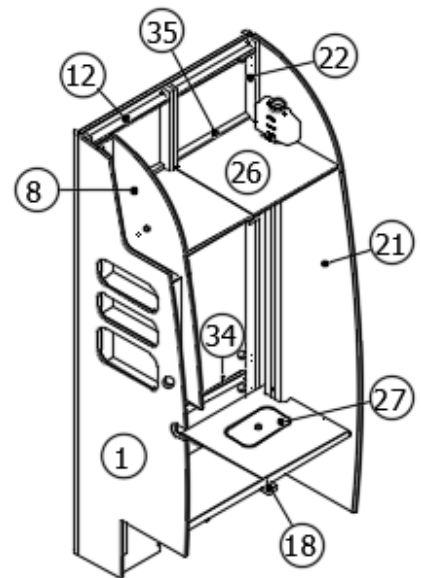
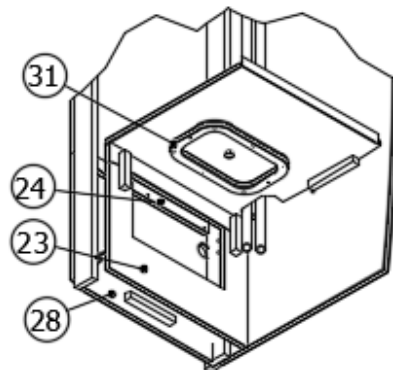
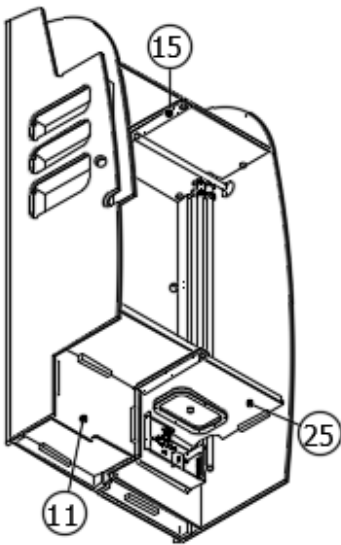
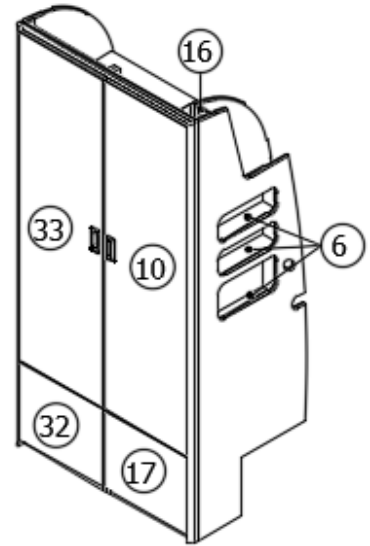
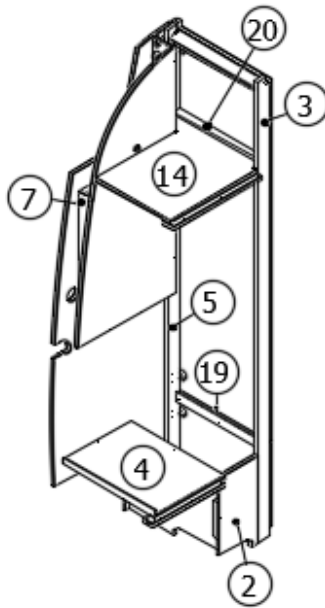
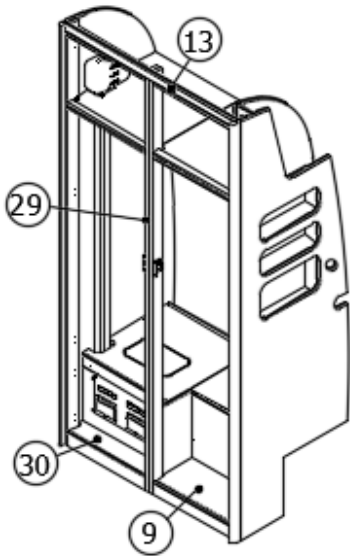
99900M-878

Wardrobe

1. 99900M-878-1	Door frame, LH
2. 99900M-878-2	Door frame, RH
3. 99900M-878-4	Panel, RH
4. 99900M-878-5	Door header, Outer
5. 99900M-878-6	Bottom door stile
6. 99900M-878-7	Door header, Inner
7. 99900M-878-8	Wardrobe door
8. 99900M-878-9	Top shelf
9. 99900M-878-10	Middle shelf closeout
10. 99900M-878-11	Bottom shelf
11. 99900M-878-12	Bottom shelf lip
12. 99900M-878-13	Bottom panel closeout
13. 99900M-878-14	PSU box face panel
14. 99900M-878-15	Middle shelves face
15. 99900M-878-16	PSU access door
16. 99900M-878-17	PSU blocking panel
17. 99900M-878-18	Bottom finish stile
18. 99900M-882	Forward wall assembly
19. 99900M-888	Wardrobe closeout, Aluminum
20. 99900M-902	Wardrobe closeout, Aluminum
380045	Tubing, .75", Elec. Metallic
381775	Pull, Satin finish
200975-04	Conduit, Flexible Black plastic
380046	Flange, Chrome
381607-11	Hinge, Self-close
203388	Sliding door track
801665-WH	L-molding, White

FURNITURE, LAVATORY

Wardrobe, 684



Parts Listed on Next Page

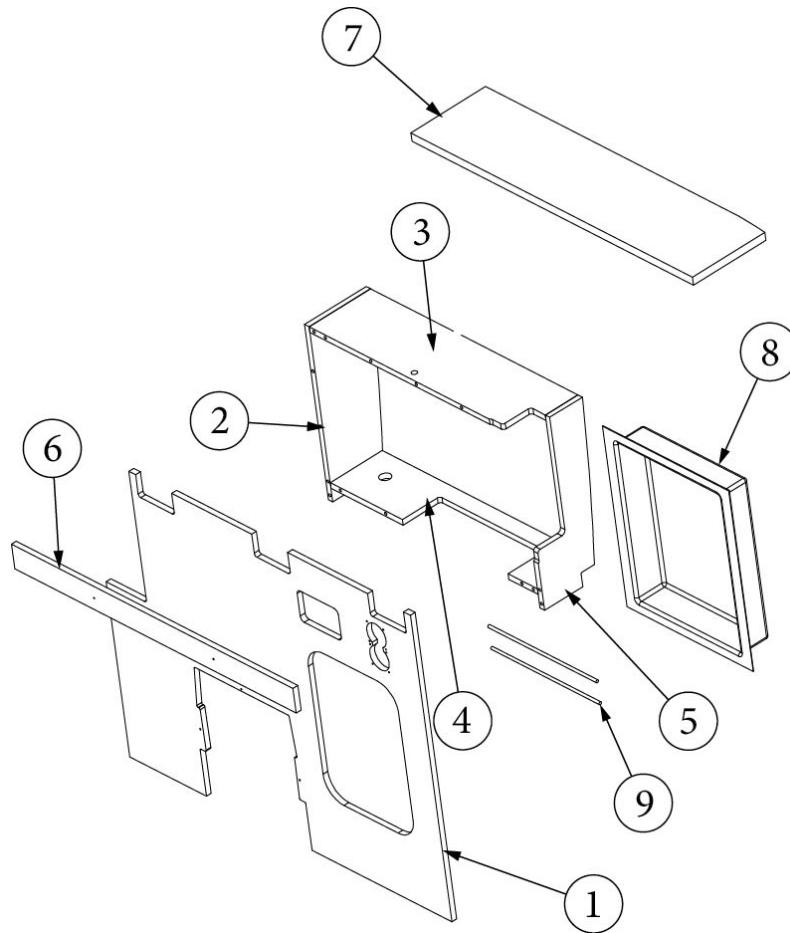
FURNITURE, LAVATORY

Wardrobe, 684

99900M-785	Wardrobe, Complete Assembly
99900M-786	Right wardrobe assembly
99900M-788	Left wardrobe assembly
1. 99900M-786-1	Right side panel
2. 99900M-786-2	Bottom left side panel
3. 99900M-786-3	Left vertical rail
4. 99900M-786-4	Bottom shelf
5. 99900M-786-5	Right vertical rail
6. 99900M-786-6	Recessed shelf
7. 99900M-786-7	Shelves outer side panel
8. 99900M-786-8	Shelves back panel
9. 99900M-786-9	Bottom false floor
10. 99900M-786-10	Wardrobe upper door
11. 99900M-786-11	Wheel arch closeout panel
12. 99900M-786-12	Horizontal stile
13. 99900M-785-1	Wardrobe header
14. 99900M-786-14	Top shelf
15. 99900M-786-15	Top shelf jointing batten
16. 99900M-786-16	Shelves inner side panel
17. 99900M-786-17	Wardrobe lower door
18. 99900M-786-18	Lower shelf jointing batten
19. 99900M-786-19	Bottom door overlap batten
20. 99900M-786-20	Lip to top shelf
21. 99900M-788-1	Left side panel
22. 99900M-788-2	Left vertical rail
23. 99900M-788-3	PSU frame, Lower
24. 99900M-788-4	PSU frame, Upper
25. 99900M-788-5	Bottom shelf
26. 99900M-788-6	Top shelf
27. 99900M-788-7	Drop in lid bottom shelf
28. 99900M-788-8	Horizontal stile
29. 99900M-788-10	Right vertical rail
30. 99900M-788-11	False floor
31. 99900M-788-12	Frame for drop in lid
32. 99900M-788-13	Wardrobe lower door
33. 99900M-788-14	Wardrobe upper door
34. 99900M-788-15	Bottom door overlap batten
35. 99900M-788-16	Lip to top shelf
381228-02	Catch, Grabber door (5lb Pull)
381775	Drawer pull, Flush Satin
99900P-2152	T-molding, Offset, White
381607-11	Hinge, Self-close
380046	Flange, Chrome
380045	Tubing, .75", Metal
200975-04	Conduit, Flexible Black plastic

FURNITURE, LAVATORY

Toilet Closeout, 25IB



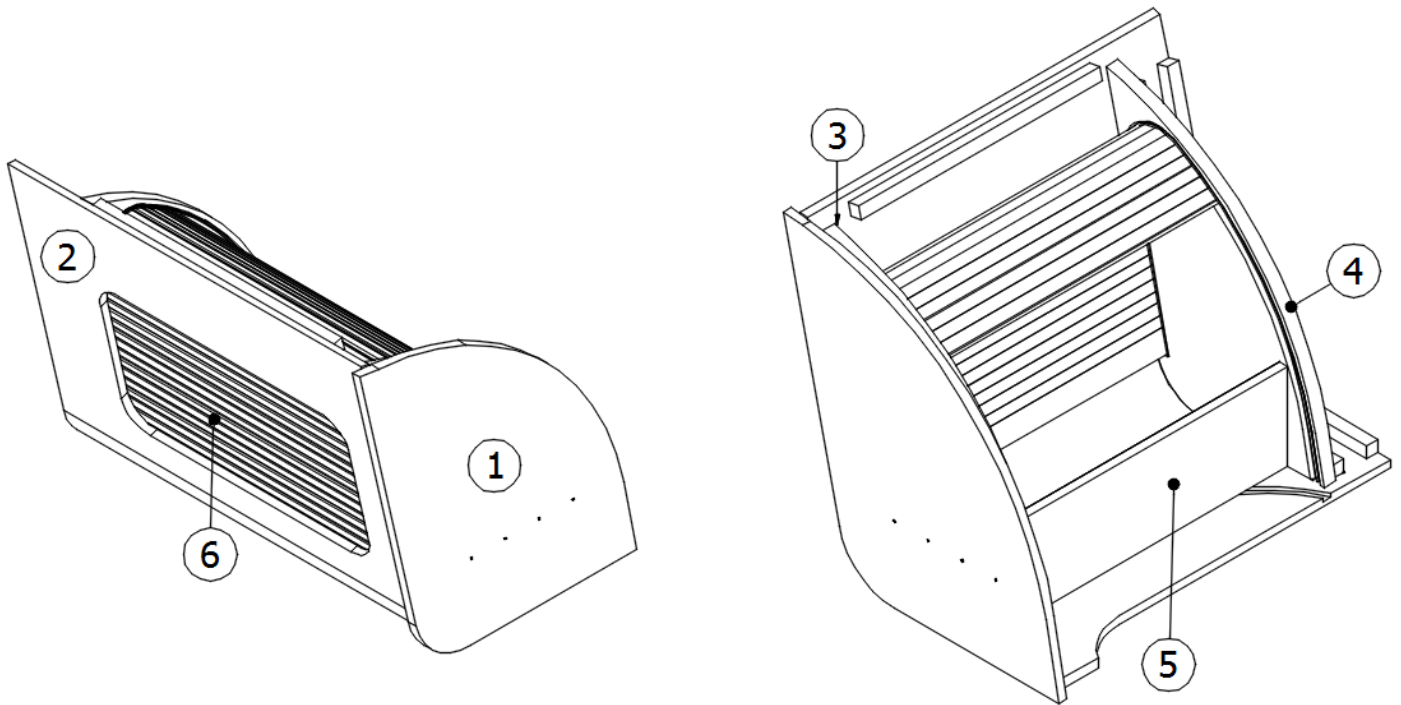
969222-01

Toilet Closeout Assembly

- | | |
|--------------------|--------------------------------------|
| 1. 969222&000112BF | Pre laminate, .50 X 35.75 X 28" |
| 2. 969222&000212BF | Pre laminate, 6.38 X 16" |
| 3. 969222&000312BF | Pre laminate, 6.38 X 23" |
| 4. 969222&000412BF | Pre laminate, 5.38 X 23" |
| 5. 969222&000512BF | Pre laminate, 6.38 X 16" |
| 6. 969222&000612BF | Pre laminate, 2.25 X 31.25" |
| 7. 969222&001618JC | Pre laminate, .75 X 31.25 X 7.75" |
| 8. 203383 | Rack, Magazine, ABS |
| 9. 115042 | Rod, Aluminium |
| 99900P-1905 | Vent, Rectangular, 480mm X 80mm |
| 201673 | Reverse Cove Molding, White, Plastic |
| 365466-02 | Edgebanding, 2mm, Frosty White |
| 203445 | T-Trim, Black, Flexible Poly, .56" |
| 365364-01 | Edgebanding, 1mm, Ebony Woods 5/8" |

FURNITURE

Roof Locker Above Refrigerator, 534



99900M-886

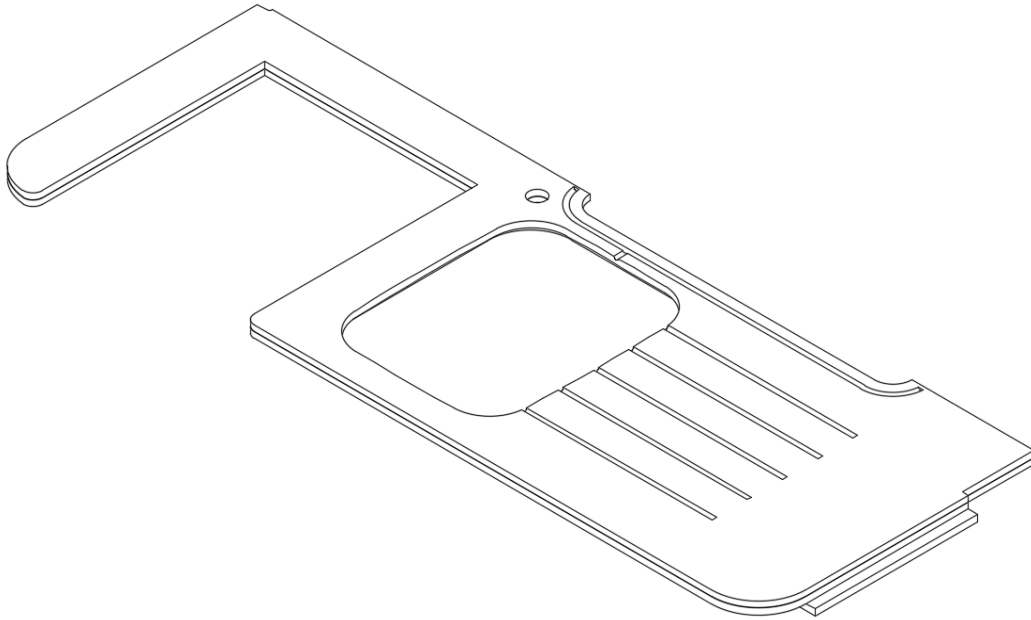
Refer Roof Locker

- 1. 99900M-886-1
- 2. 99900M-886-2
- 3. 99900M-886-3
- 4. 99900M-886-4
- 5. 99900M-886-5
- 6. 99900P-2181
- 99900M-886-6
- 203388
- 201673
- 381902

- End panel
- Face frame
- RH inside panel
- LH inside panel
- Rear panel
- Door, Tambour
- Laminate
- Tambour door track, Flexible
- Reverse cove molding, White
- Hook, Stainless Steel

FURNITURE, GALLEY

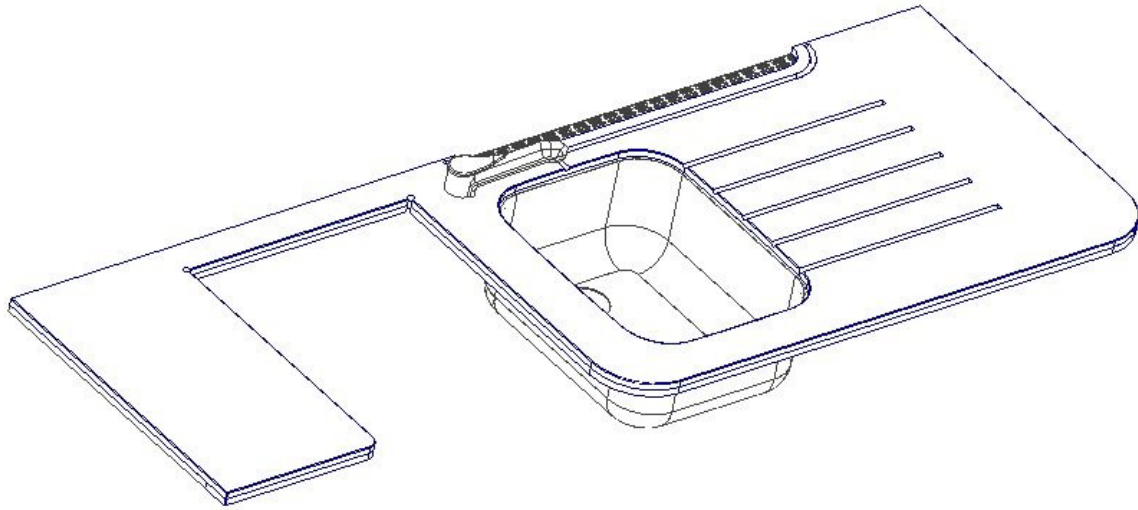
Galley Top, 534



602322	Galley Top, Corian, AEU 534
99900P-1268	Sink cover, Corian
99900P-1973	Galley sink
99900P-1298	Grill, Galley worktop

FURNITURE, GALLEY

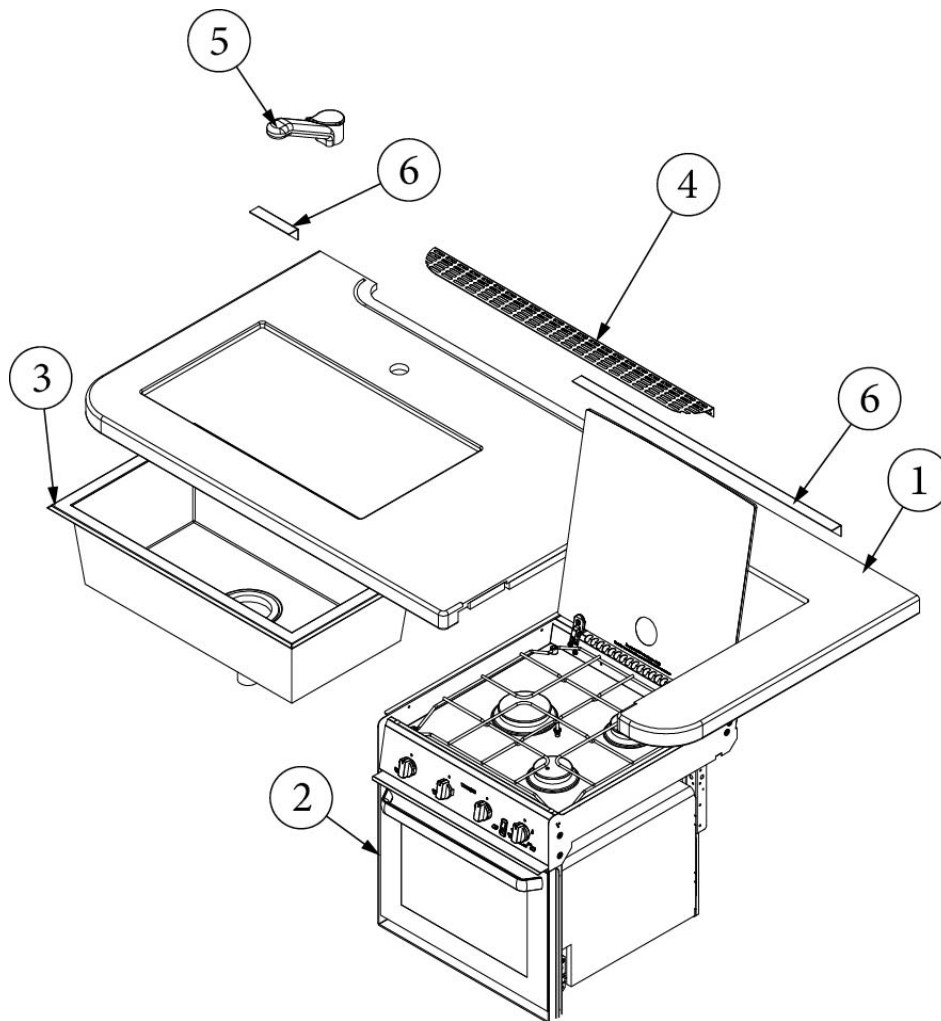
Galley Top, 684



- | | |
|-------------|-----------------------|
| 99900P-1999 | Galley top, Corian |
| 99900P-1268 | Sink cover, Corian |
| 99900P-1973 | Galley sink |
| 99900P-1298 | Grill, Galley worktop |

FURNITURE, GALLEY

Galley Top, 25IB



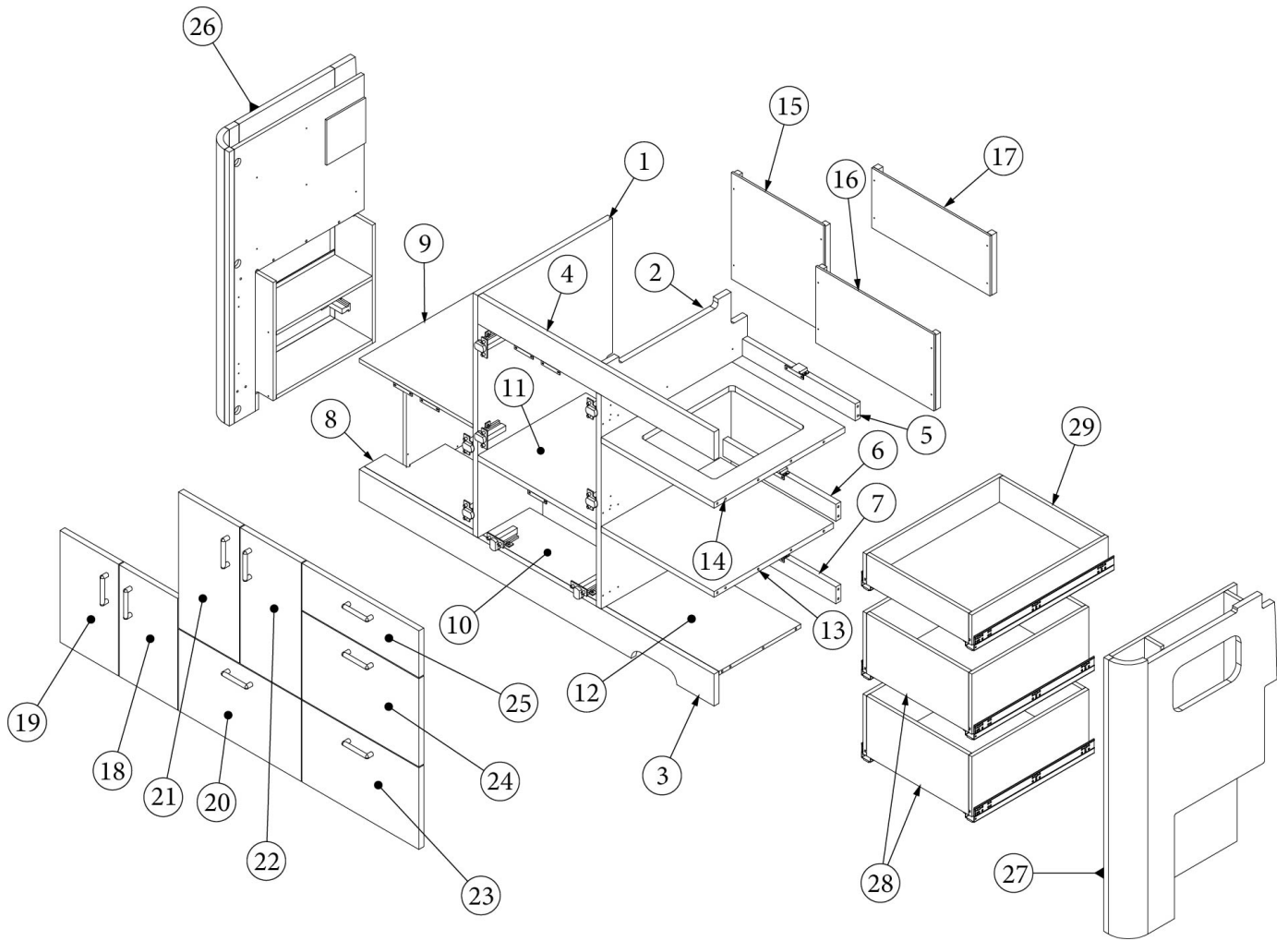
113401

Galley Top Install (not for order/see parts below)

- | | |
|----------------|---|
| 1. 602838 | Galley Top, Corian |
| 2. 690737-02 | Thetford Triplex Cooker |
| 3. 602435 | Undermount Kitchen Sink, SS, 15 x 25 x 7" |
| 4. 99900P-1298 | Grill, Heating, Worktop |
| 5. 99900P-1895 | Faucet, Royal, Single Lever Mixer |
| 6. 114812 | Alum. Angle 1" X 1" X 12' |
| 204092 | Sink Cover, Natural |
| 602812-02 | Drainer Basket Kit - 16'cvi |
| 513546 | Pigtail Sink Ground Green/Yell |
| 602164-02 | Tailpiece, w/Nuts & Washers |

FURNITURE, GALLEY

Galley Cabinet, 534



Parts Listed on Next Page

FURNITURE, GALLEY

Galley Cabinet, 534

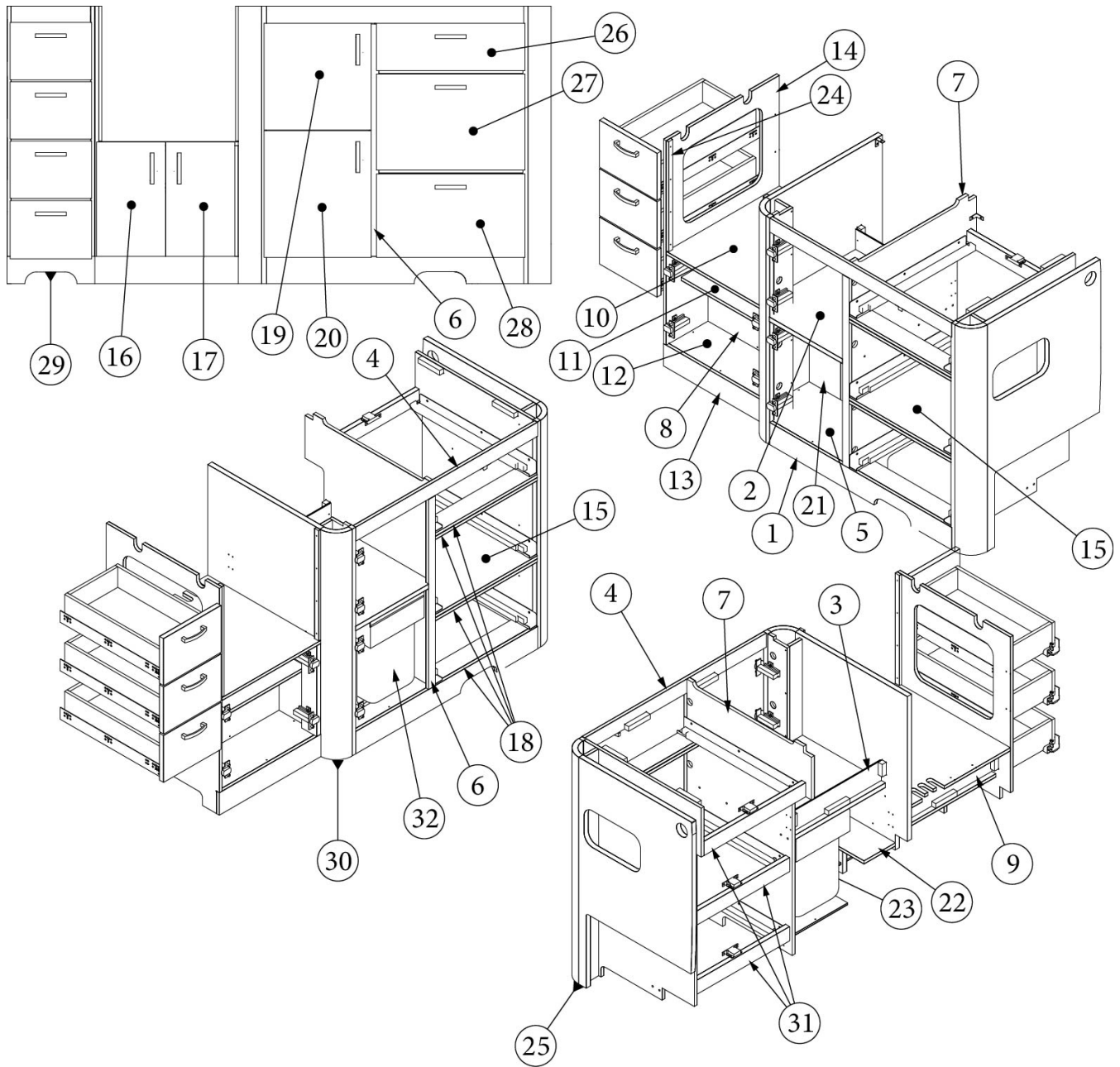
969762

Galley Cabinets

1. 969762&000118CC	Pre laminate, .75 x 20.75 x 36.5"
2. 969762&000218CC	Pre laminate, .75 x 22.50 x 36.5"
3. 969762&000318BC	Pre laminate, 4.25 x 54.63"
4. 969762&000418BC	Pre laminate, 3.75 x 36.38"
5. 969762&000518CC	Pre laminate, 2.25 x 17.38"
6. 969762&000618CC	Pre laminate, 2.25 x 17.38"
7. 969762&000718CC	Pre laminate, 2.25 x 17.38"
8. 969762&000812CC	Pre laminate, 17.50 x 9.25"
9. 969762&000912CC	Pre laminate, 17.50 x 20.75"
10. 969762&001012CC	Pre laminate, 18.25 x 7.25"
11. 969762&001118CC	Pre laminate, 18.25 x 16.63"
12. 969762&001212CC	Pre laminate, 17.38 x 12.63"
13. 969762&001318CC	Pre laminate, 17.38 x 18.38"
14. 969762&001418CC	Pre laminate, 17.38 x 20.13"
15. 969762&001506CC	Pre laminate, .25 x 14.19 x 14.19"
16. 969762&001606CC	Pre laminate, .25 x 18.19 x 10.19"
17. 969762&001706CC	Pre laminate, .25 x 18.19 x 8"
18. 969762&001818BC	Pre laminate, .75 x 9.00 x 14.88"
19. 969762&001918BC	Pre laminate, .75 x 9.00 x 14.88"
20. 969762&002018BC	Pre laminate, .75 x 18.88 x 10.88"
21. 969762&002118BC	Pre laminate, .75 x 9.38 x 18.13"
22. 969762&002218BC	Pre laminate, .75 x 9.38 x 18.13"
23. 969762&002318BC	Pre laminate, .75 x 18.00 x 10.88"
24. 969762&002418BC	Pre laminate, .75 x 18.00 x 11.75"
25. 969762&002618BC	Pre laminate, .75 x 18.00 x 6.25"
26. 969763	Galley, LH Assembly
27. 969764	Galley, RH Assembly
28. 969708-14	Drawer Box, 8 x 18 x 16.75"
29. 969705-08	Drawer Box, 4 x 16.75 x 21"
382807-08	Drawer Slide, Self-Close, 18"
382807-09	Drawer Slide, Self-Close, 21"
382807-01	Left Front Fixing Clip
382807-02	Right Front Fixing Clip
382044	Handle, Brushed Nickel
365364-01	Edgebanding, 1mm, Ebony Woods, 5/8"
365364-02	Edgebanding, 1mm, Ebony Woods, 15/16"
381607-11	Hinge, Self-Close Overlay, 110 degree
381607-12	Baseplate, Grass, 9.5 x 37/32
381228	Catch Grabber, Door, C3-810

FURNITURE, GALLEY

Galley Cabinet, 684



Parts Listed on Next Page

FURNITURE, GALLEY

Galley Cabinet, 684

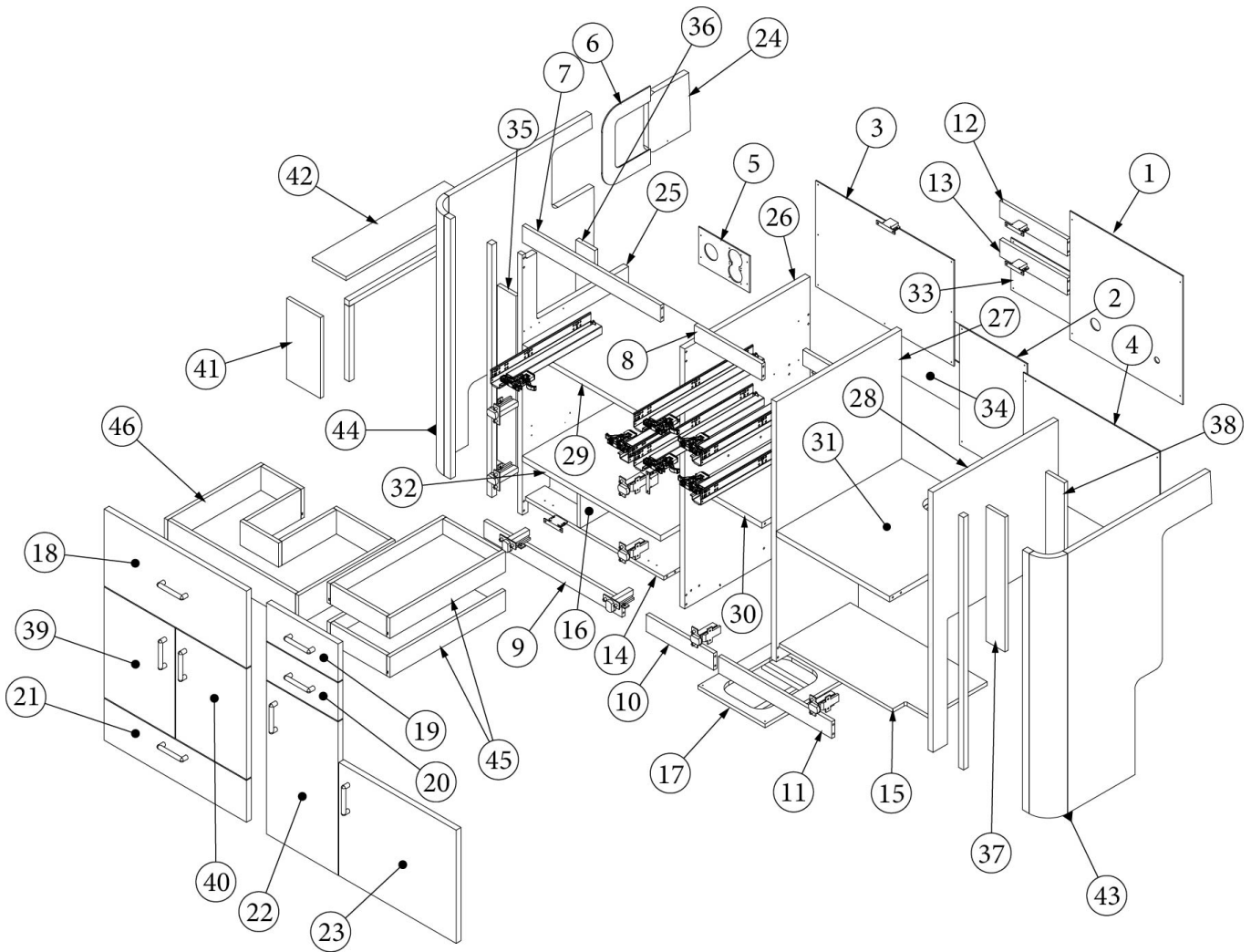
99900M-789

Galley Cabinets

1. 99900M-789-1 Bottom Plinth, Long
2. 99900M-789-2 Sink Shelf
3. 99900M-789-3 Back Panel Sink Cupboard
4. 99900M-789-4 Top Stile
5. 99900M-789-5 Shelf Bin Cupboard
6. 99900M-789-6 Central Vertical Stile
7. 99900M-789-7 Central Vertical Panel
8. 99900M-789-9 Oven Bottom Back Panel
9. 99900M-789-10 Oven Middle Back Panel
10. 99900M-789-11 Shelf Under Oven
11. 99900M-789-12 Shelf Oven Cupboard
12. 99900M-789-13 Bottom Shelf Oven Cupboard
13. 99900M-789-14 Plinth Below Oven
14. 99900M-789-15 Oven Left Side Panel
15. 99900M-789-16 Shelf Under Middle Drawer
16. 99900M-789-17 Left Door Below Oven
17. 99900M-789-18 Right Door Below Oven
18. 99900M-789-19 Rail To Right Drawers
19. 99900M-789-20 Sink Cupboard Door
20. 99900M-789-21 Bin Door
21. 99900M-789-22 Bin Closeout Vertical
22. 99900M-789-23 Bin Closeout Horizontal
23. 99900M-789-24 Bin Closeout Side
24. 99900M-789-26 Oven Right Infill Batten
25. 99900M-793 Right Side Panel Assembly
26. 969478 Cutlery Drawer, Top
27. 969479 Cutlery Drawer, Middle
28. 969480 Cutlery Drawer, Bottom
29. 99900M-790 Galley Left Drawer Stack
30. 99900M-792 Oven Right Side Panel Assembly
31. 99900M-789-27 Rail To Right Drawers
32. 99900P-2253 Pull Out Waste Bin
- 381228 Catch, Grabber Door (5lb Pull)
- 382044 Handle, Brushed Nickel
- 381607-11 Hinge, Self-Close
- 382203-04 Drawer Slide, Self-Close, 18"

FURNITURE, GALLEY

Galley Cabinet, 25IB



Parts Listed on Next Page

FURNITURE, GALLEY

Galley Cabinet, 25IB

969165-01

Assembly, Galley Base

1. 969165&000103CE	Pre laminate, .13 x 17.56 x 17.31"
2. 969165&000203CE	Pre laminate, .13 x 10.5 x 16.13"
3. 969165&000303CE	Pre laminate, .13 x 14.25 x 21.5"
4. 969165&000403CE	Pre laminate, .13 x 21.25 x 14.56"
5. 969165&000503CE	Pre laminate, .13 x 7.94 x 4.94"
6. 969165&000603CE	Pre laminate, .13 x 9.25 x 7.5"
7. 969165&000712BC	Pre laminate, 2.25 x 21.5"
8. 969165&000812BC	Pre laminate, 2.25 x 10.5"
9. 969165&000912BC	Pre laminate, 2.25 x 21.5"
10. 969165&001012BC	Pre laminate, 2.25 x 10.5"
11. 969165&001112BC	Pre laminate, 2.25 x 17.63"
12. 969165&001312CC	Pre laminate, 2.25 x 10.5"
13. 969165&001412CC	Pre laminate, 2.25 x 10.5"
14. 969165&001512CC	Pre laminate, 21.50 x 16"
15. 969165&001612CC	Pre laminate, 21.31 x 11"
16. 969165&001712CC	Pre laminate, 16.00 x 5"
17. 969165&001812CC	Pre laminate, 10.44 x 15.94"
18. 969165&002118DC	Pre laminate, .75 x 22.13 x 10.38"
19. 969165&002218DC	Pre laminate, .75 x 11.13 x 5.13"
20. 969165&002318DC	Pre laminate, .75 x 11.13 x 5.13"
21. 969165&002418DC	Pre laminate, .75 x 22.13 x 5.63"
22. 969165&002518DC	Pre laminate, .75 x 11.13 x 20.63"
23. 969165&002618DC	Pre laminate, .75 x 18.25 x 15.25"
24. 969165&002718BC	Pre laminate, 6.50 x 7.97"
25. 969165&002818CC	Pre laminate, 16.50 x 35"
26. 969165&002918CC	Pre laminate, 19.50 x 35"
27. 969165&003018CC	Pre laminate, 19.50 x 35"
28. 969165&003118CC	Pre laminate, 19.50 x 35"
29. 969165&003218CC	Pre laminate, 21.50 x 16.5"
30. 969165&003318CC	Pre laminate, 10.50 x 15.75"
31. 969165&003418CC	Pre laminate, 17.63 x 19.5"
32. 969165&003518CC	Pre laminate, 21.50 x 16.5"
33. 969165&004503CE	Pre laminate, .13 x 14.25 x 6.25"

Parts Continued on Next Page

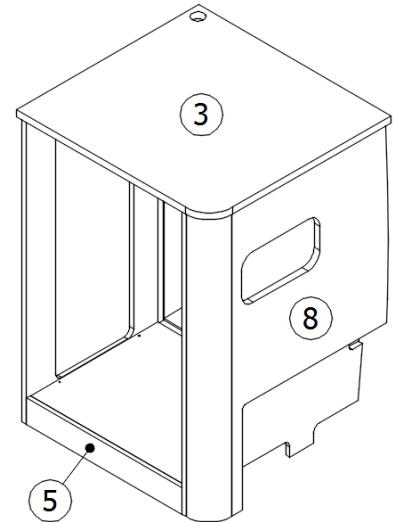
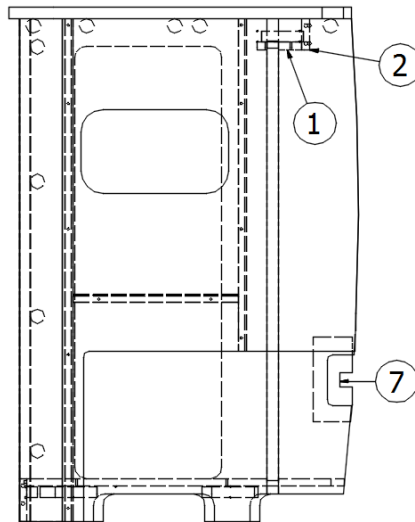
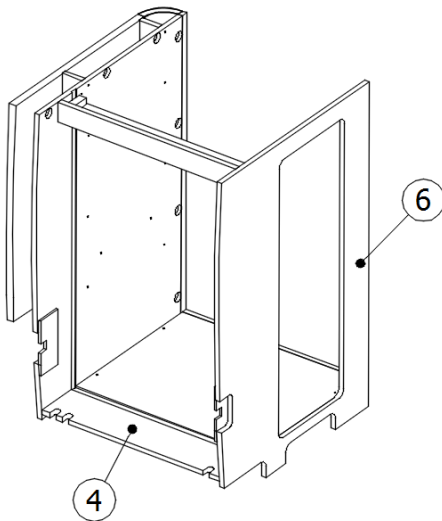
FURNITURE, GALLEY

Galley Cabinet, 25IB, Continued

34. 969165&004603CE	Pre laminate, .13 x 12.00 x 7"
35. 969165&004712CC	Pre laminate, .50 x 2.94 x 23.5"
36. 969165&004812CC	Pre laminate, .50 x 2.94 x 17.25"
37. 969165&004912CC	Pre laminate, .50 x 2.94 x 18.13"
38. 969165&005012CC	Pre laminate, .50 x 2.94 x 35"
39. 969165&005418DC	Pre laminate, .75 x 11.00 x 14.88"
40. 969165&005518DC	Pre laminate, .75 x 11.00 x 14.88"
41. 969165&006312BC	Pre laminate, 5.25 x 10.88"
42. 969165&006412BC	Pre laminate, 5.25 x 20.53"
43. 969170	Aft Wall Assembly, Galley
44. 969171	Forward Wall Assembly, Galley
45. 968021-08	Drawer Box, 2.75 x 9.88 x 18"
46. 969163	Drawer Box, Special, 8"
381708	Wastebasket, Rubbermaid
204092	Sink Cover, Natural
382044	Handle, Brushed Nickel
365364-01	Edgebanding, 1mm, Ebony Woods, 5/8"
365364-02	Edgebanding, 1mm, Ebony Woods, 15/16"
365340-02	Edgebanding, Frosty White, .94"
381607-11	Hinge, Self-Close Overlay, 110 degree
381607-12	Baseplate, Grass, 9.5 x 37/32
381228	Catch Grabber, Door, C3-810
801345	Radius Plywood .75" X 3" X 8'
382203-03	Drawer Slide, Tandem Plus, Self-Close, 15"
382203-04	Drawer Slide, Tandem Plus, Self-Close, 18"
382619-07	Connector, Wall, Short
365449-12	Gasket, Battery Box Vent
203464	Trim, Panel Black 3/4"

FURNITURE, GALLEY

Refrigerator Cabinet, 534



99900M-855

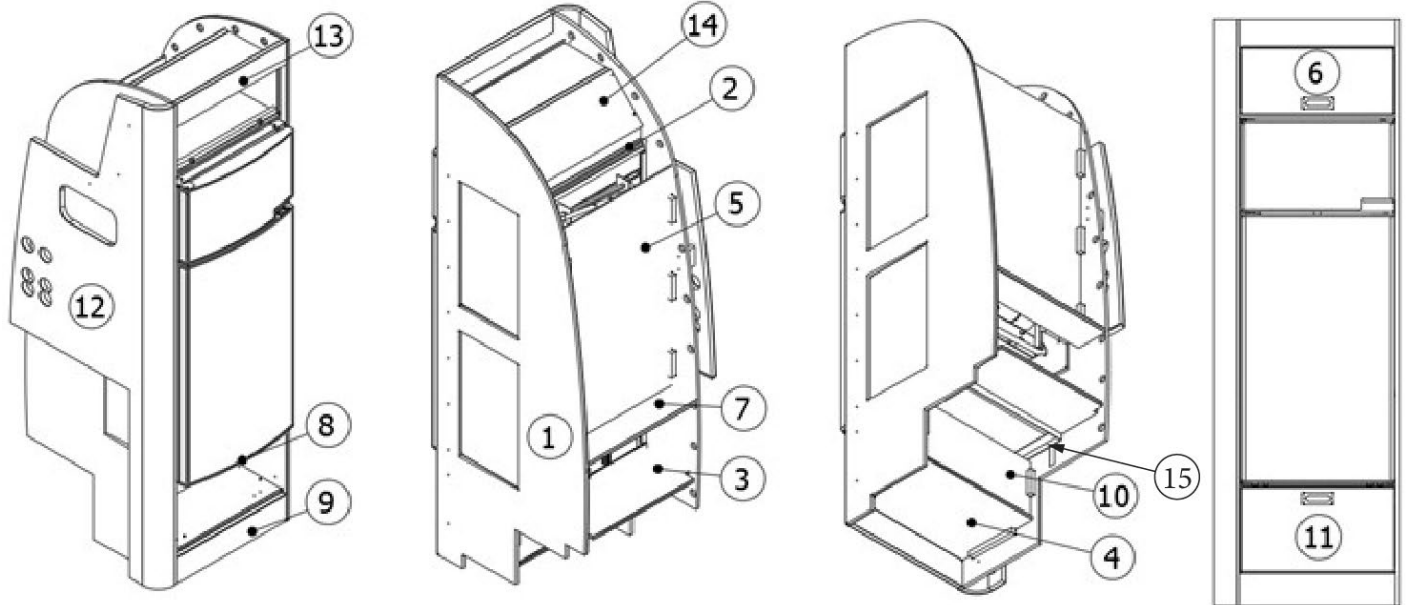
Refrigerator Cabinet

1. 99900M-855-1
 2. 99900M-855-2
 3. 99900M-855-3
 4. 99900M-855-4
 5. 99900M-855-5
 6. 99900M-855-6
 7. 99900M-855-7
 8. 99900M-856
- 365335
115483

- Top support stile
Top support board
Refrigerator cabinet top
Bottom panel
Bottom stile
LH panel
Pipe cover
RH side sub assembly
Tape, Sealfoam w/PSA, .75"
Aluminum angle, .75 x .75

FURNITURE, GALLEY

Refrigerator Cabinet, 684



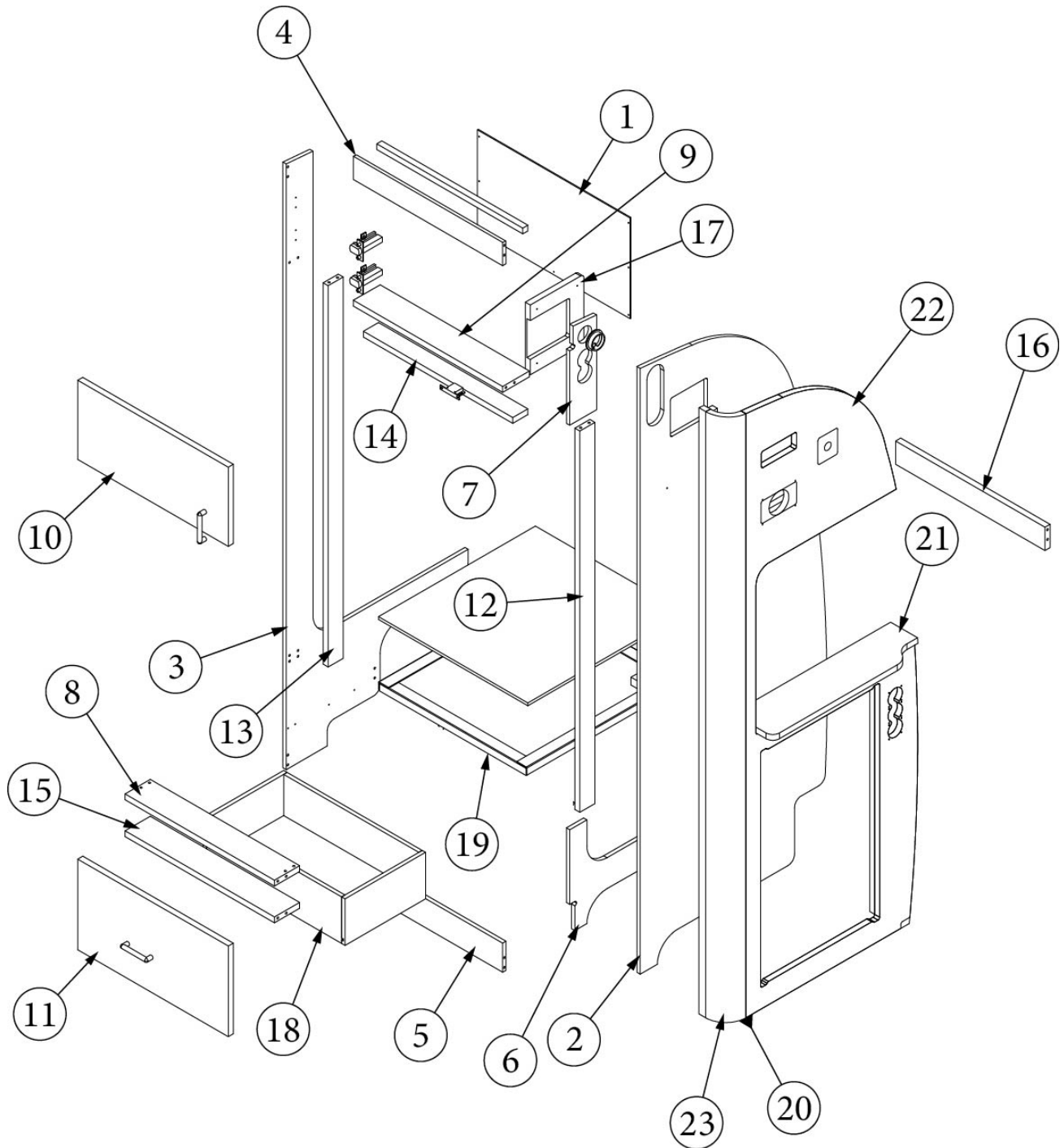
99900M-728

Refrigerator Cabinet

- | | |
|-------------------|--------------------------------|
| 1. 99900M-728-1 | Side panel, RH |
| 2. 99900M-728-2 | Top shelf |
| 3. 99900M-728-3 | Middle shelf |
| 4. 99900M-728-4 | Bottom shelf |
| 5. 99900M-728-5 | Back panel |
| 6. 99900M-728-6 | Top door |
| 7. 99900M-728-7 | Back panel bottom |
| 8. 99900M-728-8 | Middle shelf front |
| 9. 99900M-728-9 | Plinth |
| 10. 99900M-728-10 | Lower back panel |
| 11. 99900M-728-11 | Lower door |
| 12. 99900M-729 | Left side panel assembly |
| 13. 99900M-730 | Top pelmet assembly |
| 14. 99900M-731 | Top box assembly |
| 15. 99900M-184 | Refrigerator stand, aluminium |
| 381228-02 | Catch, Grabber door (5lb pull) |
| 381775 | Drawer pull, Flush Satin |
| 99900P-1899 | Hinge, 0 crank, Sprung, Hafele |
| 115130 | Baffle, Refrigerator - Formed |

FURNITURE, GALLEY

Refrigerator Cabinet, 25IB



Parts Listed on Next Page

FURNITURE, GALLEY

Refrigerator Cabinet, 25IB

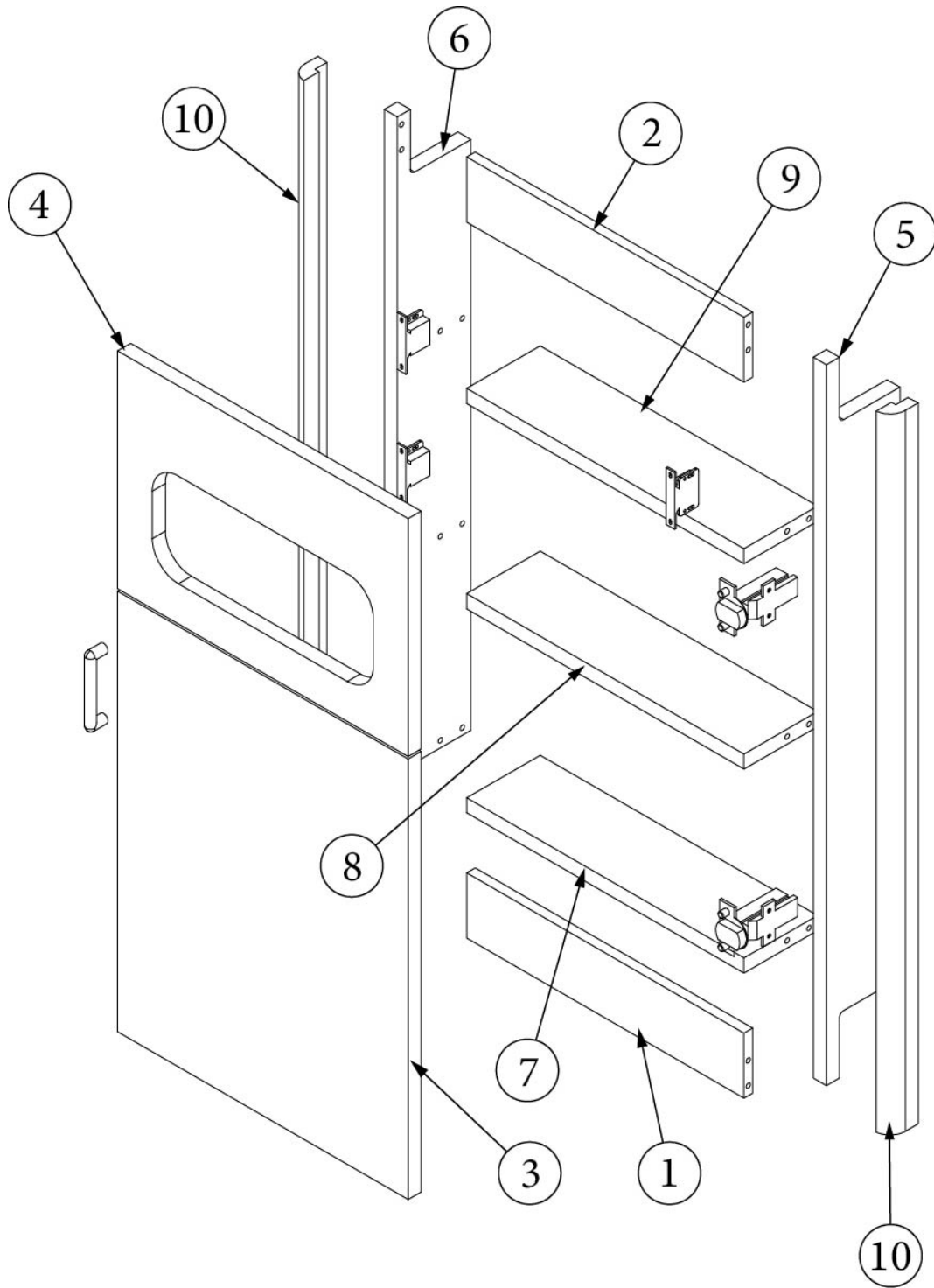
969106-01

Refer Cabinet Assembly

1. 969106&000103CE	Pre laminate, .13 X 22.75 X 13"
2. 969106&000212BD	Pre laminate, 27.84 X 78.15"
3. 969106&000312BC	Pre laminate, 27.13 X 78.15"
4. 969106&000412BC	Pre laminate, 3 X 22.25"
5. 969106&000512BC	Pre laminate, 3.75 X 22.25"
6. 969106&000612CC	Pre laminate, 12.81 X 13.38"
7. 969106&000712CC	Pre laminate, 4 X 12.59"
8. 969106&000818BC	Pre laminate, 3.75 X 22.25"
9. 969106&000918BC	Pre laminate, 4 X 22.25"
10. 969106&001018DC	Pre laminate, .75X22.44X10.22"
11. 969106&001118DC	Pre laminate, .75X22.44X11.69"
12. 969106&001218CC	Pre laminate, 2.25 X 49.19"
13. 969106&001318CC	Pre laminate, 2.25 X 49.19"
14. 969106&001418CC	Pre laminate, 2.25 X 22.25"
15. 969106&001518CC	Pre laminate, 3.75 X 22.25"
16. 969106&001618CC	Pre laminate, 3 X 22.25"
17. 969106&002718CC	Pre laminate, 8 X 9"
18. 969707-10	Drawer Box, 6 X 12 X 21.13"
19. 969202	Refer Stand Assembly
20. 969104-01	Forward Radius Wall Assembly, Refer
21. 969104&000418JC	Pre laminate, .75 X 6.00 X 23"
22. 969104&001418CE	Pre laminate, 25.59 X 77.93"
23. 801345	Radius Plywood .75" X 3" X 8'
113405&000118BC	Pre laminate, 39 X 2.7, Top Face, Refer/Wardrobe
382807-06	Drawer Slide, Self-Close, 12"
382807-01	Left Front Fixing Clip
382807-02	Right Front Fixing Clip
381607-11	Hinge, Self-Close Overlay, 110 degree
381607-12	Baseplate, Grass, 9.5 x 37/32
382044	Handle, Brushed Nickel
381228	Catch Grabber, Door, C3-810
381209-03	Grommet, w/Cap, 2.375" #TG3-90
203138-01	Extrusion, Plastic Wall, White
203464	Trim, Panel Black 3/4"
365364-02	Edgebanding, 1mm, Ebony Woods, 15/16
365466-02	Edgebanding, 2mm, Frosty White
203942-03	T-Molding, Black, 13/16"

FURNITURE, GALLEY

Entrance Cabinet, 25IB



Parts Listed on Next Page

FURNITURE, GALLEY

Entrance Cabinet, 25IB

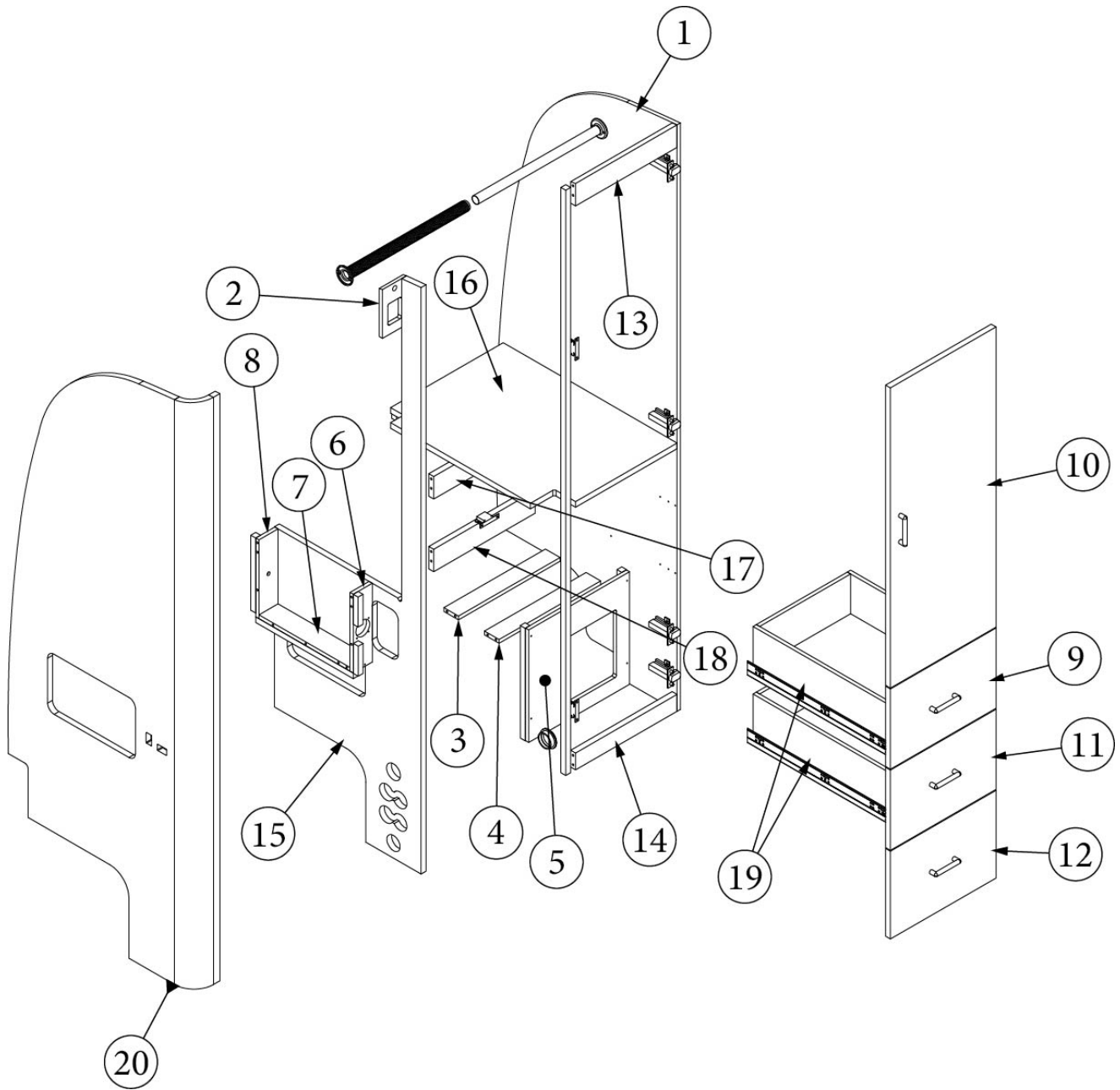
969105

Refer Insert Cabinet, Assembly

1. 969105&000112BC Pre laminate, .325 X 16"
2. 969105&000212BC Pre laminate, 3.25 X 16"
3. 969105&000318BC Pre laminate, 0.75 X 16.75"
4. 969105&000418BC Pre laminate, 0.75 X 16.75"
5. 969105&000518CC Pre laminate, 4.25 X 36"
6. 969105&000618CC Pre laminate, 4.25 X 36"
7. 969105&000718CC Pre laminate, 4.25 X 16"
8. 969105&000818CC Pre laminate, 4.25 X 16"
9. 969105&000918CC Pre laminate, 4.25 X 16"
10. 801706-0024 Corner Trim, 90 Degree, Ebony, 1 x 84"
- 365364-02 Edgebanding, 1mm, Ebony Woods, 15/16"
- 365466-02 Edgebanding, 2mm, Frosty White
- 203942-03 T-Molding, Black, 13/16"
- 382044 Handle, Brushed Nickel
- 381228 Catch Grabber, Door, C3-810

FURNITURE, GALLEY

Wardrobe Cabinet, 25IB



Parts Listed on Next Page

FURNITURE, GALLEY

Wardrobe Cabinet, 25IB

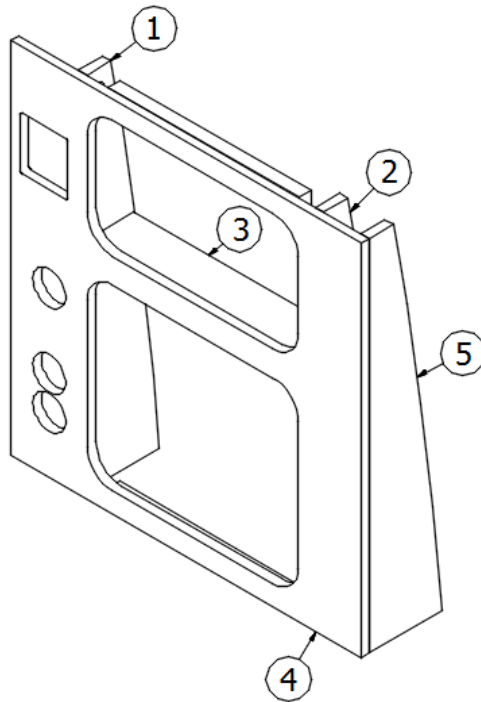
969107

Wardrobe Cabinet Assembly

1. 969107&000112CC	Pre laminate, 27.84 x 78.15"
2. 969107&000212CC	Pre laminate, 0.50 x 3.69 x 6"
3. 969107&000312CC	Pre laminate, 2.25 x 15.63"
4. 969107&000412CC	Pre laminate, 2.25 x 15.63"
5. 969107&000512CC	Pre laminate, 0.50 x 15.50"
6. 969107&000612CC	Pre laminate, 0.50 x 2.94 x 10"
7. 969107&000712CC	Pre laminate, 0.50 x 2.94 x 14"
8. 969107&000812CC	Pre laminate, 0.50 x 2.94 x 10"
9. 969107&000918DC	Pre laminate, .75 x 16.25 x 10.69"
10. 969107&001018DC	Pre laminate, .75 x 16.25 x 40"
11. 969107&001118DC	Pre laminate, .75 x 16.25 x 10.69"
12. 969107&001218DC	Pre laminate, .75 x 16.25 x 11.69"
13. 969107&001318BC	Pre laminate, 3.00 x 15.63"
14. 969107&001418BC	Pre laminate, 2.25 x 15.63"
15. 969107&001518CC	Pre laminate, 22.56 x 78.15"
16. 969107&001618CC	Pre laminate, 26.75 x 19.31"
17. 969107&001718CC	Pre laminate, 3.00 x 15.63"
18. 969107&001818CC	Pre laminate, 3.00 x 15.63"
19. 969707-12	Drawer Box, 6 x 21 x 15"
20. 969108	Aft Wall Assembly, Wardrobe
801345	Radius Plywood .75" X 3" X 8'
113405&000118BC	Pre laminate, 39 X 2.7, Top Face, Refer/Wardrobe
382044	Handle, Brushed Nickel
380045	Tubing, 3/4", Metallic
200975-04	Conduit, Flexible Black Plastic
365364-01	Edgebanding, 1mm, Ebony Woods, 5/8"
365364-02	Edgebanding, 1mm, Ebony Woods, 15/16"
380046	Flange Chrome
381209-03	Grommet, w/Cap, 2.375" #TG3-90
381228	Catch Grabber, Door, C3-810
381607-11	Hinge, Self-Close Overlay, 110 degree
381607-12	Baseplate, Grass, 9.5 x 37/32
382807-09	Drawer Slide, Self-Close, 21"
382807-01	Left Front Fixing Clip
382807-02	Right Front Fixing Clip

FURNITURE, GALLEY

Control Rack, 534



99900M-883

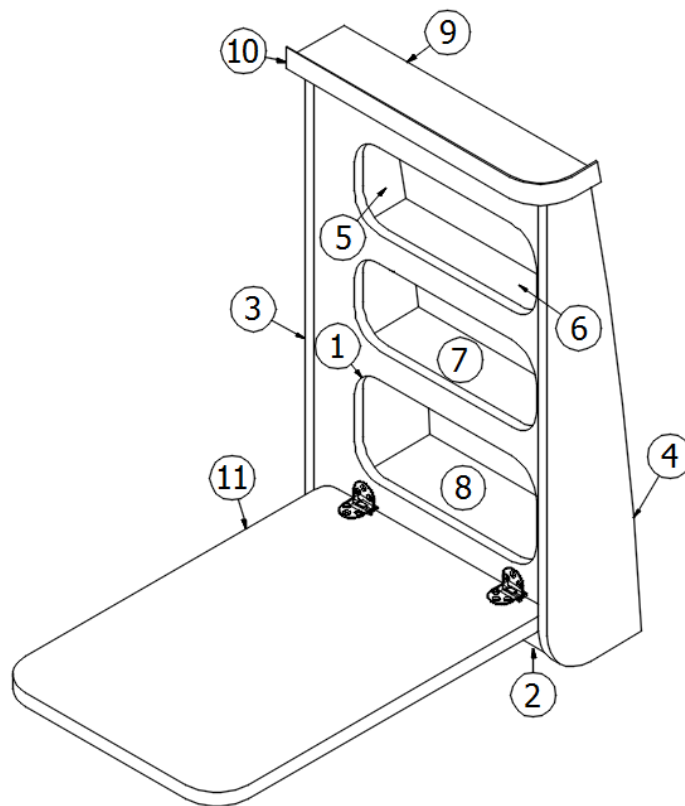
Control Rack

1. 99900M-883-1
2. 99900M-883-2
3. 99900M-883-3
4. 99900M-883-4
5. 99900M-883-5
201673

- Left side panel
Right inside panel
Shelf
Front panel
Right side panel
Reverse cove molding, White

FURNITURE, GALLEY

Spice Rack, 534



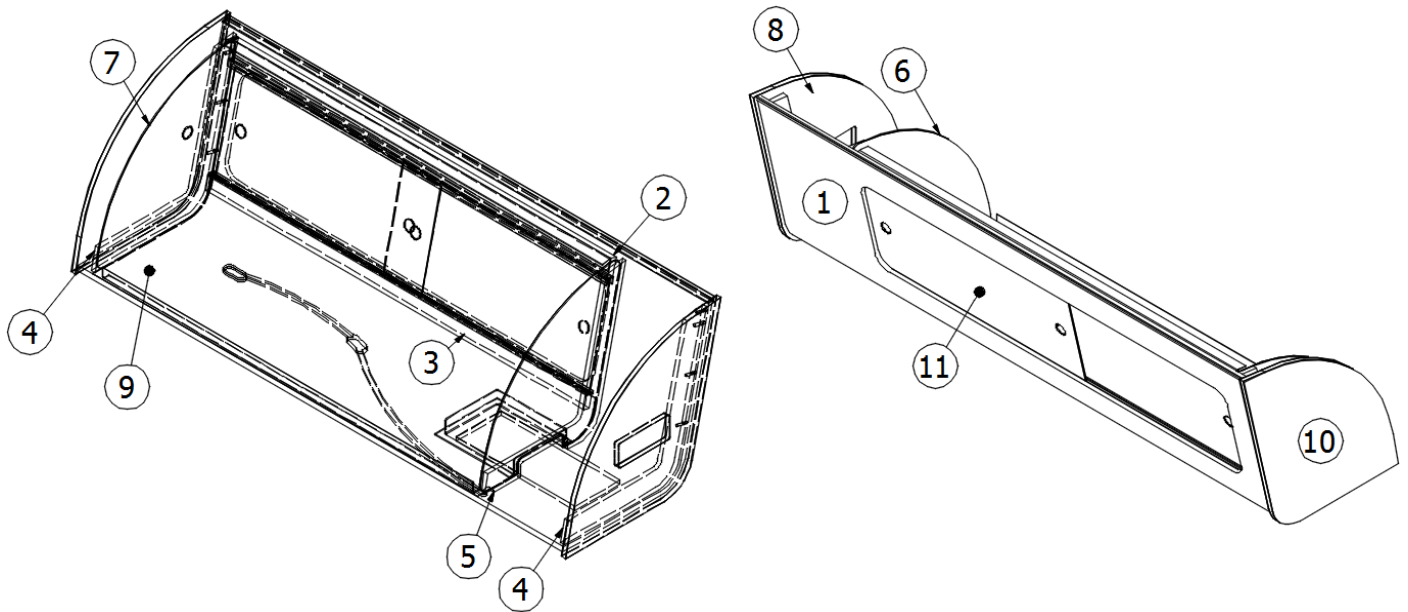
99900M-884

Spice Rack

- | | |
|-------------------|---------------------|
| 1. 99900M-884-1 | Front frame |
| 2. 99900M-884-2 | Bottom frame |
| 3. 99900M-884-3 | LH side panel |
| 4. 99900M-884-4 | Right side panel |
| 5. 99900M-884-5 | Left inside panel |
| 6. 99900M-884-6 | Top shelf |
| 7. 99900M-884-7 | Middle shelf |
| 8. 99900M-884-8 | Bottom shelf |
| 9. 99900M-884-9 | Top panel |
| 10. 99900M-884-10 | T-molding |
| 11. 99900M-884-11 | Door |
| 99900P-1932 | Hinge |
| 99900P-2073 | Shower door catch |
| 382057 | Knock down, Plastic |
| 382057-04 | Cap, Off White |

FURNITURE, GALLEY

Roof Locker, Galley, 534



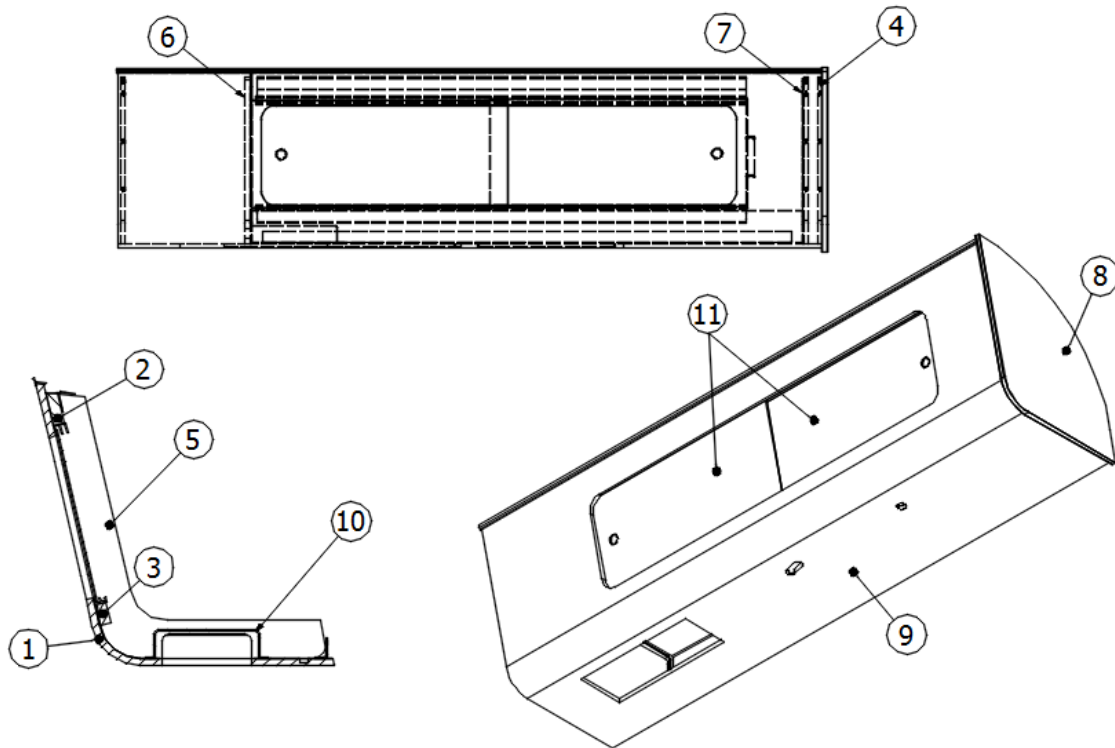
99900M-857

Galley Roof Locker

- | | |
|-------------------|-----------------------------|
| 1. 99900M-857-1 | Front frame |
| 2. 99900M-857-2 | Upper batten |
| 3. 99900M-857-3 | Lower batten |
| 4. 99900M-857-4 | Right rib |
| 5. 99900M-857-5 | Left rib |
| 6. 99900M-857-6 | Left side panel |
| 7. 99900M-857-7 | Right side panel |
| 8. 99900M-857-8 | End panel |
| 9. 99900M-857-9 | Bottom laminate |
| 10. 99900M-857-10 | RH end panel |
| 11. 203749-07 | Door, Sliding, 24" |
| 203388 | Sliding door track |
| 201673 | Reverse cove molding, White |
| 104821 | Roof locker support |
| 115227-03 | Angle, Formed, 33" |
| 99900P-1444 | Galley ex fan cover |

FURNITURE, GALLEY

Roof Locker, Galley, 684



99900M-798

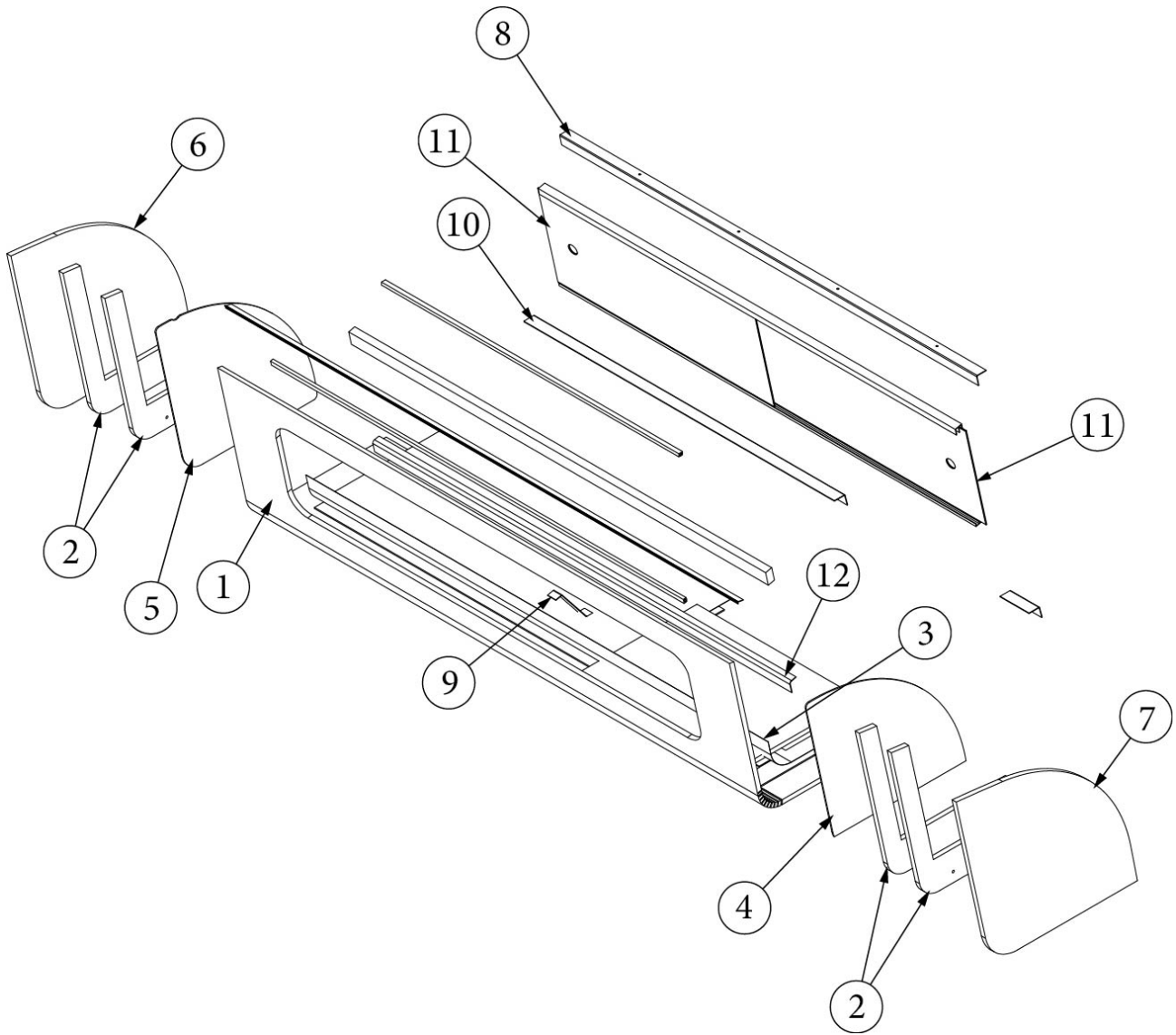
1. 99900M-798-1
2. 99900M-798-2
3. 99900M-798-3
4. 99900M-798-4
5. 99900M-798-5
6. 99900M-798-6
7. 99900M-798-7
8. 99900M-798-8
9. 99900M-798-9
10. 99900P-1444
11. 203749-09
203388
201673
104821
115227-03
99900P-2116
365364-01
115226

Galley Roof Locker

- Front frame
- Upper batten
- Lower batten
- Right rib
- Left rib
- Left side panel
- Right side panel
- End panel
- Bottom laminate
- Galley ex fan cover
- Door, Sliding, 11.31 x 26
- Sliding door track
- Reverse cove molding, White
- Roof locker support
- Angle, Formed, 33"
- Red laminate
- Edgebanding, .63", Ebony Woods
- Bracket, Locker Center Bracket

FURNITURE, BEDROOM

Roof Locker, Galley, 25IB



Parts Listed on Next Page

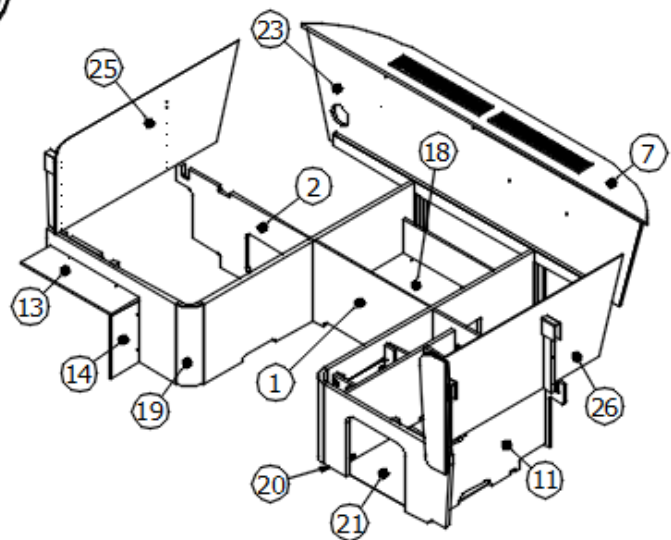
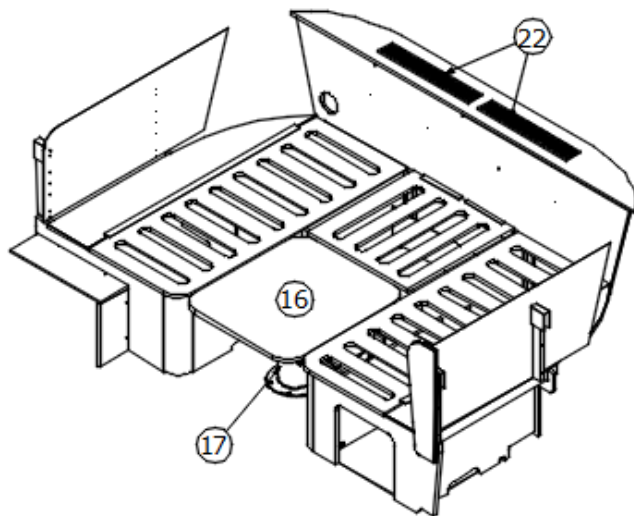
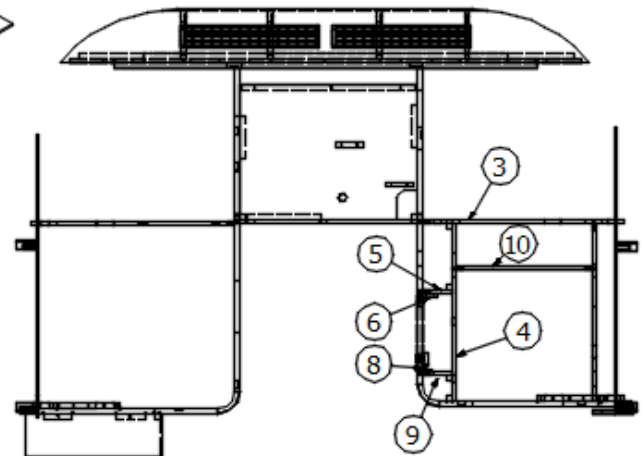
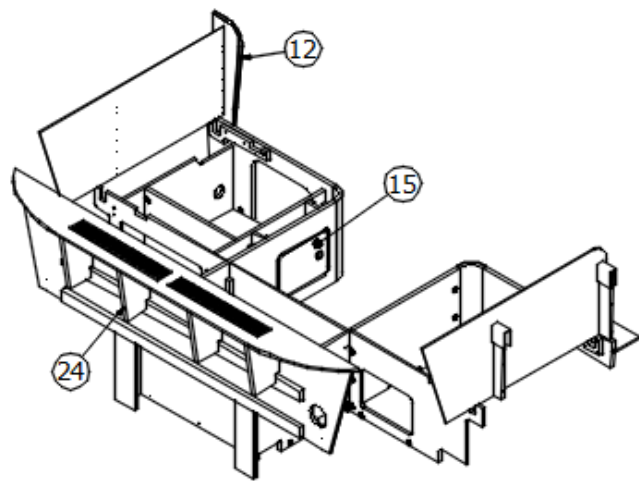
FURNITURE, BEDROOM

Roof Locker, Galley, 25IB

970232	Roof Locker Assembly
1. 802743	Locker Face, Bedroom
2. 802743-1	Galley Locker Face Support
3. 970232&000301CE	Pre laminate, 18.32 X 57.38"
4. 970232&000403ME	Pre laminate, 15.58 x 19.46"
5. 970232&000503ME	Pre laminate, 15.31 X 16.63"
6. 970232&001112FF	Pre laminate, 21.94 X 19.2"
7. 970232&001212FF	Pre laminate, 21.94 X 19.2"
8. 101115	Sheet, Aluminum, .060 X 48 X 120"
9. 115226	Bracket, Locker Center Support
10. 116134-04	Locker Support
11. 203749-09	Door, Locker, Plexi
12. 115227-02	Angle, Formed, Locker Track Support
201673	Reverse Cove Molding, White
203388	Sliding door track
513297-58	Kit, Luna Light, LED, 58"
703991	Pile Seal, Weatherstrip
802544-01	Edgebanding, 1mm, Mouse Grey, 5/8"
203445-01	T-Trim, White, .5625"

FURNITURE, LOUNGE

Dinette Seats, 534



Parts Listed on Next Page

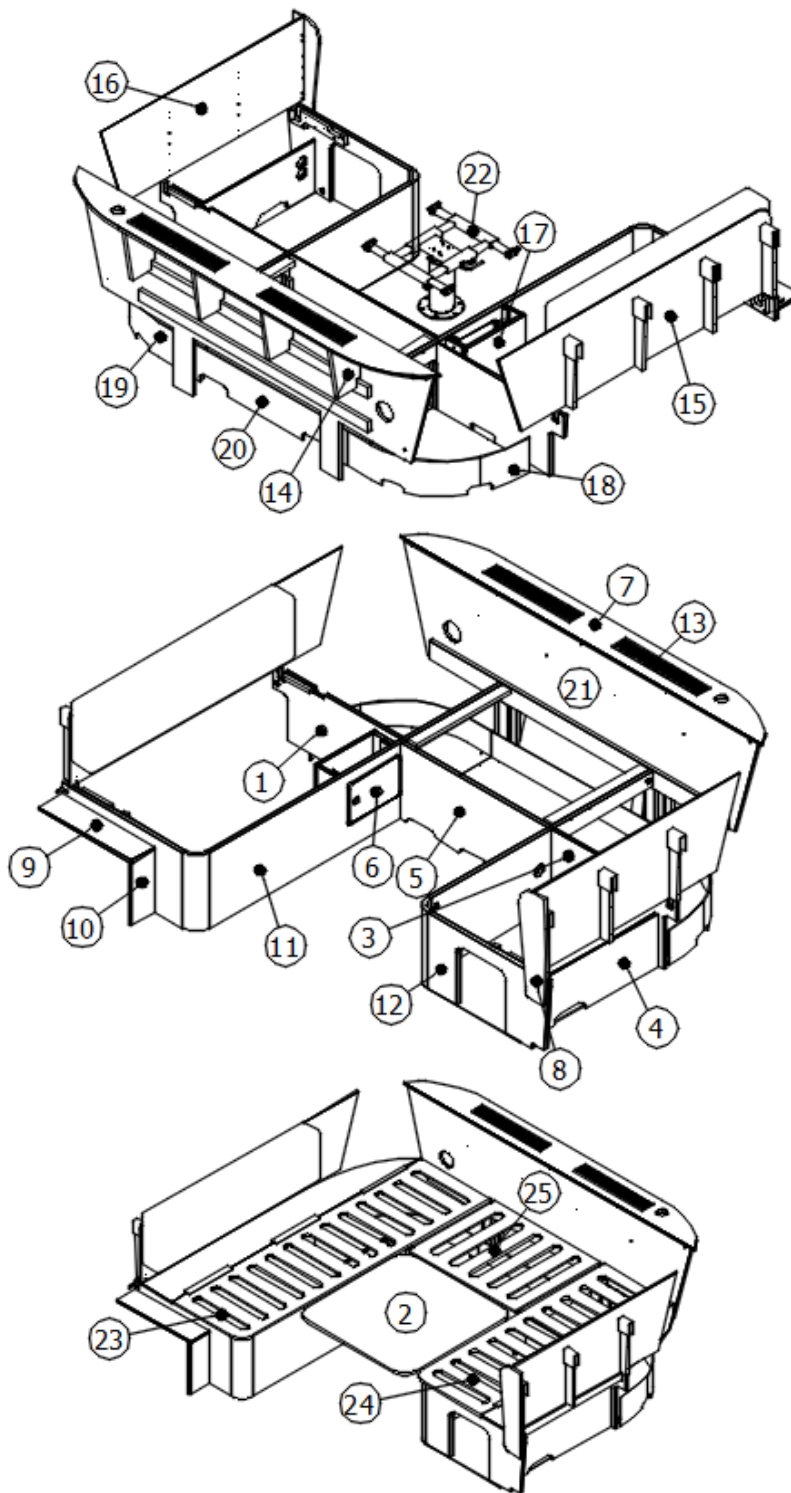
FURNITURE, LOUNGE

Dinette Seats, 534

99900M-871	Dinette Seating
1. 99900M-871-1	Middle plinth
2. 99900M-871-2	Left cross plinth
3. 99900M-871-3	Right cross plinth
4. 99900M-871-4	Gas box, Rear
5. 99900M-871-5	Gas box, Hinge side
6. 99900M-871-6	Gas box, Hinge side
7. 99900M-871-7	Front shelf
8. 99900M-871-8	Gas box, Latch side
9. 99900M-871-9	Gas box, Latch side
10. 99900M-871-10	Shoe access, Rear
11. 99900M-871-11	Shoe access, Side
12. 99900M-871-12	Backrest, End panel
13. 99900M-871-13	Float panel, Horizontal
14. 99900M-871-14	Float panel, Vertical
15. 99900M-871-15	Door, Gas box
16. 99900M-871-16	Table top
17. 382777-01	Pedestal table
18. 99900M-896	False floor assembly
19. 99900M-872	Left plinth
20. 99900M-873	Right plinth
21. 112729-07	Liner-Compartment - Vinyl 534 2.3
22. 99900P-1905	Vent, Aluminum
23. 99900M-876	Front panel
24. 99900M-774	Front shelf support
25. 99900M-880	Left seat backrest
26. 99900M-881	Right seat backrest
99900P-1916	Push button lock
99900P-1917	Push button knob
99900P-1918	Rosette
99900P-1919	Striking plate
381607-11	Hinge, Self-close
381435-01	Cover, Hatch access, Grey
99900P-116	Edge trim, White
99900M-934	CS seat top
99900M-935	RS seat top
99900M-936	Middle seat top
99900P-1992	Through Floor Vent

FURNITURE, LOUNGE

Dinette Seats, 684



Parts Listed on Next Page

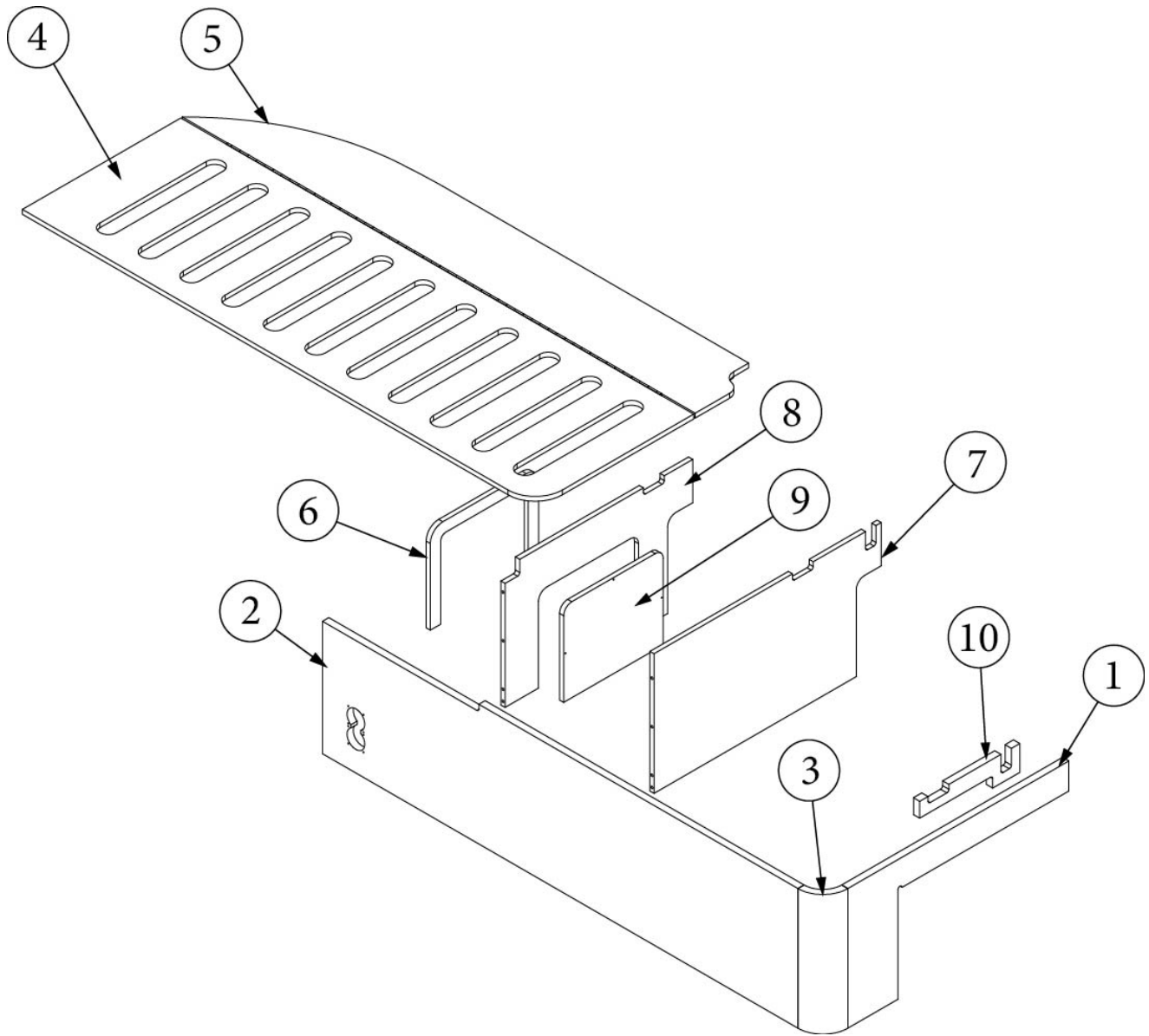
FURNITURE, LOUNGE

Dinette Seats, 684

99900M-756	Dinette Seating
1. 99900M-756-1	Left cross plinth
2. 99900M-756-2	Table top
3. 99900M-756-3	Right cross plinth
4. 99900M-756-4	Shoe recess plinth
5. 99900M-756-5	Middle plinth
6. 99900M-756-6	Gas box door
7. 99900M-756-7	Front shelf
8. 99900M-756-8	Right backrest end panel
9. 99900M-756-9	Float panel horizontal
10. 99900M-756-10	Float panel vertical
11. 99900M-757	Left seat plinth assembly
12. 99900M-758	Right plinth assembly
13. 99900P-1905	Vent, Aluminum
14. 99900M-774	Front shelf support
15. 99900M-761	Left backrest
16. 99900M-762	Right backrest
17. 99900M-763	Gas box
18. 99900M-764	Left false floor
19. 99900M-765	Right false floor
20. 99900M-766	Middle false floor
21. 99900M-767	Front panel
22. 382777-01	Table pedestal
23. 99900M-919	RS seat top
24. 99900M-920	CS seat top
25. 99900M-921	Middle seat top
99900P-1916	Push button lock
99900P-1917	Push button knob
99900P-1918	Rosette
381435-01	Hatch access cover, Grey
99900P-116	Edge trim, White
112729-04	Compartment Liner, Vinyl
99900P-1992	Through Floor Vent

FURNITURE, LOUNGE

CS Dinette Seat, 25IB



Parts Listed on Next Page

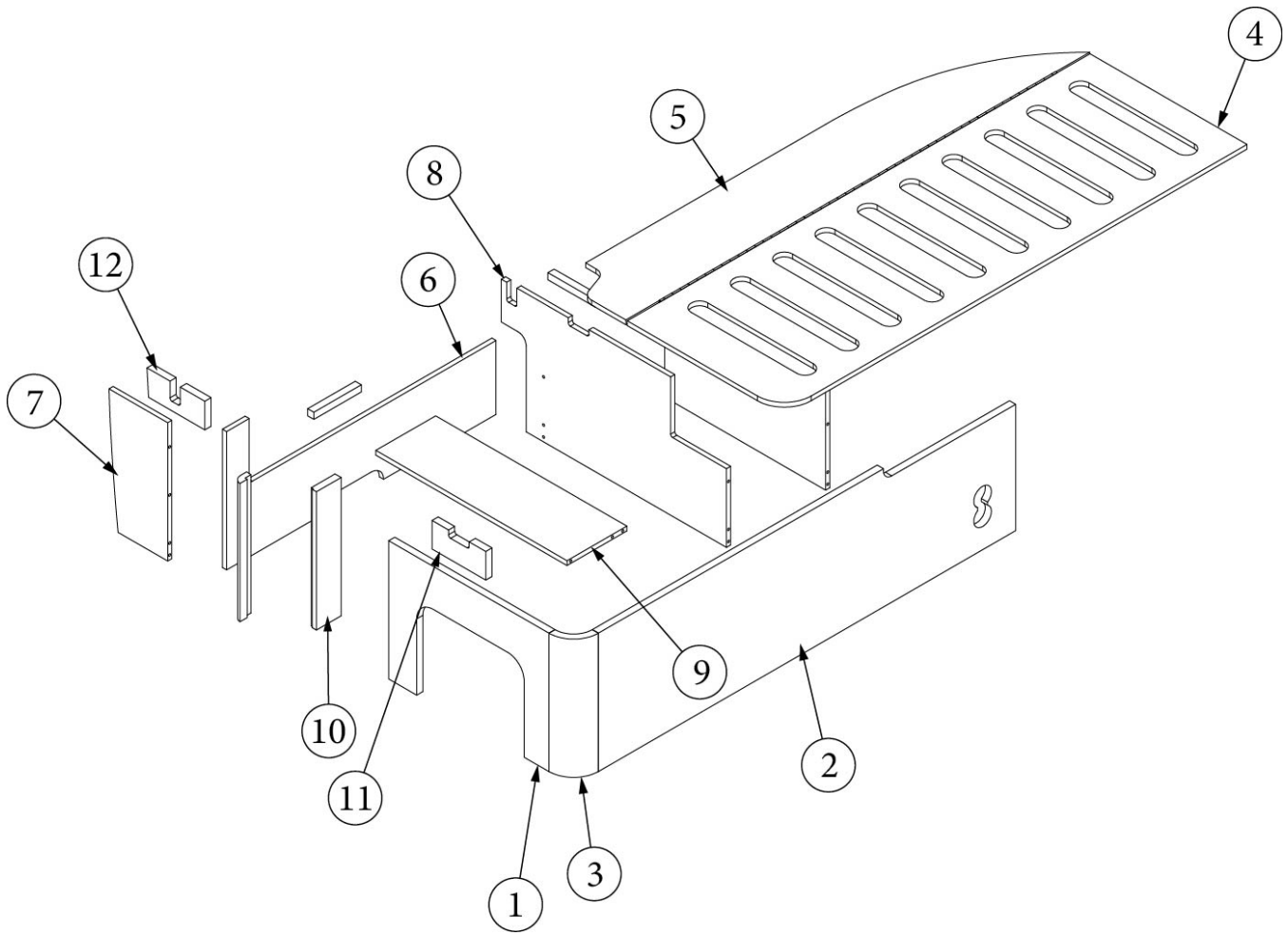
FURNITURE, LOUNGE

CS Dinette Seat, 25IB

969339	CS Dinette Seat Assembly
969338	Dinette Radius Base Assembly
969226	Seat Assembly, CS Dinette
1. 969338&000118CE	Pre laminate, .75 X 26.50 X 14.5"
2. 969338&000218CE	Pre laminate,.75 X 57 X 14.5"
3. 801345	Radius Plywood, 75" X 3" X 8'
4. 969226&000112CC	Pre laminate, .50 X 61.50 X 19"
5. 969226&000212CC	Pre laminate, .50 X 61.50 X 8.42"
6. 969339&000112CC	Pre laminate, .50 X 13 X 10.5"
7. 969339&000412CC	Pre laminate,.50 X 14.5 X 27.25
8. 969339&000512CC	Pre laminate,.50 X 14.5 X 27.25
9. 969339&000612CC	Pre laminate,.50 X 11.94 X 9.97
10. 969339&000718CC	Pre laminate,.75 X 12 x 3
969226&000318CC	Pre laminate, 0.75 X 2 X 39.75"
969226&000418CC	Pre laminate, 0.75 X 2. X 57.5"
380203-02	Piano Hinge, Black Anodized, 72"
365364-01	Edgebanding, 1mm, Ebony Woods, 5/8"
99900P-1992	Through Floor Vent
969574	Dinette Center Seat Support

FURNITURE, LOUNGE

RS Dinette Seat, 25IB



Parts Listed on Next Page

FURNITURE, LOUNGE

RS Dinette Seat, 25IB

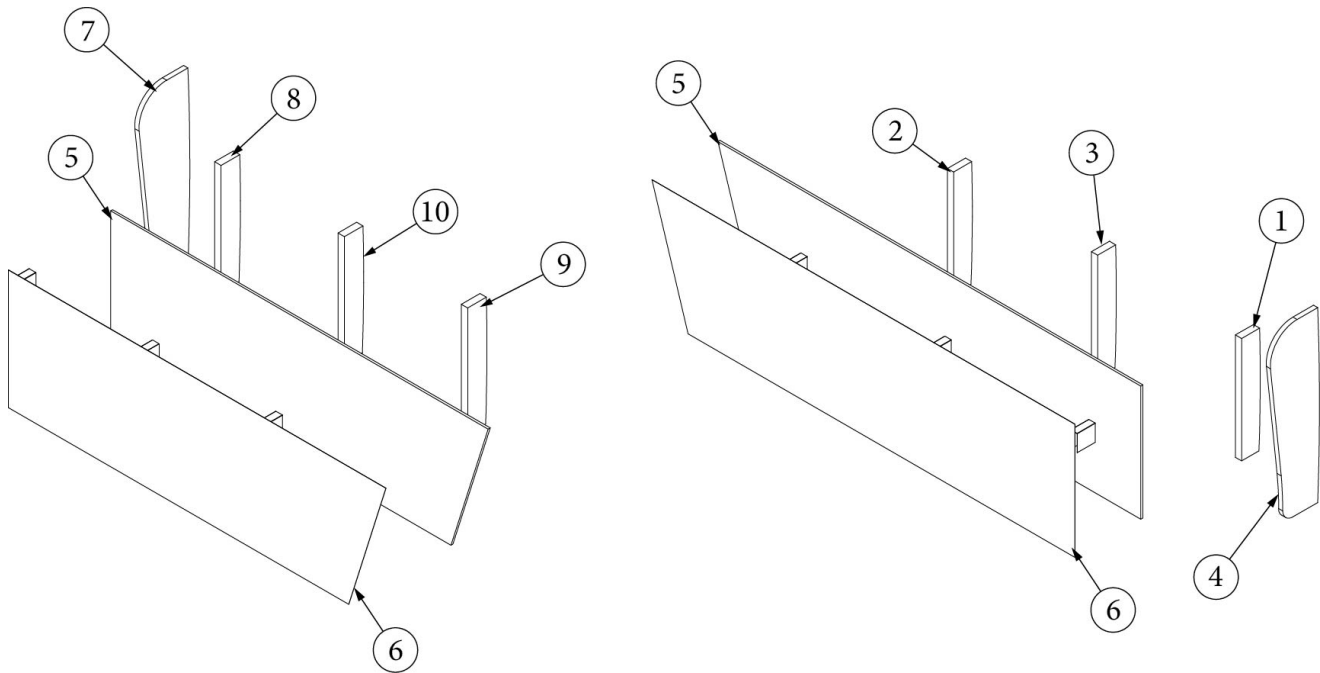
969218

RS Dinette Seat Assembly

1. 969217&000118CE	Pre laminate, 0.75 X 19.39 X 1"
2. 969217&000218CE	Pre laminate, 0.75 X 50.50 X 1"
3. 801345	Radius Plywood, .75" X 3" X 8'
4. 969224&000112CC	Pre laminate, .50 X 55 X 19"
5. 969224&000212CC	Pre laminate, .50 X 55.13 X 8.42"
6. 969218&000112BC	Pre laminate, 0.50 X 32.75 X 1"
7. 969218&000212BC	Pre laminate, 7.11 X 14.50"
8. 969218&000312CC	Pre laminate, 0.50 X 27.25 X 1"
9. 969218&000412CC	Pre laminate, 7.50 X 23.14"
10. 969218&000518CC	Pre laminate, 3.00 X 14.50"
11. 969218&000618CC	Pre laminate, 0.75 X 6.50 X 3"
12. 969218&000718CC	Pre laminate, 0.75 X 7.18 X 3"
969224&000318CC	Pre laminate, 0.75 X 2 X 31.25"
969224&000418CC	Pre laminate, .75 X 2 x 51"
380203-02	Piano Hinge, Black Anodized, 72"
365364-01	Edgebanding, 1mm, Ebony Woods, 5/8"
99900P-1992	Through Floor Vent
969574	Dinette Center Seat Support

FURNITURE, LOUNGE

Dinette Backs, 25IB



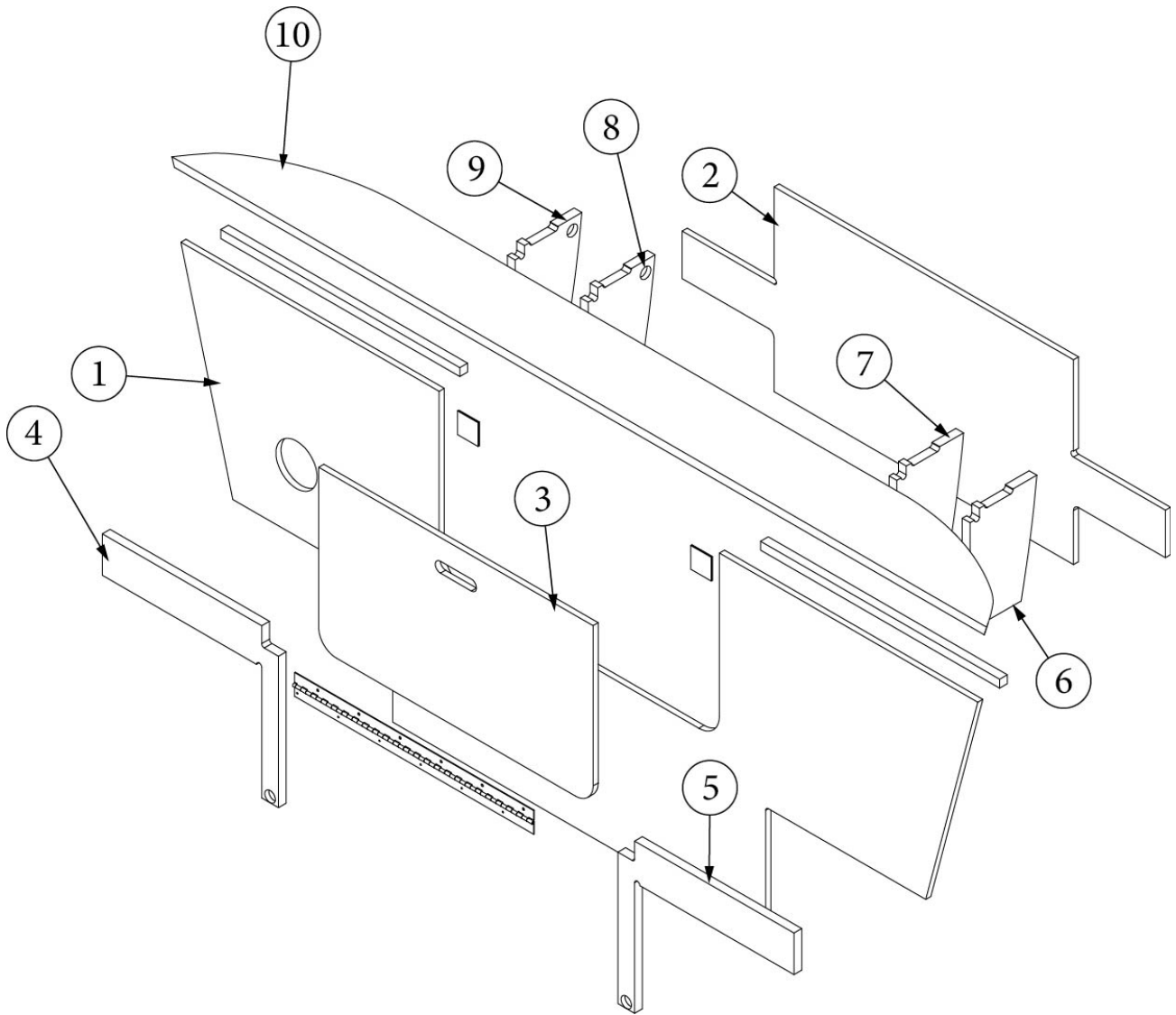
969227
969225

CS Dinette Back Assembly
RS Dinette Back Assembly

- | | |
|---------------------|--|
| 1. 969227&000218CC | Pre laminate, 0.75 X 12.88 X 2.27" |
| 2. 969227&000318CC | Pre laminate, 0.75 X 12.88 X 2.27" |
| 3. 969227&000418CC | Pre laminate, 0.75 X 12.88 X 2.27" |
| 4. 969227&000812BC | Pre laminate, .50 X 20.50 X 6" |
| 5. 800507-02 | Lauan, 1/4" x 4'x 8' |
| 6. 701538-01 | Carpet, Econoline, w/Psa Backing, 1000 Yards |
| 7. 969225&000112BC | Pre laminate, .50 X 20.50 X 6" |
| 8. 969225&000218CC | Pre laminate, .75 X 12.88 X 2.27" |
| 9. 969225&000318CC | Pre laminate, 0.75 X 12.88 X 2.27" |
| 10. 969225&000418CC | Pre laminate, 0.75 X 12.88 X 2.27" |
| 365364-01 | Edgebanding, 1mm, Ebony Woods, 5/8" |
| 99900P-116 | Edge Trim Lok, White, .38" |

FURNITURE, LOUNGE

Front Panel, Dinette, 25IB



Parts Listed on Next Page

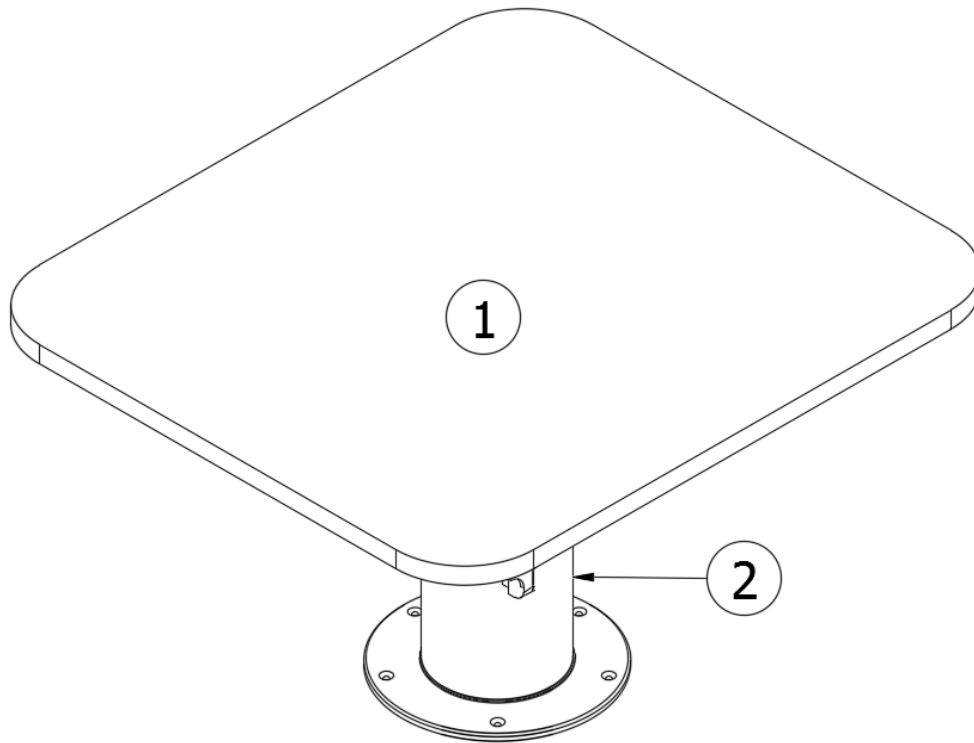
FURNITURE, LOUNGE

Front Panel, Dinette, 25IB

969221-01	Front Dinette Panel Assembly
1. 969221&000112BC	Pre laminate, 0.50 X 30.13 X 7"
2. 969221&000212BC	Pre laminate, 0.50 X 17.25 X 4"
3. 969221&000312BC	Pre laminate, 0.50 X 15.22 X 2"
4. 969221&000418CC	Pre laminate, 0.75 X 17.13 X 1"
5. 969221&000518CC	Pre laminate, 0.75 X 17.13 X 1"
6. 969221&000618CC	Pre laminate, 0.75 X 9.84 X 6.5"
7. 969221&000718CC	Pre laminate, 0.75 X 9.84 X 6"
8. 969221&000818CC	Pre laminate, 0.75 X 9.84 X 6.5"
9. 969221&000918CC	Pre laminate, 0.75 X 9.84 X 6.5"
10. 969221&001618JC	Pre laminate, 7.13 X 79.24"
380203-02	Piano Hinge, Black Anodized, 72"
365364-01	Edgebanding, 1mm, Ebony Woods, 5/8"
365466-02	Edgebanding, 2mm, Frosty White
203445	T-Trim, Black, Flexible Poly, .56"
99900P-1905	Vent, Aluminum
201673	Reverse cove molding, White

FURNITURE, LOUNGE

Dinette Table, 534

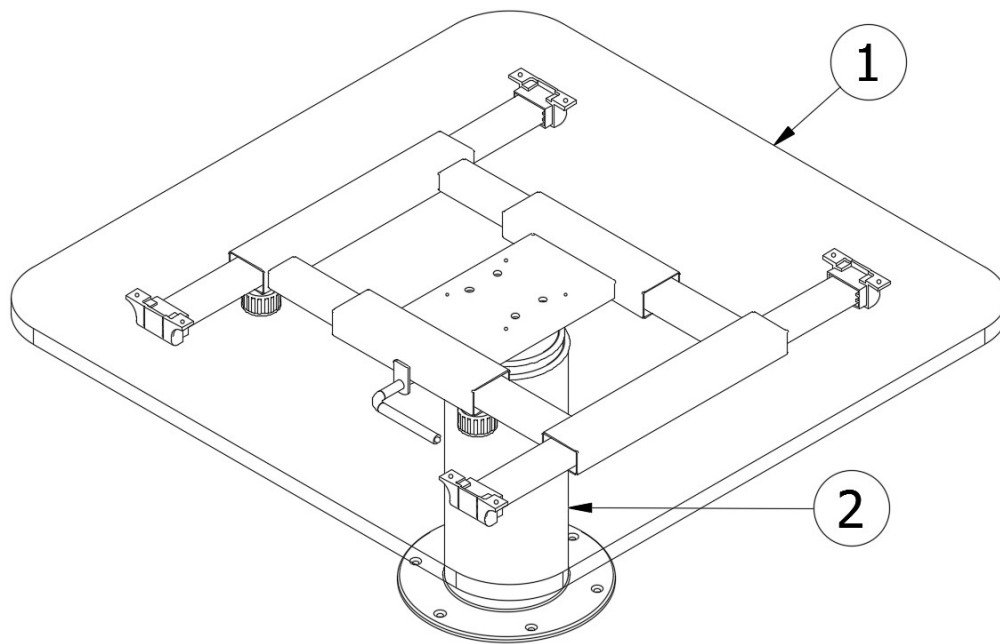


- 1. 99900M-871-16
- 2. 382777-01

Table top
Dinette table, Pedestal, Silver

FURNITURE, LOUNGE

Dinette Table, 684



1. 99900M-756-2

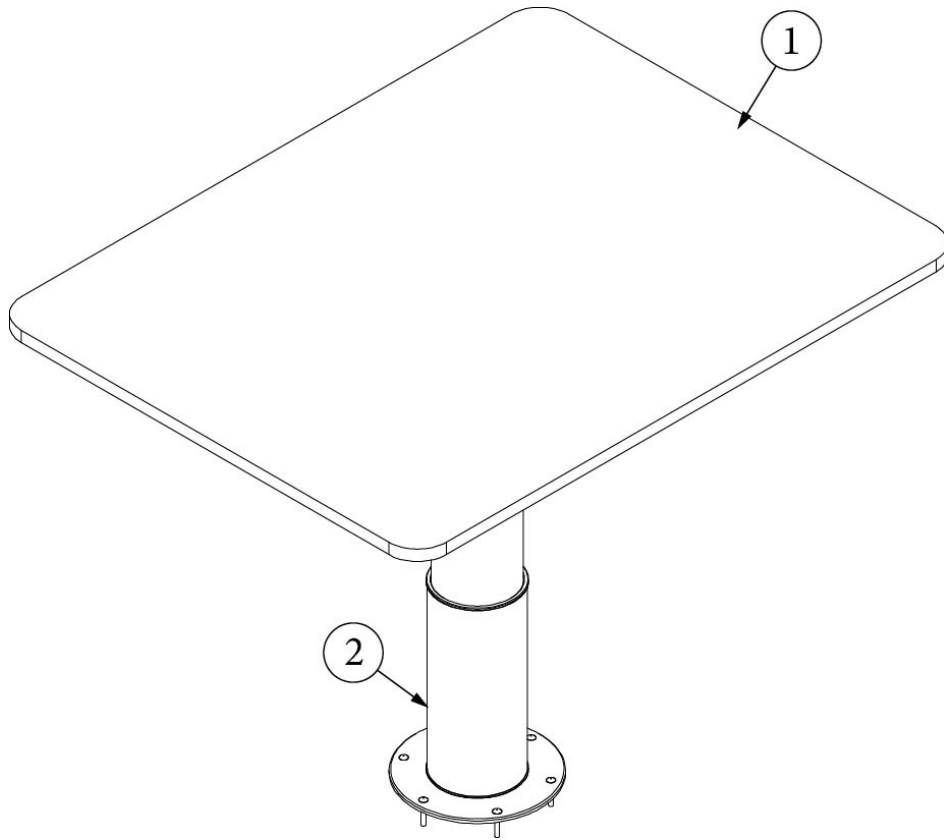
Table top

2. 382777-01

Dinette table pedestal, Silver

FURNITURE, LOUNGE

Dinette Table, 25IB



135290

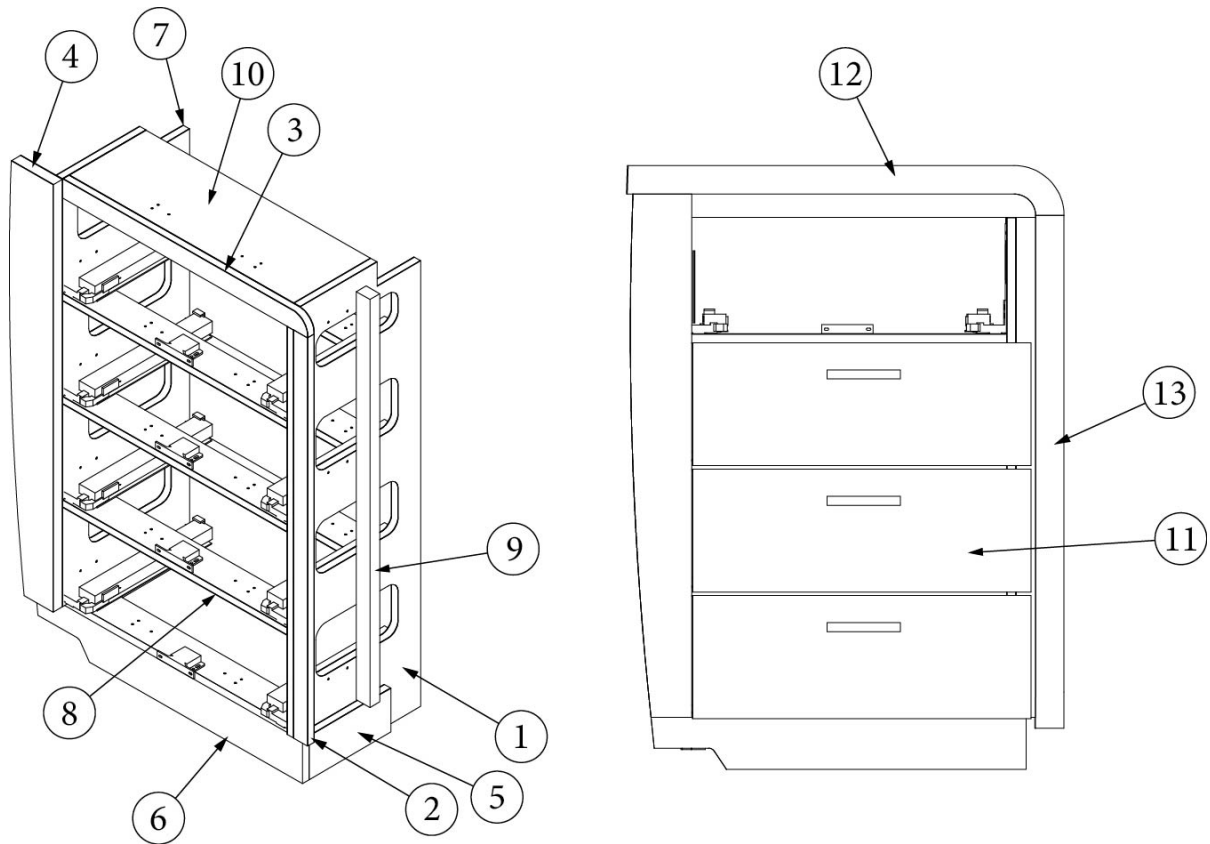
Table Install (not for order/see parts below)

- 1. 135290&000118DC
- 2. 382777-01

Pre laminate, .75 X 29.5 X 38"
Table-Pedestal Silver

FURNITURE, LOUNGE

Entrance Drawers, 684



99900M-776

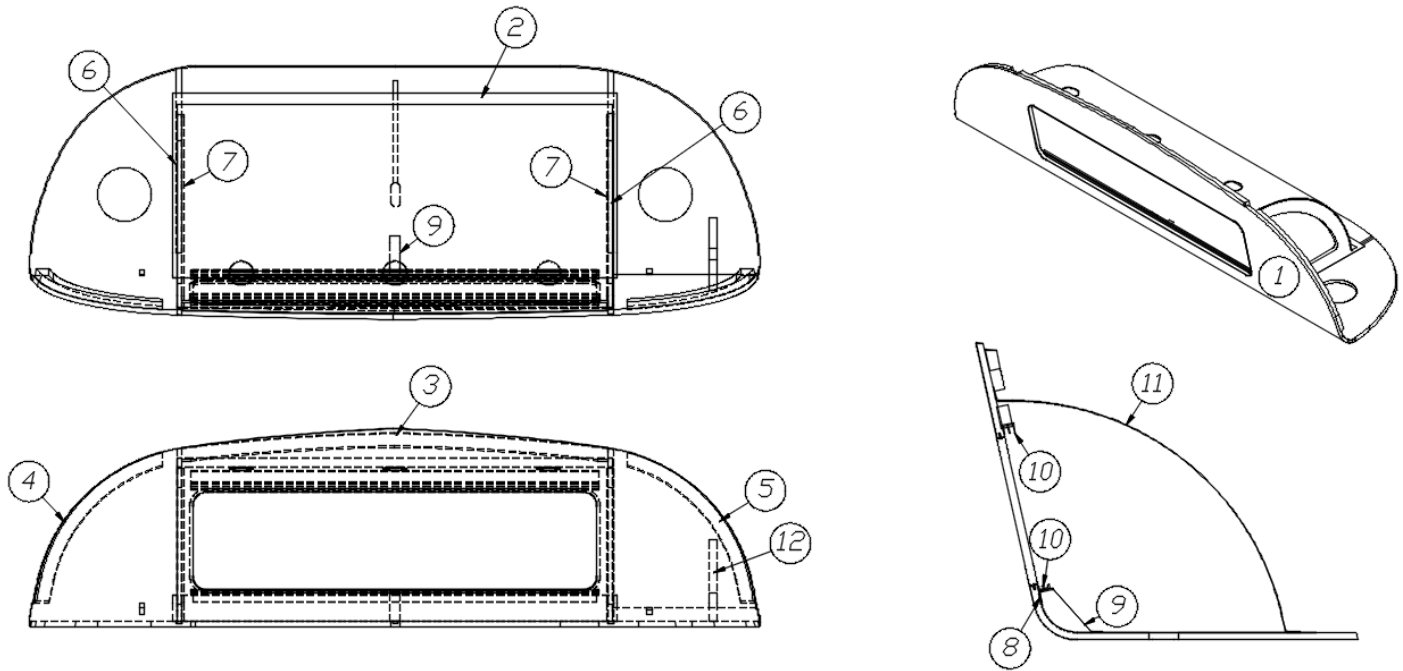
Entrance Drawers

- 1. 99900M-776-1
- 2. 99900M-776-2
- 3. 99900M-776-3
- 4. 99900M-776-4
- 5. 99900M-776-5
- 6. 99900M-776-6
- 7. 99900M-776-7
- 8. 99900M-776-8
- 9. 99900M-776-10
- 10. 99900M-776-11
- 11. 99900M-777
- 12. 99900P-1105
- 13. 99900P-1107
- 382203-02
- 381228-02
- 382044

- Right side panel
- Right stile
- Top stile
- Left stile
- Plinth, Short
- Plinth, Long
- Left side panel
- Rail
- Side panel spacer
- Top rail
- Entrance drawer assembly
- Worktop, 40mm
- Side panel, 40mm
- Drawer Slide, 12", Tandem Plus
- Catch Grabber, Door, C3-805
- Handle, Brushed Nickel

FURNITURE, LOUNGE

Roof Locker, Lounge, 534



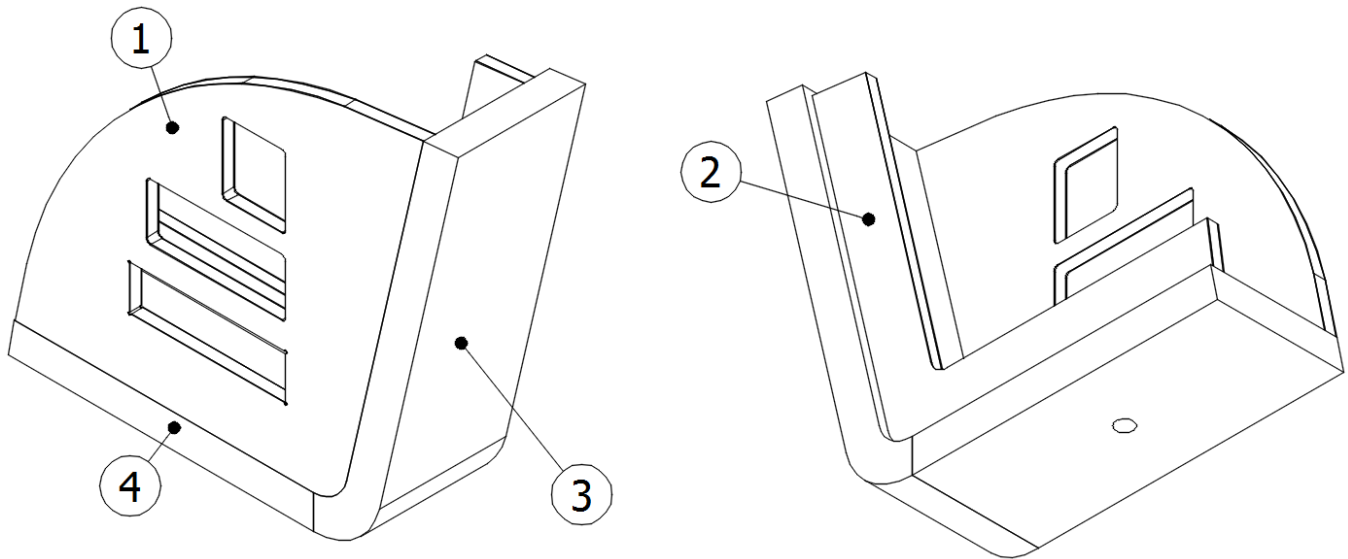
99900M-830

Lounge Roof locker

- | | |
|----------------|--|
| 1. 99900M-852 | Face, Liner locker |
| 2. 99900P-2116 | Laminate, Red |
| 3. 801596-05 | Backer, Liner locker, Center |
| 4. 801596-02 | Backer, Liner locker, LH |
| 5. 801596-03 | Backer, Liner locker, RH |
| 6. 801594 | Divider-Liner Locker |
| 7. 99900M-841 | Divider, Liner locker w/laminate |
| 8. 115261-05 | Angle, Formed |
| 9. 115226-01 | Bracket, Formed, Locker center support |
| 10. 203388 | Sliding door track |
| 11. 115264-02 | Pan, Liner locker |
| 12. 801710 | Divider support |
| 203749-11 | Door, Plexiglass, 22" |
| 201673 | Reverse cove molding, White |
| 203445-01 | T-molding, Flexible poly, White |

FURNITURE, LOUNGE

Roof Locker, Entrance Furniture, 684



99900M-778

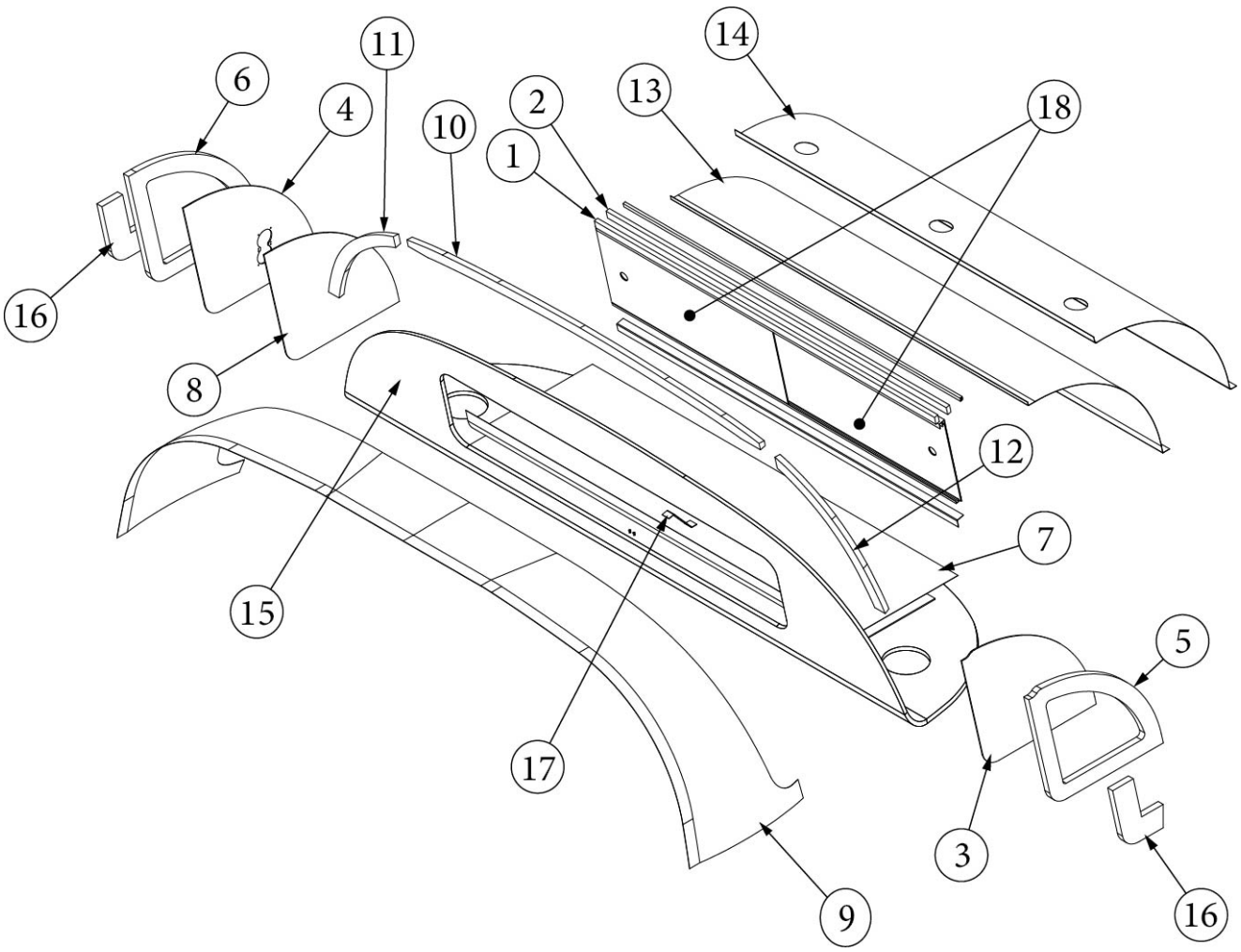
Entrance Furniture Roof Locker

- 1. 99900M-778-1
- 2. 99900M-778-2
- 3. 99900P-1117
- 4. 99900P-1119

End panel
Rib
Front 40mm panel
Bottom 40mm panel

FURNITURE, LOUNGE

Liner Locker, 684, 25IB



Parts Listed on Next Page

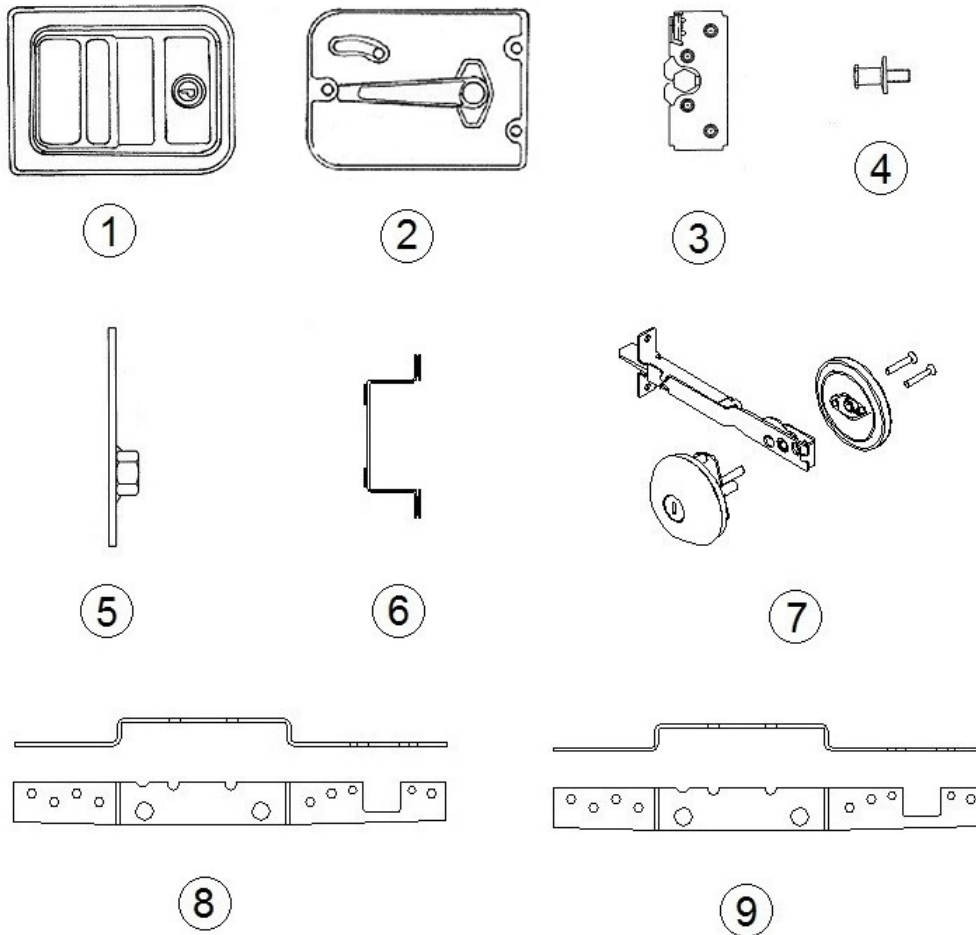
FURNITURE, LOUNGE

Liner Locker, 684, 25IB

<p>970235 970235-01</p> <p>1. 970235&000112CC 2. 970235&000212CC 3. 970235&000303ME 4. 970235&000403ME 5. 970235&000518CC 6. 970235&000618CC 7. 970235&000701CE 8. 970235&001503ME 9. 116577 10. 801596-20 11. 801596-26 12. 801596-25 13. 115264-08 14. 115264-02 15. 802829 802830 16. 801710 17. 115226-01 18. 203749-09 513297-50 203388 201673 203445-01 703991</p>	<p>Roof Locker Assembly, 25IB Roof Locker Assembly, 684</p> <p>Pre laminate, .50 X 1 X 50.5" Pre laminate, .50 X 1 X 50.5" Pre laminate, .13 X 16 X 20.08" Pre laminate, .13 X 16 X 20.08" (25IB ONLY) Pre laminate, .75 X 16 X 20.08" Pre laminate, .75 X 16 X 20.08" Pre laminate, 21 X 54.25" Pre laminate, 16 X 20.08" (684 ONLY) Shroud, Locker Backer, NB, Center Backer, Liner, RH Backer, Liner, LH Pan, Liner Locker (25IB ONLY) Pan, Liner Locker (684 ONLY) Locker Face (25IB ONLY) Locker Face (684 ONLY) Support, Divider, Liner Locker Bracket, Formed, Locker Center Support Door, Sliding, Plexiglass, 26.25" Kit, Luna Light, LED, Locker. 50" Track, Sliding Door Reverse cove molding, White T-molding, Flexible poly, White Pile Seal, Weatherstrip</p>
--	---

HARDWARE

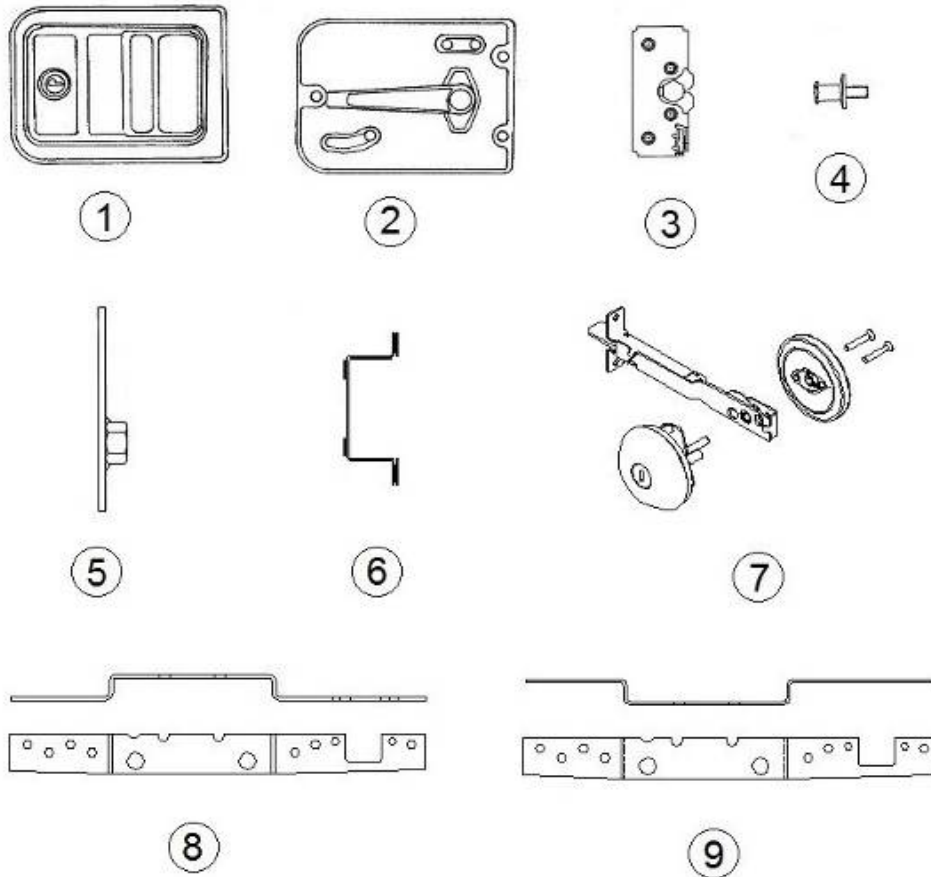
Main Door Lock, LH, Old Style



- | | |
|--|---|
| <ul style="list-style-type: none"> 1. 381547-01 2. 381547-07 3. 381547-03 4. 381547-04 5. 381550 6. 115413 7. 382069 8. 382067 9. 382066 382069-100 381547-102 381547-08 385595 382122 | <ul style="list-style-type: none"> Main door lock, Outside housing Main door lock, Inside plate Double rotary latch, Main door Striker bolt w/washer, Main door lock Plate, Striker bolt mounting Door hat section Deadbolt, Round, Trimark Outer reinforcement plate, RH/LH hinged door Inner reinforcement plate, LH hinged door Deadbolt key, Blank Main door key, Blank Screw package, Main door lock Pocket strike Key chain, Airstream logo |
|--|---|

HARDWARE

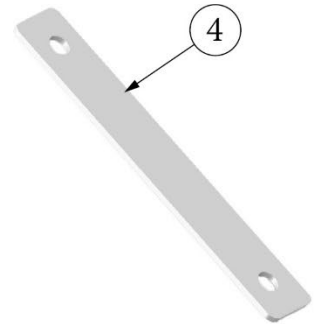
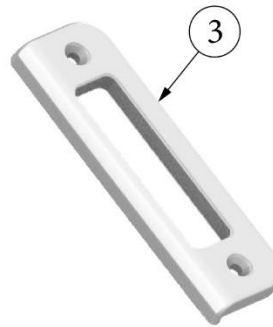
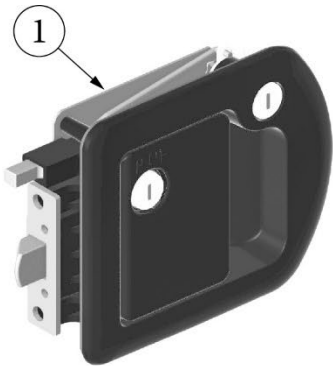
Main Door Lock, RH, Old Style



- | | |
|--|---|
| <ul style="list-style-type: none"> 1. 381547-09 2. 381547-11 3. 381547-10 4. 381547-04 5. 381550 6. 115413 7. 382069 8. 382067 9. 382068 382069-100 381547-102 381547-08 385595 382122 | <ul style="list-style-type: none"> Main door lock, Outside housing Main door lock, Inside plate Double rotary latch, Main door lock Striker bolt w/washer, Main door lock Plate, Striker bolt Door hat section Deadbolt, Round, Trimark Outer reinforcement plate, RH/LH hinged door Inner reinforcement plate, RH hinged door Deadbolt key, Blank Main door key, Blank Screw package, Main door lock Pocket strike Key chain, Airstream logo |
|--|---|

HARDWARE

Main Door Lock, New Style

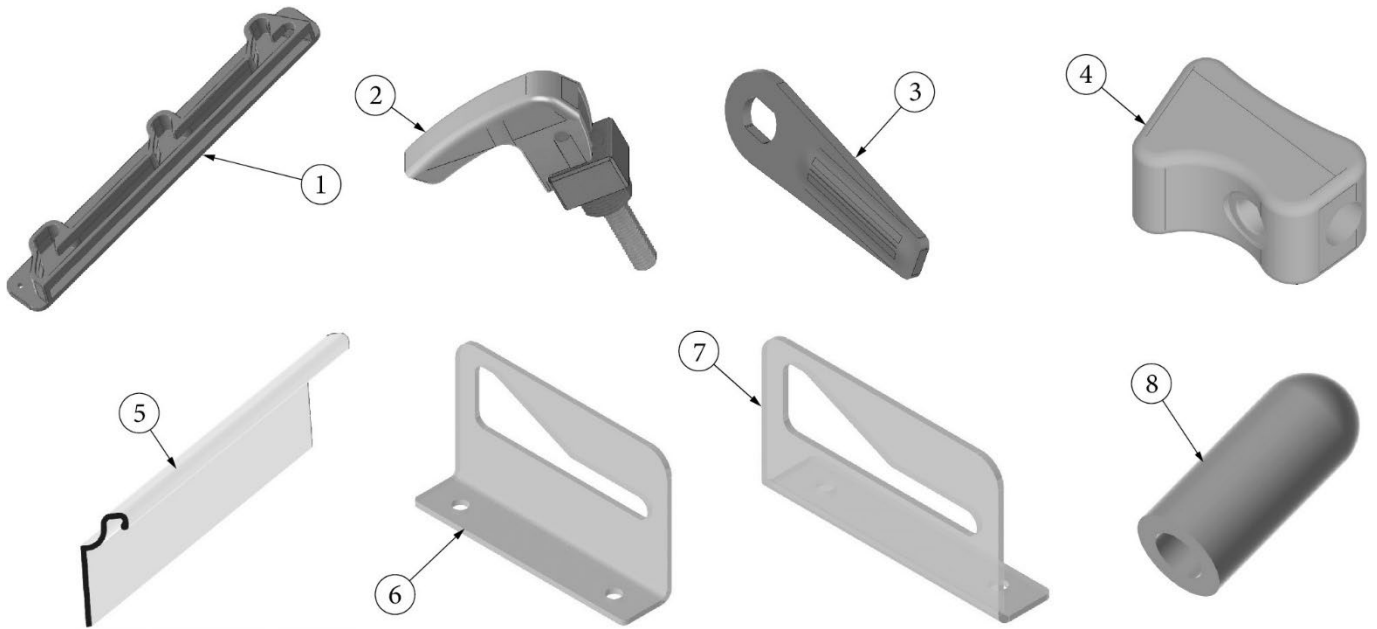


1. 383017-01
2. 383017-02
383017-03
3. 116274
4. 116509
382122

Outer Latch Assembly, W/Deadbolt
Inner Latch Assembly, W/Deadbolt
Screw Kit, Inside Handle Mounting
Striker Catch, Main Door
Backer Plate, Striker Catch, Main Door
Key chain, Airstream logo

HARDWARE

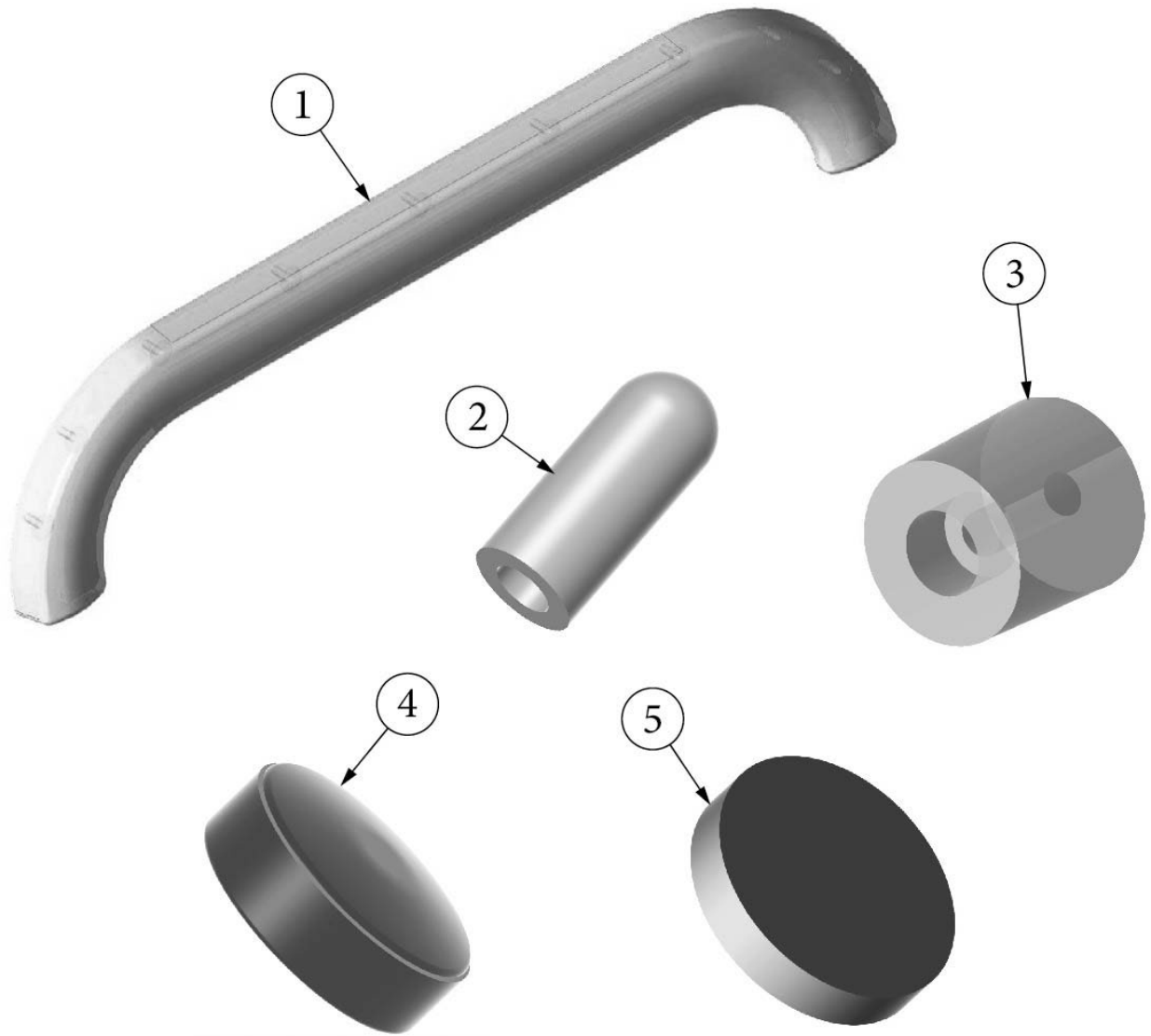
Window Hardware



- | | |
|--------------|---------------------------------|
| 1. 382360 | Window guide, RH |
| 382359 | Window guide, LH |
| 2. 382367-01 | Lower window latch, Chrome |
| 382367-02 | Lower window latch w/Red handle |
| 3. 115776 | Lock paw, Window latch assembly |
| 4. 380230-03 | Knob, Window arm, Silver |
| 380230-04 | Knob, Window arm, Red |
| 5. 114476 | Hinge, Window, 110" |
| 6. 114479-01 | Bracket, Window closer, RH |
| 7. 114479-02 | Bracket, Window closer, LH |
| 8. 382116-03 | Cap-Screw, Rubber, 5/32 X .5" |

HARDWARE

Head knocker, Rubber Bumpers, and Caps



1. 382194
2. 382116-03
3. 381136
4. 0802-0004
5. 382070

Head knocker, White
Rubber Screw Cap, Window Screens
Rubber Bumper
Screw Cover, Snap cap, Black
Dots, Non-Skid, Rubber, w/Adhesive

HARDWARE

Exterior Latches, Locks, and Handles



Parts Listed on Next Page

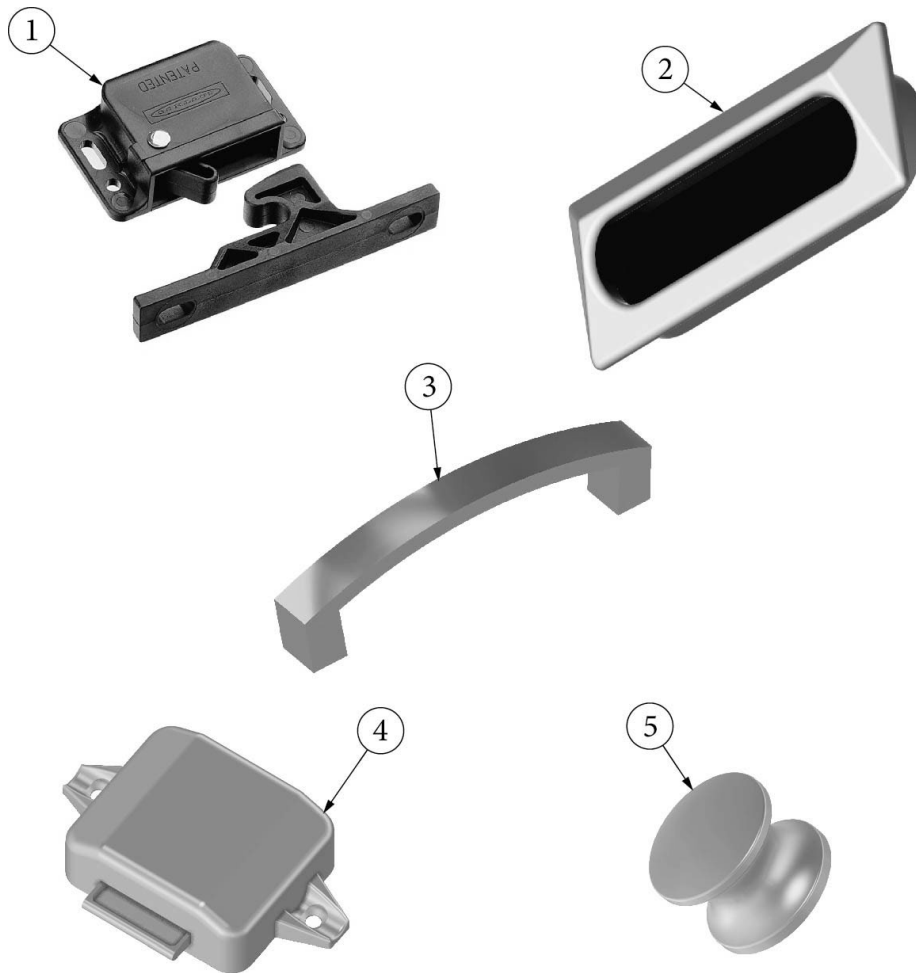
HARDWARE

Exterior Latches, Locks, and Handles

- | | |
|---------------|---|
| 1. 382230-03 | Compression latch w/key code |
| 2. 381021-01 | Rubber T-handle |
| 3. 201056 | Catch, Striker, main door hold-back |
| 203620 | Spacer, Striker, main door hold-back |
| 4. 383025 | Latch, Screen Door, LH |
| 383026-01 | Striker Plate, Screen Door |
| 5. 101171-02 | Grab handle, Cast Aluminum, silver painted. |
| 101171-03 | Grab handle, Raw Aluminum |
| 6. 382074 | Gasket, Main door grab handle |
| 7. 380004 | Handle, Screen door |
| 8. 380291 | Main Door Hold-Back |
| 203494 | Base Plate, Main Door Hold-Back |
| 9. 380290 | Latch housing |
| 10. 382562 | Latch, Rubber |
| 11. 382562-01 | Keeper, Rubber Latch |
| 12. 685359 | Rubber Receptacle, 1/4 Turn Latch, Southco |
| 13. 685358 | Stud, 1/4 Turn Latch, Southco |
| 14. 685362 | Retaining Ring, 1/4 Turn Stud |

HARDWARE

Interior Latches and Handles



1. 381228-02
2. 381775
3. 382044
4. 99900P-1916
5. 99900P-1917

- Catch, grabber door, 5LB
Drawer pull, Flush Satin
Handle, Brushed Nickel, Not Shown, Cabinets
Push button lock
Push button knob

HARDWARE

Exterior Hinges

381552-03	Hinge, Main door, Upper
381552-04	Hinge, Main door, Lower
381531-01	Hinge, Screen door, Upper
381531-02	Hinge, Screen door, Lower
380773	Hinge, Exterior access door, Gas tank cover
380203-01	Piano hinge, 1/8" Pin, Battery box lid
380774-02	Hinge, Compartment door, 48"
381605-03	Piano hinge, Stainless Steel

Interior Hinges

380203-01	Piano hinge
380773	Hinge, Access door
381607-11	Hinge, Self-close, 110D overlay
380458	Piano hinge, Copper Metallic
99900P-1932	Hinge, 30mm x 65mm
99900P-1927	Hinge, Butt 1.5 x .88
99900P-1899	Hinge, 0 crank, Sprung, Hafele

HARDWARE

Bathroom Accessories, 534

602175	Dryroll toilet roll holder, White
99900P-1894	Faucet, Single Lever
99900P-1745	Bath mat
381834	Coat hook, Aluminum

Bathroom Accessories, 684

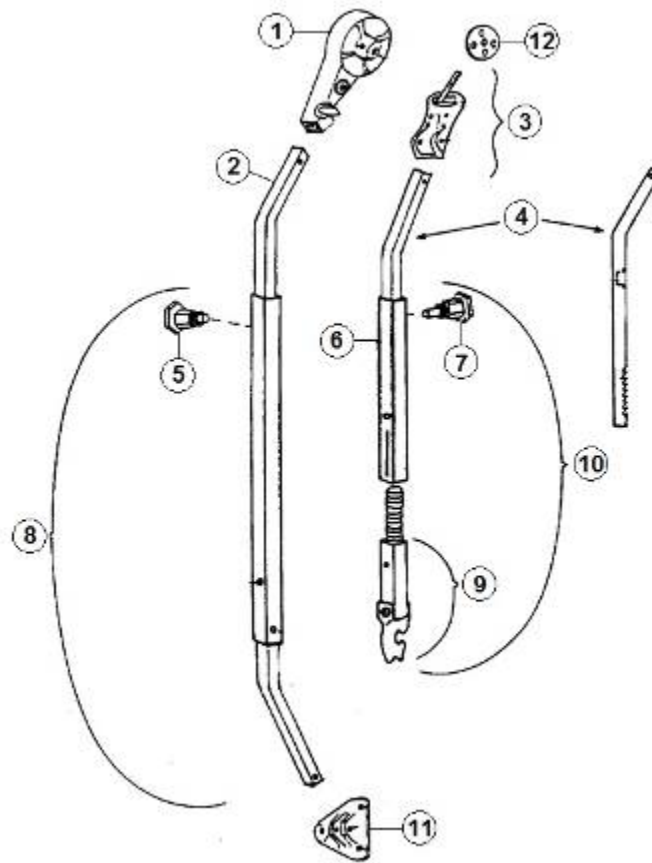
99900P-1891	Hose, Shower Articulated Chrome
99900P-1892	Holder, Shower head
99900P-1896	Head Shower & Angled Hinge Pc
99900P-1898	Valve, Shower mixer
99900P-2069	Heated towel rail
99900P-1044	Corian toilet plinth
99900P-1520	Shower mat, Softstep
381834	Coat hook, Aluminum

Bathroom Accessories, 251B

99900P-1891	Hose, Shower Articulated Chrome
99900P-1892	Holder, Shower Head
99900P-1893	Connector, Wall Shower Mixer
99900P-1894	Faucet, Single Lever
99900P-1896	Head, Shower & Angled Hinge Pc
99900P-1898	Valve, Shower Mixer
99900P-1044	Corian Toilet Plinth

HARDWARE

Awning Hardware



704824-03

Awning Hardware

- | | | |
|-----|------------|-----------------------------|
| 1. | 74043W-06 | Front head |
| | 74043W-07 | Rear head |
| 2. | 702993-361 | Front main arm bar |
| | 702993-362 | Rear main arm bar |
| 3. | 74056W | Clamp, Front, Curved |
| | 74056W-01 | Clamp, Rear, Curved |
| 4. | 74061WS-08 | Rafter arm bar, Satin |
| 5. | 74054W | Snap stud |
| 6. | 74063W-04 | Rafter arm tube, Satin |
| 7. | 74072W | Ratchet stud |
| 8. | 74048WS-15 | Front main arm tube |
| | 74048WS-16 | Rear main arm tube |
| 9. | 74068W-04 | Claw bar |
| 10. | 74048WS-17 | Rafter arm |
| 11. | 74055W | Base hinge, Rib mount |
| 12. | 74060W | Clamp wheel |
| | 74041W-01 | Zip Dee hook, Pull rod, 52" |

HARDWARE

Rivets

325000-01	Rivet, 1/8 x 1/4, Anodized Clear
325001-01	Rivet, 1/8 x 5/16, Anodized Clear
325002-01	Rivet, 1/8 x 3/8, Anodized Clear
325004-01	Rivet, 1/8 x 1/2, Anodized Clear
325103-01	Rivet, Pop, 3/16, Anodized Clear
330038	Rivet, Blind, AD54ABS-LF
330152	Rivet, 1/8, Aluminum w/Steel mandrel
330155	Rivet, .125, Aluminum w/Stainless Steel mandrel
330127-03	Rivet, 1/8, AD43ABS
330127-05	Rivet, 1/8, AD45ABS
330126-02	Rivet, Pop, SSD43SSBS
330126-03	Rivet, Pop, SSD44SSBS
330126-04	Rivet, Pop, SSD45SSBS
330128-08	Rivet, 1/8, AD48ABS

SAFETY EQUIPMENT

Alarm, 25IB

513432

Smoke Alarm

LABELS AND TAGS

Labels and Plates, 584

99900P-2191	VIN plate, 534
99900P-939	Label, LP cover latch
99900P-2248	Label, LP Gas Storage

Labels and Plates, 684

99900P-2070	VIN plate, 684
99900P-1887	Label, Heating warning
99900P-939	Label, LP cover latch
99900P-2248	Label, LP Gas Storage

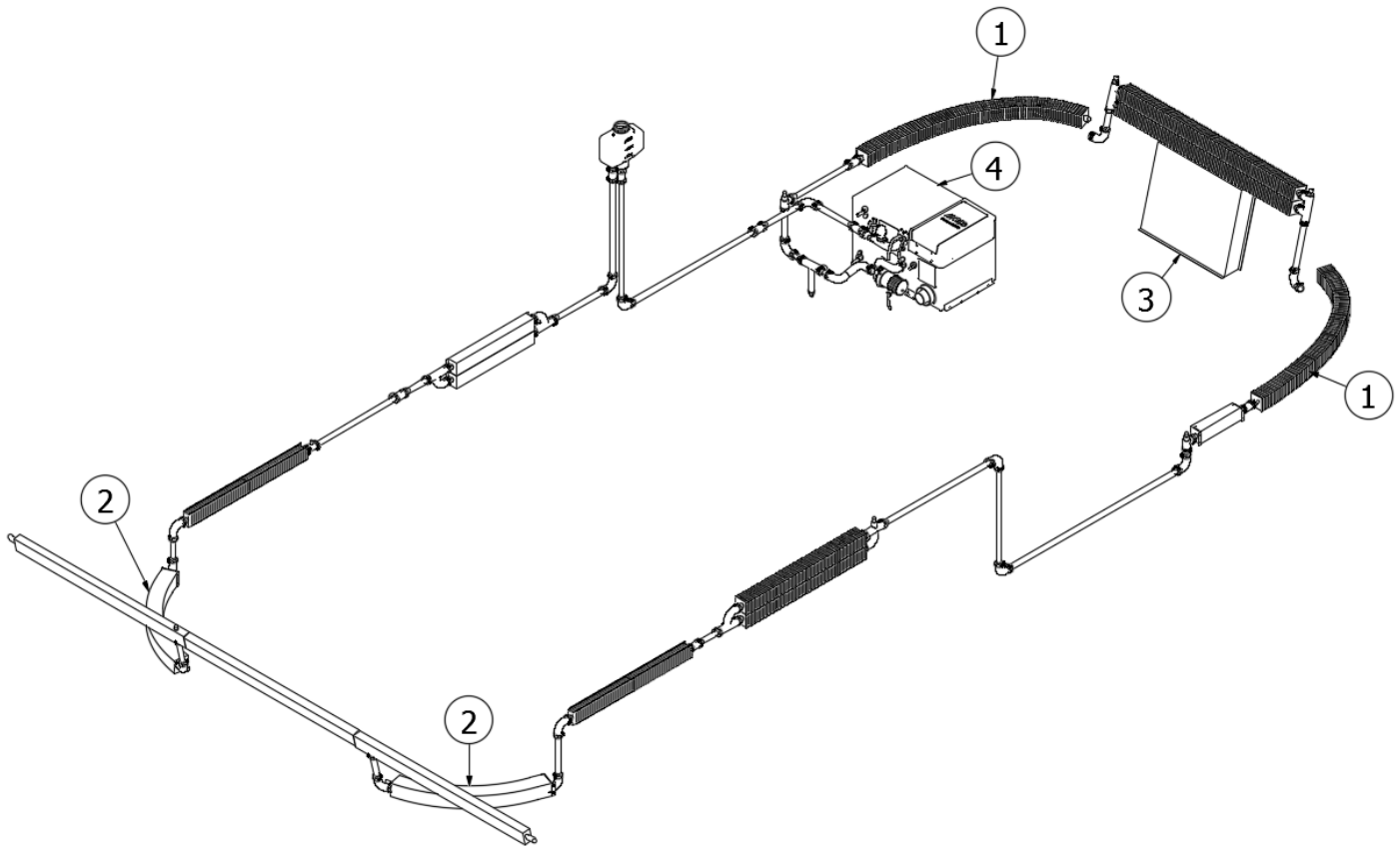
LABELS AND TAGS

Labels and Plates, 25IB

99900P-1887	Label, Heating Warning
365423	Tag, Jack Hang
385062	Decal, 110-125 Voltage Ac
385359	Decal, Microwave Or Air Cond.
385465	Label, Exit Label (English)
385521	Label, Emergency Egress Window
385560	Label, Air Conditioner Rating
385837	Label, Refrigerator Ignition
385941	Label, Wastewater Holding Tank
385943	Label, Cap Must Be In Place
385950	Label, "Smoke Detector CSA
385951	Label, "Range Fresh Air" CSA
385952	Label, "LP Warning" CSA
385953	Label, "If You Smell Gas" CSA
386012	Label, Warning - Water Heater
386098	Label, Fuse 12 V.
386110	Label, OKAY To Ship Inspected
386114	Label, RVIA Silver
386118	Label, LP Gas Tri-Warning
386119	Label, "Do Not Store Combustible
386120	Label, Smoke Alarm Warning
386121	Label, "If You Smell Gas"
386122	Label, "Comfort Heating"
386123	Label, "Potable Water Only"
386159	Label, Flat Screen Tv
386192	Tag, Smoke/Co Detector Ba
386193	Label, Wheel Torque Warning
386226	Label, RV Master Weight Label
386250	Label, LPG Service Port
386267-01	Label, Front Power Awning Cable
386267-02	Label, Rear Power Awning Cable
386284	Label, Warning"Do Not Use"
386301	Label, Window Glass #Ar0118
386302	Label, Cooktop
386303	Label, Surface Cleaning #Ar0116
386369	Label, Warning - Trailers
386396	Label, Tire Carrier Warning
S001157A	Weight Labels, TT/MJ
386477	Label, Solar Prewire

PLUMBING, HEATING SYSTEM

Alde System, 534



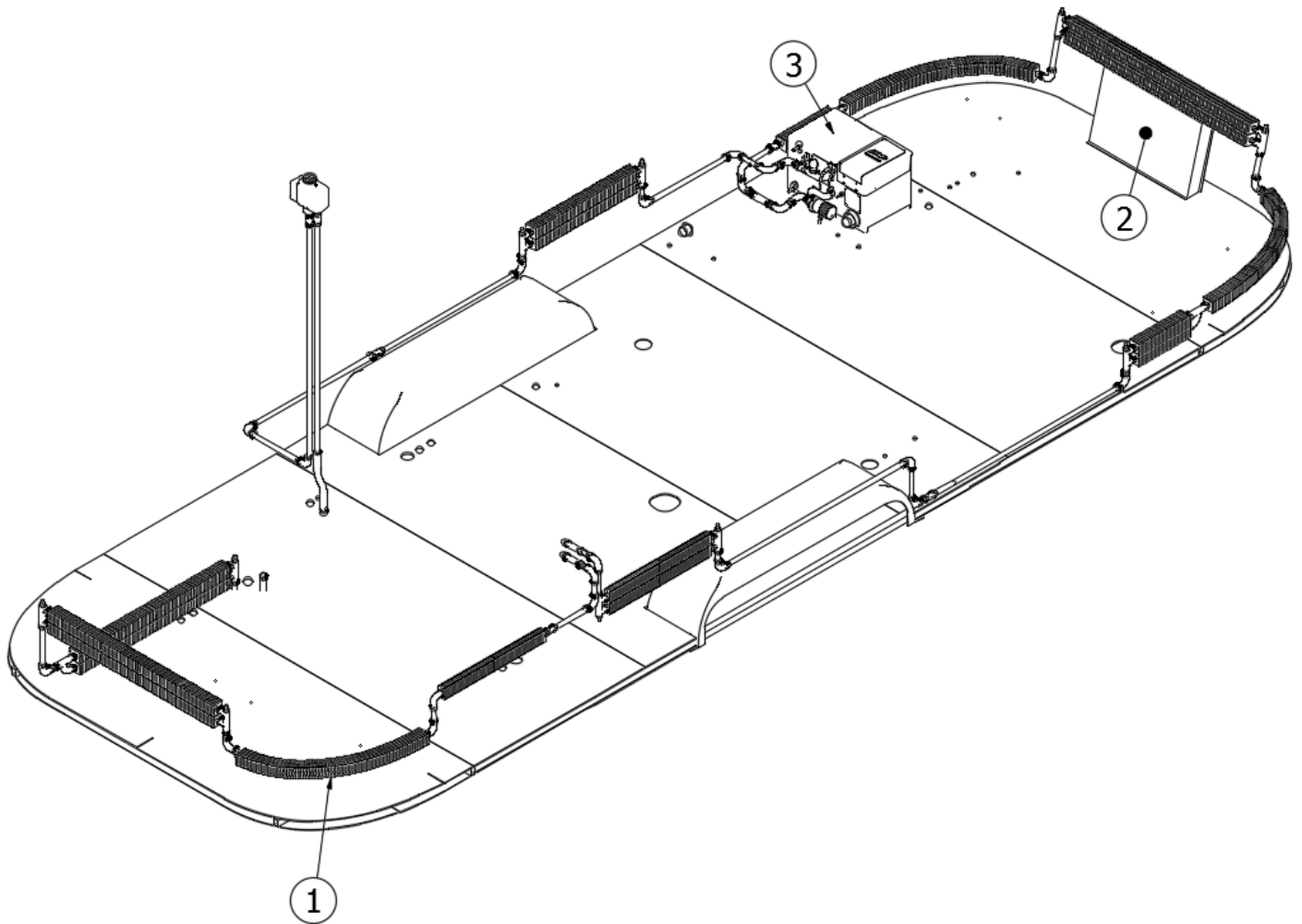
99900P-2209

Alde System Install

- | | |
|----------------|----------------------------|
| 1. 99900P-393 | Curved convector, 1000mm |
| 2. 99900P-741 | Curved convector, 700mm |
| 3. 99900P-2194 | Baffle, Floor to radiator |
| 4. 99900P-081 | Pump, 12V circulation |
| 99900P-092 | Water Heater |
| 340085-05 | Pipe clamp, 5/8" |
| 99900P-2203 | Cable, Control panel |
| 99900P-2071 | Control panel, Color, Alde |
| 99900P-744 | External temp sensor, 2.5m |
| 99900P-089 | Exhaust hose |
| 99900P-090 | Inlet hose |
| 99900P-075 | Wall flue w/clips |

PLUMBING, HEATING SYSTEM

Alde System, 684



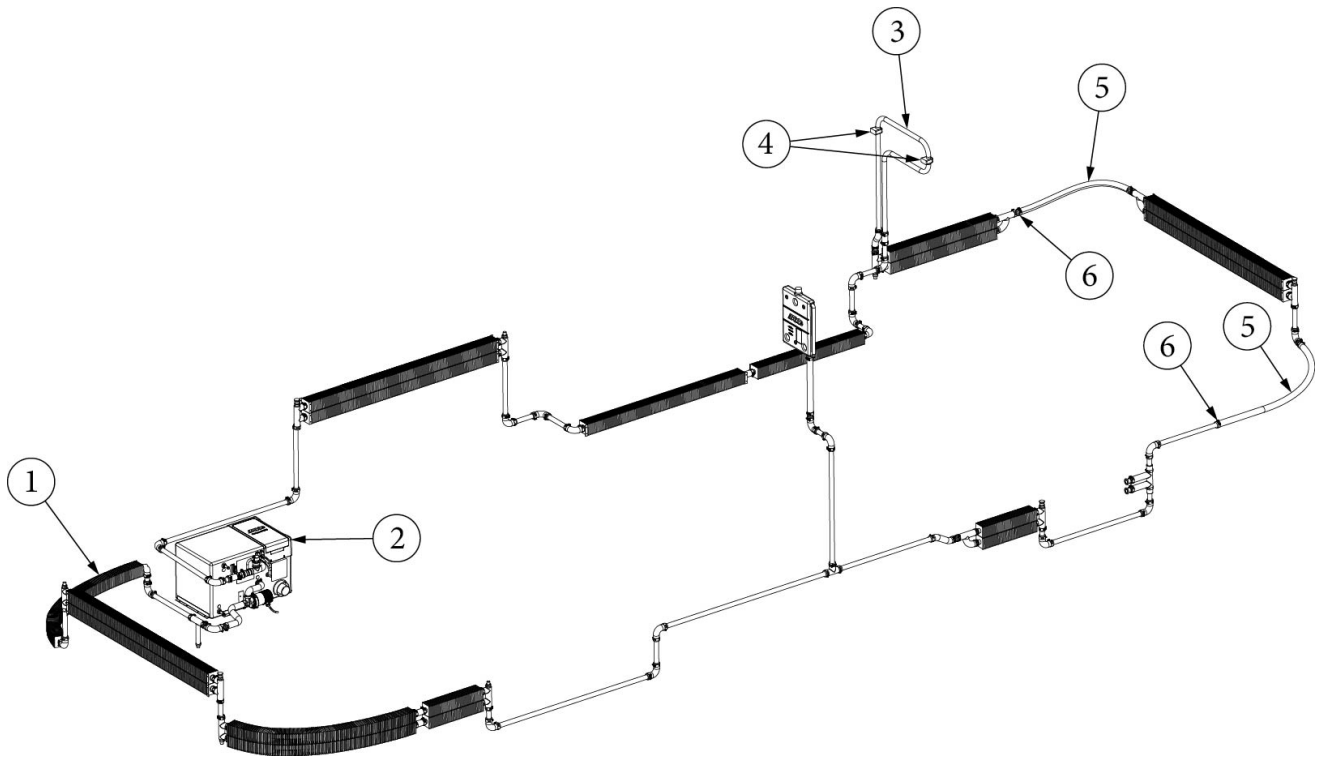
99900M-485

Alde System Install

- | | |
|----------------|----------------------------|
| 1. 99900P-393 | Curved convector, 1000mm |
| 2. 99900P-2193 | Baffle, Floor to radiator |
| 3. 99900P-092 | Water Heater |
| 340085-05 | Pipe clamp, 5/8" |
| 99900P-2205 | Cable, Control panel |
| 99900P-2071 | Control panel, Color, Alde |
| 99900P-390 | External temp sensor, 2.5m |
| 99900P-089 | Exhaust hose |
| 99900P-090 | Inlet hose |
| 99900P-075 | Wall flue w/clips |

PLUMBING, HEATING SYSTEM

Alde System, 25IB



113503
943945

Alde System Install (Not for order/see parts below)
Alde System Assembly

- | | |
|---------------|----------------------------------|
| 1. 99900P-393 | Curved convector, 1000mm |
| 2. 99900P-092 | Boiler, Alde, 3020 |
| 3. 602541-55 | Towel Rail, Heated |
| 4. 204258 | Spacer, Towel Bar, Alde |
| 5. 602541-17 | Alde Rubber Hose |
| 6. 602541-03 | Alde Band Clip |
| 99900P-2204 | Cable, Alde Control Panel |
| 99900P-390 | External temp sensor, 2.5m |
| 99900P-090 | Inlet hose |
| 99900P-089 | Exhaust hose |
| 99900P-2071 | Control panel, Color, Alde |
| 455790 | Bracket, Alde Convector |
| 340085-06 | Clamp, Loop, Steel w/Rubber, .75 |
| 514079 | Blank Plate- Single Gang Box |
| 513370 | Connector Wago - 2 Slot |
| 513219 | Switch/Outlet Box One Gang |

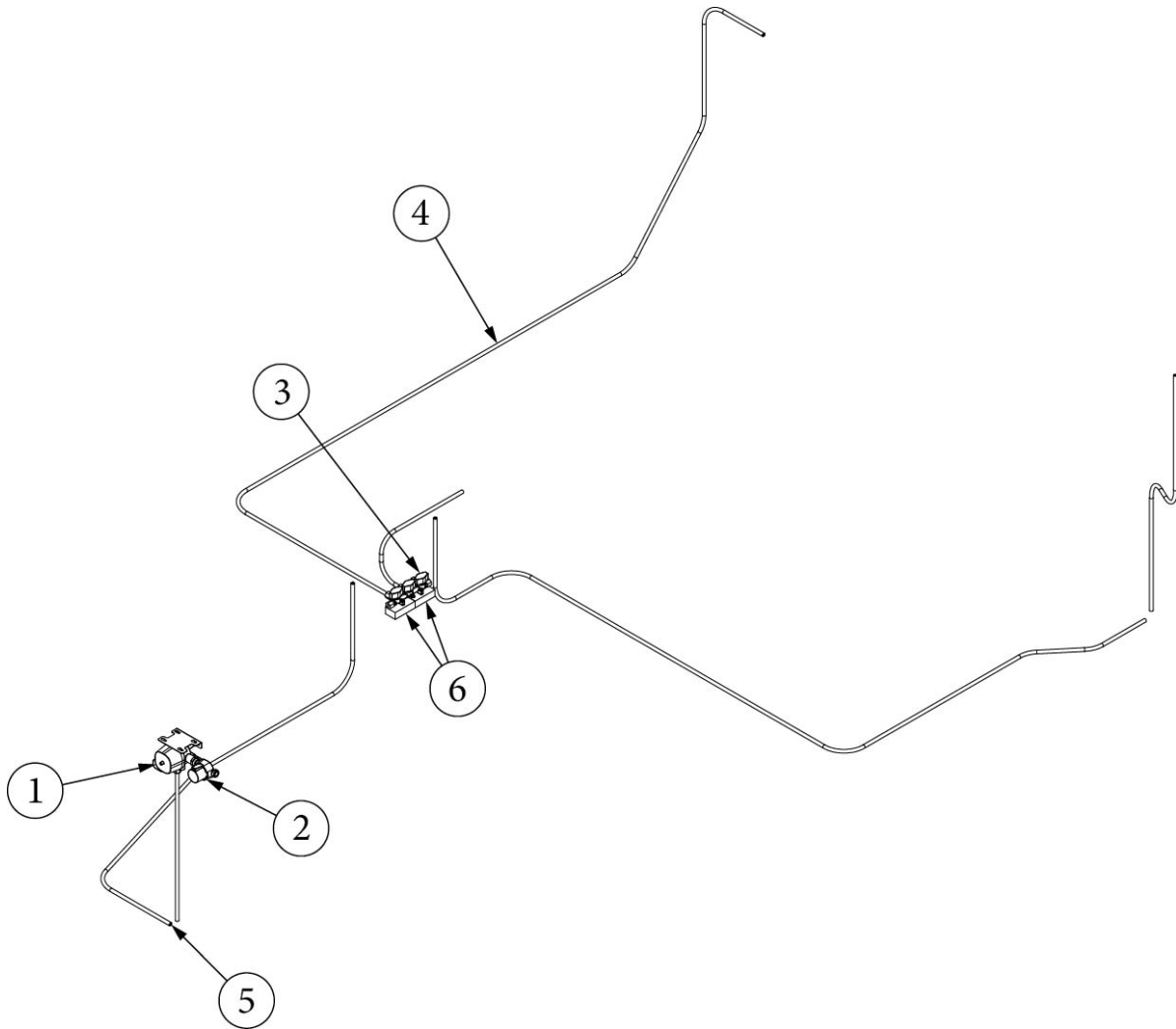
PLUMBING, LPG SYSTEM

LPG System, 534 & 684

602452-01	Truma Black Monocontrol regulator
602452-02	Truma Black Gas Filter
99900P-1936	Gas bottle bracket
99900P-1937	Gas bottle strap
602452-03	3-Way Gas manifold
602452-04	8mm Copper Piping
99900P-1940	Elbow, Gas Brass Equal 8mm

PLUMBING, LPG SYSTEM

LPG System, 25IB



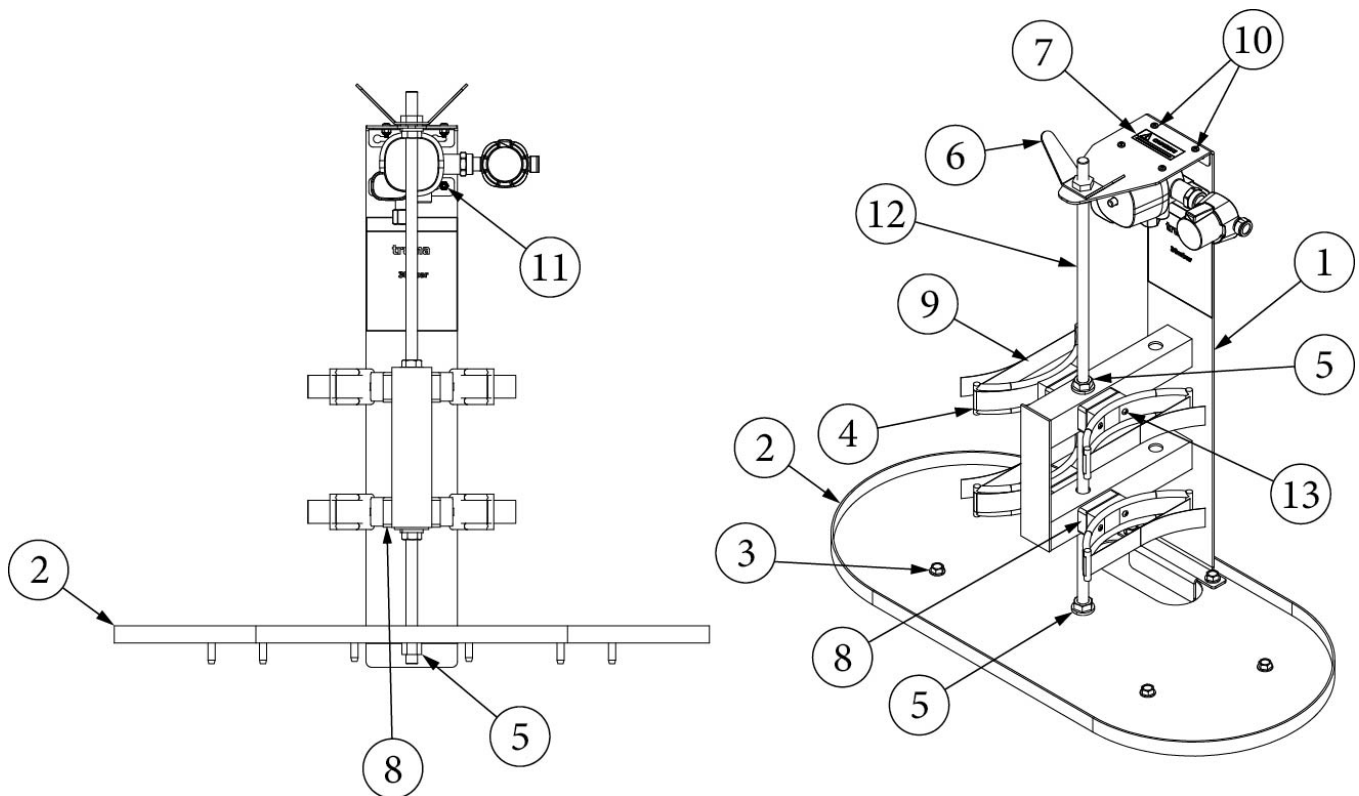
943930

LP Layout

- | | |
|----------------|-----------------------------------|
| 1. 602452-01 | Truma Black Monocontrol regulator |
| 2. 602452-02 | Truma Black Gas Filter |
| 3. 602452-03 | 3-Way Manifold |
| 4. 602452-04 | 8mm Copper Piping |
| 5. 99900P-1940 | Elbow, Gas Brass Equal 8mm |
| 6. 203492 | Spacing, Plumbing (1.5x.875x3.0) |
| 500839 | Wire, Bare Copper 8 Ga. |
| 500038 | Lug, Ground |
| 345643 | Clip, Electrical |
| 99900P-148 | Earth Clamp, 2 X 16mm |

PLUMBING, LPG SYSTEM

LP Support Bracket, 25IB



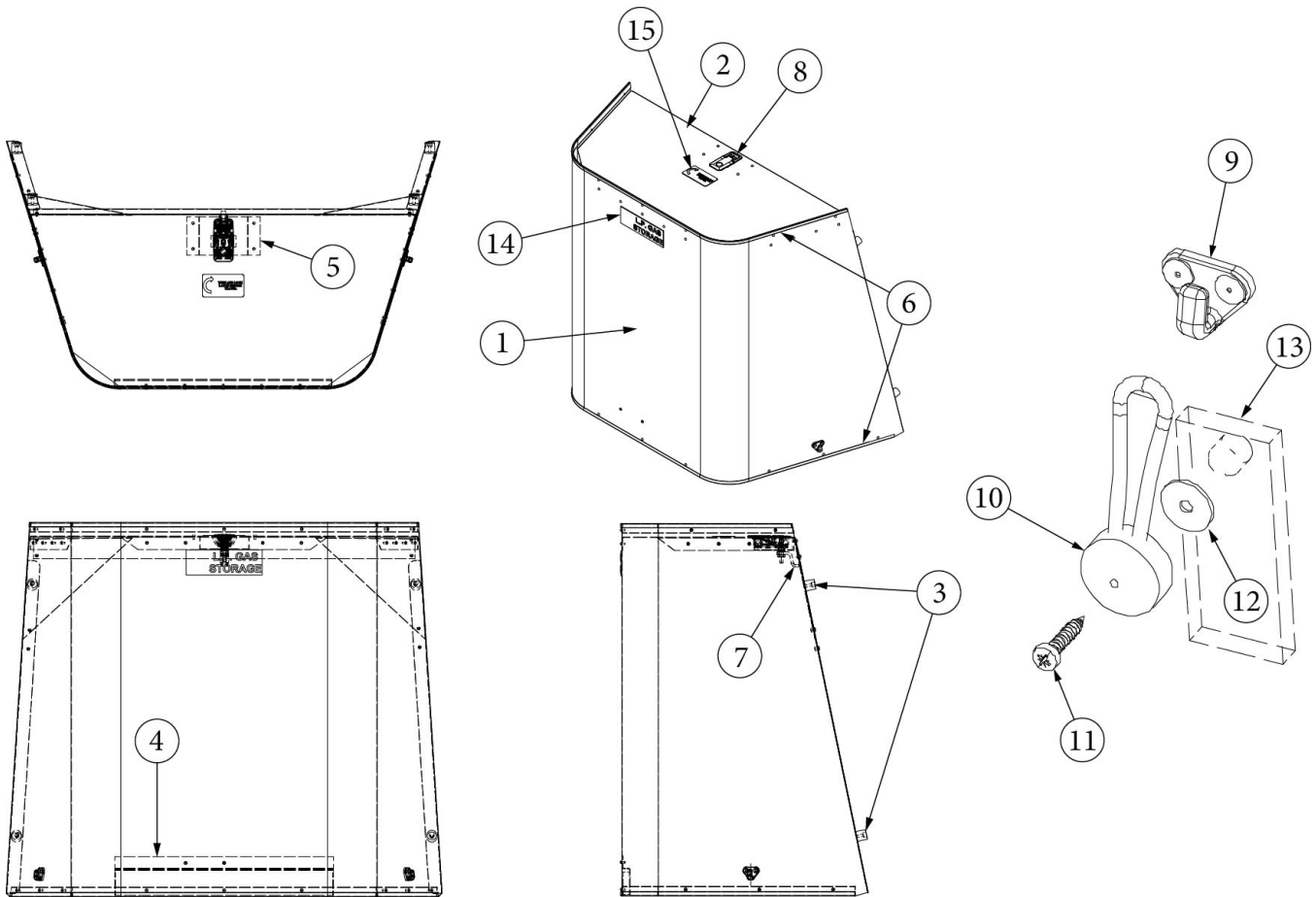
113620

Install, LP Support Bracket (not for order/see parts below)

- | | |
|----------------|--|
| 1. 455795 | Weldment, LP Support |
| 2. 455796 | Bezel, LP, Global |
| 3. 345074-05 | Screw, 5/16-18 X 7/8, Hex Washer |
| 4. 99900P-1936 | Bracket, Gas Bottle Holder |
| 5. 350132 | Nut, Flanged, Mac-Lock, 1/2-13-Grade 5 |
| 6. 455841 | LP Bottle Wing Nut |
| 7. 99900P-1887 | Heating Label |
| 8. 99900P-1938 | Spacer, Gas Bottle Bracket |
| 9. 99900P-1937 | Strap, 1200mm Gas Bottle |
| 10. 345558 | Screw, #8-32x.5", Black Philips, #0703-0 |
| 11. 350204 | Nut-Nylock #8-32 Blk Ss #0702- |
| 12. 345375-05 | Rod, Threaded, 16.00", 1/2"-13UNC |
| 13. 345024 | Screw, #8 X 1-1/4, SS |

PLUMBING, LPG SYSTEM

LPG Tank Cover, 534, 684



Parts Listed on Next Page

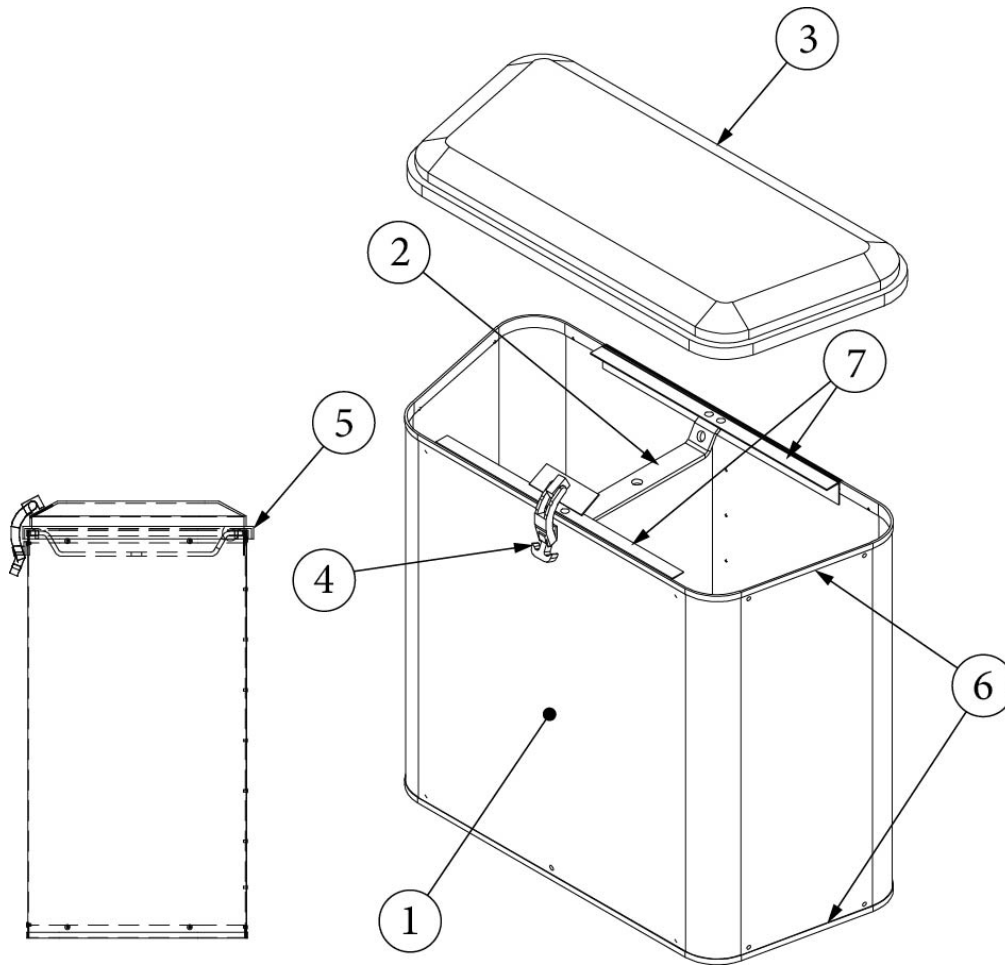
PLUMBING, LPG SYSTEM

LPG Tank Cover, 534, 684

99900M-930	LP Tank Cover Assembly
99900M-940	Bungee Cord Installation (not for order/see parts below)
1. 99900P-2215	Cover wrap, LP tank
2. 99900P-2216	Lid, LP tank cover
3. 381136	Rubber bumper
4. 99900M-249	Bracket, LP tank cover
5. 99900M-044	Bracket, Latch LP tank cover
6. 114070	Extrusion, J-trim, Mill Finish
7. 382229	Plate-Cam, Access Door
8. 382230-02	Compression Latch, Locking, 62-99-1146
9. 99900P-1002	Hook, Shock cord, Black
10. 99900P-1001	Clip, Shock cord, Black
11. 99900P-1003	Screw, Machine, #10-24 X 1.75"Ss
12. 99900P-2192	Washer, Nylon, M10, Flat
13. 99900P-2249	Spacer, Drawbar Cover, UHMW
14. 99900P-2248	Label, LP Gas Storage, AEU
15. 99900P-939	Label, LP Cover Latch, AEU
345511	Hex Screw, Flanged Head, M5 x .8mm pitch x 20mm
350147-19	Nut, Nylon Lock, #10-24
300174	Washer, M5, Internal Tooth Lock
350158-02	Washer, Lock Tooth, #10
325000-01	Rivet, Anodized Clear, 1/8 X 1/4
325002-01	Rivet, Anodized Clear, 1/8 X 3/8
330038	Rivet, 5/32 188-.250, Grip, Blind

PLUMBING, LPG SYSTEM

LPG Tank Cover, 25IB



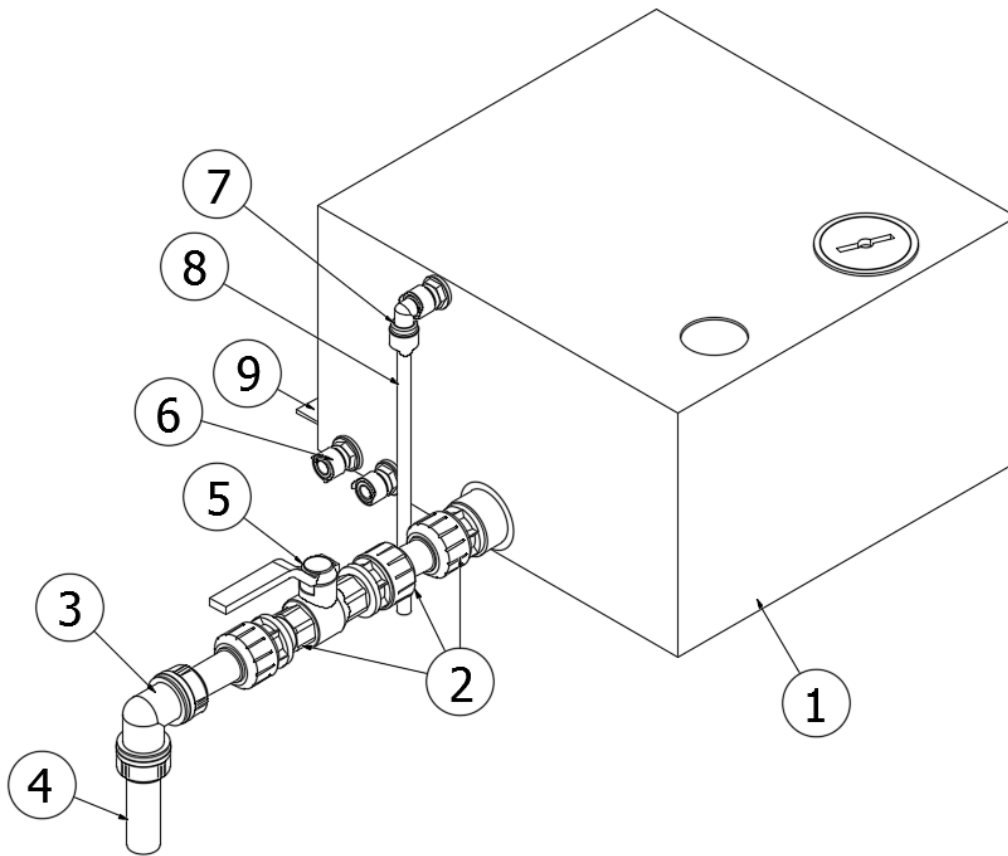
921256

LP tank cover

- | | |
|--------------|------------------------------------|
| 1. 115288-06 | Wrapper, LP Bottle Cover |
| 2. 115289-06 | Cross Bar, LP Bottle Cover |
| 3. 200841-02 | Lid, Gas Bottle Cover, 30#, Black |
| 4. 382562 | Latch, Rubber, #F7-540 |
| 382562-01 | Keeper, Rubber, #F7-547 |
| 382562-02 | Screw, Philips Head, No. 10 x 5/8" |
| 5. 380988 | Hinge, Continuous, .5 in Leaf 16 |
| 6. 114070 | Extrusion, J-trim, Mill Finish |
| 7. 115290-01 | Angle, LP Bottle Cover, Forward |
| 325103-01 | Rivet, Anodized Clear, 3/16 X 1/2" |
| 325000-01 | Rivet, Anodized Clear, 1/8 X 1/4" |
| 330127-05 | Rivet, 1/8", AD45ABS |

PLUMBING, FRESH WATER SYSTEM

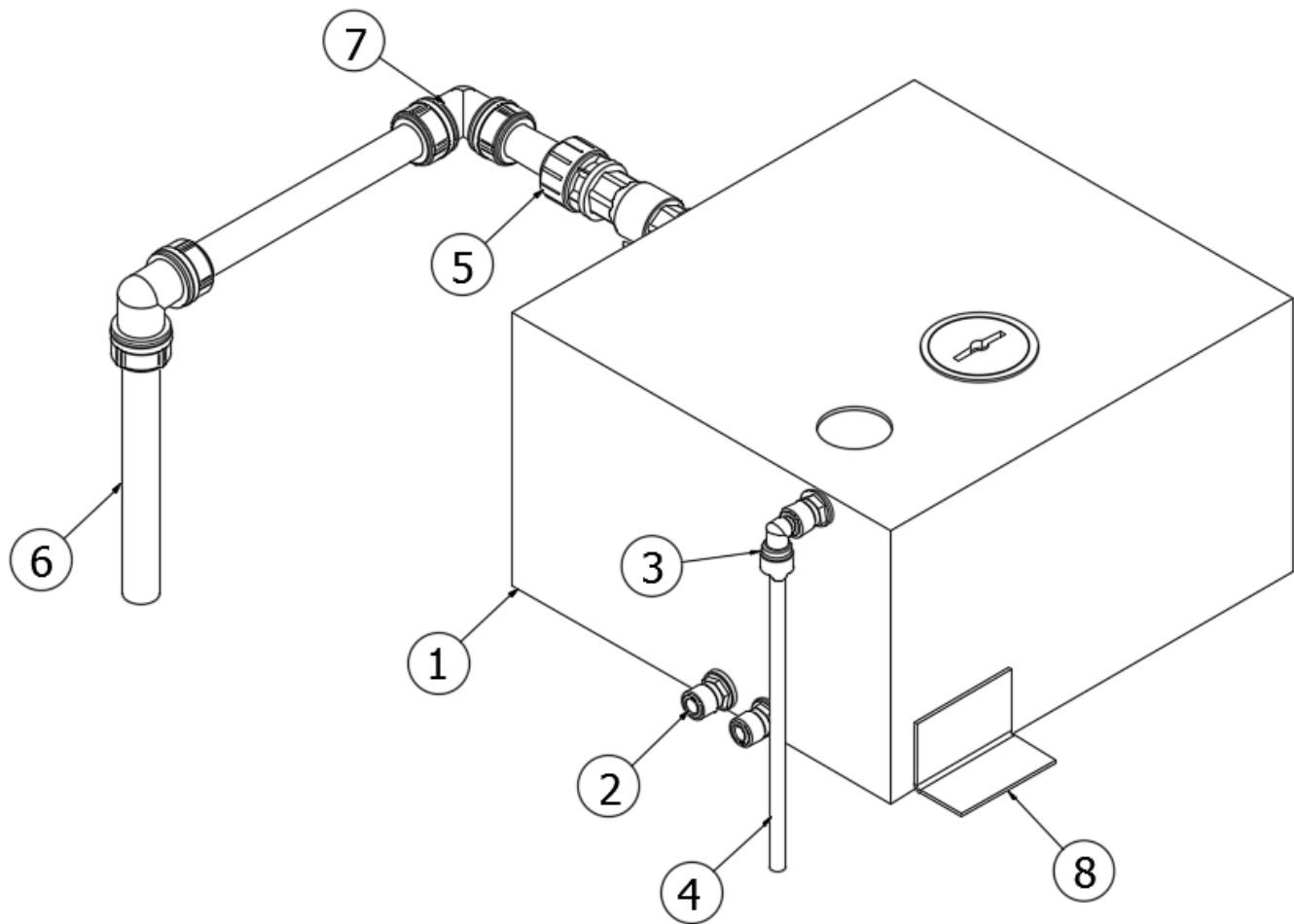
Fresh Water Tank, 534



- | | |
|----------------|--|
| 1. 99900P-1641 | Fresh water tank |
| 2. 99900P-1957 | Straight adaptor, 1" BSP |
| 3. 99900P-1958 | Equal elbow, 28mm |
| 4. 99900P-1959 | White, 28mm |
| 5. 99900P-1961 | Brass ball valve, 1", No spindle extension |
| 6. 99900P-1952 | Adapter, 12mm to .5", Male straight |
| 7. 99900P-1951 | Elbow, 12mm stem |
| 8. 99900P-1948 | Tube, 12mm, Blue |
| 9. 101115 | Bent angle, 2 x 2.5 |

PLUMBING, FRESH WATER SYSTEM

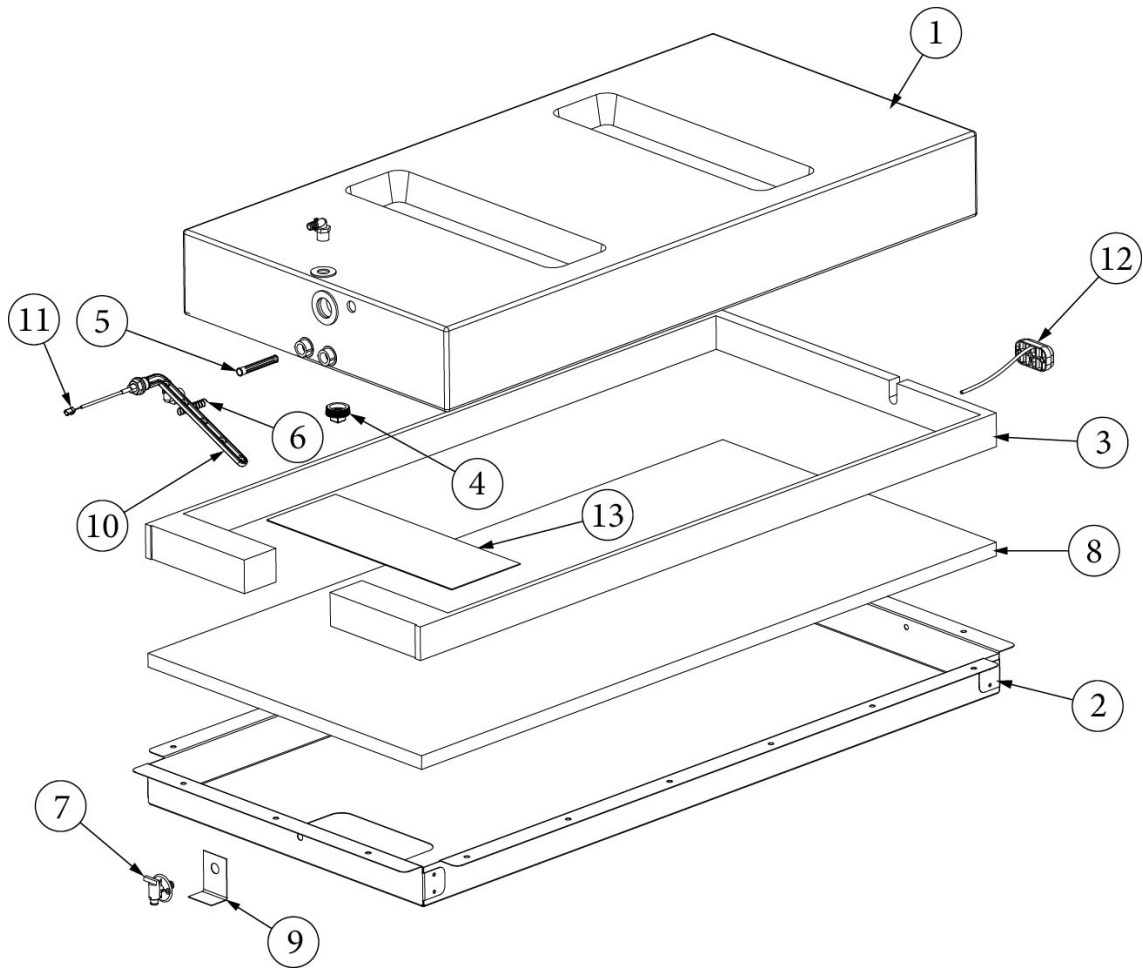
Fresh Water Tank, 684



- | | |
|----------------|---|
| 1. 99900P-1300 | Fresh water tank |
| 2. 99900P-1952 | Adapter, 12mm to .5", Male straight |
| 3. 99900P-1951 | Elbow, 12mm stem |
| 4. 99900P-1948 | Tube, 12mm, Blue |
| 5. 99900P-1957 | Straight adaptor, 1" BSP |
| 6. 99900P-1959 | White, 28mm |
| 7. 99900P-1958 | Equal elbow, 28mm |
| 8. 101115 | Bent angle, 2 x 2.5 |
| 99900P-1960 | Brass valve w/extension spindle and aluminum handle |

PLUMBING, FRESH WATER SYSTEM

Fresh Water Tank, 25IB



Parts Listed on Next Page

PLUMBING, FRESH WATER SYSTEM

Fresh Water Tank, 25IB

112877	Fresh Water Tank Install (not for order/see parts below)
602803-01	Fresh Water Tank
455629	Pan Assembly, Fresh Tank
200152	Styrofoam, 1 x 6 x 46"
601295	Plug, ABS, 1 1/4"
601723	Filter Screen, Water
600103	Spring, SS, 20 In
602905*	Drain, Metal Ball Valve
200507	Insulation, 1 x 25 x 55"
453712	Shield, Fresh Water Tank Drain
513430-01	Dipper, Tank Arm Sensor
513430-02	Cable, Dipper, 7.5 Meters
513391	LED Step Light, 570 Lumens, 3" x 1 .5"
511780	Pad, Tank Heating, 6.5" X 18"
602256-02	Adapter, Male Poly .5barbx.5mpt
602256-04	Elbow, Poly .5barb X .5mpg
601237	Elbow, 90 D, 1.25 MPT X 1.25 Bar
601698-15	1/2 Crimp Ring, #14785
340086	Hose Clamp, Miniature Screw Type
601240-01	Tubing, 1/2 I.D. X 3/32 Wall
601698-01	E-Pex, 1/2" Tubing

*602905 (metal ball valve) replaced 601243 (white plastic drain cock) mid-model year.

PLUMBING, FRESH WATER SYSTEM

Water Hook-Up, 534, 684

99900P-2275	Water inlet socket, with pressure switch
99900P-2276	Water inlet socket, lid grey
99900P-2109	Mains Fresh Water Hose
99900P-2108	Submersible Fresh Water Pump

City Water Hook-Up, 25IB

601392-06	Water Fill, w/50PSI Regulator, Shur-Flo, 183-020-04
602890	Fresh Water Hose

Fresh Water Tank Fill, 25IB

601194	Water fill w/lock, Gray
601194-02	Cap, cable, and spout
381647	Key water fill

Faucet, Galley

99900P-1895	Faucet, Royal single lever mixer
-------------	----------------------------------

Faucet, Lavatory, 534, 25IB

99900P-1894	Faucet, Stilo single lever tap
-------------	--------------------------------

Faucet, Lavatory, 684

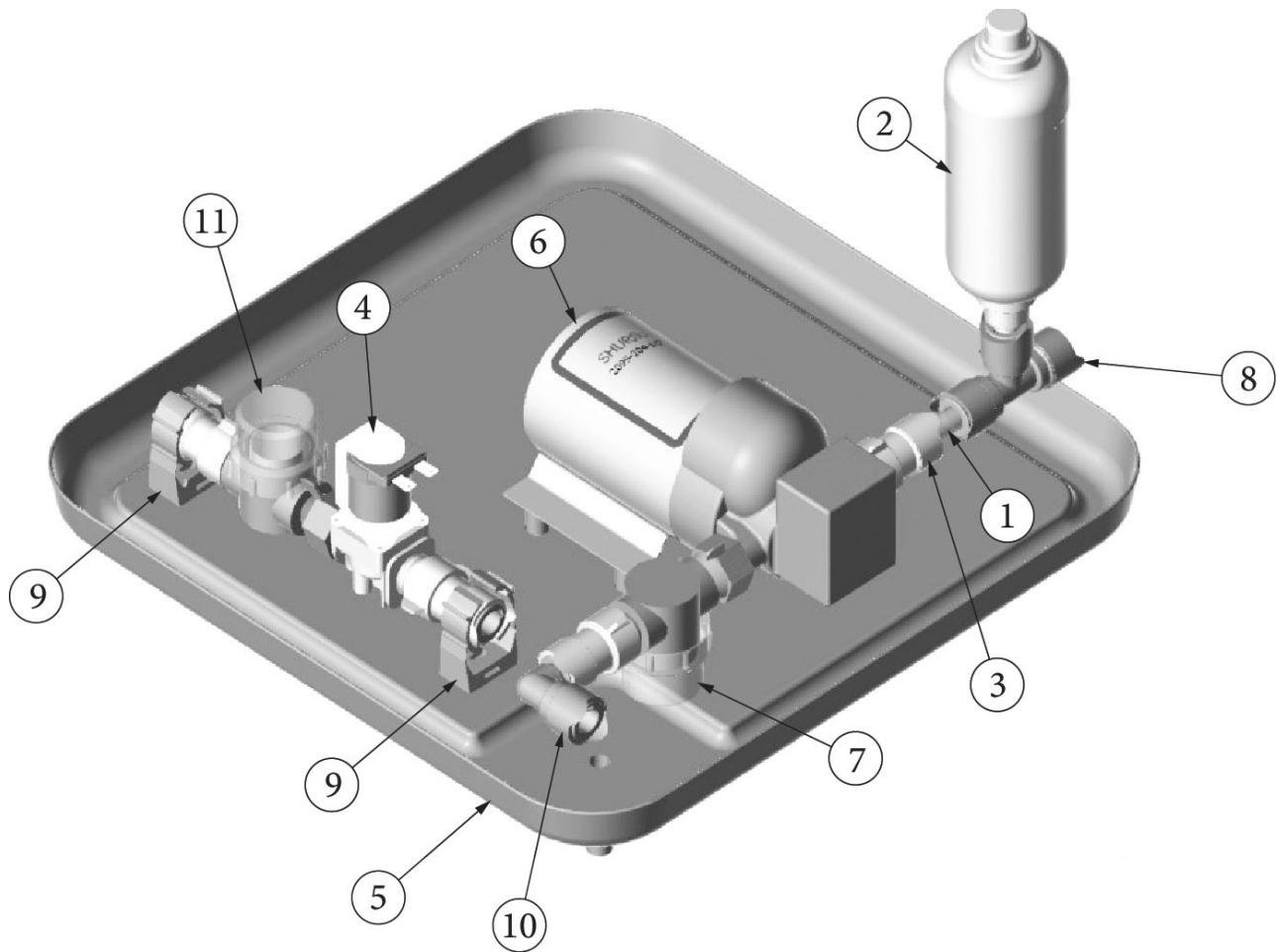
99900P-1897	Faucet, Single lever
-------------	----------------------

Shower Hardware, 534, 684

99900P-1891	Hose, Shower Articulated Chrome
99900P-1892	Holder, Shower Head
99900P-1893	Connector, Wall Shower Mixer
99900P-1896	Head, Shower & Angled Hinge Pc
99900P-1898	Valve, Shower Mixer

PLUMBING, FRESH WATER SYSTEM

Onboard Fresh Water Pump Tray Layout (534 and 684 only)



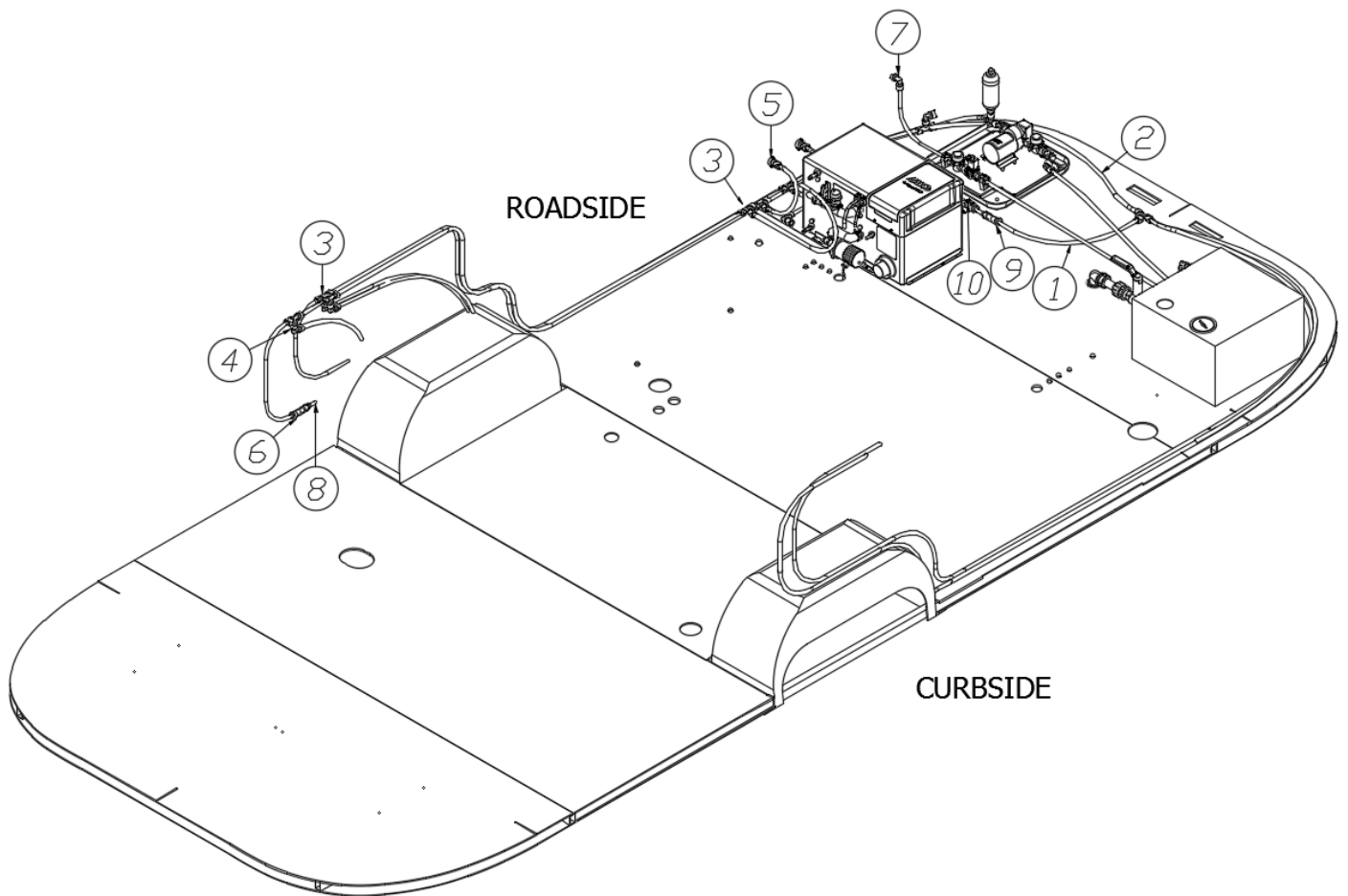
99900M-511

Water Pump Layout

- | | |
|-----------------|---|
| 1. 99900P-1948 | Tube-Blue 12mm Od LLDPE |
| 2. 99900P-1987 | Damper, 12mm Surge |
| 3. 99900P-1953 | Adaptor, 12mm .5" Female St |
| 4. 99900P-1988 | Solenoid, 12v, .5" BSP |
| 5. 99900P-1386 | Tray, Water Pump (Used On 534 & 684 Only) |
| 6. 99900P-1991 | Water Pump, Shurflo, 7.7 Lpm |
| 7. 99900P-1990 | Filter, Pump Style C Strainer |
| 8. 99900P-1950 | Tee, 12mm Equal #PM0212E |
| 9. 99900P-2280 | Pipe Clip, Water Pump Tray |
| 10. 99900P-1951 | ELBOW-12MM STEM #PM221212E |
| 11. 601668-01 | Strainer, Fresh Water Pump |
| 99900P-2153 | Washer, SS, 316 Bungee Cord |
| 99900P-2172 | Tee Nut, M4, 6mm Barrel Height |

PLUMBING, FRESH WATER SYSTEM

Fresh Water Layout, 534



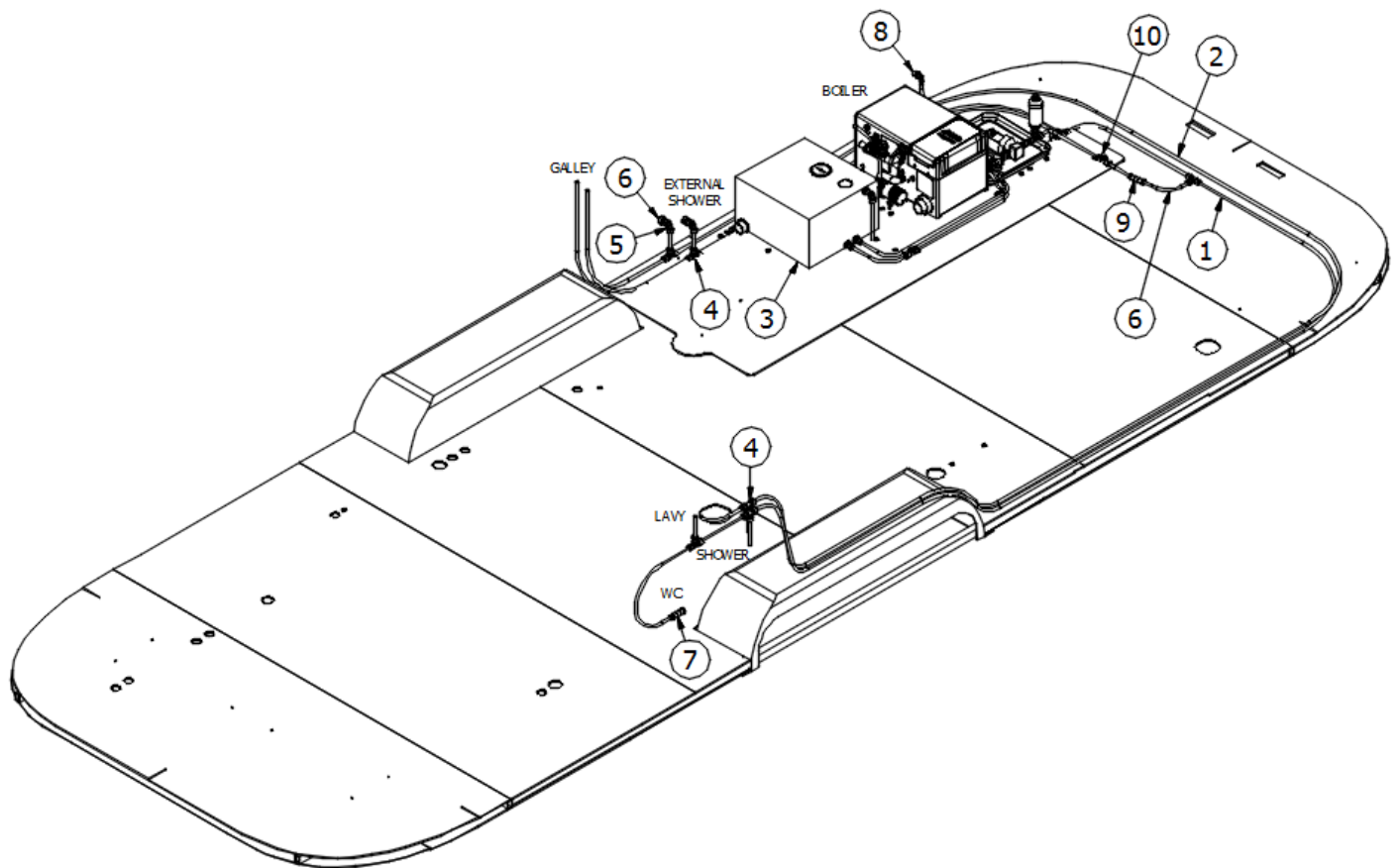
99900M-917
99900M-918

Hot Water Lines
Cold Water Lines

- | | |
|----------------|------------------------------|
| 1. 99900P-1948 | LLDPE tube, 12mm OD, Blue |
| 2. 99900P-1949 | LLDPE tube, 12mm OD, Red |
| 3. 99900P-1950 | Equal tee, 12mm |
| 4. 99900P-1951 | Stem elbow, 12mm |
| 5. 99900P-1953 | Adaptor, 12mm |
| 6. 99900P-1954 | Straight connector |
| 7. 99900P-1955 | Equal elbow, 12mm |
| 8. 99900P-1956 | Stem hose connector |
| 9. 99900P-1963 | Water non-return valve, Blue |
| 10. 99900P-098 | Cold water drain down |

PLUMBING, FRESH WATER SYSTEM

Fresh Water Layout, 684



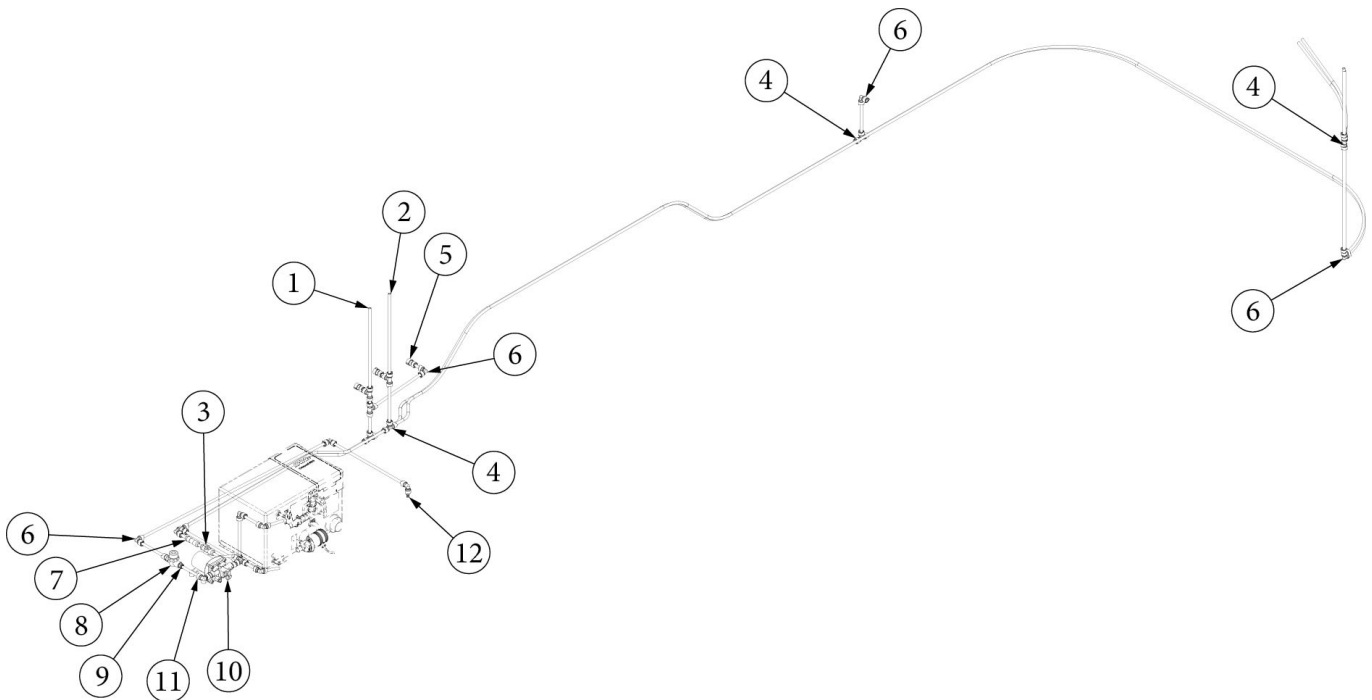
99900M-744

Fresh Water Lines

- | | |
|----------------|------------------------------|
| 1. 99900P-1948 | LLDPE tube, 12mm OD, Blue |
| 2. 99900P-1949 | LLDPE tube, 12mm OD, Red |
| 3. 99900P-1300 | Fresh water tank |
| 4. 99900P-1950 | Equal tee, 12mm |
| 5. 99900P-1951 | Stem elbow, 12mm |
| 6. 99900P-1953 | Adaptor, 12mm |
| 7. 99900P-2278 | Connector-Straight 15mm |
| 8. 99900P-1955 | Equal elbow, 12mm |
| 9. 99900P-1963 | Water non-return valve, Blue |
| 10. 99900P-098 | Cold water drain down |
| 99900P-2279 | Reducer - 15mm To 12mm |

PLUMBING, FRESH WATER SYSTEM

Fresh Water Layout, 25IB



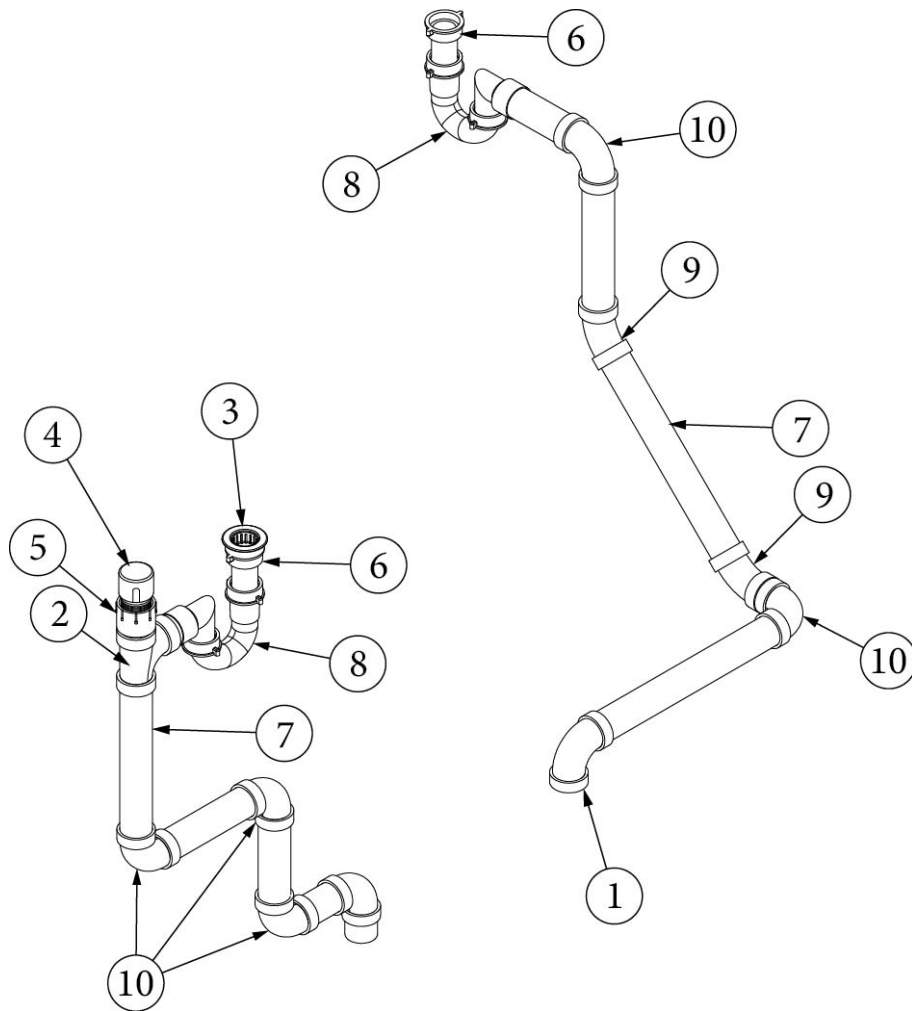
943932

Layout, Fresh Water System, 25IB

- | | |
|-----------------|--|
| 1. 99900P-1948 | LLDPE tube, 12mm OD, Blue |
| 2. 99900P-1949 | LLDPE tube, 12mm OD, Red |
| 3. 99900P-098 | Cold water drain down |
| 4. 99900P-1950 | Equal tee, 12mm |
| 5. 99900P-1953 | Adaptor, 12mm |
| 6. 99900P-1955 | Equal elbow, 12mm |
| 7. 99900P-1963 | Water non-return valve, Blue |
| 8. 601668-01 | Strainer, Fresh Water Pump |
| 9. 99900P-1952 | Adaptor, Brass, .5" Maile, ST#RM011214 |
| 10. 99900P-1991 | Water pump, Shurflo, 7.7 LPM |
| 11. 99900P-1951 | Stem elbow, 12mm |
| 12. 602541-36 | Adapter, 12mm to 1/2" |

PLUMBING, DRAIN SYSTEM

Above Floor Drain, 534



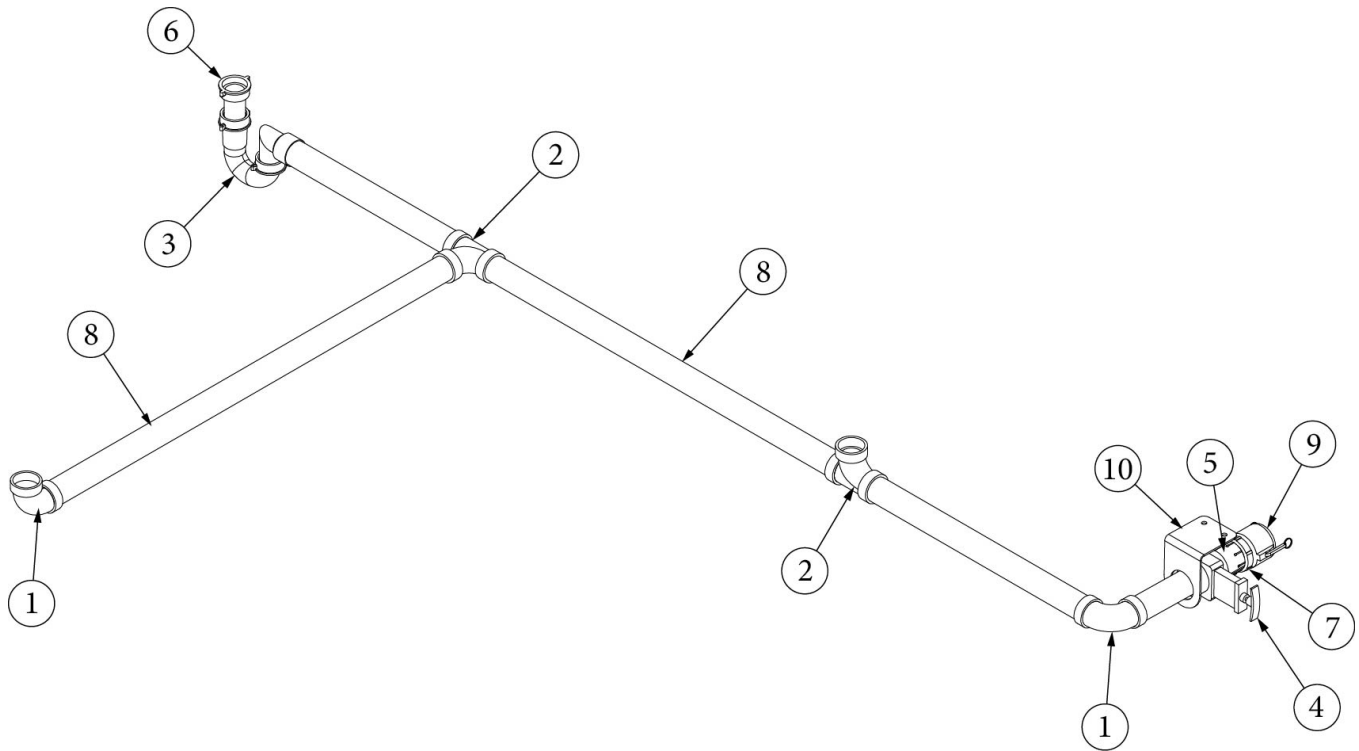
99900M-564

Layout, Above Floor Drain

- | | |
|--------------|----------------------------------|
| 1. 600033 | Elbow, Vent, 1.50 90 Deg. |
| 2. 600156 | Tee, Sanitary 1.5" |
| 3. 600594-02 | Drain, Shower W/Blk Stop |
| 4. 600538 | Vent, V-200 Automatic |
| 5. 600308 | Adapter, ABS, Female Sloan #2891 |
| 6. 602164-02 | Tailpiece, W/Nuts & Washers 1.5 |
| 7. 601160-02 | Pipe, Abs Dvw, 1-1/2" |
| 8. 600622 | P-Trap, 1-1/2, W/Slip Nut & Wash |
| 9. 600030 | 6000ELL- ABS 45 Degrees LG TUR |
| 10. 601636 | Elbow, 1-1/2" 90 deg |
| 99900P-119 | P-Trap Cover |

PLUMBING, DRAIN SYSTEM

Below Floor Drain and Dump Valve, 534



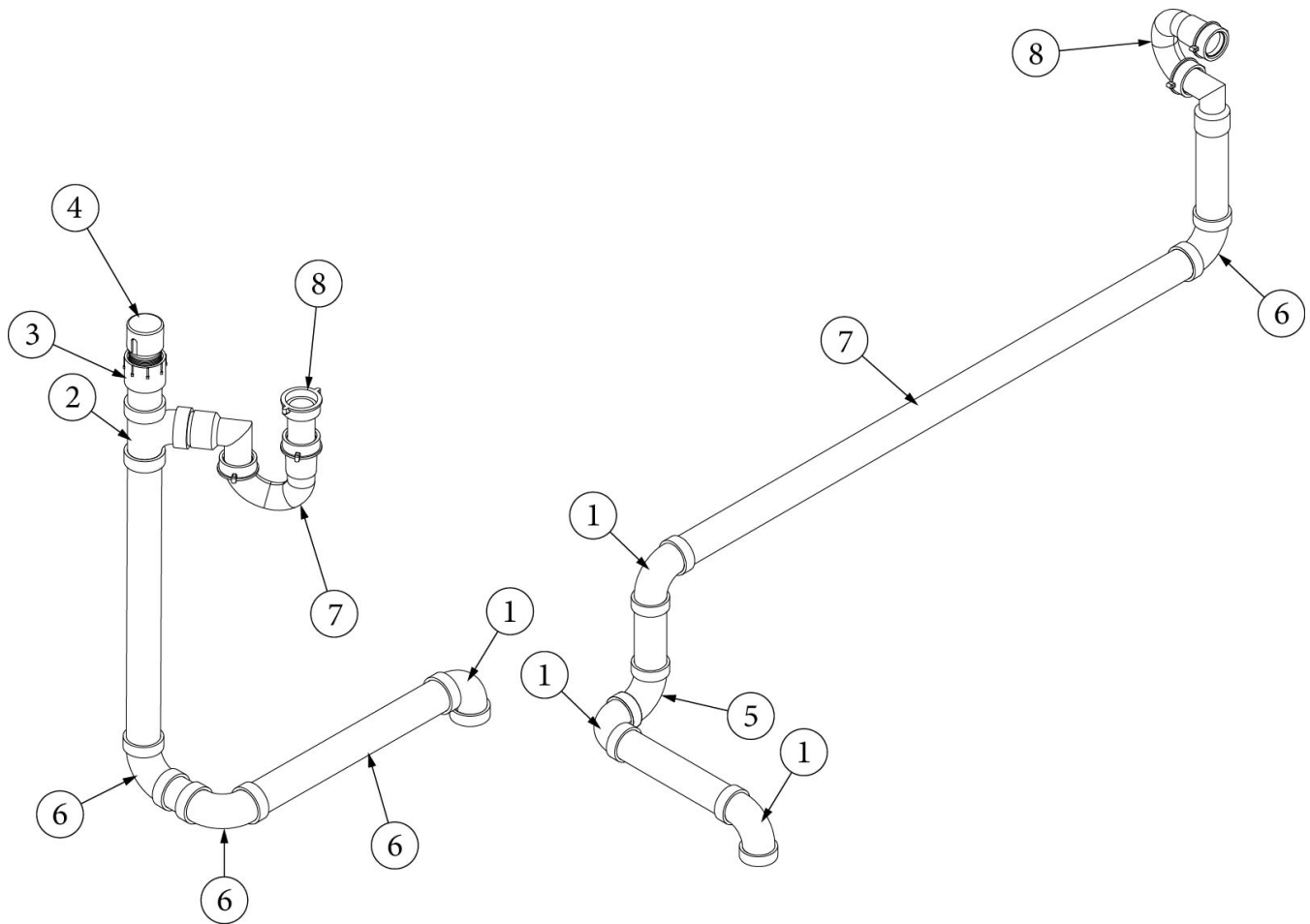
99900M-565

Layout, Below Floor Drain

- | | |
|---------------|-----------------------------------|
| 1. 601636 | Elbow, 1-1/2" 90deg |
| 2. 600156 | Tee, Sanitary 1.5" |
| 3. 600622 | P-Trap, 1-1/2 W/Slip Nut & Wash |
| 4. 99900P-088 | Dump Valve, 1.5" Slip X Slip |
| 5. 600308 | Adapter, ABS, Female Sloan, #2891 |
| 6. 602164-02 | Tailpiece, W/Nuts & Washers 1.5 |
| 7. 99900p-032 | Plug, 1.5", C&G Hose X Male Pipe |
| 8. 601160-02 | Pipe, ABS DVW, 1-1/2" |
| 9. 99900P-034 | C&G Hose Cap X Socket, 1.5" |
| 10. 116005 | Bracket, Dump Valve 18 Int |
| 99900P-119 | P-Trap Cover |

PLUMBING, DRAIN SYSTEM

Above Floor Drain, 684



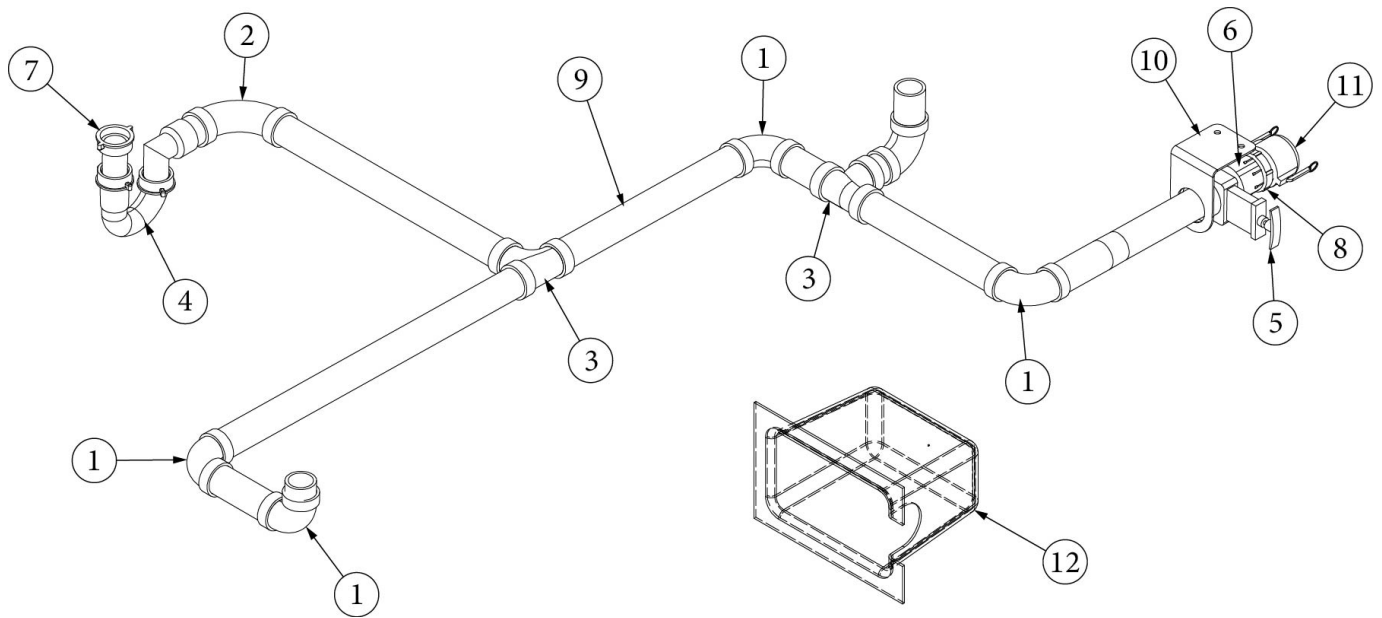
99900M-497

Layout, Above Floor Drain

- | | |
|--------------|----------------------------------|
| 1. 601636 | Elbow, 1-1/2", 90 deg |
| 2. 600156 | Tee, Sanitary 1.5" |
| 3. 600308 | Adapter, ABS, Female Sloan #2891 |
| 4. 600538 | Vent, V-200 Automatic |
| 5. 600662 | Elbow, 1 1/2", Short Radius |
| 6. 601160-02 | Pipe, ABS DVW, 1-1/2" |
| 7. 600622 | P-Trap, 1-1/2 W/Slip Nut & Wash |
| 8. 602164-02 | Tailpiece, w/Nuts & Washers 1.5 |
| 99900P-119 | P-Trap Cover |

PLUMBING, DRAIN SYSTEM

Below Floor Drain and Dump Valve, 684



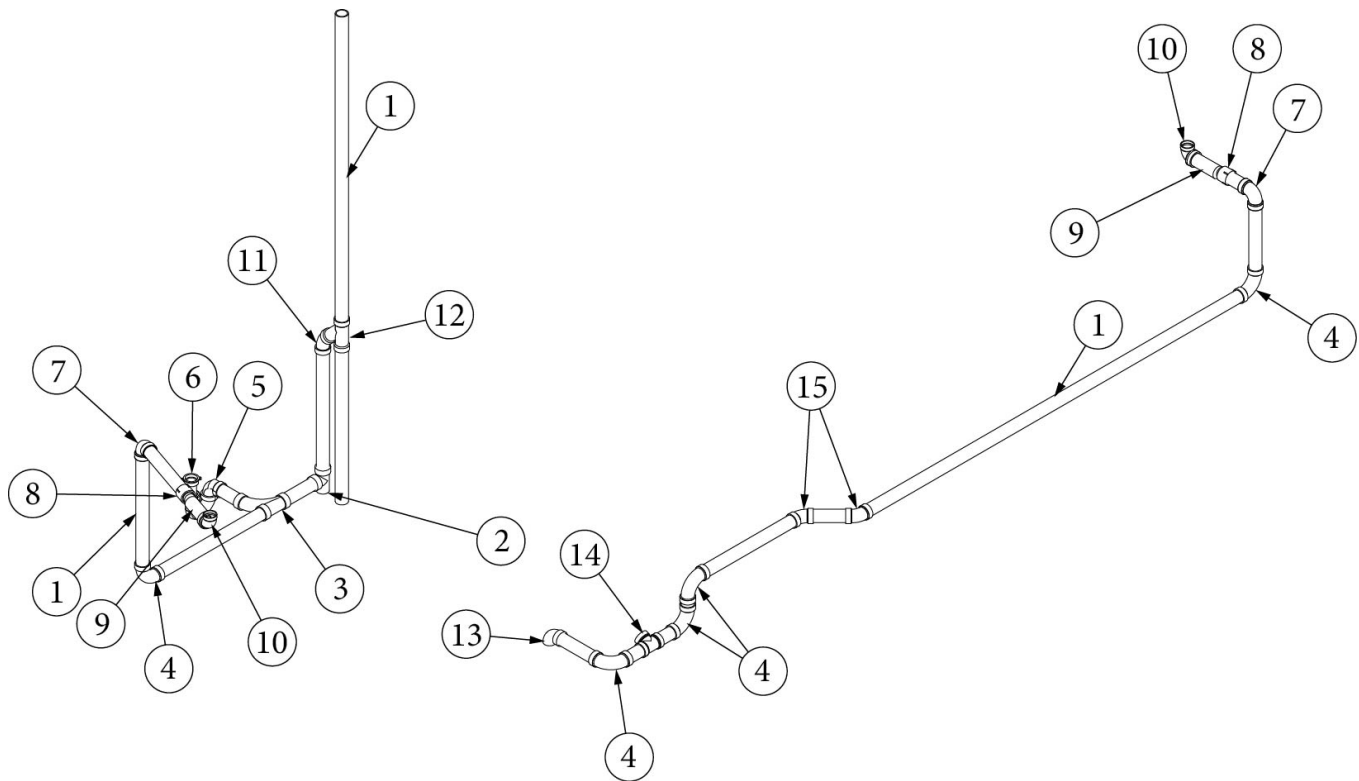
99900M-719

Layout, Below Floor Drain

- | | |
|----------------|-----------------------------------|
| 1. 601636 | Elbow, 1-1/2" 90deg |
| 2. 600035 | El, Abs Long Sweep 1-1/2 |
| 3. 600156 | Tee, Sanitary 1.5" |
| 4. 600622 | P-Trap, 1-1/2", w/Slip Nut & Wash |
| 5. 99900P-088 | Dump Valve, 1.5" Slip X Slip |
| 6. 600308 | Adapter, ABS, Female Sloan #2891 |
| 7. 602164-02 | Tailpiece, W/Nuts & Washers 1.5 |
| 8. 99900P-032 | Plug, 1.5"C&G Hose X Male Pipe |
| 9. 601160-02 | Pipe, ABS, DVW, 1-1/2" |
| 10. 116005 | Bracket, Dump Valve 18 Int |
| 11. 99900P-034 | Hose Cap X Socket, 1.5", C&G |
| 12. 99900P-119 | P-Trap Cover |

PLUMBING, DRAIN SYSTEM

Drainage System, 25IB



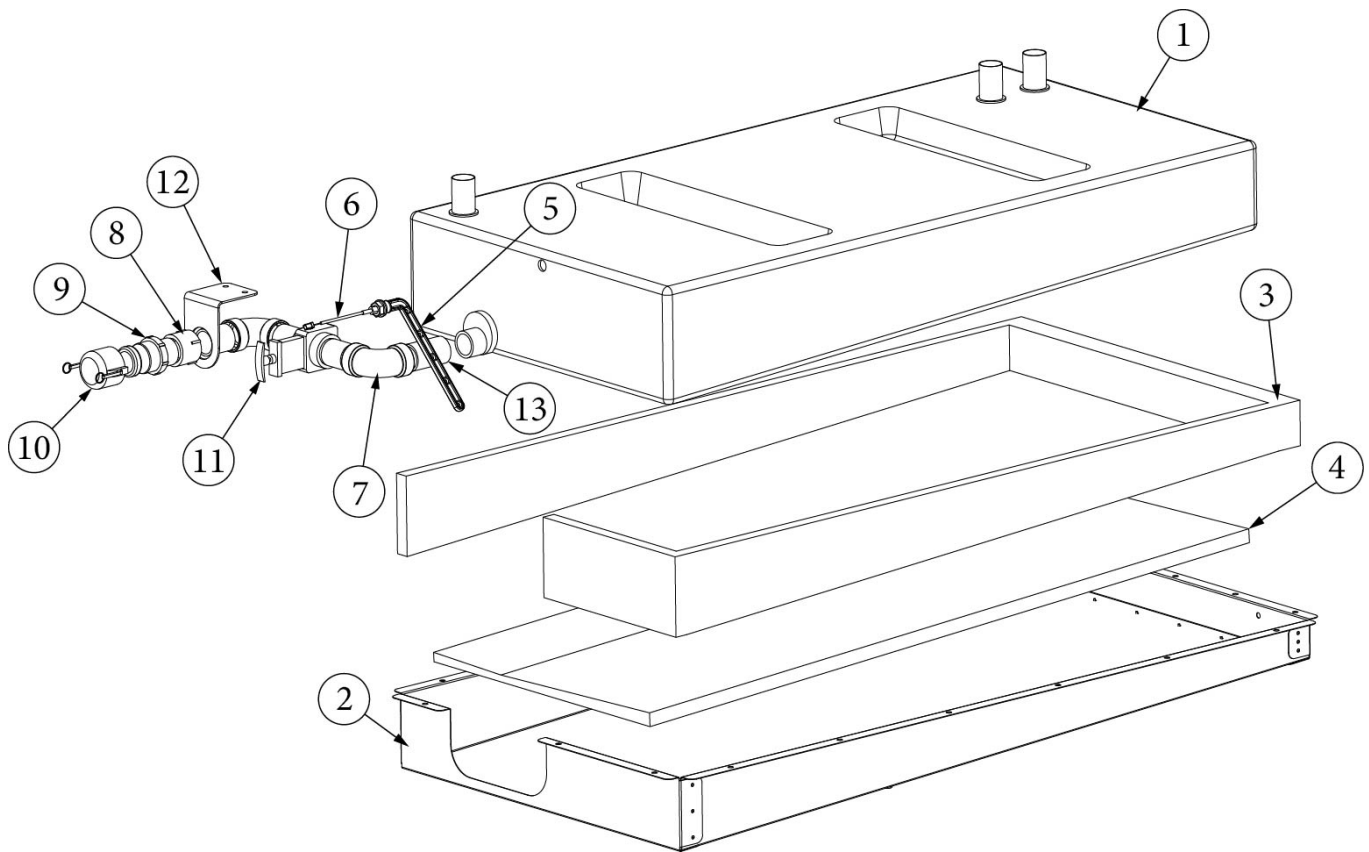
943899-01

Layout, Drainage

- | | | |
|-----|-----------|-----------------------------------|
| 1. | 601160-02 | Pipe, ABS DVW, 1-1/2" |
| 2. | 601868 | Sanitary Tee, Spig, X Hub X Hub |
| 3. | 600182 | Wye, 1.5"X1.5"X1.5", 1/8 Bend, A |
| 4. | 600035 | Ell, Abs Long Sweep 1-1/2 |
| 5. | 602164-01 | P-Trap, w/Compression Nut, 1.5" |
| 6. | 602164-02 | Tailpiece, w/Nuts & Washers 1.5 |
| 7. | 601636 | Elbow, 1-1/2" 90deg |
| 8. | 600308 | Adapter, ABS, Female Sloan, #2891 |
| 9. | 690603-01 | Valve, Waste-Hepvo, #92010 |
| 10. | 690603-02 | Adapter, Angle, #92000 |
| 11. | 600027 | Elbow, ABS, Long St, 45 Degrees |
| 12. | 600094 | Wye, #2301 |
| 13. | 600662 | Elbow, 1 1/2", Short Radius |
| 14. | 601318 | Tee, Bi-Directional Cleanout 1 |
| 15. | 600030 | 6000ell, Abs 45 Degrees Lg Tur |

PLUMBING, DRAIN SYSTEM

Gray Tank and Dump Valve, 25IB



112876

Gray Tank Install (not for order/see parts below)

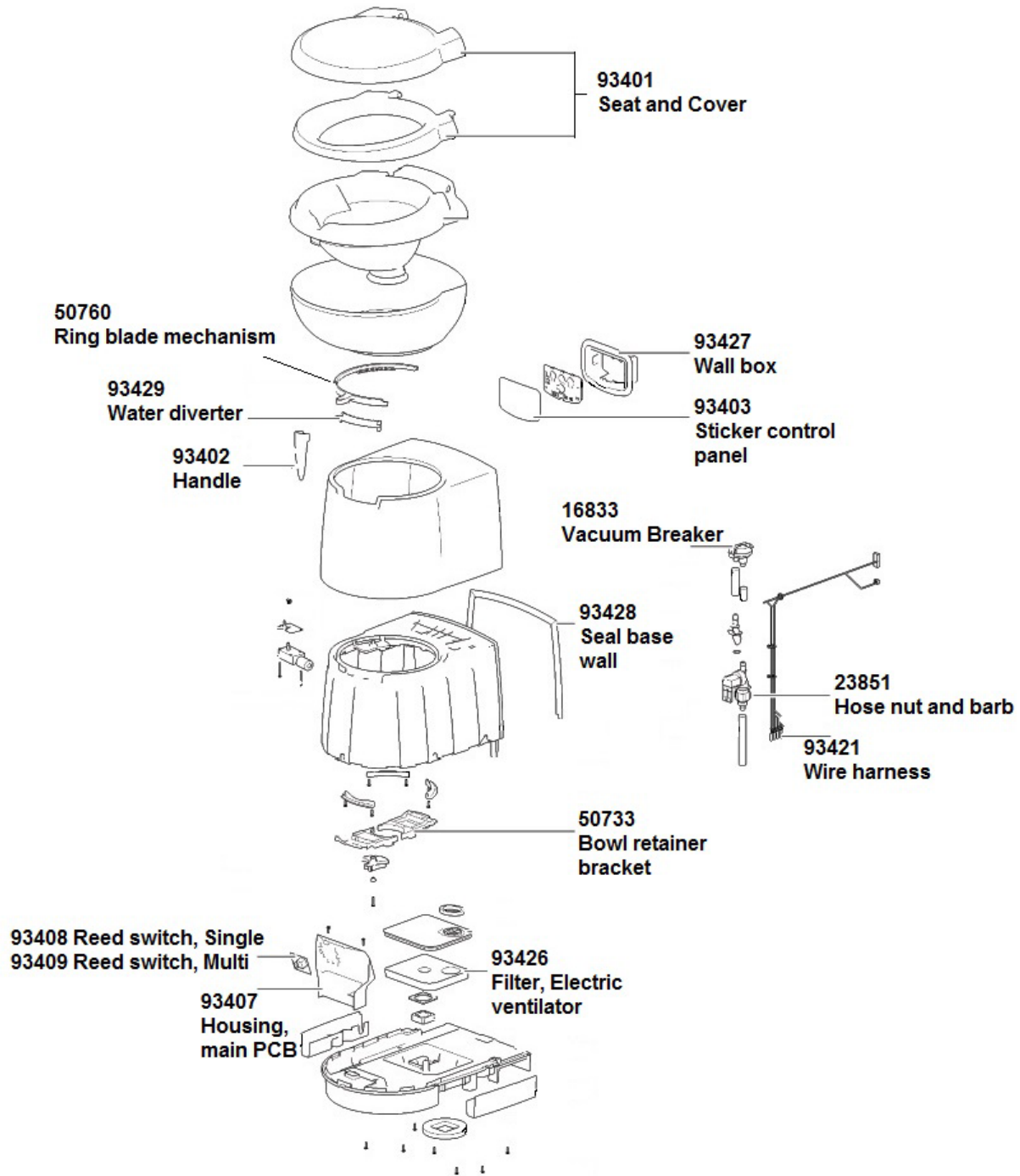
- | | |
|----------------|----------------------------------|
| 1. 602802-01 | Grey Water Tank |
| 2. 454649 | Tank Pan, Grey Water Assembly |
| 3. 200507 | Insulation, 1 x 25 x 55" |
| 4. 200954 | Slope Pad |
| 5. 513430-01 | Dipper, Tank Arm Sensor |
| 6. 513430-02 | Cable, Dipper, 7.5 Meters |
| 7. 601636 | Elbow, 1-1/2", 90 degree |
| 8. 600308 | Adapter, ABS, Female Sloan #2891 |
| 9. 99900P-032 | Plug, 1.5"C&G Hose X Male Pipe |
| 10. 99900P-034 | Hose Cap X Socket, 1.5", C&G |
| 11. 99900P-088 | Dump Valve, 1.5" Slip X Slip |
| 12. 116005 | Bracket, Dump Valve |
| 13. 601160-02 | Pipe, ABS DVW, 1-1/2" |
| 511780 | Tank Heating Pad |

PLUMBING, DRAIN SYSTEM

Toilet

99900P-1969

Cassette toilet, China bowl, Thetford



Parts listed are Thetford part numbers

SEALERS AND GASKETS

Sealers

360002	Sealant, Vulkem, 11.5 oz. tube
360209	Sealant, Seam
360180	Sealant, Sika-Flex, Gray
365233-01	Sealant, Silicone, Clear
365330-01	Sealant, RTV silicone, White
365330-03	Sealant, RTV silicone, Aluminum Gray
365330-04	Sealant, RTV silicone, Black
365330-05	Sealant, RTV silicone, Self-level, White
360255-04	Sealant, Anti-wick
28430W-01	Sealant, Acryl-R, Gray, 16 oz. can

Gaskets

365449-12	Gasket, Battery Box Vent
365035	Gasket, Access door jamb
365232	Gasket, Main door
382117	Gasket, Window seal
365016	Tape, Foam, Double face, 1/2" Wide
685510	Seam tape, Rubber, Black
685510-01	Seam tape, Exterior metal, Rubber, 1/2", Black
365001	Tape, Double coated foam
382074	Gasket, Main door grab handle
365367	Automotive foam tape

SEALERS AND GASKETS

Gasket Kits

365336 Gasket Kit #1, not sold separately:

Exterior shower gasket, 1 Ea.
City water fill gasket, 1 Ea.
Step light gasket, 1 Ea.
Awning lockdown (AS5 & AS7 Kit), 4 Ea.
Lower awning foot (AS7 Kit), 4 Ea.
Awning foot (Rear W/Pan Kit), 4 Ea.
Lower awning foot (AS5 Kit), 4 Ea.

365337 Gasket Kit #2, not sold separately:

Small furnace exhaust/intake, 1 Ea.
Gravity water fill, 1 Ea.
Range vent gasket, 1 Ea.
Awning lockdown (LW7 Kit), 4 Ea.
Awning classic center post, 4 Ea.
AEU BBQ point, 1 Ea.
AEU upper indicator light, 2 Ea.
AEU city water hookup, 1 Ea.

365338 Gasket Kit #3, not sold separately:

Scare light domestic units, 1 Ea.
Black tank flush gasket, 1 Ea.
Awning travel latch gasket, 4 Ea.
AEU fog/backup lamp housing, 2 Ea.
AEU fog/backup lamp bezel, 2 Ea.
Scare light AEU units, 1 Ea.
Awning hook gasket, 4 Ea.
Awning prop foot gasket, 4 Ea.

365529* Gasket Kit, Wall Mechanicals, Not Sold Separate:

Fog/Reverse Lamp Gasket, 2 Ea.
AEU Number Plate Gasket, 1 Ea.
AEU City Water Hookup, 1 Ea.
License Plate Lamp Gasket, 1 Ea.
AEU Upper Indicator Light, 4 Ea.
AEU Fog / Backup Lamp Bezel, 2 Ea.
AEU Fog / Backup Lamp Housing, 2 Ea.
License Plate Light Gasket, 1 Ea.
AEU W25 Marker Light Gasket, 4 Ea.

*Use this gasket kit in conjunction with the 25IB, and with the 534/684 new style lighting arrangement for mid-2024.

BEDDING, PILLOWS

Mattress and Bedspread, 534

99900P-1598	Mattress, 534
704849	Bedspread, 66 x 84"

Mattress and Bedspread, 684

99900P-1345	Mattress, 684
704850	Bedspread, 68.5 x 85.5"

Mattress and Bedspread, 25IB

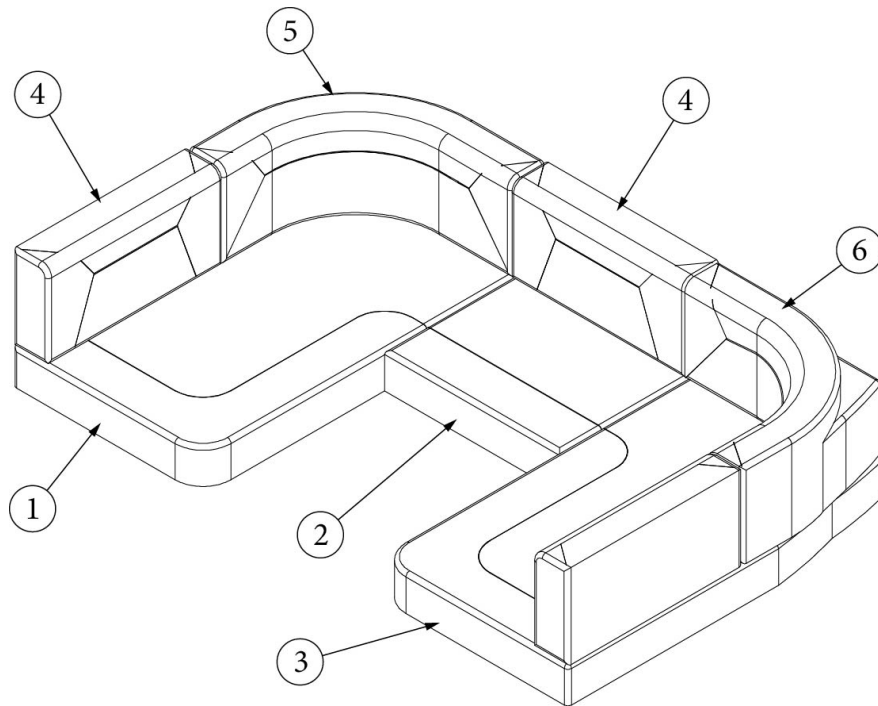
704733	Mattress, 25IB
705055	Bedspread, Fitted, 57 x 73"

Pillow Kit, AEU Travel Trailers

704851	Pillow Kit
704851-01	Pillow Sham, 24 x 20"
704851-02	Pillow, Accent, 18 x 18"
704851-03	Pillow, Accent, 18 x 18"
704851-04	Pillow, Lumbar, 12 x 20"

UPHOLSTERY

Dinette Seat Cushions, 534



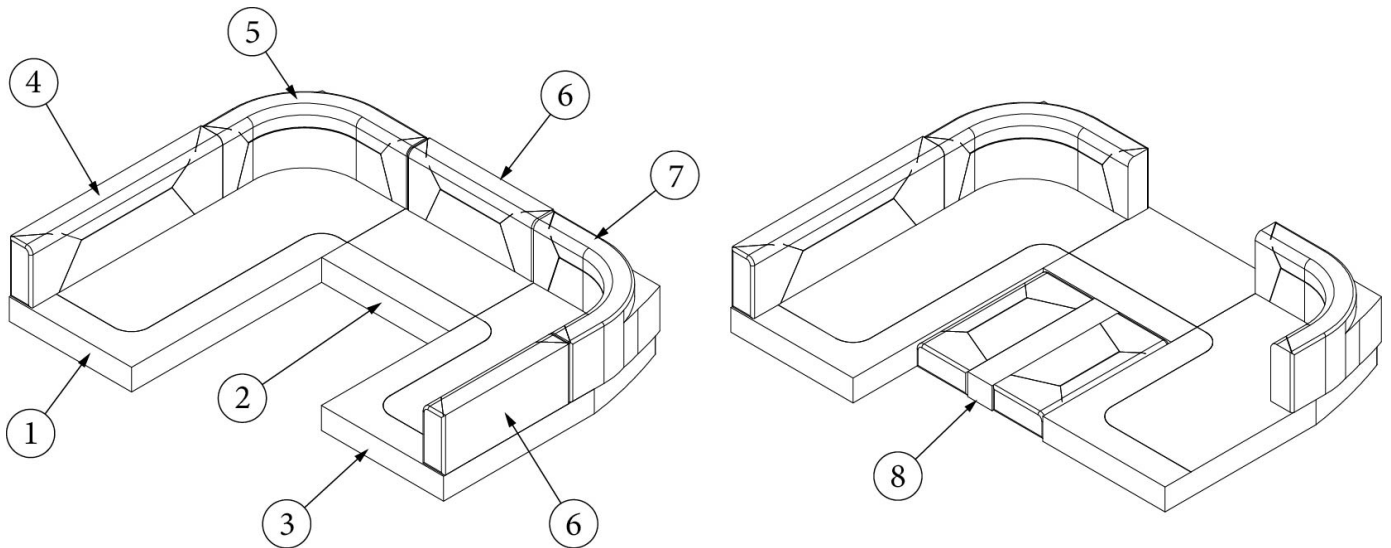
704845RW
704845NS

Kit, Cushion, Original-Raven Wing (Black)
Kit, Cushion, Brisa-New Sand (Beige)

- | | |
|-------------------------------|---|
| 1. 704845-RW-1
704845-NS-1 | Left Seat Cushion, Original-Raven Wing (Black)
Left Seat Cushion, Brisa-New Sand (Beige) |
| 2. 704845-RW-2
704845-NS-2 | Center Seat Cushion, Original-Raven Wing (Black)
Center Seat Cushion, Brisa-New Sand (Beige) |
| 3. 704845-RW-3
704845-NS-3 | Right Seat Cushion, Original-Raven Wing (Black)
Right Seat Cushion, Brisa-New Sand (Beige) |
| 4. 704845-RW-4
704845-NS-4 | Center Back Cushion, Original-Raven Wing (Black)
Center Back Cushion, Brisa-New Sand (Beige) |
| 5. 704845-RW-5
704845-NS-5 | Left Corner Back Cushion, Original-Raven Wing (Black)
Left Corner Back Cushion, Brisa-New Sand (Beige) |
| 6. 704845-RW-6
704845-NS-6 | Right Corner Back Cushion, Original-Raven Wing (Black)
Right Corner Back Cushion, Brisa-New Sand (Beige) |

UPHOLSTERY

Dinette Seat Cushions, 684



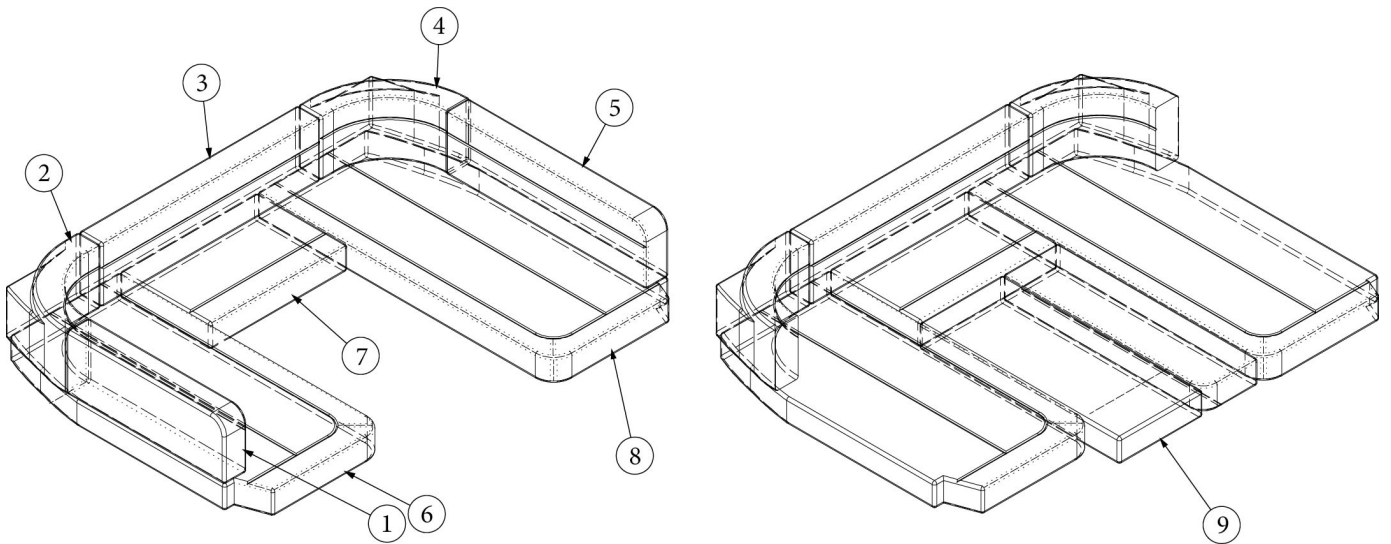
704847RW
704847NS

Kit, Cushion, Original-Raven Wing (Black)
Kit, Cushion, Brisa-New Sand (Beige)

- | | |
|-----------------------------|---|
| 1. 704847RW-1
704847NS-1 | Left Seat Cushion, Original-Raven Wing (Black)
Left Seat Cushion, Brisa-New Sand (Beige) |
| 2. 704847RW-2
704847NS-2 | Center Seat Cushion, Original-Raven Wing (Black)
Center Seat Cushion, Brisa-New Sand (Beige) |
| 3. 704847RW-3
704847NS-3 | Right Seat Cushion, Original-Raven Wing (Black)
Right Seat Cushion, Brisa-New Sand (Beige) |
| 4. 704847RW-4
704847NS-4 | Left Back Cushion, Original-Raven Wing (Black)
Left Back Cushion, Brisa-New Sand (Beige) |
| 5. 704847RW-5
704847NS-5 | Left Corner Back Cushion, Original-Raven Wing (Black)
Left Corner Back Cushion, Brisa-New Sand (Beige) |
| 6. 704847RW-6
704847NS-6 | Back Cushion, Original-Raven Wing (Black)
Back Cushion, Brisa-New Sand (Beige) |
| 7. 704847RW-7
704847NS-7 | Right Corner Back Cushion, Original-Raven Wing (Black)
Right Corner Back Cushion, Brisa-New Sand (Beige) |
| 8. 704847RW-8
704847NS-8 | Filler, Bed, Original-Raven Wing (Black)
Filler, Bed, Brisa-New Sand (Beige) |

UPHOLSTERY

Dinette Seat Cushions, 25IB



704707RW
704707NS

Kit, Cushion, Original-Raven Wing (Black)
Kit, Cushion, Brisa-New Sand (Beige)

- | | |
|-----------------------------|---|
| 1. 704707RW-1
704707NS-1 | Left Back Cushion, Original-Raven Wing (Black)
Left Back Cushion, Brisa-New Sand (Beige) |
| 2. 704707RW-2
704707NS-2 | Left Corner Back Cushion, Original-Raven Wing (Black)
Left Corner Back Cushion, Brisa-New Sand (Beige) |
| 3. 704707RW-3
704707NS-3 | Center Back Cushion, Original-Raven Wing (Black)
Center Back Cushion, Brisa-New Sand (Beige) |
| 4. 704707RW-4
704707NS-4 | Right Corner Back Cushion, Original-Raven Wing (Black)
Right Corner Back Cushion, Brisa-New Sand (Beige) |
| 5. 704707RW-5
704707NS-5 | Right Back Cushion, Original-Raven Wing (Black)
Right Back Cushion, Brisa-New Sand (Beige) |
| 6. 704707RW-6
704707NS-6 | Left Seat Cushion, Original-Raven Wing (Black)
Left Seat Cushion, Brisa-New Sand (Beige) |
| 7. 704707RW-7
704707NS-7 | Center Seat Cushion, Original-Raven Wing (Black)
Center Seat Cushion, Brisa-New Sand (Beige) |
| 8. 704707RW-8
704707NS-8 | Right Seat Cushion, Original-Raven Wing (Black)
Right Seat Cushion, Brisa-New Sand (Beige) |
| 9. 704707RW-9
704707NS-9 | Filler, Bed, Original-Raven Wing (Black)
Filler, Bed, Brisa-New Sand (Beige) |

DÉCOR BOARDS

Décor Board, Materials, Laminates, Hardware



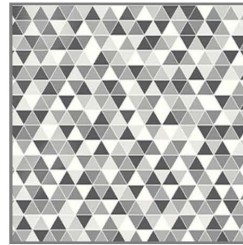
ITEM: Ebony laminate
PART NUMBER: 801924-01 VERT
VENDOR: Formica
VENDOR P/N: 0901220NT408200 will be replaced by 090122026408200
WHERE USED: Main laminate throughout unit
NOTE: Original (NT) Naturelle finish is now DISCO, but large number of sheets in stock at Airstream; will be replaced by (26) Oiled Wood finish; Vertical grade (0.027" thickness)



ITEM: Frosty White laminate
PART NUMBERS: 801355-01 VERT & 801355 HORZ
VENDOR: Wilsonart
VENDOR P/N: 1573-07-250 HORZ
 1573-07-335 VERT
WHERE USED: Door/drawer fronts; bath door on 534/684
NOTE: 07 Textured Gloss finish



ITEM: Mouse Grey – Plex finish laminate
PART NUMBER: 802507 VERT
VENDOR: Formica
VENDOR P/N: 0092812PX408000
WHERE USED: Overhead Kerfcare lockers & 25IB Bath door & exterior of bath panels
NOTE: Plex finish is a tactile texture; See 802539 for Kerfcare panel



ITEM: Charcoal Tri laminate
PART NUMBER: 802506 VERT
VENDOR: Wilsonart
VENDOR P/N: Y0672-60
WHERE USED: Lavy accent panels; and inside of cabinet opening at entry of 25IB
NOTE: VDL collection (Virtual Design Library) from Wilsonart, only available in 60 Matte finish



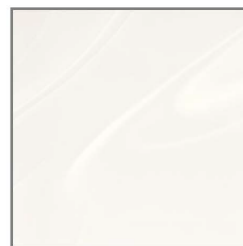
ITEM: Spectrum Blue
PART NUMBER: 802508
VENDOR: Formica
VENDOR P/N: #008512058408000
WHERE USED: Interior Roof Locker accent laminate
NOTE:



ITEM: Woven Vinyl flooring
PART NUMBER: 704160
VENDOR: Infinity / Twitchell
VENDOR P/N: Raffia, Color #2; 1520 CC
WHERE USED: Flooring throughout unit
NOTE:



ITEM: 534 & 684 Corian Countertops, solid surface color Glacier White
PART NUMBERS: Various, see below
VENDOR: Tim's Customs
VENDOR P/N: Same as Airstream
WHERE USED: Countertops
NOTE:
 534 Galley Top – 602322
 534 Lavy Top – 99900P-1702
 684 Galley Top – 99900P-1999
 684 Lavy Top – 99900P-1757



ITEM: 25IB Corian Countertop, solid surface color Venaro White
PART NUMBER: 602838-Galley
VENDOR: Tim's Customs
VENDOR P/N: Same as Airstream
WHERE USED: Galley Countertop
NOTE: ONLY 25IB galley, lavy top is laminate

DÉCOR BOARDS

Décor Board, Fixtures and Awning



MY2024 AEU-EURO: 534, 684, 25IB units
Timberline décor – common MY2024 on ALL AEU
NO Color Chart, See 113533 chart for soft goods
Wood Chart 00024: Ebony 112803-40

FIXTURES, HOOKS & AWNING FABRIC



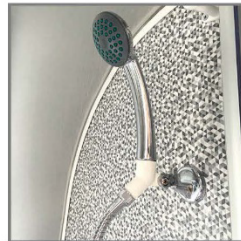
ITEM: Stilo Single-Lever Tap
PART NUMBER: 99900P-1894
VENDOR: Comet Pumpen - Germany
VENDOR P/N: COM 4552.30.12
WHERE USED: Lavy Faucet on 534, 25IB
NOTE: Chrome finish



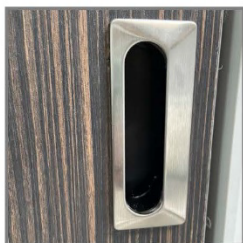
ITEM: Royal Single-Lever Mixer with King Flipper Tap
PART NUMBER: 99900P-1895
VENDOR: Comet Pumpen - Germany
VENDOR P/N: COM 4624.30.12
WHERE USED: Galley Faucet on 534, 684, 25IB
NOTE: Chrome finish



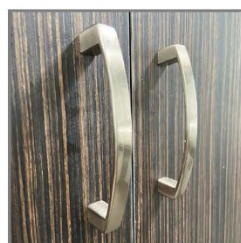
ITEM: Stilo Single-Lever Mixer, Minimal handle: 275mm High w/ 20cm Spout
PART NUMBER: 9990P-1897
VENDOR: Comet Pumpen - Germany
VENDOR P/N: COM 4750.31.21
WHERE USED: Lavy Faucet on 684
NOTE: Chrome finish



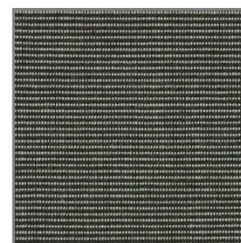
ITEM: Cora Chrome Showerhead Kit
PART NUMBER: 99900P-1896
VENDOR: Comet Pumpen - Germany
VENDOR P/N: COM 2932.43.28
WHERE USED: Wet bath for 534, 684, 25IB
NOTE: Chrome Showerhead, hose, and White/Chrome for Angled Hinge piece



ITEM: Drawer Pull, Flush Satin
PART NUMBER: 381775
VENDOR: Sugatsune / Clancy
VENDOR P/N: UT-105/S
WHERE USED: Various locations
NOTE:



ITEM: Pull Handle, Brushed Nickel
PART NUMBER: 382044
VENDOR: JG Edelen
VENDOR P/N: 3241
WHERE USED: Vertical doors & drawers on 534, 684, 25IB units
NOTE: Brushed Nickel finish



ITEM: Sunbrella Charcoal Tweed – Awning Fabric
PART NUMBERS: See 704824-03 Mounting Hardware Kit
Main awning: 704824-16 for 534; 704824-18 for 684 & 25IB
VENDOR: Sunbrella / Zip-Dee
VENDOR P/N: 4607 fabric
WHERE USED: All awnings
NOTE:

DÉCOR BOARDS

Décor Board, Cushions, Pillows, Bedding



ITEM: Raven Wing – Black
 Ultraleather Seating Option
PART NUMBERS: See Chart
VENDOR: Ultrafabrics (291-5607)
 Ultraleather Original Material)
 Kinninger's (Cushion Vendor)
NOTE: 113533-03 = NO SOFT
 GOODS / FR COMPLIANT



ITEM: New Sand - Beige Ultraleather
 Seating Option
PART NUMBERS: See Chart
VENDOR: Ultrafabrics (533-3946)
 Ultraleather Brisa Material)
 Kinninger's (Cushion Vendor)
NOTE: 113533-03 = NO SOFT
 GOODS / FR COMPLIANT

113533 CHART - CUSHIONS & SOFT GOODS

ITEM	113533-01 534 - BLACK	113533-02 534 - SAND	113533-06 684 - BLACK	113533-07 684 - SAND	113533-08 251B - BLACK	113533-09 251B - SAND
CUSHIONS	704845RW	704845NS	704847RW	704847NS	704707RW	704707NS
MATTRESS	99900P-1598	99900P-1598	99900P-1345	99900P-1345	704733	704733
BEDDING	704849	704849	704850	704850	705055	705055
PILLOW KIT	704851	704851	704851	704851	704851	704851

NOTE: 113533-03 = NO SOFT GOODS / FR COMPLIANT

ITEM: BEDDING (Bedspreads)

See prints for more detail

- 534 – 1 Bedsread : 66x84 – 704849
- 684 – 1 Bedsread : 68.50x85.50 – 704850
- 251B – 1 Fitted Bedsread : 57x73 overall – 705055

ITEM: PILLOW KIT

PART NUMBERS: 704581; See print for more detail

INCLUDES:

- 2 Shams – 24" x 20"
- 4 Accent Pillows – 18" x 18" (2 patterns per each pair)
- 2 Lumbar Pillows – 12" x 20"

VENTS, FANS, SKYLIGHTS

Exhaust Vent, 25IB

514240 Exhaust Fan, Ceiling, Maxxair, 4 Speed, Manual Lid

Refrigerator Vent, 534

99900P-106 Vent, Refrigerator, Lower
99900P-107 Vent, Refrigerator, Upper

Refrigerator Vent, 684, 25IB

923115 Assembly, Refer Door w/Frame
923114 Door only, Vented, Refer
112024 Jam, Refer Door
380988 Hinge, Refer Door, .5 leaf
381812 Latch, Twist, Chrome

Power Bath Vent

514039* Bath Vent, Maxxfan Dome Plus

*514039 replaced 690266-01 February 2024

Roof Vent/Skylight

99900P-029 Vent, Midi Heki, w/fixed ventilation
99900P-999 Vent, Mini Heki, w/fixed ventilation
116095 Assembly, Roof Vent Frame

Cooker Vent/Range Hood Vent

99900P-028 Cooker vent, Dometic (534 & 684 only)
512210 Range Hood, Baraldi (25IB only)
115175 Duct, Range Exhaust Transition, For Baraldi Vent
511017-11 Range Vent, Exterior, Grey, For Baraldi Vent

Vents, Other

99900P-1992 Through Floor Vent
99900P-1946 Vent, Gas Drop
99900P-1905 Vent, Rectangular, Aluminum, 480mm X 80mm

PANELING, EDGEBANDING, LAUAN

Paneling

801355-01	Laminate, Vertical, Frosty White
801924-01	Laminate, Vertical, Ebony Woods
801392	Paneling, 12mm, White liner/White liner
801703	Paneling, 12mm, Frosty White/White
801697	Paneling, 12mm, Frosty White/Frosty White
801926	Paneling, 12mm, Ebony Woods/White liner
801925	Paneling, 12mm, Ebony/Ebony
801368	Paneling, 18mm, White/White
801369	Paneling, 18mm, Frosty White/White
801928	Paneling, 18mm, Vertical, Ebony Woods/White

Edgebanding

365364-01	Edgebanding, .63", Ebony Woods
365364-02	Edgebanding, .94", Ebony Woods
365340-01	Edgebanding, .63", Frosty White
365340-02	Edgebanding-.94" Frosty White

Lauan

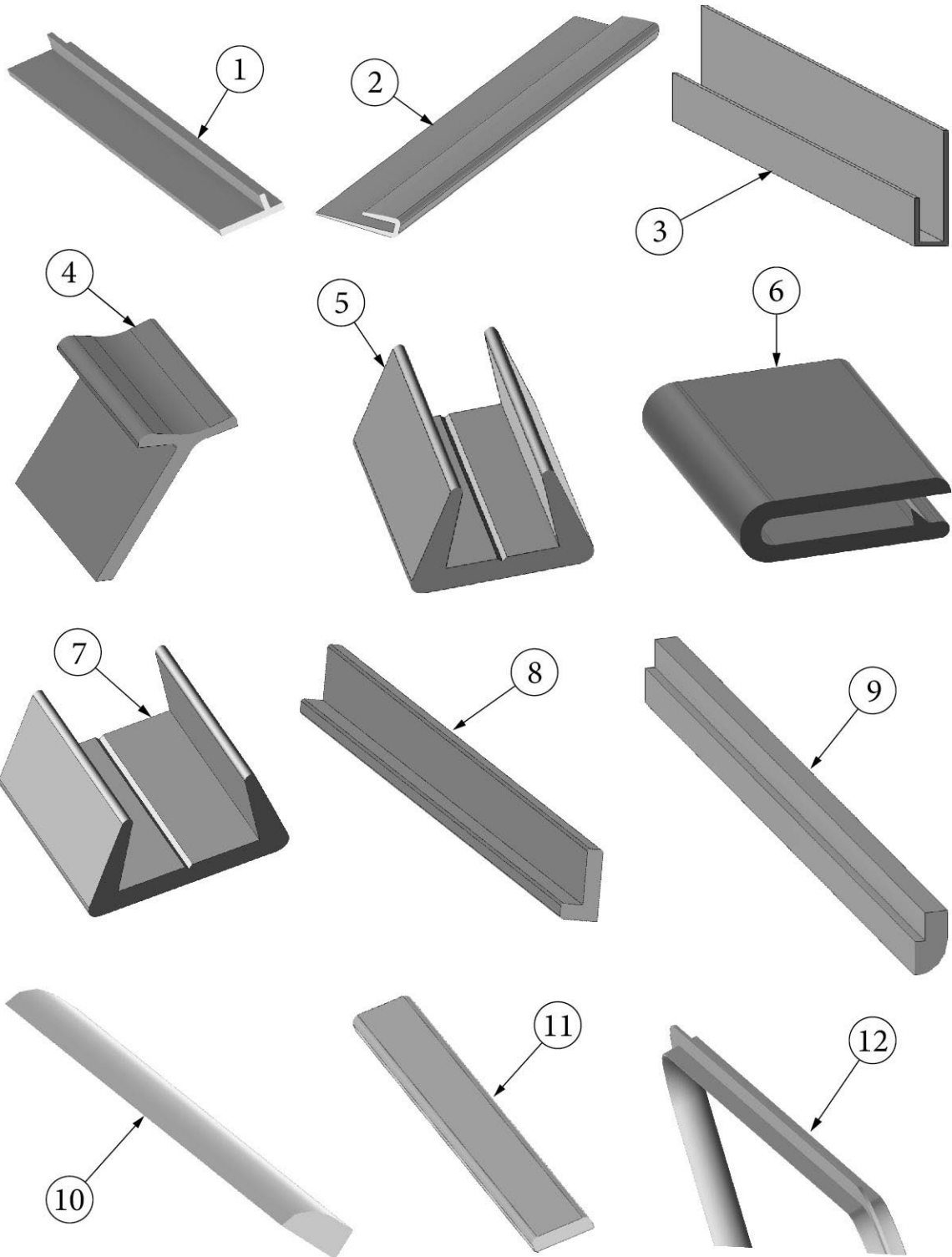
800507-01	Lauan, 1/8 x 4' x 8'
800507-02	Lauan, 1/4" x 4' x 8', Raw/Raw
800507-06	Lauan, .75" x 4' 8'

Plywood

801351	Lite Ply, 18mm (.75") 4' x 8'
801345	Radius plywood, .75" x 3" x 8'

TRIMS AND TOUCH-UP

Trims



Parts Listed on Next Page

TRIMS AND TOUCH-UP

Trims

- | | |
|-----------------|--|
| 1. 99900P-2152 | T-molding, Off White |
| 2. 114070 | J-molding, Mill Finish |
| 3. 201666-01 | J-molding, Plastic, White, 3/16" |
| 4. 201673 | Reverse cove molding, White |
| 5. 203138-01 | Extrusion, Panel edging, White |
| 203138-05 | Extrusion, Panel edging, Black |
| 6. 203225-01 | Trim lock, .75", Gray |
| 7. 203464 | Extrusion, Panel, .75", Black |
| 203464-03 | Extrusion, Panel, .75", White |
| 8. 801665-WH | Molding, Door jamb, White |
| 801665-1013 | L- molding, Door Jam, Soft Maple |
| 9. 801706-0024 | Corner Trim, 90°, 1" radius, Ebony Woods |
| 10. 801977-0024 | Corner Trim, Bath, Ebony, 80" |
| 801977-1013 | Corer Trim, Bath, Mouse, 80" |
| 11. 800573-1013 | Molding, Flat, Door Edge, Mouse |
| 800573-0024 | Trim, Flat, Molding, Ebony Woods |
| 12. 203445 | T-molding, 9/16", Black |
| 203445-01 | T-molding, 9/16", White |
| 203942-03 | T-molding Black, 13/16" |

TRIMS AND TOUCH-UP

Fill Sticks, Stain Markers, and Seamfil

360406-02	Fil Stik, Frosty White
365504-06	Stain Marker, Frosty White
360301-04	Seamfil, Black
360301-02	Seamfil, Frosty White
360301-18	Seamfil, Grey