

# **AIRSTREAM<sup>®</sup>**

## **2024 Atlas**

## **Tommy Bahama**

## **Parts Book**



# TABLE OF CONTENTS

<b>APPLIANCES .....</b>	<b>1</b>
AIR CONDITIONER .....	1
FURNACE.....	1
WATER HEATER.....	1
HYDRONIC FURNACE AND HOT WATER SYSTEM, E1 PACKAGE OPTION .....	2
BURNER, HYDRONIC SYSTEM, E1 PACKAGE OPTION .....	3
GENERATOR.....	4
MICROWAVE AND COOKTOP .....	5
REFRIGERATOR AND FREEZER .....	5
<b>EXTERIOR SHELL .....</b>	<b>6</b>
WALL, ROADSIDE.....	6
WALL, CURBSIDE .....	8
REAR CAP.....	10
HITCH AND HITCH COVER .....	10
REAR BUMPER.....	10
SLIDE-OUT ROOM.....	11
TRANSITION PANELS .....	12
CHROME BELTLINE .....	12
SUPPORTS .....	13
DECALS AND NAMEPLATES.....	13
REFLECTORS.....	13
<b>INTERIOR SHELL .....</b>	<b>14</b>
SLIDE-OUT SIDEWALL EXTRUSIONS .....	14
CEILING PANELS.....	15
DASH TRIM KIT.....	16
WINDOW BOXES .....	16
WINDOW VALANCE SLIDE-OUT .....	17
<b>CHASSIS .....</b>	<b>18</b>
AIR RIDE SYSTEM .....	18
ALUMINUM WHEELS .....	18
FENDER WELL .....	18
MUD FLAPS .....	18
LEVELING JACKS.....	18
DRIVER AND PASSENGER STEPS.....	19
STEP.....	19
EXHAUST SYSTEM.....	19
SKID BAR ASSEMBLY.....	19
EXTERIOR COMPARTMENT, RS REAR .....	20
EXTERIOR COMPARTMENT, RS WET BAY.....	21
EXTERIOR COMPARTMENT, RS WET BAY, E1 PACKAGE OPTION .....	22
EXTERIOR COMPARTMENT, CS FORWARD.....	23
EXTERIOR COMPARTMENT, CS REAR .....	24
EXTERIOR COMPARTMENT, CS REAR, E1 PACKAGE OPTION .....	25
BATTERY INSTALL, STEP SUPPORT FRAME .....	26
BATTERY INSTALL, CRADLE, E1 PACKAGE OPTION .....	27
STEP SUPPORT FRAME, E1 PACKAGE OPTION.....	28

<b>EXTERIOR DOORS .....</b>	<b>29</b>
EXTERIOR COMPARTMENT DOORS .....	29
ENTRY DOOR .....	29
SCREEN DOOR .....	30
<b>WINDOWS .....</b>	<b>31</b>
WINDOWS .....	31
<b>AWNINGS .....</b>	<b>32</b>
AWNING .....	32
<b>WINDOW COVERINGS .....</b>	<b>33</b>
SHADES .....	33
COCKPIT WINDOW SHADES .....	33
<b>ELECTRICAL, 110 VOLT .....</b>	<b>34</b>
DISTRIBUTION CENTER .....	34
ENERGY MANAGEMENT SYSTEM .....	34
SHORELINE HOOKUP .....	34
INVERTER/CONVERTER .....	34
RECEPTACLES AND USB PORTS .....	34
BREAKERS, 110V .....	34
<b>ELECTRICAL, 12 VOLT .....</b>	<b>35</b>
BATTERY .....	35
BATTERY, E1 PACKAGE OPTION .....	35
CHASSIS & HOUSE CHARGING .....	35
ALTERNATOR .....	36
ALTERNATOR, SECONDARY, E1 PACKAGE OPTION .....	36
VOLTA COMPONENTS, E1 PACKAGE OPTION .....	36
FIREFLY SYSTEM .....	37
SOLAR SYSTEM .....	37
SOLAR SYSTEM, E1 PACKAGE OPTION .....	37
BREAKERS & FUSES, 12V .....	38
CABLE KITS .....	38
TANK MONITOR SYSTEM .....	38
REARVIEW MONITOR CAMERA .....	38
BUZZER .....	39
SWITCH PANELS .....	39
SWITCHES .....	39
INTERIOR LIGHTS .....	40
EXTERIOR LIGHTS .....	40
TAILLIGHT ASSEMBLY .....	41
<b>ENTERTAINMENT .....</b>	<b>42</b>
AUDIO .....	42
VIDEO .....	42
TV AND ENTERTAINMENT CABINET .....	43
CONNECTED KIT, AFTERMARKET .....	43
STARLINK SATELLITE .....	43

<b>FLOOR COVERINGS.....</b>	<b>44</b>
FLOOR COVERING .....	44
<b>FURNITURE, INTERIOR DOORS AND MIRRORS .....</b>	<b>45</b>
INTERIOR DOORS .....	45
ROOF LOCKER DOORS.....	45
MIRRORS .....	45
<b>FURNITURE, LOUNGE .....</b>	<b>46</b>
MURPHY BED.....	46
FACIA, HARDWOOD, SLIDE-OUT/MURPHY BED .....	47
MURPHY BED FRAME AND WALL .....	48
FORWARD RS AND CS WALL.....	49
ENTERTAINMENT CENTER TOP.....	51
ENTERTAINMENT CENTER .....	52
ENTERTAINMENT CENTER, E1 PACKAGE OPTION.....	54
LIQUOR CABINET ASSEMBLY.....	56
ROTATING BOTTLE RACK, LIQUOR CABINET ASSEMBLY .....	58
CORNER ELECTRONICS CABINET .....	59
CORNER ELECTRONICS CABINET, E1 PACKAGE OPTION.....	61
ROOF LOCKER, CS.....	63
ROOF LOCKER, FRONT OVERHEAD.....	65
CUBBY, FRONT OVERHEAD .....	66
PEDESTAL TABLE.....	67
<b>FURNITURE, GALLEY .....</b>	<b>68</b>
GALLEY INSTALL.....	68
GALLEY INSTALL, E1 PACKAGE OPTION .....	69
GALLEY CABINET .....	70
STAND, HYDRONIC HEATER, E1 PACKAGE OPTION .....	72
GALLEY WORKSTATION .....	73
VENT PIPE COVER .....	74
REFRIGERATOR CABINET.....	75
PANTRY/WARDROBE.....	76
PANTRY VENT COVER, E1 PACKAGE OPTION.....	78
ROOF LOCKER, RS.....	79
<b>FURNITURE, LAVATORY .....</b>	<b>80</b>
SHOWER MODULE .....	80
SLIDING DOOR AND WALL .....	81
LAVATORY DOOR .....	82
LAVATORY TOP.....	83
LAVATORY CABINET .....	84
MEDICINE CABINET .....	86
WARDROBE, CS AFT.....	87
WARDROBE, CS AFT, E1 PACKAGE OPTION .....	89
WARDROBE, CS WITH DRAWERS .....	91
WARDROBE, CS WITH DRAWERS, E1 PACKAGE OPTION.....	93
ROOF LOCKER, RS BATHROOM.....	95
<b>HARDWARE.....</b>	<b>96</b>
SEAT BELTS AND BRACKETS.....	96



HINGES .....	96
BATHROOM ACCESSORIES.....	96
HANDLES, LATCHES, AND FASTENERS .....	97
ELECTRONIC ROTARY LATCH.....	99
GAS STRUTS AND DOOR PROPS .....	99
MURPHY BED LOCK HINGE .....	100
LATCH AND MANUAL OVERRIDE .....	101
LPG LATCH AND MANUAL OVERRIDE .....	102
GENERATOR LATCH AND LOCK.....	103
RIVETS .....	104
SCREWS .....	105

**SAFETY EQUIPMENT ..... 106**

DETECTORS AND FIRE EXTINGUISHER .....	106
---------------------------------------	-----

**LABELS AND TAGS ..... 107**

LABELS AND TAGS .....	107
-----------------------	-----

**PLUMBING, LPG SYSTEM ..... 108**

LPG TANK INSTALL.....	108
LP REMOTE FILL .....	108
LPG SYSTEM.....	109

**PLUMBING, FRESH WATER SYSTEM ..... 111**

FRESH WATER TANK.....	111
EXTERIOR SHOWER.....	111
CITY WATER HOOK-UPS.....	111
WATER PUMP .....	111
FAUCET AND SINK, GALLEY .....	112
FAUCET AND SINK, LAVATORY .....	112
SHOWER ACCESSORIES.....	112
FRESH WATER LINES.....	113
FRESH WATER LINES, E1 PACKAGE OPTION .....	114
WINTERIZATION KIT .....	115
SANITIZATION KIT.....	116
FRESH WATER FITTINGS .....	117

**PLUMBING, DRAIN SYSTEM ..... 118**

BLACK TANK .....	118
GREY TANK.....	118
BLACK TANK FLUSH .....	118
MACERATOR PUMP SYSTEM .....	119
DRAIN SYSTEM, BELOW FLOOR.....	120
DRAIN SYSTEM, ABOVE FLOOR .....	121
DRAIN FITTINGS.....	122
TOILET .....	123

**SEALERS AND GASKETS..... 124**

SEALERS .....	124
GASKETS .....	124
UNDERCOATING .....	124

**BEDDING, PILLOWS ..... 125**

MATTRESS AND SHEETS.....125  
BEDDING AND PILLOW KITS.....125  
COCKPIT BED .....125

**UPHOLSTERY ..... 126**

CABIN SEATS.....126  
SOFA .....126

**DÉCOR BOARDS ..... 127**

DÉCOR BOARD, TOMMY BAHAMA.....127

**VENTS, FANS, SKYLIGHT ..... 128**

BLACK TANK VENT .....128  
SKYLIGHT.....128  
COOLING FAN, ELECTRICAL .....128  
CEILING VENT FAN .....129

**PANELING, EDGEBANDING, LAUAN..... 130**

PANELING.....130  
EDGEBANDING .....130  
LAUAN.....130  
PLYWOOD .....130

**TRIMS AND TOUCH-UP ..... 131**

TRIM .....131  
FILL STICKS, STAIN MARKERS, AND SEAMFIL.....132

## APPLIANCES

### Air Conditioner

690699	Air Conditioner, Mach 8, 15K BTU w/heat pump, Artic White
690699-02	Room temperature sensor
690699-03	Heat ready HP control kit
690699-05	Mounting kit, Mach 8
690699-100	Filter, For AC Ceiling Assembly
602708	Return air, AC Plenum
602709	Cold air, AC Plenum
382341	Grill, Return air
382342	Filter, Wire mesh
115919	Bracket, AC mount, Front
115920	Bracket, AC mount, Rear
365194	Tape, 2", Aluminum foil
382606-01	Register-Ac - Adjustable Brushed

### Furnace

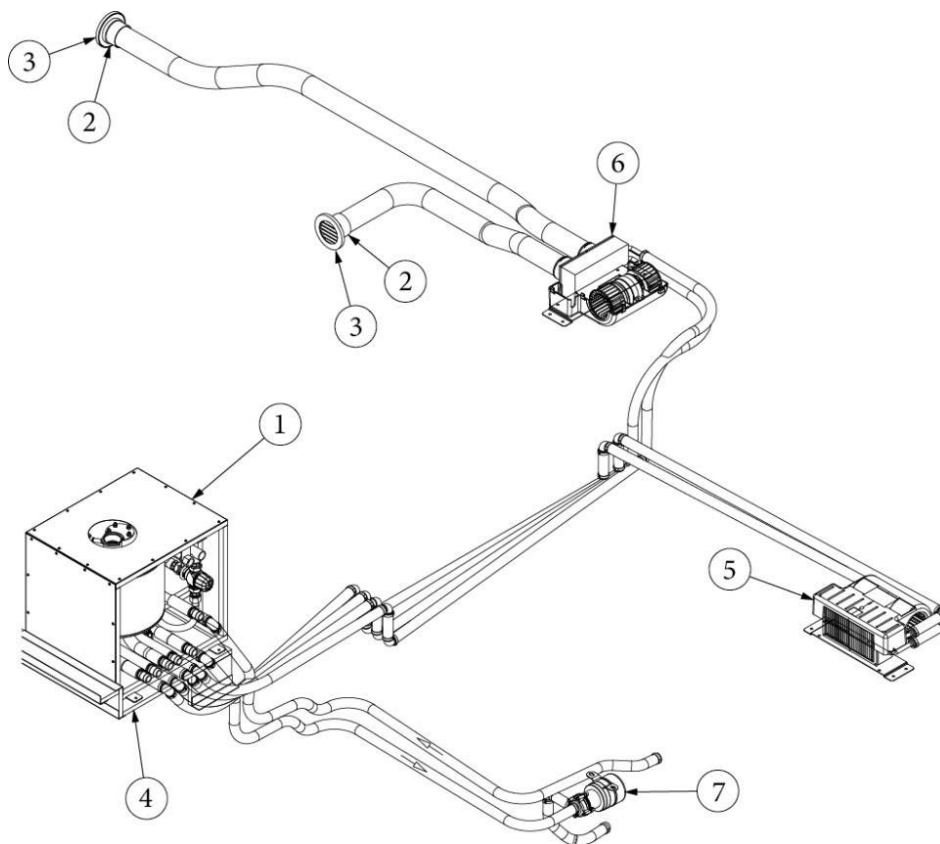
690616-03	Furnace w/ducted discharge, 19K BTU
690616-01	Intake tube, 5"
600247	Hose, Heat duct flex, 4"
600193	Duct, 2", Thermaflex flexible air
690429	Round louver, 2", Black
114079	Adapter 4" to 2"
365419	Gasket, Furnace vent
968565	Stand, Furnace
602394-03	Register-Black 4" #HV4BK

### Water Heater

690711-01	Water heater, On-demand, LP only
690711-02	Vent cap
690711-03	Control center
365420	Gasket, Water heater vent
968567	Stand, Water heater

## APPLIANCES

### Hydronic Furnace and Hot Water System, E1 Package Option



113966  
113956

Install, Hydronic Heating System  
Install, Elwell Heater

- |              |  |
|--------------|--|
| 1. 690797-01 | Heater, Elwell Heating System            |
| 2. 690797-24 | Vent, Outlet Flange, 60mm                |
| 3. 690797-33 | Cover, Vent                              |
| 4. 969801    | Assembly, Timberline Stand               |
| 5. 690797-22 | Air Handler, Timberline                  |
| 6. 690797-23 | Air Handler, Ducted, Timberline          |
| 7. 690797-41 | Circulating Pump, Binar 10               |
| 690797-11    | Cover, Sensor, Elwell                    |
| 14504W       | Anti-Freeze, Polar Magic, 55 Gallon Drum |
| 602854       | Hose, Heater, .75" ID                    |
| 690797-25    | Ducting, 60mm, 20m Roll, Timberline      |
| 602851       | Clamp, Hose, .5 To 1.375, Stainless      |
| 602913       | Elbow, 90-Degree, For 3/4" Hose          |

## APPLIANCES

### Burner, Hydronic System, E1 Package Option

113958	Install, Elwell Burner
690797-02	Burner, Binar 10, Diesel, Timberline
690797-37	Fuel Pump, Binar 10, Diesel, Timberline
690797-07	Bracket, Round, Fuel Pump, Timberline
455943	Bracket, Steel, 12GA, Black, 3-Hole
690797-08	Fuel Line, Timberline, Roll, 19.5'
690797-31	Adapter, Fuel line, Mercedes
690797-09	Adapter, Fuel line, Timberline
690797-35	Intake Hose, Binar 10, Timberline
690797-39	Muffler, Binar 10, Timberline
455968	Exhaust Tip, Timberline, Stainless
455900	Bracket, Mounting, Elwell Burner
383003	Hanger, Generator exhaust
350282	Locknut, Nylon Insert, 9/16"-12
300240	Steel Washer, Grade 9, 9/16"
345784	Hex Head Screw, 9/16"-12 x 4
320029-01	Screw, #8 x 1/2
340073-03	Clamp, Muffler, W/Nuts & Saddle

## APPLIANCES

### Generator

135326	Install, LP Generator
512950-01	Generator, 3.6 KY-FA/26120
512950-05	Start/Stop Switch & LCD Meter, Generator
381509	Hanger, Tailpipe
456010	Heat Shield, Gen Exhaust Pipe
455280	Hanger, Exhaust Pipe Bracket
455600	Exhaust Tip, Generator, SS
456000	Exhaust, LP Generator Tail Pipe
456001-01	Aft Bracket, LP, Generator
456001-02	Forward Bracket, LP, Generator
456003	Bracket, Outboard
456004	Bracket, Inboard
456005	Strap, Generator
914398	Resonator
914399	Tailpipe-6.75" Generator
514142-29	Warning Label, AGS
340073-03	Clamp, Exhaust Pipe, 1.5"
510562	Generator Switch Over, Automatic
455325	Outrigger, Forward Diesel Generator
455326	Bracket, Outrigger Rear Cs Gen Mounting
455216	Heat Shield, Generator

## APPLIANCES

### Microwave and Cooktop

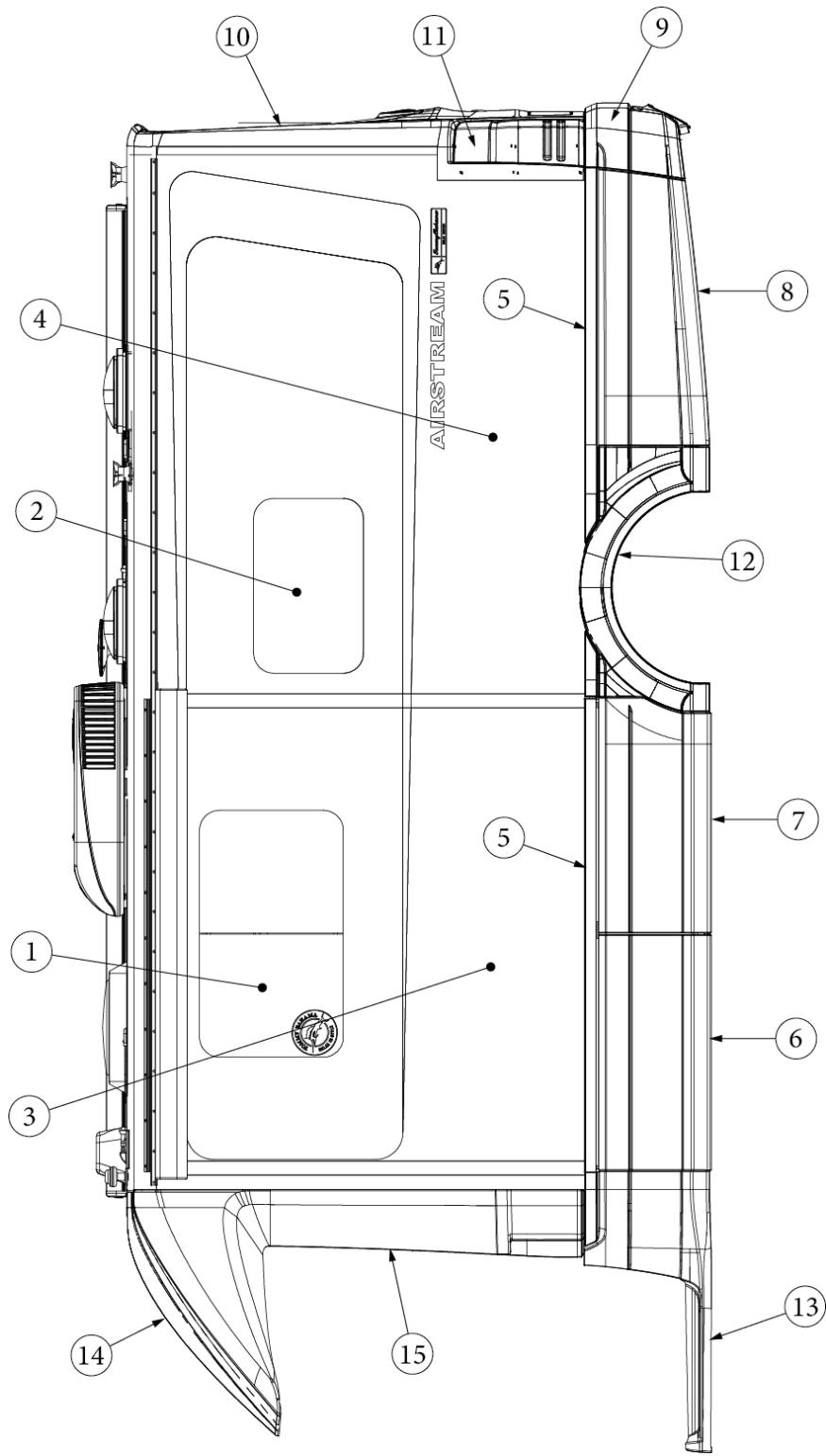
690816	Cooktop, Two Burner, Suburban 3036AST
514023	Cooktop, Induction, 1000 watt, 1-Burner, E1 Package Option
690728-01	Microwave, Convection, 1.1 CF SS #RV-200s-Con
690728-02	Trim Kit, Microwave, SS, #TK-200S SS

### Refrigerator and Freezer

690692	Refrigerator/Freezer, Two Doors, Novakool
690692-101	Door Only, Refrigerator, For 690692
690692-102	Door Only, Freezer, For 690692
690692-103	Ice Cube Tray, For 690692
690692-104	Thermostat, For 690692
690692-105	Resistor, For 690692
690692-106	Door Panel Only, Refrigerator, For 690692
690692-107	Door Panel Only, Freezer, For 690692
690692-108	DC Module, For 690692
690692-109	ACDC Module, For 690692
690692-110	Bracket, For 690692
690692-111	Computer Fan, 12V, For 690692

# EXTERIOR SHELL

Wall, Roadside



Parts Listed on Next Page



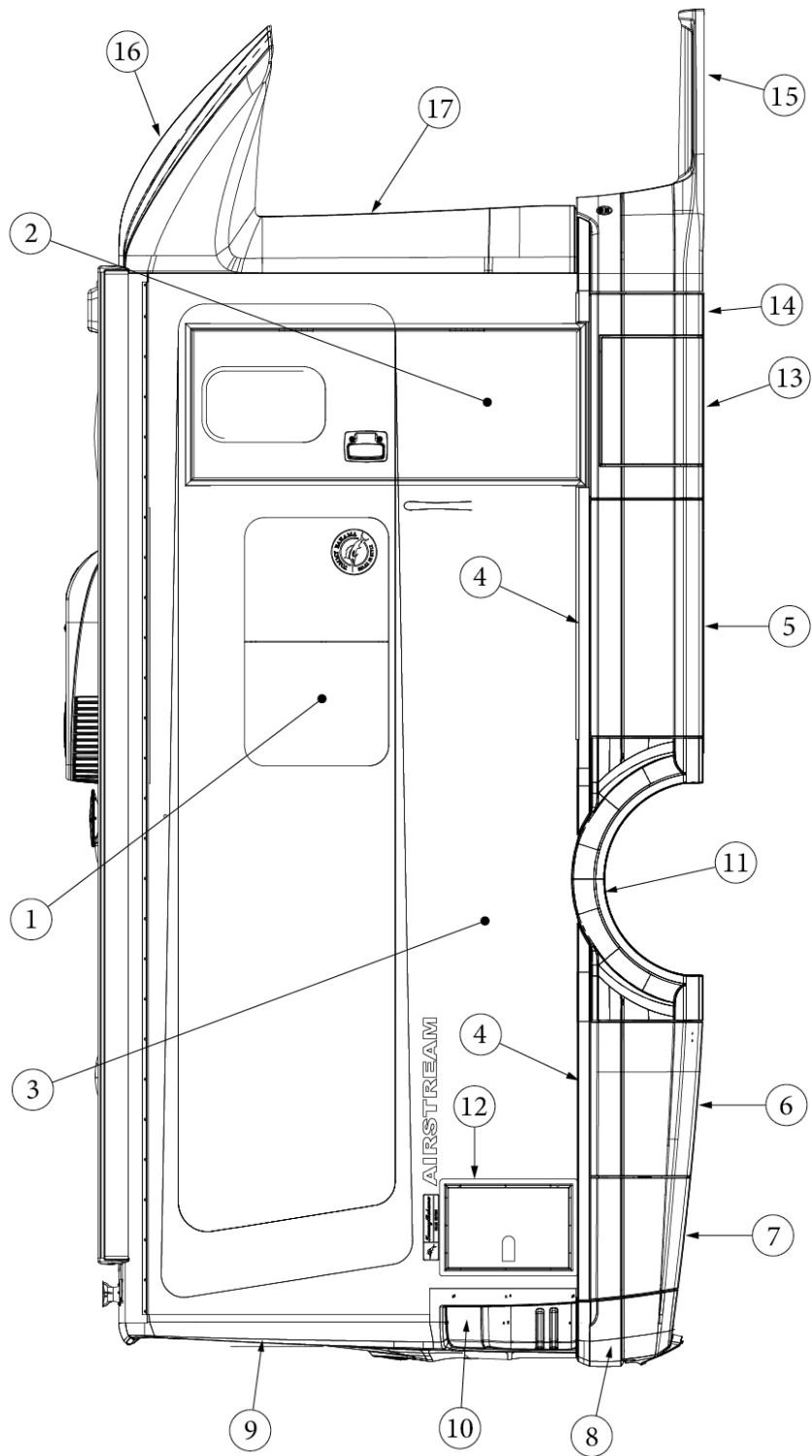
## EXTERIOR SHELL

### Wall, Roadside

923668S	Shell Assembly
923660S	Shell Assembly, E1 Package Option
1. 372279	Window, Top Hinge, 23.63 x 41.63
2. 372286	Window, Top hinge, 17.63 x 28.75
3. 923268	Slide-out room assembly
4. 923263	Roadside Wall
923619	Roadside Wall, E1 Package Option
5. 115692	Extrusion, Hinge body rail
6. 923283	Compartment door
7. 923325	Slide-out compartment door, Aft
8. 923326	Slide-out compartment door, Aft
9. 203858	Rear bumper
10. 203835	Rear cap
11. 513226	Taillight, LH
12. 203836	Wheel well flare, RS
13. 204073	Transition step, RS
14. 203830	Transition panel, Center
15. 204071	Transition panel, Driver side
690711-02	Vent cap
386293-02	Reflector, Red decal, RS rear bumper
116075-01	Bumper Support
114879-02	Aluminum Sheet, .04 x 33 x 284.5"

# EXTERIOR SHELL

Wall, Curbside



Parts Listed on Next Page

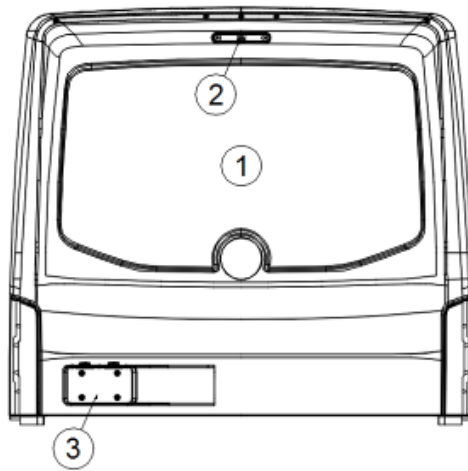
## EXTERIOR SHELL

### Wall, Curbside

923668S	Shell Assembly
923660S	Shell Assembly, E1 Package Option
1. 372279	Window, Top Hinge, 23.63 x 41.63
2. 372322	Door, Main Entry, PTL Engineering
3. 923264	Curbside Wall
923620	Curbside Wall, E1 Package Option
4. 115692	Extrusion, Hinge body rail
5. 923283	Compartment door
6. 923328	Compartment door, CS angled, Forward, E1 Package
923328-01	Compartment door, CS Angled, Forward, Non-Volta
7. 923327	Compartment door, CS angled, Aft
8. 203858	Rear bumper
9. 203835	Rear cap
10. 513227	Taillight, RH
11. 203874	Wheel well flare, CS
12. 923460-01	Flush Door, Atlas
13. 204017	Step skin
14. 204018	Body skin cut out
115694	Extrusion, Door Hinge, 35"
15. 204074	Transition step, CS
16. 203830	Transition panel, Center
17. 204072	Transition panel, Passenger side
455127	License plate lamps
386293-01	Reflector, Red decal, CS rear bumper
513037	Grab handle w/LED lights
512434	Switch, ON/OFF LP valve
386373	Decal, On/Off LPG remote fill

## EXTERIOR SHELL

### Rear Cap



921252 Rear Cap Prep

- 1. 203835 Rear cap
- 2. 513031 Camera, Third brake light
- 3. 455137 Bracket, License plate mounting
- 455127 Plate, License lamps
- 513034 Light, License plate
- 513886 Red sealed LED marker/clearance light
- 455193-01 Bracket, Rear Wall & Cap Support, W/Locknuts
- 455193-02 Bracket, Rear Wall & Cap Support

### Hitch and Hitch Cover

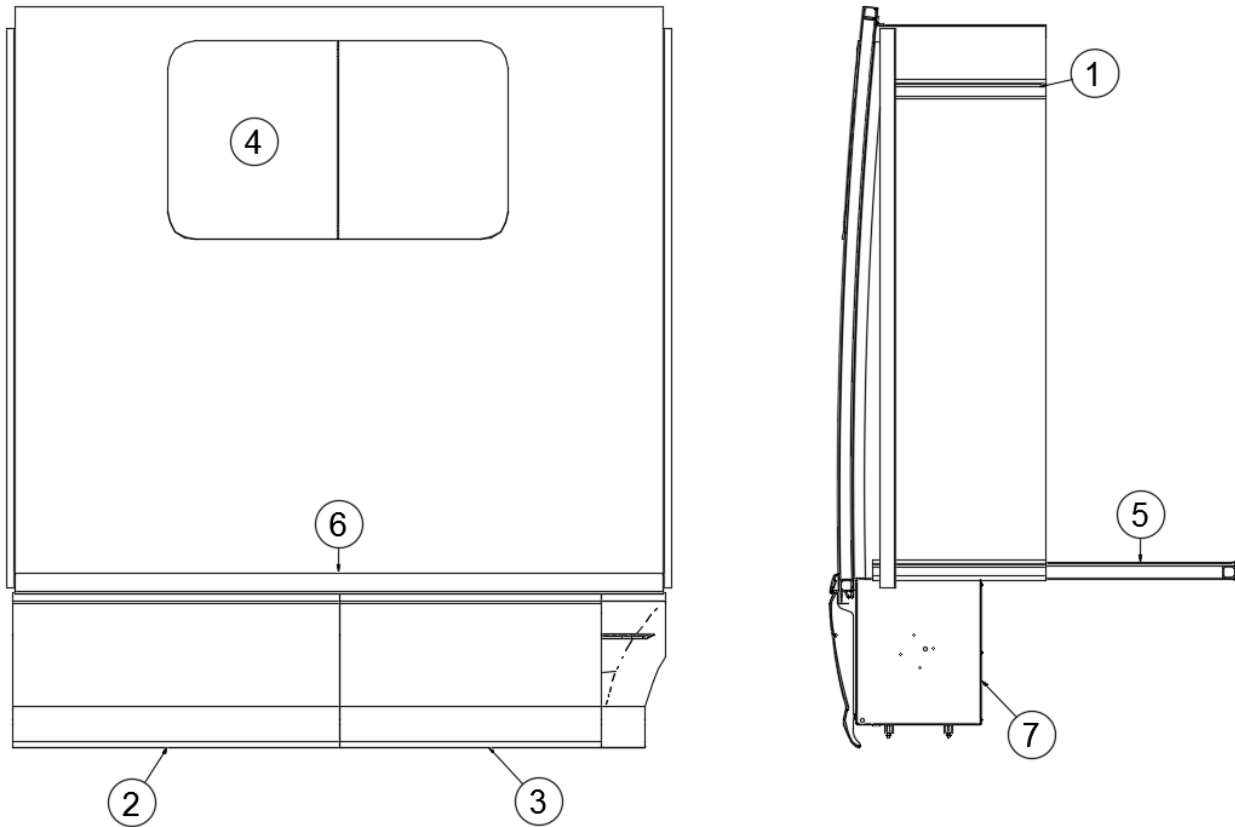
- 411232 Hitch Assembly
- 203880-9775 Hitch cover, Iridium Silver
- 350275 Thumb screw, Plastic
- 382394-02 Receptacle
- 382394-03 Stud
- 386227-04 Label, Hitch Weight, 4000 lb

### Rear Bumper

- 203858 Rear bumper
- 455315 Bracket, RS rear bumper
- 455316 Bracket, CS rear bumper
- 455073 Weldment, Rear bumper support
- 513577 Parking Sensing System
- 116075-01 Bumper Support

## EXTERIOR SHELL

### Slide-Out Room



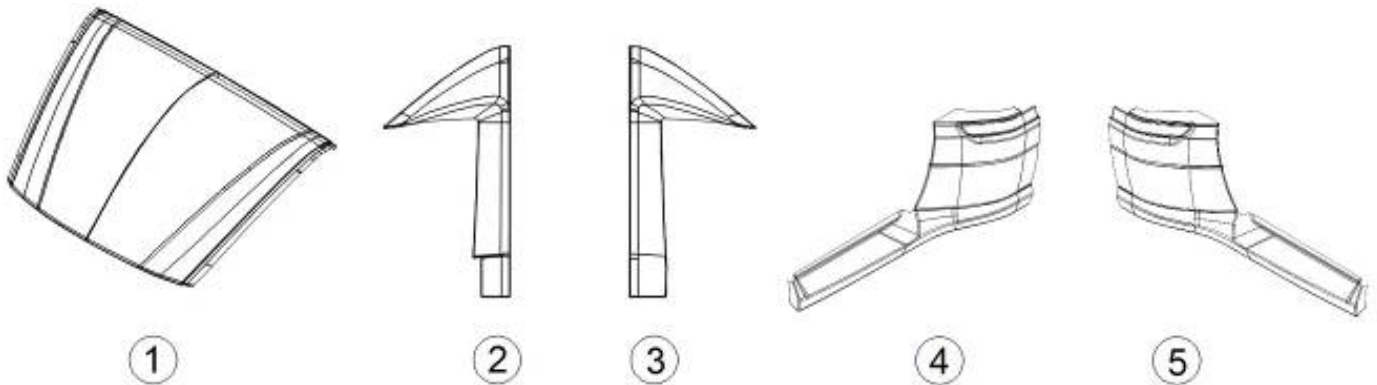
112404

Slide-Out Room

- |  |  |
|--|--|
| <ul style="list-style-type: none"> <li>1. 411041</li> <li>2. 923283</li> <li>3. 923325</li> <li>4. 372279</li> <li>5. 115839</li> <li>6. 203952</li> <li>7. 455324</li> <li>115694</li> <li>115692</li> <li>512962-01</li> <li>513931</li> <li>513354</li> <li>382310</li> <li>365443</li> </ul> | <ul style="list-style-type: none"> <li>Slide-out system, Schwintek</li> <li>Compartment door</li> <li>Slide-out compartment door, Aft</li> <li>Window, Top hinge, 23.63 x 41.63</li> <li>Aluminum trim, Slide-out floor</li> <li>Trim, Slide-out RS beltline</li> <li>Compartment, Slide out</li> <li>Extrusion, Door hinge</li> <li>Extrusion, Hinge body rail</li> <li>Electronic rotary latch, Southco</li> <li>Carrier, Track cable</li> <li>Door magnetic contact</li> <li>Slide out roller</li> <li>Gasket- Flap 1"X .63" #SD-351</li> </ul> |
|--|--|

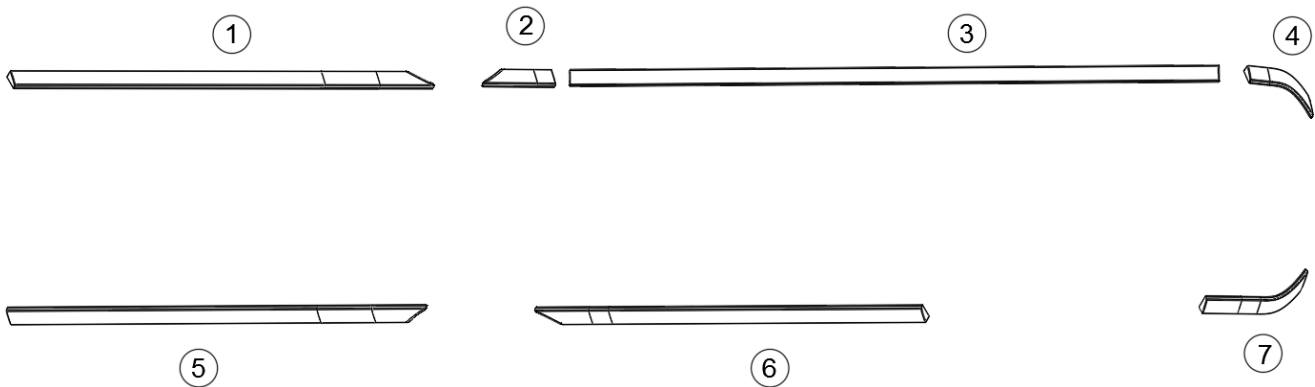
## EXTERIOR SHELL

### Transition Panels



- |           |                                  |
|-----------|----------------------------------|
| 1. 203830 | Center transition panel          |
| 2. 204071 | Drivers side transition panel    |
| 3. 204072 | Passengers side transition panel |
| 4. 204073 | Transition step, Driver side     |
| 5. 204074 | Transition step, Passenger side  |

### Chrome Beltline



- |           |                             |
|-----------|-----------------------------|
| 1. 203954 | Trim, RS rear               |
| 2. 203953 | Trim, RS front fender flare |
| 3. 203952 | Trim, RS slide-out          |
| 4. 203951 | Trim, RS front              |
| 5. 203957 | Trim, CS rear               |
| 6. 203956 | Trim, CS mid                |
| 7. 203955 | Trim, CS front              |

## EXTERIOR SHELL

### Supports

203882	Center support, Fiberglass
203883	CS support, Fiberglass
203884	RS support, Fiberglass

### Decals and Nameplates

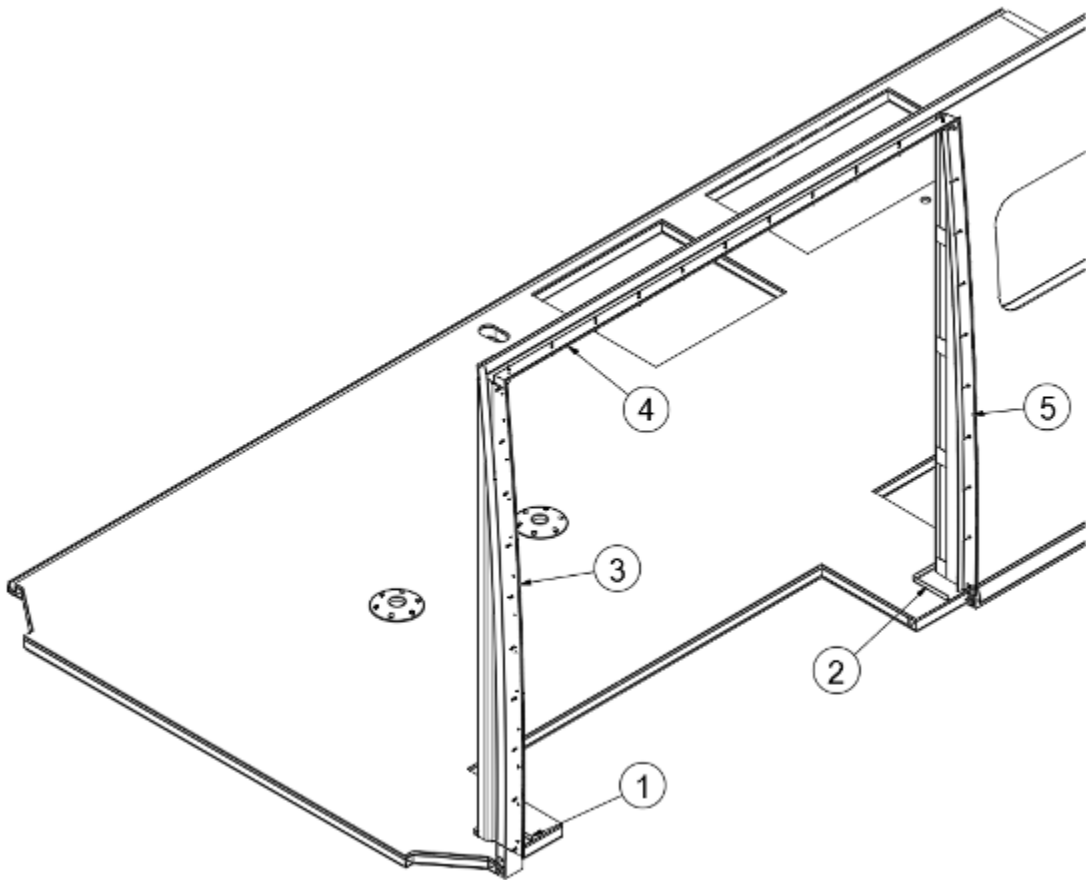
386376	Mercedes Emblem, 8"
386308	Emblem, Atlas, Chrome
386328	Decal, "AIRSTREAM", Chrome
386324	Marlin, Exterior Graphic, Rear
386326	Badging, Tommy, Exterior
386325	Tommy Logo, Exterior Graphic, Side

### Reflectors

386293-01	Reflector, RH lower, Red
386293-02	Reflector, LH lower, Red

## INTERIOR SHELL

### Slide-out Sidewall Extrusions



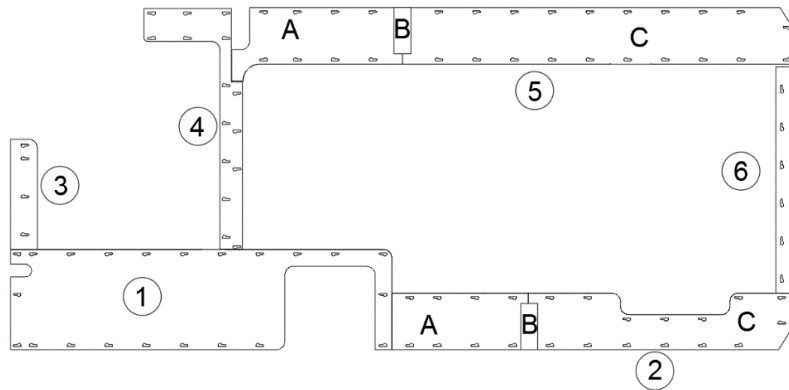
#### 112425 Slide-out Sidewall Extrusions Install

- |              |  |
|--------------|--|
| 1. 455079    | Slide-out bracket, Forward                   |
| 2. 455080    | Slide-out bracket, Aft                       |
| 3. 115961-01 | Extrusion, Slide-out sidewall opening, Left  |
| 4. 115944    | Extrusion, Slide-out sidewall opening        |
| 5. 115961-02 | Extrusion, Slide-out sidewall opening, Right |
| 382547       | Wiper seal, Single bulb                      |
| 365035       | Rubber seal, Access door                     |
| 360339       | 3M weather strip and gasket, Black           |



## INTERIOR SHELL

### Ceiling Panels



923303

### Layout, Ceiling Panels

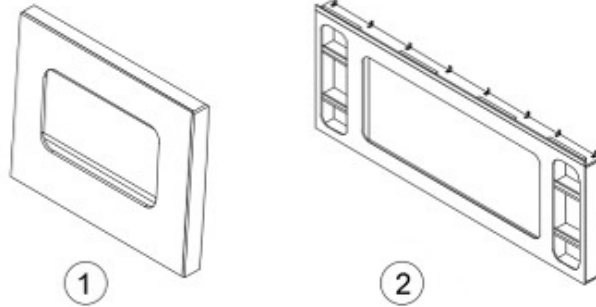
- |               |                                     |
|---------------|-------------------------------------|
| 1. 923303-01  | Panel, Ceiling CS Aft Atlas         |
| 2. 923303-02A | Panel, Ceiling CS Mid Atlas         |
| 923303-02B    | Panel, Ceiling CS Mid Atlas         |
| 923303-02C    | Panel, Ceiling CS Front Atlas       |
| 3. 923303-03  | Panel, Ceiling Rear Atlas           |
| 4. 923303-08  | Panel, Ceiling Mid Aft Atlas        |
| 5. 923303-05A | Panel, Ceiling RS Mid Atlas         |
| 923303-05B    | Panel, Ceiling RS Mid Atlas         |
| 923303-05C    | Panel, Ceiling RS Front Atlas       |
| 6. 923303-06  | Panel, Ceiling Front Atlas          |
| 704088-02     | Fabric w/laminate backer, Sarandave |
| 704088        | Fabric, Sarandave                   |

## INTERIOR SHELL

### Dash Trim Kit

365487 Kit-Dash Premium Piano Black & Brushed Aluminum  
203963 Mirror, Vanity visor  
203977 Housing, Visor vanity mirror

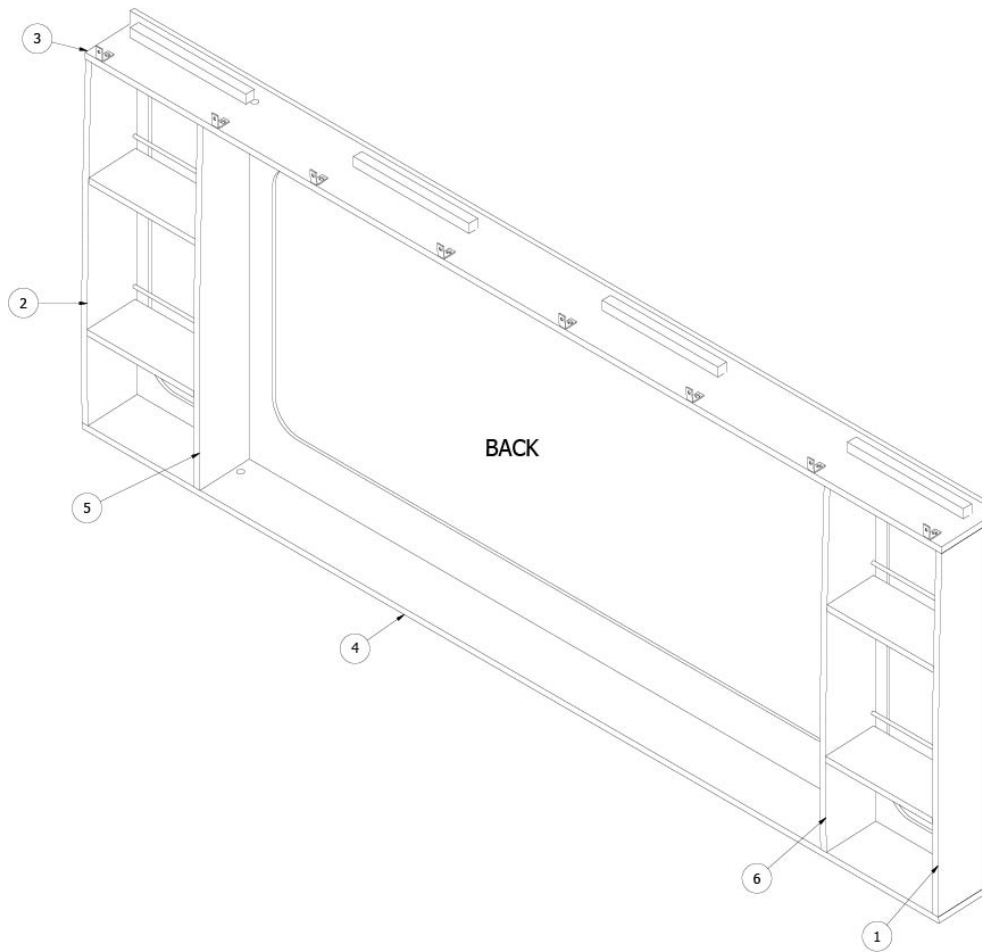
### Window Boxes



1. 968476-01 Window box, RS galley  
2. 968745 Window valance, RS slide-out room  
968853 Box Assy - Window CS Tommy  
704088-02 Fabric w/laminate backer, Sarandave  
704088 Fabric, Sarandave

## INTERIOR SHELL

### Window Valance Slide-Out



968745

Window Valance Slide-Out

- |                    |                                      |
|--------------------|--------------------------------------|
| 1. 968745&000212BB | Panel, 4.28 x 27                     |
| 2. 968745&000312BB | Panel, 4.28 x 27                     |
| 3. 968745&000412BB | Panel, 4 x 74                        |
| 4. 968745&000512BB | Panel, 4.25 x 74                     |
| 5. 968745&000812BB | Panel, 4.28 x 27                     |
| 6. 968745&000912BB | Panel, 4.28 x 27                     |
| 968745&001012BB    | Panel, 9.13 x 4.15                   |
| 968745&001112BB    | Panel, 9.13 x 4.15                   |
| 968745&001212BB    | Panel, 9.13 x 4.15                   |
| 968745&001312BB    | Panel, 9.13 x 4.15                   |
| 115042             | Aluminum rod, 12.5"                  |
| 380041             | Bracket, 90°, 1 x 1                  |
| 704088-02          | Fabric, w/laminate backer, Sarandave |
| 704088             | Fabric, Sarandave                    |

## CHASSIS

### Air Ride System

411109-01 VB Air Ride System  
411120-02 Bracket, Xenon height sensor

### Aluminum Wheels

135352 Install, Wheels Atlas My24  
  
411256-01 Front Rim  
411256-03 Rear Rim  
411256-02 Lug Nut Cover, Front Rim  
411256-04 Lug Nut Cover, Rear Rim  
411256-05 Socket Screw, M6 x 1mm x 16mm  
411256-06 Emblem, Mercedes Benz  
411256-07 Allen Wrench, 5mm

### Fender Well

455214 Fender well, RS inner rear  
455215 Fender well, CS inner rear

### Mud Flaps

203922 Mudflap-RS/CS Rear Atlas

### Leveling Jacks

135176 Install, Hydraulic Leveling Kit  
  
411226 Leveling Kit  
455574 Platform, Hydraulic Leveling Pump  
455574-09 Pump Intermediate Plate  
204131 Panel, Hydraulic Leveling Docking  
602973 Fitting, 6C40MXS, Hydraulic Leveling  
411248 Bracket, Rear

## CHASSIS

### Driver and Passenger Steps

204073	Transition step, Driver
204071	Transition panel, Driver
204074	Transition step, Passenger
204072	Transition panel, Passenger
203912	Step Tread, Adhesive back, LS Running Board
203913	Step Tread, Adhesive back, RS Running Board

### Step

513040	Power step, Project 2000 double
300052	Washer, Flat, 3/8"
345272-03	Bolt, Hex Head, 3/8"
455266	Outrigger, Fold-out step, RH
455263	Outrigger, Fold-out step, LH
455605	Bracket-Step Skin Mounting, Upper
382513	Bracket, Step skin mounting, Lower
455985-01	Step Pad, RS Front
455985-02	Step Pad, CS Front
513029-08	Magnetic Door Switch
204017	Step Skin

### Exhaust System

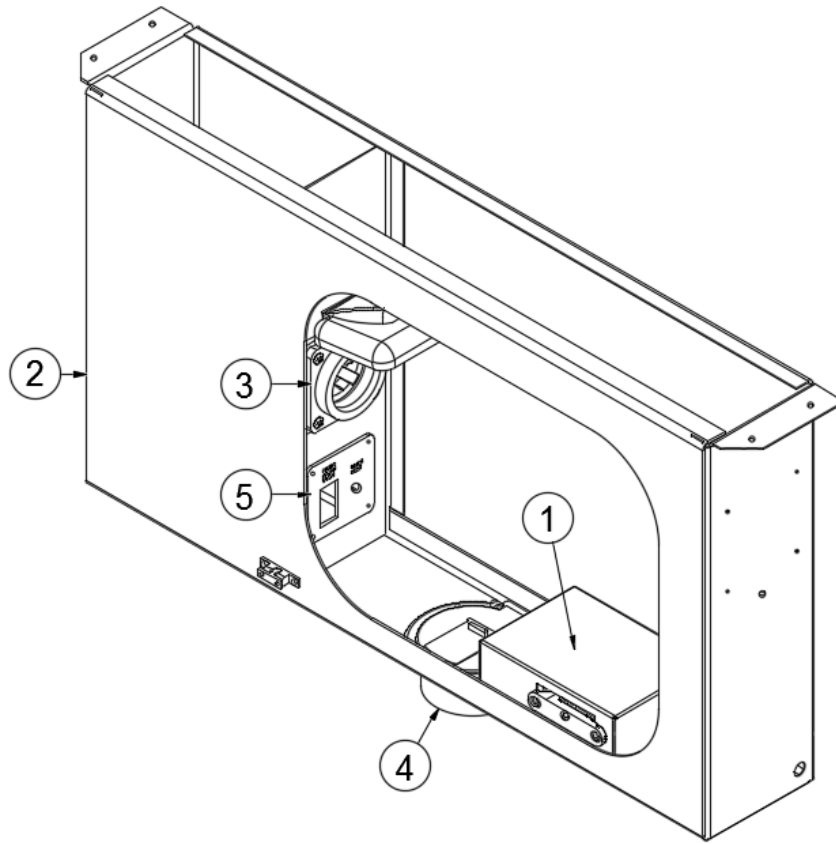
135286	Install, Exhaust Atlas My24
454656	Exhaust Tailpipe
410999-01	Tip, Exhaust, 2.5 X 18
340073-10	Clamp, Muffler, 2.5"
340073-15	Clamp, Muffler, 2.75"
381509	Hanger, Tailpipe
455377	Stra, L, .13 X 1.25 X 12.5, Black
300052	Washer, 3/8 ID 5/8 OD, Flat
350147-37	Nut, Nylon Lock, 3/8-16
345272-04	Screw-Cap, 3/8-16 x 1.0, Hex Head

### Skid Bar Assembly

454685	Skid bar assembly
--------	-------------------

# CHASSIS

## Exterior Compartment, RS Rear

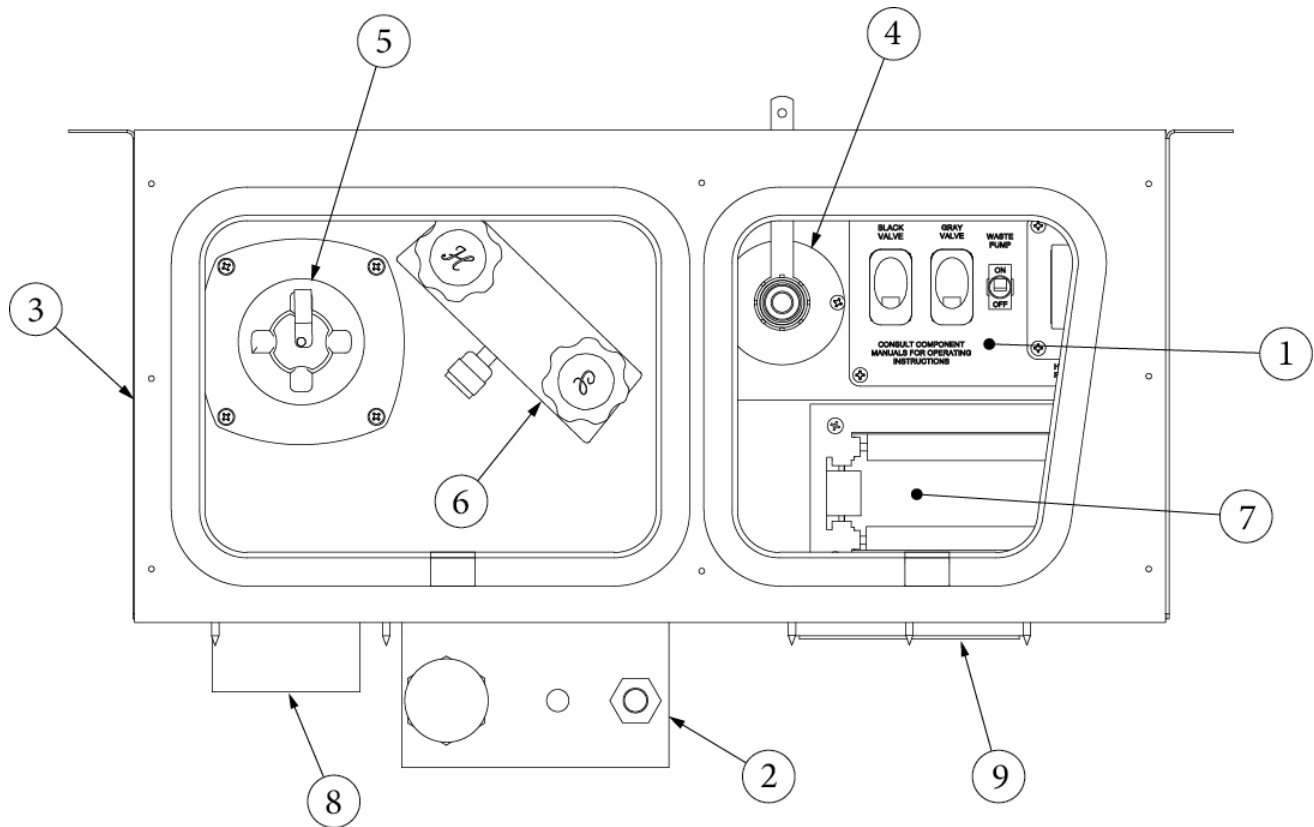


113654      Compartment, Shore cord, RS rear

- 1. 455084      Compartment latch cover
- 2. 455835      Compartment, Shore power
- 3. 513797-01   Power inlet, 30 amp, SmartPlug
- 4. 381435-02   Hatch, Access cover
- 5. 386339      Water valve/Coax cover plate
- 513079      Switch, Momentary w/light
- 510623      Coax connector
- 510623-01   Coax connector locking nut
- 365035      Rubber seal, Access door
- 386316-09   Grip-Nylon Liq Tight Crd Grip .75"

# CHASSIS

## Exterior Compartment, RS Wet Bay

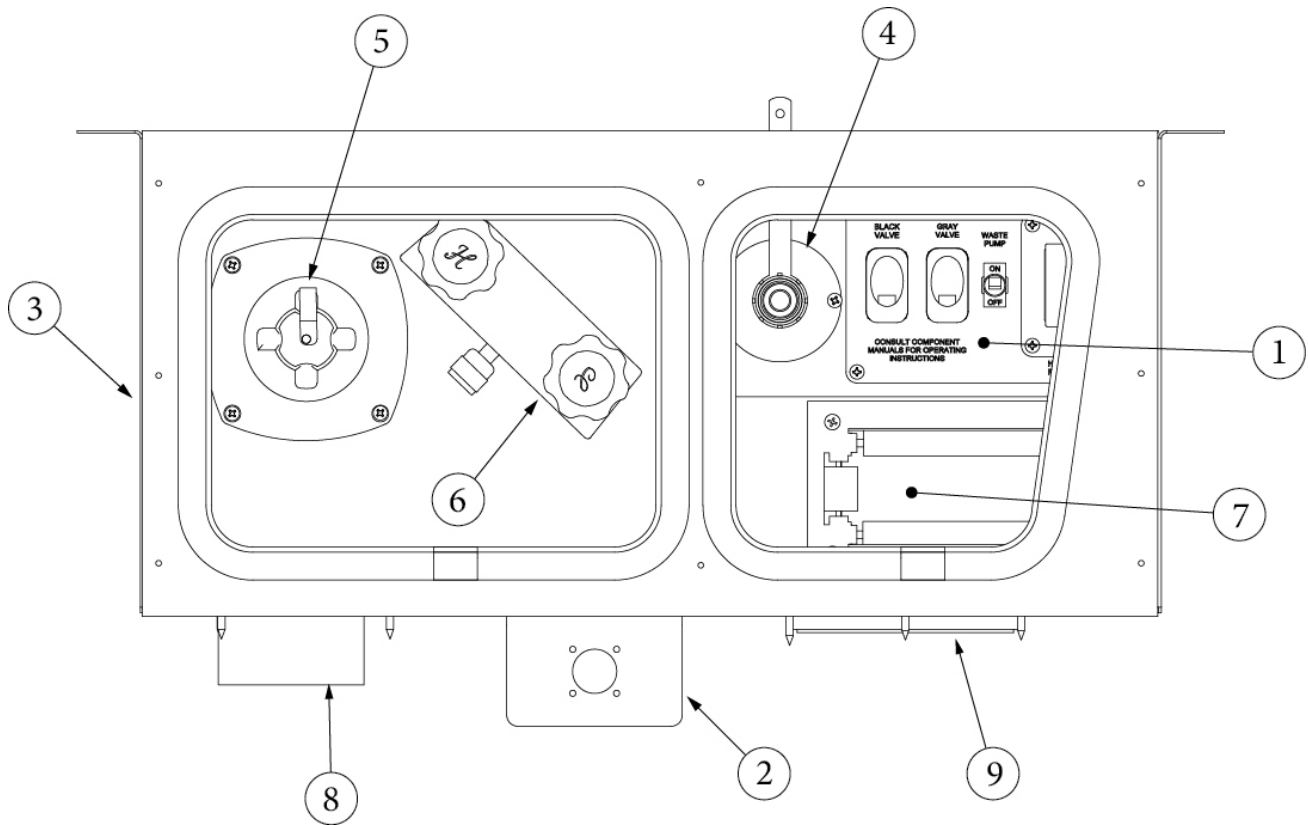


112480      Compartment, RS Fresh Water, Wet Bay

- 1. 386361      Panel - Exterior Switches
- 2. 455699      Remote fill Bracket
- 3. 455962      Compartment, Shower/macerator
- 4. 602940      Black Tank Flush Kit, No Fuss
- 5. 601392-06      City water fill w/regulator, 50 PSI
- 6. 602263-01      Exterior shower outlet
- 7. 512934-02      Roller guide
- 8. 381435-02      Hatch, Access cover
- 9. 204260      Hatch Cover, Round, Black, 5"
- 365035      Rubber seal, Access door

# CHASSIS

## Exterior Compartment, RS Wet Bay, E1 Package Option



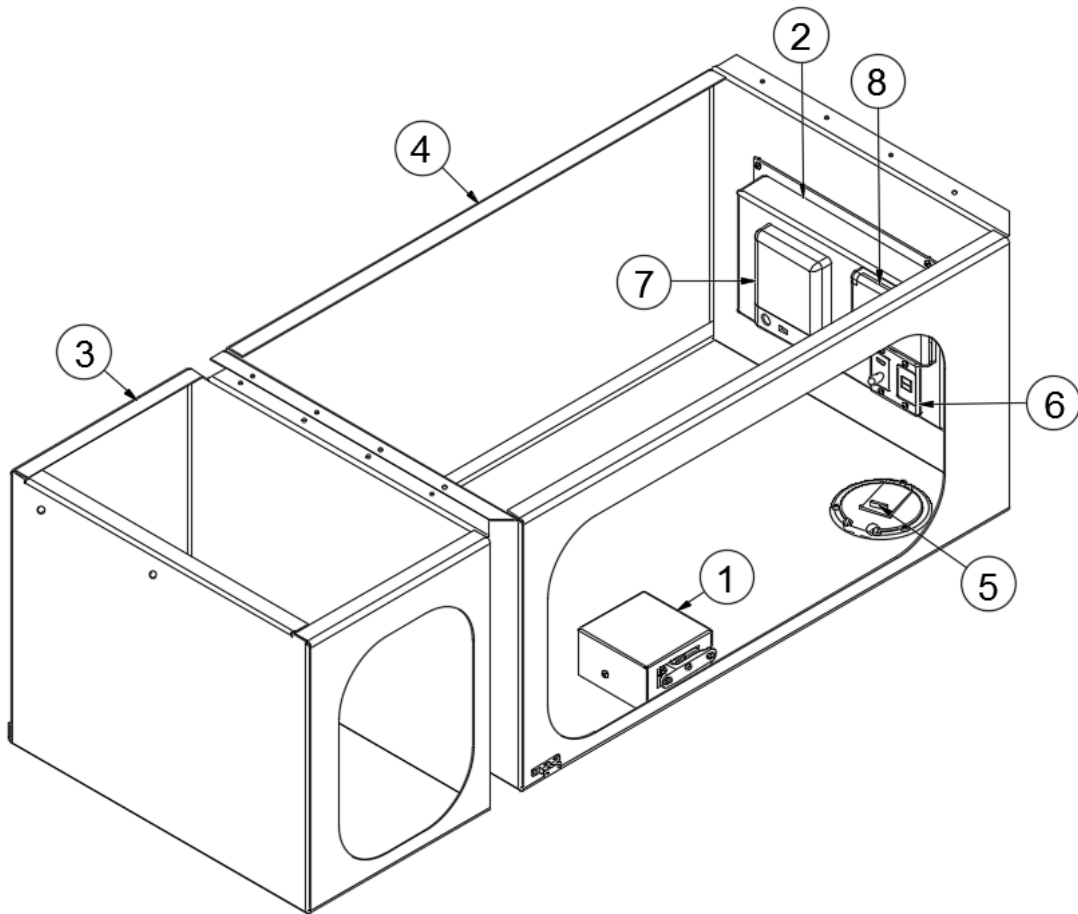
113970      Compartment, RS Fresh Water, Wet Bay

- 1. 386361      Panel, Exterior Switches
- 2. 455942      Bracket, Solar Port
- 513898      Solar Port, Sidewall
- 3. 455962      Compartment, Shower/macerator
- 4. 602940      Black Tank Flush Kit, No Fuss
- 5. 601392-06   City water fill w/regulator, 50 PSI
- 6. 602263-01   Exterior shower outlet
- 7. 512934-02   Roller guide
- 8. 381435-02   Hatch, Access cover
- 9. 204260      Hatch Cover, Round, Black, 5"
- 365035      Rubber seal, Access door



# CHASSIS

## Exterior Compartment, CS Forward



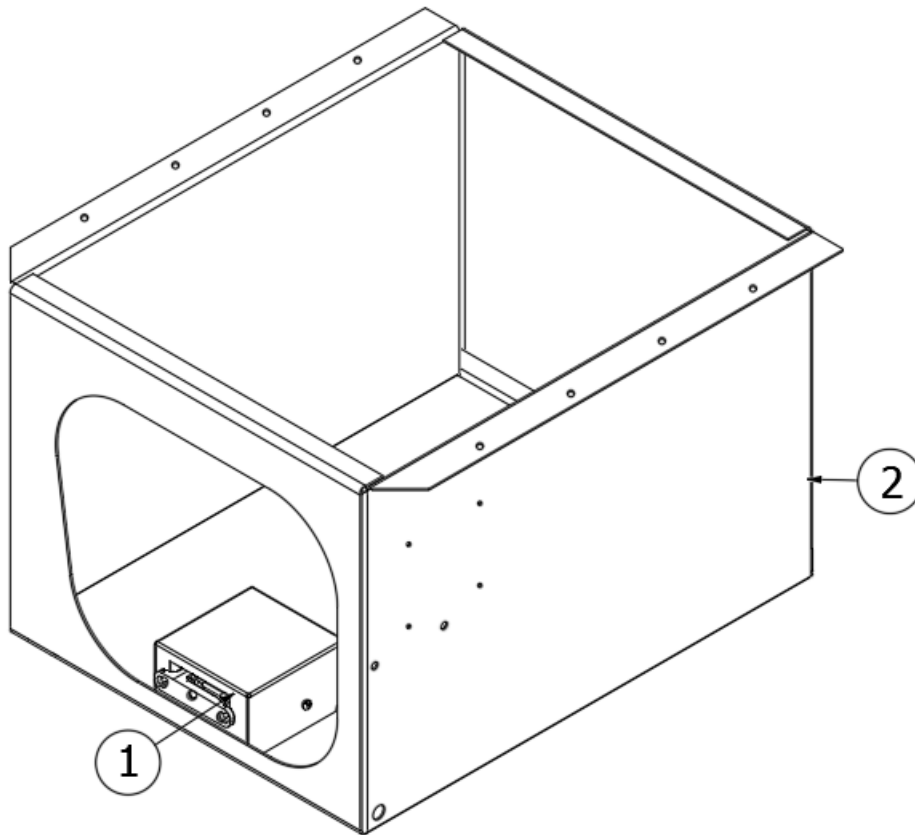
112482

CS Forward storage

- |                |  |
|----------------|--|
| 1. 455354      | Compartment latch cover                    |
| 2. 99900P-1444 | Hat, Macerator switch, RS rear             |
| 3. 455321      | Compartment, CS mid rear                   |
| 4. 455320      | Compartment, CS Mid forward                |
| 5. 381435-02   | Hatch, Access cover                        |
| 6. 513355      | USB charger/HDMI/coax, Black               |
| 7. 513224      | Light w/motion sensor & ON/OFF/Auto switch |
| 8. 512741      | Weather proof cover w/gasket, Gray         |
| 513110         | Tie, Black w/fir tree mount                |
| 365035         | Rubber seal, Access door                   |

# CHASSIS

## Exterior Compartment, CS Rear

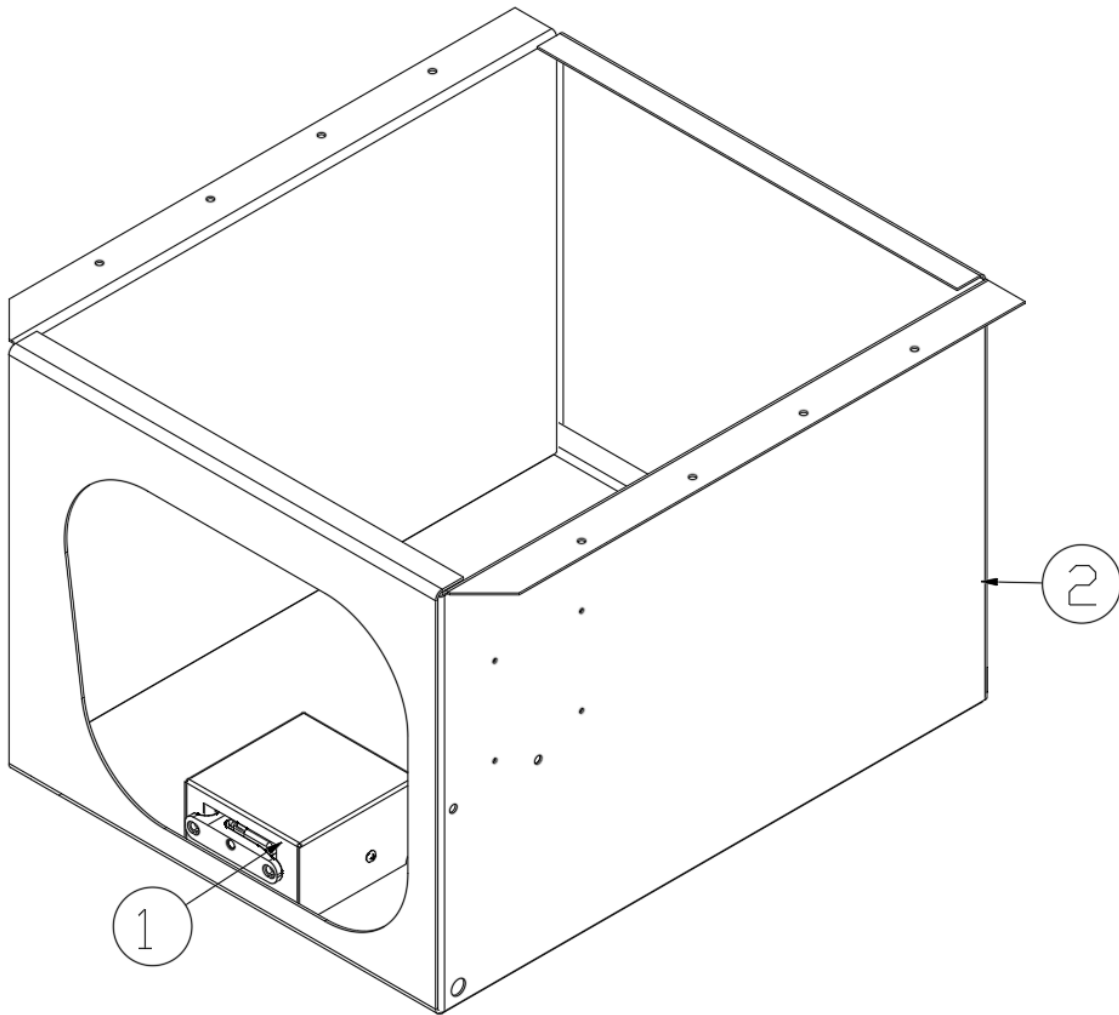


112527      Compartment, Diesel gen, CS rear

- 1. 455354      Compartment latch cover
- 2. 455328      Compartment, CS rear Diesel gen
- 513110      Tie, Black w/fir tree mount
- 365443      Gasket- Flap 1"X .63" #SD-351

# CHASSIS

## Exterior Compartment, CS Rear, E1 Package Option

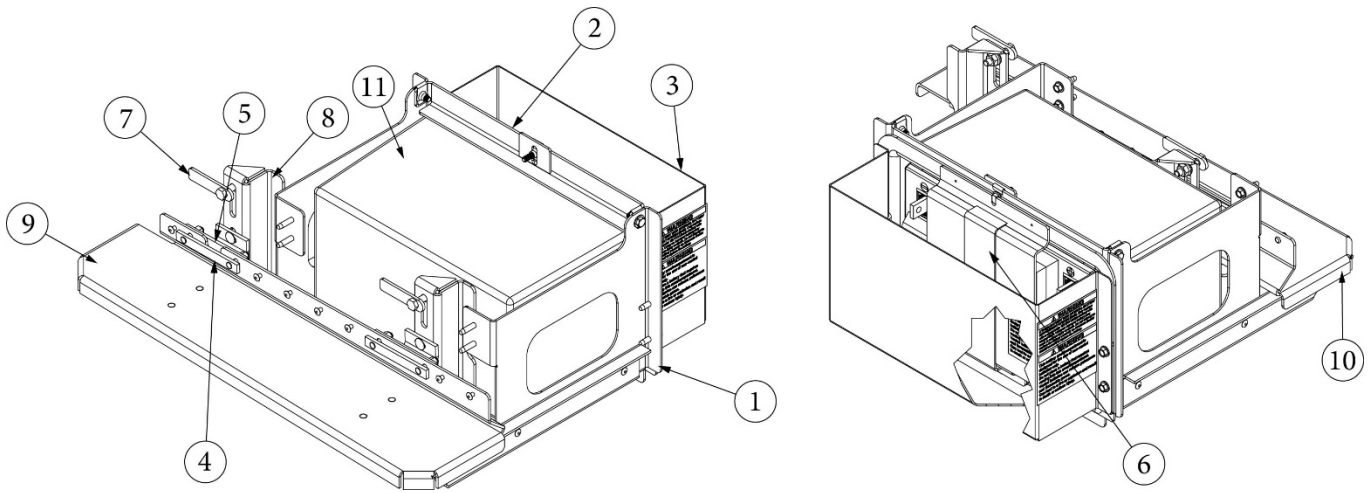


135194      Compartment, CS rear, E1 Package Option

- 1. 455354      Compartment latch cover
- 2. 455328      Compartment, CS Rear
- 455942      Bracket, Solar Port
- 513898      Solar Port, Sidewall
- 513110      Tie, Black w/fir tree mount
- 365443      Gasket- Flap 1"X .63" #SD-351

## CHASSIS

### Battery Install, Step Support Frame

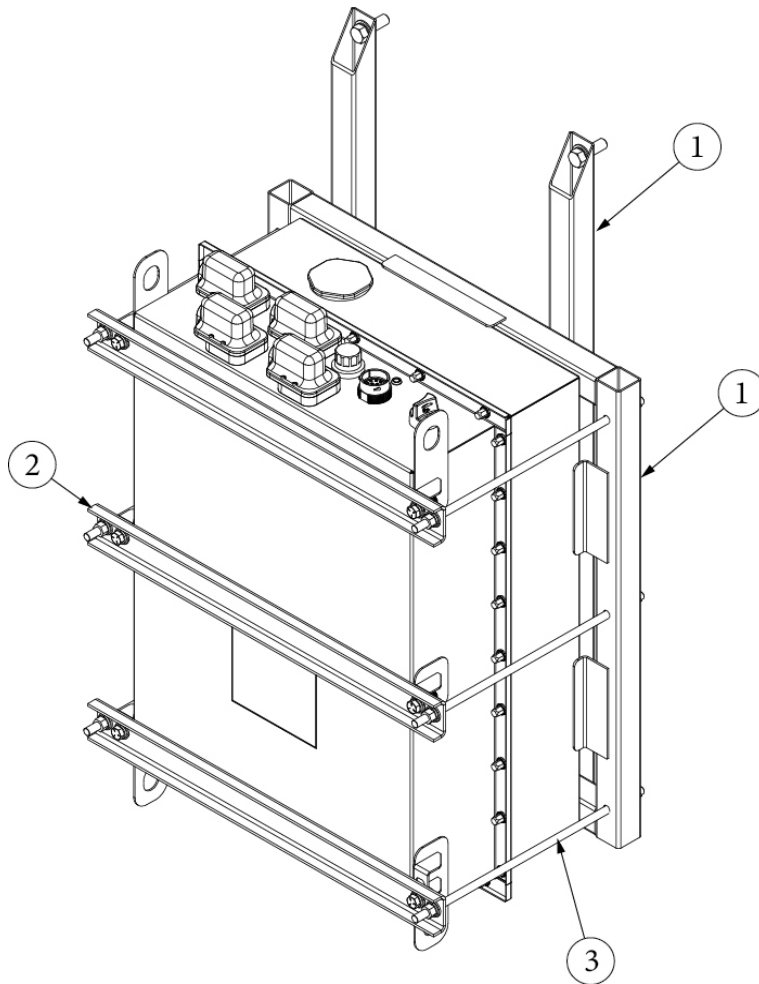


#### 135299 Install, Step And LI Battery

- |               |                                   |
|---------------|-----------------------------------|
| 1. 455851     | Battery Box                       |
| 2. 455852     | Tie Bar, Battery                  |
| 3. 455853     | Heat Shield, Battery              |
| 4. 455854     | Saddle Step                       |
| 5. 455855     | Reinforcement Bracket             |
| 6. 455857     | Battery Hold Down                 |
| 7. 455858     | Flag Bolt, 5/16-18                |
| 8. 455912     | Bracket, Step                     |
| 9. 455985-01  | Step Pad, RS Front                |
| 10. 455985-02 | Step Pad, CS Front                |
| 11. 204219    | Battery Box, Plastic, Lower       |
| 204220        | Battery Box, Plastic, Upper       |
| 386419        | Label, Lithium Battery Box        |
| 386552        | Label, Vented Battery Compartment |

# CHASSIS

## Battery Install, Cradle, E1 Package Option



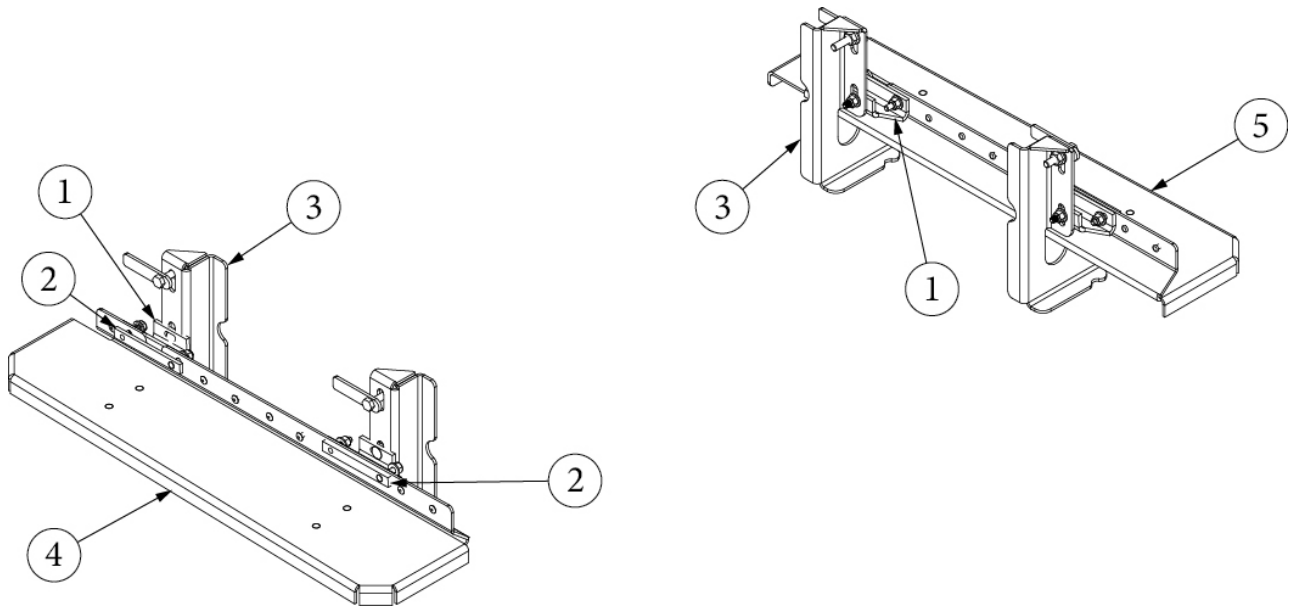
113962

Battery Install, E1 Package Option

- |           |                                    |
|-----------|------------------------------------|
| 1. 455920 | Weldment, Battery Mounting Cradle  |
| 2. 455896 | Channel, Volta Cradle Assembly     |
| 3. 345786 | Stud, 3/8-16 x 14.37", Double end  |
| 386581    | Label, Volta Battery               |
| 350228    | Hex Nut, 3/8-16                    |
| 350187    | Washer, Lock, Stainless, 3/8-16    |
| 300186    | Washer, Screw Drive, Steel, .375"  |
| 345272-05 | Bolt, Hex, 3/8-16 X 1.25"          |
| 345251    | Bolt, Hex, Grade 5, 1/2-13 x 1-1/2 |
| 300147    | Washer, Flat, .53" ID, 1.10" OD    |
| 300072-08 | Lock Washer                        |

## CHASSIS

### Step Support Frame, E1 Package Option



113898

Install, Step Frame, Atlas E1-Volta, E1 Package Option

- |              |                                 |
|--------------|---------------------------------|
| 1. 455855    | Step, Reinforcement Bracket     |
| 2. 455854    | Saddle, Step                    |
| 3. 455912    | Bracket, Step                   |
| 4. 455913-01 | Plate, Step, RS Front           |
| 5. 455913-02 | Plate, Step, CS Front           |
| 320239       | 1/4-20 X 1" Gr 5 Carriage Bolt  |
| 300197       | Washer, 1/4 Screw Size          |
| 345236       | Locknut, 1/4-20 Nylon #25cnu-Az |
| 455858       | Flag Bolt, 5/16-18              |
| 330031-01    | Rivet, 3/16" X 5/8", SSD68SSBS  |
| 300111-31    | Washer, Flat 5/16in, Series N   |
| 350263-1     | Flange Nut, 5/16-18, Grade 8    |

## EXTERIOR DOORS

### Exterior Compartment Doors

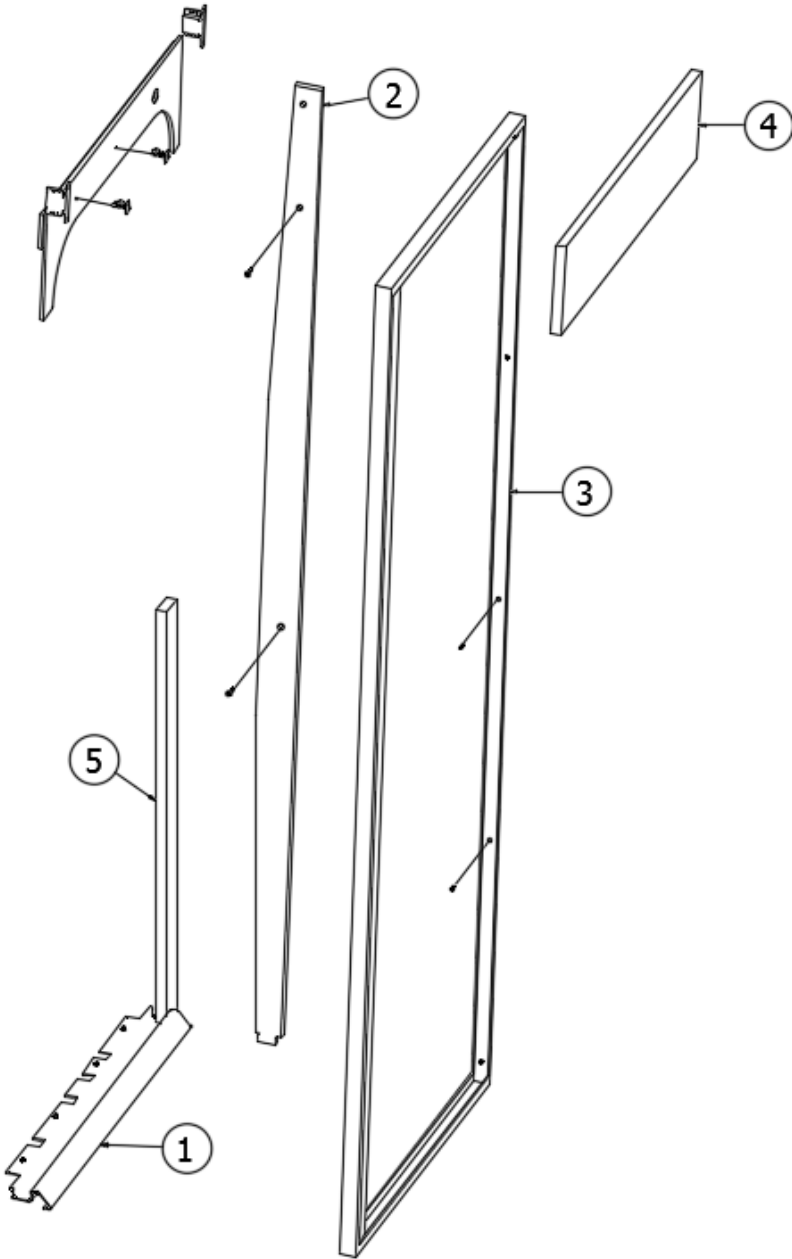
923283	Compartment door assembly, Forward
204012	Compartment door, Forward
923325	Compartment door assembly, Aft
204013	Compartment door, Aft
923326	Compartment door assembly, RS angled
204014	Compartment door, RS angled
923327	Compartment door assembly, CS angled aft
204015	Compartment door, CS angled aft
923328	Compartment door, CS angled, Forward, E1 Package Option
923328-01	Compartment door, CS Angled, Forward
204016	Compartment door, CS angled forward, E1 Package Option
204016-01	Compartment door, CS Angled Forward
115694	Extrusion, Door hinge
381435-02	Hatch, Access cover
923460-01	Flush Door-Atlas

### Entry Door

135166	Install, Main Door
112530	Install, Entrance Door Blind
372322	Door, Main Entry, PTL Engineering
372322-01	Black Vinyl, Door
372322-02	Plastic Trim, Door
372322-03	Adhesive, Door
372322-04	Seal, Door
372322-100	Latch, Rotary, Door 009-192
115921	Cutout, Entry Door Extrusion, 77.8"
115692	Extrusion, Hinge Body Rail, 190"
360422	Tape, 3M 2.5" X 36 yard
705029	Blind, Entrance Door
320111	Screw, #8 X 3/4" Stainless
115902	Threshold, Main Door
802730	Head knocker, Main door
970326	Closeout, Door, Carbin Fabric Laminate

# EXTERIOR DOORS

## Screen Door



112631

Sliding Screen Door Install

- 1. 115902
  - 2. 968756
  - 3. 372295
  - 4. 968777
  - 5. 968781
- 381228-02

- Threshold, Main door
- Closeout, Sliding screen door
- Sliding Screen Door
- Upper closeout, Screen door
- Closeout, Screen door
- Catch, Grabber door, 5LB



## WINDOWS

### Windows

372279	Window, Top hinge, 23.63 x 41.63
372286	Window, Top hinge, 17.63 x 28.75

## AWNINGS

### Awning

705031-01	Awning, Slide-out cover
705031-05	Awning, Armless, 4.5m, Carefree, Vertical Stripes, Tommy Aloe
705031-08	Extrusion, Roof mount, Mill finish, 171"
705031-09	Extrusion, Roof mount, Jet Black, 171"
705031-10	Extrusion, Awning Mounting, 15 3/4"
705031-11	Screw, Mounting Kit
705031-12	Switch (In/Out - On/Off)
705031-13	Fuse Holder
114290-01	Extrusion, Awning/drip rail, 197.25"
115886	Non insert drip rail
513229	Switch, Awning extend/retract
381667	Drive ratchet, 3/8"
382109	Extension, 3/8", 3" long

## WINDOW COVERINGS

### Shades

705054-01	Roadside Slide Out Power Venetian
705054-02	Curbside Power Venetian
705054-03	Galley Manual Tension Venetian
705054-04	Remote, Somfy, 4 Channel
705029	Blind, Entrance Door

### Cockpit Window Shades

704861	Window Shade Kit-Cockpit
704861-01	RS Window Shade For Cockpit
704861-02	CS Window Shade For Cockpit Wi
704861-03	CS Window Shade For Cockpit
704861-04	Carry Bag for Window Shade kit

## ELECTRICAL, 110 VOLT

### Distribution Center

512547	Power Center, AC/DC, Black
514029	Power Center, 30a 110vac/12vdc, E1 Package Option

### Energy Management System

514366	Energy Management Display
512357-02	Control, Power, Energy Management System

### Shoreline Hookup

513797-01	Power inlet, 30 amp, SmartPlug
513809	Power cord, 30 amp, SmartPlug

### Inverter/Converter

512609	Magnum inverter/converter w/transfer switch, 1K watt
512609-04	Remote display module
512609-02	Sensor, Battery temperature

### Receptacles and USB Ports

511912	Wall plate, Single gang, Snap on, Chrome
512481-02	Receptacle, 20 amp, Single, Brown
513355	USB charger/HDMI/coax, Black
513331	USB power inlet w/poly fuse
511814-01	Receptacle, Duplex, Gray
511815-01	Receptacle, Duplex, Self-contained, Black
512741-05	Outlet, Exterior, 120 Volt

### Breakers, 110V

510564-01	Breaker, Bryant ,20 AMP
510564-02	Breaker Bryant 30 AMP
510564-04	Breaker, Type BRD, BD 20-20
510564-07	Breaker Bryant 15 GFI

## ELECTRICAL, 12 VOLT

### Battery

513811	12V Battery (LI System)
513827	Battery Minder-12V 2/4/8A,120V
386420	Battery Heater Switch Plate
513392	Main disconnect w/remote operator
513506	Disconnect - Low Voltage
204219	Battery box, Lower, Plastic
204220	Battery box, Upper, Plastic
381806	Insulation, #4 double sided, Foil
455853	Heat Shield, Battery
386419	Label, Lithium battery box
386552	Label, Vented battery compartment
386556-08	Label, QR code, Atlas

### Battery, E1 Package Option

514061-01	Flex Pack 4, Battery, Volta
-----------	-----------------------------

### Chassis & House Charging

513827	Battery Minder, 12V
--------	---------------------

## ELECTRICAL, 12 VOLT

### Alternator

514358	Alternator Kit, Balmar
514358-01	Alternator, Balmar
514190	Cable Kit, Alternator
514325	Belt, Balmar Alternator
514302	Belt, Alternator, Mercedes

### Alternator, Secondary, E1 Package Option

135038	Install, Volta Alternator
514061-05	Alternator, Volta (4x2 & 4x4)
514061-08	Alternator, Volta (AWD)
382871	Belt, Alternator, Serpentine, Volta
514302	Belt, Alternator, Mercedes

### Volta Components, E1 Package Option

514061-01	Flex Pack 4, Battery, Volta
514061-02	Power Distribution Hub, Volta
514061-03	Display Screen, Volta
514061-04	Push Button Assembly, Volta
514061-05	Alternator, Volta (4x2 & 4x4)
514061-08	Alternator, Volta (AWD)
514061-06	External Harness, Volta
514061-07	Bluetooth Kit, Volta

## ELECTRICAL, 12 VOLT

### Firefly System

514142-01	G12 Main Board, 3010001
514142-02	Touchscreen, Color, Lyra, 301004, SW20(T), 7"
514142-03	Touchscreen, Color, Lyra, 3010002, SW21, 5"
514142-04	Backplane Assembly, Drop Tap, 70974
514142-07	Backplane Assembly, Drop Tap, G4 Terminator Tap, 70975
514142-09	2-Relay 120v Module W/ Connector & Pigtails, 70034a
514142-10	Module Assembly A/C Power Monitor, 70039
514142-11	Harness Assembly, A/C Power Monitor, Dual CTs 70039C2
514142-15	(V7) G12 Black Label, 3010016
514142-16	Pre-Programmed Firefly Shade Module, 705303
514142-24	3010026, Relay, #2 Black Label
514142-29	AGS Warning Label

### Solar System

513957-01	Solar panel, 100W, Merlin TBS-P0410WHLO, 46.10 x 21.45"
513958-01	Solar panel, 200W, Merlin TBS-P0830WHRO, 39.88 x 46.5"
513475-08	Display-Control Blue Solar Charge Controller
513475-03	CBL-BL SOL CNTRL-.9M-90 CONN
513475-01	Controller MPPT 150/35
513006	Solar entry plate

### Solar System, E1 Package Option

513957-01	Solar panel, 100W, Merlin TBS-P0410WHLO, 46.10 x 21.45"
513958-01	Solar panel, 200W, Merlin TBS-P0830WHRO, 39.88 x 46.5"
513958	Solar panel, 200W, Merlin TBS-P0830WHRO, 39.88 x 46.5"
513935	Solar Controller, Zamp, 8A Max
513006	Solar entry plate
513898	Solar Port, Sidewall

## ELECTRICAL, 12 VOLT

### Breakers & Fuses, 12V

510947-08	Breaker, 12V DC, Type II, 12V8
510947-15	Breaker, 12V DC, Type II, 12V15
510947-20	Breaker, 12V DC, Type II, 12V20
500773-07	Fuse, ATC, 12V DC, 7.5 amp
500773-10	Fuse, ATC, 12V DC, 10 amp
500773-15	Fuse, ATC, 12V DC, 15 amp
500773-20	Fuse, ATC, 12V DC, 20 amp
500773-30	Fuse, ATC, 12V DC, 30 amp
512660-50	Terminal fuse, 50A, Red
512660-200	Terminal fuse, 30-200 Amp
512278-150	Fuse, Type BF1-32, 150 amp
512661	Fuse block terminal, 30-300A, Single

### Cable Kits

513984	Cable kit, Main 12VDC
514102	Cable Kit, Main 12VDC, E1 Package Option

### Tank Monitor System

513069-01	Flush mount monitor, panel only
514051-01	Tank Sensor, 12"
365417	Tape, Extreme sealing, 3M
360389	Rubberized Undercoating, 3M

### Rearview Monitor Camera

513644	Mirror/Dispay
513105	Camera kit, L/R mirror integrated w/controller and cables
513105-101	Side mirror cap camera mounts
513105-102	Harness, Camera connection
513105-103	Camera switcher harness
513105-104	Camera switcher
513105-105	Side camera
513105-106	Adapter harness, Front camera
513031	Camera, Third brake light
513197	Cable, 5pin to RCA power cable, 10 meter
513639	Cable - 5 Pin Video

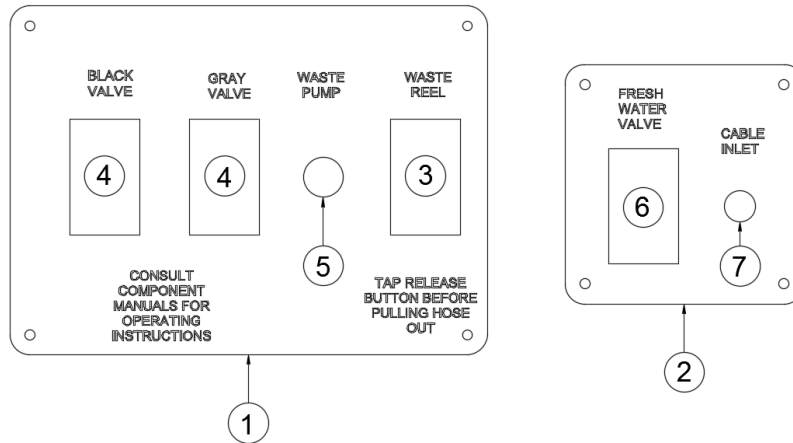


## ELECTRICAL, 12 VOLT

### Buzzer

512515 Buzzer, Low Current, Sonic, 10mA, 12V

### Switch Panels



- |   |  |
|---|--|
| <ul style="list-style-type: none"> <li>1. 386361</li> <li>2. 386339</li> <li>3. 513550</li> <li>4. 513128</li> <li>5. 602205-01</li> <li>6. 513079</li> <li>7. 510623</li> <li>510623-01</li> </ul> | <ul style="list-style-type: none"> <li>Panel, Exterior Switches</li> <li>Water valve/Coax cover plate</li> <li>Switch, Spring centered, Retract/Release</li> <li>Switch, Momentary spring center to off w/light</li> <li>Switch, 20 Amp, Macerator</li> <li>Switch, Momentary w/light</li> <li>Coax connector</li> <li>Coax connector locking nut</li> </ul> |
|---|--|

### Switches

- |  |   |
|--|---|
| <ul style="list-style-type: none"> <li>513356</li> <li>513441</li> <li>705031-12</li> <li>512434</li> <li>513079</li> <li>513128</li> <li>513116</li> <li>513229</li> <li>513354</li> <li>602205-01</li> <li>514061-04</li> <li>513613</li> <li>512950-05</li> </ul> | <ul style="list-style-type: none"> <li>Switch, Step hold ON/OFF, TV lift UP/Down</li> <li>Controller, TV lift</li> <li>Switch (In/Out – On/Off), Awning</li> <li>Switch, ON/OFF, LP valve</li> <li>Switch, Momentary w/light</li> <li>Switch, Momentary spring center to off w/light</li> <li>Switch, Slide out/extend/retract</li> <li>Switch, Awning extend/retract</li> <li>Switch, Overhead door magnetic contact</li> <li>Switch, 20 Amp, Macerator</li> <li>Push Button Assembly, Volta, E1 Package Option</li> <li>Switch Assembly, DPDT, Main Disc. Light/Switch</li> <li>Start/Stop Switch &amp; LCD Meter, Generator</li> </ul> |
|--|---|

## ELECTRICAL, 12 VOLT

### Interior Lights

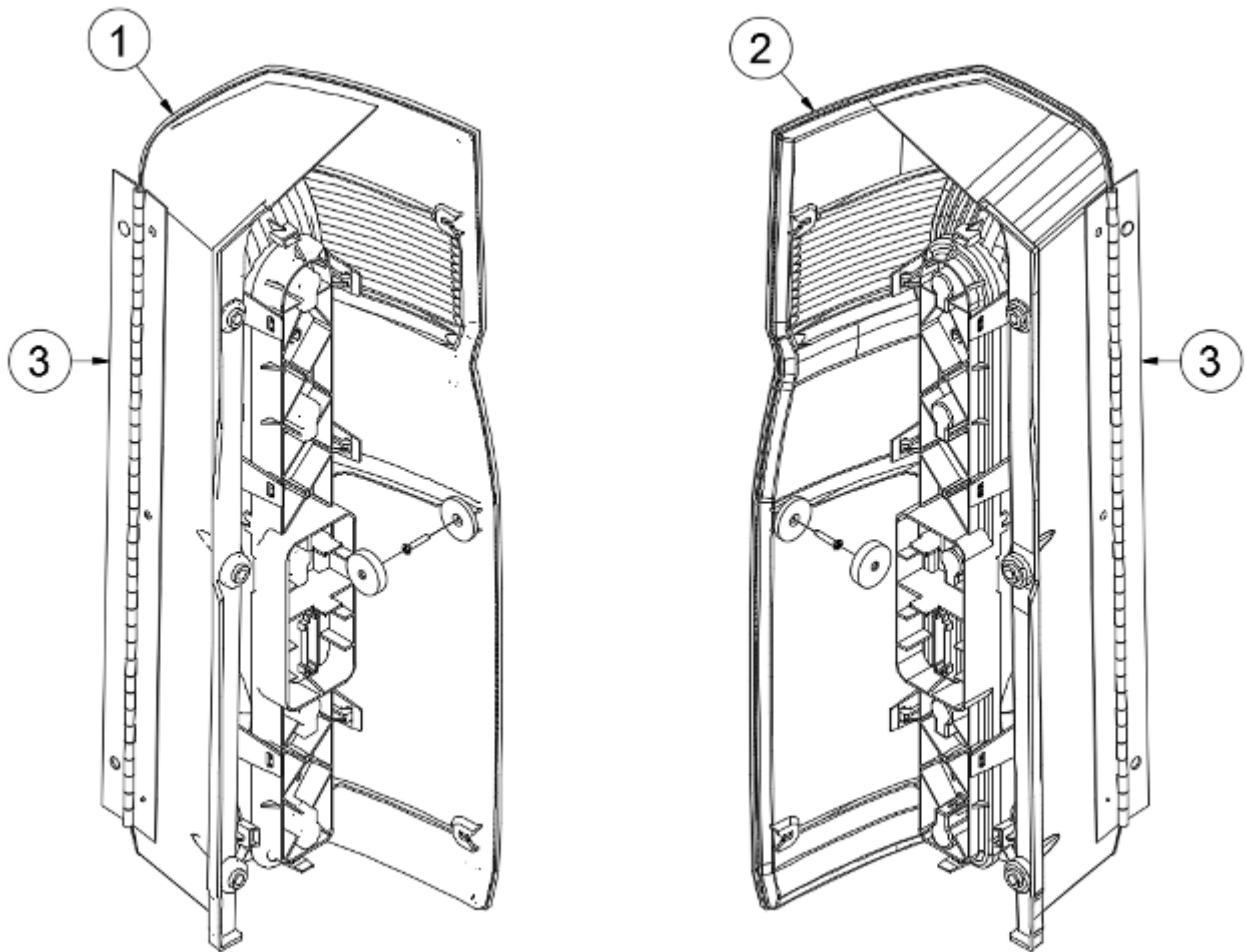
512659-01	Tape light channel, 6'
513103	Lightbar w/switch, 16"
513070	Aisle light, Motion activated, Stainless Steel
513072	LED light, Luna diffused linear, 68"
513078	Light, Threaded Docking
513119	Track for Luna lighting, Cut to 68"
513330	Reading light, Flexible, LED
513671-03	Light, LED flex tape, 45.63
513671-04	Light, LED flex tape, 53.5
513743-36	Light, LED flex tape, 35.4
513743-53	Light, Led flex tape, 53.1
513747-23	Light-LED Flex Tape 1/2" X 23.5"
513747-86	Light-LED Flex Tape 1/2" X 86.75"
512987	Spot-Light, Ceiling

### Exterior Lights

512793	LED porch light, Chrome
513037	Grab handle w/LED lights, Exterior
203358-01	Extrusion, Black plastic
203358-02	Lens diffuser
513034	Light, License plate lamp
513078	Light, Threaded docking w/mounting clip
513885	LED marker/clearance light, Yellow
513886	LED marker/clearance light, Red
513224	Light w/motion sensor & ON/OFF/Auto switch

## ELECTRICAL, 12 VOLT

### Taillight Assembly



513226 Mercedes Sprinter Taillight, Driver side  
513227 Mercedes Sprinter Taillight, Passenger side

- 1. 512953 Taillight, LH
- 2. 512954 Taillight, RH
- 3. 380203-02 Piano hinge, Aluminum, 2" open width
- 203838 Taillight inside cover, CS
- 203839 Taillight inside cover, RS
- 455255 Bracket, Taillight
- 115836 Bracket, CS taillight close-off
- 115837 Bracket, RS taillight close-off
- 365417 3M extreme sealing tape
- 203998 Bracket, Brake light
- 365435 Gasket, Taillight bracket

## ENTERTAINMENT

### Audio

513949 Radio, Fusion  
513949-01 Cage, Single-DIN  
512492-04 Antenna w/25' cable, Roof mount  
513964 Soundbar, JBL  
514209-3 JBL Speaker, Stage 3 Series, 4"  
514209-6 Grill, JBL Speaker, 4"  
513907 Speaker/Subwoofer JBL Basspro Nano  
513907-01 Volume knob, Subwoofer  
514010-06 Cable, Optical audio, 6'

### Video

514030 King Antenna, Omni Digital, OTA TV Antenna, OA1651-OE-1  
511635 Plate, Dual cable entry  
512398 Wall plate power supply  
511534 Dual coax plate, White  
512406 Connector, RG6 Hex compression  
512407 Coax cable, RG6  
511645 "Y" Adapter - Male To 2-Female - RCA

## ENTERTAINMENT

### TV and Entertainment Cabinet

690774	Samsung TV, 43"
513964	Soundbar, JBL
513821	TV Lift-12V-Cass Hudson-ATL
455765	Bracket, TV closeout
204211	Closeoff, TV lift
512366-10	HDMI cable, Male to male, 10'
512366-25	HDMI cable, Male to Male, 25'
513356	Switch, Step hold ON/OFF, TV lift UP/Down
513441	Controller, TV lift
513441-01	Wire harness, TV lift
968680-01	Entertainment Center
969821-01	Entertainment Center, E1 Package Option

### Connected Kit, Aftermarket

514215	Router, Peplink-Max, Bri Mini, HW3
513637-12	Peplink wifi/GPS/cellular antenna base, Black
513637-02	WiFi antenna mounting kit
513637-14	Harness, 3M, 2 WiFi, 1 GPS
513495-AG	Wi-Fi switch plate
513469	Key switch, ON/OFF

### Starlink Satellite

135268	Install, Starlink
514267	High Performance Kit, Starlink
514268	Wedge Mount, Starlink Antenna
514267-1	Dish/Antenna, Starlink
514267-2	Mount, Power Supply, Starlink
514267-3	Power Supply, Starlink
514267-4	Mount, WiFi
514267-5	WiFi Router, Starlink
513018	Mount, Cable Tie, 4-way
511237	Tie Cable, 7.88"

## FLOOR COVERINGS

### Floor Covering

704351	Flooring, Teak
703968	Floor guard, Underbelly material, 102" wide, Black
360282-04	Glue, clear
365413	Tape, Moisture barrier
701538-01	Carpet, Econolier Velour Black w/PSA back applied
704596	Floor mat, Tommy Bahama

## FURNITURE, INTERIOR DOORS AND MIRRORS

### Interior Doors

969696	Bath door
602616	Shower door, Curved glass

### Roof Locker Doors

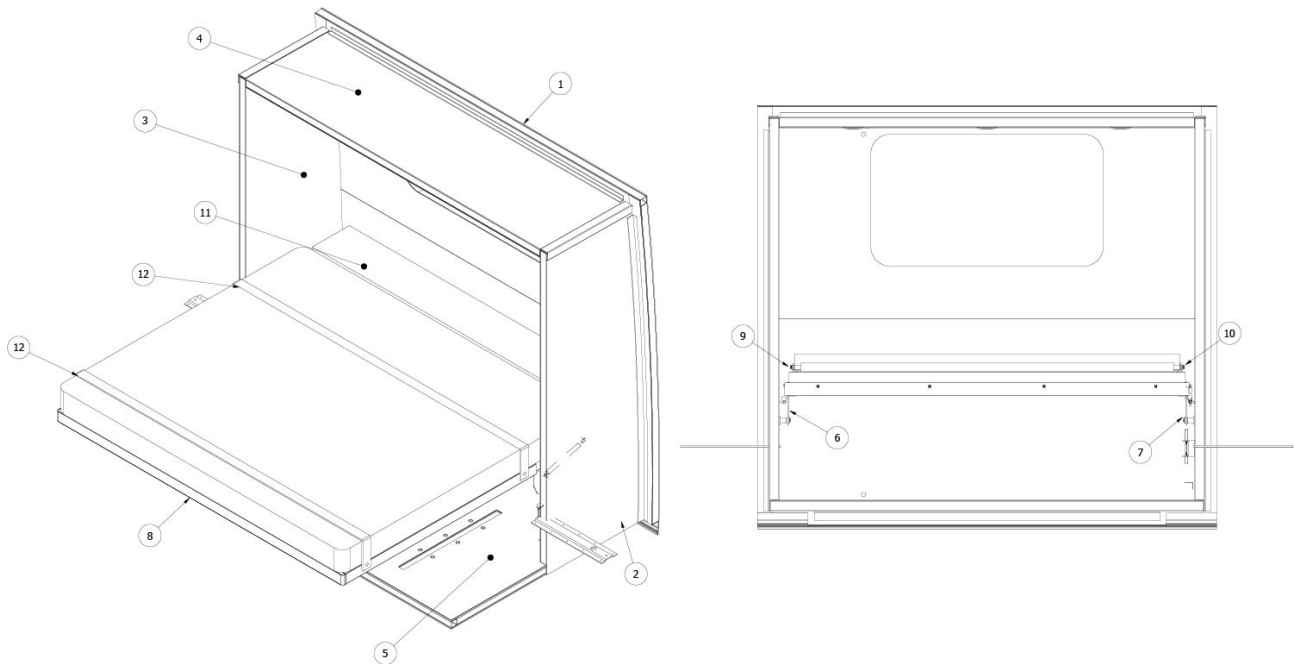
204031-07	Frosted door, Tommy logo, Right side
204031-08	Frosted door, Tommy logo, Left side
802298-1639	Door, Macchiato, 12.38 X 28.81"
802298-1839	Door, Macchiato, 12.38 X 25.75"
802298-1239	Door, Macchiato, 12.38 x 17.38"
802298-1939	Door, Macchiato, 12.38" X 34.62"

### Mirrors

372203-15	Safety glass, Mirrored
385940-02	Mirror pull, Chrome
203963	Mirror, Vanity visor
371468-01	Mirror, Tommy, 1/8" x 38" x 15"
802326-0039	Mirror Frame, Tommy
371469-01	Mirror, Angled, Bar, Top
371469-02	Mirror, Angled, Bar, Bottom

## FURNITURE, LOUNGE

### Murphy Bed



112520-01

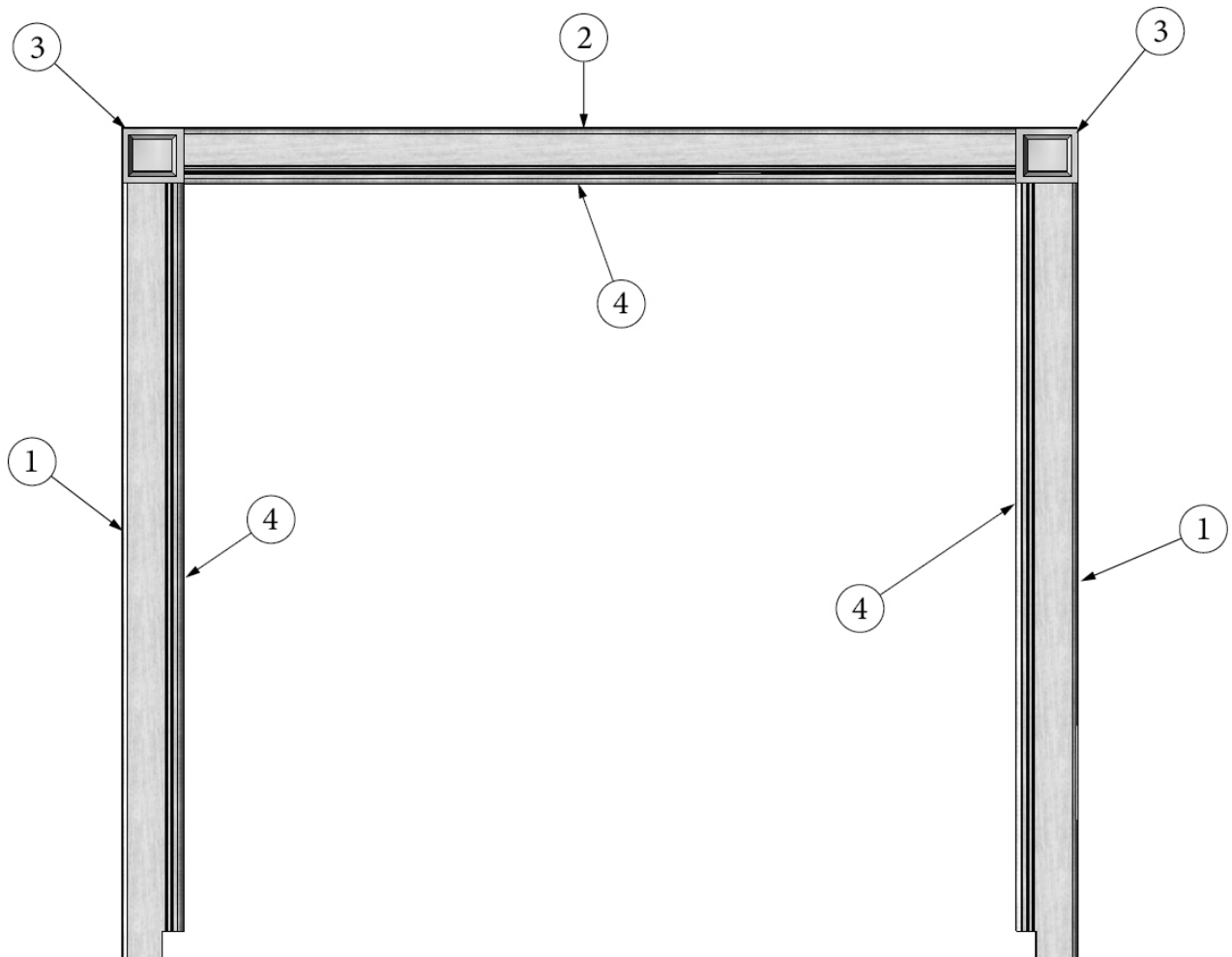
Murphy Bed Install

- |               |                                      |
|---------------|--------------------------------------|
| 1. 923268     | Slide-out room assembly              |
| 2. 923271     | Slide-out forward wall assembly      |
| 3. 923272     | Slide-out aft wall assembly          |
| 4. 923273     | Slide-out roof assembly              |
| 5. 923492     | Slide-out floor assembly             |
| 6. 455190-01  | Murphy bed lift, LH                  |
| 7. 455442     | Murphy bed hinge, RH                 |
| 8. 968846     | Murphy bed frame/wall                |
| 9. 455140-01  | Pillow cushion bracket, LH           |
| 10. 455140-02 | Pillow cushion bracket, RH           |
| 11. 968514    | Flip down pillow support cushion     |
| 12. 704405    | Strap, Secure Murphy bed mattress    |
| 371468-01     | Mirror, Tommy, 1/8" x 38" x 15"      |
| 455234        | Angle, Top slide-out                 |
| 411041        | Power slide-out system, Schwintek    |
| 513098        | Slide-out room controller, Schwintek |
| 382390        | Gas spring w/fittings                |
| 455350        | Murphy bed frame, Aluminum           |
| 99900P-2224   | Froli spring mat                     |
| 455803        | Bed Stop, Floor Mounted Bracket      |
| 382759        | Bumper, Bed Stop, 3/4" OD            |



## FURNITURE, LOUNGE

### Facia, Hardwood, Slide-out/Murphy Bed



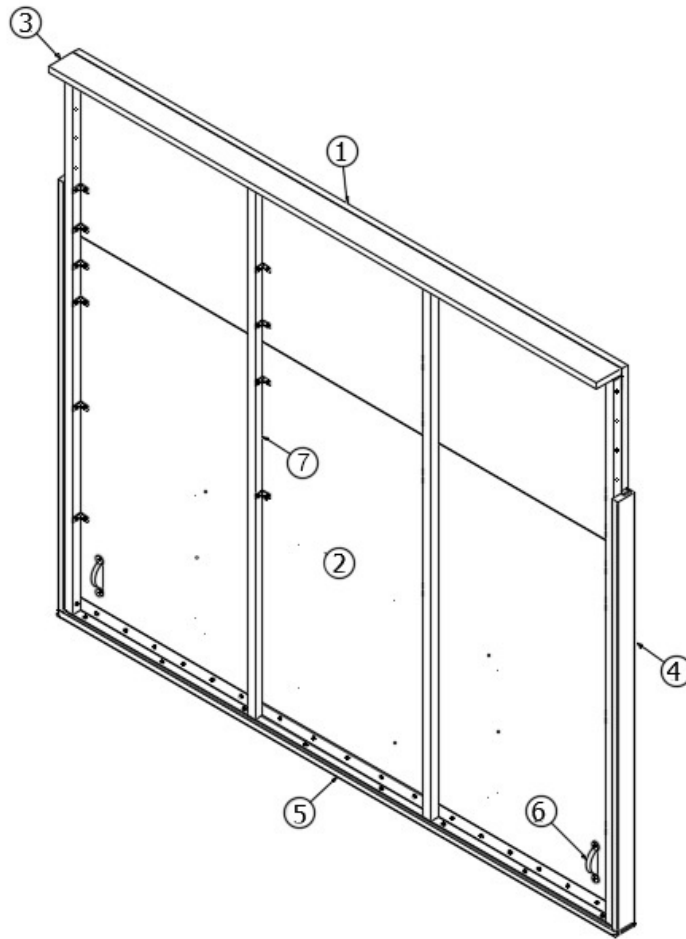
112407

Facia, Hardwood, Slide-out

- |                |                                       |
|----------------|---------------------------------------|
| 1. 802147-0039 | Fascia W/Groove, Macchiato, 5.5 x 80" |
| 2. 802175-0039 | Fascia W/Groove, Macchiato, 5 x 80"   |
| 3. 802724-0039 | Corner Block, Macchiato               |
| 4. 800571-0039 | Molding, Flat, Macchiato, .52"        |
| 116468         | Fascia Trim Top, Galvanized steel     |
| 116469         | Fascia Trim Side, Galvanized steel    |
| 320035         | Screw, #8 x 1/2 Phillips, Type A      |
| 360422         | Tape, 3M, 2.5" x 36 yard              |

## FURNITURE, LOUNGE

### Murphy Bed Frame and Wall



968846

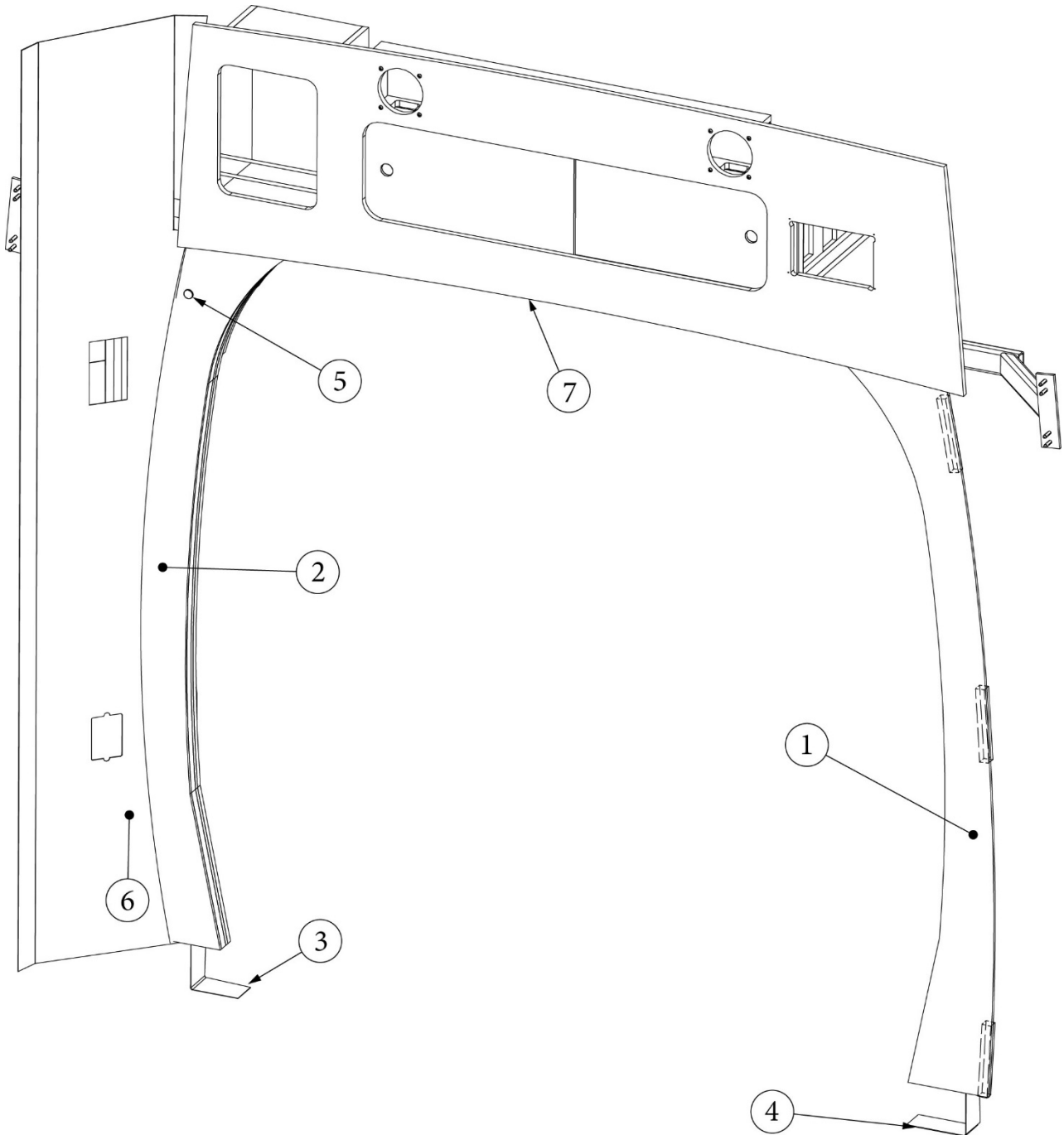
Murphy bed frame/wall

- 1. 968846&000118CE
- 2. 968846&000218CE
- 3. 968846&000318BB
- 4. 802325-0039
- 5. 802324-0039
- 6. 382420
- 7. 455350
- 381610-02
- 371468-01
- 802326-0039

- Panel, 20.268 x 73.25
- Panel, 42.88 x 73.25
- Panel 2.25 x 71
- Trim- Murphy Bed Sides
- Trim- Murphy Bed End
- Pull, Concealed
- Murphy Bed Frame-Alum
- Cover Cap Plas. European Brown
- Mirror, Tommy, 1/8" x 38" x 15"
- Mirror Frame

# FURNITURE, LOUNGE

## Forward RS and CS Wall



Parts Listed on Next Page

## FURNITURE, LOUNGE

### Forward RS and CS Wall

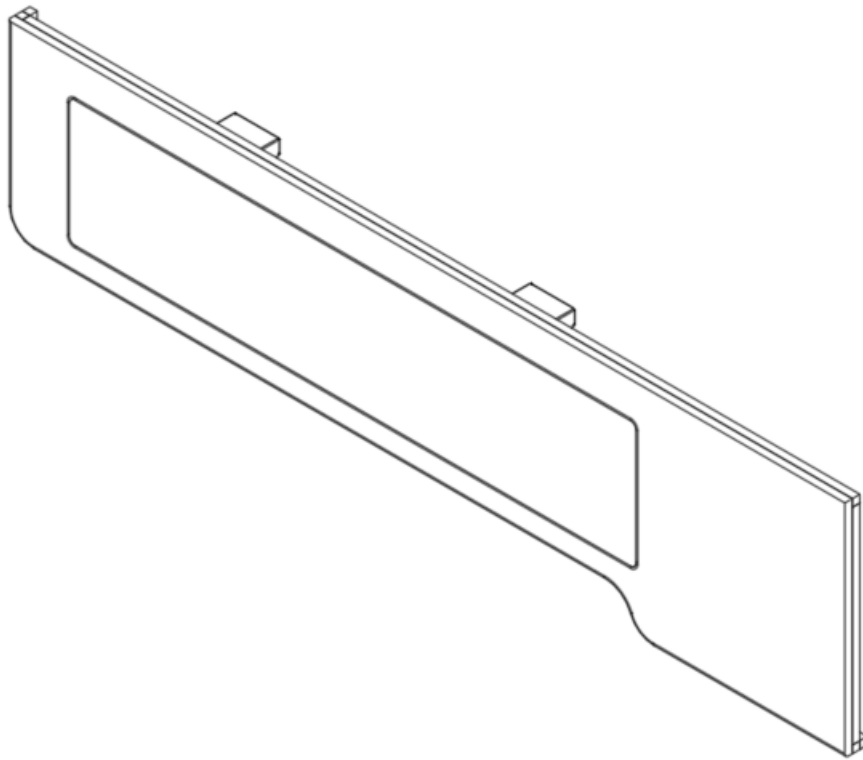
112419-01

RS and CS Wall Install

1. 998265-01 Cover, RS Cab Corner Closeouts
2. 998265-02 Cover, CS Cab Corner Closeouts
3. 923349 Filler strip, RS
4. 923348 Filler strip, CS
5. 700811 Button, Fabric covered
6. 115833 Front, RS forward interior corner wall
7. 969669-01 Assembly, Front Overhead Locker
- 104408 Horizontal rib, 48"
- 968536 Crosscar cab closeout
- 700813 Button, Nail bottom
- 704088-02 Fabric, Suede, Sarandave Impala, w/Foam backing
- 704088 Fabric, Suede, Sarandave Impala

FURNITURE, LOUNGE

Entertainment Center Top

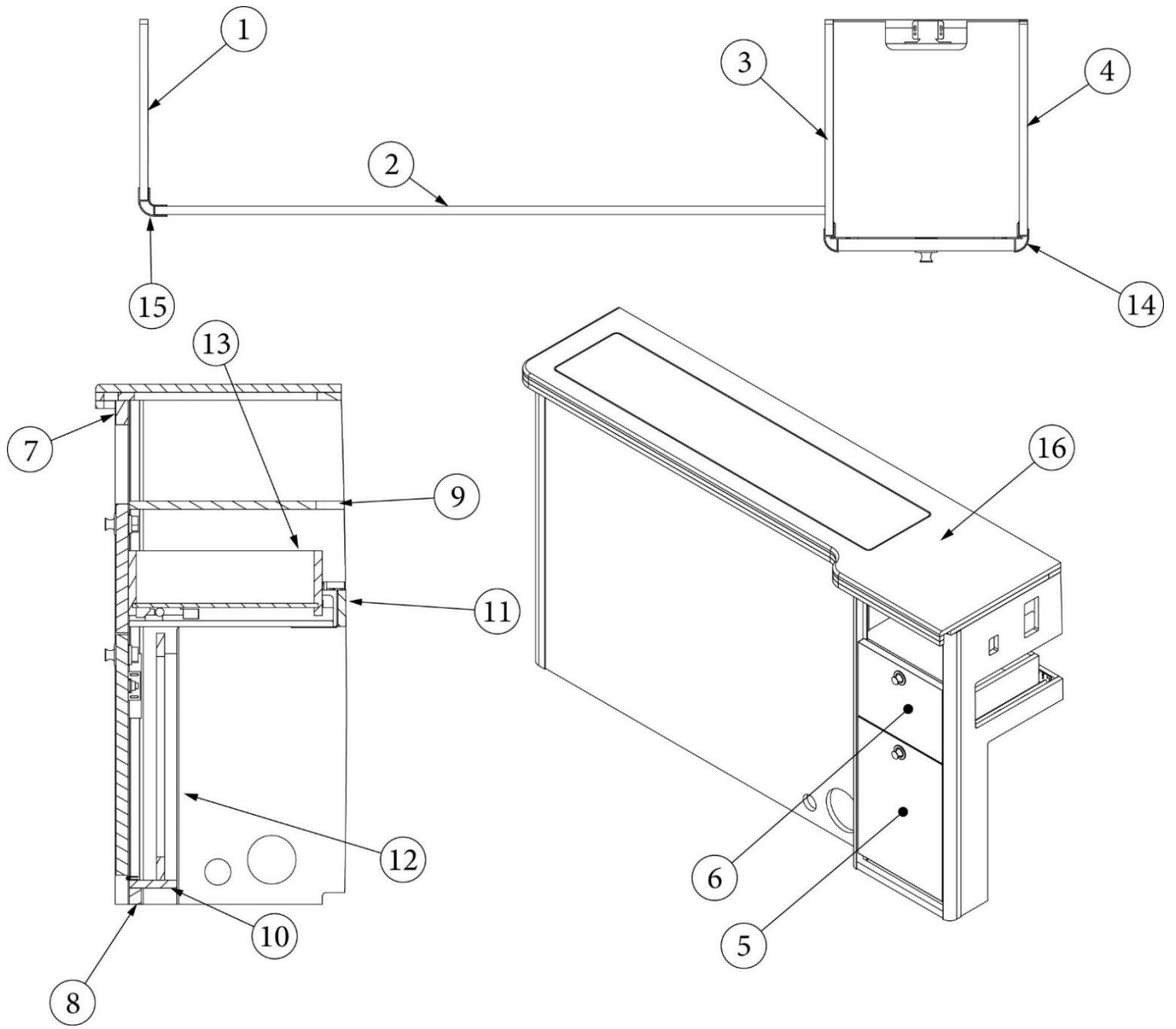


602460-02  
382396

Top, Entertainment center, Verano White  
Bungee spring

# FURNITURE, LOUNGE

## Entertainment Center



Parts Listed on Next Page

## FURNITURE, LOUNGE

### Entertainment Center

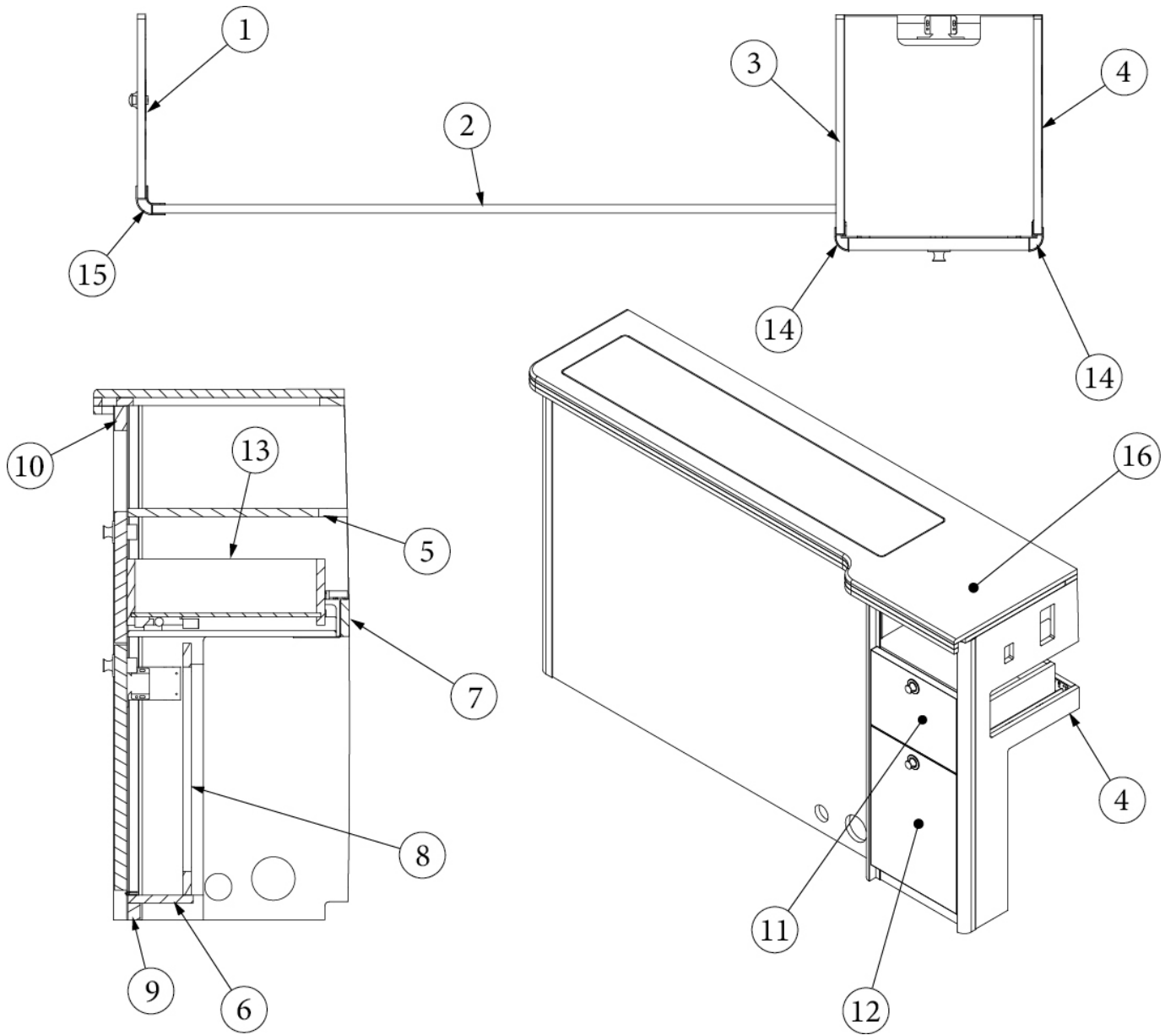
968680-01

Entertainment Center

1. 968680&010112BB Pre laminate, 10.81 x 31.13"
2. 968680&010212BB Pre laminate, 41.25 x 31.13"
3. 968680&010312BB Pre laminate, 12.97 x 31.13"
4. 968680&010412BB Pre laminate, 12.97 x 31.03"
5. 968680&012418BB Pre laminate, 10.58 x 14.85"
6. 968680&012318BB Pre laminate, 10.58 x 7.95"
7. 968680&010718BB Pre laminate, 10.95 x 1.50"
8. 968680&010818BB Pre laminate, 10.95 x 0.69"
9. 968680&010918BB Pre laminate, 11.31 x 1"
10. 968680&011112BB Pre laminate, 3.95 x 11.45"
11. 968680&011212BB Pre laminate, 2.25 x 11.45"
12. 968680&011312BB Pre laminate, 11.20 x 15.25"
13. 968224-08 Drawer box, 4 x 12
14. 116394-01 Corner trim, Aluminum
15. 116395-01 Extrusion, 1" radius corner
16. 602460-02 Top, Entertainment center, Verano White
- 382820-02 Drawer slide, Selfclose, 12"
- 382820-06 Clips, Adjustable undermount slides
- 382820-07 Bracket, Rear mounting
- 382125 Piano hinge, Clear anodized
- 115871 Standoff bracket w/mount holes
- 381228-02 Catch, Grabber door, 5LB
- 382059-02 Knob, Push/pull, Nickel
- 365412-01 Edgebanding, Macchiato, 5/8"
- 365412-02 Edgebanding, Macchiato, 15/16"

# FURNITURE, LOUNGE

## Entertainment Center, E1 Package Option



Parts Listed on Next Page



## FURNITURE, LOUNGE

### Entertainment Center, E1 Package Option

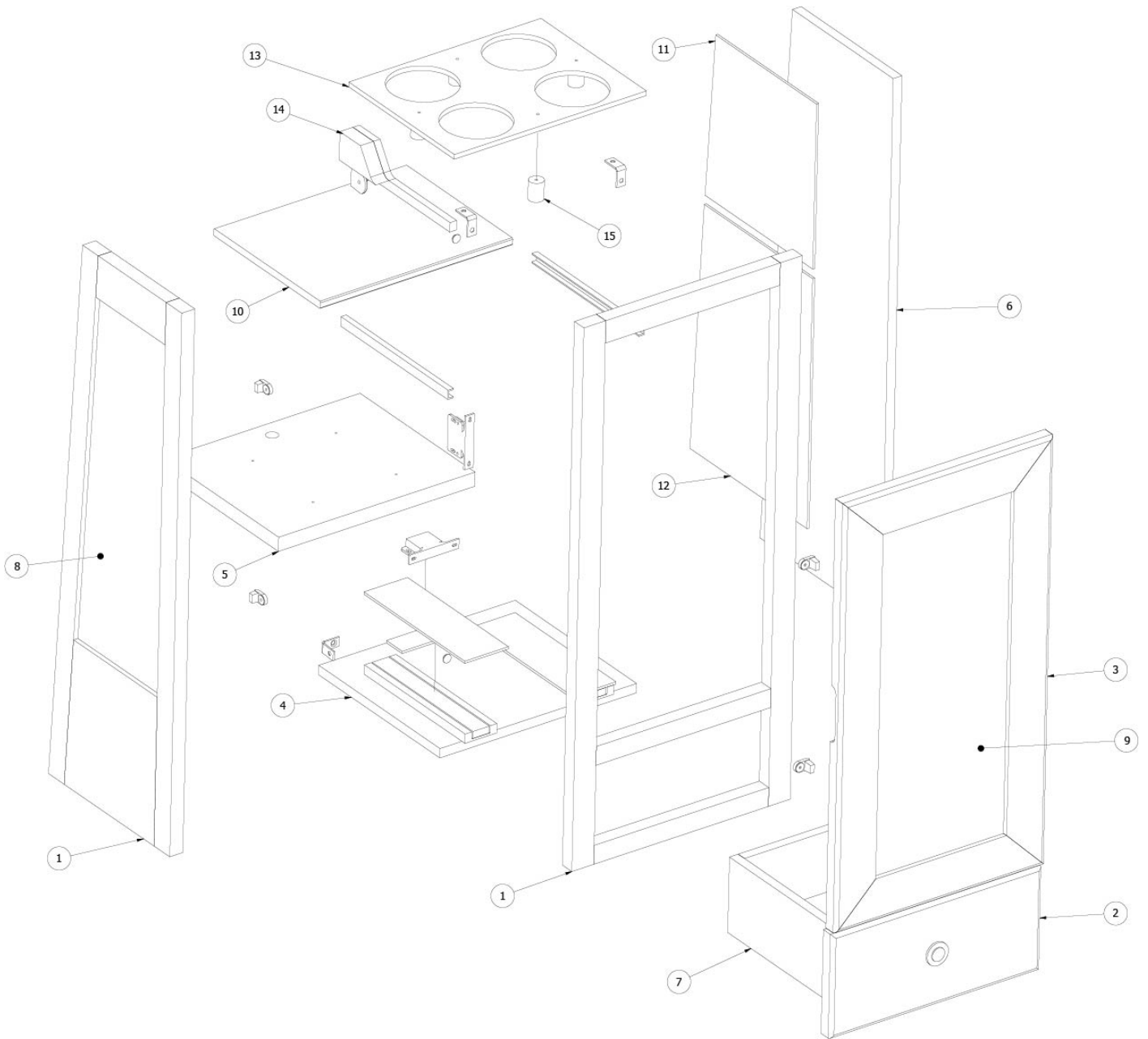
969821-01

Entertainment Center, E1 Package Option

1. 969821&000112BB	Pre laminate, 10.81 x 31.13"
2. 969821&000212BB	Pre laminate, 41.25 x 31.13"
3. 969821&000312BB	Pre laminate, 12.97 x 31.13"
4. 969821&000412BB	Pre laminate, 12.97 x 31.03"
5. 969821&000512BB	Pre laminate, 10.58 x 14.85"
6. 969821&000612BB	Pre laminate, 10.58 x 7.95"
7. 969821&000712BB	Pre laminate, 10.95 x 1.50"
8. 969821&000812BB	Pre laminate, 10.95 x 0.69"
9. 969821&000918BB	Pre laminate, 11.31 x 1"
10. 969821&001018BB	Pre laminate, 13.29 x 11.45"
11. 969821&001318BB	Pre laminate, 3.95 x 11.45"
12. 969821&001418BB	Pre laminate, 2.25 x 11.45"
13. 968224-08	Drawer box, 4 x 12
14. 116394-01	Corner trim, Aluminum
15. 116395-01	Extrusion, 1" radius corner
16. 602460-02	Top, Entertainment center, Verano White
382820-02	Drawer slide, Selfclose, 12"
382820-06	Clips, Adjustable undermount slides
382820-07	Bracket, Rear mounting
382125	Piano hinge, Clear anodized
115871	Standoff bracket w/mount holes
381228-02	Catch, Grabber door, 5LB
382059-02	Knob, Push/pull, Nickel
365412-01	Edgebanding, Macchiato, 5/8"
365412-02	Edgebanding, Macchiato, 15/16"
690797-10	Sensor, Temperature, Elwell
690797-11	Cover, Temp sensor

# FURNITURE, LOUNGE

## Liquor Cabinet Assembly



Part Numbers on Next Page

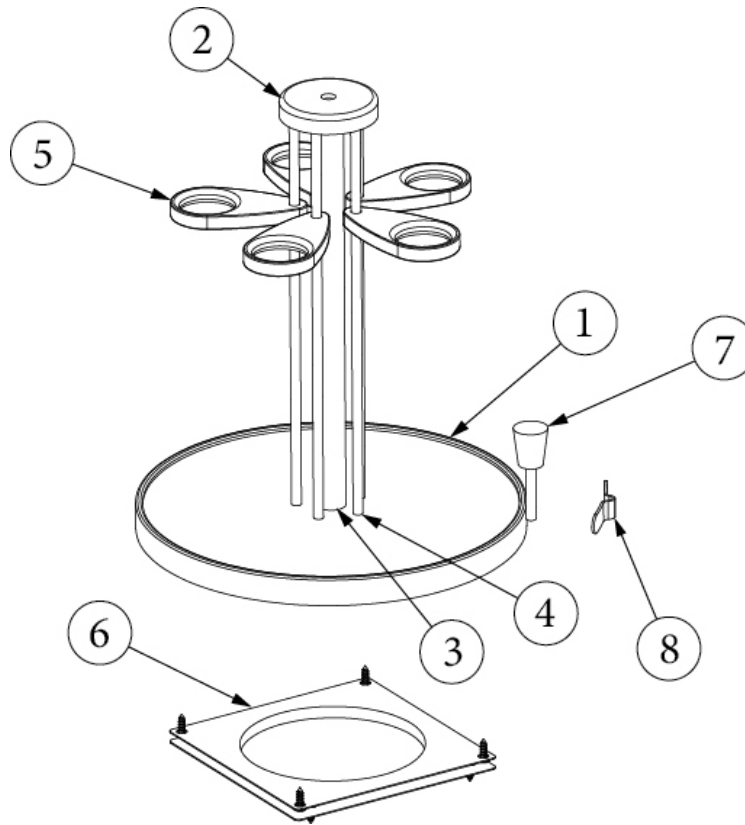
## FURNITURE, LOUNGE

### Liquor Cabinet Assembly

968826	Liquor Cabinet Assembly
1. 802336-0039	Face Frame, Liquor Cabinet
2. 802338-0139	Drawer Face, Smooth 5.5 x 12.0
3. 802337-0139	Door Frame – 12.0 x 22.75
4. 968826&000112BB	Panel, 11.63 x 9.88
5. 968826&000218BB	Panel, 11.25 x 9.13
6. 968826&000312BB	Pre laminate, 9.63 x 28.75
7. 968854-01	Drawer Box
8. 204040	Acrylic, Frosted, Angled
9. 204039-01	Acrylic Clear, 1/8" x 8.38 x 19.13
10. 204038	Acrylic Clear, 8.5 x 11
11. 371469-01	Mirror, Angled
12. 371469-02	Mirror, Angled
13. 204041	Acrylic Clear Tumbler Holder
14. 802339-0039	Filler - Liquor Cabinet, macchiato
15. 802341-0039	Wood standoff, Macchiato
968883	Assembly, Rotating Bottle Rack
382059-02	Knob, Push/Pull, Black Nickel
381400-02	Slide Drawer
381228-02	Black Catch Grabber
381688	Bumpons
382747	Hinge-Grass Face Frame
115612	Extrusion channel 3/8" Satin
380041	Brace 1" Stanley Corner
385963	Bracket MTG. Angle Lambrequin
345773-01	Retainer clip, Glass door
345773-02	Retainer clip insert, Glass door, .31
345773-03	Retainer clip insert, Glass door, .45

## FURNITURE, LOUNGE

### Rotating Bottle Rack, Liquor Cabinet Assembly



112824  
968883

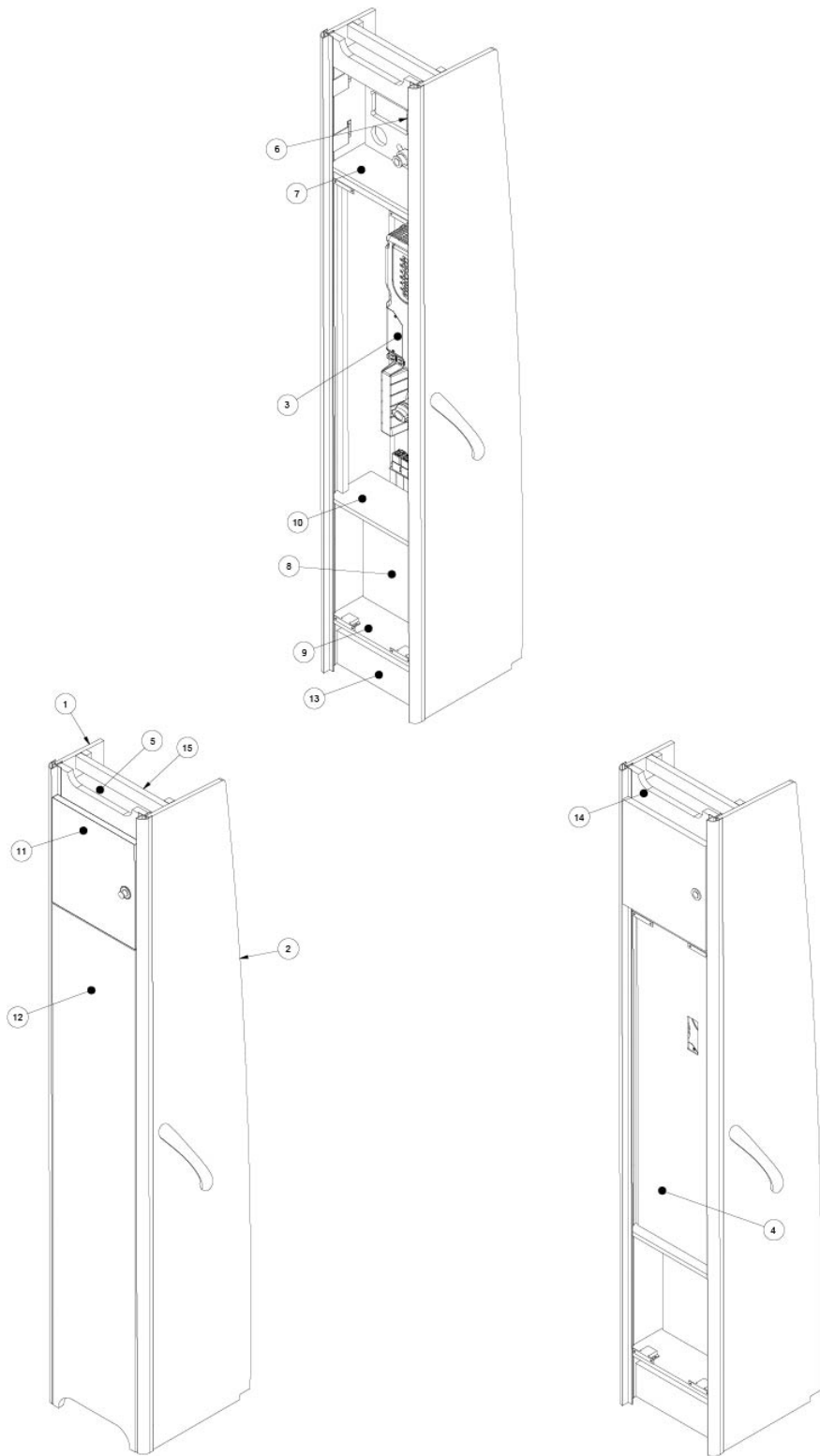
Install, Rotating Bottle Rack  
Assembly, Rotating Bottle Rack

1. 802348-0039
  2. 802351-0039
  3. 802350-0039
  4. 115042
  5. 802354
  6. 382625
  7. 802355-0039
  8. 704587
- 320035  
345688

Base, Rotating Bottle Rack, Macchiato  
Top, Rotating Bottle Rack, Macchiato  
Rod, Dowel, Macchiato, .75 x 11.00"  
Rod, Aluminum, .25" x 6'  
Collar, Bottle Neck  
Turntable, 6" Steel #1544t1  
Pin, Bottle Rack Lock, Macchiato  
Strap, Leather  
Screw, 8x1/2, Ph Type A Phil Wd  
Nail, Upholstery, Oil Rubbed

FURNITURE, LOUNGE

Corner Electronics Cabinet



Parts Listed on Next Page

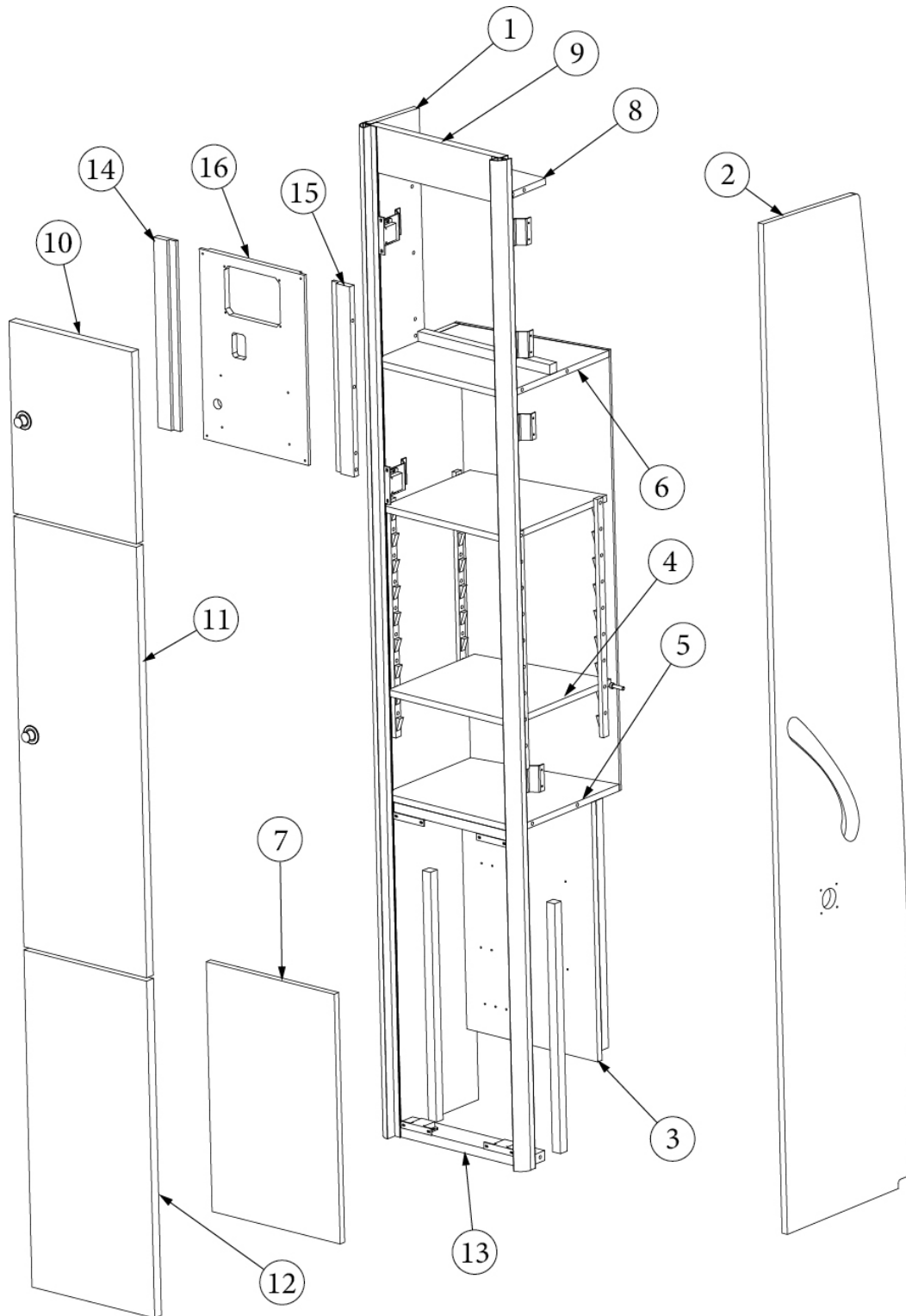
## FURNITURE, LOUNGE

### Corner Electronics Cabinet

968595-01	Electric Cabinet
1. 968595&010112BB	Panel, 9.47 X 76.93
2. 968595&010212BB	Panel, 14.06 X 76.93
3. 968659	Inverter stand
4. 968595&013103BE	Panel, 11.438 X 34.75
5. 968595&013812BB	Panel, 5.25 X 12.37
6. 968595&010612BB	Panel, 12.0 X 12.0
7. 968595&010712BB	Panel, 6.00 X 12.37
8. 968595&010812BB	Panel, 13.75 X 12.00
9. 968595&010912BB	Panel, 5.27 X 12.37
10. 968595&011012BB	Panel, 6.00 X 12.37
11. 968595&016018BB	Panel, 11.50 X 19.11
12. 968595&011218BB	Panel, 11.50 X 55.88
13. 968595&011318BB	Panel, 4.00 X 12.38
14. 968595&011418BB	Panel, 3.50 X 12.24
15. 968595&013918BB	Panel, 1.50 X 12.38
365412-01	Edgebanding, 5/8", Macchiato
365412-02	Edgebanding, 15/16", Macchiato
381228-02	Catch, Grabber door, 5LB
381607-15	Hinge, Soft-Close, Overlay, 110° swing
381607-16	Clip, Steel grass hinge
382059-02	Knob, Push/pull, Black Nickel
512960	Grab handle, Unlighted
116394-01	Corner trim, Aluminum
115871	Standoff bracket w/mount holes
381527	Shelf Strip, Speedy
701538-01	Carpet, Econoliner, PSA backing, 48"

# FURNITURE, LOUNGE

## Corner Electronics Cabinet, E1 Package Option



Parts Listed on Next Page

## FURNITURE, LOUNGE

### Corner Electronics Cabinet, E1 Package Option

969813-01

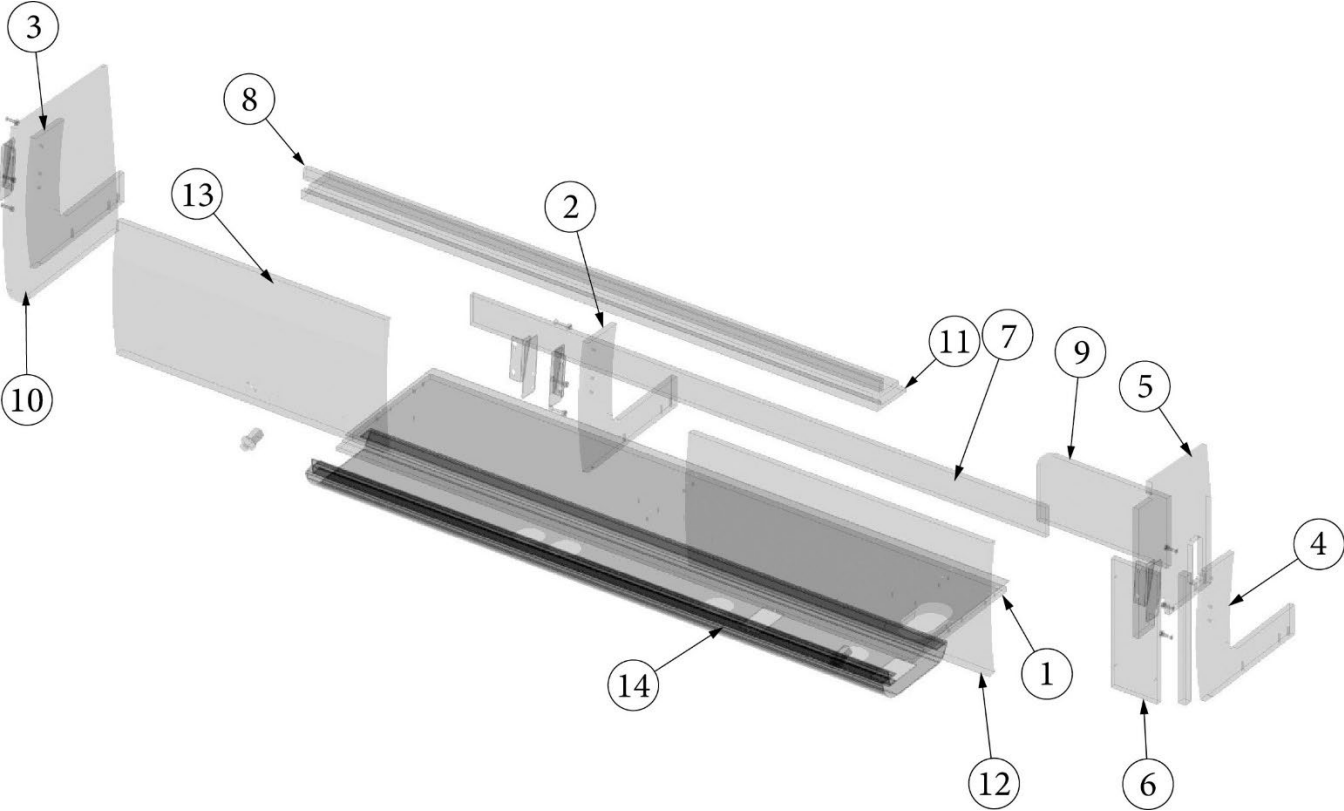
Electric Cabinet, E1 Package Option

1. 969813&000112BB	Pre laminate, 9.47 x 76.85"
2. 969813&000212BB	Pre laminate, 14.17 x 76.85"
3. 969813&000312BB	Pre laminate, 12.25 x 19.75"
4. 969813&000512BB	Pre laminate, 11.43 x 11.25"
5. 969813&000612BB	Pre laminate, 12.37 x 11.5"
6. 969813&000712BB	Pre laminate, 12.37 x 11.5"
7. 969813&000812BB	Pre laminate, 12 x 19"
8. 969813&000912BB	Pre laminate, 12.37 x 4.14"
9. 969813&001018BB	Pre laminate, 12.24 x 3.5"
10. 969813&001518BB	Pre laminate, 11.5 x 14.6"
11. 969813&001618BB	Pre laminate, 11.5 x 32.75"
12. 969813&001318BB	Pre laminate, 11.5 x 25.63"
13. 969813&001418BB	Pre laminate, 12.38 x 2.25"
14. 969813&003812BB	Pre laminate, 1.87 x 14.47"
15. 969813&003912BB	Pre laminate, 1.87 x 14.47"
16. 969813&004112BB	Pre laminate, 9.81 x 14.47"
365412-01	Edgebanding, 5/8", Macchiato
365412-02	Edgebanding, 15/16", Macchiato
381228-02	Catch, Grabber door, 5LB
381607-15	Hinge, Soft-Close, Overlay, 110° swing
381607-16	Clip, Steel grass hinge
382059-02	Knob, Push/pull, Black Nickel
512960	Grab handle, Unlighted
116394-01	Corner trim, Aluminum
115871	Standoff bracket w/mount holes
381527	Shelf Strip, Speedy
701538-01	Carpet, Econoliner, PSA backing, 48"



FURNITURE, LOUNGE

Roof Locker, CS



Parts Listed on Next Page

## FURNITURE, LOUNGE

### Roof Locker, CS

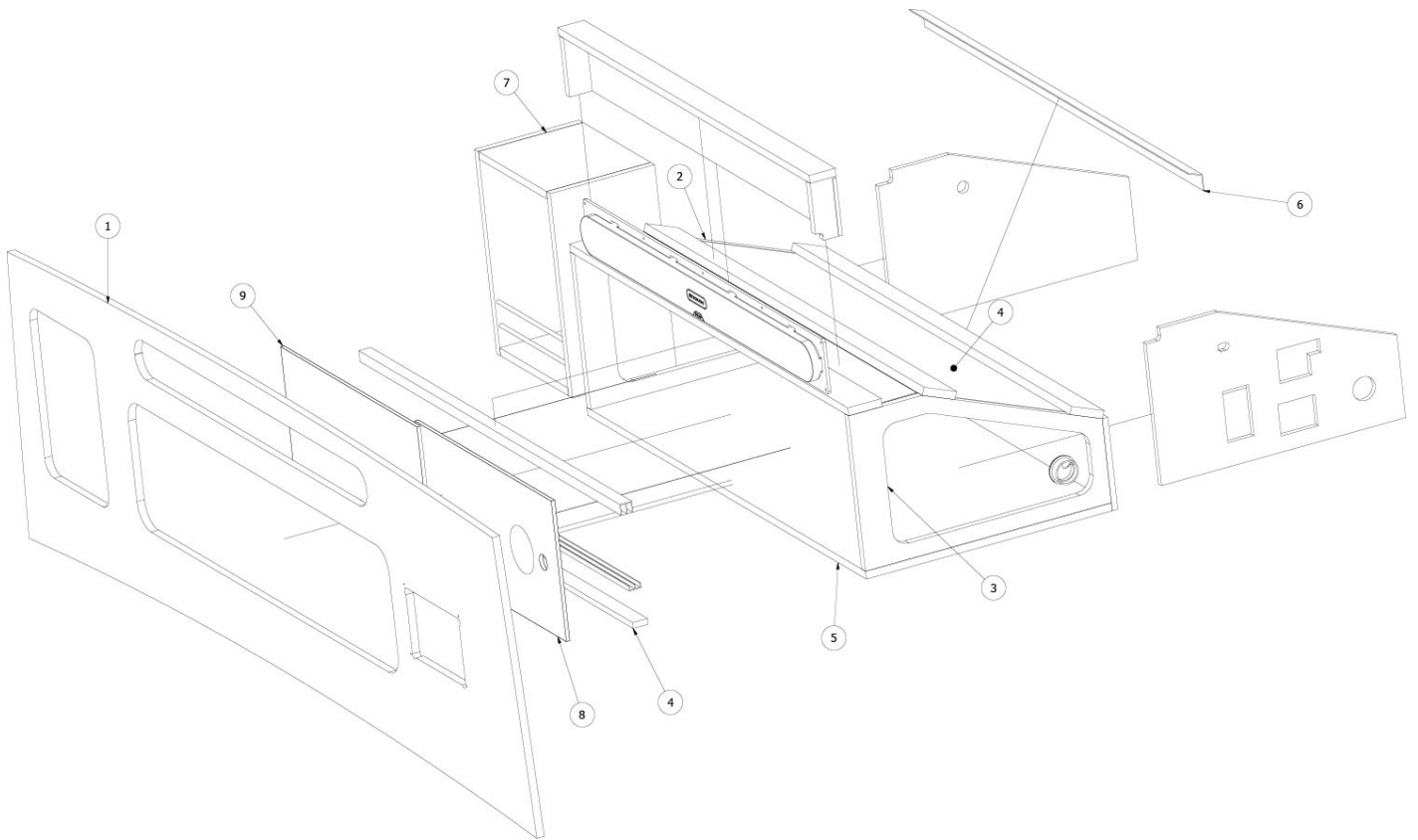
970220-01

CS Roof Locker, Starlink

1. 970220&000112BB	Pre laminate, 0.50 x 12.88 x 55.13"
2. 970220&000212BB	Pre laminate, 0.50 x 12.87 x 12.12"
3. 970220&000312BB	Pre laminate, 0.50 x 12.87 x 12.12"
4. 970220&000412BB	Pre laminate, 0.50 x 12.87 x 12.12"
5. 970220&000512BB	Pre laminate, 0.50 x 10.0 x 13.54"
6. 970220&000612BB	Pre laminate, 0.50 x 4.41 x 11.94"
7. 970220&000712BB	Pre laminate, 0.50 x 2.75 x 50.19"
8. 970220&000812BB	Pre laminate, 0.50 x 1.00 x 55.13"
9. 970220&000912BB	Pre laminate, 0.50 x 12.50 x 6.50"
10. 970220&001012BB	Pre laminate, 0.50 x 15.27 x 16.78"
11. 970220&001118BB	Pre laminate, 0.75 x 3.99 x 55.13"
12. 802298-1639	Door, Macchiato, 12.38 X 28.81"
13. 802298-1839	Door, Macchiato, 12.38 X 25.75"
14. 116393-01	Aluminum extrusion
382059-02	Knob, Push/pull, Nickel
365412-01	Edgebanding, Macchiato, 5/8"
365412-02	Edgebanding, Macchiato, 15/16"
701538-01	Carpet, Ecoliner W/PSA Back
381688	Rubber Bumpon, Clear
382227	Hinge, Spring, Nickel
381610-02	Cover Cap Plas. European Brown

## FURNITURE, LOUNGE

### Roof Locker, Front Overhead



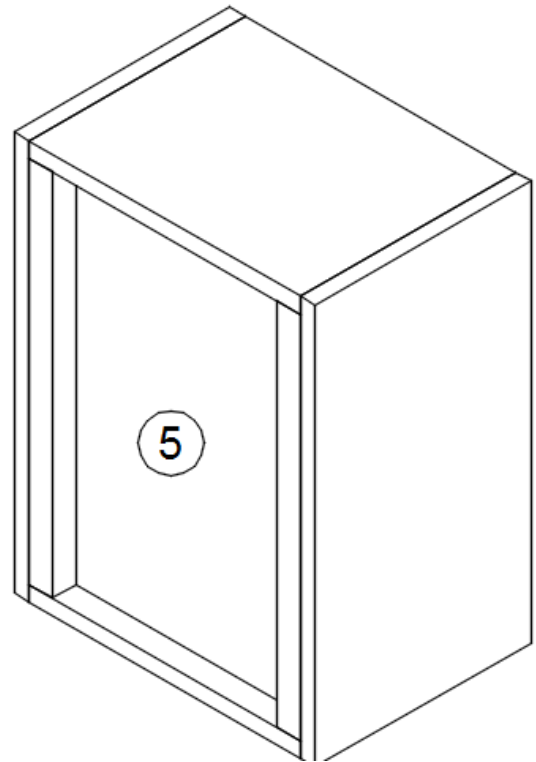
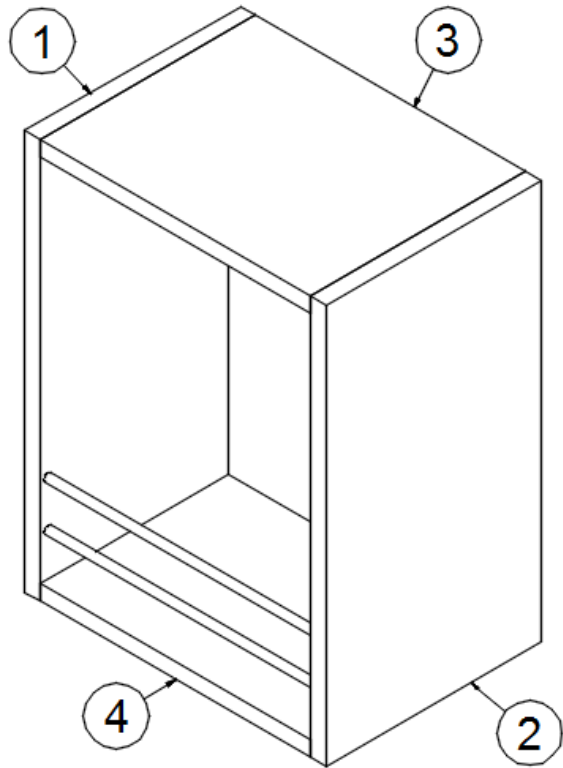
969669-01

Front Overhead Locker Assembly

- |                    |                                      |
|--------------------|--------------------------------------|
| 1. 969669&000112BB | Pre laminate, 19.39 x 65.63          |
| 2. 969669&000212BB | Pre laminate, 9.89 x 16.5            |
| 3. 969669&000312BB | Pre laminate, 9.89 x 16.5            |
| 4. 116365          | Closeout, Front rooflocker           |
| 5. 969669&000512BB | Pre laminate, 16.5 x 36              |
| 6. 115562          | Aluminum angle, 70°, 1 x 1           |
| 7. 968516          | Cubby assembly                       |
| 8. 204031-07       | Frosted door, Tommy logo, Right side |
| 9. 204031-08       | Frosted door, Tommy logo, Left side  |
| 203388-01          | Track, Sliding door, Black           |
| 203445-03          | T-molding, .5", Tan                  |
| 381209-01          | Grommet w/cap, 1.5", Black           |
| 701538-01          | Carpet w/PSA backing                 |
| 703991             | Seal, Pile weather strip, Black      |
| 514209-3           | JBL Speaker, Stage 3 Series, 4"      |
| 514209-6           | Grill, JBL Speaker, 4"               |
| 365412-01          | Edgebanding, 5/8", Macchiato         |

## FURNITURE, LOUNGE

### Cubby, Front Overhead



968516

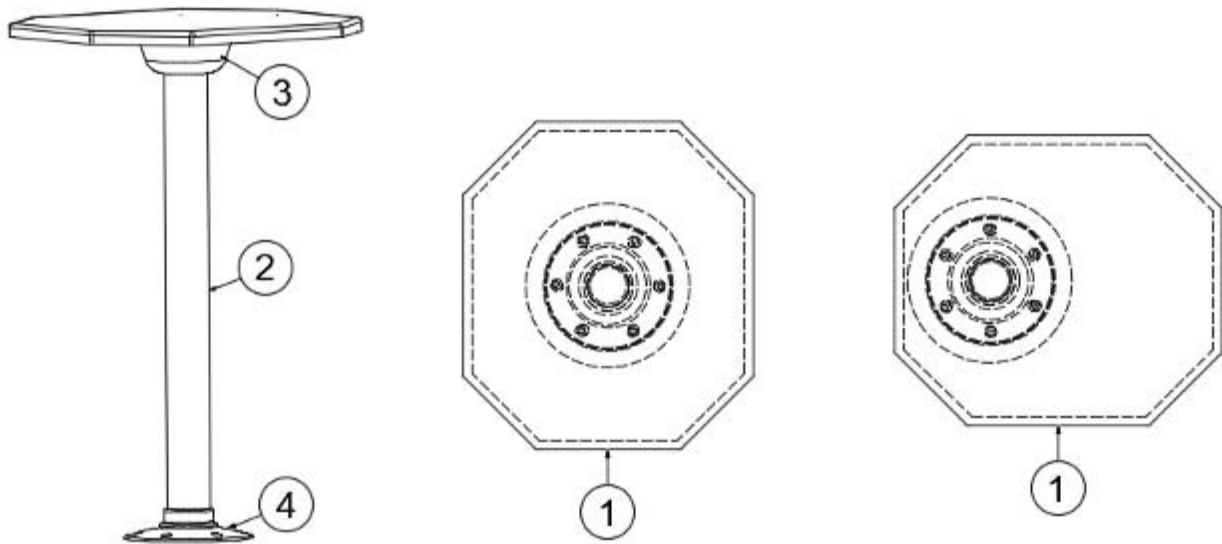
Cubby, Front Overhead Roof Locker

1. 968516&000112BB
2. 968516&000212BB
3. 968516&000312BB
4. 968516&000412BB
5. 968516&000503BE  
115042

- Panel, 7 x 13
- Panel, 7 x 13
- Panel, 7 x 8.79
- Panel, 7 x 8.79
- Panel, 8.79 x 12  
Aluminum rod

## FURNITURE, LOUNGE

### Pedestal Table



968496

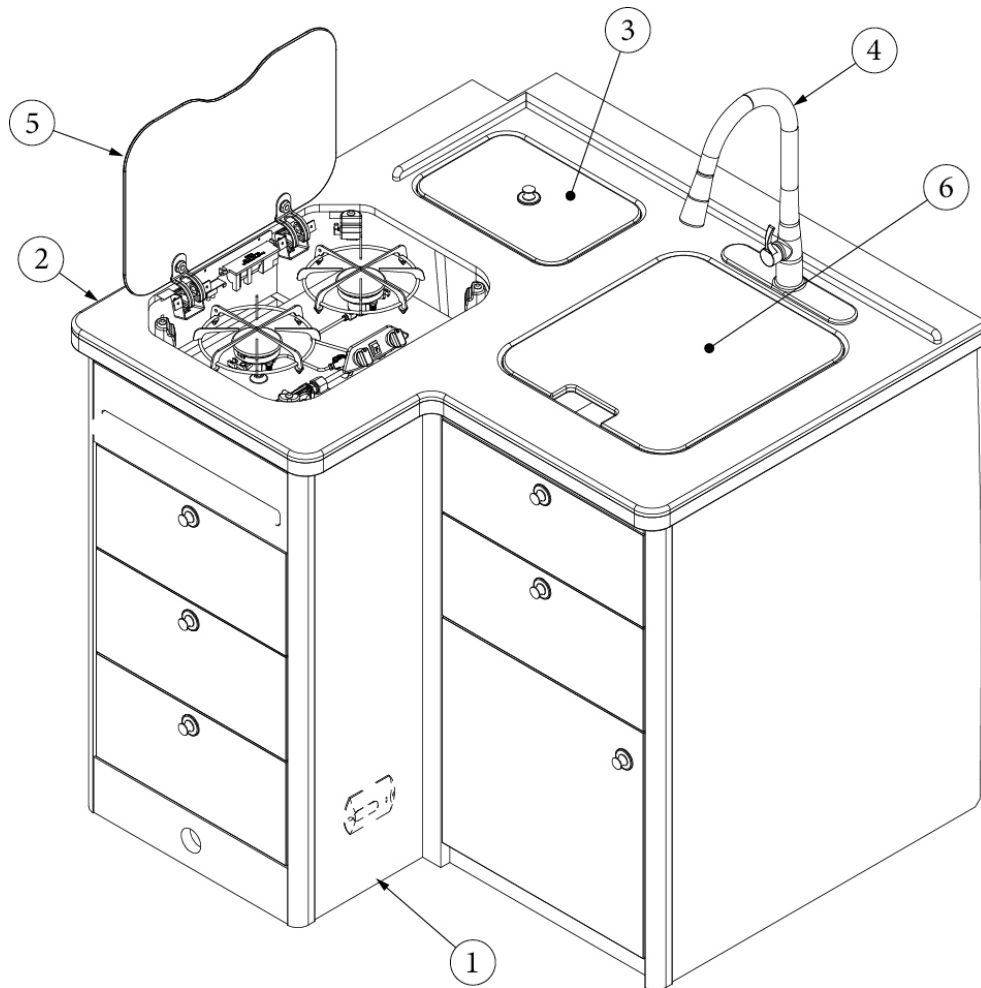
1. 602861
2. 381974
3. 381975
4. 381976

### Pedestal Dinette Tables

- Pedestal table, White Quartz  
Pedestal leg, Thread lock  
Pedestal socket, Table top  
Pedestal socket, Floor

## FURNITURE, GALLEY

### Galley Install



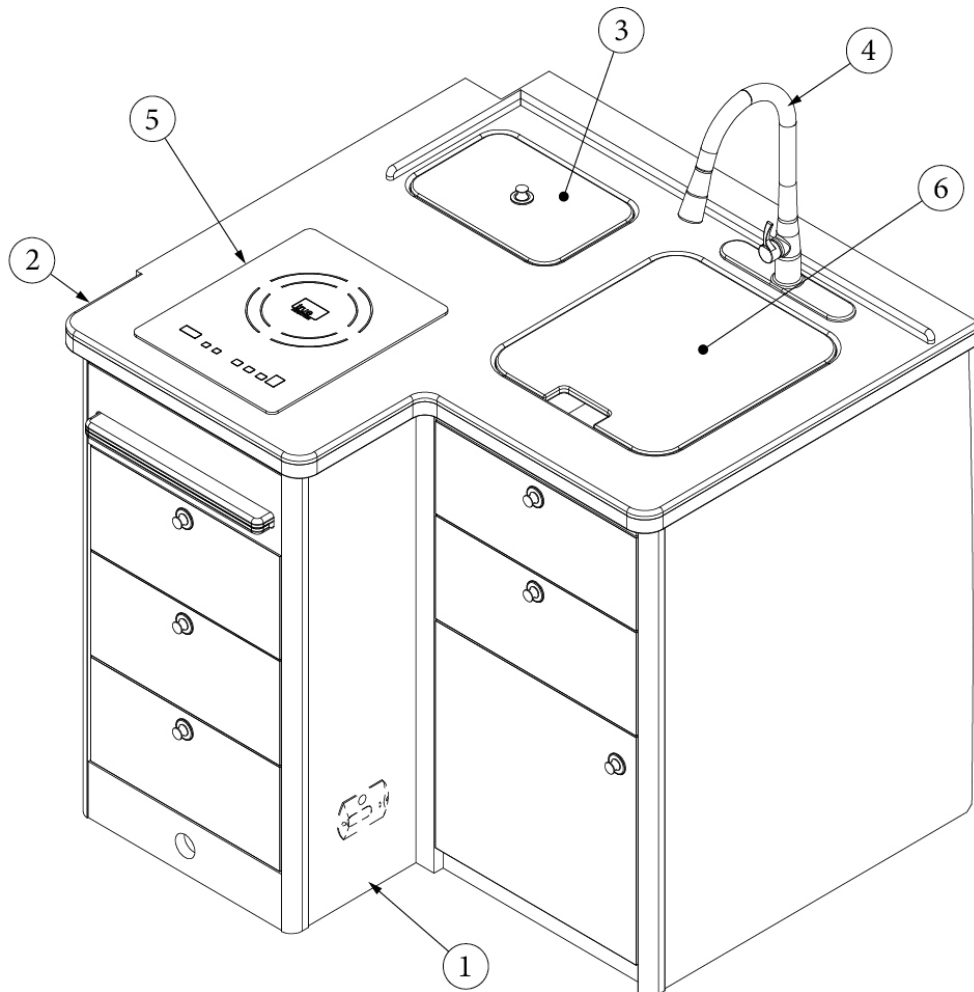
112337-01

### Galley Install

- |              |   |
|--------------|---|
| 1. 968566-01 | Galley assembly                               |
| 2. 602589-05 | Galley top, Solid surface, Sandstorm          |
| 3. 602591-05 | Cover, Waste basket, Solid surface, Sandstorm |
| 4. 602634    | Faucet, Galley                                |
| 5. 690816    | Cooktop, Two Burner, Suburban 3036AST         |
| 6. 602592-05 | Sink cover, Solid surface, Sandstorm          |
| 602551       | Sink, Undertone                               |
| 600968       | Basket strainer                               |

## FURNITURE, GALLEY

### Galley Install, E1 Package Option



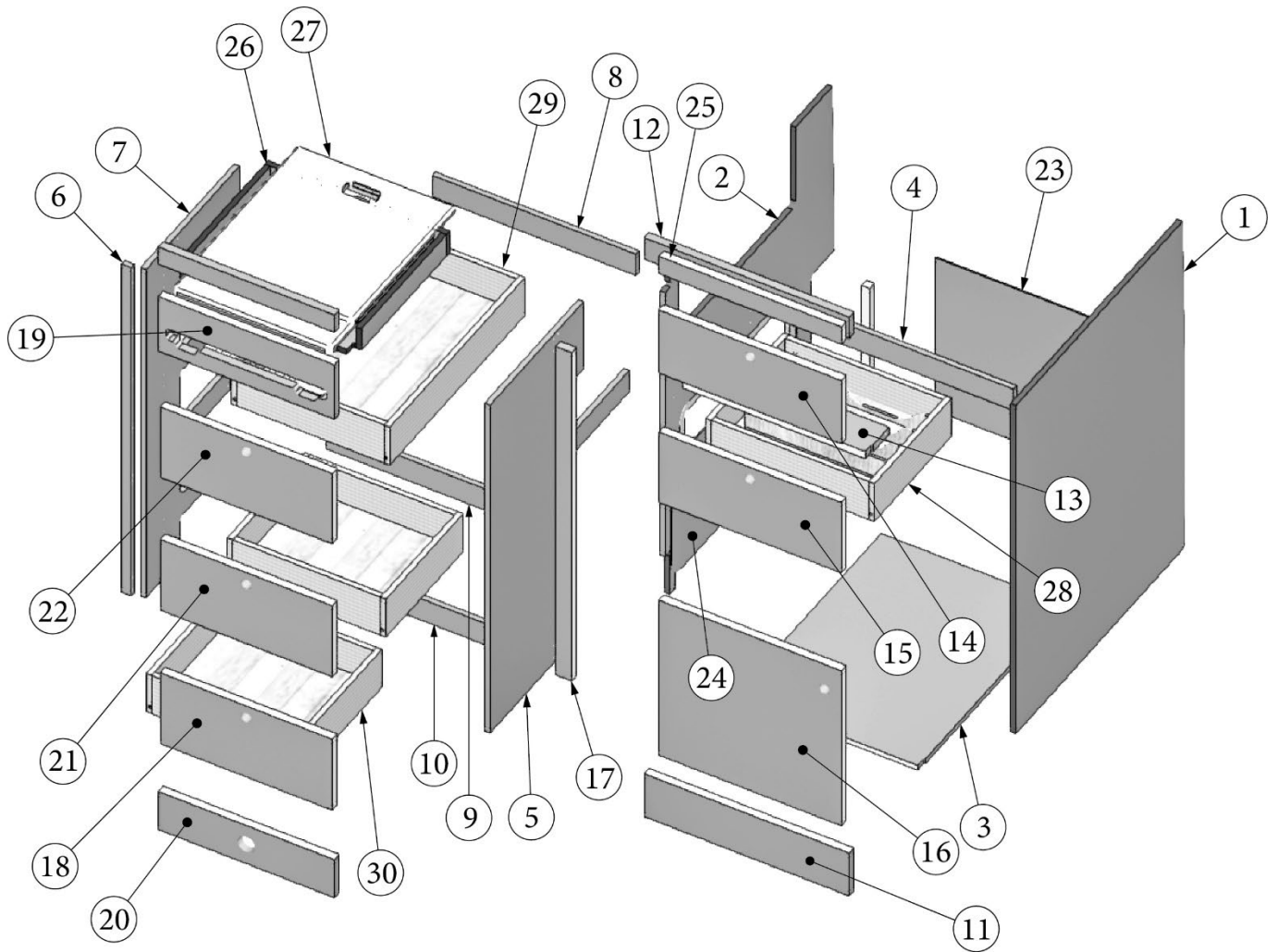
113952-01

Galley Install, E1 Package Option

- |              |   |
|--------------|---|
| 1. 968566-01 | Galley assembly                               |
| 2. 602910-04 | Galley top, Solid surface, Sandstorm          |
| 3. 602591-05 | Cover, Waste basket, Solid surface, Sandstorm |
| 4. 602634    | Faucet, Galley                                |
| 5. 514023    | Cooktop, Induction, 1000W, Single Burner      |
| 6. 602592-05 | Sink cover, Solid surface, Sandstorm          |
| 602551       | Sink, Undertone                               |
| 600968       | Basket strainer                               |
| 365520       | Ribbon, Weatherban, 3M, 3/8"                  |

# FURNITURE, GALLEY

## Galley Cabinet



Parts Listed on Next Page



## FURNITURE, GALLEY

### Galley Cabinet

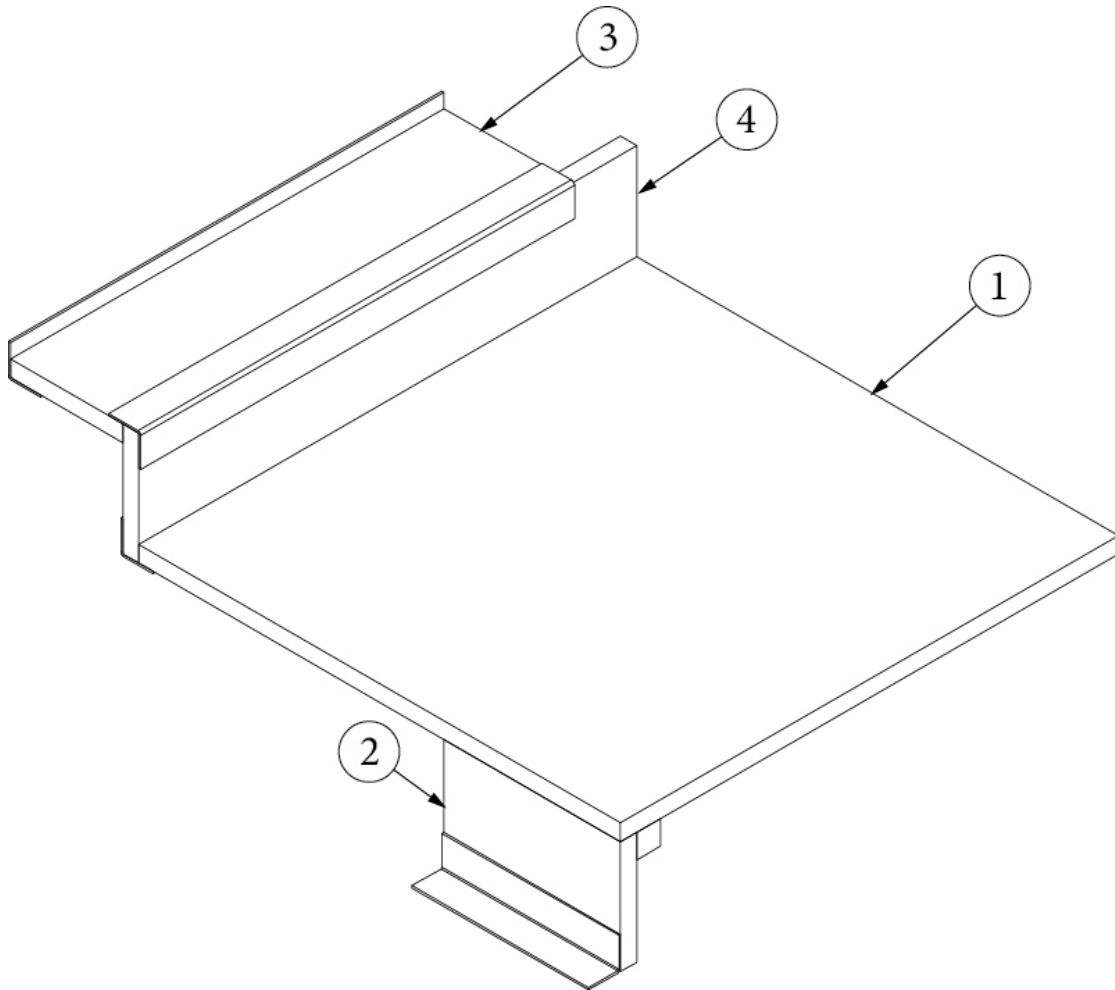
968566-01

Galley Cabinet

1. 968566&010112BB	Pre laminate, 26.13 x 34.37
2. 968566&010212BB	Pre laminate, 26.25 x 34.37
3. 968566&010312BB	Pre laminate, 22.64 x 16.89
4. 968566&010412BB	Pre laminate, 2.25 x 16.87
5. 968566&010512BB	Pre laminate, 11 x 34.37
6. 968566&010612BB	Pre laminate, .92 x 34.37
7. 968566&010712BB	Pre laminate, 22.11 x 34.37
8. 968566&010812BB	Pre laminate, 2.25 x 16.69
9. 968566&010912BB	Pre laminate, 2.25 x 16.69
10. 968566&011012BB	Pre laminate, 2.25 x 16.69
11. 968566&011118BB	Pre laminate, 4.5 x 18.82
12. 968566&011218BB	Pre laminate, 2.25 x 18.82
13. 968566&011318BB	Pre laminate, 3.5 x 16.87
14. 968566&016118BB	Pre laminate, 16.76 x 6.62
15. 968566&016218BB	Pre laminate, 16.76 x 7.37
16. 968566&016318BB	Pre laminate, 16.76 x 16.24
17. 968566&011718BB	Pre laminate, 1.5 x 34.37
18. 968566&016018BB	Pre laminate, 15.82 x 7.44
19. 968566&011918BB	Pre laminate, 16.19 x 7.62
20. 968566&012018BB	Pre laminate, 16.19 x 4
21. 968566&015018BB	Pre laminate, 15.82 x 7.44
22. 968566&014918BB	Pre laminate, 15.82 x 7.37
23. 968566&012303BE	Pre laminate, 16.74 x 16
24. 968566&012403BE	Pre laminate, 18.19 X 11.94
25. 968566&015618BB	Pre laminate, 16.76 X 1.82
26. 968752-01	Workstation pull-out
27. 602660-05	Workstation, Solid surface, Sandstorm
28. 968224-04	Drawer box, 4 x 12, Soft close
29. 968224-06	Drawer box, 4 x 21, Soft close
30. 968224-07	Drawer box, 4 x 12, Soft close
381228-02	Catch, Grabber door, 5LB
381607-15	Hinge, Soft-Close, Overlay, 110° swing
381686	Tray, 14" plastic
382059-02	Knob, Push/pull, Nickel
382820-02	Drawer slide, Self-close, 12"
382820-05	Drawer slide, Self-close, 21"
382820-06	Clips, Adjustable undermount slides
382820-07	Bracket, Rear mounting
116394-01	Corner trim, Aluminum
383035	Hinge, Scissor, SS
968024	Insert, Cutlery drawer
381708	Wastebasket, Rubbermaid
365412-01	Edgebanding, 5/8", Macchiato
365412-02	Edgebanding, 15/16", Macchiato

## FURNITURE, GALLEY

### Stand, Hydronic Heater, E1 Package Option



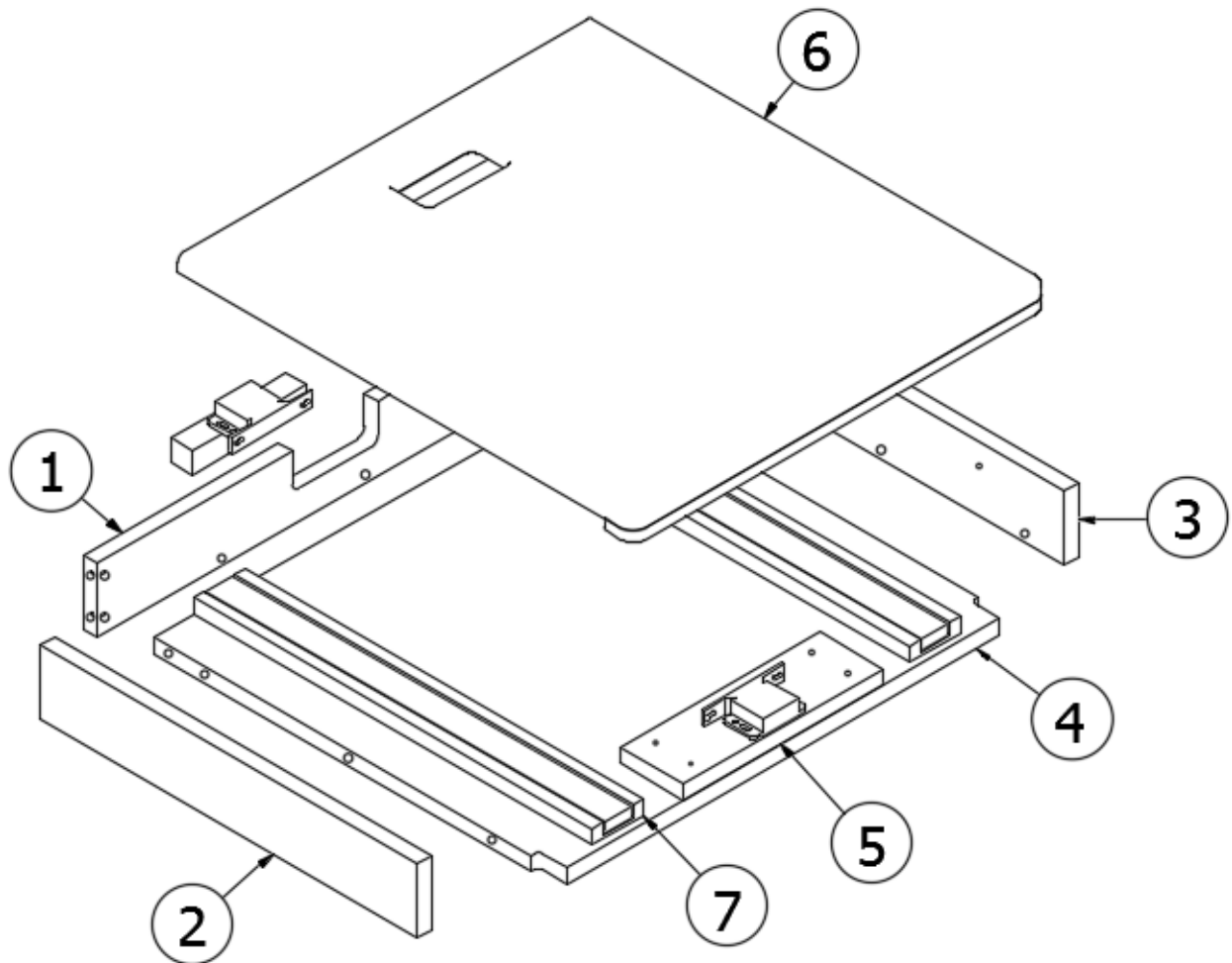
969801

- 1. 969801&000112BB
  - 2. 969801&000212BB
  - 3. 969801&000412BB
  - 4. 969801&000312BB
- 114812  
101115

Pre laminate, 15 X 15.5"  
Pre laminate, 3.5 X 5.5"  
Pre laminate, 2.5 X 15.5"  
Pre laminate, 3.5 X 15.5"  
Aluminum Angle, 1 X 1 X 12"  
Sheet-Alum .060 X 48 X 120"

## FURNITURE, GALLEY

### Galley Workstation



968752-01

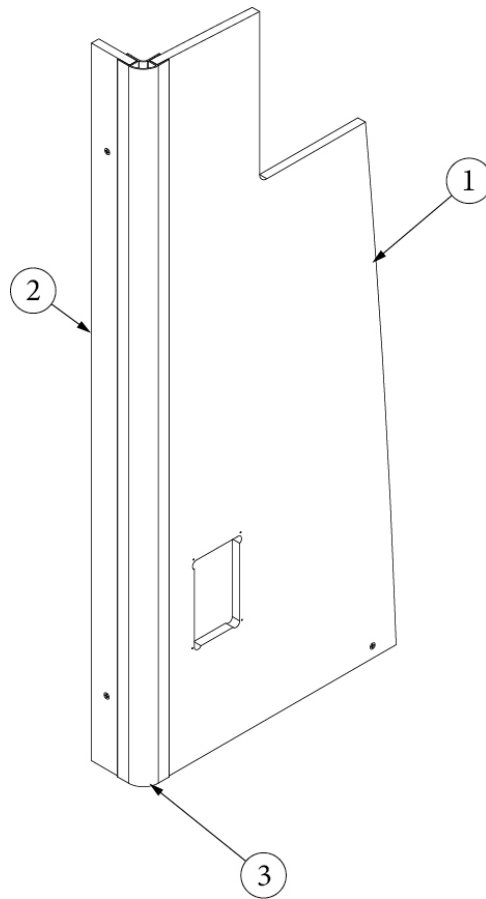
Galley Pull-Out Workstation

1. 968752&010112BB
2. 968752&010212BB
3. 968752&010312BB
4. 968752&010412BB
5. 800507-03
6. 602660-05
7. 381400  
381228-02

- Panel, 2.25 x 16.69  
Panel, 2.25 x 13.25  
Panel, 2.25 x 13.25  
Panel, 15.69 x 14.24  
Pre laminate, Plywood, 4' x 8' Sheet  
Ctop, Workstation, Sandstorm  
Drawer slide, 14"  
Catch, Grabber door, 5LB

## FURNITURE, GALLEY

### Vent Pipe Cover



968459

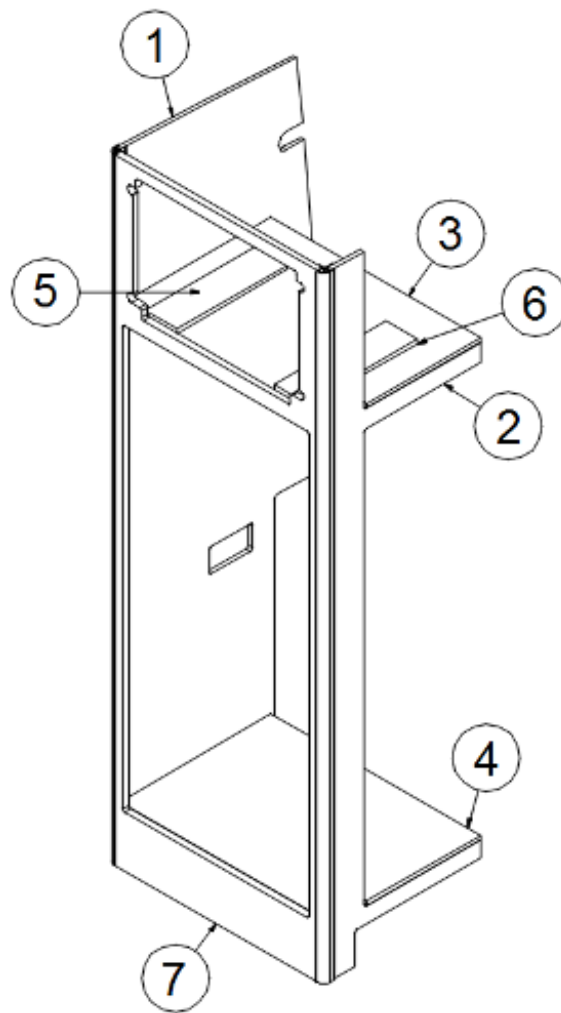
Galley vent pipe cover

1. 968459&000112BH
2. 968459&000212BH
3. 116395-01  
381609-02  
381609-05  
381610-02

Pre laminate, 13.83 X 41.84"  
Pre laminate, 2.57 X 41.84"  
Extrusion, 1" Radius Corner  
Screw, Hafele European, #9 1"  
Screw, Hafele European, #9 1-1/2"  
Cover Cap, Plastic, European Brown

## FURNITURE, GALLEY

### Refrigerator Cabinet



113942  
968394

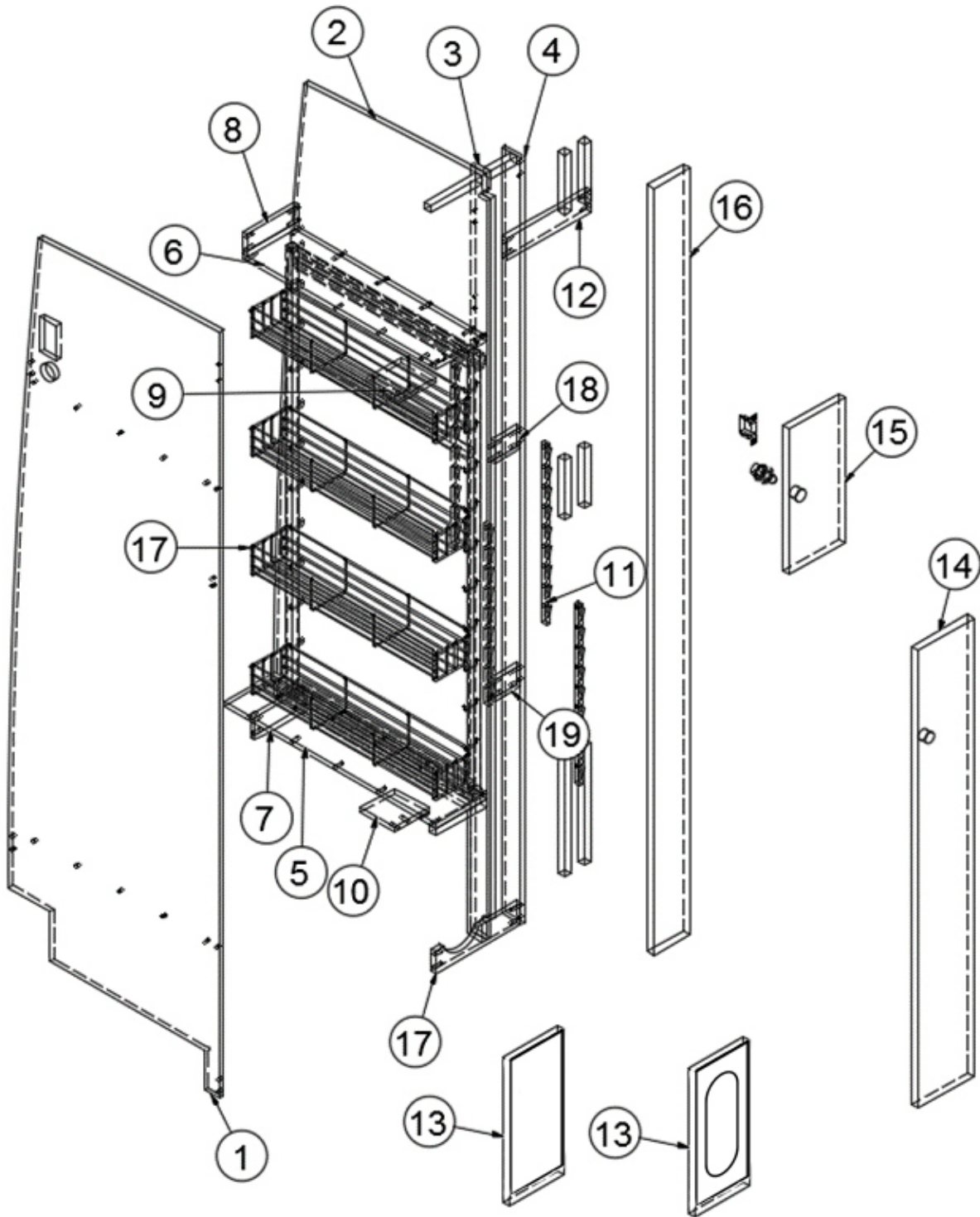
Install, Refer Cabinet  
Refrigerator Cabinet

- 1. 968394&000112BB
  - 2. 968394&000212BB
  - 3. 968394&000312BB
  - 4. 968394&000412BB
  - 5. 968394&000612BB
  - 6. 968394&000812BB
  - 7. 968394&000918BB
- 116394-01  
114812  
365412-02

- Panel, 26.12 x 77.41
  - Panel, 19 x 77.41
  - Panel, 19.12 x 26.45
  - Panel, 19.12 x 26.45
  - Panel, 4 x 14
  - Panel, 4 x 14
  - Panel, 25.45 x 77.41
- Corner trim, Aluminum  
Aluminum angle, 1 x 1  
Edgebanding, 15/16" Macchiato

# FURNITURE, GALLEY

## Pantry/Wardrobe



Parts Listed on Next Page

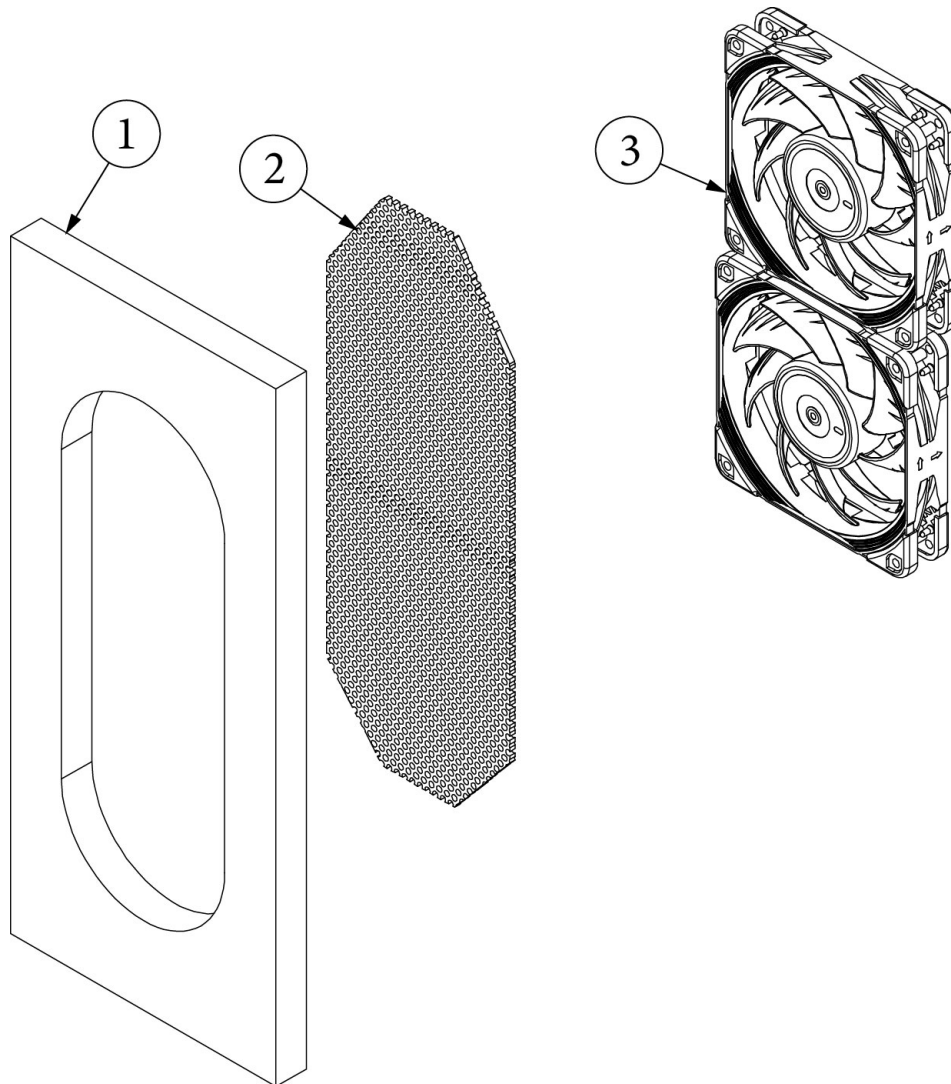
## FURNITURE, GALLEY

### Pantry/Wardrobe

968395-01	Pantry/Tall Wardrobe
968395-03	Pantry, Tall Wardrobe, E1 Package Option
1. 968395&010112BB	Panel, 24.6 x 77.37
2. 968395&010212BB	Panel, 24.24 x 77.35
3. 968395&010312BB	Panel, 2.25 x 77.35
4. 968395&010412BB	Panel, 2.25 x 77.37
5. 968395&010512BB	Panel, 24.66 x 5.88
6. 968395&010612BB	Panel, 22.44 x 5.88
7. 968395&010712BB	Panel, 2.25 x 5.88
8. 968395&010812BB	Panel, 2.25 x 5.88
9. 968395&010912BB	Panel, 4 x 4
10. 968395&011012BB	Panel, 4 x 4
11. 381527	Shelf strip, 18"
12. 968395&011212BB	Panel, 2.25 x 9.88
13. 968395&011318BB	Panel, 6.5 x 14.75
969977	Assembly, Pantry Vent Cover, E1 Package Option
14. 968395&013618BB	Panel, 6.5 x 46.25
15. 968395&013718BB	Panel, 6.5 x 14.68, Door
16. 968395&011618BB	Panel, 4.25 x 77.37
17. 968395&013112BB	Panel, 2.25 x 9.88
18. 968395&013212BB	Panel, 2.25 x 3
19. 968395&013312BB	Panel, 2.25 x 3
20. 381551-01	Pantry pull-out
381551-02	Wire basket
382059-02	Knob, Push/Pull, Nickel
382613-01	Knob, Push/pull, 1", Black Nickel
382613-02	Latch, Knob, Black
381228-02	Catch, Grabber door, 5LB
381607-15	Hinge, Soft-Close, Overlay, 110° swing
381209-02	Grommet w/o cap, 1.5", Black
203445-03	T-molding, .5", Tan
365412-01	Edgebanding, 5/8" Macchiato
365412-02	Edgebanding, 15/16" Macchiato

## FURNITURE, GALLEY

### Pantry Vent Cover, E1 Package Option



969977

Assembly, Pantry Vent Cover, E1 Package Option

1. 969977&000118BB

Pre laminate, 6.5 X 14.81"

2. 115712

Alum, Perforated, .125 X 48 X 144"

3. 514377

Fan, Noctua, 120MM

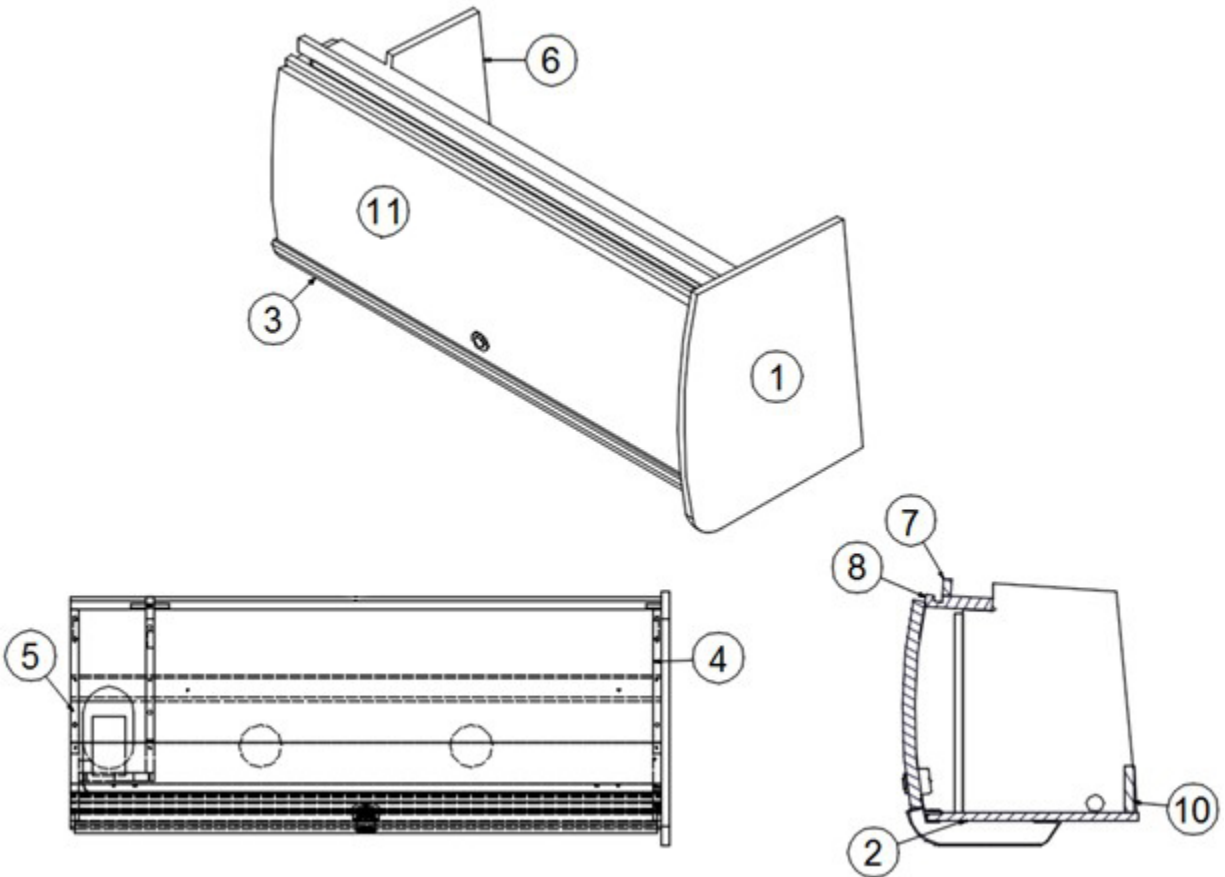
365412-02

Edgebanding, Macchiato, 15/16"



## FURNITURE, GALLEY

### Roof Locker, RS



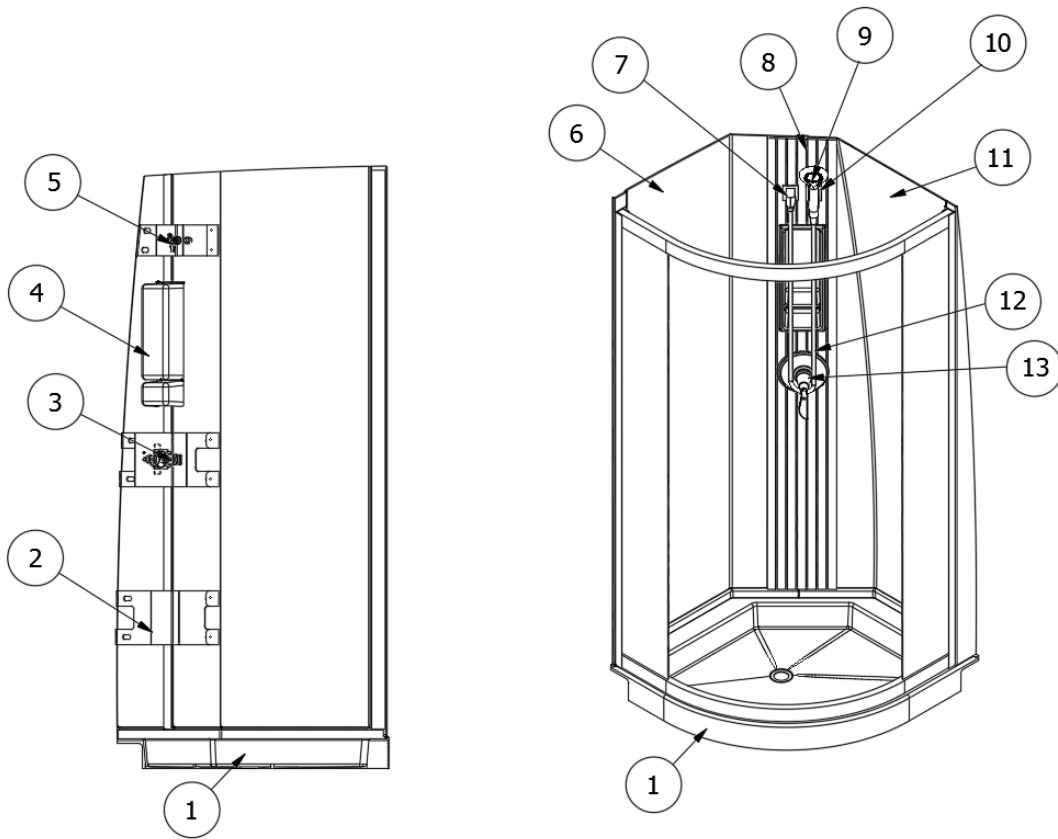
969043

RS Roof Locker

1. 969043&000112BB	Panel, 13.81 X 16.78
2. 969043&000212BB	Panel, 11.87 X 35.00
3. 116393-02	Extrusion, Aluminum
4. 969043&000412BB	Panel, 11.87 X 12.12
5. 969043&000512BB	Panel, 11.87 X 12.12
6. 969043&000612BB	Panel, 9.74 X 13.52
7. 969043&000712BB	Panel, 1.00 X 35.00
8. 969043&000818BB	Panel, 3.99 X 35.00
9. 969043&000912BB	Panel, 4.43 X 11.75
10. 969043&001012BB	Panel, 2.75 X 33.25
11. 802298-1939	Door - Plyform 12.38" X 34.62"
382059-02	Knob, Push/pull, Black Nickel
382227	Hinges, Overhead Spring Nickel

## FURNITURE, LAVATORY

### Shower Module



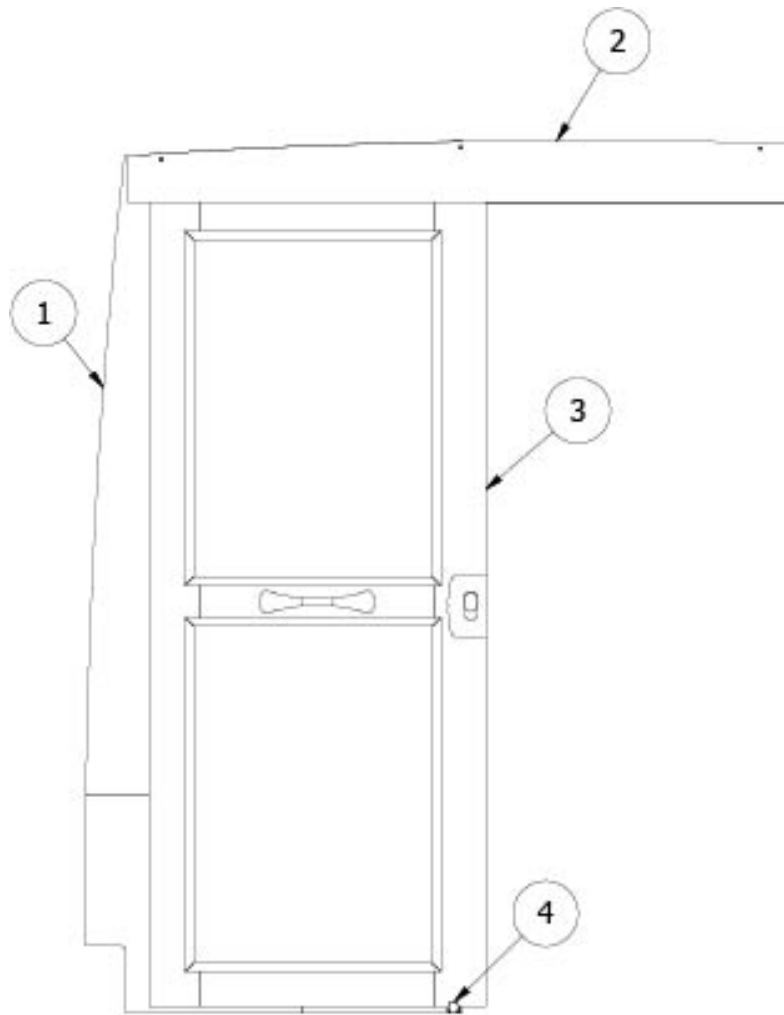
112730-01

Fiberglass Corner Shower

- |               |                                       |
|---------------|---------------------------------------|
| 1. 203943     | Shower Pan, Fiberglass Curved         |
| 2. 455482     | Bracket, Lower Shower Wall Mounting   |
| 3. 455483     | Bracket, Shower Valve Mounting        |
| 4. 203987     | Caddy, Shower inset Shelf             |
| 5. 455619     | Bracket, Shower head mounting         |
| 6. 204007-01  | LH Shower Wall                        |
| 7. 602638     | Elbow, Wall Mount Supply              |
| 8. 802127     | Trim Panel, 8" x 73 3/16" Shower Trim |
| 9. 602640     | Valve Trim Kit, Alteo                 |
| 10. 602641-02 | Bracket-Wall Mount Kohler K98348-2BZ  |
| 11. 204007-02 | RH Shower Wall                        |
| 12. 602637    | Hose, 60" Oil Rubbed Bronze           |
| 968935        | RS Shower Door Mount                  |
| 802382        | Shower Wall Filler Strip              |
| 602616        | Curved Glass Shower Door              |

## FURNITURE, LAVATORY

### Sliding Door and Wall



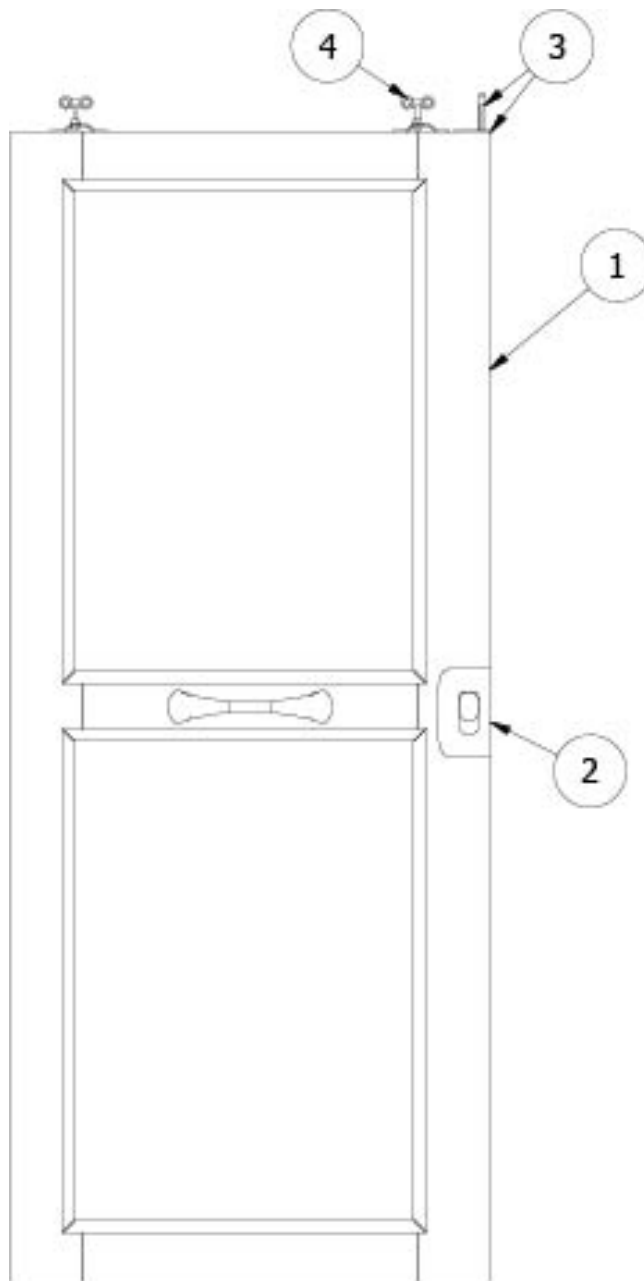
113740

Sliding Bath Door/Wall

- |           |                                    |
|-----------|------------------------------------|
| 1. 968414 | Sliding door wall                  |
| 2. 969694 | Sliding door header assembly       |
| 3. 969696 | Bath door                          |
| 4. 381100 | Sliding door guide                 |
| 382805-01 | Latch, Latch system, Satin Nickel  |
| 382805-02 | Rod, W/Guide                       |
| 382805-03 | Hanger kit, Latch system           |
| 382805-04 | Track, Latch system                |
| 382805-05 | Stopper, Latch system              |
| 382641    | Magnet- DIA. 1.0 X .27 THK. 26LBS. |
| 382407    | Pocket door magnet, 20LB           |

## FURNITURE, LAVATORY

### Lavatory Door



969696

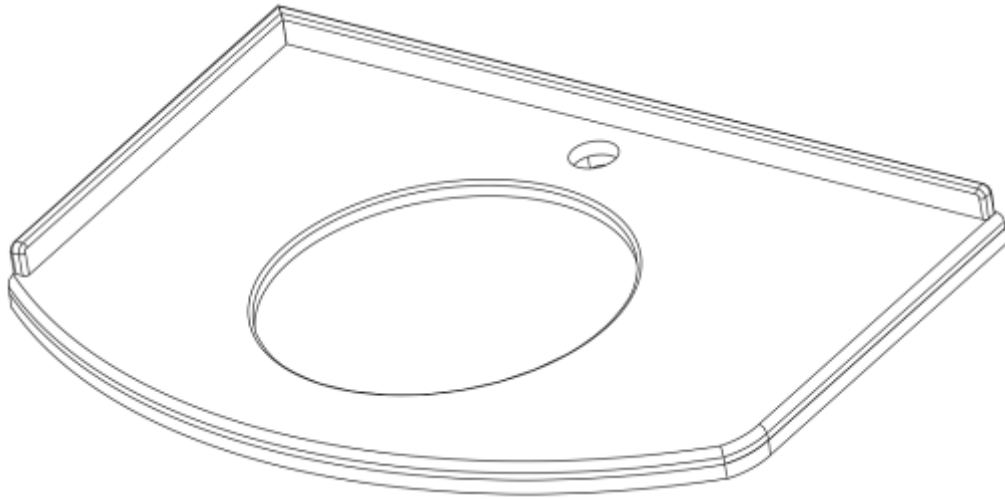
Bath door

- 1. 802623-0039
- 2. 382805-01
- 3. 382805-02
- 4. 382805-03
- 382407
- 602685-01

Bath door, Louvered  
Latch, Latch system, Satin Nickel  
Rod w/guide, Latch system  
Hanger kit, Latch system  
Pocket door magnet  
Toilet Tissue Holder

## FURNITURE, LAVATORY

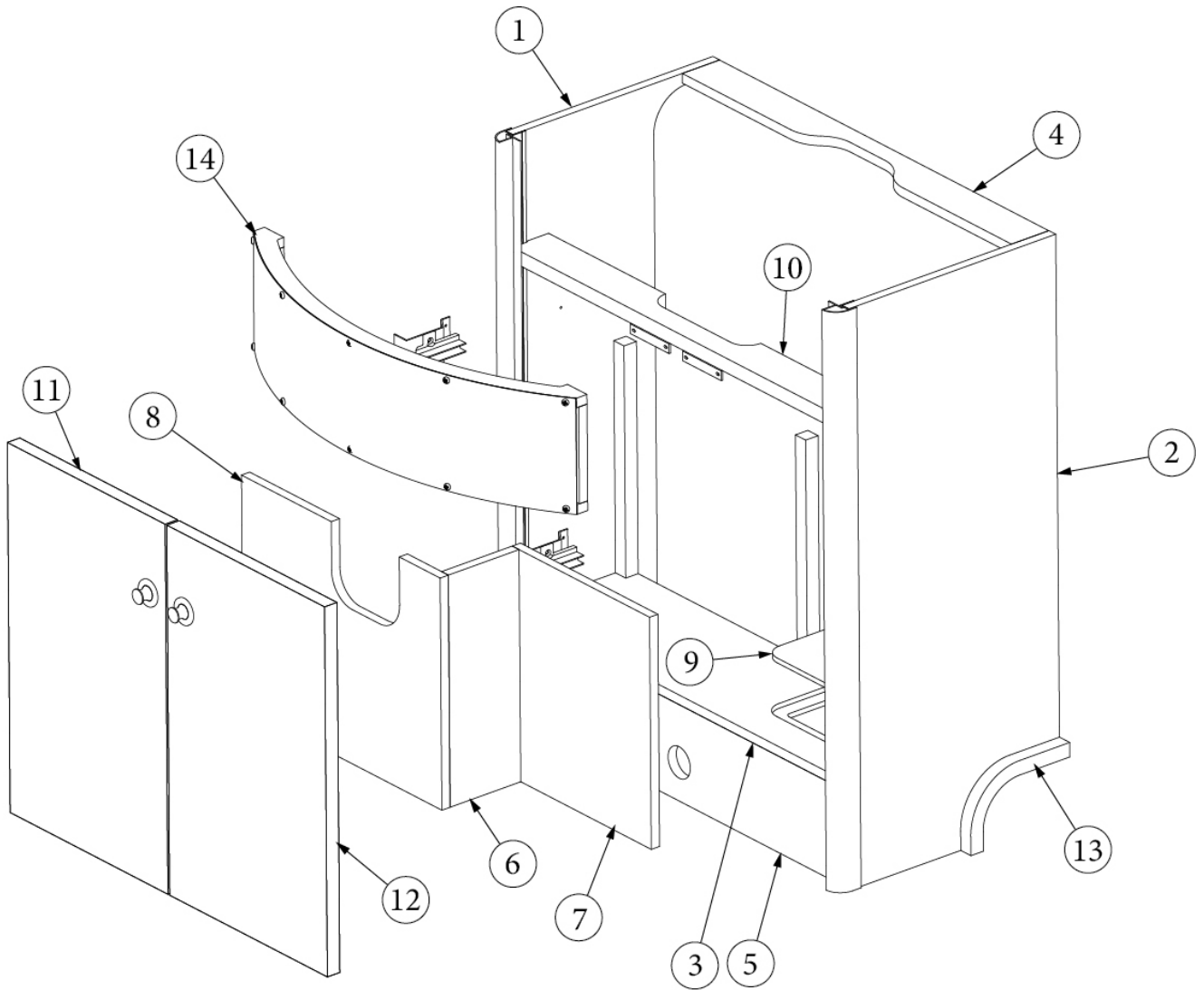
### Lavatory Top



602564-05	Top, Lavy, Sandstorm
453833	Clip, Sink mount
602571	Sink, Undercounter, Bolero
602871-01	Faucet, Single handle, Pfister, Tuscan Bronze
602704	Kit, Drain spacer gasket

# FURNITURE, LAVATORY

## Lavatory Cabinet



Parts Listed on Next Page

## FURNITURE, LAVATORY

### Lavatory Cabinet

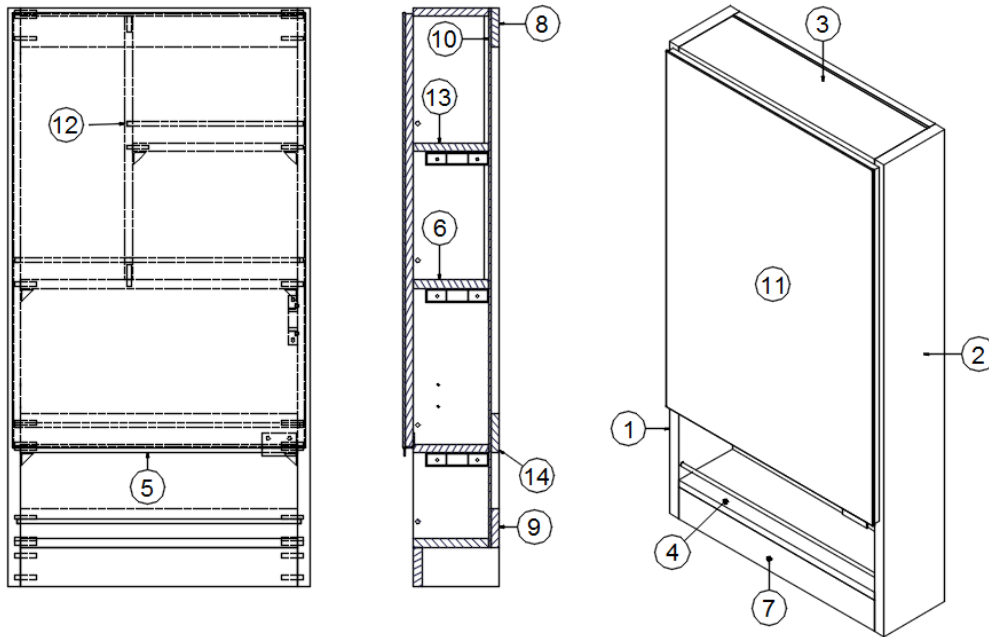
969840-01

Lavatory Cabinet

<ol style="list-style-type: none"> <li>1. 969840&amp;000112BB</li> <li>2. 969840&amp;000212BB</li> <li>3. 969840&amp;000312BB</li> <li>4. 969840&amp;000412BB</li> <li>5. 969840&amp;000512BB</li> <li>6. 969840&amp;000612BB</li> <li>7. 969840&amp;000712BB</li> <li>8. 969840&amp;000812BB</li> <li>9. 969840&amp;000912BB</li> <li>10. 969840&amp;001018BB</li> <li>11. 969840&amp;001518BB</li> <li>12. 969840&amp;001618BB</li> <li>13. 969840&amp;003018BB</li> <li>14. 969606</li> <li>    116352</li> <li>    801352</li> <li>    320035</li> <li>    116394-01</li> <li>    115871</li> <li>    382059-02</li> <li>    381228-02</li> <li>    381607-15</li> <li>    114812</li> <li>    365412-01</li> <li>    365412-02</li> <li>    602564-05</li> </ol>	<p>Pre laminate, 12.5 x 30"</p> <p>Pre laminate, 12.50x 30"</p> <p>Pre laminate, 11.64 x 24.19"</p> <p>Pre laminate, 2.25 x 24.19"</p> <p>Pre laminate, 5 x 24.05"</p> <p>Pre laminate, 4.27 x 12"</p> <p>Pre laminate, 10.09 x 12"</p> <p>Pre laminate, 14.6 x 12"</p> <p>Pre laminate, 7.52 x 6.47"</p> <p>Pre laminate, 2.25 x 24.05"</p> <p>Pre laminate, 11.59 x 19.13"</p> <p>Pre laminate, 11.59 x 19.13"</p> <p>Pre laminate, 6 x 4"</p> <p>Assembly, Lavy Front</p> <p>Aluminum only, Lavy Front</p> <p>Lite Ply, Lavy Front</p> <p>Screws, Lavy Front, #8 x 1/2 Pan head, Phillips, Wood</p> <p>Corner trim, Aluminum</p> <p>Standoff bracket w/mount holes</p> <p>Knob, Push/pull, Black Nickel</p> <p>Catch, Grabber door, 5LB</p> <p>Hinge, Soft-Close, Overlay, 110° swing</p> <p>Aluminum angle, 1 x 9</p> <p>Edgebanding, 5/8" Macchiato</p> <p>Edgebanding, 15/16" Macchiato</p> <p>Top, Lavy, Sandstorm</p>
---	---

## FURNITURE, LAVATORY

### Medicine Cabinet



968531

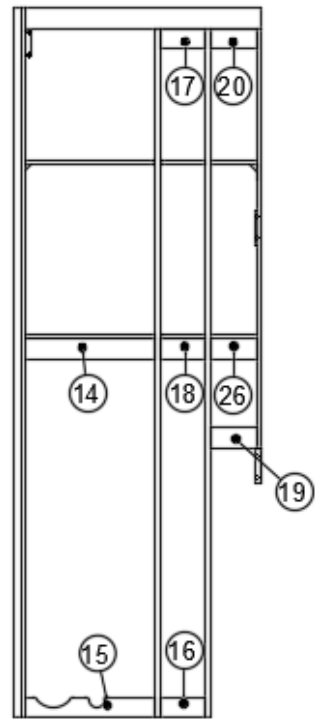
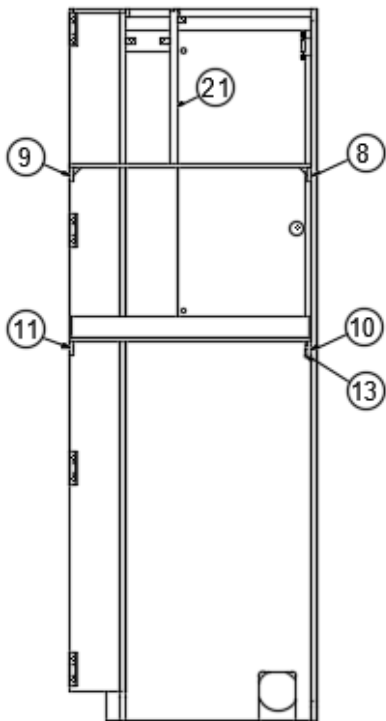
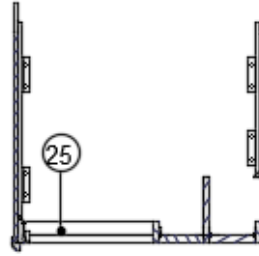
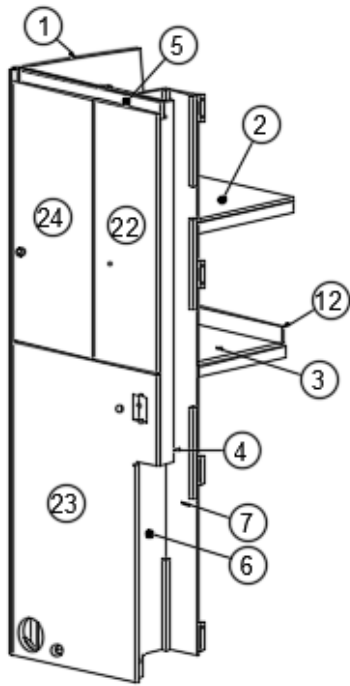
Medicine Cabinet

- |                     |  |
|---------------------|--|
| 1. 968531&000118BB  | Panel, 5 x 33.5                        |
| 2. 968531&000218BB  | Panel, 5 x 33.5                        |
| 3. 968531&000312BB  | Panel, 4.38 x 16                       |
| 4. 968531&000412BB  | Panel, 4.38 x 16                       |
| 5. 968531&000512BB  | Panel, 4.38 x 16                       |
| 6. 968531&000612BB  | Panel, 4.38 x 16                       |
| 7. 968531&000712BB  | Panel, 2.25 x 16                       |
| 8. 968531&000812BB  | Panel, 2.25 x 16                       |
| 9. 968531&000912BB  | Panel, 2.25 x 16                       |
| 10. 968531&001003BE | Panel, 16 x 31.25                      |
| 11. 968531&001112BC | Door, 16.88 x 25.13                    |
| 12. 968531&001212BB | Panel, 4.38 x 15.25                    |
| 13. 968531&001312BB | Panel, 4.38 x 9.5                      |
| 14. 968531&002212BB | Panel, 2.25 x 16                       |
| 372203-15           | Safety glass, Mirrored                 |
| 115042              | Aluminum rod                           |
| 385940-02           | Mirror pull, Chrome                    |
| 381228-02           | Catch, Grabber door, 5LB               |
| 386279              | Corner brace                           |
| 381607-15           | Hinge, Soft-Close, Overlay, 110° swing |
| 381607-16           | Hinge, 85° angle reduction clip        |



# FURNITURE, LAVATORY

## Wardrobe, CS Aft



Parts Listed on Next Page

## FURNITURE, LAVATORY

### Wardrobe, CS Aft

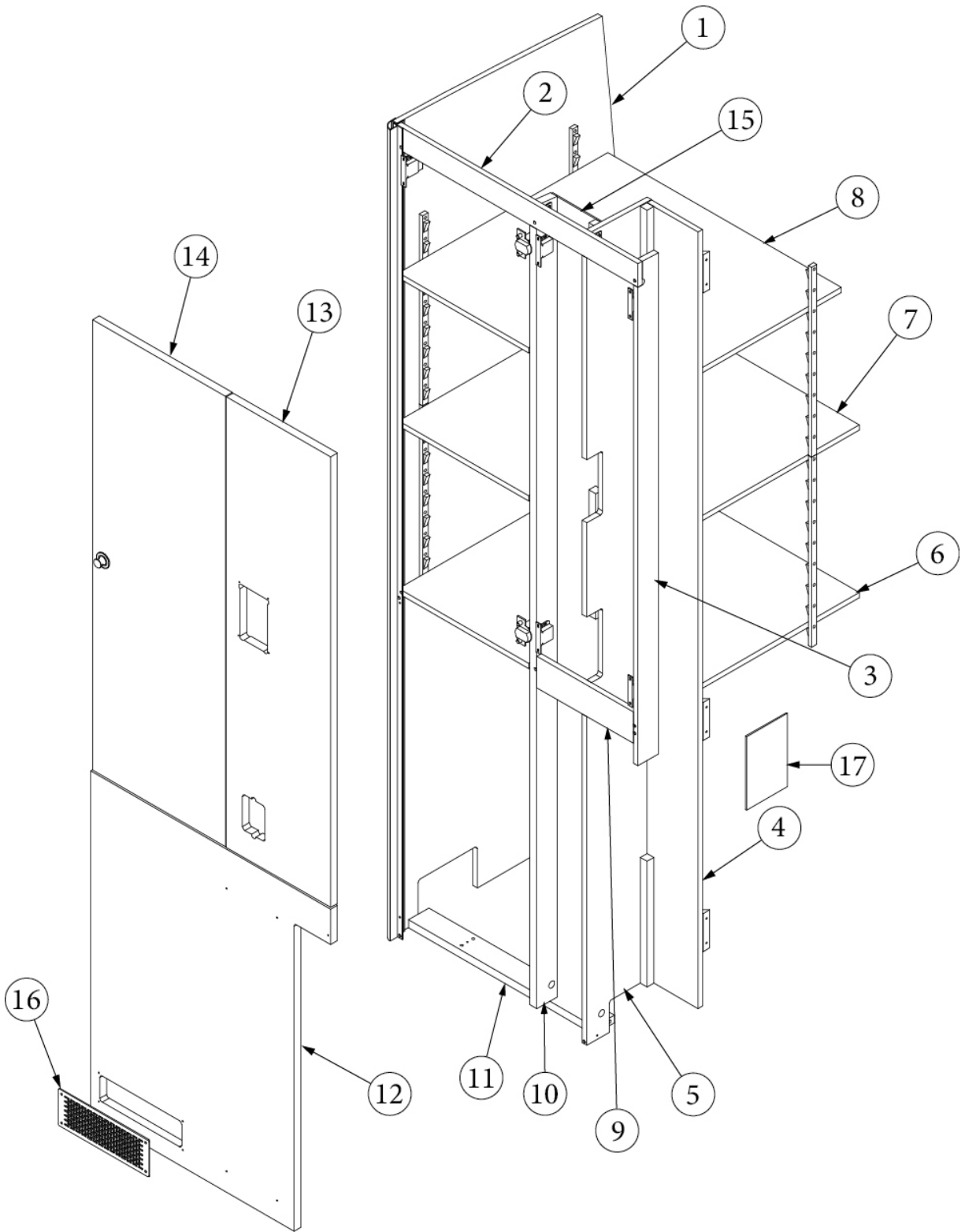
969599-01

Wardrobe, CS Aft

- |                     |                                 |
|---------------------|---------------------------------|
| 1. 969599&010112BB  | Panel, 26 x 77.54               |
| 2. 969599&010212BB  | Pre laminate, 2.25 x 26.58      |
| 3. 969599&010312BB  | Pre laminate, 2.25 x 47.91      |
| 4. 969599&010412BB  | Pre laminate, 5.63 x 74.13      |
| 5. 969599&010512BB  | Pre laminate, 7.13 x 77.41      |
| 6. 969599&010612BB  | Pre laminate, 25 x 25.75        |
| 7. 969599&010712BB  | Pre laminate, 25 x 25.75        |
| 8. 969599&010812BB  | Pre laminate, 23 x 25.75        |
| 9. 969599&010912BB  | Pre laminate, 3 x 10.62         |
| 10. 969599&011018BB | Pre laminate, 2.25 x 76.66      |
| 11. 969599&011118BB | Pre laminate, 2.25 x 20.57      |
| 12. 969599&011218BB | Pre laminate, 26.4 x 32.75      |
| 13. 969599&011318BB | Pre laminate, 11.45 x 43        |
| 14. 969599&012718BB | Pre laminate, 14.63 x 43        |
| 15. 969599&011503BE | Pre laminate, 5.63 x 77.13      |
| 116394-01           | Extrusion, Corner trim, .5"     |
| 386279              | Corner brace                    |
| 380041              | Brace, 1", Stanley corner       |
| 381607-12           | Baseplate, 9.5 x 37/32          |
| 381607-11           | Hinge, Self-close, 110° overlay |
| 115871              | Standoff bracket w/mount holes  |
| 382059-02           | Knob, Push/pull, Black Nickel   |
| 381228-02           | Catch, Grabber door, 5LB        |
| 381527              | Shelf strip, Speedy, 18"        |
| 365412-01           | Edgebanding, 5/8" Macchiato     |
| 365412-02           | Edgebanding, 15/16" Macchiato   |

# FURNITURE, LAVATORY

## Wardrobe, CS Aft, E1 Package Option



Parts Listed on Next Page

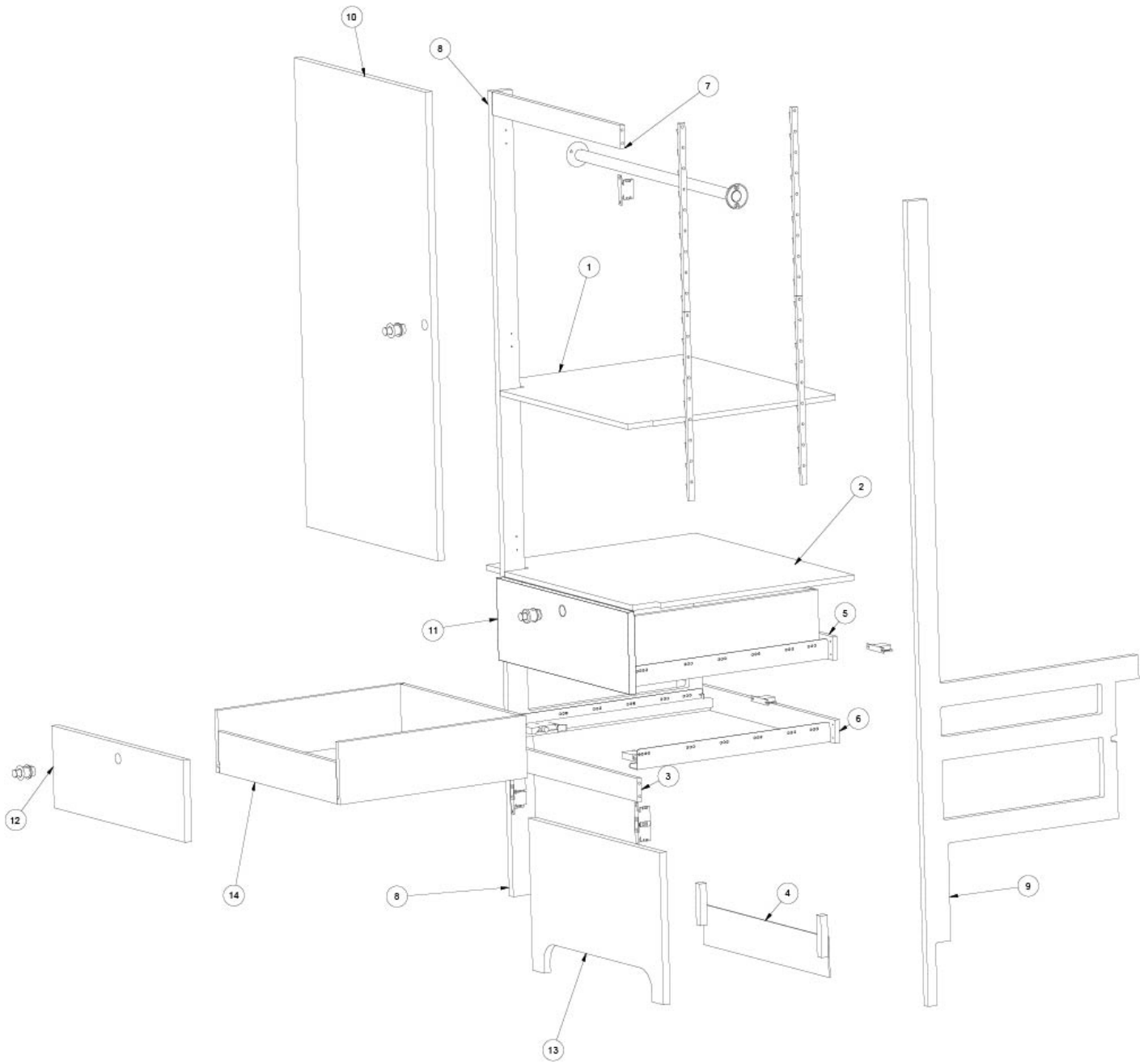
## FURNITURE, LAVATORY

### Wardrobe, CS Aft, E1 Package Option

969826-01	Wardrobe, CS Aft
1. 969826&000112BB	Pre laminate, 26 x 77.54"
2. 969826&000212BB	Pre laminate, 2.25 x 26.58"
3. 969826&000312BB	Pre laminate, 2.25 x 47.91"
4. 969826&000412BB	Pre laminate, 5.63 x 74.13"
5. 969826&000512BB	Pre laminate, 7.13 x 77.41"
6. 969826&000612BB	Pre laminate, 25 x 25.75"
7. 969826&000712BB	Pre laminate, 25.75 x 25.75"
8. 969826&000812BB	Pre laminate, 23 x 25.75"
9. 969826&000912BB	Pre laminate, 3.00 x 10.62"
10. 969826&001018BB	Pre laminate, 2.25 x 76.66"
11. 969826&001118BB	Pre laminate, 26.4 x 32.75"
12. 969826&001218BB	Pre laminate, 26.4 x 32.75"
13. 969826&001318BB	Pre laminate, 11.45 x 43"
14. 969826&002718BB	Pre laminate, 14.63 x 43"
15. 969826&001503BE	Pre laminate, 5.63 x 77.13
16. 455808	Vent Cover
17. 204147	Plastic Mesh, Stretchable, 4' x 4'
116394-01	Extrusion, Corner trim, .5"
386279	Corner brace
380041	Brace, 1", Stanley corner
381607-12	Baseplate, 9.5 x 37/32
381607-11	Hinge, Self-close, 110° overlay
115871	Standoff bracket w/mount holes
381228-02	Catch, Grabber door, 5LB
381527	Shelf strip, Speedy, 18"
382059-02	Knob, Push/pull, Black Nickel
969886	Closeout, CS rear wardrobe
386289	Dome, BPR, 1/4" x 1/16"
365412-01	Edgebanding, 5/8" Macchiato
365412-02	Edgebanding, 15/16" Macchiato

# FURNITURE, LAVATORY

## Wardrobe, CS with Drawers



Parts Listed on Next Page

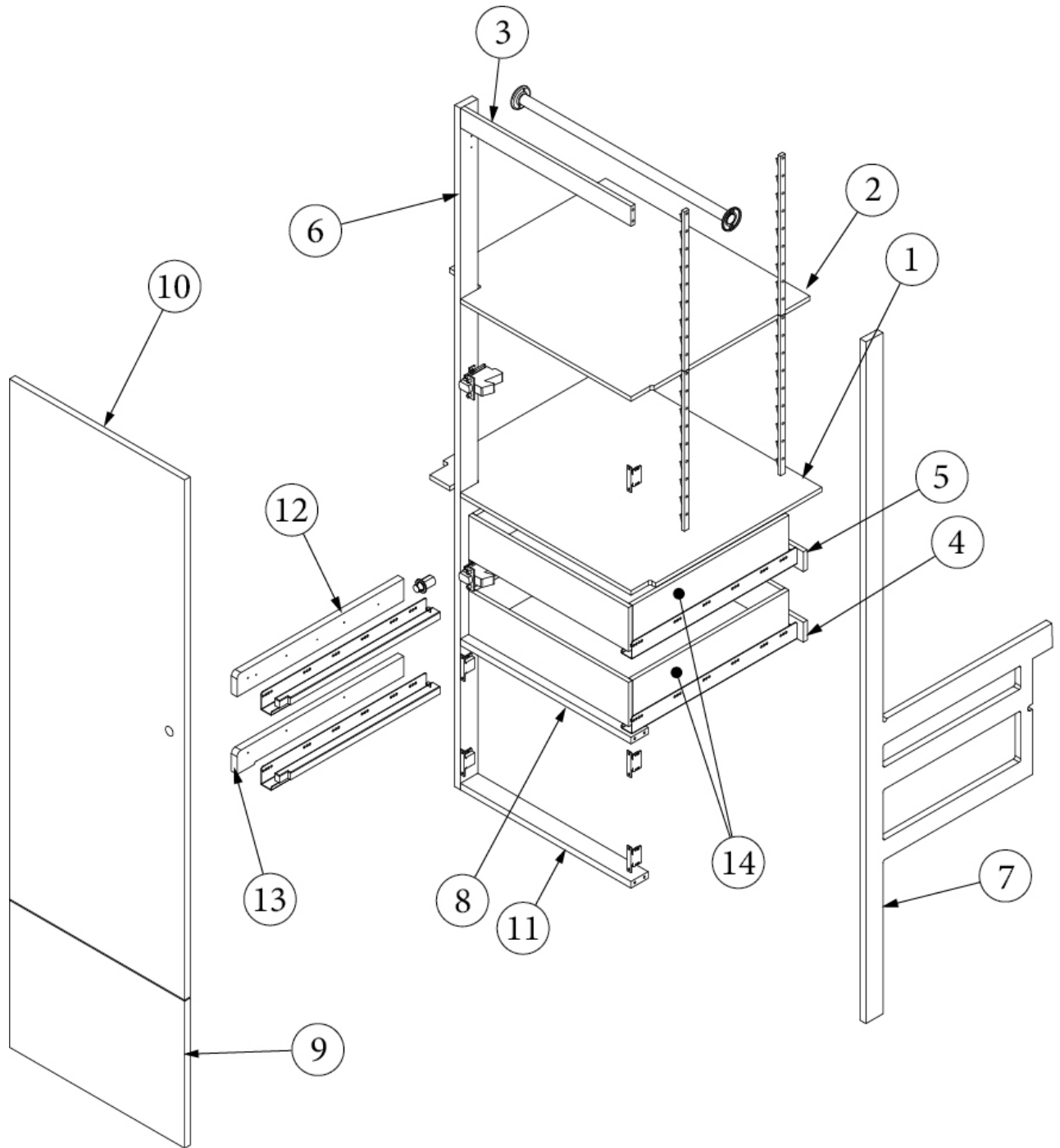
## FURNITURE, LAVATORY

### Wardrobe, CS with Drawers

968396-01	CS Tall Wardrobe with Drawers
1. 968396&010112BB	Panel, 23.18 x 26.75
2. 968396&010212BB	Panel, 24.44 x 27.82
3. 968396&010312BB	Panel, 2.25 x 22.32
4. 968396&010403BE	Pre laminate, 21.94 x 3.88
5. 968396&010512BB	Panel, 2.25 x 22.32
6. 968396&010612BB	Panel, 2.25 x 22.32
7. 968396&010712BB	Panel, 2.25 x 22.32
8. 968396&010818BB	Panel, 24.51 x 77.48
9. 968396&010918BB	Panel, 24.51 x 77.49
10. 968396&011518BB	Door, 22.94 x 45.38
11. 968396&011618BB	Panel, 22.94 x 7.88
12. 968396&011718BB	Panel, 22.94 x 7.88
13. 968396&011318BB	Panel, 22.94 x 14.74
14. 968757	Drawer box, Custom
382820-05	Drawer slide, Self-close, 21"
381527	Shelf strip, 18"
382059-02	Knob, Push/pull, Black Nickel
380045	Tubing, .75", Metallic
380046	Flange, Chrome
381228-02	Catch, Grabber door, 5LB
382820-06	Clips, Adjustable undermount slides
365412-01	Edgebanding, 5/8" Macchiato
365412-02	Edgebanding, 15/16" Macchiato

FURNITURE, LAVATORY

Wardrobe, CS with Drawers, E1 Package Option



Parts Listed on Next Page

## FURNITURE, LAVATORY

### Wardrobe, CS with Drawers, E1 Package Option

969820-01

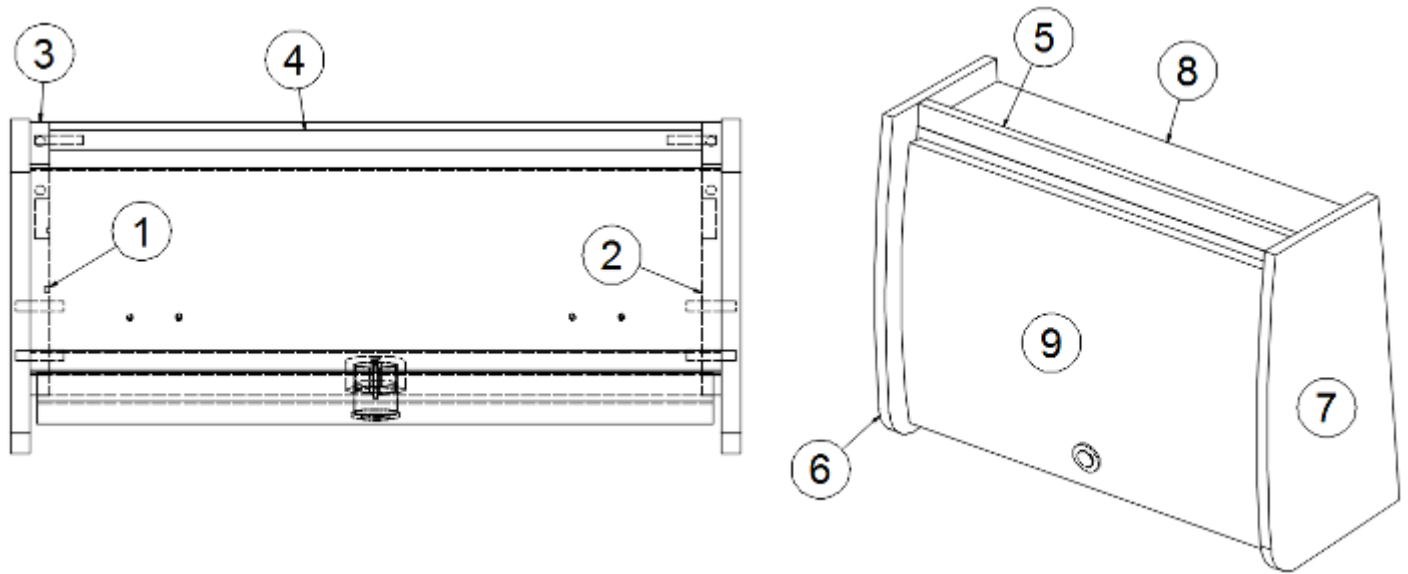
CS Wardrobe, E1 Package Option

1. 969820&000112BB Pre laminate, 24.25 x 27.82"
2. 969820&000212BB Pre laminate, 23.18 x 26.75"
3. 969820&000312BB Pre laminate, 2.25 x 22.32"
4. 969820&000412BB Pre laminate, 2.25 x 27.82"
5. 969820&000512BB Pre laminate, 2.25 x 27.82"
6. 969820&000618BB Pre laminate, 74.37 x 24.52"
7. 969820&000718BB Pre laminate, 74.37 x 24.52"
8. 969820&000818BB Pre laminate, 2.25 x 22.32"
9. 969820&000918BB Pre laminate, 22.94 x 16.69"
10. 969820&001118BB Pre laminate, 22.94 x 59.04"
11. 969820&001218BB Pre laminate, 2.25 x 22.32"
12. 969820&002418BB Pre laminate, 21.82 x 2.5"
13. 969820&002518BB Pre laminate, 21.82 x 2.5"
14. 969849 Assembly, Drawer Box
  - 381607-14 Hinge Nickel Pltd Self Closing
  - 381607-17 Baseplate 2mmx37/32 Screw On T
  - 382820-05 Drawer Slide, Self-Close, 21"
  - 382059-02 Knob, Push/pull, Black Nickel
  - 381228-02 Catch, Grabber Door, 5lb
  - 381527 Shelf Strip, 18"
  - 380046 Flange, Chrome
  - 380045 Tubing, .75", Metallic
  - 365412-01 Edgebanding, 5/8" Macchiato
  - 365412-02 Edgebanding, 15/16" Macchiato



## FURNITURE, LAVATORY

### Roof Locker, RS Bathroom



969044

RS Bathroom Roof Locker

1. 969044&000112BB	Panel, 7.04 X 11.29
2. 969044&000212BB	Panel, 7.04 X 11.29
3. 969044&000312BB	Panel, 6.50 X 17.76
4. 969044&000412BB	Panel, 2.25 X 16.76
5. 969044&000512BB	Panel, 1.0 X 17.76
6. 969044&000612BB	Panel, 8.61 X 14.50
7. 969044&000712BB	Panel, 8.61 X 14.50
8. 969044&000818BB	Panel, 5.25 X 17.76
9. 802298-1239	Door, 12.38 x 17.38, Plyform
382059-02	Knob, Push/pull, Black Nickel
382227	Hinges, overhead Spring Nickel
381688	Rubber bump-on, Clear
365412-01	Edgebanding, 5/8" Macchiato
365412-02	Edgebanding, 15/16" Macchiato

## HARDWARE

### Seat Belts and Brackets

382190-01	Seat belt, Lap, Mercedes style, 74"
382190-02	Seat belt, End release, 100"
455562	Bracket, Sofa top plate
455535	Bracket, Sofa lower mount
382534-01	Bracket, Curved prop rod, LH
382534-02	Bracket, Curved prop rod, RH
455483	Bracket, Shower valve mounting
455482	Bracket, Lower shower wall mounting
455619	Bracket, Shower head mounting
602641-02	Bracket, Wall mount, Kohler
455524	Frame, Forward, Fresh water tank
455526	Frame, Aft, Fresh water tank
455527	Frame, Lower, Fresh water tank
455267-03	Bracket, Lower, Grey tank, RS
455267-01	Bracket, Lower, Grey tank, CS
455267-02	Bracket, Upper, Grey tank
455765	Bracket, TV closeout
454901	Bracket, LP quick disconnect
455497	Bracket, Macerator pump

### Hinges

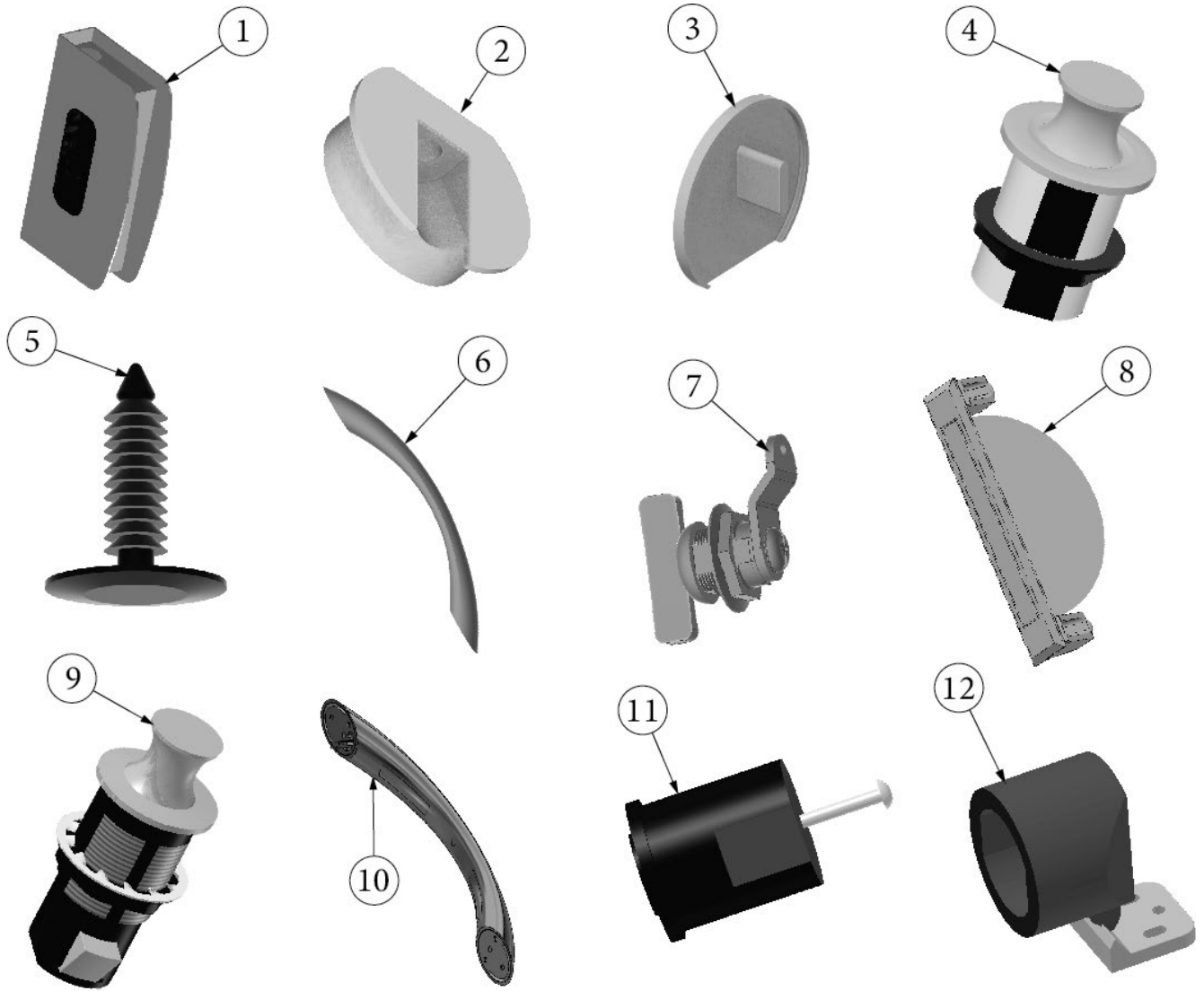
382227	Hinge, Overhead spring, Nickel
455442	RH, Murphy Bed Hinge
381607-11	Hinge, Self-close, 110° overlay
381607-12	Baseplate, Grass, 9.5 x 37/32
381607-15	Hinge, Soft-Close, Overlay, 110° swing
381607-16	Hinge, 85° angle reduction clip
382125	Piano hinge, Clear
115694	Extrusion, Door hinge
383035	Hinge, Scissor, SS
380203-02	Piano hinge, Aluminum, 2" open width

### Bathroom Accessories

602685-01	Toilet Tissue Holder ORB
382417	Towel bar, 18", Oil Rubbed Bronze
704356-17	Towel set, Lago Palm

# HARDWARE

## Handles, Latches, and Fasteners



Parts Listed on Next Page

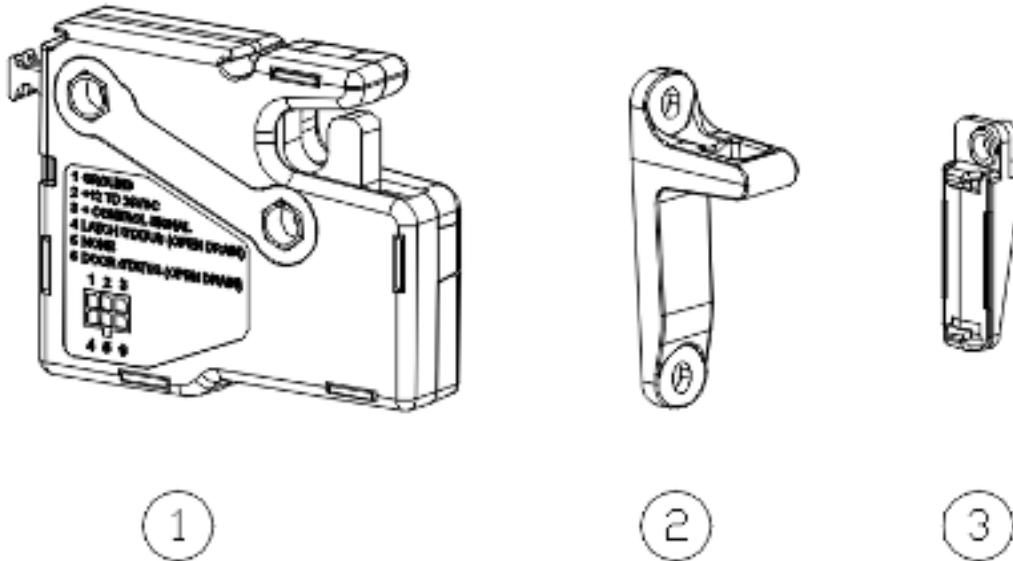
## HARDWARE

### Handles, Latches, and Fasteners

1. 382805-01 Latch, Latch system, Satin Nickel
- 382805-02 Rod, W/Guide
- 382805-03 Hanger kit, Latch system
- 382805-04 Track, Latch system
- 382805-05 Stopper, Latch system
2. 382057 Knockdown
3. 382057-01 Cap, Knockdown, Light Brown
- 382057-02 Cap, Knockdown, Gray
- 382057-03 Cap, Knockdown, Dark Brown
- 382057-04 Cap, Knockdown, Off-White
4. 382059-02 Knob, Push/pull, Black Nickel
5. 382062 Fastener, Finned, .25"
6. 512960 Grab handle, Interior
7. 382381 Cam latch, Wing handle
8. 382420 Concealed pull, Murphy bed, Black
9. 382586 Knob, Push/pull, 1"
10. 513037 Grab Handle, LED
11. 382613-01 Knob, Black Nickel
12. 382613-02 Latch, Black Nickel
- 381228-02 Catch, Grabber door, 5LB

## HARDWARE

### Electronic Rotary Latch



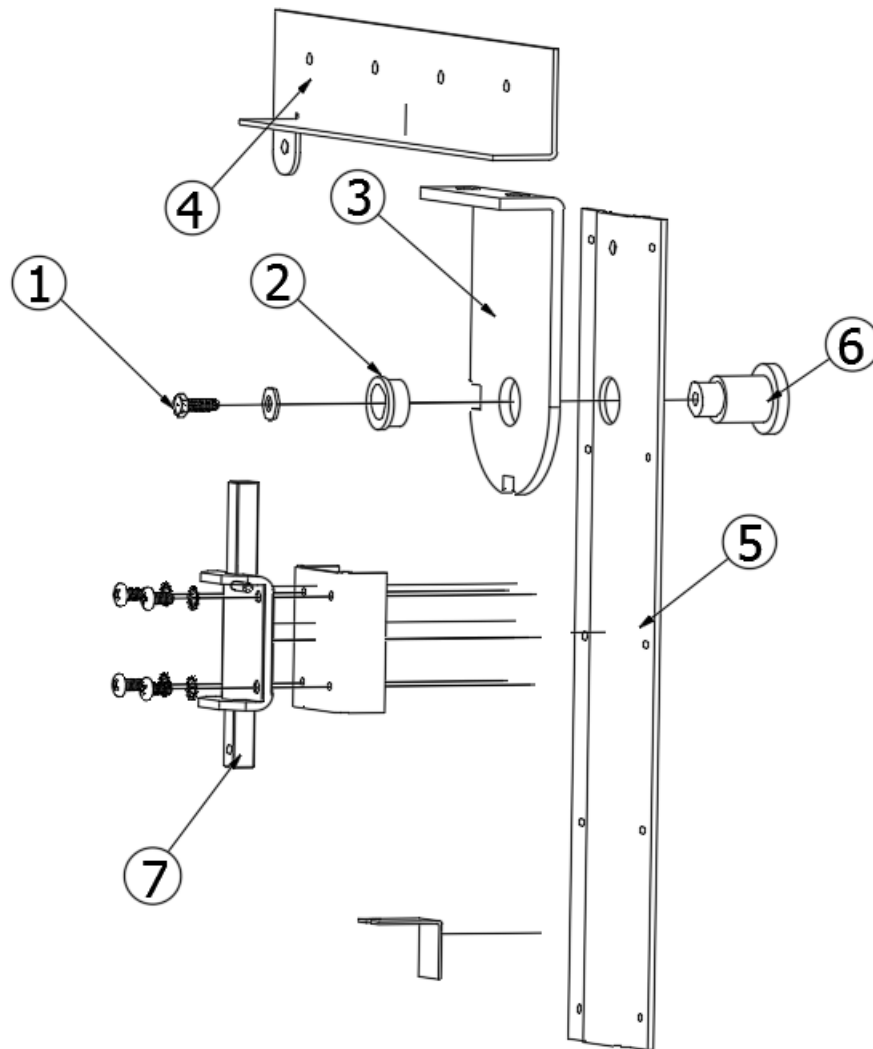
- 1. 512962-01 Rotary latch, Southco
- 2. 512962-02 Striker w/magnets
- 3. 512962-03 Manual override bracket
- 512962-04 wire harness

### Gas Struts and Door Props

- 112596 Install, Door Struts
- 135193 Install, Door Struts, E1 Package Option
  
- 382530 Gas strut, 40#, 15.75" extended
- 382540 Gas strut, 30#, 12" extended
- 382534-01 Curved prop bracket, Left hand
- 382534-02 Curved prop bracket, Right hand
- 382507-01 Ball stud, .54" thread
- 382684 Generator Door Prop
- 382684-01 Door Prop, E1 Package Option
- 455955 Bracket, Door prop, E1 Package Option

## HARDWARE

### Murphy Bed Lock Hinge



455442

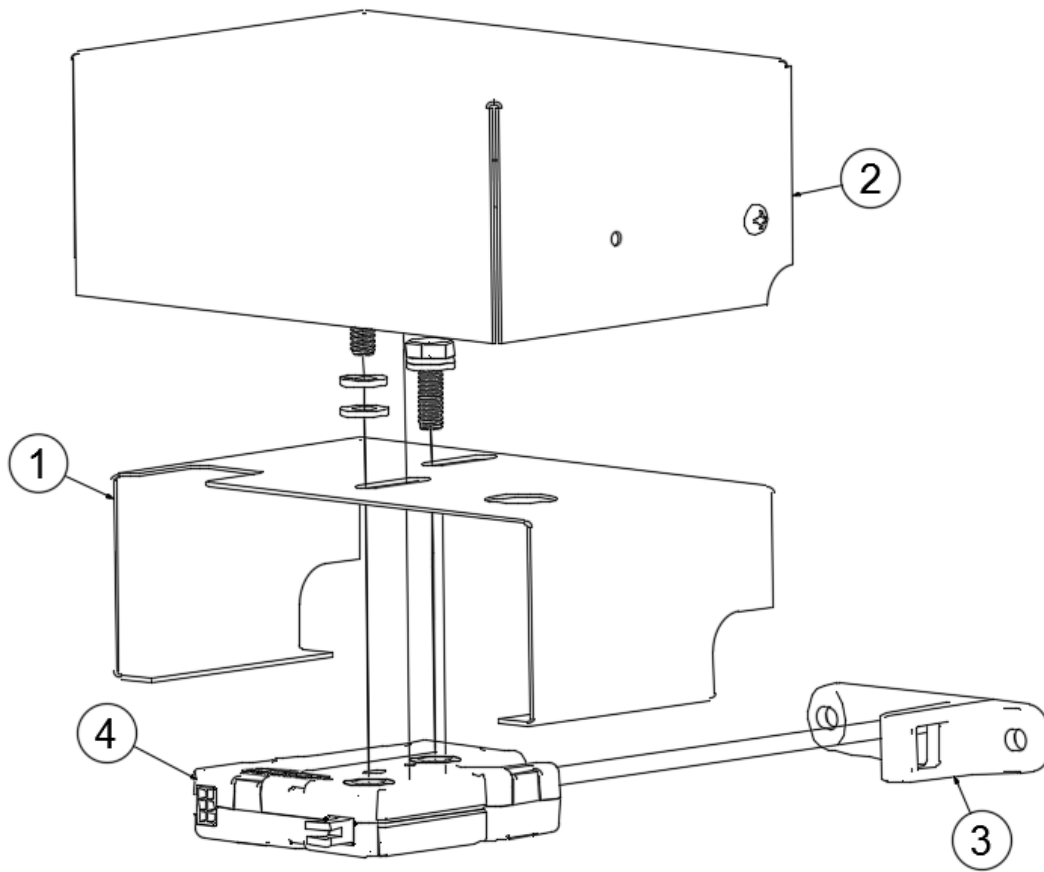
RH, Murphy Bed Hinge

1. 345276-03
2. 382392
3. 455138
4. 455139-02
5. 455184
6. 455185
7. 455442-012  
455442-5

Bolt Hex. Hd. 1/4-20 X 3/4in  
Press-Fit Drill Bushing W/Head  
Bracket-Bed Wall Swing Atlas  
Brkt-Bed Base Mtg - Rh  
Brkt-Bed Base Swing  
Pin Bed Swivel Atlas  
Slide Bolt Latch For Bracket  
Slide bolt riser

## HARDWARE

### Latch and Manual Override



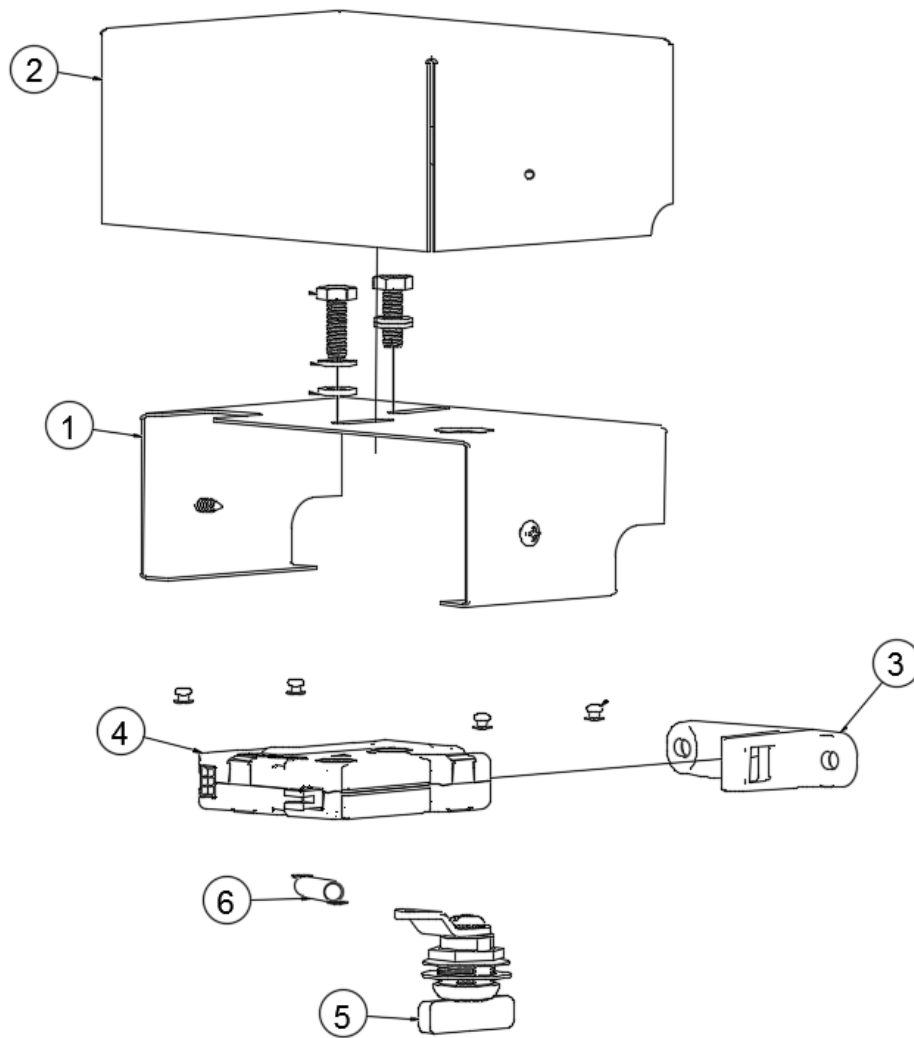
112600

Latch/Manual Override

- |              |                                   |
|--------------|-----------------------------------|
| 1. 455353    | Compartment latch stand           |
| 2. 455354    | Compartment latch cover           |
| 3. 512962-02 | Striker w/magnets, Southco        |
| 4. 512962-01 | Electronic rotary latch, Southco  |
| 300111-25    | Washer, Flat, .25"                |
| 300072-04    | Washer, Lock, .25"                |
| 345276-03    | Bolt, Hex head, .25-20            |
| 320116-02    | Screw, Phil head, #8 x 1/2, Black |

## HARDWARE

### LPG Latch and Manual Override



112401

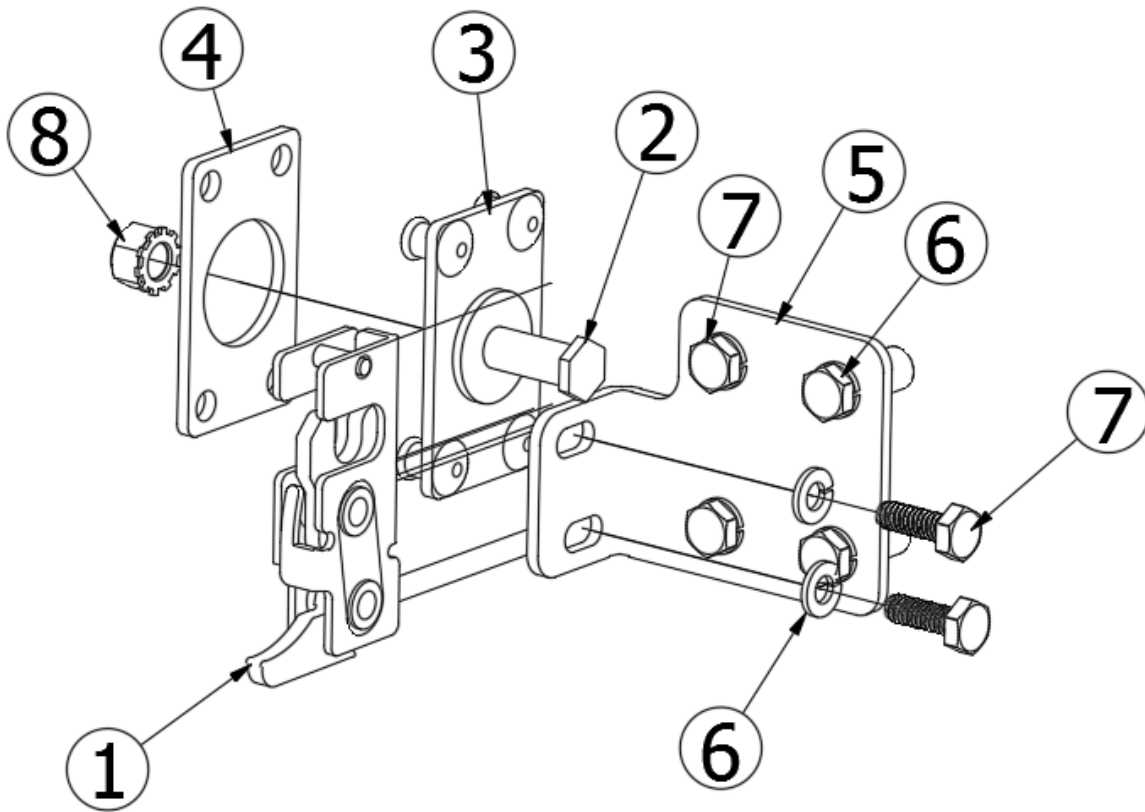
LPG Latch/Manual Override

- |              |                                   |
|--------------|-----------------------------------|
| 1. 455083    | Compartment latch stand           |
| 2. 455084    | Compartment latch cover           |
| 3. 512962-02 | Striker w/magnets, Southco        |
| 4. 512962-01 | Electronic rotary latch, Southco  |
| 5. 382381    | Cam latch, Wing handle            |
| 6. 345633    | Extension springs w/loop ends     |
| 300111-25    | Washer, Flat, .25"                |
| 300072-04    | Washer, Lock, .25"                |
| 345276-03    | Bolt, Hex head, .25-20            |
| 320116-02    | Screw, Phil head, #8 x 1/2, Black |



## HARDWARE

### Generator Latch and Lock



112828

Generator Latch/Lock

- |              |   |
|--------------|---|
| 1. 382646    | Latch - Mini Rotary                       |
| 2. 382647    | Bolt- Striker                             |
| 3. 455529    | Bracket-Pin Support - Outer               |
| 4. 455530    | Bracket-Pin Support - Inner               |
| 5. 455531    | Bracket - Rotary Latch                    |
| 6. 300072-04 | Washer, Lock 1/4in                        |
| 7. 345276-03 | Bolt Hex. Hd. 1/4-20 X 3/4in              |
| 8. 350256    | Locknut-W/Tooth Washer- M8x1.25           |
| 350259-01    | Rivet Nut, Wedge Head, 1/4/20 X .165-.260 |
| 325128-01    | Rivet-.125-.50 Steel                      |

## HARDWARE

### Rivets

325121-03	Rivet, Alum. Gesipa .050-.500
325127	Rivet, Magna Lok .38" #MGLPR1212
325128-01	Rivet, .125-.50 Steel
325130	Rivet, Nut-Rivet, For Plas-Zinc Plated
325132	Rivet, Bulb Tite.25" Steel# Gesipa
330031-01	Rivet, 3/16 X 5/8, SSD68SSBS
330126-02	Rivet, Pop, SSD43SSBS
330127-03	Rivet, 1/8" AD43ABS
330127-05	Rivet, 1/8" AD45ABS
330134-05	Rivet, Countersunk, Olympic
330151	Rivet, 5/32" Multi Grip Blind
330155	Rivet, .125" Alum W/Ss Mantrel
330164	Rivet, Magna-Lock CS SS 3/16"
330167	Rivet, 1/8" Trifold-0.00 To .25
350259-01	Rivet Nut, Wedge Head, 1/4/20

## HARDWARE

### Screws

320029	Screw, #8x3/4 Pan Head Phil Dr
320029-01	Screw, #8x1/2 Type A 18
320035	Screw, 8x1/2 Ph Type A Phil Wd
320111	Screw, #8 X 3/4"-Sd-Pph-Ss
320116-02	Screw, #8 X .500"-Ph-Blk
320116-03	Screw, #8x.625 Pan Head P.P.H.S
320116-04	Screw, Sheet Metal #8 Blk
320116-10	Screw, Sheet Metal #8 Blk 1.5
320139	Screw, #8x.75"W/#10 Washer
320161	Screw, Self-Tap HD 1/4-14 X 1.5
320165-02	Screw, #6 X 1.125" Ph FH Black
320171-08	Screw, #8 X 1.25" Ph Gray
320171-10	Screw, #8 X 1.50" Ph Gray
320171-11	Screw, #8 X 2.00" Ph Gray
320171-12	Screw, #8 X 2.50" Ph Gray
320171-13	Screw, #8 X 3.00" Ph Gray
320172	Screw, Truss, Ss #10 X 1.25"
320211	Screw, #8 X 0.75" - Ss -Black
320233	Screw, 1/4"X1.0"Flat Head 410ss
320235	Screw, Panhd-M4x10mm-Ph-Ss-Blk
345084	Screw, 1/4-14x1 THD. Cutting
345308-06	Screw, #8 Phillips HD 2" Lt. Maple
345355	Screw, #8 X 3/4 FH Ph Ss
345387	Screw, 1/4-14 X .75" Self Drill
345560	Screw, 316 Ss 10-32 X 3/4" Pan
345566-03	Screw, M6x1x1x1.18 HD Cap
345570	Screw, M6 X1x 20mm Ph Ss 18-8
345573	Screw, #6x .5"Fh Undercut
345576	Screw, 1/4-20 X .75 Hex HD Cap3
345581	Screw, Cap Hex Head 3/8-16 X 4"
345607	Screw, Cap M8 X 1.25 X 70mm
345625	Screw, #2 X .375" Lg Ph#90184a
345636	Screw, #10-24x1/2" Ss Fh#92210a
345645	Screw, #4 X .375" Ph
345655	Screw, #8 X 1.5" FH Ph Ss
345795	Screw, Self-Drilling, #10 #1 Sq
381609-02	Screw, Hafele European #9 1"
381609-05	Screw, Hafele European #9 1 1/2
382426	Screw, 1/4"-20 Pan HD Phil 3/4"

## SAFETY EQUIPMENT

### Detectors and Fire Extinguisher

512260	Detector-Smoke/Carbon Monoxide
690381-02	Fire extinguisher
513796	Detector-LP-CO2

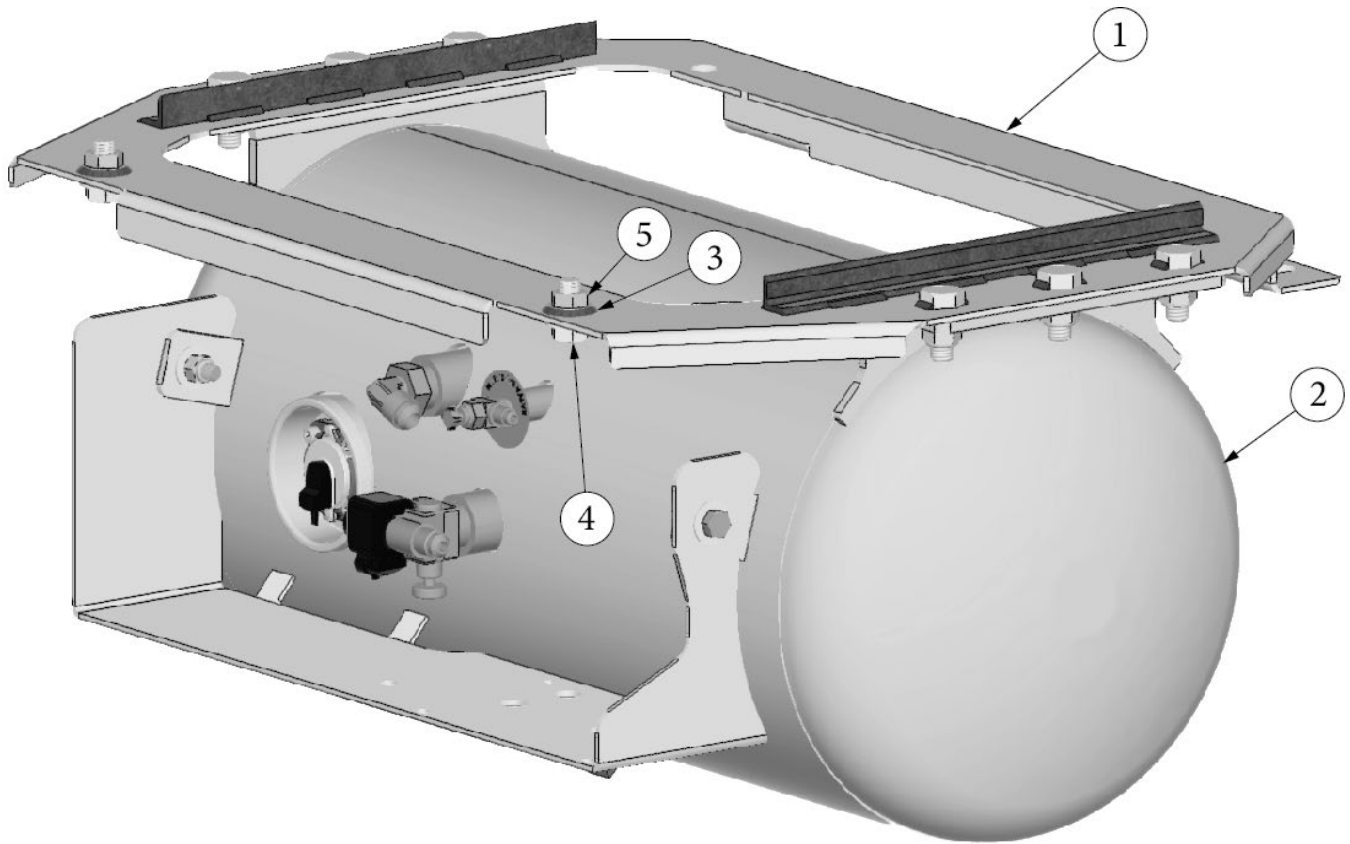
## LABELS AND TAGS

### Labels and Tags

386121	Label, LPG Gas Warning Label (Odor)
386122	Warning Label/Cooking Appliance
386303	Cleaning Instruction Label
386120	Label, Smoke Detector
386370	Warning Label - Vans
385465	Exit Label, English
386119	Label, "Do Not Store Combustible"
386124	Label, Refueling Warning
386189	Label, Warning No Seatbelts
386330	Label, Auto Step w/Ext LED Hole
386291	Label, Warning Battery Ground
386249	Label, No Storage Compartment
386252	Label Hepvo Warning
386389	Hang Tag, Murphy Bed
386477	Label, Solar Prewire
386556-08	Label, QR Code, Atlas
386113	Label, Rvia Gold
386123	Label, "Potable Water Only"
386118	Label, LPG Gas Warning/Fill
386558	Decal, 110-125 Volt Perm Adhesive
386308	Emblem, "Atlas", Chrome
386373	Decal, On/Off LPG Remote Fill
386328	Decal, "Airstream", Chrome
602205-12	Sticker, Instruction Macerator
386227-03	Label, Hitch Weight Rating
386376	Emblem, "Mercedes Benz", 8"
365421	Decal, LP fill/bleeder valve
386335	Label, LP service port, 10K BTU
386331	Label, Caution Automatic Step
386306	Label, Travel Warning
386366	Decal - Warning Light Auto Gen Start
385966	Label, Inverter Circuit
386552	Label, Vented Battery Compartment
S00417	Labels, GFI Protected
386357	Label, Door Lid Notice

## PLUMBING, LPG SYSTEM

### LPG Tank Install



112977

### LP Tank Install

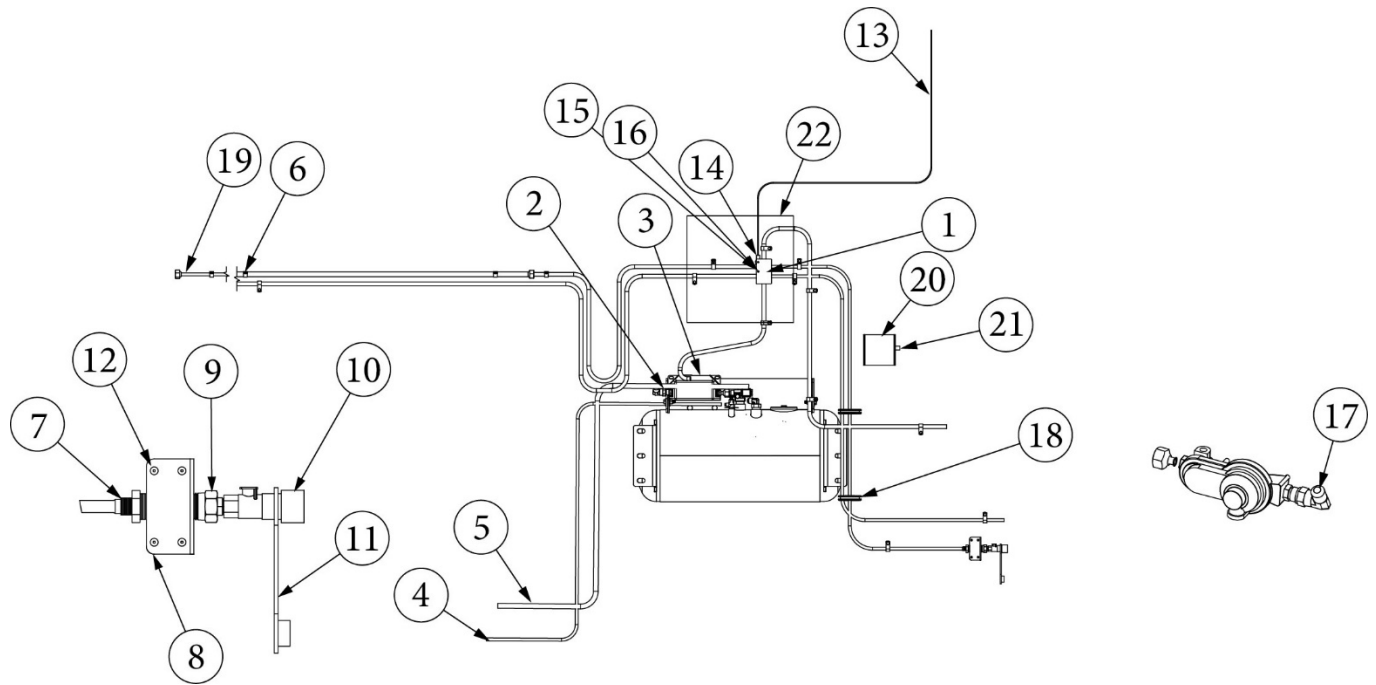
- |              |                                  |
|--------------|----------------------------------|
| 1. 455532    | Weldment, Plate LPG frame        |
| 2. 602955    | LPG tank, 12.2 gallon            |
| 3. 300147    | Washer, Flat ID .53" OD 1.1"     |
| 4. 345269-04 | Bolt, Hex head, 1/2-13 x 1, GR 5 |
| 5. 350147-50 | Nut, Nylon lock, 1/2-13          |

### LP Remote Fill

455699      Remote fill Bracket

# PLUMBING, LPG SYSTEM

## LPG System



Parts Listed on Next Page

## PLUMBING, LPG SYSTEM

### LPG System

944059	LP System
602483	LP Hose/Manifold System
943833	Kit, LP Regulator, 3/8"F 1/2"
602977	LP Tank Regulator Cover, Black
602603	Hose, 1/4 x 60 Type III LP 1/4 FI
602604	Hose, 1/2 x 60 Type III LP 1/2 FI
340085-05	Clamp, #Coy 1109, 5/8 In. Dia.
601412-08	Adapter, .5" MPT X .375" MFLR
454901	Bracket, LP, Quick Disconnect
602286	Nipple, .5" Mpt X .25" MPT Brass
602109-01	Coupler, Disconnect, .25"PTt x QD
602109-03	Dust Plug
330031	Rivet, Blind SSD 68bs 3/16x5/8
500839	Wire, Bare Copper, 8 Ga.
500038	Lug, Ground
350158-01	Washer, Lock, Tooth, (Int-Ext)
320161	Screw, Self Tap HD 1/4-14 X 1.5
602757	Elbow, .5"M-FLR x .5"F-Swivel
382802	Grommet, Rubber-2.5" Hole
944008	3/8 Copper Tube assembly, 84"
116388	Bracket, Clamp Hanger, Atlas
340085-09	Clamp, Loop Style, W/Rubber 1.5"
115811	Plate, Satellite
201267-07	Convolute Conduit, 5/8" Black
500501-01	Wire Tie, Nylon, 15" Black



## PLUMBING, FRESH WATER SYSTEM

### Fresh Water Tank

602773	Fresh Water Tank - Atlas
455524	Frame-Fresh Water Tank FWD
455527	Frame-Freshwater Tank-Lower
455526	Frame-Fresh Water Tank-AFT
454664-04	Rod-14.75"Fresh Water Tank
455098	Bracket, Chassis compression
602137	Valve, Shut off, .5 Barb x 3/8 compression
601723	Filter screen
601668-01	Strainer, Fresh water pump
511812	Heating pad
513069-01	Flush mount monitor panel only
514051-01	Tank Sensor, 12"
365417	Tape, Extreme sealing, 3M
360389	Rubberized Undercoating, 3M

### Exterior Shower

602288-02	Hose w/sprayer, 15'
602263-01	Faucet, 4" shower w/vacuum breaker and clear handles
602263-03	Shower head and hose w/bracket, White

### City Water Hook-Ups

601392-06	City water fill w/regulator, 50 PSI
513079	Switch, Momentary w/light
601197-02	Water hookup, Chrome

### Water Pump

602177-01	Water pump, Flojet
602177-02	Strainer, Mini assembly
602177-05	Pump port, Quick connect, 90°
601668-01	Strainer, Fresh water pump

## PLUMBING, FRESH WATER SYSTEM

### Faucet and Sink, Galley

602551	Sink, Undertone, Single bowl, Stainless Steel
602634	Faucet, Single hole, Simplice, K-597-VS
600968	Basket strainer

### Faucet and Sink, Lavatory

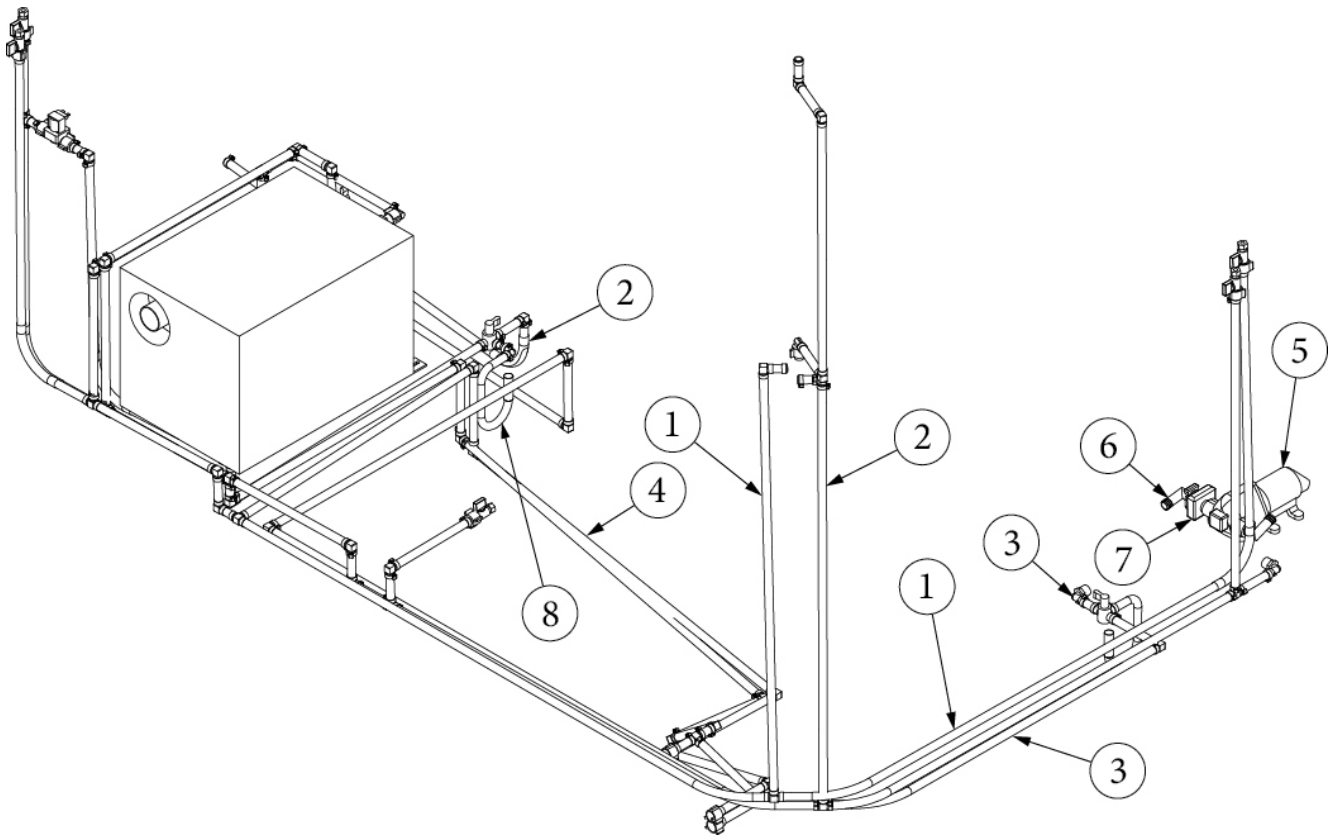
602571	Lavy sink, Undermount, Kohler
453833	Clip, Sink mount
602871-01	Faucet, Single handle, Pfister, Tuscan Bronze

### Shower Accessories

602640	Valve trim kit, Alteo Orb
602401	Valve, Rite-temp, 1/2" pressure balance
602637	Hose, 60", Orb #K45982-2BZ
602638	Elbow, Wall mount
455483	Bracket, Shower valve mounting
455619	Bracket, Shower head mounting
455482	Bracket, Lower shower wall mounting
602641-02	Bracket, Wall mount, Kohler
203987	Caddy, Shower inset shelf

# PLUMBING, FRESH WATER SYSTEM

## Fresh Water Lines



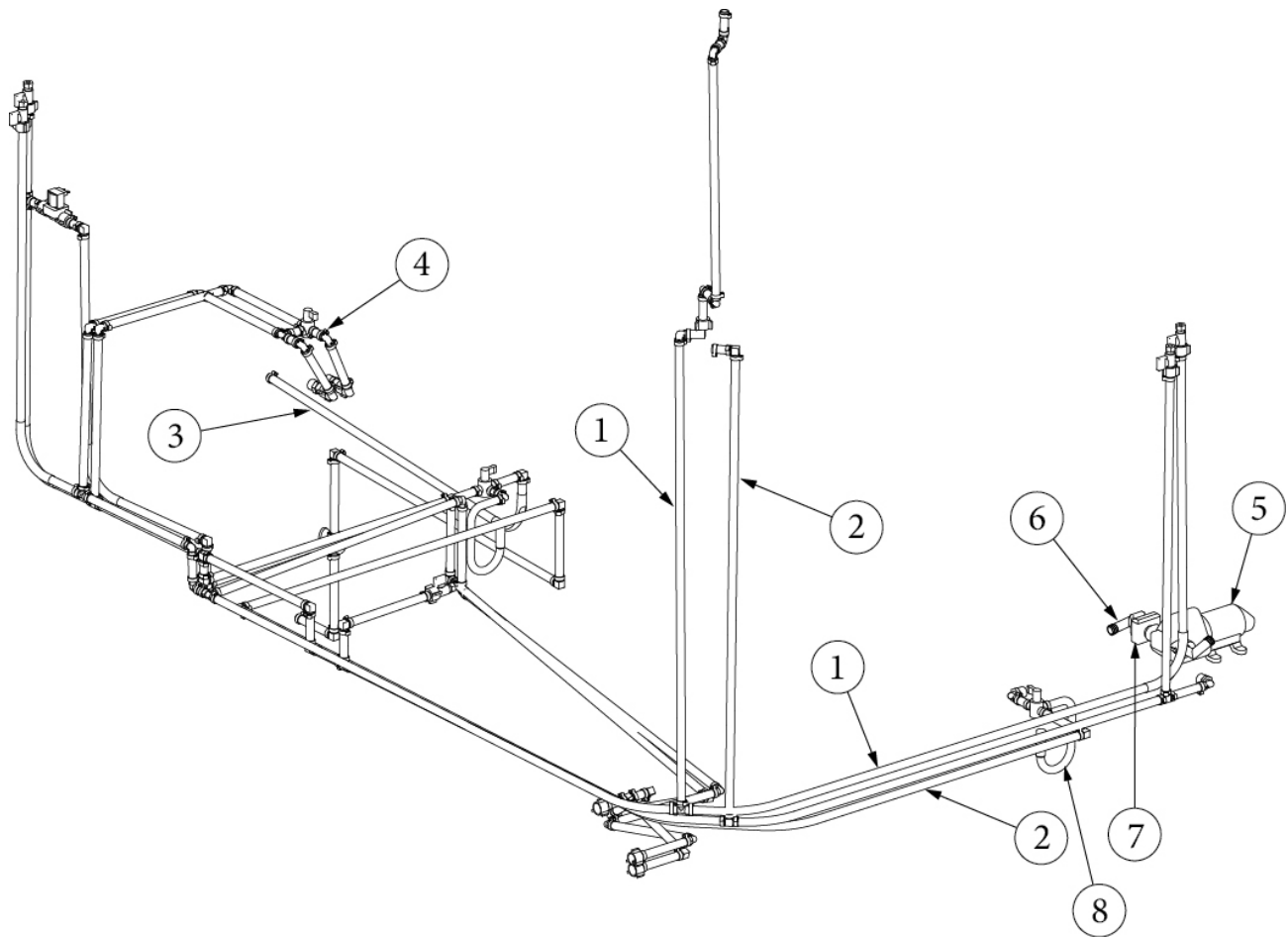
943890

### Fresh Water Layout

- |              |                                     |
|--------------|-------------------------------------|
| 1. 943817-01 | Fresh Water Lines- Hot Atlas        |
| 2. 943890-01 | Layout, Fresh Water Cold            |
| 3. 943890-02 | Layout, Fw Tank To Pump Cold        |
| 4. 943817-04 | Hot Water Lines- Bypass Atlas       |
| 5. 602177-01 | Pump, Water Flojet #03526500H       |
| 6. 602177-05 | Quick Connect, Pump Port .5" M 90OD |
| 7. 602177-02 | Strainer-Mini Assy #01740300B       |
| 8. 112814    | Assembly, Winterization Kit         |
| 602186       | Flex Hose, 20" Swivel Connector     |
| 602256-09    | Plug, Test Poly .5 Barb             |

# PLUMBING, FRESH WATER SYSTEM

## Fresh Water Lines, E1 Package Option



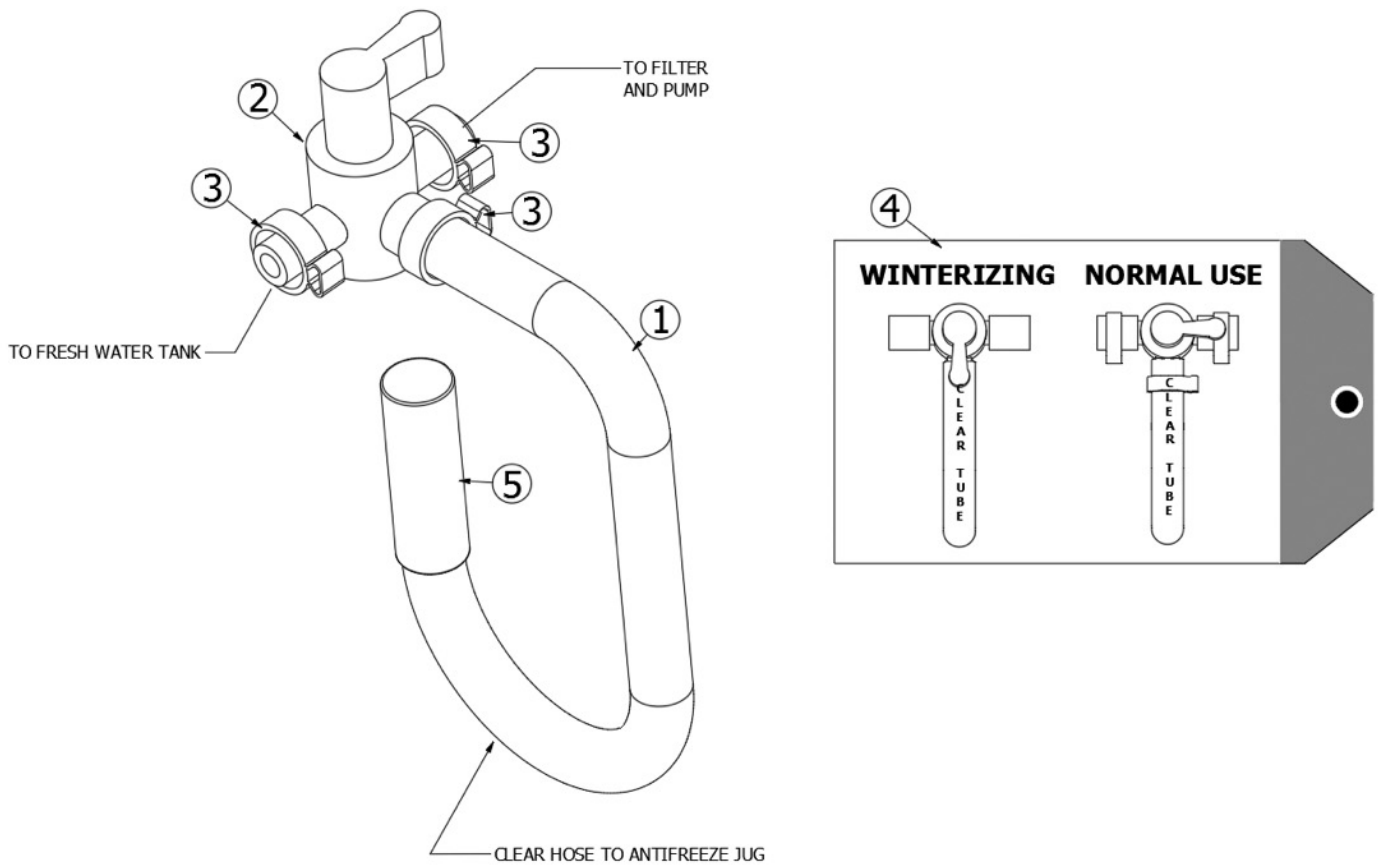
944034

Fresh Water Layout, E1 Package Option

- |              |   |
|--------------|---|
| 1. 944034-01 | Layout, Fresh Water Lines, Hot          |
| 2. 944034-02 | Layout, Fresh Water Lines, Cold         |
| 3. 944034-03 | Layout, Fresh Water, Tank to Pump, Cold |
| 4. 944034-04 | Layout, Water Heater Bypass             |
| 5. 602177-01 | Pump, Water Flojet #03526500H           |
| 6. 602177-05 | Quick Connect, Pump Port, .5"           |
| 7. 602177-02 | Strainer, Mini Assembly                 |
| 8. 112814    | Assembly, Winterization Kit             |
| 602186       | Flex Hose, 20" Swivel Connector         |
| 602256-09    | Plug, Test Poly, .5" Barb               |

# PLUMBING, FRESH WATER SYSTEM

## Winterization Kit



112814

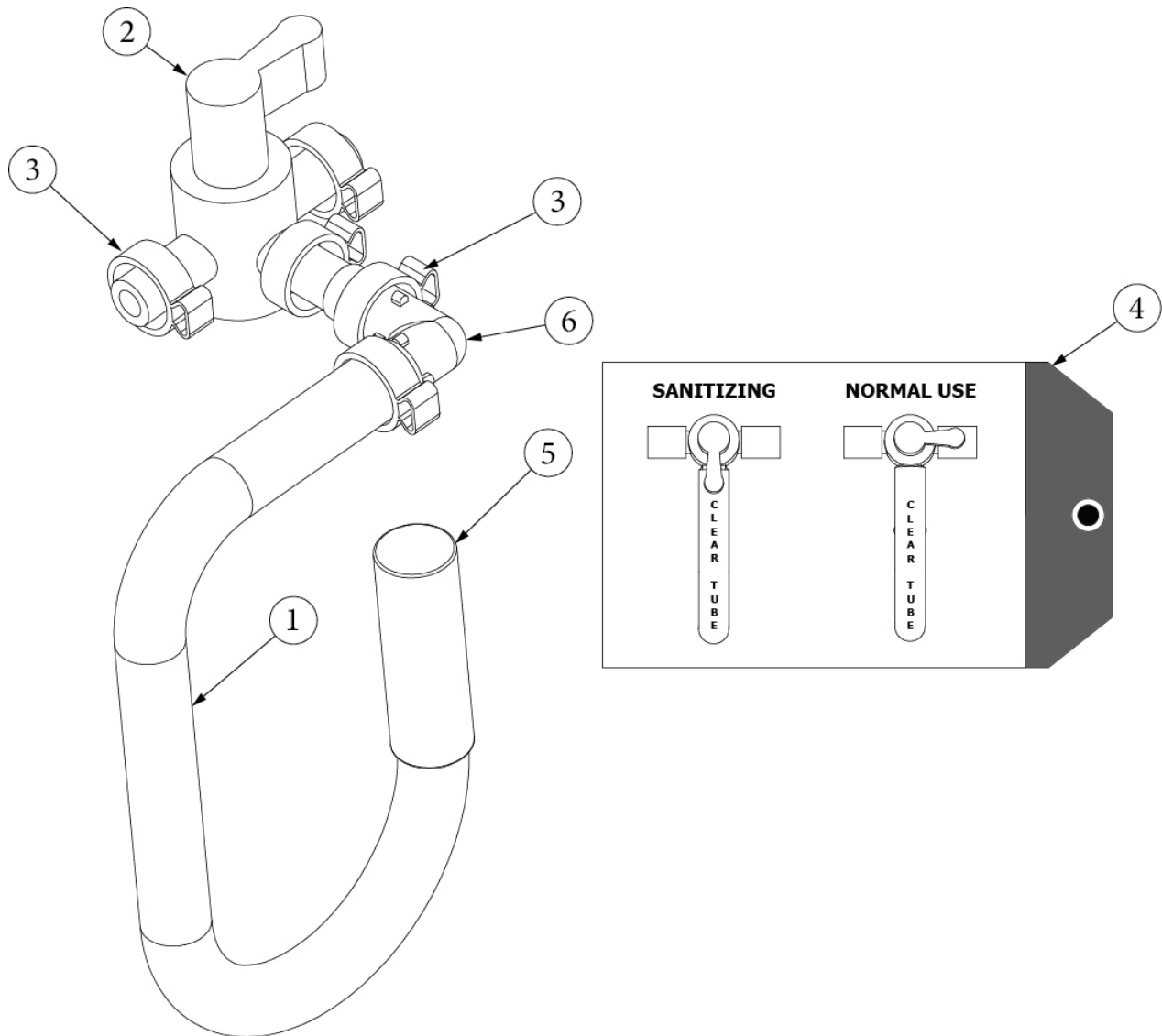
### Winterization Kit Installation

- 1. 601240-01
- 2. 602711
- 3. 601698-15
- 4. 365453
- 5. 602801

Tubing 1/2 I.D. x 3/32 Wall Thick  
Valve-3 Way Bypass .5" PEX #32788  
1/2 CRIMP RING #14785  
Tag, Instruction, Winterization Kit  
Cap, 5/8" ID, Winterization Kit

## PLUMBING, FRESH WATER SYSTEM

### Sanitization Kit



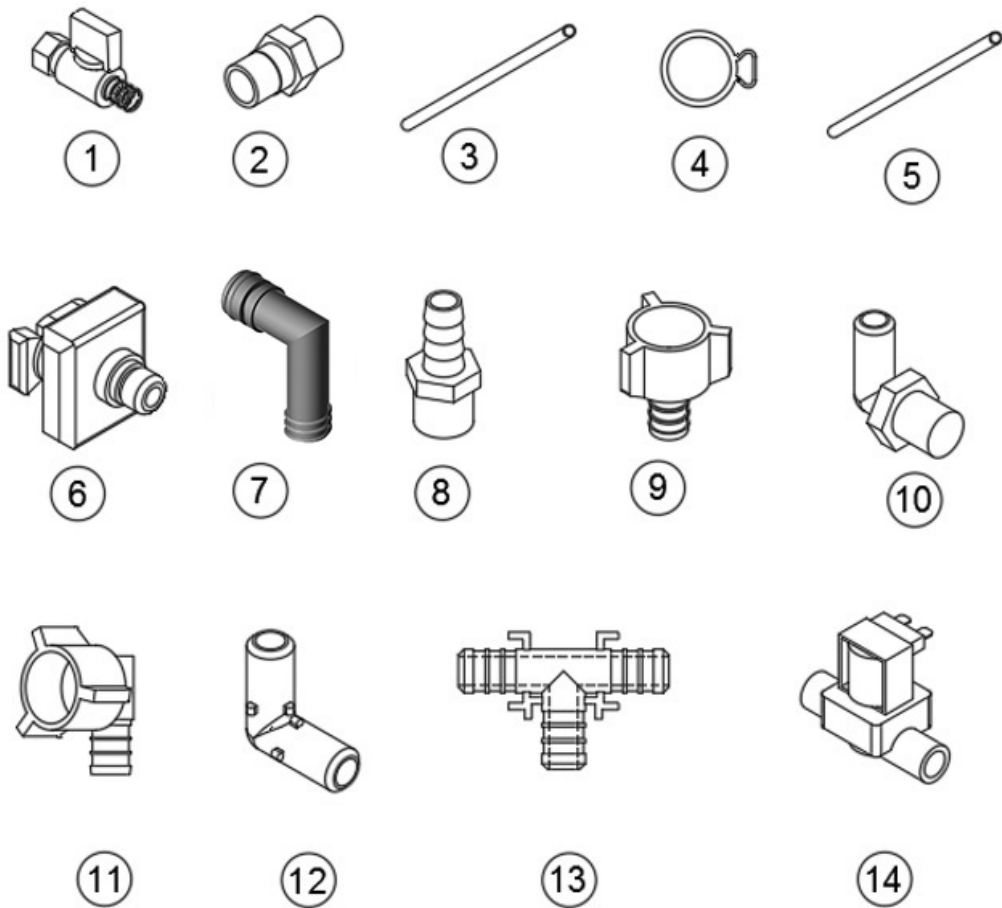
113767

### Sanitization Kit Installation

- |              |                                    |
|--------------|------------------------------------|
| 1. 601240-01 | Tubing 1/2 I.D. x 3/32 Wall Thick  |
| 2. 602711    | Valve, 3-Way Bypass, .5" PEX       |
| 3. 601698-15 | Crimp ring, 1/2"                   |
| 4. 365513    | Tag, Instruction, Sanitization Kit |
| 5. 602801    | Cap, 5/8" ID                       |
| 6. 602256-10 | Elbow, Poly, 1/2" Barb             |

## PLUMBING, FRESH WATER SYSTEM

### Fresh Water Fittings



- |               |  |
|---------------|--|
| 1. 602137     | Valve, Shut off, .5 Barb x 3/8 compression |
| 2. 602308     | Check valve, .5" MPT x .5" MPT             |
| 3. 601698-01  | E-Pex tube, .5"                            |
| 4. 601698-15  | Crimp ring, .5" E-Pex, .5", Black          |
| 5. 601698-21  | E-Pex tube, .5", Red                       |
| 6. 602177-02  | Strainer, Mini                             |
| 7. 602177-05  | Pump port, Quick connect, 90°              |
| 8. 602256-02  | Coupler, .5" barb x .5" MPT                |
| 9. 602256-03  | Coupler, .5" barb x .5" FPT                |
| 10. 602256-04 | Elbow, .5" barb x .5" MPT                  |
| 11. 602256-05 | Elbow, .5" barb x .5" FPT                  |
| 12. 602256-10 | Elbow, .5" barb x .5" barb                 |
| 13. 602256-11 | Tee, .5" x .5" x .5"                       |
| 14. 513048    | Valve-Electric 12V DC Coil .5" Inlet       |

## PLUMBING, DRAIN SYSTEM

### Black Tank

602671	Black water tank, 22.1 gallons
455264	Weldment, Support, Black tank
454664-04	Rod, Black water tank, 12.75"
511812	Heating pad, Holding tank
365417	3M extreme sealing tape

### Grey Tank

602670	Grey tank, 30.2 gallons
455267-03	Bracket, Lower, Grey tank, RS
455267-01	Bracket, Lower, Grey tank, CS
455267-02	Bracket, Upper, Grey tank
511812	Heating pad, Holding tank
365417	3M extreme sealing tape

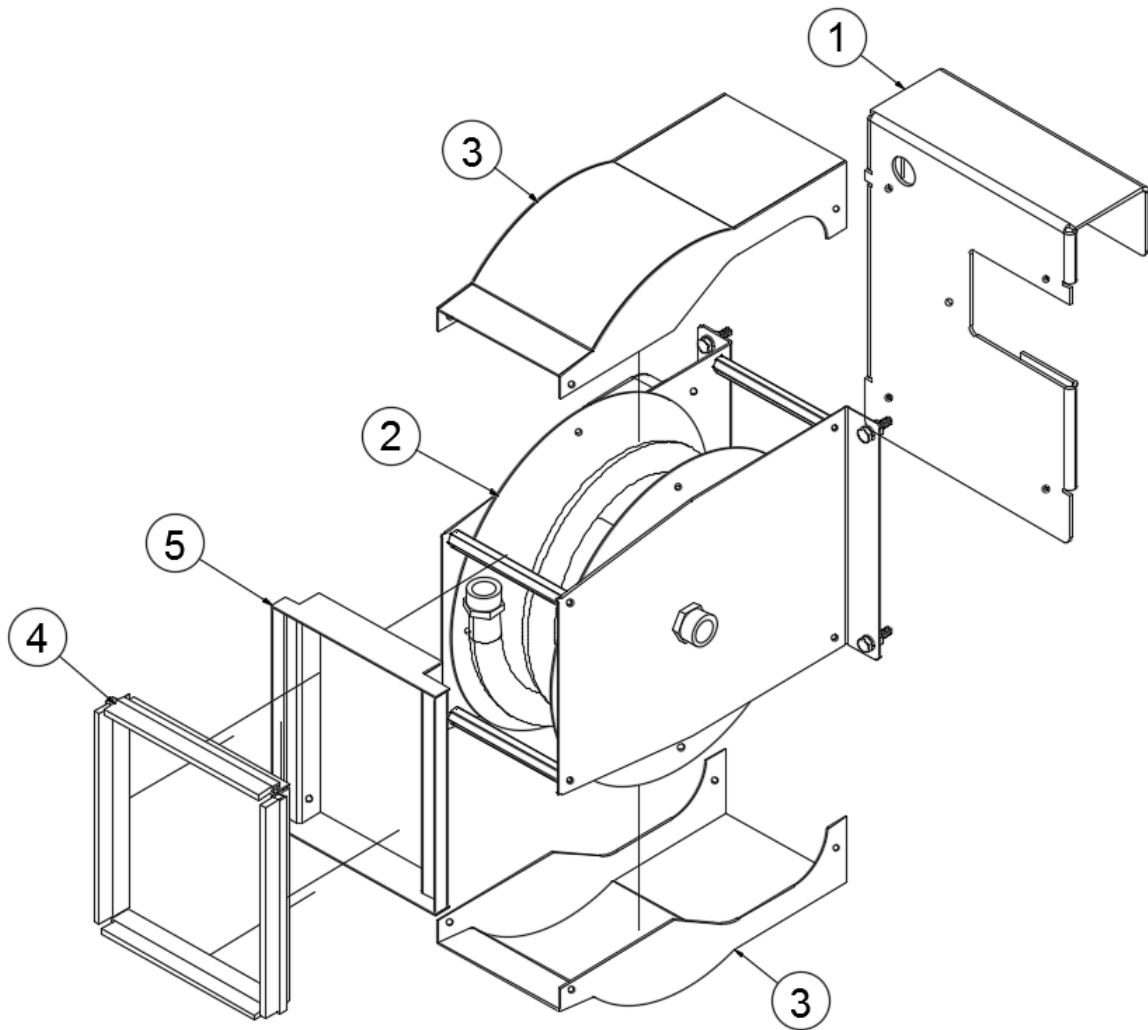
### Black Tank Flush

602940	Black Tank Flush Kit, No Fuss
601441-101	Black cap w/strap



## PLUMBING, DRAIN SYSTEM

### Macerator Pump System



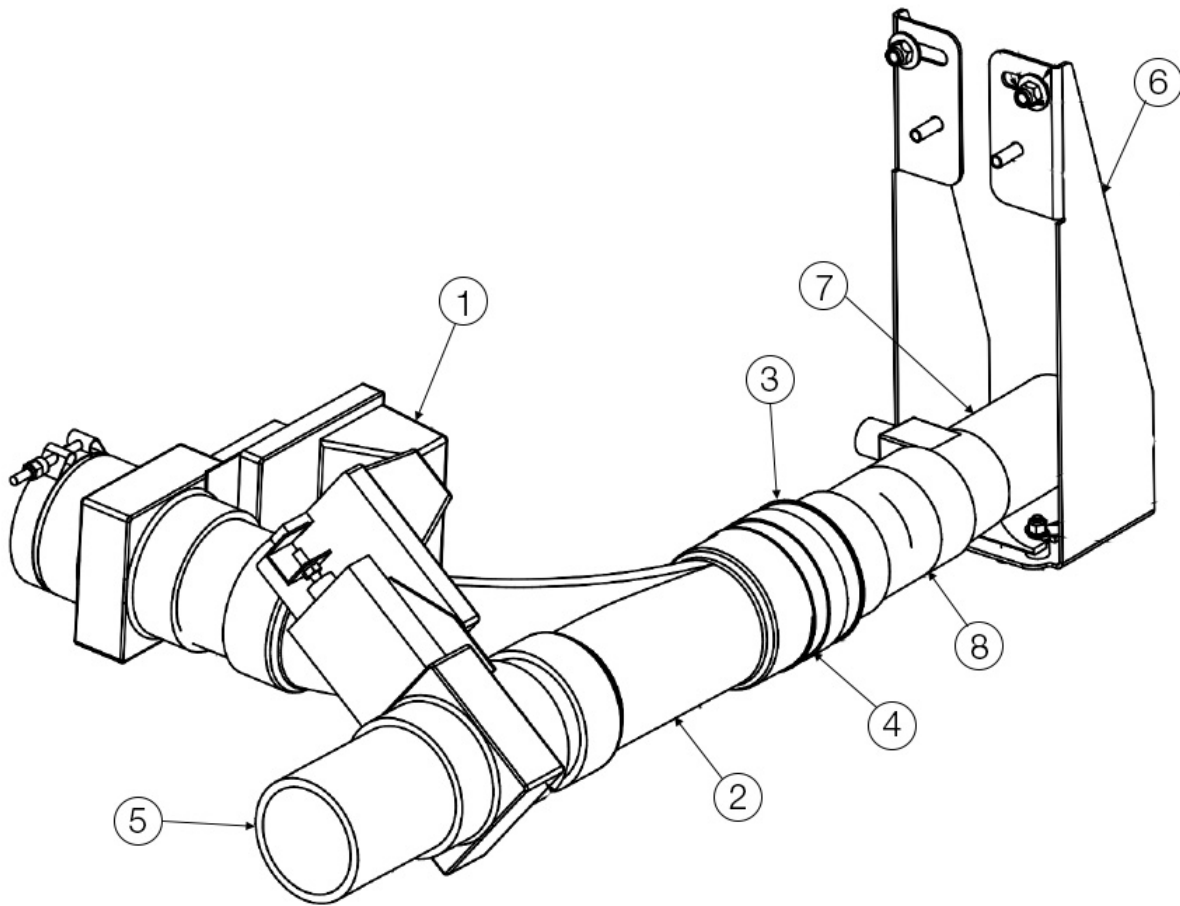
112507

Hose Reel and Bracket Install

- |              |   |
|--------------|---|
| 1. 455306    | Bracket, Reel macerator                         |
| 2. 513314    | Waste water hose reel, Right hand spool         |
| 3. 204055    | Closeout, Macerator reel cover                  |
| 4. 704171    | Weather stripping                               |
| 5. 455351-03 | Front cover, Macerator closeout                 |
| 602176       | Macerator pump                                  |
| 455497       | Bracket, Macerator pump                         |
| 602205-01    | Switch, 20 amp                                  |
| 602205-04    | Adapter for 3" connection hose w/2 clamps       |
| 602205-05    | 3" flexible connection hose, 3' long w/2 clamps |
| 602205-10    | Valve, Drip proof w/2 adaptor for reel hose     |
| 513314-100   | Hose Assembly Only For 513314                   |

## PLUMBING, DRAIN SYSTEM

### Drain System, Below Floor



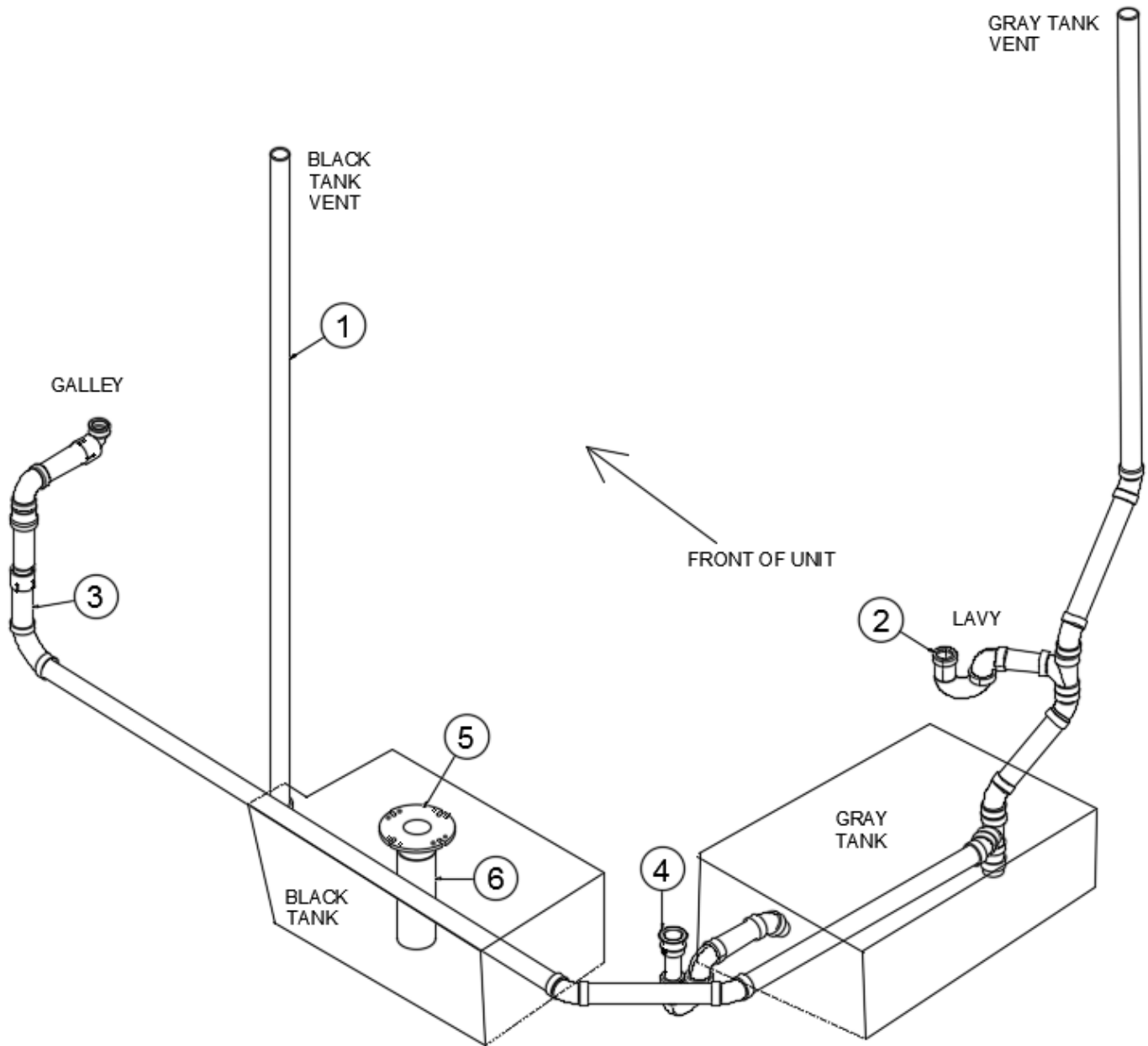
943832

Below Floor Drain

- |              |                                |
|--------------|--------------------------------|
| 1. 512411    | Waste valve, Electric          |
| 2. 600187    | 3" Wye, Comb and 1/8 bend      |
| 3. 602205-04 | Adaptor for 3" connection hose |
| 4. 600289    | Calder coupling, 3" (rubber)   |
| 5. 601160-04 | Pipe, ABS DWV 3"               |
| 6. 455497    | Bracket, Macerator pump        |
| 7. 602176    | Pump, Macerator Flojet         |
| 8. 602205-05 | Hose, Macerator                |
| 602671       | Black water tank, 22.1 gallons |
| 602670       | Grey tank, 30.2 gallons        |

# PLUMBING, DRAIN SYSTEM

## Drain System, Above Floor



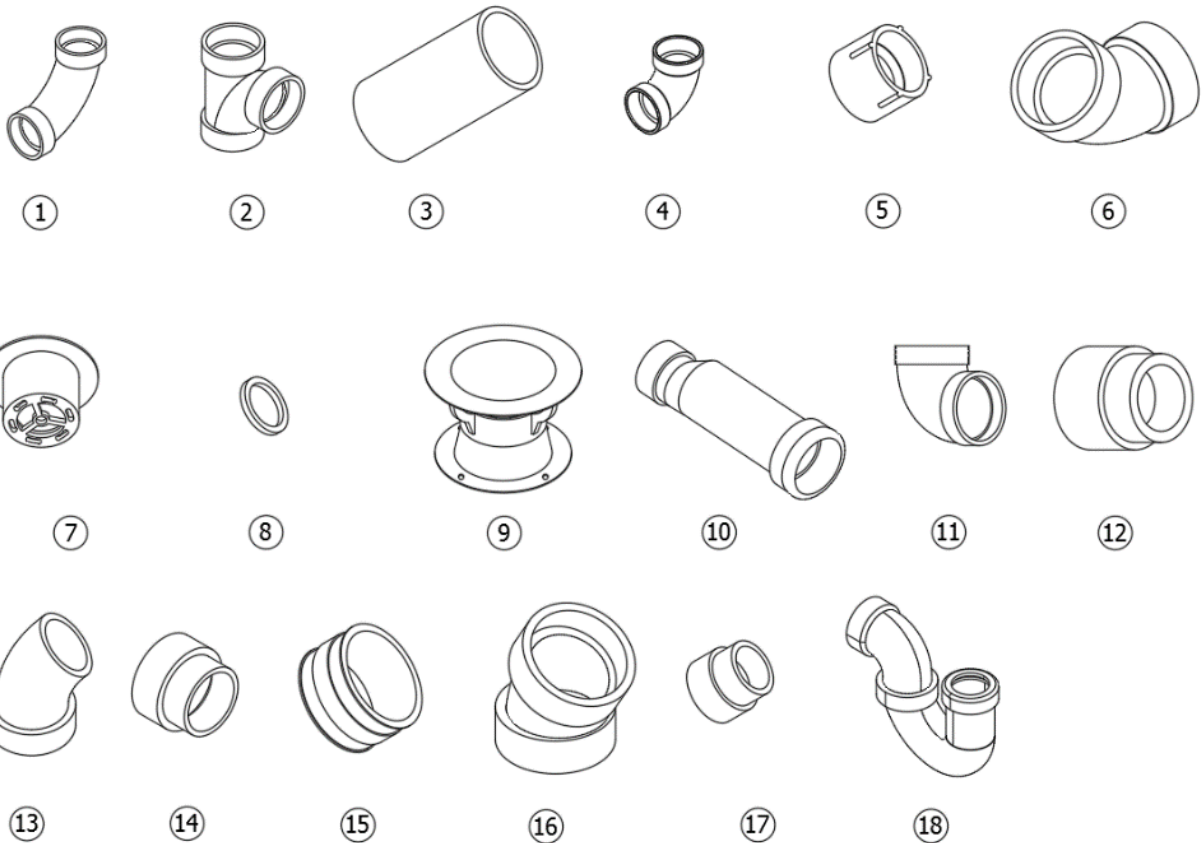
943798

Above Floor Drain System

- |              |                               |
|--------------|-------------------------------|
| 1. 943798-01 | Black tank vent               |
| 2. 943798-02 | Lavy drain                    |
| 3. 943798-03 | Galley drain                  |
| 4. 943798-04 | Shower drain                  |
| 5. 601266    | Flange closet, Slip fit       |
| 6. 601267-04 | Nipple, Threaded one end, 10" |

## PLUMBING, DRAIN SYSTEM

### Drain Fittings



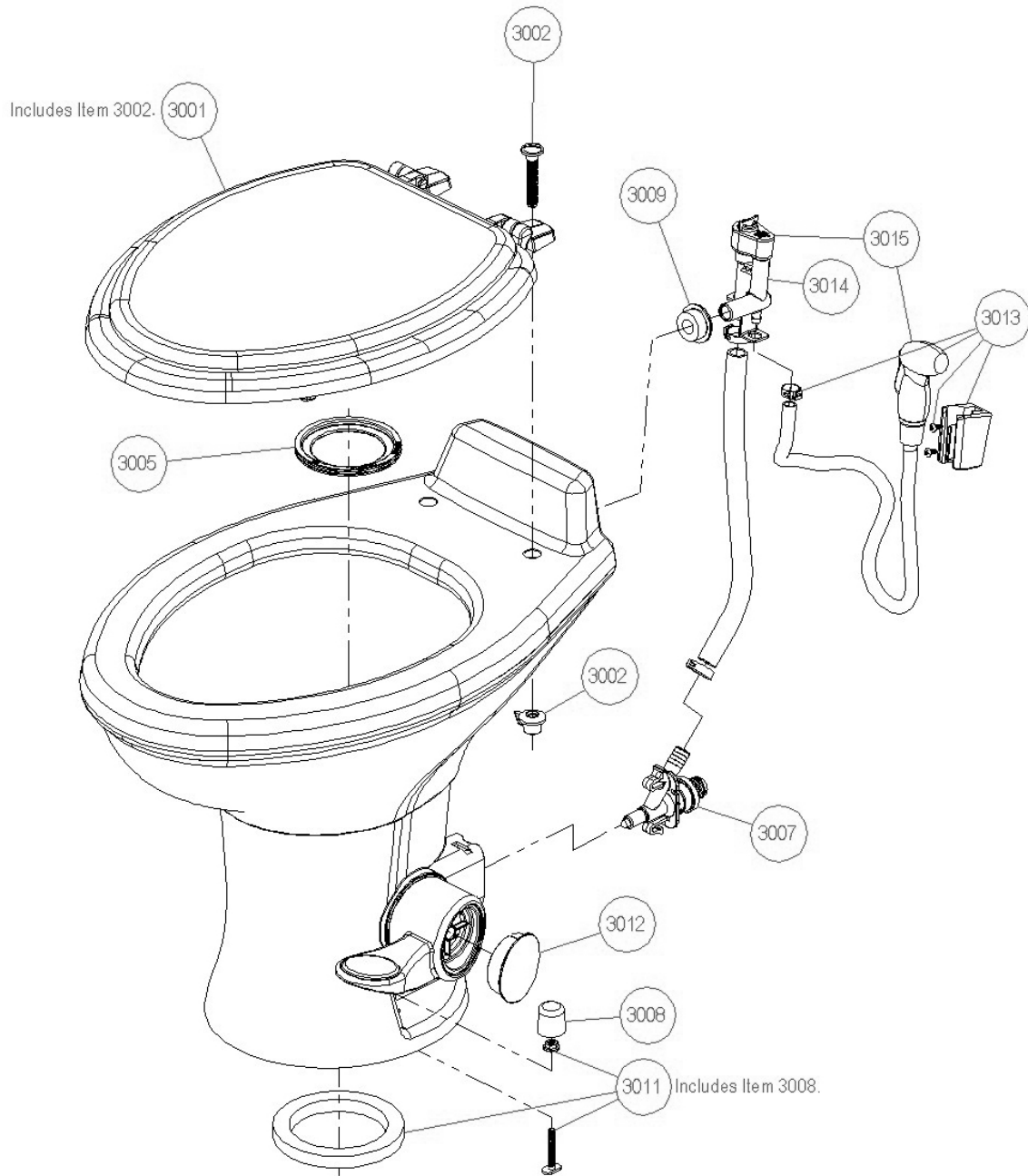
- |               |                                      |
|---------------|--------------------------------------|
| 1. 600035     | Elbow, 1.5", 90°, Long sweep         |
| 2. 600156     | Tee, Sanitary 1.5IN X 1.5IN. X 1.5IN |
| 3. 601160-02  | Pipe, ABS DVW, 1.5"                  |
| 4. 601636     | Elbow 1-1/2" 90deg                   |
| 5. 602212     | Adapter-1.5"FPT X 1.5"SLIP PVC       |
| 6. 600030     | Elbow, ABS, 45°, Long turn           |
| 7. 600594-02  | Drain-Shower W/Blk Stop              |
| 8. 602287-02  | Washer-Rubber .5" #347191            |
| 9. 690700-01  | Tank vent cap, White                 |
| 10. 690753-01 | Trap-Utopia Uniguard Low Profile     |
| 11. 690753-02 | Elbow-Utopia Uniguard                |
| 12. 602205-04 | Adaptor for 3" connection hose       |
| 13. 600027    | Elbow, 45°                           |
| 14. 602214    | Adapter, 1.5" MPT x 1.5", Slip PVC   |
| 15. 600289    | Calder coupling, 3" (rubber)         |
| 16. 600116    | Elbow, .5"                           |
| 17. 601676    | Adapter, Threaded, 1.5" male         |
| 18. 602164-01 | P trap w/compression nut, 1.5"       |

# PLUMBING, DRAIN SYSTEM

## Toilet

690701  
968520  
601266

Toilet, Residence w/sprayer, Dometic 320, 302320121  
Closeout, Rear Toilet  
Flange closet, Slip fit



Parts Pictured Above are Dometic Part Numbers

## SEALERS AND GASKETS

### Sealers

365424-03	Sealant, ADseal, Black
365330-01	Sealant, RTV Silicone, White
365330-02	Sealant, RTV silicone, Grey
28430W-01	Sealant, Acryl-R seam sealant, Aluminum
360255-04	Sealer, Anti-wick
360388	Adhesive, Kitchen and bath, Dap White

### Gaskets

382337	Gasket, Corlon vent cap
382539	Gasket, Grab handle
365420	Gasket, Water heater vent
365419	Gasket, Furnace vent
365443	Gasket, Flap, 1 x .63
381665	Gasket, D-seal, Black
365435	Gasket, Taillight bracket
365485	Gasket, Outdoor receptacle

### Undercoating

360389	Undercoating, 3M rubberized, 16 Oz.
360340	Undercoat, Epoxy primer
360331	Undercoat, Epoxy primer activator

## BEDDING, PILLOWS

### Mattress and Sheets

704432	Mattress, Queen, 62.5 x 72.5
99900P-2224	Froli spring mat (3 x 3 springs per mat)
704944	Sheet set
704944-01	Sheet, Fitted
704944-02	Sheet, Flat
704944-03	Pillow cases (2)
704944-04	Headboard cover

### Bedding and Pillow Kits

704552	Kit-Pillow Tommy Bahama - Atlas
704552-01	Pillow - 16 X 16, Papara 10, Citrus
704552-02	Pillow - 16 x 16, Shibori Diamond
704552-03	Pillow - 16 X 16, Villa Fronds
704554-01	Comforter set, 4 piece (comforter, bed skirt, 2 shams)
704554-04	Throw pillow, Relax print, 20 x 20
704554-06	Embroidered pillow, Green, Pineapple resort, 20 x 20

### Cockpit Bed

704598-01	Cab bed kit, No blanket
704598-100	Bag only
704598-101	Leg support only
704922	Blanket, Cockpit bed

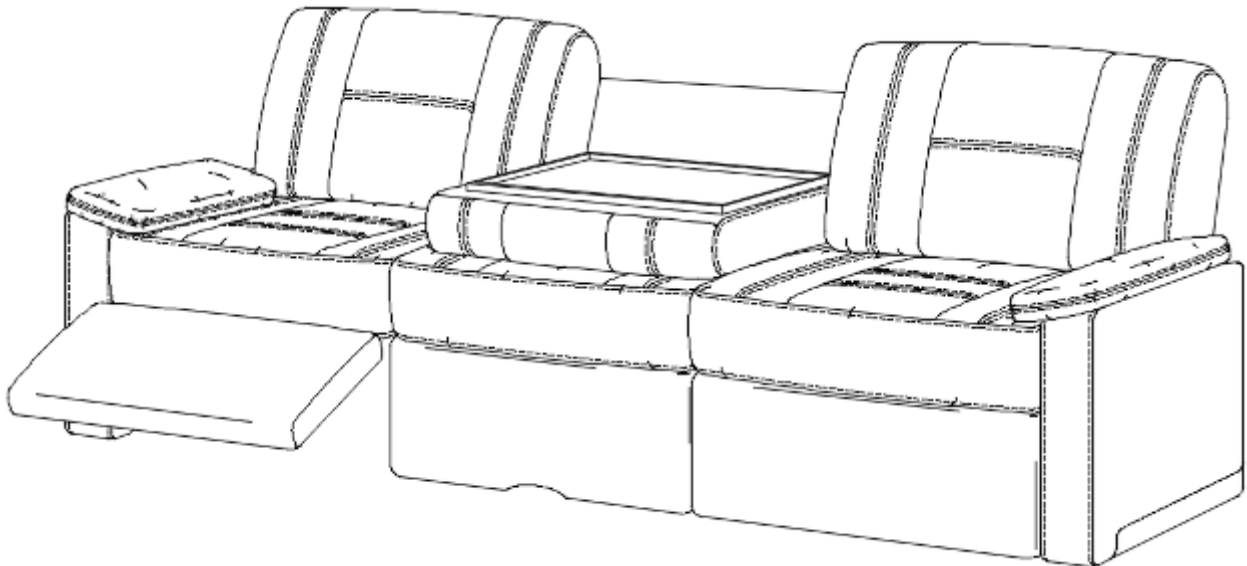
## UPHOLSTERY

### Cabin Seats

704629DT-D	Recover, Driver Seat, W/Thorax, Desert Tan
704629DT-P	Recover, Passenger Seat, W/Thorax, Desert Tan
704627DT	Recover, Pedestal, Driver Seat, Desert Tan
704628DT	Recover, Pedestal, Passenger Seat, Desert Tan

Cab captain's chairs come with the chassis. Airstream sends the chairs out to be recovered to match the motorhome color scheme.

### Sofa



704604DT	Sofa, Murphy Desert Tan
602432-05	Top, Sofa Fold Down, Sandstorm



# DÉCOR BOARDS

## Décor Board, Tommy Bahama

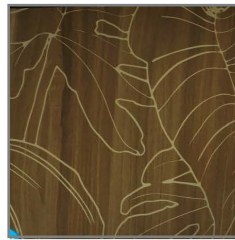


**Wood: 39 Macchiato / Seating Color: Desert Tan**

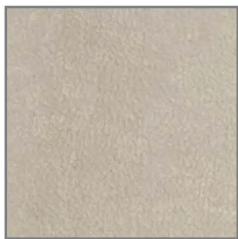
*Tommy Bahama*  
**ATLAS**



**ITEM:** Macchiato Laminate  
**PART NUMBER:** 802171-01 – 4'x8'  
**VENDOR:** Nevamar  
**VENDOR P/N:** WF0011SM-VG  
**WHERE USED:** All interior furniture and overhead locker doors



**ITEM:** Macchiato Leaf  
**PART NUMBER:** 802172-01 – 4'x8'  
**VENDOR:** Nevamar  
**VENDOR P/N:** J2911035F480  
**WHERE USED:** Accent Panels  
**NOTE:** EX. Behind TV



**ITEM:** Impala Suede  
**PART NUMBER:** 704088-02  
**VENDOR:** Deitch Plastics  
**VENDOR P/N:** Impala #25  
**WHERE USED:** Fabric Wrapped wall panels and Ceiling pads  
**NOTE:** Use laminated materials



**ITEM:** Desert Tan  
**PART NUMBER:** 704350  
**VENDOR:** UltraFabric / Premier  
**VENDOR P/N:** 535-3400  
**WHERE USED:** All Seating



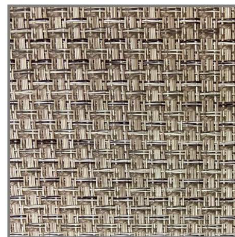
**ITEM:** Teak Woven Floor  
**PART NUMBER:** 704351  
**VENDOR:** Infinity  
**VENDOR P/N:** 1525CC – Color #13  
**WHERE USED:** Thru-out Unit



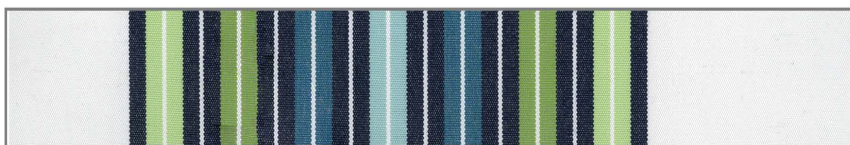
**ITEM:** Blinds / Shades  
**PART NUMBER:** 704736, 704879  
**VENDOR:** Poseidon  
**VENDOR P/N:** See Drawings  
**WHERE USED:** Window Coverings



**ITEM:** 1 (Venaro White) 2 (Sandstorm)  
**PART NUMBER:** Varies  
**VENDOR:** Tims Customs / Genesis  
**VENDOR P/N:**  
**WHERE USED:** Counter tops  
**NOTE:** 1 (Interstate) 2 (Atlas)



**ITEM:** Compass Solar Tan  
**PART NUMBER:** 704748  
**VENDOR:** Spradling  
**VENDOR P/N:** 60661  
**WHERE USED:** Murphy Bed Wall  
**NOTE:** No Backing



**ITEM:** Awning  
**PART NUMBER:** 704499-05  
**VENDOR:** Carefree  
**VENDOR P/N:** JK1778DJLDM  
**WHERE USED:** All Tommy Units  
**NOTE:** Iridium Silver Paint Code

## VENTS, FANS, SKYLIGHT

### Black Tank Vent

690700-01      Tank vent cap, White  
382337      Gasket, Vent cap

### Skylight

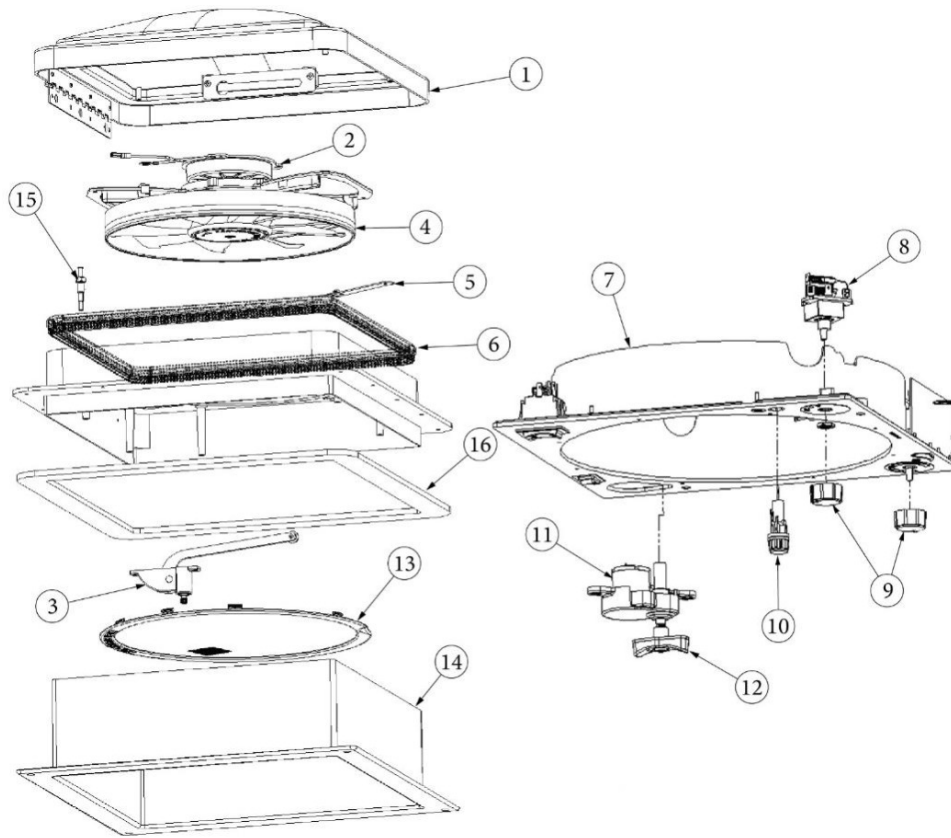
513041      Dometic Midi Heki skylight  
513041-01      Mounting blocks  
203890      Trim ring, Heki sunroof

### Cooling Fan, Electrical

514377      Fan, Noctua, 120MM

## VENTS AND SKYLIGHT

### Ceiling Vent Fan



#### 382240 Exhaust vent, Fantastic fan

- |                |                       |
|----------------|-----------------------|
| 1. 381564-100  | Dome, Polycarb, Smoke |
| 2. 382240-103  | Motor only, Vent fan  |
| 3. 381564-103  | Lift arm, Dome        |
| 4. 513172-104  | Fan blade, Vent fan   |
| 5. 381450-115  | Rain sensor, Dome     |
| 6. 512538-102  | Seal kit, Dome        |
| 7. 382240-106  | Screen assembly       |
| 8. 382240-02   | 3-speed switch        |
| 9. 382288-103  | Knob, Push-on, Black  |
| 10. 381450-110 | Fuse and holder       |
| 11. 513172-101 | Lift motor, Lift arm  |
| 12. 382288-104 | Knob, Manual lift     |
| 13. 512538-010 | Screen, Pop & lock    |
| 14. 513172-103 | Trim ring, Grey, Vent |
| 15. 381450-104 | Light switch, Dome    |
| 16. 382467-01  | Gasket, Exhaust fan   |

## PANELING, EDGEBANDING, LAUAN

### Paneling

802171-01	Laminate-Macchiato Wf0011sm-Vg
802172-01	Laminate-Macchiato W/Leaf Pattern
802178	Panel, Prelam, Macchiato/Liner 12m
802182	Panel, Prelam, Macchiato/Macchiato
802222	Panel, Prelam, 18mm Macchiato/Macchiato
802362	Panel, Prelam, Macchiato/Backer
802233	Panel, 4' X 8', Azdel Composite
801438	Panel, Prelam, White Vinyl/Raw 2.7
801378	Panel, Prelam, Wht Liner/Gator, 18mm
802082	Laminate, Tenino Walnut HG
802087	Panel, Prelam, Tenino Walnut, 18m

### Edgebanding

365412-01	Edgebanding, 5/8", Macchiato
365412-02	Edgebanding, 15/16", Macchiato
365412-03	Edgebanding, 1.25", Macchiato

### Lauan

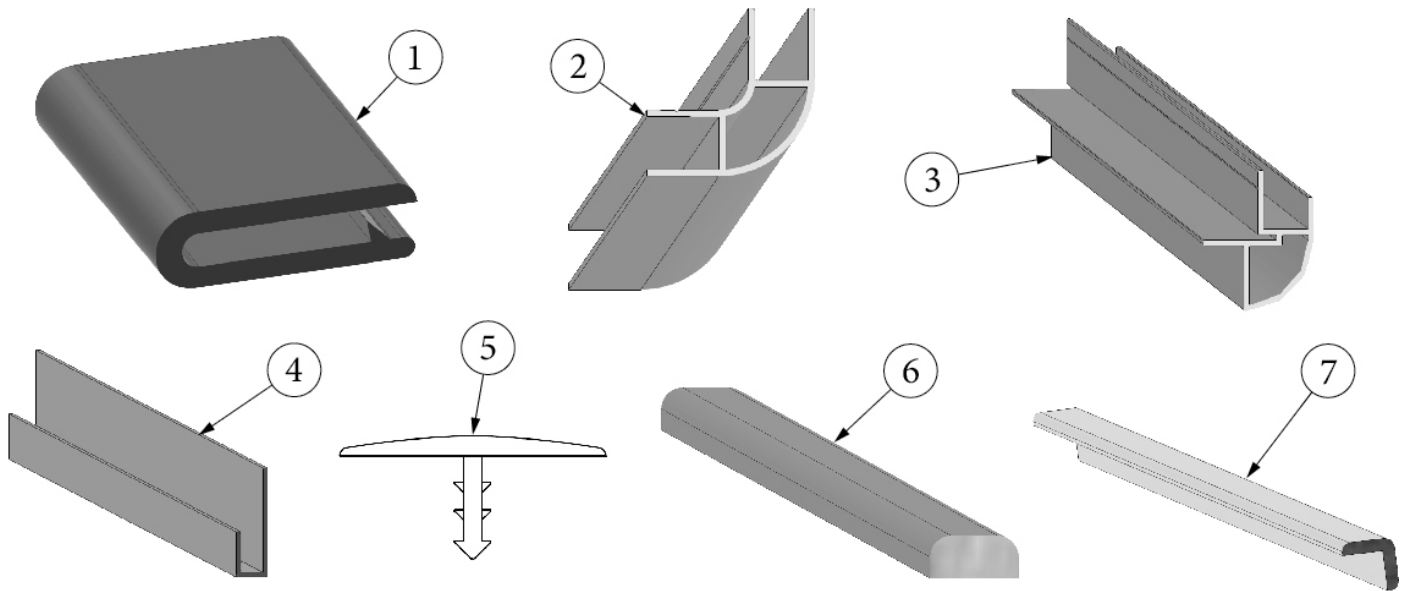
800507-01	Lauan, 1/8 x 4' x 8'
800507-02	Lauan, 1/4 x 4' x 8'
800507-03	Lauan, 3/8 x 4' x 8'
800507-06	Lauan, .75" x 4' x 8'

### Plywood

800506-04	Plywood, .5 x 4' x 8'
800506-05	Plywood, 5/8" X 4' X 8'
801351	Plywood, Lite, .75 x 4' x 8'
801352	Lite Ply, 12mm 4' x 8'
801353	Lite Ply, 3mm 4' x 8'
801262-08	Plywood Baltic Birch 5" x 60"

## TRIMS AND TOUCH-UP

### Trim



- |                |                                   |
|----------------|-----------------------------------|
| 1. 203225-01   | Trim lock, .75", Gray             |
| 2. 116395-01   | Extrusion, 1" radius corner       |
| 3. 116394-01   | Corner trim, Aluminum             |
| 4. 201666-01   | Molding, J, Plastic, White, 3/16" |
| 5. 203445-03   | T-Molding, Tan, 9/16"             |
| 6. 800571-0039 | Molding, Flat, Macchiato, .52"    |
| 7. 802110-0039 | Molding, End Trim, Macchiato      |
| 381610-02      | Cover Cap, European Brown         |

## TRIMS AND TOUCH-UP

### Fill Sticks, Stain Markers, and Seamfil

360301-13	Seam-Fil, Macchiato
360301-02	Seam-Fil, White
360301-04	Seam-Fil, Black
360406-04	Fil-Stik, Macchiato, Earth Tone
360406-10	Fil-Stik, Macchiato, Caramel
360406-29	Fil-Stik, Black
360406-18	Fil-Stik, White